

# CineView HE

影眸 HE

User Manual

**ACCISON**

v3.0

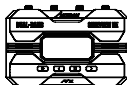
## In the Box



Transmitter x1

发射端 x 1

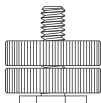
送信機 x 1



Receiver x1

接收端 x 1

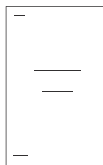
受信機 x 1



Cold shoe mount adapter x2

双旋钮冷靴座 x 2

コールドシューアダプター x 2



User manual x1

说明书 x 1

取扱説明書 x 1



Antenna x 9

天线 x 9

アンテナ x 9

# Contents

## ■ Instructions · English

|                           |    |
|---------------------------|----|
| Product Feature .....     | 1  |
| CineView HE Diagram ..... | 2  |
| Application .....         | 4  |
| Instruction .....         | 5  |
| Specification .....       | 11 |
| Warranty .....            | 12 |
| Q&A .....                 | 13 |

## ■ 使用说明 · 中文版

|                 |    |
|-----------------|----|
| 产品特点 .....      | 15 |
| 认识影眸 HE .....   | 16 |
| 应用场景 .....      | 18 |
| 使用说明 .....      | 19 |
| 产品规格 .....      | 25 |
| 保修说明 .....      | 26 |
| 常见故障及解决方法 ..... | 27 |

## ■ 取扱説明 · 日本語

|                        |    |
|------------------------|----|
| 製品特徴 .....             | 28 |
| CineView HE について ..... | 29 |
| 応用例 .....              | 31 |
| 使用説明 .....             | 32 |
| 製品仕様 .....             | 38 |
| メーカー保証 .....           | 39 |
| よく尋ねられる質問 .....        | 40 |

# Product Feature

2.4GHz+5GHz Dual-Band Transmission Technology

Latency Less Than 0.06s

Long-Distance Transmission of 1200 ft/350m

HDMI In and Loop out, USB Video Class (UVC) Out

1 Transmitter for 4 Devices, Mix and Match

No Fan Design

Powered by DC Input, NP-F Battery or USB-C

Wireless Remote Monitoring App Accsoon Go

Automatic Channel Selection

Easy Group Pair

FHD Video and High-Quality Audio Transmission

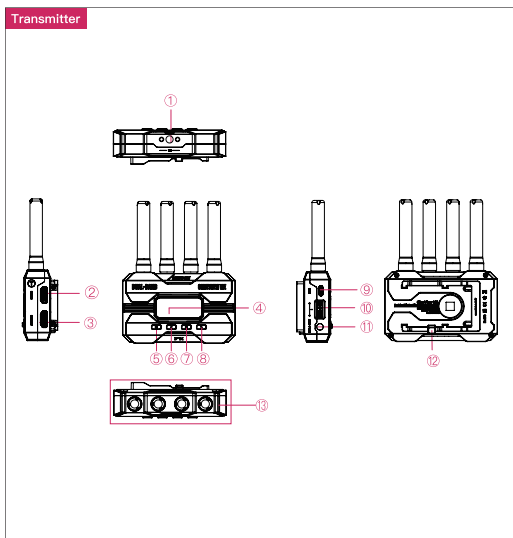
Aerospace-Grade Aluminum Alloy

1.3 inch OLED Screen

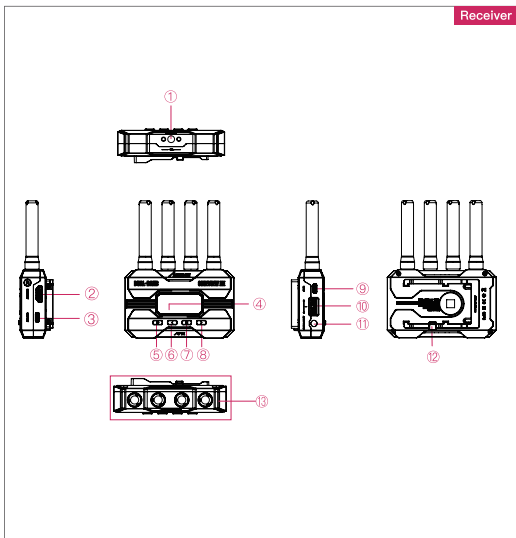
Firmware Update with Ease

Quick Installation & Easy to Carry

## Transmitter

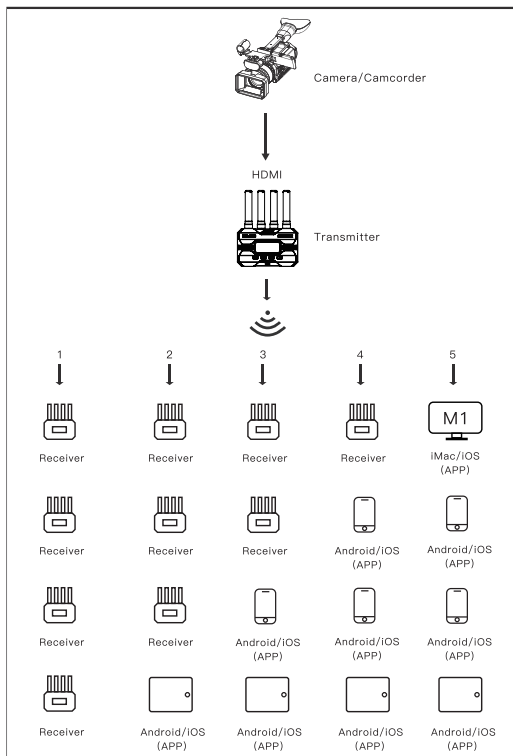


- |                                   |                       |                |
|-----------------------------------|-----------------------|----------------|
| ① 1/4 Screw Hole                  | ② HDMI In             | ③ HDMI Out     |
| ④ 1.3 inch OLED Display           | ⑤ Power On/Off Button | ⑥ Left Button  |
| ⑦ Menu (OK) Button                | ⑧ Right Button        | ⑨ USB-C        |
| ⑩ Group Setting Knob              | ⑪ DC Input            | ⑫ Battery Lock |
| ⑬ Antenna Connector (RP-SMA Male) |                       |                |



- |                                   |                       |                |
|-----------------------------------|-----------------------|----------------|
| ① 1/4 Screw Hole                  | ② HDMI Out            | ③ UVC Out      |
| ④ 1.3 inch OLED Display           | ⑤ Power On/Off Button | ⑥ Left Button  |
| ⑦ Menu (OK) Button                | ⑧ Right Button        | ⑨ USB-C        |
| ⑩ Group Setting Knob              | ⑪ DC Input            | ⑫ Battery Lock |
| ⑬ Antenna Connector (RP-SMA Male) |                       |                |

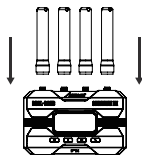
# Application



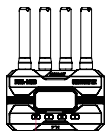
Note: These are five different mix and match combinations for you to choose from.

## 01 How to Install

1. Install the antennas as shown in the picture.
2. Use the cold shoe mount adapter to install the CineView HE onto the camera or camera cage.
3. Use an NP-F970/F750/F550 battery, DC source or USB-C to power the CineView HE.
4. Connect camera HDMI to CineView HE.



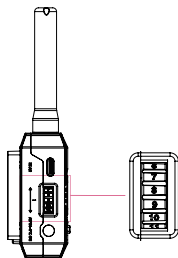
## 02 Power On/Off



Power On: Press the power on/off button  
Power Off: Hold the power on/off button  
for 2 seconds.

## 03 Group Setting

1. CineView HE has a group setting knob on each transmitter and receiver. If the transmitter and receiver are set to the same group, they will be paired and connected automatically; otherwise, they will not be paired and connected.
2. If you want to connect multiple receivers (up to 4) to one transmitter at the same time, simply set all receivers and transmitter to the same group.
3. If you want to use more than one group for monitoring under the same application, you need to differentiate the settings of each group.



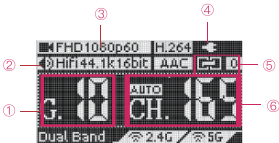
### Note:

1. If you change the grouping settings after the product has been powered on, a reboot is required for the changes to take effect.
2. After changing the group setting, you need to reconnect the transmitter and receiver at close range, otherwise it may fail to pair and connect.



# Instruction

## 04 OLED Display



- ① Current group
- ② Input audio information
- ③ Input video information
- ④ Battery level/DC input
- ⑤ Connection status
- ⑥ Current channel

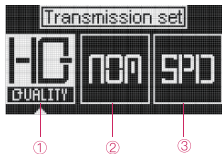
### Connection Status:

Transmitter: the number of connected devices; "0" if none connected.

Receiver: "1" when connected to the transmitter; otherwise "0".

## 05 Data Rate Setting

- ① High Quality Mode
- ② Normal Mode (Default setting)
- ③ Speed Mode



### How to:

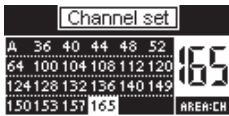
Press the menu button to access "Data Rate Setting" → Press the left and right buttons to select → Press the menu button to activate the setting.

## 06 Channel Setting

1. Only the transmitter has the "Channel Setting" menu.
2. The default channel setting is Auto (A). CineView HE will automatically select the channel with the least interference when it is powered on.

(Note: It is recommended that users do not change this setting.)

3. If the user needs to change the channel, please: Press the menu button to enter "Channel Setting" → Press the left and right buttons to select → Press the menu button to confirm → Select "Yes" → Press the menu button to confirm and the setting will take effect after reboot.



## 07 Network Reset

1. Only the transmitter has the “Network Reset” menu.
2. Users can reset the WiFi SSID and password to factory settings by “Network Reset” menu.



### How to:

Press the menu button to enter “Network Reset” → Select “Yes” → Press the menu button to confirm → Select “Yes” → Press the menu button to reboot, the SSID and password of the 5G WiFi will be reset to factory settings.

## 08 App Monitoring

### 1. App download

Please download the App – **Accsoon SEE** from Google Play Store or iOS Apple App Store.

### 2. Connect the CineView HE with the App

Open the WiFi settings on your mobile devices → Find “Accsoon\_\*\*\*\*” and select it → Enter the default password “12345678” to connect.

**Note:** \*\*\*\* refers to the four characters consisting of numbers and letters that are unique to each product.



Accsoon\_\*\*\*\* 5G  
Tap to share password



### Note:

CineView HE has two WiFi signals, one is 2.4G and another is 5G.

Please confirm that the mobile devices are connected to “Accsoon\_\*\*\*\*”.

# Instruction

## 3. Monitoring

Once successfully connected, open the Accsoon SEE App, tap "CineView" and then the "Monitor" button.



**Note:**

If you have any questions about using Accsoon SEE App, please refer to Accsoon SEE App tutorial videos on Accsoon's official YouTube channel.

## 09 Livestream Setting

There are two ways of using CineView HE for live streaming.

### 1. Livestream via UVC out

① Only the CineView HE's receiver has the UVC out.

② Use a Type-C cable (user-provided) to connect CineView HE's receiver and mobile phone or computer, then do livestreaming via streaming platforms.

\*The receiver will act as a live camera.



**Note:**

When using the UVC interface for live streaming, support from live streaming platforms is required, such as OBS or YouTube.

## 2. Livestream via Accsoon SEE

### ① Change CineView HE transmitter's setting to speed mode

Press the menu button to access "Data Rate Setting" → Use the right button to change to "speed mode" → Press the menu button to activate the setting.

### ② Move to Accsoon SEE

Open Accsoon SEE → Enter CineView's monitoring page and tap "live" → Enter streaming RTMP URL and code → Tap "Start Streaming".



#### Note:

Please refer to the official website where you want to do live streaming for instructions on how to obtain your live streaming URL and code.

## 10 Firmware Update

### 1. Firmware download

Please ensure that your mobile devices can access the Internet via WiFi. Open the Accsoon SEE App, enter "CineView" page, then tap "☰" to enter the setting page. Tap "FIRMWARE UPDATE", the App will automatically search for the latest firmware on the server. If a new firmware is available, follow the instructions to download the latest firmware to your phone.



# Instruction

**Note:**

Before searching for the latest firmware, please confirm that your mobile device's WiFi can access the Internet so that the App can search for the latest firmware from the server.

## 2. Update

Once the new firmware has been downloaded, connect your mobile devices to the CineView HE → Tap "Next" on Accsoon SEE App to update.

**Note:**

1. Make sure the battery level of CineView HE is above 50% before updating.
2. No power cuts should occur during the upgrade process.
3. The CineView HE will reboot automatically when the update is complete.
4. If you have any questions during firmware update, please refer to "Accsoon SEE App Tutorial – Firmware update" video on Accsoon's official YouTube channel.

# Specification

| Transmitter                        |   | Receiver                    |
|------------------------------------|---|-----------------------------|
| Video Input                        | HDMI  |                             |
| Video Output                       | HDMI Loop out                                     | HDMI                        |
| HDMI Input Format                  | 1080p 23.98/24/25/<br>29.97/30/50/59.94/<br>60fps |                             |
| HDMI Output Format                 | 1080p 23.98/24/25/<br>29.97/30/50/59.94/<br>60fps | 1080p 24/25/<br>30/50/60fps |
| DC Port                            | 5.5mmx2.1mm<br>center positive                    |                             |
| DC Voltage                         | 7.4~16.8V   |                             |
| Audio                              | 44.1KHz/48KHz<br>16bit/24bit PCM                  |                             |
| Latency                            | <0.06s(Camera latency not included)               |                             |
| OLED Display                       | 1.3 inch  |                             |
| Transmission Power                 | 17~20dBm  |                             |
| Transmission Range                 | 1200ft<br>(No obstacles, no interference)         |                             |
| Power Consumption                  | 4.5 Watt<br>(Typical)                             | 4.2Watt<br>(Typical)        |
| Operating Environment Temperature  | -10~40°C  |                             |
| Dimensions (Antennas Not Included) | 105mmx66mmx32mm                                   |                             |
| Weight (Antennas Not Included)     | 200g  | 200g                        |

## 01 Warranty Period

1. If there is a quality problem that occurs within 15 days after receiving the product, Accsoon will provide complimentary maintenance or replacement.
2. Under proper use and maintenance, from the date of receipt, Accsoon will provide a one-year warranty on the wireless video transmission system and a three-month warranty on the accessories and cables. Free maintenance service is available during the warranty period.
3. Please keep the proof of purchase and the user manual in a safe place.

## 02 Warranty Exclusions

1. Out of warranty (If the proof of purchase is not available, the warranty will be calculated from the date the product is delivered from the factory).
2. Damage caused by use or maintenance is not following the requirements of the product manual.
3. Unauthorized repair, modification or disassembly.
4. Damage caused by force majeure such as fire, flood, lightning strike, etc.

## 03 Warranty Process

1. Contact your local Accsoon authorized dealers for after-sales service. If there is no local authorized dealers, you can contact our customer service via our email ([support@accsoon.com](mailto:support@accsoon.com)) or website ([www.accsoon.com](http://www.accsoon.com)) and get appropriate support.
2. You will get detailed solutions from the authorized dealers or Accsoon.
3. Accsoon reserves the right to review the damaged product.

**01 Receiver cannot connect to transmitter**

1. Please make sure the transmitter and receiver are set to the same group.
2. Please check that the antennas are securely mounted.

**02 No video displayed**

1. Please check whether the HDMI cable of the camera is correctly plugged into the HDMI IN port of the transmitter.
2. Please check if the video format and other information are shown on the display interface; if not, please check the HDMI cable and see if the HDMI of the camera has a video output.
3. Please check if the HDMI video format of the camera is compatible with the formats supported by the product.

**03 Choppy video**

1. Please check that the antennas are securely mounted.
2. Please make sure there are no metals or cables around the antennas that can cause signal blocking.
3. Please switch to another channel manually.

**04 Mobile devices can't connect to CineView HE**

CineView HE has two WiFi signals, one is 2.4G and another is 5G. Please confirm that the mobile devices are connected to "Accsoon\_\*\*\*\*".

**05 App fails to find the latest firmware**

1. Please check if the WiFi connection of your mobile device can access the internet properly.
2. Please check if the mobile device has automatically connected to the CineView HE's WiFi signal. If so, please change to another WiFi connection that can access the internet properly and try again.



## Federal Communications Commission Interference Statement

This equipment has been tested and found to comply with the limits for a Class B digital device, pursuant to Part 15 of the FCC Rules. These limits are designed to provide reasonable protection against harmful interference in a residential installation. This equipment generates, uses and can radiate radio frequency energy and, if not installed and used in accordance with the instructions, may cause harmful interference to radio communications. However, there is no guarantee that interference will not occur in a particular installation. If this equipment does cause harmful interference to radio or television reception, which can be determined by turning the equipment off and on, the user is encouraged to try to correct the interference by one or more of the following measures:

- Reorient or relocate the receiving antenna.
- Increase the separation between the equipment and receiver.
- Connect the equipment into an outlet on a circuit different from that to which the receiver is connected.
- Consult the dealer or an experienced radio/TV technician for help.

# Contact Us

 **Facebook:** Accsoon

 **Facebook Group:** Accsoon Official User Group

 **Instagram:** accsoontech

 **Youtube Channel:** ACCSOON

 **Email:** Support@accsoon.com

## Certificate of Quality

This product is confirmed to meet quality standards and permitted for sale after strict inspection.

QC Inspector: \_\_\_\_\_



More details about the product please visit [www.accsoon.com](http://www.accsoon.com)

This document is subject to change without notice.

Accsoon® is a trademark of Accsoon Technology Co., Ltd.

Copyright© 2022 Accsoon. All rights reserved



# 产品特点

高可靠性2.4GHz+5GHz双频同传技术

延迟低于0.06s

350米的远距离传输

支持HDMI输入，HDMI环出，UVC输出

支持1发4收

无风扇设计

支持DC，NP-F电池或USB-C供电

无线远程监看App Accsoon Go

自动选择信道

旋钮一键配对

高品质实时音视频传输

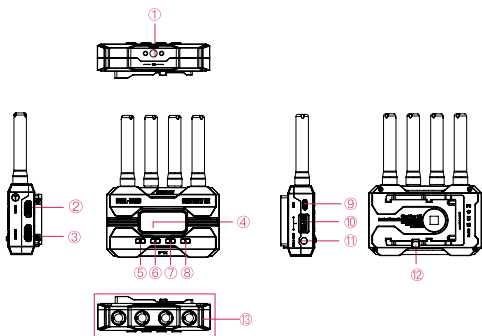
航空级铝合金机身

1.3英寸OLED显示屏

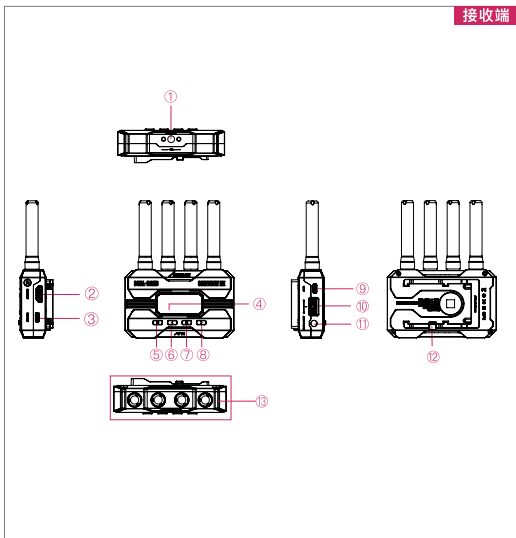
轻松完成固件升级

安装快捷，携带方便

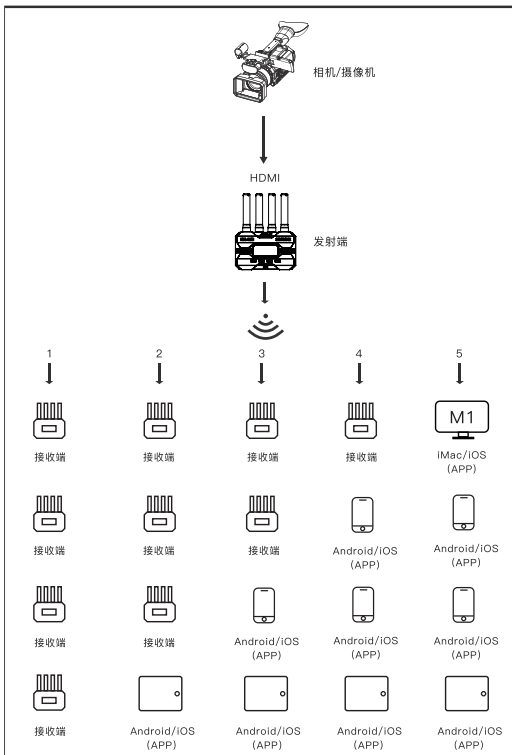
## 发射端



- |                |            |            |
|----------------|------------|------------|
| ① 1/4螺纹孔       | ② HDMI输入接口 | ③ HDMI输出接口 |
| ④ 1.3英寸OLED显示屏 | ⑤ 电源键      | ⑥ 左键       |
| ⑦ 菜单/确认键       | ⑧ 右键       | ⑨ USB-C接口  |
| ⑩ 分组设置旋钮       | ⑪ DC接口     | ⑫ 电池安全卡扣   |
| ⑬ 天线连接接口       |            |            |



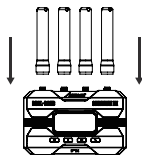
- |                |            |           |
|----------------|------------|-----------|
| ① 1/4螺纹孔       | ② HDMI输出接口 | ③ UVC输出接口 |
| ④ 1.3英寸OLED显示屏 | ⑤ 电源键      | ⑥ 左键      |
| ⑦ 菜单/确认键       | ⑧ 右键       | ⑨ USB-C接口 |
| ⑩ 分组设置旋钮       | ⑪ DC输入接口   | ⑫ 电池安全卡扣  |
| ⑬ 天线连接接口       |            |           |



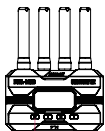
注：以上为五组不同的搭配模式，用户可根据拍摄需求及自身情况自由搭配。

## 01 安装说明

1. 按图所示，安装天线。
2. 通过双旋钮冷靴座将图传固定在摄影机上。
3. 使用NP-F970/F750/F550电池、DC电源或USB-C为影眸HE供电。
4. 连接摄影机和影眸HE。



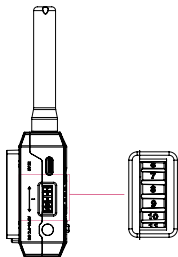
## 02 开机关机



开机：单击电源键  
关机：长按电源键2秒

## 03 分组设置

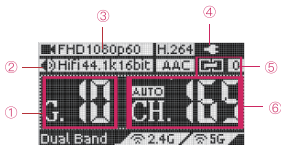
1. 影眸HE的发射端和接收端各有1个分组设置旋钮，当发射端和接收端的分组设置相同时，两者会自动进行配对连接；发射端和接收端的分组设置不同时，两者无法配对连接。
2. 如需一发多收，只需将所有接收端和发射端设置为同一数字即可。
3. 如在同一应用场景下使用多组图传进行收发，每一组图传的分组设置不能与其他组相同。



注意：开机后更改分组设置，需要重启后才能生效。更改分组后需要近距离配对连接成功后再使用，否则可能配对失败导致无法连接。

# 使用说明

## 04 显示界面



- ① 当前分组
- ② 输入音频信息
- ③ 输入视频信息
- ④ 电源/电量指示
- ⑤ 连接状态
- ⑥ 当前无线信道

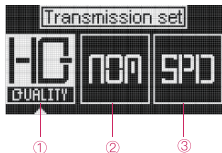
连接状态指示：

发射端：显示连接的设备数量，无设备连接时显示“0”。

接收端：连接到发射端后显示“1”，未连接时显示“0”。

## 05 码率设置

- ① 高画质模式
- ② 正常模式（默认设置）
- ③ 流畅模式



设置步骤：

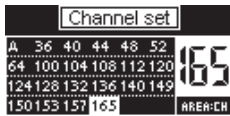
单击菜单键，进入“码率设置”页面 → 左右键选择相应的码率 → 单击菜单键确认后设置生效。

## 06 信道设置

1. 仅发射端有“信道设置”菜单。
2. 默认信道设置为自动（A），开机时图传会根据无线环境自动选择最优的信道。

**注意：建议用户不要修改此项设置。**

3. 如需更改信道，请按以下步骤进行设置：单击菜单键进入“信道设置”页面 → 左右键选择需要使用的信道 → 单击菜单键确认 → 选择“Yes” → 单击菜单键确认后重启后设置生效。





## 07 网络复位

1. 仅发射端有“网络复位”菜单。
2. 用户可以通过“网络复位”将影眸HE的5G WiFi名称和连接密码恢复至出厂设置。



### 操作步骤：

单击菜单键进入“网络复位”页面 → 选择“Yes” → 单击菜单键确认 → 选择“Yes” → 单击菜单键确认重启即可将网络恢复至出厂设置。

## 08 App监看

### 1. App下载安装

请从应用宝商城或苹果官方应用商城搜索Accsoon SEE并下载。

### 2. 打开移动设备WiFi连接页面

搜索并选择影眸HE的WiFi，WiFi名称格式为“Accsoon\_\*\*\*\*”，默认密码“12345678”，连接该WiFi信号。

**注意：**\*\*\*\*指代每个产品独有的、由数字和字母组成的四个字符。



Accsoon\_\*\*\*\* 5G  
Tap to share password



### 注意：

影眸HE有2个WiFi信号，一个为5G WiFi，另一个为2.4G WiFi；移动设备只能连接到5G WiFi，5G WiFi的名称是“Accsoon\_\*\*\*\*”。

# 使用说明

## 3. WiFi信号连接成功后

打开Accsoon SEE App, 选择“影眸3”, 点击“监视器”按钮, 进入主界面即可进行监看。

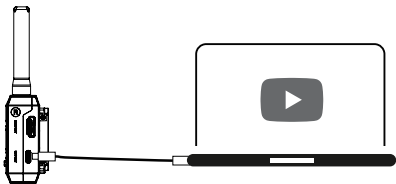


## 09 直播设置

影眸HE提供了两种直播方式协助您提高直播的效率。

### 1. 通过UVC接口直播

- ①影眸HE只有接收端上才有UVC输出接口。
- ②使用USB-C数据线（需用户自备）连接影眸HE接收端上的UVC接口及手机或电脑端的HDMI接口，即可在直播平台上进行直播。



#### 注意：

当使用UVC接口进行直播时，需要直播平台的支持，如哔哩哔哩和抖音。

## 2. 通过Accsoon SEE直播

### ①设置发射端的码率为流畅模式

单击菜单键，进入“码率设置”页面 → 点击右键选择SPD模式（流畅模式） → 再次单击菜单键完成设置

### ②前往Accsoon SEE开始直播

请打开Accsoon SEE并点击“live”图标 → 输入直播的RTMP链接和直播码 → 点击“Go”“开始直播”。



#### 注意：

每个直播平台都会有获得直播链接和直播代码的说明，请前往对应的官方直播网站了解具体信息。

## 10 固件升级

### 1. 下载固件

请确保您的手机/平板可以正常访问互联网，打开Accsoon SEE App，选择“影眸3”，点击右上角按钮进入设置画面。点击“固件升级”按钮，App会查看服务器上是否有最新版本的固件更新。查找到新的固件后，请跟随屏幕指示将最新固件下载至手机/平板。



# 使用说明

**注意：**

此步骤前请确认移动设备可以正常访问互联网，以确保App可以访问服务器获取最新的固件版本。

## 2. 升级

新固件下载完成后，将手机/平板连接至影眸HE → 完成连接后，再回到App中点击“下一步”进行升级。

**注意：**

1. 升级前确保影眸HE的电池电量在50%以上。
2. 升级过程中不能断电。
3. 升级完成后，影眸HE将自动重启。

## 产品规格

| 发射端          |   | 接收端                         |
|--------------|---|-----------------------------|
| 视频输入         | HDMI  |                             |
| 视频输出         | HDMI环出  | HDMI                        |
| HDMI输入格式     | 1080p 23.98/24/25/<br>29.97/30/50/59.94/<br>60fps |                             |
| HDMI输出格式     | 1080p 23.98/24/25/<br>29.97/30/50/59.94/<br>60fps | 1080p 24/25/<br>30/50/60fps |
| DC 端口        | 5.5mmx2.1mm<br>中心线正极                              |                             |
| DC 电压        | 7.4~16.8V   |                             |
| 音频           | 44.1KHz/48KHz<br>16bit/24bit PCM, 经由 HDMI         |                             |
| 延迟           | <0.06s (不包括摄像机自身延迟)                               |                             |
| OLED         | 1.3英寸   |                             |
| 发射功率         | 17~20dBm  |                             |
| 传输距离         | 350米 (无遮挡, 无干扰)                                   |                             |
| 功耗           | 4.5瓦<br>(典型值)                                     | 4.2瓦<br>(典型值)               |
| 工作环境<br>温度范围 | -10~40°C  |                             |
| 尺寸 (未包含天线)   | 105mmx66mmx32mm                                   |                             |
| 重量 (未包含天线)   | 200g  | 200g                        |

## 01 质保期限

- 1.自签收之日起15日内, 出现质量问题, 可享受换货或者免费维修服务。
- 2.图传在正确使用及保养下, 保修期为自签收之日起一年(附件和线材保修期为3个月), 在保修期内可享受免费维修服务。
- 3.请妥善保管好购买凭证、说明书。

## 02 质保不包括

- 1.超过三包有效期的(无法提供购买凭证的从产品出厂日期开始计算)。
- 2.未按产品使用说明书要求使用、维护、保养造成损坏的。
- 3.未经授权的维修、拆解。
- 4.因火灾、水灾、雷击等不可抗力造成的损坏。

## 03 售后支持

- 1.如产品需要售后, 可联系当地致迅授权经销商, 如无当地授权经销商可以通过致迅公司邮箱 (support@accsoon.com) 或网站 (www.accsoon.com) 与客服取得联系并获得相应支持。
- 2.致迅经销商或致迅客服会告知您如何运送相关产品及如何处理您的保修问题, 致迅公司保留复查损坏产品的权利。

## 01 接收端与发射端无法连接

- 1.请确认发射端和接收端的分组是否处于同一组。
- 2.请检查天线是否安装牢固。

## 02 图像无法显示

- 1.请检查摄像机的HDMI线是否正确连接到了发射端的HDMI IN接口。
- 2.请检查显示界面上是否有显示视频格式等信息；如无显示请检查HDMI线或摄像机的HDMI是否有视频输出。
- 3.请检查摄像机的HDMI视频格式是否与本产品支持的格式兼容。

## 03 视频卡顿

- 1.请检查天线是否安装正确。
- 2.请检查天线是否被金属遮挡或者线材缠绕。
- 3.请手动切换至其他信道。

## 04 移动设备无法连接到影眸HE

影眸HE有2个WiFi信号，一个为2.4G，另一个为5G。移动设备只能连接到5G WiFi，5G WiFi的名称是“Accsoon\_\*\*\*\*”。

## 05 App搜索不到最新的固件

- 1.请检查手机/平板的WiFi连接能否正常访问互联网。
- 2.请检查手机/平板是否自动连接了影眸HE的WiFi信号，如是，请更改成其他可正常访问互联网的WiFi连接线路，并按「使用说明」第10点的操作指示，重新搜索最新固件进行下载升级。

# 联络我们



官方网站



新浪微博



微信公众号



bilibili

## 合格证

本产品经严格检验符合标准，  
准予销售

检验员：\_\_\_\_\_



欲了解产品全部信息

请浏览致迅科技官网：[www.accsoon.com](http://www.accsoon.com)

内容如有更新，恕不另行通知

Accsoon®是致迅的商标

Copyright © 2022 致迅版权所有



# 製品特徴

革新的な2.4GHz+5.8GHzデュアル周波数伝送テクノロジーを採用

レイテンシ0.06秒以内

伝送距離最大350m

HDMI入力&ループアウト、UVC出力対応

同時に最大4台のデバイスに送信可能

ファンレス

DC給電、NP-Fバッテリー&USB-C給電に対応

遠距離モニタリングアプリAccsoon Go

自動チャンネル選択

ノブでペアリング

フルHD高画質かつ高音質の映像伝送

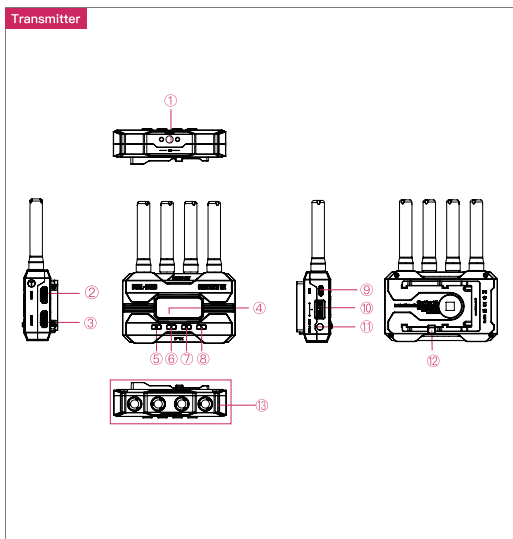
航空機グレードアルミニウム合金

1.3インチOLEDディスプレイ

ファームウェアアップデート対応

迅速かつ簡単なセットアップ

## Transmitter



① 1/4ネジ穴

② HDMI入力

③ HDMI出力

④ 1.3インチOLEDディスプレイ

⑤ 電源ボタン

⑥ 左ボタン

⑦ メニュー/OKボタン

⑧ 右ボタン

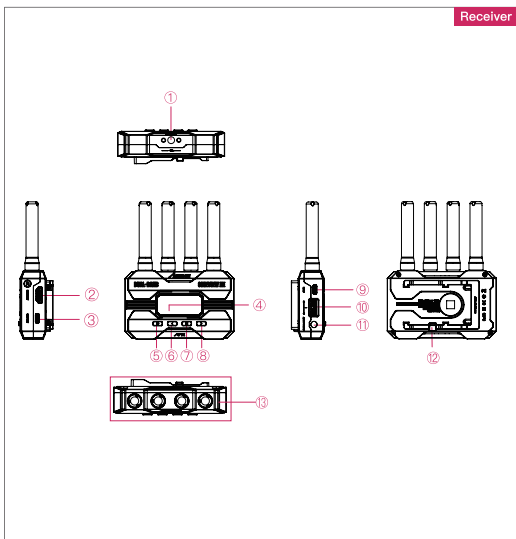
⑨ USB-Cポート

⑩ グループ設定ノブ

⑪ DCポート

⑫ バッテリーロック

⑬ アンテナ端子 (RP-SMAコネクタ)

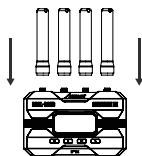


- |                       |          |            |
|-----------------------|----------|------------|
| ① 1/4ネジ穴              | ② HDMI出力 | ③ UVC出力    |
| ④ 1.3インチOLEDディスプレイ    | ⑤ 電源ボタン  | ⑥ 左ボタン     |
| ⑦ メニュー/OKボタン          | ⑧ 右ボタン   | ⑨ USB-Cポート |
| ⑩ グループ設定ノブ            | ⑪ DCポート  | ⑫ バッテリーロック |
| ⑬ アンテナ端子 (RP-SMAコネクタ) |          |            |

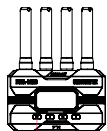


## 01 装着説明

1. 図面のようにアンテナを取り付け。
2. コールドシューアダプターをカメラに取り付け。
3. バッテリー（NP-Fシリーズ対応）、DC電源またはUSB-C給電で電力を供給。
4. カメラと送信機を接続。



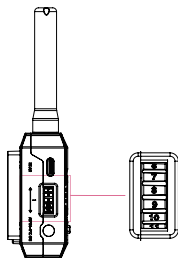
## 02 電源入/切



- On: 電源ボタンを押下。  
 OFF: 電源ボタン2秒長押し。

## 03 グループ設定

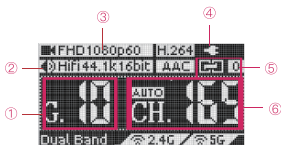
1. 送信機と受信機には番号付きのグループ設定ノブがある。ノブの番号が同じになる場合、その送信機と受信機がペアリングされ、番号が異なる場合はペアリングできない。
2. 送信機1台に対し、受信機を送信機と同じグループに設定すれば、複数の受送信が可能となる（最大4台まで）。
3. 同じユーザーシナリオで複数の送信機（一台以上）を使用する場合、対応する受信機のグループ番号を分ける必要がある。



**注:**  
 起動後にグループ設定を変更した場合、変更を適用するには再起動が必要である。  
 グループを変更した後に近い距離でのペアリング接続が成功してから使用しないと、ペアリングに失敗して接続できない可能性がある。

# 使用説明

## 04 OLEDディスプレイ



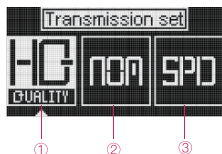
- ① グループ表示
- ② 音声入力表示
- ③ ビデオ入力表示
- ④ 電源残量
- ⑤ 接続状態
- ⑥ チャンネル表示

接続状態:

送信機: 接続されている受信機の数を表示; 接続されていない場合は“0”。  
受信機: 送信機に接続されている場合は“1”、されていない場合は“0”。

## 05 ビートルート設定

- ① 高画質モード
- ② 通常モード (デフォルト設定)
- ③ 低画質モード



方法:

メニューボタンを押下して「コードレート設定」画面に入る → 左右ボタンでビットレートを設定 → メニューボタンを押下して確定。

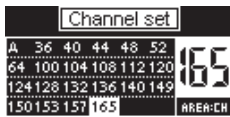
## 06 チャンネル設定

1. 送信機のみ「チャンネル設定」メニューがある。
2. チャンネルのデフォルト設定は、Auto (A) であり、電源を入れたときに無線環境に応じて最適なチャンネルを選択。

**注:** この設定を変更しないことをお勧めします。

3. チャンネルを変更するには:

メニューボタンを押下して「チャンネル設定」画面に入る → 左右ボタンでチャンネル選択 → メニューボタンでチャンネル確定 → 「YES」を選択 → 再起動後に実行。



## 07 ネットワーク設定のリセット

1. 送信機のみ「ネットワークリセット」メニューがある。
2. 「ネットワークリセット」メニューで、WiFiのSSIDとパスワードを工場出荷時の設定に戻すことができる。



### 3. 操作方法:

メニューボタンを押下して「ネットワークリセット」画面に入る→「YES」を選択→メニューボタンを押下して確認→「YES」を選択→メニューボタンを押下して再起動すると、ネットワークが工場出荷時の設定に戻る。

## 08 アプリでモニタリング

1. Google Play StoreまたはiOS Apple Storeから「Accsoon SEE」をダウンロード。
2. モバイル端末のWiFi設定を開く→「Accsoon\_\*\*\*\*」を選択→初期パスワード「12345678」を入力して接続する。

注: \*\*\*\*はアルファベットと数字が組み合わせた、各製品が固有な4つの文字列である。



Accsoon\_\*\*\*\* 5G  
Tap to share password



### 注:

HEには、5G WiFi用と2.4G WiFi用の2つの信号がある。「Accsoon\_\*\*\*\*」に接続されていることをご確認ください。

## 使用説明

3. WiFiへの接続が成功した後、Accsoon SEEアプリを開き、「CineView」を選択して、「Monitor」ボタンをタップ。



注:

Accsoon SEEアプリ利用方法など詳しくは、「Accsoon公式YouTubeチャンネル」でご確認ください。

### 09 ライブストリーミング

CineView HEでライブストリーミングを行うには、2つの方法があります。

#### 1. UVC出力により

- ①受信機のみUVC出力を搭載しています。
- ②Type-Cケーブル（ユーザー提供）でCineView HEの受信機をスマートフォンやパソコンに接続し、ライブストリーミングを行うことができます。



注:

OBSやYouTubeなどのライブストリーミングプラットフォームのサポートが必要です。



## 2. Accsoon SEEでライブストリーミング

### ①ハイスピードモードに変更

メニューボタンを押下して「コードレート設定」画面に入る → 左 右ボタンでハイスピードモードを選択 → メニュー/OKボタンを押下して確定。

### ②Accsoon SEEへ移動

Accsoon SEEを起動し → 「CineView」 ページへ移動、「Live」をタップ → ライブストリーミングのURLとコードを入力 → 「Start Streaming」をタップ。



#### 注:

ライブリンクやコード取得方法の詳細はライブストリーミング先の公式サイトをご覧ください。

## 10 ファームウェアアップデート

### 1. ダウンロード

モバイル端末がインターネットにアクセスできる状態であることをご確認ください。Accsoon SEEアプリを開き、「CineView」を選択し、「☰」ボタンをタップし、設置画面に移動してから、「FIRMWARE UPDATE」をタップ、アプリはサーバーに最新のファームウェアがあるかどうかを確認する。新しいファームウェアが利用可能になったら、指示に従って、アプリは最新のファームウェアをモバイル端末にインストールする。



# 使用説明

注:

最新のファームウェアを検索する前に、モバイル端末がインターネットにアクセスできることを確認してください。

## 2. アップデート

新しいファームウェアのダウンロードが完了した後、モバイル端末をCineView HEに接続  
→ Accsoon SEEアプリに戻って「Next」をタップ、アップデートを実行。

注:

1. アップデートする前に、CineView HEの電源残量が50%以上であることを確認してください。

2. アップグレード中は電源を切らないでください。

3. アップグレードが完了した後、CineView HEは自動的に再起動する。

4. ファームウェアをアップデートする際、ご不明な点等ございましたら、Accsoon公式YouTubeチャンネルにあるAccsoon SEE App Tutorial – Firmware updateというビデオをご覧ください。

## 製品仕様

| 送信機              |   | 受信機                         |
|------------------|---|-----------------------------|
| ビデオ入力            | HDMI  |                             |
| ビデオ出力            | HDMI  | HDMI                        |
| HDMI入力<br>フォーマット | 1080p 23.98/24/25/<br>29.97/30/50/59.94/<br>60fps |                             |
| HDMI出力<br>フォーマット | 1080p 23.98/24/25/<br>29.97/30/50/59.94/<br>60fps | 1080p 24/25/<br>30/50/60fps |
| DC ポート           | 5.5mmx2.1mm<br>センターポジティブ                          |                             |
| DC 電圧            | 7.4~16.8V   |                             |
| 音声フォーマット         | 44.1KHz/48KHz 16bit/24bit PCM via HDMI            |                             |
| レイテンシ            | <0.06s (カメラ自身のレイテンシは除く)                           |                             |
| OLED             | 1.3インチ  |                             |
| 送信電力             | 17~20dBm  |                             |
| 送信距離             | 350メートル (障害物なし、干渉なし)                              |                             |
| 消費電力             | 4.5w<br>(典型的)                                     | 4.2w<br>(典型的)               |
| 動作環<br>境温度       | -10~40°C  |                             |
| 尺寸 (アンテナ含めず)     | 105mmx66mmx32mm                                   |                             |
| 重量 (アンテナ含めず)     | 200g  | 200g                        |

# メーカー保証

## 01 保証期間

1. 品質に問題がある場合、受領日から15日以内に交換または無料修理サービスをご利用いただけます。
2. 製品案内によご使用の場合、購入日からの一年間以内に（アクセサリーとワイヤーの保証期間は3か月）、修理サービスが無料提供させていただきます。
3. 購入証明書と説明書は大切に保管してください。

## 02 保証対象外

1. 保証の有効期間を超えています（購入証明が提供できない場合は、製品の製造日から計算されます）。
2. 本製品マニュアルに記載された条件以外での使用、保守、メンテナンスにて生じた故障又は損害。
3. 許可されていないメンテナンス及び分解。
4. 火災、洪水、落雷等の不可抗力による損害。

## 03 サポート

1. アフターサービスについては現地のAccsoon正規代理店までお問い合わせください。現地に正規代理店がない場合は電子メール（support@accsoon.com）または公式サイト（www.accsoon.com）にてご連絡いただくようお願いします。
2. ソリューションの詳細に関しまして、正規代理店及びAccsoon窓口までご相談ください。Accsoonは破損した商品の原因調査権を有しています。

## よく尋ねられる質問

### 01 受信機と送信機が接続できない

1. 送信機と受信機が同じグループに設定されていることを確認してください。
2. アンテナがしっかりと取り付けられていることを確認してください。

### 02 ビデオが映らない

1. カメラのHDMIケーブルが送信機のHDMI INに正しく挿入されているか確認してください。
2. ディスプレイにビデオフォーマットやその他の情報が表示されているかどうか確認してください。表示されていない場合は、HDMIケーブルを確認し、カメラのHDMIにビデオ出力があるかどうか確認してください。
3. カメラのHDMIビデオフォーマットが本製品でサポートされているかどうか確認してください。

### 03 ビデオの途切れ

1. アンテナがしっかりと取り付けられていることを確認してください。
2. アンテナの周りに金属やケーブルなど、信号遮断の原因となるものがないかを確認してください。
3. 手動で他のチャンネルに切り替えてください。

### 04 モバイル端末がCineView Heに接続できない

HEには2つのWiFi信号があり、1つは2.4G、もう1つは5Gで、「Accsoon\_\*\*\*\*」に接続されていることを確認してください。

### 05 最新ファームウェアの検索に失敗した

1. モバイル端末が正常にWi-Fi接続できていることを確認ください。
2. ご利用のモバイル端末がCineViewのWiFiに自動接続されているかどうかを確認ください。

# お問合せ

 **Facebook:** Accsoon

 **Facebook Group:** Accsoon Official User Group

 **Instagram:** accsoontech

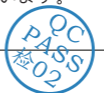
 **Youtube Channel:** ACCSOON

 **Email:** Support@accsoon.com

## 合格証

本製品は検査済み、  
仕様に適合しています。

検査員： \_\_\_\_\_



商品の詳細については、  
Accsoonの公式サイト[www.asssoon.com](http://www.asssoon.com)をご覧ください  
内容の更新は予告なく変更または更新されることがありますので  
あらかじめご了承ください

Accsoon®はAccsoonの商標です  
Copyright © 2022





[www.accsoon.com](http://www.accsoon.com)