



**SW-300**  
**Wireless Long Throw Snow Machine**  
**User Manual**  
**- English**  
**- 中文**






1. Introduction .....	1
2. Safety Information.....	1
3. Package Contents & Inspection.....	2
4. Machine Details.....	3
5. Technical Label Information.....	3
6. Snow Fluid.....	3
7. Setting and Manual Operation.....	3
8. Control Settings .....	4
9. DMX Connection .....	5
10. RDM Function.....	6
11. SC-3 Cable Remote (Optional).....	6
12. W-1 Wireless Transmitter (Standard) .....	7
13. Service and Maintenance.....	7
14. Technical Specifications .....	8
15. Warranty Disclaimer.....	8
16. Machine Dimension.....	8
1. 前言 .....	9
2. 安全注意事項 .....	9
3. 包裝內容與檢查 .....	10
4. 機器訊息 .....	11
5. 技術標籤資訊 .....	11
6. 雪花水 .....	11
7. 設定與手動操作說明 .....	12
8. 控制設定 .....	12
9. DMX 說明.....	13
10. RDM 功能 .....	14
11. SC-3 有線控制器(選配) .....	14
12. W-1 無線發射器(標準).....	15
13. 維護和保養 .....	15
14. 技術規格 .....	16
15. 保固聲明 .....	16
16. 機器尺寸圖 .....	16
Appendix I – Grounding Instruction.....	17

# SNOW WIRELESS **SW-300** *User Manual*

## 1. Introduction

Please read all the user manual before operating the machine, and place the manual where the user can refer to it at all time. The manual includes how to install and operate the machine under safe condition and explain all the labels printed on the machine. If you encounter any problem, contact your local Antari dealer for assistant immediately.

## 2. Safety Information

	<b>DANGER</b>	If the danger is not avoided, it will cause death or serious injury
	<b>WARNING</b>	If the warning is not heeded, it can cause death or serious injury.
	<b>CAUTION</b>	If the precaution is not taken, it may cause minor or moderate injury.



### **DANGER**

- Must connect the machine to the correct rated voltage or it might lead to an electrical shock or a burn and may cause serious consequences.
- Must connect the machine to a protected circuit and ensure it is properly grounded to avoid the risk of electrocution. For grounding instruction, please refer to Appendix I on page 17.
- Do not operate the machine with a bundled power cord, it could lead to a fire hazard.
- When operating the machine, do not point at people, animals, or fire.



### **WARNING**

- Please operate the machine on a flat, level hard and well ventilated surface area, reserve at least 50cm space around the machine and make sure there is no flammable gas or material nearby.
- Do not disassemble, repair or modify the machine, it may cause damages, malfunction, risk of electrical shock or result in fire.
- The machine can only be operated by adults or professionals, is not intended for use by person with reduced physical sensory, mental capabilities, or lack of experience and knowledge including children.
- Do not leave the machine running unattended, make sure all powers are off when leaving.
- Children should be supervised to ensure that they do not play with the machine.
- Do not use the machine upside down or tilt it, it might cause damages or malfunction.
- Please store the fluid inside in a well ventilated area without direct sunlight and keep out of reach of children. In case of eye contact or accidentally swallow the fluid, please seek medical attention immediately.



### **CAUTION**

- Keep the machine dry at all time. The machine is not waterproof, do not expose the machine to water, rain, or moisture environment.
- Please make sure the power outlet is not damaged or loose before plug in the power cord.
- If the power cord is damaged, it must be replaced by Antari or its local dealers, otherwise the warranty will be void.
- Before operating the machine, please sure the fluid is filled in the fluid tank to avoid the pump in idling state which could lead to overheat or malfunction.
- Before transporting the machine, please make sure the fluid is drained and tank is empty. (Recommend using original package)
- The machine is for indoor use only.
- Do not operate the machine in any area with unstable voltage.
- If you experience strange sound or malfunction, turn off the power and unplug the power cord immediately and contact your local Antari dealer for assistant.
- Do not contact any moving part.

- Only use accessories recommended or sold by Antari.
- Please make sure the power is off when not using the machine and unplug the power cord if not intend to use for a long period of time.
- To disconnect, turn all controls to the off position, then remove plug from outlet.
- Do not unplug by pulling on cord. To unplug, grasp the plug, not the cord.
- Unplug from outlet before servicing or cleaning.
- Do not operate the machine with a damaged cord or plug, or after the machine malfunctions or is dropped or damaged in any manner. Return machine to the nearest authorized service facility for examination, repair, or electrical or mechanical adjustment.
- To ensure the lifespan of the machine, please only use the fluid manufactured by Antari, do not use other fluid or additive, otherwise it may cause malfunction.

Before operating the machine, please read all warning labels on the machine, description as below:

Rear Cover Printing

**WARNING!**  
 DISCONNECT POWER BEFORE CHANGING FUSE.  
 USE ONLY WITH ADULT SUPERVISION.  
 DO NOT OPERATE WITHOUT SNOW LIQUID.  
 FOR INDOOR USE ONLY. KEEP DRY.  
 NO USER SERVICEABLE PARTS INSIDE.

### 3. Package Contents & Inspection

Immediately upon receiving the machine, carefully unpack the carton, check the content to ensure it is the correct model and all parts are included. If any part appears to be damaged or missing during transportation, please contact your local dealer and return in original package for inspection.

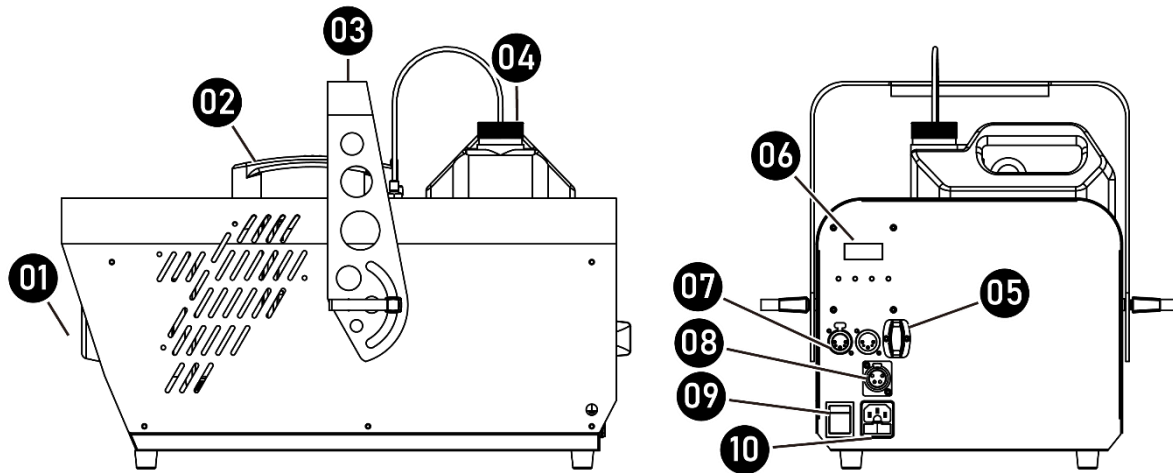
#### 3.1 Package Contents

- 1 x SW-300 Wireless Long Throw Snow Machine
- 1 x 5 Liters Fluid Tank
- 1 x IEC Connector (Power)
- 1 x W-1 Wireless Transmitter
- 1 x Hanging Bracket
- 1 x User Manual or Scan QR Code on the Machine

#### 3.2 Optional Accessories

Item Code	Description
SC-3	Cable Remote
SW-300-FB	Floor Bracket

## 4. Machine Details



01. Nozzle	06. LCD Display
02. Handle	07. XLR 5-Pin DMX
03. Hanging Bracket	08. XLR 4-Pin Remote Connector
04. 5 Liter Fluid Tank	09. Power Switch
05. Wireless Connector	10. IEC Connector (Power)

## 5. Technical Label Information

Please read the technical label information on the back of the machine before operating it.

1. Model Name	5. Breaker/Fuse
2. Input Voltage	6. QR CODE for User Manual
3. Frequency	7. Serial No.
4. Rated Power	

## 6. Snow Fluid

	<b>CAUTION!</b>	Always turn off the power before filling the fluid tank. Do not add flammable liquid to the fluid tank. If fluid gets inside the machine, please contact your local Antari dealer for assistant.
--	-----------------	--

- Only the snow fluid manufactured by Antari can be used, do not mix or dilute the snow fluid.
- The machine is tested and calibrated with the specific snow fluid to get the best performance.
- Please empty the fluid in the tank before switching to another fluid to avoid mixing.
- The warranty on your snow machine will be void if you use snow fluid other than that recommended by the Antari of your snow machine.

## 7. Setting and Manual Operation

	<b>WARNING</b>	Machine falling off might cause serious injury, please make sure it is secure and firm on the overhead.
--	----------------	---

- Step 1.** Place the machine on a flat, level hard and well ventilated surface area and reserve at least 50cm open space around the machine, and make sure there is no flammable gas or material nearby;
- Step 2.** Fill the fluid tank with Antari approved snow fluid;
- Step 3.** Connect the machine to the power outlet. Please read the technical label on the back of the machine and make sure the power outlet is the correspond to the rated voltage for the machine;
- Step 4.** When the machine is ready, the LCD display will show “Ready to Snow”;
- Step 5.** To start making snow in Timer Mode, press [TIMER] and press [STOP] to stop; this will run based on “Interval” & “Duration” setting in the main menu;
- Step 6.** Or to start making snow in Volume Mod, press [VOLUME] and press [STOP] to stop; you can adjust the volume by pressing [UP] and [DOWN];
- Step 7.** To turn off the power, please make sure the machine is not operating. If you will not use the machine a long period of time, please unplug the power cord.

## 8. Control Settings







SW-300 Wireless Long Throw Snow Machine can be operated in the following modes. The machine can only accept 1 type of signal at a time. When using different control modes at the same time, the machine will work according to built-in control priority:

- Manual
- Timer
- DMX512
- Wireless
- Cable Remote

### 8.1 Control Panel Description



SW-300 Wireless Long Throw Snow Machine can be operated with the onboard digital control interface.

Button	Operating Method	Function
 MENU	Press	To enter and scroll through the setting menu
 UP	Press	Increase value / Up
 DOWN	Press	Decrease value / Down
 TIMER TIMER	Press	<ol style="list-style-type: none"> <li>1. Press to start making snow according to the set time</li> <li>2. Press “stop” to stop making snow</li> </ol>
 VOLUME VOLUME	Press	<ol style="list-style-type: none"> <li>1. Press to start making snow according to set volume output</li> <li>2. Press “stop” to stop making snow</li> </ol>
 STOP	Press	Stop / Confirm

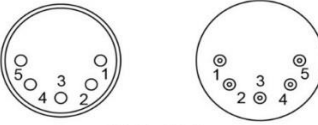
## 8.2 Menu Options Description

Options	Description
Interval Set 20s	Set Interval between 20 - 2000 sec
Duration Set 10s	Set Duration between 10 - 200 sec
Timer Out 100%	Set Timer Mode Output 0 - 100%
Volume Out 100%	Set Volume Mode Output 0 - 100%
Fan Out 20%	Set Fan Output 20 – 100%
DMX512 Add.001	001-511
Wireless On	On / Off
Quick Start Off	On / Off

## 9. DMX Connection

### 9.1 DMX Connector Pin Assignment

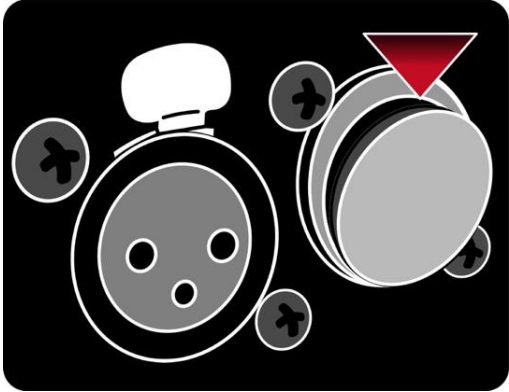
The machine has a XLR 5-Pin for DMX connection. The diagram below indicates pin assignment information.



5 Pin XLR

Pin	Function
1	Ground
2	Data-
3	Data+
4	N/A
5	N/A

The cap on the DMX IN port is a protection cover. Please remove it with your finger before operation.



### 9.2 DMX Setting

Channel 1	DMX Value Range	Function
Snow Output Level	0 – 5	Snow off
	6 – 255	Snow Output 1 – 100%
Channel 2	DMX Value Range	Function
Fan Output Level	0 – 5	Fan 20%
	6 – 255	Fan 21 – 100%

## 10. RDM Function

The SW-300 Long Throw Snow Machine is RDM enabled, allowing control system to configure, monitor and manage.

See below table for supported RDM parameters

Value	RDM Parameter ID's	GET Allowed	SET Allowed
0x0001	DISC_UNIQUE_BRANCH		
0x0002	DISC_MUTE		
0x0003	DISC_UN_MUTE		
0x0030	STATUS_MESSAGE	O	
0x0050	SUPPORTED_PARAMETERS	O	
0x0051	PARAMETER_DESCRIPTION	O	
0x0060	DEVICE_INFO	O	
0x0070	PRODUCT_DETAIL_ID_LIST	O	
0x0080	DEVICE_MODEL_DESCRIPTION	O	
0x0081	MANUFACTURER_LABEL	O	
0x0082	DEVICE_LABEL	O	O
0x00C0	SOFTWARE_VERSION_LABEL	O	
0x00E0	DMX_PERSONALITY	O	O
0x00E1	DMX_PERSONALITY_DESCRIPTION	O	
0x00F0	DMX_START_ADDRESS	O	O
0x0400	DEVICE_HOURS	O	
0x1000	IDENTIFY_DEVICE	O	O

## 11. SC-3 Cable Remote (Optional)



SC-3 Cable Remote is an optional accessory for SW-300 Wireless Long Throw Snow Machine, please see instruction below;

Button/Knob	Function
VOLUME [KNOB]	Adjust Volume Output
FAN [KNOB]	Adjust Fan Output
POWER [RED BUTTON]	Power On / Off
MAX FAN [GREEN BUTTON]	Max Output on Fan
PRIMING [YELLOW BUTTON]	Max Output on Pump & Fan



Note:

\*\* You must turn on the power of the remote in order to use it.

\*\* PRIMING [YELLOW BUTTON] is meant for priming use, with a new tank of fluid or refill the fluid may not pump properly due to airlock in the tube, you can use this function to activate pump at maximum output.

\*\* MAX FAN [GREEN BUTTON] is used, when needed to clean out residue on the tip of output nozzle

\*\* If you encounter any problem, please contact your local Antari dealer for assistant.

## 12. W-1 Wireless Transmitter (Standard)

W-1 Wireless Transmitter is a standard accessory for SW-300 Wireless Long Throw Snow Machine.

### 12.1 W-1 Wireless Transmitter

- Battery : 27A 12V
- Effective Range : The effective range is approximately 50m, depends on actual condition, it may vary.
- W-1 wireless transmitter has 2 buttons, each function as follow:

Button	Function
[A]	Start
[B]	Stop



W-1 Wireless Transmitter

### 12.2 Pairing

Each receiver can pair up to 5 transmitters, please follow the steps below to pair;

**Step 1.** Turn on the power, “Wireless Setup” will show on the display for 15 seconds. Within this time period, press button A on the W-1 transmitter to pair with the machine. When screen shows “Wireless Setup OK”, means it’s paired;

**Step 2.** Please repeat Step 1 to pair multiple transmitters.

\*If exceed 15 seconds, turn the power off and on again.

## 13. Service and Maintenance



**DANGER!**

Disconnect the power cord before starting maintenance operation!

- Always keep the machine clean.
- Can use an air compressor, a vacuum or a soft brush to remove the dust on the machine.
- Can use a slightly damp cloth to clean the casing.
- Before store the machine, please make sure the machine is completely cool down to avoid moisture inside the machine causing malfunction.
- It is recommended to run the machine at least once a month in order to maintain its best performance and output condition.
- Excessive dust and build up liquid residue will reduce the performance and cause overheat.

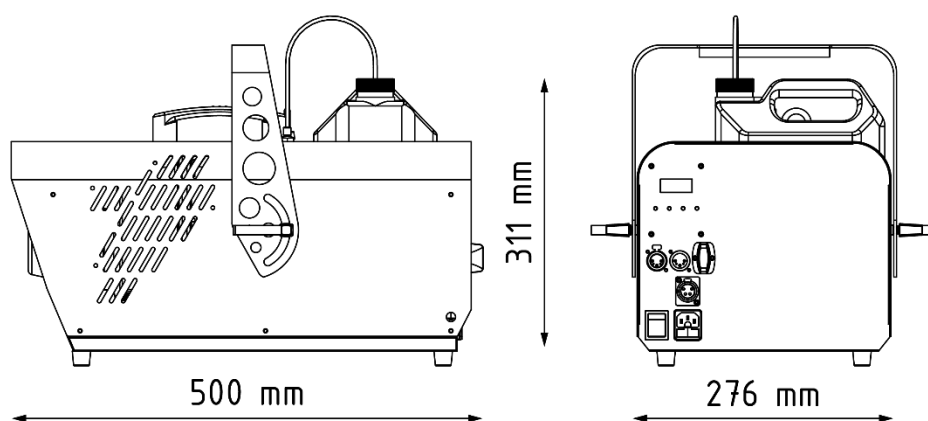
## 14. Technical Specifications

	SW-300
<b>Rated Voltage</b>	US Model: AC 100-120V, 50/60Hz 7.5A EU Model: AC 220-240V, 50/60Hz 4.0A
<b>Rated Power</b>	880W
<b>Fluid Consumption</b>	280 ml/min (100% output)
<b>Fluid Tank Capacity</b>	5 Liters (1.32 Gallon)
<b>Compatible Fluid</b>	Antari SL-N Snow & Foam Fluid (New Formula) 、 Antari SL-AN Premium Snow Fluid (New Formula) 、 Antari SL-H Super Dry Snow Fluid 、 Antari SL-C Anti-Freezing Snow Fluid 、 Antari SL-UV UV Snow Fluid
<b>Ambient Temp. Range</b>	5°C – 40°C (41°F – 104°F)
<b>Control Methods</b>	Manual 、 Timer 、 DMX512 、 Wireless (Standard) 、 Cable Remote (Optional)
<b>Interface</b>	XLR 5-Pin (DMX) 、 XLR 4-Pin (Remote) 、 IEC (Power)
<b>DMX Channels</b>	2 Channels
<b>Included Accessories</b>	W-1 Transmitter 、 Hanging Bracket
<b>Optional Accessories</b>	SC-3 Cable Remote 、 SW-300-FB Floor Bracket
<b>Dimension</b>	L 500 W 276 H 311 mm (L 19.68 W 10.87 H 12.27 inch)
<b>Weight</b>	11.5 kg (25.35 lbs.)

## 15. Warranty Disclaimer

We guarantee the merchandise manufactured by us to be free from defect in material and workmanship for a period of one year. Our obligation and liability under this warranty shall be restricted to repair or replacement at our factory or local authorized dealer. We assume no liability of the products that are improperly used or used for any purpose other than that for which they are specially designed. This warranty shall not apply to any merchandise which has been repaired, altered or assembled outside our factory in any way so as in our judgment to affect its performance, nor which has been subjected to misuse, negligence, or accident nor to any merchandise operated contrary to our printed instructions. We will not allow or be liable of any loss or any damages of any kind in connection with the use, sale, or repair of any merchandise purchased from us.

## 16. Machine Dimension






# SNOW WIRELESS SW-300 中文使用說明

## 1. 前言

在操作本機器之前，請務必仔細詳閱本說明書然後請將本說明書放置在機器使用者可隨時查閱之處存放。此說明書包含如何安全的安裝及操作本機器以及說明所有在機器上的標示。如果您有任何操作上的問題，請立即聯繫當地的 Antari 經銷商尋求協助。

## 2. 安全注意事項

 <b>危險</b>	若不確實避免這些指示，可能導致嚴重人身傷害甚至死亡。
 <b>警告</b>	若不確實遵循這些指示，可能導致嚴重人身傷害甚至死亡。
 <b>注意</b>	若不確實注意這些指示，可能導致人身傷害甚至死亡，嚴重程度視情況而定。



### 危險

- 請務必使用正確電壓。如果使用錯誤電壓，可能會遭受危險的電擊燒傷或更嚴重的後果。
- 請務必將機器連結到有保護的電路，並確保有正確地接地，以避免觸電的危險。關於接地方式請參考第 17 頁附錄 I。
- 請勿在捆綁電源線的情況下使用，可能會發熱導致火災。
- 操作機器時請勿將機器對著人體、動物或火焰使用。



### 警告

- 請於堅固、平坦、穩定且通風良好的表面上使用機器。請勿遮蓋機器散熱部份，機器周邊至少應保留 50 公分的空間並確認附近沒有易燃性物質或可揮發性氣體。
- 請勿隨意拆卸、修理或改造機器，這可能會導致機器故障、損壞、觸電危險或造成火災。
- 本機器僅限有行為能力之成人或專業人員操作，不預期提供生理、感知、心智能力、經驗或知識不足者之使用者(包含孩童)使用本機器。
- 請勿在無人看管時讓機器運作，並於外出離去時確實關閉電源。
- 孩童應受監督，以確保孩童不能操作或嬉戲玩本機器。
- 請勿將機器放倒或傾斜使用，可能導致機器動作不正常或損壞。
- 請將液體存放在室內孩童無法取得之處，保持通風及避免陽光直射。如果有觸碰眼睛或誤食機器，請立即尋求醫生的協助。



### 注意

- 本機器無防水設計，請隨時保持機器乾燥，嚴禁將其潑水、浸水、淋雨或放在潮溼的環境。
- 在插入電源插座前，請確認電源插座無損壞或鬆動。
- 若電源線損壞，必須使用原廠電源線或組件進行更換，否則將導致保固無效。
- 請在使用機器之前，先填裝好雪花水，避免機器幫浦空轉過熱造成損害。機器在搬運前或使用完畢後，請清空油桶。
- 在運輸本機器前，請確認機器的油桶已清空並且包裝完整。(建議使用原廠包裝)
- 本產品僅限室內使用。
- 請勿在電壓不穩定的地區使用本機器。
- 如果機器出現異常聲音或有任何不正常現象時，請立即停止工作，將電源關閉及拔下機器電源線，並請聯繫當地的 Antari 經銷商尋求協助。
- 請勿觸碰機器內部運轉零件。

- 只能使用原廠建議或販售之配件。
- 請確認機器不在使用的狀態下電源已關。如果長時間不使用機器，請拔掉電源線。
- 關閉機器時，將所以控制開關轉到關閉的位置，然後再將插頭從插座拔除。
- 拔除電源線時，請抓住插頭不是電線。
- 在保養及清潔前，請把電源線從插座拔除。
- 在電線或插座有損毀、機器故障或有掉落或損壞的情形發生時，請勿操作機器。請將機器送回最近的維修站，做檢查、維修及電源或機械的調整。
- 為確保機器的使用壽命，請使用 Antari 原廠製造之雪花水，勿使用其它非 Antari 原廠製造雪花水或添加劑，否則可能會導致故障。

在使用本機之前，請詳細閱讀機器上的警語標示，說明如下：

#### 後蓋印刷

#### **WARNING! 警告!**

DISCONNECT POWER BEFORE CHANGING FUSE. 更換保險絲前請務必斷開電源

USE ONLY WITH ADULT SUPERVISION. 僅在成人監督下使用

DO NOT OPERATE WITHOUT SNOW LIQUID. 請勿在沒有雪花水的情況操作本機台

FOR INDOOR USE ONLY. KEEP DRY. 僅限室內使用 請保持乾燥

NO USER SERVICEABLE PARTS INSIDE. 內部無使用者可維修之零配件

### 3. 包裝內容與檢查

在收到機器後，請立即小心地打開包裝紙箱，檢查所有內容，確認您所購買的機型及配件。如果有任何部件因運輸過程出現損壞或缺少，請立即連絡經銷商，並以原包裝退回檢查。

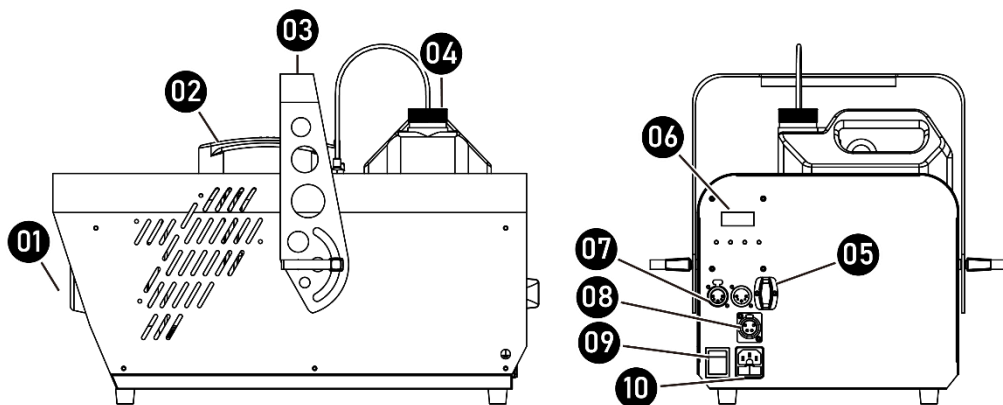
#### 3.1 包裝內容

- 1 x SW-300 無線遠射程雪花機
- 1 x 五公升油桶
- 1 x IEC 電源線接頭
- 1 x W-1 無線發射器
- 1 x 吊架
- 1 x 說明書或掃描機身 QR CODE

#### 3.2 選配說明

品項	描述
SC-3	有線控制器
SW-300-FB	地板架

## 4. 機器訊息



01. 噴雪口	06. 液晶螢幕
02. 把手	07. XLR 5-Pin DMX 連接頭
03. 吊架	08. XLR 4-Pin 控制器連接頭
04. 五公升油桶	09. 電源開關
05. 無線接收器連接頭	10. IEC 電源線連接頭

## 5. 技術標籤資訊

使用本機器前，請詳閱技術標籤上的訊息

1. 機器型號	5. 斷路器/保險絲
2. 工作電壓	6. 說明書 QR CODE
3. 頻率	7. 機器流水序號
4. 瓦特數	

## 6. 雪花水

	<b>危險</b>	將液體加入機器之前，請務必先拔除電源線。請勿添加易燃液體。如果發現液體流入機器內部，請洽 Antari 原廠或其經銷商尋求協助。
--	-----------	--

- 僅能使用 Antari 原廠製造之雪花水，不可混用或稀釋。
- 本機器是使用專屬的雪花水做測試與校正來取得最佳的效能。
- 如需更換另一種液體，請在使用前，先將油桶中的液體清空，以避免混合。
- 如果使用非原廠製造之雪花水而導致雪花機損壞將不在保固範圍內。

## 7. 設定與手動操作說明



**警告!**

機台掉落可能會造成嚴重傷害，請確保本機台安裝牢固且不會掉落。

- 步驟1.** 將機器平放在堅固、平坦、穩定且通風良好的表面上，機器周圍至少應保留 50 公分的空間並確認附近沒有易燃性物質或可揮發性氣體;
- 步驟2.** 將 ANTARI 原廠雪花水倒入油桶;
- 步驟3.** 將機器連接電源，連接之前，確認機器背後技術標籤上所標示要求功率，是否與電源插座相符;
- 步驟4.** 當機器準備好可以進行操作時，液晶螢幕會顯示”Ready to Snow”;
- 步驟5.** 欲在 Timer 模式下製造雪花，按一下控制面板上的[TIMER]；停止製造雪花，請按一下控制面板上的[STOP]，這會按照設定的“間隔時間”& “持續時間”來運轉;
- 步驟6.** 欲在 Volume 模式下製造雪花，按一下控制面板上的[VOLUME]；停止製造雪花，請按一下控制面板上的[STOP]，可以透過[UP]和[DOWN]鍵來調整雪花量;
- 步驟7.** 需關閉本機時，請確認機器已停止運轉，再將電源關閉即可，長時間不使用時請移除電源線。

## 8. 控制設定






SW-300 無線遠射程雪花機可以使用下列操作模式，機器每次接受一種訊號


- 手動控制
- 定時控制
- DMX512
- 無線控制
- 有線控制

### 8.1 控制面板說明



SW-300 無線遠射程雪花機可以使用機器上的數位控制面板來操作。

按鈕	操作方式	功能
 選單	按	進入選單畫面及瀏覽
 上	按	增加數值 / 上
 下	按	減少數值 / 下
 TIMER 定時模式	按	啟動”TIMER”模式(根據設定好的間隔/輸出時間)
 VOLUME 輸出量模式	按	啟動”VOLUME”模式(根據設定好的輸出量)

 停止/確認	按	停止/確認
--	---	-------


## 8.2 選單說明

選單	敘述
Interval Set 20s	設置間隔時間 20 – 2000 秒
Duration Set 10s	設置輸出時間 10 – 200 秒
Timer Out 100%	設置定時模式輸出量 0 – 100%
Volume Out 100%	設置定量模式輸出量 0 – 100%
Fan Out 20%	設置風扇速度 20 – 100%
DMX512 Add.001	設置 DMX 地址 001 - 511
Wireless On	開啟 / 關閉
Quick Start Off	開啟 / 關閉

## 9. DMX 說明

### 9.1 DMX 說明

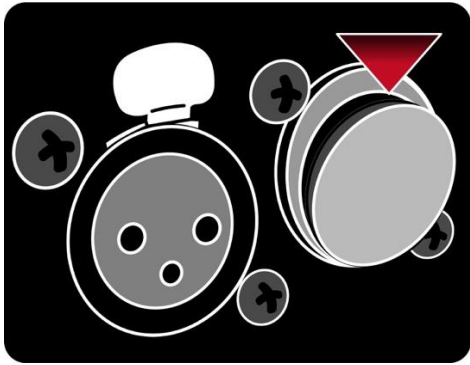
本機可提供一個 XLR 5-PIN 的 DMX 連接頭選擇。下為 PIN 的接點說明：



5 Pin XLR

Pin	Function
1	接地
2	數據-
3	數據+
4	無
5	無

DMX IN 連接頭上的蓋子是一個保護蓋，操作前，請用手指撥開即可輕鬆地將其取下。



### 9.2 DMX 通道功能設定

通道 1	DMX 數值範圍	功能
雪花輸出量	0 – 5	關閉
	6 – 255	雪花輸出 1 – 100%
通道 2	DMX 數值範圍	功能
風扇輸出	0 – 5	風扇 20%
	6 – 255	風扇輸出 21 – 100%

## 10. RDM 功能

SW-300 無線遠射程雪花機配有 RDM 功能，讓使用者可以透過 RDM 功能進行控制，可以設定、監控、管理。

有關 RDM 參數，請參見下表：

Value	RDM Parameter ID's	GET Allowed	SET Allowed
0x0001	DISC_UNIQUE_BRANCH		
0x0002	DISC_MUTE		
0x0003	DISC_UN_MUTE		
0x0030	STATUS_MESSAGE	O	
0x0050	SUPPORTED_PARAMETERS	O	
0x0051	PARAMETER_DESCRIPTION	O	
0x0060	DEVICE_INFO	O	
0x0070	PRODUCT_DETAIL_ID_LIST	O	
0x0080	DEVICE_MODEL_DESCRIPTION	O	
0x0081	MANUFACTURER_LABEL	O	
0x0082	DEVICE_LABEL	O	O
0x00C0	SOFTWARE_VERSION_LABEL	O	
0x00E0	DMX_PERSONALITY	O	O
0x00E1	DMX_PERSONALITY_DESCRIPTION	O	
0x00F0	DMX_START_ADDRESS	O	O
0x0400	DEVICE_HOURS	O	
0x1000	IDENTIFY_DEVICE	O	O

## 11. SC-3 有線控制器(選配)



SC-3 有線控制器是 SW-300 無線遠射程雪花機的選購配件，使用方法如下：

按鈕/旋鈕	功能
VOLUME[旋鈕]	調整輸出量
FAN[旋鈕]	調整風扇速度
POWER[紅色按鈕]	電源 開/關
MAX FAN[綠色按鈕]	風扇最大輸出
PRIMING[黃色按鈕]	幫浦最大輸出



注意:

\*\*務必開啟控制器電源才能使用。

\*\* PRIMING[黃色按鈕]當換一個新的油桶或是添加雪花水後，幫浦可能因為油管中有空氣而無法順暢運作，此時可以使用此功能，將風扇與幫浦的輸出量設定到最大，藉此將油管中的空氣排出。

\*\* MAX FAN[綠色按鈕]是當需要清除噴嘴殘留的雪花水時使用。

\*\*如果有任何問題，請聯繫當地的 Antari 經銷商尋求協助。

## 12. W-1 無線發射器(標準)

W-1 無線發射器此為 SW-300 無線遠射程雪花機的標準配件。

### 12.1 W-1 無線發射器說明

- 發射器：使用 27A 12V 電池
- 收發距離：有效距離為 50 公尺，實際收訊狀況根據現場環境因素而有所不同。
- W-1 無線發射器配有 2 個按鈕，控制功能為：



W-1 無線發射器

按鈕	功能
[A] 鍵	啟動
[B] 鍵	停止

### 12.2 配對


每個接收器可以配對最多五個發射器，請參考下列步驟進行配對。

**步驟 1：**開啟機器電源，螢幕上會顯示”Wireless Setup”約 15 秒鐘。在這時間內按下發射器上的 A 鈕進行配對，配對成功後會顯示”Wireless Setup Ok;

**步驟 2：**如果要配對多個無線發射器，然後重複步驟 1 即可。

\*\*如果超過時間，將電源關閉重開即可。

## 13. 維護和保養

	<b>危險!</b>	維修保養之前，請務必拔除電源線！
---	------------	------------------

- 隨時保持機器清潔。
- 可以使用空氣壓縮機、吸塵器或軟刷除去機器上的灰塵。
- 機殼可使用濕布擦拭。
- 在存放或收起機器前，請確認機器完全冷卻，避免機器內部潮濕導致故障。
- 建議每月至少讓機器運轉一次，以保持機器處於最佳的性能和輸出條件。
- 機器上過多的灰塵、液體殘餘累積的髒污會降低機器工作性能，導至散熱不良。

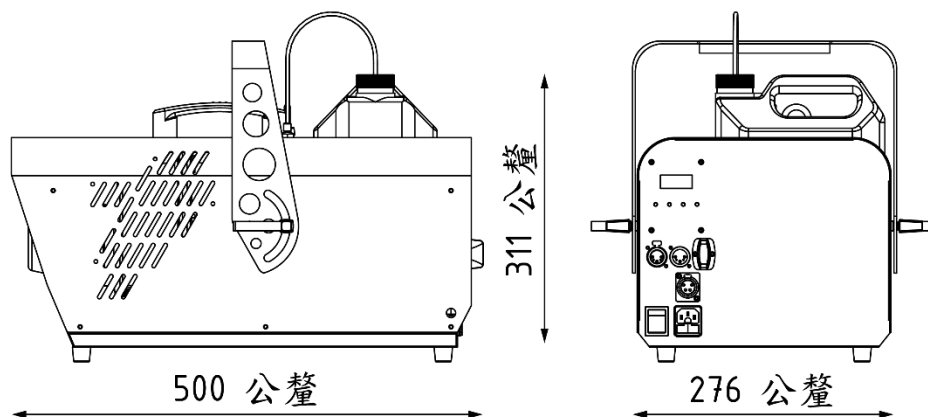
## 14. 技術規格

SW-300	
電壓	美規：AC 100 - 120V, 50 / 60 Hz 7.5A 歐規：AC 220 - 240V, 50 / 60 Hz 4.0A
額定功率	880 瓦
耗油量	280 毫升/分鐘 (100%輸出)
油桶容量	5 公升 (1.32 加侖)
適用雪花水	Antari SL-N 新配方雪花水、Antari SL-AN 高揮發性雪花水、Antari SL-H 高發泡雪花水、Antari SL-C 抗凍雪花水、Antari SL-UV UV 雪花水
適用環境溫度	5°C - 40°C (41°F - 104°F)
控制方式	手動控制、定時控制、DMX512、無線控制(標配)、有線控制(選配)
連接座	XLR 5-Pin (DMX)、XLR 4-Pin (控制器)、IEC 連接座(主電源)
DMX 512 通道	2 個頻道
隨附配件	W-1 無線發射器、吊架
選購配件	SC-3 有線控制器、SW-300-FB 地板架
尺寸	長 500 寬 276 高 311 公釐 (長 19.68 寬 10.87 高 12.27 英寸)
重量	11.5 公斤 (25.35 磅)

## 15. 保固聲明

本公司保證我們的商品在一年內沒有材料和製作缺陷。我們在本保證下的義務和責任僅限於在原廠或當地授權經銷商進行的維修或更換。我們對不當使用或用於非專門設計目的以外之用途不承擔任何責任。本保固不適用於以任何方式在原廠或當地授權經銷商外修理、改動或組裝的任何商品，以便我們判斷影響其性能，沒有受到誤用、疏忽或事故的影響，也沒有違反我們的任何商品操作印刷說明。本公司對於從我們這邊購買的商品不會允許也不對於使用、銷售或修理任何產品有關的任何類型的任何損失或損害承擔責任。

## 16. 機器尺寸圖

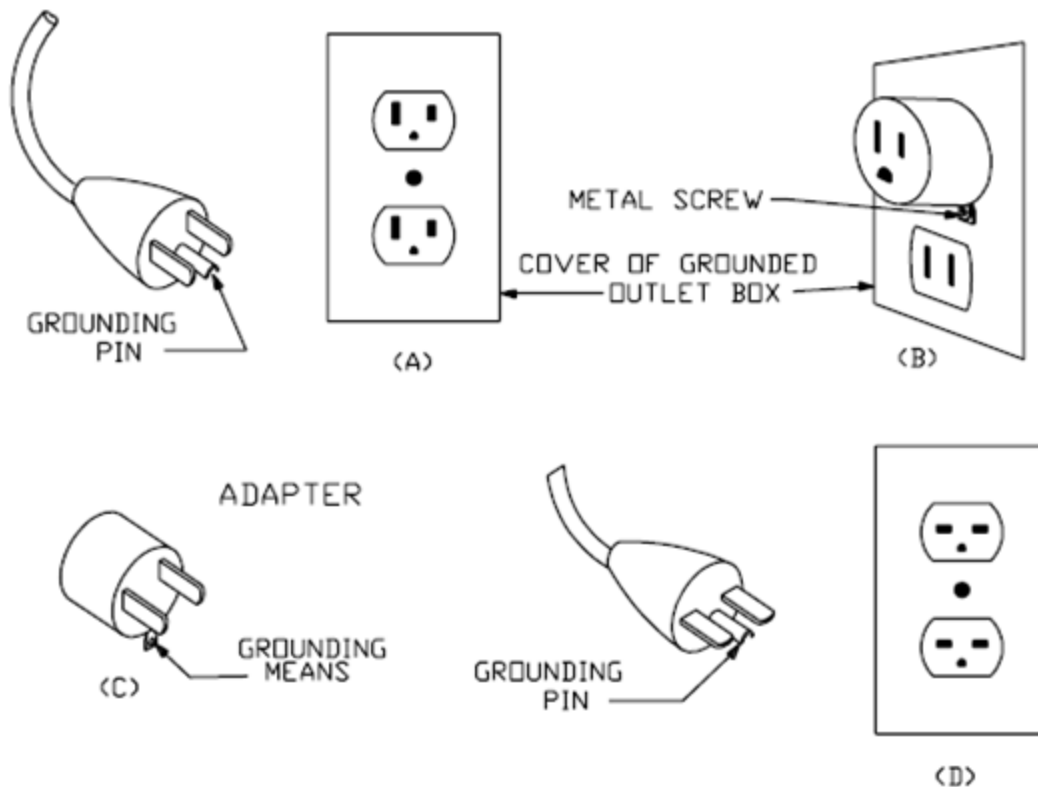


## Appendix I – Grounding Instruction

This appliance must be grounded. In the event of malfunction or breakdown, grounding provides a path of least resistance for electric current to reduce the risk of electric shock. This appliance is equipped with a cord having an equipment-grounding conductor and a grounding plug. The plug must be plugged into an appropriate outlet that is properly installed and grounded in accordance with all local codes and ordinances.

**DANGER** – Improper connection of the equipment-grounding conductor can result in a risk of electric shock. The conductor with insulation having an outer surface that is green with or without yellow stripes is the equipment-grounding conductor. If repair or replacement of the cord or plug is necessary, do not connect the equipment-grounding conductor to a live terminal. Check with a qualified electrician or serviceman if the grounding instructions are not completely understood, or if in doubt as to whether the appliance is properly grounded. Do not modify the plug provided with the appliance – if it will not fit the outlet, have a proper outlet installed by a qualified electrician.

This appliance is for use on a nominal 120V circuit, and has a grounding plug that looks like the plug illustrated in sketch A in Figure. A temporary adaptor, which looks like the adaptor illustrated in sketches B and C, may be used to connect this plug to a 2-pole receptacle as shown in sketch B if a properly grounded outlet is not available. The temporary adaptor should be used only until a properly grounded outlet can be installed by a qualified electrician. The green colored rigid ear, lug, and the like, extending from the adaptor must be connected to a permanent ground such as a properly grounded outlet box cover. Whenever the adaptor is used, it must be held in place by the metal screw.





C08SW3002