

## ALU CLAMP 101-V2

### General:

Convenient to fix all small lights . Tightly locked pipe make it very safe. Aluminum 6061-T6 high strength structural aluminum extrusion mount with M10 bolt and wing nut.

### Specifications:

Material: Al 6061-T6

Width: 30mm

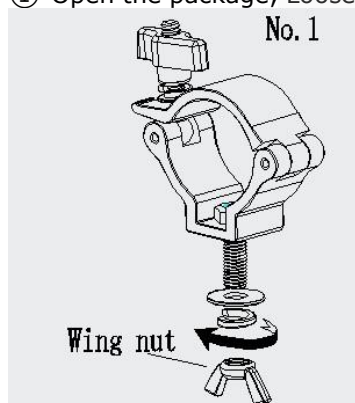
Tube Diameters:  $\phi 48-51\text{mm}$

Safe working load : 75kgs

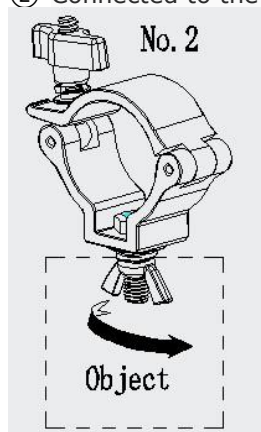
Unit weight: 0.230kg

### Installation Method:

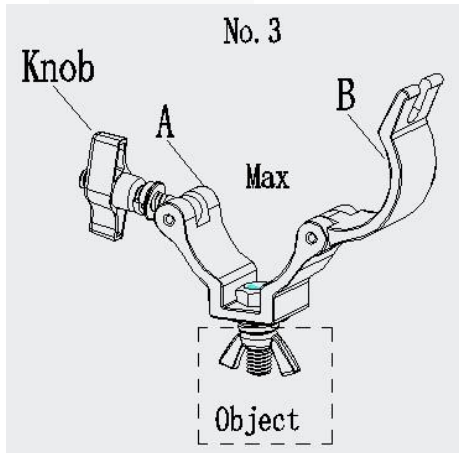
- ① Open the package, Loosen the wing nut according to the direction of arrow on the picture No1;



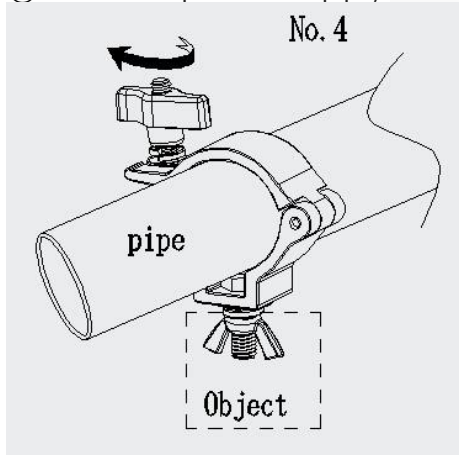
- ② Connected to the target product (Object), then tighten the wing nut.



- ③ Loosen the knob according to the direction of arrow on the picture No3,make Max opening angle between A and B



- ④ Fix the coupler on the pipe, be sure to tighten the knob



**Warning:**

1. The operator instruction shall be read before the use of the product;
2. Please call the professional to install the product.
3. If safety problems found existing in the product, must not be installed and contact with suppliers;
4. Do not allow children to play in the working area during assembly and adjustments;

**BEGLEC NV**  
**'t Hofveld 2c, 1702 Groot-Bijgaarden, Belgium**



**[WWW.BRITEQ-LIGHTING.COM](http://WWW.BRITEQ-LIGHTING.COM)**