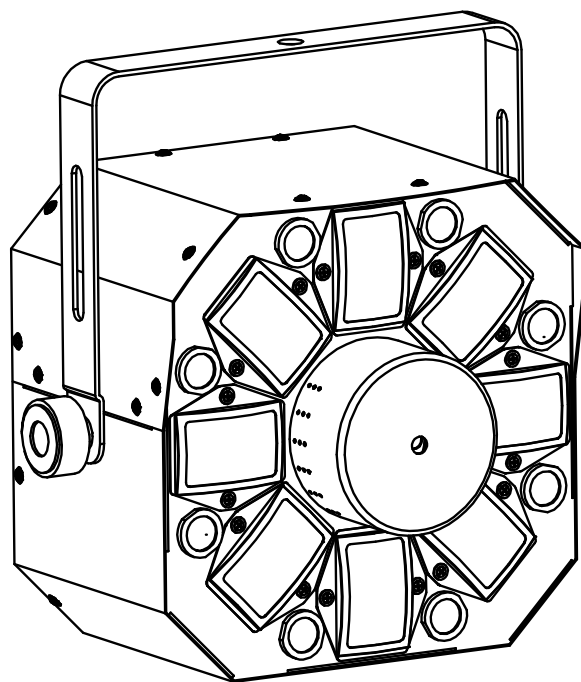


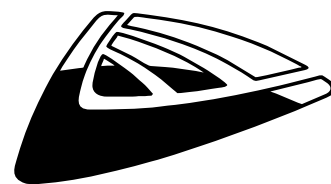
# Invader



Operation Manual EN  
Mode d'emploi FR  
Gebruiksaanwijzing NL  
Bedienungsanleitung DE  
Manual de instrucciones ES

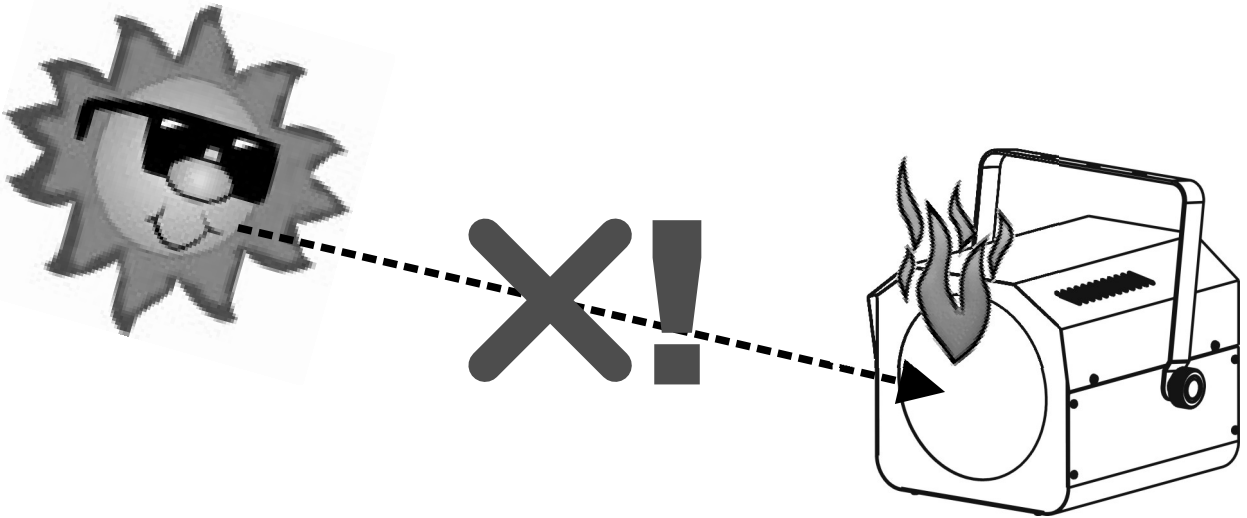


*Version: 1.0*



**JBSYSTEMS**

# DANGER ~ GEVAAR ~ GEFAHR ~ PELIGRO ~ PERIGO



**WARNING: DANGER!** never expose the lens to direct sunlight, even for a short period. This may damage the light effect or even cause fire!

**ATTENTION: DANGER!** n'exposez jamais la lentille directement aux rayons de soleil, même pendant un bref instant. Ceci peut endommager l'intérieur de l'appareil ou même causer un incendie !

**OPGELET : GEVAAR !** stel de lens nooit bloot aan direct zonlicht, zelfs gedurende een korte periode. Dit kan het toestel beschadigen en zelfs brand veroorzaken!

**WARNUNG: GEFAHR!** Setzen sie die Linse niemals direkter Sonneneinstrahlung aus, auch nicht für eine kurze Zeit ! Die direkte Sonneneinstrahlung kann das Gerät zerstören oder zum brennen bringen!

**ADVERTENCIA: ¡PELIGRO!** ¡nunca exponga la lente a la luz solar directa, aún durante un período corto! ¡Esto puede dañar el efecto de luz o incluso causar el fuego!

**AVISO: PERIGO!** Nunca exponha as lentes directamente à luz solar, mesmo que por pouco tempo! Isto pode danificar o efeito luminoso ou mesmo provocar um incêndio!

---

## EN - DISPOSAL OF THE DEVICE

Dispose of the unit and used batteries in an environment friendly manner according to your country regulations.

## FR - DÉCLASSER L'APPAREIL

Débarrassez-vous de l'appareil et des piles usagées de manière écologique, conformément aux dispositions légales de votre pays.

## NL - VERWIJDEREN VAN HET APPARAAT

Verwijder het toestel en de gebruikte batterijen op een milieuvriendelijke manier conform de in uw land geldende voorschriften.

## DU - ENTSORGUNG DES GERÄTS

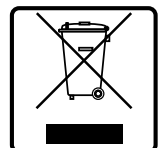
Entsorgen Sie das Gerät und die Batterien auf umweltfreundliche Art und Weise gemäß den Vorschriften Ihres Landes.

## ES - DESHACERSE DEL APARATO

Reciclar el aparato y pilas usadas de forma ecologica conforme a las disposiciones legales de su pais.

## PT - COMO DESFAZER-SE DA UNIDADE

Tente reciclar a unidade e as pilhas usadas respeitando o ambiente e em conformidade com as normas vigentes no seu país.



# OPERATION MANUAL

Thank you for buying this JB Systems® product. To take full advantage of all possibilities and for your own safety, please read these operating instructions very carefully before you start using this unit.

## FEATURES

This unit is radio-interference suppressed. This product meets the requirements of the current European and national guidelines. Conformity has been established and the relevant statements and documents have been deposited by the manufacturer.

- This device was designed to produce decorative effect lighting and is used in light show systems.
- Just buy one effect and you have it all!
- This incredible effect mixes 3 different effects in wonderful combination:
  - LED effect, similar to our LED DEVIL (5pcs 3watt leds with different colors: red, green, blue, orange, white)
  - LED STROBE: powerful white LEDs (8pcs 1watt)
  - LASER effect: wonderful red (150mW) / green (50mW) laser patterns
- A lot of different internal programs to make life simple!
  - DMX-control: 1channel for easy operation or 9 channels for full control.
  - Standalone: sound activated (internal mic) or automatic.
  - Master/slave: wonderful synchronized shows.
- 3-digit LED display for easy menu navigation
- IEC mains input + output for easy linking
- Key activated on/off switch and emergency switch (interlock) input for additional safety
- Complies to EN/IEC 60825-1 2007 for Laser Safety

## BEFORE USE

- Before you start using this unit, please check if there's no transportation damage. Should there be any, do not use the device and consult your dealer first.
- **Important:** This device left our factory in perfect condition and well packaged. It is absolutely necessary for the user to strictly follow the safety instructions and warnings in this user manual. Any damage caused by mishandling is not subject to warranty. The dealer will not accept responsibility for any resulting defects or problems caused by disregarding this user manual.
- Keep this booklet in a safe place for future consultation. If you sell the fixture, be sure to add this user manual.

### Check the contents:

Check that the cardboard box contains the following items:

- INVADER
- 2 keys (for key switch)
- Spare connector for emergency stop
- Mains cable
- Operating instructions

## SAFETY INSTRUCTIONS:



**CAUTION**  
RISK OF ELECTRIC SHOCK  
DO NOT OPEN



**CAUTION:** To reduce the risk of electric shock, do not remove the top cover. No user-serviceable parts inside. Refer servicing to qualified service personnel only.



The lightning flash with arrowhead symbol within the equilateral triangle is intended to alert the user or the presence of un-insulated "dangerous voltage" within the product's enclosure that may be of sufficient magnitude to constitute a risk of electric shock.



The exclamation point within the equilateral triangle is intended to alert the user to the presence of important operation and maintenance (servicing) instructions in the literature accompanying this appliance.



This symbol means: indoor use only.



This symbol means: Read instructions.



This symbol determines: the minimum distance from lighted objects. The minimum distance between light-output and the illuminated surface must be more than 1 meter.

- To protect the environment, please try to recycle the packing material as much as possible.
- A new light effect sometimes causes some unwanted smoke and/or smell. This is normal and disappears after some minutes.
- To prevent fire or shock hazard, do not expose this appliance to rain or moisture.
- To avoid condensation to be formed inside, allow the unit to adapt to the surrounding temperatures when bringing it into a warm room after transport. Condense sometimes prevents the unit from working at full performance or may even cause damages.
- This unit is for indoor use only.
- Don't place metal objects or spill liquid inside the unit. Electric shock or malfunction may result. If a foreign object enters the unit, immediately disconnect the mains power.
- Locate the fixture in a well ventilated spot, away from any flammable materials and/or liquids. The fixture must be fixed at least 50cm from surrounding walls.
- Don't cover any ventilation openings as this may result in overheating.
- Prevent use in dusty environments and clean the unit regularly.
- Keep the unit away from children.
- Inexperienced persons should not operate this device.
- The save ambient temperature is between 15° & 40°C. Don't use this unit at higher ambient temperatures.
- Make sure the area below the installation place is free from unwanted persons during rigging, de-rigging and servicing.
- Always unplug the unit when it is not used for a longer time or before replacing the bulb or start servicing.
- The electrical installation should be carried out by qualified personal only, according to the regulations for electrical and mechanical safety in your country.
- Check that the available voltage is not higher than the one stated on the rear panel of the unit.
- The power cord should always be in perfect condition. Switch the unit immediately off when the power cord is squashed or damaged. It must be replaced by the manufacturer, its service agent or similarly qualified persons in order to avoid a hazard.
- Never let the power-cord come into contact with other cables!
- This fixture must be earthed to in order comply with safety regulations.
- Don't connect the unit to any dimmer pack.
- Always use an appropriate and certified safety cable when installing the unit.
- In order to prevent electric shock, do not open the cover. Apart from the lamp and mains fuse there are no user serviceable parts inside.
- **Never** repair a fuse or bypass the fuse holder. **Always** replace a damaged fuse with a fuse of the same type and electrical specifications!
- In the event of serious operating problems, stop using the fixture and contact your dealer immediately.
- The housing and the lenses must be replaced if they are visibly damaged.
- Please use the original packing when the device is to be transported.
- Due to safety reasons it is prohibited to make unauthorized modifications to the unit.

**Important:** Never look directly into the light source! Don't use the effect in the presence of persons suffering from epilepsy.

# LASER SAFETY INSTRUCTIONS:

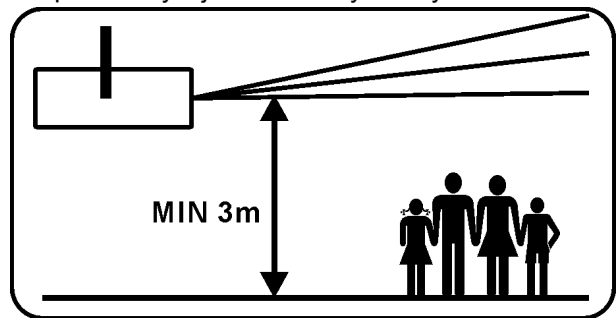
- According to the EN/IEC 60825-1 Ed2, 2007-03 regulations, this laser falls under the classification 3B. Direct eye exposure can be dangerous.



**DANGER: LASER RADIATION !**  
 Avoid direct eye exposure! Laser radiation can cause eye damage and/or skin damage. All protective measures for a safe operation of this laser must be applied.

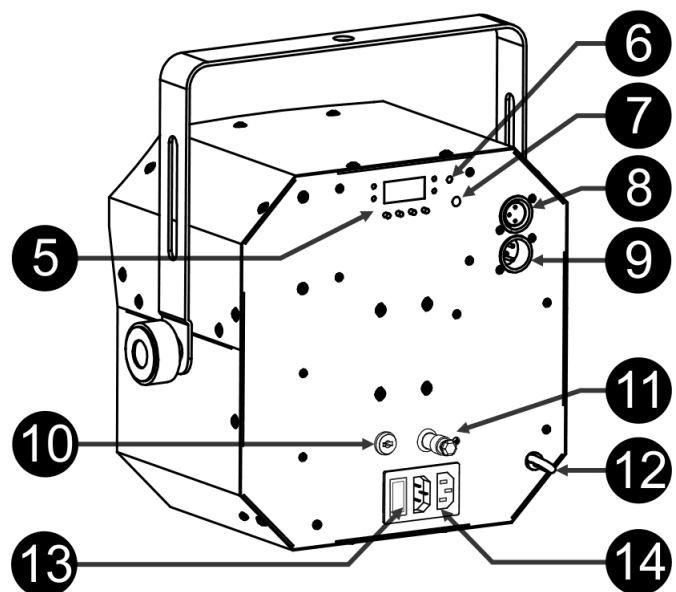
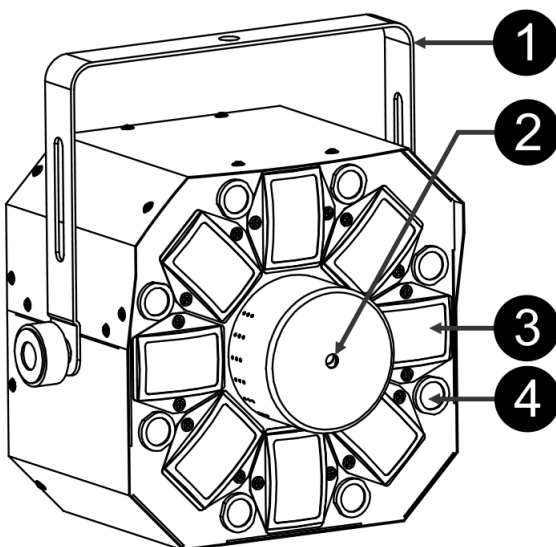


- This product is a so-called show laser, emitting radiation with a wavelength spectrum between 400 and 700 nm and producing lighting effects for shows.
- Laser Light is different from any other light source with which you may be familiar. The light from this product can potentially cause eye injury if not set up and used properly. Laser light is thousands of times more concentrated than light from any other kind of light source. This concentration of light power can cause instant eye injuries, primarily by burning the retina (the light sensitive portion at the back of the eye). Even if you cannot feel "heat" from a laser beam, it can still potentially injure or blind you or your audience.
- Even very small amounts of laser light are potentially hazardous even at long distances.
- Never look into the laser aperture or laser beams
- Never direct the laser beam to people or animals and never leave this device running unattended.
- This laser may only be used for shows. The operation of a class 3B show laser is only allowed if the operation is controlled by a skilled and well-trained operator.
- Depending on the classification, operating a laser product can produce laser radiation that may cause permanent eye damage and/or skin damage. The legal instructions for using a laser product vary from country to country. The user must always inform himself on the legal instructions valid in his country and apply them to his situation.
- The parent document and cornerstone of laser safety standards ANSI Z136.1 (2007) provides guidance for the safe use of lasers and laser systems by defining control measures for each of the four laser classes. This valuable document can be obtained from [www.laserinstitute.org](http://www.laserinstitute.org)



Please note that **JB SYSTEMS** cannot be made liable for damages caused by incorrect installations and unskilled operation!

## DESCRIPTION:



1. **HANGING BRACKET:** with 2 knobs on both sides to fasten the unit and a mounting hole to fix a mounting hook.
2. **LASER OUTPUT:** This is where the laser beams exit the enclosure, make sure to NEVER look inside the unit through this opening while the laser effect is switched on!
3. **LED EFFECT LENSES:** output of the colored led effect. Don't expose to direct sunlight !
4. **STROBE EFFECT LENSES:** output of the white led effect. Don't expose to direct sunlight !
5. **CONTROL PANEL:**



- a. **DISPLAY:** shows the various menus and the selected functions.
- b. **LEDS:**

DMX	On	DMX input present
AUTO	On	Master mode
SLAVE	On	Slave mode
SOUND	Flashing	Sound activation

- c. **BUTTONS:**

FUNC	To select the program functions
UP	To go forward in the selected functions or to increase a value
DOWN	To go backward in the selected functions or to decrease a value
ENTER	To confirm the selected functions

6. **INTERNAL MICROPHONE:** The built-in microphone is used to synchronize the show to the beat of the music.
7. **SENSITIVITY KNOB:** The unit works to rhythm of the beat when used in standalone or master/slave mode. With this knob you can set the input sensitivity of the build-in microphone.
8. **DMX OUTPUT:** 3pin female XLR-connector used to connect the LASER with the next unit in the DMX chain.
9. **DMX INPUT:** 3pin male XLR-connector used to connect universal DMX-cables. This input receives instructions from a DMX-controller.
10. **ON/OFF KEY ACTIVATED SWITCH:** used to switch the unit on/off. Use the keys to make sure only a skilled operator is able to switch the laser on.
11. **INTERLOCK input:** used to connect the optional emergency stop switch (see picture). When you push this switch the laser beam will disappear immediately.

**IMPORTANT! For your own safety we strongly recommend to connect this optional switch!  
THERE WILL BE NO LASER OUTPUT WHEN THE INTERLOCK INPUT IS NOT USED!**



**Temporary solution: install the spare connector on the laser. (see picture)**

12. **SAFETY EYEBOLT:** used to attach a safety cable when the unit is rigged (see paragraph "overhead rigging")
13. **MAINS INPUT:** with IEC socket and integrated fuse holder; connect the supplied mains cable here.
14. **MAINS OUTPUT:** you can use our "combi cables" and this IEC output to easily daisy-chain the next unit

## OVERHEAD RIGGING

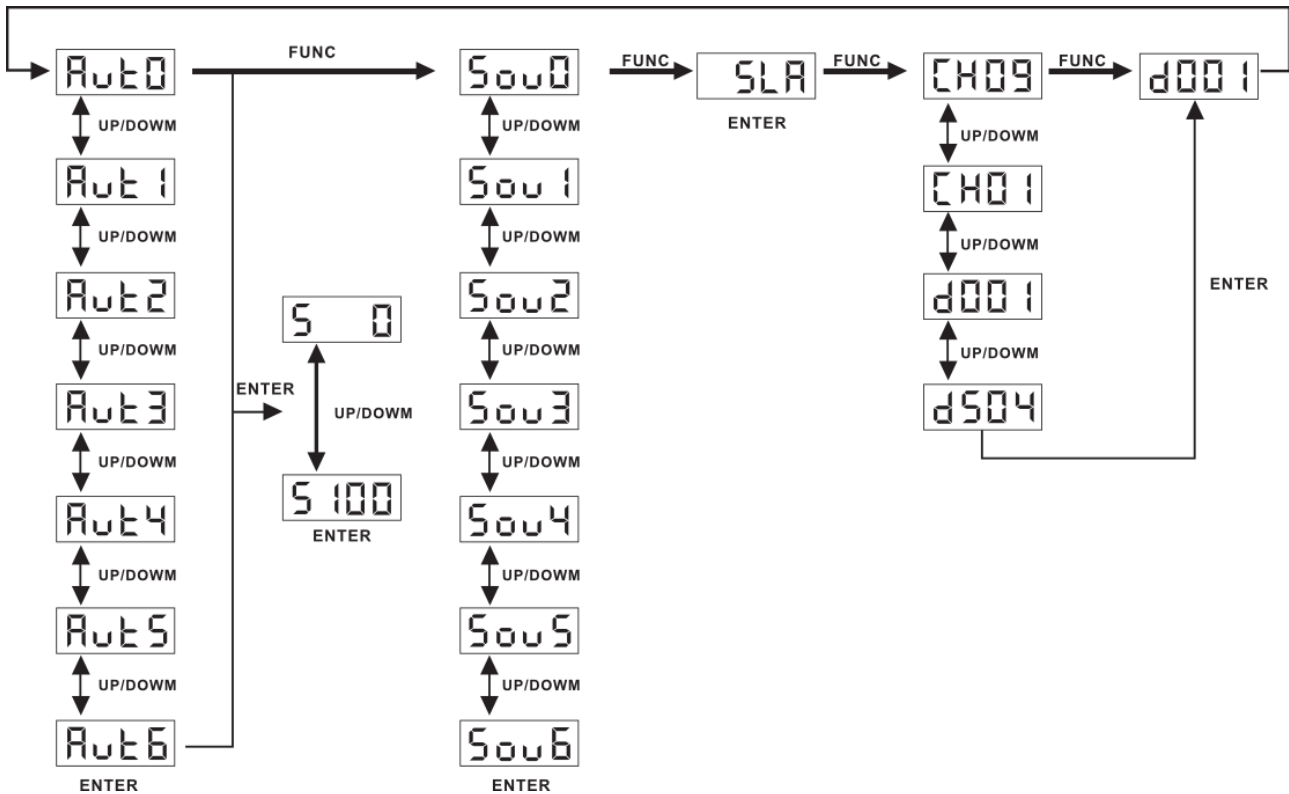
- **Important:** The installation must be carried out by qualified service personal only. Improper installation can result in serious injuries and/or damage to property. Overhead rigging requires extensive experience! Working load limits should be respected, certified installation materials should be used, the installed device should be inspected regularly for safety.
- Make sure the area below the installation place is free from unwanted persons during rigging, de-rigging and servicing.
- Locate the fixture in a well ventilated spot, far away from any flammable materials and/or liquids. The fixture must be fixed **at least 50cm** from surrounding walls.
- The device should be installed out of reach of people and outside areas where persons may walk by or be seated.

- Before rigging make sure that the installation area can hold a minimum point load of 10times the device's weight.
- Always use a certified safety cable that can hold 12 times the weight of the device when installing the unit. This secondary safety attachment should be installed in a way that no part of the installation can drop more than 20cm if the main attachment fails.
- The device should be well fixed; a free-swinging mounting is dangerous and may not be considered!
- Don't cover any ventilation openings as this may result in overheating.
- The operator has to make sure that the safety-relating and machine-technical installations are approved by an expert before using them for the first time. The installations should be inspected every year by a skilled person to be sure that safety is still optimal.



**CAUTION EYE DAMAGE:** Always position the laser in a way that prevents the audience from looking directly into the laser beams. The installation should assure that the beam will not strike the audience.

## HOW TO SET UP AND CONTROL THE UNIT



**You can operate the unit in 4 ways:**

**1) MUSIC CONTROLLED MODE:**

The unit runs a preprogrammed sequence to the rhythm of the music. Select this mode when only 1 unit is used (standalone) or when the unit is placed as the first (master) unit in a chain with several units.

- Press the FUNC-button until the display shows: Sou (followed by a number from 0 to 6)  
Please check carefully the Menu chart above.
- Now use the UP or DOWN buttons to select one of the sound modes:
  - Sou0 = Laser + RGBWA + White Leds
  - Sou1 = Laser + RGBWA
  - Sou2 = Laser + White Leds
  - Sou3 = RGBWA + White Leds
  - Sou4 = RGBWA
  - Sou5 = Laser

- Sou6 = White Leds
- Press the ENTER-button to confirm your choice.
- Put on some music and set the sensitivity of the microphone by using the sensitivity knob (7) so that the effect reacts perfectly to the sound level of your music.

You can connect several units together: just put the first unit of the chain in one of the sound activated effect modes and all other units in "Slave mode" (display shows "SLA") to make them all work in perfect sync!

**Note:** When no music is detected, the output of the unit will be shut off (blackout).

**2) FULL AUTOMATIC MODE:**

The unit automatically runs a preprogrammed sequence. Select this mode when only 1 unit is used (standalone) or when the unit is placed as the first (master) unit in a chain with several units.

- Press the FUNC-button until the display shows Aut (followed by a number from 0 to 6)  
Please check carefully the Menu chart above.

- Use the UP or DOWN buttons to select one of the automatic modes:
  - Aut 0 = Laser + RGBWA + White Leds
  - Aut 1 = Laser + RGBWA
  - Aut 2 = Laser + White Leds
  - Aut 3 = RGBWA + White Leds
  - Aut 4 = RGBWA
  - Aut 5 = Laser
  - Aut 6 = White Leds

- Press the ENTER-button to confirm your choice.
- Now use the UP or DOWN buttons to select the speed:
  - S 1 = Fastest speed
  - S 100 = Slowest speed
  - S 0 = The default speed of the pre-programmed sequence

The unit automatically runs a preprogrammed sequence.

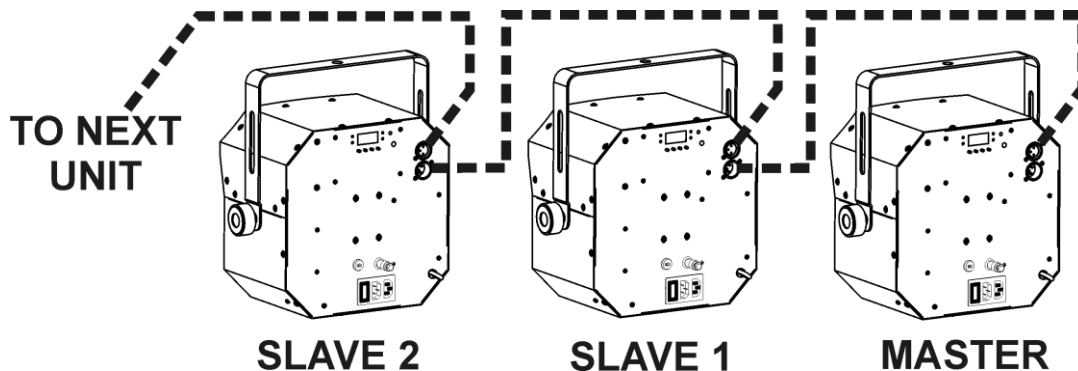
You can connect several units together: just put the first unit of the chain in one of the automatic effect modes and all other units in "Slave mode" (display shows "SLA") to make them all work in perfect sync!

**3) SLAVE MODE:**

The unit follows the instructions given by the first unit (master) in the chain. Like this you can obtain nice synchronized shows.

- Connect the DMX input of the unit to the DMX output of the previous unit in the chain.
- Press the FUNC-button until the display shows "SLA"
- Press the ENTER-button to confirm your choice.

You can connect several units together. Please put the first unit of the chain in "Music or automatic mode" and all other units in "Slave mode" (display shows "SLA") to make them all work in perfect sync!



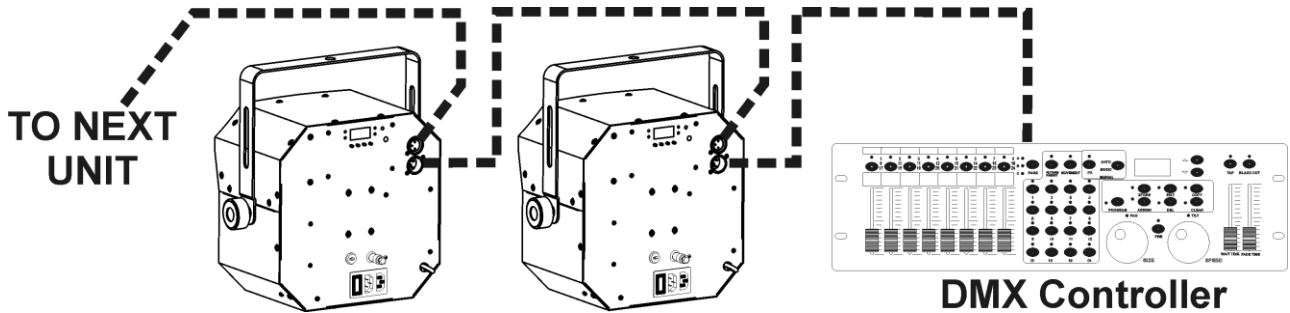


**4) DMX512 MODE:**

The laser can be controlled by any standard DMX-controller in 2 different DMX-modes.

- Press the FUNC-button until the display shows Ch01 or Ch09
- Use the UP or DOWN buttons to select the DMX mode you want to use
  - Ch01 = for extremely easy setup and use! You can now control the automatic functions of the unit via just 1 DMX channel
  - Ch09: for full control over all the functions via 9 DMX Channels.
- Press the ENTER-button to confirm your choice.
- "d..." (followed by 3 numbers) starts blinking on the display.
- Use the UP or DOWN buttons to select the DMX address you want to use
- Press the ENTER-button to confirm your choice.

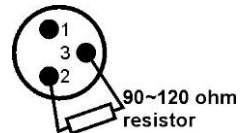
**Note:** the display blinks when the unit is in DMX-mode and no DMX-signal is detected.



**Some more information on DMX512:**

The DMX-protocol is a widely used high speed signal to control intelligent light equipment. You need to "daisy chain" your DMX controller and all the connected light effects with a good quality XLR M/F balanced cable. To prevent strange behavior of the light effects, due to interferences, you must use a 90Ω to 120Ω terminator at the end of the chain. Never use Y-splitter cables, this simply won't work!

Each effect in the chain needs to have its proper starting address so it knows which commands from the controller it has to decode.



**1 CHANNEL DMX-CONFIGURATION OF THE UNIT:**

DMX-value	function
000-029	OFF
030-049	White LEDs Full ON
050-069	White LEDs Strobe
070-089	Slow Auto Chase Laser
090-109	Slow Auto Chase RGBWA
110-129	Slow Auto Chase Laser + RGBWA
130-149	Sound Chase White LEDs
150-169	Sound Chase Laser
170-189	Sound Chase RGBWA
190-209	Sound Chase RGBWA + White LEDs
210-229	Sound Chase Laser + White LEDs
230-249	Sound Chase Laser + RGBWA
250-255	Sound Chase Laser + RGBWA + White LEDs

**9 CHANNEL DMX-CONFIGURATION OF THE UNIT:**

**IMPORTANT REMARK:** DMX Channel1 is used to set the different working modes of the unit.

- To use the unit in full manual mode, channel 1 must be set to value 221 or higher.

Channel	Value	Function
<b>CH1 Mode</b>	<b>000-009</b>	Blackout
	<b>010-024</b>	AUTO 0
	<b>025-039</b>	AUTO 1
	<b>040-054</b>	AUTO 2
	<b>055-069</b>	AUTO 3
	<b>070-084</b>	AUTO 4
	<b>085-099</b>	AUTO 5
	<b>100-114</b>	AUTO 6
	<b>115-129</b>	SOUND 0
	<b>130-144</b>	SOUND 1
	<b>145-159</b>	SOUND 2
	<b>160-174</b>	SOUND 3
	<b>175-189</b>	SOUND 4
	<b>190-204</b>	SOUND 5
	<b>205-220</b>	SOUND 6
	<b>221-255</b>	DMX MODE
<b>CH2 RGBWA</b>	<b>000-009</b>	Blackout
	<b>010-014</b>	Red
	<b>015-019</b>	Green
	<b>020-024</b>	Blue
	<b>025-029</b>	Amber
	<b>030-034</b>	White
	<b>035-039</b>	White + red
	<b>040-044</b>	Red + green
	<b>045-049</b>	Green + blue
	<b>050-054</b>	Blue + amber
	<b>055-059</b>	Amber + white
	<b>060-064</b>	White + green
	<b>065-069</b>	Green + amber
	<b>070-074</b>	Amber + red
	<b>075-079</b>	Red + blue
	<b>080-084</b>	Blue + White
	<b>085-089</b>	Red + green + blue
	<b>090-094</b>	Red + green + amber
	<b>095-099</b>	Red + green + white
	<b>100-104</b>	Red + amber + blue
<b>105-109</b>	Red + white + blue	

	<b>110-114</b>	Red + amber + white
	<b>115-119</b>	Amber + green + blue
	<b>120-124</b>	Blue + green + white
	<b>125-129</b>	Amber + green + white
	<b>130-134</b>	Amber + white + blue
	<b>135-139</b>	Red + green + blue + amber
	<b>140-144</b>	Red + green + blue + white
	<b>145-149</b>	Blue + green + white + amber
	<b>150-154</b>	Red + green + amber + white
	<b>155-159</b>	White + Red + blue + amber
	<b>160-164</b>	Red + green + blue + amber + white
	<b>165-209</b>	Automatic (single colors only)
	<b>210-255</b>	Automatic (two colors at a time)
<b>CH3 Speed</b>		Automatic Speed (when CH2 is between 165-255)
	<b>000-255</b>	Slow-fast(only colors)
<b>CH4 Strobe</b>	<b>000-004</b>	No Function
	<b>005-254</b>	Strobe(slow->fast)(max 30 Hz)
	<b>255-255</b>	Sound-activated strobe mode
<b>CH5 White</b>	<b>000-009</b>	Blackout
	<b>010-019</b>	Pattern 1 (slow->fast)
	<b>020-029</b>	Pattern 2 (slow->fast)
	<b>030-039</b>	Pattern 3 (slow->fast)
	<b>040-049</b>	Pattern 4 (slow->fast)
	<b>050-059</b>	Pattern 5 (slow->fast)
	<b>060-069</b>	Pattern 6 (slow->fast)
	<b>070-079</b>	Pattern 7 (slow->fast)
	<b>080-089</b>	Pattern 8 (slow->fast)
	<b>090-099</b>	Pattern 9 (slow->fast)
	<b>100-109</b>	Pattern 0 (slow->fast)
	<b>110-255</b>	ON
<b>CH6 Laser</b>	<b>000-009</b>	Black out
	<b>010-049</b>	Red on
	<b>050-089</b>	Green on
	<b>090-129</b>	Green & Red (alternate strobe)
	<b>130-169</b>	Red on & Green strobe
	<b>170-209</b>	Green on & Red strobe
	<b>210-255</b>	Red & Green(strobe)
<b>CH7 Laser Strobe</b>	<b>000-004</b>	No Function
	<b>005-254</b>	Strobe(slow->fast)(max 30 HZ)
	<b>255-255</b>	Sound-activated strobe mode
<b>CH8 Led Motor</b>	<b>000-004</b>	Stop
	<b>005-127</b>	Rotate clockwise (slow->fast)

	<b>128-133</b>	Stop
	<b>134-255</b>	Rotate counter-clockwise(slow->fast)
<b>CH9 Laser Motor</b>	<b>000-004</b>	Stop
	<b>005-127</b>	Rotate clockwise
	<b>128-133</b>	Stop
	<b>134-255</b>	Rotate counter-clockwise

## **MAINTENANCE**

- Make sure the area below the installation place is free from unwanted persons during servicing.
- Switch off the unit, unplug the mains cable and wait until the unit has been cooled down.

**During inspection the following points should be checked:**

- All screws used for installing the device and any of its parts should be tightly fastened and may not be corroded.
- Housings, fixations and installations spots (ceiling, truss, suspensions) should be totally free from any deformation.
- When an optical lens is visibly damaged due to cracks or deep scratches, it must be replaced.
- The mains cables must be in impeccable condition and should be replaced immediately when even a small problem is detected.
- In order to protect the device from overheat the cooling fans (if any) and ventilation openings should be cleaned monthly.
- The interior of the device should be cleaned annually using a vacuum cleaner or air-jet.
- The cleaning of internal and external optical lenses and/or mirrors must be carried out periodically to optimize light output. Cleaning frequency depends on the environment in which the fixture operates: damp, smoky or particularly dirty surroundings can cause greater accumulation of dirt on the unit's optics.
  - Clean with a soft cloth using normal glass cleaning products.
  - Always dry the parts carefully.
  - Clean the external optics at least once every 30 days.
  - Clean the internal optics at least every 90 days.

**Attention: We strongly recommend internal cleaning to be carried out by qualified personnel!**

## **SPECIFICATIONS**

<b>Mains Input:</b>	AC 100~240V, 50/60Hz
<b>Fuse:</b>	250V 1.6A slow blow (20mm glass)
<b>Total Power consumption:</b>	66W
<b>Sound Control:</b>	Internal microphone
<b>DMX connections:</b>	3pin XLR male / female
<b>DMX channels:</b>	1 or 9 channels
<b>DMX starting address:</b>	001 → 504
<b>Led effect Power:</b>	3Watt Red + 3Watt Green + 3Watt Blue + 3Watt Orange + 3Watt White LEDs
<b>Strobe effect Power:</b>	8x 1Watt LEDs
<b>Laser Power:</b>	150mW Red ( $\lambda = 650\text{nm}$ ) + 50mW Green laser ( $\lambda = 532\text{nm}$ )
<b>Laser radiation class:</b>	3B
<b>Working temperature:</b>	10°C to 40°C
<b>Laser Safety Standard:</b>	EN/IEC 60825-1 2007
<b>Size:</b>	240x220x110mm
<b>Weight:</b>	4.2kg

Every information is subject to change without prior notice  
 You can download the latest version of this user manual on our website: [www.beglec.com](http://www.beglec.com)

# GUIDE D'UTILISATION

Nous vous remercions d'avoir acheté ce produit JB Systems®. Pour tirer pleinement profit de toutes les possibilités du produit et pour votre propre sécurité, lisez ces instructions très attentivement avant d'utiliser cet appareil.

## CARACTÉRISTIQUES

Cet appareil ne produit pas d'interférences radio. Ce produit répond aux exigences des directives européennes et nationales actuelles. La conformité a été établie et les déclarations et documents correspondants ont été déposés par le fabricant.

- Cet appareil a été conçu pour produire un effet d'éclairage décoratif et est utilisé dans les systèmes de jeu de lumière.
- Achetez un seul effet et vous aurez tout !
- Cet incroyable effet réunit 3 différents effets dans une merveilleuse combinaison :
  - Effet à LED, identique à notre LED DEVIL (5 diodes électroluminescentes de 3 watts de différentes couleurs : rouge, vert, bleu, orange, blanc).
  - Effet stroboscopique à LED : diodes électroluminescentes puissantes et de couleur blanche (8 diodes de 1 watt).
  - Effet LASER : merveilleux motifs laser rouge (150 mW)/vert (50 mW).
- Un grand nombre de différents programmes internes pour simplifier la vie !
  - Contrôlé par DMX: 1 canal pour une utilisation facile ou 9 canaux pour un contrôle total.
  - Autonome : activation sonore (par micro interne) ou automatique.
  - Maître/Esclave : des shows magnifiques synchronisés.
- Affichage à LED à 3 chiffres pour une navigation simple dans les menus.
- Entrée + sortie d'alimentation principale IEC pour un raccordement simple.
- Interrupteur Marche/Arrêt et interrupteur de sécurité actionnés par une clef (verrouillage) pour plus de sécurité.
- Conforme aux normes EN/IEC 60825-1 2007 concernant la Sécurité Laser.

## AVANT UTILISATION

- Avant d'utiliser cet appareil, vérifiez s'il n'a pas été endommagé durant le transport. En cas de dommages, n'utilisez pas l'appareil et consultez immédiatement votre revendeur.
- **Important** : Cet appareil est expédié de notre usine en parfait état et bien emballé. Il est absolument nécessaire que l'utilisateur suive strictement les instructions et les avertissements de sécurité se trouvant dans ce manuel. Tout dommage dû à une mauvaise manipulation n'est pas garanti. Le revendeur n'accepte aucune responsabilité pour tous les défauts et problèmes dus au non-respect de ce manuel.
- Conservez ce manuel dans un endroit sûr pour toute consultation future. Si vous vendez l'appareil, assurez-vous de joindre ce manuel.

### Vérifiez le contenu :

Vérifiez que le carton contient les articles suivants :

- INVADER
- 2 clés (pour interrupteur à clé)
- Connecteur de réserve pour arrêt d'urgence
- Câble d'alimentation secteur
- Instructions d'utilisation

## INSTRUCTIONS DE SÉCURITÉ :



**ATTENTION :** Pour réduire le risque de choc électrique, ne retirez pas le panneau supérieur. L'appareil ne contient aucun composant réparable par l'utilisateur. Confiez toute réparation à un personnel qualifié uniquement.



Le symbole de l'éclair à l'intérieur d'un triangle équilatéral, est destiné à alerter l'utilisateur de la présence de « tensions dangereuses » non isolées à l'intérieur de l'appareil, d'une magnitude pouvant constituer un risque d'électrocution.



Le symbole du point d'exclamation dans un triangle équilatéral sert à avertir l'utilisateur que d'importants conseils d'utilisation et de maintenance sont fournis dans la documentation accompagnant l'appareil.



Ce symbole signifie : Pour usage intérieur uniquement.



Ce symbole signifie : Lisez les instructions.



Ce symbole détermine : La distance minimale des objets éclairés. La distance minimale entre la sortie de lumière et la surface éclairée doit être supérieure à un 1 mètre.

- Pour protéger l'environnement, essayer de recycler autant que possible les matériaux d'emballage.
- Un jeu de lumière neuf provoque parfois une certaine fumée et/ou odeur indésirables. Ceci est normal et disparaît après quelques minutes.
- Pour éviter tout incendie ou électrocution, n'exposez pas cet appareil à la pluie ou à l'humidité.
- Pour éviter une formation de condensation interne, laissez l'appareil s'adapter à la température ambiante quand vous le mettez dans une pièce chaude après le transport. La condensation empêche parfois l'appareil de fonctionner à plein rendement ou peut même causer des dommages.
- Cet appareil est destiné à un usage intérieur seulement.
- Ne placez pas d'objets métalliques et ne renversez pas de liquides à l'intérieur de l'appareil. Un choc électrique ou un dysfonctionnement peut en résulter. Si un corps étranger pénètre dans l'appareil, débranchez immédiatement le cordon d'alimentation de la prise secteur.
- Placez l'appareil dans un endroit bien aéré, loin de tout matériau et/ou liquide inflammable. L'appareil doit être fixé à au moins à 50 cm des murs environnants.
- Ne couvrez pas les ouvertures de ventilation, cela pourrait entraîner une surchauffe.
- Évitez une utilisation dans des environnements poussiéreux et nettoyez l'appareil régulièrement.
- Gardez l'appareil loin de la portée des enfants.
- Les personnes inexpérimentées ne doivent pas utiliser cet appareil.
- La température ambiante d'utilisation en toute sécurité est entre 15 et 40 °C. N'utilisez pas cet appareil à des températures ambiantes supérieures.
- Assurez-vous qu'aucune personne étrangère ne se trouve dans la zone en dessous de l'emplacement d'installation durant le montage, le démontage et l'entretien.
- Débranchez toujours l'appareil lorsqu'il n'est pas être utilisé pendant une longue période ou avant de remplacer la lampe ou avant de faire l'entretien.
- L'installation électrique doit être effectuée par du personnel qualifié, conformément à la réglementation en matière de sécurité électrique et mécanique dans votre pays.
- Vérifiez que votre tension n'est pas supérieure à celle indiquée sur le panneau arrière de l'appareil.
- Le cordon d'alimentation doit toujours être en parfait état. Éteignez immédiatement l'appareil dès que le cordon d'alimentation est écrasé ou endommagé. Il doit être remplacé par le fabricant, son agent de service ou une personne de même qualification afin d'éviter tout danger.
- Ne laissez jamais le cordon d'alimentation entrer en contact avec d'autres câbles !
- Cet appareil doit être mis à la terre pour être conforme à la réglementation en matière de sécurité.
- Ne connectez pas l'appareil à un variateur de lumière.
- Utilisez toujours un câble de sécurité approprié et certifié lors de l'installation de l'appareil.
- Afin d'éviter un choc électrique, n'ouvrez aucun panneau. À part la lampe et le fusible, il n'y a aucune pièce réparable par l'utilisateur.
- Ne réparez **jamais** un fusible et ne court-circuitiez jamais le porte-fusible. Remplacez **toujours** un fusible endommagé par un fusible du même type ayant les mêmes spécifications électriques !
- En cas de sérieux problèmes de fonctionnement, cessez d'utiliser l'appareil et contactez immédiatement votre revendeur.
- Le boîtier et l'objectif doivent être remplacés s'ils sont visiblement endommagés.

- Utilisez l'emballage d'origine pour transporter l'appareil.
- Pour des raisons de sécurité, il est interdit d'apporter des modifications non autorisées à l'appareil.

**Important :** Ne regardez jamais directement la source de lumière ! N'utilisez pas le jeu de lumière en présence de personnes souffrant d'épilepsie.

## CONSIGNES DE SÉCURITÉ CONCERNANT LE LASER :

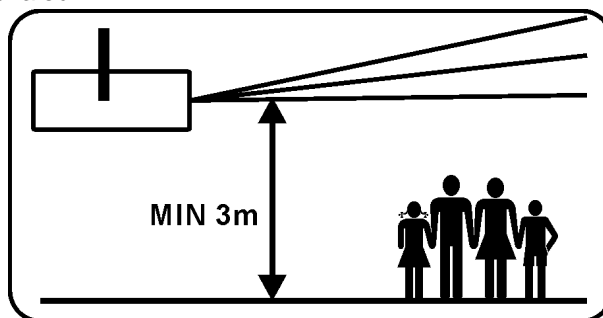
- Selon les règlements EN/IEC 60825-1 Ed2, 2007-03, ce laser est un laser de classe 3B. L'exposition directe de l'œil au laser peut être dangereuse.



**DANGER : RAYONNEMENT LASER !**  
**Éviter de fixer directement le laser ! Le rayonnement laser peut provoquer des lésions oculaires et/ou de la peau. Toutes les mesures de protection pour une utilisation sécuritaire de ce laser doivent être appliquées.**

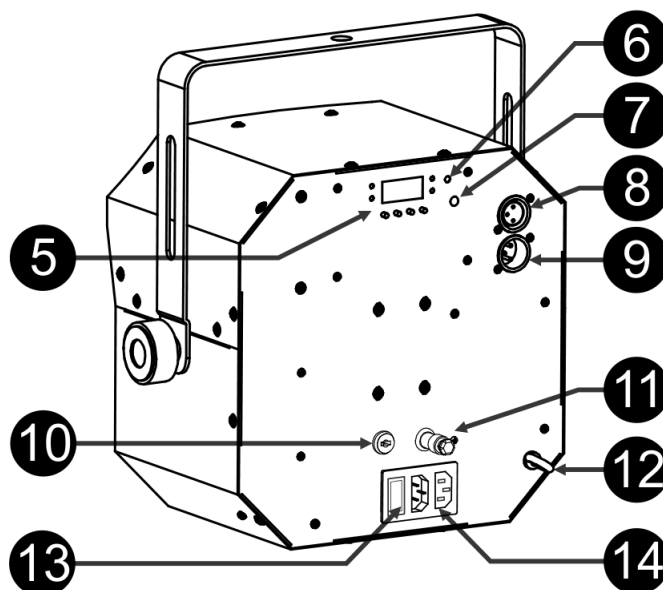
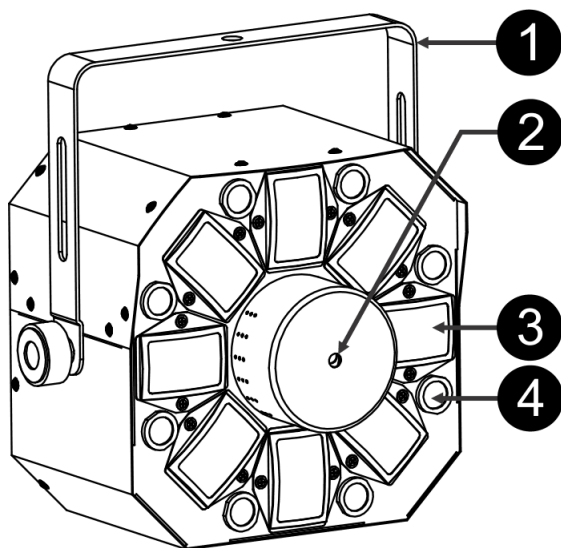


- Ce produit est un laser de spectacle, émettant un rayonnement de spectre de longueur d'onde entre 400 et 700 nm et produisant des effets de lumière pour des spectacles.
- La lumière laser est différente de toute autre source de lumière qui vous est familière. La lumière produite par cet appareil peut causer des lésions oculaires s'il n'est pas réglé et utilisé correctement. La lumière laser est une lumière concentrée, des milliers de fois plus puissante que tout autre type de lumière. Cette concentration de puissance lumineuse peut provoquer des lésions oculaires instantanées, surtout en brûlant la rétine (la partie à l'arrière de l'œil sensible à la lumière). Un faisceau laser peut toujours vous brûler ou vous aveugler même si vous ne sentez de « chaleur ».
- Même à de longues distances, un très petit laser peut être potentiellement dangereux.
- Ne regardez jamais dans l'ouverture du laser ou les faisceaux laser
- Ne dirigez jamais un faisceau laser vers des personnes ou des animaux et ne laissez jamais cet appareil en marche sans surveillance.
- Ce laser ne doit être utilisé que pour des spectacles. Un laser de spectacle de classe 3 B ne doit être manipulé que par un opérateur qualifié et bien formé.
- Selon la classification, l'utilisation d'un appareil laser peut produire un rayonnement laser qui peut causer des lésions oculaires et/ou de la peau permanentes. Les règlements d'utilisation d'un appareil laser varient d'un pays à l'autre. L'utilisateur doit toujours être au courant des règlements juridiques en vigueur dans son pays et les appliquer à sa situation.
- La documentation principale et fondamentale des normes de sécurité laser ANSI Z136.1 (2007) fournit des conseils pour l'utilisation sécuritaire des lasers et systèmes laser en définissant des mesures de contrôle pour chacune des quatre classes laser. Cette importante documentation peut être obtenue à partir du site web [www.laserinstitute.org](http://www.laserinstitute.org)



Il convient de noter que **JB SYSTEMS** ne peut être tenu responsable des dommages causés par des installations incorrectes et des utilisations non appropriées !

## DESCRIPTION :



1. **SUPPORT DE SUSPENSION** : Support de suspension au mur avec 2 boutons, un sur chaque côté, pour attacher l'appareil et un trou de montage pour la fixation sur le plafond.
2. **POINT DE SORTIE DU LASER** : C'est le point de sortie du laser du boîtier, veillez à NE JAMAIS regarder vers l'intérieur de l'appareil à travers cette ouverture alors que l'effet laser est activé !
3. **LENTILLES D'EFFET À LED** : Produit l'effet lumineux coloré. Ne pas exposer à la lumière directe du soleil !
4. **LENTILLES D'EFFET STROBOSCOPIQUE** : Produit l'effet lumineux blanc. Ne pas exposer à la lumière directe du soleil !
5. **PANNEAU DE COMMANDE** :

- a. **ÉCRAN** : Affiche les différents menus et les fonctions sélectionnées.

- b. **TÉMOINS** :

DMX	Marche	Entrée DMX présente
AUTO	Marche	Mode Maître
ESCLAVE	Marche	Mode Esclave
SON	Clignote	Activation sonore

- c. **TOUCHES** :

FUNC	Pour sélectionner les fonctions de programmation.
HAUT	Pour aller en avant dans les fonctions sélectionnées ou pour diminuer la valeur
BAS	Pour retourner en arrière dans les fonctions sélectionnées ou pour diminuer la valeur
ENTER	Pour confirmer les fonctions sélectionnées



6. **MICROPHONE INTERNE** : Le microphone intégré est utilisé pour synchroniser le show au rythme de la musique.
7. **BOUTON DE SENSIBILITÉ** : L'appareil fonctionne au rythme de la musique lorsqu'il est utilisé en mode autonome ou maître/esclave. Ce bouton permet de régler la sensibilité d'entrée du microphone intégré.
8. **SORTIE DMX** : Connecteur XLR 3 femelle pour connecter le LASER de l'unité suivante de la chaîne DMX.
9. **ENTREE DMX** : Connecteur XLR 3 broches mâle utilisé pour les câbles DMX universels. Cette entrée reçoit des instructions d'un contrôleur DMX.
10. **INTERRUPTEUR MARCHE/ARRET ACTIONNE PAR CLE** : Utilisé pour mettre en marche l'appareil ou l'arrêter. Utilisez des clefs pour vous assurer qu'un opérateur qualifié soit autorisé à manipuler le laser.



11. **Entrée de verrouillage** : Utilisé pour connecter l'interrupteur d'arrêt d'urgence optionnel (voir image). Quand vous poussez cet interrupteur, le faisceau laser disparaît immédiatement.

**IMPORTANT ! Pour votre propre sécurité, nous recommandons fortement d'acquiescer cet interrupteur optionnel !  
LE LASER NE S'ACTIVERA PAS QUAND L'ENTRÉE DE VERROUILLAGE N'EST PAS UTILISÉE !  
Solution temporaire : installez le connecteur de réserve sur le laser.  
(Voir image)**



12. **BOULON A ŒIL DE SECURITE** : Utilisé pour attacher un câble de sécurité au cours du levage de l'appareil (reportez-vous au paragraphe « Montage au plafond »)
13. **TENSION D'ENTRÉE** : Prise IEC avec porte-fusible ; branchez le câble d'alimentation secteur fourni dans cette prise.
14. **SORTIE SECTEUR** : Vous pouvez utiliser nos « câbles combinés » et cette sortie IEC pour mettre en cascade un autre appareil.

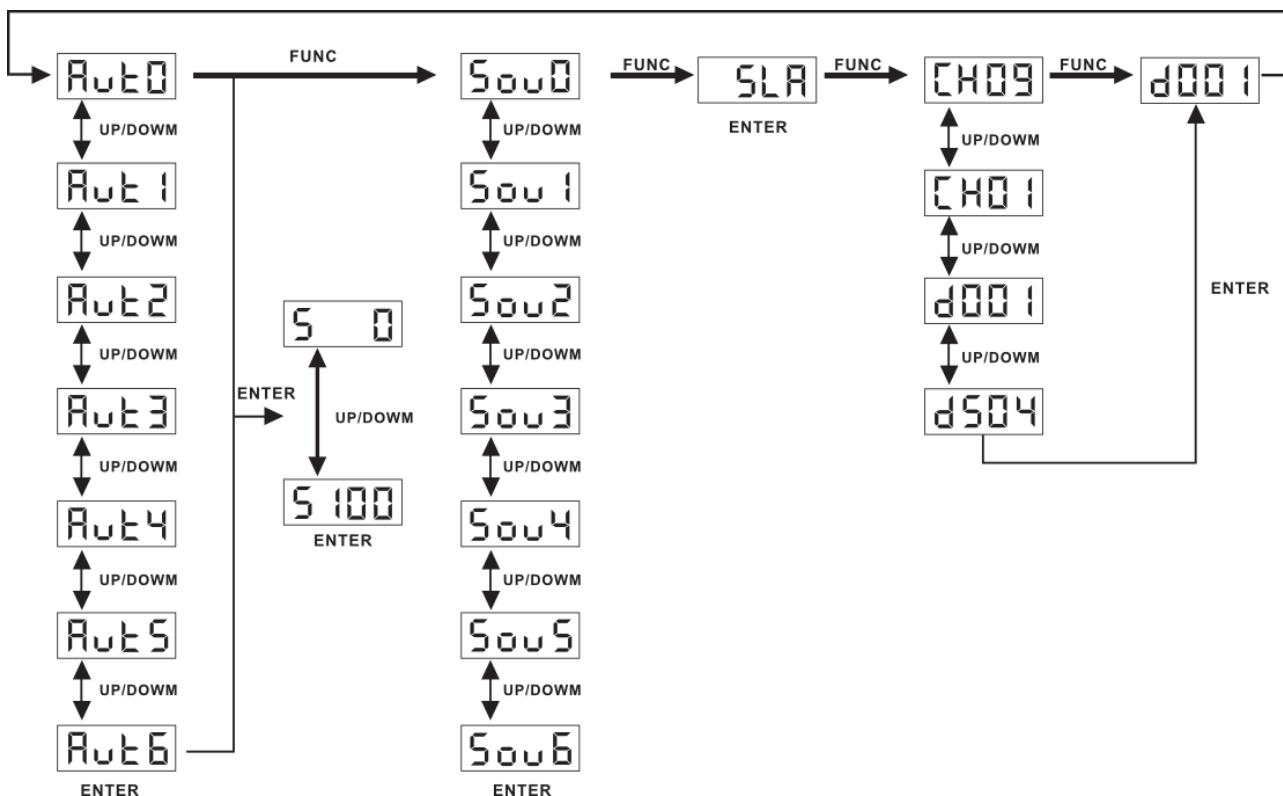
## MONTAGE AU PLAFOND

- **Important** : L'installation ne doit être effectuée que par un personnel qualifié. Une mauvaise installation peut entraîner des blessures et/ou dommages graves. Un montage au plafond exige une grande expérience ! Les limites de charge de fonctionnement doivent être respectées, des matériels d'installation certifiés doivent être utilisés, l'appareil installé doit être inspecté régulièrement pour vérifier les conditions de sécurité.
- Assurez-vous qu'aucune personne étrangère ne se trouve dans la zone en dessous de l'emplacement d'installation durant le montage, le démontage et l'entretien.
- Fixez l'appareil dans un endroit bien aéré, loin de tout matériau et/ou liquide inflammable. L'appareil doit être fixé à **au moins à 50 cm** des murs environnants.
- L'appareil doit être installé hors de portée des personnes, loin des passages et des endroits où des personnes peuvent aller et venir, et s'asseoir.
- Avant de soulever l'appareil, assurez-vous que le point de suspension peut supporter une charge d'au moins 10 fois le poids de l'appareil.
- Lors de l'installation, utilisez toujours un câble de sécurité certifié qui peut supporter 12 fois le poids de l'appareil. Ce support de suspension de sécurité secondaire doit être installé de manière à ce qu'aucune partie de l'installation ne puisse tomber de plus de 20 cm si le support principal lâche.
- L'appareil doit être bien fixé, un montage balançant est dangereux et ne doit pas être envisagé !
- Ne couvrez pas les ouvertures de ventilation, cela pourrait entraîner une surchauffe.
- L'opérateur doit s'assurer que la sécurité relative à l'installation et les conditions techniques sont approuvées par un expert avant d'utiliser l'appareil pour la première fois. Les installations doivent être inspectées chaque année par une personne qualifiée pour être sûr que la sécurité est toujours optimale.



**ATTENTION LÉSIONS OCULAIRES** : Orientez toujours le laser de manière que le public ne puisse pas regarder directement dans les faisceaux laser. L'installation doit être faite de manière que le faisceau ne soit pas orienté vers le public.

## COMMENT CONFIGURER ET CONTRÔLER L'APPAREIL



**Vous pouvez utiliser l'appareil de 4 façons :**

### **1) MODE CONTRÔLÉ PAR LA MUSIQUE :**

L'appareil lance une séquence préprogrammée au rythme de la musique. Sélectionnez ce mode quand un seul appareil est utilisé (autonome) ou quand l'appareil est placé en tête (maître) d'une cascade de plusieurs appareils.

- Appuyez sur la touche FUNC jusqu'à ce que s'affiche à l'écran : Sou (suivi d'un numéro de 0 à 6)  
Veuillez consulter avec soin le graphique des menus ci-dessus.
- Utilisez maintenant les boutons HAUT et BAS pour sélectionner l'un des modes sonores :
  - Sou0 = Laser + Rouge, Vert, Bleu, Blanc, Orange + Diodes blanches
  - Sou1 = Laser + Rouge, Vert, Bleu, Blanc, Orange
  - Sou2 = Laser + Diodes blanches
  - Sou3 = Rouge, Vert, Bleu, Blanc, Orange + Diodes blanches
  - Sou4 = Rouge, Vert, Bleu, Blanc, Orange
  - Sou5 = Laser
  - Sou6 = Diodes blanches
- Appuyez sur la touche ENTER pour confirmer votre choix.
- Reproduisez de la musique et réglez la sensibilité du microphone en utilisant le bouton de sensibilité (7) de façon à ce que l'effet réagisse parfaitement au niveau du son de votre musique.

Vous pouvez connecter plusieurs appareils ensemble : pour les faire toutes fonctionner en parfaite synchronisation, il suffit de mettre la première unité de la chaîne dans l'un des modes d'effets sonores activés et toutes les autres unités en mode « esclave » (l'écran affiche « SLA ») !

**Remarque :** Quand aucune musique n'est détectée, l'appareil éteint la lumière produite (blackout).

### **2) MODE ENTIÈREMENT AUTOMATIQUE :**

L'appareil lance automatiquement une séquence préprogrammée. Sélectionnez ce mode quand un seul appareil est utilisé (autonome) ou quand l'appareil est placé en tête (maître) d'une cascade de plusieurs appareils.

- Appuyez sur le bouton FUNC jusqu'à ce que l'écran affiche Aut (suivi d'un numéro de 0 à 6)  
Veuillez consulter avec soin le graphique des menus ci-dessus.

- Utilisez les boutons HAUT et BAS pour sélectionner l'un des modes automatiques :
  - Aut 0 = Laser + Rouge, Vert, Bleu, Blanc, Orange + Diodes blanches
  - Aut 1 = Laser + Rouge, Vert, Bleu, Blanc, Orange
  - Aut 2 = Laser + Diodes blanches
  - Aut 3 = Rouge, Vert, Bleu, Blanc, Orange + Diodes blanches
  - Aut 4 = Rouge, Vert, Bleu, Blanc, Orange
  - Aut 5 = Laser
  - Aut 6 = Diodes blanches
- Appuyez sur la touche ENTER pour confirmer votre choix.
- Utilisez maintenant les boutons HAUT et BAS pour sélectionner la vitesse :
  - S 1 = Vitesse très rapide
  - S 100 = Vitesse très lente
  - S 0 = La vitesse par défaut de la séquence préprogrammée

L'appareil lance automatiquement une séquence préprogrammée.

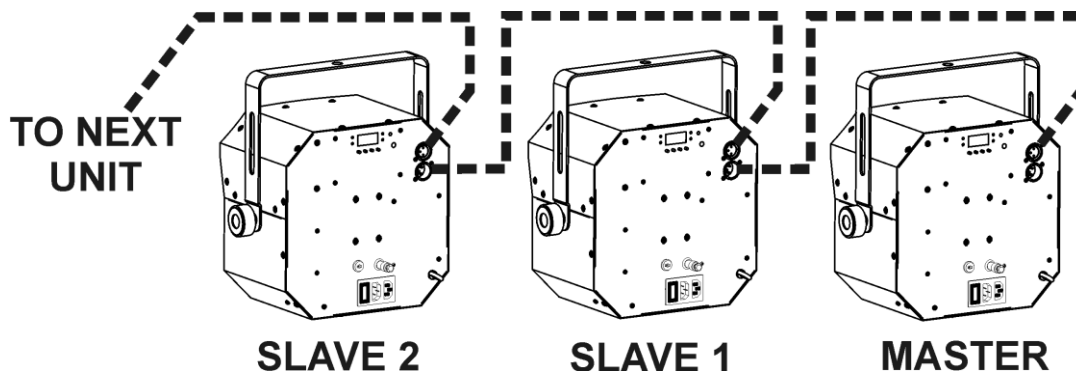
Vous pouvez connecter plusieurs appareils ensemble : pour les faire toutes fonctionner en parfaite synchronisation, il suffit de mettre la première unité de la chaîne dans l'un des modes d'effets automatique et toutes les autres unités en mode « esclave » (l'écran affiche « SLA ») !

### 3) MODE ESCLAVE :

L'appareil suit les instructions données par l'appareil de tête (maître) dans la cascade. De cette façon, vous obtiendrez d'agréables shows synchronisés.

- Connectez l'entrée DMX de l'appareil à la sortie DMX de l'appareil précédent dans la cascade.
- Appuyez sur la touche FUNC jusqu'à ce que l'écran affiche « SLA »
- Appuyez sur la touche ENTER pour confirmer votre choix.

Vous pouvez connecter plusieurs appareils ensemble. Pour les faire toutes fonctionner en parfaite synchronisation, il suffit de mettre la première unité de la chaîne dans le mode « musique » ou le mode « automatique » et toutes les autres unités en mode « esclave » (l'écran affiche « SLA ») !

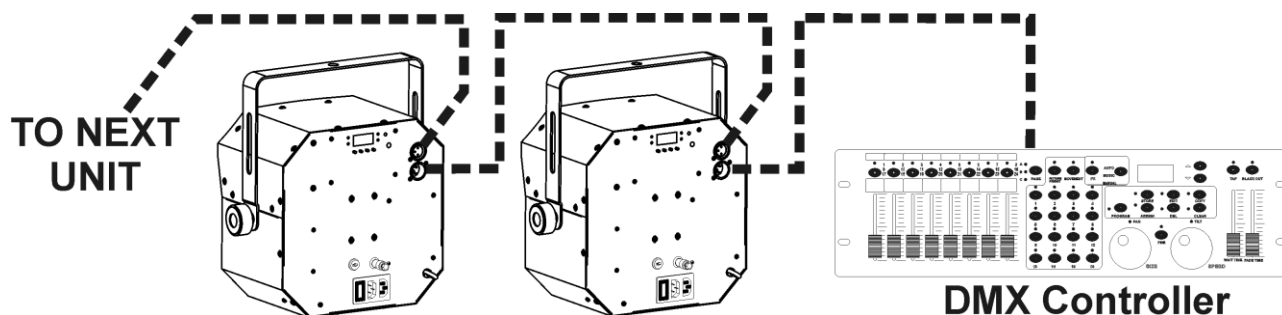


### 4) MODE DMX512 :

Le laser peut être contrôlé par un contrôleur DMX standard en 2 modes DMX différents.

- Appuyez sur la touche FUNC jusqu'à ce que l'écran affiche Ch 01 ou Ch 09.
- Utilisez les boutons HAUT et BAS pour sélectionner le mode DMX que vous souhaitez utiliser.
  - Ch01 : pour une configuration et utilisation extrêmement faciles ! Vous êtes en mesure maintenant de contrôler les fonctions automatiques de l'appareil uniquement par 1 canal DMX.
  - Ch09 : pour un contrôle complet de toutes les fonctions par les 9 canaux DMX.
- Appuyez sur la touche ENTER pour confirmer votre choix.
- « d... » (suivi de 3 numéros) se met à clignoter sur l'écran.
- Utilisez les boutons HAUT et BAS pour sélectionner l'adresse DMX que vous souhaitez utiliser.
- Appuyez sur la touche ENTER pour confirmer votre choix.

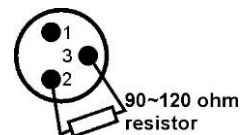
**Remarque :** l'affichage clignote lorsque l'appareil est en mode DMX et aucun signal DMX n'est détecté.



### Quelques informations supplémentaires sur DMX512 :

Le protocole DMX est largement utilisé pour contrôler des équipements lumineux multifonctions au moyen d'un signal à haute vitesse. Vous devez mettre en chaîne votre contrôleur DMX avec toutes les unités connectées au moyen d'un câble XLR M/F symétrique de bonne qualité. Pour éviter un comportement anormal des effets de lumière, à cause des interférences, vous devez utiliser un terminateur de 90  $\Omega$  à 120  $\Omega$  à la fin de la chaîne. N'utilisez jamais de séparateurs de câbles en Y, cela ne fonctionne pas !

Chaque effet de lumière dans la chaîne doit avoir sa propre adresse de départ afin qu'il sache quelles commandes du contrôleur il doit décoder.



### CONFIGURATION DMX POUR 1 CANAL DE L'APPAREIL :

Valeur DMX	Fonction
000-029	ARRÊT
030-049	Diodes blanches complètement allumées
050-069	Effet stroboscopique des diodes blanches
070-089	Laser automatique lent
090-109	Rouge, Vert, Bleu, Blanc, Orange automatique lent
110-129	Laser + Rouge, Vert, Bleu, Blanc, Orange automatique lent
130-149	Diodes blanches contrôlé par le son
150-169	Laser contrôlé par le son
170-189	Rouge, Vert, Bleu, Blanc, Orange contrôlé par le son
190-209	Rouge, Vert, Bleu, Blanc, Orange + Diodes blanches contrôlé par le son
210-229	Diodes blanches + laser contrôlé par le son
230-249	Rouge, Vert, Bleu, Blanc, Orange + laser contrôlé par le son
250-255	Rouge, Vert, Bleu, Blanc, Orange + Diodes blanches + laser contrôlé par le son

### CONFIGURATION DMX POUR 9 CANAUX DE L'APPAREIL :

**REMARQUE IMPORTANTE :** Le canal 1 DMX est utilisé pour définir les différents modes de fonctionnement de l'appareil.

- Pour utiliser l'appareil en mode entièrement manuel, le canal 1 doit être défini à une valeur 221 ou supérieure.

Canal	Valeur	Fonction
Mode VOIE 1	000-009	Blackout
	010-024	AUTOMATIQUE 0
	025-039	AUTOMATIQUE 1
	040-054	AUTOMATIQUE 2
	055-069	AUTOMATIQUE 3
	070-084	AUTOMATIQUE 4
	085-099	AUTOMATIQUE 5
	100-114	AUTOMATIQUE 6
	115-129	SON 0
	130-144	SON 1
	145-159	SON 2
	160-174	SON 3
	175-189	SON 4
	190-204	SON 5
	205-220	SON 6
221-255	MODE DMX	
VOIE 2 Rouge, Vert, Bleu, Blanc, Orange	000-009	Blackout
	010-014	Rouge
	015-019	Vert
	020-024	Bleu
	025-029	Orange
	030-034	Blanc
	035-039	Blanc + rouge
	040-044	Rouge + vert
	045-049	Vert + bleu
	050-054	Bleu + orange
	055-059	Orange + Blanc
	060-064	Blanc + vert
	065-069	Vert + Orange
	070-074	Orange + rouge
	075-079	Rouge + bleu
	080-084	Bleu + Blanc
	085-089	Rouge + vert + bleu
	090-094	Rouge + vert + orange
	095-099	Rouge + vert + blanc
	100-104	Rouge + orange + bleu
105-109	Rouge + blanc + bleu	
110-114	Rouge + orange + blanc	
115-119	Orange + vert + bleu	
120-124	Bleu + vert + blanc	
125-129	Orange+ vert + blanc	

Canal	Valeur	Fonction
	130-134	Orange + blanc + bleu
	135-139	Rouge + vert + bleu + orange
	140-144	Rouge + vert + bleu+ blanc
	145-149	Bleu + vert + blanc + orange
	150-154	Rouge + vert + orange + blanc
	155-159	Blanc + rouge + bleu + orange
	160-164	Rouge + vert + bleu + orange + blanc
	165-209	Automatique (une seule couleur uniquement)
	210-255	Automatique (deux couleurs en même temps)
VOIE 3 Vitesse		Vitesse automatique (quand VOIE 2 est entre 165 et 255)
	000-255	Lent-rapide (couleurs uniquement)
VOIE 4 Effet stroboscopique	000-004	Aucun Rôle
	005-254	Effet stroboscopique (lent->rapide) (30 Hz max.)
	255-255	Mode d'effet stroboscopique activé par son
VOIE 5 Blanc	000-009	Blackout
	010-019	Motif 1 (lent->rapide)
	020-029	Motif 2 (lent->rapide)
	030-039	Motif 3 (lent->rapide)
	040-049	Motif 4 (lent->rapide)
	050-059	Motif 5 (lent->rapide)
	060-069	Motif 6 (lent->rapide)
	070-079	Motif 7 (lent->rapide)
	080-089	Motif 8 (lent->rapide)
	090-099	Motif 9 (lent->rapide)
	100-109	Motif 0 (lent->rapide)
	110-255	MARCHE
VOIE 6 Laser	000-009	Blackout
	010-049	Rouge allumé
	050-089	Vert allumé
	090-129	Vert et rouge (effet stroboscopique alterné)
	130-169	Rouge allumé et vert stroboscopique
	170-209	Vert allumé et rouge stroboscopique
	210-255	Rouge et vert (effet stroboscopique)
VOIE 7 Effet stroboscopique laser	000-004	Aucun Rôle
	005-254	Effet stroboscopique (lent->rapide) (30 Hz max.)
	255-255	Mode d'effet stroboscopique activé par son
VOIE 8 diodes tournantes (moteur)	000-004	Arrêt
	005-127	Rotation dans le sens horaire (lent->rapide)
	128-133	Arrêt
	134-255	Rotation dans le sens antihoraire (lent->rapide)

Canal	Valeur	Fonction
VOIE 9 Laser tournant (moteur)	000-004	Arrêt
	005-127	Rotation dans le sens horaire
	128-133	Arrêt
	134-255	Rotation dans le sens antihoraire

## ENTRETIEN

- Assurez-vous qu'aucune personne étrangère ne se trouve dans la zone en dessous de l'emplacement d'installation durant l'entretien.
- Éteignez l'appareil, débranchez le câble secteur et attendez que l'appareil refroidisse.

### Lors de l'inspection les points suivants doivent être vérifiés :

- Toutes les vis utilisées pour l'installation de l'appareil et chacune de ses composantes doivent être solidement fixées et ne peuvent être rouillées.
- Les boîtiers, les supports et les boutons d'installation (plafond, poutre, suspensions) ne doivent pas être déformés.
- Quand une lentille optique est visiblement endommagée en raison de fissures ou de rayures profondes, elle doit être remplacée.
- Les câbles d'alimentation doivent être dans un état impeccable et doivent être remplacés immédiatement même si un petit problème est détecté.
- Afin de protéger l'appareil de toute surchauffe, les ventilateurs de rafraîchissement (le cas échéant) et les ouvertures de ventilation doivent être nettoyés mensuellement.
- L'intérieur de l'appareil doit être nettoyé une fois par an à l'aide d'un aspirateur ou d'un jet d'air.
- Le nettoyage des lentilles optiques et/ou miroirs internes et externes doit être effectué périodiquement pour optimiser le flux lumineux. La fréquence de nettoyage dépend de l'environnement dans lequel le projecteur est utilisé : des environnements humides, enfumés ou particulièrement sales peuvent causer l'accumulation de saleté sur l'optique de l'appareil.
  - Nettoyez avec un chiffon doux en utilisant des produits de nettoyage pour verre normal.
  - Séchez toujours les pièces soigneusement.
  - Nettoyez les optiques externes au moins une fois tous les 30 jours.
  - Nettoyez les optiques internes au moins tous les 90 jours.

**Attention :** Nous vous conseillons fortement de faire effectuer le nettoyage interne par un personnel qualifié !

## SPÉCIFICATIONS

Tension d'entrée :	CA 100 ~ 240 V, 50/60 Hz
Fusible :	250 V 1,6 A à action retardée (verre 20 mm)
Consommation totale :	66 W
Réglage du son :	Microphone interne
Connexions DMX :	XLR 3 broches mâle/femelle
Canaux DMX :	1 ou 9 canaux
Adresse DMX de départ :	001 → 504
Puissance effet LED :	Rouge 3 Watt + Vert 3 Watt + Bleu 3 Watt + Orange 3 Watt + Diodes blanches 3 Watt
Puissance effet stroboscopique :	8 x diodes 1 Watt
Puissance du laser :	150 mW Rouge ( $\lambda = 650 \text{ nm}$ ) + 50 mW Laser vert ( $\lambda = 532 \text{ nm}$ )
Classe de rayonnement laser :	3 B
Température de fonctionnement :	10°C à 40°C
Normes de Sécurité Laser :	EN/IEC 60825-1 2007
Dimensions :	240 x 220 x 110 mm
Poids :	4,2 kg

Toutes les informations peuvent être modifiées sans préavis  
 Vous pouvez télécharger la dernière version de ce manuel sur notre site web : [www.beglec.com](http://www.beglec.com)

# GEbruIKSAANWIJZING

Hartelijk dank voor de aankoop van dit JB Systems® product. Lees voordat u dit apparaat in gebruik neemt deze gebruiksaanwijzing zorgvuldig door, om ten volle te kunnen profiteren van alle mogelijkheden en voor uw eigen veiligheid.

## KENMERKEN

Dit apparaat is voorzien van onderdrukking voor radiostoring. Dit product voldoet aan de eisen van de huidige Europese en nationale richtlijnen. De conformiteit werd vastgesteld en de desbetreffende verklaringen en documenten zijn door de fabrikant gedeponneerd.

- Dit apparaat is ontworpen om decoratieve effectverlichting te produceren en wordt in lichtshowsysteem gebruikt.
- Koop slechts een effect en u hebt ze allemaal!
- Dit ongelooflijke effect mengt 3 verschillende effecten in een schitterende combinatie:
  - LED effect, vergelijkbaar met onze LED DEVIL (5 LEDs van 3 Watt met verschillende kleuren: rood, groen, blauw, oranje, wit).
  - LED STROBOSCOOP: krachtige witte LEDs (8 stuks van 1 Watt).
  - LASER-effect: schitterende rood (150 mW) / groene (50 mW) laserpatronen.
- Een groot aantal verschillende interne programma's om het leven simpel te houden!
  - DMX-besturing: 1 kanaal voor een eenvoudige bediening of 9 kanalen voor een volledige controle.
  - Stand-alone: geluidgestuurd (ingebouwde microfoon) of automatisch.
  - Master/Slave: prachtige gesynchroniseerde shows.
- 3-cijferig LED-display voor eenvoudige menunavigatie.
- IEC lichtnet ingang + uitgang voor gemakkelijk doorverbinden.
- Sleutel bediende aan-/uitschakelaar en noodstop (interlock) ingang voor extra veiligheid.
- Voldoet aan EN/IEC 60825-1 2007 voor Laserveiligheid.

## VÓÓR GEBRUIK

- Controleer het apparaat op transportschade voordat u het in gebruik neemt. Als er schade is, gebruik het apparaat dan niet en raadpleeg eerst uw dealer.
- **Belangrijk:** Dit apparaat verliet de fabriek in perfecte staat en goed verpakt. Het is absoluut noodzakelijk dat de gebruiker de veiligheidsinstructies en waarschuwingen in deze gebruiksaanwijzing strikt opvolgt. Eventuele schade veroorzaakt door verkeerde behandeling valt niet onder de garantie. De dealer neemt geen verantwoordelijkheid voor eventuele fouten of problemen die worden veroorzaakt door het niet naleven van deze handleiding.
- Bewaar dit boekje op een veilige plaats voor toekomstige raadpleging. Als u de armatuur verkoopt, voeg dan deze gebruiksaanwijzing bij.

### Controleer de inhoud:

Controleer of de kartonnen doos de volgende items bevat:

- INVADER
- 2 sleutels (voor de sleutelschakelaar)
- Reserve connector voor noodstop
- Netsnoer
- Gebruiksaanwijzing



## VEILIGHEIDSINSTRUCTIES:



**LET OP:** Verwijder de bovenste afdekking niet, om het risico op elektrische schokken te verminderen. Er bevinden zich geen door de gebruiker te repareren onderdelen in het apparaat. Laat het onderhoud alleen door gekwalificeerd onderhoudspersoneel uitvoeren.



De bliksemschicht met pijl binnenin een gelijkzijdige driehoek is bedoeld om de gebruiker te waarschuwen op de aanwezigheid van ongeïsoleerde "gevaarlijke spanning" binnen de behuizing van het product, die van voldoende omvang is om een risico op elektrische schokken te vormen.



Het uitroepteken binnen een gelijkzijdige driehoek is bedoeld om de gebruiker te waarschuwen op de aanwezigheid van belangrijke gebruiks- en onderhouds- (reparatie)aanwijzingen in de documentatie die bij dit apparaat is gevoegd.



Dit symbool betekent: Alleen gebruik binnenshuis.



Dit symbool betekent: Lees de instructies.



Dit symbool betekent: De minimale afstand van de verlichte objecten. De minimale afstand tussen de lichtbron en het verlichte oppervlak moet meer dan 1 meter zijn.

- Probeer ter bescherming van het milieu het verpakkingsmateriaal zoveel mogelijk te recyclen.
- Een nieuw lichteffect veroorzaakt soms enige ongewenste rook en/of geur. Dit is normaal en verdwijnt na enkele minuten.
- Stel dit apparaat niet bloot aan regen of vocht bloot ter voorkoming van risico op brand of elektrische schokken.
- Als het apparaat na transport in een warme ruimte wordt gebracht, wacht dan tot het is aangepast aan de omgevingstemperatuur, om te voorkomen dat er binnen het apparaat condens wordt gevormd. Condens kan soms verhinderen dat het apparaat op volle capaciteit werkt of kan zelfs schade veroorzaken.
- Dit apparaat is uitsluitend geschikt voor gebruik binnenshuis.
- Zorg ervoor dat er geen metalen voorwerpen of vloeistoffen in het toestel terechtkomen. Dit kan elektrische schokken of storing veroorzaken. Als er voorwerpen van buitenaf in het apparaat terechtkomen, haal dan onmiddellijk de stekker uit het stopcontact.
- Plaats de armatuur op een goed geventileerde plek, uit de buurt van brandbare materialen en/of vloeistoffen. De armatuur moet op minstens 50 cm vanaf omringende muren worden bevestigd.
- Bedek geen ventilatieopeningen, omdat dit tot oververhitting kan leiden.
- Voorkom het gebruik in stoffige omgevingen en maak het apparaat regelmatig schoon.
- Houd het apparaat buiten het bereik van kinderen.
- Onervaren personen mogen dit apparaat niet bedienen.
- De veilige omgevingstemperatuur is tussen 15° en 40°C. Gebruik dit toestel niet bij hogere omgevingstemperaturen.
- Zorg ervoor dat er zich tijdens takelen, onttakelen en onderhoud geen ongewenste personen bevinden in het gebied onder de installatieplaats.
- Ontkoppel altijd het apparaat wanneer het voor een langere tijd niet wordt gebruikt of alvorens de lamp te vervangen of het onderhoud te beginnen.
- De elektrische installatie dient alleen door gekwalificeerd personeel en in overeenstemming met de voorschriften voor elektrische en mechanische veiligheid in uw land te worden uitgevoerd.
- Controleer of de beschikbare spanning niet hoger is dan aangegeven op het achterpaneel van het apparaat.
- Het netsnoer moet altijd in perfecte staat zijn. Schakel het apparaat onmiddellijk uit als het netsnoer is geplet of beschadigd. Het moet door de fabrikant, zijn vertegenwoordiger, of door een vergelijkbaar bevoegde persoon worden vervangen, om gevaar te voorkomen.
- Laat het netsnoer nooit met andere kabels in contact komen!
- Deze armatuur moet worden geaard om aan de veiligheidsvoorschriften te voldoen.
- Sluit het apparaat niet aan op een dimmerpack.
- Gebruik bij het installeren van het apparaat altijd een geschikte en gecertificeerde veiligheidskabel.
- Open de afdekking niet, om elektrische schokken te voorkomen. Afgezien van de lamp en de zekering bevinden zich geen onderdelen binnenin die door de gebruiker onderhouden moeten worden.
- **Repareer** nooit een zekering en overbrug nooit de zekeringhouder. **Vervang** altijd een kapotte zekering met een zekering van hetzelfde type en elektrische specificaties!

- Stop in geval van ernstige problemen met de werking het gebruik van de armatuur en neem onmiddellijk contact op met uw dealer.
- De behuizing en de lenzen moeten worden vervangen als ze zichtbaar beschadigd zijn.
- Gebruik de originele verpakking als het toestel vervoerd moet worden.
- Het is om veiligheidsredenen verboden om ongeautoriseerde wijzigingen aan het apparaat aan te brengen.

**Belangrijk:** Kijk nooit rechtstreeks in de lichtbron! Gebruik het effect niet in aanwezigheid van personen die aan epilepsie lijden.

## **LASER VEILIGHEIDSINSTRUCTIES:**

- Volgens de EN/IEC 60825-1 Ed2, 2007-03 regelgeving, valt deze laser onder de classificatie 3B. Directe blootstelling aan de ogen kan gevaarlijk zijn.

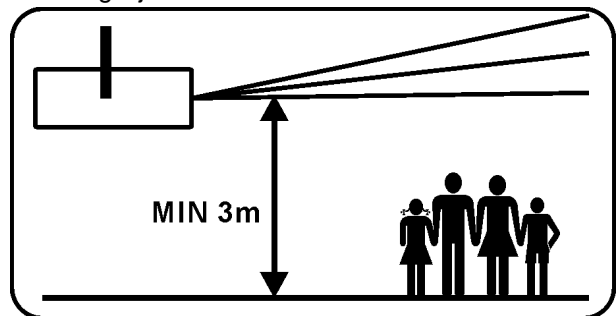


**GEVAAR: LASERSTRALING!**  
**Vermijd directe blootstelling aan het oog! Laserstraling kan oogletsel en/of beschadiging van de huid veroorzaken. Alle beschermende maatregelen voor een veilig gebruik van deze laser moet worden toegepast.**

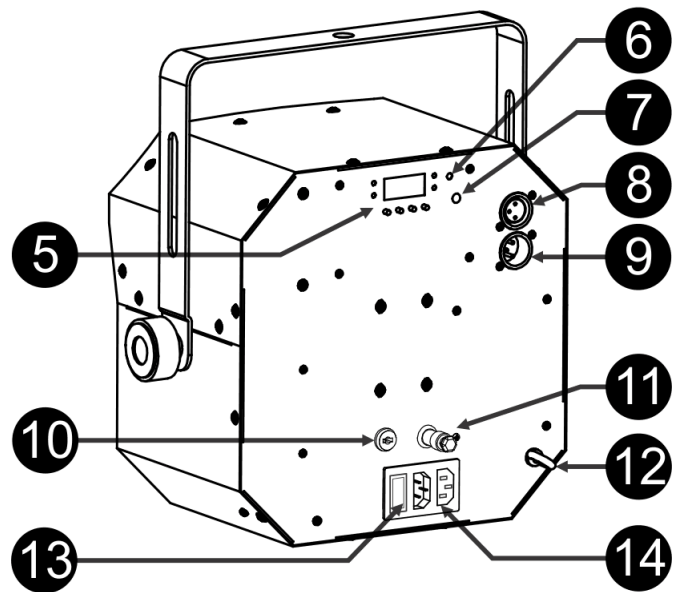
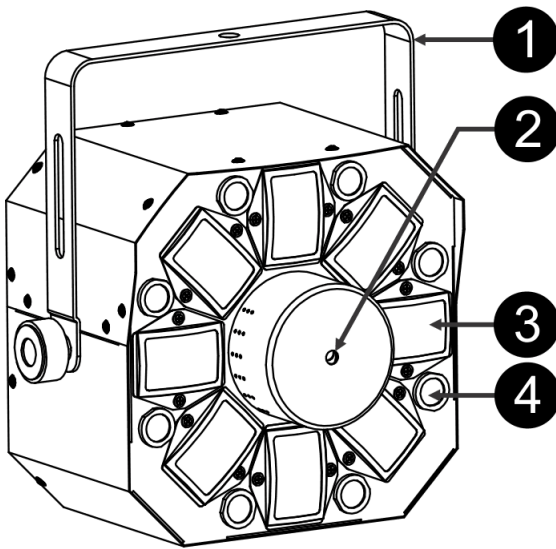


- Dit product is een zogenaamd showlaser, zend straling uit met een golflengtespectrum tussen 400 en 700 nm en het produceert lichteffecten voor shows.
- Laserlicht is anders dan elke andere lichtbron waarmee u misschien bekend mee bent. Het licht van dit product kan mogelijk oogletsel veroorzaken, indien niet correct ingesteld en correct gebruikt wordt. Laserlicht is duizenden malen meer geconcentreerd dan het licht van elke andere vorm van lichtbron. Deze concentratie van licht macht kan tot direct oogletsel leiden, voornamelijk door het verbranden van het netvlies (het lichtgevoelige gedeelte aan de achterkant van het oog). Zelfs als u geen "warmte" van een laserstraal, kunt voelen, kan het nog steeds u of uw publiek mogelijk verwonden of verblinden.
- Zelfs zeer kleine hoeveelheden van het laserlicht is potentieel gevaarlijk, zelfs op lange afstanden.
- Kijk nooit in het laserdiafragma of de laserstralen
- Richt de laserstraal nooit op mensen of dieren en laat dit apparaat nooit zonder toezicht werken.
- Deze laser mag alleen worden gebruikt voor shows. De werking van een klasse 3 B laser is alleen toegestaan als het gebruik wordt bediend door een deskundige en goed opgeleide operator.
- Afhankelijk van de classificatie, kan het bedienen van een laserproduct laserstraling produceren die permanent oogletsel en/of beschadiging van de huid kan veroorzaken. De wettelijke voorschriften voor het gebruik van een laserproduct verschillen van land tot land. De gebruiker moet zich altijd over de wettelijke voorschriften informeren die geldig zijn in zijn land en deze in zijn situatie toepassen.
- Het bovenliggende document en de hoeksteen van de laserveiligheidsnormen ANSI Z136.1 (2007) geven richtlijnen voor het veilig gebruik van lasers en lasersystemen door het definiëren van beheersmaatregelen voor elk van de vier laser klassen. Dit waardevolle document kan worden verkregen bij.

Houd er rekening mee dat **JB SYSTEMS** niet aansprakelijk kan worden gesteld voor schade veroorzaakt door onjuiste installaties en onervaren gebruik!



**BESCHRIJVING:**



1. **OPHANGBEUGEL:** Met 2 knoppen aan beide zijden om het apparaat te bevestigen en een montagegat om een ophanghaak te bevestigen.
2. **LASER-UITGANG:** De laserstralen verlaat hier de behuizing; zorg ervoor om NOOIT door deze opening in het toestel te kijken, terwijl de lasereffect is ingeschakeld!
3. **LENZEN LED-EFFECT:** Uitgang van het gekleurde LED-effect. Stel niet bloot aan direct zonlicht!
4. **LENZEN STROBOSCOOPEFFECT:** Uitgang van het witte LED-effect. Stel niet bloot aan direct zonlicht!
5. **BEDIENINGSPANEEL:**



- a. **DISPLAY:** Toont de verschillende menu's en de geselecteerde functies.

b. **LED's:**

DMX	Aan	DMX-ingang aanwezig
AUTO	Aan	Master-modus
SLAVE	Aan	Slave-modus
GELUID	Knipperend	Geluid activering

c. **BUTTONS:**

FUNC	Om de programmeringfuncties te selecteren
OMHOOG	Om vooruit in de geselecteerde functies te gaan of om een waarde te verhogen
OMLAAG	Om achteruit in de geselecteerde functies te gaan of om een waarde te verlagen
ENTER	Om de geselecteerde functies te bevestigen

6. **INGEBOUWDE MICROFOON:** De ingebouwde microfoon wordt gebruikt om de show op het ritme van de muziek te synchroniseren.
7. **GEVOELIGHEIDSKNOP:** Het apparaat werkt op het ritme van de muziek bij gebruik in stand-alone- of master/slave-modus. Met deze knop kunt u de ingangsgevoeligheid van de ingebouwde microfoon instellen.
8. **DMX-UITGANG:** 3-pins vrouwelijke XLR-connector die gebruikt wordt om de LASER met de volgende eenheid in de DMX-keten te verbinden.
9. **DMX-INGANG:** 3-pins mannelijke XLR-connector die gebruikt wordt om de universele DMX-kabels aan te sluiten. Deze ingang ontvangt instructies van een DMX-controller.

10. **SLEUTEL GEACTIVEERDE AAN/UIT-SCHAKELAAR:** Wordt gebruikt om het apparaat aan/uit te schakelen. Gebruik de sleutel om ervoor te zorgen dat slechts een bekwame medewerker in staat is om de laser in te schakelen.
11. **INTERLOCK-ingang:** Wordt gebruikt om de optionele noodstop-schakelaar aan te sluiten (zie foto). Wanneer u op deze schakelaar drukt zal de laserstraal onmiddellijk verdwijnen.

**BELANGRIJK! Voor uw eigen veiligheid raden wij ten zeerste aan deze optionele schakelaar aan te sluiten!  
ER IS GEEN UITVOER VAN DE LASER ALS DE INGANG VOOR HET DOORKOPPELEN NIET WORDT GEBRUIKT!  
Tijdelijke oplossing: installeer de reserve connector op de laser.  
(zie afbeelding)**



12. **VEILIGHEIDSOOGBOUT:** Wordt gebruikt om een veiligheidskabel te bevestigen wanneer het apparaat is opgetuigd (zie paragraaf "Hijsen boven personen").
13. **LICHTNETSPANNING:** Met IEC-aansluiting en geïntegreerde zekeringhouder, sluit hier het meegeleverde netsnoer op aan.
14. **LICHTNETUITGANG:** U kunt de "combikabels" en deze IEC-uitgang gebruiken om gemakkelijk door te kunnen lussen naar het volgende toestel

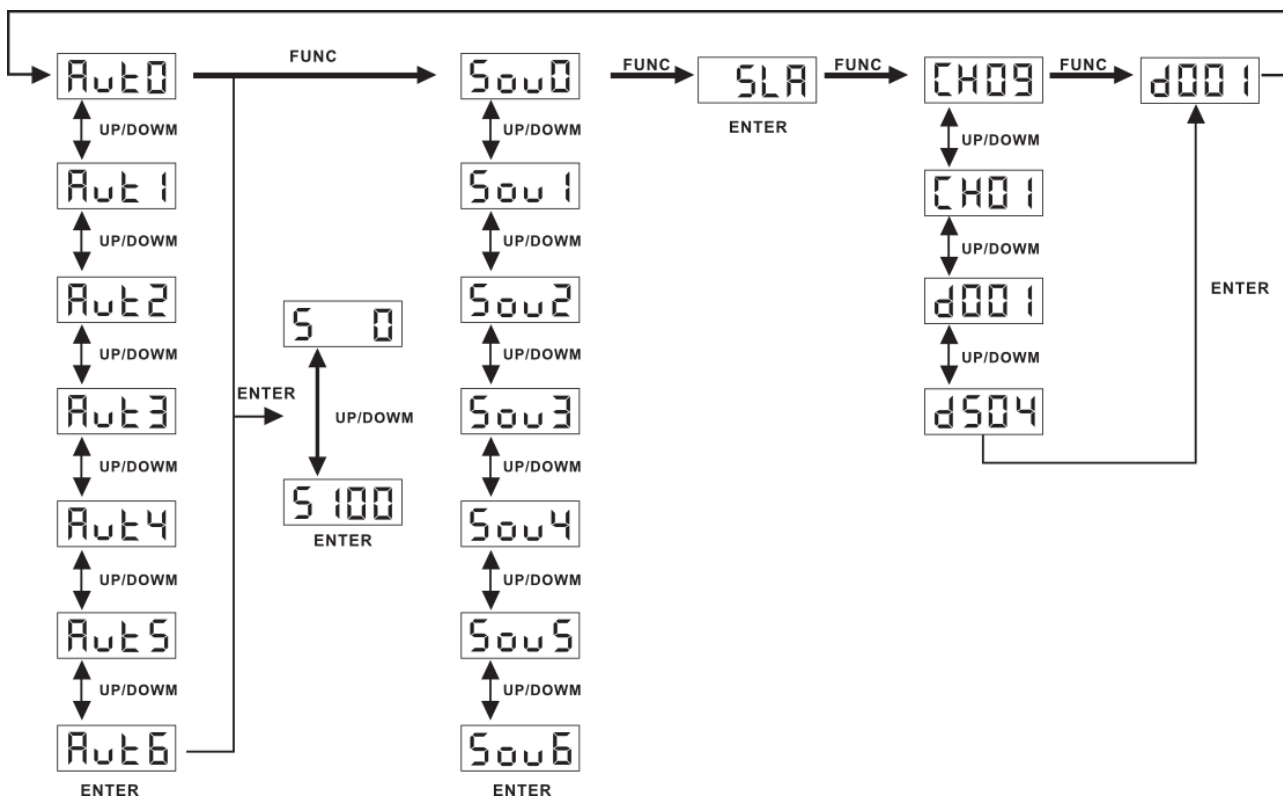
## HOOG HIJSEN

- **Belangrijk:** De installatie mag alleen door gekwalificeerd onderhoudspersoneel worden uitgevoerd. Onjuiste installatie kan leiden tot ernstig letsel en/of schade aan goederen. Hoog hijsen vereist veel ervaring! Belastinglimieten moeten in acht worden genomen; er moeten gecertificeerde installatiematerialen worden gebruikt; het geïnstalleerde apparaat moet regelmatig worden gecontroleerd op veiligheid.
- Zorg ervoor dat er zich tijdens takelen, onttakelen en onderhoud geen ongewenste personen bevinden in het gebied onder de installatieplaats.
- Plaats de armatuur op een goed geventileerde plek, uit de buurt van brandbare materialen en/of vloeistoffen. De armatuur moet op **minstens 50 cm** vanaf omringende muren worden bevestigd.
- Het apparaat moet buiten het bereik van mensen en buiten de gebieden waar personen kunnen lopen of zitten worden geïnstalleerd.
- Alvorens te hijsen, controleer of de installatieplek een minimum puntbelasting van 10 keer het gewicht van het apparaat kan dragen.
- Gebruik bij het installeren van het apparaat altijd een gecertificeerde veiligheidskabel die 12 keer het gewicht van het apparaat kan dragen. Deze secundaire veiligheidsbevestiging dient op een zodanige wijze te worden geïnstalleerd zodat geen enkel onderdeel van de installatie meer dan 20 cm kan vallen als de hoofdbevestiging het begeeft.
- Het apparaat moet goed worden bevestigd; een vrij slingerende montage is gevaarlijk en mag niet worden overwogen!
- Bedek geen ventilatieopeningen, omdat dit tot oververhitting kan leiden.
- De exploitant moet ervoor zorgen dat de veiligheidgerelateerde en machinetechnische installaties door een deskundige zijn goedgekeurd voordat deze voor de eerste keer in gebruik worden genomen. De installaties moeten ieder jaar door een vakman worden geïnspecteerd om er zeker van te zijn dat de veiligheid nog steeds optimaal is.



**VOORZICHTIG OOGLETSEL:** Plaats altijd de laser op een zodanig wijze zodat voorkomen wordt dat het publiek direct in de laserstralen kijkt. De installatie dient te garanderen dat de straal het publiek niet raakt.

# HOE HET APPARAAT IN TE STELLEN EN TE BEDIENEN



**U kunt het apparaat op 4 manieren bedienen:**

## **1) MUZIEKGESTUURDE MODUS:**

Het toestel doorloopt een voorgeprogrammeerde reeks op het ritme van de muziek. Selecteer deze stand wanneer er maar 1 toestel wordt gebruikt (stand-alone) of wanneer het toestel als het eerste (master) toestel is geplaatst in een keten met meerdere toestellen.

- Druk op en houd de "FUNC"-toets ingedrukt totdat de display weergeeft: Gel (gevolgd door een cijfer van 0 tot 6)  
Raadpleeg het bovenstaande menu-overzicht zorgvuldig.
- Gebruik de OMHOOG of OMLAAG-toetsen om een van de geluidsstanden te selecteren:
  - Gel0 = laser + RGBWA + witte LEDs
  - Gel1 = laser + RGBWA
  - Gel2 = laser + witte LEDs
  - Gel3 = RGBWA + witte LEDs
  - Gel4 = RGBWA
  - Gel5 = laser
  - Gel6 = Witte LEDs
- Druk de "ENTER"-toets om uw keuze te bevestigen.
- Zet muziek op en stel de gevoeligheid van de microfoon af met behulp van de gevoeligheidsknop (7), zodat het effect perfect reageert op het geluidsniveau van de muziek.

U kunt meerdere toestellen met elkaar verbinden: schakel gewoon het eerste apparaat in de keten in één van de geluid geactiveerde effectmodi en alle andere apparaten in de "Slave"-modus (display toont "SLA"), zodat ze allemaal perfect synchroon werken!

**Opmerking:** Wanneer er geen muziek wordt gedetecteerd, zal het toestel worden uitgeschakeld (black-out).

## **2) VOLAUTOMATISCHE MODUS:**

Het toestel doorloopt automatisch een voorgeprogrammeerde reeks. Selecteer deze stand wanneer er maar 1 toestel wordt gebruikt (stand-alone) of wanneer het toestel als het eerste (master) toestel is geplaatst in een keten met meerdere toestellen.

- Druk de FUNC-toets totdat het scherm Aut (gevolgd door een getal van 0 tot 6) weergeeft. Raadpleeg het bovenstaande menu-overzicht zorgvuldig.
- Gebruik de OMLAAG of OMLAAG-toetsen om een van de automatische standen te selecteren:
  - Aut 0 = laser + RGBWA + witte LEDs
  - Aut 1 = laser + RGBWA
  - Aut 2 = laser + witte LEDs
  - Aut 3 = RGBWA + witte LEDs
  - Aut 4 = RGBWA
  - Aut 5 = laser
  - Aut 6 = Witte LEDs
- Druk de "ENTER"-toets om uw keuze te bevestigen.
- Gebruik nu de OMLAAG of OMLAAG-toetsen om de snelheid te selecteren:
  - S 1 = hoogste snelheid
  - S 100 = laagste snelheid
  - S 0 = De standaard snelheid van de voorgeprogrammeerde reeks

Het toestel doorloopt automatisch een voorgeprogrammeerde reeks.

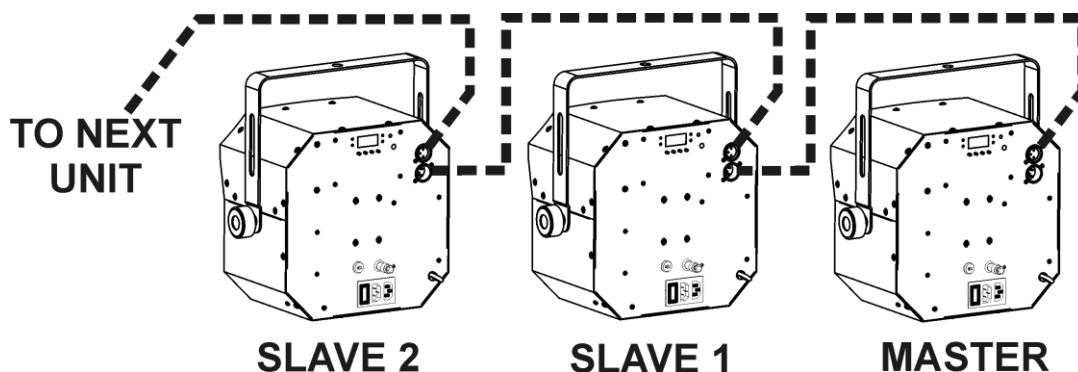
U kunt meerdere toestellen met elkaar verbinden: schakel gewoon het eerste apparaat in de keten in één van de automatische effectmodi en alle andere apparaten in de "Slave"-modus (display toont "SLA"), zodat ze allemaal perfect synchronoos werken!

**3) SLAVE-MODUS:**

Het toestel volgt de instructies die door het eerste toestel (master) in de keten worden gegeven. Op deze manier kunt u mooie gesynchroniseerde shows verkrijgen.

- Sluit de DMX-ingang van het toestel aan op de DMX-uitgang van het vorige apparaat in de keten.
- Druk op de "FUNC"-toets op het apparaat, totdat de display "SLA" weergeeft.
- Druk de "ENTER"-toets om uw keuze te bevestigen.

U kunt meerdere toestellen met elkaar verbinden. Schakel het eerste apparaat in de keten in de muziek geactiveerde of automatische effectmodi en alle andere apparaten in de "Slave"-modus (display toont "SLA"), zodat ze allemaal perfect synchronoos werken!

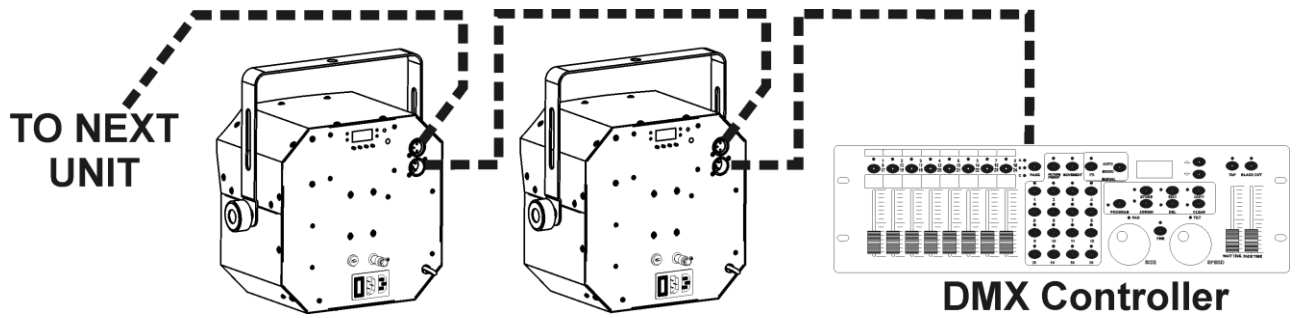


**4) DMX512-MODUS:**

De laser kan door elke standaard DMX-controller in 2 verschillende DMX-modi worden bestuurd.

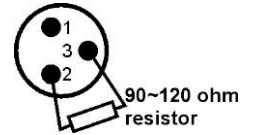
- Druk op en houd de "FUNC"-toets ingedrukt totdat de display Ch 01 of Ch 09 weergeeft.
- Gebruik de OMLAAG of OMLAAG-toetsen om de gewenste DMX-stand te selecteren.
  - Ch01: voor zeer eenvoudige installatie en gebruik! U kunt nu de automatische functies van het toestel door middel van slechts 1 DMX-kanaal bedienen.
  - Ch09: voor volledige controle over alle functies via 9 DMX-kanalen.
- Druk de "ENTER"-toets om uw keuze te bevestigen.
- "d..." (gevolgd door 3 cijfers) begint op het scherm te knipperen.
- Gebruik de OMLAAG of OMLAAG-toetsen om het gewenste DMX-adres te selecteren
- Druk de "ENTER"-toets om uw keuze te bevestigen.

**Opmerking:** de display knippert wanneer het apparaat in de DMX-modus is geschakeld en geen DMX-signaal wordt gedetecteerd.



**Enige informatie meer over DMX512:**

Het DMX-protocol is een veel gebruikt hogesnelheidssignaal om intelligente lichtapparatuur te bedienen. U dient de DMX-controller en alle hierop aangesloten lichteffecten door te koppelen met een hoogwaardige gebalanceerde XLR M/V-kabel. Ter voorkoming van vreemd gedrag van de lichteffecten als gevolg van storingen, dient er aan het eind van de keten een 90 Ω tot 120 Ω terminator te worden gebruikt. Gebruik nooit Y-splitter-kabels, dit zal gewoon niet werken! Elk lichteffect in de keten heeft een goed startadres nodig, zodat het weet welke commando's van de controller het moet decoderen.



**1 KANAALS DMX-CONFIGURATIE VAN HET TOESTEL:**

DMX-waarde	Functie
000-029	UIT
030-049	Witte LEDs volledig AAN
050-069	Stroboscoop met witte LEDs
070-089	Trage automatische chase van de laser
090-109	Trage automatische chase van de RGBWA
110-129	Trage automatische chase van de laser + RGBWA
130-149	Chase op het ritme van de muziek van de witte LEDs
150-169	Chase op het ritme van de muziek van de laser
170-189	Chase op het ritme van de muziek - RGBWA
190-209	Chase op het ritme van de muziek - RGBWA + witte LEDs
210-229	Chase op het ritme van de muziek van de laser + witte LEDs
230-249	Chase op het ritme van de muziek van de laser + RGBWA
250-255	Chase op het ritme van de muziek van de laser + RGBWA + witte LEDs

**9 KANAALS DMX-CONFIGURATIE VAN HET TOESTEL:**

**BELANGRIJKE OPMERKING::** DMX-kanaal 1 wordt gebruikt om de verschillende bedrijfsstanden van het toestel in te stellen.

- Om het toestel volledig handmatig te kunnen aansturen dient de waarde van kanaal 1 te worden ingesteld op 221 of hoger.

Kanaal	Waarde	Functie
Stand KAN1	000-009	Blackout
	010-024	AUTO 0
	025-039	AUTO 1
	040-054	AUTO 2
	055-069	AUTO 3

<b>Kanaal</b>	<b>Waarde</b>	<b>Functie</b>
	<b>070-084</b>	AUTO 4
	<b>085-099</b>	AUTO 5
	<b>100-114</b>	AUTO 6
	<b>115-129</b>	GELUID 0
	<b>130-144</b>	GELUID 1
	<b>145-159</b>	GELUID 2
	<b>160-174</b>	GELUID 3
	<b>175-189</b>	GELUID 4
	<b>190-204</b>	GELUID 5
	<b>205-220</b>	GELUID 6
	<b>221-255</b>	DMX-MODUS
<b>KAN2 RGBWA</b>	<b>000-009</b>	Blackout
	<b>010-014</b>	Rood
	<b>015-019</b>	Groen
	<b>020-024</b>	Blauw
	<b>025-029</b>	Amber
	<b>030-034</b>	Wit
	<b>035-039</b>	Wit + rood
	<b>040-044</b>	Rood + groen
	<b>045-049</b>	Groen + blauw
	<b>050-054</b>	Blauw + amber
	<b>055-059</b>	Amber + wit
	<b>060-064</b>	Wit + groen
	<b>065-069</b>	Groen + amber
	<b>070-074</b>	Amber + rood
	<b>075-079</b>	Rood + blauw
	<b>080-084</b>	Blauw + Wit
	<b>085-089</b>	Rood + groen + blauw
	<b>090-094</b>	Rood + groen + amber
	<b>095-099</b>	Rood + groen + wit
	<b>100-104</b>	Rood + amber + blauw
	<b>105-109</b>	Rood + wit + blauw
	<b>110-114</b>	Rood + amber + wit
	<b>115-119</b>	Rood + groen + blauw
	<b>120-124</b>	Blauw + groen + wit
	<b>125-129</b>	Amber + groen + wit
	<b>130-134</b>	Amber + wit + blauw
	<b>135-139</b>	Rood + groen + blauw + amber
	<b>140-144</b>	Rood + groen + blauw + wit
<b>145-149</b>	Blauw + groen + wit + amber	
<b>150-154</b>	Rood + groen + amber + wit	



Kanaal	Waarde	Functie
	155-159	Wit + rood + blauw + amber
	160-164	Rood + groen + blauw + amber + wit
	165-209	Automatisch (alleen enkele kleuren)
	210-255	Automatisch (twee kleuren tegelijk)
Snelheid KAN3		Automatisch snelheid (wanneer KAN 2 zich tussen 165 en 255 bevindt)
	000-255	Snel-traag (alleen kleuren)
KAN4 Stroboscoop	000-004	Geen Functie
	005-254	Stroboscoop (traag->snel) (maximaal 30 Hz)
	255-255	Door geluid geactiveerde stroboscoopstand
KAN5 wit	000-009	Blackout
	010-019	Patroon 1 (traag->snel)
	020-029	Patroon 2 (traag->snel)
	030-039	Patroon 3 (traag->snel)
	040-049	Patroon 4 (traag->snel)
	050-059	Patroon 5 (traag->snel)
	060-069	Patroon 6 (traag->snel)
	070-079	Patroon 7 (traag->snel)
	080-089	Patroon 8 (traag->snel)
	090-099	Patroon 9 (traag->snel)
	100-109	Patroon 0 (traag->snel)
	110-255	AAN
KAN6 laser	000-009	Black-out
	010-049	Rood aan
	050-089	Groen aan
	090-129	Groen & rood (afwisselende stroboscoop)
	130-169	Rood aan & groene stroboscoop
	170-209	Groen aan & rode stroboscoop
	210-255	Rood & groen (stroboscoop)
KAN7 laserstroboscoop	000-004	Geen Functie
	005-254	Stroboscoop (traag->snel) (maximaal 30 Hz)
	255-255	Door geluid geactiveerde stroboscoopstand
KAN8 LED-motor	000-004	Stop
	005-127	Roteer met de klok mee (traag->snel)
	128-133	Stop
	134-255	Roteer tegen de klok in (traag->snel)
KAN9 Lasermotor	000-004	Stop
	005-127	Roteer met de klok mee
	128-133	Stop
	134-255	Roteer tegen de klok in

## ONDERHOUD

- Zorg ervoor dat het gebied onder de installatieplaats tijdens takelen, onttakelen en onderhoud vrij is van ongewenste personen.
- Schakel het apparaat uit, ontkoppel het netsnoer en wacht totdat het apparaat is afgekoeld.

### Tijdens de inspectie moeten de volgende punten worden gecontroleerd:

- Alle schroeven die zijn gebruikt voor het installeren van het apparaat of onderdelen van het apparaat moeten stevig worden bevestigd en mogen niet gecorrodeerd zijn.
- Behuizingen, bevestigingen en installatieplaatsen (plafond, truss, ophangingen) moeten volledig vrij van vervorming zijn.
- Wanneer een optische lens zichtbaar is beschadigd als gevolg van scheuren of diepe krassen, moet hij worden vervangen.
- De netsnoeren moeten in perfecte conditie zijn en onmiddellijk worden vervangen wanneer ook maar een klein probleem wordt ontdekt.
- Om het apparaat tegen oververhitting te beschermen moeten de ventilatoren (indien aanwezig) en ventilatieopeningen maandelijks worden gereinigd.
- Het interieur van het apparaat moeten jaarlijks met een stofzuiger of luchtsput worden gereinigd.
- Het reinigen van de interne en externe optische lenzen en/of spiegels moet regelmatig worden uitgevoerd om de lichtopbrengst te optimaliseren. De frequentie van reiniging hangt af van de omgeving waarin de armatuur werkt: een vochtige, rokerige of bijzonder vuile omgeving kan leiden tot een grotere opeenhoping van vuil op de optiek van het apparaat.
  - Reinig met een zachte doek met behulp van normale reinigingsmiddelen voor glas.
  - Droog de onderdelen altijd zorgvuldig.
  - Reinig de externe optiek ten minste eenmaal per 30 dagen.
  - Reinig de interne optiek ten minste eenmaal per 90 dagen.

**Opgelet: Wij raden nadrukkelijk aan om het inwendig reinigen door gekwalificeerd personeel uit te laten voeren!**

## SPECIFICATIES

<b>Lichtnetspanning:</b>	AC 100~240 V, 50/60 Hz
<b>Zekering:</b>	250 V 1,6 A trage zekering (20 mm glas)
<b>Totaal energieverbruik:</b>	66 W
<b>Geluidbesturing:</b>	Ingebouwde microfoon
<b>DMX-aansluitingen:</b>	3-pens XLR mannelijk/vrouwelijk
<b>DMX-kanalen:</b>	1 of 9 kanalen
<b>DMX-startadres:</b>	001 → 504
<b>Vermogen LED-effect:</b>	3 Watt rode + 3 Watt groene + 3 Watt blauwe + 3 Watt oranje + 3 Watt witte LEDs
<b>Vermogen stroboscoopeffect:</b>	8 LEDs van 1 Watt
<b>Laservermogen:</b>	150 mW rode ( $\lambda = 650$ nm) + 50 mW groene laser ( $\lambda = 532$ nm)
<b>Laserstraling klasse:</b>	3 B
<b>Bedrijfstemperatuur:</b>	10°C tot +40°C
<b>Laserveiligheidsnorm:</b>	EN/IEC 60825-1 2007
<b>Afmetingen:</b>	240 x 220 x 110 mm
<b>Gewicht:</b>	4,2 kg

Alle informatie is onderhevig aan verandering zonder voorafgaande kennisgeving.  
U kunt de nieuwste versie van deze handleiding downloaden van onze website: [www.beglec.com](http://www.beglec.com)

# BEDIENUNGSANLEITUNG

Vielen Dank, dass Sie sich für dieses Produkt von JB Systems® entschieden haben. Bitte lesen Sie diese Bedienungshinweise vor der Inbetriebnahme sorgfältig durch, um alle Möglichkeiten des Geräts voll nutzen zu können, sowie zu Ihrer eigenen Sicherheit.

## EIGENSCHAFTEN

Dieses Gerät ist funktentstört. Das Gerät entspricht den aktuellen europäischen Anforderungen und nationalen Leitlinien. Die Konformität wurde nachgewiesen und die entsprechenden Erklärungen und Unterlagen liegen beim Hersteller vor.

- Dieses Gerät wird zur Erzeugung von dekorativen Beleuchtungseffekten in Lichtshows eingesetzt.
- Kaufen Sie einfach einen Effekt und Sie haben sie alle!
- Dieser unglaubliche Effekt mischt 3 unterschiedliche Effekte und erzeugt wunderbare Kombinationen:
  - LED-Effekt, ähnlich wie bei unserem LED DEVIL (5 Stk. 3 Watt LEDs mit unterschiedlichen Farben: Rot, Grün, Blau, Orange, Weiß).
  - LED-STROBE: leistungsstarke weiße LEDs (8 Stk. 1 Watt).
  - LASER-Effekt: wunderbare rote (150 mW)/grüne (50 mW) Lasermuster.
- Viele verschiedene interne Programmen um das Leben einfach zu gestalten!
  - DMX-Controller: 1 Kanal für eine einfache Bedienung oder 9 Kanäle für vollständige Steuerung.
  - Standalone: Musikaktiviert (internes Mikrofon) oder Automatik.
  - Master/Slave: Wundervoll synchronisierte Shows.
- 3-stelliges LED-Display für einfache Navigation im Menü.
- IEC-Netzeingang + -ausgang für eine einfache Verkettung.
- Schlüsselbetätigter Ein-/Ausschalter und Notschalter (Verriegelung)-Eingang für zusätzliche Sicherheit.
- Entspricht EN/IEC 60825-1 2007 für Lasersicherheit.

## VOR GEBRAUCH

- Vor der Erstbenutzung bitte das Gerät zuerst auf Transportschäden überprüfen. Sollte das Gerät einen Schaden aufweisen, benutzen Sie es nicht, sondern wenden Sie sich unverzüglich an Ihren Händler.
- **Wichtiger Hinweis:** Dieses Gerät hat das Werk unbeschädigt und gut verpackt verlassen. Es ist wichtig, dass der Benutzer sich streng an die Sicherheitshinweise und Warnungen in der Bedienungsanleitung hält. Schäden durch unsachgemäße Handhabung sind von der Garantie ausgeschlossen. Der Händler übernimmt keine Verantwortung für Schäden, die durch Nichtbeachtung der Bedienungsanleitung entstanden sind.
- Die Bedienungsanleitung zum zukünftigen Nachschlagen bitte an einem sicheren Ort aufbewahren. Bei Verkauf oder sonstiger Weitergabe des Geräts bitte die Bedienungsanleitung beifügen.

### Packungsinhalt prüfen:

Vergewissern Sie sich, dass folgende Artikel mitgeliefert wurden:

- INVADER
- 2 Schlüssel (für Schlüsselschalter)
- Reserve-Anschluss für Not-Aus
- Netzkabel
- Gebrauchsanweisungen

**SICHERHEITSHINWEISE:**

**ACHTUNG:** Um sich nicht der Gefahr eines elektrischen Schlags auszusetzen, entfernen Sie nicht die obere Abdeckung. Im Geräteinneren befinden sich keine vom Benutzer wartbaren Teile. Überlassen Sie Reparatur- und Wartungsarbeiten dem qualifizierten Kundendienst.



Das Blitzsymbol innerhalb eines gleichseitigen Dreiecks warnt den Benutzer vor nicht isolierter „gefährlicher Spannung“ im Innern des Produktgehäuses, die so stark sein kann, dass für Personen die Gefahr von Stromschlägen besteht.



Das Ausrufezeichen im Dreieck weist den Benutzer auf wichtige Bedienungs- und Wartungshinweise in den Dokumenten hin, die dem Gerät beiliegen.



Dieses Symbol bedeutet: Nur zur Benutzung in geschlossenen Räumen.



Dieses Symbol bedeutet: Die Bedienungsanleitung lesen.



Dieses Symbol legt fest: Den minimalen Abstand von beleuchteten Objekten. Der minimale Abstand zwischen Projektor und dem beleuchteten Objekt muss mehr als 1 Meter betragen.

- Aus Umweltschutzgründen die Verpackung bitte wiederverwenden oder richtig trennen.
- Ein neuer Lichteffekt kann manchmal zu unerwünschtem Rauch oder Gerüchen führen. Diese Erscheinung ist normal und verschwindet nach einigen Minuten.
- Zur Vermeidung von Feuer und Stromschlag das Gerät weder Regen noch Feuchtigkeit aussetzen.
- Zur Vermeidung von Kondensation im Inneren des Geräts bitte nach dem Transport in einer warmen Umgebung einige Zeit zum Temperatenausgleich ausgeschaltet stehen lassen. Kondensation kann zu Leistungsverlust des Geräts oder gar Beschädigungen führen.
- Nur für den Einsatz im Innenbereich.
- Keine Metallgegenstände oder Flüssigkeiten ins Innere des Geräts gelangen lassen. Ein Kurzschluss oder eine Fehlfunktion können die Folge sein. Falls es doch einmal vorkommen sollte, bitte sofort den Netzstecker ziehen und vom Stromkreis trennen.
- Das Gerät nur an einem gut belüfteten Ort und entfernt von entflammaren Materialien oder Flüssigkeiten aufstellen. Der Scheinwerfer muss mindestens 50 cm von allen umgebenden Wänden entfernt montiert werden.
- Die Ventilationsöffnungen nicht abdecken, Überhitzungsgefahr!
- Nicht in staubiger Umgebung verwenden und regelmäßig reinigen.
- Für Kinder unerreichbar aufbewahren.
- Unerfahrene Personen dürfen das Gerät nicht bedienen.
- Die zulässige Raumtemperatur liegt zwischen 15°C und 40°C. Das Gerät bei höheren Raumtemperaturen nicht verwenden.
- Stellen Sie sicher, dass sich während des Auf- oder Abbaus und der Wartung keine unbefugten Personen unterhalb des Geräts befinden.
- Trennen Sie das Gerät vom Netz, wenn es nicht verwendet wird oder wenn Sie Wartungsarbeiten vornehmen oder wenn Sie eine Lampe wechseln.
- Die elektrische Installation darf nur von qualifiziertem Personal, unter Beachtung der Vorschriften zur elektrischen und mechanischen Sicherheit in Ihrem Land durchgeführt werden.
- Vergewissern Sie sich, dass die Netzspannung nicht höher ist, als auf dem Typenschild auf der Geräterückseite angegeben.
- Das Gerät nicht mit einem beschädigten Netzkabel in Betrieb nehmen. Wenn das Netzkabel gequetscht oder beschädigt wurde, schalten Sie das Gerät sofort aus. Im Falle von Beschädigungen muss das Netzkabel vom Hersteller, einem autorisierten Kundendienstmitarbeiter oder einer ähnlich qualifizierten Person ersetzt werden, um Gefährdungen zu vermeiden.
- Lassen Sie das Netzkabel niemals mit anderen Kabeln in Berührung kommen!
- Zur Einhaltung der Sicherheitsbestimmungen muss das Gerät geerdet sein.
- Das Gerät nicht an einen Dimmer anschließen.
- Ausschließlich vorschriftsmäßige Kabel zur Installation verwenden.
- Zur Vorbeugung gegen elektrische Schläge keine Abdeckungen entfernen. Außer der Lampe und der Sicherung hat das Gerät keine vom Benutzer austauschbaren Teile.

- Eine Sicherung **niemals** reparieren oder überbrücken. Eine durchgebrannte Sicherung **stets** durch eine Sicherung gleichen Typs und mit gleichen Spezifikationen ersetzen!
- Bei Fehlfunktion das Gerät nicht benutzen und sich mit dem Händler in Verbindung setzen.
- Bei sichtbaren Beschädigungen müssen Gehäuse und Optik ersetzt werden.
- Bei Transport bitte die Originalverpackung verwenden, um Schäden am Gerät zu vermeiden.
- Aus Sicherheitsgründen dürfen an dem Gerät keine unbefugten Veränderungen vorgenommen werden.

**Wichtiger Hinweis:** Nicht direkt in die Lichtquelle blicken! Das Gerät nicht verwenden, wenn sich Personen im Raum befinden, die unter Epilepsie leiden.

## SICHERHEITSHINWEISE FÜR LASER:

- Entsprechend den Bestimmungen EN/IEC 60825-1 Ed2, 2007-03 fällt dieser Laser unter die Klassifizierung 3B. Direkte Einstrahlung in die Augen kann gefährlich sein.

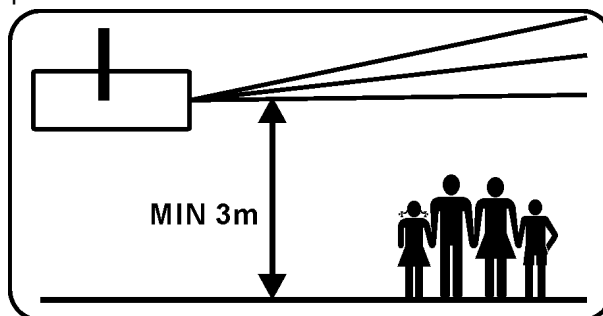


### GEFAHR: LASERSTRAHLUNG!

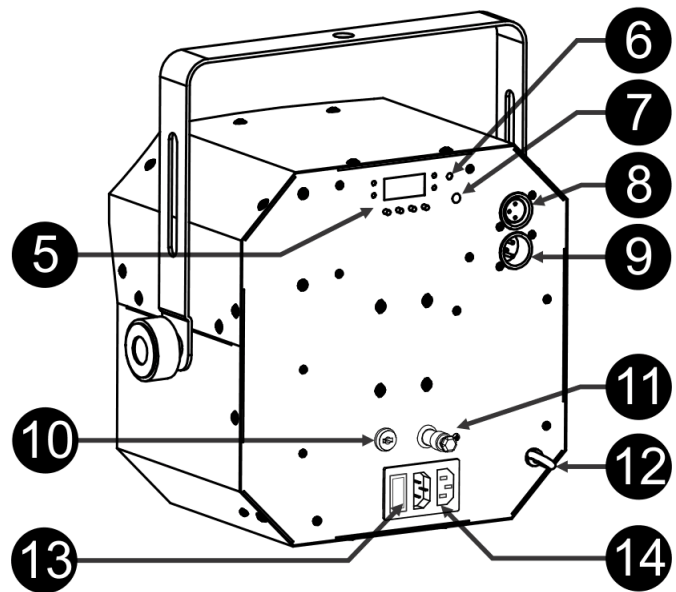
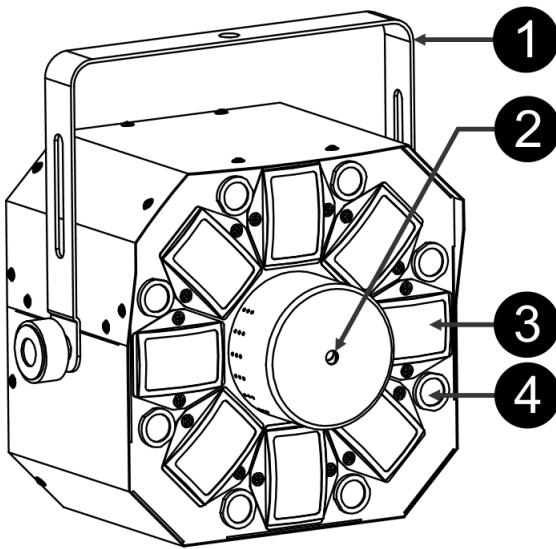
**Nicht in den Laserstrahl blicken! Laserstrahlung kann zu Augen- oder Hautverletzungen führen. Alle Schutzmechanismen für einen sicheren Betrieb dieses Lasers müssen angewandt werden.**



- Dieses Produkt ist ein sogenannter Show-Laser, der eine Strahlung mit einer Wellenlänge zwischen 400 und 700 nm abgibt und Lichteffekte für Shows produziert.
  - Laserlicht unterscheidet sich von allen Lichtquellen, die Sie kennen. Das Licht von diesem Produkt kann zu Augenverletzungen führen, wenn es nicht korrekt eingestellt ist. Laserlicht ist Tausende Male konzentrierter als Licht von anderen Lichtquellen. Diese Konzentration von Leuchtkraft kann zu unmittelbaren Augenverletzungen führen, hauptsächlich durch Einbrennen in die Netzhaut (der lichtempfindliche Teil auf der Rückwand des Auges). Selbst wenn Sie keine Wärme vom Laserstrahl spüren können, kann er Sie oder Ihr Publikum dennoch potentiell verletzen oder blenden.
  - Selbst kleine Dosen Laserlicht sind potenziell gefährlich, selbst bei großem Abstand.
  - Blicken Sie keinesfalls in das Lasergerät oder in den Laserstrahl.
  - Richten Sie den Laserstrahl keinesfalls auf Menschen oder Tiere aus und lassen Sie das Gerät nicht unbeaufsichtigt, wenn es in Betrieb ist.
  - Dieser Laser darf nur für Shows benutzt werden. Der Betrieb eines Klasse 3 B Show-Lasers ist nur zulässig, wenn der Betrieb durch einen ausgebildeten Bediener überwacht wird.
  - Abhängig von der Klassifizierung kann der Betrieb eines Laserprodukts Laserstrahlen verursachen, die zu permanenten Augen- bzw. Hautverletzungen führen können. Die Rechtsvorschriften zur Benutzung eines Laserprodukts sind von Land zu Land verschieden. Der Benutzer muss sich stets über die gültigen Rechtsvorschriften für sein Land informieren und diese auf die Situation anwenden.
  - Der Eckpfeiler der Lasersicherheit ist die Norm ANSI Z136.1 (2007), sie bietet Richtlinien für die sichere Nutzung von Lasern und Lasersystemen, indem die Kontrollmechanismen für jede der vier Laserklassen beschrieben werden. Dieses Dokument können Sie bei [www.laserinstitute.org](http://www.laserinstitute.org) erhalten.
- Bitte beachten Sie, dass **JB SYSTEMS** nicht für Schäden durch unsachgemäße Installation und unsachgemäßen Betrieb verantwortlich ist!



**BESCHREIBUNG:**



1. **BÜGEL ZUM AUFHÄNGEN:** Mit zwei Knöpfen auf jeder Seite zur Befestigung des Geräts und einer Montageöffnung, um eine Montagevorrichtung zu befestigen.
2. **LASER-AUSGANG:** Austritt der Laserstrahlen aus dem Gehäuse. Schauen Sie NIEMALS durch diese Öffnung in das Gerät, wenn der Laser-Effekt eingeschaltet ist!
3. **LED-EFFEKTOBJEKTIVE:** Ausgang für den farbigen LED-Effekt. Nicht direktem Sonnenlicht aussetzen!
4. **STROBE-EFFEKTOBJEKTIVE:** Ausgang für den weißen LED-Effekt. Nicht direktem Sonnenlicht aussetzen!
5. **BEDIENFELD:**

a. **DISPLAY:** Zeigt die verschiedenen Menüs und die gewählten Funktionen an.

b. **LEDS:**

DMX	Ein	DMX Eingang vorhanden
AUTOM.	Ein	Mastermodus
SLAVE	Ein	Slavemodus
MUSIK	Blinkend	Musik-Aktivierung

c. **TASTEN:**

FUNKTION	Auswahl der Programm-Funktionen
PFEIL AUFWÄRTS	Geht in ausgewählten Funktionen vorwärts oder erhöht einen Wert.
PFEIL ABWÄRTS	Geht in ausgewählten Funktionen rückwärts oder verringert einen Wert.
ENTER	Ausgewählte Funktionen bestätigen



6. **EINGEBAUTES MIKROFON:** Das integrierte Mikrofon wird zum Synchronisieren der Show mit dem Rhythmus der Musik verwendet.
7. **EMPFINDLICHKEITSREGLER:** Die Einheit reagiert im Einzel- oder Master-/Slave-Modus auf den Rhythmus. Mit diesem Regler stellen Sie die Eingangsempfindlichkeit des integrierten Mikrofons ein.
8. **DMX AUSGANG:** Die 3-polige XLR-Buchse verbindet den LASER mit der nächsten Einheit in der DMX-Kette.
9. **DMX EINGANG:** 3-poliger XLR-Stecker zum Anschließen von gängigen DMX-Kabeln. Dieser Eingang empfängt die Signale eines DMX-Controllers.
10. **SCHLÜSSELSCHALTER:** Ein- und Ausschalten des Geräts. Der Schlüsselschalter gewährleistet, dass kein Unbefugter den Laser in Betrieb nehmen kann.

11. **SPERR-Eingang:** Anschluss eines optionalen Notaus-Schalters (siehe Abbildung). Wenn dieser Schalter gedrückt wurde, wird der Laserstrahl sofort ausgeschaltet.

**Wichtiger Hinweis! Zu Ihrer eigenen Sicherheit empfehlen wir dringend, diesen optionalen Schalter anzuschließen!  
WENN DER SPERR-EINGANG NICHT ANGESCHLOSSEN WURDE, ERFOLGT KEINE LASER-AUSGABE!  
Vorübergehende Lösung: Installieren Sie den Reserve-Anschluss am Laser.  
(Siehe Abbildung)**



12. **SICHERUNGSÖSE:** Zur Anbringung eines Sicherheitskabels bei Überkopfmontage (s. Abschnitt „Überkopfmontage“).
13. **NETZSPANNUNG:** Netzanschluss mit IEC-Buchse mit integrierter Sicherung zum Anschluss des Netzkabels.
14. **NETZAUSGANG:** Sie können mit unseren „Kombikabeln“ und diesem IEC-Ausgang einfach das nächste Gerät verketteten.

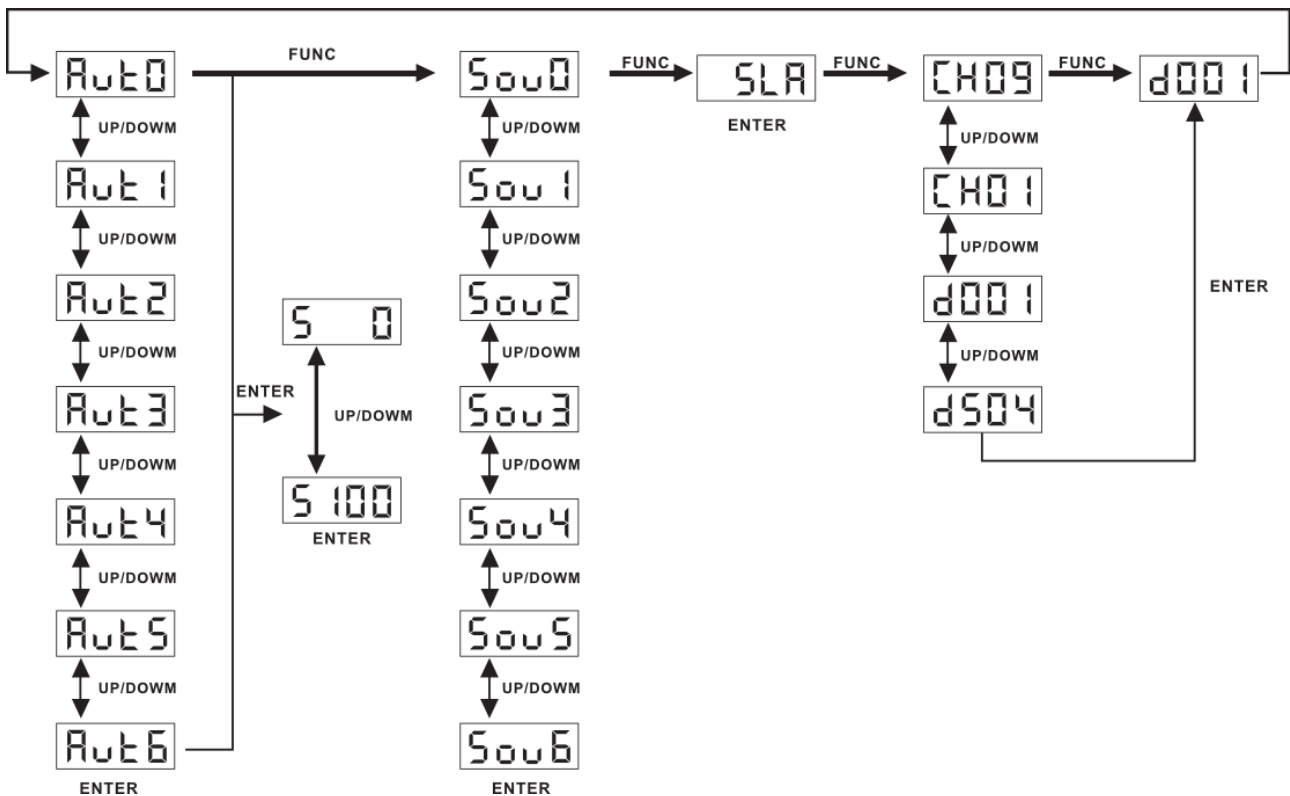
## ÜBERKOPF-MONTAGE

- **Wichtiger Hinweis:** Die Montage ausschließlich durch qualifiziertes Fachpersonal durchführen lassen. Unvorschriftsmäßiger Einbau kann erhebliche Verletzungen und/oder Schäden verursachen. Die Überkopf-Montage setzt die entsprechende Erfahrung voraus! Die Belastungsgrenzen müssen beachtet, geeignetes Installationsmaterial muss verwendet und das installierte Gerät muss in regelmäßigen Abständen überprüft werden.
- Stellen Sie sicher, dass sich während des Auf- oder Abbaus und der Wartung keine unbefugten Personen unterhalb des Geräts befinden.
- Das Gerät nur an einem gut belüfteten Ort und entfernt von entflammaren Materialien und/oder Flüssigkeiten aufstellen. Der Scheinwerfer muss **mindestens 50 cm** von allen umgebenden Wänden entfernt montiert werden.
- Das Gerät außerhalb der Reichweite von Personen und nicht in niedrigen Durchgängen oder in der Nähe von Sitzgelegenheiten installieren.
- Vor Montage sicherstellen, dass die gewählte Position wenigstens das 10-fache Gerätegewicht aufnehmen kann.
- Zur Aufhängung stets geeignetes Befestigungsmaterial verwenden, das das 12-fache Gerätegewicht aushalten kann. Eine zweite Sicherungsaufhängung muss angebracht werden, die ein Absacken des Geräts von mehr als 20 cm verhindert, sollte die Befestigung brechen.
- Das Gerät gut befestigen. Eine freischwingende Aufhängung ist gefährlich und sollte auf gar keinen Fall in Betracht gezogen werden!
- Die Ventilationsöffnungen nicht abdecken, Überhitzungsgefahr!
- Der Betreiber muss sicherstellen, dass die sicherheitsrelevanten und technischen Installationen vor Erstbetrieb fachmännisch vorgenommen worden sind. Installationen sollten jährlich durch qualifiziertes Fachpersonal überprüft werden, um jederzeit einen sicheren Betrieb zu gewährleisten.



**VORSICHT AUGENVERLETZUNGEN:** Stellen Sie den Laser stets so auf, dass das Publikum nicht direkt in den Laserstrahl blicken kann. Die Installation muss gewährleisten, dass der Strahl nicht auf das Publikum ausgerichtet ist.

## EINSTELLEN UND BEDIENEN DES GERÄTS



Sie können das Gerät auf 4 Weisen in Betrieb nehmen:

### 1) MUSIKGESTEUERTER MODUS:

Das Gerät lässt eine vorprogrammierte Sequenz im Rhythmus der Musik ablaufen. Wählen Sie diesen Modus, wenn nur ein Gerät verwendet wird (Standalone) oder wenn das Gerät das erste Gerät (Master) in eine Kette mit mehreren Geräten ist.

- Drücken Sie die Taste FUNC, bis das Display folgendes anzeigt: Sou (gefolgt von einer Zahl von 0 bis 6)  
Schauen Sie sich das oben dargestellte Menüdiagramm sorgfältig an.
- Wählen Sie mit der Taste AUFWÄRTS oder ABWÄRTS einen der Klang-Modi:
  - Sou0 = Laser + RGBWA + Weiße LEDs
  - Sou1 = Laser + RGBWA
  - Sou2 = Laser + Weiße LEDs
  - Sou3 = RGBWA + Weiße LEDs
  - Sou4 = RGBWA
  - Sou5 = Laser
  - Sou6 = Weiße LEDs

- Bestätigen Sie Ihre Auswahl mit ENTER.

- Geben Sie Musik wieder und stellen Sie die Empfindlichkeit des Mikrofons mit Hilfe des Empfindlichkeitsreglers (7) so ein, dass der Effekt optimal auf die Lautstärke der Musik reagiert.

Sie können mehrere Geräte miteinander verketteten: Stellen Sie einfach am ersten Gerät in der Kette einen der musikgesteuerten Effekt-Modi und an allen anderen Geräten den „Slave-Modus“ (Das Display zeigt „SLA“ an) ein, um sie mit perfekter Synchronisation laufen zu lassen!

**Hinweis:** Wenn keine Musik erkannt wurde, wird der Ausgang des Geräts ausgeschaltet (Blackout).

### 2) VOLLAUTOMATISCHER MODUS:

Das Gerät lässt eine vorprogrammierte Sequenz automatisch ablaufen. Wählen Sie diesen Modus, wenn nur ein Gerät verwendet wird (Standalone) oder wenn das Gerät das erste Gerät (Master) in eine Kette mit mehreren Geräten ist.

- Drücken Sie die Taste FUNC, bis das Display „Aut“ (gefolgt von einer Zahl von 0 bis 6) anzeigt.



Schauen Sie sich das oben dargestellte Menüdiagramm sorgfältig an.

- Wählen Sie mit der Taste AUFWÄRTS oder ABWÄRTS einen der Automatik-Modi:
  - Aut 0 = Laser + RGBWA + Weiße LEDs
  - Aut 1 = Laser + RGBWA
  - Aut 2 = Laser + Weiße LEDs
  - Aut 3 = RGBWA + Weiße LEDs
  - Aut 4 = RGBWA
  - Aut 5 = Laser
  - Aut 6 = Weiße LEDs
- Bestätigen Sie Ihre Auswahl mit ENTER.
- Wählen Sie mit der Taste AUFWÄRTS oder ABWÄRTS die Geschwindigkeit aus:
  - S 1 = Höchste Geschwindigkeit
  - S 100 = Niedrigste Geschwindigkeit
  - S 0 = Die standardmäßige Geschwindigkeit der vorprogrammierten Sequenz

Das Gerät lässt eine vorprogrammierte Sequenz automatisch ablaufen.

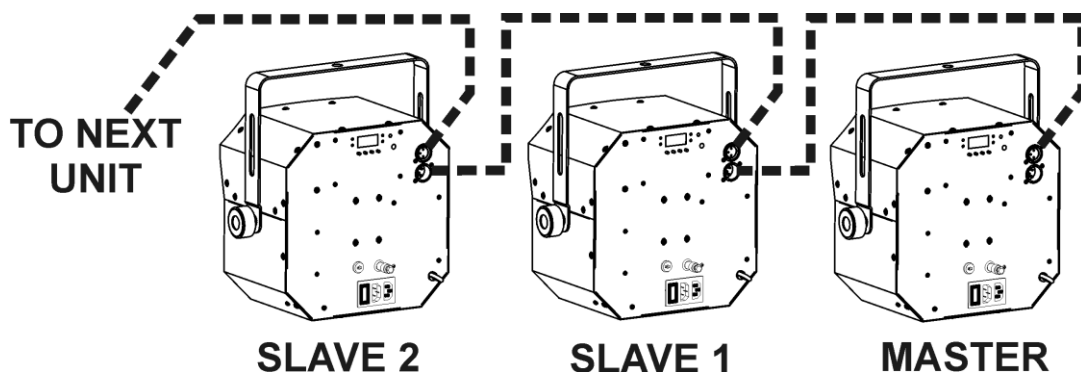
Sie können mehrere Geräte miteinander verketteten: Stellen Sie einfach am ersten Gerät in der Kette einen der musikgesteuerten Effekt-Modi und an allen anderen Geräten den „Slave-Modus“ (Das Display zeigt „SLA“ an) ein, um sie mit perfekter Synchronisation laufen zu lassen!

### **3) SLAVE- MODUS:**

Das Gerät folgt den Befehlen, die vom ersten Gerät (Master) in der Kette ausgegeben werden. So erhalten Sie schöne synchronisierte Shows.

- Verbinden Sie den DMX-Eingang des Geräts mit dem DMX-Ausgang des vorherigen Geräts in der Kette.
- Drücken Sie die Taste FUNC, bis das Display „SLA“ anzeigt.
- Bestätigen Sie Ihre Auswahl mit ENTER.

Sie können mehrere Geräte miteinander verketteten. Stellen Sie am ersten Gerät der Kette den „musikgesteuerten oder automatischen Modus“ und an allen anderen Geräten in den „Slave-Modus“ (Das Display zeigt „SLA“ an) ein, um sie mit perfekter Synchronisation laufen zu lassen!

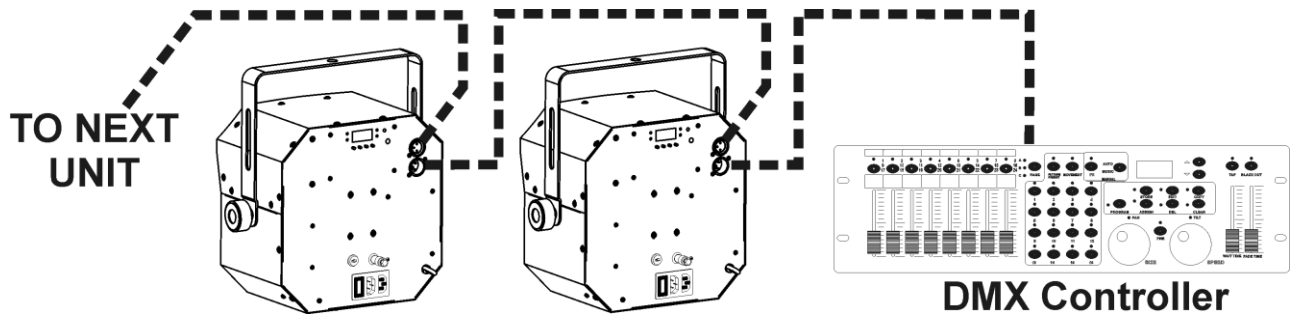


### **4) DMX512-MODUS:**

Der Laser kann von jedem handelsüblichen DMX-Controller in 2 verschiedenen DMX-Betriebsarten gesteuert werden.

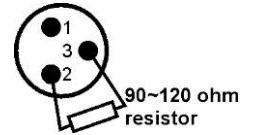
- Drücken Sie die Taste FUNC, bis das Display Ch 01 oder Ch 09 anzeigt.
- Wählen Sie mit der Taste AUFWÄRTS oder ABWÄRTS den DMX-Modus, den Sie verwenden möchten.
  - Ch01: für extrem einfache Einrichtung und Benutzung! Jetzt können Sie die automatischen Funktionen des Geräts über nur einen DMX-Kanal steuern.
  - Ch09: Volle Steuerung aller Funktionen über 9 DMX-Kanäle.
- Bestätigen Sie Ihre Auswahl mit ENTER.
- Auf dem Display beginnt „d...“ (gefolgt von 3 Zahlen) zu blinken.
- Wählen Sie mit der Taste AUFWÄRTS oder ABWÄRTS die DMX-Adresse, die Sie verwenden möchten.
- Bestätigen Sie Ihre Auswahl mit ENTER.

**Hinweis:** Wenn sich das Gerät im DMX-Modus befindet und kein DMX-Signal erkannt wurde, blinkt das Display.



**Weitere Informationen zu DMX512:**

Das DMX-Protokoll ist ein weit verbreitetes Hochgeschwindigkeits-Signal zur Steuerung von intelligenten Beleuchtungssystemen. DMX Controller und sämtliche Lichteffekte müssen mit einem hochwertigen XLR M/F abgeglichenen Kabel in Reihe geschaltet sein („daisy chain“). Zur Verhinderung von unerwünschten Lichteffekten durch Störungen muss ein 90 Ω bis 120 Ω Abschlusswiderstand verwendet werden. Verwenden Sie niemals Y-Splitter-Kabel, das funktioniert einfach nicht! Jeder Lichteffekt in der Kette benötigt eine korrekte Startadresse, so dass er weiß, welche Befehle er vom Controller zu entschlüsseln hat.



**1-KANAL DMX-KONFIGURATION DES GERÄTS:**

DMX-Wert	Funktion
000-029	AUS
030-049	Weiße LEDs vollständig eingeschaltet
050-069	Weiße Strobe-LEDs
070-089	Langsamer automatischer Chase-Laser
090-109	Langsamer automatischer Chase-RGBWA
110-129	Langsamer automatischer Laser + RGBWA
130-149	Weißer Sound-Chase-LEDs
150-169	Sound-Chase-Laser
170-189	Sound-Chase-RGBWA
190-209	Sound-Chase-RGBWA + Weiße LEDs
210-229	Sound-Chase-Laser + Weiße LEDs
230-249	Sound-Chase-Laser + RGBWA
250-255	Sound-Chase-Laser + RGBWA + Weiße LEDs

**9-KANAL DMX-KONFIGURATION DES GERÄTS:**

**WICHTIGER HINWEIS:** DMX-Kanal 1 wird zum Einstellen der verschiedenen Betriebsarten des Geräts verwendet.

- Um das Gerät vollständig manuellen Modus zu betreiben, muss Kanal 1 auf den Wert 221 oder höher eingestellt werden.

Kanal	Wert	Funktion
CH1-Modus	000-009	Blackout
	010-024	AUTO 0
	025-039	AUTO 1
	040-054	AUTO 2
	055-069	AUTO 3

Kanal	Wert	Funktion
	<b>070-084</b>	AUTO 4
	<b>085-099</b>	AUTO 5
	<b>100-114</b>	AUTO 6
	<b>115-129</b>	SOUND 0
	<b>130-144</b>	SOUND 1
	<b>145-159</b>	SOUND 2
	<b>160-174</b>	SOUND 3
	<b>175-189</b>	SOUND 4
	<b>190-204</b>	SOUND 5
	<b>205-220</b>	SOUND 6
	<b>221-255</b>	DMX-MODUS
<b>CH2 RGBWA</b>	<b>000-009</b>	Blackout
	<b>010-014</b>	Rot
	<b>015-019</b>	Grün
	<b>020-024</b>	Blau
	<b>025-029</b>	Bernsteinfarben
	<b>030-034</b>	Weiß
	<b>035-039</b>	Weiß + Rot
	<b>040-044</b>	Rot + Grün
	<b>045-049</b>	Grün + Blau
	<b>050-054</b>	Blau + Bernsteinfarben
	<b>055-059</b>	Bernsteinfarben + Weiß
	<b>060-064</b>	Weiß + Grün
	<b>065-069</b>	Grün + Bernsteinfarben
	<b>070-074</b>	Bernsteinfarben + Rot
	<b>075-079</b>	Rot + Blau
	<b>080-084</b>	Blau + Weiß
	<b>085-089</b>	Rot + Grün + Blau
	<b>090-094</b>	Rot + Grün + Bernsteinfarben
	<b>095-099</b>	Rot + Grün + Weiß
	<b>100-104</b>	Rot + Bernsteinfarben + Blau
	<b>105-109</b>	Rot + Weiß + Blau
	<b>110-114</b>	Rot + Bernsteinfarben + Weiß
	<b>115-119</b>	Bernsteinfarben + Grün + Blau
	<b>120-124</b>	Blau + Grün + Weiß
	<b>125-129</b>	Bernsteinfarben + Grün + Weiß
	<b>130-134</b>	Bernsteinfarben + Weiß + Blau
	<b>135-139</b>	Rot + Grün + Blau + Bernsteinfarben
	<b>140-144</b>	Rot + Grün + Blau+ Weiß
<b>145-149</b>	Blau + Grün + Weiß + Bernsteinfarben	
<b>150-154</b>	Rot + Grün + Bernsteinfarben + Weiß	

Kanal	Wert	Funktion
	<b>155-159</b>	Weiß + Rot + Blau + Bernsteinfarben
	<b>160-164</b>	Rot + Grün + Blau + Bernsteinfarben + Weiß
	<b>165-209</b>	Automatik (nur einzelne Farben)
	<b>210-255</b>	Automatik (zwei Farben gleichzeitig)
<b>CH3 Geschwindigkeit</b>		Automatische Geschwindigkeit (wenn CH 2 zwischen 165 und 255 liegt)
	<b>000-255</b>	Langsam-schnell (nur Farben)
<b>CH4 Strobe</b>	<b>000-004</b>	Keine Funktion
	<b>005-254</b>	Strobe (langsam -> schnell) (max. 30 Hz)
	<b>255-255</b>	Musikgesteuerter Strobe-Modus
<b>CH5 Weiß</b>	<b>000-009</b>	Blackout
	<b>010-019</b>	Muster 1 (langsam -> schnell)
	<b>020-029</b>	Muster 2 (langsam -> schnell)
	<b>030-039</b>	Muster 3 (langsam -> schnell)
	<b>040-049</b>	Muster 4 (langsam -> schnell)
	<b>050-059</b>	Muster 5 (langsam -> schnell)
	<b>060-069</b>	Muster 6 (langsam -> schnell)
	<b>070-079</b>	Muster 7 (langsam -> schnell)
	<b>080-089</b>	Muster 8 (langsam -> schnell)
	<b>090-099</b>	Muster 9 (langsam -> schnell)
	<b>100-109</b>	Muster 0 (langsam -> schnell)
	<b>110-255</b>	EIN
<b>CH6 Laser</b>	<b>000-009</b>	Blackout
	<b>010-049</b>	Rot eingeschaltet
	<b>050-089</b>	Grün eingeschaltet
	<b>090-129</b>	Grün + Rot (alternatives Strobe)
	<b>130-169</b>	Rot eingeschaltet + Grünes Strobe
	<b>170-209</b>	Grün eingeschaltet + Rotes Strobe
	<b>210-255</b>	Rot + Grün (Strobe)
<b>CH7 Laser-Strobe</b>	<b>000-004</b>	Keine Funktion
	<b>005-254</b>	Strobe (langsam -> schnell) (max. 30 Hz)
	<b>255-255</b>	Musikgesteuerter Strobe-Modus
<b>CH8 LED-Motor</b>	<b>000-004</b>	Stopp
	<b>005-127</b>	Im Uhrzeigersinn drehen (langsam -> schnell)
	<b>128-133</b>	Stopp
	<b>134-255</b>	Gegen den Uhrzeigersinn drehen (langsam -> schnell)
<b>CH9 Laser-Motor</b>	<b>000-004</b>	Stopp
	<b>005-127</b>	Im Uhrzeigersinn drehen
	<b>128-133</b>	Stopp
	<b>134-255</b>	Gegen den Uhrzeigersinn drehen

## PFLEGE

- Stellen Sie sicher, dass sich keine unbefugten Personen unterhalb des Geräts befinden, während es gewartet wird.
- Schalten Sie das Gerät aus, ziehen Sie den Netzstecker und warten Sie, bis es sich abgekühlt hat.

### Während der Wartung sind folgende Punkte ganz besonders zu beachten:

- Sämtliche Schrauben zur Installation und Befestigung der gesamten Teile müssen fest angezogen und rostfrei sein.
- Gehäuse, Befestigungsmaterialien und Aufhängungen (Decke, Balken, abgehängte Decken) dürfen keine Anzeichen von Verformung aufweisen.
- Ist die Optik sichtbar beschädigt (Sprünge oder tiefe Kratzer), dann müssen die entsprechenden Teile ausgetauscht werden.
- Das Netzkabel muss stets in einwandfreiem Zustand sein und selbst bei kleinsten Beschädigungen erneuert werden.
- Zur Vermeidung von Überhitzung müssen die Ventilatoren (sofern vorhanden) und Lüftungsschlitze monatlich gereinigt werden.
- Das Geräteinnere mindestens einmal pro Jahr mit einem Staubsauger oder einer Luftpistole reinigen.
- Die Reinigung der inneren und äußeren optischen Linsen und/oder Spiegel muss in regelmäßigen Abständen zur Beibehaltung einer optimalen Lichtausbeute vorgenommen werden. Die Reinigungsintervalle hängen stark von der Umgebung ab, in welcher das Gerät eingesetzt wird: feuchte, verrauchte oder besonders verschmutzte Umgebungen führen zu einer stärkeren Verschmutzung der Geräteoptik.
  - Mit einem weichen Tuch und gewöhnlichem Glasreiniger säubern.
  - Alle Teile stets gut abtrocknen.
  - Reinigen Sie die externen optischen Komponenten regelmäßig in einem Intervall von 30 Tagen.
  - Reinigen Sie die internen optischen Komponenten wenigstens einmal in einem Zeitraum von 90 Tagen.

**Achtung:** Wir empfehlen dringend, die Reinigung des Geräteinneren nur von qualifiziertem Personal durchführen zu lassen!

## TECHNISCHE DATEN

<b>Netzspannung:</b>	100-240 V Wechselstrom, 50/60 Hz
<b>Sicherung:</b>	250 V, 1,6 A, träge (20 mm Glas)
<b>Leistungsaufnahme:</b>	66 W
<b>Musiksteuerung:</b>	Eingebautes Mikrofon
<b>DMX-Anschlüsse:</b>	3-poliger XLR-Stecker/Buchse
<b>DMX-Kanäle:</b>	1 oder 9 Kanäle
<b>DMX-Startadresse:</b>	001 → 504
<b>Leistung LED-Effekt:</b>	3 Watt Rote + 3 Watt Grüne + 3 Watt Blaue + 3 Watt Orange + 3 Watt Weiße LEDs
<b>Leistung Strobe-Effekt:</b>	8 x 1 Watt LEDs
<b>Laserleistung:</b>	150 mW Roter ( $\lambda = 650 \text{ nm}$ ) + 50 mW Grüner Laser ( $\lambda = 532 \text{ nm}$ )
<b>Laserklasse:</b>	3 B
<b>Betriebstemperatur:</b>	10°C bis 40°C
<b>Laser-Sicherheitsstandard:</b>	EN/IEC 60825-1 2007
<b>Abmessungen:</b>	240 x 220 x 110 mm
<b>Gewicht:</b>	4,2 kg

Diese Angaben können sich ohne vorherige Ankündigung geändert werden  
 Sie können sich die neueste Version dieses Benutzerhandbuches von unserer Website herunterladen:  
[www.beglec.com](http://www.beglec.com)

# MANUAL DE INSTRUCCIONES

Gracias por comprar este producto de JB Systems®. Para aprovechar al máximo todas las posibilidades y para su propia seguridad, lea detenidamente este manual de instrucciones antes de comenzar a utilizar la unidad.

## CARACTERÍSTICAS

Esta unidad tiene supresión de radio interferencia. Este producto cumple con los requerimientos de las normas actuales, tanto europeas como nacionales a tal respecto. Dicha conformidad ha sido establecida y las declaraciones y documentos pertinentes han sido depositados por el fabricante.

- Este dispositivo fue diseñado para producir efectos de iluminación decorativa y se utiliza en sistemas de espectáculos de iluminación.
- ¡Compre sólo un efecto de luces para tenerlos todos!
- Este increíble efecto mezcla 3 efectos diferentes en una maravillosa combinación:
  - Efecto LED, similar al nuestro LED DEVIL (5 LEDs de 3 W de diferentes colores: rojo, verde, azul, naranja, blanco).
  - LED ESTROBOSCÓPICO: potentes LEDs blancos (8 uds. de 1 W).
  - Efecto LASER: Maravillosos diseños de laser rojo (150 mW) / verde (50 mW).
- ¡Una gran variedad de programas incorporados para hacerle la vida más fácil!
  - Control DMX: 1 canal para una sencilla utilización, o 9 canales para un control total.
  - Autónomo: activado por el sonido (micrófono interno) o automático.
  - Maestro/esclavo: maravillosos espectáculos sincronizados.
- Pantalla LED de 3 dígitos para una navegación sencilla por el menú.
- Conectores eléctricos de entrada y salida homologados IEC para fácil conexión.
- Interruptor activado con llave para encendido/apagado, y entrada de interruptor de emergencia (Interlock) para mayor seguridad.
- Cumple con la normativa EN/IEC 60825-1, 2007 para seguridad Láser.

## ANTES DE USAR

- Antes de comenzar a utilizar esta unidad, compruebe si no ha sufrido daños durante el transporte. Si hubiera alguno, no utilice el dispositivo y consulte primero con su distribuidor.
- **Importante:** Este dispositivo salió de nuestra fábrica en perfectas condiciones y bien embalado. Es absolutamente necesario que se obedezcan al pie de la letra las instrucciones y advertencias de seguridad que aparecen en este manual de usuario. Cualquier daño causado por una mala manipulación no estará cubierto por la garantía. El distribuidor no aceptará ninguna responsabilidad por defectos o problemas resultantes causados por no obedecer lo indicado en este manual de usuario.
- Mantenga este folleto en un lugar seguro para futuras consultas. Si vende este equipo, asegúrese de incluir este manual de usuario.

### Compruebe el contenido:

Compruebe que el embalaje contiene los siguientes elementos:

- INVADER
- 2 llaves (para el interruptor con llave)
- Conector de reserva para parada de emergencia
- Cable de alimentación
- Instrucciones de funcionamiento

## INSTRUCCIONES DE SEGURIDAD:



**PRECAUCIÓN:** Para reducir el riesgo de descarga eléctrica, no retire la cubierta superior. Dentro no hay componentes que puedan ser reparados por el usuario. Dirija cualquier reparación o mantenimiento solamente a personal cualificado.



El símbolo de relámpago con punta de flecha dentro de un triángulo equilátero advierte al usuario de la presencia de "tensiones peligrosas" no aisladas dentro de la carcasa del producto que pueden ser de una magnitud suficiente como para constituir un riesgo de descarga eléctrica.



El signo de admiración dentro de un triángulo equilátero advierte al usuario de la presencia de instrucciones importantes relacionadas con la operación y el mantenimiento (reparación) en la literatura que se entrega junto con el equipo.



Este símbolo significa: Solamente para uso en interiores.



Este símbolo significa: Lea las instrucciones.



Este símbolo determina: La distancia mínima desde objetos iluminados. La distancia mínima entre la salida de luz y la superficie iluminada debe ser mayor de 1 metro.

- Para proteger el medio ambiente, intente reciclar el material del embalaje en la mayor medida posible.
- Un nuevo efecto lumínico provoca a veces algo de humo y/o olores no deseados. Esto es normal y desaparece después de algunos minutos.
- Para evitar el riesgo de incendio o de descarga eléctrica, no exponga este aparato a la lluvia ni a la humedad.
- Para evitar que se forme condensación en el interior del equipo, permita que la unidad se adapte a la temperatura del entorno cuando se lleve a una habitación cálida después del transporte. La condensación impide a veces que la unidad trabaje a plena capacidad e incluso puede causar averías.
- Esta unidad es solamente para uso en interiores.
- No coloque objetos metálicos ni derrame líquidos dentro de la unidad. Puede provocar una descarga eléctrica o un mal funcionamiento. Si un objeto extraño se introduce dentro de la unidad, desconecte de inmediato la alimentación eléctrica.
- Coloque el proyector en un lugar bien ventilado, lejos de materiales y/o líquidos inflamables. El proyector debe estar fijo con al menos 50 cm de separación de las paredes de su alrededor.
- No cubra ninguna abertura de ventilación ya que esto puede provocar sobrecalentamiento.
- Evite emplearlo en ambientes polvorientos y limpie la unidad con regularidad.
- Mantenga la unidad lejos de los niños.
- Este equipo no debe ser utilizado por personas inexpertas.
- La temperatura ambiente segura está entre 15° y 40°C. No utilice esta unidad a temperaturas más altas.
- Asegúrese de que el área que se encuentra bajo el lugar de instalación esté libre de personas no autorizadas durante la subida, bajada y reparación del aparato.
- Siempre desenchufe la unidad cuando no se vaya a utilizar durante un período de tiempo prolongado, cuando vaya a sustituir el bulbo o cuando se le vaya a dar servicio.
- La instalación eléctrica debe realizarla solamente personal cualificado, de acuerdo con la normativa sobre seguridad eléctrica y mecánica de su país.
- Compruebe que la tensión disponible no sea superior a la que se indica en el panel posterior de la unidad.
- El cable de alimentación debe estar siempre en perfectas condiciones. Apague de inmediato la unidad cuando el cable de alimentación esté aplastado o dañado. Debe ser sustituido por el fabricante, por su representante de servicio técnico o por una persona de cualificación similar para evitar riesgos.
- ¡Nunca permita que el cable de alimentación haga contacto con otros cables!
- Este accesorio debe conectarse a tierra para cumplir con las regulaciones de seguridad.
- No conecte la unidad a un dispositivo de atenuación.
- Cuando instale la unidad utilice siempre un cable de seguridad apropiado y certificado.
- Para evitar descargas eléctricas, no abra la cubierta. No hay piezas reparables por el usuario, aparte de la lámpara y el fusible.
- **Nunca** repare un fusible o puentee el soporte del fusible. ¡**Siempre** sustituya un fusible dañado por otro del mismo tipo y las mismas especificaciones eléctricas!
- En el caso de que haya serios problemas de funcionamiento, deje de usar el aparato y contacte inmediatamente con su distribuidor.

- La carcasa y las lentes deben sustituirse si están visiblemente dañadas.
- Utilice el embalaje original cuando haya que transportar el dispositivo.
- Por razones de seguridad, está prohibido realizar modificaciones no autorizadas a la unidad.

**Importante:** ¡Nunca mire directamente a la fuente de luz! No use efectos de luz en presencia de personas que padezcan de epilepsia.

## **INSTRUCCIONES DE SEGURIDAD DEL LÁSER:**

- De acuerdo a las regulaciones EN/IEC 60825-1 Ed2, 2007-03, este láser pertenece a la clasificación 3B. La exposición directa a los ojos puede ser peligrosa.

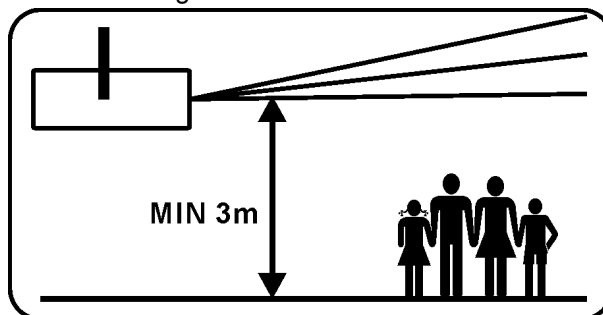


### **PELIGRO: ¡RADIACIÓN LÁSER!**

**¡Evite la exposición directa a los ojos! La radiación láser puede causar lesiones oculares y/o en la piel. Deben aplicarse todas las medidas de seguridad para una utilización segura de este láser.**



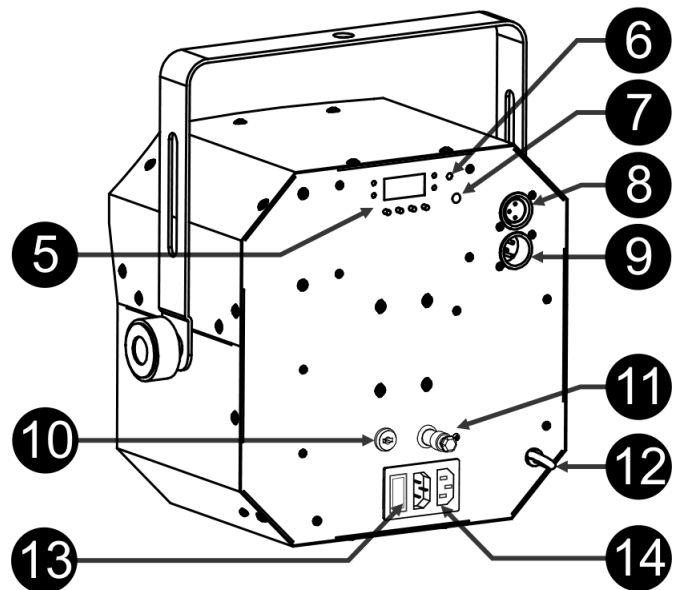
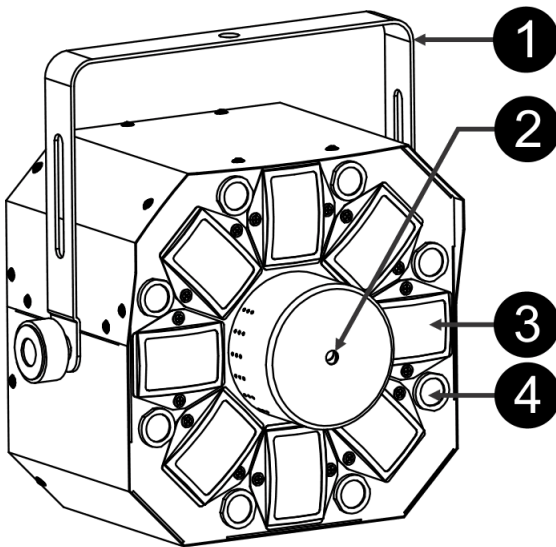
- Ese producto se conoce como espectáculo láser, y emite radiación con un espectro de longitud de onda entre 400 y 700 nm, produciendo efectos luminosos para espectáculos.
- La Luz Láser es diferente de cualquier otra fuente de luz con la que pueda estar familiarizado. La luz de este producto puede causar potencialmente lesiones oculares si no se configura y se usa adecuadamente. La luz láser está miles de veces más concentrada que la luz de cualquier otra fuente de luz. Esta concentración de potencia luminosa puede causar lesiones oculares instantáneas, primeramente quemando la retina (la parte sensible a la luz de la parte posterior del ojo). Incluso aunque no pueda sentir el "calor" de un haz de láser, éste puede potencialmente lesionar o cegar a su audiencia o a usted.
- Incluso cantidades muy pequeñas de luz láser son potencialmente peligrosas hasta a largas distancias.
- No mire nunca dentro de la apertura del láser ni a los haces de láser.
- No dirija nunca el haz de láser a las personas ni animales y nunca deje este dispositivo funcionando sin supervisión.
- Este láser sólo debe ser utilizado para espectáculos. La utilización de espectáculos láser de clase 3 B sólo está permitida si está controlada por un operador experto y bien entrenado.
- Dependiendo de la clasificación, utilizar un producto láser puede producir radiación láser, que puede causar lesiones permanentes oculares y/o en la piel. Las instrucciones legales para el uso de productos láser pueden variar de un país a otro. El usuario siempre debe informarse de las instrucciones legales vigentes en su país y aplicarlas a su situación.
- El documento principal y piedra angular de los estándares de seguridad láser ANSI Z136.1 (2007) proporcionan guías para el uso seguro del láser y sistemas de láser, definiendo medidas de control para cada uno de las cuatro clases de láser. Este valioso documento puede obtenerse en [www.laserinstitute.org](http://www.laserinstitute.org).



Por favor, tenga en cuenta que **JB SYSTEMS** no puede hacerse responsable de los daños causados por las instalaciones incorrectas y la utilización inexperta.



**DESCRIPCIÓN:**



1. **SOPORTE PARA COLGAR:** Con 2 mandos a ambos lados para fijar la unidad, y un orificio para fijar el gancho de montaje.
2. **SALIDA DEL LÁSER:** Aquí es por donde el haz del láser sale del aparato, ¡asegúrese de no mirar NUNCA dentro de la unidad a través de esta abertura con el láser encendido!
3. **LENTES DE EFECTOS DE LOS LED:** Salida de los efectos de los LEDs de colores. ¡No los exponga directamente a los rayos del sol!
4. **LENTES DE EFECTOS ESTROBOSCÓPICOS:** Salida de los efectos de los LED blancos. ¡No los exponga directamente a los rayos del sol!

5. **PANEL DE CONTROL:**

- a. **PANTALLA:** Muestra los diferentes menús y las funciones seleccionadas.
- b. **LEDS:**

DMX	Encendido	Entrada DMX presente
AUTO	Encendido	Modo maestro
SLAVE	Encendido	Slave Mode (Modo Esclavo)
SOUND	Parpadeando	Activación por sonido

c. **BOTONES:**

FUNC	Para seleccionar las funciones de programación.
ARRIBA	Para avanzar en las funciones seleccionadas o para aumentar el valor
ABAJO	Para ir hacia atrás en las funciones seleccionadas o para disminuir el valor
ENTER	Para confirmar las funciones seleccionadas



6. **MICRÓFONO INTERNO:** El micrófono integrado se usa para sincronizar el espectáculo de luces al ritmo de la música.
7. **CONTROL DE SENSIBILIDAD:** La unidad trabaja al ritmo del tiempo cuando se utiliza en modo autónomo o maestro/esclavo. Con este control puede ajustar la sensibilidad de entrada del micrófono interno.
8. **SALIDA DMX:** Conector hembra XLR de 3 pines, utilizado para conectar el LÁSER con la siguiente unidad de la cadena DMX.
9. **ENTRADA DMX:** conector XLR macho de 3 pines utilizado para conectar los cables DMX universales. Esta entrada recibe las instrucciones de un controlador DMX.

10. **INTERRUPTOR DE ENCENDIDO/APAGADO ACTIVADO POR LLAVE:** Se utiliza para encender/apagar la unidad. Utilice las llaves para asegurarse de que sólo un operador experimentado sea capaz de encender el láser.

11. **Entrada INTERLOCK:** Se usa para conectar el interruptor opcional de emergencia (vea la imagen). Cuando presione este interruptor, el haz de láser desaparecerá inmediatamente.

**¡IMPORTANTE! ¡Por su propia seguridad le recomendamos encarecidamente que conecte este interruptor opcional!  
¡NO SE EMITIRÁ LÁSER CUANDO LA ENTRADA INTERLOCK NO SE UTILICE!  
Solución temporal: instale el conector de reserva en el láser. (vea la imagen)**



12. **CÁNCAMO DE SEGURIDAD:** Utilizado para fijar un cable de seguridad cuando la unidad está izada (consulte el párrafo "elevación sobre cabeza")

13. **ENTRADA DE ALIMENTACIÓN:** Conector IEC con porta-fusible incorporado. Conecte aquí el cable de alimentación suministrado.

14. **SALIDA DE ALIMENTACIÓN:** Puede usar sus cables combinados con esta salida IEC para encadenar la siguiente unidad.

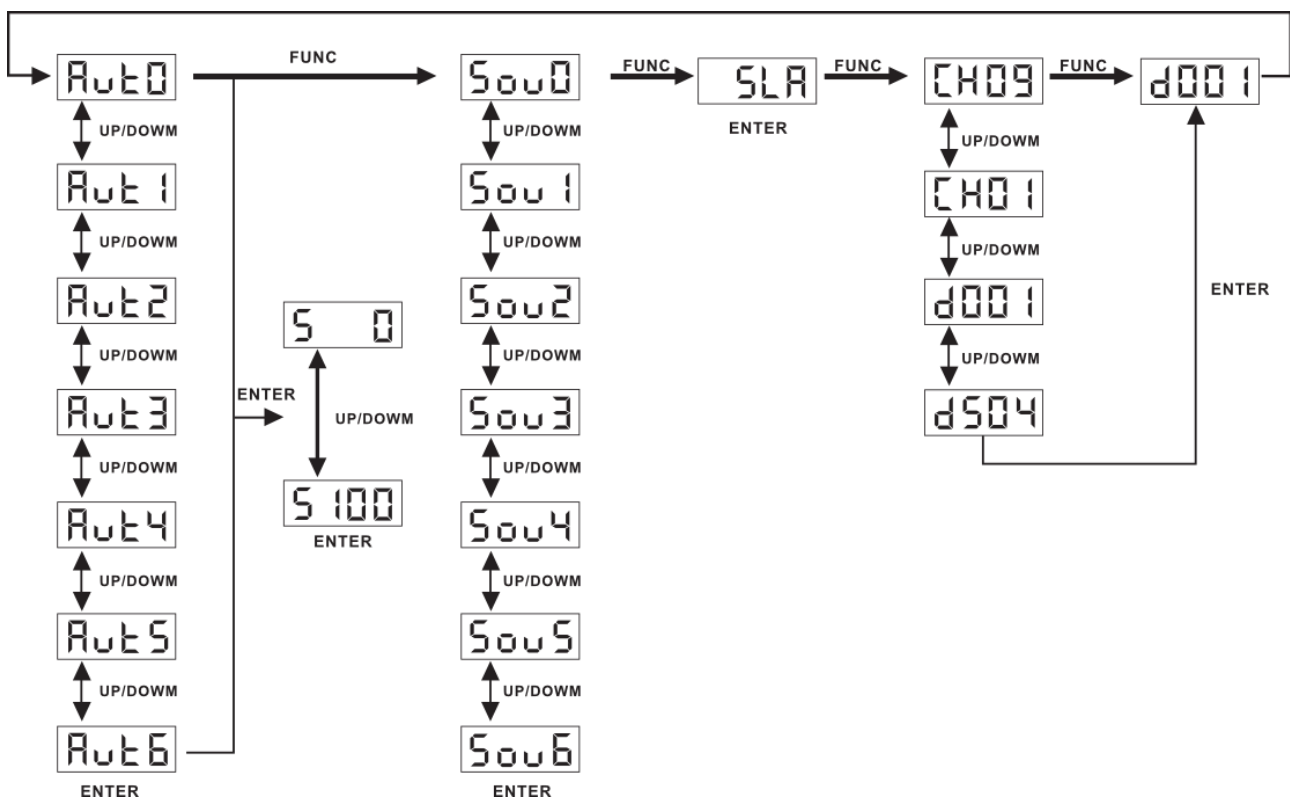
## MONTAJE EN ALTURA (SOBRE LA CABEZA)

- **Importante:** La instalación debe efectuarla solamente personal de servicio cualificado. Una instalación no adecuada puede dar como resultado lesiones serias y/o daños a la propiedad. **¡Colocar el dispositivo sobre un montaje en altura requiere una gran experiencia! Deben respetarse los límites de carga de trabajo, utilizarse materiales de instalación certificados, el dispositivo instalado debe inspeccionarse con regularidad por motivos de seguridad.**
- Asegúrese de que el área que se encuentra bajo el lugar de instalación esté libre de personas no autorizadas durante la subida, bajada y reparación del aparato.
- Coloque el proyector en un lugar bien ventilado, lejos de materiales y/o líquidos inflamables. El proyector debe estar fijo **con al menos 50 cm** de separación de las paredes de su alrededor.
- El dispositivo debe instalarse fuera del alcance de las personas y fuera de las áreas donde las personas puedan pasar o permanezcan sentadas.
- Antes de efectuar la elevación, asegúrese de que el área de instalación pueda sostener una carga puntual mínima de 10 veces el peso del dispositivo.
- Utilice siempre un cable de seguridad certificado que pueda sostener 12 veces el peso del dispositivo, una vez instalada la unidad. Esta segunda fijación de seguridad debe instalarse de forma que ninguna parte de la instalación pueda caer más de 20 cm si la fijación principal falla.
- El dispositivo debe fijarse bien, ¡un montaje que permita el balanceo es peligroso y no debe considerarse!
- No cubra ninguna abertura de ventilación ya que esto puede provocar sobrecalentamiento.
- El operador tiene que estar seguro de que las instalaciones técnicas de la máquina y las relacionadas con la seguridad son aprobadas por un experto antes de utilizarlas por primera vez. Las instalaciones deben inspeccionarse anualmente por una persona con experiencia para asegurarse de que la seguridad es óptima.



**PRECAUCIÓN POR LESIÓN OCULAR:** Siempre coloque el láser de una forma que evite que la audiencia mire directamente a los haces de láser. La instalación debe asegurar que el haz no estará dirigido a la audiencia.

# CÓMO CONFIGURAR Y CONTROLAR LA UNIDAD



Puede utilizar la unidad de 4 formas:

## 1) MODO CONTROLADO POR MÚSICA:

La unidad ejecuta una secuencia preprogramada al ritmo de la música. Seleccione este modo cuando solo use una unidad (modo autónomo), o si está usando varias unidades encadenadas cuando es la primera (master).

- Pulse el botón FUNC, hasta que en la pantalla aparezca: Sou (seguido por un número del 0 al 6)  
Por favor consulte detenidamente la tabla de Menú de arriba.
- Ahora use los botones ARRIBA o ABAJO para seleccionar uno de los modos de sonido:
  - Sou0 = Laser + Leds RVAzBAm + Leds blancos
  - Sou1 = Laser + Leds RVAzBAm
  - Sou2 = Laser + Leds blancos
  - Sou3 = Leds RVAzBAm + Leds blancos
  - Sou4 = Leds RVAzBAm
  - Sou5 = Laser
  - Sou6 = Leds blancos
- Presione el botón ENTER para confirmar su selección.
- Ponga algo de música y ajuste la sensibilidad del micrófono interno usando el control de sensibilidad (7) de modo que el efecto reaccione perfectamente al nivel de sonido de su música.

Puede conectar varias unidades juntas: simplemente ponga la primera unidad de la cadena en uno de los modos de efectos activados por sonido, y todas las demás unidades en "modo Esclavo" (la pantalla muestra "SLA") para hacer que todas ellas funcionen perfectamente sincronizadas.

**Nota:** Cuando no detecta música, la salida de luz de la unidad se desactiva (apagado).

## 2) MODO TOTALMENTE AUTOMÁTICO:

La unidad ejecuta automáticamente una secuencia preprogramada. Seleccione este modo cuando solo use una unidad (modo autónomo), o si está usando varias unidades encadenadas cuando es la primera (master).

- Pulse varias veces el botón FUNC hasta la en la pantalla aparezca Aut (seguido de un número del 0 al 6).

Por favor consulte detenidamente la tabla de Menú de arriba.

- Ahora use los botones ARRIBA o ABAJO para seleccionar uno de los modos automáticos:
  - Aut 0 = Laser + Leds RVAzBAm + Leds blancos
  - Aut 1 = Laser + Leds RVAzBAm
  - Aut 2 = Laser + Leds blancos
  - Aut 3 = Leds RVAzBAm + Leds blancos
  - Aut 4 = Leds RVAzBAm
  - Aut 5 = Laser
  - Aut 6 = Leds blancos
- Presione el botón ENTER para confirmar su selección.
- Ahora use los botones ARRIBA o ABAJO para seleccionar la velocidad:
  - S 1 = La velocidad más rápida
  - S 100 = La velocidad más lenta
  - S 0 = La velocidad predeterminada para la secuencia preprogramada

La unidad ejecuta automáticamente una secuencia preprogramada.

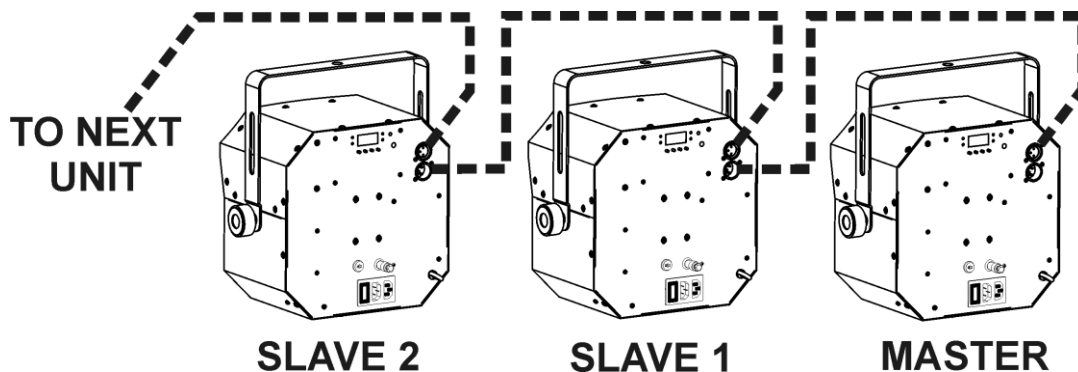
Puede conectar varias unidades juntas: simplemente punge la primera unidad de la cadena en uno de los modos de efectos automáticos, y todas las demás unidades en “modo Esclavo” (la pantalla muestra “SLA”) para hacer que todas ellas funcionen perfectamente sincronizadas.

**3) MODO ESCLAVO:**

La unidad sigue las instrucciones dadas por la primera unidad (master) de la cadena. De este modo puede obtener bonitos espectáculos de luces sincronizadas.

- Conecte la entrada MDX de la unidad a la salida DMX de la unidad anterior en la cadena.
- Pulse el botón FUNC, hasta que en la pantalla aparezca “SLA”.
- Presione el botón ENTER para confirmar su selección.

Puede conectar varias unidades juntas. Por favor, ponga la primera unidad de la cadena en “modo Música o Automático”, y todas las demás unidades en “modo Esclavo” (la pantalla muestra “SLA”) para hacer que todas ellas funcionen perfectamente sincronizadas.

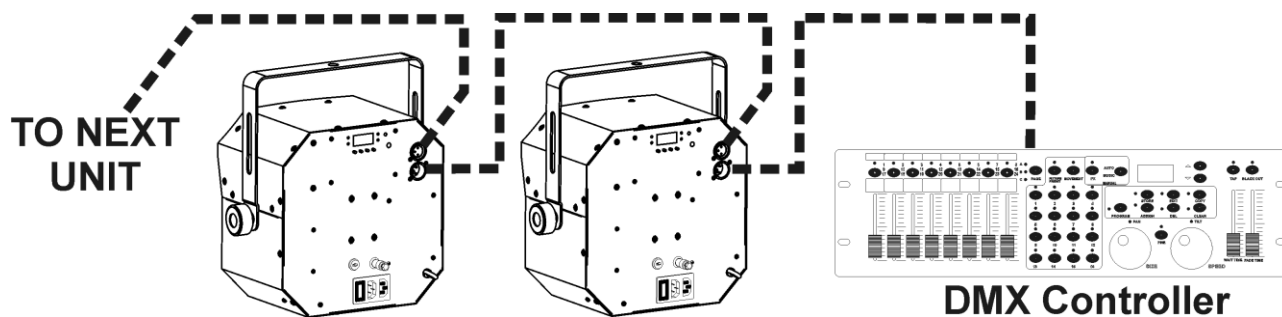


**4) MODO DMX512:**

El láser se puede controlar por un controlador DMX estándar, de 2 modos DMX distintos.

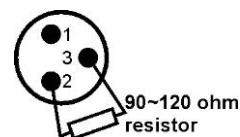
- Pulse el botón FUNC hasta que en la pantalla aparezca Ch 01 y Ch 09.
- Use los botones ARRIBA o ABAJO para seleccionar el modo DMX que desea usar.
  - Ch01: ¡para una configuración y uso extremadamente sencillos! Ahora podrá controlar las funciones automáticas de la unidad a través de 1 canal DMX.
  - Ch09: Para un control total de todas las funciones a través de 9 canales DMX.
- Presione el botón ENTER para confirmar su selección.
- Aparecerá “d...” (seguida de 3 números) parpadeando en la pantalla.
- Use los botones ARRIBA o ABAJO para seleccionar la dirección DMX que desea usar.
- Presione el botón ENTER para confirmar su selección.

**Nota:** cuando la unidad está en modo DMX y no se detecta señal DMX, la pantalla parpadea.



**Información adicional acerca de DMX512:**

El protocolo DMX es una señal de alta velocidad ampliamente utilizada para controlar equipamiento de iluminación inteligente. Debe encadenar en serie su controlador DMX y todos los efectos luminosos conectados usando un cable balanceado XLR M/H de buena calidad. Para evitar un comportamiento extraño de los efectos de luces debido a interferencias, debe utilizar una resistencia terminal de 90 Ω a 120 Ω al final de la cadena. Nunca utilice cables repartidores Y, jesto simplemente no funcionará! Cada efecto de la cadena necesita tener su propia dirección de inicio, para que sepa qué comandos del controlador son los que debe decodificar.



**CONFIGURACIÓN DMX DE 1 CANAL DE LA UNIDAD:**

Valor DMX	Función
000-029	DESACTIVADO
030-049	Todos los LEDs blancos ILUMINADOS
050-069	LEDS blancos estroboscópicos
070-089	Laser Seguimiento Automático Lento
090-109	LEDs RVAzBAm Seguimiento Automático Lento
110-129	Laser + LEDs RVAzBAm Seguimiento Automático Lento
130-149	LEDs blancos siguiendo al sonido
150-169	Laser siguiendo al sonido
170-189	Leds RVAzBAm Siguiendo al sonido
190-209	LEDs RVAzBAm+ LEDs blancos siguiendo al sonido
210-229	Laser + LEDs blancos siguiendo al sonido
230-249	Laser + LEDs RVAzBAm siguiendo al sonido
250-255	Laser + LEDs blancos+ LEDs RVAzBAm siguiendo al sonido

**CONFIGURACIÓN DMX DE 9 CANALES DE LA UNIDAD:**

**OBSERVACIÓN IMPORTANTE:** El canal DMX 1 se usa para establece los diferentes modos de trabajo de la unidad.

- Para usar la unidad en un modo completamente manual, el canal 1 debe tener un valor de 221 o superior.

Canal	Valor	Función
Modo CNL1	000-009	Apagado
	010-024	AUTO 0
	025-039	AUTO 1
	040-054	AUTO 2
	055-069	AUTO 3

<b>Canal</b>	<b>Valor</b>	<b>Función</b>
	<b>070-084</b>	AUTO 4
	<b>085-099</b>	AUTO 5
	<b>100-114</b>	AUTO 6
	<b>115-129</b>	SONIDO 0
	<b>130-144</b>	SONIDO 1
	<b>145-159</b>	SONIDO 2
	<b>160-174</b>	SONIDO 3
	<b>175-189</b>	SONIDO 4
	<b>190-204</b>	SONIDO 5
	<b>205-220</b>	SONIDO 6
	<b>221-255</b>	MODULO DMX
<b>CNL2 RVAzBAm</b>	<b>000-009</b>	Apagado
	<b>010-014</b>	Rojo
	<b>015-019</b>	Verde
	<b>020-024</b>	Azul
	<b>025-029</b>	Ámbar
	<b>030-034</b>	Blanco
	<b>035-039</b>	Blanco y rojo
	<b>040-044</b>	Rojo + verde
	<b>045-049</b>	Verde + azul
	<b>050-054</b>	Azul + ámbar
	<b>055-059</b>	Ámbar + blanco
	<b>060-064</b>	Blanco + verde
	<b>065-069</b>	Verde + ámbar
	<b>070-074</b>	Ámbar + rojo
	<b>075-079</b>	Rojo + azul
	<b>080-084</b>	Azul + Blanco
	<b>085-089</b>	Rojo + verde + azul
	<b>090-094</b>	Rojo + verde + ámbar
	<b>095-099</b>	Rojo + verde + blanco
	<b>100-104</b>	Rojo + ámbar + azul
	<b>105-109</b>	Rojo + blanco + azul
	<b>110-114</b>	Rojo + ámbar + blanco
	<b>115-119</b>	Ámbar + verde + azul
	<b>120-124</b>	Azul + verde+ blanco
	<b>125-129</b>	Ámbar + verde+ blanco
	<b>130-134</b>	Ámbar + blanco + azul
	<b>135-139</b>	Rojo + verde + azul + ámbar
	<b>140-144</b>	Rojo + verde + azul + blanco
<b>145-149</b>	Azul + verde + blanco + ámbar	
<b>150-154</b>	Rojo + verde + ámbar + blanco	

Canal	Valor	Función
	155-159	Blanco + rojo + azul + ámbar
	160-164	Rojo + verde + azul + ámbar + blanco
	165-209	Automático (solo colores simples)
	210-255	Automático (2 colores a la vez)
CNL3 Velocidad		Velocidad automática (cuando el Canal 2 está entre 165-255)
	000-255	Lento-Rápido (solo con colores)
CNL4 Estroboscopio	000-004	Sin Función
	005-254	Estroboscopio (lento->rápido) (máx. 30 Hz)
	255-255	Modo estroboscópico activado por sonido
CNL3 Blanco	000-009	Apagado
	010-019	Patrón 1 (lento->rápido)
	020-029	Patrón 2 (lento->rápido)
	030-039	Patrón 3 (lento->rápido)
	040-049	Patrón 4 (lento->rápido)
	050-059	Patrón 5 (lento->rápido)
	060-069	Patrón 6 (lento->rápido)
	070-079	Patrón 7 (lento->rápido)
	080-089	Patrón 8 (lento->rápido)
	090-099	Patrón 9 (lento->rápido)
	100-109	Patrón 0 (lento->rápido)
	110-255	ENCENDIDO
CNL6 Laser	000-009	Apagado
	010-049	Rojo encendido
	050-089	Verde encendido
	090-129	Verde y Rojo (destellos alternos)
	130-169	Rojo encendido y verde estroboscópico
	170-209	Verde encendido y rojo estroboscópico
	210-255	Rojo y verde (estroboscópico)
CNL7 Laser estroboscópico	000-004	Sin Función
	005-254	Estroboscopio (lento->rápido) (máx. 30 Hz)
	255-255	Modo estroboscópico activado por sonido
CNL8 Motor del LED	000-004	Parar
	005-127	Girar en sentido de las agujas del reloj1 (lento->rápido)
	128-133	Parar
	134-255	Girar en sentido contrario a las agujas del reloj1 (lento->rápido)
CNL9 Motor del Laser	000-004	Parar
	005-127	Girar en sentido de las agujas del reloj
	128-133	Parar
	134-255	Girar en sentido contrario de las agujas del reloj

## MANTENIMIENTO

- Asegúrese de que el área debajo del lugar de instalación esté libre de personas no autorizadas cuando realice mantenimiento/repares.
- Apague la unidad, desenchufe el cable de alimentación y espere hasta que se enfríe.

### Durante la inspección deben revisarse los puntos siguientes:

- Todos los tornillos utilizados para la instalación del dispositivo y cualquiera de sus componentes deben estar bien apretados y no pueden tener corrosión.
- Las carcasas, fijaciones y puntos de instalación (techo, refuerzos, suspensiones) deben estar totalmente libres de cualquier deformación.
- Cuando una lente óptica está visiblemente dañada debido a grietas o arañazos profundos, debe ser sustituida.
- Los cables de alimentación deben estar en condiciones impecables y deben sustituirse inmediatamente incluso si se detecta un problema pequeño.
- Para proteger el dispositivo contra el sobrecalentamiento, los ventiladores de enfriamiento (si hay alguno) y las aberturas de ventilación deben limpiarse mensualmente.
- El interior del dispositivo debe limpiarse anualmente utilizando una aspiradora o chorro de aire.
- La limpieza de las lentes ópticas y/o espejos internos y externos debe efectuarse periódicamente para optimizar la salida de la luz. La frecuencia de limpieza depende del entorno en el que opera el proyector; ambientes húmedos, con humo o especialmente sucios pueden provocar una mayor acumulación de suciedad en los componentes ópticos de la unidad.
  - Límpielos con un paño suave utilizando productos normales para la limpieza del vidrio.
  - Siempre seque cuidadosamente las piezas.
  - Limpie la óptica externa al menos una vez cada 30 días.
  - Limpie la óptica interna al menos cada 90 días.

**Atención:** ¡Recomendamos encarecidamente que la limpieza se lleve a cabo por personal cualificado!

## ESPECIFICACIONES

<b>Entrada de alimentación:</b>	CA 100~240 V, 50/60 Hz
<b>Fusible:</b>	250 V 1,6 A retardado (cristal 20 mm)
<b>Consumo total de energía:</b>	66 W
<b>Control por Sonido:</b>	Micrófono interno
<b>Conexiones DMX:</b>	XLR macho/hembra de 3 pines
<b>Conexiones DMX:</b>	1 o 9 canales
<b>Dirección de inicio DMX:</b>	001 → 504
<b>Potencia del efecto LED:</b>	LEDs 3 W Rojo + 3 W Verde + 3 W Azul + 3 W Ámbar + 3 W Blanco
<b>Potencia del efecto estroboscópico:</b>	8 LEDs de 1 W
<b>Potencia de láser:</b>	Láser de 150 mW Rojo ( $\lambda = 650 \text{ nm}$ ) + 50 mW Verde ( $\lambda = 532 \text{ nm}$ )
<b>Clase de radiación Láser:</b>	3 B
<b>Temperatura de funcionamiento:</b>	10°C a 40°C
<b>Estándar de Seguridad Láser:</b>	EN/IEC 60825-1 2007
<b>Tamaño:</b>	240 x 220 x 110 mm
<b>Peso:</b>	4,2 kg

Esta información está sujeta a cambios sin notificación previa

Puede descargar la versión más reciente de este manual de usuario en nuestro sitio Web: [www.beglec.com](http://www.beglec.com)











**JB SYSTEMS**

**WWW.JB-SYSTEMS.EU**

**Copyright © 2014 by BEGLEC NV**

't Hofveld 2C ~ B1702 Groot-Bijgaarden ~ Belgium

Reproduction or publication of the content in any manner, without express permission of the publisher, is prohibited.