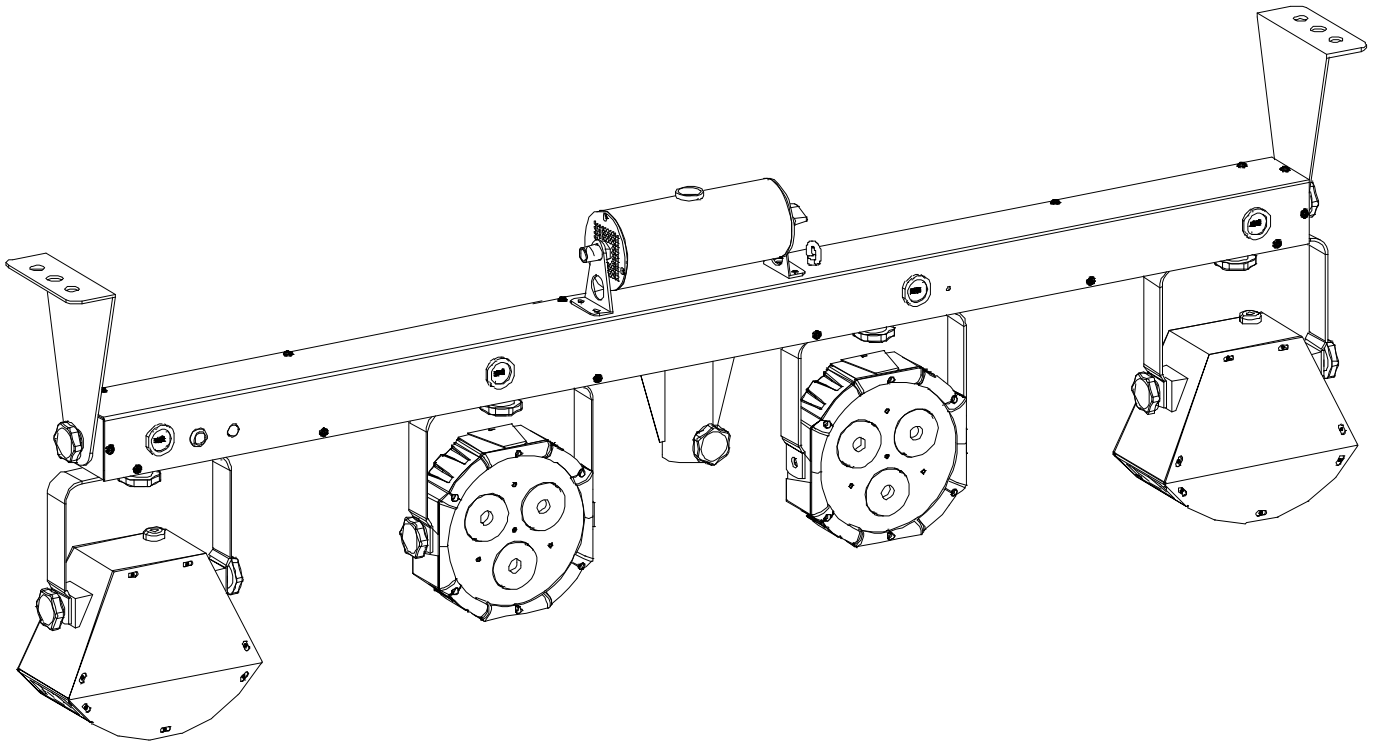


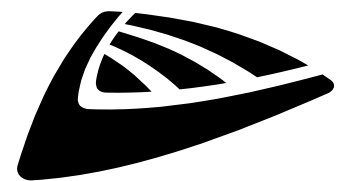
PARTY BAR



Operation Manual EN
Mode d'emploi FR
Gebruiksaanwijzing NL
Bedienungsanleitung DE
Manual de instrucciones ES



Version: 2.0



JB SYSTEMS



EN - DISPOSAL OF THE DEVICE

Dispose of the unit and used batteries in an environment friendly manner according to your country regulations.

FR - DÉCLASSER L'APPAREIL

Débarrassez-vous de l'appareil et des piles usagées de manière écologique Conformément aux dispositions légales de votre pays.

NL - VERWIJDEREN VAN HET APPARAAT

Verwijder het toestel en de gebruikte batterijen op een milieuvriendelijke manier conform de in uw land geldende voorschriften.

DU - ENTSORGUNG DES GERÄTS

Entsorgen Sie das Gerät und die Batterien auf umweltfreundliche Art und Weise gemäß den Vorschriften Ihres Landes.

ES - DESHACERSE DEL APARATO

Reciclar el aparato y pilas usadas de forma ecologica conforme a las disposiciones legales de su país.

PT - COMO DESFAZER-SE DA UNIDADE

Tente reciclar a unidade e as pilhas usadas respeitando o ambiente e em conformidade com as normas vigentes no seu país.

OPERATION MANUAL

Thank you for buying this JB Systems® product. To take full advantage of all possibilities and for your own safety, please read these operating instructions very carefully before you start using this unit.

FEATURES

This unit is radio-interference suppressed. This product meets the requirements of the current European and national guidelines. Conformity has been established and the relevant statements and documents have been deposited by the manufacturer.

This device was designed to produce decorative effect lighting and is used in light show systems.

- The PARTY BAR is a fabulous 4in1 light effect for mobile DJs!
- This extremely compact bar is stuffed with 4 different light effects to create a wonderful lightshow:
 - 2 rotating Derby effects, each equipped with Red, Green and Blue 3 watt LEDs
 - 2 LED projectors, each equipped with 3pcs 9 watt RGB LEDs for strong 15° beams
 - 4 Cold white LEDs to create all kinds of strobe and blinder effects
 - The 2 color red/green laser projects hundreds of thin beams for a stunning atmosphere
- The fabulous preprogrammed shows with different effect combinations can be controlled in different ways:
 - DMX-control: via 3, 5, 6, 9 or 27 channels.
 - Standalone: sound activated (internal microphone) or automatic.
 - IR-remote: infrared remote control.
- Prepared for wireless DMX: just plug-in an optional WTR-DMX DONGLE ! (Briteq® order code: 4645)
- Several bars can be connected in master/slave to create wonderful synchronized shows.
- 3-digit LED display for easy menu navigation.
- You can put the bar on any 35mm stand or use the included mounting brackets for easy truss mounting.
- Thanks to the included transport case transport is a piece of cake!
- Very low power consumption: only 48W with all lights on!
- IEC power in/out can be used to link several units.
- Key actuated on/off switch and emergency switch (interlock) input for additional safety of the laser system
- Complies to EN/IEC 60825-1 2007 for Laser Safety

BEFORE USE

- Before you start using this unit, please check if there's no transportation damage. Should there be any, do not use the device and consult your dealer first.
- **Important:** This device left our factory in perfect condition and well packaged. It is absolutely necessary for the user to strictly follow the safety instructions and warnings in this user manual. Any damage caused by mishandling is not subject to warranty. The dealer will not accept responsibility for any resulting defects or problems caused by disregarding this user manual.
- Keep this booklet in a safe place for future consultation. If you sell the fixture, be sure to add this user manual.

Check the contents:

Check that the cardboard box contains the following items:

- Flight-Case
- Party Bar
- Hanging bracket system (2 metal brackets + 2 knobs)
- 1 extra knob for the 35mm pole stand adapter (same model as for the hanging brackets)
- IR remote control
- 2 keys (for key switch)
- Spare connector for emergency stop
- Mains cable
- Operating instructions

SAFETY INSTRUCTIONS:



CAUTION
RISK OF ELECTRIC SHOCK
DO NOT OPEN



CAUTION: To reduce the risk of electric shock, do not remove the top cover. No user-serviceable parts inside. Refer servicing to qualified service personnel only.



The lightning flash with arrowhead symbol within the equilateral triangle is intended to alert the user or the presence of un-insulated "dangerous voltage" within the product's enclosure that may be of sufficient magnitude to constitute a risk of electric shock.



The exclamation point within the equilateral triangle is intended to alert the user to the presence of important operation and maintenance (servicing) instructions in the literature accompanying this appliance.



This symbol means: indoor use only.



This symbol means: Read instructions.



This symbol determines: the minimum distance from lighted objects. The minimum distance between light-output and the illuminated surface must be more than 1 meter.



CAUTION: Do not stare at operating lamp.
May be harmful to the eyes.

- To protect the environment, please try to recycle the packing material as much as possible.
- A new light effect sometimes causes some unwanted smoke and/or smell. This is normal and disappears after some minutes.
- To prevent fire or shock hazard, do not expose this appliance to rain or moisture.
- To avoid condensation to be formed inside, allow the unit to adapt to the surrounding temperatures when bringing it into a warm room after transport. Condense sometimes prevents the unit from working at full performance or may even cause damages.
- This unit is for indoor use only.
- Don't place metal objects or spill liquid inside the unit. Electric shock or malfunction may result. If a foreign object enters the unit, immediately disconnect the mains power.
- Locate the fixture in a well ventilated spot, away from any flammable materials and/or liquids. The fixture must be fixed at least 50cm from surrounding walls.
- Don't cover any ventilation openings as this may result in overheating.
- Prevent use in dusty environments and clean the unit regularly.
- Keep the unit away from children.
- Inexperienced persons should not operate this device.
- The save ambient temperature is between 15° & 40°C. Don't use this unit at higher ambient temperatures.
- Make sure the area below the installation place is free from unwanted persons during rigging, de-rigging and servicing.
- Always unplug the unit when it is not used for a longer time or before replacing the bulb or start servicing.
- The electrical installation should be carried out by qualified personal only, according to the regulations for electrical and mechanical safety in your country.
- Check that the available voltage is not higher than the one stated on the rear panel of the unit.
- The power cord should always be in perfect condition. Switch the unit immediately off when the power cord is squashed or damaged. It must be replaced by the manufacturer, its service agent or similarly qualified persons in order to avoid a hazard.
- Never let the power-cord come into contact with other cables!
- This fixture must be earthed to in order comply with safety regulations.
- Don't connect the unit to any dimmer pack.
- Always use an appropriate and certified safety cable when installing the unit.
- In order to prevent electric shock, do not open the cover. Apart from the lamp and mains fuse there are no user serviceable parts inside.
- **Never** repair a fuse or bypass the fuse holder. **Always** replace a damaged fuse with a fuse of the same type and electrical specifications!
- In the event of serious operating problems, stop using the fixture and contact your dealer immediately.
- The housing and the lenses must be replaced if they are visibly damaged.
- Please use the original packing when the device is to be transported.

- Due to safety reasons it is prohibited to make unauthorized modifications to the unit.

Important: Never look directly into the light source! Don't use the effect in the presence of persons suffering from epilepsy.

LASER SAFETY INSTRUCTIONS:

- According to the EN/IEC 60825-1 Ed2, 2007-03 regulations, this laser falls under the classification 3B. Direct eye exposure can be dangerous.

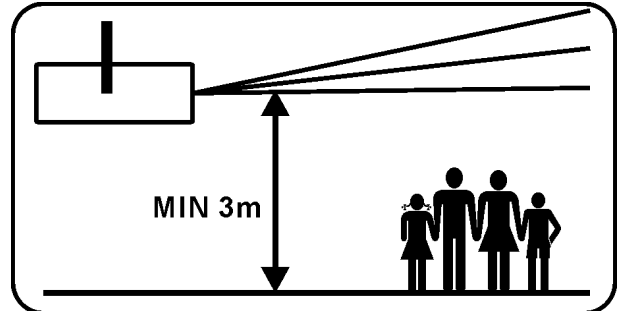


DANGER: LASER RADIATION !

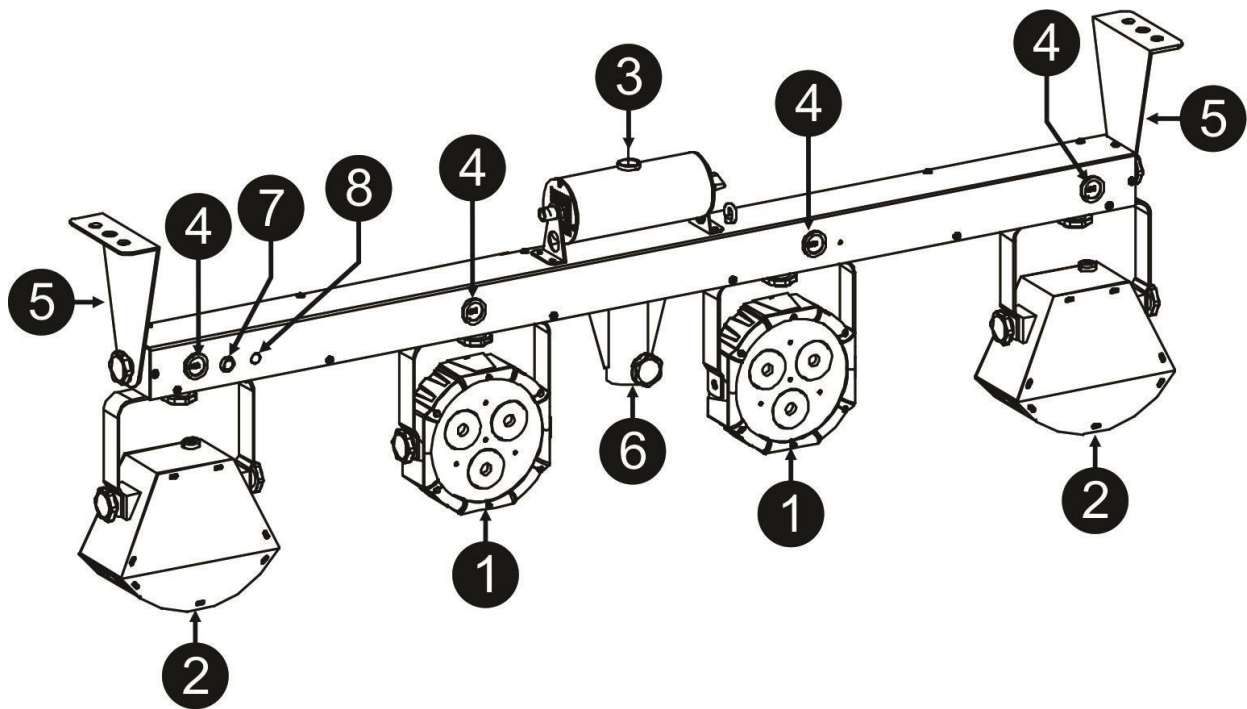
Avoid direct eye exposure! Laser radiation can cause eye damage and/or skin damage. All protective measures for a safe operation of this laser must be applied.



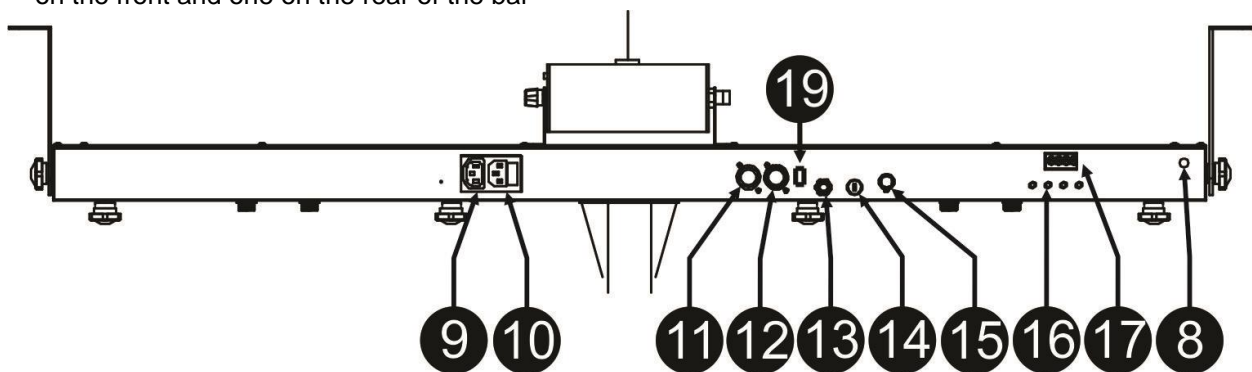
- This product is a so-called show laser, emitting radiation with a wavelength spectrum between 400 and 700 nm and producing lighting effects for shows.
 - Laser Light is different from any other light source with which you may be familiar. The light from this product can potentially cause eye injury if not set up and used properly. Laser light is thousands of times more concentrated than light from any other kind of light source. This concentration of light power can cause instant eye injuries, primarily by burning the retina (the light sensitive portion at the back of the eye). Even if you cannot feel "heat" from a laser beam, it can still potentially injure or blind you or your audience.
 - Even very small amounts of laser light are potentially hazardous even at long distances.
 - Never look into the laser aperture or laser beams
 - Never direct the laser beam to people or animals and never leave this device running unattended.
 - This laser may only be used for shows. The operation of a class 3B show laser is only allowed if the operation is controlled by a skilled and well-trained operator.
 - Depending on the classification, operating a laser product can produce laser radiation that may cause permanent eye damage and/or skin damage. The legal instructions for using a laser product vary from country to country. The user must always inform himself on the legal instructions valid in his country and apply them to his situation.
 - The parent document and cornerstone of laser safety standards ANSI Z136.1 (2007) provides guidance for the safe use of lasers and laser systems by defining control measures for each of the four laser classes. This valuable document can be obtained from www.laserinstitute.org
- Please note that **JB SYSTEMS** cannot be made liable for damages caused by incorrect installations and unskilled operation!



DESCRIPTION:



- 1. RGB PROJECTOR
- 2. RGB DERBY PROJECTOR
- 3. LASER UNIT
- 4. WHITE FLASH LED
- 5. **HANGING BRACKETS:** Fix one bracket at each extremity of the bar by using the 2 knobs. You can now fix a mounting hook (or fast clamp) in each bracket hole.
- 6. **35mm POLE STAND ADAPTER**
- 7. **INTERNAL MICROPHONE:** is used to synchronize the sound controlled shows to the beat of the music.
- 8. **IR-RECEIVER:** When you use the wireless remote control that is delivered with the Party Bar you have to point the infra-red remote controller to this infra-red receiver. There are 2 IR-receivers on the bar, one on the front and one on the rear of the bar



- 9. **MAINS LINK OUTPUT:** you can use a special IEC power cable to connect this output with the mains input of the next bar or projector for easier linking (Max. total load on one power line = 10A)
- 10. **MAINS INPUT:** IEC socket with integrated fuse holder and switch, connect the supplied mains cable here.
- 11. **DMX OUTPUT:** 3pin female XLR-connector used to connect the Party Bar with the next unit in the DMX chain.
- 12. **DMX INPUT:** 3pin male XLR-connector used to connect universal DMX-cables. This input receives instructions from a DMX-controller (in DMX mode) or from the previous bar (in Master/Slave mode).
- 13. **INTERLOCK input:** used to connect the optional emergency stop switch (see picture). When you push this switch the laser beam will disappear immediately.

**IMPORTANT! For your own safety we strongly recommend to connect this optional switch!
THERE WILL BE NO LASER OUTPUT WHEN THE INTERLOCK INPUT IS NOT USED!
Temporary solution: install the spare connector on the laser. (see picture)**

14. **ON/OFF KEY ACTIVATED SWITCH:** used to switch the laser unit on/off. Use the keys to make sure only a skilled operator is able to switch the laser on.
15. **SENSITIVITY KNOB:** turn this knob anti-clockwise to decrease the sensitivity or turn it clockwise to increase the sensitivity of the integrated microphone.
16. **CONTROL PANEL:** Used to select the different functions of the bar, see further to learn how to operate the unit.
17. **INTERNAL MICROPHONE:** The built-in microphone is used to synchronize the sound controlled shows to the beat of the music.
18. **DISPLAY:** shows all the necessary information about settings and working modes.
19. **M-DMX INPUT:** Please note that this USB-connector is NOT used for updates or to connect the unit to a PC! Instead this USB-connector makes it very easy to add wireless DMX to the unit! Just add the (optional) WTR-DMX DONGLE from BRITEQ® and you will get wireless DMX! Moreover you will be able to connect other DMX-controlled equipment to the DMX-output so you can share the wireless DMX function with all connected units! No extra settings to be made in the setup menu, just follow the procedure in the user manual supplied with the WTR-DMX DONGLE from BRITEQ®. *The separate WTR-DMX DONGLE is available from WWW.BRITEQ-LIGHTING.COM (order code: 4645)*



OVERHEAD RIGGING

- **Important:** The installation must be carried out by qualified service personal only. Improper installation can result in serious injuries and/or damage to property. Overhead rigging requires extensive experience! Working load limits should be respected, certified installation materials should be used, the installed device should be inspected regularly for safety.
- Make sure the area below the installation place is free from unwanted persons during rigging, de-rigging and servicing.
- Locate the fixture in a well ventilated spot, far away from any flammable materials and/or liquids. The fixture must be fixed **at least 50cm** from surrounding walls.
- The device should be installed out of reach of people and outside areas where persons may walk by or be seated.
- Before rigging make sure that the installation area can hold a minimum point load of 10times the device's weight.
- Always use a certified safety cable that can hold 12 times the weight of the device when installing the unit. This secondary safety attachment should be installed in a way that no part of the installation can drop more than 20cm if the main attachment fails.
- The device should be well fixed; a free-swinging mounting is dangerous and may not be considered!
- Don't cover any ventilation openings as this may result in overheating.
- The operator has to make sure that the safety-relating and machine-technical installations are approved by an expert before using them for the first time. The installations should be inspected every year by a skilled person to be sure that safety is still optimal.



CAUTION EYE DAMAGE: Always position the laser in a way that prevents the audience from looking directly into the laser beams. The installation should assure that the beam will not strike the audience.

HOW TO SET UP AND CONTROL THE UNIT

You can operate the unit in several ways:

1) FULL AUTOMATIC STANDALONE MODE:

The effect automatically runs a preprogrammed sequence. Select this mode when only 1 Party Bar is used (standalone) or when the Party Bar is placed as the first (master) unit in a chain with several Party Bars.

- Press the [MENU] button until the display shows [Aut].
- Press the [ENTER] button to confirm your choice.
- Now you can use the UP or DOWN buttons to select the desired effect group:
 - **[AutP] Automatic RGB projector show.**
 - Press [ENTER] to select this mode.
 - Use the [UP] and [DOWN] buttons to select one of the 18 shows [AP01 – AP18]
 - Press [ENTER] to confirm your setting
 - Use the [UP] and [DOWN] buttons to select the desired show speed from [S.01] slow to [S.99] fast
 - Press [ENTER] to confirm your setting
 - Use the [UP] and [DOWN] buttons to select the desired rotating speed for the derby effects from [M.00] stop to [M.99] fast
 - Press [ENTER] to confirm your setting
 - **[AutL] Automatic Laser show.**
 - Press [ENTER] to select this mode.
 - Use the [UP] and [DOWN] buttons to select one of the 6 shows [AL01 – AL06]
 - Press [ENTER] to confirm your setting
 - Use the [UP] and [DOWN] buttons to select the desired show speed from [S.01] slow to [S.99] fast
 - Press [ENTER] to confirm your setting
 - Use the [UP] and [DOWN] buttons to select the desired rotating speed for the laser effect from [M.00] stop to [M.99] fast
 - Press [ENTER] to confirm your setting
 - **[AutF] Automatic white flash show.**
 - Press [ENTER] to select this mode.
 - Use the [UP] and [DOWN] buttons to select one of the 10 shows [AF01 – AL10]
 - Press [ENTER] to confirm your setting
 - Use the [UP] and [DOWN] buttons to select the desired show speed from [S.01] slow to [S.99] fast
 - Press [ENTER] to confirm your setting
 - **[AutM] Automatic mixed effects show.**
 - Press [ENTER] to select this mode.
 - Use the [UP] and [DOWN] buttons to select one of the 3 shows [AM01 – AM03]
 - Press [ENTER] to confirm your setting
 - Use the [UP] and [DOWN] buttons to select the desired show speed from [S.01] slow to [S.99] fast
 - Press [ENTER] to confirm your setting

You can connect several PARTY BARS together: just put the first unit of the chain in one of the automatic effect modes and all other units in "Slave mode" (display shows "SLA") to make them all work in perfect sync!

2) SOUND CONTROLLED STANDALONE MODE:

The Party Bar runs a preprogrammed sequence to the rhythm of the music. Select this mode when only 1 Party Bar is used (standalone) or when the Party Bar is placed as the first (master) unit in a chain with several units.

- Press the [MENU] button until the display shows [Sou].
- Press the [ENTER] button to confirm your choice.
- Now you can use the UP or DOWN buttons to select the desired effect group:
 - **[SouP] Sound controlled RGB projector show.**
 - Press [ENTER] to select this mode.
 - Use the [UP] and [DOWN] buttons to select one of the 18 shows [SP01 – SP18]

- Press [ENTER] to confirm your setting
- **[SouL] Sound controlled Laser show.**
 - Press [ENTER] to select this mode.
 - Use the [UP] and [DOWN] buttons to select one of the 6 shows [SL01 – SL06]
 - Press [ENTER] to confirm your setting
- **[SouF] Sound controlled white flash show.**
 - Press [ENTER] to select this mode.
 - Use the [UP] and [DOWN] buttons to select one of the 10 shows [SF01 – SL10]
 - Press [ENTER] to confirm your setting
- **[SouM] Sound controlled mixed effects show.**
 - Press [ENTER] to select this mode.
 - Use the [UP] and [DOWN] buttons to select one of the 3 shows [SM01 – SM03]
 - Press [ENTER] to confirm your setting

Note: The sensitivity of the build-in microphone can be set by turning the [microphone sensitivity] knob on the rear of the Bar.

3) FIXED COLOR STANDALONE MODE:

You can set a fixed color for the 4 RGB projectors together (2 flat RGB projectors + 2 RGB Derby effects)

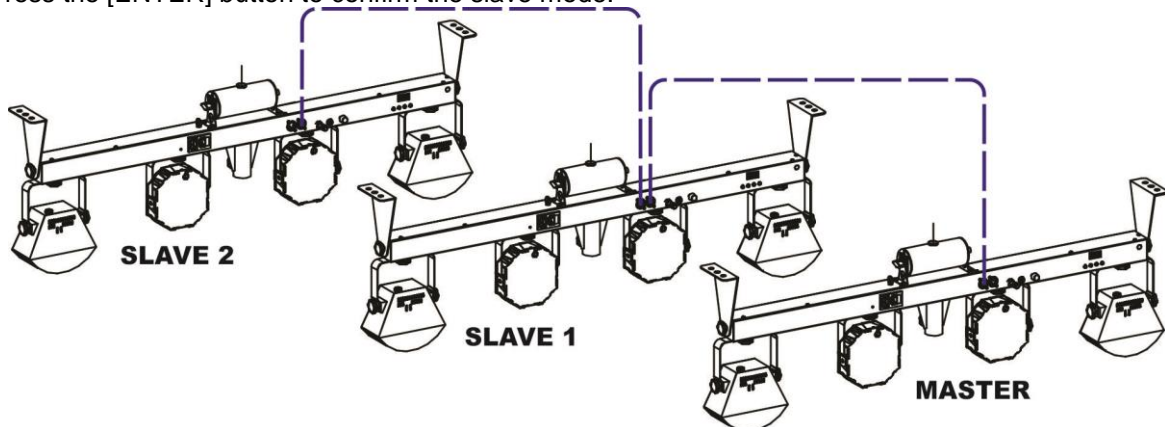
- Press the [MENU] button until the display shows [COL].
- Press the [ENTER] button to confirm your choice.
- [COLO] will appear on the screen
- Press the [ENTER] button to enter the setup mode.
- Use the [UP/DOWN] buttons to set the intensity of the red color. [r.000] = off, [r.255] = maximum intensity
- Press the [ENTER] button to confirm your choice and to go to the next color setting.
- Use the [UP/DOWN] buttons to set the intensity of the green color. [G.000] = off, [G.255] = maximum intensity
- Press the [ENTER] button to confirm your choice and to go to the next color setting.
- Use the [UP/DOWN] buttons to set the intensity of the blue color. [b.000] = off, [b.255] = maximum intensity
- Press the [ENTER] button to confirm your choice and to go to the strobe speed setting.
- Use the [UP/DOWN] buttons to set speed of the strobe effect. [S. 00] = off, [S. 99] = maximum speed
- Press the [ENTER] button to confirm your choice.

4) MASTER/SLAVE STANDALONE MODE:

When you have several Party Bars and you want them to all work synchronously, you can work in the so called master/slave mode. To do this, just daisy-chain all the bars and make the settings of the desired automatic or sound controlled program in the first bar of the chain (see description above). This bar is called the Master unit. Now put all the other bars in slave mode. Once this is done, the “slave” bars will follow the orders of the Master unit, so they work in perfect synchronicity.












To set a bar in slave mode:

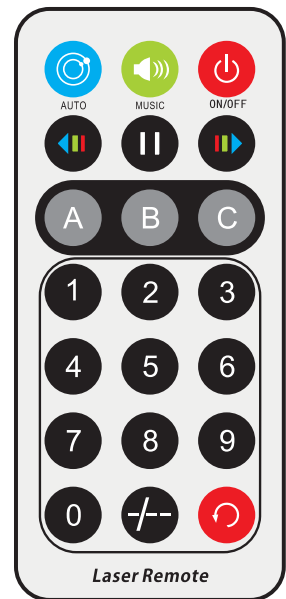
- Press the [MENU] button until the display shows [SLA].
- Press the [ENTER] button to enter this mode.
- [SLAV] will appear on the display
- Press the [ENTER] button to confirm the slave mode.



5) CONTROLLED VIA THE IR REMOTE CONTROLLER:

The PARTY BAR can be controlled by the supplied IR remote control

	AUTO MIX	press the button to select one of the different mixed automatic shows: AM01, AM02,
	SOUND MIX	press the button to select one of the different mixed sound controlled shows: SM01, SM02,
	ON/OFF	press the button to start up the effect bar or to put the bar in standby mode
	COLOR	press these buttons to select the previous (left button) or the next color (right button)
	EFFECT PAUSE	press the button to pause (freeze) the running effect
	RGB LED ONLY	Each time you press this button you will activate another RGB LED program. The other effects are switched OFF
	LASER ONLY	Each time you press this button you will activate another Laser program. The other effects are switched OFF
	WHITE FLASH ONLY	Each time you press this button you will activate another Flash Led program. The other effects are switched OFF
	PROGRAM SPEED	press number 0 to 9 to select the desired speed for the automatic programs (not sound controlled). 0= slowest, 9= fastest
	SOUND / AUTO	When an individual effect mode is selected with the buttons A, B or C (6), you can use the red arrow button to put this individual effect in Automatic mode or Sound controlled mode
	Not used	



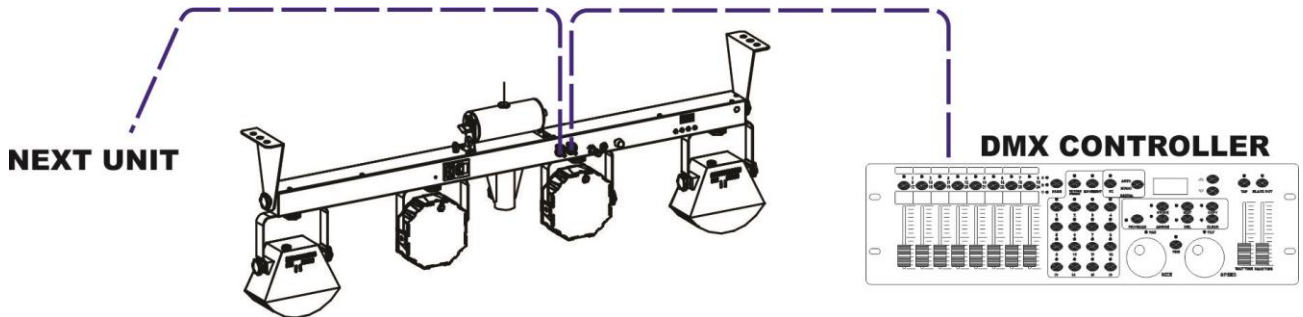
6) CONTROLLED VIA DMX:

The PARTY BAR can be controlled by any standard DMX-controller in 5 different DMX-modes:

- **3 CHANNEL MODE:** for easy control over the automatic and sound modes
 - **5 CHANNEL MODE:** to control only the RGB Led projectors and Derby effects
 - **6 CHANNEL MODE:** for easy control over the automatic and sound modes + extra manual RGB control of the projectors
 - **9 CHANNEL MODE:** basic manual control over each group of projector type
 - **27 CHANNEL MODE:** full manual control over each individual projector.
- Connect the DMX input of the PARTY BAR to the DMX output of the previous unit in the chain or directly to the DMX-output of your controller.
 - Press the [MENU] button until the display shows: "DMX".
 - Press the [ENTER] button to enter this option
 - The actual DMX address is shown on the display.
 - Press the [ENTER] button again to set the DMX settings
 - You can now change the DMX mode

- Use the [UP/DOWN] buttons to select the desired DMX-mode. (3CH, 5CH, 6CH, 9CH or 27CH)
- Press the [ENTER] button to confirm your choice.
- Now you can use the [UP/DOWN] buttons to set the DMX address. [dxxx]
- Press the [ENTER] button to confirm your choice.

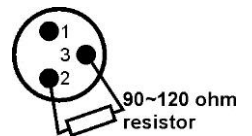
Note: the display blinks when the unit is in DMX-mode and no DMX-signal is detected.



Some more information on DMX512:

The DMX-protocol is a widely used high speed signal to control intelligent light equipment. You need to “daisy chain” your DMX controller and all the connected light effects with a good quality XLR M/F balanced cable. To prevent strange behavior of the light effects, due to interferences, you must use a 90Ω to 120Ω terminator at the end of the chain. Never use Y-splitter cables, this simply won’t work!

Each effect in the chain needs to have its proper starting address so it knows which commands from the controller it has to decode.



3 CHANNEL DMX-CONFIGURATION:

DMX Channel	DMX-value	function	remarks
1	000-009	Blackout	
	010-031	Auto Par	Automatic show of the RGB projectors & derby only
	032-065	Auto Laser	Automatic show of the laser effect only
	066-095	Auto Flash led	Automatic show of the white flash led’s only
	096-127	Auto Mix	Automatic show of all the effects
	128-159	Sound Par	Sound controlled show of the RGB projectors & derby only
	160-191	Sound Laser	Sound controlled show of the laser effect only
	192-223	Sound Flash Led	Sound controlled show of the white flash led’s only
	224-255	Sound Mix	Sound controlled show of all the effects
Channel 1 = Auto Par mode (DMX value between 010 and 031)			
2	000-009	AP01	Different automatic RGB Projector & Derby modes
	010-019	AP02	
	020-029	AP03	
	030-039	AP04	
	040-049	AP05	
	050-059	AP06	
	060-069	AP07	
	070-079	AP08	
	080-089	AP09	
	090-099	AP10	
	100-109	AP11	

	110-119	AP12	
	120-129	AP13	
	130-139	AP14	
	140-149	AP15	
	150-159	AP16	
	160-169	AP17	
	170-255	AP18	
Channel 1 = Auto Laser mode (DMX value between 032 and 065)			
2	000-039	AL01	Different automatic Laser modes
	040-079	AL02	
	080-119	AL03	
	120-139	AL04	
	140-159	AL05	
	160-255	AL06	
Channel 1 = Auto Flash Led mode (DMX value between 066 and 095)			
2	000-014	AF01	Different automatic white Flash Led modes
	015-029	AF02	
	030-044	AF03	
	045-059	AF04	
	060-074	AF05	
	075-089	AF06	
	090-104	AF07	
	105-119	AF08	
	120-134	AF09	
	135-255	AF10	
Channel 1 = Auto Mix mode (DMX value between 096 and 127)			
2	000-019	AM01	Different automatic modes for all the projectors
	020-039	AM02	
	040-255	AM03	
Channel 1 = Sound Par mode (DMX value between 128 and 159)			
2	000-009	SP01	Different Sound Controlled RGB Projector & Derby modes
	010-019	SP02	
	020-029	SP03	
	030-039	SP04	
	040-049	SP05	
	050-059	SP06	
	060-069	SP07	
	070-079	SP08	
	080-089	SP09	
	090-099	SP10	
	100-109	SP11	
	110-119	SP12	
	120-129	SP13	
	130-139	SP14	

	140-149	SP15	
	150-159	SP16	
	160-169	SP17	
	170-255	SP18	
Channel 1 = Sound Laser mode (DMX value between 160 and 191)			
2	000-039	SL01	Different Sound Controlled Laser modes
	040-079	SL02	
	080-119	SL03	
	120-139	SL04	
	140-159	SL05	
	160-255	SL06	
Channel 1 = Sound Flash Led mode (DMX value between 192 and 223)			
2	000-014	SF01	Different Sound Controlled white Flash Led modes
	015-029	SF02	
	030-044	SF03	
	045-059	SF04	
	060-074	SF05	
	075-089	SF06	
	090-104	SF07	
	105-119	SF08	
	120-134	SF09	
	135-255	SF10	
Channel 1 = Sound Mix mode (DMX value between 224 and 255)			
2	000-019	SM01	Different Sound Controlled modes for all the projectors
	020-039	SM02	
	040-255	SM03	
3	000-255	Speed Control	Speed control for the automatic programs (from slow to fast)

5 CHANNEL DMX-CONFIGURATION:

Controls only the RGB projectors and RGB Derby's

DMX Channel	DMX-value	function	remarks
1	000-255	Red	0% → 100%
2	000-255	Green	
3	000-255	Blue	
4	000-191	Dimmer	General Dimmer
	192-200	Sound active dimmer	
	201-249	Strobe	Speed = from slow (201) to fast (249)
	250-255	Full White	All colors full on
5	000-004	Stop	Rotation Derby light effects
	005-127	Clockwise rotation	
	128-133	Stop	
	134-255	Anticlockwise rotation	

6 CHANNEL DMX-CONFIGURATION:

DMX Channel	DMX-value	function	remarks
1	000-255	Red 0% → 100%	Only activated when channel 4 is set to Manual RGB control (CH4 = 000 – 009)
2	000-255	Green 0% → 100%	
3	000-255	Blue 0% → 100%	
4	000-009	Manual RGB control	(DMX channels 1, 2, 3 activated)
	010-031	Auto Par	Automatic show of the RGB projectors & derby only
	032-065	Auto Laser	Automatic show of the laser effect only
	066-095	Auto Flash led	Automatic show of the white flash led's only
	096-127	Auto Mix	Automatic show of all the effects
	128-159	Sound Par	Sound controlled show of the RGB projectors & derby only
	160-191	Sound Laser	Sound controlled show of the laser effect only
	192-223	Sound Flash Led	Sound controlled show of the white flash led's only
	224-255	Sound Mix	Sound controlled show of all the effects
Channel 4 = Auto Par mode (DMX value between 010 and 031)			
5	000-009	AP01	Different automatic RGB Projector & Derby modes
	010-019	AP02	
	020-029	AP03	
	030-039	AP04	
	040-049	AP05	
	050-059	AP06	
	060-069	AP07	
	070-079	AP08	
	080-089	AP09	
	090-099	AP10	
	100-109	AP11	
	110-119	AP12	
	120-129	AP13	
	130-139	AP14	
	140-149	AP15	
	150-159	AP16	
	160-169	AP17	
	170-255	AP18	
Channel 4 = Auto Laser mode (DMX value between 032 and 065)			
5	000-039	AL01	Different automatic Laser modes
	040-079	AL02	
	080-119	AL03	
	120-139	AL04	
	140-159	AL05	
	160-255	AL06	
Channel 4 = Auto Flash Led mode (DMX value between 066 and 095)			
5	000-014	AF01	Different automatic white Flash Led modes
	015-029	AF02	

	030-044	AF03	
	045-059	AF04	
	060-074	AF05	
	075-089	AF06	
	090-104	AF07	
	105-119	AF08	
	120-134	AF09	
	135-255	AF10	
Channel 4 = Auto Mix mode (DMX value between 096 and 127)			
5	000-019	AM01	Different automatic modes for all the projectors
	020-039	AM02	
	040-255	AM03	
Channel 4 = Sound Par mode (DMX value between 128 and 159)			
5	000-009	SP01	Different Sound Controlled RGB Projector & Derby modes
	010-019	SP02	
	020-029	SP03	
	030-039	SP04	
	040-049	SP05	
	050-059	SP06	
	060-069	SP07	
	070-079	SP08	
	080-089	SP09	
	090-099	SP10	
	100-109	SP11	
	110-119	SP12	
	120-129	SP13	
	130-139	SP14	
	140-149	SP15	
	150-159	SP16	
	160-169	SP17	
	170-255	SP18	
Channel 4 = Sound Laser mode (DMX value between 160 and 191)			
5	000-039	SL01	Different Sound Controlled Laser modes
	040-079	SL02	
	080-119	SL03	
	120-139	SL04	
	140-159	SL05	
	160-255	SL06	
Channel 4 = Sound Flash Led mode (DMX value between 192 and 223)			
5	000-014	SF01	Different Sound Controlled white Flash Led modes
	015-029	SF02	
	030-044	SF03	
	045-059	SF04	
	060-074	SF05	

	075-089	SF06	
	090-104	SF07	
	105-119	SF08	
	120-134	SF09	
	135-255	SF10	
Channel 4 = Sound Mix mode (DMX value between 224 and 255)			
5	000-019	SM01	Different Sound Controlled modes for all the projectors
	020-039	SM02	
	040-255	SM03	
6	000-255	Speed Control	Speed control for the automatic programs (from slow to fast)

9 CHANNEL DMX-CONFIGURATION:

DMX Channel	DMX-value	function	remarks
RGB Projector & RGB Derby control			
1	000-255	Red	0% → 100%
2	000-255	Green	
3	000-255	Blue	
4	000-191	Dimmer	General Dimmer
	192-200	Sound active dimmer	
	201-249	Strobe	Speed = from slow (201) to fast (249)
	250-255	Full White	All colors full on
5	000-004	Stop	Rotation Derby light effects
	005-127	Clockwise rotation	
	128-133	Stop	
	134-255	Anticlockwise rotation	
Laser control			
6	000-004	Blackout	Red Laser
	005-009	ON	
	010-255	Strobe speed (slow to fast)	
7	000-004	Blackout	Green Laser
	005-009	ON	
	010-255	Strobe speed (slow to fast)	
8	000-004	Stop	Laser Motor
	005-127	Clockwise rotation	
	128-133	Stop	
	134-255	Anticlockwise rotation	
White Flash Led Control			
9	000-004	Blackout	
	005-009	Full on	
	010-255	Strobe Speed (slow to fast)	

27 CHANNEL DMX-CONFIGURATION:

DMX Channel	DMX-value	function	remarks
RGB Derby (1) control			
1	000-255	Red	0% → 100%
2	000-255	Green	
3	000-255	Blue	
4	000-191	Strobe Off	Strobe effect
	192-200	Speed (slow to fast)	
5	000-004	Stop	Rotation
	005-127	Clockwise rotation Slow to fast	
	128-133	Stop	
	134-255	Anticlockwise rotation Slow to fast	
RGB Projector (2) control			
6	000-255	Red	0% → 100%
7	000-255	Green	
8	000-255	Blue	
9	000-009	Strobe Off	Strobe effect
	010-255	Speed (slow to fast)	
10	000-255	-	Not used
RGB Projector (3) control			
11	000-255	Red	0% → 100%
12	000-255	Green	
13	000-255	Blue	
14	000-009	Strobe Off	Strobe effect
	010-255	Speed (slow to fast)	
15	000-255	-	Not used
RGB Derby (4) control			
16	000-255	Red	0% → 100%
17	000-255	Green	
18	000-255	Blue	
19	000-009	Strobe Off	Strobe effect
	010-255	Speed (slow to fast)	
20	000-004	Stop	Rotation
	005-127	Clockwise rotation Slow to fast	
	128-133	Stop	
	134-255	Anticlockwise rotation Slow to fast	
Laser control			
21	000-004	Blackout	Red Laser
	005-009	ON	
	010-255	Strobe speed (slow to fast)	

22	000-004	Blackout	Green Laser
	005-009	ON	
	010-255	Strobe speed (slow to fast)	
23	000-004	Stop	Laser Motor
	005-127	Clockwise rotation	
	128-133	Stop	
	134-255	Anticlockwise rotation	
White Flash Led Control			
24	000-004	Blackout	Led 1
	005-009	Full on	
	010-255	Strobe Speed (slow to fast)	
25	000-004	Blackout	Led 2
	005-009	Full on	
	010-255	Strobe Speed (slow to fast)	
26	000-004	Blackout	Led 3
	005-009	Full on	
	010-255	Strobe Speed (slow to fast)	
27	000-004	Blackout	Led 4
	005-009	Full on	
	010-255	Strobe Speed (slow to fast)	

Extra functions in the menu

- Press the [MENU] button until the display shows [SYS].
- Press the [ENTER] button if you want to enter this part of the menu with extra options.
- Use the [UP/DOWN] buttons to browse the extra functions in this System menu
 - [AddS] gives you the opportunity to change the command position of the 4 RGB projectors
 - Press the [ENTER] button to enter the option settings
 - The position of the first projector will blink
 - Press the [UP] button to go the projector that needs its position to be changed
 - Press the [DOWN] button to change the position number of the projector
 - Press again the [UP] button if want to change the position number of another projector
 - Repeat these steps as much as needed
 - When all your settings are done, press the [ENTER] button to confirm your settings.

IMPORTANT: if you set a wrong combination (same projector number selected several times) some projectors might not work anymore.

If a projector does not work, first check if the command position is correct. STANDARD= 1-2-3-4

IMPORTANT: if you set a wrong combination (same projector number selected several times) some projectors might not work anymore.

If a projector does not work, first check if the command position is correct.

STANDARD= 1-2-3-4

- [LEdS] with this option you can decide if the display should be always on or if it can go out after a while when no new information needs to be shown
 - Press the [ENTER] button to enter the option settings

- Use the [UP / DOWN] button to select the desired mode:
 - ON = function activated. When no new information needs to be shown on the display, the display will turn off. As soon as new information is available (for example: when you use the remote control to select another mode) the display will turn on automatically to show you this new information. After a while, it will turn off again.
 - OFF = function deactivated. The LED display will be always lit.
- Press the [ENTER] button to confirm your setting
- [TEST] will start up an automatic test mode, so you can check if all the projectors are working.
- [rEst] can be used to reset all the settings of the bar to the original factory settings
 - Just press the [ENTER] button to reset the bar.

MAINTENANCE

- Make sure the area below the installation place is free from unwanted persons during servicing.
- Switch off the unit, unplug the mains cable and wait until the unit has been cooled down.

During inspection the following points should be checked:

- All screws used for installing the device and any of its parts should be tightly fastened and may not be corroded.
- Housings, fixations and installations spots (ceiling, truss, suspensions) should be totally free from any deformation.
- When an optical lens is visibly damaged due to cracks or deep scratches, it must be replaced.
- The mains cables must be in impeccable condition and should be replaced immediately when even a small problem is detected.
- In order to protect the device from overheat the cooling fans (if any) and ventilation openings should be cleaned monthly.
- The interior of the device should be cleaned annually using a vacuum cleaner or air-jet.
- The cleaning of internal and external optical lenses and/or mirrors must be carried out periodically to optimize light output. Cleaning frequency depends on the environment in which the fixture operates: damp, smoky or particularly dirty surroundings can cause greater accumulation of dirt on the unit's optics.
 - Clean with a soft cloth using normal glass cleaning products.
 - Always dry the parts carefully.
 - Clean the external optics at least once every 30 days.
 - Clean the internal optics at least every 90 days.

Attention: We strongly recommend internal cleaning to be carried out by qualified personnel!

SPECIFICATIONS

Mains Input:	AC 100~240V, 50/60Hz
Fuse:	250V 2A slow blow (20mm glass)
Total Power consumption:	48W
Sound Control:	Internal microphone
DMX connections:	3pin XLR male / female
DMX channels:	3, 5, 6, 9 or 27 channels
PAR LED power:	2 projectors with each 3x 9Watt Tri LEDs
PAR beam angle:	15°
Derby LED power:	2 projectors with each a 3W Red, 3W Green and 3W Blue LED
Laser Power:	30mW 532nm Green, 100mW 650nm Red
Laser radiation class:	3R
Flash LEDs:	4x 1W white LED
Working temperature:	10°C to 40°C
Laser Safety Standard:	EN/IEC 60825-1 2007
Size:	1185x386x110mm
Weight:	Bar= 6.6kg , Bar + Flight-case = 8.35kg

Every information is subject to change without prior notice

You can download the latest version of this user manual on our website: www.jb-systems.eu

GUIDE D'UTILISATION

Nous vous remercions d'avoir acheté ce produit JB Systems®. Pour tirer pleinement profit de toutes les possibilités du produit et pour votre propre sécurité, lisez ces instructions très attentivement avant d'utiliser cet appareil.

CARACTÉRISTIQUES

Cet appareil ne produit pas d'interférences radio. Ce produit répond aux exigences des directives européennes et nationales actuelles. La conformité a été établie et les déclarations et documents correspondants ont été déposés par le fabricant.

Cet appareil a été conçu pour produire un effet d'éclairage décoratif et est utilisé dans les systèmes de jeu de lumière.

- La PARTY BAR est un fabuleux jeu de lumière 4-en-1 pour les DJ mobiles !
- Cette barre extrêmement compacte est dotée de 4 types jeux de lumière différents pour créer de merveilleux spectacle de lumière :
 - 2 effets tournants Derby, chacun doté d'une LED rouge, verte et bleue de 3 W
 - 2 projecteurs LED, chacun doté de 3 LED RGB de 9 W pour créer de puissants faisceaux de 15°
 - 4 LED de couleur blanc froid pour créer toute sorte d'effets stroboscopiques et aveuglants
 - Le laser bicolore rouge/vert projette des centaines de faisceaux étroits pour créer une ambiance de folie
- Les fabuleux shows préprogrammés avec différentes combinaisons d'effets peuvent être commandés de diverses façons :
 - Contrôle DMX : via 3, 5, 6, 9 ou 27 canaux.
 - Autonome : activation sonore (par microphone interne) ou automatique.
 - Télécommande IR : contrôle par télécommande à infrarouge.
- Préparé pour le DMX sans fil: il suffit de brancher un DONGLE WTR-DMX ! (optionnel, Briteq® code 4645)
- Plusieurs barres peuvent être reliées en mode maître/esclave pour créer de merveilleux shows synchronisés.
- Affichage à LED à 3 chiffres pour une navigation simple dans les menus.
- Il est possible de monter la barre sur un support quelconque de 35 mm ou d'utiliser les supports de fixation inclus.
- Grâce à sa mallette de transport incluse, tous les déplacements sont un jeu d'enfant !
- Très faible consommation électrique : 48 W uniquement avec les lumières allumées !
- L'entrée/sortie d'alimentation IEC permet de brancher plusieurs unités.
- Interrupteur marche/arrêt à clé et interrupteur d'arrêt (verrouillage) d'urgence pour plus de sécurité du système laser
- Conforme aux normes EN/IEC 60825-1 2007 concernant la sécurité laser

AVANT UTILISATION

- Avant d'utiliser cet appareil, vérifiez s'il n'a pas été endommagé durant le transport. En cas de dommages, n'utilisez pas l'appareil et consultez immédiatement votre revendeur.
- **Important** : Cet appareil est expédié de notre usine en parfait état et bien emballé. Il est absolument nécessaire que l'utilisateur suive strictement les instructions et les avertissements de sécurité se trouvant dans ce manuel. Tout dommage dû à une mauvaise manipulation n'est pas garanti. Le revendeur n'accepte aucune responsabilité pour tous les défauts et problèmes dus au non-respect de ce manuel.
- Conservez ce manuel dans un endroit sûr pour toute consultation future. Si vous vendez l'appareil, assurez-vous de joindre ce manuel.

Vérifiez le contenu :

Vérifiez que le carton contient les articles suivants :

- Mallette de transport
- Party Bar
- Système de suspension (2 supports métalliques + 2 molettes de fixation)
- 1 molette de fixation supplémentaire pour l'adaptateur de pied 35 mm (du même type que le système de suspension)
- Télécommande IR
- 2 clés (pour interrupteur à clé)
- Connecteur de réserve pour l'arrêt d'urgence
- Câble d'alimentation secteur
- Instructions d'utilisation

INSTRUCTIONS DE SÉCURITÉ :



CAUTION
RISK OF ELECTRIC SHOCK
DO NOT OPEN



ATTENTION : Pour réduire le risque de choc électrique, ne retirez pas le panneau supérieur. L'appareil ne contient aucun composant réparable par l'utilisateur. Confiez toute réparation à un personnel qualifié uniquement.



Le symbole de l'éclair à l'intérieur d'un triangle équilatéral est destiné à alerter l'utilisateur de la présence de « tensions dangereuses » non isolées à l'intérieur de l'appareil, d'une magnitude pouvant constituer un risque d'électrocution.



Le symbole du point d'exclamation dans un triangle équilatéral sert à avertir l'utilisateur que d'importants conseils d'utilisation et de maintenance sont fournis dans la documentation accompagnant l'appareil.



Ce symbole signifie : pour usage intérieur uniquement.



Ce symbole signifie : Lisez les instructions.



Ce symbole définit : la distance minimale requise avec les objets éclairés. La distance minimale entre la sortie de lumière et la surface éclairée doit être supérieure à un 1 mètre.

RISK GROUP 2

CAUTION:
Do not stare at operating lamp

ATTENTION : Ne fixez pas votre regard sur une lampe allumée.
Peut être nocif pour les yeux.

- Pour protéger l'environnement, essayez de recycler autant que possible les matériaux d'emballage.
- Un jeu de lumière neuf provoque parfois une certaine fumée et/ou odeur indésirables. Ceci est normal et disparaît après quelques minutes.
- Pour éviter tout incendie ou électrocution, n'exposez pas cet appareil à la pluie ou à l'humidité.
- Pour éviter une formation de condensation interne, laissez l'appareil s'adapter à la température ambiante quand vous le mettez dans une pièce chaude après le transport. La condensation empêche parfois l'appareil de fonctionner à plein rendement ou peut même causer des dommages.
- Cet appareil est destiné à un usage intérieur seulement.
- Ne placez pas d'objets métalliques et ne renversez pas de liquides à l'intérieur de l'appareil. Un choc électrique ou un dysfonctionnement peut en résulter. Si un corps étranger pénètre dans l'appareil, débranchez immédiatement le cordon d'alimentation de la prise secteur.
- Placez l'appareil dans un endroit bien aéré, loin de tout matériau et/ou liquide inflammable. L'appareil doit être fixé à au moins 50 cm des murs environnants.
- Ne couvrez pas les ouvertures de ventilation, cela pourrait entraîner une surchauffe.
- Évitez une utilisation dans des environnements poussiéreux et nettoyez l'appareil régulièrement.
- Gardez l'appareil loin de la portée des enfants.
- Les personnes inexpérimentées ne doivent pas utiliser cet appareil.
- La température ambiante de fonctionnement correct est entre 15 et 40 °C. N'utilisez pas cet appareil au-delà de ces températures.
- Assurez-vous qu'aucune personne étrangère ne se trouve dans la zone en dessous de l'emplacement d'installation durant le montage, le démontage et l'entretien.
- Débranchez toujours l'appareil lorsqu'il ne va pas être utilisé pendant une longue période ou avant de remplacer la lampe ou avant de faire son entretien.
- L'installation électrique doit être effectuée par du personnel qualifié, conformément à la réglementation en matière de sécurité électrique et mécanique dans votre pays.
- Vérifiez que votre tension n'est pas supérieure à celle indiquée sur le panneau arrière de l'appareil.
- Le cordon d'alimentation doit toujours être en parfait état. Éteignez immédiatement l'appareil dès que le cordon d'alimentation est écrasé ou endommagé. Il doit être remplacé par le fabricant, son agent de service ou une personne de même qualification afin d'éviter tout danger.
- Ne laissez jamais le cordon d'alimentation entrer en contact avec d'autres câbles !
- Cet appareil doit être mis à la terre pour être conforme à la réglementation en matière de sécurité.
- Ne connectez pas l'appareil à un variateur de lumière.
- Utilisez toujours un câble de sécurité approprié et certifié lors de l'installation de l'appareil.
- Afin d'éviter un choc électrique, n'ouvrez aucun panneau. À part la lampe et le fusible, il n'y a aucune pièce réparable par l'utilisateur.
- **Ne réparez jamais** un fusible et ne court-circuitiez jamais le porte-fusible. Remplacez **toujours** un fusible endommagé par un fusible du même type ayant les mêmes spécifications électriques !
- En cas de sérieux problèmes de fonctionnement, cessez d'utiliser l'appareil et contactez immédiatement votre revendeur.
- Le boîtier et les lentilles optiques doivent être remplacés s'ils sont visiblement endommagés.
- Utilisez l'emballage d'origine pour transporter l'appareil.

- Pour des raisons de sécurité, il est interdit d'apporter des modifications non autorisées à l'appareil.

Important : Ne regardez jamais directement la source de lumière ! N'utilisez pas le jeu de lumière en présence de personnes souffrant d'épilepsie.

CONSIGNES DE SÉCURITÉ CONCERNANT LE LASER :

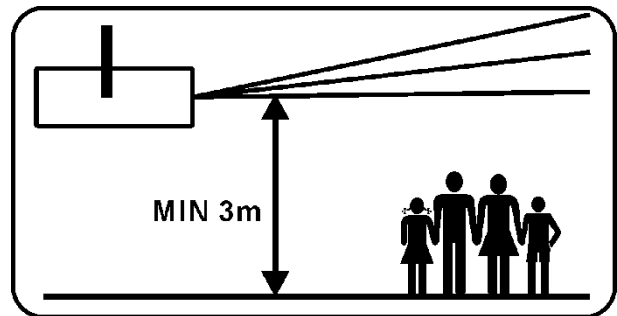
- Selon les règlements EN/IEC 60825-1 Ed2, 2007-03, ce laser est un laser de classe 3B. L'exposition directe de l'œil au laser peut être dangereuse.



DANGER : RAYONNEMENT LASER !
Éviter de fixer directement le laser ! Le rayonnement laser peut provoquer des lésions oculaires et/ou de la peau. Toutes les mesures de protection pour une utilisation en toute sécurité de ce laser doivent être appliquées.

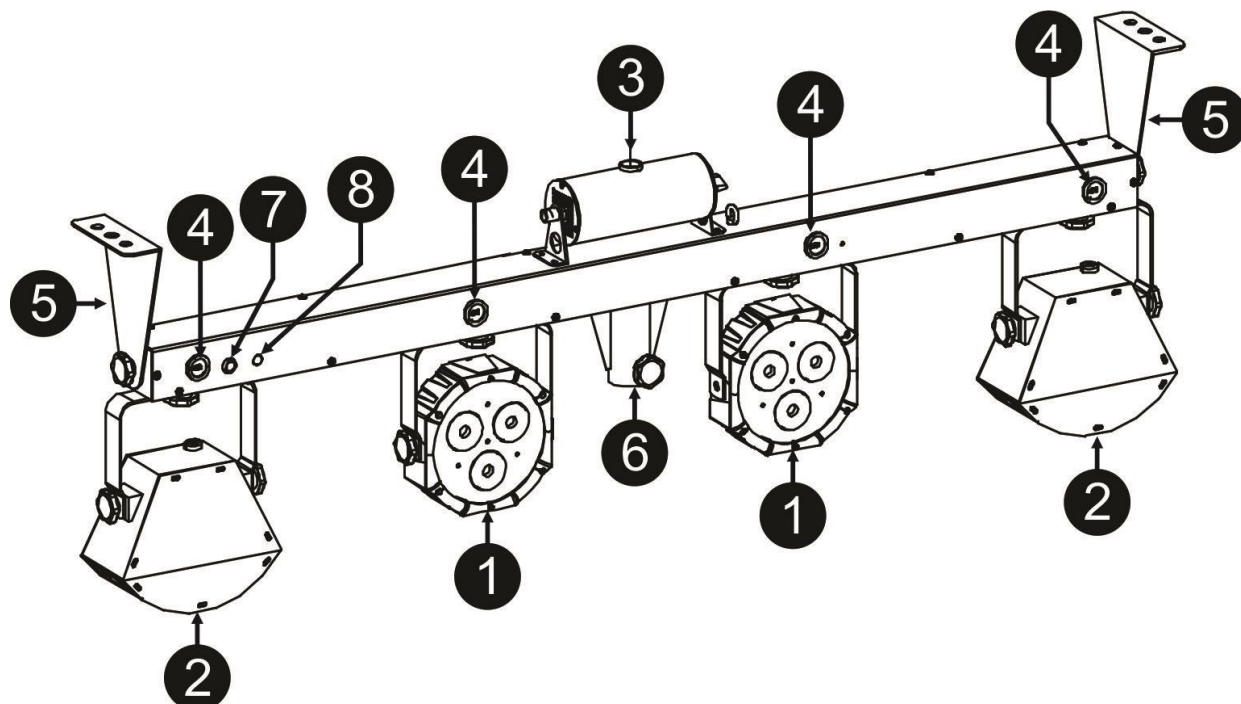


- Ce produit est un laser de spectacle, émettant un rayonnement de spectre de longueur d'onde entre 400 et 700 nm et produisant des effets de lumière pour des spectacles.
- La lumière laser est différente de toute autre source de lumière qui vous est familière. La lumière produite par cet appareil peut causer des lésions oculaires s'il n'est pas réglé et utilisé correctement. La lumière laser est une lumière concentrée, des milliers de fois plus puissante que tout autre type de lumière. Cette concentration de puissance lumineuse peut provoquer des lésions oculaires instantanées, surtout en brûlant la rétine (la partie à l'arrière de l'œil sensible à la lumière). Un faisceau laser peut toujours vous brûler ou vous aveugler même si vous ne sentez pas de « chaleur ».
- Même à de longues distances, un très petit laser peut être potentiellement dangereux.
- Ne regardez jamais dans l'ouverture du laser ou les faisceaux laser
- Ne dirigez jamais un faisceau laser vers des personnes ou des animaux et ne laissez jamais cet appareil en marche sans surveillance.
- Ce laser ne doit être utilisé que pour des spectacles. Un laser de spectacle de classe 3B ne doit être manipulé que par un opérateur qualifié et bien formé.
- Selon la classification, l'utilisation d'un appareil laser peut produire un rayonnement laser qui peut causer des lésions oculaires et/ou de la peau permanentes. Les règlements d'utilisation d'un appareil laser varient d'un pays à l'autre. L'utilisateur doit toujours être au courant des règlements juridiques en vigueur dans son pays et les appliquer à sa situation.
- La documentation principale et fondamentale des normes de sécurité laser ANSI Z136.1 (2007) fournit des conseils pour l'utilisation en toute sécurité des lasers et systèmes laser en définissant des mesures de contrôle pour chacune des quatre classes laser. Cette importante documentation peut être obtenue à partir du site web www.laserinstitute.org

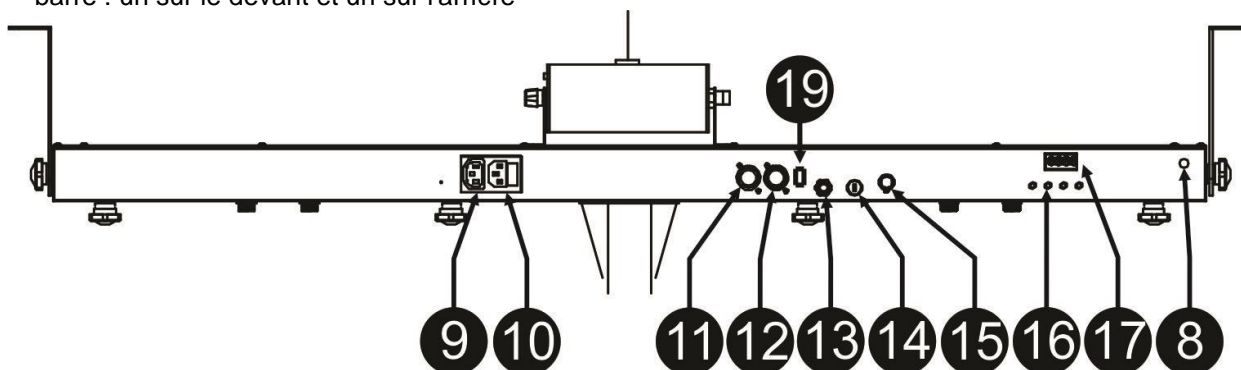


Il convient de noter que **JB SYSTEMS** ne peut être tenu responsable des dommages causés par des installations incorrectes et des utilisations non appropriées !

DESCRIPTION :



1. PROJECTEUR RGB
2. PROJECTEUR RGB DERBYB
3. BLOC LASER
4. LED BLANCHE DE L'EFFET STROBOSCOPIQUE
5. SUPPORT DE SUSPENSION : Fixez un support à chacune des extrémités de la barre à l'aide des 2 molettes de fixation. Vous pouvez à présent fixer un crochet de fixation (ou serre-joint rapide) dans chaque orifice du support.
6. ADAPTATEUR DE PIED 35 mm
7. MICROPHONE INTERNE : il est utilisé pour synchroniser les shows à commande sonore au rythme de la musique.
8. RÉCEPTEUR INFRAROUGE : Lorsque vous utilisez la télécommande qui est fournie avec la Party Bar, vous devez diriger celle-ci vers ce récepteur infrarouge. 2 récepteurs infrarouges sont présents sur la barre : un sur le devant et un sur l'arrière



9. SORTIE D'ALIMENTATION SECTEUR : vous pouvez utiliser un câble d'alimentation CEI spécial pour connecter cette sortie avec l'entrée d'alimentation secteur de la barre ou du projecteur suivant pour une interconnexion plus simple (Charge totale sur une ligne électrique = 10 A)
10. TENSION D'ENTRÉE : Prise CEI avec porte-fusible et interrupteur ; branchez le câble d'alimentation secteur fourni dans cette prise.
11. SORTIE DMX : Un connecteur XLR 3 broches femelle est utilisé pour connecter la Party Bar avec l'unité suivante dans la chaîne DMX.
12. ENTRÉE DMX : connecteur XLR 3 broches mâle utilisé pour les câbles DMX universels. Cette entrée reçoit les instructions du contrôleur DMX (en mode DMX) ou de la barre précédente (en mode maître/esclave).
13. Entrée de VERROUILLAGE : utilisé pour connecter l'interrupteur d'arrêt d'urgence optionnel (voir image). Quand vous poussez cet interrupteur, le faisceau laser disparaît immédiatement.
14. [Non spécifié]
15. [Non spécifié]
16. [Non spécifié]
17. [Non spécifié]
18. [Non spécifié]
19. [Non spécifié]

**IMPORTANT ! Pour votre propre sécurité, nous recommandons fortement d'acquérir cet interrupteur optionnel !
LA SORTIE LASER N'EST PAS OPÉRATIONNELLE SI L'ENTRÉE DE VERROUILLAGE N'EST PAS UTILISÉE !**

Solution temporaire : installez le connecteur de réserve sur le laser. (Voir image)

14. INTERRUPTEUR MARCHÉ/ARRÊT ACTIONNÉ PAR CLÉ :

utilisé pour mettre en marche l'appareil ou l'arrêter. Utilisez des clés pour vous assurer qu'un opérateur qualifié soit autorisé à manipuler le laser.



15. BOUTON DE SENSIBILITÉ : Tournez ce bouton dans le sens antihoraire pour diminuer la sensibilité du microphone intégré ou dans le sens horaire pour l'augmenter.

16. PANNEAU DE COMMANDE : Il est utilisé pour choisir les différentes fonctions de la barre, voir plus loin dans ce manuel pour connaître le fonctionnement de l'appareil.

17. MICROPHONE INTERNE : Le microphone intégré est utilisé pour synchroniser les shows à commande sonore au rythme de la musique.

18. AFFICHEUR : pour afficher toutes les informations nécessaires sur les réglages et les modes de fonctionnement.

19. ENTREE M-DMX : Ce connecteur USB ne sert PAS à effectuer des mises à jour ou à connecter l'appareil à un ordinateur! Le connecteur USB vous permet d'ajouter aisément le DMX sans fil à l'appareil ! Il suffit d'y connecter le WTR-DMX DONGLE (optionnel) de la marque BRITEQ® et vous aurez le DMX sans fil prêt à être utilisé ! De plus, si vous reliez d'autres appareils à la sortie DMX filaire de cet appareil, vous pourrez transférer les données DMX reçues à tous les autres appareils dans la chaîne DMX ! Il n'y a pas de réglages à faire dans le menu de configuration. Il suffira de suivre la procédure décrite dans le mode d'emploi qui est livré avec le WTR-DMX DONGLE de BRITEQ®. *Le WTR-DMX DONGLE est disponible chez WWW.BRITEQ-LIGHTING.COM (order code: 4645)*

MONTAGE AU PLAFOND

- **Important :** L'installation ne doit être effectuée que par un personnel qualifié. Une mauvaise installation peut entraîner des blessures et/ou dommages graves. Un montage au plafond exige une grande expérience ! Les limites de charge de fonctionnement doivent être respectées, des matériels d'installation certifiés doivent être utilisés, l'appareil installé doit être inspecté régulièrement pour vérifier les conditions de sécurité.
- Assurez-vous qu'aucune personne étrangère ne se trouve dans la zone en dessous de l'emplacement d'installation durant le montage, le démontage et l'entretien.
- Fixez l'appareil dans un endroit bien aéré, loin de tout matériau et/ou liquide inflammable. L'appareil doit être fixé à **au moins 50 cm** des murs environnants.
- L'appareil doit être installé hors de portée des personnes, loin des passages et des endroits où des personnes peuvent aller et venir, ou s'asseoir.
- Avant de lever l'appareil, assurez-vous que le point de suspension peut supporter une charge d'au moins 10 fois le poids de l'appareil.
- Lors de l'installation, utilisez toujours un câble de sécurité certifié qui peut supporter 12 fois le poids de l'appareil. Ce support de suspension de sécurité secondaire doit être installé de manière à ce qu'aucune partie de l'installation ne puisse tomber de plus de 20 cm si le support principal lâche.
- L'appareil doit être bien fixé, un montage balançant est dangereux et ne doit pas être envisagé !
- Ne couvrez pas les ouvertures de ventilation, cela pourrait entraîner une surchauffe.
- L'opérateur doit s'assurer que la sécurité relative à l'installation et les conditions techniques sont approuvées par un expert avant d'utiliser l'appareil pour la première fois. Les installations doivent être inspectées chaque année par une personne qualifiée pour être sûr que la sécurité est toujours optimale.



ATTENTION LÉSIONS OCULAIRES : Orientez toujours le laser de manière que le public ne puisse pas regarder directement les faisceaux laser. L'installation doit être faite de manière que le faisceau ne soit pas orienté vers le public.

COMMENT CONFIGURER ET CONTRÔLER L'APPAREIL

Vous pouvez utiliser votre appareil selon plusieurs modes de fonctionnement :

1) MODE AUTONOME ENTIÈREMENT AUTOMATIQUE :

Les effets se succèdent automatiquement selon une séquence préprogrammée. Sélectionnez ce mode lorsqu'une seule Party Bar est utilisée (autonome) ou lorsque la Party Bar est placée en tête (maître) de la chaîne de barres.

- Appuyez sur la touche [MENU] jusqu'à ce que [Aut] s'affiche à l'écran.
- Appuyez sur la touche [ENTER] pour confirmer votre choix.
- Vous pouvez à présent utiliser les touches [UP] ou [DOWN] pour sélectionner le groupe d'effets souhaité :
 - **[AutP] show automatique du projecteur RGB.**
 - Appuyez sur [ENTER] pour sélectionner ce mode.
 - Utilisez les touches [UP] et [DOWN] pour sélectionner un des 18 shows [AP01 – AP18]
 - Appuyez sur la touche [ENTER] pour confirmer votre choix.
 - Utilisez les touches [UP] et [DOWN] pour sélectionner la vitesse de show souhaitée de lente [S.01] à rapide [S.99]
 - Appuyez sur la touche [ENTER] pour confirmer votre choix.
 - Utilisez les touches [UP] et [DOWN] pour sélectionner la vitesse de rotation souhaitée pour les effets Derby de l'arrêt [M.00] à rapide [M.99]
 - Appuyez sur la touche [ENTER] pour confirmer votre choix.
 - **[AutL] show automatique du laser.**
 - Appuyez sur [ENTER] pour sélectionner ce mode.
 - Utilisez les touches [UP] et [DOWN] pour sélectionner un des 6 shows [AL01 – AL06]
 - Appuyez sur la touche [ENTER] pour confirmer votre choix.
 - Utilisez les touches [UP] et [DOWN] pour sélectionner la vitesse de show souhaitée de lente [S.01] à rapide [S.99]
 - Appuyez sur la touche [ENTER] pour confirmer votre choix.
 - Utilisez les touches [UP] et [DOWN] pour sélectionner la vitesse de rotation souhaitée pour l'effet laser de l'arrêt [M.00] à rapide [M.99]
 - Appuyez sur la touche [ENTER] pour confirmer votre choix.
 - **[AutF] show automatique de l'effet stroboscopique blanc.**
 - Appuyez sur [ENTER] pour sélectionner ce mode.
 - Utilisez les touches [UP] et [DOWN] pour sélectionner un des 10 shows [AF01 – AL10]
 - Appuyez sur la touche [ENTER] pour confirmer votre choix.
 - Utilisez les touches [UP] et [DOWN] pour sélectionner la vitesse de show souhaitée de lente [S.01] à rapide [S.99]
 - Appuyez sur la touche [ENTER] pour confirmer votre choix.
 - **[AutM] show automatique d'effets mixtes.**
 - Appuyez sur [ENTER] pour sélectionner ce mode.
 - Utilisez les touches [UP] et [DOWN] pour sélectionner un des 3 shows [AM01 – AM03]
 - Appuyez sur la touche [ENTER] pour confirmer votre choix.
 - Utilisez les touches [UP] et [DOWN] pour sélectionner la vitesse de show souhaitée de lente [S.01] à rapide [S.99]
 - Appuyez sur la touche [ENTER] pour confirmer votre choix.

Il est possible de connecter ensemble plusieurs PARTY BARS : pour les faire toutes fonctionner en parfaite synchronisation, il suffit de mettre la première unité de la chaîne dans l'un des modes d'effets automatique et toutes les autres unités en mode « esclave » (l'écran affiche « SLA ») !

2) MODE AUTONOME PAR COMMANDE SONORE :

La Party Bar suit une séquence préprogrammée au rythme de la musique. Sélectionnez ce mode lorsqu'une seule Party Bar est utilisée (autonome) ou lorsque la Party Bar est placée en tête (maître) de la chaîne de barres.

- Appuyez sur la touche [MENU] jusqu'à ce que [Sou] s'affiche à l'écran.
- Appuyez sur la touche [ENTER] pour confirmer votre choix.
- Vous pouvez à présent utiliser les touches [UP] ou [DOWN] pour sélectionner le groupe d'effets souhaité :
 - **[SouP] show à commande sonore du projecteur RGB.**
 - Appuyez sur [ENTER] pour sélectionner ce mode.
 - Utilisez les touches [UP] et [DOWN] pour sélectionner un des 18 shows [SP01 – SP18]
 - Appuyez sur la touche [ENTER] pour confirmer votre choix.

- **[SouL] show à commande sonore du laser.**
 - Appuyez sur [ENTER] pour sélectionner ce mode.
 - Utilisez les touches [UP] et [DOWN] pour sélectionner un des 6 shows [SL01 – SL06]
 - Appuyez sur la touche [ENTER] pour confirmer votre choix.
- **[SouF] show à commande sonore de l'effet stroboscopique blanc.**
 - Appuyez sur [ENTER] pour sélectionner ce mode.
 - Utilisez les touches [UP] et [DOWN] pour sélectionner un des 10 shows [SF01 – SL10]
 - Appuyez sur la touche [ENTER] pour confirmer votre choix.
- **[SouM] show à commande sonore d'effets mixtes.**
 - Appuyez sur [ENTER] pour sélectionner ce mode.
 - Utilisez les touches [UP] et [DOWN] pour sélectionner un des 3 shows [SM01 – SM03]
 - Appuyez sur la touche [ENTER] pour confirmer votre choix.

Remarque : Il est possible de régler la sensibilité du microphone intégré en tournant le bouton rotatif [microphone sensitivity] au dos de la barre.

3) MODE AUTONOME À COULEUR FIXE :

Il est possible de régler une couleur fixe commune aux 4 projecteurs RGB (2 projecteurs RGB plats + 2 projecteurs RGB Derby)

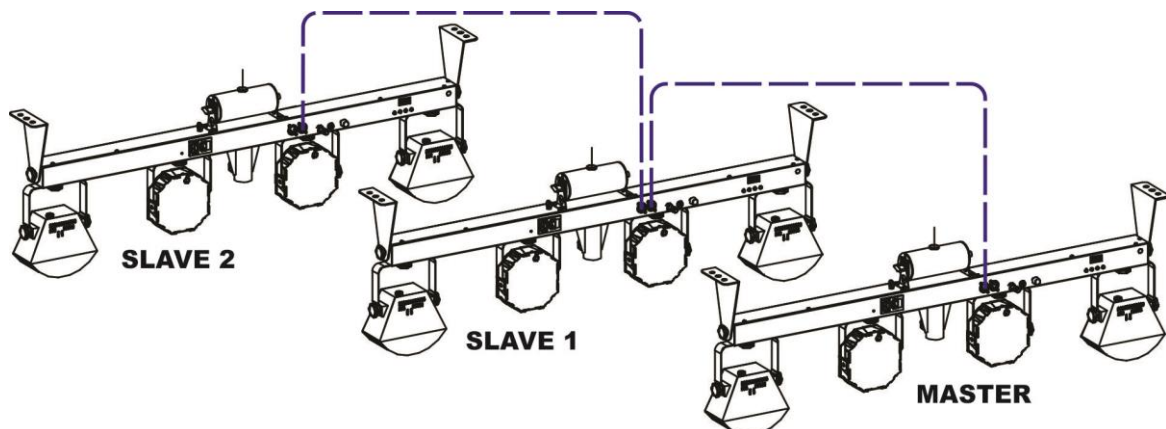
- Appuyez sur la touche [MENU] jusqu'à ce que [COL] s'affiche à l'écran.
- Appuyez sur la touche [ENTER] pour confirmer votre choix.
- La mention [COLO] apparaît sur l'écran
- Appuyez sur la touche [ENTER] pour accéder au mode de réglage.
- Utilisez les touches [UP/DOWN] pour régler l'intensité de la couleur rouge. [r.000] = éteint, [r.255] = intensité maximale
- Appuyez sur la touche [ENTER] pour confirmer votre choix et poursuivre le réglage avec la couleur suivante.
- Utilisez les touches [UP/DOWN] pour régler l'intensité de la couleur verte. [G.000] = éteint, [G.255] = intensité maximale
- Appuyez sur la touche [ENTER] pour confirmer votre choix et poursuivre le réglage avec la couleur suivante.
- Utilisez les touches [UP/DOWN] pour régler l'intensité de la couleur bleue. [b.000] = éteint, [b.255] = intensité maximale
- Appuyez sur la touche [ENTER] pour confirmer votre choix et poursuivre le réglage avec la vitesse de l'effet stroboscopique.
- Utilisez les touches [UP/DOWN] pour régler la vitesse de l'effet stroboscopique. [S. 00] = arrêt, [S. 99] = vitesse maximale
- Appuyez sur la touche [ENTER] pour confirmer votre choix.

4) MODE AUTONOME MAÎTRE/ESCLAVE :

Si vous disposez de plusieurs barres et souhaitez les faire fonctionner de façon synchronisée, vous devez utiliser le fameux mode maître/esclave. Pour cela, reliez en série toutes les barres et réglez le programme automatique ou à commande sonore souhaité sur le premier bloc de la chaîne (voir description ci-dessus). Cette barre est appelée l'appareil maître. Placez à présent toutes les autres barres en mode esclave. Une fois terminé, les barres « esclave » suivront les ordres de l'unité « maître » en parfaite synchronisation.












Pour régler une barre en mode esclave :

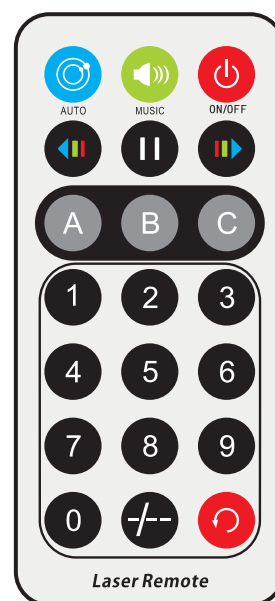
- Appuyez sur la touche [MENU] jusqu'à ce que [SLA] s'affiche à l'écran.
- Appuyez sur la touche [ENTER] pour accéder à ce mode.
- La mention [SLAV] apparaît sur l'afficheur
- Appuyez sur la touche [ENTER] pour confirmer le mode esclave.



5) COMMANDE VIA LA TÉLÉCOMMANDE INFRAROUGE :

La PARTY BAR peut être commandée par la télécommande infrarouge fournie

	AUTOMATIQUE MIXTE	appuyez sur cette touche pour sélectionner un des différents shows automatiques mixtes : AM01, AM02,
	MIXTE PAR SON	appuyez sur cette touche pour sélectionner un des différents shows à commande sonore mixtes : SM01, SM02,
	MARCHE/ARRÊT	appuyez sur cette touche pour démarrer la barre d'effets ou pour la mettre en mode veille
	COULEUR	appuyez sur ces touches pour sélectionner la couleur précédente (touche gauche) ou la suivante (touche droite)
	PAUSE EFFET	appuyez sur cette touche pour mettre en pause (figer) l'effet actuel
	LED RGB UNIQUEMENT	Chaque fois que vous appuyez sur cette touche, vous sélectionnez un autre programme pour les LED RGB. Les autres effets sont désactivés
	LASER UNIQUEMENT	Chaque fois que vous appuyez sur cette touche, vous sélectionnez un autre programme pour le laser. Les autres effets sont désactivés
	STROBOSCOPE BLANC UNIQUEMENT	Chaque fois que vous appuyez sur cette touche, vous sélectionnez un autre programme pour l'effet stroboscopique. Les autres effets sont désactivés
	VITESSE PROGRAMME	appuyez sur les touches 0 à 9 pour sélectionner la vitesse souhaitée pour les programmes automatiques (non à commande sonore). 0 = la plus lente, 9 = la plus rapide
	PAR SON / AUTOMATIQUE	Si un mode d'effet individuel est sélectionné avec les touches A, B ou C (6), vous pouvez utiliser la touche fléchée rouge pour placer cet effet individuel en mode automatique ou à commande sonore.
	Non utilisé	

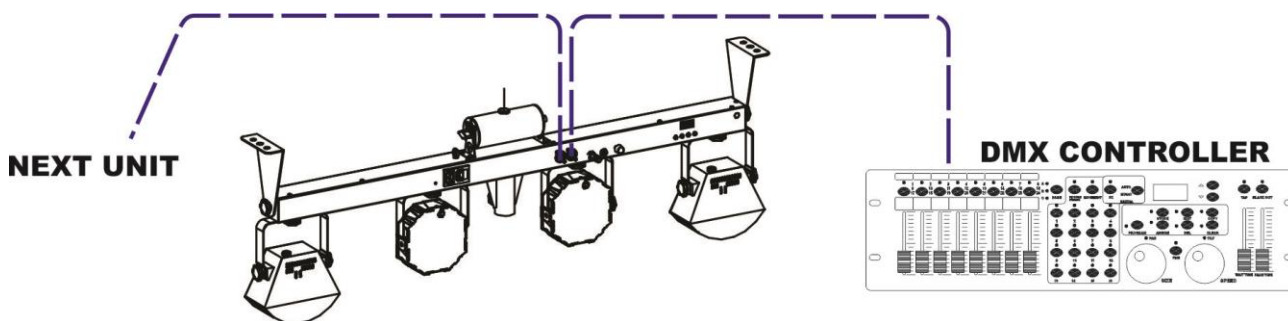
**6) COMMANDE VIA DMX :**

Il est possible de commander la PARTY BAR avec un contrôleur DMX standard dans 5 modes DMX différents :

- **MODE 3 CANAUX** : pour un contrôle simple sur les modes automatique et à commande sonore
- **MODE 5 CANAUX** : pour contrôler uniquement les projecteurs LED RGB et les effets Derby
- **MODE 6 CANAUX** : pour un contrôle simple sur les modes automatique et à commande sonore + un contrôle RGB manuel supplémentaires des projecteurs

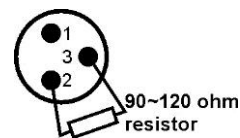
- **MODE 9 CANAUX** : pour un contrôle manuel de base sur chaque groupe de projecteur
- **MODE 27 CANAUX** : pour un contrôle manuel complet sur un projecteur individuel.
- Connectez l'entrée DMX de la PARTY BAR à la sortie DMX de l'unité en amont dans la chaîne ou directement à la sortie DMX de votre contrôleur.
- Appuyez sur la touche [MENU] jusqu'à ce que « DMX » s'affiche à l'écran.
- Appuyez sur la touche [ENTER] pour accéder à cette option.
- L'adresse DMX actuelle apparaît sur l'afficheur.
- Appuyez de nouveau sur la touche [ENTER] pour définir les réglages DMX
- Vous pouvez à présent changer de mode DMX
- Utilisez les touches [UP/DOWN] pour sélectionner le mode DMX souhaité. (3CH, 5CH, 6CH, 9CH ou 27CH)
- Appuyez sur la touche [ENTER] pour confirmer votre choix.
- Vous pouvez à présent utiliser les touches [UP/DOWN] pour régler l'adresse DMX. [dxxx]
- Appuyez sur la touche [ENTER] pour confirmer votre choix.

Remarque : l'affichage clignote lorsque l'appareil est en mode DMX et aucun signal DMX n'est détecté.



Quelques informations supplémentaires sur DMX512 :

Le protocole DMX est largement utilisé pour contrôler des équipements lumineux multifonctions au moyen d'un signal à haute vitesse. Vous devez mettre en chaîne votre contrôleur DMX avec toutes les unités connectées au moyen d'un câble XLR M/F symétrique de bonne qualité. Pour éviter un comportement anormal des effets de lumière, à cause des interférences, vous devez utiliser un terminateur de 90 à 120 Ω à la fin de la chaîne. N'utilisez jamais de séparateurs de câbles en Y, cela ne fonctionne pas ! Chaque effet de lumière dans la chaîne doit avoir sa propre adresse de départ afin qu'il sache quelles commandes du contrôleur il doit décoder.



CONFIGURATION DMX 3 CANAUX :

Canaux DMX	Valeur DMX	Fonction	Remarques
1	000-009	Tout éteint	
	010-031	Projecteur automatique	Show automatique des projecteurs RGB et Derby uniquement
	032-065	Laser automatique	Show automatique du laser uniquement
	066-095	Stroboscope automatique	Show automatique de l'effet stroboscopique blanc uniquement
	096-127	Automatique mixte	Show automatique de tous les effets
	128-159	Projecteur par son	Show à commande sonore des projecteurs RGB et Derby uniquement
	160-191	Laser par son	Show à commande sonore du laser uniquement
	192-223	Stroboscope par son	Show à commande sonore de l'effet stroboscopique blanc uniquement
	224-255	Mixte par son	Show à commande sonore de tous les effets
Canal 1 = Mode projecteur automatique (valeur DMX entre 010 et 031)			
2	000-009	AP01	Divers modes automatiques pour les projecteurs RGB et Derby
	010-019	AP02	
	020-029	AP03	
	030-039	AP04	

	040-049	AP05	
	050-059	AP06	
	060-069	AP07	
	070-079	AP08	
	080-089	AP09	
	090-099	AP10	
	100-109	AP11	
	110-119	AP12	
	120-129	AP13	
	130-139	AP14	
	140-149	AP15	
	150-159	AP16	
	160-169	AP17	
	170-255	AP18	
Canal 1 = Mode laser automatique (valeur DMX entre 032 et 065)			
2	000-039	AL01	Divers modes automatiques pour le laser
	040-079	AL02	
	080-119	AL03	
	120-139	AL04	
	140-159	AL05	
	160-255	AL06	
Canal 1 = Mode stroboscopique automatique (valeur DMX entre 066 et 095)			
2	000-014	AF01	Divers modes automatiques pour l'effet stroboscopique blanc
	015-029	AF02	
	030-044	AF03	
	045-059	AF04	
	060-074	AF05	
	075-089	AF06	
	090-104	AF07	
	105-119	AF08	
	120-134	AF09	
	135-255	AF10	
Canal 1 = Mode automatique mixte (valeur DMX entre 096 et 127)			
2	000-019	AM01	Divers modes automatiques pour tous les projecteurs
	020-039	AM02	
	040-255	AM03	
Canal 1 = Mode projecteur par son (valeur DMX entre 128 et 159)			
2	000-009	SP01	Divers modes à commande sonore pour les projecteurs RGB et Derby
	010-019	SP02	
	020-029	SP03	
	030-039	SP04	
	040-049	SP05	
	050-059	SP06	
	060-069	SP07	
	070-079	SP08	

	080-089	SP09	
	090-099	SP10	
	100-109	SP11	
	110-119	SP12	
	120-129	SP13	
	130-139	SP14	
	140-149	SP15	
	150-159	SP16	
	160-169	SP17	
	170-255	SP18	
Canal 1 = Mode laser par son (valeur DMX entre 160 et 191)			
2	000-039	SL01	Divers modes à commande sonore pour le laser
	040-079	SL02	
	080-119	SL03	
	120-139	SL04	
	140-159	SL05	
	160-255	SL06	
Canal 1 = Mode stroboscopique par son (valeur DMX entre 192 et 223)			
2	000-014	SF01	Divers modes à commande sonore pour l'effet stroboscopique blanc
	015-029	SF02	
	030-044	SF03	
	045-059	SF04	
	060-074	SF05	
	075-089	SF06	
	090-104	SF07	
	105-119	SF08	
	120-134	SF09	
	135-255	SF10	
Canal 1 = Mode mixte par son (valeur DMX entre 224 et 255)			
2	000-019	SM01	Divers modes à commande sonore pour tous les projecteurs
	020-039	SM02	
	040-255	SM03	
3	000-255	Contrôle de la vitesse	Contrôle de la vitesse pour les programmes automatiques (de lente à rapide)

CONFIGURATION DMX 5 CANAUX :*Contrôle uniquement les projecteurs RGB et Derby*

Canaux DMX	Valeur DMX	Fonction	remarques
1	000-255	Rouge	0 % → 100 %
2	000-255	Vert	
3	000-255	Bleu	
4	000-191	Gradateur	Gradateur général
	192-200	Gradateur actif du son	
	201-249	Stroboscopique	Vitesse = de lente (201) à rapide (249)
	250-255	Blanc complet	Toutes les couleurs à pleine intensité

5	000-004	Arrêt	Effets de lumière Derby tournants
	005-127	Rotation horaire	
	128-133	Arrêt	
	134-255	Rotation antihoraire	

CONFIGURATION DMX 6 CANAUX :

Canaux DMX	Valeur DMX	Fonction	remarques
1	000-255	Rouge 0 % → 100 %	Activé uniquement lorsque le canal 4 est réglé sur le contrôle RGB manuel (CANAL 4 = 000 – 009)
2	000-255	Vert 0 % → 100 %	
3	000-255	Bleu 0 % → 100 %	
4	000-009	Contrôle RGB manuel	(Canaux DMX 1, 2, 3 activés)
	010-031	Projecteur automatique	Show automatique des projecteurs RGB et Derby uniquement
	032-065	Laser automatique	Show automatique du laser uniquement
	066-095	Stroboscope automatique	Show automatique de l'effet stroboscopique blanc uniquement
	096-127	Automatique mixte	Show automatique de tous les effets
	128-159	Projecteur par son	Show à commande sonore des projecteurs RGB et Derby uniquement
	160-191	Laser par son	Show à commande sonore du laser uniquement
	192-223	Stroboscope par son	Show à commande sonore de l'effet stroboscopique blanc uniquement
	224-255	Mixte par son	Show à commande sonore de tous les effets
Canal 4 = Mode projecteur automatique (valeur DMX entre 010 et 031)			
5	000-009	AP01	Divers modes automatiques pour les projecteurs RGB et Derby
	010-019	AP02	
	020-029	AP03	
	030-039	AP04	
	040-049	AP05	
	050-059	AP06	
	060-069	AP07	
	070-079	AP08	
	080-089	AP09	
	090-099	AP10	
	100-109	AP11	
	110-119	AP12	
	120-129	AP13	
	130-139	AP14	
	140-149	AP15	
	150-159	AP16	
	160-169	AP17	
	170-255	AP18	
Canal 4 = Mode laser automatique (valeur DMX entre 032 et 065)			
5	000-039	AL01	Divers modes automatiques pour le laser
	040-079	AL02	

	080-119	AL03	
	120-139	AL04	
	140-159	AL05	
	160-255	AL06	
Canal 4 = Mode stroboscopique automatique (valeur DMX entre 066 et 095)			
5	000-014	AF01	Divers modes automatiques pour l'effet stroboscopique blanc
	015-029	AF02	
	030-044	AF03	
	045-059	AF04	
	060-074	AF05	
	075-089	AF06	
	090-104	AF07	
	105-119	AF08	
	120-134	AF09	
	135-255	AF10	
Canal 4 = Mode automatique mixte (valeur DMX entre 096 et 127)			
5	000-019	AM01	Divers modes automatiques pour tous les projecteurs
	020-039	AM02	
	040-255	AM03	
Canal 4 = Mode projecteur par son (valeur DMX entre 128 et 159)			
5	000-009	SP01	Divers modes à commande sonore pour les projecteurs RGB et Derby
	010-019	SP02	
	020-029	SP03	
	030-039	SP04	
	040-049	SP05	
	050-059	SP06	
	060-069	SP07	
	070-079	SP08	
	080-089	SP09	
	090-099	SP10	
	100-109	SP11	
	110-119	SP12	
	120-129	SP13	
	130-139	SP14	
	140-149	SP15	
	150-159	SP16	
	160-169	SP17	
	170-255	SP18	
Canal 4 = Mode laser par son (valeur DMX entre 160 et 191)			
5	000-039	SL01	Divers modes à commande sonore pour le laser
	040-079	SL02	
	080-119	SL03	
	120-139	SL04	
	140-159	SL05	
	160-255	SL06	

Canal 4 = Mode stroboscopique par son (valeur DMX entre 192 et 223)			
5	000-014	SF01	Divers modes à commande sonore pour l'effet stroboscopique blanc
	015-029	SF02	
	030-044	SF03	
	045-059	SF04	
	060-074	SF05	
	075-089	SF06	
	090-104	SF07	
	105-119	SF08	
	120-134	SF09	
	135-255	SF10	
Canal 4 = Mode mixte par son (valeur DMX entre 224 et 255)			
5	000-019	SM01	Divers modes à commande sonore pour tous les projecteurs
	020-039	SM02	
	040-255	SM03	
6	000-255	Contrôle de la vitesse	Contrôle de la vitesse pour les programmes automatiques (de lente à rapide)

CONFIGURATION DMX 9 CANAUX :

Canaux DMX	Valeur DMX	Fonction	remarques
Contrôle des projecteurs RGB et Derby			
1	000-255	Rouge	0 % → 100 %
2	000-255	Vert	
3	000-255	Bleu	
4	000-191	Gradateur	Gradateur général
	192-200	Gradateur actif du son	
	201-249	Stroboscopique	Vitesse = de lente (201) à rapide (249)
	250-255	Blanc complet	Toutes les couleurs à pleine intensité
5	000-004	Arrêt	Effets de lumière Derby tournants
	005-127	Rotation horaire	
	128-133	Arrêt	
	134-255	Rotation antihoraire	
Contrôle du laser			
6	000-004	Tout éteint	Laser rouge
	005-009	ALLUMÉ	
	010-255	Vitesse stroboscopique (de lente à rapide)	
7	000-004	Tout éteint	Laser vert
	005-009	ALLUMÉ	
	010-255	Vitesse stroboscopique (de lente à rapide)	
8	000-004	Arrêt	Moteur laser
	005-127	Rotation horaire	
	128-133	Arrêt	
	134-255	Rotation antihoraire	

Contrôle de l'effet stroboscopique blanc			
9	000-004	Tout éteint	
	005-009	Complet	
	010-255	Vitesse stroboscopique (de lente à rapide)	

CONFIGURATION DMX 27 CANAUX :

Canaux DMX	Valeur DMX	Fonction	remarques
Contrôle de l'effet RGB Derby (1)			
1	000-255	Rouge	0 % → 100 %
2	000-255	Vert	
3	000-255	Bleu	
4	000-191	Effet stroboscopique désactivé	Effet stroboscopique
	192-200	Vitesse (de lente à rapide)	
5	000-004	Arrêt	Rotation
	005-127	Rotation horaire De lente à rapide	
	128-133	Arrêt	
	134-255	Rotation antihoraire De lente à rapide	
Contrôle du projecteur RGB (2)			
6	000-255	Rouge	0 % → 100 %
7	000-255	Vert	
8	000-255	Bleu	
9	000-009	Effet stroboscopique désactivé	Effet stroboscopique
	010-255	Vitesse (de lente à rapide)	
10	000-255	-	Non utilisé
Contrôle du projecteur RGB (3)			
11	000-255	Rouge	0 % → 100 %
12	000-255	Vert	
13	000-255	Bleu	
14	000-009	Effet stroboscopique désactivé	Effet stroboscopique
	010-255	Vitesse (de lente à rapide)	
15	000-255	-	Non utilisé
Contrôle de l'effet RGB Derby (4)			
16	000-255	Rouge	0 % → 100 %
17	000-255	Vert	
18	000-255	Bleu	
19	000-009	Effet stroboscopique désactivé	Effet stroboscopique
	010-255	Vitesse (de lente à rapide)	
20	000-004	Arrêt	Rotation
	005-127	Rotation horaire De lente à rapide	

	128-133	Arrêt	
	134-255	Rotation antihoraire De lente à rapide	
Contrôle du laser			
21	000-004	Tout éteint	Laser rouge
	005-009	ALLUMÉ	
	010-255	Vitesse stroboscopique (de lente à rapide)	
22	000-004	Tout éteint	Laser vert
	005-009	ALLUMÉ	
	010-255	Vitesse stroboscopique (de lente à rapide)	
23	000-004	Arrêt	Moteur laser
	005-127	Rotation horaire	
	128-133	Arrêt	
	134-255	Rotation antihoraire	
Contrôle de l'effet stroboscopique blanc			
24	000-004	Tout éteint	LED 1
	005-009	Complet	
	010-255	Vitesse stroboscopique (de lente à rapide)	
25	000-004	Tout éteint	LED 2
	005-009	Complet	
	010-255	Vitesse stroboscopique (de lente à rapide)	
26	000-004	Tout éteint	LED 3
	005-009	Complet	
	010-255	Vitesse stroboscopique (de lente à rapide)	
27	000-004	Tout éteint	LED 4
	005-009	Complet	
	010-255	Vitesse stroboscopique (de lente à rapide)	

Fonctions supplémentaires dans le menu

- Appuyez sur la touche [MENU] jusqu'à ce que [SYS] s'affiche à l'écran.
- Appuyez sur la touche [ENTER] si vous souhaitez accéder à cette section de menu des options supplémentaires.
- Utilisez les touches [UP/DOWN] pour parcourir les fonctions supplémentaires dans le menu système
 - L'option [AddS] offre la possibilité de modifier la position des commandes des 4 projecteurs RGB
 - Appuyez sur la touche [ENTER] pour accéder aux options de réglage
 - La position du premier projecteur se met à clignoter
 - Appuyez sur la touche [UP] pour amener le projecteur à la position souhaitée
 - Appuyez sur la touche [DOWN] pour régler le numéro de position du projecteur
 - Appuyez de nouveau sur la touche [UP] si vous souhaitez régler le numéro de position d'un autre projecteur
 - Répétez cette procédure tant que nécessaire
 - Une fois les réglages terminés, appuyez sur la touche [ENTER] pour les confirmer.

IMPORTANT: si vous sélectionnez une mauvaise combinaison (même numéro sélectionné plusieurs fois) certains projecteurs risquent de ne plus fonctionner.
Si un projecteur ne fonctionne pas, vérifiez d'abord si la position de commande est correcte. Position STANDARD = 1-2-3-4

- L'option [LEdS] vous permet de choisir si l'afficheur doit toujours être allumé ou s'éteindre après un moment si aucune nouvelle information ne doit être affichée
 - Appuyez sur la touche [ENTER] pour accéder aux options de réglage
 - Utilisez les touches [UP/DOWN] pour sélectionner le mode souhaité :
 - ON = fonction activée. Si aucune nouvelle information ne doit être affichée, l'afficheur s'éteindra. Dès qu'une nouvelle information est disponible (par exemple : lorsque vous utilisez la télécommande pour choisir un autre mode), l'afficheur s'allume automatiquement pour l'afficher. Après un moment, il s'éteindra de nouveau.
 - OFF = fonction désactivée. L'afficheur à LED sera toujours allumé.
 - Appuyez sur la touche [ENTER] pour confirmer votre choix
- L'option [TEST] lancera une procédure de test automatique de manière à vérifier si tous les projecteurs fonctionnent.
- L'option [rEst] permet de réinitialiser tous les réglages de la barre aux valeurs d'usine par défaut
 - Appuyez simplement sur la touche [ENTER] pour réinitialiser la barre.

ENTRETIEN

- Assurez-vous qu'aucune personne étrangère ne se trouve dans la zone en dessous de l'emplacement d'installation durant l'entretien.
- Éteignez l'appareil, débranchez le câble secteur et attendez que l'appareil refroidisse.

Lors de l'inspection, les points suivants doivent être vérifiés :

- Toutes les vis utilisées pour l'installation de l'appareil et chacun des composants doivent être solidement fixés et ne doivent pas être rouillés.
- Les boîtiers, les supports et les points d'installation (plafond, poutre, suspensions) ne doivent pas être déformés.
- Quand une lentille optique est visiblement endommagée en raison de fissures ou de rayures profondes, elle doit être remplacée.
- Les câbles d'alimentation doivent être dans un état impeccable et doivent être remplacés immédiatement même si un petit problème est détecté.
- Afin de protéger l'appareil de toute surchauffe, les ventilateurs de rafraîchissement (le cas échéant) et les ouvertures de ventilation doivent être nettoyés mensuellement.
- L'intérieur de l'appareil doit être nettoyé une fois par an à l'aide d'un aspirateur ou d'un jet d'air.
- Le nettoyage des lentilles optiques et/ou miroirs internes et externes doit être effectué périodiquement pour optimiser le flux lumineux. La fréquence de nettoyage dépend de l'environnement dans lequel le projecteur est utilisé : des environnements humides, enfumés ou particulièrement sales peuvent causer l'accumulation de saleté sur l'optique de l'appareil.
 - Nettoyez avec un chiffon doux en utilisant des produits de nettoyage pour verre normal.
 - Séchez toujours les pièces soigneusement.
 - Nettoyez les optiques externes au moins une fois tous les 30 jours.
 - Nettoyez les optiques internes au moins tous les 90 jours.

Attention : Nous vous conseillons fortement de faire effectuer le nettoyage interne par un personnel qualifié !

SPÉCIFICATIONS

Tension d'entrée :	100 ~ 240 V CA, 50 / 60 Hz
Fusible :	250 V 2 A à action retardée (verre 20 mm)
Consommation totale :	48 W
Commande sonore :	Microphone interne
Connexions DMX :	XLR 3 broches mâle/femelle
Canaux DMX :	3, 5, 6, 9 ou 27 canaux
Puissance des projecteurs PAR :	2 projecteurs dotés chacun de 3 LED tricolore 9 W
Angle de faisceau d'un projecteur :	15°
Puissance des projecteurs Derby :	2 projecteurs dotés chacun de LED verte 3 W, rouge 3 W et bleu 3 W
Puissance du laser :	30 mW 532 nm vert, 100 mW 650 nm rouge
Classe de rayonnement laser :	3R
Puissance de l'effet stroboscopique :	4 LED blanches 1 W
Température de fonctionnement :	de 10°C à 40°C
Normes de sécurité laser :	EN/IEC 60825-1 2007
Dimensions :	1185 x 386 x 110 mm
Poids :	barre = 6,6 kg, barre + mallette de transport = 8,35 kg

Toutes les informations peuvent être modifiées sans préavis

Vous pouvez télécharger la dernière version de ce manuel sur notre site Web : www.jb-systems.eu

GEBRUIKSAANWIJZING

Hartelijk dank voor de aankoop van dit product van JB Systems®. Lees voordat u dit apparaat in gebruik neemt deze gebruiksaanwijzing zorgvuldig door, om ten volle te kunnen profiteren van alle mogelijkheden en voor uw eigen veiligheid.

EIGENSCHAPPEN

Dit apparaat is voorzien van onderdrukking voor radiostoring. Dit apparaat voldoet aan de eisen van de huidige Europese en nationale richtlijnen. De conformiteit werd vastgesteld en de desbetreffende verklaringen en documenten zijn door de fabrikant gedeponneerd.

Dit apparaat is ontworpen om decoratieve effectverlichting te produceren en wordt in lichtshowsystemen gebruikt.

- De PARTY BAR is een fabelachtig 4-in-1 lichteffect voor mobiele DJ's!
- Deze extreem compacte balk zit vol met 4 verschillende lichteffecten om een fantastische lichtshow te creëren:
 - 2 roterende Derby effecten, ieder voorzien van rode, groene en blauwe LED's van 3 Watt;
 - 2 LED-projectors, ieder voorzien van 3 RGB-LED's van 9 Watt voor krachtige bundels van 15°;
 - 4 koud witte LED's om allerlei stroboscopische en blindereffecten te creëren;
 - De 2-kleurig rode/groene laser projecteert honderden smalle bundels voor een ongelooflijk mooie atmosfeer.
- De fabelachtige voorgeprogrammeerde shows met verschillende effectcombinaties kunnen op verschillende manieren worden aangestuurd:
 - DMX-aansturing: via 3, 5, 6, 9 of 27 kanalen.
 - Standalone: geluidgestuurd (ingebouwde microfoon) of automatisch.
 - IR-afstandsbediening: Infrarood afstandsbediening.
- Voorbereid voor draadloze DMX: gewoon een optionele WTR-DMX DONGLE inpluggen ! (Briteq® bestelcode 4645)
- Er kunnen diverse balken als master/slave op elkaar worden aangesloten om prachtige, gesynchroniseerde shows te creëren.
- 3-cijferig LED-scherm voor eenvoudige menunavigatie.
- U kunt de balk op iedere 35 mm standaard plaatsen of de meegeleverde montagebeugels gebruiken voor gemakkelijke bevestiging aan een truss.
- Dankzij de meegeleverde transportkoffer is het vervoer een fluitje van een cent!
- Zeer laag energieverbruik: slechts 48 W met alle lampen aan!
- De IEC lichtnet in-/uitgangsaansluitingen kunnen worden gebruikt om diverse eenheden door te koppelen.
- Met een sleutel bediende aan-/uitschakelaar en ingang voor noodschakelaar (blokkering) voor extra veiligheid van het lasersysteem.
- Voldoet aan EN/IEC 60825-1 2007 voor Laserveiligheid

VOOR HET GEBRUIK

- Controleer het apparaat voordat u het in gebruik neemt op transportschade. Als er schade is, gebruik het apparaat dan niet en raadpleeg eerst uw dealer.
- **Belangrijk:** Dit apparaat verliet de fabriek in perfecte staat en goed verpakt. Het is absoluut noodzakelijk dat de gebruiker de veiligheidsinstructies en waarschuwingen in deze gebruiksaanwijzing strikt opvolgt. Eventuele schade veroorzaakt door verkeerde behandeling valt niet onder de garantie. De dealer neemt geen verantwoordelijkheid voor eventuele fouten of problemen die worden veroorzaakt door het niet naleven van deze gebruiksaanwijzing.
- Bewaar dit boekje op een veilige plaats om het in de toekomst te kunnen raadplegen. Als u het armatuur verkoopt, voeg dan deze gebruiksaanwijzing bij.

Controleer de inhoud:

Controleer of de kartonnen doos de volgende artikelen bevat:

- Flightcase
- Party Bar
- Ophangbeugelsysteem (2 metalen beugels en 2 knoppen).
- 1 extra knop voor de adapter voor de 35 mm paalstandaard (zelfde model als voor de ophangbeugels).
- IR-afstandsbediening
- 2 sleutels (voor de sleutelschakelaar)
- Reserveconnector voor noodstop.
- Netsnoer
- Gebruiksaanwijzing

VEILIGHEIDSINSTRUCTIES:



LET OP: Verwijder de bovenste afdekking niet, om het risico op elektrische schokken te verminderen. Er bevinden zich geen door de gebruiker te repareren onderdelen in het apparaat. Laat het onderhoud alleen door gekwalificeerd onderhoudspersoneel uitvoeren.



De bliksemschicht met pijlpunt in een gelijkzijdige driehoek is bedoeld om de gebruiker te waarschuwen voor de aanwezigheid van ongeïsoleerde "gevaarlijke spanning" binnen de behuizing van het apparaat, die van voldoende omvang kan zijn om een risico op elektrische schokken te vormen.



Het uitroepteken in een gelijkzijdige driehoek is bedoeld om de gebruiker te waarschuwen voor de aanwezigheid van belangrijke gebruiks- en onderhouds- (reparatie) aanwijzingen in de documentatie die bij dit apparaat is gevoegd.



Dit symbool betekent: alleen gebruik binnenshuis.



Dit symbool betekent: Lees de instructies.



Dit symbool bepaalt: de minimale afstand tot verlichte voorwerpen. De minimale afstand tussen de lichtbron en het verlichte oppervlak moet meer dan 1 meter zijn.



LET OP: Kijk niet naar een werkende lamp.
Dit kan schadelijk zijn voor de ogen.

- Probeer ter bescherming van het milieu het verpakkingsmateriaal zoveel mogelijk te recyclen.
- Een nieuw lichteffect veroorzaakt soms enige ongewenste rook en/of geur. Dit is normaal en verdwijnt na enkele minuten.
- Stel dit apparaat niet bloot aan regen of vocht, om risico op brand of elektrische schokken te voorkomen.
- Als het apparaat na transport in een warme ruimte wordt gebracht, wacht dan tot het is aangepast aan de omgevingstemperatuur, om te voorkomen dat er binnen het apparaat condens wordt gevormd. Condens kan soms verhinderen dat het apparaat op volle capaciteit werkt of kan zelfs schade veroorzaken.
- Dit apparaat is uitsluitend geschikt voor gebruik binnenshuis.
- Zorg ervoor dat er geen metalen voorwerpen of vloeistoffen in het apparaat terechtkomen. Dit kan elektrische schokken of storing veroorzaken. Als er voorwerpen van buitenaf in het apparaat terechtkomen, haal dan onmiddellijk de stekker uit het stopcontact.
- Plaats het armatuur op een goed geventileerde plek, uit de buurt van brandbare materialen en/of vloeistoffen. Het armatuur moet op tenminste 50 cm vanaf omringende muren worden bevestigd.
- Bedek geen ventilatieopeningen, omdat dit tot oververhitting kan leiden.
- Voorkom het gebruik in stoffige omgevingen en maak het apparaat regelmatig schoon.
- Houd het apparaat buiten het bereik van kinderen.
- Onervaren personen mogen dit apparaat niet bedienen.
- De veilige omgevingstemperatuur is tussen 15°C en 40°C. Gebruik het apparaat niet bij hogere omgevingstemperaturen.
- Zorg ervoor dat er zich tijdens takelen, onttakelen en onderhoud geen ongewenste personen in het gebied onder de installatieplaats bevinden.
- Ontkoppel het apparaat altijd wanneer het voor een langere tijd niet wordt gebruikt, voor het vervangen van de lamp of voordat er onderhoud aan wordt uitgevoerd.
- De elektrische installatie dient alleen door gekwalificeerd personeel en in overeenstemming met de voorschriften voor elektrische en mechanische veiligheid in uw land te worden uitgevoerd.
- Controleer of de beschikbare spanning niet hoger is dan aangegeven op het achterpaneel van het apparaat.

- Het netsnoer dient altijd in perfecte staat te zijn. Schakel het apparaat onmiddellijk uit als het netsnoer is geplet of beschadigd. Het moet door de fabrikant, zijn vertegenwoordiger, of door een vergelijkbaar bevoegde persoon worden vervangen, om gevaar te vermijden.
- Laat het netsnoer nooit met andere kabels in contact komen!
- Dit armatuur moet worden geaard om aan de veiligheidsvoorschriften te voldoen.
- Sluit het apparaat niet aan op een dimmerpack.
- Gebruik bij het installeren van het apparaat altijd een geschikte en gecertificeerde veiligheidskabel.
- Open de afdekking niet, om elektrische schokken te voorkomen. Afgezien van de lamp en de zekering bevinden zich geen door de gebruiker te repareren onderdelen in het apparaat.
- Repareer **nooit** een zekering en overbrug nooit de zekeringhouder. Vervang een kapotte zekering **altijd** door een zekering van hetzelfde type en met dezelfde elektrische specificaties!
- Als er zich ernstige problemen voordoen met de werking van het armatuur, gebruik het dan niet en neem onmiddellijk contact op met uw dealer.
- De behuizing en de lenzen moet worden vervangen als hij zichtbaar is beschadigd.
- Gebruik de originele verpakking als het apparaat moet worden vervoerd.
- Het is om veiligheidsredenen verboden om ongeautoriseerde modificaties aan het apparaat aan te brengen.

Belangrijk: Kijk nooit rechtstreeks in de lichtbron! Gebruik het effect niet in aanwezigheid van personen die aan epilepsie lijden.

LASER VEILIGHEIDSINSTRUCTIES:

- Volgens de EN/IEC 60825-1 Ed2, 2007-03 regelgeving, valt deze laser onder de classificatie 3B. Directe blootstelling van de ogen kan gevaarlijk zijn.

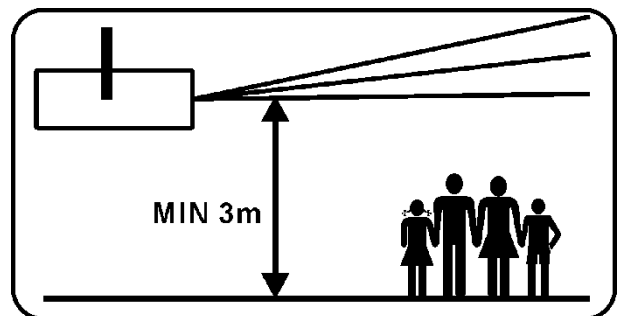


GEVAAR: LASERSTRALING!

Vermijd directe blootstelling van de ogen! Laserstraling kan oogletsel en/of beschadiging van de huid veroorzaken. Alle beschermende maatregelen voor een veilig gebruik van deze laser moet worden toegepast.

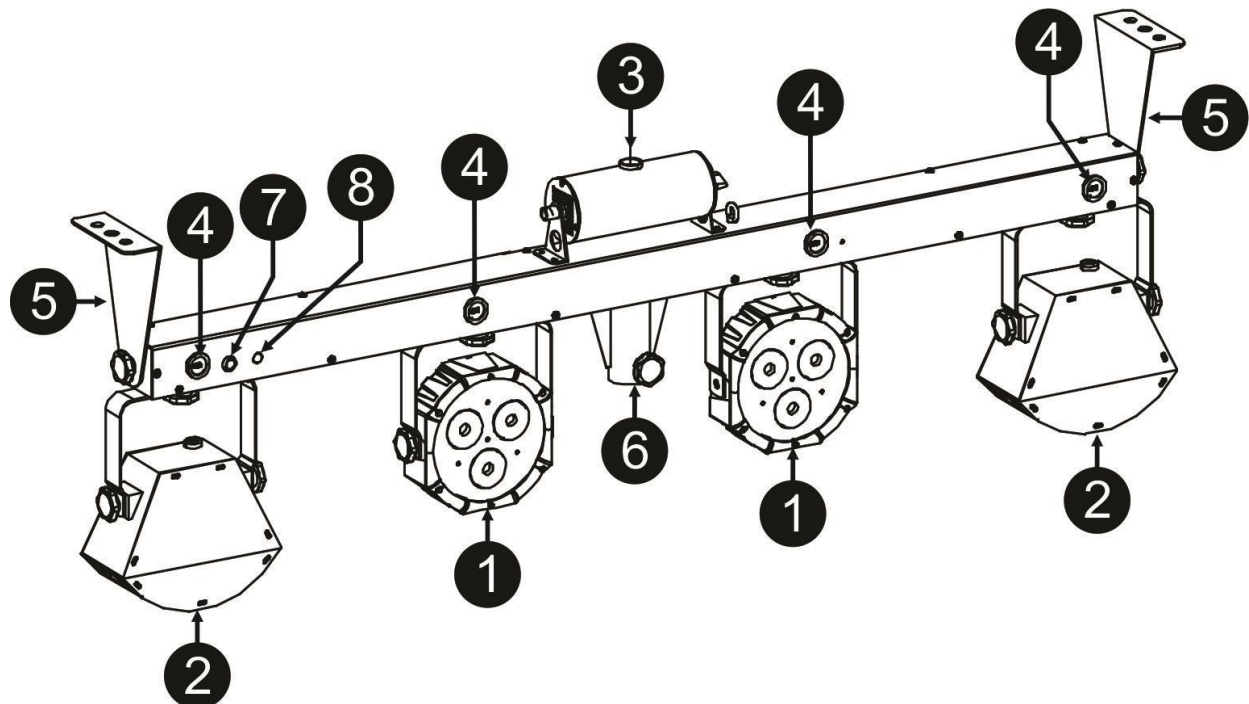


- Dit apparaat is een zogenaamde showlaser, die straling uitzendt met een golflengtespectrum tussen 400 en 700 nm en lichteffecten voor shows produceert.
- Laserlicht is anders dan elke andere lichtbron waarmee u misschien bekend mee bent. Als dit apparaat niet juist wordt opgesteld en gebruikt, kan het licht hiervan mogelijk oogletsel veroorzaken. Laserlicht is duizenden malen sterker geconcentreerd dan het licht van elke andere soort lichtbron. De energie van deze lichtconcentratie kan tot direct oogletsel leiden, voornamelijk door het verbranden van het netvlies (het lichtgevoelige gedeelte aan de achterkant van het oog). Zelfs als u geen "warmte" van een laserstraal, kunt voelen, kan hij u of uw publiek nog steeds verwonden of verblinden.
- Zelfs zeer kleine hoeveelheden van het laserlicht zijn potentieel gevaarlijk, zelfs op grote afstanden.
- Kijk nooit in het laserdiafragma of de laserbundels.
- Richt de laserbundel nooit op mensen of dieren en laat dit apparaat nooit zonder toezicht werken.
- Deze laser mag alleen voor shows worden gebruikt. De werking van een klasse 3B laser is alleen toegestaan als de activiteit wordt gecontroleerd door een deskundige en goed opgeleide bedienaar.
- Afhankelijk van de classificatie, kan het bedienen van een laserproduct laserstraling produceren die permanent oogletsel en/of beschadiging van de huid kan veroorzaken. De wettelijke voorschriften voor het gebruik van een laserproduct verschillen van land tot land. De gebruiker moet zich altijd op de hoogte stellen van de in zijn land geldige wettelijke voorschriften en deze op zijn situatie toepassen.
- Het document dat dient als bron en hoeksteen van de laserveiligheidsnormen ANSI Z136.1 (2007) voorziet in richtlijnen voor het veilig gebruik van lasers en lasersystemen door het definiëren van beheersmaatregelen voor elk van de vier laserklassen. Dit waardevolle document kan worden verkregen bij www.laserinstitute.org.

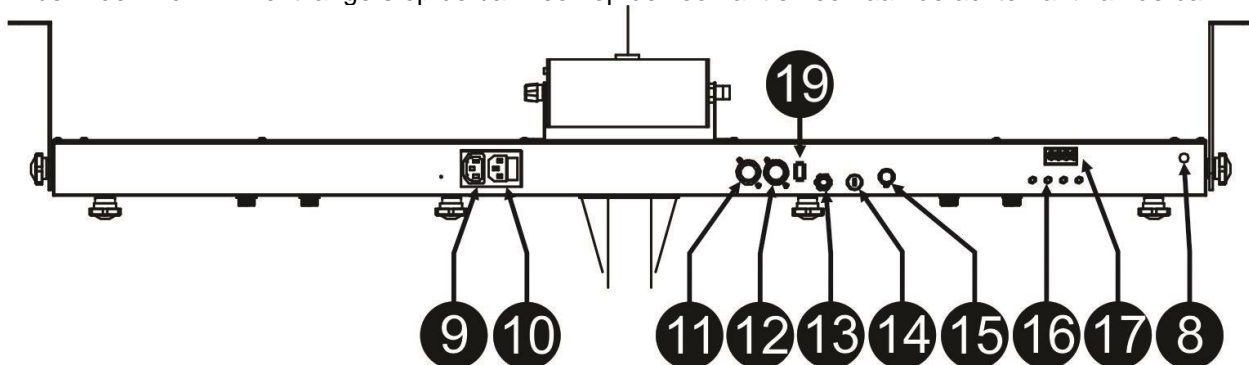


Houd er rekening mee dat **JB SYSTEMS** niet aansprakelijk kan worden gesteld voor schade veroorzaakt door onjuiste installatie en ondeskundig gebruik!

BESCHRIJVING:



- 1. RGB-PROJECTOR
- 2. RGB DERBYPROJECTOR
- 3. LASEREENHEID
- 4. WITTE FLITSLED
- 5. OPHANGBEUGELS: Bevestig met gebruikmaking van de 2 knoppen, één beugel een ieder uiteinde van de balk. U kunt nu in ieder beugelgat een bevestigingshaak (of snelklem) bevestigen.
- 6. Adapter voor 35 mm paalstandaard
- 7. INGEBOUWDE MICROFOON: wordt gebruikt om de geluidgestuurde shows met de maat van de muziek te synchroniseren.
- 8. IR-ONTVANGER: Als u gebruikt maakt van de bij de Party Bar meegeleverde draadloze afstandsbediening, moet u de infrarood afstandsbediening op deze infraroodontvanger richten. Er bevinden zich 2 IR-ontvangers op de balk: één op de voorkant en één aan de achterkant van de balk.



- 9. UITGANG VOOR DOORLUSSEN NETSPANNING: Om de balk gemakkelijker door te kunnen koppelen, kunt u gebruik maken van een speciaal IEC-netsnoer om deze uitgang aan te sluiten op de lichtnetingang van de volgende balk of projector. (Maximale totale belasting op één lichtnetleiding = 10A).
- 10. LICHTNETAANSLUITING: IEC-aansluiting met geïntegreerde zekeringhouder en schakelaar. Sluit hier het meegeleverde netsnoer op aan.
- 11. DMX-UITGANG: De 3-pens vrouwelijke XLR-connector wordt gebruikt om de Party Bar op de volgende eenheid in de DMX-keten aan te sluiten.
- 12. DMX-INGANG: 3-pens mannelijke XLR-connector die gebruikt wordt om universele DMX-kabels aan te sluiten. Deze ingang ontvangt commando's van een DMX-controller (in DMX-modus), of van de vorige balk (in master/slave-modus).
- 13. INTERLOCK-ingang: wordt gebruikt om de optionele noodstop-schakelaar aan te sluiten (zie foto). Wanneer u op deze schakelaar drukt zal de laserstraal onmiddellijk verdwijnen.

BELANGRIJK! Voor uw eigen veiligheid raden wij sterk aan om deze optionele schakelaar aan te sluiten!

ER IS GEEN LASERUITVOER WANNEER DE INGANG VOOR DE BLOKKERING NIET WORDT GEBRUIKT!

Tijdelijke oplossing: installeer de reserveconnector op de laser. (zie afbeelding)

14. MET SLEUTEL GEACTIVEERDE AAN/UIT-SCHAKELAAR:

wordt gebruikt om het apparaat in/uit te schakelen. Gebruik de sleutel om ervoor te zorgen dat alleen een deskundige bedienaar de laser in kan schakelen.



15. GEVOELIGHEIDSKNOP: draai deze knop tegen de klok in om de gevoeligheid van de geïntegreerde microfoon te verlagen of draai hem met de klok mee om de gevoeligheid te verhogen.

16. BEDIENINGSPANEEL: Wordt gebruikt om de verschillende functies van de balk te selecteren. Lees verder om te leren hoe u het apparaat kunt bedienen.

17. INGEBOUWDE MICROFOON: De geïntegreerde microfoon wordt gebruikt om de geluidgestuurde shows te synchroniseren met de maat van de muziek.

18. SCHERM: toont alle noodzakelijke informatie over instellingen en de bedrijfsmodi.

19. M-DMX INGANG: Deze connector wordt NIET gebruikt voor software updates of het aansluiten op een PC! Deze USB-connector maakt het echter heel simpel om draadloos DMX aan het apparaat toe te voegen! Gewoon de (optionele) WTR-DMX DONGLE van BRITEQ® inpluggen en U beschikt over draadloos DMX! Het wordt zelfs mogelijk om op de DMX-uitgang andere DMX-apparaten aan te sluiten en zo de draadloze DMX-functie ook voor andere apparaten in de keten te gebruiken! Hiervoor zijn er geen extra instellingen in het setup menu nodig, U moet enkel de procedure in de handleiding van de BRITEQ® WTR-DMX DONGLE volgen. *De optionele WTR-DMX DONGLE vindt U op WWW.BRITEQ-LIGHTING.COM (bestelcode: 4645)*

HOOG HIJSEN

- **Belangrijk:** De installatie mag alleen door gekwalificeerd onderhoudspersoneel worden uitgevoerd. Onjuiste installatie kan leiden tot ernstig letsel en/of schade aan eigendommen. Hoog hijsen vereist veel ervaring! Belastingslimieten dienen in acht te worden genomen; er dienen gecertificeerde installatiematerialen te worden gebruikt; het geïnstalleerde apparaat dient regelmatig te worden gecontroleerd op veiligheid.
- Zorg ervoor dat er zich tijdens takelen, onttakelen en onderhoud geen ongewenste personen in het gebied onder de installatieplaats bevinden.
- Plaats het armatuur op een goed geventileerde plaats, uit de buurt van brandbare materialen en/of vloeistoffen. Het armatuur moet **op tenminste 50 cm** vanaf omringende muren worden bevestigd.
- Het apparaat dient buiten het bereik van mensen en buiten gebieden waar personen kunnen lopen of zitten te worden geïnstalleerd.
- Controleer voor het hijsen of de installatieplaats een minimale puntbelasting van 10 keer het gewicht van het apparaat kan dragen.
- Gebruik bij het installeren van het apparaat altijd een gecertificeerde veiligheidskabel die 12 keer het gewicht van het apparaat kan dragen. Deze secundaire veiligheidsbevestiging dient op een zodanige wijze te worden geïnstalleerd dat er geen enkel onderdeel van de installatie meer dan 20 cm kan vallen als de hoofdbevestiging het begeeft.
- Het apparaat dient goed te worden bevestigd; een vrij slingerende montage is gevaarlijk en mag niet worden overwogen!
- Bedek geen ventilatieopeningen, omdat dit tot oververhitting kan leiden.
- De exploitant moet ervoor zorgen dat de veiligheidsgerelateerde en machinetechnische installaties, voordat deze voor de eerste keer in gebruik worden genomen, door een deskundige zijn goedgekeurd. De installaties dienen jaarlijks door een vakman te worden geïnspecteerd, om er zeker van te zijn dat de veiligheid nog steeds optimaal is.



VOORZICHTIG OOGLETSEL: Plaats de laser altijd zodanig dat wordt voorkomen dat het publiek direct in de laserbundels kan kijken. De installatie dient te garanderen dat de bundel het publiek niet raakt.

DE INSTALLATIE EN BEDIENING VAN HET APPARAAT

U kunt het apparaat op verschillende manieren bedienen:

1) VOLLEDIG AUTOMATISCHE STANDALONE MODUS:

Het effect voert automatisch een voorgeprogrammeerde reeks uit. Selecteer deze modus als er slechts 1 Party Bar wordt gebruikt (standalone) of als de Party Bar als eerste (master) eenheid in een keten met diverse Party Bars wordt geplaatst.

- Houd de [MENU]-toets ingedrukt totdat het scherm [Aut] weergeeft.
- Druk op de [ENTER]-toets om uw keuze te bevestigen
- U kunt nu met de [UP] en [DOWN]-toetsen de gewenste effectgroep selecteren:
 - **[AutP] Automatische RGB-projectorshow.**
 - Druk [ENTER] om deze modus te selecteren.
 - Gebruik de [UP] en [DOWN]-toetsen om één van de 18 shows te selecteren [AP01 – AP18].
 - Druk op de [ENTER]-toets om uw keuze te bevestigen.
 - Gebruik de [UP] en [DOWN]-toetsen om de gewenste snelheid van de show te selecteren; van [S.01] traag tot [S.99] snel.
 - Druk op de [ENTER]-toets om uw keuze te bevestigen.
 - Gebruik de [UP] en [DOWN]-toetsen om de gewenste rotatiesnelheid van de Derby-effecten te selecteren; van [M.00] stop tot [M.99] snel.
 - Druk op de [ENTER]-toets om uw keuze te bevestigen.
 - **[AutL] Automatische lasershow.**
 - Druk [ENTER] om deze modus te selecteren.
 - Gebruik de [UP] en [DOWN]-toetsen om één van de 6 shows te selecteren [AL01 – AL06].
 - Druk op de [ENTER]-toets om uw keuze te bevestigen.
 - Gebruik de [UP] en [DOWN]-toetsen om de gewenste snelheid van de show te selecteren; van [S.01] traag tot [S.99] snel.
 - Druk op de [ENTER]-toets om uw keuze te bevestigen.
 - Gebruik de [UP] en [DOWN]-toetsen om de gewenste rotatiesnelheid voor het lasereffect te selecteren; van [M.00] stop tot [M.99] snel.
 - Druk op de [ENTER]-toets om uw keuze te bevestigen.
 - **[AutF] Automatisch witte flitsshow.**
 - Druk [ENTER] om deze modus te selecteren.
 - Gebruik de [UP] en [DOWN]-toetsen om één van de 10 shows te selecteren [AF01 – AL10].
 - Druk op de [ENTER]-toets om uw keuze te bevestigen.
 - Gebruik de [UP] en [DOWN]-toetsen om de gewenste snelheid van de show te selecteren; van [S.01] traag tot [S.99] snel.
 - Druk op de [ENTER]-toets om uw keuze te bevestigen.
 - **[AutM] Automatisch show met gemengde effecten.**
 - Druk [ENTER] om deze modus te selecteren.
 - Gebruik de [UP] en [DOWN]-toetsen om één van de 3 shows te selecteren [AM01 – AM03].
 - Druk op de [ENTER]-toets om uw keuze te bevestigen.
 - Gebruik de [UP] en [DOWN]-toetsen om de gewenste snelheid van de show te selecteren; van [S.01] traag tot [S.99] snel.
 - Druk op de [ENTER]-toets om uw keuze te bevestigen.

U kunt diverse PARTY BARS op elkaar aansluiten: schakel gewoon het eerste apparaat in de keten in één van de automatische effectmodi en alle andere apparaten in de "slave"-modus (het scherm geeft "SLA" weer), zodat ze allemaal perfect synchroon werken!

2) GELUIDGESTUURDE STANDALONEMODUS:

De Party Bar voert een voorgeprogrammeerde reeks uit op het ritme van de muziek. Selecteer deze modus als er slechts 1 Party Bar wordt gebruikt (standalone) of als de Party Bar als eerste (master) eenheid in een keten met diverse eenheden is geplaatst.

- Houd de [MENU]-toets ingedrukt totdat het scherm [Sou] weergeeft.
- Druk op de [ENTER]-toets om uw keuze te bevestigen
- U kunt nu met de [UP] en [DOWN]-toetsen de gewenste effectgroep selecteren:
 - **[SouP] Geluidgestuurde RGB-projectorshow.**
 - Druk [ENTER] om deze modus te selecteren.
 - Gebruik de [UP] en [DOWN]-toetsen om één van de 18 shows te selecteren [SP01 – SP18].
 - Druk op de [ENTER]-toets om uw keuze te bevestigen.

- **[SouL] Geluidgestuurde lasershow.**
 - Druk [ENTER] om deze modus te selecteren.
 - Gebruik de [UP] en [DOWN]-toetsen om één van de 6 shows te selecteren [SL01 – SL06].
 - Druk op de [ENTER]-toets om uw keuze te bevestigen.
- **[SouF] Geluidgestuurde witte flitsshow.**
 - Druk [ENTER] om deze modus te selecteren.
 - Gebruik de [UP] en [DOWN]-toetsen om één van de 10 shows te selecteren [SF01 – SL10].
 - Druk op de [ENTER]-toets om uw keuze te bevestigen.
- **[SouM] Geluidgestuurde show met gemengde effecten.**
 - Druk [ENTER] om deze modus te selecteren.
 - Gebruik de [UP] en [DOWN]-toetsen om één van de 3 shows te selecteren [SM01 – SM03].
 - Druk op de [ENTER]-toets om uw keuze te bevestigen.

Opmerking: De gevoeligheid van de ingebouwde microfoon kan worden ingesteld door de knop [microphone sensitivity] op de achterkant van de balk te verdraaien.

3) VASTE KLEUR STANDALONE MODUS:

U kunt voor de 4 RGB-projectors samen (2 vlakke RGB-projectors + 2 RGB Derby-effecten) een vaste kleur instellen.

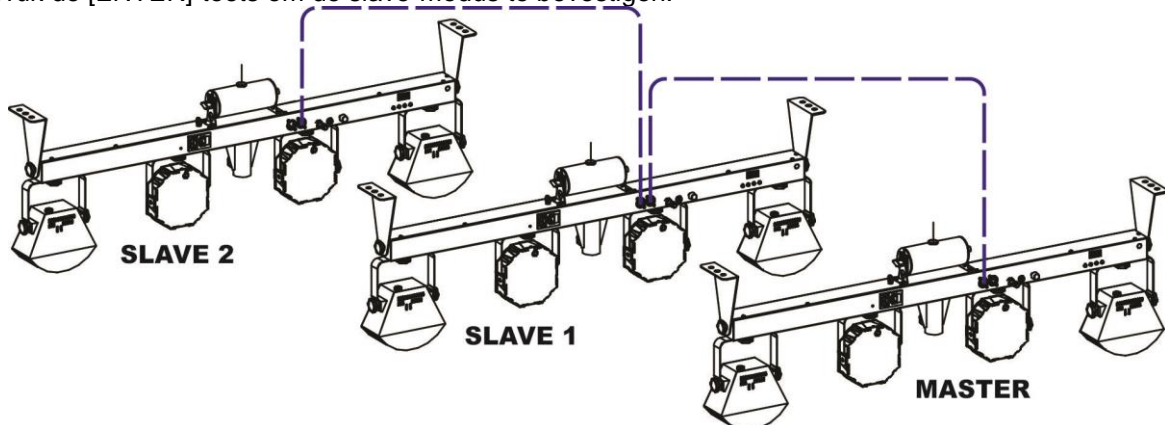
- Druk op en houd de [MENU]-toets ingedrukt totdat het scherm [COL] weergeeft.
- Druk op de [ENTER]-toets om uw keuze te bevestigen
- Er verschijnt [COLO] op het scherm.
- Druk de [ENTER]-toets om naar de installatiemodus te gaan.
- Gebruik de [UP/DOWN]-toetsen om de intensiteit van de rode kleur in te stellen. [r.000] = uit, [r.255] = maximale intensiteit.
- Druk de [ENTER]-toets om uw keus te bevestigen en naar de volgende kleurinstelling te gaan.
- Gebruik de [UP/DOWN]-toetsen om de intensiteit van de groene kleur in te stellen. [G.000] = uit, [G.255] = maximale intensiteit.
- Druk de [ENTER]-toets om uw keus te bevestigen en naar de volgende kleurinstelling te gaan.
- Gebruik de [UP/DOWN]-toetsen om de intensiteit van de blauwe kleur in te stellen. [b.000] = uit, [b.255] = maximale intensiteit.
- Druk de [ENTER]-toets om uw keus te bevestigen en om naar de instelling voor de stroboscoopsnelheid te gaan.
- Gebruik de [UP/DOWN]-toetsen om de snelheid van het stroboscoopeffect in te stellen. [S. 00] = uit, [S. 99] = maximale snelheid.
- Druk op de [ENTER]-toets om uw keuze te bevestigen

4) MASTER/SLAVE STANDALONE MODUS:

Als u diverse Party Bars hebt en u wilt ze synchroon laten werken, kunt u in de zogenaamde master/slave-modus werken. Koppel om dit te doen alle balken gewoon door en voer de instellingen voor het gewenste automatische of geluidgestuurde programma in de eerste balk van de keten uit (zie voorgaande beschrijving). Deze balk wordt de mastereenheid genoemd. Stel nu alle andere balken in op de slave-modus. Zodra dit is gedaan, volgen de "slave" balken de opdrachten van de mastereenheid, zodat ze perfect synchroon werken.

Het instellen van een balk in de slave-modus:

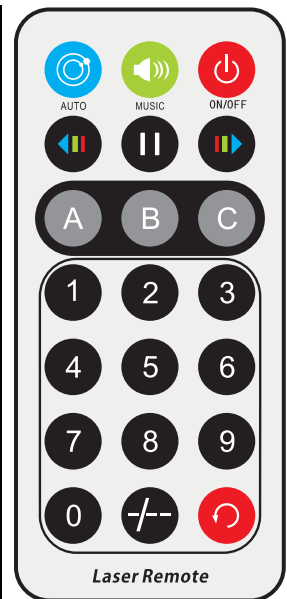
- Houd de [MENU]-toets ingedrukt totdat het scherm [SLA] weergeeft.
- Druk de [ENTER]-toets om naar deze modus te gaan.
- Er verschijnt [SLAV] op het scherm.
- Druk de [ENTER]-toets om de slave-modus te bevestigen.



5) AANSTURING VIA DE IR AFSTANDSBEDIENING:

De PARTY BAR kan met de meegeleverde IR afstandsbediening worden bediend.

	AUTOMATISCHE MIX	druk de toets om één van de verschillende gemengde automatische shows te selecteren. AM01, AM02,
	GELUID MIX	druk de toets om één van de verschillende, door geluidmix aangestuurde automatische shows te selecteren. SM01, SM02,
	AAN/UIT	druk op de toets om de effectbalk te starten of om de balk in de stand-bymodus te zetten.
 	KLEUR	druk deze toetsen om de vorige (linker toets) of de volgende kleur (rechter toets) te selecteren.
	EFFECT PAUZE	druk de toets om het lopende effect te pauzeren (bevriezen).
	ALLEEN RGB-LED	ledere keer dat u op deze toets drukt, activeert u een ander RGB-LED programma. De andere effecten worden uitgeschakeld.
	ALLEEN LASER	ledere keer dat u op deze toets drukt, activeert u een ander laserprogramma. De andere effecten worden uitgeschakeld.
	ALLEEN WITTE FLITSEN	ledere keer dat u op deze toets drukt, activeert u een ander flits-LED programma. De andere effecten worden uitgeschakeld.
 	PROGRAMMASNELHEID	druk nummer 0 tot 9 om de gewenste snelheid voor de automatisch programma's (niet geluidgestuurd) te selecteren. 0= traagst, 9= snelst
	GELUID/AUTOMATISCH	Als er met de toetsen A, B of C (6) een individuele effectmodus wordt geselecteerd, kunt u de rode pijltjestoets gebruiken om dit individuele effect in de automatische modus of de geluidsgestuurde modus te zetten.
	Niet gebruikt	



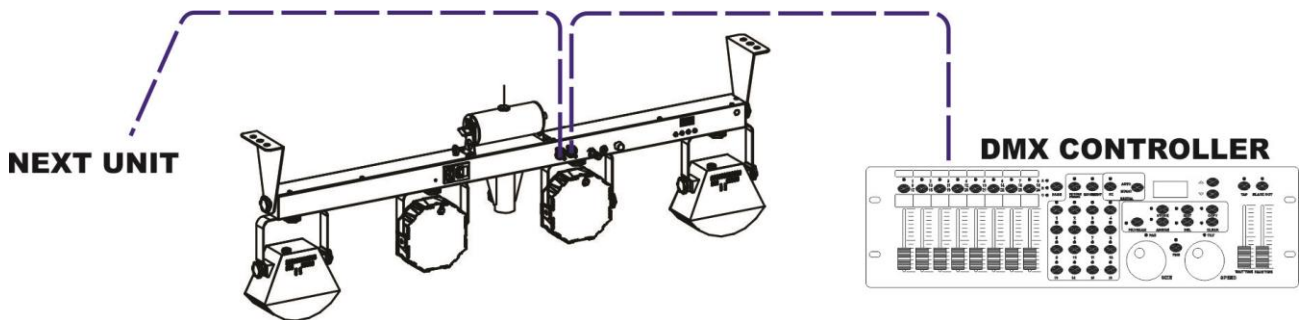
6) AANSTURING VIA DMX:

De PARTY BAR kan via iedere standaard DMX-controller in 5 verschillende DMX-modi worden aangestuurd:

- **3-KANAALSMODUS:** voor gemakkelijke aansturing van de automatisch en geluidmodi.
- **5-KANAALSMODUS:** om alleen de RGB LED-projectors en Derby-effecten aan te sturen.
- **6-KANAALSMODUS:** voor gemakkelijke aansturing van de automatische en geluidmodi en extra handmatige RGB-aansturing van de projectors.

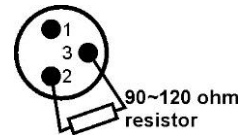
- **9-KANAALSMODUS:** handmatige basisaansturing van iedere groep projectortypes.
- **27-KANAALSMODUS:** volledige handmatige aansturing van iedere individuele projector.
- Sluit de DMX-ingang van de PARTY BAR aan op de DMX-uitgang van de vorige eenheid in de keten of direct op de DMX-uitgang van de controller.
- Houd de [MENU]-toets ingedrukt totdat het scherm "DMX" weergeeft.
- Druk de [ENTER]-toets om naar deze optie te gaan.
- Het huidige DMX-adres wordt op het scherm weergegeven.
- Druk weer op de [ENTER]-toets om de DMX-instellingen in te stellen.
- U kunt nu de DMX-modus wijzigen.
- Gebruik de [UP/DOWN]-toetsen om de gewenste DMX-modus te selecteren. (3CH, 5CH, 6CH, 9CH of 27CH)
- Druk op de [ENTER]-toets om uw keuze te bevestigen
- U kunt nu met gebruikmaking van de [UP/DOWN]-toetsen het DMX-adres instellen. [dxxx]
- Druk op de [ENTER]-toets om uw keuze te bevestigen

Opmerking: Het scherm knippert wanneer het apparaat in de DMX-modus is geschakeld en er geen DMX-sigitaal wordt gedetecteerd.



Enige informatie meer over DMX512:

Het DMX-protocol is een veel gebruikt hogesnelheidssigitaal om intelligente lichtapparatuur aan te sturen. U dient de DMX-controller en alle hierop aangesloten lichteffecten door te koppelen met een hoogwaardige gebalanceerde XLR M/V-kabel. Ter voorkoming van vreemd gedrag van de lichteffecten als gevolg van storingen, dient er aan het eind van de keten een terminator van 90 Ω tot 120 Ω te worden gebruikt. Gebruik nooit Y-splitter-kabels, dit werkt gewoon niet! Elk lichteffect in de keten heeft het juiste startadres nodig, zodat het weet welke commando's van de controller het moet decoderen.



3 KANAALS DMX-CONFIGURATIE:

DMX-kanaal	DMX-waarde	Functie	Opmerkingen
1	000-009	Black-out	
	010-031	Automatische par	Automatische show met alleen de RGB-projectors en de Derby.
	032-065	Automatische laser	Automatische show met alleen het lasereffect
	066-095	Automatische flits-LED.	Automatische show met alleen de witte flits-LED's.
	096-127	Automatische mix	Automatische show van alle effecten.
	128-159	Geluid par	Geluidgestuurde show met alleen de RGB-projectors en de Derby.
	160-191	Geluid laser	Geluidgestuurde show met alleen het lasereffect.
	192-223	Geluid flits-LED	Geluidgestuurde show met alleen de witte flits-LED's.
	224-255	Geluid mix	Geluidgestuurde show met alle effecten.
Kanaal 1 = Automatische parmodus (DMX-waarde tussen 010 en 031).			
2	000-009	AP01	Verschillende automatische RGB-projector en Derby modi.
	010-019	AP02	
	020-029	AP03	
	030-039	AP04	

	040-049	AP05	
	050-059	AP06	
	060-069	AP07	
	070-079	AP08	
	080-089	AP09	
	090-099	AP10	
	100-109	AP11	
	110-119	AP12	
	120-129	AP13	
	130-139	AP14	
	140-149	AP15	
	150-159	AP16	
	160-169	AP17	
	170-255	AP18	
Kanaal 1 = Automatische lasermodus (DMX-waarde tussen 032 en 065).			
2	000-039	AL01	Verschillende automatische lasermodi.
	040-079	AL02	
	080-119	AL03	
	120-139	AL04	
	140-159	AL05	
	160-255	AL06	
Kanaal 1 = Automatische flits-LED modus (DMX-waarde tussen 066 en 095).			
2	000-014	AF01	Verschillende automatische witte flits-LED modi.
	015-029	AF02	
	030-044	AF03	
	045-059	AF04	
	060-074	AF05	
	075-089	AF06	
	090-104	AF07	
	105-119	AF08	
	120-134	AF09	
	135-255	AF10	
Kanaal 1 = Automatische mixmodus (DMX-waarde tussen 096 en 127).			
2	000-019	AM01	Verschillende automatisch modi voor alle projectors.
	020-039	AM02	
	040-255	AM03	
Kanaal 1 = Geluid parmodus (DMX-waarde tussen 128 en 159).			
2	000-009	SP01	Verschillende geluidgestuurde RGB-projector en Derbymodi.
	010-019	SP02	
	020-029	SP03	
	030-039	SP04	
	040-049	SP05	
	050-059	SP06	
	060-069	SP07	
	070-079	SP08	

	080-089	SP09	
	090-099	SP10	
	100-109	SP11	
	110-119	SP12	
	120-129	SP13	
	130-139	SP14	
	140-149	SP15	
	150-159	SP16	
	160-169	SP17	
	170-255	SP18	
Kanaal 1 = Geluid lasermodus (DMX-waarde tussen 160 en 191).			
2	000-039	SL01	Verschillende geluidgestuurde lasermodi.
	040-079	SL02	
	080-119	SL03	
	120-139	SL04	
	140-159	SL05	
	160-255	SL06	
Kanaal 1 = Geluid flits-LED modus (DMX-waarde tussen 192 en 223).			
2	000-014	SF01	Verschillende geluidgestuurde wit flits-LED modi.
	015-029	SF02	
	030-044	SF03	
	045-059	SF04	
	060-074	SF05	
	075-089	SF06	
	090-104	SF07	
	105-119	SF08	
	120-134	SF09	
	135-255	SF10	
Kanaal 1 = Geluid mixmodus (DMX-waarde tussen 224 en 255)			
2	000-019	SM01	Verschillende geluidgestuurde modi voor alle projectors.
	020-039	SM02	
	040-255	SM03	
3	000-255	Snelheidsregeling	Snelheidsregeling. voor de automatische programma's (van traag naar snel).

5 KANAALS DMX-CONFIGURATIE:

Stuurt alleen de RGB-projectors en de RGB-Derby's aan.

DMX-kanaal	DMX-waarde	Functie	Opmerkingen
1	000-255	Rood	0% → 100%
2	000-255	Groen	
3	000-255	Blauw	
4	000-191	Dimmer	Algemene dimmer
	192-200	Geluidgeactiveerde dimmer	
	201-249	Stroboscoop	Snelheid = van traag (201) naar snel (249)
	250-255	Volledig wit	Alle kleuren volledig aan

5	000-004	Stop	Rotatie van de Derby-lichteffecten
	005-127	Rotatie met de klok mee	
	128-133	Stop	
	134-255	Rotatie tegen de klok in	

6 KANAALS DMX-CONFIGURATIE:

DMX-kanaal	DMX-waarde	Functie	Opmerkingen
1	000-255	Rood 0% → 100%	Alleen geactiveerd als kanaal 4 is ingesteld op handmatige RGB-regeling. (KAN 4 = 000 – 009)
2	000-255	Groen 0% → 100%	
3	000-255	Blauw 0% → 100%	
4	000-009	Handmatige RGB-regeling.	(DMX-kanalen 1, 2, 3 geactiveerd).
	010-031	Automatische par	Automatische show met alleen de RGB-projectors en de Derby.
	032-065	Automatische laser	Automatische show met alleen het lasereffect
	066-095	Automatische flits-LED.	Automatische show met alleen de witte flits-LED's.
	096-127	Automatische mix	Automatische show van alle effecten.
	128-159	Geluid par	Geluidgestuurde show met alleen de RGB-projectors en de Derby.
	160-191	Geluid laser	Geluidgestuurde show met alleen het lasereffect.
	192-223	Geluid flits-LED	Geluidgestuurde show met alleen de witte flits-LED's.
	224-255	Geluid mix	Geluidgestuurde show met alle effecten.
Kanaal 4 = Automatische parmodus (DMX-waarde tussen 010 en 031).			
5	000-009	AP01	Verschillende automatische RGB-projector en Derbymodi.
	010-019	AP02	
	020-029	AP03	
	030-039	AP04	
	040-049	AP05	
	050-059	AP06	
	060-069	AP07	
	070-079	AP08	
	080-089	AP09	
	090-099	AP10	
	100-109	AP11	
	110-119	AP12	
	120-129	AP13	
	130-139	AP14	
	140-149	AP15	
	150-159	AP16	
	160-169	AP17	
	170-255	AP18	
Kanaal 4 = Automatische lasermodus (DMX-waarde tussen 032 en 065).			
5	000-039	AL01	Verschillende automatische lasermodi.
	040-079	AL02	
	080-119	AL03	
	120-139	AL04	

	140-159	AL05	
	160-255	AL06	
Kanaal 4 = Automatische flits-LED modus (DMX-waarde tussen 066 en 095).			
5	000-014	AF01	Verschillende automatische witte flits-LED modi.
	015-029	AF02	
	030-044	AF03	
	045-059	AF04	
	060-074	AF05	
	075-089	AF06	
	090-104	AF07	
	105-119	AF08	
	120-134	AF09	
	135-255	AF10	
Kanaal 4 = Automatische mixmodus (DMX-waarde tussen 096 en 127).			
5	000-019	AM01	Verschillende automatisch modi voor alle projectors.
	020-039	AM02	
	040-255	AM03	
Kanaal 4 = Geluid parmodus (DMX-waarde tussen 128 en 159).			
5	000-009	SP01	Verschillende geluidgestuurde RGB-projector en Derbymodi.
	010-019	SP02	
	020-029	SP03	
	030-039	SP04	
	040-049	SP05	
	050-059	SP06	
	060-069	SP07	
	070-079	SP08	
	080-089	SP09	
	090-099	SP10	
	100-109	SP11	
	110-119	SP12	
	120-129	SP13	
	130-139	SP14	
	140-149	SP15	
	150-159	SP16	
	160-169	SP17	
	170-255	SP18	
Kanaal 4 = Geluid lasermodus (DMX-waarde tussen 160 en 191).			
5	000-039	SL01	Verschillende geluidgestuurde lasermodi.
	040-079	SL02	
	080-119	SL03	
	120-139	SL04	
	140-159	SL05	
	160-255	SL06	

Kanaal 4 = Geluid flits-LED modus (DMX-waarde tussen 192 en 223).			
5	000-014	SF01	Verschillende geluidgestuurde wit flits-LED modi.
	015-029	SF02	
	030-044	SF03	
	045-059	SF04	
	060-074	SF05	
	075-089	SF06	
	090-104	SF07	
	105-119	SF08	
	120-134	SF09	
	135-255	SF10	
Kanaal 4 = Geluid mixmodus (DMX-waarde tussen 224 en 255)			
5	000-019	SM01	Verschillende geluidgestuurde modi voor alle projectors.
	020-039	SM02	
	040-255	SM03	
6	000-255	Snelheidsregeling	Snelheidsregeling. voor de automatische programma's (van traag naar snel).

9 KANAALS DMX-CONFIGURATIE:

DMX-kanaal	DMX-waarde	Functie	Opmerkingen
Aansturing RGB-projector en RGB Derby.			
1	000-255	Rood	0% → 100%
2	000-255	Groen	
3	000-255	Blauw	
4	000-191	Dimmer	Algemene dimmer
	192-200	Geluidgeactiveerde dimmer	
	201-249	Stroboscoop	Snelheid = van traag (201) naar snel (249)
	250-255	Volledig wit	Alle kleuren volledig aan
5	000-004	Stop	Rotatie van de Derby-lichteffecten
	005-127	Rotatie met de klok mee	
	128-133	Stop	
	134-255	Rotatie tegen de klok in	
Aansturing laser			
6	000-004	Black-out	Rode laser
	005-009	AAN	
	010-255	Stroboscoopsnelheid (langzaam naar snel)	
7	000-004	Black-out	Groene laser
	005-009	AAN	
	010-255	Stroboscoopsnelheid (langzaam naar snel)	
8	000-004	Stop	Lasermotor
	005-127	Rotatie met de klok mee	
	128-133	Stop	
	134-255	Rotatie tegen de klok in	

Aansturing witte flits-LED.			
9	000-004	Black-out	
	005-009	Volledig aan	
	010-255	Stroboscoopsnelheid (langzaam naar snel)	

27 KANAALS DMX-CONFIGURATIE:

DMX-kanaal	DMX-waarde	Functie	Opmerkingen
Aansturing RGB Derby (1).			
1	000-255	Rood	0% → 100%
2	000-255	Groen	
3	000-255	Blauw	
4	000-191	Stroboscoop Uit	Stroboscoopeffect
	192-200	Snelheid (traag naar snel)	
5	000-004	Stop	Rotatie
	005-127	Rotatie met de klok mee Langzaam naar snel	
	128-133	Stop	
	134-255	Rotatie tegen de klok in Langzaam naar snel	
Aansturing RGB-projector (2).			
6	000-255	Rood	0% → 100%
7	000-255	Groen	
8	000-255	Blauw	
9	000-009	Stroboscoop Uit	Stroboscoopeffect
	010-255	Snelheid (traag naar snel)	
10	000-255	-	Niet gebruikt
Aansturing RGB-projector (3).			
11	000-255	Rood	0% → 100%
12	000-255	Groen	
13	000-255	Blauw	
14	000-009	Stroboscoop Uit	Stroboscoopeffect
	010-255	Snelheid (traag naar snel)	
15	000-255	-	Niet gebruikt
Aansturing RGB Derby (4).			
16	000-255	Rood	0% → 100%
17	000-255	Groen	
18	000-255	Blauw	
19	000-009	Stroboscoop Uit	Stroboscoopeffect
	010-255	Snelheid (traag naar snel)	
20	000-004	Stop	Rotatie
	005-127	Rotatie met de klok mee Langzaam naar snel	
	128-133	Stop	
	134-255	Rotatie tegen de klok in Langzaam naar snel	

Aansturing laser			
21	000-004	Black-out	Rode laser
	005-009	AAN	
	010-255	Stroboscoopsnelheid (langzaam naar snel)	
22	000-004	Black-out	Groene laser
	005-009	AAN	
	010-255	Stroboscoopsnelheid (langzaam naar snel)	
23	000-004	Stop	Lasermotor
	005-127	Rotatie met de klok mee	
	128-133	Stop	
	134-255	Rotatie tegen de klok in	
Aansturing witte flits-LED.			
24	000-004	Black-out	LED 1
	005-009	Volledig aan	
	010-255	Stroboscoopsnelheid (langzaam naar snel)	
25	000-004	Black-out	LED 2
	005-009	Volledig aan	
	010-255	Stroboscoopsnelheid (langzaam naar snel)	
26	000-004	Black-out	LED 3
	005-009	Volledig aan	
	010-255	Stroboscoopsnelheid (langzaam naar snel)	
27	000-004	Black-out	LED 4
	005-009	Volledig aan	
	010-255	Stroboscoopsnelheid (langzaam naar snel)	

Extra functies in het menu.

- Houd de [MENU]-toets ingedrukt totdat het scherm [SYS] weergeeft.
- Druk als u naar het deel van het menu met extra opties wilt gaan de [ENTER]-toets.
- Gebruik de [UP/DOWN]-toetsen om door de extra functies in dit systeemmenu te bladeren.
 - [AddS] geeft u de mogelijkheid om de commandopositie van de 4 RGB-projectors te wijzigen.
 - Druk de [ENTER]-toets om naar de instellingen voor de opties te gaan.
 - De positie van de eerste projector knippert.
 - Druk de [UP]-toets om naar de projector waarvan de positie gewijzigd moet worden te gaan.
 - Druk de [DOWN]-toets om het positienummer van de projector te wijzigen.
 - Druk nogmaals de [UP]-toets als u het positienummer van een andere projector wilt wijzigen
 - Herhaal deze stappen zo vaak als nodig.
 - Druk wanneer alle instellingen zijn uitgevoerd de [ENTER]-toets om de instellingen te bevestigen.

BELANGRIJK: bij een verkeerde combinatie (zelfde projector nummer meerdere keren voorkomend) kan het gebeuren dat sommige projectoren niet meer werken.
Als een projector niet werkt, kijk dan eerst na of de commando positie correct is.
STANDAARD= 1-2-3-4

- [LEdS] met deze optie kunt u beslissen of het scherm altijd aan moet zijn, of dat het na enige tijd uit kan gaan, als er geen nieuwe informatie hoeft te worden weergegeven.
 - Druk de [ENTER]-toets om naar de instellingen voor de opties te gaan.
 - Gebruik de [UP / DOWN]-toetsen om de gewenste modus te selecteren:
 - ON = functie geactiveerd. Als er geen nieuwe informatie op het scherm hoeft te worden weergegeven, schakelt het scherm uit. Zodra er nieuwe informatie beschikbaar is (bijvoorbeeld: als u de afstandsbediening gebruikt om een andere modus te selecteren) gaat het scherm automatisch aan om u deze nieuwe informatie te tonen. Na enige tijd gaat het weer uit.
 - OFF = functie gedeactiveerd. Het LED-scherm is altijd verlicht.
 - Druk op de [ENTER]-toets om de instelling te bevestigen.
- [TEST] start een automatisch testmodus, zodat u kunt controleren of alle projectors werken.
- [rESt] kan worden gebruikt om alle instellingen van de balk te herstellen naar de oorspronkelijke fabrieksinstellingen.
 - Druk gewoon de [ENTER]-toets om de bar opnieuw in te stellen.

ONDERHOUD

- Zorg ervoor dat het gebied onder de installatieplaats tijdens takelen, onttakelen en onderhoud vrij is van ongewenste personen.
- Schakel het apparaat uit, ontkoppel het netsnoer en wacht totdat het apparaat is afgekoeld.

Tijdens de inspectie dienen de volgende punten te worden gecontroleerd:

- Alle voor de bevestiging van het apparaat en zijn onderdelen gebruikte schroeven dienen goed vast te zitten en mogen niet gecorrodeerd zijn.
- Behuizingen, bevestigingen en installatieplaatsen (plafond, truss, ophangingen) moeten volledig vrij van vervorming zijn.
- Wanneer een optische lens zichtbaar is beschadigd als gevolg van scheuren of diepe krassen, moet hij worden vervangen.
- De netsnoeren moeten in perfecte conditie zijn en onmiddellijk worden vervangen wanneer er ook maar een klein probleem wordt ontdekt.
- Om het apparaat tegen oververhitting te beschermen, moeten de ventilatoren (indien aanwezig) en ventilatieopeningen maandelijks worden gereinigd.
- Het interieur van het apparaat dient jaarlijks met een stofzuiger of luchtsput te worden gereinigd.
- Het reinigen van de interne en externe optische lenzen en/of spiegels moet regelmatig worden uitgevoerd om de lichtopbrengst te optimaliseren. De frequentie van reiniging is afhankelijk van de omgeving waarin het armatuur werkt: een vochtige, rokerige of bijzonder vuile omgeving kan leiden tot een grotere opeenhoping van vuil op de optiek van het apparaat.
 - Reinig met een zachte doek en gebruik hierbij normale reinigingsmiddelen voor glas.
 - Droog de onderdelen altijd zorgvuldig.
 - Reinig de externe optiek tenminste eenmaal per 30 dagen.
 - Reinig de interne optiek tenminste eenmaal per 90 dagen.

Opgelet: Wij raden nadrukkelijk aan om het inwendig reinigen door gekwalificeerd personeel uit te laten voeren!

SPECIFICATIES

Lichtnetaansluiting:	100~240 V wisselspanning, 50/60 Hz
Zekering:	250 V 2 A trage zekering (20 mm glas)
Totaal energieverbruik:	48 W
Geluidaansturing:	Ingebouwde microfoon
DMX-aansluitingen:	3-pins XLR mannelijk/vrouwelijk
DMX-kanalen:	3, 5, 6, 9 of 27 kanalen
Vermogen PAR LED's:	2 projectors met ieder 3 x 9 Watt Tri-LED's
PAR bundelhoek:	15°
Vermogen Derby LED's:	2 projectors met ieder een 3 W rode, 3 W groene en 3 W blauwe LED
Laservermogen:	30 mW 532 nm groen, 100 mW 650 nm rood
Laserstraling klasse:	3R
Flits-LED's:	4 witte LED's van 1W
Bedrijfstemperatuur:	10°C tot 40°C
Laserveiligheidsnorm:	EN/IEC 60825-1 2007
Afmetingen:	1185 x 386 x 110 mm
Gewicht:	Balk= 6,6 kg, bar met flightcase = 8,35 kg

Alle informatie is onderhevig aan wijzigingen zonder voorafgaande kennisgeving.

U kunt de nieuwste versie van deze handleiding downloaden van onze website: www.jb-systems.eu

BEDIENUNGSANLEITUNG

Vielen Dank, dass Sie sich für dieses Produkt von JB Systems® entschieden haben. Bitte lesen Sie diese Bedienungshinweise vor der Inbetriebnahme sorgfältig durch, um alle Möglichkeiten des Geräts voll nutzen zu können, sowie zu Ihrer eigenen Sicherheit.

EIGENSCHAFTEN

Dieses Gerät ist funktentstört. Das Gerät entspricht den aktuellen europäischen Anforderungen und nationalen Richtlinien. Die Konformität wurde nachgewiesen und die entsprechenden Erklärungen und Unterlagen liegen beim Hersteller vor.

Dieses Gerät wird zur Erzeugung von dekorativen Beleuchtungseffekten in Lichtshows eingesetzt.

- Der PARTY BAR ist ein sagenhafter 4 in 1-Lichteffekt für mobile DJs!
- Dieser äußerst kompakte Bar ist mit 4 unterschiedlichen Lichteffekten vollgepackt, um eine wunderbare Lichtshow zu erzeugen:
 - 2 rotierende Derby-Effekte, jeder ist mit roten, grünen und blauen 3 Watt LEDs ausgestattet.
 - 2 LED-Projektoren, jeder ist mit drei 9 Watt RGB-LEDs für kräftige 15°-Strahlen ausgestattet.
 - 4 kaltweiße LEDs, um alle Arten von Strobe- und Blinder-Effekten zu erzeugen.
 - Die 2-farbigen roten/grünen Laser projizieren Hunderte von dünnen Strahlen für eine atemberaubende Atmosphäre.
- Die sagenhaften vorprogrammierten Shows mit verschiedenen Effektkombinationen können auf unterschiedlich Weisen gesteuert werden:
 - DMX-Steuerung: über 3, 5, 6, 9 oder 27 Kanäle.
 - Einzelbetrieb: Musikaktiviert (internes Mikrofon) oder automatisch.
 - IR-Fernbedienung: Infrarot-Fernbedienung.
- Vorbereitet für drahtloses DMX: einfach ein optionales WTR-DMX DONGLE anschließen! (Briteq® bestellcode 4645)
- Mehrere Bars können als Master/Slave angeschlossen werden, um wunderbar synchronisierte Shows zu schaffen.
- 3-stelliges LED-Display für einfache Navigation im Menü.
- Sie können den Bar auf einen beliebigen 35 mm Ständer stellen oder die mitgelieferten Montagehalterungen für einfache Traversenmontage verwenden.
- Dank dem mitgelieferten Transportkoffer ist dies ein Kinderspiel!
- Sehr geringe Leistungsaufnahme: nur 48 W mit allen eingeschalteten Lichtquellen!
- Mit IEC-Stromeingängen/-ausgängen können mehrere Einheiten verbunden werden.
- Schlüsselbetätigter Ein-/Ausschalter und Notschalter (Sperr)-Eingang für zusätzliche Sicherheit des Lasersystems.
- Entspricht EN/IEC 60825-1 2007 für Lasersicherheit.

VOR DER ERSTBENUTZUNG

- Vor der Erstbenutzung das Gerät zuerst auf Transportschäden überprüfen. Sollte das Gerät einen Schaden aufweisen, benutzen Sie es nicht, sondern wenden Sie sich unverzüglich an Ihren Händler.
- **Wichtig:** Dieses Gerät hat das Werk unbeschädigt und gut verpackt verlassen. Es ist wichtig, dass der Benutzer sich streng an die Sicherheitshinweise und Warnungen in der Bedienungsanleitung hält. Schäden durch unsachgemäße Handhabung sind von der Garantie ausgeschlossen. Der Händler übernimmt keine Verantwortung für Schäden, die durch Nichtbeachtung der Bedienungsanleitung entstanden sind.
- Die Bedienungsanleitung zum zukünftigen Nachschlagen bitte an einem sicheren Ort aufbewahren. Bei Verkauf oder sonstiger Weitergabe des Geräts bitte die Bedienungsanleitung beifügen.

Packungsinhalt prüfen:

Vergewissern Sie sich, dass folgende Artikel mitgeliefert wurden:

- Transportkoffer
- Party Bar
- Aufhängehaltersystem (2 Metallhalter + 2 Drehknöpfe)
- 1 zusätzlicher Drehknopf für den 35 mm Stativadapter (gleiches Modell wie für die Aufhängehalter)
- IR Fernbedienung
- 2 Schlüssel (für Schlüsselschalter)
- Reserve-Anschluss für Not-Aus
- Netzkabel
- Bedienungsanleitung

SICHERHEITSHINWEISE:



CAUTION
RISK OF ELECTRIC SHOCK
DO NOT OPEN



ACHTUNG: Um sich nicht der Gefahr eines elektrischen Schlags auszusetzen, entfernen Sie nicht die obere Abdeckung. Im Geräteinneren befinden sich keine vom Benutzer wartbaren Teile. Überlassen Sie Reparatur- und Wartungsarbeiten dem qualifizierten Kundendienst.



Das Blitzsymbol innerhalb eines gleichseitigen Dreiecks warnt den Benutzer vor nicht isolierter „gefährlicher Spannung“ im Innern des Produktgehäuses, die so stark sein kann, dass für Personen die Gefahr von Stromschlägen besteht.



Das Ausrufezeichen im Dreieck weist den Benutzer auf wichtige Bedienungs- und Wartungshinweise in den Dokumenten hin, die dem Gerät beiliegen.



Dieses Symbol bedeutet: Nur im Innenbereich.



Dieses Symbol bedeutet: Die Bedienungsanleitung lesen.



Dieses Symbol legt fest: Den minimalen Abstand von beleuchteten Objekten. Der minimale Abstand zwischen Projektor und dem beleuchteten Objekt muss mehr als 1 Meter betragen.



ACHTUNG: Nicht direkt in die Lichtquelle blicken.
Das kann für die Augen schädlich sein.

- Aus Umweltschutzgründen die Verpackung bitte wiederverwenden oder richtig trennen.
- Ein neuer Lichteffekt kann manchmal zu unerwünschtem Rauch oder Gerüchen führen. Diese Erscheinung ist normal und verschwindet nach einigen Minuten.
- Zur Vermeidung von Feuer und Stromschlag das Gerät weder Regen noch Feuchtigkeit aussetzen.
- Zur Vermeidung von Kondensation im Inneren des Geräts bitte nach dem Transport in eine warme Umgebung einige Zeit zum Temperatúrausgleich ausgeschaltet stehen lassen. Kondensation kann zu Leistungsverlust des Geräts oder gar Beschädigungen führen.
- Nur für den Einsatz im Innenbereich.
- Keine Metallgegenstände oder Flüssigkeiten ins Innere des Geräts gelangen lassen. Ein Kurzschluss oder eine Fehlfunktion können die Folge sein. Falls es doch einmal vorkommen sollte, bitte sofort den Netzstecker ziehen und vom Stromkreis trennen.
- Das Gerät nur an einem gut belüfteten Ort und entfernt von entflammaren Materialien oder Flüssigkeiten aufstellen. Das Gerät muss mindestens 50 cm von allen umgebenden Wänden entfernt montiert werden.
- Die Ventilationsöffnungen nicht abdecken, da Überhitzungsgefahr!
- Nicht in staubiger Umgebung verwenden und regelmäßig reinigen.
- Für Kinder unerreichbar aufbewahren.
- Unerfahrene Personen dürfen das Gerät nicht bedienen.
- Die zulässige Raumtemperatur liegt zwischen 15°C und 40°C. Das Gerät bei höheren Raumtemperaturen nicht verwenden.
- Stellen Sie sicher, dass sich während des Auf- oder Abbaus und der Wartung keine unbefugten Personen unterhalb des Geräts befinden.
- Trennen Sie das Gerät vom Netz, wenn es nicht verwendet wird oder wenn Sie Wartungsarbeiten vornehmen oder wenn Sie eine Lampe wechseln.
- Die elektrische Installation darf nur von qualifiziertem Personal, unter Beachtung der Vorschriften zur elektrischen und mechanischen Sicherheit in Ihrem Land durchgeführt werden.
- Vergewissern Sie sich, dass die Netzspannung nicht höher ist, als auf dem Typenschild auf der Geräterückseite angegeben.
- Das Gerät nicht mit einem beschädigten Netzkabel in Betrieb nehmen. Wenn das Netzkabel gequetscht oder beschädigt wurde, schalten Sie das Gerät sofort aus. Im Falle von Beschädigungen muss das Netzkabel vom Hersteller, einem autorisierten Kundendienstmitarbeiter oder einer ähnlich qualifizierten Person ersetzt werden, um Gefährdungen zu vermeiden.
- Lassen Sie das Netzkabel niemals mit anderen Kabeln in Berührung kommen!
- Zur Einhaltung der Sicherheitsbestimmungen muss das Gerät geerdet sein.
- Das Gerät nicht an einen Dimmer anschließen.
- Ausschließlich vorschriftsmäßige und zugelassene Sicherheitskabel zur Installation verwenden.
- Zur Vorbeugung gegen elektrische Schläge keine Abdeckungen entfernen. Außer der Lampe und der Sicherung hat das Gerät keine vom Benutzer austauschbaren Teile.

- **Eine** Sicherung niemals reparieren oder überbrücken. **Stets** tauschen Sie eine beschädigte Sicherung gegen eine Sicherung gleichen Typs und gleicher Spezifikationen aus!
- Bei Fehlfunktion das Gerät nicht benutzen und sich sofort mit dem Händler in Verbindung setzen.
- Bei sichtbaren Beschädigungen müssen Gehäuse und Optik ersetzt werden.
- Bei Transport bitte die Originalverpackung verwenden, um Schäden am Gerät zu vermeiden.
- Aus Sicherheitsgründen dürfen an dem Gerät keine unbefugten Veränderungen vorgenommen werden.

Wichtig: Nicht direkt in die Lichtquelle blicken! Das Gerät nicht verwenden, wenn sich Personen im Raum befinden, die unter Epilepsie leiden.

SICHERHEITSHINWEISE FÜR LASER:

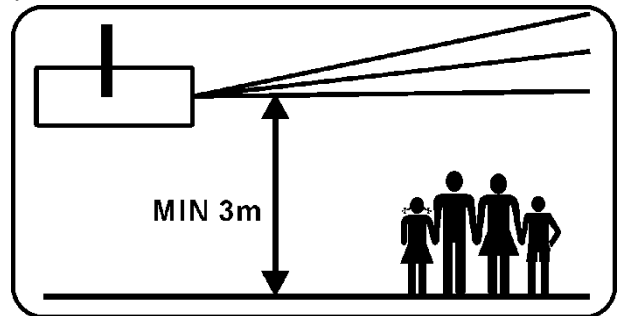
- Entsprechend den Bestimmungen EN/IEC 60825-1 Ed2, 2007-03 fällt dieser Laser unter die Klassifizierung 3B. Direkte Einstrahlung in die Augen kann gefährlich sein.

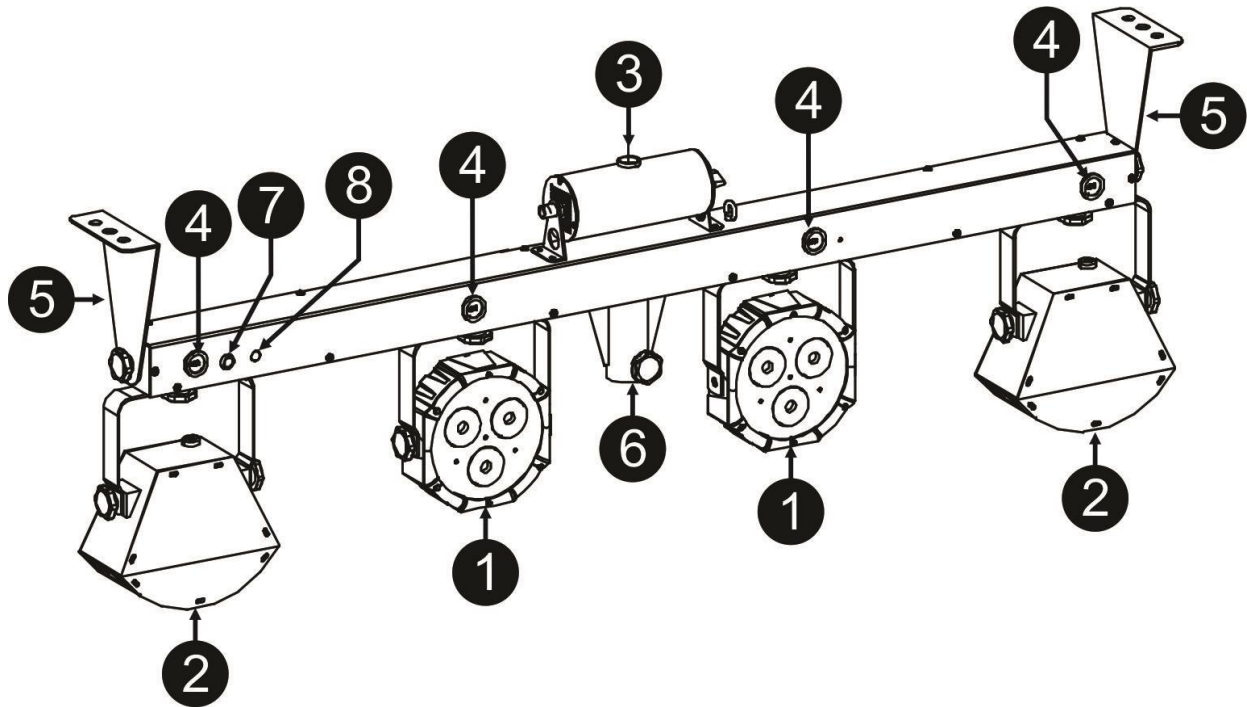


GEFAHR: LASERSTRAHLUNG!
Nicht in den Laserstrahl blicken! Laserstrahlung kann zu Augen- oder Hautverletzungen führen. Alle Schutzmechanismen für einen sicheren Betrieb dieses Lasers müssen angewandt werden.

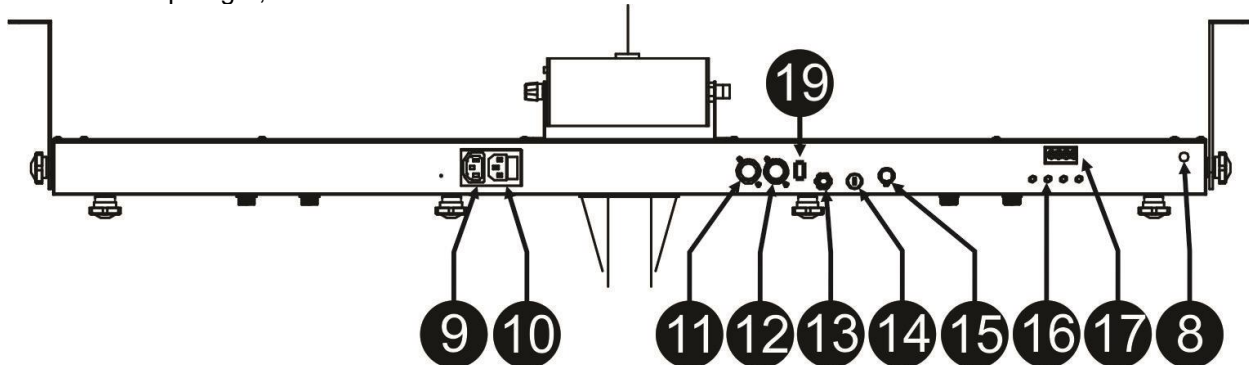


- Dieses Produkt ist ein sogenannter Show-Laser, der eine Strahlung mit einer Wellenlänge zwischen 400 und 700 nm abgibt und Lichteffekte für Shows erzeugt.
 - Laserlicht unterscheidet sich von allen Lichtquellen, die Sie kennen. Das Licht von diesem Produkt kann zu Augenverletzungen führen, wenn es nicht korrekt eingestellt ist. Laserlicht ist Tausende Male konzentrierter als Licht von anderen Lichtquellen. Diese Konzentration von Lichtenergie kann zu unmittelbaren Augenverletzungen führen, hauptsächlich durch Einbrennen in die Netzhaut (der lichtempfindliche Teil auf der Rückwand des Auges). Selbst wenn Sie keine Wärme vom Laserstrahl spüren können, kann er Sie oder Ihr Publikum dennoch potentiell verletzen oder blenden.
 - Selbst kleine Dosen Laserlicht sind potenziell gefährlich, selbst bei großem Abstand.
 - Blicken Sie keinesfalls in das Lasergerät oder in den Laserstrahl.
 - Richten Sie den Laserstrahl keinesfalls auf Menschen oder Tiere aus und lassen Sie das Gerät nicht unbeaufsichtigt, wenn es in Betrieb ist.
 - Dieser Laser darf nur für Shows benutzt werden. Der Betrieb eines Klasse 3B Show-Lasers ist nur zulässig, wenn der Betrieb durch einen ausgebildeten Bediener überwacht wird.
 - Abhängig von der Klassifizierung kann der Betrieb eines Laserprodukts Laserstrahlen verursachen, die zu permanenten Augen- bzw. Hautverletzungen führen können. Die Rechtsvorschriften zur Benutzung eines Laserprodukts sind von Land zu Land verschieden. Der Benutzer muss sich stets über die gültigen Rechtsvorschriften für sein Land informieren und diese auf die Situation anwenden.
 - Der Eckpfeiler der Lasersicherheit ist die Norm ANSI Z136.1 (2007), sie bietet Richtlinien für die sichere Nutzung von Lasern und Lasersystemen, indem die Kontrollmechanismen für jede der vier Laserklassen beschrieben werden. Dieses Dokument können Sie bei www.laserinstitute.org erhalten.
- Bitte beachten Sie, dass **JB SYSTEMS** nicht für Schäden durch unsachgemäße Installation und unsachgemäßen Betrieb verantwortlich ist!



BESCHREIBUNG:

1. RGB-PROJEKTOR
2. RGB-DERBY-PROJEKTOR
3. LASER-EINHEIT
4. WEISSE BLITZ-LED
5. HALTER ZUM AUFHÄNGEN: Befestigen jeweils einen Halter mit den 2 Knöpfen an den Enden des Bars. Sie können jetzt einen Montagehaken (oder eine Befestigungsklammer) in jedem Halterloch befestigen.
6. 35 mm STATIVADAPTER
7. EINGEBAUTES MIKROFON: Das eingebaute Mikrofon dient der Synchronisierung der musikgesteuerter Shows mit dem Rhythmus der Musik.
8. IR-EMPFÄNGER: Wenn Sie die drahtlose Fernbedienung verwenden, die mit dem Party Bar mitgeliefert wurde, müssen Sie die Infrarot-Fernbedienung auf diesem Infrarot-Empfänger richten. An dem Bar gibt es 2 IR-Empfänger, einen auf der Vorderseite und einen auf der Rückseite des Bars.



9. NETZAUSGANG ZUM VERKETTEN: Sie können mit einem speziellen IEC-Stromkabel diesen Ausgang einfach mit dem Netzanschluss des nächsten Bars oder Projektors verbinden. (Max. Gesamtstrom der Netzleitung = 10 A)
10. NETZEINGANG: Netzanschluss mit IEC-Buchse mit integrierter Sicherung und Schalter zum Anschluss des Netzkabels.
11. DMX-AUSGANG: Die 3-polige XLR-Buchse verbindet den Party Bar mit der nächsten Einheit in der DMX-Kette.
12. DMX-EINGANG: 3-poliger XLR-Stecker zum Anschließen von gängigen DMX-Kabeln. Dieser Eingang erhält Befehle von einem DMX-Controller (im DMX-Modus) oder vom vorigen Bar (im Master/Slave-Modus).

13. **SPERR-EINGANG:** Anschluss eines optionalen Not-Ausschalters (siehe Abbildung). Wenn dieser Schalter gedrückt wurde, wird der Laserstrahl sofort ausgeschaltet.

**Wichtiger Hinweis! Zu Ihrer eigenen Sicherheit empfehlen wir dringend, diesen optionalen Schalter anzuschließen!
WENN DER SPERR-EINGANG NICHT ANGESCHLOSSEN WURDE, ERFOLGT KEINE LASER-AUSGABE!**

Vorübergehende Lösung: Installieren Sie den Ersatzanschluss am Laser. (Siehe Abbildung)

14. **EIN/AUS-SCHLÜSSELSCHALTER:** Ein- und Aus-Schalter. Der Schlüsselschalter gewährleistet, dass kein Unbefugter den Laser in Betrieb nehmen kann.



Ausschalten der Laser-
dass kein Unbefugter den

15. **EMPFINDLICHKEITSREGLER:** Drehen Sie diesen Knopf gegen den Uhrzeigersinn, um die Empfindlichkeit des integrierten Mikrofons zu verringern oder drehen Sie ihm im Uhrzeigersinn, um die Empfindlichkeit zu vergrößern.



16. **BEDIENFELD:** Auswahl der verschiedenen Funktionen des Bars. Im Folgenden erfahren Sie mehr zur Bedienung des Geräts.

17. **EINGEBAUTES MIKROFON:** Das integrierte Mikrophon wird zum Synchronisieren der musikgesteuerten Shows mit dem Rhythmus der Musik verwendet.

18. **DISPLAY:** Zeigt alle notwendigen Informationen über Einstellungen und Betriebsarten an.

19. **M-DMX EINGANG :** Dieser USB Anschluss ist NICHT dafür da um das Gerät upzudaten bzw. an den PC anzuschließen! Dieser USB Anschluß ist nur für drahtloses DMX. Stecken Sie einfach den (optionalen) WTR-DMX DONGLE von BRITEQ® in diesen USB Anschluß und sie haben drahtloses DMX! Darüber hinaus können sie weitere DMX-gesteuerte Geräte an den DMX-Ausgang anschließen, so dass sie die drahtlose DMX-Funktion mit allen angeschlossenen Geräten gemeinsam nutzen können! Im Setup-Menü können Sie keine weiteren Einstellungen vornehmen, sondern folgen sie einfach den Anweisungen im Benutzerhandbuch des WTR-DMX DONGLE von BRITEQ®. *Der separate WTR-DMX DONGLE ist erhältlich bei WWW.BRITEQ-LIGHTING.COM (Bestellcode: 4645)*

ÜBERKOPF-MONTAGE

- **Wichtig:** Die Montage ausschließlich von qualifiziertem Fachpersonal durchführen lassen. Unvorschriftsmäßige Montage kann erhebliche Verletzungen bzw. Schäden verursachen. Die Überkopf-Montage setzt die entsprechende Erfahrung voraus! Die Belastungsgrenzen müssen beachtet, geeignetes Installationsmaterial muss verwendet und das installierte Gerät muss in regelmäßigen Abständen überprüft werden.
- Stellen Sie sicher, dass sich während des Auf- oder Abbaus und der Wartung keine unbefugten Personen unterhalb des Geräts befinden.
- Das Gerät nur an einem gut belüfteten Ort und entfernt von entflammaren Materialien und/oder Flüssigkeiten aufstellen. Das Gerät muss **mindestens 50 cm** von allen umgebenden Wänden entfernt montiert werden.
- Das Gerät außerhalb der Reichweite von Personen und nicht in niedrigen Durchgängen oder in der Nähe von Sitzgelegenheiten installieren.
- Vor Montage sicherstellen, dass die gewählte Position wenigstens das 10-fache Gerätegewicht aufnehmen kann.
- Zur Aufhängung stets geeignetes Befestigungsmaterial verwenden, das das 12-fache Gerätegewicht aushalten kann. Eine zweite Sicherungsaufhängung muss angebracht werden, die ein Absacken des Geräts von mehr als 20 cm verhindert, sollte die Befestigung brechen.
- Das Gerät gut befestigen. Eine freischwingende Aufhängung ist gefährlich und sollte auf gar keinen Fall in Betracht gezogen werden!
- Die Ventilationsöffnungen nicht abdecken, da Überhitzungsgefahr!
- Der Betreiber muss sicherstellen, dass die sicherheitsrelevanten und technischen Installationen vor Erstbetrieb fachmännisch vorgenommen worden sind. Installationen sollten jährlich durch qualifiziertes Fachpersonal überprüft werden, um jederzeit einen sicheren Betrieb zu gewährleisten.



VORSICHT AUGENVERLETZUNGEN: Stellen Sie den Laser stets so auf, dass das Publikum nicht direkt in den Laserstrahl blicken kann. Die Installation muss gewährleisten, dass der Strahl nicht auf das Publikum ausgerichtet ist.

EINSTELLEN UND BEDIENEN DES GERÄTS

Sie können das Gerät auf verschiedene Arten betreiben:

1) VOLLAUTOMATISCHER EINZELBETRIEB:

Der Effekt lässt eine vorprogrammierte Sequenz automatisch ablaufen. Wählen Sie diesen Modus, wenn nur ein Party Bar verwendet wird (Einzelbetrieb) oder wenn der Party Bar in einer Kette mit mehreren Geräten das erste Gerät (Master) ist.

- Drücken Sie die Taste [MENU], bis [Aut] auf dem Display angezeigt wird.
- Bestätigen Sie Ihre Auswahl mit [ENTER].
- Sie können jetzt mit den Tasten [UP] and [DOWN] die gewünschte Effektgruppe auswählen:
 - **[AutP] Automatische RGB-Projektorshow.**
 - Rufen Sie diesen Modus mit [ENTER] auf.
 - Wählen Sie mit den Tasten [UP] und [DOWN] eine der 18 Shows [AP01 – AP18] aus.
 - Bestätigen Sie Ihre Auswahl mit [ENTER].
 - Wählen Sie mit den Tasten [UP] und [DOWN] die gewünschte Geschwindigkeit der Show von [S.01] (sehr langsam) bis [S.99] (schnell).
 - Bestätigen Sie Ihre Auswahl mit [ENTER].
 - Wählen Sie mit den Tasten [UP] und [DOWN] die gewünschte Rotationsgeschwindigkeit für die Derby-Effekte von [M.00] (angehalten) bis [M.99] (schnell) aus.
 - Bestätigen Sie Ihre Auswahl mit [ENTER].
 - **[AutL] Automatische Lasershow.**
 - Rufen Sie diesen Modus mit [ENTER] auf.
 - Wählen Sie mit den Tasten [UP] und [DOWN] eine der 6 Shows [AL01 – AL06] aus.
 - Bestätigen Sie Ihre Auswahl mit [ENTER].
 - Wählen Sie mit den Tasten [UP] und [DOWN] die gewünschte Geschwindigkeit der Show von [S.01] (sehr langsam) bis [S.99] (schnell).
 - Bestätigen Sie Ihre Auswahl mit [ENTER].
 - Wählen Sie mit den Tasten [UP] und [DOWN] die gewünschte Rotationsgeschwindigkeit für den Lasereffekt von [M.00] (angehalten) bis [M.99] (schnell) aus.
 - Bestätigen Sie Ihre Auswahl mit [ENTER].
 - **[AutF] Automatische weiße Blitzshow.**
 - Rufen Sie diesen Modus mit [ENTER] auf.
 - Wählen Sie mit den Tasten [UP] und [DOWN] eine der 10 Shows [AF01 – AL10] aus.
 - Bestätigen Sie Ihre Auswahl mit [ENTER].
 - Wählen Sie mit den Tasten [UP] und [DOWN] die gewünschte Geschwindigkeit der Show von [S.01] (sehr langsam) bis [S.99] (schnell).
 - Bestätigen Sie Ihre Auswahl mit [ENTER].
 - **[AutM] Automatische, gemischte Effekteshow.**
 - Rufen Sie diesen Modus mit [ENTER] auf.
 - Wählen Sie mit den Tasten [UP] und [DOWN] eine der 3 Shows [AM01 – AM03] aus.
 - Bestätigen Sie Ihre Auswahl mit [ENTER].
 - Wählen Sie mit den Tasten [UP] und [DOWN] die gewünschte Geschwindigkeit der Show von [S.01] (sehr langsam) bis [S.99] (schnell).
 - Bestätigen Sie Ihre Auswahl mit [ENTER].

Sie können mehrere PARTY BARs miteinander verketteten: Stellen Sie einfach am ersten Gerät in der Kette einen der musikgesteuerten Effekt-Modi und an allen anderen Geräten den „Slave-Modus“ (Das Display zeigt „SLA“ an) ein, um sie perfekt synchronisiert laufen zu lassen!

2) MUSIKGESTEUERTER EINZELBETRIEB:

Der Party Bar lässt eine vorprogrammierte Sequenz im Rhythmus der Musik ablaufen. Wählen Sie diesen Modus, wenn nur ein Party Bar verwendet wird (Einzelbetrieb) oder wenn das der Party Bar in einer Kette mit mehreren Geräten das erste Gerät (Master) ist.

- Drücken Sie die Taste [MENU], bis [Sou] auf dem Display angezeigt wird.
- Bestätigen Sie Ihre Auswahl mit [ENTER].
- Sie können jetzt mit den Tasten [UP] and [DOWN] die gewünschte Effektgruppe auswählen:
 - **[SouP] Musikgesteuerte RGB-Projektorshow.**
 - Rufen Sie diesen Modus mit [ENTER] auf.
 - Wählen Sie mit den Tasten [UP] und [DOWN] eine der 18 Shows [SP01 – SP18] aus.

- Bestätigen Sie Ihre Auswahl mit [ENTER].
- **[SouL] Musikgesteuerte Laserschau.**
 - Rufen Sie diesen Modus mit [ENTER] auf.
 - Wählen Sie mit den Tasten [UP] und [DOWN] eine der 6 Shows [SL01 – SL06] aus.
 - Bestätigen Sie Ihre Auswahl mit [ENTER].
- **[SouF] Musikgesteuerte weiße Blitzshow.**
 - Rufen Sie diesen Modus mit [ENTER] auf.
 - Wählen Sie mit den Tasten [UP] und [DOWN] eine der 10 Shows [SF01 – SL10] aus.
 - Bestätigen Sie Ihre Auswahl mit [ENTER].
- **[SouM] Musikgesteuerte, gemischte Effekteshow.**
 - Rufen Sie diesen Modus mit [ENTER] auf.
 - Wählen Sie mit den Tasten [UP] und [DOWN] eine der 3 Shows [SM01 – SM03] aus.
 - Bestätigen Sie Ihre Auswahl mit [ENTER].

Hinweis: Die Empfindlichkeit des integrierten Mikrofons kann durch Drehen des Knopfs [microphone sensitivity] auf der Rückseite des Bars eingestellt werden.

3) EINZELBETRIEB MIT FEST VORGEGEBENER FARBE:

Sie können für alle 4 RGB-Projektoren (2 flache RGB-Projektoren + 2 RGB-Derby-Effekte) eine fest vorgegebene Farbe einstellen.

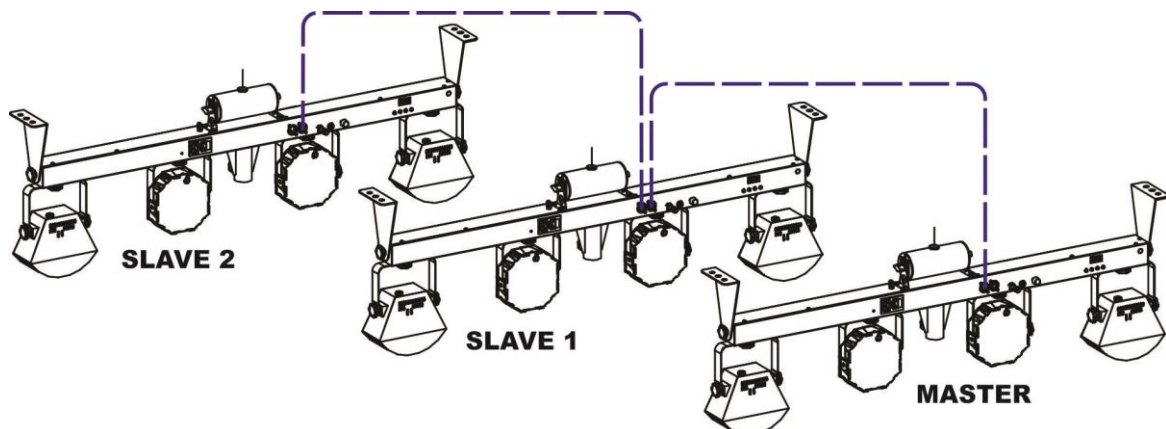
- Drücken Sie die Taste [MENU], bis [COL] auf dem Display angezeigt wird.
- Bestätigen Sie Ihre Auswahl mit [ENTER].
- Auf dem Bildschirm wird [COLO] angezeigt.
- Rufen Sie mit der Taste [ENTER] den Konfigurationsmodus auf.
- Stellen Sie mit den Tasten [UP/DOWN] die Intensität von Rot ein. [r.000] = aus, [r.255] = maximale Intensität.
- Bestätigen Sie Ihre Auswahl mit der Taste [ENTER] und gehen Sie zur nächsten Farbeinstellung.
- Stellen Sie mit den Tasten [UP/DOWN] die Intensität von Grün ein. [G.000] = aus, [G.255] = maximale Intensität.
- Bestätigen Sie Ihre Auswahl mit der Taste [ENTER] und gehen Sie zur nächsten Farbeinstellung.
- Stellen Sie mit den Tasten [UP/DOWN] die Intensität von Blau ein. [b.000] = aus, [b.255] = maximale Intensität.
- Bestätigen Sie Ihre Auswahl mit der Taste [ENTER] und gehen Sie zur Einstellung der Strobe-Geschwindigkeit.
- Stellen Sie mit den Tasten [UP/DOWN] die Geschwindigkeit des Strobe-Effekts ein. [S. 00] = aus, [S. 99] = maximale Geschwindigkeit.
- Bestätigen Sie Ihre Auswahl mit [ENTER].

4) MASTER/SLAVE EINZELBETRIEB:

Wenn Sie mehrere Party Bars besitzen und Sie alle synchron laufen lassen möchten, können Sie im sogenannten Master/Slave-Modus arbeiten. Dazu müssen Sie nur alle Bars miteinander verketteten und den ersten Bar in der Kette auf das gewünschte automatische oder musikgesteuerte Programm einstellen (Siehe Beschreibung oben). Dieser Bar wird Master-Einheit genannt. Stellen Sie alle anderen Bars in den Slave-Modus. Danach folgen die „Slave“-Bars den Befehlen der Master-Einheit und sie laufen somit perfekt synchron.








Einstellen des Bars in den Slave-Modus.

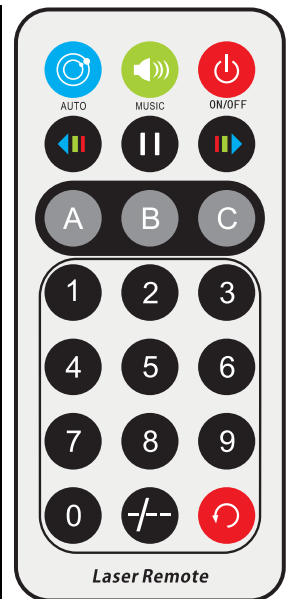
- Drücken Sie die Taste [MENU], bis [SLA] auf dem Display angezeigt wird.
- Drücken Sie zum Aufrufen dieses Modus die Taste [ENTER].
- [SLAV] erscheint auf dem Display.
- Bestätigen Sie den Slave-Modus mit der Taste [ENTER].



5) STEUERUNG ÜBER IR-FERNBEDIENUNG:

Der PARTY BAR kann mittels der mitgelieferten IR-Fernbedienung gesteuert werden.

	AUTOM. MISCHUNG	Wählen Sie mit der Taste eine der unterschiedlichen gemischten automatischen Shows aus: AM01, AM02, ...
	MUSIK-MISCHUNG	Wählen Sie mit der Taste eine der unterschiedlichen gemischten musikgesteuerten Shows aus: SM01, SM02, ...
	EIN/AUS	Starten Sie mit der Taste den Effektbar oder schalten Sie den Bar in den Standby-Modus.
 	FARBE	Wählen Sie mit diesen Tasten die vorige (linke Taste) oder die nächste Farbe (rechte Taste) aus.
	EFFEKT ANHALTEN	Halten Sie mit der Taste einen laufenden Effekt vorübergehend an (einfrieren).
	NUR RGB-LED	Mit jedem Tastendruck wird ein anderes RGB LED-Programm aktiviert. Die anderen Effekte sind ausgeschaltet.
	NUR LASER	Mit jedem Tastendruck wird ein anderes Laser-Programm aktiviert. Die anderen Effekte sind ausgeschaltet.
	NUR WEISSER BLITZ	Mit jedem Tastendruck wird ein anderes Blitz-LED-Programm aktiviert. Die anderen Effekte sind ausgeschaltet.
 	PROGRAMM-GESCHWINDIGKEIT	Wählen Sie mit den Zahlen 0 bis 9 die gewünschte Geschwindigkeit für die automatischen Programme (nicht musikgesteuert) aus. 0 = niedrigste, 9 = höchste).
	MUSIK / AUTO	Wenn mit den Tasten A, B oder C (6) ein einzelner Effektmodus ausgewählt wurde, können Sie mit der roten Pfeiltaste diesen einzelnen Effekt in den automatischen oder musikgesteuerten Modus umschalten.
	Nicht verwendet	



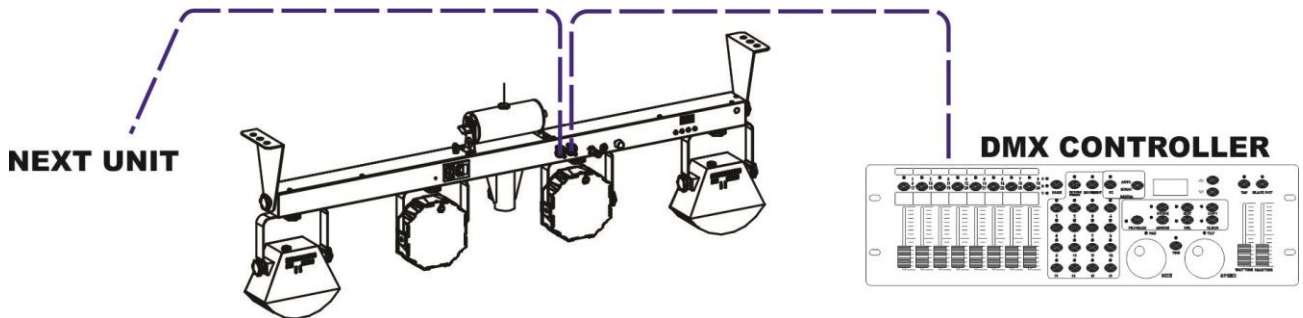
6) STEUERUNG ÜBER DMX:

Der PARTY BAR kann von jedem handelsüblichen DMX-Controller in 5 verschiedenen DMX-Betriebsarten gesteuert werden:

- **3 KANAL-MODUS:** zur einfachen Steuerung über die automatischen und musikgesteuerten Modi.
- **5 KANAL-MODUS:** nur zur Steuerung der RGB LED-Projektoren und Derby-Effekte.
- **6 KANAL-MODUS:** zur einfachen Steuerung über die automatischen und musikgesteuerten Modi + zusätzlich manuelle RGB-Steuerung der Projektoren.
- **9 KANAL-MODUS:** grundlegende manuelle Steuerung über jeder Gruppe des Projektorstyps.
- **27 KANAL-MODUS:** volle manuelle Steuerung über jeden einzelnen Projektor.

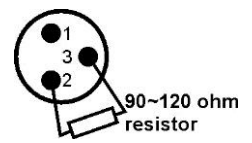
- Verbinden Sie den DMX-Eingang des PARTY BAR mit dem DMX-Ausgang des vorherigen Geräts in der Kette oder direkt mit dem DMX-Ausgang Ihres Controllers.
- Drücken Sie die Taste [MENU], bis „DMX“ auf dem Display angezeigt wird.
- Rufen Sie mit der Taste [ENTER] diese Option auf.
- Die aktuelle DMX-Adresse wird auf dem Display angezeigt.
- Passen Sie die DMX-Einstellungen mit einem erneuten Tastendruck auf [ENTER] an.
- Sie können jetzt den DMX-Modus ändern.
- Wählen Sie mit den Tasten [UP/DOWN] den gewünschten DMX-Modus aus. (3CH, 5CH, 6CH, 9CH oder 27CH).
- Bestätigen Sie Ihre Auswahl mit [ENTER].
- Sie können die DMX-Adresse jetzt mit den Tasten [UP/DOWN] einstellen. [dxxx]
- Bestätigen Sie Ihre Auswahl mit [ENTER].

Hinweis: Wenn sich das Gerät im DMX-Modus befindet und kein DMX-Signal erkannt wurde, blinkt das Display.



Weitere Informationen zu DMX512:

Das DMX-Protokoll ist ein gängiges Hochgeschwindigkeitssignal zur Steuerung von intelligenten Lichtsystemen. DMX-Controller und sämtliche Lichteffekte müssen mit einem hochwertigen XLR M/F abgeglichenen Kabel in Reihe geschaltet sein („daisy chain“). Zur Verhinderung von unerwünschten Lichteffekten durch Störungen muss die Kette mit einem 90 Ω bis 120 Ω Abschlusswiderstand abgeschlossen werden. Verwenden Sie niemals Y-Splitter-Kabel, das funktioniert einfach nicht! Jeder Lichteffekt in der Kette benötigt eine korrekte Startadresse, so dass er weiß, welche Befehle er vom Controller zu entschlüsseln hat.



3 KANAL DMX-KONFIGURATION:

DMX-Kanal	DMX-Wert	Funktion	Anmerkungen
1	000-009	Blackout	
	010-031	Autom. Par	Automatische Show nur der RGB-Projektoren & Derby.
	032-065	Autom. Laser	Automatische Show nur des Laser-Effekts.
	066-095	Autom. Blitz-LED	Automatische Show nur der weißen Blitz-LED.
	096-127	Autom. Mischung	Automatische Show aller Effekte.
	128-159	Musik Par	Musikgesteuerte Show nur der RGB-Projektoren & Derby.
	160-191	Musik Laser	Musikgesteuerte Show nur des Laser-Effekts.
	192-223	Musik Blitz-LED	Musikgesteuerte Show nur der weißen Blitz-LEDs.
	224-255	Musik-Mischung	Musikgesteuerte Show aller Effekte.
Kanal 1 = Autom. Par-Modus (DMX-Wert zwischen 010 und 031)			
2	000-009	AP01	Verschiedene automatische RGB-Projektor- & Derbymodi.
	010-019	AP02	
	020-029	AP03	
	030-039	AP04	

	040-049	AP05	
	050-059	AP06	
	060-069	AP07	
	070-079	AP08	
	080-089	AP09	
	090-099	AP10	
	100-109	AP11	
	110-119	AP12	
	120-129	AP13	
	130-139	AP14	
	140-149	AP15	
	150-159	AP16	
	160-169	AP17	
	170-255	AP18	
Kanal 1 = Autom. Laser-Modus (DMX-Wert zwischen 032 und 065)			
2	000-039	AL01	Verschiedene automatische Lasermodi.
	040-079	AL02	
	080-119	AL03	
	120-139	AL04	
	140-159	AL05	
	160-255	AL06	
Kanal 1 = Autom. Blitz-Led-Modus (DMX-Wert zwischen 066 und 095)			
2	000-014	AF01	Verschiedene automatische weiße Blitz-Led-Modi.
	015-029	AF02	
	030-044	AF03	
	045-059	AF04	
	060-074	AF05	
	075-089	AF06	
	090-104	AF07	
	105-119	AF08	
	120-134	AF09	
	135-255	AF10	
Kanal 1 = Autom. Mischung-Modus (DMX-Wert zwischen 096 und 127)			
2	000-019	AM01	Verschiedene automatische Modi für alle Projektoren.
	020-039	AM02	
	040-255	AM03	
Kanal 1 = Musik Par-Modus (DMX-Wert zwischen 128 und 159)			
2	000-009	SP01	Verschiedene musikgesteuerte RGB-Projektor- & Derbymodi.
	010-019	SP02	
	020-029	SP03	
	030-039	SP04	
	040-049	SP05	
	050-059	SP06	
	060-069	SP07	
	070-079	SP08	

	080-089	SP09	
	090-099	SP10	
	100-109	SP11	
	110-119	SP12	
	120-129	SP13	
	130-139	SP14	
	140-149	SP15	
	150-159	SP16	
	160-169	SP17	
	170-255	SP18	
Kanal 1 = Musik Laser-Modus (DMX-Wert zwischen 160 und 191)			
2	000-039	SL01	Verschiedener musikgesteuerte Lasermodi.
	040-079	SL02	
	080-119	SL03	
	120-139	SL04	
	140-159	SL05	
	160-255	SL06	
Kanal 1 = Musik Blitz-Led-Modus (DMX-Wert zwischen 192 und 223)			
2	000-014	SF01	Verschiedene musikgesteuerte weiße Blitz-Led-Modi.
	015-029	SF02	
	030-044	SF03	
	045-059	SF04	
	060-074	SF05	
	075-089	SF06	
	090-104	SF07	
	105-119	SF08	
	120-134	SF09	
	135-255	SF10	
Kanal 1 = Musik-Mischung-Modus (DMX-Wert zwischen 224 und 255)			
2	000-019	SM01	Verschiedene musikgesteuerte Modi für alle Projektoren.
	020-039	SM02	
	040-255	SM03	
3	000-255	Geschwindigkeitssteuerung	Geschwindigkeitssteuerung für die automatischen Programme (von niedrig bis hoch)

5 KANAL DMX-KONFIGURATION:

Steuert nur die RGB-Projektoren und RGB-Derbys

DMX-Kanal	DMX-Wert	Funktion	Anmerkungen
1	000-255	Rot	0 % → 100 %
2	000-255	Grün	
3	000-255	Blau	
4	000-191	Dimmer	Allgemeiner Dimmer
	192-200	Musikgesteuerter Dimmer	
	201-249	Strobe	Geschwindigkeit = von niedrig (201) bis hoch (249)
	250-255	Voll Weiß	Alle Farben leuchten voll auf

5	000-004	Stopp	Drehende Derby-Lichteffekte
	005-127	Rotation im Uhrzeigersinn	
	128-133	Stopp	
	134-255	Rotation gegen den Uhrzeigersinn	

6 KANAL DMX-KONFIGURATION:

DMX-Kanal	DMX-Wert	Funktion	Anmerkungen
1	000-255	Rot 0 % → 100 %	Nur aktiviert, wenn Kanal 4 auf manuelle RGB-Steuerung eingestellt ist (KANAL 4 = 000 – 009)
2	000-255	Grün 0 % → 100 %	
3	000-255	Blau 0 % → 100 %	
4	000-009	Manuelle RGB-Steuerung	(DMX-Kanäle 1, 2, 3 aktiviert)
	010-031	Autom. Par	Automatische Show nur der RGB-Projektoren & Derby.
	032-065	Autom. Laser	Automatische Show nur des Laser-Effekts.
	066-095	Autom. Blitz-LED	Automatische Show nur der weißen Blitz-LED.
	096-127	Autom. Mischung	Automatische Show aller Effekte.
	128-159	Musik Par	Musikgesteuerte Show nur der RGB-Projektoren & Derby.
	160-191	Musik Laser	Musikgesteuerte Show nur des Laser-Effekts.
	192-223	Musik Blitz-LED	Musikgesteuerte Show nur der weißen Blitz-LEDs.
	224-255	Musik-Mischung	Musikgesteuerte Show aller Effekte.
Kanal 4 = Autom. Par-Modus (DMX-Wert zwischen 010 und 031)			
5	000-009	AP01	Verschiedene automatische RGB-Projektor- & Derbymodi.
	010-019	AP02	
	020-029	AP03	
	030-039	AP04	
	040-049	AP05	
	050-059	AP06	
	060-069	AP07	
	070-079	AP08	
	080-089	AP09	
	090-099	AP10	
	100-109	AP11	
	110-119	AP12	
	120-129	AP13	
	130-139	AP14	
	140-149	AP15	
	150-159	AP16	
	160-169	AP17	
	170-255	AP18	
Kanal 4 = Autom. Laser-Modus (DMX-Wert zwischen 032 und 065)			
5	000-039	AL01	Verschiedene automatische Lasermodi.
	040-079	AL02	
	080-119	AL03	
	120-139	AL04	

	140-159	AL05	
	160-255	AL06	
Kanal 4 = Autom. Blitz-Led-Modus (DMX-Wert zwischen 066 und 095)			
5	000-014	AF01	Verschiedene automatische weiße Blitz-Led-Modi.
	015-029	AF02	
	030-044	AF03	
	045-059	AF04	
	060-074	AF05	
	075-089	AF06	
	090-104	AF07	
	105-119	AF08	
	120-134	AF09	
	135-255	AF10	
Kanal 4 = Autom. Mischung-Modus (DMX-Wert zwischen 096 und 127)			
5	000-019	AM01	Verschiedene automatische Modi für alle Projektoren.
	020-039	AM02	
	040-255	AM03	
Kanal 4 = Musik Par-Modus (DMX-Wert zwischen 128 und 159)			
5	000-009	SP01	Verschiedene musikgesteuerte RGB-Projektor- & Derbymodi.
	010-019	SP02	
	020-029	SP03	
	030-039	SP04	
	040-049	SP05	
	050-059	SP06	
	060-069	SP07	
	070-079	SP08	
	080-089	SP09	
	090-099	SP10	
	100-109	SP11	
	110-119	SP12	
	120-129	SP13	
	130-139	SP14	
	140-149	SP15	
	150-159	SP16	
	160-169	SP17	
	170-255	SP18	
Kanal 4 = Musik Laser-Modus (DMX-Wert zwischen 160 und 191)			
5	000-039	SL01	Verschiedener musikgesteuerte Lasermodi.
	040-079	SL02	
	080-119	SL03	
	120-139	SL04	
	140-159	SL05	
	160-255	SL06	
Kanal 4 = Musik Blitz-Led-Modus (DMX-Wert zwischen 192 und 223)			
5	000-014	SF01	Verschiedene musikgesteuerte weiße Blitz-Led-

	015-029	SF02	Modi.
	030-044	SF03	
	045-059	SF04	
	060-074	SF05	
	075-089	SF06	
	090-104	SF07	
	105-119	SF08	
	120-134	SF09	
	135-255	SF10	
Kanal 4 = Musik-Mischung-Modus (DMX-Wert zwischen 224 und 255)			
5	000-019	SM01	Verschiedene musikgesteuerte Modi für alle Projektoren.
	020-039	SM02	
	040-255	SM03	
6	000-255	Geschwindigkeitssteuerung	Geschwindigkeitssteuerung für die automatischen Programme (von niedrig bis hoch)

9 KANAL DMX-KONFIGURATION:

DMX-Kanal	DMX-Wert	Funktion	Anmerkungen
Steuerung RGB-Projektor & RGB-Derby			
1	000-255	Rot	0 % → 100 %
2	000-255	Grün	
3	000-255	Blau	
4	000-191	Dimmer	Allgemeiner Dimmer
	192-200	Musikgesteuerter Dimmer	
	201-249	Strobe	Geschwindigkeit = von niedrig (201) bis hoch (249)
	250-255	Voll Weiß	Alle Farben leuchten voll auf
5	000-004	Stopp	Drehende Derby-Lichteffekte
	005-127	Rotation im Uhrzeigersinn	
	128-133	Stopp	
	134-255	Rotation gegen den Uhrzeigersinn	
Lasersteuerung			
6	000-004	Blackout	Roter Laser
	005-009	EIN	
	010-255	Strobe-Geschwindigkeit (niedrig bis hoch)	
7	000-004	Blackout	Grüner Laser
	005-009	EIN	
	010-255	Strobe-Geschwindigkeit (niedrig bis hoch)	
8	000-004	Stopp	Laser-Motor
	005-127	Rotation im Uhrzeigersinn	
	128-133	Stopp	
	134-255	Rotation gegen den Uhrzeigersinn	
Steuerung weiße Blitz-Led			
9	000-004	Blackout	

	005-009	Vollständig eingeschaltet	
	010-255	Strobe-Geschwindigkeit (niedrig bis hoch)	

27 KANAL DMX-KONFIGURATION:

DMX-Kanal	DMX-Wert	Funktion	Anmerkungen
Steuerung RGB-Derby (1)			
1	000-255	Rot	0 % → 100 %
2	000-255	Grün	
3	000-255	Blau	
4	000-191	Strobe Aus	Strobe-Effekt
	192-200	Geschwindigkeit (niedrig bis hoch)	
5	000-004	Stopp	Rotation
	005-127	Rotation im Uhrzeigersinn Langsam bis schnell	
	128-133	Stopp	
	134-255	Rotation gegen den Uhrzeigersinn Langsam bis schnell	
Steuerung RGB-Projektor (2)			
6	000-255	Rot	0 % → 100 %
7	000-255	Grün	
8	000-255	Blau	
9	000-009	Strobe Aus	Strobe-Effekt
	010-255	Geschwindigkeit (niedrig bis hoch)	
10	000-255	-	Nicht verwendet
Steuerung RGB-Projektor (3)			
11	000-255	Rot	0 % → 100 %
12	000-255	Grün	
13	000-255	Blau	
14	000-009	Strobe Aus	Strobe-Effekt
	010-255	Geschwindigkeit (niedrig bis hoch)	
15	000-255	-	Nicht verwendet
Steuerung RGB-Derby (4)			
16	000-255	Rot	0 % → 100 %
17	000-255	Grün	
18	000-255	Blau	
19	000-009	Strobe Aus	Strobe-Effekt
	010-255	Geschwindigkeit (niedrig bis hoch)	
20	000-004	Stopp	Rotation
	005-127	Rotation im Uhrzeigersinn Langsam bis schnell	
	128-133	Stopp	
	134-255	Rotation gegen den Uhrzeigersinn Langsam bis schnell	
Lasersteuerung			
21	000-004	Blackout	Roter Laser

	005-009	EIN	
	010-255	Strobe-Geschwindigkeit (niedrig bis hoch)	
22	000-004	Blackout	Grüner Laser
	005-009	EIN	
	010-255	Strobe-Geschwindigkeit (niedrig bis hoch)	
23	000-004	Stopp	Laser-Motor
	005-127	Rotation im Uhrzeigersinn	
	128-133	Stopp	
	134-255	Rotation gegen den Uhrzeigersinn	
Steuerung weiße Blitz-Led			
24	000-004	Blackout	LED 1
	005-009	Vollständig eingeschaltet	
	010-255	Strobe-Geschwindigkeit (niedrig bis hoch)	
25	000-004	Blackout	LED 2
	005-009	Vollständig eingeschaltet	
	010-255	Strobe-Geschwindigkeit (niedrig bis hoch)	
26	000-004	Blackout	LED 3
	005-009	Vollständig eingeschaltet	
	010-255	Strobe-Geschwindigkeit (niedrig bis hoch)	
27	000-004	Blackout	LED 4
	005-009	Vollständig eingeschaltet	
	010-255	Strobe-Geschwindigkeit (niedrig bis hoch)	

Zusätzliche Funktionen im Menü

- Drücken Sie die Taste [MENU], bis [SYS] auf dem Display angezeigt wird.
- Drücken Sie die Taste [ENTER], wenn Sie diesen Teil des Menüs mit zusätzlichen Optionen aufrufen möchten.
- Blättern Sie mit den Tasten [UP/DOWN] durch die zusätzlichen Funktionen in diesem Menüsystem
 - [AddS] bietet Ihnen die Möglichkeit, die Befehlsposition der 4 RGB-Projektoren zu ändern.
 - Rufen Sie mit der Taste [ENTER] die Optionseinstellungen auf.
 - Die Position des ersten Projektors blinkt.
 - Gehen Sie mit der Taste [UP] zu dem Projektor, dessen Position geändert werden muss.
 - Ändern Sie mit der Taste [DOWN] die Positionsnummer des Projektors.
 - Drücken Sie erneut die Taste [UP], wenn Sie die Positionsnummer eines anderen Projektors ändern möchten.
 - Wiederholen Sie diese Schritte so oft wie nötig.
 - Wenn Sie alle Einstellungen gemacht haben, bestätigen Sie diese mit der Taste [ENTER].

WICHTIG: Wenn Sie eine falsche Kombination eingestellt haben (selbe Scheinwerfer-Nummer mehrfach ausgewählt) können einige Scheinwerfer nicht mehr funktionieren. Wenn ein Scheinwerfer nicht funktioniert, überprüfen Sie bitte die Richtigkeit der eingestellten Position. STANDARD= 1-2-3-4

- [LEdS] mit dieser Option können Sie wählen, ob das Display immer eingeschaltet sein soll oder ob es sich nach einer Weile ausschaltet, wenn keine neuen Informationen angezeigt werden müssen.

- Rufen Sie mit der Taste [ENTER] die Optionseinstellungen auf.
- Wählen Sie mit den Tasten [UP/DOWN] den gewünschten Modus aus.
 - ON = die Funktion ist aktiviert. Wenn keine neuen Informationen auf dem Display angezeigt werden müssen, schaltet es sich aus. Sobald neue Informationen zur Verfügung stehen (zum Beispiel: wenn Sie mit der Fernbedienung einen anderen Modus auszuwählen) wird das Display automatisch eingeschaltet, um Ihnen diese neuen Informationen anzuzeigen. Nach einer Weile schaltet es sich wieder aus.
 - OFF = die Funktion ist deaktiviert. Das LED-Display ist immer eingeschaltet.
- Bestätigen Sie Ihre Auswahl mit der Taste [ENTER].
- [TEST] startet einen automatischen Prüfmodus. Damit können Sie kontrollieren, ob alle Projektoren funktionieren.
- Mit [rEST] können alle Einstellungen des Bars auf ursprünglichen Werkseinstellungen zurückgesetzt werden.
 - Bestätigen Sie das Zurücksetzen des Bars mit der Taste [ENTER].

WARTUNG

- Stellen Sie sicher, dass sich keine unbefugten Personen unterhalb des Geräts befinden, während es gewartet wird.
- Schalten Sie das Gerät aus, ziehen Sie den Netzstecker und warten Sie, bis es sich abgekühlt hat.

Während der Wartung sind folgende Punkte ganz besonders zu beachten:

- Sämtliche Schrauben zur Installation des Geräts und zur Befestigung jedes seiner Teile müssen fest angezogen und rostfrei sein.
- Gehäuse, Befestigungsmaterialien und Aufhängungen (Decke, Balken, abgehängte Decken) dürfen keine Anzeichen von Verformung aufweisen.
- Falls die Optik sichtbar beschädigt ist (Sprünge oder tiefe Kratzer), dann müssen die entsprechenden Teile ausgetauscht werden.
- Die Netzkabel müssen stets in einwandfreiem Zustand sein und selbst bei kleinsten Beschädigungen erneuert werden.
- Zur Vermeidung von Überhitzung müssen die Kühllüfter (sofern vorhanden) und Lüftungsschlitze monatlich gereinigt werden.
- Das Geräteinnere mindestens einmal pro Jahr mit einem Staubsauger oder einer Luftdüse reinigen.
- Die Reinigung der inneren und äußeren optischen Linsen bzw. Spiegel muss in regelmäßigen Abständen zur Beibehaltung einer optimalen Lichtausbeute vorgenommen werden. Die Reinigungsintervalle hängen stark von der Umgebung ab, in der das Gerät betrieben wird: Feuchte, verrauchte oder besonders verschmutzte Umgebungen führen zu einer größeren Verschmutzung auf den Linsen.
 - Mit einem weichem Tuch und gewöhnlichem Glasreiniger säubern.
 - Alle Teile stets gut abtrocknen.
 - Reinigen Sie die externen optischen Teile mindestens einmal alle 30 Tage.
 - Reinigen Sie die internen optischen Teile mindestens alle 90 Tage.

Achtung: Wir empfehlen dringend, die Reinigung des Geräteinneren nur von qualifiziertem Personal durchführen zu lassen!

TECHNISCHE DATEN

Netzeingang:	100-240 V Wechselstrom, 50/60 Hz
Sicherung:	250 V, 2 A träge (20 mm Glas)
Gesamte Leistungsaufnahme:	48 W
Musiksteuerung:	Eingebautes Mikrofon
DMX-Anschlüsse:	3-poliger XLR-Stecker/Buchse
DMX-Kanäle:	3, 5, 6, 9 oder 27 Kanäle
Leistung PAR LED:	2 Projektoren mit jeweils 3 x 9 Watt Tri LEDs
PAR-Abstrahlwinkel:	15°
Leistung Derby-LED:	2 Projektoren mit jeweils einer roten 3 W, grünen 3 W und blauen 3 W LED
Laserleistung:	30 mW, 532 nm Grün, 100 mW, 650 nm Rot
Laserklasse:	3R
Blitz-LEDs:	4 x 1 W weiße LED
Betriebstemperatur:	10°C bis 40°C
Laser-Sicherheitsstandard:	EN/IEC 60825-1 2007
Abmessungen:	1185 x 386 x 110 mm
Gewicht:	Bar = 6,6 kg, Bar + Transportkoffer = 8,35 kg

Diese Angaben können sich ohne gesonderten Hinweis ändern.

**Sie können sich die neueste Version dieses Benutzerhandbuches von unserer Website herunterladen:
www.jb-systems.eu**

MANUAL DE INSTRUCCIONES

Gracias por comprar este producto de JB Systems®. Para aprovechar al máximo todas las posibilidades y por su propia seguridad, lea detenidamente este manual de instrucciones antes de comenzar a utilizar la unidad.

CARACTERÍSTICAS

Esta unidad tiene supresión de radio interferencia. Este producto cumple con los requisitos de las normas actuales, tanto europeas como nacionales a tal respecto. Dicha conformidad ha sido establecida y las declaraciones y documentos pertinentes han sido depositados por el fabricante. Este dispositivo ha sido diseñado para producir efectos de iluminación decorativa y se utiliza en sistemas de espectáculos de iluminación.

- ¡La PARTY BAR es un dispositivo de efectos de luz 4-en-1 para DJs itinerantes!
- Esta barra de iluminación extremadamente compacta está equipada con 4 efectos de luz diferentes para crear maravillosos espectáculos de luz:
 - 2 efectos Derby giratorios, cada uno con LEDs rojo, verde y azul de 3 W.
 - 2 proyectores LED, cada uno con 3 LEDs RGB (rojo-verde-azul) de 9 W, que generan haces de luz de 15°.
 - 4 LEDs de luz blanca fría, para crear efectos estroboscópicos y de centelleo.
 - Los láseres de 2 colores rojo/verde proyectan cientos de finos haces de luz para generar una atmósfera sorprendente.
- Los fabulosos espectáculos de luz programados con diferentes combinaciones de efectos se pueden controlar de varias maneras:
 - Control-DMX: Por medio de 3, 5, 6, 9 o 27 canales.
 - Modo autónomo: activado por el sonido (micrófono interno) o automático.
 - IR remoto: mando a distancia de infrarrojos.
- Preparado para el DMX inalámbrico: simplemente enchufe un WTR-DMX DONGLE opcional! (Briteq®, Código de orden : 4645)
- Se pueden conectar varias barras de iluminación en modo maestro/esclavo para crear espectáculos de luz maravillosos.
- Pantalla LED de 3 dígitos para una navegación sencilla por el menú.
- Puede colocar la barra sobre un trípode de 35 mm de diámetro o usar los soportes incorporados para colgarla de las estructuras para montaje de luces.
- ¡Gracias a su maleta de transporte es muy cómodo llevarla de un sitio a otro!
- Muy bajo consumo: ¡solamente 48 W con todas las luces encendidas!
- Los conectores IEC de alimentación eléctrica de entrada/salida se pueden usar para encadenar varias unidades.
- Interruptor de encendido con llave e interruptor de apagado de emergencia como dispositivos de seguridad adicional para el sistema láser.
- Cumple con la normativa EN/IEC 60825-1 2007 para seguridad Láser.

ANTES DE USAR

- Antes de comenzar a utilizar esta unidad, compruebe si no ha sufrido daños durante el transporte. Si hubiera alguno, no utilice el dispositivo y consulte primero con su distribuidor.
- **Importante:** Este dispositivo salió de nuestra fábrica en perfectas condiciones y bien embalado. Es absolutamente necesario que se obedezcan al pie de la letra las instrucciones y advertencias de seguridad que aparecen en este manual de usuario. Cualquier daño causado por una mala manipulación no estará cubierto por la garantía. El distribuidor no aceptará ninguna responsabilidad por defectos o problemas causados por no obedecer lo indicado en este manual de usuario.
- Mantenga este folleto en un lugar seguro para futuras consultas. Si vende este equipo, asegúrese de incluir este manual de usuario.

Compruebe el contenido:

Compruebe que el embalaje contiene los siguientes elementos:

- Maleta de transporte
- Party Bar
- Sistema de soportes para colgar (2 soportes metálicas + 2 tornillos de apriete manual)
- 1 tornillo de apriete manual adicional para el adaptador de trípode de 35 mm (idéntico que el de los soportes para colgar)
- Mando a distancia IR
- 2 llaves (para el interruptor con llave)
- Conector de reserva para parada de emergencia
- Cable de alimentación
- Instrucciones de funcionamiento

INSTRUCCIONES DE SEGURIDAD:



CAUTION
RISK OF ELECTRIC SHOCK
DO NOT OPEN



PRECAUCIÓN: Para reducir el riesgo de descarga eléctrica, no retire la cubierta superior. Dentro no hay componentes que puedan ser reparados por el usuario. Dirija cualquier reparación o mantenimiento solamente a personal cualificado.



El símbolo de relámpago con punta de flecha dentro de un triángulo equilátero advierte al usuario de la presencia de “tensiones peligrosas” no aisladas dentro de la carcasa del producto que pueden ser de una magnitud suficiente como para constituir un riesgo de descarga eléctrica.



El signo de admiración dentro de un triángulo equilátero advierte al usuario de la presencia de instrucciones importantes relacionadas con la operación y el mantenimiento (reparación) en la literatura que se entrega junto con el equipo.



Este símbolo significa: sólo para uso en interiores.



Este símbolo significa: Lea las instrucciones.



Este símbolo determina: la distancia de separación mínima de los objetos iluminados. La distancia mínima entre la salida de luz y la superficie iluminada debe ser mayor de 1 metro.

RISK GROUP 2
CAUTION:
Do not stare at operating lamp

PRECAUCIÓN: No mire a las lámparas cuando estén encendidas. Pueden dañar la vista.

- Para proteger el medio ambiente, intente reciclar el material del embalaje en la mayor medida posible.
- Cuando se usa un dispositivo lumínico nuevo a veces aparece algo de humo y/o olores no deseados. Esto es normal y desaparece después de algunos minutos.
- Para evitar el riesgo de incendio o de descarga eléctrica, no exponga este aparato a la lluvia ni a la humedad.
- Para evitar que se forme condensación en el interior del equipo, permita que la unidad se adapte a la temperatura del entorno cuando se lleve a una habitación cálida después del transporte. La condensación impide a veces que la unidad trabaje a plena capacidad e incluso puede causar averías.
- Esta unidad es solamente para uso en interiores.
- No coloque objetos metálicos ni derrame líquidos dentro de la unidad. Puede provocar una descarga eléctrica o un mal funcionamiento. Si un objeto extraño se introduce dentro de la unidad, desconecte de inmediato la alimentación eléctrica.
- Coloque el proyector en un lugar bien ventilado, lejos de materiales y/o líquidos inflamables. El proyector debe estar fijo con al menos 50cm de separación de las paredes de su alrededor.
- No cubra ninguna abertura de ventilación ya que esto puede provocar sobrecalentamiento.
- Evite emplear la unidad en ambientes polvorientos y límpiela con regularidad.
- Mantenga la unidad lejos de los niños.
- Este equipo no debe ser utilizado por personas inexpertas.
- La temperatura ambiente segura está entre 15º y 40ºC. No utilice esta unidad a temperaturas más altas.
- Asegúrese de que el área que se encuentra bajo el lugar de instalación esté libre de personas no autorizadas durante la subida, bajada y reparación del aparato.
- Siempre desenchufe la unidad cuando no se vaya a utilizar durante un período de tiempo prolongado, cuando vaya a sustituir las bombillas o realizar reparaciones.
- La instalación eléctrica debe realizarla solamente personal cualificado, de acuerdo con la normativa sobre seguridad eléctrica y mecánica de su país.

- Compruebe que la tensión disponible no sea superior a la que se indica en el panel posterior de la unidad.
- El cable de alimentación debe estar siempre en perfectas condiciones. Apague de inmediato la unidad cuando el cable de alimentación esté aplastado o dañado. Debe ser sustituido por el fabricante, por su representante de servicio técnico o por una persona de cualificación similar para evitar riesgos.
- ¡Nunca permita que el cable de alimentación haga contacto con otros cables!
- Este aparato debe conectarse a tierra para cumplir con las normativas de seguridad.
- No conecte la unidad a un dispositivo de atenuación.
- Cuando instale la unidad utilice siempre un cable de seguridad apropiado y certificado.
- Para evitar descargas eléctricas, no abra la cubierta. No hay piezas reparables por el usuario, aparte de las lámparas y el fusible.
- **Nunca** repare un fusible o puentee el soporte del fusible. **¡Siempre** sustituya un fusible dañado con otro del mismo tipo y las mismas especificaciones eléctricas!
- En el caso de que haya serios problemas de funcionamiento, deje de usar el aparato y contacte inmediatamente con su distribuidor.
- La carcasa y las lentes deben sustituirse si están visiblemente dañadas.
- Utilice el embalaje original cuando haya que transportar el dispositivo.
- Por razones de seguridad, está prohibido realizar modificaciones no autorizadas a la unidad.

Importante: ¡Nunca mire directamente a la fuente de luz! No use efectos de luz en presencia de personas que padezcan de epilepsia.

INSTRUCCIONES DE SEGURIDAD DEL LÁSER:

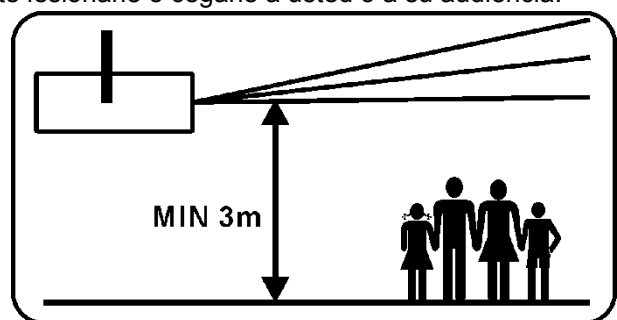
- De acuerdo a las regulaciones EN/IEC 60825-1 Ed2, 2007-03, este láser pertenece a la clasificación 3B. La exposición directa a los ojos puede ser peligrosa.



PELIGRO: ¡RADIACIÓN LÁSER!
¡Evite la exposición directa de los ojos! La radiación láser puede causar lesiones oculares y/o en la piel. Deben aplicarse todas las medidas de seguridad para una utilización segura de este láser.

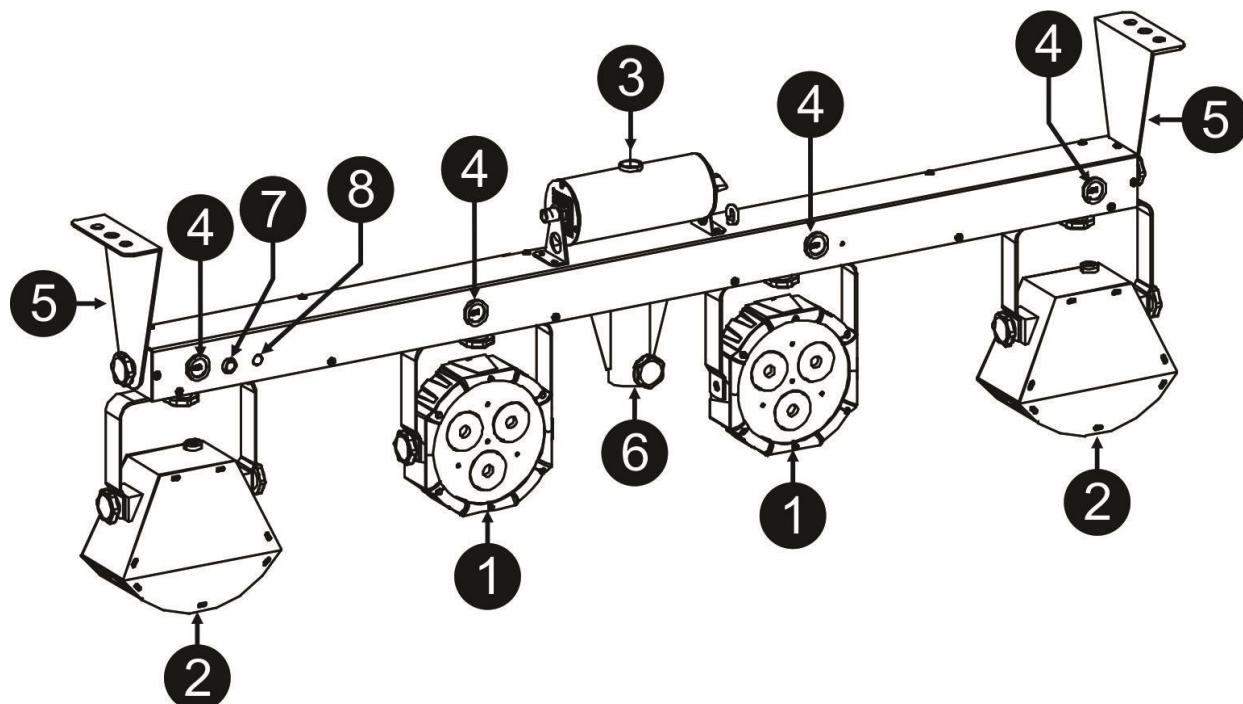


- Ese producto se conoce como espectáculo láser, y emite radiación con un espectro de longitud de onda entre 400 y 700 nm, produciendo efectos luminosos para espectáculos.
- La Luz Láser es diferente de cualquier otra fuente de luz con la que pueda estar familiarizado. La luz de este producto puede causar potencialmente lesiones oculares si no se configura y se usa adecuadamente. La luz láser es miles de veces más concentrada que la luz de cualquier otra fuente de luz. Esta concentración de potencia luminosa puede causar lesiones oculares instantáneas, primeramente quemando la retina (la parte sensible a la luz de la parte posterior del ojo). Incluso aunque no pueda sentir el "calor" de un haz de láser, éste puede potencialmente lesionarle o cegarle a usted o a su audiencia.
- Incluso cantidades muy pequeñas de luz láser son potencialmente peligrosas a largas distancias.
- No mire nunca dentro de la apertura del láser ni a los haces de láser.
- No dirija nunca el haz de láser a las personas ni animales y nunca deje este dispositivo funcionando sin supervisión.
- Este láser sólo debe ser utilizado para espectáculos. La utilización de espectáculos láser de clase 3B sólo está permitida si está controlada por un operador experto y bien entrenado.
- Dependiendo de la clasificación, utilizar un producto láser puede producir radiación láser, que puede causar lesiones permanentes oculares y/o en la piel. Las instrucciones legales para el uso de productos láser pueden variar de un país a otro. El usuario siempre debe informarse de las instrucciones legales vigentes en su país y aplicarlas a su situación.
- El documento principal y piedra angular de los estándares de seguridad láser, el ANSI Z136.1 (2007), proporciona guías para el uso seguro del láser y sistemas de láser, definiendo medidas de control para cada uno de las cuatro clases de láser. Este valioso documento puede obtenerse en www.laserinstitute.org.

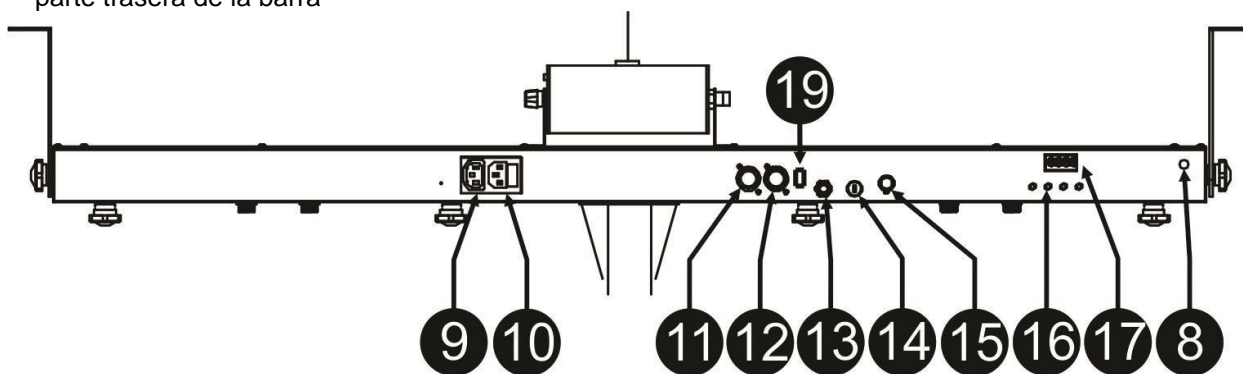


Por favor, tenga en cuenta que **JB SYSTEMS** no puede hacerse responsable de los daños causados por las instalaciones incorrectas y la utilización inexperta.

DESCRIPCIÓN:



1. **PROYECTOR RGB (Rojo-Verde-Azul)**
2. **PROYECTOR RGB Derby**
3. **UNIDAD LÁSER**
4. **LED ESTROBOSCÓPICO BLANCO**
5. **SOPORTE PARA COLGAR:** Fije un soporte a cada extremo de la barra usando los tornillos de apriete manual. Ahora podrá colocar un gancho de montaje (o abrazadera de cierre rápido) en cada orificio del soporte.
6. **ADAPTADOR PARA TRÍPODE DE 35 mm de diámetro**
7. **MICRÓFONO INTERNO:** se utiliza para sincronizar los espectáculos controlados por sonido al ritmo de la música.
8. **RECEPTOR-IR:** Cuando se utiliza el mando a distancia IR, se deberá apuntar con el mando a distancia a este receptor IR de la Party Bar. Hay 2 receptores IR en la barra, uno en la parte delantera y otro en la parte trasera de la barra



9. **SALIDA DE ALIMENTACIÓN PARA ENCADENAR UNIDADES:** puede usar un cable de alimentación IEC especial para conectar esta salida a la entrada de alimentación de la siguiente barra de proyectores o al siguiente proyector para un encadenamiento más sencillo (máxima carga total de la línea encadenada = 10 A)
10. **ENTRADA DE ALIMENTACIÓN:** Conector IEC con porta-fusible e interruptor incorporados. Conecte aquí el cable de alimentación suministrado.
11. **SALIDA DMX:** conector XLR hembra de 3 pines utilizado para conectar la PARTY BAR con la siguiente

unidad de la cadena DMX.

12. **ENTRADA DMX:** conector XLR macho de 3 pines utilizado para conectar los cables DMX universales. Esta entrada recibe las órdenes del controlador DMX (en modo DMX) o de la barra anterior en la cadena (en modo Maestro/Esclavo).
13. **Entrada INTERLOCK:** se usa para conectar el interruptor opcional de emergencia (vea la imagen). Cuando presione este interruptor, el haz de láser desaparecerá inmediatamente.

¡IMPORTANTE! Por su propia seguridad ¡le recomendamos encarecidamente que conecte este interruptor opcional!

¡NO SE EMITIRÁ LÁSER CUANDO LA ENTRADA INTERLOCK NO SE UTILICE!
Solución temporal: instale el conector de reserva en el láser.
(vea la imagen)

14. **INTERRUPTOR DE ENCENDIDO/APAGADO ACTIVADO POR LLAVE:** se utiliza para encender/apagar la unidad. Utilice las llaves para asegurarse de que sólo un operador experimentado sea capaz de encender el láser.



15. **CONTROL DE SENSIBILIDAD:** gire este mando de control en sentido de las agujas del reloj para subir la sensibilidad del micrófono integrado, o en sentido contrario para bajar la sensibilidad.
16. **PANEL DE CONTROL:** Se utiliza para seleccionar las diferentes funciones de la barra. Continúe leyendo para aprender a usar la unidad.
17. **MICRÓFONO INTERNO:** El micrófono integrado se utiliza para sincronizar los espectáculos controlados por sonido al ritmo de la música.
18. **VISUALIZADOR:** muestra la información necesaria sobre los ajustes y modos de funcionamiento.
19. **ENTRADA M-DMX:** Tenga en cuenta que este conector USB NO se utiliza para actualizaciones o para conectar la unidad a un PC! En lugar de este conector USB es muy fácil añadirla unidad inalámbrica DMX ! Simplemente agregue el (opcional) WTR-DMX DONGLE de BRITEQ® y obtendrá un DMX inalámbrico! Además, podrá conectar otros equipos DMX a la salida DMX para que pueda compartir la función DMX inalámbrica con todas las unidades conectadas. No hay ajustes adicionales en el menú de configuración, simplemente siga el procedimiento del manual de usuario suministrado con el WTR-DMX DONGLE de BRITEQ®. *The separate WTR-DMX DONGLE is available from WWW.BRITEQ-LIGHTING.COM (order code: 4645)*

MONTAJE EN ALTURA (SOBRE LA CABEZA)

- **Importante:** La instalación debe efectuarla solamente personal de servicio cualificado. Una instalación no adecuada puede dar como resultado lesiones serias y/o daños a la propiedad. **¡Colocar el dispositivo sobre un montaje en altura requiere una gran experiencia! Deben respetarse los límites de carga de trabajo, utilizarse materiales de instalación certificados y el dispositivo instalado debe inspeccionarse con regularidad por motivos de seguridad.**
- Asegúrese de que el área que se encuentra bajo el lugar de instalación esté libre de personas no autorizadas durante la subida, bajada y reparación del aparato.
- Coloque el proyector en un lugar bien ventilado, lejos de materiales y/o líquidos inflamables. El proyector debe estar fijo con **al menos 50cm** de separación de las paredes de su alrededor.
- El dispositivo debe instalarse fuera del alcance de las personas y fuera de las áreas donde las personas puedan pasar o permanezcan sentadas.
- Antes de subir el proyector para su colocación, asegúrese de que el área de instalación pueda sostener una carga puntual mínima de 10 veces el peso del dispositivo.
- Utilice siempre un cable de seguridad certificado que pueda sostener 12 veces el peso del dispositivo, una vez instalada la unidad. Esta segunda fijación de seguridad debe instalarse de forma que ninguna parte de la instalación pueda caer más de 20 cm si la fijación principal falla.
- El dispositivo debe fijarse bien, ¡un montaje que permita el balanceo es peligroso y no debe considerarse!
- No cubra ninguna abertura de ventilación ya que esto puede provocar sobrecalentamiento.
- El operador tiene que estar seguro de que las instalaciones técnicas de la máquina y las relacionadas con la seguridad son aprobadas por un experto antes de utilizarlas por primera vez. Las instalaciones deben inspeccionarse anualmente por una persona con experiencia para asegurarse de que la seguridad es óptima.



PRECAUCIÓN POR LESIÓN OCULAR: Siempre coloque el láser de una forma que evite que la audiencia mire directamente a los haces de láser. La instalación debe asegurar que el haz no estará dirigido a la audiencia.

CÓMO CONFIGURAR Y CONTROLAR LA UNIDAD

Puede poner en funcionamiento la unidad de varias formas:

1) MODO AUTÓNOMO TOTALMENTE AUTOMÁTICO:

El efecto se ejecuta automáticamente en una secuencia programada. Seleccione este modo solamente cuando esté utilizando solo 1 Party Bar, o cuando coloca una Party Bar como primer elemento (maestro) en una cadena con varias Party Bars.

- Presione el botón [MENU] hasta que vea [Aut] en el visualizador.
- Presione el botón [ENTER] para confirmar su selección.
- Ahora se pueden usar los botones UP o DOWN para seleccionar el grupo de efectos deseado:
 - **[AutP] Espectáculo automático del proyector RGB.**
 - Presione el botón [ENTER] para confirmar su selección.
 - Utilice los botones [UP] y [DOWN] para seleccionar uno de los 18 espectáculos de luces [AP01 – AP18]
 - Presione el botón [ENTER] para confirmar su selección.
 - Utilice los botones [UP] y [DOWN] para seleccionar la velocidad deseada para el espectáculo de luces, desde [S.01] lento hasta [S.99] rápido
 - Presione el botón [ENTER] para confirmar su selección.
 - Utilice los botones [UP] y [DOWN] para seleccionar la velocidad deseada de giro para los efectos Derby, desde [M.00] sin giro hasta [M.99] giro rápido
 - Presione el botón [ENTER] para confirmar su selección.
 - **[AutL] Espectáculo automático Láser.**
 - Presione el botón [ENTER] para confirmar su selección.
 - Utilice los botones [UP] y [DOWN] para seleccionar uno de los 6 espectáculos de luces [AL01 – AL06]
 - Presione el botón [ENTER] para confirmar su selección.
 - Utilice los botones [UP] y [DOWN] para seleccionar la velocidad deseada para el espectáculo de luces, desde [S.01] lento hasta [S.99] rápido
 - Presione el botón [ENTER] para confirmar su selección.
 - Utilice los botones [UP] y [DOWN] para seleccionar la velocidad deseada de giro para el efecto Láser, desde [M.00] sin giro hasta [M.99] giro rápido
 - Presione el botón [ENTER] para confirmar su selección.
 - **[AutF] Espectáculo automático del estrobo blanco.**
 - Presione el botón [ENTER] para confirmar su selección.
 - Utilice los botones [UP] y [DOWN] para seleccionar uno de los 10 espectáculos de luces [AF01 – AL10]
 - Presione el botón [ENTER] para confirmar su selección.
 - Utilice los botones [UP] y [DOWN] para seleccionar la velocidad deseada para el espectáculo de luces, desde [S.01] lento hasta [S.99] rápido
 - Presione el botón [ENTER] para confirmar su selección.
 - **[AutM] Espectáculo automático de efectos mezclados.**
 - Presione el botón [ENTER] para confirmar su selección.
 - Utilice los botones [UP] y [DOWN] para seleccionar uno de los 3 espectáculos de luces [AM01 – AM03]
 - Presione el botón [ENTER] para confirmar su selección.
 - Utilice los botones [UP] y [DOWN] para seleccionar la velocidad deseada para el espectáculo de luces, desde [S.01] lento hasta [S.99] rápido
 - Presione el botón [ENTER] para confirmar su selección.

Se pueden conectar varias PARTY BARs juntas entre sí: simplemente ponga la primera unidad de la cadena en uno de los modos de efectos automáticos, y todas las demás unidades en “modo Esclavo” (en el visualizador aparece “SLA”) para hacer que todas ellas funcionen perfectamente sincronizadas.

2) MODO AUTÓNOMO CONTROLADO POR SONIDO:

La Party Bar ejecuta una secuencia programada al ritmo de la música. Seleccione este modo solamente cuando esté utilizando solo 1 Party Bar, o cuando coloca una Party Bar como primer elemento (maestro) en una cadena con unidades.

- Presione el botón [MENU] hasta que vea [Sou] en el visualizador.
- Presione el botón [ENTER] para confirmar su selección.
- Ahora se pueden usar los botones UP o DOWN para seleccionar el grupo de efectos deseado:
 - **[SouP] Espectáculo controlado por sonido del proyector RGB.**
 - Presione el botón [ENTER] para confirmar su selección.

- Utilice los botones [UP] y [DOWN] para seleccionar uno de los 18 espectáculos de luces [SP01 – SP18]
- Presione el botón [ENTER] para confirmar su selección.
- **[SouL] Espectáculo controlado por sonido del Láser.**
 - Presione el botón [ENTER] para confirmar su selección.
 - Utilice los botones [UP] y [DOWN] para seleccionar uno de los 6 espectáculos de luces [SL01 – SL06]
 - Presione el botón [ENTER] para confirmar su selección.
- **[SouF] Espectáculo controlado por sonido del estrobo blanco.**
 - Presione el botón [ENTER] para confirmar su selección.
 - Utilice los botones [UP] y [DOWN] para seleccionar uno de los 10 espectáculos de luces [SF01 – SL10]
 - Presione el botón [ENTER] para confirmar su selección.
- **[SouM] Espectáculo controlado por sonido de efectos mezclados.**
 - Presione el botón [ENTER] para confirmar su selección.
 - Utilice los botones [UP] y [DOWN] para seleccionar uno de los 3 espectáculos de luces [SM01 – SM03]
 - Presione el botón [ENTER] para confirmar su selección.

Nota: La sensibilidad del micrófono integrado se puede ajustar girando el control manual [sensibilidad del micrófono] en la parte de atrás de la barra.

3) MODO AUTÓNOMO DE COJOR FIJO:

Se puede seleccionar un color fijo para todos los proyectores 4 RGB a la vez (2 proyectores RGB fijos + 2 efectos Derby RGB)

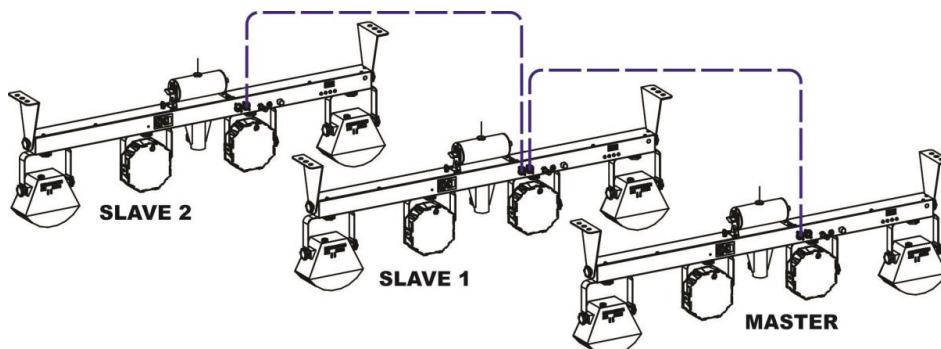
- Presione el botón [MENU] hasta que vea [COL] en el visualizador.
- Presione el botón [ENTER] para confirmar su selección.
- [COLO] aparecerá en la pantalla
- Presione el botón [ENTER] para entrar en el modo de configuración.
- Utilice los botones [UP/DOWN] para ajustar la intensidad el color rojo. [r.000] = desactivado, [r.255] = máxima intensidad
- Presione el botón [ENTER] para confirmar la selección y pasar al ajuste del siguiente color.
- Utilice los botones [UP/DOWN] para ajustar la intensidad el color verde. [G.000] = desactivado, [G.255] = máxima intensidad
- Presione el botón [ENTER] para confirmar la selección y pasar al ajuste del siguiente color.
- Utilice los botones [UP/DOWN] para ajustar la intensidad el color azul. [b.000] = desactivado, [b.255] = máxima intensidad
- Presione el botón [ENTER] para confirmar la selección y pasar al ajuste de la velocidad del efecto estroboscópico.
- Utilice los botones [UP/DOWN] para ajustar la velocidad del efecto estroboscópico. [S. 00] = desactivado, [S. 99] = máxima velocidad
- Presione el botón [ENTER] para confirmar su selección.

4) MODO AUTÓNOMO MAESTRO/ESCLAVO:

Cuando tenga varias Party Bars y quiera que funcionen de modo sincronizado, puede conectarlas en lo que se denomina modo maestro/esclavo. Para hacer esto, se tienen que conectar las barras encadenando una con la siguiente, y configurar la primera barra de la cadena en el modo automático o controlado por sonido que desee (vea las descripciones anteriores). Esta primera barra se denomina la unidad maestra. Ahora configure el resto de barras en modo esclavo. Una vez finalizada la configuración, las barras “esclavas” seguirán las órdenes de la unidad maestra, de modo que funcionarán sincronizadamente.

Para configurar una barra en modo esclavo:

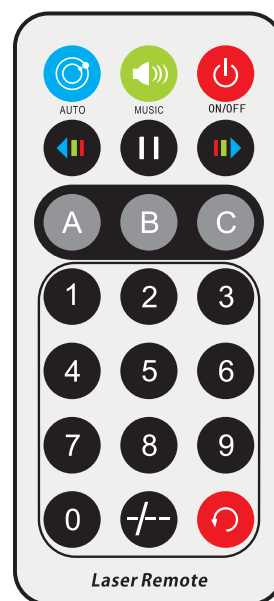
- Presione el botón [MENU] hasta que vea [SLA] en el visualizador.
- Presione el botón [ENTER] para entrar en este modo.
- [SLAV] aparecerá en la pantalla
- Presione el botón [ENTER] para confirmar el modo esclavo.



5) CONTRADA CON EL MANDO A DISTANCIA:

Se puede controlar la PARTY BAR con el mando a distancia IR suministrado

	MEZCLA AUTO	pulse el botón para seleccionar uno de los espectáculos automáticos de mezcla de efectos: AM01, AM02,
	SONIDO MEZCLA	pulse el botón para seleccionar uno de los espectáculos de mezcla de efectos controlados por del sonido: SM01, SM02,
	ENCENDER/ APAGAR	pulse el botón para activar el la barra de efectos o para ponerla en modo en espera.
	COLOR	pulse estos botones para seleccionar el color anterior (botón izquierda) o el siguiente (botón derecha)
	PAUSAR EFECTO	pulse el botón para hacer una pausa (congelar) el efecto que se esté ejecutando.
	SOLO EL LED RGB	cada vez que pulse este botón activará otro de los programas del LED RGB. El resto de efectos estarán desactivados.
	SOLO LÁSER	cada vez que pulse este botón activará otro de los programas del Láser. El resto de efectos estarán desactivados.
	SÓLO LED ESTROBOSCÓPIC O BLANCO	cada vez que pulse este botón activará otro de los programas del LED estroboscópico. El resto de efectos estarán desactivados.
	VELOCIDAD DEL PROGRAMA	pulse uno de los números del 0 a 9 para seleccionar la velocidad de los programas automáticos (no controlados por sonido). 0= la más lenta, 9= la más rápida
	SONIDO / AUTO	Cuando selecciona un efecto individual usando los botones A, B o C (6), podrá usar el botón rojo con la flecha para introducir efectos individuales en el modo automático o en el modo controlado por sonido
	Sin uso	



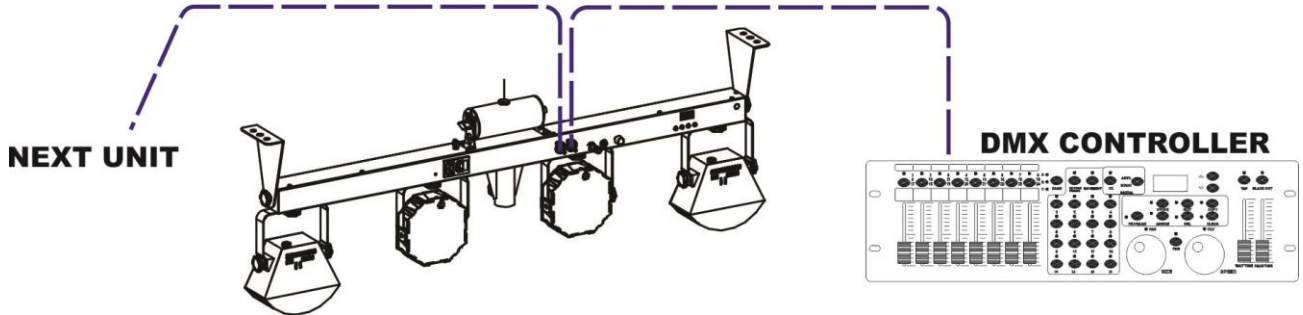
6) CONTROLADO POR DMX:

La PARTY BAR se puede controlar con cualquier controlador DMX en 5 modos DMX diferentes:

- **MODO DE 3 CANALES:** para un sencillo control sobre los modos automático y gobernado por sonido
- **MODO DE 5 CANALES:** para controlar los proyectores LED RGG y los efectos Derby
- **MODO DE 6 CANALES:** para un sencillo control sobre los modos automático y gobernado por sonido+ control manual adicional de los proyectores RGB
- **MODO DE 9 CANALES:** control manual básico sobre cada tipo de proyector
- **MODO DE 27 CANALES:** control manual completo sobre cada tipo de proyector.
- Conecte la entrada DMX de la PARTY BAR a la salida DMX de la unidad anterior de la cadena o directamente a la salida DMX de su controlador.

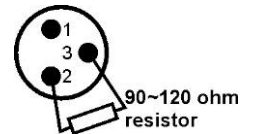
- Presione el botón [MENU] hasta que vea "DMX" en el visualizador.
- Presione el botón [ENTER] para entrar en esta opción.
- La dirección DMX real aparece en el visualizador.
- Vuelva a pulsar el botón [ENTER] para ajustar la configuración DMX.
- Ahora puede cambiar el modo DMX
- Use los botones [UP/DOWN] para seleccionar el modo DMX que desee. (3CH, 5CH, 6CH, 9CH o 27CH)
- Presione el botón [ENTER] para confirmar su selección.
- Ahora se pueden usar los botones [UP/DOWN] para ajustar la dirección DMX. [dxxx]
- Presione el botón [ENTER] para confirmar su selección.

Nota: cuando la unidad está en modo DMX y no se detecta señal DMX, la pantalla parpadea.



Información adicional acerca de DMX512:

El protocolo DMX es una señal de alta velocidad ampliamente utilizada para controlar equipamiento de iluminación inteligente. Debe encadenar en serie su controlador DMX y todos los efectos luminosos conectados usando un cable balanceado XLR M/H de buena calidad. Para evitar un comportamiento extraño de los efectos de luces debido a interferencias, debe utilizar una resistencia terminal de 90Ω a 120Ω al final de la cadena. Nunca utilice cables divisores en Y, ¡esto simplemente no funcionará!



Cada efecto de la cadena necesita tener su propia dirección de inicio, para que sepa qué comandos del controlador son los que debe decodificar.

CONFIGURACIÓN DMX DE 3 CANALES:

Canal DMX	Valor DMX	Función	Observaciones
1	000-009	Apagado	
	010-031	Auto Par	Espectáculo automático solo de los proyectores y Derby RGB
	032-065	Auto Láser	Espectáculo automático solo con efecto Láser
	066-095	Led estrobo Auto	Espectáculo automático solo con el led estroboscópico blanco
	096-127	Mezcla Auto	Espectáculo automático de todos los efectos
	128-159	Sonido Par	Espectáculo controlado por sonido de los proyectores y Derby RGB
	160-191	Sonido Láser	Espectáculo controlado por sonido del efecto Láser
	192-223	Sonido Led Estrobo	Espectáculo controlado por sonido solo con el led estroboscópico blanco
	224-255	Sonido Mezcla	Espectáculo controlado por sonido de todos los efectos
Canal 1 = Modo Auto Par (valor DMX entre 010 y 031)			
2	000-009	AP01	Diferentes modos automáticos de los proyectores y DerbyS RGB
	010-019	AP02	
	020-029	AP03	
	030-039	AP04	
	040-049	AP05	
	050-059	AP06	
	060-069	AP07	
	070-079	AP08	

	080-089	AP09	
	090-099	AP10	
	100-109	AP11	
	110-119	AP12	
	120-129	AP13	
	130-139	AP14	
	140-149	AP15	
	150-159	AP16	
	160-169	AP17	
	170-255	AP18	
Canal 1 = Modo Auto Láser (valor DMX entre 032 y 065)			
2	000-039	AL01	Diferentes modos automáticos del Láser
	040-079	AL02	
	080-119	AL03	
	120-139	AL04	
	140-159	AL05	
	160-255	AL06	
Canal 1 = Led estrobo Auto (valor DMX entre 066 y 095)			
2	000-014	AF01	Diferentes modos automáticos del Led estroboscópico blanco
	015-029	AF02	
	030-044	AF03	
	045-059	AF04	
	060-074	AF05	
	075-089	AF06	
	090-104	AF07	
	105-119	AF08	
	120-134	AF09	
	135-255	AF10	
Canal 1 = Modo Mezcla Auto (valor DMX entre 096 y 127)			
2	000-019	AM01	Diferentes modos automáticos de todos los proyectores
	020-039	AM02	
	040-255	AM03	
Canal 1 = Modo Sonido Par (valor DMX entre 128 y 159)			
2	000-009	SP01	Diferentes modos controlados por sonido de los proyectores y DerbyS RGB
	010-019	SP02	
	020-029	SP03	
	030-039	SP04	
	040-049	SP05	
	050-059	SP06	
	060-069	SP07	
	070-079	SP08	
	080-089	SP09	
	090-099	SP10	
	100-109	SP11	
	110-119	SP12	

	120-129	SP13	
	130-139	SP14	
	140-149	SP15	
	150-159	SP16	
	160-169	SP17	
	170-255	SP18	
Canal 1 = Modo Sonido Láser (valor DMX entre 160 y 191)			
2	000-039	SL01	Diferentes modos controlados por sonido del láser
	040-079	SL02	
	080-119	SL03	
	120-139	SL04	
	140-159	SL05	
	160-255	SL06	
Canal 1 = Modo Sonido led estrobo (valor DMX entre 192 y 223)			
2	000-014	SF01	Diferentes modos controlados por sonido del Led estroboscópico blanco
	015-029	SF02	
	030-044	SF03	
	045-059	SF04	
	060-074	SF05	
	075-089	SF06	
	090-104	SF07	
	105-119	SF08	
	120-134	SF09	
	135-255	SF10	
Canal 1 = Modo Sonido Mezcla (valor DMX entre 224 y 255)			
2	000-019	SM01	Diferentes modos controlados por sonido de todos los proyectores
	020-039	SM02	
	040-255	SM03	
3	000-255	Control de velocidad	Control de velocidad para los programas automáticos (de lento a rápido)

CONFIGURACIÓN DMX DE 5 CANALES: *Controla solamente los proyectores RGB y los Derbys RGB*

Canal DMX	Valor DMX	Función	Observaciones
1	000-255	Rojo	0% → 100%
2	000-255	Verde	
3	000-255	Azul	
4	000-191	Atenuador	Atenuador general
	192-200	Atenuador activado por sonido	
	201-249	Estrobo	Velocidad = desde lento (201) hasta rápido (249)
	250-255	Todo blanco	Todos los colores activados
5	000-004	Parar	Efectos suaves de los Derby en rotación
	005-127	Rotación en sentido de las agujas del reloj	
	128-133	Parar	
	134-255	Rotación en sentido contrario	

CONFIGURACIÓN DMX DE 6 CANALES:

Canal DMX	Valor DMX	Función	Observaciones
1	000-255	Rojo 0% → 100%	Sólo se activa cuando el canal 4 se ajusta a control RGB manual (CNL4 = 000 – 009)
2	000-255	Verde 0% → 100%	
3	000-255	Azul 0% → 100%	
4	000-009	Control RGB manual	(Canales DMX 1, 2, 3 activados)
	010-031	Auto Par	Espectáculo automático solo de los proyectores y Derby RGB
	032-065	Auto Láser	Espectáculo automático solo con efecto Láser
	066-095	Led estrobo Auto	Espectáculo automático solo con el led estroboscópico blanco
	096-127	Mezcla Auto	Espectáculo automático de todos los efectos
	128-159	Sonido Par	Espectáculo controlado por sonido de los proyectores y Derby RGB
	160-191	Sonido Láser	Espectáculo controlado por sonido del efecto Láser
	192-223	Sonido Led Estrobo	Espectáculo controlado por sonido solo con el led estroboscópico blanco
	224-255	Sonido Mezcla	Espectáculo controlado por sonido de todos los efectos
Canal 4 = Modo Auto Par (valor DMX entre 010 y 031)			
5	000-009	AP01	Diferentes modos automáticos de los proyectores y DerbyS RGB
	010-019	AP02	
	020-029	AP03	
	030-039	AP04	
	040-049	AP05	
	050-059	AP06	
	060-069	AP07	
	070-079	AP08	
	080-089	AP09	
	090-099	AP10	
	100-109	AP11	
	110-119	AP12	
	120-129	AP13	
	130-139	AP14	
	140-149	AP15	
	150-159	AP16	
	160-169	AP17	
	170-255	AP18	
Canal 4 = Modo Auto Láser (valor DMX entre 032 y 065)			
5	000-039	AL01	Diferentes modos automáticos del Láser
	040-079	AL02	
	080-119	AL03	
	120-139	AL04	
	140-159	AL05	
	160-255	AL06	
Canal 4 = Led estrobo Auto (valor DMX entre 066 y 095)			
5	000-014	AF01	Diferentes modos automáticos del Led estroboscópico blanco
	015-029	AF02	

	030-044	AF03	
	045-059	AF04	
	060-074	AF05	
	075-089	AF06	
	090-104	AF07	
	105-119	AF08	
	120-134	AF09	
	135-255	AF10	
Canal 4 = Modo Mezcla Auto (valor DMX entre 096 y 127)			
5	000-019	AM01	Diferentes modos automáticos de todos los proyectores
	020-039	AM02	
	040-255	AM03	
Canal 4 = Modo Sonido Par (valor DMX entre 128 y 159)			
5	000-009	SP01	Diferentes modos controlados por sonido de los proyectores y DerbyS RGB
	010-019	SP02	
	020-029	SP03	
	030-039	SP04	
	040-049	SP05	
	050-059	SP06	
	060-069	SP07	
	070-079	SP08	
	080-089	SP09	
	090-099	SP10	
	100-109	SP11	
	110-119	SP12	
	120-129	SP13	
	130-139	SP14	
	140-149	SP15	
	150-159	SP16	
	160-169	SP17	
	170-255	SP18	
Canal 4 = Modo Sonido Láser (valor DMX entre 160 y 191)			
5	000-039	SL01	Diferentes modos controlados por sonido del láser
	040-079	SL02	
	080-119	SL03	
	120-139	SL04	
	140-159	SL05	
	160-255	SL06	
Canal 4 = Modo Sonido led estrobo (valor DMX entre 192 y 223)			
5	000-014	SF01	Diferentes modos controlados por sonido del Led estroboscópico blanco
	015-029	SF02	
	030-044	SF03	
	045-059	SF04	
	060-074	SF05	
	075-089	SF06	

	090-104	SF07	
	105-119	SF08	
	120-134	SF09	
	135-255	SF10	
Canal 4 = Modo Sonido Mezcla (valor DMX entre 224 y 255)			
5	000-019	SM01	Diferentes modos controlados por sonido de todos los proyectores
	020-039	SM02	
	040-255	SM03	
6	000-255	Control de velocidad	Control de velocidad para los programas automáticos (de lento a rápido)

CONFIGURACIÓN DMX DE 9 CANALES:

Canal DMX	Valor DMX	Función	Observaciones
Control de los proyectores RGB y Derbys RGB			
1	000-255	Rojo	0% → 100%
2	000-255	Verde	
3	000-255	Azul	
4	000-191	Atenuador	Atenuador general
	192-200	Atenuador activado por sonido	
	201-249	Estrobo	Velocidad = desde lento (201) hasta rápido (249)
	250-255	Todo blanco	Todos los colores activados
5	000-004	Parar	Efectos suaves de los Derby en rotación
	005-127	Rotación en sentido de las agujas del reloj	
	128-133	Parar	
	134-255	Rotación en sentido contrario	
Control del Láser			
6	000-004	Apagado	Láser rojo
	005-009	ENCENDIDO	
	010-255	Velocidad del estroboscopio (lento a rápido)	
7	000-004	Apagado	Láser verde
	005-009	ENCENDIDO	
	010-255	Velocidad del estroboscopio (lento a rápido)	
8	000-004	Parar	Motor del láser
	005-127	Rotación en sentido de las agujas del reloj	
	128-133	Parar	
	134-255	Rotación en sentido contrario	
Control del Led estroboscópico blanco			
9	000-004	Apagado	
	005-009	Todas encendidas	
	010-255	Velocidad del estroboscopio (lento a rápido)	

CONFIGURACIÓN DMX DE 27 CANALES:

Canal DMX	Valor DMX	Función	Observaciones
Control del Derby RGB (1)			
1	000-255	Rojo	0% → 100%
2	000-255	Verde	
3	000-255	Azul	
4	000-191	Estrobo desactivado	Efecto estroboscópico
	192-200	Velocidad (lento a rápido)	
5	000-004	Parar	Giro
	005-127	Rotación en sentido de las agujas del reloj Lento a rápido	
	128-133	Parar	
	134-255	Rotación en sentido contrario Lento a rápido	
Proyector RGB (2)			
6	000-255	Rojo	0% → 100%
7	000-255	Verde	
8	000-255	Azul	
9	000-009	Estrobo desactivado	Efecto estroboscópico
	010-255	Velocidad (lento a rápido)	
10	000-255	-	Sin uso
Control del Derby RGB (3)			
11	000-255	Rojo	0% → 100%
12	000-255	Verde	
13	000-255	Azul	
14	000-009	Estrobo desactivado	Efecto estroboscópico
	010-255	Velocidad (lento a rápido)	
15	000-255	-	Sin uso
Control del Derby RGB (4)			
16	000-255	Rojo	0% → 100%
17	000-255	Verde	
18	000-255	Azul	
19	000-009	Estrobo desactivado	Efecto estroboscópico
	010-255	Velocidad (lento a rápido)	
20	000-004	Parar	Giro
	005-127	Rotación en sentido de las agujas del reloj Lento a rápido	
	128-133	Parar	
	134-255	Rotación en sentido contrario Lento a rápido	
Control del Láser			
21	000-004	Apagado	Láser rojo
	005-009	ENCENDIDO	
	010-255	Velocidad del estroboscopio (lento a rápido)	

22	000-004	Apagado	Láser verde
	005-009	ENCENDIDO	
	010-255	Velocidad del estroboscopio (lento a rápido)	
23	000-004	Parar	Motor del láser
	005-127	Rotación en sentido de las agujas del reloj	
	128-133	Parar	
	134-255	Rotación en sentido contrario	
Control del Led estroboscópico blanco			
24	000-004	Apagado	Led 1
	005-009	Todas encendidas	
	010-255	Velocidad del estroboscopio (lento a rápido)	
25	000-004	Apagado	Led 2
	005-009	Todas encendidas	
	010-255	Velocidad del estroboscopio (lento a rápido)	
26	000-004	Apagado	Led 3
	005-009	Todas encendidas	
	010-255	Velocidad del estroboscopio (lento a rápido)	
27	000-004	Apagado	Led 4
	005-009	Todas encendidas	
	010-255	Velocidad del estroboscopio (lento a rápido)	

Funciones adicionales en el menú

- Presione el botón [MENU] hasta que vea [SYS] en el visualizador.
- Presione el botón [ENTER] si desea entrar en esta parte del menú con las opciones adicionales.
- Utilice los botones [UP/DOWN] para desplazarse por las funciones adicionales en el menú del sistema.
 - [AddS] le ofrece la oportunidad de cambiar la posición de las órdenes de los 4 proyectores RGB
 - Presione el botón [ENTER] para entrar en la configuración de la opción.
 - Parpadeará la posición del primer proyector
 - Utilice el botón [UP] para ir hasta el proyector del que necesita cambiar su posición
 - Presione el botón [DOWN] para cambiar el número de posición del proyector
 - Vuelva a pulsar el botón [UP] para cambiar el número de posición de otro proyector
 - Repita estos pasos las veces que sean necesarios
 - Cuando haya terminado de realizar ajustes, pulse el botón [ENTER] para confirmar dicha configuración.

IMPORTANTE: Si ajustas una combinación incorrecta (el mismo número de proyector diferentes veces) algunos proyectores puede que no funcionen nunca más.

Si un proyector no funciona, primero comprueba que si la posición de comando es correcta. STANDARD = 1-2-3-4

- [LEdS] con esta opción puede decidir si debe permanecer encendido el visualizador o si se puede apagar transcurrido un rato si no presenta nueva información
 - Presione el botón [ENTER] para entrar en la configuración de la opción.
 - Use los botones [UP/DOWN] para seleccionar el modo que desee:
 - ON = función activada. Cuando no sea necesario presentar nueva información en el visualizador, este se apagará. Tan pronto como esté disponible nueva información (por ejemplo: cuando esté usando el mando a distancia para utilizar otro modo) el visualizador se reactivará

- automáticamente para mostrarle esta nueva información. Transcurrido un momento, se volverá a apagar.
 - OFF = función desactivada. El visualizador LED permanecerá siempre encendido.
 - Presione el botón [ENTER] para confirmar su selección.
 - [TEST] iniciará el modo de pruebas automático, de modo que puede verificar si todos los proyectores están funcionando.
 - [rEst] se puede utilizar para recuperar todos los parámetros originales de fábrica de la barra
 - Sólo tiene que presionar el botón [ENTER] para reiniciar la barra.

MANTENIMIENTO

- Asegúrese de que el área debajo del lugar de instalación esté libre de personas no autorizadas cuando realice mantenimiento/repares.
- Apague la unidad, desenchufe el cable de alimentación y espere hasta que se enfríe.

Durante la inspección deben revisarse los puntos siguientes:

- Todos los tornillos utilizados para la instalación del dispositivo y cualquiera de sus componentes deben estar bien apretados y no pueden tener corrosión.
- Las carcasas, fijaciones y puntos de instalación (techo, refuerzos, suspensiones) deben estar totalmente libres de cualquier deformación.
- Cuando una lente óptica esté visiblemente dañada debido a grietas o arañazos profundos, debe ser sustituida.
- Los cables de alimentación deben estar en condiciones impecables y deben sustituirse inmediatamente incluso si se detecta un problema pequeño.
- Para proteger el dispositivo contra el sobrecalentamiento, los ventiladores de enfriamiento (si hay alguno) y las aberturas de ventilación deben limpiarse mensualmente.
- El interior del dispositivo debe limpiarse anualmente utilizando una aspiradora o chorro de aire.
- La limpieza de las lentes ópticas y/o espejos internos y externos debe efectuarse periódicamente para optimizar la salida de la luz. La frecuencia de limpieza depende del entorno en el que opera el proyector; ambientes húmedos, con humo o especialmente sucios pueden provocar una mayor acumulación de suciedad en los componentes ópticos de la unidad.
 - Límpielos con un paño suave utilizando productos normales para la limpieza del vidrio.
 - Siempre seque cuidadosamente las piezas.
 - Limpie la óptica externa al menos una vez cada 30 días.
 - Limpie la óptica interna al menos cada 90 días.

Atención: ¡Recomendamos encarecidamente que la limpieza se lleve a cabo por personal cualificado!

ESPECIFICACIONES

Entrada de alimentación:	100~240V CA, 50/60Hz
Fusible:	250V 2A retardado (cristal 20mm)
Consumo total de energía:	48W
Control de sonido:	Micrófono interno
Conexiones DMX:	XLR 3 pines macho / hembra
Canales DMX:	3, 5, 6, 9 o 27 canales
Potencia del LED PAR:	2 proyectores con 3 LEDs triples de 9 W
Ángulo del haz PAR:	15°
Potencia del LED Derby:	2 proyectores, cada uno con un led Rojo de 3 W, uno verde de 3 W y uno azul de 3 W
Potencia de láser:	30 mW 532 nm Verde, 100 mW 650 nm Rojo
Clase de radiación Láser:	3R
LEDs estroboscópicos:	4 Leds blancos de 1 W
Temperatura de funcionamiento:	10°C hasta 40°C
Estándar de Seguridad Láser:	EN/IEC 60825-1 2007
Tamaño:	1185x386x110 mm
Peso:	Barra= 6,6 kg, Barra junto con el maletín = 8,35 kg

Esta información está sujeta a cambios sin notificación previa

Puede descargar la versión más reciente de este manual de usuario en nuestro sitio Web: www.jb-systems.eu



JB SYSTEMS

MAILING LIST

EN: Subscribe today to our mailing list for the latest product news!

FR: Inscrivez-vous à notre liste de distribution si vous souhaitez suivre l'actualité de nos produits!

NL: Abonneer je vandaag nog op onze mailinglijst en ontvang ons laatste product nieuws!

DE: Abonnieren Sie unseren Newsletter und erhalten Sie aktuelle Produktinformationen!

ES: Suscribete hoy a nuestra lista de correo para recibir las últimas noticias!

WWW.JB-SYSTEMS.EU

Copyright © 2017 by BEGLEC NV

t Hofveld 2C ~ B1702 Groot-Bijgaarden ~ Belgium

Reproduction or publication of the content in any manner, without express permission of the publisher, is prohibited.