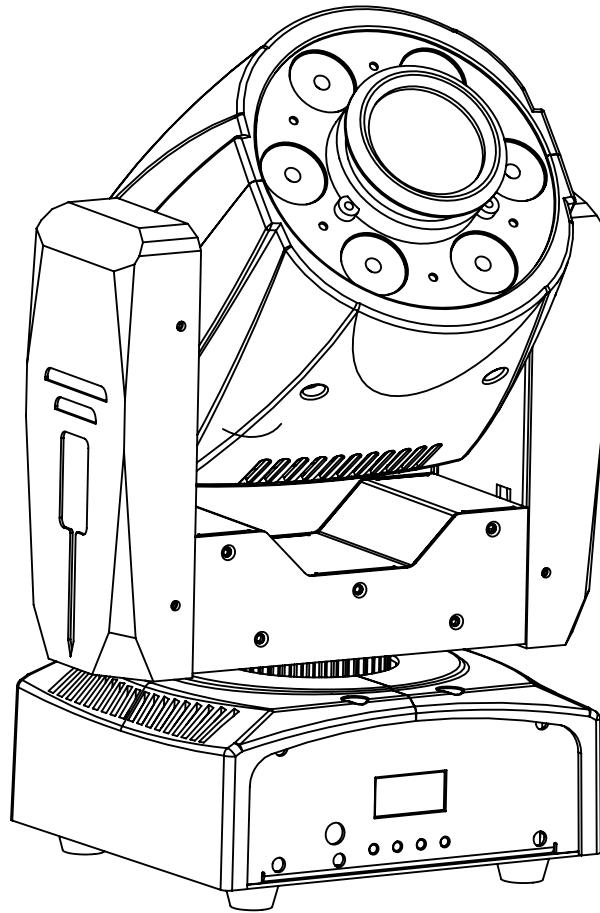
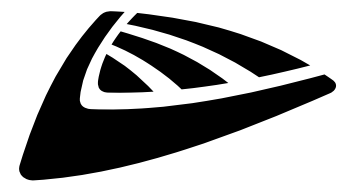


# STRIKER



## ENGLISH Operation Manual

Other languages can be downloaded from:  
[WWW.JB-SYSTEMS.EU](http://WWW.JB-SYSTEMS.EU)



*Version: 2.0*

**JB SYSTEMS**



### **EN - DISPOSAL OF THE DEVICE**

Dispose of the unit and used batteries in an environment friendly manner according to your country regulations.

### **FR - DÉCLASSER L'APPAREIL**

Débarrassez-vous de l'appareil et des piles usagées de manière écologique Conformément aux dispositions légales de votre pays.

### **NL - VERWIJDEREN VAN HET APPARAAT**

Verwijder het toestel en de gebruikte batterijen op een milieuvriendelijke manier conform de in uw land geldende voorschriften.

### **DU - ENTSORGUNG DES GERÄTS**

Entsorgen Sie das Gerät und die Batterien auf umweltfreundliche Art und Weise gemäß den Vorschriften Ihres Landes.

### **ES - DESHACERSE DEL APARATO**

Reciclar el aparato y pilas usadas de forma ecologica conforme a las disposiciones legales de su país.

### **PT - COMO DESFAZER-SE DA UNIDADE**

Tente reciclar a unidade e as pilhas usadas respeitando o ambiente e em conformidade com as normas vigentes no seu país.

# OPERATION MANUAL

Thank you for buying this JB Systems® product. To take full advantage of all possibilities and for your own safety, please read these operating instructions very carefully before you start using this unit.

## FEATURES

- An extremely compact but very bright LED moving spot and wash with 10° beam (spot)
- Specially designed for DJs and smaller clubs.
- Based on a 30W high power white LED (spot) and 6 RGBW 8W LED'S (Wash)
- Very low power consumption, only 95 W (money saving!)
- 0-100% dimming and different strobe effects
- Separate gobo wheel with 7 fixed gobos + open
- Separate color wheel with 7 colors + open
- Focus controlled by DMX
- Excellent built-in programs for wonderful, ever changing, light shows.
- Multiple working modes:
  - DMX-control: via 5 or 19 channels
  - Standalone: sound activated with internal mic
  - Master/slave: wonderful synchronized shows in standalone mode
- Prepared for wireless DMX: just plug-in an optional WTR-DMX DONGLE ! (Briteq® order code: 4645)
- 4-digit LED-display for easy menu navigation

## BEFORE USE

- Before you start using this unit, please check if there's no transportation damage. Should there be any, do not use the device and consult your dealer first.
- **Important:** This device left our factory in perfect condition and well packaged. It is absolutely necessary for the user to strictly follow the safety instructions and warnings in this user manual. Any damage caused by mishandling is not subject to warranty. The dealer will not accept responsibility for any resulting defects or problems caused by disregarding this user manual.
- Keep this booklet in a safe place for future consultation. If you sell the fixture, be sure to add this user manual.

### Check the contents:

Check that the carton contains the following items:

- Striker unit
- U-bracket with bolts (for Truss clamp)
- IEC-power cable
- Operating instructions

## SAFETY INSTRUCTIONS:



**CAUTION**  
RISK OF ELECTRIC SHOCK  
DO NOT OPEN



**CAUTION:** To reduce the risk of electric shock, do not remove the top cover. No user-serviceable parts inside. Refer servicing to qualified service personnel only.



The lightning flash with arrowhead symbol within the equilateral triangle is intended to alert the user to the presence of un-insulated "dangerous voltage" within the product's enclosure that may be of sufficient magnitude to constitute a risk of electric shock.



The exclamation point within the equilateral triangle is intended to alert the user to the presence of important operation and maintenance (servicing) instructions in the literature accompanying this appliance.



This symbol means: indoor use only



This symbol means: Read instructions

**RISK GROUP 2**  
**CAUTION:**  
Do not stare at operating lamp

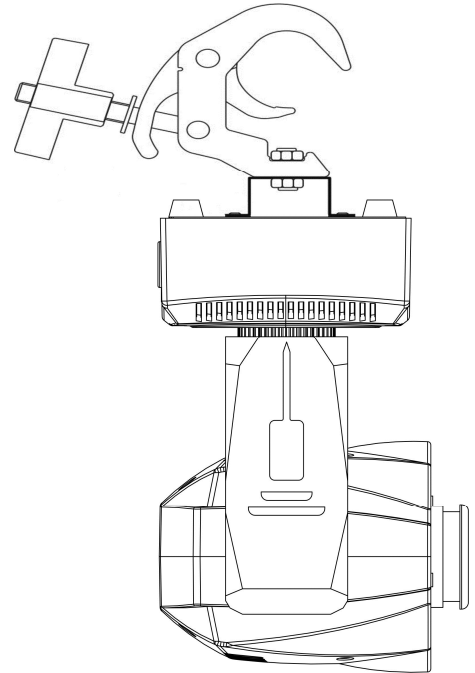
**CAUTION:** Do not stare at operating lamp.  
May be harmful to the eyes.

- To protect the environment, please try to recycle the packing material as much as possible.
- To prevent fire or shock hazard, do not expose this appliance to rain or moisture.
- To avoid condensation to be formed inside, allow the unit to adapt to the surrounding temperatures when bringing it into a warm room after transport. Condense sometimes prevents the unit from working at full performance or may even cause damages.
- This unit is for indoor use only.
- Don't place metal objects or spill liquid inside the unit. Electric shock or malfunction may result. If a foreign object enters the unit, immediately disconnect the mains power.
- Locate the fixture in a well ventilated spot, away from any flammable materials and/or liquids. The fixture must be fixed at least 50cm from surrounding walls.
- Don't cover any ventilation openings as this may result in overheating.
- Prevent use in dusty environments and clean the unit regularly.
- Keep the unit away from children.
- Inexperienced persons should not operate this device.
- Maximum safe ambient temperature is 40°C. Don't use this unit at higher ambient temperatures.
- Make sure the area below the installation place is free from unwanted persons during rigging, de-rigging and servicing.
- Allow the device about 10 minutes to cool down before to start servicing.
- Always unplug the unit when it is not used for a longer time or before to start servicing.
- The electrical installation should be carried out by qualified personal only, according to the regulations for electrical and mechanical safety in your country.
- Check that the available voltage is not higher than the one stated on the unit.
- The power cord should always be in perfect condition. Switch the unit immediately off when the power cord is squashed or damaged. It must be replaced by the manufacturer, its service agent or similarly qualified persons in order to avoid a hazard.
- Never let the power-cord come into contact with other cables!
- This fixture must be earthed in order to comply with safety regulations.
- Don't connect the unit to any dimmer pack.
- Always use an appropriate and certified safety cable when installing the unit.
- In order to prevent electric shock, do not open the cover. There are no user serviceable parts inside.
- **Never** repair a fuse or bypass the fuse holder. **Always** replace a damaged fuse with a fuse of the same type and electrical specifications!
- In the event of serious operating problems, stop using the fixture and contact your dealer immediately.
- The housing and the lenses must be replaced if they are visibly damaged.
- Please use the original packing when the device is to be transported.
- Due to safety reasons it is prohibited to make unauthorized modifications to the unit.

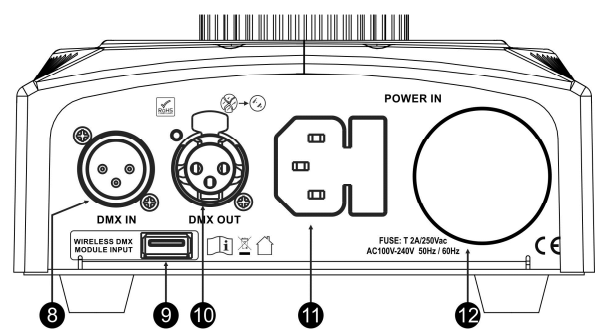
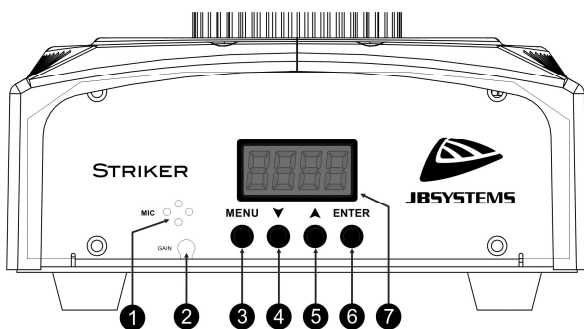
**Important:** Never look directly into the light source! Don't use the effect in the presence of persons suffering from epilepsy.

## OVERHEAD RIGGING

- **Important:** The installation must be carried out by qualified service personal only. Improper installation can result in serious injuries and/or damage to property. Overhead rigging requires extensive experience! Working load limits should be respected, certified installation materials should be used, the installed device should be inspected regularly for safety.
- Make sure the area below the installation place is free from unwanted persons during rigging, de-rigging and servicing.
- Locate the fixture in a well ventilated spot, far away from any flammable materials and/or liquids. The fixture must be fixed at least 50cm from surrounding walls.
- The device should be installed out of reach of people and outside areas where persons may walk by or be seated.
- Before rigging make sure that the installation area can hold a minimum point load of 10times the device's weight.
- Always use a certified safety cable that can hold 12 times the weight of the device when installing the unit. This secondary safety attachment should be installed in a way that no part of the installation can drop more than 20cm if the main attachment fails.
- The device should be well fixed; a free-swinging mounting is dangerous and may not be considered!
- Don't cover any ventilation openings as this may result in overheating.
- The operator has to make sure that the safety-relating and machine-technical installations are approved by an expert before using them for the first time. The installations should be inspected every year by a skilled person to be sure that safety is still optimal.



## HOW TO SET UP THE UNIT FRONT + BACK PANEL:



1. **[MIC]:** microphone for sound mode
2. **[GAIN]:** trimmer to adjust the sensitivity of the microphone (1) by use of a small screwdriver
3. **[MENU]:** press this button to go back to the main menu or to leave submenus.
4. **[▼] button :** press this button to go down in the menu
5. **[▲] button :** press this button to go up in the menu
6. **[ENTER]:** press this button to confirm the selected function in the menu
7. **[DISPLAY]:** shows the information on the different modes and functions.
8. **[DMX IN]:** 3p XLR Male connector to receive DMX data from a console or use in Master/slave mode.
9. **M-DMX INPUT:** Please note that this USB-connector is NOT used for updates or to connect the unit to a PC! Instead this USB-connector makes it very easy to add wireless DMX to the unit! Just add the (optional) WTR-DMX DONGLE from BRITEQ® and you will get wireless DMX! Moreover you will be able to connect other DMX-controlled equipment to the DMX-output so you can share the wireless DMX function with all connected units! No extra settings to be made in the setup menu, just follow the

procedure in the user manual supplied with the WTR-DMX DONGLE from BRITEQ®. *The separate WTR-DMX DONGLE is available from WWW.BRITEQ-LIGHTING.COM (order code: 4645)*

- 10. **[DMX OUT]:** 3p XLR Female connector to connect other projectors or use in Master/slave mode.
- 11. **[POWER IN]:** with IEC socket and integrated fuse holder, connect the supplied mains cable here.
- 12. **[FAN]:** for cooling the electronic components in the base of the machine.

**SETUP MENU:**

- This is the list of all the functions in the machine.
- To select any of these functions, press the [MENU] button and use the [▲/▼] buttons to browse the menu.
- Select the desired function with the [ENTER] button.
- Use [▲/▼] buttons to change the mode or value.
- Once the required mode or value is selected, press the [ENTER] button to select.

**[A001...A512]**

**Used to set the starting address in a DMX setup.**

- Press the [MENU] and [▲/▼] buttons until [A001] is shown on the display.
- Press the [ENTER] button.
- Use [▲/▼] buttons to change the DMX512 address.
- Once the correct address is shown on the display, press the [ENTER] button to select and store it.
- Press the [MENU] button to return to the main menu.

**Reset mode [rSt]**

**Used to reset the machine.**

- Press the [MENU] and [▲/▼] buttons until [rSt] is shown on the display.
- Press the [ENTER] button.
- The machine will now do it's reset to the startup values.

**Offset mode [Ad t]**

**Used to adjust the home position of Pan, Tilt, Color, Gobo and Focus.**

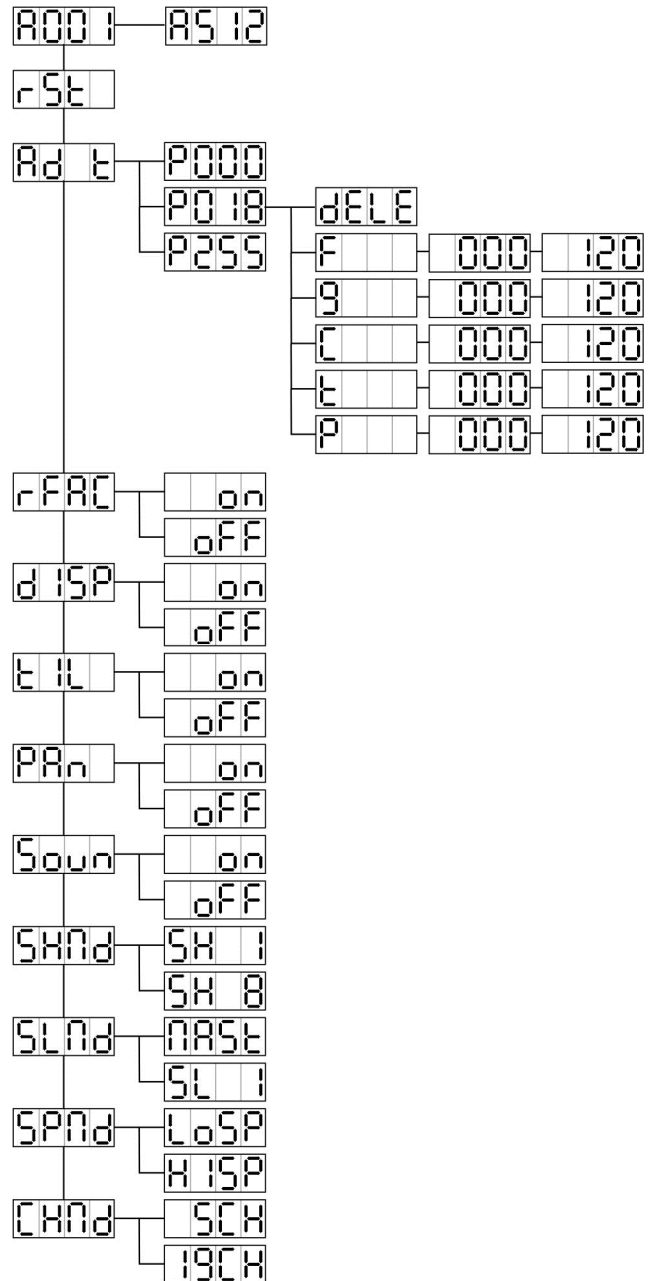
Press the [MENU] and [▲/▼] buttons until [Ad t] is shown on the display.

- Press the [ENTER] button.
- Use [▲/▼] buttons to select [P018]
- Press the [ENTER] button.
  - **[dELE]:** this will put all the offset values to 0000.
  - **[F]:** use [▲/▼] buttons to adjust the OFFSET of the [FOCUS].
  - **[g]:** use [▲/▼] buttons to adjust the OFFSET of the [GOBO].
  - **[C]:** use [▲/▼] buttons to adjust the OFFSET of the [COLOR].
  - **[t]:** use [▲/▼] buttons to adjust the OFFSET of the [TILT].
  - **[P]:** use [▲/▼] buttons to adjust the OFFSET of the [PAN].
- Press the [MENU] button to return to the main menu.

**Factory reset mode [rFAC]**

**Used to reset the machine to its original factory settings.**

- Press the [MENU] and [▲/▼] buttons until [rFAC] is shown on the display.



- Press the [ENTER] button.
- Use [▲/▼] buttons to select [ON] or [OFF].
- Once the right mode is shown on the display, press the [ENTER] button to select it.
- Press the [MENU] button to return to the main menu.

#### **Display mode [dISP]**

**Rotate the display over 180° (upside-down) or not.**

- Press the [MENU] and [▲/▼] buttons until [dISP] is shown on the display.
- Press the [ENTER] button.
- The display will show [oFF]

#### **Tilt Inversion [tIL]**

**OFF: Tilt movement is not inverted.**

**ON: Tilt movement is inverted**

- Press the [MENU] and [▲/▼] buttons until [tIL] is shown on the display.
- Press the ENTER button.
- Use [▲/▼] button to choose [OFF] (normal) or [On] (tilt inversion) mode.
- Once the right mode is shown on the display, press the ENTER button to select it.
- Press the [MENU] button to return to the main menu.

#### **Pan Inversion [PAn]**

**OFF: Panning movement is not inverted.**

**ON: Panning movement is inverted**

- Press the [MENU] and [▲/▼] buttons until [PAn] is shown on the display.
- Press the ENTER button.
- Use [▲/▼] button to choose [OFF] (normal) or [On] (pan inversion) mode.
- Once the right mode is shown on the display, press the ENTER button to select it.
- Press the [MENU] button to return to the main menu.

#### **Sound mode [Soun]**

**Used to activate or deactivate sound control.**

- Press the [MENU] and [▲/▼] buttons until [Soun] is shown on the display.
- Press the ENTER button.
- Use [▲/▼] button to choose [OFF] (DMX or Master/slave control) or [On] (sound) mode.
- Once the right mode is shown on the display, press the ENTER button to select it.
- Press the [MENU] button to return to the main menu.

#### **Show mode [SHMd]**

**Used to start running automatic shows in standalone or Master/slave mode.**

- Press the [MENU] and [▲/▼] buttons until [SHMd] is shown on the display.
- Press the ENTER button.
- Use [▲/▼] button to choose [SH1...SH8] .
- Once the right mode is shown on the display, press the ENTER button to select it.
- Press the [MENU] button to return to the main menu.

#### **Master/slave mode [SLMd]**

**Used to make the slave unit work synchronized with the Master.**

- Press the [MENU] and [▲/▼] buttons until [SLMd] is shown on the display.
- Press the ENTER button.
- Use [▲/▼] button to choose [MASt] or [SL 1].
- Once the right mode is shown on the display, press the ENTER button to select it.
  - [MASt] will start the machine running a show as Master.
  - [SL 1] will make the machine running as Slave when physically connected to a Master.
- Press the [MENU] button to return to the main menu.

#### **Speed mode [SPMd]**

**Used to run sound controlled shows in high or low speed mode.**

- Press the [MENU] and [▲/▼] buttons until [SPMd] is shown on the display.
- Press the ENTER button.

- Use [▲/▼] button to choose Low speed [LoSP] or High speed [HISP] .
- Once the right mode is shown on the display, press the ENTER button to select it.
- Press the [MENU] button to return to the main menu.

**Channel mode [CHMd]**

Used to set the desired channel setup mode.

- Press the [MENU] and [▲/▼] buttons until [CHMd] is shown on the display.
- Press the ENTER button.
- Use [▲/▼] button to choose 5 channel mode [5CH] or 19 channel mode [19CH] .
- Once the right mode is shown on the display, press the ENTER button to select it.
- Press the [MENU] button to return to the main menu.

**ELECTRICAL INSTALLATION + ADDRESSING**

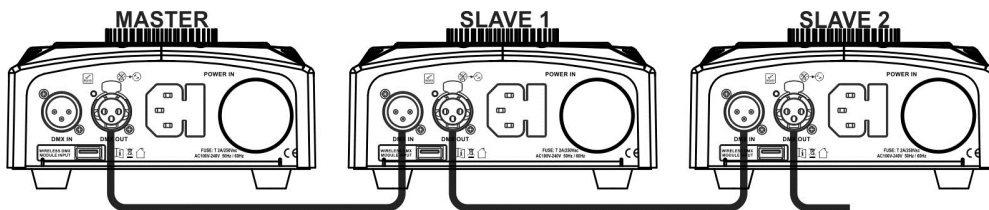
**⚠ Important:** The electrical installation should be carried out by qualified personal only, according to the regulations for electrical and mechanical safety in your country.

**Electrical installation for 1 standalone unit:**

- Just insert the mains cable. The unit starts working immediately in stand-alone mode.

**Electrical installation for two or more units in master/slave:**

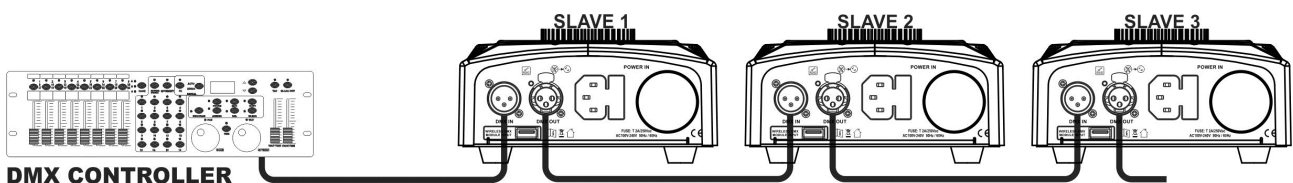
In this mode the units will show a synchronized show, working to the rhythm of the beat.



- Connect 2 to maximum 16 units together using good quality balanced microphone cables. Put the first unit in the chain in master mode (see Setup menu) and the other units as slaves (see Setup menu).
- Make sure that all units are connected to the mains.
- Done!

**Electrical installation in DMX-mode:**

- The DMX-protocol is a widely used high speed signal to control intelligent light equipment. You need to “daisy chain” your DMX controller and all the connected units with a good quality balanced cable.
- Both XLR-3pin and XLR-5pin connectors are used, however XLR-3pin is more popular because these cables are compatible with balanced audio cables.  
Pin layout XLR-3pin: Pin1 = GND ~ Pin2 = Negative signal (-) ~ Pin3 = Positive signal (+)
- To prevent strange behavior of the light effects, due to interferences, you must use a 90Ω to 120Ω terminator at the end of the chain. Never use Y-splitter cables, this simply won't work!
- Make sure that all units are connected to the mains.
- Each light effect in the chain needs to have its proper starting address so it knows which commands from the controller it has to decode. In the next section you will learn how to set the DMX addresses.





**HOW TO SET THE RIGHT STARTING ADDRESS:**

Refer to the setup menu to learn how to set the starting address on this unit. The starting address of each unit is very important. Unfortunately it is impossible to tell you in this user manual which starting addresses you have to set because this completely depends on the controller you will use... So please refer to the user manual of your DMX-controller to find out which starting addresses you must set.

**DMX-CONFIGURATION OF THE STRIKER IN 5 AND 19CH MODE:**

**5 CHANNEL MODE :**

<b>DMX Channel</b>	<b>DMX-value</b>	<b>function</b>	<b>remarks</b>
<b>1</b>	000-255	Pan	<b>PAN</b>
<b>2</b>	000-255	Tilt	<b>TILT</b>
<b>3</b>	000-255	Focus	<b>FOCUS</b>
<b>4</b>	000-007	Manual	<b>AUTOMATIC PROGRAMS COLOR/GOBO</b>
	008-047	Auto program 1	
	048-087	Auto program 2	
	088-127	Auto program 3	
	128-167	Auto program 4	
	168-207	Auto program 5	
	208-247	Auto program 6	
	248-255	Color/gobo sound control	<b>SOUND CONTROLLED COLOR/GOBO</b>
<b>5</b>	000-007	Manual	<b>AUTOMATIC PROGRAMS PAN/TILT</b>
	008-032	PROGRAM 1	
	033-058	PROGRAM 2	
	059-084	PROGRAM 3	
	085-110	PROGRAM 4	
	111-136	PROGRAM 5	
	137-162	PROGRAM 6	
	163-188	PROGRAM 7	
	189-214	PROGRAM 8	
	215-240	PROGRAM 9	
	241-255	Pan/Tilt sound control	<b>SOUND CONTROLLED PAN/TILT</b>

**19 CHANNEL MODE :**

<b>DMX Channel</b>	<b>DMX-value</b>	<b>function</b>	<b>remarks</b>
<b>1</b>	000-255	Pan	<b>PAN</b>
<b>2</b>	000-255	Pan fine	<b>PAN Fine</b>
<b>3</b>	000-255	Tilt	<b>TILT</b>
<b>4</b>	000-255	Tilt fine	<b>TILT Fine</b>
<b>5</b>	000-255	Pan/Tilt Speed	
<b>6</b>	000-023	Color Spot	<b>Open (white)</b>
	024-047		<b>Orange</b>
	048-071		<b>Blue</b>
	072-095		<b>Magenta</b>
	096-119		<b>Yellow</b>
	120-143		<b>Green</b>
	144-167		<b>Blue (dark)</b>
	168-191		<b>Red</b>
	192-255		<b>Rainbow (slow/fast/reverse)</b>
<b>7</b>	000-011	Gobo	<b>Open (white)</b>
	012-023		<b>Gobo 1</b>
	024-035		<b>Gobo 2</b>
	036-047		<b>Gobo 3</b>
	048-059		<b>Gobo 4</b>
	060-071		<b>Gobo 5</b>
	072-083		<b>Gobo 6</b>
	084-095		<b>Gobo 7</b>
	096-111		<b>Shaking gobo 1</b>
	112-127		<b>Shaking gobo 2</b>
	128-143		<b>Shaking gobo 3</b>
	144-159		<b>Shaking gobo 4</b>
	160-175		<b>Shaking gobo 5</b>
	176-191		<b>Shaking gobo 6</b>
	192-255		<b>Rainbow (slow/fast/reverse)</b>
<b>8</b>	000-255	Focus	<b>FOCUS</b>
<b>9</b>	000-255	Dimmer Spot	<b>DIMMER 0% - 100%</b>
<b>10</b>	000-004	Shutter Spot	<b>Close</b>
	005-250	Strobe Spot	<b>Slow - fast</b>
	251-255	Shutter Spot	<b>Open</b>
<b>11</b>	000-255	Dimmer Wash	<b>DIMMER 0% - 100%</b>
<b>12</b>	000-004	Shutter Wash	<b>Close</b>
	005-250	Strobe Wash	<b>Slow - fast</b>
	251-255	Shutter Wash	<b>Open</b>
<b>13</b>	000-255	Color Wash	<b>Red</b>
<b>14</b>	000-255	Color Wash	<b>Green</b>
<b>15</b>	000-255	Color Wash	<b>Blue</b>
<b>16</b>	000-255	Color Wash	<b>White</b>

17	000-007	Manual	<b>AUTOMATIC PROGRAMS COLOR/GOBO</b>
	008-047	Auto program 1	
	048-087	Auto program 2	
	088-127	Auto program 3	
	128-167	Auto program 4	
	168-207	Auto program 5	
	208-247	Auto program 6	
	248-255	Color/gobo sound control	<b>SOUND CONTROLLED COLOR/GOBO</b>
18	000-007	Manual	<b>AUTOMATIC PROGRAMS PAN/TILT</b>
	008-032	PROGRAM 1	
	033-058	PROGRAM 2	
	059-084	PROGRAM 3	
	085-110	PROGRAM 4	
	111-136	PROGRAM 5	
	137-162	PROGRAM 6	
	163-188	PROGRAM 7	
	189-214	PROGRAM 8	
	215-240	PROGRAM 9	
	241-255	Pan/Tilt sound control	<b>SOUND CONTROLLED PAN/TILT</b>
19	251-255	Reset	<b>Reset</b>

## **MAINTENANCE**

- Make sure the area below the installation place is free from unwanted persons during servicing.
- Switch off the unit, unplug the mains cable and wait until the unit is cooled down.

**During inspection the following points should be checked:**

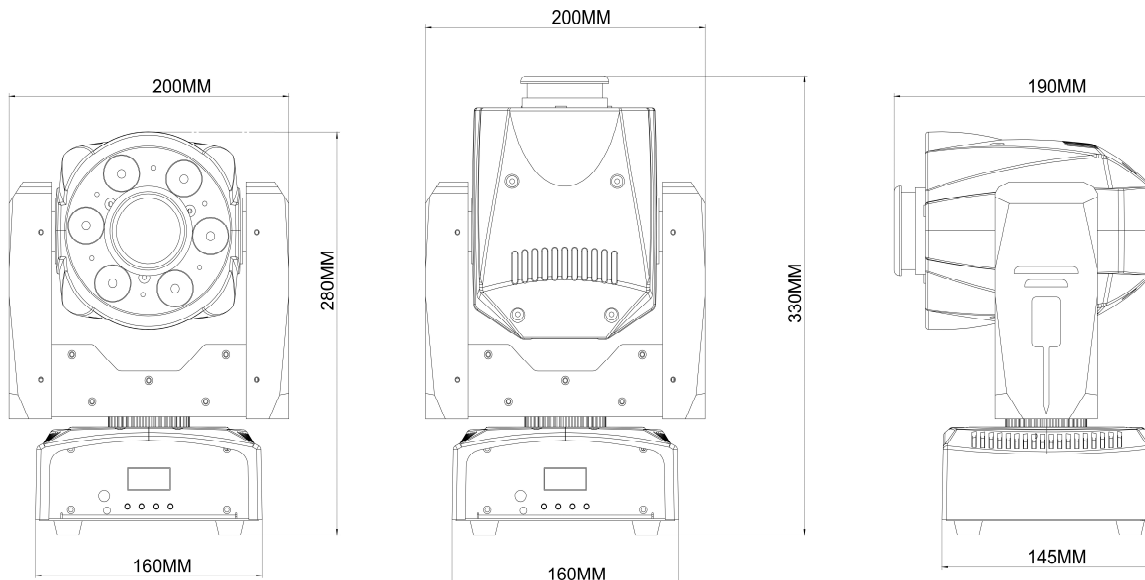
- All screws used for installing the device and any of its parts should be tightly fastened and may not be corroded.
- Housings, fixations and installations spots (ceiling, truss, suspensions) should be totally free from any deformation.
- When an optical lens is visibly damaged due to cracks or deep scratches, it must be replaced.
- The mains cables must be in impeccable condition and should be replaced immediately when even a small problem is detected.
- In order to protect the device from overheat the cooling fans (if any) and ventilation openings should be cleaned monthly.
- The interior of the device should be cleaned annually using a vacuum cleaner or air-jet.
- The cleaning of internal and external optical lenses and/or mirrors must be carried out periodically to optimize light output. Cleaning frequency depends on the environment in which the fixture operates: damp, smoky or particularly dirty surroundings can cause greater accumulation of dirt on the unit's optics.
  - Clean with a soft cloth using normal glass cleaning products.
  - Always dry the parts carefully.
  - Clean the external optics at least once every 30 days.
  - Clean the internal optics at least every 90 days.

**Attention: We strongly recommend internal cleaning to be carried out by qualified personnel!**

## SPECIFICATIONS

This unit is radio-interference suppressed. This product meets the requirements of the current European and national guidelines. Conformity has been established and the relevant statements and documents have been deposited by the manufacturer.

<b>Mains Input:</b>	AC 100 - 240V, 50/60Hz
<b>Power consumption:</b>	95 Watt (max)
<b>Fuse:</b>	250V 2A Fast blow (20mm glass)
<b>Power connections:</b>	IEC - 10A
<b>DMX connections:</b>	Neutrik 3pin-XLR male / female
<b>DMX channels used:</b>	5ch + 19ch
<b>Lamp:</b>	30W LED Engine (Spot ) + 6 x 8W RGBW (Wash)
<b>Beam Angle:</b>	10°
<b>Color wheel:</b>	7 colors + open
<b>GOBO wheel:</b>	7 fixed gobos + open
<b>IP-Rating:</b>	IP20
<b>Operating temperature (T<sub>a</sub>):</b>	0°C to 40°C
<b>Size:</b>	15x23x33cm (LxBxH)
<b>Weight:</b>	4,5 kg



Every information is subject to change without prior notice

You can download the latest version of this user manual on our website: [www.jb-systems.eu](http://www.jb-systems.eu)









**JB SYSTEMS**

## **MAILING LIST**

**EN: Subscribe today to our mailing list for the latest product news!**

**FR: Inscrivez-vous à notre liste de distribution si vous souhaitez suivre l'actualité de nos produits!**

**NL: Abonneer je vandaag nog op onze mailinglijst en ontvang ons laatste product nieuws!**

**DE: Abonnieren Sie unseren Newsletter und erhalten Sie aktuelle Produktinformationen!**

**ES: Suscribete hoy a nuestra lista de correo para recibir las últimas noticias!**

**[WWW.JB-SYSTEMS.EU](http://WWW.JB-SYSTEMS.EU)**

**Copyright © 2016 by BEGLEC NV**

t Hofveld 2C ~ B1702 Groot-Bijgaarden ~ Belgium

Reproduction or publication of the content in any manner, without express permission of the publisher, is prohibited.