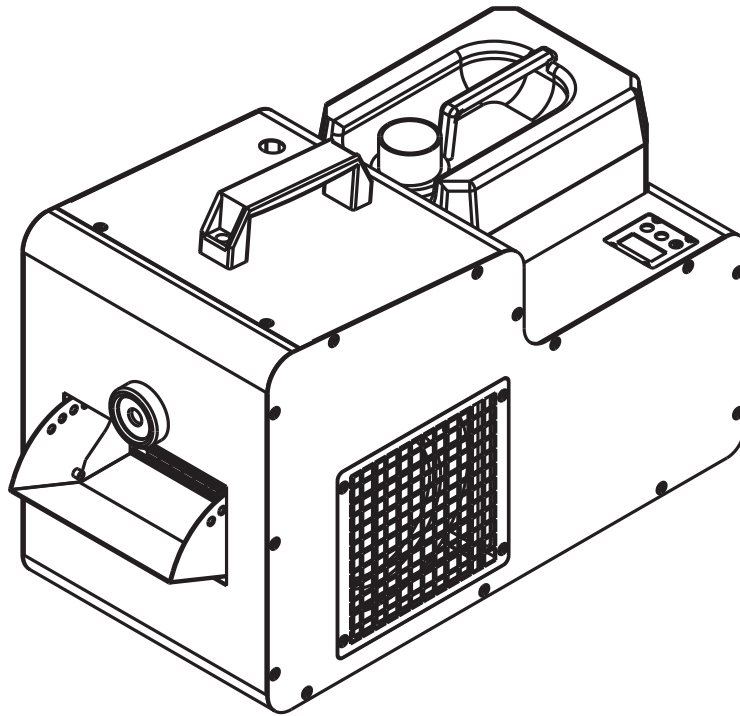


BT-FAZE 7500



ENGLISH **Operation Manual**

Other languages can be downloaded from:
WWW.BRITEQ-LIGHTING.COM

CE

Version: 1.0

BriteQ[®]
LIGHT RESEARCH



EN - DISPOSAL OF THE DEVICE

Dispose of the unit and used batteries in an environment friendly manner according to your country regulations.

FR - DÉCLASSER L'APPAREIL

Débarrassez-vous de l'appareil et des piles usagées de manière écologique conformément aux dispositions légales de votre pays.

NL - VERWIJDEREN VAN HET APPARAAT

Verwijder het toestel en de gebruikte batterijen op een milieuvriendelijke manier conform de in uw land geldende voorschriften.

DU - ENTSORGUNG DES GERÄTS

Entsorgen Sie das Gerät und die Batterien auf umweltfreundliche Art und Weise gemäß den Vorschriften Ihres Landes.

ES - DESHACERSE DEL APARATO

Reciclar el aparato y pilas usadas de forma ecologica conforme a las disposiciones legales de su país.

PT - COMO DESFAZER-SE DA UNIDADE

Tente reciclar a unidade e as pilhas usadas respeitando o ambiente e em conformidade com as normas vigentes no seu país.

OPERATION MANUAL

Thank you for buying this Briteq® product. To take full advantage of all possibilities and for your own safety, please read these operating instructions very carefully before you start using this unit.

FEATURES

- High Performance Fazer effect machine.
- The built-in turbine ensures a powerful dissipation of the smoke.
- Adjustable fog output and fan speed:
 - via 2 DMX channels
 - via the on board control panel with timer
- Continuous output is possible
- Extremely reliable thanks to the self-cleaning system
- Removable 5L fluid tank
- Fluid cap with Quick lock connector
- To be used with Antari FLG Fog Liquid
- 5-pin and 3-pin DMX connectors for input and output

BEFORE USE

- Before you start using this unit, please check if there's no transportation damage. Should there be any, do not use the device and consult your dealer first.
- **Important:** This device left our factory in perfect condition and well packaged. It is absolutely necessary for the user to strictly follow the safety instructions and warnings in this user manual. Any damage caused by mishandling is not subject to warranty. The dealer will not accept responsibility for any resulting defects or problems caused by disregarding this user manual.
- Keep this booklet in a safe place for future consultation. If you sell the fixture, be sure to add this user manual.

Check the contents:

Check that the carton contains the following items:

- Operating instructions
- Power cable
- BT-FAZE 7500

SAFETY INSTRUCTIONS:



CAUTION
RISK OF ELECTRIC SHOCK
DO NOT OPEN



CAUTION: To reduce the risk of electric shock, do not remove the top cover. No user-serviceable parts inside. Refer servicing to qualified service personnel only.



The lightning flash with arrowhead symbol within the equilateral triangle is intended to alert the user or the presence of un-insulated "dangerous voltage" within the product's enclosure that may be of sufficient magnitude to constitute a risk of electric shock.



The exclamation point within the equilateral triangle is intended to alert the user to the presence of important operation and maintenance (servicing) instructions in the literature accompanying this appliance.



This symbol means: indoor use only.



This symbol means: Read instructions.



This symbol determines: the minimum distance from objects. The minimum distance between fogger output and objects must be more than 1 meter. NEVER hold your hands close to the fogger output, the fog is very hot and can cause serious burnings !!!

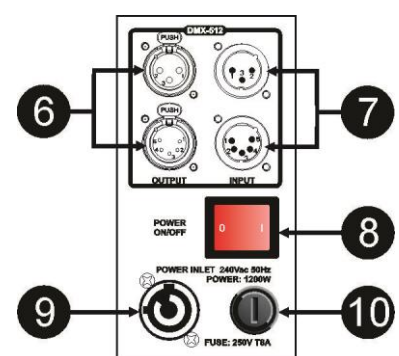
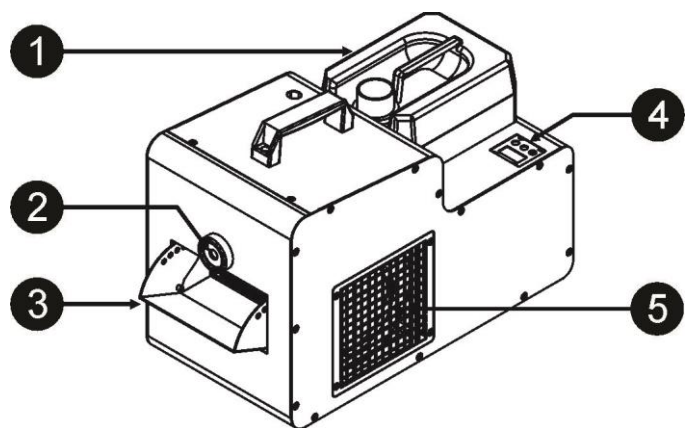
- To protect the environment, please try to recycle the packing material as much as possible.
- To prevent fire or shock hazard, do not expose this appliance to rain or moisture.
- To avoid condensation to be formed inside, allow the unit to adapt to the surrounding temperatures when

bringing it into a warm room after transport. Condense sometimes prevents the unit from working at full performance or may even cause damages.

- This unit is for indoor use only.
- Don't place metal objects or spill liquid inside the unit. Electric shock or malfunction may result. If a foreign object enters the unit, immediately disconnect the mains power.
- Locate the unit in a well ventilated spot, away from any flammable materials and/or liquids.
- Don't cover any ventilation openings as this may result in overheating.
- Prevent use in dusty environments and clean the unit regularly.
- Keep the unit away from children.
- Inexperienced persons should not operate this device.
- Maximum save ambient temperature is 40°C. Don't use this unit at higher ambient temperatures.
- The units' surface temperature may reach up to 85°C. Don't touch the housing with bare hands during its operation.
- Make sure to always place the unit on a stable surface, never install the fogger above the audience, a little liquid can always drip from the fog output.
- Allow the device about 10 minutes to cool down before you start servicing.
- Always unplug the unit when it is not used for a longer time or before you start servicing.
- Check that the available voltage is not higher than the one stated on the rear panel of the unit.
- The power cord should always be in perfect condition. Switch the unit immediately off when the power cord is squashed or damaged. It must be replaced by the manufacturer, its service agent or similarly qualified persons in order to avoid a hazard.
- Never let the power-cord come into contact with other cables!
- This unit must be earthed in order comply with safety regulations.
- In order to prevent electric shock, do not open the cover.
- **Never** repair a fuse or bypass the fuse holder. **Always** replace a damaged fuse with a fuse of the same type and electrical specifications!
- In the event of serious operating problems, stop using the fixture and contact your dealer immediately.
- The housing must be replaced if they are visibly damaged.
- Please use the original packing when the device is to be transported.
- Due to safety reasons it is prohibited to make unauthorized modifications to the unit.

DESCRIPTION:

1. **FOG FLUID CONTAINER:** to be filled with Antari FLG Fog Liquid. Make sure that the fog fluid container is never empty during operation;.
2. **FOG OUTPUT:** DANGER: this nozzle can be very hot and can sometimes leak some hot liquid. Keep a distance of at least 1meter !
3. **TURBINE OUTPUT:** the position of the flap can be adjusted to modify the direction of the air stream.
4. **CONTROL PANEL:** Used to control the working modes of the fogger:
 - Use the **[MENU]** Button to browse the different settings
 - **[d...]** = DMX address
 - **[P...]** = Fog output volume
 - **[F...]** = Fan speed
 - **[t...]** = Timer interval
 - Use the **[UP]** and **[DOWN]** buttons to modify the settings if needed:
5. **AIR INTAKE:** do not cover these air intakes. The filters should be cleaned regularly
6. **DMX OUTPUT:** female XLR-connector used to connect the projector with the next unit in the DMX chain.
7. **DMX INPUT:** male XLR-connector used to connect the projector with the DMX controller or with the previous unit in the DMX chain
8. **POWER SWITCH:** Used to switch the power of the unit on/off.



Don't forget to activate the self-cleaning function before to switch off the unit !

9. **MAINS INPUT:** connect the supplied mains cable here. The cable should be plugged in a mains wall socket with earth connection.
10. **INPUT FUSE:** When the fuse is blown, first locate and solve the problem that caused the fuse to blow. When the problem is solved, replace a damaged fuse only with a fuse of the same type and electrical specifications. (250V-8A)

OPERATING INSTRUCTIONS

- Put the fogger on a flat and very stable surface. Make sure that nobody can put their hands just in front of the output. The fog is very hot and can cause serious burnings!!!
- Make sure the fog liquid tank is not empty. Always use Antari FLG fog liquid to fill up the tank. Close the tank immediately to prevent dirt to enter the reservoir!
- Make sure to plug the fogger in a mains wall socket with earth connection
- Switch the fogger on and wait for about 2 to 3 minutes. (warm up time)
- You can now use the machine via the build-in timer or control the unit via DMX. (see below)

IMPORTANT: SELF CLEANING Function:

After use, don't turn of the unit immediately! The machine needs enough time to finish its self-cleaning process. This is very important for the reliability of the unit.

This is how to proceed:

- **When used via DMX:** Turn off the smoke output (first DMX channel = 000) and wait for about 30 seconds before to switch off the power.
- **When used with the internal timer:** set the output [P] in the menu to 000 and wait for about 30 seconds before to switch off the power.

Controlled via DMX:

- Connect the unit to the dmx line
- Press the [MENU] button till the DMX address [d---] (d followed by 3 numbers) appears on the display
- Modify the DMX address if needed with the [UP] and [DOWN] buttons
- The unit uses 2 DMX channels:
 - Channel 1 = fan speed (low to high)
 - Channel 2 = output control (low to high)

Controlled via the internal menu:

The unit will always activate the output for about 30 seconds. You can set the interval between these activations from 000 (continuous output) to 120 (+/-120 seconds)

Also the fan speed and fog output volume can be set.

This is how to proceed:

- The unit should not be connected to any DMX line
- Press the [MENU] button to browse the different setting options:
 - [d...] = Not used. (only for DMX control)
 - [P...] = Fog output volume
 - [F...] = Fan speed
 - [t...] = Timer interval

MAINTENANCE

- **IMPORTANT:** Always set the output to Zero and wait for minimum 30 seconds before to switch off the unit. This allows the unit to execute its cleaning process so all the remaining fluid is removed from the internal circuits..
- Switch off the unit, unplug the mains cable and wait until the unit has been cooled down.

During inspection the following points should be checked:

- All screws used for installing the device and any of its parts should be tightly fastened and may not be corroded.
- Housings, fixations and installations spots (ceiling, truss, suspensions) should be totally free from any deformation.
- The mains cables must be in impeccable condition and should be replaced immediately when even a small problem is detected.

Attention: We strongly recommend internal cleaning to be carried out by qualified personnel!

SPECIFICATIONS

This unit is radio-interference suppressed. This product meets the requirements of the current European and national guidelines. Conformity has been established and the relevant statements and documents have been deposited by the manufacturer.

This device has been designed to produce decorative effect lighting and is used in light show systems.

Mains Input:	AC 230V, 50Hz
Power consumption:	1200 Watt
DMX Channels:	2
Fuse:	T8A/250V (slow blow 6x30mm)
Output:	+/- 7500 cubic ft/min (200m ³)
Warm up time:	2.5 min
Tank size:	5L
Recommended Fluid:	Antari FLG-5
Size:	490 x 225 x 330 mm
Weight:	12 kg

All the information is subject to change without prior notice

You can download the latest version of this user manual on our website: www.briteq-lighting.eu



MAILING LIST

EN: Subscribe today to our mailing list for the latest product news!

FR: Inscrivez-vous à notre liste de distribution si vous souhaitez suivre l'actualité de nos produits!

NL: Abonneer je vandaag nog op onze mailinglijst en ontvang ons laatste product nieuws!

DE: Abonnieren Sie unseren Newsletter und erhalten Sie aktuelle Produktinformationen!

ES: Suscríbete hoy a nuestra lista de correo para recibir las últimas noticias!

PT: Inscreva-se hoje na nossa mailing list para estar a par das últimas notícias!

WWW.BRITEQ-LIGHTING.COM

Copyright © 2018 by BEGLEC NV

t Hofveld 2C ~ B1702 Groot-Bijgaarden ~ Belgium

Reproduction or publication of the content in any manner, without express permission of the publisher, is prohibited.