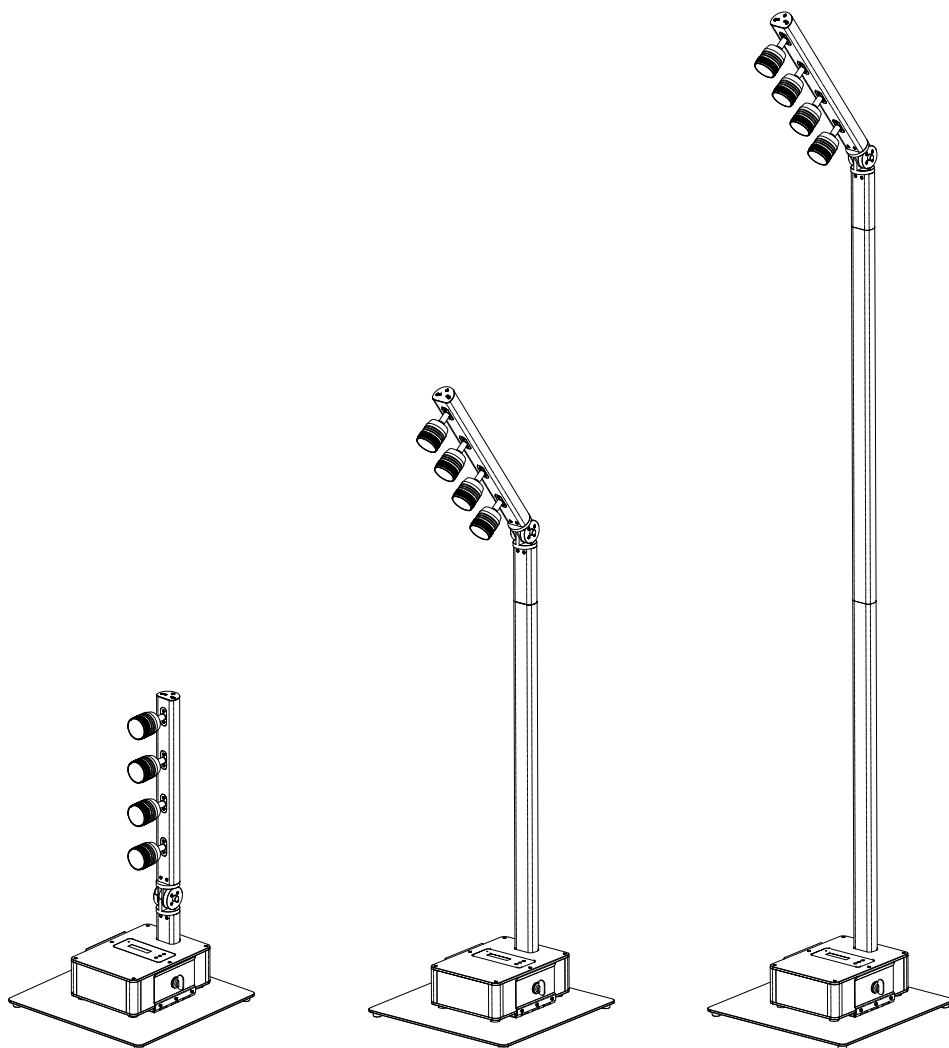


# ***BT-AKKUPOLE***

## ***BATTERY POWERED BUFFET LIGHTING***



# **ENGLISH**

## **Operation Manual**

Other languages can be downloaded from:  
[WWW.BRITEQ-LIGHTING.COM](http://WWW.BRITEQ-LIGHTING.COM)



*Version: 1.0*





### **EN - DISPOSAL OF THE DEVICE**

Dispose of the unit and used batteries in an environment friendly manner according to your country regulations.

### **FR - DÉCLASSER L'APPAREIL**

Débarrassez-vous de l'appareil et des piles usagées de manière écologique conformément aux dispositions légales de votre pays.

### **NL - VERWIJDEREN VAN HET APPARAAT**

Verwijder het toestel en de gebruikte batterijen op een milieuvriendelijke manier conform de in uw land geldende voorschriften.

### **DU - ENTSORGUNG DES GERÄTS**

Entsorgen Sie das Gerät und die Batterien auf umweltfreundliche Art und Weise gemäß den Vorschriften Ihres Landes.

### **ES - DESHACERSE DEL APARATO**

Reciclar el aparato y pilas usadas de forma ecologica conforme a las disposiciones legales de su país.

### **PT - COMO DESFAZER-SE DA UNIDADE**

Tente reciclar a unidade e as pilhas usadas respeitando o ambiente e em conformidade com as normas vigentes no seu país.

# OPERATION MANUAL

Thank you for buying this Briteq® product. To take full advantage of all possibilities and for your own safety, please read these operating instructions very carefully before you start using this unit.

## FEATURES

- Stylishly designed battery-powered lighting pole with great autonomy.
- The perfect tool for illuminating buffets, presentation counters, etc.
- Equipped with 4 pivoting 5 watt 25° LED projectors (3000K & CRI>90)
- The sturdy swivel arm with projectors can be set in 6 fixed positions.
- Lightning fast assembly/disassembly without any tools.
- Sturdy construction quality with adjustable height for frequent and versatile use in rental jobs.
- The supplied heavy baseplate (45x37cm) ensures very high stability, even at maximum height.
- Equipped with magnetic filter frames for the use of all kinds of filters:
  - CTO/CTB filters: adjust CCT to e.g. 4000K, 2700K, ...
  - Color filters: choose any color imaginable
  - Frost filters: adjust beam angle
- Clear and very easy user interface.
- 3 touch buttons and clear LCD screen with information about remaining battery time.
- Multiple operating modes:
  - Built-in wireless DMX receiver (with XLR output: can serve as W-DMX receiver)
  - Wired DMX control via XLR in/out (1 dimming channel)
  - Simple manual operation on the base.
- High capacity lithium batteries (288Wh) for extended autonomy (>14.5 hours at 100% output).
- Internal processor-controlled battery charger with IP65 PowerKon in/output connector.
- Works perfectly on mains power as well (batteries are recharged during use)
- Professional flight case (120x60cm) optionally available for transport of 4 complete sets.

## BEFORE USE

- Before you start using this unit, please check if there's no transportation damage. Should there be any, do not use the device and consult your dealer first.
- **Important:** This device left our factory in perfect condition and well packaged. It is necessary for the user to strictly follow the safety instructions and warnings in this user manual. Any damage caused by mishandling is not subject to warranty. The dealer will not accept responsibility for any resulting defects or problems caused by disregarding this user manual.
- Keep this booklet in a safe place for future consultation. If you sell the fixture, be sure to add this user manual.

### Check the contents:

Check that the carton contains the following items:

- Operating instructions
- BT-AKKUPOLE:
  - 1x Base with batteries inside
  - 2x Extension tube L=1m
  - 1x Swivel arm with 4 projectors
- Heavy baseplate
- 4 magnetic filter frames
- IP65 PowerKon cable

## SAFETY INSTRUCTIONS:



**CAUTION**  
RISK OF ELECTRIC SHOCK  
DO NOT OPEN



**CAUTION:** To reduce the risk of electric shock, do not remove the top cover. No user-serviceable parts inside. Refer servicing to qualified service personnel only.



The lightning flash with arrowhead symbol within the equilateral triangle is intended to alert the user to the presence of un-insulated "dangerous voltage" within the product's enclosure that may be of sufficient magnitude to constitute a risk of electric shock.



The exclamation point within the equilateral triangle is intended to alert the user to the presence of important operation and maintenance (servicing) instructions in the literature accompanying this appliance.



This symbol means: indoor use only



This symbol means: Read instructions



This symbol determines: the minimum distance from lighted objects. The minimum distance between light-output and the illuminated surface must be more than x meters

**RISK GROUP 2**  
**CAUTION:**  
Do not stare at operating lamp

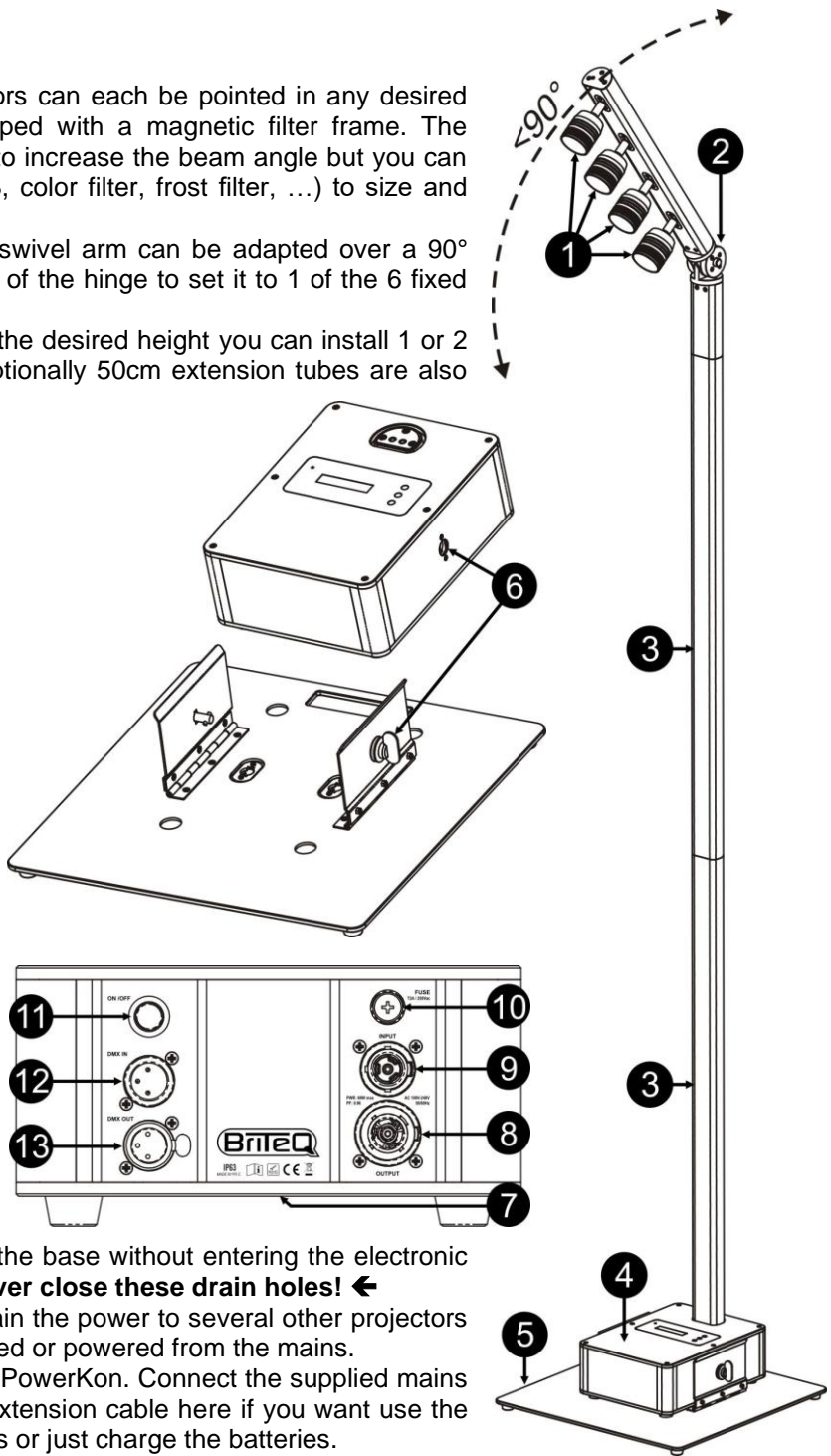
**CAUTION:** Do not stare at operating lamp.  
May be harmful to the eyes.

- To protect the environment, please try to recycle the packing material as much as possible.
- To prevent fire or shock hazard, do not expose this appliance to rain or moisture.
- To avoid condensation to be formed inside, allow the unit to adapt to the surrounding temperatures when bringing it into a warm room after transport. Condensation sometimes prevents the unit from working at full performance or may even cause damages.
- This unit is for indoor use only.
- Don't place metal objects or spill liquid inside the unit. Electric shock or malfunction may result. If a foreign object enters the unit, immediately disconnect the mains power.
- Locate the fixture in a well-ventilated spot, away from any flammable materials and/or liquids. The fixture must be fixed at least 50cm from surrounding walls.
- Don't cover any ventilation openings as this may result in overheating.
- Prevent use in dusty environments and clean the unit regularly.
- Keep the unit away from children.
- Inexperienced persons should not operate this device.
- Maximum safe ambient temperature is 40°C. Don't use this unit at higher ambient temperatures.
- Make sure the area below the installation place is free from unwanted persons during rigging, de-rigging and servicing.
- Allow the device about 10 minutes to cool down before to start servicing.
- Always unplug the unit when it is not used for a longer time or before to start servicing.
- The electrical installation should be carried out by qualified personal only, according to the regulations for electrical and mechanical safety in your country.
- Check that the available voltage is not higher than the one stated on the unit.
- The power cord should always be in perfect condition. Switch the unit immediately off when the power cord is squashed or damaged. It must be replaced by the manufacturer, its service agent or similarly qualified persons in order to avoid a hazard.
- Never let the power-cord come into contact with other cables!
- This fixture must be earthed in order to comply with safety regulations.
- Don't connect the unit to any dimmer pack.
- Always use an appropriate and certified safety cable when installing the unit.
- In order to prevent electric shock, do not open the cover. There are no user serviceable parts inside.
- **Never** repair a fuse or bypass the fuse holder. **Always** replace a damaged fuse with a fuse of the same type and electrical specifications!
- In the event of serious operating problems, stop using the fixture and contact your dealer immediately.
- The housing and the lenses must be replaced if they are visibly damaged.
- Please use the original packing when the device is to be transported.
- Due to safety reasons it is prohibited to make unauthorized modifications to the unit.

**Important:** Never look directly into the light source! Don't use the effect in the presence of persons suffering from epilepsy.

**DESCRIPTION:**

1. **4 PROJECTORS:** These 4 projectors can each be pointed in any desired directions. Each projector is equipped with a magnetic filter frame. The included frost filter can be inserted to increase the beam angle but you can also cut any other filter (CTO, CTB, color filter, frost filter, ...) to size and install it in the magnetic filter frame.
2. **SWIVEL ARM:** the position of the swivel arm can be adapted over a 90° range. Press the button on the side of the hinge to set it to 1 of the 6 fixed positions (every 15°).
3. **EXTENSION TUBE:** depending on the desired height you can install 1 or 2 of the included extension tubes. Optionally 50cm extension tubes are also available (order code: B05164).
4. **BASE:** the base is the heart of the BT-AKKUPOLE that contains the electronics and rechargeable batteries. See below for a full description of all functions.
5. **HEAVY BASEPLATE:** needed to increase stability while the BT-AKKUPOLE is used at maximum height.
6. **QUICK-LOCK:** these connectors are fixed on the 2 flaps from the heavy baseplate. Make sure that the rubber feet of the base fit in the recesses of the heavy base plate. Put the flaps of the base plate in vertical position and tighten the connectors with a quarter turn. Make sure that the base is firmly attached to the baseplate.
7. **DRAIN HOLES:** to prevent water from entering the electronic compartment, the tube connector at the top of the base is completely isolated from the electronic compartment. The 3 drain holes at the bottom of the base allow accidentally spilled liquids to leave the base without entering the electronic compartment. → **IMPORTANT: never close these drain holes!** ←
8. **MAINS OUTPUT:** used to daisy chain the power to several other projectors while the projectors are being charged or powered from the mains.
9. **MAINS INPUT:** equipped with IP65 PowerKon. Connect the supplied mains cable or any PowerCON® TRUE1 extension cable here if you want use the projector while charging the batteries or just charge the batteries.
10. **FUSE:** 20x5mm glass fuse T2A/250V to protect the electronics.
11. **ON/OFF SWITCH:** switches the projector on/off:
  - **While working on batteries:** the projector is completely switched on/off.
  - **While connected to the mains:** the lights are switched on/off but the display is always operational so you can monitor the status of the charging process.
12. **DMX IN:** If you want to control the output from a distance and no wireless DMX is available you can use the XLR-input to connect the projector with other units or a DMX-controller.
13. **DMX OUT:** XLR connector used to daisy chain the projector with other units. When the unit is controlled by wireless DMX, the full DMX-universe is also available on the DMX-output. In that case the BT-AKKUPOLE can also be used as "wireless DMX receiver"!
14. **TOUCH BUTTONS:** 3 backlit touch buttons (↑ + ENTER + ↓) to select different available options. See next chapter so learn how to operate the projector.



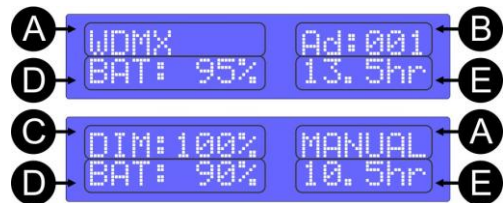
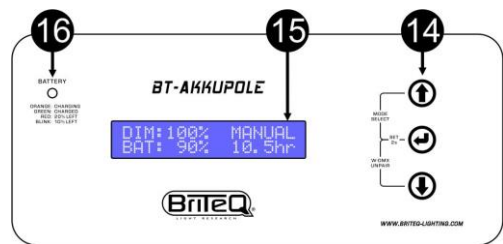
15. **DISPLAY:** show all information needed to operate the projector easily. Below are the most common standard messages:

- A. Current operation mode
- B. Selected DMX address (while in DMX mode)
- C. Selected dimmer level (in %, while in manual mode)
- D. Battery capacity left (in %)
- E. Operating hours left (in hours)

PS1: calculated, based on the current light output.  
 PS2: shows 99,9hr while working on the mains.

16. **BATTERY INDICATOR:** gives instant information about the battery status, without the need to wake up the display:

- **ORANGE:** Battery is still charging
- **GREEN:** Battery is fully charged
- **DARK:** Battery in use, capacity left >20%
- **RED:** Battery in use, capacity left between 20% & 10%.
- **RED blinking:** Battery almost empty, capacity left <10% → charging is needed!



## HOW TO OPERATE:

The setup menu of this projector was deliberately kept very simple to allow quick installation with less risk of incorrect settings.

### 3 OPERATION MODES

Press the ↑ and ENTER-buttons together for about 2s to select one of the 3 operation modes:

#### 1. Wireless DMX-input + DMX-out ( DISPLAY = WDMX IN XLR OUT ):

The unit can be controlled by any W-DMX transmitter that is compatible with the “Wireless Solution” W-DMX™-protocol”. The received DMX-universe is also available on the DMX-output. This means that the BT-AKKUPOLE can also be used as W-DMX receiver.

While in W-DMX-mode there are 3 possibilities:

##### A. **WDMX NOT PAIRED:** the display shows: WDMX NOT PAIRED

The projector is not ready to receive a W-DMX signal because it is not paired to a transmitter. See “PAIRING TO A W-DMX TRANSMITTER” to learn how to proceed.

##### B. **PAIRED BUT NO W-DMX SIGNAL RECEIVED:** the display shows: PAIRED NO WDMX

The projector is configured to receive a W-DMX signal but no signal is available. A possible reason is that the projector is paired with a different W-DMX transmitter than the one currently used. In this case you have to UNPAIR the projector and PAIR again with the transmitter. See “UNPAIRING FROM A W-DMX TRANSMITTER”

##### C. **PAIRED AND WORKING:** the display shows WDMX Ad:xxx (xxx = the actual DMX-address that can be adapted, see below!)

#### PAIRING / UNPAIRING:

##### • **UNPAIRING FROM A W-DMX TRANSMITTER**

Press the ↓ and ENTER-buttons together for about 2s and confirm with ENTER to start unpairing. When unpairing is done the display shows WDMX NOT PAIRED and is ready to pair.

##### • **PAIRING TO A W-DMX TRANSMITTER**

First check if the display shows WDMX NOT PAIRED.

If this is the case: simply press the “PAIR button” on the W-DMX TRANSMITTER (!!!) → pairing is done automatically, the display will show WDMX Ad:xxx (xxx = the actual DMX-address that can be adapted, see below!)

#### SET THE DESIRED DMX-ADDRESS:

Just set different DMX-addresses if you want to set different dimmer levels on different projectors:

- Press the ENTER-button for about 2s: the DMX-address starts blinking.
- Press the ↑/↓-buttons to set the DMX-address and confirm with the ENTER-button.

Please note that the projector only uses 1 DMX-address: DIMMER 0%→100% (DMX-value: 000→255)

2. **Wired DMX-input + DMX-out ( DISPLAY = XLR IN XLR OUT ):**

You can also connect the projector to a DMX-controller by using the standard XLR in/outputs. Just select the option **XLR IN XLR OUT** and set the desired DMX address:

- Press the ENTER-button for about 2s: the DMX-address starts blinking.
- Press the ↑/↓-buttons to set the DMX-address and confirm with the ENTER-button.

3. **Standalone, manual use ( DISPLAY = MANUAL XLR OUT ):**

Just select the option **MANUAL XLR OUT** and set the desired dimmer level:

- Press the ENTER-button for about 2s: the DIM: xxx% text starts blinking.
- Press the ↑/↓-buttons to set the desired output and confirm with the ENTER-button.

You can connect other projectors to the XLR-output: the dimmer level is automatically sent to the connected projectors.

## ELECTRICAL INSTALLATION



**Important:** The electrical installation should be carried out by qualified personal only, according to the regulations for electrical and mechanical safety in your country.

**Standalone operation:**

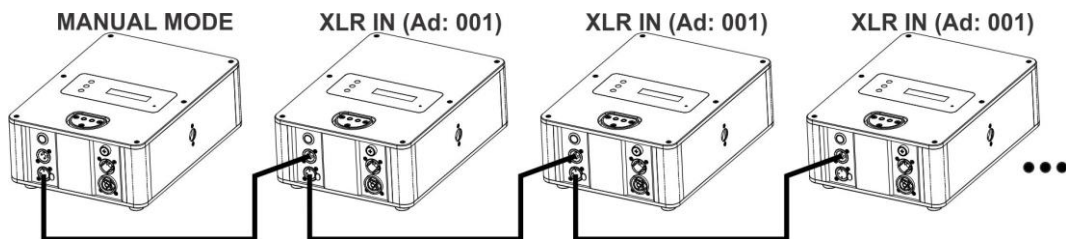
Put all units in **MANUAL XLR OUT** mode and follow the instructions in the previous chapter for setup.

**OPTION 1:** use completely separate units.

MANUAL MODE



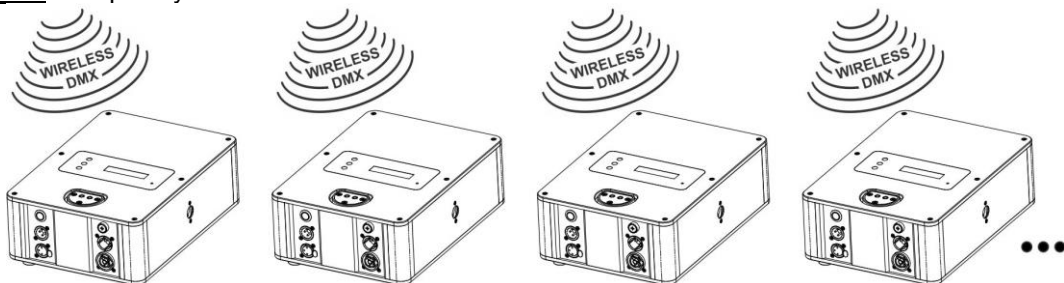
**OPTION 2:** Manual setting on the 1<sup>st</sup> unit with further daisy chaining using DMX-cables (other units must be operated in **XLR IN XLR OUT** mode with DMX address set to 001).



**Wireless DMX:**

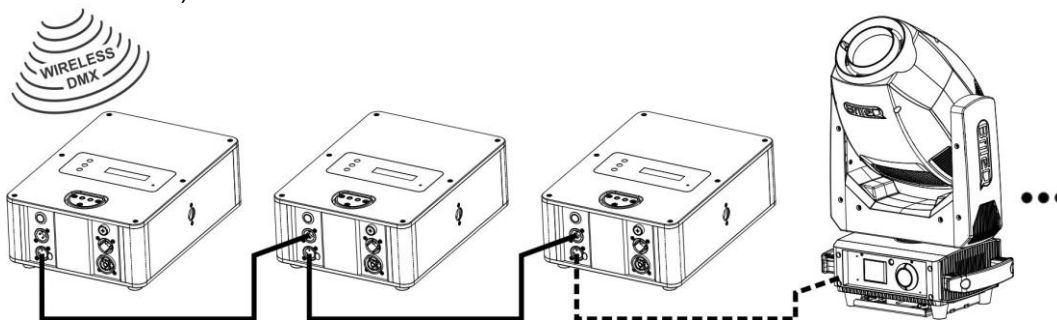
Put all units in **WDMX IN XLR OUT** mode and follow the instructions in the previous chapter for setup.

**OPTION 1:** Completely wireless



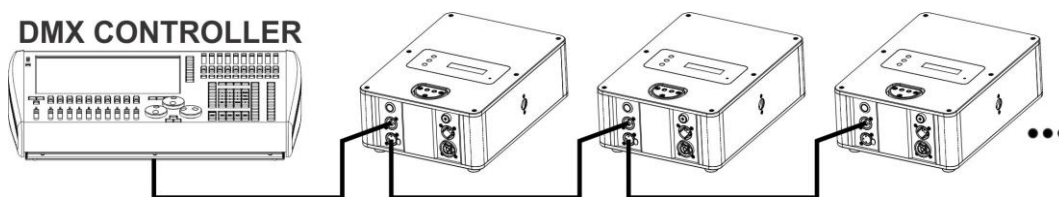


**OPTION 2:** Wireless with further daisy chaining using DMX-cables (can be mixed with any other DMX-controlled device).



### Cabled DMX:

Put all units in **XLR IN XLR OUT** mode and follow the instructions in the previous chapter for setup.



### Some general information on DMX:

- The DMX-protocol is a widely used high speed signal to control intelligent light equipment. You need to “daisy chain” your DMX controller and all the connected units with a good quality balanced DMX-cable. Both XLR-3pin and XLR-5pin connectors are used, however XLR-3pin is more popular.
- Pin layout XLR-3pin: Pin1 = GND ~ Pin2 = Negative signal (-) ~ Pin3 = Positive signal (+)
- Pin layout XLR-5pin: Pin1 = GND ~ Pin2 = Negative signal (-) ~ Pin3 = Positive signal (+) ~ Pins4+5 not used.
- To prevent strange behavior of the light effects, due to interferences, you must use a 90Ω to 120Ω terminator at the end of the chain. Never use Y-splitter cables, this simply won't work!
- Make sure that all units are connected to the mains.
- Each unit in the chain has its proper starting address so it knows which commands from the controller it has to decode.

## MAINTENANCE

- Make sure the area below the installation place is free from unwanted persons during servicing.
- Switch off the unit, unplug the mains cable and wait until the unit has been cooled down.

### During inspection the following points should be checked:

- All screws used for installing the device and any of its parts should be tightly fastened and may not be corroded.
- Housings, fixations and installations spots (ceiling, truss, suspensions) should be totally free from any deformation.
- When an optical lens is visibly damaged due to cracks or deep scratches, it must be replaced.
- The mains cables must be in impeccable condition and should be replaced immediately when even a small problem is detected.
- In order to protect the device from overheat the cooling fans (if any) and ventilation openings should be cleaned monthly.
- The interior of the device should be cleaned annually using a vacuum cleaner or air-jet.
- The cleaning of internal and external optical lenses and/or mirrors must be carried out periodically to optimize light output. Cleaning frequency depends on the environment in which the fixture operates: damp, smoky or particularly dirty surroundings can cause greater accumulation of dirt on the unit's optics.
  - Clean with a soft cloth using normal glass cleaning products.
  - Always dry the parts carefully.

**Attention:** We strongly recommend internal cleaning to be carried out by qualified personnel!



## SPECIFICATIONS

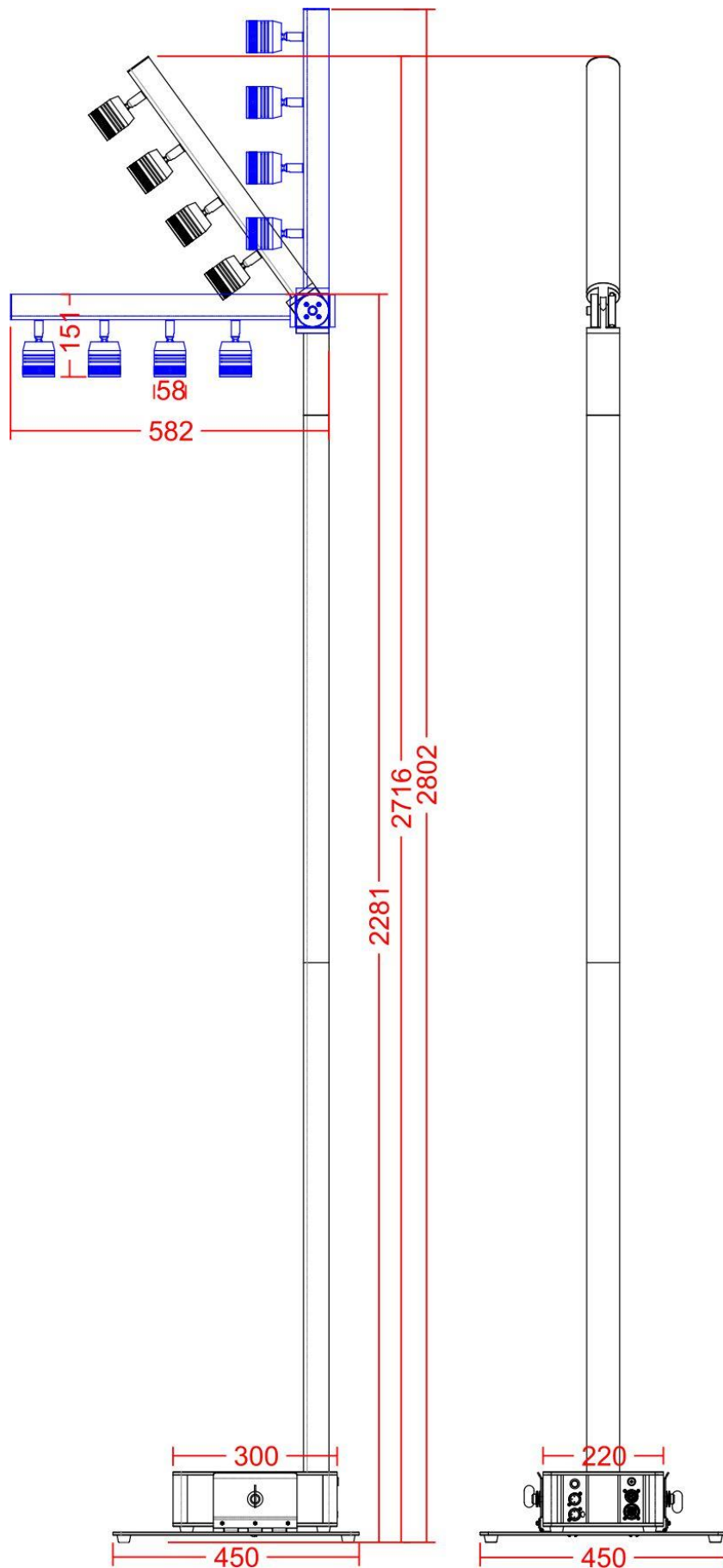
This unit is radio-interference suppressed. This product meets the requirements of the current European and national guidelines. Conformity has been established and the relevant statements and documents have been deposited by the manufacturer.

<b>Mains Input:</b>	AC 100V – 240V, 50/60Hz
<b>Internal fuse:</b>	250Vac / T2A
<b>Power connections:</b>	IP65 PowerKon (in / out)
<b>Power consumption:</b>	69 watt
<b>Power factor:</b>	>0.96
<b>Daisy chaining:</b>	15pcs (@ 240Vac)
<b>Protection class:</b>	1
<b>IP-rating:</b>	IP63 ( <u>occasional</u> outdoor use)
<b>DMX connections:</b>	3pin XLR male / female
<b>DMX channels used:</b>	1 channel
<b>LEDs:</b>	4pcs 5W (warm white)
<b>Color temperature (CCT):</b>	3000K (can be adapted using CTO / CTB filters)
<b>CRI-factor:</b>	>90
<b>Ambient temperature:</b>	40°C
<b>Size (L x H x D):</b>	see drawings on the next page
<b>Weight:</b>	25kg (fully equipped with heavy base + 2pcs extension tube 1m)

**The information might be modified without prior notice**

**You can download the latest version of this user manual on our website: [www.briteq-lighting.com](http://www.briteq-lighting.com)**

# DIMENSIONS







## MAILING LIST

**EN: Subscribe today to our mailing list for the latest product news!**

**FR: Inscrivez-vous à notre liste de distribution si vous souhaitez suivre l'actualité de nos produits!**

**NL: Abonneer je vandaag nog op onze mailinglijst en ontvang ons laatste product nieuws!**

**DE: Abonnieren Sie unseren Newsletter und erhalten Sie aktuelle Produktinformationen!**

**ES: Suscríbete hoy a nuestra lista de correo para recibir las últimas noticias!**

**PT: Inscreva-se hoje na nossa mailing list para estar a par das últimas notícias!**

**[WWW.BRITEQ-LIGHTING.COM](http://WWW.BRITEQ-LIGHTING.COM)**

**Copyright © 2020 by BEGLEC NV**

't Hofveld 2C ~ B1702 Groot-Bijgaarden ~ Belgium

Reproduction or publication of the content in any manner, without express permission of the publisher, is prohibited.