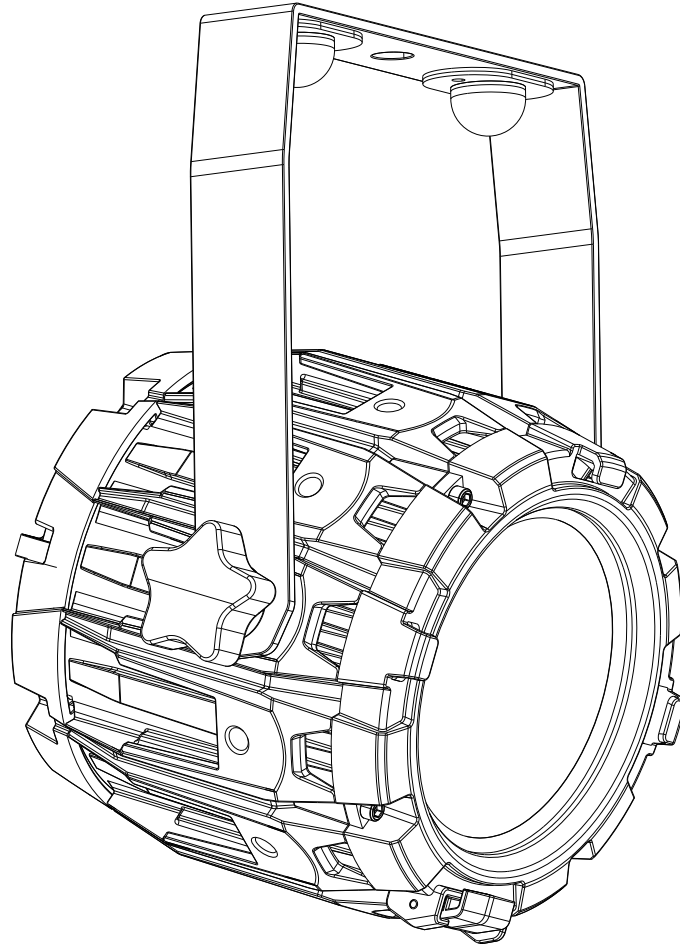


BTI-BLINDER1 FX



ENGLISH

Operation Manual

Other languages can be downloaded from:
WWW.BRITEQ-LIGHTING.COM



Version: 1.0





EN - DISPOSAL OF THE DEVICE

Dispose of the unit and used batteries in an environment friendly manner according to your country regulations.

FR - DÉCLASSER L'APPAREIL

Débarrassez-vous de l'appareil et des piles usagées de manière écologique conformément aux dispositions légales de votre pays.

NL - VERWIJDEREN VAN HET APPARAAT

Verwijder het toestel en de gebruikte batterijen op een milieuvriendelijke manier conform de in uw land geldende voorschriften.

DU - ENTSORGUNG DES GERÄTS

Entsorgen Sie das Gerät und die Batterien auf umweltfreundliche Art und Weise gemäß den Vorschriften Ihres Landes.

ES - DESHACERSE DEL APARATO

Reciclar el aparato y pilas usadas de forma ecologica conforme a las disposiciones legales de su país.

PT - COMO DESFAZER-SE DA UNIDADE

Tente reciclar a unidade e as pilhas usadas respeitando o ambiente e em conformidade com as normas vigentes no seu país.

OPERATION MANUAL

Thank you for buying this Briteq® product. To take full advantage of all possibilities and for your own safety, please read these operating instructions very carefully before you start using this unit.

FEATURES

- Powerful **70W LED white blinder with amber drift effect**, behaves exactly like a halogen blinder!
- **12W RGB AURA-effects** with full pixel control & 25 pre-programmed 2-layer effects.
- Rugged die-cast ALU-housing with waterproof IP65 rating!
- Extremely versatile mechanical mounting options:
 - Use **SPLICE connectors** and your imagination to mechanically assemble multiple blinders into spectacular lines, circles, squares, ...
 - Use **CLAMP connectors** to mount the blinder constructions directly into the truss.
 - Use an optional omega bracket to mount the projector with hanging bracket in the truss.
- Preprogrammed amber drift effect and/or separate control for white & amber!
- **Tunable CCT**: from 1650K to 2700K
- 7 DMX-modes, both 8bit and 16bit: from 1 to 58ch
- Control channel with remote DMX-control for "red shift", dimmer speed/curves, pixel order, ...
- RDM-function for: channel mode, DMX-address, temperature monitoring, ...
- OLED display with backlit touch buttons for easy configuration, even in the dark.
- No dedicated controller needed, fully self-contained operation with easy daisy chaining:
 - PowerCON TRUE1 compatible in/out
 - Waterproof 5pin XLR in/out
- Optional modification kit available (BT-XLR5TO3 KIT) to modify IP 5pin-XLR to 3pin-XLR
- Build-in 100V~240V 50/60Hz Power supply.
- The SPLICE and CLAMP connectors are optionally available!

BEFORE USE

- Before you start using this unit, please check if there's no transportation damage. Should there be any, do not use the device and consult your dealer first.
- **Important:** This device left our factory in perfect condition and well packaged. It is necessary for the user to strictly follow the safety instructions and warnings in this user manual. Any damage caused by mishandling is not subject to warranty. The dealer will not accept responsibility for any resulting defects or problems caused by disregarding this user manual.
- Keep this booklet in a safe place for future consultation. If you sell the fixture, be sure to add this user manual.

Check the contents:

Check that the carton contains the following items:

- Operating instructions
- BT-BLINDER1 FX
- PowerCON TRUE1 compatible power cable

SAFETY INSTRUCTIONS:



CAUTION
RISK OF ELECTRIC SHOCK
DO NOT OPEN



CAUTION: To reduce the risk of electric shock, do not remove the top cover. No user-serviceable parts inside. Refer servicing to qualified service personnel only.



The lightning flash with arrowhead symbol within the equilateral triangle is intended to alert the user or the presence of un-insulated "dangerous voltage" within the product's enclosure that may be of sufficient magnitude to constitute a risk of electric shock.



The exclamation point within the equilateral triangle is intended to alert the user to the presence of important operation and maintenance (servicing) instructions in the literature accompanying this appliance.



This symbol means: indoor use only



This symbol means: Read instructions



This symbol determines: the minimum distance from lighted objects. The minimum distance between light-output and the illuminated surface must be more than x meters

RISK GROUP 2
CAUTION:
Do not stare at operating lamp

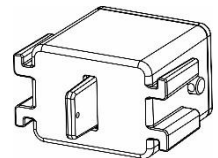
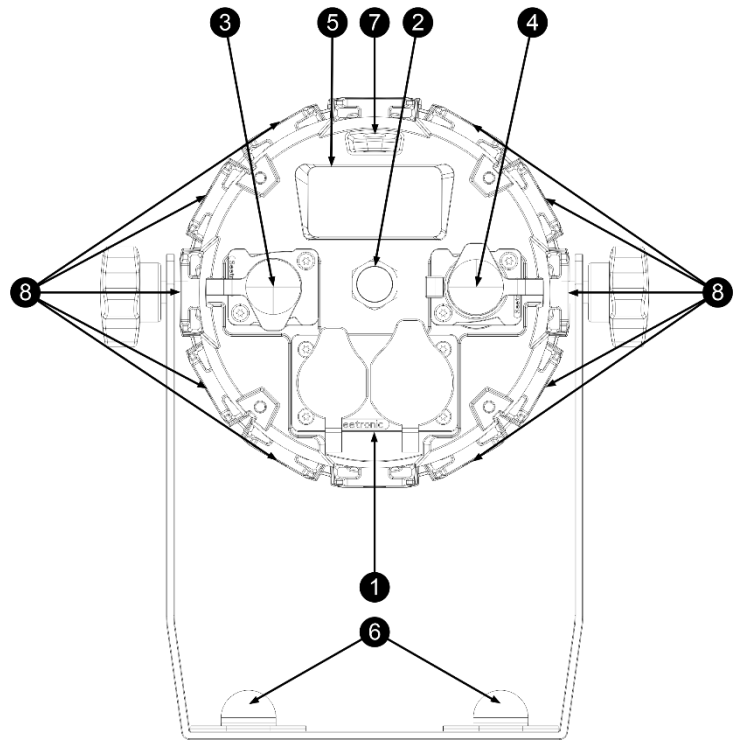
CAUTION: Do not stare at operating lamp.
May be harmful to the eyes.

- To protect the environment, please try to recycle the packing material as much as possible.
- To prevent fire or shock hazard, do not expose this appliance to rain or moisture.
- To avoid condensation to be formed inside, allow the unit to adapt to the surrounding temperatures when bringing it into a warm room after transport. Condense sometimes prevents the unit from working at full performance or may even cause damages.
- This unit is for indoor use only.
- Don't place metal objects or spill liquid inside the unit. Electric shock or malfunction may result. If a foreign object enters the unit, immediately disconnect the mains power.
- Locate the fixture in a well ventilated spot, away from any flammable materials and/or liquids. The fixture must be fixed at least 50cm from surrounding walls.
- Don't cover any ventilation openings as this may result in overheating.
- Prevent use in dusty environments and clean the unit regularly.
- Keep the unit away from children.
- Inexperienced persons should not operate this device.
- Maximum safe ambient temperature is 40°C. Don't use this unit at higher ambient temperatures.
- Make sure the area below the installation place is free from unwanted persons during rigging, de-rigging and servicing.
- Allow the device about 10 minutes to cool down before to start servicing.
- Always unplug the unit when it is not used for a longer time or before to start servicing.
- The electrical installation should be carried out by qualified personal only, according to the regulations for electrical and mechanical safety in your country.
- Check that the available voltage is not higher than the one stated on the unit.
- The power cord should always be in perfect condition. Switch the unit immediately off when the power cord is squashed or damaged. It must be replaced by the manufacturer, its service agent or similarly qualified persons in order to avoid a hazard.
- Never let the power-cord come into contact with other cables!
- This fixture must be earthed in order to comply with safety regulations.
- Don't connect the unit to any dimmer pack.
- Always use an appropriate and certified safety cable when installing the unit.
- In order to prevent electric shock, do not open the cover. There are no user serviceable parts inside.
- **Never** repair a fuse or bypass the fuse holder. **Always** replace a damaged fuse with a fuse of the same type and electrical specifications!
- In the event of serious operating problems, stop using the fixture and contact your dealer immediately.
- The housing and the lenses must be replaced if they are visibly damaged.
- Please use the original packing when the device is to be transported.
- Due to safety reasons it is prohibited to make unauthorized modifications to the unit.

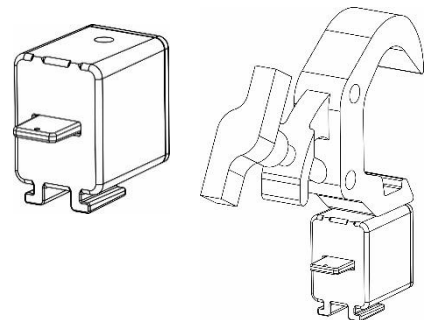
Important: Never look directly into the light source! Don't use the effect in the presence of persons suffering from epilepsy.

DESCRIPTION:

1. **MAINS INPUT/OUTPUT:** Seetronic combined power input & output compatible with powerCon TRUE1
2. **AIR PRESSURE VENT:** for improved performance and service life, this special vent equalizes the pressure inside the projector while blocking water and preventing condense from being formed.
3. **DMX IN:** 5p XLR connector used to connect the projector with other units or a DMX-controller.
4. **DMX OUT:** 5p XLR connector used to daisy chain the projector with other units.
Remark: a separate modification kit ("BT-XLR5TO3 KIT") is available to easily change the current 5pin XLR-connectors into 3pin XLR-connectors: this takes only 2 minutes!
5. **DISPLAY & BUTTONS:** alphanumeric OLED-display and touch keys to select different options of the setup menu:
 - **MENU-button:** used to enter/exit the setup menu.
 - **▼-button:** used to go to the next menu option or to decrease a parameter value.
 - **▲-button:** used to go to the previous menu option or to increase a parameter value.
 - **ENTER-button:** used to select a menu option or confirm a setting.
6. **HANGING BRACKET:** with nuts for the use of the (optional) Briteq Omega Bracket Small. You can use the hole in the center of the bracket to fix a hook or truss clamp.
7. **SAFETY EYEBOLT:** used to attach a safety cable when the unit is rigged (see paragraph "overhead rigging")
8. **EXTRA FIXING POINTS:** used to fix several projectors together, using the optional:
 - **SPLICE connectors:** used to easily click the housing for several units together, without the use of any tools.
 (SPLICE connector → ORDER CODE: B05194)



- **CLAMP connectors:** used to easily connect the projector (or a construction of several units) in the truss, without the use of the hanging bracket.
 (CLAMP connector → ORDER CODE: B05195)



SETUP MENU:

The setup menu of this projector was deliberately kept very simple to allow quick installation with less risk of incorrect settings. In addition, a number of important settings are made via a DMX control channel.

Level 0	Level 1	Level 2	Level 3	Defaults	
DMX address	001-512			1	
Mode	DMX mode	1Ch		DMX mode: 13Ch	
		7Ch			
		13Ch			
		18Ch			
		22Ch			
		40Ch			
		58Ch			
	Slave	Slave			
	Auto	Auto program	Auto program		Program 1
		
Auto speed			Program 30		
Static	Beam Dimmer	Beam Dimmer	0-255		
		...	0-255		
		Program speed	0-255		
Settings	DMX fail	Freeze/Blackout/Auto		Freeze	
	Dimmer curve	Linear		Linear	
		Square			
		S-curve			
	Dim speed	0s-1,5s		0,4	
	Redshift	On/Off		On	
	Pixel Shift	0°/90°/180°/270°		0°	
	LED frequency	LED frequency	800Hz		2400Hz
			1200Hz		
			2400Hz		
			3600Hz		
			4800Hz		
			6000Hz		
Display Rev	On/Off		Off		
Display	On/Off		Off		
Display lock	On/Off		Off		
Factory reset	Reset now?				
System info	Firmware	software version Vxxx			
	Error info	Led sensor: Error/OK			
	Temperature	Temp	xxx°C		
		Temp unit	Fahrenheit/Celcius		
	Time info	Power ON	xxx (hours)		
Last run hrs		xxx (hours)			

Press the MENU button to enter the setup menu.

- Use the ▼/▲ buttons to browse the menu until the required function shows up.
- Select the function with the ENTER button.
- Use ▼/▲ buttons to change the values.
- Press the ENTER button to confirm the selected value.

ADDRESS

Used to set the desired DMX-address.

- Use the ▼/▲ buttons to browse the menu until the required function shows up.
- Use ▼/▲ buttons to select the desired DMX512 address.
- Once the correct address shows on the display, press the ENTER button to save it.

Remark: on RDM-compatible controllers this option can also be remotely set.

MODE

Used to set the desired working mode.

DMX MODE

Used to set the desired DMX mode

- Use the ▼/▲ buttons to browse the menu until the required function shows up.
- Select the function with the ENTER button.
- Use ▼/▲ buttons to select the desired mode:
 - **1Ch:** A simple 1channel mode with standard redshift effect (can be disabled in the menu). This mode can be used to replace traditional halogen blinders in a setup, without any additional work.
 - **7Ch:** You get basic control over the blinder and RGB LEDs.
 - **13Ch:** You get basic control over the blinder and RGB section as 2 separate fixtures
 - **18Ch:** This mode is the same as the 13Ch with build-in effects for the LED pixels
 - **22Ch:** This mode is the same as the 18Ch with added color control for the build-in effects
 - **40Ch:** This mode gives full control of each LED
 - **58Ch:** This mode is the same as the 22Ch mode, with added pixel control.
- Once the correct option shows on the display, press the ENTER button to save it.

Remark: on RDM-compatible controllers this option can also be remotely set.

SLAVE

Synchronize multiple fixtures in AUTO mode

- Use the ▼/▲ buttons to browse the menu until the required function shows up.
- Select the function with the ENTER button.

AUTO

Automatically runs through pre-programmed chases

- Use the ▼/▲ buttons to browse the menu until the required function shows up.
- Select the function with the ENTER button.

STATIC

Set a static output.

- Use the ▼/▲ buttons to browse the menu until the required function shows up.
- Select the function with the ENTER button.
- Use the ▼/▲ and ENTER buttons to set a static setting.
- Confirm the setting by pressing the ENTER button.

SETTINGS

Used to adjust the functions of the fixture

DMX FAIL

Used to set how the projector reacts when the DMX-signal suddenly disappears.

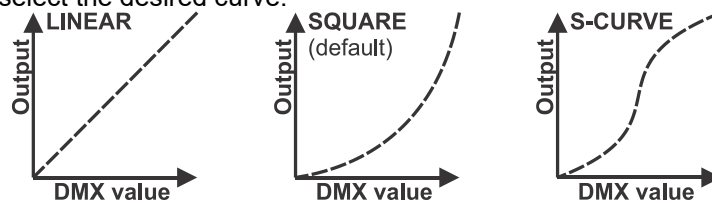
- Use the ▼/▲ buttons to browse the menu until the required function shows up.
- Select the function with the ENTER button.
- Use ▼/▲ buttons to select the desired mode:
 - **BLACKOUT** output turns black while no DMX is detected.
 - **FREEZE:** output based on the last valid DMX-signal is kept on the projector.
 - **AUTO:** fixture automatically runs through pre-programmed chases
- Once the correct option shows on the display, press the ENTER button to save it.

Note: as soon as the input detects a DMX-signal, blackout or freeze mode will be cancelled.

DIMMER CURVE

Used to set the dimmer curve of the individual LEDs.

- Use the ▼/▲ buttons to browse the menu until the required function shows up.
- Select the function with the ENTER button.
- Use ▼/▲ buttons to select the desired curve:



- Once you selected the desired curve, press the ENTER button to save it.

Remark: this option can be overruled using the DMX-control channel.

DIM SPEED

Used to set the fade time of the LEDs

- Use the ▼/▲ buttons to browse the menu until the required function shows up.
- Select the function with the ENTER button.
- Use the ▼/▲ buttons to select the desired value between 0 (0s) and 255 (1.5s)
- Press the ENTER button to save the value.

REDSHIFT

Used to enable/disable the redshift function

- Use the ▼/▲ buttons to browse the menu until the required function shows up.
- Select the function with the ENTER button.
- Once you selected the desired setting, press the ENTER button to save it.

PIXELSHIFT

Used to set the order / numbering of the pixels.

- Use the ▼/▲ buttons to browse the menu until the required function shows up.
- Select the function with the ENTER button.
- Use ▼/▲ buttons to select the desired mode:
 - 0° Horizontal installation, standard setting
 - 90° Vertical installation, left turn
 - 180° Horizontal installation, upside-down
 - 270° Vertical installation, right turn
- Once the correct option shows on the display, press the ENTER button to save it.

Remark: this option can be overruled using the DMX-control channel.

LED FREQUENCY

Used to set the refresh rate of the LEDs

- Use the ▼/▲ buttons to browse the menu until the required function shows up.
- Select the function with the ENTER button.
- Once you selected the desired setting, press the ENTER button to save it.

DISPLAY REV

Used to reverse the display orientation

- Use the ▼/▲ buttons to browse the menu until the required function shows up.
- Select the function with the ENTER button.
- Once you selected the desired setting, press the ENTER button to save it.

DISPLAY

Used to enable/disable the display

- Use the ▼/▲ buttons to browse the menu until the required function shows up.
- Select the function with the ENTER button.
 - ON Display stays on after 60s
 - OFF Display turns off after 60s
- Once you selected the desired setting, press the ENTER button to save it.

DISPLAY LOCK

Used to enable/disable the display lock

- Use the ▼/▲ buttons to browse the menu until the required function shows up.
- Select the function with the ENTER button.
- Once you selected the desired setting, press the ENTER button to save it.

Note: Password = ▲/▼/▲/▼/ENTER

FACTORY RESET

This is your emergency exit if you really messed up the settings: just return to factory settings.

- Use the ▼/▲ buttons to browse the menu until the required function shows up.
- Select the function with the ENTER button.
- Use ▼/▲ buttons to select the desired mode:
 - **NO** no default settings are loaded.
 - **YES** default factory settings are loaded.

SYSTEM INFO

Used to adjust the functions of the fixture

FIRMWARE VERSION

Used to show the current version of the firmware.

- Use the ▼/▲ buttons to browse the menu until the required function shows up.
- Select the function with the ENTER button: the current firmware version is shown.

ERROR INFO

Show any errors with the LEDs

- Use the ▼/▲ buttons to browse the menu until the required function shows up.
- Select the function with the ENTER button: the current errors are shown.

TEMPERATURE

Used to show the temperature of the LEDs, and change the measurement unit

- Use the ▼/▲ buttons to browse the menu until the required function shows up.
- Select the function with the ENTER button.
- Use ▼/▲ buttons to select the desired mode: °C / F

TIME INFO

Used to show the current version of the firmware.

- Use the ▼/▲ buttons to browse the menu until the required function shows up.
- Select the function with the ENTER button: the current firmware version is shown.

OVERHEAD RIGGING

- **Important:** The installation must be carried out by qualified service personal only. Improper installation can result in serious injuries and/or damage to property. Overhead rigging requires extensive experience! Working load limits should be respected, certified installation materials should be used, the installed device should be inspected regularly for safety.
- Make sure the area below the installation place is free from unwanted persons during rigging, de-rigging and servicing.
- Locate the fixture in a well ventilated spot, far away from any flammable materials and/or liquids. The fixture must be fixed **at least 50cm** from surrounding walls.
- The device should be installed out of reach of people and outside areas where persons may walk by or be seated.
- Before rigging make sure that the installation area can hold a minimum point load of 10times the device's weight.
- Always use a certified safety cable that can hold 12times the weight of the device when installing the unit. This secondary safety attachment should be installed in a way that no part of the installation can drop more than 20cm if the main attachment fails.
- The device should be well fixed; a free-swinging mounting is dangerous and may not be considered!
- Don't cover any ventilation openings as this may result in overheating.
- The operator has to make sure that the safety-relating and machine-technical installations are approved by an expert before using them for the first time. The installations should be inspected every year by a skilled person to be sure that safety is still optimal.

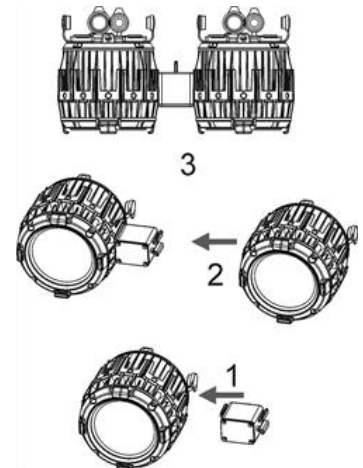


Building several projectors together

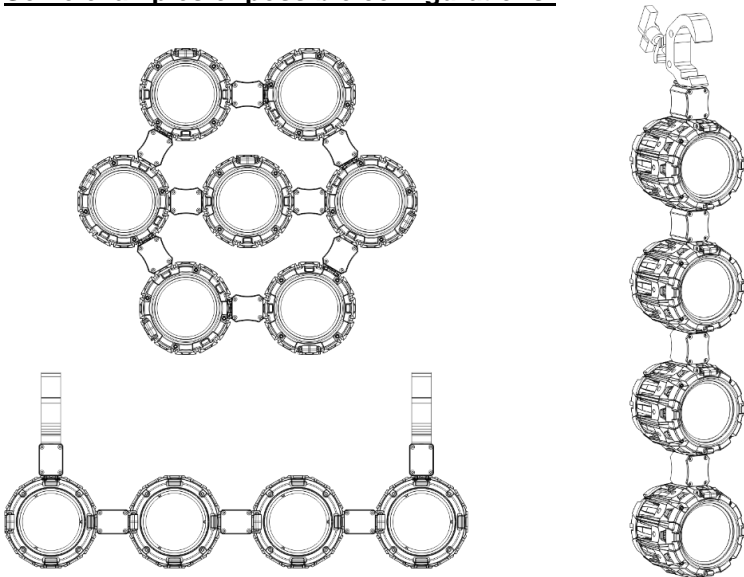
Several units, equipped with the optional SPLICE-connectors, can be mounted in different mechanical setups.

Refer to the drawings to see how the projectors are assembled:

1. Optionally: remove the standard hanging bracket.
2. Connect a splice connector to 1 unit by pressing the button and sliding it in place.
3. Add the next fixture by pressing the button again and sliding the fixture in place
4. Repeat these steps until you obtain the desired configuration.



Some examples of possible configurations:



IMPORTANT REMARKS:

- ALWAYS use proper safety cables to secure the projectors while rigging!
- ALWAYS make sure that the setup is SAFE: where needed you must add additional rigging supports to ensure good stability and strength. (additional fixing on the brackets of projectors in the array)

ELECTRICAL INSTALLATION

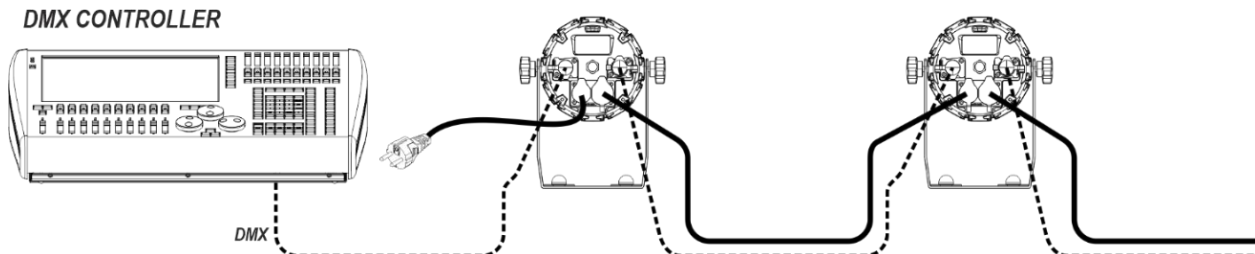


Important: The electrical installation should be carried out by qualified personal only, according to the regulations for electrical and mechanical safety in your country.

ELECTRICAL INSTALLATION FOR TWO OR MORE UNITS IN DMX-MODE:

Use this function when you want to control the projectors by any DMX controller.

- Connect the projectors as shown in the drawing below.



For a nice and clean installation, we advise using combined DMX/power cables: see our website for adapted COMBI / HYBRID cables.

- First put the projectors in the desired DMX-mode: see the different DMX-charts and choose the one that suits you best.
- Give all projectors a start address: each projector shows its start + end address, make sure that the addresses do not overlap!

Some general information on DMX:

- The DMX-protocol is a widely used high speed signal to control intelligent light equipment. You need to “daisy chain” your DMX controller and all the connected units with a good quality balanced DMX-cable. Both XLR-3pin and XLR-5pin connectors are used, however XLR-3pin is more popular.
- Pin layout XLR-3pin: Pin1 = GND ~ Pin2 = Negative signal (-) ~ Pin3 = Positive signal (+)
- Pin layout XLR-5pin: Pin1 = GND ~ Pin2 = Negative signal (-) ~ Pin3 = Positive signal (+) ~ Pins4+5 not used.
- To prevent strange behavior of the light effects, due to interferences, you must use a 90Ω to 120Ω terminator at the end of the chain. Never use Y-splitter cables, this simply won't work!
- Make sure that all units are connected to the mains.
- Each unit in the chain has its proper starting address so it knows which commands from the controller it has to decode.

OPERATING INSTRUCTIONS

Note: when the projector is switched on the display shows “UPDATE WAIT ...” This message informs you that IF you want to upgrade the firmware, you should do it while this message is shown on the display. For normal use you can ignore this message completely.

- Connect all units together. Refer to the chapter “Electrical installation for two or more units in DMX-mode” to learn how to do this (don’t forget to address all units properly!)
- Connect all units to the mains and turn on the DMX controller.
- Since each unit has its own DMX-address, you can control them individually. Remember that each unit can use a different number DMX-channels, depending on the DMX-mode you have selected in the menu.

DMX chart overview

1Ch	7Ch	13Ch	18Ch	22Ch	40Ch	58Ch	Function
1	-	-	-	-	-	-	Dimmer
-	1	1	-	-	1	-	Master dimmer
-	-	2	-	-	2	-	Dimmer fine
-	2	-	-	-	3	-	Strobe
-	3	3	1	1	4	1	Warm white
-	-	-	2	2	-	2	WW fine
-	4	4	3	3	-	3	Amber
-	-	5	4	4	-	4	Beam Strobe duration
-	-	6	5	5	-	5	Beam Strobe speed
-	-	7	6	6	-	6	Beam Strobe mode
-	-	-	7	7	-	7	Aura dimmer
-	-	8	8	8	-	8	Aura Strobe duration
-	-	9	9	9	-	9	Aura Strobe speed
-	-	10	10	10	-	10	Aura Strobe mode
-	5	11	11	11	-	11	Aura Red
-	6	12	12	12	-	12	Aura green
-	7	13	13	13	-	13	Aura Blue
-	-	-	-	14	-	14	foreground dimmer
-	-	-	-	15	-	15	Foreground Red
-	-	-	-	16	-	16	Foreground Green
-	-	-	-	17	-	17	Foreground Blue
-	-	-	14	18	-	18	Aura color macro
-	-	-	15	19	-	19	Aura effect
-	-	-	16	20	-	20	Effect speed
			17	21	-	21	Dim speed
-	-	-	18	22	-	22	Control
-	-	-	-	-	5	23	Aura Red 1
-	-	-	-	-	6	24	Aura Green 1
-	-	-	-	-	7	25	Aura Blue 1
-	-	-	-	-	8	26	Aura Red 2
-	-	-	-	-	9	27	Aura Green 2
-	-	-	-	-	10	28	Aura Blue 2
-	-	-	-	-
-	-	-	-	-	38	56	Aura Red 12
-	-	-	-	-	39	57	Aura Green 12
-	-	-	-	-	40	58	Aura Blue 12

Full DMX chart

1Ch	7Ch	13Ch	18Ch	22Ch	40Ch	58Ch	Function	Values	Default	
1	-	-	-	-	-	-	Dimmer	000-255	0	
-	1	1	-	-	1	-	Master dimmer	000-255	65535	
-	-	2	-	-	2	-	Dimmer fine	000-255		
-	2	-	-	-	3	-	Strobe	000-005	Open	0
								006-010	Closed	
								011-250	Strobe slow-Fast	
								251-255	Open	
-	3	3	1	1	4	1	Warm white	000-255	0	
-	-	-	2	2	-	2	WW fine	000-255		
-	4	4	3	3	-	3	Amber	000-255	0	
-	-	5	4	4	-	4	Beam Strobe duration	000-255	0	
-	-	6	5	5	-	5	Beam Strobe speed	000-255	0	
-	-	7	6	6	-	6	Beam Strobe mode	000	No effect	0
								001-006	Normal strobe	
								006-050	Ramp up	
								051-100	Ramp down	
								101-150	Ramp up-down	
								151-200	Strobe Break effect	
								201-255	Random strobe	
-	-	-	7	7	-	7	Aura dimmer	000-255	0	
-	-	8	8	8	-	8	Aura Strobe duration	000-255	0	
-	-	9	9	9	-	9	Aura Strobe speed	000-255	0	
-	-	10	10	10	-	10	Aura Strobe mode	000-005	No effect - Normal strobe	0
								006-050	Ramp up	
								051-100	Ramp down	
								101-150	Ramp up-down	
								151-200	Strobe Break effect	
								201-230	Random - Combined pixels	
								231-255	Random strobe - Seperate pixels	
-	5	11	11	11	-	11	Aura Red	000-255	255	
-	6	12	12	12	-	12	Aura green	000-255	255	
-	7	13	13	13	-	13	Aura Blue	000-255	255	
-	-	-	-	14	-	14	foreground dimmer	000-255	0	
-	-	-	-	15	-	15	Foreground Red	000-255	0	
-	-	-	-	16	-	16	Foreground Green	000-255	0	
-	-	-	-	17	-	17	Foreground Blue	000-255	0	
-	-	-	14	18	-	18	Aura color macro	000-255	0	
-	-	-	15	19	-	19	Aura effect	000-255	0	
-	-	-	16	20	-	20	Effect speed	000-255	0	
			17	21	-	21	Dim speed	000-255	0s-1,5s	127
-	-	-	18	22	-	22	Control	000-005	Redshift On (Hold 0s)	0
								006-010	Redshift Off (Hold 0s)	
								011-020	Display on (Hold 3s)	
								021-030	Display Off (Hold 3s)	
								031-040	Dim curve: Linear (Hold 3s)	
								041-050	Dim curve: Square (Hold 3s)	
								051-060	Dim curve: S-curve (Hold 3s)	
								061-070	No function	
								071-080	PWM: 800Hz (Hold 3s)	
								081-090	PWM: 1200Hz (Hold 3s)	

								091-100	PWM: 2400Hz (Hold 3s)	
								101-110	PWM: 3600Hz (Hold 3s)	
								111-120	PWM: 4800Hz (Hold 3s)	
								121-130	PWM: 6000Hz (Hold 3s)	
								131-140	No function	
								141-150	Pixel order: A	
								151-160	Pixel order: B	
								161-170	Pixel order: C	
								171-180	Pixel order: D	
								191-255	No function	
-	-	-	-	-	5	23	Aura Red 1	000-255		255
-	-	-	-	-	6	24	Aura Green 1	000-255		255
-	-	-	-	-	7	25	Aura Blue 1	000-255		255
-	-	-	-	-	8	26	Aura Red 2	000-255		255
-	-	-	-	-	9	27	Aura Green 2	000-255		255
-	-	-	-	-	10	28	Aura Blue 2	000-255		255
-	-	-	-	-		
-	-	-	-	-	38	56	Aura Red 12	000-255		255
-	-	-	-	-	39	57	Aura Green 12	000-255		255
-	-	-	-	-	40	58	Aura Blue 12	000-255		255

RDM FUNCTIONS / REMOTE SETUP

RDM means “Remote Device Management”. This projector works with a brief set of RDM-functions which means that it can setup a bi-directional communication with an RDM-compatible DMX-controller. Some of these functions are briefly explained below, others will be added in the future.

- The DMX-controller sends out a “discovery command”, all RDM devices respond and send their unique device ID.
- The DMX-controller asks each RDM device for some basic data so it knows which devices are connected. The projector will respond:
 - **Device name:** BTI-BLINDER1 FX
 - **Manufacturer:** Briteq®
 - **Category:** fixture fixed
 - **Firmware:** x.x.x.x (firmware version of the projector)
 - **DMX address:** xxx (current DMX start address of the projector)
 - **DMX footprint:** xx (number of DMX-channels used by the projector)
 - **Personality:** xx (current personality or DMX-working mode used by the projectors)
- The DMX-controller can send certain commands to each RDM device which allow remote setup of the units. Thanks to this the projector can be setup remotely.

The following functions can be managed remotely:

No more need to take a ladder and set all units one by one!

- **DMX START ADDRESS:** The start address can be set remotely from 001 to xxx.
- **PERSONALITY:** The DMX working mode (DMX-chart) can be set remotely.

These 2 functions make it possible to prepare a complete DMX-patch of all projectors on the DMX-controller and send these data to all projectors at once. More functions will be added later.

MAINTENANCE

- Make sure the area below the installation place is free from unwanted persons during servicing.
- Switch off the unit, unplug the mains cable and wait until the unit has been cooled down.

During inspection the following points should be checked:

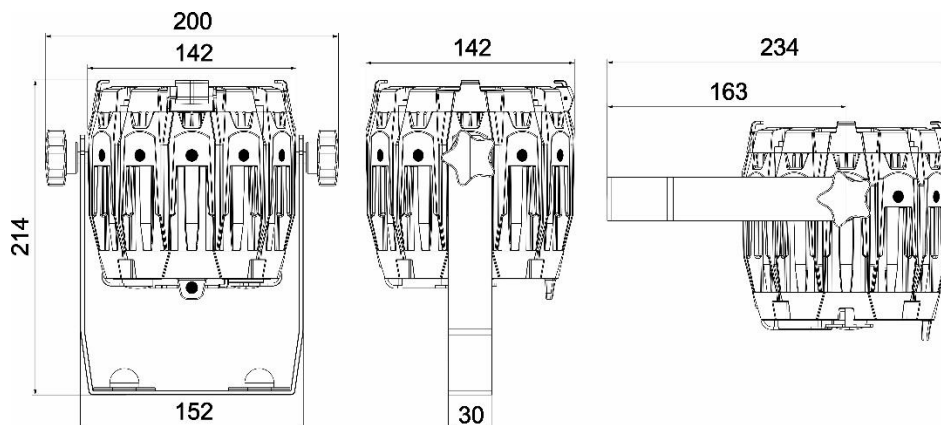
- All screws used for installing the device and any of its parts should be tightly fastened and may not be corroded.
- Housings, fixations and installations spots (ceiling, truss, suspensions) should be totally free from any deformation.
- When an optical lens is visibly damaged due to cracks or deep scratches, it must be replaced.
- The mains cables must be in impeccable condition and should be replaced immediately when even a small problem is detected.
- In order to protect the device from overheat the cooling fans (if any) and ventilation openings should be cleaned monthly.
- The interior of the device should be cleaned annually using a vacuum cleaner or air-jet.
- The cleaning of internal and external optical lenses and/or mirrors must be carried out periodically to optimize light output. Cleaning frequency depends on the environment in which the fixture operates: damp, smoky or particularly dirty surroundings can cause greater accumulation of dirt on the unit's optics.
 - Clean with a soft cloth using normal glass cleaning products.
 - Always dry the parts carefully.

Attention: We strongly recommend internal cleaning to be carried out by qualified personnel!

SPECIFICATIONS

Dit apparaat is ontstoord. Dit apparaat voldoet aan de eisen van de huidige Europese en nationale richtlijnen. De conformiteit werd vastgesteld en de desbetreffende verklaringen en documenten zijn

Mains Input:	AC 100V – 240V, 50/60Hz
Internal fuse:	250Vac / T2A
Power connections:	PowerCON TRUE1 compatible (in / out)
Power consumption:	75 Watt (max)
Power factor:	>0.95
Daisy chaining:	24pcs (12A @ 240Vac)
IP-rating:	IP65 – outdoor
Operating temperature:	-20°C - +40°C
DMX connections:	5pin XLR male / female, RDM compatible (3pin XLR modification kit available)
DMX channels used:	1, 7, 12, 18, 22, 40, 58 channels
LEDs:	1pcs 70W (warm white + amber) + 12x 1W RGB
Color temperature (CCT):	1650K → 2700K (red shift effect)
CRI-factor:	>70
LED refresh rate:	0.8-6 kHz
Size (L x H x D):	see drawings
Weight:	2kg



The information might be modified without prior notice

You can download the latest version of this user manual on our website: www.briteq-lighting.com



MAILING LIST

EN: Subscribe today to our mailing list for the latest product news!

FR: Inscrivez-vous à notre liste de distribution si vous souhaitez suivre l'actualité de nos produits!

NL: Abonneer je vandaag nog op onze mailinglijst en ontvang ons laatste product nieuws!

DE: Abonnieren Sie unseren Newsletter und erhalten Sie aktuelle Produktinformationen!

ES: Suscríbete hoy a nuestra lista de correo para recibir las últimas noticias!

PT: Inscreva-se hoje na nossa mailing list para estar a par das últimas notícias!

WWW.BRITEQ-LIGHTING.COM

Copyright © 2024 by BEGLEC NV

't Hofveld 2C ~ B1702 Groot-Bijgaarden ~ Belgium

Reproduction or publication of the content in any manner, without express permission of the publisher, is prohibited.