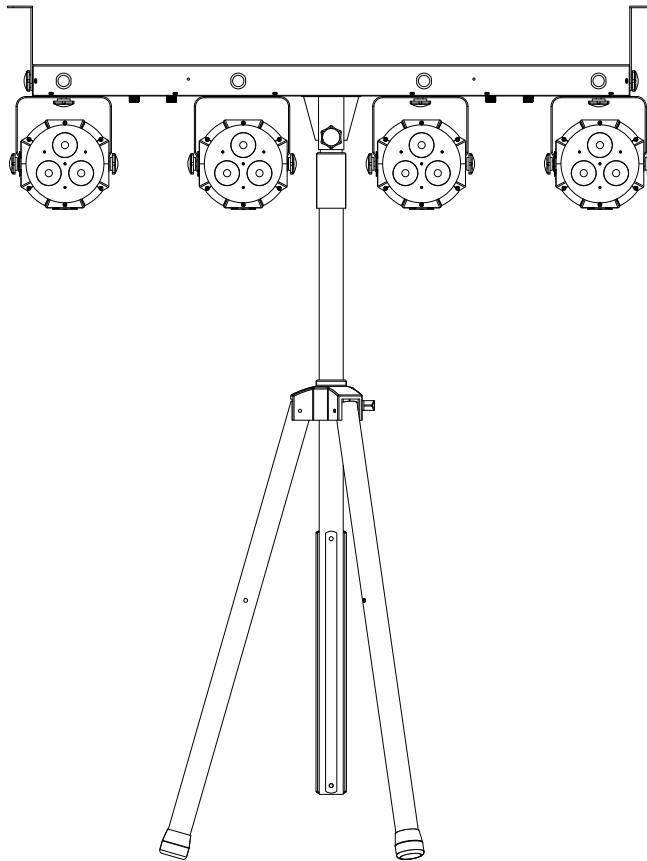


# LIVESET 2

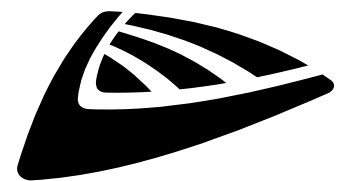


## ENGLISH Operation Manual

Other languages can be downloaded from:  
[WWW.JB-SYSTEMS.EU](http://WWW.JB-SYSTEMS.EU)



*Version: 1.0*



**JB SYSTEMS**



**EN - DISPOSAL OF THE DEVICE**

Dispose of the unit and used batteries in an environment friendly manner according to your country regulations.

**FR - DÉCLASSER L'APPAREIL**

Débarrassez-vous de l'appareil et des piles usagées de manière écologique Conformément aux dispositions légales de votre pays.

**NL - VERWIJDEREN VAN HET APPARAAT**

Verwijder het toestel en de gebruikte batterijen op een milieuvriendelijke manier conform de in uw land geldende voorschriften.

**DU - ENTSORGUNG DES GERÄTS**

Entsorgen Sie das Gerät und die Batterien auf umweltfreundliche Art und Weise gemäß den Vorschriften Ihres Landes.

**ES - DESHACERSE DEL APARATO**

Reciclar el aparato y pilas usadas de forma ecologica conforme a las disposiciones legales de su país.

**PT - COMO DESFAZER-SE DA UNIDADE**

Tente reciclar a unidade e as pilhas usadas respeitando o ambiente e em conformidade com as normas vigentes no seu país.

# OPERATION MANUAL

Thank you for buying this JB SYSTEMS® product. To take full advantage of all possibilities and for your own safety, please read these operating instructions very carefully before you start using this unit.

## FEATURES

- A complete ready to use light set for all your events and parties
- The set includes:
  - A compact powered 4BAR with 4 RGB LED-projectors and 4 white strobe LEDs
  - A wireless foot controller
  - A light stand
  - 2 carrying bags: 1 for the light bar and accessories + 1 for the light stand
- Each RGB projector is equipped with 3x 9 Watt LEDs
- Different working modes:
  - Standalone / with the wireless foot controller: automatic / beat synchronized color patterns
  - Master/slave mode: several bars can be used together for wonderful preprogrammed or music synchronized lightshows.
  - DMX-controlled: different channel modes with program selection and individual projector control.
  - The RGB projectors can also be controlled by our famous LEDCON-02 Mk2 and LEDCON-XL.
- LED-Projector beam angle = 15°
- Designed for stages, animation and colorful events!
- 0-100% dimming and ultra-fast strobe function (no additional strobes needed!)
- Excellent built-in programs for wonderful, ever changing, light shows!
- Special USB-connection for use with an optionally available Wireless DMX-dongle.
- LED-display for easy menu navigation and setup.

## BEFORE USE

- Before you start using this unit, please check if there's no transportation damage. Should there be any, do not use the device and consult your dealer first.
- **Important:** This device left our factory in perfect condition and well packaged. It is absolutely necessary for the user to strictly follow the safety instructions and warnings in this user manual. Any damage caused by mishandling is not subject to warranty. The dealer will not accept responsibility for any resulting defects or problems caused by disregarding this user manual.
- Keep this booklet in a safe place for future consultation. If you sell the fixture, be sure to add this user manual.

### Check the contents:

Check that the packing contains the following items:

- Operating instructions
- LIVESET 2 light bar + transport bag
- Wireless foot controller + 9V battery
- Power Cable
- Light stand + transport bag
- 2 Hanging brackets
- 3 Screws (2 to fix the hanging brackets + 1 for the light bar pole mount adapter)
- 2 plastic washers

## SAFETY INSTRUCTIONS:



**CAUTION:** To reduce the risk of electric shock, do not remove the top cover. No user-serviceable parts inside. Refer servicing to qualified service personnel only.



The lightning flash with arrowhead symbol within the equilateral triangle is intended to alert the user to the presence of un-insulated “dangerous voltage” within the product’s enclosure that may be of sufficient magnitude to constitute a risk of electric shock.



The exclamation point within the equilateral triangle is intended to alert the user to the presence of important operation and maintenance (servicing) instructions in the literature accompanying this appliance.



This symbol means: indoor use only



This symbol means: Read instructions



This symbol means: Safety Class I appliance



This symbol determines: the minimum distance from lighted objects. The minimum distance between light-output and the illuminated surface must be more than x meters



The device is not suitable for direct mounting on normally flammable surfaces. (suitable only for mounting on non-combustible surfaces)

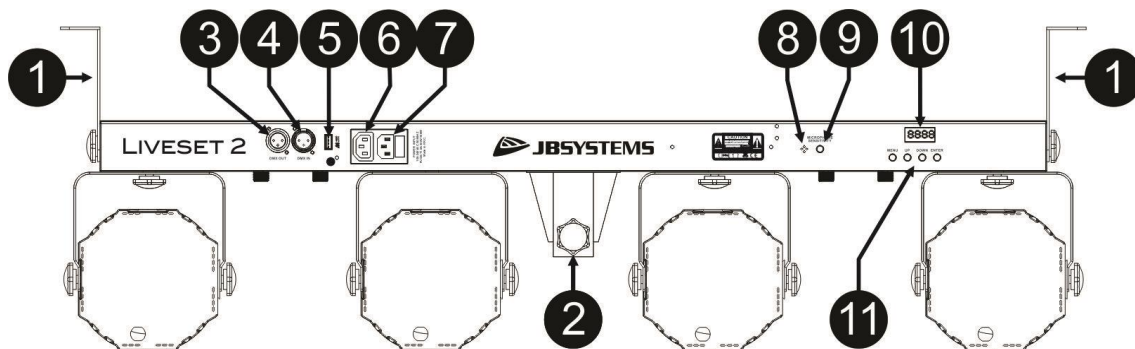


**CAUTION:** Do not stare at operating lamp.  
May be harmful to the eyes.

- To protect the environment, please try to recycle the packing material as much as possible.
- To prevent fire or shock hazard, do not expose this appliance to rain or moisture.
- To avoid condensation to be formed inside, allow the unit to adapt to the surrounding temperatures when bringing it into a warm room after transport. Condense sometimes prevents the unit from working at full performance or may even cause damages.
- This unit is for indoor use only.
- Don't place metal objects or spill liquid inside the unit. Electric shock or malfunction may result. If a foreign object enters the unit, immediately disconnect the mains power.
- Locate the fixture in a well ventilated spot, away from any flammable materials and/or liquids. The fixture must be fixed at least 50cm from surrounding walls.
- Don't cover any ventilation openings as this may result in overheating.
- Prevent use in dusty environments and clean the unit regularly.
- Keep the unit away from children.
- Inexperienced persons should not operate this device.
- Maximum safe ambient temperature is 40°C. Don't use this unit at higher ambient temperatures.
- Make sure the area below the installation place is free from unwanted persons during rigging, de-rigging and servicing.
- Allow the device about 10 minutes to cool down before to start servicing.
- Always unplug the unit when it is not used for a longer time or before to start servicing.
- The electrical installation should be carried out by qualified personal only, according to the regulations for electrical and mechanical safety in your country.
- Check that the available voltage is not higher than the one stated on the unit.
- The power cord should always be in perfect condition. Switch the unit immediately off when the power cord is squashed or damaged. It must be replaced by the manufacturer, its service agent or similarly qualified persons in order to avoid a hazard.
- Never let the power-cord come into contact with other cables!
- This fixture must be earthed in order to comply with safety regulations.
- Don't connect the unit to any dimmer pack.
- Always use an appropriate and certified safety cable when installing the unit.
- In order to prevent electric shock, do not open the cover. There are no user serviceable parts inside.
- **Never** repair a fuse or bypass the fuse holder. **Always** replace a damaged fuse with a fuse of the same type and electrical specifications!
- In the event of serious operating problems, stop using the fixture and contact your dealer immediately.
- The housing and the lenses must be replaced if they are visibly damaged.
- Please use the original packing when the device is to be transported.
- Due to safety reasons it is prohibited to make unauthorized modifications to the unit.

**Important:** Never look directly into the light source! Don't use the effect in the presence of persons suffering from epilepsy.

## DESCRIPTION:



1. **HANGING BRACKETS:** Fix one bracket at each extremity of the bar by using the 2 knobs. You can now fix a mounting hook (or fast clamp) in each bracket hole so you can hang the unit in the truss.
2. **35mm POLE STAND ADAPTER:** can be used to install the unit directly on a light stand
3. **DMX OUTPUT:** 3pin female XLR-connector used to connect the bar with the next unit in the DMX chain.
4. **DMX INPUT:** 3pin male XLR-connector used to connect universal DMX-cables. This input receives instructions from a DMX-controller (in DMX mode) or from the previous bar (in Master/Slave mode).
5. **M-DMX INPUT:** Please note that this USB-connector is NOT used for updates or to connect the unit to a PC! Instead this USB-connector makes it very easy to add wireless DMX to the unit! Just add the (optional) WTR-DMX DONGLE from BRITEQ® and you will get wireless DMX! Moreover you will be able to connect other DMX-controlled equipment to the DMX-output so you can share the wireless DMX function with all connected units! No extra settings to be made in the setup menu, just follow the procedure in the user manual supplied with the WTR-DMX DONGLE from BRITEQ®. *The separate WTR-DMX DONGLE is available from [WWW.BRITEQ-LIGHTING.COM](http://WWW.BRITEQ-LIGHTING.COM) (order code: 4645)*
6. **MAINS LINK OUTPUT:** you can use a special IEC power cable to connect this output with the mains input of the next bar or projector for easier linking (Max. total load on one power line = 10A)
7. **MAINS INPUT:** IEC socket with integrated fuse holder, connect the supplied mains cable here.
8. **INTERNAL MICROPHONE:** is used to synchronize the sound controlled shows to the beat of the music.
9. **SENSITIVITY KNOB:** turn this knob anti-clockwise to decrease the sensitivity or turn it clockwise to increase the sensitivity of the integrated microphone.
10. **DISPLAY:** shows all the necessary information about settings and working modes.
11. **CONTROL PANEL:** Used to select the different functions of the bar, see further to learn how to operate the unit.

## OVERHEAD RIGGING

- **Important:** The installation must be carried out by qualified service personal only. Improper installation can result in serious injuries and/or damage to property. Overhead rigging requires extensive experience! Working load limits should be respected, certified installation materials should be used, the installed device should be inspected regularly for safety.
- Make sure the area below the installation place is free from unwanted persons during rigging, de-rigging and servicing.
- The device should be installed out of reach of people and outside areas where persons may walk by or be seated.
- Before rigging make sure that the installation area can hold a minimum point load of 10times the device's weight.
- Always use a certified safety cable that can hold 12times the weight of the device when installing the unit. This secondary safety attachment should be installed in a way that no part of the installation can drop more than 20cm if the main attachment fails.
- The device should be well fixed; a free-swinging mounting is dangerous and may not be considered!
- Don't cover any ventilation openings as this may result in overheating.
- The operator has to make sure that the safety-relating and machine-technical installations are approved by an expert before using them for the first time. The installations should be inspected every year by a skilled person to be sure that safety is still optimal.

## HOW TO SET UP AND CONTROL THE UNIT

*You can operate the unit in several ways:*

### **1) FULL AUTOMATIC STANDALONE MODE:**

The effect automatically runs a preprogrammed sequence. Select this mode when only 1 LIVESET is used (standalone) or when the unit is placed as the first (master) unit in a chain with several LIVESET units.

- Press the [MENU] button until the display shows [Aut].
- Press the [ENTER] button to confirm your choice.
- Now you can use the UP or DOWN buttons to select the desired effect group:
  - **[AutP] Automatic RGB projector show.**
    - Press [ENTER] to select this mode.
    - Use the [UP] and [DOWN] buttons to select one of the 13 shows [AP01 – AP13]
    - Press [ENTER] to confirm your setting
    - Use the [UP] and [DOWN] buttons to select the desired show speed from [S.01] slow to [S.99] fast
    - Press [ENTER] to confirm your setting
  - **[AutF] Automatic white flash show.**
    - Press [ENTER] to select this mode.
    - Use the [UP] and [DOWN] buttons to select one of the 11 shows [AF01 – AF11]
    - Press [ENTER] to confirm your setting
    - Use the [UP] and [DOWN] buttons to select the desired show speed from [S.01] slow to [S.99] fast
    - Press [ENTER] to confirm your setting
  - **[AutM] Automatic mixed effects show.**
    - Press [ENTER] to select this mode.
    - Use the [UP] and [DOWN] buttons to select one of the 3 shows [AM01 – AM03]
    - Press [ENTER] to confirm your setting
    - Use the [UP] and [DOWN] buttons to select the desired show speed from [S.01] slow to [S.99] fast
    - Press [ENTER] to confirm your setting

If you want a program where the 4 projectors do exactly the same, you can enable the **SYNC mode**.

- Press the [MENU] button until the display shows [SyN].
- Press the [ENTER] button to enter the mode.
- Use the UP or DOWN buttons to select [Sy-A]
- Press the [ENTER] button to enter the mode.
- Now you can use the UP or DOWN buttons to select the desired speed
- Press the [ENTER] button to enter button to confirm

You can connect several LIVESET units together: just put the first unit of the chain in one of the automatic effect modes and all other units in "Slave mode" (display shows "SLA") to make them all work in perfect sync!

### **2) SOUND CONTROLLED STANDALONE MODE:**

The LIVESET runs a preprogrammed sequence to the rhythm of the music. Select this mode when only 1 unit is used (standalone) or when the unit is placed as the first (master) unit in a chain with several units.

- Press the [MENU] button until the display shows [Sou].
- Press the [ENTER] button to confirm your choice.
- Now you can use the UP or DOWN buttons to select the desired effect group:
  - **[SouP] Sound controlled RGB projector show.**
    - Press [ENTER] to select this mode.
    - Use the [UP] and [DOWN] buttons to select one of the 13 shows [SP01 – SP13]
    - Press [ENTER] to confirm your setting
  - **[SouF] Sound controlled white flash show.**
    - Press [ENTER] to select this mode.
    - Use the [UP] and [DOWN] buttons to select one of the 10 shows [SF01 – SL10]
    - Press [ENTER] to confirm your setting
  - **[SouM] Sound controlled mixed effects show.**
    - Press [ENTER] to select this mode.
    - Use the [UP] and [DOWN] buttons to select one of the 3 shows [SM01 – SM03]

- Press [ENTER] to confirm your setting

If you want a program where the 4 projectors do exactly the same, you can enable the **SYNC mode**.

- Press the [MENU] button until the display shows [SyN].
- Press the [ENTER] button to enter the mode.
- Use the UP or DOWN buttons to select [Sy-M]
- Press the [ENTER] button to enter button to confirm

**Note:** The sensitivity of the build-in microphone can be set by turning the [microphone sensitivity] knob on the rear of the Bar.

### **3) FIXED COLOR STANDALONE MODE:**

You can set a fixed color for the 4 RGB projectors together

- Press the [MENU] button until the display shows [CoL].
- Press the [ENTER] button to confirm your choice.
- [COLO] will appear on the screen
- Press the [ENTER] button to enter the setup mode.
- Use the [UP/DOWN] buttons to set the intensity of the red color. [r.000] = off, [r.255] = maximum intensity
- Press the [ENTER] button to confirm your choice and to go to the next color setting.
- Use the [UP/DOWN] buttons to set the intensity of the green color. [G.000] = off, [G.255] = maximum intensity
- Press the [ENTER] button to confirm your choice and to go to the next color setting.
- Use the [UP/DOWN] buttons to set the intensity of the blue color. [b.000] = off, [b.255] = maximum intensity
- Press the [ENTER] button to confirm your choice and to go to the strobe speed setting.
- Use the [UP/DOWN] buttons to set speed of the strobe effect. [S. 00] = off, [S. 99] = maximum speed
- Press the [ENTER] button to confirm your choice.

### **4) MASTER/SLAVE STANDALONE MODE:**

When you have several LIVESET units and you want them to all work synchronously, you can work in the so called master/slave mode. To do this, just daisy-chain all the bars and make the settings of the desired automatic or sound controlled program in the first bar of the chain (see description above). This bar is called the Master unit.

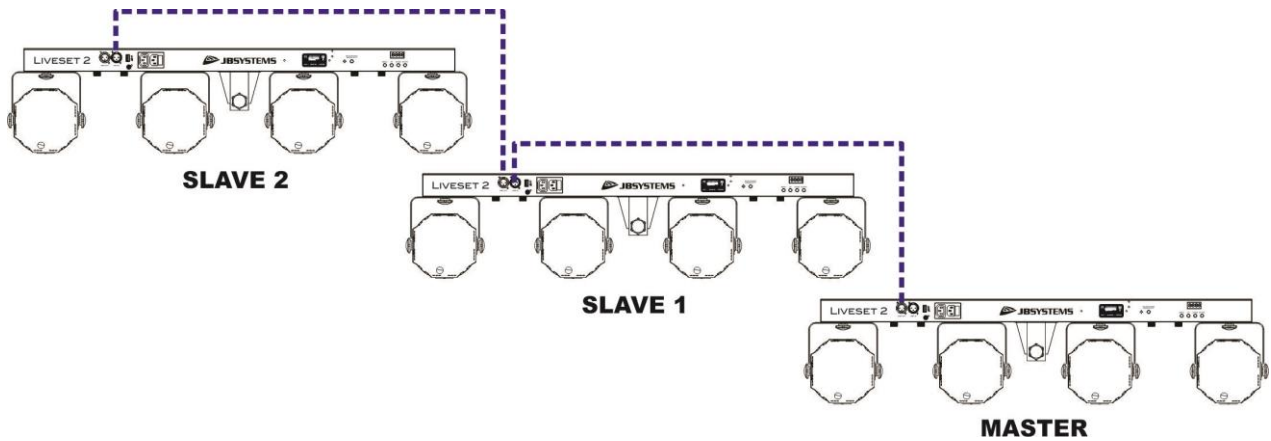
Note: to send out the information from the master to the slaves, you also have to set the master unit in MASTER MODE:

- Press the [MENU] button until the display shows [SyS].
- Use the [UP/DOWN] buttons to select [M-En]
- Press [ENTER]
- Use the [UP/DOWN] buttons to select [on]
- Press [ENTER] to confirm your setting
- The first unit (master) is now set in Master mode. The LIVESET can now send information to SLAVE units

Now put all the other bars in slave mode. Once this is done, the “slave” bars will follow the orders of the Master unit, so they work in perfect synchronicity.

To set a bar in slave mode:

- Press the [MENU] button until the display shows [SLA].
- Press the [ENTER] button to enter this mode.
- [S...] followed by 3 numbers will appear on the display
- Press the [ENTER] button to enter the address settings.
- 3 numbers will appear on the display. This is the slave address that you can set now by using the [UP/DOWN] buttons:
  - If you select address [S001], the slave unit will execute the same patterns as the master unit
  - If you select a higher address like [S008], you can make the units working in sequences. The program will start running in the master, then it will go on with the projectors in the slave unit.
  - If you have more units (for example 3 units) and you put slave 1 for example on address [S008] and slave 2 on address [S020] → The program will start running in the master, then it will go on with the projectors of the slave 1 unit, followed by the projectors of the slave 2 unit.



**5) CONTROLLED VIA THE WIRELESS FOOT CONTROLLER:**

The LIVESET can be controlled by the supplied wireless foot controller. To be able to do this, you have to activate this function in the LIVESET so the bar can receive the commands from the wireless foot controller:

- Press the [MENU] button until the display shows [SyS].
- Press [ENTER]
- Use the [UP/DOWN] buttons to select [W-En]
- Press [ENTER]
- Use the [UP/DOWN] buttons to select [on]
- Press [ENTER] to confirm the setting

You can now use the foot controller

Functions:

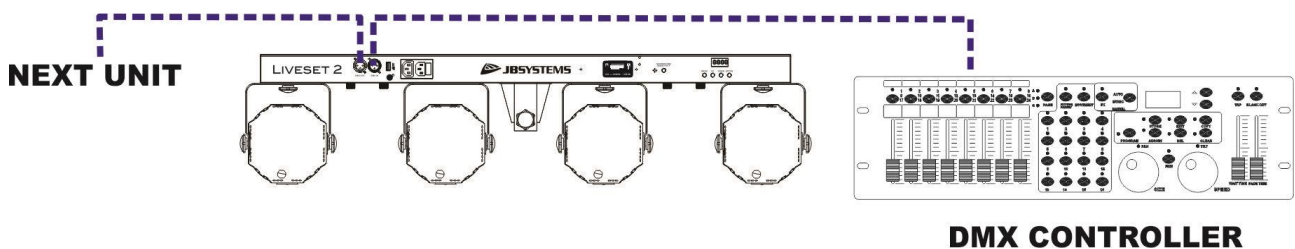
FUNCTION	
AUTO	Starts the automatic programs
SOUND	Starts the sound controlled programs
COLOR	Select a fixed color → Red → Green → Yellow → Dark Blue → Fuchsia → Light Blue → White →
BLACKOUT	Shuts down the light output

**6) CONTROLLED VIA DMX:**

The LIVESET can be controlled by any standard DMX-controller in several different DMX-modes.

- Connect the DMX input of the unit to the DMX output of the previous unit in the chain or directly to the DMX-output of your controller.
  - Press the [MENU] button until the display shows: [DMH].
  - Press the [ENTER] button to enter this option
  - The actual DMX address is shown on the display.
  - Press the [ENTER] button again to access the DMX settings
  - You can now change the DMX mode
  - Use the [UP/DOWN] buttons to select the desired DMX-mode. (1CH, 4CH, 18CH or 19CH)
- Remark: the modes [LC02] and [LCHL] are used when you combine the unit with our special projector controllers Ledcon-02 Mk2 and Ledcon-XL. (see chapter below)*
- Press the [ENTER] button to confirm your choice.
  - Now you can use the [UP/DOWN] buttons to set the DMX address. [dxxx]
  - Press the [ENTER] button to confirm your choice.

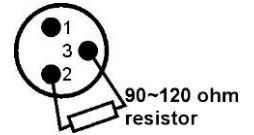
**Note:** the display blinks when the unit is in DMX-mode and no DMX-signal is detected.





**Some more information on DMX512:**

The DMX-protocol is a widely used high speed signal to control intelligent light equipment. You need to "daisy chain" your DMX controller and all the connected light effects with a good quality XLR M/F balanced cable. To prevent strange behavior of the light effects, due to interferences, you must use a 90Ω to 120Ω terminator at the end of the chain. Never use Y-splitter cables, this simply won't work!



Each effect in the chain needs to have its proper starting address so it knows which commands from the controller it has to decode. If for example you use the 4 channel DMX mode, a possible address setup could be: unit1 = 001 ~ unit2 = 005 ~ unit3 = 009 ~ unit4 = 013 ~ etc.

**1 CHANNEL DMX-CONFIGURATION:**

DMX Channel	DMX-value	function	remarks
1	000-009	Blackout	Automatic shows. Speed can be controlled from Slow to Fast
	010-072	Auto Par	
	073-132	Auto Flash Led	
	133-195	Auto Mix	Sound controlled shows
	196-215	Sound Par	
	216-235	Sound Flash Led	
	236-255	Sound Mix	

**4 CHANNEL DMX-CONFIGURATION:**

DMX Channel	DMX-value	function	remarks
RGB Automatic Programs			
1	000-009	Blackout	RGB Shows
	010-028	Show 1	
	029-047	Show 2	
	048-066	Show 3	
	067-085	Show 4	
	086-104	Show 5	
	105-123	Show 6	
	124-142	Show 7	
	143-161	Show 8	
	162-180	Show 9	
	181-199	Show 10	
	200-218	Show 11	
	219-237	Show 12	
238-255	Show 13 (Random)		
RGB Automatic Program Speed			
2	000-243	Speed	Slow to Fast
	244-255	Sound	Sound controlled
White Led Programs			
3	000-009	Blackout	White Led Shows
	010-031	Show 1	
	032-053	Show 2	

	054-075	Show 3	
	076-097	Show 4	
	098-119	Show 5	
	120-141	Show 6	
	142-163	Show 7	
	164-185	Show 8	
	186-207	Show 9	
	208-229	Show 10	
	230-255	Show 11 (Random)	
White Led Automatic Program Speed			
4	000-243	Speed	Slow to Fast
	244-255	Sound	Sound controlled

**18 CHANNEL DMX-CONFIGURATION:**

DMX Channel	DMX-value	function	remarks
RGB Projector (1) control			
1	000-255	Red	0% → 100%
2	000-255	Green	
3	000-255	Blue	
RGB Projector (2) control			
4	000-255	Red	0% → 100%
5	000-255	Green	
6	000-255	Blue	
RGB Projector (3) control			
7	000-255	Red	0% → 100%
8	000-255	Green	
9	000-255	Blue	
RGB Projector (4) control			
10	000-255	Red	0% → 100%
11	000-255	Green	
12	000-255	Blue	
RGB Main Dimmer			
13	000-255	Intensity	0% → 100%
RGB Strobe			
14	000-009	No Strobe	Slow to Fast
	010-083	Pulse Closed	
	084-163	Pulse Open	
	164-243	Strobe	
	244-255	Sound Strobe	
White LED Strobe			
15	000-009	Blackout	White LED 1
	010-255	Strobe	
16	000-009	Blackout	White LED 2

	010-255	Strobe	
17	000-009	Blackout	White LED 3
	010-255	Strobe	
18	000-009	Blackout	White LED 4
	010-255	Strobe	

**19 CHANNEL DMX-CONFIGURATION:**

DMX Channel	DMX-value	function	remarks
RGB Projector (1) control			
1	000-255	Red	0% → 100%
2	000-255	Green	
3	000-255	Blue	
RGB Projector (2) control			
4	000-255	Red	0% → 100%
5	000-255	Green	
6	000-255	Blue	
RGB Projector (3) control			
7	000-255	Red	0% → 100%
8	000-255	Green	
9	000-255	Blue	
RGB Projector (4) control			
10	000-255	Red	0% → 100%
11	000-255	Green	
12	000-255	Blue	
Main Dimmer			
13	000-255	Intensity	0% → 100%
RGB Strobe			
14	000-009	No Strobe	
	010-083	Pulse Closed	
	084-163	Pulse Open	
	164-243	Strobe	Slow to Fast
	244-255	Sound Strobe	Sound controlled modulator effect
White LED Strobe			
15	000-255	White Strobe	Slow to Fast
RGB Automatic Programs			
16	000-009	Blackout	RGB Shows
	010-028	Show 1	
	029-047	Show 2	
	048-066	Show 3	
	067-085	Show 4	
	086-104	Show 5	
	105-123	Show 6	
	124-142	Show 7	

	143-161	Show 8	
	162-180	Show 9	
	181-199	Show 10	
	200-218	Show 11	
	219-237	Show 12	
	238-255	Show 13 (Random)	
RGB Automatic Program Speed			
17	000-243	Speed	Slow to Fast
	244-255	Sound	Sound controlled
White Led Programs			
18	000-009	Blackout	White Led Shows
	010-031	Show 1	
	032-053	Show 2	
	054-075	Show 3	
	076-097	Show 4	
	098-119	Show 5	
	120-141	Show 6	
	142-163	Show 7	
	164-185	Show 8	
	186-207	Show 9	
	208-229	Show 10	
230-255	Show 11 (Random)		
White Led Automatic Program Speed			
19	000-243	Speed	Slow to Fast
	244-255	Sound	Sound controlled

**A. Controlled by the LEDCON-02 Mk2:**

Follow the steps below to control the bar using the LEDCON-02 Mk2

- Connect the DMX input of the unit to the DMX output of the previous unit in the chain or directly to the DMX-output of your controller.
- Press the [MENU] button until the display shows: [DMH].
- Press the [ENTER] button to enter this option
- The actual DMX address is shown on the display.
- Press the [ENTER] button again to access the DMX settings
- You can now change the DMX mode
- Use the [UP/DOWN] buttons to select the DMX-mode [LC02]
- Press the [ENTER] button to confirm your choice.
- Now you can use the [UP/DOWN] buttons to set the DMX address. [dxxx]
  - If you use the LEDCON-02 in 4CH mode you have to select DMX address 001 (also select this mode and channel if you are using only 1 light bar)
  - If you use the LEDCON-02 in 8CH mode and you want to use the bar for the first 4 channels (first 4-bar) you have also to select DMX address 001
  - If you use the LEDCON-02 in 8CH mode and you want to use the bar for the last 4 channels (second 4-bar) you have to select DMX address 017
- Press the [ENTER] button to confirm your choice.

**Note:** the display blinks when the unit is in DMX-mode and no DMX-signal is detected.



- For instructions on how to use the LEDCON-02 Mk2: please check the user manual of this controller.

**Important notes:**

The LIVESET is only compatible with LEDCON-02 Mk2, not with the LEDCON-02 !

The white strobe LEDs can not be controlled via the Ledcon-02 Mk2 and will be continuously OFF

**[LC02] CHANNEL MODE TO BE USED WITH THE LEDCON-02 MK2 CONTROLLER**

Channel:		Value:	Function:
1	Red (projector 1)	000-255	Dimmer (0-100%)
2	Green (projector 1)	000-255	Dimmer (0-100%)
3	Blue (projector 1)	000-255	Dimmer (0-100%)
4	Dim Strobe Music Mode (projector 1)	000-007	Blackout
		008-190	Master Dimmer (0-100%)
		191-200	Automatic Sound controlled Mode
		201-247	Strobe speed (slow to fast)
		248-255	Maximum Master dimmer level
5	Red (projector 2)	000-255	Dimmer (0-100%)
6	Green (projector 2)	000-255	Dimmer (0-100%)
7	Blue (projector 2)	000-255	Dimmer (0-100%)
8	Dim Strobe Music Mode (projector 2)	000-007	Blackout
		008-190	Master Dimmer (0-100%)
		191-200	Automatic Sound controlled Mode
		201-247	Strobe speed (slow to fast)
		248-255	Maximum Master dimmer level (100%)
9	Red (projector 3)	000-255	Dimmer (0-100%)
10	Green (projector 3)	000-255	Dimmer (0-100%)
11	Blue (projector 3)	000-255	Dimmer (0-100%)
12	Dim Strobe Music Mode (projector 3)	000-007	Blackout
		008-190	Master Dimmer (0-100%)
		191-200	Automatic Sound controlled Mode
		201-247	Strobe speed (slow to fast)
		248-255	Maximum Master dimmer level
13	Red (projector 4)	000-255	Dimmer (0-100%)
14	Green (projector 4)	000-255	Dimmer (0-100%)
15	Blue (projector 4)	000-255	Dimmer (0-100%)
16	Dim Strobe Music Mode (projector 4)	000-007	Blackout
		008-190	Master Dimmer (0-100%)
		191-200	Automatic Sound controlled Mode
		201-247	Strobe speed (slow to fast)
		248-255	Maximum Master dimmer level

**B. Controlled by the LEDCON-XL:**

**Follow the steps below to control the bar using the LEDCON-XL**

- Connect the DMX input of the unit to the DMX output of the previous unit in the chain or directly to the DMX-output of your controller.
- Press the [MENU] button until the display shows: [DMH].
- Press the [ENTER] button to enter this option
- The actual DMX address is shown on the display.
- Press the [ENTER] button again to access the DMX settings
- You can now change the DMX mode
- Use the [UP/DOWN] buttons to select the DMX-mode [LCHL]
- Press the [ENTER] button to confirm your choice.
- Now you can use the [UP/DOWN] buttons to set the DMX address. [dxxx]
  - If you use the LEDCON-XL in 4CH mode you have to select DMX address 001 (also select this mode and channel if you are using only 1 light bar)

- If you use the LEDCON-XL in 8CH mode and you want to use the bar for the first 4 channels (first 4-bar) you have also to select DMX address 001
  - If you use the LEDCON-XL in 8CH mode and you want to use the bar for the last 4 channels (second 4-bar) you have to select DMX address 033
  - Press the [ENTER] button to confirm your choice.
- Note:** the display blinks when the unit is in DMX-mode and no DMX-signal is detected.

- For instructions on how to use the LEDCON-XL: please check the user manual of this controller.

**Important notes:**

The white strobe LEDs can not be controlled via the Ledcon-XL and will be continuously OFF  
**On the Ledcon-XL you have to set the [Unit ID] for the 4 individual projectors of the bar (or for the 8 individual projectors if you use more than 2 bar in 8 channel mode)**  
 Choose [Patch 11] = [R-G-B] for each unit ID

**[LCHL] MODE TO BE USED WITH THE LEDCON-XL CONTROLLER**

Channel:		Value:	Function:
1	Red (projector 1)	000-255	Dimmer (0-100%)
2	Green (projector 1)	000-255	Dimmer (0-100%)
3	Blue (projector 1)	000-255	Dimmer (0-100%)
4 to 8	NOT USED		No function
9	Red (projector 2)	000-255	Dimmer (0-100%)
10	Green (projector 2)	000-255	Dimmer (0-100%)
11	Blue (projector 2)	000-255	Dimmer (0-100%)
12 to 16	NOT USED		No function
17	Red (projector 3)	000-255	Dimmer (0-100%)
18	Green (projector 3)	000-255	Dimmer (0-100%)
19	Blue (projector 3)	000-255	Dimmer (0-100%)
20 to 24	NOT USED		No function
25	Red (projector 4)	000-255	Dimmer (0-100%)
26	Green (projector 4)	000-255	Dimmer (0-100%)
27	Blue (projector 4)	000-255	Dimmer (0-100%)

**EXTRA FUNCTIONS IN THE MENU**

**TEST mode:** to check if all the LEDs are OK

- Press the [MENU] button until the display shows [SyS].
- Press the [ENTER] button to enter this option
- Use the [UP/DOWN] buttons to select [tESt]
- The unit will now start the test of each LED and color

**RESET mode:** to go back to the standard factory settings

- Press the [MENU] button until the display shows [SyS].
- Press the [ENTER] button to enter this option
- Use the [UP/DOWN] buttons to select [rSEt]
- Press the [ENTER] button to execute the reset.
- The firware version will shortly appear on the display

## MAINTENANCE

- Make sure the area below the installation place is free from unwanted persons during servicing.
  - Switch off the unit, unplug the mains cable and wait until the unit has been cooled down.
- During inspection the following points should be checked:**
- All screws used for installing the device and any of its parts should be tightly fastened and may not be corroded.
  - Housings, fixations and installations spots (ceiling, truss, suspensions) should be totally free from any deformation.
  - When an optical lens is visibly damaged due to cracks or deep scratches, it must be replaced.
  - The mains cables must be in impeccable condition and should be replaced immediately when even a small problem is detected.
  - In order to protect the device from overheat the cooling fans (if any) and ventilation openings should be cleaned monthly.
  - The interior of the device should be cleaned annually using a vacuum cleaner or air-jet.
  - The cleaning of internal and external optical lenses and/or mirrors must be carried out periodically to optimize light output. Cleaning frequency depends on the environment in which the fixture operates: damp, smoky or particularly dirty surroundings can cause greater accumulation of dirt on the unit's optics.
    - Clean with a soft cloth using normal glass cleaning products.
    - Always dry the parts carefully.

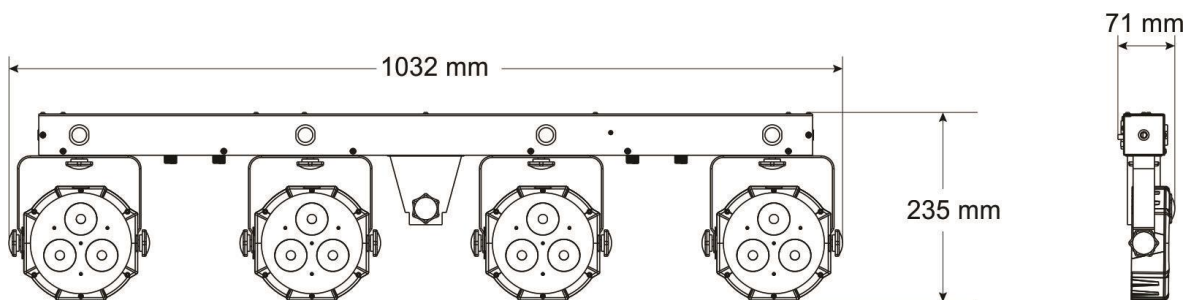
**Attention: We strongly recommend internal cleaning to be carried out by qualified personnel!**

## SPECIFICATIONS

This unit is radio-interference suppressed. This product meets the requirements of the current European and national guidelines. Conformity has been established and the relevant statements and documents have been deposited by the manufacturer.

This device was designed to produce decorative effect lighting and is used in light show systems.

<b>Mains Input:</b>	100-250Vac, 50/60Hz
<b>Power consumption:</b>	108 Watts
<b>Fuse:</b>	250V 1.6A slow blow (20mm glass)
<b>Sound Control:</b>	Internal microphone
<b>DMX connections:</b>	XLR 3pin
<b>DMX modes:</b>	1, 4, 18, 19, 16 (LC02) and 27 (LCXL) Channel mode
<b>LED Source:</b>	4 projectors with 3 x 9W RGB LED
<b>Beam angle RGB projectors:</b>	15°
<b>Dimensions:</b>	1032 x 71 x 235mm
<b>Weight of the Liveset:</b>	10.2 kg



Every information is subject to change without prior notice

You can download the latest version of this user manual on our website: [www.jb-systems.eu](http://www.jb-systems.eu)



**JB SYSTEMS**

## **MAILING LIST**

**EN: Subscribe today to our mailing list for the latest product news!**

**FR: Inscrivez-vous à notre liste de distribution si vous souhaitez suivre l'actualité de nos produits!**

**NL: Abonneer je vandaag nog op onze mailinglijst en ontvang ons laatste product nieuws!**

**DE: Abonnieren Sie unseren Newsletter und erhalten Sie aktuelle Produktinformationen!**

**ES: Suscríbete hoy a nuestra lista de correo para recibir las últimas noticias!**

**PT: Inscreva-se hoje na nossa mailing list para estar a par das últimas notícias!**

**[WWW.JB-SYSTEMS.EU](http://WWW.JB-SYSTEMS.EU)**

**Copyright © 2020 by BEGLEC NV**

t Hofveld 2C ~ B1702 Groot-Bijgaarden ~ Belgium

Reproduction or publication of the content in any manner, without express permission of the publisher, is prohibited.