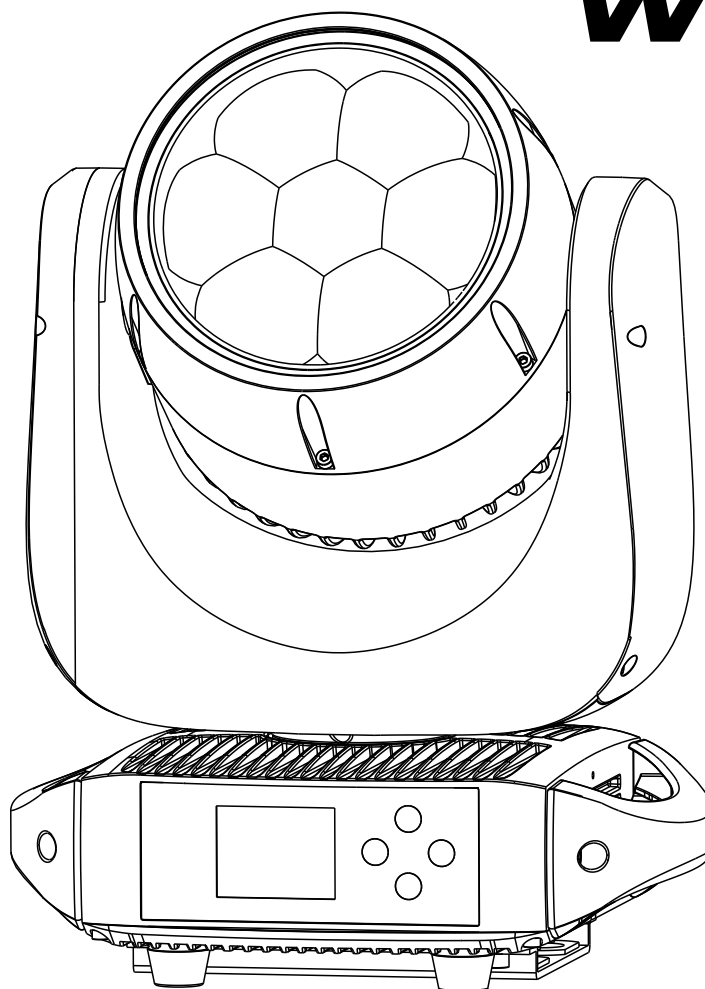


# **BTI-BLIZZARD** **WASH1**



## **ENGLISH** **Operation Manual**

Other languages can be downloaded from:  
[WWW.BRITEQ-LIGHTING.COM](http://WWW.BRITEQ-LIGHTING.COM)



*Version: 1.0*





### **EN - DISPOSAL OF THE DEVICE**

Dispose of the unit and used batteries in an environment friendly manner according to your country regulations.

### **FR - DÉCLASSER L'APPAREIL**

Débarrassez-vous de l'appareil et des piles usagées de manière écologique conformément aux dispositions légales de votre pays.

### **NL - VERWIJDEREN VAN HET APPARAAT**

Verwijder het toestel en de gebruikte batterijen op een milieuvriendelijke manier conform de in uw land geldende voorschriften.

### **DU - ENTSORGUNG DES GERÄTS**

Entsorgen Sie das Gerät und die Batterien auf umweltfreundliche Art und Weise gemäß den Vorschriften Ihres Landes.

### **ES - DESHACERSE DEL APARATO**

Reciclar el aparato y pilas usadas de forma ecologica conforme a las disposiciones legales de su país.

### **PT - COMO DESFAZER-SE DA UNIDADE**

Tente reciclar a unidade e as pilhas usadas respeitando o ambiente e em conformidade com as normas vigentes no seu país.

# OPERATION MANUAL

Thank you for buying this Briteq® product. To take full advantage of all possibilities and for your own safety, please read these operating instructions very carefully before you start using this unit.

## FEATURES

- Extremely compact and powerful moving wash, equipped with 7x40W OSRAM® RGBL LEDs.
- **IP65 protection and low noise operation:** perfect for both outdoor and indoor use!
- Using LIME instead of WHITE provides a wider color palette and perfect white with high CRI.
- Different “Hi-CRI” CCT presets from 1800K to 10000K
- Motorized zoom from 4° to 40° (3,5° in ultra narrow mode)
- Light output (full on):
  - 16'600 lux @ 5m (3,5° ultra narrow)
  - 286 lux @ 5m (40°)
- 16-Bit dimming and color control
- Ring control: individual control for central pixel and outer ring.
- RGB halo-ring with nice build-in “eye-candy” effects.
- 6 DMX modes: from 18 to 24 Channels
- Seetronic IP65 3pin & 5pin XLR in/outputs for maximum flexibility in a professional environment
- Seetronic IP65 Power in/outputs: up to 16A can be daisy chained for easy installation (PowerCON TRUE-1 compatible)
- For quick installation, two omega brackets are included.
- Very lightweight: only 10kg !
- Optional backup battery: Settings can be made without connecting the unit to mains.
- Optional module for wireless DMX available (W-DMX Sweden)

## BEFORE USE

- Before you start using this unit, please check if there's no transportation damage. Should there be any, do not use the device and consult your dealer first.
- **Important:** This device left our factory in perfect condition and well packaged. It is absolutely necessary for the user to strictly follow the safety instructions and warnings in this user manual. Any damage caused by mishandling is not subject to warranty. The dealer will not accept responsibility for any resulting defects or problems caused by disregarding this user manual.
- Keep this booklet in a safe place for future consultation. If you sell the fixture, be sure to add this user manual.

### Check the contents:

Check that the carton contains the following items:

- BTI-BLIZZARD WASH1
- PowerCON® TRUE-1 compatible mains cable
- Safety cable
- 2x Omega bracket small
- Operating instructions

## SAFETY INSTRUCTIONS



**CAUTION**  
RISK OF ELECTRIC SHOCK  
DO NOT OPEN



**CAUTION:** To reduce the risk of electric shock, do not remove the top cover. No user-serviceable parts inside. Refer servicing to qualified service personnel only.



The lightning flash with arrowhead symbol within the equilateral triangle is intended to alert the user or the presence of un-insulated "dangerous voltage" within the product's enclosure that may be of sufficient magnitude to constitute a risk of electric shock.



The exclamation point within the equilateral triangle is intended to alert the user to the presence of important operation and maintenance (servicing) instructions in the literature accompanying this appliance.



This symbol means: indoor use only



This symbol means: Read instructions



This symbol determines: the minimum distance from lighted objects. The minimum distance between light-output and the illuminated surface must be more than 0.2 meters

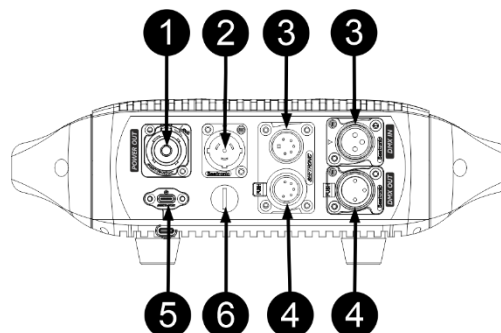
- To protect the environment, please try to recycle the packing material as much as possible.
- A new light effect sometimes causes some unwanted smoke and/or smell. This is normal and disappears after some minutes.
- To prevent fire or shock hazard, do not expose this appliance to rain or moisture.
- To avoid condensation to be formed inside, allow the unit to adapt to the surrounding temperatures when bringing it into a warm room after transport. Condensation sometimes prevents the unit from working at full performance or may even cause damages.
- This unit is for indoor use only.
- Don't place metal objects or spill liquid inside the unit. Electric shock or malfunction may result. If a foreign object enters the unit, immediately disconnect the mains power.
- Locate the fixture in a well ventilated spot, away from any flammable materials and/or liquids. The fixture must be fixed at least 20cm from surrounding walls.
- Don't cover any ventilation openings as this may result in overheating.
- Prevent use in dusty environments and clean the unit regularly.
- Keep the unit away from children.
- Inexperienced persons should not operate this device.
- Maximum safe ambient temperature is 40°C. Don't use this unit at higher ambient temperatures.
- The units' surface temperature may reach up to 85°C. Don't touch the housing with bare hands during its operation.
- Make sure the area below the installation place is free from unwanted persons during rigging, de-rigging and servicing.
- Allow the device about 10 minutes to cool down before replacing the bulb or start servicing.
- Always unplug the unit when it is not used for a longer time or before replacing the bulb or start servicing.
- The electrical installation should be carried out by qualified personal only, according to the regulations for electrical and mechanical safety in your country.
- Check that the available voltage is not higher than the one stated on the rear panel of the unit.
- The power cord should always be in perfect condition. Switch the unit immediately off when the power cord is squashed or damaged. It must be replaced by the manufacturer, its service agent or similarly qualified persons in order to avoid a hazard.
- Never let the power-cord come into contact with other cables!
- This fixture must be earthed in order to comply with safety regulations.
- Don't connect the unit to any dimmer pack.
- Always use an appropriate and certified safety cable when installing the unit.
- In order to prevent electric shock, do not open the cover. Apart from the lamp and mains fuse there are no user serviceable parts inside.
- Never repair a fuse or bypass the fuse holder. Always replace a damaged fuse with a fuse of the same type and electrical specifications!
- In the event of serious operating problems, stop using the fixture and contact your dealer immediately.
- The housing and the lenses must be replaced if they are visibly damaged.
- Please use the original packing when the device is to be transported.
- Due to safety reasons it is prohibited to make unauthorized modifications to the unit.

**Important:** Never look directly into the light source! Don't use the effect in the presence of persons suffering from epilepsy.

## DESCRIPTION:

### REAR PANEL:

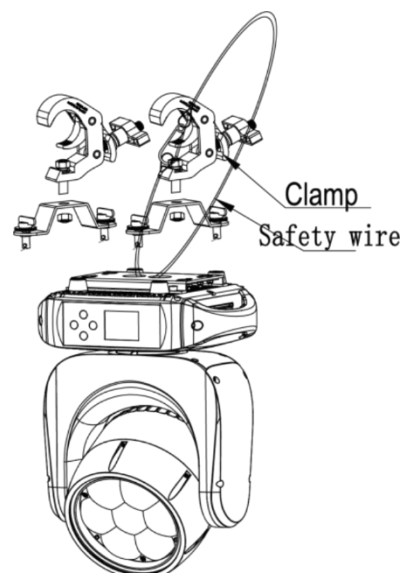
1. Seetronic IP65 power output
2. Seetronic IP65 power input
3. XLR input 5-pin & 3-pin
4. XLR output 5-pin & 3-pin
5. USB-C for updates
6. Fuse slot (20x5mm, T6,3A / 250V)



**Hint:** Please check our website for special cable assemblies that contain both power (3x1.5mm<sup>2</sup> with PowerCON® TRUE-1) and balanced signal (XLR 3pin or 5pin) in one cable. Different lengths are available: 1.5m, 3m and 5m, very convenient!

## OVERHEAD RIGGING

- **Important:** The installation must be carried out by qualified service personal only. Improper installation can result in serious injuries and/or damage to property. Overhead rigging requires extensive experience! Working load limits should be respected, certified installation materials should be used, the installed device should be inspected regularly for safety.
- Make sure the area below the installation place is free from unwanted persons during rigging, de-rigging and servicing.
- Locate the fixture in a well ventilated spot, far away from any flammable materials and/or liquids. The fixture must be fixed **at least 50cm** from surrounding walls.
- The device should be installed out of reach of people and outside areas where persons may walk by or be seated.
- Before rigging make sure that the installation area can hold a minimum point load of 10times the device's weight.
- Always use a certified safety cable that can hold 12 times the weight of the device when installing the unit. This secondary safety attachment should be installed in a way that no part of the installation can drop more than 20cm if the main attachment fails.
- The device should be well fixed; a free-swinging mounting is dangerous and may not be considered!
- Don't cover any ventilation openings as this may result in overheating.
- The operator has to make sure that the safety-relating and machine-technical installations are approved by an expert before using them for the first time. The installations should be inspected every year by a skilled person to be sure that safety is still optimal.



### Installation:

- Fix the Truss hooks to the omega brackets with screw and locking nut.
- Fasten the omega brackets on the bottom of the base by inserting quick-lock fasteners into the holes of the base and tighten fully clockwise. (you should hear or feel a 'click')

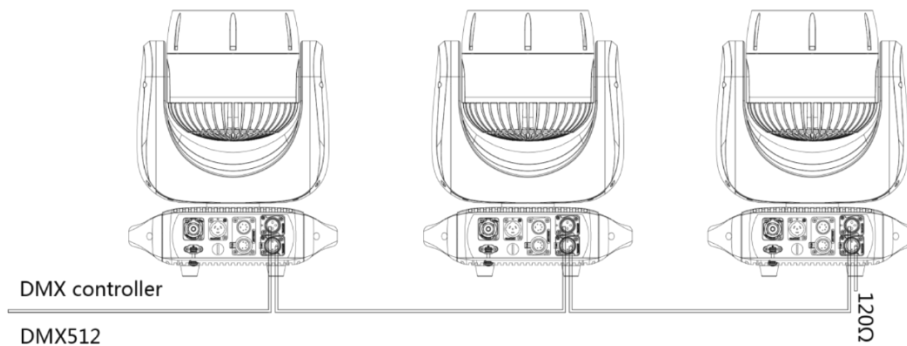
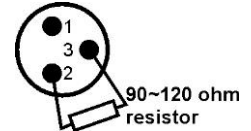


# ELECTRICAL INSTALLATION

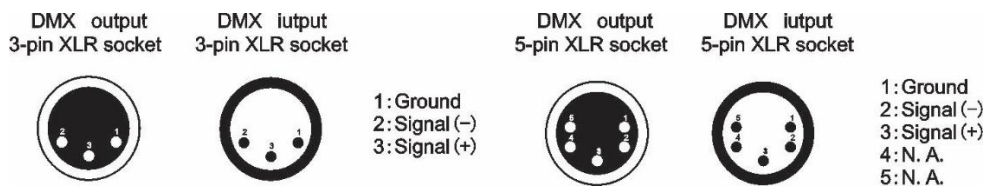
**⚠ Important:** The electrical installation should be carried out by qualified personal only, according to the regulations for electrical and mechanical safety in your country.

## Electrical installation for two or more units in DMX-mode:

- The DMX-protocol is a widely used high speed signal to control intelligent light equipment. You need to "daisy chain" your DMX controller and all the connected units with a good quality balanced cable.
- Both XLR-3pin and XLR-5pin connectors are used, however XLR-3pin is more popular because these cables are compatible with balanced audio cables.  
 Pin layout XLR-3pin: Pin1 = GND ~ Pin2 = Negative signal (-) ~ Pin3 = Positive signal (+)  
 Pin layout XLR-5pin: Pin1 = GND ~ Pin2 = Negative signal (-) ~ Pin3 = Positive signal (+) ~ Pins4+5 not used.
- To prevent strange behavior on the DMX units, due to interferences, you must use a 90Ω to 120Ω terminator at the end of the chain. Never use Y-splitter cables, this simply won't work!
- Make sure that all units are connected to the mains.
- Each unit in the chain needs to have its proper starting address so it knows which commands from the controller it has to decode. In the next section you will learn how to set the DMX addresses.



## Wiring of the DMX connectors:



# OPERATING INSTRUCTIONS

- In the event of serious operating problems, stop using the fixture and contact your dealer immediately.
- **Important:** Never look directly into the light source! Don't use the effect in the presence of persons suffering from epilepsy.

## SETTING MENU

Press [Settings] on the display to open the setup menu. Use the [UP/DOWN], [MODE] and [ENTER] buttons to navigate.

| Menu    | Sub-menu/Item |
|---------|---------------|
| Address | 001-512       |
| Person  | HSIC          |
|         | SSP           |
|         | Tour *        |
|         | TR16          |
|         | CMY           |
|         | Pixel         |
| Runmode | DMX512 *      |
|         | AUTO          |

|            |                     |              |              |
|------------|---------------------|--------------|--------------|
|            |                     | Custom1      |              |
|            |                     | Custom2      |              |
| Option     | Pan invert          | Normal *     |              |
|            |                     | Invert       |              |
|            | Tilt invert         | Normal *     |              |
|            |                     | Invert       |              |
|            | Perform             | Studio       |              |
|            |                     | Power        |              |
|            |                     | Live *       |              |
|            | Blackout            | Off *        |              |
|            |                     | ON           |              |
|            | Zoom range          | Ultra narrow |              |
|            |                     | Regular *    |              |
|            | Dimmer              | Dim4 *       |              |
|            |                     | OFF          |              |
|            | LED PWM             | 1200Hz *     |              |
|            |                     | 2400Hz       |              |
|            |                     | 4000Hz       |              |
|            |                     | 6000Hz       |              |
|            |                     | 25000Hz      |              |
|            | DMX error           | Freeze *     |              |
|            |                     | Black        |              |
|            | Display Time        | ON           |              |
|            |                     | 30s *        |              |
|            |                     | 1min         |              |
|            |                     | 2min         |              |
|            | Menu Lock           | Off          |              |
|            |                     | On *         |              |
|            | Load Para           | Off          |              |
| On         |                     |              |              |
| Setting    | Recovery            |              |              |
|            | Clean Edit1         |              |              |
|            | Clean edit2         |              |              |
|            | WDMX Hide           | Yes          | No           |
| PT encoder | Off                 |              |              |
|            | On *                |              |              |
| WDMX reset | Yes                 |              |              |
|            | No                  |              |              |
| Signal     | only XLRDMX         |              |              |
|            | WMX to XLR DMX      |              |              |
| Color Cali | Off *               |              |              |
|            | User Calibration    | Red          |              |
|            |                     | Green        |              |
|            |                     | Blue         |              |
|            |                     | White        |              |
|            | Factory calibration |              |              |
| Edit       | Edit1-2             | Step1-30     | Pan          |
|            |                     |              | Tilt         |
|            |                     |              | Zoom         |
|            |                     |              | Red          |
|            |                     |              | Green        |
|            |                     |              | Blue         |
|            |                     |              | Lime         |
|            |                     |              | Strobe       |
|            |                     |              | Preset Color |
|            |                     |              | CCT          |
|            |                     |              | RedRing      |

|                        |                            |           |           |
|------------------------|----------------------------|-----------|-----------|
|                        |                            |           | GreenRing |
|                        |                            |           | BlueRing  |
|                        |                            |           | Time      |
| <b>Manual</b>          | Autotest                   |           |           |
|                        | Channel                    | ...       |           |
|                        | Debug Hide                 | Yes       |           |
|                        |                            | No        |           |
|                        | Reset                      | All reset |           |
| PT Reset               |                            |           |           |
| Other                  |                            |           |           |
| <b>Service</b>         | Pan                        |           |           |
|                        | Tilt                       |           |           |
| <b>Info</b>            | Fixture Hours              |           |           |
|                        | LED use hours              |           |           |
|                        | Temperature                |           |           |
|                        | Version                    |           |           |
|                        | RDM                        | UID       |           |
|                        |                            | Label     |           |
| System error           |                            |           |           |
| <b>Update software</b> |                            |           |           |
| <b>CCT</b>             | CCT presets 1800K - 10000K |           |           |
| <b>Preset Color</b>    | Preset Color 1-24          |           |           |
| <b>CMY</b>             | CMY presets                |           |           |

Notes: menu items with \* are the default values.

Password: press ▲-▼-▲-▼-► (Up-Down-Up-Down-Enter)

**Address**

Used to set the DMX-starting address.

- Press the right button to open the menu. (Enter the password if prompted)
- Press the up/down buttons to select the **ADDRESS** option and hit the right button to select.
- Use the up/down buttons to select the correct DMX address
- Press the right button to confirm.

**Person**

Used to set the channel mode of the unit

- Press the right button to open the menu. (Enter the password if prompted)
- Press the up/down buttons to select the **PERSON** option and hit the right button to select.
- Use the up/down buttons to select the correct DMX address
  - **HSIC:** 20 Channels
  - **CMY:** 21 Channels
  - **SSP:** 18 Channels
  - **TOUR:** 20 Channels
  - **TR16:** 27 Channels
  - **Pixel:** 24 Channels
- Press the right button to confirm.

**Runmode**

Used to set the channel mode of the unit

- Press the right button to open the menu. (Enter the password if prompted)
- Press the up/down buttons to select the **RUNMODE** option and hit the right button to select.
- Use the up/down buttons to select the correct DMX address
  - **DMX512 :** Fixture reacts to DMX
  - **AUTO :** Fixture steps automatically through pre-programmed steps
  - **Custom1/Custom2 :** Fixture steps automatically through user-programmed steps
- Press the right button to confirm.



**Fixture options**

Menu with functions related to the overall settings of the fixture

**PAN INVERT**

Used to invert the pan movement

- Press the right button to open the menu. (Enter the password if prompted)
- Press the up/down buttons to select **OPTION** and hit the right button to select.
- Press the up/down buttons to select the **PAN INVERT** option and hit the right button to select.
- Use the up/down buttons to select **NORMAL/INVERT**
- Press the right button to confirm.

**TILT INVERT**

Used to invert the tilt movement

- Press the right button to open the menu. (Enter the password if prompted)
- Press the up/down buttons to select **OPTION** and hit the right button to select
- Press the up/down buttons to select the **TILT INVERT** option and hit the right button to select.
- Use the up/down buttons to select **NORMAL/INVERT**
- Press the right button to confirm.

**PERFORM**

Used to select the cooling mode

- Press the right button to open the menu. (Enter the password if prompted)
- Press the up/down buttons to select **OPTION** and hit the right button to select
- Press the up/down buttons to select the **PERFORM** option and hit the right button to select.
- Use the up/down buttons to select the correct mode
  - **STUDIO:** Silent mode
  - **POWER:** Full power mode
  - **LIVE:** Temperature controlled mode
- Press the Right button to confirm.

**BLACKOUT**

Used to select the move-in-dark

- Press the right button to open the menu. (Enter the password if prompted)
- Press the up/down buttons to select **OPTION** and hit the right button to select
- Press the up/down buttons to select the **BLACKOUT** option and hit the right button to select.
- Use the up/down buttons to select **ON/OFF**
- Press the right button to confirm.

**ZOOM RANGE**

Used to select the zoom range

- Press the right button to open the menu. (Enter the password if prompted)
- Press the up/down buttons to select **OPTION** and hit the right button to select
- Press the up/down buttons to select the **ZOOM RANGE** option and hit the right button to select.
- Use the up/down buttons to select **Ultra Narrow/Regular**
- Press the right button to confirm.

**DIMMER**

Used to select the dimmer speed

- Press the right button to open the menu. (Enter the password if prompted)
- Press the up/down buttons to select **OPTION** and hit the right button to select
- Press the up/down buttons to select the **DIMMER** option and hit the right button to select.
- Use the up/down buttons to select **DIM4/OFF**
- Press the right button to confirm.

**LED PWM**

Used to select the PWM frequency of the LED

- Press the right button to open the menu. (Enter the password if prompted)
- Press the up/down buttons to select **OPTION** and hit the right button to select
- Press the up/down buttons to select the **LED PWM** option and hit the right button to select.
- Use the up/down buttons to select the correct frequency

- Press the right button to confirm.

### **DMX ERROR**

**Used to select the behavior of the fixture when no DMX is received**

- Press the right button to open the menu. (Enter the password if prompted)
- Press the up/down buttons to select **OPTION** and hit the right button to select
- Press the up/down buttons to select the **DMX ERROR** option and hit the right button to select.
- Use the up/down buttons to select the correct mode
  - **Freeze:** Fixture holds last received values
  - **Black:** Fixture turns the LED OFF and turns to a base position
- Press the Right button to confirm.

### **DISPLAY TIME**

**Used to select the ON time of the display**

- Press the right button to open the menu. (Enter the password if prompted)
- Press the up/down buttons to select **OPTION** and hit the right button to select
- Press the up/down buttons to select the **DISPLAY TIME** option and hit the right button to select.
- Use the up/down buttons to select the desired setting
- Press the right button to confirm.

### **MENU LOCK**

**Used to lock the menu**

- Press the right button to open the menu. (Enter the password if prompted)
- Press the up/down buttons to select **OPTION** and hit the right button to select
- Press the up/down buttons to select the **MENU LOCK** option and hit the right button to select.
- Use the up/down buttons to select **ON/OFF**
- Press the right button to confirm.

### **LOAD PARA**

**Used to share menu settings over DMX**

- Press the right button to open the menu. (Enter the password if prompted)
- Press the up/down buttons to select **OPTION** and hit the right button to select
- Press the up/down buttons to select the **LOAD PARA** option and hit the right button to select.
- Use the up/down buttons to select
  - **ON:** Download data off the DMX line
  - **OFF:** Share data on the DMX line
- Press the right button to confirm.

### **SETTING**

**Used to create and restore settings**

- Press the right button to open the menu. (Enter the password if prompted)
- Press the up/down buttons to select **OPTION** and hit the right button to select
- Press the up/down buttons to select the **SETTING** option and hit the right button to select.
- Use the up/down buttons to select
  - **Recovery:** restore factory settings
  - **Clean Edit1/2:** Clear user program 1 or 2
  - **WDMX Hide:** (Un)Hide WDMX settings
- Press the right button to confirm.

### **PT ENCODER**

**Used to enable/disable the Pan/Tilt feedback sensor**

- Press the right button to open the menu. (Enter the password if prompted)
- Press the up/down buttons to select **OPTION** and hit the right button to select
- Press the up/down buttons to select the **PT ENCODER** option and hit the right button to select.
- Use the up/down buttons to select **ON/OFF**
- Press the right button to confirm.

**WDMX RESET**

Used to unpair the WDMX

- Press the right button to open the menu. (Enter the password if prompted)
- Press the up/down buttons to select **OPTION** and hit the right button to select
- Unhide the WDMX settings as explained in the **SETTING** option
- Press the up/down buttons to select the **WDMX RESET** option and hit the right button to select.
- Use the up/down buttons to select **YES/NO**
- Press the right button to confirm.

**SIGNAL**

Used to enable WDMX operation

- Press the right button to open the menu. (Enter the password if prompted)
- Press the up/down buttons to select **OPTION** and hit the right button to select
- Unhide the WDMX settings as explained in the **SETTING** option
- Press the up/down buttons to select the **SIGNAL** option and hit the right button to select.
- Use the up/down buttons to select
  - **ONLY XLRDMX:** WDMX disabled
  - **WDMX TO XLR DMX:** WDMX enabled and DMX output on XLR output
- Press the right button to confirm.

**Color Cali**

Used to select the LED color calibration settings

- Press the right button to open the menu. (Enter the password if prompted)
- Press the up/down buttons to select **OPTION** and hit the right button to select
- Press the up/down buttons to select the **Color Cali** option and hit the right button to select.
- Use the up/down buttons to select
  - **OFF:** No calibrated white balance
  - **User Calibration:** Set user levels for RGBL colors
  - **Factory Calibration:** Factory calibration of RGBL colors
- Press the right button to confirm.

**EDIT**

Used to edit custom patterns for standalone use

- Press the right button to open the menu. (Enter the password if prompted)
- Press the up/down buttons to select the **EDIT** option and hit the right button to select.
- Use the up/down buttons to select the program to edit (**EDIT1** or **EDIT2**)
- Press the Right button to set the values for step 1
  - **Pan**
  - **Tilt**
  - **...:** Set the desired value for the channel
  - **Time:** duration of the step between 0-25s
  - **Use:** Activate/Disable step
- Press the right button to confirm.
- Continue for step 2-30

**MANUAL**

Menu with functions related to the overall settings of the fixture

**AUTOTEST**

Used to automatically test the fixture

- Press the right button to open the menu. (Enter the password if prompted)
- Press the up/down buttons to select the **MANUAL** option and hit the right button to select.
- Press the up/down buttons to select the **AUTOTEST** option and hit the right button to select.
- Press the Left button to exit autotest.

**CHANNEL**

Used to test individual channels of the fixture

- Press the right button to open the menu. (Enter the password if prompted)
- Press the up/down buttons to select the **MANUAL** option and hit the right button to select.
- Press the up/down buttons to select the **CHANNEL** option and hit the right button to select.

- Press the up/down buttons to select the desired channel and hit the right button to select the channel
- Press the Up/Down buttons to change the value of the channel.
- Press the Left button to exit the channel.

**DEBUG HIDE**

Factory testing mode. This disables all motors, motors can only be activated again with a reset.

**RESET**

Used to manually reset the fixture

- Press the right button to open the menu. (Enter the password if prompted)
- Press the up/down buttons to select the **MANUAL** option and hit the right button to select.
- Press the up/down buttons to select the **RESET** option and hit the right button to select.
- Use the up/down buttons to select
  - **ALL RESET:** Reset the entire fixture
  - **PT RESET:** Reset the pan/tilt motors
  - **OTHER RESET:** Reset the Zoom motor
- Press the right button to confirm.

**SERVICE**

Used to calibrate the base pan/tilt position

- Press the right button to open the menu. (Enter the password if prompted)
- Press the up/down buttons to select the **SERVICE** option and hit the right button to select.
- Enter the password (Up-Down-Up-Down)
- Use the up/down buttons to select the function to calibrate and hit the Right button to select
- Use the Up: Down buttons to edit the base value (-127 to +127) and hit the Right button to confirm

**INFO**

Menu with Information about the fixture

**FIXTURE HOURS**

Displays the total active hours of the fixture

**LED USE HOURS**

Displays the total active hours of the LED

**TEMPERATURE**

Displays the temperature of the LED unit

**VERSION**

Displays the current fixture firmware version

**RDM**

Displays the RDM information of the fixture

RDM UID: 0x21220048xxxx

RDM Label: BTI-BLIZZARD WASH1

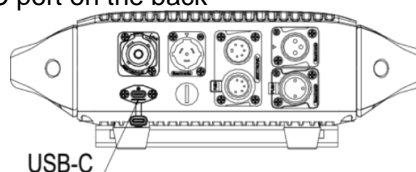
**SYSTEM ERROR**

Displays possible system errors

**UPDATE SOFTWARE**

Used to calibrate the base pan/tilt position

- Insert USB-C drive into the USB-C port on the back



- Press the right button to open the menu. (Enter the password if prompted)
- Press the up/down buttons to select the **UPDATE SOFTWARE** option and hit the right button to select.
- Press the Right button to start the software update.

**CCT**

Used to preview the CCT presets

- Press the right button to open the menu. (Enter the password if prompted)
- Press the up/down buttons to select the **CCT** option and hit the right button to select.
- Use the up/down buttons to select the desired CCT preset

**PRESET COLOR**

Used to preview the preset colors

- Press the right button to open the menu. (Enter the password if prompted)
- Press the up/down buttons to select the **PRESET COLOR** option and hit the right button to select.
- Use the up/down buttons to select the desired preset color

**CMY**

Used to preview CMY presets

- Press the right button to open the menu. (Enter the password if prompted)
- Press the up/down buttons to select the **CMY** option and hit the right button to select.
- Use the up/down buttons to select the desired CMY preset

## **INSTALLING THE OPTIONAL BACK-UP BATTERY**

Installation of optional modules must be performed by certified personnel.

For colored picture download the manual on [www.briteq-lighting.com](http://www.briteq-lighting.com)

**INSTALLING THE BACK-UP BATTERY**

The optional backup battery makes it possible to use the setup menu while it is not connected to the mains.

1. Remove the 8 hex screws holding the bottom plate



2. When the bottom is removed you see the empty battery slot.



3. Insert the battery (**model: 18650 \* 3,7V Li-ion**) into the slot. Pay attention to the correct direction and polarity.
4. Put the bottom plate back and fix screw the 8 hex screws tightly.

## INSTALLING THE OPTIONAL WIRELESS DMX MODULE

Installation of optional modules must be performed by certified personnel.

For detailed instructions: download the installation manual on [www.briteq-lighting.com](http://www.briteq-lighting.com)

### DMX CHANNELS

The unit is equipped with 5 different DMX modes:

- **HSIC:** 20 Channels
- **CMY:** 21 Channels
- **SSP:** 18 Channels
- **TOUR:** 20 Channels
- **TR16:** 27 Channels
- **Pixel:** 24 Channels

#### Reduced DMX Chart

| HSIC | CMY | SSP | TOUR | TR16 | Pixel | Function           |
|------|-----|-----|------|------|-------|--------------------|
| 1    | 1   | 1   | 1    | 1    | 1     | Pan                |
| 2    | 2   |     |      | 2    | 2     | Pan fine           |
| 3    | 3   | 2   | 2    | 3    | 3     | Tilt               |
| 4    | 4   |     |      | 4    | 4     | Tilt fine          |
| 5    | 5   | 3   | 3    | 5    | 5     | P/T speed          |
| -    | 6   | -   | -    | -    | -     | Cyan               |
| -    | 7   | -   | -    | -    | -     | Magenta            |
| -    | 8   | -   | -    | -    | -     | Yellow             |
| -    | -   | 4   | 4    | 6    | 17    | Red1               |
| -    | -   | -   | -    | 7    | -     | Red1 fine          |
| -    | -   | 5   | 5    | 8    | 18    | Green1             |
| -    | -   | -   | -    | 9    | -     | Green1 fine        |
| -    | -   | 6   | 6    | 10   | 19    | Blue1              |
| -    | -   | -   | -    | 11   | -     | Blue1 fine         |
| -    | -   | 7   | 7    | 12   | 20    | Lime1              |
| -    | -   | -   | -    | 13   | -     | Lime1 fine         |
| -    | -   | -   | -    | -    | 21    | Red2               |
| -    | -   | -   | -    | -    | 22    | Green2             |
| -    | -   | -   | -    | -    | 23    | Blue2              |
| -    | -   | -   | -    | -    | 24    | Lime2              |
| 6    | 9   | 8   | 8    | 14   | 15    | Dimmer             |
| -    | -   | -   | -    | 15   | -     | Dimmer fine        |
| 7    | -   | -   | -    | -    | -     | Hue                |
| 8    | -   | -   | -    | -    | -     | Hue fine           |
| 9    | -   | -   | -    | -    | -     | Saturation         |
| 11   | 10  | 9   | 9    | 16   | 16    | Strobe             |
| -    | 11  | -   | 10   | 17   | -     | Color preset       |
| 10   | 12  | -   | 11   | 18   | -     | CCT                |
| 12   | 13  | 10  | 12   | 19   | 6     | Zoom               |
| 13   | 14  | 11  | 13   | 20   | 7     | Halo Red           |
| 14   | 15  | 12  | 14   | 21   | 8     | Halo Green         |
| 15   | 16  | 13  | 15   | 22   | 9     | Halo Blue          |
| 16   | 17  | 14  | 16   | 23   | 10    | Halo color presets |
| 17   | 18  | 15  | 17   | 24   | 11    | Halo FX            |
| 18   | 19  | 16  | 18   | 25   | 12    | FX speed           |
| 19   | 20  | 17  | 19   | 26   | 13    | Halo Dimmer        |
| 20   | 21  | 18  | 20   | 27   | 14    | Control            |

Full DMX Chart

| HSIC    | CMY    | SSP | TOUR | TR16 | Pixel | Function           | Values  | Remarks       |
|---------|--------|-----|------|------|-------|--------------------|---------|---------------|
| 1       | 1      | 1   | 1    | 1    | 1     | Pan                | 000-255 |               |
| 2       | 2      |     |      | 2    | 2     | Pan fine           | 000-255 |               |
| 3       | 3      | 2   | 2    | 3    | 3     | Tilt               | 000-255 |               |
| 4       | 4      |     |      | 4    | 4     | Tilt fine          | 000-255 |               |
| 5       | 5      | 3   | 3    | 5    | 5     | P/T speed          | 000-255 | Fast to slow  |
| -       | 6      | -   | -    | -    | -     | Cyan               | 000-255 |               |
| -       | 7      | -   | -    | -    | -     | Magenta            | 000-255 |               |
| -       | 8      | -   | -    | -    | -     | Yellow             | 000-255 |               |
| -       | -      | 4   | 4    | 6    | 17    | Red1               | 000-255 |               |
| -       | -      | -   | -    | 7    | -     | Red1 fine          | 000-255 |               |
| -       | -      | 5   | 5    | 8    | 18    | Green1             | 000-255 |               |
| -       | -      | -   | -    | 9    | -     | Green1 fine        | 000-255 |               |
| -       | -      | 6   | 6    | 10   | 19    | Blue1              | 000-255 |               |
| -       | -      | -   | -    | 11   | -     | Blue1 fine         | 000-255 |               |
| -       | -      | 7   | 7    | 12   | 20    | Lime1              | 000-255 |               |
| -       | -      | -   | -    | 13   | -     | Lime1 fine         | 000-255 |               |
| -       | -      | -   | -    | -    | 21    | Red2               | 000-255 |               |
| -       | -      | -   | -    | -    | 22    | Green2             | 000-255 |               |
| -       | -      | -   | -    | -    | 23    | Blue2              | 000-255 |               |
| -       | -      | -   | -    | -    | 24    | Lime2              | 000-255 |               |
| 6       | 9      | 8   | 8    | 14   | 15    | Dimmer             | 000-255 |               |
| -       | -      | -   | -    | 15   | -     | Dimmer fine        | 000-255 |               |
| 7       | -      | -   | -    | -    | -     | Hue                | 000-255 |               |
| 8       | -      | -   | -    | -    | -     | Hue fine           | 000-255 |               |
| 9       | -      | -   | -    | -    | -     | Saturation         | 000-255 |               |
| 11      | 10     | 9   | 9    | 16   | 16    | Strobe             | 000-009 | Open          |
|         |        |     |      |      |       |                    | 010-099 | Strobe        |
|         |        |     |      |      |       |                    | 100-109 | Open          |
|         |        |     |      |      |       |                    | 110-179 | Burst         |
|         |        |     |      |      |       |                    | 180-189 | Open          |
|         |        |     |      |      |       |                    | 190-255 | Random strobe |
| -       | 11     | -   | 10   | 17   | -     | Color preset       | 000-010 | Open          |
|         |        |     |      |      |       |                    | 011-255 | Preset Color  |
| 10      | 12     | -   | 11   | 18   | -     | CCT                | 000-009 | No function   |
|         |        |     |      |      |       |                    | 010-024 | 1800K         |
|         |        |     |      |      |       |                    | 025-039 | 2200K         |
|         |        |     |      |      |       |                    | 040-054 | 2700K         |
|         |        |     |      |      |       |                    | 055-069 | 3000K         |
|         |        |     |      |      |       |                    | 070-084 | 3200K         |
|         |        |     |      |      |       |                    | 085-099 | 4000K         |
|         |        |     |      |      |       |                    | 100-114 | 4500K         |
|         |        |     |      |      |       |                    | 115-129 | 5000K         |
|         |        |     |      |      |       |                    | 130-144 | 5600K         |
|         |        |     |      |      |       |                    | 145-159 | 6000K         |
|         |        |     |      |      |       |                    | 160-174 | 6500K         |
|         |        |     |      |      |       |                    | 175-189 | 7000K         |
|         |        |     |      |      |       |                    | 190-204 | 8000K         |
| 205-255 | 10000K |     |      |      |       |                    |         |               |
| 12      | 13     | 10  | 12   | 19   | 6     | Zoom               | 000-255 |               |
| 13      | 14     | 11  | 13   | 20   | 7     | Halo Red           | 000-255 |               |
| 14      | 15     | 12  | 14   | 21   | 8     | Halo Green         | 000-255 |               |
| 15      | 16     | 13  | 15   | 22   | 9     | Halo Blue          | 000-255 |               |
| 16      | 17     | 14  | 16   | 23   | 10    | Halo color presets | 000-009 | Open          |
|         |        |     |      |      |       |                    | 010-174 | Color preset  |
|         |        |     |      |      |       |                    | 175-179 | Open          |
|         |        |     |      |      |       |                    | 180-248 | No function   |
|         |        |     |      |      |       |                    | 249-255 | Open          |

|         |             |    |    |    |    |                    |         |                     |
|---------|-------------|----|----|----|----|--------------------|---------|---------------------|
| 17      | 18          | 15 | 17 | 24 | 11 | <b>Halo FX</b>     | 000-009 | Open                |
|         |             |    |    |    |    |                    | 010-023 | FX1                 |
|         |             |    |    |    |    |                    | 024-037 | FX2                 |
|         |             |    |    |    |    |                    | 038-051 | FX3                 |
|         |             |    |    |    |    |                    | 052-065 | FX4                 |
|         |             |    |    |    |    |                    | 066-079 | FX5                 |
|         |             |    |    |    |    |                    | 080-093 | FX6                 |
|         |             |    |    |    |    |                    | 094-107 | FX7                 |
|         |             |    |    |    |    |                    | 108-121 | FX8                 |
|         |             |    |    |    |    |                    | 122-135 | FX9                 |
|         |             |    |    |    |    |                    | 136-149 | FX10                |
|         |             |    |    |    |    |                    | 150-163 | FX11                |
|         |             |    |    |    |    |                    | 164-178 | FX12                |
|         |             |    |    |    |    |                    | 179-191 | FX13                |
|         |             |    |    |    |    |                    | 192-205 | FX14                |
|         |             |    |    |    |    |                    | 206-219 | FX15                |
|         |             |    |    |    |    |                    | 220-233 | FX16                |
| 234-247 | FX17        |    |    |    |    |                    |         |                     |
| 248-255 | Open        |    |    |    |    |                    |         |                     |
| 18      | 19          | 16 | 18 | 25 | 12 | <b>FX speed</b>    | 000-255 | Speed 0-100         |
| 19      | 20          | 17 | 19 | 26 | 13 | <b>Halo Dimmer</b> | 000-255 |                     |
| 20      | 21          | 18 | 20 | 27 | 14 | <b>Control</b>     | 000-010 | No Function         |
|         |             |    |    |    |    |                    | 011-020 | Blackout on P/T On  |
|         |             |    |    |    |    |                    | 021-030 | Blackout on P/T Off |
|         |             |    |    |    |    |                    | 031-040 | Pan invert          |
|         |             |    |    |    |    |                    | 041-050 | Tilt invert         |
|         |             |    |    |    |    |                    | 051-060 | Pan/Tilt invert off |
|         |             |    |    |    |    |                    | 061-070 | Fan: Live           |
|         |             |    |    |    |    |                    | 071-080 | Fan: Studio         |
|         |             |    |    |    |    |                    | 081-090 | Fan: Power          |
|         |             |    |    |    |    |                    | 091-100 | No function         |
|         |             |    |    |    |    |                    | 101-110 | Dimmer Off          |
|         |             |    |    |    |    |                    | 111-120 | Dimmer Dim4         |
|         |             |    |    |    |    |                    | 121-150 | No function         |
|         |             |    |    |    |    |                    | 151-160 | PWM: 1200Hz         |
|         |             |    |    |    |    |                    | 161-170 | PWM: 2400Hz         |
|         |             |    |    |    |    |                    | 171-180 | PWM: 4000Hz         |
|         |             |    |    |    |    |                    | 181-190 | PWM: 6000Hz         |
|         |             |    |    |    |    |                    | 191-200 | PWM: 25000Hz        |
|         |             |    |    |    |    |                    | 201-210 | Reset All           |
|         |             |    |    |    |    |                    | 211-220 | Reset pan/tilt      |
| 221-230 | Reset Zoom  |    |    |    |    |                    |         |                     |
| 231-255 | No function |    |    |    |    |                    |         |                     |

## MAINTENANCE

- Make sure the area below the installation place is free from unwanted persons during servicing.
- Switch off the unit, unplug the mains cable and wait until the unit has been cooled down.

### During inspection the following points should be checked:

- All screws used for installing the device and any of its parts should be tightly fastened and may not be corroded.
- Housings, fixations and installations spots (ceiling, truss, suspensions) should be totally free from any deformation.
- When an optical lens is visibly damaged due to cracks or deep scratches, it must be replaced.
- The mains cables must be in impeccable condition and should be replaced immediately when even a small problem is detected.
- In order to protect the device from overheat the cooling fans (if any) and ventilation openings should be cleaned monthly.
- The interior of the device should be cleaned annually using a vacuum cleaner or air-jet.



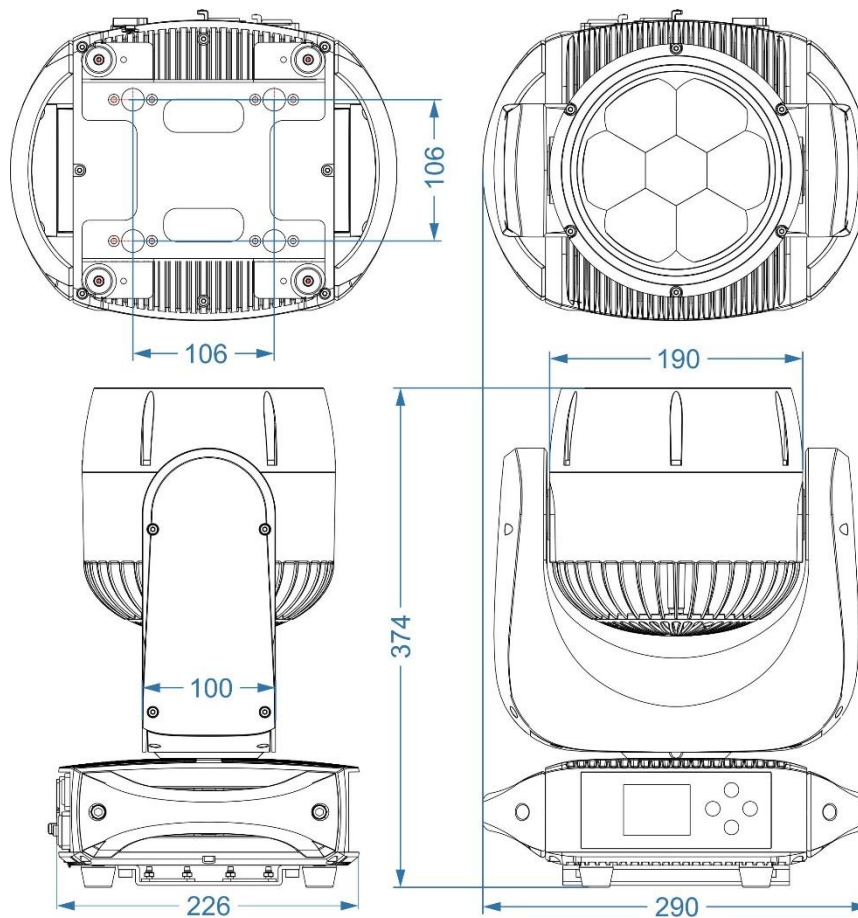
- The cleaning of internal and external optical lenses and/or mirrors must be carried out periodically to optimize light output. Cleaning frequency depends on the environment in which the fixture operates: damp, smoky or particularly dirty surroundings can cause greater accumulation of dirt on the unit's optics.
  - Clean with a soft cloth using normal glass cleaning products.
  - Always dry the parts carefully.
  - Clean the external optics at least once every 30 days.
  - Clean the internal optics at least every 90 days.

**Attention:** We strongly recommend internal cleaning to be carried out by qualified personnel!

## **SPECIFICATIONS**

This device carries the prescribed CE marking. It was tested for this purpose in a specialized CE lab and fully complies with all currently valid European and national standards. The corresponding CE conformity declarations can be found on the product page of this product on our website.

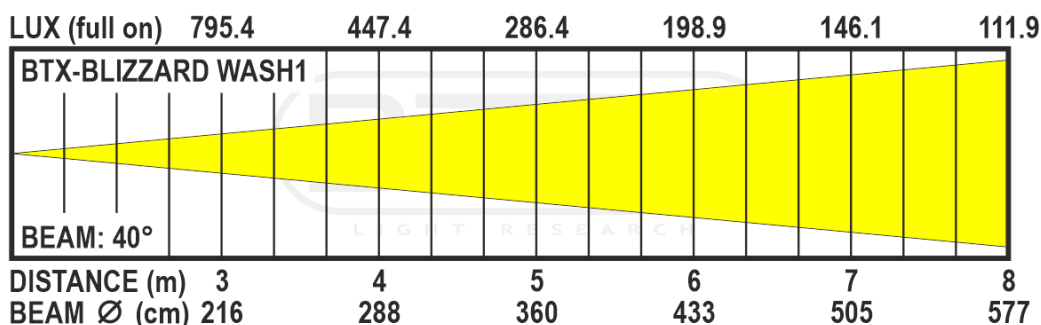
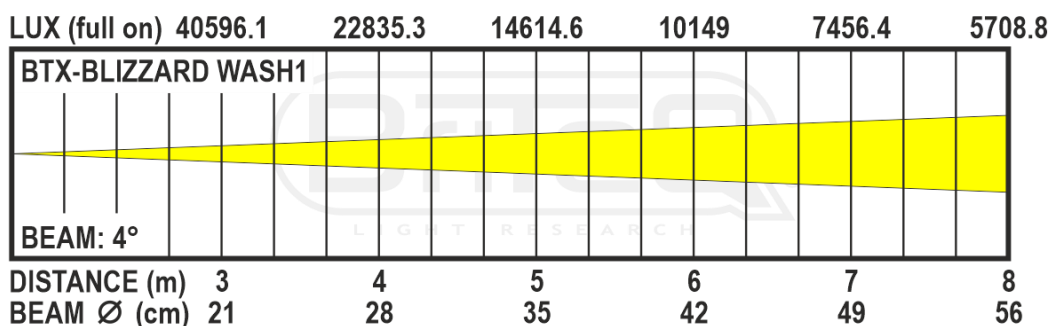
|                                 |  |
|---------------------------------|--|
| <b>Mains Input:</b>             | AC 100~240V, 50/60Hz                                     |
| <b>Power consumption:</b>       | 320Watt (max.)   |
| <b>Fuse:</b>                    | 6,3A / 250V slow.  |
| <b>Optional backup battery:</b> | model 18650 * 3,7V Li-ion                                |
| <b>Sound Control:</b>           | none   |
| <b>DMX connections:</b>         | 3pin & 5pin XLR IN/OUT, RDM compatible, (W-DMX optional) |
| <b>Movement:</b>                | Pan: 540° Tilt: 210°                                     |
| <b>Beam angle:</b>              | 4°→ 40° (3,5°→ 40° in ultra narrow mode)                 |
| <b>DMX channels used:</b>       | 20-18-20-27-21-24 Channels                               |
| <b>Lamp:</b>                    | 7x 40W OSRAM® RGLB LEDs                                  |
| <b>Size:</b>                    | 290 x 227 x 375 mm                                       |
| <b>Weight:</b>                  | 10 kg  |



**All the information is subject to change without prior notice**

You can download the latest version of this user manual on our website: [www.briteq-lighting.com](http://www.briteq-lighting.com)

## LUX CHART (REGULAR MODE)



## WASH PRESET COLORS

| Value   | Preset color | Color names             | x     | y     |
|---------|--------------|-------------------------|-------|-------|
| 000-015 |              | No function             |       |       |
| 016-020 | Color 1      | R20 Light Salmon        | 0,499 | 0,321 |
| 021-025 | Color 2      | L024 Scarlet            | 0,561 | 0,296 |
| 026-030 | Color 3      | L164 Flame Red          | 0,659 | 0,302 |
| 031-040 |              | No function             |       |       |
| 041-045 | Color 4      | L008 Dark Salmon        | 0,498 | 0,347 |
| 046-050 | Color 5      | L025 Sunset Red         | 0,566 | 0,359 |
| 051-055 |              | No function             |       |       |
| 056-060 | Color 6      | L237 CIP (to Tungsten)  | 0,43  | 0,365 |
| 061-065 | Color 7      | R321 Soft Gold Amber    | 0,477 | 0,406 |
| 066-070 | Color 8      | L652 Urban Sodium       | 0,535 | 0,399 |
| 071-075 |              | No Function             |       |       |
| 076-080 | Color 9      | L765 LEE Yellow         | 0,389 | 0,412 |
| 081-085 | Color 10     | L513 Ice And A Slice    | 0,38  | 0,447 |
| 086-105 |              | No Function             |       |       |
| 106-110 | Color 11     | L090 Dark Yellow Green  | 0,184 | 0,641 |
| 111-115 |              | No Function             |       |       |
| 116-120 | Color 12     | R92 Turquoise           | 0,235 | 0,36  |
| 121-135 |              | No Function             |       |       |
| 136-140 | Color 13     | L728 Steel Green        | 0,256 | 0,302 |
| 141-145 | Color 14     | L117 Steel Blue         | 0,223 | 0,278 |
| 146-150 | Color 15     | L354 Special Steel Blue | 0,173 | 0,265 |
| 151-155 |              | No function             |       |       |

**ANNEX**

|         |          |      |                 |       |       |
|---------|----------|------|-----------------|-------|-------|
| 156-160 | Color 16 | L501 | New Colour Blue | 0,246 | 0,249 |
| 161-165 | Color 17 | L174 | Dark Steel Blue | 0,204 | 0,205 |
| 166-180 |          |      | No Function     |       |       |
| 181-185 | Color 18 | L142 | Pale Violet     | 0,209 | 0,148 |
| 186-195 |          |      | No Function     |       |       |
| 196-200 | Color 19 | L794 | Pretty'n Pink   | 0,335 | 0,251 |
| 201-205 | Color 20 | L238 | Follies Pink    | 0,335 | 0,18  |
| 206-215 |          |      | No Function     |       |       |
| 216-220 | Color 21 | L127 | Smokey Pink     | 0,397 | 0,265 |
| 221-225 | Color 22 | L192 | Flesh Pink      | 0,41  | 0,237 |
| 226-235 |          |      | No Function     |       |       |
| 236-240 | Color 23 | L157 | Pink            | 0,457 | 0,272 |
| 241-245 | Color 24 | R332 | Cherry Rose     | 0,489 | 0,295 |
| 246-255 |          |      | No Function     |       |       |

**RING PRESET COLORS**

| Value   | Preset color | Color names     |
|---------|--------------|-----------------|
| 000-009 |              | No function     |
| 010-014 | Color1       | Red             |
| 015-019 | Color2       | Green           |
| 020-024 | Color3       | Blue            |
| 025-029 | Color4       | Yellow          |
| 030-034 | Color5       | Magenta         |
| 035-039 | Color6       | Cyan            |
| 040-044 | Color7       | White           |
| 045-049 | Color8       | Violet blue     |
| 050-054 | Color9       | Light blue      |
| 055-059 | Color10      | Wine red        |
| 060-064 | Color11      | May green       |
| 065-069 | Color12      | Reseda green    |
| 070-074 | Color13      | Blue lilac      |
| 075-079 | Color14      | Moss green      |
| 080-084 | Color15      | Signal violet   |
| 085-089 | Color16      | Red lilac       |
| 090-094 | Color17      | Purple red      |
| 095-099 | Color18      | Green brown     |
| 100-104 | Color19      | Pale green      |
| 105-109 | Color20      | Ruby red        |
| 110-114 | Color21      | Flame red       |
| 115-119 | Color22      | Red orange      |
| 120-124 | Color23      | Rose            |
| 125-129 | Color24      | Honey yellow    |
| 130-134 | Color25      | Light pin       |
| 135-139 | Color26      | Deep orange     |
| 140-144 | Color27      | Lemmon          |
| 145-149 | Color28      | Golden yellow   |
| 150-154 | Color29      | Pastel orange   |
| 155-159 | Color30      | Cream           |
| 160-164 | Color31      | Melon yellow    |
| 165-169 | Color32      | Luminous orange |
| 170-174 | Color33      | Luminous yellow |



## MAILING LIST

**EN: Subscribe today to our mailing list for the latest product news!**

**FR: Inscrivez-vous à notre liste de distribution si vous souhaitez suivre l'actualité de nos produits!**

**NL: Abonneer je vandaag nog op onze mailinglijst en ontvang ons laatste product nieuws!**

**DE: Abonnieren Sie unseren Newsletter und erhalten Sie aktuelle Produktinformationen!**

**ES: Suscríbete hoy a nuestra lista de correo para recibir las últimas noticias!**

**PT: Inscreva-se hoje na nossa mailing list para estar a par das últimas notícias!**

**[WWW.BRITEQ-LIGHTING.COM](http://WWW.BRITEQ-LIGHTING.COM)**

**Copyright © 2024 by BEGLEC NV**

't Hofveld 2C ~ B1702 Groot-Bijgaarden ~ Belgium

Reproduction or publication of the content in any manner, without express permission of the publisher, is prohibited.