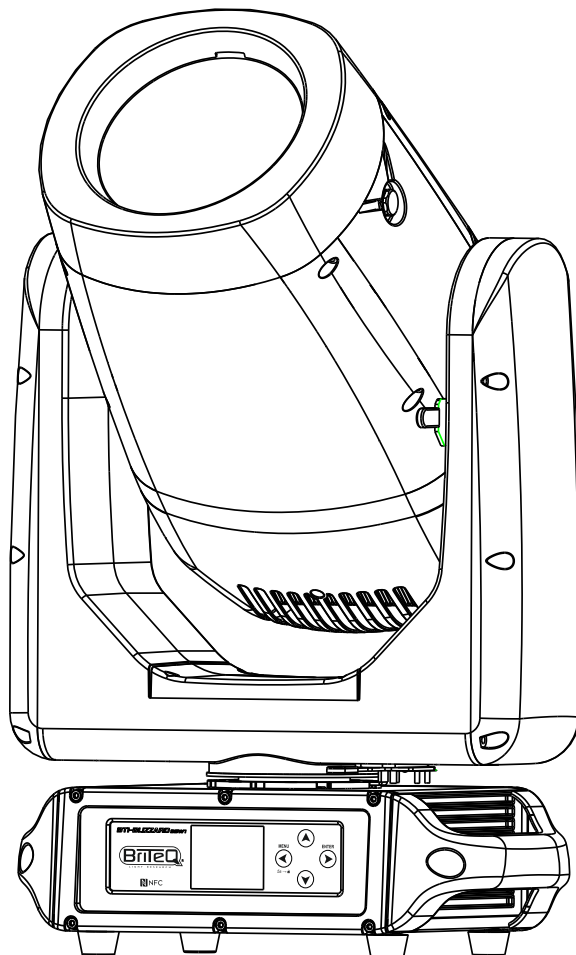


BTI-BLIZZARD ***BSW1***



ENGLISH

Operation Manual

Other languages can be downloaded from:
WWW.BRITEQ-LIGHTING.COM



Version: 1.0





EN - DISPOSAL OF THE DEVICE

Dispose of the unit and used batteries in an environment friendly manner according to your country regulations.

FR - DÉCLASSER L'APPAREIL

Débarrassez-vous de l'appareil et des piles usagées de manière écologique Conformément aux dispositions légales de votre pays.

NL - VERWIJDEREN VAN HET APPARAAT

Verwijder het toestel en de gebruikte batterijen op een milieuvriendelijke manier conform de in uw land geldende voorschriften.

DU - ENTSORGUNG DES GERÄTS

Entsorgen Sie das Gerät und die Batterien auf umweltfreundliche Art und Weise gemäß den Vorschriften Ihres Landes.

ES - DESHACERSE DEL APARATO

Reciclar el aparato y pilas usadas de forma ecologica conforme a las disposiciones legales de su país.

PT - COMO DESFAZER-SE DA UNIDADE

Tente reciclar a unidade e as pilhas usadas respeitando o ambiente e em conformidade com as normas vigentes no seu país.

OPERATION MANUAL

Thank you for buying this Briteq® product. To take full advantage of all possibilities and for your own safety, please read these operating instructions very carefully before you start using this unit.

FEATURES

- BTI-BLIZZARD BSW1 is a powerful compact HYBRID moving head, based on a 350W white LED module.
- **IP65 protection and low noise operation:** perfect for both outdoor and indoor use!
- Wide range electronic zoom, from 2° to 35°!
- Autofocus for different zoom settings.
- Silent fan mode for theater applications.
- Fast 16bit pan/tilt movements with position correction and pan/tilt speed channel.
- CMY color system, including several color macros and 8+1 fixed colors
- 7+1 replaceable rotating glass gobos with fine indexing.
- 12+1 static glass gobos for gobo layering.
- Combinable 6L and 8C facet prisms.
- Frost filter for perfect wash effect.
- Accurate strobe with built in random, pulse and burst effects.
- Smooth 24bit dimmer with fast and slow dimming mode.
- Uses 21, 26 or 28 DMX channels + RDM-functionality for easy remote setup.
- **Optional wireless DMX-receiver:** W-DMX / CRMX compatible. (order code: B05588)
- **NFC-function:** read error codes and other information, perfect for dry-hire companies! (Dedicated APP still under development)
- The matrix LCD-display assures easy navigation in the different setup menus
- 3pin & 5pin DMX in/outputs + PowerCON TRUE1 compatible in/outputs
- Equipped with omega brackets for fast installation.

BEFORE USE

- Before you start using this unit, please check if there is no transportation damage. Should there be any, do not use the device and consult your dealer first.
- **Important:** This device left our factory in perfect condition and well packaged. It is necessary for the user to strictly follow the safety instructions and warnings in this user manual. Any damage caused by mishandling is not subject to warranty. The dealer will not accept responsibility for any resulting defects or problems caused by disregarding this user manual.
- Keep this booklet in a safe place for future consultation. If you sell the fixture, be sure to add this user manual.

Check the contents:

Check that the carton contains the following items:

- BTI-BLIZZARD BSW1
- PowerCON® TRUE-1 compatible mains cable
- 2 BriteQ omega brackets big
- Safety cable
- Operating instructions

SAFETY INSTRUCTIONS



CAUTION
RISK OF ELECTRIC SHOCK
DO NOT OPEN



CAUTION: To reduce the risk of electric shock, do not remove the top cover. No user-serviceable parts inside. Refer servicing to qualified service personnel only.



The lightning flash with arrowhead symbol within the equilateral triangle is intended to alert the user or the presence of un-insulated "dangerous voltage" within the product's enclosure that may be of sufficient magnitude to constitute a risk of electric shock.



The exclamation point within the equilateral triangle is intended to alert the user to the presence of important operation and maintenance (servicing) instructions in the literature accompanying this appliance.



This symbol means: indoor use only



This symbol means: Read instructions



This symbol determines: the minimum distance from lighted objects. The minimum distance between light-output and the illuminated surface must be more than 0.2 meters

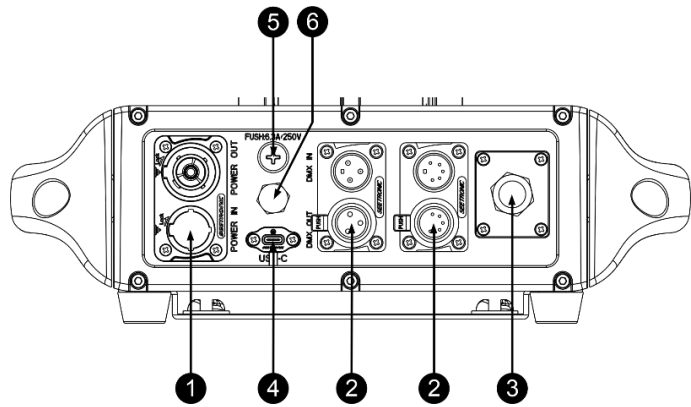
- To protect the environment, please try to recycle the packing material as much as possible.
- A new light effect sometimes causes some unwanted smoke and/or smell. This is normal and disappears after some minutes.
- To avoid condensation to be formed inside, allow the unit to adapt to the surrounding temperatures when bringing it into a warm room after transport. Condensation sometimes prevents the unit from working at full performance or may even cause damages.
- Don't place metal objects or spill liquid inside the unit. Electric shock or malfunction may result. If a foreign object enters the unit, immediately disconnect the mains power.
- Locate the fixture in a well-ventilated spot, away from any flammable materials and/or liquids. The fixture must be fixed at least 20cm from surrounding walls.
- Don't cover any ventilation openings as this may result in overheating.
- Prevent use in dusty environments and clean the unit regularly.
- Keep the unit away from children.
- Inexperienced persons should not operate this device.
- Maximum safe ambient temperature is 40°C. Don't use this unit at higher ambient temperatures.
- The units' surface temperature may reach up to 85°C. Don't touch the housing with bare hands during its operation.
- Make sure the area below the installation place is free from unwanted persons during rigging, de-rigging and servicing.
- Allow the device about 10 minutes to cool down before replacing the bulb or start servicing.
- Always unplug the unit when it is not used for a longer time or before replacing the bulb or start servicing.
- The electrical installation should be carried out by qualified personal only, according to the regulations for electrical and mechanical safety in your country.
- Check that the available voltage is not higher than the one stated on the rear panel of the unit.
- The power cord should always be in perfect condition. Switch the unit immediately off when the power cord is squashed or damaged. It must be replaced by the manufacturer, its service agent or similarly qualified persons in order to avoid a hazard.
- Never let the power-cord come into contact with other cables!
- This fixture must be earthed to comply with safety regulations.
- Don't connect the unit to any dimmer pack.
- Always use an appropriate and certified safety cable when installing the unit.
- To prevent electric shock, do not open the cover. There are no user serviceable parts inside.
- Never repair a fuse or bypass the fuse holder. Always replace a damaged fuse with a fuse of the same type and electrical specifications!
- In the event of serious operating problems, stop using the fixture and contact your dealer immediately.
- The housing and the lenses must be replaced if they are visibly damaged.
- Please use the original packing when the device is to be transported.
- Due to safety reasons it is prohibited to make unauthorized modifications to the unit.

Important: Never look directly into the light source! Don't use the effect in the presence of persons suffering from epilepsy.

DESCRIPTION:

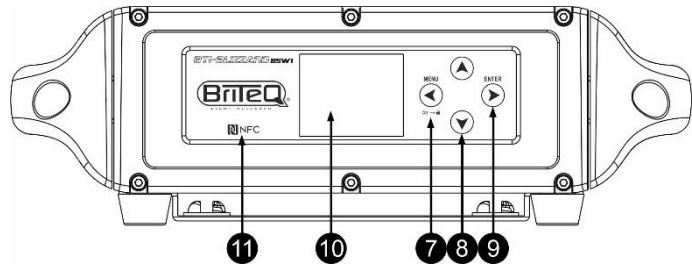
REAR PANEL:

1. Seetronic IP65 power input/output
2. 3 and 5-pin XLR input/output
3. Slot for optional WDMX module
It takes only 2 minutes and a small screw driver to install an optional W-DMX / CRMX compatible wireless DMX module.
Order code: B05588
4. USB-C connector for firmware updates
5. Fuse holder (20x5mm, T6,3A / 250V)
6. Moisture vent (do NOT remove!)



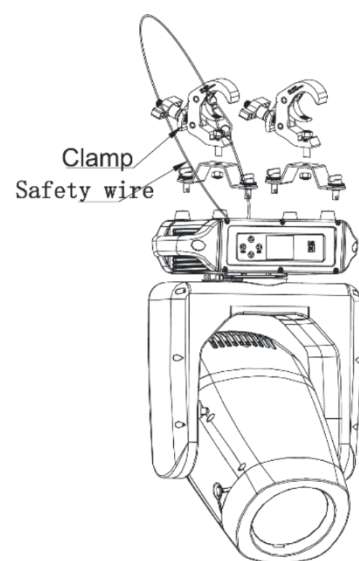
FRONT PANEL:

7. **MENU button:** press to go 1 level up in the menu tree.
Note: when the display is locked → press +/-5 seconds to unlock the display.
8. **▲/▼ buttons:** used to browse the menu and to increase/decrease values.
9. **ENTER button:** used to confirm an action.
10. **Display:** turns black after a while, press the MENU button to wake up again.
11. **NFC antenna:** used to get status and error information from the machine. Keep your smartphone in front of the antenna to get the information. (*Note: the special smartphone application is still under development*)



OVERHEAD RIGGING

- **Important:** The installation must be carried out by qualified service personal only. Improper installation can result in serious injuries and/or damage to property. Overhead rigging requires extensive experience! Working load limits should be respected, certified installation materials should be used, the installed device should be inspected regularly for safety.
- Make sure the area below the installation place is free from unwanted persons during rigging, de-rigging and servicing.
- Locate the fixture in a well-ventilated spot, far away from any flammable materials and/or liquids. The fixture must be fixed **at least 50cm** from surrounding walls.
- The device should be installed out of reach of people and outside areas where persons may walk by or be seated.
- Before rigging make sure that the installation area can hold a minimum point load of 10times the device's weight.
- Always use a certified safety cable that can hold 12 times the weight of the device when installing the unit. This secondary safety attachment should be installed in a way that no part of the installation can drop more than 20cm if the main attachment fails.
- The device should be well fixed; a free-swinging mounting is dangerous and may not be considered!
- Don't cover any ventilation openings as this may result in overheating.
- The operator must make sure that the safety-relating and machine-technical installations are approved by an expert before using them for the first time. The installations should be inspected every year by a skilled person to be sure that safety is still optimal.
- Fix the optional Truss hooks to the omega brackets with screw and locking nut.
- Fasten the omega brackets on the bottom of the base by inserting quick-lock fasteners into the holes of the base and tighten fully clockwise. (you should hear or feel a 'click')

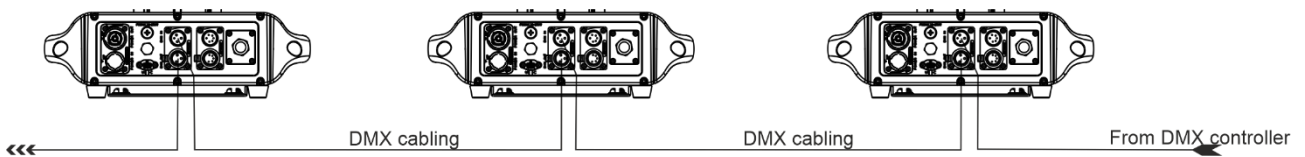
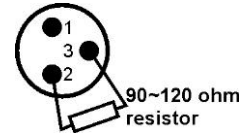


ELECTRICAL INSTALLATION

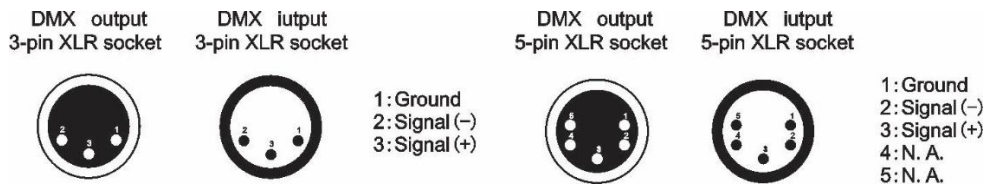
⚠ Important: The electrical installation should be carried out by qualified personal only, according to the regulations for electrical and mechanical safety in your country.

Electrical installation for two or more units in DMX-mode:

- The DMX-protocol is a widely used high speed signal to control intelligent light equipment. You need to “daisy chain” your DMX controller and all the connected units with a good quality balanced cable.
- Both XLR-3pin and XLR-5pin connectors are used, however XLR-3pin is more popular because these cables are compatible with balanced audio cables.
 - Pin layout XLR-3pin: Pin1 = GND ~ Pin2 = Negative signal (-) ~ Pin3 = Positive signal (+)
 - Pin layout XLR-5pin: Pin1 = GND ~ Pin2 = Negative signal (-) ~ Pin3 = Positive signal (+) ~ Pins4+5 not used.
- To prevent strange behavior on the DMX units, due to interferences, you must use a 90Ω to 120Ω terminator at the end of the chain. Never use Y-splitter cables, this simply won't work!
- Make sure that all units are connected to the mains.
- Each unit in the chain needs to have its proper starting address so it knows which commands from the controller it has to decode. In the next section you will learn how to set the DMX addresses.



Wiring of the DMX connectors:



OPERATING INSTRUCTIONS

- In the event of serious operating problems, stop using the fixture and contact your dealer immediately.
- **Important:** Never look directly into the light source! Don't use the effect in the presence of persons suffering from epilepsy.

SETTING MENU

Press SETTINGS on the display to open the setup menu. Use the ▲/▼, MODE and ENTER buttons to navigate.

Level 0	Level 1	Level 2	Level 3	Level 4	Defaults
ADDRESS	001 - 512				001
PERSON	BASIC				Standard
	STANDARD				
	EXTEND				
RUNMODE	DMX512				DMX512
	AUTO				
	CUSTOM1				
	CUSTOM2				
OPTION	PAN INVERT	On/Off			Off
	TILT INVERT	On/Off			Off
	FAN MODE	Studio			Auto
		Power			
		Auto			
	BLACKOUT	On/Off			Off
	SUN PROTECTION	On/Off			Off
	DIMMER MODE	Dim4			Dim1
		Dim3			
		Dim2			
		Dim1			
		Off			
	LED PWM	1200Hz			1200Hz
		2400Hz			
		4000Hz			
		6000Hz			
		25000Hz			
	NO DMX MODE	Freeze			Freeze
		Blackout			
	DISPLAY TIME	On			30s
		30s			
		1min			
		2min			
	DISPLAY LOCK	On/Off			On
	LOAD PARA	LOAD			
		SEND			
	SETTING	RECOVERY	****		
CLEAN EDIT1		****			
CLEAN EDIT2		****			
WDMX HIDE		YES/NO		Yes	
PT SENSORS	OFF			On	
	ON				
WDMX PAIRING	YES				
	RESET				
SIGNAL	ONLY XLRDMX			Only XLRDMX	
	XLRDMX FIRST				
	ONLY WDMX				
	WDMX FIRST				
	WDMX TO XLRDMX				
EDIT	EDIT 1-2	STEP(01-30)	PAN		
			TILT		

			PT SPEED			
			CMY_C			
			CMY_M			
			CMY_Y			
			COLOR			
			ROTA.GOBO			
			GOBO.ROTA			
			FIXED GOBO			
			PRISM 1			
			PRISM 2			
			FROST/MULTI-COLOR			
			ZOOM			
			FOCUS			
			DIMMER			
			STROBE			
			TIME			
			USE	YES/NO		
MANUAL	CHANNEL	...				
	DEBUG	NO YES				
	RESET	ALL RESET				
		PT RESET				
		COLOR SYSTEM				
GOBO SYSTEM OTHER						
INFO	FIXTURE HOURS					
	LED USE HOURS					
	TEMPERATURE					
	FIRMWARE VER.					
	RDM	UID	0x21220056xxxx			
		LABEL	BTI-BLIZZARD BSW1			
	SYSTEM ERROR					
SERVICE	****	PAN	±127			
		TILT	±127			
		CMY-C	±127			
		CMY-M	±127			
		CMY-Y	±127			
		COLOR	±127			
		ROTA. GOBO	±127			
		GOBO.ROTA	±127			
		FIXED GOBO	±127			
		PRISM 1	±127			
		PRISM 2	±127			
		FROST/MULTI-COLOR	±127			
		ZOOM	±127			
		FOCUS	±127			
UPDATE SOFTWARE						

Address

Used to set the DMX-starting address.

- Press the ENTER button to open the menu. (Enter the password if prompted)
- Press the ▲/▼ buttons to select the **ADDRESS** option and hit the ENTER button to select.
- Use the ▲/▼ buttons to select the correct DMX address
- Press the ENTER button to confirm.

Person

Used to set the channel mode of the unit

- Press the ENTER button to open the menu. (Enter the password if prompted)
- Press the ▲/▼ buttons to select the **PERSON** option and hit the ENTER button to select.
- Use the ▲/▼ buttons to select the correct DMX address

- **Basic:** 21 Channels
- **Standard:** 25 Channels
- **Extended:** 28 Channels
- Press the ENTER button to confirm.

Runmode

Used to set the channel mode of the unit

- Press the ENTER button to open the menu. (Enter the password if prompted)
- Press the ▲/▼ buttons to select the **RUNMODE** option and hit the ENTER button to select.
- Use the ▲/▼ buttons to select the correct DMX address
 - **DMX512 : Fixture reacts to DMX**
 - **AUTO : Fixture steps automatically through pre-programmed steps**
 - **Custom1/Custom2 : Fixture steps automatically through user-programmed steps**
- Press the ENTER button to confirm.

Option

Menu with functions related to the overall settings of the fixture

PAN INVERT

Used to invert the pan movement

- Press the ENTER button to open the menu. (Enter the password if prompted)
- Press the ▲/▼ buttons to select **OPTION** and hit the ENTER button to select.
- Press the ▲/▼ buttons to select the **PAN INVERT** option and hit the ENTER button to select.
- Use the ▲/▼ buttons to select **OFF/ON**
- Press the ENTER button to confirm.

TILT INVERT

Used to invert the tilt movement

- Press the ENTER button to open the menu. (Enter the password if prompted)
- Press the ▲/▼ buttons to select **OPTION** and hit the ENTER button to select
- Press the ▲/▼ buttons to select the **TILT INVERT** option and hit the ENTER button to select.
- Use the ▲/▼ buttons to select **OFF/ON**
- Press the ENTER button to confirm.

FANMODE

Used to select the cooling mode

- Press the ENTER button to open the menu. (Enter the password if prompted)
- Press the ▲/▼ buttons to select **OPTION** and hit the ENTER button to select
- Press the ▲/▼ buttons to select the **FANMODE** option and hit the ENTER button to select.
- Use the ▲/▼ buttons to select the correct mode
 - **STUDIO:** Silent mode
 - **POWER:** Full power mode
 - **AUTO:** Temperature controlled mode
- Press the ENTER button to confirm.

BLACKOUT

Used to select the move-in-dark

- Press the ENTER button to open the menu. (Enter the password if prompted)
- Press the ▲/▼ buttons to select **OPTION** and hit the ENTER button to select
- Press the ▲/▼ buttons to select the **BLACKOUT** option and hit the ENTER button to select.
- Use the ▲/▼ buttons to select **ON/OFF**
- Press the ENTER button to confirm.

SUN PROTECTION

Tilts the head down to protect the optics and LED from direct sunlight

- Press the ENTER button to open the menu. (Enter the password if prompted)
 - Press the ▲/▼ buttons to select **OPTION** and hit the ENTER button to select
 - Press the ▲/▼ buttons to select the **SUN PROTECTION** option and hit the ENTER button to select.
 - Use the ▲/▼ buttons to select **OFF/ON**
- Press the ENTER button to confirm.

DIMMER MODE**Used to select the dimmer fade out speed**

- Press the ENTER button to open the menu. (Enter the password if prompted)
- Press the ▲/▼ buttons to select **OPTION** and hit the ENTER button to select
- Press the ▲/▼ buttons to select the **DIMMER** option and hit the ENTER button to select.
- Use the ▲/▼ buttons to select:
 - **DIM4**: 0.6s fade out
 - **DIM3**: 0.5s fade out
 - **DIM2**: 0.4s fade out
 - **DIM1**: 0.3s fade out
 - **OFF**: No fade time on Dimmer
- Press the ENTER button to confirm.

LED PWM**Used to select the PWM frequency of the LED**

- Press the ENTER button to open the menu. (Enter the password if prompted)
- Press the ▲/▼ buttons to select **OPTION** and hit the ENTER button to select
- Press the ▲/▼ buttons to select the **LED PWM** option and hit the ENTER button to select.
- Use the ▲/▼ buttons to select the correct frequency
- Press the ENTER button to confirm.

NO DMX MODE**Used to select the behavior of the fixture when no DMX is received**

- Press the ENTER button to open the menu. (Enter the password if prompted)
- Press the ▲/▼ buttons to select **OPTION** and hit the ENTER button to select
- Press the ▲/▼ buttons to select the **NO DMX MODE** option and hit the ENTER button to select.
- Use the ▲/▼ buttons to select the correct mode
 - **Freeze**: Fixture holds last received values
 - **Black**: Fixture turns the LED OFF and turns to a base position
- Press the ENTER button to confirm.

DISPLAY TIME**Used to select the ON time of the display**

- Press the ENTER button to open the menu. (Enter the password if prompted)
- Press the ▲/▼ buttons to select **OPTION** and hit the ENTER button to select
- Press the ▲/▼ buttons to select the **DISPLAY TIME** option and hit the ENTER button to select.
- Use the ▲/▼ buttons to select the desired setting
- Press the ENTER button to confirm.

MENU LOCK**Used to lock the menu**

- Press the ENTER button to open the menu. (Enter the password if prompted)
- Press the ▲/▼ buttons to select **OPTION** and hit the ENTER button to select
- Press the ▲/▼ buttons to select the **MENU LOCK** option and hit the ENTER button to select.
- Use the ▲/▼ buttons to select **ON/OFF**
- Press the ENTER button to confirm.

LOAD PARA**Used to share menu settings over DMX**

- Press the ENTER button to open the menu. (Enter the password if prompted)
- Press the ▲/▼ buttons to select **OPTION** and hit the ENTER button to select
- Press the ▲/▼ buttons to select the **LOAD PARA** option and hit the ENTER button to select.
- Use the ▲/▼ buttons to select
 - **ON**: Download data off the DMX line
 - **OFF**: Share data on the DMX line
- Press the ENTER button to confirm.

SETTING**Used to restore settings**

- Press the ENTER button to open the menu. (Enter the password if prompted)
- Press the ▲/▼ buttons to select **OPTION** and hit the ENTER button to select
- Press the ▲/▼ buttons to select the **SETTING** option and hit the ENTER button to select.
- Use the ▲/▼ buttons to select
 - **Recovery:** restore factory settings
 - **Clean Edit1/2:** Clear user program 1 or 2
 - **WDMX Hide:** (Un)Hide WDMX settings
- Press the ENTER button to confirm.

PT SENSORS**Used to enable/disable the Pan/Tilt feedback sensor**

- Press the ENTER button to open the menu. (Enter the password if prompted)
- Press the ▲/▼ buttons to select **OPTION** and hit the ENTER button to select
- Press the ▲/▼ buttons to select the **PT SENSORS** option and hit the ENTER button to select.
- Use the ▲/▼ buttons to select **ON/OFF**
- Press the ENTER button to confirm.

WDMX PAIRING**Used to Pair/Unpair the WDMX**

- Press the ENTER button to open the menu. (Enter the password if prompted)
- Press the ▲/▼ buttons to select **OPTION** and hit the ENTER button to select
- Unhide the WDMX settings as explained in the option
- Press the ▲/▼ buttons to select the **WDMX PAIRING** option and hit the ENTER button to select.
- Use the ▲/▼ buttons to select
 - **YES:** Enables WMDX pairing mode
 - **RESET:** Reset current connection
- Press the ENTER button to confirm.

SIGNAL**Used to enable WDMX operation**

- Press the ENTER button to open the menu. (Enter the password if prompted)
- Press the ▲/▼ buttons to select **OPTION** and hit the ENTER button to select
- Unhide the WDMX settings as explained in the option
- Press the ▲/▼ buttons to select the **SIGNAL** option and hit the ENTER button to select.
- Use the ▲/▼ buttons to select
 - **ONLY XLRDMX:** WDMX disabled
 - **XLRDMX First:** Can receive XLRDMX and WDMX but prioritize XLRDMX
 - **ONLY WDMX:** Receive only WDMX
 - **WDMX First:** Can receive XLRDMX and WDMX but prioritize WDMX
 - **WDMX TO XLR DMX:** WDMX enabled and DMX output on XLR output
- Press the ENTER button to confirm.

EDIT**Used to edit custom patterns for standalone use**

- Press the ENTER button to open the menu. (Enter the password if prompted)
- Press the ▲/▼ buttons to select the **EDIT** option and hit the ENTER button to select.
- Use the ▲/▼ buttons to select the program to edit (**EDIT1** or **EDIT2**)
- Press the ENTER button to set the values for step 1
 - **Pan**
 - **Tilt**
 - **...:** Set the desired value for the channel
 - **Time:** duration of the step between 0-25s
 - **Use:** Activate/Disable step
- Press the ENTER button to confirm.
- Continue for step 2-30

MANUAL

Menu with functions related to the overall settings of the fixture

CHANNEL

Used to test individual channels of the fixture

- Press the ENTER button to open the menu. (Enter the password if prompted)
- Press the ▲/▼ buttons to select the **MANUAL** option and hit the ENTER button to select.
- Press the ▲/▼ buttons to select the **CHANNEL** option and hit the ENTER button to select.
- Press the ▲/▼ buttons to select the desired channel and hit the ENTER button to select the channel
- Press the ▲/▼ buttons to change the value of the channel.
- Press the Left button to exit the channel.

DEBUG HIDE

Factory testing mode. This disables all motors, motors can only be activated again with a reset.

RESET

Used to manually reset the fixture

- Press the ENTER button to open the menu. (Enter the password if prompted)
- Press the ▲/▼ buttons to select the **MANUAL** option and hit the ENTER button to select.
- Press the ▲/▼ buttons to select the **RESET** option and hit the ENTER button to select.
- Use the ▲/▼ buttons to select
 - **ALL RESET:** Reset the entire fixture
 - **PT RESET:** Reset the pan/tilt motors
 - **OTHER RESET:** Reset the Zoom motor
- Press the ENTER button to confirm.

INFO

Menu with Information about the fixture

FIXTURE HOURS

Displays the total active hours of the fixture

LED USE HOURS

Displays the total active hours of the LED

TEMPERATURE

Displays the temperature of the LED unit

VERSION

Displays the current fixture firmware version

RDM

Displays the RDM information of the fixture

RDM UID: 0x21220056**** (**** = unique number)

RDM Label: BTI-BLIZZARD BSW1

SYSTEM ERROR

Displays possible system errors

SERVICE

Used to calibrate the base pan/tilt position

- Press the ENTER button to open the menu. (Enter the password if prompted)
- Press the ▲/▼ buttons to select the **SERVICE** option and hit the ENTER button to select.
- Enter the password (Up-Down-Up-Down)
- Use the ▲/▼ buttons to select the function to calibrate and hit the ENTER button to select
- Use the Up: Down buttons to edit the base value (-127 to +127) and hit the ENTER button to confirm

UPDATE SOFTWARE

Menu for firmware updates via USB-C

- Prepare a USB-C memory stick: format the drive in your PC using the FAT32 system.
- The firmware file(s) always end with “.nyj”: put the(se) file(s) in the root of the USB-C memory stick.
- Insert the USB-C drive into the USB-C port on the back of the projector base.
- Press the ENTER button to open the menu. (Enter the password if prompted)
- Press the ▲/▼ buttons to select the **UPDATE SOFTWARE** option and hit the ENTER button to select.
- Press the ENTER button to start the software update.

Note1: the names of the files on the USB-C memory stick should not have more than 8 characters!

Note2: use a small USB to USB-C conversion adapter or cable if you have a normal USB memory stick.

INSTALLING THE OPTIONAL BACK-UP BATTERY

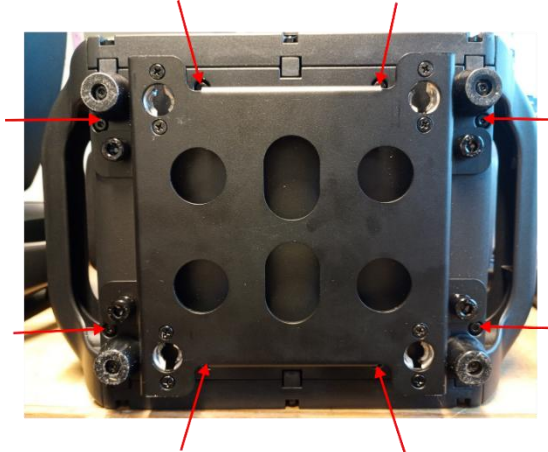
Installation of optional modules must be performed by certified personnel.

For colored picture download the manual on www.briteq-lighting.com

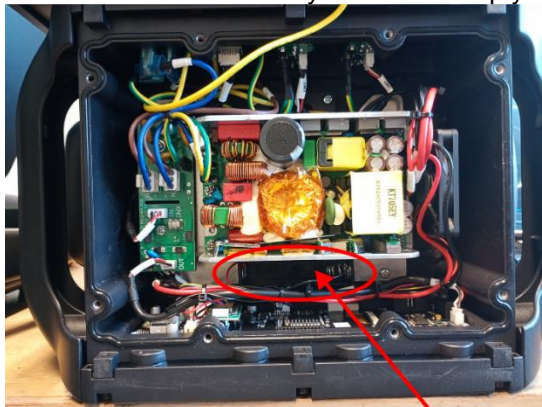
INSTALLING THE BACK-UP BATTERY

The optional backup battery makes it possible to use the setup menu while it is not connected to the mains.

1. Loosen the 8 marked bottom Hex-screws



2. When the bottom is removed you see the empty battery slot at the display side



3. Insert the battery (**model: 18650 * 3,7V Li-ion**) in the battery slot. Pay attention to the correct direction and polarity.
4. Put the bottom plate back and fix screw the hex screws tightly.

DMX CHANNELS

The unit is equipped with 3 different DMX modes:

- **Basic:** 21 Channels
- **Standard:** 25 Channels
- **Extended:** 28 Channels

Reduced DMX Chart

BASIC	STANDARD	EXTEND	Function
1	1	1	Pan
-	2	2	Pan_fine
2	3	3	Tilt
-	4	4	Tilt_fine
3	5	5	P/T Speed
4	6	6	Cyan
5	7	7	Magenta
6	8	8	Yellow
7	9	9	Color preset
8	10	10	CMY Speed
9	11	11	Color wheel
-	-	12	Color wheel_fine
10	12	13	Rotating gobo
11	13	14	Gobo rotation
-	14	15	Gobo rotation_fine
12	15	16	Fixed gobo
13	16	17	Prism 1
14	17	18	Prism 2
15	18	19	Effect wheel
16	19	20	Zoom
-	-	21	Zoom_fine
17	20	22	Focus
-	-	23	Focus_fine
18	21	24	Auto focus
19	22	25	Dimmer
-	23	26	Dimmer_fine
20	24	27	Strobe
21	25	28	Control

Full DMX Chart

BASIC	STANDARD	EXTEND	Function	Values	Information	Defaults
1	1	1	Pan	000-255	PAN 0-540°	
-	2	2	Pan_fine	000-255	PAN FINE	128/32767
2	3	3	Tilt	000-255	TILT 0-270°	
-	4	4	Tilt_fine	000-255	TILT FINE	128/32767
3	5	5	P/T Speed	000-255	PT Speed	0
4	6	6	Cyan	000-255	CYAN	0
5	7	7	Magenta	000-255	MAGENTA	0
6	8	8	Yellow	000-255	YELLOW	0
7	9	9	Color preset	000-010	No Function	0
				11-20	L106	
				21-30	L194	
				31-40	L019	
				41-50	R08	
				51-60	L213	
				61-70	R80	
				71-80	L202	
				81-90	L328	
				91-100	R3314	
				101-110	L101	
				111-120	L768	
				121-128	No Function	
				129-147	Cyan 100% Magenta > Yellow 0%	
				148-166	Cyan < Magenta 100% Yellow 0%	
				167-185	Cyan 0% Magenta 100% Yellow >	
				186-204	Cyan 0% Magenta < Yellow 100%	
				205-223	Cyan > Magenta 0% Yellow 100%	
				224-242	Cyan 100% Magenta 0% Yellow <	
				243-255	Cyan 100% Magenta > Yellow 0%	

8	10	10	CMY Speed	000-255	CMY speed (100%->1)	0
9	11	11	Color wheel	000-010	Open (WHITE)	0
				011-013	Color 1 (RED)	
				014-016	Color 2 (DARK BLUE)	
				017-019	Color 3 (YELLOW)	
				020-022	Color 4 (MAGENTA)	
				023-025	Color 5 (GREEN)	
				026-028	Color 6 (ORANGE)	
				029-031	Color 7 (CTO)	
				032-034	Color 8 (BLUE)	
				035-037	Color split 0-1	
				038-040	Color split 1-2	
				041-043	Color split 2-3	
				044-046	Color split 3-4	
				047-049	Color split 4-5	
				050-052	Color split 5-6	
				053-055	Color split 6-7	
				056-058	Color split 7-8	
				059-183	Color Index	
184-218	Color scroll CW (fast-slow)					
219-220	Stop					
221-255	Color scroll CCW (slow-fast)					
-	-	12	Color wheel fine	000-255		
10	12	13	Rotating gobo	000-010	Open	0
				011-018	Gobo 1	
				019-026	Gobo 2	
				027-034	Gobo 3	
				035-042	Gobo 4	
				043-050	Gobo 5	
				051-058	Gobo 6	
				059-066	Gobo 7	
				067-074	Shake gobo 1	
				075-082	Shake gobo 2	
				083-090	Shake gobo 3	
				091-098	Shake gobo 4	
				099-106	Shake gobo 5	
				107-114	Shake gobo 6	
				115-122	Shake gobo 7	
				123-127	Open	
				128-190	Gobo scroll CW (fast-slow)	
				191-192	Stop	
193-255	Gobo scroll CCW (slow-fast)					
11	13	14	Gobo rotation	000-120	Gobo index	0
				121-125	stop	
				126-165	Rotation shake	
				166-170	Stop	
				171-210	Gobo spin CW (fast-slow)	
				211-215	Stop	
216-255	Gobo spin CCW (slow-fast)					
-	14	15	Gobo rotation fine	000-255		
12	15	16	Fixed gobo	000-010	Open	0
				011-014	Gobo 1	
				015-018	Gobo 2	
				019-022	Gobo 3	
				023-026	Gobo 4	
				027-030	Gobo 5	
				031-034	Gobo 6	
				035-038	Gobo 7	
				039-042	Gobo 8	
				043-046	Gobo 9	
				047-050	Gobo 10	
				051-054	Gobo 11	
				055-058	Gobo 12	
				059-063	Shake gobo 1	
				064-068	Shake gobo 2	
				069-073	Shake gobo 3	
				074-078	Shake gobo 4	
				079-083	Shake gobo 5	
084-088	Shake gobo 6					
089-093	Shake gobo 7					
094-098	Shake gobo 8					
099-103	Shake gobo 9					

				104-108	Shake gobo 10		
				109-113	Shake gobo 11		
				114-118	Shake gobo 12		
				119-127	Open		
				128-190	Gobo scroll CW (fast-slow)		
				191-192	Stop		
				193-255	Gobo scroll CCW (slow-fast)		
13	16	17	Prism 1	000-010	Open	0	
				011-145	Prism index		
				146-150	No rotation		
				151-200	Rotation CW (fast-slow)		
				201-205	Stop		
				206-255	Rotation CCW (slow-fast)		
				000-010	Open		
14	17	18	Prism 2	011-145	Prism index	0	
				146-150	No rotation		
				151-200	Rotation CW (fast-slow)		
				201-205	Stop		
				206-255	Rotation CCW (slow-fast)		
				000-063	Open		0
				064-127	Frost		
128-255	Multi-color						
16	19	20	Zoom	000-255	Narrow-wide	128/32767	
-	-	21	Zoom_fine	000-255			
17	20	22	Focus	000-255		128/32767	
-	-	23	Focus_fine	000-255			
18	21	24	Auto focus	000-012	Disabled	0	
				013-039	3m		
				040-066	5m		
				067-093	7m		
				094-120	9m		
				121-147	11m		
				148-174	13m		
				175-201	15m		
				202-228	17m		
				229-255	19m		
19	22	25	Dimmer	000-255	0		
-	23	26	Dimmer_fine	000-255			
20	24	27	Strobe	000-009	Open	0	
				010-099	Strobe		
				100-109	Open		
				110-179	Lightning strobe		
				180-189	Open		
				190-255	Random strobe		
21	25	28	Control	000-010	No function	0	
				011-020	Blackout on P/T enabled (hold for 3s)		
				021-030	Blackout on P/T Disabled		
				031-040	Pan invert (hold for 3s)		
				041-050	Tilt invert (hold for 3s)		
				051-060	P/t invert off (hold for 3s)		
				061-070	Fan mode: Studio (hold for 3s)		
				071-080	Fan mode: Power (hold for 3s)		
				081-100	Fan mode: Live (hold for 3s)		
				101-110	DIM4 (hold for 3s)		
				111-120	DIM3 (hold for 3s)		
				121-130	DIM2 (hold for 3s)		
				131-140	DIM1 (hold for 3s)		
				141-150	DIM0 (hold for 3s)		
				151-160	1200Hz (hold for 3s)		
				161-170	2400Hz (hold for 3s)		
				171-180	4000Hz (hold for 3s)		
				181-190	6000Hz (hold for 3s)		
				191-200	25000Hz (hold for 3s)		
				201-210	Reset all (hold for 3s)		
				211-220	P/T reset (hold for 3s)		
				221-230	Color rest (hold for 3s)		
				231-240	Zoom reset (hold for 3s)		
				241-250	Gobo reset (hold for 3s)		
				251-255	No function		

MAINTENANCE

- Make sure the area below the installation place is free from unwanted persons during servicing.
- Switch off the unit, unplug the mains cable and wait until the unit has been cooled down.

During inspection the following points should be checked:

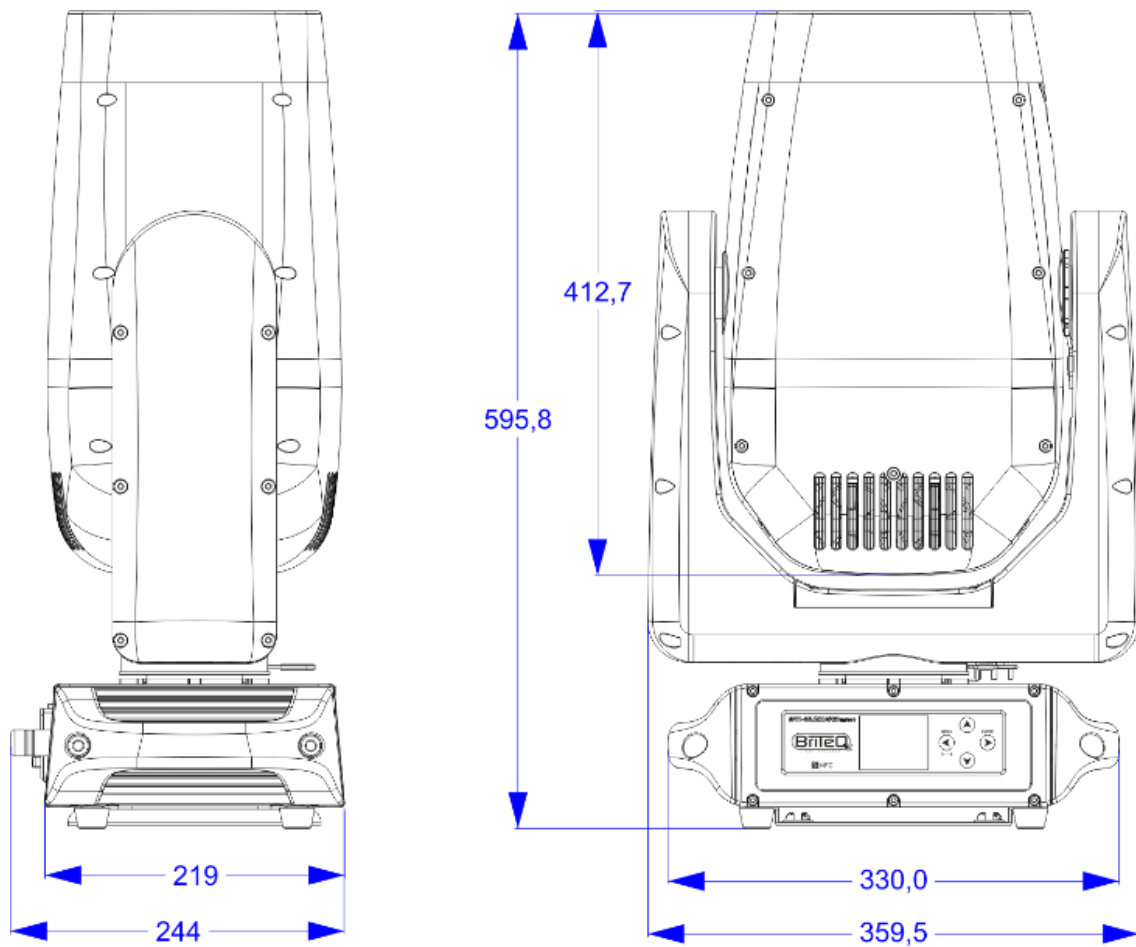
- All screws used for installing the device and any of its parts should be tightly fastened and may not be corroded.
- Housings, fixations and installations spots (ceiling, truss, suspensions) should be totally free from any deformation.
- When an optical lens is visibly damaged due to cracks or deep scratches, it must be replaced.
- The mains cables must be in impeccable condition and should be replaced immediately when even a small problem is detected.
- To protect the device from overheat the cooling fans (if any) and ventilation openings should be cleaned monthly.
- The interior of the device should be cleaned annually using a vacuum cleaner or air-jet.
- The cleaning of internal and external optical lenses and/or mirrors must be carried out periodically to optimize light output. Cleaning frequency depends on the environment in which the fixture operates: damp, smoky or particularly dirty surroundings can cause greater accumulation of dirt on the unit's optics.
 - Clean with a soft cloth using normal glass cleaning products.
 - Always dry the parts carefully.
 - Clean the external optics at least once every 30 days.

SPECIFICATIONS

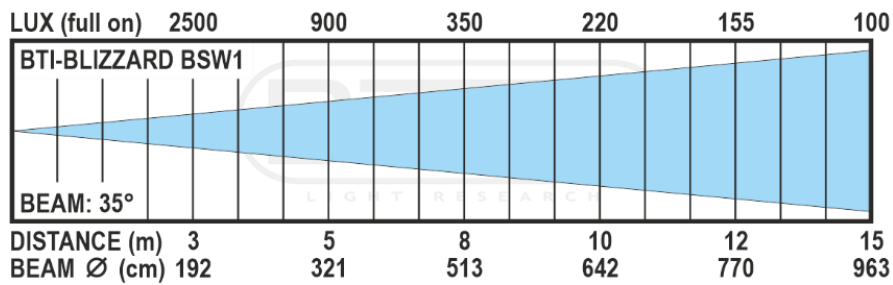
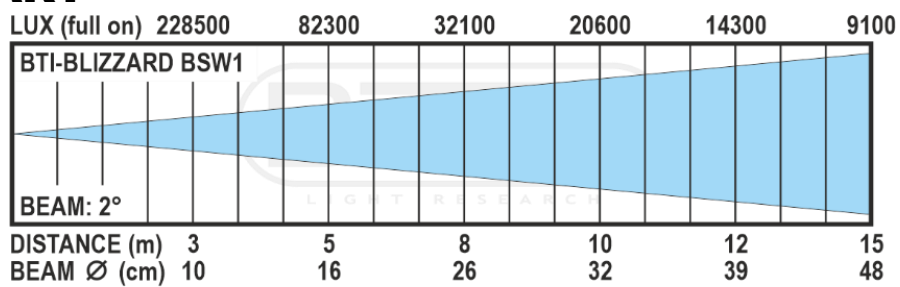
This device carries the prescribed CE marking. It was tested for this purpose in a specialized CE lab and fully complies with all currently valid European and national standards. The corresponding CE conformity declarations can be found on the product page of this product on our website.

Mains Input:	AC 100~240V, 50/60Hz
Power consumption:	500 Watt (max.)
IP-rating:	IP65
Operation Temperature:	-20°C → +45°C
Fuse:	10A / 250V slow.
Optional backup battery:	model 18650 * 3,7V Li-ion
Sound Control:	none
DMX connections:	3+5pin XLR IN/OUT, RDM compatible, (W-DMX optional)
Movement:	Pan: 540° Tilt: 210°
Beam angle:	2°→ 35°
DMX channels used:	21, 25 and 28 Channels
Lamp:	350W LED
Size:	See picture below
Weight:	22 kg

DIMENSIONS



LUX CHART

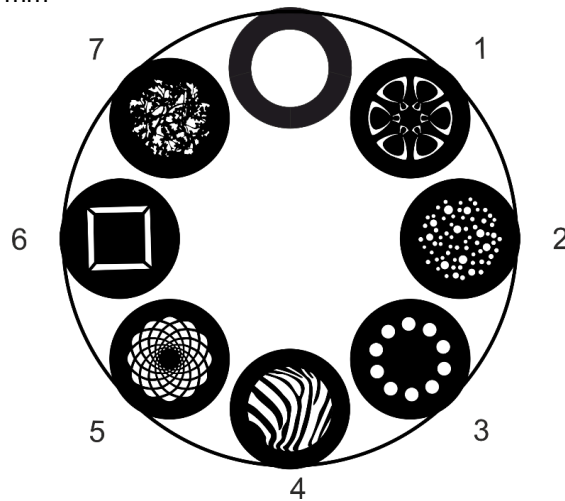


Color wheel

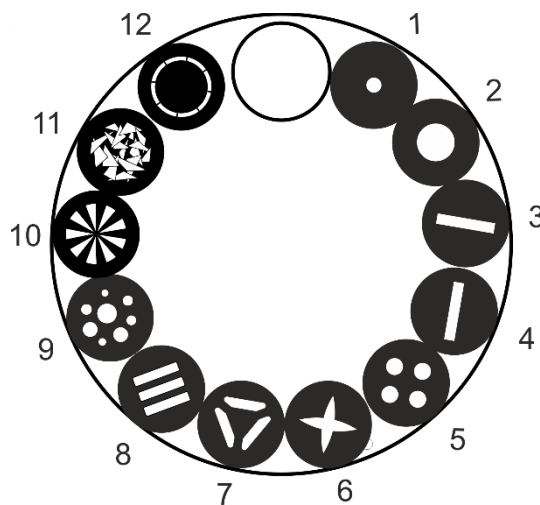


Rotating gobo wheel

- Outer diameter = 16.5mm
- Max. thickness for glass gobos = 1.1mm
- Max. image diameter = 11mm



Static gobo wheel



All the information is subject to change without prior notice
 You can download the latest version of this user manual on our website: www.briteq-lighting.com



MAILING LIST

EN: Subscribe today to our mailing list for the latest product news!

FR: Inscrivez-vous à notre liste de distribution si vous souhaitez suivre l'actualité de nos produits!

NL: Abonneer je vandaag nog op onze mailinglijst en ontvang ons laatste product nieuws!

DE: Abonnieren Sie unseren Newsletter und erhalten Sie aktuelle Produktinformationen!

ES: Suscríbete hoy a nuestra lista de correo para recibir las últimas noticias!

PT: Inscreva-se hoje na nossa mailing list para estar a par das últimas notícias!

WWW.BRITEQ-LIGHTING.COM

Copyright © 2024 by BEGLEC NV

't Hofveld 2C ~ B1702 Groot-Bijgaarden ~ Belgium

Reproduction or publication of the content in any manner, without express permission of the publisher, is prohibited.