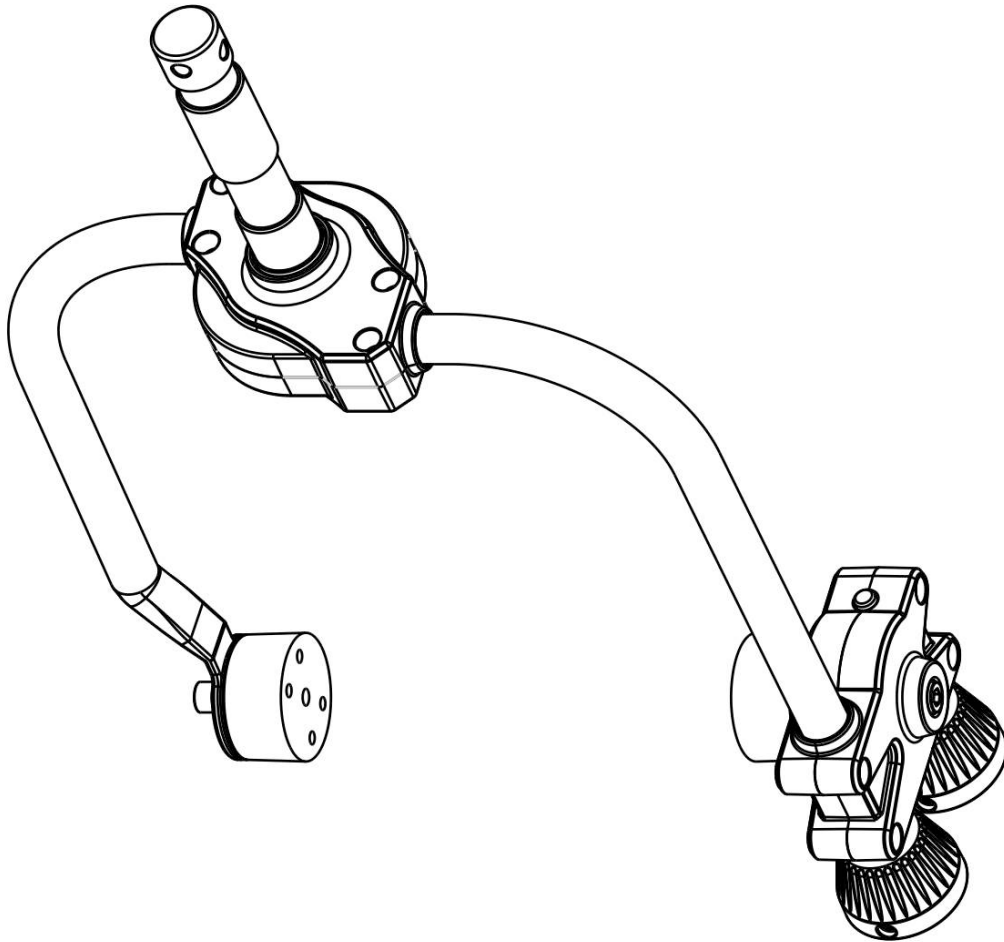


BT-THEATRE YOKE



ENGLISH

Operation Manual

Other languages can be downloaded from:
WWW.BRITEQ-LIGHTING.COM



Version: 1.2



OPERATION MANUAL

Thank you for buying this Briteq® product. To take full advantage of all possibilities and for your own safety, please read these operating instructions very carefully before you start using this unit.

FEATURES

- Pole operated yoke for easy manual positioning of theatre projectors in TV-studios and theatres.
- No more lifts or ladders needed but easy projector positioning from the ground.
- Easy pan/tilt adjustment by inserting an optional operating pole in the color-coded cups.
- Replaces the standard bracket on BT-THEATRE 150EZ / 250EZ (eventual other projectors: see website)
- All installation accessories for easy installation are included

BEFORE USE

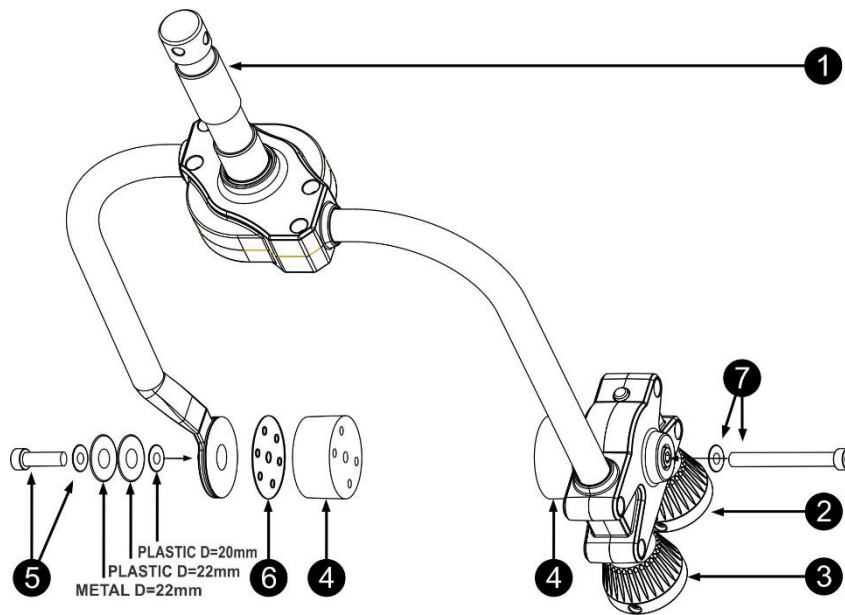
- Before you start using this unit, please check if there's no transportation damage. Should there be any, do not use the device and consult your dealer first.
- **Important:** This device left our factory in perfect condition and well packaged. It is absolutely necessary for the user to strictly follow the safety instructions and warnings in this user manual. Any damage caused by mishandling is not subject to warranty. The dealer will not accept responsibility for any resulting defects or problems caused by disregarding this user manual.
- Keep this booklet in a safe place for future consultation. If you sell the fixture, be sure to add this user manual.

Check the contents:

Check that the carton contains the following items:

- Operating instructions
- 1pc BT-THEATRE YOKE
- 2pcs bracket fixing cylinder
- 8pcs M4 screw
- 1pc M8 "hex socket head" bolt L=65mm
- 1pc M8 "hex socket head" bolt L=20mm
- 2pc locking washer (spring type)
- 1pc M8 washer metal, D= 22mm
- 1pc M8 washer plastic, D=22mm
- 1pc M8 washer plastic, D=20mm

DESCRIPTION:

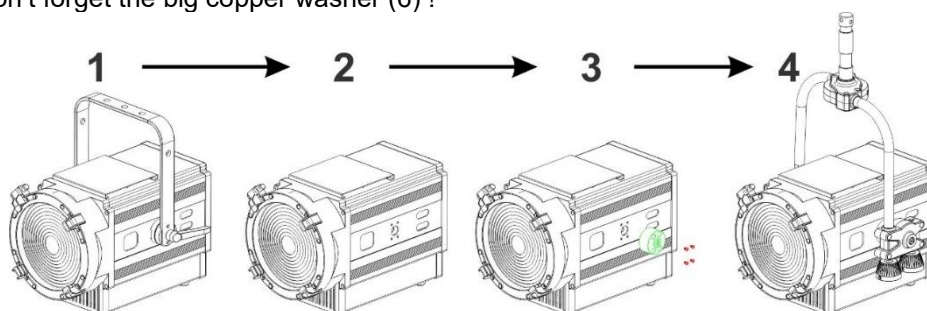


1. **TV-SPIGOT:** rotating 28mm TV-spigot to easily hang the bracket. See (2) for more information. A combination of an optional “TV-SPIGOT RECEIVER” and FASTCLAMP is needed to fix the bracket in the truss.
2. **WHITE POLE KNOB:** While operating this knob the TV-spigot (1) rotates in order to pan the projector and point it in the desired horizontal direction.
3. **BLUE POLE KNOB:** While operating this knob the complete projector tilts the projector and points it in the desired vertical direction.
4. **FIXING CYLINDER:** these 2 parts are fixed on both sides of the BT-THEATRE 150EZ/250EZ and are needed to adapt the pole yoke to the projector.
5. **M8 HEX BOLT L=20mm:** together with the washers this short HEX bolt is used to fix the pole yoke to the projector on the side with display / controls. (**Attention: see drawing for the exact order of the washers**)
6. **BIG COPPER WASHER:** used to make sure that the tilt movement is smooth.
7. **M8 HEX BOLT L=65mm:** together with the locking spring washer this long HEX bolt is used to fix the pole yoke to the projector on the side without display / controls.

MECHANICAL ASSEMBLY:

IMPORTANT: To save time, follow the steps below very carefully!

1. Unscrew the 2 handles of the original bracket and remove the complete bracket.
2. On both sides loosen the 4 screws of the original (thinner) cylinder but **do not remove the screws yet otherwise the counter piece will fall on the inside and you are obliged to open the projector!**
3. **Remove only 3 screws** and turn the original cylinder to the side so that you can attach the new thicker cylinder with 1 longer screw.
4. Now remove the last short screw and remove the original cylinder.
5. Rotate the new thick cylinder in place and fasten it with the 4 longer screws.
6. Put the new BT-THEATRE YOKE in place (white pole knob on the back of the projector) and use the included M8 HEX bolts + washers as **shown on the picture in the previous chapter**.
Attention: don't forget the big copper washer (6) !



OVERHEAD RIGGING

- **Important:** The installation must be carried out by qualified service personal only. Improper installation can result in serious injuries and/or damage to property. Overhead rigging requires extensive experience! Working load limits should be respected, certified installation materials should be used, the installed device should be inspected regularly for safety.
- Make sure the area below the installation place is free from unwanted persons during rigging, de-rigging and servicing.
- Locate the fixture in a well ventilated spot, far away from any flammable materials and/or liquids. The fixture must be fixed **at least 50cm** from surrounding walls.
- The device should be installed out of reach of people and outside areas where persons may walk by or be seated.
- Before rigging make sure that the installation area can hold a minimum point load of 10times the device's weight.
- Always use a certified safety cable that can hold 12times the weight of the device when installing the unit. This secondary safety attachment should be installed in a way that no part of the installation can drop more than 20cm if the main attachment fails.
- The device should be well fixed; a free-swinging mounting is dangerous and may not be considered!
- Don't cover any ventilation openings as this may result in overheating.
- The operator has to make sure that the safety-relating and machine-technical installations are approved by an expert before using them for the first time. The installations should be inspected every year by a skilled person to be sure that safety is still optimal.



OPERATING INSTRUCTIONS

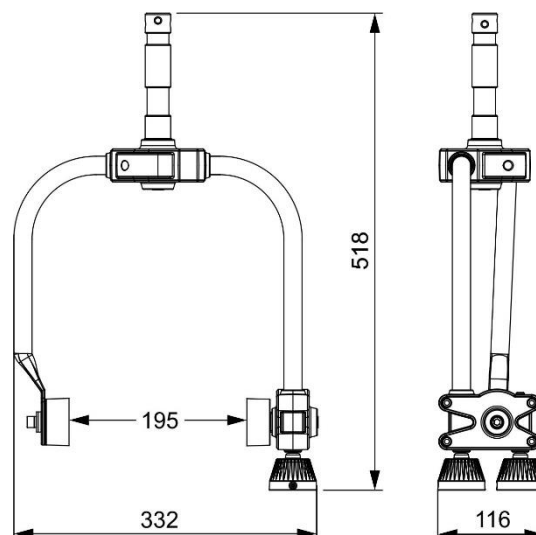
Use an optional "operating pole" and turn the white + blue colored knobs to point the projector in the right direction without the need of a ladder.

- **WHITE POLE KNOB:** While operating this knob the projector can be pointed in the desired horizontal direction.
- **BLUE POLE KNOB:** While operating this knob the projector can be pointed in the desired vertical direction.



SPECIFICATIONS

Size: 332 x 518 x 116 mm
Weight: 3,0 kg



All information is subject to change without prior notice

You can download the latest version of this user manual on our website: www.briteq-lighting.com

Copyright © 2019 by BEGLEC NV - 't Hofveld 2C ~ B1702 Groot-Bijgaarden ~ Belgium
Reproduction or publication of the content in any manner, without express permission of the publisher, is prohibited.



MAILING LIST

EN: Subscribe today to our mailing list for the latest product news!

FR: Inscrivez-vous à notre liste de distribution si vous souhaitez suivre l'actualité de nos produits!

NL: Abonneer je vandaag nog op onze mailinglijst en ontvang ons laatste product nieuws!

DE: Abonnieren Sie unseren Newsletter und erhalten Sie aktuelle Produktinformationen!

ES: Suscríbete hoy a nuestra lista de correo para recibir las últimas noticias!

PT: Inscreva-se hoje na nossa mailing list para estar a par das últimas notícias!

WWW.BRITEQ-LIGHTING.COM

Copyright © 2019 by BEGLEC NV

t Hofveld 2C ~ B1702 Groot-Bijgaarden ~ Belgium

Reproduction or publication of the content in any manner, without express permission of the publisher, is prohibited.