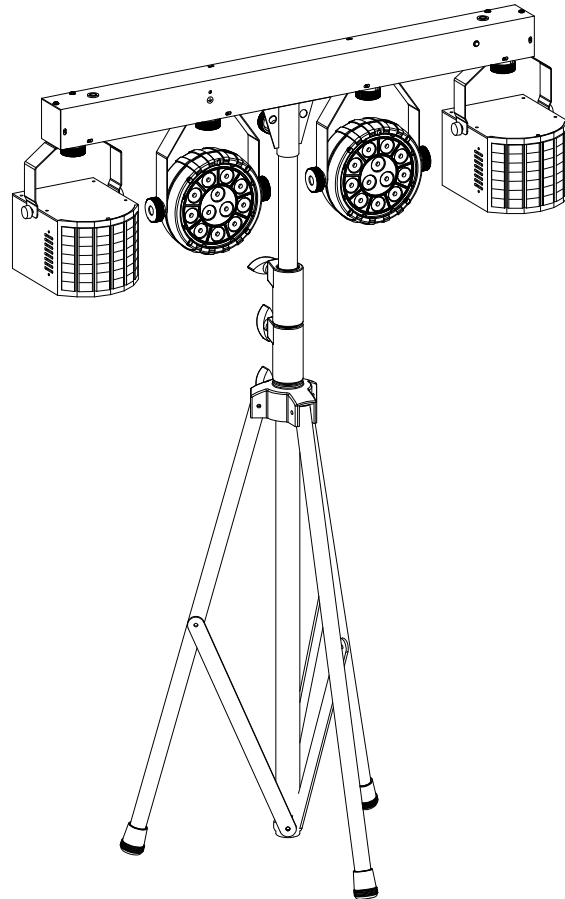


# USB PARTYSET



## ENGLISH

### Operation Manual

Other languages can be downloaded from:  
[WWW.JB-SYSTEMS.EU](http://WWW.JB-SYSTEMS.EU)



*Version: 1.1*

**JB SYSTEMS**



### **EN - DISPOSAL OF THE DEVICE**

Dispose of the unit and used batteries in an environment friendly manner according to your country regulations.

### **FR - DÉCLASSER L'APPAREIL**

Débarrassez-vous de l'appareil et des piles usagées de manière écologique conformément aux dispositions légales de votre pays.

### **NL - VERWIJDEREN VAN HET APPARAAT**

Verwijder het toestel en de gebruikte batterijen op een milieuvriendelijke manier conform de in uw land geldende voorschriften.

### **DU - ENTSORGUNG DES GERÄTS**

Entsorgen Sie das Gerät und die Batterien auf umweltfreundliche Art und Weise gemäß den Vorschriften Ihres Landes.

### **ES - DESHACERSE DEL APARATO**

Reciclar el aparato y pilas usadas de forma ecologica conforme a las disposiciones legales de su país.

### **PT - COMO DESFAZER-SE DA UNIDADE**

Tente reciclar a unidade e as pilhas usadas respeitando o ambiente e em conformidade com as normas vigentes no seu país.

# OPERATION MANUAL

Thank you for buying this JB Systems® product. To take full advantage of all possibilities and for your own safety, please read these operating instructions very carefully before you start using this unit.

## FEATURES

- The USB PARTYSET is our most versatile light set for all your home parties.
- This standard set includes 2 RGBW Pars with a very narrow beam angle, 2 RGBW Derby's, a light stand and 2 transport bags.
- Thanks to its unique concept, you can add or replace projectors or effects to compose any setup you like.
- Up to 6 effects/projectors can be powered and controlled simultaneously by the bar.
- Whatever composition you make, the effects will always work perfectly synchronized
- Compatible JB Systems effects:
  - USB DERBY
  - USB MUSHROOM
  - USB LASER
  - USB PAR
- Each projector can also be used without the bar. You can power them via a 5V/2A adapter and a USB-C cable
- The fabulous preprogrammed shows with different effect combinations can be controlled in different ways:
  - DMX-control: via 4, 7, 10 or 34 channels.
  - Standalone: sound activated (internal microphone) or automatic.
  - IR-remote: infrared remote control.
- Prepared for wireless DMX: just plug-in an optional WTR-DMX DONGLE ! (Briteq® order code: 4645)
- Several bars can be connected in master/slave to create wonderful synchronized shows.
- 3-digit LED display for easy menu navigation.

## BEFORE USE

- Before you start using this unit, please check if there's no transportation damage. Should there be any, do not use the device and consult your dealer first.
- **Important:** This device left our factory in perfect condition and well packaged. It is absolutely necessary for the user to strictly follow the safety instructions and warnings in this user manual. Any damage caused by mishandling is not subject to warranty. The dealer will not accept responsibility for any resulting defects or problems caused by disregarding this user manual.
- Keep this booklet in a safe place for future consultation. If you sell the fixture, be sure to add this user manual.

### Check the contents:

Check that the cardboard box contains the following items:

- USB Bar with 4 projectors (2x Par + 2x Derby)
- Light Stand
- 2 transport bags: one for the bar and one for the light stand
- IR remote control
- Mains cable
- Operating instructions

## SAFETY INSTRUCTIONS:



**CAUTION**  
RISK OF ELECTRIC SHOCK  
DO NOT OPEN



**CAUTION:** To reduce the risk of electric shock, do not remove the top cover. No user-serviceable parts inside. Refer servicing to qualified service personnel only.



The lightning flash with arrowhead symbol within the equilateral triangle is intended to alert the user to the presence of un-insulated "dangerous voltage" within the product's enclosure that may be of sufficient magnitude to constitute a risk of electric shock.



The exclamation point within the equilateral triangle is intended to alert the user to the presence of important operation and maintenance (servicing) instructions in the literature accompanying this appliance.



This symbol means: indoor use only.



This symbol means: Read instructions.



This symbol determines: the minimum distance from lighted objects. The minimum distance between light-output and the illuminated surface must be more than 1 meter.

**RISK GROUP 2**  
**CAUTION:**  
**Do not stare at operating lamp**

**CAUTION:** Do not stare at operating lamp.  
May be harmful to the eyes.

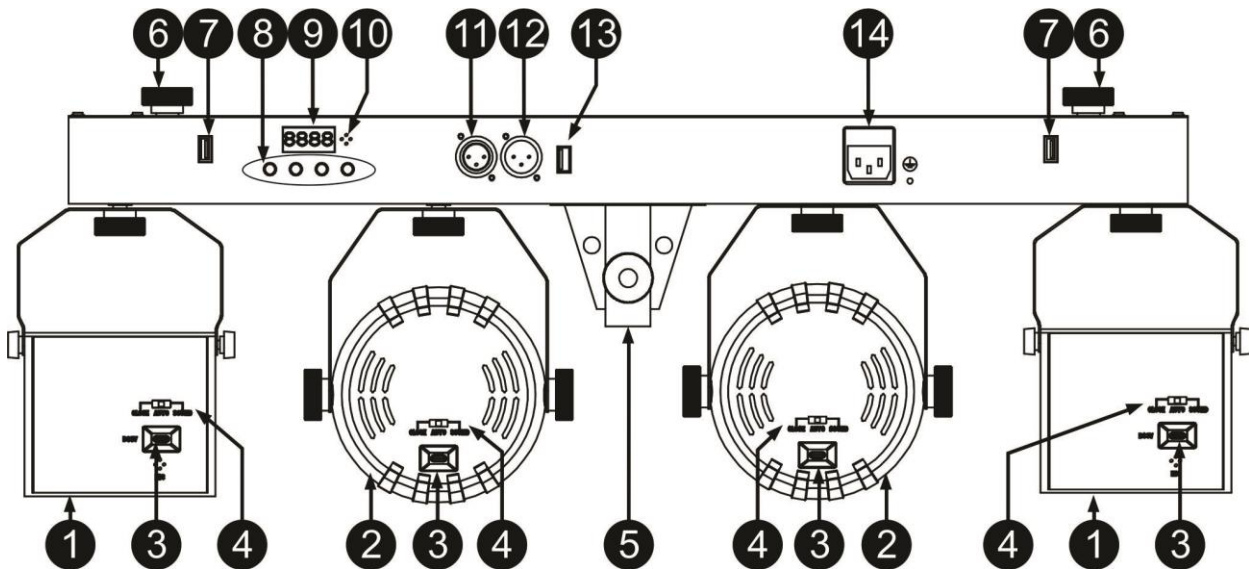
- To protect the environment, please try to recycle the packing material as much as possible.
- A new light effect sometimes causes some unwanted smoke and/or smell. This is normal and disappears after some minutes.
- To prevent fire or shock hazard, do not expose this appliance to rain or moisture.
- To avoid condensation to be formed inside, allow the unit to adapt to the surrounding temperatures when bringing it into a warm room after transport. Condensation sometimes prevents the unit from working at full performance or may even cause damages.
- This unit is for indoor use only.
- Don't place metal objects or spill liquid inside the unit. Electric shock or malfunction may result. If a foreign object enters the unit, immediately disconnect the mains power.
- Locate the fixture in a well ventilated spot, away from any flammable materials and/or liquids. The fixture must be fixed at least 50cm from surrounding walls.
- Don't cover any ventilation openings as this may result in overheating.
- Prevent use in dusty environments and clean the unit regularly.
- Keep the unit away from children.
- Inexperienced persons should not operate this device.
- The safe ambient temperature is between 15° & 40°C. Don't use this unit at higher ambient temperatures.
- Make sure the area below the installation place is free from unwanted persons during rigging, de-rigging and servicing.
- Always unplug the unit when it is not used for a longer time or before replacing the bulb or start servicing.
- The electrical installation should be carried out by qualified personal only, according to the regulations for electrical and mechanical safety in your country.
- Check that the available voltage is not higher than the one stated on the rear panel of the unit.
- The power cord should always be in perfect condition. Switch the unit immediately off when the power cord is squashed or damaged. It must be replaced by the manufacturer, its service agent or similarly qualified persons in order to avoid a hazard.
- Never let the power-cord come into contact with other cables!
- This fixture must be earthed to in order comply with safety regulations.
- Don't connect the unit to any dimmer pack.
- Always use an appropriate and certified safety cable when installing the unit.
- In order to prevent electric shock, do not open the cover. Apart from the lamp and mains fuse there are no user serviceable parts inside.
- **Never** repair a fuse or bypass the fuse holder. **Always** replace a damaged fuse with a fuse of the same type and electrical specifications!
- In the event of serious operating problems, stop using the fixture and contact your dealer immediately.
- The housing and the lenses must be replaced if they are visibly damaged.
- Please use the original packing when the device is to be transported.
- Due to safety reasons it is prohibited to make unauthorized modifications to the unit.

**Important:** Never look directly into the light source! Don't use the effect in the presence of persons suffering from epilepsy.

**TRANSPORT:**

**ALWAYS DISCONNECT THE USB CABLES BEFORE YOU PUT THE SET IN THE TRANSPORT BAG AND BEFORE TRANSPORT**

**DESCRIPTION:**



1. **RGBW DERBY PROJECTOR**
2. **RGBW PROJECTOR**
3. **USB C CONNECTOR:** connect the USB cables from the bar to each Derby and Par projector. These cables will provide power and data the bar to the projectors.  
**Important:** Always disconnect these cables for transport
4. **MODE SWITCH:** it is possible to use a projector without the bar. All you have to do is to power the unit via an (optional) USB C cable and a (optional) power adapter (5V-2A) or power bank. Once the unit is powered, you can select the working mode via this switch:
  - CLOSE = OFF
  - AUTO = Automatic mode
  - SOUND = Sound controlled mode
5. **POLE STAND ADAPTER:** used to fix the bar on the supplied light stand
6. **SCREW:** can be used to fix an additional USB projector to the bar.
7. **EXTRA USB CONNECTOR:** 2 extra projectors from our USB range can be powered and controlled via these extra USB connectors. (JB Systems USB LASER, USB MUSHROOM, USB DERBY, USB PAR...)
8. **CONTROL PANEL:** Used to select the different functions of the bar, see further to learn how to operate the unit.
9. **DISPLAY:** shows all the necessary information about settings and working modes.
10. **INTERNAL MICROPHONE:** The built-in microphone is used to synchronize the sound controlled shows to the beat of the music.
11. **DMX OUTPUT:** 3pin female XLR-connector used to connect the USB Bar with the next unit in the DMX chain.
12. **DMX INPUT:** 3pin male XLR-connector used to connect universal DMX-cables. This input receives instructions from a DMX-controller (in DMX mode) or from the previous bar (in Master/Slave mode).
13. **M-DMX INPUT:** Please note that this USB-connector is NOT used for updates or to connect the unit to a PC! Instead this USB-connector makes it very easy to add wireless DMX to the unit! Just add the (optional) WTR-DMX DONGLE from BRITEQ® and you will get wireless DMX! Moreover you will be able to connect other DMX-controlled equipment to the DMX-output so you can share the wireless DMX function with all connected units! No extra settings to be made in the setup menu, just follow the

procedure in the user manual supplied with the WTR-DMX DONGLE from BRITEQ®. *The separate WTR-DMX DONGLE is available from WWW.BRITEQ-LIGHTING.COM (order code: 4645)*

14. **MAINS INPUT:** IEC socket with integrated fuse holder and switch, connect the supplied mains cable here. Always replace the fuse with a fuse that is 100% identical. (1.6A – 250V Slow)

## HOW TO SET UP AND CONTROL THE UNIT

*Once the effects are installed and connected to the bar via the USB connectors you can operate the unit in several ways:*

### **1) FULL AUTOMATIC STANDALONE MODE:**

The effect automatically runs a preprogrammed sequence. Select this mode when only 1 USB Partyset is used (standalone) or when the USB Partyset is placed as the first (master) unit in a chain with several USB Partysets.

- Press the [MENU] button until the display shows [Aut].
- Press the [ENTER] button to confirm your choice.
- Now you can use the UP or DOWN buttons to select the desired effect group:
  - **[AutM] Automatic mixed effects show.**
    - Press [ENTER] to select this mode.
    - Use the [UP] and [DOWN] buttons to select one of the 3 shows [AM01 – AM03]
    - Press [ENTER] to confirm your setting
    - Use the [UP] and [DOWN] buttons to select the desired show speed from [S.01] slow to [S.99] fast
    - Press [ENTER] to confirm your setting
  - **[AutP] Automatic Program. (Selection of one particular program)**
    - Press [ENTER] to select this mode.
    - Use the [UP] and [DOWN] buttons to select one of the 18 programs [AP01 – AP18]
    - Press [ENTER] to confirm your setting
    - Use the [UP] and [DOWN] buttons to select the desired program speed from [S.01] slow to [S.99] fast
    - Press [ENTER] to confirm your setting
    - Use the [UP] and [DOWN] buttons to select the desired motor speed from [M.00] = STOP to [M.99] = fastest (only needed if you use effects with a rotation motor)
    - Press [ENTER] to confirm your setting

You can connect several USB PARTYSETs together: just put the first unit of the chain in one of the automatic effect modes and all other units in “Slave mode” (display shows “SLA”) to make them all work in perfect synchronicity !

### **2) SOUND CONTROLLED STANDALONE MODE:**

The Partyset runs a preprogrammed sequence to the rhythm of the music. Select this mode when only 1 Partyset is used (standalone) or when the Partyset is placed as the first (master) unit in a chain with several units.

- Press the [MENU] button until the display shows [Sou].
- Press the [ENTER] button to confirm your choice.
- Now you can use the UP or DOWN buttons to select the desired effect group:
  - **[SouM] Sound controlled mixed effects show.**
    - Press [ENTER] to select this mode.
    - Use the [UP] and [DOWN] buttons to select one of the 3 shows [SM01 – SM03]
    - Press [ENTER] to confirm your setting
    - Use the [UP] and [DOWN] buttons to set the desired sensitivity for the microphone from [u.00] microphone OFF to [u.99] high sensitivity
    - Press [ENTER] to confirm your setting
  - **[SouP] Sound controlled program. (Selection of one particular program)**
    - Press [ENTER] to select this mode.
    - Use the [UP] and [DOWN] buttons to select one of the 18 shows [SP01 – SP18]
    - Press [ENTER] to confirm your setting
    - Use the [UP] and [DOWN] buttons to set the desired sensitivity for the microphone from [u.00] microphone OFF to [u.99] high sensitivity
    - Press [ENTER] to confirm your setting

**.3) FIXED COLOR STANDALONE MODE:**

You can set a fixed color for all the units together

- Press the [MENU] button until the display shows [COL].
- Press the [ENTER] button to confirm your choice.
- [COLO] will appear on the screen
- Press the [ENTER] button to enter the setup mode.
- Use the [UP/DOWN] buttons to set the intensity of the red color. [r.000] = off, [r.255] = maximum intensity
- Press the [ENTER] button to confirm your choice and to go to the next color setting.
- Use the [UP/DOWN] buttons to set the intensity of the green color. [G.000] = off, [G.255] = maximum intensity
- Press the [ENTER] button to confirm your choice and to go to the next color setting.
- Use the [UP/DOWN] buttons to set the intensity of the blue color. [b.000] = off, [b.255] = maximum intensity
- Press the [ENTER] button to confirm your choice and to go to the next color setting.
- Use the [UP/DOWN] buttons to set the intensity of the white color. [W.000] = off, [W.255] = maximum intensity
- Press the [ENTER] button to confirm your choice and to go to the strobe speed setting.
- Use the [UP/DOWN] buttons to select the desired setting for the strobe effect.
  - [S. 00] = no output
  - [S. 01] to [S. 99] = slow strobe to fast strobe
  - [S. 99] = full on and NO strobe effect
  - [S.100] = Sound controlled strobe
- Press the [ENTER] button to confirm your choice.

**IMPORTANT** : if you have set a correct color and the strobe is set to a value between [S. 01] and [S.100], but you have **no light output** : go back to the (2) SOUND CONTROLLED STANDALONE MODE settings in the menu (see above) and check if the sensitivity of the microphone is not set too low or set to zero [u.00] (microphone OFF).

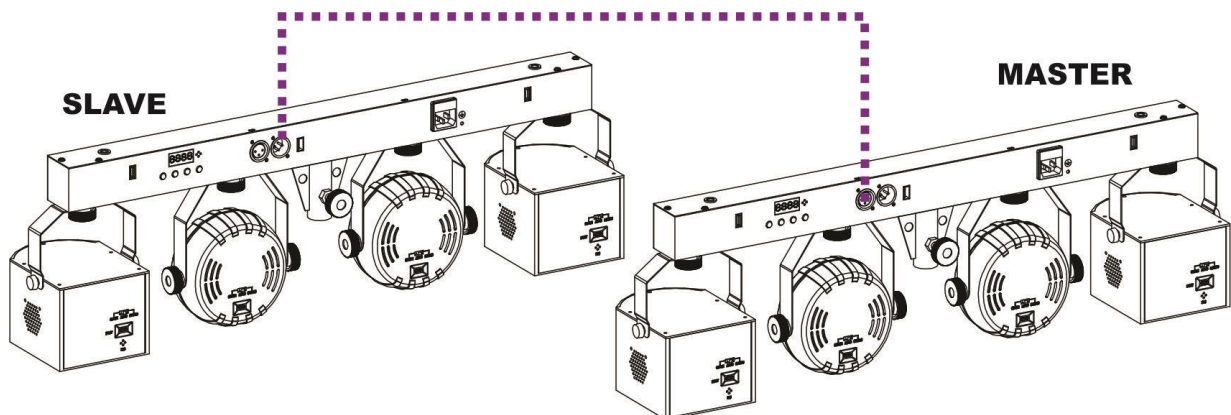
If the microphone is switched off, the bar can of course not react to the sound ☺

**4) MASTER/SLAVE STANDALONE MODE:**

When you have several USB PARTYSET and you want them to all work synchronously, you can work in the so called master/slave mode. To do this, just daisy-chain all the bars and make the settings of the desired automatic or sound controlled program in the first bar of the chain (see description above). This bar is called the Master unit. Now put all the other bars in slave mode. Once this is done, the "slave" bars will follow the orders of the Master unit, so they work in perfect synchronicity.








To set a bar in slave mode:

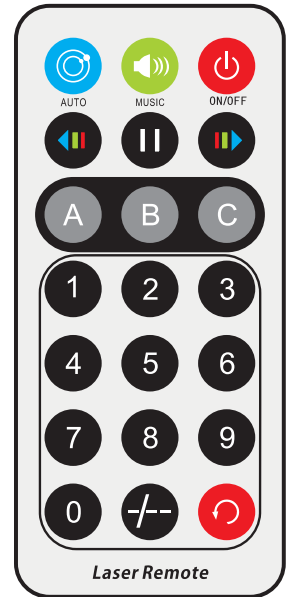
- Press the [MENU] button until the display shows [SLA].
- Press the [ENTER] button to enter this mode.
- [SLAV] will appear on the display
- Press the [ENTER] button to confirm the slave mode.



**5) CONTROLLED VIA THE IR REMOTE CONTROLLER:**

The USB PARTYSET can be controlled by the IR remote control that is supplied with your USB effect **IMPORTANT:** check if the remote control option is activated (ON) in the System settings of the bar. If this option is switched off, you can not use the IR remote control. (see last chapter)

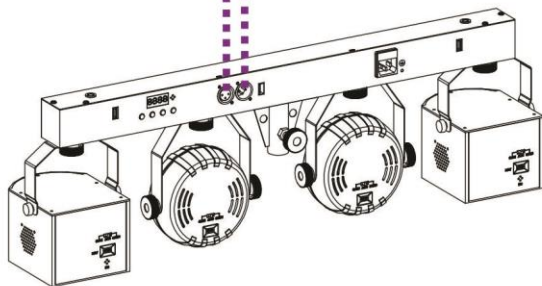
	<b>AUTO MIX</b>	press the button to select one of the different mixed automatic shows: AM01, AM02, ....
	<b>SOUND MIX</b>	press the button to select one of the different mixed sound controlled shows: SM01, SM02,
	<b>ON/OFF</b>	press the button to start up the effect bar or to put the bar in standby mode
	<b>EFFECT PAUSE</b>	press the button to pause (freeze) the running effect
	<b>AUTO P</b>	Each time you press this button you will activate another automatic program. AP01, AP02, ...
	<b>SOUND P</b>	Each time you press this button you will activate another sound program. SP01, SP02, ...
	<b>PROGRAM SPEED</b>	press number 0 to 9 to select the desired speed for the automatic programs (not sound controlled). 0= slowest, 9= fastest



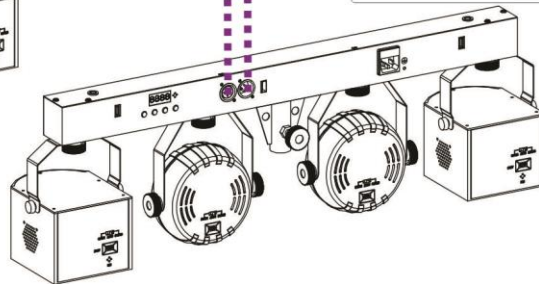
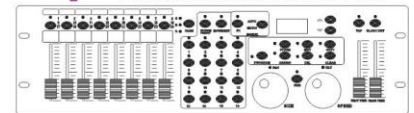
The other buttons are not used.

**6) CONTROLLED VIA DMX:**

**NEXT UNIT**



**DMX CONTROLLER**



The USB PARTYSET can be controlled by any standard DMX-controller in 4 different DMX-modes:

- **4 CHANNEL MODE:** for easy control over the automatic and sound modes
  - **7 CHANNEL MODE:** to control the Color, Strobe, Dimmer and motor rotation manually
  - **10 CHANNEL MODE:** control over the automatic and sound modes + general manual control
  - **34 CHANNEL MODE:** control over the automatic and sound modes + full manual control over each individual projector.
- Connect the DMX input of the USB PARTYSET to the DMX output of the previous unit in the chain or directly to the DMX-output of your controller.
  - Press the [MENU] button until the display shows: "DMX".
  - Press the [ENTER] button to enter this option
  - The actual DMX address is shown on the display.
  - Press the [ENTER] button again to set the DMX settings

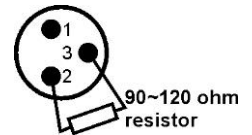


- You can now change the DMX mode
- Use the [UP/DOWN] buttons to select the desired DMX-mode. (4CH, 7CH or 34CH)
- Press the [ENTER] button to confirm your choice.
- Now you can use the [UP/DOWN] buttons to set the DMX address. [dxxx]
- Press the [ENTER] button to confirm your choice.

**Note:** the display blinks when the unit is in DMX-mode and no DMX-signal is detected.

**Some more information on DMX512:**

*The DMX-protocol is a widely used high speed signal to control intelligent light equipment. You need to “daisy chain” your DMX controller and all the connected light effects with a good quality XLR M/F balanced cable. To prevent strange behavior of the light effects, due to interferences, you must use a 90Ω to 120Ω terminator at the end of the chain. Never use Y-splitter cables, this simply won’t work!*



*Each effect in the chain needs to have its proper starting address so it knows which commands from the controller it has to decode.*

**4 CHANNEL DMX-CONFIGURATION:**

DMX Channel	DMX-value	function	remarks
1	000-009	Blackout	
	010-029	AM01	Mixed Automatic Shows
	030-059	AM02	
	060-089	AM03	
	090-129	AP01 – AP18	Automatic Program 01 – 18 (use Channel 2)
	128-159	SM01	Mixed Sound Shows
	160-189	SM02	
	190-209	SM03	
	210-255	SP01 – SP18	Sound Program 01 - 18 (use Channel 2)
2	000-013	AP01 / SP01	Select select a specific program  <b>Channel 1</b> between 090 and 129 = <b>Auto mode</b> <b>Ch 1</b> between 210 and 255 = <b>Sound Mode</b>
	014-027	AP02 / SP02	
	028-041	AP03 / SP03	
	042-055	AP04 / SP04	
	056-069	AP05 / SP05	
	070-083	AP06 / SP06	
	084-097	AP07 / SP07	
	098-111	AP08 / SP08	
	112-125	AP09 / SP09	
	126-139	AP10 / SP10	
	140-153	AP11 / PS11	
	154-167	AP12 / SP12	
	168-181	AP13 / SP13	
	182-195	AP14 / SP14	
	196-209	AP15 / SP15	
	210-223	AP16 / SP16	
	224-237	AP17 / SP17	
	238-255	AP18 / SP18	
3	000-255	Auto Program Speed	Slow to Fast
4	000	Full ON	General Dimmer
	001-255	Dimmer	

**7 CHANNEL DMX-CONFIGURATION:**

DMX Channel	DMX-value	function	remarks
1	000-255	Red	0% → 100%
2	000-255	Green	
3	000-255	Blue	
4	000-255	White	
5	000-255	Dimmer	General Dimmer
6	000-015	No Strobe	Slow to Fast
	016-255	Strobe Speed	
7	000	Stop	Motor Rotation (slow to fast)
	001-127	Clockwise rotation	
	128	Stop	
	129-255	Anticlockwise rotation	

**10 CHANNEL DMX-CONFIGURATION:**

DMX Channel	DMX-value	function	remarks
1	000-009	Blackout	Mixed Automatic Shows
	010-029	AM01	
	030-059	AM02	
	060-089	AM03	
	090-129	AP01 – AP18	Automatic Program 01 – 18 (use Channel 2)
	128-159	SM01	Mixed Sound Shows
	160-189	SM02	
	190-209	SM03	
	210-249	SP01 – SP18	Sound Program 01 - 18 (use Channel 2)
	250-255	Manual Mode	Channel 5 to 10 are available
2	000-013	AP01 / SP01	Select select a specific program <b>Channel 1 between 090 and 129 = Auto mode</b> <b>Ch 1 between 210 and 255 = Sound Mode</b>
	014-027	AP02 / SP02	
	028-041	AP03 / SP03	
	042-055	AP04 / SP04	
	056-069	AP05 / SP05	
	070-083	AP06 / SP06	
	084-097	AP07 / SP07	
	098-111	AP08 / SP08	
	112-125	AP09 / SP09	
	126-139	AP10 / SP10	
	140-153	AP11 / PS11	
	154-167	AP12 / SP12	
	168-181	AP13 / SP13	
	182-195	AP14 / SP14	
	196-209	AP15 / SP15	
	210-223	AP16 / SP16	
224-237	AP17 / SP17		
238-255	AP18 / SP18		

3	000-255	Auto Program Speed	Slow to Fast
4	000-255	Dimmer	0% to 100%
5	000-255	Red Dimmer	0% to 100%
6	000-255	Green Dimmer	
7	000-255	Blue Dimmer	
8	000-255	White Dimmer	
9	000-015	No Strobe	Slow to Fast
	016-255	Strobe Speed	
10	000	Stop	Motor Rotation (slow to fast)
	001-127	Clockwise rotation	
	128	Stop	
	129-255	Anticlockwise rotation	

**34 CHANNEL DMX-CONFIGURATION:**

DMX Channel	DMX-value	function	remarks
1	000-009	Blackout	Mixed Automatic Shows
	010-029	AM01	
	030-059	AM02	
	060-089	AM03	
	090-129	AP01 – AP18	Automatic Program 01 – 18 (use Channel 2)
	128-159	SM01	Mixed Sound Shows
	160-189	SM02	
	190-209	SM03	
	210-249	SP01 – SP18	Sound Program 01 - 18 (use Channel 2)
	250-255	MANUAL MODE	CH5 to CH35 are available
2	000-013	AP01 / SP01	Select select a specific program <b>Channel 1</b> between 090 and 129 = <b>Auto mode</b> <b>Ch 1</b> between 210 and 255 = <b>Sound Mode</b>
	014-027	AP02 / SP02	
	028-041	AP03 / SP03	
	042-055	AP04 / SP04	
	056-069	AP05 / SP05	
	070-083	AP06 / SP06	
	084-097	AP07 / SP07	
	098-111	AP08 / SP08	
	112-125	AP09 / SP09	
	126-139	AP10 / SP10	
	140-153	AP11 / PS11	
	154-167	AP12 / SP12	
	168-181	AP13 / SP13	
	182-195	AP14 / SP14	
	196-209	AP15 / SP15	
	210-223	AP16 / SP16	
	224-237	AP17 / SP17	
	238-255	AP18 / SP18	
3	000-255	Auto Program Speed	Slow to Fast

4	000-255	Dimmer	General Dimmer
<b>Channel for projector / effect 1</b>			
5	000-255	Red	0% → 100%
6	000-255	Green	
7	000-255	Blue	
8	000-255	White	
9	000-015	No Strobe	Slow to Fast
	016-255	Strobe Speed	
10	000	Stop	Motor Rotation (slow to fast)
	001-127	Clockwise rotation	
	128	Stop	
	129-255	Anticlockwise rotation	
<b>Channel for projector / effect 2</b>			
11	000-255	Red	0% → 100%
12	000-255	Green	
13	000-255	Blue	
14	000-255	White	
15	000-015	No Strobe	Slow to Fast
	016-255	Strobe Speed	
16	000	Stop	Motor Rotation (slow to fast)
	001-127	Clockwise rotation	
	128	Stop	
	129-255	Anticlockwise rotation	
<b>Channel for projector / effect 3</b>			
17	000-255	Red	0% → 100%
18	000-255	Green	
19	000-255	Blue	
20	000-255	White	
21	000-015	No Strobe	Slow to Fast
	016-255	Strobe Speed	
22	000	Stop	Motor Rotation (slow to fast)
	001-127	Clockwise rotation	
	128	Stop	
	129-255	Anticlockwise rotation	
<b>Channel for projector / effect 4</b>			
23	000-255	Red	0% → 100%
24	000-255	Green	
25	000-255	Blue	
26	000-255	White	
27	000-015	No Strobe	Slow to Fast
	016-255	Strobe Speed	
28	000	Stop	Motor Rotation (slow to fast)
	001-127	Clockwise rotation	
	128	Stop	
	129-255	Anticlockwise rotation	

Channel for projector / effect 5 (Top)			
29	000-255	Red	0% → 100%
30	000-255	Green	
31	000-255	Blue	
32	000-255	White	
33	000-015	No Strobe	Slow to Fast
	016-255	Strobe Speed	
34	000	Stop	Motor Rotation (slow to fast)
	001-127	Clockwise rotation	
	128	Stop	
	129-255	Anticlockwise rotation	

### Extra functions in the menu

- Press the [MENU] button until the display shows [SYS].
- Press the [ENTER] button if you want to enter this part of the menu with extra options.
- Use the [UP/DOWN] buttons to browse the extra functions in this System menu
  - [LEdS] with this option you can decide if the **display** should be always **on** or if it can go **off** after a while when no new information needs to be shown (only a small dot will stay on)
    - Press the [ENTER] button to enter the option settings
    - Use the [UP / DOWN] button to select the desired mode:
      - [on] = function activated. When no new information needs to be shown on the display, the display will turn off. As soon as new information is available (for example: when you use the remote control to select another mode) the display will turn on automatically to show you this new information. After a while, it will turn off again.
      - OFF = function deactivated. The LED display will be always lit.
  - Press the [ENTER] button to confirm your setting
  - [ ir] gives you the opportunity to activate or deactivate the **remote control** receiver.
    - Press the [ENTER] button to enter the option settings
    - Use the [UP / DOWN] button to select the desired mode:
      - ON = function activated. The wireless IR remote controller can be used.
      - OFF = function deactivated. The wireless IR remote controller can NOT be used.
    - Press the [ENTER] button to confirm your setting
    - [SouN] When the bar is used in a sound controlled mode, you can decide here how the bar should react when no sound or music is detected.
      - Press the [ENTER] button to enter the option settings
      - Use the [UP / DOWN] button to select the desired mode:
        - [LASt] = when no sound is detected, the effects will continue to execute the last active show
        - [oFF] = when no sound is detected, the bar will go in Blackout mode. (the light output will be shut down)
      - Press the [ENTER] button to confirm your setting
      - [FAiL] gives you the opportunity to decide how the bar should react when DMX is lost or interrupted.
        - Press the [ENTER] button to enter the option settings
        - Use the [UP / DOWN] button to select the desired mode:
          - [hoLd] = The last active setting will be kept till a new signal comes in.
          - [bLAC] = The bar and effects will go in Blackout mode.(light shut off)
        - Press the [ENTER] button to confirm your setting
        - [rESt] can be used to reset all the settings of the bar to the original factory settings
          - Press the [ENTER] button to enter the option settings
          - Use the [UP / DOWN] button to select the desired mode:
            - [YES] = do the factory reset. (firmware version will appear after pressing enter)

- [ no] = don't do the factory reset and return to the menu.
- Press the [ENTER] button to confirm your choice

## MAINTENANCE

- Make sure the area below the installation place is free from unwanted persons during servicing.
- Switch off the unit, unplug the mains cable and wait until the unit has been cooled down.

### During inspection the following points should be checked:

- All screws used for installing the device and any of its parts should be tightly fastened and may not be corroded.
- Housings, fixations and installations spots (ceiling, truss, suspensions) should be totally free from any deformation.
- When an optical lens is visibly damaged due to cracks or deep scratches, it must be replaced.
- The mains cables must be in impeccable condition and should be replaced immediately when even a small problem is detected.
- In order to protect the device from overheat the cooling fans (if any) and ventilation openings should be cleaned monthly.
- The interior of the device should be cleaned annually using a vacuum cleaner or air-jet.
- The cleaning of internal and external optical lenses and/or mirrors must be carried out periodically to optimize light output. Cleaning frequency depends on the environment in which the fixture operates: damp, smoky or particularly dirty surroundings can cause greater accumulation of dirt on the unit's optics.
  - Clean with a soft cloth using normal glass cleaning products.
  - Always dry the parts carefully.
  - Clean the external optics at least once every 30 days.
  - Clean the internal optics at least every 90 days.

**Attention: We strongly recommend internal cleaning to be carried out by qualified personnel!**

## SPECIFICATIONS

This unit is radio-interference suppressed. This product meets the requirements of the current European and national guidelines. Conformity has been established and the relevant statements and documents have been deposited by the manufacturer.

This device was designed to produce decorative effect lighting and is used in light show systems.

<b>Mains Input:</b>	AC 100~240V, 50/60Hz
<b>Fuse:</b>	250V 1.6A slow blow (20mm glass)
<b>Total Power consumption:</b>	50W
<b>Sound Control:</b>	Internal microphone
<b>DMX connections:</b>	3pin XLR male / female
<b>DMX channels:</b>	4, 7, 10 or 34 channels
<b>PAR LED power:</b>	2 projectors of 12W each (3W Red, 3W Green, 3W Blue, 3W White)
<b>Derby LED power:</b>	2 projectors of 8W each (2W Red, 2W Green, 2W Blue, 2W White)
<b>Environment temperature:</b>	10°C to 40°C
<b>Size (bar + effects):</b>	720x250x110mm
<b>Size stand:</b>	max. height = 2.05m, folded = 79 cm
<b>Weight:</b>	6 kg (full set with stand)

**Every information is subject to change without prior notice**

**You can download the latest version of this user manual on our website: [www.jb-systems.eu](http://www.jb-systems.eu)**





**JB SYSTEMS**

## **MAILING LIST**

**EN: Subscribe today to our mailing list for the latest product news!**

**FR: Inscrivez-vous à notre liste de distribution si vous souhaitez suivre l'actualité de nos produits!**

**NL: Abonneer je vandaag nog op onze mailinglijst en ontvang ons laatste product nieuws!**

**DE: Abonnieren Sie unseren Newsletter und erhalten Sie aktuelle Produktinformationen!**

**ES: Suscríbete hoy a nuestra lista de correo para recibir las últimas noticias!**

**PT: Inscreva-se hoje na nossa mailing list para estar a par das últimas notícias!**

**[WWW.JB-SYSTEMS.EU](http://WWW.JB-SYSTEMS.EU)**

**Copyright © 2021 by BEGLEC NV**

t Hofveld 2C ~ B1702 Groot-Bijgaarden ~ Belgium

Reproduction or publication of the content in any manner, without express permission of the publisher, is prohibited.