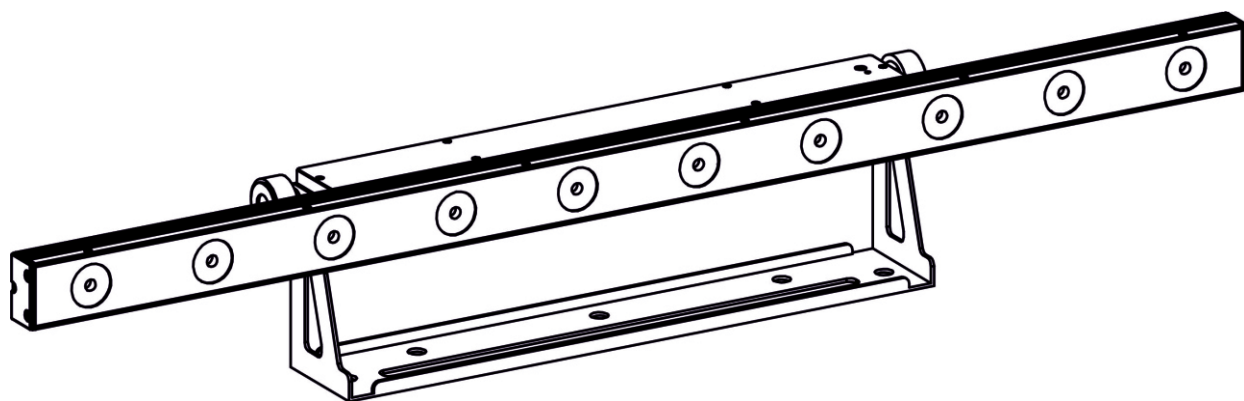


SUNBAR WHITE MK2

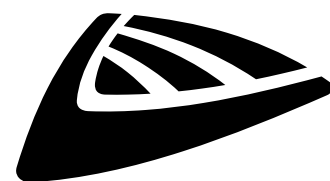


ENGLISH Operation Manual

Other languages can be downloaded from:
WWW.JB-SYSTEMS.EU



Version: 1.0



JB SYSTEMS

OPERATION MANUAL

Thank you for buying this JB SYSTEMS® product. To take full advantage of all possibilities and for your own safety, please read these operating instructions very carefully before you start using this unit.

FEATURES

- Light bar with 10 x 3W warm white LEDs and pixel control.
- An essential effect for stage lighting and many other applications
- DMX control via 1, 3, 5, 10 or 16 channels
- Control each pixel manually or use one of the 17 integrated automatic programs
- Sound activated mode with internal mic.
- Master/slave mode for bigger setups
- Prepared for wireless DMX: just plug-in an optional WTR-DMX DONGLE ! (Briteq® code: 4645)

BEFORE USE

- Before you start using this unit, please check if there's no transportation damage. Should there be any, do not use the device and consult your dealer first.
- **Important:** This device left our factory in perfect condition and well packaged. It is absolutely necessary for the user to strictly follow the safety instructions and warnings in this user manual. Any damage caused by mishandling is not subject to warranty. The dealer will not accept responsibility for any resulting defects or problems caused by disregarding this user manual.
- Keep this booklet in a safe place for future consultation. If you sell the fixture, be sure to add this user manual.

Check the contents:

Check that the packing contains the following items:

- Operating instructions
- SUNBAR WHITE Mk2
- Mains cable

SAFETY INSTRUCTIONS:



CAUTION
RISK OF ELECTRIC SHOCK
DO NOT OPEN



CAUTION: To reduce the risk of electric shock, do not remove the top cover. No user-serviceable parts inside. Refer servicing to qualified service personnel only.



The lightning flash with arrowhead symbol within the equilateral triangle is intended to alert the user or the presence of un-insulated "dangerous voltage" within the product's enclosure that may be of sufficient magnitude to constitute a risk of electric shock.



The exclamation point within the equilateral triangle is intended to alert the user to the presence of important operation and maintenance (servicing) instructions in the literature accompanying this appliance.



This symbol means: indoor use only



This symbol means: Read instructions



This symbol determines: the minimum distance from lighted objects. The minimum distance between light-output and the illuminated surface must be more than 0.1 meter



The device is not suitable for direct mounting on normally flammable surfaces. (suitable only for mounting on non-combustible surfaces)

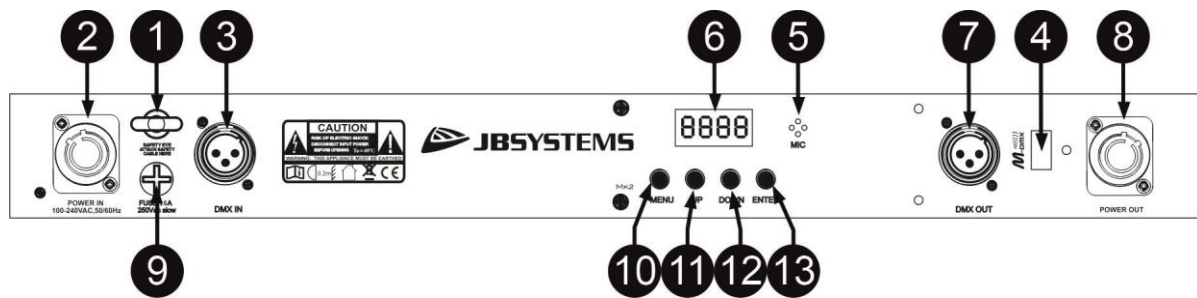
RISK GROUP 2
CAUTION:
Do not stare at operating lamp

CAUTION: Do not stare at operating lamp.
May be harmful to the eyes.

- To protect the environment, please try to recycle the packing material as much as possible.
- To prevent fire or shock hazard, do not expose this appliance to rain or moisture.
- To avoid condensation to be formed inside, allow the unit to adapt to the surrounding temperatures when bringing it into a warm room after transport. Condense sometimes prevents the unit from working at full performance or may even cause damages.
- This unit is for indoor use only.
- Don't place metal objects or spill liquid inside the unit. Electric shock or malfunction may result. If a foreign object enters the unit, immediately disconnect the mains power.
- Locate the fixture in a well ventilated spot, away from any flammable materials and/or liquids. The fixture must be fixed at least 50cm from surrounding walls.
- Don't cover any ventilation openings as this may result in overheating.
- Prevent use in dusty environments and clean the unit regularly.
- Keep the unit away from children.
- Inexperienced persons should not operate this device.
- Maximum safe ambient temperature is 40°C. Don't use this unit at higher ambient temperatures.
- Make sure the area below the installation place is free from unwanted persons during rigging, de-rigging and servicing.
- Allow the device about 10 minutes to cool down before to start servicing.
- Always unplug the unit when it is not used for a longer time or before to start servicing.
- The electrical installation should be carried out by qualified persons only, according to the regulations for electrical and mechanical safety in your country.
- Check that the available voltage is not higher than the one stated on the unit.
- The power cord should always be in perfect condition. Switch the unit immediately off when the power cord is squashed or damaged. It must be replaced by the manufacturer, its service agent or similarly qualified persons in order to avoid a hazard.
- Never let the power-cord come into contact with other cables!
- This fixture must be earthed in order to comply with safety regulations.
- Don't connect the unit to any dimmer pack.
- Always use an appropriate and certified safety cable when installing the unit.
- In order to prevent electric shock, do not open the cover. There are no user serviceable parts inside.
- **Never** repair a fuse or bypass the fuse holder. **Always** replace a damaged fuse with a fuse of the same type and electrical specifications!
- In the event of serious operating problems, stop using the fixture and contact your dealer immediately.
- The housing and the lenses must be replaced if they are visibly damaged.
- Please use the original packing when the device is to be transported.
- Due to safety reasons it is prohibited to make unauthorized modifications to the unit.

Important: Never look directly into the light source! Don't use the effect in the presence of persons suffering from epilepsy.

DESCRIPTION:



1. **SAFETY EYE:** used to attach a safety cable when the unit is rigged, see paragraph “overhead rigging”
2. **MAINS INPUT:** connect the included mains cable here. You can also use any power cord with a PowerCon connector.
3. **DMX INPUT:** 3pin male XLR-connector used to connect the projector with the DMX controller or with the previous unit in the DMX chain.
4. **M-DMX INPUT:** Please note that this USB-connector is NOT used for updates or to connect the unit to a PC! Instead this USB-connector makes it very easy to add wireless DMX to the unit! Just add the (optional) WTR-DMX DONGLE from BRITEQ® and you will get wireless DMX! Moreover you will be able to connect other DMX-controlled equipment to the DMX-output so you can share the wireless DMX function with all connected units! No extra settings to be made in the setup menu, just follow the procedure in the user manual supplied with the WTR-DMX DONGLE from BRITEQ®. The separate WTR-DMX DONGLE is available from WWW.BRITEQ-LIGHTING.COM (order code: 4645)
5. **MICROPHONE:** is used to trigger the sound controlled functions and programs
6. **DISPLAY** shows the various menus and the selected functions.
7. **DMX OUTPUT:** 3pin female XLR-connector used to connect the projector with the next unit in the DMX chain.
8. **MAINS OUTPUT:** you can use this output to power the mains input of the next unit in the DMX chain (for easier linking up to 10A). You can also use a Combi Cable to link power and dmx signal with one cable
9. **FUSE HOLDER:** Important: Always replace the fuse by a model with exactly the same specifications !
10. **MENU button:** used to browse the different functions in the menu
11. **UP button:** to increase the values shown on the display.
12. **DOWN button:** to lower the values shown on the display.
13. **ENTER button:** used to confirm your choice or to enter the setup mode of a function

OVERHEAD RIGGING

- **Important:** The installation must be carried out by qualified service personal only. Improper installation can result in serious injuries and/or damage to property. Overhead rigging requires extensive experience! Working load limits should be respected, certified installation materials should be used, the installed device should be inspected regularly for safety.
- Make sure the area below the installation place is free from unwanted persons during rigging, de-rigging and servicing.
- The device should be installed out of reach of people and outside areas where persons may walk by or be seated.
- Before rigging make sure that the installation area can hold a minimum point load of 10times the device’s weight.
- Always use a certified safety cable that can hold 12times the weight of the device when installing the unit. This secondary safety attachment should be installed in a way that no part of the installation can drop more than 20cm if the main attachment fails.
- The device should be well fixed; a free-swinging mounting is dangerous and may not be considered!
- Don’t cover any ventilation openings as this may result in overheating.
- The operator has to make sure that the safety-relating and machine-technical installations are approved by an expert before using them for the first time. The installations should be inspected every year by a skilled person to be sure that safety is still optimal.

HOW TO SET UP AND CONTROL THE UNIT

You can operate the unit in several ways:

1) FIXED MANUAL STANDALONE MODE:

- Press the [MENU] button until the display shows [MAⁿ].
- Press the [ENTER] button to enter the setup. The display shows [MAⁿu].
- Press the [ENTER] button to enter the setup.
- Use the [UP] and [DOWN] buttons to set the intensity from [000] = off, to [255] = Full on
- Press the [ENTER] button. [S***] (S followed by numbers) appears on the display
- Use the [UP] and [DOWN] buttons to set the strobe speed from [S000] = no strobe, to [S255] = Full speed strobe or set it to [S100] = Sound controlled strobe
- Press the [ENTER] button to confirm.

2) FULL AUTOMATIC STANDALONE MODE:

The effect automatically runs a preprogrammed sequence. Select this mode when only 1 unit is used (standalone) or when the unit is placed as the first (master) unit in a chain with several units in Master/Slave mode (see below).

Automatic show mode: this is how to select one of the preprogrammed shows

- Press the [MENU] button until the display shows [Aut].
- Press the [ENTER] button to enter the setup.
- Use the [UP] and [DOWN] buttons to select one of the 17 automatic shows (AP01-AP17) or the random show [AM01]
- Press the [ENTER] button to confirm.
- Use the [UP] and [DOWN] buttons to select the speed of the program (S.01 to S.99)
- Press the [ENTER] button to confirm.

3) SOUND CONTROLLED STANDALONE MODE:

The unit Sunbar runs a preprogrammed sequence to the rhythm of the music. Select this mode when only 1 unit is used (standalone) or when the Sunbar is placed as the first (master) unit in a chain with several units.

- Press the [MENU] button until the display shows [Sou].
- Press the [ENTER] button to confirm your choice.
- Use the [UP] and [DOWN] buttons to select one of the 17 sound controlled shows (SP01-SP17) or the random show [SM01]
- Press the [ENTER] button to confirm.

4) MASTER/SLAVE STANDALONE MODE:

When you have several SUNBAR WHITE units and you want them to all work synchronously, you can work in the so called master/slave mode. To do this, just daisy-chain all the units (see drawing below)

Put the first unit in MASTER mode:

- Press the [MENU] button until the display shows [SyS].
- Press the [ENTER] button to enter this mode.
- Use the [UP] and [DOWN] buttons to select [M-En]
- will appear on the display
- Press the [ENTER] button.
- Use the [UP] and [DOWN] buttons to select [on] that will activate the master mode.
- Press the [ENTER] button to confirm.

Now you can make the settings of the desired manual, automatic or sound controlled program in this MASTER unit.

Now put all the other units in slave mode. Once this is done, the "slave" units will follow the orders of the Master unit, so they work in perfect synchronicity.

To set a unit in slave mode:

- Press the [MENU] button until the display shows [SLA].
- Press the [ENTER] button to enter this mode.
- [SLAV] will appear on the display
- Press the [ENTER] button to confirm the slave mode.



5) CONTROLLED VIA DMX:

The unit can be controlled by any standard DMX-controller in 5 different DMX-modes: 1, 3, 5, 10 and 16 channels

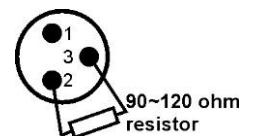
- Connect the DMX input of the Sunbar to the DMX output of the previous unit in the chain or directly to the DMX-output of your controller.
- Press the [MENU] button until the display shows: "DMX".
- Press the [ENTER] button to enter this option
- The actual DMX address is shown on the display.
- Press the [ENTER] button again
- The channel mode is shown on the display
- Use the [UP/DOWN] buttons to select the desired DMX-mode. (1Ch, 3Ch, 5Ch, 10Ch or 16Ch). See the DMX charts below
- Press the [ENTER] button to confirm your choice.
- Now you can use the [UP/DOWN] buttons to set the DMX address. [dxxx]
- Press the [ENTER] button to confirm your choice.



Some more information on DMX512:

The DMX-protocol is a widely used high speed signal to control intelligent light equipment. You need to "daisy chain" your DMX controller and all the connected light effects with a good quality XLR M/F balanced cable. To prevent strange behavior of the light effects, due to interferences, you must use a 90Ω to 120Ω terminator at the end of the chain. Never use Y-splitter cables, this simply won't work!

Each effect in the chain needs to have its proper starting address so it knows which commands from the controller it has to decode.



DMX Chart for the 1 channel DMX-Mode

Channel	Value	Function
CH 1	000-009	Black-Out
	010-022	Slow to fast Pattern 1
	023-035	Slow to fast Pattern 2
	036-048	Slow to fast Pattern 3
	049-061	Slow to fast Pattern 4
	062-074	Slow to fast Pattern 5
	075-087	Slow to fast Pattern 6
	088-100	Slow to fast Pattern 7
	101-113	Slow to fast Pattern 8
	114-126	Slow to fast Pattern 9
	127-139	Slow to fast Pattern 10
	140-152	Slow to fast Pattern 11
	153-165	Slow to fast Pattern 12
	166-178	Slow to fast Pattern 13
	179-191	Slow to fast Pattern 14
	192-204	Slow to fast Pattern 15
	205-217	Slow to fast Pattern 16
	218-230	Slow to fast Pattern 17
231-255	Slow to fast Random Pattern	

DMX Chart for the 3 channel DMX-Mode

Channel	Value	Function
CH 1	000-009	Black-Out
	010-022	Pattern 1
	023-035	Pattern 2
	036-048	Pattern 3
	049-061	Pattern 4
	062-074	Pattern 5
	075-087	Pattern 6
	088-100	Pattern 7
	101-113	Pattern 8
	114-126	Pattern 9
	127-139	Pattern 10
	140-152	Pattern 11
	153-165	Pattern 12
	166-178	Pattern 13
	179-191	Pattern 14
	192-204	Pattern 15
	205-217	Pattern 16
	218-230	Pattern 17
231-255	Random Pattern	
CH 2	000-009	Hold (freeze)
	010-249	Chase speed (slow to fast)
	250-255	Sound-controlled mode
CH 3	000-009	NO Strobe
	010-247	Strobe Speed
	248-255	Sound controlled Strobe

DMX Chart for the 5 channel DMX-Mode

Channel	Value	Function	
CH 1	000-255	Dimmer	General Dimmer
CH 2	000-009	NO strobe	Manual Strobe
	010-058	On-Off effect	
	059-107	Strobe	
	108-156	Pixel On-Off effect	
	157-205	Pixel Strobe effect	
	206-255	Random Pixel On-Off effect	
CH 3	000-009	Black-Out	Pattern Selection
	010-022	Pattern 1	
	023-035	Pattern 2	
	036-048	Pattern 3	
	049-061	Pattern 4	
	062-074	Pattern 5	
	075-087	Pattern 6	
	088-100	Pattern 7	
	101-113	Pattern 8	
	114-126	Pattern 9	
	127-139	Pattern 10	
	140-152	Pattern 11	
	153-165	Pattern 12	
	166-178	Pattern 13	
	179-191	Pattern 14	
	192-204	Pattern 15	
	205-217	Pattern 16	
218-230	Pattern 17		
231-255	Random Pattern		
CH 4	000-009	Hold (freeze)	Pattern Speed
	010-249	Chase speed (slow to fast)	
	250-255	Sound-controlled mode	
CH 5	000-009	NO Strobe	Pattern Strobe
	010-247	Strobe Speed	
	128-255	Sound controlled Strobe	

DMX Chart for the 10 channel DMX-Mode

Channel	Value	Function
CH 1	000-255	Dimmer LED 1
CH 2	000-255	Dimmer LED 2
CH 3	000-255	Dimmer LED 3
CH 4	000-255	Dimmer LED 4
CH 5	000-255	Dimmer LED 5
CH 6	000-255	Dimmer LED 6
CH 7	000-255	Dimmer LED 7
CH 8	000-255	Dimmer LED 8
CH 9	000-255	Dimmer LED 9
CH 10	000-255	Dimmer LED 10

DMX Chart for the 16 channel DMX-Mode

Channel	Value	Function	
CH 1	000-255	Dimmer LED 1	Pixel Dimmer
CH 2	000-255	Dimmer LED 2	
CH 3	000-255	Dimmer LED 3	
CH 4	000-255	Dimmer LED 4	
CH 5	000-255	Dimmer LED 5	
CH 6	000-255	Dimmer LED 6	
CH 7	000-255	Dimmer LED 7	
CH 8	000-255	Dimmer LED 8	
CH 9	000-255	Dimmer LED 9	
CH 10	000-255	Dimmer LED 10	
CH 11	000-255	Dimmer	General Dimmer
CH 12	000-009	NO strobe	Manual Strobe
	010-058	On-Off effect	
	059-107	Strobe	
	108-156	Pixel On-Off effect	
	157-205	Pixel Strobe effect	
	206-255	Random Pixel On-Off effect	
CH 13	000-009	Black-Out	Pattern Selection
	010-022	Pattern 1	
	023-035	Pattern 2	
	036-048	Pattern 3	
	049-061	Pattern 4	
	062-074	Pattern 5	
	075-087	Pattern 6	
	088-100	Pattern 7	
	101-113	Pattern 8	
	114-126	Pattern 9	
	127-139	Pattern 10	
	140-152	Pattern 11	
	153-165	Pattern 12	
	166-178	Pattern 13	
	179-191	Pattern 14	
	192-204	Pattern 15	
	205-217	Pattern 16	
218-230	Pattern 17		
231-255	Random Pattern		
CH 14	000-009	Hold (freeze)	Pattern Speed
	010-249	Chase speed (slow to fast)	
	250-255	Sound-controlled mode	
CH 15	000-051	Dimmer speed from display	Dimmer Speed mode
	052-101	Dimmer speed mode OFF	
	102-152	Slow Dimmer speed (DIM1)	
	153-203	Medium Dimmer speed (DIM2)	
	204-255	Fast Dimmer speed (DIM3)	
CH 16	000-009	NO Strobe	Pattern Strobe
	010-247	Strobe Speed	
	128-255	Sound controlled Strobe	

Extra functions in the menu:**DIMMER MODE [diM]**

This option can be used to choose the dimming speed.

- Press the [MENU] button until the display shows [diM].
- Now you can use the [UP/DOWN] buttons to set the desired Dimming speed:
 - [oFF] : the dimmer will have not delay and will react immediately
 - [diM1] : the dimmer will have a slow delay (halogen lamp simulation)
 - [diM2] : the dimmer will have a medium delay
 - [diM3] : the dimmer will have a fast delay
- Press the [ENTER] button to confirm your choice.

FACTORY RESET [rSet] and MASTER MODE [M-En]

- Press the [MENU] button until the display shows [SYS].
- Press the [ENTER] button if you want to enter this part of the menu with extra options.
- Use the [UP/DOWN] buttons to browse the extra functions in this System menu
 - **[rSet] = Factory Reset.** This function can be used to reset all the settings of the unit to the original factory settings
 - Just press the [ENTER] button to reset the unit.
 - **[M-En] = Master Mode**

With this option you can determine if the unit should let thru the regular DMX information coming from a controller or another unit, or if it should act as a master and send out signals for the slaves.

 - Press the [ENTER] button to enter the option settings
 - Use the [UP / DOWN] button to select the desired mode:
 - ON = MASTER Mode activated. The unit will not send out the normal DMX signals anymore but will send out its own signals to control the SLAVE units. This function should only be used in the Master unit of a Master/Slave setup.
 - oFF = MASTER Mode deactivated. The unit will not interrupt the normal DMX signals (coming from the controller or other units) anymore. This is the setting to use the unit in a normal DMX setup.

TROUBLESHOOTING:

If units would react in a strange way when they are connected together, please check if the Master Mode of the units is set in the correct mode (see information just above this line)

MAINTENANCE

- Make sure the area below the installation place is free from unwanted persons during servicing.
- Switch off the unit, unplug the mains cable and wait until the unit has been cooled down.

During inspection the following points should be checked:

- All screws used for installing the device and any of its parts should be tightly fastened and may not be corroded.
- Housings, fixations and installations spots (ceiling, truss, suspensions) should be totally free from any deformation.
- When an optical lens is visibly damaged due to cracks or deep scratches, it must be replaced.
- The mains cables must be in impeccable condition and should be replaced immediately when even a small problem is detected.
- In order to protect the device from overheat the cooling fans (if any) and ventilation openings should be cleaned monthly.
- The interior of the device should be cleaned annually using a vacuum cleaner or air-jet.
- The cleaning of internal and external optical lenses and/or mirrors must be carried out periodically to optimize light output. Cleaning frequency depends on the environment in which the fixture operates: damp, smoky or particularly dirty surroundings can cause greater accumulation of dirt on the unit's optics.
 - Clean with a soft cloth using normal glass cleaning products.
 - Always dry the parts carefully.

Attention: We strongly recommend internal cleaning to be carried out by qualified personnel!

SPECIFICATIONS

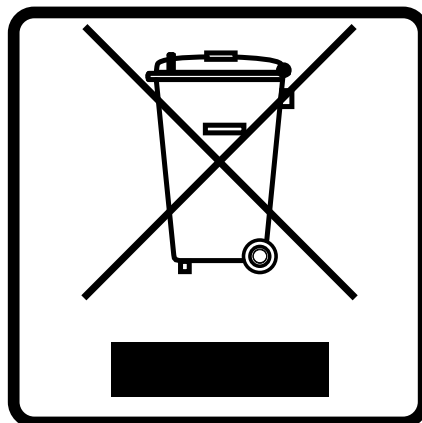
This device carries the prescribed CE marking. It was tested for this purpose in a specialized CE lab and fully complies with all currently valid European and national standards.

The corresponding CE conformity declarations can be found on the product page of this product on our website.

Mains Input:	100-230Vac, 50/60Hz
Power consumption:	31 Watt Max. (230V)
Fuse:	250V 1A slow blow (20mm glass)
Sound Control:	Internal microphone
DMX connections:	XLR 3pin
DMX modes:	1-3-5-10-16 channels
LEDs:	10x 3W Warm White
Beam angle:	7°
Dimensions:	1000 x 170 x 50mm
Weight:	3,4 kg

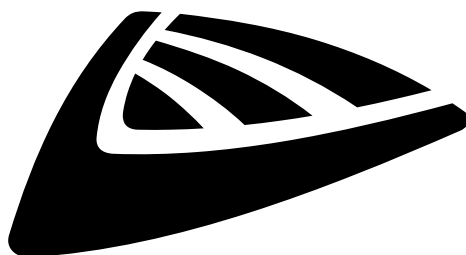
All the information is subject to change without prior notice

You can download the latest version of this user manual on our website: www.jb-systems.eu



DISPOSAL OF THE DEVICE

Dispose of the unit and used batteries in an environment friendly manner according to your country regulations.



JBSYSTEMS

MAILING LIST

EN: Subscribe today to our mailing list for the latest product news!

FR: Inscrivez-vous à notre liste de distribution si vous souhaitez suivre l'actualité de nos produits!

NL: Abonneer je vandaag nog op onze mailinglijst en ontvang ons laatste product nieuws!

DE: Abonnieren Sie unseren Newsletter und erhalten Sie aktuelle Produktinformationen!

ES: Suscríbete hoy a nuestra lista de correo para recibir las últimas noticias!

PT: Inscreva-se hoje na nossa mailing list para estar a par das últimas notícias!

WWW.JB-SYSTEMS.EU

Copyright © 2024 by BEGLEC NV

't Hofveld 2C ~ B1702 Groot-Bijgaarden ~ Belgium

Reproduction or publication of the content in any manner, without express permission of the publisher, is prohibited.