



Blackmagicdesign

Installation and Operation Manual

# Blackmagic URSA Mini and URSA Mini Pro

Includes Blackmagic URSA Viewfinder, URSA Studio Viewfinder, URSA Mini Shoulder Kit, URSA Mini Lens Mounts, Blackmagic Camera Fiber Converter, Studio Fiber Converter and URSA Mini Recorder.

September 2020

English, 日本語, Français, Deutsch, Español, 中文,  
한국어, Русский, Italiano, Português and Türkçe.

# Languages

To go directly to your preferred language, simply click on the hyperlinks listed in the contents below.

<a href="#">English</a>	<a href="#">3</a>
<a href="#">日本語</a>	<a href="#">293</a>
<a href="#">Français</a>	<a href="#">584</a>
<a href="#">Deutsch</a>	<a href="#">875</a>
<a href="#">Español</a>	<a href="#">1166</a>
<a href="#">中文</a>	<a href="#">1457</a>
<a href="#">한국어</a>	<a href="#">1748</a>
<a href="#">Русский</a>	<a href="#">2039</a>
<a href="#">Italiano</a>	<a href="#">2330</a>
<a href="#">Português</a>	<a href="#">2621</a>
<a href="#">Türkçe</a>	<a href="#">2912</a>





## Welcome

Thank you for purchasing Blackmagic URSA Mini!

Since we released our first digital film camera a few years ago we have been privileged to have received some of the best guidance and feedback we have ever had for a new product! We all grew up admiring the work of the world's leading cinematographers and DOPs and it's been an honor to spend hours in conversations with these legendary experts on the features we need to add to our cameras. Of course, everyone we speak to has good ideas also!

With URSA Mini, we've packaged our incredible wide dynamic range sensors into a super small, light and sturdy metal chassis.

URSA Mini's beautiful user interface is designed for single operators who need quick, easy access to all of their camera's functions, while comprehensive ATEM switcher integration makes the amazing image quality of this Super 35mm digital film camera available to live production studios. You can even use Blackmagic Fiber Converters, so you can use a single SMPTE fiber cable to connect an URSA Mini to your live production switcher!

Best of all, URSA Mini is available with a 4K sensor, 4.6K sensor with even greater dynamic range or the revolutionary 12K sensor! We also listened to single operators when we developed our Blackmagic URSA Viewfinder which is perfect when you need extra precision and for shooting on the shoulder.

URSA Mini Pro offers even better image quality with additional features including ergonomic controls, interchangeable lens mounts and internal ND filters. If you are familiar with ENG cameras, we believe you will find these ergonomic controls and the built in ND filters extremely powerful. We're also proud to introduce our Blackmagic RAW codec, offering the flexibility of RAW processing all in a single file, providing massive performance increases with reduced file sizes, even when handling powerful images from Blackmagic URSA Mini Pro 12K!

We hope you use your URSA Mini or URSA Mini Pro to produce some of the world's most exciting films and television programming, music videos and commercials! We are extremely excited to see what creative work you produce and to get your feedback on new features you would like to see us add to URSA!

A handwritten signature of Grant Petty in black ink. The signature is written in a cursive, flowing style.

**Grant Petty**

CEO Blackmagic Design

# Contents

<b>Which camera are you using?</b>	6	<b>Touchscreen Controls</b>	73
URSA Mini Pro	7	<b>Settings</b>	95
URSA Mini	8	Dashboard	95
<b>Getting Started</b>	8	Record Settings	96
Attaching a Lens	8	File Naming Convention	102
Powering your Camera	12	Monitor Settings	103
<b>Storage Media</b>	15	Audio Settings	112
CFast Cards	15	Audio Settings – URSA Mini	112
SD Cards	19	Audio Settings – URSA Mini Pro	114
USB-C flash disks	24	Setup Settings	116
SSDs	26	Presets	130
Preparing Media for Recording	28	LUTS	132
Preparing Media on		<b>Entering Metadata</b>	136
Blackmagic URSA Mini	28	<b>Using Servo Zoom Lenses</b>	142
Preparing Media on		<b>Camera Video Output</b>	145
Blackmagic URSA Mini Pro	30	HD Monitoring Output	145
Preparing Media on Mac	31	12G-SDI Output	145
Preparing Media on Windows	32	<b>URSA Mini Shoulder Mount Kit</b>	147
<b>Recording</b>	33	<b>Blackmagic URSA Viewfinder</b>	151
Recording Clips	33	Mounting and Connecting	
Choosing the Codec,		to Blackmagic URSA	151
Resolution and Sensor Area	33	Adjusting the Eyepiece	152
Blackmagic RAW	35	Button Features	152
Recording to Blackmagic RAW	36	Menu Settings	153
Choosing Frame Rates	39	<b>Blackmagic URSA Studio Viewfinder</b>	158
Trigger Record	42	Mounting and Connecting	
Record Duration Tables	43	to Blackmagic URSA Mini	159
Data Rate Tables for URSA Mini Pro 12K	46	Adjusting the Blackmagic URSA	
<b>Playback</b>	49	Studio Viewfinder	161
<b>Introduction to URSA Mini</b>	51	Button Features	164
Camera Front	51	Menu Settings	166
Left Side – URSA Mini	52	<b>Mounting Batteries</b>	171
Left Side – URSA Mini Pro	52	Mounting V-mount or	
Right Side	54	Gold Mount Batteries	171
Rear Panel	55	Using your own Battery Plate	172
Top Panel	57	<b>Blackmagic Fiber Converters</b>	174
Underside	57	<b>Getting Started with</b>	
<b>URSA Mini Controls</b>	58	<b>Blackmagic Fiber Converters</b>	175
<b>URSA Mini Pro Control Buttons</b>	61	About SMPTE Fiber	175
Forward Control Panel	61	Connecting SMPTE Fiber	177
Ergonomic Control Panel	65	Connecting to an ATEM Switcher	180
Internal Control Panel	70	Why Connections on the Front?	181
		Plugging in Camera SDI	182



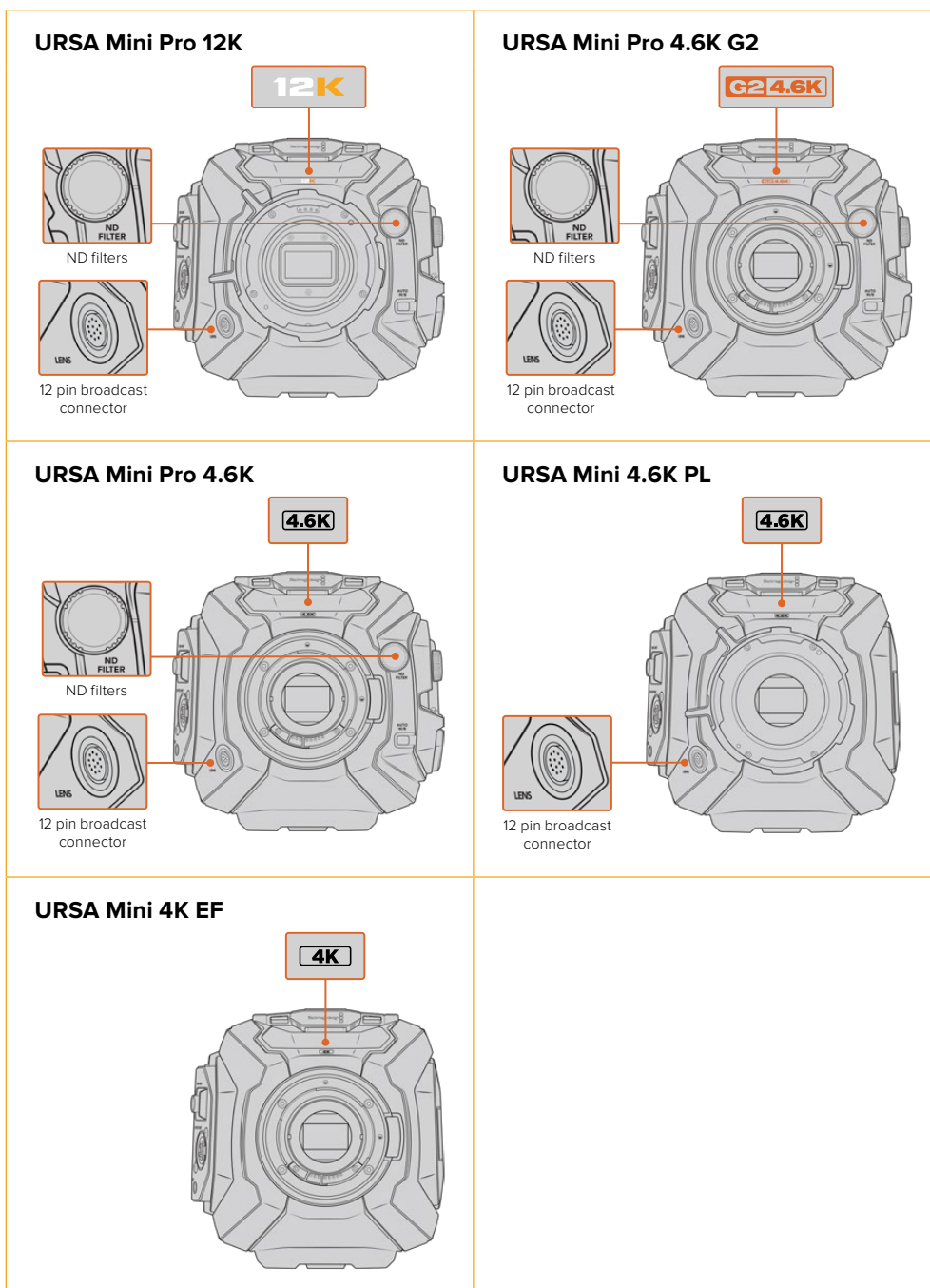
Plugging in Return SDI Outputs	182	Editing with the Cut Page	222
Mounting Blackmagic Camera Fiber Converter	182	Adding Clips to the Timeline	225
Attaching the URSA Studio Viewfinder	185	Editing Clips on the Timeline	226
Plugging in a Talkback Headset	185	Adding Titles	226
<b>Operating the Camera Fiber Converter</b>	186	Working with Blackmagic RAW Files	227
Selecting a Return Feed	186	Color Correcting your Clips with the Color Page	230
Using the Call Button	187	Adding a Power Window	234
Using Talkback	187	Using Plugins	235
Using Tally	188	Mixing Your Audio	236
Status Indicators	188	Adding VFX and Compositing on the Fusion Page	241
Audio Inputs	189	Mastering Your Edit	249
IP Video	190	Quick Export	249
Power Specifications	190	The Deliver Page	250
Additional Camera Controls	191	<b>Understanding Studio Camera Control</b>	251
<b>Operating the Studio Fiber Converter</b>	192	Using Camera Control	252
Using the Menu	193	DaVinci Resolve Primary Color Corrector	258
Rack Mounting the Studio Unit	196	<b>Blackmagic Camera Setup Utility</b>	261
<b>Camera Unit Connections</b>	200	<b>Working with Third Party Software</b>	263
Camera Power Connection	200	Working with Files from CFast 2.0 and SD cards	263
PTZ Interface	200	Working with Files from SSDs	264
Talkback Connection	201	Using Final Cut Pro X	264
Tracker Interface	202	Using Avid Media Composer 2018	265
DC Connection	202	Using Adobe Premiere Pro CC	266
D-Tap Output	203	<b>Developer Information</b>	267
Reference Output and Operation	203	Blackmagic Bluetooth Camera Control	267
<b>Studio Unit Connections</b>	204	Blackmagic SDI and Bluetooth Camera Control Protocol	269
12G-SDI Output	204	Example Protocol Packets	276
Return SDI Inputs	204	Blackmagic Tally Control Protocol	276
Reference Input and Output	205	<b>Blackmagic URSA Mini B4 Mount</b>	279
Talkback Interface	205	<b>Shimming Lens Mounts</b>	281
PTZ Interface	207	Shimming URSA Mini PL	281
Audio Outputs	207	Shimming URSA Mini Pro	283
<b>Updating Internal Software</b>	208	<b>URSA Mini Recorder</b>	284
Updating Blackmagic Camera Fiber Converter	208	Mounting and connecting URSA Mini Recorder	285
Updating Blackmagic Studio Fiber Converter	208	Using URSA Mini Recorder	287
<b>Interchangeable Lens Mount</b>	209	Updating URSA Mini Recorder's internal software	288
Blackmagic URSA Mini Pro PL Mount	211	<b>Help</b>	289
Blackmagic URSA Mini Pro F Mount	213	<b>Regulatory Notices</b>	290
Blackmagic URSA Mini Pro EF Mount	216	<b>Safety Information</b>	291
Blackmagic URSA Mini Pro B4 Mount	218	<b>Warranty</b>	292
Blackmagic URSA Mini Pro Shim Kit	220		
<b>Using DaVinci Resolve</b>	221		
Project Manager	221		

# Which camera are you using?

You'll notice while reading this manual that occasionally a feature will be specific to a particular Blackmagic URSA Mini camera. All URSA Mini cameras produce incredible, wide dynamic range images and share the same basic chassis. There are some differences between different models, though.

## The available models are

- URSA Mini Pro 12K
- URSA Mini Pro 4.6K G2
- URSA Mini Pro 4.6K
- URSA Mini 4.6K
- URSA Mini 4K

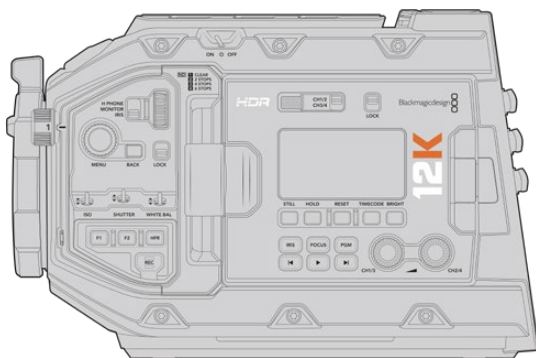




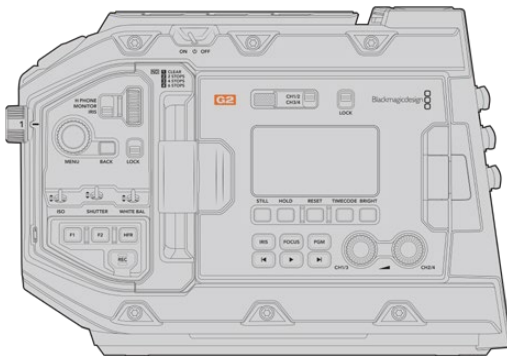
## URSA Mini Pro

URSA Mini Pro 12K comes with a PL mount, and URSA Mini Pro 4.6K G2 and URSA Mini Pro 4.6K come with an EF mount. You can change the lens mount on all URSA Mini Pro cameras to accept other lens types. For more information on the interchangeable lens mount, see the 'interchangeable lens mount' section.

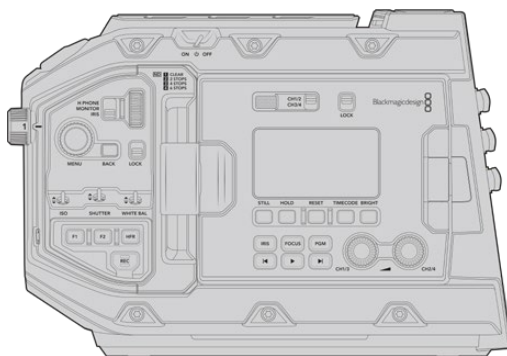
URSA Mini Pro is easy to recognize by the additional control buttons and LCD status screen on the left side of the chassis, as well as the ND filters near the lens mount. URSA Mini Pro 4.6K G2 also features an orange 'G2 4.6K' icon on the front above the lens mount and an orange 'G2' icon on the left side of the external control panel. Naturally, the additional control buttons will mean that you have different options for controlling your camera and changing settings. On the side of URSA Mini Pro 12K's external control panel is a '12K' icon and 'HDR' icon. The rear panel of URSA Mini Pro 12K has the headphone socket on the top right corner above the SDI ports, and a USB-C port is located in the bottom right corner below the 12V power connector.



URSA Mini Pro 12K, left side



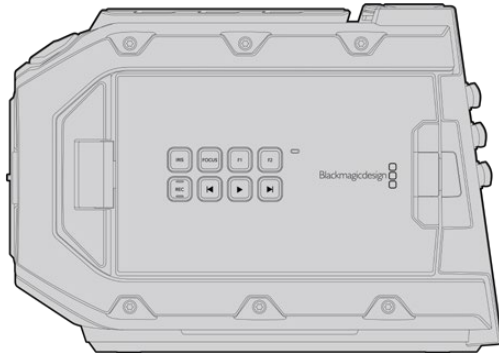
URSA Mini Pro 4.6K G2, left side



URSA Mini Pro 4.6K, left side

## URSA Mini

Aside from the sensors used, URSA Mini 4K and 4.6K models are nearly identical. The control buttons and software menus are laid out the same way, and operating the cameras is essentially the same. You'll simply find a few more resolution options on cameras using the 4.6K sensor, together with a greater range of ISO settings. An easy way to tell which sensor your camera has is to look for a '4K' or '4.6K' icon above the lens mount.



URSA Mini, left side

It's also worth noting that URSA Mini cameras are available with EF and PL lens mounts. An easy way to tell the difference between these is the presence of a 12 pin broadcast lens connector near the lens mount on PL models, and of course, the mounts themselves if you are familiar with EF and PL mounting systems. See the 'getting started' section for more information on these mounts.

Now that you know how to identify the different URSA Mini models, you can get started using your camera!

## Getting Started

Getting started with your Blackmagic URSA Mini is as simple as mounting a lens, and powering your camera.

### Attaching a Lens

Attaching a lens to your camera is the same process for all URSA Mini cameras, however the EF, PL, B4 and F mounts have slightly different ways of operating. In all cases, the first step is to remove the protective dust cap.

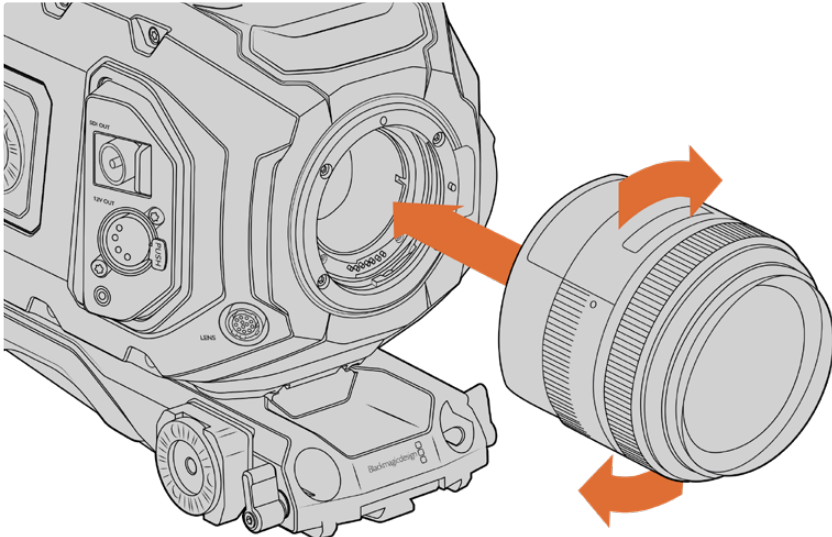
To remove the protective dust cap from the EF lens mount, hold down the locking button and rotate the cap counterclockwise until it is released. For the PL and B4 mount lenses, rotate the locking ring counterclockwise and pull the protective dust cap away from the mount. For the F mount, hold down the locking button and rotate the cap clockwise until it is released.

**NOTE** Blackmagic URSA Mini Pro features an interchangeable lens mount capable of accepting EF, PL, B4 and F mount lenses, as well as additional lens mounts with accessories. For more information on switching between mount types on URSA Mini Pro, refer to the 'interchangeable lens mount' section in this manual.



**TIP** URSA Mini Pro 12K comes equipped with a PL mount. Other URSA Mini Pro cameras come out of the box configured to accept EF lenses. To get shooting right away, simply attach a lens as detailed below.

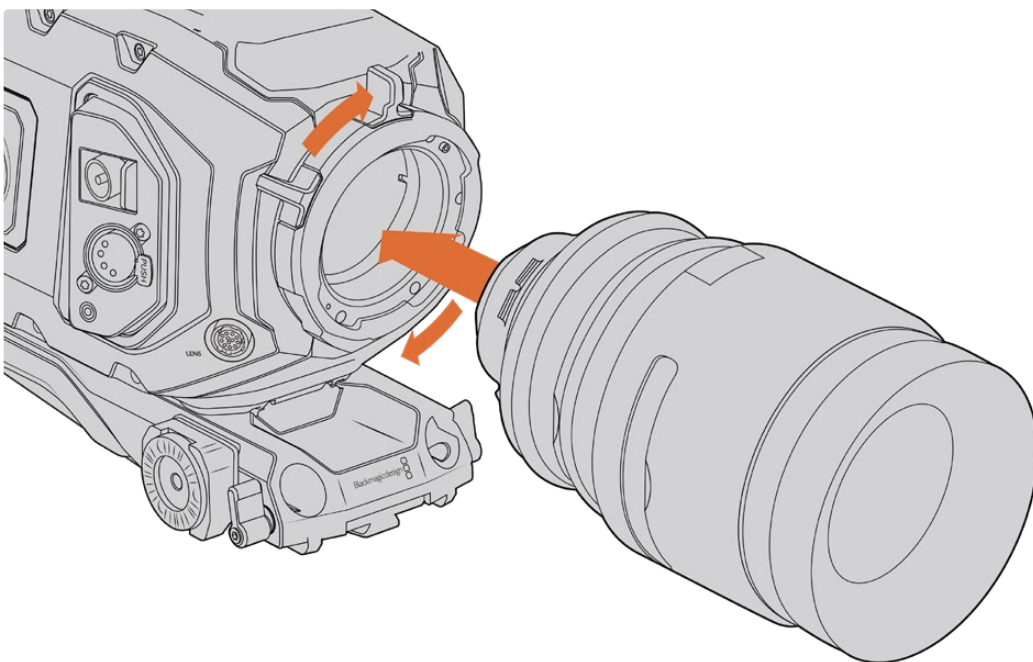
#### To attach an EF mount lens:



Attaching and removing an EF mount lens on Blackmagic URSA Mini EF

- 1 Align the dot on your lens with the dot on the camera mount. Many lenses have a visual indicator, for example a blue, red or white dot.
- 2 Insert the lens into the mount and twist clockwise until it locks into place.
- 3 To remove the lens, hold down the locking button, rotate the lens counterclockwise until its dot or indicator reaches the 12 o'clock position, and gently remove.

#### To attach a PL mount lens:

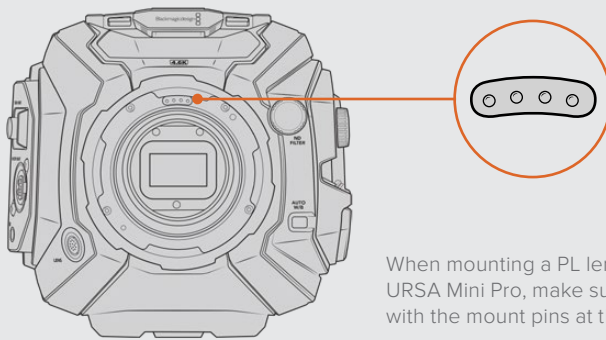


Attaching and removing a PL lens on Blackmagic URSA Mini PL and URSA Mini Pro 12K

- 1 Open your camera's PL locking ring by rotating it counterclockwise until it stops.
- 2 Align one of the lens' four flange notches with the locating pin on the camera mount. Be sure to align the lens for easy viewing of the lens marks.
- 3 Tighten the PL locking ring by rotating it clockwise. If attaching a PL lens with a servo unit to URSA Mini PL or URSA Mini Pro, you can also connect the 12 pin broadcast connector for servo control.
- 4 To remove the lens, rotate the locking ring counterclockwise until it stops, then gently remove the lens by pulling it directly out from the camera body. There is no need to rotate the lens.

### URSA Mini Pro PL Mount

URSA Mini Pro's PL mount features four pins at the 12 o'clock position that are used to communicate with lenses featuring Cooke's /i Technology interface. The lenses that support this interface include lenses from Canon, Cooke, Fujinon, Leica and Zeiss. This lets you record lens information in your clips' metadata such as the lens model, focal length, aperture setting, focus distance and other lens specific information.



When mounting a PL lens with /i Technology to URSA Mini Pro, make sure the lens pins align with the mount pins at the 12 o'clock position

The information that is recorded as metadata via Cooke's /i Technology interface can be very helpful in post production and VFX. Knowing the lenses used in production and their precise settings can be helpful in the event that the setup needs to be replicated at a later date.

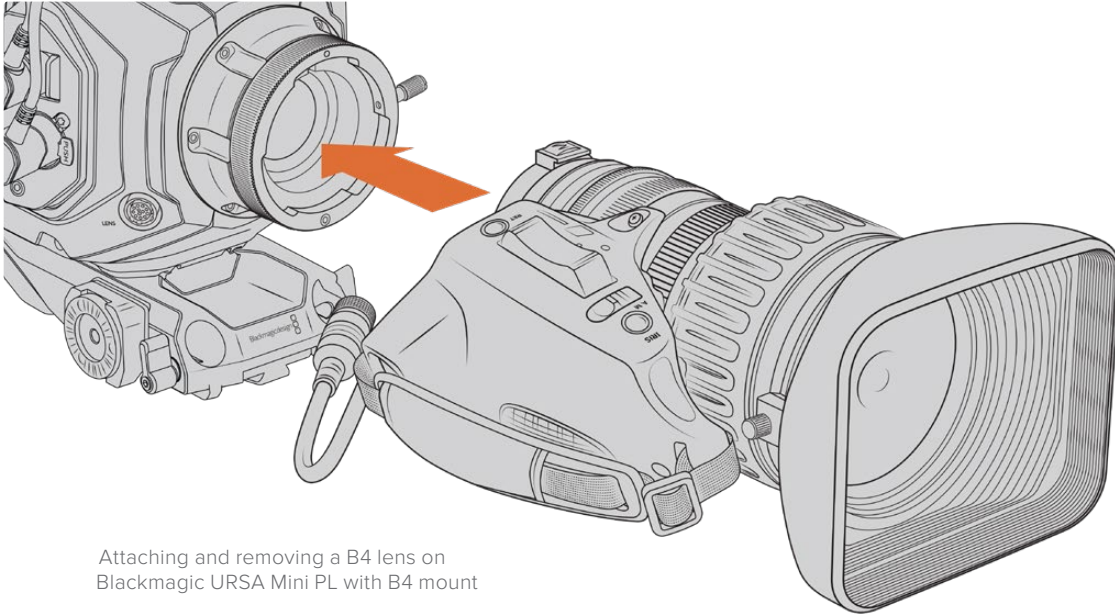
This detailed information can also be utilized by powerful applications such as DaVinci Resolve and Blackmagic Fusion for a wide variety of advanced functions. For example, the recorded metadata can be used to simulate the specific lens in 3D space, or correct lens distortions.

URSA Mini Pro and URSA Mini PL support control of PL 35mm lenses with servo handgrips. When the lens is plugged in to the 12-pin broadcast connector on the camera, URSA Mini will provide power and control signals to your lens in the same way it does with B4 lenses. For more information refer to the 'Using Servo Zoom Lenses' section in this manual.

**NOTE** When no lens is attached to the camera, the glass filter covering the sensor is exposed to dust and other debris. Ensure that you keep the dust cap on whenever possible.



### To attach a B4 mount lens:

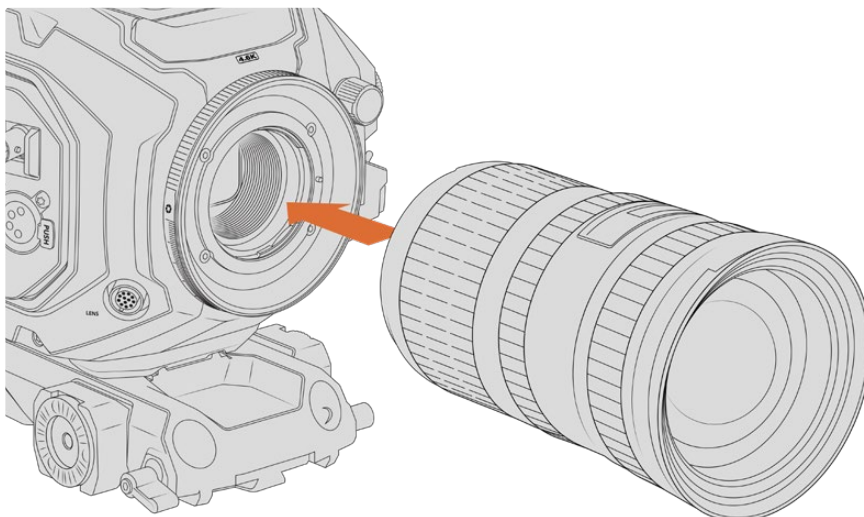


Attaching and removing a B4 lens on Blackmagic URSA Mini PL with B4 mount

- 1** Turn the B4 lens locking ring counterclockwise to reveal the alignment slot inside the top of the mount. Align the B4 lens to your URSA Mini's B4 mount so the alignment pin on the lens mount matches the position of the alignment slot.
- 2** Hold the lens against the B4 mount so the mount plates are against each other. Make sure the alignment pin is secured inside the alignment slot.
- 3** Turn the locking ring clockwise to tighten the lens against the mount and lock it into position.
- 4** To power the lens and provide lens control, simply plug the lens cable into the connector marked 'Lens' on the front of your URSA Mini PL or URSA Mini Pro's turret. Most B4 lenses will have the 12 pin connector and cable built in. This will provide power and control signals from your URSA Mini to the lens.

For information on the types of B4 lenses and how to use them with your camera, refer to the 'Using Servo Zoom Lenses' section in this manual.

### To attach an F mount lens:



Attaching and removing an F mount lens on Blackmagic URSA Mini Pro 4.6K with the optional F mount fitted

- 1 Align the dot on your lens with the dot on the camera mount. Many lenses have a visual indicator, for example a blue, red or white dot.
- 2 Insert the lens into the mount and twist counterclockwise until it locks into place.
- 3 To remove the lens, hold down the locking button, rotate the lens clockwise until its dot or indicator reaches the 2 o'clock position, and gently remove.

**NOTE** Blackmagic URSA Mini Pro F mount features a mechanical iris adjuster. To use older style F mount lenses with built in focus rings with this mount, your lens aperture will need to be set and locked to its smallest setting, such as f/22. For more information on adjusting aperture with Blackmagic URSA Mini Pro F mount's manual iris adjuster, see the section 'Blackmagic URSA Mini Pro F Mount' in this manual.

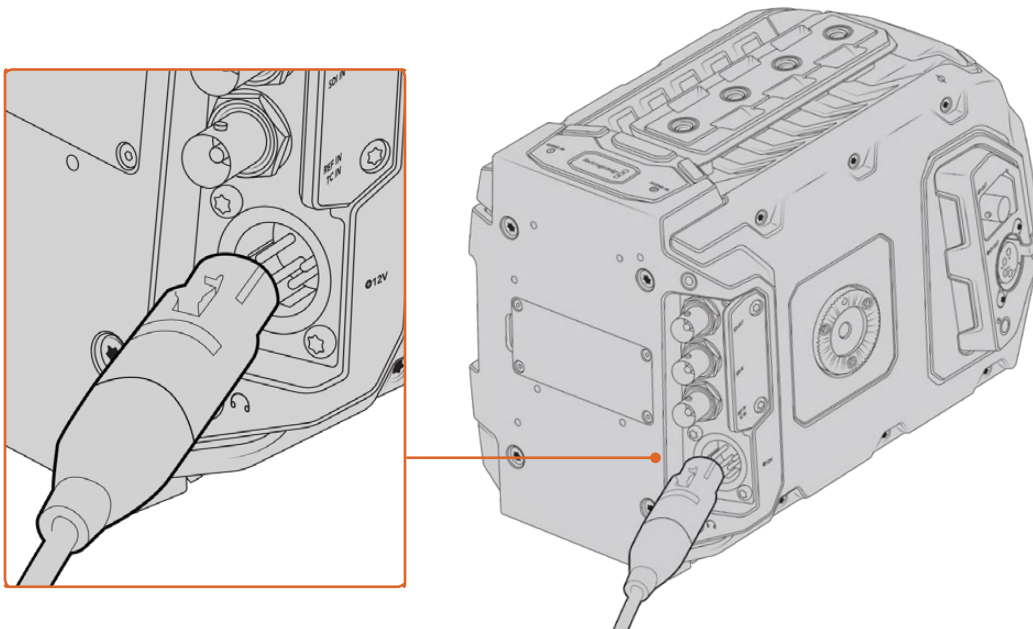
## Powering your Camera

Now that you've attached a lens, you will need to supply power. The quickest way to power your camera is to connect external power using the supplied AC to 12V DC adapter.

### To plug in external power:

- 1 Connect the AC to 12V DC adapter plug to your mains power socket.
- 2 Connect the AC to 12V DC adapter's 4 pin XLR connector to the 12-20V DC power connector on the camera.

If you have both external and battery power connected, only external power will be used. If you remove external power while a charged battery is connected, your camera will switch to battery power without interruption.



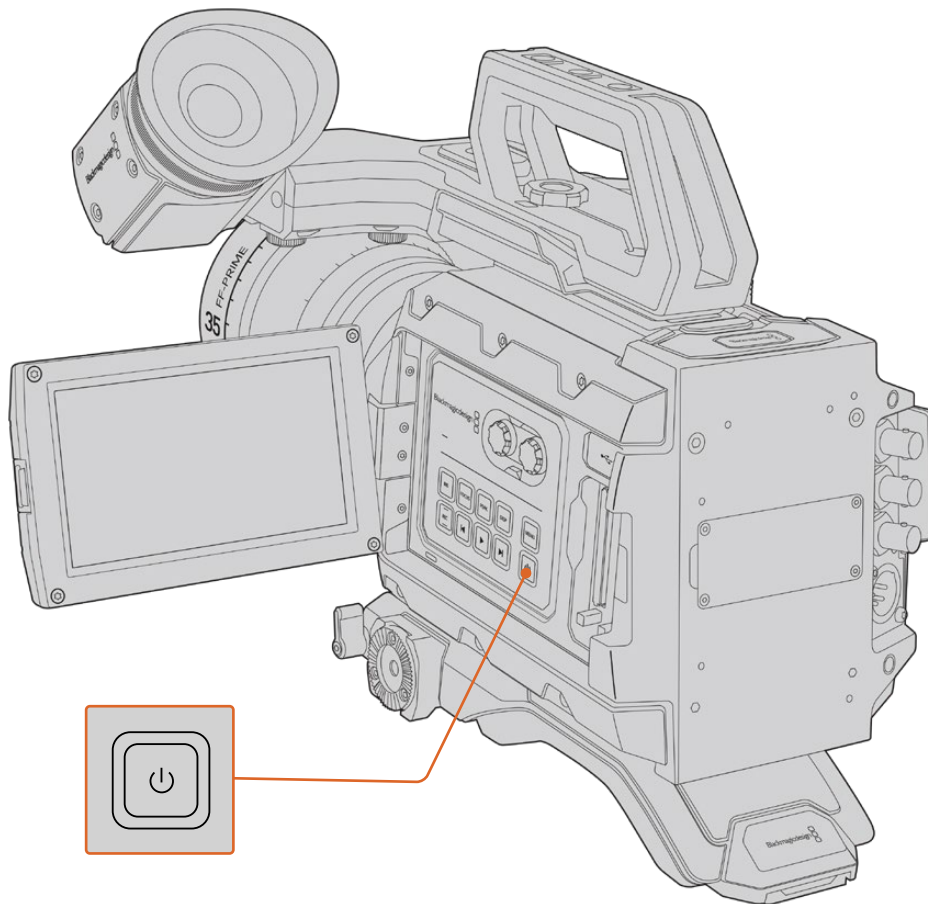
Use the supplied AC to 12V DC adapter to power your Blackmagic URSA Mini

You can use industry standard third party external batteries such as V mount or Gold Mount batteries with your URSA Mini. Refer to the 'mounting batteries' section for more information about mounting the different types of battery plates to support different batteries.

### To turn on URSA Mini:

- 1 Press and release the 'power' button. On Blackmagic URSA Mini, the power button is located on the control panel behind the fold out LCD. Simply open the LCD to access the control panel.
- 2 Press and hold the 'power' button to turn your camera off.

You are now ready to insert CFast 2.0 cards and start recording!

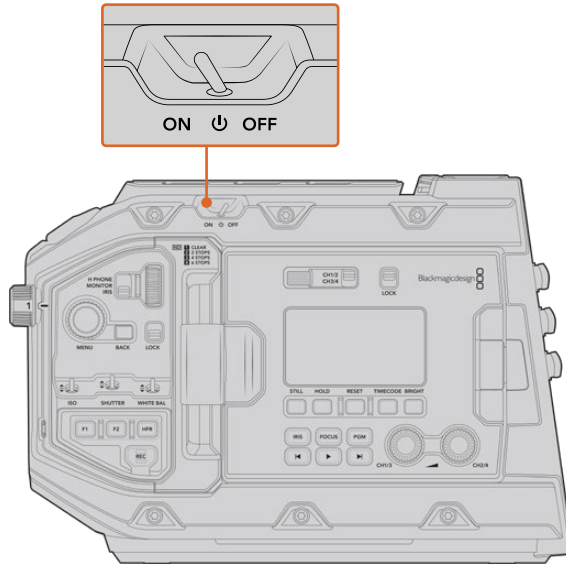


To turn on your URSA Mini, open the fold out LCD touchscreen, then press and release the power button on the control panel. Press and hold to turn off

**TIP** When turning the camera on, make sure you promptly press and release the button. Your camera will take approximately 10 seconds to boot up, but there is no need to press the button again. When turning off, press and hold the button until the camera powers off.

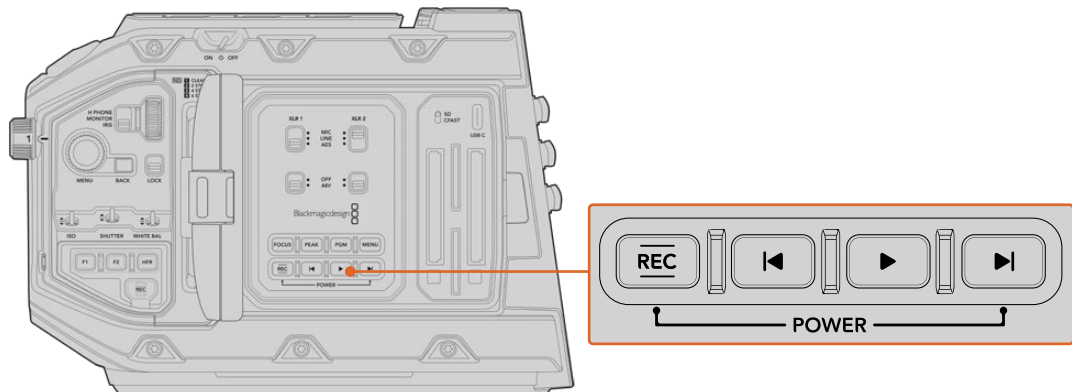
## To turn on URSA Mini Pro:

- 1 On Blackmagic URSA Mini Pro, a power switch is also located above the fold out LCD. Move the switch to the 'on' position to power your camera.
- 2 To turn the camera off, move the switch to the 'off' position.



Move the power switch to 'on' to power your camera

URSA Mini Pro also features a redundant power switch, which allows the camera to be turned on and off by briefly holding down the 'rec' and 'forward skip' buttons on the inside control panel. While you wouldn't normally power your camera using this method, it is provided as a helpful alternative if the power switch along the top edge is obscured, for example when mounted on a custom rig.



If you need to, you can also briefly hold down the record and forward skip buttons on the control panel behind the LCD to power your camera on or off

**TIP** If your URSA Mini Pro is turned off when the power switch is set to 'on', your camera may have been powered down via *Bluetooth*® control or by holding down the record and forward skip control panel buttons. Simply toggle the power switch 'off' and 'on,' or hold down the relevant control panel buttons to power the camera on.

# Storage Media

Your Blackmagic URSA Mini camera has a number of storage options. All URSA Mini cameras use CFast 2.0 cards to record video. URSA Mini Pro cameras can also record to fast UHS-II and UHS-I SD cards.

URSA Mini Pro G2 has a USB-C 3.1 Gen 1 port and URSA Mini Pro 12K has a USB-C 3.1 Gen 2 port for recording to high speed flash disks or high capacity solid state drives, or “SSDs” using the optional URSA Mini Recorder.

**NOTE** URSA Mini Recorder is designed for use with URSA Mini Pro 12K and is compatible with URSA Mini Pro 4.6K G2. It is not compatible with URSA Mini Pro 4.6K, URSA Mini 4.6K and URSA Mini 4K. For more information on connecting URSA Mini Recorder to your camera see the ‘Blackmagic URSA Mini Recorder’ section.

## Important Notes About Media Speeds

Write and read speeds published by recording media manufacturers are often based on peak speeds for small files such as still images, and may not accurately reflect write speeds for a continuous stream of high speed video.

Blackmagic has thoroughly tested all of the cards listed below for URSA Mini. For reliable recording with your chosen frame rates, use only the cards recommended by Blackmagic Design.

## CFast Cards

CFast 2.0 cards are capable of supporting very high data rates, so are perfect for recording HD and 4K video at high frame rates. Refer to the record duration table in the ‘recording’ section for details on the maximum frame rates that can be recorded in each format.

**NOTE** While CFast 2.0 cards are generally high speed cards, some cards have slower write speeds compared to read speeds, and maximum data rates can differ between models. To ensure reliable recording in your chosen frame rates, use only the recommended cards listed in this section.

## Inserting a CFast Card

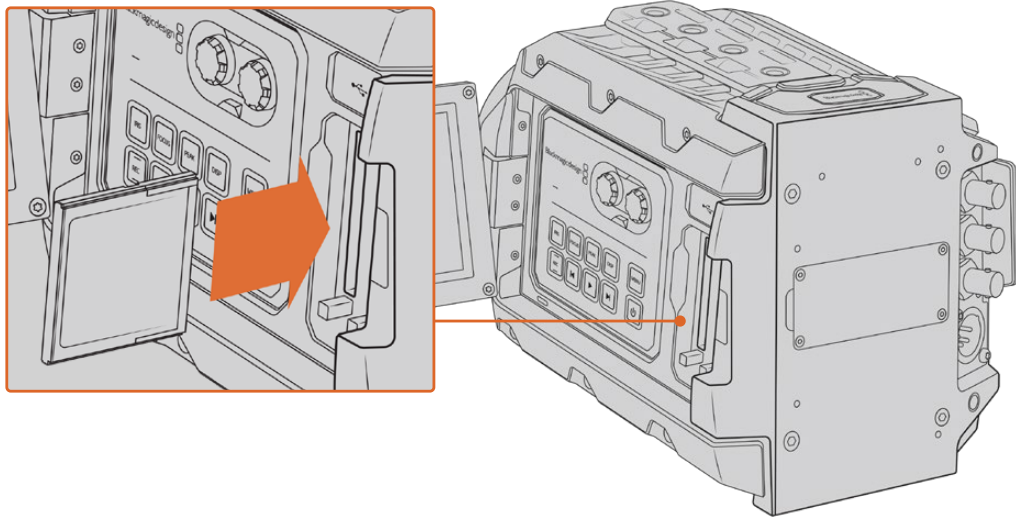
If you’re using URSA Mini Pro, your camera can record to CFast cards or SD cards. To record using CFast cards you need to set your camera accordingly. To do this, set the storage media switch above the media slots to the ‘CFAST’ position.



**To insert a CFast card:**

- 1 Open the fold out monitor to access the CFast slots.
- 2 Insert the CFast card into the CFast card slot until you feel it lock into place. The card should insert easily without the need for excessive force. Push the CFast card ejector button to eject the card.

The storage information at the bottom of the LCD touchscreen will show the name and record time remaining of the detected CFast cards.



Blackmagic URSA Mini has two CFast slots for continuous recording

**Choosing a CFast 2.0 Card**

When working with high data rate video it's important to carefully check the CFast card you would like to use. This is because CFast 2.0 cards have different read and write speeds. The tables below identify the CFast cards recommended for use.

**Which CFast cards should I use with Blackmagic URSA Mini Pro 12K?**

The following CFast 2.0 cards are recommended for recording 12K DCI Blackmagic RAW 18:1 up to 60 frames per second, and 8K DCI Blackmagic RAW 8:1 up to 60 frames per second.

Brand	Card Name	Storage
Angelbird	AV Pro CF	128GB
Angelbird	AV Pro CF	256GB
Angelbird	AV Pro CF	512GB
Angelbird	AV Pro CF	1TB
ExAscend	Essential	512GB
ExAscend	Essential	1TB
FreeTail	Evoke Pro 3700x	128GB
FreeTail	Evoke Pro 3700x	256GB
FreeTail	Evoke Pro 3700x	512GB
FreeTail	Evoke Pro 3700x	1TB

Brand	Card Name	Storage
KomputerBay	x3400 CFast 2.0	128GB
ProGrade Digital	550MB/s CFast 2.0	256GB
ProGrade Digital	550MB/s CFast 2.0	512GB
SanDisk	Extreme Pro CFast 2.0 SDCFSP-128G-x46D	128GB
Wise	CFast 2.0 3400x	256GB
Wise	CFast 2.0 3500x	512GB
Wise	CFast 2.0 3500x	1TB

### Which CFast cards should I use with the Blackmagic URSA Mini and URSA Mini Pro Cameras?

The following CFast 2.0 cards are recommended for recording 4.6K Blackmagic RAW 3:1 up to 60 fps.

Brand	Card Name	Storage
Angelbird	AV Pro CF	128GB
Angelbird	AV Pro CF	256GB
Angelbird	AV Pro CF	512GB
Angelbird	AV Pro CF	1TB
CinediskPro	510MB/s CFast 2.0	256GB
FreeTail	Evoke Pro 3700x	128GB
FreeTail	Evoke Pro 3700x	256GB
FreeTail	Evoke Pro 3700x	512GB
FreeTail	Evoke Pro 3700x	1TB
Hagiwara Solutions	CFast 2.0 DC-SMAN64GA	64GB
Hagiwara Solutions	CFast 2.0 DC-SMANA1GA	128GB
KomputerBay	3600x CFast 2.0 Card	64GB
ProGrade Digital	550MB/s CFast 2.0	64GB
ProGrade Digital	550MB/s CFast 2.0	128GB
ProGrade Digital	550MB/s CFast 2.0	256GB
ProGrade Digital	550MB/s CFast 2.0	512GB
SanDisk	Extreme Pro CFast 2.0 SDCFSP-128G-x46D	128GB
SanDisk	Extreme Pro CFast 2.0 SDCFSP-256G-x46D	256GB
SanDisk	Extreme Pro CFast 2.0 SDCFSP-512G-x46D	512GB
Sony	CFast 2.0 G Series CAT-G64	64GB
Sony	CFast 2.0 G Series CAT-G128	128GB

Brand	Card Name	Storage
Transcend	CFX650 CFast 2.0 TS128GCFX650	128GB
Transcend	CFX650 CFast 2.0 TS256GCFX650	256GB
Transcend	CFX650 CFast 2.0 TS128GCFX650BM	128GB
Transcend	CFX650 CFast 2.0 TS256GCFX650BM	256GB
Wise	CFast 2.0 3400x	256GB
Wise	CFast 2.0 3500x	512GB

The following CFast 2.0 cards are recommended for recording 2160p ProRes 422 HQ up to 60 fps.

Brand	Card Name	Storage
Angelbird	AV Pro CF	128GB
Angelbird	AV Pro CF	256GB
Angelbird	AV Pro CF	512GB
Angelbird	AV Pro CF	1TB
Angelbird	AV Pro CF XT	256GB
Angelbird	AV Pro CF XT	512GB
CinediskPro	510MB/s CFast 2.0	256GB
Hagiwara Solutions	DC-SMAN64GA	64GB
Hagiwara Solutions	DC-SMANA1GA	128GB
KomputerBay	3600x CFast 2.0 Card	64GB
KomputerBay	3700x CFast 2.0 Card	256GB
ProGrade Digital	550MB/s CFast 2.0	128GB
ProGrade Digital	550MB/s CFast 2.0	256GB
ProGrade Digital	550MB/s CFast 2.0	512GB
SanDisk	Extreme Pro CFast 2.0 SDCFSP-128G-x46D	128GB
SanDisk	Extreme Pro CFast 2.0 SDCFSP-256G-x46D	256GB
SanDisk	Extreme Pro CFast 2.0 SDCFSP-512G-x46D	512GB
Silicon Power	CFX310	256GB
Sony	CFast 2.0 G Series CAT-G64	64GB
Sony	CFast 2.0 G Series CAT-G128	128GB
Transcend	CFX650 CFast 2.0 TS128GCFX650	128GB
Transcend	CFX650 CFast 2.0 TS256GCFX650	256GB

Brand	Card Name	Storage
Transcend	CFX650 CFast 2.0 TS128GCFX650BM	128GB
Transcend	CFX650 CFast 2.0 TS256GCFX650BM	256GB
Wise	CFast 2.0 3400x	128GB
Wise	CFast 2.0 3400x	256GB
Wise	CFast 2.0 3500x	512GB

For the most up to date information on supported CFast cards for Blackmagic URSA Mini please refer to the Blackmagic Design support center at [www.blackmagicdesign.com/support](http://www.blackmagicdesign.com/support).

**NOTE** Only the ‘D-series’ of Sandisk CFast 2.0 cards have been certified for use with Blackmagic URSA Mini cameras. These cards can be identified by a large ‘D’ printed on the back of the card in the lower left corner, and we have also listed the model numbers to make them easier to identify. This model number varies slightly from region to region, with the ‘x’ in the model number changing in different markets. For example, an ‘A’ in the United States and a ‘G’ in the Asia Pacific and Europe region.

## SD Cards

In addition to CFast 2.0 cards, Blackmagic URSA Mini Pro can record on high speed UHS-I and UHS-II type SD cards. Using high end SDXC UHS-II cards, you can even record ProRes HQ footage in 2160p for Ultra HD content!

With SD cards, you can use more affordable storage media when shooting compressed video formats in HD. SDXC and SDHC are a very common media storage format for consumer still and video cameras.

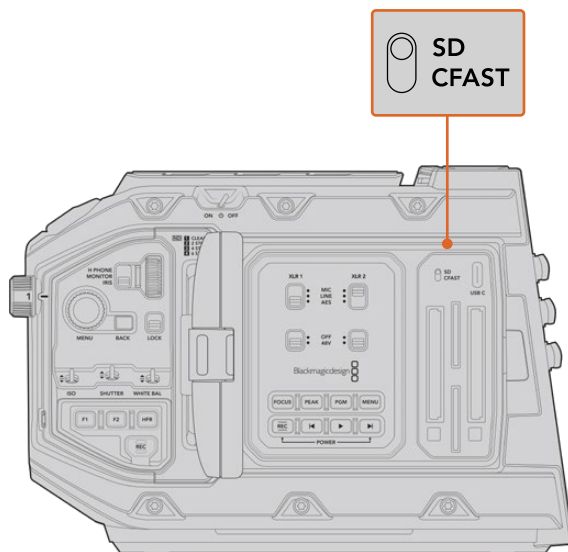
If you’ve ever shot video using a DSLR, or use a Blackmagic Micro Cinema Camera, Pocket Cinema Camera 4K or Blackmagic Video Assist, you probably already have compatible SD cards to use.

For projects that don’t require the highest resolution Blackmagic RAW files, or for when long recording durations are needed, using SD cards can be very economical. Lower capacity and lower speed SD cards can also be used for storing and loading LUTs and presets.

### Inserting an SD Card

#### To insert an SD Card:

- 1 Open the fold out monitor to access the SD card slots. These are the smaller slots located between the CFast slots.
- 2 Set the storage media toggle switch above the slots to ‘SD’.
- 3 With the label on the SD card facing away from the touchscreen, insert the card until you feel it lock into place. To remove an SD card, push the SD card in to eject it.
- 4 The storage indicator at the bottom of the LCD touchscreen will show the name and record time remaining of detected cards.



When recording to SD cards on URSA Mini Pro 4.6K make sure the storage media selection switch is set to 'SD'

### Choosing a fast SD Card

If you are recording Ultra HD on Blackmagic URSA Mini Pro, then we recommend using the fastest high speed UHS-II type SD cards available. It's important to use high speed UHS-II SD cards for Ultra HD and HD recording, or UHS-I cards for HD recording. These cards are rated for fast data speeds and support larger storage sizes. Generally the faster the cards, the better. Refer to the recommended SD cards table earlier in this section for more information.

Before using your cards, you will need to format them to either HFS+ or exFAT formats. You can format your media with the storage manager or your computer. For more information, see the 'preparing media for recording' section.

If you want to, you can format your cards using a Mac or Windows computer. When using your media on Mac, you can use HFS+ which is the Mac disk format. If you are using Windows then you should use exFAT format, which is the Windows disk format that Mac computers can also read.

The tables below identify the SD cards recommended for use when shooting with Blackmagic URSA Mini Pro. It's worth regularly checking the latest version of this manual for more up to date information. Updated manuals are available for download from the Blackmagic Design website at [www.blackmagicdesign.com/support](http://www.blackmagicdesign.com/support)

**NOTE** When filming high frame rate or Ultra HD footage on your URSA Mini, we recommend CFast 2.0 or SD UHS-II recording media, which are typically faster and available in higher storage capacities than SD UHS-I media.

For the most up to date information about SD cards recommended for URSA Mini Pro 12K, please refer to the Blackmagic Design support center at [www.blackmagicdesign.com/support](http://www.blackmagicdesign.com/support).



### Which SD cards should I use with Blackmagic URSA Mini Pro 12K?

The following SD cards are recommended for recording 12K DCI Blackmagic RAW 12:1 up to 24 frames per second.

Brand	Card Name	Storage
ProGrade Digital	V90 UHS-II 300MB/s SDXC	64GB
ProGrade Digital	V90 UHS-II 300MB/s SDXC	128GB
ProGrade Digital	V90 UHS-II 300MB/s SDXC	256GB
Sony	Tough SF-G64 300MB/s UHS-II SDXC	64GB
Sony	Tough SF-G128 300MB/s UHS-II SDXC	128GB

The following SD cards are recommended for recording 8K DCI Blackmagic RAW 18:1 at up to 60 frames per second.

Brand	Card Name	Storage
Angelbird	AV Pro MK2 V90 SDXC	256GB
ProGrade Digital	V90 UHS-II 300MB/s SDXC	64GB
ProGrade Digital	V90 UHS-II 300MB/s SDXC	128GB
ProGrade Digital	V90 UHS-II 300MB/s SDXC	256GB
Sony	Tough SF-G64 300MB/s UHS-II SDXC	64GB
Sony	Tough SF-G128 300MB/s UHS-II SDXC	128GB
Wise	285MB/s UHS-II SDXC	64GB
Wise	285MB/s UHS-II SDXC	128GB

### Which SD cards should I use with URSA Mini Pro?

The following SD cards are recommended for recording 4K DCI Blackmagic RAW 12:1 up to 30 frames per second.

Brand	Card Name	Storage
Angelbird	AV Pro 300MB/s UHS-II SDXC	64GB
Angelbird	AV Pro 300MB/s UHS-II SDXC	128GB
Lexar	Professional 2000x UHS-II 300MB/s SDXC	64GB
Lexar	Professional 1000x UHS-II 150MB/s SDXC	64GB
SanDisk	Extreme Pro UHS-I 95MB/s SDXC	64GB
SanDisk	Extreme Pro UHS-I 95MB/s SDXC	128GB
SanDisk	Extreme Pro UHS-I 95MB/s SDXC	256GB
SanDisk	Extreme Pro UHS-I 95MB/s SDXC	512GB
SanDisk	Extreme Pro UHS-II 280MB/s SDXC	64GB
SanDisk	Extreme Pro UHS-II 300MB/s SDHC	32GB
SanDisk	Extreme Pro UHS-II 300MB/s SDXC	128GB

Brand	Card Name	Storage
Sony	SF-G64 300MB/s UHS-II SDXC	64GB
Sony	SF-G128 300MB/s UHS-II SDXC	128GB
Toshiba	Exceria Pro UHS-II 270MB/s SDXC	64GB
Toshiba	Exceria Pro UHS-II 270MB/s SDXC	128GB
Toshiba	Exceria Pro UHS-II N502 SDHC	32GB
Toshiba	Exceria Pro UHS-II N502 SDXC	64GB
Toshiba	Exceria Pro UHS-II N502 SDXC	128GB
Toshiba	Exceria Pro UHS-II N502 SDXC	256GB
Transcend	Ultimate UHS-II 180MB/s SDXC	64GB
Wise	285MB/s UHS-II SDXC	64GB
Wise	285MB/s UHS-II SDXC	128GB

The following SD cards are recommended for 2160p ProRes 422 HQ up to 30 frames per second.

Brand	Card Name	Storage
Angelbird	AV Pro 300MB/s UHS-II SDXC	64GB
Angelbird	AV Pro 300MB/s UHS-II SDXC	128GB
Delkin Devices	UHS-II 250MB/s SDHC	32GB
ProGrade Digital	V90 UHS-II 250MB/s SDXC	128GB
SanDisk	Extreme Pro UHS-II 280MB/s SDHC	32GB
SanDisk	Extreme Pro UHS-II 280MB/s SDXC	64GB
SanDisk	Extreme Pro UHS-II 300MB/s SDHC	32GB
SanDisk	Extreme Pro UHS-II 300MB/s SDXC	128GB
Sony	SF-G64 300MB/s UHS-II SDXC	64GB
Sony	SF-G128 300MB/s UHS-II SDXC	128GB
Toshiba	Exceria Pro UHS-II 270MB/s SDXC	64GB
Toshiba	Exceria Pro UHS-II N502 SDHC	32GB
Toshiba	Exceria Pro UHS-II N502 SDXC	64GB
Toshiba	Exceria Pro UHS-II N502 SDXC	128GB
Toshiba	Exceria Pro UHS-II N502 SDXC	256GB
Transcend	Ultimate UHS-II 180MB/s SDXC	64GB
Wise	285MB/s UHS-II SDXC	64GB
Wise	285MB/s UHS-II SDXC	128GB

The following SD cards are recommended for 1080p ProRes 422 HQ up to 60 frames per second.

<b>Brand</b>	<b>Card Name</b>	<b>Storage</b>
Angelbird	AV Pro 300MB/s UHS-II SDXC	64GB
Angelbird	AV Pro 300MB/s UHS-II SDXC	128GB
Delkin Devices	UHS-II 250MB/s SDHC	32GB
Lexar	Professional 2000x UHS-II 300MB/s SDHC	32GB
Lexar	Professional 2000x UHS-II 300MB/s SDXC	64GB
Lexar	Professional 1000x UHS-II 150MB/s SDXC	64GB
ProGrade Digital	V90 UHS-II 250MB/s SDXC	128GB
ProGrade Digital	V60 UHS-II 200MB/s SDXC	64GB
ProGrade Digital	V60 UHS-II 200MB/s SDXC	128GB
SanDisk	Extreme Pro UHS-I 95MB/s SDXC	64GB
SanDisk	Extreme Pro UHS-I 95MB/s SDXC	128GB
SanDisk	Extreme Pro UHS-I 95MB/s SDXC	256GB
SanDisk	Extreme Pro UHS-I 95MB/s SDXC	512GB
SanDisk	Extreme Pro UHS-II 280MB/s SDHC	32GB
SanDisk	Extreme Pro UHS-II 280MB/s SDXC	64GB
SanDisk	Extreme Pro UHS-II 300MB/s SDXC	64GB
SanDisk	Extreme Pro UHS-II 300MB/s SDXC	128GB
Sony	SF-G64 300MB/s UHS-II SDXC	64GB
Sony	SF-G128 300MB/s UHS-II SDXC	128GB
Toshiba	Exceria Pro UHS-II 270MB/s SDXC	64GB
Toshiba	Exceria Pro UHS-II 270MB/s SDXC	128GB
Toshiba	Exceria Pro UHS-II 270MB/s SDXC	256GB
Toshiba	Exceria Pro UHS-II N502 SDHC	32GB
Toshiba	Exceria Pro UHS-II N502 SDXC	64GB
Toshiba	Exceria Pro UHS-II N502 SDXC	128GB
Toshiba	Exceria Pro UHS-II N502 SDXC	256GB
Transcend	Ultimate UHS-II 180MB/s SDXC	64GB
Wise	285MB/s UHS-II SDXC	64GB
Wise	285MB/s UHS-II SDXC	128GB

For the most up to date information on supported SD cards for URSA Mini Pro please refer to the Blackmagic Design support center at [www.blackmagicdesign.com/support](http://www.blackmagicdesign.com/support).

## Locking and Unlocking SD Cards

SD cards can be write protected, or 'locked', to prevent data from being overwritten.

When inserting an SD card, make sure the card is not write protected. Write protection is disabled by moving the plastic switch on the left side of the card to the position closest to the connectors. After recording, you can then write protect the card by sliding the switch back down to the bottom position.



Move the lock tab up or down to lock or unlock an SD card

Your URSA Mini Pro will let you know if you've inserted a locked SD card by displaying a 'locked' icon on the LCD touchscreen and storage menu. If the card is locked, you won't be able to record video, capture stills, or export LUTs and presets until it is unlocked.



Your URSA Mini Pro will indicate when locked SD storage media is inserted

## USB-C flash disks

Blackmagic URSA Mini Pro 4.6K G2 features a high speed USB-C expansion port, which allows you to record video directly to USB-C flash disks. URSA Mini Pro 12K has two USB-C ports. The USB C 3.1 Gen 1 port on the side near the CFast card slots is for software updates. The port on the rear panel near the SDI connectors is for recording to high speed SSDs via USB-C 3.1 Gen 2. These fast, high capacity drives allow you to record video for long periods, which can be important when filming events with long durations.

When a USB-C flash disk is connected to your camera, it occupies the second media slot in your camera's operating system. Tapping the card or drive name in the storage menu sets it as the active drive. This means that recording, playback and storage management is exactly the same for USB-C flash disks as it is for CFast, SD cards and SSDs.

Once you have finished recording you can connect the same drive directly to your computer for editing and post production, without having to copy media across.

**To connect a USB-C flash disk:**

- 1 Connect one end of a USB type-C cable to your USB-C flash disk.
- 2 On URSA Mini Pro 12K, plug the USB-C cable into the USB-C port on the back panel below the SDI ports. On URSA Mini Pro 4.6K G2, open the fold out touchscreen on the left side of the camera and connect the cable to the USB-C port above the CFast slots.

**Which USB-C flash disks should I use with Blackmagic URSA Mini Pro 12K?**

The following USB-C flash disks are recommended for recording 12K DCI Blackmagic RAW 8:1 at up to 30 frames per second.

Brand	USB-C Flash Disk Name	Storage
Angelbird	SSD2GO PKT MK2	512GB
Angelbird	SSD2GO PKT MK2	2TB
Glyph	Atom Raid SSD	4TB
Sony	Tough SL-CG5	500GB
Sony	Tough SL-C1	1TB
Sony	Tough SL-C2	2TB
Delkin Devices	Juggler	2TB
Wise	PTS-512 Portable SSD	512GB
Wise	PTS-1024 Portable SSD	1TB
Wise	PTS-2048 Portable SSD	2TB

**Which USB-C flash disks should I use with Blackmagic URSA Mini Pro 4.6K G2?**

The following USB-C flash disks are recommended for 4.6K Blackmagic RAW 3:1 up to 60 frames per second.

Brand	USB-C Flash Disk Name	Storage
Samsung	Portable SSD T5	500GB
Samsung	Portable SSD T5	1TB
Wise	Portable SSD	256GB
Wise	Portable SSD	512GB
Wise	Portable SSD	1TB

For the most up to date list of recommended USB-C flash disks please go to [www.blackmagicdesign.com/support](http://www.blackmagicdesign.com/support).



## Important Notes About USB-C flash disk Speed

Some models of USB-C flash disk can't save video data at the speed the manufacturer claims. This is due to the disk using hidden data compression to attain higher write speeds. This data compression can only save data at the manufacturer's claimed speed when storing data such as blank data or simple files. Video data includes video noise and pixels which are more random so compression will not help, therefore revealing the true speed of the disk.

Some USB-C flash disks can have as much as 50% less write speed than the manufacturer's claimed speed. So even though the disk specifications claim a USB-C flash disk has speeds fast enough to handle video, in reality the disk isn't fast enough for real time video capture.

Use Blackmagic Disk Speed Test to accurately measure whether your USB-C flash disk will be able to handle high data rate video capture and playback. Blackmagic Disk Speed Test uses data to simulate the storage of video so you get results similar to what you'll see when capturing video to a disk. During Blackmagic testing, we have found newer, larger models of USB-C flash disk and larger capacity USB-C flash disks are generally faster.

Blackmagic Disk Speed Test is available from the Mac app store. Windows and Mac versions are also included in Blackmagic Desktop Video, which you can download from the 'capture and playback' section of the Blackmagic Design support center at [www.blackmagicdesign.com/support](http://www.blackmagicdesign.com/support).

## SSDs

With the optional URSA Mini Recorder, you can record video directly to solid state drives, or 'SSDs'. These fast, high capacity drives can be readily available from a variety of consumer electronics outlets.

URSA Mini Recorder features a USB-C port enabling high speeds to work with standard 2.5" SATA SSD's as well as 7mm U.2 SSD's while M.2 solid state drives will work when using an M.2 to U.2 adapter. To reach the proper speeds available, a certified USB 3.1 Gen 2 cable is required. The supplied USB-C cable features locking connectors at each end to maintain a secure connection during use.

**NOTE** See the section 'Blackmagic URSA Mini Recorder' in this manual for information on installing Blackmagic URSA Mini Recorder.

### Inserting an SSD

#### To insert an SSD:

- 1 Hold your SSD with the connection pins facing towards the front of your camera.
- 2 Open the spring loaded cover on URSA Mini Recorder and gently insert the SSD into the slot.

**TIP** URSA Mini Recorder has a pressure plate to keep different sized SSDs in place, so there's no need to use spacers to fit your drive.

- 3 Once your SSD is all the way into the slot gently push it home until you feel it register, then lower URSA Mini Recorder's cover.

### To remove an SSD:

Open URSA Mini Recorder's cover and gently grasp the drive between your thumb and forefinger. There's a small recess in the top of the bay to let you get a grip on the drive. Simply pull the drive out and close the cover.

**NOTE** Blackmagic URSA Mini Recorder occupies the second storage slot in URSA Mini's operating system. This means that, while URSA Mini Recorder is connected and a compatible SSD is inserted, your camera's second CFast 2.0 and SD card slot will be unavailable.

To use these slots instead, disconnect the Mini Recorder USB-C connection from URSA Mini Pro 12K. There is no need to remove the Mini Recorder itself from your camera. For more information, see the section 'Blackmagic URSA Mini Recorder' in this manual.

## Choosing a fast SSD for URSA Mini Recorder

SSDs are designed to offer fast, affordable storage for a wide range of devices it's important to note that film making is only one part of the SSD market though, so choosing the right drive is vital to ensuring that you have enough bandwidth to record 12K Blackmagic RAW or Ultra HD footage. Many SSDs are designed for home computing and aren't fast enough to record Ultra HD video.

We highly recommend using only the SSDs from our recommended list, which have been tested with Blackmagic URSA Mini Pro 12K to ensure support for continuous filming at the specified resolutions. For the most up to date list of recommended SSDs please go to [www.blackmagicdesign.com/support](http://www.blackmagicdesign.com/support).

### Blackmagic URSA Mini Recorder U.2 Drives

The following U.2 2.5" SSD's are recommended for recording 12K DCI Blackmagic RAW 8:1 at up to 50 frames per second.

Brand	Model	Storage
Samsung	983 DCT U.2 MZ-QLB960NE	960GB
Samsung	983 DCT U.2 MZ-QLB1T9NE	1.92TB

### Blackmagic URSA Mini Recorder M.2 Drives

The following M.2 SSD's with a M.2 to U.2 adapter are recommended for recording 12K DCI Blackmagic RAW 8:1 at up to 30 frames per second.

Brand	Model	Storage
SanDisk	Extreme Pro M.2 NVMe 3D SSD	500GB
Western Digital	WD Black NVMe SSD WDS500G2X0C	500GB
Western Digital	WD Black SN750 NVMe SSD WDS100T3X0C	1TB

## Important Notes About SSD Speed

Some models of SSD can't save video data at the speed the manufacturer claims. This is due to the disk using hidden data compression to attain higher write speeds. This data compression can only save data at the manufacturer's claimed speed when storing data such as blank data or simple files. Video data includes video noise and pixels which are more random so compression will not help, therefore revealing the true speed of the disk.

Some SSDs can have up to 50% lower write speed than the manufacturer's claimed speed. So even though the disk specifications claim an SSD has speeds fast enough to handle video, in reality the disk isn't fast enough when used to store video data for real time capture.

Use Blackmagic Disk Speed Test to accurately measure whether your SSD will be able to handle high data rate video capture and playback. Blackmagic Disk Speed Test uses data to simulate the storage of video so you get results similar to what you'll see when capturing video to a disk. During Blackmagic testing, we have found newer, larger models of SSD and larger capacity SSDs are generally faster.

## Preparing Media for Recording

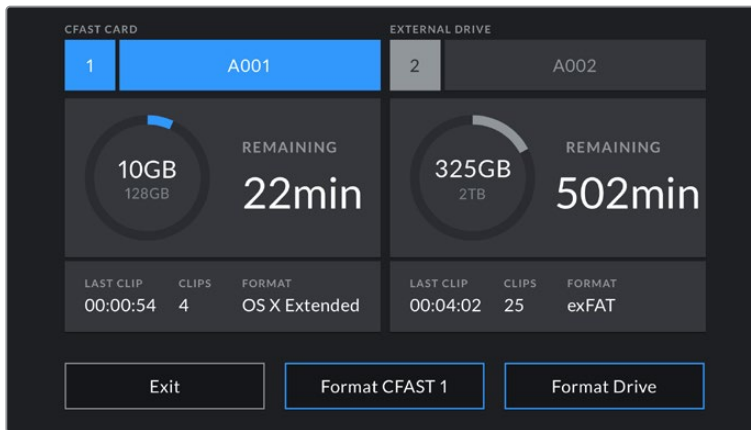
You can format your CFast cards, SD cards or SSDs using the storage manager, or via a Mac or Windows computer. We recommend formatting storage media using URSA Mini for best performance.

HFS+ is also known as OS X Extended and is the recommended format as it supports 'journaling'. Data on journaled media is more likely to be recovered in the rare event that your storage media becomes corrupted. HFS+ is natively supported by Mac. exFAT is supported natively by Mac and Windows without needing to purchase any additional software. However, exFAT does not support journaling.

**NOTE** Before formatting your media, it's important to make sure the media storage switch has been set correctly to either SD card or CFast card. Always check the settings carefully before formatting.

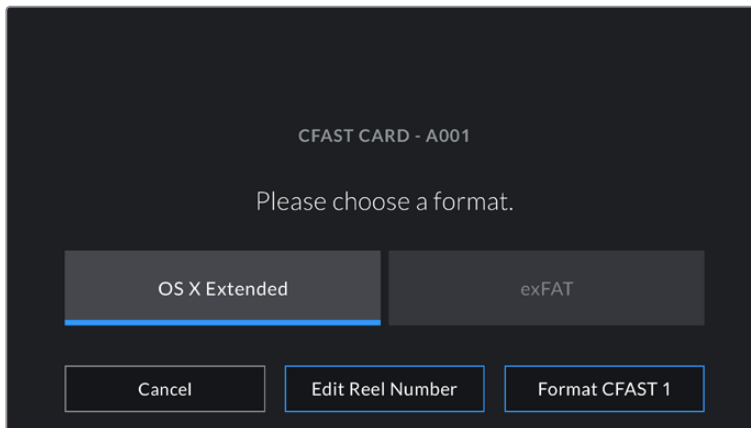
## Preparing Media on Blackmagic URSA Mini

- 1 Tap either storage indicator at the bottom of the LCD touchscreen to enter the storage manager.
- 2 Tap a format button at the bottom of the touchscreen to format the card in slot 1 or 2, respectively. If you plug a flash disk into the USB-C port of an URSA Mini Pro G2, the button to format the second drive is 'Format drive'.



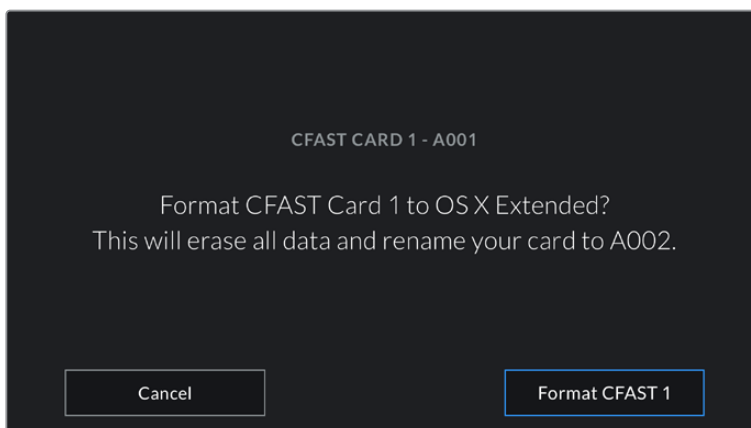
Use your URSA Mini's storage manager to format your camera's storage media

- 3 Tap 'edit reel number' if you would like to manually change the reel number.
- 4 Choose OS X Extended or exFAT format and tap the format button.



Tap 'edit reel number' to manually edit the reel number

- 5 You will be asked to confirm your selection. Tap the format button again to continue or 'cancel' to cancel the format.



Check that you have selected the correct card before formatting

- 6 You will be notified when the format is complete.
- 7 Tap 'ok' to return to the storage manager.
- 8 Tap 'exit' to leave the storage manager.

When formatting CFast cards, SD cards or SSDs using the storage manager, your URSA Mini will use the Camera ID from the slate and reel number to name the card. Your URSA Mini automatically increments reel numbers each time you format. If you need to manually enter a specific reel number, tap the 'edit reel number' and enter the number you want to format the card as.

When you start a new project, reel numbering will reset to 1 when you tap on 'reset project data' in the 'project' tab of the slate.

When URSA Mini Recorder is connected and an SSD is loaded, the recorder takes over from URSA Mini's number '2' storage slot and you'll see an 'SSD' indicator over slot 2 on your camera's storage manager.

## Preparing Media on Blackmagic URSA Mini Pro

The process for preparing storage media on your URSA Mini Pro is exactly the same as the URSA Mini process outlined above. The only difference is the added option to format SD cards in addition to CFast cards, SSDs, and USB-C flash disks on URSA Mini Pro 12K and URSA Mini Pro 4.6K G2. It's worth mentioning that if your camera's media storage switch is set to SD or CFast, only the selected card type will be formatted when you tap 'format card'. When using URSA Mini Recorder or a USB-C flash disk with URSA Mini Pro 12K or URSA Mini Pro 4.6K G2, the SSD will appear in slot 2 regardless of the position of the media storage switch.

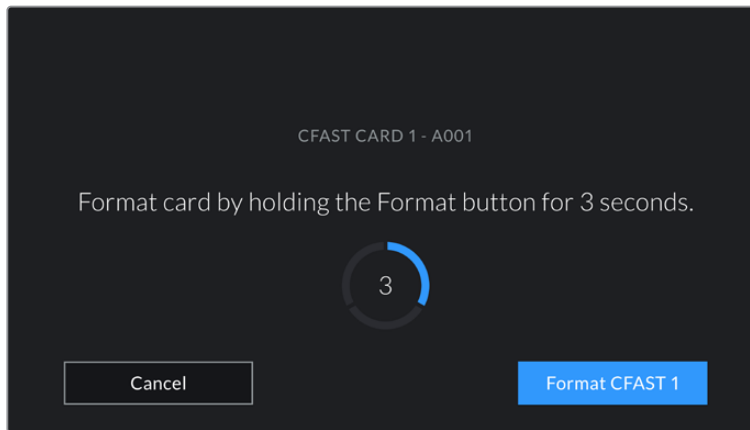


The storage manager on your camera will indicate whether you are currently managing CFast, SD, SSD or USB-C flash disk media

**TIP** If your URSA Mini Pro is set to record to SD cards and you have inserted a locked card, you will be unable to format that card. A padlock icon will appear next to the card's name in the storage manager. Simply unlock the card to format and record. For more information on locking SD cards, see the 'SD cards' section of this manual.

When formatting storage media on your URSA Mini Pro you will be prompted to hold the 'format' button for 3 seconds. The camera will notify you once formatting is complete.





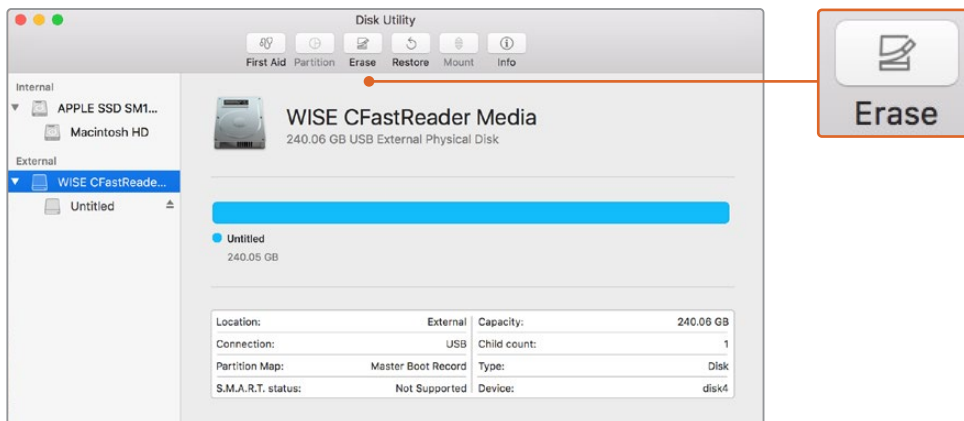
Hold the format button for 3 seconds to begin formatting your media

For information on switching between CFast and SD storage see the 'SD Cards' section earlier in this manual.

**NOTE** If you have the optional URSA Mini Recorder connected, 'SSD recorder' will appear over storage slot 2. When a USB-C flash disk is connected, 'External Drive' will appear.

## Preparing Media on Mac

Use the Disk Utility application included with Mac to format your CFast card, SD card, or SSD in the HFS+ or exFAT formats. Remember to back up anything important from your media first as all data will be lost when it is formatted.



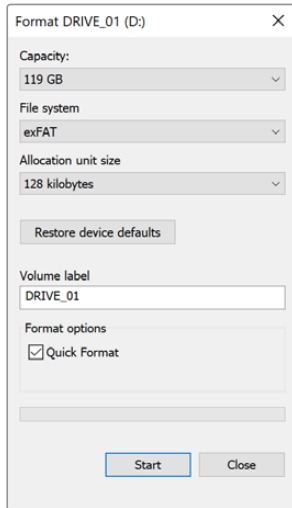
Use Disk Utility on Mac to erase your camera's storage media in the Mac OS extended (journaled) or exFAT format

- 1 Connect the storage media to your computer using a SD card reader, dock or adapter, and dismiss any message offering to use your media for Time Machine backups.
- 2 Go to applications/utilities and launch Disk Utility.
- 3 Click on the disk icon for your camera's storage media and then click the 'erase' tab.

- 4 Set the 'format' to 'Mac OS extended (journaled)' or 'exFAT'.
- 5 Type a 'name' for the new volume and then click 'erase'. Your camera's storage media will quickly be formatted and made ready for use.

## Preparing Media on Windows

The 'format' dialog box can format your camera's storage media in the exFAT format on a Windows PC. Remember to back up anything important from your media first as all data will be lost when it is formatted.



Use the 'format' dialog box feature in Windows to format your camera's storage media in the exFAT format

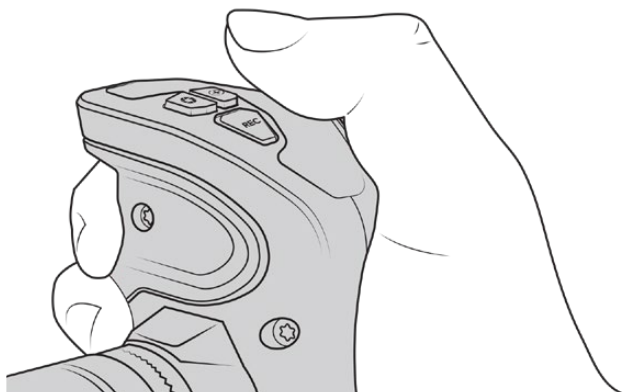
- 1 Connect your camera's storage media to your computer using an external reader/writer or SSD dock or adapter.
- 2 Open the 'start' menu or 'start' screen and choose 'computer'. Right click on your camera's storage media.
- 3 From the contextual menu, choose 'format'.
- 4 Set the file system to 'exFAT' and the allocation unit size to 128 kilobytes.
- 5 Type a volume label, select 'quick format' and click 'start'.
- 6 Your storage media will quickly be formatted and made ready for use.

**NOTE** If your recordings are dropping frames, check that your card or drive is on our list of recommended media for the codec and frame size you are using. For lower data rates try lowering your frame rate, resolution, or try a compressed codec such as ProRes. Check the Blackmagic Design website for the latest information at [www.blackmagicdesign.com](http://www.blackmagicdesign.com)

# Recording

## Recording Clips

On Blackmagic URSA Mini you can start recording by pressing the red 'record' button on the inside control panel, the outside of the fold out monitor, the touchscreen or the optional Blackmagic URSA Handgrip. On Blackmagic URSA Mini Pro, the external 'record' button is located in the forward control panel for convenient access when shooting from the shoulder. Press the 'record' button again to stop recording.



You can also record clips by pressing the 'record' button marked REC on the optional Blackmagic URSA Handgrip

Another option for starting and stopping record is to attach an external LANC controller to your URSA Mini's LANC input and trigger the record externally. For example, you may want to attach a LANC controller to your tripod so you can trigger the recording without taking your hands off the focus ring and tripod handle.

**NOTE** If you toggle the 'storage media selection' switch mid-recording, the camera will complete the current recording before switching to the other type of media. This ensures that you can not damage your recording if the switch is adjusted during a take.

## Choosing the Codec, Resolution and Sensor Area

Your Blackmagic URSA Mini Pro can record using Blackmagic RAW, using either a constant quality or constant bitrate setting. URSA Mini Pro and URSA Mini can also record Apple ProRes compressed codecs. Sensor frame rate options will vary depending on your camera, the codec and resolution you choose.

It's worth noting that clips recorded using Blackmagic RAW are compatible with DaVinci Resolve, Blackmagic RAW Player and other applications that support Blackmagic RAW SDK. Blackmagic RAW has already been adopted by many post production platforms. It may not be supported natively in all editing software but most work with the plugins provided in our Camera Update and Blackmagic RAW installer. For more information, see the 'Working with Third Party Software' section.

## Dynamic Range

Blackmagic URSA Mini Pro 12K produces incredible, wide dynamic range images with 14 stops of latitude. URSA Mini Pro G2, URSA Mini Pro and URSA Mini 4.6K have 15 stops of dynamic range.

This maximizes the information in your video signal to help you get the most out of color grading software, such as DaVinci Resolve.

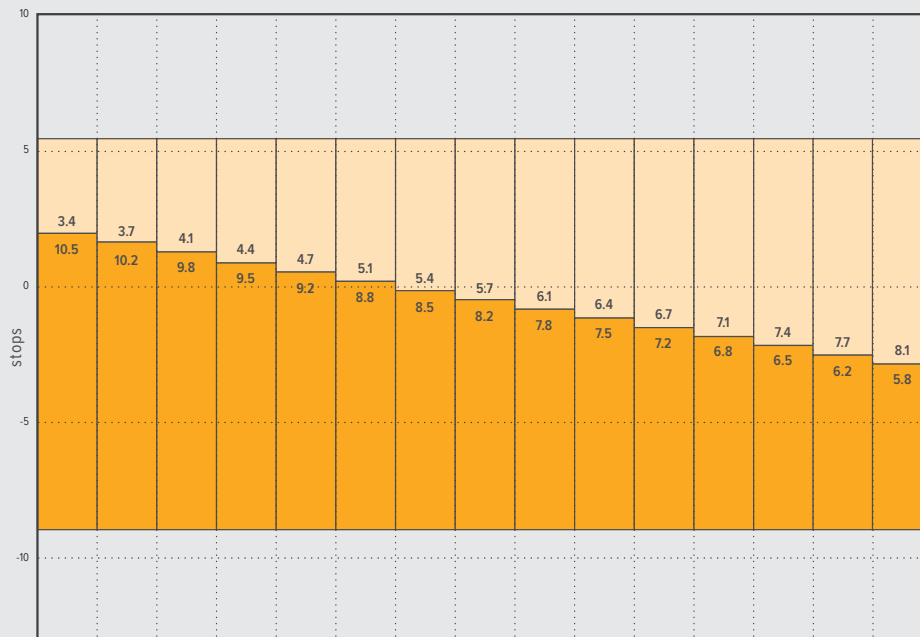
The wide dynamic range captured is also perfect for high dynamic range or HDR content delivery.

As the charts below indicate, the 14 stops of dynamic range are available across the entire ISO range from ISO 125 to 3200 for URSA Mini Pro 12K, and 15 stops of dynamic range from ISO 200 to 3200 for URSA Mini 4.6K, URSA Mini Pro and URSA Mini Pro G2.

The distribution of these stops above and below middle gray will vary depending on the ISO selected. For example, on URSA Mini Pro G2 at ISO 200 there will be 10.8 stops allocated to the shadow areas of the image, with the remaining 3.9 stops allocated to the highlights in the image.

### Blackmagic URSA Mini Pro 12K Dynamic Range

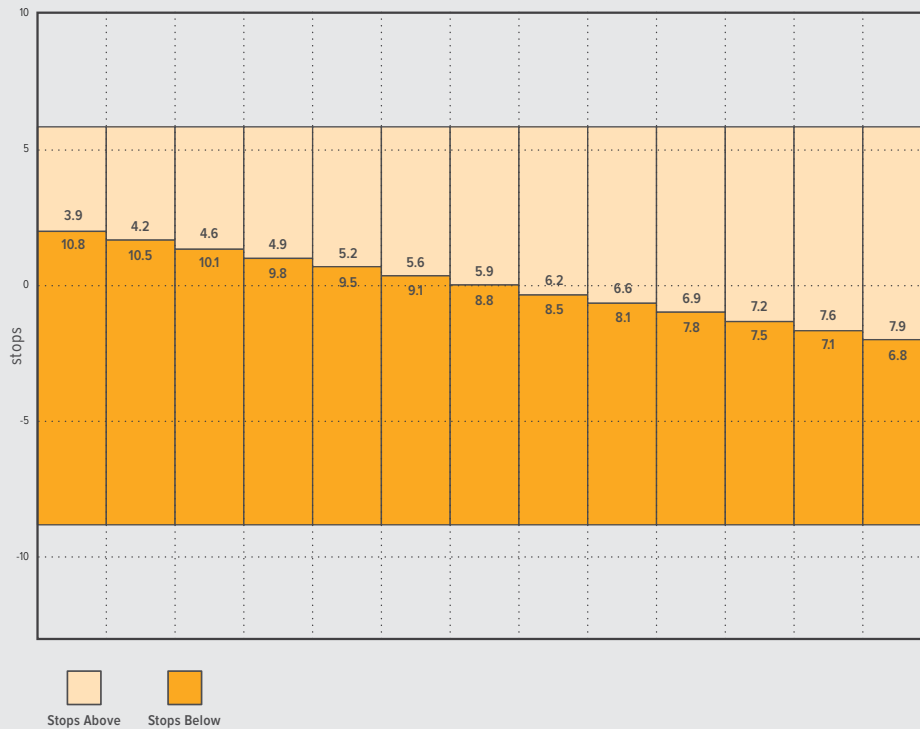
ISO	125	160	200	250	320	400	500	640	800	1000	1250	1600	2000	2500	3200
Total Stops	13.9	13.9	13.9	13.9	13.9	13.9	13.9	13.9	13.9	13.9	13.9	13.9	13.9	13.9	13.9



Stops Above  
 Stops Below

## Blackmagic URSA Mini 4.6K, URSA Mini Pro and URSA Mini Pro G2 Dynamic Range

ISO	200	250	320	400	500	640	800	1000	1250	1600	2000	2500	3200
Total Stops	14.7	14.7	14.7	14.7	14.7	14.7	14.7	14.7	14.7	14.7	14.7	14.7	14.7



## Blackmagic RAW

Blackmagic URSA Mini Pro supports the new Blackmagic RAW file format. This format offers superior image quality, wide dynamic range and a broad selection of compression ratios. Blackmagic RAW keeps all the benefits of RAW recording, but the files are very fast because part of the demosaic performed in the camera where it can be hardware accelerated.

The Blackmagic RAW format is also intelligent because it understands the image sensor in the camera. This means you get much better quality for a smaller file format. Smaller files that are higher quality means Blackmagic RAW is a good alternative to other video and RAW file formats.

Blackmagic RAW also includes powerful metadata support so the software reading the files knows your camera settings. If you like shooting in video gamma because you need to turn around edits quickly and you don't have time for color correction, then this metadata feature means you can select video gamma, shoot in video gamma, and the file will display with video gamma applied when you open it in software. However underneath, the file is actually film gamma and the metadata in the file is what's telling the software to apply the video gamma.

So what all this means is if you want to color grade your images at some point, then you have all that film dynamic range preserved in the file. You don't have your images hard clipped in the whites or the blacks, so you retain detail and you can color grade to make all your images look cinematic. However, if you don't have time for color grading, that's fine because your images will have the video gamma applied and look like normal video camera images. You are not locked in on the shoot and you can change your mind later during post production.

Blackmagic RAW files are extremely fast and the codec is optimized for your computer's CPU and GPU. This means it has fast smooth playback and eliminates the need for hardware decoder boards, which is important for laptop use. Software that reads Blackmagic RAW also gets the advantage of processing via Apple Metal, Nvidia CUDA and OpenCL.

This means that Blackmagic RAW plays back at normal speed like a video file on most computers, without needing to cache it first or lower the resolution.

It's also worth mentioning that lens information is recorded in the metadata on a frame by frame basis. For example, when using compatible lenses, any zoom or focus changes performed over the length of a clip will be saved, frame by frame, to the metadata in the Blackmagic RAW file.

## Recording to Blackmagic RAW

Blackmagic RAW works in two different ways. You have a choice to use either the constant bitrate codec, or the constant quality codec.

The constant bitrate codec works in a similar way to most codecs. It tries to keep the data rate at a consistent level and won't let the data rate go too high. This means even if you are shooting a complex image that might need a bit more data to store the image, a constant bitrate codec will just compress the image harder to make sure the images fit within the space allocated.

This can be fine for video codecs, however when shooting RAW you really want to ensure the quality is predictable. What would happen if the images you were shooting needed more data, but the codec just compresses harder to make a specified data rate? It's possible you could lose quality, but not be sure it's happening until you return from a shoot.

To solve this problem, Blackmagic RAW also has an alternative codec choice called constant quality. This codec is technically called a variable bitrate codec, but what it's really doing is allowing the size of the file to grow if your images need extra data. There is no upper limit on the file size if you need to encode an image but maintain quality.

So Blackmagic RAW set to the constant quality setting will just let the file grow as big as it needs to be to encode your images. It also means the files could be larger or smaller depending on what you are shooting. I guess if you leave your lens cap on the lens, you won't waste space on your media!

It is also worth noting that the quality settings for Blackmagic RAW are not obscure names, but are more meaningful as they are derived from what's happening technically. So for example when you have selected the constant bitrate codec, you will see quality settings of 3:1, 5:1, 8:1, 12:1 or 18:1 depending on the type of your URSA Mini Pro camera. These are the ratios of the uncompressed RAW file size vs the file sizes you should expect when shooting in Blackmagic RAW. 3:1 is better quality as the file is larger, while 18:1 is the smallest file size with the lowest quality. Many users of Blackmagic RAW find that 12:1 or 18:1 has been perfectly ok and they have not seen any quality limitations. However it's best to experiment and try various settings for yourself.

When using Blackmagic RAW in constant quality you will see the settings are Q0, Q1, Q3 or Q5 depending on the type of your URSA Mini Pro camera. These are the compression parameters passed to the codec and they are setting how much compression is applied in a more technical way. This setting is different because the codec operates differently between constant bitrate vs constant quality. In this constant quality setting, you really cannot tell what the file size ratio will become as it varies a lot based on what you are shooting. So in this case the setting is different and the file will become the size needed to store your media.

## Constant Bitrate Settings

The names for 3:1, 5:1, 8:1, 12:1 and 18:1 represent the compression ratio. For example, 12:1 compression produces a file size roughly 12 times smaller than uncompressed RAW.

Blackmagic RAW constant bitrate is available on URSA Mini Pro 12K at 5:1, 8:1, 12:1 and 18:1. URSA Mini Pro 4.6K G2 and URSA Mini Pro 4.6K support Blackmagic RAW constant bitrate at 3:1, 5:1, 8:1 and 12:1.

## Constant Quality Settings

Q0, Q1, Q3 and Q5 refer to different levels of quantization. Q5 has a greater level of quantization but offers a greatly improved data rate. As mentioned above, the constant quality setting can result in files that grow and shrink quite a lot, depending on what you are shooting. This also means it's possible to shoot something and see the file size increase to beyond what your media card can keep up with. It could result in dropped frames. However the benefit is that you can instantly see if this happens on a shoot and then investigate your settings vs quality.

Blackmagic RAW constant quality is available on URSA Mini Pro 12K at Q0, Q1, Q3 and Q5. URSA Mini Pro 4.6K G2 and URSA Mini Pro 4.6K support Blackmagic RAW constant quality at Q0 and Q5.

## Blackmagic RAW Player

The Blackmagic RAW player included in your Blackmagic camera's software installer is a streamlined application for reviewing clips. Simply double click on a Blackmagic RAW file to open it, and you can quickly play and scroll through the file with its full resolution and bit depth.

When decoding frames, the CPU acceleration in the SDK library supports all main architectures, and also supports GPU acceleration via Apple Metal, Nvidia CUDA and OpenCL. It also works with the Blackmagic eGPU for extra performance. Blackmagic RAW player is available for Mac, Windows and Linux.

## Sidecar Files

Blackmagic RAW sidecar files let you override metadata in a file without overwriting embedded metadata in the original file. This metadata includes the RAW settings as well as information on iris, focus, focal length, white balance, tint, color space, project name, take number and more. Metadata is encoded frame by frame over the duration of the clip, which is important for lens data if the lens is adjusted during a shot. You can add or edit metadata in sidecar files with DaVinci Resolve or even a text editor because it's a human readable format.

Sidecar files can be used to automatically add new RAW settings to a playback simply by moving the sidecar file into the same folder as the corresponding RAW file. If you move the sidecar file out of the folder and reopen the Blackmagic RAW file, the RAW settings are not applied and you see the file as it was originally shot. Any software that uses the Blackmagic RAW SDK can access these settings. Changes made are saved in the sidecar file and can then be seen by Blackmagic RAW Player or any other software capable of reading Blackmagic RAW files.

When shooting video gamma, the file stays in film gamma, and the metadata tells the Blackmagic RAW processing to display using video gamma. Video gamma is great when you don't want to grade the image and want to deliver content quickly, however if you want to pull up the black parts of the image, or pull down the white areas, all the detail is retained. You never clip the video and all the detail is still there if you want to access it at any time.



## Blackmagic RAW in DaVinci Resolve

Settings can be adjusted for each Blackmagic RAW file, and then saved as a new sidecar file from the RAW tab in DaVinci Resolve for creative effect or optimized viewing. This also means you can copy your media for another DaVinci Resolve artist and they will have access to your modified gamma settings automatically on import. In addition to the other metadata your camera files contain, DaVinci Resolve can read your selected dynamic range, so your clips will automatically display in DaVinci Resolve with 'film', 'extended video' or 'video' dynamic range.

You can then customize these settings by adjusting the saturation, contrast and midpoint, as well as the highlight and shadow rolloff. Any adjustments can then be saved as a sidecar file, so the changes can be seen by anyone else working with the files in post. You can always return to the original camera metadata at any time.

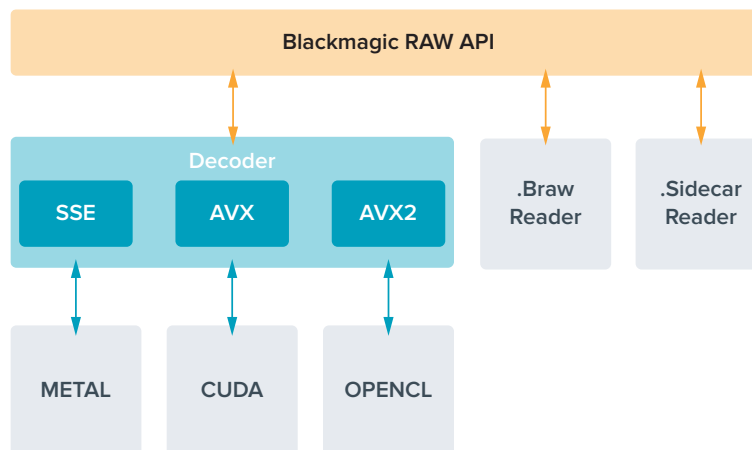
You can also export a single Blackmagic RAW frame from the RAW tab in DaVinci Resolve, which contains all adjustments, metadata, full resolution and color information so it is easy to share a single frame grab or reference file with others.

For more information on how to use Blackmagic RAW in DaVinci Resolve, see the 'Using DaVinci Resolve' chapter in this manual.

## Blackmagic RAW Software Development Kit

The Blackmagic RAW Software Development Kit is an API developed by Blackmagic Design. You can use the Blackmagic RAW SDK to write your own applications to use the Blackmagic RAW format. This SDK library can be used by any developer to add support for reading, editing, and saving Blackmagic RAW files. The Blackmagic RAW SDK includes all the generation 4 and generation 5 color science so you can achieve organic cinematic images across any app that supports it. The Blackmagic RAW SDK supports Mac, Windows and Linux, and is available as a free download from the developer page of the Blackmagic website at [www.blackmagicdesign.com/developer](http://www.blackmagicdesign.com/developer)

The following diagram illustrates the components of the Blackmagic RAW API:



## Choosing Frame Rates

Your camera is able to shoot video using many different frame rates and you may be wondering which is the best one to use. Your camera's sensor frame rate can also have a big impact on the 'look' of footage. Generally, when selecting a sensor frame rate, there are some common items to consider. For many years, there have been presentation standards for film and television. These have set frame rates that differ between countries, but all share the same purpose; to display an efficient number of frames every second that portrays pleasing and convincing motion.

Cinema, for example, uses a standard 24 frames per second and while there have been recent experiments with faster frame rates, 24 frames per second remains widely accepted for international audiences. Television frame rates have generally conformed to technical broadcast standards for each country. For example, if you were making television content you would typically record using 29.97 frames per second for North American distribution, and 25 frames per second for Europe.

However, as technology has improved, today we have more choices and broadcast standards are changing. It is now common for sporting events to be recorded and broadcasted at higher frame rates. For example, some sporting events are recorded and broadcasted at up to 59.94 frames per second in North America, and 50 frames per second in Europe. This provides smoother motion on fast action and appears more lifelike. Alternatively, streaming and online broadcasters normally use frame rates similar to television, however there is more freedom to experiment due to user selectable viewing formats, and being limited only to what the audience's screens are capable of displaying.

Generally, when choosing a frame rate for a project, let your delivery format guide your choice. Your camera's project frame rate should be set to this, and your sensor frame should be set to 'match'. This means your clips will play back at the same speed the event happened in real life. If you are looking to create an interesting effect, for example slow motion, then you can set the sensor frame rate to a higher setting. The higher the sensor frame rate compared to the project frame rate, the slower the playback speed. For example, URSA Mini Pro G2 allows you to shoot at very high sensor frame rates for extreme slow motion.

For more information on using off speed sensor frame rates to achieve creative effects, refer to the 'touchscreen controls' section.

## Shooting at High Frame Rates

When shooting at high frame rates, your camera captures an increased number of frames per second when compared with the traditional sync speed frame rates of 24, 25 and 30 frames per second. This means that the image sensor has less time to collect light for each frame it captures and the resulting image from your camera will be darker.

So for example, if you switch from 25 to 50 frames per second, the amount of light reaching the sensor will be halved. To maintain your exposure you need to compensate for this change by opening up your lens an extra stop, by opening up your shutter angle from 180° to 360° or by adding some extra lighting to the scene that you are shooting.

When shooting at 120 frames per second you have 5 times less light so you may need to adjust multiple things such as lens aperture, shutter angle and lighting to achieve the same level of exposure.

Another thing to be mindful of when shooting at higher frame rates, is the fact that electronic light sources can add flicker to your recorded image. Specifically, when shooting at frame rates above 100 frames per second in a 50Hz environment or 120 frames per second in a 60Hz environment, artificial tungsten, fluorescent and LED light sources may introduce some flicker to your images. You may not see these flicker issues when previewing the scene on your LCD and

SDI feed or while recording, so it's important to perform a test shoot with the lights you plan to use and to play the clip back to check for flicker.

Your shutter setting can also affect the visibility of flicker when shooting under lights, so your URSA Mini can automatically calculate and display flicker free shutter options for your current frame rate. Note that the characteristics of individual light sources may still cause flicker even when using flicker free values. For more information, refer to the 'touchscreen controls' section.

If you have opened up your shutter to the slowest shutter speed or widest shutter angle possible and are still seeing flicker in recorded footage, you may need to consider using different light sources for your scene or look into using a faster lens.

## Maximum Frame Rates

The tables below contain available codecs, resolutions and their maximum sensor frame rates for URSA Mini 4.6K and URSA Mini Pro models. It should be noted that the references to Blackmagic RAW, ProRes 444 and ProRes 422 are references to all of the supported variants within each particular codec.

Because of the data rates required for recording high resolutions in slow motion you will need to choose a fast CFast card, USB-C flash disk or SSD. Refer to the 'storage media' section for recommended media for continuous high speed recording.

**TIP** You can test the speed your card can sustain by switching on the 'stop rec if card drops frames' feature and recording a test clip. This will allow you to test how long you can shoot at a particular frame rate in any given resolution. If the card stops recording too quickly then moving down to the next available compression setting or resolution will lower the data rate and make it easier for the card to maintain.

### Maximum Frame Rates for URSA Mini Pro 12K

Format		Resolution	Codec	Sensor scan	Max Frame Rate
12K	17:9	12288 x 6480	Blackmagic RAW	Full	60
	16:9	11520 x 6480	Blackmagic RAW	Full height	60
	2.4:1	12288 x 5112	Blackmagic RAW	Full width	75
	6:5 Anamorphic	7680 x 6408	Blackmagic RAW	Full height	60
8K	17:9	8192 x 4320	Blackmagic RAW	Full	120
	16:9	7680 x 4320	Blackmagic RAW	Full height	120
	2.4:1	8192 x 3408	Blackmagic RAW	Full width	160
	6:5 Anamorphic	5120 x 4272	Blackmagic RAW	Full height	120
6K	Super 16	6144 x 3240	Blackmagic RAW	Window	120
4K	DCI	4096 x 2160	Blackmagic RAW	Full	120
	16:9	3840 x 2160	Blackmagic RAW	Full height	120
	2.4:1	4096 x 1704	Blackmagic RAW	Full width	160
	6:5 Anamorphic	2560 x 2136	Blackmagic RAW	Full height	120
	Super 16	4096 x 2160	Blackmagic RAW	Window	240

**Maximum Frame Rates for URSA Mini Pro 4.6K G2, URSA Mini Pro 4.6K and URSA Mini 4.6K**

Format	Resolution	Codec	URSA Mini Pro 4.6K G2		URSA Mini Pro 4.6K		URSA Mini 4.6K	
			Sensor scan	Max Frame Rate	Sensor scan	Max Frame Rate	Sensor scan	Max Frame Rate
4.6K	4608 x 2592	Blackmagic RAW	Full	120	Full	60	–	–
		ProRes 444	Full	40	Full	30	Full	30
		ProRes 422	Full	80	Full	40	Full	40
4.6K 2.4:1	4608 x 1920	Blackmagic RAW	Window	150	Window	60	–	–
		ProRes 444	Window	60	Window	40	Window	40
		ProRes 422	Window	120	Window	50	Window	50
4K 16:9	4096 x 2304	Blackmagic RAW	Window	120	Window	60	–	–
		ProRes 444	Window	60	Full or Window	30	Full or Window	30
		ProRes 422	Window	100	Full or Window	50	Full or Window	50
4K DCI	4096 x 2160	Blackmagic RAW	Window	150	Window	60	–	–
		ProRes 444	Window	60	Full or Window	40	Full or Window	40
		ProRes 422	Window	120	Full or Window	50	Full or Window	50
UHD	3840 x 2160	Blackmagic RAW	Window	150	Window	60	–	–
		ProRes 444	Full or Window	60	Full or Window	40	Full or Window	40
		ProRes 422	Full or Window	120	Full or Window	60	Full or Window	60
3K Anamorphic	3072 x 2560	Blackmagic RAW	Window	120	Window	60	–	–
		ProRes 444	Window	70	Window	40	–	–
		ProRes 422	Window	120	Window	60	–	–
2K 16:9	2048 x 1152	Blackmagic RAW	Window	240	Window	120	–	–
		ProRes 444	Window	240	Window	120	Window	120
		ProRes 422	Window	240	Window	120	Window	120
		ProRes 444	Full	120	Full	60	Full	60
		ProRes 422	Full	120	Full	60	Full	60
2K DCI	2048 x 1080	Blackmagic RAW	Window	300	Window	120	–	–
		ProRes 444	Window	240	Window	120	Window	120
		ProRes 422	Window	240	Window	120	Window	120
		ProRes 444	Full	120	Full	60	Full	60
		ProRes 422	Full	120	Full	60	Full	60
HD	1920 x 1080	Blackmagic RAW	Window	300	Window	120	–	–
		ProRes 444	Window	240	Window	120	Window	120
		ProRes 422	Window	240	Window	120	Window	120
		ProRes 444	Full	120	Full	60	Full	60
		ProRes 422	Full	120	Full	60	Full	60

It's important to note that Blackmagic RAW Q0, Q1, Q3 and Q5 use variable bit rate compression to achieve constant quality. Q0, Q1, Q3 and Q5 data rates depend on the complexity of the image subject matter and can vary considerably throughout a clip.

#### Maximum Frame Rates for URSA Mini 4K

Format	Resolution	Codec	Sensor scan	Max Frame Rate
UHD	3840 x 2160	ProRes 444	Full or Window	40
		ProRes 422	Full or Window	60
HD	1920 x 1080	ProRes 444	Window	80
		ProRes 422	Window	120
		ProRes 444	Full	60
		ProRes 422	Full	60

#### To select your desired codec and resolution on Blackmagic URSA Mini.

- 1 Press the 'menu' button on the control panel.
- 2 Navigate to the first page of the 'record' tab.
- 3 Tap your desired combination of codec, quality, and resolution.
- 4 If you want to record using a windowed sensor area, navigate to page 2 of the 'record' menu and enable 'window sensor.' To record with the full sensor, set this to 'off'.
- 5 Press 'menu' to exit.

#### Recording Formats and Project Frame Rates

After setting your codec and resolution, you should set your 'project' and 'sensor' frame rates. Refer to the 'recording' section in this manual for more information about frame rates.

The project frame rates available for all URSA Mini cameras are as follows:

23.98, 24, 25, 29.97, 30, 50, 59.94, and 60 frames per second.

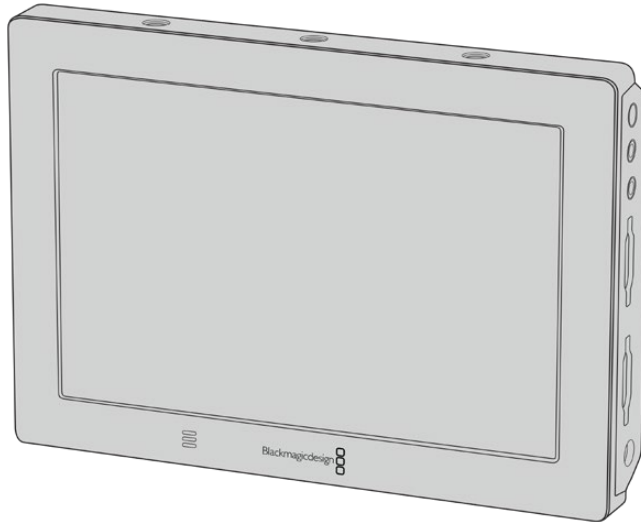
When using Blackmagic RAW and ProRes codecs up to ProRes 422 HQ, the maximum project frame rate is 60 frames per second at all resolutions. When using ProRes 444 and ProRes 444 XQ codecs, the maximum project frame rate is dependent on the resolution.

For example, on URSA Mini Pro 4.6K G2, the maximum project frame rate when using ProRes 444 codecs is 60 frames per second up to 4.6K 2.4:1. If you increase the resolution to full sensor 4.6K, the maximum project frame rate is 30 fps. On the original URSA Mini Pro 4.6K, the maximum project frame rate for ProRes 444 codecs is 60 frames per second up to 2K 16:9. If you change the resolution to 3K anamorphic or higher, the maximum project frame rate is 30 fps. The difference is due to the increased processing required for higher resolutions when using ProRes 444 and ProRes 444 XQ.

#### Trigger Record

You will also need to set your equipment to enable SDI trigger recording to make sure it responds to the trigger signal from your URSA Mini. If your SDI equipment supports SDI trigger recording, it can usually be enabled using your SDI equipment's settings menu.

Your URSA Mini automatically sends a signal via the SDI outputs that will trigger recording when connected to equipment that supports the SDI trigger record feature, such as Blackmagic Video Assist. This means when you press record on your camera, your external SDI equipment will also start recording, and will stop recording when you press record again.



You can trigger recording on other SDI video equipment, for example Blackmagic Video Assist 4K, using the trigger record feature on your camera

**TIP** Sometimes in extremely cold weather conditions, for example 0–5° Celsius and 32–41° Fahrenheit, URSA Mini 4K may take up to thirty seconds to reach optimal running temperature. During this time you can record if you need to, but we recommend waiting for your camera to warm up and stabilize. When optimal running temperature is achieved, your camera will recalibrate to compensate for the sensor's temperature change and you may notice a single white flash frame. This will only occur while not recording and will improve your results when shooting in cold climates.

## Record Duration Tables

Tables are provided showing approximate record duration in minutes and seconds relative to format, project frame rate and media size. The maximum recording duration for your storage media depends on its capacity, the recording format and the frame rate. For example, the storage rate for Apple ProRes 422 HQ at 3840 x 2160 is approximately 880 Mbps. At 24 frames per second, you can record approximately 47 minutes of video on a 256GB CFast 2.0 or SD card. At the same settings you can record approximately 23 minutes of video on a 128GB CFast 2.0 or SD card, which is approximately half the record duration of the 256GB card. These durations are also the same for when recording to SSDs using the URSA Mini Recorder.

It should be noted that record duration on CFast 2.0 and SD cards can also vary slightly between cards from different manufacturers. It can also vary depending on whether the storage media is formatted as exFAT or Mac OS X Extended.

### Record duration tables for URSA Mini Pro 12K

Simple scenes containing less detail tend to require less data than more dense compositions. The values in these tables assume shots with a high complexity, which means you may get slightly longer record times depending on the nature of your shoot.

12K on URSA Mini Pro 12K					
CFast Card	Frame Rate	Blackmagic RAW 5:1	Blackmagic RAW 8:1	Blackmagic RAW 12:1	Blackmagic RAW 18:1
1TB		Duration	Duration	Duration	Duration
	23.98	29 mins	47 mins	70 mins	106 mins
	24	29 mins	47 mins	70 mins	106 mins
	25	28 mins	45 mins	67 mins	101 mins
	29.97	23 mins	37 mins	56 mins	84 mins
	30	23 mins	37 mins	56 mins	84 mins
	50	14 mins	22 mins	33 mins	50 mins
	60	11 mins	18 mins	28 mins	42 mins

8K on URSA Mini Pro 12K					
CFast Card	Frame Rate	Blackmagic RAW 5:1	Blackmagic RAW 8:1	Blackmagic RAW 12:1	Blackmagic RAW 18:1
1TB		Duration	Duration	Duration	Duration
	23.98	66 mins	106 mins	158 mins	238 mins
	24	66 mins	106 mins	158 mins	238 mins
	25	63 mins	101 mins	152 mins	228 mins
	29.97	52 mins	84 mins	127 mins	190 mins
	30	52 mins	84 mins	127 mins	190 mins
	50	31 mins	50 mins	76 mins	114 mins
	60	26 mins	42 mins	63 mins	95 mins

6K on URSA Mini Pro 12K					
CFast Card	Frame Rate	Blackmagic RAW 5:1	Blackmagic RAW 8:1	Blackmagic RAW 12:1	Blackmagic RAW 18:1
1TB		Duration	Duration	Duration	Duration
	23.98	116 mins	186 mins	280 mins	419 mins
	24	116 mins	186 mins	280 mins	419 mins
	25	112 mins	179 mins	268 mins	402 mins
	29.97	93 mins	149 mins	224 mins	335 mins
	30	93 mins	149 mins	224 mins	335 mins
	50	56 mins	89 mins	134 mins	201 mins
	60	46 mins	74 mins	112 mins	168 mins



4K on URSA Mini Pro 12K					
CFast Card	Frame Rate	Blackmagic RAW 5:1	Blackmagic RAW 8:1	Blackmagic RAW 12:1	Blackmagic RAW 18:1
1TB		Duration	Duration	Duration	Duration
	23.98	264 mins	442 mins	631 mins	941 mins
	24	264 mins	442 mins	631 mins	941 mins
	25	254 mins	405 mins	606 mins	904 mins
	29.97	211 mins	338 mins	506 mins	755 mins
	30	211 mins	338 mins	506 mins	755 mins
	50	127 mins	203 mins	304 mins	455 mins
	60	106 mins	169 mins	254 mins	380 mins

**Record duration tables for URSA Mini Pro 4.6K G2, URSA Mini Pro 4.6K, URSA Mini 4.6K and URSA Mini 4K**

Simple scenes containing less detail tend to require less data than more complexity. The values in these tables assume shots with a high complexity, which means you may get slightly longer record times depending on the nature of your shoot.

4.6K								
CFast Card	Frame Rate	Blackmagic RAW 3:1*	Blackmagic RAW 5:1*	Blackmagic RAW 8:1*	Blackmagic RAW 12:1*	ProRes 444 XQ	ProRes 422 HQ	ProRes 422 LT
256GB		Duration	Duration	Duration	Duration	Duration	Duration	Duration
	23.98	28 mins	48 mins	76 mins	115 mins	14 mins	33 mins	70 mins
	24	28 mins	48 mins	76 mins	114 mins	14 mins	33 mins	70 mins
	25	27 mins	46 mins	73 mins	110 mins	14 mins	31 mins	66 mins
	29.976	23 mins	38 mins	61 mins	92 mins	11 mins	26 mins	56 mins
	30	23 mins	38 mins	61 mins	92 mins	11 mins	26 mins	56 mins
	50	13 mins	23 mins	36 mins	55 mins	–	–	–
	59.94	11 mins	19 mins	30 mins	46 mins	–	–	–
	60	11 mins	19 mins	30 mins	46 mins	–	–	–

\* Blackmagic RAW is available on URSA Mini Pro 4.6K and URSA Mini Pro 4.6K G2 only.

ULTRA HD								
CFast Card	Frame Rate	Blackmagic RAW 3:1*	Blackmagic RAW 5:1*	Blackmagic RAW 8:1*	Blackmagic RAW 12:1*	ProRes 444 XQ	ProRes 422 HQ	ProRes 422 LT
256GB		Duration	Duration	Duration	Duration	Duration	Duration	Duration
	23.98	41 mins	68 mins	110 mins	164 mins	21 mins	47 mins	101 mins
	24	41 mins	68 mins	109 mins	164 mins	21 mins	47 mins	101 mins
	25	39 mins	66 mins	105 mins	157 mins	20 mins	45 min	97 mins
	29.976	33 mins	55 mins	88 mins	131 mins	16 mins	38 mins	81 mins
	30	33 mins	55 mins	88 mins	131 mins	16 mins	38 mins	81 mins
	50	19 mins	33 mins	52 mins	79 mins	–	22 mins	48 mins
	59.94	16 mins	27 mins	44 mins	66 mins	–	18 mins	40 mins
	60	16 mins	27 mins	44 mins	66 mins	–	18 mins	40 mins

\* Blackmagic RAW is available on URSA Mini Pro 4.6K and URSA Mini Pro 4.6K G2 only.

HD								
CFast Card	Frame Rate	Blackmagic RAW 3:1*	Blackmagic RAW 5:1*	Blackmagic RAW 8:1*	Blackmagic RAW 12:1*	ProRes 444 XQ	ProRes 422 HQ	ProRes 422 LT
<b>256GB</b>		Duration	Duration	Duration	Duration	Duration	Duration	Duration
	23.98	159 mins	264 mins	418 mins	619 mins	84 mins	189 mins	403 mins
	24	159 mins	264 mins	418 mins	618 mins	84 mins	189 mins	403 mins
	25	153 mins	253 mins	402 mins	595 mins	81 mins	182 mins	387 mins
	29.976	128 mins	212 mins	336 mins	499 mins	68 mins	152 mins	324 mins
	30	127 mins	212 mins	336 mins	499 mins	67 mins	152 mins	324 mins
	50	76 mins	127 mins	203 mins	303 mins	40 mins	91 mins	196 mins
	59.94	64 mins	106 mins	170 mins	254 mins	34 mins	76 mins	163 mins
	60	64 mins	106 mins	170 mins	253 mins	33 mins	76 mins	163 mins

\* Blackmagic RAW is available on URSA Mini Pro 4.6K and URSA Mini Pro 4.6K G2 only.

Constant quality settings for Q0 and Q5 will display varying record time remaining durations. The estimated duration for Q0 is similar to constant bitrate 3:1, and Q5 will display a similar duration to 12:1, however, as the estimated duration updates every 10 seconds while recording, the best way to gauge how much recording time you have is to record for 20 seconds and monitor the duration in the media area of the touchscreen display.

## Data Rate Tables for URSA Mini Pro 12K

Blackmagic URSA Mini Pro 12K allows you to capture images in such a wide variety of resolutions and frame rates that it is important to understand the implications on the data rate so you can choose the best format and media for your project. Blackmagic Design has thoroughly tested a wide range of CFast cards, SD UHS-II cards and USB-C drives to determine achievable framerates and Blackmagic RAW compression ratios. For more information, see the 'Storage Media' section. Generally, CFast Cards for URSA Mini Pro 12K can sustain a data rate of around 400 MB/s. These approximate figures should give you a good starting point for what rates and resolutions you will be able to achieve.

As URSA Mini Pro 12K can record at extremely high data rates, you may wish to double the bitrate your media is normally capable of by striping the recording across two cards. To do this, insert a pair of CFast or SD Cards and switch on the 'record RAW on 2 cards' option in the 'record' menu. Since this relies on striping across both cards sequentially, the data rate of the slowest card will be the limiting factor, so you are advised to use two cards of the same or similar spec. You can also stripe between a CFast card in storage slot 1 and a USB-C disk in storage slot 2. When you use the 'Record RAW on 2 Cards' option, the speed limit is twice the data rate of the slowest card in the striped array. For more information, see the 'Record RAW on 2 Cards' section.

Blackmagic RAW constant bitrate options are designed to give you predictable file sizes and data rates. When you are shooting a highly detailed scene or fast motion, a constant bitrate option compresses the image with a constant maximum to make sure the bitrate is kept at or under the level specified at all times. This makes it easy to understand exactly what speeds your media will need to sustain and will also give you a good estimation of how long you can shoot with your media.

### Maximum Data Rates at 24p with Blackmagic RAW Constant Bitrate

Format		Resolution	Frame Rate	Blackmagic RAW 5:1	Blackmagic RAW 8:1	Blackmagic RAW 12:1	Blackmagic RAW 18:1
12K	17:9	12288 x 6480	24	578 MB/s	361 MB/s	241 MB/s	160 MB/s
	16:9	11520 x 6480	24	542 MB/s	339 MB/s	226 MB/s	150 MB/s
	2.4:1	12288 x 5112	24	457 MB/s	286 MB/s	190 MB/s	127 MB/s
	6:5 Anamorphic	7680 x 6408	24	358 MB/s	224 MB/s	150 MB/s	99 MB/s
8K	17:9	8192 x 4320	24	257 MB/s	161 MB/s	107 MB/s	71 MB/s
	16:9	7680 x 4320	24	241 MB/s	151 MB/s	101 MB/s	67 MB/s
	2.4:1	8192 x 3408	24	203 MB/s	127 MB/s	85 MB/s	56 MB/s
	6:5 Anamorphic	5120 x 4272	24	159 MB/s	100 MB/s	67 MB/s	44 MB/s
6K	Super 16	6144 x 3240	24	146 MB/s	91 MB/s	61 MB/s	40 MB/s
4K	DCI	4096 x 2160	24	65 MB/s	41 MB/s	32 MB/s	27 MB/s
	16:9	3840 x 2160	24	61 MB/s	38 MB/s	30 MB/s	25 MB/s
	2.4:1	4096 x 1704	24	51 MB/s	32 MB/s	25 MB/s	21 MB/s
	6:5 Anamorphic	2560 x 2136	24	40 MB/s	25 MB/s	20 MB/s	17 MB/s
	Super 16	4096 x 2160	24	65 MB/s	41 MB/s	27 MB/s	18 MB/s

It is important to note that actual storage rates are dependent on image subject matter and may be outside of the range below for highly detailed scenes or very simple scenes.

### Range of Data Rates at 24p with Blackmagic RAW Constant Quality

Format		Resolution	Frame Rate	Blackmagic RAW Q0	Blackmagic RAW Q1	Blackmagic RAW Q3	Blackmagic RAW Q5
12K	17:9	12288 x 6480	24	241-578 MB/s	145-361 MB/s	97-241 MB/s	73-181 MB/s
	16:9	11520 x 6480	24	226-542 MB/s	136-339 MB/s	91-226 MB/s	68-170 MB/s
	2.4:1	12288 x 5112	24	190-457 MB/s	114-286 MB/s	76-190 MB/s	57-143 MB/s
	6:5 Anamorphic	7680 x 6408	24	150-358 MB/s	90-224 MB/s	60-150 MB/s	45-112 MB/s
8K	17:9	8192 x 4320	24	161-321 MB/s	107-214 MB/s	81-161 MB/s	52-129 MB/s
	16:9	7680 x 4320	24	151-301 MB/s	101-201 MB/s	76-151 MB/s	49-121 MB/s
	2.4:1	8192 x 3408	24	127-254 MB/s	85-169 MB/s	64-127 MB/s	41-102 MB/s
	6:5 Anamorphic	5120 x 4272	24	100-199 MB/s	67-133 MB/s	50-100 MB/s	32-80 MB/s
6K	Super 16	6144 x 3240	24	61-146 MB/s	37-91 MB/s	25-61 MB/s	19-46 MB/s
4K	DCI	4096 x 2160	24	129-214 MB/s	65-129 MB/s	41-107 MB/s	30-81 MB/s
	16:9	3840 x 2160	24	121-201 MB/s	61-121 MB/s	38-101 MB/s	28-76 MB/s
	2.4:1	4096 x 1704	24	102-169 MB/s	51-102 MB/s	32-85 MB/s	23-64 MB/s
	6:5 Anamorphic	2560 x 2136	24	80-133 MB/s	40-80 MB/s	25-67 MB/s	18-50 MB/s
	Super 16	4096 x 2160	24	41-81 MB/s	27-54 MB/s	21-41 MB/s	13-33 MB/s

Shooting off speed lets you make creative decisions and achieve the look that you want. URSA Mini Pro 12K can shoot at 12K resolution up to 60 fps and as high as 240 fps in other resolutions. When you shoot high frame rates on URSA Mini Pro 12K, the camera uses extreme bitrates, so it is important to choose an appropriate type of Blackmagic RAW compression.

### Maximum Data Rates at Maximum Framerates with Blackmagic RAW Constant Bitrate

Format		Resolution	Blackmagic RAW 5:1		Blackmagic RAW 8:1		Blackmagic RAW 12:1		Blackmagic RAW 18:1	
			Max Frame Rate	Max Data Rate	Max Frame Rate	Max Data Rate	Max Frame Rate	Max Data Rate	Max Frame Rate	Max Data Rate
12K	17:9	12288 x 6480	40	963 MB/s	60	903 MB/s	60	602 MB/s	60	401 MB/s
	16:9	11520 x 6480	40	903 MB/s	60	847 MB/s	60	565 MB/s	60	376 MB/s
	2.4:1	12288 x 5112	50	951 MB/s	75	892 MB/s	75	595 MB/s	75	396 MB/s
	6:5 Anamorphic	7680 x 6408	60	895 MB/s	60	560 MB/s	60	373 MB/s	60	249 MB/s
8K	17:9	8192 x 4320	120	1,285 MB/s	120	803 MB/s	120	536 MB/s	120	357 MB/s
	16:9	7680 x 4320	120	1,205 MB/s	120	753 MB/s	120	502 MB/s	120	334 MB/s
	2.4:1	8192 x 3408	160	1,353 MB/s	160	846 MB/s	160	564 MB/s	160	375 MB/s
	6:5 Anamorphic	5120 x 4272	120	796 MB/s	120	498 MB/s	120	332 MB/s	120	221 MB/s
6K	Super 16	6144 x 3240	120	727 MB/s	120	455 MB/s	120	303 MB/s	120	202 MB/s
4K	DCI	4096 x 2160	120	322 MB/s	120	201 MB/s	120	161 MB/s	120	134 MB/s
	16:9	3840 x 2160	120	302 MB/s	120	189 MB/s	120	150 MB/s	120	125 MB/s
	2.4:1	4096 x 1704	160	339 MB/s	160	212 MB/s	160	169 MB/s	160	141 MB/s
	6:5 Anamorphic	2560 x 2136	120	200 MB/s	120	125 MB/s	120	99 MB/s	120	83 MB/s
	Super 16	4096 x 2160	240	648 MB/s	240	405 MB/s	240	271 MB/s	240	180 MB/s

### Range of Data Rates at Maximum Framerates with Blackmagic RAW Constant Quality

Format		Resolution	Frame Rate	Blackmagic RAW Q0	Blackmagic RAW Q1	Blackmagic RAW Q3	Blackmagic RAW Q5
12K	17:9	12288 x 6480	60	602-1,445 MB/s	362-903 MB/s	241-602 MB/s	181-452 MB/s
	16:9	11520 x 6480	60	565-1,355 MB/s	339-847 MB/s	226-565 MB/s	170-424 MB/s
	2.4:1	12288 x 5112	75	595-1,426 MB/s	357-892 MB/s	238-595 MB/s	179-446 MB/s
	6:5 Anamorphic	7680 x 6408	60	373-895 MB/s	224-560 MB/s	150-373 MB/s	112-280 MB/s
8K	17:9	8192 x 4320	120	803-1,605 MB/s	536-1,071 MB/s	402-803 MB/s	258-643 MB/s
	16:9	7680 x 4320	120	753-1,506 MB/s	502-1,004 MB/s	377-753 MB/s	242-603 MB/s
	2.4:1	8192 x 3408	160	846-1,609 MB/s	564-1,127 MB/s	423-846 MB/s	271-677 MB/s
	6:5 Anamorphic	5120 x 4272	120	498-995 MB/s	332-664 MB/s	249-498 MB/s	160-398 MB/s
6K	Super 16	6144 x 3240	120	303-727 MB/s	182-455 MB/s	122-303 MB/s	92-228 MB/s

Format		Resolution	Frame Rate	Blackmagic RAW Q0	Blackmagic RAW Q1	Blackmagic RAW Q3	Blackmagic RAW Q5
4K	DCI	4096 x 2160	120	643-1,071 MB/s	322-643 MB/s	201-536 MB/s	147-402 MB/s
	16:9	3840 x 2160	120	603-1,004 MB/s	302-603 MB/s	189-502 MB/s	138-377 MB/s
	2.4:1	4096 x 1704	160	677-1,127 MB/s	339-677 MB/s	212-564 MB/s	155-423 MB/s
	6:5 Anamorphic	2560 x 2136	120	398-664 MB/s	200-398 MB/s	125-332 MB/s	91-249 MB/s
	Super 16	4096 x 2160	240	405-810 MB/s	271-540 MB/s	203-405 MB/s	131-325 MB/s

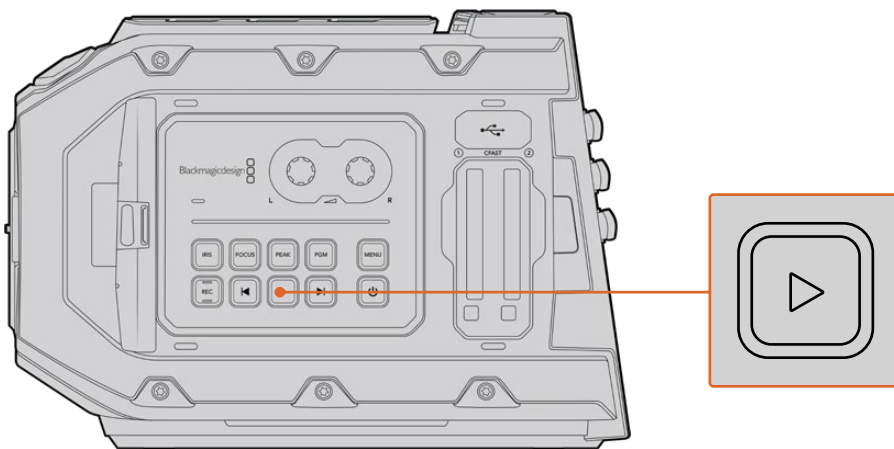
Actual storage rates for Constant Quality formats are dependent on image subject matter and may be outside of the range above for highly detailed scenes or very simple scenes.

## Playback

### Playing Back Clips

Once you have recorded your video, you can use the transport control buttons to play back your clips.

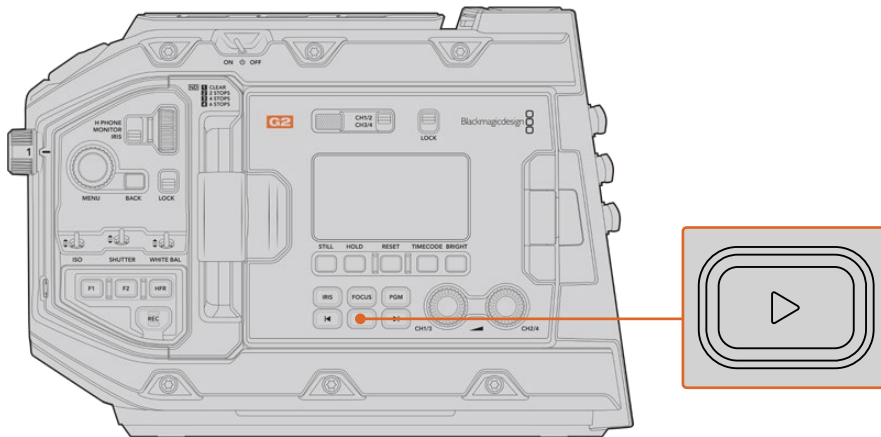
Press the 'play' button once for instant playback and you'll see your recorded video on URSA Mini's LCD touchscreen. Your clips can also be viewed on any display connected to your URSA Mini's SDI outputs.



URSA Mini Camera

**TIP** Blackmagic URSA Mini has playback and transport controls buttons on both the internal and ergonomic control panels.

**NOTE** Blackmagic URSA Mini will play back clips of different quality settings as long as they are in the same codec, frame rate and resolution.



URSA Mini Pro 4.6K G2 Camera

Press the forward and reverse buttons to skip to the start or end of clips. Press the 'reverse skip' button once to go to the start of the current clip or press twice to skip back to the start of the previous clip. Hold the 'forward' or 'reverse skip' button to play or reverse at 2x speed. Once shuttling forward or backwards, press the 'fast forward' or 'reverse skip' buttons twice for 4x, three times for x8 and four times for x16. You can also use the forward and reverse skip buttons to open or close the iris on compatible lenses while recording clips.

When recording a clip using a sensor frame rate that differs from your project frame rate, your clip's playback speed will also differ. For example, imagine you have set your camera's project frame rate to match your post production timeline of 24 frames per second. If you record a clip with your sensor frame rate set to 60 frames per second, your clips will play back in slow motion on both the camera and on your post production timeline.

**TIP** Refer to the 'recording' section of this manual for more information about frame rate.

# Introduction to URSA Mini

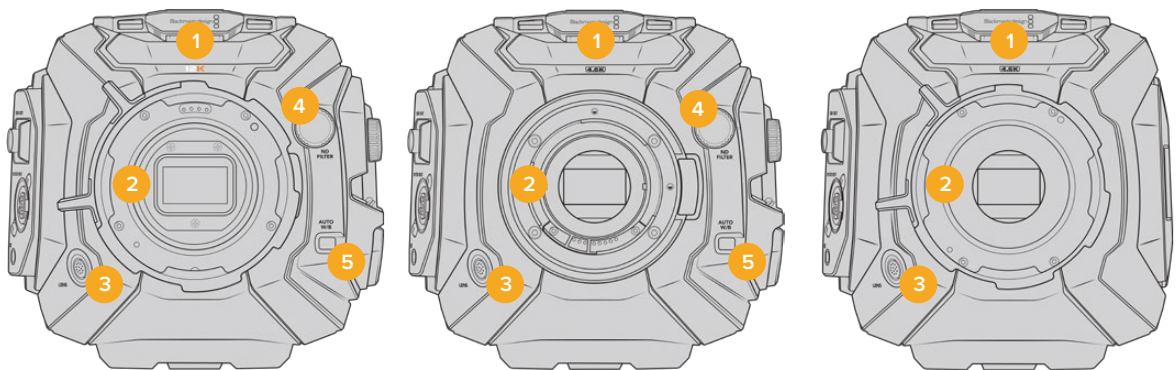
Industry standard BNC connectors are located on the right and rear panel of your URSA Mini for SDI connections. There are also two separate LANC inputs, one for the optional Blackmagic URSA Handgrip and one at the rear of the camera for an external LANC controller.

XLR inputs are on the top panel behind the mounting points for professional balanced analog audio on URSA Mini and URSA Mini Pro, and AES digital audio input on URSA Mini Pro. A 4 pin XLR connector is provided on the rear panel for external power input, and an output is available on the right side for powering accessories such as Blackmagic URSA Viewfinder.

The USB port above the storage media slots on your URSA Mini is for connecting to a computer when updating your camera's internal software.

**NOTE** URSA Mini Pro features additional ergonomic controls that make it easy to quickly access the camera's essential settings and functions without opening the foldout touchscreen.

## Camera Front



URSA Mini Pro 12K model

URSA Mini Pro 4.6K model

URSA Mini PL model

### 1 Stereo Microphone

Built in high quality stereo microphone. Refer to the 'settings' section for information on microphone audio settings.

### 2 Lens Mount

URSA Mini cameras feature either an EF or PL lens mount. URSA Mini Pro features an interchangeable lens mount that allows switching between EF, F, PL and B4 mounts. Refer to the 'interchangeable lens mount' section for more information.

### 3 Broadcast Lens Connector

This connector provides power and control to compatible PL and B4 mount lenses with 12 pin connections. This connector is only available on URSA Mini PL and URSA Mini Pro models. Refer to the 'using servo zoom lenses' section in this manual for a list of compatible lenses, including PL and B4 models.

### 4 ND Filters

Use this wheel to cycle through three built in neutral density filters, as well as a clear setting. See the section 'URSA Mini Pro control buttons' for more information.

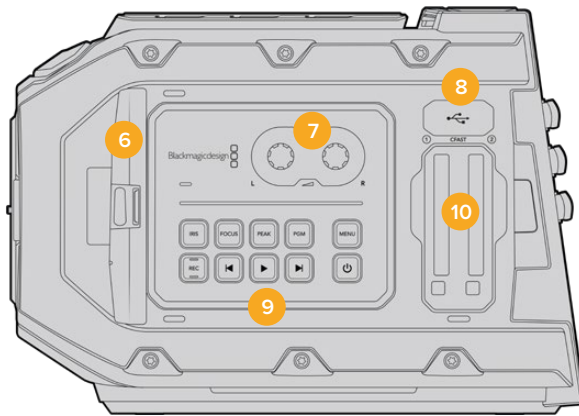


## 5 Auto White Balance

The auto white balance button is marked 'Auto W/B' and is used when you want to set the white balance based on what is currently in the center of the screen. For example, setting auto white balance on a gray card placed in front of the lens. See the section 'URSA Mini Pro control buttons' for more information.

## Left Side – URSA Mini

URSA Mini's left side panel lets you insert CFast cards, access the control panel and change settings. The USB port is located just above the CFast slots so you can easily plug into a computer when updating your URSA Mini's internal software.



## 6 Fold Out Touchscreen

5 inch fold out touchscreen monitor, pivots for viewing at different camera heights. Refer to the 'touchscreen controls' section for more information.

## 7 Audio Level Adjustment Knobs

Adjustment knobs to set the recording levels for audio channels 1 and 2. Refer to the 'URSA Mini controls' section.

## 8 Mini USB Port

Mini USB Port for updating internal software. Refer to the 'Blackmagic Camera Setup Utility' section for more information.

## 9 Control Panel Buttons

Buttons for powering the camera, record and playback control, focus peaking, accessing the settings menu, plus iris and auto focus control on compatible EF lenses. Refer to the 'URSA Mini controls' section for more information.

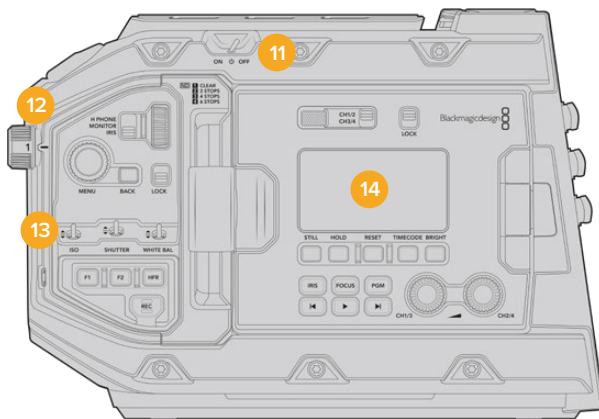
## 10 Memory Card Slots

Insert CFast 2.0 cards into the slots for record and playback. Refer to the 'storage media' section.

## Left Side – URSA Mini Pro

URSA Mini Pro's left side panel features additional controls for easy access to all of your camera's essential functions. These controls are split between the forward control panel, the ergonomic control panel located on the outside of the foldout touchscreen monitor, and a control panel on the inside of the foldout monitor.

CFast and SD card slots are located behind the foldout monitor. The USB-C port is above these memory card slots, and is used to connect to a computer to update your URSA Mini Pro's internal software.



URSA Mini Pro 4.6K model, foldout touchscreen closed

### 11 Power Switch

Power switch for turning on the camera. There is also a backup power switch inside the fold out monitor that allows the camera to be powered on by pressing both the record and forward skip buttons at the same time.

### 12 ND Filters

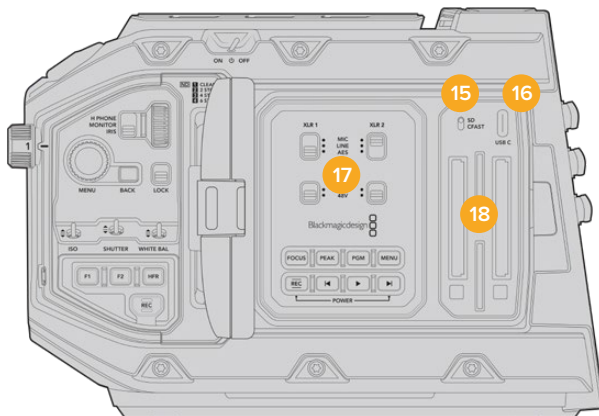
Your URSA Mini Pro has three internal neutral density filters to adjust the amount of light reaching the sensor. Four settings are available, ranging from clear to six stops of light reduction. Simply turn this wheel to move through the available settings. The filter will click into place for each setting. For more information see the section ‘URSA Mini Pro control buttons’ in this manual.

### 13 Forward Control Panel

The forward control panel provides quick access to all of your URSA Mini Pro’s essential functions. These controls are located for easy access when shooting on a tripod or on the shoulder, and you can use them to adjust settings such as ISO, shutter angle or shutter speed, iris, white balance, frame rate, and more. See the section ‘URSA Mini Pro control buttons’ for more information.

### 14 Ergonomic Control Panel

On the outside of your URSA Mini Pro’s foldout touchscreen monitor, you’ll find an LCD status monitor and a variety of controls for fast, powerful monitoring control. Here you can see all of your camera’s status information at a glance, as well as controlling a variety of powerful monitoring functions. See the section ‘URSA Mini Pro control buttons’ for more information.



URSA Mini Pro model, foldout touchscreen open

### 15 Storage Media Selection Switch

Use this switch to choose between CFast and SD storage media.

## 16 USB Port

USB-C port for updating internal software. See the section 'Blackmagic Camera Setup Utility' for more information. On URSA Mini Pro G2, you can also use this USB-C port to record to URSA Mini Recorder or an external USB-C flash disk.

## 17 Internal Control Panel

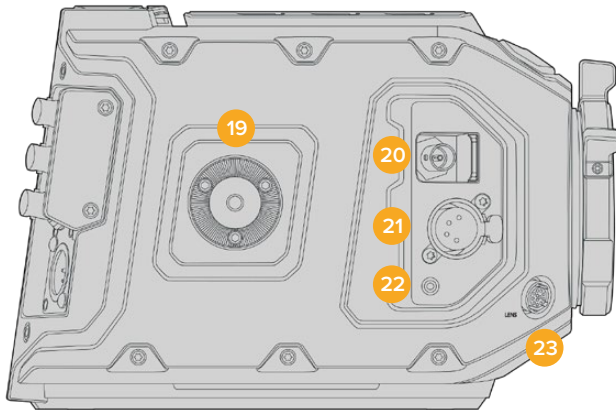
When your URSA Mini Pro's foldout monitor is open, you have access to the internal control panel. Use the controls here to set your audio inputs as well as phantom power settings. You can also access iris, focus, menu and playback controls and more. See the section 'URSA Mini Pro control buttons' for more information.

## 18 Memory Card Slots

Insert CFast 2.0 cards, SDXC or SDHC cards for record and playback. Please note that you should check the list of certified cards in this manual or on our website. See the section 'storage media' for more information.

## Right Side

URSA Mini's right side panel gives you access to all the video, audio and power connectors plus the rosette mount for the optional Blackmagic URSA Handgrip.



URSA Mini PL model

## 19 Side Rosette Mount

Standard rosette mount for the optional Blackmagic URSA Handgrip. Refer to the 'Getting Started', 'Blackmagic URSA Handgrip' and 'Blackmagic URSA Mini Shoulder Mount Kit' sections.

## 20 HD Monitoring Output

3G-SDI connector for down converted 1080HD output. Use with Blackmagic URSA Viewfinder or external monitors. Refer to the 'camera video output' and 'Blackmagic URSA Viewfinder' sections for more information.

## 21 +12V Power Output

4 pin XLR connector for powering Blackmagic URSA Viewfinder, Blackmagic URSA Studio Viewfinder or external monitors and accessories. Refer to the 'Blackmagic URSA Viewfinder' and 'Blackmagic URSA Studio Viewfinder' sections for more information. This output combined with the Broadcast Lens Connector supplies 12 Volts at up to 2 Amps in total.

## 22 LANC Input

Dedicated 2.5mm TRS LANC connector for the optional Blackmagic URSA Handgrip. Refer to the 'Blackmagic URSA Handgrip' section for more information on connecting the handgrip.

### 23 Broadcast Lens Control Connector

Provides power and control to compatible PL and B4 mount lenses with 12 pin connections. This connection is available on URSA Mini PL and URSA Mini Pro models. This output combined with the +12V Power Output supplies 12 Volts at up to 2 Amps in total.

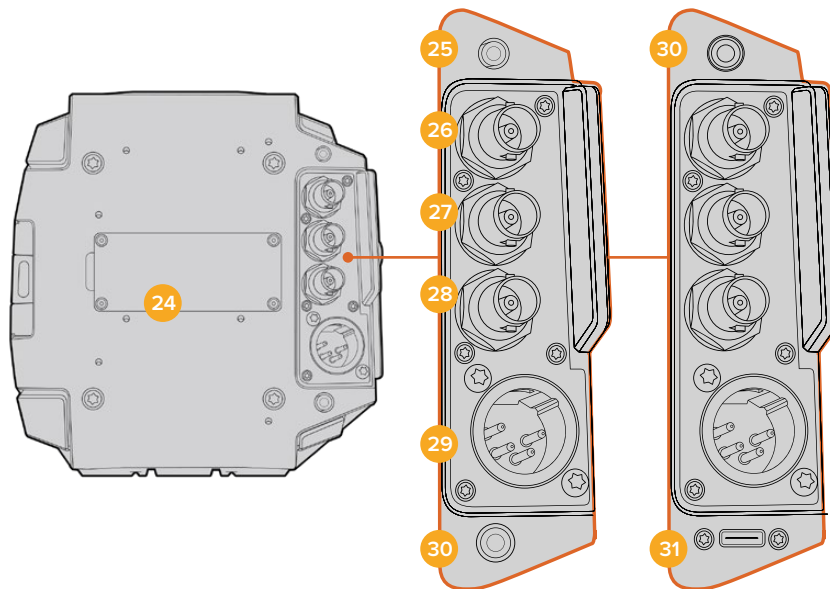
## Rear Panel

### 24 Battery Mount Plate

Your Blackmagic URSA Mini has mounting points and a recessed moxex connector to supply power to and from the camera as well as carrying some data information. The mounting holes are positioned so that you can attach optional accessories such as battery plates, Blackmagic Camera Fiber Converter or URSA Mini Recorder onto the back of the camera. When in use, the recessed moxex connector can output a regulated 12 Volts at up to 1.5 Amps. For more information, see the chapters for 'Mounting Batteries', 'Getting Started with Blackmagic Fiber Converters' and 'URSA Mini Recorder'.

### 25 LANC

This 2.5mm jack is used for external LANC remote control, such as an external record start stop control mounted to a tripod arm. LANC supports record start and stop, plus iris and focus control using compatible EF lenses. URSA Mini Pro 12K does not have a LANC port on the rear panel. For LANC control of URSA Mini Pro 12K, use the 2.5mm TRS 'LANC input' connector on the right side panel.



URSA Mini Pro 4.6K G2, URSA Mini Pro 4.6K,  
URSA Mini 4.6K and URSA Mini 4K

URSA Mini Pro 12K

### 26 12G-SDI Out

Blackmagic URSA Mini's 12G-SDI output is used to send HD and Ultra HD video to SDI equipment such as routers, monitors, SDI capture devices, and broadcast switchers. You can also connect the 12G-SDI output to an external recorder such as the Blackmagic Video Assist for backup recording.

### 27 12G-SDI In

The 12G-SDI input is used for connecting to a switcher or external recorder and can be used to view playback, talkback, tally or external reference signals. When used with an ATEM switcher, you can also adjust the camera functions using the switcher's 'camera control' feature.

If you're using URSA Mini in a live broadcast, you can plug in the switcher's program output and monitor it during the shoot, or check playback from an external recorder. Press and hold the 'pgm' button to see the program feed. For more information, refer to the 'control buttons' section for URSA Mini or 'ergonomic control panel' section for URSA Mini Pro.

To receive tally and talkback via the SDI input, make sure you have set your ATEM Camera ID in the camera's setup menu. If you want to use the SDI input to receive an external reference signal, you will need to select 'program' as your reference source in the setup settings. 'REF' will appear next to the timecode display on your camera's LCD screen when the external reference is locked. Refer to the 'setup settings' in the manual for more information.

On URSA Mini Pro the SDI Input can be used for feeding external timecode to the camera as well. This will lock to the incoming timecode automatically if the frame rate of the incoming SDI signal matches and has valid timecode. The 'EXT' logo will appear on URSA Mini Pro's LCD when external timecode is locked. If you unplug the cable timecode will remain jammed and the logo will switch to 'INT' to let you know it is now running from URSA Mini Pro's internal timecode clock.

## 28 Reference and Timecode In

This input automatically recognizes and switches between timecode and reference input signals. Synchronize Blackmagic URSA Mini to a common reference signal, such as tri-level sync, by connecting to the 'reference' BNC input marked 'REF In'. It's worth noting that to use a reference signal through this input, you must set your reference source to 'external' in your URSA Mini's setup menu.

Alternatively you can use this connector to match an external timecode source to sync up multiple cameras, or audio and picture when shooting dual-system. This ensures audio and picture, or video from multiple cameras, can be easily synchronized during post production. When external timecode with a matching frame rate is plugged into this connector the camera will lock to the incoming timecode automatically. The 'EXT' logo will appear on URSA Mini's LCD when external timecode is locked. If you unplug the cable, timecode will remain jammed and the logo will switch to 'INT' to let you know it is now running from URSA Mini Pro's internal timecode clock.

You can also set your camera to use the reference signal from an ATEM switcher via the SDI Input. This is helpful when working with ATEM switchers because all cameras can receive program return, camera control, tally, talkback, reference and timecode using a single SDI signal. See the 'setup settings' section in this manual for more information.

## 29 +12V Power Input

Use the 4 pin 12-20 Volt DC XLR connector to plug in power from external sources such as the supplied power adapter, or portable batteries.

## 30 Headphone/Headset

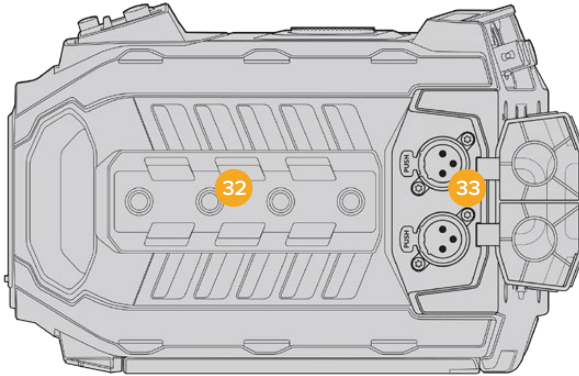
The 3.5mm jack output is used for headphone monitoring and talkback. You can plug in iPhone and Android compatible headsets that have a built in microphone for quick and easy talkback. Talkback audio is embedded in channels 15 and 16 of the SDI output.

**TIP** When using URSA Mini or URSA Mini Pro's 3.5mm jack for talkback, a very affordable option is using an iPhone or Android compatible headset. These typically feature inline button that can be used to mute and unmute their microphone. If you would like to use a broadcast headset without this inline switch you can configure your URSA Mini or URSA Mini Pro's function buttons to offer the same functionality. See the 'setup settings' section of this manual for more information.

### 31 USB Port

USB-C 3.1 Gen 2 port with locking connector for recording video from URSA Mini Pro 12K to an external flash disk.

## Top Panel



External analog audio can be plugged into the balanced XLR connectors on the top panel

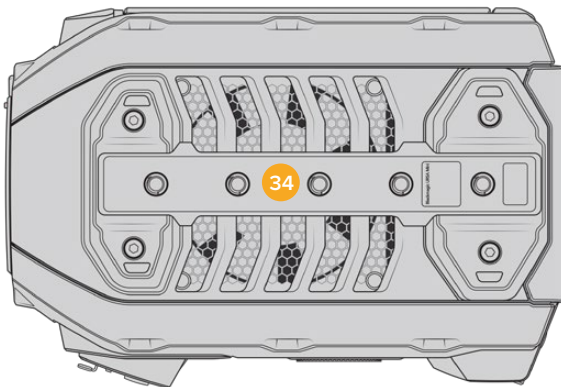
### 32 1/4 Inch Mounting Points

Your camera's top panel contains 4 strong mounting points for attaching the top handle and accessories.

### 33 XLR Audio In

Use the balanced XLR inputs to plug in external analog audio from professional equipment such as audio mixers, PA systems or external microphones. The XLR connectors supply 48V phantom power so you can use microphones that aren't self powered. Refer to the 'internal control panel' section for more information on phantom power.

## Underside

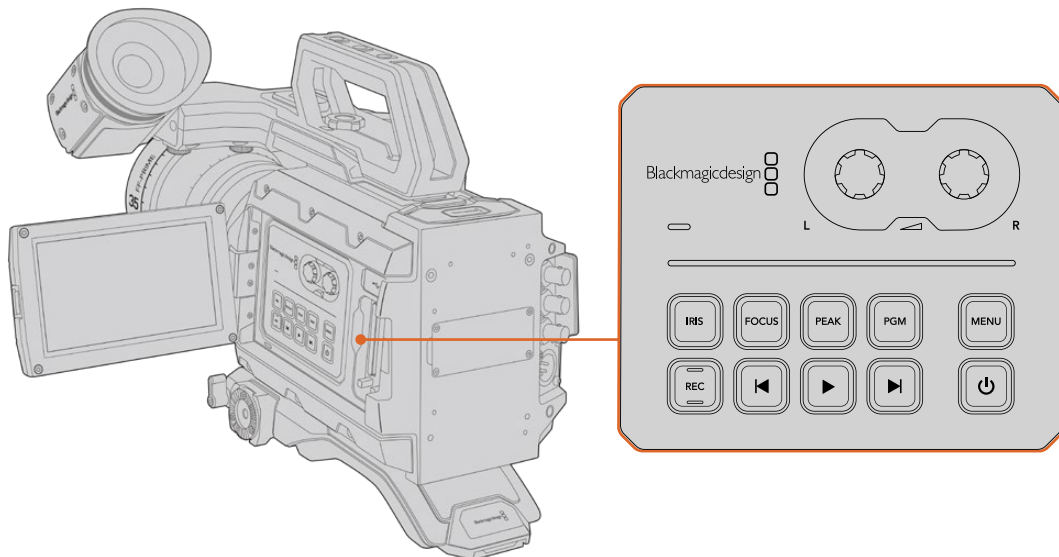


### 34 1/4 Inch Mounting Points

The 5 mounting points on the underside are used for attaching tripod heads, the optional URSA Mini shoulder mount kit and other accessories.

# URSA Mini Controls

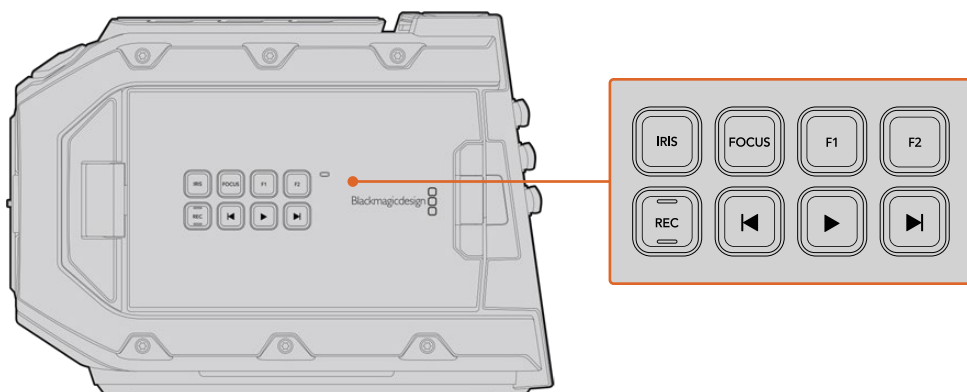
Your Blackmagic URSA Mini has a control panel on the left side, behind the fold out monitor and contains all the buttons and adjustment knobs you need to change settings and control audio levels. You can monitor your audio levels using the audio meters on the LCD touchscreen.



Adjust camera settings using the inside control panel buttons and touchscreen

## Control Buttons

In addition to the inside control panel, your Blackmagic URSA Mini has control buttons on the outside of the LCD and on the optional Blackmagic URSA Handgrip. The iris, focus, record and playback buttons all perform the same function.



The outside panel buttons let you record and play back clips, turn focus peaking on or off, switch between the program and camera view on the LCD, plus adjust the iris and auto focus when using compatible EF lenses

### Iris

The 'Iris' button activates the automatic aperture setting on compatible lenses. When using video dynamic range settings, a single press of the iris button will set an average exposure based on the highlights or shadows in your shot. When using film dynamic range settings, pressing the iris button sets your exposure to the brightest highlight in your shot.



On URSA Mini EF models, this button works with compatible EF lenses.  
On URSA Mini PL models, this button works with compatible lenses connected to the broadcast lens controller.

To set your aperture manually, press the forward and reverse skip transport buttons.

### **Focus**

When using an EF mount with an EF lens that supports electronic focus adjustments, press the 'focus' button to activate auto focus. A white focus square will appear on the fold out monitor. Anything within the square will be correctly focused. When the lens is focused, the square will disappear.

**NOTE** It's important to know that while most EF lenses support electronic focus, some lenses can be set to manual or auto focus modes, and so you need to ensure your lens is set to auto focus mode.

### **Peak**

Press the peak button to activate focus peaking. Your camera has two focus peaking modes, traditional focus peaking, which artificially sharpens areas of the image that are in focus, and 'colored lines' which overlays the sharp areas of your image with black, white, red, green or blue colored lines. See the 'monitor settings' section of this manual for more information. Focus peaking is not recorded to storage media, but can be displayed via the HD monitoring output and on the fold out monitor by activating overlays using the touchscreen menu.

### **Program**

The program button is marked PGM and lets you switch the LCD between the camera view and any signal plugged into the 12G-SDI input on the rear panel. This means if you're using URSA Mini in a live broadcast, you can plug in the switcher's program output and monitor it during the shoot. Press and hold the program button to see your program feed. The program feed will continue to display whilst the program button is being held. Double pressing the program button will switch to the program feed, and pressing the program button again will exit the program feed. It's worth mentioning that to display a switcher's program output, your camera and switcher must be set to the same frame rate.

**NOTE** When you are setting your reference source for URSA Mini, or URSA Mini Pro, you may experience a small dropout on your camera's outputs when switching between your reference sources. This is because the camera is adjusting its referencing timing to match that of the external source. For this reason it is important not to change this setting during a production, only whilst setting up.

### **Menu**

Press the 'menu' button to open the dashboard. Refer to the 'settings' section for more information about the dashboard feature and how to adjust settings.

## Record

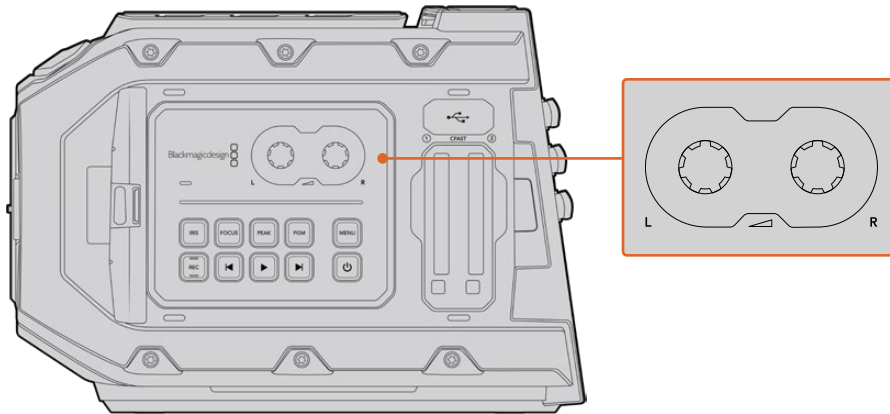
The 'record' button is marked REC on your Blackmagic URSA Mini's control panel, fold out LCD and on the optional Blackmagic URSA Handgrip. Press any of the record buttons to start and stop recording. Refer to the 'recording' section for more information.

## Playback Control Buttons

The playback buttons let you start and stop playback, plus skip to the next or previous clip. On Blackmagic URSA Mini EF, the forward and reverse skip buttons can also be used to open or close the iris when using compatible lenses. Refer to the 'playback' section for more information on how to use the playback buttons.

## Audio Level Adjustment Knobs

Use the built in adjustment knobs to set the recording levels for audio channels 1 and 2. Turn each knob clockwise or counterclockwise to increase or decrease the recording level for each channel of audio. Monitor the corresponding on screen audio meters as you adjust each knob so you can see the best level to set it to.



Turn the audio level adjustment knobs clockwise or counterclockwise to increase or decrease your audio recording levels

## Function Buttons

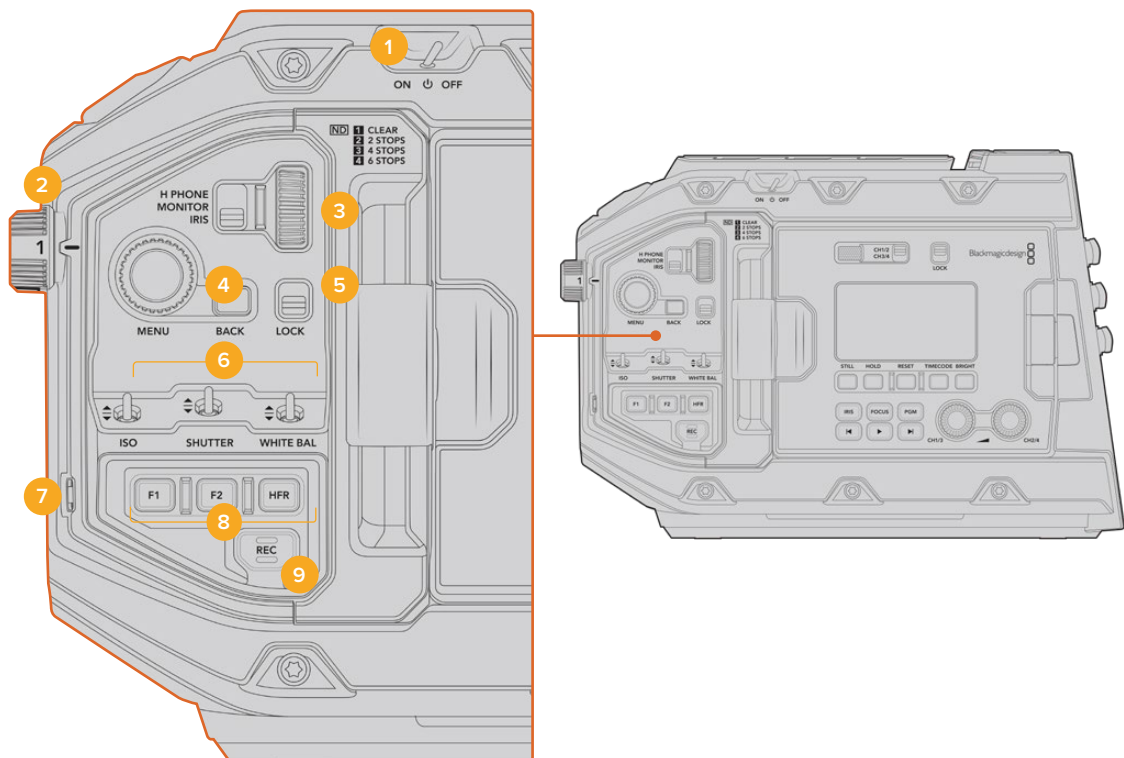
On the outside of Blackmagic URSA Mini's LCD there are two 'function' buttons marked F1 and F2. You can map these to your choice of a variety of commonly used functions using your URSA Mini's 'setup' menu. For more information, see the 'setup settings' section of this manual.

# URSA Mini Pro Control Buttons

Blackmagic URSA Mini Pro has control panels on the chassis, outside and inside of the foldout touchscreen monitor to give you quick, easy access to all of its essential functions as well as powerful monitoring tools. These panels are designed to be close to hand whether shooting from a tripod, handheld or with the shoulder mount kit.

## Forward Control Panel

Your URSA Mini Pro's forward control panel groups together all of the controls you might need to adjust when setting up a shot and recording. These are all designed for easy access while shooting with the foldout monitor closed, such as when using the shoulder mount kit.



URSA Mini Pro 4.6K forward control panel

### 1 Power Switch

Power your URSA Mini Pro by moving this switch to the 'on' position. Power off by moving the switch to the 'off' position.

**TIP** You can also power your URSA Mini Pro on or off via a combination of control panel switches. Holding the 'rec' and 'forward skip' buttons will power up the camera if it is turned off, or power it off if it is turned on. If your camera's power switch is set to 'on' but your camera is powered down, it may have been powered down via the control panel. Toggle the power switch to return it to normal operation.

## 2 ND Filters

Your URSA Mini Pro has three internal neutral density filters. Together with a clear filter, the available settings are '2,' '4' and '6' stops. These filters allow you to reduce the amount of light reaching your URSA Mini's sensor by a preset number of exposure 'stops'. By reducing the exposure, you can continue shooting at wide apertures in bright conditions such as outdoors on sunny days.

To adjust your neutral density setting, rotate the wheel upwards or downwards. The 'clear' setting means there is no ND filter being used. From settings 2 to 4, the ND filters gradually increase in density so you can decrease light if you need to.

Because different people prefer to use different terms for each ND filter, the measurement of your ND settings can be customized in the LCD menu. You can identify the ND filter number, amount of stops in light reduction, or the fraction representing the amount of light reduced for the filters to suit your preference.

### Neutral Density Filter Settings

Wheel position	ND number	Stops	Fraction
1	clear	0	1
2	0.6	2	1/4
3	1.2	4	1/16
4	1.8	6	1/64

## 3 Settings Wheel

Set this wheel's function by adjusting the adjacent three position switch next to the wheel. The options are 'headphone,' 'monitor' and 'iris'.

### Headphone

When set to 'headphone', the settings wheel will adjust headphone audio levels. Rotate the wheel upwards to increase volume, and downwards to decrease.

### Monitor

When set to 'monitor', the settings wheel adjusts audio levels on your URSA Mini Pro's built in monitor speaker. The speaker is located on the outside of the LCD monitor door and can be used to monitor audio without headphones. Rotate the wheel upwards to increase volume, and downwards to decrease. This function is disabled while recording from the camera's internal microphone to prevent unwanted feedback.

### Iris

When set to 'iris', the settings wheel is used to adjust the aperture of compatible lenses mounted to your URSA Mini Pro. Rotating the wheel downwards opens the iris, and turning the wheel upwards closes the iris. These directions mimic the operation of aperture on adjustable still and cinema lenses.

**TIP** To change aperture settings via the settings wheel, URSA Mini Pro must be fitted with a lens that supports changing aperture via the camera. If you are using a B4 or PL lens connected via the broadcast 12 pin connector, make sure that the lens iris switch on the handgrip is set to 'A' or 'auto'.

#### 4 Menu Wheel

When 'status text' is turned on for your URSA Mini Pro's front SDI output, you can use the menu wheel to navigate many of the head up display features usually accessed via the LCD touchscreen.

Simply press the menu wheel as you would a button to access your URSA Mini Pro's head up display on an external monitor such as Blackmagic SmartView, Video Assist or URSA Viewfinder. While the menu wheel is active, turn the wheel to select features such as LCD monitor options, frame rate, ISO, white balance and tint. Press the wheel to confirm selections and make additional changes, and use the 'back' button next to the wheel to cancel. You can also use the back button to move up a menu level, or exit the menu completely if you're at the top level. On URSA Mini Pro 4.6K, the menu will automatically close after one minute of inactivity.

For more information on setting status text and the controls available, see the 'touchscreen controls' and 'monitor settings' sections of this manual.

#### 5 Lock

Toggle this switch to lock all of the controls on the forward control panel to prevent them from being accidentally adjusted while shooting. Move this switch to the lower position to lock, and the upper position to unlock.

**TIP** When shooting in busy or uncontrolled environments, you can lock your URSA Mini Pro's forward control panel when you leave your camera unattended. This ensures that your settings are not changed unintentionally by others.

#### 6 ISO, Shutter and White Balance Switches

These small switches are used to adjust your ISO, white balance, and shutter settings. They are helpful when you want to make fast adjustments without taking your eyes off the shot. Gently push the switches up or down to make setting adjustments. The switches are spring loaded so they always return to a neutral position.

##### ISO

Push this switch up or down to adjust your camera's ISO setting. Pushing up will increase the setting one interval, and pushing down will decrease one interval. The available settings are 200, 400, 800 and 1600 for URSA Mini and 200, 400, 800, 1600 and 3200 on the URSA Mini Pro.

##### Shutter

Use this switch to adjust the camera's shutter angle or shutter speed, depending on what you have selected in the setup menu. Pushing up will increase the shutter angle or shutter speed to the next available preset, and pushing down will decrease the shutter angle or shutter speed to the next available preset. Holding the switch up or down will move more quickly through available values. There are twenty shutter angle presets between 11.2 and 360 degrees.

**TIP** Your URSA Mini Pro can also suggest flicker free shutter angles or shutter speeds based on the power frequency in your region. These must be selected through the LCD touchscreen menu. For more information see the 'touchscreen controls' section in this manual.

### **White Balance**

This switch is used to adjust the camera's white balance. Pushing up will increase the color temperature by 50K, and pushing down will decrease it by 50K. Holding the switch up or down will move more quickly through available values.

### **7 Auto White Balance**

Pressing this button will reveal a white 'auto white balance' box in the center of the LCD for five seconds. This box will also appear on any SDI output that has 'status text' enabled in the menu settings. The white box indicates the specific area of your image where the white balance will be calculated from, so your gray card should be positioned within this box. Pressing and holding the 'Auto W/B' button for three seconds will perform an 'auto white balance', and the square will change from white to green to confirm that this has been performed successfully.

For more information on enabling status text for your URSA Mini Pro's front or main SDI outputs, see the 'monitor settings' section in this manual.

### **8 F1 and F2**

The F1 and F2 keys are 'function' keys that can be programmed to a variety of commonly used functions using your URSA Mini Pro's 'setup' menu. By default, F1 is set to 'false color' while F2 is set to 'display LUT'.

For more information, see the 'touchscreen controls' section of this manual.

### **HFR**

Use the HFR or high frame rate button to toggle off speed frame rates. To use this button, simply set the off speed frame rate you'd like to use in your URSA Mini Pro's 'frame rate' menu. Pressing this button will toggle between your chosen off speed frame rate and project frame rate. It's worth mentioning that this setting can only be adjusted when the recording is stopped. The HFR button also operates as a 'function key' that you can program to a variety of commonly used functions, or can be disabled.

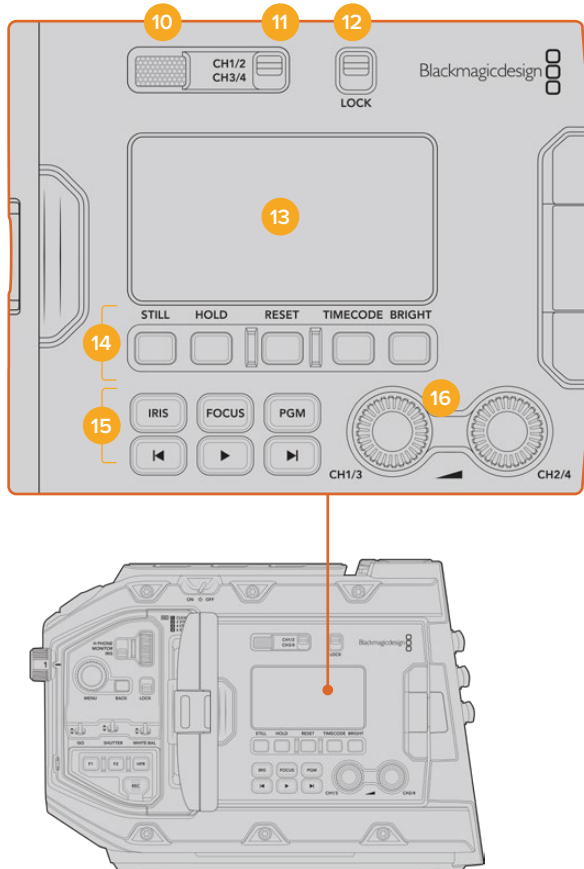
For more information on project and off speed frame rates, see the 'touchscreen controls' section in this manual.

### **9 Record**

The 'record' button is marked REC on your Blackmagic URSA Mini Pro's left side. Press the record button to start and stop recording. Refer to the 'recording' section for more information.

## Ergonomic Control Panel

On the outside of your URSA Mini Pro's touchscreen monitor, you'll find an LCD status monitor and a variety of monitoring controls. This panel lets you see all of your camera's status information at a glance, as well as monitoring and adjusting audio levels. Automatic focus can be set using compatible lenses and the transport controls let you playback clips.



URSA Mini Pro 4.6K ergonomic control panel

### 10 Monitor Speaker

The small speaker built into the outside control panel lets you monitor audio when in playback. It is located where your ear would normally be when shooting with the camera on your shoulder.

To adjust the volume of the speaker, simply rotate the settings wheel as described in the 'URSA Mini Pro Control Buttons' section.

### 11 Monitor Channel Select

Your URSA Mini Pro supports two channels of audio.

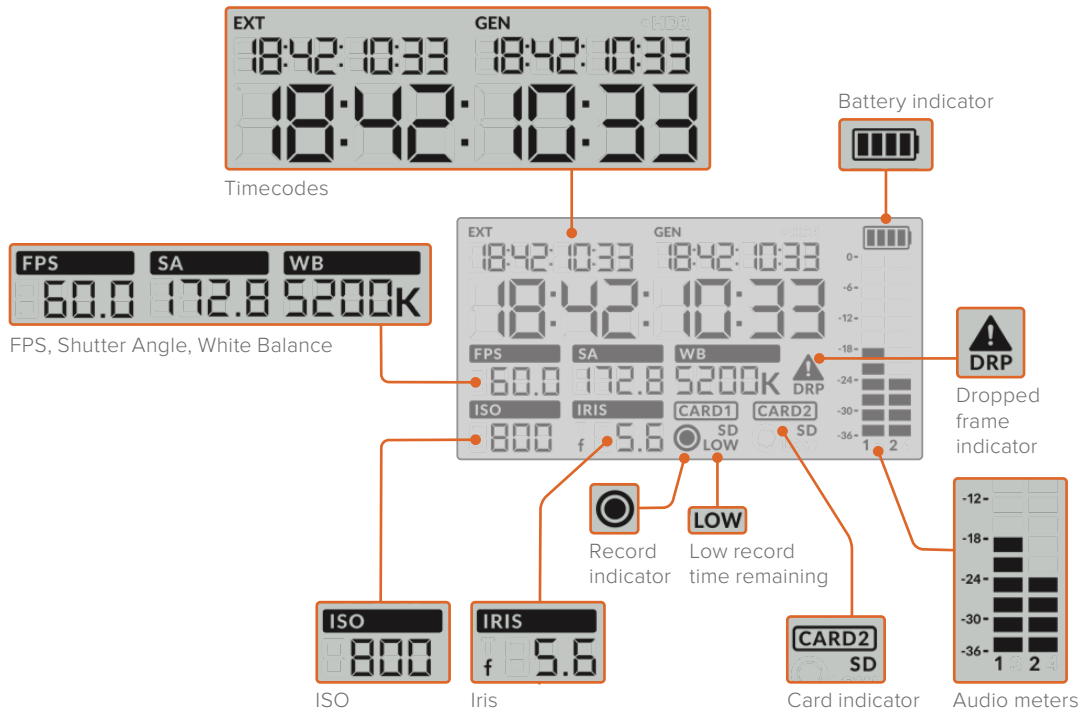
### 12 Lock

Use this switch to lock all of the settings on your URSA Mini Pro's ergonomic control panel. The only controls that will remain active while the lock switch is 'on' are the monitor channel select switches.



### 13 Status LCD

This display shows you your URSA Mini Pro's essential settings at a glance, without needing to open the internal touchscreen. This screen is designed to be visible even in bright daylight. The following information is available:



#### Timecodes

Your URSA Mini Pro displays three timecodes. If you have an external timecode connected, this will be shown under the 'ext' indicator in the top left of the status LCD. Your URSA Mini's internally generated timecode is shown next to this under the 'gen' indicator. Both the external and generated timecodes are shown in hours, minutes, seconds and frames.

The larger, main timecode indicator displays your current timecode as either clip duration or timecode. You can switch between these two display modes by pressing the 'timecode' button underneath the status LCD.

#### Battery indicator

If your URSA Mini Pro is running on battery power, this indicator displays remaining battery life in 25% increments. Each of the battery indicator's four bars corresponds to 25% battery life remaining. When your battery drops below 20% charge, the color of the status LED, near the record button begins to flash. It will alternate slowly between red and orange during recording and alternate between white and orange during standby mode.

If the mains power connector is plugged into your camera, the battery indicator shows as full.

#### FPS, Shutter Angle, White Balance

The 'FPS,' 'SA,' and 'WB' indicators display your camera's current frame rate, shutter angle and white balance. The 'fps' indicator shows the current sensor frame rate.

For more information on sensor and project frame rates, see the 'touchscreen controls' section in this manual.

**ISO**

Displays your camera's currently set ISO.

**Iris**

Displays your current lens aperture. Depending on your lens type, this will be displayed as an 'f' or 'T' stop.

**Card Information**

The 'card 1' and 'card 2' indicators will appear on your URSA Mini Pro's status LCD when these slots are occupied.

The 'SD' indicator appears if you are recording on SD cards, and disappears if you are recording on CFast cards.

**Record Indicator**

While recording, a circular indicator will appear under the card or cards being currently written to.

**Low Time Remaining**

A 'low' indicator will appear under the relevant card when you have approximately 5 minutes of record time remaining.

**Audio Meters**

The peak audio meters display audio levels when using the internal microphone, or via external audio when connected. The display is calibrated to dBFS units and features peak hold indicators which stay visible for a short time so you can clearly see the maximum levels reached.

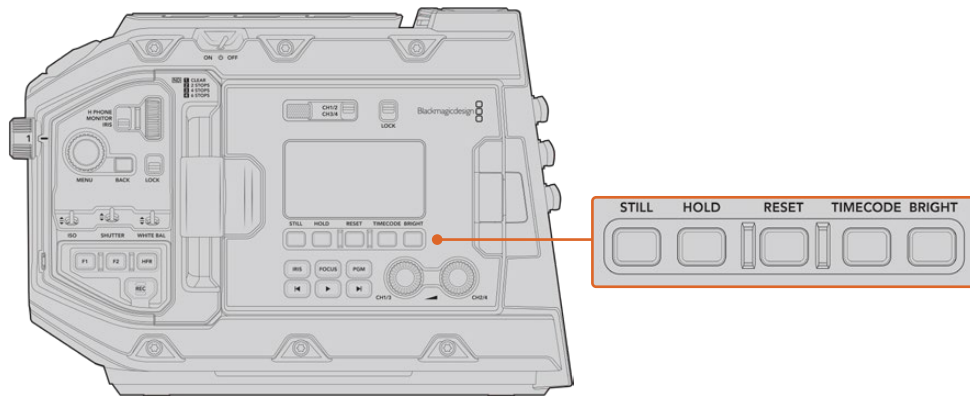
To achieve optimum audio quality, ensure your audio levels do not reach 0 dBFS. This is the maximum level that your camera can record, meaning that any audio that exceeds this level will be clipped, resulting in distortion.

**Dropped Frame Indicator**

This indicator will flash when your camera detects dropped frames. Once you stop recording, the indicator will remain on the screen to let you know that the previous clip detected dropped frames. This warning disappears the next time you start recording, or if you power cycle the camera. For more information on avoiding dropped frames, see the 'storage media' section in this manual.

**NOTE** You can set your URSA Mini Pro to stop recording if dropped frames are detected. See the 'record settings' section in this manual for more information. This feature is user selectable as you may be able to get away with brief periods of 'burst' recording at higher frame rates or resolutions when shooting to slower media.

## 14 Status LCD Controls



URSA Mini Pro 4.6K status LCD controls

### Still

Press this button to capture a still image. 12K models will capture stills as a single Blackmagic RAW frame. URSA Mini Pro 4.6K models will record stills as a single uncompressed DNG frame. Image files will be saved to the 'stills' folder in the root directory of the media you are currently recording to. These will follow the file naming convention for video clips but the filename will have an 'S001' representing the 'still number' as the last four digits of the filename. To confirm you have successfully saved a still, an image of a camera will show in the top right corner of the URSA Mini touchscreen and the record indicator on the status LCD will flash three times.

### Hold

Use this button to temporarily hold the main status LCD timecode when the timecode is in free running time of day code. The timecode will continue to run in the background and return to its actual position when you release the 'hold' button. While holding you can take note of the timecode for a particular event. This can be useful in electronic news gathering or documentary situations for noting key timecode points.

### Reset

The reset button allows you to reset the timecode to 00:00:00:00 when you are setting your preset timecode.

### Timecode

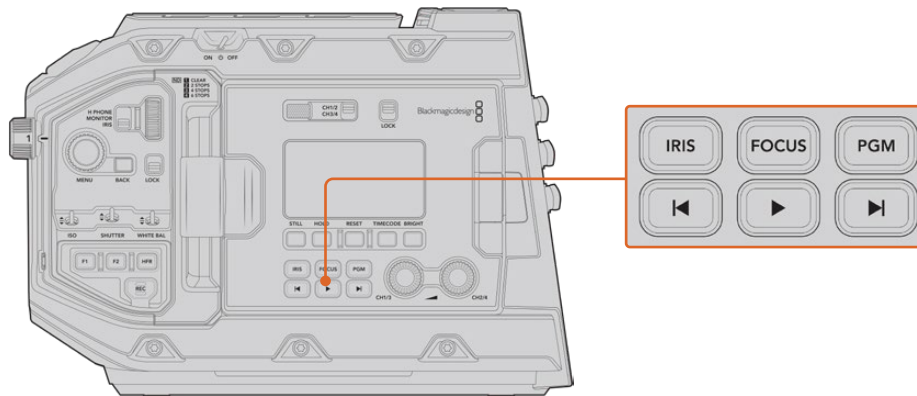
Press the 'timecode' button to toggle the main timecode display's format between clip duration and timecode. By default the timecode will be free running time of day code as this is the most frequently used. If you press and hold the 'timecode' button for five seconds it will switch the camera into record run timecode and the timecode generator will flash as well as the first two digits of the large timecode display. This indicates that you are now editing your preset timecode and allows you to set a specific timecode number for your preset timecode.

Pressing 'reset' at this stage will zero the timecode and then you can turn and press the menu wheel to set the desired value starting with hours, minutes, seconds and then frames. When you are happy with the timecode, press and hold the 'timecode' button again for three seconds to set this as your preset timecode point. You will notice that the timecode generator now shows this value and will only increment when the camera is recording giving you continuous ascending timecode values. To switch your timecode back to free running time of day code, press the 'timecode' and 'hold' buttons simultaneously for three seconds.

### Bright

Press the 'bright' button to cycle through four brightness settings for your URSA Mini Pro's LCD status display. The settings are 'off,' 'low,' 'medium' and 'high.'

## 15 Control and Playback Buttons



URSA Mini Pro 4.6K control and playback buttons

### Iris

The 'iris' button activates the automatic aperture setting on compatible lenses. When using video dynamic range settings, a single press of the iris button will set an average exposure based on the highlights or shadows in your shot. When using film dynamic range settings, pressing the iris button sets your exposure to the brightest highlight in your shot. This button works with compatible EF lenses and PL lenses connected with a compatible broadcast lens controller.

To set your aperture manually, press the forward and reverse skip transport buttons.

### Focus

When using an EF lens that supports electronic focus adjustments, press the 'focus' button to activate auto focus. A white focus square will appear on any viewfinder or monitor connected to your URSA Mini Pro. Anything within the square will be correctly focused. When the lens is focused, the square will disappear.

**NOTE** Some lenses have both manual and auto focus modes. In order for URSA Mini Pro to be able to auto focus with your lens, you need to ensure that your lens is set to auto focus mode.

### Program

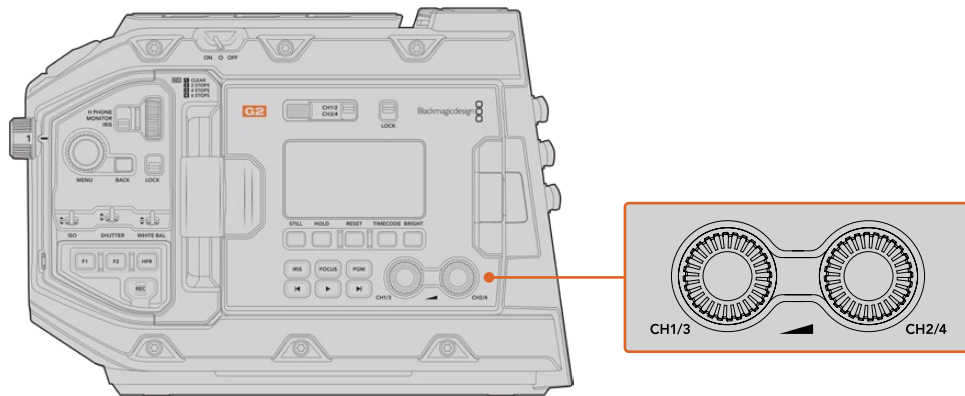
The program button is marked PGM and lets you switch the LCD between the camera view and any signal plugged into the 12G-SDI input on the rear panel. This means if you're using URSA Mini Pro in a live broadcast, you can plug in the switcher's program output and monitor it during the shoot. Press and hold the program button to see your program feed. The program feed will continue to display whilst the program button is being held.

If you want to lock the monitor to display the program input feed, then double press the program button to lock the display to the program feed. Pressing the program button again will exit the program feed and return to the camera view.

### Playback Control Buttons

The playback buttons let you start and stop playback, plus skip to the next or previous clip. When using an EF lens, the forward and reverse skip buttons can also be used to open or close the iris when using compatible lenses. Refer to the 'playback' section for more information on how to use the playback buttons.

## 16 Audio Level Adjustment Knobs

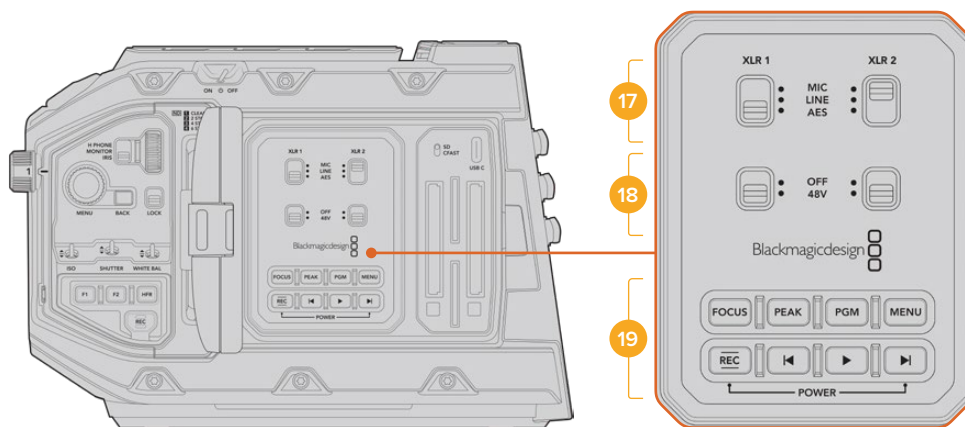


URSA Mini Pro 4.6K G2 audio adjustment knobs

Use the built in adjustment knobs to set the recording levels for audio channels 1 and 2. Turn each knob clockwise or counterclockwise to increase or decrease the recording level for each channel of audio. Monitor the corresponding on screen audio meters as you adjust each knob so you can see the best level to set it to.

## Internal Control Panel

With your URSA Mini Pro's foldout monitor open, you can access the internal control panel. Use the controls here to set your audio inputs as well as phantom power settings, iris, focus, menu and playback controls and more.



URSA Mini Pro internal control panel

### 17 XLR1 / XLR2

Use these switches to set how your URSA Mini Pro's XLR inputs behave when selected as an input source. The options available are mic audio, line level audio and AES digital audio.

### 18 Phantom Power

Your URSA Mini Pro's XLR inputs can provide 48V phantom power so you can use microphones that aren't self powered. Move this switch to '48V' to enable phantom power for any microphone connected to the XLR above, or 'off' to disable phantom power.

**NOTE** It is standard practice to plug in your XLR cable before switching phantom power on. It is also important to switch phantom power to 'off' when you no longer have a phantom powered microphone connected. Connecting devices that don't have phantom power protection built into their AES XLR outputs whilst still sending phantom power from the camera's XLR audio inputs may damage your equipment. Always ensure that the 48V switch is turned 'off' when you disconnect your microphone.

## 19 Control and Playback Buttons

### Focus

When using an EF mount with an EF lens that supports electronic focus adjustments, press the 'focus' button to activate auto focus. A white focus square will appear on the fold out monitor. Anything within the square will be correctly focused. When the lens is focused, the square will disappear.

**NOTE** Some lenses have both manual and auto focus modes. In order for URSA Mini to be able to auto focus with your lens, you need to ensure that your lens is set to auto focus mode.

### Peak

Press the 'Peak' button to activate focus peaking. Your camera has two focus peaking modes, traditional focus peaking, which artificially sharpens areas of the image that are in focus, and 'colored lines' which overlays the sharp areas of your image with black, white, red, green or blue colored lines. See the 'monitor settings' section of this manual for more information. Focus peaking is not recorded to storage media, but can be displayed via the HD monitoring output and on the fold out monitor by activating overlays using the touchscreen menu.

**TIP** If you are recording your video output to a Blackmagic Video Assist or HyperDeck Studio Mini, you may want to ensure that you don't have peaking switched on for that output. This can be done by using our 'clean feed' feature on your front SDI or main SDI.

For more information on outputting a 'clean feed' see the 'monitor settings' section in this manual.

### Program

The program button is marked PGM and lets you switch the LCD between the camera view and any signal plugged into the camera's 12G-SDI input. This means if you're using URSA Mini Pro in a live broadcast, you can plug in the switcher's program output and monitor it during the shoot. Press and hold the program button to see your program feed. Double press the button to lock the program feed on. Press again to turn the program feed off.

To display a switcher's program output, your camera and switcher must be set to the same resolution and frame rate.

### Menu

Press the 'menu' button to open the dashboard. Refer to the 'settings' section for more information about the dashboard feature and how to adjust settings.

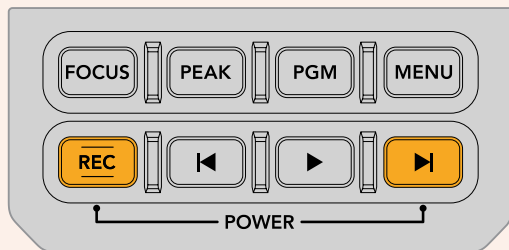
## Record

Press any of the record buttons marked REC to start and stop recording. Refer to the 'recording' section for more information.

## Playback Control Buttons

The playback buttons let you start and stop playback, plus skip to the next or previous clip. When using the EF mount, the forward and reverse skip buttons can also be used to open or close the iris when using compatible lenses. Refer to the 'playback' section for more information on how to use the playback buttons.

**NOTE** You can power your URSA Mini Pro on or off via a combination of internal control panel buttons. Holding the 'rec' and 'forward skip' buttons will power up the camera if it is turned off, or power it off if it is turned on. If your camera's power switch is set to 'on' but your camera is powered down, it may have been powered down via the control panel. Toggle the power switch to return it to normal operation.



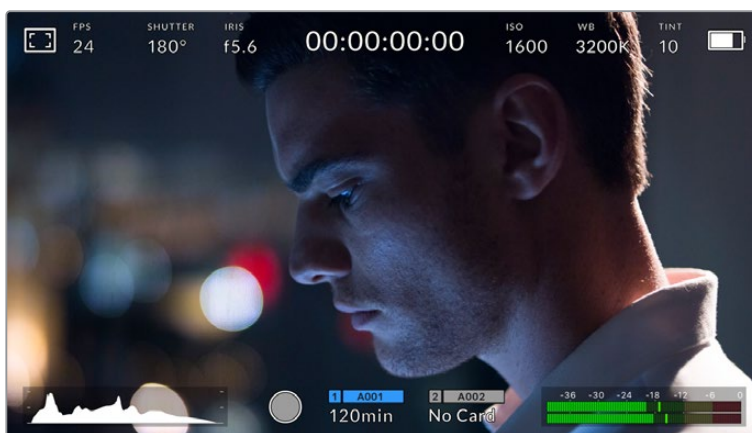
# Touchscreen Controls

## Touchscreen

Your Blackmagic URSA Mini's fold out LCD touchscreen pivots for shooting high and low angles. Buttons on the outside of the LCD panel let you control your URSA Mini when mounted on your shoulder using the URSA Viewfinder and the LCD closed.

## Touchscreen Features

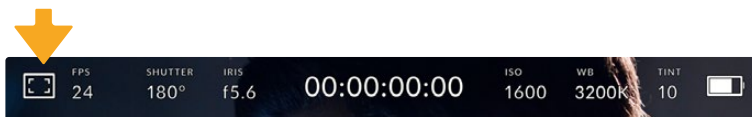
The LCD touchscreen features a touch and gesture based interface that is specifically designed for fast and intuitive user operation. By touching and swiping on different areas of URSA Mini's LCD touchscreen, you can quickly access the camera's functions while shooting.



Your URSA Mini's LCD touchscreen has a comprehensive head up display and gives you easy access to your camera's most used settings

## LCD Monitor Options

Tap the 'monitor' icon at the top left of your URSA Mini's LCD touchscreen to access the LCD monitor settings. These settings let you toggle and adjust the appearance of your URSA Mini's monitoring features, including zebra, focus assist, frame guide, and grids. When accessing LCD monitor options, the controls for these features appear in a tabbed menu along the bottom edge of the LCD touchscreen.



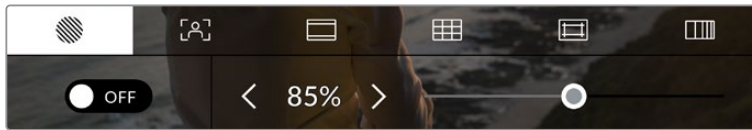
Tap the icon at the top left of your URSA Mini's LCD touchscreen to access LCD monitor options

### Zebra

The 'zebra' setting toggles the appearance of zebra on the LCD touchscreen, as well as setting the zebra level for all URSA Mini outputs.



Zebra displays diagonal lines over areas of your image that exceed a set exposure level. For example, setting zebra to 100% shows which areas are completely overexposed. This is useful for achieving optimum exposure in fixed lighting conditions.



Tap the 'zebra' icon while accessing 'LCD monitor options' to access your URSA Mini's zebra settings

To toggle zebra for the LCD touchscreen, tap the switch icon in the bottom left of the screen while in the 'zebra' tab.

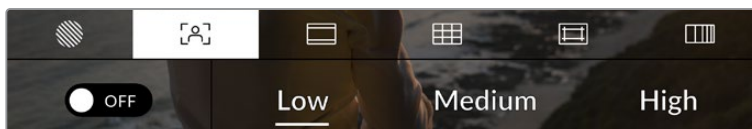
Set the exposure level that zebra appears at by dragging the slider left and right, or tapping the arrow buttons next to the zebra level percentage. Zebra level is adjustable in five percent increments between 75 and 100 percent exposure.

For information on enabling zebra on your camera's front and main SDI outputs, see the 'monitor settings' section in this manual.

**TIP** If you're shooting in variable light such as outdoors on a partly overcast day, setting your zebra level lower than 100 can warn you of potential overexposure.

### Focus Assist

The 'focus assist' setting toggles the appearance of focus assist on the LCD touchscreen, as well as setting the level of focus assistance for all outputs on your URSA Mini.



Tap the 'focus assist' icon while accessing 'LCD monitor options' to access your URSA Mini's focus assist settings

To toggle focus assistance for the LCD touchscreen, tap the switch icon in the bottom left of the screen while in the 'focus assist' tab.

To set the level of focus assistance for all outputs on your URSA Mini, tap the 'low,' 'medium' or 'high' titles along the bottom of your touchscreen.

The optimum level of focus assistance varies shot by shot. When focusing on actors, for example, a higher level of focus assistance can help resolve edge detail in faces. A shot of foliage or brickwork, on the other hand, may show distracting amounts of focus information at higher settings.

For information on enabling focus assist on your camera's front and main SDI outputs, see the 'monitor settings' section in this manual.

**TIP** Your URSA Mini has two focus assist modes. You can switch between 'peaking' and 'colored lines' focus assistance in the 'monitor' settings menu. For more information, see the 'monitor settings' section in this manual.

## Touch to focus

You can focus compatible lenses in any region of the image by pressing the LCD screen for a moment where you want to focus. The camera will focus your lens in the chosen location.

Pressing the 'focus' button on the camera or the optional handgrip following this will trigger auto-focus in that specified region. Double pressing the 'focus' button will reset the focus point to the center of the screen.



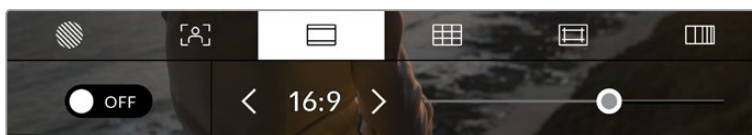
URSA Mini LCD touchscreen with press to focus

**TIP** If the 'heads up display' is obscuring the area you wish to focus whilst using 'touch to focus', simply swipe it up or down to move it out of the way.

## Frame Guides

The 'frame guide' setting toggles the appearance of frame guides on the LCD touchscreen. You can also choose from eight frame guide options for all outputs on your URSA Mini.

Frame guides include aspect ratios for various cinema, television and online standards.



Tap the 'frame guides' icon while accessing 'LCD monitor options' to access your URSA Mini's frame guide settings

To toggle the appearance of frame guides on your URSA Mini's LCD touchscreen, tap the switch icon in the bottom left of the screen.

Choose the frame guide you want to use by dragging the slider left and right, or tapping the arrow buttons on either side of the currently selected aspect ratio.

The available guides are:

### **2.35:1, 2.39:1 and 2.40:1**

Displays the broad widescreen aspect ratio compatible with anamorphic or flat widescreen cinema presentation. The three widescreen settings differ slightly based on the changing cinema standards over time. 2.39:1 is one of the most prominent standards in use today.



The LCD touchscreen with 2.40:1 frame guides enabled

### **1:1**

URSA Mini Pro can display a square format 1:1 frame guide when composing shots for social media material.

### **2:1**

Available on the URSA Mini Pro, this displays a ratio slightly wider than 16:9 but not as wide as 2.35:1.

### **1.85:1**

Displays another common flat widescreen cinema aspect ratio. This ratio is slightly wider than HDTV 1.78:1 but not as wide as 2.39:1.

### **16:9**

Displays a 1.78:1 aspect ratio compatible with 16:9 HD television and computer screens.

This ratio is most commonly used for HD broadcasting and online videos. The same aspect ratio has also been adopted for Ultra HD broadcasting.

### **14:9**

Displays a 14:9 aspect ratio used by some television broadcasters as a compromise between 16:9 and 4:3 television sets. Ideally, both 16:9 and 4:3 footage remains legible when center cropped to fit 14:9. You can use this as a compositional guide if you know your project may be broadcast by a television station that uses 14:9 cropping.

### **4:3**

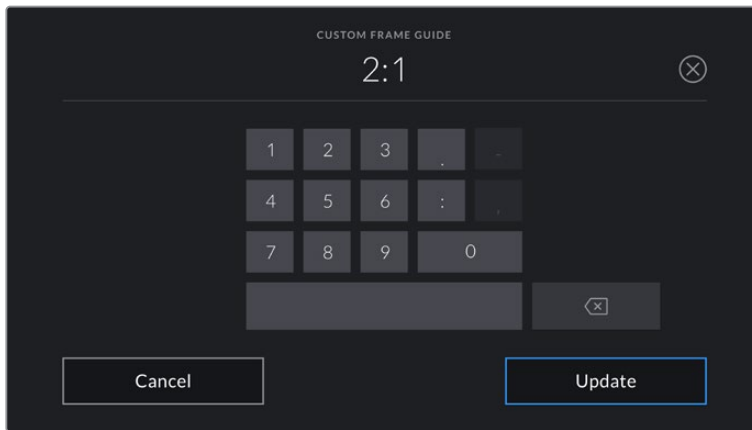
Displays the 4:3 aspect ratio compatible with SD television screens, or to help with framing when using 2x anamorphic adapters.

### **4:5**

URSA Mini Pro can display 4:5 portrait format guides when composing shots for smartphone content.

### **Custom Frame Guide Ratio**

To create your own frame guide ratio for a unique appearance, tap on the ratio displayed between the arrow buttons. On the 'custom frameguide' screen tap the backspace button to delete the current ratio, then use the numeric keypad to specify a new ratio. Tap 'update' to apply your custom frame guide ratio and return to shooting.



Use the numeric keypad on the 'custom frame guide' screen to enter a new frame guide ratio

**TIP** You can change the opacity of frame guide overlays. For more information see the 'monitor settings' section of this manual.

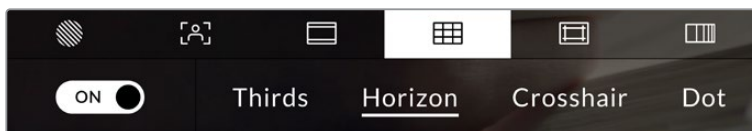
**NOTE** For information on enabling frame guides on your camera's front and main SDI outputs, see the 'monitor settings' section in this manual.

### Grids

The 'grids' setting toggles the appearance of a rule of thirds grid, crosshair or center dot on the LCD touchscreen, as well as setting the overlay that will be visible on all URSA Mini outputs. URSA Mini Pro 12K also has an option for a horizon meter.



Tap the 'grids' icon while accessing 'LCD monitor options' to access your URSA Mini's grid settings

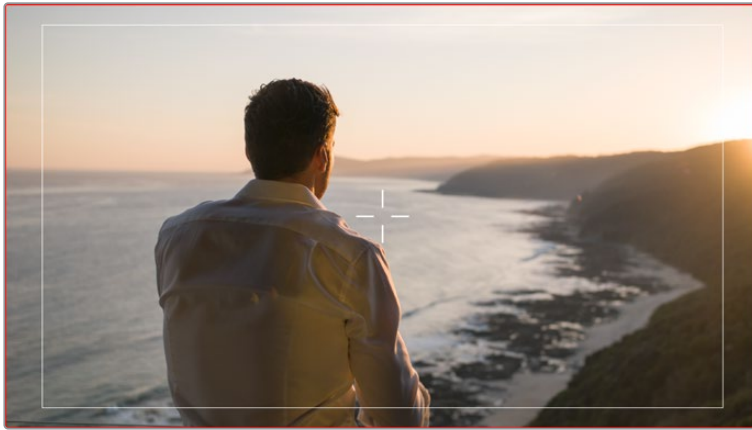


On URSA Mini Pro 12K, the 'grids' setting has options for rule of thirds grid, horizon meter, crosshair or center dot

Grids and crosshairs are overlays that can help with image composition. When 'grids' are enabled, your URSA Mini can show a rule of thirds grid, crosshair or dot. URSA Mini Pro 12K has an additional option so you can overlay a horizon meter.

To toggle the appearance of grids on your URSA Mini touchscreen, tap the switch icon in the bottom left of the screen while in the 'frame guides' tab.

When your URSA Mini is set up and connected to an ATEM switcher as the current program source, and 'grids' are set to 'on', the red 'program' tally outline will automatically illuminate on your LCD.



When connected to an ATEM switcher sending a tally signal, a red border will appear around your camera's image preview when grids are set to 'on'

To set which overlay you want to display on all URSA Mini outputs, tap the options at the bottom of the display for 'thirds', 'crosshairs' or 'center dot'. URSA Mini Pro 12K also includes a 'horizon' option.



The rule of thirds grid automatically scales to any on screen frame guides

### Thirds

The 'thirds' setting displays a grid with two vertical and horizontal lines placed in each third of the image. Thirds are an extremely powerful tool to help compose your shots.

For example, the human eye typically looks for action near the points where the lines intersect, so it's helpful to frame key points of interest in these zones. An actor's eyeline is commonly framed along the top third of the screen, so you can use the top horizontal third to guide your framing. Thirds are also useful to maintain framing consistency between shots.

## Horizon





URSA Mini Pro 12K has a horizon meter. It indicates when your camera is rolled left or right and tilted up or down. This can help you keep the horizon is level during handheld shots and balance the camera tilt on a gimbal.

The direction the light gray vertical line moves away from the dark gray crosshair in the middle indicates the direction your camera is rolled. When the camera is tilted down the light gray horizontal line moves up and when the camera is tilted up the light gray horizontal line moves down.

The distance the lines move away from the central crosshair is proportional to the amount of roll or tilt. After you calibrate the camera's motion sensor, the vertical line turns blue when the camera is aligned to the roll axis and the horizontal line turns blue to indicate the camera is aligned to the tilt axis.

Note that if the camera is tilted straight down for an overhead shot or straight up, the horizon meter takes this into account. If you roll the camera to shoot in portrait orientation, the horizon meter rotates its axes 90 degrees.

This table shows examples of the horizon meter indicating tilt and roll of the camera.

Horizon meter	Description
	Straight and level
	Tilted down and level
	Straight and rolled left
	Tilted up and rolled right

For normal use, calibrate the horizon meter for straight and level operation. If you want to use the horizon meter to help maintain a consistent 'dutch angle' or a consistent tilt for a low or high shot, you can calibrate the horizon meter at an incline. For information on how to calibrate the horizon meter, see the 'motion sensor calibration' section.

## Crosshair

The 'crosshair' setting places a crosshair in the center of the frame. Like thirds, the crosshair is a very useful compositional tool, making it easy to frame the subject of a shot in the very center of a frame. This is sometimes used when filming scenes that will be assembled using very fast cuts. Keeping viewers' eyes focused on the center of a frame can make rapid editing easier to follow.

## Center Dot

The 'center dot' setting places a dot in the center of the frame. This works in exactly the same way as the 'crosshair' setting, albeit with a smaller overlay that you may find less intrusive.

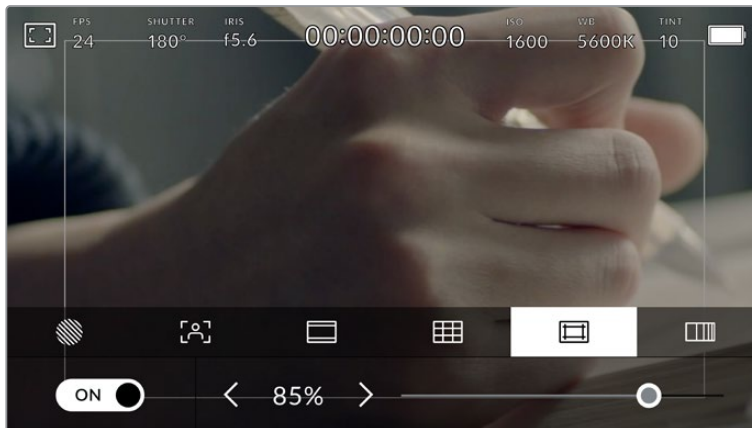
You can enable a combination of 'thirds' and 'crosshairs' or 'thirds' and 'center dot' by tapping both options in the 'grids' menu. 'Crosshairs' and 'center dot' cannot be selected together.

**TIP** For information on enabling grids on your URSA Mini's front and main SDI outputs, see the 'monitor settings' section in this manual.

## Safe Area Guides

The 'safe area guides' setting toggles the safe area guides on or off the LCD touchscreen, as well as setting the size of safe area guides for all outputs on your URSA Mini.

Safe areas can be used in broadcast production to ensure that the most important parts of a shot can be seen by viewers. By keeping the most important parts of your shot within a central 'safe area,' you can avoid cropping on some televisions, as well as leaving space for a broadcaster to add bugs, news tickers and other overlays along the edges of the screen. Many broadcasters require footage to be submitted within a 90% safe area.



The 'safe area' indicator set to 85%

Safe area guides can also be used to assist with framing your shot where you know that the shot will be stabilized in post production, which can crop the edges of the image. They can also be used to indicate a specific crop.

For example by setting it to 50% whilst recording at Ultra HD 3840x2160 you can see what a 1920x1080 crop of the frame would look like. The safe area guides also scale to your frame guides, so they will adjust to indicate the chosen percentage of your target frame.

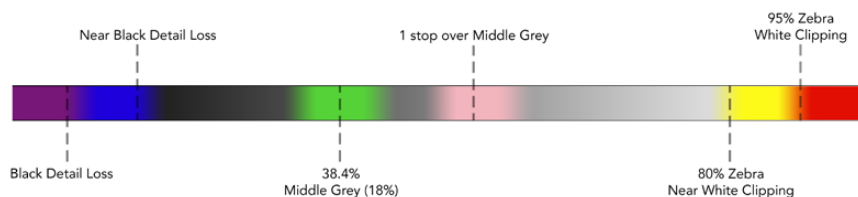
To toggle safe area guides for the LCD touchscreen, tap the switch icon in the bottom left of the screen while in the 'safe area guides' tab. To set the level of safe area guides for all outputs on your URSA Mini, tap the left or right arrows on either side of the current numerical value at the bottom of your touchscreen. Alternatively, you can drag the slider left or right.

## False Color

The 'false color' setting toggles the appearance of false color exposure assistance on the LCD touchscreen.

False color overlays different colors onto your image that represent exposure values for different elements in your image. For example, pink represents optimum exposure for lighter skin tones, while green is a good match to darker skin tones. By monitoring the pink or green false color when recording people, you can maintain consistent exposure for their skin tones.

Similarly, when elements in your image change from yellow to red, that means they are now over exposed.



False Color Chart

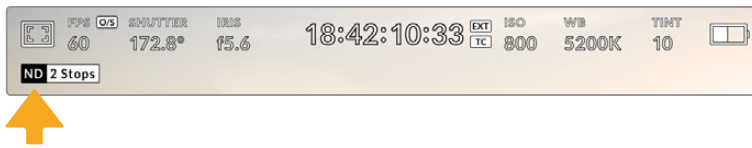
To toggle false color for the LCD touchscreen, tap the switch icon in the bottom left of the screen while in the 'false color' tab.



The 'false color' exposure assistance tab

## ND Filter indicator

Adjusting your URSA Mini Pro's ND filter will display the ND filter indicator in the top left of the LCD touchscreen and any SDI outputs set to show status text. This indicator will remain on in your 'status text' when you have an ND filter engaged. When you have it set to the position where there is no ND filter, the 'clear' text will disappear after four seconds.

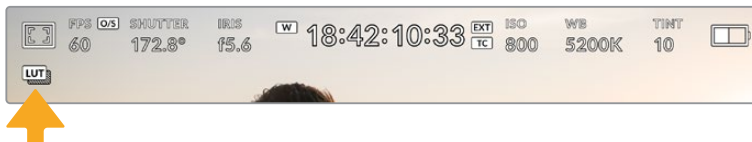


Adjusting your URSA Mini Pro's ND filter setting will reveal the ND filter indicator

**NOTE** You can adjust the terminology used by the ND filter indicator to reflect the conventions you're used to. The options are ND number, stops and fractions. You can set your preferred format in your URSA Mini Pro's 'setup' menu.

## LUT indicator

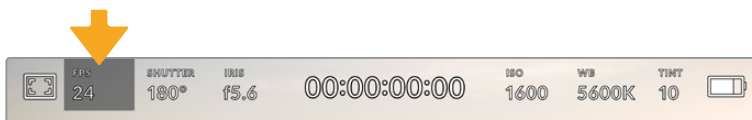
The LUT icon will be visible on the LCD, front SDI or main SDI when 'status text' is switched on and you have a LUT applied to that output.



The LUT icon lets you know that you have a LUT applied to the image

## Frames Per Second

The 'FPS' indicator displays your currently selected frames per second.



URSA Mini's frames per second indicator. Tap this to access frame rate settings

Tapping the 'FPS' indicator lets you change your camera's sensor and project frame rates via a menu at the bottom of your LCD touchscreen.

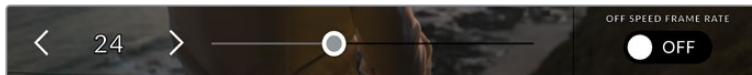


### Project frame rate

The project frame rate is URSA Mini's recording format frame rate and provides a selection of common frame rates used in the film and television industry. This frame rate is normally set to match your playback speed used in your post production workflow.

Your Blackmagic URSA Mini has 8 project frame rate settings including 23.98, 24, 25, 29.97, 30, 50, 59.94 and 60 frames per second.

To adjust your URSA Mini's project frame rate while in the 'FPS' menu, tap the left or right arrows next to the current frame rate at the bottom left of your touchscreen. Alternatively, you can drag the slider left or right.

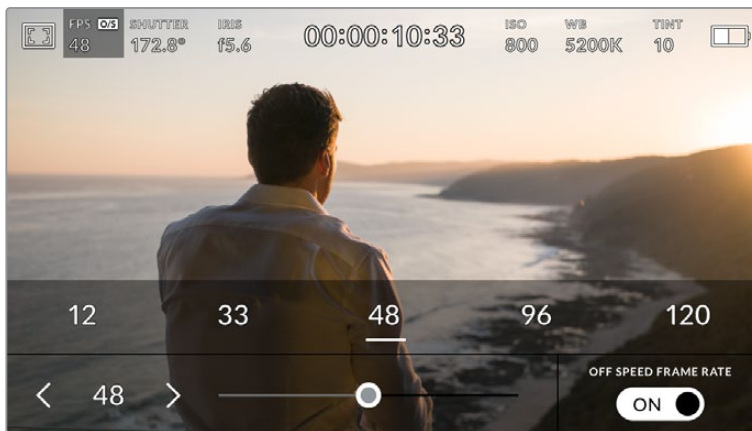


Tap the arrows on either side of the project frame rate or move the slider to make adjustments

**TIP** Your URSA Mini's project frame rate also sets the frame rate of the front and main SDI outputs.

### Sensor frame rate

The sensor frame rate sets how many actual frames from the sensor are recorded every second. This frame rate will affect how fast or slow your video will play back at your set project frame rate.



With 'off speed frame rate' enabled, tap the arrows on either side of the sensor frame rate, move the slider or tap one of the presets to make adjustments

By default, your URSA Mini's project and sensor frame rates are matched for a natural playback speed. However, by tapping the 'off speed frame rate' switch icon in the bottom right hand side of your URSA Mini's 'FPS' menu, you can independently set your sensor frame rate.

To change your sensor frame rate, tap the arrows next to the sensor frame rate indicator in the lower left of your touchscreen. You can also drag the slider left or right to increase or decrease the frame rate. Once you release the slider, the sensor frame rate will be selected. Above the slider, you can select a recommended off speed frame rate that is based on your current project frame rate.

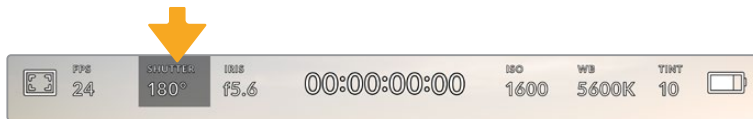
You can create dynamic and interesting speed effects in your clips by varying the sensor frame rate. Setting the sensor frame rate higher than your project frame rate will create slow motion during playback. Alternatively, the lower your sensor frame rate, the faster your clips will appear. The principle is similar to overcranking and undercranking a film camera. Overcranking speeds up the sensor frame rate so you can stretch out moments in time during playback to enhance emotion. Undercranking slows down the sensor frame rate so you can increase the action in fast moving scenes. The creative possibilities are endless and entirely up to you!

For information on the maximum frame rates available for each recording format and codec, refer to the table in the 'recording' section of this manual.

**NOTE** When 'off speed frame rate' is selected your URSA Mini's audio and video are no longer synced. This is true even if you set the same project and sensor frame rate. For this reason, 'off speed frame rate' should never be selected if you want to guarantee audio syncing.

## Shutter

The 'Shutter' indicator displays your shutter angle or shutter speed. By tapping this indicator, you can manually change your URSA Mini's shutter values or configure shutter priority auto exposure modes. On URSA Mini 4.6K and URSA Mini Pro, the shutter measurement setting can be used to select whether to display shutter information as 'shutter angle' or 'shutter speed'. See the 'setup settings' section in this manual for more information.



Your URSA Mini's shutter indicator. Tap this to access shutter settings

Shutter angle or shutter speed defines the level of motion blur in your video, and can be used to compensate for varying light conditions. 180 degrees is the optimum shutter angle for capturing satisfying motion blur in most conditions, with the equivalent being a shutter speed of 1/50th of a second. However as lighting conditions change, or the amount of movement in your scene increases, you may decide to adjust accordingly.

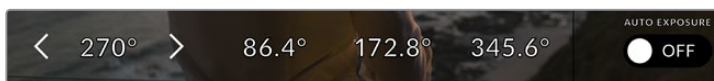
For example, 360 degrees is considered 'wide open' and allows maximum light onto the sensor. This is useful for low light conditions with subtle movement in your scene. Alternatively, if shooting subjects with a lot of movement, a narrow shutter angle like 90 degrees will provide minimal motion blur for sharper, crisper images. The equivalent shutter speeds compared to shutter angle depends on the frame rate you are using. For example, if you are shooting at 25 frames per second, then 360 degrees will equate to 1/25th, and 90 degrees will equate to 1/100th of a second.

**NOTE** When shooting under lights, your shutter can affect the visibility of flicker. Your URSA Mini will automatically calculate a flicker free shutter value for your current frame rate. It will display up to three suggested flicker free shutter options at the bottom of the heads up display when adjusting your shutter. These shutter values are affected by mains power frequency in your region. You can set your local power frequency to 50Hz or 60Hz in your URSA Mini's setup menu. See the 'setup settings' section in this manual for more information.

Tapping the 'shutter' indicator brings up the suggested shutter values along the bottom of your URSA Mini's touch screen. If you have auto exposure set to 'off,' this screen will show you your currently selected shutter value, as well as the available flicker free shutter values, based on the mains power frequency you have selected in your URSA Mini's 'setup' menu. For more information, see the 'setup settings' section in this manual.

**NOTE** The characteristics of individual light sources may still cause flicker even when using flicker free values. We recommend always performing a test shoot when not using continuous lights.

To select one of the flicker free shutter values, simply tap on one of the displayed shutter values. Tap the arrows on either side of the current shutter value indicator to cycle through some of the most commonly used values.



Your URSA Mini will suggest flicker free shutter values based on the mains power frequency you choose in the 'setup' menu

If you would like to choose a specific shutter value, you can do so by double tapping the current shutter indicator at the bottom left of your screen. This opens a keypad that allows you to type in any shutter value with up to two decimal places.

If you type in a shutter speed that is incompatible with your current frame rate, the nearest achievable shutter speed will be used.



The manual shutter keypad allows you to type in any shutter value you wish

Your URSA Mini has three shutter based auto exposure modes. To select one of these, tap the 'auto exposure' button in the far right of the shutter menu.

### Shutter

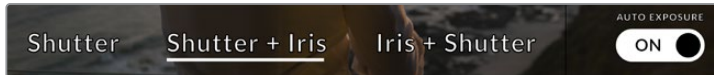
This setting automatically adjusts shutter value to maintain a constant exposure while keeping iris aperture constant. If you want to maintain a fixed depth of field, this is the setting to choose. It's worth mentioning that the subtle automatic adjustments of the shutter may have an effect on motion blur. It's also worth keeping an eye out for any flicker that may be introduced from various light fixtures on indoor shoots. URSA Mini's auto iris feature is not available when the 'shutter' auto exposure mode is selected.

### Shutter + Iris

Maintains the correct exposure levels by adjusting the shutter, then the aperture. If the maximum or minimum available shutter value is reached and exposure still cannot be maintained, URSA Mini will begin adjusting the aperture to keep exposure constant.

### Iris + Shutter

Maintains the correct exposure levels by adjusting the aperture, then the shutter value. If the maximum or minimum available aperture is reached and exposure still cannot be maintained, URSA Mini will begin adjusting the shutter value to keep exposure constant.

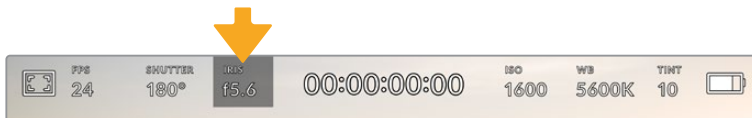


While in the shutter menu, tap 'auto exposure' to access shutter based auto exposure modes

**TIP** When an auto exposure mode that effects the shutter is enabled, a small 'A' will appear next to the shutter angle indicator at the top of your URSA Mini touchscreen.

## Iris

The 'Iris' indicator displays your current lens aperture. By tapping this indicator, you can change the aperture of compatible lenses and configure iris based auto exposure modes.

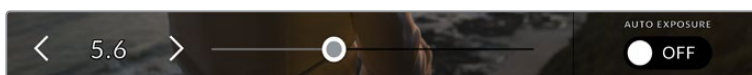


Your URSA Mini's iris indicator. Tap this to access iris settings

**NOTE** To adjust your Iris from the LCD touchscreen, your URSA Mini must be fitted with a lens that supports changing aperture via the camera. If you are using a B4 or PL lens connected via the broadcast 12 pin connector on URSA Mini PL, make sure that the lens iris switch on the handgrip is set to 'A' or 'auto.'

Tapping the 'iris' indicator once brings up the iris menu along the bottom of your URSA Mini touchscreen. You'll see your current lens aperture at the far left of this menu. You can change the aperture by tapping the left and right arrows on either side of the current aperture, or moving the slider left or right.

Tapping the 'auto exposure' switch icon at the far right of the iris menu opens the iris auto exposure menu.



While in the 'iris' menu, tap the arrows on either side of the iris indicator or use the slider to adjust iris settings

This gives you the following auto exposure options.

### Iris

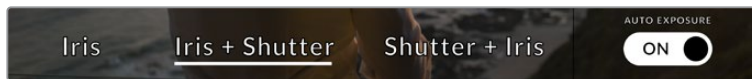
This setting automatically adjusts the aperture to maintain a constant exposure, while keeping shutter angle constant. This will keep motion blur constant, but may affect your depth of field.

### Iris + Shutter

Maintains the correct exposure levels by adjusting the aperture, then the shutter value. If the maximum or minimum available aperture is reached and exposure still cannot be maintained, URSA Mini will begin adjusting the shutter value to keep exposure constant.

### Shutter + Iris

Maintains the correct exposure levels by adjusting the shutter, then the aperture. If the maximum or minimum available shutter value is reached and exposure still cannot be maintained, URSA Mini will begin adjusting the aperture to keep exposure constant.



While in the iris menu, tap 'auto exposure' to access iris based auto exposure modes

When an auto exposure mode that effects the iris is enabled, a small 'A' will appear next to the iris indicator at the top of your URSA Mini touchscreen.

**TIP** Automatic exposure works smoothly with compatible B4 or PL lenses which are designed for video or film production. EF lenses may produce noticeable 'steps' in exposure when changing aperture. For this reason, we recommend using only 'shutter' auto exposure mode if shooting on URSA Mini EF.

## Duration Display

At the top of your URSA Mini LCD touchscreen, you'll see your camera's duration display.



Your URSA Mini's duration display. This will turn red while recording

The duration display provides a timecode counter for checking the duration of your clips and monitoring timecode during recording and playback. The counter displays a time sequence showing Hours:Minutes:Seconds:Frames and will progress through the sequence as you record or play back clips. The timecode will turn red during recording.

The displayed duration of each clip starts from 00:00:00:00 for each clip. The clip duration of the current, or last recorded, clip is displayed on the touchscreen. Time of day timecode is embedded into clips for easier post production.

To see the timecode, simply tap the duration display. Tap the duration display again to return to clip duration.

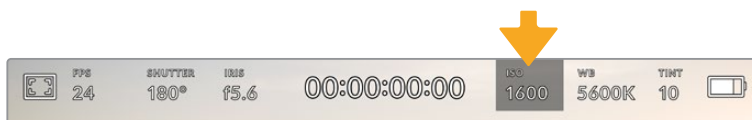
### Additional status indicators may appear around the duration display:

<b>W</b>	Appears to the left of the duration display when your URSA Mini is using a windowed sensor mode.
<b>TC</b>	Appears to the right of the duration display when showing timecode.
<b>EXT</b>	Appears to the right of the duration display if an external timecode is connected and valid.
<b>INT</b>	Appears to the right of the duration display if the camera is running off an internal timecode after being 'jam synced' and disconnected.
<b>PRE</b>	Appears to the right of the duration display when you are viewing 'preset record run' timecode.
<b>REF</b>	Appears when a valid reference source is connected and locked, based on the reference input settings.

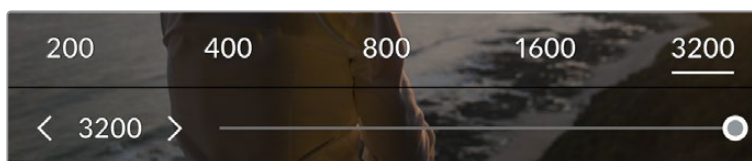
## ISO

The 'ISO' indicator displays your URSA Mini's current ISO setting, or light sensitivity. Tapping this indicator lets you adjust your ISO to suit varying lighting conditions. The ISO range on URSA Mini is from ISO 200 to 1600, whilst the ISO range on URSA Mini Pro can also be increased to 3200.

The optimum ISO for URSA Mini 4K is 400. The optimum ISO for URSA Mini 4.6K and URSA Mini Pro is 800.



Your URSA Mini's ISO indicator. Tap this to access ISO settings



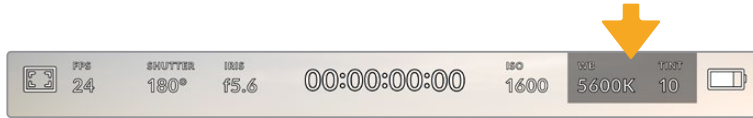
While in the 'ISO' menu, your URSA Mini's ISO settings appear along the bottom of the LCD touchscreen. URSA Mini Pro 4.6K G2 provides a slider below the presets for adjusting your ISO in 1/3 stop increments.

Numerical presets provide the option to select an ISO setting in full stop increments by tapping on the number. URSA Mini Pro 4.6K G2 provides a slider below these presets, that allows you to fine tune your ISO setting in between these presets in 1/3 stop increments.

Depending on your situation, you may choose a lower or higher ISO setting. For example, in low light conditions ISO 1600 can be suitable when shooting on URSA Mini 4.6K but may introduce some visible noise. In bright conditions ISO 200 can provide richer colors.

## White Balance






The 'WB' and 'TINT' indicators display your camera's current white balance and tint. Tapping these indicators lets you adjust your camera's white balance and tint to suit varying lighting conditions.



Your URSA Mini's white balance and tint indicators.  
Tap these to access white balance and tint settings

Every light source emits a color. For example, a candle flame emits a warm color, and an overcast sky emits a cool color. White balance settings are used to color balance your image so white stays white by adjusting the mix of orange and blue in your image. For example, when shooting under tungsten lamps which emit a warm, orange light, selecting 3200K adds some blue to the image. This balances the color so white is accurately recorded.

Your URSA Mini comes with white balance presets for a variety of color temperature conditions. These are:

	<b>Bright sunlight</b>	(5600K)
	<b>Incandescent bulbs</b>	(3200K)
	<b>Fluorescent bulbs</b>	(4000K)
	<b>Mixed light</b>	(4500K)
	<b>Cloud</b>	(6500K)

You can customize any of these presets by tapping or holding the arrow icons to the left and right of the temperature indicator in the bottom left of the 'white balance' menu. Each tap moves the color temperature up or down 50K, but holding the arrow icons down will increase these increments for faster changes. Alternatively, you can move the temperature slider in the middle of the 'white balance' menu.

To further dial in your image, you can adjust the 'tint.' This adjusts the mix of green and magenta in your image. For example, adding some magenta can compensate for the green cast of many fluorescent lights. Many of your URSA Mini's white balance presets include some tint.



Tapping the white balance and tint indicator on your URSA Mini gives you access to five presets, as well as a white balance indicator and slider on the left, and a tint indicator on the right. Adjust these to set a custom white balance for your lighting conditions

While in the 'white balance' menu, your camera's current tint setting is shown at the bottom right of the screen. To adjust the tint, simply tap or hold the arrows to the left and right of the tint indicator. The available range is -50 to +50 in one unit increments. Holding down on the arrows speeds up adjustment.

**NOTE** Customizing the white balance or tint will change your preset to 'CWB,' or custom white balance. Custom white balances are persistent; your CWB settings will stay configured between power cycles, and when switching to a preset and back to CWB. This makes it easy to compare a custom white balance to the last preset used.

### Auto White Balance

Your URSA Mini can set white balance automatically. Tapping 'AWB' will bring up the white balance screen.

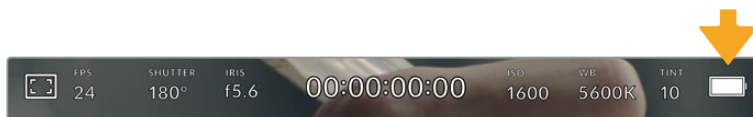
When setting white balance automatically, a square will be overlaid on the center of your image. Fill this square with a neutral surface such as a white or gray card and tap 'update.' Your URSA Mini will automatically adjust its white balance and tint values to ensure that the average of the white or gray within the white balance square is as neutral as possible. Once updated, this will be set as your camera's custom white balance.



Tapping the 'AWB' icon in the white balance menu will bring up the auto white balance screen. Use this with a white or neutral gray surface to automatically set a neutral white balance


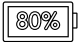
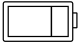
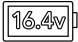

### Power

Your URSA Mini's power status is displayed in the top right of the LCD screen. There are five possible indicators:



Your URSA Mini's power indicator is at the top right of the LCD touchscreen. While using battery power, tapping this toggles between 'voltage' and 'percentage' displays



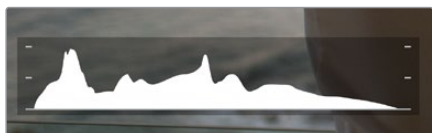
	<b>AC</b>	Displayed when your URSA Mini is plugged into mains power.
	<b>Percentage</b>	If you are using a percentage accurate battery and plate combination and have your battery display set to 'percentage,' the indicator will display your battery level as a percentage. At 20% charge remaining, the indicator will turn red.
	<b>Battery bars</b>	If your battery display is set to 'percentage' but your battery plate and battery combination does not support percentage accurate battery information, your URSA Mini will display a battery icon that drains in 25% increments. At 20% charge remaining, the battery bar will turn red.
	<b>Voltage</b>	When your battery display is set to 'voltage,' this indicator will display your battery's remaining voltage. When your battery drops below 12.5 volts, this indicator will turn red. Your URSA Mini will automatically shut down once the battery reaches 11.9 volts.
	<b>Fiber</b>	Displayed when you have Blackmagic Camera Fiber Converter attached to your camera and are powering the camera through the SMPTE fiber cable. If you have an XLR power cable plugged into URSA Mini whilst the converter is attached, the AC icon will be displayed instead.

When using battery power, you can switch between 'voltage' and 'percentage' or 'battery bars' power indicators by tapping the power indicator.

**TIP** A list of batteries that support percentage accurate power information is provided in the 'mounting batteries' section of this manual.

## Histogram

At the bottom left of your URSA Mini touchscreen, you'll see the histogram. The histogram shows the contrast between whites and blacks along a horizontal scale.



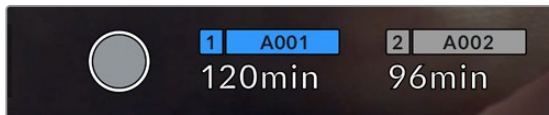
The histogram gives you an indication of the tonal range between shadows and highlights in your clip. It is also a helpful tool for checking the balance of your exposure and to prevent your highlights from clipping.

The left edge of the histogram displays shadows, or blacks, and the far right displays highlights, or whites. When you close or open the lens aperture, you'll notice the information in the histogram moves to the left or right accordingly. You can use this to check 'clipping' in your image shadows and highlights. If the left and right of your edges of the histogram come to an abrupt stop rather than falling off gradually, you may be losing highlight or shadow detail.

**NOTE** If you don't see a histogram in the bottom left of your touchscreen, your LCD monitor settings may be set to display 'codec and resolution.' See the 'monitor settings' section in this manual for more information.

## Record button

Next to the histogram at the bottom of your URSA Mini's touchscreen, you'll see a round gray button. This is the 'record' button. Tap this once to begin recording, and tap it again to stop. While recording, the button and the timecode at the top of your URSA Mini touchscreen will turn red.



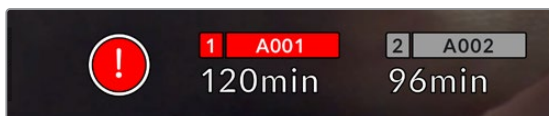
Your URSA Mini's 'record' button, next to the storage indicators at the bottom of the LCD touchscreen



The 'record' button turns red when recording

## Dropped Frame Indicator

The 'record' button will be overlaid with a flashing '!' indicator if your URSA Mini begins dropping frames while recording. The time remaining indicator for the affected card or cards will also turn red. For example, if you are recording in dual card mode and card 1 is dropping frames, the '!' indicator will appear over the 'record' button, and the time remaining indicator on card 1 will turn red. This lets you know if a particular card is too slow for your currently selected codec and resolution. The 'dropped frame indicator' will also display if you have dropped a frame on the previously recorded clip. This indicator will continue to display until another clip is recorded, or the camera is power cycled. Refer to 'Choosing a CFast 2.0 card' section in this manual, for more information on how to avoid dropping frames.



Dropped frame indicator for CFast card 1 dropping frames

**TIP** If you have the your URSA Mini's status LED enabled, this will rapidly flash red when dropped frames are detected. For more information, see the 'setup settings' section in this manual.

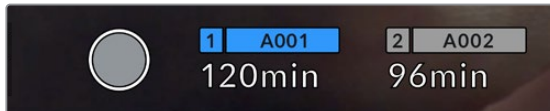
**NOTE** You can set your URSA Mini to stop recording if dropped frames are detected to prevent a situation where you waste time shooting unusable footage if you don't notice the dropped frame indicator. See the 'record settings' section in this manual for more information.

## Recording Time Remaining

At the bottom of your URSA Mini touchscreen, you'll see the storage indicators.

When a CFast card, SD card or SSD is inserted, the storage indicator will show how much recording time is left on the card. The time is shown in minutes and will vary according to your selected frame rate and codec.

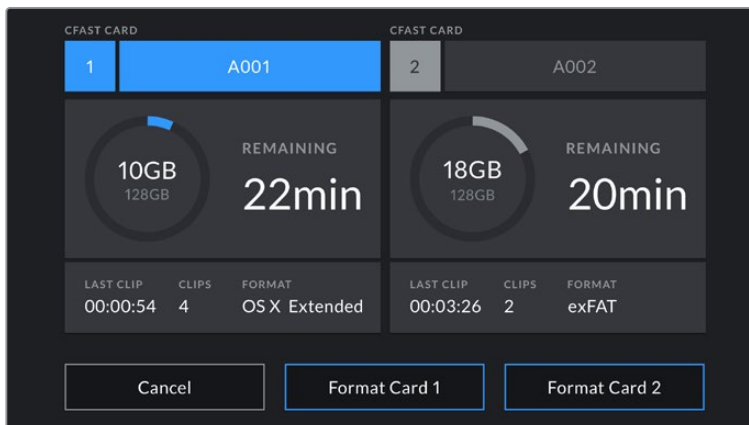
The indicator will automatically recalculate if either of these settings are changed. When there is approximately 5 minutes remaining on your card or drive, the indicator text will turn red, and will blink intermittently when there is only 2 minutes remaining. The indicator displays FULL when a card or drive reaches maximum capacity.



Your URSA Mini's storage indicator will display the name of your CFast card, SD card or SSD and the record time remaining in minutes

The card or drive name will also be shown in a small bar above the time remaining. This bar will turn blue to indicate that the camera will be recording to this card or drive. On URSA Mini Pro 4.6K G2, you can switch recording to a different card or drive using the onscreen display.

Press and hold the name of the card or USB-C flash disk you wish to record to. The bar will turn blue. While recording, the bar will turn red. Tapping the storage indicators will bring up the storage and formatting menu.



Tap the storage indicators on your URSA Mini's LCD touchscreen to access the storage manager

This menu displays the amount of free space on each CFast card, SD card, SSD or external drive currently connected to your URSA Mini, as well as the name of the card or drive, length of the last clip, total number of clips, and the file format for each card or drive.

You can format your media from this menu. For more information on formatting media using URSA Mini, see the 'preparing media on Blackmagic URSA Mini' section of this manual.

**TIP** Tapping the card or drive name in the storage menu sets it as the active card or drive. Your URSA Mini will fill this card or drive first.

## Audio Meter

The peak audio meters display audio levels for channels 1 and 2 when using the internal microphone, or via external audio when connected. The display is calibrated to dBFS units and features peak hold indicators which stay visible for a short time so you can clearly see the maximum levels reached.

To achieve optimum audio quality, ensure your audio levels do not reach 0 dBFS. This is the maximum level that your camera can record, meaning that any audio that exceeds this level will be clipped, resulting in distortion.



The colored bars on the audio meter represent peak audio levels. Ideally your peak audio levels should fall in the upper end of the green zone. If your peaks enter into the yellow or red zones your audio is in danger of clipping.

You can tap the audio meter to bring up volume controls for audio input channels 1 and 2, as well as headset or speaker volume.



Tap the audio meters on your URSA Mini LCD touchscreen to easily access volume and headset or speaker settings

## Focus Zoom

You can magnify any part of your URSA Mini's preview image by double tapping the LCD touchscreen in the location you would like to zoom. You can move the magnified image by dragging your finger around the touchscreen. This is very helpful when checking focus. To return to the standard magnification, double tap on the touchscreen again.

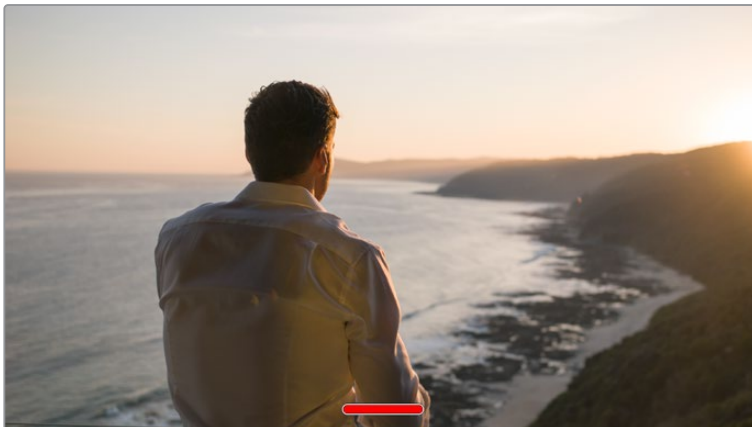
When you have 'focus zoom' enabled on URSA Mini Pro 12K you can also make a pinch to zoom multitouch gesture to adjust the zoom level on the touchscreen. The 'setup' menu on URSA Mini Pro 12K lets you configure a function button as a 'focus zoom' toggle that behaves like a double tap on the touchscreen. This can be configured to show on the LCD or the front or main SDI to outputs. For information on how to configure a function button as 'focus zoom', see the 'Function Button Behaves as Preset or Toggle' section.



While zoomed in, an indicator in the top left of your LCD touchscreen will show which part of the image you are viewing. You can move around the image by dragging your finger along the screen as you would on a smartphone or tablet

## Full Screen Mode

It can be useful when framing or focusing a shot to temporarily hide your touchscreen's status text and meters. Simply swipe up or down on URSA Mini's LCD touchscreen to hide these. The record indicator, frame guides, grids, focus assist and zebra will remain visible.



Swipe up or down to hide all status indicators on your URSA Mini LCD touchscreen

## Playback Menu

Tap the 'play' control button to access the playback menu. You can control previously recorded clips with your camera's control buttons or the LCD touchscreen.

When using the LCD touchscreen, tap 'play' once to start playback and again to pause. Use the forward and reverse buttons to skip to the start or end of clips. Tapping 'forward' once moves you to the next clip. Press the reverse button once to go to the start of the current clip or press twice to skip back to the start of the previous clip. Playback of clips can also be looped by activating the loop icon.



The reverse, play, forward and loop icons

To shuttle, hold down either the forward or reverse transport buttons. This will play your footage back at twice regular speed in either forward or reverse, depending on which transport key you held.

Once shuttling, you can change the shuttle rate by tapping the transport keys again. Each time you tap the transport key in the same direction you will double the shuttle rate. The maximum shuttle rate is x16 normal speed. Tapping the transport key again at x16 speed will return you to x2 speed. Tapping the opposite direction will halve the current shuttle speed until you reach 2x speed. You can return to normal playback by tapping the 'play' button.



The shuttle speed indicator displays the speed and direction of footage being fast forwarded or reversed

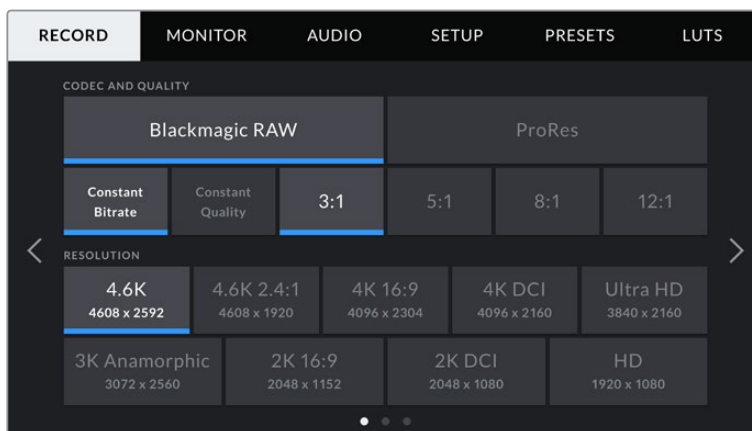
Tapping the 'record' control button in playback mode will return your camera to standby mode, ready to record.

**TIP** Swipe up or down on your URSA Mini's touchscreen to hide status text while playing back footage. Entering the slate in playback mode will allow you to mark the current clip 'good take' in metadata. For more information, see the 'entering metadata' section in this manual.

## Settings

### Dashboard

Pressing the 'menu' control button on your URSA Mini will bring up your camera's dashboard. This is a tabbed menu containing the settings not available from your URSA Mini's head up display. Settings are divided by function into 'record,' 'monitor,' 'audio,' 'setup,' 'presets,' and 'LUTS' tabs. Some tabs, such as 'record,' 'monitor,' and 'setup' contain multiple pages. You can cycle between these pages by tapping the arrows on the left and right of the settings screen, or swiping left or right as you would on a smartphone or tablet.



Tap the 'record,' 'monitor,' 'audio,' 'setup,' 'presets,' and 'LUTS' headings to move between your URSA Mini's dashboard tabs

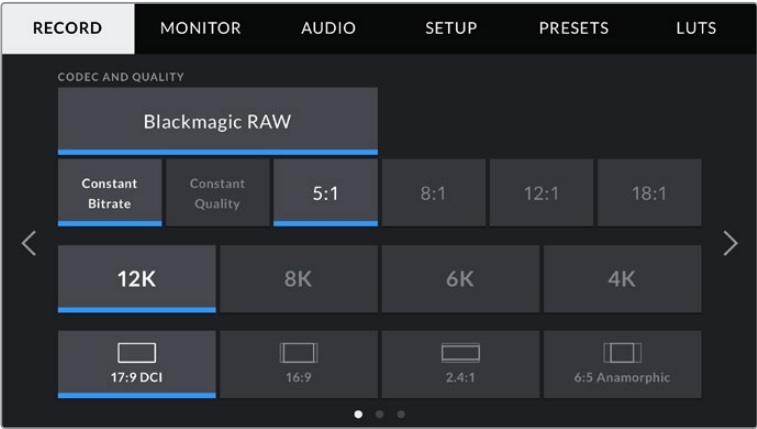
**NOTE** On URSA Mini Pro 4.6K, the camera dashboard times out after one minute of inactivity, returning you to the heads up display.

## Record Settings

The 'record' tab allows you to set your video format, codec, and resolution, as well as other settings which affect the footage saved by your URSA Mini, such as preferred card and detail sharpening. This menu has three pages, which you can cycle through by tapping the arrows at the edge of your camera's touchscreen, or swiping left or right.

### Record Settings 1

The first page of the 'record' settings tab contains the following settings.



The first page of 'record' settings on URSA Mini Pro 12K

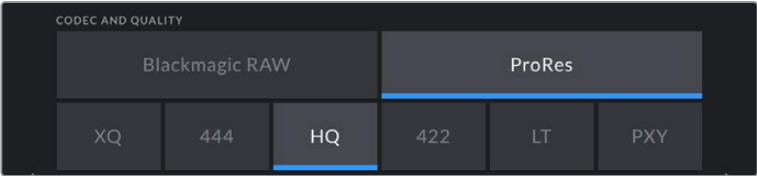
### Codec and Quality

URSA Mini Pro 12K records Blackmagic RAW at 12K, 8K, 6K and 4K resolutions. Each resolution has a menu to support a range of industry standard aspect ratios.



Resolution and aspect ratio options on URSA Mini Pro 12K

On URSA Mini Pro 4.6K G2 and URSA Mini Pro 4.6K cameras, the 'codec and quality' menu is split into two rows. You can select Blackmagic RAW or Apple ProRes. The bottom row offers quality options within those families. Blackmagic RAW options are divided between 'constant bitrate' and 'constant quality' settings. The quality options available within the ProRes codec family include 444, HQ and LT. URSA Mini supports a wide range of ProRes codecs.



'Codec and quality' options on URSA Mini Pro 4.6K G2 and URSA Mini Pro 4.6K cameras

**TIP** The amount of video you can record on your camera's storage media increases when choosing codecs that utilize higher compression. Refer to the 'record duration table' in the 'recording' section for more information.

**Resolution**

This setting works in combination with the 'codec' setting. Use it to select the resolution for your desired recording format.

For example, if you want to record Ultra HD clips using ProRes HQ, select 'ProRes' and 'HQ' in the 'codec and quality' menu. Now choose 'Ultra HD' in the resolution menu.

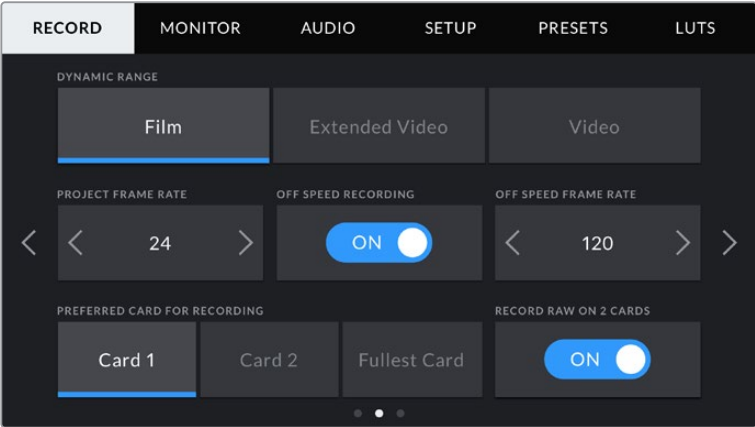


'Resolution' options on URSA Mini Pro 4.6K G2 and URSA Mini Pro 4.6K cameras

**NOTE** Blackmagic URSA Mini 4.6K and URSA Mini Pro support a wide range of Apple ProRes resolutions from 4.6K down to HD.

**Record Settings 2**

The second page of the 'record' settings tab contains the following settings.



URSA Mini Pro 12K has a setting for 'record RAW on 2 cards'. This option is disabled on other URSA Mini cameras.

**Dynamic Range**

Adjust the 'dynamic range' setting by tapping the dynamic range icons. Blackmagic URSA Mini has two dynamic range settings:

**Film**

The 'film' setting shoots video using a log curve giving you 12 to 15 stops of dynamic range, depending on your URSA Mini model, and maximizes the information in your video signal to help you get the most out of color grading software, such as DaVinci Resolve.



## Video

The 'video' setting is similar to the REC 709 color standard for high definition video. This lets you work faster by recording directly to the compressed video formats in a color space suitable for direct delivery or minimal post processing.

URSA Mini Pro has an additional setting available:

### Extended Video

The 'extended video' setting offers a good balance between 'video' and 'film' dynamic range settings. This setting offers a wider dynamic range than 'video,' while applying a mild contrast change with a smooth roll off in the highlights. 'Extended video' is suitable for use with standard broadcast monitors and is a helpful setting if you have limited time for post production and want to record your clips with a pleasing 'look' applied.

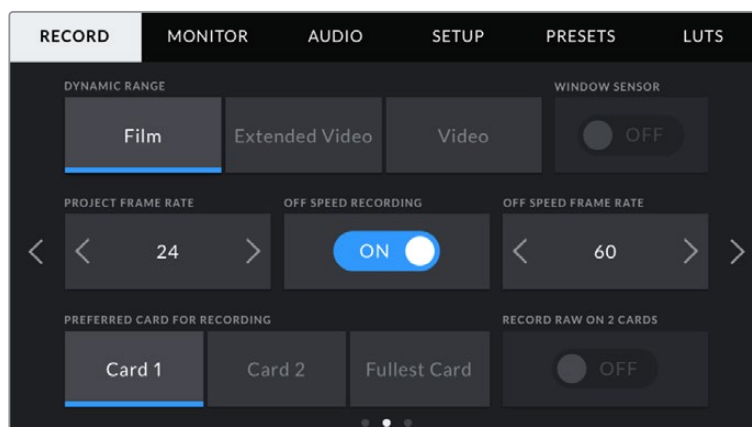
**NOTE** If you are using 'video' or 'extended video' dynamic range, make sure that display LUT is not enabled on any of the monitor outputs, LCD, Front SDI or Main SDI. If the display LUT is enabled, the LUT indicator will be visible on the HUD and the image appears to have more saturation and contrast than intended. To check your display LUTs setting, see the 'monitor' settings later in this manual.

## Window Sensor

URSA Mini Pro 12K manages sensor windowing automatically. It uses a windowed sensor when shooting 6K Super 16 and 4K Super 16, and uses the full height or width of the Super 35 sized image sensor in all other shooting modes.

It's important to note that on URSA Mini Pro 12K, 6K Super 16 windows the frame dimensions to a Super 16 crop, however with 6K resolution the crop will still provide amazing image quality. 4K Super 16 uses the same Super 16 window and downscales the result to 4K. This means you can shoot at the highest frame rates and still have spectacular 6K or 4K image quality. The 12K sensor with a Super 16 crop means you can also mount vintage Super 16mm lenses and shoot at 4K or 6K resolution which is arguably higher than the original Super 16mm film quality.

Other URSA Mini Pro cameras can be set to use the 'full' sensor area. Alternatively, for even higher frame rates you can use 'window' mode. This will use only the amount of sensor pixels needed for a given video format rather than downscaling images from the entire sensor.



The 'window sensor' option on URSA Mini Pro 4.6K G2, URSA Mini Pro 4.6K, URSA Mini 4.6K and URSA Mini 4K

As the HD 'window sensor' and 2K 'window sensor' modes use only the very center of URSA Mini's sensor, the field of view of any given lens will appear narrower due to the crop factor involved. When using a 20mm lens to shoot HD footage in windowed sensor mode, for instance, field of view of URSA Mini will be equivalent to a 48mm lens.

This setting is available when shooting below your URSA Mini's maximum resolution. For example, 'window sensor' is available when shooting 4.6K 2.4:1, 4K, 3K anamorphic, 2K or HD ProRes footage on URSA Mini 4.6K.

The fastest frame rates are available when shooting HD footage in windowed mode.

**TIP** When using 'window sensor' mode, your URSA Mini's 'resolution' settings will be labelled 'resolution - sensor windowed' to reflect this.

### **Project Frame Rate**

The project frame rate is URSA Mini's recording format frame rate and provides a selection of common frame rates used in the film and television industry. For example, 23.98 frames per second using 4K ProRes HQ. This frame rate is normally set to match your playback speed and audio sync used in your post production workflow and delivery requirements.

Your Blackmagic URSA Mini has 8 project frame rate settings including 23.98, 24, 25, 29.97, 30, 50, 59.94 and 60 frames per second.

**NOTE** Your camera's project frame rate has a large impact on the 'look' of footage.

High frame rates such as 50, 59.94 or 60 frames per second are great for capturing smooth motion and eliminate or minimize stutter while panning.

Lower frame rates, such as 24 or 25 frames per second, are typically used for cinema production. These have a distinct filmic 'look,' but require much slower camera movement to avoid stutter.

### **Off Speed Recording**

By default, your URSA Mini's project and sensor frame rates are matched for a natural playback speed. However, by tapping the 'off speed recording' switch icon you can set your sensor frame rate independently.

### **Off Speed Frame Rate**

With 'off speed frame rate' enabled, tap the arrows next to the 'off speed frame rate' indicator to set your URSA Mini's sensor frame rate.

The sensor frame rate sets how many actual frames from the sensor are recorded every second. This frame rate will affect how fast or slow your video will play back at your set project frame rate.

For more information on off speed frame rates, see the 'frames per second' section in the 'touchscreen features' section of this manual.

**NOTE** For information on the maximum frame rates available for each recording format and codec, refer to the 'maximum sensor frame rates' table in the 'recording' section of this manual.

### Preferred Card for Recording

Use this setting to select which storage card or drive your URSA Mini will record to first when both slots are in use. The options are 'card 1,' 'card 2,' and 'fullest card'. When using an SSD the options will be 'card 1,' 'SSD' and 'fullest card'. Picking either 'card 1' or 'card 2,' is a matter of personal preference, but using either consistently will let you know which card to swap out first as your storage fills up. 'Fullest card' can help group files chronologically when shooting a single camera project.

The setting you choose is applied when a CFast card, SD card or SSD is inserted. You can override this setting at any time by entering the storage manager and setting a different card as 'active.' It's important to note, however, that ejecting and reinserting cards will revert to the current 'preferred card for recording' setting. When URSA Mini Recorder is connected and an SSD is loaded, the recorder takes over from URSA Mini's number '2' storage slot.

For more information refer to the 'URSA Mini Recorder' section in this manual.

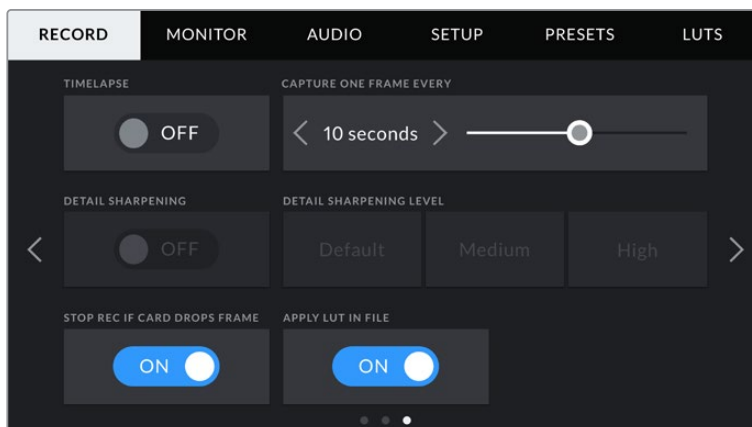
**TIP** The 'fullest card' setting is based on the percentage that your storage cards are filled, rather than their sizes or the amount of data used.

### Record RAW on 2 Cards

URSA Mini Pro 12K can record Blackmagic RAW to two cards at the same time. This lets you record extremely high resolution clips at high frame rates with lower levels of compression. Insert a pair of CFast or SD Cards and switch on the 'record RAW on 2 cards' option in the 'record' menu. Since this relies on striping across both cards sequentially, the data rate of the slowest card will be the limiting factor, so you are advised to use two cards of the same or similar spec. You can also stripe between a CFast card in storage slot 1 and a USB-C disk in storage slot 2. When you use the 'Record RAW on 2 Cards' option, the speed limit is twice the data rate of the slowest card in the striped array. Copy the .BRAW and .BRAW2 files from both memory cards into the same folder on your computer, and DaVinci Resolve will bring them in as a single, merged clip when you import them into your media pool. If the .BRAW and .BRAW2 files are separated, the clips can play independently at half the frame rate.

### Record Settings 3

The third page of the 'record' settings tab contains the following settings.



## Timelapse

This setting activates the time lapse feature to automatically record a still frame at the following intervals:

<b>Frames</b>	2 - 10
<b>Seconds</b>	1 - 10, 20, 30, 40, 50
<b>Minutes</b>	1 - 10

For example, you can set the camera to record a still frame every 10 frames, 5 seconds, 30 seconds, 5 minutes etc.

The time lapse feature offers many creative options. For example, setting a 2 frame time lapse interval will give your recorded video a high speed effect when played back.

The format of each still frame is based on your recording format, so if you set the camera to record in 4K ProRes HQ, the time lapse setting will maintain this format. The frame rate will be based on your project frame rate setting, i.e., 24 fps. This is so your time lapse footage can be easily incorporated into your post production workflow.



Your URSA Mini will indicate it is in time lapse mode with an icon over the 'record' button

**TIP** When you record footage in time lapse mode, the timecode counter updates when a frame of video is recorded.

## Detail Sharpening

Use this setting to sharpen your URSA Mini's image. Detail sharpening is available on URSA Mini Pro 4.6K G2, URSA Mini Pro 4.6K, URSA Mini 4.6K and URSA Mini 4K. When sharpening is enabled, decrease or increase the level of sharpening by selecting 'default', 'medium' or 'high'.

When sharpening is enabled, it will be applied to ProRes video recorded on camera as well as your URSA Mini's SDI output. When URSA Mini Pro G2 is set to Blackmagic RAW and is used in conjunction with an ATEM switcher, the detail sharpening function can be applied to your SDI output. This can be switched on or off using the ATEM Camera Control Panel or ATEM Software Control.

This setting is intended for live studio production where there is no time for post production and you want to output the image live to air. We recommend leaving it 'off' for images you are recording for further post production. For this reason, sharpening is not applied to Blackmagic RAW files that are intended for significant post processing.

## Stop Rec If Card Drops Frames

Use this setting to configure your URSA Mini's behavior when dropped frames are detected. When set to 'off,' recording will continue with dropped frames. When set to 'on,' your camera will stop recording if dropped frames are detected. This can prevent you wasting time shooting unusable footage if you don't spot the dropped frame indicator.

**TIP** Refer to the 'choosing a CFast 2.0 card', 'choosing a fast SD card' and 'choosing a fast SSD' sections for more information on how to avoid dropping frames.

### Apply LUT in File

If you are applying a LUT to any of the outputs from your Blackmagic URSA Mini Pro 4.6K, the selected LUT will be embedded into the Blackmagic RAW file you are recording.

This means that the LUT will be saved in the header of the file and can easily be applied to the clip in post production without needing to handle a separate file. When the 'apply LUT in file' switch is set to 'on' in URSA Mini Pro's record menu, this clip will open in Blackmagic RAW Player and DaVinci Resolve with the chosen LUT already applied to it. The LUT can then be easily toggled 'on' or 'off' but will always travel with the Blackmagic RAW file as it is written into the clip itself.

DaVinci Resolve also has an 'Apply LUT' switch in the RAW settings palette for enabling or disabling the 3D LUT in the Blackmagic RAW file. The 'Apply LUT' setting in DaVinci Resolve is the same setting as in the camera. This means that when shooting you can direct the colorist to use the LUT by setting it in the camera, but they can switch it off easily in DaVinci Resolve by setting 'Apply LUT' to 'off'.

## File Naming Convention

Clips are recorded to your CFast card, SD card or SSD in .braw file format when recording Blackmagic RAW, or to a ProRes QuickTime movie depending on which recording format you have chosen.

The table below shows an example of the file naming convention:

<b>A001_08151512_C001.mov</b>	<b>QuickTime Movie Filename</b>
A001_08151512_C001.mov	<b>Camera index</b>
A <b>001</b> _08151512_C001.mov	<b>Reel Number</b>
A001_ <b>08</b> 151512_C001.mov	<b>Month</b>
A001_08 <b>15</b> 1512_C001.mov	<b>Day</b>
A001_0815 <b>15</b> 12_C001.mov	<b>Hour</b>
A001_081515 <b>12</b> _C001.mov	<b>Minute</b>
A001_08151512_ <b>C001</b> .mov	<b>Clip Number</b>

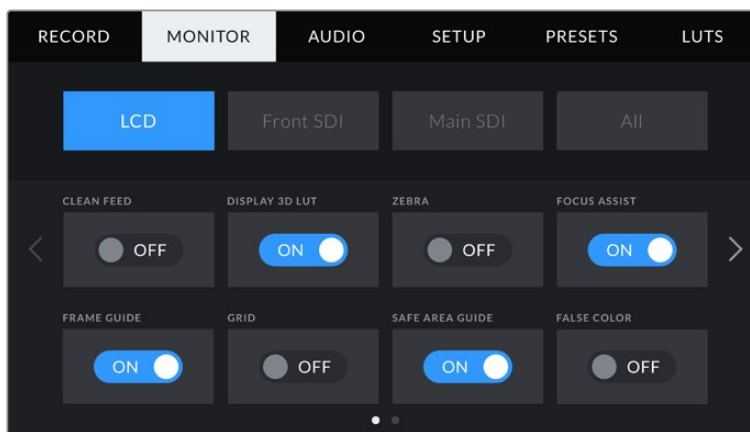
Still image files captured using the still button will follow the file naming convention for video clips, however the filename will have an 'S001' representing the 'still number' as the last four digits of the filename in place of the clip number. URSA Mini Pro 12K records stills as a single Blackmagic RAW frame. URSA Mini Pro 4.6K G2 and URSA Mini Pro 4.6K record stills as a DNG file to the stills folder. For more information, refer to the 'Status LCD Controls' section in this manual.

## Monitor Settings

The 'monitor' tab lets you adjust status text, overlays, and other monitoring options for your URSA Mini's LCD touchscreen, front and main SDI outputs. Options are arranged by output between 'LCD', 'front SDI' and 'main SDI', as well as 'all,' which covers monitor settings that affect all outputs on your URSA Mini. Each of these menus has two pages of options, which you can cycle through by tapping the arrows at the edge of your camera's touchscreen, or swiping left or right.

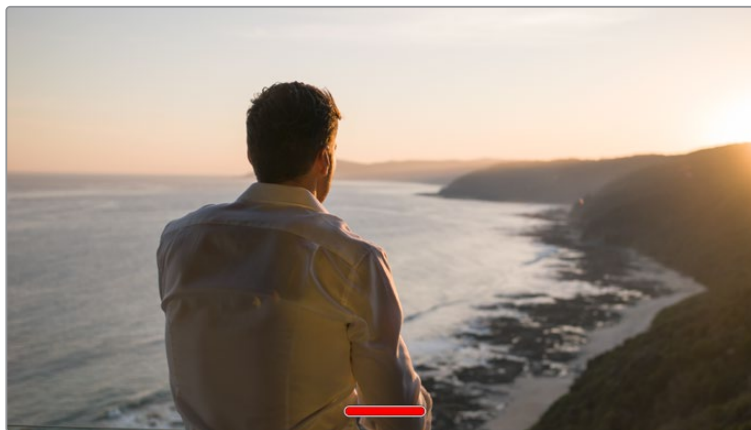
### LCD, Front SDI, Main SDI Monitor Settings 1

The first page of the 'LCD,' 'front SDI,' and 'main SDI,' monitor tab contains identical settings for each output. For example, you can set 'zebra' on for the LCD touchscreen, but off the front or main SDI outputs.



### Clean Feed

Tap the 'clean feed' switch in the 'LCD,' 'front SDI' and 'main SDI' menus to disable all status text and overlays for that output, except the record tally indicator.



Your URSA Mini LCD touchscreen will still display a record tally in clean feed mode

**NOTE** LUTs will still be applied to outputs with 'clean feed' enabled. To disable LUTS, disable the 'display LUT' switch in the 'Monitor' menu for that output.

### **Display 3D LUT**

Your URSA Mini can apply 3D LUTs to any output to approximate the look of color graded footage. This is especially useful when shooting with 'film' dynamic range, as it can produce an intentionally 'flat' low contrast image.

If your URSA Mini has a 3D LUT active, use this setting to independently apply that LUT to your LCD touchscreen, front or main SDI output.

**NOTE** For more information on loading and using 3D LUTs, see the 'LUTS' section of this manual.

### **Zebra**

Tap the 'zebra' switch in the 'LCD,' 'front SDI' and 'main SDI' menus to enable zebra guides for those outputs. For more information on zebra guides and setting zebra levels, see the 'touchscreen features' section in this manual.

### **Focus Assist**

Tap the 'focus assist' switch in the 'LCD,' 'front SDI' and 'main SDI' menus to enable focus assist for those outputs. For more information on focus assist and setting focus assist levels, see the 'touchscreen features' section in this manual.

### **Frame Guide**

Tap the 'frame guide' switch in the 'LCD,' 'front SDI' and 'main SDI' menus to enable frame guides for those outputs. For more information on frame guides and choosing different guides, see the 'touchscreen features' section in this manual.

### **Grid**

Tap the 'grid' switch in the 'LCD,' 'front SDI' and 'main SDI' menus to enable a rule of thirds grid for those outputs. For more information on the rule of thirds grid, see the 'touchscreen features' section in this manual.

### **Safe Area Guide**

Tap the 'safe area' switch in the 'LCD,' 'front SDI' and 'main SDI' menus to enable safe area overlay for those outputs.

For more information on safe area guides, and setting the level of safe area guides, see the 'touchscreen features' section in this manual.

**NOTE** Use the 'safe area guide %' setting in your URSA Mini's 'all' monitoring settings to set the size of the safe area guide.

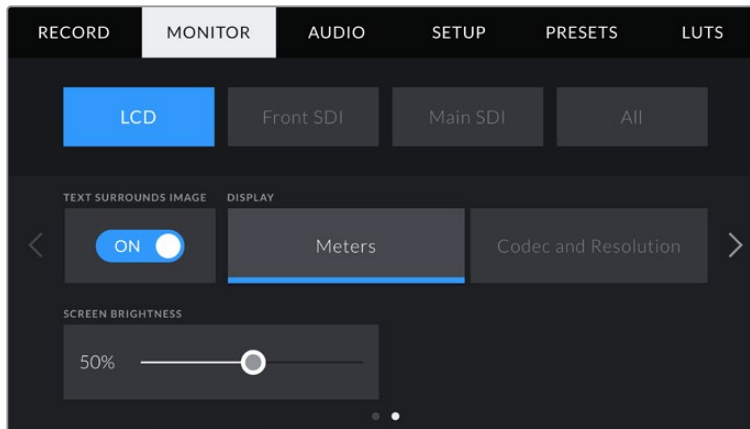
### **False Color**

Tap the 'false color' switch in the 'LCD,' 'front SDI' and 'main SDI' menus to enable false color exposure assistance for those outputs.

For more information on false color, see the 'touchscreen features' section in this manual.

## LCD Monitor Settings 2

The second page of your URSA Mini's 'LCD' monitor tab contains settings unique to your LCD touchscreen.



### Text Surrounds Image

This setting is available on URSA Mini 4K and URSA Mini 4.6K models only. Tap the 'text surrounds image' switch in the 'LCD' menu to scale the image on your LCD touchscreen down 75%. This puts the image in the center of the LCD touchscreen away from status indicators at the top and bottom edges, giving you an unobstructed view of your URSA Mini's preview image while keeping status text on screen.



'Text surrounds image' gives you a clear view of your URSA Mini EF or PL's preview image for framing purposes while keeping status text on screen

### Status Text On/Off

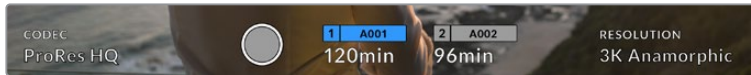
This setting is only available for URSA Mini Pro. It can be useful to hide the status text and meters on your LCD HUD, leaving only the information necessary to compose or direct a shot. Tap the 'status text' switch icon to toggle the appearance of status text and meters for URSA Mini Pro's LCD touchscreen. Overlays such as frame guides, grids, focus assist and zebra will remain visible, if enabled. Swiping up or down on your URSA Mini Pro's LCD touchscreen has the same effect.



## Display

Instead of a histogram and audio meters, your URSA Mini can display codec and resolution information at the left and right bottom edges of the LCD touchscreen. This can be useful if you prefer to use false color for dialling in exposure, or are recording audio separately and want to display additional information in the space normally used by the histogram and audio meter.

Simply tap 'meters' or 'codec and resolution' in the 'LCD' menu to select your preferred view.



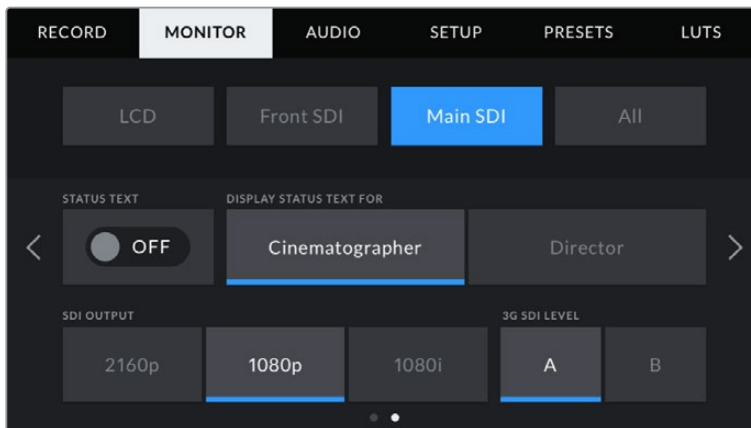
Your URSA Mini can display codec and resolution information in place of the histogram and audio meters

## Screen Brightness

Drag the 'screen brightness' slider in the 'LCD' menu left or right to adjust the brightness of your URSA Mini's LCD touchscreen.

## Front SDI and Main SDI Monitor Settings 2

The second page of your URSA Mini's 'front SDI' and 'main SDI' monitor tab contains settings unique to your front and main SDI outputs.



2160p and 1080p resolutions are available on your main SDI output as all times when shooting at resolutions above 3K anamorphic. 1080i is only available for your camera's main or front SDI output when shooting at frame rates of 50, 59.94, or 60. '3G SDI level' is available on URSA Mini Pro 4.6K G2 only

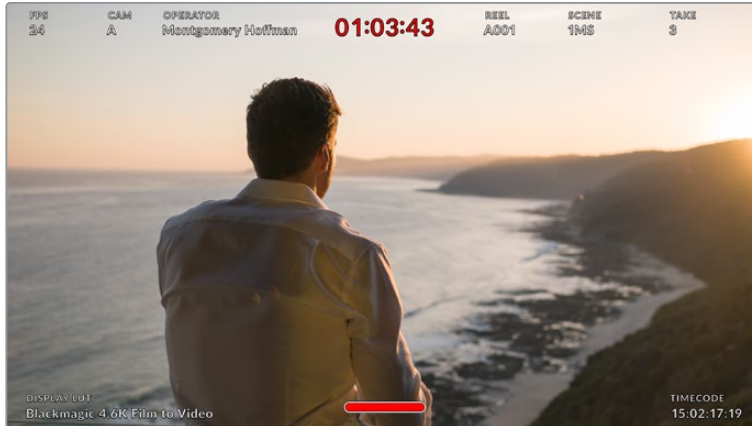
## Status Text

It can be useful to hide the status text and meters on your front SDI or main SDI output, leaving only the information necessary to compose or direct a shot. Tap the 'status text' switch icon in the 'front SDI' or 'main SDI' monitor menus to toggle the appearance of status text and meters for that output. Overlays such as frame guides, grids, focus assist and zebra will remain visible, if enabled.

Swiping up or down on your URSA Mini's LCD touchscreen has the same effect for the touchscreen.

## Display Status Text For Cinematographer or Director

Your URSA Mini's LCD touchscreen displays information such as ISO, white balance, and aperture that is useful to a camera operator or cinematographer setting up individual shots on that camera. URSA Mini's front and main SDI outputs, however, can also show information useful to a director or script supervisor who is keeping track of multiple shots or cameras.



Your URSA Mini can display director specific status text on its front and main SDI outputs

Setting the status text to 'director' in your URSA Mini's 'front SDI' or 'main SDI' monitor settings changes the status text for that output to show the following information.

### FPS

Displays the currently selected frames per second for that camera. If off speed frame rate is disabled, only the project frame rate will be shown. If an off speed frame rate is being used, the sensor frame rate will be shown, followed by the project frame rate.

### CAM

Displays the camera index as set in your URSA Mini's Slate. See the 'slate' section later in this manual for more information.

### OPERATOR

Identifies the camera operator as set in your URSA Mini's Slate. See the 'slate' section later in this manual for more information.

### DURATION DISPLAY

Displays the duration of the current clip, while recording, or the last recorded clip in the following format: hours:minutes:seconds

### REEL, SCENE, TAKE

Displays the current reel, scene and take. For more information on reels, scenes, takes and their labelling conventions, refer to the 'slate' section later in this manual.

### DYNAMIC RANGE

The bottom left hand corner of the monitor displays your URSA Mini's currently applied LUT, if applied to that output. If no LUT is applied, 'film' or 'video' dynamic range will be displayed.

### TIMECODE

The bottom right of the monitor displays your URSA Mini's timecode, in the following format: hours:minutes:seconds:frames

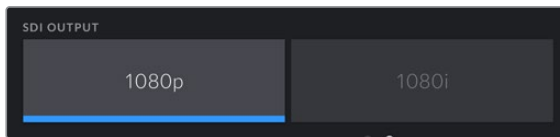
## SDI Output

Both outputs allow you to choose between progressive and interlaced HD output, while your URSA Mini's main SDI output also has the option of progressive Ultra HD.

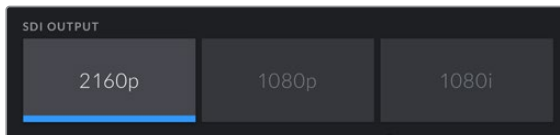
The options available in this setting depend on your camera's resolution and frame rate settings.

Progressive HD, or '1080p' is always available regardless of your recording resolution and frame rate, while interlaced HD, or '1080i' is available when your project frame rate is set to 50, 59.94 or 60.

Ultra HD SDI output, or '2160p' is available on your URSA Mini's main SDI when shooting at Ultra HD resolutions.



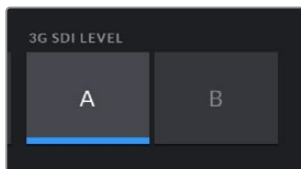
SDI Output – front SDI



SDI Output – main SDI

## 3G SDI Level

On URSA Mini Pro you can change the 3G-SDI output standard to maintain compatibility with equipment that can only receive level A or level B 3G-SDI video. This option will only appear when you are operating in 50, 59.94 or 60 frames per second and outputting 1080p. Tap the A or B icon to select each standard.

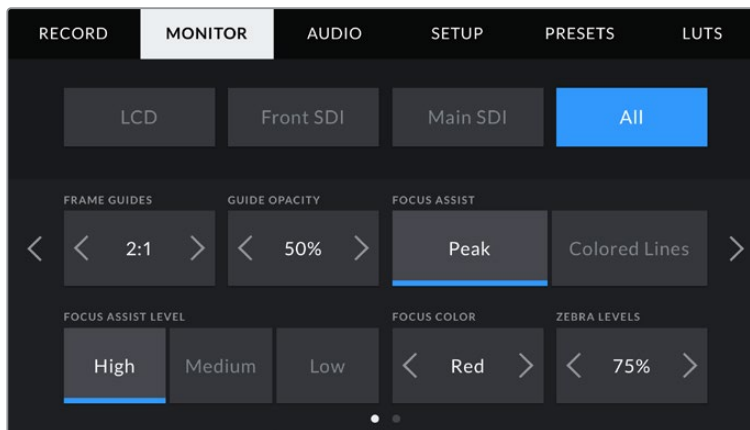


On URSA Mini Pro 4.6K G2, select level A or level B for your 3G-SDI output standard

## All Monitor Settings 1

Monitor settings that affect all of your URSA Mini's outputs are grouped within the 'all' menu. For example, setting 'safe area guide %' to 90% in this menu will set the safe area guide to 90% for your camera's LCD, front SDI and main SDI outputs.

There are two pages of 'all' settings. The first page of your URSA Mini's 'all' monitor tab contains the following settings.



### Frame Guides

Tap the left or right arrows in the 'frame guides' menu setting to cycle through frame guide options for all outputs on your URSA Mini, including EVFs such as Blackmagic URSA Viewfinder. The options are detailed in the 'touchscreen features' section of this manual, and are also accessible from the LCD monitoring menu in your LCD touchscreen head up display. It's worth noting that you can individually select whether frame guides will appear on your LCD touchscreen, front SDI and main SDI output in their respective 'monitor' menus.

### Guide Opacity

Tap the left or right arrows in the 'guide opacity' menu setting to choose the opacity of the areas blocked out by frame guides on your LCD touchscreen, front and main SDI outputs. The options are 25%, 50%, 75% and 100%.

### Focus Assist

Your URSA Mini camera has two focus assist modes, 'peak' and 'colored lines.'

#### Peak

When 'peak' style focus assist is selected, areas of the shot that are in focus are heavily sharpened on your LCD touchscreen or SDI outputs, but not in the recorded image itself. This causes focused parts of your shot to 'pop' out of the softer background on screen. As no additional overlays are used, this can be a very intuitive way to tell when focus is dialled in, especially when the subject you're focusing on is physically well separated from other elements in shot.

#### Colored Lines

When 'colored lines' style focus assist is selected, a colored line is superimposed around the parts of the image that are in focus. This can be a little more intrusive than 'peak' style focus assistance as the lines are drawn over your image, but especially in busy shots with a lot of visible elements, it can be a precise focus aid.

### Focus Assist Level

To set the level of focus assistance for your LCD touchscreen, front SDI and main SDI, tap the 'low,' 'medium' or 'high' setting.

**NOTE** Setting the focus assist level does not affect whether focus assistance is enabled on your URSA Mini's LCD touchscreen or SDI outputs. You'll still need to turn focus assistance on individually for each output in the 'LCD,' 'front SDI,' or 'main SDI' monitor menus.

**TIP** The optimum level of focus assistance varies shot by shot. When focusing on actors, for example, a higher level of focus assistance can help resolve edge detail in faces. A shot of foliage or brickwork, on the other hand, may show distracting amounts of focus information at higher settings.

### Focus Color

Use this setting to change the color of focus line overlays when using 'colored lines' style focus assistance. Changing the focus line color can make it easier to tell focus assistance lines apart from your image. The available options are 'white,' 'red,' 'green,' 'blue' and 'black.'

### Zebra Levels

Set the exposure level that zebra appears at by tapping the arrow icons on either side of this setting. Zebra level is adjustable in five percent increments between 75 and 100 percent exposure.

For more information, see the 'zebra' guide in the 'touchscreen features' section of this manual.

### ND Filter indicator

Adjusting your URSA Mini Pro's ND filter will display the ND filter indicator in the top left of the LCD touchscreen and any SDI outputs set to show status text. This indicator will remain on when you have an ND filter engaged. When you have it set to the position where there is no ND filter, the 'clear' text will disappear after four seconds.

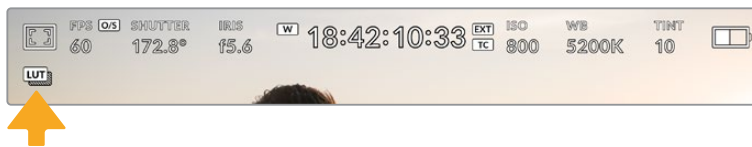


Adjusting your URSA Mini Pro's ND filter setting will reveal the ND filter indicator

**NOTE** You can adjust the terminology used by the ND filter indicator to reflect the conventions you're used to. The options are ND number, stops and fractions. You can set your preferred format in your URSA Mini Pro's 'setup' menu.

### LUT indicator

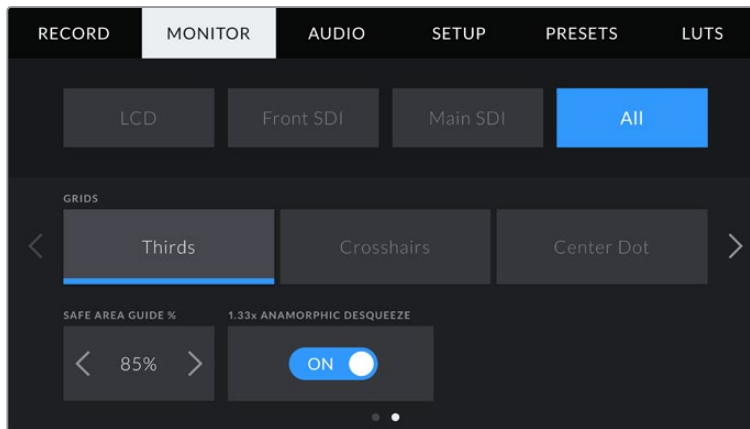
The LUT icon will be visible on the LCD, front SDI or main SDI when 'status text' is switched on and you have a LUT applied to that output.



The LUT icon lets you know that you have a LUT applied to the image

## All Monitor Settings 2

The second page of your Ursa Mini's 'all' monitor tab contains the following options:



### Grids

To set which combination of grids and crosshairs you want to display on your URSA Mini's LCD touchscreen, front and main SDI outputs, tap the 'thirds,' 'crosshairs,' or 'center dot' options in this setting.

For more information, see the 'grids' guide in the 'touchscreen features' section earlier in this manual.

### Safe Area Guide %

To adjust the size of the safe area overlay on your URSA Mini's LCD touchscreen, front SDI and main SDI outputs, tap the arrows to the left and right of the percentage displayed in this setting. This percentage indicates the size of the safe area in relation to the image frame. Most broadcasters require a 90% safe area.

### Anamorphic Desqueeze

When shooting with anamorphic lenses, the image will appear horizontally 'squeezed' on your URSA Mini's preview outputs and in recorded files. Enabling 'anamorphic desqueeze' will correct the preview image on your URSA Mini as well as recording the desqueeze amount used in the clip metadata for easy correction in post.

The desqueeze amount available will vary depending on what you've set your URSA Mini resolution to, but the resulting image will always be in the cinematic widescreen 2.4:1 aspect ratio.

Anamorphic lenses designed for film typically have a 2x squeeze factor. Your URSA Mini's '3K anamorphic' resolution is designed for use with these lenses and will perform a 2x desqueeze when set to this resolution with 'anamorphic desqueeze' enabled.

Anamorphic lenses designed for 16:9 digital image sensors often use a 1.33x squeeze factor to produce 2.4:1 cinematic widescreen images from the entire 16:9 sensor. Therefore, when your URSA Mini is set to 16:9 resolutions such as '4K 16:9' and 'HD 16:9,' the desqueeze ratio will be 1.33:1.

**TIP** If your image appears horizontally stretched when shooting with a standard spherical lens, make sure you don't have 'anamorphic desqueeze' enabled.

## Audio Settings

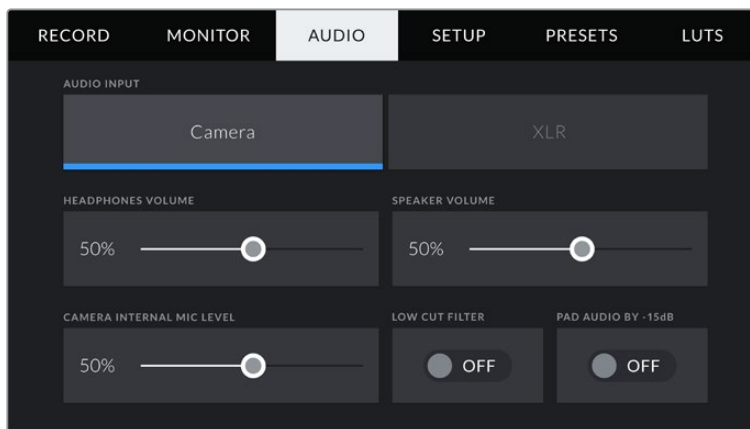
The 'audio' tab lets you adjust the audio input and monitoring settings on your URSA Mini. This menu is slightly different between URSA Mini and URSA Mini Pro models, so the available settings are described separately below.

### Audio Settings – URSA Mini

The audio settings for your URSA Mini are divided by audio input source between 'camera' and 'XLR' for onboard and externally sourced audio. 'XLR' settings are spread over two pages, which you can cycle through by tapping the arrows at the edge of the LCD touchscreen or swiping left or right.

#### Camera Audio Settings

When you select 'camera' audio input, your URSA Mini will have one page of audio settings available. The 'camera' audio tab contains the following settings.



#### Headphones Volume

This slider adjusts the output levels for headphones attached to URSA Mini's 3.5mm headphone jack. Move the audio slider left or right to adjust levels.

#### Speaker Volume

This slider adjusts the output levels for your URSA Mini's built in speaker. Move the audio slider left or right to adjust levels.

#### Camera Internal Mic

This slider adjusts the recording levels for your URSA Mini's built in microphone. Move the audio slider left or right to adjust levels. The built in microphone records to audio channels 1 and 2.

#### Low Cut Filter

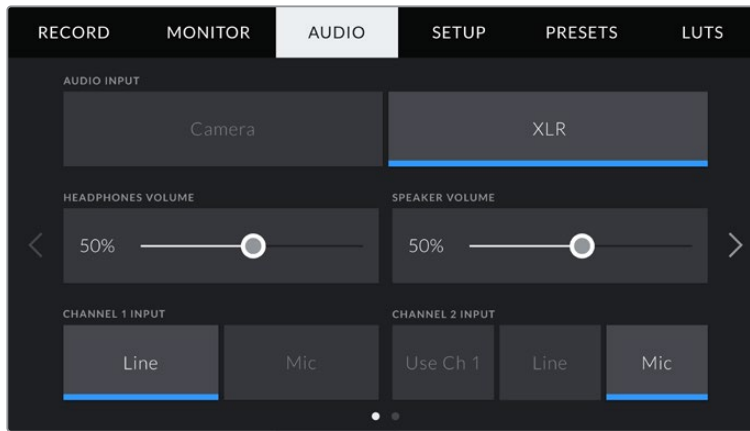
Tap this switch icon to enable the low cut filter for your camera's internal microphones. This filter helps to reduce potential wind noise or low frequency rumbling that may occur in exterior shooting conditions. Note that the 'pad audio by -15 dB' selector must be switched off for this function to work.

#### Pad Audio By -15dB

The -15dB pad option gives you added control to further reduce the microphone input gain levels on your URSA Mini's internal microphone when shooting in a loud environment even after your input levels are already turned down.

## XLR Audio Settings 1

When you select 'XLR' audio input, your URSA Mini will have two pages of settings available. The first page of the 'XLR' audio tab contains the following settings.



### Headphones Volume

This slider adjusts the output levels for headphones attached to URSA Mini's 3.5mm headphone jack. Move the audio slider left or right to adjust levels.

### Speaker Volume

This slider adjusts the output levels for your URSA Mini's built in speaker. Move the audio slider left or right to adjust levels.

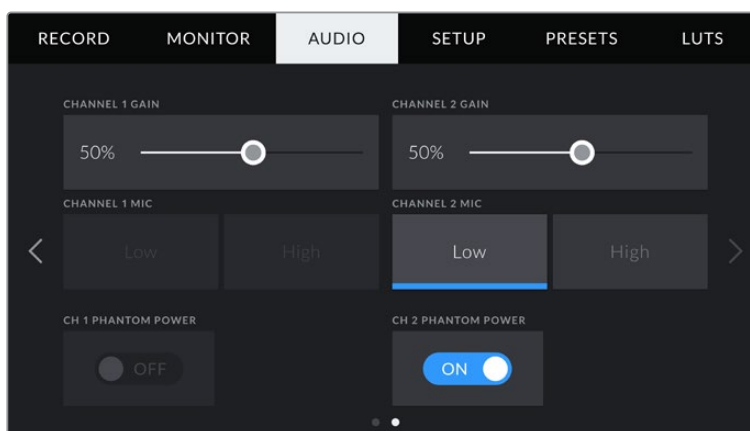
### Channel 1 and 2 input

Set the external audio input levels by tapping 'line' or 'mic' for channels one or two. These correspond to line, or microphone levels with 48V phantom power. It's important to select the appropriate level for your audio signal. You can set these independently for channels one and two.

Channel 2 also has the option of using channel 1's input if you want to record channel 1 external audio to channels 1 and 2.

## XLR Audio Settings 2

The second page of the 'XLR' audio tab contains the following settings.





### Channel 1 and 2 gain

Move the slider left and right on the 'channel 1 gain' and 'channel 2 gain' settings to adjust the audio levels for each channel.

### Channel 1 and 2 Mic

The Mic option gives you added control of input gain levels on an external microphone by setting the preamplification level to 'low' or 'high.' The 'low' setting can be useful when shooting in a loud environment even after your input levels have already been turned down.

### Channel 1 and 2 phantom power

Your URSA Mini's XLR inputs can provide 48V phantom power so you can use microphones that aren't self powered. When your camera is set to 'XLR' audio input, simply tap the 'phantom power' switch icon to enable phantom power.

**NOTE** It is standard practice to plug in your XLR cable before switching phantom power on. It is also important to switch phantom power to 'off' when you no longer have a phantom powered microphone connected. Connecting equipment that doesn't require phantom power whilst still in phantom power mode can damage your equipment, as the camera outputs a charge when in this mode. Phantom power can also take quite a while to discharge after switching phantom power off on URSA Mini. Please be aware that you should wait a few minutes when switching off phantom power before plugging in any other microphones or XLR audio equipment.

## Audio Settings – URSA Mini Pro

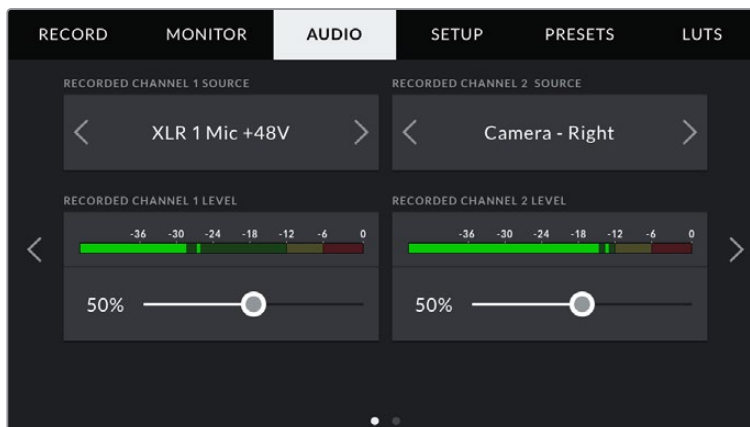
The audio settings for your URSA Mini Pro are spread over two pages and divided between channels 1 and 2, while an upcoming software update will add two additional channels.

You can map each audio channel to a different source, as well as adjusting various settings such as padding and low cut filters.

These settings work together with the switches on your URSA Mini Pro's internal control panel. So after you've set your audio source for a particular channel, you can use the internal control panel switches to set the signal type and whether phantom power is enabled for that channel.

### Audio Settings 1

The first page of your URSA Mini Pro's 'audio' tab contains the following settings.



## Channel Source

Use the 'recorded channel 1 source' and 'recorded channel 2 source' buttons to select your audio source for each audio channel. The options are

### Camera Left or Right

Use this setting to record from your camera's internal microphones.

### Camera Mono

Use this setting to record audio from your URSA Mini Pro's built in microphone's left and right channels onto a single audio channel.

### XLR 1 or 2

Use this setting to record from your camera's XLR inputs. Depending on which audio signal you've set on your URSA Mini Pro's internal control panel switches, your XLR input may be listed as 'mic,' 'line,' or 'AES.' If phantom power is enabled and you have your XLR input set to 'mic' you'll also see a '+48V' indicator here. On URSA Mini Pro, it is important to ensure that the 48V switch gets turned 'off' when you disconnect your phantom powered microphone.

### XLR 1 or 2 — Mic Backup

Use this setting to record audio from a microphone plugged into your URSA Mini Pro's XLR 1 or 2 input at a lower level than the standard 'mic' recording. This can be used to avoid audio clipping in the event of an unexpected increase in loudness. This feature will only be available as a selectable item if the XLR 1 or 2 input switch is set to 'mic'.

### None

Use this setting to disable your audio channel.

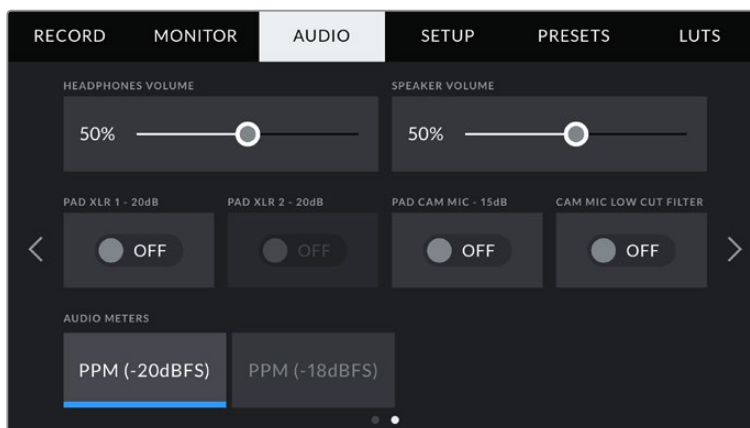
## Recorded Channel 1/2 Level

Use these sliders to adjust the recording levels of your chosen channel 1 and 2 sources. Audio meters are included with each slider to help you set the correct audio level. These levels will also update when you adjust the audio using the audio knobs on the ergonomic control panel.

To achieve optimum audio quality, ensure your audio levels do not reach 0 dBFS. This is the maximum level that your camera can record, meaning that any audio that exceeds this level will be clipped, resulting in distortion.

## Audio Settings 2

The second page of your URSA Mini Pro's 'Audio' tab contains the following settings



The 'audio meters' setting on URSA Mini Pro 12K and URSA Mini Pro G1

### Headphones Volume

This slider adjusts the output levels for headphones attached to URSA Mini's 3.5mm headphone jack. Move the audio slider left or right to adjust levels. These levels will also update when you adjust the headphone volume using the settings wheel on the forward control panel.

### Speaker Volume

This slider adjusts the output levels for your URSA Mini's built in speaker. Move the audio slider left or right to adjust levels. These levels will also update when you adjust the speaker volume using the settings wheel on the forward control panel.

### Pad XLR -20dB

The -20dB pad option gives you added control to further reduce the input gain levels on your URSA Mini's XLR audio inputs when shooting in a loud environment even after your input levels are already turned down.

### Pad Cam Mic - 15 dB

The -15dB pad option gives you added control to further reduce the microphone input gain levels on your URSA Mini's internal microphone when shooting in a loud environment even after your input levels are already turned down.

### Cam Mic Low Cut Filter

Tap this switch icon to enable the low cut filter for your camera's internal microphones. This filter helps to reduce potential wind noise or low frequency rumbling that may occur in exterior shooting conditions. Note that the 'pad cam mic -15 dB' selector must be switched off for this function to work.

### Audio Meters

Select an 'audio meters' standard for the peak level meters.

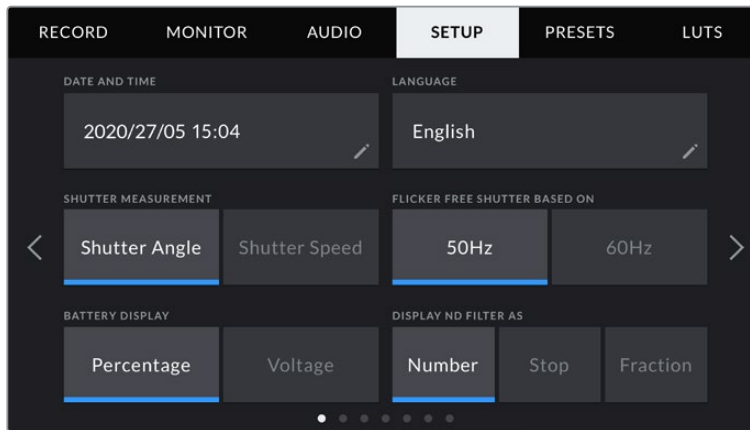
Audio meter setting	Standard
PPM (-20 dBFS)	SMPTE RP.0155
PPM (-18 dBFS)	EBU R.68

## Setup Settings

The 'setup' tab contains your URSA Mini's identification settings, software version, function button settings and other camera settings not directly linked to recording or monitoring. You can cycle through pages on the 'setup' tab by tapping the arrows at the edge of the LCD touchscreen, or swiping left or right.

**NOTE** Settings and features shown below may have a slightly different layout on the pages of your URSA Mini's 'setup' tab due to small differences between URSA Mini models. For example, URSA Mini Pro 4.6K G2 has five 'setup' pages and URSA Mini Pro 12K has seven.

Your URSA Mini's 'setup' tab contains the following settings.



On URSA Mini Pro 12K, URSA Mini Pro 4.6K G2 and URSA Mini Pro 4.6K, the first page of the 'setup' tab has a 'display ND filter as' option. URSA Mini 4.6K and URSA Mini 4K do not have an internal ND filter so this option is unavailable.

### Date and Time

Set your URSA Mini's date and time by tapping the 'date and time' setting. The date format is year, month, day and the time format is 24 hour. Your URSA Mini's date and time are also used for time of day timecode if an external timecode source is not connected.

### Language

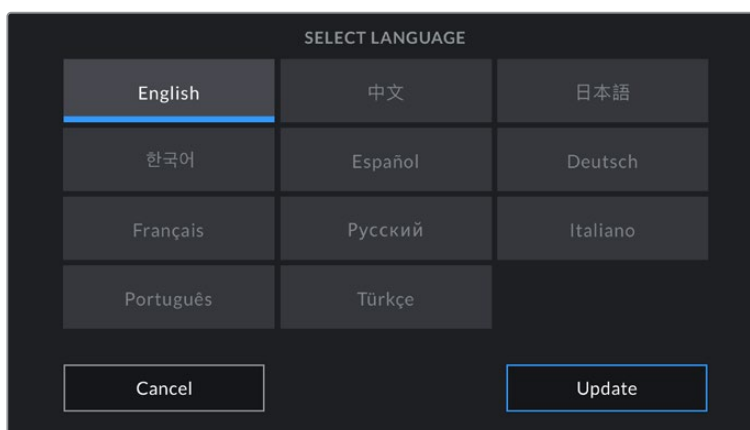
English is the only language available currently for URSA Mini Pro 4.6K G2, URSA Mini 4.6K and URSA Mini 4K.

URSA Mini Pro 12K and URSA Mini Pro 4.6K G1 support 11 popular languages including English, Chinese, Japanese, Korean, Spanish, German, French, Russian, Italian, Portuguese and Turkish.

The language page will also appear on initial start up.

#### To select your language:

- 1 Tap on the 'language' and select your language from the list.
- 2 Select 'update' to return to the setup menu.



### Shutter Measurement

On URSA Mini 4.6K and URSA Mini Pro, use this setting to select whether to display shutter information as 'shutter angle' or 'shutter speed'.

It's worth mentioning that when using shutter angle, the shutter conforms to the frame rate. For example, 180 degrees will produce the same motion blur, no matter which frame rate you use.

When using shutter speed, however, the shutter is given an absolute value determined independently of the frame rate, so the results will differ if you change the frame rate.

For example, when shooting at 24 frames per second, a 1/48th of a second shutter speed will produce pleasing motion blur at the equivalent of a 180 degree shutter angle. Change the frame rate to 48 frames per second and 1/48th of a second shutter speed no longer offers the same motion blur, now producing the equivalent of a 360 degrees shutter angle. In this example, once the frame rate is changed to 48 fps, you would also need to change the shutter speed to 1/96th of a second to produce the same effect as a 180 degree shutter angle.

### **Flicker Free Shutter Based On**

Use this setting to change the mains power frequency your URSA Mini uses to calculate flicker free shutter settings.

When shooting under lights, your shutter can affect the visibility of flicker. Your URSA Mini will automatically calculate a flicker free shutter value for your current frame rate and display up to three suggested shutter values in your heads up display. Shutter values are affected by the frequency of the local mains power supply used to drive those lights. In most PAL countries, this frequency is 50Hz, while NTSC countries typically use 60Hz power. Simply tap '50Hz' or '60Hz' to set the right frequency for your region.

**NOTE** The characteristics of individual light sources may still cause flicker even when using flicker free shutter values. We recommend always performing a test shoot when not using continuous lights.

### **Battery Display**

Your URSA Mini can change the way the battery level indicator displays the remaining charge. The two settings are 'percentage' and 'voltage.' When using a battery and plates that support percentage accurate levels, setting 'battery display' to 'percentage' will show your battery power remaining as a percentage.

**TIP** A list of batteries that support percentage accurate power information is provided in the 'mounting batteries' section of this manual.

If your battery and plate combination does not support percentage accurate readings, the display will show four bars which empty as the battery depletes.

If this option is set to 'voltage,' battery levels will be displayed in volts. We recommend that you swap the battery as it approaches 12V.

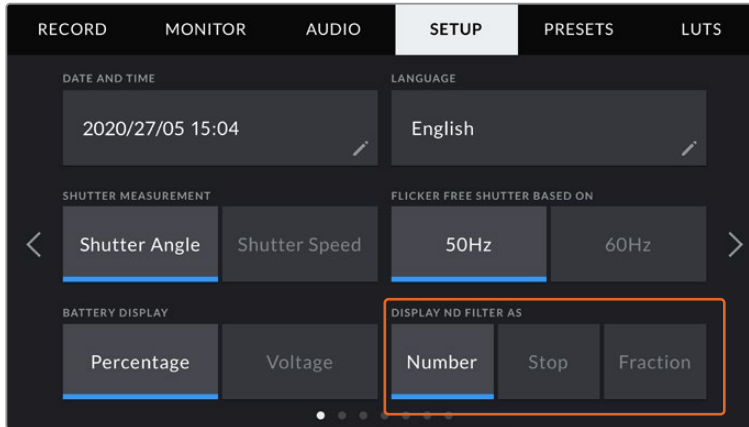
**TIP** You can also toggle between 'voltage' and 'percentage' battery displays by tapping the power icon on the LCD touchscreen.

### **Timecode Drop Frame**

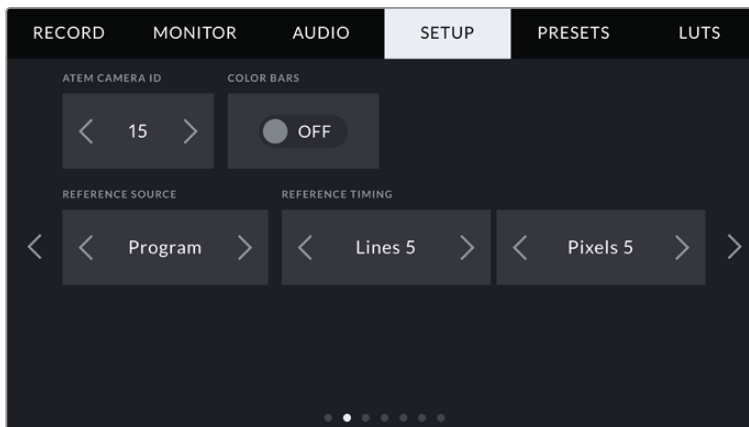
Use the 'timecode drop frame' option to use drop frame timecode when using NTSC project frame rates of 29.97 and 59.94. Drop frame timecode drops a small number of frames from the timecode at set intervals. This keeps your project timecode accurate despite each second not containing a whole number of frames at NTSC frame rates.

### Display ND Filter As

Use this setting to adjust how the ND filter indicator on your URSA Mini Pro displays your ND filter setting. Each setting corresponds to a different camera convention. Cinematographers typically use ND.number notation, while those familiar with DSLRs or broadcast cameras may prefer this information in f-stop format, or as a fraction of available light. These options are available here as 'number,' 'stop,' and 'fraction,' respectively.



Setup menu in URSA Mini Pro with the option to customize how the ND filter information is displayed



It's worth mentioning that the 'program audio' setting is only available on URSA Mini Pro.

### ATEM Camera ID

If you're using URSA Mini with an ATEM Switcher and want your camera to receive tally signals from the switcher, you'll need to set the camera number on your camera. This ensures the switcher sends the tally signal to the correct camera. The camera number can be set to a value of 1-99 by tapping the left or right buttons. The default setting is 1.

### Color Bars

Outputting color bars rather than a preview image can be useful when connecting your URSA Mini to a switcher or external monitor. The appearance of your URSA Mini's color bars on your switcher or monitor confirms the connection, and you can perform basic monitor calibration based on the colors of the bars. To turn on color bars for all outputs on your URSA Mini, including the LCD touchscreen, simply tap the 'color bars' switch icon.

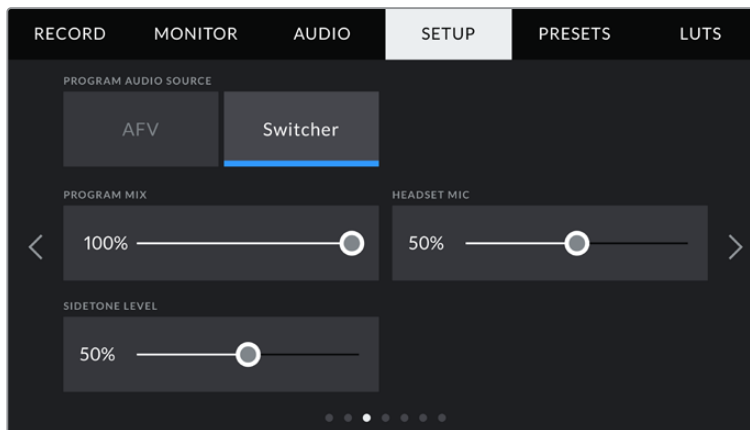
## Reference Source

This setting is used to select the reference source. Your URSA Mini can lock to an internal or external reference source, or to the reference signal in program input from an ATEM switcher. If you are using your URSA Mini with an ATEM Switcher's camera control function, you should always set your reference source to 'program' unless the switcher itself and all connected cameras are set to an external reference.

**NOTE** When you are setting your reference source for URSA Mini, you may experience a small dropout on your camera's outputs when switching between your reference sources. This is because the camera is adjusting its referencing timing to match that of the external source. For this reason it is important not to change this setting during a production and only while setting up.

## Reference Timing

These settings allow you to manually adjust the reference timing on a line or pixel basis. Simply tap the arrow icons on either side of the 'lines' and 'pixels' settings to make adjustments.



### Program Audio Source

This setting is only available for URSA Mini Pro. When connected to a switcher, setting 'program audio' to 'on' prioritizes the program return audio as your input source to be mixed with talkback when monitoring using headphones or a headset. This is useful when you are not feeding the switcher audio from your camera but you still want to listen to the program feed from the switcher via the 'SDI in' port. Setting 'program audio' to 'off' prioritizes audio from your camera's internal mics or 'audio in' XLR ports, and is the default setting.

### Program Mix

This setting changes the balance of camera sound to talkback sound. The headphones will output audio following what is displayed on the LCD. For instance, if you are in camera view, camera audio is heard. If you are in program view, program audio is heard. The default setting is 100%.

### Headset Mic

Move this volume slider left or right to increase or decrease audio microphone input levels. The default setting is 50%.

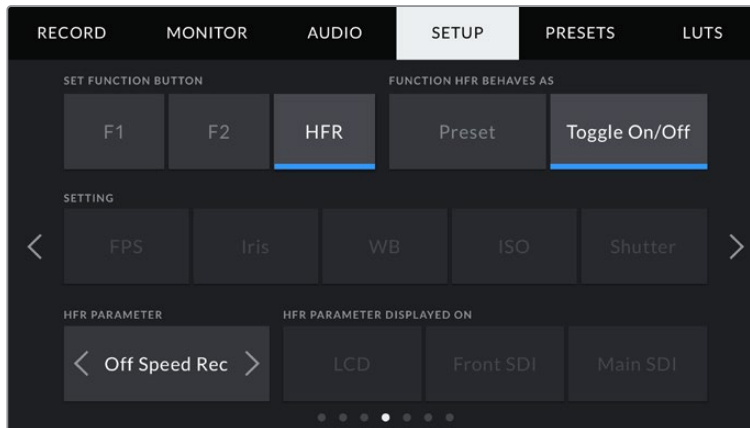
### Sidetone Level

Adjust this slider to set the volume of your own voice mic in your headset.

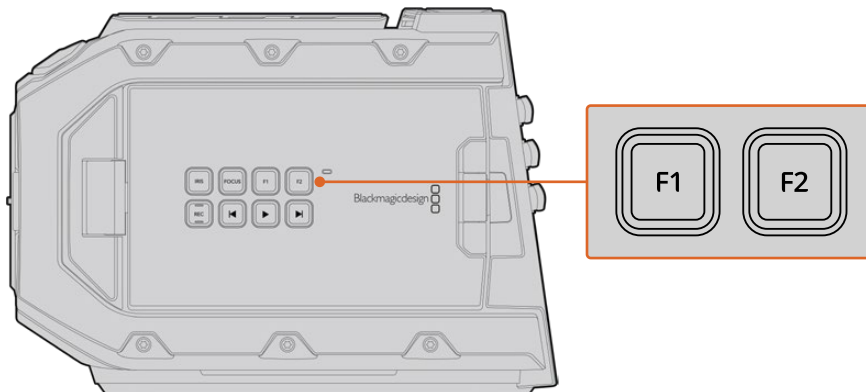
## Set Function Button

On the outside of your URSA Mini's LCD touchscreen, you'll notice two function buttons, 'F1' and 'F2.' These are mappable to frequently used features and are quickly accessible when using your camera with the LCD touchscreen closed, such as when you are using URSA Viewfinder.

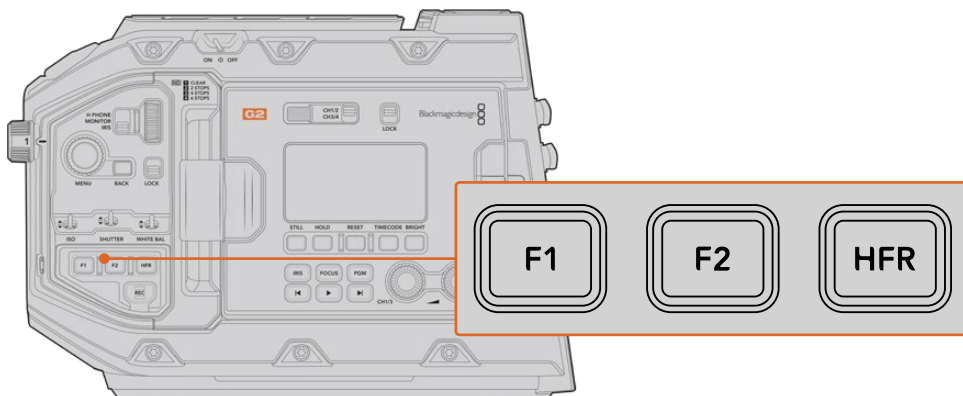
On URSA Mini Pro 12K, URSA Mini Pro 4.6K G2 and URSA Mini Pro 4.6K models, you can also map the HFR button to another function or disable it. The default setting for the 'HFR' button is 'off speed rec'.



On URSA Mini Pro 12K, URSA Mini Pro 4.6K G2 and URSA Mini Pro 4.6K, the HFR button can be mapped to another function



Your URSA Mini's F1 and F2 buttons are located on the outside of the LCD touchscreens

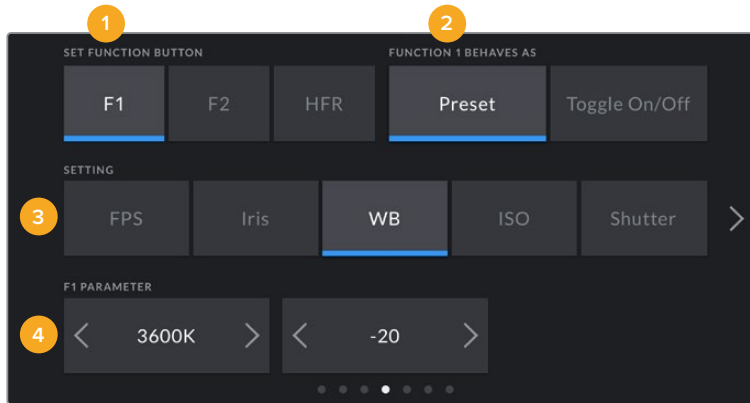


On URSA Mini Pro 12K, URSA Mini Pro 4.6K G2, URSA Mini Pro 4.6K and URSA Mini 4.6K, you can customize the functions of the 'F1', 'F2' and 'HFR' buttons or disable them.



**TIP** If your URSA Mini Pro G1 has a B4 lens with a lens connector, you can configure the 'vtr' and 'ret' buttons as function buttons and assign preset or toggle functions in addition to the 'F1', 'F2' and 'HFR' buttons.

To set these buttons, select a function button and then its behavior, a setting, and a parameter for that setting.



1 Button 2 Behavior 3 Setting 4 Parameter

### Function Button Behaves as Preset or Toggle

Once you have selected the function button you want to map, you can select a behavior. On URSA Mini Pro 12K, URSA Mini Pro 4.6K G2, URSA Mini Pro 4.6K and URSA Mini 4.6K models, you can also map the HFR button to another behaviour.

The available options are:

#### Preset

When set to this behavior, pressing a function button will recall a combination of a setting and a parameter.

To set a preset, select the setting you want to use from the 'setting' menu, and adjust that setting by tapping the arrow icons on either side of the 'parameter' menu.

For example, to set the F1 button to recall a preset aperture of f8, select the 'preset' behavior, tap the 'iris' setting, and tap the arrows on either side of the 'parameter' menu until you get to f8.' Tapping the preset again returns your camera to the previous setting.

#### Up/Down

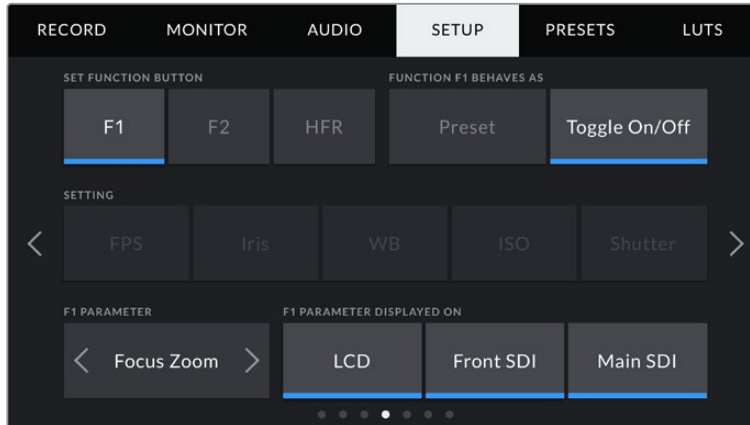
When set to this behavior, pressing a function button will move a particular setting up or down.

For example, you may want to set F1 to increase your lens aperture and F2 to decrease it. To do this, select the 'F1' function button, set the behavior to 'up/down', and the parameter to 'up.' Do the same for the 'F2' function button, but set the option to 'down.'

#### Toggle On/Off

When set to this behavior, pressing a function button will toggle a particular setting on or off. The 'setting' menu is disabled in this mode. Instead, tap the left or right arrows in the parameter menu to scroll through the available options. These are 'off speed recording,' 'color bars,' 'push to talk,' 'clean feed,' 'display LUT,' 'frame guides,' 'focus assist,' 'false color,' and 'zebra'. A 'none' option is available on URSA Mini Pro models.

URSA Mini Pro 12K includes a ‘focus zoom’ option. For information on how to use ‘focus zoom’ when it is enabled on the LCD, see the ‘focus zoom’ section. When ‘focus zoom’ is enabled for your SDI outputs, you can move its region of zoom around using the ‘menu’ wheel and adjust the magnification level using the ‘iris’ wheel.

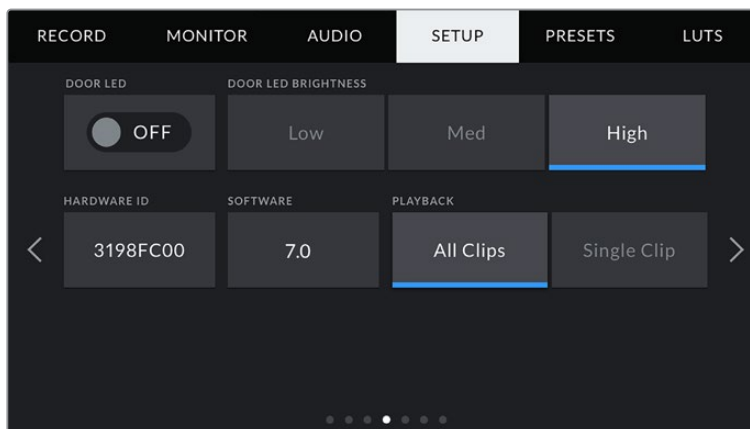


Focus zoom can be applied to any of the monitoring outputs selectively. For finding critical focus, applying it to all three outputs at will give the sharpest results.

Using the ‘Toggle On/Off’ behavior also lets you select the output this setting applies to. Simply tap any combination of ‘LCD,’ ‘front SDI’ and ‘main SDI’ to select. If the output for an option is not available, such as ‘color bars’ which always applies to all outputs, the ‘LCD,’ ‘front SDI,’ and ‘main SDI’ settings are disabled. On URSA Mini Pro models you can disable the function and HFR buttons by selecting ‘none’.

**NOTE** When ‘focus zoom’ is set and applied to all ‘LCD,’ ‘front SDI’ and ‘main SDI’ outputs, any 3D LUT or focus assist settings applied to the ‘front SDI’ will apply to all three outputs when zoomed. Frame guides, grids and safe area guides will not be displayed when zoomed.

You can also configure URSA Mini Pro 4.6K G1 to use the ‘ret’ and ‘vtr’ buttons on a B4 lens as function buttons. For example, if ISO recording is happening with a HyperDeck, a popular option is to set ‘vtr’ to act as a ‘push to talk’ button.



### Status LED

URSA Mini Pro cameras have a small status LED near the ‘rec’ button on the forward control panel to provide tally and status information. Use the ‘status LED’ setting to

switch the status LED on or off. On URSA Mini the status LED is located on the outside of the LCD touchscreen next to the 'F2' button and referred to as the 'door LED' on the 'setup' tab.

The LED will provide the following status indicators:

<b>White</b>	The camera is powered on and in standby mode.
<b>Red</b>	The camera is recording. Slow flashing indicates that your card space is low, while rapid flashing indicates dropped frames.
<b>Green</b>	The camera is in playback mode. The LED alternates slowly between green and off while a clip is playing. When inserted media is recognized, the status LED blinks green and white three times.
<b>Orange</b>	If your camera's battery is low, the LED will flash orange and your other current status color. For example, if currently recording, the LED indicator will slowly alternate between orange and red. If your camera is in standby mode, the LED will alternate between white and orange. The threshold for 'low' battery is 20 percent for batteries that support percentage accurate charge information, or 12.5 volts for batteries that don't.

### Status LED Brightness

To set the brightness of the status LED, 'low,' 'medium,' or 'high.'

### Hardware ID

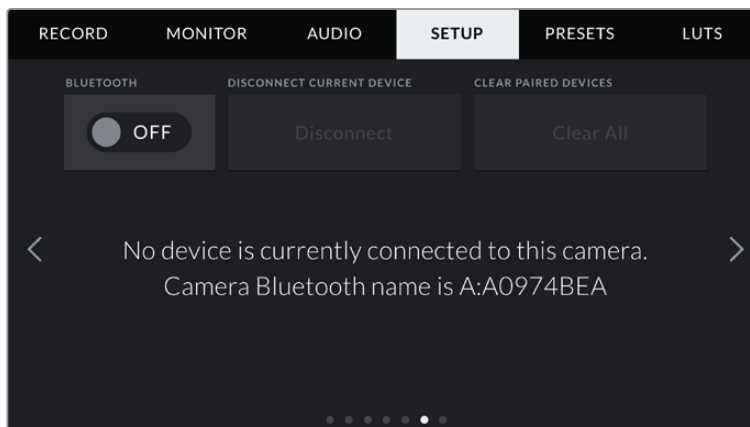
The 'Hardware ID' indicator displays an 8 character identifier for your URSA Mini. This is unique to each camera. A longer, 32 character version of this ID is also included in the metadata for Blackmagic RAW and ProRes video. This can be useful for identifying which footage came from a particular camera if filenames are changed as the camera hardware ID remains constant.

### Software

Displays the current software version installed on your URSA Mini. See the 'Blackmagic Camera Setup Utility' section for more information on updating software.

### Playback

This setting allows you to select whether to play back a 'Single Clip' or 'All Clips' during playback. 'All Clips' will play back through all matching media sequentially, and 'Single Clip' will play one clip at a time. This also applies for the loop function. Selecting loop on 'All Clips' will play through all of the clips on the CFast 2.0 or SD card and then loop. Selecting 'Single Clip' will loop one clip at a time.



The camera Bluetooth name will be the letter of your camera as selected in the slate, followed by the 8 character hardware ID for your URSA Mini

## Bluetooth®

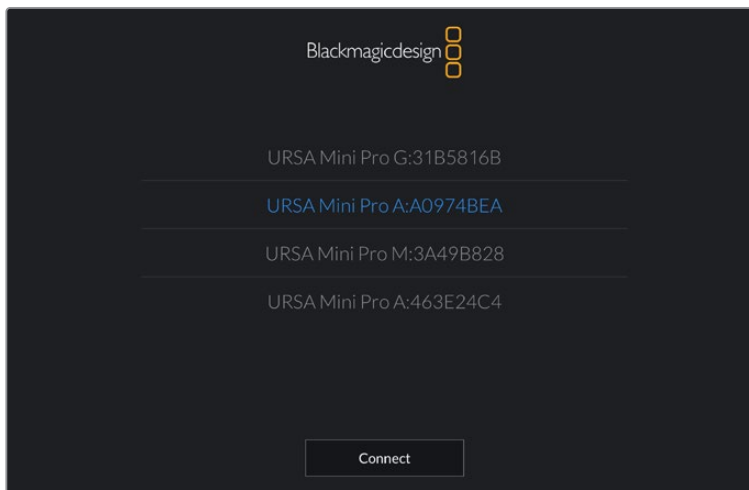
On URSA Mini Pro, Bluetooth control allows you to control your camera wirelessly from portable devices. Using the 'Blackmagic Camera Control App' you can power the camera on or off, change settings, adjust metadata and trigger record remotely from an iPad. You can enable or disable Bluetooth by tapping the 'Bluetooth' switch icon in the 'setup' menu. When Bluetooth is enabled, the camera can be detected by Bluetooth devices up to 30 feet away.

Because URSA Mini Pro uses the same set of commands for Bluetooth control as it does for 'Blackmagic SDI Camera Control Protocol', you can write your own applications to control almost every setting in the camera remotely, from monitoring to audio settings, the camera's inbuilt DaVinci Resolve color corrector or lens control.

For more information see the 'Blackmagic SDI Camera Control Protocol' section in this manual.

### To pair your camera with an iPad for the first time:

- 1 Enable Bluetooth by tapping the 'Bluetooth' switch icon in the 'setup' menu on your URSA Mini Pro.
- 2 Open the 'Blackmagic Camera Control App' and select the URSA Mini Pro you would like to pair with. Available cameras will be listed by their camera letter, followed by their unique hardware ID. For example A:A0974BEA.



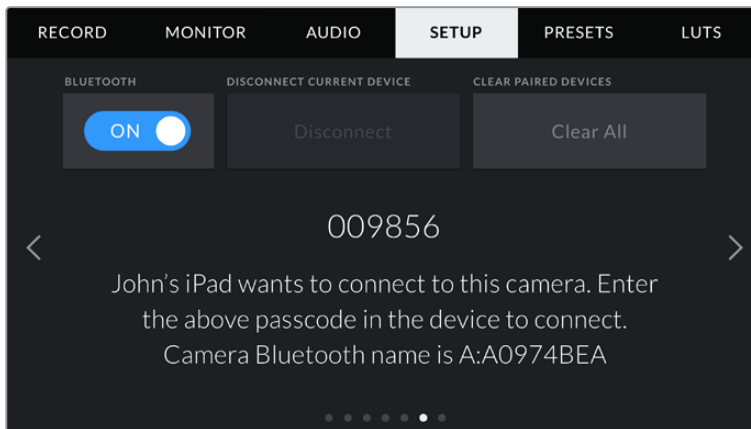
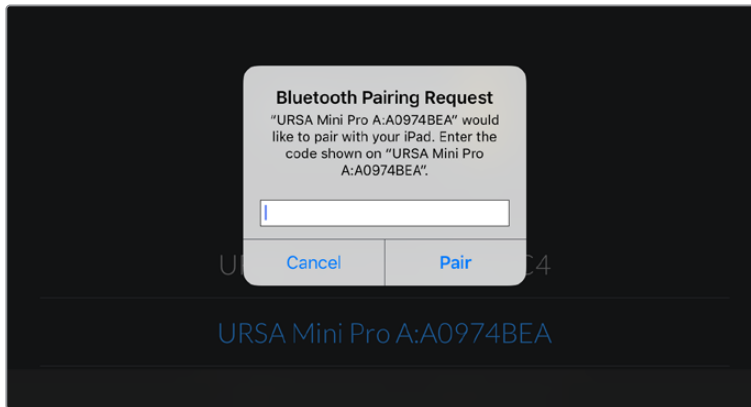
Select the URSA Mini Pro you would like to pair with

**NOTE** When you install the Blackmagic Camera Control App and run it for the first time, you will be asked if you want to 'allow location access.' If you select 'while using the app,' GPS readings from your iPad will be included in the metadata of the files you shoot, allowing you to geotag footage. This information can be viewed in Blackmagic DaVinci Resolve versions 14 or higher.

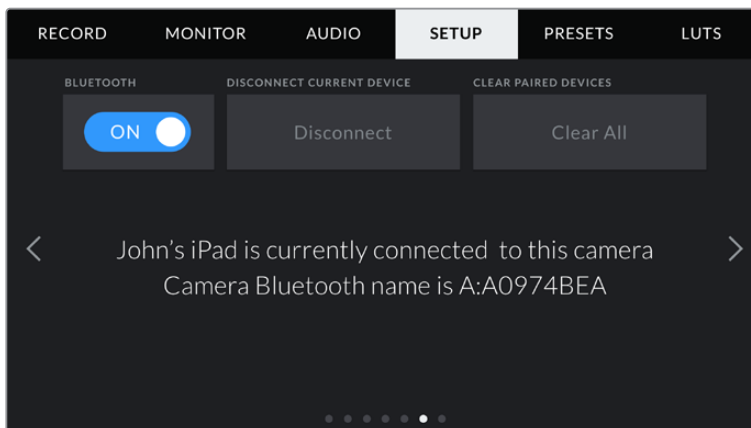
If you do not want to using this information, select 'never.'

To change settings, go to settings, privacy, location services, camera control on your iPad.

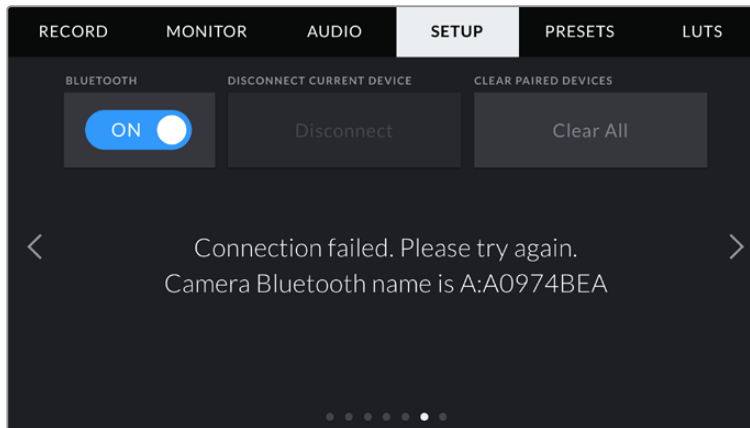
- When you try to connect for the first time the Blackmagic Camera Control App will request a six digit code to pair with the camera. This code will be displayed on the camera's LCD screen. Type this code into the iPad.



- The information on the screen will confirm that your URSA Mini Pro is now paired with your iPad.



- 5 If there is a problem pairing the camera to your iPad you will see the following error message.



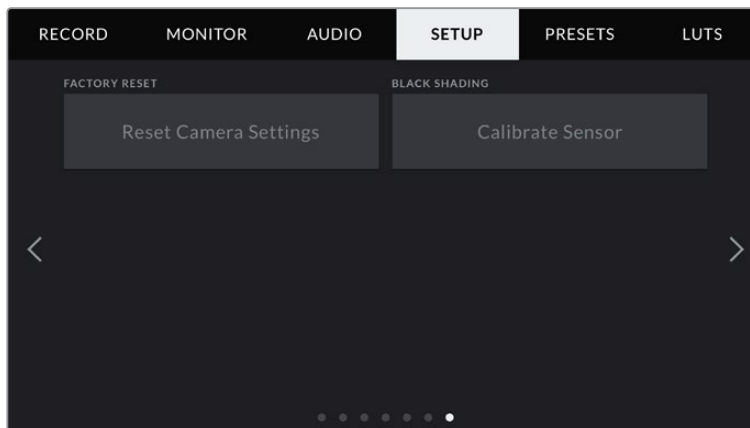
**NOTE** If you are not using Bluetooth to control your URSA Mini Pro, it is a good idea to turn Bluetooth off for the purpose of security.

#### **Disconnect Current Device**

Use this setting to disconnect your URSA Mini Pro from the iPad it is currently paired with.

#### **Clear Paired Devices**

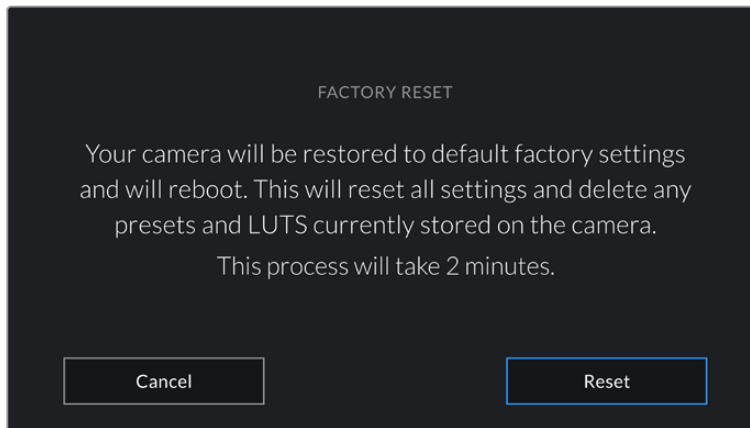
Use this setting to clear the list of devices that your URSA Mini Pro has been paired with.



#### **Factory Reset**

To reset the camera to its default factory settings, tap the 'reset' button. You will be asked to confirm this action as it will erase any LUTs and presets currently stored on the camera. Tap 'reset' on the confirmation page to reset your camera settings.

It's important to note that a factory reset erases any presets and custom LUTs, and resets all settings. It is a good practice to export them to a memory card as a backup before performing a factory reset. After a factory reset, you can restore your presets and LUTs quickly by importing them from the memory card. You are also advised to perform a black shading calibration.

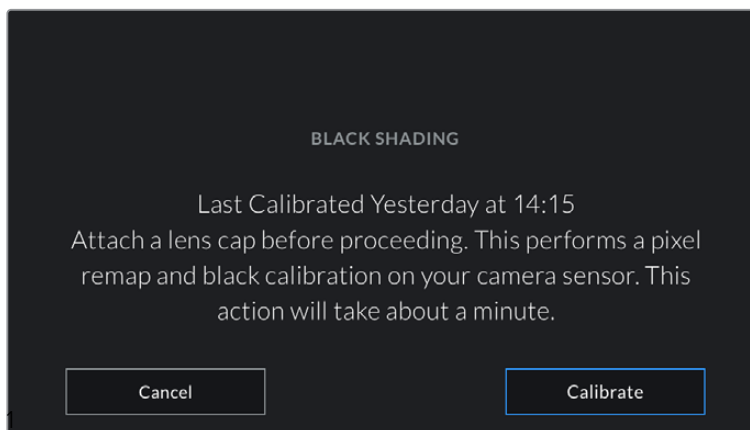


When selecting 'factory reset' you will be prompted to confirm your action

### Black Shading

On URSA Mini cameras using the 4.6K sensor, the black shading feature optimizes image quality by balancing the black levels on the sensor. It is best to carry out this process after your camera has warmed up and has been running for a few minutes. To carry out a black shading calibration you will need to place the dust cap on the camera, or place the lens cap on the lens and then press the 'calibrate' button. You will be asked to confirm this action, as you require the correct setup for this to function correctly. Calibration will take a few seconds, and you will be notified when the process is completed. Your camera will remember the last date and time that black shading was completed. This will optimize image quality in the shadows.

URSA Mini Pro 4.6K G2 has an additional calibration feature as part of the black shading process, which allows you to recalibrate pixels for improved black levels. This will take approximately one minute to complete.



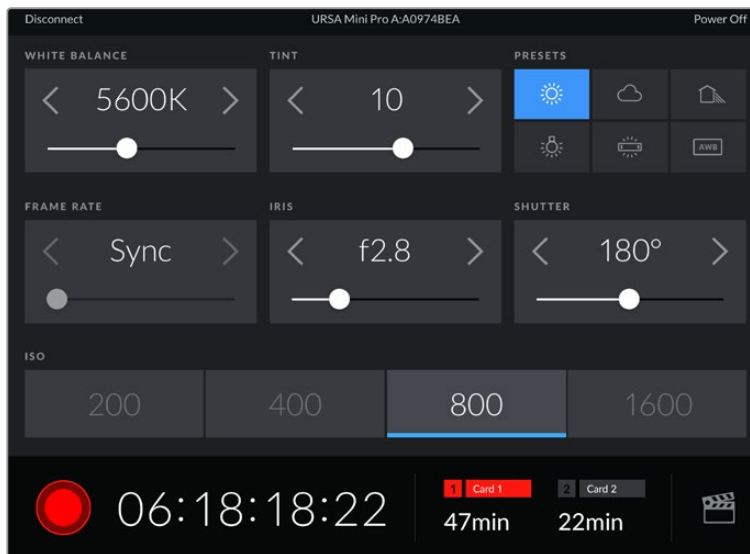
Black shading calibration recommended

### Motion Sensor Calibration

To calibrate the horizon meter on URSA Mini Pro 12K, place your camera on a surface you know is level and tap the 'calibrate motion sensor' button. It is essential that you keep the camera stable during calibration. The process takes approximately five seconds to complete.

## Controlling Your Camera with the Blackmagic Camera Control App

Once you have successfully paired your URSA Mini Pro to your iPad, you can power the camera on or off, change settings, adjust metadata and trigger record remotely using the iPad app.



Once paired, the Blackmagic Camera Control app will display this screen, allowing you to adjust your settings and start recording

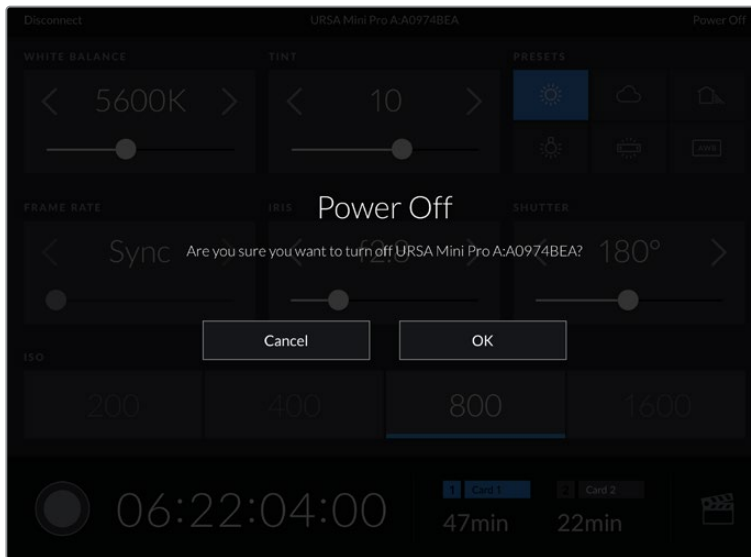


Tap the slate icon in the lower right corner to access and update the slate

URSA Mini Pro uses Bluetooth LE to communicate with devices for wireless control. As this is the same type of protocol used in portable devices, it only uses a minimal amount of battery power.

You can power off your URSA Mini Pro by tapping 'power off' in the top right corner.





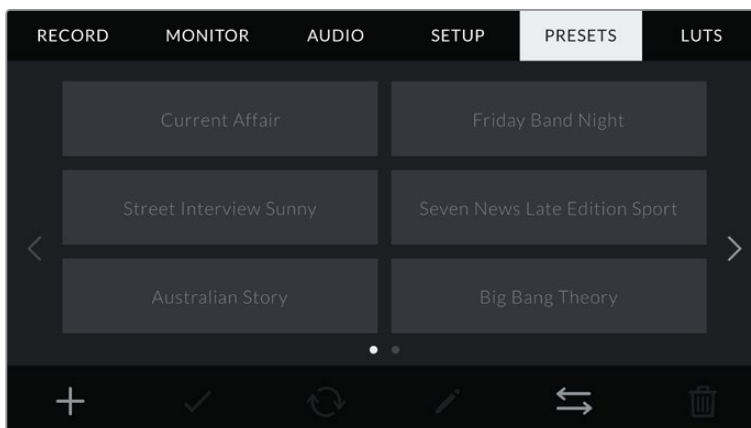
You will be prompted to confirm your selection before your camera is powered off

When Bluetooth is enabled and your URSA Mini Pro is powered off, the name of your camera will still show up on the list of available devices in the Blackmagic Camera Control App. Since you have already paired with your camera, you can now switch it on remotely by selecting your camera name and tapping 'Connect'. Your camera will not show up in this list if Bluetooth is disabled.

## Presets

The 'presets' tab lets you save and recall a complete collection of settings for your URSA Mini. This is very useful when one camera is used for multiple projects. For example, you may use your URSA Mini for a variety of different shoots, from documentaries to music videos, with very different settings between types of projects. Your URSA Mini's 'presets' function lets you save the setup for a particular project or type of shoot and come back to it quickly and easily when required. It's worth noting that some settings saved to a preset on URSA Mini may not be compatible with other Blackmagic cameras or earlier software versions for URSA Mini. To ensure your camera has the latest software installed please refer to the Blackmagic Design support center at [www.blackmagicdesign.com/support](http://www.blackmagicdesign.com/support).

You can also import and export presets, which is very useful for setting up a multi camera shoot. Simply set up one URSA Mini to suit your project, then export that preset for all the other URSA Minis on set.



Your URSA Mini's Presets tab

**NOTE** Your URSA Mini can save up to twelve presets to its internal memory.

### Preset buttons

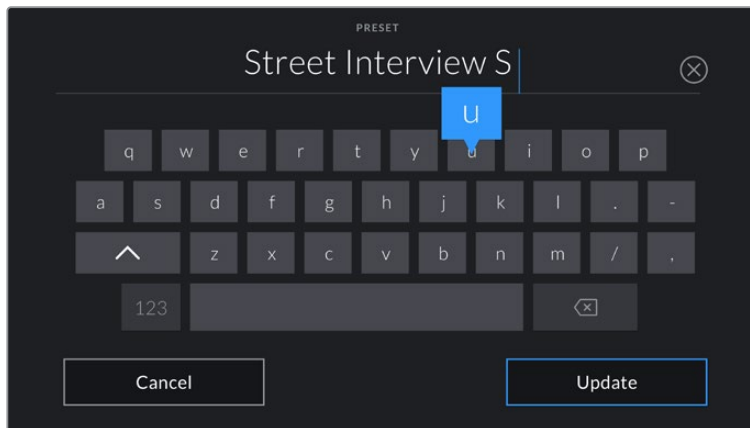
The button icons along the bottom of your URSA Mini's 'preset' menu correspond with the following functions.

				
<b>Add</b>	<b>Load</b>	<b>Update</b>	<b>Manage</b>	<b>Delete</b>

### Saving and loading presets

To create a new preset, tap the 'add' icon. This will bring up a touch keyboard on your LCD touchscreen where you can name your preset. Once you've typed in the name, tap 'update' to save all of your URSA Mini's current settings to that preset.

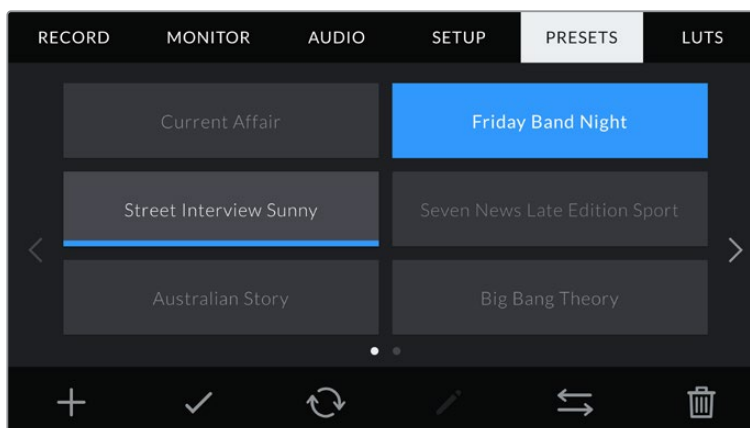
If your URSA Mini already has a preset loaded with the same name, you will be prompted to overwrite the existing preset or keep both.



Enter a name for your preset by tapping the 'add' icon in the preset tab and using the touch keyboard

Once you have a preset saved, tap its name in the preset menu to select it. To load it tap the 'load' icon.

You can update a preset by tapping the 'update' icon. This will bring up a prompt asking you if you want to update the preset with your URSA Mini's current setting. Tap 'update' to confirm.



Select a preset and tap the 'load' icon to load it. Selected presets will appear solid blue, while currently loaded presets have a blue line along the bottom of their icon

### Importing presets

To import presets, tap the 'preset manager' icon at the bottom of the preset menu. On URSA Mini Pro select either SD or CFast with the storage media selection switch, depending on where your presets are saved. If you are using URSA Mini Recorder, you can also import presets from an SSD.

Tap 'import preset' and confirm your selection with the 'import' icon. This will bring up the import screen. Choose 'card 1' or 'card 2' at the top left of this screen to display any available presets on those cards.

Your URSA Mini will search the root directory and 'presets' folder on the selected CFast or SD card. It's worth noting that presets saved elsewhere on your CFast or SD cards will not be visible.

Tap a preset to select it, and tap 'import' to confirm. At the top right of this screen, you'll see the number of remaining empty preset slots available on your camera.

**NOTE** If your URSA Mini's preset slots are full, the import menu will not be available. You will need to delete an existing preset to make room.

### Exporting presets

To export a preset to a CFast or SD card, select the preset you want to export by tapping it, and tap the 'manage' icon. You will be prompted with two options, 'import preset' or 'export selected preset.'

Use the storage media selection switch on URSA Mini Pro to select either SD or CFast, depending on the location you would like to export the preset to. If you are using URSA Mini Recorder, you can also export presets to an SSD. Tapping 'export selected preset' will prompt you to choose which card you would like to export to. Choosing a card will export the selected preset to a 'presets' folder on that card.

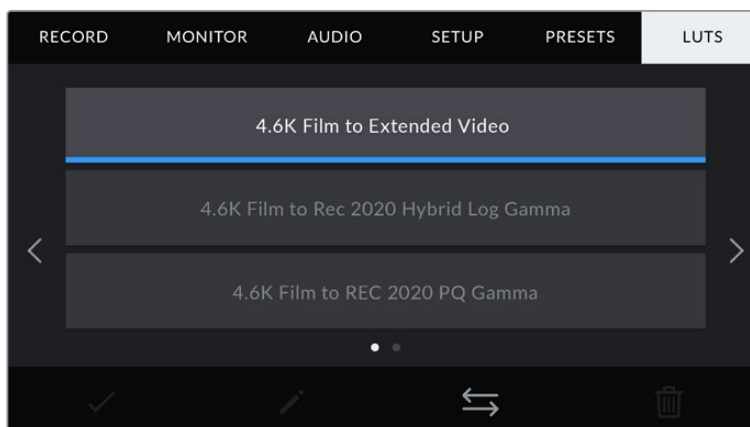
If the CFast or SD card you've chosen already has a preset saved to it with the same name as the one you're exporting, you will be prompted to overwrite the preset on the card, or keep both presets.

### Deleting presets

Your URSA Mini has space for twelve presets. To delete a preset, select it and tap the 'delete' icon. You will be prompted to confirm your choice. Tap 'delete' to confirm.

## LUTS

The 'LUTS' menu lets you import, export and apply 3D LUTs to your camera's outputs.



Your URSA Mini's 'LUTS' tab

## Introducing 3D LUTs

Your URSA Mini can apply 3D LUTs to images on its LCD touchscreen, front SDI and main SDI. LUTs work by telling your URSA Mini what color and luminance output to show for a particular color and luminance input. For example, a LUT may tell your URSA Mini to display a vibrant, saturated blue when it receives a relatively dull blue input. This can be useful when shooting Blackmagic RAW footage, or using 'film' dynamic range, both of which have an intentionally undersaturated, 'flat' appearance. By applying a LUT, you can get an idea of what your footage will look like after it has been graded.

It is easy to create 3D LUTs using DaVinci Resolve or other color correction software, and LUTs are available online from a variety of sources. Your URSA Mini can store up to six 17 point or 33 point 3D LUTs, of up to 1.5 megabytes each. Once loaded, you can choose to display a given LUT on your camera's LCD touchscreen, front SDI, main SDI or any combination of these outputs.

Your URSA Mini supports 33 point 3D LUTs in .cube format created in DaVinci Resolve and 17 point 3D LUTs converted to Resolve .cube format via LUT conversion programs. Your camera processes 3D LUTs using high quality tetrahedral interpolation.

**TIP** For more information on displaying LUTs, see the 'monitor settings' section in this manual.

**NOTE** LUTs are used as a preview tool only. Your URSA Mini does not apply, or 'bake in,' LUTs to recorded footage, however information on the LUT applied during a shot is saved as metadata with your recordings. The 'LUT used' field in DaVinci Resolve can be used to verify the name of the LUT that was used as a monitoring LUT on set. Blackmagic RAW lets you non-destructively embed a LUT you use during filming into the RAW file for use in post production. This gives you the option in DaVinci Resolve to use the LUT or apply a different look. For more information see the 'Embedded 3D LUTs' section.

## Built-in LUTs

Your URSA Mini provides a number of built-in LUTs, that allow you to preview different looks when shooting in 'film' dynamic range in ProRes or Blackmagic RAW.

<b>Film to Extended Video</b>	Displays a wider dynamic range than the '4.6K Film to Video' LUT, and applies a mild contrast change with a smooth roll off in the highlights.
<b>Film to Video</b>	Similar to the REC 709 color standard for high definition video, and has a high level of contrast and saturation. You may find this setting useful when using URSA Mini alongside other broadcast cameras using the REC 709 color space.
<b>Film to Rec 2020 Hybrid Log Gamma</b>	Displays a hybrid between REC 709 and a log image.
<b>Film to Rec 2020 PQ Gamma</b>	Displays a gamma curve that is based on what we can perceive with our eyes, for efficient encoding of HDR images.

## LUTs buttons

The button icons along the bottom of your URSA Mini's 'LUTS' screen correspond to the following functions:



## Importing LUTs

To import a 3D LUT, tap the 'manage' icon at the bottom of the LUT menu, and tap 'import LUT' to confirm.

This will bring up the import screen. On URSA Mini Pro select either SD or CFast with the storage media selection switch, depending on where your LUTs are saved. You can also import LUTS stored on an SSD if you are using URSA Mini Recorder. Choose 'card 1' or 'card 2' at the top left of this screen to display any available 3D LUTs on those cards.

Your URSA Mini will search the root directory and '3DLUTS' folder on your selected CFast or SD card. Any LUTs you have saved elsewhere will not be visible.

Tap a LUT to select it and tap 'import' to confirm your selection. The LUT will be saved to your URSA Mini.

**NOTE** If your URSA Mini's 3D LUT slots are full, you will not be able to import until you delete some existing LUTs to make space.

If the LUT you want to import has the same name as a LUT already saved to your camera, you will be prompted to overwrite the existing LUT or keep both. At the top right of this screen, you'll see the number of remaining empty LUT slots available on your camera. You will only be able to import as many LUTs as you have free slots on your camera.

**NOTE** If you are having trouble importing a LUT to your URSA Mini, it may be the wrong size. You can use a LUT editor like Lattice to check its size, or open it in any text editor on your computer. Next to the tag 'LUT\_3D\_SIZE' will be a number indicating the LUT's size. If this value is not 17 or 33, you can use Lattice to resize your 3D LUT to 17 points.

## Applying a LUT

Once you have a LUT saved onto your camera, tap it in the LUT menu to select it, and tap the 'load' icon. This will enable that LUT to all outputs on your camera. However, you will still have to turn 'display LUT' on in the monitor menu for each output to apply it. The LUT icon will be visible on the LCD, front SDI or main SDI when 'status text' is switched on and you have a LUT applied to that output. See the 'monitor settings' section in this manual for more information.

### **Exporting LUTs**

To export a LUT to a CFast or SD card, select the LUT you want to export and tap the icon. You will be prompted with two options, 'import LUT' and 'export selected LUT.' Use the storage media selection switch on URSA Mini Pro to select either SD or CFast, depending on the location you would like to export the LUT to. If you are using URSA Mini Recorder, you can also export LUTs to an SSD.

Tapping 'export selected LUT' will prompt you to choose which card you want to export to. Choosing a card will commence exporting, unless you are exporting a LUT that already exists on that card. If a duplicate LUT is found, you will be asked if you want to overwrite the LUT on your card, or if you would like to keep both.

### **Deleting LUTs**

Your URSA Mini has space for six 17 point or 33 point 3D LUTs. To delete LUTs you are no longer using, or make room for more, select the LUTs you want to delete and tap the icon. You will be prompted to confirm your choice. Tap 'delete' to confirm.

### **Embedded 3D LUTs**

When a 3D LUT is used whilst shooting Blackmagic RAW on Blackmagic URSA Mini Pro models, the selected LUT will be embedded into the Blackmagic RAW file that you are recording. The 3D LUT is actually saved with your recorded files in the header of the .braw file, and can easily be applied to footage in post production without needing to handle a separate file.

So when Blackmagic RAW files are delivered to an editor or colorist, they will be able to easily access the LUT that was used whilst filming, which greatly reduces the possibility that the wrong 3D LUT could be applied to a clip. They can then choose whether to apply the 3D LUT whilst editing or color grading the footage, and can disable the 3D LUT at any time.

When the 'apply LUT in file' switch is set to 'on' in URSA Mini Pro's record menu, the recorded clip will open in Blackmagic RAW Player and DaVinci Resolve with the chosen 3D LUT already applied to it. The 3D LUT can then be easily toggled 'on' or 'off' but will always travel with the Blackmagic RAW file as it is written into the clip itself.

DaVinci Resolve also has an 'Apply LUT' switch in the RAW settings palette for enabling or disabling the 3D LUT in the Blackmagic RAW file. The 'Apply LUT' setting in DaVinci Resolve is the same setting as in the camera. This means that when shooting you can direct the colorist to use the LUT by setting it in the camera, but they can switch it off easily in DaVinci Resolve by setting 'Apply LUT' to 'off'.

# Entering Metadata

Metadata is information saved inside your clip, such as take numbers, camera settings and other identifying details. This is extremely useful when sorting and processing footage in post production. For example, take and shot and scene numbers are essential organizational tools, while lens information can be used to automatically remove distortion or better match VFX assets to plates.

Your Blackmagic URSA Mini automatically saves some metadata to each clip, such as camera settings, timecode, date and time. You can use your camera's slate to add many additional details.

## The Slate

Swiping left or right on your URSA Mini's touchscreen will bring up the slate.

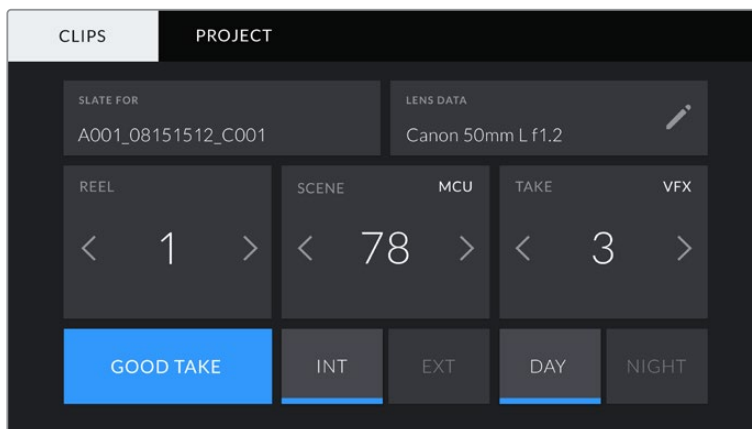
The slate is divided into two tabs, 'clips' and 'project.' The 'clip' tab contains information that may vary clip by clip, while 'project' is where you enter details common between clips, such as the project name, director, and camera and operator ID.

**TIP** Metadata entered into the slate is viewable on your URSA Mini's front or main SDI outputs when 'display status text for' is set to 'director' on the 'monitor' tab. See the 'monitor settings' section in this manual for more information.

### 'Clip' metadata

Changes made to clip metadata work slightly differently in standby mode, when your URSA Mini is ready to record, and playback mode, when you're reviewing footage you've already shot. In 'standby,' clip metadata will be saved to the next clip recorded, except for 'good take last clip' which refers to the most recently recorded clip.

In playback mode clip metadata is always recorded to the current clip being viewed.



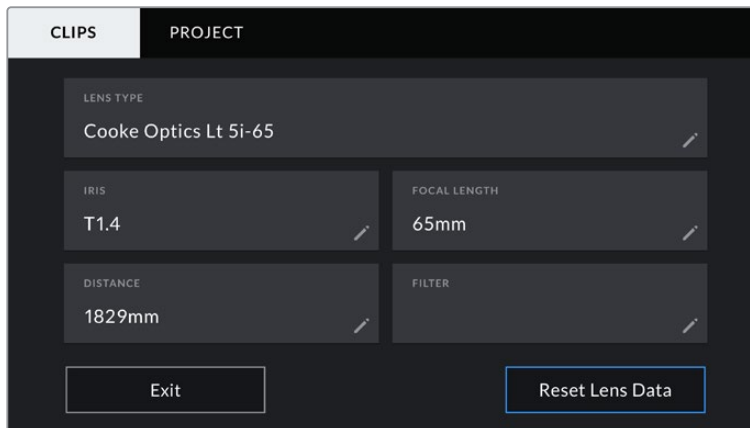
Your URSA Mini's slate is divided into 'clip' and 'project' tabs

### Slate for

This setting shows the clip which the metadata currently displayed in the 'clip' applies to. In standby mode, this refers to the next clip that will be recorded.

## Lens Data

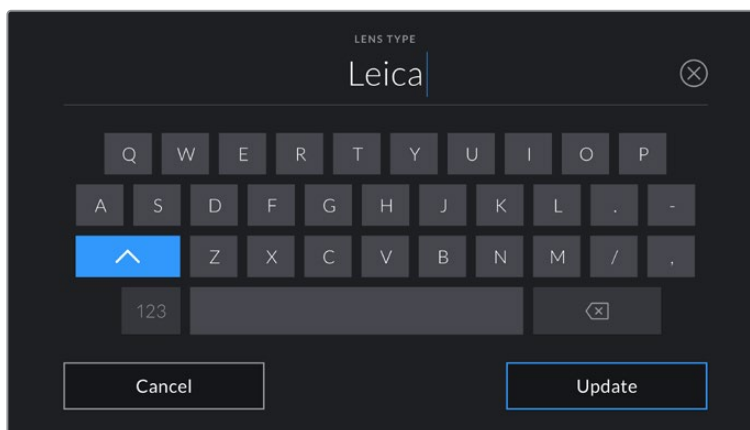
These settings display information about the current lens fitted to your camera. Many electronic lenses automatically supply information such as the lens model, aperture and focal length. If you are using a lens that does not provide this information, or you want to enter additional data, you can tap the pencil icon in this setting to enter the information manually. This will bring up the 'lens data' menu, which contains the following information:



The 'lens data' menu showing information automatically populated from a lens with Cooke /i Technology

## Lens Type

Shows the lens model. If your lens type is not automatically shown here, you can tap this setting to enter the data manually. Your camera has an internal database stored for many commonly used lenses, so if you need to enter data manually, your camera will suggest names automatically as you type. This makes entering data much faster.



Use the touch keyboard to enter lens data if it is not provided automatically

## Iris

Shows the iris aperture setting at the start of your clip. This information can be displayed in f- or T-stops depending on the lens used, if supplied automatically. Tap this setting to enter data manually.

## Focal length

Shows the focal length setting of the lens at the start of the recorded clip. When automatically supplied, this is shown in millimeters. Tap this setting to enter data manually.

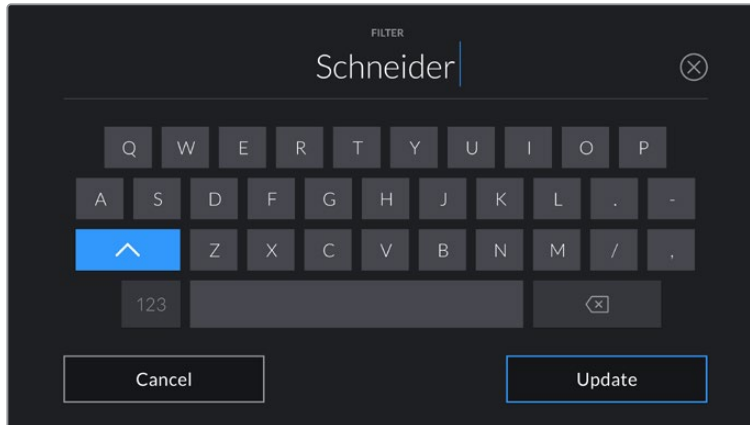


### Distance

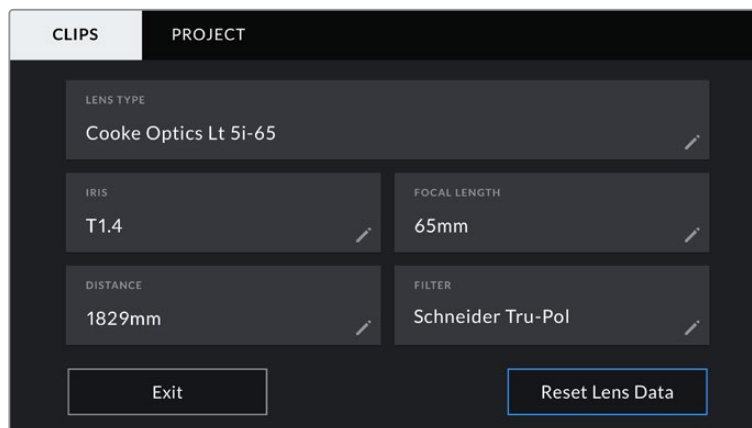
Shows the focus distance settings of the lens for the recorded clip. Some lenses can provide this data automatically and it will be provided in millimeters. You can also enter this data manually.

### Filter

Shows the current lens filters used. Tap this setting to enter data manually. You can make multiple entries separated by commas.

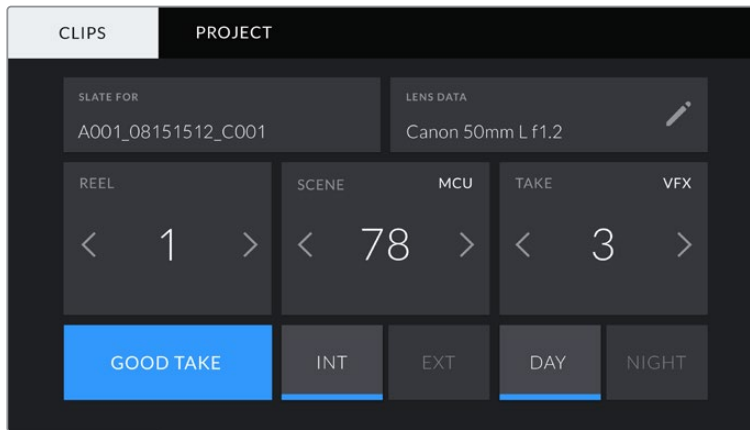


Filter information needs to be entered manually



The 'lens data' menu showing information automatically populated from a lens with Cooke /i Technology, and filter information that has been manually entered

**NOTE** You can clear lens data at any time by tapping the 'reset lens data' icon in the 'lens data' menu. You will be prompted to confirm your choice. If you confirm, all lens data will be cleared and repopulated with any lens data automatically provided by the currently fitted lens. If you have manually entered any information into these fields, you will need to reset the lens data the next time you mount a lens, otherwise the manually entered value will remain.



Your URSA Mini's slate is divided into 'clip' and 'project' tabs

### Reel

The 'reel' indicator shows the current reel.

Your URSA Mini automatically increments reel numbers, so there is usually no need to enter this manually. When you are moving to a new project and want to start from reel '1' again go into the project tab of the slate and tap 'reset project data'.

### Scene

The 'scene' indicator shows the current scene number, and can also show the current shot number and type.

The number on this indicator always refers to the current scene. You can move this up and down using the left and right arrows on either side of the scene number, or tapping the scene number to enter the scene number editor.

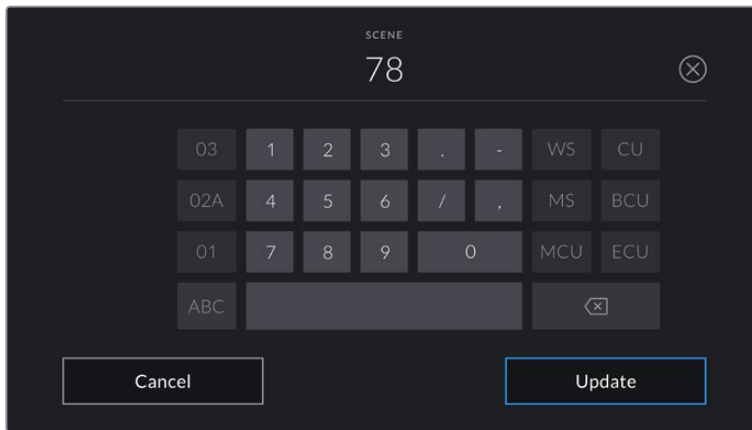
The range of possible scene numbers is 1 to 9999.

By adding a letter to the scene number in the scene number editor, you can also indicate the current shot. For example 23A would indicate scene twenty three, shot one. If you have a shot letter added to your scene, your URSA Mini will suggest letter increments whenever you enter the scene number editor. For example, if your current scene number is 7B, your URSA Mini will offer '7C' as an increment suggestion.

The scene number indicator can also show information about the current shot type in the top right corner. You can select these in the scene number editor at the right hand side of the shot keyboard.

The shot types available are:

<b>WS</b>	wide shot
<b>MS</b>	medium shot
<b>MCU</b>	medium close up
<b>CU</b>	close up
<b>BCU</b>	big close up
<b>ECU</b>	extreme close up



When entering 'scene' metadata, your URSA Mini will prompt you with increment suggestions to the left of the touch keyboard, and shot types to the right

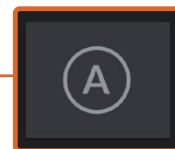
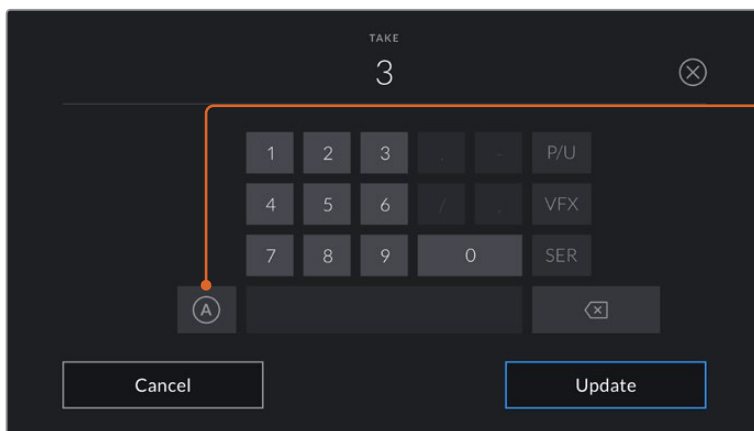
### Take

The 'take' indicator shows the take number for the current shot. You can increment this up or down by tapping the left or right arrows on either side of the take number, or tapping the indicator to enter the take number editor.

**TIP** When the shot number or scene letter are advanced, the take number will revert to '1.'

You can add take descriptions in the take number editor. These are offered to the right of the take number keyboard, and correspond to the following scenarios:

<b>PU</b>	'Pick up.' This refers to a reshoot of a previous take to add additional material after principal photography has wrapped.
<b>VFX</b>	'Visual effects.' This refers to a take or shot for visual effect use.
<b>SER</b>	'Series.' This refers to a situation in which multiple takes are shot while the camera is kept running.



Tap 'A' to automatically increment the take number for each clip while in 'standby' mode.

A small 'A' appears next to the take number on the slate when enabled.

When entering 'take' metadata, your URSA Mini will offer prompts for additional shot types to the right of the touch keyboard

### Good take

Tap the 'good take' indicator to flag good takes for easy recall in post production. This tag applies to either the last clip recorded, if your URSA Mini is in standby mode, or the clip currently being viewed in playback mode.

### Int / Ext

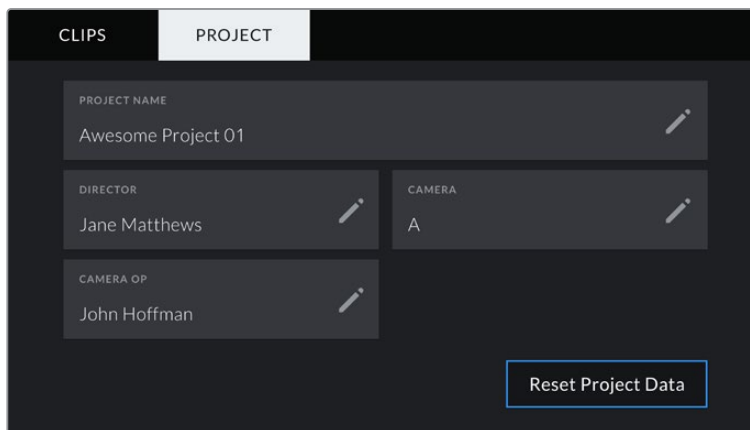
Tap 'int' or 'ext' to add a 'interior' or 'exterior' tag to the next clip in standby mode, or the current clip in playback mode.

### Day / Night

Tap the 'day' or 'night' icons to add a 'day' or 'night' tag to the next clip in standby mode, or the current clip in playback mode.

## 'Project' Metadata

Project metadata behaves the same way whether you are in standby or playback mode. This metadata always refers to your project as a whole and is independent of clip numbers.



Your URSA Mini's 'project' slate tab

### Project name

Displays your current project name. Tap the pencil icon to change the project name.

### Director

Displays the director's name for the current project. Tap the pencil icon to change the director name.

### Camera

Displays a single letter camera index. Tap the pencil icon to change the camera index.

**NOTE** Camera index is used in metadata and for file naming purposes and differs from your URSA Mini's ATEM Camera ID, which is used when controlling your URSA Mini with an ATEM switcher. For more information on ATEM Camera ID, see the 'Understanding Studio Camera Control' section in this manual.

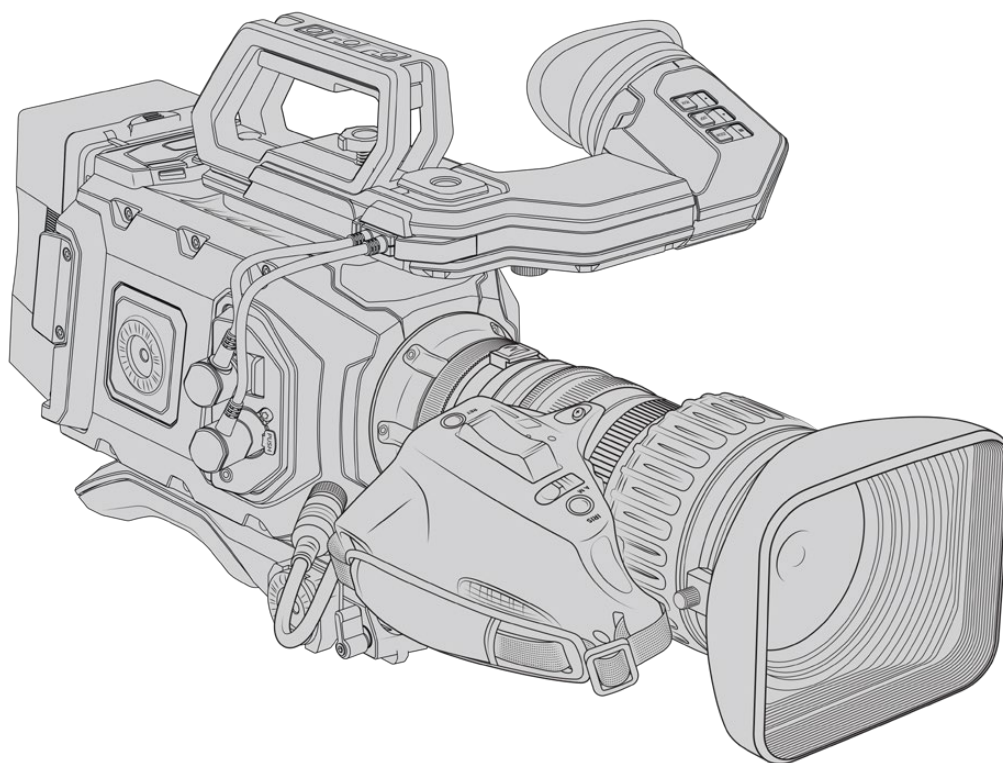
### Camera Op

Displays the camera operator. Tap the pencil icon to change the camera operator name.

## Using Servo Zoom Lenses

Using servo zoom lenses with your URSA Mini camera is a powerful combination. Manual iris, zoom and focus rings on the lens barrel, plus a built in hand grip and zoom rocker makes shooting very efficient and gives you a range of dynamic techniques that are difficult, if not impossible, to achieve using other lens types. URSA Mini PL and URSA Mini Pro models currently support lens control for B4 and cine-servo PL zoom lenses via the 12 pin broadcast connector.

When using compatible lenses you can power the zoom rocker, start and stop recording using the record button, and control the iris. Most servo zoom lenses also have a 'Ret' button, which can be used, in the same way as the PGM button on the camera, to switch the feed on the LCD and HD monitoring output between camera view and program return view.



For electronic control of your lens aperture, make sure the iris switch on the top of the zoom rocker is set to 'A' or 'auto'. Electronic zoom control is also possible with Digital HD and 4K servo zoom lenses. To enable this you must make sure the switch under the zoom rocker labelled 'zoom' is set to 'S' for servo zoom.

As there are so many different variants of B4 lenses this guide should help you work out which models have the feature set you require.

### **B4 Lenses with iris and zoom control include:**

- Fujinon B4 lens models with HA, ZA, XA, UA and LA prefixes in their model name and RM in their suffix will have electronic iris and zoom control.
- Canon B4 lens models with HJ, KJ and CJ prefixes and IRSE or IRSD in their suffix will have electronic iris and zoom control.

Some B4 and PL lenses also have handgrips with electronic focus servo. To ensure this is functioning with URSA Mini PL or URSA Mini Pro, and able to be controlled electronically, set the switch under the zoom rocker labelled 'focus' to 'S' for servo.

**B4 Lenses with full servo control for focus, iris and zoom include:**

- Fujinon B4 lens models with HA, ZA and UA prefixes in their name and the letters RD or ZD in the suffix.
- Canon B4 lens models with HJ, KJ..ex and CJ prefixes in their name and the letters IASE or IASD in the suffix.

Lenses that also have motorized focus control can even utilize the ‘focus’ button on your URSA Mini to activate auto focus, and focus can be controlled remotely by an ATEM switcher via ATEM Software Control.

Once you have attached a B4 lens, set the resolution to 2K 16:9 or lower, and ‘window sensor’ to ‘on’ in the ‘record’ tab of the dashboard. It is important to use these settings to prevent vignetting of the image, as B4 lenses do not cover the super 35mm image circle.

**Super 35mm PL lenses with full servo control of focus, iris and zoom include:**

Brand	Series	Model	Range	Max. Aperture
Fujinon	Cabrio	ZK2.5x14-SAF	14-35mm	T2.9
Fujinon	Cabrio	ZK4.7x19-SAFB	19-90mm	T2.9
Fujinon	Cabrio	ZK3.5x85-SAF	85-300mm	T2.9-T4
Fujinon	Cabrio	XK6x20	20-120mm	T3.5
Fujinon	Cabrio	ZK12x25 with ESM-15A-SA	25-300mm	T3.5-3.85
Canon	Cine-servo	CN7x17KAS S	17-120mm	T2.9-3.9
Canon	Cine-servo	CN20x50	50-1000mm	T5-8.9

Focus and zoom controls can also be used to drive focus and zoom from the pan handles in a studio environment on all of the PL and B4 servo zoom lenses listed above.

**Hybrid compact-servo zoom lenses**

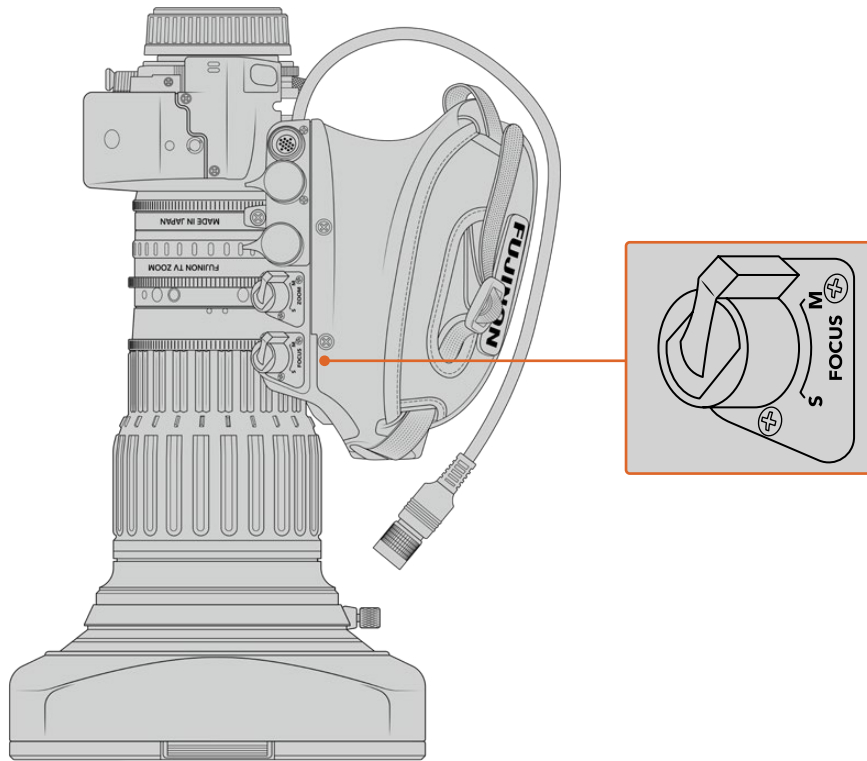
Recently a new category of lenses known as ‘compact-servo’ zoom lenses have been introduced. These have some of the functionality of B4 and PL servo zoom lenses but use an EF mount. The zoom rocker for these lenses are able to be powered through the lens mount from URSA Mini EF and URSA Mini Pro and information such as lens name, iris, focus and zoom position values are all able to be read and recorded by URSA Mini’s lens metadata system.

Electronic control of the focus, iris and zoom is available with these lenses on URSA Mini and URSA Mini Pro. When connected to a switcher, these can also be controlled remotely via ATEM Software Control. If you are operating in a live broadcast or studio environment, use of Canon digital focus and zoom control is possible, but additional custom cables are required from 3rd party manufacturers for full functionality.

**Lenses in this range include:**

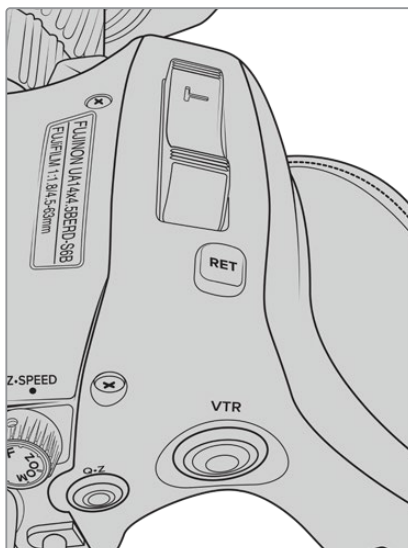
- Canon CN-E 18-80mm T4.4 Compact-servo
- Canon CN-E 70-200mm T4.4 Compact-servo

**NOTE** Analog B4 lenses with servos are also supported although the camera will only power the zoom servo and support electronic iris control. Many of them are standard definition and may not have the standard 12 pin broadcast connector. If you are going to use an analog B4 lens, it's important to make sure it is compatible with your camera first as some have limited feature sets. It is also worth testing them for their image circle coverage as some of them may fall off drastically for resolution and light towards the edge of the frame.



## Ret and VTR

On a B4 lens, the 'vtr' button toggles recording and the 'ret' button is for 'program return'. For information on how you can configure the 'vtr' and 'ret' button as function buttons on URSA Mini Pro 4.6K G1, see the 'set function button' section.



The 'ret' and 'vtr' buttons on a B4 lens

# Camera Video Output

## HD Monitoring Output

Blackmagic URSA Mini's down converted 3G-SDI out connector always outputs 1080 HD video so you can easily connect to routers, monitors, SDI capture devices, broadcast switchers and other SDI devices. This output is labeled 'front SDI' in the touchscreen settings menu.

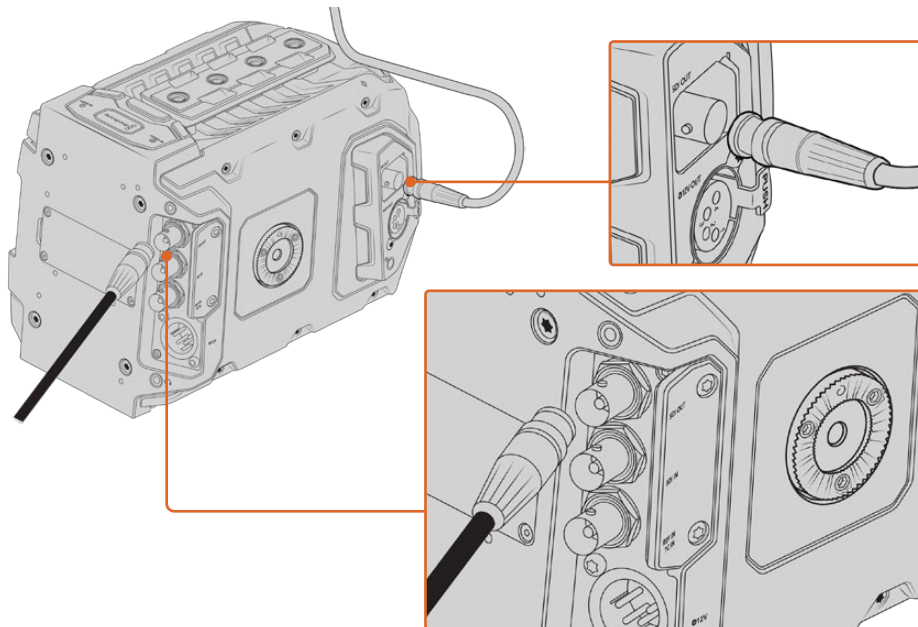
## 12G-SDI Output

The 12G-SDI out connector on the rear panel supports HD and 4K video including high frame rate progressive formats such as 2160p50, 59.94 and 60 on a single SDI cable. Interlaced HD formats are also supported including 1080i50, 59.94 and 60. You can use the 12G-SDI output to connect to any SDI monitor as well as 4K switchers such as ATEM Production Studio 4K. This output can be switched between HD and Ultra HD by selecting 1080p or 2160p in the 'SDI output' setting for the 'main SDI' on the 'monitor' tab on the touchscreen.

### Connecting to Video Switchers

The SDI outputs allow you to use your camera for live television production. You can connect the rear panel SDI output directly to production switchers for live production work, or to ATEM Camera Converters to convert your signal to optical so you can send it hundreds of meters to a broadcast truck on location.

When connected to a switcher, you can easily view the switcher's program output on your Blackmagic URSA Mini. To do this, first connect the switcher to your camera's rear 12G-SDI input. Now press and hold the 'program' button marked PGM on your camera's fold out monitor to view your program feed. Release the PGM button to return to your camera feed. Double clicking the PGM button will lock the input to the program feed. To switch back to the camera feed press the PGM button once.



You can connect the 12G-SDI output to any 1080 HD or Ultra HD live production switcher or monitor. The HD monitoring output can be plugged into an external viewfinder, such as the Blackmagic URSA Viewfinder, or plugged into an external monitor when mounted to production equipment. For example a jib arm or crane



### Connecting to Monitors

SDI monitoring can be really handy when accessing the fold out monitor is impractical, such as when secured high on a jib arm, on a crane, or mounted on a vehicle.

Monitoring information is displayed via your HD-SDI monitoring out connector by adjusting the settings for the 'front SDI' on the 'monitor' tab on the touchscreen. These settings enable frame guides and information such as recording details and camera settings. If you simply want to monitor your shots, you can always turn overlays off for a clean SDI output.

Connect the camera's SDI output to SDI monitors or to a Blackmagic SmartScope Duo 4K for live waveform monitoring.

**NOTE** The rear SDI output and 3G-SDI monitoring output automatically flag HDR video with ancillary metadata when you are working in 'Film' dynamic range and use the 'Broadcast Film to Rec.2020 Hybrid Log Gamma' or 'Broadcast Film to Rec.2020 to PQ Gamma' LUT on the SDI output. This means you can display stunning HDR images on HDR enabled screens from either SDI output.

### SDI Output Formats

<b>Rear SDI Output</b>	2160p23.98, 24, 25, 29.97, 30, 50, 59.94, 60. 1080p23.98, 24, 25, 29.97, 30, 50, 59.94, 60. 1080i50, 59.94, 60.
<b>3G-SDI Monitoring Output</b>	1080p23.98, 24, 25, 29.97, 30, 50, 59.94, 60. 1080i50, 59.94, 60.

**TIP** To make a live recording with two codecs at once or a simultaneous backup, you can feed the rear SDI out from URSA Mini to a Blackmagic Video Assist or HyperDeck.

# URSA Mini Shoulder Mount Kit

## Attaching the shoulder mount

The URSA Mini Shoulder Mount Kit lets you carry URSA Mini on the shoulder for ENG style shooting. This kit includes a top handle, shoulder mount baseplate, extension arm for the optional Blackmagic URSA Handgrip, long LANC cable, Viewfinder adapter plate, plus all the required screws.

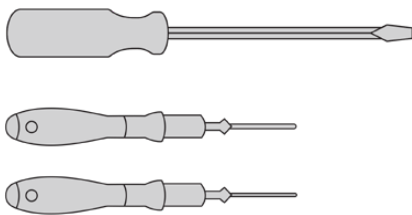
The quick release mount on the baseplate lets you lock your camera into an ENG style tripod plate or place it on your shoulder so you can follow the action.

The URSA Mini Shoulder Mount Kit works with any tripod plate modeled after the Sony VCT 14. These mounts are easily found at camera stores or online.

It's also worth mentioning that mounts modeled after the VCT U14 tripod plate are a different system and are not compatible.

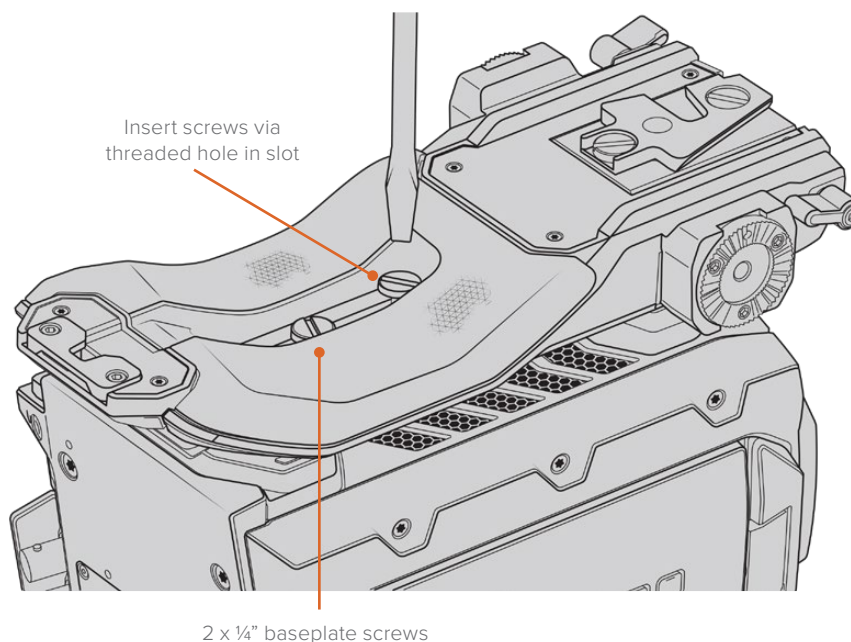
### When attaching the shoulder mount kit, you will need the following tools:

- 1 x flat head screwdriver for the 2 x 1/4" shoulder mount base plate screws.
- 1 x 3/16" Hex key driver for the 2 x 1/4" top handle screws.
- 1 x 2.5mm Hex key driver for the 4 x Viewfinder adapter plate M3 screws.



To attach the shoulder mount kit to your URSA Mini you will need a large flat head screwdriver, a 3/16" Hex key driver for the top handle and a 2.5mm Hex key driver for the Viewfinder adapter plate

## To attach the shoulder mount baseplate

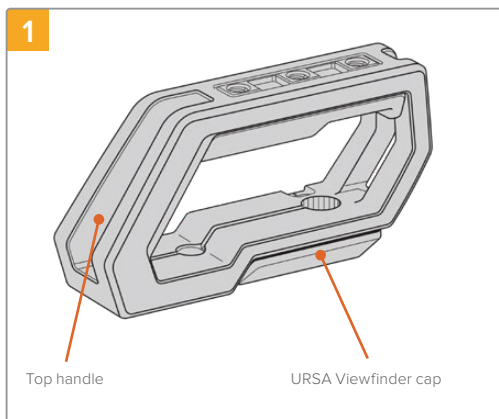


- 1 Gently place your URSA Mini upside down on a flat, stable surface so you can easily access the base of your camera.
- 2 Fasten the shoulder mount baseplate to URSA Mini using the 2 x ¼" flat head screws and driver.
- 3 Tighten the screws until the baseplate is firmly attached and the screws won't loosen. Avoid over-tightening as it may damage the screw threads.

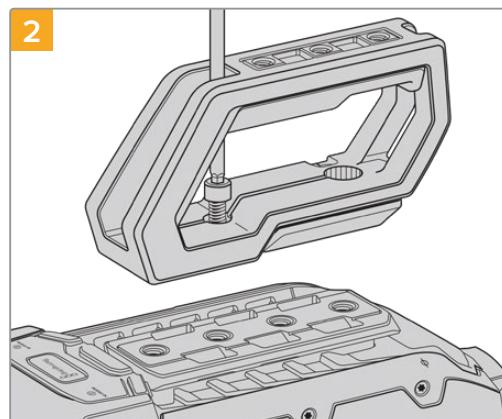
## To attach the top handle without URSA Viewfinder

You can use URSA Mini Shoulder Mount Kit with or without the optional URSA Viewfinder.

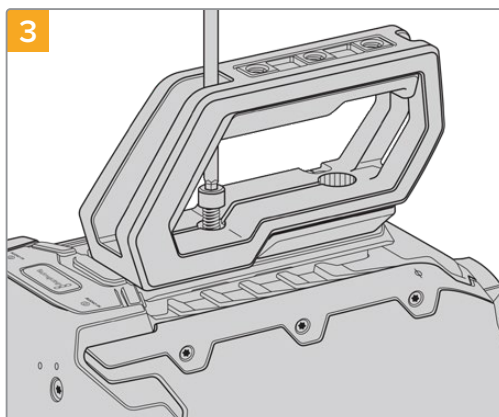
The top handle is supplied with a rubber viewfinder cap on its base which is replaced with an adapter plate when attached to the URSA Viewfinder. We recommend leaving the cap attached when using the handle without the URSA Viewfinder.



Place your URSA Mini on a flat, stable surface so you can access the top of your camera.

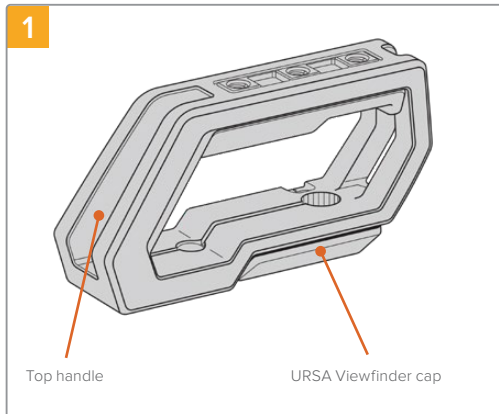


Fasten the handle to any two of your URSA Mini's top ¼" mounting points using the two supplied ¼" screws with a 3/16" Hex key driver. URSA Mini's rear two mounting points are recommended for most situations, but you can choose any pair for better weight balance when using large lenses.

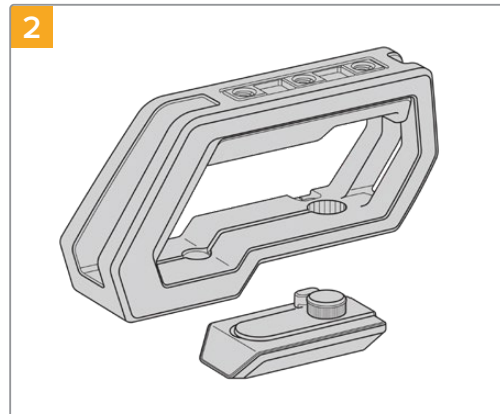


Tighten the screws until the handle is firmly in place and the screws won't easily loosen. Avoid over-tightening the screws as it may damage the screw threads.

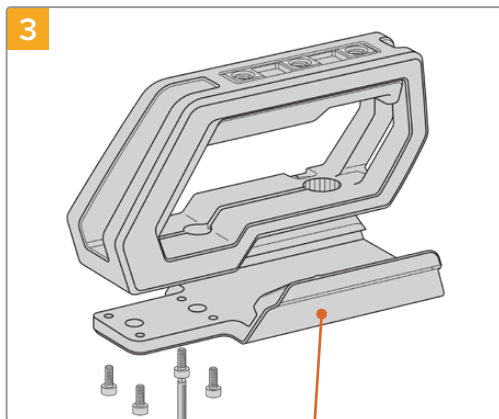
## To attach the top handle with URSA Viewfinder



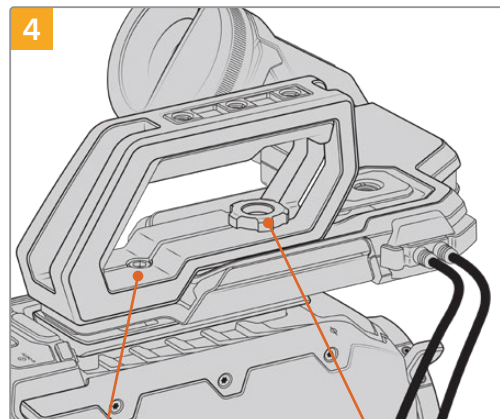
Place your URSA Mini on a flat, stable surface so you can access the top of your camera.



Remove the URSA Viewfinder cap from the base of the handle by gently lifting its arm away from the side of the handle and pulling the cap from the hole.



Fasten the URSA Viewfinder adapter plate to the handle using the 4 x M3 screws with a 2.5mm Hex key driver.



Fasten the handle to any two of URSA Mini's top 1/4" mounting points using the two supplied 1/4" screws with a 3/16" Hex key driver. URSA Mini's rear two mounting points are recommended for most situations, but you can choose any pair for better weight balance when using large lenses. Avoid over-tightening the screws as it may damage the screw threads.

The hole inside the front of the handle is used with the thumb screw when attaching and adjusting the URSA viewfinder. For information on how to attach the URSA Viewfinder to the top handle, refer to the 'Blackmagic URSA Viewfinder' section in your URSA manual.

## Attaching the extension arm

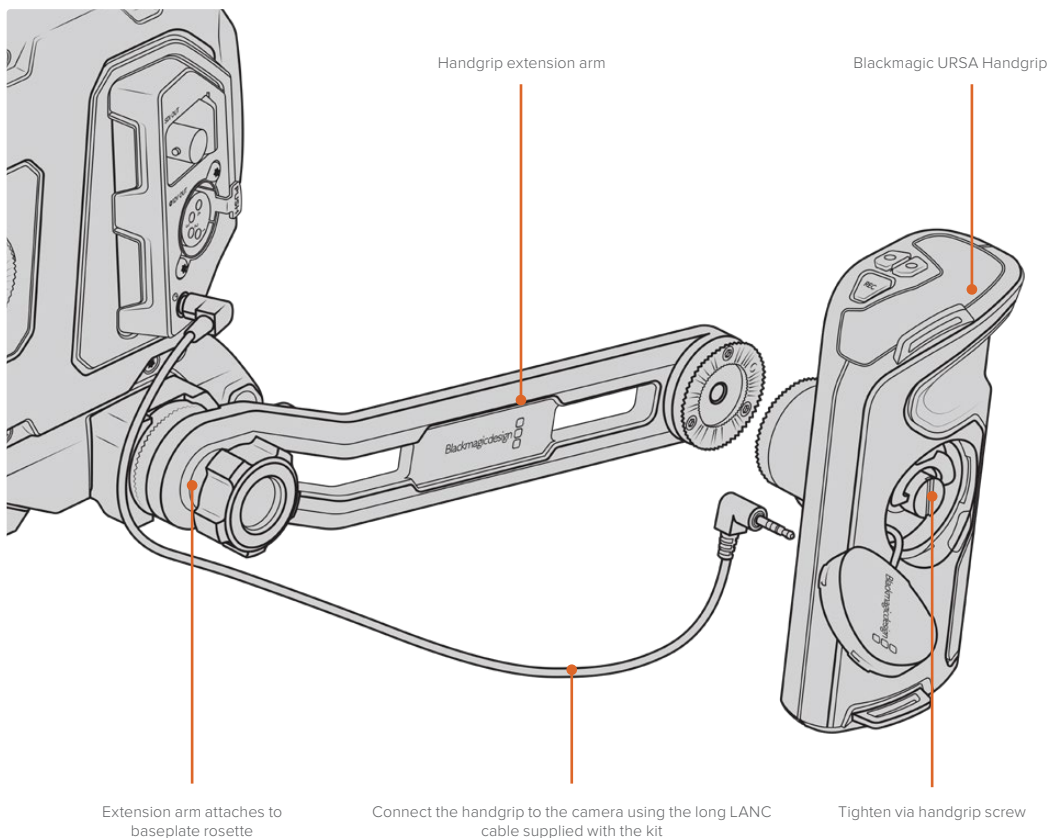
When using the URSA Mini shoulder mount kit with the Blackmagic URSA Handgrip, you'll need to reposition the handgrip for comfortable shoulder based shooting. Use the bundled extension arm and longer LANC cable to move the handgrip to a more ergonomic position. The URSA Mini extension arm is also available as a separate accessory from Blackmagic Design resellers.

### To attach the extension arm:

- 1 Place your URSA Mini on a flat, stable surface allowing room next to the camera to lower the extension arm. Mounting URSA Mini to a tripod is helpful for this purpose.
- 2 Attach the indented end of the extension arm to the baseplate rosette, lower the arm to suit, and fasten with the supplied rosette thumbscrew.
- 3 Attach the handgrip to the extension arm's front rosette. Fasten by tightening the handgrip screw with the large flat head screwdriver, or by twisting the D ring with your thumb and forefinger.
- 4 Connect the Blackmagic URSA Handgrip's LANC output to the camera LANC input using the long LANC cable supplied with your shoulder mount kit.

You can easily adjust the extension arm and Blackmagic URSA Handgrip to suit your preference by loosening the rosette screws, making your adjustment, then retightening.

With your URSA Mini Shoulder Mount Kit now attached, you have additional speed for fast shooting on the run, plus the ability to quickly mount your camera on a tripod for tight, stable shots!



# Blackmagic URSA Viewfinder

Blackmagic URSA Viewfinder is a powerful electronic viewfinder designed for your Blackmagic URSA Mini. The 1080HD color OLED display and precision glass optics provides a bright, vivid, and lifelike image so you can quickly find focus and see the finest detail in your images.

This viewfinder is perfect for handheld operation on the shoulder, or for environments where you need absolute precision with zero reflection and light glare, for example in extremely bright shooting conditions.

The viewfinder is connected and powered by the camera and uses the embedded SDI data from the camera to generate the various display options. This means that your camera can output a clean SDI feed to the viewfinder but still allows you to toggle various display options within the viewfinder for quick access to camera status, plus accurate information.

For example, if you select the '2.40:1' frame guide option in URSA Mini's menu, it will actually tell the viewfinder which frame guide is selected in the camera so when you toggle the frame guide display on the viewfinder, the same '2.40:1' frame guide is also displayed.

## Mounting and Connecting to Blackmagic URSA

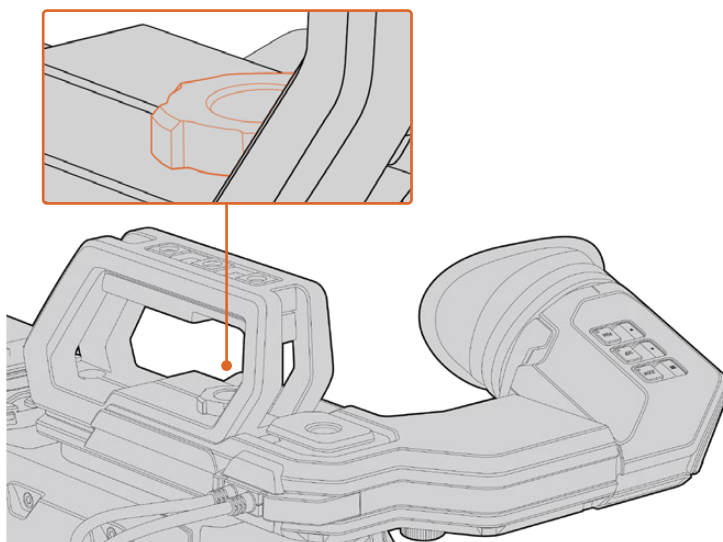
To attach the Blackmagic URSA Viewfinder to the camera body, slide it along the handle ridges and tighten the thumb screw to one of the 1/4" mounting points.

Blackmagic URSA Mini Shoulder Mount Kit is required to mount URSA Viewfinder correctly on URSA Mini and URSA Mini Pro.

To attach Blackmagic URSA Viewfinder, remove the URSA Viewfinder cap from URSA Mini Shoulder Mount Kit top handle and install the Viewfinder adapter plate, as detailed in the 'URSA Mini Shoulder Mount Kit' section in this manual.

Slide URSA Viewfinder mount into the URSA Viewfinder adapter plate and use the 1/4" thumbscrew included in URSA Mini Shoulder Mount Kit to secure URSA Viewfinder to the top handle and adapter plate.

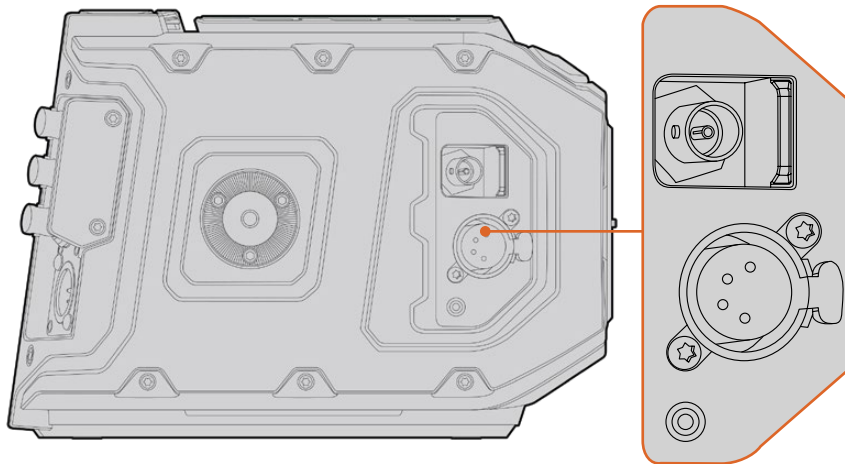
There is no need to use any tools to secure the thumbscrew, finger pressure is sufficient and will prevent over tightening.



To mount your Blackmagic URSA Viewfinder to your URSA Mini, slide the viewfinder mount along your camera's handle ridges and tighten the thumbscrew to a 1/4" mounting point



To connect your URSA Viewfinder to your URSA, simply connect the viewfinder's attached cables to URSA's front 12V power and 3G-SDI outputs. Your URSA Viewfinder will turn on automatically when your camera is powered.



Connect your viewfinder's SDI and power cables to your URSA Mini HD-SDI monitoring output and +12 volt output

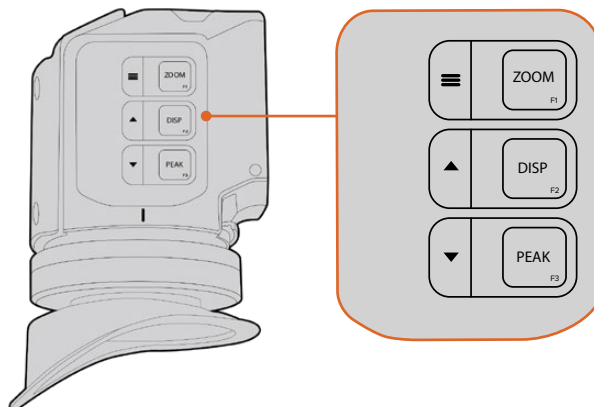
When using the URSA Viewfinder with URSA Mini, it is highly recommended that you also install the URSA Mini shoulder mount kit as this provides the correct mounting points, 1/4" thumb screw, and height adjustments to optimize the positioning of your viewfinder. See the 'URSA Mini shoulder mount kit' section in this manual.

## Adjusting the Eyepiece

The detachable rubber eyepiece can be adjusted to fit your left or right eye. Adjust the viewfinder arm by loosening the knob on the bottom of the arm and sliding it left or right to comfortably fit your eye.

## Button Features

On the top of the viewfinder you'll find the zoom, display and peak buttons. These buttons are used for zooming into your image, and turning overlays and focus peaking on or off.



The Zoom (F1), Display (F2) and Peak (F3) buttons are located on top of the URSA Viewfinder

They are also used for additional features, such as opening the menu and navigating settings. Icons printed on the side of the buttons show you which buttons are used to control the viewfinder menu and navigation features.

The buttons also have a customizable function feature so you can assign shortcuts to quickly enable common features you may use frequently. For example you may wish to assign the false color feature to the zoom button. Refer to the 'shortcuts' section for more information.

### **ZOOM (F1) - 'menu'**

The 'zoom' feature helps you find sharp focus by zooming into your picture. Press the 'zoom' button to zoom in and press again to return to 100% view. When using the settings menu, the 'zoom' button also serves as the 'menu' button. Press and hold this button to open the settings menu. In the settings menu, press this button once to confirm setting changes.

### **DISPLAY (F2) - 'up'**

Press the 'display' button to see the overlay view. When using the settings menu, this button also serves as the 'up' button. You can also quickly open the 'shortcuts' menu setting by pressing and holding this button. Refer to the 'shortcuts' section for information on how to set shortcuts.

### **PEAK (F3) - 'down'**

The focus peaking feature creates a green edge around the sharpest parts of the image so you can easily confirm your focus. Press the 'peak' button to turn the peaking feature on. Press again to turn peaking off. When using the settings menu, this button also serves as the 'down' button. You can also quickly open the 'setup' menu by pressing and holding this button.

## Menu Settings

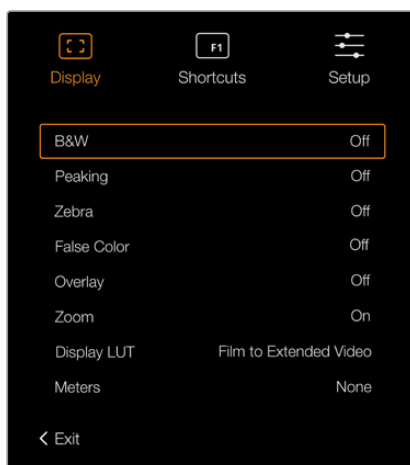
The settings menu contains three primary menu headings for display, shortcuts, and setup. To open the settings menu, press and hold the 'menu' ≡ button. Press the 'up' ▲ and 'down' ▼ button to navigate between the settings and press the 'menu' ≡ button again to confirm your selection.

### Display

The 'display' menu provides the following features:

#### **B&W**

Switches between color and monochrome.



The 'display' menu in URSA Viewfinder

#### **Peaking**

Switches peaking on and off.

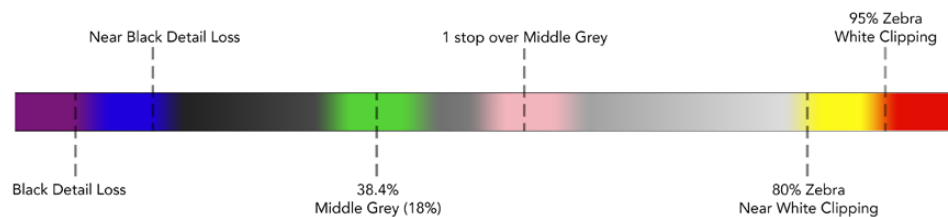


## Zebra

Switches zebra levels on and off. Set your desired zebra levels using the camera settings. For more information, refer to the 'settings' section in this manual.

## False Color

Switches the false color feature on and off. False color overlays different colors onto your image that represent exposure values for different elements in your image. For example, pink represents optimum exposure for light skin tones, while green is a good match to darker skin tones. By monitoring the pink or green false color when recording people, you can maintain consistent exposure for their skin tones. Similarly, when elements in your image change from yellow to red, that means they are now over exposed.



False Color Chart

## Overlay

Switches overlays on and off. You can select which types of overlay to display in your viewfinder's 'setup' menu. The style of these overlays, such as the safe area percentage, are set in your camera.

## Zoom

Turns the zoom feature on and off.

## Display LUT

When sending a 'film' dynamic range SDI signal from your URSA Mini, the 'film to video' and 'film to extended video' settings allow you to apply a more colorful and contrasty LUT to the image. The viewfinder will detect when either of these LUTs are being used and will give you the option to toggle them on or off in your viewfinder. When a display LUT is active on the front SDI output, or you are using a different LUT, the option is disabled to prevent multiple LUTs being applied.


## Meters

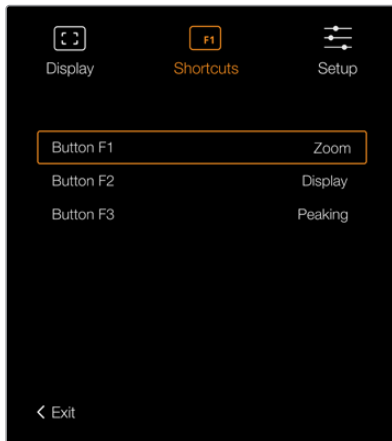
Switches between the types of meters to display in overlay view. The options are 'histogram', 'audio', 'both' or 'none'.

## Shortcuts

The shortcut function is useful when you need to quickly access a particular setting for a frequently used feature. To customize your shortcut buttons:

- 1 In the 'shortcuts' menu, press the 'up' ▲ or 'down' ▼ button to move up or down and select one of the 3 buttons to make it your shortcut button. Press the 'menu' ≡ button to confirm your selection.
- 2 Press the 'up' ▲ or 'down' ▼ button to toggle and select one of the features below to assign to the shortcut button. Press the 'menu' ≡ button to confirm your selection.
  - B&W
  - Peaking
  - Zebra
  - False Color
  - Display
  - Zoom
  - Display LUT
  - Meters

- 3 Scroll to 'exit' and press the 'menu'  button to close the menu display view.



The 'shortcuts' settings in URSA Viewfinder

## Setup

The 'setup' menu provides the following features:

### Brightness

Allows adjustments for the brightness of the display with range -10 to +10.

### Tally Brightness

Allows adjustments of tally LED brightness.

### Focus Chart

Your Blackmagic URSA Viewfinder has a built in focus chart so you can focus the eye piece to suit your eyes. Simply turn the focus diopter on the eyepiece until the chart is in perfect focus. Pressing any button on your viewfinder will close the focus chart display.

### Frame Guide

Toggles the appearance of frame guides when set as an overlay. When 'frame guides' are turned 'on', your viewfinder will display the same frame guides set for 'all' outputs in your camera's 'monitor settings'. You can toggle the frame guide view on your viewfinder by selecting on or off.

For more information, see the 'Monitor Settings' section in this manual.

### Safe Area Guide

Toggles the appearance of a safe area guide when the 'overlay' is set to 'on'. When 'safe area guide' is turned 'on' in your URSA Mini's 'all' monitor settings, you can use this setting to toggle the safe area guide on or off.

For more information, see the 'Monitor Settings' section in this manual.

### Grid

Toggles the appearance of a rule of thirds grid, crosshair or center dot. When 'grids' are turned 'on' in your URSA Mini's 'all' monitor settings, you can use this setting toggle their appearance in your Blackmagic URSA Viewfinder when overlays are on.

For more information, see the 'Monitor Settings' section in this manual.

**NOTE** Enabling 'Grid' in your URSA Viewfinder setup menu will also allow your viewfinder to display tally signals sent from an ATEM switcher. Overlays must also be set to 'on' in the display menu.

### Status Text

Toggles the appearance of status text, such as white balance, frame rate and ISO. When 'status text' is turned 'on' in your URSA Mini's 'front SDI' monitor settings, you can use this setting to toggle its appearance in your Blackmagic URSA Viewfinder.

For more information, see the 'Monitor Settings' section in this manual.

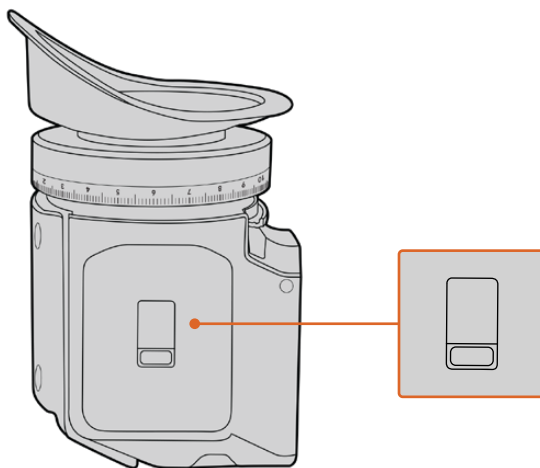
**TIP** When using Blackmagic Viewfinder with URSA Mini, the appearance of status text can clash if both the viewfinder and camera are set to show status text. In this situation, we recommend turning status text to 'on' in your camera, and status text to 'off' in your viewfinder.

### IR Sensor

The IR Sensor on your viewfinder automatically detects when you are near the eyepiece and turns on the OLED display. If you are away from the viewfinder for over twenty seconds in standby mode, the display turns off to conserve power and to extend the life of the OLED display. While recording, the timeout sensor is extended to 5 minutes, at which point the OLED display will be slowly dimmed. Any movement in front of the eyepiece will reset this timer. The viewfinder will detect when you look into the viewfinder eyepiece, pressing any button on the viewfinder will also turn the display back on.



Deliberately blocking or covering the IR sensor could cause the viewfinder's display to remain powered for prolonged periods of time. This could decrease the lifespan of the display and cause image retention if high contrast images or frame guides are displayed on the viewfinder.



The IR sensor is located at the bottom of the URSA Viewfinder

## Updating URSA Viewfinder's Internal Software

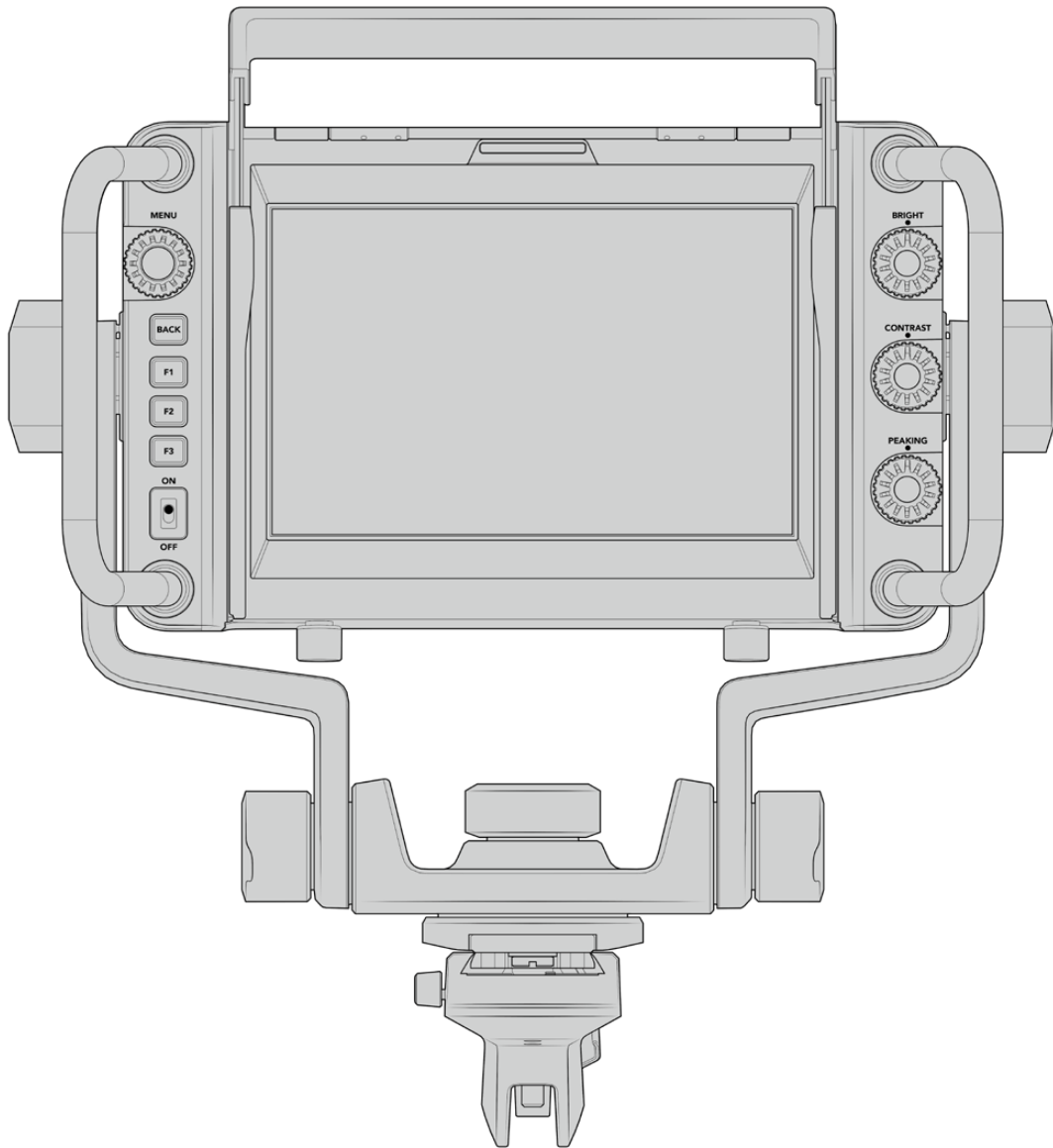
Update your viewfinder using the Blackmagic Camera Setup Utility software. The viewfinder will need to be powered when updating, so we recommend keeping the viewfinder connected to your URSA Mini during the update process. This also means your URSA Mini will need to supply consistent power, so be sure to plug into external power.

Connect your computer to the small USB connection located at the front of your viewfinder, near the eyepiece. When Blackmagic Camera Utility is launched and your viewfinder is connected to your computer, you will be prompted to update if your computer detects that your viewfinder is using an older version. Follow the on screen prompts to update your viewfinder's internal software.

**NOTE** Refer to the 'Blackmagic Camera Setup Utility' section in this manual for more information.

**TIP** We recommend updating all your Blackmagic URSA equipment at the same time for optimized performance

# Blackmagic URSA Studio Viewfinder



Blackmagic URSA Studio Viewfinder

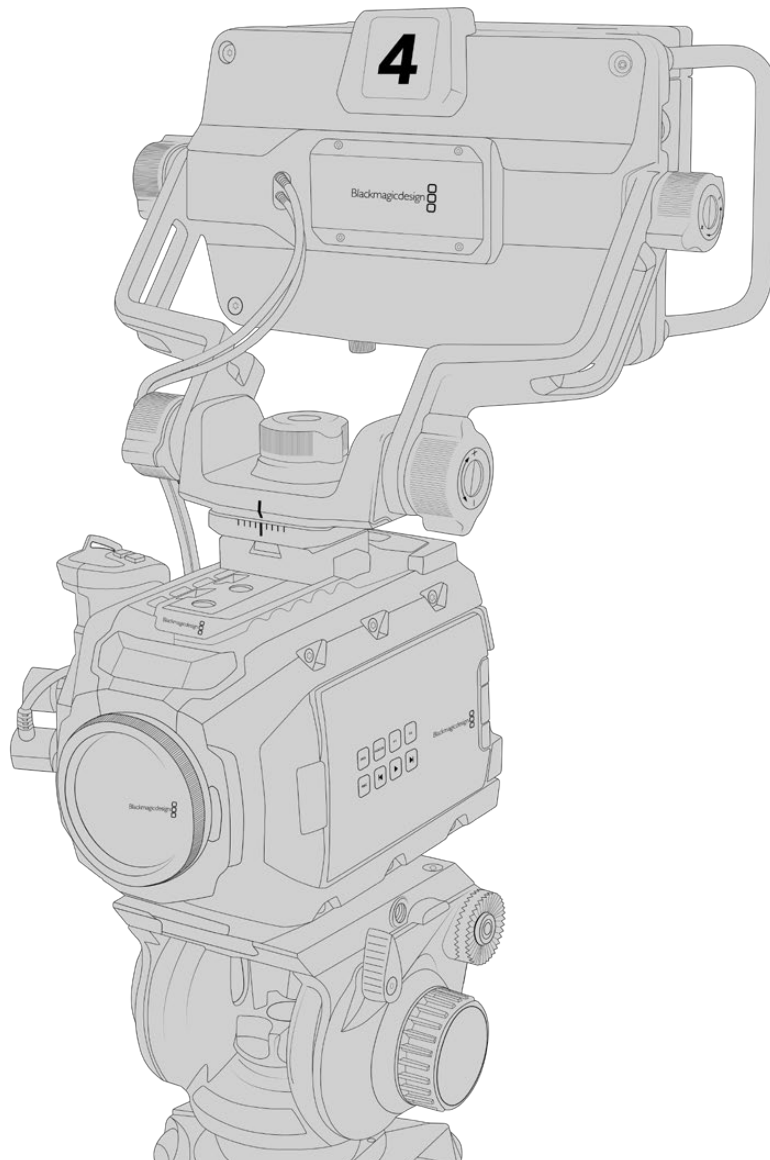
Blackmagic URSA Studio Viewfinder is a powerful viewfinder that allows you to turn your Blackmagic URSA Mini into a professional live production camera. The studio viewfinder features a bright 7" screen and has a large easily viewable tally light, control knobs, large handles, sun hood and variable tension articulated mount. These features make it easy to stand behind the camera and comfortably follow the action for extended periods of time, especially when filming live concerts, sports, and other long events. The URSA Studio Viewfinder is perfect for professional live production in the studio or on location.

## Mounting and Connecting to Blackmagic URSA Mini

When using the Blackmagic URSA Studio Viewfinder with Blackmagic URSA Mini, you have the option of mounting the unit to the camera in a number of ways.

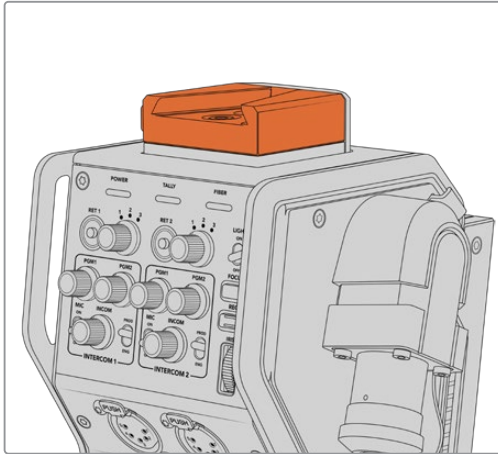
You can mount the Blackmagic URSA Studio Viewfinder directly to the top of Blackmagic URSA Mini via the supplied V-lock mount plate which can be easily removed from the top handle mount.

Unscrew the V-lock plate from the URSA Mini handle mount using a 3/16 Hex key, and then attach it to the top of the camera with the supplied 1/4" screws. As this will make the center of gravity on the camera much higher. We recommend doing this while the camera is attached to a tripod for stability.

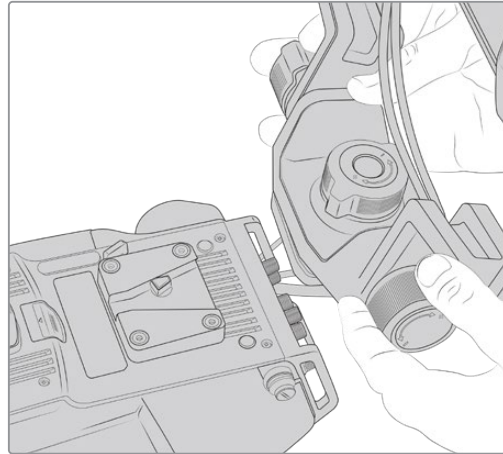


If you are mounting the Blackmagic URSA Studio Viewfinder to your URSA Mini whilst using the URSA Mini Shoulder Kit, you need to attach it using the supplied URSA Mini handle mount. Attach the supplied URSA Mini handle mount to the top handle with three of the supplied 1/4" screws using a 3/16 Hex key. Slide the Studio Viewfinder's V-lock into the V-lock plate slot until it clicks in securely.

See the 'URSA Mini Shoulder Mount Kit' section in this manual for more information.

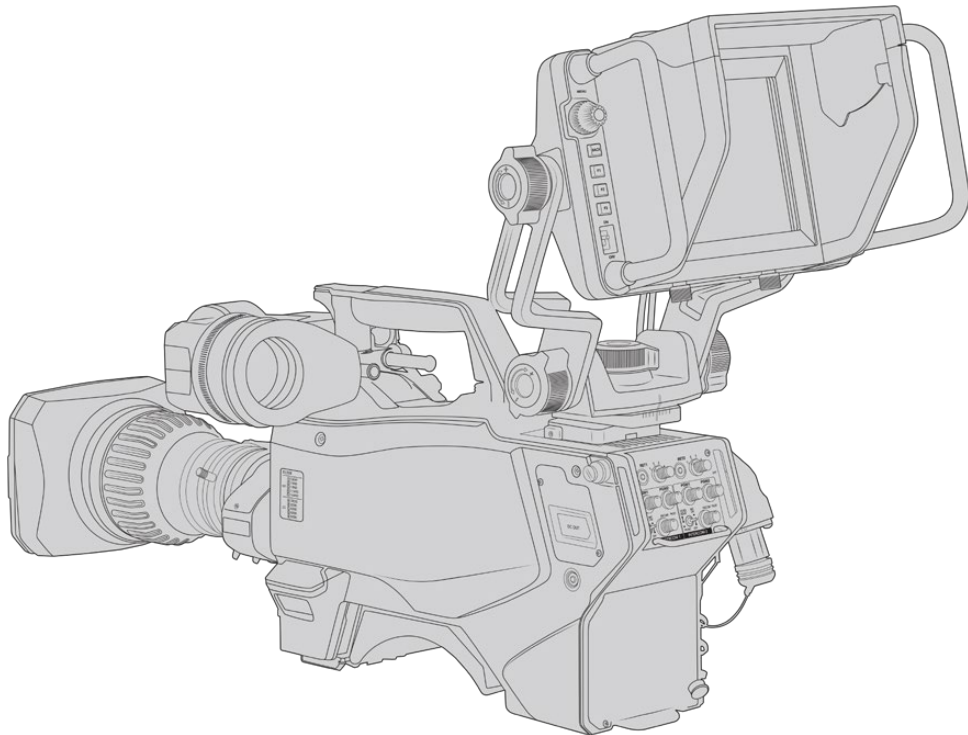


You can attach your Blackmagic Studio Viewfinder to the V-lock plate on the top of the Blackmagic Camera Fiber Converter



V-Lock mount plate being attached to 3rd party camera

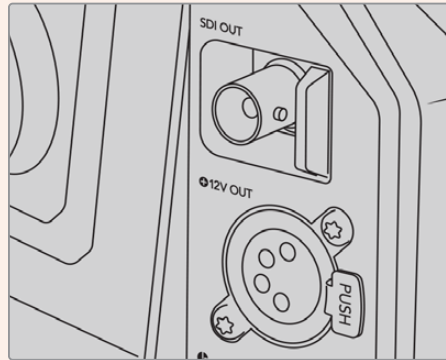
The V-Lock mount plate can also be installed on any camera you want to use the URSA Studio Viewfinder with that has 1/4" mounting points, or by using a third party cheese plate. You can also mount the Blackmagic URSA Studio Viewfinder to a third party camera system that has an existing V-lock mount plate as many of them have this quick release plate on them already.



**TIP** The Blackmagic URSA Studio Viewfinder connects to the camera via a quick release V-lock mount plate, which means that the viewfinder can be removed quickly if you need to take the camera off a tripod. When filming sports matches it can be advantageous to leave both the Blackmagic URSA Viewfinder and Blackmagic URSA Studio Viewfinder attached to the camera, so that at the conclusion of the match you can quickly switch to the URSA Viewfinder for handheld filming. Both viewfinders use the same 12V power and 3G-SDI cables to connect to the camera, making it easy to swap cables in such a situation.

To connect your Blackmagic URSA Studio Viewfinder to your URSA Mini, simply connect the viewfinder's attached cables to URSA's front 12V power and 3G-SDI outputs.

The power switch on the viewfinder will then allow you to turn on the viewfinder instantly when your camera is powered. Note that there are cable clamps on the side of the URSA Mini handle mount to keep your cables neat and hold the cables in place.

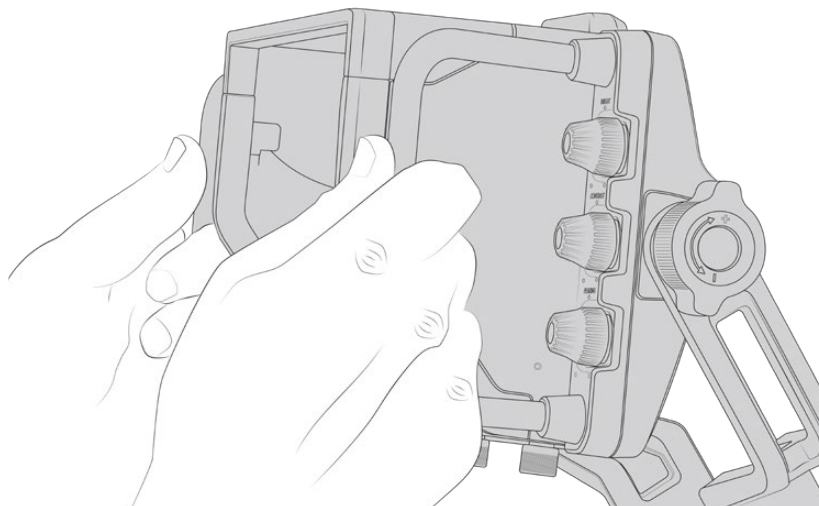


SDI and 12v power connections on URSA Mini

**TIP** The URSA Studio Viewfinder uses open standard SDI and broadcast 4 pin XLR power connections so it can be used with any other camera or even as an adjustable portable location monitor. It also uses the open standard ATEM tally and device control protocol so any other camera system can add this information to their SDI stream to allow them to work with the tally and overlays on the URSA Studio Viewfinder.

## Adjusting the Blackmagic URSA Studio Viewfinder

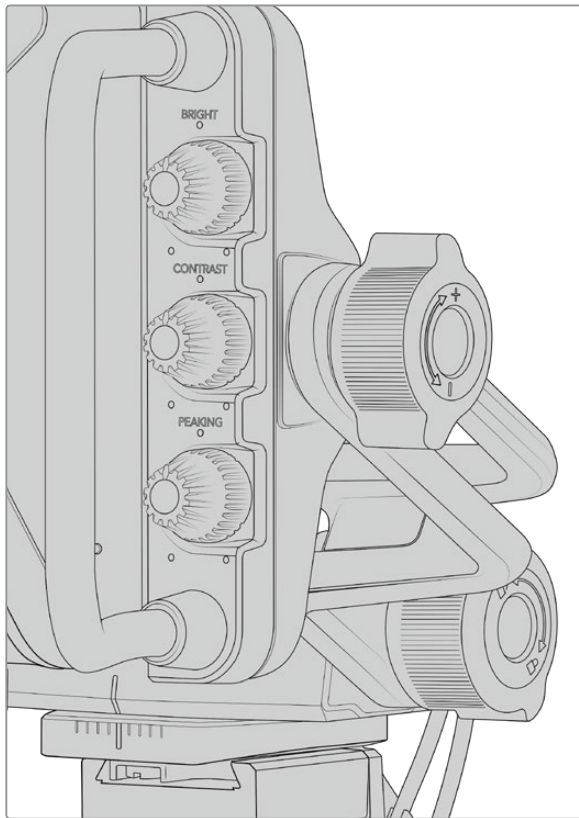
The Blackmagic URSA Studio Viewfinder features large handles and variable tension articulated mounting that allow you to adjust the position and angle of the viewfinder. The large handles allow you to quickly and easily take hold of the viewfinder and adjust the angle and direction of the unit. Combined with the sun hood the handles also help to protect the screen from damage, which means that you can store the fully assembled Blackmagic URSA Studio Viewfinder in a carry case without disassembly. The large handles also allow you easily to pick up and carry the unit between locations.



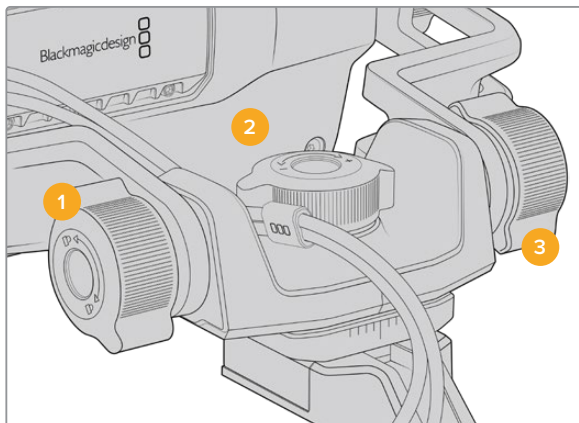
The supplied mount features tension dials for pan and tilt, with additional tension dials on either side of the viewfinder for additional friction control. The left hand dial allows you to adjust the drag friction of the arm and the right hand dial allows you to lock the Viewfinder in place once you have found the angle you require.



These tension dials have a very large range of tension adjustment, allowing you to select a specific amount of resistance. This allows you to easily pan and tilt the viewfinder to the precise position you require.



Tension dials on either side of the viewfinder

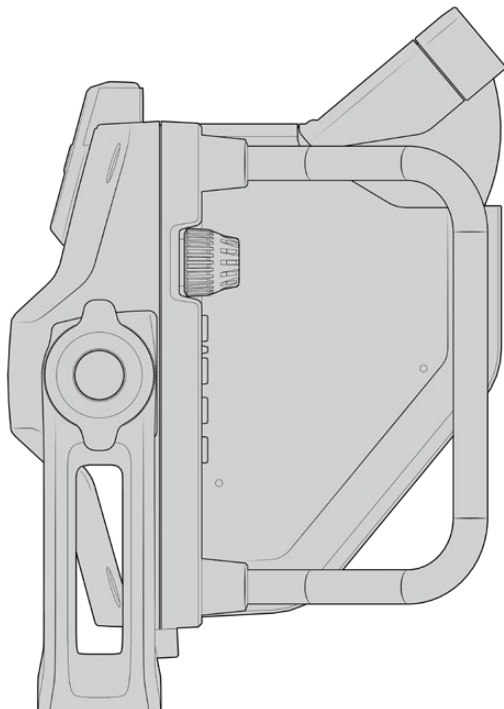
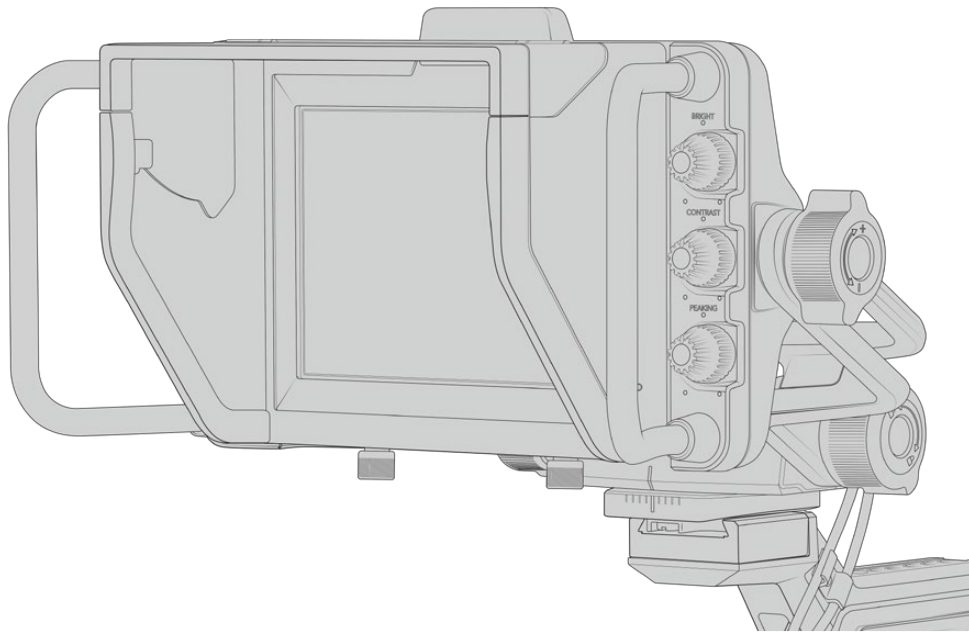


- 1 Tilt Lock Dial**  
Locks the angle of tilt on the viewfinder mechanism.
- 2 Pan Tension Dial**  
Controls pan tension.
- 3 Tilt Tension Dial**  
Controls tilt tension.

**TIP** The center tension dial on the supplied mount controls pan tension, and can be loosened to allow you to take hold of the viewfinder and move the camera independently. This means that you can film things like motorsport, where you need to pan the camera left and right to follow the action, whilst holding the viewfinder positioned towards your eyes. A visual guide on the mount helps to ensure that the viewfinder can easily be returned to the center.

## Sun hood

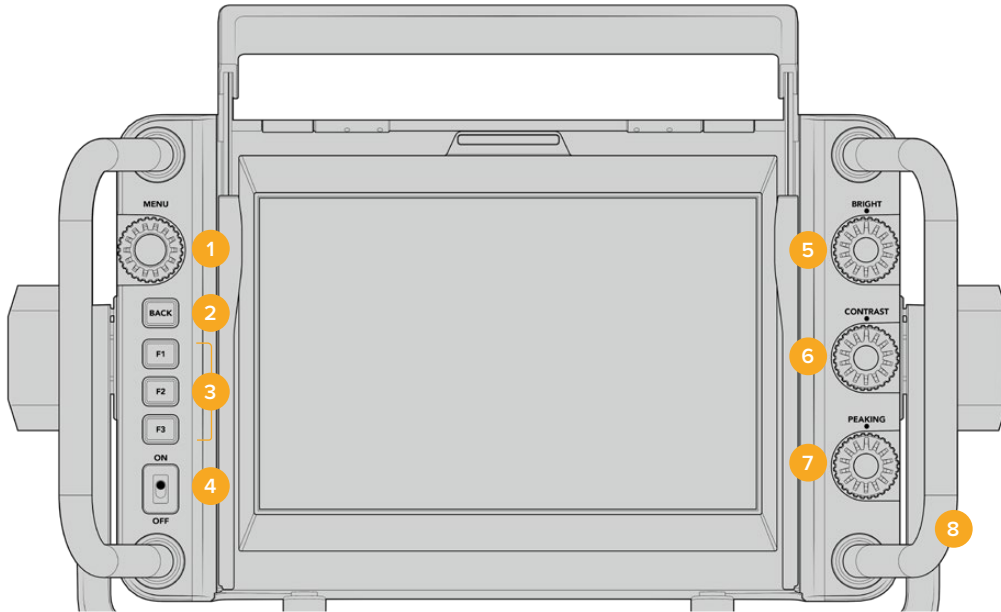
The sun hood helps you to see the screen in bright or sunny conditions. To attach the sun hood, slide it over the top of the Blackmagic URSA Studio Viewfinder and push it into place, securing it with the two captive screws on the base of the sun hood. The top section of the visor is adjustable, and can raise and lower to provide additional viewing angles. The sun hood provides additional protection for the 7" screen, and can be removed quickly and easily if desired or to access the USB-C connector for software updates.



Sun hood and adjustable visor

## Button Features

The tactile dials down the right hand side let you change brightness, contrast, peaking quickly and easily. The dials are ergonomically designed so you can adjust the dials from the side with your thumb when using the sun hood, or with two fingers for finer more controlled adjustment.



### 1 Menu Dial

The push button 'menu' dial allows you to enter the menu, and navigate through the viewfinder settings.

### 2 Back button

Exits the menu system

### 3 F1, F2, F3

Assignable function buttons. You can assign functions to these buttons for easy access to your most commonly used functions.

### 4 ON/OFF switch

Switches the Blackmagic URSA Studio Viewfinder on and off.

### 5 Bright

Adjusts the brightness of the image on screen. Overlays on screen will show the brightness level on a scale of -100 to +100.

### 6 Contrast

Adjusts the contrast of the image on screen. Overlays on screen will show the contrast level on a scale of -100 to +100.

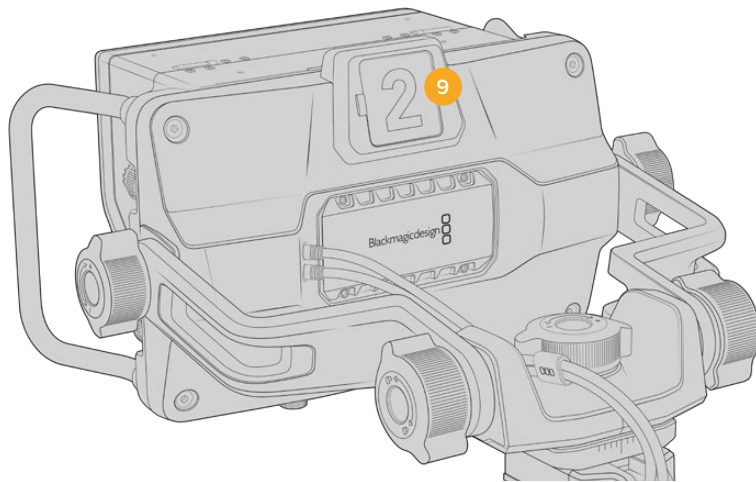
### 7 Peaking

Adjusts the focus peaking level for the image on screen. Overlays on screen will show the peaking level on a scale of -100 to +100. In the setup menu you can select between various styles of peaking to suit your environment.

There is the option for the traditional style of focus peaking that many will be familiar with from other broadcast systems, as well as the option to use colored lines for focus. As with URSA Mini you have the option of 'red', 'green', 'blue', 'black' and 'white' lines which gives you flexibility to make them easily viewable when shooting in environments that have a lot of a particular color.

### 8 Handles

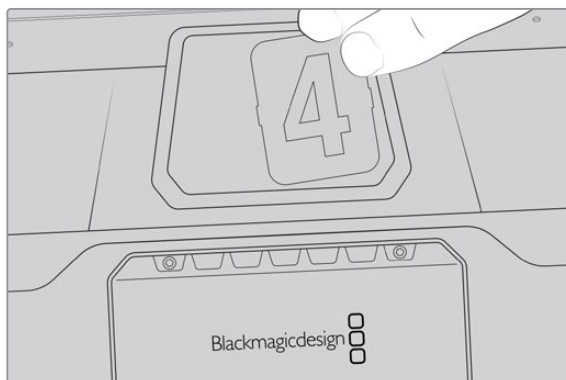
The built in handles are large and allow you to hold the Studio Viewfinder in place as you reposition the camera while shooting. They also provide protection for the screen when setting up and packing down.



## 9 Tally Light

The large tally light on the rear of the Blackmagic URSA Studio Viewfinder lets both the talent and operator know which camera is on the air, which camera is about to be on air, and if they are ISO recording. The tally illuminates red for on-air, green for preview and when used with URSA Mini will illuminate orange for ISO record.

As the director cuts between cameras on the ATEM switcher, tally information is sent back to the camera over SDI so the light is lit when the camera is being previewed to switch to, on the air or recording. In addition, the URSA Studio Viewfinder also includes clip-on transparent camera numbers that attach to the tally light, making it easy for talent to clearly see camera numbers from up to 20 feet away.



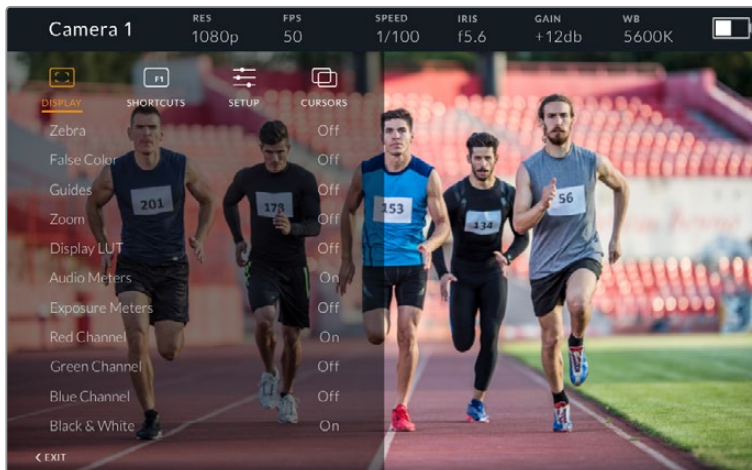
We have included editable PDF's in the software installer that allows you to edit and print out your own tally numbers to match the ones provided, and also to create your own custom tally number inserts. After installing Camera 4.1 software these can be found on a Mac in the Application > Blackmagic Cameras > Documents folder and on a PC in the Blackmagic Design > Documents folder.

The tally light will illuminate according to the ATEM switching operations, and when the camera is not connected to a switcher the tally light will illuminate red as a simple record tally indicator. Refer to the 'understanding studio camera control' section in this manual for more information.

**TIP** When using the Blackmagic URSA Studio Viewfinder with an ATEM switcher, it is important to select 'clean feed' on URSA Mini to ensure that you don't see overlays or the focus box on the SDI output to the ATEM switcher. Navigate to the 'monitor' menu on URSA and select 'clean feed' for 'main SDI'.

## Menu Settings

The push button 'menu' dial allows you to enter the menu by pressing it, whilst rotating the dial navigates up and down through the menu options. Pressing the 'menu' dial whilst a menu heading is highlighted, will allow you to switch between the display, shortcuts, setup and cursor sub menus. Rotating the dial will scroll through the settings in each menu. Pressing the dial when a setting is highlighted allows you to adjust that setting by rotating the 'menu' dial. Confirm your selection by pressing the 'menu' dial once more. You can exit out of the menu by hitting the 'back' button or by navigating to and selecting exit.



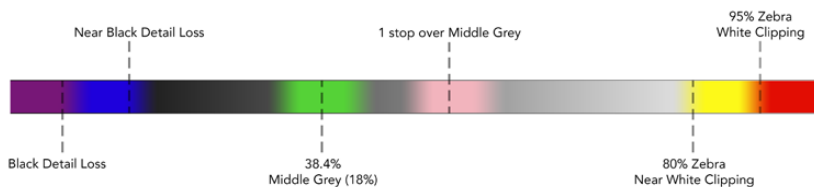
### Display

#### Zebra

Switches zebra levels on and off. The level of zebra will be determined by the setting on your URSA Mini, in the 'All' section of the 'Monitor' menu. When the Studio Viewfinder is not connected with URSA Mini, the zebra level will represent 95% of the luminance levels of a Rec 709 signal. For more information, refer to the 'settings' section in this manual.

#### False Color

Switches the false color feature on and off. False color overlays different colors onto your image that represent exposure values for different elements in your image. For example, pink represents optimum exposure for light skin tones, while green is a good match to darker skin tones. By monitoring the pink or green false color when recording people, you can maintain consistent exposure for skin tones. Similarly, when elements in your image change from yellow to red, that means they are now over exposed. False color is a good feature to assign to one of the function buttons, as it provides quick and easy access to a commonly used reference tool for exposure.



False Color Chart

#### Guides

This setting gives you the option to show or hide your guides. The guides will match the style of guides that have been set in the URSA Mini in the camera 'all' section of the 'monitor' menu.

The aspect ratio, frame guide opacity level, safe area percentage, and the type of grids shown will match what you have set in the camera. The 'setup' menu in the Studio Viewfinder then allows you to configure which type of guides you would like to see in the Studio Viewfinder when guides in the display menu are switched on. Guides then allows you to then switch these 'on' or 'off' with one command.

### **Zoom**

Turns the 'zoom' feature on and off. The 'zoom' feature helps you find sharp focus by zooming into your picture. When zoomed in, you can navigate to specific parts of the screen by rotating the menu dial left and right. The overlay will indicate which part of the picture you are zoomed into.

### **Display LUT**

When sending a 'film' dynamic range SDI signal from your URSA Mini, the 'film to video' and 'film to extended video' settings allows you to apply a more colorful and contrasty LUT to the image. The viewfinder will detect when either of these LUTs are used and will give you the option to toggle them on or off in your viewfinder. When a display LUT is active on the front SDI output, or you are using a different LUT, the option is disabled to prevent multiple LUTs being applied.

### **Audio Meters**

The audio meters display the audio level that is being input via SDI into the Blackmagic URSA Studio Viewfinder, therefore the meters will show you URSA Mini's audio input levels. If you have program input selected, the audio meter will display these audio levels.

### **Exposure Meters**

Switches the display of the histogram 'on' or 'off'.

### **Red Channel**

Allows you to switch on or off the red channel of your image.

### **Green Channel**

Allows you to switch on or off the green channel of your image.

### **Blue Channel**

Allows you to switch on or off the blue channel of your image.

### **Black and White**

Switches between color and monochrome.

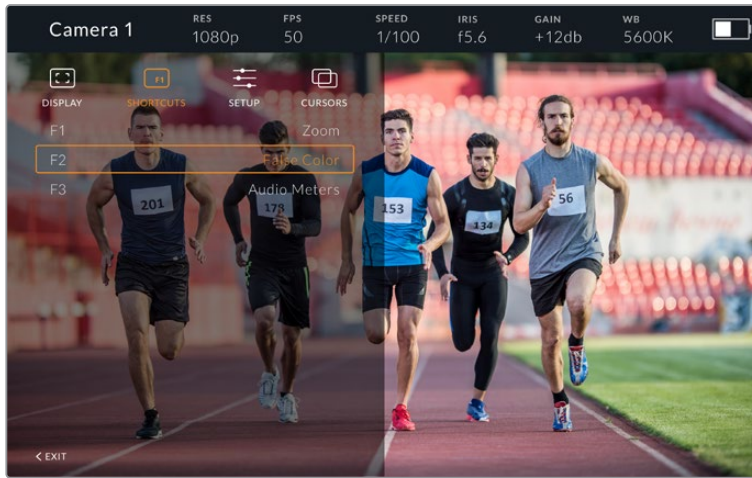
## **Shortcuts**

The shortcut function allows you to map specific functions to the F1, F2 and F3 buttons. These shortcut buttons allow you to quickly toggle 'on' and 'off' any of the settings in the display menu, or your cursors. This is extremely useful when you need to quickly access a particular setting for a frequently used feature.

To customize your shortcut buttons: In the 'shortcuts' menu, rotate the push button 'menu' dial to move up or down and select one of the 3 buttons. Press the 'menu' dial to confirm your selection and then rotate the 'menu' dial to scroll through the assignable features. You will have the option to select one of the following features: 'zoom', 'cursor 1', 'cursor 2', 'cursor 3', 'zebra', 'false color', 'guides', 'film to video', 'audio meters', 'exposure meters', 'red channel', 'green channel', 'blue channel', 'black and white'. Once chosen click the menu button to confirm that selection, and assign that function to the chosen shortcut button. Pressing the shortcut button will now switch this feature 'on' and 'off'.



Once you have set up your shortcuts as required you can either scroll to 'exit' and press the 'menu' dial to close the menu display view, or hit the back button to exit out of the menu.



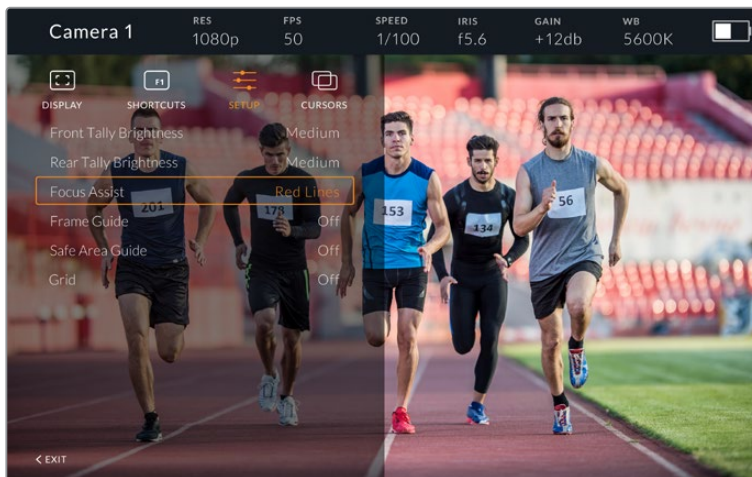
The 'shortcuts' submenu

## Setup

The 'setup' menu is where you choose your preferences for how the viewfinder is setup.

### Front Tally Brightness

Allows adjustments of tally LED brightness between 'off', 'low', 'medium' and 'high'. The tally light will illuminate whilst adjustments are being made so you can see what each brightness level represents.



The 'setup' submenu

### Rear Tally Brightness

Allows adjustments of tally LED brightness between 'low', 'medium' and 'high'. The tally light will illuminate whilst adjustments are being made so you can see what each brightness level represents.

**TIP** A high LED brightness setting is recommended for bright conditions, as it will provide greater visibility for talent and operators in the conditions. A low LED brightness is recommended when filming in darker environments where it is easier to see when the light is on.

## Focus Assist

The 'focus assist' setting toggles the appearance of peaking on the viewfinder. You have the choice of 'red', 'green', 'blue', 'black' and 'white' as well as traditional peaking.

## Frame Guide

Gives you the option to show 'frame guides' as part of your Studio Viewfinder's 'Guides'. When connected to URSA Mini they will match your camera's 'frame guides' aspect ratio. When connected to other systems they will default to the 14:9 aspect ratio.

## Safe Area Guide

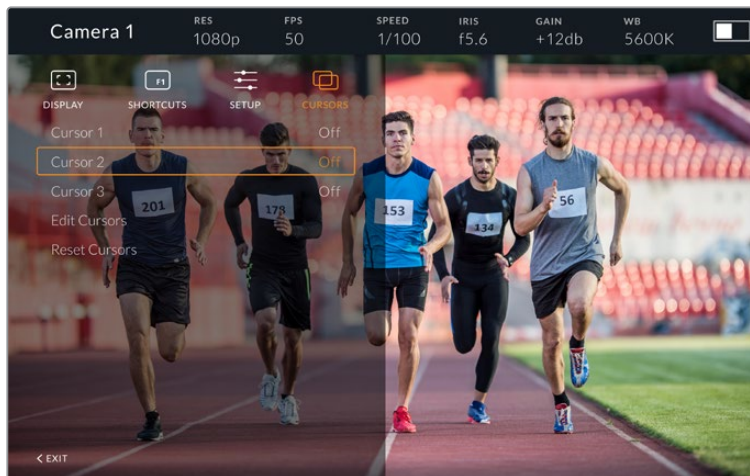
Gives you the option to show the 'safe area' indicator as part of your Studio Viewfinder's 'Guides'. When connected to URSA Mini these will match your camera's 'safe area guide' percentage. When connected to other systems they will default to 90%.

## Grid

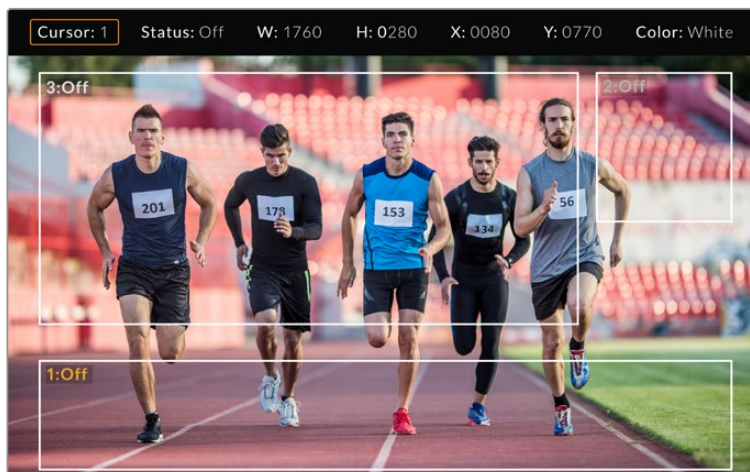
Gives you the option to show grids as part of your Studio Viewfinder's 'Guides'. When connected to URSA Mini these will match your camera's 'grids' settings. When not connected, this will switch your crosshairs on or off.

## Cursors

The cursors allow you to mark an area on screen where graphics like a lower third, graphic, logo or ticker will be overlaid. To adjust these cursors go to 'cursors' and select 'edit cursors'. This will bring up a page that shows you all three cursors and allows you to select each one individually and then dial in the width, height, x and y co-ordinates for positioning each one individually.



The cursors submenu



Cursors displayed on screen



Once you have set them up they can be switched on or off from the 'cursors' menu or assigned to your function keys for quick access. This is important for live production, as it allows the camera operator to take this into consideration and accurately compose and frame shots. You can create up to three black or white custom cursors that can have variable height, width and position, making it easy to match the size and location for all the graphics that will be added live or during later broadcast. You also have the option to reset the cursors to their default state.

### Using a headset with the Blackmagic URSA Studio Viewfinder

When using the Blackmagic URSA Studio Viewfinder with URSA Mini, the headphone connection on the camera will now become a talkback headset connection, allowing for direct communication with the director.

For more advanced talkback functionality, you can also use Blackmagic Camera Fiber Converter and Blackmagic Studio Converter to allow you to use standard broadcast headsets with 5 pin XLR connectors. For more information, refer to the 'Blackmagic Fiber Converters' section.

**TIP** Because URSA Mini's headphone socket is iPhone headset compatible, you can use your iPhone headset to communicate with the director. Pushing the button on the built-in remote will allow you to talk back to the director.

### Updating URSA Viewfinder's Internal Software

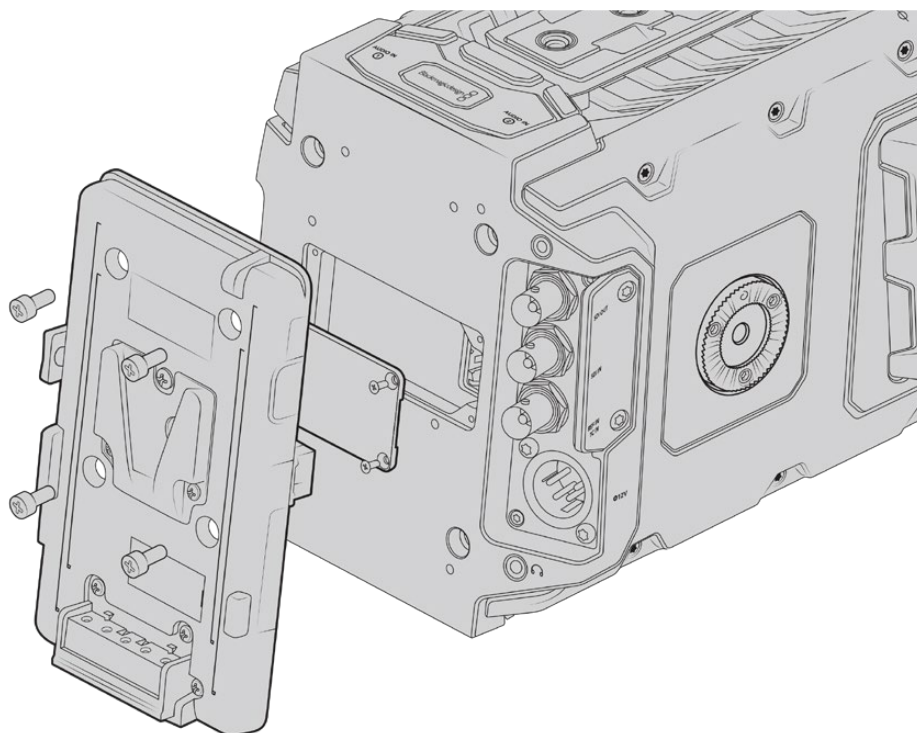
Update your viewfinder using the Blackmagic Camera Setup utility software. The viewfinder will need to be powered when updating, so we recommend keeping the viewfinder connected to your URSA during the update process. This also means your URSA will need to supply consistent power, so be sure to plug into external power.

Remove the sun hood to provide access to the small USB-C connection located on the bottom of the Blackmagic URSA Studio Viewfinder, and connect your computer to the USB-C port. When Blackmagic Camera Utility is launched and your viewfinder is connected to your computer, you will be prompted to update if your computer detects that your viewfinder is using an older version. Follow the on screen prompts to update your viewfinder's internal software. Refer to the 'Blackmagic Camera Setup Utility' section in this manual for more information.

We recommend updating all your Blackmagic URSA equipment at the same time for optimized performance.

**NOTE** When using your Blackmagic URSA Studio Viewfinder with URSA Mini, we recommend updating your viewfinder's internal software to the latest version to ensure compatibility. The latest software can be found at the Blackmagic Design support center at [www.blackmagicdesign.com/support](http://www.blackmagicdesign.com/support). Refer to the 'Blackmagic Camera Setup Utility' section in this manual for more information.

## Mounting Batteries



Connecting a third party battery plate lets you mount V-mount or gold mount batteries

### Mounting V-mount or Gold Mount Batteries

You can easily mount industry standard V-mount or gold mount batteries to Blackmagic URSA Mini.

To mount a battery, you'll need to attach a Blackmagic URSA VLock Battery Plate or URSA Gold Battery Plate, or else attach a third party battery plate to your camera's plate mount.

**TIP** Blackmagic URSA VLock Battery Plate and URSA Gold Battery Plate support displaying percentage information with compatible batteries. Blackmagic battery plates have a '+12V out' connector referred to as a 'D-tap' or 'P-tap' to power accessories such as an external monitor. It is worth noting that because this output is regulated from the camera, it will power down safely when the camera switches off. This regulated output supplies 12 Volts at up to 1.5 Amps. Some third party URSA battery plates, and even some batteries, offer an unregulated D-tap output. These supply continuous power when the camera is rebooting or power cycled, but the voltage varies depending on the charge level of the battery and accessories plugged in will drain the battery continuously.

You can purchase Blackmagic URSA VLock Battery Plates and URSA Gold Battery Plates from Blackmagic Design resellers, or third party battery plates from suppliers of professional digital cinema and video equipment.

If you don't have an off the shelf battery plate designed for Blackmagic URSA or URSA Mini and you want to modify your own battery plate, then you can use the supplied adapter cable and connector. Refer to the 'using your own battery plate' section for information about how any battery plate can be modified to use with URSA or URSA Mini.

#### To mount your battery plate to the rear panel:

- 1 If your URSA Mini has a molex power cover attached to the rear panel, remove it by unscrewing the 4 corner screws with a phillips head PH1 screwdriver.
- 2 Connect your battery plate's molex connector to your camera's molex power connector.
- 3 Screw the battery plate onto your Blackmagic URSA Mini's plate mounting points using 4 x M3 screws. Make sure the connector cable is tucked safely into the cable slot and not crushed between the plates when tightening.
- 4 With the battery plate connected to your camera, you can now mount a V-mount or gold mount battery and power up your camera.

## Using your own Battery Plate

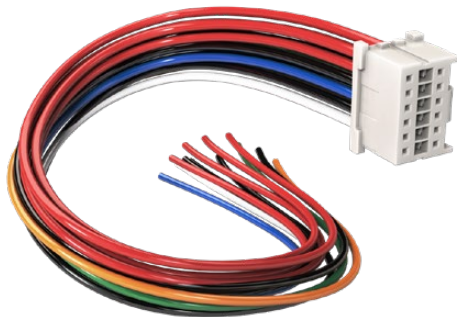
### Adapter Cable and Connector

If you don't have an off the shelf battery plate designed to plug into URSA Mini and want to modify your own battery plate, you can use the supplied adapter cable and connector, which is also available at your local Blackmagic Design support office.

To wire the adapter cable and connector to your battery plate:

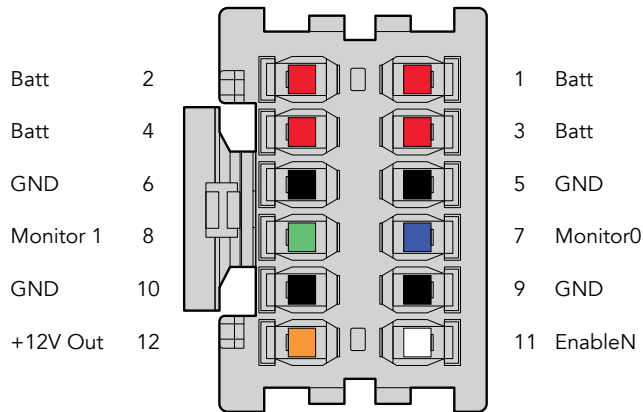
- 1 Strip approximately half an inch of insulation from the end of each red and black wire.
- 2 Solder all 4 x red 'Batt' wires to the corresponding 'positive' wire from your battery plate.
- 3 Solder all 4 x black 'GND' wires to the corresponding 'negative' wire from your battery plate.

Ensure the joins are well insulated.



If you need to modify any battery plate to plug into URSA, use the supplied adapter cable and connector, which is also available from your local Blackmagic Design support office

This enables battery power to your camera. You can also connect additional wires for features such as 12 V output and battery status. Refer to your battery plate information, plus the diagram and tables on this page for help connecting the wires. If you require further assistance visit the Blackmagic Design support center at [www.blackmagicdesign.com/support](http://www.blackmagicdesign.com/support).



The rear view of the adapter's connector housing.  
Refer to the wire configuration table for a description of each pin

### Wire Configuration Table

Pins	Signal	Color	Direction	Description
1, 2, 3, 4	Batt	Red	To URSA	12 V to 20 V
5, 6, 9, 10	GND	Black	–	–
7	Monitor0	Blue	To URSA	Analog battery level or open drain data line (20 V max)
8	Monitor1	Green	To URSA	Open drain clock line (3.4 V max)
12	+12 V out	Orange	From URSA	12 V regulated output 1.5 A max (18 W)
11	EnableN	White	To URSA	Connect to GND to enable +12 V out. Leave floating if +12 V out is not required.

Each Batt and GND pin supports 3 amps. Make sure all Batt and GND pins are connected. To monitor the battery status using Anton Bauer, IDX, or Blueshape plates, follow the connection table below:

<b>Anton Bauer</b>	Connect the blue/white striped wire to the housing blue wire at pin 7.
<b>IDX</b>	Connect the green wire to the housing green wire at pin 8, and the gray wire to the housing blue wire at pin 7.
<b>Blueshape</b>	Connect the blue wire labelled 'SMBC' to the housing green wire at pin 8. Connect the brown wire labelled 'SMBD' to the housing blue wire at pin 7.

Secure any unused wires by cutting them as close as possible to the rear of the adapter connector.

# Blackmagic Fiber Converters

Blackmagic Camera Fiber Converter and Blackmagic Studio Fiber Converter are optional accessories that provide a SMPTE fiber connection between your camera and an ATEM switcher.

SMPTE fiber lets you connect all video, power, talkback, tally and camera control signals between an ATEM switcher and your camera using one single industry standard SMPTE hybrid fiber optic cable. Using a SMPTE fiber connection greatly reduces the amount of cables required, which helps makes the production setup more efficient and simpler to run. The standard connectors on Blackmagic Studio Fiber Converter allow you to easily add the fiber converters into an existing broadcast truck infrastructure.

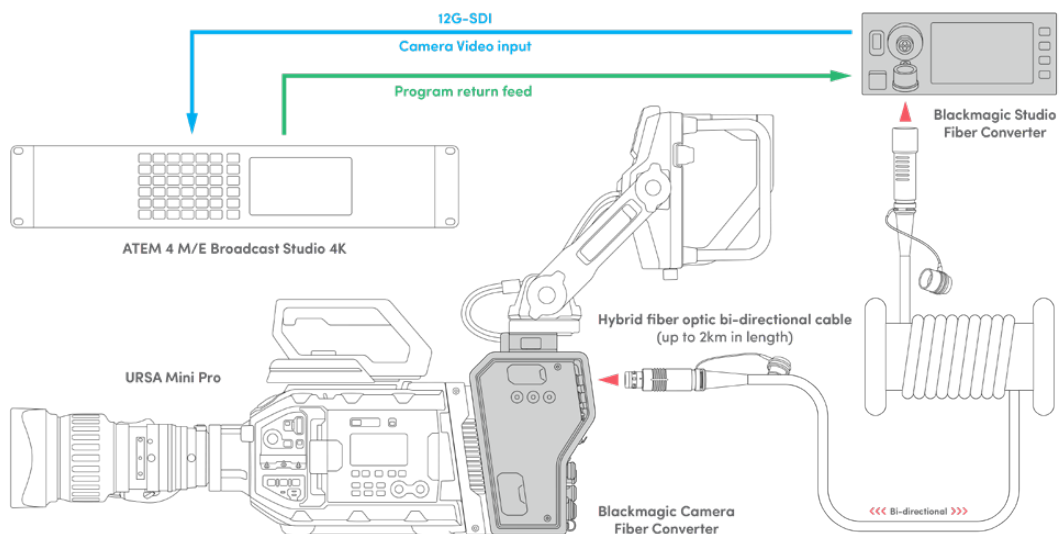


## Blackmagic Camera Fiber Converter

Mounts to the back of your URSA Mini or URSA Broadcast and connects to the Blackmagic Studio Fiber Converter via a standard SMPTE hybrid 304 connector.

## Blackmagic Studio Fiber Converter

This converter converts the optical fiber SDI signal from the camera unit to SDI via BNC, which is then connected to an ATEM switcher. The converter also takes all return feed sources, including program return from the ATEM switcher, and sends them back to the camera unit.



The Blackmagic camera and studio fiber converters connect via optical fiber to provide efficient SDI video, power, talkback, tally and control signals via a single SMPTE fiber optic cable.

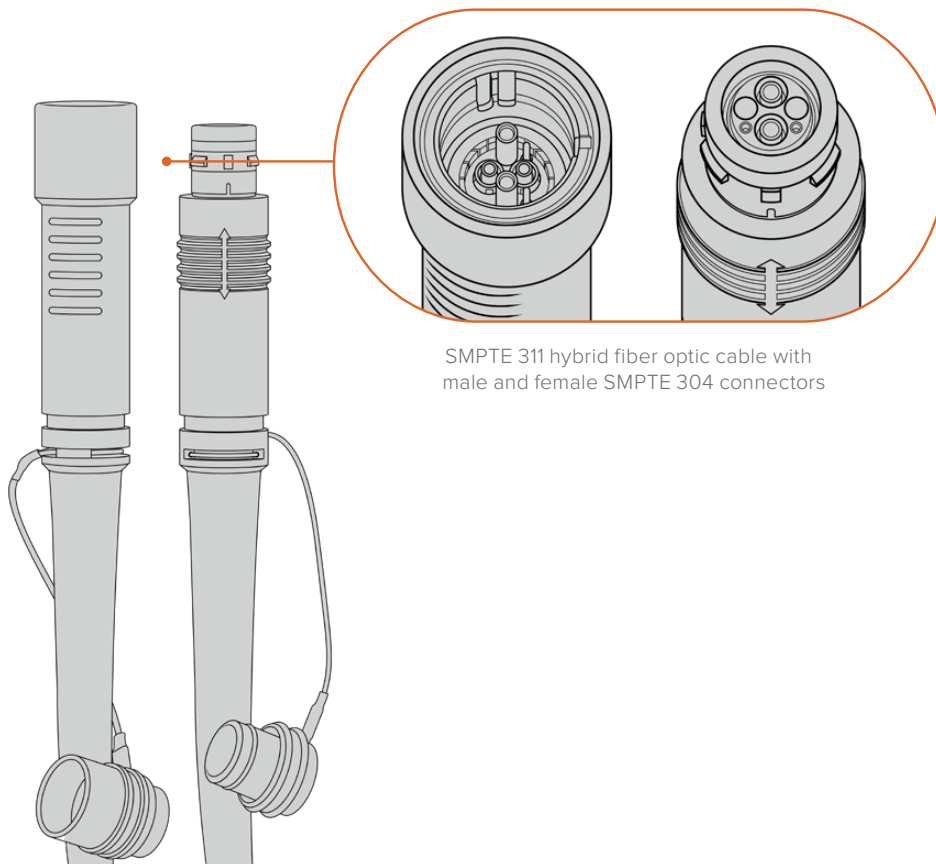
# Getting Started with Blackmagic Fiber Converters

Getting started is fast and efficient. It won't take long before you are producing video content and enjoying the benefits of SMPTE fiber.

## About SMPTE Fiber

SMPTE fiber cables provide you with a simplified way to carry multiple signals as well as power, over long distances. This is useful in broadcast scenarios, as you don't need to connect several cables for each camera that is connected to your switcher.

With a SMPTE 311 hybrid fiber optic cable, you can use one single industry standard optical fiber cable to connect each camera to your ATEM switcher, and provide all video, power, talkback, tally and control signals along one cable. With optical fiber you can also carry these signals and power over longer distances up to 2 kilometers.



SMPTE 311 hybrid fiber optic cable with male and female SMPTE 304 connectors

**NOTE** The male and female ends of a SMPTE 311 hybrid fiber optic cable can be identified by looking for the male and female pins inside the tip of the SMPTE 304 connector. The gender of the connectors is not determined by their outward appearance.

**TIP** Connect the rubber cap from each end of the SMPTE fiber cable into the rubber cap on each converter to prevent any dust or debris from entering the caps.

One of the main benefits of using a SMPTE fiber connection is to connect to the control room or broadcast truck in a traditional live broadcast environment. Most modern sporting stadiums already have optic fiber cables installed between camera positions and the control room or broadcast truck, so this means you can plug directly into these systems.

The optic fiber cable used to connect to an existing fiber system, or to connect the two Blackmagic fiber converters together, is a SMPTE 311 hybrid fiber optic cable with SMPTE 304 connectors.

### Protecting SMPTE Connectors

It is very important that the SMPTE fiber cable's connectors are always protected by their rubber caps. This is because minute dust particles can collect very quickly on the polished ends of the glass fiber tubes which can interrupt signal flow. The best practice is to immediately replace the rubber cap as soon as a connector is exposed. For example, immediately prior to connection, and immediately after disconnection.

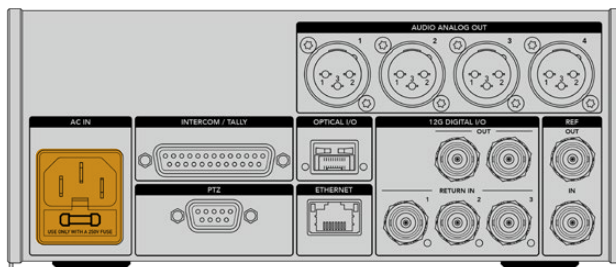
It's also a good idea to connect the rubber cap from each end of the SMPTE fiber cable into the rubber cap on the converters whilst in use, to prevent any dust or debris from entering the caps.

### Plugging in Power

Power from the studio unit is sent through the fiber cable to the camera unit, therefore the first step to connecting power is to power the studio unit.

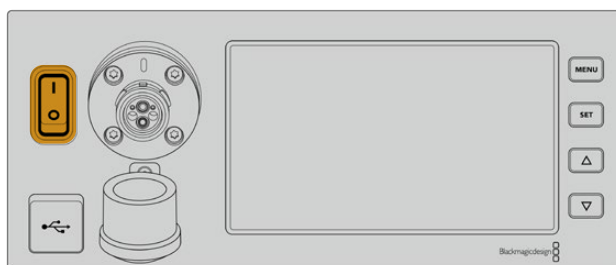
### Powering the Studio Fiber Converter

Plug a standard IEC power cable into the power connector on the studio unit's rear panel.



Connect power to your studio fiber converter via a standard IEC power cable

To turn the unit on, set the power switch on the front control panel to the 'on' position.



## Connecting SMPTE Fiber

The next step in getting started is to connect the SMPTE fiber cable between the studio fiber unit and the camera unit. This provides power from the studio unit to the camera unit, and fiber for all video feeds.

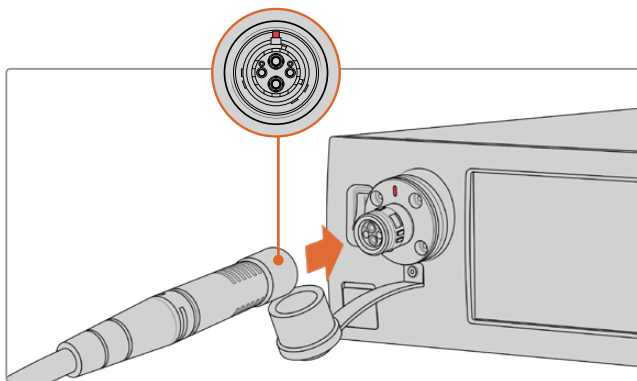
**NOTE** Extensive safety checks are initiated whenever a powered hybrid fiber optic cable is plugged into the converter and the power safety of the unit is continually monitored during use.

### Connecting the Fiber Cable to the Studio Unit

The male end of the SMPTE fiber cable's locks securely onto the female fiber connector on the front panel of the Blackmagic Studio Fiber Converter. This is a secure lock ensuring that the cable is not accidentally disconnected during broadcast.

#### To connect the cable:

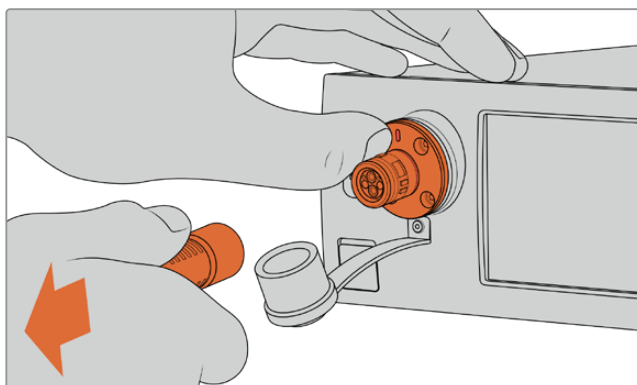
Align the red indicator on the cable connector with the red dot on the unit's fiber connector, and plug the connector in until it securely clicks into place.



Plug the male end of the SMPTE fiber cable into the female connector on the front of Blackmagic Studio Fiber Converter

#### To disconnect the cable:

Push the metal base of the studio unit's fiber connector towards the front panel and remove the cable connector.



Push the metal base of the studio unit's fiber connector towards the front panel to disengage the cable connector allowing you to pull the cable away from the unit.



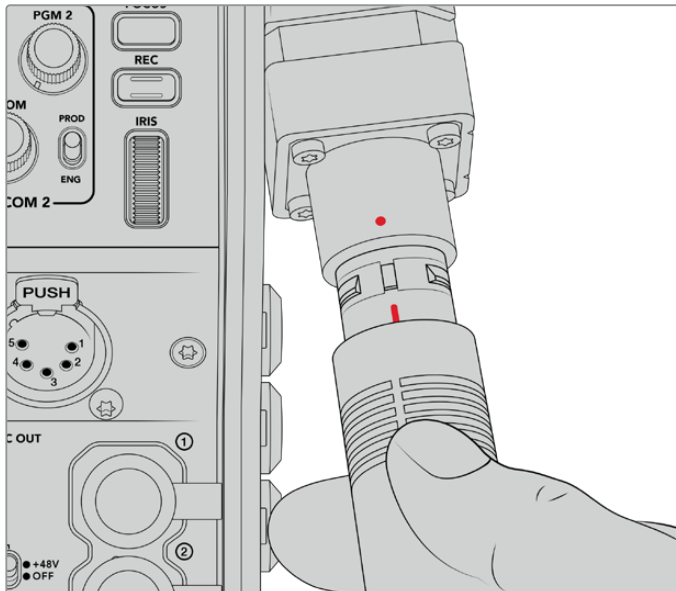
Once plugged in, it is a good idea to connect the rubber cap from the end of the SMPTE fiber cable into the rubber cap from the Blackmagic Studio Fiber Converter. This will prevent any dust or debris from entering the caps, and ensure that the caps remain clean.

## Connecting the Fiber Cable to the Camera Unit

The female end of the SMPTE fiber cable locks into the male connector on the side of Blackmagic Camera Fiber Converter, ensuring that the cable is not accidentally disconnected during broadcast.

### To connect the cable:

- 1 Align the red indicators on each connector, and plug the cable connector into the camera unit's connector until it securely clicks into place.
- 2 Once plugged in, it is a good idea to connect the rubber cap from the end of the SMPTE fiber cable into the rubber cap from the Blackmagic Camera Fiber Converter. This will prevent any dust or debris from entering the caps, and ensure that the caps remain clean.

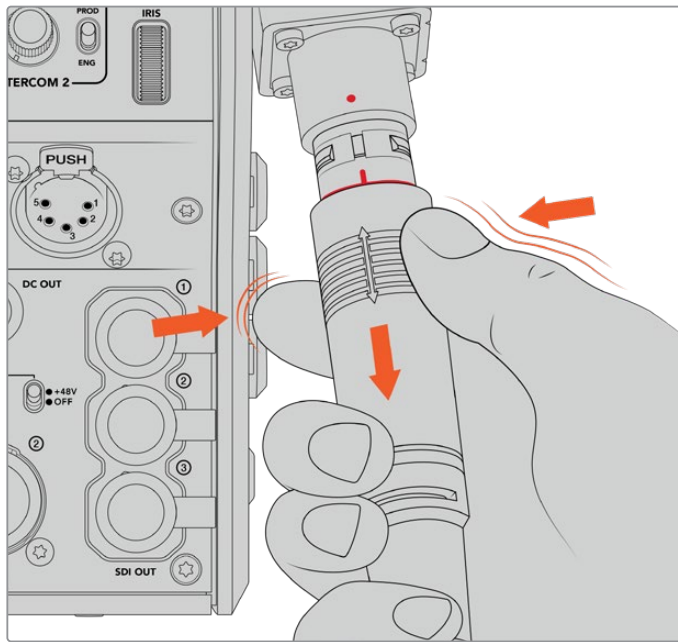


Align the red indicators to connect the SMPTE Hybrid Fiber Optic cable to the large connector on the Blackmagic Camera Fiber Converter

**NOTE** The SMPTE 304 connectors on the SMPTE 311 cable are very durable and lock firmly to the camera. If you need to disconnect the cable, please ensure that you have the camera firmly attached to a tripod head or are bracing the camera with your spare hand while trying to disconnect the cable.

### To disconnect the cable:

- 1 Pinch the top section of the female end of the cable, and compress the rubber sheath around the cable, pulling it gently away from the tip of the cable until you can see the red ring under the sheath. This will detach the teeth from the locking mechanism.
- 2 Put one hand on the camera to brace it gently, and pull the cable away from the connector on the Blackmagic Camera Fiber Converter. The cable should disconnect easily without the need for excessive force.



Pinch the rubber around the tip of the cable to reveal the red ring below, then pull the cable to disconnect

**NOTE** The SMPTE hybrid fiber cable is the heart of the broadcast ecosystem, so it is crucial that great care is taken. For example, avoid kinks in the cable, always prevent the cable from being pressed under heavy items, and avoid bending at 90 degree angles. Avoid dropping the connectors and take care when connecting and disconnecting. Always cap the connectors as soon as they are exposed.

## Confirming Power and Fiber

The two units will now establish a handshake process to determine that power is being supplied safely and fiber is securely connected.

**This process involves the following:**

- 1** The studio unit establishes a low power state with the camera unit. This is shown by the camera unit's red power status indicator.
- 2** Once power is determined as safely connected, a high power state is established and the camera unit's power indicator will illuminate green.
- 3** The fiber connection is confirmed and the fiber status indicator will illuminate green.

This is usually very fast and the indicators can turn green almost immediately. If you are using a cable over greater distances, the handshake process can take a moment longer before indicators illuminate green.

If the power light remains red for an extended period of time and does not turn green, or flickers between red and green, check that both ends of the fiber cable are securely connected. If the interruption persists, check the condition of your fiber cable.

## Power Safety Considerations

The SMPTE hybrid fiber optic cable is capable of carrying high voltage over long distances so that you can power a camera and accessories that are located up to 2km away.

To ensure safe operation, your Blackmagic Studio Fiber Converter has safety mechanisms built in to ensure accurate monitoring and automatic management of the voltage being carried.

A dedicated micro controller along with internal handshaking and communication between the Blackmagic fiber converters ensure that a hybrid fiber optic cable remains off until it is plugged into the Camera Fiber Converter. It then goes into a low power state and completes safety checks before going into high power mode. High voltages are not enabled until the converters ensure that an optical signal is present, there is a 5mA signal core current loop, and there is less than 30mA of imbalance between the power cores.

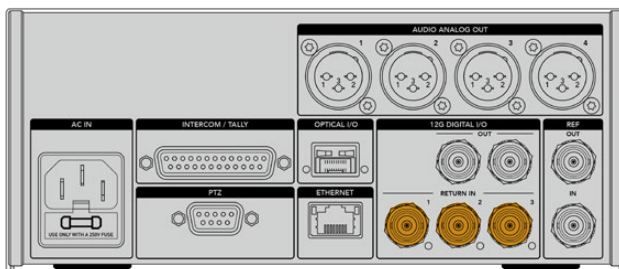
## Connecting to an ATEM Switcher

### How to connect Blackmagic Studio Fiber Converter to your switcher:

- 1 Connect a BNC cable from Blackmagic Studio Fiber Converter's rear 12G-SDI output to one of the SDI inputs on your switcher. Ensure your camera is set to use the same format and frame rate as your switcher.
- 2 Connect a BNC cable from your program return feed output on your switcher to the 'return in' 1 input on the studio unit's rear panel.

**TIP** When using multiple cameras in a live production, you may need to run the program return feed from the switcher through a Teranex Mini SDI Distribution 12G or a Smart Videohub. That is because there are a set number of program outputs on the switcher and you will likely need access to more.

- 3 If you require any other return feeds to be sent to your camera such as a clean program return feed, a teleprompter feed, an ISO feed from another camera, graphics or any other signal then plug these into 'return in' 2 or 3.



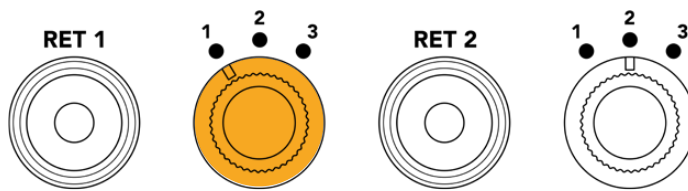
Plug the program return feed from the switcher and other return sources into the 'return' inputs on the studio unit's rear panel

## Confirming Video

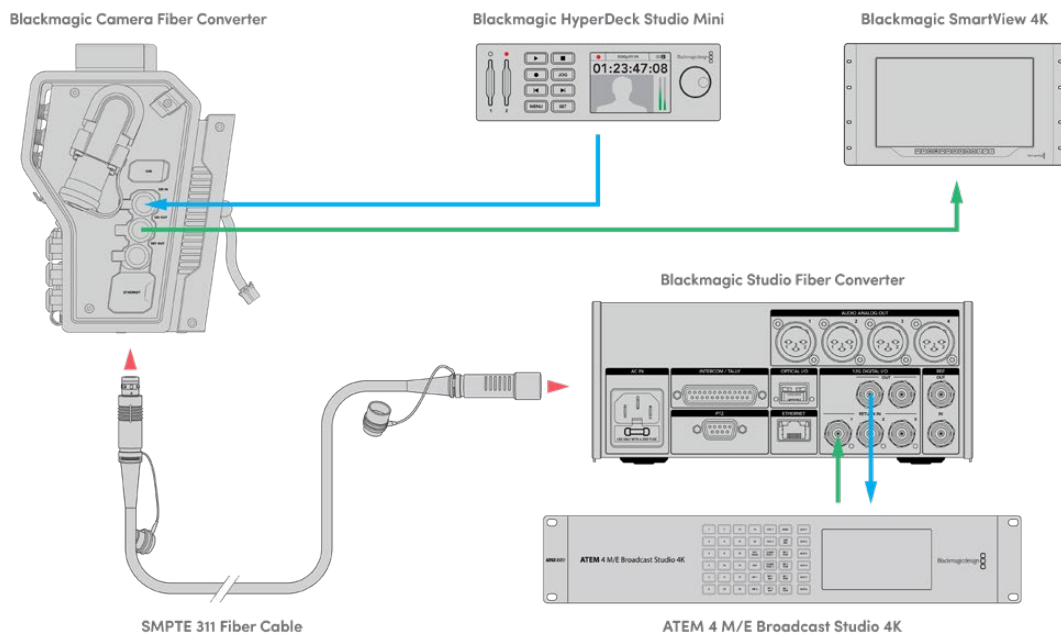
You can now check that video is working and all return feeds are present.

- 1 Ensure the ATEM switcher's program output is connected to the studio unit's SDI return input 1.
- 2 If you want to check all return feeds, plug video sources into SDI return inputs 2 and 3.
- 3 Now plug an SDI monitor, such as a Blackmagic SmartView 4K, into the 'SDI out' on the side panel of the camera unit.

With a monitor connected to the SDI output, rotate the corresponding selection knob next to the return button to switch between all three return feeds. You can set the two return buttons to monitor two different return feeds if you want to.



Switch between the return feeds on the camera unit and press the corresponding return button to view the selected feed on a monitor



To confirm video, plug video sources into the return feed inputs on the studio unit, then view them on a monitor connected to the camera unit

## Why Connections on the Front?

The fiber connection is located on the front of the studio unit so it can become the optical patch connection in the rear of a rack. Typically, the studio converter will be installed facing the rear of a rack so the SMPTE cables can be plugged direct into the unit. This means there is no need for extra rack patch panels and the cost of an extra short cable to the fiber unit. The large LCD next to the SMPTE fiber connector lets you quickly verify a good connection to the camera.

## Plugging in Camera SDI

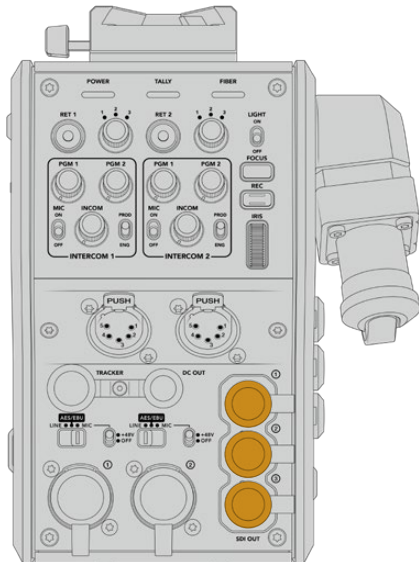
Connecting video signals between your Blackmagic Camera Fiber Converter and URSA Mini or URSA Broadcast, is as simple as connecting two of the three included SDI cables from the side of your converter to the rear of your camera.

### How to connect your Camera Fiber Converter to your camera

- 1 Connect one of the included BNC cables from Blackmagic URSA Mini or URSA Broadcast's rear 12G-SDI output to the SDI input on Blackmagic Camera Fiber Converter.
- 2 Connect one of the included BNC cables from the SDI output on Blackmagic Camera Fiber Converter to the 12G-SDI input on Blackmagic URSA Mini or URSA Broadcast's rear panel.

## Plugging in Return SDI Outputs

The three SDI outputs marked 'SDI Out' on the front of the camera unit are loop outputs of the return feeds coming from the switcher. These let you connect the return feeds to other SDI equipment near the camera, for example a teleprompter or talent monitor.



The three return feed loop outputs can be connected to SDI equipment near the camera, for example a teleprompter or monitor

**NOTE** The return feed SDI loop outputs support 3G-SDI to provide enough bandwidth for three separate feeds. This means Ultra HD return feeds from the switcher up to 2160p60 are down converted to 1080p at the equivalent frame rate.

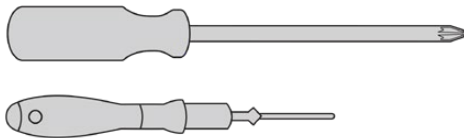
## Mounting Blackmagic Camera Fiber Converter

Blackmagic Camera Fiber Converter mounts to the back of URSA Mini and URSA Broadcast directly behind the camera body, and connects to your camera's rear SDI in and SDI out BNC connectors. If you have installed a battery plate to the rear of your camera, you will need to remove it before connecting the Blackmagic Camera Fiber Converter.

**NOTE** Before installing Blackmagic Camera Fiber Converter you should check that URSA Mini's internal software is version 4.4 or above and URSA Broadcast is 4.6 or above. You can check your software version on page 4 of the camera's 'setup' menu. For more information on updating your camera firmware see the section 'Blackmagic Camera Setup Utility' in this manual.

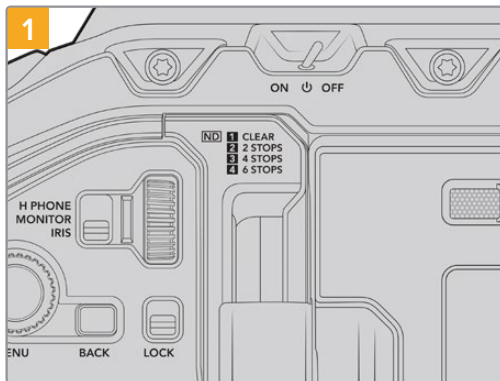
When attaching Blackmagic Camera Fiber Converter, you will need the following tools:

- 1 x phillips head screwdriver
- 1 x 2.5mm Hex driver

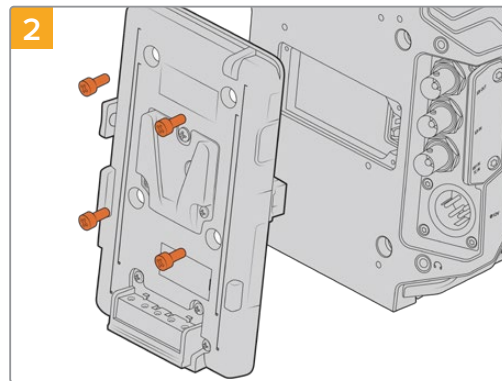


To attach the Blackmagic Camera Fiber Converter to your URSA Mini or URSA Broadcast, you will need a large phillips head screwdriver and a 2.5mm Hex driver

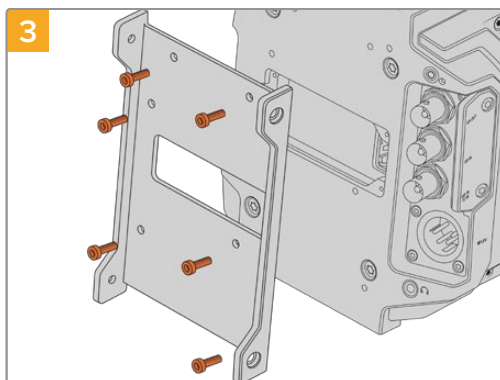
To mount and connect Blackmagic Camera Fiber Converter:



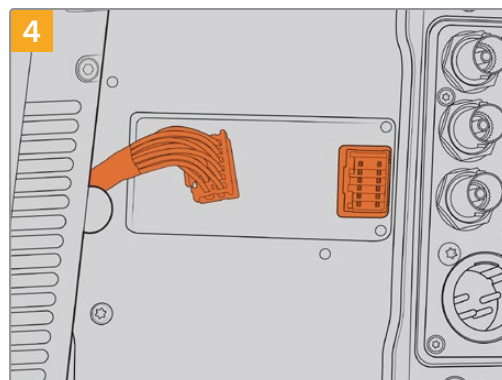
1 Ensure your camera is powered off. If using URSA Mini Pro or URSA Broadcast, power it off by moving the power switch to 'off'.



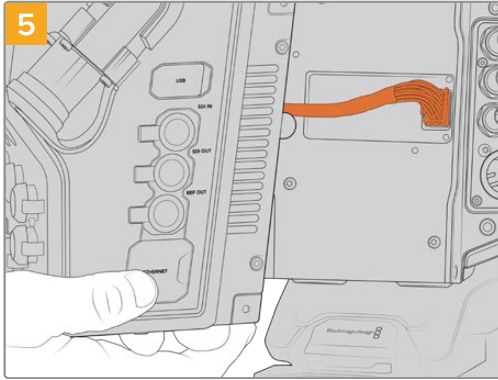
2 Remove the battery plate or mox power cover plate, if attached, using a phillips head screwdriver.



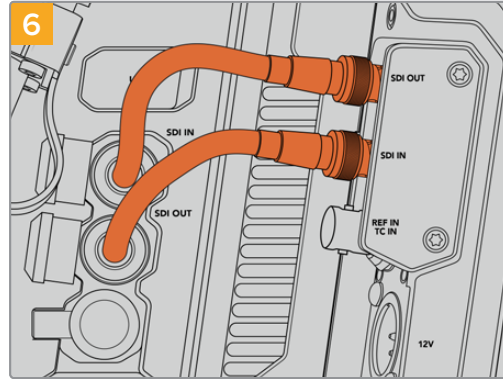
3 Attach Blackmagic Camera Fiber Converter's mounting bracket using 6 x 2.5mm Hex screws.



4 Plug the mox connector on Blackmagic Camera Fiber Converter into the mox power socket on your camera's rear panel.



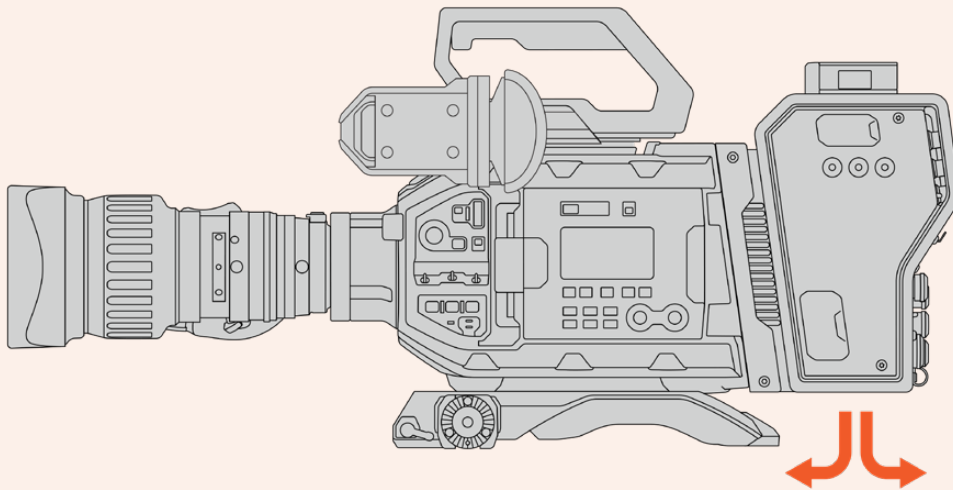
Slide the Blackmagic Camera Fiber Converter onto the mounting bracket, and attach it using 2 x 2.5mm Hex screws on each side of the bracket.



Use the included BNC cables to connect the SDI output on the back of your camera to the SDI input on Blackmagic Camera Fiber Converter, and the SDI output from the fiber converter to the SDI input on the rear of your camera.

**NOTE** When setting up your production and using URSA Mini or URSA Broadcast with the fiber unit attached, it's important to maintain some clearance underneath the fiber unit to allow adequate ventilation.

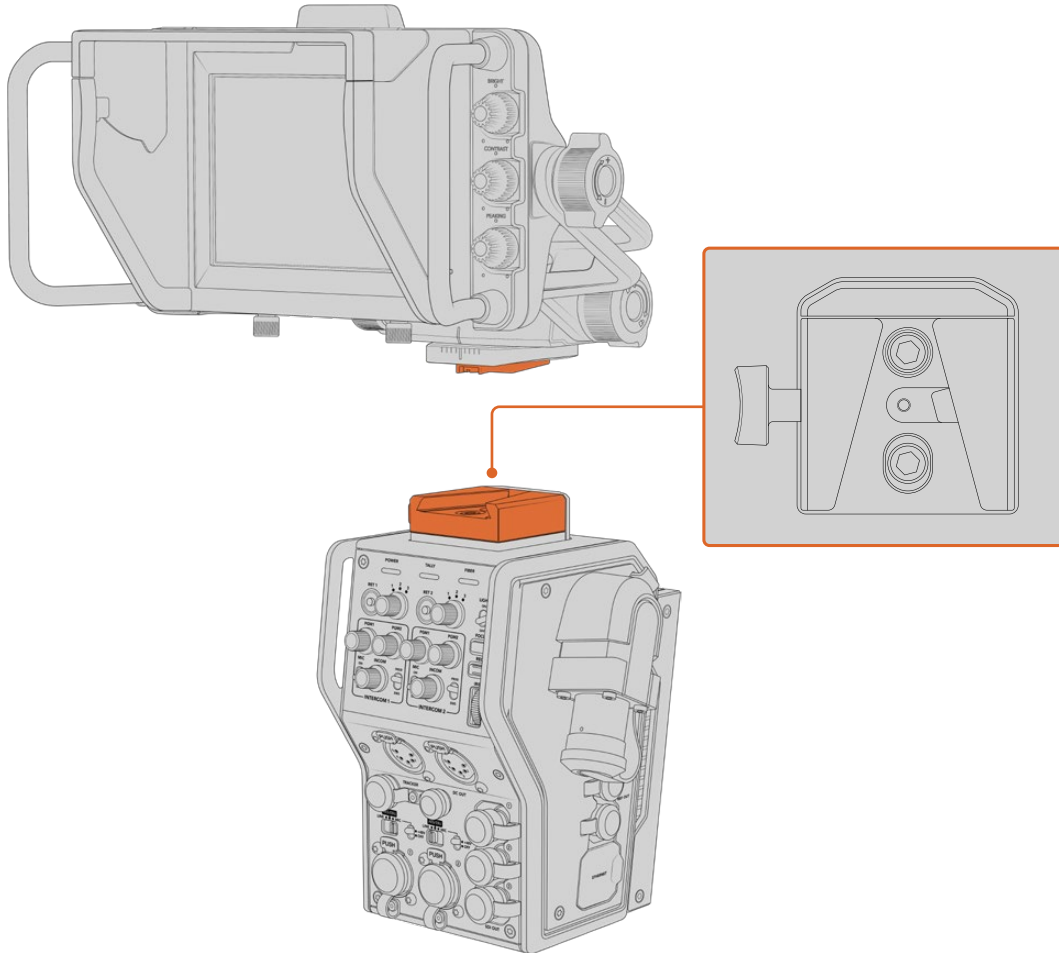
As your camera will often be used on a tripod, or shoulder mounted, clearance will already be provided. However, if you are operating the unit sitting flat on a surface it is a good idea to attach the URSA Mini shoulder mount pad, or third party baseplate or bridge plate as this will maintain the cooling fan's air flow in the underside of the Fiber Converter.





## Attaching the URSA Studio Viewfinder

The attached V-lock plate on the top of the unit lets you connect a Blackmagic Studio Viewfinder. This positions the studio viewfinder directly at the eye level when the camera is mounted on a pedestal or tripod.



The V-Lock mount on the top of the camera unit lets you mount the Blackmagic URSA Studio Viewfinder

## Plugging in a Talkback Headset

Plug a broadcast headset into one of the two 5 pin XLR connectors on the front of the camera unit. Having two headset connectors allows two people to communicate with crew simultaneously.

That's all there is to getting started! With the fiber converters powered and video connected via SMPTE fiber, you can start using the converters to create your live production with greater flexibility and efficiency. Please continue reading the manual for more information on how to use all the features on your Blackmagic fiber converters.

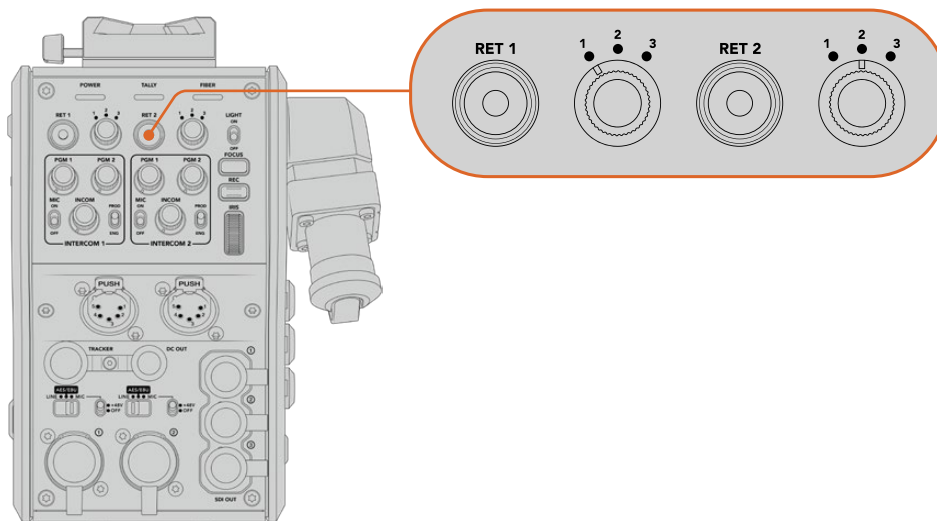


# Operating the Camera Fiber Converter

## Selecting a Return Feed

The two return buttons on the front panel can be used in the same way as the PGM button on the camera, to switch the feed on the LCD, Blackmagic URSA Studio Viewfinder and HD monitoring outputs between the camera view and program return view.

The two return buttons marked 'ret 1' and 'ret 2' switch between two chosen return feeds. The three way rotary switches next to the 'ret 1' and 'ret 2' buttons assign which return feed you would like to view when you press the corresponding button to the left of the switch. These positions on the rotary switch relate to the 'return in' 1, 2 and 3 SDI connectors that are on the back of the Studio Fiber Converter.



The return buttons and three way rotary switches allow you to select which return feed to view when the return buttons are pressed

Press and hold one of the return buttons to see the selected program feed. The program feed will continue to display whilst the return button is being held. Double press the return button to lock the display to the return feed. Pressing the return button again will exit the return feed and return to the camera view.

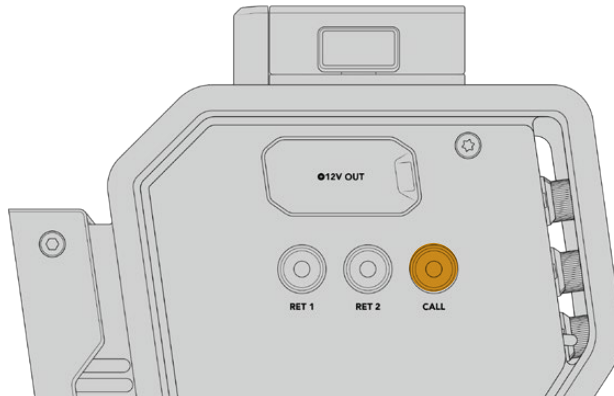
This means you can quickly and easily adjust which of the three return feeds being sent from Blackmagic Studio Fiber Converter you would like to have fast access to on the two return buttons. For example the three return feeds might be the switcher's program output feed complete with graphics, a teleprompter feed and a feed direct from another camera.

By using these switches you could assign 'ret 1' to be your program feed permanently and then use the second 'ret 2' button to check what is being sent to the teleprompter, and to occasionally switch it to check framing on another camera when you need to match its framing or angle.

There are also return buttons on the left side of the unit, marked 'ret 1' and 'ret 2' that provide additional access to view the return feeds when operating your camera from the side. They perform the same function as the return buttons on the front of the unit.

## Using the Call Button

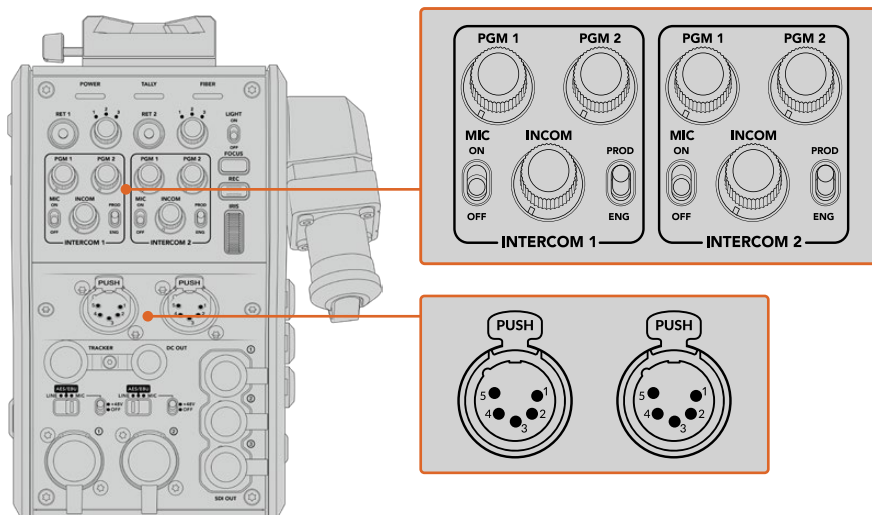
Next to the return buttons is a 'call' button, that when pressed, flashes the red tally indicator on your Blackmagic Studio Fiber Converter's LCD screen. The 'call' button also makes a numbered 'press to talk' button on the panel of ATEM Talkback Converter 4K flash red. These visual indicators are to alert people in the control room that you need assistance.



## Using Talkback

The two female 5 pin XLR connectors allow you to plug in two headsets, so that you and another crew member can have communication with the rest of the crew simultaneously.

The intercom controls for each headset are grouped into two sets for two independent intercoms, and are effectively three way audio mixers for each headset XLR connector that is directly below.



The intercom controls for each headset are located directly above each headset connection

You will hear the audio from the feeds that you have selected for 'ret 1' and 'ret 2' through a connected headset. The 'pgm 1' and 'pgm 2' dials adjust the audio levels of those feeds, and the 'incom' dial adjusts the overall volume. The 'mic' switch allows the operator to turn their headset microphone 'on' or 'off'.

Each intercom also has 2 selectable channels, a production channel and an engineering channel. This means that for broadcast setups with a large crew, you can split your crew communications between the two channels. The production channel lets you communicate with the director, producer and other crew members in the control room or broadcast truck, whilst the engineering channel lets you communicate with the lighting crew, technical operators and other camera operators. You can use the ‘talkback’ page in the menu of your Blackmagic Studio Fiber Converter to select the source for each channel as ‘SDI + DB25’ or ‘intercom tally DB25’ on your Studio Fiber Converter. For more information refer to the ‘operating the studio fiber converter’ section.

The Blackmagic Camera Fiber Converter also includes a standard 10 pin connection for tracker talkback, which is perfect when both headset connections are in use and you need to feed an additional talkback connection for your crane operator.

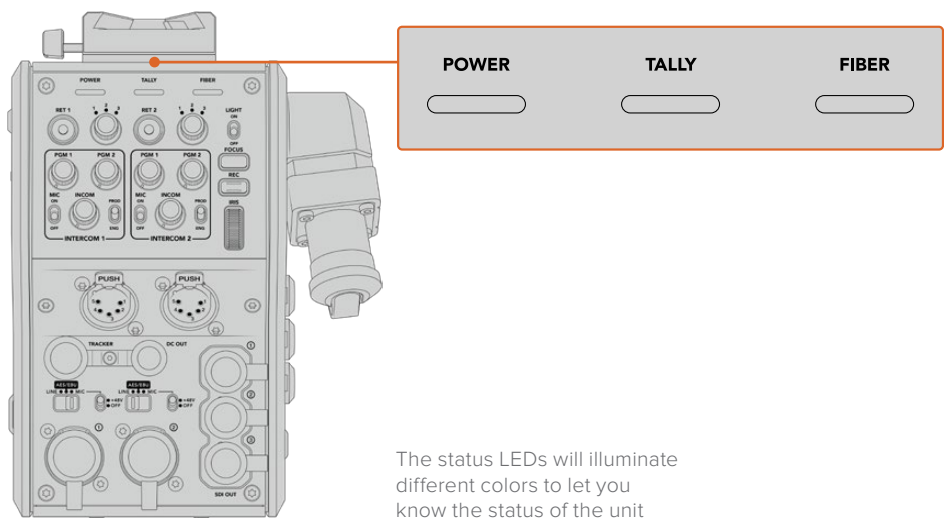
**TIP** Effective two-way communication between camera operators and the production and engineering crew is essential for busy broadcast and studio productions. Blackmagic Camera Fiber Converter has a ‘call’ button so camera operators can alert production and engineering crew and talk via their intercom headsets. Pressing this button flashes a numbered ‘press to talk’ button on ATEM Talkback Converter 4K, and makes the tally indicator on the LCD of Blackmagic Studio Fiber Converter flash. Likewise, if crew in a control room or broadcast truck have an urgent need to talk with a camera operator, they can press the ‘call’ button for that camera on the ATEM Camera Control panel. This makes the tally light on the Camera Fiber Converter flash and the tally light on the camera’s URSA Viewfinder or URSA Studio Viewfinder flash.

## Using Tally

The tally indicator on the front of the panel, provides a traditional tally indicator with red for program and green for preview, so that you know when the camera you are operating is on air.

## Status Indicators

The ‘power’, ‘tally’ and ‘fiber’ status LEDs at the top of the converter will illuminate different colors depending on the status of the unit. When the fiber cable is unplugged, no lights are illuminated.



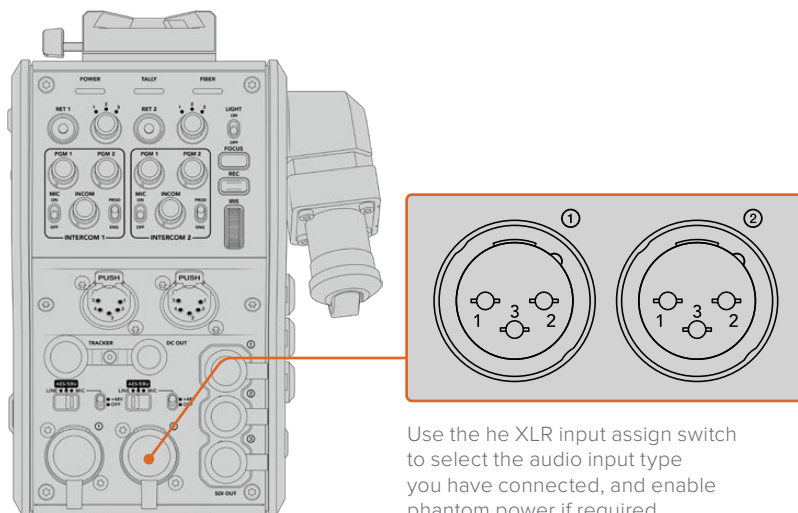
Below is a description of each LED color, LED action, and the status represented:

<b>Power</b>	<b>Constant Red</b>	When the SMPTE hybrid fiber optic cable is connected to a powered Blackmagic Studio Fiber Converter, and the other end of the cable is connected to Blackmagic Camera Fiber Converter, the power LED on the converter turns red to indicate that it is receiving power, and is in a low power state. In this low power state, intercom functionality is enabled but the full power required to operate the unit has not yet been enabled.  If the power LED remains red for an extended period of time and does not turn green, check that both ends of your SMPTE hybrid fiber optic cable are securely connected. If the connection remains unstable, check the condition of your fiber cable.
	<b>Constant Green</b>	After a successful fiber connection has been established and Blackmagic Studio Fiber Converter has determined that the cable connection is safe, the power LED will turn green and the camera converter will enter high power mode.
	<b>Flickering between Red and Green</b>	If the power LED flickers between red and green, check that both ends of your SMPTE hybrid fiber optic cable are securely connected. If the connection remains unstable, check the condition of your fiber cable.
<b>Tally</b>	<b>Constant Red</b>	The tally LED illuminates red to indicate that the camera you are operating is currently on air.
	<b>Constant Green</b>	The tally LED illuminates green to indicate that the camera you are operating is currently in preview mode.
<b>Fiber</b>	<b>Constant Red</b>	When the SMPTE hybrid fiber optic cable is plugged into the camera fiber converter, the fiber LED will turn red to indicate that the handshake process has begun, and the converter is in a low power state. In this state, intercom functionality is enabled for use while setting up or for troubleshooting the camera chain in case the fiber link is down.
	<b>Constant Green</b>	Once a successful SMPTE hybrid fiber optic cable connection is established, the fiber LED will turn green.

Once both the power and fiber lights are green, this indicates that the safety checks have been completed, and the converters have entered high power mode.

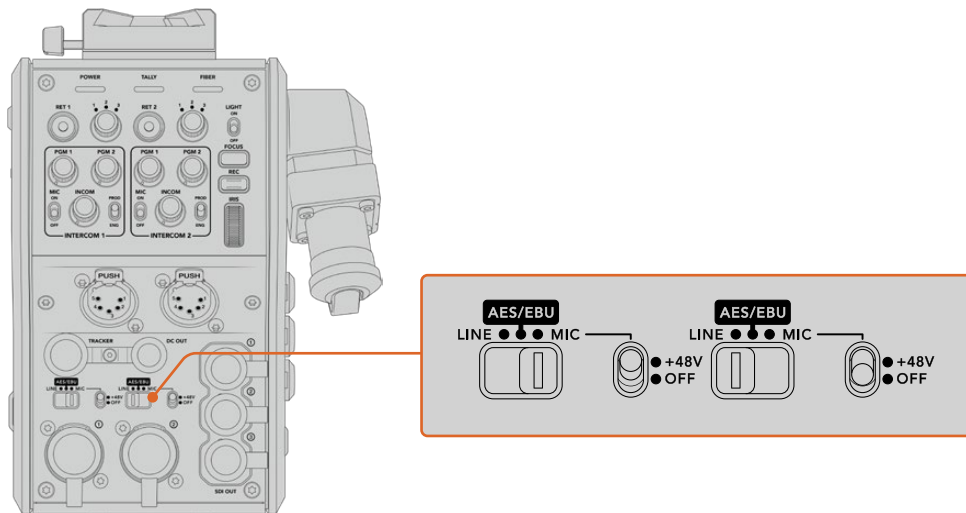
## Audio Inputs

Your Blackmagic Camera Fiber Converter has two XLR inputs labelled '1' and '2' that allow you to plug in external analog audio from professional equipment such as audio mixers, PA systems or external microphones.



The camera audio is embedded into channels 1 and 2 of the camera feed, and the 2 audio inputs on the back of the camera fiber converter are embedded as channels 3 and 4. All 4 audio channels are also deembedded at the other end on the studio fiber converter as analog audio outputs.

The 'audio' page in the menu of your Blackmagic Studio Fiber Converter lets you adjust the input levels for audio sources connected to the XLR inputs on your Blackmagic Camera Fiber Converter. For more information refer to the 'operating the studio fiber converter' section. Once connected, you can use the XLR input assign switch to set how the XLR inputs behave when selected as an input source. The options available are mic audio, line level audio and AES digital audio.



If you would like to connect microphones that aren't self powered, you can enable 48V phantom power. Move the phantom power switch to '+48V' to enable phantom power for any microphone connected to the XLR below, or 'off' to disable phantom power.

## IP Video

A connected SMPTE Fiber cable provides for a 10-Gbit IP link between your Camera Fiber Converter and the Studio Fiber Converter. This allows all of your video and return feeds to be IP video based using high end, visually lossless broadcast quality 10-bit video encoding and decoding. All other connections such as talkback, tally, camera control and lens control are also converted to low-latency IP so you get incredibly reliable performance.

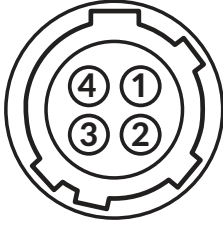
## Power Specifications

The Blackmagic Studio Fiber Converter provides power for Blackmagic Camera Fiber Converter, your camera and it's accessories. A molex connector plugs into the molex socket on your camera's rear panel to send power to your camera from the Camera Fiber Converter.

If you need to position your camera at a distance of more than 2.1 km from the broadcast truck, and your camera and converter are not receiving enough power over the long cable run, you can power the camera and converter locally by having the 4 pin XLR from the camera's power supply plugged into the +12V input on your URSA Mini or URSA Broadcast. The power will be sent through the molex connector to the Camera Fiber Converter.

The '+12V out' connector, sometimes referred to as a 'D-tap' or 'P-tap' allows you to power accessories like an external monitor or a large box lens, with 12V DC nominal at up to 500 mA. The 'DC out' connector provides an additional option for powering accessories like an external monitor. A pinout table for the DC out connector is provided below.

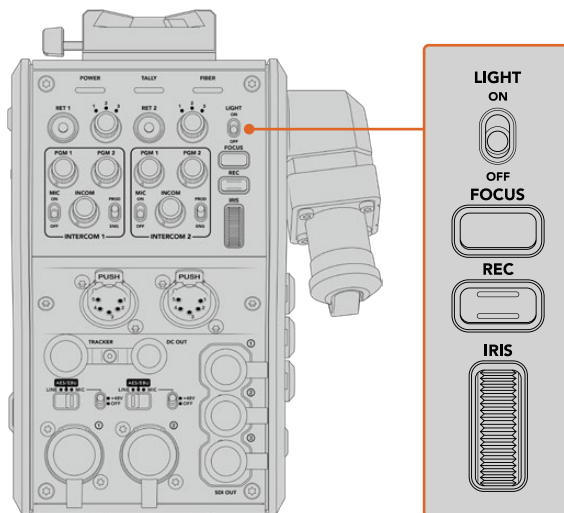
## DC out connector Pinout Diagram

External view	Pins	Signal	I/O	Specifications
 <p>'DC out' connector</p>	1	Unregulated GND	–	GND for Unregulated Out
	2	NC	–	No connection
	3	NC	–	No connection
	4	Unregulated Out	Out	12V DC nominal at up to 500 mA.

## Additional Camera Controls

When URSA Mini or URSA Broadcast is being used as a studio camera, we have added camera controls on the fiber converter including iris and focus control, so you can control compatible lenses from behind the camera. This is helpful if you don't have a camera control operator controlling the lens remotely.

As a studio camera, URSA Mini and URSA Broadcast still have the ability to record internally, so the record button lets you trigger internal recording on the camera.



### Light

Turns on the backlight to illuminate the operation panel, so that all your controls can be seen easily when operating in a dark environment.

### Focus

Pressing the button marked 'focus' will trigger the autofocus if you are using a lens that supports autofocus.

### Record

Pressing the button marked 'rec' will trigger the recording when pressed, and will stop recording when pressed again.

### Iris

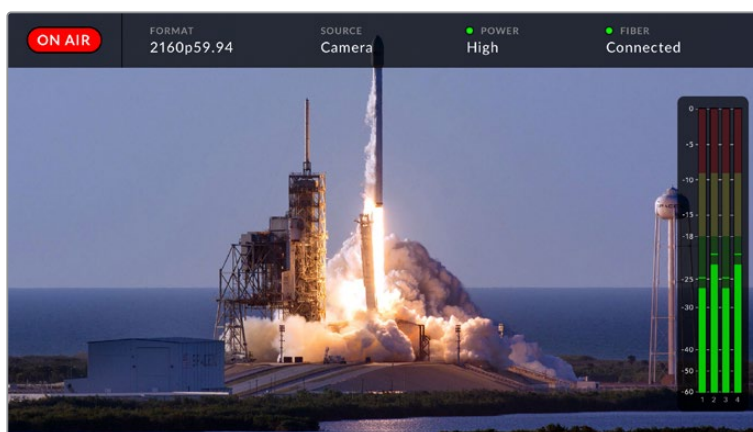
If you are using a compatible active lens that allows control from the camera, you can open or close the iris using the 'iris' wheel. Rotate the wheel up or down to open or close the lens aperture.

# Operating the Studio Fiber Converter

## Selecting the LCD Source

When powered on, your Blackmagic Studio Fiber Converter's large LCD will display the feed from your camera. As the central base unit, the Studio Fiber Converter takes the program feed from your switcher plus all return sources, and feeds them to the Blackmagic Camera Fiber Converter via the SMPTE fiber cable.

The built in LCD lets you monitor the camera feed and each source connected to the return feed inputs. It provides a heads-up type display with status information and audio meters.



The overlays allow you to confirm the name and format of the source you are monitoring when switching between feeds

### **On Air**

The red 'on air' icon will be displayed when the connected camera is being used in the program feed, and will remain blank when not on air.

### **Format**

Displays the resolution and frame rate of the current source.

### **Source**

Displays the current source name.

### **Power**

Displays the current power status. 'Low' will be displayed with a red status light during connection to indicate a low power state and 'high' will be displayed with a green status light after the unit has entered high power mode. For more information, refer to the 'status indicators' section in the 'operating the camera fiber converter'.

### **Fiber**

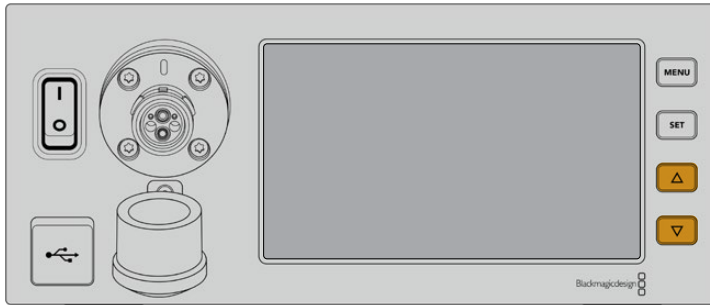
Displays the current fiber status. 'Connecting' will be displayed with a red status light during the initial connection process and 'connected' will be displayed with a green status light once a successful SMPTE hybrid fiber optic cable connection is established. For more information, refer to the 'status indicators' section in the 'operating the camera fiber converter'.

### **Audio Meters**

The peak audio meters display audio levels when using camera audio embedded into channels 1 and 2 of the camera feed. Channels 3 and 4 correspond with audio sources connected to the two XLR inputs on the back of your Blackmagic Camera Fiber Converter. The display is calibrated to dBFS units and features peak hold indicators which stay visible for a short time so you can clearly see the maximum levels reached.

## Using the Menu

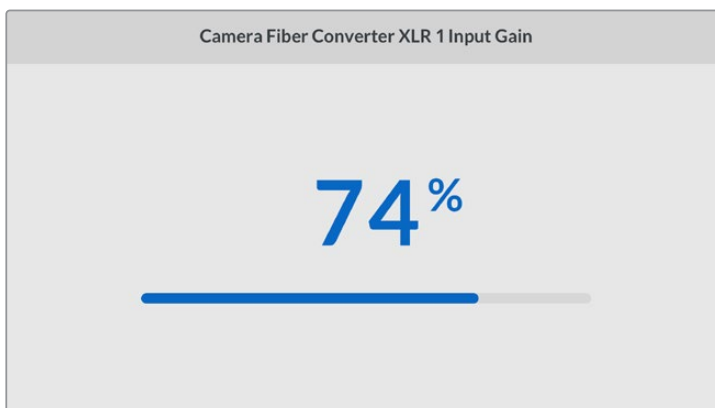
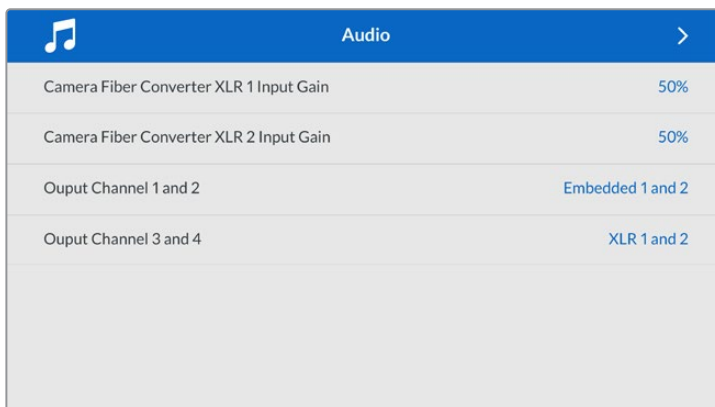
Pressing the up and down arrow buttons will scroll through the four possible sources 'camera', 'return 1', 'return 2' and 'return 3'. Press the 'menu' button to enter the menu system and adjust your settings. The arrow buttons can then be used to navigate through the various menu screens and the options within each screen, whilst the 'set' button will confirm your selection. The settings in the menu are divided between 'audio', 'talkback' and 'setup' pages.



Press the up and down arrow buttons to scroll through the four possible sources and to navigate through the menu

### Audio

The 'audio' page lets you adjust the input levels for audio sources connected to the XLR inputs on your Blackmagic Camera Fiber Converter.



Use the arrow buttons to adjust the input level for each XLR input and the 'set' button to set the level

You can configure which audio channels from the Camera Fiber Converter get mapped to the embedded SDI and XLR outputs. The embedded audio channels from URSA Mini



or URSA Broadcast are on channels 1 and 2 by default. Line or Mic level XLR inputs that are plugged into the Camera Fiber Converter are mapped to channels 3 and 4 by default. You can adjust the output channel settings to change these mappings from their default settings. If either of the XLR inputs on the Camera Fiber Converter are set to AES, this expands your channel mapping options to include channel 5 and 6, which are sent on your embedded SDI output.

Output Channel 1 and 2	
Embedded 1 and 2	✓
XLR 1	
AES 3 and 4	

Mapping the embedded XLR channels from the camera to output channel 1 and 2

### Talkback

Use the 'talkback' menu to select your program audio source and talkback source for the production and engineering channel. Set the talkback source to 'SDI + DB25' or 'intercom tally DB25' on your Studio Fiber Converter.

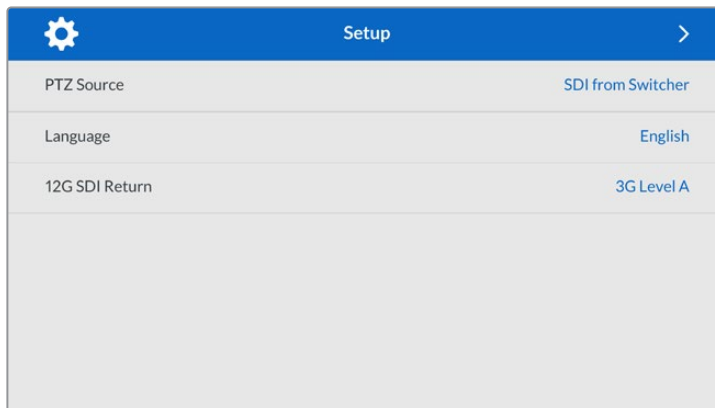
You can also adjust the 'headphone gain' and 'headset microphone gain' for each intercom headset to account for the impedance levels of the headsets. The 'phantom power' settings let you switch on the phantom power being sent to the respective headset. Adjust the 'sidetone level' settings to let camera operators hear their own voice in their headset at a clear and comfortable level.

Talkback	
Program Audio Source	SDI Channels 1 and 2
Production Channel Source	SDI +DB25
Engineering Channel Source	Intercom Tally DB25
Intercom 1	
Headphone Gain	50%
Headset Microphone Gain	50%
Headset Microphone Phantom Power	On
Sidetone Level	50%
Intercom 2	
Headphone Gain	50%
Headset Microphone Gain	50%
Headset Microphone Phantom Power	On
Sidetone Level	50%

The intercom section will be greyed out when nothing is connected to the XLR inputs and will display 'connecting' during connection

## Setup

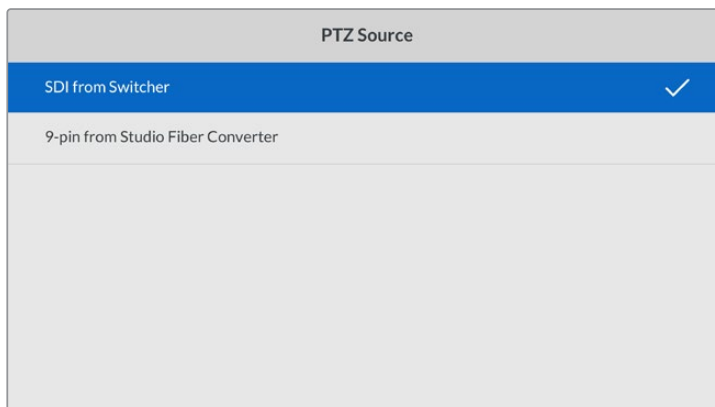
The 'setup' menu lets you configure the PTZ source, select the language for the menus, and select the type of SDI level return.



Select the source of PTZ commands using the PTZ source setting. You can select from 'SDI' or '9-pin', which correspond with the 'return in' SDI inputs and the 9-pin PTZ connector on the rear of your Blackmagic Studio Fiber Converter.

This means that you can control a PTZ camera's pan, tilt and zoom on an ATEM switcher and send these PTZ commands to your Blackmagic Studio Fiber Converter via SDI. These commands will be sent along the SMPTE fiber cable to your Blackmagic Camera Fiber Converter, where they will be de-embedded and output via the DE-9 serial connector, for connection to a PTZ motorized head.

You can also connect a PTZ controller to your Blackmagic Studio Fiber Converter via the DE-9 connector, to control a remote head at the camera end.



The settings menu page provides the option to select 'SDI' or '9-pin' as the source of PTZ commands

Language	
English	✓
中文	
日本語	
한국어	
Español	
Deutsch	
Français	
Россия	
Italiano	
Português	
Türkçe	

The 'language' setting sets the language for the menus. Studio Fiber Converter supports 11 popular languages: English, Chinese, Japanese, Korean, Spanish, German, French, Russian, Italian, Portuguese and Turkish. The language page will also appear on initial start up and after you update the internal software.

The '12G SDI return' option sets whether to down convert 12G program return signals to 3G Level A or 3G Level B. All 12G signals sent into return inputs on Studio Fiber Converter get down converted on their way to the Camera Fiber Converter.

## Rack Mounting the Studio Unit

If you're running multiple Blackmagic Studio Fiber Converters, you can use Blackmagic Studio Fiber Rack Kit to install your converters into a broadcast rack or road case. Using the rack kit, you can mount two studio units in a rack side by side, or fitted to either side. A blanking panel is supplied with the Studio Fiber Rack Kit to cover the empty side of the rack if you only want to mount a single unit.

Your Studio Fiber Converter is two rack units high, and is half the width of a standard rack shelf, so two Studio Fiber Converters can fit neatly side by side in a 2RU rack space.

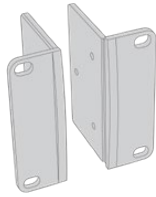


Blackmagic Studio Fiber Converters mounted side by side



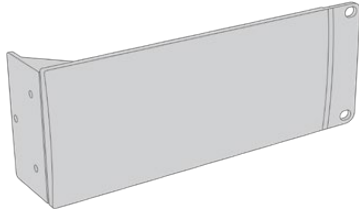
The supplied blanking plate can be used to cover an empty rack space if needed

**The Blackmagic Studio Fiber Rack Kit contains the following items:**



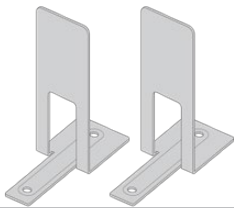
**2x Rack ears**

Attach rack 'ears' to the outside edge of Blackmagic Studio Fiber Converter for mounting in a rack



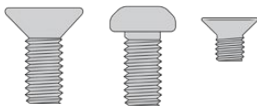
**1x Half rack width blanking panel**

The blanking panel has a mounting ear on one side so you can cover the empty rack space if you are installing a single unit. The illustration shows the ear on the right side. Simply rotate the panel 180° to mount it to the other side.



**2x Support brackets**

The T-shaped support brackets attach underneath the two Studio Fiber units where the two units meet at the front and the rear to provide support.



**Screws**

**8 x M4 10mm**

Rack ear screws

**4 x M4 8mm**

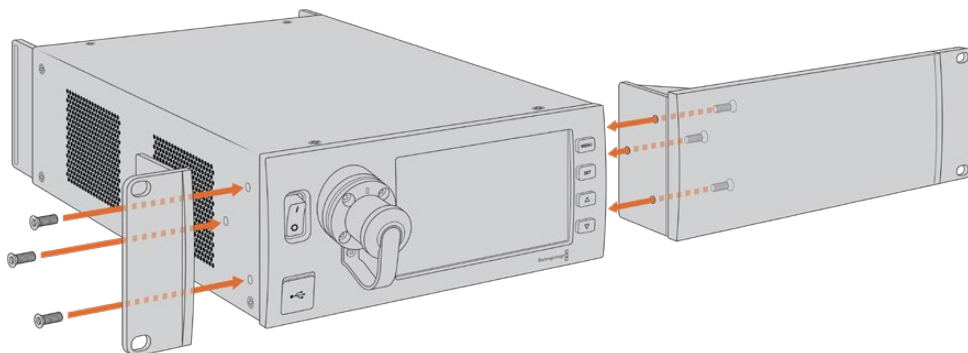
Blanking panel screws

**5 x M3 5mm**

Support bracket screws

**Preparing the Blackmagic Studio Fiber Converter for installation into a rack:**

- 1 Position the blanking panel on one of the sides of your Studio Fiber Converter, depending on whether you would like the unit to sit on the left or right side of the rack shelf. The front face of the blanking panel should be parallel with the front panel of the unit.
- 2 Attach the blanking panel to the side of your Studio Fiber Converter near the front using three of the supplied blanking panel screws.



- 3 Use three of the supplied rack ear screws to attach a rack ear to the other side of your Studio Fiber Converter.

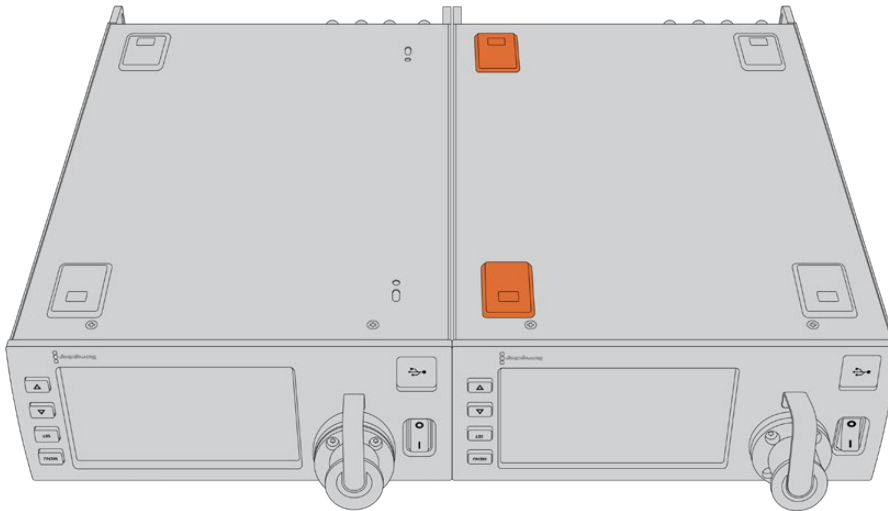
With the rack ear and blanking panel attached, you can now install your converter into a standard two rack unit space using the mounting holes on both sides and standard rack screws.

**Preparing two Blackmagic Studio Fiber Converters for side by side installation into a rack:**

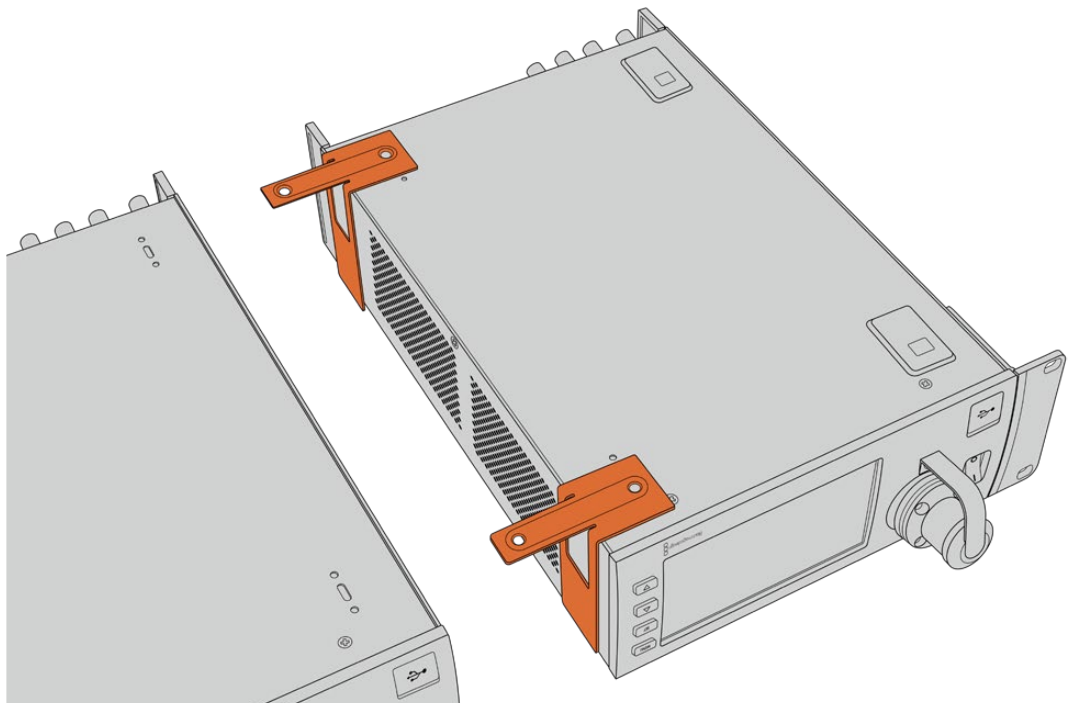
If you are mounting two converters side by side, you can attach them to each other using support brackets which secures them together so you can mount them more easily.

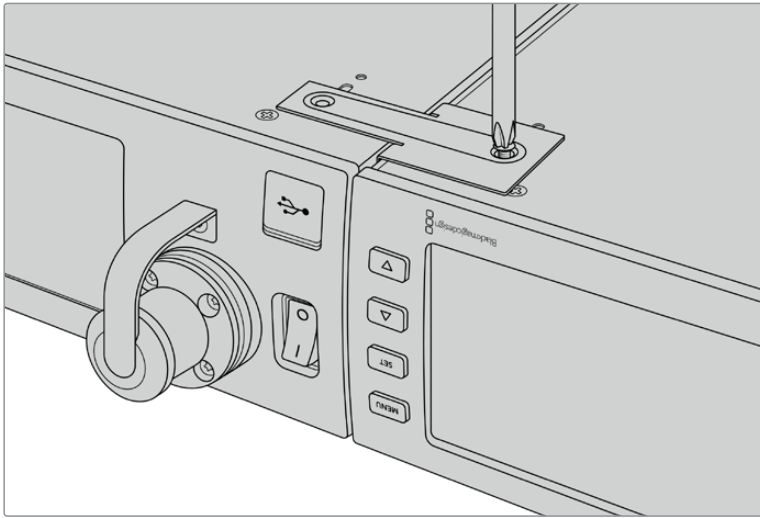
To secure the two units:

- 1 Turn the two converters over so that they are upside down and placed side by side. Remove two rubber feet from the edges of each converter where they meet.

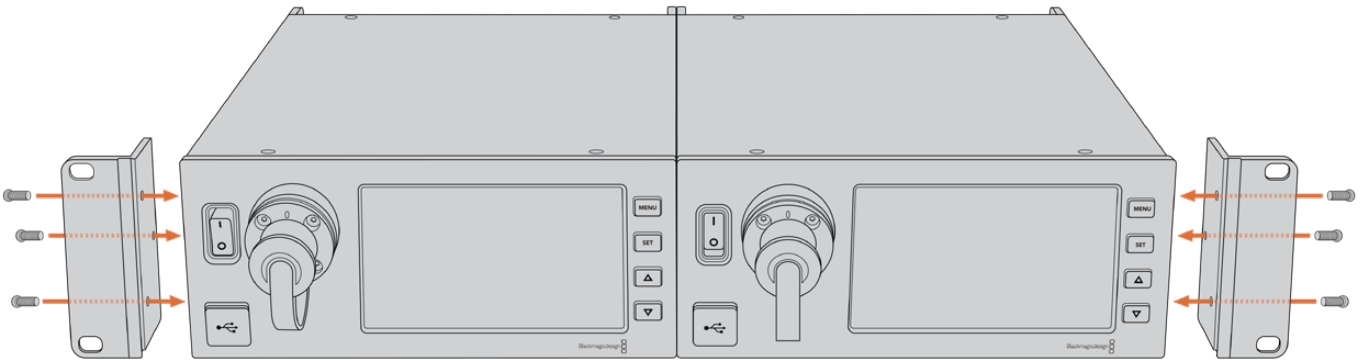


- 2 Attach the two supplied T-shaped support brackets to the base of the two Studio Fiber units at the front and the back where the two units meet, using the screw holes provided and the supplied support bracket screws.





- 3 Turn the attached units back over and attach the rack ears to the outer edges near the front of both converters, using the supplied rack ear screws. Your converters are now ready to be installed into a rack using the mounting holes on both sides and standard rack screws.



# Camera Unit Connections

Connections are located on Blackmagic Camera Fiber Converter's rear and side panels. When the connections are not in use, the rubber caps should be replaced to ensure weather sealing in rain and other outside environments. This is especially true for the SMPTE fiber connection, as dust particles can very quickly collect on the polished edge of the glass fibers which can disrupt signal flow. It's always a wise choice to remove the caps on both the cable and unit connector immediately before connection, and then replace the caps immediately after disconnection.

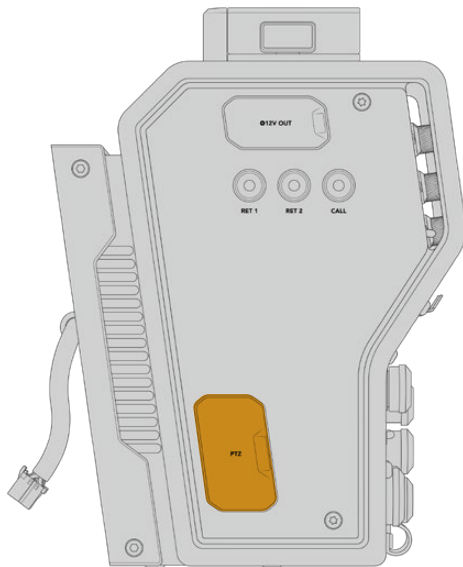
## Camera Power Connection

Power is primarily supplied to the camera unit and your camera from the studio converter via a SMPTE hybrid fiber cable. This also powers all accessories that may be attached to the camera, for example Blackmagic URSA Studio Viewfinder.

However, you can also power the Blackmagic Camera Fiber Converter via the camera if your camera has its 12V XLR connector plugged into a power supply. This is not normally required, but is an option if you have your camera positioned further than 2 kilometers away from the studio unit where power may not be as reliable over the SMPTE fiber cable.

## PTZ Interface

The DE-9 serial connector allows you to connect to a PTZ motorized head. For example, if your Blackmagic URSA Mini or URSA Broadcast is attached to a camera crane using a pan, tilt, zoom head that is controlled remotely. You can select the source of PTZ commands being sent to your camera in the menu of your Blackmagic Studio Fiber Converter. The source of the commands can be set to the DE-9 connector on your Studio Fiber Converter or an SDI feed coming from an ATEM switcher. For more information refer to the 'operating the studio fiber converter' section.

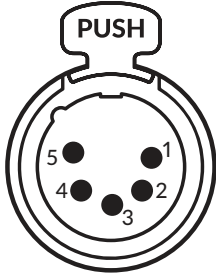


PTZ Interface

## Talkback Connection

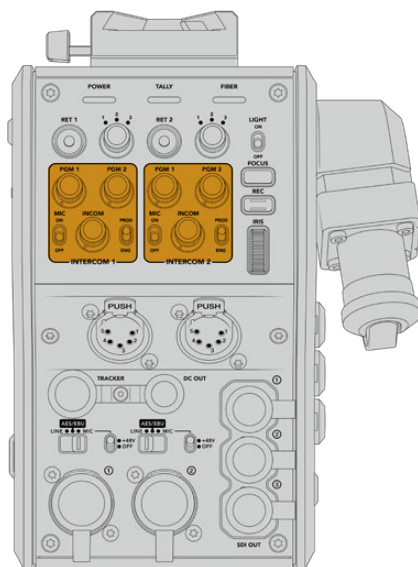
The two female 5 pin XLR connectors let you plug in two headsets, which allows two people to communicate via talkback simultaneously. For example, the camera operator's headset can be plugged into the first XLR connector, and a crane operator or fellow crew member, such as a sound operator, could plug into the second XLR headset connector. A pinout diagram for the headset XLR connector is included below.

### Headset XLR Pinout Diagram

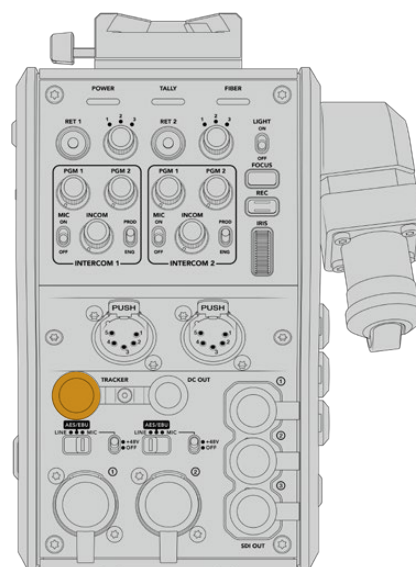
External view	Pins	Signal	I/O	Specifications
 <p>5-pin XLR 'headset' connector</p>	1	Intercom MIC (Y)	GND	The intercom mic input supports electret condenser mics and dynamic mics, which can be balanced or unbalanced. Pin 1 is the mic signal common, and pin 2 is the mic signal input for both types. With electret mics, a DC bias supply is also output via the same mic signal input pin.
	2	Intercom MIC (X)	In	
	3	GND	GND	GND
	4	Intercom left	Out	
	5	Intercom right	Out	

The corresponding intercom controls are located above each headset connection.

For more information on how to use the intercom controls, refer to the 'Operating the Camera Fiber Converter' section.



The intercom controls are used to mix talkback audio levels



Tracker Interface connector

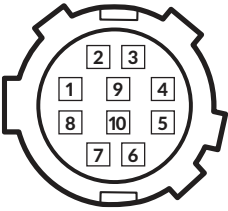


## Tracker Interface

The 10 pin 'tracker' connector provides a multiplexed output for talkback and tally signals, plus data such as teleprompter information. This output is commonly used by support crew operating production equipment such as a camera crane.

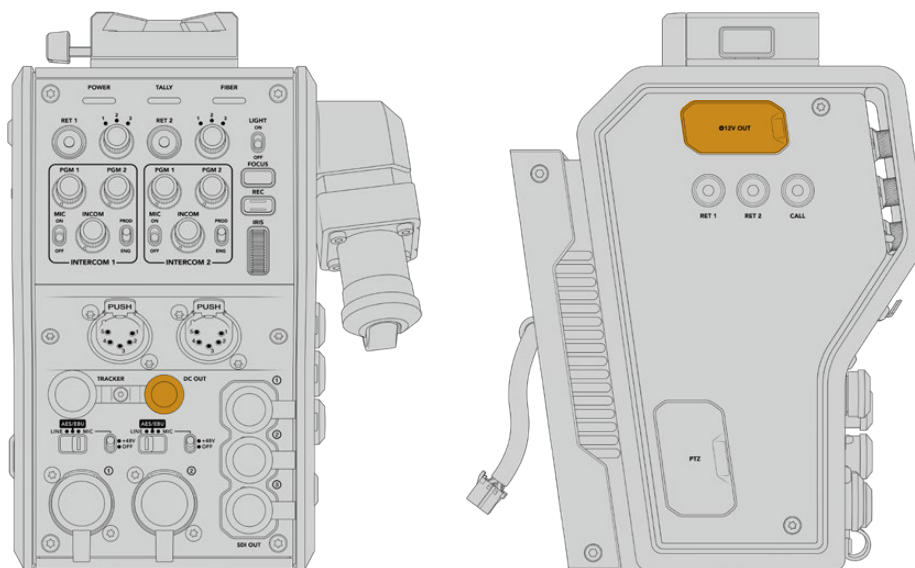
A pinout diagram is provided in this section if you want to build your own cable.

### Tracker Output Pinout Diagram

External view	Pins	Signal	I/O	Specifications
 <p>10 pin 'tracker' connector</p>	1	Tracker left	Out	Tracker output, -20 dBu unbalanced
	2	GND (Talk)	-	GND for tracker talk
	3	GND (Receive/PGM/tally)	-	GND for receive/PGM/tally
	4	Tracker right	Out	Tracker output, -20 dBu unbalanced
	5	Unregulated	Out	12V DC (nom), 500mA (max)
	6	GND (Unregulated)	-	GND for unregulated
	7	Tracker talk (X)	In	Tracker talk 0 dBu /-20 dBu, high impedance balanced
	8	Tracker talk (Y)	In	
	9	G Tally	Out	On: 12V Off: high impedance (open)
	10	R Tally	Out	On: 12V Off: high impedance (open)

## DC Connection

You can power additional accessories, for example an external monitor, via the DC out connector.



The DC out connector lets you power additional accessories, such as a monitor or external recording equipment

D-Tap Output

## D-Tap Output

The +12V output on the left side panel is often referred to as a 'D-tap' or 'P-tap' and lets you power accessories like a monitor or a large box lens. The output supports box lenses that require 12 Volts DC nominal at 2 amps.

## Reference Output and Operation

The reference output can be used to connect a reference signal to your camera via a BNC cable.

To connect a reference signal to your camera:

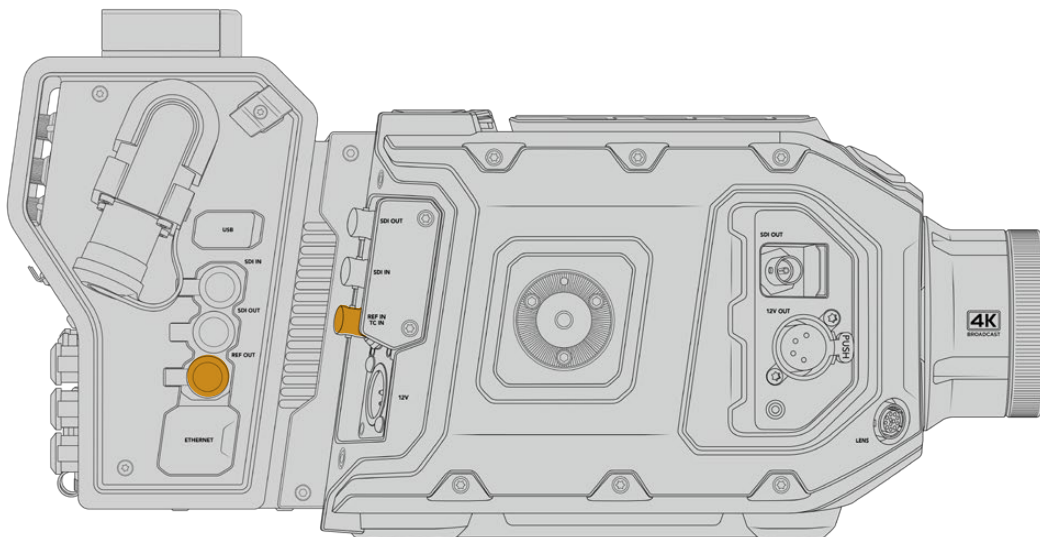
- 1 Connect the reference output from the Blackmagic Camera Fiber Converter, marked 'REF OUT', to the reference input on your camera marked 'REF IN' using one of the small SDI cables supplied with your camera fiber converter.
- 2 Set your camera's reference setting to the reference input.

A sync reference signal lets you genlock video equipment to a common reference, so all equipment shares the exact same timing. This means all video sources are synced and will switch smoothly.

ATEM switchers have built in re-synchronizers, so if you are using Blackmagic cameras with an ATEM Switcher then you don't need to worry about connecting a sync reference. The camera will lock to the incoming SDI program feed from the ATEM switcher, so all you need to do is make sure the 'program' input is selected in your URSA Mini or URSA Broadcast's reference setting on page two of the 'setup' menu. The re-synchronizing process will add a frame delay.

If you want to reduce the latency of the re-synchronizing process within the ATEM, firstly apply a reference signal to the URSA Mini or URSA Broadcast, then adjust the back timing so the line input is before the switch timing of the ATEM.

To adjust the reference sync on the URSA Mini or URSA Broadcast, enter the 'setup' menu and change the settings for 'reference timing'.

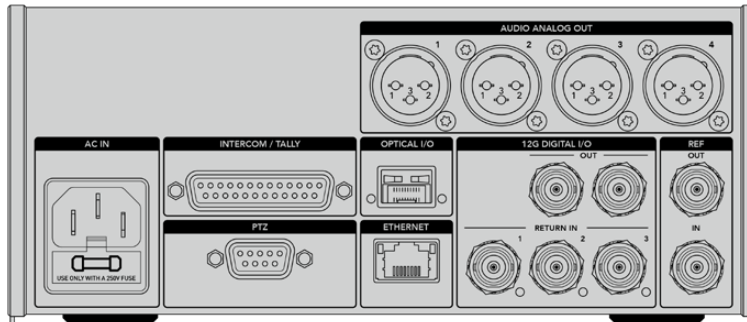


If you're using an external reference signal, connect the reference output from the camera fiber unit to URSA Mini or URSA Broadcast's reference input.

# Studio Unit Connections

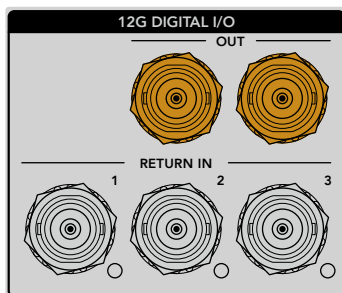
The rear panel of the Blackmagic Studio Fiber Converter provide SDI return feed and reference BNC connectors, intercom and tally DB-25 connector, PTZ 9 pin serial port, audio outputs, and Ethernet.

All SDI inputs support 12G-SDI for video formats up to Ultra HD 2160p60.



## 12G-SDI Output

The two 12G-SDI outputs are for connecting the camera signal from the studio unit to any of your switcher's camera SDI inputs. The second connector can be used to output the same signal to other video equipment, for example a Blackmagic Videohub router, SmartView monitor or a HyperDeck Disk Recorder.

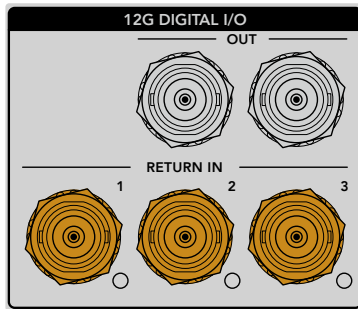


The 12G-SDI outputs allow for signals from 720p50 up to 2160p60

## Return SDI Inputs

The 12G-SDI return feed BNC connectors give you the option to plug in up to three return SDI feeds. For example, the program feed from a switcher should be connected to return 1 and have a matched frame rate to that of your camera. Other sources like a second camera output, HyperDeck playback, or even a teleprompter can be connected to return feeds 2 and 3. If you are using an ATEM switcher, the program return connected to return 1 will also include tally, talkback, reference and camera control signals.

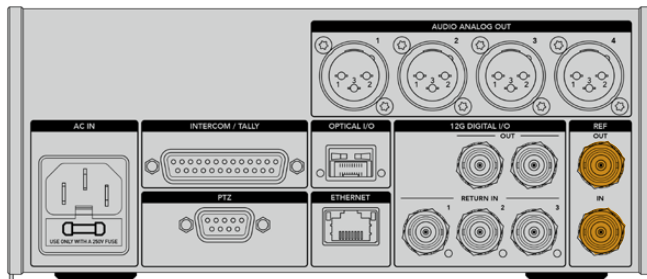
The return SDI inputs allow you to connect up to three return feeds from your switcher. These feeds will be fed to your camera so that they can be viewed by the camera operator, or fed out via SDI to other equipment.



**NOTE** If you connect Ultra HD to the return inputs, the Ultra HD video will be down converted to 1080p at the same frame rate, so the output from the camera unit will be HD. Down converting the Ultra HD return signals to HD allows for greater bandwidth so you can send multiple return sources.

## Reference Input and Output

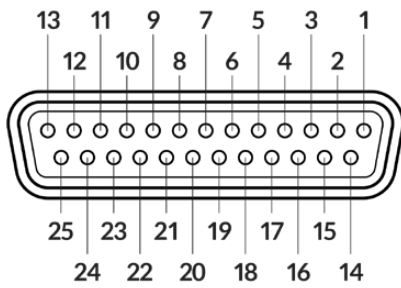
If you are not using an ATEM switcher and need to lock equipment to a common external reference signal, plug the externally generated signal into the reference BNC input. This sends the reference to the camera unit via the SMPTE fiber cable. The reference BNC output from the studio unit can be used to loop the reference source to other equipment.



Use the 'ref in' connection to send traditional reference timing from other broadcast equipment to your camera

## Talkback Interface

The DB-25 intercom and tally connector lets you connect to third party intercom and tally systems. A pin out diagram is provided below if you need to build a custom cable. Once you have wired up to the pins for engineering, production, tally or program audio input, you will need to set the menu accordingly on your Blackmagic Studio Fiber Converter.



The external view of the 25 pin 'intercom/tally' connector

#### Talkback Pinout Diagram

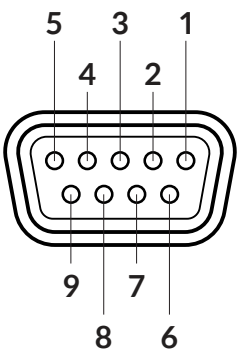
Pins	Signal	Specifications
1	ENG(R) IN+	Engineering channel input 0dBu balanced
2	ENG(R) IN-	
3	ENG GND	GND for ENG
4	ENG(T) OUT +	Engineering channel output 0dBu balanced
5	ENG(T) OUT -	
6	PGM IN+	-20dBu
7	PGM IN-	-20dBu
8	PGM GND	-20dBu
9	GND	GND for aux
10	N/C	-
11	Red Tally IN	On = 5-24Vdc, Off= 0Vdc
12	Red Tally GND	-
13	GND	Chassis GND
14	PROD(R) IN+	Production channel input 0dBu balanced
15	PROD(R) IN-	
16	PROD GND	-
17	PROD(T) OUT+	Production channel output 0dBu balanced
18	PROD(T) OUT-	
19	N/C	-
20	N/C	-
21	N/C	-
22	N/C	-
23	N/C	-
24	Green Tally IN	On = 5-24Vdc, Off= 0Vdc
25	Green Tally GND	-

## PTZ Interface

Both the studio unit and camera unit has a 9 pin DE-9 connector so you can connect a PTZ controller at the studio end, and the remote head at the camera end. The PTZ commands are embedded in the SDI signal connected between the units via the SMPTE fiber cable.

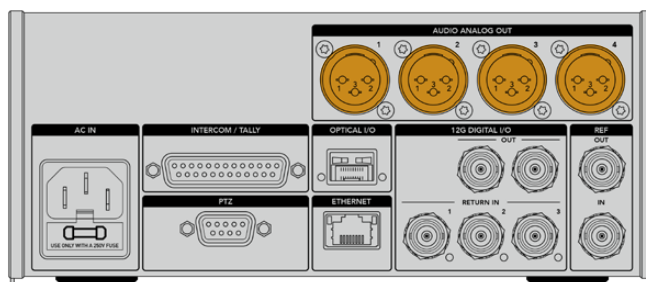
The settings menu on Blackmagic Studio Fiber Converter lets you select the source of PTZ commands that are sent to your Blackmagic Camera Fiber Converter. You have the option to select from the PTZ connector on the back of the Studio Fiber Converter or a program SDI feed coming from an ATEM Switcher instead. For more information, refer to the 'operating the studio fiber converter' section.

### PTZ Interface Pinout Diagram

External view	Pins	Signal
 <p>9 pin 'PTZ' connector</p>	1	GND
	2	RS422 Tx-
	3	RS422 Rx+
	4	GND
	5	N/C
	6	GND
	7	RS422 Tx+
	8	RS422 Rx-
	9	GND

## Audio Outputs

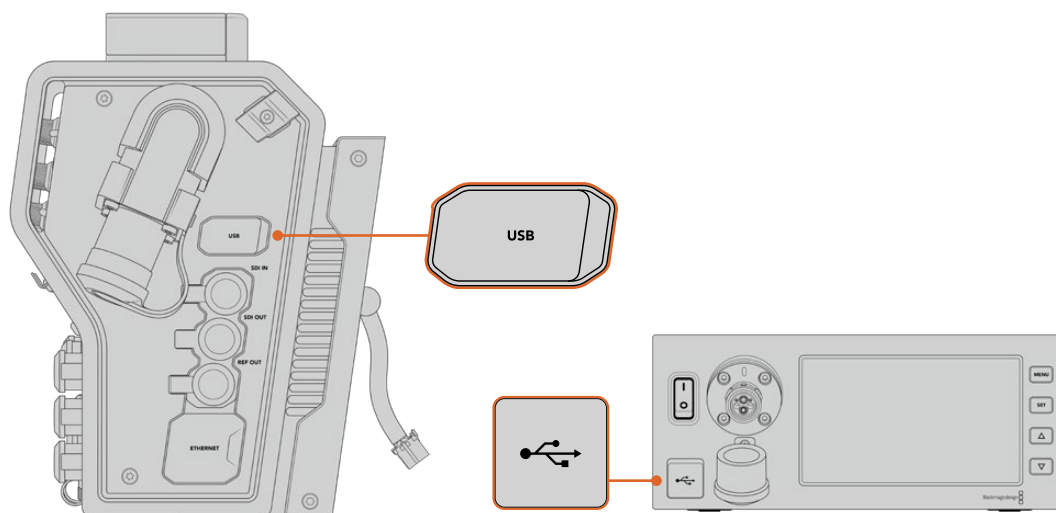
The four XLR audio outputs on the studio unit give you the option to output the audio plugged into inputs 1 and 2 from your URSA Mini or URSA Broadcast camera, and the two XLR audio inputs on the Camera Fiber Converter.



Outputs 1 and 2 on the studio unit correspond to embedded XLR input channels 1 and 2 on URSA Broadcast or URSA Mini by default. Outputs 3 and 4 on the studio unit correspond to XLR inputs 1 and 2 on the Blackmagic Camera Fiber Converter by default. You can use the menu to change these settings for mapping. For more information, see the 'using the menu' section.

## Updating Internal Software

From time to time Blackmagic Design releases updates that can enhance and enable features on your Blackmagic Fiber Converters. We recommend checking the Blackmagic Design website regularly to ensure your fiber converters are using the latest internal software. Update your Fiber Converters using the Blackmagic Camera Setup Utility software.



The USB-C ports on the Blackmagic Fiber converters let you update their internal software.

### Updating Blackmagic Camera Fiber Converter

Your Camera Fiber Converter will need to be powered when updating, so we recommend keeping the converter connected to URSA Mini or URSA Broadcast during the update process.

It's important that you unplug the SMPTE Fiber cable from your Camera Fiber Converter, and power your camera via the supplied URSA camera Power Supply instead for consistent power.

Blackmagic Camera Fiber Converter has a USB-C connector on the right side of the unit for updating its internal software. Connect your computer to this USB connector and launch Blackmagic Camera Setup Utility. You will be prompted to update if your computer detects that your Camera Fiber Converter is using an outdated version. Follow the on screen prompts to update your converter's internal software.

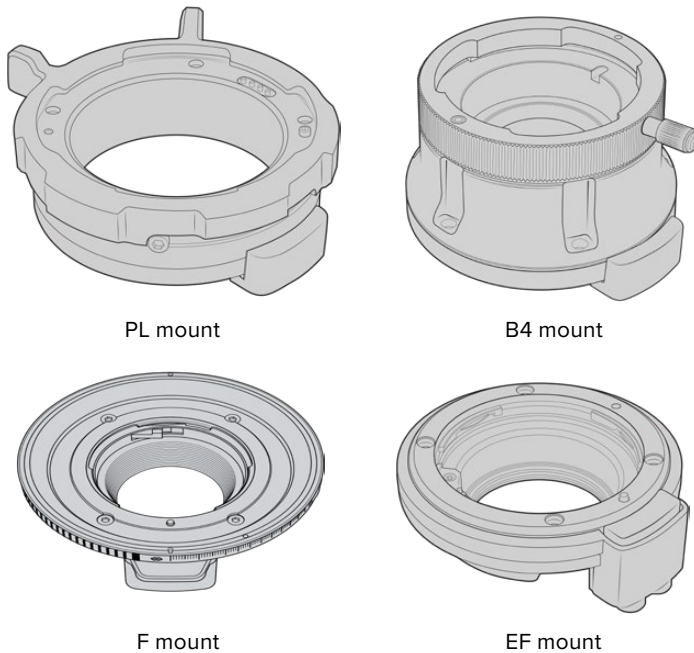
### Updating Blackmagic Studio Fiber Converter

Your Studio Fiber Converter will need to be powered when updating, so we recommend keeping the IEC power cable plugged into the power connector on the studio unit's rear panel during the update process.

Blackmagic Studio Fiber Converter has a USB-C connector on the front of the unit for updating its internal software. Connect your computer to this USB connector and launch Blackmagic Camera Setup Utility. You will be prompted to update if your computer detects that your Studio Fiber Converter is using an outdated version. Follow the on screen prompts to update your converter's internal software.

# Interchangeable Lens Mount

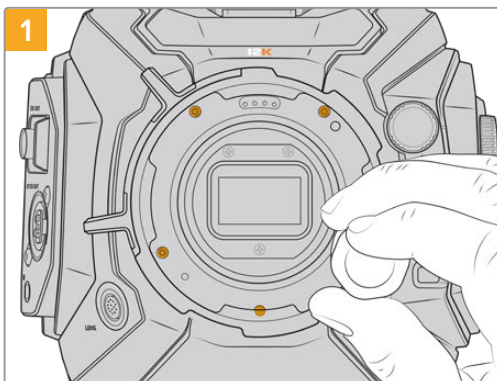
Blackmagic URSA Mini Pro 12K is shipped with a PL mount. Other URSA Mini Pro cameras are shipped with an EF mount attached. All URSA Mini Pro cameras have interchangeable lens mounts so you are not locked into using lenses to match the lens mount supplied with your camera. This means you can remove the original mount and attach an optional PL, B4, F or EF mount. Contact your local Blackmagic Design reseller to purchase URSA Mini Pro PL Mount, URSA Mini Pro B4 Mount, URSA Mini Pro F Mount or URSA Mini Pro EF Mount.



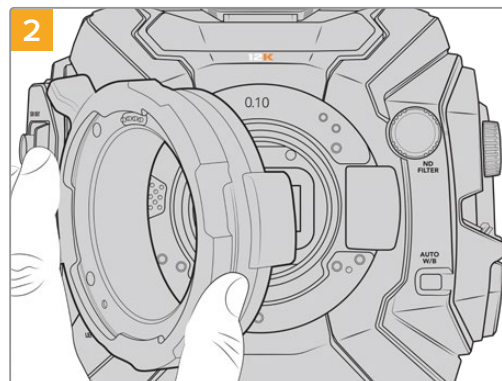
With the ability to interchange three separate mounts, you have the freedom to use different lenses based on the type of assignments you're working on. For example, the EF mount lets you use high quality stills lenses, the B4 mount is perfect if you want to use par-focal zoom lenses for electronic news gathering or wedding shoots, and the PL mount lets you use high end, robust cinema lenses designed for absolute precision and repeatable control.

Attaching each mount is as simple as unscrewing the original mount and replacing it with the new mount. It's very easy!

## To remove the original PL Mount from URSA Mini Pro 12K:

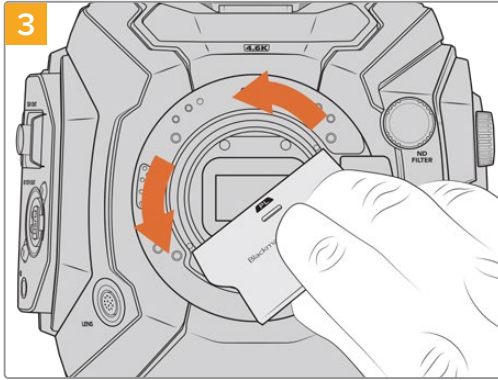


The original PL mount is removed from your URSA Mini Pro 12K by unscrewing the five screws with a 2mm Hex driver



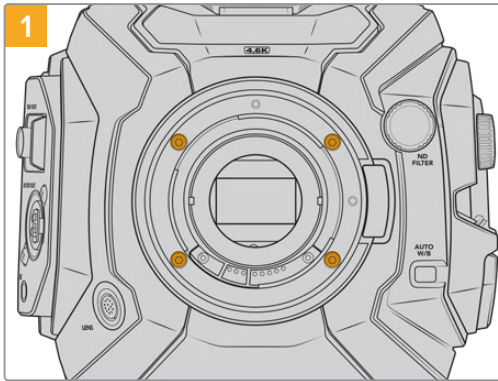
Gently lift the mount from the camera body



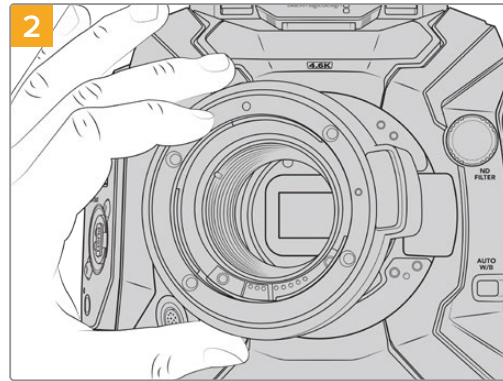


After you remove the PL lens mount, use the wide end of the baffle tool to loosen the PL baffle in the center and then unscrew it carefully using your fingers

**To remove the original EF Mount from URSA Mini Pro 4.6K G2 or URSA Mini Pro 4.6K:**



The original EF mount is easily removed from URSA Mini Pro 4.6K G2 or URSA Mini Pro 4.6K by unscrewing the four screws with a 2mm Hex driver



Gently lift the mount from the camera body

**NOTE** When removing the original lens mount, make sure the shims underneath the mount always stay attached to your camera.

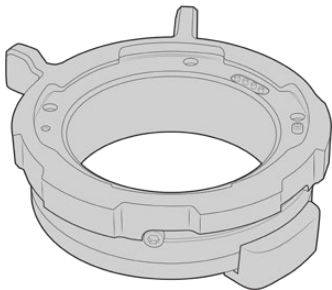
Keep reading this section for details about the PL, B4, F and EF lens mount kits and how to install each mount to your URSA Mini Pro.

## Blackmagic URSA Mini Pro PL Mount

Attaching the PL mount to your URSA Mini Pro lets you use high end precision cinema lenses for feature film and television production.

### The PL mount kit includes:

---



#### 1 x PL mount

The PL mount is shipped with a protective dust cap.

---

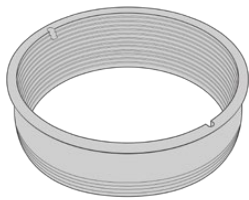


#### 1 x Shim set

The shim set includes the following thicknesses:

0.50mm	0.18mm	0.10mm
0.30mm	0.15mm	0.05mm
0.20mm	0.12mm	0.025mm

---



#### 1 x PL baffle

The PL mount baffle helps to control and direct the light entering the sensor.

---



#### 1 x Baffle tool

Use the PL baffle tool to tighten the baffle in your camera.

---



#### 5 x 2mm Hex M2.5 x 22mm mount screws

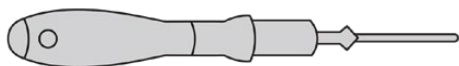
The five M2.5 x 22mm Hex screws are exclusive to the PL mount so you can keep the screws together with the respective mount.

The PL mount kit also comes with a full spare sets of screws in case the originals are misplaced.

---

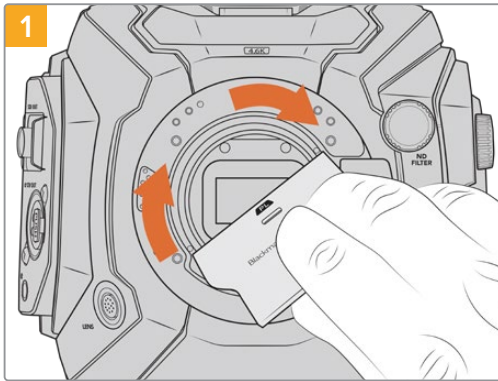
### Tools Required

When attaching the PL mount, you will need a 2mm Hex driver. While it's not absolutely required, we recommend using a torque wrench able to accurately set a maximum torque of 0.45Nm to reduce the potential of over tightening the screws.

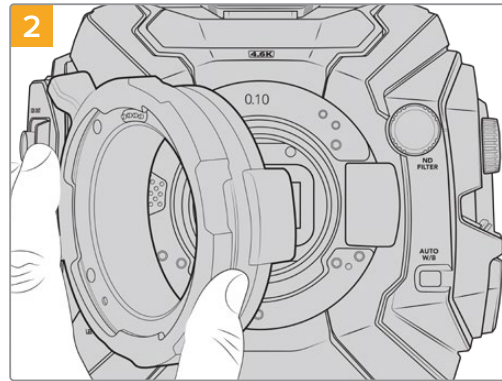


2mm Hex driver

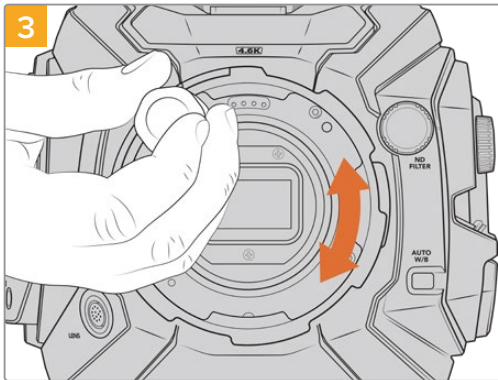
## Attaching the PL Mount



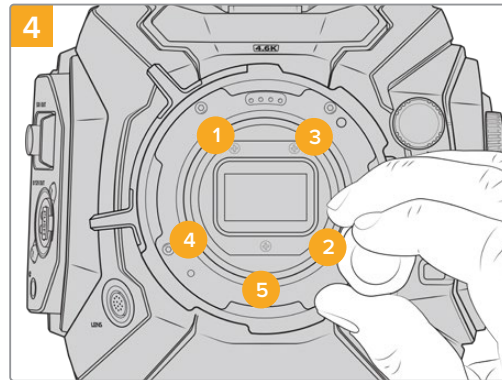
Gently insert the PL baffle into the center of the lens mount and turn until it is finger tight. Use the wide end of the baffle tool to tighten the baffle slightly. You need just enough pressure to keep it in place.



Carefully place the Blackmagic URSA Mini Pro PL lens mount onto the camera body. Ensure the pins on the PL mount for Cooke /i Technology are located at the 12 o'clock position.



Using a 2mm Hex driver or torque wrench set to 0.45Nm, loosely turn the five mounting screws until initial contact is made with the shoulder of the lens mount. To access all five screws, you will need to rotate the PL locking ring, as some holes are obscured when the ring is either open or closed.



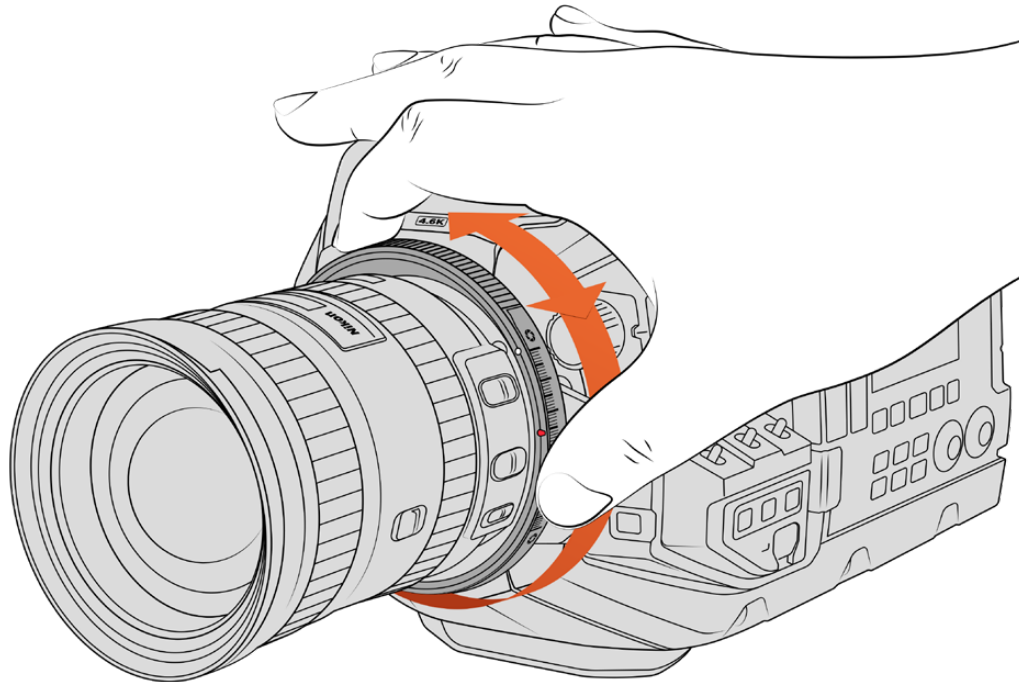
Confirm the lens mount is level and correctly aligned, then tighten the screws in the order shown here to an even pressure without overtightening the screws.

**NOTE** When removing the PL mount, simply follow the instructions in reverse order from step 4 to step 1. Don't forget to remove the PL baffle and store it securely with the PL mount.

## Blackmagic URSA Mini Pro F Mount

With the F mount attached to your URSA Mini Pro, you can use F mount lenses. Nikon's F mount system stretches back to 1959, and F mount lenses are still made today. This means that with the Blackmagic URSA Mini Pro F mount, you have access to a huge range of vintage and contemporary lenses.

It's worth noting that Blackmagic URSA Mini Pro F mount is a mechanical mount. This means it does not offer electronic focus or iris control. Instead, Blackmagic URSA Mini Pro F mount features a mechanical iris adjuster. This moves the iris pin present in most Nikon lenses to achieve smooth cine style iris adjustment.



Use URSA Mini Pro F mount's iris adjustment ring to smoothly change the aperture of F mount lenses.

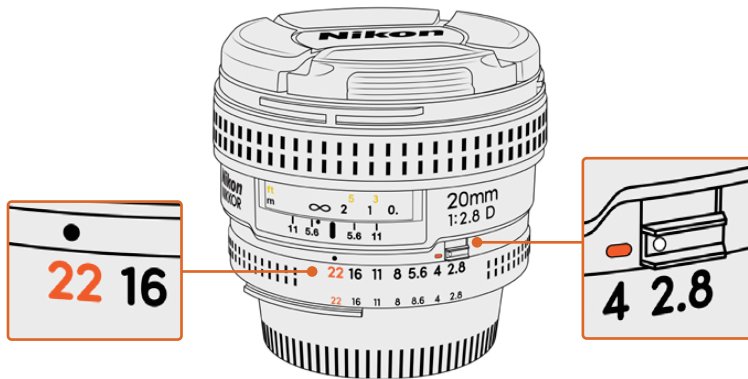
With an F mount mounted, simply move the iris adjuster on Blackmagic URSA Mini Pro F mount to achieve your preferred exposure. The red dot on the F mount and the markings on the iris adjuster let you mark iris settings to easily return to particular exposure or depth of field settings.

**NOTE** Because of the way URSA Mini Pro F mount works, a small number of F mount lenses are not compatible.

These are Nikkor AF-S E series lenses, which do not offer mechanical iris control, and Nikon PC-E tilt-shift lenses like the 24mm f/3.5D PC-E and 85mm PC-E.

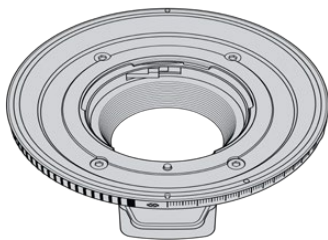
## Nikon AF-D lenses

When using Nikon AF-D series lenses, it is necessary to lock your lens aperture to its smallest setting, such as f/22, to use the full range of Blackmagic URSA Mini Pro F mount's iris adjustment ring.



Setting and locking AF-D lenses to their smallest aperture is easiest before mounting to your camera.

### The F mount kit includes:



#### 1 x F mount

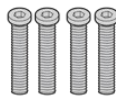
The F mount lets you attach common F stills lenses.



#### 1 x Shim set

The shim set includes the following thicknesses:

0.50mm	0.18mm	0.10mm
0.30mm	0.15mm	0.05mm
0.20mm	0.12mm	0.025mm



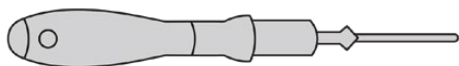
#### 4 x 2mm Hex M3 x 18mm mount screws

The four M3 x 18mm Hex screws are used in the EF and F mount so it is best to keep the screws together with the respective mount.

The F mount kit also comes with a full spare sets of screws in case the originals are misplaced.

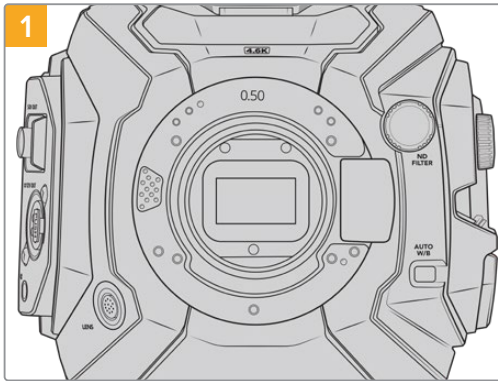
### Tools Required

When attaching the F mount, you will need a 2mm Hex driver. While it's not absolutely required, we recommend using a torque wrench able to accurately set a maximum torque of 0.45Nm to reduce the potential of over tightening the screws.

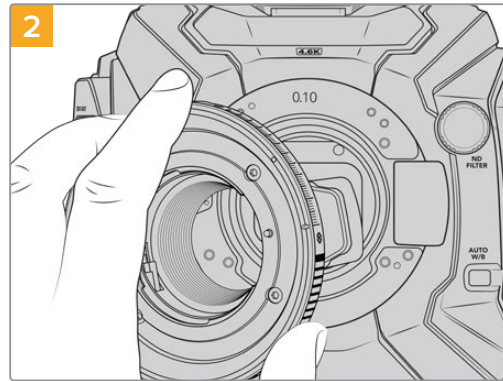


2mm Hex driver

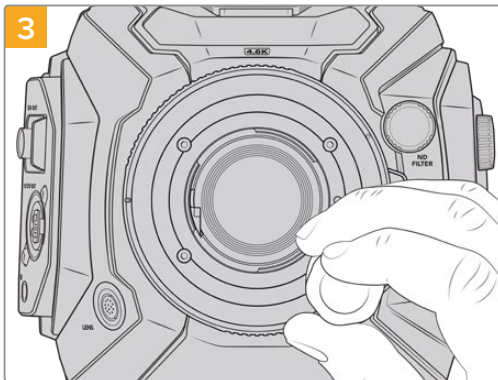
## Attaching the F Mount



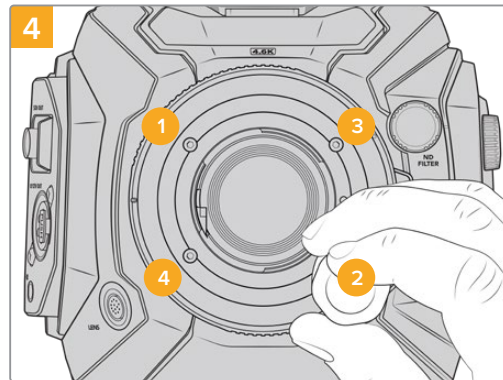
Place Blackmagic URSA Mini Pro vertically on a solid, clean bench top to ensure the mount can be attached vertically. If changing from the PL to the F mount, ensure that you have removed the PL baffle before inserting the F mount.



Carefully place the Blackmagic URSA Mini Pro F mount onto the camera body ensuring the white dot is at the 2 o'clock position.



Using a 2mm Hex driver or torque wrench set to 0.45Nm, loosely turn the four mounting screws until initial contact is made with the shoulder of the lens mount.



Confirm the lens mount is level and correctly aligned, then tighten the screws in the order shown here to an even pressure without over-tightening the screws.

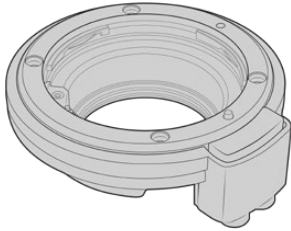
**NOTE** When removing the F mount, simply follow the instructions in reverse order from step 4 to step 1.



## Blackmagic URSA Mini Pro EF Mount

Blackmagic URSA Mini Pro EF Mount supports an extensive range of EF stills and cinema lenses.

### The EF mount kit includes:



#### 1 x EF mount

The EF mount lets you attach common EF stills lenses.



#### 1 x Shim set

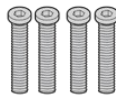
The shim set includes the following thicknesses:

0.50mm	0.18mm	0.10mm
0.30mm	0.15mm	0.05mm
0.20mm	0.12mm	0.025mm



#### 1 x Baffle tool

The baffle in the EF mount is not removable, however we have included a baffle tool in the EF kit as a spare item you can use if you also have the PL mount.



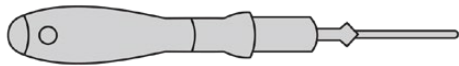
#### 4 x 2mm Hex M3 x 18mm mount screws

The four M3 x 18mm Hex screws are used in the EF and F mount so it is best to keep the screws together with the respective mount.

The EF mount kit also comes with a full spare sets of screws in case the originals are misplaced.

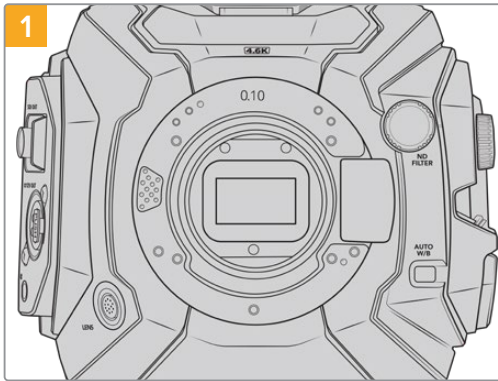
### Tools Required

When attaching the EF mount, you will need a 2mm Hex driver. While it's not absolutely required, we recommend using a torque wrench able to accurately set a maximum torque of 0.45Nm to reduce the potential of over tightening the screws.

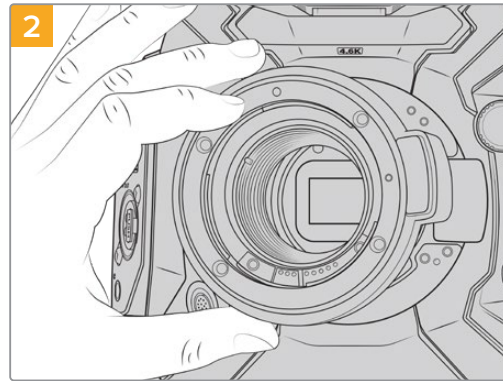


2mm Hex driver

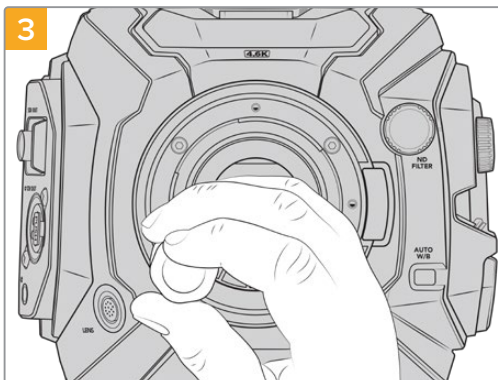
## Attaching the EF Mount



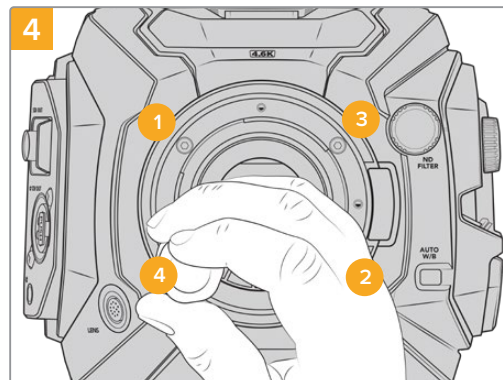
Place Blackmagic URSA Mini Pro vertically on a solid, clean bench top to ensure that the mount can be inserted vertically. If changing from the PL to the EF mount, ensure that you have removed the PL baffle before inserting the EF mount.



Carefully place the Blackmagic URSA Mini Pro EF lens mount onto the camera body ensuring the red dot is at the 12 o'clock position.



Using a 2mm Hex driver or torque wrench set to 0.45Nm, loosely turn the four mounting screws until initial contact is made with the shoulder of the lens mount.



Confirm the lens mount is level and correctly aligned, then tighten the screws in the order shown here to an even pressure without over-tightening the screws.

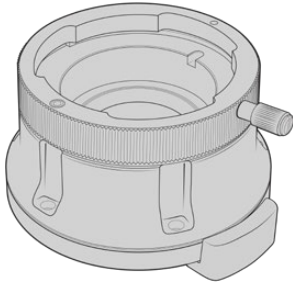
**NOTE** When removing the EF mount, simply follow the instructions in reverse order from step 4 to step 1.



## Blackmagic URSA Mini Pro B4 Mount

With the B4 mount attached to your URSA Mini Pro 4.6K G2 or URSA Mini Pro 4.6K, you can mount par-focal zoom lenses commonly used for electronic news gathering and wedding videos. These lenses maintain focus throughout large zoom ranges and typically have manual focus and iris control, plus a zoom rocker on the hand grip allowing you to smoothly ease in and out of the zoom. For single operators, using these lenses makes shooting very fast and efficient with exceptional control over the shot. It is important to note that Blackmagic URSA Mini Pro B4 mount is not compatible with URSA Mini Pro 12K.

### The B4 mount kit includes:



#### 1 x B4 mount

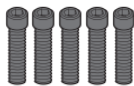
The B4 mount lets you use industry standard ENG lenses with your URSA Mini Pro.



#### 1 x Shim set

The shim set includes the following thicknesses:

0.50mm	0.18mm	0.10mm
0.30mm	0.15mm	0.05mm
0.20mm	0.12mm	0.025mm



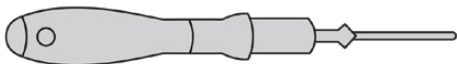
#### 5 x 2mm Hex M2.5 x 12mm mount screws

The five M2.5 x 12mm HEX screws are exclusive to the B4 so you can keep the screws together with the respective mount.

The B4 mount kit also comes with a full spare sets of screws in case the originals are misplaced.

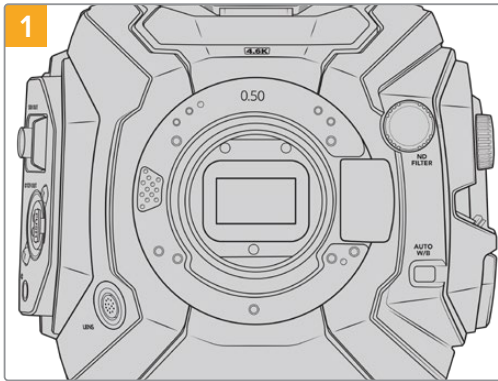
### Tools Required

When attaching the B4 mount, you will need a 2mm Hex driver. While it's not absolutely required, we recommend using a torque wrench able to accurately set a maximum torque of 0.45Nm to reduce the potential of over tightening the screws.

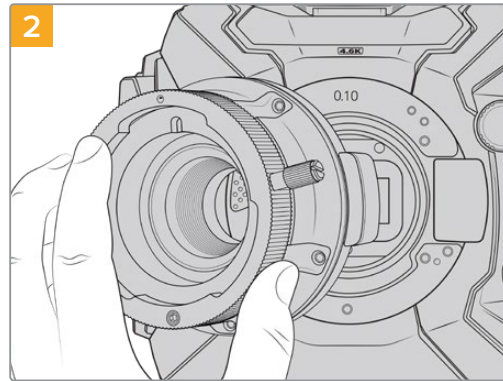


2mm Hex driver

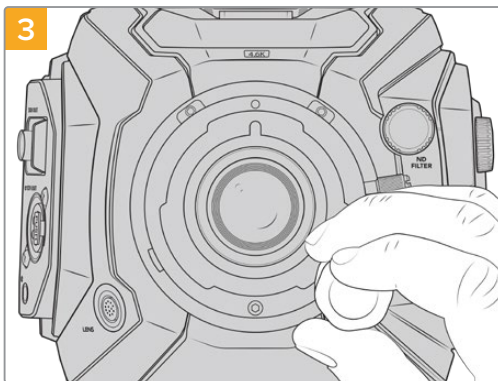
## Attaching the B4 Mount



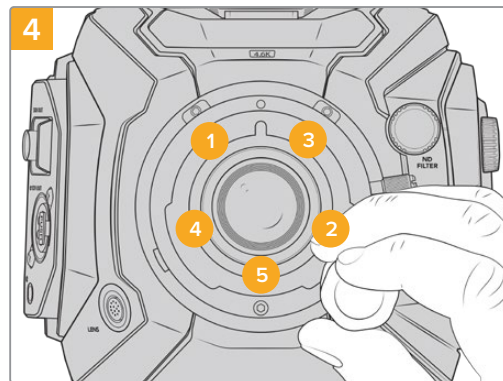
Place Blackmagic URSA Mini Pro vertically on a solid, clean bench top to ensure that the mount can be inserted vertically.



Carefully place the Blackmagic URSA Mini Pro B4 lens mount onto the camera body ensuring the red dot is at the 12 o'clock position.



Using a 2mm Hex driver or torque wrench set to 0.45Nm, loosely turn the five mounting screws until initial contact is made with the shoulder of the lens mount.



Confirm the lens mount is level and correctly aligned, then tighten the screws in the order shown here to an even pressure without over-tightening the screws.

**NOTE** When removing the B4 mount, simply follow the instructions in reverse order from step 4 to step 1.

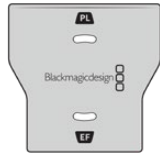
**TIP** When using a B4 lens with URSA Mini Pro 4.6K G2 or URSA Mini Pro 4.6K, set the resolution to 2K 16:9 or lower, and 'window sensor' to 'on' in the 'record' tab of the dashboard. It is important to use these settings to prevent vignetting of the image, as B4 lenses do not cover the super 35mm image circle. Once you have attached a B4 lens and adjusted the settings on your camera, you should also check the back focus on the lens.

## Blackmagic URSA Mini Pro Shim Kit

When attaching the PL, B4 or F mounts to URSA Mini Pro, a 0.10mm shim is added to the original 0.50mm and 0.10mm shims underneath the original EF mount. This shim and others are included in the Blackmagic URSA Mini Pro Shim Kit. Other thicknesses are included in the kit in case you need to re-shim your camera to suit PL lenses that may require slightly different clearances to maintain accurate focus marks.

### The shim kit includes:

---



#### 1 x Baffle tool

Use the baffle tool to loosen or tighten the PL baffle when removing or attaching the PL mount to your URSA Mini Pro.



#### 1 x Shim set

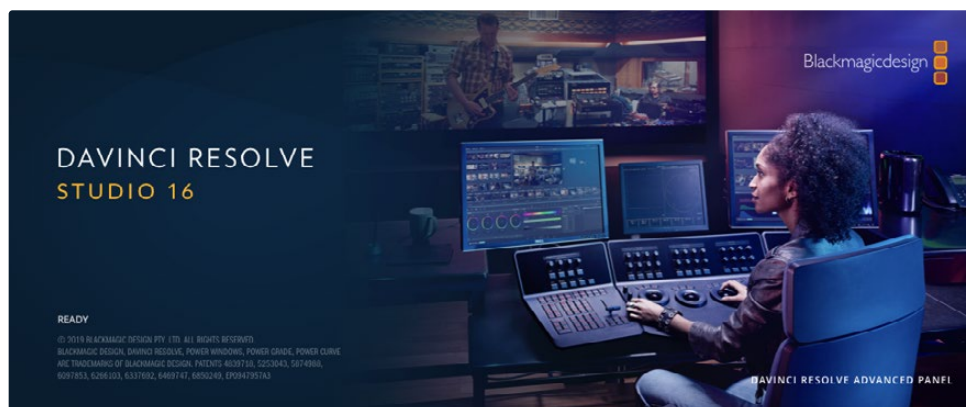
The shim set includes the following thicknesses:

0.50mm	0.18mm	0.10mm
0.30mm	0.15mm	0.05mm
0.20mm	0.12mm	0.025mm

---

# Using DaVinci Resolve

Shooting with your Blackmagic URSA Mini is only part of the process of creating film and television content, and just as important is the process of media backup and management as well as editing, color correction and encoding final master files. Your Blackmagic URSA Mini includes a version of DaVinci Resolve for Mac and Windows so you have a complete solution for shooting and post production!



**NOTE** We recommend using the latest version of DaVinci Resolve for accurate color treatment of clips shot using URSA Mini. Version 16.3 or later will provide accurate color for all URSA Mini cameras and the latest Blackmagic RAW features, as well as supporting 12K files.

After connecting your CFast, SD card or SSD to your computer, you can use DaVinci Resolve's 'clone' tool, in the 'media' page, to create running backups as you shoot. This is recommended as any type of media is susceptible to becoming damaged or developing a fault so creating backups means your shots will be immune to loss. Once you have used DaVinci Resolve to backup your media, you can then add your clips to the DaVinci media pool, then edit, color correct, and finish your production without ever having to leave DaVinci Resolve.

DaVinci Resolve is the same tool used on most major blockbuster movies, so it's much more than a simple NLE software tool, as it has extremely advanced technology built in for high end digital film. You get the advantage of this technology when you use DaVinci Resolve to edit and color correct your work.

Included here is information on how to get started using DaVinci Resolve with your camera files. Of course, DaVinci Resolve is extremely advanced and includes a lot more features than you immediately see when first looking at its user interface. To learn more about how to use DaVinci Resolve, please check for the DaVinci Resolve instruction manual on the Blackmagic website, where you can also find many training courses and tutorial videos.

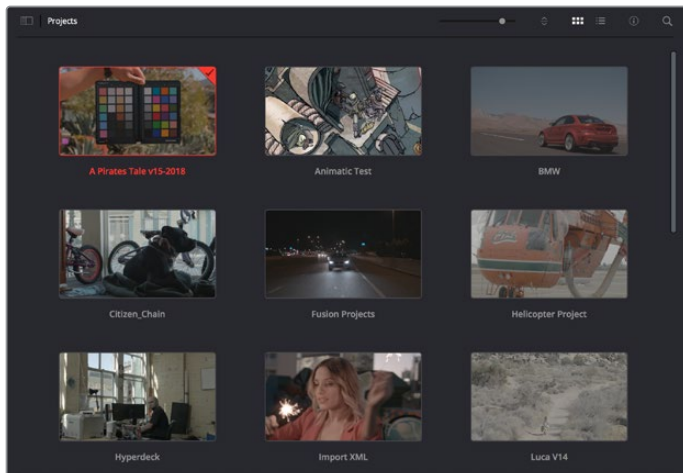
## Project Manager

Before you import your clips and start editing, you will need to set up your project using the project manager.

The project manager is the first screen you will see when launching DaVinci Resolve, but you can open the manager at any time by clicking on the 'home' icon at the bottom right of the user interface. This is helpful when you want to open previous projects and create new ones.

To create a new project, click on 'new project' at the bottom of the window and give your project a name. Click 'create'.

Using the 'cut' page, you can start working on your edit immediately.



The project manager shows all projects belonging to the current user

For more information about the Project Manager, refer to the DaVinci Resolve manual which is available to download on the Blackmagic Design website support page.

## Editing with the Cut Page

The 'cut' page gives you a fast, dynamic editing workflow that lets you quickly assemble, trim and edit clips efficiently.

Two active timelines let you work with your entire edit plus a detailed area simultaneously. This means you can drop clips anywhere on a large timeline, then refine your edit in a detailed timeline within the same workspace. Using this workflow, you can edit on a laptop without needing to zoom in and out and scroll as you work, which can be an enormous time saver.

### The Cut Page Layout

When you open the cut page, you will see the media pool, viewer window and timeline. These three primary windows give you complete control over your edit.



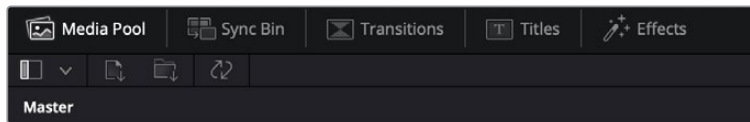
The 'cut' page default workspace, with the media pool in icon view

For more information on the Cut page, see the 'Using the Cut Page' chapter in the DaVinci Resolve manual.

## Media Tabs

At the top left corner of the user interface you will see five tabs.

Click on these tabs to open the media toolsets you will use when creating your edit. For example, the first tab is the media pool and you can see it is already selected. The other tabs are for the sync bin, media transitions, titles and effects.



- **Media Pool:** The media pool contains all your clips, folders and files you imported using the media page. You can also import files directly from the cut page, so you don't have to go back to the media page if you want to import a new clip.
- **Sync Bin:** This powerful feature automatically syncs all your clips via timecode, date and time so you can choose angles from all cameras on a multi camera project.
- **Transitions:** If you click on the neighboring transitions tab, you will see all the video and audio transitions you can use in your edit. These include common transitions such as cross dissolves and motion wipes.
- **Titles:** Next to transitions is the 'titles' tab. Here you can select the title type you want to use. For example a scroll, standard text or lower thirds title. There are also a list of Fusion templates you can use for more animated dynamic titles which can be customized in DaVinci Resolve's 'Fusion' page.
- **Effects:** The fifth tab is the 'effects' tab. This provides all the different filters and effects you can use to bring more life to your edit, for example customizable blurs, glows and lens effects. There are many powerful effects to choose from and you can find them quickly using the search tool.

**TIP** Use the search tool near the media tab icons to find the exact items you are looking for. For example, if you have the transitions tab selected, type "dissolve" in the search tool and only dissolve transition types will be shown in the viewer, making it quicker for you to find the dissolve transition you want.




## Viewer Tabs

In the top left corner of the viewer window you will see the viewer mode buttons.



The viewer mode buttons

These buttons control which viewer is currently being used, including 'source clip', 'source tape', and 'timeline'. These viewer modes give you an enormous amount of control when selecting clips for your edit and it's worth spending a moment to look at how they work.

	<b>Source Clip</b>	The source clip viewer displays a single clip from the media pool and you can set in and out points along the entire length of the viewer timeline. This gives you greater control. Select a source clip to view by double clicking on a clip in the media pool, or dragging it into the viewer.
	<b>Source Tape</b>	Source tape lets you view all the source clips in the media pool. This powerful feature is helpful if you want to quickly search through all your clips to find a specific event. As you scrub the playhead over the clips, you will see their thumbnails selected in the media pool. This means once you have found the clip you want to edit, you can click on the source clip tab and its corresponding source clip will appear in the viewer automatically.  The source tape viewer really lets you take advantage of non-linear editing, giving you the freedom to work on your edit, find shots quickly, try new ideas and stay in the moment.
	<b>Timeline</b>	The timeline viewer lets you view the edit timeline so you can play back your project and refine your edits.

## Importing Clips to the Media Pool

Now you can start importing media into your project. You can do this in the media pool window of the cut page using the import tools at the top.



Select one of the import options to add media to your project

	<b>Import Media</b>	The import media option will import individual media files selected from your storage location.
	<b>Import Media Folder</b>	To import a folder from your media storage, select the import folder option. When importing a folder, DaVinci Resolve will keep the file structure, treating each folder as a separate bin so you can navigate between bins to find your videos and other media files.

### To import media:

- 1 Click on the 'import media' or 'import media folder' icon.
- 2 Navigate to your media storage for the media you want to import.
- 3 Select the file or folder and click 'open'.

Once you've added media to your project, it is a good time to save your changes. DaVinci Resolve features a fast, on the go autosave called 'live save'. Once you save your project once, 'live save' will save further changes as you make them, removing the risk of losing your work.

For more information on 'live save' and other auto save functions, refer to the DaVinci Resolve Manual.



## Adding Clips to the Timeline

Now that you are familiar with the media tabs and viewer mode buttons, you can open the media pool and quickly start adding clips to your timeline.



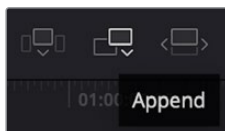
The timeline of the cut page, comprising the upper timeline and the zoomed in timeline below

The timeline is where you will build your edit and is like a board with tracks you can attach clips to, move them around and trim their edits. Tracks let you layer clips over others which gives you more flexibility to try different edits and build transitions and effects. For example, you can try an edit with a clip on one track without affecting other clips on tracks below it.

There are different ways to add clips to the timeline, such as smart insert, append, place on top and more.

### Appending Clips

When selecting takes and assembling an edit, you will likely want to add these shots to your timeline one after the other. The append tool is perfect for this task and will get you editing very fast.



Click on the append icon to quickly add clips to the end of the last clip

#### To append a clip:

- 1 Double click on a clip in the media pool to open it in the viewer.
- 2 Using the scratch trim tool, drag the in and out points to select the precise duration of your shot. You can also press the 'i' and 'o' keyboard shortcuts to set in and out points.



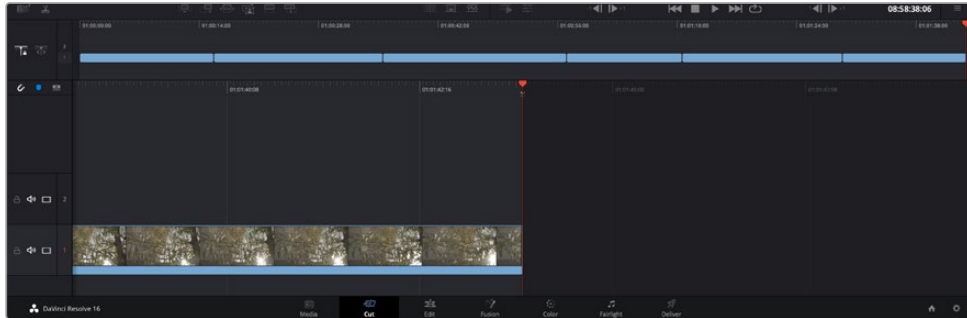


- 3 Now click the 'append' icon underneath the media pool.



Your first clip will be placed at the head of the timeline.

Repeat steps 1 to 3 to keep adding more clips and they will automatically append, ensuring there are no gaps in the timeline.



Appending clips ensures there are no gaps between them on the timeline

**TIP** You can speed up the process further by assigning a keyboard shortcut to the 'append' icon. For example, if you assign the 'P' key, you can set your in and out points using 'I' and 'O' then press 'P' to append the clip. Refer to the DaVinci Resolve manual for information on how to assign shortcut keys.

## Editing Clips on the Timeline

With clips added to the timeline, you have complete control to move them around and trim edits.

To trim an edit, hover the mouse over the start or end of a clip, then click and drag it left or right. For example, drag the end of the clip left or right to decrease or increase its duration. You might notice that all clips after that edit will shift on the timeline to accommodate the new adjustment. This is one way the 'cut' page helps to save you time.

You can even pick the clip up and drop it on a new video track in the large timeline without having to zoom in or out. This speeds up the edit process because it minimizes time navigating a long timeline.

After you have finished editing clips using the 'cut' page, you might want to add a title. The next section will show you how.

## Adding Titles

Placing a title on your timeline is easy and you have many options.

To see the different types of titles you can use, click on the 'titles' media tab at the top left corner of the user interface. In the selection window you will see all the different title generators you can use, from lower thirds, scrolls, to a standard text title. You can even add any of the Fusion titles which are animated titles that you can customize.

A good example is to add a standard title.

**To do this:**

- 1 Click on the 'text' title and drag it onto the timeline. It doesn't matter which timeline, but for greater accuracy we recommend using the detailed timeline. The title will automatically create a new video track for the title and will snap to the playhead.
- 2 Release the mouse and the title will appear on the new track. You can now move it or change its duration like you would another video clip.
- 3 To edit the title, click on the new title clip and a 'tools' icon will appear underneath the clip viewer. Click on the tools icon.

You will now see a row of tools you can use to modify the title clip. For example transform, crop, dynamic zoom and more. For this example, click on the 'title' tool.

- 4 Now click 'open inspector'.

This will open the inspector window where you can type in the title you want and edit the text settings, for example tracking, line spacing, font type, color and more.

You have a lot of options to customize the title exactly how you want it. We recommend playing with all the different settings to see how they can change the appearance and shape of your title.

## Working with Blackmagic RAW Files

Blackmagic RAW clips give you maximum flexibility in post production. This lets you make adjustments to clips, such as white balance and ISO settings, as if you were changing the original camera settings. Working with Blackmagic RAW also retains more tonal information within shadows and highlights, which is useful for recovering details, for example in blown out skies and dark areas of the picture.

It's worth shooting in Blackmagic RAW if you are after the highest possible quality, or for shots where there is an extreme variance between highlights and shadows and you may need to push and pull those regions as much as possible in the grade.

The speed and small file size of Blackmagic RAW means you don't need to make proxy files and playback is just like a standard video clip. This section of the manual describes the features of Blackmagic RAW and how to use Blackmagic RAW files in your DaVinci Resolve workflow.

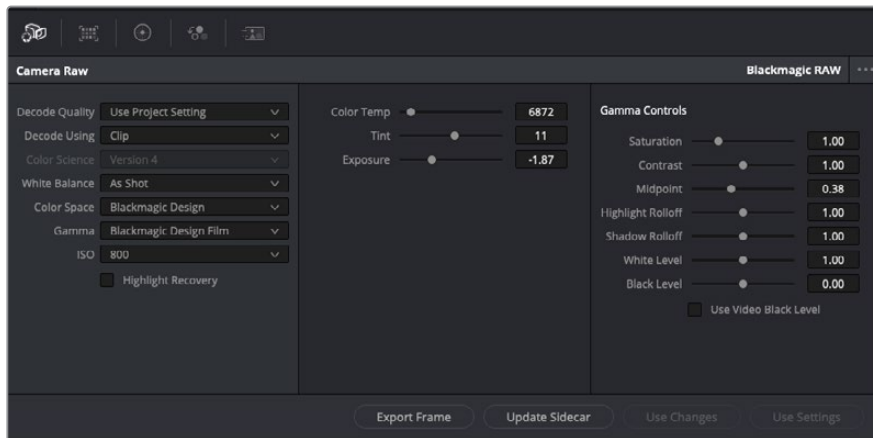
**TIP** It is a good practice to adjust the Blackmagic RAW settings for your clips on the 'color' page before you start color grading.

### Clip Settings for Blackmagic RAW

When you first import Blackmagic RAW files, DaVinci Resolve will decode the camera data contained in the files using the ISO, white balance and tint settings used at the time of shooting. If you're happy with the look of these settings, you can start editing right away.

The great thing about shooting Blackmagic RAW is that you're not tied to these settings at all! The breadth of available post processing options when working with Blackmagic RAW files mean that you'll develop your own workflow over time. Experimenting with the 'clip' settings for each clip in the 'camera raw' tab will show you just how powerful and flexible working with Blackmagic RAW can be.

The 'color science' menu lets you choose whether to interpret your footage with generation 4 color science or generation 5 color science. URSA Mini Pro 12K is the first camera to use Blackmagic Design generation 5 color science. Files made on different cameras with generation 4 color science can be reinterpreted with generation 5 color science to match your shots from URSA Mini Pro 12K. Alternatively, if you are shooting mainly with cameras that create Blackmagic RAW files with generation 4 color science, you can mix in clips shot on URSA Mini Pro 12K with generation 5 color science by reverting them to generation 4 color science. This makes it easy to match shots filmed on cameras using different generations of Blackmagic color science.



In the 'camera raw' tab, select 'clip' from the 'decode using' drop down menu to make adjustments to your clip's Blackmagic RAW settings

Once you have set DaVinci Resolve to enable clip settings for Blackmagic RAW, the clip settings and gamma controls are now adjustable. Adjusting these settings to optimize your clips can bring them close to a full primaries grade. This is especially powerful when using DaVinci Resolve's scopes which can help you neutralize and balance the clips ready for applying a look.

The following information contains descriptions for the clip and gamma controls.

### **ISO**

The ISO value can be changed by increasing or decreasing this setting. This setting is helpful if you need to set the clip to a brighter or darker starting point for optimization.

### **Highlight Recovery**

Check the box to reconstruct highlight information in clipped channels using information from non-clipped channels.

### **Color Temp**

Adjust the color temperature to warm or cool the image. This can be used to help neutralize the color balance in each image.

### **Tint**

Adjusting this setting will add green or magenta into the image to help balance the color.

### **Exposure**

Use this setting to refine the overall brightness of the image.

### **Saturation**

Saturation controls default at 1 and range from -1 for the minimum saturation to +4 for maximum saturation.

## Contrast

Defaulting at 1.0, drag the slider to the left for the least amount of contrast at 0 or to the right to increase the contrast up to 2.

## Midpoint

In Blackmagic Design Film, your middle gray value defaults to 0.38, or 38.4%. Drag the slider to the left to lower your midpoint or to the right to raise it to 100. When contrast is adjusted away from the default setting, you can modify your highlight and shadow rolloff.

## Highlight Rolloff

Adjust the highlights by dragging the slider to the left to lower the value to 0, or to the right to increase the highlights to 2. The default value is 1.

## Shadow Rolloff

Drag the slider to the left to lower your shadows to 0 or to the right to raise your shadows to 2.

## White Level

Adjust the white point of the gamma curve by dragging the slider from the highest value of 2 to the lowest value of 0. The default value is 1.

## Black Level

Raise the black point of the custom gamma curve by dragging the slider to the right from the lowest value of -1 to a maximum of 1. The default value is 0.

## Use Video Black Level

Check the box to set your black levels to video.

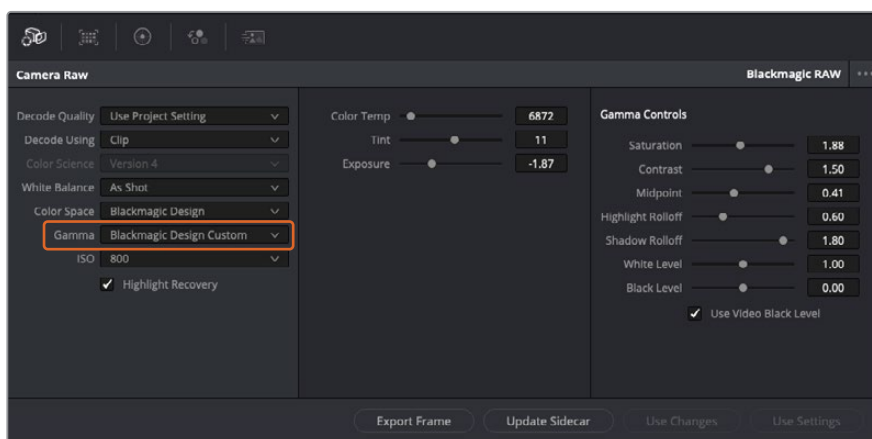
## Export Frame

Clicking the 'export frame' button lets you export a single frame from your Blackmagic RAW clip.

## Update Sidecar

Click this button to update the Blackmagic RAW sidecar file for the current clip.

Any changes you have made to your Blackmagic RAW clips will be identified by the gamma setting changing to Blackmagic Design Custom.



If you want to revert your clip to one of the default gamma options available, simply select it from the gamma dropdown menu.

**TIP** Gamma controls are disabled for footage shot with the 'video' dynamic range, but you have not lost your Blackmagic RAW data. Simply select Blackmagic Design Film or Blackmagic Design Extended Video from the dropdown gamma menu and make your adjustments.

### **Saving your Blackmagic RAW changes**

- 1 Adjust the gamma controls for your Blackmagic RAW clip.
- 2 Click the 'update sidecar' button.

A 'sidecar' file will now be created in the same folder as your .braw file. When another user imports the Blackmagic RAW files, the sidecar files will automatically be read by DaVinci Resolve. If you make additional adjustments, press 'update sidecar' again.

**TIP** To remove your sidecar file, you can simply delete it from its location on your media drive.

### **Project Settings for Blackmagic RAW**

If you need to make a setting change that is common to all the clips, for example a global change to the white balance or ISO setting, you can set the clips to use the project 'camera raw' settings and make global changes from there.

#### **To set project settings for Blackmagic RAW:**

- 1 Enter the project settings menu by clicking 'file,' and selecting 'project settings.'
- 2 In the 'Camera RAW' tab, you'll see a dropdown menu next to RAW profile. Click on the arrow to select Blackmagic RAW from the list.
- 3 Select 'project' in the 'Decode Using' dropdown menu.
- 4 Set the white balance setting to 'custom'.
- 5 Select 'Blackmagic Design Custom' from the dropdown gamma menu. Set the color space to 'Blackmagic Design'. This will also set the gamma setting to 'Blackmagic Design Film'.
- 6 Choose your resolution from the 'Decode Quality' menu. A lower resolution will give you better playback on limited systems. You also have the flexibility to change to full resolution later on before delivery for the highest quality output.

Now you can adjust the camera settings for your clips such as saturation, contrast and midpoint. This will affect all clips in your project that are set to decode using 'project'.

### **Color Correcting your Clips with the Color Page**

Now with your clips on the timeline and titles added, you can start color correcting using the 'color' page. The color page is extremely powerful and will define the overall look of your film, but for this example a good place to start is to neutralize all your clips so they are consistent. You can also return to the 'cut' or 'edit' page at any time if you want to make changes to your edit.

The color page lets you adjust the look of your edit and in many ways color correction is an art form in itself. You are really adding emotion to your work when you add color correction. It's an incredibly creative part of the workflow and very satisfying when you learn these skills and can

see your work come alive! This is usually the first step and is referred to as primary color correction, or adjusting the primaries. After primary color correction is done, you can then make secondary color correction adjustments which is where you can make extremely precise color adjustments of specific objects in your images. That is a lot of fun, but is normally done after primaries because it helps make the process more efficient and you will get a better result!

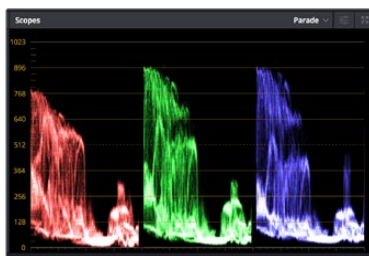
First click on the 'color' tab to open the color page.

You'll see the camera raw settings, color wheels, curves palettes and general color correction tools as well as the preview and nodes window. Don't feel overwhelmed by the vast array of features in front of you, they are all there to help you get the most amazing looking pictures. This getting started section will show the basics, but for more detailed information refer to the relevant sections in the manual. They will show you exactly what all the tools are for and how to use them in easy to follow steps. You'll learn the same techniques the professionals use in high end color correction facilities.

Generally, the first step for primary color correction is to optimize the levels for shadows, mid tones and highlights in your clips. In other words adjust the 'lift', 'gamma' and 'gain' settings. This will help get your pictures looking their brightest and best with a clean, balanced starting point from where you can begin grading the 'look' of your film. To optimize the levels, it's helpful to use the scopes.

## Using Scopes

Most colorists make creative color choices by focusing on the emotion and the look they want their program to have and then simply work using the monitor to achieve that look. You can look at everyday objects and how different types of light interact with them to generate ideas on what you can do with your images and a little practice.



The parade scope helps you optimize highlights, mid tones and shadows

Another way to color grade is to use the built in scopes to help you balance shots. You can open a single video scope by clicking the 'scope' button, which is the second from the right on the palette toolbar. You can choose to display a waveform, parade, vectorscope and histogram. Using these scopes you can monitor your tonal balance, check the levels of your video to avoid crushing your blacks and clipping the highlights, plus monitor any color cast in your clips.

The 'color wheels' palette contains the 'lift', 'gamma' and 'gain' controls which will generally constitute your first adjustment. If you've previously had experience with color correction, these should resemble controls you've seen in other applications for doing color and contrast adjustments.



The 'lift', 'gamma', 'gain' and 'offset' color wheels give you total control over the color and tonal balance of your clips. To make a uniform adjustment to all colors for each tonal region, drag the dial underneath the color wheels back and forth

For more accurate control of each color using a mouse, you can change the color wheels to 'primaries bars' which let you adjust each color and luminance channel for the lift, gamma and gain controls separately. Simply select 'primaries bars' from the dropdown menu near the top right of the color wheels.

- **Adjusting the 'lift':** With your clip selected on the color timeline, click on the 'lift' dial underneath the first color wheel. Slide it back and forth and watch how it affects your image. You'll see the brightness of the dark regions of your picture increase and decrease.  
Set it to where you want the dark areas to look their best. If you decrease the lift too much, you'll lose details in the blacks and you can use the parade scope to help avoid this. The optimal position for blacks on the waveform is just above the bottom line of the parade scope.
- **Adjusting the 'gain':** Click on the 'gain' dial and slide it back and forth. This adjusts the highlights which are the brightest areas of your clip. The highlights are shown on the top section of the waveform on the parade scope. For a brightly lit shot, these are best positioned just below the top line of the waveform scope. If the highlights rise above the top line of the waveform scope, they will clip and you will lose details in the brightest regions of your image.
- **Adjusting the 'gamma':** Click on the 'gamma' dial underneath the color wheel and slide it back and forth. As you increase the gamma you'll see the brightness of the image increase. Notice the middle section of the waveform will also move as you adjust the gamma. This represents the mid tones of your clip. The optimal position for mid tones generally falls between 50 to 70% on the waveform scope. However, this can be subjective based on the look you are creating and the lighting conditions in the clip.

You can also use the curves palette to make primary color corrections. Simply click to create control points on the diagonal line inside the curve graph, and drag them up or down to adjust the master RGB contrast at different areas of image tonality. The optimum points to adjust are the bottom third, mid, and top third of the curve line.

There are many more ways of doing primary color correction in DaVinci Resolve.



The curves palette is another tool you can use to make primary color corrections, or enhance specific areas of your clip when using a power window

## Secondary Color Correction

If you want to adjust a specific part of your image then you need to use secondary corrections. The adjustments you have been doing up until now using the lift, gamma and gain adjustments affect the whole image at the same time and so they are called primary color corrections.

However, if you need to adjust specific parts of your image, say for example you wanted to improve the color in the grass in a scene, or you wanted to deepen the blue in a sky, then you can use secondary corrections. Secondary color corrections are where you select a part of the image and then adjust only that part. With nodes, you can stack multiple secondary corrections so you can keep working parts of your image until everything is just right! You can even use windows and tracking to allow the selections to follow movement in your images.

## Qualifying a Color

Often you'll find a specific color in your clip can be enhanced, for example grass by the side of a road, or the blue in a sky, or you may need to adjust color on a specific object to focus the audience's attention on it. You can easily do this by using the HSL qualifier tool.



Using the HSL qualifier to select colors in your image is helpful when you want to make areas of your image 'pop', to add contrast, or to help draw the audience's attention to certain areas of your shot

### To qualify a color:

- 1 Add a new serial node.
- 2 Open the 'qualifier' palette and make sure the 'selection range' picker tool is selected.
- 3 Click on the color in your clip you want to affect.
- 4 Usually you'll need to make some adjustments to soften the edges of your selection and limit the region to only the desired color. Click on the 'highlight' button above the viewer to see your selection.
- 5 Adjust the 'width' control in the 'hue' window to broaden or narrow your selection.

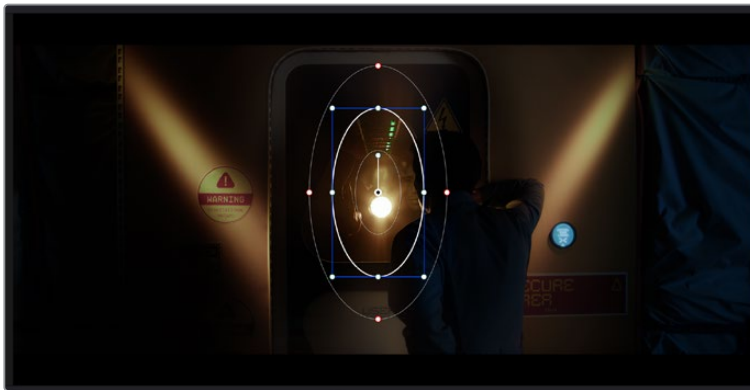


Experiment with the high, low and softness controls to see how to refine your selection. Now you can make corrections to your selected color using the color wheels or custom curves.

Sometimes your selection can spill into areas of the shot you don't want to affect. You can easily mask out the unwanted areas using a power window. Simply create a new window and shape it to select only the area of color you want. If your selected color moves in the shot, you can use the tracking feature to track your power window.

## Adding a Power Window

Power windows are an extremely effective secondary color correction tool that can be used to isolate specific regions of your clips. These regions don't have to be static, but can be tracked to move with a camera pan, tilt or rotation, plus the movement of the region itself.



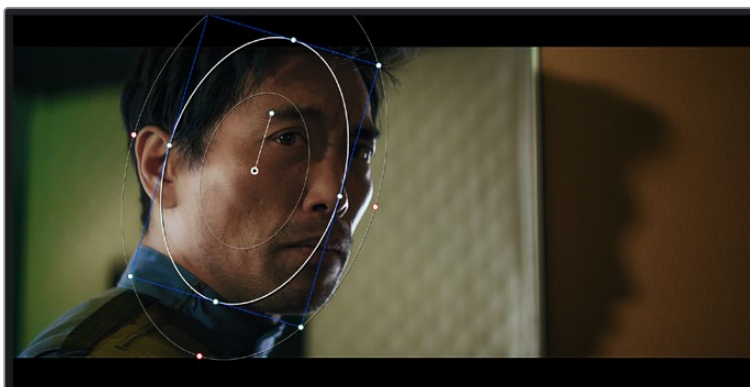
Use power windows to mask out areas you don't want to be affected by the HSL qualifier secondary adjustments

For example, you can track a window on a person in order to make color and contrast changes just to that person without affecting his or her surroundings. By making corrections like this you can influence the audience's attention on areas you want them to notice.

### To add a power window to your clip:

- 1 Add a new serial node.
- 2 Open the 'window' palette and select a window shape by clicking on a shape icon. Your selected window shape will appear on the node.
- 3 Resize the shape by clicking and dragging the blue points around the shape. The red points adjust the edge softness. You can position the shape by clicking the center point and moving it to the area you want to isolate. Rotate the window using the point connected to the center.

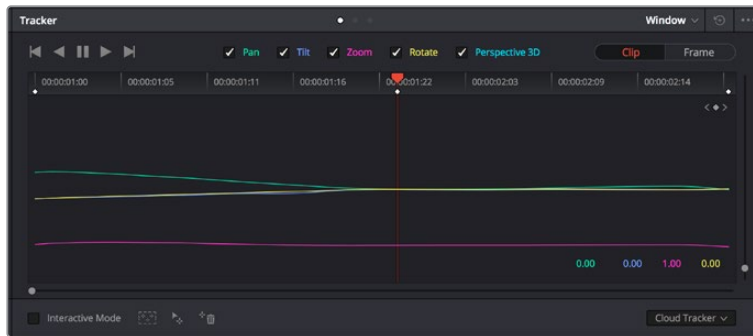
Now you can make color corrections to your image in just the area you want.



Power windows let you make secondary corrections to specific parts of your image

## Tracking a Window

The camera, object or area in your shot may be moving, so to make sure your window stays on your selected object or area, you can use DaVinci Resolve's powerful tracking feature. The tracker analyzes the pan, tilt, zoom and rotation of the camera or object in your clip so you can match your windows to that movement. If this isn't done, your correction can move off the selected target and call attention to itself, which you probably don't want.



You can track objects or areas in your clip using the tracker feature so power windows can follow the action

### To track a window to a moving object:

- 1 Create a new serial node and add a power window.
- 2 Go to the start of your clip and position and size the window to highlight just the object or area you want.
- 3 Open the 'tracker' palette. Select the pan, tilt, zoom, rotate, and perspective 3D settings appropriate for the movement in your clip by checking or unchecking the relevant 'analyze' checkboxes.
- 4 Click on the 'forward' arrow to the left of the checkboxes. DaVinci Resolve will now apply a cluster of tracking points on your clip and then step through the frames to analyze the movement. When the tracking is done, your power window will follow the path of the movement in your clip.

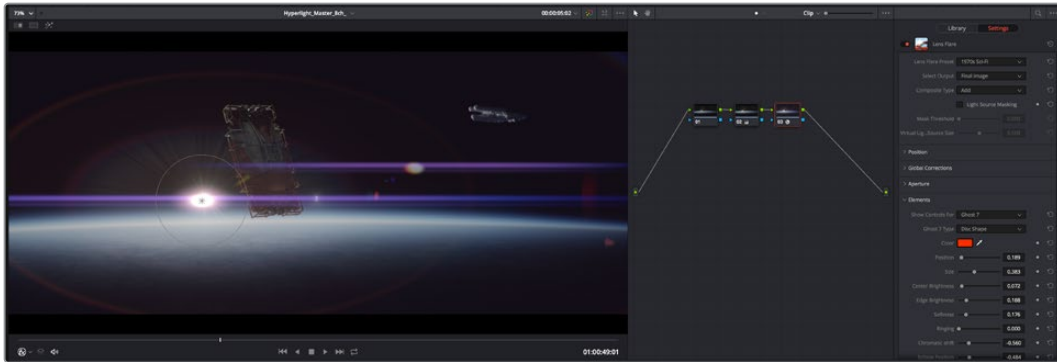
Most of the time automatic tracking is successful, but scenes can be complex and sometimes an object can pass in front of your selected area, interrupting or affecting your track. This can be solved manually using the keyframe editor. Refer to the DaVinci Resolve manual to find out more.

## Using Plugins

While making secondary color corrections you can also add ResolveFX or OpenFX plugins to create fast, interesting looks and effects using the 'color' page, or imaginative transitions and effects on your clips on the 'edit' page. ResolveFX are installed with DaVinci Resolve, OFX plugins can be purchased and downloaded from third party suppliers.

After installing a set of OFX plugins, you can access them or ResolveFX plugins on the color page by opening the OpenFX inspector to the right of the 'node editor'. Once you create a new serial node, simply click the 'OpenFX' button to open the FX library and drag and drop a plugin onto the new node. If the plugin has editable settings, you can adjust these in the adjoining 'settings' panel.

In the 'edit' page you can add plugin filters, generators and transitions to clips by opening the 'OpenFX' panel in the 'effects library' and dragging your selected plugin onto the video clip or track above your clip on the timeline depending on the plugin requirements.



OFX plugins are a quick and easy way to create an imaginative and interesting look

## Mixing Your Audio

### Mixing Audio in the Edit Page

Once you have edited and color corrected your project, you can begin to mix your audio. DaVinci Resolve has a helpful set of features for editing, mixing and mastering audio for your project directly in the 'edit' page. For projects requiring more advanced audio tools, the Fairlight page provides you with a full audio post production environment. If you are already familiar with the edit page and want to move straight to Fairlight, skip this section and move onto the next.

### Adding Audio Tracks

If you are working in the edit page and want to mix a basic sound edit with lots of sound effects and music, you can easily add more audio tracks when you need them. This can be helpful when building your sound, and separating your audio elements into individual tracks, for example, dialogue, sound effects and music.

### To Add an Audio Track to the Edit Page

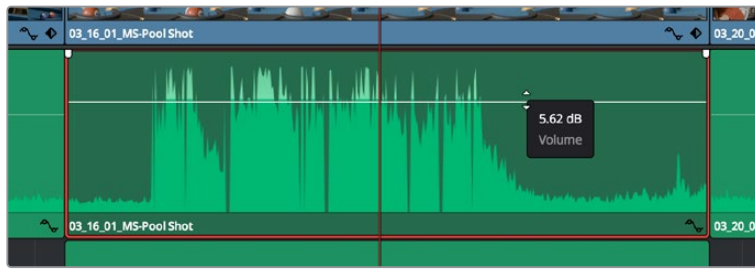
Right click next to the name of any audio track on your timeline and select 'add track' and choose from the options, including 'mono', 'stereo', and '5.1'. This will add the track to the bottom of the track list. Alternatively select 'add tracks' and select the position you would like the new track or multiple tracks placed.

Your new audio track will appear on the timeline.

**TIP** If you wish to change the type of track after creating it, right click next to the name of the track and select 'change track type to' and select the type of audio track you want, such as stereo, mono or 5.1.

### Adjusting Audio Levels in the Timeline

Each clip of audio in the timeline has a volume overlay that lets you set that clip's level by simply dragging it up or down with the pointer. This overlay corresponds to the Volume parameter in the Inspector.

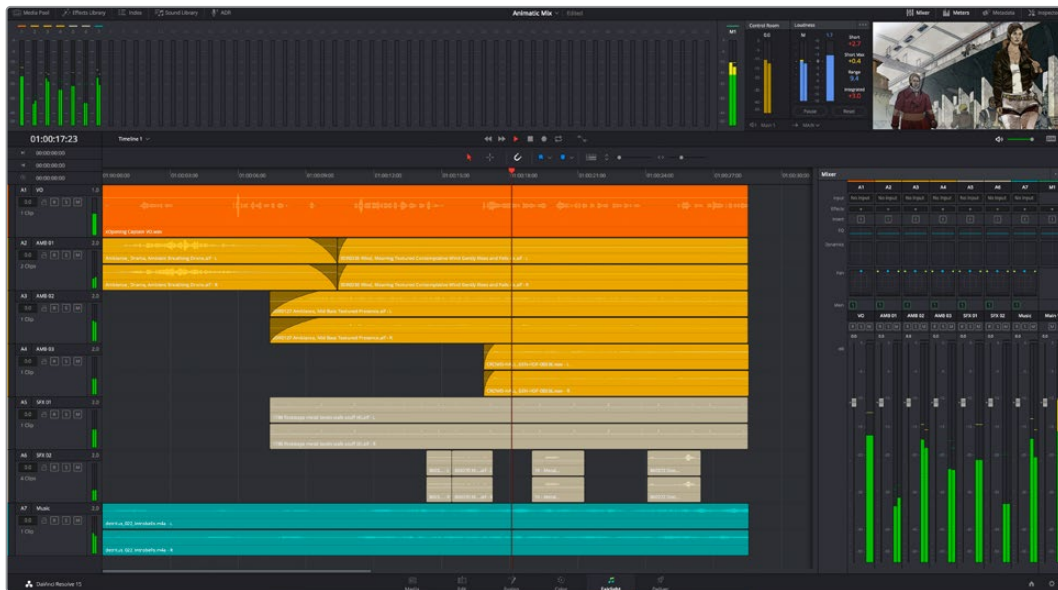


Dragging a volume overlay to adjust the clip level

For projects requiring more advanced audio tools, the Fairlight page provides you with a full audio post production environment.

## The Fairlight Page

The 'Fairlight' page in DaVinci Resolve is where you adjust your project audio. In single monitor mode, this page gives you an optimized look at the audio tracks of your project, with an expanded mixer and custom monitoring controls that make it easy to evaluate and adjust levels in order to create a smooth and harmonious mix. Don't feel overwhelmed by the vast array of features in front of you, they are all there to help you deliver the best audio quality for your project.

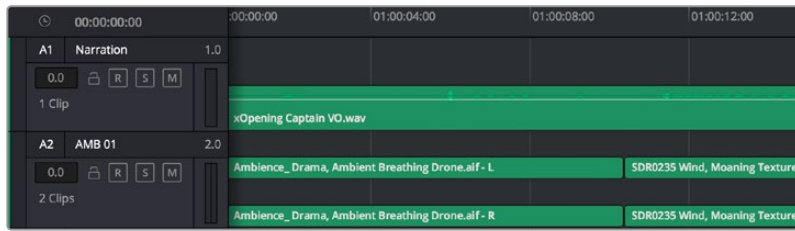


This guide provides a basic overview of the features on the Fairlight page, but to learn more about all the details for each feature, refer to the DaVinci Resolve manual. The DaVinci Resolve manual provides details on the purpose of each tool and describes how to use them in easy to follow steps.

## The Audio Timeline

- Track Header:** At the left of each track is a header area that displays the track number, track name, track color, audio channels, fader value and audio meters. The track header also contains different controls for locking and unlocking tracks, plus solo and muting controls. These controls can help to keep your tracks organized, and let you preview individual tracks one at a time.

- **Tracks:** Each track on the Fairlight page is divided into lanes, which show each individual channel of clip audio for editing and mixing. The edit page hides these individual audio channels, displaying only a single clip in the timeline to make it easier to edit multi channel sources without needing to manage a huge number of tracks.



The track header on track A1 indicates a mono track with a single lane for mono audio, and the A2 track header indicates a stereo track with two lanes to accommodate stereo audio

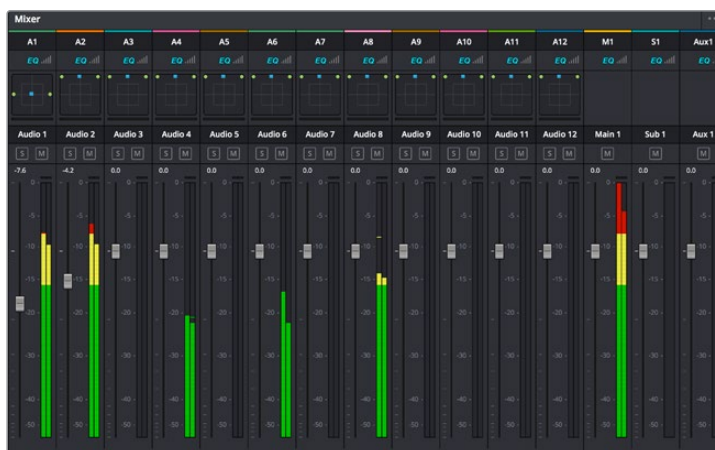
## What is a Bus?

A bus is essentially a destination channel to which you can route multiple audio tracks from the timeline, so that they are mixed together into a single signal that can be controlled via a single channel strip.

- **Main Bus:** 'Main busses' are typically the primary output of a program and each new project you create starts out with a single 'main bus', to which all tracks are routed by default. The 'main bus' combines all of the tracks in the timeline into one signal so that you can adjust the overall level of the audio mix once you have adjusted the level of each individual track.
- **Sub Bus:** 'Sub busses' allow you to combine multiple tracks of audio that belong to the same category such as dialogue, music or effects so that everything in that category can be mixed as a single audio signal. For example, if you have five dialogue tracks, you can route the output of all five dialogue tracks to a 'submix bus', and the level of all dialogue can then be mixed with a single set of controls. This submix can be rendered separately or sent to the main bus for render.

## The Mixer

Each audio track in your timeline corresponds to an individual channel strip in the Mixer, and by default there's a single strip on the right for the 'main bus' labeled 'M1'. Additional channel strips will appear on the right hand side with a set of controls for each additional 'main' and 'submix bus' you create. A set of graphical controls allows you to assign track channels to output channels, adjust EQ and dynamics, set levels and record automation, pan stereo and surround audio, and mute and solo tracks.



The audio mixer, with channel strips corresponding to the tracks in the timeline

## Using the Equalizer to Enhance your Audio

After adjusting the audio levels of your audio clips in your project, you may find that the audio needs further finessing. In some cases you may find that the dialogue, music and sound effects are competing for the same frequency on the audio spectrum, making your audio too busy and unclear. This is where using EQ can help, as it allows you to specify the parts of the audio spectrum that each track occupies. You can also use an equalizer to help remove unwanted elements from your audio by isolating and reducing the level on particular frequencies that contain low rumbles, hums, wind noise and hiss, or simply to improve the overall quality of your sound so it is more pleasing to listen to.

DaVinci Resolve provides EQ filters that can be applied at a clip level to each individual clip or at the track level to affect entire tracks. Each audio clip in the timeline has a four band equalizer in the inspector panel, and each track has a 6 band parametric equalizer in the mixer panel. The graphical and numeric controls for boosting or attenuating different ranges of frequencies, and different filter types allow you to define the shape of the EQ curve.



The four band equalizer can be applied to every clip in the timeline

Outer bands let you make band filter adjustments using hi-shelf, lo-shelf, hi-pass and lo-pass filters. A pass filter affects all the frequencies above or below a particular frequency, by removing those frequencies completely from the signal. For example, a high pass filter will allow the high frequencies to pass through the filter while cutting the low frequencies. Any frequencies outside the cutoff frequency are cut gradually in a downward sloping curve.

A shelf filter is less aggressive, and is useful when you want to shape the overall top end or low end of the signal without completely removing those frequencies. The shelf filter boosts or cuts the target frequency and every frequency either above or below it evenly, depending on whether you use a high shelf or low shelf.

The middle sets of band controls let you make a wide variety of equalization adjustments, and can be switched between lo-shelf, bell, notch, and hi-shelf filtering options.

- **Bell:** Bell filters boost or cut frequencies around a given center point of the bell curve, and as the name suggests the shape of the curve is like a bell.
- **Notch:** Notch filters allow you to specifically target a very narrow range of frequencies. For example, removing a mains hum at 50 or 60Hz.
- **Lo-Shelf:** Low shelf filters boost or cut the target frequency at the low end, and every frequency below it
- **Hi-Shelf:** High shelf filters boost or cut the target frequency at the high end, and every frequency above it

### To add EQ to an individual clip:

- 1 Select the clip in the timeline that you want to add the EQ filter to.
- 2 Click on the inspector and then click the 'clip equalizer' enable button.

### To add EQ to a track:

- 1 Double click in the EQ section for one of your tracks in the mixer to open the equalizer for that track.
- 2 Select the band filter type from the dropdown menu for the band you want to adjust.



The EQ section in the mixer panel indicating an EQ curve has been applied to track one



The 6 Band parametric equalizer that can be applied to every track

Once you have added EQ to your clip or track, you can adjust the EQ for each band. Note that controls may vary depending on which band filter type is selected.

### To adjust the EQ for a band filter:

- 1 Select the band filter type from the dropdown menu for the band you want to adjust.
- 2 Adjust the 'frequency' value to select the center frequency of the EQ adjustment.
- 3 Adjust the 'gain' value to boost or attenuate the frequencies governed by that band.
- 4 Use the 'Q factor' value to adjust the width of affected frequencies.

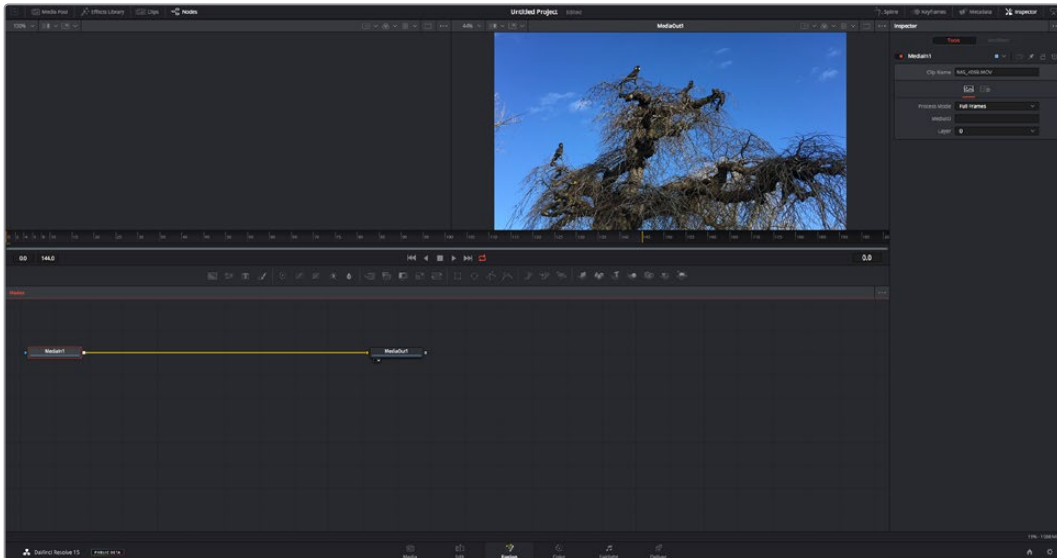
Use the reset button to reset all controls in the EQ window to their defaults.

Fairlight has many controls you can use to improve the quality of each audio track. You can add more tracks and arrange buses to organize them, plus add effects like delay or reverb, and generally perfect your audio mix.



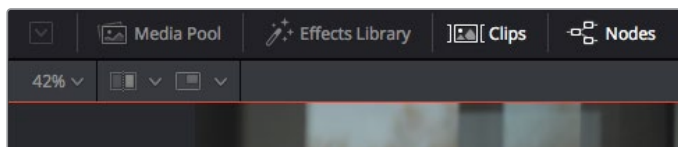
## Adding VFX and Compositing on the Fusion Page

Now that you have completed your edit, you can open the Fusion page to add 2D or 3D visual effects and motion graphics right within DaVinci Resolve. Unlike layer based compositing software, Fusion uses nodes, giving you the freedom to build complex effects while routing image data in any direction. The nodes window clearly shows every tool used along the way. If you have experienced the node workflow in the color page, this will feel familiar to you.



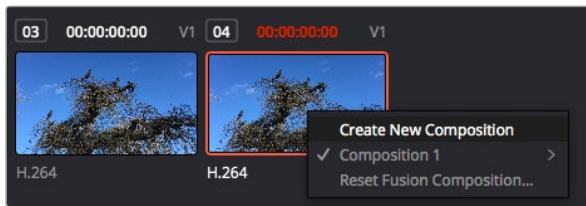
### The Fusion Page

The Fusion page features 2 viewer windows across the top with transport controls to view your media, an inspector window to the right to access tool settings, and a nodes window at the bottom where you build your composition. While the viewers and transport controls are always visible, clicking on the icons on the interface toolbar at the very top of the display will let you show or hide the nodes and inspector windows, or reveal or hide additional windows including the effects library and editors for spline and keyframes.



- **Media Pool:** The media pool functions the same way as it appears in the edit page. Simply drag additional media from your bins directly to your composition.
- **Effects Library:** The effects library is where you will find your Fusion tools and templates sorted into categories including particle, tracking, filters and generators. You can either click on the tool or drag it to the nodes area to add it to your composition. The media pool and effects library take up the same screen area, so you can swap between the two to keep your viewers as large as possible.
- **Clips:** Clicking the clips tab will reveal or hide thumbnails representing clips on your timeline. The thumbnails are located underneath the nodes editor, letting you instantly navigate to other clips.





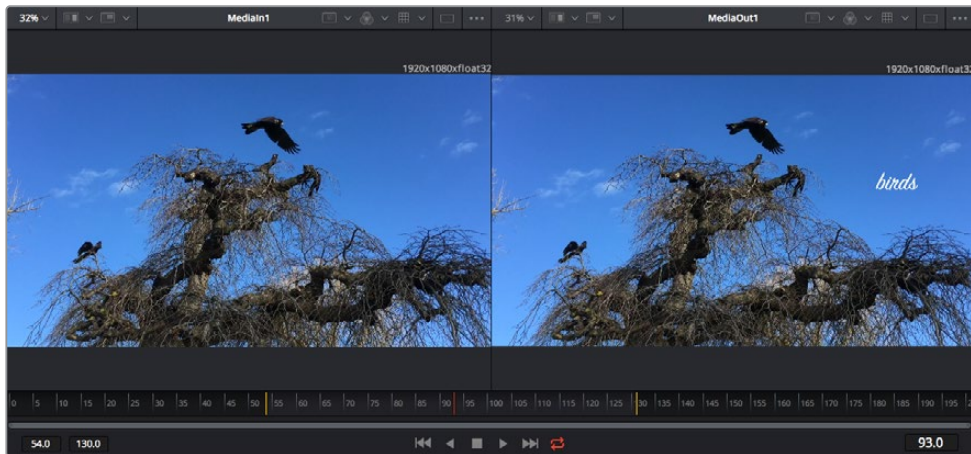
Create a new version of your composition by right clicking on a thumbnail and selecting 'create new composition'.

- **Viewers:** The viewers are always visible and let you see the different views of your composition, for example an overall 3D perspective via the merge 3D node, a camera output, or your final render output. These viewers also let you see how your changes are affecting a specific element.

You can choose which nodes to view by clicking on a node and typing '1' for the left viewer or '2' for the right viewer. White button icons appear beneath the node to let you know which viewer it is assigned to. If you're using external video monitoring, there will be a third button available to route your media to your external video monitor.

**TIP** You can also assign a node to a viewer by dragging the node into the viewer itself.

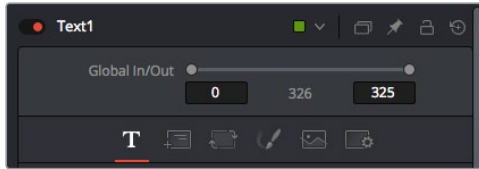
The transport controls underneath the viewers let you skip to the start or end of the clip, play forward or reverse, or stop playback. The time ruler displays the entire range of a clip, with yellow marks indicating the in and out points.



The yellow marks on the time ruler indicate your clip's in and out points on your timeline. If you are using a Fusion clip or compound clip, the time ruler will only show you the duration of the clip as it appears on the timeline, without handles.

- **Nodes:** The nodes window is the heart of the Fusion page where you build your node tree by connecting tools together from one node's output to another node's input. This area will change size depending on which editors are open, for example the spline or keyframes editor. A toolbar at the top of the nodes area features the most commonly used tools for fast access.
- **Spline:** When the spline editor is open, it will appear to the right of the nodes window. This editor lets you make precise adjustments to each node, such as smoothing the animation between two keyframes using bezier curves.

- **Keyframes:** Keyframes for each tool can be added, removed or modified using the keyframes editor. This also appears to the right of the nodes viewer.
- **Metadata:** The metadata window will show you metadata available for the active clip, including the codec, frame rate and timecode.
- **Inspector:** The inspector in the top right corner displays all settings and modifiers available for one or more selected nodes. Additional tab options will appear to provide quick access to other settings for nodes sorted by category.

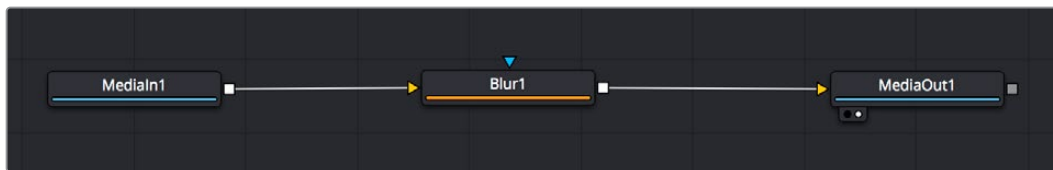


The text inspector contains additional tabs for text, layout, transform, shading, image and settings.

## Getting Started with Fusion

To get started with Fusion, simply position your playhead over any clip on your timeline and click on the 'Fusion' tab to open the Fusion page.

On the Fusion page, your clip is immediately available in a media input node labelled 'MediaIn'. Every composition will begin with a 'mediain' and a 'mediaout' node. This mediain node represents the top most clip of your timeline at the playhead, and ignores any clips underneath. Any adjustments you've applied to the clip on the edit page, such as transform tools and cropping changes, are also included.



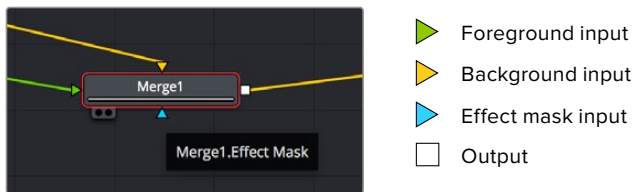
The media output node, named 'MediaOut', is the node that sends the output back to your timeline on DaVinci Resolve's edit page.

**TIP** ResolveFX or OFX plug-ins applied to clips in the edit page are not applied in the Fusion page. This is because Fusion effects occur prior to color correction and OFX/ResolveFX processing. If you want OFX applied before Fusion effects, right click the clip in the edit page and select 'new fusion clip' before clicking on the Fusion page.

## Understanding Nodes

It can be helpful to think of each node as a visual icon representing a single tool or effect. Nodes are connected to other nodes to build the overall composition, much like ingredients in a cake. It's important to understand the inputs and outputs of each node as this will help you navigate the flow of your composition while building detailed visual effects.

Some tools have multiple inputs and outputs you can connect to other nodes. The merge node, for example, lets you attach a foreground input, background input, and a mask input for mattes or keys.

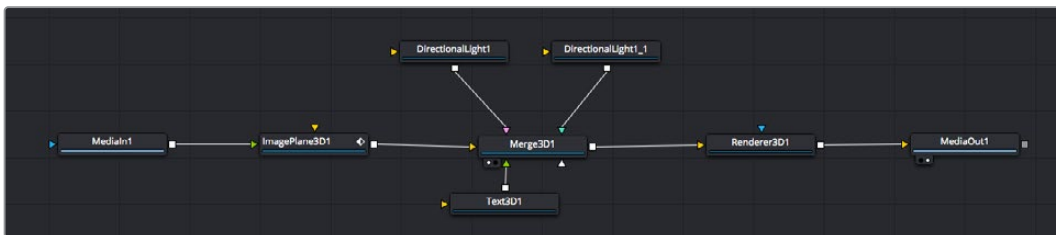


Multiple outputs on nodes means a single node can connect to many different nodes in your composition, so you don't have to duplicate clips as you would in layer based software. Arrows on the line between connected nodes are a great visual indicator to show you which direction the image data is flowing.

### Adding Nodes to the Node Editor

Adding effects is as simple as placing nodes on the line between the 'mediain' and 'mediaout' nodes.

There are a few ways you can do this. You can hold down the shift button and drop a node between two nodes, or click on the node you want to attach an effect to and select the tool you want to add. The new node will automatically connect to the tool selected. You can also add a node anywhere on the node window and manually connect nodes by dragging the output of one to the input on another.



The most commonly used tool is the 2D or 3D merge node. This node is like a central hub that combines tools on the node editor into a single output.

The merge node has controls for how the inputs are managed, including settings for size, position, and blend. These settings are all accessible in the inspector panel when the merge node is selected.

The toolbar above the node panel contains the most commonly used tools as icons that you can either click on to add the node, or drag the tool to the node panel. If you want to see all the complete tools available, click on the 'effects library' in the top left corner and expand the 'tools' option. Here you'll find all the tools sorted by category, as well as a set of pre-built 'templates' you can use, for example lens flares, shaders and backgrounds.

**TIP** Once you're familiar with the tool names, you can hold down 'shift' and press 'spacebar' on your keyboard and a 'select tools' menu will appear. As you type the tool name, the menu will suggest the relevant tool. This is a very fast way to select the tool you want.

## Adjusting Nodes Using the Inspector Panel

Adjust your node settings using the inspector panel. Simply click on the node you want to modify and the panel will update to display its settings and controls.

With Fusion, you don't have to be viewing the node you're editing, as you can modify one node while viewing another in your composition. For example, you can modify the size and center position of a 'text+' node while the merge node is in the viewer, letting you view the text relative to the background.



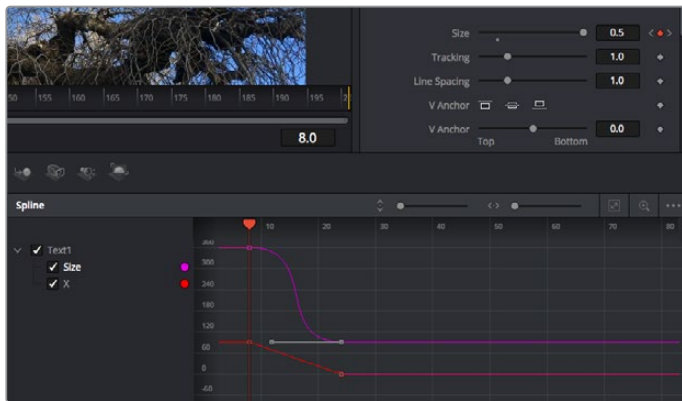
Selected nodes appear with a red border. Here the inspector panel is displaying the layout tab controls for the text node.

There are different parameters and settings you can adjust for every node depending on its task, from sizing and center positions to changing the number of particles in an emitter node. Setting keyframes and changing the settings over time will animate the effect.

## Working with Keyframes

In the inspector window, set a keyframe by right clicking on a setting and choosing 'animate' from the contextual menu. The keyframe icon to the right of the setting will turn red. This means keyframes are now active and any changes you make will be applied to the current frame only. When two or more keyframes are created by changing the setting parameters on a different frame, a transition is interpolated between them. Arrows on each side of the keyframe icon let you move the playhead to those exact positions on the timeline.

The splines panel gives you further control over keyframe animation. You can select keyframes, such as the first and last, and smooth the animation between them into a bezier curve by typing 'shift' + 's', or right clicking on a keyframe and selecting 'smooth'.



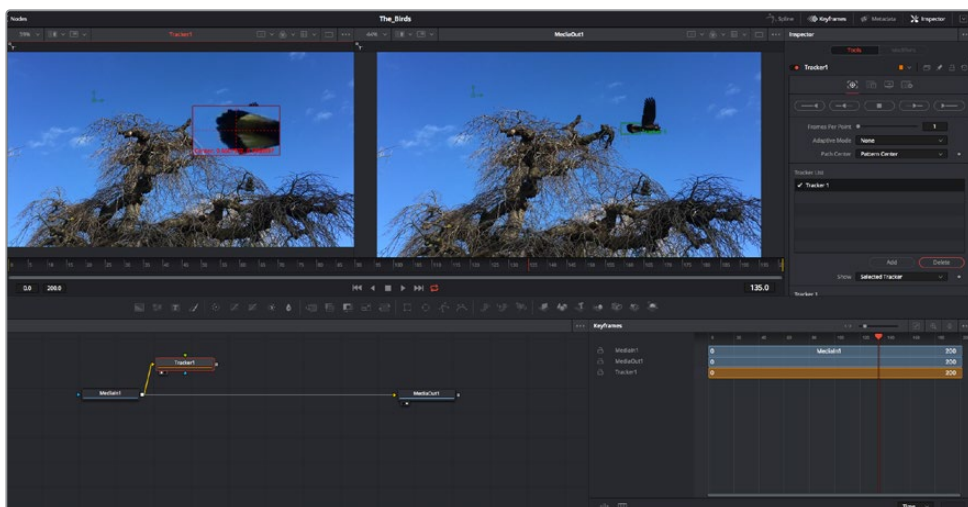
Here, the 'size' keyframe animation has been smoothed into a bezier curve. You can click the bezier handles to shorten or lengthen the curve, or the keyframe square icons to move the keyframe location.

## Using the Motion Tracker and Adding Text

To get a better idea of how to use Fusion, we have included the following examples to show how to use the tracker tool to track an element in a clip, plus add text and attach it to the element using the tracking data.

The 'tracker' tool tracks pixels over time on the x & y axis, and generates data you can use to attach other elements. This is great for when you want to match the position of text to a moving object, such as a car driving along the road, or a bird as it flies across frame.

- 1 In the 'effects library', select the 'tracking' tool and drag it to the line between the 'mediain' and the 'mediaout' nodes. Now click the tracker node to reveal its properties in the inspector.
- 2 Type '1' on your keyboard to see the 'tracker' node on the left viewer. The clip will appear in the viewer together with the tracker at its default position. Hover your mouse pointer over the tracker to reveal the tracker handle. Click on the tracker handle at the top left corner and drag the tracker to an area of interest on your clip. High contrast areas work well, for example the badge on the hood of a car. The tracker will magnify the image area for extra precision.
- 3 In the inspector window, click on the 'track forward' button to start tracking. A notification window will appear when the tracking is done. Click OK.

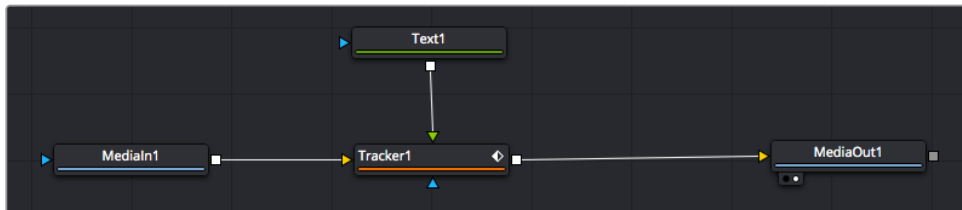


Tracking options in the inspector panel include track reverse from last frame or current frame, stop track or track forward from current frame or first frame.

**TIP** Track reverse or forward from current frame is great for situations where your area of interest disappears during the render range, such as a car or bird moving out of frame. This lets you track only the relevant footage.

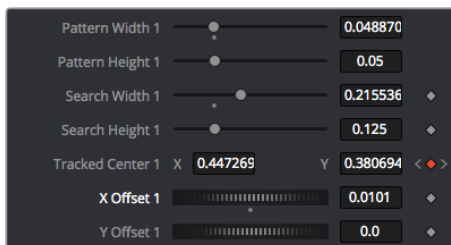
Now you can take that tracking data and apply the motion path to a text tool.

- 4 Click on the 'text+' node icon from the toolbar of commonly used nodes and drag it to the node panel near the 'tracker' node. Connect the 'text' output square to the green foreground input on the 'tracker'.



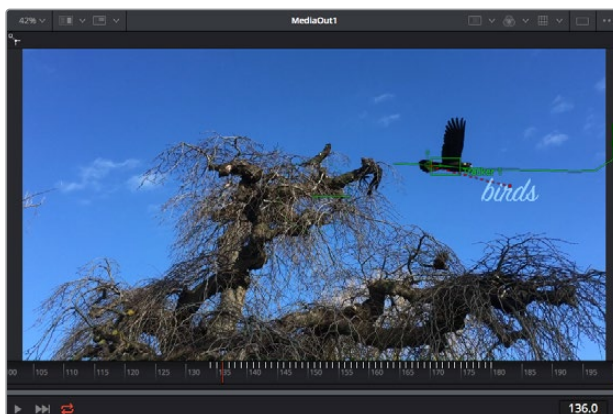
- 5 Click on the 'tracker' node and type '1' so you can see the merged results on your left hand viewer. In the 'tracker' inspector panel, click on the 'operations' tab. You can see the tab's name by hovering the mouse pointer over it. Click the dropdown menu next to operation and select 'match move'.
- 6 Click the 'text' node to reveal the properties in the inspector. Type your text into the text box and change the font, color and size to suit your composition.

This will apply the tracking position data from your tracker to your text. If you want to change the text offset, click on the 'trackers' tab back in the inspector panel and use the x and y offset scroll wheels to modify the position.



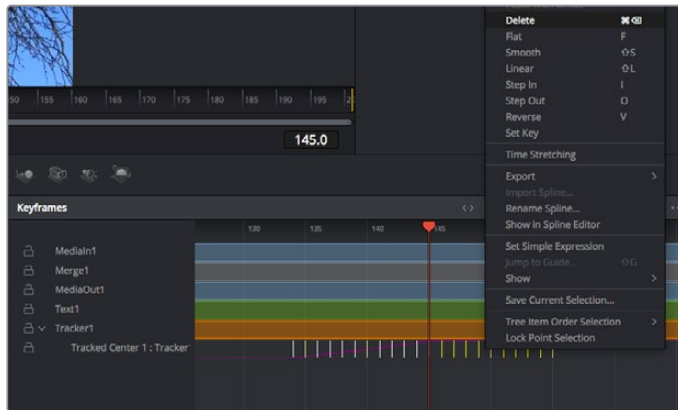
Scroll wheels at the bottom of the tracker inspector panel let you adjust the offset position for the text.

Now you can play back your composition and see your text attached to the object you have tracked!



The green square is the tracker's current position along the green path, and the red dashed line is the offset position used to animate the text.

For some shots you might want to remove track points after tracking, such as when the object you are tracking disappears off the screen. The keyframe editor makes this a very simple process.



- 7 Click on the keyframes tab above the inspector to open the keyframes editor. Any nodes with keyframes applied will have a small arrow next to the node label, and only the parameter with keyframes added will appear in the list below. Click on the magnify icon and drag a box around the area you want to edit. This will zoom into that area so you can see the keyframes easier.
- 8 Move the playhead to the location of the last keyframe you want. Now select the keyframes you wish to remove by drawing a box around them with your mouse. The keyframes will highlight yellow. Right click and choose delete from the menu.

**TIP** If your effects are particularly system intensive, right clicking on the transport controls area will give you viewer options, including proxy playback, helping you get the most out of your system while you build your composition. Refer to the DaVinci Resolve manual for further detail on all the playback options.

You have now completed your first composition animating text to match a movement in your footage!

If you want to track an area of the image that contains a flat surface you want to enhance or replace, you can use the planar tracker. Tracking 2D planes can be helpful for changing labels and signs in a moving image, or even adding an image to a monitor or TV in your shot.

For more information about the planar tracker and the many powerful tools in the DaVinci Resolve Fusion page, see the DaVinci Resolve manual.

**TIP** As you build visual effects in the Fusion page, it's worth noting if the effect you are building is a 2D effect, or a 3D effect, as this will determine which merge tool is used. You may discover yourself frequently combining 2D and 3D effects in the one composite. In this scenario, it's helpful to remember that any visual effect using the 3D space needs to be rendered as a 2D image before it can be merged into a 2D composite.



We believe you will have lots of fun with Fusion and exploring Fusion’s visual effects with the power of DaVinci Resolve’s edit, color, and Fairlight pages. With all these tools at your finger tips, DaVinci Resolve is incredibly powerful and there is really no limit to what you can create!

## Mastering Your Edit

Now you’ve edited, graded, added vfx and mixed your audio, you’ll want to share it with others. You can use the Quick Export button, or menu selection, to output the contents of the Timeline as a self contained file in one of a variety of different formats, or use the additional features of the ‘deliver’ page.



The ‘deliver’ page is where you export your edit. You can select from many different video formats and codecs

## Quick Export

You can choose File > Quick Export to use one of a variety of export presets to export your program from any page of DaVinci Resolve. You can even use quick export to export and upload your program to one of the supported video sharing services, including YouTube, Vimeo, and Frame.io.

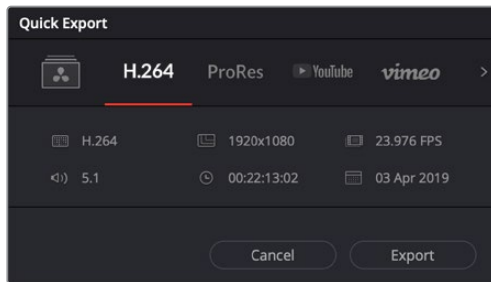
### To use Quick Export:

- 1 In the ‘edit’, ‘fusion’, or ‘color’ page, optionally set in and out points in the timeline to choose a range of the current program to export. If no timeline in or out points have been set, the entire timeline will be exported.

Choose File > Quick Export.

- 2 Select a preset to use from the top row of icons in the quick export dialog, and click ‘export’.
- 3 Choose a directory location and enter a file name using the export dialog, then click ‘save’. A progress bar dialog appears to let you know how long the export will take.





The quick export dialog

## The Deliver Page

This page lets you select the range of clips you want to export, plus the format, codec and resolution you want. You can export in many types of formats such as QuickTime, AVI, MXF and DPX using codecs such as 8-bit or 10-bit uncompressed RGB/YUV, ProRes, DNxHD, H.264 and more.

### To export a single clip of your edit:

- 1 Click on the 'deliver' tab to open the deliver page.
- 2 Go to the 'render settings' window on the top left of the page. Choose from a number of export presets, for example YouTube, Vimeo and audio presets, or you can set your own export settings manually by leaving it set to the default 'custom' preset and entering your own parameters. For this example, select YouTube, then click on the arrow next to the preset and select the 1080p video format.  
  
The frame rate will be locked to your project frame rate setting.
- 3 Underneath the presets you will see the timeline filename and the target location for your exported video. Click the 'browse' button and choose the location where you want to save your exported file and then select 'single clip' from the render option.
- 4 Immediately above the timeline, you'll see an options box with 'entire timeline' selected. This will export the entire timeline, however you can select a range of the timeline if you want to. Simply choose 'in/out range' and then use the 'i' and 'o' hot key shortcuts to choose the in and out points in your timeline.
- 5 Go to the bottom of the 'render settings' and click on the 'add to render queue' button.

Your render settings will be added to the render queue on the right side of the page. Now all you have to do is click 'start render' and monitor the progress of your render in the render queue.

When your render is complete you can open the folder location, double click on your new rendered clip and watch your finished edit.

Now that you have a basic knowledge of how to edit, color, mix audio and add visual effects, we recommend experimenting with DaVinci Resolve. Refer to the DaVinci Resolve manual for more details on how each feature can help you make the most of your project!

# Understanding Studio Camera Control

Blackmagic URSA Mini can be used as a studio camera and controlled from an ATEM switcher using the Camera Control feature in ATEM Software Control. This lets you add a camera with large sensor picture quality and amazing dynamic range to your broadcast studio and control it just as you would any studio camera.



ATEM Camera Control

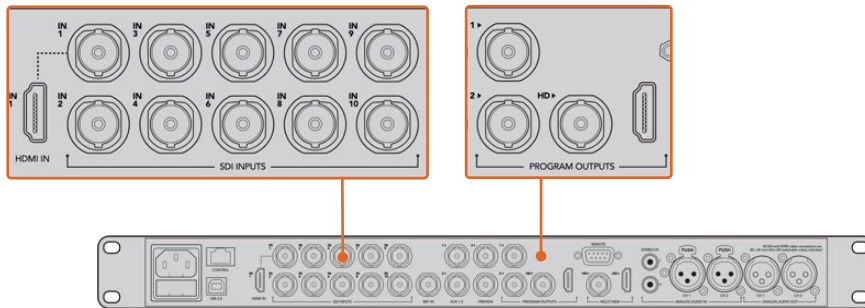
Clicking on the camera button opens the camera control feature. Settings such as iris, gain, focus and zoom control are easily adjusted using compatible lenses, plus you can color balance cameras and create unique looks using the DaVinci Resolve primary color corrector. It's important to note that the DaVinci Resolve primary color corrector and 'detail sharpening' features of ATEM Camera Control are not available for URSA Mini Pro 12K.

The ATEM switcher control works by broadcasting camera control packets via all the non down converted SDI outputs of an ATEM switcher. So this means you can connect an SDI output of an ATEM switcher to URSA Mini's 12G SDI input, your camera will detect the control packets in the SDI link and allow you to control features in the camera itself.

## Connecting your URSA Mini

- 1 Connect your Blackmagic URSA Mini's 12G-SDI Out to any SDI In on the ATEM switcher.
- 2 Connect any one of the ATEM switcher's SDI outputs, except down converted or multi view outputs, to your URSA Mini's 12G-SDI input. Camera control signals are not sent via the multi view and down converted SDI outputs.
- 3 On your URSA Mini, navigate to 'ATEM Camera ID' in the 'setup' menu and set your camera's ATEM ID to match the switcher input. For example, if URSA Mini 1 is connected to Cam 1 on the ATEM switcher, the camera number must also be set to 1. This ensures tally is sent to the correct camera.
- 4 In the 'setup' menu select your 'reference source'. Unless you have a genlock signal being sent to all of your cameras and your switcher, we recommend setting 'reference source' to 'program' when attached to ATEM.

- 5 Navigate to the 'monitor' menu and ensure that you have selected 'clean feed' for 'main SDI' to ensure that you don't see overlays or the focus box on the SDI output to the ATEM switcher.



Connect your URSA Mini to any of the ATEM switcher's SDI inputs

## Using Camera Control

Launch ATEM Software Control and click on the camera button located at the bottom of the software window. You'll see a row of labeled camera controllers containing tools to adjust and refine each camera's image. The controllers are easy to use. Simply click the buttons using your mouse, or click and drag to adjust.

### Camera Control Selection

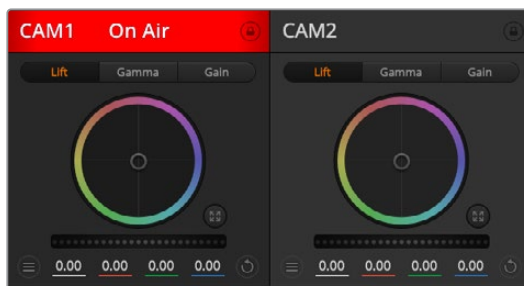
The button row at the top of the camera control page lets you select the camera number you would like to control. If you have more cameras that fit onto the window size, or you are running the color corrector window, then you can use these buttons to select between which camera you would like to control. If you are using an Aux output for monitoring your camera control, pushing these buttons to change the camera to control will also send that camera's video output to the Aux output setup in the switcher preferences.



Click on the settings icon to select the Aux output for camera control

### Channel Status

The channel status at the top of each camera controller displays the camera label, On Air indicator and lock button. Press the lock button to lock all the controls for a specific camera. When on air, the channel status illuminates red and displays the On Air alert.



Each camera controller displays the channel status so you know which camera is on air. Use the color wheels to adjust each YRGB channel's lift, gamma and gain settings

## Color Wheel

The color wheel is a powerful feature of the DaVinci Resolve color corrector and used to make color adjustments to each YRGB channel's lift, gamma and gain settings. You can select which setting to adjust by clicking on the three selection buttons above the color wheel.

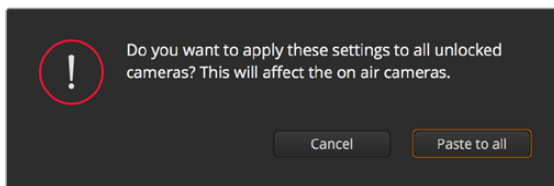
## Master Wheel

Use the master wheel below the color wheel to make contrast adjustments to all YRGB channels at once, or luminance only for each lift, gamma or gain setting.

## Reset Buttons

The reset button near the top right of each camera controller lets you easily choose color correction settings to reset, copy or paste. Each color wheel also has its own reset button. Press to restore a setting to its default state, or copy/paste a setting. Locked controllers are not affected by the Paste feature.

The master reset button on the top right corner of the color corrector panel lets you reset lift, gamma and gain color wheels plus Contrast, Hue, Saturation and Lum Mix settings. You can paste color correction settings to camera controllers individually, or all cameras at once for a unified look. Iris, focus, coarse and pedestal settings are not affected by the Paste feature. When applying Paste to all, a warning message will appear asking you to confirm your action. This is so you don't accidentally paste new settings to any unlocked cameras that are currently on air.



When applying Paste to all, a warning message will appear asking you to confirm your action. This is so you don't accidentally paste new settings to any unlocked cameras that are currently on air

## Iris/Pedestal Control

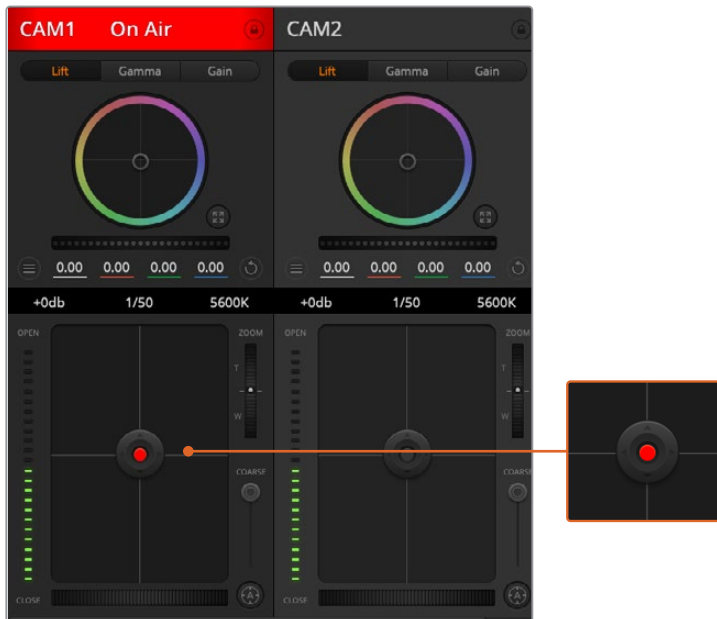
The iris/pedestal control is located within the cross hairs of each camera controller. The control illuminates red when its camera is on air.

To open or close the iris, drag the control up or down. Holding the shift key allows only iris adjustments.

**NOTE** When connected to ATEM ensure that you have Auto Exposure switched off. If you require Iris, zoom or focus control ensure that you have a lens that can be controlled electronically by the camera.

If you're using a B4 or PL lens connected via the broadcast 12 pin connector on URSA Mini, make sure the lens iris switch on the handgrip is set to 'A' or 'auto'.

To darken or lift the pedestal, drag the control left or right. Holding the command key on a Mac, or the Control key on Windows, allows only pedestal adjustments.



The iris/pedestal control illuminates red when its respective camera is on air

## Zoom Control

When using compatible lenses with an electronic zoom feature, you can zoom your lens in and out using the zoom control. The controller works just like the zoom rocker on a lens, with telephoto on one end, and wide angle on the other. Click on the zoom control, located above the coarse slider, and drag up to zoom in, or drag down to zoom out.

If your lens does not have active lens control or your camera does not support zoom control via the SDI camera control protocol then these settings will have no effect. For example, EF lenses do not have built in servos that can zoom the lens electronically so will not be zoomable with ATEM camera control.

**NOTE** Analogue B4 lenses do not support ATEM zoom control. For more information on analogue B4 lenses refer to the 'using servo zoom lenses' section

## Coarse Setting

The coarse setting is located to the left of the iris/pedestal control and is used to limit the iris range. This feature helps you prevent over exposed images from going to air.

To set your coarse threshold, completely open the iris using the iris control, then drag the coarse setting up or down to set optimum exposure. Now when you adjust the iris, the coarse threshold will prevent it from going above optimum exposure.

## Iris Indicator

The iris indicator is located to the left of the iris/pedestal control and displays a visual reference so you can easily see how open or closed the lens aperture is. The iris indicator is affected by the coarse setting.

## Auto Focus Button

The auto focus button is located at the bottom left corner of each camera controller. Press to automatically set the focus when you have an active lens that supports electronic focus adjustments. It's important to know that while most lenses support electronic focus, some lenses can be set to manual or auto focus modes, and so you need to ensure your lens is set to auto focus mode. Sometimes this is set by sliding the focus ring on the lens forward or backward. On B4 lenses with servo zoom control, you will need to set the switch at the bottom of the handgrip to 'servo'.



Click on the auto focus button or drag the manual focus adjustment left or right to focus a compatible lens

## Manual Focus Adjustment

When you want to manually focus your lens using ATEM Camera Control, you can use the focus adjustment located at the bottom of each camera controller. Drag the wheel control left or right to manually adjust focus while viewing the video feed from the camera to ensure your image is nice and sharp.

Manual focus control is only available from your switcher when using B4 and PL lenses with servo focus controls. As EF lenses do not have servo focus this option is not available when using URSA Mini EF.

## Camera Gain

The name for some settings, such as 'gain' and 'shutter speed', differs between ATEM Switchers and URSA Mini. For example, instead of a film ISO rating, ATEM Switchers use 'gain' to describe a camera's sensitivity to light.

**TIP** The difference between the terms 'gain' and 'ISO' are primarily due to differences between studio broadcast equipment and traditional film equipment. Exposure on television studio cameras, for example, could be monitored live from the camera. Light sensitivity adjustments could be made electronically inside the camera. This is different to film cameras, which are mechanical in nature and rely upon traditional light measurement techniques combined with photochemical ISO ratings.

When operating in varying light conditions, you might want to increase or decrease your camera's gain to avoid under exposing your images. To do this click the left arrow to decrease gain and the right arrow to increase gain.

Your ATEM Switcher will display gain in dB. This corresponds to the ISO settings on your camera in the following way:

Gain	ISO
0	200
6	400
12	800
18	1600

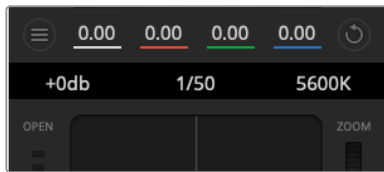
Please note that while URSA Mini 4.6K can be set to 18dB of gain, URSA Mini 4K's maximum gain is 12dB

## Shutter Speed Control

Shutter speed control is used to change your URSA Mini's shutter angle.

As with gain control, this setting is named differently due to the terminology differences between film cameras and broadcast cameras. Functionally, however, increasing shutter speed is exactly the same as decreasing shutter angle.

The shutter speed control is located between the color wheel and the iris/pedestal control. Decrease or increase the shutter speed by hovering your mouse pointer over the shutter speed indicator and clicking the left or right arrow.



Hovering your mouse pointer over the gain, shutter speed and white balance indicators reveal arrows you can click on to adjust their respective settings

**NOTE** As ATEM shutter speed control takes priority over the shutter angle selected on your URSA Mini, your camera's shutter angle controls are disabled when connected to an ATEM switcher.

The table below shows the available shutter speeds in shutter speed control and their equivalent shutter angles. It's worth noting that some shutter speeds fall outside of URSA Mini's minimum and maximum shutter angles of 11.25 and 360 degrees, respectively. If this happens, the closest available shutter angle is used.

When your URSA Mini 4.6K or URSA Mini Pro is connected to an ATEM switcher, the shutter speed setting will also be visible in your camera's touchscreen status display. On URSA Mini 4K the shutter speed will not be displayed on the touchscreen, but will be visible in an URSA Viewfinder if attached.

If you have shutter angle selected on URSA Mini 4.6K or URSA Mini Pro, the table below applies.

Shutter Speed	Shutter Angle at 23.98 fps	Shutter Angle at 24 fps	Shutter Angle at 25 fps	Shutter Angle at 29.97 fps	Shutter Angle at 50 fps	Shutter Angle at 59.94 fps
1/50	172.7	172.8	180	215.8	360	360*
1/60	143.9	144	150	179.8	300	359.6
1/75	115.1	115.2	120	143.9	240	287.7
1/90	95.9	96	100	120	200	239.8
1/100	86.3	86.4	90	107.9	180	215.8
1/120	71.9	72	75	89.9	150	179.8
1/150	57.5	57.6	60	71.9	120	143.9
1/180	48	48	50	59.9	100	119.9
1/250	34.5	34.6	36	43.2	72	86.3
1/360	24	24	25	29.97	50	59.94
1/500	17.3	17.3	18	21.6	36	43.2
1/725	11.9	11.9	12.4	14.9	24.8	29.8
1/1450	11.25*	11.25*	11.25*	11.25*	12.4	14.9
1/2000	11.25*	11.25*	11.25*	11.25*	11.25*	11.25*

\*Shutter speeds outside URSA Mini's shutter angle range will use its closest available minimum or maximum shutter angle

**TIP** Decreasing shutter speed is a good way to brighten your images without using camera gain because you are increasing the exposure time of the image sensor. This can also reduce or eliminate light flicker when shooting under fluorescent lights. Increasing shutter speed reduces motion blur and is best used for action shots when you want your images to be clean and sharp.

## White Balance

The white balance setting next to the shutter speed control can be adjusted by clicking on the left or right arrows on each side of the color temperature indicator. Different light sources emit warm or cool colors, so you can compensate by adjusting the white balance. This ensures the whites in your image stay white.



## DaVinci Resolve Primary Color Corrector

If you have a color correction background, then you can change the camera control from a switcher style CCU interface to a user interface that's more like a primary color corrector on a post production color grading system.

Your Blackmagic URSA Mini features a DaVinci Resolve primary color corrector built in. If you have used DaVinci Resolve, then creatively, grading in your URSA Mini will be identical so you can use your color grading experience for live production. The color corrector panel can be expanded out of any camera controller and provides expanded color correction control with extra settings and a full primary color corrector interface.

You have color wheels and settings such as saturation available and you can see shadows, mid tones and highlight settings all at the same time. Simply switch between cameras using the camera selection controls at the top of the window as you need.

**TIP** DaVinci Resolve color correction is applied to your URSA Mini's SDI Output and ProRes video recorded on camera. As RAW video is intended for extensive post processing, color correction is not applied to RAW video. When recording RAW video, however, color correction can still be applied to URSA Mini's SDI output.



Click on the DaVinci Resolve primary color corrector button to expand the color correction window and adjust settings

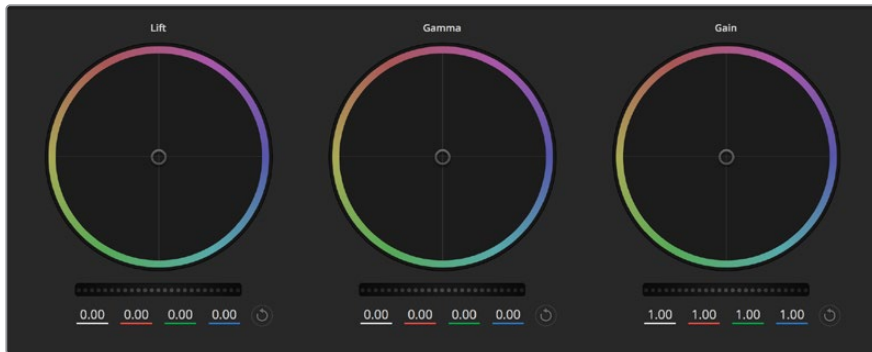
### Color Wheels

The Lift/Gamma/Gain controls allow tonally specific yet overlapping regions of adjustment. In photographic terms lift, gamma and gain corresponds to shadows, mid tones and highlights.

Use the color wheels in the following ways to make fine or aggressive adjustments:

- **Click and drag anywhere within the color ring:**  
Note that you don't need to drag the color balance indicator itself. As the color balance indicator moves, the RGB parameters underneath change to reflect the adjustments being made to each channel.
- **Shift-Click and drag within the color ring:**  
Jumps the color balance indicator to the absolute position of the pointer, letting you make faster and more extreme adjustments.

- **Double-click within the color ring:**  
Resets the color adjustment without resetting the master wheel adjustment for that control.
- **Click the reset control at the upper-right of a color ring:**  
Resets both the color balance control and its corresponding master wheel.



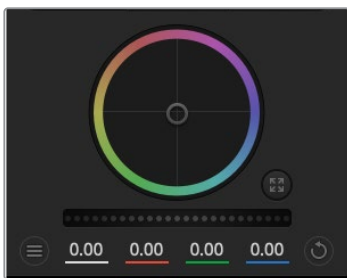
Lift, gamma and gain color wheels in the color corrector panel

## Master Wheels

Use the master wheels below the color wheels to adjust each YRGB channels' lift, gamma and gain controls.

To make adjustments using the master wheel:

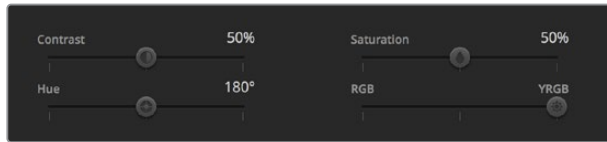
- **Drag the master wheel left or right:**  
Dragging to the left darkens the selected parameter of the image, dragging to the right lightens that parameter. As you make an adjustment, the YRGB parameters underneath change to reflect the adjustment you're making. To make a Y-only adjustment, hold down the ALT or Command key and drag left or right. Because the color corrector uses YRGB processing, you can get quite creative and create unique affects by adjusting the Y channel only. Y channel adjustments work best when the Lum Mix setting is set to the right side to use YRGB processing vs the left side to use regular RGB processing. Normally, most DaVinci Resolve colorists use the YRGB color corrector as you get a lot more control of color balance without affecting overall gain, so you spend less time getting the look you want.



Adjust the master wheels by dragging the wheel control left or right

## Contrast Setting

The Contrast setting gives you control over the distance between the darkest and lightest values of an image. The effect is similar to making opposing adjustments using the lift and gain master wheels. The default setting is 50%.



Drag the sliders left or right to adjust Contrast, Saturation, Hue and Lum Mix settings

## Saturation Setting

The Saturation setting increases or decreases the amount of color in the image. The default setting is 50%.

## Hue Setting

The Hue setting rotates all hues of the image around the full perimeter of the color wheel. The default setting of 180 degrees shows the original distribution of hues. Raising or lowering this value rotates all hues forward or backward along the hue distribution as seen on a color wheel.

## Lum Mix Setting

The color corrector built into your Blackmagic URSA Mini is based on the DaVinci Resolve primary color corrector. DaVinci has been building color correctors since the early 1980's and most Hollywood films are color graded on DaVinci Resolve than any other method.

This means the color corrector built into your URSA Mini has some unique and creatively powerful features. The YRGB processing is one of those features.

When color grading, you can choose to use RGB processing, or YRGB processing. High end colorists use YRGB processing because you have more precise control over color and you can independently adjust the channels with better separation and more creative options.

When the Lum Mix control is set to the right side, you have the 100% output of the YRGB color corrector. When you have the Lum Mix control set to the left side, you get 100% output of the RGB corrector. You can set the Lum Mix to any position between the left and right to get a blend of output from both the RGB and YRGB correctors.

Which is the correct setting to use? That's up to you, as color correction is a pure creative process and there is no right and wrong, and the best setting is what you like the most and what you think looks good!

## Synchronizing Settings

When connected, camera control signals are sent from the ATEM switcher to your Blackmagic URSA Mini. If a setting is accidentally adjusted from your URSA Mini, camera control will automatically reset that setting to maintain synchronization.

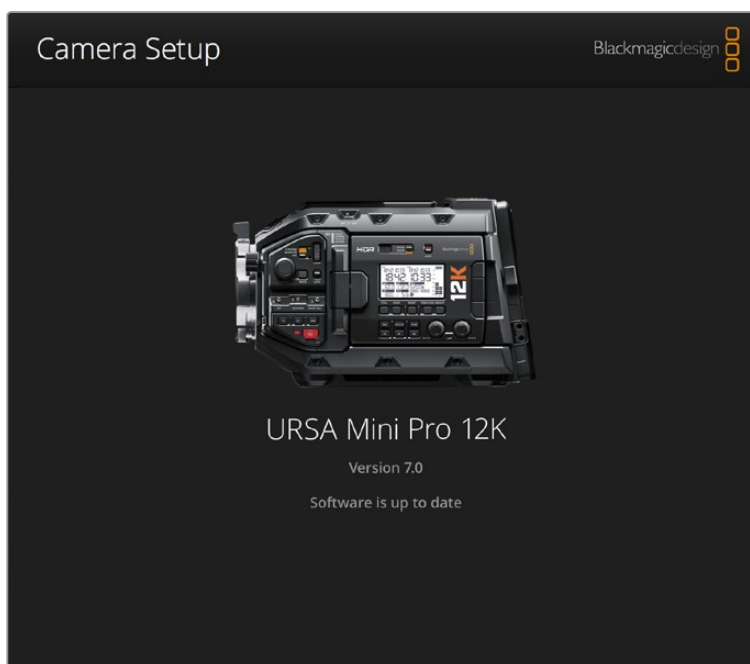
**TIP** Even if you disconnect its 12G-SDI input, your URSA Mini will keep using any image adjustments made with DaVinci Resolve color correction. This lets you change camera angles without needing to dial in your image settings again. To return your URSA Mini to its default color settings, simply power cycle your URSA Mini after disconnecting its 12G-SDI input.

# Blackmagic Camera Setup Utility

## Updating Camera Software – Mac

After downloading the Blackmagic Camera Setup utility software and unzipping the downloaded file, open the resulting disk image to reveal the Blackmagic Camera Setup Installer.

Launch the installer and follow the on screen instructions. After the installation has finished, go to your applications folder and open the Blackmagic Cameras folder, where you'll find this manual, the Blackmagic Camera setup utility, plus a documents folder containing readme files and information. You'll also find an uninstaller for when updating to later versions of Blackmagic Camera Setup.



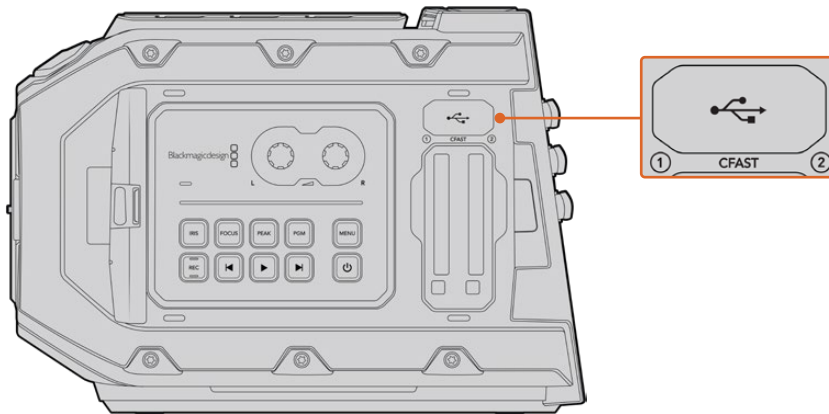
## Updating Camera Software – Windows

After downloading the Blackmagic Camera Setup utility software and unzipping the downloaded file, you should see a Blackmagic Camera Setup folder containing this PDF manual and the Blackmagic Camera Setup Installer. Double-click the installer and follow the on screen prompts to complete the installation.

In Windows 10, click the start button and select 'all apps'. Scroll down to the Blackmagic design folder. From here you can launch Blackmagic Camera Setup.

In Windows 8.1, select the down arrow icon from the 'start' screen, and scroll down to the Blackmagic Design folder. From here you can launch Blackmagic Camera Setup.

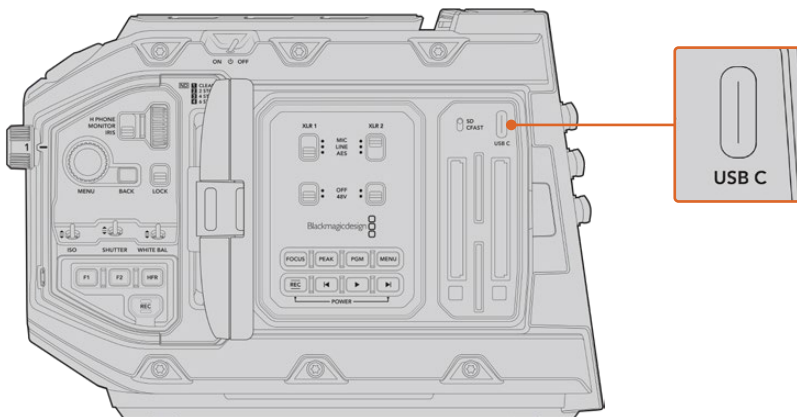
## How to Update the Camera Software



The Mini-B USB 2.0 port is used to update the camera software and can be found above the memory card slots on Blackmagic URSA Mini

After installing the latest Blackmagic Camera Setup utility on your computer, connect a USB cable between the computer and your Blackmagic URSA Mini. On Blackmagic URSA Mini, the USB port is located on the left side panel above the memory card slots. Simply open the rubber cap to access the port.

Launch the Blackmagic Camera Setup utility and follow the on screen prompts to update the camera software. It's important to note that updating your camera software erases any presets and custom LUTs, and resets all settings. It is a good practice to export them to a memory card as a backup before performing a software update. After a software update, you can restore your presets and LUTs quickly by importing them from the memory card. You are also advised to perform a black shading calibration.



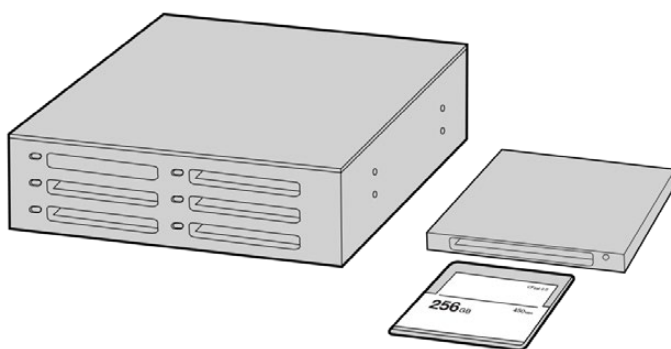
The USB-C port is used to update the camera software and can be found above the memory card slots, next to the media selection switch on Blackmagic URSA Mini Pro

## Working with Third Party Software

To edit your clips using your favorite editing software, you can copy your clips to an internal/external drive or RAID and then import your clips into the software. Or import your clips directly from your storage media using a dock or adapter for your CFast or SD card or SSD.

**NOTE** Blackmagic RAW is supported in DaVinci Resolve 15.3.1 and later and has also been adopted by a wide range of third party post-production editing programs. Plugins for editing Blackmagic RAW in Avid Media Composer and Adobe Premiere Pro are available with Blackmagic RAW software, which you can download from [www.blackmagicdesign.com/support](http://www.blackmagicdesign.com/support).

## Working with Files from CFast 2.0 and SD cards



Edit directly from your CFast card by removing it from your camera and mounting it on your computer using a CFast 2.0 reader/writer or CFast drive

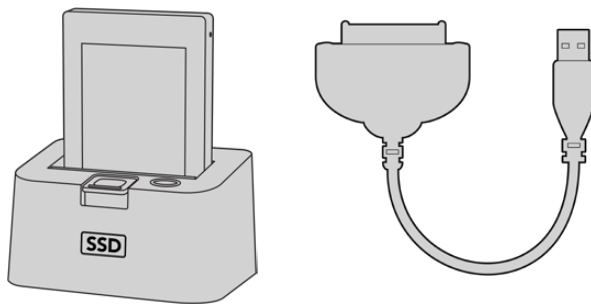
To import your clips from a CFast 2.0 or SD card:

- 1 Remove the CFast or SD card from your Blackmagic URSA Mini or URSA Mini Pro. Mount the CFast card to your Mac or Windows computer using a CFast or SD card reader.
- 2 Navigate to the card on your operating system to open it and you will see your list of Blackmagic RAW or QuickTime movie files.
- 3 Now you can simply drag the files you want from the card onto your desktop or another hard drive, or you can access the files straight from the card using your editing software.
- 4 Before you unplug the CFast or SD card from your computer, it is important to always eject your CFast or SD card from either Mac or Windows. Removing your card without ejecting can corrupt footage in some cases.

## Working with Files from SSDs

To import your clips from a SSD:

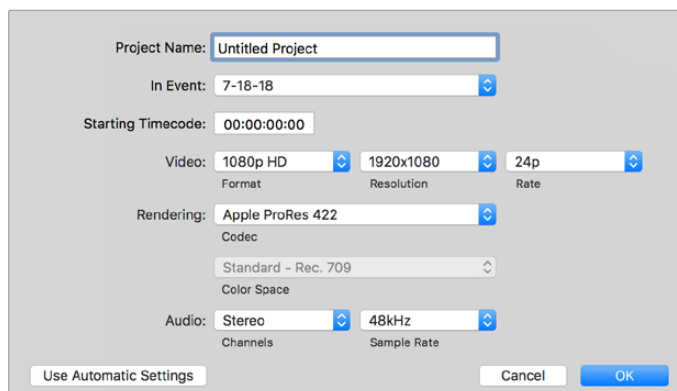
- 1 Remove the SSD from URSA Mini Recorder.
- 2 You can mount the SSD to your Mac or Windows computer using either an eSATA or Thunderbolt dock, for example Blackmagic Multidock 10G. You can also use an eSATA to USB adapter cable to plug the SSD straight into a USB port on your computer. USB 3.0 is preferable as USB 2.0 is not fast enough to edit video in real time.
- 3 Double click on the SSD to open it and you should see a list of QuickTime movie files or Blackmagic RAW files. Depending on the format you chose to record in, you might have a mixture of files, but they will all use the same naming convention.
- 4 Now you can simply drag the files you want from the SSD onto your desktop or another hard drive, or you can access the files straight from the SSD using your NLE software.
- 5 Before you unplug the SSD from your computer, it is important to eject the SSD safely from your computer first.



Edit directly from the SSD by removing it from your camera and mounting it on your computer using an eSATA Thunderbolt dock or USB 3.0 docking cable.

## Using Final Cut Pro X

To edit your clips using Final Cut Pro X, you need to create a new project and set a suitable video format and frame rate. This example uses ProRes 422 HQ 1080p24.



Final Cut Pro X project settings

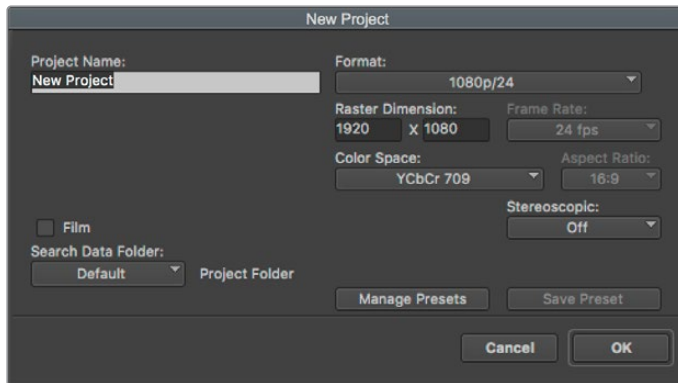
- 1 Launch Final Cut Pro X, go to the 'menu' bar and select 'file/new project'. A window will open containing project settings.
- 2 Name your project and select the 'custom' checkbox.
- 3 Set the 'video properties' settings to 1080p HD, 1920x1080 and 24p.
- 4 Set your 'audio' and 'render properties' settings to 'stereo, 48kHz, and Apple ProRes 422 HQ'
- 5 Click OK.

To import your clips into your project, go to the 'menu' bar and select 'file/import/media'. Choose your clips from your CFast card.

You can now drag your clips onto the timeline for editing.

## Using Avid Media Composer 2018

To edit your clips using Avid Media Composer 2018, create a new project and set a suitable video format and frame rate. For this example, clips are set using 1080p24.



Setting the project name and project options in Avid Media Composer 2018

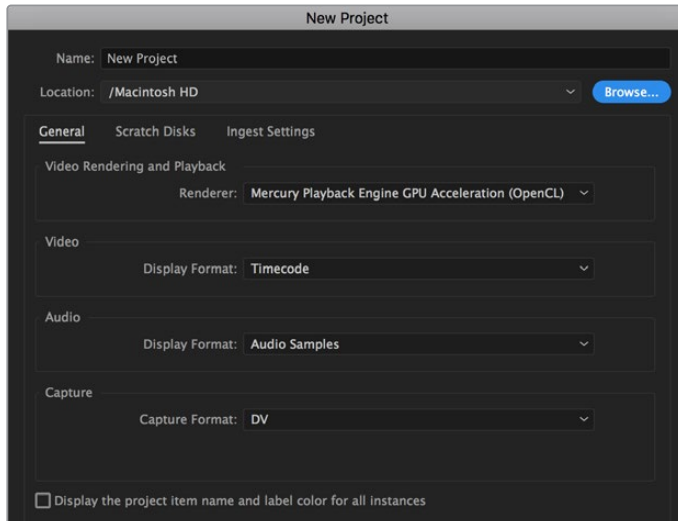
- 1 Launch Avid Media Composer 2018 and the 'select project' window will appear.
- 2 Click the 'new project' button and name your project in the 'new project' window.
- 3 In the 'format' drop down menu select HD 1080 > 1080p/24 and click 'ok' to create the project.
- 4 Double click the project in the 'select project' window to open it.
- 5 Select file > input > source browser and navigate to the files you wish to import.
- 6 Select your 'target bin' from the drop down menu and click 'import'.

When the clips appear within the media bin you can drag your clips onto the timeline and begin editing.



## Using Adobe Premiere Pro CC

To edit your Apple ProRes 422 HQ clips using Adobe Premiere Pro CC, you need to create a new project and set a suitable video format and frame rate. For this example, clips are set using ProRes 422 HQ 1080p25.



Setting the project name and project options in Adobe Premiere Pro CC

- 1 Launch Adobe Premiere Pro CC. In the 'welcome' window select 'new project'. A window will open containing project settings.
- 2 Name your project. Choose the location for your project by clicking 'browse' and selecting your desired folder. Once you've selected your location folder click OK in the 'new project' window.
- 3 Go to the Adobe Premiere Pro CC 'menu' bar, select 'file/import' and choose the clips you want to edit. Your clips will appear in the project window.
- 4 Drag the first clip you wish to edit onto the 'new item' icon at the bottom right of the project window. A new sequence will be created matching your clip settings.

You can now drag your clips onto the sequence timeline for editing.

# Developer Information

## Blackmagic Bluetooth Camera Control

Blackmagic cameras with Bluetooth LE implement a variety of features and commands that allow users to control their cameras wirelessly. Developers have full access to these features for their custom applications.

The following services and characteristics describe the full range of communication options that are available to the developer.

### Service: Device Information Service

UUID: 180A

#### Characteristics

##### **Camera Manufacturer**

UUID: 2A29

Read the name of the manufacturer (always “Blackmagic Design”).

##### **Camera Model**

UUID: 2A24

Read the name of the camera model (“URSA Mini”).

### Service: Blackmagic Camera Service

UUID: 291D567A-6D75-11E6-8B77-86F30CA893D3

#### Characteristics

##### **Outgoing Camera Control (encrypted)**

UUID: 5DD3465F-1AEE-4299-8493-D2ECA2F8E1BB

##### **Send Camera Control messages**

These messages are identical to those described in the Blackmagic SDI Camera Control Protocol section below. Please read that section for a list of supported messages and required formatting information.

For an example of how packets are structured, please see the ‘example protocol packets’ section in this document.

##### **Incoming Camera Control (encrypted)**

UUID: B864E140-76A0-416A-BF30-5876504537D9

Request notifications for this characteristic to receive Camera Control messages from the camera.

These messages are identical to those described in the Blackmagic SDI Camera Control Protocol section below. Please read that section for a list of supported messages and required formatting information.

### Timecode (encrypted)

UUID: 6D8F2110-86F1-41BF-9AFB-451D87E976C8

Request notifications for this characteristic to receive timecode updates.

Timecode (HH:MM:SS:mm) is represented by a 32-bit BCD number:  
(eg. 09:12:53:10 = 0x09125310)

### Camera Status (encrypted)

UUID: 7FE8691D-95DC-4FC5-8ABD-CA74339B51B9

Request notifications for this characteristic to receive camera status updates.

The camera status is represented by flags contained in an 8-bit integer:

<b>None</b>	= 0x00
<b>Camera Power On</b>	= 0x01
<b>Connected</b>	= 0x02
<b>Paired</b>	= 0x04
<b>Versions Verified</b>	= 0x08
<b>Initial Payload Received</b>	= 0x10
<b>Camera Ready</b>	= 0x20

Send a value of 0x00 to power a connected camera off.

Send a value of 0x01 to power a connected camera on.

### Device Name

UUID: FFAC0C52-C9FB-41A0-B063-CC76282EB89C

Send a device name to the camera (max. 32 characters).

The camera will display this name in the Bluetooth Setup Menu.

### Protocol Version

UUID: 8F1FD018-B508-456F-8F82-3D392BEE2706

Read this value to determine the camera's supported CCU protocol version.

**NOTE** Encrypted characteristics can only be used once a device has successfully bonded or paired with the Blackmagic Camera. Once a connection has been established, any attempt to write to an encrypted characteristic will initiate bonding. For example, writing a 'Camera Power On' (0x01) message to the Camera Status characteristic.

Once bonding is initiated, the camera will display a 6-digit pin in the Bluetooth Setup Menu. Enter this pin on your device to establish an encrypted connection. The device will now be able to read, write and receive notifications from encrypted characteristics.

# Blackmagic SDI and Bluetooth Camera Control Protocol

## Version 1.4

If you are a software developer you can use the Blackmagic SDI and Bluetooth Camera Control Protocol to construct devices that integrate with our products. Here at Blackmagic Design, our approach is to open up our protocols and we eagerly look forward to seeing what you come up with!

## Overview

This document describes an extensible protocol for sending a unidirectional stream of small control messages embedded in the non-active picture region of a digital video stream. The video stream containing the protocol stream may be broadcast to a number of devices. Device addressing is used to allow the sender to specify which device each message is directed to.

## Assumptions

Alignment and padding constraints are explicitly described in the protocol document. Bit fields are packed from LSB first. Message groups, individual messages and command headers are defined as, and can be assumed to be, 32 bit aligned.

## Blanking Encoding

A message group is encoded into a SMPTE 291M packet with DID/SDID x51/x53 in the active region of VANC line 16.

## Message Grouping

Up to 32 messages may be concatenated and transmitted in one blanking packet up to a maximum of 255 bytes payload. Under most circumstances, this should allow all messages to be sent with a maximum of one frame latency.

If the transmitting device queues more bytes of message packets than can be sent in a single frame, it should use heuristics to determine which packets to prioritize and send immediately. Lower priority messages can be delayed to later frames, or dropped entirely as appropriate.

## Abstract Message Packet Format

Every message packet consists of a three byte header followed by an optional variable length data block. The maximum packet size is 64 bytes.

<b>Destination device (uint8)</b>	Device addresses are represented as an 8 bit unsigned integer. Individual devices are numbered 0 through 254 with the value 255 reserved to indicate a broadcast message to all devices.
<b>Command length (uint8)</b>	The command length is an 8 bit unsigned integer which specifies the length of the included command data. The length does NOT include the length of the header or any trailing padding bytes.
<b>Command id (uint8)</b>	The command id is an 8 bit unsigned integer which indicates the message type being sent. Receiving devices should ignore any commands that they do not understand. Commands 0 through 127 are reserved for commands that apply to multiple types of devices. Commands 128 through 255 are device specific.
<b>Reserved (uint8)</b>	This byte is reserved for alignment and expansion purposes. It should be set to zero.
<b>Command data (uint8[])</b>	The command data may contain between 0 and 60 bytes of data. The format of the data section is defined by the command itself.
<b>Padding (uint8[])</b>	Messages must be padded up to a 32 bit boundary with 0x0 bytes. Any padding bytes are NOT included in the command length.

Receiving devices should use the destination device address and or the command identifier to determine which messages to process. The receiver should use the command length to skip irrelevant or unknown commands and should be careful to skip the implicit padding as well.

## Defined Commands

### Command 0 : change configuration

---

<b>Category (uint8)</b>	The category number specifies one of up to 256 configuration categories available on the device.
<b>Parameter (uint8)</b>	The parameter number specifies one of 256 potential configuration parameters available on the device. Parameters 0 through 127 are device specific parameters. Parameters 128 through 255 are reserved for parameters that apply to multiple types of devices.
<b>Data type (uint8)</b>	The data type specifies the type of the remaining data. The packet length is used to determine the number of elements in the message. Each message must contain an integral number of data elements.

---

#### Currently defined values are:

---

<b>0: void / boolean</b>	A void value is represented as a boolean array of length zero. The data field is a 8 bit value with 0 meaning false and all other values meaning true.
<b>1: signed byte</b>	Data elements are signed bytes
<b>2: signed 16 bit integer</b>	Data elements are signed 16 bit values
<b>3: signed 32 bit integer</b>	Data elements are signed 32 bit values
<b>4: signed 64 bit integer</b>	Data elements are signed 64 bit values
<b>5: UTF-8 string</b>	Data elements represent a UTF-8 string with no terminating character.

---

#### Data types 6 through 127 are reserved.

---

<b>128: signed 5.11 fixed point</b>	Data elements are signed 16 bit integers representing a real number with 5 bits for the integer component and 11 bits for the fractional component. The fixed point representation is equal to the real value multiplied by $2^{11}$ . The representable range is from -16.0 to 15.9995 ( $15 + 2047/2048$ ).
-------------------------------------	---

---

#### Data types 129 through 255 are available for device specific purposes.

---

<b>Operation type (uint8)</b>	The operation type specifies what action to perform on the specified parameter. Currently defined values are:
<b>0: assign value</b>	The supplied values are assigned to the specified parameter. Each element will be clamped according to its valid range. A void parameter may only be 'assigned' an empty list of boolean type. This operation will trigger the action associated with that parameter. A boolean value may be assigned the value zero for false, and any other value for true.
<b>1: offset / toggle value</b>	Each value specifies signed offsets of the same type to be added to the current parameter values. The resulting parameter value will be clamped according to their valid range. It is not valid to apply an offset to a void value. Applying any offset other than zero to a boolean value will invert that value.

---

#### Operation types 2 through 127 are reserved.

#### Operation types 128 through 255 are available for device specific purposes.

---

<b>Data (void)</b>	The data field is 0 or more bytes as determined by the data type and number of elements.
--------------------	--

---

The category, parameter, data type and operation type partition a 24 bit operation space.

Group	ID	Parameter	Type	Index	Minimum	Maximum	Interpretation	
Lens	0.0	Focus	fixed16	–	0.0	1.0	0.0 = near, 1.0 = far	
	0.1	Instantaneous autofocus	void	–	–	–	trigger instantaneous autofocus	
	0.2	Aperture (f-stop)	fixed16	–	-1.0	16.0	Aperture Value (where fnumber = $\sqrt{2^{AV}}$ )	
	0.3	Aperture (normalised)	fixed16	–	0.0	1.0	0.0 = smallest, 1.0 = largest	
	0.4	Aperture (ordinal)	int16	–	0	n	Steps through available aperture values from minimum (0) to maximum (n)	
	0.5	Instantaneous auto aperture	void	–	–	–	trigger instantaneous auto aperture	
	0.6	Optical image stabilisation	boolean	–	–	–	true = enabled, false = disabled	
	0.7	Set absolute zoom (mm)	int16	–	0	max	Move to specified focal length in mm, from minimum (0) to maximum (max)	
	0.8	Set absolute zoom (normalised)	fixed16	–	0.0	1.0	Move to specified focal length: 0.0 = wide, 1.0 = tele	
	0.9	Set continuous zoom (speed)	fixed16	–	-1.0	+1.0	Start/stop zooming at specified rate: -1.0 = zoom wider fast, 0.0 = stop, +1 = zoom tele fast	
Video	1.0	Video mode	int8	[0] = frame rate	–	–	fps as integer (eg 24, 25, 30, 50, 60)	
				[1] = M-rate	–	–	0 = regular, 1 = M-rate	
				[2] = dimensions	–	–	0 = NTSC, 1 = PAL, 2 = 720, 3 = 1080, 4 = 2kDCI, 5 = 2k16:9, 6 = UHD, 7 = 3k Anamorphic, 8 = 4k DCI, 9 = 4k 16:9, 10 = 4.6k 2.4:1, 11 = 4.6k	
				[3] = interlaced	–	–	0 = progressive, 1 = interlaced	
				[4] = Color space	–	–	0 = YUV	
	1.1	Gain (up to Camera 4.9)	int8			1	128	1x, 2x, 4x, 8x, 16x, 32x, 64x, 128x gain
	1.2	Manual White Balance	int16	[0] = color temp	2500	10000		Color temperature in K
			int16	[1] = tint	-50	50		tint
	1.3	Set auto WB	void	–	–	–	–	Calculate and set auto white balance
	1.4	Restore auto WB	void	–	–	–	–	Use latest auto white balance setting
1.5	Exposure (us)	int32			1	42000	time in us	
1.6	Exposure (ordinal)	int16	–		0	n	Steps through available exposure values from minimum (0) to maximum (n)	
1.7	Dynamic Range Mode	int8 enum	–		0	2	0 = film, 1 = video, 2 = extended video	
1.8	Video sharpening level	int8 enum	–		0	3	0 = off, 1 = low, 2 = medium, 3 = high	

Group	ID	Parameter	Type	Index	Minimum	Maximum	Interpretation
Video	1.9	Recording format	int16	[0] = file frame rate	–	–	fps as integer (eg 24, 25, 30, 50, 60, 120)
				[1] = sensor frame rate	–	–	fps as integer, valid when sensor-off-speed set (eg 24, 25, 30, 33, 48, 50, 60, 120), no change will be performed if this value is set to 0
				[2] = frame width	–	–	in pixels
				[3] = frame height	–	–	in pixels
				[4] = flags	–	–	[0] = file-M-rate
					–	–	[1] = sensor-M-rate, valid when sensor-off-speed-set
					–	–	[2] = sensor-off-speed
					–	–	[3] = interlaced
	–	–	[4] = windowed mode				
	1.10	Set auto exposure mode	int8	–	0	4	0 = Manual Trigger, 1 = Iris, 2 = Shutter, 3 = Iris + Shutter, 4 = Shutter + Iris
	1.11	Shutter angle	int32	–	100	36000	Shutter angle in degrees, multiplied by 100
	1.12	Shutter speed	int32	–	Current sensor frame rate	5000	Shutter speed value as a fraction of 1, so 50 for 1/50th of a second
	1.13	Gain	int8	–	-128	127	Gain in decibel (dB)
	1.14	ISO	int32	–	0	2147483647	ISO value
	1.15	Display LUT	int8	[0] = selected LUT	–	–	0 = None, 1 = Custom, 2 = film to video, 3 = film to extended video
[1] = enabled or not				–	–	0 = Not enabled, 1 = Enabled	
Audio	2.0	Mic level	fixed16	–	0.0	1.0	0.0 = minimum, 1.0 = maximum
	2.1	Headphone level	fixed16	–	0.1	1.0	0.0 = minimum, 1.0 = maximum
	2.2	Headphone program mix	fixed16	–	0.1	1.0	0.0 = minimum, 1.0 = maximum
	2.3	Speaker level	fixed16	–	0.1	1.0	0.0 = minimum, 1.0 = maximum
	2.4	Input type	int8	–	0	3	0 = internal mic, 1 = line level input, 2 = low mic level input, 3 = high mic level input
	2.5	Input levels	fixed16	[0] ch0	0.0	1.0	0.0 = minimum, 1.0 = maximum
				[1] ch1	0.0	1.0	0.0 = minimum, 1.0 = maximum
	2.6	Phantom power	boolean	–	–	–	true = powered, false = not powered

Group	ID	Parameter	Type	Index	Minimum	Maximum	Interpretation
Output	3.0	Overlay enables	uint16 bit field	–	–	–	bit flags: [0] = display status, [1] = display frame guides Some cameras don't allow separate control of frame guides and status overlays.
	3.1	Frame guides style (Camera 3.x)	int8	–	0	8	0 = HDTV, 1 = 4:3, 2 = 2.4:1, 3 = 2.39:1, 4 = 2.35:1, 5 = 1.85:1, 6 = thirds
	3.2	Frame guides opacity (Camera 3.x)	fixed16	–	0.1	1.0	0.0 = transparent, 1.0 = opaque
	3.3	Overlays (replaces .1 and .2 above from Cameras 4.0)	int8	[0] = frame guides style	–	–	0 = off, 1 = 2.4:1, 2 = 2.39:1, 3 = 2.35:1, 4 = 1.85:1, 5 = 16:9, 6 = 14:9, 7 = 4:3, 8 = 2:1, 9 = 4:5, 10 = 1:1
			[1] = frame guide opacity	0	100	0 = transparent, 100 = opaque	
			[2] = safe area percentage	0	100	percentage of full frame used by safe area guide (0 means off)	
			[3] = grid style	–	–	bit flags: [0] = display thirds, [1] = display cross hairs, [2] = display center dot, [3] = display horizon	
Display	4.0	Brightness	fixed16	–	0.0	1.0	0.0 = minimum, 1.0 = maximum
	4.1	Exposure and focus tools	int16 bit field	0x1 = zebra, 0x2 = focus assist, 0x4 = false color	–	–	0 = disable, 1 = enable
	4.2	Zebra level	fixed16	–	0.0	1.0	0.0 = minimum, 1.0 = maximum
	4.3	Peaking level	fixed16	–	0.0	1.0	0.0 = minimum, 1.0 = maximum
	4.4	Color bar enable	int8	–	0	30	0 = disable bars, 1-30 = enable bars with timeout (seconds)
	4.5	Focus Assist	int8	[0] = focus assist method	–	–	0 = Peak, 1 = Colored lines
				[1] = focus line color	–	–	0 = Red, 1 = Green, 2 = Blue, 3 = White, 4 = Black
	4.6	Program return feed enable	int8	–	0	30	0 = disable, 1-30 = enable with timeout (seconds)
Tally	5.0	Tally brightness	fixed16	–	0.0	1.0	Sets the tally front and tally rear brightness to the same level. 0.0 = minimum, 1.0 = maximum
	5.1	Front tally brightness	fixed16	–	0.0	1.0	Sets the tally front brightness. 0.0 = minimum, 1.0 = maximum
	5.2	Rear tally brightness	fixed16	–	0.0	1.0	Sets the tally rear brightness. 0.0 = minimum, 1.0 = maximum Tally rear brightness cannot be turned off



Group	ID	Parameter	Type	Index	Minimum	Maximum	Interpretation
Reference	6.0	Source	int8 enum	–	0	2	0 = internal, 1 = program, 2 = external
	6.1	Offset	int32	–	–	–	+/- offset in pixels
Confi- guration	7.0	Real Time Clock	int32	[0] time	–	–	BCD - HHMMSSFF (UCT)
				[1] date	–	–	BCD - YYYYMMDD
	7.1	System language	string	[0-1]	–	–	ISO-639-1 two character language code
	7.2	Timezone	int32	–	–	–	Minutes offset from UTC
	7.3	Location	int64	[0] latitude	–	–	BCD - s0DDdddddddddd where s is the sign: 0 = north (+), 1 = south (-); DD degrees, ddddddddddd decimal degrees
				[1] longitude	–	–	BCD - sDDDdddddddddd where s is the sign: 0 = west (-), 1 = east (+); DDD degrees, ddddddddddd decimal degrees
Color Correction	8.0	Lift Adjust	fixed16	[0] red	-2.0	2.0	default 0.0
				[1] green	-2.0	2.0	default 0.0
				[2] blue	-2.0	2.0	default 0.0
				[3] luma	-2.0	2.0	default 0.0
	8.1	Gamma Adjust	fixed16	[0] red	-4.0	4.0	default 0.0
				[1] green	-4.0	4.0	default 0.0
				[2] blue	-4.0	4.0	default 0.0
				[3] luma	-4.0	4.0	default 0.0
	8.2	Gain Adjust	fixed16	[0] red	0.0	16.0	default 1.0
				[1] green	0.0	16.0	default 1.0
				[2] blue	0.0	16.0	default 1.0
				[3] luma	0.0	16.0	default 1.0
	8.3	Offset Adjust	fixed16	[0] red	-8.0	8.0	default 0.0
				[1] green	-8.0	8.0	default 0.0
				[2] blue	-8.0	8.0	default 0.0
				[3] luma	-8.0	8.0	default 0.0
	8.4	Contrast Adjust	fixed16	[0] pivot	0.0	1.0	default 0.5
				[1] adj	0.0	2.0	default 1.0
	8.5	Luma mix	fixed16	–	0.0	1.0	default 1.0
	8.6	Color Adjust	fixed16	[0] hue	-1.0	1.0	default 0.0
[1] sat				0.0	2.0	default 1.0	
8.7	Correction Reset Default	void	–	–	–	reset to defaults	

Group	ID	Parameter	Type	Index	Minimum	Maximum	Interpretation
Media	10.0	Codec	int8 enum	[0] = basic codec	-	-	0 = CinemaDNG, 1 = DNxHD, 2 = ProRes, 3 = Blackmagic RAW
				[1] = code variant	-	-	CinemaDNG: 0 = uncompressed, 1 = lossy 3:1, 2 = lossy 4:1
					-	-	ProRes: 0 = HQ, 1 = 422, 2 = LT, 3 = Proxy, 4 = 444, 5 = 444XQ
					-	-	Blackmagic RAW: 0 = Q0, 1 = Q5, 2 = 3:1, 3 = 5:1, 4 = 8:1, 5 = 12:1
	10.1	Transport mode	int8	[0] = mode	-	-	0 = Preview, 1 = Play, 2 = Record
				[1] = speed	-	-	-ve = multiple speeds backwards, 0 = pause, +ve = multiple speeds forwards
				[2] = flags	-	-	1<<0 = loop, 1<<1 = play all, 1<<5 = disk1 active, 1<<6 = disk2 active, 1<<7 = time-lapse recording
				[3] = slot 1 storage medium	-	-	0 = CFast card, 1 = SD, 2 = SSD Recorder
				[4] = slot 2 storage medium	-	-	0 = CFast card, 1 = SD, 2 = SSD Recorder
	10.2	Playback Control	int8 enum	[0] = clip	-	-	0 = Previous, 1 = Next
PTZ Control	11.0	Pan/Tilt Velocity	fixed 16	[0] = pan velocity	-1.0	1.0	-1.0 = full speed left, 1.0 = full speed right
				[1] = tilt velocity	-1.0	1.0	-1.0 = full speed down, 1.0 = full speed up
	11.1	Memory Preset	int8 enum	[0] = preset command	-	-	0 = reset, 1 = store location, 2 = recall location
			int8	[1] = preset slot	0	5	-

## Example Protocol Packets

Operation	Packet Length	Byte															
		0	1	2	3	4	5	6	7	8	9	10	11	12	13	14	15
		header			command				data								
		destination	length	command	reserved	category	parameter	type	operation								
trigger instantaneous auto focus on camera 4	8	4	4	0	0	0	1	0	0								
turn on OIS on all cameras	12	255	5	0	0	0	6	0	0	1	0	0	0				
set exposure to 10 ms on camera 4 (10 ms = 10000 us = 0x00002710)	12	4	8	0	0	1	5	3	0	0x10	0x27	0x00	0x00				
add 15% to zebra level (15 % = 0.15 f = 0x0133 fp)	12	4	6	0	0	4	2	128	1	0x33	0x01	0	0				
select 1080p 23.98 mode on all cameras	16	255	9	0	0	1	0	1	0	24	1	3	0	0	0	0	0
subtract 0.3 from gamma adjust for green & blue (-0.3 ~ = 0xfd9a fp)	16	4	12	0	0	8	1	128	1	0	0	0x9a	0xfd	0x9a	0xfd	0	0
all operations combined	76	4	4	0	0	0	1	0	0	255	5	0	0	0	6	0	0
		1	0	0	0	4	8	0	0	1	5	3	0	0x10	0x27	0x00	0x00
		4	6	0	0	4	2	128	1	0x33	0x01	0	0	255	9	0	0
		1	0	1	0	24	1	3	0	0	0	0	0	4	12	0	0
		8	1	128	1	0	0	0x9a	0xfd	0x9a	0xfd	0	0				

## Blackmagic Tally Control Protocol

### Version 1.0 (30/04/14)

This section is for third party developers or anybody who may wish to add support for the Blackmagic Tally Control Protocol to their products or system. It describes the protocol for sending tally information embedded in the non-active picture region of a digital video stream.

### Data Flow

A master device such as a broadcast switcher embeds tally information into its program feed which is broadcast to a number of slave devices such as cameras or camera controllers. The output from the slave devices is typically fed back to the master device, but may also be sent to a video monitor.

The primary flow of tally information is from the master device to the slaves. Each slave device may use its device id to extract and display the relevant tally information.

Slave devices pass through the tally packet on their output and update the monitor tally status, so that monitor devices connected to that individual output may display tally status without knowledge of the device id they are monitoring.

## Assumptions

Any data alignment / padding is explicit in the protocol. Bit fields are packed from LSB first.

## Blanking Encoding

One tally control packet may be sent per video frame. Packets are encoded as a SMPTE 291M packet with DID/SDID x51/x52 in the active region of VANC line 15. A tally control packet may contain up to 256 bytes of tally information.

## Packet Format

Each tally status consists of 4 bits of information:

```
uint4
    bit 0:  program tally status (0=off, 1=on)
    bit 1:  preview tally status (0=off, 1=on)
    bit 2-3: reserved (0x0)
```

The first byte of the tally packet contains the monitor device tally status and a version number.

Subsequent bytes of the tally packet contain tally status for pairs of slave devices. The master device sends tally status for the number of devices configured/supported, up to a maximum of 510.

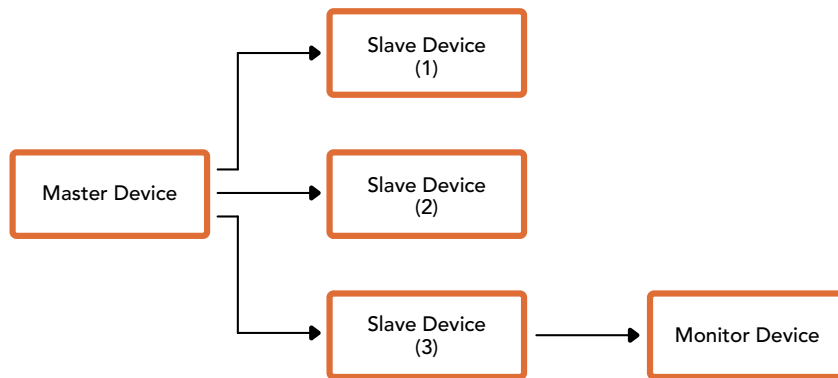
struct tally

```
uint8
    bit 0:  monitor device program tally status (0=off, 1=on)
    bit 1:  monitor device preview tally status (0=off, 1=on)
    bit 2-3: reserved (0b00)
    bit 4-7: protocol version (0b0000)

uint8[0]
    bit 0:  slave device 1 program tally status (0=off, 1=on)
    bit 1:  slave device 1 device preview tally status (0=off, 1=on)
    bit 2-3: reserved (0b00)
    bit 4:  slave device 2 program tally status (0=off, 1=on)
    bit 5:  slave device 2 preview tally status (0=off, 1=on)
    bit 6-7: reserved (0b00)

uint8[1]
    bit 0:  slave device 3 program tally status (0=off, 1=on)
    bit 1:  slave device 3 device preview tally status (0=off, 1=on)
    bit 2-3: reserved (0b00)
    bit 4:  slave device 4 program tally status (0=off, 1=on)
    bit 5:  slave device 4 preview tally status (0=off, 1=on)
    bit 6-7: reserved (0b00)

...
```



Byte	7 MSB	6	5	4	3	2	1	0 LSB
0	Version (0b0)	Version (0b0)	Version (0b0)	Version (0b0)	Reserved (0b0)	Reserved (0b0)	Monitor Preview	Monitor Program
1	Reserved (0b0)	Reserved (0b0)	Slave 1 Preview	Slave 1 Program	Reserved (0b0)	Reserved (0b0)	Slave 0 Preview	Slave 0 Program
2	Reserved (0b0)	Reserved (0b0)	Slave 3 Preview	Slave 3 Program	Reserved (0b0)	Reserved (0b0)	Slave 2 Preview	Slave 2 Program
3	...							

# Blackmagic URSA Mini B4 Mount

The PL mount on Blackmagic URSA Mini PL can be removed and replaced with an optional B4 mount. This mount differs slightly to the B4 mount on URSA Mini Pro. For example, the screw holes are in a different position to allow for the EF button release housing on URSA Mini Pro. The shim thicknesses required are also different, so if you want to use B4 lenses with your URSA Mini PL it's important you choose the correct mount.

The B4 mount for URSA Mini PL can be purchased from Blackmagic Design resellers.

Using the B4 mount, you can shoot ENG style HD coverage with URSA Mini PL using common par-focal zoom lenses. Par-focal lenses provide constant focus throughout the zoom range for quick and efficient focussing techniques. By zooming into maximum telephoto and setting focus on a target, you can be sure your focus will stay set to that target all the way from maximum zoom to maximum wide. It's important to note that the B4 lens back focus, or flange focal distance, also needs to be correctly set.

## Attaching the B4 Lens Mount

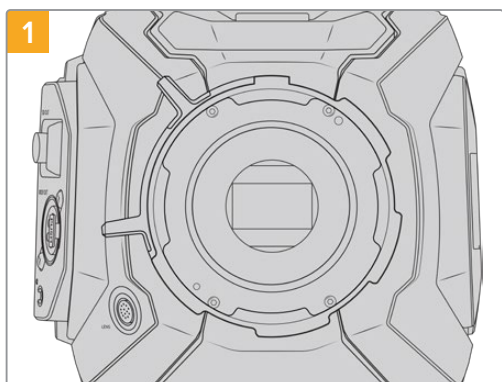
The B4 mount is supplied with two additional 0.50mm shims designed to be installed together with the existing 0.50mm shim already mounted behind your URSA Mini PL lens mount. This will give you a total of three 0.50mm shims to provide the clearance needed so you can achieve the optimum back focus, which can be refined further by adjusting the back focus ring at the mount end of B4 zoom lenses.

Using B4 lenses, you can achieve a greater variety of shots with your URSA Mini that are impossible to get using stills lenses.

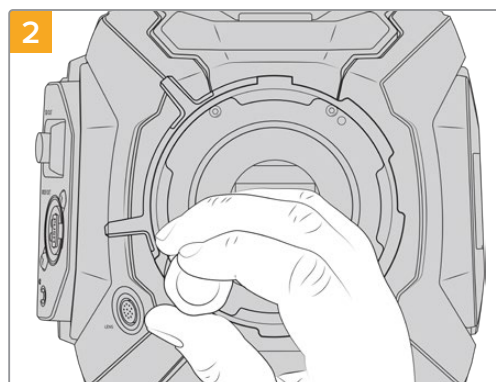
To connect your URSA Mini B4 lens mount you'll need a torque wrench able to accurately set a maximum torque of 0.45Nm, plus a 2.0mm Hex key driver.



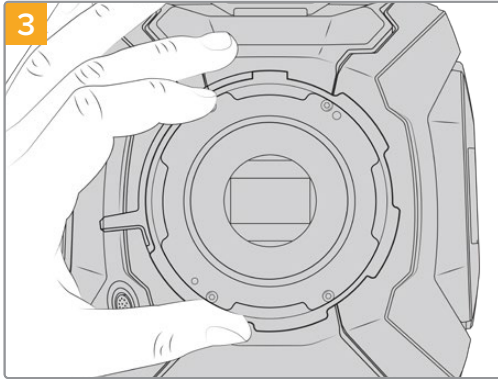
To attach the Blackmagic URSA Mini B4 Mount, you will need a torque wrench able to accurately set a maximum torque of 0.45Nm, together with a 2.0mm Hex key driver



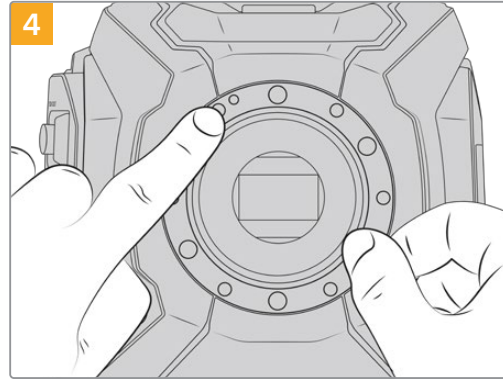
Place Blackmagic URSA Mini PL on a solid, clean bench top and remove your lens or dust cap. The glass filter covering the sensor will be exposed for the duration of the shimming process, so it's important to keep the filter as clean as possible. Be careful not to touch the filter while attaching the B4 mount.



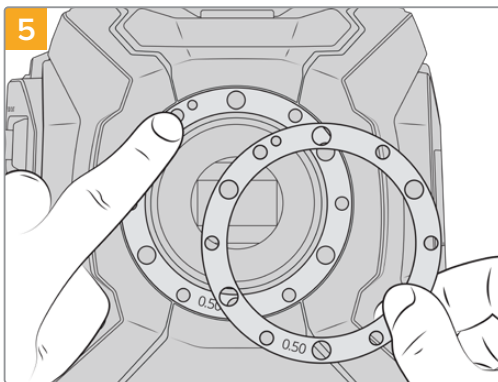
Remove the six PL mount screws using the 2.0mm Hex driver. You may need to occasionally rotate the PL locking ring clockwise or counterclockwise to access the screws.



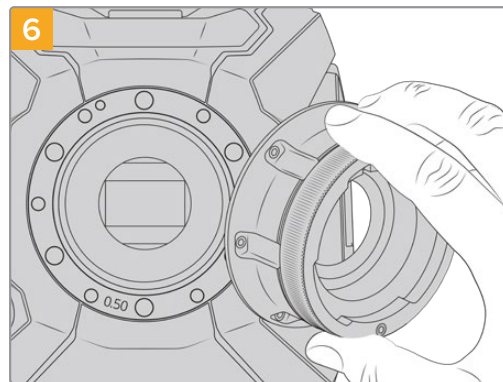
Carefully lift the lens mount away from the camera body. Keep the screws safely located close to the lens mount.



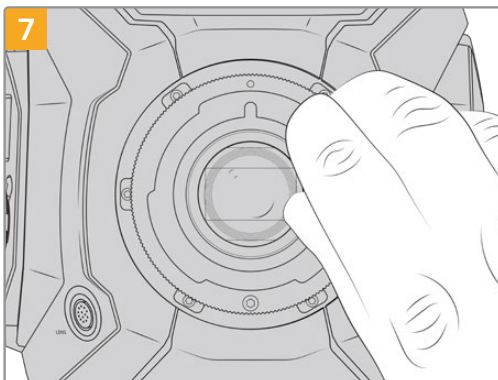
Note the alignment of the existing 0.50mm shim with the alignment pin at the 11 o'clock position.



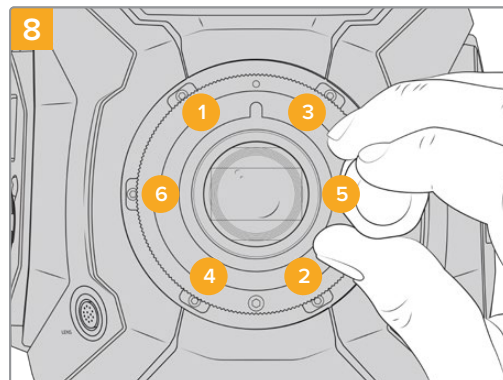
Place the 2 x 0.50mm shims supplied with your Blackmagic URSA Mini B4 lens mount onto the original 0.50mm shim. This creates the clearance needed to optimize the flange focal distance.



Carefully place the Blackmagic URSA Mini B4 lens mount onto the camera body ensuring the registration slot is aligned with the alignment pin at the 11 o'clock position.



Using a 2mm Hex driver or torque wrench set to 0.45Nm, loosely turn the six mounting screws until initial contact is made with the shoulder of the lens mount.



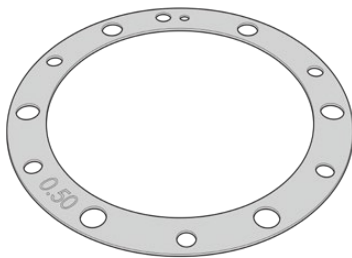
Confirm the lens mount is level and correctly aligned, then tighten the screws in the order shown here to an even pressure without over-tightening the screws.

# Shimming Lens Mounts

## What is a Shim?

Shims are thin disks of varying thickness that let you make fine adjustments to the distance between your lens and URSA Mini's sensor. This distance is commonly known as the flange focal distance, or back focus, and can change slightly due to variables such as lens age and the environmental conditions of your shoot. The following URSA Mini models are designed so you can easily adjust back focus using shims.

- URSA Mini PL 4K
- URSA Mini PL 4.6K
- URSA Mini Pro 4.6K
- URSA Mini Pro 4.6K G2



URSA Mini Shim



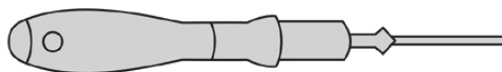
URSA Mini Pro Shim

Shims are placed between the lens mount and the camera body so the distance from your subject to the sensor matches the focus marks on your lens. These are most commonly used for PL lenses. These cine lenses are manually focused and have very accurate focal distance markings on their barrels. Shims are also used for URSA Mini Pro's interchangeable lens mount.

Your Blackmagic URSA Mini is supplied with a 0.50mm shim already installed. The Blackmagic URSA Mini Pro Shim Kit contains additional shim sets of various thicknesses, and can be purchased from your local Blackmagic Design reseller. A set of shims is also included with all mount kits for URSA Mini Pro. Use shim thicknesses depending on your back focus requirements.

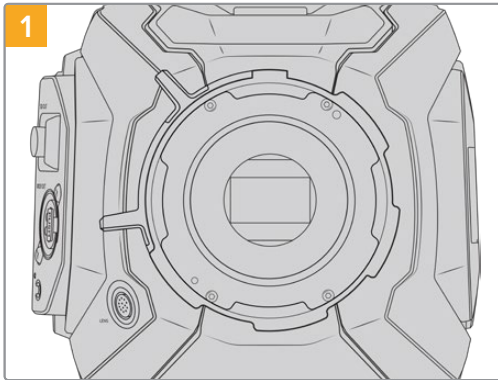
## Shimming URSA Mini PL

To shim your camera's PL mount you'll need a torque wrench able to accurately set a maximum torque of 0.45Nm, with a 2.0mm Hex key and driver.

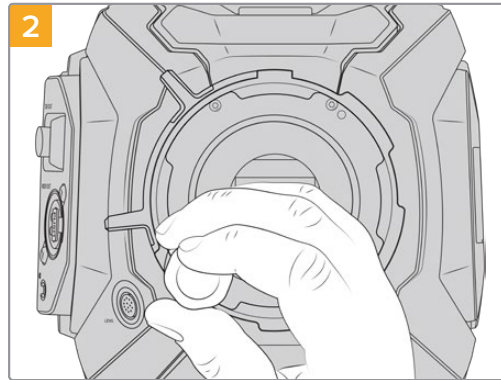


Torque wrench

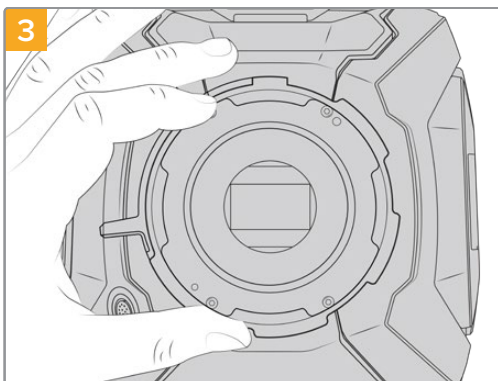




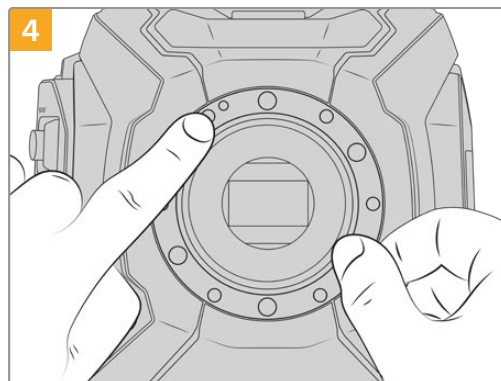
Place URSA Mini PL vertically on a solid, clean bench top and remove your lens or dust cap. The glass filter covering the sensor will be exposed for the duration of the shimming process, so it's important to keep the filter as clean as possible. Be careful not to touch the filter while shimming the PL mount.



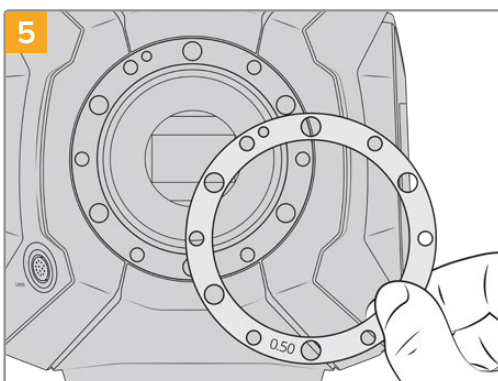
Remove the six PL mount screws using the 2.0mm Hex driver. You may need to occasionally rotate the PL locking ring clockwise or counterclockwise to access the screws.



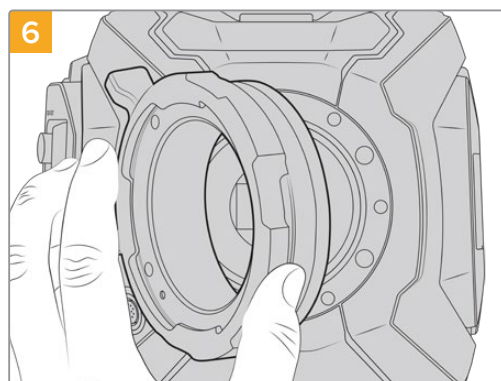
Carefully lift the lens mount away from the camera body. Keep the screws safely located close to the lens mount.



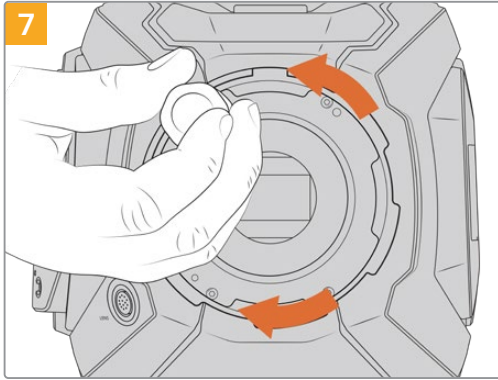
Note the alignment of the existing 0.50mm shim with the alignment pin at the 11 o'clock position.



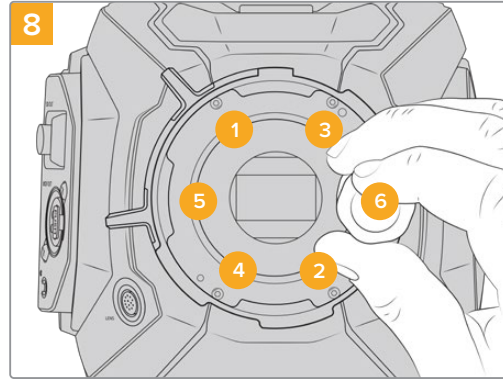
Add or remove shims in 0.10mm increments, and test with your lenses when the camera is reassembled to make sure they are hitting their marks. To 'remove' shims, you might replace your 0.50mm shim with a 0.40mm shim, for example.



Carefully place the Blackmagic URSA Mini Pro PL lens mount onto the camera body.



Using a 2mm Hex driver or torque wrench set to 0.45Nm, loosely turn the mounting screws until initial contact is made with the shoulder of the lens mount. To access all the screws, you will need to rotate the PL locking ring, as some holes are obscured when the ring is either open or closed.

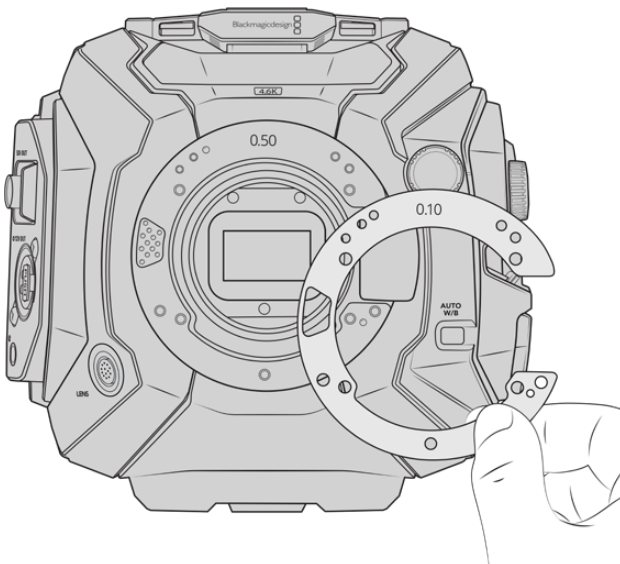


Confirm the lens mount is level and correctly aligned, then tighten the screws in the order shown here to an even pressure without over-tightening the screws.

## Shimming URSA Mini Pro

Shimming URSA Mini Pro is almost the same as URSA Mini PL. The only difference is the shape of the shims themselves. To shim your URSA Mini Pro, simply remove the attached lens mount, and add or remove shims as you would for URSA Mini PL, then replace the mount.

See the 'Interchangeable lens mount' section for more information on attaching lens mounts to URSA Mini Pro.

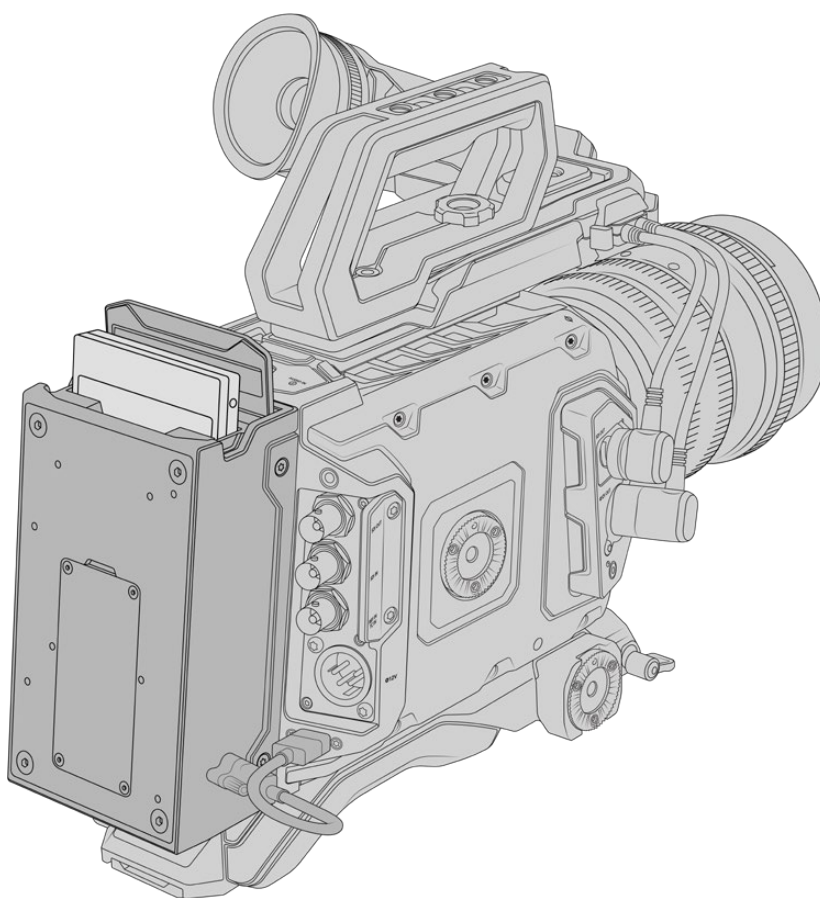


URSA Mini Pro's shims are C shaped to accommodate the lens release mechanism in the EF mount. This makes them easier to align as they can only fit one way. Installation is otherwise identical to URSA Mini PL.

## URSA Mini Recorder

Blackmagic URSA Mini Recorder is an optional module which attaches to the rear of URSA Mini Pro 12K. This recorder allows you to record footage, including 12K Blackmagic RAW files, to high capacity and inexpensive solid state drives, or 'SSDs'.

**NOTE** URSA Mini Recorder is designed for use with URSA Mini Pro 12K and is compatible with URSA Mini Pro 4.6K G2. It is not compatible with URSA Mini Pro 4.6K, URSA Mini 4.6K and URSA Mini 4K.



**When attaching URSA Mini Recorder, you will need the following tools:**

- 1 x phillips head screwdriver
- 1 x T10 torx screwdriver
- 1 x 2mm hex key driver

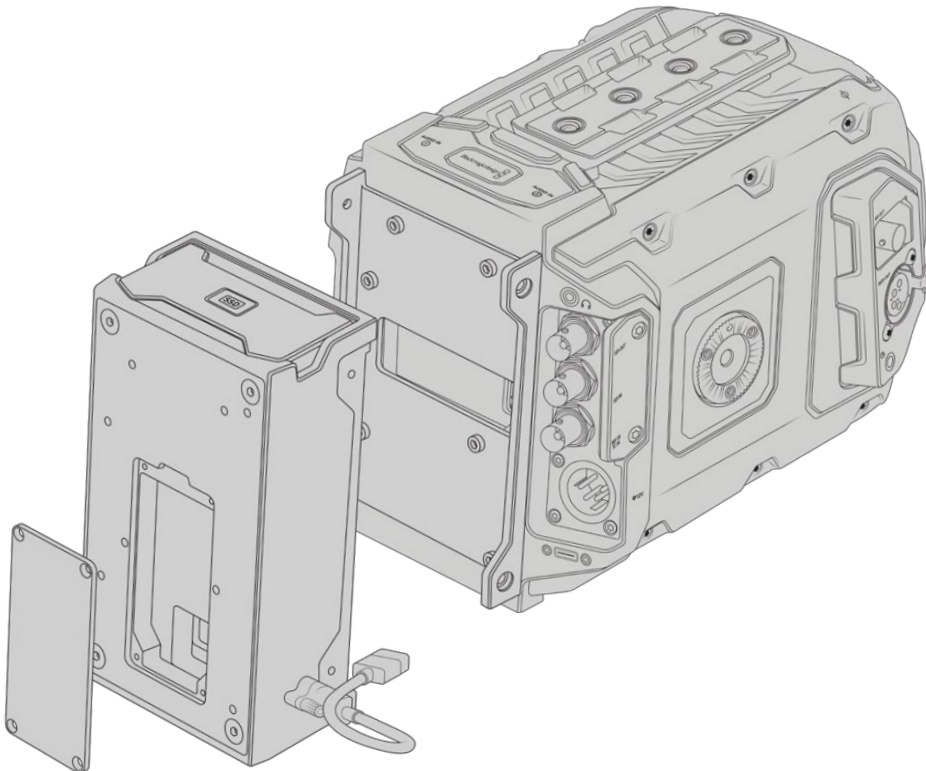


To attach the URSA Mini SSD Recorder to your URSA Mini you will need a large phillips head screwdriver , a T10 torx driver, and a 2mm hex key driver

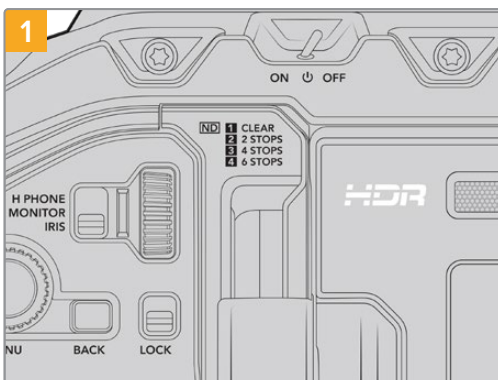
## Mounting and connecting URSA Mini Recorder

URSA Mini Recorder mounts to the back of URSA Mini directly behind the camera body, using your camera's rear USB-C data port to pass data to and from URSA Mini Recorder.

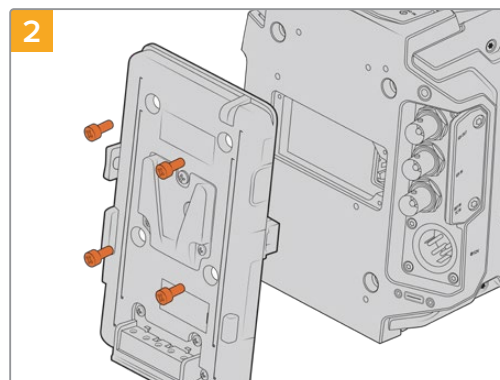
**TIP** URSA Mini Recorder features a passthrough cable for your camera's battery power supply, so you can attach V-mount or gold mount batteries to the rear of the camera behind the recorder.



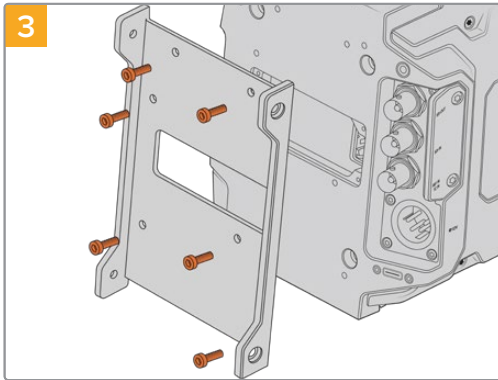
To mount and connect URSA Mini Recorder:



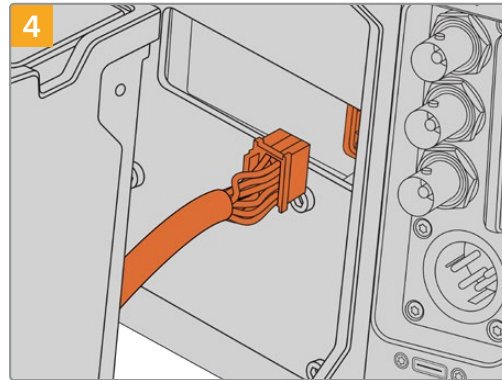
1 Power off URSA Mini Pro by moving the 'power' switch to 'off'.



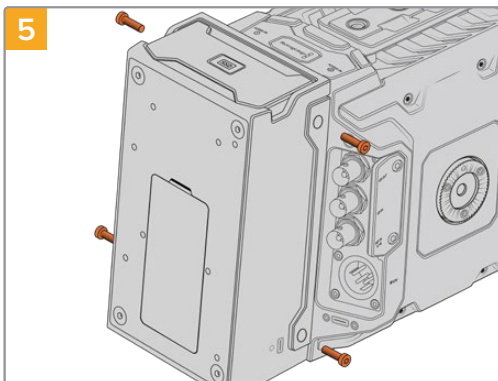
2 Unmount any battery plates currently fitted to your camera. For more information on mounting and unmounting battery plates, see the section 'mounting batteries' in this manual.



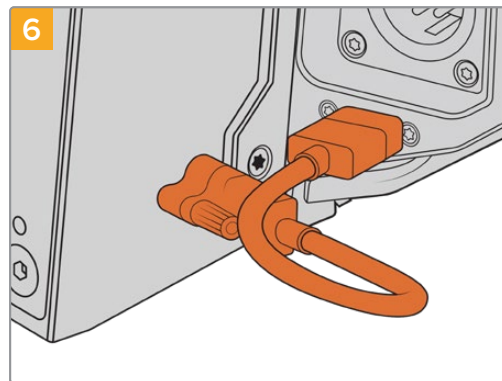
3  
Attach URSA Mini Recorder's mounting bracket using 6 x T10 torx screws.



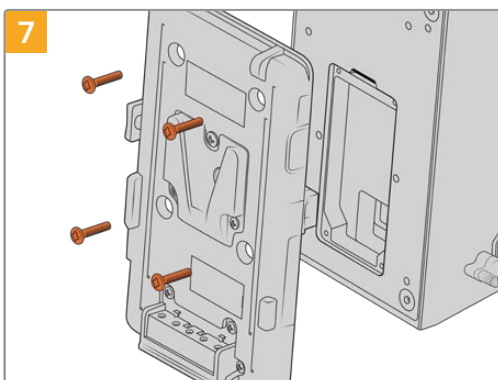
4  
Plug the molex connector on URSA Mini Recorder into the molex socket on your camera's rear panel.



5  
Attach URSA Mini Recorder to the mounting bracket using 2 x T10 torx screws on the left and right side of the brackets.



6  
Connect the Mini Recorder's USB-C cable to the USB-C data port on the rear of URSA Mini Pro 12K. Tighten the locking connectors with your fingers, or use a 2mm hex key driver. To use with URSA Mini Pro 4.6K G2, use a longer USB-C cable and connect it to the USB-C port above the CFast slots.

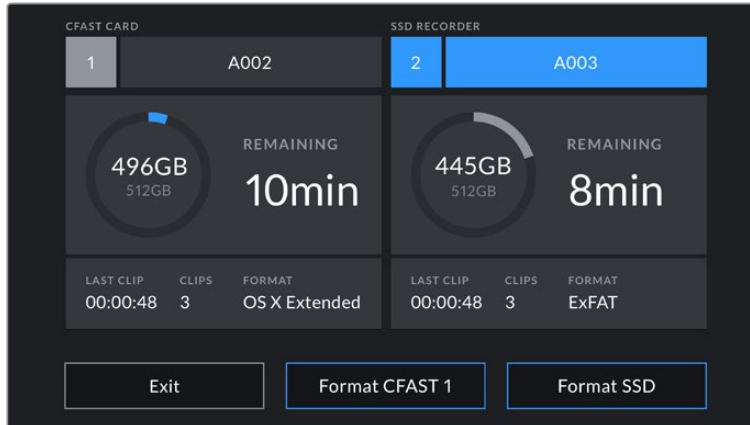


7  
If you want to use a battery plate with URSA Mini Recorder, use a 2mm hex key driver to remove the four M3 screws holding the molex socket cover panel in place. Once the molex socket is uncovered, attach a battery plate using the steps outlined in the section 'mounting batteries' in this manual.



## Using URSA Mini Recorder

When URSA Mini Recorder is connected and an SSD is loaded, the recorder takes over from URSA Mini's number '2' storage slot. You'll see an 'SSD' indicator over slot 2 on your camera's storage manager when URSA Mini Recorder is in use.



When an SSD is inserted into URSA Mini Recorder, your camera's storage manager will display 'SSD Recorder' over storage slot 2.

This means that recording, playback and storage management is exactly the same for SSDs as it is for CFAST or SD cards. For general information on storage management, as well as specific instructions for choosing SSDs, see the 'storage media' section of this manual.

### Status LEDs

URSA Mini Recorder has one status light on the left side for 'SSD.' The brightness of this indicator can be set to 'low,' 'medium,' 'high' or 'off' in your camera's 'setup' menu.

### SSD

The 'SSD' indicator shows the status of the SSD currently inserted. This LED provides the following status indicators:

<b>Green</b>	Your URSA Mini Recorder will show a short green light when you insert an SSD into it. This is shown while it is verifying the SSD. When the indicator turns off your SSD Recorder is ready to record. The status light will also be green while footage is being played back from the SSD.
<b>Red</b>	Your URSA Mini Recorder will show a red light while it is recording to SSD. When the space on your SSD is running low the red light will begin to flash slowly. A fast flashing red light indicates that SSD is dropping frames. If this happens please check that you are using a disk from our recommended list of SSDs and that you are recording at a data rate that is compatible with your media.
<b>Orange</b>	If a problem has occurred while mounting the SSD the status light will go Orange. This may be the result of an improperly formatted or incompatible SSD. See the 'storage media' section in this manual for a list of compatible SSDs and formatting instructions.

**TIP** If the 'SSD' LED indicates a drive mounting error it may need to be 'initialized' on a mac or PC using disk utility or disk management.

## Updating URSA Mini Recorder's internal software

Update your URSA Mini Recorder using the Blackmagic Camera Setup Utility software. The Mini Recorder will need to be powered when updating, so we recommend keeping the Mini Recorder connected to URSA Mini Pro 12K during the update process. This also means your camera will need to supply consistent power, so be sure to plug into external power or battery pack.

Connect your computer to the Mini Recorder with a USB-C cable and launch Blackmagic Camera Setup Utility. You will be prompted to update if your computer detects that your URSA Mini Recorder is using outdated version. Follow the on screen prompts to update your URSA Mini Recorder's internal software.

**NOTE** Refer to the 'Blackmagic Camera Setup Utility' section in this manual for more information.

**TIP** We recommend updating all your Blackmagic URSA equipment at the same time for optimized performance.

# Help

The fastest way to obtain help is to go to the Blackmagic Design online support pages and check the latest support material available for your camera.

## Blackmagic Design Online Support Pages

The latest manual, software and support notes can be found at the Blackmagic Design support center at [www.blackmagicdesign.com/support](http://www.blackmagicdesign.com/support).

## Contacting Blackmagic Design Support

If you can't find the help you need in our support material, please use the 'Send us an email' button on the support page to email a support request. Alternatively, click on the 'Find your local support team' button on the support page and call your nearest Blackmagic Design support office.

## Checking the Software Version Currently Installed

To check which version of Blackmagic Camera Utility software is installed on your computer, open the About Blackmagic Camera Utility window.

- On Mac, open Blackmagic Camera Utility from the Applications folder. Select About Blackmagic Camera Utility from the application menu to reveal the version number.
- On Windows, open Blackmagic Camera Utility from your Start menu or Start Screen. Click on the Help menu and select About Blackmagic Camera Utility to reveal the version number.

## How to Get the Latest Software Updates

After checking the version of Blackmagic Camera Utility software installed on your computer, please visit the Blackmagic Design support center at [www.blackmagicdesign.com/support](http://www.blackmagicdesign.com/support) to check for the latest updates. While it is usually a good idea to run the latest updates, it is wise to avoid updating any software if you are in the middle of an important project.



# Regulatory Notices



## **Disposal of Waste of Electrical and Electronic Equipment Within the European Union.**

The symbol on the product indicates that this equipment must not be disposed of with other waste materials. In order to dispose of your waste equipment, it must be handed over to a designated collection point for recycling. The separate collection and recycling of your waste equipment at the time of disposal will help conserve natural resources and ensure that it is recycled in a manner that protects human health and the environment. For more information about where you can drop off your waste equipment for recycling, please contact your local city recycling office or the dealer from whom you purchased the product.



This equipment has been tested and found to comply with the limits for a Class A digital device, pursuant to Part 15 of the FCC rules. These limits are designed to provide reasonable protection against harmful interference when the equipment is operated in a commercial environment. This equipment generates, uses, and can radiate radio frequency energy and, if not installed and used in accordance with the instructions, may cause harmful interference to radio communications. Operation of this product in a residential area is likely to cause harmful interference, in which case the user will be required to correct the interference at personal expense.

The operation of this equipment is subject to the following two conditions:

- 1 This equipment or device may not cause harmful interference.
- 2 This equipment or device must accept any interference received, including interference that may cause undesired operation.



MSIP-REM-BMD-201511002  
MSIP-REM-BMD-201608001  
MSIP-REM-BMD-201703001  
R-R-BMD-201907006  
R-R-BMD-20200421001  
R-R-BMD-20200421002



## **ISED Canada Statement**

This device complies with Canadian standards for Class A digital apparatus.

Any modifications or use of this product outside its intended use could void compliance to these standards.

Connection to HDMI interfaces must be made with high quality shielded HDMI cables.

This equipment has been tested for compliance with the intended use in a commercial environment. If the equipment is used in a domestic environment, it may cause radio interference.

## **Bluetooth®**

The product is a Bluetooth wireless technology enabled product.

Contains transmitter module FCC ID: QOQBGM113

This equipment complies with FCC radiation exposure limits set forth for an uncontrolled environment.

Contains transmitter module IC: 5123A-BGM113

This device complies with Industry Canada's license-exempt RSS standards and exception from routine SAR evaluation limits given in RSS-102 Issue 5.

Certified for Japan, certificate number: 209-J00204. This equipment contains specified radio equipment that has been certified to the technical regulation conformity certification under the radio law.

This module has certification in South Korea, KC certification number: MSIP-CRM-BGT-BGM113

Hereby, Blackmagic Design declares that the product is using wideband transmission systems in 2.4 GHz ISM band is in compliance with directive 2014/53/EU.

The full text of the EU declaration of conformity is available from [compliance@blackmagicdesign.com](mailto:compliance@blackmagicdesign.com)

## Safety Information

The supplied AC to 12V DC power supply for Blackmagic URSA Mini, URSA Mini Pro and the IEC power cable for Blackmagic Studio Fiber Converter, must be connected to a mains socket outlet with a protective earth connection.

Blackmagic URSA Mini, URSA Mini Pro and Camera Fiber Converter are suitable for use in tropical locations with an ambient temperature of up to 40°C. Blackmagic Studio Fiber Converter is suitable for use in tropical locations with an ambient temperature of up to 50°C

Ensure that adequate ventilation is provided around the Blackmagic Studio Fiber Converter and Camera Fiber Converter so that ventilation is not restricted. When rack mounting the Studio Fiber Converter, ensure that the ventilation is not restricted by adjacent equipment.

No operator serviceable parts inside Blackmagic URSA Mini, URSA Mini Pro, Camera Fiber Converter or Studio Fiber Converter. Refer servicing to your local Blackmagic Design service center.

### State of California statement

This product can expose you to chemicals such as trace amounts of polybrominated biphenyls within plastic parts, which is known to the state of California to cause cancer and birth defects or other reproductive harm.

For more information go to [www.P65Warnings.ca.gov](http://www.P65Warnings.ca.gov).

### Blackmagic URSA Mini and URSA Mini Pro

During sunny conditions, consider shading of the camera to prevent exposure of the camera or Lithium battery to extended periods of sunlight. Keep Lithium batteries away from all sources of heat.

The 12V DC output connector is suitable to provide power to the Blackmagic URSA Viewfinder or Blackmagic URSA Studio Viewfinder. When connecting other accessories to this connector, ensure that the power consumption is less than 18W.

### Blackmagic Studio Fiber Converter



To reduce the risk of electric shock, do not expose this equipment to dripping or splashing. Use only at altitudes not more than 2000m above sea level.

### Blackmagic Camera Fiber Converter

Only use the converter when connected to the Blackmagic Studio Fiber Converter. Under normal use, the converter is designed to receive hazardous voltages from the Blackmagic Studio Fiber Converter.

# Warranty

## Limited Warranty

Blackmagic Design warrants that this product will be free from defects in materials and workmanship for a period of 12 months from the date of purchase. If a product proves to be defective during this warranty period, Blackmagic Design, at its option, either will repair the defective product without charge for parts and labor, or will provide a replacement in exchange for the defective product.

In order to obtain service under this warranty, you the Customer, must notify Blackmagic Design of the defect before the expiration of the warranty period and make suitable arrangements for the performance of service. The Customer shall be responsible for packaging and shipping the defective product to a designated service center nominated by Blackmagic Design, with shipping charges pre paid. Customer shall be responsible for paying all shipping charges, insurance, duties, taxes, and any other charges for products returned to us for any reason.

This warranty shall not apply to any defect, failure or damage caused by improper use or improper or inadequate maintenance and care. Blackmagic Design shall not be obliged under this warranty: a) to repair damage resulting from attempts by personnel other than Blackmagic Design representatives to install, repair or service the product, b) to repair damage resulting from improper use or connection to incompatible equipment, c) to repair any damage or malfunction caused by the use of non Blackmagic Design parts or supplies, or d) to service a product that has been modified or integrated with other products when the effect of such a modification or integration increases the time or difficulty of servicing the product.

Exposing URSA Viewfinder to direct sunlight could damage the viewfinder display as the viewfinder optics act as a magnifying glass. Image retention or burn-in could happen on OLED panels when static or high contrast images, such as frame guides, are displayed on the panels for extended periods. To avoid this, ensure the IR sensor for face detection is not covered deliberately and disconnect the viewfinder when not in use for prolonged periods. Image retention is not covered by this product warranty.

THIS WARRANTY IS GIVEN BY BLACKMAGIC DESIGN IN LIEU OF ANY OTHER WARRANTIES, EXPRESS OR IMPLIED. BLACKMAGIC DESIGN AND ITS VENDORS DISCLAIM ANY IMPLIED WARRANTIES OF MERCHANTABILITY OR FITNESS FOR A PARTICULAR PURPOSE. BLACKMAGIC DESIGN'S RESPONSIBILITY TO REPAIR OR REPLACE DEFECTIVE PRODUCTS DURING THE WARRANTY PERIOD IS THE WHOLE AND EXCLUSIVE REMEDY PROVIDED TO THE CUSTOMER. BLACKMAGIC DESIGN WILL NOT BE LIABLE FOR ANY INDIRECT, SPECIAL, INCIDENTAL OR CONSEQUENTIAL DAMAGES IRRESPECTIVE OF WHETHER BLACKMAGIC DESIGN OR THE VENDOR HAS ADVANCE NOTICE OF THE POSSIBILITY OF SUCH DAMAGES. BLACKMAGIC DESIGN IS NOT LIABLE FOR ANY ILLEGAL USE OF EQUIPMENT BY CUSTOMER. BLACKMAGIC IS NOT LIABLE FOR ANY DAMAGES RESULTING FROM USE OF THIS PRODUCT. USER OPERATES THIS PRODUCT AT OWN RISK.

© Copyright 2020 Blackmagic Design. All rights reserved. 'Blackmagic Design', 'URSA', 'DeckLink', 'HDLink', 'Workgroup Videohub', 'Multibrige Pro', 'Multibrige Extreme', 'Intensity' and 'Leading the creative video revolution' are registered trademarks in the US and other countries. All other company and product names may be trademarks of the respective companies with which they are associated.

The Bluetooth® word mark and logos are registered trademarks owned by Bluetooth SIG, Inc. and any use of such marks by Blackmagic Design is under license. Other trademarks and trade names are those of the respective owners.





Blackmagicdesign

# インストール/オペレーションマニュアル Blackmagic URSA Mini およびURSA Mini Pro

Blackmagic URSA Viewfinder、URSA Studio Viewfinder、  
URSA Mini Shoulder Kit、URSA Miniレンズマウント、Blackmagic Camera  
Fiber Converter、Studio Fiber Converter、URSA Mini Recorder

2020年9月

日本語



## ようこそ

このたびはBlackmagic URSA Miniをお買い求めいただき誠にありがとうございました。

数年前に最初のデジタルフィルムカメラをリリースしてから、これまで新製品に対していただいた中でも最高の助言やフィードバックが数多く寄せられてきました。私たちは皆、世界をリードするカメラマンや撮影監督の優れた作品を見て育ちました。私たちのヒーローである彼らと、カメラに追加する新機能に関して何時間も話し合いを重ねていることを非常に誇りに思います。もちろん、話し合いを持った誰もが素晴らしいアイデアを提供してくれました！

URSA Miniは、優れたワイドダイナミックレンジのセンサーを、小型で軽量かつ強固な金属製の筐体に搭載しています。

URSA Miniの機能的なユーザーインターフェースは、すべてのカメラ機能にすばやく簡単にアクセスする必要のあるワンマンオペレーション用に設計されています。ATEMスイッチャーと包括的に統合でき、スーパー35mmデジタルフィルムカメラの驚異的な画質をライブプロダクションに使用できます。また、Blackmagicファイバーコンバーターと1本のSMPTEファイバーケーブルで、URSA Miniをライブプロダクションスイッチャーに接続できます。

さらに、URSA Miniは4Kセンサー、より幅広いダイナミックレンジに対応した4.6Kセンサー、画期的な12Kセンサーから選択できます。Blackmagic URSA Viewfinderの開発過程では、ワンマンカメラマンの意見を参考にしました。URSA Viewfinderは、高い精度が必要な場合や、肩乗せでの撮影に理想的です。

URSA Mini Proでは、より優れた画質が得られ、人間工学に基づいたコントロール、交換可能なレンズマウント、内蔵NDフィルターなどの機能に対応しています。ENGカメラを使い慣れた人であれば、これらの人間工学に基づいたコントロールや内蔵NDフィルターがいかにかパワフルかお分かりいただけると思います。また、Blackmagic RAWコーデックにも対応しています。同コーデックは、単一のファイルでRAWを扱える柔軟性があり、さらにファイルサイズが小さいためパフォーマンスが大幅に向上します。Blackmagic URSA Mini Pro 12Kからのイメージを扱う際も同様に機能します。

ユーザーの皆様がURSA MiniまたはURSA Mini Proを使って、世界で最もエキサイティングな映画やテレビ番組、ミュージックビデオ、CMなどを作成することを心より願っています！皆様が撮影した作品を拝見することをとても楽しみにしています。また、URSAへの追加を希望する新機能のリクエストもお待ちしています！

**Blackmagic Design CEO**

グラント・ペティ



# 目次

どのカメラをお使いですか？	297	ダッシュボード	386
URSA Mini Pro	298	収録設定 (RECORD)	387
URSA Mini	299	ファイル名定義	393
はじめに	299	モニター設定 (MONITOR)	393
レンズの取り付け	299	オーディオ設定 (AUDIO)	403
カメラの電源を入れる	303	オーディオ設定 – URSA Mini	403
ストレージメディア	306	オーディオ設定 – URSA Mini Pro	405
CFastカード	306	セットアップ設定 (SETUP)	407
SDカード	310	プリセット (PRESETS)	421
USB-Cフラッシュディスク	315	LUT	423
SSD	317	メタデータ入力	427
撮影用にメディアを準備する	319	サーボズーム対応レンズの使用	433
Blackmagic URSA Miniでメディアを準備する	319	カメラのビデオ出力	436
Blackmagic URSA Mini Proでメディアを準備する	321	HDモニタリング出力	436
Macでメディアを準備	322	12G-SDI出力	436
Windowsでメディアを準備	323	URSA Mini Shoulder Kit	438
収録	324	Blackmagic URSA Viewfinder	442
クリップの収録	324	Blackmagic URSAへのマウント/接続	442
コーデック、解像度、センサーエリアの選択	324	アイピースの調整	443
Blackmagic RAW	326	ボタン機能	443
Blackmagic RAWで収録	327	メニュー設定	444
フレームレートの選択	330	Blackmagic URSA Studio Viewfinder	449
トリガー収録	334	Blackmagic URSA Miniへのマウント/接続	450
収録時間一覧	334	Blackmagic URSA Studio Viewfinderの調整	452
URSA Mini Pro 12Kデータレート表	337	ボタン機能	455
再生	340	メニュー設定	457
URSA Miniの概要	342	バッテリーのマウント	462
カメラ正面	342	Vマウント/ゴールドマウントバッテリーの取り付け	462
URSA Mini – 左側面	343	独自のバッテリープレートの使用	463
URSA Mini Pro – 左側面	343	Blackmagicファイバーコンバーター	465
右側面	345	Blackmagicファイバーコンバーターを使用する前に	466
リアパネル	346	SMPTEファイバーについて	466
トップパネル	348	SMPTEファイバーの接続	468
底面	348	ATEMスイッチャーに接続	471
URSA Miniコントロール	349	接続が前面にある理由	472
URSA Mini Proコントロールボタン	352	カメラSDIの接続	473
前方コントロールパネル	352	リターンSDI出力の接続	473
エルゴノミクスパネル	356	Blackmagic Camera Fiber Converterのマウント	473
内部コントロールパネル	361		
タッチスクリーン・コントロール	364		
設定	386		

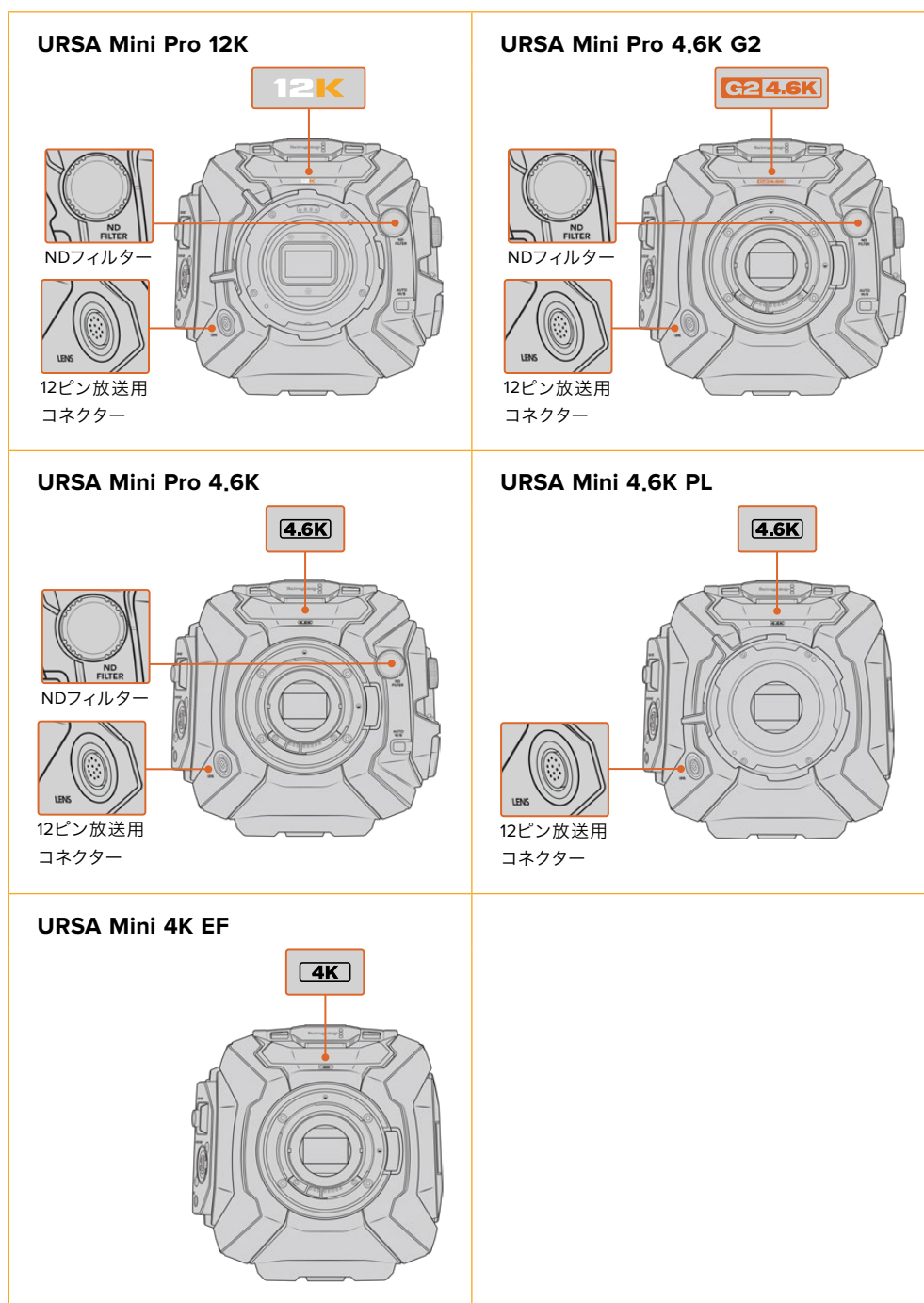
URSA Studio Viewfinderの取り付け	476	タイムラインでクリップを編集する	517
トークバックヘッドセットの接続	476	タイトルの追加	517
<b>Camera Fiber Converterの操作</b>	477	Blackmagic RAWファイルの使用	518
リターンフィードの選択	477	カラーページでクリップのカラーコレクションを行う	521
CALLボタンの使用	478	Power Windowを追加	525
トークバックの使用	478	プラグインの使用	526
タリーの使用	479	オーディオのミックス	527
ステータスインジケータ	479	FusionページでVFXおよび合成を追加	532
オーディオ入力	480	編集のマスタリング	540
IPビデオ	481	クイックエクスポート	540
電源仕様	481	デリバリーページ	541
追加のカメラコントロール	482	<b>スタジオカメラコントロールの概要</b>	542
<b>Studio Fiber Converterの操作</b>	483	カメラコントロールの使用	543
メニューの使用	484	DaVinci Resolveプライマリーカラーコレクター	549
スタジオ側ユニットのラックマウント	487	<b>Blackmagic Camera Setup Utility</b>	552
<b>カメラ側ユニットのコネクター</b>	491	<b>サードパーティ製ソフトウェアの使用</b>	554
カメラ電源の接続	491	CFast 2.0/SDカードからのファイルでの作業	554
PTZインターフェース	491	SSDファイルでの作業	555
トークバック接続	492	Final Cut Pro Xを使う	555
トラッカーインターフェース	493	Avid Media Composer 2018を使う	556
DC接続	493	Adobe Premiere Pro CCを使う	557
Dタップ出力	494	<b>Developer Information</b>	558
リファレンス出力と操作	494	Blackmagic Bluetooth Camera Control	558
<b>スタジオ側ユニットのコネクター</b>	495	Blackmagic SDI and Bluetooth Camera Control Protocol	559
12G-SDI出力	495	Example Protocol Packets	567
リターンSDI入力	495	Blackmagic Tally Control Protocol	567
リファレンス入出力	496	<b>Blackmagic URSA Mini B4 Mount</b>	570
トークバックインターフェース	496	<b>レンズマウントのシム調整</b>	572
PTZインターフェース	498	URSA Mini PLのシム調整	572
オーディオ出力	498	URSA Mini Proのシム調整	574
<b>内部ソフトウェアのアップデート</b>	499	<b>URSA Mini Recorder</b>	575
Blackmagic Camera Fiber Converterのアップデート	499	URSA Mini Recorderのマウントおよび接続	576
Blackmagic Studio Fiber Converterのアップデート	499	URSA Mini Recorderを使う	578
<b>交換可能なレンズマウント</b>	500	URSA Mini Recorderの内部ソフトウェアのアップデート	579
Blackmagic URSA Mini Pro PL Mount	502	<b>ヘルプ</b>	580
Blackmagic URSA Mini Pro F Mount	504	<b>規制に関する警告</b>	581
Blackmagic URSA Mini Pro EF Mount	507	<b>安全情報</b>	582
Blackmagic URSA Mini Pro B4 Mount	509	<b>保証</b>	583
Blackmagic URSA Mini Pro Shim Kit	511		
<b>DaVinci Resolveの使用</b>	512		
プロジェクトマネージャー	512		
カットページを使用した編集	513		
クリップをタイムラインに追加	516		

## どのカメラをお使いですか？

このマニュアルを読み進めると、時々、ある機能が特定のBlackmagic URSA Miniカメラ特有の機能であることに気づかれるでしょう。すべてのURSA Miniカメラで驚異的なワイドダイナミックレンジのイメージが得られ、基本の筐体は同じですが、モデルごとにいくつかの相違点があります。

### モデル名：

- URSA Mini Pro 12K
- URSA Mini Pro 4.6K G2
- URSA Mini Pro 4.6K
- URSA Mini 4.6K
- URSA Mini 4K

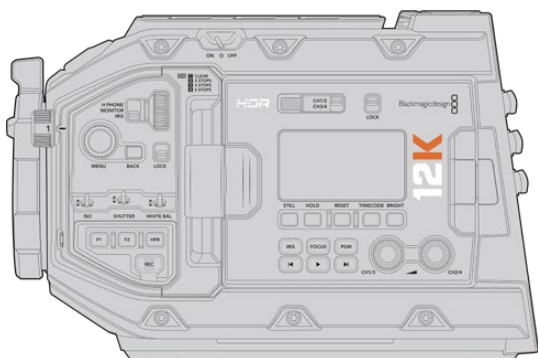




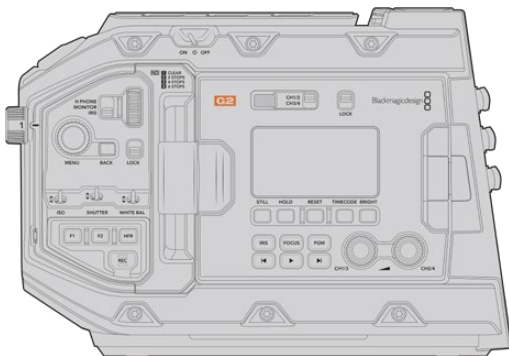
## URSA Mini Pro

URSA Mini Pro 12KはPLマウント、URSA Mini Pro 4.6K G2およびURSA Mini Pro 4.6KはEFマウントを標準装備しています。すべてのURSA Mini Proカメラはレンズマウントを交換できるため、他のタイプのレンズを取り付けられます。交換可能なレンズマウントに関する詳細は、「交換可能なレンズマウント」セクションを参照してください。

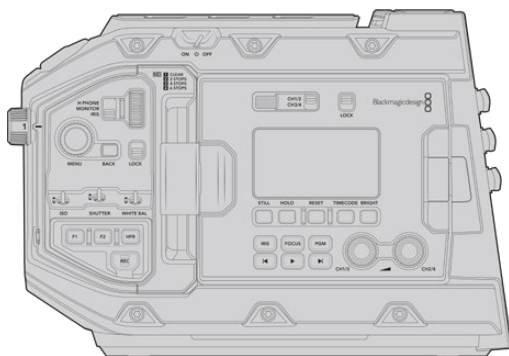
URSA Mini Proは、筐体の左側面に追加のコントロールボタンとLCDステータス・スクリーンがあり、レンズマウントの近くにNDフィルターが付いているので簡単に見分けられます。URSA Mini Pro 4.6K G2には、前面のレンズマウント上部にオレンジの「G2 4.6K」のマーク、カメラの外部コントロールパネルの左側にオレンジの「G2」のマークが印刷されています。追加のコントロールボタンは、カメラのコントロールおよび設定変更で異なるオプションが使用できることを意味します。URSA Mini Pro 12Kの外部コントロールパネルには「12K」と「HDR」のマークが印刷されています。URSA Mini Pro 12Kのリアパネルには、SDIポートの上の右端にヘッドフォンソケットがあり、USB-Cポートは12V電源コネクタの下に右端にあります。



URSA Mini Pro 12K、左側面



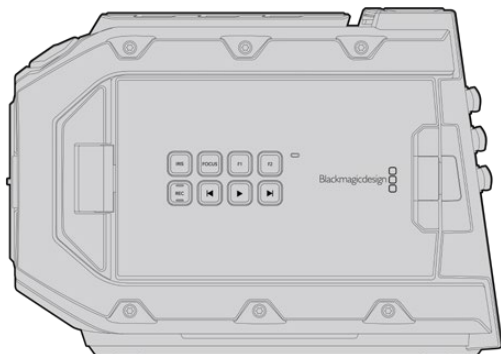
URSA Mini Pro 4.6K G2、左側面



URSA Mini Pro 4.6K、左側面

## URSA Mini

センサーを除くと、URSA Mini 4Kと4.6Kモデルはほぼ同じです。コントロールボタンとソフトウェアメニューの配置は全く同じで、カメラの操作方法も基本的には同じです。4.6Kセンサーのカメラは、より多くの解像度オプションとより幅広いISO設定を搭載しています。カメラがどちらのセンサーを使用しているかは、レンズマウントの上部にある「4K」または「4.6K」マークで簡単に確認できます。



URSA Mini、左側面

URSA Miniカメラは、EFおよびPLレンズマウントモデルがあることにも注意してください。これらを見分ける簡単な方法は、PLモデルのレンズマウントの近くにある12ピン放送用レンズコネクタです。もちろん、EFとPLレンズマウントを使い慣れている人であれば、マウント部を見るだけで識別できるでしょう。これらのマウントに関する詳細は、「はじめに」セクションを参照してください。

これでURSA Miniモデルの見分け方が分かったので、早速カメラを使用してみましょう！

## はじめに

Blackmagic URSA Miniは、レンズをマウントして電源を入れるだけで簡単に使用できます。

### レンズの取り付け

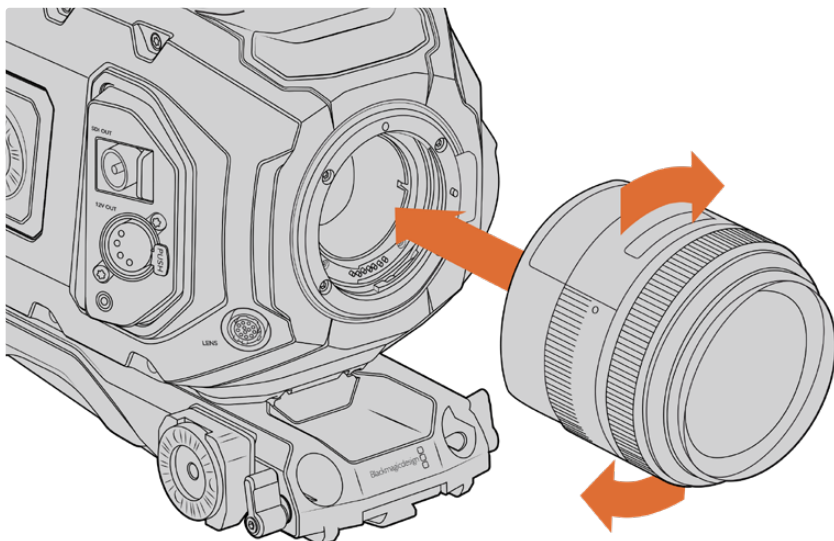
カメラへのレンズの取り付け方法は、全URSA Miniカメラで同じですが、マウントの種類（EF、PL、B4、F）によって作業が多少異なります。いずれの場合でも、最初のステップは保護用のダストキャップを取り外すことです。

EFレンズマウントから保護用のダストキャップを外すには、ロックボタンを押しながら、反時計回りに回します。PLおよびB4マウントでは、ロックリングを反時計回りに回し、マウントから保護用のダストキャップを引き外します。Fマウントでは、ロックボタンを押しながら反時計回りに回して取り外します。

**メモ** Blackmagic URSA Mini Proは交換可能なレンズマウントに対応しており、オプションのレンズマウントを使用してEF、PL、B4、Fマウントレンズを取り付けられます。URSA Mini Proのマウントタイプの交換に関する詳細は、このマニュアルの「交換可能なレンズマウント」セクションを参照してください。

**作業のこつ** URSA Mini Pro 12KはPLマウントを標準装備しています。その他のURSA Mini Proカメラは、箱から出した時点でEFレンズを装着できる状態になっています。すぐに撮影を開始するには、以下の説明に従いレンズを装着してください。

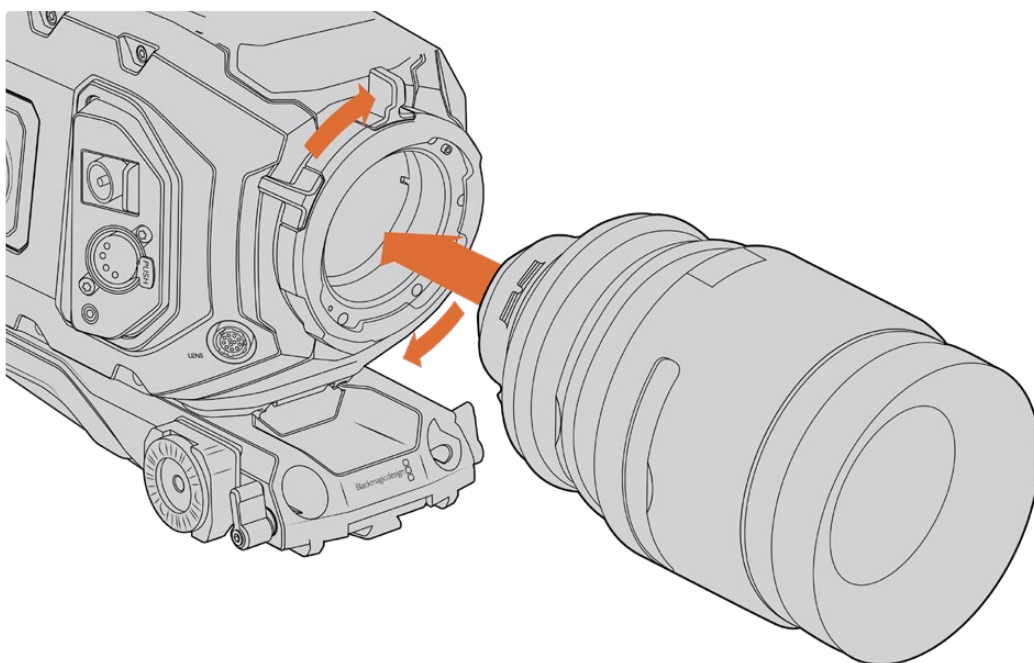
## EFマウントレンズを取り付ける：



EFマウントレンズをBlackmagic URSA Mini EFに装着/取り外し

- 1 レンズ上のドット（点）とカメラのマウント部分のドットを合わせます。多くのレンズには、青、赤、白のドットか、その他の目印がついています。
- 2 レンズをマウント部に挿入し、ロックされるまで時計回りに回します。
- 3 レンズを外す際は、ロックボタンを押しながら、レンズを反時計回りに12時の位置まで回し、ゆっくり外します。

## PLマウントレンズを取り付ける：

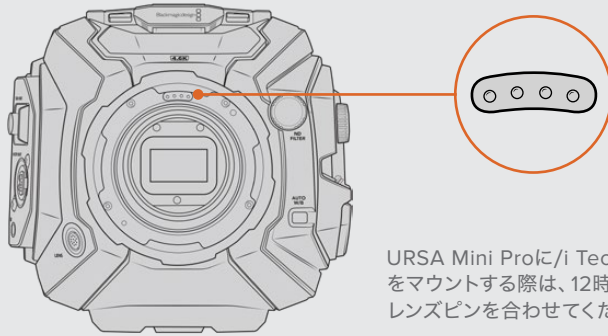


PLレンズをBlackmagic URSA Mini PLおよびURSA Mini Pro 12Kに装着/取り外し

- 1 カメラのPLロックリングを反時計回りに止まるまで回します。
- 2 レンズの4つのフランジの刻み目のいずれか1つを、カメラマウントの位置決めピンに合わせます。レンズマークが簡単に確認できるようレンズを合わせます。
- 3 PLロックリングを時計回りに回し、きつく固定します。URSA Mini PLまたはURSA Mini Proにサーボユニット付きのPLレンズを取り付ける場合は、12ピン放送用コネクタに接続してサーボをコントロールできます。
- 4 レンズを外すには、ロックリングを反時計回りに止まるまで回し、レンズをカメラ筐体から直接引き出し、ゆっくり外します。レンズを回す必要はありません。

## URSA Mini Pro PL Mount

URSA Mini ProのPLマウントは、12時の位置に4ピンが付いています。これはCookeの/i Technologyインターフェース対応のレンズとの通信に使用されます。このインターフェースに対応するレンズには、Canon、Cooke、Fujinon、Leica、Zeissレンズが含まれます。これにより、クリップのメタデータに、レンズモデル、焦点距離、アパーチャー設定、フォーカス距離、その他のレンズ特有の情報などのレンズ情報を記録できます。



URSA Mini Proに/i Technology対応のPLレンズをマウントする際は、12時の位置にあるマウントピンにレンズピンを合わせてください。

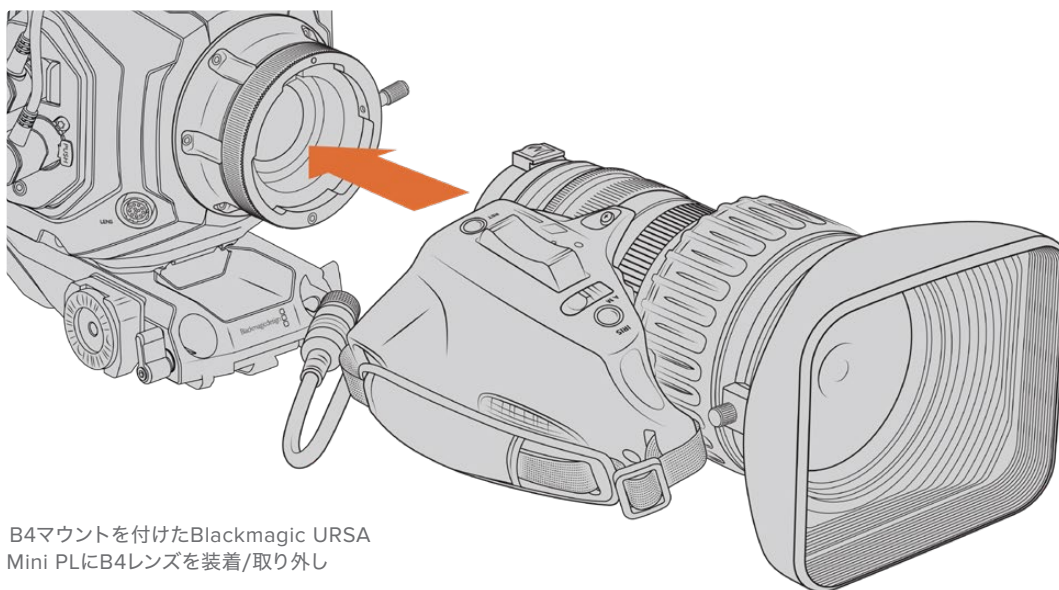
Cookeの/i Technologyインターフェース経由でメタデータとして記録された情報は、ポストプロダクションやVFXで役立ちます。プロダクションで使用したレンズとそれらの詳細な設定を把握しておくことは、後日同じ設定が必要になる場合に役立ちます。

また、これらの情報は、DaVinci ResolveやFusionなどパワフルなアプリケーションにおいて、他の様々な高度な機能に使用できます。例えば、記録されたメタデータは3D空間での特定のレンズのシミュレーションやレンズの歪み補正に使用されます。

URSA Mini ProおよびURSA Mini PLは、サーボハンドグリップを装備したPL 35mmレンズのコントロールをサポートしています。レンズが、カメラの12ピン放送用コネクタに接続されている場合、URSA MiniはB4レンズの場合と同様の方法で、電源とコントロール信号をレンズに供給します。詳細は、このマニュアルの「サーボズーム対応レンズの使用」セクションを参照してください。

**メモ** レンズを装着していない時は、センサーを覆うガラスのフィルターがゴミや埃にさらされています。レンズの保護のために、可能な限りダストキャップを付けておくようにしてください。

## B4マウントレンズを取り付ける：

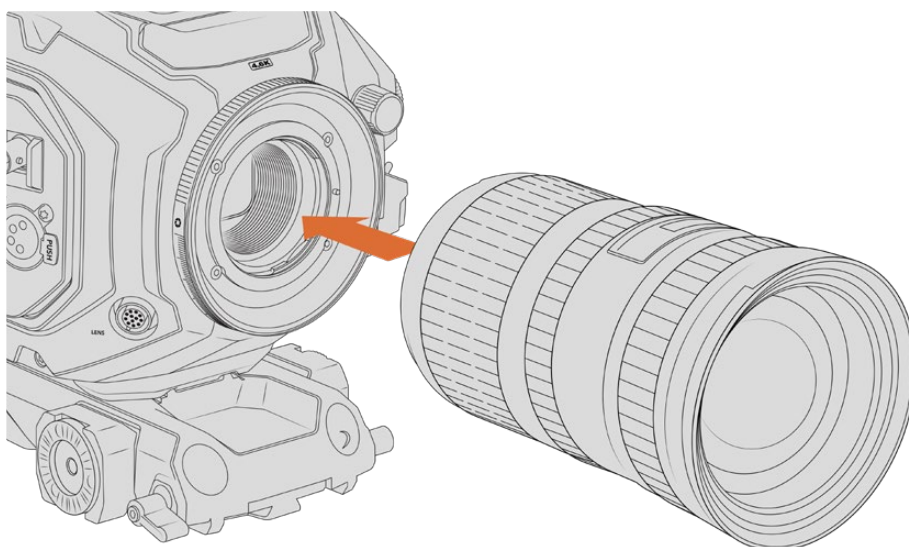


B4マウントを付けたBlackmagic URSA Mini PLにB4レンズを装着/取り外し

- 1 B4レンズのロックリングを反時計回りに回すと、マウント上部の内側にあるスロットが確認できます。レンズマウントのスロットとレンズのアライメントピンの位置が合うように、URSA MiniのB4マウントとB4レンズを合わせます。
- 2 レンズをB4マウントに合わせて持ち、両方のマウントプレートを合わせます。この際、アライメントピンがスロットに収まったことを確認してください。
- 3 ロックリングを時計回りに回してレンズをマウントに締め、正しい位置に固定します。
- 4 レンズに電源を供給してレンズコントロールを行うには、レンズケーブルをURSA Mini PL/URSA Mini Proのターレットの前方にある「Lens」コネクタに接続します。ほとんどのB4レンズは、12ピンコネクタおよびケーブルを搭載しています。これにより、URSA Miniからレンズに電源とコントロール信号を送ることができます。

B4レンズの種類とカメラとの使用方法に関する情報は、このマニュアルの「サーボズーム対応レンズの使用」セクションを参照してください。

## Fマウントレンズを取り付ける：



Fマウントを付けたBlackmagic URSA Mini Pro 4.6KにFマウントレンズを装着/取り外し



- 1 レンズ上のドット（点）とカメラのマウント部分のドットを合わせます。多くのレンズには、青、赤、白のドットか、その他の目印がついています。
- 2 レンズをマウント部に挿入し、ロックされるまで反時計回りに回します。
- 3 レンズを外す時は、ロックボタンを押しながら、レンズを時計回りに2時の位置まで回し、ゆっくり外します。

**メモ** Blackmagic URSA Mini Pro F Mountはアイリス調整機構を採用しています。フォーカスリングを内蔵した旧式のFマウントレンズを使用するには、レンズのアパーチャーは最低値 (f/22 など) に設定/ロックされている必要があります。Blackmagic URSA Mini Pro F Mountのアイリス調整機構を使ったアパーチャーの調整に関しては、このマニュアルの「Blackmagic URSA Mini Pro F Mount」セクションを参照してください。

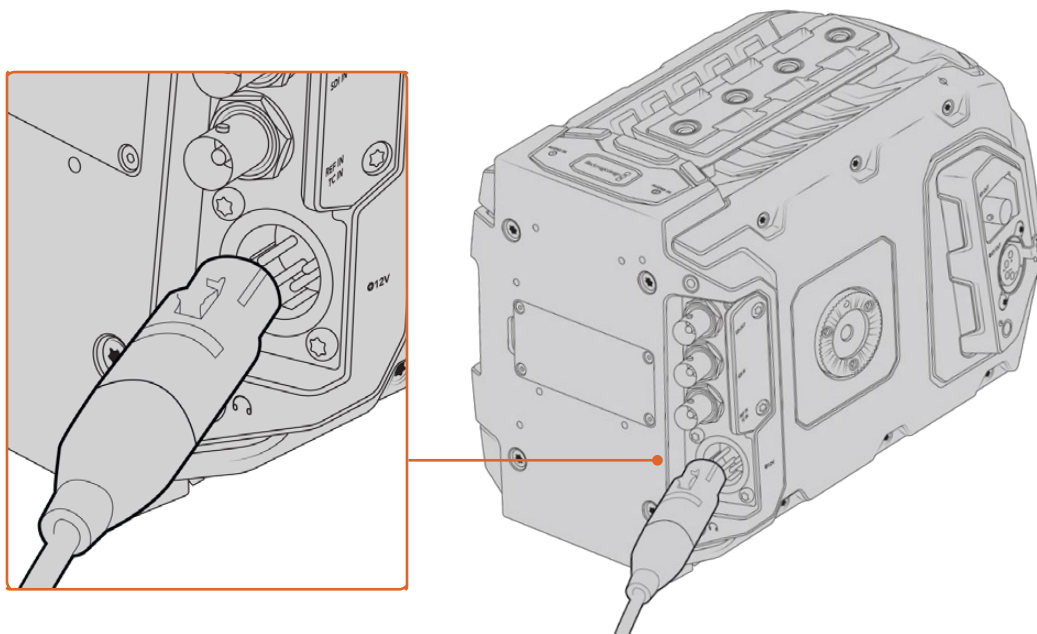
## カメラの電源を入れる

レンズを装着したら、電源を供給します。カメラに電源を供給する一番簡単な方法は、同梱のAC-12V DCアダプターで外部電源に接続することです。

### 外部電源に接続：

- 1 AC-12V DCアダプタープラグを主電源ソケットに接続します。
- 2 AC-12V DCアダプターの4ピンXLRコネクターを、カメラの12-20V電源コネクターに接続します。

外部電源とバッテリー電源に接続している場合、外部電源のみが使用されます。充電されたバッテリーが接続されている時に外部電源を外した場合、カメラは動作を中断することなく、バッテリー電源に切り替えます。



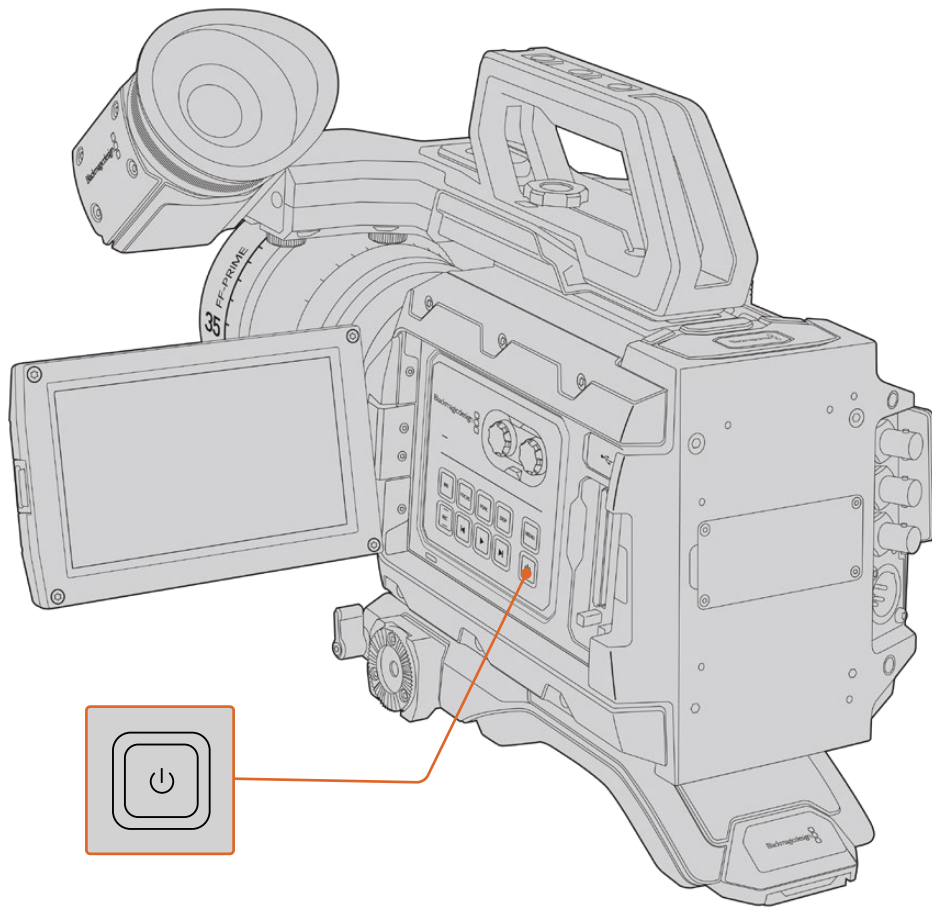
同梱のAC-12V DCアダプターを使ってBlackmagic URSA Miniに電源を接続

Vマウント/ゴールドマウントバッテリーなど、業界標準のサードパーティ製外部バッテリーをURSA Miniと使用できます。異なるタイプのバッテリー用のバッテリープレートのマウントに関する詳細は、「バッテリーのマウント」のセクションを参照してください。

## URSA Miniをオンにする：

- 1 電源ボタンを押します。Blackmagic URSA Miniでは、電源ボタンは開閉式LCD内側のコントロールパネルにあります。LCDを開くとコントロールパネルにアクセスできます。
- 2 電源ボタンを長押しすると、カメラがオフになります。

あとはCFast 2.0カードを挿入するだけで、撮影の準備は完了です！

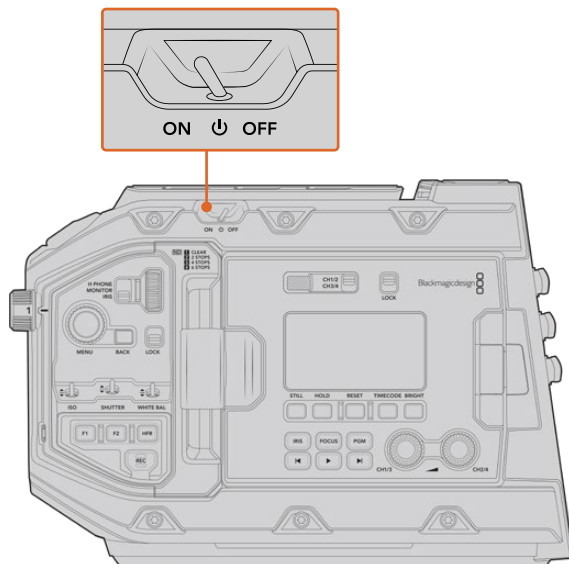


URSA Miniをオンにするには、開閉式LCDタッチスクリーンを開いて、コントロールパネルにある電源ボタンを押します。電源ボタンを長押しすると、カメラがオフになります。

**作業のこつ** 電源を入れる際はボタンをすばやく押して離してください。カメラの起動には約10秒かかりますが、再度ボタンを押す必要はありません。カメラをオフにする時は、電源がオフになるまでボタンを長押しします。

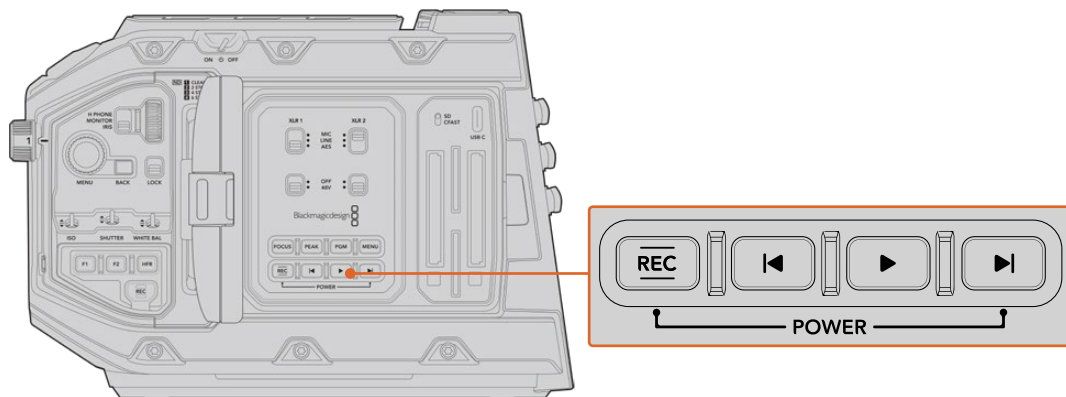
## URSA Mini Proをオンにする：

- 1 Blackmagic URSA Mini Proでは、電源ボタンは開閉式LCDの上にあります。スイッチを「ON」の位置にするとカメラがオンになります。
- 2 スwitchを「OFF」の位置にするとカメラがオフになります。



電源スイッチを「ON」の位置にするとカメラがオン

URSA Mini Proはリダundant電源スイッチにも対応しており、コントロールパネルの内側にある「録画 (REC)」ボタンと「次クリップ頭出し」ボタンをわずかの間、長押ししてカメラのオン/オフを切り替えられます。通常はこの方法でカメラをオンにすることはありませんが、カスタムリグにマウントしており、上部の電源スイッチにアクセスしにくい場合などの代替手段として役立ちます。



LCDの内側にある「録画 (REC)」ボタンと「次クリップ頭出し」ボタンをわずかの間、長押しして、カメラのオン/オフを切り替え可能

**作業のこつ** 電源スイッチがオンの状態でURSA Mini Proがオフになった場合、Bluetooth®コントロールでの操作、または「録画 (REC)」ボタンと「次クリップ頭出し」ボタンを長押ししたことが原因の可能性があります。電源スイッチをオフ、オンの順に切り替えるか、コントロールパネルの該当ボタンを長押ししてカメラをオンにします。



# ストレージメディア

Blackmagic URSA Miniカメラは、ストレージを多数から選べます。URSA Miniの全モデルは、CFast 2.0カードにビデオを収録します。URSA Mini Proカメラは、高速のUHS-IIおよびUHS-I SDカードも使用可能です。

URSA Mini Pro G2はUSB-C 3.1 Gen 1ポート、URSA Mini Pro 12KはUSB-C 3.1 Gen 2ポートを搭載しており、高速フラッシュディスク、またはオプションのURSA Mini Recorderを使用している場合は大容量ソリッドステート・ドライブ (SSD) に収録できます。

**メモ** URSA Mini Recorderは、URSA Mini Pro 12Kと使用するために設計されており、URSA Mini Pro 4.6K G2と互換性があります。URSA Mini Pro 4.6K、URSA Mini 4.6K、URSA Mini 4Kとは互換性がありません。URSA Mini Recorderの取り付けに関しては「URSA Mini Recorder」セクションを参照してください。

## メディアの速度に関する大切な情報

製造業者が公表している読み込みおよび書き込み速度は、多くの場合、スチルイメージなどの小さなファイルでのピーク速度であるため、継続的な高速ビデオの書き込み速度を正確に示すものではありません。

Blackmagic Designでは、URSA Miniで以下のカードすべてに対して、全面的なテストを行なっています。希望するフレームレートで信頼性の高い収録を行うには、Blackmagic Designが推奨するカードを使用してください。

## CFastカード

CFast 2.0カードは非常に高速のデータ転送が可能のため、高フレームレートのHDおよび4Kビデオの収録に最適です。各フォーマットで収録可能な最大フレームレートの詳細は、「収録」セクションの「収録時間一覧」を参照してください。

**メモ** 一般的にCFast 2.0カードは高速カードですが、書き込み速度が読み込み速度より遅いものもあり、最大転送速度はモデルによって異なります。選択したフレームレートで確実に収録を行うには、このセクションで推奨されているカードを使用してください。

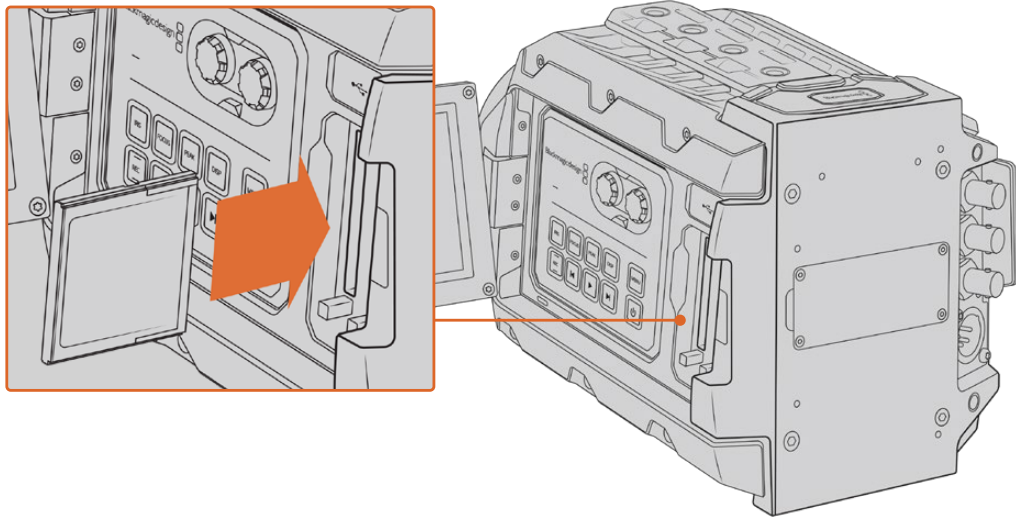
## CFastカードの挿入

URSA Mini Proを使用している場合、CFastカードまたはSDカードに収録することも可能です。CFastカードを使用して収録するには、それに応じてカメラを設定する必要があります。メディアスロットの上部にあるストレージメディアスイッチを「CFAST」の位置に設定します。

### CFastカードを挿入する：

- 1 開閉式モニターを開いて、CFastスロットにアクセスします。
- 2 CFastカードが固定されるまで、カードをCFastスロットに差し込みます。カードは、過度に力を入れる必要なく簡単に挿入できるはずです。CFastカードを取り出すには、CFastカードのイジェクトボタンを押します。

LCDタッチスクリーン底部のストレージ情報に、検出されたCFastカードの名前と録画可能時間が表示されます。



Blackmagic URSA Miniは2つのCFastスロットを搭載し、継続的な収録が可能

### CFast 2.0カードの選択

CFastカードは読み込み/書き込み速度が異なるため、高データレートビデオを扱う際は使用するCFast 2.0カードを慎重に選ぶことが非常に重要です。下記は、使用に推奨されるCFastカードの一覧です。

#### Blackmagic URSA Mini Pro 12Kで使用が推奨されるCFastカード

12K DCI Blackmagic RAW 18:1 (60fpsまで)、8K DCI Blackmagic RAW 8:1 (60fpsまで) の収録には、以下のCFast 2.0カードを推奨します。

メーカー	カード名	ストレージ
Angelbird	AV Pro CF	128GB
Angelbird	AV Pro CF	256GB
Angelbird	AV Pro CF	512GB
Angelbird	AV Pro CF	1TB
ExAscend	Essential	512GB
ExAscend	Essential	1TB
FreeTail	Evoke Pro 3700x	128GB
FreeTail	Evoke Pro 3700x	256GB
FreeTail	Evoke Pro 3700x	512GB
FreeTail	Evoke Pro 3700x	1TB

メーカー	カード名	ストレージ
KomputerBay	x3400 CFast 2.0	128GB
ProGrade Digital	550MB/s CFast 2.0	256GB
ProGrade Digital	550MB/s CFast 2.0	512GB
SanDisk	Extreme Pro CFast 2.0 SDCFSP-128G-x46D	128GB
Wise	CFast 2.0 3400x	256GB
Wise	CFast 2.0 3500x	512GB
Wise	CFast 2.0 3500x	1TB

### Blackmagic URSA MiniおよびURSA Mini Proカメラで使用が推奨されるCFastカード

4.6K Blackmagic RAW 3:1 (60fpsまで) の収録には、以下のCFast 2.0カードを推奨します。

メーカー	カード名	ストレージ
Angelbird	AV Pro CF	128GB
Angelbird	AV Pro CF	256GB
Angelbird	AV Pro CF	512GB
Angelbird	AV Pro CF	1TB
CinediskPro	510MB/s CFast 2.0	256GB
FreeTail	Evoke Pro 3700x	128GB
FreeTail	Evoke Pro 3700x	256GB
FreeTail	Evoke Pro 3700x	512GB
FreeTail	Evoke Pro 3700x	1TB
Hagiwara Solutions	CFast 2.0 DC-SMAN64GA	64GB
Hagiwara Solutions	CFast 2.0 DC-SMANA1GA	128GB
KomputerBay	3600x CFast 2.0 Card	64GB
ProGrade Digital	550MB/s CFast 2.0	64GB
ProGrade Digital	550MB/s CFast 2.0	128GB
ProGrade Digital	550MB/s CFast 2.0	256GB
ProGrade Digital	550MB/s CFast 2.0	512GB
SanDisk	Extreme Pro CFast 2.0 SDCFSP-128G-x46D	128GB
SanDisk	Extreme Pro CFast 2.0 SDCFSP-256G-x46D	256GB
SanDisk	Extreme Pro CFast 2.0 SDCFSP-512G-x46D	512GB
Sony	CFast 2.0 G Series CAT-G64	64GB
Sony	CFast 2.0 G Series CAT-G128	128GB
Transcend	CFX650 CFast 2.0 TS128GCFX650	128GB

メーカー	カード名	ストレージ
Transcend	CFX650 CFast 2.0 TS256GCFX650	256GB
Transcend	CFX650 CFast 2.0 TS128GCFX650BM	128GB
Transcend	CFX650 CFast 2.0 TS256GCFX650BM	256GB
Wise	CFast 2.0 3400x	256GB
Wise	CFast 2.0 3500x	512GB

2160p ProRes 422 HQ (60fpsまで) の収録には、以下のCFast 2.0カードを推奨します。

メーカー	カード名	ストレージ
Angelbird	AV Pro CF	128GB
Angelbird	AV Pro CF	256GB
Angelbird	AV Pro CF	512GB
Angelbird	AV Pro CF	1TB
Angelbird	AV Pro CF XT	256GB
Angelbird	AV Pro CF XT	512GB
CinediskPro	510MB/s CFast 2.0	256GB
Hagiwara Solutions	DC-SMAN64GA	64GB
Hagiwara Solutions	DC-SMANA1GA	128GB
KomputerBay	3600x CFast 2.0 Card	64GB
KomputerBay	3700x CFast 2.0 Card	256GB
ProGrade Digital	550MB/s CFast 2.0	128GB
ProGrade Digital	550MB/s CFast 2.0	256GB
ProGrade Digital	550MB/s CFast 2.0	512GB
SanDisk	Extreme Pro CFast 2.0 SDCFSP-128G-x46D	128GB
SanDisk	Extreme Pro CFast 2.0 SDCFSP-256G-x46D	256GB
SanDisk	Extreme Pro CFast 2.0 SDCFSP-512G-x46D	512GB
Silicon Power	CFX310	256GB
Sony	CFast 2.0 G Series CAT-G64	64GB
Sony	CFast 2.0 G Series CAT-G128	128GB
Transcend	CFX650 CFast 2.0 TS128GCFX650	128GB
Transcend	CFX650 CFast 2.0 TS256GCFX650	256GB
Transcend	CFX650 CFast 2.0 TS128GCFX650BM	128GB
Transcend	CFX650 CFast 2.0 TS256GCFX650BM	256GB

メーカー	カード名	ストレージ
Wise	CFast 2.0 3400x	128GB
Wise	CFast 2.0 3400x	256GB
Wise	CFast 2.0 3500x	512GB

Blackmagic URSA Miniの対応CFastカードに関する最新情報は、Blackmagic Designサポートセンターを参照してください。[www.blackmagicdesign.com/jp/support](http://www.blackmagicdesign.com/jp/support)

**メモ** Blackmagic URSA Miniカメラとの使用が認定されているSandisk CFast 2.0カードは "Dシリーズ" のみです。これらのカードは裏面の左下に大きく「D」と記されているため見分けが付きやすくなります。さらに分かりやすいようにモデル番号もリストに記載しました。このモデル番号は地域ごとに多少の違いがあり、モデル番号のxの部分が市場により異なります。例えば、アメリカでは「A」、アジア太平洋およびヨーロッパでは「G」です。

## SDカード

Blackmagic URSA Mini Proは、CFast 2.0に加え、高速のUHS-IおよびUHS-IIタイプのSDカードにも収録可能です。ハイエンドのSDXC UHS-IIカードを使用することで、ProRes HQフットエージをUltra HDコンテンツ用に2160pで収録できます！

SDカードを使用すれば、HDで圧縮ビデオフォーマットを撮影する場合、より低価格のストレージメディアを使用できます。SDXCおよびSDHCは、民生用のスチル/ビデオカメラ用の非常に一般的なメディアストレージフォーマットです。

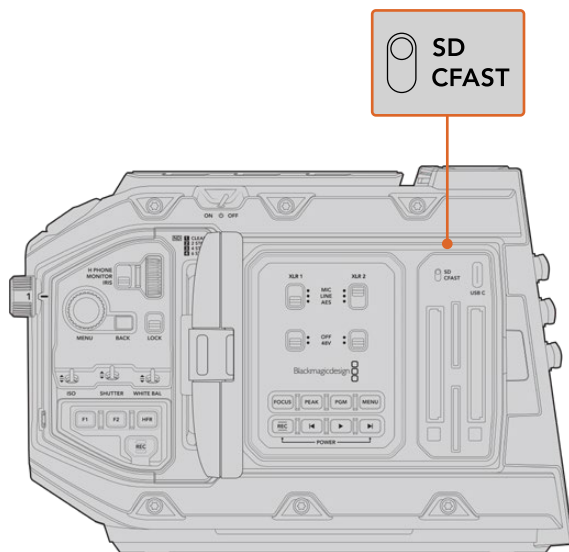
これまでにDSLRで撮影したり、あるいはBlackmagic Micro Cinema Camera、Pocket Cinema Camera 4K、Blackmagic Video Assistを使用したことがあれば、すでに互換性のあるSDカードを持っているでしょう。

高解像度のBlackmagic RAWファイルを必要としないプロジェクト、あるいは長時間収録が必要な場合はSDカードを使用すると経費を抑えられます。低容量で低速のSDカードは、LUTおよびプリセットの保存やロードにも使用できます。

## SDカードの挿入

### SDカードを挿入する：

- 1 開閉式モニターを開いて、SDカードスロットにアクセスします。SDカードスロットは、CFastスロットの間にある小さなスロットです。
- 2 スロット上部にあるストレージメディアのトグルスイッチを「SD」に設定します。
- 3 SDカードのラベル面をタッチスクリーンの反対に向けて、所定の位置まで挿入します。SDカードを取り出すには、SDカードを押してイジェクトします。
- 4 LCDタッチスクリーン底部のストレージインジケータに、検出されたカードの名前と録画可能時間が表示されます。



URSA Mini Pro 4.6KでSDカードに収録する場合、  
ストレージメディアのスイッチが「SD」になっていることを確認してください。

## 高速のSDカードを選ぶ

Blackmagic URSA Mini ProでUltra HDを収録する場合は、最高速のUHS-IIタイプのSDカードを使用することをお勧めします。Ultra HDおよびHD収録には高速UHS-IIカードを、HD収録にはUHS-Iカードを使用することが重要です。これらのカードは高速データ転送速度に対応しており、大容量ストレージをサポートしています。一般的には、高速であればあるほど良い品質が得られます。詳細は、このセクションに前述されている「推奨SDカード」の表を参照してください。

SDカードは、使用前にHFS+あるいはexFATフォーマットにフォーマットする必要があります。ストレージ管理またはコンピューターでメディアをフォーマットできます。詳細は「撮影用にメディアを準備する」セクションを参照してください。

また、MacまたはWindowsコンピューターを使ってカードをフォーマットすることも可能です。メディアをMacで使用する場合は、MacのディスクフォーマットであるHFS+を使用できます。Windowsで使用する場合は、WindowsのディスクフォーマットであるexFATフォーマットを使用してください。MacコンピューターでもexFATフォーマットを読み取れます。

下記は、Blackmagic URSA Mini Proとの使用に推奨されるSDカードの一覧です。定期的に、このマニュアルの最新バージョンを確認し、常に新しい情報を入手することをお勧めします。最新のマニュアルはBlackmagic Designウェブサイト ([www.blackmagicdesign.com/jp/support](http://www.blackmagicdesign.com/jp/support)) でダウンロードできます。

**メモ** 高フレームレートやUltra HDフッターをURSA Miniで撮影する際は、CFast 2.0またはSD UHS-IIカードの使用を推奨します。これらは、概して、SD UHS-Iメディアより高速で容量が大きいので、このような撮影により適しています。

URSA Mini Pro 12Kの推奨SDカードに関する最新情報は、Blackmagic Designサポートセンターを参照してください。 [www.blackmagicdesign.com/jp/support](http://www.blackmagicdesign.com/jp/support)

### Blackmagic URSA Mini Pro 12Kで使用が推奨されるSDカード

12K DCI Blackmagic RAW 12:1 (24fpsまで) の収録には、以下のSDカードを推奨します。

メーカー	カード名	ストレージ
ProGrade Digital	V90 UHS-II 300MB/s SDXC	64GB
ProGrade Digital	V90 UHS-II 300MB/s SDXC	128GB
ProGrade Digital	V90 UHS-II 300MB/s SDXC	256GB
Sony	Tough SF-G64 300MB/s UHS-II SDXC	64GB
Sony	Tough SF-G128 300MB/s UHS-II SDXC	128GB

8K DCI Blackmagic RAW 18:1 (60fpsまで) の収録には、以下のSDカードを推奨します。

メーカー	カード名	ストレージ
Angelbird	AV Pro MK2 V90 SDXC	256GB
ProGrade Digital	V90 UHS-II 300MB/s SDXC	64GB
ProGrade Digital	V90 UHS-II 300MB/s SDXC	128GB
ProGrade Digital	V90 UHS-II 300MB/s SDXC	256GB
Sony	Tough SF-G64 300MB/s UHS-II SDXC	64GB
Sony	Tough SF-G128 300MB/s UHS-II SDXC	128GB
Wise	285MB/s UHS-II SDXC	64GB
Wise	285MB/s UHS-II SDXC	128GB

### URSA Mini Proで使用が推奨されるSDカード

4K DCI Blackmagic RAW 12:1 (30fpsまで) の収録には、以下のSDカードを推奨します。

メーカー	カード名	ストレージ
Angelbird	AV Pro 300MB/s UHS-II SDXC	64GB
Angelbird	AV Pro 300MB/s UHS-II SDXC	128GB
Lexar	Professional 2000x UHS-II 300MB/s SDXC	64GB
Lexar	Professional 1000x UHS-II 150MB/s SDXC	64GB
SanDisk	Extreme Pro UHS-I 95MB/s SDXC	64GB
SanDisk	Extreme Pro UHS-I 95MB/s SDXC	128GB
SanDisk	Extreme Pro UHS-I 95MB/s SDXC	256GB
SanDisk	Extreme Pro UHS-I 95MB/s SDXC	512GB
SanDisk	Extreme Pro UHS-II 280MB/s SDXC	64GB
SanDisk	Extreme Pro UHS-II 300MB/s SDHC	32GB
SanDisk	Extreme Pro UHS-II 300MB/s SDXC	128GB

メーカー	カード名	ストレージ
Sony	SF-G64 300MB/s UHS-II SDXC	64GB
Sony	SF-G128 300MB/s UHS-II SDXC	128GB
Toshiba	Exceria Pro UHS-II 270MB/s SDXC	64GB
Toshiba	Exceria Pro UHS-II 270MB/s SDXC	128GB
Toshiba	Exceria Pro UHS-II N502 SDHC	32GB
Toshiba	Exceria Pro UHS-II N502 SDXC	64GB
Toshiba	Exceria Pro UHS-II N502 SDXC	128GB
Toshiba	Exceria Pro UHS-II N502 SDXC	256GB
Transcend	Ultimate UHS-II 180MB/s SDXC	64GB
Wise	285MB/s UHS-II SDXC	64GB
Wise	285MB/s UHS-II SDXC	128GB

2160p ProRes 422 HQ (30fpsまで) の収録には、以下のSDカードを推奨します。

メーカー	カード名	ストレージ
Angelbird	AV Pro 300MB/s UHS-II SDXC	64GB
Angelbird	AV Pro 300MB/s UHS-II SDXC	128GB
Delkin Devices	UHS-II 250MB/s SDHC	32GB
ProGrade Digital	V90 UHS-II 250MB/s SDXC	128GB
SanDisk	Extreme Pro UHS-II 280MB/s SDHC	32GB
SanDisk	Extreme Pro UHS-II 280MB/s SDXC	64GB
SanDisk	Extreme Pro UHS-II 300MB/s SDHC	32GB
SanDisk	Extreme Pro UHS-II 300MB/s SDXC	128GB
Sony	SF-G64 300MB/s UHS-II SDXC	64GB
Sony	SF-G128 300MB/s UHS-II SDXC	128GB
Toshiba	Exceria Pro UHS-II 270MB/s SDXC	64GB
Toshiba	Exceria Pro UHS-II N502 SDHC	32GB
Toshiba	Exceria Pro UHS-II N502 SDXC	64GB
Toshiba	Exceria Pro UHS-II N502 SDXC	128GB
Toshiba	Exceria Pro UHS-II N502 SDXC	256GB
Transcend	Ultimate UHS-II 180MB/s SDXC	64GB
Wise	285MB/s UHS-II SDXC	64GB
Wise	285MB/s UHS-II SDXC	128GB



1080p ProRes 422 HQ (60fpsまで) の収録には、以下のSDカードを推奨します。

メーカー	カード名	ストレージ
Angelbird	AV Pro 300MB/s UHS-II SDXC	64GB
Angelbird	AV Pro 300MB/s UHS-II SDXC	128GB
Delkin Devices	UHS-II 250MB/s SDHC	32GB
Lexar	Professional 2000x UHS-II 300MB/s SDHC	32GB
Lexar	Professional 2000x UHS-II 300MB/s SDXC	64GB
Lexar	Professional 1000x UHS-II 150MB/s SDXC	64GB
ProGrade Digital	V90 UHS-II 250MB/s SDXC	128GB
ProGrade Digital	V60 UHS-II 200MB/s SDXC	64GB
ProGrade Digital	V60 UHS-II 200MB/s SDXC	128GB
SanDisk	Extreme Pro UHS-I 95MB/s SDXC	64GB
SanDisk	Extreme Pro UHS-I 95MB/s SDXC	128GB
SanDisk	Extreme Pro UHS-I 95MB/s SDXC	256GB
SanDisk	Extreme Pro UHS-I 95MB/s SDXC	512GB
SanDisk	Extreme Pro UHS-II 280MB/s SDHC	32GB
SanDisk	Extreme Pro UHS-II 280MB/s SDXC	64GB
SanDisk	Extreme Pro UHS-II 300MB/s SDXC	64GB
SanDisk	Extreme Pro UHS-II 300MB/s SDXC	128GB
Sony	SF-G64 300MB/s UHS-II SDXC	64GB
Sony	SF-G128 300MB/s UHS-II SDXC	128GB
Toshiba	Exceria Pro UHS-II 270MB/s SDXC	64GB
Toshiba	Exceria Pro UHS-II 270MB/s SDXC	128GB
Toshiba	Exceria Pro UHS-II 270MB/s SDXC	256GB
Toshiba	Exceria Pro UHS-II N502 SDHC	32GB
Toshiba	Exceria Pro UHS-II N502 SDXC	64GB
Toshiba	Exceria Pro UHS-II N502 SDXC	128GB
Toshiba	Exceria Pro UHS-II N502 SDXC	256GB
Transcend	Ultimate UHS-II 180MB/s SDXC	64GB
Wise	285MB/s UHS-II SDXC	64GB
Wise	285MB/s UHS-II SDXC	128GB

URSA Mini Proの対応SDカードに関する最新情報は、Blackmagic Designサポートセンターを参照してください。[www.blackmagicdesign.com/support](http://www.blackmagicdesign.com/support)

## SDカードのロック/解除

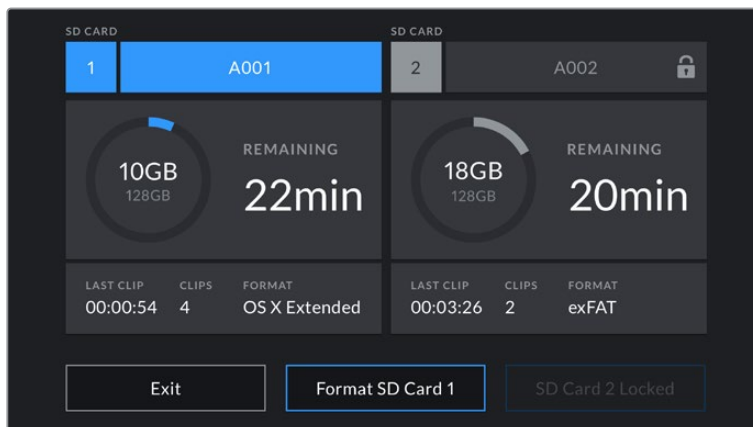
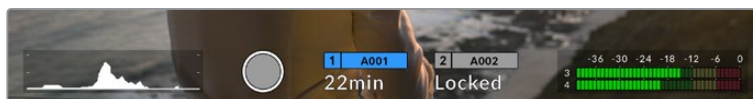
SDカードは書き込み保護、あるいは「ロック」してデータの上書きを防止できます。

SDカードを挿入する際は、カードが書き込み保護されていないことを確認してください。書き込み保護を無効にするには、カードの左側にあるプラスチックのスイッチをコネクター側に位置するように動かします。収録が終わったら、スイッチをスライドして下に戻すことで、カードの書き込み保護を有効にできます。



ロックタブを上下に動かしてSDカードを  
ロック/解除

URSA Mini ProにロックされたSDカードが挿入されると、LCDタッチスクリーンとストレージメニューに「ロック」アイコンが表示されます。カードがロックされていると、ビデオの収録、スチルのキャプチャ、LUTおよびプリセットの書き出しができません。



URSA Mini ProはロックされたSDストレージメディアが挿入されるとロックアイコンを表示

## USB-Cフラッシュディスク

Blackmagic URSA Mini Pro 4.6K G2は高速USB-C拡張ポートを搭載しているため、USB-Cフラッシュディスクにビデオを直接収録できます。URSA Mini Pro 12Kは2つのUSB-Cポートを搭載しています。側面のCFastカードスロットの近くにあるUSB-C 3.1 Gen 1ポートは、ソフトウェアアップデート用です。リアパネルのSDIコネクターの近くにあるUSB-C 3.1 Gen 2ポートは、高速SSDへの収録用です。これらの高速大容量ドライブにはビデオを長時間収録できるため、長時間の撮影に非常に便利です。

USB-Cフラッシュディスクがカメラに接続されている場合、カメラのオペレーティングシステムで2つ目のメディアスロットが使用されます。ストレージメニューでカード/ドライブ名をタップして、アクティブなドライブとして設定します。つまり、USB-Cフラッシュディスクでの収録、再生、ストレージの管理は、CFast、SDカード、SSDの使用時と全く同じです。

収録が終わったら、同じドライブを直接コンピューターに接続し、編集やポストプロダクションの作業が行えます。メディアをコピーする必要はありません。

#### USB-Cフラッシュディスクを接続する：

- 1 USBタイプCケーブルの一端をUSB-Cフラッシュディスクに接続します。
- 2 URSA Mini Pro 12Kでは、リアパネルのSDIポートの下にあるUSB-CポートにUSB-Cケーブルを接続します。 URSA Mini Pro 4.6K G2では、カメラ左側面の開閉式タッチスクリーンを開き、CFastスロットの上にあるUSB-Cポートにケーブルを接続します。

#### Blackmagic URSA Mini Pro 12Kで使用が推奨されるUSB-Cフラッシュディスク

12K DCI Blackmagic RAW 8:1 (30fpsまで) の収録には、以下のUSB-Cフラッシュディスクを推奨します。

メーカー	USB-Cフラッシュディスク名	ストレージ
Angelbird	SSD2GO PKT MK2	512GB
Angelbird	SSD2GO PKT MK2	2TB
Glyph	Atom Raid SSD	4TB
Sony	Tough SL-CG5	500GB
Sony	Tough SL-C1	1TB
Sony	Tough SL-C2	2TB
Delkin Devices	Juggler	2TB
Wise	PTS-512 Portable SSD	512GB
Wise	PTS-1024 Portable SSD	1TB
Wise	PTS-2048 Portable SSD	2TB

#### Blackmagic URSA Mini Pro 4.6K G2で使用が推奨されるUSB-Cフラッシュディスク

4.6K Blackmagic RAW 3:1 (60fpsまで) の収録には、以下のUSB-Cフラッシュディスクを推奨します。

メーカー	USB-Cフラッシュディスク名	ストレージ
Samsung	Portable SSD T5	500GB
Samsung	Portable SSD T5	1TB
Wise	Portable SSD	256GB
Wise	Portable SSD	512GB
Wise	Portable SSD	1TB

最新の推奨USB-Cフラッシュディスクのリストはサポートページでご確認ください。

[www.blackmagicdesign.com/jp/support](http://www.blackmagicdesign.com/jp/support)

## USB-Cフラッシュディスクの速度に関する大切な情報

USB-Cフラッシュディスクのモデルによっては、製造業者の公表する速度でビデオデータを保存できないものがあります。その原因は、それらのディスクが高速の書き込み速度を実現するために隠れたデータ圧縮を実行していることにあります。このようなデータ圧縮を用いた処理では、製造業者の公表速度を実現できるのは空のデータやシンプルなファイルなどを保存する場合のみです。ビデオデータに含まれるノイズやピクセルは不規則であり、圧縮に適していないため、ディスクの本当の速度が露呈されます。

USB-Cフラッシュディスクの中には製造業者の公表する半分の書き込み速度しかないものがあります。USB-Cフラッシュディスクの仕様書にビデオを十分に取り扱える速度が記載されていても、リアルタイム収録でビデオを保存すると速度が十分でない場合があるのが現実です。

Blackmagic Disk Speed Testでは、USB-Cフラッシュディスクが高データレートビデオのキャプチャー・再生に対応可能かを正確に計測できます。Blackmagic Disk Speed Testはデータを使用してビデオの保存をシミュレートするため、計測結果はディスクにビデオを収録する際と近似した数値が得られます。Blackmagicによるテストでは、新しく大型のUSB-Cフラッシュディスクや大容量のUSB-Cフラッシュディスクが高速であるという結果が出ています。

Blackmagic Disk Speed Testは、Mac App Storeで入手可能です。WindowsおよびMacバージョンは、Blackmagic Desktop Videoにも含まれており、Blackmagic Designサポートセンター ([www.blackmagicdesign.com/jp/support](http://www.blackmagicdesign.com/jp/support)) の「キャプチャー・再生」セクションからダウンロードできます。

## SSD

オプションのURSA Mini Recorderを使用すると、ソリッドステート・ドライブ (SSD) に直接ビデオを収録できます。このような高速の大容量ドライブは様々な家電販売店にて簡単に入手できます。

URSA Mini RecorderはUSB-Cポートを搭載しているため、標準の2.5インチSATA SSDおよび7mm U.2 SSDを使用した高速の処理が可能です。また、M.2からU.2への変換アダプターを使用すると、M.2 SSDも使用できます。適切な速度を得るために、認証を取得したUSB 3.1 Gen 2ケーブルを使用する必要があります。同梱のUSB-Cケーブルは、両端のコネクターがロック式であるため、使用中に誤って外れることはありません。

**メモ** Blackmagic URSA Mini Recorderの取り付けに関する詳細は、このマニュアルの「URSA Mini Recorder」セクションを参照してください。

## SSDの挿入

### SSDを挿入する：

- 1 SSDの接続ピンをカメラの前面に向けて持ちます。
- 2 URSA Mini Recorderのスプリング式カバーを開け、スロットにSSDをゆっくりと差し込みます。

**作業のこつ** URSA Mini Recorderは、異なるサイズのSSDを固定するための圧板を搭載しているため、スペーサーは必要ありません。

- 3 スロットにSSDを入れたら、正しい位置に収まるまでそっと押して、URSA Mini Recorderのカバーを閉じます。

### SSDを取り出す：

URSA Mini Recorderのカバーを開け、親指と人差し指でドライブを掴みます。スロットの上部には小さなヘコミがあるので、ドライブをしっかりと持つことができます。ドライブを引き出し、カバーを閉じます。

**メモ** Blackmagic URSA Mini Recorderは、URSA Miniのオペレーティングシステムの2番目のストレージスロットを使用します。つまり、URSA Mini Recorderが接続され、互換性のあるSSDが挿入されている場合、カメラの2つ目のCFast 2.0およびSDカードスロットは使用できません。

これらのスロットを使用するには、URSA Mini Pro 12KからURSA Mini RecorderへのUSB-C接続を外します。URSA Mini Recorderをカメラから取り外す必要はありません。詳細は、このマニュアルの「URSA Mini Recorder」セクションを参照してください。

## URSA Mini Recorder用に高速のSSDを選ぶ

SSDは高速で低価格のストレージですが、映像制作はSSDの使用目的の一部に過ぎないため、12K Blackmagic RAWまたはUltra HDフッターの収録に必要なバンド幅があるドライブを選ぶことは極めて重要です。多くのSSDは家庭用コンピューター向けに作られており、Ultra HDビデオの収録に必要な速度に対応していません。

弊社の推奨リストに記載されているSSDを使用することをお勧めします。これらは、Blackmagic URSA Mini Pro 12Kで、特定の解像度で継続した撮影が可能であることがテストにより確認されています。最新の推奨SSDリストはサポートページでご確認ください。[www.blackmagicdesign.com/jp/support](http://www.blackmagicdesign.com/jp/support)

### Blackmagic URSA Mini Recorder使用時の推奨U.2ドライブ

12K DCI Blackmagic RAW 8:1 (50fpsまで) の収録には、以下のU.2 2.5インチSSDを推奨します。

メーカー	モデル	ストレージ
Samsung	983 DCT U.2 MZ-QLB960NE	960GB
Samsung	983 DCT U.2 MZ-QLB1T9NE	1.92TB

### Blackmagic URSA Mini Recorder使用時の推奨M.2ドライブ

12K DCI Blackmagic RAW 8:1 (30fpsまで) の収録には、以下のM.2 SSD (M.2からU.2へのアダプターを使用) を推奨します。

メーカー	モデル	ストレージ
SanDisk	Extreme Pro M.2 NVMe 3D SSD	500GB
Western Digital	WD Black NVMe SSD WDS500G2X0C	500GB
Western Digital	WD Black SN750 NVMe SSD WDS100T3X0C	1TB

## SSDの速度に関する大切な情報

SSDカードのモデルによっては、製造業者の公表する速度でビデオデータを保存できないものがあります。その原因は、それらのディスクが高速の書き込み速度を実現するために隠れたデータ圧縮を実行していることにあります。このようなデータ圧縮を用いた処理では、製造業者の公表速度を実現できるのは空のデータやシンプルなファイルなどを保存する場合のみです。ビデオデータに含まれるノイズやピクセルは不規則であり、圧縮に適していないため、ディスクの本当の速度が露呈されます。

SSDの中には製造業者の公表する半分の書き込み速度しかないものがあります。SSDの仕様書にビデオを十分に取り扱える速度が記載されていても、リアルタイム収録でビデオを保存すると速度が十分でない場合があるのが現実です。

Blackmagic Disk Speed Testでは、SSDが高データレートビデオのキャプチャー・再生に対応可能かを正確に計測できます。Blackmagic Disk Speed Testはデータを使用してビデオの保存をシミュレートするため、計測結果はディスクにビデオを収録する際と近似した数値が得られます。Blackmagicによるテストでは、新しくサイズが大きいSSDや大容量のSSDが概して高速であるという結果が出ています。

## 撮影用にメディアを準備する

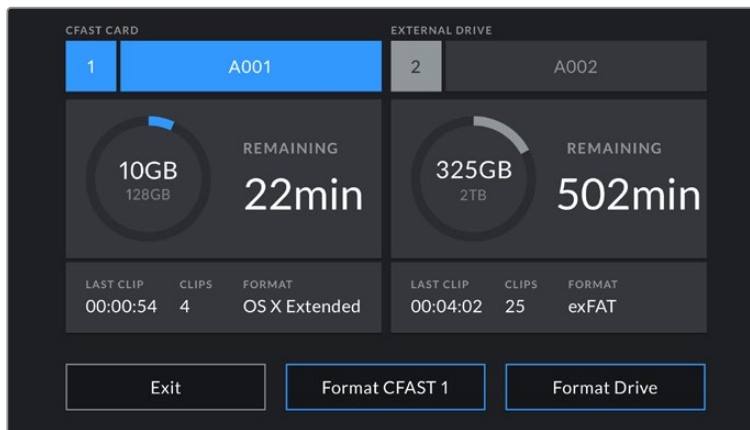
CFast、SDカード、SSDは、ストレージ管理を使用するか、MacまたはWindowsコンピュータでフォーマットできます。最高の性能を得るには、URSA Miniを使ってストレージメディアをフォーマットすることをお勧めします。

HFS+は「OS X Extended」としても知られており、ジャーナリングをサポートしているため推奨されるフォーマットです。万が一、メディアが破損した場合、ジャーナリングされたストレージメディアのデータは回復できる可能性があります。HFS+はMacでネイティブサポートされています。exFATはMacおよびWindowsでネイティブサポートされており、ソフトウェアを別途購入する必要はありません。exFATはジャーナリングに対応していません。

**メモ** メディアをフォーマットする前に、ストレージメディアスイッチがSDカードまたはCFastカードの適切な方に設定されているか確認することは非常に重要です。フォーマットする前に、設定を必ず確認してください。

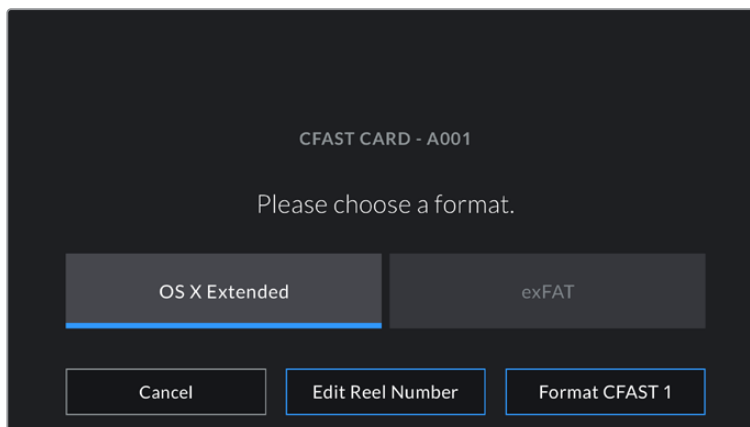
## Blackmagic URSA Miniでメディアを準備する

- 1 LCDタッチスクリーン底部のストレージインジケータをタップしてストレージ管理に行きます。
- 2 タッチスクリーン底部のフォーマットボタンを押して、スロット1と2のカードをそれぞれフォーマットします。URSA Mini Pro 4.6K G2のUSB-Cポートにフラッシュディスクを接続すると、2つ目のドライブをフォーマットするボタンは「ドライブをフォーマット」になります。



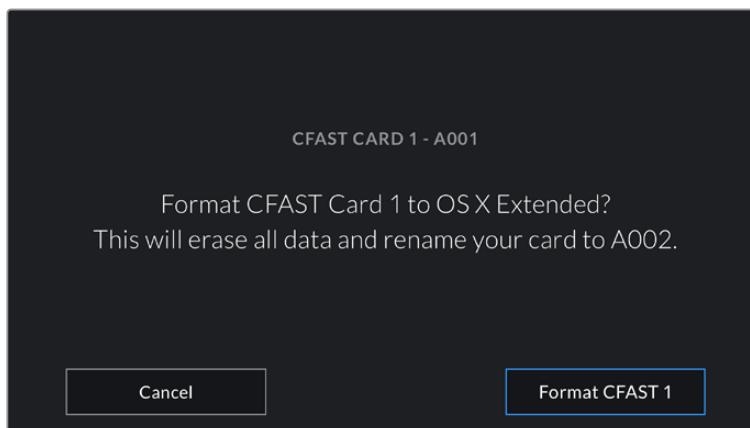
URSA Miniのストレージ管理でカメラのストレージメディアをフォーマット

- 3 リール番号をマニュアルで変更したい場合は、「リール番号を編集 (Edit Reel Number)」をタップします。
- 4 OS X ExtendedあるいはexFATフォーマットを選択して「カードをフォーマット (Format Card)」ボタンを押します。



リール番号をマニュアルで変更するには、「リール番号を編集 (Edit Reel Number)」をタップ

- 5 選択を確定するよう求められるので、継続するにはフォーマットボタンを再びタップし、キャンセルするには「キャンセル (Cancel)」をタップします。



フォーマットする前に正しいカードを選択しているか確認してください。

- 6 フォーマットが完了するとメッセージが表示されます。
- 7 「OK」をタップしてストレージ管理に戻ります。
- 8 「閉じる (Exit)」をタップしてストレージ管理から出ます。

ストレージ管理でCFast/SDカード/SSDをフォーマットする際、URSA Miniはカードの名前にスレート上のカメラIDおよびリール番号を使用します。また、URSA Miniはカードをフォーマットする度にリール番号を自動的に足していきます。特定のリール番号をマニュアルで入力するには、「リール番号を編集 (Edit Reel Number)」をタップして、番号を入力します。

新しいプロジェクトを始める際、スレートの「プロジェクト (PROJECT)」タブの「プロジェクトデータをリセット (Reset Project Data)」をタップするとリール番号は1にリセットされます。

URSA Mini Recorderが接続され、SSDが差し込まれると、URSA Miniの2番目のストレージスロットの代わりにレコーダーが使用されます。カメラのストレージ管理のスロット2の上には「SSD」と表示されます。

## Blackmagic URSA Mini Proでメディアを準備する

URSA Mini Proでストレージメディアを準備する手順は、上述のURSA Miniでの手順と全く同じです。唯一の違いは、URSA Mini Pro 12KおよびURSA Mini Pro 4.6K G2では、CFastカード、SSD、USB-Cフラッシュディスクに加えて、SDカードをフォーマットできるオプションがあることです。ここで注意すべき点は「カードをフォーマット (Format Card)」をタップした際に、カメラのストレージメディアスイッチで選択されているタイプ (SDまたはCFast) のカードだけがフォーマットされることです。URSA Mini Recorderを使用している場合、あるいはURSA Mini Pro 12KまたはURSA Mini Pro 4.6K G2でUSB-Cフラッシュディスクを使用している場合、ストレージメディアスイッチの位置に関わらず、スロット2にはSSDと表示されます。

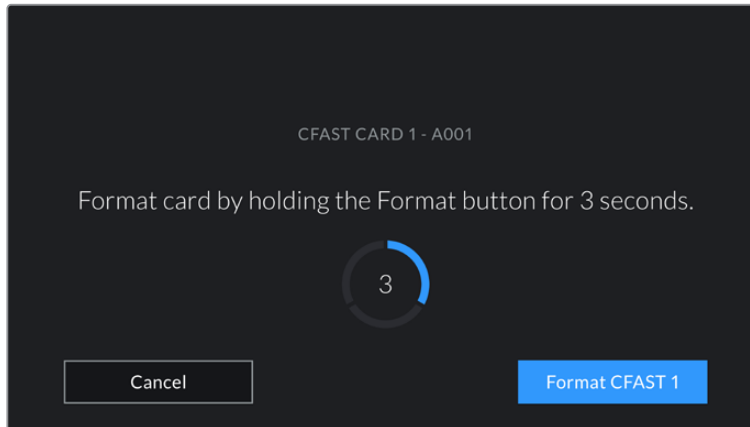


カメラのストレージ管理は、現在CFast、SDカード、SSD、USB-Cフラッシュディスクのいずれかを管理しているか表示

**作業のこつ** URSA Mini ProをSDカード収録に設定しても、挿入したカードがロックされている場合はカードをフォーマットできません。ストレージ管理のカード名の隣にロックアイコンが表示されます。カードのロックを解除してフォーマットを行うと、収録に使用できます。SDカードのロックに関する詳細は、このマニュアルの「SDカード」セクションを参照してください。

URSA Mini Proでストレージメディアをフォーマットする際は、「フォーマット (Format)」ボタンを3秒間押しようにメッセージが表示されます。フォーマットが完了するとカメラが通知します。





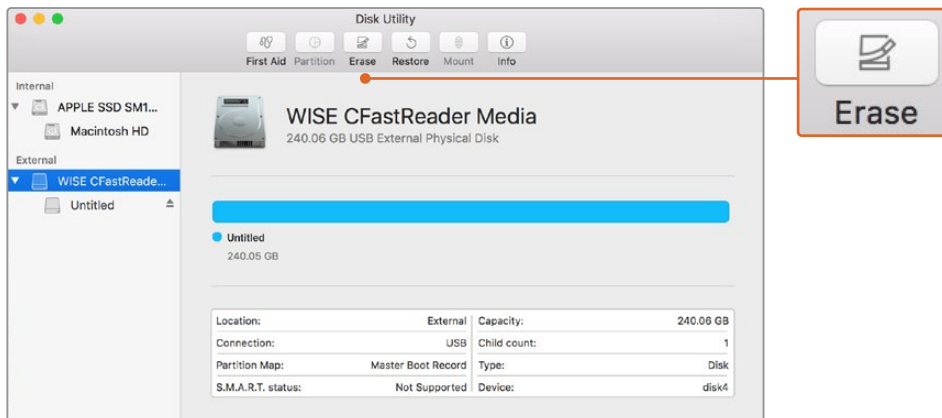
フォーマットボタンを3秒間長押しして、フォーマットを開始

CFastとSDカードストレージの切り替えに関する詳細は、このマニュアルに前述された「SDカード」セクションを参照してください。

**メモ** オプションのURSA Mini Recorderを取り付けている場合、「SSDレコーダー (SSD Recorder)」とストレージスロット2の上に表示されます。USB-Cフラッシュディスクを接続している場合、「外付けドライブ (External Drive)」と表示されます。

## Macでメディアを準備

MacのDisk Utilityアプリケーションで、CFast、SDカード、SSDをHFS+またはexFATでフォーマットします。フォーマットするとすべてのデータが消去されるので、重要なデータは事前にバックアップしてください。



MacのDisk Utilityを使用して、カメラのストレージメディアをMac OS Extended (Journaled) またはexFATでフォーマット

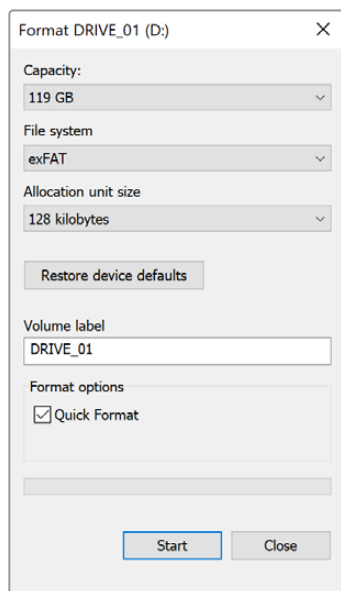
- 1 SDカードリーダー/ドック/アダプターを使用して、ストレージメディアをコンピューターに接続します。このメディアをTime Machineバックアップに使用することを提案するメッセージは無視します。
- 2 Applications/Utility へ行き、Disk Utilityを起動します。
- 3 カメラのストレージメディアのディスクアイコンをクリックし、「Erase」タブをクリックします。

- 4 「Format」を「Mac OS Extended (Journaled)」あるいは「exFAT」に設定します。
- 5 ボリューム名を入力し、「Erase」をクリックします。カメラのストレージメディアがフォーマットされ、使用できる状態になります。

## Windowsでメディアを準備

Windowsコンピュータでは、Formatダイアログボックスで、カメラのストレージメディアをexFATでフォーマットできます。フォーマットするとすべてのデータが消去されるので、重要なデータは事前にバックアップしてください。

- 1 外部リーダー/ライター、またはSSDドック/アダプターを使用して、カメラのストレージメディアをコンピュータに接続します。
- 2 「Start」メニューまたは「Start」スクリーンを開き、「Computer」を選択します。カメラのストレージメディアを右クリックします。
- 3 コンテキストメニューから「Format」を選択します。
- 4 ファイルシステムを「exFAT」に設定し、ユニットサイズ配分を128キロバイトに設定します。
- 5 ボリュームラベルを入力して「Quick Format」を選択し、「Start」をクリックします。
- 6 ストレージメディアがフォーマットされ、使用できる状態になります。



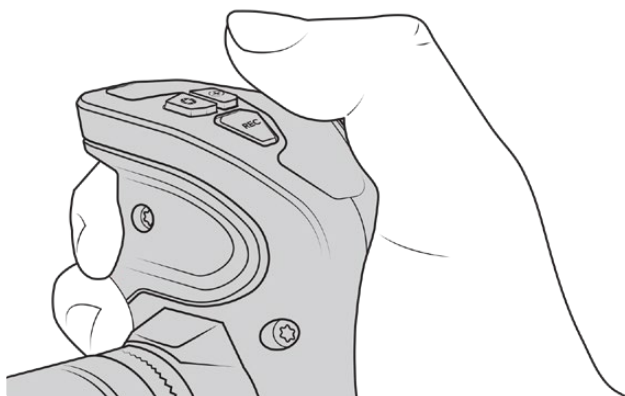
WindowsのFormatダイアログボックス機能を使用して、カメラのストレージメディアをexFATでフォーマット

**メモ** 収録映像にコマ落ちが生じる場合は、弊社の推奨するメディアのリストを参照し、使用しているカード/ドライブがコーデックおよびフレームサイズに適切かどうか確認してください。データレートを下げるには、フレームレートまたは解像度を下げるか、あるいはProResなどの圧縮コーデックを使用してください。最新の情報は、Blackmagic Designウェブサイトを参照してください。[www.blackmagicdesign.com/jp](http://www.blackmagicdesign.com/jp)

# 収録

## クリップの収録

Blackmagic URSA Miniでは、内側のコントロールパネル、開閉式モニターの外側、タッチスクリーン、あるいはオプションのBlackmagic URSA Handgripの赤い「録画 (REC)」ボタンを押して収録を開始できます。Blackmagic URSA Mini Proでは、肩乗せで撮影する際にアクセスしやすいように「録画 (REC)」ボタンは前方コントロールパネルに配置されています。再度「録画 (REC)」ボタンを押すと収録が停止します。



オプションのBlackmagic URSA Handgripの「REC」ボタンでもクリップを収録可能

別の録画の開始/停止方法として、外部LANCコントローラーをURSA MiniのLANC入力に取り付け、外部から録画をトリガーできます。例えば、LANCコントローラーを三脚に取り付ければ、フォーカスリングや三脚ハンドルから手を離さずに収録をトリガーできます。

**メモ** 収録中にストレージメディアのスイッチを切り替えると、現在行っている収録が終了した後にメディアタイプが切り替わります。つまり、テイク中にスイッチが切り替えられても収録にダメージを与えることはありません。

## コーデック、解像度、センサーエリアの選択

Blackmagic URSA Mini Proは、Blackmagic RAWの固定クオリティまたは固定ビットレート設定で収録できます。URSA Mini ProおよびURSA Miniは、Apple ProRes圧縮コーデックにも対応しています。センサーフレームレートのオプションは、使用するカメラ、コーデック、解像度によって変わります。

Blackmagic RAWで撮影されたクリップは、DaVinci Resolve、Blackmagic RAW Player、Blackmagic RAW SDKをサポートするその他のアプリケーションと互換性があります。Blackmagic RAWは、多数のポストプロダクション・プラットフォームで採用されています。すべての編集ソフトウェアでネイティブサポートされている訳ではありませんが、BlackmagicのソフトウェアアップデートやBlackmagic RAWインストーラーのプラグインを用いることで、多くのソフトウェアで使用できます。詳細は、「サードパーティ製ソフトウェアの使用」を参照してください。

## ダイナミックレンジ

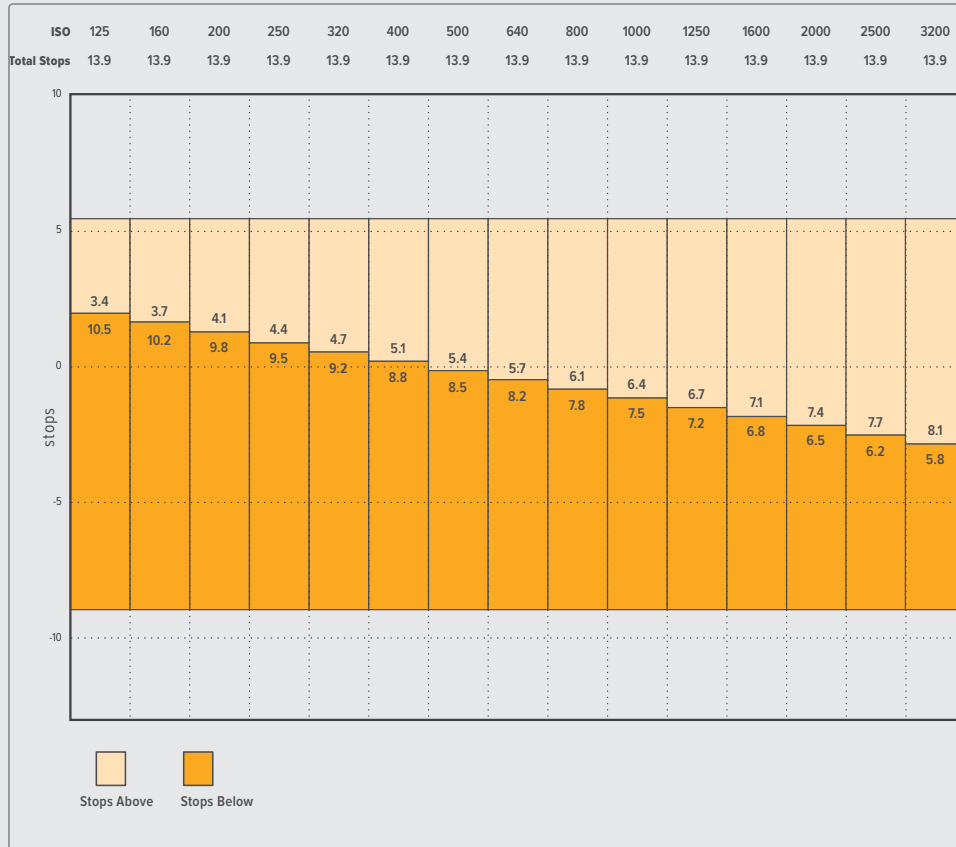
Blackmagic URSA Mini Pro 12Kでは、14ストップのラティチュードの極めて優れたワイドダイナミックレンジのイメージが得られます。URSA Mini Pro G2、URSA Mini Pro、URSA Mini 4.6Kは、15ストップのダイナミックレンジに対応しています。これにより、最大限のビデオ信号の情報を得られ、DaVinci Resolveなどのカラーグレーディングソフトウェアでイメージの潜在力を最大限に引き出せます。

ワイドダイナミックレンジでキャプチャーされた映像は、HDR（ハイダイナミックレンジ）コンテンツ配信にも最適です。

以下の表が示す通り、URSA Mini Pro 12Kの14ストップのダイナミックレンジは、ISO 125～3200のISO全域に対応しており、URSA Mini 4.6K、URSA Mini Pro、URSA Mini Pro G2の15ストップのダイナミックレンジは、ISO 200～3200のISO全域に対応しています。

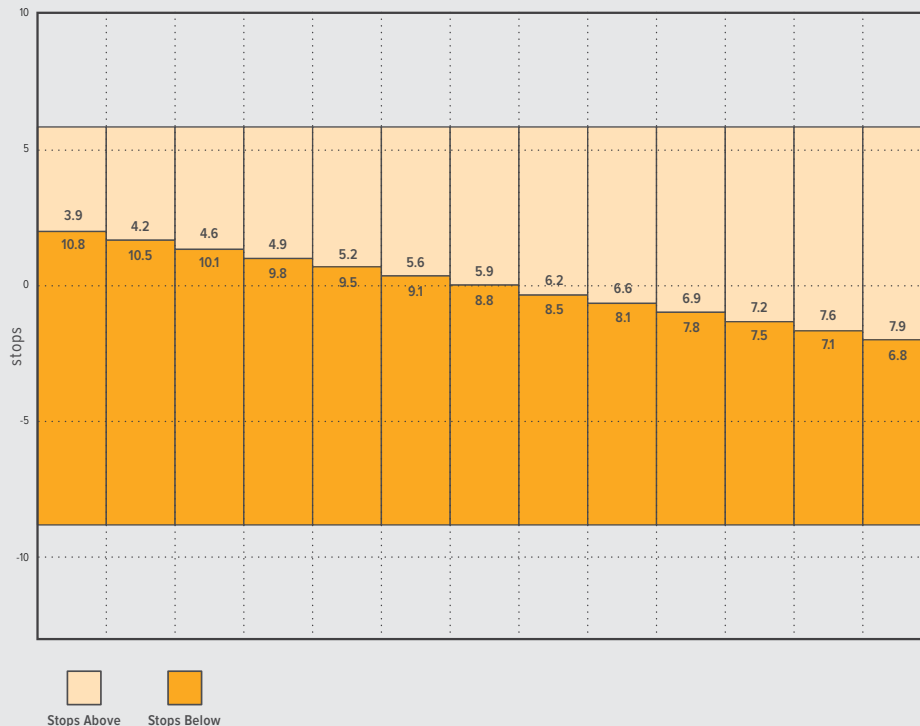
中間グレーを境とした上下のストップの配分は、選択しているISOにより異なります。例えば、URSA Mini Pro G2ではISO 200で、イメージのシャドウの領域に10.8ストップが割り当てられ、残りの3.9ストップがハイライトに配分されます。

### Blackmagic URSA Mini Pro 12Kのダイナミックレンジ



## Blackmagic URSA Mini 4.6K、URSA Mini Pro、URSA Mini Pro G2のダイナミックレンジ

ISO	200	250	320	400	500	640	800	1000	1250	1600	2000	2500	3200
Total Stops	14.7	14.7	14.7	14.7	14.7	14.7	14.7	14.7	14.7	14.7	14.7	14.7	14.7



## Blackmagic RAW

Blackmagic URSA Mini Proは、Blackmagic RAWフォーマットに対応しています。このフォーマットは、優れた画質、ワイドダイナミックレンジ、幅広い圧縮率のオプションを特徴としています。Blackmagic RAWは、RAW収録の利点を余すところなく得られるだけでなく、非常に高速のファイル速度を実現しています。これは、デモザイク処理の一部がカメラで行われ、カメラ本体でハードウェアアクセラレーションが行われるためです。

Blackmagic RAWはインテリジェントなフォーマットであり、カメラのイメージセンサーを認識します。つまり、はるかに優れた画質が小さなファイルで得られます。小さなファイルで高品質のイメージが得られるBlackmagic RAWは、他のビデオやRAWファイルフォーマットの代わりとなる選択肢の1つです。

また、Blackmagic RAWは豊富なメタデータに対応しているため、ファイルを読み取るソフトウェアがカメラの設定を認識できます。編集の締め切りが厳しく、カラーコレクションの時間がないため「Video」モードのビデオガンマを使用して撮影する場合、ビデオガンマで撮影したファイルをソフトウェアで開く際にビデオガンマが適用されます。しかし実際は、ファイルは「Film」モードで得られるフィルムガンマであり、ファイルのメタデータがソフトウェアに対してビデオガンマを適用するように指示しているだけです。

これは、将来的にイメージをカラーグレーディングすることになった場合に、ファイルに保存されているフィルムのダイナミックレンジが使用できることを意味します。ホワイトやブラックでイメージがハードクリップされないため、ディテールが維持されており、カラーグレーディングを施してイメージをシネマライクにできます。しかし、カラーグレーディングする時間がない場合でも、ビデオガンマがイメージに適用されているので、通常のビデオカメラのイメージのように見えます。撮影時の選択に固定されることなく、後のポストプロダクションで変更できます。

Blackmagic RAWファイルは非常に高速で、コーデックはコンピューターのCPUとGPUに最適化されます。つまり、すばやく滑らかな再生が可能で、ハードウェアのデコーダーボードは必要ありません。これは、ラップトップでは重要です。また、Apple Metal、Nvidia CUDA、OpenCLに対応しているため、Blackmagic RAWの読み取りに使用するソフトウェアでその利点を活用できます。

つまり、Blackmagic RAWは、事前にキャッシュしたり、解像度を下げる必要なく、ほとんどのコンピューターでビデオファイルのように通常速度で再生できます。

また、レンズ情報もフレームごとにメタデータとして記録されます。例えば、互換性のあるレンズを使用している場合、クリップの撮影中に行われたズームやフォーカスの変更は、フレームごとにBlackmagic RAWファイルにメタデータとして保存されます。

## Blackmagic RAWで収録

Blackmagic RAWは2種類の方法でエンコードします。コーデックのオプションには、固定ビットレート (Constant Bitrate) と固定クオリティ (Constant Quality) があります。

固定ビットレートは、他のコーデックと同じように機能します。この設定では、データレートが一定のレベルを保ち、高くなりすぎないようにします。つまり、複雑なイメージを撮影していて、若千多くのデータをイメージに保存する必要がある場合、固定ビットレートではイメージの圧縮を高め、割り当てられたスペースにイメージが収まるようにします。

これは、ビデオコーデックでは良いかもしれませんが、RAWでの収録では予想通りの品質を得る必要があります。撮影しているイメージがより多くのデータを必要としているにも関わらず、特定のデータレートに収まるように圧縮を高めると何が起きるのでしょうか？ 品質が下がりますが、撮影を終えるまで、そのことに気付きません。

これを解決するために、Blackmagic RAWには固定クオリティという別のエンコード方法があります。これは、厳密に言えば可変ビットレートですが、実際には固定クオリティでは、イメージにより多くのデータが必要な場合、ファイルサイズを大きくすることで対応します。ファイルサイズの上限がないため、イメージをエンコードする必要があり、画質を維持したい場合に適しています。

Blackmagic RAWの固定クオリティでは、イメージのエンコードに必要なだけファイルサイズを拡大します。これは、撮影対象によりファイルサイズが拡大あるいは縮小することも意味しています。カメラのレンズキャップをつけたまま撮影しても、メディア容量を無駄にすることはないということです！

Blackmagic RAWの品質設定の名前は謎めいた意味のない名前ではなく、実際の技術的な側面を反映しています。例えば、固定ビットレートの品質設定は、URSA Mini Proカメラの種類によって、3:1、5:1、8:1、12:1、18:1が搭載されています。これらの数字は、非圧縮RAWのファイルサイズに対するBlackmagic RAWのファイルサイズの比率を示します。3:1はより優れた画質が得られますが、それに従ってファイルサイズも大きくなります。18:1は品質設定のうち画質は最も低くなりますが、最も小さなファイルサイズが得られます。多数のBlackmagic RAWユーザーから、12:1または18:1の設定でまったく問題なく、品質面でも制約は感じられないとのフィードバックを受けています。しかし、自分で使ってみて、様々な設定を試すのが最も良いでしょう。

Blackmagic RAWの固定クオリティ設定は、URSA Mini Proカメラの種類によって、Q0、Q1、Q3、Q5が搭載されています。これらの数字はコーデックで使用される圧縮パラメーターで、圧縮が適用される方法を技術的に設定します。Blackmagic RAWコーデックは、固定ビットレート設定と固定クオリティ設定で異なる方法で機能します。固定クオリティ設定では、撮影対象によってファイルサイズの比率が大いに異なります。そのため、ファイルサイズはメディアの保存に必要な大きさに応じて変わります。

## 固定ビットレート (Constant Bitrate) 設定

3:1、5:1、8:1、12:1、18:1は圧縮率を示します。例えば、12:1では非圧縮RAWと比較して、ファイルサイズは約12分の1になります。

Blackmagic RAWの固定ビットレートは、URSA Mini Pro 12Kでは5:1、8:1、12:1、18:1が使用できます。URSA Mini Pro 4.6K G2およびURSA Mini Pro 4.6Kでは、Blackmagic RAWの固定ビットレートは、3:1、5:1、8:1、12:1に対応しています。

## 固定クオリティ (Constant Quality) 設定

Q0、Q1、Q3、Q5は、量子化のレベルを意味します。Q5の量子化はより高いレベルですが、データレートが極めて優れています。上述したように、固定クオリティは撮影している対象により、ファイルサイズの大きさの振れ幅が大きい設定です。これは、メディアカードが対応可能なファイルサイズを超える場合があることを意味します。これにより、コマ落ちが発生する可能性があります。しかし、この利点は撮影中に問題をすぐに発見でき、設定と品質を調整できることです。

Blackmagic RAWの固定クオリティは、URSA Mini Pro 12KではQ0、Q1、Q3、Q5が使用できます。URSA Mini Pro 4.6K G2およびURSA Mini Pro 4.6Kでは、Blackmagic RAWの固定クオリティはQ0とQ5に対応しています。

## Blackmagic RAW Player

Blackmagic RAW Playerは、Blackmagicカメラのソフトウェアインストーラーに含まれており、クリップ再生用に効率化されたアプリケーションです。Blackmagic RAWファイルを開くには、ファイルをダブルクリックするだけです。フル解像度およびビット深度でファイルをすばやく再生およびスクロールできます。

フレームのデコードにおいては、SDKライブラリのCPUアクセラレーションはあらゆる主要なアーキテクチャをサポートしており、GPUアクセラレーションはApple Metal、Nvidia CUDA、OpenCLをサポートしています。また、Blackmagic eGPUにも対応しており、パフォーマンスをさらに向上できます。Blackmagic RAW Playerは、Mac、Windows、Linuxで使用できます。

## サイドカーファイル

Blackmagic RAWのサイドカーファイルは、オリジナルのファイル内のエンベッドされたメタデータを上書きすることなく、ファイルのメタデータをオーバーライドできます。このメタデータには、RAW設定の他、アイリス、フォーカス、焦点距離、ホワイトバランス、ティント、カラースペース、プロジェクト名、テイク番号などの情報が含まれています。メタデータは、収録されたクリップの全域にわたって、フレームごとにエンコードされます。これは、撮影中にレンズを調整した場合、フレームごとのレンズデータを含むため役に立つ情報です。DaVinci Resolveだけでなく、テキストエディターでも、メタデータをサイドカーファイルで編集や追加できます。これは、人間が読める形式のメタデータが使用されているからです。

サイドカーファイルは、対応するRAWファイルの入っているフォルダーに移動させるだけで、新しいRAW設定を再生の際に自動的に追加できます。フォルダーからサイドカーファイルを取り出し、再度Blackmagic RAWを開くと、RAW設定は適用されず、オリジナルのファイルが再生されます。Blackmagic RAW SDKを使用するあらゆるソフトウェアで、これらの設定にアクセスできます。サイドカーファイルには変更の情報が保存されており、Blackmagic RAW Playerや、Blackmagic RAWの読み取りが可能なあらゆるソフトウェアで確認できます。

「Video」モードのビデオガンマで撮影する際は、ファイルは「Film」モードで得られるフィルムガンマを使用しますが、Blackmagic RAWを表示するにあたって、メタデータがビデオガンマを使用するように指示します。ビデオガンマは、イメージをグレーディングする余裕がなく、コンテンツをすみやかに納品する必要がある場合に優れています。Blackmagic RAWではイメージのブラックやホワイトを調整する上で必要なすべてのディテールが保存されています。ビデオがクリップされることなく、ディテールがすべて維持されているので、いつでもアクセスできます。



## DaVinci ResolveでBlackmagic RAWを使用

各Blackmagic RAWファイルの設定は調整が可能で、DaVinci Resolveの「RAW」タブで新しいサイドカーファイルとして保存できます。これにより、クリエイティブなエフェクトの作成や視聴のための最適化が可能です。つまり、他のDaVinci Resolveユーザーのためにメタデータを複製でき、それを読み込むと、変更されたガンマ設定に自動的にアクセスできるようになります。さらに、DaVinci Resolveは、カメラファイルに含まれるその他のメタデータに加え、撮影時に選択したダイナミックレンジを読み込むため、「Film」、「Extended Video」、「Video」から適切なダイナミックレンジを自動的に選択してクリップを表示します。

これらの設定は、彩度、コントラスト、ミッドポイントに加え、「ハイライト ロールオフ」および「シャドウ ロールオフ」でカスタマイズできます。いかなる調整もサイドカーファイルとして保存され、ポストプロダクションで該当のファイルで作業をしている全ての人が確認できます。オリジナルのカメラメタデータには、いつでも戻すことが可能です。

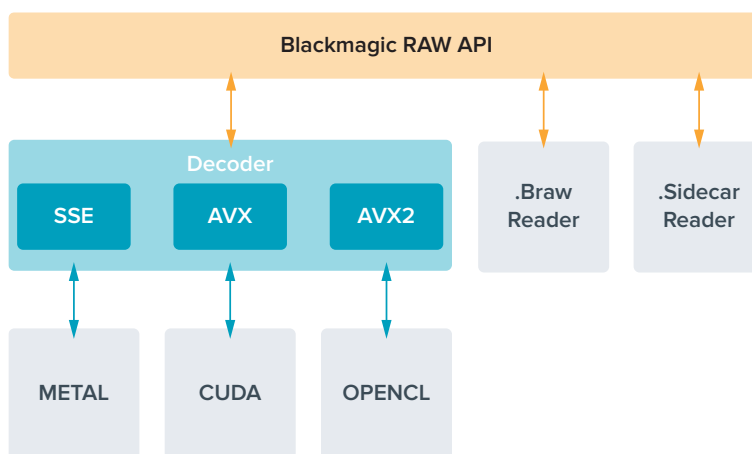
DaVinci Resolveの「RAW」タブでBlackmagic RAWの単一フレームを書き出すこともできます。これには、すべての調整、メタデータ、フル解像度、色情報が含まれているため、他のユーザーと単一のフレームや参照ファイルを簡単に共有できます。

DaVinci ResolveでのBlackmagic RAWの使用方法に関しては、このマニュアルの「DaVinci Resolveの使用」を参照してください。

## Blackmagic RAWソフトウェア開発キット

Blackmagic RAW SDKは、Blackmagic Designにより開発されたAPIです。このSDKを使用して、Blackmagic RAWフォーマットを使用する、独自のアプリケーションを書くことができます。デベロッパーは、このSDKライブラリを使用して、Blackmagic RAWファイルの読み取り、編集、保存のサポートを追加できます。Blackmagic RAW SDKには、あらゆる第4世代および第5世代カラーサイエンスが含まれているため、Blackmagic RAWをサポートするあらゆるアプリで、自然でシネマライクなイメージを得られます。Blackmagic RAW SDKは、Mac、Windows、Linuxに対応しており、Blackmagicのウェブサイトにあるデベロッパーページから無償でダウンロードできます。[www.blackmagicdesign.com/jp/developer](http://www.blackmagicdesign.com/jp/developer)

Blackmagic RAW APIのコンポーネントの概要：





## フレームレートの選択

フレームレートの選択肢が多いため、どのフレームレートが最適なのか迷うかもしれません。カメラのセンサーのフレームレートは、フッターの "ルック" にも大きな違いを生み出します。一般的に、センサーフレームレートは、以下に挙げる要素を考慮して選択します。映画とテレビには、長年に渡って使用されている表示基準があります。国によってフレームレートの基準は異なりますが、1秒ごとのフレーム数の基準は、滑らかでリアルな動きを表現するという同一の目的のために設定されています。

例えば、映画では24fpsが基準となっています。近年、より高速のフレームレートが実験的に使用されていますが、世界的には24fpsが幅広く支持されていると言えます。テレビのフレームレートは、一般的に各国の放送技術基準に則しています。例えば、テレビのコンテンツ制作では、北アメリカでの放送用には29.97fpsで撮影し、ヨーロッパでの放送用には25fpsで撮影します。

しかし、技術の向上に伴ってより多くの選択肢が登場しており、放送基準は日々変化しています。スポーツイベントは、高フレームレートで撮影・放送されることが一般的になっています。例として、いくつかのスポーツイベントは、北アメリカでは59.94fps、ヨーロッパでは50fpsで撮影・放送されています。これにより、高速のアクションでも動きが滑らかで、よりリアルな映像になります。一方、ネット配信やオンライン放送では、一般的にテレビと似たフレームレートが使用されています。しかし、ユーザーが視聴フォーマットを選択可能であり、また視聴者が使用するスクリーンのディスプレイ性能により制限されるため、様々なフォーマットを試す機会の多い媒体です。

概して、プロジェクトのフレームレートは、納品フォーマットに基づいて決定します。カメラのプロジェクトフレームレートを納品フォーマットに合わせると、センサーフレームがマッチします。つまり、撮影したクリップが、実際と同じ速度で再生されます。スローモーションなどの面白いエフェクトを作成したい場合は、センサーフレームレートを高く設定します。プロジェクトフレームレートに比べてセンサーフレームレートが高いと、再生速度が遅くなります。例えば、URSA Mini Pro 4.6K G2では極めて高いセンサーフレームレートで、スーパースローモーションを撮影できます。

オフスピードのセンサーフレームレートを使ったクリエイティブなエフェクトの作成に関しては、「タッチスクリーン・コントロール」セクションを参照してください。

## 高フレームレートでの撮影

高フレームレートで撮影する際、カメラは通常の数でのフレームレート (24、25、30fps) より毎秒のフレーム数を増やして撮影します。つまり、イメージセンサーが各フレームをキャプチャーする際の受光時間が短くなるため、イメージが暗くなります。

例えば、25fpsから50fpsに切り替えた場合、センサーに届く光量は半分になります。そのため、適切な露出を得るには、カメラのレンズを1段多く開けるか、シャッターアングルを180°から360°に開くか、照明を追加して補正する必要があります。

しかし、120fpsでの撮影では光量は1/5になるため、レンズアパーチャー、シャッターアングル、照明など複数の要素を調整することで、同じレベルの露出が得られます。

高フレームレートでの撮影時に注意すべき他のポイントは、電子的な照明はフリッカーの原因になる可能性があることです。特に、50Hzの環境で100fpsを超えるフレームレート、または60Hzの環境で120fpsで撮影する際、人工的なタングステン、蛍光灯、LEDの照明はイメージにフリッカーが生じる原因となります。LCDおよびSDIフィードでシーンのチェックをする際や収録中には、フリッカーが生じていることが分からないことがあります。そのため、使用を検討している照明でテスト撮影を行い、フリッカーの有無を確認することは重要です。

照明を使用した撮影の際、シャッターの設定もフリッカーの原因となり得ます。URSA Miniは、現在のフレームレートに適したシャッターのオプションを自動的に分析・表示します。フリッカーの生じない値を使用しているにもかかわらず、様々な照明の特性によりフリッカーが生じる場合があることに注意してください。詳細は、「タッチスクリーン・コントロール」セクションを参照してください。

シャッター速度を最も遅くしたり、シャッターアングルを最大にしても、収録したフットageにフリッカーが確認できる場合、異なる照明を使用するか、より高速のレンズを使用することを推奨します。

## 最大フレームレート

URSA Mini 4.6KおよびURSA Mini Proモデルで使用可能なコーデック、解像度、最大センサーフレームレートは、次の表を参照してください。表中のBlackmagic RAW、ProRes 444、ProRes 422は、各コーデックのサポートされているバージョンを含みます。

スローモーションで高解像度の収録に必要なデータレートに対応できるメディアを使用する必要があるため、高速のCFastカード、USB-Cフラッシュディスク、SSDを選択してください。高速での継続的な収録用の推奨メディアに関しては「ストレージメディア」を参照してください。

**作業のこつ** カードが対応している速度は次の方法でテストできます。「コマ落ち発生時に収録を停止 (STOP REC IF CARD DROPS FRAME)」機能をオンにして、テストクリップを収録します。これにより、任意の解像度で特定のフレームレートを使用する際の撮影可能時間がテストできます。短時間でカードが収録を停止した場合、一つ高い圧縮設定、または一つ低い解像度にするすることで、データレートが下がり、カードが対応しやすくなります。

### URSA Mini Pro 12Kの最大フレームレート

フォーマット		解像度	コーデック	センサーキャン	最大フレームレート
12K	17:9	12288 x 6480	Blackmagic RAW	フル	60
	16:9	11520 x 6480	Blackmagic RAW	フル (高さ)	60
	2.4:1	12288 x 5112	Blackmagic RAW	フル (幅)	75
	6:5 Anamorphic	7680 x 6408	Blackmagic RAW	フル (高さ)	60
8K	17:9	8192 x 4320	Blackmagic RAW	フル	120
	16:9	7680 x 4320	Blackmagic RAW	フル (高さ)	120
	2.4:1	8192 x 3408	Blackmagic RAW	フル (幅)	160
	6:5 Anamorphic	5120 x 4272	Blackmagic RAW	フル (高さ)	120
6K	Super 16	6144 x 3240	Blackmagic RAW	ウィンドウ	120
4K	DCI	4096 x 2160	Blackmagic RAW	フル	120
	16:9	3840 x 2160	Blackmagic RAW	フル (高さ)	120
	2.4:1	4096 x 1704	Blackmagic RAW	フル (幅)	160
	6:5 Anamorphic	2560 x 2136	Blackmagic RAW	フル (高さ)	120
	Super 16	4096 x 2160	Blackmagic RAW	ウィンドウ	240

URSA Mini Pro 4.6K G2、URSA Mini Pro 4.6K、URSA Mini 4.6Kの最大フレームレート

フォーマット	解像度	解像度	URSA Mini Pro 4.6K G2		URSA Mini Pro 4.6K		URSA Mini 4.6K	
			センサー スキャン	最大フレーム レート	センサー スキャン	最大フレーム レート	センサー スキャン	最大フレーム レート
4.6K	4608 x 2592	Blackmagic RAW	フル	120	フル	60	-	-
		ProRes 444	フル	40	フル	30	フル	30
		ProRes 422	フル	80	フル	40	フル	40
4.6K 2.4:1	4608 x 1920	Blackmagic RAW	ウィンドウ	150	ウィンドウ	60	-	-
		ProRes 444	ウィンドウ	60	ウィンドウ	40	ウィンドウ	40
		ProRes 422	ウィンドウ	120	ウィンドウ	50	ウィンドウ	50
4K 16:9	4096 x 2304	Blackmagic RAW	ウィンドウ	120	ウィンドウ	60	-	-
		ProRes 444	ウィンドウ	60	フルまたは ウィンドウ	30	フルまたは ウィンドウ	30
		ProRes 422	ウィンドウ	100	フルまたは ウィンドウ	50	フルまたは ウィンドウ	50
4K DCI	4096 x 2160	Blackmagic RAW	ウィンドウ	150	ウィンドウ	60	-	-
		ProRes 444	ウィンドウ	60	フルまたは ウィンドウ	40	フルまたは ウィンドウ	40
		ProRes 422	ウィンドウ	120	フルまたは ウィンドウ	50	フルまたは ウィンドウ	50
UHD	3840 x 2160	Blackmagic RAW	ウィンドウ	150	ウィンドウ	60	-	-
		ProRes 444	フルまたは ウィンドウ	60	フルまたは ウィンドウ	40	フルまたは ウィンドウ	40
		ProRes 422	フルまたは ウィンドウ	120	フルまたは ウィンドウ	60	フルまたは ウィンドウ	60
3K Anamorphic	3072 x 2560	Blackmagic RAW	ウィンドウ	120	ウィンドウ	60	-	-
		ProRes 444	ウィンドウ	70	ウィンドウ	40	-	-
		ProRes 422	ウィンドウ	120	ウィンドウ	60	-	-
2K 16:9	2048 x 1152	Blackmagic RAW	ウィンドウ	240	ウィンドウ	120	-	-
		ProRes 444	ウィンドウ	240	ウィンドウ	120	ウィンドウ	120
		ProRes 422	ウィンドウ	240	ウィンドウ	120	ウィンドウ	120
		ProRes 444	フル	120	フル	60	フル	60
		ProRes 422	フル	120	フル	60	フル	60
2K DCI	2048 x 1080	Blackmagic RAW	ウィンドウ	300	ウィンドウ	120	-	-
		ProRes 444	ウィンドウ	240	ウィンドウ	120	ウィンドウ	120
		ProRes 422	ウィンドウ	240	ウィンドウ	120	ウィンドウ	120
		ProRes 444	フル	120	フル	60	フル	60
		ProRes 422	フル	120	フル	60	フル	60
HD	1920 x 1080	Blackmagic RAW	ウィンドウ	300	ウィンドウ	120	-	-
		ProRes 444	ウィンドウ	240	ウィンドウ	120	ウィンドウ	120
		ProRes 422	ウィンドウ	240	ウィンドウ	120	ウィンドウ	120
		ProRes 444	フル	120	フル	60	フル	60
		ProRes 422	フル	120	フル	60	フル	60

Blackmagic RAW Q0、Q1、Q3、Q5は一定の品質を得るために、圧縮に可変ビットレートを使用します。Q0、Q1、Q3、Q5のデータレートは、撮影している対象の複雑さに応じて変わり、内容によって1つのクリップ内で大いに変動することがあります。

### URSA Mini 4Kの最大フレームレート

フォーマット	解像度	コーデック	URSA Mini 4K	
			センサーキャン	最大フレームレート
UHD	3840 x 2160	ProRes 444	フルまたはウィンドウ	40
		ProRes 422	フルまたはウィンドウ	60
HD	1920 x 1080	ProRes 444	ウィンドウ	80
		ProRes 422	ウィンドウ	120
		ProRes 444	フル	60
		ProRes 422	フル	60

### Blackmagic URSA Miniで使いたいコーデックと解像度を選択する：

- 1 コントロールパネルの「MENU」ボタンを押します。
- 2 「収録 (RECORD)」タブの1ページ目へ進みます。
- 3 使いたいコーデック、品質、解像度をタップします。
- 4 ウィンドウセンサーエリアで収録したい場合は、「収録 (RECORD)」タブの2ページ目に行き、「ウィンドウセンサー (WINDOW SENSOR)」を有効にします。フルセンサーで収録するには、この設定をオフにします。
- 5 「MENU」を押してメニューを終了します。

### 収録フォーマットおよびプロジェクトフレームレート

コーデックと解像度を設定したら、次にプロジェクトおよびセンサーフレームレートを設定します。フレームレートに関する詳細は、このマニュアルの「収録」セクションを参照してください。

「PROJECT」では、すべてのURSA Miniカメラで以下のフレームレートが設定可能です：

23.98、24、25、29.97、30、50、59.94、60 (fps)

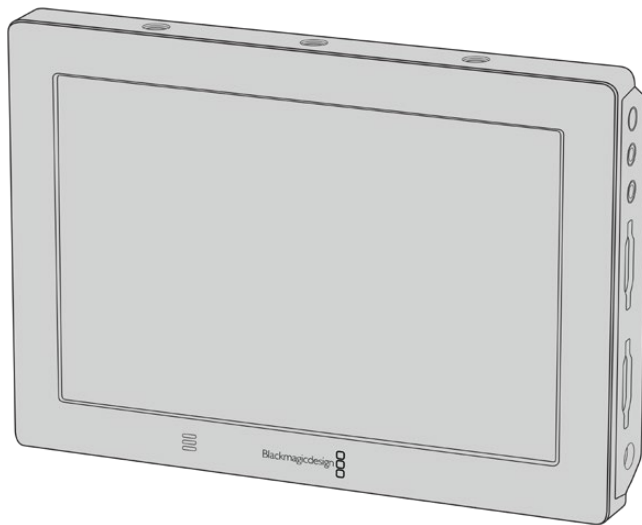
Blackmagic RAWおよびProRes (ProRes 422 HQまで) コーデックを使用する場合、最大プロジェクトフレームレートは、すべての解像度で60fpsです。ProRes 444およびProRes 444 XQを使用する場合、最大プロジェクトフレームレートは解像度により異なります。

例えば、URSA Mini Pro 4.6K G2では、ProRes 444コーデックを使用する場合、4.6K 2.4:1までの最大プロジェクトフレームレートは60fpsです。解像度をフルセンサー4.6Kに上げると、最大プロジェクトフレームレートは30fpsになります。オリジナルのURSA Mini Pro 4.6KでProRes 444コーデックを使用する場合、2K 16:9までの最大プロジェクトフレームレートは60fpsです。解像度を3Kアナモルフィック以上にすると、最大プロジェクトフレームレートは30fpsになります。この違いは、ProRes 444とProRes 444 XQを使用する際、高解像度イメージはより多くの処理を必要とするためです。

## トリガー収録

URSA Miniから送信されるトリガー信号を受信するには、使用している機器のSDIトリガー収録機能を有効にする必要があります。SDI機器がSDIトリガー収録に対応している場合は、通常、その機器の設定メニューから同機能を有効にできます。

SDIトリガー収録をサポートしている機器（Blackmagic Video Assistなど）と接続している場合は、URSA MiniのSDI出力から自動的に信号が送信され、それがトリガーとなって収録が開始されます。つまり、カメラの録画ボタンを押すことで、接続している外部SDI機器で収録を開始できます。同様に、録画ボタンをもう一度押すと、収録を停止できます。



カメラのトリガー収録機能を使用すれば、Blackmagic Video Assist 4K  
など他のSDIビデオ機器でもトリガー収録が可能

**作業のこつ** 0～5°C (32～41°F) など、気温が極めて低い条件下でURSA Mini 4Kを使用する場合、カメラが最適な動作温度に達するまでに最長で30秒ほどかかる場合があります。この間、収録は可能ですが、カメラが温まって安定するまで待つことをお勧めします。動作に最適な温度に達すると、カメラ内でセンサーの温度変化を補正するための再調整が行われ、1フレームの白いフラッシュフレームが表示されます。フラッシュフレームは収録を行っていない場合のみに生じます。これにより、低気温環境での収録品質が向上します。

## 収録時間一覧

以下の表は、フォーマット、プロジェクトのフレームレート、メディアのサイズに対する、およその収録時間を分と秒で示しています。ストレージメディアの最大収録時間は、容量、収録フォーマット、フレームレートにより異なります。例えば、3840x2160のApple ProRes 422 HQの場合、およそ880Mbpsです。24fpsの場合、256GBのCFast 2.0またはSDカードにおよそ47分収録可能です。同じ設定で、128GBのCFast 2.0/SDカードにおよそ23分収録可能です。これは256GBのカードのおよそ半分の収録時間です。これらの収録時間は、URSA Mini RecorderでSSDに収録している場合でも同じです。

CFast 2.0/SDカードの収録時間は、カードのメーカーによっても若干の違いがあることに注意してください。また、exFATやMac OS X Extendedなど、ストレージメディアのフォーマット形式によっても異なります。

## URSA Mini Pro 12Kの収録時間一覧

ディテールが少ないシンプルなシーンは、複雑な構成のシーンよりもデータが少ない傾向があります。以下の表は、複雑なショットを撮影していることを前提とした数値です。撮影内容によっては、記載されている時間よりも少し長く収録できる可能性があります。

URSA Mini Pro 12Kで12K撮影					
CFast カード	FPS	Blackmagic RAW 5:1	Blackmagic RAW 8:1	Blackmagic RAW 12:1	Blackmagic RAW 18:1
1TB		収録時間	収録時間	収録時間	収録時間
	23.98	29分	47分	70分	106分
	24	29分	47分	70分	106分
	25	28分	45分	67分	101分
	29.97	23分	37分	56分	84分
	30	23分	37分	56分	84分
	50	14分	22分	33分	50分
	60	11分	18分	28分	42分

URSA Mini Pro 12Kで8K撮影					
CFast カード	FPS	Blackmagic RAW 5:1	Blackmagic RAW 8:1	Blackmagic RAW 12:1	Blackmagic RAW 18:1
1TB		収録時間	収録時間	収録時間	収録時間
	23.98	66分	106分	158分	238分
	24	66分	106分	158分	238分
	25	63分	101分	152分	228分
	29.97	52分	84分	127分	190分
	30	52分	84分	127分	190分
	50	31分	50分	76分	114分
	60	26分	42分	63分	95分

URSA Mini Pro 12Kで6K撮影					
CFast カード	FPS	Blackmagic RAW 5:1	Blackmagic RAW 8:1	Blackmagic RAW 12:1	Blackmagic RAW 18:1
1TB		収録時間	収録時間	収録時間	収録時間
	23.98	116分	186分	280分	419分
	24	116分	186分	280分	419分
	25	112分	179分	268分	402分
	29.97	93分	149分	224分	335分
	30	93分	149分	224分	335分
	50	56分	89分	134分	201分
	60	46分	74分	112分	168分

URSA Mini Pro 12Kで4K撮影					
CFast カード	FPS	Blackmagic RAW 5:1	Blackmagic RAW 8:1	Blackmagic RAW 12:1	Blackmagic RAW 18:1
1TB		収録時間	収録時間	収録時間	収録時間
	23.98	264分	442分	631分	941分
	24	264分	442分	631分	941分
	25	254分	405分	606分	904分
	29.97	211分	338分	506分	755分
	30	211分	338分	506分	755分
	50	127分	203分	304分	455分
	60	106分	169分	254分	380分

### URSA Mini Pro 4.6K G2、URSA Mini Pro 4.6K、 URSA Mini 4.6K、URSA Mini 4Kの収録時間一覧

ディテールが少ないシンプルなシーンは、複雑なシーンよりもデータが少ない傾向があります。以下の表は、複雑なショットを撮影していることを前提とした数値です。撮影内容によっては、記載されている時間よりも少し長く収録できる可能性があります。

4.6K								
CFast カード	FPS	Blackmagic RAW 3:1*	Blackmagic RAW 5:1*	Blackmagic RAW 8:1*	Blackmagic RAW 12:1*	ProRes 444 XQ	ProRes 422 HQ	ProRes 422 LT
256GB		収録時間	収録時間	収録時間	収録時間	収録時間	収録時間	収録時間
	23.98	28分	48分	76分	115分	14分	33分	70分
	24	28分	48分	76分	114分	14分	33分	70分
	25	27分	46分	73分	110分	14分	31分	66分
	29.976	23分	38分	61分	92分	11分	26分	56分
	30	23分	38分	61分	92分	11分	26分	56分
	50	13分	23分	36分	55分	-	-	-
	59.94	11分	19分	30分	46分	-	-	-
60	11分	19分	30分	46分	-	-	-	

\* Blackmagic RAWは、URSA Mini Pro 4.6KおよびURSA Mini Pro 4.6K G2でのみ使用可能です。

ULTRA HD								
CFast カード	FPS	Blackmagic RAW 3:1*	Blackmagic RAW 5:1*	Blackmagic RAW 8:1*	Blackmagic RAW 12:1*	ProRes 444 XQ	ProRes 422 HQ	ProRes 422 LT
256GB		収録時間	収録時間	収録時間	収録時間	収録時間	収録時間	収録時間
	23.98	41分	68分	110分	164分	21分	47分	101分
	24	41分	68分	109分	164分	21分	47分	101分
	25	39分	66分	105分	157分	20分	45分	97分
	29.976	33分	55分	88分	131分	16分	38分	81分
	30	33分	55分	88分	131分	16分	38分	81分
	50	19分	33分	52分	79分	-	22分	48分
	59.94	16分	27分	44分	66分	-	18分	40分
60	16分	27分	44分	66分	-	18分	40分	

\* Blackmagic RAWは、URSA Mini Pro 4.6KおよびURSA Mini Pro 4.6K G2でのみ使用可能です。

HD								
CFast カード	FPS	Blackmagic RAW 3:1*	Blackmagic RAW 5:1*	Blackmagic RAW 8:1*	Blackmagic RAW 12:1*	ProRes 444 XQ	ProRes 422 HQ	ProRes 422 LT
256GB		収録時間	収録時間	収録時間	収録時間	収録時間	収録時間	収録時間
	23.98	159分	264分	418分	619分	84分	189分	403分
	24	159分	264分	418分	618分	84分	189分	403分
	25	153分	253分	402分	595分	81分	182分	387分
	29.976	128分	212分	336分	499分	68分	152分	324分
	30	127分	212分	336分	499分	67分	152分	324分
	50	76分	127分	203分	303分	40分	91分	196分
	59.94	64分	106分	170分	254分	34分	76分	163分
	60	64分	106分	170分	253分	33分	76分	163分

\* Blackmagic RAWは、URSA Mini Pro 4.6KおよびURSA Mini Pro 4.6K G2でのみ使用可能です。

固定クオリティ (Constant Quality) のQ0およびQ5は、残り録画可能時間を可変的に表示します。Q0の推定収録時間は固定ビットレート (Constant Bitrate) 3:1と同じくらいで、Q5は12:1と同じくらいです。しかし、収録中は10秒ごとに推定時間が更新されるため、残り録画可能時間を判断する最良の方法は、20秒間収録して、タッチスクリーンのメディア領域の録画可能時間を確認することです。

## URSA Mini Pro 12Kデータレート表

Blackmagic URSA Mini Pro 12Kは、極めて広範囲に及び解像度とフレームレートでイメージをキャプチャできるため、データレートについて理解することは重要です。これにより、プロジェクトに最も適したフォーマットやメディアを選択できます。Blackmagic Designは、様々なCFastカード、UHS-II SDカード、USB-Cドライブでテストを行い、使用可能なフレームレートとBlackmagic RAWの圧縮率を割り出しています。詳細は「ストレージメディア」セクションを参照してください。通常、URSA Mini Pro 12Kで使用するCFastカードは、約400 MB/sのデータレートを維持できます。これらの値は、使用可能なレートと解像度を判断する良い参考となります。

URSA Mini Pro 12Kは極めて高いデータレートで収録できるため、メディアが通常対応できるビットレートを2倍にしたいと思うかもしれません。そういった場合は、2枚のカードに収録をストライピングします。これを実行するには、2枚のCFastカードまたはSDカードをカメラに挿入し、「収録 (RECORD)」メニューの「2枚のカードにRAW収録 (Record RAW on 2 Cards)」をオンにします。これは、両方のカードに逐次的にストライピングを行うため、データレートが遅い方のカードは収録を行う上で阻害になる可能性があるため、同一または同様の仕様の2枚のカードを使用することを推奨します。また、ストレージスロット1のCFastカードと、スロット2のUSB-Cディスクでストライピングを実行することも可能です。「2枚のカードにRAW収録」オプションを使用すると、制限速度は、ストライピングアレイの遅い方のカードのデータレートの2倍になります。詳細は「2枚のカードにRAW収録」セクションを参照してください。

Blackmagic RAWの固定ビットレートは、ファイルサイズとデータレートが予測できるように作られています。非常に多くのディテールを含むシーンや高速の動きを撮影する場合は、固定ビットレートでは最大圧縮率を一貫して使用してイメージを圧縮するため、常にビットレートが指定したレベル以下に収まります。これにより、メディアが維持する必要がある速度が簡単に把握でき、メディアで収録可能な時間も推測できます。



### Blackmagic RAW固定ビットレートで24p使用時の最大データレート

フォーマット	解像度	FPS	Blackmagic RAW 5:1	Blackmagic RAW 8:1	Blackmagic RAW 12:1	Blackmagic RAW 18:1	
12K	17:9	12288 x 6480	24	578 MB/s	361 MB/s	241 MB/s	160 MB/s
	16:9	11520 x 6480	24	542 MB/s	339 MB/s	226 MB/s	150 MB/s
	2.4:1	12288 x 5112	24	457 MB/s	286 MB/s	190 MB/s	127 MB/s
	6:5 Anamorphic	7680 x 6408	24	358 MB/s	224 MB/s	150 MB/s	99 MB/s
8K	17:9	8192 x 4320	24	257 MB/s	161 MB/s	107 MB/s	71 MB/s
	16:9	7680 x 4320	24	241 MB/s	151 MB/s	101 MB/s	67 MB/s
	2.4:1	8192 x 3408	24	203 MB/s	127 MB/s	85 MB/s	56 MB/s
	6:5 Anamorphic	5120 x 4272	24	159 MB/s	100 MB/s	67 MB/s	44 MB/s
6K	Super 16	6144 x 3240	24	146 MB/s	91 MB/s	61 MB/s	40 MB/s
4K	DCI	4096 x 2160	24	65 MB/s	41 MB/s	32 MB/s	27 MB/s
	16:9	3840 x 2160	24	61 MB/s	38 MB/s	30 MB/s	25 MB/s
	2.4:1	4096 x 1704	24	51 MB/s	32 MB/s	25 MB/s	21 MB/s
	6:5 Anamorphic	2560 x 2136	24	40 MB/s	25 MB/s	20 MB/s	17 MB/s
	Super 16	4096 x 2160	24	65 MB/s	41 MB/s	27 MB/s	18 MB/s

実際のストレージレートは、イメージの被写体により異なり、極めてディテールに富んだシーンやシンプルなシーンでは以下の数値の範囲外になる可能性があります。

### Blackmagic RAW固定クオリティで24p使用時の対応データレート

フォーマット	解像度	FPS	Blackmagic RAW 5:1	Blackmagic RAW 8:1	Blackmagic RAW 12:1	Blackmagic RAW 18:1	
12K	17:9	12288 x 6480	24	241-578 MB/s	145-361 MB/s	97-241 MB/s	73-181 MB/s
	16:9	11520 x 6480	24	226-542 MB/s	136-339 MB/s	91-226 MB/s	68-170 MB/s
	2.4:1	12288 x 5112	24	190-457 MB/s	114-286 MB/s	76-190 MB/s	57-143 MB/s
	6:5 Anamorphic	7680 x 6408	24	150-358 MB/s	90-224 MB/s	60-150 MB/s	45-112 MB/s
8K	17:9	8192 x 4320	24	161-321 MB/s	107-214 MB/s	81-161 MB/s	52-129 MB/s
	16:9	7680 x 4320	24	151-301 MB/s	101-201 MB/s	76-151 MB/s	49-121 MB/s
	2.4:1	8192 x 3408	24	127-254 MB/s	85-169 MB/s	64-127 MB/s	41-102 MB/s
	6:5 Anamorphic	5120 x 4272	24	100-199 MB/s	67-133 MB/s	50-100 MB/s	32-80 MB/s
6K	Super 16	6144 x 3240	24	61-146 MB/s	37-91 MB/s	25-61 MB/s	19-46 MB/s
4K	DCI	4096 x 2160	24	129-214 MB/s	65-129 MB/s	41-107 MB/s	30-81 MB/s
	16:9	3840 x 2160	24	121-201 MB/s	61-121 MB/s	38-101 MB/s	28-76 MB/s
	2.4:1	4096 x 1704	24	102-169 MB/s	51-102 MB/s	32-85 MB/s	23-64 MB/s
	6:5 Anamorphic	2560 x 2136	24	80-133 MB/s	40-80 MB/s	25-67 MB/s	18-50 MB/s
	Super 16	4096 x 2160	24	41-81 MB/s	27-54 MB/s	21-41 MB/s	13-33 MB/s

オフスピードで撮影することで、クリエイティビティの幅が広がり、希望するルックを得られます。URSA Mini Pro 12Kでは、12K解像度で60fpsまで、他の解像度では最大240fpsで撮影できます。URSA Mini Pro 12Kで高フレームレートの撮影を行う際、カメラは極端なビットレートを使用するため、適切なBlackmagic RAWの圧縮率を選択することが重要です。

### Blackmagic RAW固定ビットレートで最大フレームレート使用時の最大データレート

フォーマット	解像度	Blackmagic RAW 5:1		Blackmagic RAW 8:1		Blackmagic RAW 12:1		Blackmagic RAW 18:1		
		最大フレームレート	最大データレート	最大フレームレート	最大データレート	最大フレームレート	最大データレート	最大フレームレート	最大データレート	
12K	17:9	12288 x 6480	40	963 MB/s	60	903 MB/s	60	602 MB/s	60	401 MB/s
	16:9	11520 x 6480	40	903 MB/s	60	847 MB/s	60	565 MB/s	60	376 MB/s
	2.4:1	12288 x 5112	50	951 MB/s	75	892 MB/s	75	595 MB/s	75	396 MB/s
	6:5 Anamorphic	7680 x 6408	60	895 MB/s	60	560 MB/s	60	373 MB/s	60	249 MB/s
8K	17:9	8192 x 4320	120	1,285 MB/s	120	803 MB/s	120	536 MB/s	120	357 MB/s
	16:9	7680 x 4320	120	1,205 MB/s	120	753 MB/s	120	502 MB/s	120	334 MB/s
	2.4:1	8192 x 3408	160	1,353 MB/s	160	846 MB/s	160	564 MB/s	160	375 MB/s
	6:5 Anamorphic	5120 x 4272	120	796 MB/s	120	498 MB/s	120	332 MB/s	120	221 MB/s
6K	Super 16	6144 x 3240	120	727 MB/s	120	455 MB/s	120	303 MB/s	120	202 MB/s
4K	DCI	4096 x 2160	120	322 MB/s	120	201 MB/s	120	161 MB/s	120	134 MB/s
	16:9	3840 x 2160	120	302 MB/s	120	189 MB/s	120	150 MB/s	120	125 MB/s
	2.4:1	4096 x 1704	160	339 MB/s	160	212 MB/s	160	169 MB/s	160	141 MB/s
	6:5 Anamorphic	2560 x 2136	120	200 MB/s	120	125 MB/s	120	99 MB/s	120	83 MB/s
	Super 16	4096 x 2160	240	648 MB/s	240	405 MB/s	240	271 MB/s	240	180 MB/s

### Blackmagic RAW固定クオリティで最大フレームレート使用時の対応データレート

フォーマット	解像度	FPS	Blackmagic RAW Q0	Blackmagic RAW Q1	Blackmagic RAW Q3	Blackmagic RAW Q5
12K	17:9	60	602-1,445 MB/s	362-903 MB/s	241-602 MB/s	181-452 MB/s
	16:9	60	565-1,355 MB/s	339-847 MB/s	226-565 MB/s	170-424 MB/s
	2.4:1	75	595-1,426 MB/s	357-892 MB/s	238-595 MB/s	179-446 MB/s
	6:5 Anamorphic	60	373-895 MB/s	224-560 MB/s	150-373 MB/s	112-280 MB/s
8K	17:9	120	803-1,605 MB/s	536-1,071 MB/s	402-803 MB/s	258-643 MB/s
	16:9	120	753-1,506 MB/s	502-1,004 MB/s	377-753 MB/s	242-603 MB/s
	2.4:1	160	846-1,609 MB/s	564-1,127 MB/s	423-846 MB/s	271-677 MB/s
	6:5 Anamorphic	120	498-995 MB/s	332-664 MB/s	249-498 MB/s	160-398 MB/s

フォーマット		解像度	FPS	Blackmagic RAW Q0	Blackmagic RAW Q1	Blackmagic RAW Q3	Blackmagic RAW Q5
6K	Super 16	6144 x 3240	120	303-727 MB/s	182-455 MB/s	122-303 MB/s	92-228 MB/s
4K	DCI	4096 x 2160	120	643-1,071 MB/s	322-643 MB/s	201-536 MB/s	147-402 MB/s
	16:9	3840 x 2160	120	603-1,004 MB/s	302-603 MB/s	189-502 MB/s	138-377 MB/s
	2.4:1	4096 x 1704	160	677-1,127 MB/s	339-677 MB/s	212-564 MB/s	155-423 MB/s
	6:5 Anamorphic	2560 x 2136	120	398-664 MB/s	200-398 MB/s	125-332 MB/s	91-249 MB/s
	Super 16	4096 x 2160	240	405-810 MB/s	271-540 MB/s	203-405 MB/s	131-325 MB/s

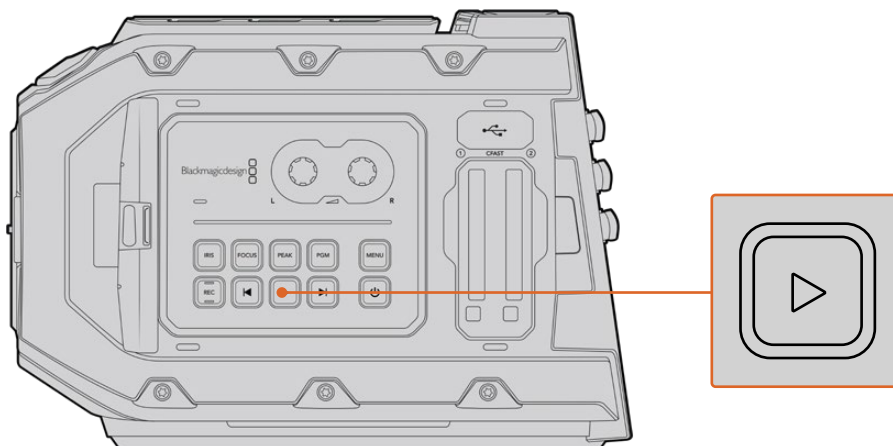
固定クオリティの実際のストレージレートは、イメージの被写体により異なり、極めてディテールに富んだシーンやシンプルなシーンでは上記の数値の範囲外になる可能性があります。

## 再生

### クリップの再生

カメラのトランスポートコントロールボタンを使って、撮影したクリップを再生できます。

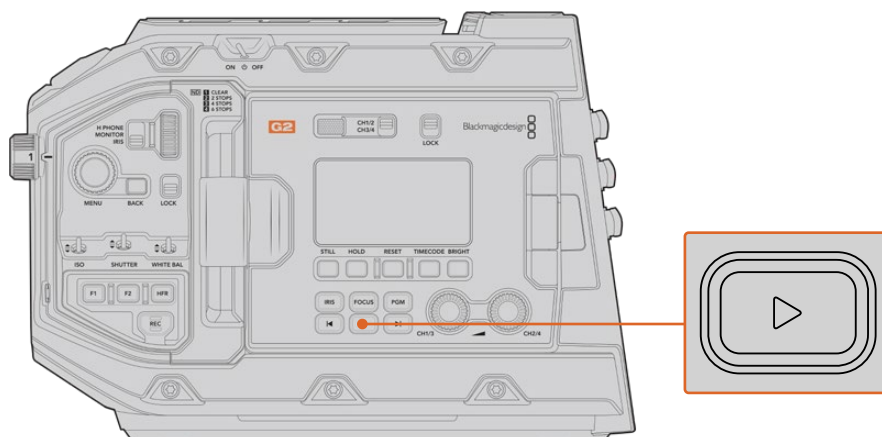
再生ボタンを押すと録画したビデオが再生され、URSA MiniのLCDタッチスクリーンで確認できます。URSA MiniのSDI出力に接続したディスプレイでもクリップを確認できます。



URSA Miniカメラ

**作業のこつ** Blackmagic URSA Miniの再生コントロールボタンとトランスポートコントロールボタンは、内部コントロールパネルとエルゴノミクスパネルの両方にあります。

**メモ** Blackmagic URSA Miniでは、コーデック、フレームレート、解像度が同じであれば、品質設定の異なるクリップを再生できます。



URSA Mini Pro 4.6K G2カメラ

早送り/巻き戻しボタンを押すとクリップの最初/最後に飛びます。「前クリップ頭出し」ボタンを1回押すと、現在のクリップの先頭に戻り、2回押すと前のクリップの先頭に戻ります。次クリップ/前クリップの頭出しボタンを長押しすると、2倍速で再生/逆方向再生します。倍速の再生/巻き戻し中に「早送り」あるいは「巻き戻し」ボタンを2回押すと4倍速、3回押すと8倍速、4回押すと16倍速になります。互換性のあるレンズを使用している場合、次/前クリップの頭出しボタンを、クリップ収録中にアイリスの開閉ボタンとしても使用できます。

プロジェクトのフレームレートとは異なるセンサーフレームレートでクリップを撮影している場合、クリップの再生速度も変わります。例えば、カメラのプロジェクトフレームレートを、24fpsのポストプロダクションタイムラインに合わせて設定したとします。60fpsに設定したセンサーフレームレートでクリップを撮影すると、カメラおよびポストプロダクションタイムラインで、スローモーションで再生されます。

**作業のこつ** フレームレートに関する詳細は、このマニュアルの「収録」セクションを参照してください。

## URSA Miniの概要

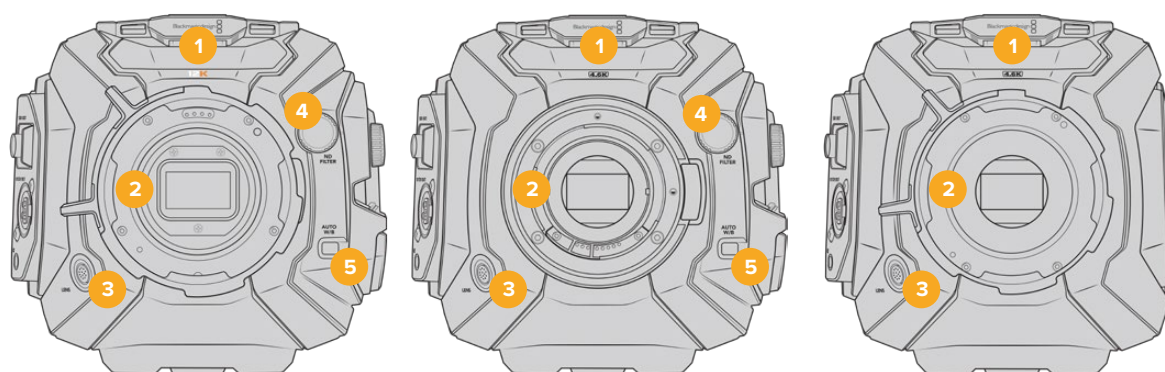
URSA Miniの右側面とリアパネルには、SDI接続用の業界標準BNCコネクタが付いています。また、2つの独立したLANC入力にも対応しており、1つはオプションのBlackmagic URSA Handgrip用、カメラ後部の1つは外部LANCコントローラー用です。

XLR入力はトップパネルのマウントポイントの後方にあり、URSA MiniおよびURSA Mini Proでプロ仕様のバランスアナログオーディオ、URSA Mini ProでAESデジタルオーディオを接続できます。リアパネルの4ピンXLRコネクタは外部電源入力に使用します。Blackmagic URSA Viewfinderなどのアクセサリに給電する電源出力はカメラの右側にあります。

URSA Miniのストレージメディアスロットの上にあるUSBポートは、カメラの内部ソフトウェアをアップデートする際にコンピューターへの接続に使用します。

**メモ** URSA Mini Proには人間工学に基づいたコントロールが追加されているので、開閉式タッチスクリーンを開く必要なく、カメラの重要な設定や機能に簡単にすばやくアクセスできます。

### カメラ正面



URSA Mini Pro 12Kモデル

URSA Mini Pro 4.6Kモデル

URSA Mini PLモデル

#### 1 ステレオマイク

高品質の内蔵ステレオマイク。マイクオーディオに関する詳細は「設定」セクションを参照してください。

#### 2 レンズマウント

URSA Miniカメラは、EFあるいはPLレンズマウントに対応しています。URSA Mini Proは交換可能なレンズマウントに対応しており、EF、F、PL、B4マウントに交換できます。詳細は、「交換可能なレンズマウント」セクションを参照してください。

#### 3 放送用レンズコネクタ

12ピン接続に対応した互換PL/B4マウントレンズに電源およびコントロール信号を送信します。この接続はURSA Mini PLおよびURSA Mini Proモデルのみで使用可能です。PLおよびB4モデルを含む互換レンズのリストは、このマニュアルの「サーボズーム対応レンズの使用」セクションに記載されています。

#### 4 NDフィルター

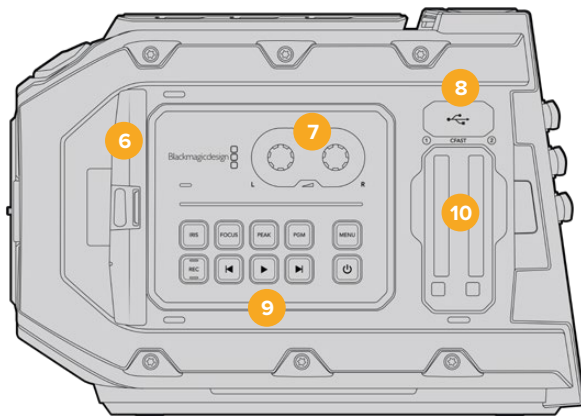
このホイールを使って、3つの内蔵NDフィルターおよび1つのクリアフィルターを切り替えられます。詳細は「URSA Mini Proコントロールボタン」セクションを参照してください。

## 5 自動ホワイトバランス

自動ホワイトバランスボタン (AUTO W/B) は、現在スクリーンの中央に表示されているものに基づいてホワイトバランスを設定する際に使用します。例えば、レンズの正面にグレーのカードなどを置いて自動ホワイトバランスを設定します。詳細は「URSA Mini Proコントロールボタン」セクションを参照してください。

## URSA Mini – 左側面

URSA Miniの左側面では、CFastカードの挿入、コントロールパネルへのアクセス、設定の変更が可能です。USBポートはCFastスロットのすぐ上にあり、URSA Miniの内部ソフトウェアをアップデートする際に簡単にコンピューターに接続できます。



### 6 開閉式タッチスクリーン

5インチの開閉式タッチスクリーンモニターはピボット回転するため、様々な高さに設定したカメラの映像を確認できます。詳細は「タッチスクリーン・コントロール」セクションを参照してください。

### 7 オーディオレベル調整ノブ

オーディオチャンネル1と2の収録レベルを設定します。詳細は「URSA Miniのコントロール」セクションを参照してください。

### 8 Mini USBポート

内部ソフトウェアアップデート用のMini USBポート。詳細は「Blackmagic Camera Setup Utility」セクションを参照してください。

### 9 コントロールパネルボタン

カメラの電源、収録/再生コントロール、フォーカスピーキング、設定メニューへのアクセス、アイリスおよびオートフォーカス・コントロール (互換性のあるEFレンズ) ボタン。詳細は「URSA Miniコントロール」セクションを参照してください。

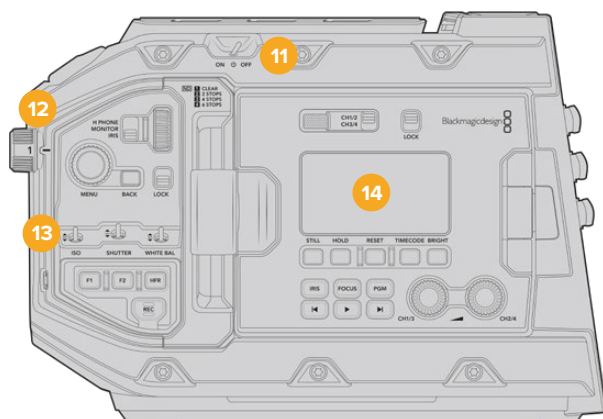
### 10 メモリーカードスロット

CFast 2.0カードをスロットに挿入して収録/再生。「ストレージメディア」セクションを参照してください。

## URSA Mini Pro – 左側面

URSA Mini Proの左パネルには追加のコントロールが付いており、カメラのすべての重要な機能に簡単にアクセスできます。これらのコントロールは前方コントロールパネル、開閉式タッチスクリーンモニターの外側のエルゴノミクスパネル、開閉式モニターの内側のコントロールパネルに分けられます。

CFastおよびSDカードスロットは、開閉式モニターの裏にあります。USB-Cポートはこれらのメモリーカードスロットの上にあります、コンピューターに接続してURSA Mini Proの内部ソフトウェアのアップデートに使用します。



URSA Mini Pro 4.6Kモデル。開閉式タッチスクリーンを閉じた状態

### 11 電源

カメラをオンにする電源。開閉式モニターの内側にバックアップ電源スイッチがあり、「録画 (REC)」ボタンと「次クリップ頭出し」ボタンを同時に長押しすることでカメラの電源をオンにできます。

### 12 NDフィルター

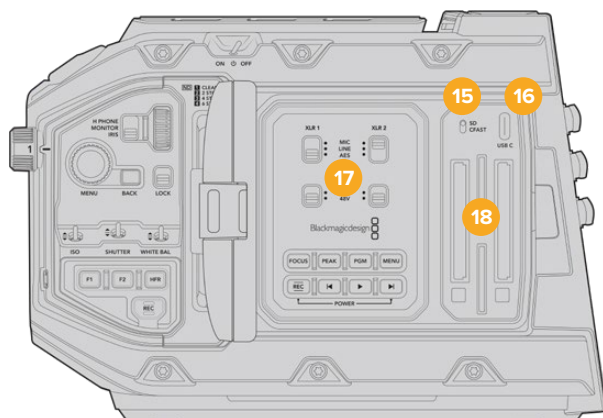
URSA Mini Proは、3つのニュートラル・デンシティ・フィルターを内蔵しており、センサーに届く光量を調整できます。4つの設定で (クリアから6までのF値) 光量を削減できます。このホイールを回すだけで設定を選択できます。設定を変えるごとに該当のフィルターが定位置に収まります。詳細は、このマニュアルの「URSA Mini Proコントロールボタン」セクションを参照してください。

### 13 前方コントロールパネル

前方コントロールパネルは、URSA Mini Proのすべての重要な機能にすばやくアクセスできます。これらのコントロールは三脚や肩寄せで撮影している場合でも簡単にアクセスできる配置になっています。これらを使用して、ISO、シャッターアングル/シャッタースピード、アイリス、ホワイトバランス、フレームレートなどの設定を調整できます。詳細は「URSA Mini Proコントロールボタン」セクションを参照してください。

### 14 エルゴノミクスパネル

URSA Mini Proの開閉式タッチスクリーンモニターの外側にLCDステータスマニターと様々なコントロールが付いており、すばやくパワフルなモニタリングコントロールが可能です。ここではカメラのステータス情報を一目で確認でき、モニタリング機能をコントロールできます。詳細は「URSA Mini Proコントロールボタン」セクションを参照してください。



URSA Mini Proモデル。開閉式タッチスクリーンを開いた状態

### 15 ストレージメディア選択スイッチ

CFASTおよびSDストレージメディアの選択に使用するスイッチ。



## 16 USBポート

内部ソフトウェアアップデート用のUSB-Cポート。詳細は「Blackmagic Camera Setup Utility」セクションを参照してください。URSA Mini Pro G2では、このUSB-Cポートを使用してURSA Mini Recorderまたは外付けUSB-Cフラッシュディスクに収録できます。

## 17 内部コントロールパネル

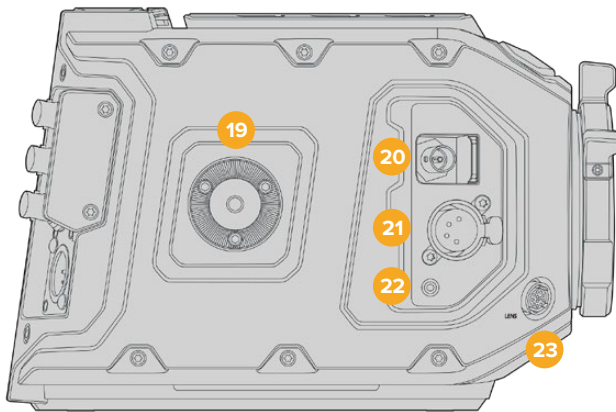
URSA Mini Proの開閉式モニターを開くと、内部コントロールパネルにアクセスできます。このコントロールは、オーディオ入力の設定およびファンタム電源設定に使用します。また、アイリス、フォーカス、メニュー、再生コントロールなどにも使用できます。詳細は「URSA Mini Pro コントロールボタン」セクションを参照してください。

## 18 メモリーカードスロット

CFast 2.0カード、SDXC/SDHCカードをスロットに挿入して、収録・再生できます。このマニュアルまたは弊社のウェブサイトで、認定カードのリストを確認してください。詳細は「ストレージメディア」セクションを参照してください。

## 右側面

URSA Miniの右側面では、すべてのビデオ、オーディオ、電源コネクタ、オプションのBlackmagic URSA Handgrip用ロゼットマウントにアクセスできます。



URSA Mini PLモデル

## 19 サイドロゼットマウント

オプションのBlackmagic URSA Handgrip用の標準ロゼットマウント。「はじめに」、「Blackmagic URSA Handgrip」、「Blackmagic URSA Mini Shoulder Kit」セクションを参照してください。

## 20 HDモニタリング出力

ダウンコンバート1080 HD出力用の3G-SDIコネクタ。Blackmagic URSA Viewfinderあるいは外部モニターと使用。詳細は「カメラのビデオ出力」および「Blackmagic URSA Viewfinder」セクションを参照してください。

## 21 +12V電源出力

Blackmagic URSA Viewfinder、Blackmagic URSA Studio Viewfinder、外部モニター、その他のアクセサリに電源を供給する4ピンXLRコネクタ。詳細は「Blackmagic URSA Viewfinder」および「Blackmagic URSA Studio Viewfinder」セクションを参照してください。この出力と放送レンズコントロールコネクタを使用することで、合計2アンペアまでの12Vの電源を供給できます。

## 22 LANC入力

オプションのBlackmagic URSA Handgrip用の2.5mm TRS LANCコネクタ。ハンドグリップの取り付けに関する詳細は、「Blackmagic URSA Handgrip」セクションを参照してください。

## 23 放送用レンズコントロールコネクタ

12ピン接続に対応した互換PL/B4マウントレンズに電源およびコントロール信号を送信します。



この接続はURSA Mini PLおよびURSA Mini Proモデルのみで使用可能です。この出力と+12V電源出力を使用することで、合計2アンペアまでの12Vの電源を供給できます。

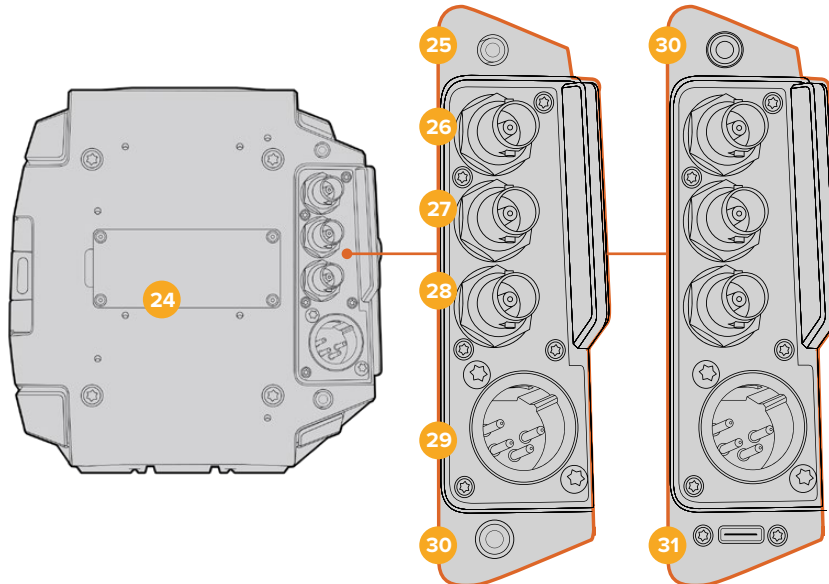
## リアパネル

### 24 バッテリーマウントプレート

Blackmagic URSA MiniにはマウントポイントとMolexコネクタが搭載されているため、カメラへの給電および一部のデータ情報の送信が可能です。マウントポイントは、カメラ背面にバッテリープレート、Blackmagic Camera Fiber Converter、URSA Mini Recorderなどのオプションのアクセサリを取り付けられるように配置されています。Molexコネクタは、1.5アンペアまでの安定した12Vの電源を出力できます。詳細は、「バッテリーのマウント」、「Blackmagicファイバーコンバーターを使用する前に」、「URSA Mini Recorder」セクションを参照してください。

### 25 LANC

外部LANCリモートコントロール用の2.5mmジャック。三脚アームにマウントした外部収録の開始/停止コントロールなどに使用します。LANCは、収録開始/停止、アイリス、フォーカスコントロール（互換性のあるEFレンズ）に対応しています。URSA Mini Pro 12Kは、リアパネルにLANCポートを搭載していません。URSA Mini Pro 12KのLANCコントロールは、右側のパネルの2.5mm TRS LANC入力コネクタを使用します。



URSA Mini Pro 4.6K G2、URSA Mini Pro 4.6K、  
URSA Mini 4.6K、URSA Mini 4K

URSA Mini Pro 12K

### 26 12G-SDI出力

Blackmagic URSA Miniの12G-SDI出力は、ルーター、モニター、SDIキャプチャーデバイス、放送スイッチャーなどのSDI機器に、HDおよびUltra HDビデオを送信します。12G-SDI出力をBlackmagic Video Assistなどの外部レコーダーに接続すれば、バックアップ収録が可能です。

### 27 12G-SD入力

12G-SDI入力はスイッチャーまたは外部レコーダーへの接続に使用し、再生、トークバック、タリ、外部リファレンス信号を確認するためにも使用できます。ATEMスイッチャーと使用する場合は、スイッチャーの「カメラコントロール」機能を使用して、カメラの機能を調整することも可能です。

URSA Miniを生放送で使用する際に、スイッチャーのプログラム出力を接続して、撮影中のモニタリングや、外部レコーダーから再生のチェックに使用できます。「PGM」ボタンを長押しすると

プログラムフィードを表示できます。詳細は、URSA Miniの「コントロールボタン」セクション、またはURSA Mini Proの「エルゴノミクスパネル」セクションを参照してください。

SDI入力を介して、タリーおよびトークバックを受信するには、カメラの「セットアップ (SETUP)」メニューで「ATEMカメラID (ATEM CAMERA ID)」を設定してください。外部リファレンス信号を受信するためにSDI入力を使用したい場合は、「セットアップ (SETUP)」メニューの「リファレンスソース (REFERENCE SOURCE)」に「プログラム (Program)」を選択する必要があります。外部リファレンスがロックされると、「REF」がカメラのLCDスクリーンのタイムコードの隣に表示されます。詳細は、このマニュアルの「セットアップ設定 (SETUP)」セクションを参照してください。

URSA Mini Proでは、SDI入力でカメラに外部タイムコードを送信できます。送信されてくるSDI信号のフレームレートが一致し、有効なタイムコードがある場合、送信されてくるタイムコードに自動的にロックします。外部タイムコードがロックされるとURSA Mini ProのLCDに「EXT」と表示されます。ケーブルを外すと、タイムコードはジャムシンクし続け、LCDの表示は「INT」に変わり、URSA Mini Proの内部タイムコードクロックに切り替わったことを示します。

## 28 リファレンス/タイムコード入力

タイムコードとリファレンス入力信号を自動的に認識して切り替えます。リファレンス入力BNCコネクタ「REF IN」に、3値シンクなどの一般的なリファレンス入力を接続してBlackmagic URSA Miniを同期します。この入力でリファレンス信号を使用する場合は、URSA Miniの「セットアップ (SETUP)」メニューで、「リファレンスソース (REFERENCE SOURCE)」を「外部 (External)」に設定する必要があります。

別の方法として、このコネクタを使って外部タイムコードソースとマッチさせ、複数のカメラを同期したり、デュアルシステムでの撮影においてオーディオと映像を同期できます。これにより、オーディオと映像または複数カメラからの映像をポストプロダクションで簡単に同期できます。フレームレートがマッチした外部タイムコードがこのコネクタに接続されると、送信されてくるタイムコードにカメラは自動的にロックします。外部タイムコードがロックされるとURSA Mini ProのLCDに「EXT」と表示されます。ケーブルを外すと、タイムコードはジャムシンクし続け、LCDの表示は「INT」に変わり、URSA Mini Proの内部タイムコードクロックに切り替わったことを示します。

ATEMスイッチャーからのリファレンス信号を、SDI入力を介して使用するようカメラを設定することもできます。ATEMスイッチャーと使用している際、すべてのカメラは単一のSDI信号でプログラムリターン、カメラコントロール、タリー、トークバック、リファレンス、タイムコードを受信できるため、この機能は非常に役立ちます。詳細は、このマニュアルの「セットアップ設定 (SETUP)」セクションを参照してください。

## 29 +12V電源入力

4ピンの12-20V DC XLRコネクタ。同梱の電源アダプターやポータブルバッテリーなどの外部ソース電源に接続します。

## 30 ヘッドフォン/ヘッドセット

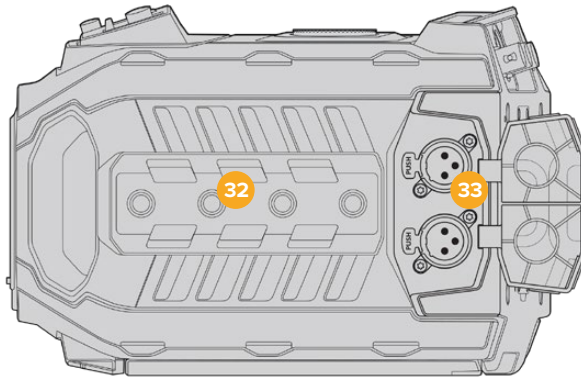
ヘッドフォンモニタリングおよびトークバック用の3.5mmジャック出力。iPhoneおよびAndroidと互換性があり、トークバック用にマイクを内蔵したヘッドセットを接続できます。トークバックオーディオは、SDI出力のチャンネル15および16にエンベッドされます。

**作業のこつ** URSA MiniまたはURSA Mini Proの3.5mmジャックで、トークバック機能を最も低コストで使うには、iPhoneやAndroidと互換性のあるヘッドセットを使用します。これらのヘッドセットは、総じてマイクのミュートのオン/オフ用のボタンが埋め込まれています。この埋め込みスイッチを使わず放送ヘッドセットを使用したい場合、URSA MiniまたはURSA Mini Proの機能ボタンを設定すると同じ機能が使用できます。詳細は、このマニュアルの「セットアップ設定 (SETUP)」セクションを参照してください。

### 31 USBポート

ロック付きのUSB-C 3.1 Gen 2コネクタで、URSA Mini Pro 12Kのビデオを外付けフラッシュディスクに収録できます。

## トップパネル



外部アナログオーディオは、トップパネルのバランスXLRコネクタに接続可能

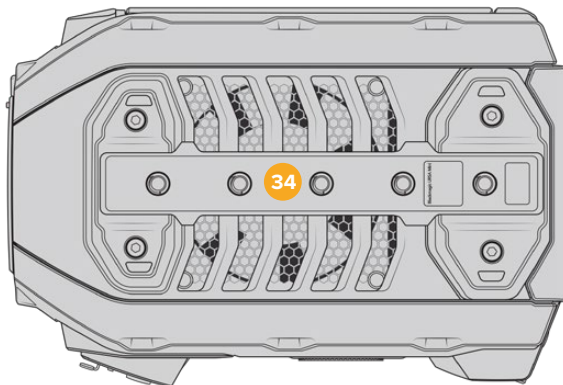
### 32 1/4インチマウントポイント

カメラのトップパネルには4つの頑丈なマウントポイントがあり、トップハンドルやアクセサリを取り付けられます。

### 33 XLRオーディオ入力

バランスXLR入力を使って、オーディオミキサー、PAシステム、外付けマイクなどのプロ仕様機器から外部アナログオーディオを接続します。XLRコネクタは48Vファンタム電源に対応しているので、電源を内蔵していないマイクも使用できます。ファンタム電源に関する詳細は、「URSA Miniのコントロール」および「内部コントロールパネル」セクションを参照してください。

## 底面

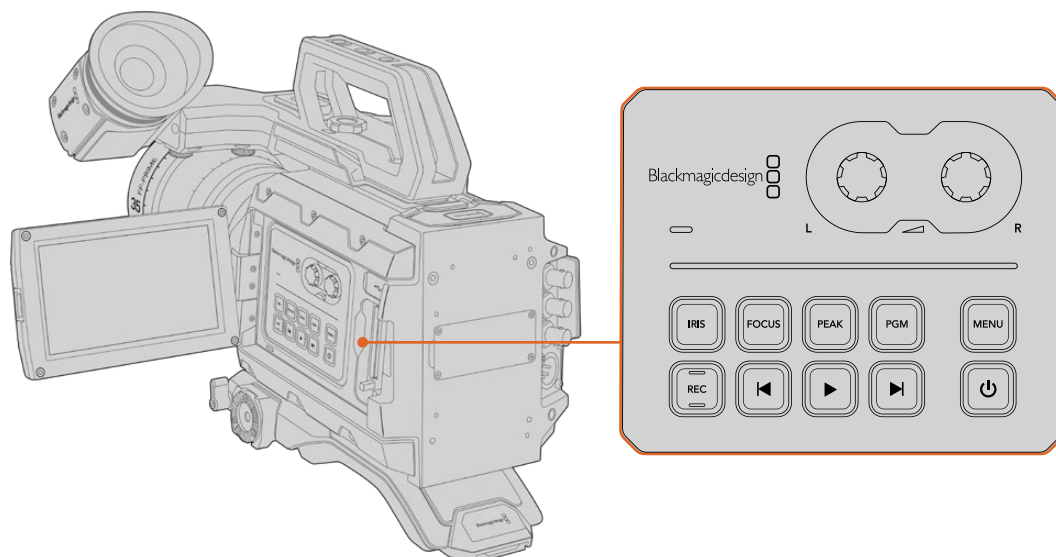


### 34 1/4インチマウントポイント

底面の5つのマウントポイントは、三脚ヘッド、オプションのURSA Mini Shoulder Kit、その他のアクセサリの取り付けに使用します。

## URSA Miniコントロール

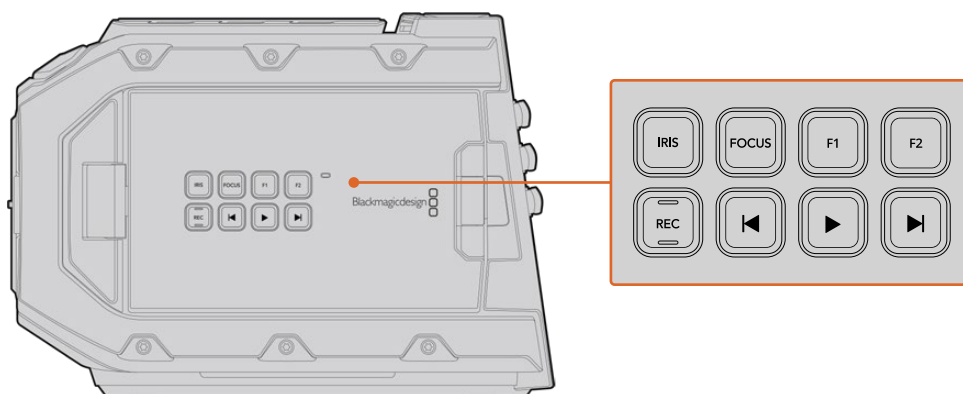
Blackmagic URSA Mini左側面の開閉式モニターの裏にはコントロールパネルがあり、設定の変更やオーディオレベルのコントロールに必要なすべてのボタンと調整ノブを搭載しています。オーディオレベルは、LCDタッチスクリーンのオーディオメーターでモニタリングできます。



内側のコントロールパネルボタンとタッチスクリーンでカメラ設定を調整

## コントロールボタン

内側のコントロールパネルに加え、Blackmagic URSA MiniのLCDの外側、およびオプションのBlackmagic URSA Handgripにはコントロールボタンが搭載されています。これらのアイリス、フォーカス、録画/再生ボタンは、それぞれ同様に機能します。



外側のパネルボタンでは、クリップの収録/再生、フォーカスピーキングのオン/オフの切り替え、LCDのプログラム/カメラ表示の切り替え、互換性のあるEFレンズでアイリス/オートフォーカスの調整が可能

### アイリス (IRIS)

「IRIS」ボタンは、互換性のあるレンズで自動アパーチャー設定をオンにします。「Video」ダイナミックレンジを使用している場合、「IRIS」ボタンを1回押すと、ショットのハイライトまたはシャドウに基づいた平均の露出が設定されます。「Film」ダイナミックレンジ設定を使用している場合、「IRIS」ボタンを押すと、ショットの最も明るいハイライトに露出が設定されます。

URSA Mini EFモデルでは、このボタンは互換性のあるEFレンズと機能します。URSA Mini PLモデルでは、このボタンは放送レンズコントローラーに接続した互換性のあるレンズと機能します。

アパーチャーをマニュアルで設定するには、「次クリップ/前クリップの頭出し」ボタンを押します。

### フォーカス (FOCUS)

EFマウントで電子フォーカス調整に対応するEFレンズを使用している場合、「FOCUS」ボタンを押すとオートフォーカス機能がオンになります。開閉式モニターに、白いフォーカススクエアが表示されます。スクエアの内側にあるものに正確にフォーカスが合います。レンズがフォーカスされると、スクエアは消えます。

**メモ** 多くのEFレンズは電子フォーカスに対応していますが、マニュアルあるいはオートフォーカスモードに設定できるレンズもあります。使用するレンズがオートフォーカスモードになっていることを確認してください。

### ピーク (PEAK)

「PEAK」ボタンを押すとフォーカスピーキングがオンになります。カメラには2つのフォーカスピーキングモードがあります。ピーク (Peak) はフォーカスになっているイメージの領域を人工的にシャープにし、カラーライン (Colored Lines) はイメージのシャープな領域を黒、白、赤、緑、青のラインのオーバーレイで表示します。詳細は、このマニュアルの「モニター設定 (MONITOR)」セクションを参照してください。フォーカスピーキングは、ストレージメディアには記録されませんが、タッチスクリーンメニューでオーバーレイ表示をオンにすると、HDモニタリング出力および開閉式モニターに表示できます。

### プログラム (PGM)

「PGM」と印刷されたプログラムボタンでは、LCDの表示を、カメラビューとリアパネルの12G-SDI入力に接続された信号で切り替えられます。URSA Miniを生放送で使用する際に、スイッチャーのプログラム出力を接続して、撮影中にモニタリングすることも可能です。「PGM」ボタンを長押しするとプログラムフィードを表示できます。プログラムフィードはボタンを押している間、表示されます。「PGM」ボタンを2度押しするとプログラムフィードに切り替わり、再度ボタンを押すとプログラムフィードから切り替わります。スイッチャーのプログラム出力を表示するには、カメラとスイッチャーが同じフレームレートに設定されている必要があります。

**メモ** URSA MiniまたはURSA Mini Proのリファレンスソースを設定する際に、リファレンスソースの切り替えを行うとカメラ出力が一瞬途切れることがあります。これは、カメラが外部ソースとマッチするようにリファレンスのタイミングを調整することで発生します。こういった理由から、この設定の変更はセッティング時のみに行うようにし、制作中には行わないことが重要です。

### メニュー (MENU)

「MENU」ボタンを押すとダッシュボードが開きます。ダッシュボード機能と設定の調整に関する詳細は、「設定」セクションを参照してください。

## 録画 (REC)

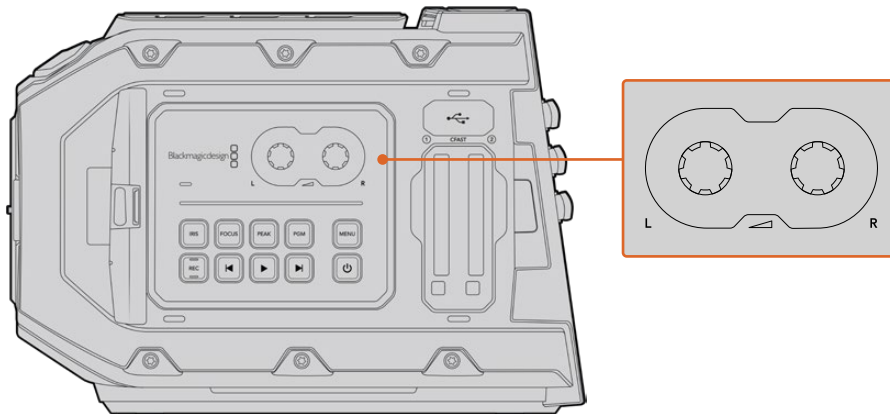
録画ボタンは、Blackmagic URSA Miniのコントロールパネル、開閉式LCD、オプションのBlackmagic URSA Handgripに搭載されています。いずれかの録画ボタンを押すと、収録を開始/停止できます。詳細は「収録」セクションを参照してください。

## 再生コントロールボタン

再生コントロールボタンで再生の開始/停止、次/前のクリップの頭出しが可能です。Blackmagic URSA Mini EFでは、互換性のあるレンズを使用している場合、アイリスの開閉ボタンとしても、次/前クリップの頭出しボタンを使用できます。再生コントロールボタンの使用に関する詳細は、「再生」セクションを参照してください。

## オーディオレベル調整ノブ

内蔵の調整ノブでオーディオチャンネル1と2の収録レベルを設定します。各ノブを時計回り/反時計回りに回すと、各オーディオチャンネルの収録レベルを上下に調整できます。各ノブを調整しながらオンスクリーンの対応するオーディオメーターを確認できるので、最適なレベルに設定できます。



オーディオレベル調整ノブを時計回り/反時計回りに回すと、オーディオ収録レベルを上下に調整可能

## 機能ボタン

Blackmagic URSA MiniのLCDの外側に、「F1」および「F2」の2つの機能ボタンが付いています。URSA Miniの「セットアップ (SETUP)」メニューで、使用頻度の高い機能をこれらのボタンにマッピングできます。詳細は、このマニュアルの「セットアップ設定 (SETUP)」セクションを参照してください。

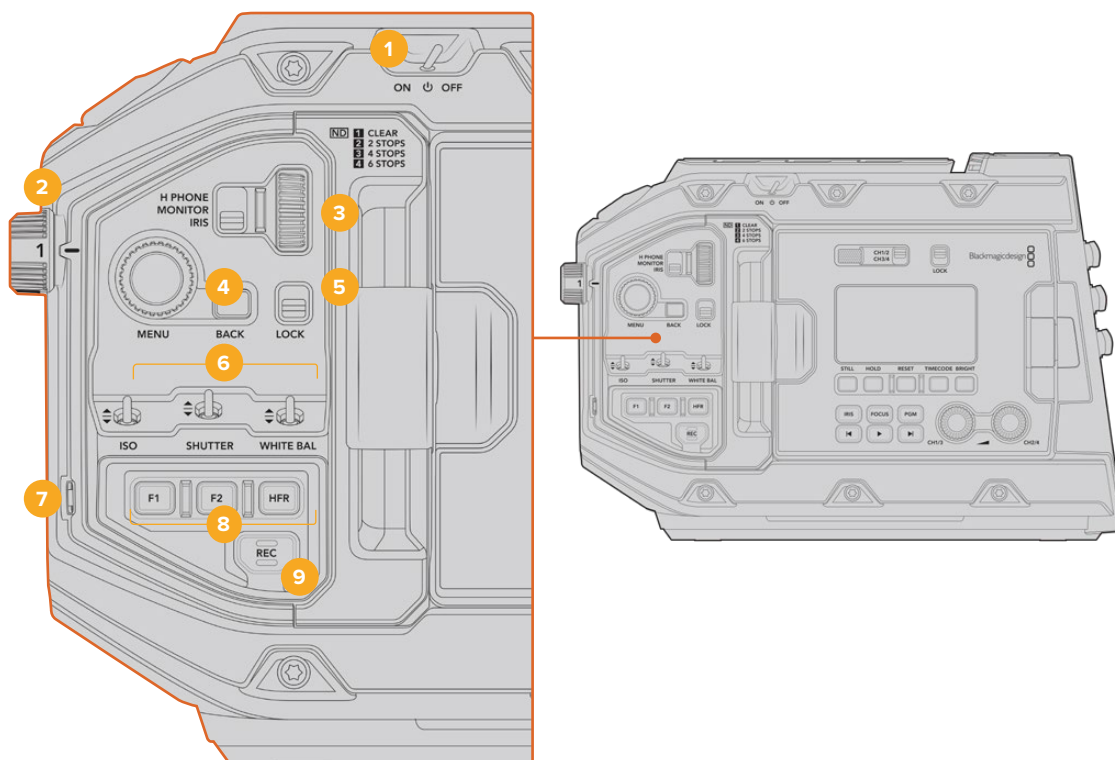


# URSA Mini Proコントロールボタン

Blackmagic URSA Mini Proは、筐体、そして開閉式タッチスクリーンモニターの外側および内側にコントロールパネルを搭載しており、すべての重要な機能およびパワフルなモニタリングツールにすばやく簡単にアクセスできます。これらのパネルは三脚、ハンドヘルド、あるいはショルダーマウントキットでの撮影で、指先で使用できるように設計されています。

## 前方コントロールパネル

URSA Mini Proの前方コントロールパネルには、撮影/収録のセットアップ中に調整が必要なコントロールがすべてまとめられています。ショルダーマウントキットを使い、開閉式モニターを閉じて撮影している場合などに簡単にアクセスできるように設計されています。



URSA Mini Pro 4.6Kの前方コントロールパネル

### 1 電源スイッチ

このスイッチを「ON」の位置にするとURSA Mini Proの電源が入ります。「OFF」の位置にするとオフになります。

**作業のコツ** URSA Mini Proの電源のオン/オフは、コントロールパネルのスイッチの組み合わせでも切り替えられます。「録画 (REC)」と「次クリップ頭出し」ボタンを長押しすることで、カメラの電源が入っていない場合はオン、入っている場合はオフにできます。カメラの電源スイッチが「ON」にセットされているにも関わらず電源が入っていない場合は、コントロールパネルで電源が切られた可能性があります。通常の操作に戻るには電源スイッチを切り替えてください。

## 2 NDフィルター

URSA Mini Proは、3つのNDフィルター（ニュートラル・デンシティ・フィルター）を内蔵しています。「クリア（CLEAR）」フィルターの他、F値を2、4、6から選択できます。これらのフィルターを使用することで、URSA Miniのセンサーに入る光量を、露出（F値）のプリセットで削減できます。露出を減らすことで、野外や晴れた日など明るい環境での撮影において、ワイドアパーチャーで撮影を継続できます。

ニュートラル・デンシティ設定を調整するには、ホイールを回転させます。「クリア（CLEAR）」設定は、NDフィルターが使用されていない状態です。設定2～4では、NDフィルターのデンシティが徐々に上がるので、必要に応じて光量を減少できます。

各NDフィルターの呼称は人によって異なるため、LCDメニューでNDフィルターの名称をカスタマイズできます。NDフィルターを「番号（Number）」、光量を削減する「F値（Stop）」、フィルターにより削減される光量を表す「分数（Fraction）」で識別できるので、任意の識別方法を選択してください。

### ニュートラル・デンシティ・フィルター設定

ホイール位置	ND番号	F値	分数
1	クリア	0	1
2	0.6	2	1/4
3	1.2	4	1/16
4	1.8	6	1/64

## 3 設定ホイール

ホイールの隣にある3ポジションのスイッチで、同ホイールの機能を設定します。オプションは「ヘッドフォン（H PHONE）」、「モニター（MONITOR）」、「アイリス（IRIS）」です。

### ヘッドフォン（H PHONE）

「H PHONE」に設定すると、設定ホイールでヘッドフォンのオーディオレベルを調整できます。ホイールを上へ回すとボリュームが上がり、下へ回すと下がります。

### モニター（MONITOR）

設定ホイールを「MONITOR」に設定すると、URSA Mini Proの内蔵モニタースピーカーのオーディオレベルを調整できます。スピーカーはLCDモニタードアの外側に配置されており、ヘッドフォンを使用しなくてもオーディオモニタリングが可能です。ホイールを上へ回すとボリュームが上がり、下へ回すと下がります。カメラの内部マイクを使用して撮影している場合、フィードバックを防止するため、この機能は無効になります。

### アイリス（IRIS）

設定ホイールを「IRIS」に設定すると、URSA Mini Proにマウントされた互換レンズのアパーチャーを調整できます。設定ホイールを下に回すとアイリスが開き、上に回すとアイリスが閉じます。この方向は、調整可能なスチル/シネマレンズのアパーチャー操作に倣っています。

**作業のこつ** アパーチャー設定を設定ホイールで変更するには、カメラ経由でアパーチャーを変更できるレンズがURSA Mini Proに装着されている必要があります。放送用12ピンコネクタで接続したB4/PLレンズを使用する場合は、ハンドグリップのレンズアイリススイッチが「A」または「Auto」に設定されていることを確認してください。



#### 4 メニューホイール (MENU)

URSA Mini Proの「フロントSDI (Front SDI)」出力の「ステータステキスト (STATUS TEXT)」をオンにしている場合、通常はLCDタッチスクリーン経由でアクセスするヘッドアップディスプレイ機能の多くに、メニューホイールを使ってナビゲートできます。

メニューホイールをボタンのように押すと、Blackmagic SmartView、Video Assist、URSA Viewfinderなどの外部モニターでURSA Mini Proのヘッドアップディスプレイにアクセスできます。メニューホイールをアクティブにしてホイールを回すと、LCDモニターオプション、フレームレート、ISO、ホワイトバランス、ティントなどの機能を選択できます。ホイールを押して選択を確定し、変更を続けます。キャンセルするにはホイールの隣にある「バック (BACK)」ボタンを押します。「BACK」ボタンを使用すると、メニューの上の階層に移動したり、一番上の階層にいる場合はメニューを終了することもできます。URSA Mini Pro 4.6Kでは、1分間使用していないとメニューは自動的に閉じます。

ステータステキストの設定および使用可能なコントロールに関する詳細は、このマニュアルの「タッチスクリーンコントロール」および「モニター設定 (MONITOR)」セクションを参照してください。

#### 5 ロック (LOCK)

このスイッチは、前方コントロールパネルのすべてのコントロールをロックでき、撮影中に誤って設定が変更されることを防ぎます。スイッチを下の方位置にするとロックがかかり、上の位置にするとロックが解除されます。

**作業のこつ** 慌ただし、または予測がつかない環境でカメラを離れる場合、URSA Mini Proの前方コントロールパネルをロックできます。これにより、意図せずに設定が変更されてしまうことを防ぎます。

#### 6 ISO、シャッター (SHUTTER)、ホワイトバランス (WHITE BAL) スイッチ

これらの小型スイッチは、ISO、ホワイトバランス、シャッター設定の調整に使用します。ショットから目を離さずにすばやく設定を調整したい場合に役立ちます。スイッチをゆっくりと上下に押すことで設定を調整できます。これらのスイッチはスプリング式なので、常にニュートラル・ポジションに戻ります。

##### ISO

このスイッチをゆっくりと上下に押してカメラのISO設定を調整できます。上に押すと設定が1インターバル上がり、下に押すと1インターバル下がります。使用可能な設定は、URSA Miniでは200、400、800、1600で、URSA Mini Proでは200、400、800、1600、3200です。

##### シャッター (SHUTTER)

カメラのシャッターアングル/シャッタースピードを調整します。セットアップ (SETUP) メニューの設定に応じて、どちらを調整するかが決まります。上に押すとシャッターアングル/シャッタースピードが次のプリセットに上がり、下に押すとシャッターアングル/シャッタースピードが次のプリセットに下がります。スイッチを上または下に押し続けると数値が変わる速度が上がります。11.2~360°までの間で20のシャッターアングルのプリセットが用意されています。

**作業のこつ** URSA Mini Proは、各地域の電力周波数に基づき、フリッカーフリーのシャッターアングル/シャッタースピードを表示します。これは、LCDタッチスクリーンメニューで選択する必要があります。詳細は、このマニュアルの「タッチスクリーンコントロール」セクションを参照してください。

## ホワイトバランス (WB)

カメラのホワイトバランスを調整できます。上に押すと色温度が50K上がり、下に押すと50K下がります。スイッチを上または下に押し続けると数値が変わる速度が上がります。

## 7 自動ホワイトバランス (AUTO W/B)

このボタンを押すと、自動ホワイトバランスの白いボックスがLCDの中央に5秒間表示されます。このボックスは、メニュー画面でステータステキスト設定を有効にしているSDI出力すべてに表示されます。このボックス内のイメージに基づいてホワイトバランスが計算されるため、ボックス内にグレーのカードを配置するようにします。「自動ホワイトバランス (AUTO W/B)」ボタンを3秒間長押しすると、自動ホワイトバランスが実行されます。適切に調整が実行されると、ボックスが白から緑に変わります。

URSA Mini Proのフロント/メインSDI出力でステータステキストを使用する際の詳細は、このマニュアルの「モニター設定 (MONITOR)」セクションを参照してください。

## 8 F1およびF2

F1とF2は機能キーです。URSA Mini Proの「セットアップ (SETUP)」メニューを使い、使用頻度の高い機能をこれらのボタンにプログラムできます。デフォルトでは、F1は「フォルスカラー (False Color)」、F2は「LUT表示 (Display LUT)」に設定されています。

詳細は、このマニュアルの「タッチスクリーンコントロール」セクションを参照してください。

## 高フレームレート (HFR)

オフスピードフレームレートの切り替えに使用します。このボタンを使用するには、URSA Miniのフレームレートメニューで、使用したいオフスピードフレームレート (OFF SPEED FRAME RATE) を選択します。このボタンを押すと、選択したオフスピードフレームレートとプロジェクトフレームレート (PROJECT FRAME RATE) が切り替わります。この設定を変更できるのは、収録を停止している時だけです。HFRボタンは機能キーでもあり、頻繁に使用する機能をボタンにプログラムしたり、無効にできます。

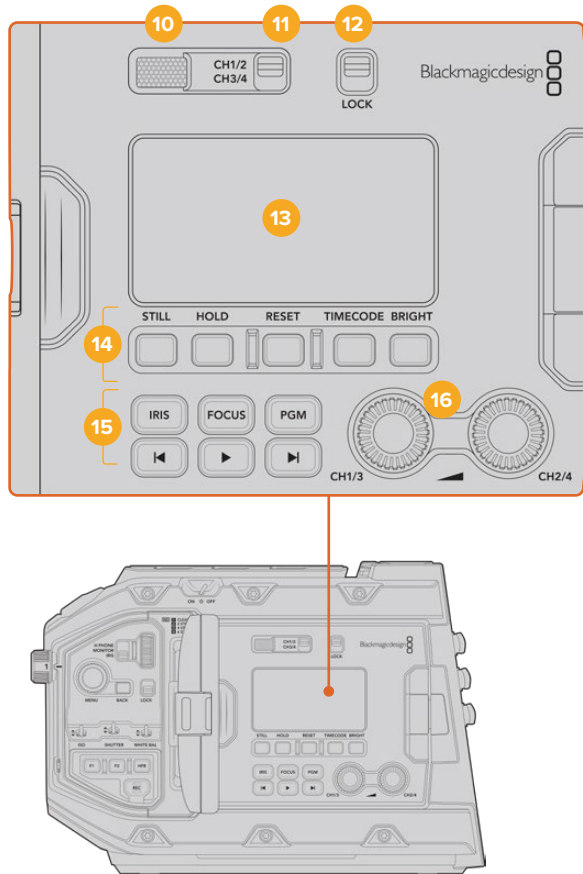
プロジェクトフレームレートおよびオフスピードフレームレートに関する詳細は、このマニュアルの「タッチスクリーンコントロール」セクションを参照してください。

## 9 録画 (REC)

「REC」と印刷された録画ボタンは、Blackmagic URSA Mini Proの左パネルにあります。録画ボタンを押すと、収録を開始/停止できます。詳細は「収録」セクションを参照してください。

## エルゴノミクスパネル

URSA Mini Proのタッチスクリーンモニターの外側にLCDステータスマニターと様々なコントロールが付いています。このパネルではカメラのステータス情報を一目で確認でき、オーディオレベルのモニタリングおよび調整が可能です。互換性のあるレンズでオートフォーカスを設定でき、トランスポートコントロールでクリップを再生できます。



URSA Mini Pro 4.6Kのエルゴノミクスパネル

### 10 モニタースピーカー

コントロールパネルの外側に付いている小型スピーカーで、再生中にオーディオをモニタリングできます。このスピーカーはカメラを肩乗せで撮影する時に、耳の位置に合うように配置されています。

スピーカーのボリュームは設定ホイールを回して調整できます。詳細は「URSA Mini Proコントロールボタン」セクションを参照してください。

### 11 モニターチャンネル選択 (CH1/2、CH3/4)

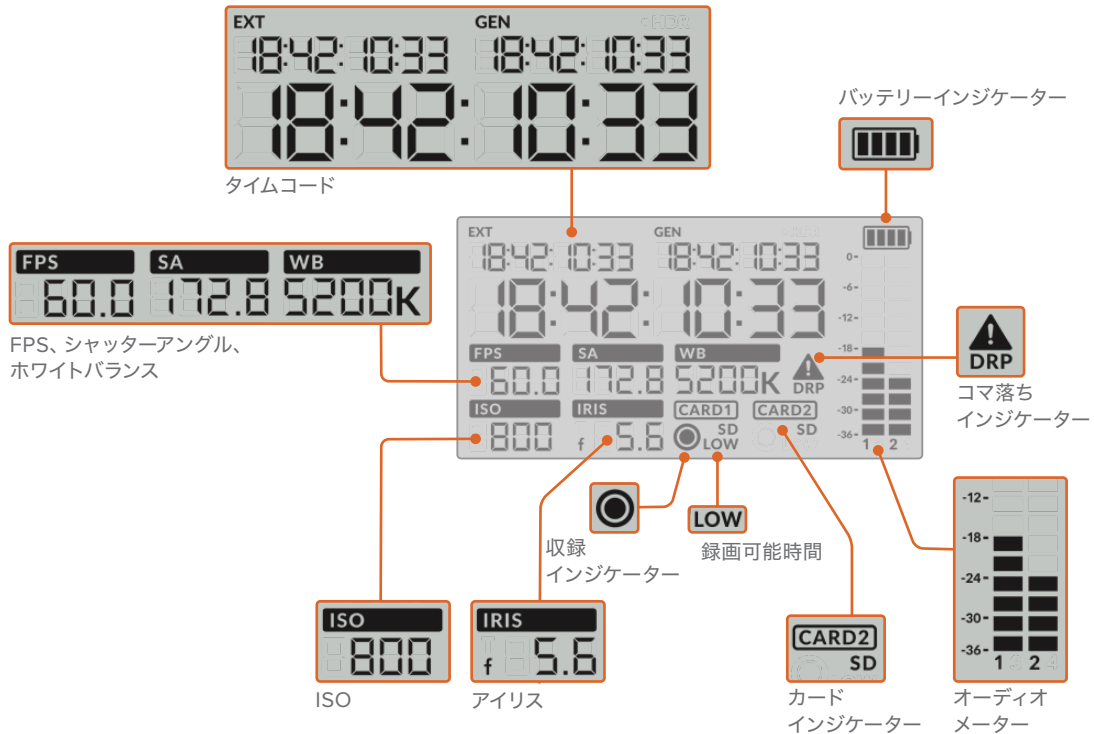
URSA Mini Proは、2つのオーディオチャンネルに対応しています。

### 12 ロック (LOCK)

このスイッチを使うと、URSA Mini Proのエルゴノミクスパネルのすべての設定をロックできます。ロックスイッチがオンになっていても使用できるコントロールは、モニターチャンネル選択スイッチだけです。

### 13 ステータスLCD

URSA Mini Proの主要な設定は、タッチスクリーンを開かなくてもステータスLCDで一目で確認できます。このスクリーンは明るい太陽光の下でも見やすいように設計されています。以下の情報を確認できます：



#### タイムコード

URSA Mini Proは3つのタイムコードを表示します。外部タイムコードを接続している場合は、ステータスLCDの左上の「EXT」インジケータの下に表示されます。URSA Miniで内部生成されたタイムコードは、その隣の「GEN」インジケータの下に表示されます。外部タイムコードおよび内部生成タイムコードは、いずれも時間、分、秒、フレームで表示されます。

大きいメインのタイムコードインジケータは、現在のタイムコードをクリップ継続時間あるいはクリップタイムコードのどちらかで表示します。ステータスLCDの下にある「タイムコード (TIMECODE)」ボタンを押すと、この2つのディスプレイモードを切り替えられます。

#### バッテリーインジケータ

URSA Mini Proをバッテリー稼働している場合にバッテリー残量を25%刻みで表示します。バッテリーインジケータの4つのバーはそれぞれ25%のバッテリー残量を示します。バッテリー残量が20%以下になると、録画ボタンの近くにあるステータスLEDの色が点滅し始めます。収録中は赤とオレンジが交互にゆっくり点滅し、スタンバイモードでは白とオレンジが交互に点滅します。

主電源コネクタがカメラに接続されている場合、バッテリーインジケータはフルと表示されます。

#### FPS、シャッターアングル (SA)、ホワイトバランス (WB)

「FPS」、「SA」、「WB」インジケータは、カメラの現在のフレームレート、シャッターアングル、ホワイトバランスを表示します。「FPS」インジケータには現在のセンサーフレームレートが表示されます。

センサー/プロジェクトフレームレートに関する詳細は、このマニュアルの「タッチスクリーン・コントロール」セクションを参照してください。

## ISO

カメラの現在のISOを表示します。

## アイリス

現在のレンズアパーチャーを表示します。レンズの種類により、F値またはT値で表示されます。

## カード情報 (CARD1、CARD2)

「CARD1」および「CARD2」インジケータは、対応するスロットにカードが挿入されている時にURSA Mini ProのステータスLCDに表示されます。

「SD」インジケータは、SDカードに収録している時に表示され、CFastカードに収録している時は非表示になります。

## 収録インジケータ

収録中、現在書き込まれているカードの下に丸いインジケータが表示されます。

## 録画可能時間インジケータ

録画可能時間が約5分になると対応するカードの下に「LOW」インジケータが表示されます。

## オーディオメータ

ピークオーディオメータは、内部マイクまたは外部オーディオのオーディオレベルを表示します。単位はdBFSで表示され、ピークホールド・インジケータはしばらく表示されるので、最大レベルに達したことがはっきりと確認できます。

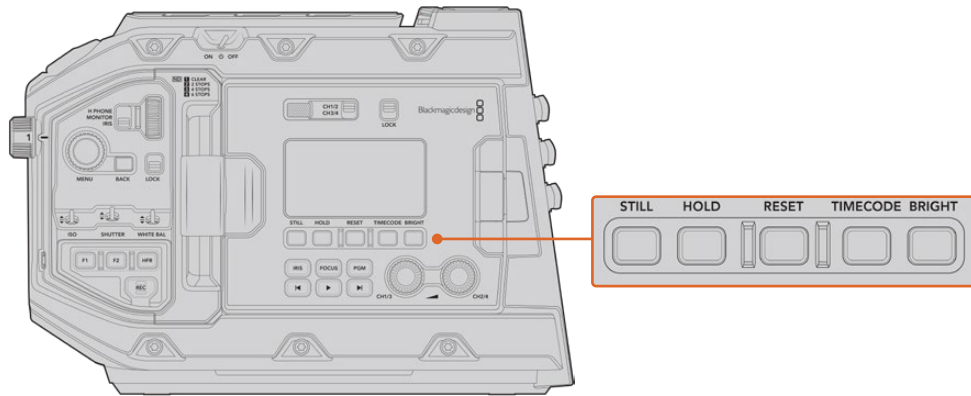
最適な音質を得るためには、オーディオレベルが0dBFSを越えないようにしてください。0dBFSはカメラが収録可能な最高のレベルなので、これを超えるオーディオはクリップされ、歪みの原因となります。

## コマ落ちインジケータ

コマ落ちを検出すると点滅します。収録を停止してもインジケータはスクリーン上に表示され続け、前のクリップにコマ落ちが検出されたことを知らせます。次の収録を開始するか、カメラを再起動するとこの警告は非表示になります。コマ落ち発生の防止に関しては、このマニュアルの「ストレージメディアの選択」セクションを参照してください。

**メモ** URSA Mini Proは、コマ落ちが検出された際に収録を停止するように設定できます。詳細は、このマニュアルの「収録設定 (RECORD)」セクションを参照してください。この機能はユーザー任意の設定です。これは、高フレームレートや高解像度で遅いメディアに短時間の収録を行なっている場合、コマ落ちを回避できることがあるからです。

## 14 ステータスLCDコントロール



URSA Mini Pro 4.6KのステータスLCDコントロール

### スチル (STILL)

このボタンを押すと、スチルイメージをキャプチャーできます。12Kモデルは、スチルを単一のBlackmagic RAWフレームとしてキャプチャーします。URSA Mini Pro 4.6Kシリーズでは、単一の非圧縮DNGフレームとしてキャプチャーします。イメージファイルは、現在収録しているメディアのルートディレクトリにある「Stills」フォルダーに保存されます。これらはビデオクリップのファイル名定義に従いますが、ファイル名の末尾の4桁は、「スチル番号」を意味する「S001」になります。スチルが保存されると、カメライメージがURSA Miniタッチスクリーンの右上に表示され、ステータスLCDの収録インジケータが3回点滅します。

### ホールド (HOLD)

タイムコードがフリーランの時刻コードの場合に、メインのステータスLCDタイムコードを一時的にホールドする時に使用します。タイムコードはバックグラウンドで回り続け、「HOLD」ボタンを離すと実際のタイムコードに戻ります。何らかの理由でタイムコードを書き留めたい場合に、ホールドしながらタイムコードをメモできます。ENG（電子的ニュース取材）やドキュメンタリーの制作で、キーポイントを手早くメモしたい場合などに最適です。

### リセット (RESET)

プリセットタイムコードを設定する際、タイムコードを00:00:00:00にリセットできます。

### タイムコード (TIMECODE)

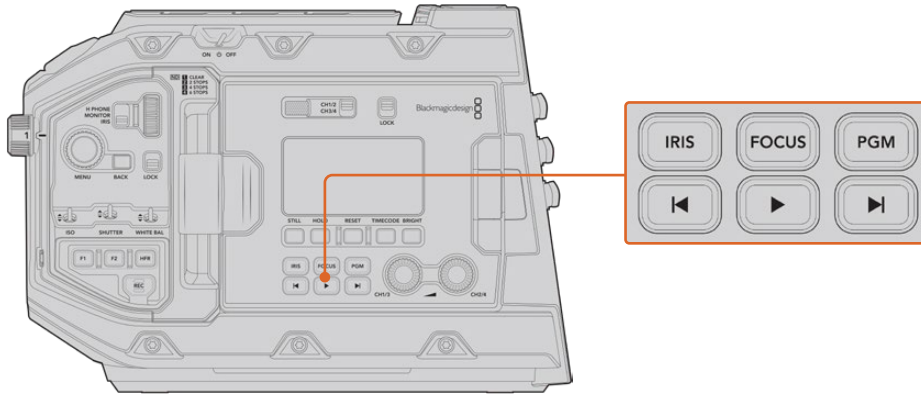
メインのタイムコード表示のフォーマットを、クリップの継続時間とタイムコードで切り替えられます。フリーランの時刻コードは最も使用頻度が高いので、デフォルトのタイムコードとして設定されています。「TIMECODE」ボタンを5秒間長押しすると、カメラがレックラン・タイムコードになり、タイムコードジェネレーターおよび大きなタイムコード表示の始めの2桁が点滅します。これは、プリセットタイムコードを編集していることを意味し、プリセットタイムコードに特定のタイムコードを設定できます。

この段階で「RESET」ボタンを押すとタイムコードがゼロになります。メニューホイール (MENU) を回して押すことで、時間、分、秒、フレームを希望の数値に設定できます。希望通りのタイムコードを設定したら、「TIMECODE」ボタンを3秒間長押しすると、プリセットタイムコード・ポイントとして設定できます。設定したらタイムコードジェネレーターがこの数値を表示します。これで、カメラが収録を行っている時にのみタイムコードの数値が動きます。タイムコードをフリーランの時刻コードに戻すには、「TIMECODE」と「HOLD」ボタンを同時に3秒間長押しします。

### 明るさ (BRIGHT)

URSA Mini ProのLCDの4つの明るさ設定を切り替えられます。設定には、オフ、低、中、高 (Off, Low, Medium, High) があります。

## 15 コントロール/再生ボタン



URSA Mini Pro 4.6Kのコントロール/再生ボタン

### アイリス (IRIS)

互換性のあるレンズで自動アパーチャー設定をオンにします。「Video」ダイナミックレンジを使用している場合、「IRIS」ボタンを1回押すと、ショットのハイライトまたはシャドウに基づいた平均の露出が設定されます。「Film」ダイナミックレンジ設定を使用している場合、「IRIS」ボタンを押すと、ショットの最も明るいハイライトに露出が設定されます。このボタンは、互換性のある放送レンズコントローラーに接続した互換性のあるEF/PLレンズと機能します。

アパーチャーをマニュアルで設定するには、「次クリップ/前クリップの頭出し」ボタンを押します。

### フォーカス (FOCUS)

電子フォーカス調整に対応するEFレンズを使用している場合、「FOCUS」ボタンを押すとオートフォーカス機能がオンになります。白いフォーカススクエアが、URSA Mini Proに接続したあらゆるビューファインダーやモニターに表示されます。スクエアの内側にあるものに正確にフォーカスが合います。レンズがフォーカスされると、スクエアは消えます。

**メモ** 一部のレンズは、マニュアルとオートフォーカスモードの両方を搭載しています。お使いのレンズでURSA Mini Proのオートフォーカスを有効にするには、必ずレンズをオートフォーカスモードに設定してください。

### プログラム (PGM)

LCDの表示を、カメラビューとリアパネルの12G-SDI入力に接続された信号で切り替えられます。URSA Mini Proを生放送で使用する際はスイッチャーのプログラム出力を接続して、撮影中にモニタリングすることも可能です。「PGM」ボタンを長押しするとプログラムフィードを表示できます。プログラムフィードはボタンを押している間、表示されます。

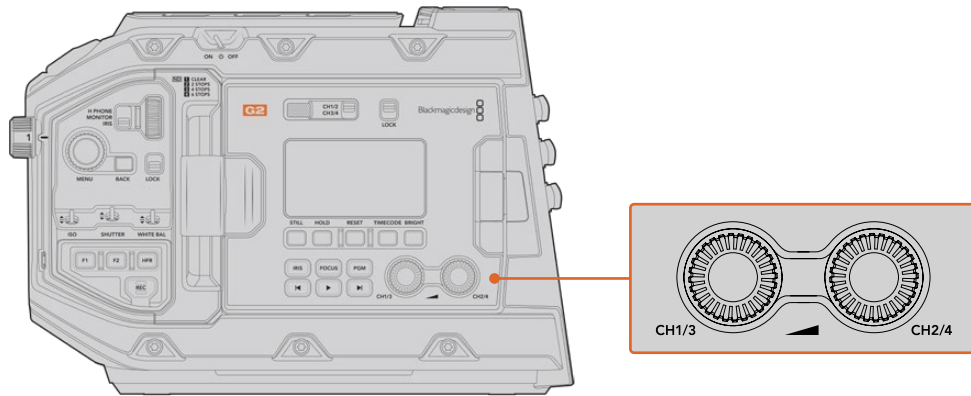
モニターをプログラム入力フィード表示にロックしたい場合は、「PGM」ボタンを2度押しするとプログラムフィードにロックできます。再度「PGM」ボタンを押すとプログラムフィード表示からカメラビューへ切り替わります。

### 再生コントロールボタン

再生の開始/停止、次/前のクリップの頭出しが可能です。互換性のあるEFレンズを使用している場合、次/前クリップの頭出しボタンを、アイリスの開閉ボタンとしても使用できます。再生コントロールボタンの使用に関する詳細は、「再生」セクションを参照してください。



## 16 オーディオレベル調整ノブ

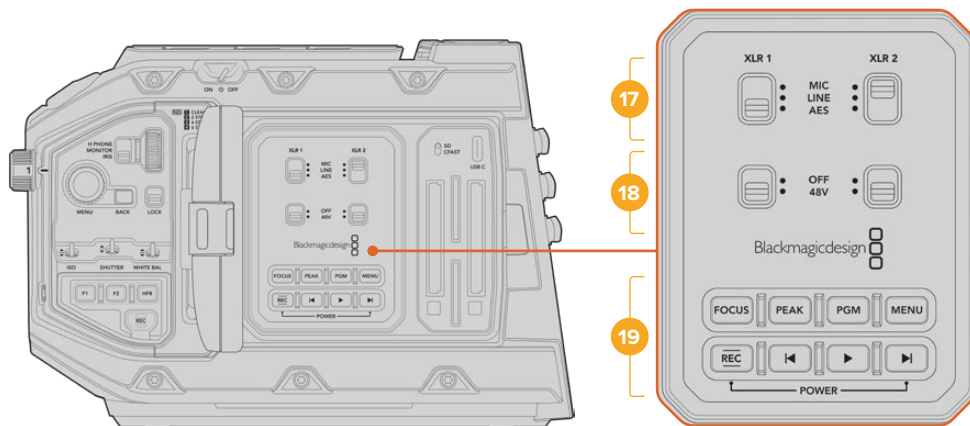


URSA Mini Pro 4.6K G2のオーディオ調整ノブ

内蔵の調整ノブでオーディオチャンネル1と2の収録レベルを設定します。各ノブを時計回り/反時計回りに回すと、各オーディオチャンネルの収録レベルを上下に調整できます。各ノブを調整しながらオンスクリーンの対応するオーディオメーターを確認できるので、最適なレベルに設定できます。

## 内部コントロールパネル

URSA Mini Proの開閉式モニターを開くと、内部コントロールパネルにアクセスできます。このコントロールは、オーディオ入力の設定およびファンタム電源設定、アイリス、フォーカス、メニュー、再生コントロールなどに使用します。



URSA Mini Proの内部コントロールパネル

### 17 XLR1 / XLR2

これらのスイッチは、URSA Mini ProのXLR入力が入力ソースとして選択されている時の機能を設定します。使用可能なオプションは、MICオーディオ、LINEレベルオーディオ、AESデジタルオーディオです。

### 18 ファンタム電源

URSA Mini ProのXLR入力は48Vファンタム電源に対応しているので、電源を内蔵していないマイクも使用できます。同スイッチを「48V」にして上のXLRに接続されたマイク用にファンタム電源を有効にするか、オフにしてファンタム電源を無効にします。



**メモ** XLRケーブルはファンタム電源をオンにする前に接続してください。ファンタム電源を使ったマイクを接続していない場合は必ずファンタム電源をオフにすることが重要です。カメラのXLRオーディオ入力からのファンタム電源を供給中に、ファンタム電源保護がAES XLR出力に内蔵されていないデバイスを接続すると機器が破損する原因となります。マイクを取り外す際は、必ず48Vがオフになっているのを確認してください。

## 19 コントロール/再生ボタン

### フォーカス (FOCUS)

EFマウントで電子フォーカス調整に対応するEFレンズを使用している場合、「FOCUS」ボタンを押すとオートフォーカス機能がオンになります。開閉式モニターに、白いフォーカススクエアが表示されます。スクエアの内側にあるものに正確にフォーカスが合います。レンズがフォーカスされると、スクエアは消えます。

**メモ** 一部のレンズは、マニュアルとオートフォーカスモードの両方を搭載しています。お使いのレンズでURSA Miniのオートフォーカスを有効にするには、必ずレンズをオートフォーカスモードに設定してください。

### ピーク (PEAK)

このボタンを押すと、フォーカスピーキングがオンになります。カメラには2つのフォーカスピーキングモードがあります。ピーク (Peak) はフォーカスになっているイメージの領域を人工的にシャープにし、カラーライン (Colored Lines) はイメージのシャープな領域を黒、白、赤、緑、青のラインのオーバーレイで表示します。詳細は、このマニュアルの「モニター設定 (MONITOR)」セクションを参照してください。フォーカスピーキングは、ストレージメディアには記録されませんが、タッチスクリーンメニューを使ってオーバーレイ表示をオンにすると、HDモニタリング出力を介して開閉式モニターに表示できます。

**作業のこつ** Blackmagic Video AssistまたはHyperDeck Studio Miniでビデオ出力を収録している場合、同出力のピーキングをオフにすることを推奨します。これは、「フロントSDI (Front SDI)」または「メインSDI (Main SDI)」の「クリーンフィード (CLEAN FEED)」で設定できます。

詳細は、このマニュアルの「モニター設定 (MONITOR)」セクションの「クリーンフィード (CLEAN FEED)」を参照してください。

### プログラム (PGM)

「PGM」と印刷されたプログラムボタンでは、LCDの表示を、カメラビューとカメラの12G-SDI入力に接続された信号で切り替えられます。URSA Mini Proを生放送で使用する際はスイッチャーのプログラム出力を接続して、撮影中にモニタリングすることも可能です。「PGM」ボタンを長押しするとプログラムフィードを表示できます。ボタンを2度押しするとプログラムフィードにロックできます。再度ボタンを押すとプログラムフィードがオフになります。

スイッチャーのプログラム出力を表示するには、カメラとスイッチャーが同じ解像度およびフレームレートに設定されている必要があります。

## メニュー (MENU)

「MENU」ボタンを押すとダッシュボードが開きます。ダッシュボード機能と設定の調整に関する詳細は、「設定」セクションを参照してください。

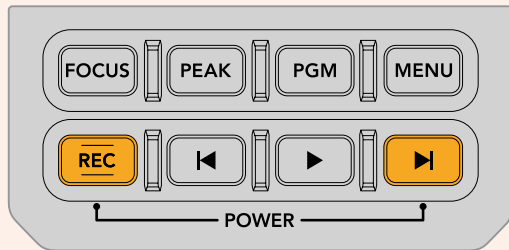
## REC (録画)

いずれかの「REC」ボタンを押すと、録画を開始/停止できます。詳細は「収録」セクションを参照してください。

## 再生コントロールボタン

再生の開始/停止、次/前のクリップの頭出しが可能です。EFマウントで互換性のあるEFレンズを使用している場合、次/前クリップの頭出しボタンを、アイリスの開閉ボタンとしても使用できます。再生コントロールボタンの使用に関する詳細は、「再生」セクションを参照してください。

**✖** URSA Mini Proの内部コントロールパネルのボタンの組み合わせで電源をオン/オフできます。「REC」と「次クリップ頭出し」ボタンを長押しすることで、カメラの電源が入っていない場合はオン、入っている場合はオフにできます。カメラの電源スイッチが「ON」にセットされているにも関わらず電源が入っていない場合は、コントロールパネルで電源が切られた可能性があります。通常の操作に戻るには電源スイッチを切り替えてください。



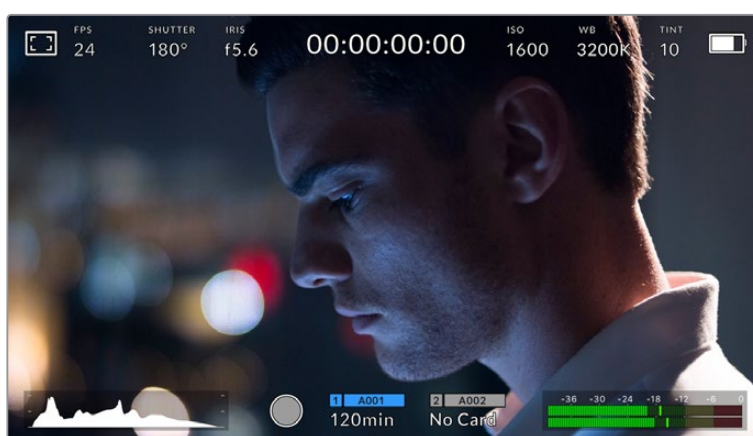
# タッチスクリーン・コントロール

## タッチスクリーン

Blackmagic URSA Miniの開閉式LCDタッチスクリーンは回転するので、撮影状況に応じて角度を変更できます。カメラを肩に乗せてLCDを閉じ、URSA Viewfinderを使用して撮影する場合は、LCDパネルの外側にあるボタンでURSA Miniをコントロールできます。

## タッチスクリーンの機能

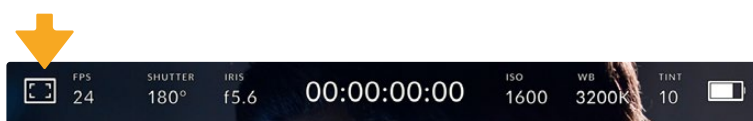
LCDタッチスクリーンは、すばやく直感的な操作を可能にするよう設計されたタッチ/ジェスチャーベースのインターフェースです。URSA MiniのLCDタッチスクリーンの異なるエリアをタッチ/スワイプすることで、撮影中に様々なカメラ機能にすばやくアクセスできます。



URSA MiniのLCDタッチスクリーンは包括的なヘッドアップディスプレイに対応。最も頻繁に使用するカメラの設定に簡単にアクセス可能

## LCDモニターオプション

URSA MiniのLCDタッチスクリーンの左上にあるモニターアイコンをタップすると、LCDモニター設定にアクセスできます。これらの設定では、ゼブラ、フォーカスアシスト、フレームガイド、グリッドなどのURSA Miniのモニタリング機能の表示を切り替え/調整できます。LCDモニター設定にアクセス中は、これらの機能のコントロールはLCDタッチスクリーンの底部にタブメニューとして表示されます。

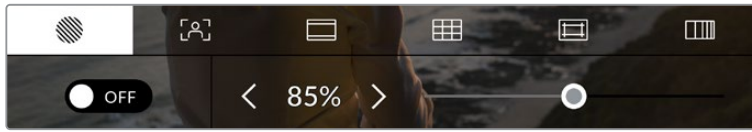


URSA MiniのLCDタッチスクリーンの左上にあるアイコンをタップして、LCDモニター設定にアクセス

## ゼブラ (ZEBRA)

LCDタッチスクリーン上のゼブラ表示を切り替え、URSA Miniの全出力におけるゼブラレベルも設定できます。

ゼブラは、イメージ内で、設定した露出レベルを越えた箇所に斜線を表示します。例えば、ゼブラを100%に設定すると露出オーバーのエリアを表示します。この機能は、固定された照明条件で最適な露出を設定する際に役立ちます。



LCDモニターオプションでゼブラアイコンをタップして、URSA Miniのゼブラ設定にアクセス

LCDタッチスクリーンでゼブラを切り替えるには、ゼブラタブでスクリーン左下のスイッチアイコンをタップします。

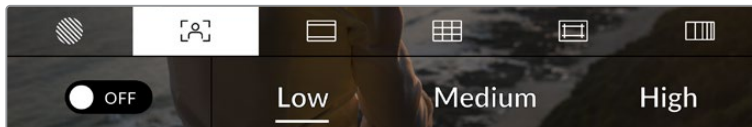
スライダーを左右にドラッグするか、あるいはゼブラレベル (%) の左右にある矢印ボタンをタップして、ゼブラが表示される露出レベルを設定します。ゼブラレベルは露出75~100%間で5%ずつ調整できます。

カメラのフロント/メインSDI出力のゼブラの使用に関する詳細は、このマニュアルの「モニター設定 (MONITOR)」セクションを参照してください。

**作業のこつ** 少し雲がかった日の屋外撮影など照明環境に変化がある場合は、ゼブラレベルを100未満に設定すると露出過多の注意が表示されることがあります。

### フォーカスアシスト (FOCUS ASSIST)

LCDタッチスクリーン上のフォーカスアシスト表示を切り替え、URSA Miniの全出力のフォーカスアシストレベルを設定できます。



LCDモニターオプションでフォーカスアシストアイコンをタップして、URSA Miniのフォーカスアシスト設定にアクセス

LCDタッチスクリーンでフォーカスアシストを切り替えるには、フォーカスアシストタブで、スクリーン左下のスイッチアイコンをタップします。

URSA Miniの全出力のフォーカスアシストレベルを設定するには、タッチスクリーン底部の「低 (Low)」、「中 (Medium)」、「高 (High)」をタップします。

フォーカスアシストの最適なレベルはショットごとに異なります。例えば、人物にフォーカスを合わせる場合は、フォーカスアシストのレベルを上げることで顔のエッジのディテールを際立たせることができます。逆に草木やレンガなどのショットでは、フォーカスアシストを高く設定するとディテールが増えず、イメージの邪魔になる恐れがあります。

カメラのフロント/メインSDI出力のフォーカスアシストの使用に関する詳細は、このマニュアルの「モニター設定 (MONITOR)」セクションを参照してください。

**作業のこつ** URSA Miniのフォーカスアシストには2つのモードがあります。これらのモードは、「モニター (MONITOR)」設定メニューで「ピーク (Peak)」または「カラーライン (Colored Lines)」を選択して切り替えられます。詳細は、このマニュアルの「モニター設定 (MONITOR)」セクションを参照してください。

## タッチフォーカス

互換しているレンズを使用している場合、LCDスクリーンに表示されているイメージのフォーカスしたい場所を押した瞬間に、カメラはレンズをその場所にフォーカスします。

その後、カメラまたはオプションのハンドグリップの「FOCUS」ボタンを押すと、その特定の領域にオートフォーカスします。「FOCUS」ボタンを2度押しすると、フォーカスポイントがリセットされ、中央に戻ります。



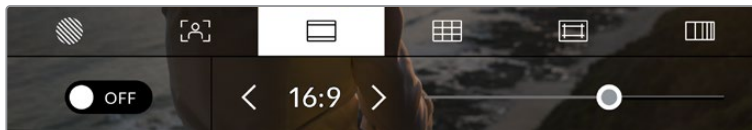
タッチフォーカスが表示されたURSA MiniのLCDタッチスクリーン

**作業のこつ** タッチフォーカスを使用する際に、ヘッドアップディスプレイがフォーカスしたい領域を隠している場合、スワイプするだけで他の場所に移動させることが可能です。

## フレームガイド

LCDタッチスクリーンのフレームガイドの表示方法を切り替えます。URSA Miniの全出力に適用するフレームガイドも8つのオプションから選択できます。

フレームガイドには、様々な映画、テレビ、オンライン規格のアスペクトレシオが含まれます。



LCDモニターオプションでフレームガイドアイコンをタップして、URSA Miniのフレームガイド設定にアクセス

URSA MiniのLCDタッチスクリーンでフレームガイドの表示を切り替えるには、スクリーン左下のスイッチアイコンをタップします。

スライダーを左右にドラッグするか、現在選択されているアスペクトレシオの横の矢印ボタンをタップして、使用したいフレームガイドを選択します。

選択できるガイド：

### 2.35:1、2.39:1、2.40:1

フラット・ワイドスクリーンのアスペクトレシオを表示します。アナモルフィック、あるいはフラット・ワイドスクリーンシネマと互換。この3つのワイドスクリーン設定は、時間と共に変わるシネマ規格の変更に応じて若干異なっています。2.39:1は、今日最も多く使用されている規格です。



2.40:1フレームガイドを有効にしたURSA MiniのLCDタッチスクリーン

### 1:1

URSA Mini Proは、SNS用にショットをフレーミングできるように、正方形フォーマットである1:1フレームガイドを表示できます。

### 2:1

URSA Mini Proで使用可能。幅は、16:9より少し広く、2.35:1ほど広くない比率です。

### 1.85:1

もう一つの一般的なフラット・ワイドスクリーンのシネマアスペクトレシオを表示します。この比率は、HDTV 1.78:1より若干幅広く、2.39:1ほど広くはありません。

### 16:9

1.78:1のアスペクトレシオを表示します。16:9 HDテレビおよびコンピュータースクリーンと互換。

この比率は、HD放送やオンラインビデオで最も一般的に使用されています。同じアスペクトレシオがUltra HD放送にも使用されています。

### 14:9

14:9のアスペクトレシオを表示します。16:9と4:3の折衷的な比率として一部の放送局で使用されています。14:9に合わせてセンタークロップしても、16:9や4:3のフッターが使用可能な状態であることが理想的です。作成中のプロジェクトが14:9クロッピングを採用している放送局で使用されることが分かっている場合に、構図のガイドとして使用できます。

### 4:3

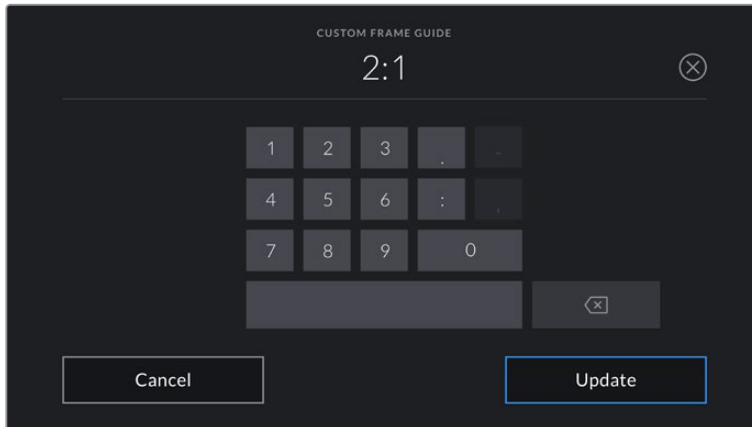
4:3のアスペクトレシオを表示します。SDテレビスクリーンと互換。2xアナモルフィックアダプターを使用している場合、フレーミングをサポート。

### 4:5

URSA Mini Proは、スマートフォン用にショットをフレーミングできるように、縦長フォーマットである4:5フレームガイドを表示できます。

### カスタムフレームガイド・レシオ

独自のフレームガイドの比率を作成するには、左右の矢印の間に表示されているアスペクトレシオをタップします。「カスタムフレームガイド (CUSTOM FRAME GUIDE)」画面で、バックスペースボタンをタップし、現在のアスペクトレシオを削除し、テンキーパッドで新しい比率を入力します。「アップデート (Update)」をタップして、カスタムフレームガイド・レシオを適用すると、その比率で撮影できるようになります。



「カスタムフレームガイド」画面でテンキーパッドを使用して、フレームガイドの新しいアスペクトレシオを入力

**作業のこつ** フレームガイドオーバーレイの不透明度は変更可能です。詳細は、このマニュアルの「モニター設定 (MONITOR)」セクションを参照してください。

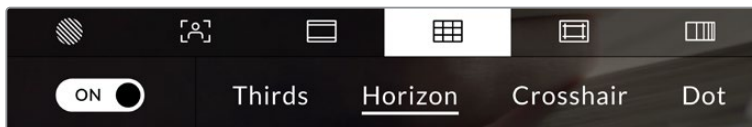
**メモ** カメラのフロント/メインSDI出力でのフレームガイドの使用に関する詳細は、このマニュアルの「モニター設定 (MONITOR)」セクションを参照してください。

## グリッド

LCDタッチスクリーン上の3x3グリッド (Thirds)、十字線 (Crosshairs)、センタードット (Center Dot) の表示を切り替え、URSA Miniの全出力で表示するオーバーレイを設定できます。URSA Mini Pro 12Kは、水平メーターも搭載しています。



LCDモニターオプションでグリッドアイコンをタップして、URSA Miniのグリッド設定にアクセス



URSA Mini Pro 12Kの「グリッド」設定には、3x3グリッド、水平メーター、十字線、ドットを搭載

グリッドおよび十字線はイメージの構図に役立つオーバーレイです。グリッドが有効になっている場合、URSA Miniは、3x3グリッド、十字線、またはセンタードットを表示します。URSA Mini Pro 12Kは、水平メーターのオーバーレイも表示できます。

URSA Miniのタッチスクリーンでグリッドの表示を切り替えるには、フレームガイドタブで、スクリーン左下のスイッチアイコンをタップします。



URSA Miniが現在のプログラムソースとして設定され、ATEMスイッチャーに接続されている場合、グリッドがオンに設定され、赤いプログラムタリーの枠が自動的にLCDに表示されます。



タリー信号を送信するATEMスイッチャーに接続されており、グリッドがオンになっている場合、カメラのイメージプレビューの周囲に赤いボーダーが表示されます。

URSA Miniの全出力に表示するオーバーレイを設定するには、ディスプレイ底部の「3x3グリッド (Thirds)」、「十字線 (Crosshairs)」、「センタードット (Center Dot)」のいずれかのオプションをタップします。URSA Mini Pro 12Kには「水平 (Horizon)」も搭載されています。



3x3グリッドのグリッドはスクリーンのフレームガイドに合わせて自動的に調整されます。

### 3x3グリッド (Thirds)

縦横各2本のラインで画面を均等に3分割する3x3グリッドを表示します。3x3グリッドは、非常にパワフルなツールで、ショットの構成をサポートします。

例えば、人間の目は一般的に、ラインが交差する付近で起こるアクションに注目するので、3x3グリッド設定は、これらのエリアに重要なポイントを配置する上で役立ちます。俳優の目は一般的にスクリーンの上から1/3のラインにフレーミングされるので、上の横ラインをフレーミングガイドとして使用できます。この設定は、複数のショットでフレーミングの一貫性を保つのに役立ちます。



## 水平 (Horizon)

URSA Mini Pro 12Kは、水平メーターを搭載しています。これは、カメラが上下左右に傾いているか確認できるインジケーターです。これは、ハンドヘルドでの撮影で水平を維持したり、ジンバルにマウントしたカメラの角度を調整する上で役立ちます。

薄いグレーの縦線が、中央の暗いグレーの十字線から離れると、カメラはその方向に傾いています。カメラが下向きに傾いていると、薄いグレーの横線が上に動きます。カメラが上向きに傾いていると、下に動きます。

中央にある十字線と薄いグレーの線の間の距離は、傾きの割合と比例しています。カメラのモーションセンサーをキャリブレーションした後、カメラが縦軸と並ぶと縦線がブルーに変わります。同様にカメラが横軸に並ぶと横線がブルーになります。

カメラが真上を向いていたり、頭上からのショットのためにカメラが真下を向いている場合、水平メーターはこれを考慮して機能します。カメラを回転させ縦長で撮影する場合、水平メーターは軸を90°傾けます。

以下の表は、カメラの傾き状態を示す、水平メーターの表示例です。

水平メーター	意味
	カメラは真っ直ぐで水平
	カメラは水平だが下に傾いている
	カメラは真っ直ぐだが左に傾いている
	カメラは上と右に傾いている

通常の使用方法では、水平メーターが真っ直ぐで水平になるようにキャリブレーションしてください。特定のタッチアングルや、上または下からのショット用に一定の傾きを維持するために水平メーターを使用したい場合は、カメラを傾斜させて水平メーターをキャリブレーションできます。水平メーターのキャリブレーションに関しては、「モーションセンサー・キャリブレーション (MOTION SENSOR CALIBRATION)」を参照してください。

## 十字線 (Crosshair)

フレームの中央に十字線を配置します。これは3x3グリッドと同様に非常に便利な構図ツールで、ショットの被写体をフレームの中央に簡単に配置できます。カットが極めてすばやく切り替わるシーンなどの撮影に使用されます。視聴者の目をフレームの中央にフォーカスさせておくことで速いスピードの編集でもフォローしやすくなります。

## センタードット (Center Dot)

フレームの中央にドットを配置します。これは十字線と同じような役割を果たしますが、オーバーレイが小さいので邪魔になりません。

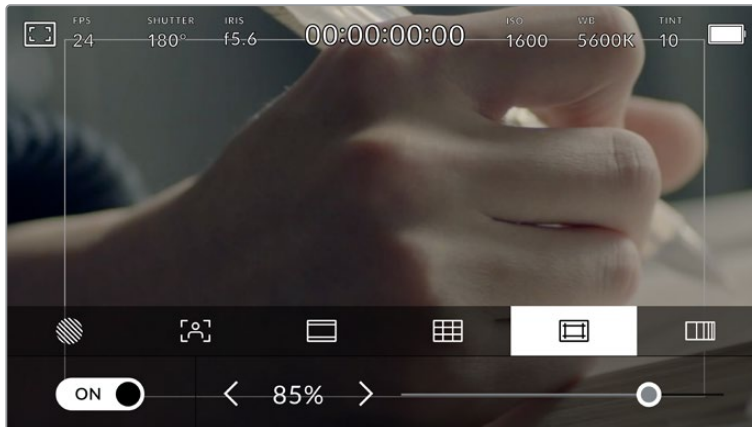
グリッドメニューで2つのオプションをタップすると、3x3グリッドと十字線、または3x3グリッドとセンタードットを組み合わせて使用できます。十字線とドットは同時には使用できません。

**作業のこつ** カメラのフロント/メインSDI出力でグリッドを使用する際の詳細は、このマニュアルの「モニター設定 (MONITOR)」セクションを参照してください。

## セーフエリアガイド

LCDスクリーンのセーフエリアガイドのオン/オフを切り替え、URSA Miniの全出力で使用するセーフエリアガイドのサイズを設定できます。

セーフエリアは、放送プロダクションで、視聴者がショット内の最も重要な部分を見られるかどうかを確認するために使用します。ショット内の最も重要な部分を、中央の「セーフエリア」内に収めることで、テレビなどでクロッピングされることを防ぎます。またスクリーンの端にウォーターマークやニュースティッカー、その他のオーバーレイを追加するスペースを確保できます。多くの放送局が90%セーフエリアに収まるフッテージの納品を要望します。



85%に設定したセーフエリア

また、ポストプロダクションでショットがスタビライズされ、イメージの端がクロップされることが事前に分かっている場合のショットのフレーミングに、セーフエリアガイドは役立ちます。またセーフエリアで特定のクロップを表示することもできます。

例えば、Ultra HD 3840x2160の収録中にセーフエリアを50%に設定すると、1920x1080のフレームクロップがどのように見えるか確認できます。セーフエリアガイドは、フレームガイドに合わせて調整されます。つまり、選択したパーセンテージに応じて、ターゲットフレームの表示範囲が調整されます。

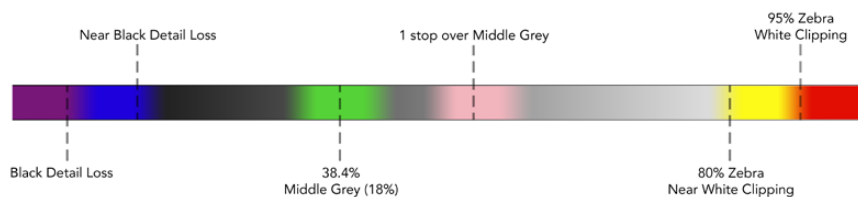
LCDタッチスクリーンでセーフエリアガイドを切り替えるには、セーフエリアガイドタブでスクリーン左下のスイッチアイコンをタップします。URSA Miniの全出力のセーフエリアガイドのレベルを設定するには、タッチスクリーン底部で、現在の数値の隣にある左右の矢印アイコンをタップします。あるいはスライダーを左右にドラッグして調整することも可能です。

## フォスカラー

LCDタッチスクリーンのフォスカラー露出アシスタントの表示を切り替えます。

フォスカラーは、イメージ内のエレメントに応じて、異なる露出値を様々なカラーでオーバーレイします。例えば、明るめのスキントーンに最適な露出はピンク、暗めのスキントーンはグリーンで表示されます。人物を撮影する際は、ピンク/グリーンのフォスカラーをモニタリングすることで、スキントーンで一貫性のある露出を維持できます。

同様に、イメージ内のエレメントが黄色から赤に変わった場合は、露出過多になったことを意味しています。



フォスカラーチャート

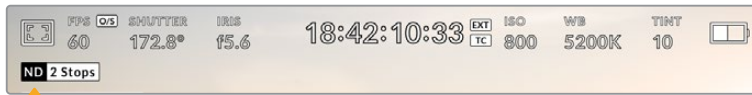
LCDタッチスクリーンでフォルスカラーを切り替えるには、フォルスカラータブでスクリーン左下のスイッチアイコンをタップします。



「フォルスカラー」露出アシスタントタブ

## NDフィルターインジケータ

URSA Mini ProのNDフィルターを調整すると、「ステータステキスト (STATUS TEXT)」をオンにしている場合、LCDタッチスクリーンの左上とSDI出力に、NDフィルターインジケータが表示されます。NDフィルターを使用している場合、このインジケータはステータステキストで継続して表示されます。NDフィルターホイールをクリアの位置にすると、4秒間「Clear」と表示されます。

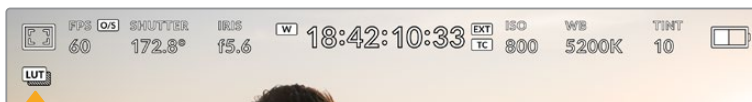


URSA Mini ProのNDフィルターを調整すると、NDフィルターインジケータが表示されます

**メモ** NDフィルターインジケータの名称を使い慣れた呼称に変更できます。「番号 (Number)」、「F値 (Stop)」、「分数 (Fraction)」から選択できます。この設定は、URSA Mini Proの「セットアップ (SETUP)」メニューで変更できます。

## LUTインジケータ

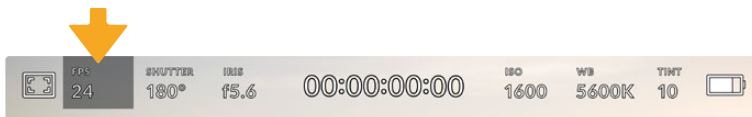
「ステータステキスト (STATUS TEXT)」をオンにしており、当該の出力にLUTを適用している場合、LUTアイコンが、LCD、フロントSDI、メインSDIに表示されます。



LUTアイコンでイメージにLUTが適用されていることが確認可能

## フレーム/秒 (FPS)

「FPS」インジケータは、現在選択しているフレーム/秒を表示します。



URSA Miniのフレーム/秒インジケータ。タップしてフレームレート設定にアクセス

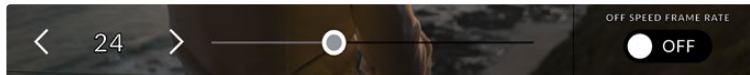
「FPS」インジケータをタップすると、LCDタッチスクリーン底部のメニューでカメラのセンサーおよびプロジェクトフレームレートを変更できます。

## プロジェクトフレームレート

プロジェクトフレームレートはURSA Miniの収録フォーマットのフレームレートで、映画やテレビ業界で一般的に使用されているフレームレートから選択できます。通常、このフレームレートは、ポストプロダクション・ワークフローで使用する再生速度に合わせて設定します。

Blackmagic URSA Miniは、8つのプロジェクトフレームレート設定に対応しています。設定値は、23.98、24、25、29.97、30、50、59.94、60fpsです。

「FPS」メニューでURSA Miniのプロジェクトフレームレートを調整するには、タッチスクリーンの左下にある現在のフレームレートの横の矢印ボタンをタップします。あるいはスライダーを左右にドラッグして調整することも可能です。

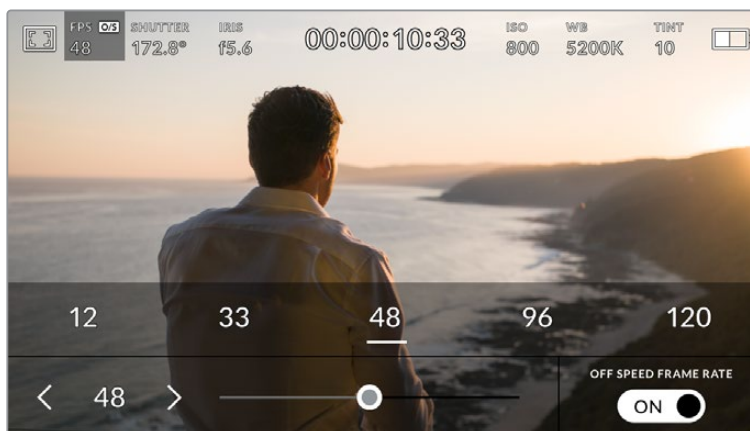


プロジェクトフレームレートの横の矢印をタップ、あるいはスライダーを動かして調整

**作業のこつ** URSA Miniで設定するプロジェクトフレームレートは、フロントSDI出力およびメインSDI出力にも適用されます。

## センサーフレームレート

センサーフレームレートは、1秒間にセンサーから収録する実際のフレーム数を設定します。このフレームレートは、設定したプロジェクトフレームレートでビデオを再生する際の再生速度に影響します。



「オフスピードフレームレート (OFF SPEED FRAME RATE)」を有効にして、センサーフレームレートの横の矢印をタップするか、スライダーを動かすか、いずれかのプリセットをタップして調整

デフォルトでは、URSA Miniのプロジェクトフレームレートとセンサーフレームレートは、自然な再生速度では一致するようになっています。しかし、URSA Miniの「FPS」メニューの右下にある「オフスピードフレームレート (OFF SPEED FRAME RATE)」スイッチアイコンをタップすると、センサーフレームレートを独立して設定できます。

センサーフレームレートを変更するには、タッチスクリーンの左下にあるセンサーフレームレートインジケータの横の矢印をタップします。スライダーを左右にドラッグしてフレームレートを変更することも可能です。スライダーをリリースするとセンサーフレームレートが選択されます。スライダーの上には、現在のプロジェクトフレームレートに基づいた、推奨オフスピードフレームレートが表示されます。

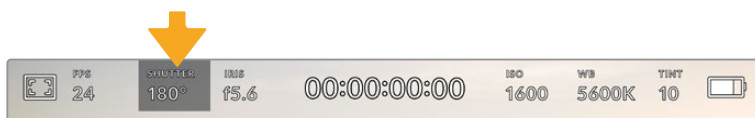
センサーフレームレートを変更することで、ダイナミックかつ視聴者の興味を引くようなスピードエフェクトを作成できます。センサーフレームレートをプロジェクトフレームよりも高く設定すると、再生した際にスローモーションの効果が得られます。反対に、センサーフレームレートを低く設定すると、ファストモーションの効果が得られます。これは、フィルムカメラのオーバー crank/アンダー crank 撮影と同様の原理です。オーバー crank 撮影はセンサーフレームレートを上げるので、再生時にスローモーションとなり、感情を引き立てる効果を得られます。アンダー crank 撮影はセンサーフレームレートを下げるので、動きの速いシーンでアクションをスピードアップできます。無限のクリエイティビティの使い道はユーザー次第です！

各収録フォーマットおよびコーデックで使用できる最大フレームレートに関しては、このマニュアルの「収録」セクションにある表を参照してください。

**メモ** 「オフスピードフレームレート (OFF SPEED FRAME RATE)」をオンにすると、URSA Miniのオーディオとビデオの同期が解除されます。これは、プロジェクトフレームレートおよびセンサーフレームレートが同じ設定の場合でも同様です。この理由から、オーディオを確実に同期させたい場合は「オフスピードフレームレート (OFF SPEED FRAME RATE)」の選択は避けてください。

## シャッター (SHUTTER)

「シャッター (SHUTTER)」インジケータは、シャッターアングル/シャッタースピードを表示します。このインジケータをタップすると、URSA Miniのシャッターの値をマニュアルで変更したり、シャッターの自動露出モードを設定できます。URSA Mini 4.6KおよびURSA Mini Proでは、「シャッター表示 (SHUTTER MEASUREMENT)」設定でシャッター情報の表示方法を「アングル (Shutter Angle)」と「スピード (Shutter Speed)」で切り替えられます。詳細は、このマニュアルの「セットアップ設定 (SETUP)」セクションを参照してください。



URSA Miniのシャッターインジケータ。タップしてシャッター設定にアクセス

シャッターアングル/シャッタースピードは、ビデオのモーションブラーのレベルを決定します。また、照明条件の変動を補うためにも使用できます。多くの場合、適度なモーションブラーを得るのに最適なシャッターアングルは180°です。これは、シャッタースピードでは1/50秒です。しかし、照明条件が変更したり、シーン内の動きが増えたりする場合には調整が必要です。

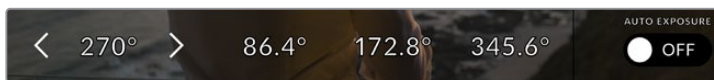
例えば、シャッターアングル360°は露光が最大限で、センサーへの光量が最大となります。これは、低照明条件でシーン中の動きがわずかな場合の撮影に最適です。あるいは、動きの多いシーンの撮影には、90°などの狭いシャッターアングルにすると、モーションブラーを最低限に抑えたシャープでくっきりした画像が得られます。シャッターアングルに対する同等のシャッタースピードは、使用しているフレームレートにより異なります。例えば、25fpsでの撮影では、360°は1/25秒、90°は1/100秒と同等になります。

**メモ** 照明の下で撮影する際は、シャッターが原因でフリッカーが生じる場合があります。URSA Miniは、現在のフレームレートでフリッカーが生じないシャッターの値を自動的に算出します。シャッターの調整中、ヘッドアップディスプレイの底部に、フリッカーが生じないシャッターの値の選択肢を最大3つ表示します。これらのシャッターの値は、それぞれの国や地域で電源に使用される主電源周波数によって異なります。電力周波数は、URSA Miniの「セットアップ (SETUP)」メニューで50Hzまたは60Hzに設定できます。詳細は、このマニュアルの「セットアップ設定 (SETUP)」セクションを参照してください。

「シャッター (SHUTTER)」インジケータをタップするとURSA Miniのタッチスクリーン底部にシャッターの値が表示されます。「自動露出 (AUTO EXPOSURE)」がオフの場合、現在選択しているシャッターの値に加え、URSA Miniの「セットアップ (SETUP)」メニューで選択した主電源周波数に基づく「フリッカーフリー (ちらつきが生じない)」のシャッターの値が表示されます。詳細は、このマニュアルの「セットアップ設定 (SETUP)」セクションを参照してください。

**メモ** フリッカーの生じない値を使用しているにも関わらず、様々な照明の特性によりフリッカーが生じる場合があります。連続光を使用していない場合は、常にテスト撮影を行うことをお勧めします。

フリッカーの生じないシャッターの値を選択するには、表示されているシャッターの値のいずれかをタップします。現在のシャッターの値の左右にある矢印をタップすると、一般的に使用されている値の中から選択できます。



URSA Miniは「セットアップ (SETUP)」メニューで選択した主電源周波数に基づき、フリッカーの生じないシャッターの値を表示

特定のシャッターの値を使用したい場合、スクリーンの左下にある現在のシャッターインジケータをダブルタップします。キーパッドが表示されるので、小数点以下2桁までのシャッターの値を入力できます。

現在のフレームレートで使用できないシャッタースピードを入力した場合、その値に最も近い使用可能なシャッタースピードが適用されます。



シャッターキーパッドで、任意のシャッターの値をマニュアル入力

URSA Miniには3つのシャッターベース自動露出モードがあります。これらを選択するには、シャッターメニューの一番右にある「自動露出 (AUTO EXPOSURE)」ボタンをタップします。

### シャッター (Shutter)

アパーチャーを維持したまま、露出を一定に保つためにシャッターの値を自動調整します。固定の被写界深度を維持したい場合を選択します。シャッターを自動調整すると、モーションブラーに影響がある場合があります。屋内撮影で使用する様々な照明器具によってフリッカーが生じる場合があるので注意してください。自動露出に「シャッター (Shutter)」を選択すると、URSA Miniの自動アイリス機能は使用できません。

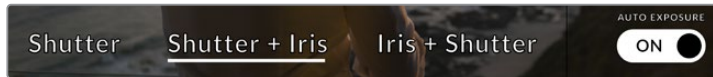


### シャッター+アイリス (Shutter + Iris)

シャッター、次にアパーチャーを調整して適切な露出レベルを維持します。シャッターの値が最大値/最小値になっても露出が維持できない場合、URSA Miniはアパーチャーを調整して露出を一定に保ちます。

### アイリス+シャッター (Iris + Shutter)

アパーチャー、次にシャッターの値を調整して適切な露出レベルを維持します。アパーチャーが最大値/最小値になっても露出が維持できない場合、URSA Miniはシャッターの値を調整して露出を一定に保ちます。

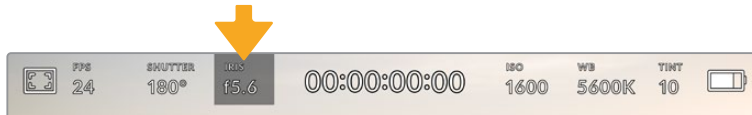


「シャッター (SHUTTER)」メニューで「自動露出 (AUTO EXPOSURE)」をタップしてシャッターベースの自動露出モードにアクセス

**作業のこつ** シャッターに影響する自動露出モードを有効にすると、URSA Miniのタッチスクリーン上部にあるシャッターアングルインジケータの隣に小さな「A」が表示されます。

## IRIS (アイリス)

「アイリス (IRIS)」インジケータは、現在のレンズアパーチャーを表示します。このインジケータをタップすると、互換性のあるレンズのアパーチャーを変更したり、アイリスベースの自動露出モードを設定できます。

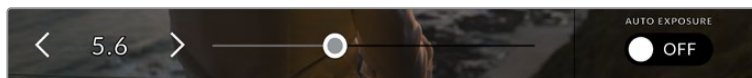


URSA Miniのアイリスインジケータ。タップしてアイリス設定にアクセス

**メモ** アイリスをLCDタッチスクリーンで調整するには、カメラ経由でアパーチャーを変更できるレンズがURSA Miniに装着されている必要があります。B4/PLレンズを放送用12ピンコネクタでURSA Mini PLに接続して使用する場合は、ハンドグリップのレンズアイリススイッチが「A」または「Auto」に設定されていることを確認してください。

「アイリス (IRIS)」インジケータを1回タップすると、URSA Miniのタッチスクリーン底部にアイリスメニューが表示されます。メニューの一番左で現在のレンズアパーチャーを確認できます。現在のアパーチャーの横の矢印ボタンをタップするか、スライダーを左右にドラッグして、アパーチャーを変更します。

「アイリス (IRIS)」メニューの一番右にある「自動露出 (AUTO EXPOSURE)」スイッチアイコンをタップすると、アイリス自動露出メニューが開きます。



「アイリス (IRIS)」メニューでアイリスインジケータの横の矢印ボタンをタップ、あるいはスライダーを使ってアイリス設定を調整

以下の自動露出オプションが選択できます。

### アイリス (Iris)

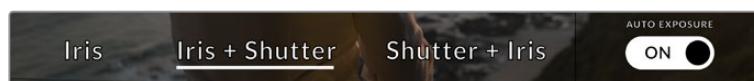
シャッターアングルを維持したまま、露出を一定に保つためにアパーチャーを自動調整します。モーションブラーは一定に保たれますが、被写界深度に影響が出る場合があります。

### アイリス+シャッター (Iris + Shutter)

アパーチャー、次にシャッターの値を調整して適切な露出レベルを維持します。アパーチャーが最大値/最小値になっても露出が維持できない場合、URSA Miniはシャッターの値を調整して露出を一定に保ちます。

### シャッター+アイリス (Shutter + Iris)

シャッター、次にアパーチャーを調整して適切な露出レベルを維持します。シャッターの値が最大値/最小値になっても露出が維持できない場合、URSA Miniはアパーチャーを調整して露出を一定に保ちます。



「アイリス (IRIS)」メニューで「自動露出 (AUTO EXPOSURE)」をタップしてアイリスベースの自動露出モードにアクセス

アイリスに影響する自動露出モードを有効にすると、URSA Miniのタッチスクリーン上部にあるアイリスインジケータの隣に小さな「A」が表示されます。

**作業のこつ** 自動露出はビデオ/フィルムプロダクション用に設計された、互換性のあるB4またはPLレンズでスムーズに機能します。EFレンズでは、アパーチャーを変更すると露出の変化が著しく段階的になる場合があります。この理由から、URSA Mini EFで撮影を行う場合は自動露出モードを「シャッター (SHUTTER)」に設定することをお勧めします。

## 継続時間表示

URSA MiniのLCDタッチスクリーンの上部で、カメラの継続時間表示を確認できます。



URSA Miniの継続時間表示。収録中は赤に変わります。

継続時間表示は、タイムコードカウンターを表示するので、クリップの長さの確認や、収録/再生中にタイムコードのモニタリングが可能です。カウンターは経過時間を、時間:分:秒:フレーム数で表示します。これは、クリップの収録/撮影に合わせて変わります。収録中、タイムコードは赤に変わります。

各クリップの継続時間表示は、最初のクリップは00:00:00:00から開始します。現在のクリップまたは最後に収録したクリップの継続時間は、タッチスクリーンに表示されます。時刻タイムコードは、ポストプロダクションで使用できるようにクリップにエンベッドされます。

タイムコードを確認するには、継続時間表示をタップします。継続時間表示を再びタップするとクリップの継続時間表示に戻ります。



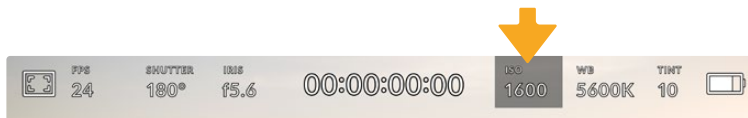
## 継続時間表示の周りに表示されるステータスインジケータ

- W** URSA Miniをウィンドウセンサーモードで使用している場合、継続時間表示の左に表示されます。
- TC** タイムコードを表示している場合、継続時間表示の右に表示されます。
- EXT** 有効な外部タイムコードが接続されている場合、継続時間表示の右に表示されます。
- INT** 内部タイムコードがジャムシンクされて接続が切れた場合、継続時間表示の右に表示されます。
- PRE** レックランのプリセットのタイムコードを表示している場合、継続時間表示の右に表示されます。
- REF** リファレンス入力設定に基づいた有効なリファレンスソースが、接続/ロックされた時に表示されます。

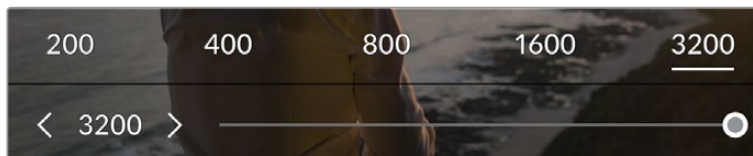
## ISO

「ISO」インジケータは、URSA Miniの現在のISO設定または光感度を表示します。このインジケータをタップすると、様々な照明条件に適合するようISOを調整できます。URSA Miniは、ISO 200から1600に対応しており、URSA Mini ProはISO 3200までをサポートしています。

URSA Mini 4Kの最適なISO設定は400です。URSA Mini 4.6KおよびURSA Mini Proの最適なISO設定は800です。



URSA MiniのISOインジケータ。タップしてISO設定にアクセス



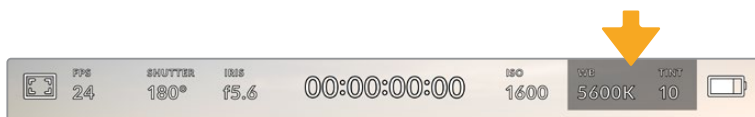
ISOメニューで、LCDタッチスクリーン底部にURSA MiniのISO設定が表示されます。URSA Mini Pro 4.6K G2では、プリセットの下にスライダーがあり、ISOを1/3段単位で調整できます。

ISO数値のプリセットでISOを設定でき、また番号をタップすると1段ずつ調整できます。URSA Mini Pro 4.6K G2では、プリセットの下にスライダーがあり、これらのISO設定間を1/3段単位で微調整できます。

状況に応じて、ISOは高い/低い設定に変更できます。例えば、低照明条件ではURSA Mini 4.6KでもISO 1600が適していますが、ノイズが発生することもあります。照明量が多く明るい場合は、ISO 200に設定すると、よりリッチなカラーが得られます。

## ホワイトバランス (WB)

「ホワイトバランス (WB)」および「ティント (TINT)」インジケータは、カメラの現在のホワイトバランスとティントを表示します。このインジケータをタップすると、様々な照明条件に適合するようカメラのホワイトバランスおよびティントを調整できます。



URSA Miniのホワイトバランスおよびティントインジケータ。タップしてホワイトバランスおよびティントインジケータにアクセス

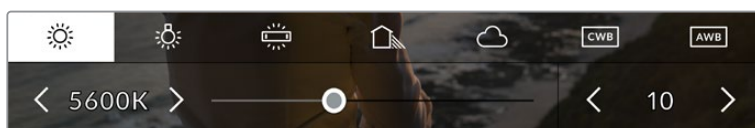
すべての光源は色を放射しています。例えば、ろうソクの炎は暖色を、曇り空は寒色を放射しています。ホワイトバランス設定は、イメージのオレンジとブルーのミックスを調整することで、イメージのカラーバランスを調整し、ホワイトをホワイトとして維持します。例えば、温かいオレンジの光を放射するタングステンライトの照明で撮影する場合、3200Kを選択すると、イメージに青味がかかります。これによりカラーバランスが取れ、ホワイトは正確に記録されます。

URSA Miniは、様々な色温度条件に合わせて、以下のようなホワイトバランスプリセットが用意されています。以下のオプションから選択できます。

	<b>明るい太陽光</b>	(5600K)
	<b>白熱電球</b>	(3200K)
	<b>蛍光灯</b>	(4000K)
	<b>混合照明</b>	(4500K)
	<b>曇り</b>	(6500K)

「WB」メニューの左下にある温度インジケータの横の矢印アイコンをタップ/長押しすることでこれらのプリセットをカスタマイズできます。1度のタップで色温度が50Kずつアップ/ダウンしますが、矢印アイコンを長押しするとすばやく変更できます。また、「WB」メニューの中央にある温度スライダーを動かして調整することもできます。

さらにイメージの調整が必要な場合は、「ティント (TINT)」を調整します。「ティント (TINT)」は、イメージ内のグリーンとマゼンタのミックスを調整します。例えば、少量のマゼンタを加えることで、蛍光灯で生じがちなグリーンの色かぶりを相殺できます。URSA Miniのホワイトバランスのプリセットの多くには、ティントが含まれています。



URSA Miniの「WB」または「ティント (TINT)」インジケータをタップして、5つのプリセット、ホワイトバランスインジケータおよびスライダー（左）、ティントインジケータ（右）にアクセス。これらを調整して、各照明条件にあったホワイトバランスをカスタム設定

「WB」メニューでは、スクリーンの右下にカメラの現在のティント設定が表示されます。ティントを調整するには、ティントインジケータの左右にある矢印をタップ/長押しします。-50～+50の幅で1単位ずつ調整できます。矢印を長押しするとすばやく調整できます。

**メモ** ホワイトバランスまたはティントを変更すると、プリセットが「カスタムホワイトバランス (CWB)」に変更されます。カスタムホワイトバランスは持続性のある設定で、電源を切って再起動したり、他のプリセットに変更してからCWBに戻した場合でも設定が保持されます。これにより、カスタムホワイトバランスと最後に使用したプリセットとの比較が簡単です。

## 自動ホワイトバランス (AUTO W/B)

URSA Miniはホワイトバランスを自動設定できます。「自動ホワイトバランス (AWB)」をタップするとホワイトバランス画面が表示されます。

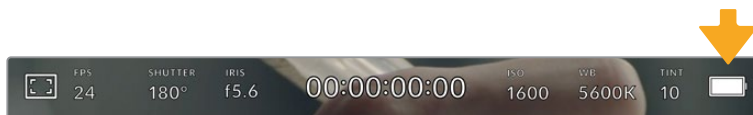
ホワイトバランスを自動設定する際、イメージの中央に四角い枠がオーバーレイされます。この枠内に、白やグレーのカードなど表面がニュートラルなものを写し、「WBを更新 (Update WB)」をタップします。URSA Miniは、枠内のホワイト/グレーの平均が可能な限りニュートラルになるように自動的にホワイトバランスとティントを調整します。1度アップデートしたら、カメラのカスタムホワイトバランスとして設定されます。



ホワイトバランスメニューで「AWB」アイコンをタップするとホワイトバランス画面が表示されます。表面が白やグレーのニュートラルなものを使用し、ニュートラルなホワイトバランスを自動設定します。

## 電源

URSA Miniの電源状況は、LCDスクリーンの右上に表示されます。5つのインジケータで状況を表示します：



URSA Miniの電源インジケータは、LCDスクリーンの右上に表示されます。バッテリー電源の使用時にインジケータをタップすると「ボルテージ」と「パーセンテージ」表示を切り替えます。

	<b>AC</b>	URSA Miniが主電源に接続されている場合に表示されます。
	<b>パーセンテージ</b>	正確なパーセンテージに対応したバッテリーおよびプレートを使用しており、バッテリー表示が「パーセンテージ」に設定されている場合、このインジケータはバッテリーレベルをパーセンテージで表示します。残り20%を切るとインジケータは赤くなります。
	<b>バッテリーバー</b>	バッテリー表示が「パーセンテージ」に設定されていても、バッテリープレートとバッテリーが正確なパーセンテージ情報に対応していなければ、URSA Miniは25%区切りのバッテリーアイコンを表示します。残り20%を切るとバッテリーバーは赤くなります。
	<b>ボルテージ</b>	バッテリー表示が「ボルテージ」に設定されている場合、このインジケータはバッテリーの残りボルテージを表示します。バッテリーが12.5v未満に下がるとインジケータは赤くなります。11.9v以下になると、URSA Miniは自動的にシャットダウンします。
	<b>ファイバー</b>	Blackmagic Camera Fiber Converterがカメラに取り付けられ、SMPTEファイバーケーブル経由で給電されている場合に表示されます。コンバーターを取り付けた状態でURSA MiniにXLR電源ケーブルを接続している場合、ACアイコンが代わりに表示されます。

バッテリー電源を使用している場合は、電源インジケータをタップして表示をボルテージ、パーセンテージ、バッテリーバーで切り替えられます。

**作業のこつ** バッテリー残量のパーセンテージ表記に対応するバッテリーのリストは、このマニュアルの「バッテリーのマウント」セクションに記載されています。

## ヒストグラム

URSA Miniのタッチスクリーンの左下にはヒストグラムが表示されます。ヒストグラムは、ホワイトとブラック間のコントラストを水平方向に表示します。



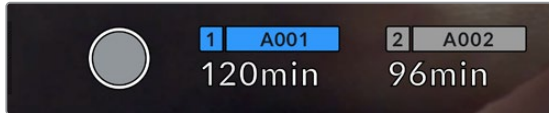
ヒストグラムは、クリップのシャドウとハイライトの間のトーンレンジの指標となります。露出のバランスを確認するのに役立つツールで、ハイライト部分がクリッピングされることを防ぎます。

ヒストグラム表示の左側はシャドウ（ブラック）で、右側はハイライト（ホワイト）です。レンズアパーチャを開閉すると、ヒストグラム上の情報が左右に動きます。これを用いて、イメージのシャドウ/ハイライトのクリッピングをチェックできます。ヒストグラムの左右の端がなだらかに下降せず、急に途切れている場合、ハイライトあるいはシャドウのディテールが損なわれています。

**メモ** タッチスクリーンの左下にヒストグラムが表示されない場合、LCDモニターが「コーデックと解像度 (Codec and Resolution)」に設定されている可能性があります。詳細は、このマニュアルの「モニター設定 (MONITOR)」セクションを参照してください。

## 録画ボタン

URSA Miniのタッチスクリーンの底部、ヒストグラムの際に丸いグレーのボタンがあります。これは録画ボタンです。このボタンを1度タップすると収録が開始し、もう1度タップすると停止します。収録中、このボタンとURSA Miniのタッチスクリーン上部のタイムコードは赤くなります。



URSA Miniの録画ボタンは、LCDタッチスクリーン底部のストレージインジケータの横にあります。



収録中、録画ボタンは赤に変わります。

## コマ落ちインジケータ

収録中にコマ落ちが発生すると「録画」ボタンに「！」インジケータが点滅してオーバーレイされます。影響を受けたカードの録画可能時間インジケータが赤くなります。例えば、デュアルカード・モードで収録しており、カード1にコマ落ちが発生した場合、「！」インジケータが「録画」ボタンの上に表示され、カード1の録画可能時間インジケータが赤くなります。この機能により、特定のカードの速度が、現在選択しているコーデックと解像度には遅すぎることが分かります。コマ落ちインジケータは、事前に収録したクリップにコマ落ちがあった場合にも表示されます。次のクリップを収録するか、カメラを再起動するまでインジケータは表示され続けます。コマ落ちを避ける方法については、「CFast 2.0カードを選択」セクションを参照してください。



CFastカード1でコマ落ちが発生した場合のコマ落ちインジケータ

**作業のこつ** URSA MiniのステータスLEDを有効にしている場合、ステータスLEDはコマ落ちが検出されると高速で赤く点滅します。詳細は、このマニュアルの「セットアップ設定 (SETUP)」セクションを参照してください。

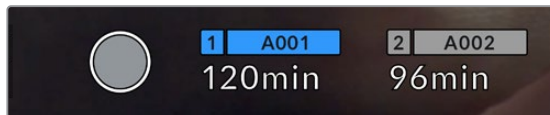
**メモ** コマ落ち検出時に収録を停止するようにURSA Miniを設定することも可能です。これにより、コマ落ちインジケータに気づかないまま収録を続け、使用できないフッターのため、時間を無駄にすることが避けられます。詳細は、このマニュアルの「収録設定 (RECORD)」セクションを参照してください。

## 録画可能時間

URSA Miniのタッチスクリーン底部にストレージのインジケータが表示されます。

CFast/SDカード/SSDが挿入されている場合、ストレージインジケータはカードの録画可能時間を表示します。録画可能時間は分単位で表示され、選択したフレームレートやコーデックにより変わります。

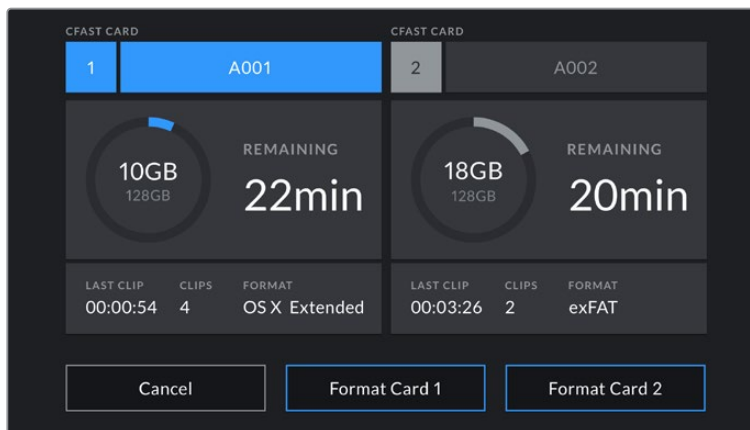
これらの設定を変更した場合、インジケータは自動的に録画可能時間を計算し直します。カードやドライブの録画可能時間が約5分になると、インジケータの文字が赤くなり、残り2分になると断続的に点滅します。カードやドライブの容量が一杯になると「フル (FULL)」と表示されます。



URSA Miniのストレージインジケータは、CFast/SDカード/SSDの名前と録画可能時間 (分) を表示

カード/ドライブ名は、録画可能時間の上にある小さなバーに表示されます。カメラが収録に使用するカード/ドライブのバーは青くなります。URSA Mini Pro 4.6K G2では、オンスクリーン表示で収録に使用するカードまたはドライブを切り替えられます。

収録に使用するカード/USB-Cフラッシュディスクの名前を長押しします。バーが青になります。収録中、このバーは赤くなります。ストレージインジケータをタップすると、ストレージおよびフォーマットメニューが表示されます。



URSA MiniのLCDタッチスクリーンのストレージインジケータをタップして、ストレージ管理へアクセス

このメニューは、現在URSA Miniに挿入されている各CFast、SDカード、SSD、外付けドライブの残り容量、カードやドライブ名、最後のクリップの長さ、クリップの総数、各カード/ドライブのファイルフォーマットを表示します。

このメニューからメディアのフォーマットが行えます。URSA Miniを使ったメディアのフォーマットに関する詳細は、このマニュアルの「Blackmagic URSA Miniでメディアを準備する」セクションを参照してください。

**作業のこつ** ストレージメニューでカード/ドライブ名をタップして、アクティブなカード/ドライブとして設定できます。URSA Miniはこのカード/ドライブに先に収録します。



## オーディオメーター

ピークオーディオメーターは、内部マイクを使用している場合はチャンネル1と2、外部オーディオを接続している場合は外部オーディオのオーディオレベルを表示します。単位はdBFSで表示され、ピークホールド・インジケータはしばらく表示されるので、最大レベルに達したことがはっきりと確認できます。

最適な音質を得るためには、オーディオレベルが0dBFSを越えないようにしてください。0dBFSはカメラが収録可能な最高のレベルなので、これを越えるオーディオはクリップされ、歪みの原因となります。



オーディオメーターのカラーバーは、ピークオーディオレベルを表示します。ピークオーディオレベルがグリーンゾーン内の上限に近い位置に収まるのが理想的です。ピークレベルがイエローまたはレッドゾーンになる場合は、オーディオクリッピングが生じる可能性があります。

オーディオメーターをタップすると、オーディオ入力チャンネル1と2、ヘッドセットやスピーカーのボリュームコントロールを表示できます。



URSA MiniのLCDタッチスクリーンでオーディオメーターをタップし、ボリュームおよびヘッドセット/スピーカー設定へ簡単にアクセス

## フォーカスズーム (Focus Zoom)

LCDタッチスクリーンのズームしたい場所をダブルタップすると、URSA Miniのプレビューイメージのあらゆる部分を拡大できます。タッチスクリーン内を指でドラッグすると、拡大されたエリアを動かすことができます。この機能はフォーカスを確認する際に役立ちます。画面を元に戻すには、再びタッチスクリーンをダブルタップします。

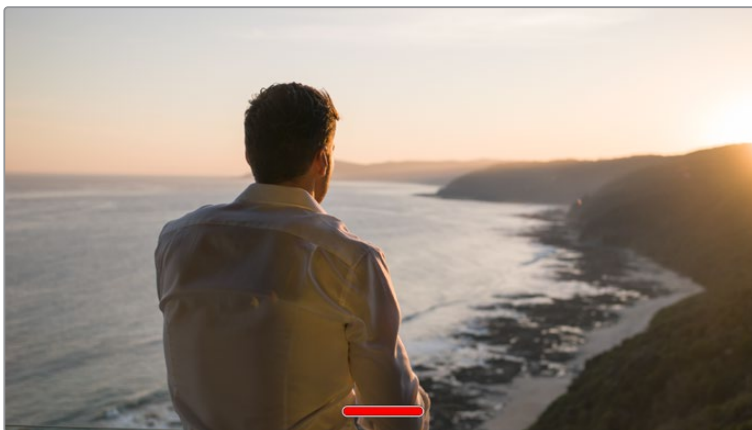
URSA Mini Pro 12Kでフォーカスズームを有効にしている場合、タッチスクリーンをつまんでズーム倍率を調整できます。URSA Mini Pro 12Kの「セットアップ (SETUP)」メニューでは、フォーカスズームの切り替えを機能ボタンで実行できるように設定できます。これは、タッチスクリーンをダブルタップするのと同様に機能します。これは、LCD、フロントSDIまたはメインSDIからの出力で表示するように設定できます。機能ボタンをフォーカスズームの切り替えに使用方法に関しては「ボタンの挙動」セクションを参照してください。



ズームインしている際、LCDタッチスクリーン左上のインジケータは、見ているイメージの領域を表示。スマートフォンやタブレットと同様に、スクリーンを指でドラッグしてイメージを動かすことが可能

## フルスクリーンモード

タッチスクリーンのステータステキストやメーターを一時的に非表示にするので、ショットのフレーミングやフォーカス合わせの際に便利です。一時的にタッチスクリーンのステータス情報やメーターを非表示にできます。収録インジケータ、フレームガイド、グリッド、フォーカスアシスト、ゼブラ表示は残ります。



URSA MiniのLCDタッチスクリーンを上下にスワイプして、ステータス情報を隠します。

## 再生メニュー

「再生」コントロールボタンをタップして再生メニューにアクセスします。カメラのコントロールボタンまたはLCDタッチスクリーンを使用して、事前に収録したクリップをコントロールできます。

LCDタッチスクリーンを使用している場合、再生ボタンを1度押すと再生を開始し、再び押すと一時停止します。早送り/巻き戻しボタンを使ってクリップの最初/最後に飛びます。早送りボタンをタップすると、次のクリップに飛びます。巻き戻しボタンを1回押すと、現在のクリップの頭に戻り、2回押すと前のクリップの頭に戻ります。ループアイコンを有効にすることで、クリップの再生をループさせることもできます。

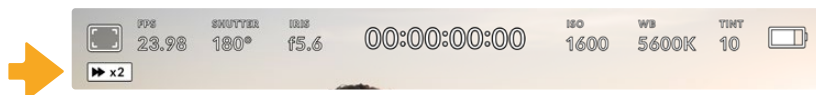


巻き戻し、再生、早送り、ループアイコン

早送り/巻き戻しボタンを長押しすると早送り/巻き戻しできます。これは、フッテージを通常の2倍速で早送り/巻き戻します。



倍速の早送り/巻き戻し中に、トランスポートキーをタップすると倍速レートを変更できます。同じ方向のトランスポートキーをタップするごとにレートが2倍になります。最大倍速レートは、通常速度の16倍です。16倍速の早送り/巻き戻し中にもう1度トランスポートキーをタップすると2倍速に戻ります。反対方向のトランスポートキーをタップすると、現在のスピードを2倍速になるまで半減していきます。「再生」ボタンをタップすると、通常の再生速度に戻ります。



シャトルスピードインジケータは、早送り/巻き戻し中のフッターの速度および方向を表示

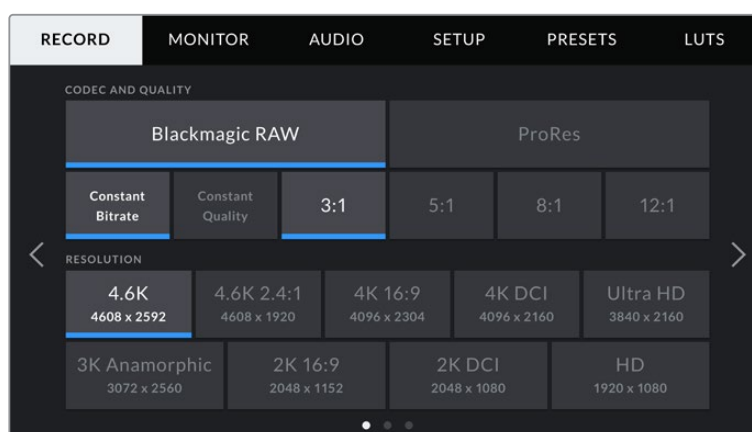
再生モードで「録画」コントロールボタンをタップすると、カメラがスタンバイモードになり、収録が可能になります。

**作業のこつ** URSA Miniのタッチスクリーンを上下にスワイプして、フッターを再生しながらステータステキストを非表示にできます。再生モードでスレートを入力すると、現在のクリップを「グッドテイク (GOOD TAKE)」としてメタデータに記録できます。詳細は、このマニュアルの「メタデータ入力」セクションを参照してください。

## 設定

### ダッシュボード

URSA Miniのメニューコントロールボタンを押すと、カメラのダッシュボードが表示されます。このタブメニューには、URSA Miniのヘッドアップディスプレイからはアクセスできない設定が含まれています。設定は、機能ごとに「収録 (RECORD)」、「モニター (MONITOR)」、「オーディオ (AUDIO)」、「セットアップ (SETUP)」、「プリセット (PRESETS)」、「LUT (LUTS)」タブに分かれています。「収録」、「モニター」、「セットアップ」タブには、複数のページが含まれます。設定スクリーンの左右にある矢印をタップしたり、スマートフォンやタブレットと同様に左右にスワイプすることでこれらのページを切り替えられます。



「収録 (RECORD)」、「モニター (MONITOR)」、「オーディオ (AUDIO)」、「セットアップ (SETUP)」、「プリセット (PRESETS)」、「LUT (LUTS)」のヘディングをタップしてURSA Miniのダッシュボードタブを移動

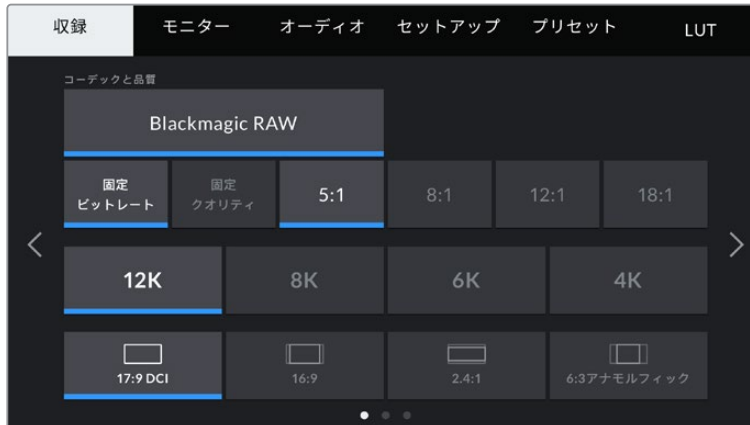
**メモ** URSA Mini Pro 4.6Kのダッシュボードは、1分間使われないとタイムアウトし、ヘッドアップディスプレイに戻ります。

## 収録設定 (RECORD)

「収録 (RECORD)」タブでは、ビデオフォーマット、コーデック、解像度の設定に加え、使用したいカードやディテールのシャープニングなど、URSA Miniで収録するフッテージにとって重要なその他の設定も調整できます。このメニューは3ページあり、カメラのタッチスクリーンの端にある矢印をタップするか、左右にスワイプして切り替えられます。

### 収録設定 1

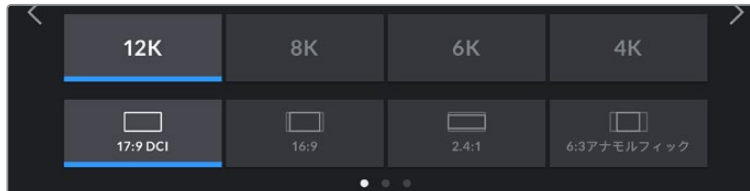
「収録 (RECORD)」設定タブの1ページ目には以下の設定が含まれます。



URSA Mini Pro 12Kの「収録 (RECORD)」設定の1ページ目

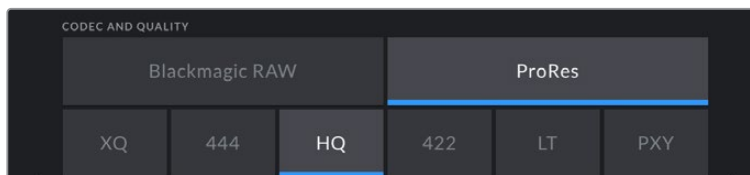
### コーデックと品質 (CODEC AND QUALITY)

URSA Mini Pro 12Kは、12K、8K、6K、4K解像度のBlackmagic RAWを収録します。各解像度は、業界標準の様々なアスペクトレシオをサポートしています。



URSA Mini Pro 12Kの解像度とアスペクトレシオのオプション

URSA Mini Pro 4.6K G2およびURSA Mini Pro 4.6Kでは「コーデックと品質 (CODEC AND QUALITY)」メニューは2段に分かれています。上段でBlackmagic RAWまたはApple ProResから選択できます。下段で、それぞれの品質オプションを選択します。Blackmagic RAWには、「固定ビットレート (Constant Bitrate)」の設定と「固定クオリティ (Constant Quality)」の設定があります。ProResコーデックで選択できる品質オプションは、444、HQ、LTです。URSA Miniは多数のProResコーデックをサポートしています。



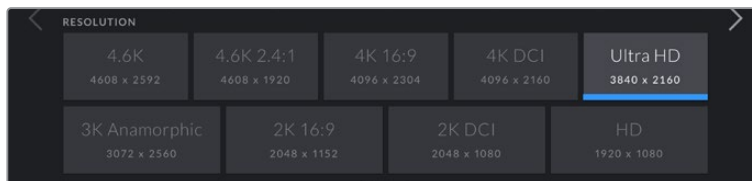
URSA Mini Pro 4.6K G2とURSA Mini Pro 4.6Kの「コーデックと品質 (CODEC AND QUALITY)」オプション。

**作業のこつ** 圧縮率の高いコーデックを選択すると、カメラのストレージメディアにビデオを収録できる時間が長くなります。詳細は、「収録」セクションの「収録時間一覧」の表を参照してください。

### 解像度 (RESOLUTION)

この設定は、コーデック設定と連動しています。使用したい収録フォーマットに応じて解像度を選択してください。

例えば、ProRes HQを使ってUltra HDクリップを収録したい場合、「コーデックと品質 (CODEC AND QUALITY)」メニューで「ProRes」と「HQ」を選択します。その後、解像度メニューで「Ultra HD」を選択します。

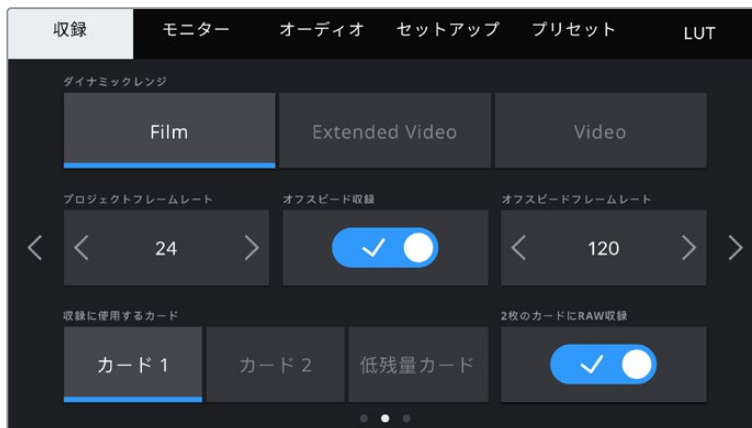


URSA Mini Pro 4.6K G2とURSA Mini Pro 4.6Kの「解像度 (RESOLUTION)」オプション

**メモ** Blackmagic URSA Mini 4.6KおよびURSA Mini Proは、HDから4.6Kまでの幅広いApple ProRes解像度をサポートしています。

## 収録設定 2

「収録 (RECORD)」設定タブの2ページ目には以下の設定が含まれます。



URSA Mini Pro 12Kは「2枚のカードにRAW収録 (Record RAW on 2 Cards)」に対応しています。このオプションは、他のURSA Miniカメラでは無効になっています。

### ダイナミックレンジ (DYNAMIC RANGE)

ダイナミックレンジのアイコンをタップして、「ダイナミックレンジ (DYNAMIC RANGE)」設定を調整できます。Blackmagic URSA Miniのダイナミックレンジ設定は2つあります：

#### Film

「Film」設定は、Logカーブを使ってビデオを収録します。使用するURSA Miniモデルによって12または15ストップのダイナミックレンジが得られるため、最大限の情報量を含むビデオ信号が得られます。DaVinci Resolveなどカラーグレーディングソフトウェアの能力を最大限に活用できるのはこの設定です。

## Video

「Video」設定は、HDビデオ用のREC709カラー規格と似ています。他に手を加えない（またはポスト処理が最小限の）納品に適したカラースペースの圧縮ビデオフォーマットに直接収録するため、ワークフローがスピードアップします。

URSA Mini Proには以下の追加設定があります。

## Extended Video

「Extended Video」設定は「Video」と「Film」の中間のバランスの良いダイナミックレンジ設定です。「Video」より広いダイナミックレンジが得られる一方で、穏やかなコントラスト変化を適用し、ハイライトが滑らかにロールオフされます。「Extended Video」は標準放送用モニターとの使用に適しています。また、ポストプロダクションに当てられる時間が限られており、最初から見栄えの良いルックを適用してクリップを収録したい場合に便利です。

**メモ** 「Video」または「Extended Video」ダイナミックレンジを使用している場合は、モニター出力、LCD、フロントSDI、メインSDIのすべてで「LUT表示 (DISPLAY LUT)」を必ず無効にしてください。「LUT表示」が有効になっている場合、ヘッドアップディスプレイにLUTインジケータが表示され、イメージの彩度とコントラストが意図したより強く表示されます。LUT表示の設定を確認する方法は、このマニュアルに後述されている「モニター設定 (MONITOR)」セクションを参照してください。

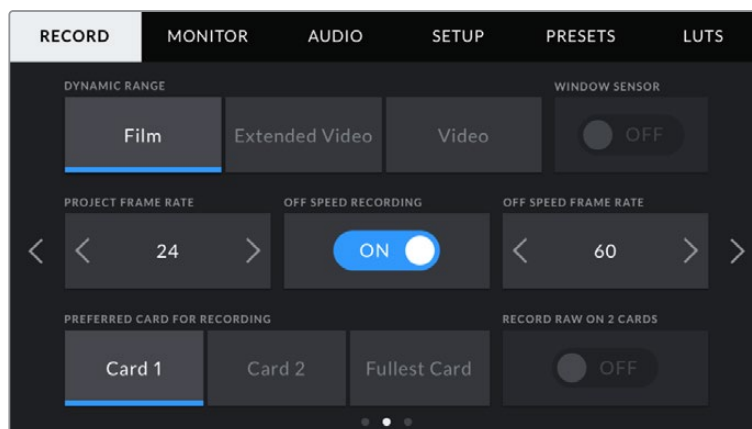
## ウィンドウセンサー (WINDOW SENSOR)

URSA Mini Pro 12Kでは、センサーのウィンドウ化を自動で実行します。6Kのスーパー16および4Kのスーパー16での撮影にはウィンドウセンサー、その他の撮影モードでのスーパー35のイメージセンサーにはフルの高さまたは幅を使用します。

URSA Mini Pro 12Kでは、6Kのスーパー16はスーパー16クロップのフレームサイズにウィンドウ化しますが、6K解像度ではクロップしても極めて優れた画質が得られます。4Kのスーパー16は、同じスーパー16ウィンドウを使用し、4Kにするためにダウンスケーリングします。つまり、最も高いフレームレートで撮影しても、息を呑むような6Kや4Kの画質が得られます。

12Kセンサーでのスーパー16クロップに対応しているため、ピンテージのスーパー16mmレンズをマウントして、4Kや6K解像度で撮影できます。これは、オリジナルのスーパー16mmフィルムを上回る画質と言えます。

その他のURSA Mini Proカメラは、フルのセンサーエリアを使用するよう設定できます。また、フレームレートが高い場合はウィンドウモードを使用できます。これは、センサー全体からイメージをダウンスケールするのではなく、使用するビデオフォーマットに必要なセンサーピクセルだけを使用するモードです。



URSA Mini Pro 4.6K G2、URSA Mini Pro 4.6K、URSA Mini 4.6K、URSA Mini 4Kの「ウィンドウセンサー (WINDOW SENSOR)」オプション

HDウィンドウセンサーモードおよび2KウィンドウセンサーモードはURSA Miniセンサーの中央のみを使用するため、クロップファクターによってレンズの視野が狭く見えます。例えば、20mmレンズを使用し、ウィンドウセンサーモードでHDフットageを撮影する場合、URSA Miniの視野は48mmレンズと同じになります。

この設定は、URSA Miniの最大解像度を下回る解像度で収録している場合に使用可能です。例えば、「ウィンドウセンサー (WINDOW SENSOR)」はURSA Mini 4.6Kで、4.6K 2.4:1、4K、3Kアナモルフィック、2KあるいはHD ProResフットageを収録している場合に使用できます。

ウィンドウモードでHDフットageを撮影している場合、最速のフレームレートを可以使用します。

**作業のこつ** 「ウィンドウセンサー (WINDOW SENSOR)」モードを使用している場合は、URSA Miniの「解像度 (RESOLUTION)」設定に「解像度 - ウィンドウセンサー (RESOLUTION - SENSOR WINDOWED)」と表示されます。

### プロジェクトフレームレート (PROJECT FRAME RATE)

プロジェクトフレームレートはURSA Miniの収録フォーマットのフレームレートで、映画やテレビ業界で一般的に使用されているフレームレートを選択できます。例えば、4K ProRes HQで23.98fpsを選択できます。通常、このフレームレートは、ポストプロダクション・ワークフローと納品で求められる、再生速度およびオーディオ同期に合わせて設定します。

Blackmagic URSA Miniは、23.98、24、25、29.97、30、50、59.94、60fpsの、8つのプロジェクトフレームレート設定に対応しています。

**メモ** カメラのプロジェクトフレームレートは、フットageの "ルック" に大きく影響します。

50、59.94、60fpsなどの高フレームレートは、スムーズな動きの撮影に向いており、パン時に発生するカクつきの排除や抑制に優れています。

24や25fpsなど低めのフレームレートは、映画製作に使用されるのが一般的です。これらのフレームレートは高品質の映画的ルックを生み出しますが、カクつきを避けるにはカメラをかなりゆっくり動かす必要があります。

### オフスピード収録 (OFF SPEED RECORDING)

デフォルトでは、URSA Miniのプロジェクトフレームレートとセンサーフレームレートは、自然な再生速度では一致するようになっています。しかし、「オフスピード収録 (OFF SPEED RECORDING)」スイッチアイコンをタップすると、個別にセンサーフレームレートを設定できます。

### オフスピードフレームレート (OFF SPEED FRAME RATE)

「オフスピードフレームレート (OFF SPEED FRAME RATE)」を有効にし、オフスピードフレームインジケータの横にある矢印をタップしてURSA Miniのセンサーフレームレートを設定します。

センサーフレームレートは、1秒間にセンサーから収録する実際のフレーム数を設定します。このフレームレートは、設定したプロジェクトフレームレートでビデオを再生する際の再生速度に影響します。

オフスピードフレームレートに関する詳細は、このマニュアルの「タッチスクリーンの機能」セクションの「フレーム/秒 (FPS)」を参照してください。

**メモ** 各収録フォーマットおよびコーデックで使用できる最大フレームレートに関する詳細は、このマニュアルの収録セクションの「最大センサーフレームレート」の表を参照してください。

### 収録に使用するカード (PREFERRED CARD FOR RECORDING)

両方のスロットが使用されている場合に、URSA Miniがどちらのストレージカードまたはドライブを最初に使用するかを選択します。オプションは「カード 1 (Card 1)」、「カード 2 (Card 2)」、「低残量カード (Fullest Card)」です。SSD使用時のオプションは「カード 1 (Card 1)」、「SSD」、「低残量カード (Fullest Card)」です。「カード 1」または「カード 2」のどちらを選択するかは個人の好みによりますが、どちらかを一貫して使用することで、ストレージが一杯になった時にどちらのカードを最初に交換すればよいか分かります。「低残量カード (Fullest Card)」のオプションは、単一のカメラを使ったプロジェクトでファイルを古い順に分類する際に役立ちます。

選択した設定は、CFast/SDカード/SSDが挿入されている時に適用されます。この設定は、ストレージ管理で異なるカードを「アクティブ (Active)」に設定することでいつでもオーバーライドできます。しかし、カードをイジェクトしたり、入れ直した場合は、現在の「収録に使用するカード (PREFERRED CARD FOR RECORDING)」の設定に戻ることに注意してください。URSA Mini Recorderが接続され、SSDが差し込まれると、URSA Miniの2番目のストレージスロットの代わりにレコーダーが使用されます。

詳細は、このマニュアルの「URSA Mini Recorder」セクションを参照してください。

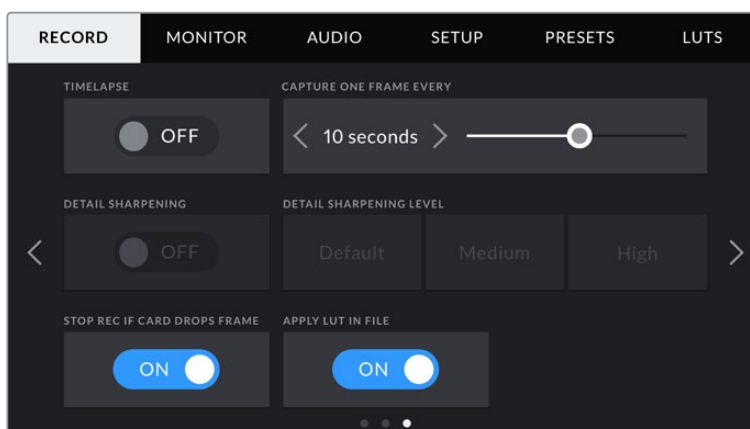
**作業のこつ** 「低残量カード (Fullest Card)」設定は、ストレージカードの使用容量のパーセンテージに基づいており、カードのサイズや使用しているデータ量に基づくものではありません。

### 2枚のカードにRAW収録 (RECORD RAW ON 2 CARDS)

URSA Mini Pro 12Kは、Blackmagic RAWを2枚のカードに同時に収録できます。これにより、高フレームレートの極めて高解像度のクリップを低めの圧縮率で収録できます。2枚のCFastカードまたはSDカードをカメラに挿入し、「収録 (RECORD)」メニューの「2枚のカードにRAW収録 (Record RAW on 2 Cards)」をオンにします。これは、両方のカードに逐次的にストライピングを行うため、データレートが遅い方のカードは収録を行う上で阻害になる可能性があるため、同一または同様の仕様の2枚のカードを使用することを推奨します。また、ストレージスロット1のCFastカードと、スロット2のUSB-Cディスクでストライピングを実行することも可能です。「2枚のカードにRAW収録」オプションを使用すると、制限速度は、ストライピングアレイの遅い方のカードのデータレートの2倍になります。両方のメモリーカードからの.BRAWおよび.BRAW2ファイルをコンピューターの同じフォルダーにコピーします。それらをメディアプールに読み込むと、DaVinci Resolveは単一のクリップに統合します。.BRAWおよび.BRAW2ファイルが別々になっている場合、クリップは個別に半分のフレームレートで再生されます。

## 収録設定 3

「収録 (RECORD)」設定タブの3ページ目には以下の設定が含まれます。



## タイムラプス (TIMELAPSE)

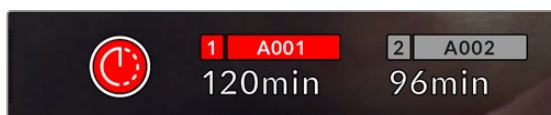
タイムラプス機能が有効になり、以下のインターバルでスチルフレームを自動的に撮影します：

フレーム	2 - 10
秒	1 - 10、20、30、40、50
分	1 - 10

例えば、10フレーム、5秒、30秒、5分ごとにスチルフレームを撮影するように設定可能です。

タイムラプス機能を使用することで、クリエイティブなオプションが広がります。例えば、タイムラプスの間隔を2フレームに設定すると、再生した際に高速のエフェクトが得られます。

各スチルフレームのフォーマットは、収録フォーマットに基づきます。カメラを4K ProRes HQに設定すると、タイムラプス設定も同じフォーマットになります。フレームレートは、24fpsなど、設定したプロジェクトフレームレート設定に基づきます。このため、タイムラプスフッターを簡単にポストプロダクション・ワークフローに組み込むことができます。



タイムラプス撮影の際に、URSA Miniの録画ボタンにオーバーレイ表示されるアイコン

**作業のこつ** タイムラプスモードでフッターを収録する際は、ビデオフレームが収録される度にタイムコードカウンターが更新されます。

## ディテールシャープニング (DETAIL SHARPENING)

この設定ではURSA Miniのイメージをシャープにできます。URSA Mini Pro 4.6K G2、URSA Mini Pro 4.6K、URSA Mini 4.6K、URSA Mini 4Kは、ディテールシャープニングに対応しています。シャープニング機能を有効にし、「デフォルト (Default)」、「中 (Medium)」、「高 (High)」のいずれかを選択してシャープニングのレベルを設定します。

シャープニング機能が有効になっていると、シャープニングはカメラで収録したProResビデオおよびURSA MiniのSDI出力に適用されます。URSA Mini Pro 4.6K G2がBlackmagic RAWに設定されていて、ATEMと共に使用されている場合、SDI出力にディテールシャープニングを適用できます。これは、ATEM Camera Control PanelまたはATEM Software Controlでオン/オフできます。

この設定は、ポストプロダクションを行う時間がなく、イメージをライブでオンエアしたい場合のスタジオでのライブ制作に役立ちます。ポストプロダクションを行う予定がある収録では、この設定はオフにしておくことをお勧めします。この理由から、ポストプロダクションでの処理を前提としているBlackmagic RAWファイルにはシャープニングは適用されません。

## コマ落ち発生時に収録を停止 (STOP REC IF CARD DROPS FRAMES)

コマ落ちが検出された時のURSA Miniの対処方法を設定できます。オフの場合、コマ落ちが検出されても収録を続けます。オンの場合、コマ落ちが検出されると収録を停止します。これにより、使用できないフッターを収録することを防ぎ、時間を無駄にすることを防止できます。

**作業のこつ** コマ落ちを避ける方法については「CFast 2.0カードを選択」、「高速のSDカードを選ぶ」、「高速のSSDを選ぶ」セクションを参照してください。



## ファイルにLUTを適用 (APPLY LUT IN FILE)

Blackmagic URSA Mini Pro 4.6Kの出力にLUTを適用すると、選択したLUTは収録しているBlackmagic RAWファイルにエンベッドされます。

つまり、LUTはファイルのヘッダーに保存され、個別のファイルを扱う必要なく、ポストプロダクションで簡単に適用できます。URSA Mini Proの「収録 (RECORD)」メニューで「ファイルにLUTを適用 (Apply LUT in file)」スイッチがオンになっている場合、クリップをBlackmagic RAW PlayerおよびDaVinci Resolveで開くと、選択したLUTがすでに適用されて表示されます。LUTは簡単にオン/オフできますが、クリップ自体に情報が存在するため、移動させてもBlackmagic RAWファイルに常に伴います。

DaVinci ResolveのRAW設定のパレットにも「LUTを適用」スイッチがあり、Blackmagic RAWファイルの3D LUTを有効/無効にできます。DaVinci Resolveの「LUTを適用」設定はカメラの設定と同様に機能します。これは、撮影時にカメラでLUTを設定して使用することで、直接カラリストに指示ができることを意味しますが、DaVinci Resolveの「LUTを適用」設定で簡単にLUTをオフにすることも可能です。

## ファイル名定義

クリップは、使用する収録フォーマットに応じてCFast/SDカード/SSDに、ProRes QuickTimeムービーで、またはBlackmagic RAWでは.brawファイルフォーマットで収録されます。

以下の表はファイル名定義の例です：

<b>A001_08151512_C001.mov</b>	<b>QuickTimeムービーのファイル名</b>
A001_08151512_C001.mov	カメラインデックス
A001_08151512_C001.mov	リール番号
A001_08151512_C001.mov	月
A001_08151512_C001.mov	日
A001_08151512_C001.mov	時
A001_08151512_C001.mov	分
A001_08151512_C001.mov	クリップ番号

スチルボタンを使用してキャプチャーしたスチルイメージファイルは、ビデオクリップのファイル名定義に従いますが、ファイル名の末尾の4桁は、クリップ番号の代わりに「スチル番号」を意味する「S001」になります。URSA Mini Pro 12Kは、スチルを単一のBlackmagic RAWフレームとしてキャプチャーします。URSA Mini Pro 4.6K G2およびURSA Mini Pro 4.6Kでは、単一のDNGファイルとしてスチルフォルダーに保存されます。詳細は、このマニュアルの「ステータスLCDコントロール」セクションを参照してください。

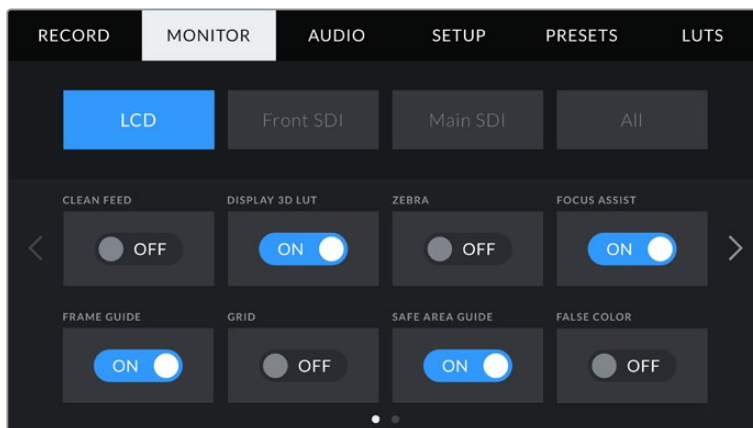
## モニター設定 (MONITOR)

「モニター (MONITOR)」タブでは、URSA MiniのLCDタッチスクリーンおよびフロント/メインSDI出力のステータステキスト、オーバーレイ、その他のモニタリングオプションを調整できます。これらのオプションは、「LCD」、「フロントSDI (Front SDI)」、「メインSDI (Main SDI)」、「すべて (All)」の出力で設定可能です。「すべて」は、URSA Miniの全出力に影響するモニター設定です。これらのメニューは各2ページのオプションがあり、カメラのタッチスクリーンの端にある矢印をタップするか左右にスワイプして切り替えられます。



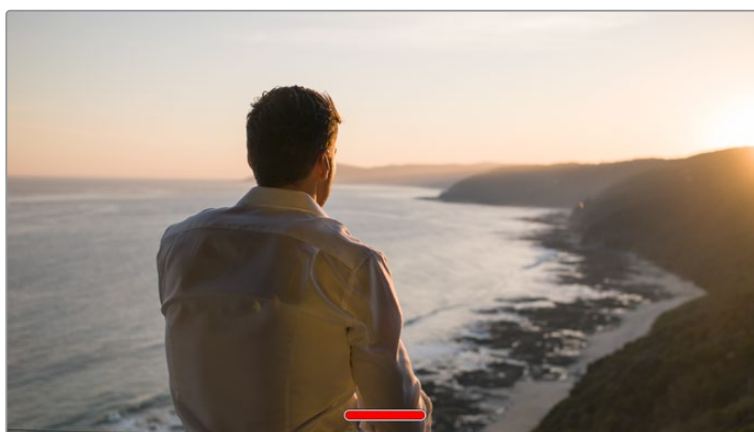
## LCD、フロントSDI、メインSDIのモニター設定 1

「モニター (MONITOR)」タブの「LCD」、「フロントSDI」、「メインSDI」設定の1ページ目には、各出力に同一の設定が含まれています。例えば、ゼブラ機能をLCDスクリーンではオンにして、フロントSDIおよびメインSDIではオフに設定できます。



### クリーンフィード (CLEAN FEED)

LCD、フロントSDI、メインSDIメニューで「クリーンフィード」スイッチをタップすると、該当出力で、収録タリーインジケーターを除くすべてのステータステキストおよびオーバーレイがオフになります。



URSA MiniのLCDタッチスクリーンは、クリーンフィードモードで収録タリーのみを表示

**メモ** クリーンフィードを有効にしている場合でもLUTは出力に適用されます。特定の出力でLUTを無効にするには、その出力の「モニター (MONITOR)」メニューで「LUT表示 (DISPLAY LUT)」スイッチをオフにします。

### 3D LUTを表示 (DISPLAY 3D LUT)

URSA Miniは、あらゆる出力に3D LUTを適用して、カラーグレーディングされたフッテージのルックに近づけることができます。「Film」ダイナミックレンジでの撮影では、意図的に「フラット」な低コントラストイメージを作成するため、これが特に役立ちます。

URSA Miniで有効な3D LUTがある場合、この設定で、LCDタッチスクリーン、フロントSDI、メインSDI出力に個別にLUTを適用できます。

**メモ** 3D LUTのロード/使用に関する詳細は、このマニュアルの「LUT」セクションを参照してください。

### ゼブラ (ZEBRA)

LCD、フロントSDI、メインSDIメニューで「ゼブラ」スイッチをタップすると、これらの出力でゼブラガイドを使用できます。ゼブラガイドおよびゼブラレベルの設定に関する詳細は、このマニュアルの「タッチスクリーンの機能」セクションを参照してください。

### フォーカスアシスト (FOCUS ASSIST)

LCD、フロントSDI、メインSDIメニューで「フォーカスアシスト」スイッチをタップすると、これらの出力でフォーカスアシストを使用できます。フォーカスアシストおよびフォーカスアシスト・レベルの設定に関する詳細は、このマニュアルの「タッチスクリーンの機能」セクションを参照してください。

### フレームガイド (FRAME GUIDE)

LCD、フロントSDI、メインSDIメニューで「フレームガイド」スイッチをタップすると、これらの出力でフレームガイドを使用できます。フレームガイドおよびガイドの選択に関する詳細は、このマニュアルの「タッチスクリーンの機能」セクションを参照してください。

### グリッド (GRID)

LCD、フロントSDI、メインSDIメニューで「グリッド」スイッチをタップすると、これらの出力で3x3グリッドを使用できます。3x3グリッドに関する詳細は、このマニュアルの「タッチスクリーンの機能」セクションを参照してください。

### セーフエリアガイド (SAFE AREA GUIDE)

LCD、フロントSDI、メインSDIメニューで「セーフエリアガイド」スイッチをタップすると、これらの出力でセーフエリアオーバーレイを使用できます。

セーフエリアガイド、セーフエリアガイドのレベル設定に関する詳細は、このマニュアルの「タッチスクリーンの機能」セクションを参照してください。

**メモ** URSA Miniの「すべて (ALL)」モニター設定の「セーフエリアガイド (SAFE AREA GUIDE)」で、セーフエリアガイドのサイズを調整できます。

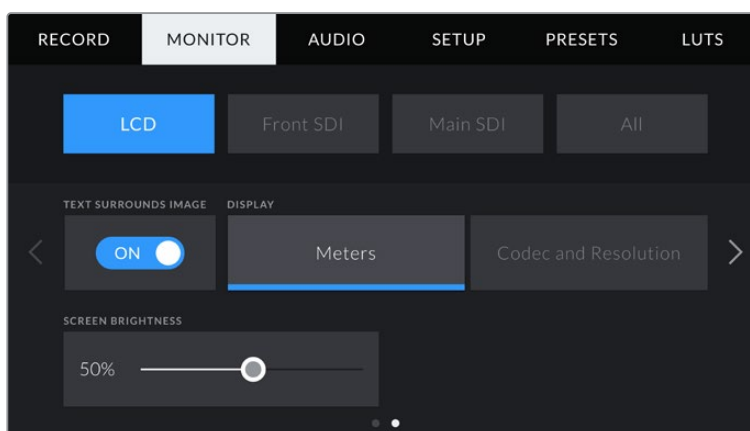
### フォルスカラー (FALSE COLOR)

LCD、フロントSDI、メインSDIメニューで「フォルスカラー」スイッチをタップすると、これらの出力でフォルスカラーの露出アシスタントを使用できます。

フォルスカラーに関する詳細は、このマニュアルの「タッチスクリーンの機能」セクションを参照してください。

## LCDモニター設定 2

URSA Miniの「モニター (MONITOR)」タブの「LCD」設定の2ページ目には、LCDタッチスクリーン独自の設定が含まれます。



### イメージの周辺テキスト (TEXT SURROUNDS IMAGE)

この設定はURSA Mini 4KおよびURSA Mini 4.6Kモデルのみで使用可能です。「LCD」メニューで「イメージの周辺テキスト」スイッチをタップすると、LCDタッチスクリーンのイメージが75%にスケールダウンします。上部および底部のステータスインジケータと切り離された形で、LCDタッチスクリーンの中央にイメージが表示されるので、ステータステキストをスクリーンに表示させたままでもURSA Miniのプレビューイメージが隠れることなく確認できます



「イメージの周辺テキスト」では、ステータステキストを表示させたまま、URSA Mini EFまたはPLのプレビューイメージが隠れることなく表示されるため、フレーミングに最適

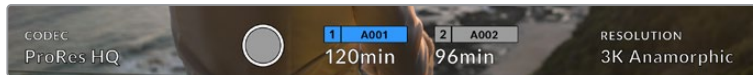
### ステータステキスト (STATUS TEXT)

URSA Mini Proのみで使用できる設定です。LCDのヘッドアップディスプレイでステータステキストやメーターを非表示にし、ショットの構成に必要な情報のみを使用したい場合に役立ちます。「ステータステキスト」スイッチをタップして、URSA Mini ProのLCDタッチスクリーンのステータステキストとメーターの表示を切り替えます。フレームガイド、グリッド、フォーカスアシスト、ゼブラなどのオーバーレイ表示を有効にしている場合、これらのオーバーレイは残ります。URSA Mini ProのLCDタッチスクリーンで上または下にスワイプすると同じ効果があります。

## ディスプレイ (DISPLAY)

URSA Miniは、ヒストグラムとオーディオメーターの代わりに、コーデックおよび解像度情報をLCDタッチスクリーンの左下と右下に表示できます。露出の調整にフォルスカラーを使用する場合やオーディオを別に収録している場合など、これらのスペースにヒストグラムとオーディオメーターの代わりに他の情報を表示したい時にこの機能が役立ちます。

LCDメニューで「メーター (Meters)」または「コーデックと解像度 (Codec and Resolution)」をタップして使用したいビューを選択します。



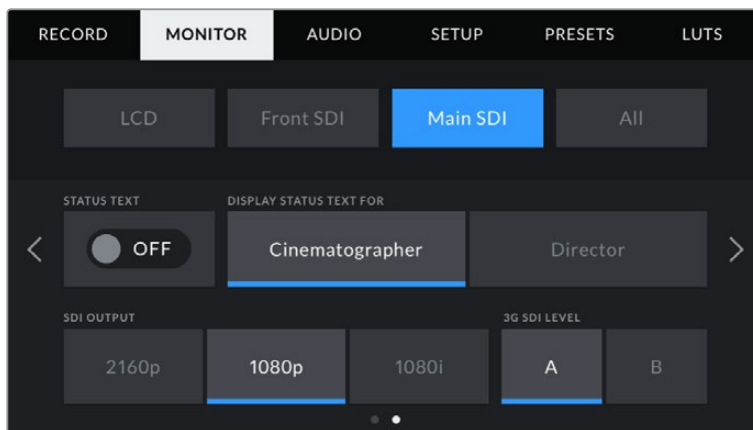
URSA Miniはヒストグラムとオーディオメーターの代わりに、コーデックおよび解像度情報を表示可能

## スクリーンの明るさ (SCREEN BRIGHTNESS)

LCDメニューでスクリーンの明るさ調整スライダを左右にドラッグして、URSA MiniのLCDタッチスクリーンの明るさを調整できます。

## フロントSDIおよびメインSDIのモニター設定 2

URSA Miniの「モニター (MONITOR)」タブの「フロントSDI」および「メインSDI」設定の2ページ目には、フロントおよびメインSDI出力独自の設定が含まれます。



3K アナモルフィックを超える解像度で撮影の際、解像度2160pおよび1080pはメインSDI出力で常に使用できます。50、59.94または60fpsで撮影の際、1080iはカメラのメインまたはフロントSDI出力でのみ使用できます。「3G-SDIレベル (3G SDI LEVEL)」は、URSA Mini Pro 4.6K G2のみに搭載

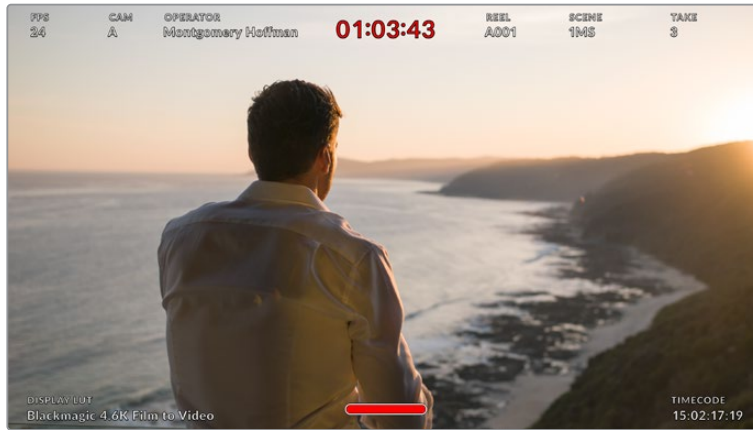
## ステータステキスト (STATUS TEXT)

フロント/メインSDI出力でステータステキストやメーターを隠して、ショットの構成に必要な情報のみを使用したい場合に役立ちます。「モニター (MONITOR)」メニューの「フロントSDI (Front SDI)」または「メインSDI (Main SDI)」で「ステータステキスト」スイッチをタップして、ステータステキストとメーターの表示を切り替えます。フレームガイド、グリッド、フォーカスアシスト、ゼブラなどのオーバーレイ表示を有効にしている場合、これらのオーバーレイは残ります。

URSA MiniのLCDタッチスクリーンで上あるいは下にスワイプすると同じ効果があります。

## 撮影監督/監督用ステータステキスト (DISPLAY STATUS TEXT FOR)

URSA MiniのLCDタッチスクリーンは、ISO、ホワイトバランス、アパーチャーなど、カメラオペレーターや撮影監督がカメラで個別のショットをセットアップする際に役立つ情報を表示します。しかし、URSA Miniのフロント/メインSDI出力は、監督や、複数のショットやカメラの記録を取っているスクリプターにとって役立つ情報も表示します。



URSA Miniはフロント/メインSDI出力に監督用のステータステキストを表示可能

URSA Miniの「モニター (MONITOR)」メニューの「フロントSDI (Front SDI)」または「メインSDI (Main SDI)」でステータステキストを「監督 (DIRECTOR)」に設定すると、該当出力のステータステキストが以下の情報を表示します。

### FPS

現在カメラで選択されているフレーム/秒を表示します。オフスピードフレームレートが無効になっている場合、プロジェクトフレームレートのみを表示します。オフスピードフレームレートを使用している場合、プロジェクトフレームレートの後にセンサーフレームレートが表示されます。

### カメラ (CAM)

URSA Miniのスレートで設定されたカメラインデックスを表示します。詳細は、このマニュアルで後述される「スレート」セクションを参照してください。

### オペレーター (OPERATOR)

URSA Miniのスレートで設定されたカメラオペレーターを表示します。詳細は、このマニュアルで後述される「スレート」セクションを参照してください。

### 継続時間表示 (DURATION DISPLAY)

現在収録中のクリップ、または最後に撮影されたクリップの継続時間を「時間:分:秒」で表示します。

### リール (REEL)、シーン (SCENE)、テイク (TAKE)

現在のリール、シーン、テイクを表示します。リール、シーン、テイク、およびラベルの定義に関する詳細は、このマニュアルの「スレート」セクションを参照してください。

### ダイナミックレンジ (DYNAMIC RANGE)

出力にLUTを適用している場合、モニターの左下にURSA Miniが現在適用しているLUTが表示されます。LUTを適用していない場合、「Film」または「Video」ダイナミックレンジが表示されます。

### タイムコード (TIMECODE)

モニターの右下にURSA Miniのタイムコードが「時間:分:秒:フレーム」で表示されます。

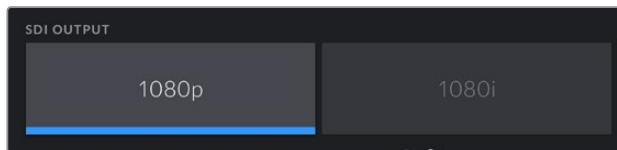
## SDI出力 (SDI OUTPUT)

両方の出力でプログレッシブ/インターレースHD出力を選択でき、URSA MiniのメインSDI出力ではプログレッシブUltra HDのオプションもあります。

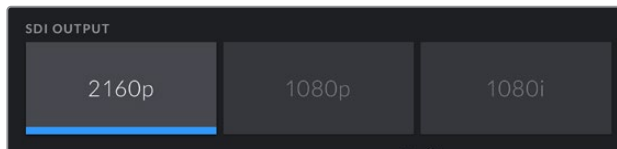
使用できるオプションは、カメラの解像度およびフレームレート設定により変わります。

プログレッシブHD (1080p) は、収録解像度やフレームレートに関わらず常に使用できますが、インターレースHD (1080i) はプロジェクトフレームレートが50、59.94、60に設定されている場合にのみ使用できます。

Ultra HD SDI出力 (2160p) は、URSA MiniのメインSDIでUltra HD解像度で撮影している場合にのみ使用できます。



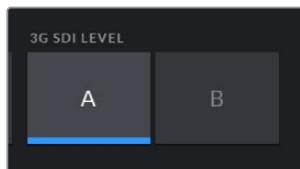
SDI出力 - フロントSDI



SDI出力 - メインSDI

## 3G-SDI Level A/B

URSA Mini Proは3G-SDI出力規格を変更できるため、Level AまたはLevel Bの3G-SDIビデオのみを受信する機器との互換性を保てます。このオプションは、50fps、59.94fps、60fpsのいずれかで稼働しており、1080pで出力している際にのみ表示されます。AまたはBをタップして選択します。

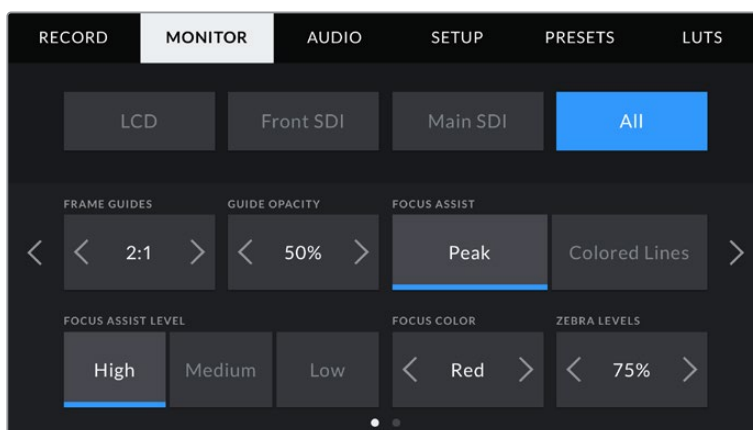


URSA Mini Pro 4.6K G2では、3G-SDI出力の規格をLevel AまたはLevel Bから選択可能

## すべてのモニター設定 1

URSA Miniの全出力に影響を与えるモニター設定は、「すべて (All)」メニューに分類されます。例えば、このメニューで「セーフエリアガイド (SAFE AREA GUIDE)」を90%に設定すると、カメラのLCD、フロントSDI、メインSDI出力のすべてのセーフエリアガイドが90%に設定されます。

「すべて (All)」設定は2ページあります。URSA Miniの「モニター (MONITOR)」タブの「すべて (All)」の1ページ目には以下の設定が含まれます。



### フレームガイド (FRAME GUIDES)

「フレームガイド」メニュー設定の左右の矢印をタップして、Blackmagic URSA Viewfinderなどの電子ビューファインダーを含むURSA Miniの全出力で、フレームガイドオプションを切り替えます。オプションに関する詳細は、このマニュアルの「タッチスクリーンの機能」セクションを参照してください。また、LCDタッチスクリーンのヘッドアップディスプレイに表示されるLCDモニタリングメニューからもアクセス可能です。「モニター (MONITOR)」メニューのLCDタッチスクリーン、フロントSDI、メインSDI出力で、フレームガイドの表示/非表示を個別に選択することもできます。

### ガイド不透明度 (GUIDE OPACITY)

「ガイド不透明度」メニュー設定の左右の矢印をタップして、LCDタッチスクリーン、フロントSDI、メインSDI出力でフレームガイドによりブロックされたエリアの不透明度を選択できます。オプションは25%、50%、75%、100%です。

### フォーカスアシスト (FOCUS ASSIST)

URSA Miniカメラには「ピーク (Peak)」と「カラーライン (Colored Lines)」の2つのフォーカスアシストモードがあります。

#### ピーク (Peak)

ピークスタイルのフォーカスアシストを選択している場合、ショットのフォーカスが合っているエリアはLCDスクリーンおよびSDI出力で非常にシャープになりますが、収録されたイメージには適用されません。ショット内でフォーカスが合っている部分が、スクリーン上のソフトなバックグラウンドにくっきり浮き出て見えます。追加のオーバーレイが使用されないため、非常に直感的な方法でフォーカスを確認できます。フォーカスする被写体がショット内の他のエレメントから物理的に離れている場合に特に役立ちます。

#### カラーライン (Colored Lines)

カラーラインスタイルのフォーカスアシストを選択している場合、フォーカスが合っている部分の周囲にカラーラインが表示されます。イメージ上に線が表示されるため、ピークスタイルのフォーカスアシストと比べて目立ちますが、画面上に多くのエレメントが存在する場合などに正確なフォーカスを得る助けになります。

### フォーカスアシスト・レベル (FOCUS ASSIST LEVEL)

LCDタッチスクリーン、フロントSDI、メインSDIのフォーカスアシストのレベルを設定するには、「低 (Low)」、「中 (Medium)」、「高 (High)」のいずれかをタップします。



**メモ** フォーカスアシストのレベルを変更しても、URSA MiniのLCDタッチスクリーンやSDI出力のフォーカスアシストのオン/オフには影響しません。各出力のフォーカスアシストをオンにするには、「モニター (MONITOR)」メニューのLCD、フロントSDI、メインSDIで個別に設定を切り替える必要があります。

**作業のこつ** フォーカスアシストの最適なレベルは、ショットごとに異なります。例えば、人物にフォーカスを合わせる場合は、フォーカスアシストのレベルを上げることで顔のエッジのディテールを際立たせることができます。逆に草木やレンガなどのショットでは、フォーカスアシストを高く設定するとディテールが増えすぎ、イメージの邪魔になる恐れがあります。

### フォーカスカラー (FOCUS COLOR)

カラーラインスタイルのフォーカスアシストを使用している場合、フォーカスラインオーバーレイの色を変更できます。フォーカスラインの色を変更すると、イメージ内のフォーカスアシストを確認しやすくなります。オプションは「ホワイト (White)」、「レッド (Red)」、「グリーン (Green)」、「ブルー (Blue)」、「ブラック (Black)」です。

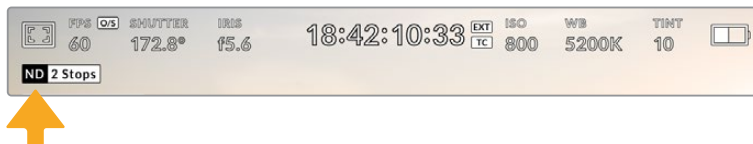
### ゼブラレベル (ZEBRA LEVELS)

横の矢印アイコンをタップして、ゼブラが表示される露出レベルを設定します。ゼブラレベルは露出75～100%間で5%ずつ調整できます。

詳細は、このマニュアルの「タッチスクリーンの機能」セクションの「ゼブラ」を参照してください。

### NDフィルターインジケータ

URSA Mini ProのNDフィルターを調整すると、「ステータステキスト (STATUS TEXT)」をオンにしている場合、LCDタッチスクリーンの左上とSDI出力に、NDフィルターインジケータが表示されます。NDフィルターを使用している場合、このインジケータは継続して表示されます。NDフィルターホイールをクリアの位置にすると、4秒間「Clear」と表示されます。



URSA Mini ProのNDフィルターを調整すると、NDフィルターインジケータが表示されます

**メモ** NDフィルターインジケータの名称を使い慣れた呼称に変更できます。「番号 (Number)」、「F値 (Stop)」、「分数 (Fraction)」から選択できます。この設定は、URSA Mini Proの「セットアップ (SETUP)」メニューで変更できます。

### LUTインジケータ

「ステータステキスト (STATUS TEXT)」をオンにしており、当該の出力にLUTを適用している場合、LUTアイコンが、LCD、フロントSDI、メインSDIに表示されます。

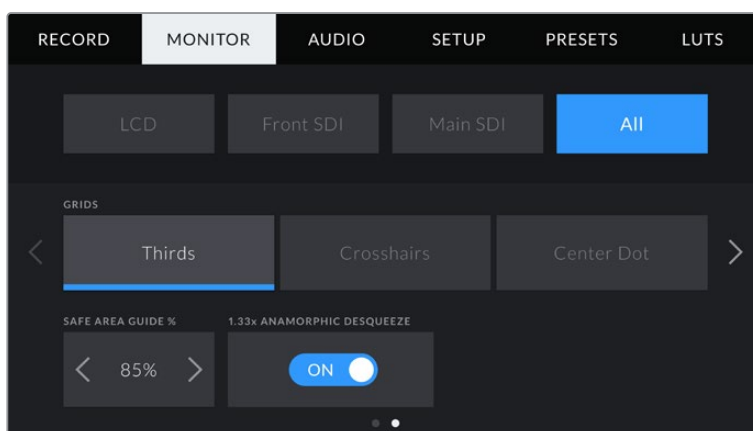


LUTアイコンでイメージにLUTが適用されていることが確認可能



## すべてのモニター設定 2

URSA Miniの「モニター (MONITOR)」タブの「すべて (All)」の2ページ目には以下の設定が含まれます：



### グリッド (GRIDS)

URSA MiniのLCDタッチスクリーン、およびフロント/メインSDI出力で表示する、グリッドおよび十字線の組み合わせを設定するには、この設定で「3x3グリッド (Thirds)」、「十字線 (Crosshairs)」、「セントダードット (Center Dot)」のいずれかをタップします。

詳細は、このマニュアルの「タッチスクリーンの機能」セクションの「グリッド」を参照してください。

### セーフエリアガイド % (SAFE AREA GUIDE %)

URSA MiniのLCDタッチスクリーンおよびフロント/メインSDI出力のセーフエリアオーバーレイのサイズを調整するには、パーセンテージ表示の左右にある矢印ボタンをタップします。このパーセンテージは、イメージフレームのセーフエリアサイズを示します。多くの放送局では90%のセーフエリアが求められます。

### アナモルフィック・デスクイーズ (ANAMORPHIC DESQUEEZE)

アナモルフィックレンズで撮影している場合、イメージはURSA Miniのプレビュー出力および収録したファイルで、水平方向にスクイーズされて表示されます。アナモルフィック・デスクイーズを有効にすることで、URSA Miniのプレビューイメージが修正され、ポストプロダクションが円滑に進むよう、使用されたデスクイーズ値がクリップメタデータに記録されます。

使用できるデスクイーズ値は、URSA Miniで設定した解像度により異なりますが、デスクイーズの結果のイメージは常にシネマワイドスクリーンの2.4:1のアスペクトレシオになります。

映画用のアナモルフィックレンズは、一般的に2xのスクイーズファクターです。URSA Miniの「3Kアナモルフィック (3K Anamorphic)」解像度は、これらのレンズ用に設計されており、アナモルフィック・デスクイーズが有効の状態、この解像度に設定されている場合、2xデスクイーズを実行します。

16:9デジタルイメージセンサー用に設計されたアナモルフィックレンズは、多くの場合、1.33xスクイーズファクターを使用して、16:9センサー全体から2.4:1のシネマワイドスクリーンのイメージを生成します。このため、URSA Miniが「4K 16:9」や「HD 16:9」などの16:9解像度に設定されている場合、デスクイーズ比は1.33:1になります。

**作業のコツ** 標準的な球面レンズで撮影したイメージが横方向に引き伸ばされて表示される場合は、「アナモルフィック・デスクイーズ (ANAMORPHIC DESQUEEZE)」をオフにしてください。

## オーディオ設定 (AUDIO)

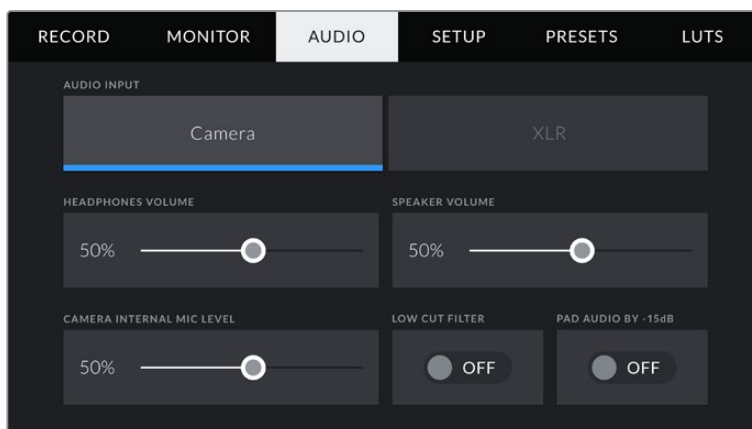
「オーディオ (AUDIO)」タブでは、URSA Miniのオーディオ入力およびモニタリング設定の調整が可能です。このメニューはURSA MiniとURSA Mini Proモデルで若干異なります。下記に、それぞれの設定を紹介します。

### オーディオ設定 – URSA Mini

URSA Miniのオーディオ設定は、「カメラ (Camera)」と「XLR」の内蔵ソースと外部ソースオーディオのオーディオ入力ソースに分かれています。XLR設定のオプションは2ページあり、LCDタッチスクリーンの端にある矢印をタップするか左右にスワイプして切り替えられます。

#### カメラオーディオ設定 (Camera)

「カメラ (Camera)」オーディオ入力を選択すると、1ページのオーディオ設定が表示されます。「カメラ」オーディオタブには、以下の設定が含まれています。



#### ヘッドホンボリューム (HEADPHONES VOLUME)

このスライダーは、URSA Miniの3.5mmヘッドフォンジャックに接続したヘッドフォンの出力レベルを調整します。オーディオスライダーを左右に動かすことで、レベルを調整できます。

#### スピーカーボリューム (SPEAKER VOLUME)

このスライダーは、URSA Miniの内蔵スピーカーの出力レベルを調整します。オーディオスライダーを左右に動かすことで、レベルを調整できます。

#### カメラ内蔵マイク (CAMERA INTERNAL MIC LEVEL)

このスライダーは、URSA Miniの内蔵マイクの収録レベルを調整します。オーディオスライダーを左右に動かすことで、レベルを調整できます。内蔵マイクは、オーディオチャンネル1と2に収録します。

#### ローカットフィルター (LOW CUT FILTER)

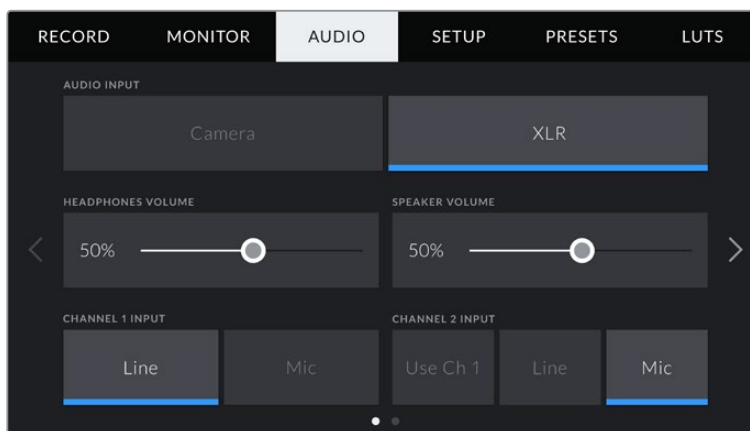
このスイッチアイコンをタップすると、カメラの内蔵マイクのローカットフィルターが有効になります。ローカットフィルターは、野外での撮影時などに発生する風騒音や低周波ランブルを軽減します。この機能を使用するには、「オーディオパッド -15dB (PAD CAM MIC -15dB)」のスイッチがオフになっている必要があります。

#### オーディオパッド -15dB (PAD AUDIO BY -15dB)

-15dBパッドのオプションは、騒がしい環境での撮影において入力レベルをすでに下げた状態で、URSA Miniの内部マイクでマイク入力ゲインレベルをさらに軽減できます。

## XLRオーディオ設定 1 (XLR)

「XLR」オーディオ入力を選択すると、2ページのオーディオ設定が表示されます。XLRオーディオタブの1ページ目には以下の設定が含まれます。



### ヘッドホンボリューム (HEADPHONES VOLUME)

このスライダーは、URSA Miniの3.5mmヘッドホンジャックに接続したヘッドホンの出力レベルを調整します。オーディオスライダーを左右に動かすことで、レベルを調整できます。

### スピーカーボリューム (SPEAKER VOLUME)

このスライダーは、URSA Miniの内蔵スピーカーの出力レベルを調整します。オーディオスライダーを左右に動かすことで、レベルを調整できます。

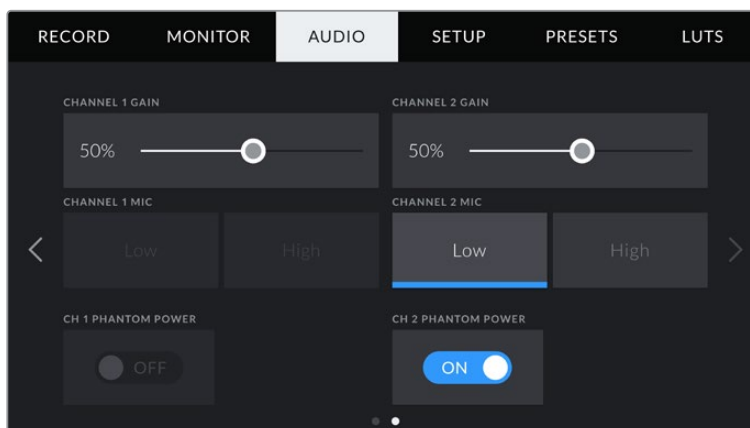
### チャンネル1/2入力 (CHANNEL 1 INPUT, CHANNEL 2 INPUT)

「ライン (Line)」または「マイク (Mic)」をタップして、チャンネル1および2の外部オーディオ入力レベルを設定します。これらのチャンネルは、48Vファンタム電源対応のライン/マイクレベルオーディオに対応しています。オーディオ信号を適切なレベルに設定することは非常に重要です。チャンネル1と2は、個別に設定できます。

チャンネル1の外部オーディオをチャンネル1と2で収録したい場合、チャンネル2でチャンネル1の入力を使用できるオプションも搭載されています。

## XLRオーディオ設定 2 (XLR)

XLRオーディオタブの2ページ目には以下の設定が含まれます。



### チャンネル1/2ゲイン (CHANNEL 1 GAIN, CHANNEL 2 GAIN)

このスライダーを左右に動かして、各チャンネルのオーディオレベルを調整します。

### チャンネル1/2マイク (CHANNEL 1 MIC, CHANNEL 2 MIC)

マイクオプションは、前置増幅レベルを「低 (Low)」または「高 (High)」に設定することで、外付けマイクの入力ゲインレベルをコントロールできます。「低 (Low)」設定は、騒々しい環境で入力レベルを下げている場合に役立ちます。

### チャンネル1/2ファンタム電源 (CH 1 PHANTOM POWER, CH 2 PHANTOM POWER)

URSA MiniのXLR入力は48Vファンタム電源に対応しているため、電源を内蔵していないマイクも使用できます。カメラが「XLR」オーディオ入力に設定されている場合、「ファンタム電源 (PHANTOM POWER)」スイッチをタップしてファンタム電源を有効にします。

**メモ** XLRケーブルはファンタム電源をオンにする前に接続してください。ファンタム電源を使ったマイクを接続していない場合は必ずファンタム電源をオフにすることが重要です。ファンタム電源モードを使用中にファンタム電源を必要としないデバイスを接続すると、カメラが電源供給の出力を続けるので機器の破損の原因となります。URSA Miniでファンタム電源をオフにした後は、放電に少し時間がかかります。他のマイクやXLRオーディオ機器を接続する場合は、ファンタム電源をオフにしてから必ず数分待ち、その後に接続してください。

## オーディオ設定 - URSA Mini Pro

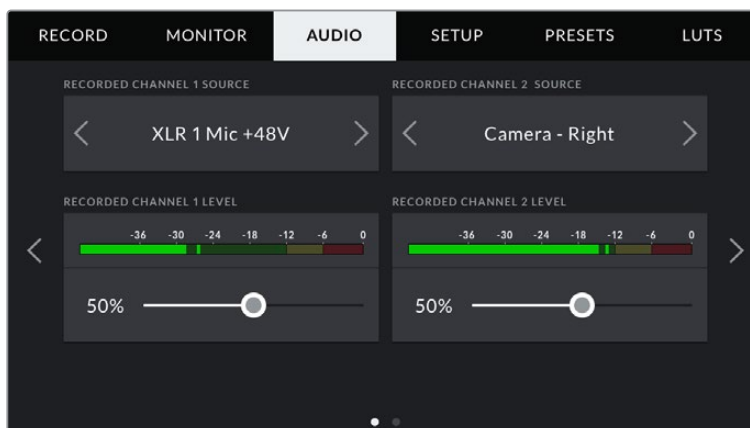
URSA Mini Proのオーディオ設定は2ページに分かれています。現在はチャンネル1と2の設定が可能ですが、今後のソフトウェアアップデートで、さらに2つのチャンネルを追加予定です。

各オーディオは異なるソースにマッピングできます。また、パディングやローカットフィルターなどの様々な設定を調整できます。

これらの設定は、URSA Mini Proの内部コントロールパネルのスイッチと併せて使用するため、オーディオソースを特定のチャンネルに設定した後、内部コントロールパネルのスイッチで信号の種類やファンタム電源の有効化が行えます。

### オーディオ設定 1

URSA Mini Proの「オーディオ (AUDIO)」タブの1ページ目には以下の設定が含まれます。



## チャンネルソース

「収録チャンネルソース1 (RECORDED CHANNEL 1 SOURCE)」および「収録チャンネルソース2 (RECORDED CHANNEL 2 SOURCE)」ボタンを使用して、各オーディオチャンネルのオーディオソースを選択します。オプションは以下の通りです：

### カメラ左/右 (Camera - Left/Right)

カメラの内蔵マイクで収録を行います。

### カメラモノ (Camera - Mono)

URSA Mini Proの内蔵マイクの左右のチャンネルを単一のオーディオチャンネルに収録します。

### XLR 1/2

カメラのXLR入力を収録します。URSA Mini Proの内部コントロールパネルのスイッチで設定しているオーディオ信号に応じて、XLR入力は「マイク (Mic)」、「ライン (Line)」、「AES」のいずれかで表示されます。ファンタム電源がオンになっていてXLR入力を「マイク」に設定している場合、ここに「+48V」と表示されます。URSA Mini Proでは、ファンタム電源マイクが接続されていない場合、48Vスイッチを必ずオフにしてください。

### XLR1/2 バックアップ - マイク (XLR 1/2 - Mic Backup)

URSA Mini ProのXLR 1または2入力に接続されているマイクで、通常の「マイク (Mic)」収録より低いレベルで収録します。この設定は、予期せず音量が上がった際のオーディオクリッピングを防ぐためにも使用できます。この機能は、XLR 1または2入力スイッチが「MIC」に設定されている場合のみ選択可能です。

### なし (None)

オーディオチャンネルを無効化します。

## 収録チャンネル1/2レベル (RECORDED CHANNEL 1/2 LEVEL)

チャンネル1および2のソースの収録レベルは、このスライダーを使用して調整できます。各スライダーにはオーディオメーターがついているので、オーディオレベルを的確に設定するのに役立ちます。エルゴノミクスパネルにあるオーディオノブでオーディオを調整すると、これらのレベルも同時に調整されます。

最適な音質を実現するには、オーディオレベルが0dBFSを越えないようにしてください。0dBFSはカメラが収録可能な最高のレベルなので、これを超えるオーディオはクリップされ、歪みの原因となります。

## オーディオ設定 2

URSA Mini Proの「オーディオ (AUDIO)」タブの2ページ目には以下の設定が含まれます。



URSA Mini Pro 12KとURSA Mini Pro G1の「オーディオメーター (AUDIO METERS)」設定

### ヘッドフォンボリューム (HEADPHONES VOLUME)

このスライダーは、URSA Miniの3.5mmヘッドフォンジャックに接続したヘッドフォンの出力レベルを調整します。オーディオスライダーを左右に動かすことで、レベルを調整できます。エルゴノミクス・コントロールパネルにあるオーディオノブでヘッドフォンレベルを調整すると、これらのレベルも同時に調整されます。

### スピーカーボリューム (SPEAKER VOLUME)

このスライダーは、URSA Miniの内蔵スピーカーの出力レベルを調整します。オーディオスライダーを左右に動かすことで、レベルを調整できます。前方コントロールパネルにある設定ホイールでスピーカーの音量を調整すると、これらのレベルも同時に調整されます。

### パッドXLR1/2 -20dB (PAD XLR 1/2 -20dB)

-20dBパッドのオプションは、騒がしい環境での撮影において入力レベルをすでに下げた状態で、URSA MiniのXLRオーディオ入力が入力ゲインレベルをさらに軽減できます。

### パッド カメラマイク -15dB (PAD CAM MIC -15dB)

-15dBパッドのオプションは、騒がしい環境での撮影において入力レベルをすでに下げた状態で、URSA Miniの内部マイクでマイク入力ゲインレベルをさらに軽減できます。

### マイク・ローカットフィルター (CAM MIC LOW CUT FILTER)

このスイッチアイコンをタップすると、カメラの内蔵マイクのローカットフィルターが有効になります。ローカットフィルターは、野外での撮影時などに発生する風騒音や低周波ランブルを軽減します。この機能を使用するには「パッド カメラマイク -15dB (PAD CAM MIC -15dB)」のスイッチをオフにする必要があります。

### オーディオメーター (AUDIO METERS)

ピークレベルメーター用の「オーディオメーター (AUDIO METERS)」の規格を選択します。

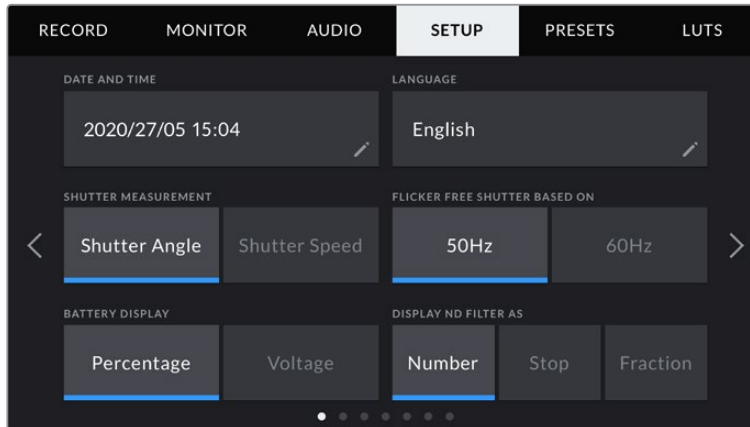
オーディオメーター設定	規格
PPM (-20 dBFS)	SMPTE RP.0155
PPM (-18 dBFS)	EBU R.68

## セットアップ設定 (SETUP)

「セットアップ (SETUP)」タブには、URSA Miniの識別設定、ソフトウェアバージョン、機能ボタン設定、収録やモニタリングと直接リンクしないその他のカメラ設定が含まれます。LCDタッチスクリーンの端にある矢印をタップするか、左右にスワイプして、「セットアップ (SETUP)」タブのページを切り替えられます。

**メモ** URSA Miniの「セットアップ (SETUP)」タブの各ページの設定や機能のレイアウトは、URSA Miniのモデルによって、以下に表示されているものとは若干異なります。例えば、URSA Mini Pro 4.6K G2のページ数は5ページですが、URSA Mini Pro 12Kは7ページあります。

URSA Miniの「セットアップ (SETUP)」タブには以下の設定が含まれます。



URSA Mini Pro 12K、URSA Mini Pro 4.6K G2、URSA Mini Pro 4.6Kの「セットアップ (SETUP)」タブの1ページ目には「NDフィルター表示 (DISPLAY ND FILTER AS)」オプションがあります。URSA Mini 4.6KおよびURSA Mini 4Kは内蔵NDフィルターを搭載していないため、このオプションは使用できません。

### 日付と時刻 (DATE AND TIME)

URSA Miniの日付と時刻を設定します。日付フォーマットは、年、月、日で、時刻フォーマットは24時間です。外部タイムコードソースが接続されていない場合、URSA Miniの日付および時刻は時刻タイムコードにも使用されます。

### 言語 (LANGUAGE)

現在URSA Mini Pro 4.6K G2、URSA Mini 4.6K、URSA Mini 4Kでは、英語のみをサポートしています。

URSA Mini Pro 12KおよびURSA Mini Pro 4.6K G1は、日本語、英語、中国語、韓国語、スペイン語、ドイツ語、フランス語、ロシア語、イタリア語、ポルトガル語、トルコ語に対応しています。

言語の選択ページは、初めて起動する際にも表示されます。

#### 言語を選択する：

- 1 「言語 (LANGUAGE)」をタップして、リストから任意の言語を選択します。
- 2 「アップデート (Update)」を押して、「セットアップ (SETUP)」メニューに戻ります。



### シャッター表示 (SHUTTER MEASUREMENT)

URSA Mini 4.6KおよびURSA Mini Proでは、この設定でシャッター情報の表示方法を「アングル (Shutter Angle)」と「スピード (Shutter Speed)」で切り替えられます。

シャッターアングルを使用する場合、シャッターはフレームレートに連動します。例えば、180°は使用しているフレームレートに関わらず同じモーションブラーを生み出します。



しかし、シャッタースピードを使用する場合、シャッターはフレームレートとは別の絶対値が使われるため、フレームレートを変更すると得られる結果が変わります。

例えば、24fpsでの撮影では、シャッタースピードを1/48秒にすると、180°のシャッターアングルと同等の適度なモーションブラーが得られます。48fpsに変更すると、1/48秒のシャッタースピードでは24fpsと同じモーションブラーは得られず、360°のシャッターアングルと同等の効果になります。この例では、フレームレートを48fpsに変更する場合、180°のシャッターアングルと同等の効果を得るためにはシャッタースピードを1/96秒に変更する必要があります。

### フリッカーの生じないシャッター (FLICKER FREE SHUTTER BASED ON)

URSA Miniが使用する主電源周波数を変更し、フリッカーの生じないシャッター設定を計算します。

照明の下で撮影する際は、シャッターが原因でフリッカーが生じる場合があります。URSA Miniは、現在のフレームレートでフリッカーの生じないシャッターの値を自動的に計算し、ヘッドアップディスプレイで最大3つのシャッターの値の選択肢を表示します。シャッターの値は、照明に使う主電源の周波数により影響を受けます。PALを採用している国の多くでは50Hz、NTSCを採用している国では一般的に60Hzが使用されています。「50Hz」または「60Hz」をタップして、撮影を行なっている地域に適した周波数を設定します。

**メモ** フリッカーの生じないシャッターの値を使用しているにも関わらず、様々な照明の特性によりフリッカーが生じてしまう場合があります。連続光を使用していない場合は、常にテスト撮影を行うことをお勧めします。

### バッテリー表示 (BATTERY DISPLAY)

URSA Miniは、バッテリーレベルインジケータのバッテリー残量表示を変更できます。設定には「パーセンテージ (Percentage)」と「ボルテージ (Voltage)」があります。正確なパーセンテージに対応したバッテリーおよびプレートを使用しており、「バッテリー表示 (BATTERY DISPLAY)」が「パーセンテージ」に設定されている場合、バッテリーレベルをパーセンテージで表示します。

**作業のこつ** バッテリー残量のパーセンテージ表記に対応するバッテリーのリストは、このマニュアルの「バッテリーのマウント」セクションに記載されています。

正確なパーセンテージを認識できないプレートとバッテリーを使用している場合、ディスプレイには4本のバーが表示され、バッテリー残量の減少に伴いバーが空になります。

この設定が「ボルテージ」に設定されている場合、バッテリーレベルは電圧で表示されます。電圧が12Vに近づいたらバッテリーを交換することをお勧めします。

**作業のこつ** バッテリーインジケータの「ボルテージ (Voltage)」と「パーセンテージ (Percentage)」表示は、LCDタッチスクリーンの電源アイコンをタップして切り替えられます。

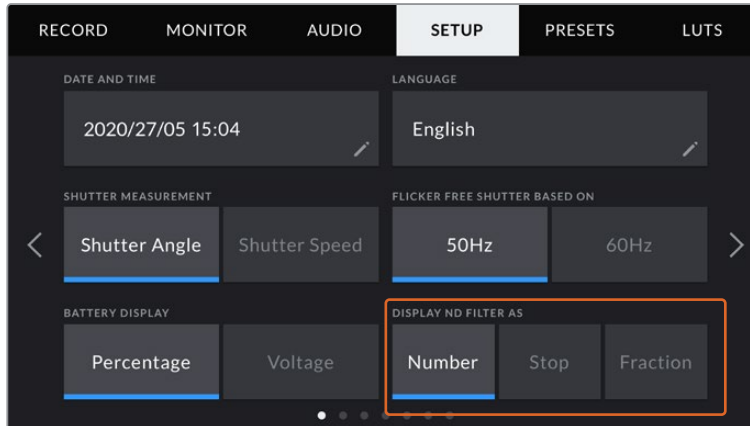
### タイムコードドロップフレーム (TIMECODE DROP FRAME)

29.97および59.94のNTSCプロジェクトフレームレートを使用している場合、このオプションでドロップフレームタイムコードを有効にします。ドロップフレームタイムコードは、特定の間隔で少数のフレームをタイムコードからドロップします。これにより、1秒間にNTSCフレームレートで全フレームが含まれていなくても、プロジェクトのタイムコードの正確性が保たれます。

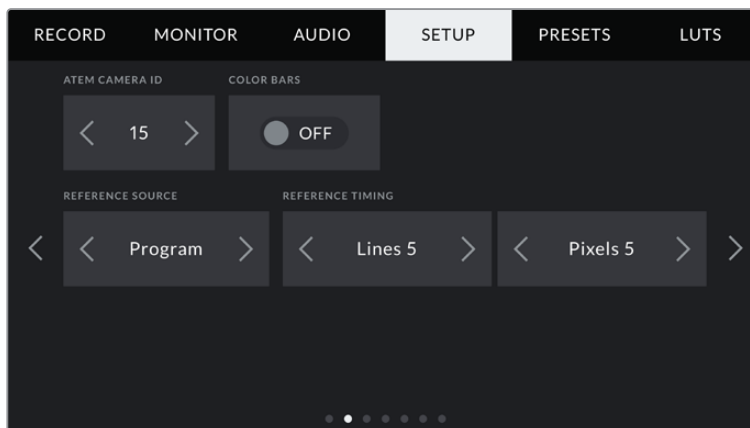


## NDフィルター表示 (DISPLAY ND FILTER AS)

URSA Mini ProのNDフィルターインジケータでのNDフィルター設定の表示方法を変更できます。カメラの使用慣例によって設定を変更できます。一般的に、撮影監督はND番号による表示を使用します。DSLRや放送用カメラのユーザーはF値、または光量の割合での表示を使用する場合があります。画面上では、それぞれ「番号 (NUMBER)」、「F値 (STOP)」、「分数 (FRACTION)」と表示されます。



URSA Mini Proの「セットアップ (SETUP)」メニューのオプションで、内蔵NDフィルター情報の表示方法をカスタマイズ可能



プログラムオーディオ (PROGRAM AUDIO) の設定はURSA Mini Proのみに搭載されています。

## ATEMカメラID (ATEM CAMERA ID)

URSA MiniをATEMスイッチャーと併せて使用し、スイッチャーからのタリー信号をカメラで受信したい場合は、カメラでカメラ番号を設定する必要があります。これにより、スイッチャーから適切なカメラにタリー信号を送信できます。カメラ番号は左右の矢印ボタンをタップして、1-99に設定できます。デフォルト設定は1です。

## カラーバー (COLOR BARS)

プレビューイメージの代わりにカラーバーを出力する機能は、URSA Miniをスイッチャーや外部モニターに接続している場合に便利です。URSA Miniのカラーバーにより、スイッチャーやモニターで接続を確認でき、カラーバーの色に基づいて基本的なモニターのキャリブレーションを実行できます。LCDタッチスクリーンを含むURSA Miniの全出力でカラーバーをオンにするには、「カラーバー (COLOR BARS)」スイッチアイコンをタップします。

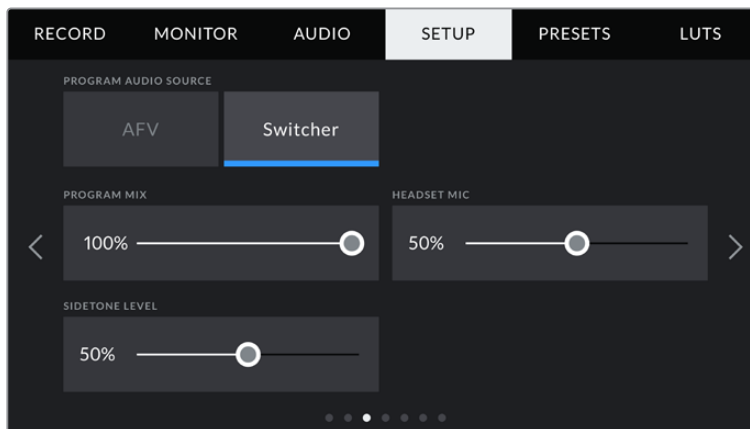
## リファレンスソース (REFERENCE SOURCE)

リファレンスソースの選択に使用します。URSA Miniは、内部/外部リファレンスソース、またはATEMスイッチャーからのプログラム入力のリファレンス信号にロックできます。URSA MiniをATEMスイッチャーのカメラコントロール機能と使用している場合、リファレンスソースは常に「プログラム (Program)」に設定してください。しかし、スイッチャーおよび接続されているすべてのカメラが外部リファレンスを使用している場合を除きます。

**メモ** URSA Miniのリファレンスソースを設定する際に、リファレンスソースの切り替えを行うとカメラ出力が一瞬途切れることがあります。これは、カメラが外部ソースとマッチするようにリファレンスのタイミングを調整することで発生します。こういった理由から、この設定の変更はセッティング時のみに行うようにし、制作中には行わないことが重要です。

## リファレンスタイミング (REFERENCE TIMING)

リファレンスタイミングを、ライン/ピクセルベースでマニュアル調整できます。「ライン (Lines)」と「ピクセル (Pixels)」設定の横にある矢印アイコンをタップして調整します。



URSA Mini Pro 4.6K G2では、HFR (高フレームレート) ボタンを他の機能にマッピング可能

## プログラムオーディオソース (PROGRAM AUDIO SOURCE)

URSA Mini Proのみで使用できる設定です。スイッチャーに接続されている場合、この設定をオンにするとヘッドフォンやヘッドセットを使用したモニタリングで、トークバックとミックスする入力ソースにプログラムリターンオーディオが優先されます。これは、カメラからオーディオをスイッチャーに送信していない状態で、スイッチャーからのプログラムフィードを「SDI IN」ポートを介して聞きたい場合に便利な機能です。「プログラムオーディオ (PROGRAM AUDIO)」をオフにすると、カメラの内部マイクまたは「AUDIO IN」XLRポートからのオーディオが優先されます。これはデフォルトの設定です。

## プログラムミックス (PROGRAM MIX)

カメラ・サウンドとトークバック・サウンドのバランスを変更します。ヘッドフォンは、LCDに表示されている映像のオーディオを出力します。例えば、カメラの映像を表示している場合は、そのカメラのオーディオを聞くことができます。プログラム映像を表示している場合は、プログラム映像のオーディオを聞くことができます。デフォルト設定は100%です。

## ヘッドセットマイク (HEADSET MIC)

ボリュームスライダーを左右に動かすことで、オーディオマイクの入力レベルを調整できます。デフォルト設定は50%です。

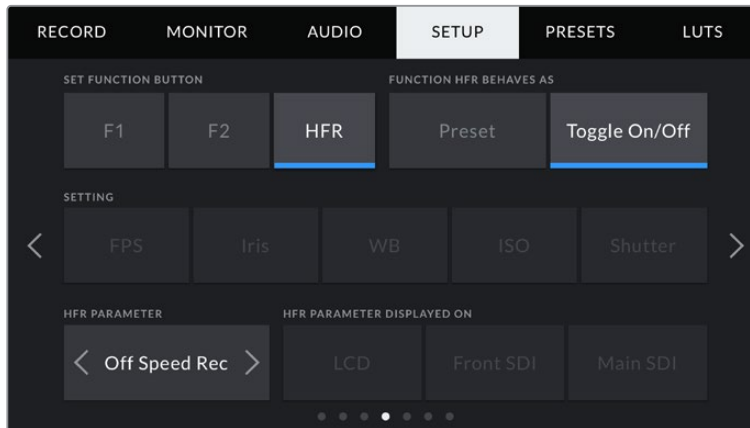
## サイドトーンレベル (SIDETONE LEVEL)

このスライダーで、ヘッドセットマイクの自分の声の音量を調整できます。

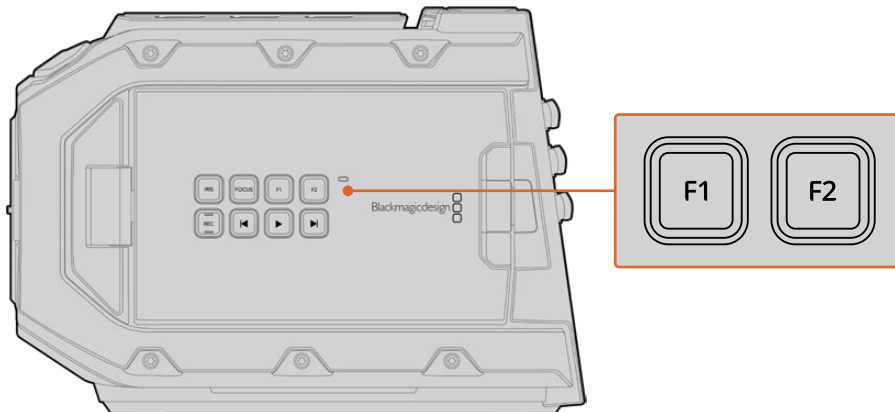
## 機能ボタン設定 (SET FUNCTION BUTTON)

URSA MiniのLCDタッチスクリーンの外側に「F1」と「F2」の2つの機能ボタンがあります。これらのボタンは、頻繁に使用する機能にすばやくアクセスできるようにマッピングでき、URSA Viewfinderを使用しており、LCDタッチスクリーンを閉じて使用する場合などに便利です。

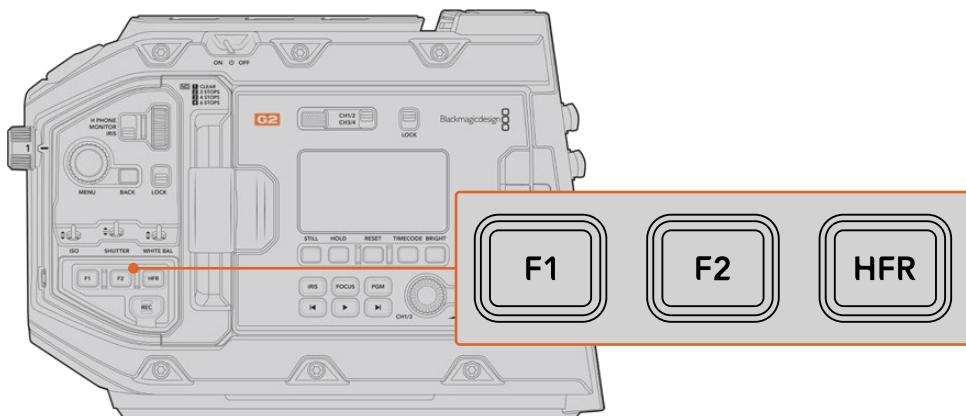
URSA Mini Pro 12K、URSA Mini Pro 4.6K G2、URSA Mini Pro 4.6Kでは、HFR (高フレームレート) ボタンに他の機能をマッピングしたり、無効にできます。HFRボタンのデフォルト設定は、「オフスピード収録 (Off Speed Rec)」です。



URSA Mini Pro 12K、URSA Mini Pro 4.6K G2、URSA Mini Pro 4.6Kでは、HFR (高フレームレート) ボタンに他の機能をマッピング可能



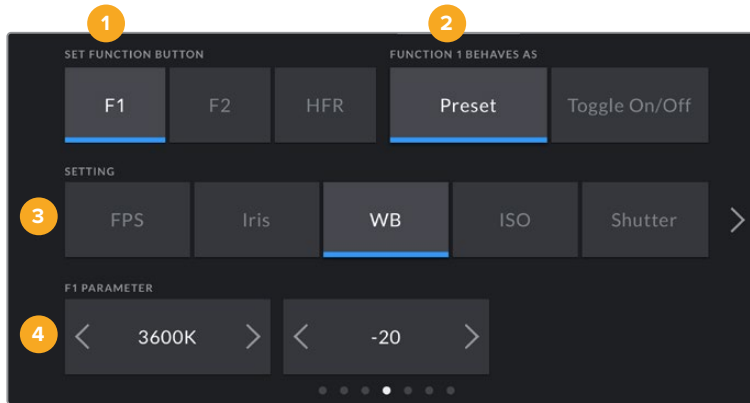
URSA MiniのF1およびF2ボタンは、LCDタッチスクリーンの外側にあります。



URSA Mini Pro 12K、URSA Mini Pro 4.6K G2、URSA Mini Pro 4.6K、URSA Mini 4.6Kでは、F1、F2、HFR (高フレームレート) ボタンの機能をカスタマイズまたは無効にできます。

**作業のこつ** レンズコネクターでB4レンズをURSA Mini Pro G1に装着している場合、「VTR」と「RET」ボタンを機能ボタンとして設定でき、「F1」、「F2」、「HFR」ボタンと同様に、プリセットや機能の切り替えを割り当てられます。

これらのボタンを設定するには、まず機能ボタンを選択し、挙動、設定、パラメーターを選択します。



1 ボタン 2 挙動 3 設定 4 パラメーター

### ボタンの挙動 (FUNCTION BEHAVES AS)

マッピングする機能ボタンを選択した後、その挙動を選択します。URSA Mini Pro 12K、URSA Mini Pro 4.6K G2、URSA Mini Pro 4.6K、URSA Mini 4.6Kでは、HFR (高フレームレート) ボタンに他の挙動をマッピングできます。

選択できるオプション：

#### プリセット (Preset)

この挙動に設定すると、機能ボタンを押した際に設定とパラメーターの組み合わせを呼び出します。

プリセットを設定するには、「設定 (SETTING)」メニューで選択を行い、「パラメーター (PARAMETER)」メニューの横にある矢印アイコンをタップして調整します。

例えば、F1ボタンをf8のプリセットアパーチャーの呼び出しに設定する場合、「プリセット (Preset)」を選択して「アイリス (Iris)」設定をタップし、パラメーターメニューの横の矢印をf8になるまでタップします。プリセットをもう1度タップするとカメラが前の設定に戻ります。

#### アップ/ダウン (Up/Down)

この挙動に設定すると、機能ボタンを押した際に特定の設定が上下します。

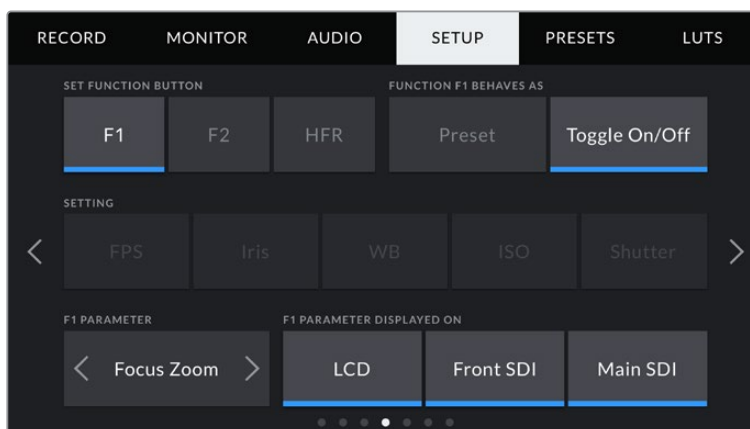
例えば、F1をレンズアパーチャーの増加に、F2を減少に設定できます。F1ボタンを選択し、「アップ/ダウン (Up/Down)」機能を選択してパラメーターを「アップ (Up)」に設定します。F2ボタンでも同様に設定し、パラメーターは「ダウン (Down)」を選択します。

#### トグル オン/オフ (Toggle On/Off)

この挙動に設定すると、機能ボタンを押した際に特定の設定のオン/オフが切り替わります。このモードでは「設定 (SETTING)」メニューはグレーアウトします。「パラメーター (PARAMETER)」メニューで左右の矢印ボタンをタップし、使用可能なオプションをスクロールできます。オプションは以下になります。「オフスピード収録 (Off Speed Recording)」、「カラーバー (Color Bars)」、「PTT (Push To Talk)」、「クリーンフィード (Clean Feed)」、「LUT表示 (Display LUT)」、「フレームガイド (Frame Guides)」、「フォーカスアシスト (Focus Assist)」、「フォルスカラー (False Color)」、「ゼブラ (Zebra)」。URSA Mini Proシリーズでは、「なし (None)」のオプションが使用できます。

URSA Mini Pro 12Kには、「フォーカスズーム (Focus Zoom)」が含まれます。LCDで「フォーカ

ズーム」が有効になっている場合の実行方法に関しては、「フォーカスズーム」のセクションを参照してください。SDIで「フォーカスズーム」が有効になっている場合、メニューホイール (MENU) を使用してズームされている領域を動かすことができます。また、倍率はIRISホイールで調整できます。

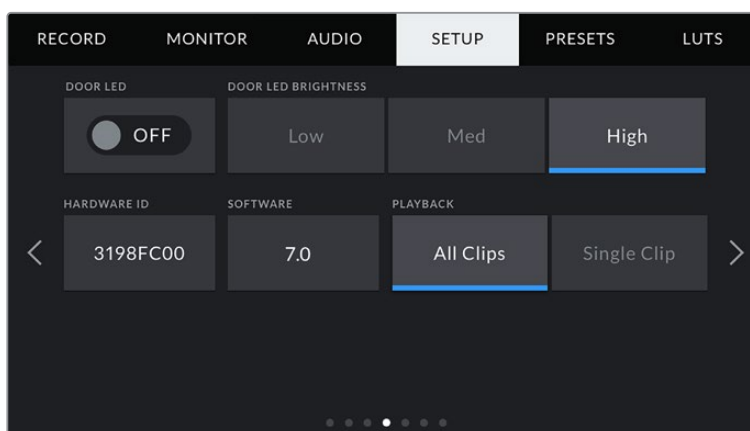


「フォーカスズーム」は、あらゆるモニタリング用出力に適用できます。重要な場面でのフォーカスを合わせる場合は、3つすべての出力に適用することで最もシャープな結果が得られます。

「トグル オン/オフ (Toggle On/Off)」では、同設定を適用する出力を選択することもできます。「LCD」、「フロントSDI (Front SDI)」、「メインSDI (Main SDI)」をタップして選択します。すべての出力に適用される「カラーバー」など、該当オプションが出力で使用できない場合は、「LCD」、「フロントSDI」、「メインSDI」の設定が無効になります。URSA Mini Proモデルでは、「なし (None)」を選択して、機能ボタンとHFR (高フレームレート) ボタンを無効にできます。

**メモ** 「フォーカスズーム」を「LCD」、「フロントSDI (Front SDI)」、「メインSDI (Main SDI)」出力すべてに適用している場合、「フロントSDI」に適用されている3D LUTまたはフォーカスアシスト設定はすべて、ズームされている際に3つの出力すべてに適用されます。フレームガイド、グリッド、セーフエリアガイドは、ズーム中には表示されません。

URSA Mini Pro 4.6K G1でB4レンズを使用している場合、「VTR」と「RET」ボタンを機能ボタンとして使用することも可能です。例えば、HyperDeckを使用して個別収録を行なっている場合、「VTR」ボタンを「PTT (プッシュ トゥ トーク)」に割り当てることが多いようです。



### ステータスLED (STATUS LED)

URSA Mini Proは、前方コントロールパネルの「録画 (REC)」ボタンの近くに小さなステータスLEDがあり、タリとステータス情報が確認できます。「ステータスLED (STATUS LED)」設定でステータスLEDのオン/オフを切り替えられます。URSA MiniのステータスLEDは、LCDタッチスクリーンの外側の「F2」ボタンの隣にあり、「セットアップ (SETUP)」タブの「ドアLED (DOOR LED)」で設定を調整します。

LEDインジケータの表示の種類には下記があります：

白	カメラの電源がオンで、スタンバイモードになっています。
赤	カメラが収録中です。ゆっくり点滅する場合、カードの容量が残り少なくなっています。早く点滅する場合、コマ落ちが発生しています。
緑	カメラが再生モードです。クリップの再生中は、緑のLEDがゆっくりと点滅します。挿入したメディアが認識されると、ステータスLEDは緑と白で3回点滅します。
オレンジ	カメラのバッテリーが少ない場合、LEDはオレンジと他のステータスカラーに点滅します。例えば、現在収録中であればLEDインジケータはオレンジと赤にゆっくり点滅します。カメラがスタンバイモードであれば、LEDは白とオレンジに点滅します。低バッテリー残量のしきい値は、正確なパーセンテージ情報の表示に対応している場合20パーセントで、対応していない場合は12.5vです。

### ステータスLEDの明るさ (STATUS LED BRIGHTNESS)

「低 (Low)」、「中 (Medium)」、「高 (High)」のいずれかをタップして、ステータスLEDの明るさを設定します。

### ハードウェアID (HARDWARE ID)

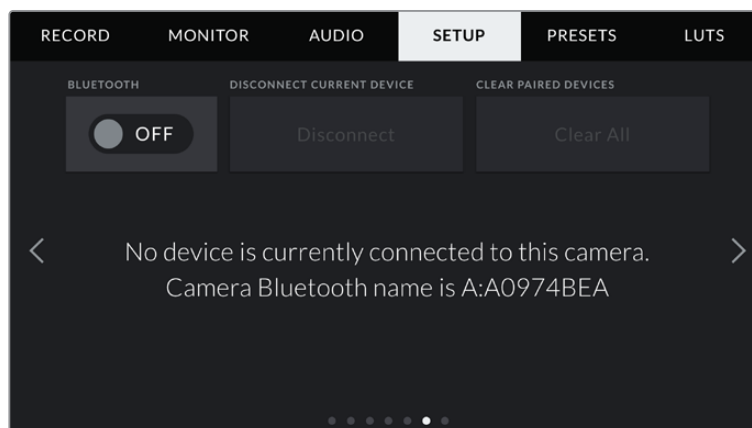
URSA Miniを識別する8文字を表示します。これは各カメラ独自のものです。Blackmagic RAWおよびProResビデオのメタデータには、32文字バージョンのカメラIDが含まれます。ファイル名を変更した場合でもカメラのハードウェアIDは変わらないので、特定のカメラで撮影されたフッターを探す際に便利です。

### ソフトウェア (SOFTWARE)

URSA Miniにインストールされている現在のソフトウェアバージョンを表示します。ソフトウェアのアップデートに関する詳細は、「Blackmagic Camera Setup Utility」セクションを参照してください。

### 再生 (PLAYBACK)

再生時に「単一のクリップ (Single Clip)」を再生するか、「すべてのクリップ (All Clips)」を再生するか選択できます。「すべてのクリップ」を選択するとすべてのマッチするメディアが連続して再生され、「単一のクリップ」を選択すると1つのクリップだけが再生されます。これは、ループ機能にも適用されます。「すべてのクリップ」でループを選択するとCFast 2.0カードまたはSDカードの全クリップが再生、ループされます。「単一のクリップ」を選択すると1つのクリップがループされます。



ブラックシェーディングのキャリブレーションのメッセージ

## Bluetooth®

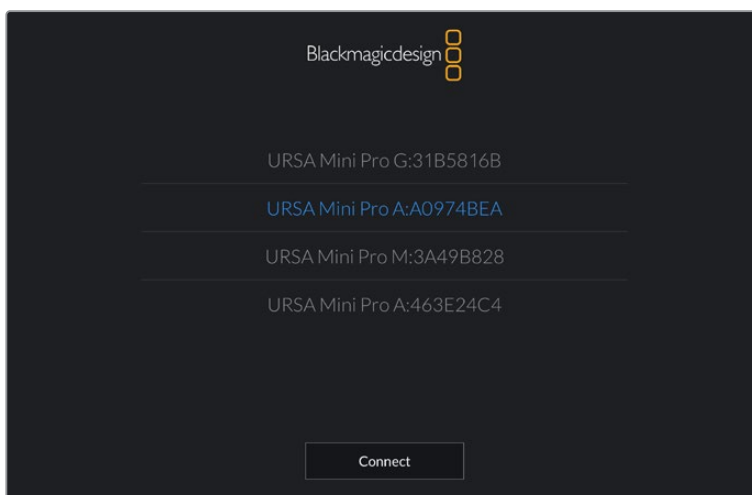
URSA Mini Proでは、Bluetoothコントロールにより、ポータブルデバイスからカメラをワイヤレスでコントロールできます。「Blackmagic Camera Control App」を使用して、カメラの電源のオン/オフ、設定の変更、メタデータの調整、収録のリモートトリガーをiPadから実行できます。Bluetoothは「セットアップ (SETUP)」メニューの「BLUETOOTH」スイッチアイコンをタップするとオン/オフを切り替えられます。Bluetoothが有効になっていると、最長9メートル (30フィート) 離れた場所からBluetoothデバイスでカメラを検出できます。

URSA Mini Proは、「Blackmagic SDI Camera Control Protocol」に使用するのと同じBluetoothコントロールのコマンドセットを使用します。このため、独自のアプリケーションを作成して、オーディオ設定のモニタリング、カメラの内蔵DaVinci Resolveカラーコレクター、レンズコントロールなど、ほぼすべてのカメラ設定をリモートコントロールできます。

詳細は、このマニュアルの「Blackmagic SDI Camera Control Protocol」セクションを参照してください。

### カメラとiPadを初めてペアリングする：

- 1 URSA Mini Proの「セットアップ (SETUP)」メニューの「BLUETOOTH」スイッチアイコンをタップして、Bluetoothを有効にします。
- 2 「Blackmagic Camera Control App」を開いて、ペアリングしたいURSA Mini Proを選択します。使用可能なカメラが、カメラ文字とそれに続く独自のハードウェアIDでリストされます。例) A:A0974BEA



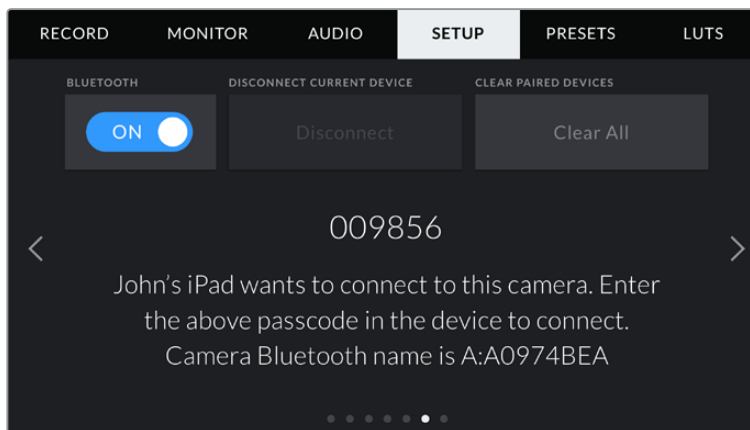
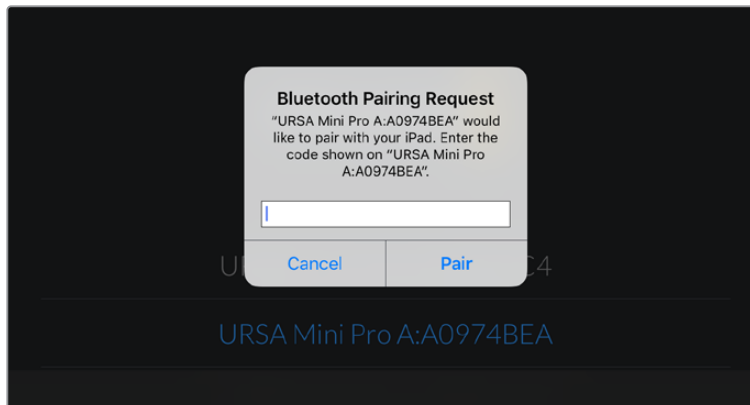
ペアリングしたいURSA Mini Proを選択

**メモ** Blackmagic Camera Control Appをインストールして初めて起動する際、位置情報へのアクセス許可を確認するメッセージ「Allow location access」が表示されます。「While using the app (アプリ使用中)」を選択するとiPadからのGPS情報が撮影ファイルのメタデータに追加され、フッターにジオタグが付けられます。この情報は、DaVinci Resolve 14以降で確認できます。

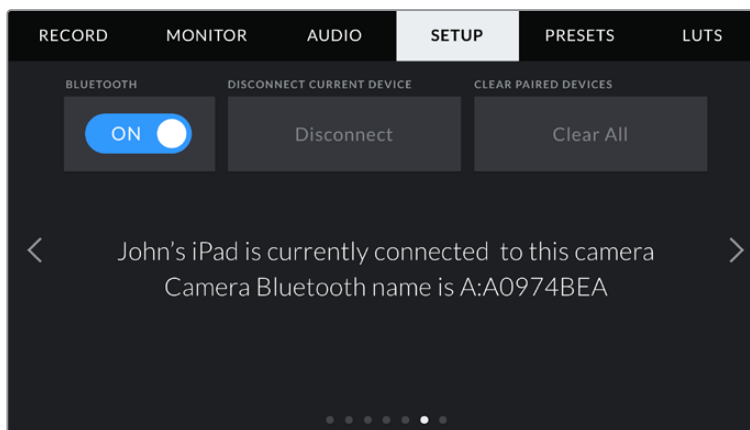
この情報を使いたくない場合は、「Never (使用しない)」を選択します。

設定の変更は、iPadの「設定」>「プライバシー」>「位置情報サービス」>「Camera Control」で行えます。

- 3 初めて接続する場合、カメラとペアリングするためにBlackmagic Camera Control Appは6桁のコードを要求します。このコードは、カメラのLCDスクリーンに表示されるので、このコードをiPadに入力します。

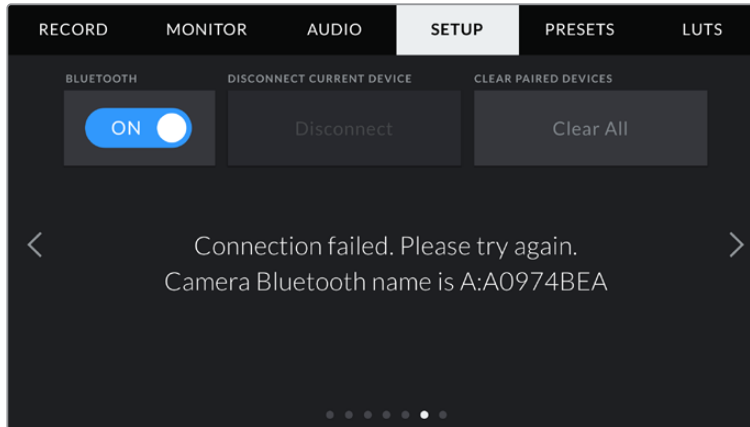


- 4 URSA Mini ProがiPadとペアリングされたことが、スクリーン上に表示されます。





- 5 カメラとiPadのペアリングに問題が生じた場合は、以下のエラーメッセージが表示されます。



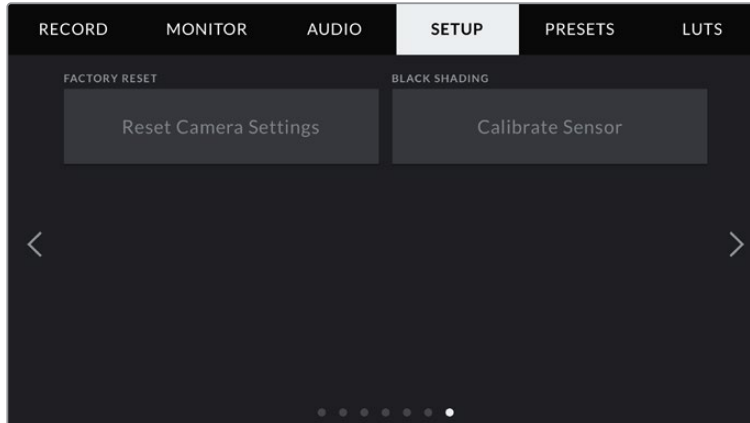
**✖** URSA Mini ProのコントロールにBluetoothを使用しない場合、セキュリティのためBluetoothをオフにしておくことを推奨します。

#### 現在のデバイス接続を解除 (DISCONNECT CURRENT DEVICE)

URSA Miniと現在ペアリングされているiPadの接続を解除します。

#### ペアリングデバイスをクリア (CLEAR PAIRED DEVICES)

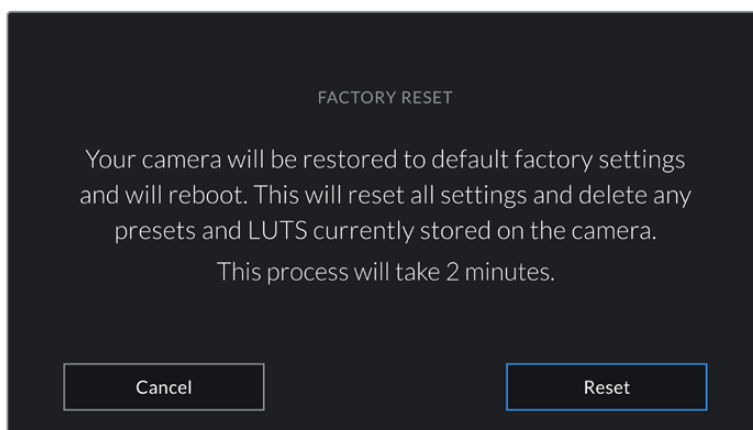
URSA Mini Proとペアリングされているデバイスのリストを消去します。



#### 出荷時設定にリセット (FACTORY RESET)

カメラを出荷時の設定にリセットするには、「リセット (Reset)」ボタンをタップします。現在カメラに保存されているLUTやプリセットもすべて消去されるため、この処理の確定を確認するメッセージが表示されます。確認メッセージで「リセット (Reset)」をタップしてカメラ設定をリセットします。

「出荷時設定にリセット (FACTORY RESET)」は、すべてのプリセットやカスタムLUTを消去し、すべての設定がリセットされることに注意してください。出荷時の設定にリセットする前に、メモリーカードにバックアップとして書き出ししておくことをお勧めします。出荷時設定にリセットした後に、メモリーカードからプリセットやLUTを簡単に読み込んで再びカメラで使用できます。また、ブラックシェーディングのキャリブレーションを実行することを推奨します。

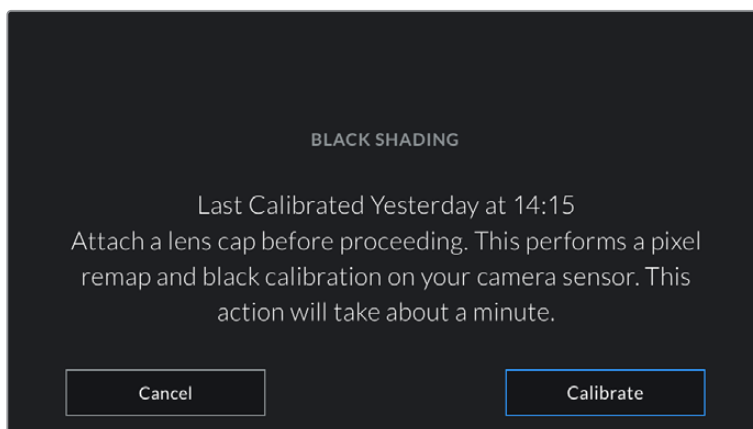


「出荷時設定にリセット (FACTORY RESET)」を選択すると表示される確認メッセージ

### ブラックシェーディング (BLACK SHADING)

4.6Kセンサーを搭載したURSA Miniシリーズでは、ブラックシェーディング機能はセンサーの黒レベルのバランス調整により画質を最適化します。カメラを起動して数分間ウォームアップした後でこの処理を実行することをお勧めします。ブラックシェーディングのキャリブレーションを行うには、カメラにダストキャップを装着するか、レンズにレンズキャップを装着して「キャリブレーション (Calibrate)」ボタンを押します。これが正常に機能するためには、正確な設定が必要になるため、この操作の確定を確認するメッセージが表示されます。キャリブレーションには数秒かかります。処理が終了するとメッセージが表示されます。カメラは、最後にブラックシェーディングが行われた日時を記憶します。これにより、シャドウの画質が最適化されます。

URSA Mini Pro 4.6K G2には、ブラックシェーディングの一部として追加のキャリブレーション機能を搭載しています。この機能では、ピクセルを再キャリブレーションしてブラックレベルを改善できます。これは約1分かかります。



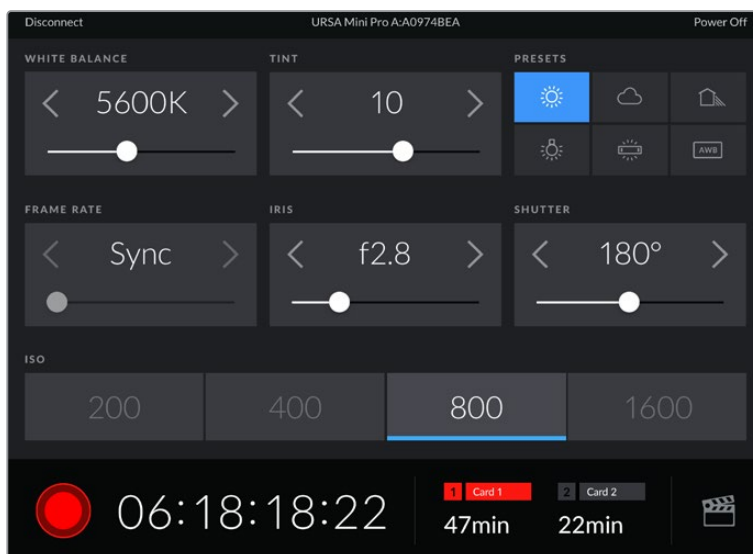
ブラックシェーディングのキャリブレーションのメッセージ

### モーションセンサー・キャリブレーション (MOTION SENSOR CALIBRATION)

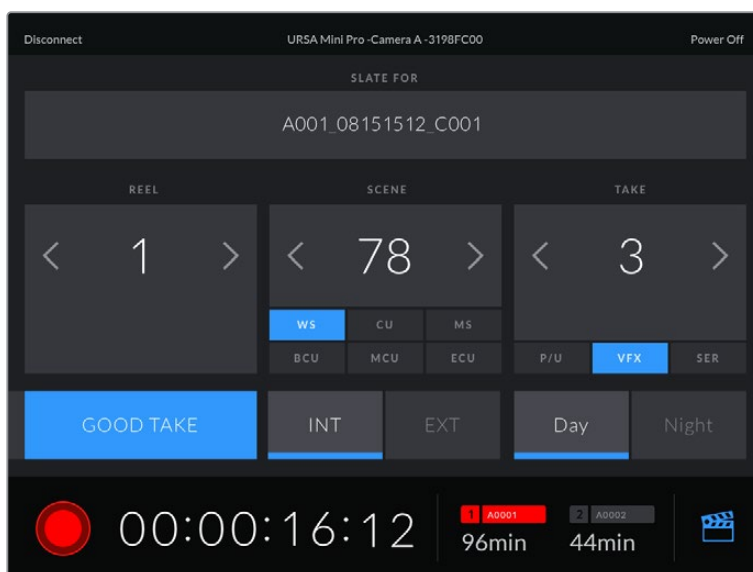
URSA Mini Pro 12Kで水平メーターのキャリブレーションを実行するには、カメラを水平な場所に置き、「モーションセンサーをキャリブレート (Calibrate Motion Sensor)」ボタンを押します。キャリブレーション実行中、カメラは安定して動いていない必要があります。この処理には約5秒かかります。

## Blackmagic Camera Control Appでカメラをコントロール

URSA Mini ProをiPadとペアリングできたら、iPadアプリを使ってカメラの電源のオン/オフ、設定の変更、メタデータの調整、収録のリモートトリガーを実行できます。



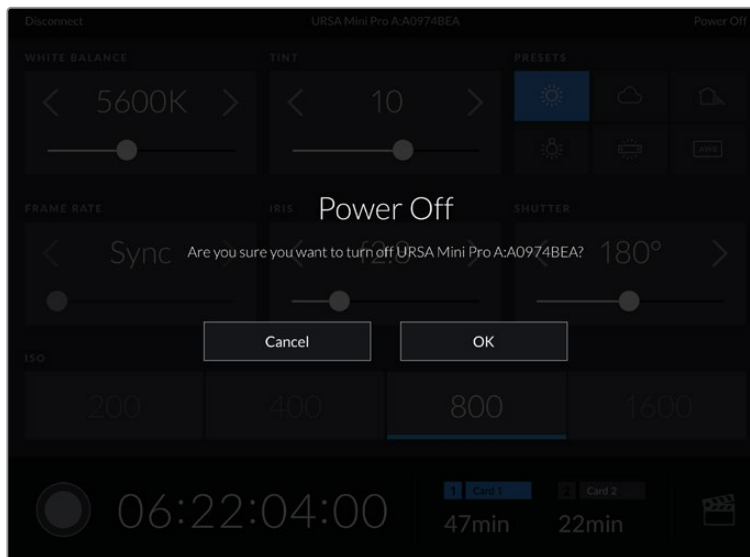
ペアリングすると、このスクリーンがBlackmagic Camera Control Appで表示され、設定の調整や収録の開始が可能になります。



右下にあるスレートアイコンをタップしてスレートにアクセスし、アップデート。

URSA Mini Proは、Bluetooth LEを使ってデバイスと通信し、ワイヤレスコントロールを実行します。これは、ポータブルデバイスに使用されるのと同じタイプのプロトコルで、バッテリー電源の使用を最小限に抑えられます。

URSA Mini Proの電源を切るには、右上の「電源オフ (Power Off)」をタップします。



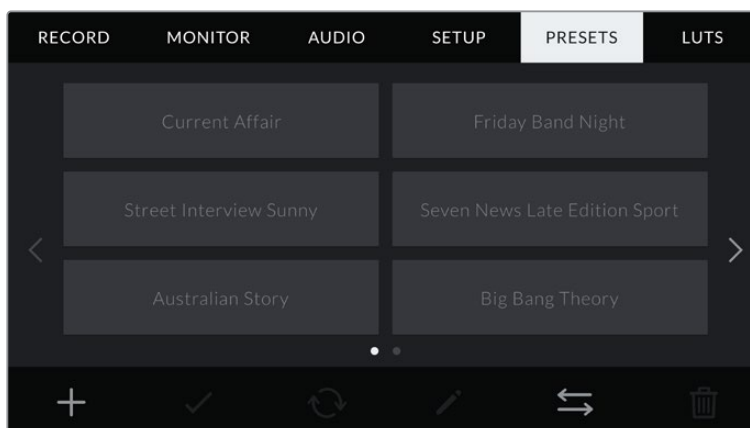
カメラがオフになる前に、選択を確定するメッセージが表示されます。

URSA Mini Proの電源がオフになっていても、Bluetoothが有効になっていれば、カメラの名前はBlackmagic Camera Control Appで使用可能なデバイスのリストに表示されます。カメラをすでにペアリングしているので、カメラ名を選択して「接続 (Connect)」をタップすれば、リモートでスイッチをオンにできます。Bluetoothが無効になっている場合、カメラ名はリストに表示されません。

## プリセット (PRESETS)

「プリセット (PRESETS)」タブでは、URSA Miniの全設定を保存、呼び出しできます。この機能は、複数のプロジェクトでカメラを使用する場合、非常に役立ちます。例えば、ドキュメンタリーやミュージックビデオなど、プロジェクトのタイプにより設定が異なる複数の撮影でURSA Miniを使用する場合などです。URSA Miniのプリセット機能は、特定のプロジェクト/タイプの撮影の設定を保存し、必要な際にすばやく簡単に呼び出せます。URSA Miniに保存したプリセットの一部の設定は、他のBlackmagicカメラまたは古いバージョンのURSA Miniソフトウェアとは互換性がない場合があります。最新のソフトウェアがインストールされているか、[www.blackmagicdesign.com/jp/support](http://www.blackmagicdesign.com/jp/support)のBlackmagicサポートセンターで確認してください。

また、プリセットの読み込み/書き出しも可能です。これは複数のカメラを使った撮影に非常に便利です。1台のURSA Miniをプロジェクトに合わせて設定し、プリセットを他のすべてのURSA Miniに書き出します。



URSA Miniのプリセットタブ

**メモ** URSA Miniには12個までのプリセットを内部メモリーに保存できます。

### プリセットボタン

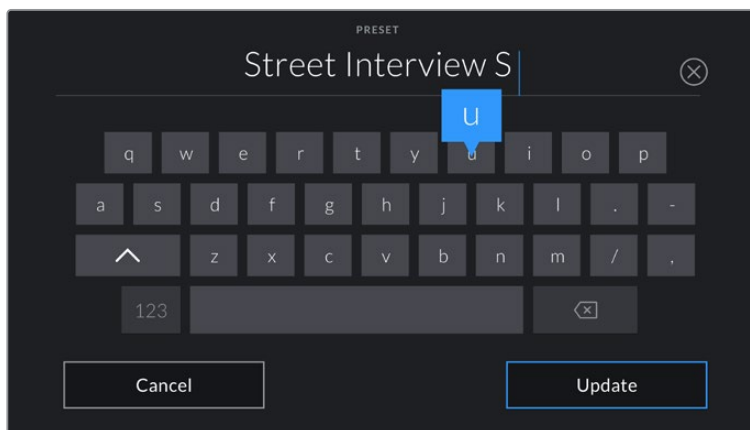
URSA Miniの「プリセット (PRESETS)」メニューの底部に表示されるボタンアイコンは、以下の機能に対応しています。

				
追加	ロード	更新	管理	削除

### プリセットの保存とロード

新しいプリセットを作成するには、「追加」アイコンをクリックします。これにより、LCDタッチスクリーンにタッチキーボードが表示され、プリセットの名前を入力できます。名前を入力したら、「アップデート (Update)」をタップして、URSA Miniの現在の設定を該当のプリセットに保存します。

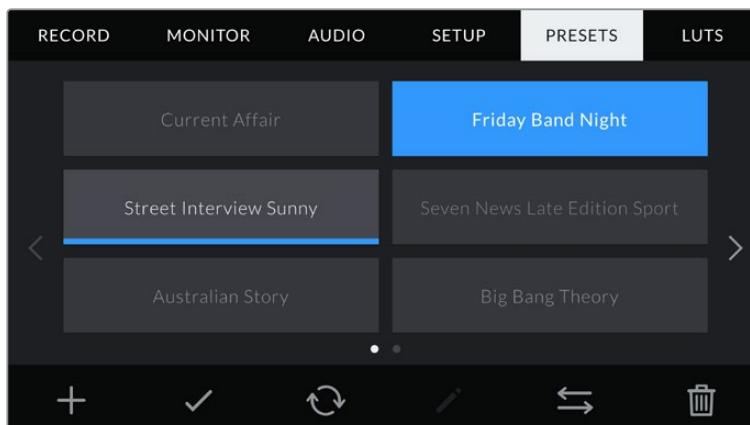
URSA Miniにすでに同名のプリセットがロードされている場合、既存のプリセットを上書きするか、両方キープするか選択できます。



「プリセット (PRESETS)」タブで「追加」アイコンをタップして、タッチキーボードでプリセット名を入力

プリセットを保存したら、「プリセット (PRESETS)」メニューで名前をタップして選択します。ロードするには「ロード」アイコンをタップします。

「更新」アイコンをタップするとプリセットをアップデートできます。URSA Miniの現在の設定にプリセットをアップデートするか確認するメッセージが表示されます。「アップデート (Update)」を押して確定します。



プリセットを選択し、「ロード」アイコンをタップしてロード。選択したプリセットが青く表示されます。現在ロードされているプリセットは、アイコンの下に青いラインが表示されます。

## プリセットの読み込み

プリセットを読み込むには、「プリセット (PRESETS)」メニュー底部の「管理」アイコンをタップします。URSA Mini Proでは、プリセットの保存場所に応じてストレージメディア選択スイッチで、SDまたはCFastを選択します。URSA Mini Recorderを使用している場合、SSDからプリセットを読み込むこともできます。

「プリセットの読み込み (Import Preset)」をタップし、「読み込み (Import)」アイコンで選択を確定します。読み込みスクリーンが表示されます。スクリーンの左上の「カード1」または「カード2」を選択すると、これらのカードで使用できるプリセットがすべて表示されます。

URSA Miniは、選択したCFast/SDカードのルートディレクトリと「Presets」フォルダーを検索します。CFast/SDカードの他の場所に保存されたプリセットは表示されないの注意してください。

プリセットをタップして選択し、「読み込み (Import)」で確定します。スクリーンの右上に、カメラで使用できる残りの空きプリセットスロット数が表示されます。

**メモ** URSA Miniのプリセットスロットがフルになると、読み込みメニューが無効になります。他のプリセットを読み込むには、既存のプリセットを削除する必要があります。

## プリセットの書き出し

プリセットをCFastカードやSDカードに書き出すには、書き出したいプリセットをタップして選択し、「管理」アイコンをタップします。「プリセットの読み込み (Import Preset)」と「選択したプリセットの書き出し (Export Selected Preset)」の2つのオプションが表示されます。

URSA Mini Proのストレージメディア選択スイッチを使用して、プリセットを書き出したい場所に応じて、SDまたはCFastを選択します。URSA Mini Recorderを使用している場合、SSDにプリセットを書き出すこともできます。「選択したプリセットの書き出し (Export Selected Preset)」をタップすると、書き出すカードを選択するようメッセージが表示されます。カードを選択すると、選択したプリセットが該当のカードのプリセットフォルダーに書き出されます。

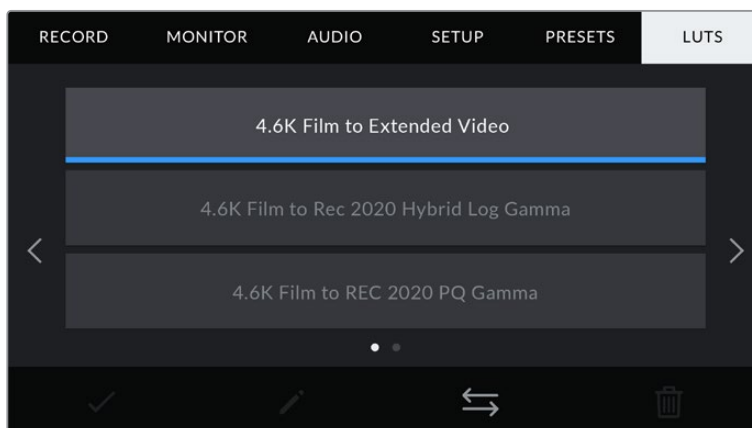
選択したCFast/SDカードにすでに同名のプリセットが保存されている場合、カードの既存のプリセットを上書きするか、両方キープするか選択できます。

## プリセットの消去

URSA Miniは12個のプリセットを保存できます。プリセットを消去するには、選択して「消去」アイコンをタップします。この作業を確定するメッセージが表示されます。「削除 (Delete)」をタップして削除します。

## LUT

「LUT (LUTS)」メニューでは、3D LUTの読み込み、書き出し、カメラ出力への適用が可能です。



URSA MiniのLUTタブ

### 3D LUTについて

URSA Miniでは、LCDスクリーン、フロントSDI、メインSDIのイメージに3D LUTを適用できます。LUTを使用することで、特定のカラー/ルミナンス入力に対してURSA Miniが出力するカラー/ルミナンスを指定できます。例えば、URSA Miniの入力が比較的くすんだブルーの場合に、LUTを使用すれば鮮やかで彩度の高いブルーで表示できます。この機能は、Blackmagic RAWフッターの収録や「Film」ダイナミックレンジを使用する収録など、意図的に彩度の低いフラットなルックを収録する場合に便利です。LUTを適用することで、グレーディング後のフッターのルックを想定できます。

3D LUTは、DaVinci Resolveやその他のカラーコレクションソフトウェアで簡単に作成できます。またはオンラインでもLUTを様々な提供元からダウンロードできます。URSA Miniには、17ポイントまたは33ポイントの3D LUTを6つまで保存できます。それぞれの最大サイズは1.5メガバイトです。ロードしたLUTは、カメラのLCDタッチスクリーン、フロントSDI、メインSDI、またはそれらのあらゆる組み合わせに適用して表示できます。

URSA Miniは、DaVinci Resolveで作成した.cubeフォーマットの33ポイント3D LUT、さらにLUT変換プログラムでResolveの.cubeフォーマットに変換した17ポイント3D LUTをサポートしています。カメラの3D LUTは高品質の四面体補間法を使用します。

**作業のこつ** LUT表示に関する詳細は、このマニュアルの「モニター設定 (MONITOR)」セクションを参照してください。

**メモ** LUTはプレビューツールとしてのみ使用されます。URSA Miniでは、収録されたフッターにLUTを適用/焼き付けすることはできません。しかし、撮影中に適用されたLUTの情報はメタデータとして保存されます。DaVinci Resolveの「使用LUT」フィールドで、オンセットでモニターリングLUTとして使用したLUTの名前を確認できます。Blackmagic RAWは、ポストプロダクションで使用できるように、撮影中に使用したLUTを非破壊的にRAWファイルにエンベッドします。この情報をDaVinci Resolveで確認することで、撮影時に使用したLUTを適用するか、別のルックを用いるか選択できます。詳細は「エンベッド3D LUT」セクションを参照してください。

### 内蔵LUT

URSA Miniは多数のLUTを内蔵しており、ProResまたはBlackmagic RAWを用いて「Film」ダイナミックレンジで撮影している際のプレビューに異なるルックを適用できます。

<b>Film to Extended Video</b>	「4.6K Film to Video」LUTより広いダイナミックレンジで表示され、穏やかなコントラスト変化を適用し、ハイライトが滑らかにロールオフされます。
<b>Film to Video</b>	HDビデオ用のRec.709カラー規格と似ており、高いレベルのコントラストと彩度を使用したLUTです。Rec.709カラー空間を使用する他の放送用カメラと共に、URSA Miniを使用する場合に便利な設定です。
<b>Film to Rec 2020 Hybrid Log Gamma</b>	Rec.709とLogイメージの混合を表示します。
<b>Film to Rec 2020 PQ Gamma</b>	人間の目が感知できるカラーに基づいたガンマカーブで表示され、HDRイメージを効率的にエンコードします。

## LUTボタン

URSA MiniのLUTスクリーン下部のボタンアイコンは、それぞれ以下の機能を意味します：

		
ロード	管理	削除

## LUTの読み込み

3D LUTを読み込むには、LUTメニュー底部の「管理」アイコンをタップして、「LUTを読み込み (Import LUT)」をタップします。

読み込みスクリーンが表示されます。URSA Mini Proでは、LUTの保存場所に応じてストレージメディア選択スイッチで、SDまたはCFastを選択します。URSA Mini Recorderを使用している場合、SSDからLUTを読み込むこともできます。スクリーンの左上で「カード1」または「カード2」を選択すると、これらのカードで使用できる3D LUTがすべて表示されます。

URSA Miniは、選択したCFast/SDカードのルートディレクトリと「3DLUTS」フォルダーを検索します。他の場所に保存されているLUTは表示されません。

LUTをタップして選択し、「読み込み (Import)」をタップして読み込みます。読み込んだLUTはURSA Miniに保存されます。

**メモ** URSA Miniの3D LUTスロットがフルになると、既存のLUTを削除してスペースを空けない限り、LUTの読み込みはできません。

カメラにすでに同名のLUTが保存されている場合は、既存のLUTを上書きするか、両方キープするか選択できます。スクリーンの右上に、カメラで使用できる残りの空きLUTスロットの数が表示されます。カメラに読み込めるLUTの数は、空のスロットの数のみです。

**メモ** URSA Miniに読み込めないLUTは、サイズに問題がある場合があります。LatticeなどのLUT編集ツールを使用してサイズを確認するか、コンピューターのテキストエディターでLUTを開きます。"LUT\_3D\_SIZE"タグの隣にLUTのサイズを示す数字があります。この値が17または33以外である場合は、Latticeを使用して3D LUTのサイズを17ポイントに変更してください。

## LUTの適用

LUTをカメラに保存したら、LUTメニューでLUTをタップして選択し、さらに「ロード」ボタンをタップします。これでLUTがカメラの全出力で有効になります。しかし、LUTを適用するには、モニター (MONITOR) メニューで各出力の「LUT表示 (DISPLAY LUT)」をオンにする必要があります。「ステータステキスト (STATUS TEXT)」をオンにしており、当該の出力にLUTを適用している場合、LUTアイコンが、LCD、フロントSDI、メインSDIに表示されます。詳細は、このマニュアルの「モニター設定 (MONITOR)」セクションを参照してください。



## LUTの書き出し

LUTをCFast/SDカードに書き出すには、書き出すLUTを選択してアイコンをタップします。「LUTの読み込み (Import LUT)」と「選択したLUTの書き出し (Export Selected LUT)」の2つのオプションが表示されます。URSA Mini Proのストレージメディア選択スイッチを使用して、LUTを書き出したい場所に応じて、SDまたはCFastを選択します。URSA Mini Recorderを使用している場合、SSDにLUTを書き出すこともできます。

「選択したLUTの書き出し (Export Selected LUT)」をタップすると書き出すカードを選択するようメッセージが表示されます。カードを選択すると、すでにカードに存在するLUTでない限り、書き出しが開始されます。同じLUTが検出された場合は、カードにLUTを上書きするか、両方キープするか選択できます。

## LUTの削除

URSA Miniには、6つの17ポイントまたは33ポイント3D LUTを保存できます。必要ないLUTを削除するには、削除したいLUTを選択してアイコンをタップします。この作業を確定するメッセージが表示されず、「削除 (Delete)」をタップして削除します。

## エンベデッド3D LUT

Blackmagic URSA Mini Proモデルで、Blackmagic RAWで撮影する際に3D LUTを適用すると、選択したLUTは収録しているBlackmagic RAWファイルにエンベッドされます。3D LUTは.brawファイルのヘッダーに保存され、個別のファイルを扱う必要なく、ポストプロダクションで簡単にフッターに適用できます。

エディターやカラリストはBlackmagic RAWファイルを受け取ると、撮影中に使用されたLUTに簡単にアクセスできるため、異なる3D LUTが適用されるのを防げます。フッターの編集やグレーディングを進めながら、3D LUTを適用するかどうか選択できます。また、3D LUTはいつでも無効にできます。

URSA Mini Proの「収録 (RECORD)」メニューでオンになっている場合、「ファイルにLUTを適用 (APPLY LUT IN FILE)」スイッチが、収録されたクリップをBlackmagic RAW PlayerおよびDaVinci Resolveで開くと、選択した3D LUTが適用されて表示されます。3D LUTは簡単にオン/オフできますが、クリップ自体に情報が存在するため、移動させてもBlackmagic RAWファイルに常に伴います。

DaVinci ResolveのRAW設定のパレットにも「LUTを適用」スイッチがあり、Blackmagic RAWファイルの3D LUTを有効/無効にできます。DaVinci Resolveの「LUTを適用」設定はカメラの設定と同様に機能します。これは、撮影時にカメラでLUTを設定して使用することで、直接カラリストに指示ができることを意味しますが、DaVinci Resolveの「LUTを適用」設定で簡単にLUTをオフにすることも可能です。

# メタデータ入力

メタデータはクリップの中に保存される情報で、テイク番号、カメラ設定、その他の識別情報などが含まれます。メタデータは、ポストプロダクションでのフッターの分類や処理に極めて便利です。例えば、テイク/ショット/シーン番号はクリップの管理において必須であり、レンズに関する情報は歪みの自動除去やVFX素材とプレートのマッチングで役に立ちます。

Blackmagic URSA Miniは、クリップに一部のメタデータ（カメラ設定、タイムコード、日時など）を自動的に保存します。ユーザーはカメラのスレートを使用して自由にデータを追加できます。

## スレート

URSA Miniのタッチスクリーンを左右にスワイプすると、スレートが表示されます。

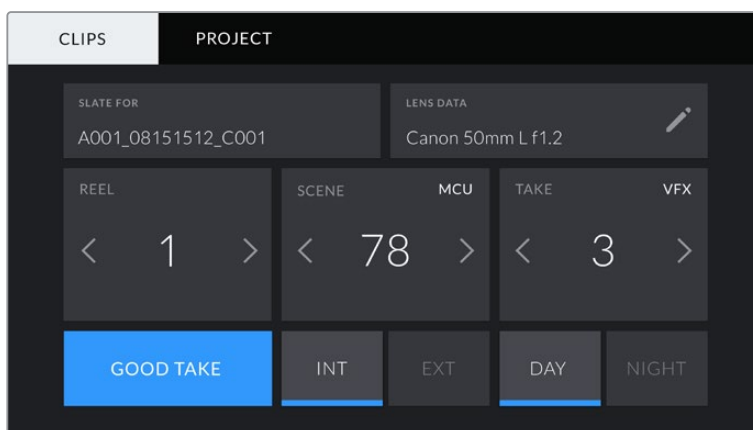
スレートは「クリップ (CLIPS)」と「プロジェクト (PROJECT)」の2つのタブに分かれています。「クリップ (CLIPS)」タブではクリップごとに異なる情報を確認できます。「プロジェクト (PROJECT)」タブではプロジェクト名、監督、カメラID、オペレーターIDなど、クリップ間で共通する情報を入力できます。

**作業のこつ** スレートに入力したメタデータは、「モニター (MONITOR)」タブで「撮影監督/監督用ステータステキスト (DISPLAY STATUS TEXT FOR)」を「監督 (DIRECTOR)」に設定すると、URSA MiniのフロントSDI出力またはメインSDI出力で確認できます。詳細は、このマニュアルの「モニター設定 (MONITOR)」セクションを参照してください。

## 「クリップ (CLIPS)」メタデータ

クリップメタデータの変更は、URSA Miniで収録を開始できるスタンバイモードと、収録済みのショットを確認できる再生モードで機能の仕方が少し異なります。スタンバイモードでは、クリップメタデータは次に収録するクリップに保存されます。「グッドテイク (GOOD TAKE)」は最後に収録したクリップを参照します。

再生モードでは、クリップメタデータは常に現在再生しているクリップに保存されます。



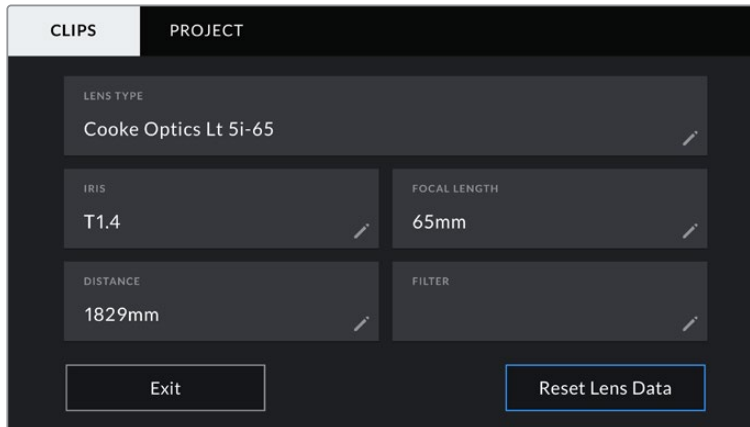
URSA Miniのスレートは「クリップ (CLIPS)」タブと「プロジェクト (PROJECT)」タブに分かれています。

## スレートの対象クリップ (SLATE FOR)

「クリップ (CLIPS)」タブで現在表示しているメタデータが適用されるクリップです。スタンバイモードでは、ここに表示されるクリップは次に収録されるクリップです。

## レンズデータ (LENS DATA)

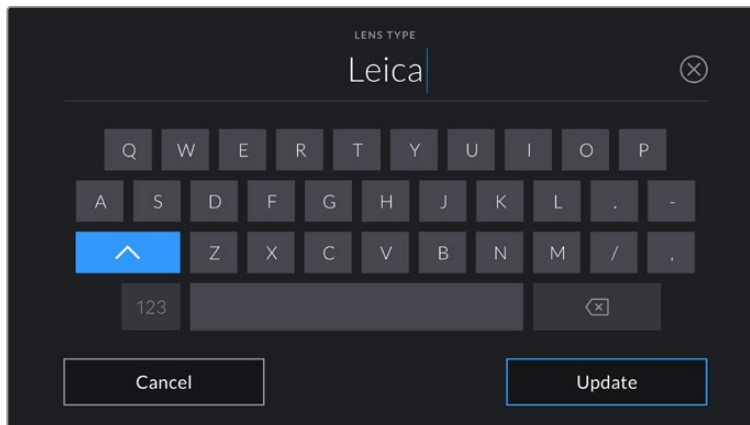
カメラに装着しているレンズに関する情報です。電子レンズの多くは、レンズモデル、アパーチャー、焦点距離などの情報を自動的に供給します。レンズからこれらの情報が得られない場合や、追加データを入力したい場合は、鉛筆のアイコンをタップすると、情報をマニュアルで入力できます。この操作により、以下の情報を含むレンズデータメニューが表示されます：



「レンズデータ (LENS DATA)」メニューは、Cooke /i Technology対応レンズからの情報を自動的に表示

## レンズの種類 (LENS TYPE)

レンズのモデルが表示されます。レンズのモデルが自動的に表示されない場合は、この設定をタップしてデータをマニュアルで入力できます。カメラの内部データベースには、広く使用されているレンズが多く保存されているので、マニュアルで入力し始めると自動的に名前の候補が提案されます。これにより入力作業が短縮されます。



データが自動的に表示されない場合は、タッチキーボードでレンズデータをマニュアルで入力可能

## アイリス (IRIS)

クリップの開始点でのアパーチャー設定を表示します。この情報が自動的に供給される場合は、使用しているレンズによってF値またはT値で表示されます。この設定をタップするとデータをマニュアルで入力できます。

## 焦点距離 (FOCAL LENGTH)

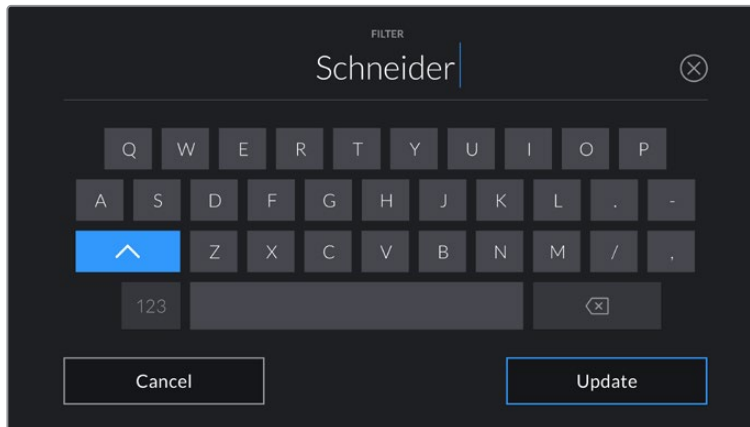
収録クリップの開始点におけるレンズの焦点距離を表示します。データが自動的に供給される場合は、ミリメートル (mm) 単位で表示されます。この設定をタップするとデータをマニュアルで入力できます。

### 距離 (DISTANCE)

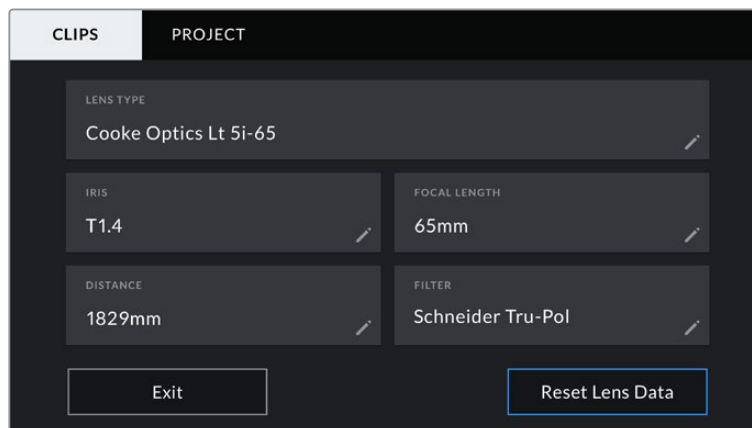
収録クリップのレンズの距離設定を表示します。レンズによっては、このデータを自動的に供給し、ミリメートル (mm) 単位で表示します。このデータはマニュアルで入力することも可能です。

### フィルター (FILTER)

現在使用しているレンズフィルターを表示します。この設定をタップするとデータをマニュアルで入力できます。複数入力する場合はコンマで区切ります。

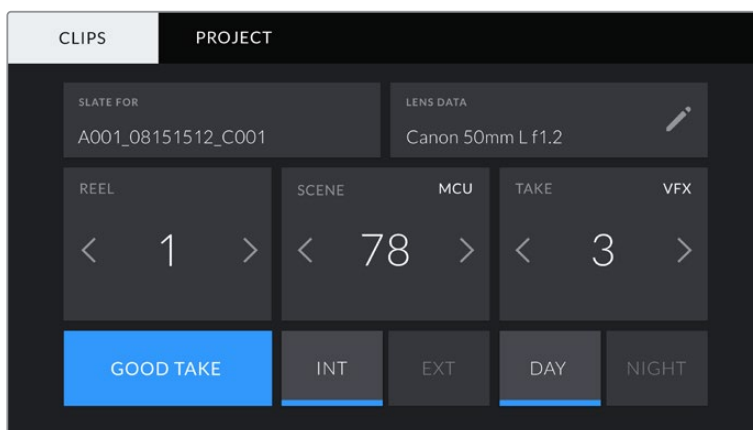


フィルター情報はマニュアルで入力



「レンズデータ (LENS DATA)」メニューは、Cooke /i Technology対応レンズからの情報、マニュアルで入力したフィルター情報を自動的に表示

**メモ** レンズデータは、「レンズデータ (LENS DATA)」メニューの「レンズデータをリセット (Reset Lens Data)」アイコンをタップしていつでも消去できます。この作業を確定するメッセージが表示されます。確定すると、すべてのレンズデータが消去され、現在使用しているレンズからのレンズデータが自動的に表示されます。これらのフィールドにマニュアルで情報を入力した場合、次回レンズをマウントする際にレンズデータをリセットする必要があります。リセットを行わないと、マニュアル入力した値が保持されます。



URSA Miniのスレートは「クリップ (CLIPS) 」タブと「プロジェクト (PROJECT) 」タブに分かれています。

### リール (REEL)

このインジケータには現在のリールが表示されます。

URSA Miniはリール番号を自動的に増加していくため、通常はマニュアルで入力する必要はありません。新しいプロジェクトに移行して、改めてリール1から開始したい場合は、スレートの「プロジェクト (PROJECT) 」タブへ行き、「データをリセット (Reset Project Data) 」をタップします。

### シーン (SCENE)

現在のシーン番号が表示されます。さらに、現在のショットの番号および種類も表示できます。

このインジケータの番号は、常に現在のシーンを参照しています。この番号は、シーン番号の隣にある左右の矢印を使用して変更できます。またはシーン番号をタップして、シーン番号エディターに進みます。

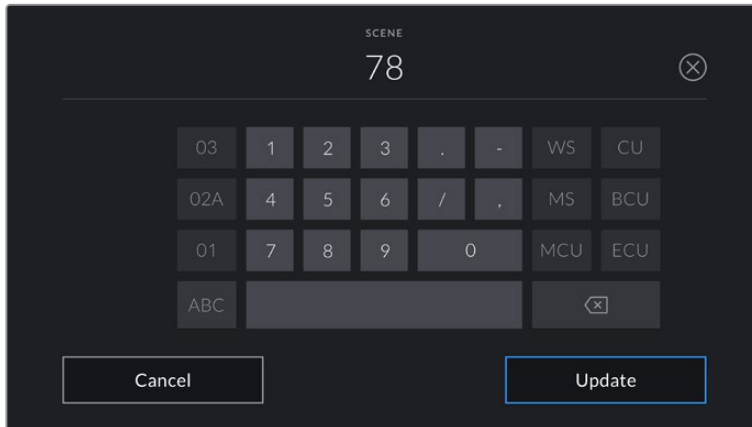
シーン番号に使用できる番号は1~9999です。

現在のショットを特定するために、シーン番号エディターでシーン番号に文字を追加することも可能です。例えば"23A"と入力することで、シーン23のショット1であることが分かります。シーンにショット識別用の文字を追加している場合、シーン番号エディターで入力を行うと、URSA Miniは次の文字の候補を提案します。例えば現在のシーン番号が7Bである場合、URSA Miniは"7C"をサジェストします。

シーン番号インジケータは、右上に現在のショットの種類に関する情報を表示することもできます。これらの選択は、シーン番号エディターのショットキーボードの右側で行います。

以下は選択できるショットタイプです。

<b>WS</b>	ワイドショット
<b>MS</b>	中間距離のショット
<b>MCU</b>	中間距離のクローズアップ
<b>CU</b>	クローズアップ
<b>BCU</b>	近いクローズアップ
<b>ECU</b>	極めて近いクローズアップ



「シーン (SCENE)」メタデータの入力では、URSA Miniはタッチキーボードの左に増加値の候補、右側にショットタイプを表示

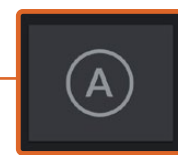
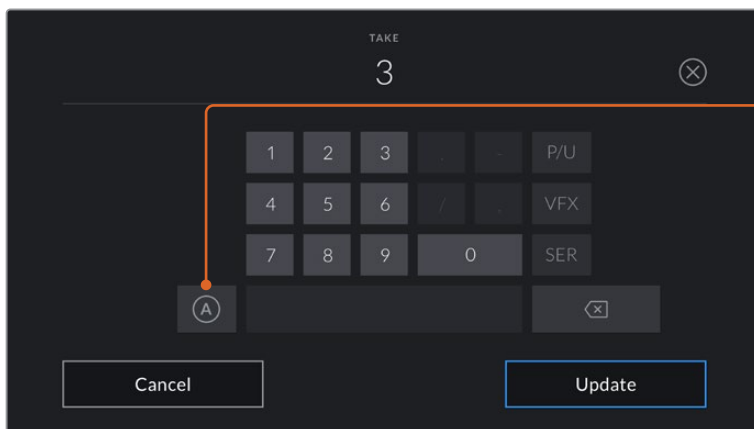
### テイク (TAKE)

このインジケータには、現在のショットのテイク番号が表示されます。テイク番号は左右の矢印をタップして変更できます。または同インジケータをタップして、テイク番号エディターに進みます。

**作業のこつ** ショット番号またはシーンの文字が進むと、テイク番号は1に戻ります。

テイク番号エディターでは、テイクの概要情報を追加できます。これらはテイク番号キーボードの右側に表示され、それぞれ以下を意味しています。

<b>PU</b>	ピックアップ。メインの撮影が終わった後、前のテイクに素材を追加するために撮り直したテイクです。
<b>VFX</b>	ビジュアルエフェクト。VFXに使用するテイク/ショットです。
<b>SER</b>	シリーズ。カメラを止めずに収録した複数のテイクです。



「A」をタップすると、スタンバイモードで各クリップのテイク番号が自動的に足されます。

自動テイク番号増加が有効になっている場合、スレートのテイク番号の隣に小さく「A」と表示されます。

「テイク (TAKE)」メタデータを入力すると、URSA Miniはタッチキーボードの右側に追加ショットタイプのプロンプトを表示

### グッドテイク (GOOD TAKE)

このインジケータをタップしてフラグ付けしておく、ポストプロダクションで良いテイクを見つけやすくなります。このタグは、URSA Miniがスタンバイモードの場合は最後に収録されたクリップに適用され、再生モードの場合は現在表示しているクリップに適用されます。

### 屋内/屋外 (INT/EXT)

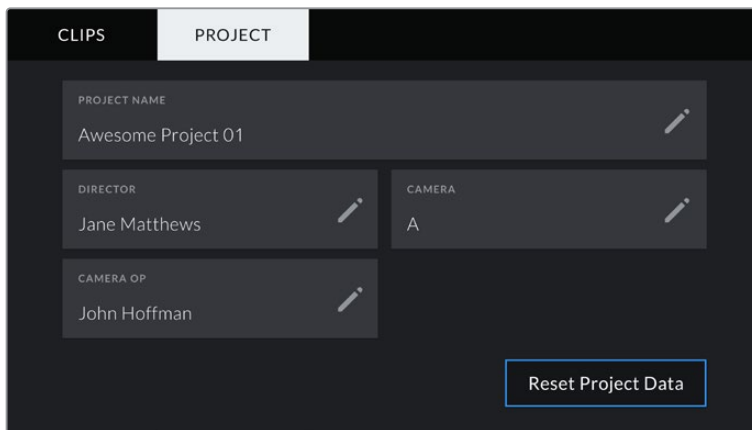
「屋内 (INT)」または「屋外 (EXT)」をタップすると、スタンバイモードでは次に収録されるクリップに、再生モードでは現在のクリップに「屋内」または「屋外」のタグを付けられます。

### 昼/夜 (DAY/NIGHT)

「昼 (DAY)」または「夜 (NIGHT)」をタップすると、スタンバイモードでは次に収録されるクリップに、再生モードでは現在のクリップに「昼」または「夜」のタグを付けられます。

## 「プロジェクト (PROJECT)」メタデータ

プロジェクトメタデータは、スタンバイモードでも再生モードでも同じように機能します。プロジェクトメタデータは常にプロジェクト全体を参照し、クリップ番号から独立したメタデータです。



URSA Miniのプロジェクトタブ

### プロジェクト名 (PROJECT NAME)

現在のプロジェクトの名前を表示します。鉛筆アイコンをタップすると、プロジェクト名を変更できます。

### 監督 (DIRECTOR)

現在のプロジェクトの監督名を表示します。鉛筆アイコンをタップすると、監督名を変更できます。

### カメラ (CAMERA)

アルファベット一文字のカメラインデックスを表示します。鉛筆アイコンをタップすると、カメラインデックスを変更できます。

**メモ** カメラインデックスは、メタデータ内およびファイル名に使用されます。URSA MiniをATEMスイッチャーでコントロールする際に使用する「ATEMカメラID (ATEM CAMERA ID)」とは異なります。ATEMカメラIDに関する詳細は、このマニュアルの「スタジオカメラコントロールの概要」セクションを参照してください。

### カメラオペレーター (CAMERA OP)

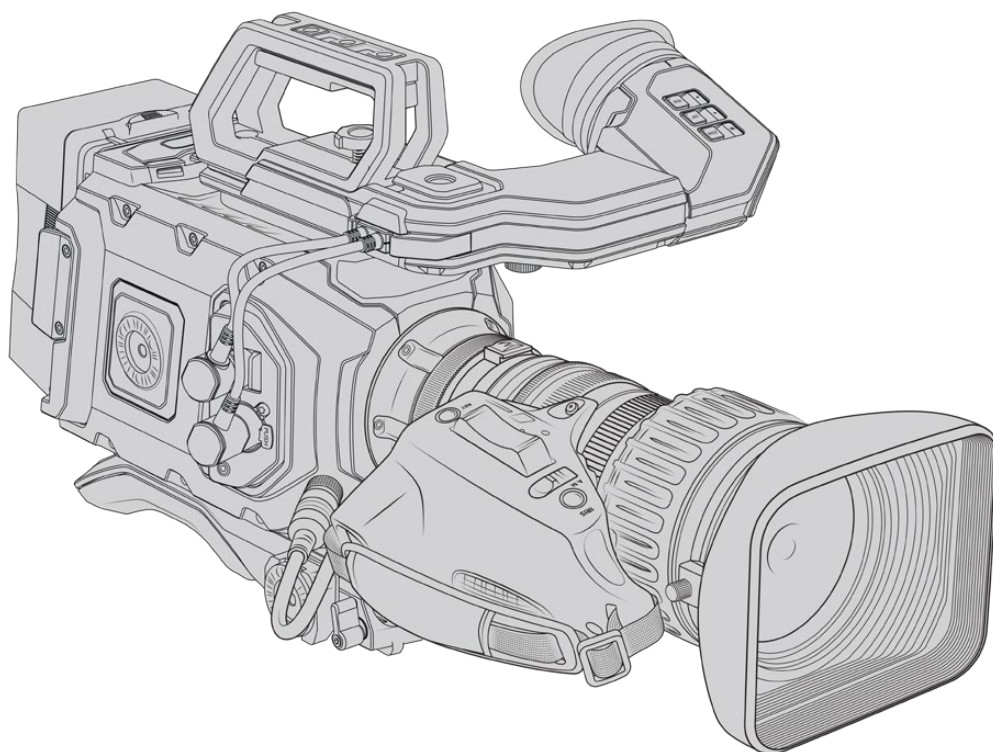
カメラオペレーターを表示します。鉛筆アイコンをタップすると、カメラオペレーターを変更できます。



## サーボズーム対応レンズの使用

URSA Miniカメラとサーボズーム対応レンズは非常にパワフルなコンビネーションです。撮影時に、マニュアルアイリス、レンズのズームおよびフォーカシング、内蔵ハンドグリップ、ズームロッカーが使用できると作業効率が大幅に向上します。また、他の種類のレンズの使用時には困難が伴う様々なテクニックも使えるようになります。URSA Mini PLおよびURSA Mini Proは、B4およびシネサーボPLズームレンズのレンズコントロールをサポートしています。接続には12ピン放送用コネクタを使用します。

互換性のあるレンズでは、ズームロッカーへの給電、録画ボタンでの収録の開始/停止、アイリスのコントロールなどが可能です。サーボズームレンズの多くはRETボタンを搭載しています。このボタンをカメラのPGMボタンと同じように使用することで、LCDおよびHDモニタリング出力へのフィードをカメラビューとプログラムリターンビューで切り替えられます。



レンズアパーチャーを電子制御するには、ズームロッカーの上にあるアイリススイッチを「A」あるいは「Auto」に設定してください。電動ズームコントロールは、デジタルHDおよび4Kサーボズームレンズでも使用できます。これを有効にするには、「Zoom」と書かれたズームロッカーの下にあるスイッチをサーボズームの「S」に設定してください。

B4レンズには非常に多くの種類があるため、必要な機能を備えているモデルを確認するのに、以下のガイドを参考にしてください。

### アイリスとズームコントロールに対応したB4レンズ:

- Fujinon B4レンズモデル (名前にHA、ZA、XA、UA、LAプレフィックスが付き、サフィックスにRMが付くモデル) は電子アイリスおよびズームコントロールに対応。
- Canon B4レンズモデル (HJ、KJ、CJプレフィックスが付き、サフィックスにIRSEまたはIRSDが付くモデル) は電子アイリスおよびズームコントロールに対応。

電子フォーカスサーボに対応したハンドグリップ付きのB4およびPLレンズもあります。URSA Mini PLおよびURSA Mini Proで、これらのレンズを電子制御するには、「Focus」とラベルされたズームロッカーの下のスイッチをサーボの「S」に設定してください。



### フォーカス、アイリス、ズームの完全なサーボコントロールに対応したB4レンズ:

- Fujinon B4レンズモデル (名前にHA、ZA、UAプレフィックスが付き、サフィックスにRDまたはZDが付くモデル)。
- Canon B4レンズモデル (名前にHJ、KJ..ex、CJプレフィックスが付き、サフィックスにIASEまたはIASDが付くモデル)。

電動フォーカスコントロールにも対応しているレンズでは、URSA Miniの「FOCUS」ボタンでオートフォーカスを有効にすることも可能です。ATEM Software Controlを介してATEMスイッチャーからフォーカスをリモートコントロールできます。

B4レンズを装着したら、解像度を2K 16:9 (あるいはそれ以下) に設定し、ダッシュボードの「収録 (RECORD)」タブで「ウィンドウセンサー (WINDOW SENSOR)」をオンにします。B4レンズは、スーパー35mmのイメージサークルをカバーしないため、これらの設定はイメージにビネットが生じるのを防ぐために重要です。

### フォーカス、アイリス、ズームの完全なサーボコントロール対応のスーパー35mm PLレンズ:

メーカー	シリーズ	モデル	レンジ	最大アパーチャー
Fujinon	Cabrio	ZK2.5x14-SAF	14-35mm	T2.9
Fujinon	Cabrio	ZK4.7x19-SAFB	19-90mm	T2.9
Fujinon	Cabrio	ZK3.5x85-SAF	85-300mm	T2.9-T4
Fujinon	Cabrio	XK6x20	20-120mm	T3.5
Fujinon	Cabrio	ZK12x25 with ESM-15A-SA	25-300mm	T3.5-3.85
Canon	Cine-servo	CN7x17KAS S	17-120mm	T2.9-3.9
Canon	Cine-servo	CN20x50	50-1000mm	T5-8.9

上記のPLおよびB4サーボズームレンズはすべて、スタジオ環境において、パンハンドルからのフォーカスやズームのコントロールに対応しています。

### ハイブリッドのコンパクトサーボズーム対応レンズ

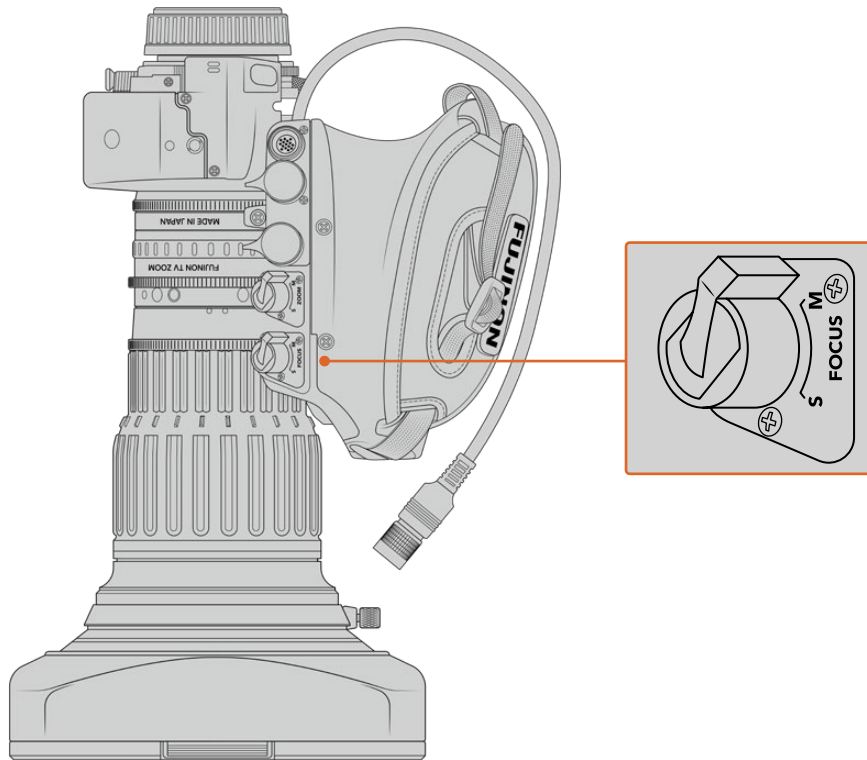
近年、「コンパクトサーボ」ズームレンズという新しいレンズのカテゴリーが登場しています。これらのレンズは、B4およびPLサーボズーム対応レンズの機能の一部を有していますが、EFマウントを使用します。これらのレンズのズームロッカーは、URSA Mini EFおよびURSA Mini Proのレンズマウントから給電できます。レンズ名、アイリス、フォーカス、ズームのポジション値などの情報は、URSA Miniのレンズメタデータ・システムにより読み込み/記録が可能です。

URSA MiniおよびURSA Mini Proでは、フォーカス、アイリス、ズームの電子制御が、これらのレンズで使用できます。スイッチャーに接続した場合、ATEM Software Control経由でこれらをリモートコントロールすることも可能です。生放送やスタジオ環境で作業している場合は、Canonのデジタルフォーカス/ズームコントロールを使用できますが、すべての機能を使用するにはサードパーティ製のカスタムケーブルが追加が必要になります。

### コンパクトサーボレンズ:

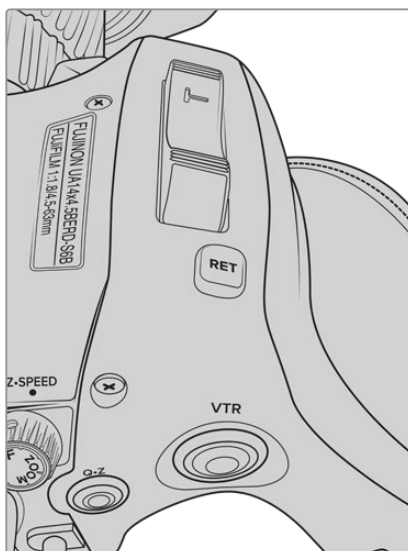
- Canon CN-E 18-80mm T4.4 Compact-servo
- Canon CN-E 70-200mm T4.4 Compact-servo

**メモ** サーボ対応のアナログB4レンズもサポートしていますが、カメラはズームサーボのみに給電し、電子アイリスコントロールをサポートします。多くのアナログB4レンズはSDで、標準の12ピン放送用コネクターに対応していない場合があります。アナログB4レンズは機能に制限がある場合があるため、先にカメラとの互換性を確認することが重要です。レンズによっては、フレームの端へ近づくとつれ、解像度と光が極端に低下することがあるため、レンズテストを行い、イメージサークルの範囲を確認することをお勧めします。



## リターン (RET) およびVTR

B4レンズは、収録を切り替える「VTR」ボタンと、プログラムリターンをコントロールする「RET」ボタンを搭載しています。URSA Mini Pro 4.6K G1で「VTR」と「RET」ボタンを機能ボタンとして設定する方法は、「機能ボタンの設定」セクションを参照してください。



B4レンズの「RET」と「VTR」ボタン

# カメラのビデオ出力

## HDモニタリング出力

Blackmagic URSA Miniのダウンコンバート3G-SDI出力は、常に1080 HDビデオを出力するので、ルーター、モニター、SDIキャプチャー機器、放送スイッチャー、その他のSDI機器に簡単に出力できます。この出力は、タッチスクリーンの設定メニューでは「フロント (Front SDI)」と表記されています。

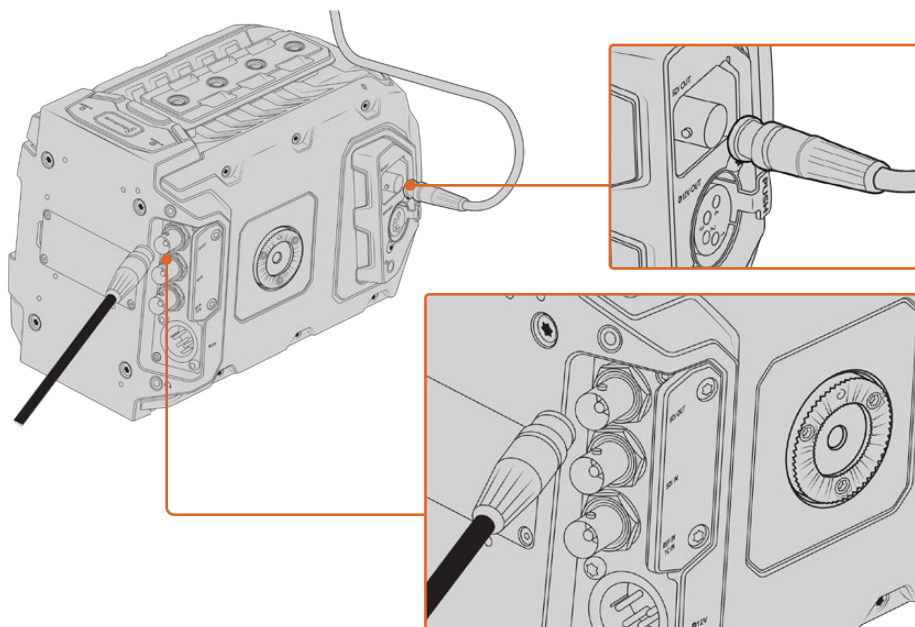
## 12G-SDI出力

リアパネルの12G-SDI出力コネクタは、1本のSDIケーブルで、2160p50、59.94、60など高フレームレートのプログレッシブ・フォーマットのHDおよび4Kビデオに対応しています。また1080i50、59.94、60を含むインターレースHDフォーマットもサポートしています。12G-SDI出力を使用して、あらゆるSDIモニター、さらにATEM Production Studio 4Kなどの4Kスイッチャーに接続できます。この出力をHDまたはUltra HDに切り替えるには、「モニター (MONITOR)」タブの「メインSDI (Main SDI)」で「SDI出力 (SDI OUTPUT)」を1080pまたは2160pに設定します。

### ビデオスイッチャーに接続

SDI出力を使えば、カメラをテレビのライブプロダクションに使用できます。リアパネルのSDI出力をプロダクションスイッチャーに直接接続してライブプロダクションに使用したり、あるいはATEM Camera Converterに接続して信号を光ファイバーに変換すれば、ロケ現場で数百メートル離れた場所にある中継車にも送信可能です。

スイッチャーに接続すると、スイッチャーのプログラム出力をBlackmagic URSA Miniで簡単に確認できます。これを実行するには、まずスイッチャーをカメラ背面の12G-SDI入力に接続します。カメラの開閉式モニターの「プログラム (PGM)」ボタンを押したままにすると、プログラムフィードが確認できます。カメラフィードに戻るには「PGM」ボタンを放します。「PGM」ボタンを2回連続して押すと入力をプログラムフィードにロックします。カメラフィードに戻るには「PGM」ボタンを1回押します。



12G-SDI出力は、あらゆる1080 HD/Ultra HDライブプロダクションスイッチャーやモニターに接続できます。HDモニタリング出力は、Blackmagic URSA Viewfinderなどの外部ビューファインダーや、あるいはジブアームやクレーンなどのプロダクション機器にマウントしている場合は 外部モニターに接続できます。

## モニターに接続

鳥瞰撮影やカーマウント、クレーンマウントの使用時など、開閉式モニターへのアクセスが困難な場合は、SDIモニタリングが非常に役立ちます。

HD-SDIモニタリング出力コネクタから表示するモニタリング情報は、「モニター (MONITOR)」タブの「フロントSDI (Front SDI)」で調整できます。これらの設定で、フレームガイドや、撮影の詳細、カメラ設定などの情報を有効にできます。単にショットをモニタリングしたい場合は、いつでもSDIオーバーレイ設定をオフにして、クリーンSDIフィードを出力できます。

SDI出力をSDIモニターやBlackmagic SmartScope Duo 4Kに接続すれば、波形のライブモニタリングが可能です。

**メモ** リアSDI出力および3G-SDIモニタリング出力は、「Film」ダイナミックレンジで「Broadcast Film to Rec.2020 Hybrid Log Gamma」または「Broadcast Film to Rec.2020 to PQ Gamma」LUTをSDI出力に使用している場合、補助データ付きのHDRビデオに自動的にフラグを付けます。つまり、どちらかSDI出力をHDRが有効にされたスクリーンに接続すると、驚異的なHDRイメージを表示できます。

## SDI出力フォーマット

<b>リアSDI出力</b>	2160p23.98、24、25、29.97、30、50、59.94、60 1080p23.98、24、25、29.97、30、50、59.94、60 1080i50、59.94、60
<b>3G-SDIモニタリング出力</b>	1080p23.98、24、25、29.97、30、50、59.94、60 1080i50、59.94、60

**作業のこつ** 一度に2つのコーデックを使用したライブ収録や、同時バックアップを行う場合、URSA MiniのリアSDI出力から、Blackmagic Video AssistやHyperDeckにフィードできます。

# URSA Mini Shoulder Kit

## ショルダーマウントの取り付け

URSA Mini Shoulder Kitで、URSA Miniを肩に乗せて使用する、ENGスタイルの撮影が可能になります。このキットには、トップハンドル、ショルダーマウント・ベースプレート、オプションのBlackmagic URSA Handgrip用エクステンションアーム、長尺LANCケーブル、URSA Viewfinderアダプタープレート、さらに取り付けに必要なすべてのネジが含まれています。

ベースプレートのクイックリリースマウントは、ENGスタイル三脚プレートにロックできるだけでなく、肩に乗せてアクションを追うことも可能です。

URSA Mini Shoulder Kitは、Sony VCT 14をモデルとするあらゆる三脚プレートと使用できます。これらのプレートは、カメラ販売店やオンラインで簡単に購入できます。

VCT U14三脚プレートをモデルとするプレートはシステムが異なり、互換性がないので注意が必要です。

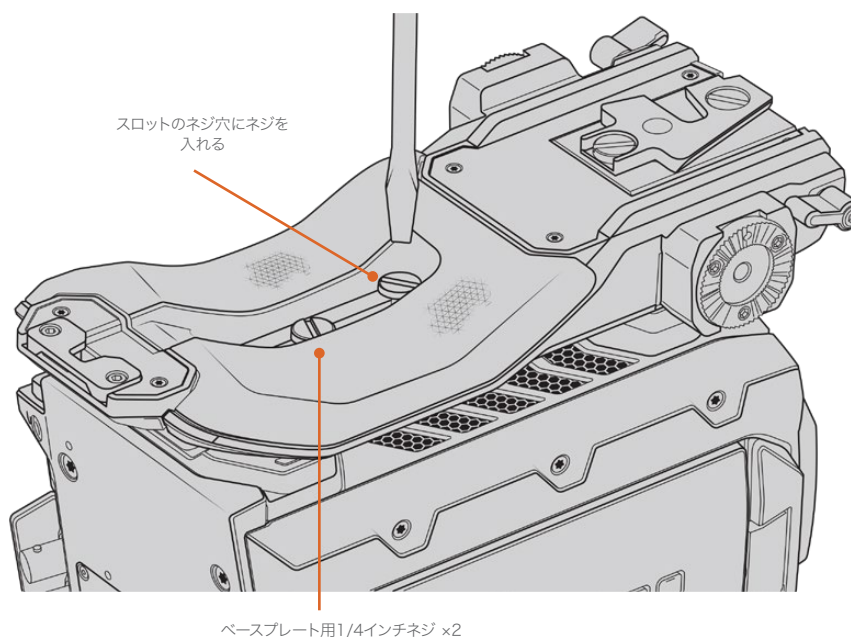
### URSA Mini Shoulder Kitを取り付ける際は、以下の工具が必要です：

- ・ マイナススクレイドライバー x1: ショルダーマウント・ベースプレートのネジ用 (1/4インチ x2)
- ・ 3/16インチ六角ドライバ x1: トップハンドルのネジ用 (1/4インチ x2)
- ・ 2.5mm六角ドライバ x1: ビューファインダー・アダプタープレートのM3ネジ用 (x4)



ショルダーマウントキットをURSA Miniに取り付けるには、大きめのマイナススクレイドライバー、トップハンドルに使用する3/16インチの六角ドライバ、ビューファインダー・アダプタープレートに使用する2.5mmの六角ドライバが必要

## ショルダーマウント・ベースプレートを取り付ける：

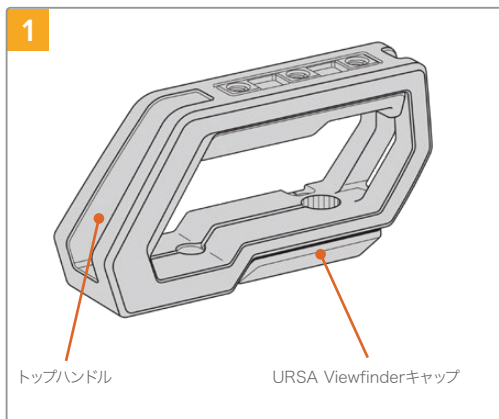


- 1 URSA Miniをゆっくりと逆さにし、平らで安定した場所に置いて、カメラの底面にアクセスできるようにします。
- 2 マイナススクリュードライバーと2つの1/4インチマイナスネジを使用して、ショルダーマウント・ベースプレートをURSA Miniに取り付けます。
- 3 ベースプレートがしっかりと固定されるまでネジを締め、緩まないようにします。締めすぎるとネジ山が破損する場合がありますので注意してください。

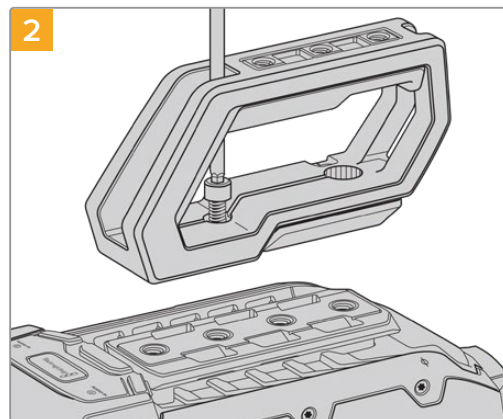
## トップハンドルを取り付ける (URSA Viewfinderなしの場合) :

URSA Mini Shoulder Kitは、オプションのURSA Viewfinderの有無にかかわらず使用できます。

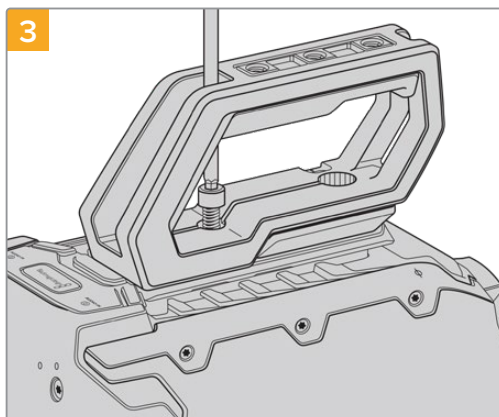
トップハンドルの底面には、ゴム製のビューファインダーキャップが付いています。このキャップは、URSA Viewfinderを使用する場合にはアダプタープレートと付け替えます。URSA Viewfinderなしでハンドルを使用する場合、このキャップは付けたままにしておくことをお勧めします。



URSA Miniを平らで安定した場所に置き、カメラの上面にアクセスできるようにします。



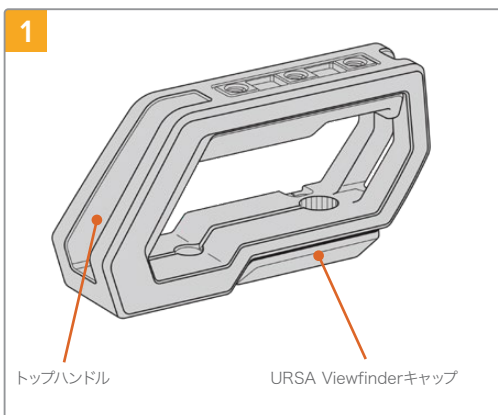
URSA Miniの上面にある1/4インチのマウントポイントのうち、いずれか2つを使用してハンドルを固定します。取り付けには同梱の1/4インチネジを2個と、3/16インチ六角ドライバーを使用します。基本的には、後る2つのマウントポイントの使用が推奨されますが、大型レンズの使用時にバランスを取る際など、状況に応じて適切なマウントポイントを使用できます。



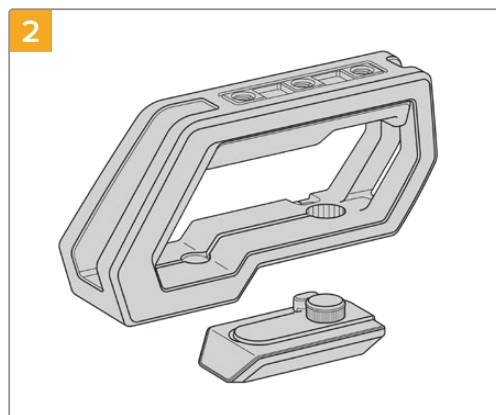
ハンドルがしっかりと固定されるまでネジを締め、簡単に緩まないようにします。締めすぎるとネジ山が破損する場合がありますので注意してください。



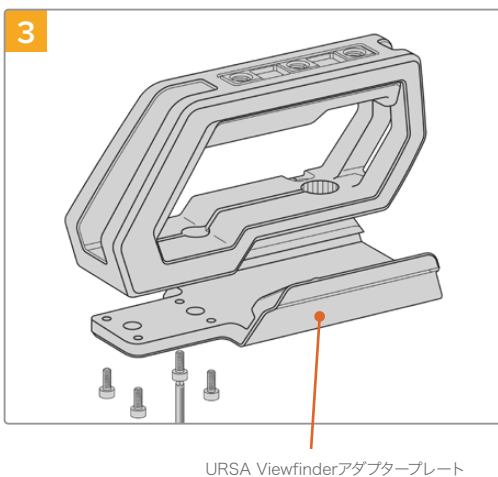
## トップハンドルを取り付ける (URSA Viewfinderありの場合) :



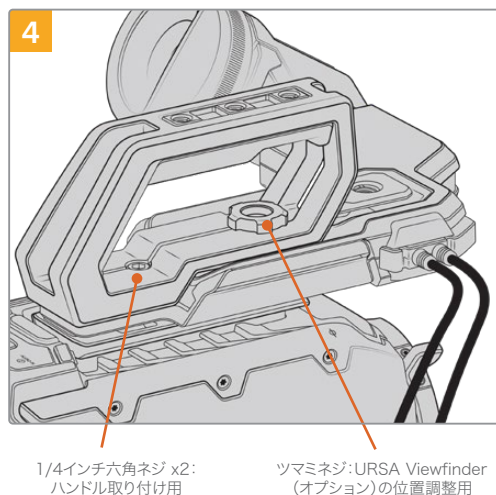
URSA Miniを平らで安定した場所に置き、カメラの上面にアクセスできるようにします。



ハンドル側面のアームをゆっくりと外し、穴からキャップを引き抜いて、ハンドルの底面からURSA Viewfinderキャップを取り外します。



M3ネジを4個と、2.5mm六角ドライバーを使用して、URSA Viewfinderアダプタープレートをハンドルに取り付けます。



URSA Miniの上面にある1/4インチのマウントポイントのうち、いずれか2つを使用してハンドルを固定します。取り付けには同梱の1/4インチネジを2個と、3/16インチ六角ドライバーを使用します。基本的には、後ろ2つのマウントポイントの使用が推奨されますが、大型レンズの使用時にバランスを取る際など、状況に応じて適切なマウントポイントを使用できます。締めすぎるとネジ山が破損する場合がありますので注意してください。

ハンドルの前方にある穴は、URSA Viewfinderの取り付けおよび調整の際に、ツマミネジで使用します。URSA Viewfinderのトップハンドルへの取り付けに関する詳細は、URSAマニュアルの「Blackmagic URSA Viewfinder」セクションを参照してください。

## エクステンションアームの取り付け

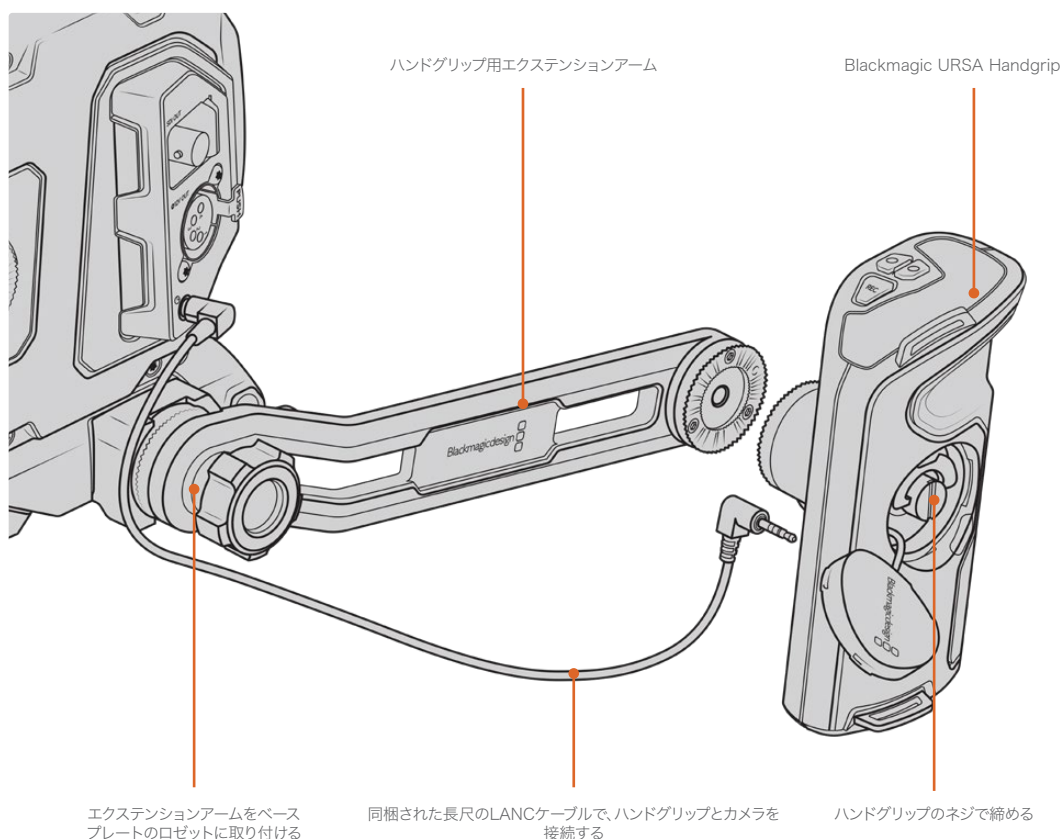
URSA Mini Shoulder KitとBlackmagic URSA Handgripを併用する際は、ハンドグリップの位置を調整することで、快適な肩寄せ撮影が可能になります。同梱のエクステンションアームと長尺LANCケーブルを使用して、ハンドグリップを使いやすい位置に移動できます。URSA Miniのエクステンションアームは、Blackmagic Design販売店にて個別のアクセサリとして購入できます。

### エクステンションアームを取り付ける：

- 1 URSA Miniを平らで安定した場所に置きます。その際、エクステンションアームを下げられるよう、カメラの横にスペースを空けます。この作業は、URSA Miniを三脚に取り付けると簡単です。
- 2 エクステンションアームのジグザグ形のサイドをベースプレートのロゼットに取り付け、適切な位置までアームを下げ、同梱のロゼット用ツマミネジで留めます。
- 3 エクステンションアーム前面のロゼットに、ハンドグリップを取り付けます。ハンドグリップは、大きめのマイナススクリュードライバーでネジを締めるか、Dリングを指できつく締めて固定します。
- 4 URSA Mini Shoulder Kitに同梱された長尺のLANCケーブルを使用して、Blackmagic URSA HandgripのLANC出力をカメラのLANC入力に接続します。

エクステンションアームとBlackmagic URSA Handgripは、ユーザーの好みに応じて簡単に調整できます。ロゼットのネジを緩め、調整して、ネジを締め直すだけです。

URSA Mini Shoulder Kitの取り付けが完了しました。慌ただしい現場でもさらにスピーディな撮影が可能になり、またカメラをすばやく三脚にマウントできるため安定したショットも撮影できます！





# Blackmagic URSA Viewfinder

Blackmagic URSA Viewfinderは、Blackmagic URSA Mini用に設計されたパワフルな電子ビューファインダーです。1080 HD有機ELディスプレイと精密な光学系で、明るく鮮やかな生き生きとしたイメージを得られるので、すばやくフォーカスを合わせて詳細を確認できます。

同ビューファインダーは、肩乗せでハンドヘルド操作する場合や、非常に明るい撮影環境など、反射やグレアのない絶対的な精密性が求められる環境に最適です。

ビューファインダーは、カメラに接続して給電でき、カメラからのエンベデッドSDIデータを使用して様々な表示方法が可能です。つまり、カメラからクリーンなSDIフィードをビューファインダーに出力でき、ビューファインダー内で様々な表示方法を切り替えてカメラ状況や正確な情報にアクセスできます。

例えば、URSA Miniのメニューで「2.40:1」のフレームガイドオプションを選択した場合、カメラで選択したフレームガイドをビューファインダーに伝えるので、ビューファインダーでフレームガイド表示をオンにすると、同じ「2.40:1」フレームガイドが表示されます。

## Blackmagic URSAへのマウント/接続

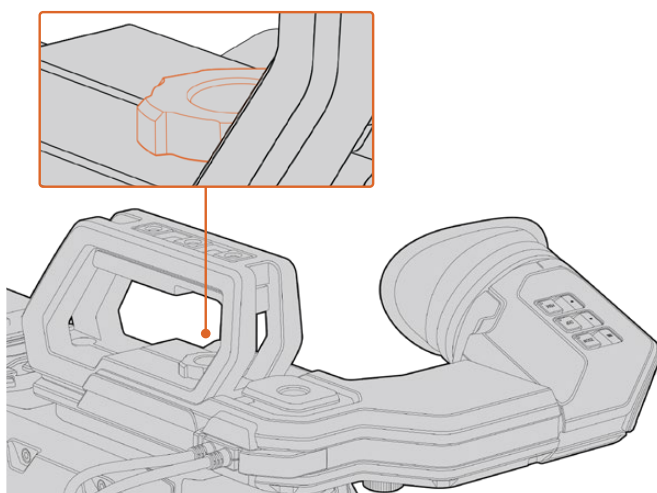
Blackmagic URSA Viewfinderをカメラ筐体に取り付けるには、ハンドルリッジに沿ってスライドさせ、ツマミネジを1/4インチのマウントポイントに固定します。

URSA ViewfinderをURSA MiniまたはURSA Mini Proに適切にマウントするには、Blackmagic URSA Mini Shoulder Kitが必要です。

Blackmagic URSA Viewfinderを取り付ける際は、はじめにURSA Shoulder KitのトップハンドルからURSA Viewfinderキャップを取り外し、URSA Viewfinderのアダプタープレートを実装します。詳細はこのマニュアルの「URSA Mini Shoulder Kit」セクションを参照してください。

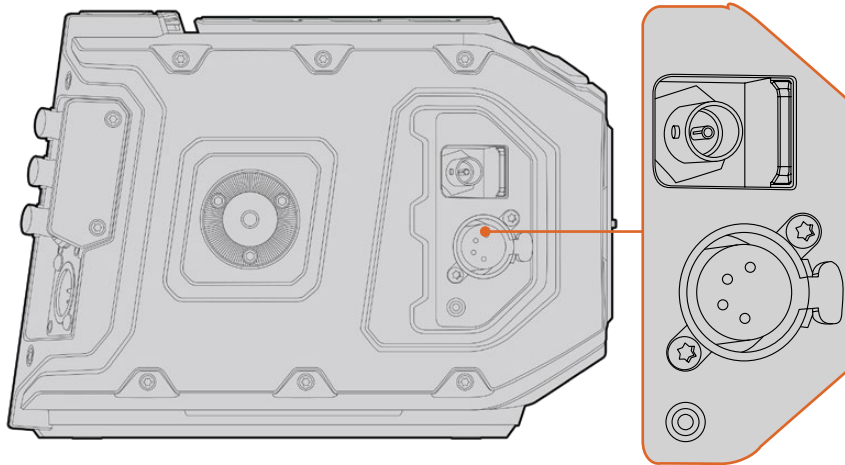
URSA ViewfinderマウントをURSA Viewfinderアダプタープレートに差し込み、URSA Mini Shoulder Kitに同梱された1/4インチのツマミネジで、URSA Viewfinderをトップハンドルおよびアダプタープレートに固定します。

ツマミネジを固定するのに工具は必要ありません。指の力だけで十分固定でき、締めすぎる心配もありません。



Blackmagic URSA ViewfinderをURSA Miniに取り付けるには、ビューファインダーのマウントをカメラのハンドルリッジに沿ってスライドさせ、ツマミネジを1/4インチのマウントポイントに固定

URSA ViewfinderをURSAに接続するには、ビューファインダーの付属ケーブルをカメラの前方にある12V電源および3G-SDI出力に接続します。カメラに電源が供給されると、URSA Viewfinderも自動的にオンになります。



ビューファインダーのSDIと電源ケーブルを、URSA MiniのHD-SDIモニタリング出力と+12V出力に接続

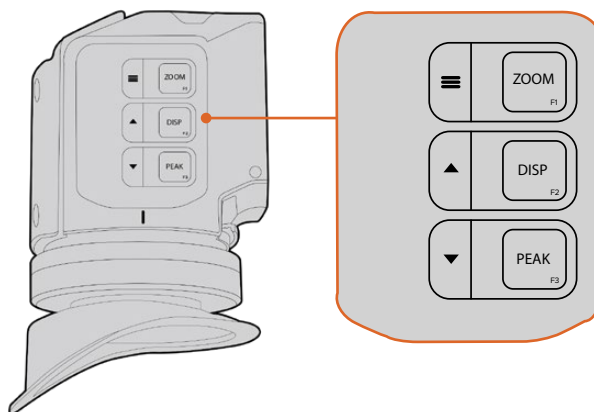
URSA MiniでURSA Viewfinderを使用する場合、URSA Mini Shoulder Kitも併せて使用することを強くお勧めします。URSA Mini Shoulder Kitには、適切なマウントポイント、1/4インチのツマミネジ、高さ調整機能が搭載されているため、ビューファインダーを最適な位置に調整できます。「URSA Mini Shoulder Kit」セクションを参照してください。

## アイピースの調整

取り外し可能なゴム製のアイピースは、左右どちらかの目にフィットするよう調整できます。アーム底部のノブを緩め、目にフィットするようアームを左右にスライドさせてビューファインダーアームを調整します。

## ボタン機能

ビューファインダーの上部には、ズーム、ディスプレイ、ピークボタンが付いています。これらのボタンは、イメージへのズーム、オーバーレイとフォーカスピーキングのオン/オフに使用します。



ZOOM (F1)、DISP (F2)、PEAK (F3)ボタンは、URSAビューファインダーの上面にあります。

また、これらのボタンはメニューを開いたり、設定をナビゲートする際にも使用されます。ボタンの横のアイコンは、ビューファインダーのメニューのコントロール、および機能のナビゲートに使用されているボタンを示します。

また、これらのボタンはカスタマイズ可能なファンクション機能を搭載しているので、ショートカットを割り当て、頻繁に使用する機能にすばやくアクセスすることもできます。例えば、フォルスカラー機能をズームボタンに割り当てられます。詳細は「ショートカット」のセクションを参照してください。

### ZOOM (F1) - 「メニュー」

この機能は、画像にズームすることで、フォーカスをシャープに合わせるサポートをします。「ZOOM」ボタンを押すとズームインし、再度押すと100%ビューに戻ります。メニュー設定を使用している場合、「ZOOM」ボタンは「メニュー」ボタンとして機能します。同ボタンを長押しするとメニュー設定が開きます。メニュー設定では、同ボタンを1度押すと設定の変更が確定します。

### DISPLAY (F2) - 「上」

「DISP」ボタンを押すとオーバーレイビューを表示できます。メニュー設定を使用している場合、同ボタンは「上」ボタンとして機能します。また、このボタンを長押しすると、「ショートカット」メニュー設定をすばやく開きます。ショートカットの設定に関する詳細は、「ショートカット」セクションを参照してください。

### PEAK (F3) - 「下」

フォーカスピーキング機能は、画像の最もシャープな部分を緑色で縁取りするので、フォーカスが合っているか簡単に確認できます。「PEAK」ボタンを押すとフォーカスピーキング機能がオンになり、再度押すとオフになります。メニュー設定を使用している場合、同ボタンは「下」ボタンとして機能します。また、このボタンを長押しすると「セットアップ (SETUP)」メニューをすばやく開きます。

## メニュー設定

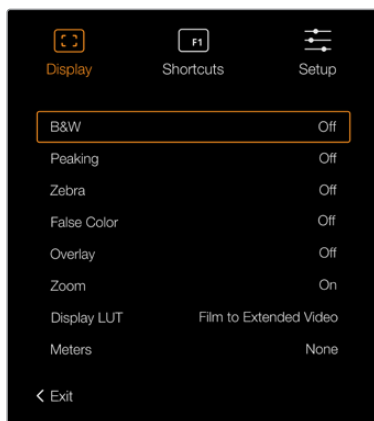
メニュー設定には、「ディスプレイ (Display)」、「ショートカット (Shortcuts)」、「セットアップ (Setup)」の3つのメニューが含まれます。メニュー設定を開くには、「メニュー」≡ボタンを長押しします。「上」▲「下」▼ボタンを押して設定をナビゲートし、「メニュー」≡ボタンを再度押すことで選択した項目を確定します。

### ディスプレイ (Display)

ディスプレイメニューには以下の機能があります：

#### 白黒 (B&W)

カラーと白黒を切り替えます。



URSA Viewfinderの「ディスプレイ (Display)」メニュー

#### ピーキング (Peaking)

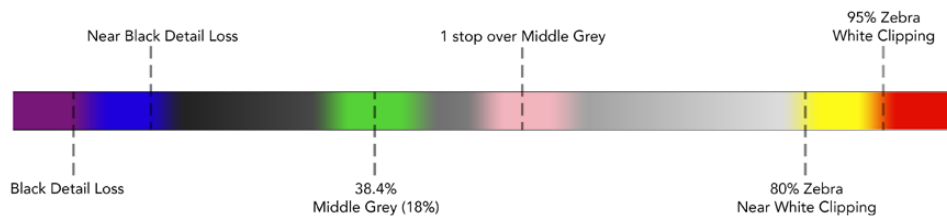
ピーキングのオン/オフを切り替えます。

## ゼブラ (Zebra)

ゼブラレベルのオン/オフを切り替えます。カメラ設定を使用して、目的に応じたゼブラレベルを設定します。詳細は、このマニュアルの「設定」セクションを参照してください。

## フォルスカラー (False Color)

フォルスカラー機能のオン/オフを切り替えます。フォルスカラーは、イメージ内のエレメントに応じて、異なる露出値を様々なカラーでオーバーレイします。例えば、明るいスキントーンに最適な露出はピンク、暗めのスキントーンはグリーンで表示されます。人物を撮影する際は、ピンク/グリーンのフォルスカラーをモニタリングすることで、スキントーンで一貫性のある露出を維持できます。同様に、イメージ内のエレメントが黄色から赤に変わった場合は、露出過多になったことを意味しています。



フォルスカラーチャート

## オーバーレイ (Overlay)

オーバーレイのオン/オフを切り替えます。オーバーレイの種類はビューファインダーの「セットアップ (Setup)」メニューで選択できます。セーフエリアのパーセンテージなどのオーバーレイのスタイルはカメラで設定します。

## ズーム (Zoom)

ズーム機能のオン/オフを切り替えます。

## LUTを表示 (Display LUT)

「Film」ダイナミックレンジの信号をURSA Miniから送信している際に、「Film to Video」および「Film to Extended Video」設定で、よりカラフルでコントラストの強いLUTをイメージに適用できます。ビューファインダーは、これらのLUTが使用されていることを検知し、ビューファインダーでオン/オフを切り替えるオプションを表示します。フロントSDI出力でLUT表示がオンになっている場合、あるいは異なるLUTを使用している場合、複数のLUTが適用されることを防ぐために、このオプションは無効になります。

## メーター (Meters)

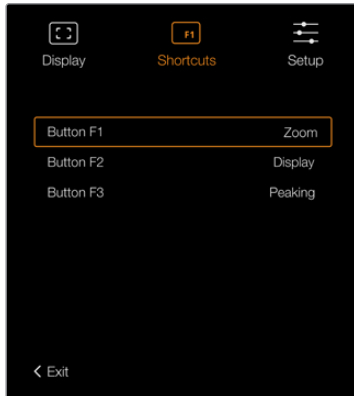
オーバーレイに表示するメーターの種類を切り替えます。ヒストグラム (Histogram)、オーディオ (Audio)、両方 (Both)、なし (None) から選択できます。

## ショートカット (Shortcuts)

ショートカット機能は、特定の設定にアクセスし、頻繁に使用する機能がある場合に便利です。ショートカットボタンをカスタマイズする：

- 1 ショートカットメニューで「上」▲「下」▼ボタンを使用し、ショートカットを割り当てるボタンを3つのボタンから選択します。「メニュー」≡ボタンを押して選択を確定します。
- 2 「上」▲あるいは「下」▼ボタンを押して、以下のいずれかの機能をショートカットボタンに割り当てます。「メニュー」≡ボタンを押して選択を確定します。
  - ・ 白黒 (B&W)
  - ・ ディスプレイ (Display)
  - ・ ピーキング (Peaking)
  - ・ ズーム (Zoom)
  - ・ ゼブラ (Zebra)
  - ・ LUTを表示 (Display LUT)
  - ・ フォルスカラー (False Color)
  - ・ メーター (Meters)

- 3 「閉じる (Exit)」にスクロールして「メニュー」☰ボタンを押し、メニューディスプレイ表示を閉じます。



URSA Viewfinderの「ショートカット (Shortcuts)」設定

## セットアップ (Setup)

セットアップメニューには以下の機能があります：

### 明るさ (Brightness)

ディスプレイの明るさを-10～+10の範囲で調整できます。

### タリーの明るさ (Tally Brightness)

タリーLEDの明るさを調整できます。

### フォーカスチャート (Focus Chart)

Blackmagic URSA Viewfinderにはフォーカスチャートが内蔵されており、アイピースの焦点をユーザーに合わせて調整できます。フォーカスチャートの焦点が完璧になるまで、アイピースのフォーカスディオプターを回して調整します。ビューファインダーのいずれかのボタンを押すと、フォーカスチャートディスプレイが閉じます。

### フレームガイド (Frame Guide)

オーバーレイとして設定されている場合、フレームガイドの表示を切り替えます。「フレームガイド (FRAME GUIDES)」がオンになっている場合、ビューファインダーはカメラの「モニター (MONITOR)」設定の「すべて (All)」で設定されたフレームガイドと同じものが表示されます。ビューファインダーのフレームガイド表示は、オン/オフを選択して切り替えられます。

詳細は、このマニュアルの「モニター設定 (MONITOR)」セクションを参照してください。

### セーフエリアガイド (Safe Area Guide)

「オーバーレイ (Overlay)」がオンになっている場合、セーフエリアガイドの表示を切り替えます。URSA Miniの「モニター (MONITOR)」設定の「すべて (All)」で「セーフエリアガイド (SAFE AREA GUIDE)」がオンになっている場合、この設定でオン/オフを切り替えられます。

詳細は、このマニュアルの「モニター設定 (MONITOR)」セクションを参照してください。

### グリッド (Grid)

3x3グリッド、十字線、センタードットの表示ルールを切り替えられます。URSA Miniのモニター (MONITOR) 設定の「すべて (All)」で「グリッド (GRIDS)」がオンになっている場合、この設定でBlackmagic URSA Viewfinderのグリッド表示を切り替えられます。

詳細は、このマニュアルの「モニター設定 (MONITOR)」セクションを参照してください。

**メモ** URSA Viewfinderの「セットアップ (Setup)」メニューで「グリッド (Grid)」を有効にすると、ATEMスイッチャーからのタリー信号もビューファインダーに表示できます。オーバーレイ (Overlay) もディスプレイ (Display) メニューで有効にしてください。

### ステータステキスト (Status Text)

ホワイトバランス、フレームレート、ISOなどステータステキスト表示を切り替えます。URSA Miniのモニター (MONITOR) 設定の「フロントSDI (Front SDI)」で「ステータステキスト (STATUS TEXT)」がオンになっている場合、この設定でBlackmagic URSA Viewfinderのステータステキスト表示を切り替えられます。

詳細は、このマニュアルの「モニター設定 (MONITOR)」セクションを参照してください。

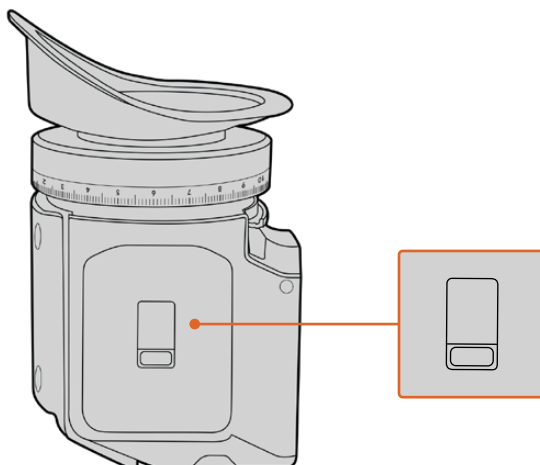
**作業のこつ** URSA MiniをBlackmagic Viewfinderと併用する際に、ビューファインダーとカメラの両方のステータステキストを表示する設定にしていると、ステータステキストが正しく表示されないことがあります。このような場合、カメラのステータステキスト表示を有効にし、ビューファインダーでの表示を無効にすることを推奨します。

### IRセンサー

ビューファインダーのIRセンサーは、ユーザーがアイピースに近づくと自動的に検知し、有機ELディスプレイをオンにします。スタンバイモードでビューファインダーから20秒以上離れると、ディスプレイは電源の節約と有機ELディスプレイを長持ちさせるためにオフになります。収録中はタイムアウトセンサーが5分間に延長され、5分経つと有機ELディスプレイが徐々に暗くなります。アイピースの前で何らかの動きが検知されるとタイマーはリセットされます。アイピースを覗き込むとビューファインダーはその動きを検知します。またビューファインダーのボタンを押すとディスプレイがオンになります。



IRセンサーを物などで覆うと、ビューファインダーのディスプレイが長時間にわたり電源が入ったままの状態になる可能性があります。ディスプレイの寿命が短くなるだけでなく、ビューファインダーに高コントラストイメージやフレームガイドが表示されている場合は残像の原因となるので注意してください。



IRセンサーは、URSA Viewfinderの底部にあります。

## URSA Viewfinder内部ソフトウェアのアップデート

ビューファインダーのアップデートには、Blackmagic Camera Setup Utilityソフトウェアを使用します。アップデートの際はビューファインダーの電源が入った状態である必要があるため、アップデート中はビューファインダーとURSA Miniを接続したままにしておくことをお勧めします。安定した電源供給を得るため、URSA Miniを外部電源に接続してください。

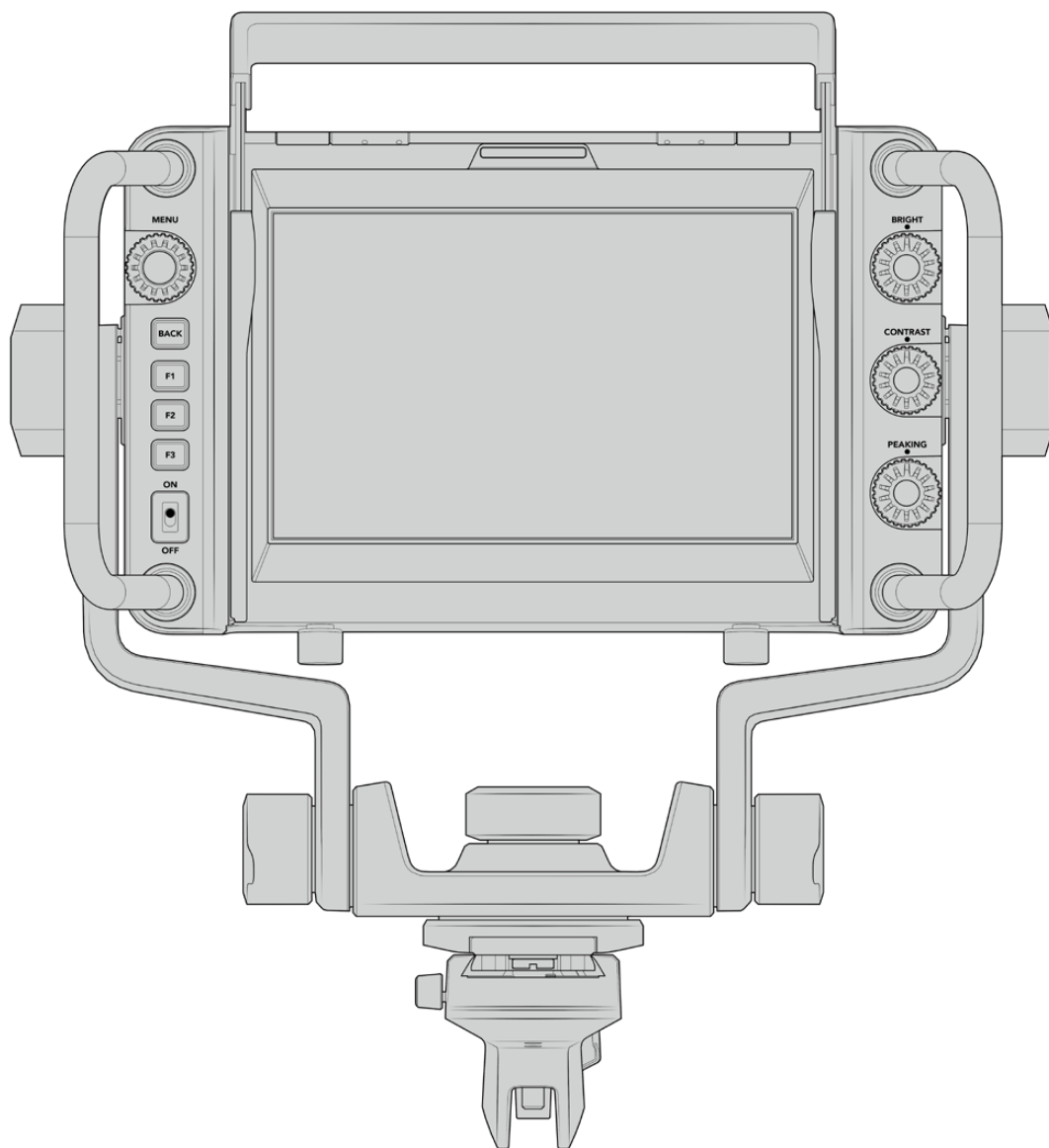
ビューファインダーの前面、アイピースの近くにある小さなUSBコネクタとコンピューターを接続します。Blackmagic Camera Setup Utilityソフトウェアが起動し、現在使用している内部ソフトウェアを検出します。古いバージョンを使用している場合は、アップデートを推奨するメッセージが表示されます。スクリーンの指示に従い、ビューファインダーの内部ソフトウェアをアップデートします。

**メモ** 詳細は、このマニュアルの「Blackmagic Camera Setup Utility」セクションを参照してください。

**作業のこつ** パフォーマンスを最適化するため、Blackmagic URSAシリーズすべての機器をアップデートすることをお勧めします。



## Blackmagic URSA Studio Viewfinder



Blackmagic URSA Studio Viewfinder

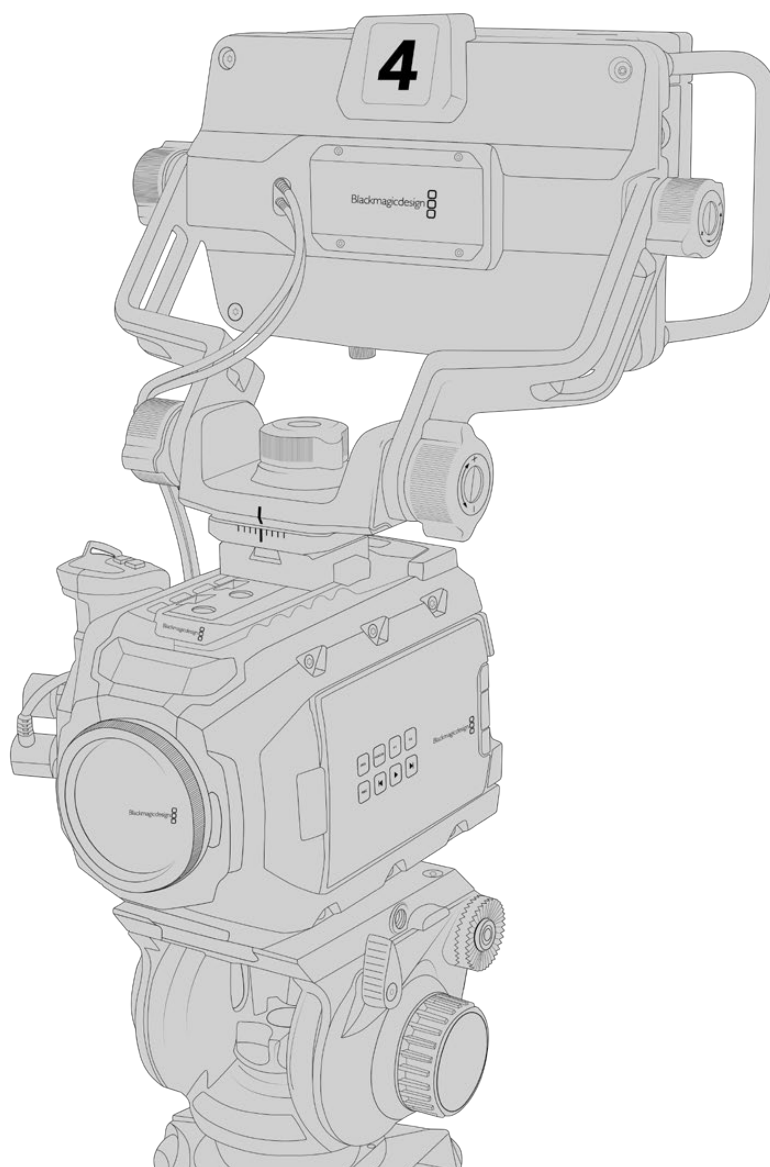
パワフルなビューファインダー、Blackmagic URSA Studio Viewfinderを追加すればURSA Miniがプロ仕様のライブプロダクションカメラに変身します！URSA Studio Viewfinderは、7インチの高輝度スクリーン、大きく見やすいタリーライト、コントロールノブ、大きなハンドル、サンシェード、テンション調整が可能な連結式マウントを搭載しています。これらの機能により、ライブコンサートやスポーツなど、長時間に渡るイベントの撮影でも、カメラの後ろに立って快適にアクションを追うことができます。URSA Studio Viewfinderは、スタジオやロケ現場でのプロ仕様のライブプロダクションに最適です。

## Blackmagic URSA Miniへのマウント/接続

Blackmagic URSA Studio ViewfinderをBlackmagic URSA Miniと使用する場合、カメラにユニットをマウントする方法は複数あります。

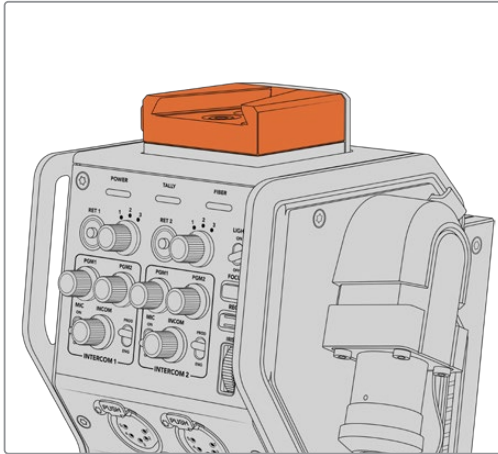
同梱のVロックマウントプレートを使用してBlackmagic URSA Studio ViewfinderをBlackmagic URSA Miniの上部に直接マウントできます。Vロックマウントプレートはトップハンドルプレートから簡単に取り外せます。

3/16六角ドライバーでVロックプレートをURSA Miniハンドルマウントから外し、同梱の1/4インチネジでカメラの上部に取り付けます。これによりカメラの重心が高くなります。カメラを三脚に取り付けて安定した状態で作業を行ってください。

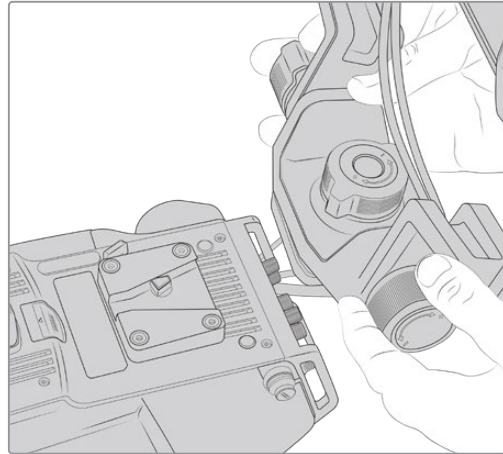


URSA Mini Shoulder Kitを使用している状態で、Blackmagic Studio ViewfinderをURSA Miniにマウントしたい場合は、同梱のURSA Miniハンドルマウントを使用して取り付けます。3/16六角ドライバーを使い、同梱の3本の1/4インチネジでハンドルマウントをトップハンドルに取り付けます。Vロックプレートスロットに、Studio ViewfinderのVロックをカチッと音がするまでスライドさせて固定します。

詳細は、このマニュアルの「URSA Mini Shoulder Kit」セクションを参照してください。

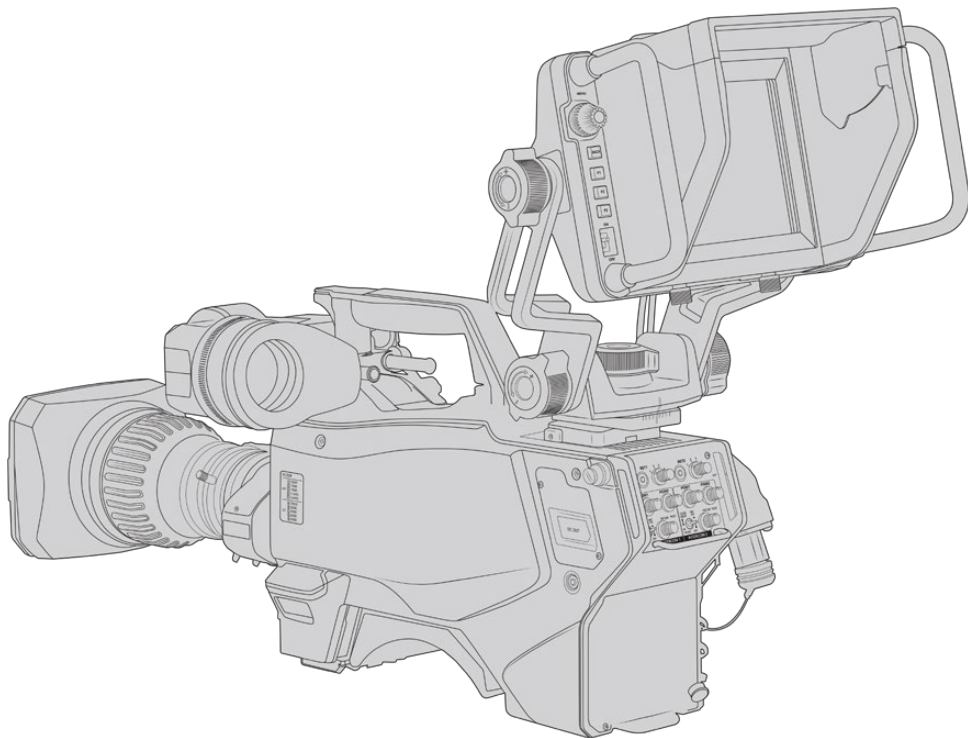


Blackmagic Studio Viewfinderは、Blackmagic Camera Fiber Converter上部のVロックプレートに取り付け可能



サードパーティ製カメラに取り付けたVロックマウントプレート

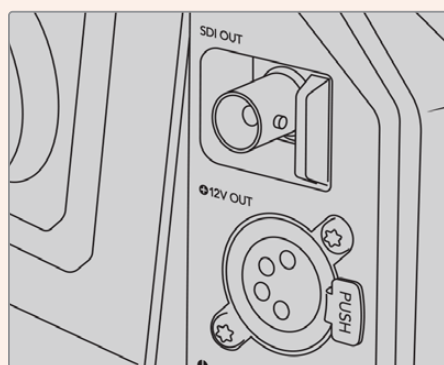
他のカメラでURSA Studio Viewfinderを使用したい場合、1/4インチマウントポイントが付いていればVロックマウントプレートをカメラに取り付けてURSA Studio Viewfinderを使用できます。サードパーティ製のチーズプレートを使用することもできます。また、多くのサードパーティ製のカメラシステムは、クイックリリース可能なVロックマウントプレートが付いているので、Blackmagic URSA Studio Viewfinderをマウントできます。



**作業のこつ** Blackmagic URSA Studio Viewfinderは、クイックリリースVロックマウントプレートを使用して取り付けます。つまり、カメラを三脚から外す必要がある場合、ビューファインダーをすばやく取り外せます。スポーツの試合などを撮影している場合、Blackmagic URSA ViewfinderとURSA Studio Viewfinderの両方をカメラに取り付けておくことで、試合の終わりにURSA Viewfinderにすばやく切り替えてハンドヘルドで収録できます。どちらのビューファインダーも同じ12V電源とカメラ接続用の3G-SDIケーブルを使用しているため、このような状況においてケーブルを簡単に交換できます。

Blackmagic URSA Studio ViewfinderをURSA Miniに接続するには、ビューファインダーの付属ケーブルをカメラの前方にある12V電源および3G-SDI出力に接続します。

カメラの電源を入ると、すぐにビューファインダーの電源スイッチをオンにできるようになります。URSA Miniハンドルマウントの横に、ケーブルをまとめるための固定金具が付いています。

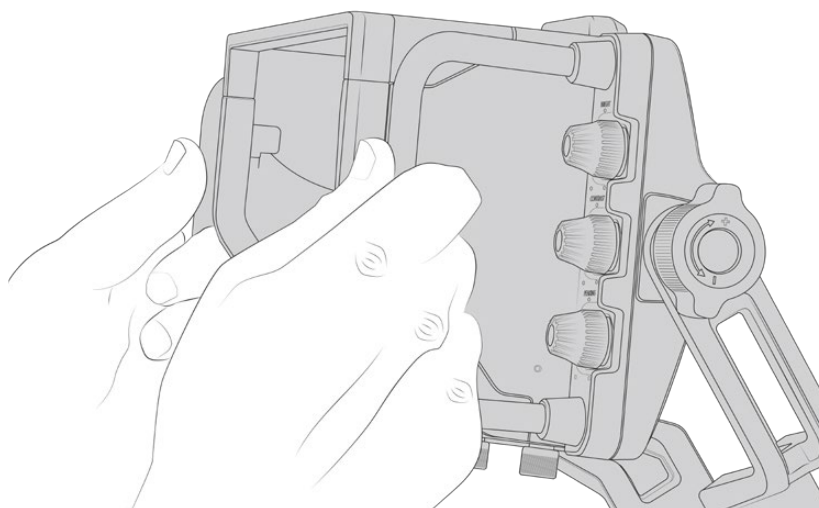


URSA MiniのSDIおよび12V電源接続

**作業のこつ** URSA Studio Viewfinderは、オープンスタンダードのSDIおよび放送用の4ピンXLR電源接続を使用しているため、様々なカメラと使用でき、さらにロケ用の調整可能なポータブルモニターとしても使用できます。また、オープンスタンダードのATEMタリーおよびデバイスコントロール・プロトコルに対応しているため、他のカメラシステムでもこの情報をSDIストリームに追加することでURSA Studio Viewfinderでタリーおよびオーバーレイを使用できます。

## Blackmagic URSA Studio Viewfinderの調整

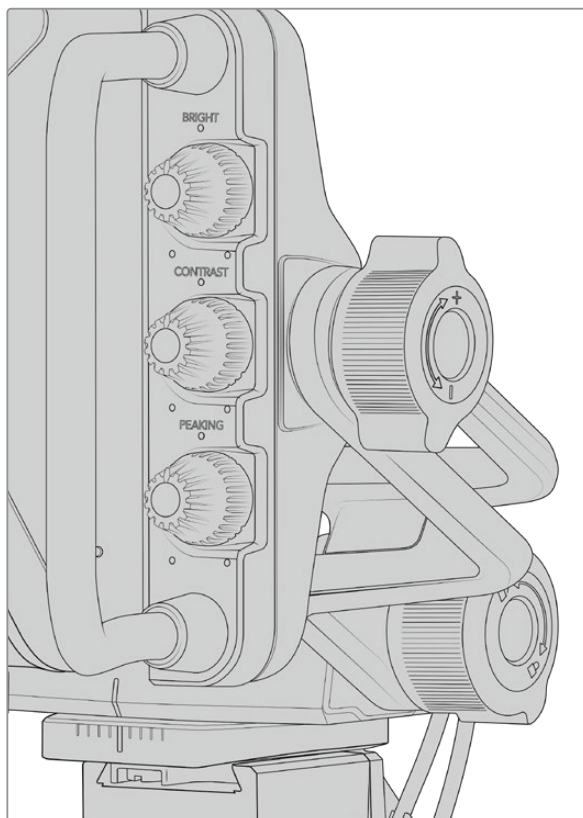
URSA Studio Viewfinderは、大型ハンドルとテンション調整の可能な連結式マウントを搭載しており、ビューファインダーの位置や角度を調整できます。大型ハンドルでビューファインダーをすばやく簡単に掴んで、ユニットの角度や方向を調整できます。ハンドルとサンシェードでスクリーンをダメージから保護できるので、Blackmagic URSA Studio Viewfinderを解体せず、組み立てたままの状態でもキャリーケースなどで保管できます。また大型ハンドルが付いているため、簡単に持ち上げられ、現場間で持ち運びできます。



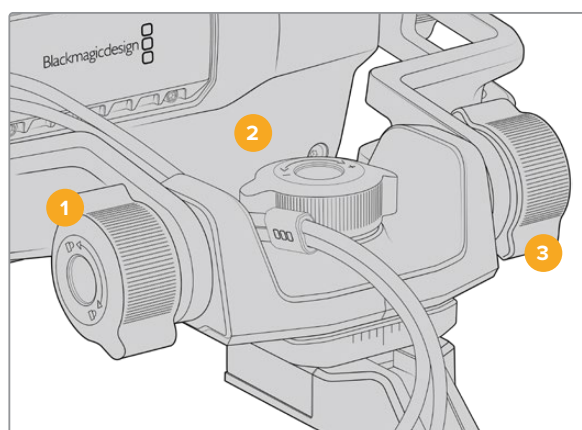
マウントにはパン/ティルト用のテンションダイヤルが付いており、ビューファインダーの両サイドには、摩擦制御用の追加テンションダイヤルがあります。左ハンドルのダイヤルはアームの抵抗摩擦の調整ができ、右ハンドルのダイヤルはアングルを設定した後ビューファインダーをロックできます。

これらのテンションダイヤルは非常に幅広いテンション調整が可能で、最適な抵抗力を選択できます。

これにより、ビューファインダーを必要なポジションまで簡単にパン/ティルトできます。



ビューファインダーの両サイドのテンションダイヤル

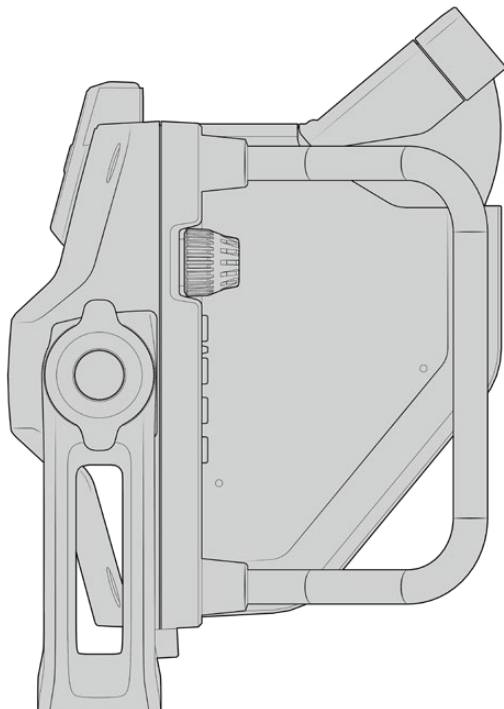
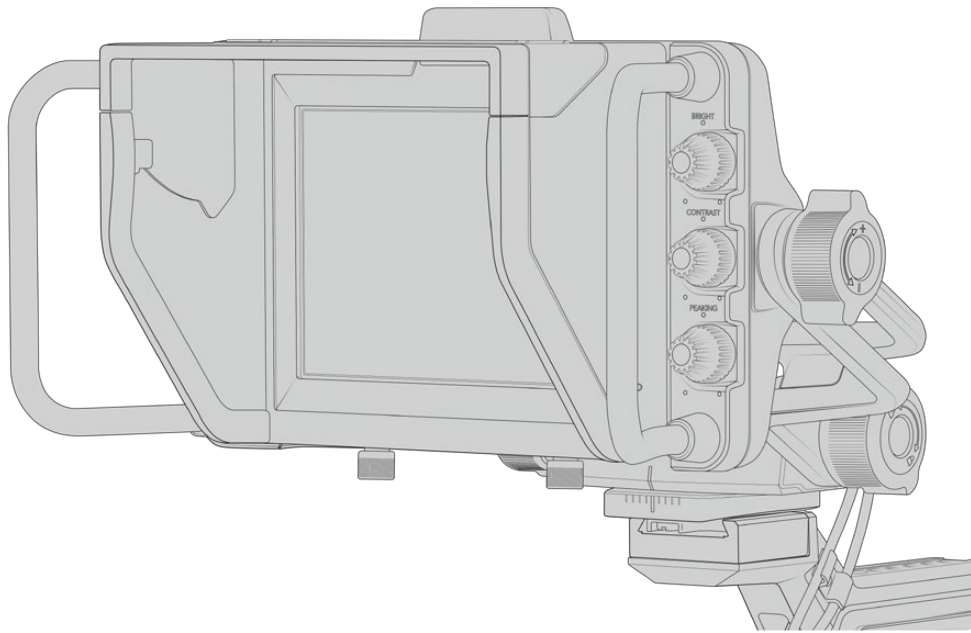


- 1 ティルトロック・ダイヤル**  
ビューファインダーのティルトの角度をロック。
- 2 パンテンション・ダイヤル**  
パンのテンションをコントロール。
- 3 ティルトテンション・ダイヤル**  
ティルトのテンションをコントロール。

**作業のこつ** マウントコントロール中央のテンションダイヤルは、パンテンションをコントロールします。このダイヤルを緩めてビューファインダーを握ると、カメラを独立して動かせます。つまり、モータースポーツなど、被写体のアクションを追ってカメラを左右にパンする必要がある場合でも、目の位置にビューファインダーを配置して映像を確認できます。視覚ガイドによりビューファインダーを簡単に中央の位置に戻せます。

## サンシェード

サンシェードを取り付けると、明るい環境や日が照っている環境でもスクリーンが見やすくなります。サンシェードを取り付けるには、Blackmagic URSA Studio Viewfinderの上部にスライドさせて所定の位置まで押し込み、2つの拘束ネジでサンシェードの土台に固定します。ひさしの上部は上げ下げ可能で、視野角を調整できます。また、サンシェードにより7インチスクリーンが保護されます。サンシェードが必要ない場合や、ソフトウェアアップデートのためにUSB-Cコネクタにアクセスしたい場合は、すばやく簡単に取り外せます。

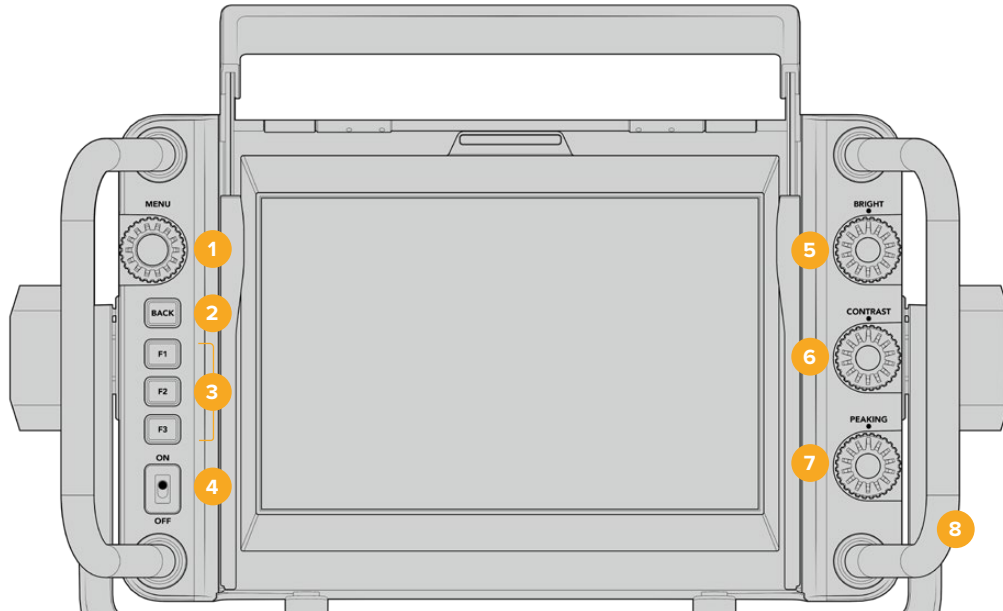


サンシェードと調整可能なひさし



## ボタン機能

右側にあるダイヤルでは、明るさ、コントラスト、ピーキングをすばやく簡単に変更できます。これらのダイヤルは人間工学に基づいて設計されており、サンシェードを使用している場合は親指を使って横から調整できます。あるいは2本の指でより詳細な調整も可能です。



### 1 メニューダイヤル (MENU)

プッシュボタンのメニューダイヤルを使うと、メニューへ進み、ビューファインダー設定をナビゲートできます。

### 2 バックボタン (BACK)

メニューシステムから出ます。

### 3 F1、F2、F3

割り当て可能な機能ボタン。頻繁に使用する機能に簡単にアクセスできるよう、これらのボタンに機能を割り当てられます。

### 4 ON/OFFスイッチ

Blackmagic URSA Studio Viewfinderのオン/オフを切り替えます。

### 5 明るさ (BRIGHT)

スクリーン上のイメージの明るさを調整します。スクリーン上のオーバーレイで、明るさのレベルが-100~+100で表示されます。

### 6 コントラスト (CONTRAST)

スクリーン上のイメージのコントラストを調整します。スクリーン上のオーバーレイで、コントラストのレベルが-100~+100で表示されます。

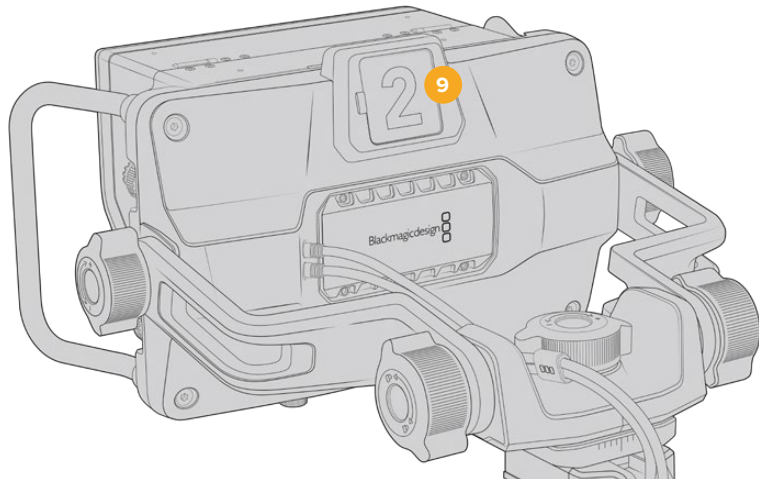
### 7 ピーキング (PEAKING)

スクリーン上のイメージのフォーカスピーキングレベルを調整します。スクリーン上のオーバーレイで、ピーキングのレベルが-100~+100で表示されます。「セットアップ (Setup)」メニューで、使用環境に適した様々なスタイルのピーキングを選択できます。他の放送システムを使用していた人でも親しみやすい従来スタイルのフォーカスピーキングのオプションや、フォーカスにカラーラインを使用するオプションなどがあります。URSA Miniと同様に、赤、緑、青、黒、白のラインのオプションがあるため、特定の色が多く使用されている撮影環境などにおいて、見やすいピーキングを柔軟に選択できます。

### 8 ハンドル

大型のハンドルは、撮影中にカメラの位置を動かした場合でも、Studio Viewfinderを適切な位置に保つことができます。また、セットアップや収納の際にスクリーンを保護する役割も果たします。

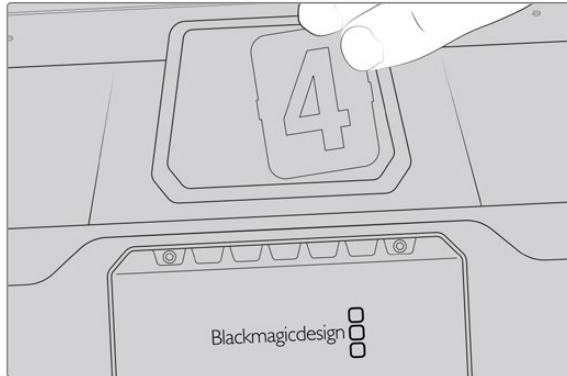




## 9 タリーライト

Blackmagic URSA Studio Viewfinderの背面にある大型のタリーライトは、出演者およびカメラマンに、現在オンエアのカメラ、次にオンエアになるカメラ、そしてISO収録カメラを知らせます。オンエアされているカメラは赤、プレビューは緑に光ります。URSA Miniと使用している場合、ISO収録はオレンジに光ります。

ディレクターがATEMスイッチャーでカメラを切り替えると、タリー信号がSDI経由でカメラに送信され、プレビュー中のカメラ、オンエア中のカメラ、収録中のカメラでタリーライトが点灯します。また、URSA Studio Viewfinderにはクリップ式の透明なカメラ番号が同梱されます。これらをタリーライトに取り付けることで、出演者は離れた場所からでもカメラ番号を確認できます。



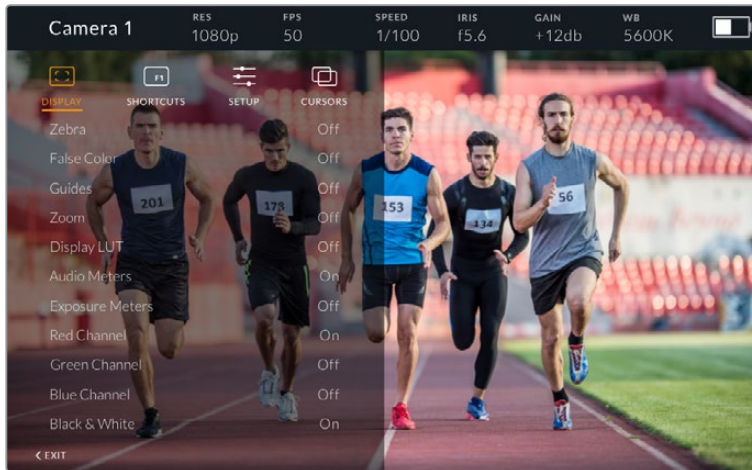
ソフトウェア・インストーラーに編集可能なPDFが含まれており、独自のタリー番号を編集・印刷できます。カスタマイズしたタリー番号の作成もできます。Camera 4.1ソフトウェアをインストールすると、これらのファイルは、MacではApplication > Blackmagic Cameras > Documentsフォルダーに、PCではBlackmagic Design > Documentsフォルダーに保存されます。

タリーライトはATEMの操作により点灯しますが、カメラをスイッチャーに接続していない場合、タリーライトは単に収録タリーインジケータとして赤く光ります。詳細は、このマニュアルの「スタジオカメラコントロールの概要」セクションを参照してください。

**作業のこつ** Blackmagic URSA Studio ViewfinderをATEMスイッチャーと使用している場合、ATEMスイッチャーへのSDI出力にオーバーレイやフォーカスボックスが入らないよう、URSA Miniでクリーンフィードを選択することが重要です。URSAの「モニター (MONITOR)」メニューへ行き、メインSDI (Main SDI) で「クリーンフィード (CLEAN FEED)」を選択してください。

## メニュー設定

プッシュボタンの「MENU」ダイヤルを押すとメニューへ移動します。ダイヤルを回すとメニューオプションを上下にナビゲートできます。メニューのヘディングがハイライトされている時に「MENU」ダイヤルを押すと、ディスプレイ (DISPLAY)、ショートカット (SHORTCUTS)、セットアップ (SETUP)、カーソル (CURSOR) のサブメニューを切り替えられます。ダイヤルを回すと各メニューの設定をスクロールできます。設定がハイライトされている時にダイヤルを押すと、「MENU」ダイヤルを回して該当の設定を調整できます。再度「MENU」ダイヤルを押して選択した内容を確定します。「BACK」ボタンを押すか、メニューをナビゲートして「閉じる (EXIT)」を選択するとメニューから出ます。



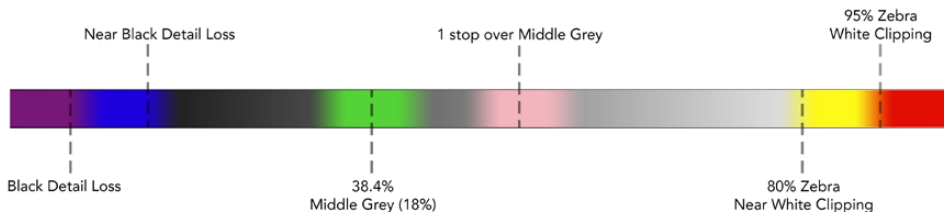
## ディスプレイ (DISPLAY)

### ゼブラ (Zebra)

ゼブラレベルのオン/オフを切り替えます。ゼブラのレベルは、URSA Miniのモニター (MONITOR) メニューの「すべて (All)」での設定により決定されます。Studio ViewfinderをURSA Miniに接続していない場合、ゼブラレベルはRec.709信号の95%輝度レベルを示します。詳細は、このマニュアルの「設定」セクションを参照してください。

### フォルスカラー (False Color)

フォルスカラー機能のオン/オフを切り替えます。フォルスカラーは、イメージ内のエレメントに応じて、異なる露出値を様々なカラーでオーバーレイします。例えば、明るいスキントーンに最適な露出はピンク、暗めのスキントーンはグリーンで表示されます。人物を撮影する際は、ピンク/グリーンのフォルスカラーをモニタリングすることで、スキントーンで一貫性のある露出を維持できます。同様に、イメージ内のエレメントが黄色から赤に変わった場合は、露出過多になったことを意味しています。フォルスカラーは機能ボタンへの割り当てに適した機能です。機能ボタンに割りあてられていることで、露出の参照として広く使用されているツールに、すばやく簡単にアクセスできます。



フォルスカラーチャート

### ガイド (Guides)

ガイドの表示/非表示オプションを選択できます。ガイド設定は、URSA Miniのモニター (MONITOR) メニューの「すべて (All)」で設定したガイドのスタイルになります。

アスペクトレシオ、フレームガイドの不透明度、セーフエリアのパーセンテージ、表示するグリッドのタイプは、カメラの設定にマッチします。Studio Viewfinderの「セットアップ (SETUP)」メニューでは、ディスプレイ (DISPLAY) メニューのガイド (Guides) をオンにした場合にStudio Viewfinderに表示されるガイドを設定します。その後ガイド設定で、単一のコマンドでこれらのオン/オフを切り替えられます。

### ズーム (Zoom)

ズーム機能のオン/オフを切り替えます。この機能は画像にズームすることで、フォーカスを合わせやすくなります。ズームインされていると、メニューダイヤルを左右に回すことで、スクリーンの特定の部分にナビゲートできます。ズームインしている場所をオーバーレイで表示します。

### LUTを表示 (Display LUT)

「Film」ダイナミックレンジの信号をURSA Miniから送信している際に、「Film to Video」および「Film to Extended Video」設定で、よりカラフルでコントラストの強いLUTをイメージに適用できます。ビューファインダーは、これらのLUTが使用されていることを検知し、ビューファインダーでオン/オフを切り替えるオプションを表示します。フロントSDI出力でLUT表示がオンになっている場合、あるいは異なるLUTを使用している場合、複数のLUTが適用されることを防ぐために、このオプションは無効になります。

### オーディオメーター (Audio Meters)

オーディオメーターは、SDI経由でBlackmagic URSA Studio Viewfinderに入力されたオーディオレベル、つまりURSA Miniのオーディオ入力レベルを表示します。プログラム入力を選択している場合、オーディオメーターはこれらのオーディオレベルを表示します。

### 露出メーター (Exposure Meters)

ヒストグラム表示のオン/オフを切り替えます。

### 赤チャンネル (Red Channel)

イメージの赤チャンネルのオン/オフを切り替えます。

### 緑チャンネル (Green Channel)

イメージの緑チャンネルのオン/オフを切り替えます。

### 青チャンネル (Blue Channel)

イメージの青チャンネルのオン/オフを切り替えます。

### 白黒 (Black & White)

カラーと白黒を切り替えます。

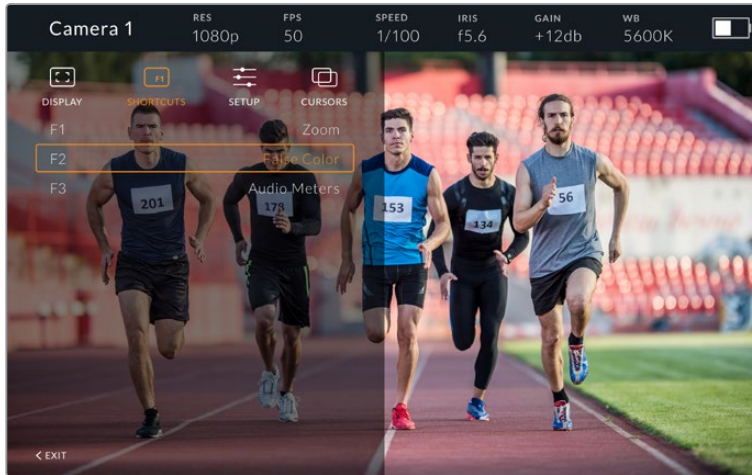
## ショートカット (SHORTCUTS)

ショートカット機能は、特定の機能をF1、F2、F3ボタンにマッピングできます。これらのショートカットボタンを使用すると、「ディスプレイ (DISPLAY)」メニューやカーソルの設定のオン/オフを切り替えられます。ショートカット機能は、頻繁に使用する機能がある場合に、特定の設定にすばやくアクセスするのに非常に便利です。

ショートカットボタンをカスタマイズする：ショートカット (SHORTCUTS) メニューでプッシュボタンの「MENU」ダイヤルを回し、3つのボタンから選択します。「MENU」ダイヤルを押して選択を確定し、「MENU」ダイヤルを回して割り当てられる機能をスクロールします。以下の機能を選択できます：「ズーム (Zoom)」、「カーソル1 (Cursor 1)」、「カーソル2 (Cursor 2)」、「カーソル3 (Cursor 3)」、「ゼブラ (Zebra)」、「フォルスカラー (False Color)」、「ガイド (Guides)」、「Film/Videoモード (Film to Video)」、「オーディオメーター (Audio Meters)」、「露出メーター (Exposure Meters)」、「赤チャンネル (RedChannel)」、「緑チャンネル (Green Channel)」、「青チャンネル (Blue Channel)」、「白黒 (Black & White)」。

機能を選択したらメニューボタンを押して選択を確定し、該当の機能を選択したショートカットボタンに割り当てます。ショートカットボタンを押すと同機能のオン/オフが切り替わります。

必要に応じてショートカットを設定したら、「閉じる (EXIT)」にスクロールして「MENU」ダイヤルを押してメニューディスプレイを閉じるか、「BACK」ボタンを押してメニューから出ます。



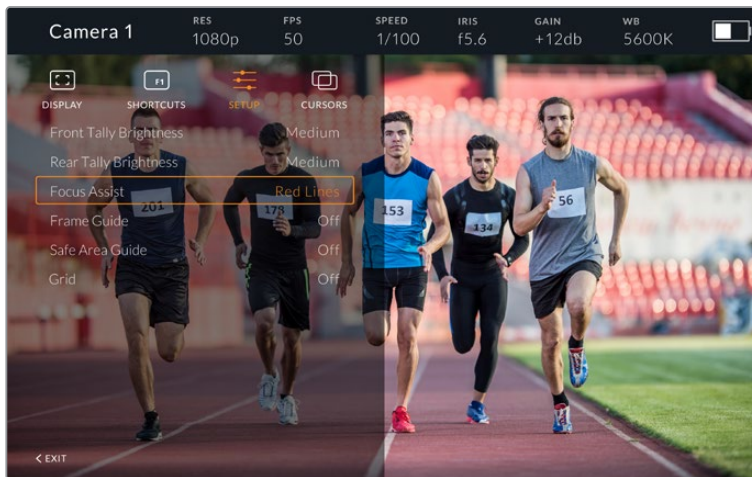
「ショートカット (SHORTCUTS)」のサブメニュー

## セットアップ (SETUP)

「セットアップ (SETUP)」メニューではビューファインダーの設定を選択できます。

### フロントタリーの明るさ (Front Tally Brightness)

「オフ (Off)」、「低 (Low)」、「中 (Medium)」、「高 (High)」からタリーLEDの明るさを選択できます。タリーライトは調整中も光るので、各設定の明るさを確認しながら選択できます。



「セットアップ (SETUP)」のサブメニュー

### リアタリーの明るさ (Rear Tally Brightness)

「低 (Low)」、「中 (Medium)」、「高 (High)」からタリーLEDの明るさを選択できます。タリーライトは調整中も光るので、各設定の明るさを確認しながら選択できます。

**作業のこつ** 明るい環境では、出演者やカメラマンが見やすいようにLEDの明るさ設定を上げることをお勧めします。暗い環境での撮影ではライトが見やすいので「低 (Low)」設定にすると良いでしょう。



## フォーカスアシスト (Focus Assist)

ビューファインダーのピーキングの表示を切り替えます。赤、緑、青、黒、白、そして従来のピーキングから選択できます。

## フレームガイド (Frame Guide)

Studio Viewfinderの「ガイド (Guides)」の一部として、フレームガイドを表示するオプションを選択できます。URSA Miniに接続している場合、カメラの「フレームガイド (FRAME GUIDE)」のアスペクトレシオと同じになります。他のシステムに接続している場合、デフォルトで14:9アスペクトレシオになります。

## セーフエリアガイド (Safe Area Guide)

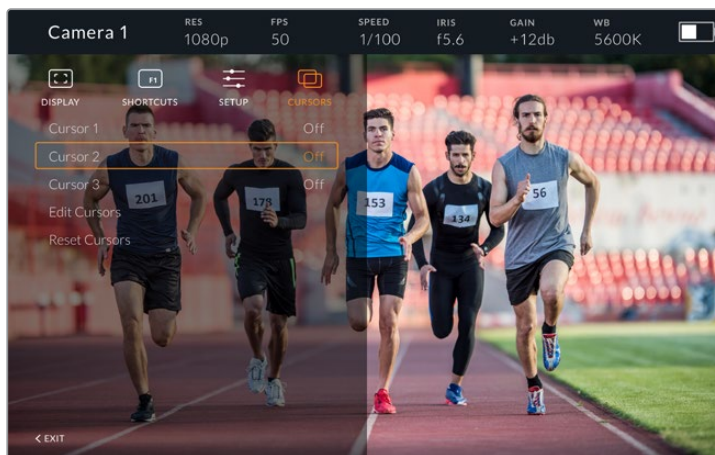
Studio Viewfinderの「ガイド (Guides)」の一部として、セーフエリアを表示するオプションを選択できます。URSA Miniに接続している場合、カメラの「セーフエリアガイド (SAFE AREA GUIDE)」のパーセンテージと同じになります。他のシステムに接続している場合、デフォルトは90%です。

## グリッド (Grid)

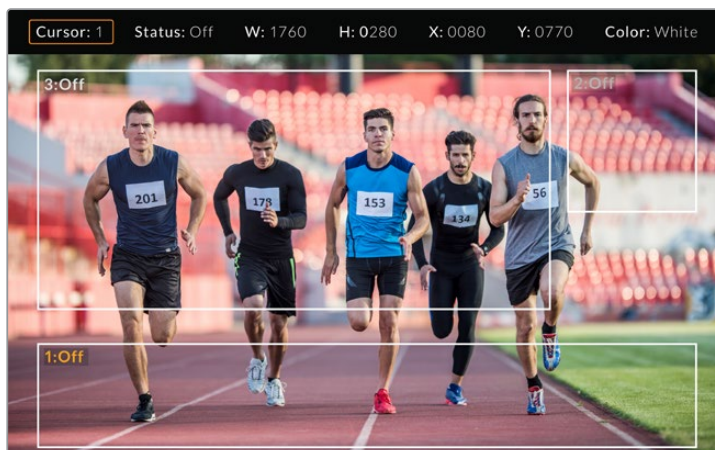
Studio Viewfinderの「ガイド (Guides)」の一部として、グリッドを表示するオプションを選択できます。URSA Miniに接続している場合、カメラの「グリッド (GRIDS)」設定と同じになります。接続していない場合、十字線のオン/オフを切り替えます。

## カーソル (CURSORS)

カーソルは、ローワーサード、グラフィック、ロゴ、ティッカーなどのグラフィックがオーバーレイされるスクリーン上のエリアをマークします。これらのカーソルを調整するには、「カーソル (CURSORS)」へ行き、「カーソルを編集 (Edit Cursors)」を選択します。このページでは3つすべてのカーソルの編集できるので、1つずつ選択して幅、高さ、位置のX/Y座標を設定できます。



「カーソル (CURSORS)」のサブメニュー



スクリーンに表示されたカーソル

カーソルを設定したら「カーソル (CURSORS)」メニューからオン/オフの切り替えや、機能ボタンの割り当てができます。カメラマンはカーソルを考慮して正確にショットの構成やフレーミングができるため、ライブプロダクションでは非常に重要な機能です。さらに、高さ、幅、位置の異なるブラック/ホワイトのカーソルを3つまで作成できるため、ライブまたは後の放送で追加されるあらゆるグラフィックのサイズと位置と簡単にマッチできます。また、カーソルをデフォルトの状態に戻すオプションもあります。

## Blackmagic URSA Studio Viewfinderでヘッドセットを使用

Blackmagic URSA Studio ViewfinderをURSA Miniと使用している場合、カメラのヘッドフォン接続はトークバック用のヘッドセット接続になり、監督やディレクターと直接通信できます。

Blackmagic Camera Fiber ConverterおよびBlackmagic Studio Converterを使用すると、5ピンのXLRコネクタのついた標準放送ヘッドセットを使用した、さらに高度なトークバックが可能です。詳細は「Blackmagicファイバーコンバーター」セクションを参照してください。

**作業のこつ** URSA MiniのヘッドフォンソケットはiPhoneヘッドセットと互換性があるため、iPhoneのヘッドセットを使って監督と通信できます。内蔵のリモートボタンを押すと、監督/ディレクターと通信できます。

## URSA Viewfinder内部ソフトウェアのアップデート

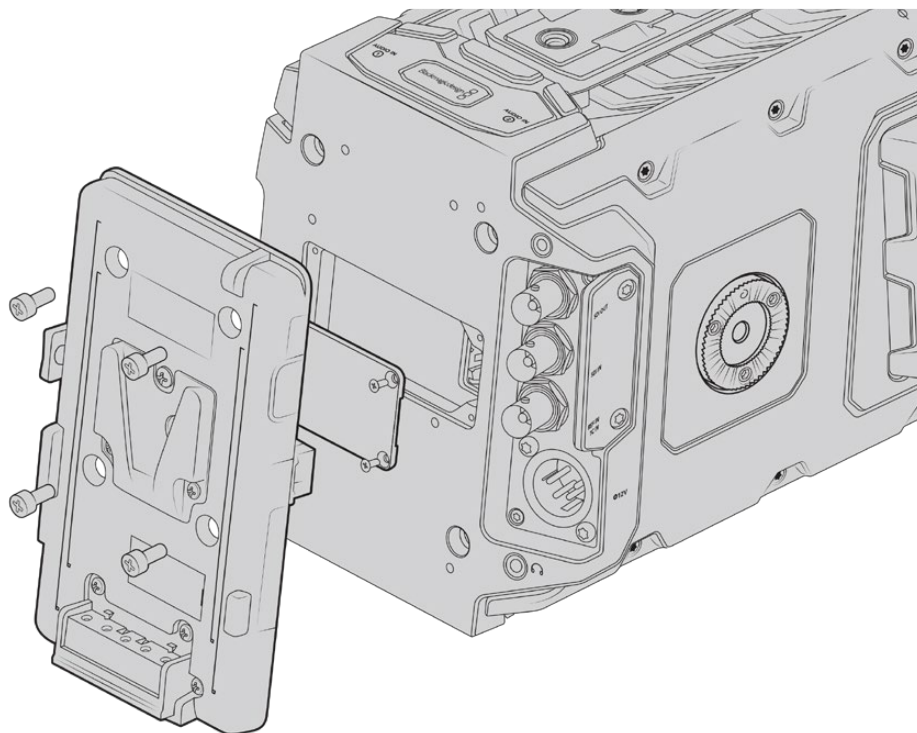
ビューファインダーのアップデートには、Blackmagic Camera Setup Utilityソフトウェアを使用します。アップデートの際はビューファインダーの電源が入った状態である必要があるため、アップデート中はビューファインダーとURSAを接続したままにしておくことをお勧めします。安定した電源供給を得るため、URSAを外部電源に接続してください。

Blackmagic URSA Studio Viewfinderの底部にある小さなUSB-C接続にアクセスできるようにサンシェードを取り外し、コンピューターをUSB-Cポートに接続します。Blackmagic Camera Setup Utilityソフトウェアが起動し、現在使用している内部ソフトウェアを検出します。古いバージョンを使用している場合は、アップデートを推奨するメッセージが表示されます。スクリーンの指示に従い、ビューファインダーの内部ソフトウェアをアップデートします。詳細は、このマニュアルの「Blackmagic Camera Setup Utility」セクションを参照してください。

パフォーマンスを最適化するため、Blackmagic URSAシリーズすべての機器をアップデートすることをお勧めします。

**メモ** Blackmagic URSA Studio ViewfinderをURSA Miniに取り付けて使用する際には、互換性を得るために、ビューファインダーの内部ソフトウェアを最新バージョンにアップデートすることをお勧めします。最新のソフトウェアは、[www.blackmagicdesign.com/jp/support](http://www.blackmagicdesign.com/jp/support)のBlackmagicサポートセンターで確認できます。詳細は、このマニュアルの「Blackmagic Camera Setup Utility」セクションを参照してください。

## バッテリーのマウント



サードパーティ製のバッテリープレートを着装し、Vマウント/ゴールドマウントバッテリーをマウント

### Vマウント/ゴールドマウントバッテリーの取り付け

業界標準のVマウント/ゴールドマウントバッテリーをBlackmagic URSA Miniに簡単に接続できます。

バッテリーをマウントするには、Blackmagic URSA VLock Battery Plate、URSA Gold Battery Plate、サードパーティ製のバッテリープレートのいずれかを、カメラのプレートマウントに取り付ける必要があります。

**作業のこつ** Blackmagic URSA VLock Battery PlateおよびURSA Gold Battery Plateは、互換しているバッテリーの残量のパーセンテージ表示をサポートしています。Blackmagicのバッテリープレートは、+12V出力コネクタを搭載しています。これは、DタップまたはPタップと呼ばれ、外部モニターなどのアクセサリに電源を供給します。この出力はカメラから制御されているため、カメラの電源を切ると安全に電源が切られます。この安定化出力は、最大1.5アンペアまでの12Vの電源を供給します。一部のサードパーティ製のURSAシリーズ用バッテリープレート、さらには一部のバッテリーでも、安定化されていないDタップを出力する製品があります。これらの製品は、カメラを再起動したり、電源を入れ直す際にも継続的に給電しますが、バッテリーも充電残量によってその電圧が変わるため、接続しているアクセサリは絶え間なくバッテリーからの充電を使用します。

Blackmagic URSA VLock Battery PlateおよびURSA Gold Battery Plateは、Blackmagic Design販売店にて、またサードパーティ製バッテリープレートは、プロ用のデジタルシネマ/ビデオ機器のサプライヤーから購入できます。



Blackmagic URSAあるいはURSA Mini用に設計された市販のバッテリープレートが手に入らず、手持ちのバッテリープレートに手を加えて使用したい場合は、同梱のアダプターケーブルおよびコネクタを使用できます。URSAあるいはURSA Miniで使えるように、バッテリープレートに手を加える場合は「独自のバッテリープレートの使用」セクションを参照してください。

#### リアパネルにバッテリープレートをマウントする：

- 1 Blackmagic URSA MiniのリアパネルにMolex電源カバーを取り付けている場合、4隅のネジをPH1プラスドライバーで外して、カバーを取り外します。
- 2 バッテリープレートのMolexコネクタを、カメラのMolex電源コネクタに接続します。
- 3 バッテリープレートを、Blackmagic URSA Miniのプレートマウントポイントに4本のM3ネジで固定します。ネジを締める際に、プレート間でコネクタケーブルがつぶされないよう、ケーブルスロットに安全にしまい込むようにしてください。
- 4 バッテリープレートをカメラに接続したら、Vマウント/ゴールドマウントバッテリーをマウントし、カメラの電源を入れられます。

## 独自のバッテリープレートの使用

### アダプターケーブルおよびコネクタ

URSA Mini用に設計された市販のバッテリープレートが手に入らず、手持ちのバッテリープレートに手を加えて使用したい場合は、同梱のアダプターケーブルおよびコネクタを使用できます。これらはBlackmagic Designのサポートオフィスでも入手できます。

アダプターケーブルおよびコネクタをバッテリープレートに配線する：

- 1 赤および黒のワイヤーの先端から約1/2インチの絶縁体をはがします。
- 2 4本の赤い「Batt」ワイヤーを、バッテリープレートの対応するポジティブワイヤーにはんだ付けします。
- 3 4本の黒い「GND」ワイヤーを、バッテリープレートの対応するネガティブワイヤーにはんだ付けします。

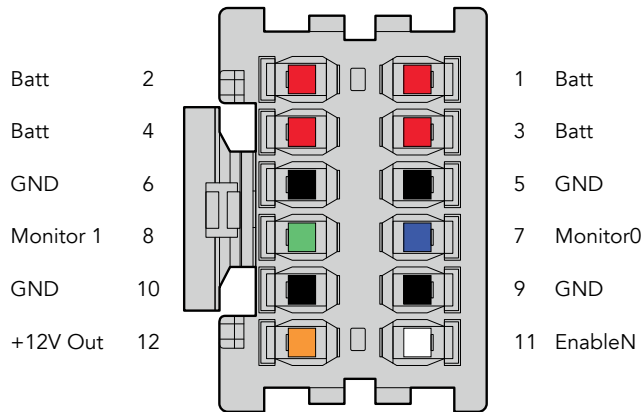
結合部分を絶縁体で完全に覆います。



URSAに接続するためにバッテリープレートに手を加える場合は、同梱のアダプターケーブルとコネクタを使用。これらはBlackmagic Designのサポートオフィスでも入手可能

これでバッテリー電源を使用できます。12V出力やバッテリー残量などの機能に使うワイヤーを接続します。ワイヤーを接続する際は、使用するバッテリープレートの情報や、接続図および表を参照してください。さらなるサポートが必要な場合は、Blackmagic Designのサポートセンターを参照してください。

[www.blackmagicdesign.com/jp/support](http://www.blackmagicdesign.com/jp/support)



アダプターの接続ハウジングの後面図。各ピンに関してはワイヤーコンフィギュレーションの表を参照

### ワイヤーコンフィギュレーション

ピン	信号	色	方向	意味
1、2、3、4	Batt	赤	URSAへ	12V - 20V
5、6、9、10	GND	黒	-	-
7	Monitor0	青	URSAへ	アナログバッテリーレベル/オープン・ドレイン・データライン (最大20V)
8	Monitor1	緑	URSAへ	オープン・ドレイン・クロックライン (最大3.4V)
12	+12V出力	オレンジ	URSAから	12V安定化出力 最大1.5A (18W)
11	EnableN	白	URSAへ	GNDに接続して+12V出力を有効化。+12V出力を使用しない場合は接続なし。

各BattおよびGNDピンは3アンペアをサポートしています。すべてのBattおよびGNDピンが接続されていることを確認してください。アントンパワー、IDX、あるいはBlueshapeプレートでバッテリー残量を確認するには、以下の接続表に従ってください：

<b>アントンパワー</b>	青/白ストライプのワイヤーをピン7の青いワイヤーハウジングに接続。
<b>IDX</b>	緑のワイヤーをピン8の緑のワイヤーハウジングに接続。グレーのワイヤーをピン7の青いワイヤーハウジングに接続。
<b>Blueshape</b>	「SMBC」とラベルされている青のワイヤーをピン8の緑のワイヤーハウジングに接続。 「SMBD」とラベルされているブラウンのワイヤーをピン7の青いワイヤーハウジングに接続。

使用していないワイヤーは、可能な限りアダプタコネクタの後部に近い部分で切断します。

# Blackmagicファイバーコンバーター

Blackmagic Camera Fiber ConverterとBlackmagic Studio Fiber Converterはオプションのアクセサリで、カメラとATEMスイッチャー間をSMPTEファイバーで接続できます。

SMPTEファイバーは、ATEMスイッチャーとカメラ間を1本の業界標準のSMPTEハイブリッド光ファイバーケーブルで接続し、ビデオ、電源、トークバック、タリー、カメラコントロール信号を伝送します。1本のSMPTEファイバーを使用することで必要なケーブルの数を大幅に削減でき、制作のセットアップがより効率的で扱いやすくなります。Blackmagic Studio Fiber Converterは標準コネクタを搭載しているため、ファイバーコンバーターを既存の中継車のインフラに簡単に追加できます。

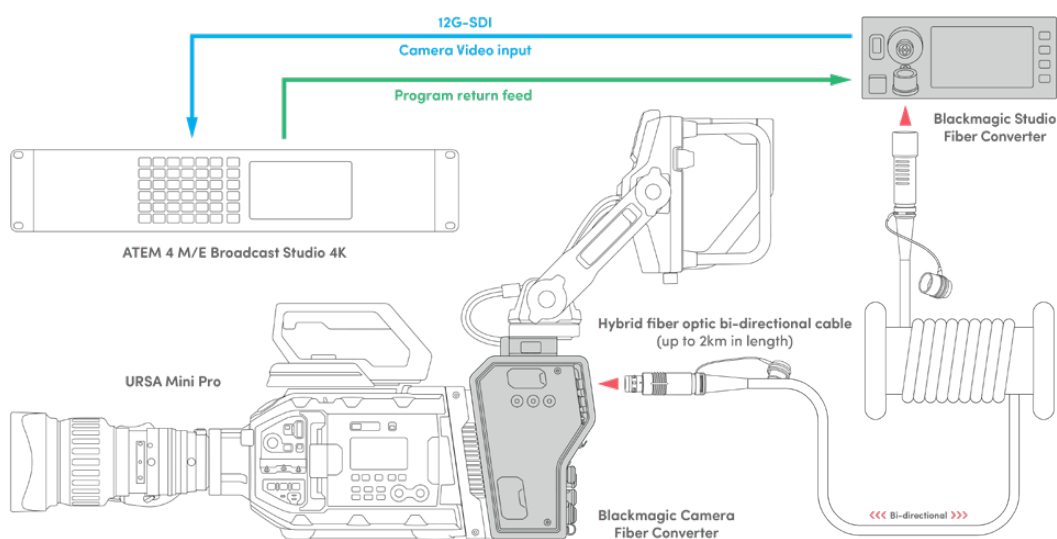


## Blackmagic Camera Fiber Converter

URSA Mini/URSA Broadcastの背面に取り付け、SMPTEハイブリッド304コネクタでBlackmagic Studio Fiber Converterに接続して使用します。

## Blackmagic Studio Fiber Converter

このコンバーターは、カメラ側のユニットからの光ファイバー-SDI信号をBNC経由でSDIに変換し、接続したATEMスイッチャーに送信します。また、すべてのリターンフィードソースも送受信します。これには、ATEMスイッチャープログラムリターンをカメラ側のユニットに送り返す機能も含まれます。



Blackmagic Camera Fiber ConverterおよびStudio Fiber Converterは光ファイバーで接続し、SDIビデオ、電源、トークバック、タリー、コントロール信号を1本のSMPTE光ファイバーケーブルで効率的に伝送

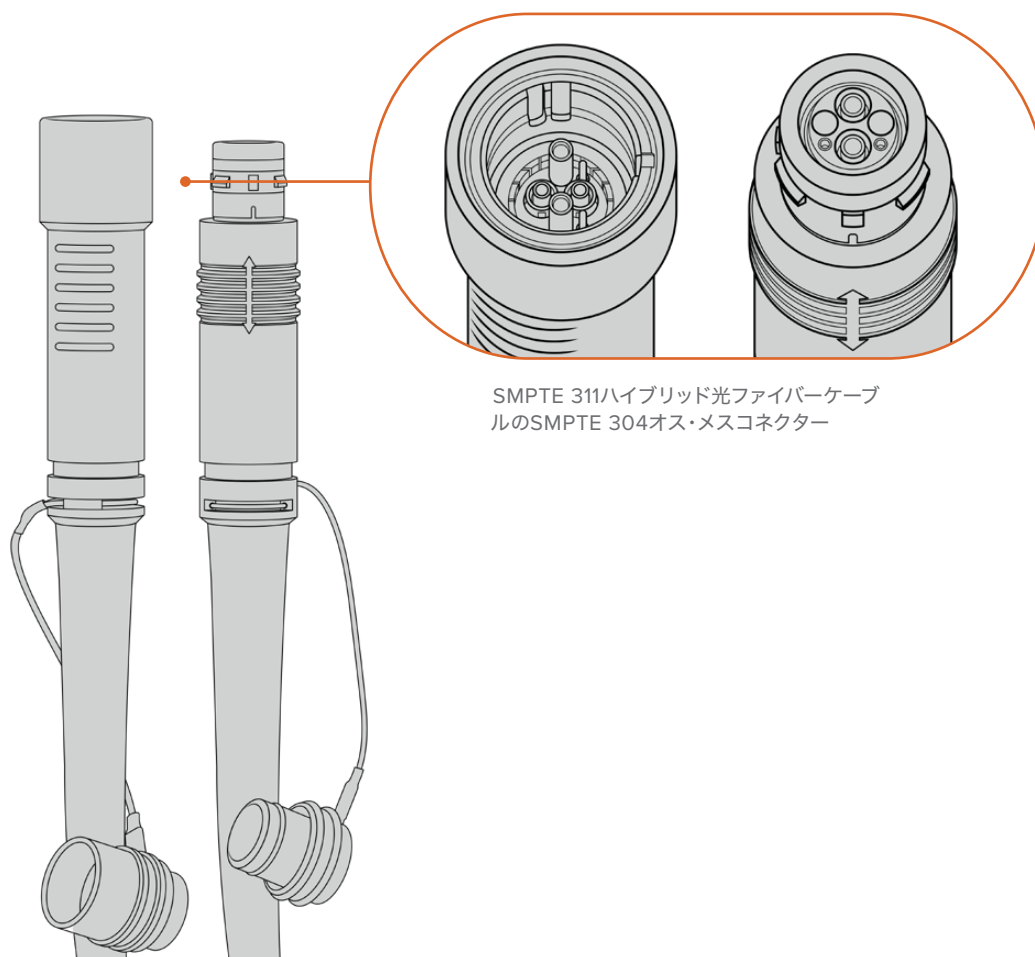
# Blackmagicファイバーコンバーターを 使用する前に

ファイバーコンバーターは、すばやく効率的に使い始められます。ビデオコンテンツの制作をすぐに始められ、SMPTEファイバーの利点を実感できるはずです。

## SMPTEファイバーについて

SMPTEファイバーケーブルは、複数の信号および電源を簡単に長距離伝送できます。スイッチャーに接続するために各カメラからの複数のケーブルを扱う必要がないので、放送において便利です。

SMPTE 311ハイブリッド光ファイバーケーブルでは、各カメラをATEMスイッチャーに1本の業界標準の光ファイバーケーブルで接続し、あらゆるビデオ、電源、トークバック、タリー、コントロール信号を伝送します。また、光ファイバーでは最長2kmまでこれらの信号や電源を伝送できます。



SMPTE 311ハイブリッド光ファイバーケーブルのSMPTE 304オス・メスコネクタ

**メモ** SMPTE 311ハイブリッド光ファイバーケーブルのオス端子とメス端子は、SMPTE 304の先端内部のオスピンとメスピンで識別できます。コネクタ端子のオスメスの識別は、外観ではなくピンで識別します。

**作業のこつ** SMPTEファイバーケーブルの両端のゴム製キャップを、コンバーターのゴム製キャップに接続し、キャップ内に埃やゴミが入らないようにしてください。

SMPTEファイバーを使用する利点の一つは、従来型の生放送においてコントロールルームや中継車と接続できることです。近代的なスポーツスタジアムには、カメラの設置場所とコントロールルームや中継車との間に光ファイバーケーブルが設置されているため、システムに直接接続できます。

既存のファイバーシステムとの接続、または2台のBlackmagicファイバーコンバーターの接続に使用する光ファイバーケーブルは、SMPTE 304コネクターの付いたSMPTE 311ハイブリッド光ファイバーケーブルです。

## SMPTEコネクターの保護

SMPTEファイバーケーブルのコネクターが、常にゴム製キャップで保護されていることは非常に重要です。細かな埃の粒子がグラスファイバーのチューブの先端に蓄積されると、信号の流れを妨げるからです。コネクターが露出されたら、すぐにゴム製キャップを装着することが推奨されます。例えば、接続の直前まで外さないようにしたり、接続を抜いた直後に装着するなどです。

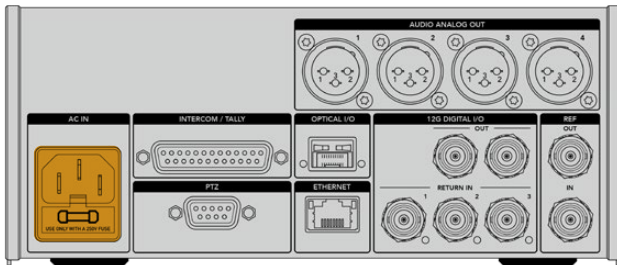
使用中にSMPTEファイバーケーブルの両端のゴム製キャップを、コンバーターのゴム製キャップに接続し、キャップ内に埃やゴミが入らないようにすることも勧められます。

## 電源の接続

スタジオ側ユニットからの電源はファイバーケーブル経由でカメラ側ユニットに送られるため、電源接続の第一段階はスタジオ側ユニットに給電することです。

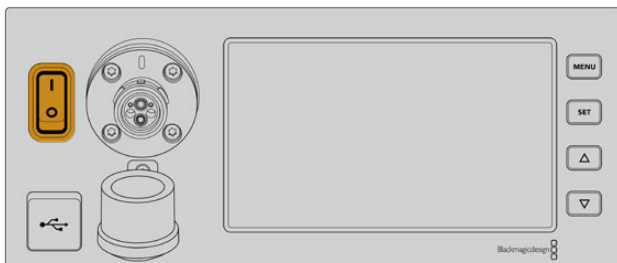
### Studio Fiber Converterへの給電

一般的なIEC電源ケーブルを、スタジオ側ユニットのリアパネルにある電源コネクターに接続します。



Studio Fiber Converterを標準のIEC電源ケーブルで電源に接続

ユニットをオンにするには、フロントコントロールパネルの電源スイッチをオンにします。



## SMPTEファイバーの接続

次に、SMPTEファイバーケーブルで、スタジオ側ユニットとカメラ側ユニットを接続します。これにより、スタジオ側ユニットからカメラ側ユニットに給電が行われ、同時にあらゆるビデオフィードもファイバーで送信されます。

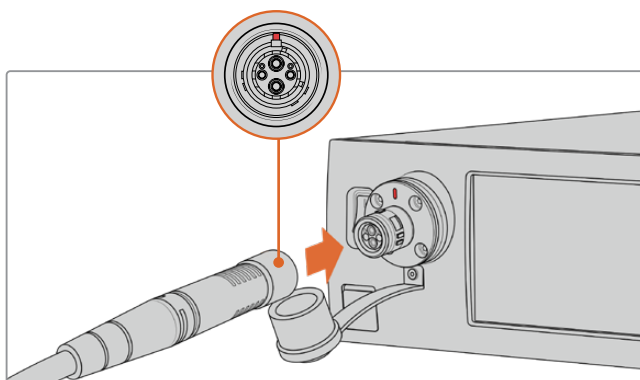
**メモ** 電源に接続されたハイブリッドファイバーケーブルがCamera Fiber Converterとされるたびに詳細な安全チェックが行われ、使用中もユニットの安全性が継続的にモニタリングされます。

### スタジオ側ユニットにファイバーケーブルを接続

SMPTEファイバーケーブルのオス端子は、Blackmagic Studio Fiber Converterのフロントパネルのファイバーコネクターのメス端子にしっかりと固定されます。このロックにより、放送中にケーブルが外れることがありません。

#### ケーブルを接続する：

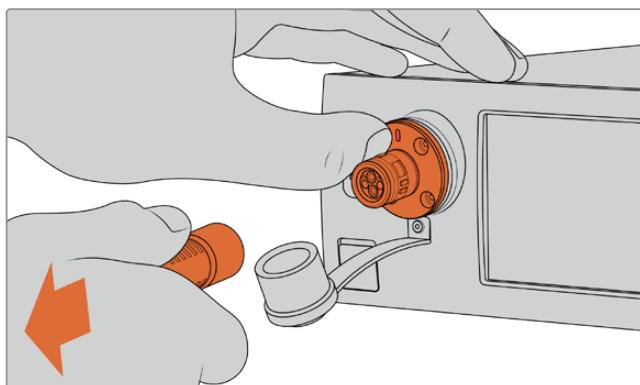
ケーブルの赤い印とユニットのファイバーコネクターの赤いドットを合わせて、カチッと収まるまでコネクタを差し込みます。



SMPTEファイバーケーブルのオス端子に、Blackmagic Studio Fiber Converterの前面にあるメス端子を接続

#### ケーブルを取り外す：

スタジオ側ユニットのファイバーコネクターの金属製のベースをフロントパネルに向かって押し、ケーブルのコネクタを取り外します。



スタジオ側ユニットのファイバーコネクターの金属製のベースをフロントパネルに向かって押し、ケーブルのコネクタが外れ、ユニットからケーブルを抜くことが可能

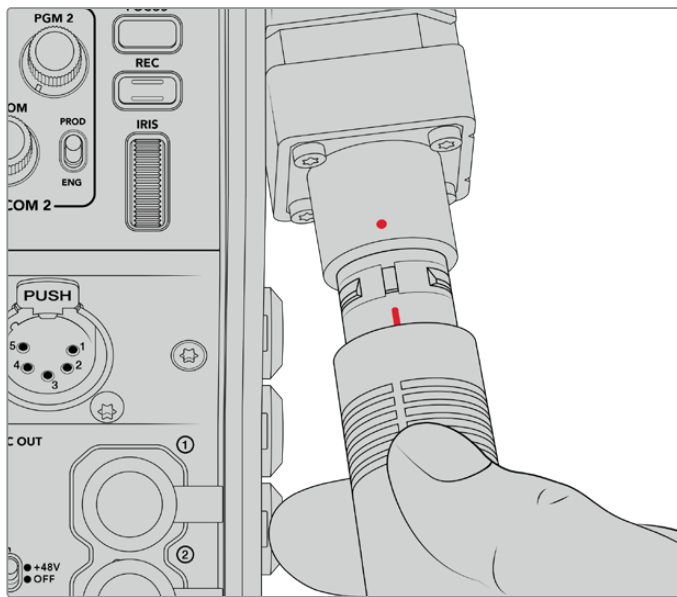
接続後、SMPTEファイバーケーブルのゴム製キャップを、Blackmagic Studio Fiber Converterのゴム製キャップに接続することが推奨されます。これにより、キャップ内への埃などの侵入を防ぎ、クリーンな状態が保てます。

## カメラ側ユニットにファイバーケーブルを接続

SMPTEファイバーケーブルのメス端子は、Blackmagic Camera Fiber Converterの側面のオス端子にしっかりと固定されるため、放送中にケーブルが外れることはありません。

### ケーブルを接続する：

- 1 それぞれのコネクターの赤い印を合わせて、カチッと収まるまでカメラ側ユニットのコネクターにケーブルコネクターを差し込みます。
- 2 接続後、SMPTEファイバーケーブルのゴム製キャップを、Blackmagic Camera Fiber Converterのゴム製キャップに接続することが推奨されます。これにより、キャップ内への埃などの侵入を防ぎ、クリーンな状態が保てます。



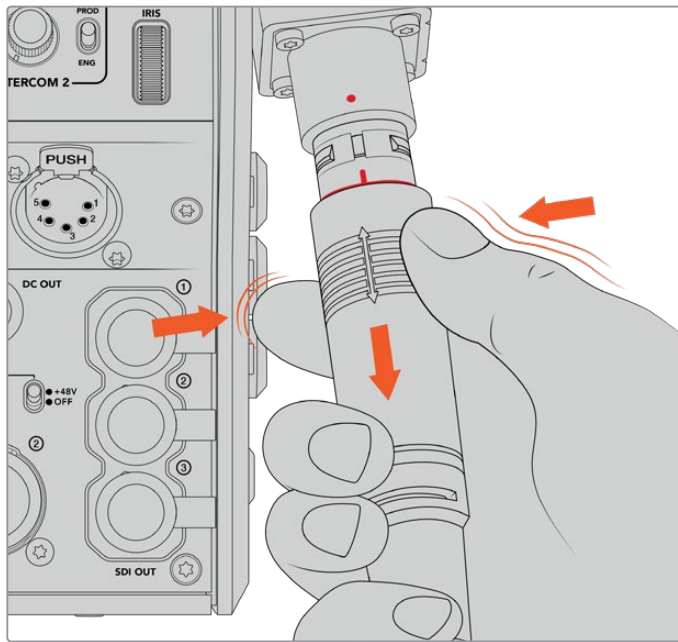
赤い印を合わせて、SMPTEハイブリッド光ファイバーケーブルのコネクターをBlackmagic Camera Fiber Converterの大きなコネクターに接続

**メモ** SMPTE 311ケーブルのSMPTE 304コネクターは耐久性に非常に優れ、カメラにしっかりと固定されます。ケーブルを取り外す場合、カメラをしっかりと三脚に固定した状態、またはもう一方の手でカメラをしっかりと押さえた状態でケーブルを引き抜いてください。

### ケーブルを取り外す：

- 1 ケーブルのメス端子の部分をつまみ、ケーブルのゴム製シースを押しながらケーブルの先からシースを引き外すと、シースの下の赤いリングが露出されます。これにより、ロック機構の歯が外れます。
- 2 カメラに片方の手を添え、Blackmagic Camera Fiber Converterのコネクターからケーブルをしっかりと引き抜きます。ケーブルは、過度に力を入れる必要なく簡単に外れるはずです。





ケーブルの先端のゴム部分をつまみ、シースの下の赤いリングが露出したら、その後ケーブルを引き抜いて接続を外します。

**✖** SMPTEハイブリッド光ファイバーケーブルは、放送システムの中心であるため、十分な注意を払って取り扱うことが重要です。例えば、ケーブルのねじれを避けたり、重量物の下敷きにならないようにしたり、90度に折り曲げないなどの配慮が必要です。また、コネクタを落とさないようにし、接続や取り外しは注意深く行ってください。コネクタが露出されたら、すぐにキャップを装着してください。

## 電源とファイバーの確認処理

両ユニット間のハンドシェイク処理が確立され、給電が安全に行われているか、ファイバーがしっかりと接続されているかの確認が行われます。

この処理には以下が含まれます：

- 1 スタジオ側ユニットは、カメラ側ユニットとの接続を低電力状態で行います。この状態にある場合、カメラ側ユニットの電源ステータスインジケータが赤く点灯します。
- 2 電源の接続が安全であると確認されると高電力状態になり、カメラ側ユニットの電源ステータスインジケータが緑に点灯します。
- 3 ファイバーの接続が確認されると、ファイバーステータスインジケータが緑に点灯します。

この処理は非常に速いため、インジケータはほぼ瞬間的に緑に変わります。長距離でケーブルを使用している場合、ハンドシェイク処理が終わり、インジケータが緑に変わるまでにもう少し時間がかかります。

POWERライトが長時間に渡って赤のままに緑に変わらない場合、または緑と赤で点滅する場合、ファイバーケーブルの両端が正しく接続されているか確認してください。それでも、解決しない場合はファイバーケーブルの状態を確認してください。

## 電源の安全性に関して

SMPTEハイブリッド光ファイバーケーブルは、高電圧を長距離に渡って伝送できるため、最長2km離れた場所にあるカメラやアクセサリに給電できます。

安全に操作するために、Blackmagic Studio Fiber Converterには安全機構が内蔵されており、伝送されるボルト数の正確なモニタリングおよび自動管理が行われます。

専用マイクロコントローラーに加え、Blackmagicファイバーコンバーター間のハンドシェイクおよび通信により、ハイブリッド光ファイバーケーブルはCamera Fiber Converterに接続されるまでオンにはなりません。その後、低電力状態になり、安全チェックの完了後に高電力状態になります。コンバーターが光信号を検知し、5mAの信号コアのカレントループの存在、電源コア間の不均衡が30mA未満であることを確認するまで、高電圧は有効になりません。

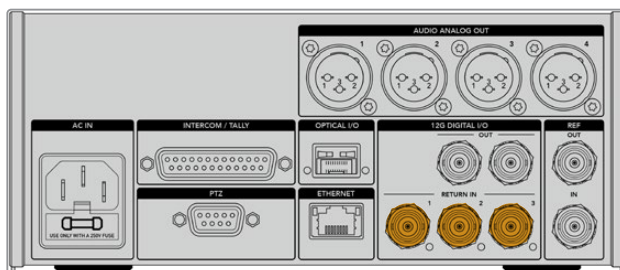
## ATEMスイッチャーに接続

### Blackmagic Studio Fiber Converterをスイッチャーに接続する：

- 1 Blackmagic Studio Fiber Converterのリアパネルにある12G-SDI出力をスイッチャーのSDI入力にBNCケーブルで接続します。必ずカメラのフォーマットとフレームレート設定をスイッチャーと同じにしてください。
- 2 BNCケーブルで、スイッチャーのプログラムリターンフィード出力を、スタジオ側ユニットのリアパネルにある「RETURN IN」の1に接続します。

**作業のコツ** ライブプロダクションで複数のカメラを使用している場合、スイッチャーからのプログラムリターンフィードをTeranex Mini SDI Distribution 12GまたはSmart Videohub経由で送信する必要があることがあります。これは、スイッチャーのプログラム出力数以上の数が必要になることが多いからです。

- 3 カメラに他のリターンフィード（クリーンプログラムリターンフィード、テレプロンプターフィード、他のカメラのISOフィード、グラフィックなどの信号）を送信する必要がある場合、「RETURN IN」の2または3に接続します。



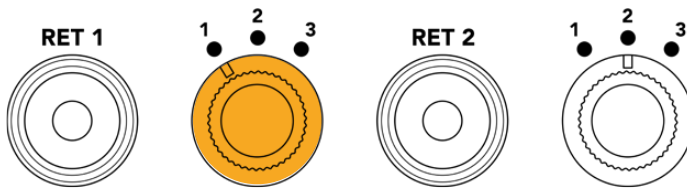
スイッチャーのプログラムリターンフィードやその他のリターンソースを、スタジオ側ユニットのリアパネルにある「RETURN」入力に接続

## ビデオの確認

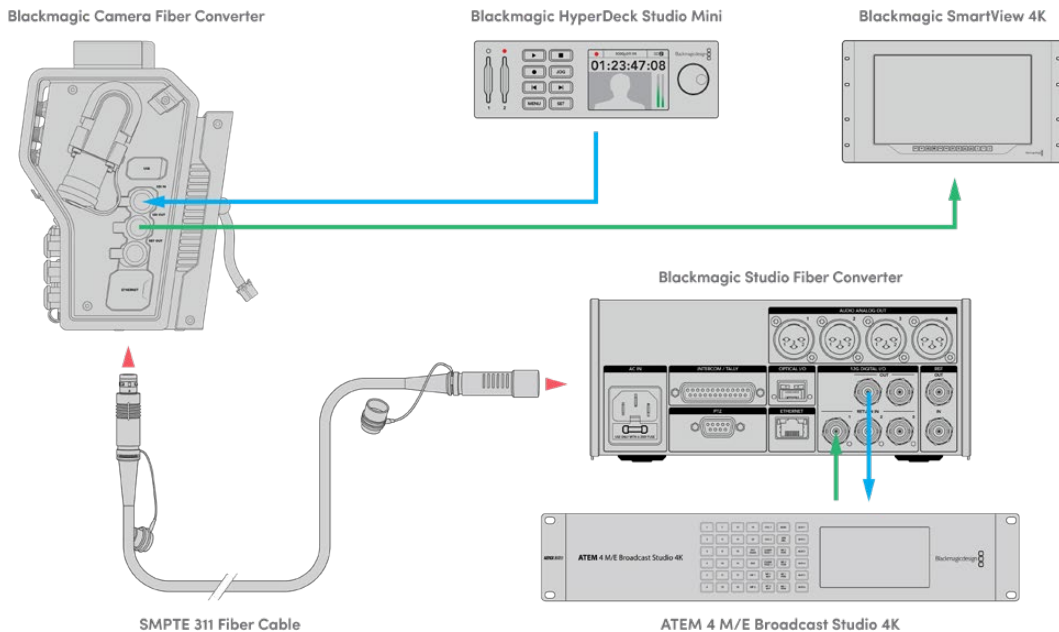
ビデオ機能が作動しており、すべてのリターンフィードが得られているか確認します。

- 1 ATEMスイッチャーのプログラム出力が、スタジオ側ユニットのSDI「RETURN IN」の1に接続されているか確認します。
- 2 すべてのリターンフィードをチェックしたい場合、ビデオソースをSDI「RETURN IN」の2と3に接続します。
- 3 Blackmagic SmartView 4KなどのSDIモニターをカメラ側ユニットの側面の「SDI OUT」出力に接続します。

SDI出力にモニターを接続した状態で、RET (リターン) ボタンの隣にある対応する選択ノブを回して、3つのリターンフィードを切り替えます。必要に応じて、RETボタンを異なる2つのリターンフィードのモニタリングに設定することもできます。



カメラ側ユニットのリターンフィードを切り替え、対応するRETボタンを押して、選択したフィードをモニターで確認



ビデオの確認を行うには、ビデオソースをスタジオ側ユニットのリターンフィード入力に接続し、カメラ側ユニットに接続したモニターで確認

## 接続が前面にある理由

ファイバー接続は、スタジオ側ユニットの前面にあるため、ラックの後ろにインストールした場合に光パッチ接続として使用できます。通常、Studio Fiber Converterはラックの背面に向けて設置されるため、SMPTEケーブルが直接ユニットに接続できます。つまり、追加のパッチパネルや、ファイバーユニットに接続するための短いケーブルは必要ありません。SMPTEファイバーコネクターの横にある大型LCDで、カメラとの接続が正しく行われているか、すばやく確認できます。

## カメラSDIの接続

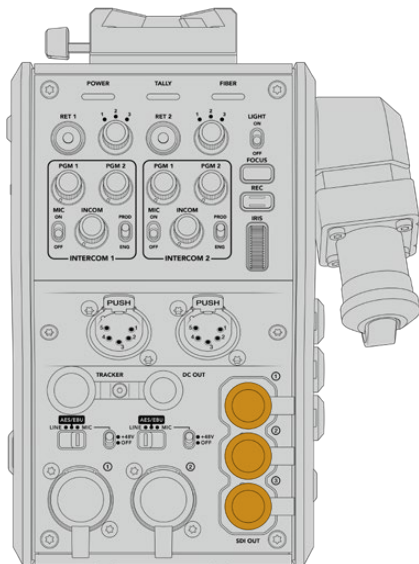
Blackmagic Camera Fiber ConverterとURSA Mini/URSA Broadcastの間のビデオ信号の接続に必要な作業は、コンバーターの側面から同梱の3本のSDIケーブルのうちの2本をカメラの背面に接続するだけです。

### Camera Fiber Converterのカメラへの接続方法

- 1 同梱のBNCケーブルの1本を使い、Blackmagic URSA Mini/URSA Broadcastの背面の12G-SDI出力と、Blackmagic Camera Fiber ConverterのSDI入力を接続します。
- 2 同梱のBNCケーブルの1本を使い、Blackmagic Camera Fiber ConverterのSDI出力と、Blackmagic URSA Mini/URSA Broadcastのリアパネルの12G-SDI入力を接続します。

## リターンSDI出力の接続

カメラ側ユニットの前面の「SDI OUT」とラベルのついた3つのSDI出力は、スイッチャーからのリターンフィードのループ出力です。これらを使用して、リターンフィードをカメラの近くに配置してある他のSDI機器（テレプロンプターや出演者用モニターなど）に接続できます。



3つのリターンフィードのループ出力は、カメラの近くにあるテレプロンプターや出演者用モニターなどのSDI機器に接続可能

**メモ** リターンフィードのSDIループ出力は3G-SDIをサポートしており、3つの個別のフィードに対応できる十分なバンド幅があります。つまり、スイッチャーからの2160p60までのUltra HDリターンフィードは、同等のフレームレートで1080pにダウンコンバージョンされます。

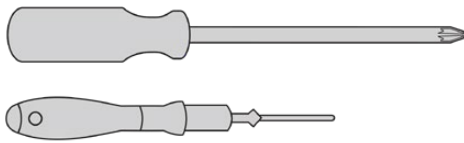
## Blackmagic Camera Fiber Converterのマウント

Blackmagic Camera Fiber Converterは、URSA Mini/URSA Broadcastのカメラ筐体の背面に直接マウントし、カメラのリアパネルのSDI入出力BNCコネクタに接続します。カメラの背面にバッテリープレートが取り付けられている場合、Blackmagic Camera Fiber Converterをマウントする前に取り外す必要があります。

**メモ** Blackmagic Camera Fiber Converterを設置する前に、内部ソフトウェアがURSA Miniではバージョン4.4以降、URSA Broadcastではバージョン4.6以降であることを確認してください。ソフトウェアのバージョンはカメラの「セットアップ (SETUP)」メニューの4ページ目で確認できます。カメラのファームウェアアップデートの詳細は、このマニュアルの「Blackmagic Camera Setup Utility」セクションを参照してください。

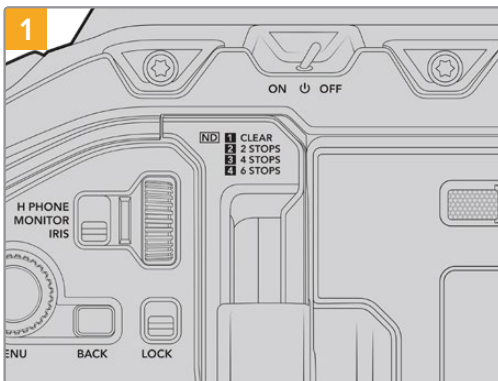
Blackmagic Camera Fiber Converterの取り付けには、以下の工具が必要です：

- ・ プラスドライバー x1
- ・ 2.5mm六角ドライバー x1

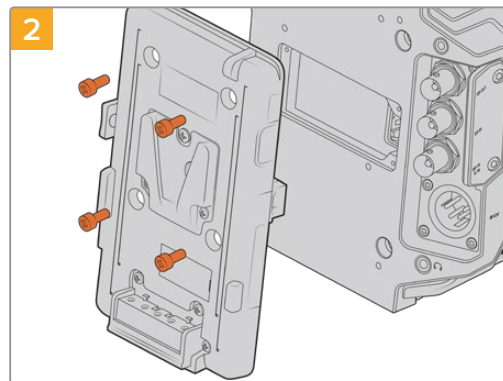


Blackmagic Camera Fiber ConverterをURSA Mini/URSA Broadcastに取り付けるには、大きめのプラスドライバー、2.5mm六角ドライバーが必要

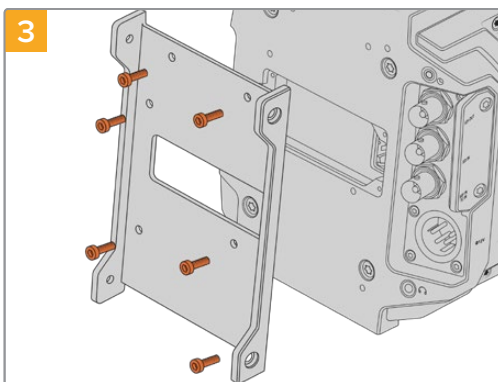
Blackmagic Camera Fiber Converterをマウント/接続する：



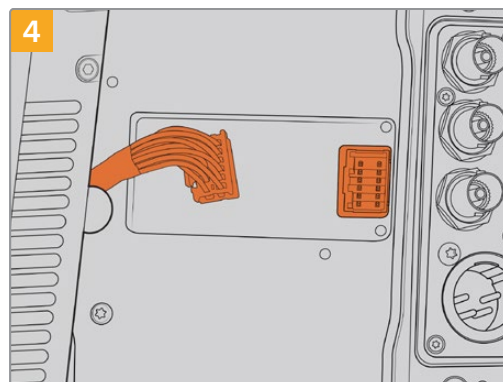
カメラの電源は必ずオフにしてください。URSA Mini/URSA Broadcastを使用している場合、電源スイッチを「OFF」にして電源を切ります。



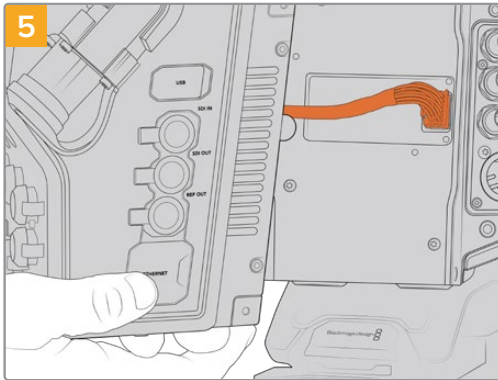
(取り付けしている場合) バッテリープレートやMolex電源カバープレートをプラスドライバーで取り外します。



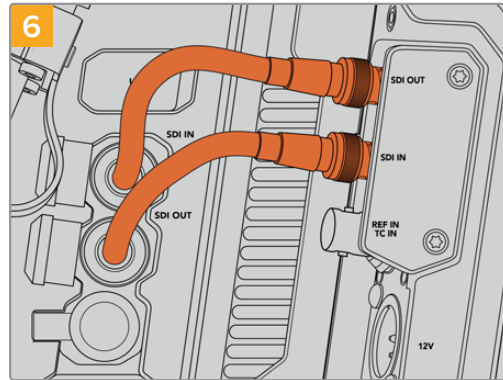
Blackmagic Camera Fiber Converterのマウント用ブラケットを6本の2.5mm六角ネジで取り付けます。



Blackmagic Camera Fiber ConverterのMolexコネクタを、カメラのリアパネルのMolex電源ソケットに接続します。



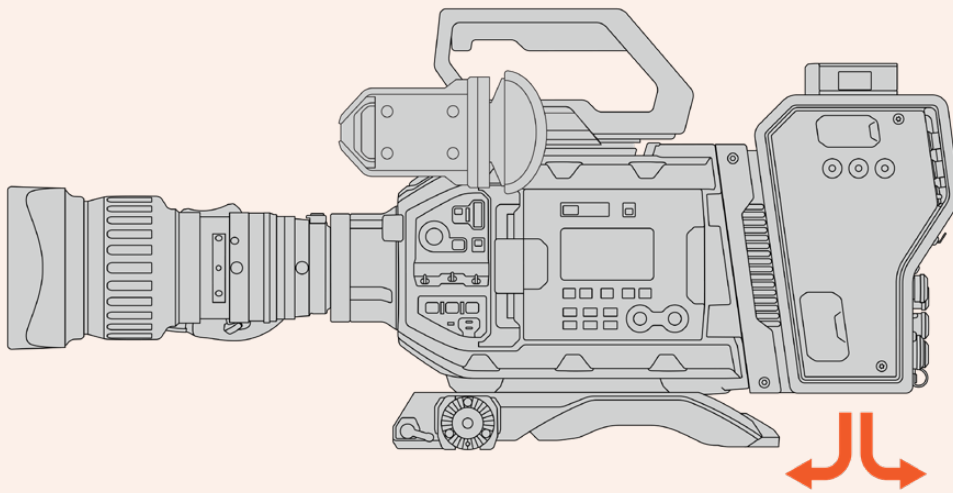
5  
マウントブラケットにBlackmagic Camera Fiber Converterを2本の2.5mm六角ネジで取り付けます。



6  
同梱のBNCケーブルでカメラの背面のSDI出力をBlackmagic Camera Fiber ConverterのSDI入力に接続し、Camera Fiber ConverterのSDI出力をカメラの背面のSDI入力に接続します。

**メモ** プロダクションのセットアップを行なっており、URSA Mini/URSA Broadcastにファイバーコンバーターを取り付けて使用している場合、コンバーターの下に十分なスペースを開けて、通気が適切に行えるようにしてください。

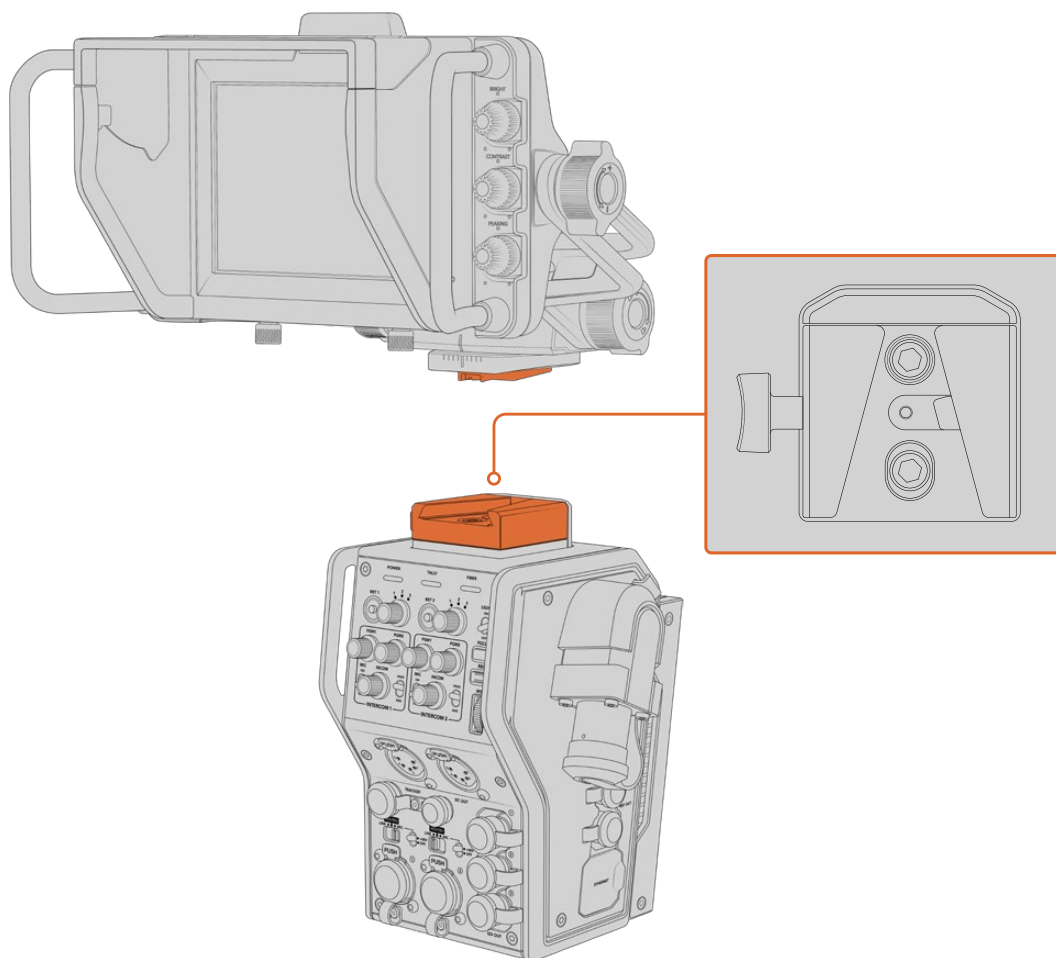
カメラは三脚に載せたり、ショルダーマウントで使用されることが多いので、通気に必要な十分な空間が得られています。しかし、台の上などに置いて操作する場合、URSA Miniショルダーマウントパッドやサードパーティ製のベースプレート/ブリッジプレートを取り付け、ファイバーコンバーター底部の冷却ファンの通気を保つようにしてください。





## URSA Studio Viewfinderの取り付け

ユニットの上部のVロックプレートにBlackmagic URSA Studio Viewfinderを取り付けられます。これにより、ベDESTALや三脚にカメラをマウントして使用する際に、Studio Viewfinderが目線の位置になります。



カメラ側ユニットの上部のVロックマウントでBlackmagic URSA Studio Viewfinderがマウント可能

## トークバックヘッドセットの接続

放送ヘッドセットは、カメラ側ユニットの前面に搭載された2つの5ピンXLRコネクタに接続できます。2つのヘッドセットコネクタを搭載しているため、2人が同時に他のスタッフと通信できます。

最初に必要な作業はこれだけです！両コンバーターが給電され、SMPTEファイバーでビデオが接続されると、コンバーターを使用してライブプロダクションを今まで以上に柔軟で効率的に行う準備が整いました。Blackmagicファイバーコンバーターの機能の詳細は、このマニュアルに後述されています。

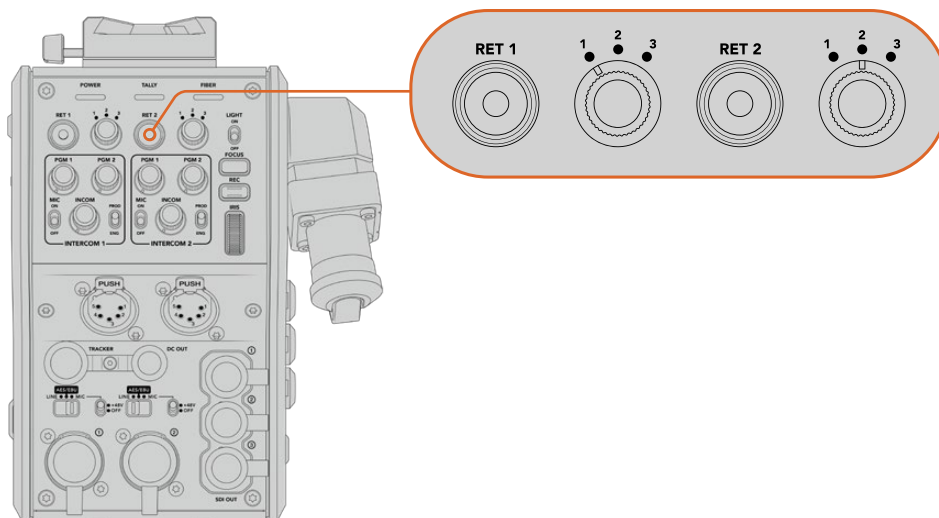


# Camera Fiber Converterの操作

## リターンフィードの選択

フロントパネルの2つのRET (リターン) ボタンをカメラのPGMボタンと同じように使用することで、LCD、Blackmagic URSA Studio Viewfinder、HDモニタリング出力へのフィードを、カメラビューとプログラムリターンビューで切り替えられます。

「RET 1」および「RET 2」の2つのリターンボタンで、選択した2つのリターンフィードを切り替えます。「RET 1」と「RET 2」の横にある、3段階に調整可能な回転スイッチは、各スイッチの左側のリターンボタンを押した際に、表示するリターンフィードを割り当てます。回転スイッチの各数字は、Studio Fiber Converterの背面にある「RETURN IN (リターン入力)」のSDI出力端子1、2、3に対応しています。



RETボタンを押した際に、RETボタンおよび3段階に調整可能な回転スイッチを使用して、どのリターンフィードを表示するか選択

RETボタンを押し続けると、選択したプログラムフィードを表示します。プログラムフィードはRETボタンを押している間、表示されます。RETボタンを2回押すとリターンフィードにディスプレイをロックします。再度RETボタンを押すとリターンフィード表示からカメラビューへ切り替わります。

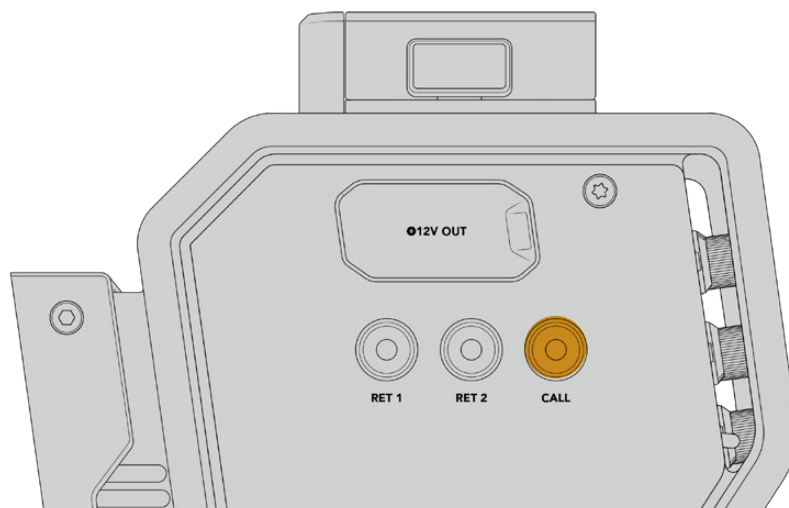
これにより、Blackmagic Studio Fiber Converterからの3つのリターンフィードをすばやく簡単に選択でき、2つのRETボタンで瞬時にそれらにアクセスできます。例えば、3つのリターンフィードには、スイッチャーのグラフィック付きのプログラム出力フィード、テレプロンプター用のフィード、他のカメラから直接送信されるフィードなどが選べます。

例えば、「RET 1」をプログラムフィード専用にして、「RET 2」をテレプロンプターに送られるフィードの確認に使用できます。さらに、フレーミングやアングルを確認するために、必要に応じて「RET 2」を別カメラのフィードに切り替えることもできます。

左側面にも「RET 1」と「RET 2」とラベルがつけられたリターンボタンがあり、カメラを側面から操作している際にもリターンフィードを確認できます。これらは、ユニットのフロントパネルのリターンボタンと同じ機能を果たします。

## CALLボタンの使用

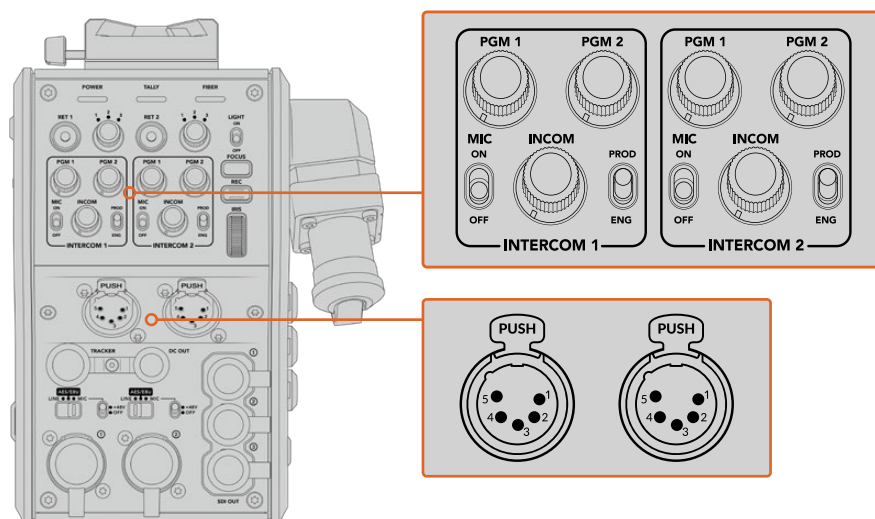
リターンボタンの隣の「CALL (コール)」ボタンを押すと、Blackmagic Studio Fiber ConverterのLCDに表示される赤いタリインジケータが点滅します。また、「CALL」ボタンを押すと、ATEM Talkback Converter 4Kのパネルに搭載された番号付きの「PRESS TO TALK (プレス・トゥ・トーク)」ボタンも赤く点滅します。これらの視覚的なインジケータによって、連絡を取る必要があることをコントロールルーム内のスタッフに知らせることができます。



## トークバックの使用

5ピンXLRコネクタ (メス) が2つ搭載されているため、2つのヘッドセットを接続でき、カメラマンともう一名のスタッフが、残りのスタッフとヘッドセットを介して同時にコミュニケーションできます。

各ヘッドセット用のINTERCOM 1および2は、2つのインターコム用の個別のコントロールで、その下にあるヘッドセット用XLRコネクタの3-Wayオーディオミキサーとして機能します。



各ヘッドセットのコントロールは、ヘッドセット端子の真上にあるINTERCOMコントロールで実行

「RET 1」および「RET 2」で選択したフィードのオーディオを、接続したヘッドセットで聞くことができます。「PGM 1」および「PGM 2」ダイヤルは、これらのフィードのオーディオレベルを調整し、「INCOM」ダイヤルは全体的なボリュームを調整します。「MIC」スイッチで、ヘッドセットのマイクのオン/オフを切り替えます。

各インターコムは、プロダクション用 (PROD) とエンジニア用 (ENG) の2チャンネルから選択できます。つまり、大人数のスタッフが携わっている放送現場では、スタッフ間のコミュニケーションを2つのチャンネルに分割できます。プロダクションチャンネルは、コントロールルームや中継車にいる監督/ディレクター、プロデューサー、他のスタッフとの通信に、エンジニアチャンネルは、照明、技術者、他のカメラマンと連絡を取るために使用できます。Blackmagic Studio Fiber Converterのメニューの「トークバック (Talkback)」ページで、各チャンネルのソースを「SDIとDB25 (SDI + DB25)」または「インターコムタリー DB25 (Intercom tally DB25)」に設定できます。詳細は「Studio Fiber Converterの操作」セクションを参照してください。

さらに、Blackmagic Camera Fiber Converterは、トラッカートークバック用の標準10ピンコネクターも搭載しています。これは、ヘッドセット用のコネクターを両方使用しており、さらにクレーンのオペレーター用にトークバックが追加が必要となる場合などに最適です。

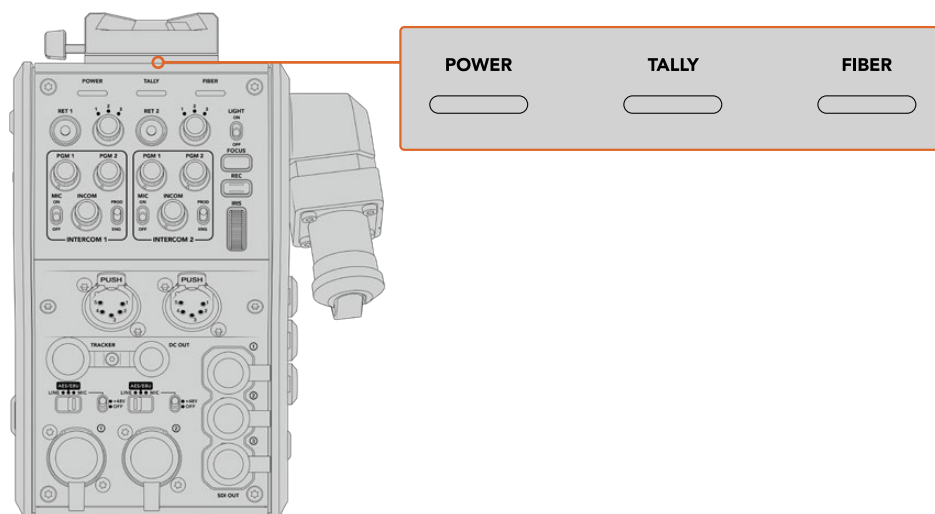
**作業のこつ** 放送局やスタジオなどの慌ただしい制作現場では、カメラオペレーターと制作/技術スタッフの間での円滑な双方向コミュニケーションが不可欠です。Blackmagic Camera Fiber Converterは「CALL (コール)」ボタンを搭載しているので、カメラオペレーターは制作/技術スタッフの注意を喚起し、インターコムヘッドセットを通じて会話できます。このボタンを押すと、ATEM Talkback Converter 4Kの番号付きの「PRESS TO TALK (プレス・トゥ・トーク)」ボタンと、Blackmagic Studio Fiber Converterに搭載されたLCDのタリーインジケーターが点滅します。同様に、コントロールルームや中継車のスタッフがカメラオペレーターと緊急で話す必要がある場合も、ATEM Camera Control Panelで該当するカメラの「CALL」ボタンを押すことができます。これにより、Camera Fiber Converterのタリーライトと、カメラに装着されたURSA ViewfinderまたはURSA Studio Viewfinderのタリーライトが点滅します。

## タリーの使用

パネル前面のTALLY (タリー) インジケーターは、従来型のタリーインジケーターと同様、赤はプログラム、緑はプレビューを意味するため、操作しているカメラがオンエアであることが分かります。

## ステータスインジケーター

コンバーター上部の「POWER (電源)」、「TALLY (タリー)」、「FIBER (ファイバー)」はユニットの状態により異なる色に点灯します。ファイバーケーブルが接続されていないと、これらのライトは点灯しません。



ユニットの状態により、ステータスLEDは異なる色に点灯

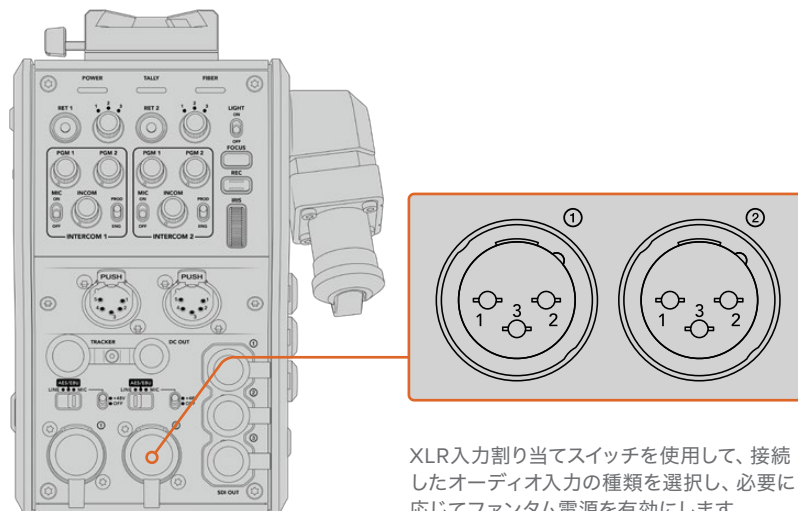
LEDの色、LEDの動作、それらの意味する状況：

POWER (電源)	赤の連続した点灯	SMPTEハイブリッド光ファイバーケーブルを、電源が入ったBlackmagic Studio Fiber Converterに接続し、ケーブルのもう一方の端をBlackmagic Camera Fiber Converterに接続すると、コンバーターの「POWER」LEDが赤に光り、給電されていて、かつ低電力状態であることを示します。この低電力状態では、インターコムの機能は有効ですが、ユニットを操作するために必要な電源がフルの状態ではありません。  「POWER」LEDが長時間に渡って赤のままに緑に変わらない場合、SMPTEハイブリッド光ファイバーケーブルの両端が正しく接続されているか確認してください。それでも、接続が安定しない場合はファイバーケーブルの状態を確認してください。
	緑の連続した点灯	光ファイバーが正しく接続され、Blackmagic Studio Fiber Converterがケーブルの接続が安全であると判断した場合、「POWER」LEDが緑になり、Camera Fiber Converterが高電力モードになります。
	赤と緑の点滅	「POWER」LEDが赤と緑で点滅する場合、SMPTEハイブリッド光ファイバーケーブルの両端が正しく接続されているか確認してください。それでも、接続が安定しない場合はファイバーケーブルの状態を確認してください。
TALLY (タリー)	赤の連続した点灯	「TALLY」LEDが赤に点灯している場合、操作しているカメラは現在オンエアされています。
	緑の連続した点灯	「TALLY」LEDが緑に点灯している場合、操作しているカメラは現在プレビューモードです。
FIBER (ファイバー)	赤の連続した点灯	SMPTEハイブリッド光ファイバーケーブルがCamera Fiber Converterに接続されると、「FIBER」LEDが赤に点灯し、ハンドシェイク処理が始まり、コンバーターが低電力状態であることを示します。この状態では、インターコム機能はセットアップ時や光ファイバーの接続に不具合が生じた際のトラブルシューティングに使用できます。
	緑の連続した点灯	SMPTEハイブリッド光ファイバーケーブルの接続が確立されると「FIBER」LEDは緑に変わります。

POWERライトとFIBERライトの両方が緑になると、安全チェックが完了し、コンバーターが高電力モードに入ったことを意味します。

## オーディオ入力

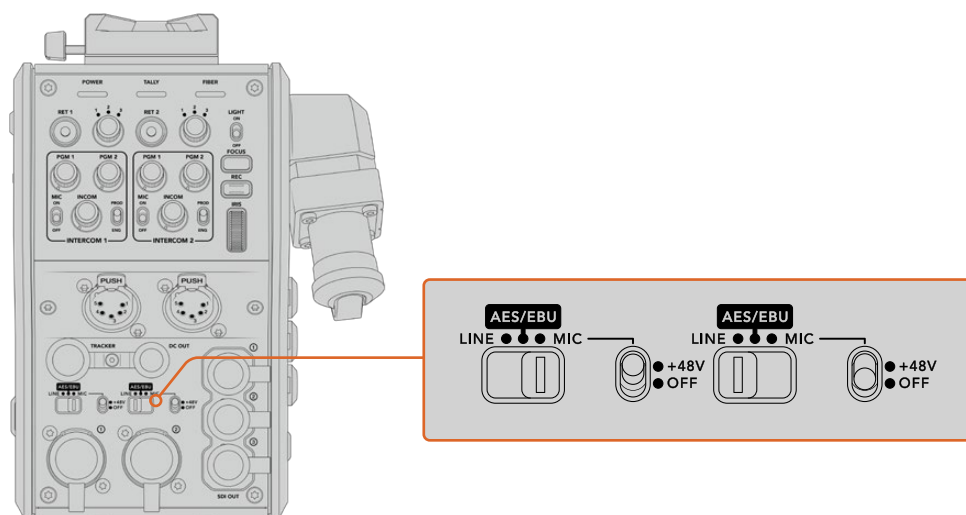
Blackmagic Camera Fiber Converterは、「1」と「2」というラベルが付いたXLR入力を搭載しており、オーディオミキサー、PAシステム、外付けマイクなどのプロ仕様機器からの外部アナログオーディオの接続に使用します。



XLR入力割り当てスイッチを使用して、接続したオーディオ入力の種類を選択し、必要に応じてファンタム電源を有効にします。

カメラオーディオはカメラフィードのチャンネル1と2にエンベッドされ、Camera Fiber Converter背面の2つのオーディオ入力にはチャンネル3と4にエンベッドされます。4つのオーディオチャンネルのすべては、Studio Fiber Converterでアナログオーディオ出力としてディエンベッドされます。

Blackmagic Studio Fiber Converterのメニューの「オーディオ (Audio)」ページで、Blackmagic Camera Fiber ConverterのXLR入力に接続されたオーディオソースの入力レベルを調整できます。詳細は「Studio Fiber Converterの操作」セクションを参照してください。接続後、XLR入力割り当てスイッチで、入力ソースとして選択されている際のXLR入力の機能を設定します。使用可能なオプションは、MICオーディオ、LINEレベルオーディオ、AESデジタルオーディオです。



電源を内蔵していないマイクを使用する場合、48Vファンタム電源を有効にします。ファンタム電源スイッチを「+48V」にして、下にあるXLRコネクタに接続されたマイク用にファンタム電源を有効にするか、オフにしてファンタム電源を無効にします。

## IPビデオ

SMPTEファイバーケーブルで接続すると、Camera Fiber ConverterとStudio Fiber Converter間に10ギガビットのIPリンクができます。これにより、すべてのビデオおよびリターンフィードは、ハイエンドな放送品質の視覚的ロスレス10-bitエンコード/デコードによるIPベースのビデオになります。トークバック、タリ、カメラコントロール、レンズコントロールなど、その他のすべての接続も低遅延のIPに変換されるので信頼性の高い優れたパフォーマンスが得られます。

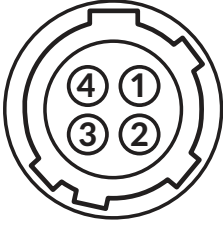
## 電源仕様

Blackmagic Studio Fiber Converterは、Blackmagic Camera Fiber Converter、カメラ、アクセサリに給電を行います。Molexコネクタを、カメラのリアパネルのMolexソケットに接続し、Camera Fiber Converterからカメラに電力を伝送します。

中継車から2.1 km以上離れた場所にカメラを配置する必要があり、カメラとコンバーターが長尺のケーブルから十分な電源を得ていない場合、カメラ電源の4ピンXLRをURSA Mini/URSA Broadcastの+12V入力に接続して、カメラおよびコンバーターにローカルで給電できます。電源はMolexコネクタ経由でCamera Fiber Converterに送られます。

「+12V OUT」コネクタは、DタップやPタップとも呼ばれ、500 mAまでの12V DC公称電圧で外部モニターや箱型レンズなどのアクセサリに給電できます。「DC OUT」コネクタでは、外部モニターなどの電源アクセサリへの給電も可能です。DC出力コネクタのピン配列図は以下になります。

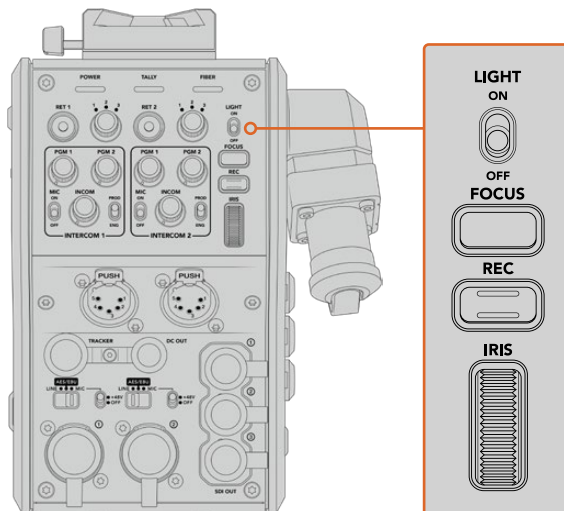
DC出力コネクタピン配列図

外観	ピン	信号	入力/出力	仕様
 <p>「DC OUT」コネクタ</p>	1	Unregulated GND	-	GND for Unregulated Out
	2	NC	-	No connection
	3	NC	-	No connection
	4	Unregulated Out	Out	12V DC nominal at up to 500 mA.

## 追加のカメラコントロール

URSA Mini/URSA Broadcastをスタジオカメラとして使用することを考慮して、ファイバーコンバーターはアイリスやフォーカスコントロールなどの追加のカメラコントロールを搭載しているため、互換性のあるレンズをカメラの背面からコントロールできます。これは、レンズをリモートで操作する別のカメラコントロールスタッフがいない場合に便利です。

スタジオカメラとしてもURSA Mini/URSA Broadcastは内部収録が可能のため、録画ボタンでカメラの内部収録がトリガーできます。



### LIGHT (ライト)

LIGHTボタンは、操作パネルのバックライトのオン/オフを切り替えます。暗い環境で操作する際に、コントロールが見やすくなります。

### FOCUS (フォーカス)

オートフォーカス対応のレンズを使用している場合、FOCUSボタンを押すとオートフォーカスがトリガーされます。

### REC (録画)

RECボタンを押すと収録を開始し、もう一度押すと収録を停止します。

### IRIS (アイリス)

カメラからのコントロールが可能な互換性のあるアクティブ方式レンズを使用している場合、IRISホイールでアイリスを開閉できます。ホイールを上下させるとレンズアパーチャーの開閉が可能です。

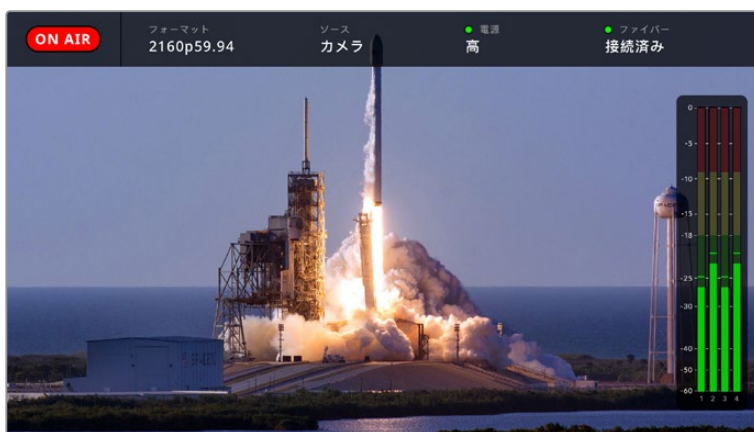


# Studio Fiber Converterの操作

## LCDソースの選択

電源をオンにするとBlackmagic Studio Fiber Converterの大型LCDはカメラからのフィードを表示します。中心となるベースユニットとして、Studio Fiber Converterはスイッチャーからのプログラムフィードに加え、あらゆるリターンソースを受信し、SMPTEファイバーケーブル経由でBlackmagic Camera Fiber Converterに送信します。

内蔵LCDでは、カメラフィードに加え、リターンフィード入力に接続された各ソースをモニタリングできます。ステータス情報とオーディオメーターをヘッドアップディスプレイのように表示します。



フィードをスイッチング中に、モニタリングしているソースの名前とフォーマットをオーバーレイで確認できます。

### オンエア (ON AIR)

接続しているカメラがプログラムフィードとして使用されると、赤い「ON AIR」アイコンが表示され、オンエアされていない場合は消えます。

### フォーマット (FORMAT)

現在のソースの解像度およびフレームレートを表示します。

### ソース (SOURCE)

現在のソースの名前を表示します。

### 電源 (POWER)

現在の電源状況を表示します。低電力状態では、赤のステータスライトと共に「低 (Low)」と表示され、高電力モードに入ると、緑のステータスライトと共に「高 (High)」と表示されます。詳細は「Studio Fiber Converterの操作」セクションの「ステータスインジケータ」を参照してください。

### ファイバー (FIBER)

現在のファイバーの状況を表示します。最初の接続処理中は、赤のステータスライトと共に「接続中 (Connecting)」と表示され、SMPTEハイブリッド光ファイバーケーブルの接続に成功すると緑のステータスライトと共に「接続済み (Connected)」と表示されます。詳細は「Studio Fiber Converterの操作」セクションの「ステータスインジケータ」を参照してください。

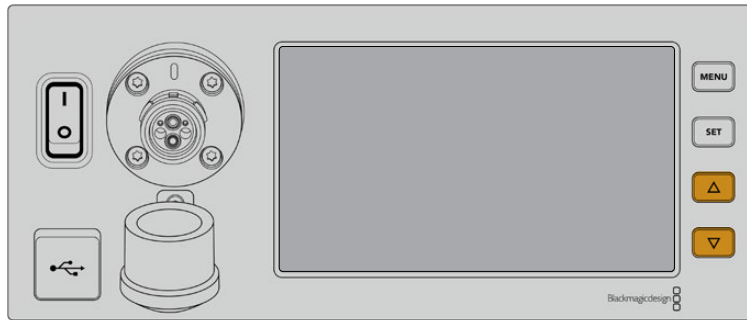
### オーディオメーター

ピークオーディオメーターは、カメラフィードのチャンネル1と2にエンベッドされているカメラオーディオを使用している場合にオーディオレベルを表示します。チャンネル3と4は、Blackmagic Camera Fiber Converterの背面にある、2つのXLR入力に接続されたオーディオソースです。単位はdBFSで表示され、ピークホールド・インジケータはしばらく表示されるので、最大レベルに達したことがはっきりと確認できます。



## メニューの使用

上下の矢印ボタンを押して「カメラ (Camera)」、「リターン1 (Return 1)」、「リターン2 (Return 2)」、「リターン3 (Return 3)」の4つの選択肢をスクロールします。「MENU」ボタンを押してメニューシステムに進み、設定を調整します。矢印ボタンで、様々なメニュー画面およびオプションに移動できます。「SET」ボタンは選択の確定に使用します。メニューの設定は、「オーディオ (Audio)」、「トークバック (Talkback)」、「セットアップ (Setup)」ページに分かれています。

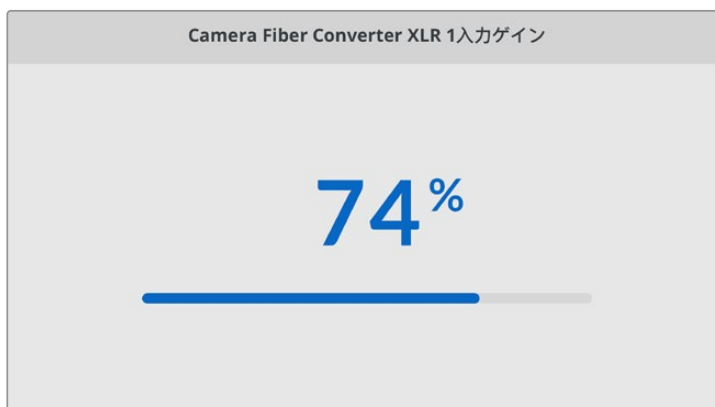


上下の矢印ボタンは、ソースの4つの選択肢をスクロールしたり、メニュー内の移動に使用します。

### オーディオ (Audio)

「オーディオ (Audio)」ページで、Blackmagic Camera Fiber ConverterのXLR入力に接続されたオーディオソースの入力レベルを調整できます。

オーディオ	
Camera Fiber Converter XLR 1入力ゲイン	50%
Camera Fiber Converter XLR 2入力ゲイン	50%
出力チャンネル1と2	エンベデッド1と2
出力チャンネル3と4	XLR 1と2



矢印ボタンで、各XLR入力の入力レベルを調整し「SET」ボタンで確定します。

エンベッドされたSDIおよびXLR出力にマッピングするCamera Fiber Converterからのオーディオチャンネルを設定できます。URSA MiniまたはURSA Broadcastからのエンベデッドオーディオチャンネルは、デフォルトでチャンネル1と2を使用します。Camera Fiber Converterに接続

されているライン/マイクレベルXLR入力は、デフォルトでチャンネル3と4を使用します。出力チャンネル設定を調整すると、これらのマッピングをデフォルト設定から変更できます。Camera Fiber ConverterのXLR入力がAESに設定されている場合、チャンネルマッピングのオプションでチャンネル5と6が使用できるようになります。この2つのチャンネルは、エンベデッドSDI出力で送信されます。

出力チャンネル1と2	
エンベデッド1と2	✓
XLR 1	
AES 3と4	

カメラからのエンベデッドXLRチャンネルは、チャンネル1と2にマッピング

### トークバック (Talkback)

「トークバック」ページで、プロダクションおよびエンジニアチャンネルのプログラムオーディオソースおよびトークバックソースを選択します。Studio Fiber Converterで、トークバックソースを「SDI + DB25」または「Intercom tally DB25」に設定します。

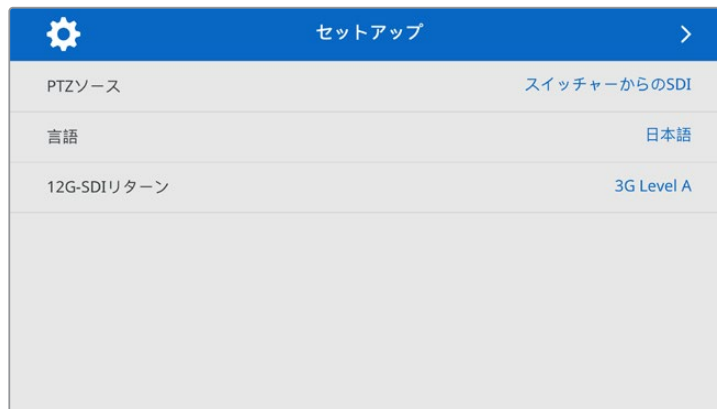
また、ヘッドセットのインピーダンスレベルに合わせて、各インターコム・ヘッドセットの「ヘッドフォンゲイン (Headphone Gain)」と「ヘッドセットマイクゲイン (Headset Microphone Gain)」を調整できます。「ファンタム電源 (Phantom Power)」設定では、各ヘッドセットに送られるファンタム電源をオンにできます。「サイドトーンレベル (Sidetone Level)」では、カメラマンがヘッドセットで聞こえる自分の声の音量を適度なレベルに調整できます。

トークバック	
プログラムオーディオソース	SDIチャンネル1と2
プロダクションチャンネル・ソース	SDI + DB25
エンジニアチャンネル・ソース	インターコム/タリー (DB25)
インターコム1	
ヘッドフォンゲイン	50%
ヘッドセットマイクゲイン	50%
ヘッドセットマイク ファンタム電源	On
サイドトーンレベル	50%
インターコム2	
ヘッドフォンゲイン	50%
ヘッドセットマイクゲイン	50%
ヘッドセットマイク ファンタム電源	On
サイドトーンレベル	50%

インターコムのセクションは、XLR入力が何も接続されていないとグレーになります。接続を試みている場合は、「接続中 (Connecting)」と表示されます。

## セットアップ (Setup)

「セットアップ」メニューでは、PTZソースの設定、メニューの表示言語の選択、SDIリターンのレベルの選択が可能です。



「PTZソース (PTZ Source)」設定を使用してPTZコマンドのソースを選択します。「SDI」または「9ピン (9-pin)」から選択できます。これらはそれぞれ、Blackmagic Studio Fiber Converterの背面にある「リターン入力 (RETURN IN)」SDI入力とPTZ用のDE-9コネクタに対応しています。

つまり、PTZカメラのパン、ティルト、ズームをATEMスイッチャーでコントロールでき、PTZコマンドをSDIを介してBlackmagic Studio Fiber Converterに送信できます。コマンドは、SMPTE光ケーブルでBlackmagic Camera Fiber Converterに送信され、DE-9コネクタを介してデエソベッドおよび出力され、PTZ電動ヘッドに接続されます。

PTZコントローラーをBlackmagic Studio Fiber ConverterにDE-9コネクタで接続し、カメラ側のリモートヘッドを操作することもできます。



このページで、PTZコマンドのソースとして「SDI」または「9ピン」を選択できます。

言語	
English	
中文	
日本語	✓
한국어	
Español	
Deutsch	
Français	
Русский	
Italiano	
Português	
Türkçe	

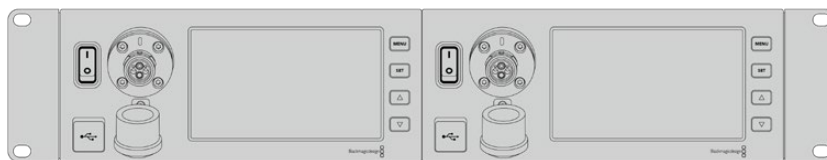
「言語 (Language)」設定でメニューを表示する言語を選択できます。Studio Fiber Converter は11ヶ国語をサポートしています。対応言語は、日本語、英語、中国語、韓国語、スペイン語、ドイツ語、フランス語、ロシア語、イタリア語、ポルトガル語、トルコ語です。「言語」ページは、最初の起動時と内部ソフトウェアの更新後にも表示されます。

「12G-SDIリターン (12G SDI Return)」では、12Gプログラムリターン信号を3G Level Aまたは3G Level Bのいずれかにダウンコンバートするか選択できます。Studio Fiber Converterのリターン入力に送信される12G信号はすべて、Camera Fiber Converterに送られる最中にダウンコンバートされます。

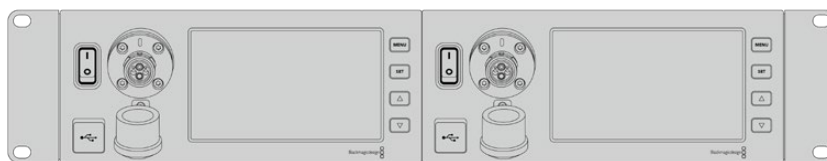
## スタジオ側ユニットのラックマウント

複数のBlackmagic Studio Fiber Converterを使用している場合、Blackmagic Studio Fiber Rack Kitを使用すれば、これらのコンバーターを放送用ラックやロードケースに設置できます。ラックキットを使用すると、2台のスタジオ側ユニットを横に並べたり、ラックの片側に1台だけ配置してマウントできます。Studio Fiber Rack Kitにはブランクパネルが同梱されているため、1台のユニットのみをマウントする場合に空いている部分をカバーできます。

Studio Fiber Converterの高さは2Uで、幅は標準のラックの半分であるため、2Uのスペースに2台のStudio Fiber Converterを並べた際にぴったりと収まります。



並べてマウントされたBlackmagic Studio Fiber Converter



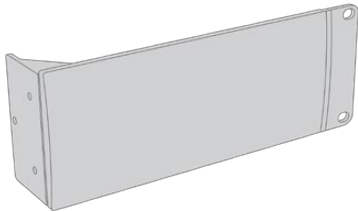
必要に応じて、同梱のブランクパネルで空いているラックスペースをカバー可能

## Blackmagic Studio Fiber Rack Kitの同梱物:



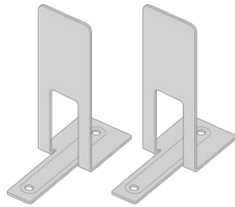
### 補助金具 x2

ラックマウント用補助金具。Blackmagic Studio Fiber Converterの側面に取り付けます。



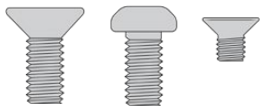
### ブランクパネル (1/2ラック幅) x1

ブランクパネルの片側にはマウント用の金具が付いているため、ユニットを1台のみ設置する場合、空いているラックスペースをカバーできます。この図では金具は右側に位置しています。反対側にマウントする場合は、パネルを180°回転させてください。



### サポートブラケット x2

T形状のサポートブラケット。2台のStudio Fiber Converterの接触面の前方および後方の底部に取り付けます。



### ネジ

#### M4 (10mm) x8

補助金具用ネジ

#### M4 (8mm) x4

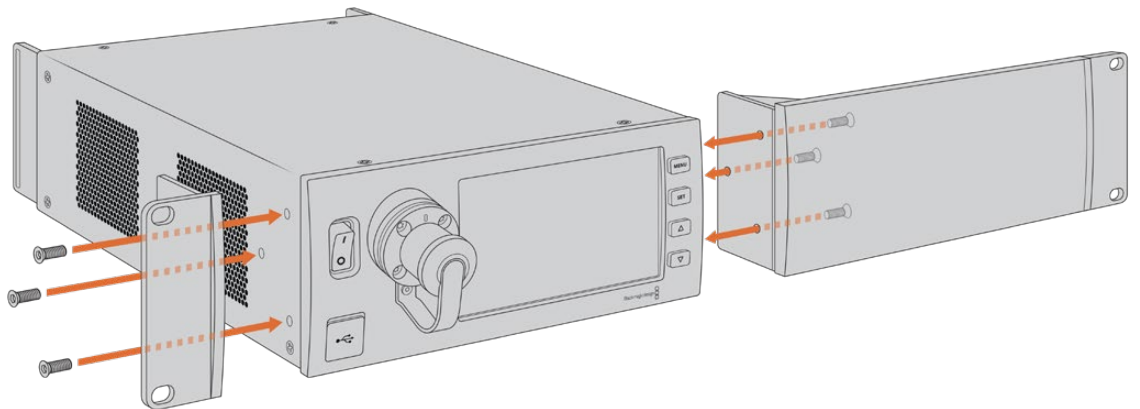
ブランクパネル用  
ネジ

#### M3 (5mm) x5

サポートブラケット  
用ネジ

## Blackmagic Studio Fiber Converterをラックマウントする準備作業:

- 1 Studio Fiber Converterをラックの左右どちらに配置するか決め、空いている方のスペースにブランクパネルを配置します。ブランクパネルの前面がユニットの前面と平行になるようにします。
- 2 3本のブランクパネル用ネジで、ブランクパネルをStudio Fiber Converterのフロント近くの側面に取り付けます。



- 3 Studio Fiber Converterのもう一方の側面に、3本の補助金具用ネジで補助金具を取り付けます。

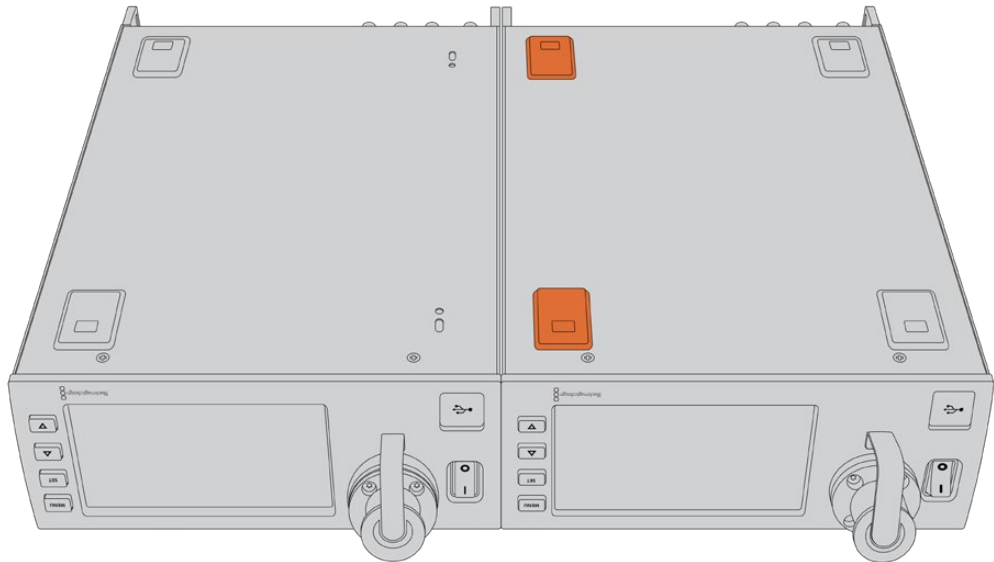
補助金具とブランクパネルを取り付けたら、標準のラックネジおよびマウンティング用のネジ穴を使用して、コンバーターを2Uのスペースに固定する準備が整いました。

### 2台のBlackmagic Studio Fiber Converterを並べてラックマウントする準備作業：

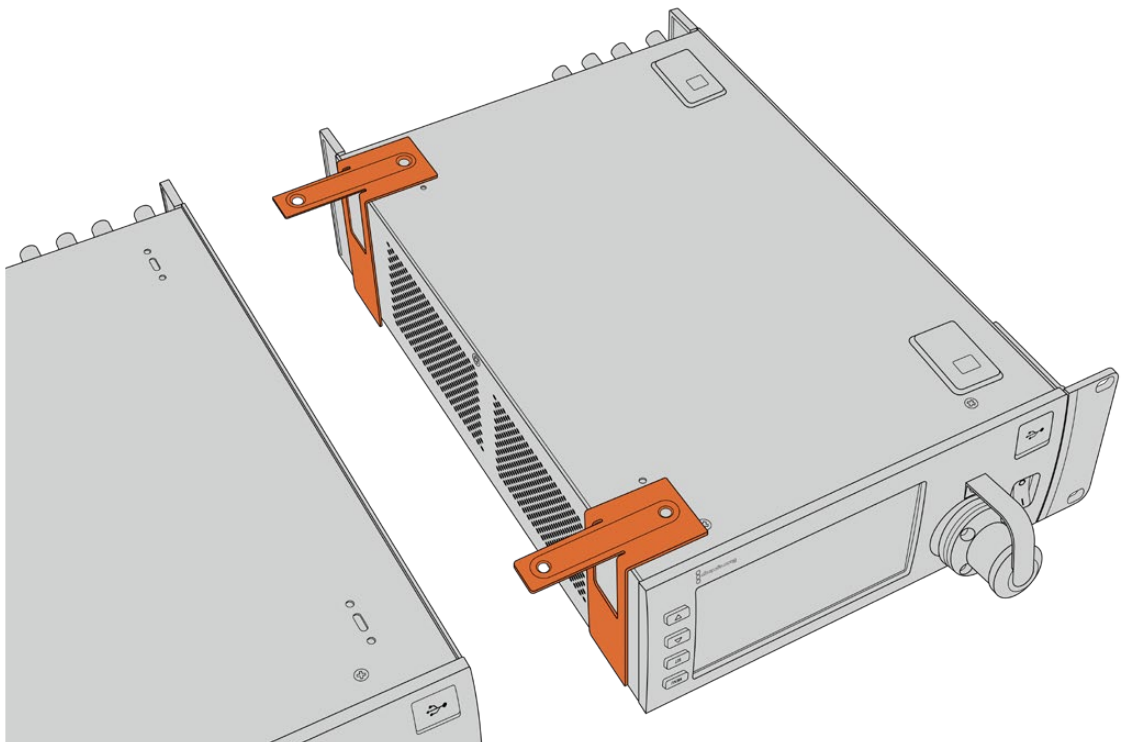
2台のコンバーターを並べてマウントする場合は、サポートブラケットでお互いを接続できるため、簡単にマウントできます。

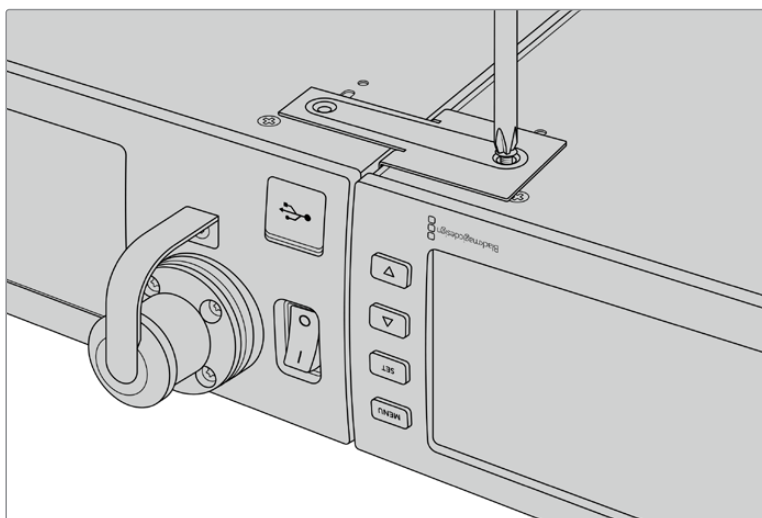
2台のユニットを固定する：

- 1 2台のコンバーターをひっくり返して、逆さまにした状態で並べて置きます。コンバーターの接触面の2つのゴム製の脚を各コンバーターから取り外します。

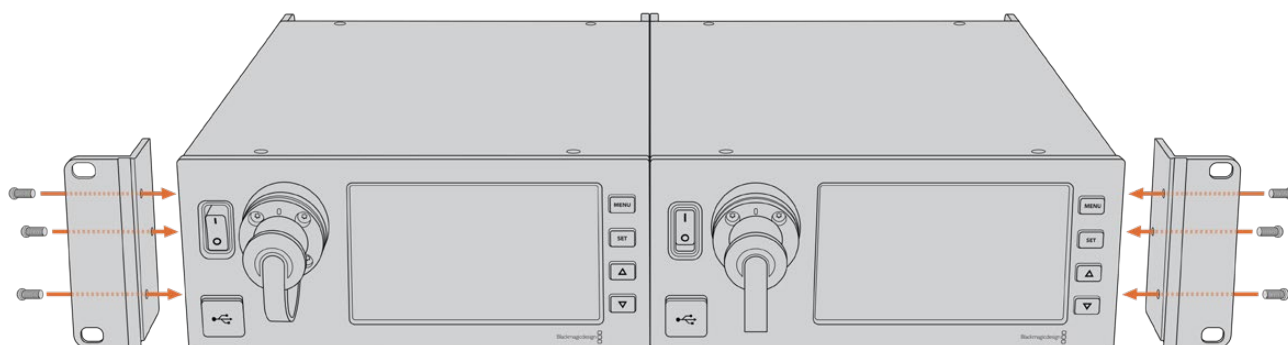


- 2 2つのT形状のサポートブラケットを、2台のStudio Fiber Converterの接触面の前方および後方の底部にサポートブラケット用のネジを使用して取り付けます。





- 3 接続した2台のユニットを再度ひっくり返して正しい向きに置きます。同梱の補助金具用ネジを使用して、各コンバーターの外側に補助金具を取り付けます。両側のネジ穴および標準のラックネジを使用して、コンバーターをラックに設置する準備が整いました。





## カメラ側ユニットのコネクター

コネクターは、Blackmagic Camera Fiber Converterのリアパネルと側面に搭載されています。コネクターが使われていない場合、雨などから保護するためにゴム製キャップを取り付けてください。グラスファイバーの先端は細かい埃が蓄積されやすく、また埃は信号の流れを妨げるため、これはSMPTEファイバーコネクターでは特に重要です。ケーブルとユニットのコネクターのキャップは、常に接続の直前に外すようにし、接続を切った直後に付けることを推奨します。

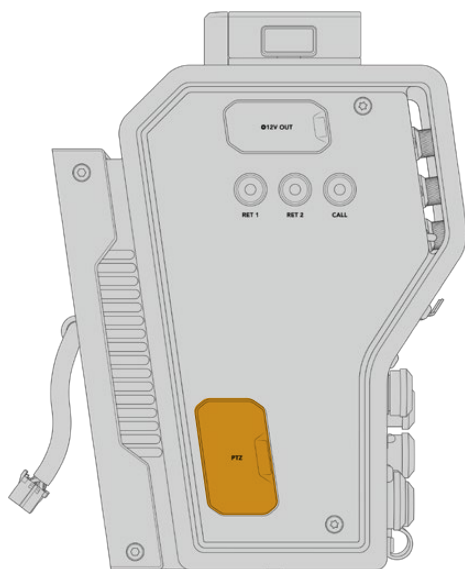
### カメラ電源の接続

カメラ側ユニットとカメラへの給電は、SMPTEハイブリッド光ファイバーケーブル経由でStudio Fiber Converterから行われます。これには、カメラに取り付けたすべてのアクセサリ（Blackmagic URSA Studio Viewfinderなど）も含まれます。

カメラの12V XLRコネクターが電源に接続されている場合、Blackmagic Camera Fiber Converterはカメラからも給電できます。これは通常必要ありませんが、カメラをスタジオ側ユニットから2km以上離れた場所に設置する場合にこの方法で給電できます。SMPTEファイバーでは、このような長距離の電源の伝送は信頼性にかける場合があるからです。

### PTZインターフェース

DE-9シリアルコネクターで、電動PTZヘッドに接続できます。例えば、Blackmagic URSA Mini/URSA Broadcastをカメラクレーンに載せている場合、リモートでPTZ（パン、ティルト、ズーム）ヘッドが操作できます。Blackmagic Studio Fiber Converterのメニューで、カメラに送信されるPTZコマンドのソースを選択できます。コマンドのソースは、Blackmagic Studio Fiber ConverterのDE-9コネクター、またはATEMスイッチャーのSDIフィードに設定できます。詳細は「Studio Fiber Converterの操作」セクションを参照してください。



PTZインターフェース

## トークバック接続

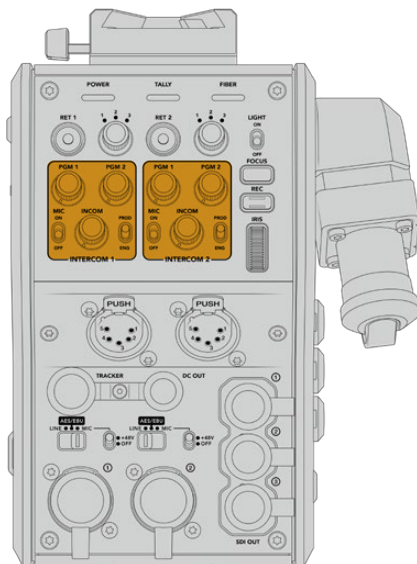
5ピンXLRコネクタ（メス）が2つ搭載されているため、2つのヘッドセットを接続でき、2人のスタッフがトークバックを介して同時にコミュニケーションできます。例えば、カメラマンのヘッドセットを一方のXLRコネクタに接続し、もう一方にクレーンオペレーターやその他のスタッフ（音響オペレーターなど）のヘッドセットを接続できます。ヘッドセットXLRコネクタのピン配列図は以下になります。

### ヘッドセットXLRピン配列図

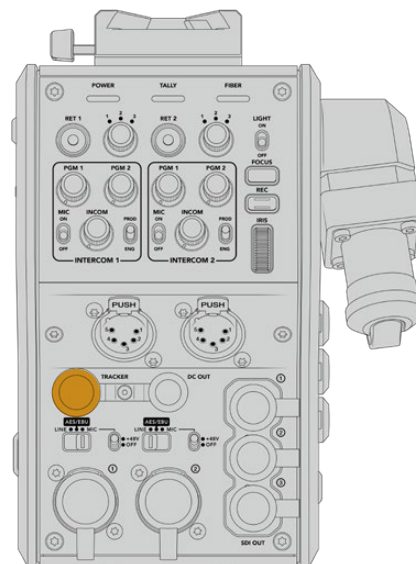
外観	ピン	信号	入力/出力	意味
 <p>ヘッドセット用5ピンXLRコネクタ</p>	1	Intercom MIC (Y)	GND	インターコムのマイク入力は、エレクトレットコンデンサーマイクに加え、バランスまたはアンバランスを使用するダイナミックマイクをサポートしています。ピン1はGNDマイク信号、ピン2は両方のタイプのマイク入力信号です。エレクトレットマイクでは、同じマイク入力信号ピン経由で直流バイアスは出力されます。
	2	Intercom MIC (X)	In	
	3	GND	GND	GND
	4	Intercom left	Out	
	5	Intercom right	Out	

インターコムのコントロールは、ヘッドセット端子の真上にあるINTERCOMコントロールで行います。

インターコムコントロールの使用法方法については、「Camera Fiber Converterの操作」セクションを参照してください。



インターコムコントロールはトークバックオーディオレベルのミックスに使用



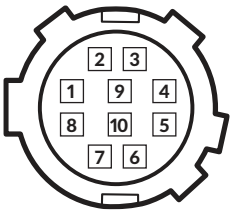
トラッカーインターフェースコネクタ

## トラッカーインターフェース

10ピンの「トラッカー」コネクタは多重化出力に使用され、トークバックおよびタリー信号に加え、テレプロンプターの情報などのデータを送信します。この出力は、カメラクレーンなどの機器を操作するスタッフが使用します。

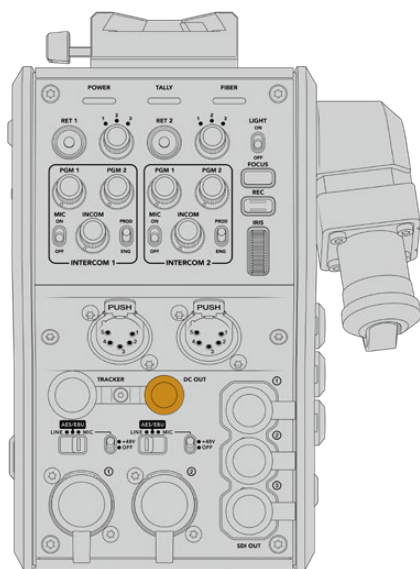
独自のケーブルを作成するにあたっては、このセクションのピン配列図を参照してください。

### トラッカー出力ピン配列図

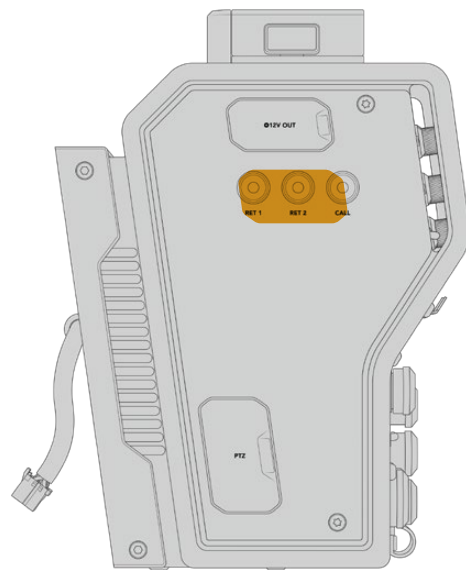
外観	ピン	信号	入力/出力	意味
 <p>10ピン「トラッカー」コネクタ</p>	1	Tracker left	Out	Tracker output, -20 dBu unbalanced
	2	GND (Talk)	-	GND for tracker talk
	3	GND (Receive/PGM/tally)	-	GND for receive/PGM/tally
	4	Tracker right	Out	Tracker output, -20 dBu unbalanced
	5	Unregulated	Out	12V DC (nom), 500mA (max)
	6	GND (Unregulated)	-	GND for unregulated
	7	Tracker talk (X)	In	Tracker talk 0 dBu /-20 dBu, high impedance balanced
	8	Tracker talk (Y)	In	
	9	G Tally	Out	On: 12V Off: High impedance (open)
	10	R Tally	Out	On: 12V Off: High impedance (open)

## DC接続

外部モニターなどの追加アクセサリは、DC出力コネクタで給電できます。



DC出力コネクタはモニターや外部出力機器などの追加アクセサリに給電可能



Dタップ出力

## Dタップ出力

左側のパネルにある+12V出力は、「Dタップ」または「Pタップ」と一般的に呼ばれ、モニターや箱型レンズなどのアクセサリへの給電に使用します。この出力では、2アンペアの12V DC公称電圧が必要な箱型レンズをサポートしています。

## リファレンス出力と操作

リファレンス出力は、BNCケーブル経由でリファレンス信号をカメラに接続するために使用できます。

### リファレンス信号をカメラに接続する：

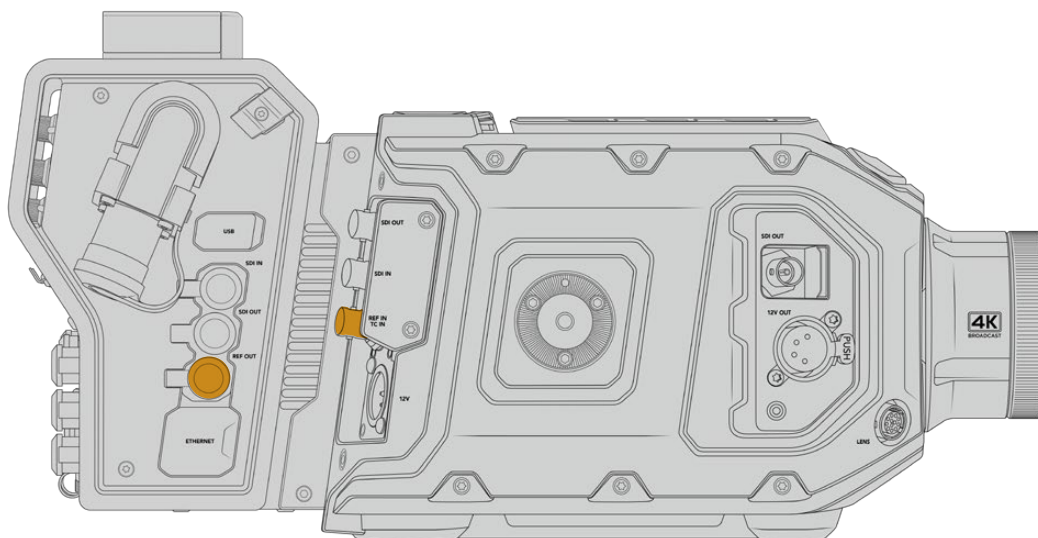
- 1 同梱の短いSDIケーブルを使用して、Blackmagic Camera Fiber Converterの「REF OUT」とラベルがついたリファレンス出力を、カメラの「REF IN」とラベルがついたリファレンス入力に接続します。
- 2 カメラのリファレンス設定をリファレンス入力に設定します。

同期リファレンス信号は、共通のリファレンスに機器をゲンロックするため、すべての機器は全く同じタイミングを共有します。つまり、すべてのビデオソースが同期し、スムーズに切り替わります。

ATEMスイッチャーは再同期機能を搭載しているため、BlackmagicのカメラをATEMスイッチャーと使用している場合、同期リファレンスに接続する必要はありません。カメラは、ATEMスイッチャーからのSDIプログラムフィードにロックされるため、必要な作業は、URSA Mini/URSA Broadcastの「セットアップ (SETUP)」メニューの2ページ目にある「リファレンスソース (REFERENCE SOURCE)」で「プログラム (Program)」を選択するだけです。再同期のプロセスでフレーム遅延が追加されます。

ATEMでスイッチングする際にカメラとの再同期の遅延を減らしたい場合、URSA Mini/URSA Broadcastにリファレンス信号を送信し、カメラから返信される信号のタイミングを調整して、ライン入力をATEMにマッチさせることで、スイッチングでのフレーム遅延が削減できます。

URSA Mini/URSA Broadcastでリファレンス同期を調整するには、「セットアップ (SETUP)」メニューの「リファレンスタイミング (REFERENCE TIMING)」の設定を調整します。

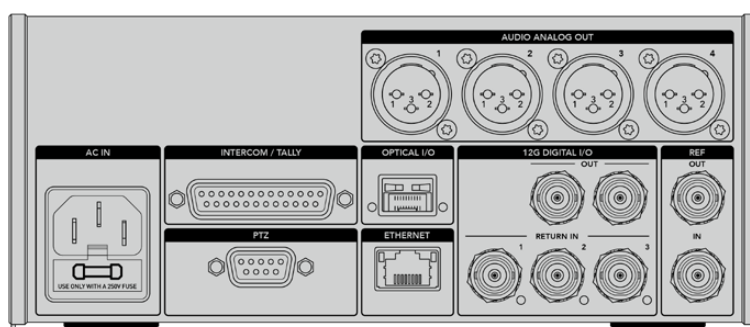


外部リファレンス信号を使用している場合、Camera Fiber Converterからのリファレンス出力をURSA Mini/URSA Broadcastのリファレンス入力に接続

## スタジオ側ユニットのコネクター

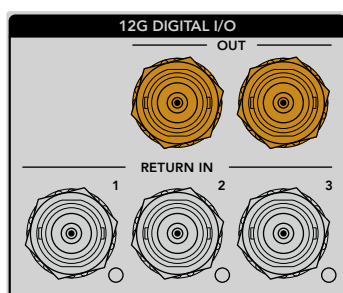
Blackmagic Studio Fiber Converterのリアパネルには、SDIリターンフィードおよびリファレンス用BNCコネクター、インターコムおよびタリー用DB-25コネクター、9ピンのPTZ用シリアルポート、オーディオ出力、イーサネットを搭載しています。

すべてのSDI入力には12G-SDIをサポートしており、Ultra HD 2160p60までのビデオフォーマットに対応しています。



### 12G-SDI出力

2つの12G-SDI出力は、スタジオ側ユニットからのカメラ信号を、スイッチャーのカメラSDI入力に接続するために使用します。2つ目のコネクターは、同じ信号を他のビデオ機器（Blackmagic Videohubルーター、SmartViewモニター、HyperDeckディスクレコーダーなど）に出力するために使用できます。

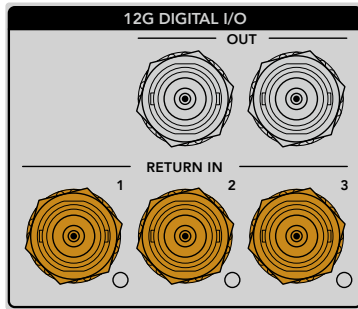


12G-SDI出力は、720p50から2160p60までの信号に対応

### リターンSDI入力

12G-SDIリターンフィードのBNCコネクターには、最大3系統のSDIフィードを接続できます。例えば、スイッチャーからのプログラムフィードはRETURN 1に接続する必要があり、カメラのフレームレートとマッチしている必要があります。2台目のカメラの出力やHyperDeckの再生だけでなく、テレプロンプターなどの他のソースをRETURN 2や3に接続して使用できます。ATEMスイッチャーを使用している場合、RETURN 1のプログラムリターンには、タリー、トークバック、リファレンス、カメラコントロール信号が含まれます。

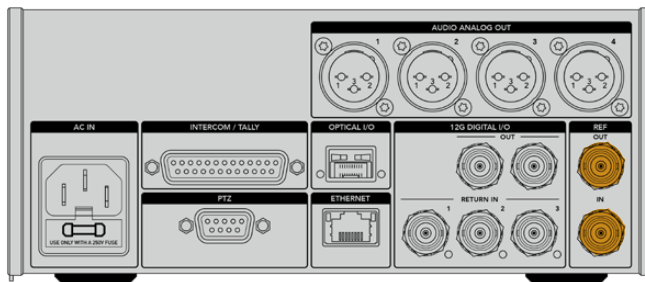
リターンSDI入力は、スイッチャーからのリターンフィードを最大3つ接続できます。これらのフィードはカメラに送信されるため、カメラマンが確認したり、SDI経由で他の機器に出力することができます。



**メモ** リターン入力にUltra HDを接続する場合、Ultra HDビデオは同じフレームレートの1080pにダウンコンバージョンされるため、カメラ側ユニットでの出力はHDになります。Ultra HDリターン信号をHDにダウンコンバージョンすることで、バンド幅に余裕ができ、複数のリターンソースが送信できます。

## リファレンス入出力

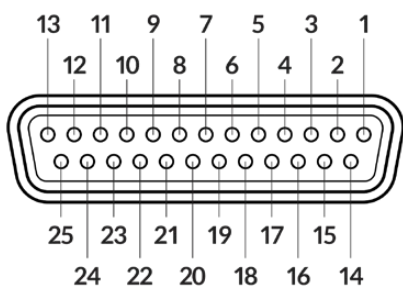
ATEMスイッチャーを使用せずに、外部リファレンス信号に機器をロックしたい場合、外部生成された信号をリファレンス用BNC入力に接続します。これにより、リファレンスはSMPTEファイバーケーブル経由でカメラに送信されます。スタジオ側ユニットのリファレンス用BNC出力は、リファレンスソースを他の機器にループすることもできます。



「REF IN」とラベルのついたリファレンス入力は、他の放送機器からの従来のリファレンスタイミングをカメラに送信

## トークバックインターフェース

DB-25インターコム/タリーコネクタで、サードパーティのインターコム/タリーシステムを接続できます。カスタムケーブルを作成するにあたっては、以下のピン配列図を参照してください。エンジニアリング、プロダクション、タリー、プログラムオーディオ入力用のピンを接続したら、Blackmagic Studio Fiber Converterのメニューで必要に応じた設定を行う必要があります。



インターコム/タリー用25ピンコネクターの外観

### トークバックピン配列図

ピン	信号	仕様
1	ENG(R) IN+	Engineering channel input 0dBu balanced
2	ENG(R) IN-	
3	ENG GND	GND for ENG
4	ENG(T) OUT +	Engineering channel output 0dBu balanced
5	ENG(T) OUT -	
6	PGM IN+	-20dBu
7	PGM IN-	-20dBu
8	PGM GND	-20dBu
9	GND	GND for aux
10	N/C	-
11	Red Tally IN	On = 5-24Vdc, Off= 0Vdc
12	Red Tally GND	-
13	GND	Chassis GND
14	PROD(R) IN+	Production channel input 0dBu balanced
15	PROD(R) IN-	
16	PROD GND	-
17	PROD(T) OUT+	Production channel output 0dBu balanced
18	PROD(T) OUT-	
19	N/C	-
20	N/C	-
21	N/C	-
22	N/C	-
23	N/C	-
24	Green Tally IN	On = 5-24Vdc, Off= 0Vdc
25	Green Tally GND	-

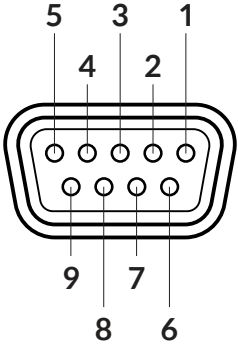


## PTZインターフェース

スタジオ側ユニットとカメラ側ユニットは共に9ピンのDE-9コネクタを搭載しているため、スタジオ側にPTZコントローラーを接続し、カメラ側にリモートヘッドを接続して使用できます。PTZコマンドはSDI信号にエンベッドされ、SMPTEファイバーケーブルでユニット間を接続します。

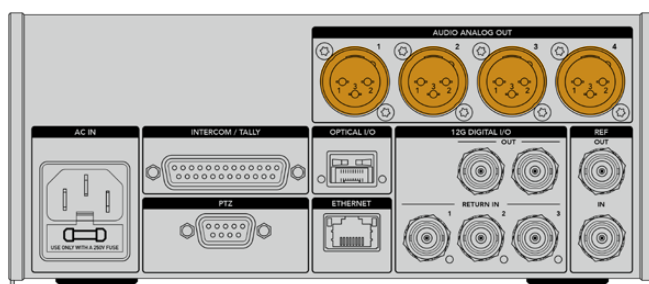
Blackmagic Studio Fiber Converterのメニューで、Blackmagic Camera Fiber Converterに送信するPTZコマンドのソースを選択します。コマンドのソースは、Blackmagic Studio Fiber Converterの背面にあるPTZコネクタ、またはATEMスイッチャーのプログラムSDIフィードに設定できます。詳細は「Studio Fiber Converterの操作」セクションを参照してください。

### PTZインターフェースピン配列図

外観	ピン	信号
 9ピンPTZコネクタ	1	GND
	2	RS422 Tx-
	3	RS422 Rx+
	4	GND
	5	N/C
	6	GND
	7	RS422 Tx+
	8	RS422 Rx-
	9	GND

## オーディオ出力

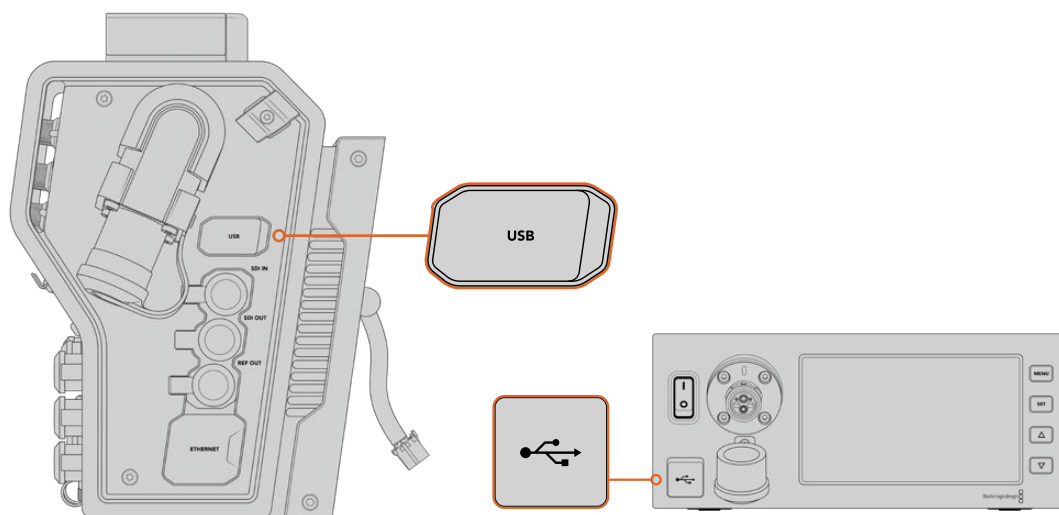
スタジオ側ユニットの4系統のXLRオーディオ出力は、入力1と2に接続されたURSA Broadcast/URSA Miniカメラからのオーディオ、およびCamera Fiber Converterの2系統のXLRオーディオ入力を出力できます。



スタジオ側ユニットのAUDIO ANALOG OUTの1と2は、デフォルトでURSA Broadcast/URSA MiniのエンベデッドXLR入力1と2に対応しています。スタジオ側ユニットのAUDIO ANALOG OUTの3と4は、デフォルトでBlackmagic Camera Fiber ConverterのXLR入力1と2に対応しています。これらの設定のマッピングをメニューで変更できます。詳細は「メニューの使用」セクションを参照してください。

## 内部ソフトウェアのアップデート

Blackmagic Designは随時ソフトウェアアップデートをリリースし、Blackmagicファイバーコンバーターの機能の向上および有効化を行っています。Blackmagic Designのウェブサイトを定期的にチェックし、ファイバーコンバーターの内部ソフトウェアを最新に更新することを推奨します。ファイバーコンバーターのアップデートには、Blackmagic Camera Setup Utilityソフトウェアを使用します。



BlackmagicファイバーコンバーターのUSB-Cポートで、内部ソフトウェアをアップデート可能

### Blackmagic Camera Fiber Converterのアップデート

アップデート中、Camera Fiber Converterは給電されている必要があるため、アップデートの処理中はコンバーターをURSA Mini/URSA Broadcastに接続したままにしておくことをお勧めします。

安定した電源を得るために、Camera Fiber ConverterからSMPTEファイバーケーブルを抜き、カメラをURSAカメラの電源供給から給電することが重要です。

Blackmagic Camera Fiber Converterの右側面にあるUSB-Cコネクタを使用して、内部ソフトウェアをアップデートできます。このUSBにコンピューターを接続してBlackmagic Camera Setup Utilityを起動します。Camera Fiber Converterが古いバージョンを使用していることをコンピューターが検出すると、アップデートを推奨するメッセージが表示されます。スクリーンの指示に従い、コンバーターの内部ソフトウェアをアップデートします。

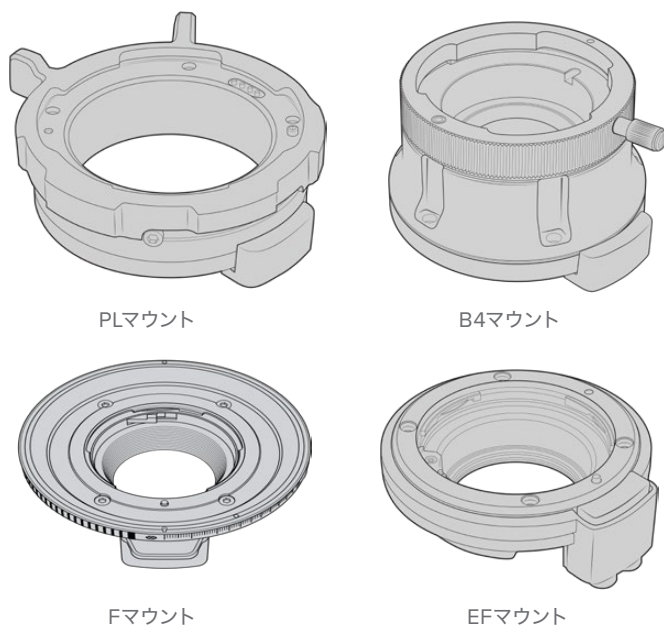
### Blackmagic Studio Fiber Converterのアップデート

アップデート中、Studio Fiber Converterは給電されている必要があるため、アップデートの処理中はIEC電源ケーブルをスタジオ側ユニットのリアパネルにある電源コネクタに接続したままにしておくことをお勧めします。

Blackmagic Studio Fiber Converterの前面にあるUSB-Cコネクタを使用して、内部ソフトウェアをアップデートできます。このUSBにコンピューターを接続してBlackmagic Camera Setup Utilityを起動します。Studio Fiber Converterが古いバージョンを使用していることをコンピューターが検出すると、アップデートを推奨するメッセージが表示されます。スクリーンの指示に従い、コンバーターの内部ソフトウェアをアップデートします。

## 交換可能なレンズマウント

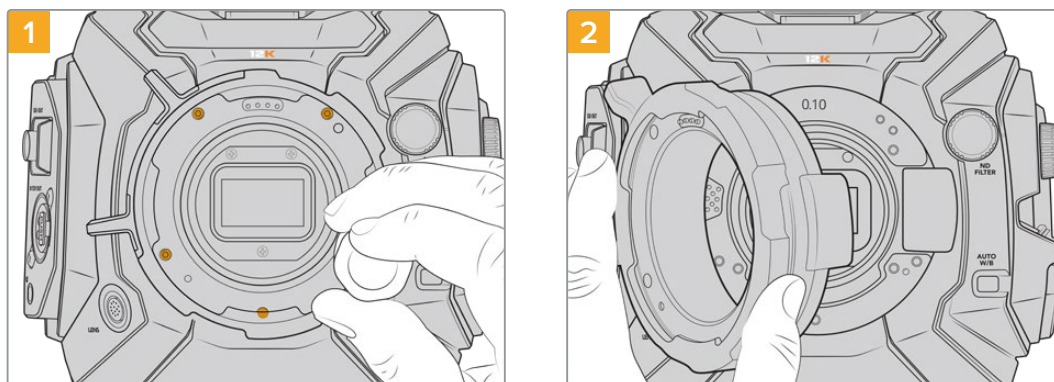
Blackmagic URSA Mini Pro 12Kは、PLマウントを標準装備しています。その他のURSA Mini Proカメラは、EFマウントを標準装備しています。URSA Mini Proの全モデルは交換可能なレンズマウントを搭載しているため、カメラに付いているレンズマウント以外のレンズも使用できます。つまり、標準装備のマウントを外し、オプションのPL、B4、F、EFマウントを取り付けられます。URSA Mini Pro PL Mount、URSA Mini Pro B4 Mount、URSA Mini Pro F Mount、URSA Mini Pro EF Mountの購入に関しては、最寄りのBlackmagic Design販売店にお問い合わせください。



別売りのマウントに交換できるので、仕事の種類に応じて異なるレンズを使い分けられます。例えば、EFマウントで高品質のスチルレンズを使用できます。B4マウントはENGや結婚式でパーフォーカルズームレンズを使用したい場合に最適です。さらにPLマウントでは、完璧な精度を持ち、反復的なコントロールにも対応する、堅牢性に優れたハイエンドのシネマレンズを装着できます。

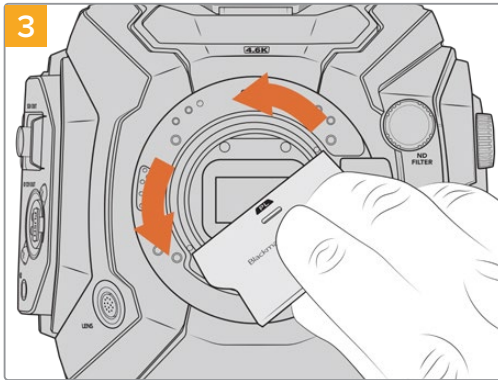
各マウントの取り付けは、オリジナルのEFマウントのネジを外し、新しいマウントと交換するだけです。作業は極めて簡単です！

### URSA Mini Pro 12KからオリジナルのPLマウントを取り外す：



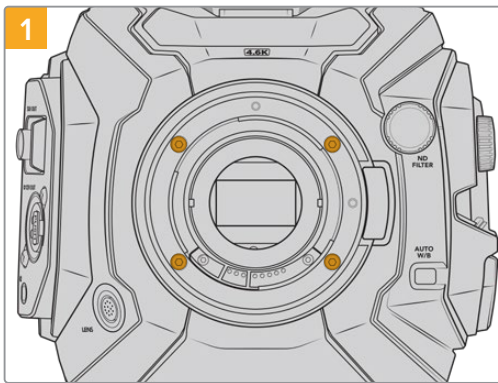
オリジナルのPLマウントをURSA Mini Pro 12Kから取り外すには、2mmの六角ドライバーで5本のネジを外します。

カメラ本体からマウントをゆっくりと外します。

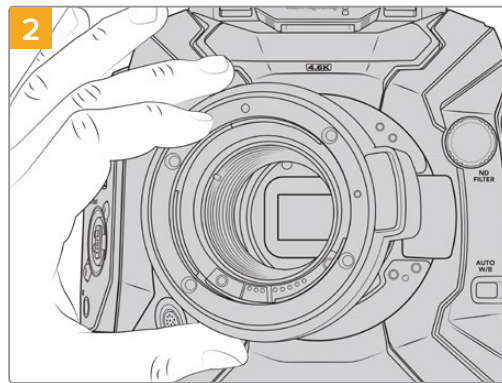


PLレンズマウントを取り外したら、幅が広い方のバツフルツールをPLバツフルの中央に挿入して緩め、次に手で慎重に外します。

**URSA Mini Pro 4.6K G2またはURSA Mini Pro 4.6KからオリジナルのEFマウントを取り外す：**



オリジナルのEFマウントをURSA Mini Pro 4.6K G2またはURSA Mini Pro 4.6Kから取り外すには、2mmの六角ドライバーで4本のネジを外します。



カメラ本体からマウントをゆっくりと外します。

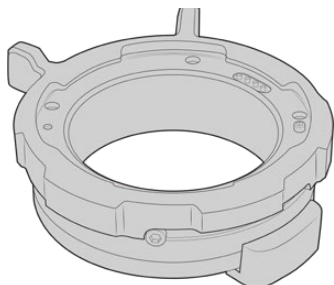
**メモ** オリジナルのレンズマウントを取り外す際は、マウントの下にあるシムがカメラに必ずそのまま装着されているようにしてください。

PL、B4、F、EFレンズマウントキットの詳細と、URSA Mini Proへの取り付け方法は下記を読み進めてください。

## Blackmagic URSA Mini Pro PL Mount

URSA Mini ProにPLマウントを取り付けることで、ハイエンドの高精度シネマレンズの使用できるようになり、劇場映画やテレビ番組の撮影が可能となります。

### PLマウントキット同梱品：



#### PLマウント x1

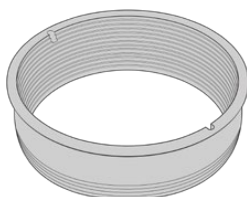
PLマウントは、保護用ダストキャップを取り付けた状態で出荷されます。



#### シムセット x1

シムセットには、下記の厚みのシムが含まれます：

0.50mm	0.18mm	0.10mm
0.30mm	0.15mm	0.05mm
0.20mm	0.12mm	0.025mm



#### PLバッフル x1

PLマウントバッフルはセンサーに入る光のコントロールに役立ちます。



#### バッフルツール x1

PLバッフルツールは、カメラにバッフルをしっかり締めるために使用します。



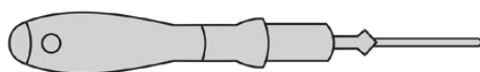
#### マウント用M2.5六角ネジ (2mm X 22mm) x5

この5本のM2.5六角ネジ (22mm) はPLマウント専用なので各マウント用のネジをそれぞれ一緒に保管することをお勧めします。

PLマウントキットには、紛失に備えてスペアのネジ一式が同梱されています。

### 必要な工具

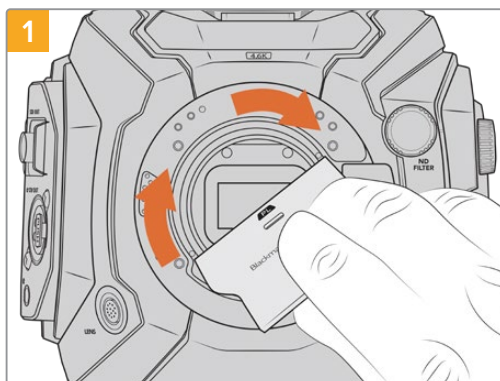
PLマウントの取り付けには2mmの六角ドライバーが必要です。必須ではありませんが、トルクレンチの使用を推奨します。最大トルクを0.45Nmに設定することでネジの締め過ぎを防ぎます。



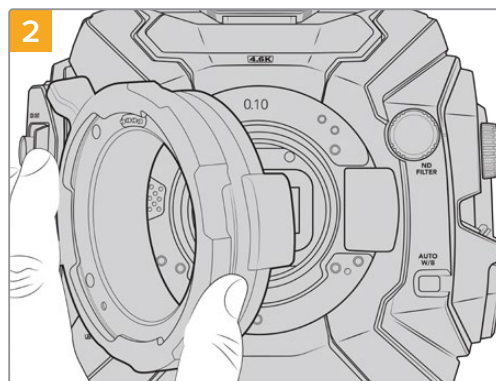
2mmの六角ドライバー



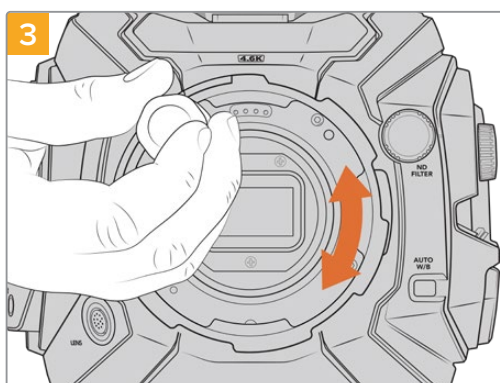
## PLマウントの取り付け



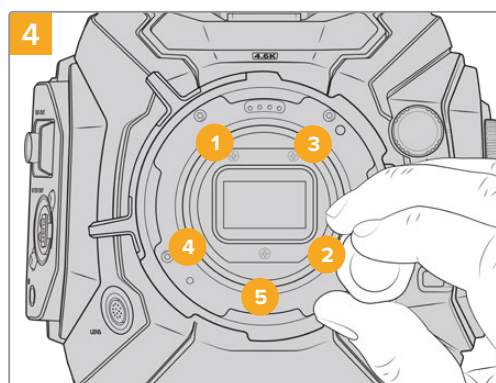
レンズマウントの中央にPLバブルをゆっくりと挿入し、バブルを手で回して固定します。PLバブルツールの幅の広い方を使用してバブルを軽く締めます。きつく締めすぎないようにしてください。



Blackmagic URSA Mini ProのPLレンズマウントをカメラ本体に慎重に取り付けます。Cooke /i Technology用のPLマウントのピンは12時の位置になるようにしてください。



2mmの六角ドライバーまたは0.45Nmに設定したトルクレンチで、レンズマウントのベースと接触するまで、5本のマウントネジを緩く締めます。5本のネジを締めるには、PLロックリングを回すことで隠れたネジ穴が確認できます。



レンズマウントが水平で、正しい位置に収まったら、上記の順番でネジを締めていきます。その際は、すべて同じ強さで締め、締め過ぎに注意してください。

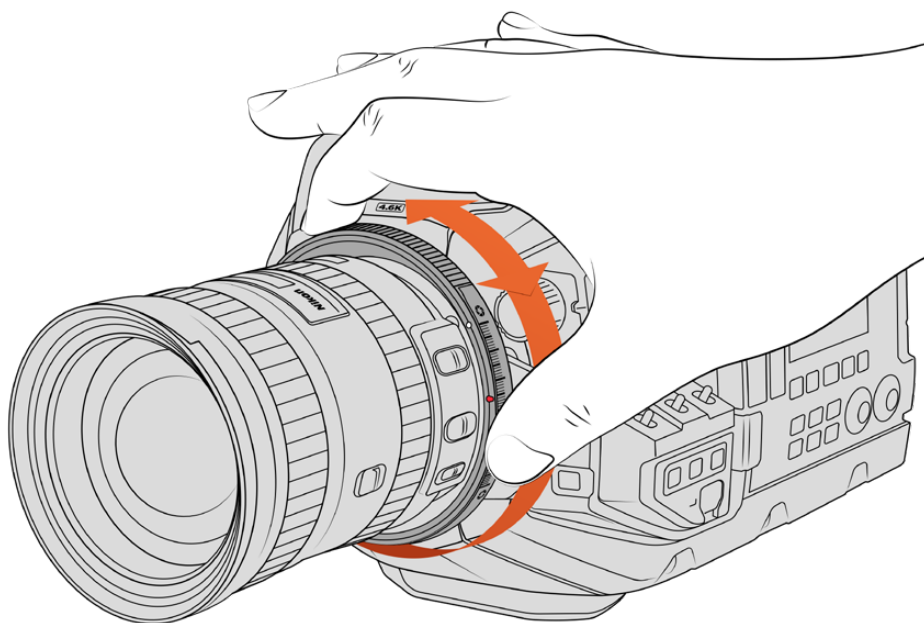
**メモ** PLマウントの取り外しは、取り付け方法のステップ1から4を逆の順序で行ってください。PLバブルを取り外し、PLマウントと共に保管することを忘れないでください。

## Blackmagic URSA Mini Pro F Mount

URSA Mini ProにFマウントが取り付けられている場合、Fマウントレンズが使用できます。NikonのFマウントの歴史は1959年にまで遡りますが現在も製造が続けられています。つまりBlackmagic URSA Mini Pro F Mountを取り付けると、年代物から最近のレンズまで多様なレンズが使用可能になります。

Blackmagic URSA Mini Pro F Mountの着目すべき特徴は機械式マウントであることです。すなわち、Fマウントでは電子フォーカスやアイリスコントロールは使用できません。代わりに、Blackmagic URSA Mini Pro F Mountではアイリス調整機構を採用しています。これにより、Nikonのほとんどのレンズが搭載しているアイリスピンを動かして、スムーズなシネマレンズスタイルのアイリス調整が行えます。

Fマウントを装着した状態でBlackmagic URSA Mini Pro F Mountのアイリス調整機構を動かすだけで、簡単に希望の露出が得られます。Fマウントの赤いドットおよびアイリス調整機構のマークを使用すると、特定のアイリス設定にマークを付けられ、特定の露出や被写界深度の設定に簡単に戻ることができます。



Blackmagic URSA Mini Pro F Mountのアイリス調整リングは、Fマウントレンズのアパーチャーをスムーズに調整

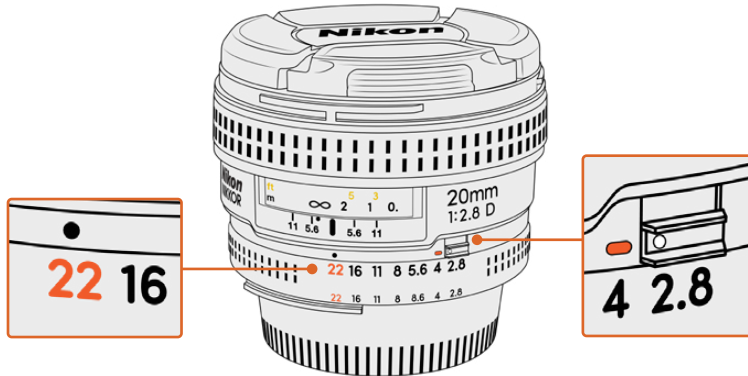
**メモ** URSA Mini Pro F Mountの性質上、一部のFマウントレンズとは互換性がありません。

これには、アイリスコントロール機構を搭載していないニッコールAF-S Eシリーズレンズや、シフト機能およびティルト機構を搭載したNikonのPC-E 24mm f/3.5Dや85mmなどが含まれます。



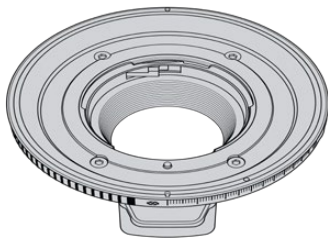
## Nikon AF-Dレンズ

NikonのAF-Dシリーズのレンズを使用する際は、レンズアパーチャーの設定を最小 (f/22など) にしてロックすることが重要です。これにより、Blackmagic URSA Mini Pro F Mountのアイリス調整リングがフルで使用できるようになります。



AF-Dレンズのアパーチャー設定を最小にしてロックする作業は、カメラにマウントする前に行うことをお勧めします。

## Fマウントキット同梱品：



### Fマウント x1

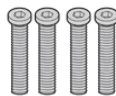
Fマウントを使用すると一般的なFスチルレンズが使用可能となります。



### シムセット x1

シムセットには、下記の厚みのシムが含まれます：

0.50mm	0.18mm	0.10mm
0.30mm	0.15mm	0.05mm
0.20mm	0.12mm	0.025mm



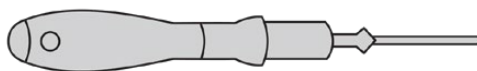
### マウント用M3六角ネジ (2mm X 18mm) x4

この4本のM3六角ネジ (18mm) はEFおよびFマウント用なので、各マウント用のネジをそれぞれ一緒に保管することをお勧めします。

Fマウントキットには、紛失に備えてスペアのネジ一式が同梱されています。

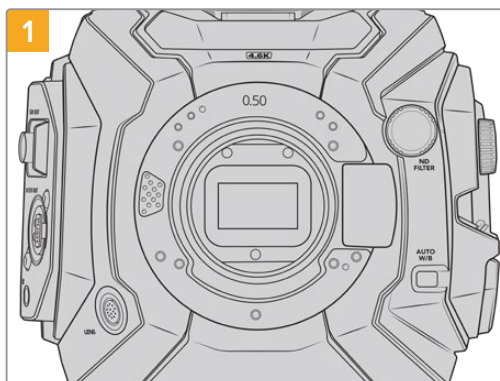
## 必要な工具

Fマウントの取り付けには2mmの六角ドライバーが必要です。必須ではありませんが、トルクレンチの使用を推奨します。最大トルクを0.45Nmに設定することでネジの締め過ぎを防ぎます。

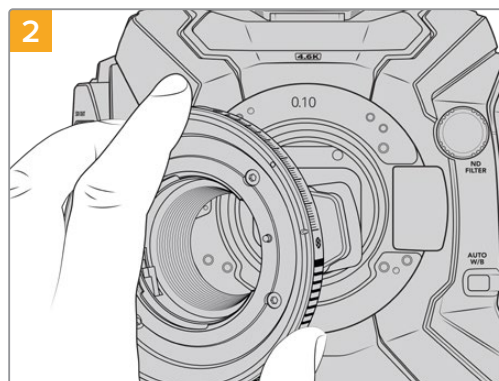


2mmの六角ドライバー

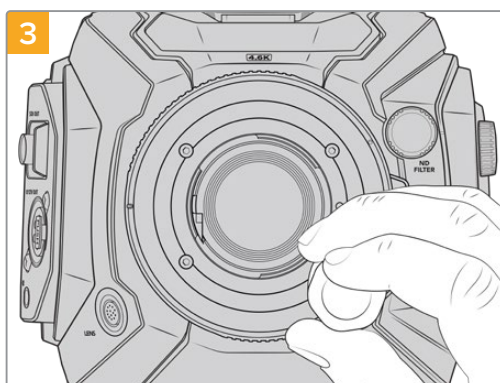
## Fマウントの取り付け



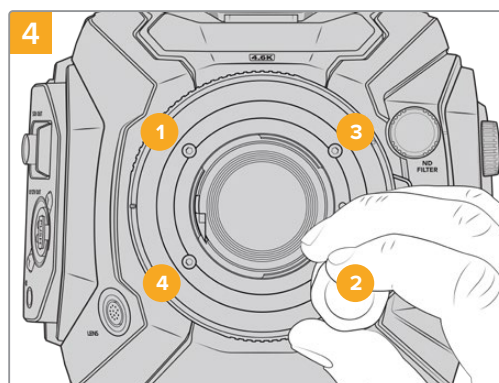
清潔で安定した台に、レンズを上にしてBlackmagic URSA Mini Proを置き、マウントを垂直に取り付けます。PLからFマウントに変える場合は、Fマウントを差し込む前に必ずPLバップルを取り外すようにしてください。



Blackmagic URSA Mini Pro F Mountをカメラ本体に取り付けます。その際、白いドットが2時の位置になるようにします。



2mmの六角ドライバーまたは0.45Nmに設定したトルクレンチで、レンズマウントのベースと接触するまで、4本のマウントネジを緩く締めます。



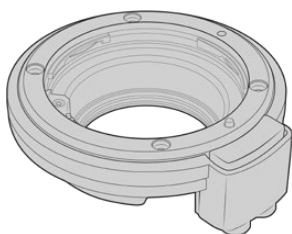
レンズマウントが水平で、正しい位置に収まったら、上記の順番でネジを締めていきます。その際は、すべて同じ強さで締め、締め過ぎに注意してください。

**メモ** Fマウントの取り外しは、取り付け方法のステップ1から4を逆の順序で行ってください。

## Blackmagic URSA Mini Pro EF Mount

Blackmagic URSA Mini Pro EF Mountは、非常に幅広い種類のEFスチルレンズおよびシネマレンズをサポートしています。

### EFマウントキット同梱品：



#### EFマウント x1

EFマウントを使用すると一般的なEFスチルレンズが使用可能となります。



#### シムセット x1

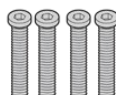
シムセットには、下記の厚みのシムが含まれます：

0.50mm	0.18mm	0.10mm
0.30mm	0.15mm	0.05mm
0.20mm	0.12mm	0.025mm



#### バッフルツール x1

EFマウントのバッフルは取り外せませんが、PLマウントをお持ちのユーザーのためにスペアパーツとしてEFマウントキットにもバッフルツールが同梱されています。



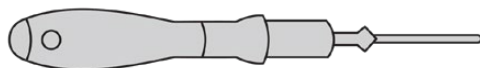
#### マウント用M3六角ネジ (2mm X 18mm) x4

この4本のM3六角ネジ (18mm) はEFおよびPLマウント用なので、各マウント用のネジをそれぞれ一緒に保管することをお勧めします。

EFマウントキットには、紛失に備えてスペアのネジ一式が同梱されています。

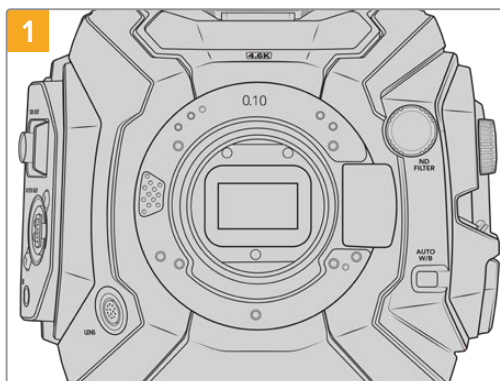
### 必要な工具

EFマウントの取り付けには2mmの六角ドライバーが必要です。必須ではありませんが、トルクレンチの使用を推奨します。最大トルクを0.45Nmに設定することでネジの締め過ぎを防ぎます。

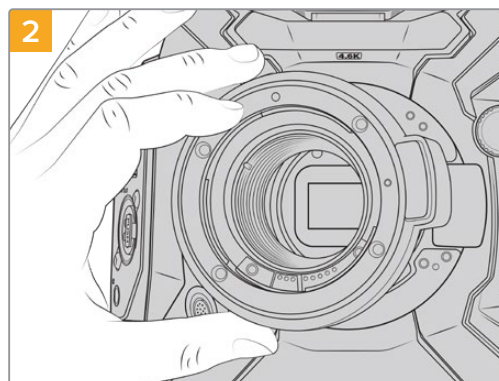


2mmの六角ドライバー

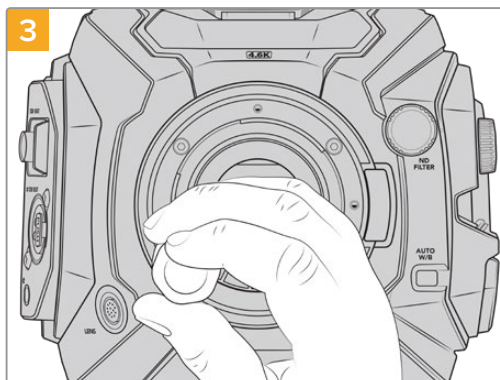
## EFマウントの取り付け



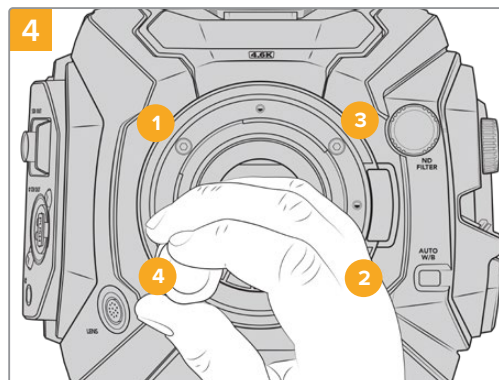
清潔で安定した台に、レンズを上にしてBlackmagic URSA Mini Proを置き、マウントを垂直に差し込めるようにします。PLからEFマウントに変える場合は、EFマウントを差し込む前に必ずPLパッフルを取り外してください。



Blackmagic URSA Mini ProのEFレンズマウントをカメラ本体に慎重に取り付けます。その際、赤いドットが12時の位置になるようにします。



2mmの六角ドライバーまたは0.45Nmに設定したトルクレンチで、レンズマウントのベースと接触するまで、4本のマウントネジを緩く締めます。



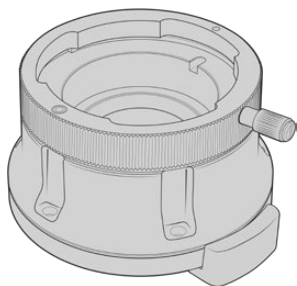
レンズマウントが水平で、正しい位置に収まったら、上記の順番でネジを締めていきます。その際は、すべて同じ強さで締め、締め過ぎに注意してください。

**×E** EFマウントの取り外しは、取り付け方法のステップ1から4を逆の順序で行ってください。

## Blackmagic URSA Mini Pro B4 Mount

B4マウントをURSA Mini Pro 4.6K G2またはURSA Mini Pro 4.6Kに取り付けることで、ENGや結婚式で広く使われるパーフォーカルレンズがマウントできるようになります。パーフォーカルレンズはズーム倍率を変更してもフォーカスを維持し、通常はマニュアルフォーカスやアイリスコントロールに対応しています。またハンドグリップのズームロッカーを使用すると簡単にスムーズなズームインやアウトが可能です。ワンマンオペレーションでは、このようなレンズを使用することでショットを自在にコントロールできるので撮影が極めて早く効率的に行えます。Blackmagic URSA Mini Pro B4 Mountは、URSA Mini Pro 12Kとは互換性がありません。ご注意ください。

### B4マウントキット同梱品：



#### B4マウント x1

B4マウントを使用すると業界標準のENGレンズがURSA Mini Proで使用可能となります。



#### シムセット x1

シムセットには、下記の厚みのシムが含まれます：

0.50mm	0.18mm	0.10mm
0.30mm	0.15mm	0.05mm
0.20mm	0.12mm	0.025mm



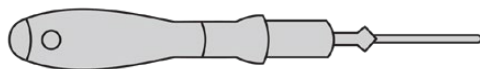
#### マウント用M2.5六角ネジ (2mm X 12mm) x5

この5本のM2.5六角ネジ (12mm) はB4マウント専用なので各マウント用のネジをそれぞれ一緒に保管することをお勧めします。

B4マウントキットには、紛失に備えてスペアのネジ一式が同梱されています。

### 必要な工具

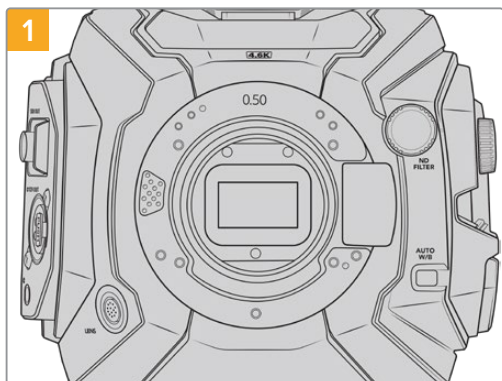
B4マウントの取り付けには2mmの六角ドライバーが必要です。必須ではありませんが、トルクレンチの使用を推奨します。最大トルクを0.45Nmに設定することでネジの締め過ぎを防ぎます。



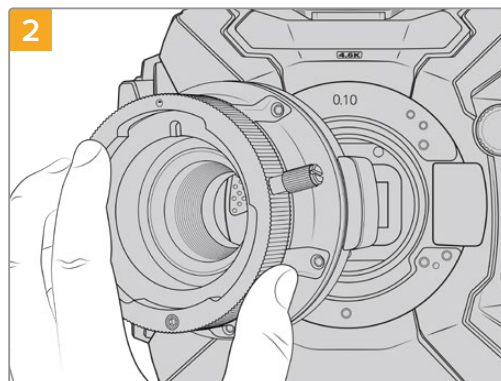
2mmの六角ドライバー



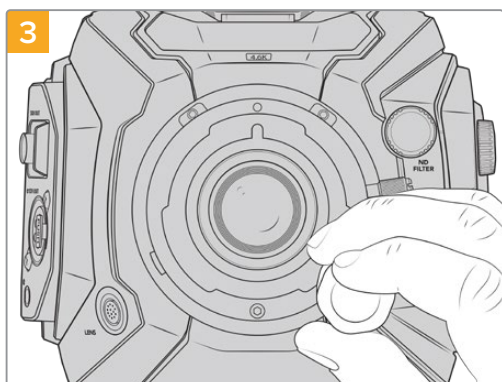
## B4マウントの取り付け



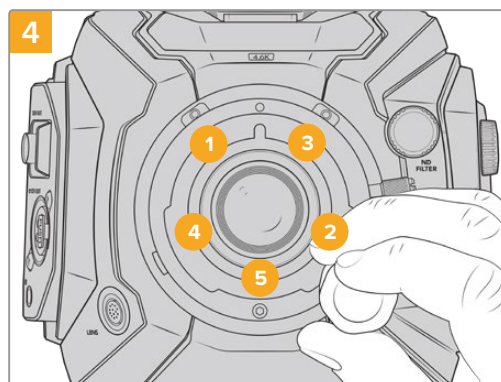
清潔で安定した台に、レンズを上にしてBlackmagic URSA Mini Proを置き、マウントを垂直に装着できるようにします。



Blackmagic URSA Mini ProのB4レンズマウントをカメラ本体に慎重に取り付けます。その際、赤いドットが12時の位置になるようにします。



2mmの六角ドライバーまたは0.45Nmに設定したトルクレンチで、レンズマウントのベースと接触するまで、5本のマウントネジを緩く締めます。



レンズマウントが水平で、正しい位置に収まったら、上記の順番でネジを締めていきます。その際は、すべて同じ強さで締め、締め過ぎに注意してください。

**メモ** B4マウントの取り外しは、取り付け方法のステップ1から4を逆の順序で行ってください。

**作業のコツ** URSA Mini Pro 4.6K G2またはURSA Mini Pro 4.6Kで、B4レンズを使用する場合は、解像度を2K 16:9またはそれ以下に設定し、ダッシュボードの「収録 (RECORD)」タブで「ウィンドウセンサー (WINDOW SENSOR)」をオンにします。B4レンズはスーパー35mmイメージサークルをカバーしないため、これらの設定はイメージにビネットが生じるのを防ぐために重要です。B4レンズを装着し、カメラの設定を調整した後は、レンズの後側焦点も確認してください。

## Blackmagic URSA Mini Pro Shim Kit

URSA Mini ProにPL、B4、Fマウントを取り付ける際には、オリジナルのEFマウントの下に取り付けられている既存の0.50mmおよび0.10mmシムに、0.10mmシムを追加します。このシムは、Blackmagic URSA Mini Pro Shim Kitに含まれています。また、キットには他の厚さのシムも含まれているので、フォーカスマークを正確に保つために、わずかな調整を行う必要がある場合に使用できます。

### シムキット同梱品：



#### バッフルツール x1

URSA Mini ProにPLマウントの取り付け/取り外しを行う際に、バッフルツールを使ってPLバッフルを緩める/締めることができます。



#### シムセット x1

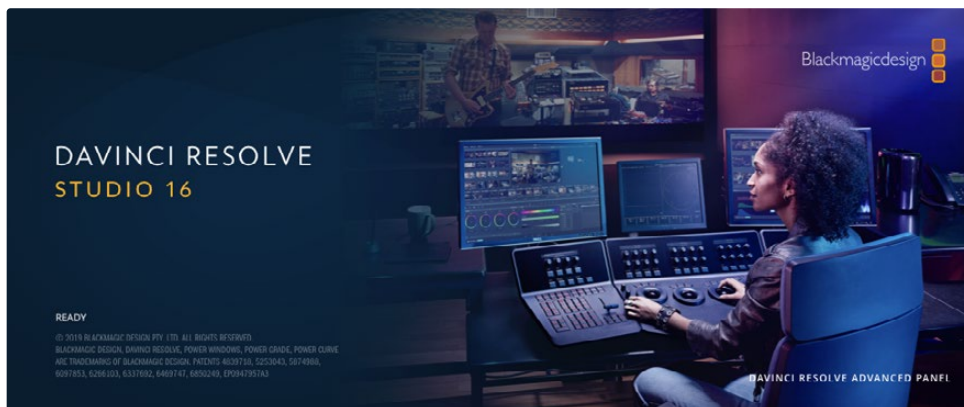
シムセットには、下記の厚みのシムが含まれます：

0.50mm	0.18mm	0.10mm
0.30mm	0.15mm	0.05mm
0.20mm	0.12mm	0.025mm



# DaVinci Resolveの使用

Blackmagic URSA Miniを使用した撮影は、映画/テレビコンテンツ制作の過程のひとつに過ぎず、メディアのバックアップや管理、編集、カラーコレクション、最終マスターファイルのエンコードも同様に極めて重要な作業です。Blackmagic URSA Miniは、DaVinci Resolve (Mac/Windows対応) を同梱しているため、完結型のソリューションとして撮影からポストプロダクションまでをカバーします！



**メモ** URSA Miniで撮影したクリップのカラーコレクションやグレーディングを正確に行うには、最新版のDaVinci Resolveを使用することを推奨します。バージョン16.3以降を使用することで、URSA Miniの全モデルと最新のBlackmagic RAWで正確なカラーが得られ、12Kファイルもサポートします。

CFast、SDカードあるいはSSDをコンピューターに接続したら、DaVinci Resolveのメディアページでクローンツールを使用して、撮影を行いながら継続的にバックアップを作成できます。使用するメディアはその種類に関わらず、破損や不具合が生じる可能性があります。ショットの損失を防ぐため、常にデータのバックアップを作成することをお勧めします。DaVinci Resolveでメディアをバックアップしたら、DaVinciのメディアプールにクリップを追加して、編集やカラーコレクション、作品のフィニッシングまで、すべての作業をDaVinci Resolveで行えます。

DaVinci Resolveは、多くの大ヒット映画で使用されています。シンプルなNLEソフトウェアツールとは異なり、ハイエンドのデジタルフィルム用に極めて高度なテクノロジーを搭載しています。DaVinci Resolveを使用すれば、最先端のテクノロジーを利用した編集やカラーコレクションが実現します。

このセクションでは、DaVinci Resolveでカメラのファイルを使用する方法を説明します。DaVinci Resolveには極めて高度なテクノロジーが採用されており、その機能の多くはユーザーインターフェースを一目見ただけでは分かりません。DaVinci Resolveの使用方法に関する詳細は、BlackmagicウェブサイトのDaVinci Resolveインストラクション・マニュアルを参照してください。トレーニングコースやガイドビデオも多数掲載しています。

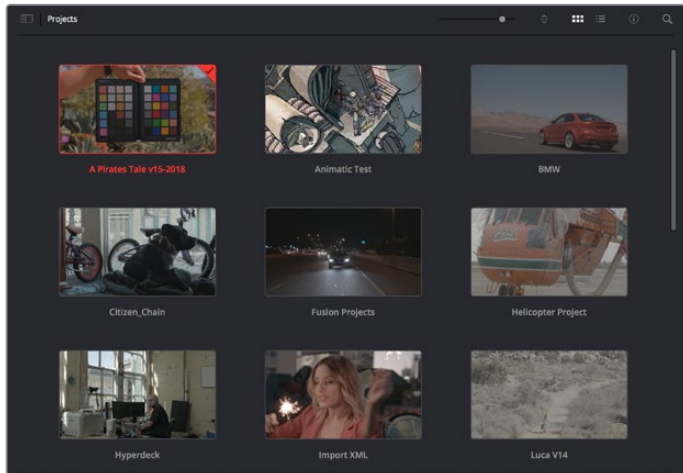
## プロジェクトマネージャー

クリップを読み込んで編集を開始する前に、プロジェクトマネージャーでプロジェクトをセットアップする必要があります。

プロジェクトマネージャーは、DaVinci Resolveの起動時に最初に表示される画面です。この画面は、ユーザーインターフェース右下のホームアイコンをクリックすると、いつでも開くことができます。これは、前のプロジェクトを開いたり、新しいプロジェクトを作成したい場合に便利な機能です。

新しいプロジェクトを作成するには、ウィンドウ底部の「新規プロジェクト」をクリックし、プロジェクト名を設定します。「作成」をクリックします。

では、カットページを使用して、編集作業を早速開始しましょう。



プロジェクトマネージャーは、現在のユーザーのすべてのプロジェクトを表示。

プロジェクトマネージャーの詳細は、DaVinci Resolveマニュアルを参照してください。このマニュアルは、Blackmagic Designウェブサイトのサポートページからダウンロードできます。

## カットページを使用した編集

カットページでは、高速でダイナミックな編集ワークフローを実現できます。クリップの配列、トリム、編集が効率的に実行できます。

アクティブなタイムラインが2つ表示されるため、編集全体を確認しながら、部分的にクリップの詳細を編集できます。つまり、大きなタイムラインにクリップを編集し、詳細を表示するタイムラインで編集を微調整する作業が、一つのワークスペースで実行できます。このワークフローでは、ラップトップで編集を進めるにあたって、ズームインやズームアウト、画面のスクロールをする必要がないため、時間を大幅に節約することも可能です。

## カットページのレイアウト

カットページを開くと、メディアプール、ビューア、タイムラインが表示されます。これら3つを使用して、編集を完全にコントロールできます。



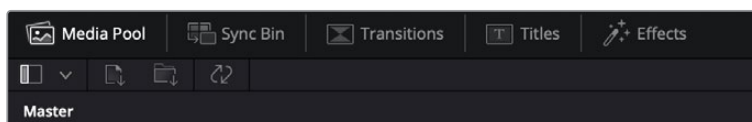
カットページのデフォルトワークスペース。メディアプールがアイコンで表示された状態。

カットページの詳細は、DaVinci Resolveマニュアルの「Using the Cut Page (カットページを使用)」  
チャプターを参照してください。

## メディアタブ

ユーザーインターフェースの左上には5つのタブがあります。

これらのタブをクリックすると、編集を作成する際に使用するメディアツールセットが開きます。例えば、最初のタブであるメディアプールはすでに選択されています。それ以外のタブは、同期ビン、トランジション、タイトル、エフェクトです。



- ・ **メディアプール**:メディアプールは、メディアページで読み込んだすべてのクリップ、フォルダー、ファイルを含んでいます。また、カットページから直接ファイルを読み込めるため、新しいクリップを読み込む際にメディアページに戻る必要はありません。
- ・ **同期ビン**:全てのクリップをタイムコード、日付、時間に基づき自動的に同期するパワフルな機能です。マルチカメラのプロジェクトで全カメラからのアングルを選択する際に威力を発揮します。
- ・ **トランジション**:このタブをクリックすると、編集で使用可能なすべてのビデオおよびオーディオトランジションが表示されます。これには、クロスディゾルブやモーションワイプなどの広く使われているトランジションが含まれます。
- ・ **タイトル**:トランジションタブの隣はタイトルタブです。ここで、使用したいタイトルの種類を選択できます。例えば、スクロール、標準テキスト、ローワーサードなどです。また、Fusionのテンプレートもリスト表示されます。これは、アニメーションを用いた、よりダイナミックなタイトルで、DaVinci ResolveのFusionでカスタマイズできます。
- ・ **エフェクト**:5つ目のタブは、エフェクトタブです。編集に面白みを加えるフィルターやエフェクトを多数搭載しています。これには、カスタマイズ可能なブラー、グロー、レンズエフェクトなどが含まれます。多くのパワフルなエフェクトから選択でき、検索ツールで簡単に探しているエフェクトを見つけられます。

**作業のこつ** メディアタブのアイコンの近くにある検索ツールで、必要なアイテムを検索できます。例えば、トランジションタブを選択している場合、「ディゾルブ」と検索ツールに打ち込むと、ビューアにディゾルブトランジションのみが表示されるため、必要なディゾルブトランジションをリストの中からすばやく見つけられます。




## ビューアタブ

ビューアウィンドウの左上に、ビューアモードのボタンがあります。



ビューアモードのボタン

これらのボタンで、現在使用しているビューアをコントロールできます。オプションは、「ソースクリップ」、「ソーステープ」、「タイムライン」の3つです。これらのモードを使い分けることで、編集でクリップを選択する上で多大なコントロールが得られるため、各モードの機能の仕方を以下で確認しておくことをお勧めします。



	<b>ソースクリップ</b>	ソースクリップビューアは、メディアプールの単一のクリップを表示します。ビューアタイムラインの長さいっぱいを使って、イン点とアウト点を設定できます。より詳細にわたるコントロールが可能です。メディアプールのクリップをダブルクリックするか、ビューアにドラッグして、表示するソースクリップを選択します。
	<b>ソースステップ</b>	ソースステップでは、メディアプールの全ソースクリップを表示できます。特定の箇所を探すために、すべてのクリップをすばやくチェックしたい場合に役立つ機能です。クリップ上で再生ヘッドをスクラブすると、メディアプールで選択されたサムネイルが表示されます。編集したいクリップを見つけたら、ソースクリップタブをクリックすると、該当のソースクリップがビューアに自動的に表示されます。  ソースステップビューアは、ノンリニア編集の利点を活かした作業が行えます。編集で自在に作業ができ、ショットをすばやく見つけることができ、新しいアイデアを試し、移動や切り替えをせずに編集作業を実行できます。
	<b>タイムライン</b>	タイムラインビューアには編集タイムラインが表示されるため、プロジェクトを再生して、編集を微調整するために使用できます。

## メディアプールにクリップを読み込む

次は、プロジェクトにメディアを読み込みます。この作業には、カットページのメディアプールウィンドウ上部にある、読み込みツールを使用します。



読み込みオプションを使用して、プロジェクトにメディアを追加。

	<b>メディアの読み込み</b>	このオプションでは、ストレージロケーションから選択された各メディアファイルを読み込みます。
	<b>メディアフォルダーの読み込み</b>	メディアストレージからフォルダーを読み込むには、このオプションを選択します。フォルダーを読み込むにあたり、DaVinci Resolveはファイル構造を維持し、各フォルダーを個別のピンとして扱うため、ビデオやその他のメディアファイルを探すために複数のピンの間を行き来できます。

### メディアを読み込む：

- 1 「メディアの読み込み」または「メディアフォルダーの読み込み」アイコンをクリックします。
- 2 読み込みたいメディアのあるメディアストレージまで進みます。
- 3 ファイルまたはフォルダーを選択し、「開く」をクリックします。

プロジェクトにメディアを追加したら、変更を保存します。DaVinci Resolveは「ライブ保存」と呼ばれる、高速の自動保存機能を搭載しています。プロジェクトを一度保存したら、その後に適用された変更は「ライブ保存」により保存されるため、作業内容が失われるリスクが減ります。

「ライブ保存」やその他の自動保存機能に関しては、DaVinci Resolveマニュアルを参照してください。

## クリップをタイムラインに追加

メディアタブおよびビューアモードのボタンの使用方法を理解したので、次はメディアプールを開き、タイムラインにクリップを追加します。



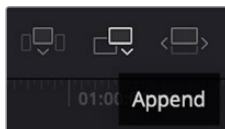
カットページのタイムライン。(上) タイムラインと(下) ズームインしたタイムラインの2つが表示される。

タイムラインは、編集を形作る場所で、クリップを配置するトラックが組み込まれたボードのようなものです。このボード上でクリップを色々と移動させたり、編集をトリミングしたりします。トラックは、クリップを積み重ねて表示するため、異なる編集を試したり、トランジションやエフェクトを構成する上で、より高い柔軟性が得られます。例えば、ひとつのトラックのクリップに編集を適用しても、その下のトラックにある他のクリップに影響を与えません。

タイムラインにクリップを追加する方法は多数あり、「スマート挿入」、「末尾に追加」、「最上位トラックに配置」はその一例です。

### クリップの追加

テイクを選択し、編集を組み立てる作業を行う上で、タイムラインにショットを次々と順番に追加していきたいはずですが、「末尾に追加」ツールは、この作業に最適で、編集を高速に実行できます。



「末尾に追加」アイコンをクリックして、最後のクリップの末尾にクリップを追加。

### クリップを追加する：

- 1 メディアプールのクリップをダブルクリックして、ビューアで開きます。
- 2 スクラッチトリム・ツールを使用して、イン点とアウト点をドラッグして、ショットの使用したい範囲を正確に選択します。キーボードの「I」および「O」を押しても、イン点とアウト点を設定できます。



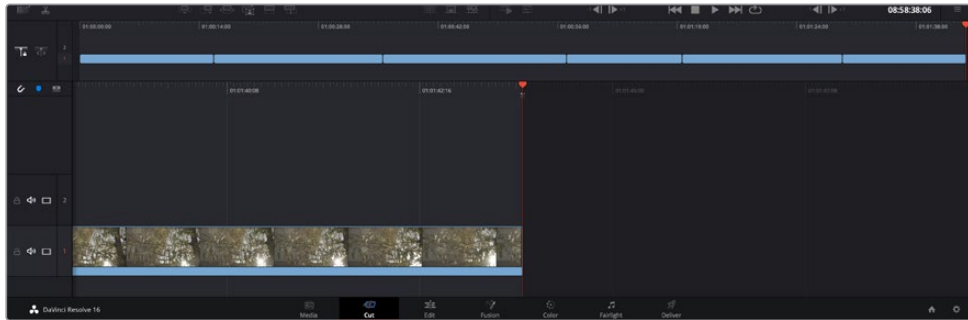


- 3 メディアプールの下の「末尾に追加」アイコンをクリックします。



最初のクリップがタイムラインの先頭に配置されます。

クリップをさらに追加するにはステップ1から3を繰り返します。追加するクリップは、タイムライン上にすでに存在するクリップの末尾に自動的に追加され、ギャップは生じません。



「末尾に追加」でクリップを追加すると、タイムラインのクリップ間にギャップが生じない。

**作業のこつ** 「末尾に追加」アイコンにキーボードショートカットを割り当てることで、作業をさらに効率化できます。例えば、「P」キーを割り当てると、「I」および「O」でイン点とアウト点を設定し、「P」でクリップを追加できます。ショートカットキーの割り当て方法は、DaVinci Resolveマニュアルを参照してください。

## タイムラインでクリップを編集する

タイムラインにクリップを追加したので、クリップを移動し、編集を開始できるようになりました。

編集をトリミングするには、クリップの先頭または末尾をクリックし、左右にドラッグします。クリップを左右にドラッグすることで、クリップの長さを延長したり、短縮できます。その編集箇所に後続するクリップすべてが、変更に対応するためにタイムライン上で連動して動きます。これは、カットページが時間を節約する上で役立つ機能のひとつです。

該当のクリップを選択して、大きなタイムラインの新しいビデオトラックに編集することも可能です。この作業を行うために、ズームインやズームアウトする必要はありません。これは、長いタイムラインをナビゲートする時間を最小限に抑えられるため、編集作業を高速化できます。

カットページでクリップの編集が終わったら、タイトルを追加する作業に移ります。その手順は、次のセクションで紹介します。

## タイトルの追加

タイムラインにタイトルを配置するのは簡単で、その方法は多数あります。

使用可能なタイトルの種類を確認するには、ユーザーインターフェース左上のタイトルタブをクリックします。選択ウィンドウに様々なタイトルジェネレーターがリストアップされます。オプションには、ローワースード、スクロール、標準テキストタイトルが含まれます。また、アニメートされたFusionタイトルも追加できます。Fusionタイトルは様々にカスタマイズ可能です。

例として、標準的なタイトルの追加方法を紹介します。

#### 以下の手順に従います：

- 1 「テキスト」タイトルをクリックし、タイムラインにドラッグします。どのタイムラインにドラッグするかは問いませんが、より高い正確性を得るためには、詳細を表示するタイムラインを使用することをお勧めします。タイトルの新しいビデオトラックが自動的に作成され、再生ヘッドにスナップします。
- 2 マウスをリリースすると、タイトルが新しいトラックに表示されます。他のビデオクリップと同様に、タイトルは配置場所の移動や長さの変更が可能です。
- 3 タイトルを編集するには、新しいタイトルクリップをクリックすると、ツールアイコンがビューアの下に表示されます。ツールアイコンをクリックします。  
タイトルクリップの変更に使用できるツールの一覧が表示されます。これには、変形、クロップ、ダイナミックズームなどが含まれます。ここでは、「タイトル」ツールをクリックします。
- 4 「インスペクタを開く」をクリックします。

インスペクタウィンドウが開くので、タイトルを入力し、テキスト設定を編集できます。例えば、トラックング、行間、フォントの種類、色などを調整できます。

思い通りのタイトルを作成できるように、カスタマイズ可能なオプションが多数搭載されています。様々な設定を使ってみて、タイトルの見た目や形がいかに変わるか試してみることをお勧めします。

## Blackmagic RAWファイルの使用

Blackmagic RAWクリップは、ポストプロダクションにおいて最大の柔軟性が得られ、カメラのオリジナルの設定を変更するかのようにホワイトバランスやISOの設定を調整できます。Blackmagic RAWにはハイライトやシャドウの色調情報が豊富に維持されているため、白飛びした空やイメージ内の暗い領域などのディテールを修復する際にも役立ちます。

可能な限り最高の品質を求めている場合や、ハイライトとシャドウの差が極めて大きく、それらの領域をできるだけ暗く/明るくグレーディングで調整したい場合などは、Blackmagic RAWでの撮影をお勧めします。

高速で小さなファイルサイズを実現するBlackmagic RAWでは、プロキシファイルを作成する必要がなく、通常のビデオクリップのように再生できます。このセクションでは、Blackmagic RAWの詳細、およびDaVinci ResolveでのBlackmagic RAWの使用方法を紹介します。

**作業のこつ** カラーグレーディングを始める前に、カラーページでクリップのBlackmagic RAW設定を調整することを習慣づけることをお勧めします。

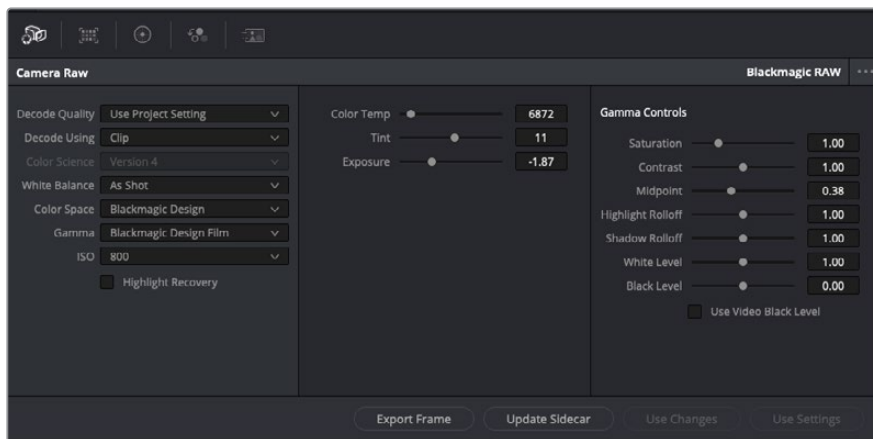
## Blackmagic RAWのクリップ設定

Blackmagic RAWファイルを読み込むと、DaVinci Resolveはファイルに含まれるカメラデータを、撮影時に使用されたISO、ホワイトバランス、テント設定に基づいてデコードします。それらの設定に基づいたルックに問題がなければ、そのまますぐに編集を開始できます。

しかし、Blackmagic RAW収録のすばらしい点は、これらの設定に束縛される必要がまったくないことです！Blackmagic RAWファイルでは、ポストプロダクションで使用できる処理の幅が広がるため、独自のワークフローを構築できます。各クリップで「カメラRAW」タブの「クリップ」設定を色々試してみると、Blackmagic RAWでの作業がいかにパワフルで柔軟性に富むものか分かるはずです。



「カラーサイエンス」メニューでは、フッテージの読み取りに使用するカラーサイエンスを第4世代または第5世代から選択できます。URSA Mini Pro 12Kは、第5世代Blackmagic Designカラーサイエンスを採用した最初のカメラです。第4世代カラーサイエンスを使用した、他機種のカメラからのファイルは、第5世代カラーサイエンスでの読み取りが可能で、URSA Mini Pro 12Kのショットにマッチさせることができます。あるいは、第4世代カラーサイエンスのBlackmagic RAWファイルを作成するカメラを主に使用する撮影では、URSA Mini Pro 12Kからの第5世代カラーサイエンスのクリップを第4世代カラーサイエンスに変更することでショットをマッチできます。これにより、異なる世代のBlackmagicカラーサイエンスを使用したカメラで撮影したショットを簡単にマッチさせることが可能です。



「カメラRAW」タブで「デコードに使用」ドロップダウンメニューで「クリップ」を選択し、クリップのBlackmagic RAW設定を調整

DaVinci ResolveでBlackmagic RAWのクリップ設定を有効にすると、クリップ設定とガンマコントロールが使用できるようになります。これらの設定を調整することで、クリップを完全なプライマリーグレーディングを行なった状態に近づけることができます。DaVinci Resolveのスコープを使用している際に、特にこれはパワフルです。スコープは、クリップにルックを適用する前に、クリップをニュートラルにし、バランスを取る作業をアシストします。

以下で、クリップとガンマコントロールについて説明します。

## ISO

この設定を上下させることで、ISOの値を変更できます。最適化のために、クリップをより明るい/暗い開始点に設定する必要がある場合に便利な設定です。

## ハイライトリカバリー

チェックを入れると、クリッピングされていないチャンネルの情報を元に、クリッピングしたチャンネルのハイライト情報が再構成されます。

## 色温度

色温度を調整して、イメージのルックを暖かく/冷たくします。各イメージのカラーバランスをニュートラルにする場合に便利な設定です。

## ティント

イメージにグリーンまたはマゼンタを加えて、カラーバランスを調整します。

## 露出

イメージ全体の明るさを微調整するために使用します。

## 彩度

「彩度」はデフォルトでは1になっており、最低-1から最大+4の範囲で彩度を調整できます。

## コントラスト

デフォルトは1.0です。左右にスライダーを動かしてコントラストを調整します。一番左は最低値の0で、一番右は最高値の2です。

## ミッドポイント

Blackmagic Design Filmでは、中間グレイの値はデフォルトで0.38 (38.4%) になっています。スライダーを左にドラッグするとミッドポイントが下がり、右に動かすと100まで上げられます。コントラストがデフォルト設定から変更されている場合、「ハイライト ロールオフ」および「シャドウ ロールオフ」が調整できます。

## ハイライト ロールオフ

スライダーを左右にドラッグしてハイライトを調整します。一番左は最低値の0で、一番右は最高値の2です。デフォルト値は1です。

## シャドウ ロールオフ

スライダーを左にドラッグするとシャドウが0まで下がり、右に動かすと2まで上げられます。

## 白レベル

スライダーをドラッグすることで、ガンマカーブのホワイトポイントを調整します。最高値は2、最低値は0です。デフォルト値は1です。

## 黒レベル

スライダーを右にドラッグすることで、カスタムガンマカーブのブラックポイントを上げます。最低値は-1、最大値は1です。デフォルト値は0です。

## ビデオの黒レベルを使用

チェックを入れると、黒レベルをビデオに設定します。

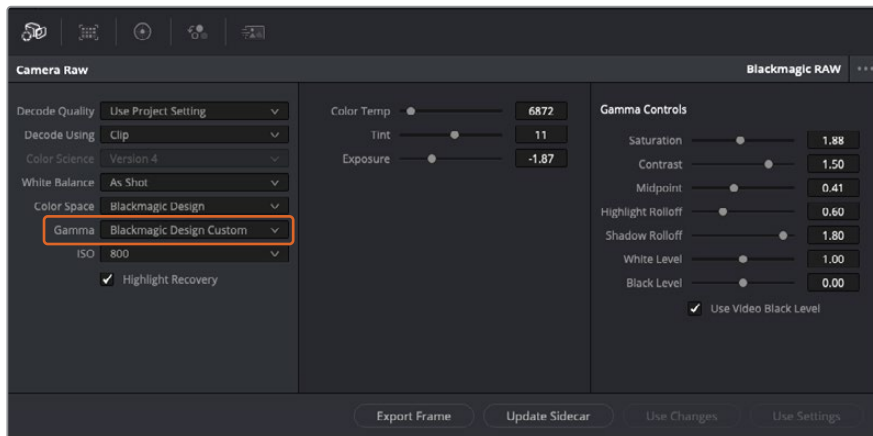
## フレームの書き出し

「フレームの書き出し」ボタンをクリックして、Blackmagic RAWクリップから単一のフレームを書き出します。

## サイドカーを更新

このボタンをクリックして、現在のクリップ用のBlackmagic RAWサイドカーファイルを更新します。

Blackmagic RAWクリップに加えた変更は、「ガンマ」設定に「Blackmagic Design Custom」として保存されます。



クリップをデフォルトの「ガンマ」オプションに戻したい場合は、ガンマのドロップダウンメニューから任意のオプションを選択するだけで、それが適用されます。

**作業のこつ** ガンマのコントロールは、「Video」ダイナミックレンジで撮影されたフッテージでは無効になっていますが、Blackmagic RAWデータが失われたわけではありません。「Blackmagic Design Film」または「Blackmagic Design Extended Video」をガンマ設定のドロップダウンメニューから選択すると調整できるようになります。

### Blackmagic RAWの変更を保存

- 1 Blackmagic RAWのガンマのコントロールを調整します。
- 2 「サイドカーを更新」ボタンをクリックします。

サイドカー (.sidecar) ファイルがBlackmagic RAW (.braw) ファイルと同じフォルダーに作成されます。別のユーザーがBlackmagic RAWファイルを読み込むと、DaVinci Resolveは自動的にサイドカーファイルを読み取ります。さらに調整を加えた場合、再び「サイドカーを更新」ボタンを押します。

**作業のこつ** サイドカーファイルを取り除くには、メディアドライブから削除するだけです。

## Blackmagic RAWのプロジェクト設定

ホワイトバランスやISO設定の全体的な変更など、すべてのクリップに共通した設定の変更が必要な場合、プロジェクト設定の「カメラRAW」を使用すると複数のクリップに渡って包括的に変更を加えられます。

### Blackmagic RAW用のプロジェクト設定を設定する：

- 1 「ファイル」をクリックし、「プロジェクト設定」を選択して、プロジェクト設定を開きます。
- 2 「カメラRAW」タブの「RAWプロファイル」ドロップダウンメニューで、矢印をクリックして「Blackmagic RAW」を選択します。
- 3 さらに「デコードに使用」ドロップダウンメニューで「プロジェクト」を選択します。
- 4 ホワイトバランス設定を「カスタム」にします。
- 5 ガンマのドロップダウンメニューで「Blackmagic Design Custom」を選択します。カラースペースを「Blackmagic Design」に設定します。これにより、ガンマ設定も「Blackmagic Design Film」になります。
- 6 「デコード品質」メニューから解像度を選択します。低い解像度に設定すると、性能が限られたシステムでも円滑に再生できます。解像度は、後に納品のために高品質の出力を行う前に、フル解像度に変更することも可能です。

これで、彩度、コントラスト、ミッドポイントなどのカメラ設定を調整する準備が整いました。これは、デコードに「プロジェクト」を使用するように設定されたプロジェクトのすべてのクリップに影響します。

## カラーページでクリップのカラーコレクションを行う

タイムラインにクリップを追加し、タイトルを付けたので、カラーページでカラーコレクションを実行する準備が整いました。カラーページは極めてパワフルな機能を搭載しており、作品の全体的なルックを決定づけます。ここでは、クリップに一貫性を持たせるために、クリップをニュートラルな状態にする作業を行います。編集に変更を加えたい場合、いつでもカットページやエディットページに戻って作業することも可能です。

カラーページは編集のルックを調整できます。色々な意味で、カラーコレクションは芸術形態のひとつと言えます。カラーコレクションを行うことで、作品に感情を追加できます。ワークフローの中でクリエイティビティが大いに要求される作業であり、様々なスキルを身に付け、その結果をスクリーンで目にすることで非常に高いやりがいを感じられます。これは、カラーコレクションの最初のステップで、プライマリーカラーコレクションまたはプライマリーと呼ばれます。プライマリーカラーコレクションが完了し

たら、セカンダリーカラーコレクションを行います。セカンダリーでは、イメージの特定の被写体に対して、極めて高精度な色の調整が可能です。これは非常に楽しい作業ですが、通常プライマリーの後に行われます。プライマリーを先に行うことで、作業をより効率化し、より良い結果が最終的に得られます。

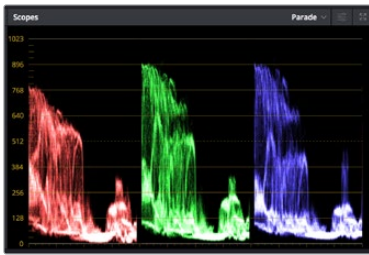
はじめに、「カラー」タブをクリックしてカラーページを開きます。

「カメラRAW」設定、カラーホイール、カーブパレット、カラーコレクションツール全般、プレビューウィンドウ、ノードウィンドウが表示されます。表示される膨大なツール群に戸惑う必要はありません。これらはすべて、ユーザーが素晴らしい映像を作成するのを手助けする機能です。このセクションは基礎を紹介するものです。詳細情報は、マニュアルの該当セクションを参照してください。マニュアルでは、すべてのツールの使用目的と使い方を簡単な手順で紹介しています。ハイエンドのカラーコレクションスタジオで専門家が用いるのと同じテクニックを習得できます。

通常、プライマリーカラーコレクションの最初のステップは、クリップのシャドウ、ミッドトーン、ハイライトのレベルを最適化することです。つまり、「リフト」、「ガンマ」、「ゲイン」の設定を調整します。この作業は、クリーンでバランスが取れた作業開始点を作成することで、その後に行うカラーグレーディングで最も素晴らしいルックを得るために役立ちます。レベルの最適化には、スコープが役立ちます。

## スコープの使用

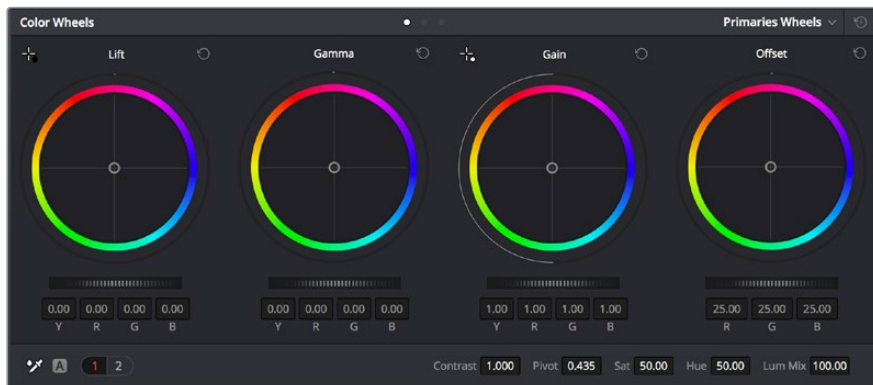
カラリストの多くは、作品に持たせたい感情/ルックに焦点を当てカラーを選択し、それに基づき、モニターを使用してそのルックを完成させます。日常的なオブジェクト、それらと相互作用する様々な光を見ることで、映像に対してどのような効果を加えられるか、実験しながらアイデアを生み出すことができます。



パレードスコープは、ハイライト、ミッドトーン、シャドウの最適化に役立ちます。

カラーグレーディングのもう一つの方法に、内蔵スコープを使用してショットのバランスを取る方法があります。ビデオスコープは「スコープ」ボタンをクリックして開きます。「スコープ」ボタンは、パレットツールバーの右から2番目のボタンです。スコープの表示は、波形、パレード、ベクトルスコープ、ヒストグラムから選択できます。これらのスコープは、トーンのバランスのモニタリング、黒つぶれや白飛びを防ぐためのビデオレベルの確認、クリップ内の色かぶりチェックなど、様々な目的に使用できます。

「カラーホイール」には、一般的に最初の調整に使用する「リフト」、「ガンマ」、「ゲイン」のコントロールがあります。カラーコレクションの経験がある場合、これらは他のアプリケーションでカラーやコントラストの調整を行う上で使用したコントロールに似ていることに気付くでしょう。



「リフト」、「ガンマ」、「ゲイン」、「オフセット」のカラーホイールで、クリップのカラーおよびトーンのバランスを完全にコントロールできます。各トーン領域のすべてのカラーに同じ調整を加えたい場合は、各カラーホイールの下のダイヤルを左右にドラッグします。

マウスを使って各カラーをより正確にコントロールするには、カラーホイールを「プライマリーバー」に変更します。プライマリーバーは、リフト、ガンマ、ゲインを別々にコントロールして各カラーおよび輝度チャンネルを調整できます。カラーホイールの右上にあるドロップダウンメニューから「プライマリーバー」を選択します。

- ・ **「リフト」の調整**: カラーページのタイムラインでクリップを選択し、1つ目のカラーホイールの下にある「リフト」ダイヤルをクリックします。ダイヤルを左右にスライドし、イメージへの影響を確認します。イメージ内の暗い領域で明るさが増減するのが分かります。

暗い領域の明るさを、最適なレベルに設定します。リフトを下げ過ぎるとブラックのディテールが失われます。これを避けるには、パレードスコープが役立ちます。波形で確認する場合のブラックの最適な位置は、パレードスコープの底辺のすぐ上です。
- ・ **「ゲイン」の調整**: 「ゲイン」ダイヤルをクリックして、左右にスライドします。クリップの最も明るい部分であるハイライトを調整できます。ハイライトは、パレードスコープの波形の一番上の部分に表示されます。照明が明るいショットの場合、ハイライトの最適な位置は、波形スコープの一番上のラインのすぐ下です。ハイライトが波形スコープの一番上のラインを超えている場合、ハイライトはクリップされ、イメージ内の最も明るい領域のディテールが失われます。
- ・ **「ガンマ」の調整**: カラーホイールの下の「ガンマ」ダイヤルをクリックして、左右にスライドします。ガンマの値を上げるとイメージが明るくなるのが分かります。ガンマを調整すると、波形の中間の部分も動きます。この部分は、クリップのミッドトーンを示しています。ミッドトーンの最適な位置は、通常、波形スコープの50~70%の間ですが、作成するルックやクリップの照明条件、目的や好みにより異なります。

また、カーブパレットを使用してプライマリーカラーコレクションを行えます。カーブグラフの斜線をクリックしてコントロールポイントを作成します。それらを上下にドラッグして、イメージ色調の異なるエリアのマスターRGBコントラストを調整します。調整に最適なポイントは、カーブラインの下から3分の1、中間、上から3分の1の位置です。

DaVinci Resolveでプライマリーカラーコレクションを行う方法は他にもたくさんあります。



「カーブ」パレットは、プライマリーコレクションやPower Windowでクリップの特定の部分を強調する際に使用できるもうひとつのツールです。

## セカンダリーカラーコレクション

イメージの特定の部分を調整したい場合は、セカンダリーコレクションを使用する必要があります。リフト/ガンマ/ゲインを使用してこれまでに行った調整は、イメージ全体に同時に適用されるため、プライマリーカラーコレクションと呼ばれます。

一方、シーンの芝生のカラーや空のブルーのみを変更するなど、イメージの特定の部分を調整する必要がある場合は、セカンダリーコレクションを使用します。セカンダリーカラーコレクションでは、イメージを部分的に選択し、その部分のみを調整できます。ノードを使用して複数のセカンダリーコレクションを重ねられるため、すべてを別々に調整して完璧なイメージを作成できます！さらにウィンドウやトラッキングなどの機能で、イメージ内の動きを追跡できます。

## カラーの分離

道路沿いの芝生や空のブルーなどクリップ内のカラーを強調したり、対象物のカラーを調整してオーディエンスの注意を引いたりなど、特定のカラーを強調することで様々な効果が得られます。HSLクオリファイアーツールを使用すれば、特定のカラーを簡単に分離できます。



HSLクオリファイアーツールでイメージ内のカラーを選択することは、イメージを部分的に際立たせたり、ショットの特定の部分にオーディエンスの注意を集めたい場合などに役立ちます。

### 特定のカラーを分離する：

- 1 新しいシリアルノードを追加します。
- 2 「クオリファイアーツール」パレットを開き、「選択範囲」ピッカーツールを選択します。
- 3 クリップ内の調整したいカラーをクリックします。
- 4 通常、選択した領域のエッジを滑らかにし、目的のカラーのみに制限するには多少の調整が必要です。選択した領域を確認するには、ビューア上部にある「ハイライト」ボタンを押します。
- 5 「色相」の「幅」コントロールを調整して、選択する色相の幅を調整します。

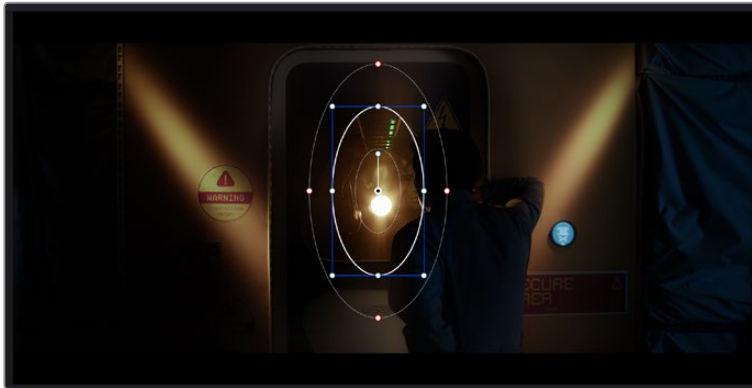
「高」、「低」、「ソフトネス」コントロールを調整して、選択領域への影響を確認します。これで、カラーホイールまたはカスタムカーブを使用して、選択したカラーへのコレクションが開始できます。



時として、作業の影響を与えたくない領域のカラーもわずかに選択されてしまう場合があります。その場合はPower Windowを使用して、必要ない領域を簡単にマスクできます。新しいウィンドウを作成したら、目的のカラーの部分に合わせて形を整えるだけです。選択したカラーに動きがある場合は、トラッキング機能を使用してPower Windowを追跡できます。

## Power Windowを追加

Power Windowは、クリップの特定の領域を分離できる、極めて効率的なセカンダリーカラーコレクション・ツールです。分離する領域は静止している必要はなく、カメラのパン、ティルト、回転、さらにはその領域の動き自体に合わせてトラッキングできます。



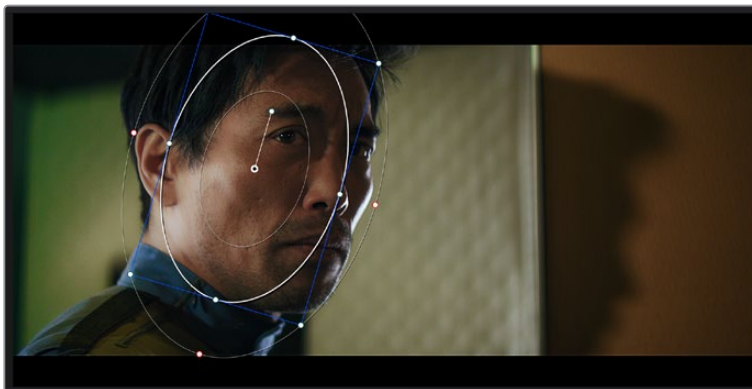
HSLクオリファイアーによるセカンダリーコレクションを適用したくない部分は、Power Windowでマスクできます。

例えば、人物に合わせたウィンドウをトラッキングして、周囲に影響を与えず、その人物のカラーとコントラストのみを調整できます。このようなカラーコレクションを行うことで、オーディエンスの注意を集めたい部分のみを強調できます。

### クリップにPower Windowを追加する：

- 1 新しいシリアルノードを追加します。
- 2 「ウィンドウ」パレットを開き、シェイプアイコンをクリックしてウィンドウシェイプを選択します。選択したウィンドウシェイプがノードに表示されます。
- 3 シェイプの周りの青いポイントをクリック&ドラッグして、シェイプのサイズを調整します。赤いポイントでは、エッジのソフトネスを調整できます。作成したシェイプは、中央のポイントをクリック&ドラッグして位置を変更し、分離したい領域に合わせてられます。中央のポイントとつながったポイントでは、シェイプを回転できます。

これで、必要な領域のみに制限したカラーコレクションが可能です。

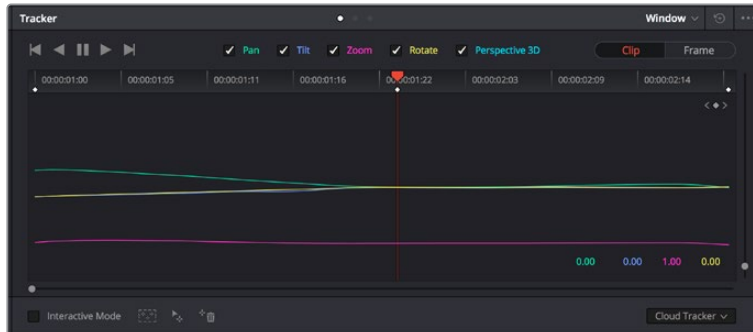


Power Windowを使用して、イメージ内の特定の部分にセカンダリーコレクションを適用できます。



## ウィンドウのトラッキング

撮影に使用したカメラまたは撮影した被写体には、動きがある場合があります。DaVinci Resolveのバワフルなトラッキング機能を使用すると、ウィンドウで被写体/領域を確実に追跡できます。トラッキング機能では、カメラや被写体のパン、ティルト、回転を分析して、それらの動きにウィンドウをマッチできます。この作業を行っていない場合は、選択したターゲットからカラーコレクションが外れ、望ましい結果が得られないことがあります。



トラッキング機能で被写体/領域を追跡できるため、Power Windowがアクションを追います。

### 動く被写体のウィンドウをトラッキングする：

- 1 新しいシリアルノードを作成し、Power Windowを追加します。
- 2 クリップを開始点に合わせ、ウィンドウの位置やサイズを調整し、目的の被写体/領域のみに焦点を合わせます。
- 3 「トラッカー」パレットを開きます。パン、ティルト、ズーム、回転、遠近3Dから、クリップ内の動きに最適なものを選択し、チェックボックスをオンにします。
- 4 チェックボックスの左にある順方向への矢印をクリックします。DaVinci Resolveがトラッキングポイントをクリップに適用し、動きを分析しながら以降のフレームへと進みます。トラッキングが終わると、Power Windowがクリップ内の動きのパスを追跡します。

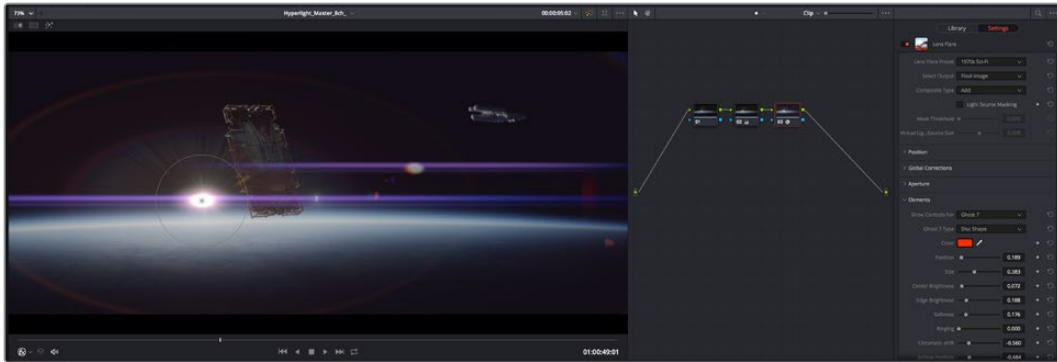
トラッキングはほとんどの場合に成功しますが、複雑なシーンや、選択した領域の前を障害物が通るケースでは、トラッキングに影響が出る場合があります。この問題は、キーフレームエディターを使用して解決できます。詳細については、DaVinci Resolveマニュアルを参照してください。

## プラグインの使用

セカンダリーカラーコレクションでは、ResolveFXまたはOpenFXプラグインを追加できます。プラグインを追加してカラーページでは魅力的なルックやエフェクトを、エディットページでは想像力に富んだトランジションやエフェクトをすばやく作成できます。ResolveFXはDaVinci Resolveにすでにインストールされています。一方、OFXプラグインはサードパーティから購入/ダウンロードして使用できます。

OFXプラグインのインストールが完了したら、ResolveFXと同様に、カラーページの「ノードエディター」の右にある「OpenFX」インスペクタからアクセスできます。新しいシリアルノードを作成したら、「OpenFX」ボタンをクリックしてFXライブラリを開き、そのノードにプラグインをドラッグ&ドロップします。プラグインに変更可能な設定がある場合は、隣の「設定」パネルで調整できます。

エディットページでは、クリップにプラグインフィルター、ジェネレーター、トランジションを追加できます。この作業は、「エフェクトライブラリ」の「OpenFX」パネルを開き、プラグインの要件に合わせ、選択したプラグインをタイムライン上のクリップの上にあるビデオクリップまたはトラックにドラッグすることで実行できます。



OFXプラグインを使用して、想像力に富んだ魅力的なルックをすばやく簡単に作成できます。

## オーディオのミックス

### エディットページでオーディオをミックス

プロジェクトのカラーコレクションが終わったら、オーディオのミックスを開始できます。DaVinci Resolveのエディットページには、オーディオの編集、ミックス、マスタリングが直接行える便利な機能が搭載されています。より高度なオーディオツールが必要なプロジェクトでは、完全なオーディオポストプロダクション環境を実現するFairlightページを使用できます。エディットページの使用方法をすでに理解しており、Fairlightに関する項目に進みたい場合は、このセクションを飛ばして次のセクションに進んでください。

### オーディオトラックの追加

エディットページで基本的なサウンドをミックスする上で、サウンドエフェクトや音楽を多数使用する場合は、必要に応じてオーディオトラックを簡単に追加できます。オーディオトラックを追加すると、サウンドを構築する過程において会話、サウンドエフェクト、音楽などのオーディオ素材を別々のトラックに分けて管理できます。

### エディットページにオーディオトラックを追加する

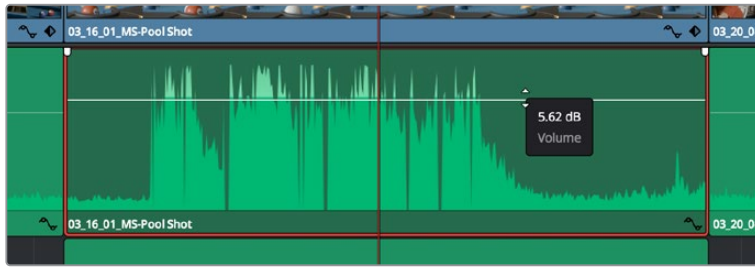
タイムラインでオーディオトラックのトラック名の領域を右クリックし、「トラックを追加」を選択します。「モノ」、「ステレオ」、「5.1」などの中から、任意のオプションを選択します。トラックリストの一番下にトラックが追加されます。あるいは「トラックを追加」を選択すると、1つあるいは複数の新しいトラックを任意の位置に配置できます。

新しいオーディオトラックがタイムラインに表示されます。

**作業のこつ** トラックを作成した後に種類を変更したい場合、トラック名の隣を右クリックして「トラックの種類を変更」を選択すると、オーディオトラックの種類を「モノ」、「ステレオ」、「5.1」などに変更できます。

### タイムラインでオーディオレベルを調整

タイムラインの各オーディオクリップには、ボリュームオーバーレイがあります。クリップのレベルはこのオーバーレイをポインターで上下にドラッグするだけで簡単に設定できます。このオーバーレイは、インスペクタの「ボリューム」パラメーターと連動しています。

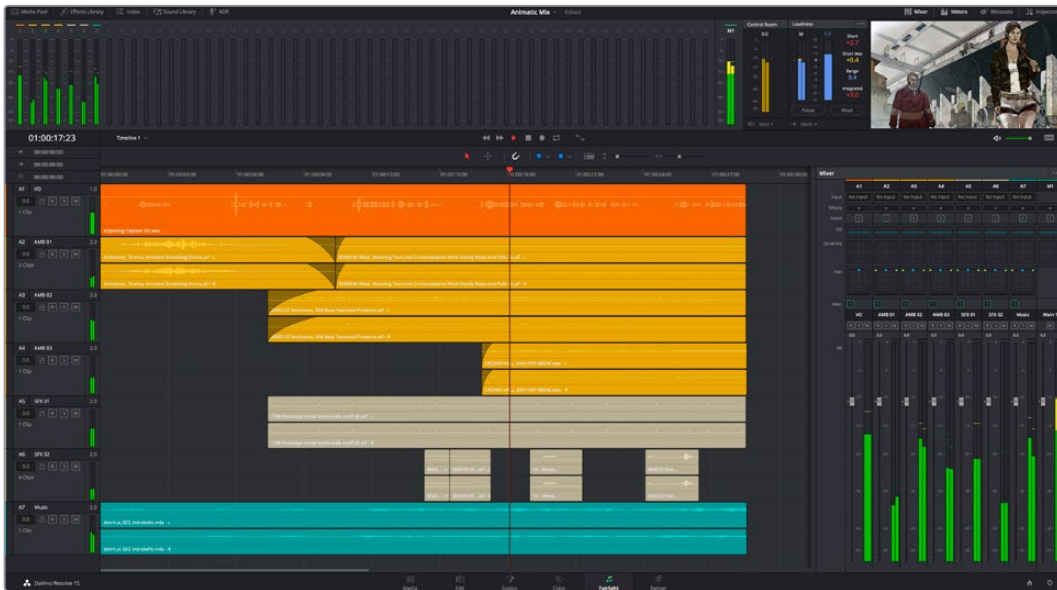


ボリュームオーバーレイをドラッグしてクリップレベルを調整

より高度なオーディオツールが必要なプロジェクトでは、完全なオーディオポストプロダクション環境を実現するFairlightページを使用できます。

## Fairlightページ

DaVinci ResolveのFairlightページではプロジェクトのオーディオの調整を行います。単一モニターモードでは、Fairlightページはプロジェクトのオーディオトラックに最適化されたレイアウトになります。拡大されたミキサーと様々なモニタリングコントロールでレベルの評価や調整を行い、滑らかでバランスの取れたミックスを作成できます。表示される膨大なツール群に戸惑う必要はありません。これらはすべて、優れたオーディオ品質を得るためのアシストを行う機能です。

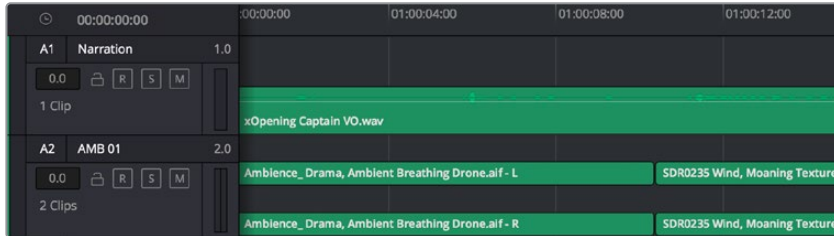


このセクションではFairlightページの基本的な機能について説明します。各機能の詳細はDaVinci Resolveマニュアルを参照してください。DaVinci Resolveマニュアルでは各ツールの目的や使用方法が簡単なステップで紹介されています。

## オーディオタイムライン

- トラックヘッダー**：各トラックの左にはヘッダーエリアがあります。ヘッダーにはトラック番号、トラック名、トラックカラー、オーディオチャンネル、フェーダー値、オーディオメーターが表示されます。またトラックヘッダーには、トラックのロック/解除や、ソロ/ミュートを切り替えるコントロールもあります。これらのコントロールはトラックを管理する上で便利だけでなく、各トラックを個別にモニタリングする場合にも使用できます。

- トラック:** Fairlightページの各トラックは複数のレーンに分かれています。これらのレーンは各クリップに含まれるオーディオチャンネルで、オーディオの編集やミックスのために表示されます。エディットページでは各オーディオチャンネルは非表示となり、タイムラインには単一のクリップのみ表示されます。多数のトラックを扱う必要がなくなるので、マルチチャンネルのソースを簡単に編集できます。



トラックヘッダーは各トラックの情報を表示します。トラック「A1」はレーンが1つ（モノ）のモノトラックです。トラック「A2」はレーンが2つ（ステレオ）のステレオトラックです。

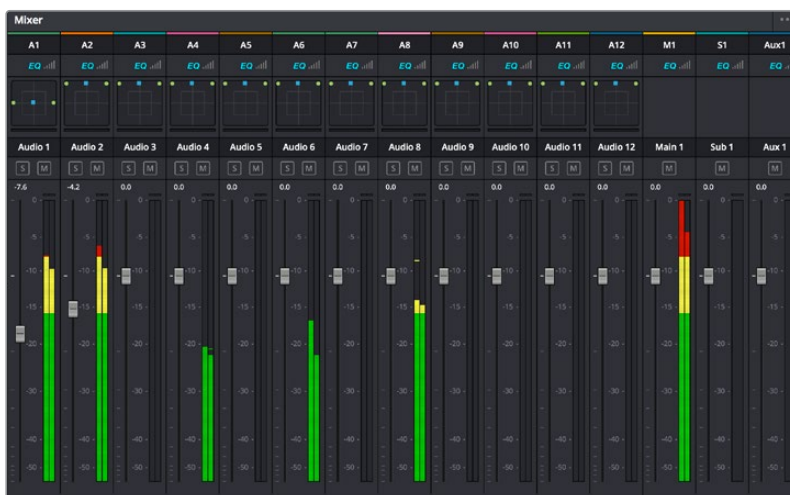
## バスとは

バスは信号の送信先となるチャンネルで、タイムラインの複数のオーディオトラックをルーティングできます。複数の信号を単一の信号としてまとめることで、それらを単一のチャンネルストリップで同時にコントロールできます。

- メインバス:** "メインバス" は概してプログラムの最も重要な出力です。新規プロジェクトを作成するとメインバスが1つ作成され、すべてのトラックがデフォルトでメインバスにルーティングされます。メインバスにはタイムラインの全トラックが単一の信号としてまとめられるので、各トラックのレベルを調整した後に、オーディオミックス全体のレベルを調整できます。
- サブバス:** "サブバス" には複数のオーディオトラックをカテゴリー別（会話、音楽、エフェクト等）にまとめられるので、同一カテゴリーのオーディオ素材を単一オーディオ信号としてコントロールできます。例えば会話のトラックが5つある場合、それらを同じサブミックスバスにルーティングして、すべての会話のボリュームをひとつのコントロールで調整できます。サブミックスはメインバスに送信して全体でレンダリングできますが、サブミックスごとの個別のレンダリングも可能です。

## ミキサー

ミキサーには、タイムラインの各オーディオトラックに対して1つずつのチャンネルストリップがあります。また、デフォルトで右側にメインバス（M1）が1つあります。メインバスやサブバスを作成すると、右側にそれらのチャンネルとコントロールが追加されます。これらのグラフィックコントロールを使用して、トラックチャンネルの出力チャンネルへの割り当て、EQやダイナミクスの調整、ボリュームやオートメーションの記録の設定、ステレオ/サラウンドオーディオのパン、トラックのミュートやソロなどを実行できます。



オーディオミキサー。タイムラインのトラックごとにチャンネルストリップがあります。

## EQでオーディオを引き立てる

オーディオクリップのレベルを調整した後、他の微調整が必要な場合があります。例えば、会話、音楽、サウンドエフェクトのオーディオスペクトルが同じ周波数帯で競合し、オーディオが混み合って聞き取りにくいことがあります。このような場合はEQが便利で、各トラックが占めるオーディオスペクトルを設定できます。またEQは、特定の周波数（低いざわめき、騒音、風や空気のノイズなどが含まれる帯域）のレベルを限定的に下げ、オーディオの不要な成分を排除したり、音響の全体的な品質を向上させるためにも使用できます。

DaVinci ResolveのEQフィルターは、各クリップに個別に、あるいはトラック全体に適用できます。タイムラインの各オーディオクリップはインスペクタに4バンドのイコライザーがあります。また、各トラックはミキサーパネルに6バンドのパラメトリックイコライザーがあります。グラフィックおよび数値によるコントロールで異なる周波数帯域を増強/減衰させ、数種類のフィルターでEQカーブの形状を指定できます。



タイムラインのクリップには4バンドのイコライザーを適用できます。

両外側の2バンドのバンドフィルターには、ハイシェルフ/ローシェルフ/ハイパス/ローパスを選択できます。パスフィルターは特定の周波数より上（または下）の全周波数に影響し、それらの周波数は信号から完全に除去されます。例えばハイパスフィルターでは、高周波数はフィルターを通過し、低周波数はカットされます。しきい値を超えるすべての周波数は下向きのカーブで段階的にカットされます。

シェルフフィルターはパスフィルターよりやや控えめのフィルターで、信号の高周波数や低周波数を全体的に、しかし完全には除去せずに調整したい場合に便利です。ハイシェルフフィルターおよびローシェルフフィルターを使用して、特定の周波数およびその上（または下）の全周波数を均等にブースト/カットできます。

中央の2バンドでは様々なイコライザー調整が可能で、フィルターはローシェルフ、ベル、ノッチ、ハイシェルフから選択できます。

- ・ **ベル**：ベルフィルターを使用すると、設定したセンターポイントとその周辺の周波数をブースト/カットできます。フィルターの名前が示すようにベル（鐘）状のカーブが形成されます。
- ・ **ノッチ**：ノッチフィルターは、周波数を非常に狭い範囲で選択できます。例えば、ハムノイズを50または60Hzで除去します。
- ・ **ローシェルフ**：低域の特定の周波数およびそれ未満の全周波数をブースト/カットできます。
- ・ **ハイシェルフ**：高域の特定の周波数およびそれを越える全周波数をブースト/カットできます。

### EQを個別のクリップに追加する：

- 1 EQフィルターを追加したいクリップをタイムラインで選択します。
- 2 インスペクタをクリックし、「クリップイコライザー」ボタンをクリックして有効にします。

### EQをトラックに追加する：

- 1 ミキサーで任意のトラックのEQセクションをダブルクリックし、イコライザーを開きます。
- 2 調整を行うバンドのドロップダウンメニューから、バンドフィルターの種類を選択します。



ミキサーパネルのEQセクション。トラック1にEQカーブが適用されているのが分かります。



6バンドのパラメトリックイコライザー。トラック別に適用できます。

クリップまたはトラックのEQを追加した後は、各バンドを個別に調整できます。調整に使用できるコントロールは、選択しているバンドフィルターによって異なります。

### バンドフィルターのEQを調整する：

- 1 調整を行うバンドのドロップダウンメニューから、バンドフィルターの種類を選択します。
- 2 「周波数」の値を調整します。この値がEQ調整の中心になります。
- 3 「ゲイン」の値を調整して、対象周波数を増強/減衰させます。
- 4 「Qファクター」の値で、影響を受ける周波数の幅を調整します。

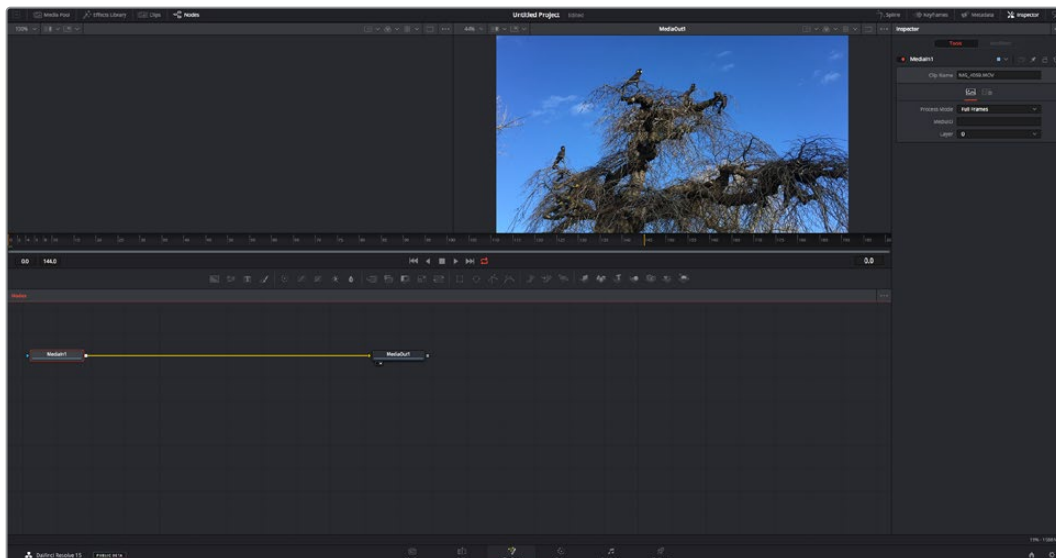
リセットボタンを押すと、EQウィンドウのすべてのコントロールがデフォルト値に戻ります。

Fairlightページには各オーディオトラックの品質を向上させるコントロールが数多く搭載されています。必要に応じてトラックを追加し、それらをバスに割り当てて管理し、さらにディレイやリバースなどのエフェクトを追加してオーディオミックスを上げることができます。



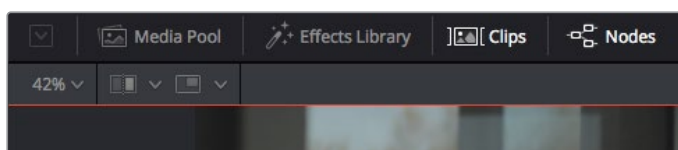
## FusionページでVFXおよび合成を追加

編集が終わった後は、Fusionページで2D/3DのVFXやモーショングラフィックスをDaVinci Resolve内で追加できます。レイヤーベースの合成ソフトウェアと異なり、Fusionではノードを使用するため、イメージデータをあらゆる方向にルーティングしながら、複雑なエフェクトを柔軟に構築できます。ノードウィンドウには、作業の進行に合わせて、使用しているツールが表示されます。カラーページでのノードを使用したワークフローの経験があるユーザーにとっては、慣れ親しんだ作業だと感じられるでしょう。



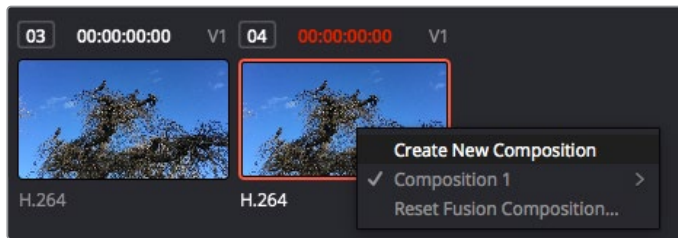
## Fusionページ

Fusionページには、メディアを表示するための2つのビューアがトランスポートコントロールの上に搭載されており、右側の「インスペクタ」ウィンドウではツール設定にアクセスできます。画面下部のノードウィンドウは、合成の作成に使用します。ビューアとトランスポートコントロールは常に表示されていますが、ディスプレイの一番上にあるインターフェースツールバーのアイコンをクリックすると、ノードウィンドウと「インスペクタ」ウィンドウの表示/非表示を切り替えられます。また、エフェクトライブラリや、スプラインおよびキーフレームのエディターなどの追加ウィンドウも表示/非表示を切り替えられます。



- ・ **メディアプール**: メディアプールは、エディットページと同様に機能します。追加のメディアをビンから直接合成にドラッグ&ドロップするだけです。
- ・ **エフェクトライブラリ**: エフェクトライブラリにはFusionのツールやテンプレートがあり、パーティクル、トラッキング、フィルター、ジェネレーターなどカテゴリ別に分かれています。ツールをクリックするか、ノード領域にドラッグして、合成に追加します。メディアプールとエフェクトライブラリは画面の同じ領域に表示されるため、これらの表示を切り替えて使用することでビューアのサイズを最大に保てます。
- ・ **クリップ**: 「クリップ」タブをクリックすると、タイムラインのクリップと一致するサムネイルの表示/非表示を切り替えられます。サムネイルはノードエディターの下に表示されるため、瞬時に他のクリップにナビゲートできます。



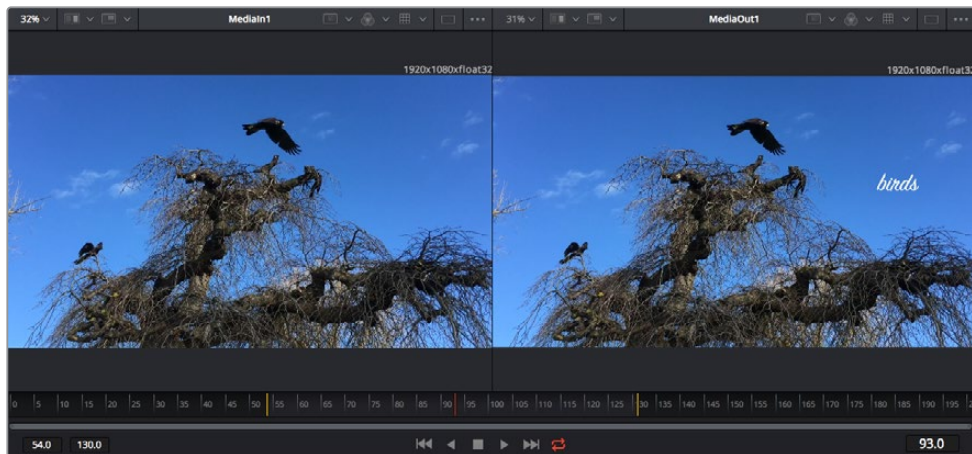


新しいバージョンの合成を作成するには、サムネイルを右クリックして「新規コンポジションを作成」を選択します。

- ビューア:** ビューアは常に表示されており、合成の過程における異なる段階を確認できます。例えば、Merge 3Dノードを介した全体的な3D視点や、カメラ出力、最終レンダリング出力などを確認できます。これらのビューアは、特定の変更が各エレメントに与える影響を確認できます。表示するノードを選択するには、ノードをクリックし、左のビューアに表示する場合は「1」、右のビューアに表示する場合は「2」と入力します。ビューアに割り当てられているノードの下には、白いボタンのアイコンが表示されます。外部ビデオモニターを使用している場合は、メディアを外部ビデオモニターにルーティングするための3つ目のボタンが表示されます。

**作業のこつ** ノードをビューアに割り当てるには、ノードをビューアにドラッグします。

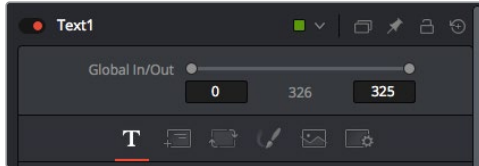
ビューアの下の特ランスポートコントロールでは、クリップの開始または終了部分へのスキップ、順方向/逆方向への再生、停止が実行できます。タイムルーラーはクリップ全体の長さを表示し、黄色のマークはイン点とアウト点を意味します。



タイムルーラーの黄色のマークは、タイムラインのクリップのイン点とアウト点を示します。Fusionクリップまたは複合クリップを使用している場合、タイムルーラーはタイムラインに表示されているクリップの長さのみをハンドルなしで表示します。

- ノード:** ノードウィンドウはFusionページの核となる部分です。ここで、1つのノード出力から別のノード入力にツールを接続することで、ノードツリーを作成します。この領域は、開いているエディター（スプラインエディターやキーフレームエディターなど）によって大きさが変わります。ノード領域の上にあるツールバーでは、最も頻繁に使用されるツールにすばやくアクセスできます。
- スプライン:** スプラインエディターを開くと、ノードウィンドウの右側に表示されます。このエディターでは、各ノードに詳細な調整を加えられます。例えば、ベジェカーブを使用して2つのキーフレーム間のアニメーションをスムーズにする場合に使用します。

- ・ **キーフレーム**:各ツールへのキーフレームは、キーフレームエディターから追加、除去、調整できます。このエディターもノードウィンドウの右側に表示されます。
- ・ **メタデータ**:メタデータウィンドウは、現在アクティブなクリップに使用可能なメタデータを表示します。これには、コーデック、フレームレート、タイムコードなどが含まれます。
- ・ **インスペクタ**:右上にあるインスペクタは、選択された1つまたは複数のノードで使用可能なすべての設定と修飾機能 (Modifier) を表示します。ノードに応じて追加のタブが表示され、そのノードで使用できる他の設定にカテゴリ別に簡単にアクセスできます。

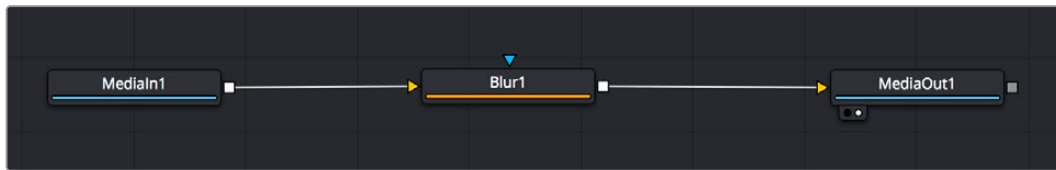


Textインスペクタに追加のタブが表示され、「Text」、「Layout」、「Transform」、「Shading」、「Image」、「Settings」の設定にアクセスできます。

## Fusionを使い始める

Fusionで作業を始めるには、再生ヘッドをタイムラインのクリップ上に配置し、「Fusion」タブをクリックしてFusionページを開きます。

Fusionページでは、クリップは「MediaIn」と名前がついたメディア入力ノードでただちに使用できます。すべての合成作業は、「MediaIn」および「MediaOut」ノードから始まります。「MediaIn」ノードは、再生ヘッドがある位置の一番上にあるクリップで、その下に位置するクリップは無視されます。エディットページで加えた調整 (変形ツールやクロッピングの変更など) もすべて含まれます。



「MediaOut」と名前がついたメディア出力ノードは、DaVinci Resolveのエディットページのタイムラインに出力を送信するノードです。

**作業のこつ** エディットページでクリップに適用されたResolveFXやOFXプラグインは、Fusionページでは適用されません。この理由は、FusionのエフェクトはカラーコレクションおよびOFX/ResolveFXの処理の前に実行されるからです。Fusionエフェクトの前にOFXを適用したい場合は、Fusionページをクリックする前に、エディットページでクリップを右クリックし、「新規Fusionクリップ...」を選択します。

## ノードを理解する

Fusionを使用するにあたって、各ノードは単一のツールやエフェクトを意味する視覚的なアイコンであると考えると作業がしやすくなります。ノードは、別のノードに接続することで合成を作り上げます。例えるなら、ケーキの材料のような存在です。各ノードの入力と出力を理解することで、ディテールに富んだVFXの作成にあたり、合成の流れを上手く構築できます。

一部のツールには、他のノードに接続できる入力と出力が複数あります。例えば、マージノードは、前景入力、後景入力、マットやキー用のマスク入力に接続できます。

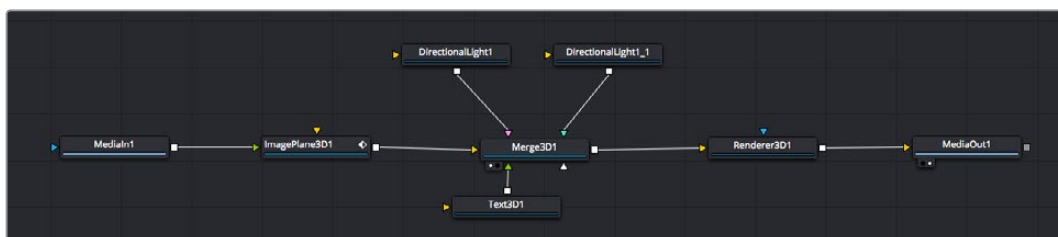


ノードに複数の出力があることで、単一のノードを多数の異なるノードに接続できるため、クリップを複製する必要がありません。これが、レイヤーベースのソフトウェアと異なる点です。接続したノード間のライン上に表示される矢印は、イメージデータの流れの方向を示しています。

### ノードエディターにノードを追加

エフェクトの追加は、「MediaIn」および「MediaOut」ノードの間のラインにノードを配置するだけで実行できます。

これを行うには複数の方法があります。1つ目は「Shift」を押しながらノードを2つのノード間にドロップする方法です。2つ目は、エフェクトを接続したいノードをはじめにクリックして、次に追加したいツールを選択する方法です。この方法では、選択したツールに新しいノードが自動的に接続されます。また、ノードウィンドウ内のあらゆる場所にノードを追加し、マニュアルでドラッグしてノード出力とノード入力を接続することも可能です。



最も頻繁に使用されるツールは、2Dまたは3Dマージノードです。ノードエディターの複数のツールを単一の出力にまとめるハブとして機能します。

マージノードでは、入力を接続するにあたって、サイズ、配置、ブレンドなどをコントロールできます。これらの設定は、マージノードが選択された際に表示される「インスペクタ」パネルから使用できます。

ノードパネルの上のツールバーには、使用頻度の最も高いツールがアイコンとして表示されます。ノードを追加するには、アイコンをクリックするか、ツールをノードパネルにドラッグします。使用可能な全ツールを確認するには、左上にある「エフェクトライブラリ」をクリックした後、「Tools」の隣の矢印をクリックします。すべてのツールがカテゴリ別にリストアップされます。さらに、事前に作られた「Templates」もここで同様に確認できます。テンプレートには、「Lens flares」、「Shaders」、「Backgrounds」などがあります。

**作業のこつ** ツールの名前を覚えたら、キーボードで「Shift」+「スペース」を押すと、「Select Tools」のウィンドウが表示されます。ツール名を入力すると、関連のツールに絞り込まれます。これは、必要なツールを非常にすばやく選択できる方法です。

## インスペクタパネルを使用してノードを調整

「インスペクタ」パネルでノード設定を調整します。変更したいノードをクリックすると、パネルが更新され、該当の設定やコントロールが表示されます。

Fusionでは、編集しているノードを見る必要はなく、ノードを変更しながら合成の別のノードを見るのが可能です。例えば、「Merge」ノードをビューアに表示した状態で「Text+」ノードのサイズと中心位置を変更できます。これにより、背景に対するテキストの状態を見ながら作業が行えます。



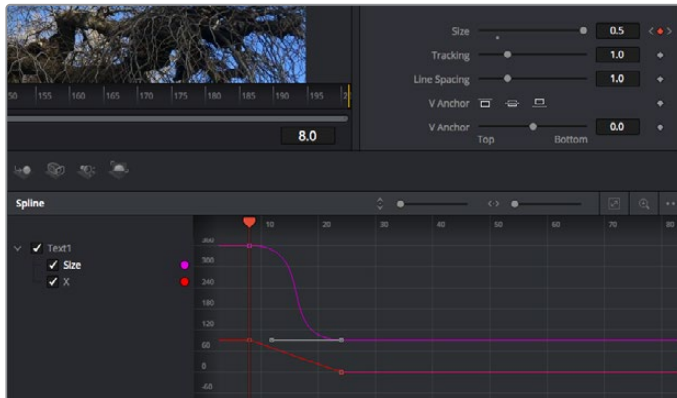
選択したノードの外枠は赤くなります。この写真では「インスペクタ」パネルに、テキストノードの「Layout」タブにあるコントロールが表示されています。

各ノードで調整できるパラメーターや設定はタスクによって変わります。例えば、サイズや中心位置の調整から「Emitter」ノードのパーティクル数の変更などに切り替わります。キーフレームを設定して、その後に行なった変更は、エフェクトのアニメートに影響します。

## キーフレームを使用した作業

「インスペクタ」ウィンドウで設定の1つを右クリックして、コンテキストメニューから「Animate」を選択します。該当の設定の右側のキーフレームアイコンが赤くなります。キーフレームがアクティブになり、今後行う変更は現在のフレームのみに適用されます。2つ以上のキーフレームが、異なるフレームで設定のパラメーターを変更したことで作成された場合、それらの間のトランジションは補間されます。キーフレームアイコンの左右の矢印で、それらのタイムライン上での位置に再生ヘッドを移動できます。

「スプライン」パネルでキーフレームのアニメーションをさらに詳細にコントロールできます。例えば、最初と最後のキーフレームを選択し、それらの間のアニメーションをベジェカーブでスムーズにできます。これは「Shift + S」、またはキーフレームを右クリックして「Smooth」を選択して実行できます。



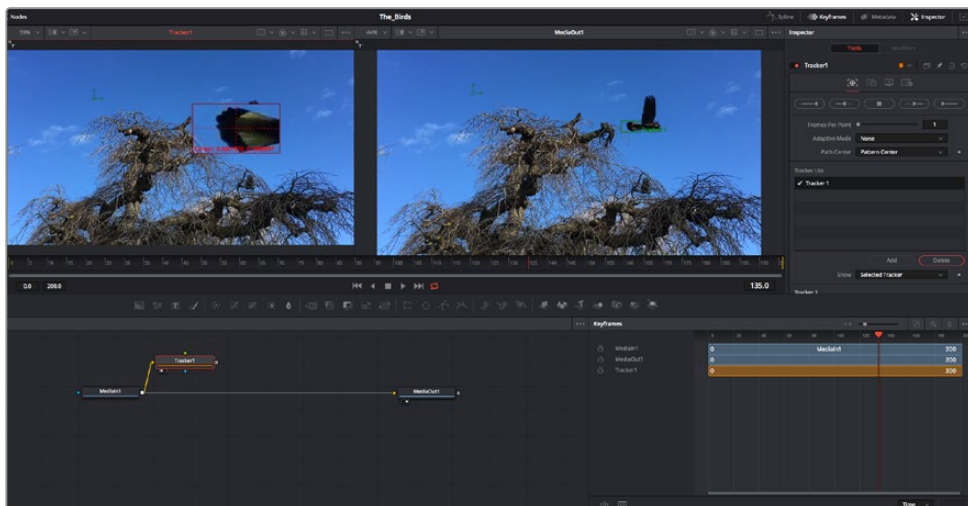
この写真では「Size」キーフレームアニメーションがベジェカーブで滑らかな曲線を描いています。ベジェハンドルをクリックしてカーブを長く/短くできます。またキーフレームの四角のアイコンをクリックして、キーフレームの場所を移動できます。

## モーショントラッカーの使用、テキストの追加

Fusionをいかに使用できるかを理解するために、以下に使用例をいくつか記載しています。ここでは、クリップの要素をトラッキングするトラッカーツールの使用方法、テキストを追加した後にトラッキングデータを使用して要素に接続させる方法を紹介します。

「Tracker」ツールは、X軸およびY軸のピクセルをトラッキングし、他の要素に接続するために使用できるデータを生成します。これは、動く被写体（走っている車やフレーム内を飛ぶ鳥など）にテキストの位置をマッチさせたい場合に便利です。

- 1 「エフェクトライブラリ」で「Tracking」ツールを選択し、「MedialIn」と「MediaOut」ノードの間のライン上にドラッグします。「Tracker」ノードをクリックして、「インスペクタ」でプロパティを表示します。
- 2 キーボードで「1」を押して、左のビューアに「Tracker」ノードを表示します。トラッカーがデフォルト位置に表示された状態で、クリップがビューアに表示されます。マウスポインターをトラッカーに重ねて、トラッカーハンドルを表示します。トラッカーハンドルの左上をクリックし、クリップ上でトラッキングしたい領域にトラッカーをドラッグします。高コントラストの領域で良い結果を得やすいので、トラッカーは車のボンネットのエンブレムなどに配置すると良いでしょう。トラッカーは、詳細な配置が可能のようにイメージ領域を拡大します。
- 3 「インスペクタ」ウィンドウで、「順方向にトラッキングする」ボタンを押してトラッキングを開始します。トラッキングが終了すると、それを伝えるウィンドウが表示されます。「OK」をクリックします。



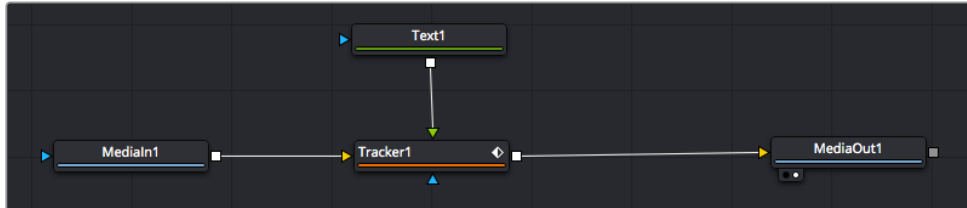
「インスペクタ」パネルのトラッキングのオプションでは、「最後のフレーム/現在のフレームから逆方向にトラッキング」、「停止」、「現在のフレーム/最初のフレームから順方向にトラッキング」が選択できます。



**作業のこつ** "現在のフレームから逆方向/順方向にトラッキング"は、トラッキングしたい領域がレンダリングされている範囲外に出ってしまう場合に便利です。例えば、車や鳥がフレーム外に出る場合などです。これにより、関連したフッテージのみをトラッキングできます。

生成されたトラッキングデータを用いて、モーションパスを「Text」ツールに適用します。

- 4 頻繁に使用されるノードのツールバーで「Text+」ノードアイコンをクリックして、ノードパネルの「Tracker」ノードの近くまでドラッグします。「Text」の出力を「Tracker」の緑の前景入力に接続します。



- 5 「Tracker」ノードをクリックして、キーボードで「1」を押します。マージされた結果が左のビューアに表示されます。「インスペクタ」の「Tracker」パネルで「Operation」タブをクリックします。タブの名前は、マウスポインターをタブの上に重ねると表示されます。「Operation」ドロップダウンメニューの矢印をクリックして「Match Move」を選択します。
- 6 「Text」ノードをクリックして「インスペクタ」でプロパティを表示します。テキストボックスに文字を入力し、合成に合うようにフォント、色、サイズを変更します。

これで、トラッカーで生成したトラッキング位置データが、テキストに適用されます。テキストのオフセット位置を変更したい場合、「インスペクタ」の「Tracker」タブをクリックし「X Offset」と「Y Offset」スクロールホイールを使用して調整します。



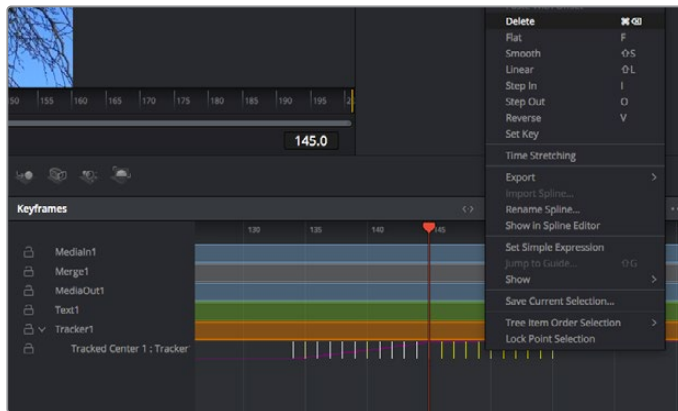
「インスペクタ」の「Tracker」パネルの下部にあるスクロールホイールで、テキストのオフセット位置を調整可能。

合成を再生すると、トラッキングした被写体にテキストが接続していることが確認できます。



緑のボックスは、トラッカーの現在の位置で、パスも緑で表示されています。赤の点線は、テキストをアニメートするために使用されるオフセット位置です。

一部のショットでは、トラッキング後にトラックポイントを取り除きたい場合もあるでしょう。例えば、トラッキングしている被写体がスクリーン外に出てしまうケースなどです。キーフレームエディターを使用すれば、これが極めて簡単に行えます。



- 7 「インスペクタ」の上にある「キーフレーム」タブをクリックして、キーフレームエディターを開きます。キーフレームが適用されたノードには、ノードラベルの横に小さな矢印が表示されます。キーフレームが追加されているパラメーターのみが下のリストに表示されます。虫めがねアイコンをクリックして、編集したい領域の周囲にボックスを描きます。これにより、その領域がズームされ、キーフレームが見やすくなります。
- 8 最後のキーフレームを配置したい位置に再生ヘッドを移動します。取り除きたいキーフレームの周囲に、マウスを使用してボックスを描きます。キーフレームは黄色にハイライトされます。右クリックして、メニューから「Delete」を選択します。

**作業のこつ** エフェクトによるシステムへの負荷が特に高い場合、トランスポートコントロールの領域を右クリックするとビューアのオプション（プロキシ再生など）が表示されるので、合成の構築中にシステムを最大限に利用できる方法を選択できます。再生オプションの詳細に関しては、DaVinci Resolveマニュアルを参照してください。

テキストをアニメートして、フッターの動きにマッチさせる合成が完成しました！

トラッキングしたいイメージ領域に、強調させたり、置き換えたい平面がある場合は「Planar Tracker」を使用できます。2D平面のトラッキングは、移動するイメージのラベルや看板を変更するのに便利なだけでなく、ショット内のモニターやテレビに画像を追加する目的でも使用できます。

「Planar Tracker」およびDaVinci ResolveのFusionページに搭載されている多数のパワフルなツールに関しては、DaVinci Resolveのマニュアルを参照してください。

**作業のこつ** FusionページでVFXを構築する上で、作成しているエフェクトが2Dであるか、3Dであるか理解することは重要です。エフェクトの種類により、使用するマージツールが異なるからです。1つの合成に2Dと3Dエフェクトを組み合わせることは多々あります。そういった場合、3D空間を使用しているVFXはすべて、2Dの合成にマージする前に、2Dのイメージとしてレンダリングする必要があります。

Fusionでの作業を楽しんでいただき、FusionのVFXをDaVinci Resolveの編集、カラー、Fairlightページと組み合わせて使用することで得られるメリットを理解していただければと思います。このようなツールが多数搭載されているDaVinci Resolveは、極めてパワフルであり、クリエイティビティを存分に発揮できるアプリケーションです。



## 編集のマスタリング

編集、カラーグレーディング、VFXの追加、オーディオミックスの作業が終わったので、次は他の人に送信するファイルの作成方法を説明します。ボタンを使用するか、メニューから「クイックエクスポート」を選択すると、タイムラインのコンテンツを様々なフォーマットのファイルで出力できます。あるいは、デリバーページの他の機能を使用して出力することも可能です。



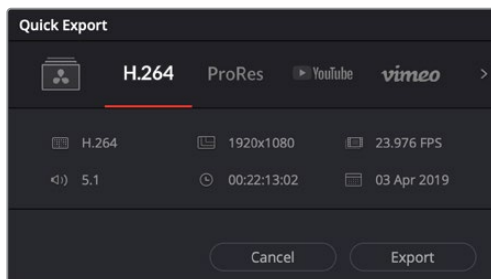
「デリバー」ページで編集を書き出せます。様々なビデオフォーマットとコーデックが選択可能です。

## クイックエクスポート

「ファイル」>「クイックエクスポート」を選択すると、DaVinci Resolveのあらゆるページから、様々な書き出しプリセットを使用して、プログラムを書き出せます。また、「クイックエクスポート」では、YouTube、Vimeo、Frame.ioなどのサポートされているビデオ共有サービスにプログラムをアップロードすることも可能です。

### 「クイックエクスポート」を使用する：

- 1 エディット、Fusion、カラーページで、希望に応じてタイムラインでイン点とアウト点を設定して、書き出し範囲を選択します。イン点とアウト点を設定していない場合、タイムライン全体が書き出されます。  
「ファイル」>「クイックエクスポート」を選択します。
- 2 「クイックエクスポート」ダイアログで表示される一番上の列から、使用したいプリセットを選択して、「書き出し」をクリックします。
- 3 「書き出し」ダイアログで保存先のディレクトリを選択し、ファイル名を入力し、「保存」をクリックします。進捗バーが表示され、書き出しに必要な時間が確認できます。



「書き出し」ダイアログ

## デリバーページ

デリバーページでは、書き出すクリップを選択し、フォーマット、コーデック、解像度を指定します。書き出しは、8/10-bit 非圧縮RGB/YUV、DNxHD、ProRes、H.264などのコーデックを使用して、QuickTime、AVI、MXF、DPXなど様々なフォーマットで実行できます。

### 編集を単一のクリップとして書き出す：

- 1 「デリバー」タブをクリックして、デリバーページを開きます。
- 2 ページ左上の「レンダー設定」ウィンドウに進みます。ここで、YouTube、Vimeo、オーディオプリセットなど、多くの書き出しプリセットから選択できます。または、デフォルトの「カスタム」プリセットに独自のパラメーターを入力して、独自の書き出し設定をマニュアルで設定することも可能です。例えば「YouTube」を選択し、次にプリセットの横にある矢印をクリックして1080pビデオフォーマットを選択します。  
フレームレートは、プロジェクト設定のフレームレート設定にロックされます。
- 3 プリセットの下にタイムラインのファイル名と書き出したビデオのレンダリング先が表示されます。「ブラウズ」ボタンをクリックして、書き出したファイルの保存先を選択します。次にレンダー設定で「単一のクリップ」を選択します。
- 4 タイムラインの上に、「タイムライン全体」が選択されたオプションボックスが表示されます。これでタイムライン全体が書き出されますが、タイムラインの領域を選択することも可能です。「イン/アウトの範囲」を選択し、「I」および「O」のホットキーショートカットを使ってタイムラインでイン点/アウト点を選択します。
- 5 「レンダー設定」の下に行き、「レンダーキューに追加」をクリックします。  
ページ右側のレンダーキューに、レンダー設定が追加されます。ここまでの作業が終わったら、後は「レンダー開始」をクリックして、レンダーキューでレンダリングの進行状況をモニタリングするだけです。  
レンダリングが完了したら、書き出し先に指定したフォルダーを開き、レンダリングされた新しいクリップをダブルクリックして、完成した編集を確認できます。

以上で紹介した、編集、カラーコレクション、オーディオミキシング、VFXの追加の基礎情報を活かして、DaVinci Resolveで色々と試してみることをお勧めします。DaVinci Resolveに搭載された、プロジェクトを最高の状態に導くための多数の機能の詳細は、DaVinci Resolveを参照してください。

## スタジオカメラコントロールの概要

Blackmagic URSA Miniはスタジオカメラとして使用でき、ATEM Software Controlのカメラコントロール機能を使って、ATEMスイッチャーからコントロールできます。この機能を使用することで、大型センサーの画質と優れたダイナミックレンジを持つカメラを放送スタジオに追加し、他のスタジオカメラと同じようにコントロールできます。



ATEMカメラコントロール

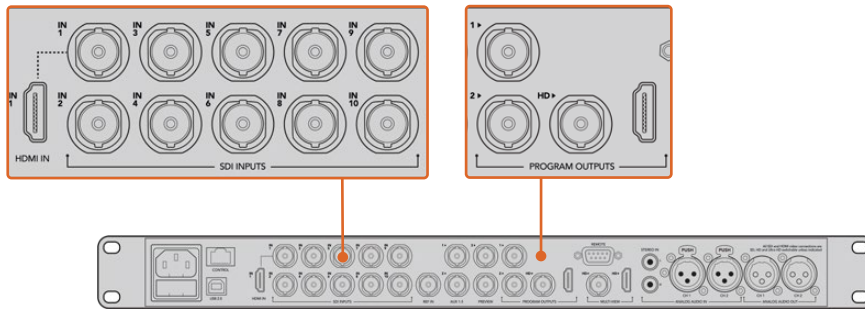
「カメラ」ボタンをクリックすると、カメラコントロール機能が開きます。互換性のあるレンズを使用している場合は、アイリス、ゲイン、フォーカス、ズームコントロールなどの設定を簡単に調整できます。さらに、カメラのカラーバランスの調整や、DaVinci Resolveプライマリーカラーコレクターを使用したユニークなルックの作成も可能です。DaVinci ResolveプライマリーカラーコレクターおよびATEMカメラコントロールも「ディテールシャープニング」機能は、URSA Mini Pro 12Kでは使用できません。

ATEMスイッチャーのコントロール機能は、ATEMスイッチャーからのSDI出力（ダウンコンバートされている出力以外）を介して、カメラコントロール・パケットを送信することで機能します。つまり、ATEMスイッチャーのSDI出力をURSA Miniの12G-SDI入力に繋ぐと、カメラはSDIリンクでコントロールパケットを検出し、カメラ自体の機能をコントロールできます。

### URSA Miniの接続

- 1 Blackmagic URSA Miniの12G-SDI出力をATEMスイッチャーのSDI入力のいずれかに接続します。
- 2 ATEMスイッチャーのSDI出力（ダウンコンバート出力およびマルチビュー出力以外）を、URSA Miniの12G-SDI入力に接続します。カメラコントロール信号は、マルチビューおよびダウンコンバートSDI出力からは送信できません。
- 3 URSA Miniの「セットアップ (SETUP)」メニューにある「ATEMカメラID (ATEM CAMERA ID)」で、カメラのATEM IDをスイッチャーの入力と合わせます。例えば、URSA Mini 1がATEMスイッチャーのCam 1に接続されている場合、カメラ番号を「1」に設定します。これにより、タリー信号が正しいカメラに送信されます。
- 4 「セットアップ (SETUP)」メニューで「リファレンスソース (REFERENCE SOURCE)」を選択します。すべてのカメラとスイッチャーにゲンロック信号を送信していない限り、ATEMに接続した際にリファレンスソースの設定を「プログラム (Program)」にすることを推奨します。

- 5 ATEMスイッチャーへのSDI出力にオーバーレイやフォーカスボックスが表示されないよう、「モニター (MONITOR)」メニューの「メインSDI (Main SDI)」で「クリーンフィード (CLEAN FEED)」が選択されているか確認してください。



URSA MiniをATEMスイッチャーのSDI入力のいずれかに接続

## カメラコントロールの使用

ATEM Software Controlを起動して、ソフトウェアウィンドウ底部の「カメラ」ボタンをクリックします。ラベル付きのカメラコントローラー列が表示され、各カメラのイメージを調整/微調整するツールを使用できます。これらのコントローラーの使い方は簡単です。マウスを使ってボタンをクリックしたり、クリック&ドラッグすることで調整できます。

### カメラコントロールの選択

カメラコントロールページの上にあるボタン列で、コントロールしたいカメラ番号を選択します。ウィンドウサイズに入りきらない数のカメラを使用している場合、あるいはカラーコレクターウィンドウを開いている場合は、これらのボタンを使ってコントロールしたいカメラを選択します。カメラコントロールのモニタリング用にAux出力を使用している場合は、これらのボタンを押して、コントロールするカメラを変更すると、該当のカメラのビデオ出力がスイッチャーの環境設定で設定したAux出力に送信されます。



設定アイコンをクリックしてカメラコントロールのAux出力を選択

### チャンネルステータス

チャンネルステータスは、各カメラコントローラーの上部にあり、カメララベル、オンエア・インジケータ、ロックボタンを表示します。ロックボタンを押すと、該当のカメラのすべてのコントロール機能がロックされます。該当のカメラがオンエアされている場合、チャンネルステータスは赤くなり「On Air」と表示されます。



各カメラコントロールにチャンネルの状況が表示されるので、オンエア中のカメラが確認できます。カラーホイールを使用して、各YRGBチャンネルのリフト、ガンマ、ゲイン設定を調整します。

## カラーホイール

カラーホイールはDaVinci Resolveカラーコレクターのパワフルな機能で、各YRGBチャンネルのリフト、ガンマ、ゲイン設定のカラー調整に使用します。カラーホイールの上部にある3つの選択ボタンを押すと、調整する設定を選択できます。

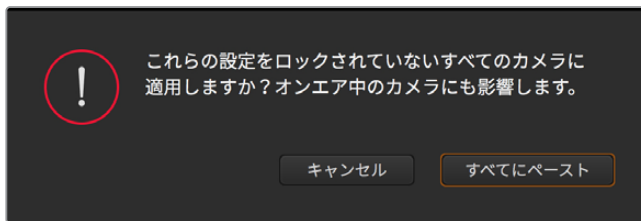
## マスターホイール

カラーホイールの下にあるマスターホイールを使用すると、すべてのYRGBチャンネルのコントラストを一度に調整できます。あるいは、各リフト、ガンマ、ゲイン設定でルミナンスのみの調整も可能です。

## リセットボタン

各カメラコントローラーの右上にあるリセットボタンを使えば、リセット、コピー、あるいはペーストしたいカラーコレクション設定を簡単に選択できます。各カラーホイールにも、それぞれ独自のリセットボタンが付いています。ボタンを押すと、設定がデフォルトに戻るか、設定をコピー/ペーストできます。ロックされているコントローラーは、ペースト機能による影響を受けません。

カラーコレクターパネルの右上にあるマスターリセットボタンは、リフト/ガンマ/ゲインのカラーホイールに加え、コントラスト、彩度、色相、輝度ミックス設定をリセットします。カラーコレクション設定は各カメラコントローラーに個別にペーストできますが、すべてのカメラに同時にペーストして統一されたロックを得ることも可能です。アイリス、フォーカス、調整幅、ペDESTALの設定は、ペースト機能による影響を受けません。「すべてにペースト」を適用する際は、操作を確認する注意メッセージが表示されます。このメッセージは、現在オンエア中でロックされていないカメラに、誤って新しい設定をペーストすることを避けるために表示されます。



「すべてにペースト」を適用する際は、操作を確認する注意メッセージが表示されます。このメッセージは、現在オンエア中でロックされていないカメラに、誤って新しい設定をペーストすることを避けるために表示されます。

## アイリス/ペDESTALレベル・コントロール

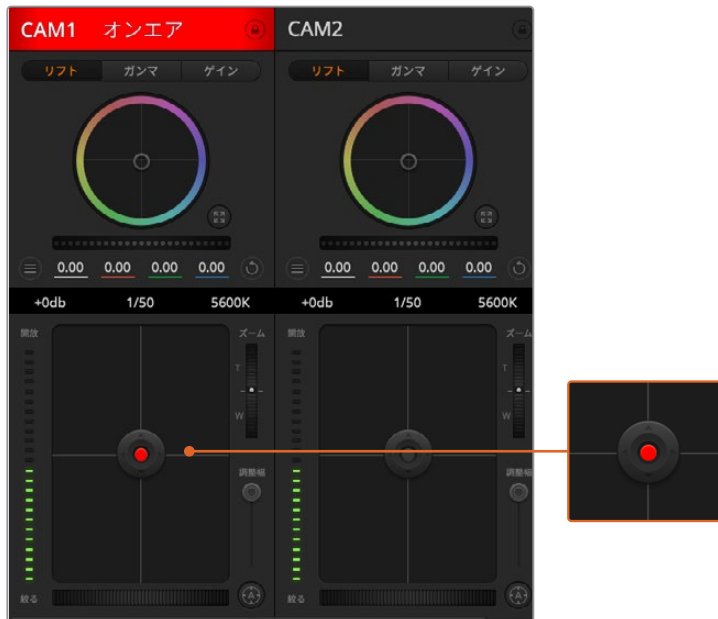
アイリス/ペDESTALレベル・コントロールは、各カメラコントローラーの十字線上にあります。該当のカメラがオンエアされている場合、このコントロールは赤く光ります。

アイリスを開く/閉じるには、コントロールを上下に動かします。「SHIFT」キーを押しながら操作するとアイリスのみを調整できます。

**メモ** ATEMに接続する際は自動露出を必ずオフにしてください。アイリス、ズーム、フォーカスを調整するには、カメラからの電子コントロールに対応したレンズが必要です。

B4/PLレンズを放送用12ピンコネクターでURSA Miniに接続して使用する場合は、ハンドグリップのレンズアイリススイッチが「A」または「Auto」に設定されていることを確認してください。

ペDESTALレベルを下げる/上げるには、コントロールを左右に動かします。Macでは「command」キー、Windowsでは「CONTROL」キーを押しながら操作すると、ペDESTALレベルのみを調整できます。



該当のカメラがオンエアされている場合、アイリス/ペDESTALレベル・コントロールは赤く光ります。

## ズームコントロール

電動ズーム機能に対応した互換性のあるレンズを使用している場合は、ズームコントロールを使用してレンズをズームイン/アウトできます。コントローラーは、レンズのズームロッカーと同様に機能します。一方は望遠、もう一方はワイドアングルです。調整幅スライダーの上にあるズームコントロールをクリックすると、上へドラッグしてズームイン、下へドラッグしてズームアウトできます。

レンズにアクティブレンズコントロールがない場合、またはカメラがSDIカメラコントロール・プロトコルを使用したズームコントロールに対応していない場合は、これらの設定による影響はありません。例えば、EFレンズにはレンズの電動ズームを可能にするサーボが内蔵されていないため、ATEMカメラコントロールでズームすることはできません。

**メモ** アナログB4レンズはATEMズームコントロールをサポートしていません。アナログB4レンズに関する詳細は、「サーボズーム対応レンズの使用」セクションを参照してください。

## 調整幅設定

アイリス/ペDESTALレベル・コントロールの左側にある調整幅設定は、アイリスの幅を制限するために使用します。この機能は、露出過多の映像のオンエア防止に役立ちます。

調整幅のしきい値を設定するには、まずアイリスコントロールを使用してアイリスを完全に開きます。次に調整幅設定を上下に動かして適正露出を設定します。調整幅のしきい値を設定したことで、アイリスを調整する際に適正露出を越えることを防止できます。

## アイリス・インジケータ

アイリス/ペDESTALレベル・コントロールの左側にあるアイリス・インジケータは、レンズアパーチャーの開閉状態を視覚的に、簡単に確認できます。アイリス・インジケータは、調整幅設定の影響を受けます。



## オートフォーカスボタン

オートフォーカスボタンは、各カメラコントローラーの左下にあります。電子フォーカス調整に対応するアクティブ方式のレンズを使用している場合、このボタンを押すと自動的にフォーカスを合わせることができます。多くのレンズは電子フォーカスに対応していますが、マニュアルあるいはオートフォーカスモードに設定できるレンズもあります。使用するレンズがオートフォーカスモードになっていることを確認してください。レンズのフォーカスリングをスライドさせて設定できる場合もあります。サーボズームコントロールに対応したB4レンズでは、ハンドグリップ底部のスイッチを「Servo」に設定する必要があります。



オートフォーカスボタンを押すか、マニュアルフォーカス調整を左右にドラッグして互換性のあるレンズのフォーカスを合わせます。

## マニュアルフォーカス調整

ATEMカメラコントロールを使用してレンズのフォーカスをマニュアル調整したい場合は、各カメラコントローラー底部のフォーカス調整を使用できます。ホイールコントロールを左右にドラッグすればマニュアルでフォーカスを調整できます。カメラからのビデオフィードで、イメージがシャープに見えるか確認できます。

マニュアルフォーカス調整は、サーボフォーカスコントロールに対応したB4/PLレンズを使用している場合のみスイッチャーから実行できます。EFレンズはサーボフォーカスに対応していないため、このオプションはURSA Mini EFでは使用できません。

## カメラゲイン

「ゲイン (Gain)」と「スピード (Shutter Speed)」など、いくつかの設定項目はATEMスイッチャーとURSA Miniで名前が異なります。例えば、ATEMスイッチャーでは、カメラの光感度をフィルムISOレーティングではなく「ゲイン」を使用します。

**作業のこつ** 「ゲイン」および「ISO」の用語の違いは、スタジオ放送用機器と従来の映画制作機器との違いが主な理由です。例えば、テレビスタジオカメラの露出は、カメラからライブでモニタリングできます。光感度のカメラ内部で電子調整できます。これは、構造が機械的で、光化学ISOレーティングを用いた従来の光計測技術を使用する映画用カメラとは異なります。

照明環境が変化する状況で作業する場合は、カメラのゲインを増減することでイメージの露出不足を防げます。左矢印をクリックするとゲインが下がり、右クリックではゲインが上がります。



ATEMスイッチャーではゲインがdBで表示されます。ゲインのdB値はカメラのISO設定と以下のように一致します：

ゲイン	ISO
0	200
6	400
12	800
18	1600

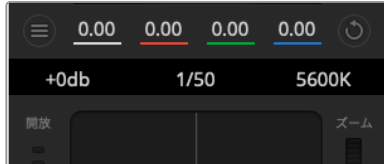
URSA Mini 4.6Kのゲインは18dBに設定できますが、URSA Mini 4Kの最大ゲインは12dBです。

## シャッタースピード・コントロール

シャッタースピード・コントロールは、URSA Miniのシャッターアングルの変更に使います。

ゲインコントロールと同様、映画用カメラと放送用カメラで使われる用語の違いにより、この設定は異なる名前が付いています。しかし機能的には、シャッタースピードを上げることはシャッターアングルを下げることにまったく同じです。

シャッタースピード・コントロールは、カラーホイールとアイリス/ペDESTALコントロールの間にあります。マウスカーソルをシャッタースピード・インジケータの上に置いて、左右の矢印をクリックすると、シャッタースピードを上げ下げできます。



マウスカーソルをゲイン、シャッタースピード、ホワイトバランスのインジケータに重ねて矢印を表示。クリックして各設定を調整。

**メモ** ATEMのシャッタースピード・コントロールはURSA Miniで選択するシャッターアングルよりも優先されるため、ATEMスイッチャーに接続している場合はカメラのシャッターアングル・コントロールが無効になります。

下の表には、シャッタースピード・コントロールで選択できるシャッタースピードと、それと同等のシャッターアングルが記載されています。シャッタースピードの中には、URSA Miniのシャッターアングル（最小11.25、最大360）の範囲外となるものがあります。その場合は、最も近い値のシャッターアングルが使用されます。

URSA Mini 4.6KまたはURSA Mini ProをATEMスイッチャーに接続している場合、シャッタースピード設定はカメラタッチスクリーンのステータス表示にも表示されます。URSA Mini 4Kではシャッタースピードはタッチスクリーンに表示されませんが、URSA Viewfinderを使用時にはビューファインダーに表示されます。

URSA Mini 4.6KまたはURSA Mini Proでシャッターアングルが選択されている場合、下記の表が適用されます。

シャッター スピード	シャッター アングル 23.98fps	シャッター アングル 24fps	シャッター アングル 25fps	シャッター アングル 29.97fps	シャッター アングル 50fps	シャッター アングル 59.94fps
1/50	172.7	172.8	180	215.8	360	360*
1/60	143.9	144	150	179.8	300	359.6
1/75	115.1	115.2	120	143.9	240	287.7
1/90	95.9	96	100	120	200	239.8
1/100	86.3	86.4	90	107.9	180	215.8
1/120	71.9	72	75	89.9	150	179.8
1/150	57.5	57.6	60	71.9	120	143.9
1/180	48	48	50	59.9	100	119.9
1/250	34.5	34.6	36	43.2	72	86.3
1/360	24	24	25	29.97	50	59.94
1/500	17.3	17.3	18	21.6	36	43.2
1/725	11.9	11.9	12.4	14.9	24.8	29.8
1/1450	11.25*	11.25*	11.25*	11.25*	12.4	14.9
1/2000	11.25*	11.25*	11.25*	11.25*	11.25*	11.25*

\*URSA Miniシャッターアングルの範囲外となるシャッタースピードには、最も近い最小/最大シャッターアングルが使用されます。

**作業のこつ** シャッタースピードを下げると、イメージセンサーの露出時間が長くなるので、カメラゲインを上げずにイメージを明るくできます。また、蛍光灯の照明環境で撮影する際の照明フリッカーも軽減/排除できます。シャッタースピードを上げるとモーションブラーが軽減されるため、クリーンでシャープなイメージが必要なアクションショットに最適です。

## ホワイトバランス (WB)

ホワイトバランス設定は、シャッタースピード・コントロールの隣にあります。色温度インジケータの両側にある左右の矢印をクリックして調整できます。光源の種類によって、暖色や寒色など異なる色を発生します。これらはホワイトバランスを調整して補正できます。この補正によって、映像内のホワイトを適切なホワイトに保持できます。

## DaVinci Resolveプライマリーカラーコレクター

カラーコレクションの経験があるユーザーは、カメラコントロールのインターフェースをスイッチャースタイルのCCUインターフェースから、ポストプロダクションで使用するカラーグレーディングシステムのプライマリーカラーコレクター・ユーザーインターフェースに変更することもできます。

Blackmagic URSA Miniは、DaVinci Resolveのプライマリーカラーコレクターを内蔵しています。Blackmagic URSA MiniでのグレーディングはDaVinci Resolveと全く同じなので、ライブプロダクションでもDaVinci Resolveの経験を活かしたクリエイティブなカラーグレーディングが可能です。カラーコレクターパネルはすべてのカメラコントローラーから拡張でき、追加設定と完全なプライマリーカラーコレクター・インターフェースで、より多彩なカラーコレクション・コントロールが可能になります。

カラーホイール、そして彩度などの設定を調整でき、シャドウ、ミッドトーン、ハイライトの設定を同時に確認できます。必要に応じて、ウィンドウ上部のカメラ選択コントロールでカメラを切り替えます。

**作業のこつ** DaVinci Resolveのカラーコレクションは、URSA MiniのSDI出力およびカメラで収録するProResビデオに適用されます。RAWビデオはポストプロダクションでの処理を想定したものであるため、カラーコレクションはRAWビデオには適用されません。しかし、RAWビデオの撮影時に、URSA MiniのSDI出力にカラーコレクションを適用することは可能です。



DaVinci Resolveプライマリーカラーコレクターボタンを押すと、カラーコレクションウィンドウが拡張し、設定の調整が可能。

## カラーホイール

リフト/ガンマ/ゲインのコントロールを使えば、特定のトーンでオーバーラップする部分を調整できます。リフト、ガンマ、ゲインはそれぞれ、シャドウ、ミッドトーン、ハイライトに当たります。

カラーホイールを以下のように使用して、微調整や大胆な調整を行います：

- ・ **カラーリング内でクリック&ドラッグ：**  
カラーバランス・インジケータ自体をドラッグする必要はありません。カラーバランス・インジケータを動かすと、下にあるRGBパラメーターに、各チャンネルの変更が反映されます。
- ・ **カラーリング内でシフトクリック&ドラッグ：**  
カラーバランス・インジケータが、カーソルの絶対位置にジャンプするので、スピーディに大幅な調整が可能です。

- ・ **カラーリング内でダブルクリック：**  
マスターホイール調整をリセットせずに、カラー調整をリセットします。
- ・ **カラーリング右上のリセットコントロールをクリック：**  
カラーバランス・コントロールおよび対応するマスターホイールを両方リセットします。



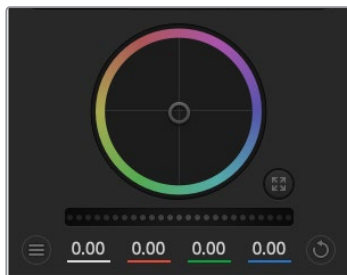
カラーコレクションパネルのリフト/ガンマ/ゲイン・カラーホイール

## マスターホイール

カラーホイールの下にあるマスターホイールで、各YRGBチャンネルのリフト、ガンマ、ゲインコントロールを調整できます。

マスターホイールを使った調整：

- ・ **マスターホイールを左右にドラッグ：**  
左にドラッグすると、選択したイメージのパラメーターが暗くなり、右にドラッグするとパラメーターが明るくなります。調整を行うと、下のYRGBパラメーターに変更が反映されます。Yのみ調整する場合は、ALTあるいはCommandキーを押しながら左右にドラッグします。カラーコレクターはYRGB処理を採用しているので、創造力を発揮して、Yチャンネルのみを調整することでユニークなエフェクトを作成できます。Yチャンネル調整は、輝度ミックス設定が右側に設定されている時に最も効果的にYRGB処理を実行できます。通常のRGB処理の場合は左側です。通常、DaVinci Resolveのカラリストは、YRGBカラーコレクターを使用しますが、これは全体のゲインに影響を与えずに、より多彩なカラーバランス・コントロールが可能で、希望通りのルックを短時間で得られるためです。



ホイールコントロールを左右にドラッグしてマスターホイールを調整

## コントラスト設定

コントラスト設定は、イメージの最も暗い部分と最も明るい部分の差をコントロールできます。リフトとゲインのマスターホイールをそれぞれ逆方向に調整すると同様の効果が得られます。デフォルト設定は50%です。



スライダーを左右にドラッグして、コントラスト、彩度、輝度ミックス設定を調整

## 彩度設定

彩度設定は、イメージの色量を調整します。デフォルト設定は50%です。

## 色相設定

色相設定は、カラーホイールの周囲のすべての色相を回転させます。デフォルト設定の180°では、オリジナルの色相配置が表示されます。この数値を上下に調整すると、カラーホイールに表示される色相配置に沿って、すべての色相が前後に回転します。

## 輝度ミックス設定

Blackmagic URSA Miniに内蔵されたカラーコレクターは、DaVinci Resolveプライマリーカラーコレクターに基づいています。DaVinci Resolveは1980年代初頭よりカラーコレクターを設計しており、多くのハリウッド映画がDaVinci Resolveを使用してカラーグレーディングされています。

つまり、Blackmagic URSA Miniに内蔵されたカラーコレクターには、ユニークで創造性に富んだパワフルな機能が搭載されています。YRGB処理はこれらの機能のうちの1つです。

カラーグレーディングの際、RGBあるいはYRGB処理を選択できます。ハイエンドのカラリストたちはYRGB処理を好みますが、これは色をより正確にコントロールでき、各チャンネルをはっきりと区別して調整し、より多くのクリエイティブなオプションを使用できるためです。

輝度ミックス・コントロールが右に設定されていると、YRGBカラーコレクターの100%の出力を得られます。輝度ミックス・コントロールが左に設定されていると、RGBカラーコレクターの100%の出力を得られます。輝度ミックスを左/右の間に設定すると、RGBおよびYRGBコレクターを組み合わせられた出力を得られます。

どちらの設定を使用するかは、ユーザー次第です。カラーコレクションは純粋にクリエイティブな作業であり、正解や間違いはありません。ユーザーが気に入った設定が、ベストな選択なのです。

## 設定の同期

ATEMとURSA Miniを接続すると、カメラコントロール信号がATEMスイッチャーからBlackmagic URSA Miniに送信されます。URSA Miniで誤って設定を調整した場合、カメラコントロールは同期を保持できるように自動的にその設定をリセットします。

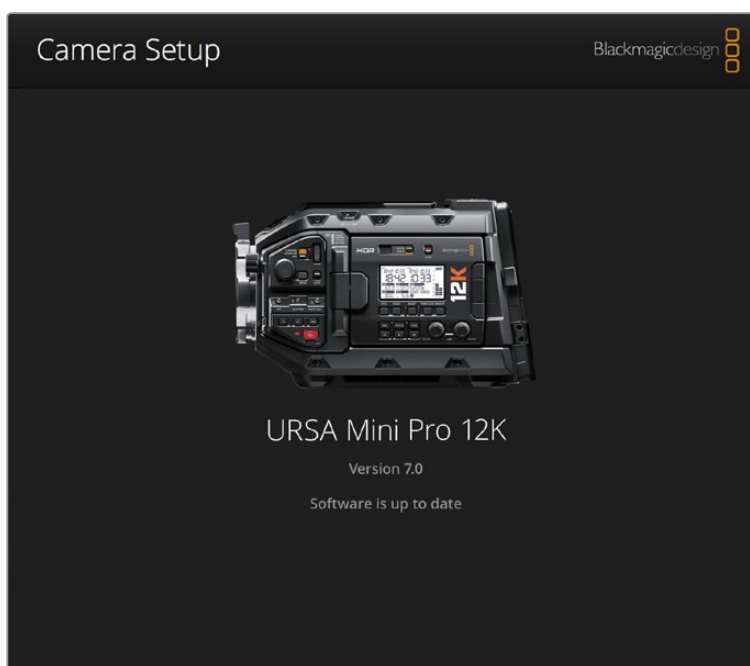
**作業のこつ** 12G-SDI入力の接続を外しても、URSA MiniはDaVinci Resolveカラーコレクションで作成したイメージ調整を使用し続けます。そのため、カメラアングルを変更する際もイメージ設定を再度調整する必要がありません。URSA Miniのカラー設定をデフォルトに戻した場合は、12G-SDI入力の接続を外し、電源を入れ直してください。

# Blackmagic Camera Setup Utility

## カメラソフトウェアのアップデート – Mac

Blackmagic Camera Setup Utilityソフトウェアをダウンロードし、ダウンロードしたファイルを解凍します。ディスクイメージを開くとBlackmagic Camera Setup Installerが表示されます。

インストーラーを起動し、画面に表示される指示に従います。インストールが完了したら、アプリケーションフォルダーへ行き、Blackmagic Camerasフォルダーを開きます。そこには当マニュアル、Blackmagic Camera Setup Utility、そしてreadmeファイルおよびインフォメーションを含むドキュメントフォルダーが入っています。Blackmagic Camera Setupの最新バージョンにアップデートする際に必要なアンインストーラーも含まれます。



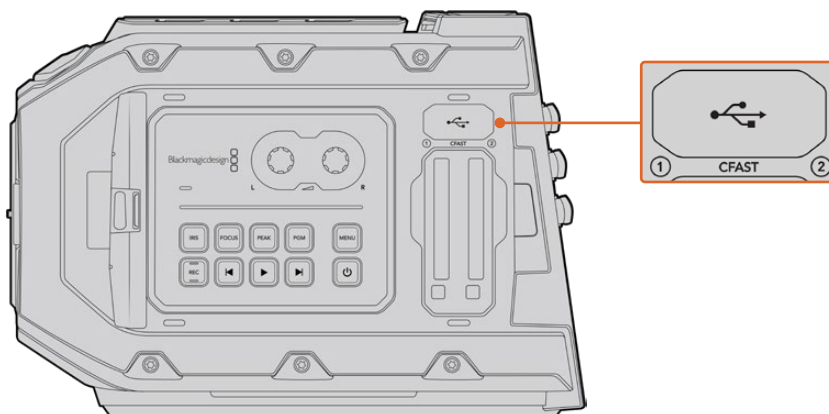
## カメラソフトウェアのアップデート – Windows

Blackmagic Camera Setup Utilityソフトウェアをダウンロードし、ダウンロードしたファイルを解凍します。PDFマニュアルとBlackmagic Camera Utility Installerが入ったBlackmagic Camera Utilityフォルダーが表示されます。インストーラーをダブルクリックし、画面に表示される指示に従ってインストールします。

Windows 10では、「Start」ボタンを押して「All Apps」を選択します。「Blackmagic Design」フォルダーまでスクロールします。ここからBlackmagic Camera Setupを起動できます。

Windows 8.1では、「Start」スクリーンで下矢印を選択して「Blackmagic Design」フォルダーまでスクロールします。ここからBlackmagic Camera Setupを起動できます。

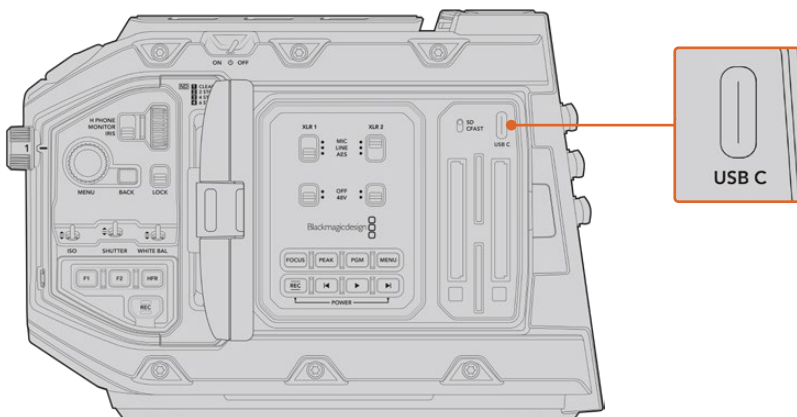
## カメラソフトウェアをアップデート



Blackmagic URSA Miniのメモリーカードスロットの上にあるMini-B USB 2.0ポートを使ってカメラソフトウェアをアップデート

コンピューターに最新のBlackmagic Camera Setup Utilityをインストールし、USBケーブルでコンピューターとBlackmagic URSA Miniを接続します。Blackmagic URSA Miniでは、USBポートはカメラの左パネルのメモリーカードスロットの上に付いています。ゴム製キャップを開けるとポートにアクセスできます。

Blackmagic Camera Setup Utilityを起動し、画面に表示される指示に従ってカメラソフトウェアをアップデートします。カメラソフトウェアをアップデートすると、すべてのプリセットやカスタムLUTを消去し、すべての設定がリセットされることに注意してください。ソフトウェアをアップデートする前に、メモリーカードにバックアップとして書き出ししておくことをお勧めします。ソフトウェアをアップデートした後に、メモリーカードからプリセットやLUTを簡単に読み込んで再びカメラで使用できます。また、ブラックスレーディングのキャリブレーションを実行することを推奨します。



Blackmagic URSA Mini Proのメモリーカードスロットの上のストレージメディアスイッチの横にある、USB-Cポートを使ってカメラソフトウェアをアップデート

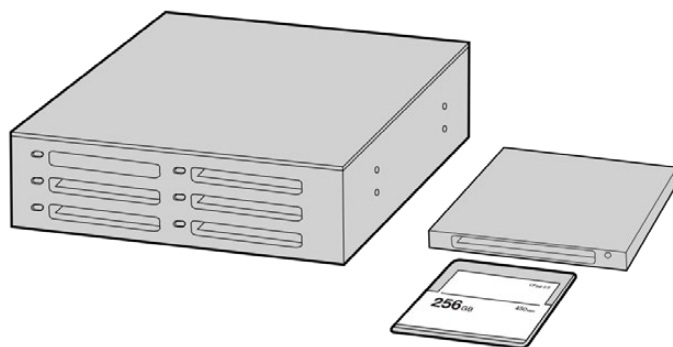


## サードパーティ製ソフトウェアの使用

お気に入りの編集ソフトウェアでクリップを編集するには、クリップを内蔵/外付けドライブまたはRAIDにコピーして、ソフトウェアに読み込みます。あるいは、クリップを直接CFast、SDカード、SSDなどのストレージメディアからドックやアダプターを使って読み込むこともできます。

**メモ** Blackmagic RAWは、DaVinci Resolve 15.3.1以降でサポートされており、多数のサードパーティ製ポストプロダクション編集プログラムでも採用されています。Avid Media ComposerおよびAdobe Premiere ProでBlackmagic RAWを編集するためのプラグインは、Blackmagic RAWソフトウェアで使用できます。ソフトウェアは、サポートセンターからダウンロードできます。  
[www.blackmagicdesign.com/jp/support](http://www.blackmagicdesign.com/jp/support)

### CFast 2.0/SDカードからのファイルでの作業



CFastカードをカメラから取り出し、CFast 2.0リーダー/ライター、あるいはCFastドライブを使用してコンピューターにマウントすると直接編集できます。

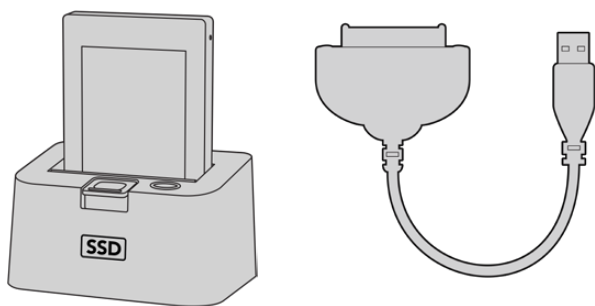
CFast 2.0カード/SDカードからクリップを読み込み：

- 1 Blackmagic URSA MiniまたはURSA Mini ProからCFast/SDカードを取り出します。  
カードリーダーを使用して、CFastカードをMacまたはWindowsコンピューターにマウントします。
- 2 コンピューターのOSで該当のカードまで進むと、Blackmagic RAWまたはQuickTimeムービーファイルのリストが表示されます。
- 3 使用したいファイルをSDカードからデスクトップや他のハードドライブにドラッグします。または編集ソフトウェアから、SDカード上のファイルに直接アクセスすることも可能です。
- 4 CFast/SDカードをコンピューターから取り出す際は、必ずMac/WindowsでCFastまたはSDカードをイジェクトして取り出してください。カードをイジェクトせずに取り出すと、フッテージが破損することがあります。

## SSDファイルでの作業

SSDからクリップを読み込む：

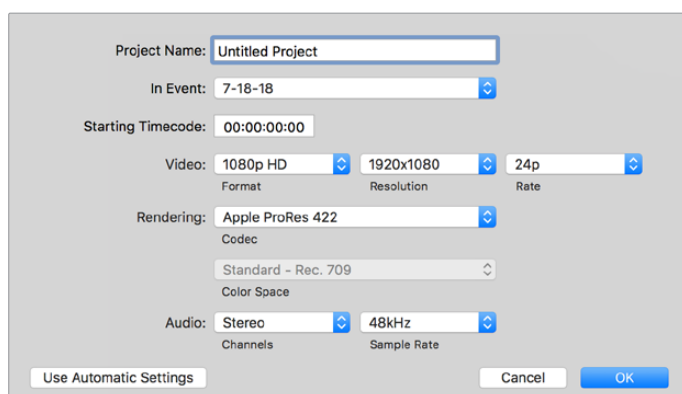
- 1 URSA Mini RecorderからSSDを取り出します。
- 2 eSATAまたはBlackmagic MultiDock 10GなどのThunderboltドックを使用してSSDをMac/Windowsコンピューターにマウントします。eSATA - USBアダプターケーブルを使用して、SSDをコンピューターのUSBポートに直接接続することも可能です。リアルタイムのビデオ編集においてUSB 2.0は速度が十分でないため、USB 3.0の使用を推奨します。
- 3 SSDをダブルクリックして開くと、QuickTimeムービーファイルのリスト、またはBlackmagic RAWファイルの入ったフォルダーが表示されます。撮影時に選択したフォーマットによっては、異なる種類のファイルが存在しますが、すべてのファイルは同一のファイル名定義に従っています。
- 4 使用したいファイルをSSDからデスクトップやその他のハードドライブにドラッグします。NLE（ノンリニア編集）ソフトウェアで、直接SSDのファイルにアクセスすることも可能です。
- 5 SSDをコンピューターから取り出す際は、必ずコンピューターからイジェクトして取り出してください。



SSDをカメラから取り出し、eSATA ThunderboltドックまたはUSB3.0ドッキングケーブルを使ってコンピューターにマウントし、直接編集できます。

## Final Cut Pro Xを使う

Final Cut Pro Xでクリップを編集するには、新しいプロジェクトを作成して、適切なビデオフォーマットおよびフレームレートを設定する必要があります。ここではProRes 422 HQ 1080p24を使用します。



Final Cut Pro Xのプロジェクト設定画面

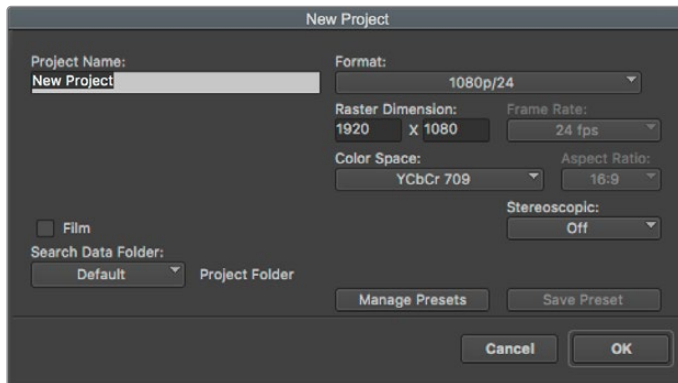
- 1 Final Cut Pro Xを起動してメニューバーへ行き、「File/New Project」を選択します。プロジェクト設定を含むウィンドウが開きます。
- 2 プロジェクトに名前を付け、「Custom」チェックボックスを選択します。
- 3 「Video」設定を1080p HD、1920×1080、24pに設定します。
- 4 「Audio」および「Rendering」設定をStereo、48kHz、Apple ProRes 422 HQに設定します。
- 5 「OK」をクリックします。

クリップをプロジェクトに読み込むには、メニューバーへ行き、「File/Import/Media」を選択します。CFastカードからクリップを選択します。

クリップをタイムラインにドラッグして編集を開始できます。

## Avid Media Composer 2018を使う

Avid Media Composer 2018でクリップを編集するには、新しいプロジェクトを作成して、適切なビデオフォーマットおよびフレームレートを設定します。ここでは、クリップを1080p24に設定します。



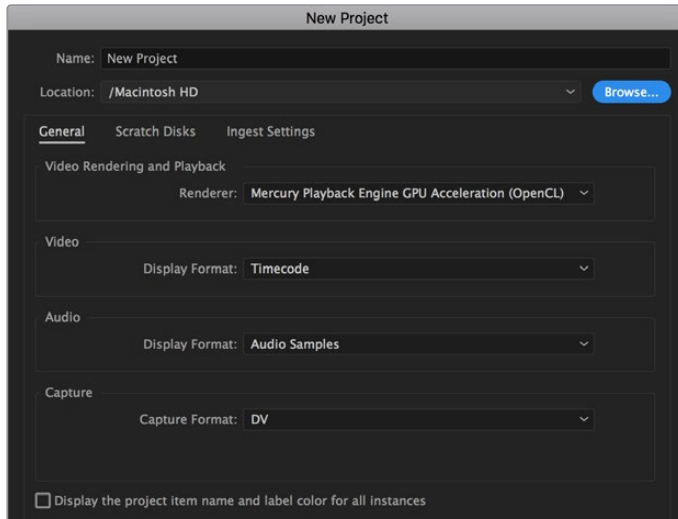
Avid Media Composer 2018でプロジェクト名およびオプションを設定

- 1 Avid Media Composer 2018を起動すると「Select Project」ウィンドウが表示されます。
- 2 「New Project」ボタンをクリックして、「New Project」ウィンドウでプロジェクト名を入力します。
- 3 「Format」ドロップダウンメニューで「HD 1080」>「1080p/24」を選択し、「OK」をクリックしてプロジェクトを作成します。
- 4 「Select Project」ウィンドウで、作成したプロジェクトをダブルクリックして開きます。
- 5 「File」>「Input」>「Source Browser」を選択し、読み込みたいファイルまで進みます。
- 6 ドロップダウンメニューから「Target Bin」を選択して「Import」をクリックします。

メディアビンにクリップが表示されたら、クリップをタイムラインにドラッグして編集します。

## Adobe Premiere Pro CCを使う

Adobe Premiere Pro CCでApple ProRes 422 HQクリップを編集するには、新しいプロジェクトを作成して、適切なビデオフォーマットおよびフレームレートを設定する必要があります。ここでは、クリップをProRes 422 HQ 1080p25に設定します。



Adobe Premiere Pro CCでプロジェクト名およびオプションを設定

- 1 Adobe Premiere Pro CCを起動します。「Welcome」ウィンドウで「New Project」を選択します。プロジェクト設定を含むウィンドウが開きます。
- 2 プロジェクトに名前を付けます。「Browse」ボタンをクリックして使用するフォルダーを選び、プロジェクトの保存先を選択します。保存先フォルダーを選択したら、「New Project」ウィンドウで「OK」をクリックします。
- 3 Adobe Premiere Pro CCのメニューバーへ行き、「File/Import」を選択して編集したいクリップを選択します。「Project」ウィンドウにクリップが表示されます。
- 4 最初に編集したいクリップを、「Project」ウィンドウの右下にある「New Item」アイコンの上にドラッグします。クリップの設定に合った新しいシーケンスが作成されます。

クリップをシーケンス・タイムラインにドラッグして編集を開始できます。

# Developer Information

## Blackmagic Bluetooth Camera Control

Blackmagic cameras with Bluetooth LE implement a variety of features and commands that allow users to control their cameras wirelessly. Developers have full access to these features for their custom applications.

The following services and characteristics describe the full range of communication options that are available to the developer.

### Service: Device Information Service

UUID: 180A

#### Characteristics

##### **Camera Manufacturer**

UUID: 2A29

Read the name of the manufacturer (always “Blackmagic Design”).

##### **Camera Model**

UUID: 2A24

Read the name of the camera model (“URSA Mini”).

### Service: Blackmagic Camera Service

UUID: 291D567A-6D75-11E6-8B77-86F30CA893D3

#### Characteristics

##### **Outgoing Camera Control (encrypted)**

UUID: 5DD3465F-1AEE-4299-8493-D2ECA2F8E1BB

##### **Send Camera Control messages**

These messages are identical to those described in the Blackmagic SDI Camera Control Protocol section below. Please read that section for a list of supported messages and required formatting information.

For an example of how packets are structured, please see the ‘example protocol packets’ section in this document.

##### **Incoming Camera Control (encrypted)**

UUID: B864E140-76A0-416A-BF30-5876504537D9

Request notifications for this characteristic to receive Camera Control messages from the camera.

These messages are identical to those described in the Blackmagic SDI Camera Control Protocol section below. Please read that section for a list of supported messages and required formatting information.

##### **Timecode (encrypted)**

UUID: 6D8F2110-86F1-41BF-9AFB-451D87E976C8

Request notifications for this characteristic to receive timecode updates.

Timecode (HH:MM:SS:mm) is represented by a 32-bit BCD number:  
(eg. 09:12:53:10 = 0x09125310)

### Camera Status (encrypted)

UUID: 7FE8691D-95DC-4FC5-8ABD-CA74339B51B9

Request notifications for this characteristic to receive camera status updates.

The camera status is represented by flags contained in an 8-bit integer:

<b>None</b>	= 0x00
<b>Camera Power On</b>	= 0x01
<b>Connected</b>	= 0x02
<b>Paired</b>	= 0x04
<b>Versions Verified</b>	= 0x08
<b>Initial Payload Received</b>	= 0x10
<b>Camera Ready</b>	= 0x20

Send a value of 0x00 to power a connected camera off.

Send a value of 0x01 to power a connected camera on.

### Device Name

UUID: FFAC0C52-C9FB-41A0-B063-CC76282EB89C

Send a device name to the camera (max. 32 characters).

The camera will display this name in the Bluetooth Setup Menu.

### Protocol Version

UUID: 8F1FD018-B508-456F-8F82-3D392BEE2706

Read this value to determine the camera's supported CCU protocol version.

**NOTE** Encrypted characteristics can only be used once a device has successfully bonded or paired with the Blackmagic Camera. Once a connection has been established, any attempt to write to an encrypted characteristic will initiate bonding. For example, writing a 'Camera Power On' (0x01) message to the Camera Status characteristic.

Once bonding is initiated, the camera will display a 6-digit pin in the Bluetooth Setup Menu. Enter this pin on your device to establish an encrypted connection. The device will now be able to read, write and receive notifications from encrypted characteristics.

## Blackmagic SDI and Bluetooth Camera Control Protocol

### Version 1.4

If you are a software developer you can use the Blackmagic SDI and Bluetooth Camera Control Protocol to construct devices that integrate with our products. Here at Blackmagic Design, our approach is to open up our protocols and we eagerly look forward to seeing what you come up with!

## Overview

This document describes an extensible protocol for sending a unidirectional stream of small control messages embedded in the non-active picture region of a digital video stream. The video stream containing the protocol stream may be broadcast to a number of devices. Device addressing is used to allow the sender to specify which device each message is directed to.

## Assumptions

Alignment and padding constraints are explicitly described in the protocol document. Bit fields are packed from LSB first. Message groups, individual messages and command headers are defined as, and can be assumed to be, 32 bit aligned.

## Blanking Encoding

A message group is encoded into a SMPTE 291M packet with DID/SDID x51/x53 in the active region of VANC line 16.

## Message Grouping

Up to 32 messages may be concatenated and transmitted in one blanking packet up to a maximum of 255 bytes payload. Under most circumstances, this should allow all messages to be sent with a maximum of one frame latency.

If the transmitting device queues more bytes of message packets than can be sent in a single frame, it should use heuristics to determine which packets to prioritize and send immediately. Lower priority messages can be delayed to later frames, or dropped entirely as appropriate.

## Abstract Message Packet Format

Every message packet consists of a three byte header followed by an optional variable length data block. The maximum packet size is 64 bytes.

<b>Destination device (uint8)</b>	Device addresses are represented as an 8 bit unsigned integer. Individual devices are numbered 0 through 254 with the value 255 reserved to indicate a broadcast message to all devices.
<b>Command length (uint8)</b>	The command length is an 8 bit unsigned integer which specifies the length of the included command data. The length does NOT include the length of the header or any trailing padding bytes.
<b>Command id (uint8)</b>	The command id is an 8 bit unsigned integer which indicates the message type being sent. Receiving devices should ignore any commands that they do not understand. Commands 0 through 127 are reserved for commands that apply to multiple types of devices. Commands 128 through 255 are device specific.
<b>Reserved (uint8)</b>	This byte is reserved for alignment and expansion purposes. It should be set to zero.
<b>Command data (uint8[])</b>	The command data may contain between 0 and 60 bytes of data. The format of the data section is defined by the command itself.
<b>Padding (uint8[])</b>	Messages must be padded up to a 32 bit boundary with 0x0 bytes. Any padding bytes are NOT included in the command length.

Receiving devices should use the destination device address and or the command identifier to determine which messages to process. The receiver should use the command length to skip irrelevant or unknown commands and should be careful to skip the implicit padding as well.



# Defined Commands

## Command 0 : change configuration

---

<b>Category (uint8)</b>	The category number specifies one of up to 256 configuration categories available on the device.
<b>Parameter (uint8)</b>	The parameter number specifies one of 256 potential configuration parameters available on the device. Parameters 0 through 127 are device specific parameters. Parameters 128 through 255 are reserved for parameters that apply to multiple types of devices.
<b>Data type (uint8)</b>	The data type specifies the type of the remaining data. The packet length is used to determine the number of elements in the message. Each message must contain an integral number of data elements.

---

### Currently defined values are:

---

<b>0: void / boolean</b>	A void value is represented as a boolean array of length zero. The data field is a 8 bit value with 0 meaning false and all other values meaning true.
<b>1: signed byte</b>	Data elements are signed bytes
<b>2: signed 16 bit integer</b>	Data elements are signed 16 bit values
<b>3: signed 32 bit integer</b>	Data elements are signed 32 bit values
<b>4: signed 64 bit integer</b>	Data elements are signed 64 bit values
<b>5: UTF-8 string</b>	Data elements represent a UTF-8 string with no terminating character.

---

### Data types 6 through 127 are reserved.

---

<b>128: signed 5.11 fixed point</b>	Data elements are signed 16 bit integers representing a real number with 5 bits for the integer component and 11 bits for the fractional component. The fixed point representation is equal to the real value multiplied by $2^{11}$ . The representable range is from -16.0 to 15.9995 ( $15 + 2047/2048$ ).
-------------------------------------	---

---

### Data types 129 through 255 are available for device specific purposes.

---

<b>Operation type (uint8)</b>	The operation type specifies what action to perform on the specified parameter. Currently defined values are:
<b>0: assign value</b>	The supplied values are assigned to the specified parameter. Each element will be clamped according to its valid range. A void parameter may only be 'assigned' an empty list of boolean type. This operation will trigger the action associated with that parameter. A boolean value may be assigned the value zero for false, and any other value for true.
<b>1: offset / toggle value</b>	Each value specifies signed offsets of the same type to be added to the current parameter values. The resulting parameter value will be clamped according to their valid range. It is not valid to apply an offset to a void value. Applying any offset other than zero to a boolean value will invert that value.

---

### Operation types 2 through 127 are reserved.

### Operation types 128 through 255 are available for device specific purposes.

---

<b>Data (void)</b>	The data field is 0 or more bytes as determined by the data type and number of elements.
--------------------	--

---

The category, parameter, data type and operation type partition a 24 bit operation space.

Group	ID	Parameter	Type	Index	Minimum	Maximum	Interpretation	
Lens	0.0	Focus	fixed16	–	0.0	1.0	0.0 = near, 1.0 = far	
	0.1	Instantaneous autofocus	void	–	–	–	trigger instantaneous autofocus	
	0.2	Aperture (f-stop)	fixed16	–	-1.0	16.0	Aperture Value (where fnumber = $\sqrt{2^{AV}}$ )	
	0.3	Aperture (normalised)	fixed16	–	0.0	1.0	0.0 = smallest, 1.0 = largest	
	0.4	Aperture (ordinal)	int16	–	0	n	Steps through available aperture values from minimum (0) to maximum (n)	
	0.5	Instantaneous auto aperture	void	–	–	–	trigger instantaneous auto aperture	
	0.6	Optical image stabilisation	boolean	–	–	–	true = enabled, false = disabled	
	0.7	Set absolute zoom (mm)	int16	–	0	max	Move to specified focal length in mm, from minimum (0) to maximum (max)	
	0.8	Set absolute zoom (normalised)	fixed16	–	0.0	1.0	Move to specified focal length: 0.0 = wide, 1.0 = tele	
0.9	Set continuous zoom (speed)	fixed16	–	-1.0	+1.0	Start/stop zooming at specified rate: -1.0 = zoom wider fast, 0.0 = stop, +1 = zoom tele fast		
Video	1.0	Video mode	int8	[0] = frame rate	–	–	fps as integer (eg 24, 25, 30, 50, 60)	
				[1] = M-rate	–	–	0 = regular, 1 = M-rate	
				[2] = dimensions	–	–	0 = NTSC, 1 = PAL, 2 = 720, 3 = 1080, 4 = 2kDCI, 5 = 2k16:9, 6 = UHD, 7 = 3k Anamorphic, 8 = 4k DCI, 9 = 4k 16:9, 10 = 4.6k 2.4:1, 11 = 4.6k	
				[3] = interlaced	–	–	0 = progressive, 1 = interlaced	
				[4] = Color space	–	–	0 = YUV	
	1.1	Gain (up to Camera 4.9)	int8			1	128	1x, 2x, 4x, 8x, 16x, 32x, 64x, 128x gain
	1.2	Manual White Balance	int16	[0] = color temp	2500	10000		Color temperature in K
			int16	[1] = tint	-50	50		tint
	1.3	Set auto WB	void	–	–	–	–	Calculate and set auto white balance
	1.4	Restore auto WB	void	–	–	–	–	Use latest auto white balance setting
1.5	Exposure (us)	int32			1	42000	time in us	
1.6	Exposure (ordinal)	int16	–		0	n	Steps through available exposure values from minimum (0) to maximum (n)	
1.7	Dynamic Range Mode	int8 enum	–		0	2	0 = film, 1 = video, 2 = extended video	
1.8	Video sharpening level	int8 enum	–		0	3	0 = off, 1 = low, 2 = medium, 3 = high	

Group	ID	Parameter	Type	Index	Minimum	Maximum	Interpretation
Video	1.9	Recording format	int16	[0] = file frame rate	–	–	fps as integer (eg 24, 25, 30, 50, 60, 120)
				[1] = sensor frame rate	–	–	fps as integer, valid when sensor-off-speed set (eg 24, 25, 30, 33, 48, 50, 60, 120), no change will be performed if this value is set to 0
				[2] = frame width	–	–	in pixels
				[3] = frame height	–	–	in pixels
				[4] = flags	–	–	[0] = file-M-rate
					–	–	[1] = sensor-M-rate, valid when sensor-off-speed-set
					–	–	[2] = sensor-off-speed
					–	–	[3] = interlaced
	–	–	[4] = windowed mode				
	1.10	Set auto exposure mode	int8	–	0	4	0 = Manual Trigger, 1 = Iris, 2 = Shutter, 3 = Iris + Shutter, 4 = Shutter + Iris
	1.11	Shutter angle	int32	–	100	36000	Shutter angle in degrees, multiplied by 100
	1.12	Shutter speed	int32	–	Current sensor frame rate	5000	Shutter speed value as a fraction of 1, so 50 for 1/50th of a second
	1.13	Gain	int8	–	-128	127	Gain in decibel (dB)
	1.14	ISO	int32	–	0	2147483647	ISO value
	1.15	Display LUT	int8	[0] = selected LUT	–	–	0 = None, 1 = Custom, 2 = film to video, 3 = film to extended video
[1] = enabled or not				–	–	0 = Not enabled, 1 = Enabled	
Audio	2.0	Mic level	fixed16	–	0.0	1.0	0.0 = minimum, 1.0 = maximum
	2.1	Headphone level	fixed16	–	0.1	1.0	0.0 = minimum, 1.0 = maximum
	2.2	Headphone program mix	fixed16	–	0.1	1.0	0.0 = minimum, 1.0 = maximum
	2.3	Speaker level	fixed16	–	0.1	1.0	0.0 = minimum, 1.0 = maximum
	2.4	Input type	int8	–	0	3	0 = internal mic, 1 = line level input, 2 = low mic level input, 3 = high mic level input
	2.5	Input levels	fixed16	[0] ch0	0.0	1.0	0.0 = minimum, 1.0 = maximum
				[1] ch1	0.0	1.0	0.0 = minimum, 1.0 = maximum
	2.6	Phantom power	boolean	–	–	–	true = powered, false = not powered

Group	ID	Parameter	Type	Index	Minimum	Maximum	Interpretation
Output	3.0	Overlay enables	uint16 bit field	–	–	–	bit flags: [0] = display status, [1] = display frame guides Some cameras don't allow separate control of frame guides and status overlays.
	3.1	Frame guides style (Camera 3.x)	int8	–	0	8	0 = HDTV, 1 = 4:3, 2 = 2.4:1, 3 = 2.39:1, 4 = 2.35:1, 5 = 1.85:1, 6 = thirds
	3.2	Frame guides opacity (Camera 3.x)	fixed16	–	0.1	1.0	0.0 = transparent, 1.0 = opaque
	3.3	Overlays (replaces .1 and .2 above from Cameras 4.0)	int8	[0] = frame guides style [1] = frame guide opacity [2] = safe area percentage [3] = grid style	– 0 0 –	– 100 100 –	0 = off, 1 = 2.4:1, 2 = 2.39:1, 3 = 2.35:1, 4 = 1.85:1, 5 = 16:9, 6 = 14:9, 7 = 4:3, 8 = 2:1, 9 = 4:5, 10 = 1:1 0 = transparent, 100 = opaque percentage of full frame used by safe area guide (0 means off) bit flags: [0] = display thirds, [1] = display cross hairs, [2] = display center dot, [3] = display horizon
Display	4.0	Brightness	fixed16	–	0.0	1.0	0.0 = minimum, 1.0 = maximum
	4.1	Exposure and focus tools	int16 bit field	0x1 = zebra, 0x2 = focus assist, 0x4 = false color	–	–	0 = disable, 1 = enable
	4.2	Zebra level	fixed16	–	0.0	1.0	0.0 = minimum, 1.0 = maximum
	4.3	Peaking level	fixed16	–	0.0	1.0	0.0 = minimum, 1.0 = maximum
	4.4	Color bar enable	int8	–	0	30	0 = disable bars, 1-30 = enable bars with timeout (seconds)
	4.5	Focus Assist	int8	[0] = focus assist method [1] = focus line color	– –	– –	0 = Peak, 1 = Colored lines 0 = Red, 1 = Green, 2 = Blue, 3 = White, 4 = Black
4.6	Program return feed enable	int8	–	0	30	0 = disable, 1-30 = enable with timeout (seconds)	
Tally	5.0	Tally brightness	fixed16	–	0.0	1.0	Sets the tally front and tally rear brightness to the same level. 0.0 = minimum, 1.0 = maximum
	5.1	Front tally brightness	fixed16	–	0.0	1.0	Sets the tally front brightness. 0.0 = minimum, 1.0 = maximum
	5.2	Rear tally brightness	fixed16	–	0.0	1.0	Sets the tally rear brightness. 0.0 = minimum, 1.0 = maximum Tally rear brightness cannot be turned off

Group	ID	Parameter	Type	Index	Minimum	Maximum	Interpretation
Reference	6.0	Source	int8 enum	–	0	2	0 = internal, 1 = program, 2 = external
	6.1	Offset	int32	–	–	–	+/- offset in pixels
Confi- guration	7.0	Real Time Clock	int32	[0] time	–	–	BCD - HHMMSSFF (UCT)
				[1] date	–	–	BCD - YYYYMMDD
	7.1	System language	string	[0-1]	–	–	ISO-639-1 two character language code
	7.2	Timezone	int32	–	–	–	Minutes offset from UTC
	7.3	Location	int64	[0] latitude	–	–	BCD - s0DDddddddddddd where s is the sign: 0 = north (+), 1 = south (-); DD degrees, ddddddddddd decimal degrees
				[1] longitude	–	–	BCD - sDDDddddddddddd where s is the sign: 0 = west (-), 1 = east (+); DDD degrees, ddddddddddd decimal degrees
Color Correction	8.0	Lift Adjust	fixed16	[0] red	-2.0	2.0	default 0.0
				[1] green	-2.0	2.0	default 0.0
				[2] blue	-2.0	2.0	default 0.0
				[3] luma	-2.0	2.0	default 0.0
	8.1	Gamma Adjust	fixed16	[0] red	-4.0	4.0	default 0.0
				[1] green	-4.0	4.0	default 0.0
				[2] blue	-4.0	4.0	default 0.0
				[3] luma	-4.0	4.0	default 0.0
	8.2	Gain Adjust	fixed16	[0] red	0.0	16.0	default 1.0
				[1] green	0.0	16.0	default 1.0
				[2] blue	0.0	16.0	default 1.0
				[3] luma	0.0	16.0	default 1.0
	8.3	Offset Adjust	fixed16	[0] red	-8.0	8.0	default 0.0
				[1] green	-8.0	8.0	default 0.0
				[2] blue	-8.0	8.0	default 0.0
				[3] luma	-8.0	8.0	default 0.0
	8.4	Contrast Adjust	fixed16	[0] pivot	0.0	1.0	default 0.5
				[1] adj	0.0	2.0	default 1.0
	8.5	Luma mix	fixed16	–	0.0	1.0	default 1.0
	8.6	Color Adjust	fixed16	[0] hue	-1.0	1.0	default 0.0
[1] sat				0.0	2.0	default 1.0	
8.7	Correction Reset Default	void	–	–	–	reset to defaults	

Group	ID	Parameter	Type	Index	Minimum	Maximum	Interpretation
Media	10.0	Codec	int8 enum	[0] = basic codec	-	-	0 = CinemaDNG, 1 = DNxHD, 2 = ProRes, 3 = Blackmagic RAW
				[1] = code variant	-	-	CinemaDNG: 0 = uncompressed, 1 = lossy 3:1, 2 = lossy 4:1
					-	-	ProRes: 0 = HQ, 1 = 422, 2 = LT, 3 = Proxy, 4 = 444, 5 = 444XQ
					-	-	Blackmagic RAW: 0 = Q0, 1 = Q5, 2 = 3:1, 3 = 5:1, 4 = 8:1, 5 = 12:1
	10.1	Transport mode	int8	[0] = mode	-	-	0 = Preview, 1 = Play, 2 = Record
				[1] = speed	-	-	-ve = multiple speeds backwards, 0 = pause, +ve = multiple speeds forwards
				[2] = flags	-	-	1<<0 = loop, 1<<1 = play all, 1<<5 = disk1 active, 1<<6 = disk2 active, 1<<7 = time-lapse recording
				[3] = slot 1 storage medium	-	-	0 = CFast card, 1 = SD, 2 = SSD Recorder
				[4] = slot 2 storage medium	-	-	0 = CFast card, 1 = SD, 2 = SSD Recorder
	10.2	Playback Control	int8 enum	[0] = clip	-	-	0 = Previous, 1 = Next
PTZ Control	11.0	Pan/Tilt Velocity	fixed 16	[0] = pan velocity	-1.0	1.0	-1.0 = full speed left, 1.0 = full speed right
				[1] = tilt velocity	-1.0	1.0	-1.0 = full speed down, 1.0 = full speed up
	11.1	Memory Preset	int8 enum	[0] = preset command	-	-	0 = reset, 1 = store location, 2 = recall location
			int8	[1] = preset slot	0	5	-

## Example Protocol Packets

Operation	Packet Length	Byte															
		0	1	2	3	4	5	6	7	8	9	10	11	12	13	14	15
		header command data															
		destination	length	command	reserved	category	parameter	type	operation								
trigger instantaneous auto focus on camera 4	8	4	4	0	0	0	1	0	0								
turn on OIS on all cameras	12	255	5	0	0	0	6	0	0	1	0	0	0				
set exposure to 10 ms on camera 4 (10 ms = 10000 us = 0x00002710)	12	4	8	0	0	1	5	3	0	0x10	0x27	0x00	0x00				
add 15% to zebra level (15 % = 0.15 f = 0x0133 fp)	12	4	6	0	0	4	2	128	1	0x33	0x01	0	0				
select 1080p 23.98 mode on all cameras	16	255	9	0	0	1	0	1	0	24	1	3	0	0	0	0	
subtract 0.3 from gamma adjust for green & blue (-0.3 ~ = 0xfd9a fp)	16	4	12	0	0	8	1	128	1	0	0	0x9a	0xfd	0x9a	0xfd	0	0
all operations combined	76	4	4	0	0	0	1	0	0	255	5	0	0	0	6	0	0
		1	0	0	0	4	8	0	0	1	5	3	0	0x10	0x27	0x00	0x00
		4	6	0	0	4	2	128	1	0x33	0x01	0	0	255	9	0	0
		1	0	1	0	24	1	3	0	0	0	0	0	4	12	0	0
		8	1	128	1	0	0	0x9a	0xfd	0x9a	0xfd	0	0				

## Blackmagic Tally Control Protocol

### Version 1.0 (30/04/14)

This section is for third party developers or anybody who may wish to add support for the Blackmagic Tally Control Protocol to their products or system. It describes the protocol for sending tally information embedded in the non-active picture region of a digital video stream.

### Data Flow

A master device such as a broadcast switcher embeds tally information into its program feed which is broadcast to a number of slave devices such as cameras or camera controllers. The output from the slave devices is typically fed back to the master device, but may also be sent to a video monitor.

The primary flow of tally information is from the master device to the slaves. Each slave device may use its device id to extract and display the relevant tally information.



Slave devices pass through the tally packet on their output and update the monitor tally status, so that monitor devices connected to that individual output may display tally status without knowledge of the device id they are monitoring.

## Assumptions

Any data alignment / padding is explicit in the protocol. Bit fields are packed from LSB first.

## Blanking Encoding

One tally control packet may be sent per video frame. Packets are encoded as a SMPTE 291M packet with DID/SDID x51/x52 in the active region of VANC line 15. A tally control packet may contain up to 256 bytes of tally information.

## Packet Format

Each tally status consists of 4 bits of information:

```
uint4
    bit 0:  program tally status (0=off, 1=on)
    bit 1:  preview tally status (0=off, 1=on)
    bit 2-3: reserved (0x0)
```

The first byte of the tally packet contains the monitor device tally status and a version number.

Subsequent bytes of the tally packet contain tally status for pairs of slave devices. The master device sends tally status for the number of devices configured/supported, up to a maximum of 510.

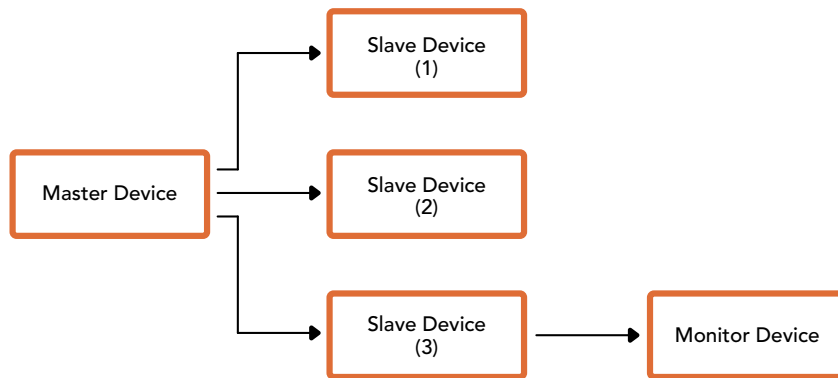
struct tally

```
uint8
    bit 0:  monitor device program tally status (0=off, 1=on)
    bit 1:  monitor device preview tally status (0=off, 1=on)
    bit 2-3: reserved (0b00)
    bit 4-7: protocol version (0b0000)

uint8[0]
    bit 0:  slave device 1 program tally status (0=off, 1=on)
    bit 1:  slave device 1 device preview tally status (0=off, 1=on)
    bit 2-3: reserved (0b00)
    bit 4:  slave device 2 program tally status (0=off, 1=on)
    bit 5:  slave device 2 preview tally status (0=off, 1=on)
    bit 6-7: reserved (0b00)

uint8[1]
    bit 0:  slave device 3 program tally status (0=off, 1=on)
    bit 1:  slave device 3 device preview tally status (0=off, 1=on)
    bit 2-3: reserved (0b00)
    bit 4:  slave device 4 program tally status (0=off, 1=on)
    bit 5:  slave device 4 preview tally status (0=off, 1=on)
    bit 6-7: reserved (0b00)
```

...



Byte	7 MSB	6	5	4	3	2	1	0 LSB
0	Version (0b0)	Version (0b0)	Version (0b0)	Version (0b0)	Reserved (0b0)	Reserved (0b0)	Monitor Preview	Monitor Program
1	Reserved (0b0)	Reserved (0b0)	Slave 1 Preview	Slave 1 Program	Reserved (0b0)	Reserved (0b0)	Slave 0 Preview	Slave 0 Program
2	Reserved (0b0)	Reserved (0b0)	Slave 3 Preview	Slave 3 Program	Reserved (0b0)	Reserved (0b0)	Slave 2 Preview	Slave 2 Program
3	...							

# Blackmagic URSA Mini B4 Mount

Blackmagic URSA Mini PLモデルのPLマウントは取り外し、オプションのB4マウントに交換できます。このマウントは、URSA Mini ProのB4マウントとは若干異なります。例えば、URSA Mini ProのEFボタンリリース・ハウジングのためにネジ穴の位置が異なります。必要なシムの厚みも異なります。URSA Mini PLでB4レンズを使用する場合、正確なマウントを選択することが重要です。

URSA Mini PLモデルのB4マウントは、Blackmagic Design販売店で購入できます。

B4マウントを使用すると、URSA Mini PLに一般的なパーフォーカルレンズを装着でき、ENGスタイルの収録が可能になります。パーフォーカルレンズではズーム倍率を変更してもフォーカスが保持されるため、スピーディで効率的なフォーカス合わせが可能です。望遠レンズを最大限にズームインしてフォーカスを合わせることで、最大限のズームから最大限の広視野まで倍率を変更しても、被写体に対するフォーカスは維持されます。その際は、B4レンズの後側焦点（またはフランジ焦点距離）も正しく設定する必要があります。

## B4レンズマウントの取り付け

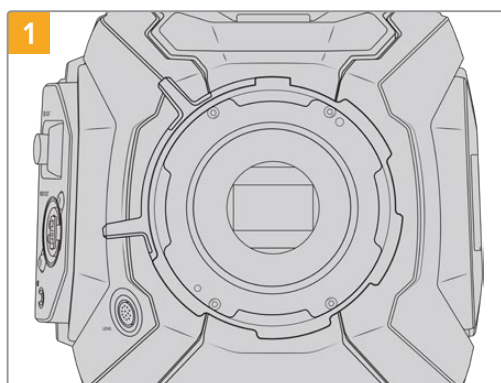
URSA Mini B4 Mountには、2枚の0.50mmシムが同梱されています。これらのシムは、URSA Mini PLレンズマウントの後ろにマウントされた既存の0.50mmシムと併せて取り付けられるように設計されています。これら合計3枚の0.50mmシムを使用して、最適な後側焦点が得るための間隔を調整できます。また、B4ズームレンズのマウント側にある後側焦点リングを調整すると、さらなる微調整が可能です。

URSA MiniでB4レンズを使用することで、スチルレンズでは不可能な様々なショットを撮影できます。

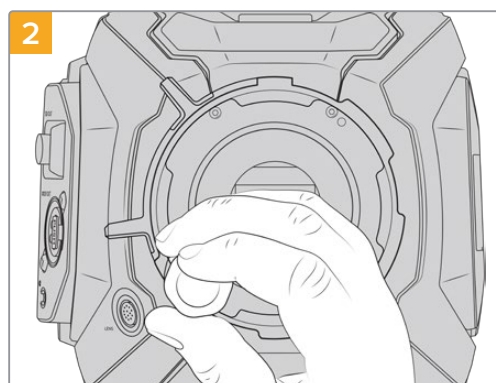
URSA Mini B4 Mountを装着するには、最大トルク0.45Nmに正確に設定できるトルクレンチと2.0mmの六角ドライバーが必要です。



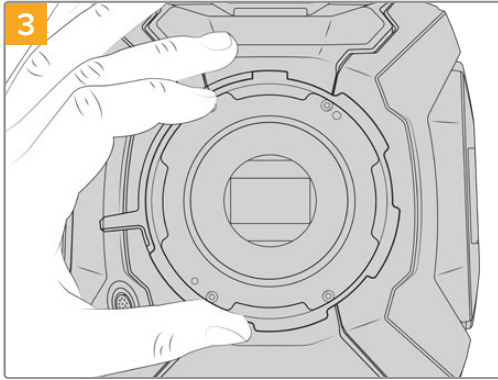
Blackmagic URSA Mini B4 Mountを装着するには、最大トルク0.45Nmに正確に設定できるトルクレンチと2.0mmの六角ドライバーが必要



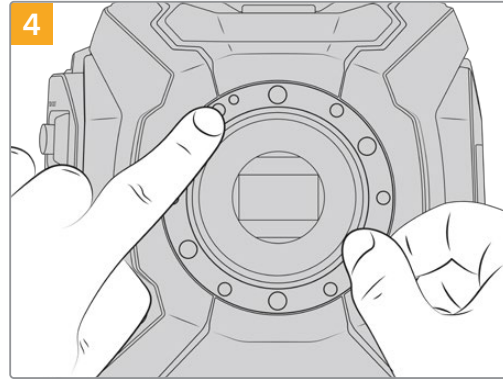
1  
Blackmagic URSA Mini PLを清潔で安定した台に置き、レンズあるいはダストキャップを外します。シムの調整中はセンサーを覆うガラスのフィルターがむき出しになるので、フィルターをできる限り清潔に保つようにしてください。B4マウントを装着する際は、フィルターに触れないようにしてください。



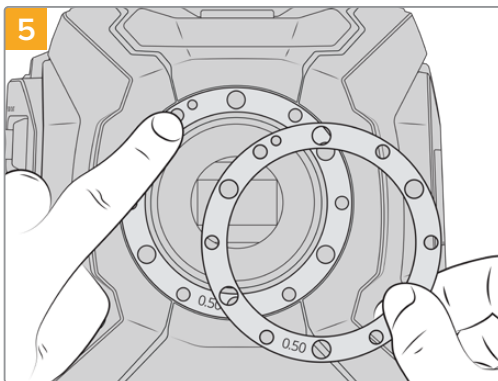
2  
2.0mmの六角ドライバーで6本のPLマウントネジを取り外します。ネジにアクセスするために、PLロックリングを時計回り/反時計回りに回す必要がある場合があります。



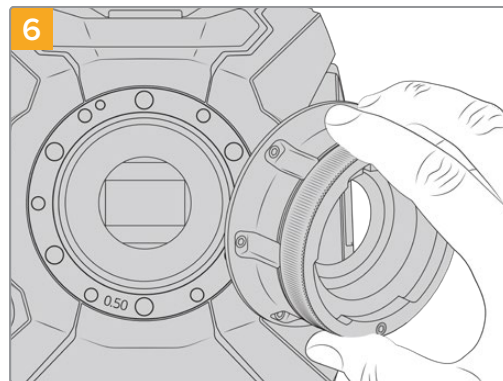
3  
 レンズマウントを注意深くカメラ筐体から取り外します。取り外したネジは、レンズマウントと共に保管してください。



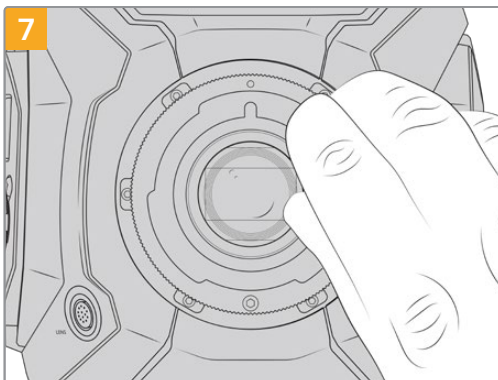
4  
 装着されている0.50mmシムは、11時の位置にアライメントピンがあります。



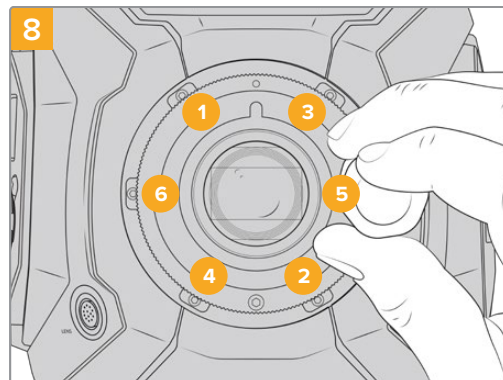
5  
 Blackmagic URSA Mini B4 Mountに同梱されている2枚の0.50mmシムを、既存の0.50mmシムの上に重ねます。これにより、フランジ焦点距離を最適にするのに必要な間隔が得られます。



6  
 カメラ筐体にBlackmagic URSA Mini B4 Mountを慎重に取り付け、スロットとアライメントピンを11時の位置で揃えます。



7  
 2mmの六角ドライバーまたは0.45Nmに設定したトルクレンチで、レンズマウントのベースと接触するまで、6本のマウントネジを緩く締めます。ネジを締めるには、PLロックリングを回すことで隠れたネジ穴が確認できます。



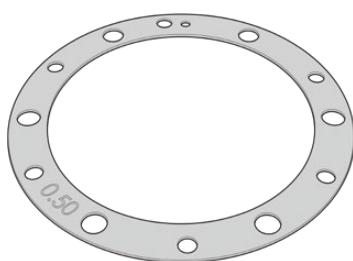
8  
 レンズマウントが水平で、正しい位置に収まったら、上記の順番でネジを締めていきます。その際は、すべて同じ強さで締め、締め過ぎに注意してください。

# レンズマウントのシム調整

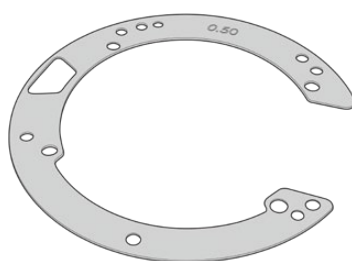
## シムとは

シムは、様々な厚みの薄いディスクです。レンズとURSA Miniのセンサー間の距離を微調整するために使用します。この距離は、フランジ焦点距離または後側焦点として知られており、レンズの古さや撮影のコンディションなどの可変要因によりわずかに変動します。下記のURSA Miniモデルは、シムを使って後側焦点を簡単に調整できるように設計されています。

- URSA Mini PL 4K
- URSA Mini PL 4.6K
- URSA Mini Pro 4.6K
- URSA Mini Pro 4.6K G2



URSA Mini Shim



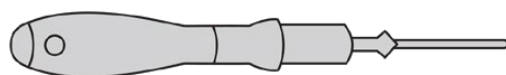
URSA Mini Pro Shim

シムは、レンズマウントとカメラ筐体の間に設置して、被写体からセンサーまでの距離をレンズのフォーカスマークと一致させます。これらは通常PLレンズに使用されています。こういったシネマレンズはマニュアルでフォーカスを行ない、レンズバレルの焦点距離のマークが極めて正確です。URSA Mini Proの交換可能なレンズマウントにもシムは使用できます。

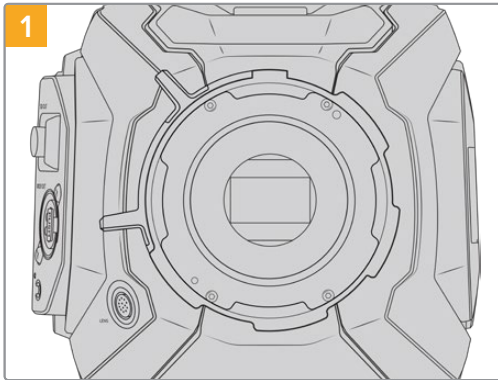
Blackmagic URSA Miniには0.50mmのシムが既に装着されています。Blackmagic URSA Mini Pro Shim Kitには様々な厚さのシムが含まれており、Blackmagic Designの取り扱い販売店で購入できます。URSA Mini Proのすべてのマウントキットにも、シムセットは含まれています。後側焦点の要件に応じた厚さのシムを使用してください。

## URSA Mini PLのシム調整

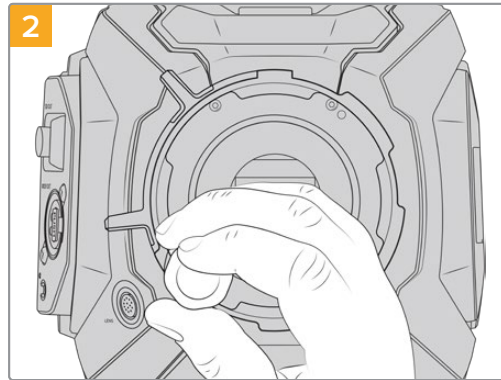
カメラのPLマウントにシムを装着するには、最大トルク0.45Nmに正確に設定できるトルクレンチ、2.0mmの六角ドライバーが必要です。



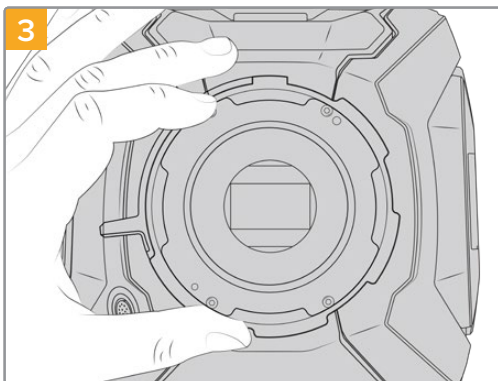
トルクレンチ



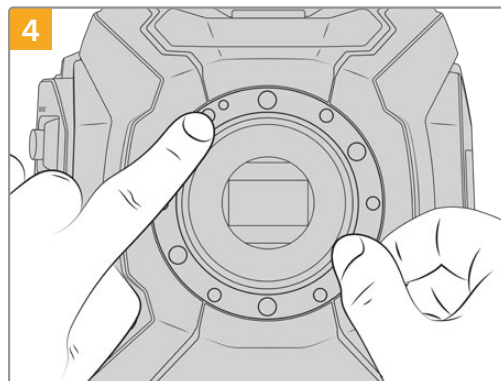
清潔で安定した台に、レンズを上にしてURSA Mini PLを置き、レンズあるいはダストキャップを外します。シムの調整中はセンサーを覆うガラスのフィルターがむき出しになるので、フィルターをできる限り清潔に保つようにしてください。PLマウントにシムを装着する際、フィルターに触れないようにしてください。



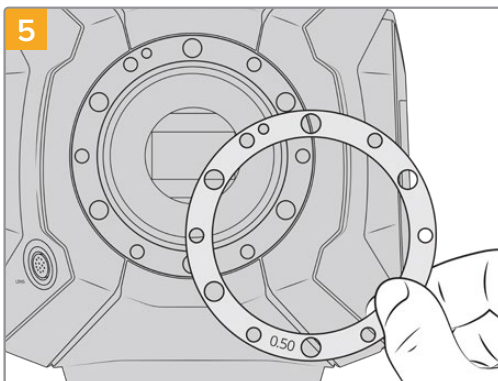
2.0mm六角ドライバーを使って6本のPLマウントネジを取り外します。ネジにアクセスするために、PLロックリングを時計回り/反時計回りに回す必要がある場合があります。



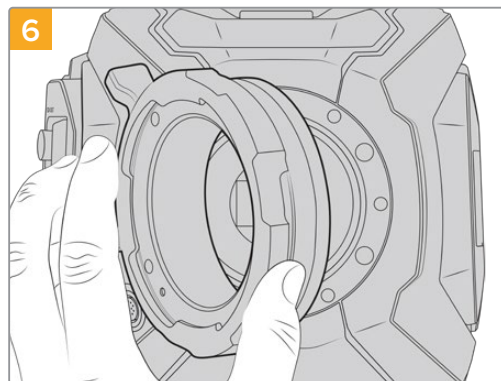
レンズマウントを注意深くカメラ筐体から取り外します。取り外したネジは、レンズマウントと共に保管してください。



装着されている0.50mmシムは、11時の位置にアライメントピンがあります。

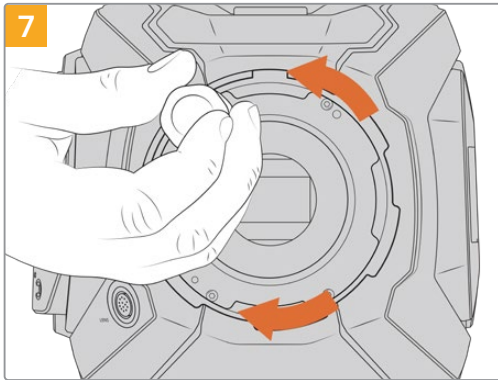


シムは0.10mmずつ追加/取り除き、カメラを組み立て直した際にフォーカスマークと一致しているかレンズのチェックを行なってください。シムを取り除くには、例えば0.50mmシムを0.40mmシムと交換して0.10mmずつ変更を加えます。

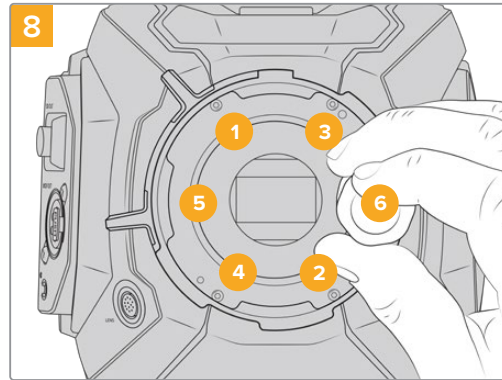


Blackmagic URSA Mini ProのPLレンズマウントをカメラ本体に慎重に取り付けます。





2mmの六角ドライバーまたは0.45Nmに設定したトルククレンチで、レンズマウントのベースと接触するまで、マウントネジを緩く締めます。

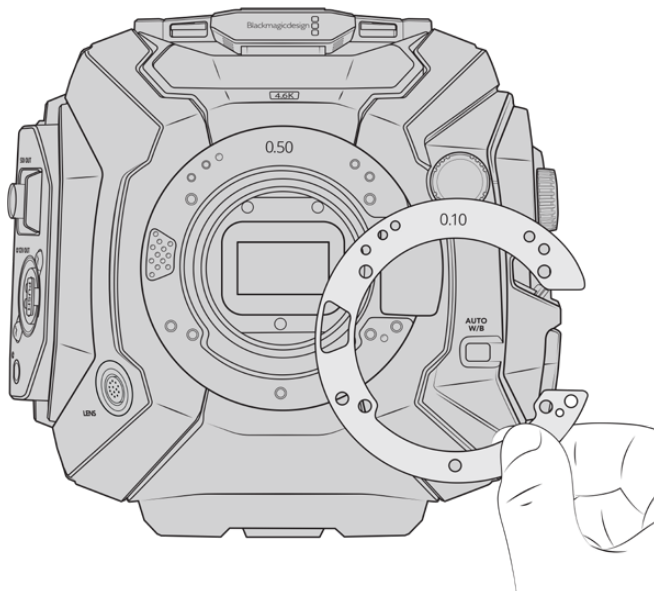


レンズマウントが水平で、正しい位置に収まったら、上記の順番でネジを締めていきます。その際は、すべて同じ強さで締め、締め過ぎに注意してください。

## URSA Mini Proのシム調整

URSA Mini Proのシム調整はURSA Mini PLとほとんど同じです。唯一の違いは、シムの形状だけです。URSA Mini Proでシム調整を行うには、取り付けられたレンズマウントを取り外し、URSA Mini PLでのシム調整と同様にシムの追加や除去を行ない、その後マウントを交換または取り付けます。

URSA Mini Proのレンズマウントの取り付けに関する詳細は、このマニュアルの「交換可能なレンズマウント」セクションを参照してください。



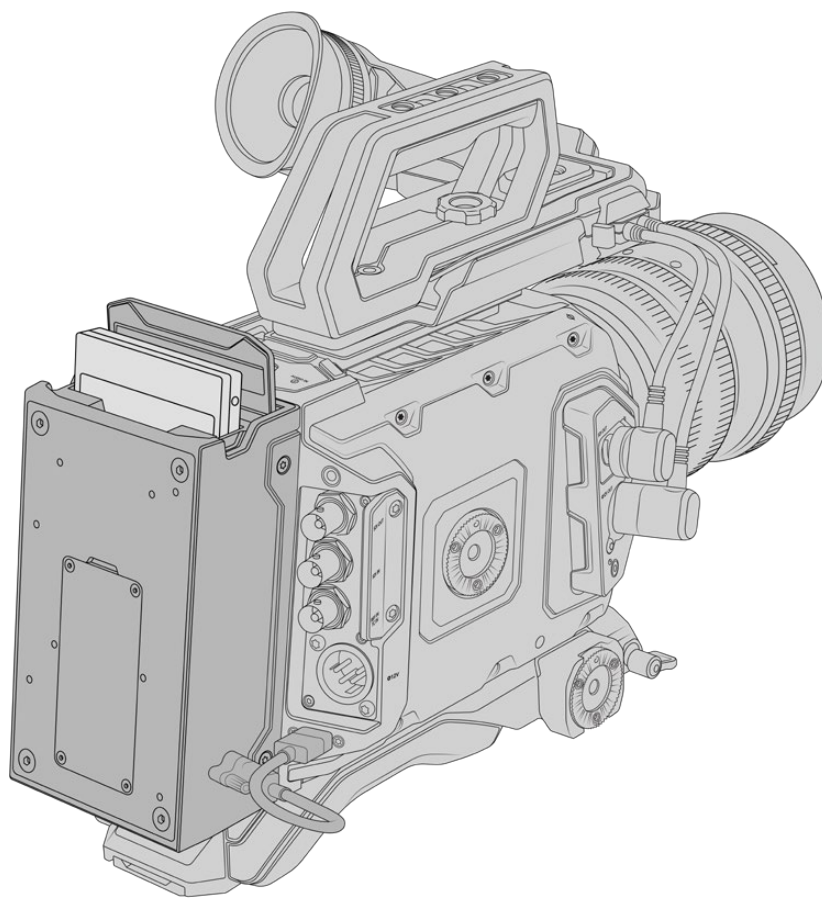
EFマウントのレンズリリースのメカニズムが機能するように、URSA Mini ProのシムはC型の形状になっています。これにより、シムがフィットするのは一方のみなので取り付けが簡単です。それ以外の取り付け方法は、URSA Mini PLと同じです。



# URSA Mini Recorder

Blackmagic URSA Mini RecorderはURSA Mini Pro 12Kの背面に取り付けるオプションのモジュールです。このレコーダーは、フッテージ (12K Blackmagic RAWファイルを含む) を、安価な大容量ソリッドステート・ドライブ (SSD) に収録します。

**メモ** URSA Mini Recorderは、URSA Mini Pro 4.6K G2、URSA Mini Pro 4.6K、URSA Mini 4.6K、URSA Mini 4Kで使用するように設計されています。URSA Mini Pro 4.6K、URSA Mini 4.6K、URSA Mini 4Kとは互換性がありません。



**URSA Mini Recorderの取り付けには、以下の工具が必要です：**

- プラスドライバー x1
- T10トルクスドライバー x1
- 2mm六角ドライバー x1

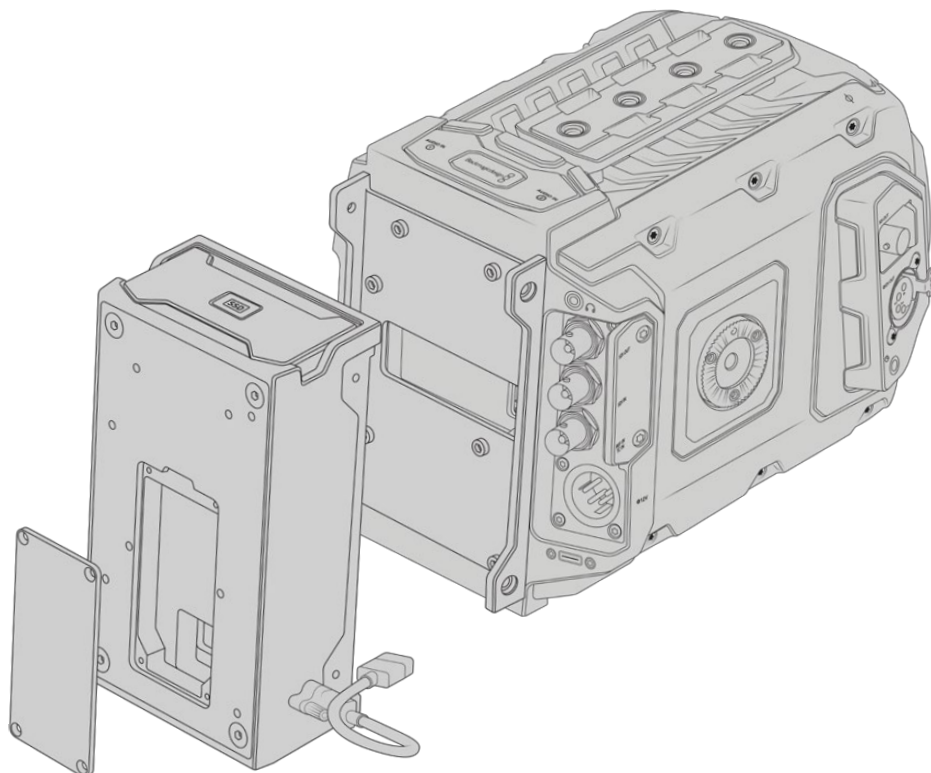


URSA Mini SSD RecorderをURSA Miniに取り付けるには、大きめのプラスドライバー、T10トルクスドライバー、2mm六角ドライバーが必要です。

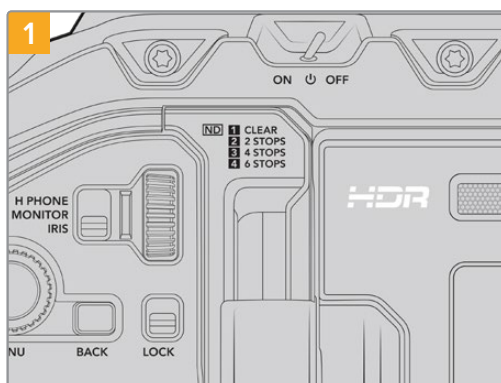
## URSA Mini Recorderのマウントおよび接続

URSA Mini RecorderはURSA Miniのカメラ本体の背面にマウントします。カメラの背面にあるUSB-Cデータポートを介してURSA Mini Recorderとデータ通信を行います。

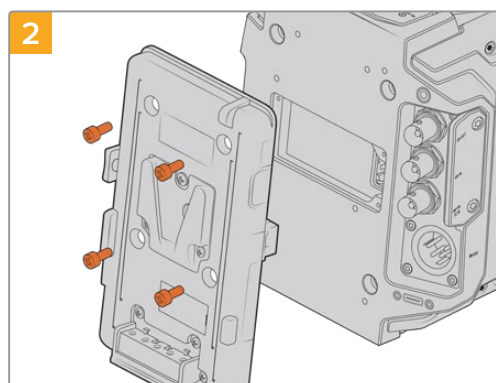
**作業のこつ** URSA Mini Recorderはカメラのバッテリーに給電を行うパススルーケーブルに対応しているため、Vマウントやゴールドマウントバッテリーをカメラの背面のレコーダーの後ろに取り付けられます。



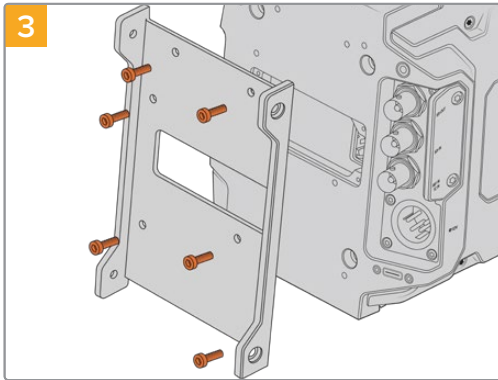
URSA Mini Recorderをマウントおよび接続する：



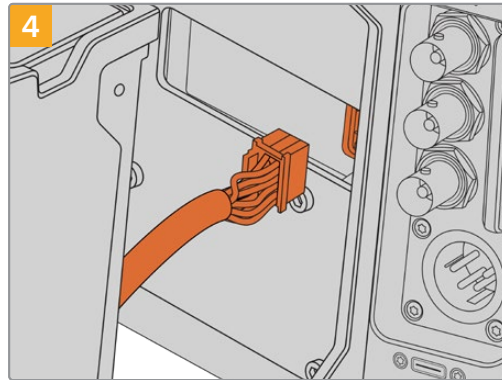
電源スイッチを「OFF」にしてURSA Mini Proの電源を切ります。



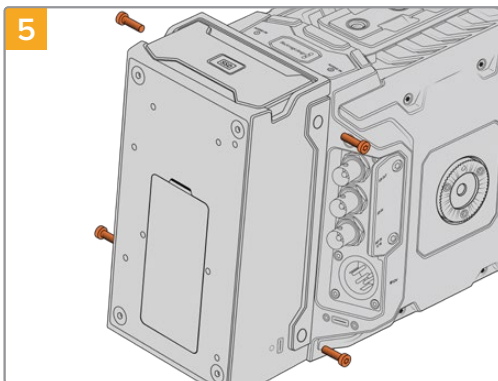
カメラに現在マウントされているバッテリープレートを取り外します。バッテリープレートのマウント/取り外しに関しては、このマニュアルの「バッテリーのマウント」セクションを参照してください。



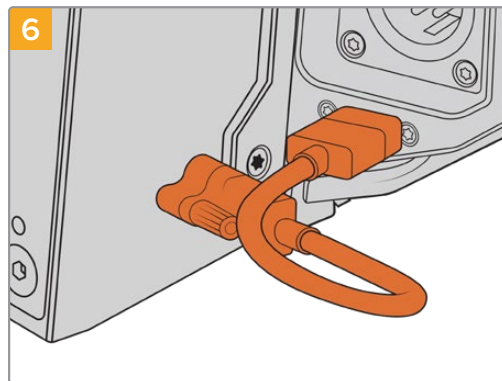
3 URSA Mini Recorderのマウント用ブラケットを6本のT10トルクスネジで取り付けます。



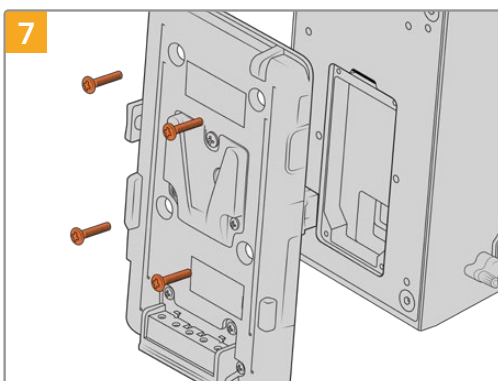
4 URSA Mini RecorderのMolexコネクタをカメラのリアパネルのMolexソケットに差し込みます。



5 マウント用ブラケットの左右に1本ずつ、計2本のT10トルクスネジを使って、URSA Mini Recorderを固定します。



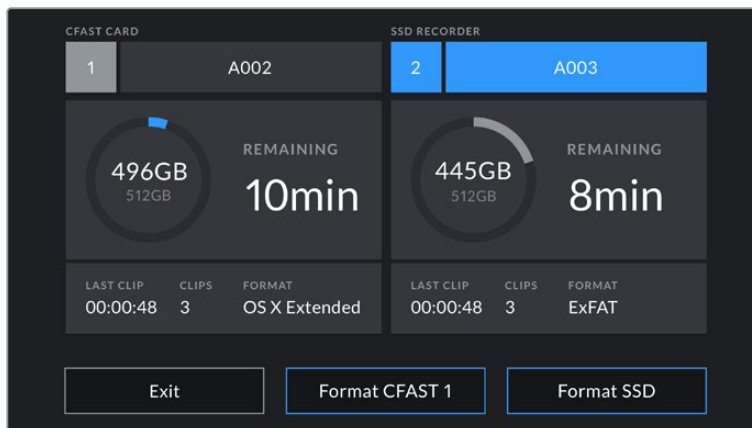
6 Mini RecorderのUSB-CケーブルをURSA Mini Pro 12Kの背面にあるUSB-Cデータポートに接続します。指または2mmの六角ドライバーでコネクタのロックを締めます。URSA Mini Pro 4.6K G2と使用する場合は、長めのUSB-Cケーブルを使用して、CFastスロットの上にあるUSB-Cポートに接続します。



7 URSA Mini Recorderと共にバッテリープレートを使用するには、2mmの六角ドライバーでMolexソケットのカバーパネルを固定している4本のM3ネジを外します。Molexソケットのカバーを取り外したら、このマニュアルの「バッテリーのマウント」セクションで説明されている手順に従ってバッテリープレートを取り付けます。

## URSA Mini Recorderを使う

URSA Mini Recorderが接続され、SSDが差し込まれると、URSA Miniの2番目のストレージスロットの代わりにレコーダーが使用されます。URSA Mini Recorder使用時には、カメラのストレージ管理のロット2に「SSD」と表示されます。



URSA Mini RecorderにSSDが差し込まれると、カメラのストレージ管理のロット2は「SSDレコーダー (SSD RECORDER)」と表示

つまり、USB-Cフラッシュディスクでの収録、再生、ストレージの管理は、CFast、SDカード、SSDの使用時と全く同じです。ストレージ管理に関する概要、SSDの選択についての詳細なガイドラインは「ストレージメディア」セクションを参照してください。

### ステータスLED

URSA Mini Recorderは、左側にSSD用のステータスライトを1つ搭載しています。このライトは、カメラの「セットアップ (SETUP)」メニューでオン/オフの切り替えが可能で、明るさの設定は「低 (Low)」、「中 (Medium)」、「高 (High)」から選択できます。

### SSD

SSDインジケータは現在、差し込まれているSSDのステータスを示すインジケータです。LEDインジケータの表示の種類には下記があります：

<b>緑</b>	SSDが挿入されるとURSA Mini Recorderのインジケータは短時間、緑に点灯します。これは、SSD検証中に点灯します。SSDレコーダーの収録準備が完了するとインジケータが消えます。SSDのフッターの再生中もライトが緑に点灯します。
<b>赤</b>	SSDへの収録中は、URSA Mini Recorderのインジケータは赤く点灯します。SSDの空き容量が少なくなると、赤いライトがゆっくりと点滅します。ライトが高速に点滅する場合はSSDでコマ落ちが発生しています。その際には、推奨SSDリストに記載されているSSDを使用しているか、またメディアに互換しているデータレートで収録しているかを確認してください。
<b>オレンジ</b>	SSDをマウント中に問題が発生するとライトがオレンジになります。これは、フォーマット方法が不適切であるか、互換性のないSSDが挿入されていることを意味します。互換性のあるSSDのリストおよびフォーマット方法に関しては「ストレージメディア」セクションを参照してください。

**作業のこつ** SSDのLEDがドライブのマウントエラーを示している場合、MacのディスクユーティリティまたはPCのディスクの管理を使って初期化が必要な可能性があります。

## URSA Mini Recorderの内部ソフトウェアのアップデート

URSA Mini Recorderのアップデートには、Blackmagic Camera Setup Utilityソフトウェアを使用します。アップデートはURSA Mini Recorderに電源が入った状態で行う必要があるため、アップデート中はURSA Mini RecorderとURSA Mini Pro 12Kを接続したままにしておくことをお勧めします。安定した電源供給を得るため、カメラを外部電源またはバッテリーパックに接続してください。

コンピューターをUSB-CケーブルでURSA Mini Recorderに接続し、Blackmagic Camera Setup Utilityを起動します。URSA Mini Recorderが古いバージョンを使用していることをコンピューターが検出すると、アップデートを推奨するメッセージが表示されます。スクリーンの指示に従い、URSA Mini Recorderの内部ソフトウェアをアップデートします。

**メモ** 詳細は、このマニュアルの「Blackmagic Camera Setup Utility」セクションを参照してください。

**作業のこつ** パフォーマンスを最適化するため、Blackmagic URSAシリーズすべての機器をアップデートすることをお勧めします。

## ヘルプ

すぐに情報が必要な方は、Blackmagic Designオンラインサポートページで、Blackmagic Cameraの最新サポート情報を確認できます。

### Blackmagic Designオンラインサポートページ

最新のマニュアル、ソフトウェア、サポートノートは、[www.blackmagicdesign.com/jp/support](http://www.blackmagicdesign.com/jp/support)のBlackmagicサポートセンターで確認できます。

### Blackmagic Designサポートに連絡する

サポートページで必要な情報を得られなかった場合は、サポートページの「メールを送信」ボタンを使用して、サポートのリクエストをメール送信してください。あるいは、サポートページの「お住まいの地域のサポートオフィス」をクリックして、お住まいの地域のBlackmagic Designサポートオフィスに電話でお問い合わせください。

### 現在インストールされているソフトウェアのバージョンを確認する

コンピューターにインストールされているBlackmagic Camera Setup Utilityのソフトウェアバージョンを確認するには、「About Blackmagic Camera Utility」ウィンドウを開きます。

- Macでは、アプリケーションフォルダーから「Blackmagic Camera Utility」を開きます。アプリケーションメニューから「About Blackmagic Camera Utility」を選択し、バージョンを確認します。
- Windowsでは、スタートメニューあるいはスタート画面から「Blackmagic Camera Utility」を開きます。ヘルプメニューをクリックして「About Blackmagic Camera Utility」を選択し、バージョンを確認してください。

### 最新のソフトウェアアップデートを入手する

コンピューターにインストールされたBlackmagic Camera Utilityのバージョンを確認した後、Blackmagicサポートセンター ([www.blackmagicdesign.com/jp/support](http://www.blackmagicdesign.com/jp/support)) で最新のソフトウェアアップデートをチェックしてください。常に最新のソフトウェアを使用することを推奨しますが、重要なプロジェクトの実行中は、ソフトウェアのアップデートは行わない方がよいでしょう。



## 規制に関する警告



### 欧州連合内での電気機器および電子機器の廃棄処分

製品に記載されている記号は、当該の機器を他の廃棄物と共に処分してはならないことを示しています。機器を廃棄するには、必ずリサイクルのために指定の回収場所に引き渡してください。機器の廃棄において個別回収とリサイクルが行われることで、天然資源の保護につながり、健康と環境を守る方法でリサイクルが確実に行われるようになります。廃棄する機器のリサイクルのための回収場所に関しては、お住まいの地方自治体のリサイクル部門、または製品を購入した販売業者にご連絡ください。



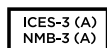
この機器は、FCC規定の第15部に準拠し、クラスAデジタル機器の制限に適合していることが確認されています。これらの制限は、商用環境で機器を使用している場合に有害な干渉に対する妥当な保護を提供するためのものです。この機器は無線周波エネルギーを生成、使用、放出する可能性があります。また、指示に従ってインストールおよび使用しない場合、無線通信に有害な干渉を引き起こす恐れがあります。住宅地域で当製品を使用すると有害な干渉を引き起こす可能性があり、その場合はユーザーが自己責任で干渉に対処する必要があります。

本機の動作は次の2つを条件とします：

- 1 本機は、有害な干渉を起こさない。
- 2 本機は希望しない動作を発生しかねない干渉を含む、いかなる受信干渉も受け入れる必要がある。



MSIP-REM-BMD-201511002  
MSIP-REM-BMD-201608001  
MSIP-REM-BMD-201703001  
R-R-BMD-201907006  
R-R-BMD-20200421001  
R-R-BMD-20200421002



### ISED Canadaステートメント

本機は、カナダのクラスAデジタル機器の規格に準拠しています。

本機のいかなる改造、あるいは目的の用途以外での使用は、これらの規格への順守を無効にすることがあります。

本機は、商用環境で目的の用途に順守した使用においてテストを行なっています。

### Bluetooth®

URSA Mini ProはBluetoothワイヤレステクノロジーが有効化されている製品です。

次のFCC IDの無線モジュールを含む：QOQBGM113

本機は、制御されていない環境に対して規定されたFCC被曝制限に準拠しています。

次のICの無線モジュールを含む：5123A-BGM113

本機は、カナダ産業省（IC）のライセンス免除RSS規格に準拠しており、RSS-102 Issue 5に明記されている定期的なSAR試験の免除の上限規定を順守しています。

技術基準適合証明番号：209-J00204 本機は、電波法の技術基準適合照得文を取得した特定無線設備です。

本モジュールは韓国のKCマークを取得しています。MSIP-CRM-BGT-BGM113

Blackmagic Designは、URSA Mini Proが2.4GHz帯ISMバンドの広帯域伝送システムを使用しており、無線機器指令2014/53/EUに準拠することをここに宣言します。

EUの「適合宣言」文書の全文は、[compliance@blackmagicdesign.com](mailto:compliance@blackmagicdesign.com)から入手できます。



## 安全情報

同梱のBlackmagic URSA Mini、URSA Mini ProのAC-12V DC電源、およびBlackmagic Studio Fiber ConverterのIEC電源ケーブルは、必ず保護接地のある主電源のコンセントに接続してください。

Blackmagic URSA Mini、URSA Mini ProおよびCamera Fiber Converterは、周囲温度が最高40°Cまでの熱帯地区での使用に適しています。Blackmagic Studio Fiber Converterは、周囲温度が最高50°Cまでの熱帯地区での使用に適しています。

通気が妨げられないように、Blackmagic Studio Fiber ConverterおよびCamera Fiber Converterの周囲は通気に十分なスペースを開けるようにしてください。Studio Fiber Converterをラックマウントする際は、隣接する機器で通気が妨げられないようにしてください。

Blackmagic URSA Mini、URSA Mini Pro、Camera Fiber Converter、Studio Fiber Converterには、ユーザーが保守できる部品はありません。サービスに関しては、お近くのBlackmagic Designのサービスセンターにお問い合わせください。

### カリフォルニア州ステートメント

この製品のユーザーは、プラスチック部品内の微量の多臭素化ビフェニルなどの化学物質にさらされる可能性があります。カリフォルニア州は、多臭素化ビフェニルは発がん性があり、先天異常や生殖機能へ危害を及ぼす物質であると認識しています。

詳細は、以下のウェブサイトをご確認ください。[www.P65Warnings.ca.gov](http://www.P65Warnings.ca.gov)

### Blackmagic URSA Mini、URSA Mini Pro

日が当たる条件では、カメラやリチウム電池が長期にわたって太陽光にさらされないように、カメラに日よけを使用したり、日陰に移すなどの考慮をしてください。リチウム電池は、あらゆる熱源に近づけないでください。

12V DC出力コネクタはBlackmagic URSA ViewfinderまたはBlackmagic URSA Studio Viewfinderの電源供給に適しています。同コネクタに、その他のアクセサリを接続している場合、必ず電源消費量が18W未満であるようにしてください。



### Blackmagic Studio Fiber Converter

感電のリスクを減らすため、水が跳ねたり、滴るような場所には置かないでください。海拔2000m以上では使用しないでください。

### Blackmagic Camera Fiber Converter

Blackmagic Studio Fiber Converterに接続されている場合のみ、コンバーターを使用してください。通常の使用条件で、コンバーターはBlackmagic Studio Fiber Converterから危険なレベルの電圧を受電できるように設計されています。

# 保証

## 限定保証

Blackmagic Designは、お買い上げの日から12ヶ月間、本製品の部品および仕上がりについて瑕疵がないことを保証します。この保証期間内に製品に瑕疵が見つかった場合、Blackmagic Designは弊社の裁量において部品代および人件費無料で該当製品の修理、あるいは製品の交換のいずれかで対応いたします。

この保証に基づいたサービスを受ける際、お客様は必ず保証期限終了前にBlackmagic Designに瑕疵を通知し、保証サービスの手続きを行ってください。お客様の責任において不良品を梱包し、Blackmagic Designが指定するサポートセンターへ送料前払で送付いただきますようお願い致します。理由の如何を問わず、Blackmagic Designへの製品返送のための送料、保険、関税、税金、その他すべての費用はお客様の自己負担となります。

不適切な使用、または不十分なメンテナンスや取扱いによる不具合、故障、損傷に対しては、この保証は適用されません。Blackmagic Designはこの保証で、以下に関してサービス提供義務を負わないものとします。a) 製品のインストールや修理、サービスを行うBlackmagic Design販売代理人以外の者によって生じた損傷の修理、b) 不適切な使用や互換性のない機器への接続によって生じた損傷の修理、c) Blackmagic Designの部品や供給品ではない物を使用して生じたすべての損傷や故障の修理、d) 改造や他製品との統合により時間増加や製品の機能低下が生じた場合のサービス。

Blackmagic URSA Viewfinderを直射日光にさらすとレンズが拡大鏡と同じように作用し、ビューファインダーのディスプレイが損傷する恐れがあります。フレームガイドなど、静止画像や高コントラスト画像を長時間にわたって有機ELディスプレイに表示すると、残像や焼き付きが生じる原因となります。これらの現象を避けるため、ユーザーを検知するIRセンサーが何かで覆われていないことを確認し、カメラを長期間にわたって使用しない場合はビューファインダーを取り外してください。残像等の問題は製品保証に含まれません。

この保証はBlackmagic Designが保証するもので、明示または黙示を問わず他の保証すべてに代わるものです。Blackmagic Designとその販売社は、商品性と特定目的に対する適合性のあらゆる黙示保証を拒否します。製品保証期間は、Blackmagic Designの不良品の修理あるいは交換の責任が、お客様に提供される完全唯一の救済手段となります。Blackmagic Designは、特別に、間接的、偶発的、または結果的に生じる損害に対して、Blackmagic Designあるいは販売社がそのような損害の可能性についての事前通知を得ているか否かに関わらず、一切の責任を負いません。Blackmagic Designはお客様による機器のあらゆる不法使用に対して責任を負いません。Blackmagic Designは本製品の使用により生じるあらゆる損害に対して責任を負いません。使用者は自己の責任において本製品を使用するものとします。

© Copyright 2020 Blackmagic Design 著作権所有、無断複写・転載を禁じます。「Blackmagic Design」、「URSA」、「DeckLink」、「HDLink」、「Workgroup Videohub」、「Multibridge Pro」、「Multibridge Extreme」、「Intensity」、「Leading the creative video revolution」は、米国ならびにその他諸国での登録商標です。その他の企業名ならびに製品名全てはそれぞれ関連する会社の登録商標である可能性があります。

Bluetooth®のワードマークおよびロゴはBluetooth SIG, Inc.が所有する登録商標であり、Blackmagic Designはこれらのマークをライセンスに基づいて使用しています。その他の商標およびトレードネームは、それぞれの所有者に帰属します。





# Manuel d'installation et d'utilisation

# **Blackmagic URSA Mini**

# **et URSA Mini Pro**

Inclut les Blackmagic URSA Viewfinder et URSA Studio Viewfinder, le URSA Mini Shoulder Kit, les montures d'objectif URSA Mini, les Blackmagic Camera Fiber Converter et Studio Fiber Converter et le URSA Mini Recorder.

Septembre 2020

Français



## Bienvenue

Nous vous remercions d'avoir fait l'acquisition d'une Blackmagic URSA Mini !

Depuis le lancement de notre première caméra numérique professionnelle, il y a quelques années, nous avons eu la chance de recevoir plus de conseils et de commentaires que pour n'importe quel autre produit ! Nous avons tous grandi en admirant le travail des plus grands réalisateurs et directeurs de la photographie et nous avons été honorés de pouvoir discuter pendant des heures avec ces légendes du monde du cinéma afin d'améliorer encore davantage nos caméras. Et bien entendu, chacun a apporté sa pierre à l'édifice !

La nouvelle URSA Mini contient des capteurs à large plage dynamique dans un format compact et un boîtier robuste en métal usiné.

L'interface de la URSA Mini a été conçue pour les utilisateurs solos qui ont besoin d'un accès facile et rapide aux fonctionnalités de la caméra. Sa compatibilité avec les mélangeurs ATEM permet d'utiliser des images de qualité numérique Super 35 pour la production en direct. Vous pouvez même utiliser les Blackmagic Fiber Converters pour connecter votre URSA Mini à un mélangeur de production en direct via un seul câble fibre optique SMPTE.

De plus, la URSA Mini est disponible avec un capteur 4K, un capteur 4.6K qui intègre une plage dynamique encore plus étendue, ou un capteur 12K révolutionnaire ! Quand nous avons développé le Blackmagic URSA Viewfinder, nous avons tenu compte des commentaires que nous avons reçus et nous avons choisi de le concevoir de façon à offrir plus de précision et de flexibilité aux opérateurs indépendants qui tournent à l'épaule.

La URSA Mini Pro offre une excellente qualité d'image et intègre des fonctionnalités supplémentaires, telles que des commandes ergonomiques, des montures d'objectif interchangeable et des filtres ND internes. Si vous avez déjà utilisé des caméras ENG, vous trouverez certainement les commandes et les filtres ND intégrés très puissants. Nous sommes très heureux de présenter le codec Blackmagic RAW qui offre la polyvalence du traitement RAW dans un seul fichier et une augmentation des performances dans une taille de fichier réduite, même lorsque vous travaillez sur des images filmées avec la puissante Blackmagic URSA Mini Pro 12K.

Nous espérons que la URSA Mini et la URSA Mini Pro vous permettront de produire des films, des séries télévisées, des clips musicaux et des spots publicitaires de qualité ! Nous attendons avec impatience de découvrir vos projets et de recevoir vos idées concernant de nouvelles fonctionnalités !

**Grant Petty**

PDG de Blackmagic Design



# Sommaire

<b>Quelle caméra utilisez-vous ?</b>	588	Écran tactile	655
URSA Mini Pro	589	Caractéristiques de l'écran tactile	655
URSA Mini	590	<b>Menu Paramètres</b>	677
<b>Mise en route</b>	590	Menu de navigation	677
Monter un objectif	590	Paramètres d'enregistrement	678
Alimenter la caméra	594	Convention de dénomination des fichiers	684
<b>Support de stockage</b>	597	Paramètres du moniteur (Monitor)	685
Cartes CFast	597	Paramètres Audio	694
Cartes SD	601	Paramètres audio de la URSA Mini	694
Disques flash USB-C	606	Paramètres audio de la URSA Mini Pro	696
SSD	608	Paramètres de l'onglet Setup	698
Préparer le support pour l'enregistrement	610	Préréglages	712
Préparer un support sur la Blackmagic URSA Mini	610	Onglet LUTS	714
Préparer un support sur la Blackmagic URSA Mini Pro	612	<b>Saisie des métadonnées</b>	718
Préparer le support sur Mac	613	<b>Utiliser des objectifs à zoom motorisé</b>	724
Préparer le support sur Windows	614	<b>Sortie vidéo de la caméra</b>	727
<b>Enregistrer</b>	615	Sortie de monitoring HD	727
Enregistrement des clips	615	Sortie 12G-SDI	727
Choisir le Codec, la Résolution et la Surface du capteur	615	<b>Kit épaulière URSA Mini Shoulder Mount Kit</b>	729
Blackmagic RAW	617	<b>Blackmagic URSA Viewfinder</b>	733
Enregistrer en Blackmagic RAW	618	Monter et connecter le viseur à la Blackmagic URSA	733
Choisir la fréquence d'images	621	Ajuster l'ocilleton	734
Déclencher l'enregistrement	624	Boutons de fonction	734
Tableaux des durées d'enregistrement	625	Menu de paramétrage	735
Tableaux des débits de données pour la URSA Mini Pro 12K	628	<b>Blackmagic URSA Studio Viewfinder</b>	740
<b>Lecture</b>	631	Monter et connecter le viseur à la Blackmagic URSA Mini	741
<b>Découvrir la URSA Mini</b>	633	Régler le Blackmagic URSA Studio Viewfinder	743
Face avant de la caméra	633	Boutons de fonction	746
Face gauche – URSA Mini	634	Menu de paramétrage	748
Face gauche – URSA Mini Pro	634	<b>Fixer des batteries</b>	753
Face droite	636	Monter des batteries V-mount ou Gold Mount	753
Face arrière	637	Utiliser votre propre support pour batterie	754
Face supérieure	639	<b>Blackmagic Fiber Converters</b>	756
Face inférieure	639	<b>Mise en route des Blackmagic Fiber Converters</b>	757
<b>Commandes de la URSA Mini</b>	640	À propos de la fibre SMPTE	757
Boutons de contrôle	640	Connecter la fibre optique SMPTE	759
<b>Boutons de contrôle de la URSA Mini Pro</b>	643	Connecter un mélangeur ATEM	762
Panneau de contrôle avant	643	Pourquoi les connexions sont à l'avant ?	763
Panneau de contrôle ergonomique	647	Brancher la caméra via SDI	764
Panneau de contrôle interne	652	Brancher les sorties SDI de retour	764
<b>Commandes de l'écran tactile</b>	655		

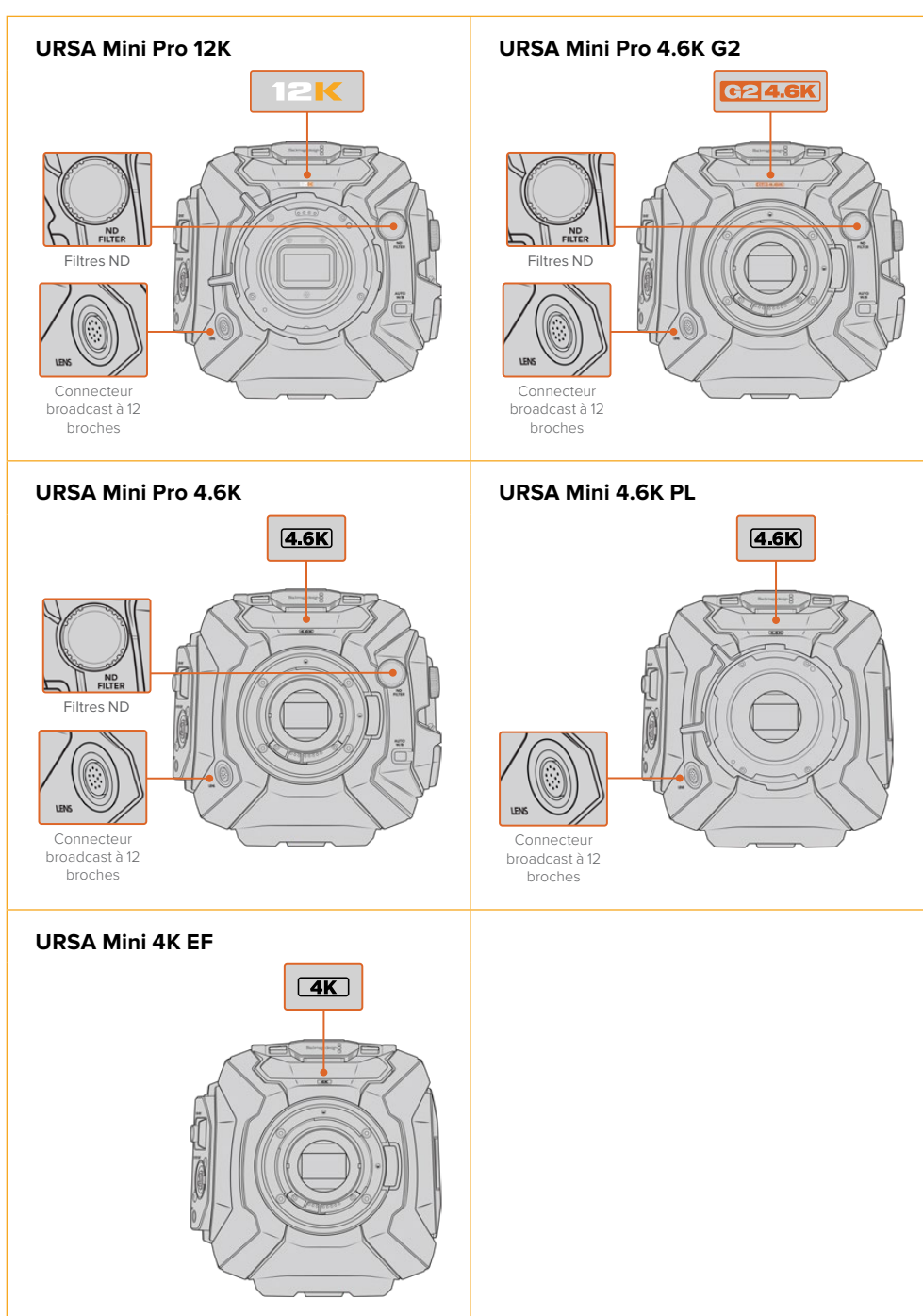
Fixer le Blackmagic Camera Fiber Converter	764	Ajouter des clips à la timeline	807
Monter un URSA Studio Viewfinder	767	Monter des clips dans la timeline	808
Brancher un casque pour le réseau d'ordres	767	Ajouter des titres	808
<b>Fonctionnement du Camera Fiber Converter</b>	768	Travailler avec des fichiers Blackmagic RAW	809
Sélectionner une voie de retour	768	Étalonner vos clips avec la page Étalonnage	812
Utiliser le bouton Call	769	Ajouter une Power Window	816
Utiliser le réseau d'ordres	769	Utilisation de plug-ins	817
Utilisation du Tally	770	Mixer l'audio	818
Voyants d'état	770	Ajouter des VFX et des compositions sur la page Fusion	823
Entrées audio	771	Mastériser votre montage	831
Vidéo IP	772	Exportation rapide	831
Spécifications pour l'alimentation	772	Page Exportation	832
Travailler avec une équipe réduite	773	<b>Comprendre la fonction Camera Control</b>	833
<b>Fonctionnement du Studio Fiber Converter</b>	774	Utilisation de la fonction Camera Control	834
Utiliser le menu	775	Outil d'étalonnage primaire de DaVinci Resolve	840
Monter le Studio Fiber Converter sur un rack	778	<b>L'utilitaire Blackmagic Camera Setup</b>	843
<b>Connexions du Camera Fiber Converter</b>	782	<b>Travailler avec un logiciel tiers</b>	845
Connexion pour l'alimentation de la caméra	782	Travailler avec des fichiers provenant de cartes CFast 2.0 et de cartes SD	845
Interface PTZ	782	Travailler avec des fichiers enregistrés sur disque SSD	846
Connexion pour le réseau d'ordres	783	Utiliser Final Cut Pro X	846
Interface Tracker	784	Utiliser Avid Media Composer 2018	847
Connexion DC	784	Utiliser Adobe Premiere Pro CC	848
Sortie D-Tap	785	<b>Developer Information</b>	849
Sortie de référence	785	Blackmagic Bluetooth Camera Control	849
<b>Connexions du Studio Fiber Converter</b>	786	Blackmagic SDI and Bluetooth Camera Control Protocol	851
Sortie 12G-SDI	786	Example Protocol Packets	858
Entrées de retour SDI	786	Blackmagic Tally Control Protocol	858
Entrée et sortie de référence	787	<b>Blackmagic URSA Mini B4 Mount</b>	861
Interface du réseau d'ordres	787	<b>Calage des montures</b>	863
Interface PTZ	789	Calage de la monture d'objectif PL sur votre URSA Mini	863
Sorties audio	789	Calage de la URSA Mini Pro	865
<b>Mettre à jour le logiciel interne</b>	790	<b>URSA Mini Recorder</b>	866
Mettre à jour le Blackmagic Camera Fiber Converter	790	Monter et connecter le URSA Mini Recorder	867
Mettre à jour le Blackmagic Studio Fiber Converter	790	Utiliser un URSA Mini Recorder	869
<b>Monture d'objectif interchangeable</b>	791	Mettre à jour le logiciel interne du URSA Mini Recorder	870
Blackmagic URSA Mini Pro PL Mount	793	<b>Assistance</b>	871
Blackmagic URSA Mini Pro F Mount	795	<b>Avis réglementaires</b>	872
Blackmagic URSA Mini Pro EF Mount	798	<b>Informations de sécurité</b>	873
Blackmagic URSA Mini Pro B4 Mount	800	<b>Garantie</b>	874
Kit de calage Blackmagic URSA Mini Pro	802		
<b>Utiliser DaVinci Resolve</b>	803		
Gestionnaire de projet	803		
Monter avec la page Cut	804		

## Quelle caméra utilisez-vous ?

Vous verrez en lisant ce manuel que certaines fonctionnalités sont conçues spécialement pour une caméra Blackmagic URSA Mini en particulier. Toutes les caméras URSA Mini produisent des images d'une qualité exceptionnelle et disposent d'une large plage dynamique, tout en conservant le même boîtier. Cependant, les modèles comprennent des différences.

### Les modèles disponibles sont

- URSA Mini Pro 12K
- URSA Mini Pro 4.6K G2
- URSA Mini Pro 4.6K
- URSA Mini 4.6K
- URSA Mini 4K

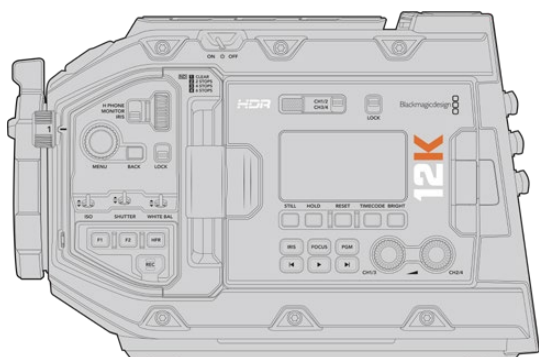




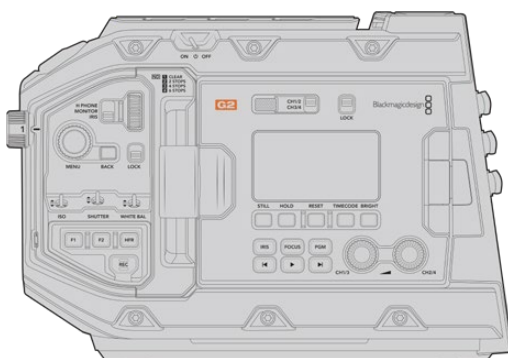
## URSA Mini Pro

La URSA Mini Pro 12K est dotée d'une monture d'objectif PL, tandis que la URSA Mini Pro 4.6K G2 et la URSA Mini Pro 4.6K d'une monture EF. Vous pouvez changer la monture d'objectif sur toutes les caméras URSA Mini Pro afin qu'elles soient compatibles avec d'autres types d'objectifs. Pour plus d'informations sur la monture d'objectif interchangeable, consultez la section « Monture d'objectif interchangeable ».

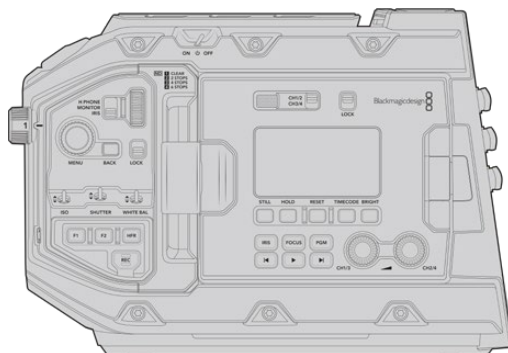
La URSA Mini Pro est facile à reconnaître, car elle comporte des boutons de commande additionnels, un écran d'état sur la face gauche du boîtier ainsi que des filtres ND à côté de la monture d'objectif. La URSA Mini Pro 4.6K G2 comprend l'icône orange « G2 4.6K » sur la face avant, au-dessus de la monture d'objectif et l'icône orange « G2 » sur le côté gauche du panneau de contrôle externe. Bien entendu, les boutons supplémentaires permettent d'accéder à des options différentes pour contrôler la caméra et changer les paramètres. Sur le côté du panneau de contrôle externe de la URSA Mini Pro 12K, vous trouverez les icônes « 12K » et « HDR ». La face arrière de la URSA Mini Pro 12K comprend une prise pour casque dans le coin supérieur droit, au-dessus des ports SDI, et un port USB-C dans le coin inférieur droit, au-dessous du connecteur d'alimentation 12V.



URSA Mini Pro 12K, face gauche



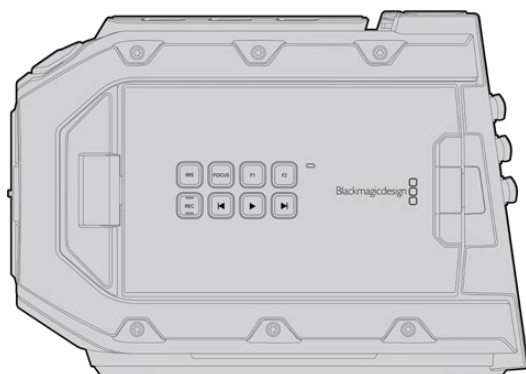
URSA Mini Pro 4.6K G2, face gauche



URSA Mini Pro 4.6K, face gauche

## URSA Mini

En dehors des capteurs utilisés, les modèles URSA Mini 4K et 4.6K sont quasiment identiques. Les boutons de commande et les menus à l'écran sont similaires et les caméras s'opèrent de la même façon. La caméra équipée du capteur 4.6K comporte simplement davantage d'options de résolution, et un plus grand nombre de paramètres ISO. L'icône 4K ou 4.6K située au-dessus de la monture d'objectif permet de savoir quel capteur vous utilisez.



URSA Mini, face gauche

Les caméras URSA Mini sont disponibles avec des montures d'objectif EF et PL. Si la monture comporte un connecteur d'objectif broadcast à 12 broches, il s'agit d'une monture d'objectif PL. Vous pouvez également différencier le type de modèle simplement en regardant la monture. Pour plus d'information concernant les montures d'objectif, consultez la section « Mise en route » de ce manuel.

Maintenant que vous savez comment identifier les différents modèles de caméras URSA Mini, vous pouvez commencer à utiliser votre caméra.

## Mise en route

Pour commencer à utiliser votre Blackmagic URSA Mini, il suffit de monter un objectif et de charger votre caméra.

### Monter un objectif

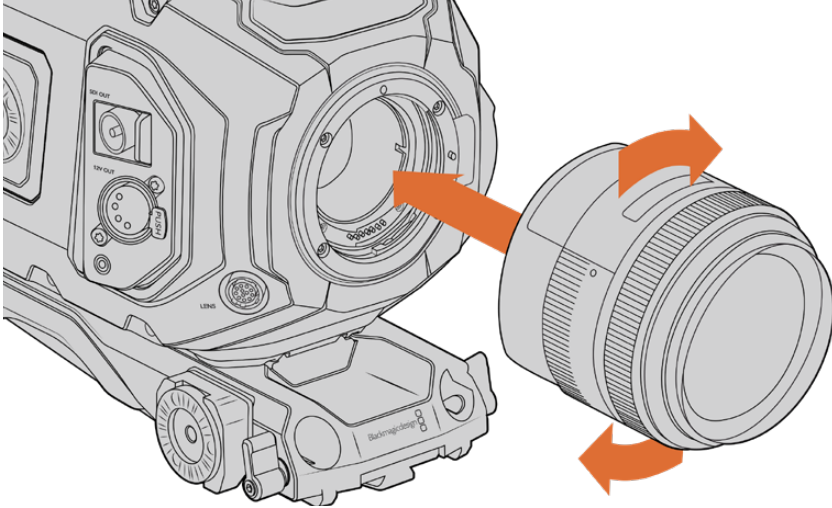
Monter un objectif sur la caméra est similaire pour toutes les caméras URSA Mini. Cependant, les montures EF, PL, B4 et F fonctionnent de manière légèrement différente. Dans tous les cas, la première étape consiste à retirer le cache de protection de la monture.

Pour retirer le cache de protection de la monture d'objectif EF, maintenez le bouton de verrouillage enfoncé et tournez le cache dans le sens inverse des aiguilles d'une montre jusqu'à ce qu'il soit libéré. Pour les montures PL et B4, faites tourner la bague de blocage dans le sens inverse des aiguilles d'une montre et retirez le cache de protection. Pour la monture F, maintenez le bouton de verrouillage enfoncé et tournez le cache dans le sens des aiguilles d'une montre jusqu'à ce qu'il soit libéré.

**REMARQUE** La Blackmagic URSA Mini Pro est équipée d'une monture d'objectif interchangeable qui peut accueillir des objectifs EF, PL, B4 et F ainsi que d'autres montures d'objectifs avec leurs accessoires. Pour en savoir plus sur l'installation des différents types de montures sur la URSA Mini Pro, consultez la section « Monture d'objectif interchangeable » de ce manuel.

**CONSEIL** La URSA Mini Pro 12K est équipée d'une monture PL. Les autres caméras URSA Mini Pro sont configurées pour être utilisées avec un objectif EF. Pour commencer à tourner directement, il suffit de monter un objectif comme indiqué ci-dessous.

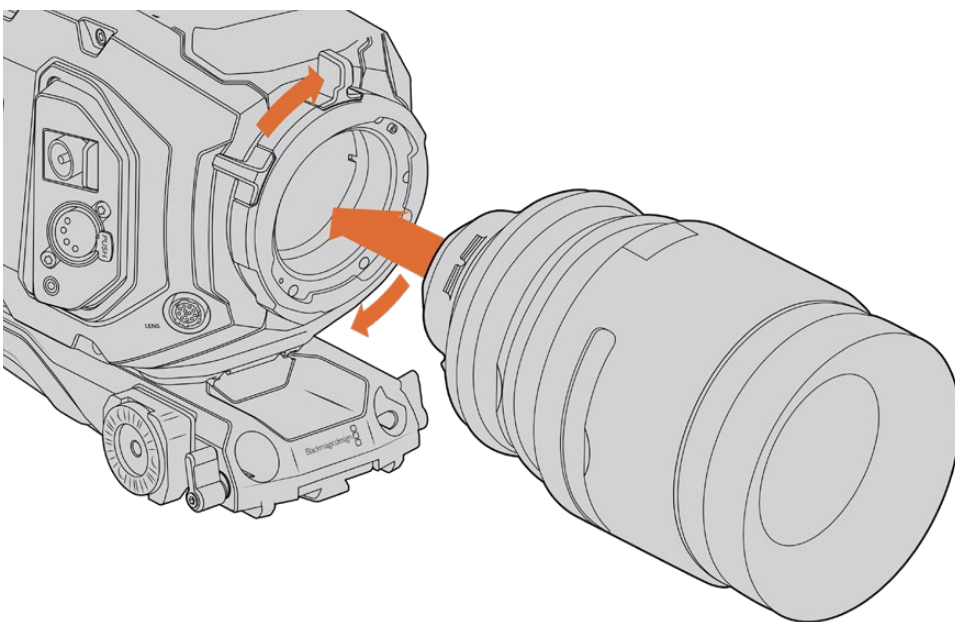
### Monter un objectif à monture EF :



Monter un objectif à monture EF sur la Blackmagic URSA Mini EF et le retirer.

- 1 Alignez le point situé sur votre objectif avec celui de la monture. De nombreux objectifs possèdent un point bleu, rouge ou blanc ou un autre indicateur.
- 2 Insérez l'objectif dans la monture et tournez-le dans le sens des aiguilles d'une montre jusqu'à ce qu'il s'emboîte correctement.
- 3 Pour retirer l'objectif, maintenez le bouton de verrouillage enfoncé et tournez l'objectif dans le sens inverse des aiguilles d'une montre jusqu'à ce que le point atteigne la position de midi puis retirez-le délicatement.

### Monter un objectif à monture PL :

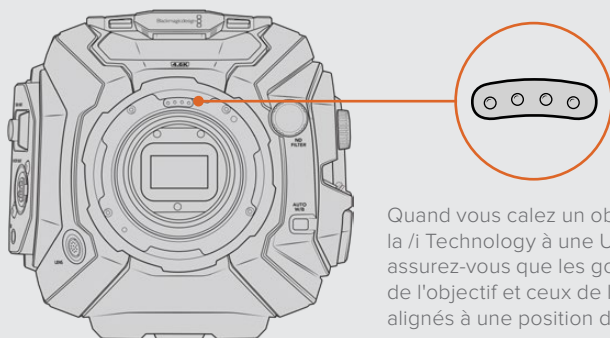


Monter et retirer un objectif à monture PL sur la Blackmagic URSA Mini PL et la URSA Mini Pro 12K.

- 1 Ouvrez la bague de verrouillage PL de votre caméra en la faisant tourner dans le sens inverse des aiguilles d'une montre jusqu'à ce qu'elle s'arrête.
- 2 Aligned l'une des quatre encoches situées sur les ailettes de l'objectif avec la goupille d'arrêt située sur la monture de la caméra. Aligned l'objectif de façon à ce que les repères de l'objectif soient bien visibles.
- 3 Serrez la bague de blocage PL de la caméra en la faisant tourner dans le sens des aiguilles d'une montre. Si vous montez un objectif PL motorisé sur la URSA Mini PL ou la URSA Mini Pro, vous pouvez également brancher le connecteur à 12 broches pour utiliser le contrôle motorisé.
- 4 Pour retirer l'objectif, tournez la bague de verrouillage dans le sens inverse des aiguilles d'une montre jusqu'à ce qu'elle s'arrête, puis retirez délicatement l'objectif. L'objectif ne doit pas pivoter.

### URSA Mini Pro PL Mount

La monture PL de la URSA Mini Pro comprend quatre broches placées en haut de la monture pour communiquer avec les objectifs qui prennent en charge la technologie /i Technology de Cooke. Les objectifs qui prennent en charge cette interface comprennent les objectifs des marques Canon, Cooke, Fujinon, Leica et Zeiss. Cela permet d'enregistrer des informations concernant l'objectif dans les métadonnées des clips, tel que le modèle de l'objectif, la distance focale, l'ouverture, la distance de mise au point et les autres informations concernant l'objectif.



Quand vous calez un objectif PL doté de la /i Technology à une URSA Mini Pro, assurez-vous que les goujons d'assemblage de l'objectif et ceux de la monture sont alignés à une position de 12 heures.

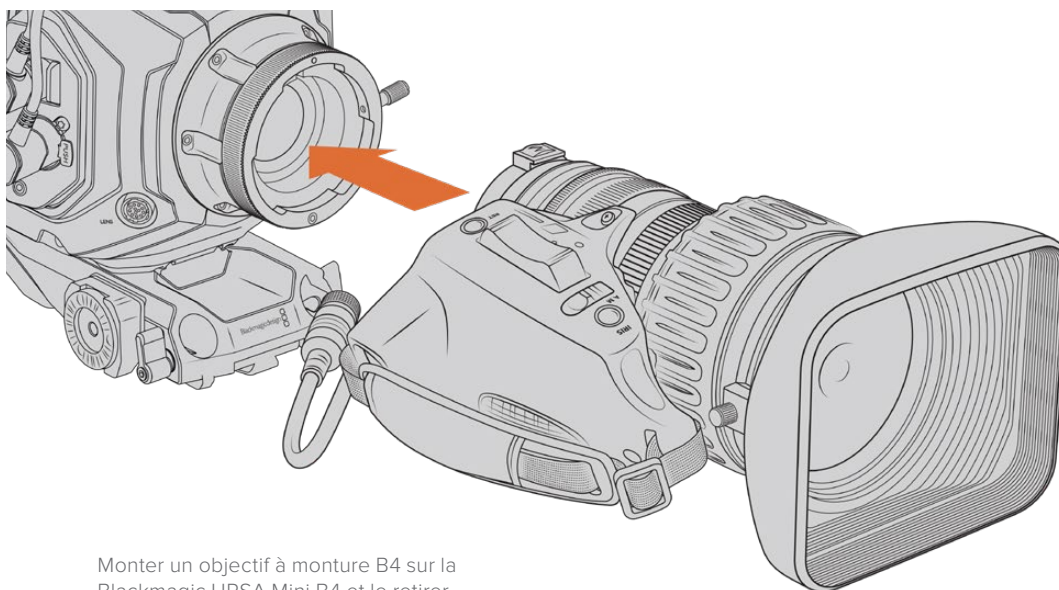
Ces informations détaillées peuvent également être utilisées pour une utilisation avancée des logiciels DaVinci Resolve ou Fusion. Par exemple, les métadonnées peuvent permettre de simuler les caractéristiques d'un objectif en particulier dans un espace 3D ou de corriger les distorsions de l'objectif.

Ces informations détaillées peuvent également être utilisées pour une utilisation avancée des logiciels DaVinci Resolve ou Blackmagic Fusion. Par exemple, les métadonnées peuvent permettre de simuler les caractéristiques d'un objectif en particulier dans un espace 3D ou de corriger les distorsions de l'objectif.

Les modèles URSA Mini Pro et URSA Mini PL prennent en charge le contrôle des objectifs PL 35mm dotés d'une poignée motorisée. Lorsque l'objectif est relié au connecteur à 12 broches situé sur la caméra, la URSA Mini alimente et contrôle les signaux envoyés vers l'objectif de la même façon que pour les objectifs B4. Pour plus d'informations, consultez la section « Utiliser des objectifs à zoom motorisé » de ce manuel.

**REMARQUE** Pour protéger de la poussière le filtre en verre situé à l'avant du capteur, il est vivement conseillé de garder le cache anti-poussière autant que possible lorsqu'aucun objectif n'est monté.

## Monter un objectif à monture B4 :

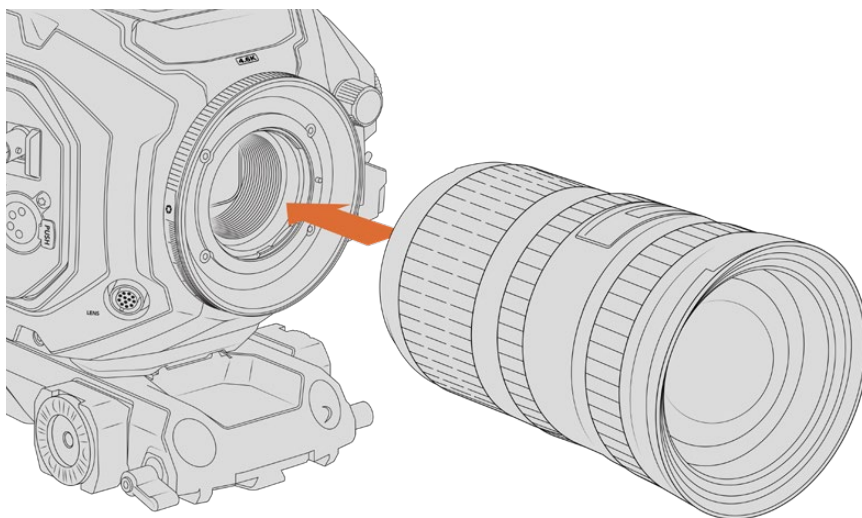


Monter un objectif à monture B4 sur la Blackmagic URSA Mini B4 et le retirer

- 1 Tournez la bague de blocage dans le sens inverse des aiguilles d'une montre pour faire apparaître la fente d'alignement de la monture. Alignez l'objectif B4 avec la monture B4 de la URSA Mini pour que la position du goujon d'alignement de la monture d'objectif et de la fente d'alignement corresponde.
- 2 Placez l'objectif et la monture B4 ensemble.  
Assurez-vous que le goujon d'alignement est bien inséré dans la fente d'alignement.
- 3 Tournez la bague de blocage dans le sens des aiguilles d'une montre pour serrer l'objectif contre la monture et verrouiller sa position.
- 4 Pour alimenter l'objectif et le contrôler, branchez simplement le câble de l'objectif au connecteur marqué « Lens », situé à l'avant de la tourelle de la URSA Mini PL ou de la URSA Mini Pro. La majorité des objectifs B4 intègre un connecteur à 12 broches et un câble. Cela permet d'alimenter et de surveiller les signaux envoyés par la URSA Mini vers l'objectif.

Pour en savoir plus sur les types d'objectifs B4 et sur la façon de les utiliser avec la caméra, consultez la section « Utiliser des objectifs à zoom motorisé » de ce manuel.

## Monter un objectif à monture F :



Fixer et retirer un objectif à monture F sur la Blackmagic URSA Mini Pro 4.6K dotée de la monture F en option.

- 1 Alignez le point situé sur votre objectif avec celui de la monture. De nombreux objectifs possèdent un point bleu, rouge ou blanc ou un autre indicateur.
- 2 Insérez l'objectif dans la monture et tournez-le dans le sens inverse des aiguilles d'une montre jusqu'à ce qu'il s'emboîte correctement.
- 3 Pour retirer l'objectif, maintenez le bouton de verrouillage enfoncé et tournez l'objectif dans le sens des aiguilles d'une montre jusqu'à ce que le point atteigne la position de deux heures puis retirez-le délicatement.

**REMARQUE** La Blackmagic URSA Mini Pro F Mount est dotée d'une bague de diaphragme mécanique. Si vous souhaitez utiliser des objectifs à monture F plus anciens dotés de bagues de mise au point intégrées avec cette monture, il faudra régler et verrouiller l'ouverture de l'objectif sur sa valeur minimale, par exemple f/22. Pour plus d'informations sur le réglage manuel de l'iris de la Blackmagic URSA Mini Pro F Mount, consultez la section « Blackmagic URSA Mini Pro F Mount » de ce manuel.

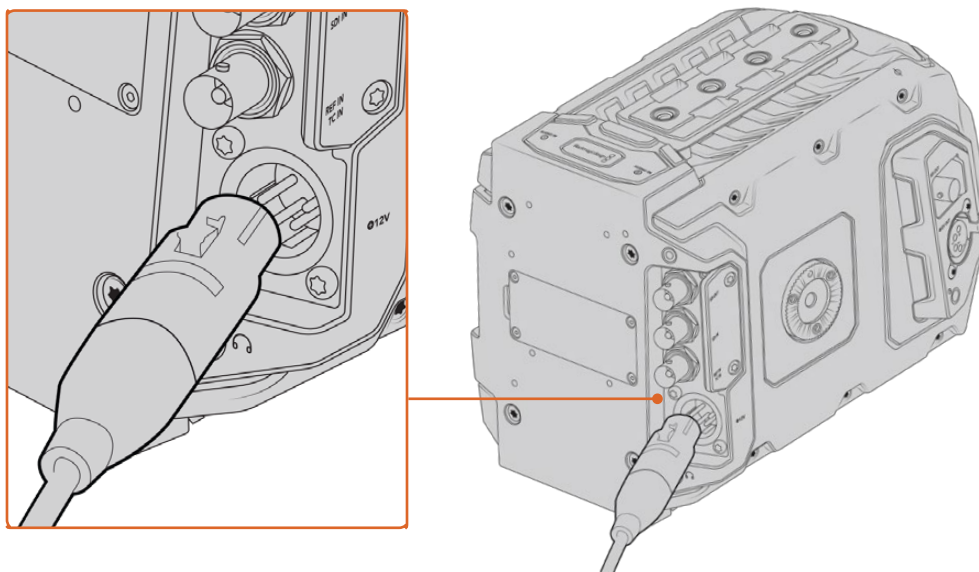
## Alimenter la caméra

Une fois l'objectif monté, la caméra doit être alimentée. La façon la plus rapide d'alimenter votre caméra consiste à la connecter à une source d'alimentation externe à l'aide de l'adaptateur AC vers 12V DC fourni avec la caméra.

### Connecter la caméra à une source d'alimentation externe :

- 1 Connectez l'adaptateur AC vers 12V DC à une prise secteur.
- 2 Connectez le connecteur XLR à 4 broches de l'adaptateur AC vers 12V DC au connecteur d'alimentation 12-20V DC de la caméra.

Si la batterie et la source d'alimentation externe sont branchées, l'alimentation de la caméra se fera uniquement par la source externe. Lorsque vous débranchez la source d'alimentation externe alors que la batterie est installée, la caméra passe automatiquement sur la batterie pour un enregistrement en continu.



Alimentez la Blackmagic URSA Mini à l'aide de l'adaptateur AC vers 12V DC fourni.

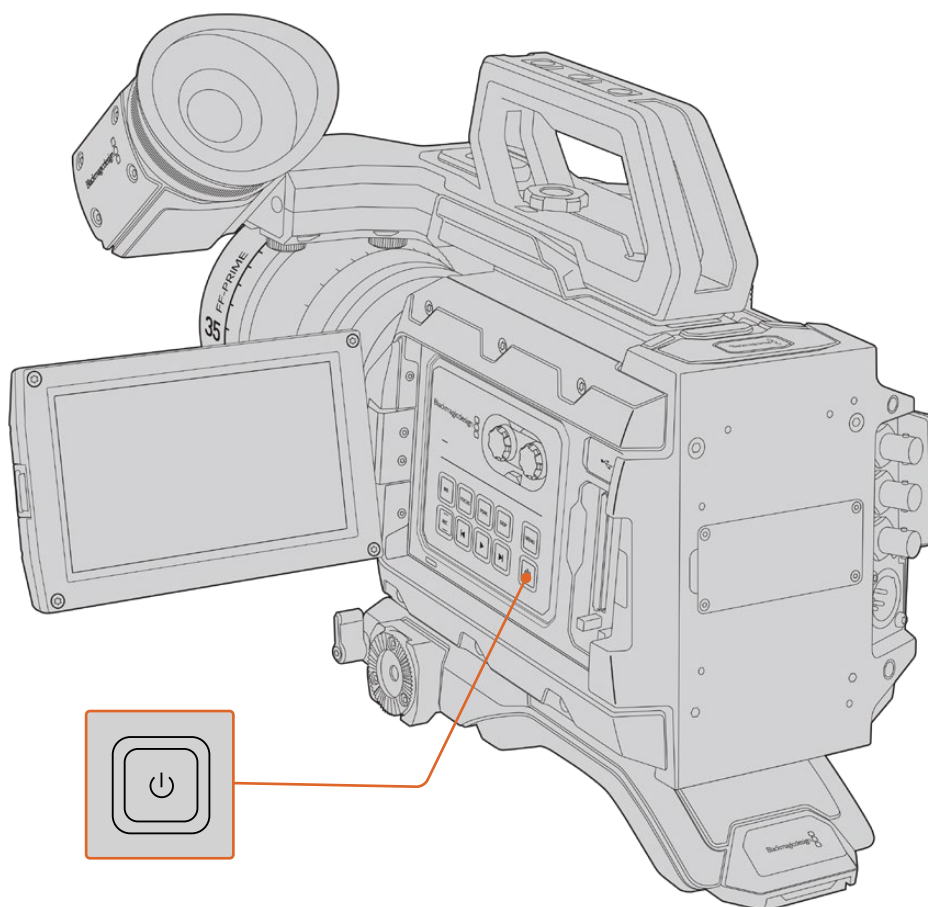


Vous pouvez utiliser des batteries externes tierces conformes aux normes de l'industrie, telles que les batteries V mount ou Gold Mount avec la URSA Mini. Pour plus d'informations sur l'installation de différents types de supports pour batteries, consultez la section « Fixer la batterie ».

### Pour allumer la URSA Mini :

- 1 Appuyez brièvement sur le bouton de mise en marche de la caméra. Sur la Blackmagic URSA Mini, ce bouton se trouve sur le panneau de contrôle, derrière l'écran LCD. Ouvrez simplement l'écran pour accéder à ce panneau de contrôle.
- 2 Appuyez sur ce même bouton et maintenez-le enfoncé pour éteindre la caméra.

Vous pouvez à présent insérer une carte CFast 2.0 et commencer l'enregistrement !



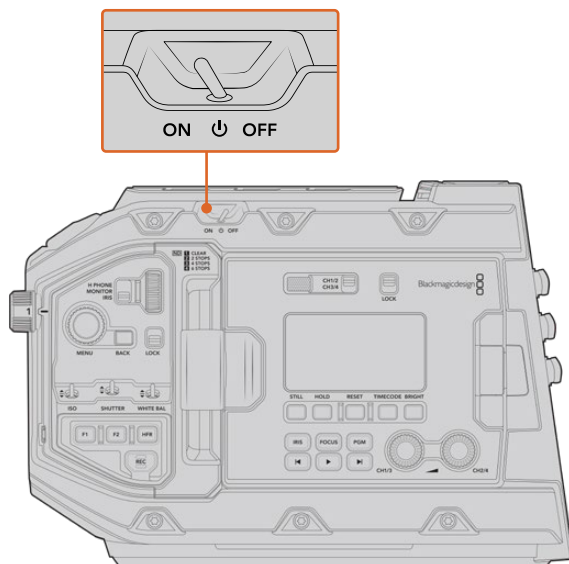
Pour allumer la URSA Mini, ouvrez l'écran tactile rabattable puis appuyez brièvement sur le bouton de mise en marche. Maintenez ce bouton enfoncé pour éteindre la caméra.

**CONSEIL** Lorsque vous allumez la caméra, appuyez brièvement sur ce bouton. Votre caméra met 10 secondes à s'allumer, il n'est pas nécessaire d'appuyer sur le bouton une deuxième fois. Appuyez sur le bouton Off et maintenez-le enfoncé pour éteindre la caméra.



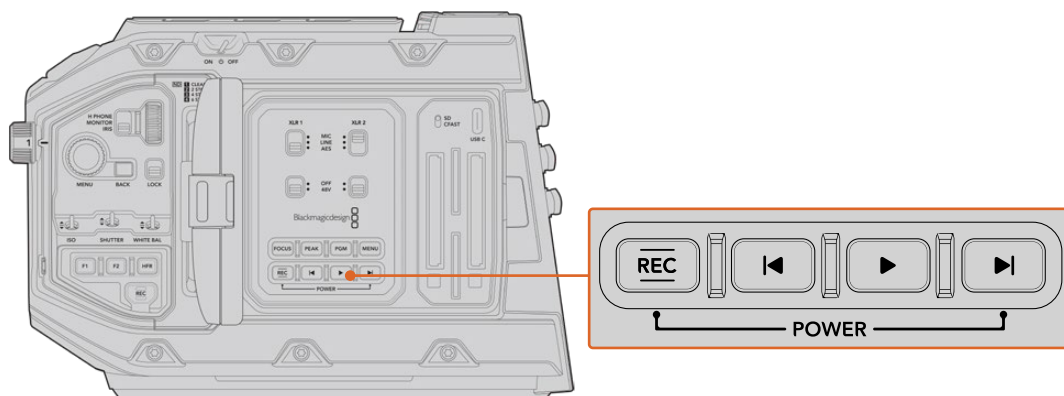
## Pour allumer la URSA Mini Pro :

- 1 Sur la Blackmagic URSA Mini Pro, l'interrupteur de mise en marche se trouve au-dessus de l'écran LCD rabattable. Déplacer l'interrupteur sur **On** pour allumer la caméra.
- 2 Déplacer l'interrupteur sur **Off** pour éteindre la caméra.



Déplacer l'interrupteur sur **On** pour allumer la caméra.

La URSA Mini Pro comprend également un interrupteur redondant, ce qui permet d'allumer et d'éteindre la caméra en maintenant brièvement les boutons **Rec** et **Forward Skip** enfoncés. Même si cette technique n'est pas la plus employée, vous pouvez l'utiliser si l'accès à l'interrupteur est impossible, par exemple, si la caméra est montée sur un rig.



Vous pouvez également maintenir brièvement les boutons d'enregistrement et d'avance rapide à l'arrière de l'écran LCD pour allumer et éteindre la caméra.

**CONSEIL** Si le bouton de mise en marche de la caméra est activé, mais que la URSA Mini Pro est éteinte, il se peut que vous l'ayez éteinte via **Bluetooth®** ou via les boutons **Rec** et **Forward Skip** du panneau de contrôle. Pour allumer la caméra, il suffit d'activer le bouton de mise en marche ou de maintenir les boutons d'enregistrement et d'avance rapide du panneau de contrôle enfoncés.

## Support de stockage

La caméra Blackmagic URSA Mini possède plusieurs options de stockage. Toutes les caméras URSA Mini utilisent des cartes CFast 2.0 pour enregistrer de la vidéo. Les caméras URSA Mini Pro peuvent également enregistrer de la vidéo sur des cartes SD UHS-II et UHS-I.

La URSA Mini Pro G2 possède un port USB-C 3.1 Gen 1 et la URSA Mini Pro 12K un port USB-C 3.1 Gen 2 pour enregistrer sur des disques flash haut débit. Avec le Blackmagic URSA Mini Recorder en option, vous pouvez enregistrer de la vidéo sur des disques état solide, appelés SSD.

**REMARQUE** Le URSA Mini Recorder est conçu pour être utilisé avec la URSA Mini Pro 12K et il est compatible avec la URSA Mini Pro 4.6K G2. Il n'est pas compatible avec la URSA Mini Pro 4.6K, la URSA Mini 4.6K et la URSA Mini 4K. Pour plus d'informations sur l'installation du Blackmagic URSA Mini Recorder sur la caméra, consultez la section « Blackmagic URSA Mini Recorder » de ce manuel.

### Remarque importante concernant la vitesse des supports

Les vitesses de lecture et d'écriture données par les fabricants de supports de stockage représentent souvent les vitesses maximales sur de petits fichiers, par exemple des photographies. Ces données ne sont pas fiables si vous écrivez les données d'une vidéo haut débit en continu.

Blackmagic a testé toutes les cartes ci-dessous avec la URSA Mini. Pour garantir un enregistrement fiable dans la fréquence d'images de votre choix, utilisez seulement les cartes recommandées par Blackmagic Design.

## Cartes CFast

Les cartes CFast 2.0 prennent en charge des débits très élevés, elles sont donc parfaites pour enregistrer en HD et en 4K à des fréquences d'images élevées. Veuillez consulter les tableaux relatifs à la durée d'enregistrement dans la section « Enregistrement » de ce manuel pour connaître les fréquences d'images maximales qui peuvent être enregistrées avec chaque format.

**REMARQUE** Bien que les cartes CFast 2.0 soient généralement rapides, leur vitesse d'écriture peut être plus lente que la vitesse de lecture. Le débit maximal varie en fonction des modèles. Pour garantir un enregistrement fiable dans la fréquence d'images de votre choix, nous vous recommandons de n'utiliser que les cartes figurant dans la liste de cette section du manuel.

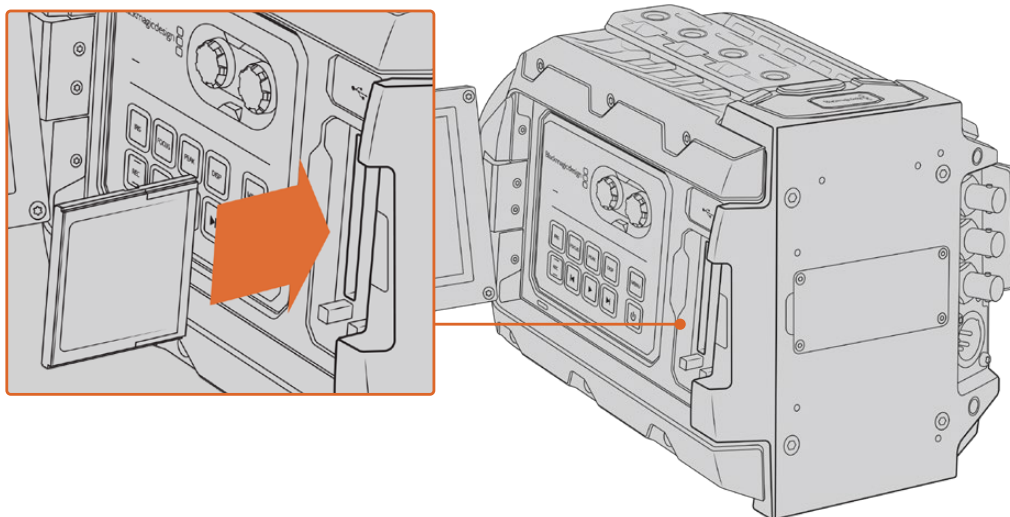
### Insérer une carte CFast

Si vous utilisez une URSA Mini Pro, la caméra enregistre sur des cartes CFast ou sur des cartes SD. Pour enregistrer de la vidéo sur carte CFast, il faut préalablement configurer la caméra. Pour ce faire, réglez l'interrupteur des supports de stockage placé au-dessus de la fente pour support sur **CFAST**.

### Pour insérer une carte CFast :

- 1 Ouvrez l'écran rabattable pour accéder aux fentes CFast.
- 2 Insérez la carte CFast dans le logement pour carte CFast jusqu'à ce qu'elle s'enclenche. La carte doit pouvoir s'insérer aisément et sans forcer. Éjectez la carte CFast en appuyant sur le bouton d'éjection situé à côté de la fente.

Les informations de stockage situées en bas de l'écran tactile indiquent le nom de la carte et le temps d'enregistrement restant sur cette carte.



La Blackmagic URSA Mini est dotée de deux fentes CFast pour un enregistrement en continu.

### Choisir une carte CFast 2.0

Lorsque vous travaillez sur des vidéos dont le débit est élevé, il est primordial de vérifier le type de carte CFast que vous utilisez, car les cartes CFast 2.0 ont différentes vitesses de lecture et d'écriture. Les tableaux ci-dessous présentent les cartes CFast recommandées.

#### Quelles sont les cartes CFast recommandées pour la Blackmagic URSA Mini Pro 12K ?

Les cartes CFast 2.0 suivantes sont recommandées pour enregistrer en 12K DCI Blackmagic RAW 18:1 jusqu'à 60 images par seconde, et 8K DCI Blackmagic RAW 8:1 jusqu'à 60 images par seconde.

Marque	Nom de la carte	Stockage
Angelbird	AV Pro CF	128GB
Angelbird	AV Pro CF	256GB
Angelbird	AV Pro CF	512GB
Angelbird	AV Pro CF	1TB
ExAscend	Essential	512GB
ExAscend	Essential	1TB
FreeTail	Evoke Pro 3700x	128GB
FreeTail	Evoke Pro 3700x	256GB
FreeTail	Evoke Pro 3700x	512GB
FreeTail	Evoke Pro 3700x	1TB

Marque	Nom de la carte	Stockage
KomputerBay	x3400 CFast 2.0	128GB
ProGrade Digital	550MB/s CFast 2.0	256GB
ProGrade Digital	550MB/s CFast 2.0	512GB
SanDisk	Extreme Pro CFast 2.0 SDCFSP-128G-x46D	128GB
Wise	CFast 2.0 3400x	256GB
Wise	CFast 2.0 3500x	512GB
Wise	CFast 2.0 3500x	1TB

### Quelles sont les cartes CFast recommandées pour la Blackmagic URSA Mini Pro 12K ?

Les cartes CFast 2.0 suivantes sont recommandées pour enregistrer en 12K DCI Blackmagic RAW 8:1 jusqu'à 25p, 12K Blackmagic RAW 18:1 jusqu'à 60p, et 8K DCI Blackmagic RAW 8:1 jusqu'à 60p.

Marque	Nom de la carte	Stockage
Angelbird	AV Pro CF	128GB
Angelbird	AV Pro CF	256GB
Angelbird	AV Pro CF	512GB
Angelbird	AV Pro CF	1TB
CinediskPro	510MB/s CFast 2.0	256GB
FreeTail	Evoke Pro 3700x	128GB
FreeTail	Evoke Pro 3700x	256GB
FreeTail	Evoke Pro 3700x	512GB
FreeTail	Evoke Pro 3700x	1TB
Hagiwara Solutions	CFast 2.0 DC-SMAN64GA	64GB
Hagiwara Solutions	CFast 2.0 DC-SMANA1GA	128GB
KomputerBay	3600x CFast 2.0 Card	64GB
ProGrade Digital	550MB/s CFast 2.0	64GB
ProGrade Digital	550MB/s CFast 2.0	128GB
ProGrade Digital	550MB/s CFast 2.0	256GB
ProGrade Digital	550MB/s CFast 2.0	512GB
SanDisk	Extreme Pro CFast 2.0 SDCFSP-128G-x46D	128GB
SanDisk	Extreme Pro CFast 2.0 SDCFSP-256G-x46D	256GB
SanDisk	Extreme Pro CFast 2.0 SDCFSP-512G-x46D	512GB
Sony	CFast 2.0 G Series CAT-G64	64GB
Sony	CFast 2.0 G Series CAT-G128	128GB

Marque	Nom de la carte	Stockage
Transcend	CFX650 CFast 2.0 TS128GCFX650	128GB
Transcend	CFX650 CFast 2.0 TS256GCFX650	256GB
Transcend	CFX650 CFast 2.0 TS128GCFX650BM	128GB
Transcend	CFX650 CFast 2.0 TS256GCFX650BM	256GB
Wise	CFast 2.0 3400x	256GB
Wise	CFast 2.0 3500x	512GB

Les cartes CFast 2.0 suivantes sont recommandées pour enregistrer au format ProRes 422 HQ 2160p jusqu'à 60 im/s.

Marque	Nom de la carte	Stockage
Angelbird	AV Pro CF	128GB
Angelbird	AV Pro CF	256GB
Angelbird	AV Pro CF	512GB
Angelbird	AV Pro CF	1TB
Angelbird	AV Pro CF XT	256GB
Angelbird	AV Pro CF XT	512GB
CinediskPro	510MB/s CFast 2.0	256GB
Hagiwara Solutions	DC-SMAN64GA	64GB
Hagiwara Solutions	DC-SMANA1GA	128GB
KomputerBay	3600x CFast 2.0 Card	64GB
KomputerBay	3700x CFast 2.0 Card	256GB
ProGrade Digital	550MB/s CFast 2.0	128GB
ProGrade Digital	550MB/s CFast 2.0	256GB
ProGrade Digital	550MB/s CFast 2.0	512GB
SanDisk	Extreme Pro CFast 2.0 SDCFSP-128G-x46D	128GB
SanDisk	Extreme Pro CFast 2.0 SDCFSP-256G-x46D	256GB
SanDisk	Extreme Pro CFast 2.0 SDCFSP-512G-x46D	512GB
Silicon Power	CFX310	256GB
Sony	CFast 2.0 G Series CAT-G64	64GB
Sony	CFast 2.0 G Series CAT-G128	128GB
Transcend	CFX650 CFast 2.0 TS128GCFX650	128GB
Transcend	CFX650 CFast 2.0 TS256GCFX650	256GB

Marque	Nom de la carte	Stockage
Transcend	CFX650 CFast 2.0 TS128GCFX650BM	128GB
Transcend	CFX650 CFast 2.0 TS256GCFX650BM	256GB
Wise	CFast 2.0 3400x	128GB
Wise	CFast 2.0 3400x	256GB
Wise	CFast 2.0 3500x	512GB

Pour retrouver les informations les plus récentes sur les cartes CFast prises en charge par la Blackmagic URSA Mini, consultez la page d'assistance de Blackmagic Design :

[www.blackmagicdesign.com/fr/support](http://www.blackmagicdesign.com/fr/support).

**REMARQUE** Les cartes CFast 2.0 de la série **D-série** de Sandisk sont les seules à avoir été approuvées pour une utilisation avec les caméras Blackmagic URSA Mini. Elles sont facilement reconnaissables grâce à l'icône **D** inscrite sur le dos de la carte dans le coin inférieur gauche. Nous fournissons également une liste des modèles compatibles. Les numéros de modèle changent légèrement en fonction des régions, le **x** change en fonction des marchés. Par exemple, ce sera un **A** pour les États-Unis et un **G** pour la région Asie-Pacifique et pour l'Europe.

## Cartes SD

En plus des cartes CFast 2.0, la Blackmagic URSA Mini Pro enregistre sur des cartes SD UHS-I et UHS-II haut débit. Avec des cartes UHS-II SDXC, vous pouvez obtenir des clips Ultra HD en enregistrant vos images en ProRes HQ jusqu'à 2160p.

Avec les cartes SD, vous pouvez utiliser des supports de stockage abordables lorsque vous filmez avec des formats vidéo compressés en HD. Les SDXC et SDHC sont des formats standard pour les caméras et les appareils photo grand public.

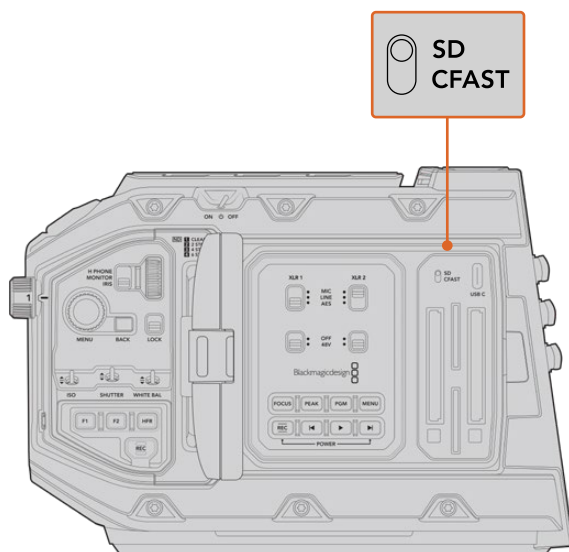
Si vous avez déjà tourné à l'aide d'un DSLR ou avec des Blackmagic Micro Cinema Camera, Pocket Cinema Camera 4K ou Blackmagic Video Assist, vous possédez sans doute déjà des cartes SD.

Pour les projets qui ne nécessitent pas de travailler avec des fichiers Blackmagic RAW ou pour les projets relativement courts, les cartes SD sont particulièrement économiques. Les cartes SD dont le stockage et le débit sont moins importants permettent également de sauvegarder et de charger des LUTs et des préréglages.

### Insérer une carte SD

#### Pour insérer une carte SD :

- 1 Ouvrez l'écran rabattable pour accéder aux fentes des cartes SD. Il s'agit des fentes les plus petites situées entre les fentes des cartes CFast.
- 2 Réglez l'interrupteur des supports de stockage placé au-dessus de la fente pour support sur **SD**.
- 3 Orientez le côté de la carte SD doté de l'étiquette vers l'écran tactile et insérez-la jusqu'à ce qu'elle s'enclenche. Appuyez sur la carte SD pour la retirer.
- 4 Les informations de stockage situées en bas de l'écran tactile indiquent le nom de la carte et le temps d'enregistrement restant sur les cartes détectées.



Lorsque vous enregistrez sur des cartes SD avec la URSA Mini Pro 4.6K, assurez-vous que l'interrupteur des supports de stockage est réglé sur **SD**.

## Choisir une carte SD rapide

Si vous enregistrez de l'Ultra HD avec la Blackmagic URSA Mini Pro, nous recommandons d'utiliser les cartes SD UHS-II haut débit les plus performantes. Il est important d'utiliser des cartes UHS-II haut débit pour l'enregistrement en Ultra HD et HD, et des cartes UHS-I pour l'enregistrement en HD, car elles sont reconnues pour leur rapidité de transfert des données et leur grande capacité de stockage. Les cartes les plus rapides sont en général plus performantes. Pour plus d'informations, consultez le tableau des cartes SD recommandées de ce manuel.

Avant de les utiliser, formatez les cartes SD au format HFS+ ou exFAT. Vous pouvez formater votre support sur le gestionnaire de stockage ou sur votre ordinateur. Pour plus d'informations, veuillez consulter la section « Préparer les supports pour l'enregistrement » de ce manuel.

Si vous le souhaitez, vous pouvez formater vos cartes sur un ordinateur Mac ou Windows. Si vous utilisez la carte avec un Mac, vous pouvez sélectionner le format de disque pour Mac HFS+. Si vous utilisez Windows, vous devrez sélectionner le format de disque pour Windows exFAT. Les ordinateurs Mac peuvent également lire le format exFAT.

Les tableaux ci-dessous présentent les cartes SD recommandées pour la Blackmagic URSA Mini Pro. Pour obtenir les informations les plus récentes, veuillez consulter la dernière version de ce manuel. Vous pouvez télécharger le manuel le plus récent sur le site de Blackmagic Design : [www.blackmagicdesign.com/fr/support](http://www.blackmagicdesign.com/fr/support).

**REMARQUE** Pour un enregistrement haut débit en résolution élevée ou Ultra HD avec la URSA Mini, nous recommandons d'utiliser les cartes CFast 2.0 ou SD UHS-II, qui sont en général plus rapides et qui offrent de plus grandes capacités de stockage que les cartes SD UHS-I.

Pour retrouver les informations les plus récentes sur les cartes SD recommandées pour la URSA Mini Pro 12K, consultez la page d'assistance de Blackmagic Design : [www.blackmagicdesign.com/fr/support](http://www.blackmagicdesign.com/fr/support).



### Quelles sont les cartes SD recommandées pour la Blackmagic URSA Mini Pro 12K ?

Les cartes SD suivantes sont recommandées pour enregistrer en 12K DCI Blackmagic RAW 12:1 jusqu'à 24 images par seconde.

Marque	Nom de la carte	Stockage
ProGrade Digital	V90 UHS-II 300MB/s SDXC	64GB
ProGrade Digital	V90 UHS-II 300MB/s SDXC	128GB
ProGrade Digital	V90 UHS-II 300MB/s SDXC	256GB
Sony	Tough SF-G64 300MB/s UHS-II SDXC	64GB
Sony	Tough SF-G128 300MB/s UHS-II SDXC	128GB

Les cartes SD suivantes sont recommandées pour enregistrer en 8K DCI Blackmagic RAW 18:1 jusqu'à 60 images par seconde.

Marque	Nom de la carte	Stockage
Angelbird	AV Pro MK2 V90 SDXC	256GB
ProGrade Digital	V90 UHS-II 300MB/s SDXC	64GB
ProGrade Digital	V90 UHS-II 300MB/s SDXC	128GB
ProGrade Digital	V90 UHS-II 300MB/s SDXC	256GB
Sony	Tough SF-G64 300MB/s UHS-II SDXC	64GB
Sony	Tough SF-G128 300MB/s UHS-II SDXC	128GB
Wise	285MB/s UHS-II SDXC	64GB
Wise	285MB/s UHS-II SDXC	128GB

### Quelles sont les cartes SD recommandées pour la URSA Mini Pro ?

Les cartes SD suivantes sont recommandées pour enregistrer au format Blackmagic RAW 12:1 4K DCI jusqu'à 30 im/s.

Marque	Nom de la carte	Stockage
Angelbird	AV Pro 300MB/s UHS-II SDXC	64GB
Angelbird	AV Pro 300MB/s UHS-II SDXC	128GB
Lexar	Professional 2000x UHS-II 300MB/s SDXC	64GB
Lexar	Professional 1000x UHS-II 150MB/s SDXC	64GB
SanDisk	Extreme Pro UHS-I 95MB/s SDXC	64GB
SanDisk	Extreme Pro UHS-I 95MB/s SDXC	128GB
SanDisk	Extreme Pro UHS-I 95MB/s SDXC	256GB
SanDisk	Extreme Pro UHS-I 95MB/s SDXC	512GB
SanDisk	Extreme Pro UHS-II 280MB/s SDXC	64GB
SanDisk	Extreme Pro UHS-II 300MB/s SDHC	32GB
SanDisk	Extreme Pro UHS-II 300MB/s SDXC	128GB

Marque	Nom de la carte	Stockage
Sony	SF-G64 300MB/s UHS-II SDXC	64GB
Sony	SF-G128 300MB/s UHS-II SDXC	128GB
Toshiba	Exceria Pro UHS-II 270MB/s SDXC	64GB
Toshiba	Exceria Pro UHS-II 270MB/s SDXC	128GB
Toshiba	Exceria Pro UHS-II N502 SDHC	32GB
Toshiba	Exceria Pro UHS-II N502 SDXC	64GB
Toshiba	Exceria Pro UHS-II N502 SDXC	128GB
Toshiba	Exceria Pro UHS-II N502 SDXC	256GB
Transcend	Ultimate UHS-II 180MB/s SDXC	64GB
Wise	285MB/s UHS-II SDXC	64GB
Wise	285MB/s UHS-II SDXC	128GB

Les cartes SD suivantes sont recommandées pour enregistrer au format ProRes 422 HQ 2160p jusqu'à 30 im/s.

Marque	Nom de la carte	Stockage
Angelbird	AV Pro 300MB/s UHS-II SDXC	64GB
Angelbird	AV Pro 300MB/s UHS-II SDXC	128GB
Delkin Devices	UHS-II 250MB/s SDHC	32GB
ProGrade Digital	V90 UHS-II 250MB/s SDXC	128GB
SanDisk	Extreme Pro UHS-II 280MB/s SDHC	32GB
SanDisk	Extreme Pro UHS-II 280MB/s SDXC	64GB
SanDisk	Extreme Pro UHS-II 300MB/s SDHC	32GB
SanDisk	Extreme Pro UHS-II 300MB/s SDXC	128GB
Sony	SF-G64 300MB/s UHS-II SDXC	64GB
Sony	SF-G128 300MB/s UHS-II SDXC	128GB
Toshiba	Exceria Pro UHS-II 270MB/s SDXC	64GB
Toshiba	Exceria Pro UHS-II N502 SDHC	32GB
Toshiba	Exceria Pro UHS-II N502 SDXC	64GB
Toshiba	Exceria Pro UHS-II N502 SDXC	128GB
Toshiba	Exceria Pro UHS-II N502 SDXC	256GB
Transcend	Ultimate UHS-II 180MB/s SDXC	64GB
Wise	285MB/s UHS-II SDXC	64GB
Wise	285MB/s UHS-II SDXC	128GB

Les cartes SD suivantes sont recommandées pour enregistrer au format ProRes 422 HQ 1080p jusqu'à 60 im/s.

Marque	Nom de la carte	Stockage
Angelbird	AV Pro 300MB/s UHS-II SDXC	64GB
Angelbird	AV Pro 300MB/s UHS-II SDXC	128GB
Delkin Devices	UHS-II 250MB/s SDHC	32GB
Lexar	Professional 2000x UHS-II 300MB/s SDHC	32GB
Lexar	Professional 2000x UHS-II 300MB/s SDXC	64GB
Lexar	Professional 1000x UHS-II 150MB/s SDXC	64GB
ProGrade Digital	V90 UHS-II 250MB/s SDXC	128GB
ProGrade Digital	V60 UHS-II 200MB/s SDXC	64GB
ProGrade Digital	V60 UHS-II 200MB/s SDXC	128GB
SanDisk	Extreme Pro UHS-I 95MB/s SDXC	64GB
SanDisk	Extreme Pro UHS-I 95MB/s SDXC	128GB
SanDisk	Extreme Pro UHS-I 95MB/s SDXC	256GB
SanDisk	Extreme Pro UHS-I 95MB/s SDXC	512GB
SanDisk	Extreme Pro UHS-II 280MB/s SDHC	32GB
SanDisk	Extreme Pro UHS-II 280MB/s SDXC	64GB
SanDisk	Extreme Pro UHS-II 300MB/s SDXC	64GB
SanDisk	Extreme Pro UHS-II 300MB/s SDXC	128GB
Sony	SF-G64 300MB/s UHS-II SDXC	64GB
Sony	SF-G128 300MB/s UHS-II SDXC	128GB
Toshiba	Exceria Pro UHS-II 270MB/s SDXC	64GB
Toshiba	Exceria Pro UHS-II 270MB/s SDXC	128GB
Toshiba	Exceria Pro UHS-II 270MB/s SDXC	256GB
Toshiba	Exceria Pro UHS-II N502 SDHC	32GB
Toshiba	Exceria Pro UHS-II N502 SDXC	64GB
Toshiba	Exceria Pro UHS-II N502 SDXC	128GB
Toshiba	Exceria Pro UHS-II N502 SDXC	256GB
Transcend	Ultimate UHS-II 180MB/s SDXC	64GB
Wise	285MB/s UHS-II SDXC	64GB
Wise	285MB/s UHS-II SDXC	128GB

Pour retrouver les informations les plus récentes sur les cartes SD prises en charge par la URSA Mini Pro, consultez la page d'assistance de Blackmagic Design : [www.blackmagicdesign.com/fr/support](http://www.blackmagicdesign.com/fr/support).

## Verrouiller et déverrouiller les cartes SD

Les cartes SD peuvent être verrouillées afin d'éviter d'effacer des données.

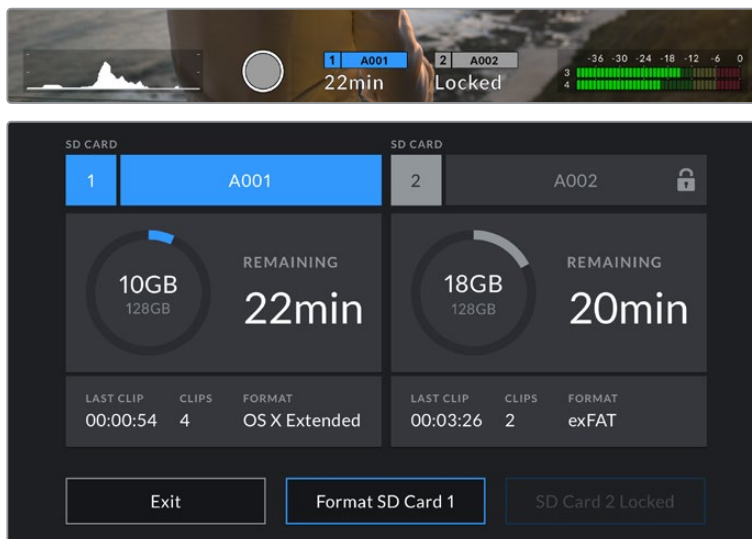
Lorsque vous insérez une carte, veillez à ce qu'elle ne soit pas protégée en écriture. La protection en écriture se désactive en déplaçant le petit poussoir en plastique situé à gauche de la carte.

Une fois l'enregistrement terminé, vous pouvez réactiver la protection en écriture en faisant glisser le poussoir à sa position initiale.



Déplacez le poussoir pour verrouiller et déverrouiller la carte SD.

La URSA Mini Pro affiche une icône à l'écran et sur le menu de stockage indiquant si la carte SD est verrouillée. Si la carte est verrouillée, vous ne pourrez pas enregistrer de vidéo, capturer d'images fixes ou exporter des LUTs et des préréglages.



La URSA Mini Pro affiche si la carte SD est verrouillée.

## Disques flash USB-C

La Blackmagic URSA Mini Pro 4.6K G2 possède un port expansion USB-C haut débit, qui vous permet d'enregistrer de la vidéo sur des disques flash USB-C. La URSA Mini Pro 12K possède deux ports USB-C. Le port USB-C 3.1 Gen 1 situé sur le côté, près des logements pour cartes CFast, sert aux mises à jour logicielles. Le port USB-C 3.2 Gen 2 sur la face arrière, près des connecteurs SDI, offre un enregistrement sur des SSD haut débit. Grâce à ces disques rapides et à leur capacité de stockage élevée, vous pouvez enregistrer sur de longues périodes.

Lorsqu'un disque flash USB-C est connecté à votre caméra, il occupe le deuxième logement dans le système d'exploitation de la caméra. Touchez le nom de la carte ou du lecteur dans le menu **Storage** pour l'activer. L'enregistrement, la lecture et la gestion du stockage fonctionnent exactement de la même manière pour les disques flash USB-C, que pour les cartes CFast, les cartes SD ou les SSD.

Une fois l'enregistrement terminé, vous pouvez directement connecter le disque à votre ordinateur pour le montage et la post-production, sans devoir effectuer de copie.

#### **Pour connecter un disque flash USB-C :**

- 1** Connectez une extrémité du câble USB de type C au disque flash USB-C.
- 2** Sur la URSA Mini Pro 12K, branchez le câble USB-C au port USB-C situé sur la face arrière, au-dessous des ports SDI. Sur la URSA Mini Pro 4.6K G2, ouvrez l'écran tactile rabattable sur le côté gauche de la caméra et connectez le câble au port USB-C situé au-dessus des logements pour carte CFast.

#### **Quels sont les disques flash USB-C recommandés pour la Blackmagic URSA Mini Pro 12K ?**

Les disques flash USB-C suivants sont recommandés pour enregistrer en 12K DCI Blackmagic RAW 8:1 jusqu'à 30 images par seconde.

<b>Marque</b>	<b>Nom du disque flash USB-C</b>	<b>Stockage</b>
Angelbird	SSD2GO PKT MK2	512GB
Angelbird	SSD2GO PKT MK2	2TB
Glyph	Atom Raid SSD	4TB
Sony	Tough SL-CG5	500GB
Sony	Tough SL-C1	1TB
Sony	Tough SL-C2	2TB
Delkin Devices	Juggler	2TB
Wise	PTS-512 Portable SSD	512GB
Wise	PTS-1024 Portable SSD	1TB
Wise	PTS-2048 Portable SSD	2TB

#### **Quels sont les disques flash USB-C recommandés pour la Blackmagic URSA Mini Pro 4.6K G2 ?**

Les disques flash USB-C suivants sont recommandés pour enregistrer au format RAW 3:1 4.6K jusqu'à 60 im/s.

<b>Marque</b>	<b>Nom du disque flash USB-C</b>	<b>Stockage</b>
Samsung	Portable SSD T5	500GB
Samsung	Portable SSD T5	1TB
Wise	Portable SSD	256GB
Wise	Portable SSD	512GB
Wise	Portable SSD	1TB

Pour consulter la liste la plus récente des disques flash USB-C recommandés, veuillez vous rendre sur [www.blackmagicdesign.com/fr/support](http://www.blackmagicdesign.com/fr/support).

## Remarque importante concernant la vitesse des disques flash USB-C

Certains modèles de disques flash USB-C ne sont pas capables d'enregistrer des données vidéo à la vitesse annoncée par le fabricant, car le disque compresse certaines données afin d'atteindre des vitesses d'écriture plus élevées. Cette compression des données permet uniquement de sauvegarder les données à la vitesse annoncée par le fabricant lorsqu'il s'agit de fichiers ou de données simples, comme des données vides. Toutefois, comme les données vidéo comprennent du bruit vidéo et des pixels aléatoires, la compression n'offre aucun avantage et la véritable vitesse du support est révélée.

Certains disques flash USB-C peuvent avoir une vitesse d'écriture jusqu'à 50 % moins élevée que celle indiquée par le fabricant, par conséquent, bien que les spécifications du disque certifient qu'il est suffisamment rapide pour prendre en charge de la vidéo, il se peut qu'il ne soit pas assez rapide pour enregistrer de la vidéo en temps réel.

Utilisez le Blackmagic Disk Speed Test pour mesurer si votre disque flash USB-C est capable de prendre en charge la capture et la lecture de vidéo à des vitesses élevées. Le Blackmagic Disk Speed Test utilise des données pour simuler le stockage de vidéo, les résultats sont donc similaires à ceux que vous obtenez en capturant de la vidéo sur un disque. Lors de nos tests, nous avons remarqué que les modèles les plus récents de disques flash USB-C, dont la capacité est plus importante, sont en général plus rapides.

L'application Blackmagic Disk Speed Test est disponible sur le Mac App Store. Les versions pour Windows et Mac sont incluses dans le Blackmagic Desktop Video, que vous pouvez télécharger à partir de la catégorie « Capture et Lecture » sur la page d'assistance technique de Blackmagic Design : [www.blackmagicdesign.com/fr/support](http://www.blackmagicdesign.com/fr/support).

## SSD

Avec le URSA Mini Recorder en option, vous pouvez enregistrer de la vidéo directement sur des disques état solide, appelés SSD. Ces disques performants sont disponibles auprès de nombreux magasins d'électronique.

Le URSA Mini Recorder intègre un port USB-C offrant des hauts débits compatibles avec les SSD SATA 2,5" standard et les SSD U.2 7mm. Les SSD M.2 sont pris en charge lors de l'utilisation d'un adaptateur M.2 vers U.2. Pour atteindre les débits disponibles, un câble USB 3.1 Gen 2 certifié est requis. Le câble USB-C fourni comprend des connecteurs sécurisés à chaque extrémité.

**REMARQUE** Pour plus d'informations sur l'installation du Blackmagic URSA Mini Recorder, consultez la section « Blackmagic URSA Mini Recorder » de ce manuel.

## Insérer un SSD

### Pour insérer un SSD :

- 1 Orientez les broches de connexion de votre SSD vers l'avant de la caméra.
- 2 Ouvrez le couvercle à ressort du URSA Mini Recorder et insérez délicatement le SSD dans son logement.

**CONSEIL** Le URSA Mini Recorder est doté d'une cale qui permet de maintenir les SSD de différentes tailles en place, vous n'avez donc pas besoin d'utiliser d'espaceur.

- 3 Une fois le SSD dans le logement, poussez-le gentiment jusqu'à ce qu'il se cale, puis abaissez le couvercle du URSA Mini Recorder.

### Pour retirer un SSD :

Ouvrez le couvercle du URSA Mini Recorder et saisissez délicatement le disque entre votre pouce et votre index. La partie supérieure de la baie est dotée d'une petite encoche afin que vous puissiez tenir le disque fermement. Retirez simplement le disque et refermez le couvercle.

**REMARQUE** Le URSA Mini Recorder occupe le deuxième logement du système d'exploitation de la URSA Mini. Cela signifie que lorsque le URSA Mini Recorder est connecté et qu'un SSD compatible est inséré, le deuxième logement pour carte SD et CFast 2.0 n'est pas disponible.

Si vous souhaitez utiliser ces logements, débranchez la connexion USB-C entre le Mini Recorder et la URSA Mini Pro 12K. Il n'est pas nécessaire de retirer le Mini Recorder de la caméra. Pour plus d'informations, consultez la section « Blackmagic URSA Mini Recorder » de ce manuel.

### Choisir un SSD rapide pour le URSA Mini Recorder

Les SSD sont conçus pour fournir un stockage rapide et abordable à de nombreux appareils. Toutefois, il est important de noter que la réalisation de films ne représente qu'une partie de ce marché. C'est pourquoi vous devez vous assurer que la bande passante est suffisante pour enregistrer de la vidéo en Blackmagic RAW 12K ou en Ultra HD. De nombreux SSD sont conçus pour l'informatique domestique et ne sont pas assez rapides pour enregistrer de la vidéo en Ultra HD.

Nous recommandons vivement d'utiliser seulement les SSD énumérés dans notre liste, car ils ont été testés avec la Blackmagic URSA Mini Pro 12K afin d'offrir un enregistrement continu aux résolutions spécifiées. Pour consulter la liste de SSD recommandés la plus récente, veuillez vous rendre sur [www.blackmagicdesign.com/fr/support](http://www.blackmagicdesign.com/fr/support).

#### Disques U.2 pour le Blackmagic URSA Mini Recorder

Les SSD U.2 2,5" suivants sont recommandés pour enregistrer en 12K DCI Blackmagic RAW 8:1 jusqu'à 50 images par seconde.

Marque	Modèle	Stockage
Samsung	983 DCT U.2 MZ-QLB960NE	960GB
Samsung	983 DCT U.2 MZ-QLB1T9NE	1.92TB

#### Disques M.2 pour le Blackmagic URSA Mini Recorder

Les SSD M.2 avec adaptateur M.2 vers U.2 suivants sont recommandés pour enregistrer en 12K DCI Blackmagic RAW 8:1 jusqu'à 30 images par seconde.

Marque	Modèle	Stockage
SanDisk	Extreme Pro M.2 NVMe 3D SSD	500GB
Western Digital	WD Black NVMe SSD WDS500G2X0C	500GB
Western Digital	WD Black SN750 NVMe SSD WDS100T3X0C	1TB



### Remarque importante concernant la vitesse des SSD

Certains modèles de SSD ne sont pas capables d'enregistrer des données vidéo à la vitesse annoncée par le fabricant, car le disque compresse certaines données afin d'atteindre des vitesses d'écriture plus élevées. Cette compression des données permet uniquement de sauvegarder les données à la vitesse annoncée par le fabricant lorsqu'il s'agit de fichiers ou de données simples, comme des données vides. Toutefois, comme les données vidéo comprennent du bruit vidéo et des pixels aléatoires, la compression n'offre aucun avantage et la véritable vitesse du support est révélée.

Certains SSD ont une vitesse d'écriture jusqu'à 50 % moins élevée que celle indiquée par le fabricant, par conséquent, bien que les spécifications du disque certifient qu'il est suffisamment rapide pour prendre en charge de la vidéo, il se peut qu'il ne soit pas assez rapide pour enregistrer de la vidéo en temps réel.

Utilisez le Blackmagic Disk Speed Test pour mesurer si votre SSD est capable de prendre en charge la capture et la lecture de vidéo à des vitesses élevées. Le Blackmagic Disk Speed Test utilise des données pour simuler le stockage de vidéo, les résultats sont donc similaires à ceux que vous obtenez en capturant de la vidéo sur un disque. Lors de nos tests, nous avons remarqué que les modèles les plus récents de SSD dont la capacité est plus importante sont en général plus rapides.

## Préparer le support pour l'enregistrement

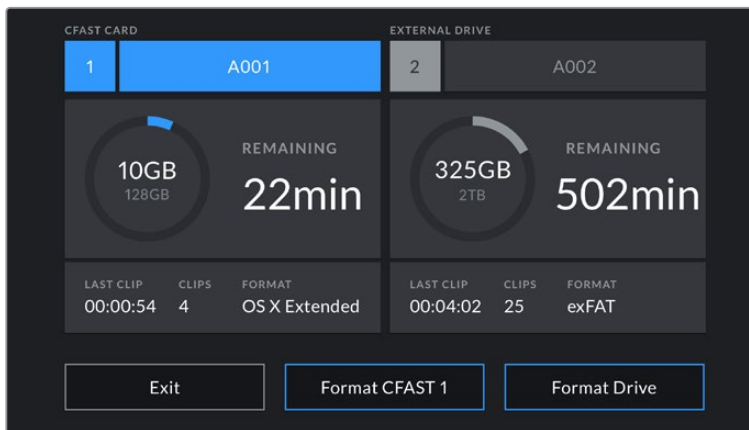
Vous pouvez formater les cartes CFast, les cartes SD ou les SSD sur le gestionnaire de stockage ou via un ordinateur Mac ou Windows. Nous vous recommandons de formater les supports de stockage à l'aide de la URSA Mini pour un résultat optimal.

Nous conseillons le format HFS+, également connu sous le nom de OS X Extended, car il prend en charge la journalisation. Les données situées sur un support journalisé sont plus faciles à récupérer au cas où votre support de stockage serait corrompu. Le format HFS+ est pris en charge nativement par Mac. Le format exFAT est pris en charge nativement par Mac et Windows, il n'est donc pas nécessaire d'utiliser de logiciel tiers. Cependant, ce format ne prend pas en charge la journalisation.

**REMARQUE** Avant de formater le support, il est important de veiller à ce que l'interrupteur des supports soit réglé sur **SD** ou **CFast**. Veuillez toujours vérifier les paramètres avant de formater les supports.

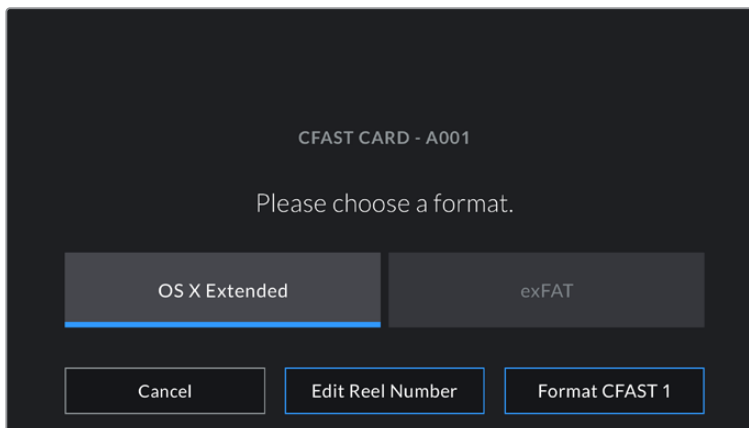
## Préparer un support sur la Blackmagic URSA Mini

- 1 Appuyez sur un des supports en bas de l'écran tactile pour ouvrir le gestionnaire de stockage.
- 2 Appuyez sur un bouton de formatage en bas de l'écran pour formater la carte 1 ou 2. Si vous branchez un disque flash sur le port USB-C d'une URSA Mini Pro G2, le bouton **Format Drive** permet de formater le deuxième disque.



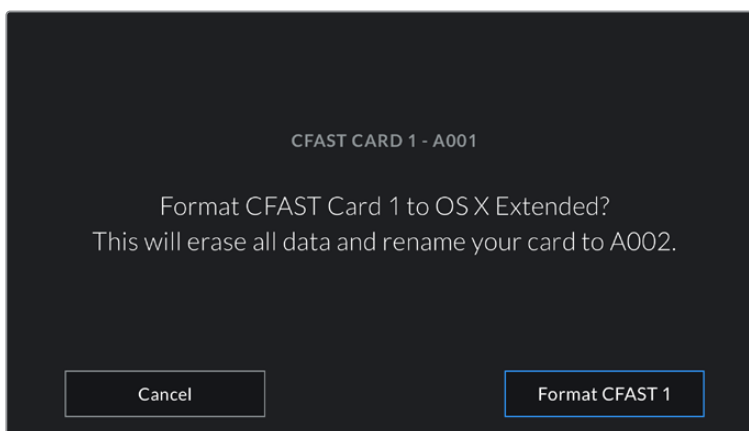
Utilisez le gestionnaire de stockage de la URSA Mini pour formater les supports de la caméra.

- 3 Sélectionnez le bouton **Edit Reel Number** si vous souhaitez changer manuellement le numéro de bobine.
- 4 Choisissez OS X Extended ou exFAT et appuyez sur le bouton de formatage.



Sélectionnez **Edit Reel Number** pour modifier manuellement le numéro de bobine.

- 5 Un message apparaît pour que vous confirmiez votre sélection. Appuyez de nouveau sur le bouton de formatage pour continuer ou sur **Cancel** pour annuler le formatage.



Vérifiez que vous avez sélectionné la carte appropriée avant de la formater.

- 6 Vérifiez que vous avez sélectionné la carte appropriée avant de la formater. Un message apparaîtra sur votre écran lorsque le formatage sera terminé.
- 7 Appuyez sur **Ok** pour retourner au gestionnaire de stockage.
- 8 Appuyez sur **Exit** pour fermer le gestionnaire de stockage.

Lorsque vous formatez les cartes CFast, SD ou les SSD, utilisez le gestionnaire de stockage. La URSA Mini utilisera le nom de la caméra et le numéro de la bobine pour renommer la carte. Le numéro de la bobine s'incrémente à chaque fois que vous formatez un support. Pour saisir manuellement le numéro de bobine, il suffit de sélectionner **Edit reel number** afin de saisir le numéro avec lequel vous souhaitez formater la carte.

Quand vous commencez un nouveau projet, le numéro de bobine se réinitialise sur 1 lorsque vous sélectionnez **Reset Projet Data** dans l'onglet **Project** du clap.

Lorsque le URSA Mini Recorder est connecté et qu'un SSD est inséré, le Recorder enregistre directement sur le logement de stockage numéro **2** de la URSA Mini. De plus, le voyant **SSD** s'affichera sur le logement 2 du gestionnaire de stockage de votre caméra.

## Préparer un support sur la Blackmagic URSA Mini Pro

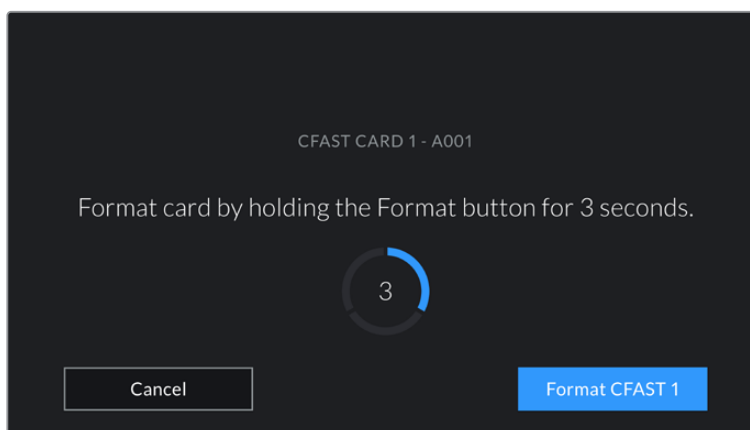
Pour préparer un support sur la URSA Mini Pro, il faut suivre le même procédé qu'avec la URSA Mini. La seule différence concerne le choix de formater des cartes SD, en plus des cartes CFast, des SSD et des disques flash USB-C sur la URSA Mini Pro 12K et la URSA Mini Pro 4.6K G2. Veuillez noter que si l'interrupteur de stockage des supports est réglé sur SD ou CFast, seul le type de carte sélectionné sera formaté. Lorsque vous utilisez un URSA Mini Recorder, ou un disque flash USB-C avec la URSA Mini Pro 12K ou la URSA Mini Pro 4.6K G2, le SSD apparaîtra dans le logement 2, peu importe la position de l'interrupteur de stockage des supports.



Le gestionnaire de stockage de votre caméra indique si vous avez sélectionné la carte CFast, la carte SD, le SSD ou le disque flash USB-C.

**CONSEIL** Si la URSA Mini Pro est réglée pour enregistrer sur des cartes SD, mais que la carte que vous avez insérée est verrouillée, vous ne pourrez pas la formater. Une icône de cadenas apparaît à côté du nom de la carte dans le gestionnaire de stockage. Déverrouillez simplement la carte pour la formater et commencer l'enregistrement. Pour plus d'informations sur le verrouillage des cartes SD, consultez la section « Cartes SD » de ce manuel.

Lorsque vous formatez des supports de stockage sur la URSA Mini Pro, il vous sera demandé de maintenir le bouton **Format** enfoncé pendant 3 secondes. La caméra vous notifiera lorsque le formatage est terminé.



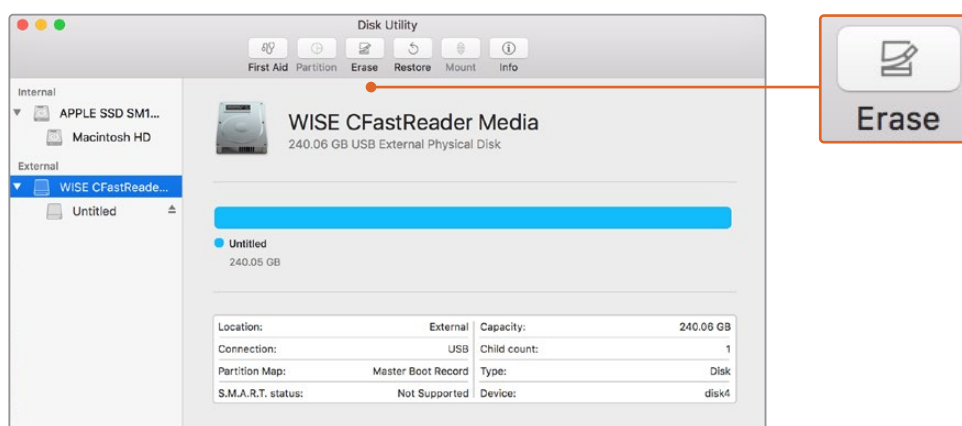
Appuyez sur le bouton Format pendant trois secondes pour procéder au formatage de votre support.

Pour plus d'informations sur cette opération, consultez la section « Cartes SD » de ce manuel.

**REMARQUE** Lorsque le URSA Mini Recorder optionnel est connecté, le voyant **SSD recorder** apparaît sur le logement de stockage 2. Lorsqu'un disque flash USB-C est connecté, la mention **External Drive** s'affiche.

## Préparer le support sur Mac

Utilisez l'utilitaire de disque fourni avec Mac pour formater votre carte CFast, SD ou votre SSD au format HFS+ ou exFAT. N'oubliez pas de sauvegarder toutes les informations importantes contenues sur votre support car toutes les données seront perdues lors du formatage.



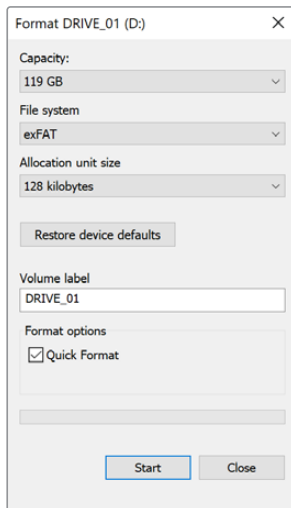
Utilisez l'utilitaire de disque sur Mac pour effacer le support de stockage de votre caméra au format Mac OS étendu (journalisé) ou exFAT.

- 1 Connectez le support de stockage à votre ordinateur à l'aide d'un lecteur de carte SD, d'une station d'accueil ou d'un adaptateur. Ignorez les messages proposant d'utiliser le support en tant qu'outil de sauvegarde Time Machine.
- 2 Allez dans le menu Applications/Utilitaires et lancez l'utilitaire de disque.
- 3 Cliquez sur l'icône représentant le support de stockage de la caméra, puis cliquez sur l'onglet **Effacer**.

- 4 Choisissez le format Mac OS étendu (journalisé) ou exFAT.
- 5 Saisissez un nom pour le nouveau volume, puis cliquez sur **Effacer**. Le support de stockage de votre caméra sera rapidement formaté et prêt à être utilisé.

## Préparer le support sur Windows

La boîte de dialogue Formater permet de formater le support de stockage de votre caméra au format exFAT sur un PC Windows. N'oubliez pas de sauvegarder toutes les informations importantes contenues sur votre support, car toutes les données seront perdues lors du formatage.



Utilisez la boîte de dialogue relative au formatage dans Windows pour formater le support de stockage de la caméra au format exFAT.

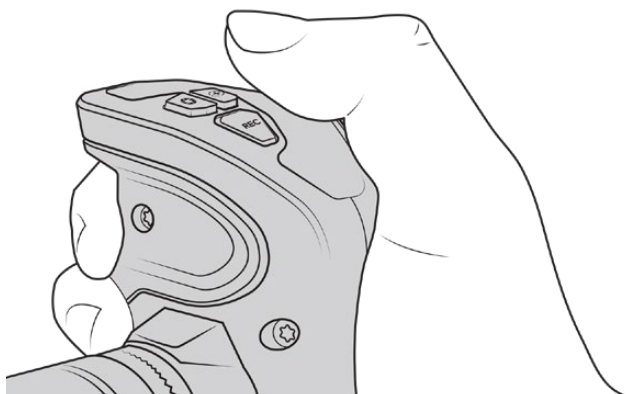
- 1 Connectez le support de stockage de la caméra à votre ordinateur à l'aide d'un lecteur/ graveur externe, d'une station d'accueil SSD ou d'un adaptateur.
- 2 Ouvrez le menu Démarrer ou l'écran d'accueil et choisissez l'option Ordinateur. Faites un clic droit sur le support de stockage de votre caméra.
- 3 Cliquez sur Formater à partir du menu contextuel.
- 4 Configurez le système de gestion des fichiers sur exFAT et la taille d'unité d'allocation sur 128 Kb.
- 5 Saisissez un nom de volume, sélectionnez l'option Formatage rapide puis cliquez sur Démarrer.
- 6 Votre support de stockage sera rapidement formaté et prêt à être utilisé.

**REMARQUE** En cas de perte d'images pendant l'enregistrement, vérifiez que la carte ou le lecteur que vous utilisez figure dans la liste des supports recommandés, en fonction du codec et du format d'image sélectionnés. Pour les faibles débits, réduisez la fréquence d'images et la résolution, ou utilisez un codec compressé, par exemple le codec ProRes. Veuillez consulter le site Internet de Blackmagic Design sur [www.blackmagicdesign.com/fr](http://www.blackmagicdesign.com/fr) pour être informés des dernières nouveautés.

# Enregistrer

## Enregistrement des clips

Sur la Blackmagic URSA Mini, vous pouvez démarrer l'enregistrement en appuyant sur le bouton d'enregistrement situé sur le panneau de contrôle intérieur, sur la face externe de l'écran rabattable, sur l'écran tactile ou sur la Blackmagic URSA Handgrip en option. Sur la Blackmagic URSA Mini Pro, le bouton d'enregistrement externe est situé sur le panneau de contrôle avant afin de faciliter le tournage à l'épaule. Appuyez sur le bouton d'enregistrement pour démarrer l'enregistrement.



Il est également possible d'enregistrer des clips à l'aide du bouton **REC** de la poignée Blackmagic URSA Handgrip en option.

Une autre option pour déclencher et arrêter l'enregistrement est de relier un contrôleur LANC externe à l'entrée LANC de votre URSA Mini et de déclencher l'enregistrement à distance. Par exemple, vous pouvez choisir d'attacher un contrôleur LANC au trépied pour déclencher l'enregistrement à distance, sans devoir toucher la bague de mise au point et la poignée du trépied.

**REMARQUE** Si vous modifiez la position de l'interrupteur des supports de stockage pendant l'enregistrement, la caméra termine l'enregistrement en cours avant de changer de type de support. Cela permet de conserver un enregistrement de qualité tout au long de la prise.

## Choisir le Codec, la Résolution et la Surface du capteur

La Blackmagic URSA Mini Pro peut enregistrer en Blackmagic RAW, avec un paramètre de qualité constante ou de débit constant. Les caméras URSA Mini Pro et URSA Mini peuvent également enregistrer en codecs compressés Apple ProRes. Les différentes options de fréquences d'images du capteur dépendent de la caméra, du codec et de la résolution utilisés.

Il est important de noter que les clips enregistrés en Blackmagic RAW sont compatibles avec DaVinci Resolve, Blackmagic RAW Player et tous les autres logiciels prenant en charge le SDK Blackmagic RAW. Le Blackmagic RAW est d'ores et déjà disponible sur de nombreux outils de post-production. Si ce format n'est pas pris en charge nativement par une application, il suffit de télécharger nos mises à jour et notre programme d'installation Blackmagic RAW pour obtenir le plug-in nécessaire. Pour plus d'informations, consultez la section « Travailler avec un logiciel tiers » de ce manuel.

## Plage dynamique

La Blackmagic URSA Mini Pro 12K produit de fabuleuses images à large plage dynamique dotées d'une latitude de 14 diaphragmes. La URSA Mini Pro G2, la URSA Mini Pro et la URSA Mini 4.6K offrent une plage dynamique de 15 diaphragmes.

Cela maximise les informations du signal vidéo pour vous aider à obtenir le meilleur des logiciels d'étalonnage, tels que DaVinci Resolve.

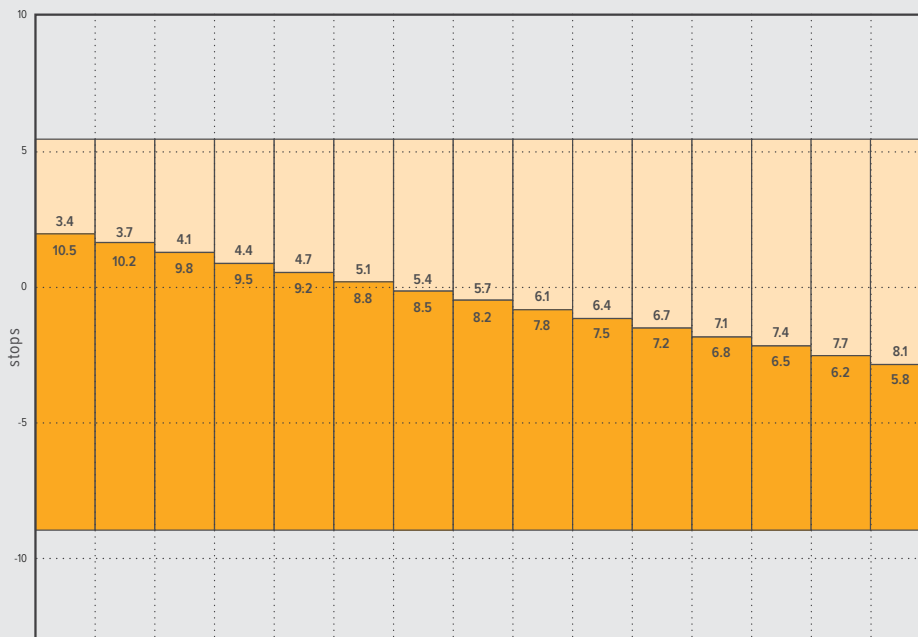
La plage dynamique capturée est également parfaite pour l'exportation de contenu HDR.

Comme le tableau ci-dessous l'indique, les 14 diaphs de plage dynamique sont disponibles sur toute la gamme d'ISO, de 125 à 3200 pour la URSA Mini Pro 12K, et les 15 diaphs de plage dynamique de ISO 200 à 3200 pour la URSA Mini 4.6K, la URSA Mini Pro et la URSA Mini Pro G2.

La distribution des diaphs au-dessus et au-dessous des tons moyens varie selon le paramètre ISO sélectionné. Par exemple, à un ISO de 200 sur la URSA Mini Pro G2, 10,8 diaphs sont attribués aux basses lumières de l'image et 3,9 diaphs aux hautes lumières.

### Plage dynamique de la Blackmagic URSA Mini Pro 12K

ISO	125	160	200	250	320	400	500	640	800	1000	1250	1600	2000	2500	3200
Total Stops	13.9	13.9	13.9	13.9	13.9	13.9	13.9	13.9	13.9	13.9	13.9	13.9	13.9	13.9	13.9

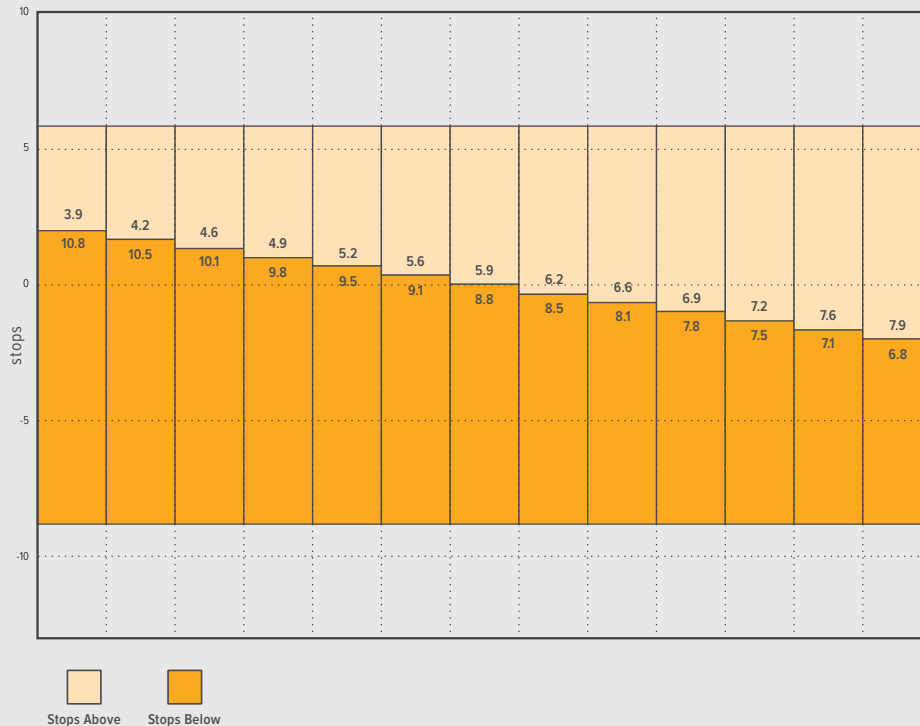


Stops Above  
 Stops Below



### Plage dynamique de la Blackmagic URSA Mini 4.6K, de la URSA Mini Pro et de la URSA Mini Pro G2

ISO	200	250	320	400	500	640	800	1000	1250	1600	2000	2500	3200
Total Stops	14.7	14.7	14.7	14.7	14.7	14.7	14.7	14.7	14.7	14.7	14.7	14.7	14.7



## Blackmagic RAW

La Blackmagic URSA Mini Pro prend en charge le nouveau format de fichier Blackmagic RAW. Ce format offre une qualité d'image supérieure, une plage dynamique étendue et une large sélection de taux de compression. Grâce au Blackmagic RAW, vous bénéficiez de tous les avantages de l'enregistrement en RAW. Toutefois, les fichiers sont très rapides, car une partie de la débayerisation est effectuée dans la caméra, où elle subit une accélération matérielle.

Le format Blackmagic RAW est intelligent, car il s'adapte au capteur d'image de la caméra. La qualité est donc plus élevée, mais la taille des fichiers est réduite. Comme les fichiers sont plus petits et de meilleure qualité, le Blackmagic RAW est une bonne alternative aux autres formats de fichiers vidéo et RAW.

Le Blackmagic RAW comprend également une prise en charge des métadonnées performante, qui permet de transmettre les paramètres de la caméra au logiciel de lecture des fichiers. Si vous n'avez que très peu de temps pour le montage et l'étalonnage, vous pouvez tourner en mode vidéo et les images seront affichées dans ce mode lorsque vous ouvrez le fichier dans le logiciel. Toutefois, en réalité, le fichier est en mode film. Ce sont les métadonnées du fichier qui communiquent au logiciel d'appliquer le mode vidéo.

Ainsi, si vous souhaitez étalonner les images ultérieurement, la plage dynamique est conservée dans le fichier. Les images ne seront pas écrêtées dans les hautes et les basses lumières, les détails seront donc préservés et vous pourrez procéder à l'étalonnage pour leur donner un rendu cinématographique. Toutefois, si vous n'avez pas suffisamment de temps pour l'étalonnage, ce n'est pas grave, car le mode vidéo sera appliqué aux images et elles auront ainsi le même rendu que celles des caméras vidéo standard. C'est donc une solution très polyvalente qui vous permet de changer d'avis durant la post-production.

Les fichiers Blackmagic RAW sont très rapides et ce codec est optimisé pour le CPU et le GPU de votre ordinateur. Ainsi, la lecture est fluide et les décodeurs matériels ne sont pas nécessaires, ce qui est important lorsque vous utilisez un ordinateur portable. Le logiciel qui lit le Blackmagic RAW bénéficie également du traitement via Apple Metal, Nvidia CUDA et OpenCL.

Cela signifie que le Blackmagic RAW lit le fichier à une vitesse normale sur la plupart des ordinateurs, sans avoir à le mettre en cache ou à baisser la résolution.

De plus, les informations de l'objectif de chaque image sont enregistrées dans les métadonnées. Par exemple, lorsque vous utilisez des objectifs compatibles, toutes les modifications de zoom et de mise au point effectuées durant le clip seront sauvegardées, image par image, dans les données du fichier Blackmagic RAW.

## Enregistrer en Blackmagic RAW

Le Blackmagic RAW fonctionne de deux façons différentes. Vous pouvez choisir un codec à débit constant, ou un codec à qualité constante.

Le codec à débit constant fonctionne à peu près de la même façon que la plupart des codecs. Son rôle est de maintenir le débit de données à un taux constant sans le laisser trop augmenter. Ainsi, lorsque vous tournez une image complexe qui utilise plus de données pour le stockage, le codec à débit constant compresse davantage l'image pour qu'elle corresponde à l'espace qui lui est attribué.

Cela ne pose en général pas de problème avec les codecs vidéo. Toutefois, lorsque vous tournez en Blackmagic RAW, il faut pouvoir garantir une certaine qualité. Que se passerait-il si les images filmées avaient besoin de plus de données, mais que le codec les compressait davantage pour atteindre un débit spécifique ? Vous perdriez sûrement en qualité et vous ne le remarqueriez peut-être qu'après le tournage.

Pour résoudre ce problème, le Blackmagic RAW propose également un codec appelé qualité constante. Techniquement, ce codec est un codec à débit variable, car il permet à la taille du fichier d'augmenter lorsque les images ont besoin de plus de données. Il n'y a pas de limite supérieure à la taille de fichier lorsque vous devez encoder une image en conservant sa qualité.

Ainsi, quand le Blackmagic RAW est réglé sur le paramètre qualité constante, la taille de fichier peut augmenter autant qu'il le faut pour encoder les images. Les fichiers sont donc plus ou moins volumineux selon les images tournées.

Les noms des paramètres du Blackmagic RAW ont été choisis d'après des repères techniques. Par exemple, lorsque que le codec à débit constant est sélectionné, vous aurez accès aux paramètres de qualité 3:1, 5:1, 8:1, 12:1 ou 18:1, selon le type de caméra URSA Mini Pro. Ce sont les rapports entre la taille de fichier du format RAW non compressé et celle du format Blackmagic RAW. La compression 3:1 est de meilleure qualité car le fichier est plus volumineux, tandis que 18:1 est de moins bonne qualité car le fichier est plus petit. Toutefois, de nombreux utilisateurs du Blackmagic RAW n'ont vu aucun problème de qualité avec le format 12:1 ou 18:1. Le plus judicieux est d'essayer plusieurs paramètres pour voir celui qui vous convient le mieux.

Les paramètres de qualité constante du Blackmagic RAW sont Q0, Q1, Q3 ou Q5, selon le type de caméra URSA Mini Pro. Ce sont les paramètres de compression appliqués au codec. Ce réglage est différent car le codec traite le débit constant et la qualité constante de façon différente. En ce qui concerne la qualité constante, la taille de fichier peut varier selon les prises.

## Paramètres du débit constant

Ces paramètres sont 3:1, 5:1, 8:1, 12:1 et 18:1. Ils représentent le ratio de compression. Par exemple, la compression 12:1 produit une taille de fichier environ 12 fois plus petite que le format RAW non compressé.

Sur la URSA Mini Pro 12K, les paramètres de débit constant du Blackmagic RAW sont 5:1, 8:1, 12:1 et 18:1. La URSA Mini Pro 4.6K G2 et la URSA Mini Pro 4.6K supportent les paramètres de débit constant du Blackmagic RAW 3:1, 5:1, 8:1 et 12:1.

## Paramètres de qualité constante

Q0, Q1, Q3 et Q5 font référence aux différents taux de quantification. Q5 a un taux de quantification plus élevé, mais offre un meilleur débit de données. Comme nous l'avons mentionné auparavant, le paramètre de qualité constante peut créer des fichiers plus au moins grands selon les prises. Il est donc possible que la taille d'une prise soit plus grande que l'espace disponible sur votre support, ce qui peut provoquer une perte d'images. L'avantage est que vous pouvez instantanément le voir sur le tournage et donc décider du paramètre le plus approprié.

Sur la URSA Mini Pro 12K, les paramètres de qualité constante du Blackmagic RAW sont Q0, Q1, Q3 et Q5. La URSA Mini Pro 4.6K G2 et la URSA Mini Pro 4.6K supportent les paramètres de qualité constante du Blackmagic RAW Q0 et Q5.

## Blackmagic RAW Player

Le lecteur Blackmagic RAW, fourni avec le programme d'installation du logiciel de la caméra, est une application qui permet de revoir les clips. Il suffit de double-cliquer sur un fichier Blackmagic RAW pour l'ouvrir. Vous pouvez ensuite le lire et le faire défiler en pleine résolution et profondeur de bits.

Lors du décodage des images, l'accélération CPU de la bibliothèque du SDK prend en charge la plupart des architectures, ainsi que l'accélération GPU via Apple Metal, Nvidia CUDA et OpenCL. Elle fonctionne également avec le Blackmagic eGPU, si vous souhaitez une solution encore plus performante. Le lecteur Blackmagic RAW est disponible pour Mac, Windows et Linux.

## Fichiers sidecar

Les fichiers sidecar du Blackmagic RAW priment sur les métadonnées intégrées au fichier sans toutefois les écraser. Ces métadonnées comprennent les paramètres RAW ainsi que des informations sur l'iris, la mise au point, la distance focale, la balance des blancs, la teinte, l'espace colorimétrique, le nom du projet, le numéro de la prise et autres. Les métadonnées sont encodées image par image sur toute la durée du clip, ce qui est important pour les données de l'objectif, si celui-ci a été ajusté durant la prise. Vous pouvez ajouter ou modifier les métadonnées des fichiers sidecar avec DaVinci Resolve ou avec un éditeur de texte, car il s'agit d'un format lisible par l'homme.

Les fichiers sidecar peuvent être utilisés pour ajouter automatiquement de nouveaux paramètres RAW à la lecture. Pour ce faire, il suffit de déplacer le fichier sidecar dans le dossier du fichier RAW correspondant. Si vous retirez le fichier sidecar du dossier et que vous ouvrez à nouveau le fichier Blackmagic RAW, les paramètres RAW ne seront pas appliqués et vous verrez le fichier tel qu'il a été initialement filmé. Tout logiciel qui utilise le SDK Blackmagic RAW peut accéder à ces paramètres. Les changements apportés seront sauvegardés dans le fichier sidecar et pourront être lus par le Blackmagic RAW Player ou par tout autre logiciel capable de lire les fichiers Blackmagic RAW.

Lorsque vous tournez en mode vidéo, le fichier reste en mode film, et les métadonnées communiquent au traitement Blackmagic RAW d'afficher les images en mode vidéo. Le mode vidéo est parfait lorsque vous ne voulez pas étalonner les images et que vous devez livrer rapidement le contenu. Toutefois, si vous souhaitez augmenter les basses lumières ou réduire les hautes lumières de l'image, tous les détails sont conservés. La vidéo ne sera jamais écrêtée et les détails seront préservés si vous souhaitez y accéder ultérieurement.

## Blackmagic RAW dans DaVinci Resolve

Les paramètres de tous les fichiers Blackmagic RAW peuvent être ajustés, puis sauvegardés en tant que nouveau fichier sidecar à partir de l'onglet RAW de DaVinci Resolve afin de créer des effets créatifs ou d'optimiser la visualisation. Vous pouvez ainsi copier vos médias pour un autre utilisateur DaVinci Resolve afin qu'il ait automatiquement accès aux paramètres gamma modifiés lors de l'importation. En plus des autres métadonnées contenues dans les fichiers de la caméra, DaVinci Resolve peut lire la plage dynamique sélectionnée, afin que les clips soient automatiquement affichés en mode Film, Extended Video ou Video dans DaVinci Resolve.

Vous pouvez ensuite personnaliser ces paramètres en ajustant la saturation, le contraste et les moyennes lumières, ainsi que le roll-off des hautes et des basses lumières. Les ajustements peuvent ensuite être sauvegardés en tant que fichier sidecar. Les changements peuvent donc être visualisés par tous les utilisateurs qui travaillent sur ces fichiers en post. Vous pouvez à tout moment revenir aux métadonnées originales de la caméra.

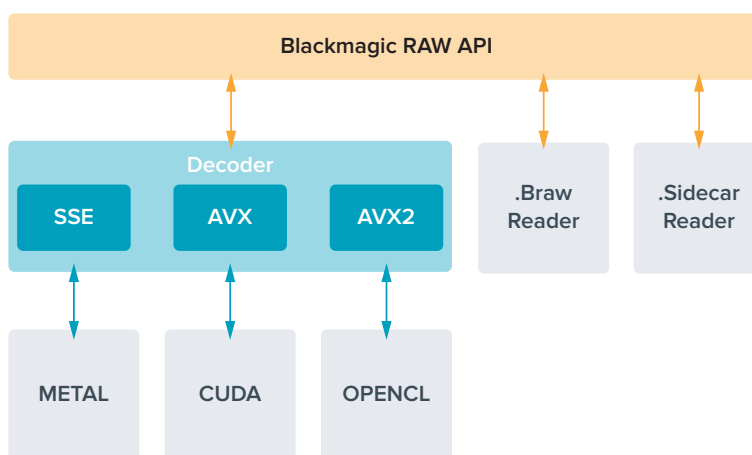
Il est également possible d'exporter une seule image Blackmagic RAW à partir de l'onglet RAW de DaVinci Resolve, qui contient toutes les informations concernant les ajustements, les métadonnées, la pleine résolution et les couleurs. Il est donc facile de partager les références d'une image ou d'un fichier avec d'autres utilisateurs.

Pour plus d'informations sur la façon d'utiliser le Blackmagic RAW dans DaVinci Resolve, consultez le chapitre « Utiliser DaVinci Resolve » de ce manuel.

## Kit de développement logiciel Blackmagic RAW

Le kit de développement logiciel Blackmagic RAW est une API développée par Blackmagic Design. Vous pouvez utiliser le SDK Blackmagic RAW pour écrire vos propres applications pour le format Blackmagic RAW. La bibliothèque du SDK offre aux développeurs une prise en charge de la lecture, de la modification et de l'enregistrement des fichiers Blackmagic RAW. Le SDK Blackmagic RAW intègre la colorimétrie de 4e et de 5e génération. Vous pouvez donc obtenir des images cinématographiques naturelles dans toutes les applications qui la supportent. Le SDK Blackmagic RAW est compatible avec Mac, Windows et Linux. Il est disponible gratuitement sur la page Développeurs du site web de Blackmagic : [www.blackmagicdesign.com/fr/developer](http://www.blackmagicdesign.com/fr/developer)

Le schéma suivant illustre les composants de l'API Blackmagic RAW :



## Choisir la fréquence d'images

Votre caméra peut filmer à différentes fréquences d'images et il est important de savoir laquelle est la plus adaptée à votre projet. La fréquence d'images du capteur peut également avoir un impact considérable sur le rendu des séquences. Lorsque l'on choisit une fréquence d'images, il y a plusieurs éléments à prendre en compte. En effet, depuis plusieurs années, il existe des normes établies pour le cinéma et la télévision. Ces normes peuvent varier selon les pays mais elles partagent le même objectif ; afficher un nombre d'images par seconde optimal qui permette aux spectateurs d'apprécier le mouvement des images.

Par exemple, pour le cinéma on utilise 24 images par seconde. Bien que, récemment, certains contenus aient été filmés à des fréquences d'images plus rapides, 24 images par seconde restent la norme pour le public international. En général, les fréquences d'images pour la télévision dépendent des normes de diffusion de chaque pays. Par exemple, pour produire du contenu télévisuel en Amérique du Nord vous filmerez à 29,97 images par seconde, contre seulement 25 en Europe.

Cependant, grâce aux avancées technologiques, nous avons aujourd'hui plus de choix et les normes de diffusion sont en train de changer. Il est désormais commun d'enregistrer et de diffuser des événements sportifs à des fréquences d'images plus élevées. Certains événements sportifs sont enregistrés et diffusés jusqu'à 59,94 images par seconde en Amérique du Nord et jusqu'à 50 en Europe. Ces fréquences élevées apportent plus de fluidité et de réalisme aux images lors d'actions rapides. Les diffuseurs de streaming et de contenus en ligne utilisent en général la même fréquence d'images que la télévision. Cependant, ils ont plus de liberté pour expérimenter d'autres formats, car les spectateurs peuvent choisir celui de leur choix. Ces diffuseurs sont seulement limités par la capacité d'affichage des écrans.

Lorsque vous choisissez une fréquence d'images pour votre projet, il est généralement conseillé de vous référer au format d'exportation. Réglez la fréquence d'images de votre caméra et adaptez la fréquence du capteur en fonction. Ainsi, vos clips seront lus à vitesse réelle. Si vous souhaitez créer des effets, par exemple un ralenti, vous pouvez augmenter la fréquence d'images du capteur. Plus la différence entre la fréquence d'images du capteur et celle du projet est grande, plus les images seront ralenties lors de la lecture. Par exemple, la URSA Mini Pro G2 vous permet de tourner à des fréquences d'images du capteur très élevées pour des ralentis extrêmement lents.

Pour plus d'informations sur le réglage des fréquences d'images du capteur pour créer des effets, veuillez consulter la section « Commandes de l'écran tactile ».

### Tourner à des fréquences d'images élevées

Lorsque vous tournez à des fréquences d'images élevées, votre caméra capture davantage d'images par seconde comparé aux fréquences d'images traditionnelles de 24, 25 et 30 i/s. Cela veut dire que le capteur d'images a moins de temps pour recueillir la lumière de chaque image capturée. C'est pourquoi l'image de votre caméra est plus sombre.

Par exemple, si vous passez de 25 à 50 images par seconde, la quantité de lumière reçue par le capteur sera réduite de moitié. Pour maintenir l'exposition, vous devez compenser ce changement en ouvrant l'objectif d'un diaph, en ouvrant l'angle d'obturation de 180° à 360°, ou en ajoutant de la lumière à la scène que vous tournez.

Lorsque vous filmez à 120 images par seconde, vous disposez de 5 fois moins de lumière. Vous devrez donc peut-être ajuster plusieurs paramètres, tels que l'ouverture de diaphragme, l'angle d'obturation et la lumière pour obtenir le même niveau d'exposition.

Lorsque vous tournez à des fréquences d'images élevées, gardez également à l'esprit que les sources lumineuses électroniques peuvent faire scintiller l'image enregistrée. Particulièrement si vous tournez à plus de 100 images par seconde dans un environnement de 50Hz ou à 120 images par seconde dans un environnement de 60Hz, il se peut que les sources lumineuses artificielles tungstènes, fluorescentes et LED produisent du scintillement dans vos images. Parfois, ce problème ne se voit pas lors de la prévisualisation de la scène sur l'écran LCD, le flux SDI ou lors de l'enregistrement. Il est donc important de faire des essais avec les lumières que vous souhaitez utiliser et de lire le clip afin de vérifier l'image.

Le réglage de l'obturateur peut aussi affecter la visibilité du scintillement lorsque vous tournez avec des lumières. C'est pourquoi la URSA Mini peut automatiquement calculer et afficher des options d'obturation sans scintillement pour la fréquence d'images utilisée. Notez que les caractéristiques de certaines sources lumineuses peuvent provoquer des scintillements même lorsque vous utilisez des valeurs sans scintillement. Pour plus d'informations, consultez la section « Commandes de l'écran tactile ».

Si vous avez réglé votre obturateur sur la vitesse d'obturation la plus lente ou sur l'angle d'obturation le plus grand et que vous voyez toujours du scintillement sur les images enregistrées, il se peut que vous deviez utiliser d'autres sources lumineuses pour votre scène ou utiliser un objectif plus rapide.

## Fréquences d'images maximales

Les tableaux ci-dessous indiquent les différents codecs et résolutions disponibles, ainsi que les fréquences d'images maximales du capteur pour la URSA Mini 4.6K et la URSA Mini Pro. Veuillez noter que les références au Blackmagic RAW, au ProRes 444 et au ProRes 4222 font référence à toutes les variantes de chaque codec prises en charge.

En raison des débits de données requis pour l'enregistrement de hautes résolutions au ralenti, vous devrez choisir un SSD, un disque flash USB-C ou une carte CFast rapide. Consultez la section « Supports de stockage » pour obtenir des informations sur les supports recommandés pour un enregistrement haut débit continu.

**CONSEIL** Vous pouvez tester la vitesse de votre carte en activant la fonction **Stop rec if drops frames** et en enregistrant un clip test. Cela vous permettra de tester combien de temps vous pouvez tourner à une fréquence d'images particulière dans une certaine résolution. Si la carte interrompt l'enregistrement trop rapidement, vous pourrez diminuer le paramètre de compression ou la résolution d'un cran afin de réduire le débit de données et faciliter l'enregistrement.

### Fréquence d'images maximale pour la URSA Mini Pro 12K

Format		Résolution	Codec	Mode du capteur	Fréquence d'images max
12K	17:9	12288 x 6480	Blackmagic RAW	Full	60
	16:9	11520 x 6480	Blackmagic RAW	Full height	60
	2.4:1	12288 x 5112	Blackmagic RAW	Full width	75
	6:5 Anamorphic	7680 x 6408	Blackmagic RAW	Full height	60
8K	17:9	8192 x 4320	Blackmagic RAW	Full	120
	16:9	7680 x 4320	Blackmagic RAW	Full height	120
	2.4:1	8192 x 3408	Blackmagic RAW	Full width	160
	6:5 Anamorphic	5120 x 4272	Blackmagic RAW	Full height	120
6K	Super 16	6144 x 3240	Blackmagic RAW	Window	120
4K	DCI	4096 x 2160	Blackmagic RAW	Full	120
	16:9	3840 x 2160	Blackmagic RAW	Full height	120
	2.4:1	4096 x 1704	Blackmagic RAW	Full width	160
	6:5 Anamorphic	2560 x 2136	Blackmagic RAW	Full height	120
	Super 16	4096 x 2160	Blackmagic RAW	Window	240

**Fréquences d'images maximales pour la URSA Mini Pro 4.6K G2, la URSA Mini Pro 4.6K et la URSA Mini 4.6K**

Format	Résolution	Codec	URSA Mini Pro 4.6K G2		URSA Mini Pro 4.6K		URSA Mini 4.6K	
			Mode du capteur	Fréquence d'images max	Mode du capteur	Fréquence d'images max	Mode du capteur	Fréquence d'images max
4.6K	4608 x 2592	Blackmagic RAW	Full	120	Full	60	–	–
		ProRes 444	Full	40	Full	30	Full	30
		ProRes 422	Full	80	Full	40	Full	40
4.6K 2.4:1	4608 x 1920	Blackmagic RAW	Window	150	Window	60	–	–
		ProRes 444	Window	60	Window	40	Window	40
		ProRes 422	Window	120	Window	50	Window	50
4K 16:9	4096 x 2304	Blackmagic RAW	Window	120	Window	60	–	–
		ProRes 444	Window	60	Full ou Window	30	Full ou Window	30
		ProRes 422	Window	100	Full ou Window	50	Full ou Window	50
4K DCI	4096 x 2160	Blackmagic RAW	Window	150	Window	60	–	–
		ProRes 444	Window	60	Full ou Window	40	Full ou Window	40
		ProRes 422	Window	120	Full ou Window	50	Full ou Window	50
UHD	3840 x 2160	Blackmagic RAW	Window	150	Window	60	–	–
		ProRes 444	Full ou Window	60	Full ou Window	40	Full ou Window	40
		ProRes 422	Full ou Window	120	Full ou Window	60	Full ou Window	60
3K Anamorphosé	3072 x 2560	Blackmagic RAW	Window	120	Window	60	–	–
		ProRes 444	Window	70	Window	40	–	–
		ProRes 422	Window	120	Window	60	–	–
2K 16:9	2048 x 1152	Blackmagic RAW	Window	240	Window	120	–	–
		ProRes 444	Window	240	Window	120	Window	120
		ProRes 422	Window	240	Window	120	Window	120
		ProRes 444	Full	120	Full	60	Full	60
		ProRes 422	Full	120	Full	60	Full	60
2K DCI	2048 x 1080	Blackmagic RAW	Window	300	Window	120	–	–
		ProRes 444	Window	240	Window	120	Window	120
		ProRes 422	Window	240	Window	120	Window	120
		ProRes 444	Full	120	Full	60	Full	60
		ProRes 422	Full	120	Full	60	Full	60
HD	1920 x 1080	Blackmagic RAW	Window	300	Window	120	–	–
		ProRes 444	Window	240	Window	120	Window	120
		ProRes 422	Window	240	Window	120	Window	120
		ProRes 444	Full	120	Full	60	Full	60
		ProRes 422	Full	120	Full	60	Full	60



Veuillez noter que le Blackmagic RAW Q0, Q1, Q3 et Q5 utilise une compression de débit binaire variable pour fournir une qualité constante. Les débits Q0, Q1, Q3 et Q5 dépendent de la complexité de l'image et peuvent varier considérablement à l'intérieur d'un clip.

### Fréquences d'images maximales pour la URSA Mini 4K

Format	Résolution	Codec	URSA Mini 4K	
			Mode du capteur	Fréquence d'images max.
UHD	3840 x 2160	ProRes 444	Full ou Window	40
		ProRes 422	Full ou Window	60
HD	1920 x 1080	ProRes 444	Window	80
		ProRes 422	Window	120
		ProRes 444	Full	60
		ProRes 422	Full	60

### Sélectionner le codec et la résolution de votre choix sur la Blackmagic URSA Mini.

- 1 Appuyez sur le bouton **MENU** du panneau de contrôle.
- 2 Allez sur la première page du menu **Record**.
- 3 Saisissez la combinaison de codec, qualité et résolution souhaitée.
- 4 Si vous souhaitez enregistrer à l'aide du Mode Window, allez sur la page 2 du menu **Record** et sélectionnez **Window sensor**. Pour enregistrer avec l'intégralité de la surface du capteur, sélectionnez **Off**.
- 5 Appuyez sur **MENU** pour fermer le menu.

### Formats d'enregistrement et fréquences d'images du projet

Après avoir réglé le codec et la résolution, vous pouvez régler les fréquences d'images **Project** et **Sensor**. Pour plus d'informations sur les fréquences d'images, consultez la section « Enregistrer » de ce manuel.

Les fréquences d'images de projet disponibles pour toutes les caméras URSA Mini sont les suivantes :

23.98, 24, 25, 29.97, 30, 50, 59.94 et 60 images par seconde.

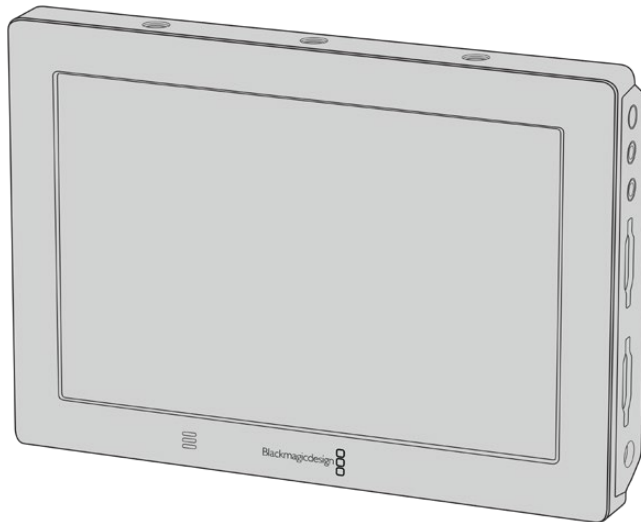
Lorsque vous utilisez les codecs Blackmagic RAW et ProRes jusqu'à ProRes 422 HQ, la fréquence d'images maximale du projet est de 60 images par seconde dans toutes les résolutions. Lorsque vous utilisez les codecs ProRes 444 et ProRes 444 XQ, la fréquence d'images maximale du projet dépend de la résolution.

Par exemple, sur la URSA Mini Pro 4.6K G2, la fréquence d'images maximale du projet lorsque vous utilisez les codecs ProRes 444 est de 60 images par seconde jusqu'en 4.6K 2.4:1. Si vous augmentez la résolution à 4.6K Full, la fréquence maximale du projet sera de 30 im/s. Sur le modèle d'origine URSA Mini Pro 4.6K, la fréquence d'images maximale du projet pour les codecs ProRes 444 est de 60 images par seconde jusqu'en 2K 16:9. Si vous changez la résolution en 3K anamorphosé ou plus élevée, la fréquence maximale du projet sera de 30 im/s. Cette différence est due au traitement accru requis pour les plus hautes résolutions lors de l'utilisation des codecs ProRes 444 et ProRes 444 XQ.

## Déclencher l'enregistrement

Il sera également nécessaire d'activer l'enclenchement de l'enregistrement via SDI sur votre matériel afin qu'il réponde au signal provenant de la URSA Mini. Si votre matériel SDI prend en charge l'enclenchement de l'enregistrement via SDI, celui-ci peut généralement être activé dans le menu de paramétrage de l'appareil SDI.

La URSA Mini envoie automatiquement un signal via les sorties SDI. Ce signal enclenche alors l'enregistrement lorsque la caméra est connectée à du matériel qui prend en charge le démarrage de l'enregistrement via SDI, tel que le Blackmagic Video Assist. Ainsi, lorsque vous appuyez sur le bouton REC de votre caméra, le matériel SDI externe commence aussi à enregistrer, et lorsque vous appuyez à nouveau sur ce bouton, l'enregistrement s'arrête.



Vous pouvez déclencher un enregistrement sur un autre appareil SDI, par exemple, le Blackmagic Video Assist 4K, à l'aide de la fonction d'enregistrement automatique de la caméra.

**CONSEIL** Lorsqu'il fait très froid, par exemple entre 0 et 5°C (32-41°F), il se peut que la URSA Mini 4K prenne jusqu'à trente secondes pour atteindre une température d'utilisation optimale. Bien qu'il soit possible de commencer à enregistrer pendant ce laps de temps, nous recommandons d'attendre que la température de la caméra augmente et se stabilise. Lorsque la température d'utilisation optimale est atteinte, la caméra se recalibre pour compenser le changement de température du capteur, il se peut alors que vous aperceviez une image blanche isolée. Cela ne se produira que lorsque vous n'enregistrez pas et améliorera vos résultats lorsque vous tournez dans des climats très froids.

## Tableaux des durées d'enregistrement

Les tableaux ci-dessous présentent les durées d'enregistrement en minutes et secondes en fonction du format, de la fréquence d'images du projet et de la taille du support. La durée maximale d'enregistrement d'un support dépend de sa capacité de stockage, du format d'enregistrement et de la fréquence d'images. Par exemple, le débit d'un format Apple ProRes 422 HQ à 3840 x 2160 est approximativement de 880 Mb/s. À 24 images par seconde, il est possible d'enregistrer une vidéo de 47 minutes sur une carte CFast 2.0 ou une carte SD d'une taille de 256GB. Avec le même nombre d'images par seconde, il est possible d'enregistrer une vidéo de 23 minutes sur une carte CFast 2.0 ou sur une carte SD d'une taille de 128GB (c'est environ la moitié de la durée d'enregistrement qu'offre une carte de 256GB). Ces durées sont identiques lors d'un enregistrement sur SSD avec le URSA Mini Recorder.

Il est important de noter que les durées des cartes CFast 2.0 et des cartes SD peuvent varier légèrement en fonction des marques. Les durées varient également en fonction du formatage du support (exFat ou OS X Extended).

### Tableaux des durées d'enregistrement pour la URSA Mini Pro 12K

Les scènes ne comportant pas trop de détails nécessitent moins de données que les scènes complexes. Les valeurs indiquées dans ces tableaux supposent que vous filmez des scènes complexes. Le temps d'enregistrement pourra donc être plus ou moins long en fonction de la complexité des scènes.

12K sur la URSA Mini Pro 12K					
Carte CFast	Fréquence d'images	Blackmagic RAW 5:1	Blackmagic RAW 8:1	Blackmagic RAW 12:1	Blackmagic RAW 18:1
1TB		Durée	Durée	Durée	Durée
	23.98	29 mins	47 mins	70 mins	106 mins
	24	29 mins	47 mins	70 mins	106 mins
	25	28 mins	45 mins	67 mins	101 mins
	29.97	23 mins	37 mins	56 mins	84 mins
	30	23 mins	37 mins	56 mins	84 mins
	50	14 mins	22 mins	33 mins	50 mins
	60	11 mins	18 mins	28 mins	42 mins

8K sur la URSA Mini Pro 12K					
Carte CFast	Fréquence d'images	Blackmagic RAW 5:1	Blackmagic RAW 8:1	Blackmagic RAW 12:1	Blackmagic RAW 18:1
1TB		Durée	Durée	Durée	Durée
	23.98	66 mins	106 mins	158 mins	238 mins
	24	66 mins	106 mins	158 mins	238 mins
	25	63 mins	101 mins	152 mins	228 mins
	29.97	52 mins	84 mins	127 mins	190 mins
	30	52 mins	84 mins	127 mins	190 mins
	50	31 mins	50 mins	76 mins	114 mins
	60	26 mins	42 mins	63 mins	95 mins

6K sur la URSA Mini Pro 12K					
Carte CFast	Fréquence d'images	Blackmagic RAW 5:1	Blackmagic RAW 8:1	Blackmagic RAW 12:1	Blackmagic RAW 18:1
1TB		Durée	Durée	Durée	Durée
	23.98	116 mins	186 mins	280 mins	419 mins
	24	116 mins	186 mins	280 mins	419 mins
	25	112 mins	179 mins	268 mins	402 mins
	29.97	93 mins	149 mins	224 mins	335 mins
	30	93 mins	149 mins	224 mins	335 mins
	50	56 mins	89 mins	134 mins	201 mins
	60	46 mins	74 mins	112 mins	168 mins

4K on URSA Mini Pro 12K					
Carte CFast	Fréquence d'images	Blackmagic RAW 5:1	Blackmagic RAW 8:1	Blackmagic RAW 12:1	Blackmagic RAW 18:1
1TB		Durée	Durée	Durée	Durée
	23.98	264 mins	442 mins	631 mins	941 mins
	24	264 mins	442 mins	631 mins	941 mins
	25	254 mins	405 mins	606 mins	904 mins
	29.97	211 mins	338 mins	506 mins	755 mins
	30	211 mins	338 mins	506 mins	755 mins
	50	127 mins	203 mins	304 mins	455 mins
60	106 mins	169 mins	254 mins	380 mins	

### Tableaux de durée d'enregistrement pour la URSA Mini Pro 4.6K G2, la URSA Mini Pro 4.6K, la URSA Mini 4.6K et la URSA Mini 4K

Les scènes ne comportant pas trop de détails nécessitent moins de données que les scènes complexes. Les valeurs indiquées dans ces tableaux supposent que vous filmez des scènes complexes. Le temps d'enregistrement pourra donc être plus ou moins long en fonction de la complexité des scènes.

4.6K								
Carte CFast	Fréquence d'images	Blackmagic RAW 3:1*	Blackmagic RAW 5:1*	Blackmagic RAW 8:1*	Blackmagic RAW 12:1*	ProRes 444 XQ	ProRes 422 HQ	ProRes 422 LT
256GB		Durée	Durée	Durée	Durée	Durée	Durée	Durée
	23.98	28 mins	48 mins	76 mins	115 mins	14 mins	33 mins	70 mins
	24	28 mins	48 mins	76 mins	114 mins	14 mins	33 mins	70 mins
	25	27 mins	46 mins	73 mins	110 mins	14 mins	31 mins	66 mins
	29.976	23 mins	38 mins	61 mins	92 mins	11 mins	26 mins	56 mins
	30	23 mins	38 mins	61 mins	92 mins	11 mins	26 mins	56 mins
	50	13 mins	23 mins	36 mins	55 mins	–	–	–
	59.94	11 mins	19 mins	30 mins	46 mins	–	–	–
60	11 mins	19 mins	30 mins	46 mins	–	–	–	

\*Le Blackmagic RAW est uniquement disponible sur la URSA Mini Pro 4.6K et sur la URSA Mini Pro 4.6K G2.

ULTRA HD								
Carte CFast	Fréquence d'images	Blackmagic RAW 3:1*	Blackmagic RAW 5:1*	Blackmagic RAW 8:1*	Blackmagic RAW 12:1*	ProRes 444 XQ	ProRes 422 HQ	ProRes 422 LT
256GB		Durée	Durée	Durée	Durée	Durée	Durée	Durée
	23.98	41 mins	68 mins	110 mins	164 mins	21 mins	47 mins	101 mins
	24	41 mins	68 mins	109 mins	164 mins	21 mins	47 mins	101 mins
	25	39 mins	66 mins	105 mins	157 mins	20 mins	45 min	97 mins
	29.976	33 mins	55 mins	88 mins	131 mins	16 mins	38 mins	81 mins
	30	33 mins	55 mins	88 mins	131 mins	16 mins	38 mins	81 mins
	50	19 mins	33 mins	52 mins	79 mins	–	22 mins	48 mins
	59.94	16 mins	27 mins	44 mins	66 mins	–	18 mins	40 mins
60	16 mins	27 mins	44 mins	66 mins	–	18 mins	40 mins	

\*Le Blackmagic RAW est uniquement disponible sur la URSA Mini Pro 4.6K et sur la URSA Mini Pro 4.6K G2.

HD								
Carte CFast	Fréquence d'images	Blackmagic RAW 3:1*	Blackmagic RAW 5:1*	Blackmagic RAW 8:1*	Blackmagic RAW 12:1*	ProRes 444 XQ	ProRes 422 HQ	ProRes 422 LT
<b>256GB</b>		Durée	Durée	Durée	Durée	Durée	Durée	Durée
	23.98	159 mins	264 mins	418 mins	619 mins	84 mins	189 mins	403 mins
	24	159 mins	264 mins	418 mins	618 mins	84 mins	189 mins	403 mins
	25	153 mins	253 mins	402 mins	595 mins	81 mins	182 mins	387 mins
	29.976	128 mins	212 mins	336 mins	499 mins	68 mins	152 mins	324 mins
	30	127 mins	212 mins	336 mins	499 mins	67 mins	152 mins	324 mins
	50	76 mins	127 mins	203 mins	303 mins	40 mins	91 mins	196 mins
	59.94	64 mins	106 mins	170 mins	254 mins	34 mins	76 mins	163 mins
60	64 mins	106 mins	170 mins	253 mins	33 mins	76 mins	163 mins	

\*Le Blackmagic RAW est uniquement disponible sur la URSA Mini Pro 4.6K et sur la URSA Mini Pro 4.6K G2.

Les paramètres de qualité constante Q0 et Q5 afficheront des durées d'enregistrement restantes variables. La durée estimée pour le Q0 est semblable à celle du débit constant 3:1. Le Q5 affichera quant à lui une durée semblable à celle du 12:1. Toutefois, comme la durée estimée se met à jour toutes les 10 secondes pendant l'enregistrement, la meilleure façon de mesurer la durée d'enregistrement à disposition est d'enregistrer pendant 20 secondes, puis de vérifier la durée dans la zone médias de l'écran tactile.

## Tableaux des débits de données pour la URSA Mini Pro 12K

La Blackmagic URSA Mini Pro 12K vous permet de capturer des images dans une telle variété de résolutions et de fréquences d'images qu'il est important de comprendre les implications des débits de données afin de choisir les meilleurs format et support pour votre projet. Blackmagic Design a minutieusement testé une large gamme de cartes CFast, de cartes SD UHS-II et de disques USB-C pour déterminer les fréquences d'images appropriées et les taux de compression du Blackmagic RAW. Pour en savoir plus, consultez la section « Supports de stockage ». En général, les cartes CFast pour la URSA Mini Pro 12K peuvent maintenir un débit de données d'environ 400 MB/s. Ces chiffres approximatifs devraient vous donner un bon point de départ pour déterminer les fréquences et les résolutions que vous pourrez obtenir.

Comme la URSA Mini Pro 12K peut enregistrer à des fréquences d'images extrêmement élevées, vous pourriez vouloir doubler le débit binaire de votre support en enregistrant sur deux cartes. Pour ce faire, insérez deux cartes CFast ou SD et activez l'option **Record RAW on 2 cards** dans le menu d'enregistrement. Comme cette option repose sur un enregistrement séquentiel sur les deux cartes, le débit de données de la carte la plus lente représente un facteur contraignant. Nous vous recommandons donc d'utiliser deux cartes ayant les mêmes spécifications ou des spécifications similaires. Vous pouvez également utiliser une carte CFast dans le logement 1 et un disque USB-C dans le logement 2. Lorsque vous utilisez l'option **Record RAW on 2 cards**, la limite de vitesse est deux fois plus élevée que le débit de données de la carte la plus lente. Pour en savoir plus, consultez la section « Enregistrer en RAW sur 2 cartes ».

Les options de débit constant Blackmagic RAW sont conçues pour vous offrir des tailles de fichier et des débits de données prévisibles. Lorsque vous tournez une scène très détaillée ou des mouvements rapides, les options de débit constant compressent l'image au maximum de façon constante afin que le débit binaire reste au-dessous ou au niveau spécifié à tout moment. Il est ainsi facile de comprendre la vitesse que votre support doit maintenir et cela vous donnera une bonne estimation de la durée d'enregistrement de votre support.

### Débits de données maximaux à 24p avec le débit constant Blackmagic RAW

Format		Résolution	Fréquence d'images	Blackmagic RAW 5:1	Blackmagic RAW 8:1	Blackmagic RAW 12:1	Blackmagic RAW 18:1
12K	17:9	12288 x 6480	24	578 MB/s	361 MB/s	241 MB/s	160 MB/s
	16:9	11520 x 6480	24	542 MB/s	339 MB/s	226 MB/s	150 MB/s
	2.4:1	12288 x 5112	24	457 MB/s	286 MB/s	190 MB/s	127 MB/s
	6:5 Anamorphic	7680 x 6408	24	358 MB/s	224 MB/s	150 MB/s	99 MB/s
8K	17:9	8192 x 4320	24	257 MB/s	161 MB/s	107 MB/s	71 MB/s
	16:9	7680 x 4320	24	241 MB/s	151 MB/s	101 MB/s	67 MB/s
	2.4:1	8192 x 3408	24	203 MB/s	127 MB/s	85 MB/s	56 MB/s
	6:5 Anamorphic	5120 x 4272	24	159 MB/s	100 MB/s	67 MB/s	44 MB/s
6K	Super 16	6144 x 3240	24	146 MB/s	91 MB/s	61 MB/s	40 MB/s
4K	DCI	4096 x 2160	24	65 MB/s	41 MB/s	32 MB/s	27 MB/s
	16:9	3840 x 2160	24	61 MB/s	38 MB/s	30 MB/s	25 MB/s
	2.4:1	4096 x 1704	24	51 MB/s	32 MB/s	25 MB/s	21 MB/s
	6:5 Anamorphic	2560 x 2136	24	40 MB/s	25 MB/s	20 MB/s	17 MB/s
	Super 16	4096 x 2160	24	65 MB/s	41 MB/s	27 MB/s	18 MB/s

Il est important de noter que les débits de stockage dépendent du sujet de l'image et qu'ils peuvent se situer en dehors de la plage mentionnée ci-dessous pour les scènes très détaillées ou les scènes très simples.

### Plages de débits de données à 24p avec la qualité constante Blackmagic RAW

Format		Résolution	Fréquence d'images	Blackmagic RAW Q0	Blackmagic RAW Q1	Blackmagic RAW Q3	Blackmagic RAW Q5
12K	17:9	12288 x 6480	24	241-578 MB/s	145-361 MB/s	97-241 MB/s	73-181 MB/s
	16:9	11520 x 6480	24	226-542 MB/s	136-339 MB/s	91-226 MB/s	68-170 MB/s
	2.4:1	12288 x 5112	24	190-457 MB/s	114-286 MB/s	76-190 MB/s	57-143 MB/s
	6:5 Anamorphic	7680 x 6408	24	150-358 MB/s	90-224 MB/s	60-150 MB/s	45-112 MB/s
8K	17:9	8192 x 4320	24	161-321 MB/s	107-214 MB/s	81-161 MB/s	52-129 MB/s
	16:9	7680 x 4320	24	151-301 MB/s	101-201 MB/s	76-151 MB/s	49-121 MB/s
	2.4:1	8192 x 3408	24	127-254 MB/s	85-169 MB/s	64-127 MB/s	41-102 MB/s
	6:5 Anamorphic	5120 x 4272	24	100-199 MB/s	67-133 MB/s	50-100 MB/s	32-80 MB/s
6K	Super 16	6144 x 3240	24	61-146 MB/s	37-91 MB/s	25-61 MB/s	19-46 MB/s
4K	DCI	4096 x 2160	24	129-214 MB/s	65-129 MB/s	41-107 MB/s	30-81 MB/s
	16:9	3840 x 2160	24	121-201 MB/s	61-121 MB/s	38-101 MB/s	28-76 MB/s
	2.4:1	4096 x 1704	24	102-169 MB/s	51-102 MB/s	32-85 MB/s	23-64 MB/s
	6:5 Anamorphic	2560 x 2136	24	80-133 MB/s	40-80 MB/s	25-67 MB/s	18-50 MB/s
	Super 16	4096 x 2160	24	41-81 MB/s	27-54 MB/s	21-41 MB/s	13-33 MB/s

L'enregistrement off speed vous permet de prendre des décisions créatives et d'obtenir le rendu souhaité. La URSA Mini Pro 12K peut filmer en 12K jusqu'à 60 i/s et jusqu'à 240 i/s dans d'autres résolutions. Lorsque vous filmez à des fréquences d'images élevées avec la URSA Mini Pro 12K, la caméra utilise des débits binaires extrêmes, il est donc important de choisir une compression Blackmagic RAW appropriée.

### Débits de données maximaux à des fréquences d'images maximales avec le débit constant Blackmagic RAW

Format	Résolution	Blackmagic RAW 5:1		Blackmagic RAW 8:1		Blackmagic RAW 12:1		Blackmagic RAW 18:1		
		Fréquence d'images max.	Débit de données max.	Fréquence d'images max.	Débit de données max.	Fréquence d'images max.	Débit de données max.	Fréquence d'images max.	Débit de données max.	
12K	17:9	12288 x 6480	40	963 MB/s	60	903 MB/s	60	602 MB/s	60	401 MB/s
	16:9	11520 x 6480	40	903 MB/s	60	847 MB/s	60	565 MB/s	60	376 MB/s
	2.4:1	12288 x 5112	50	951 MB/s	75	892 MB/s	75	595 MB/s	75	396 MB/s
	6:5 Anamorphic	7680 x 6408	60	895 MB/s	60	560 MB/s	60	373 MB/s	60	249 MB/s
8K	17:9	8192 x 4320	120	1,285 MB/s	120	803 MB/s	120	536 MB/s	120	357 MB/s
	16:9	7680 x 4320	120	1,205 MB/s	120	753 MB/s	120	502 MB/s	120	334 MB/s
	2.4:1	8192 x 3408	160	1,353 MB/s	160	846 MB/s	160	564 MB/s	160	375 MB/s
	6:5 Anamorphic	5120 x 4272	120	796 MB/s	120	498 MB/s	120	332 MB/s	120	221 MB/s
6K	Super 16	6144 x 3240	120	727 MB/s	120	455 MB/s	120	303 MB/s	120	202 MB/s
4K	DCI	4096 x 2160	120	322 MB/s	120	201 MB/s	120	161 MB/s	120	134 MB/s
	16:9	3840 x 2160	120	302 MB/s	120	189 MB/s	120	150 MB/s	120	125 MB/s
	2.4:1	4096 x 1704	160	339 MB/s	160	212 MB/s	160	169 MB/s	160	141 MB/s
	6:5 Anamorphic	2560 x 2136	120	200 MB/s	120	125 MB/s	120	99 MB/s	120	83 MB/s
	Super 16	4096 x 2160	240	648 MB/s	240	405 MB/s	240	271 MB/s	240	180 MB/s

### Plages de débits de données à des fréquences d'image maximales avec la qualité constante Blackmagic RAW

Format	Resolution	Fréquence d'images	Blackmagic RAW Q0	Blackmagic RAW Q1	Blackmagic RAW Q3	Blackmagic RAW Q5	
12K	17:9	12288 x 6480	60	602-1,445 MB/s	362-903 MB/s	241-602 MB/s	181-452 MB/s
	16:9	11520 x 6480	60	565-1,355 MB/s	339-847 MB/s	226-565 MB/s	170-424 MB/s
	2.4:1	12288 x 5112	75	595-1,426 MB/s	357-892 MB/s	238-595 MB/s	179-446 MB/s
	6:5 Anamorphic	7680 x 6408	60	373-895 MB/s	224-560 MB/s	150-373 MB/s	112-280 MB/s
8K	17:9	8192 x 4320	120	803-1,605 MB/s	536-1,071 MB/s	402-803 MB/s	258-643 MB/s
	16:9	7680 x 4320	120	753-1,506 MB/s	502-1,004 MB/s	377-753 MB/s	242-603 MB/s
	2.4:1	8192 x 3408	160	846-1,609 MB/s	564-1,127 MB/s	423-846 MB/s	271-677 MB/s
	6:5 Anamorphic	5120 x 4272	120	498-995 MB/s	332-664 MB/s	249-498 MB/s	160-398 MB/s
6K	Super 16	6144 x 3240	120	303-727 MB/s	182-455 MB/s	122-303 MB/s	92-228 MB/s



Format		Resolution	Fréquence d'images	Blackmagic RAW Q0	Blackmagic RAW Q1	Blackmagic RAW Q3	Blackmagic RAW Q5
4K	DCI	4096 x 2160	120	643-1,071 MB/s	322-643 MB/s	201-536 MB/s	147-402 MB/s
	16:9	3840 x 2160	120	603-1,004 MB/s	302-603 MB/s	189-502 MB/s	138-377 MB/s
	2.4:1	4096 x 1704	160	677-1,127 MB/s	339-677 MB/s	212-564 MB/s	155-423 MB/s
	6:5 Anamorphic	2560 x 2136	120	398-664 MB/s	200-398 MB/s	125-332 MB/s	91-249 MB/s
	Super 16	4096 x 2160	240	405-810 MB/s	271-540 MB/s	203-405 MB/s	131-325 MB/s

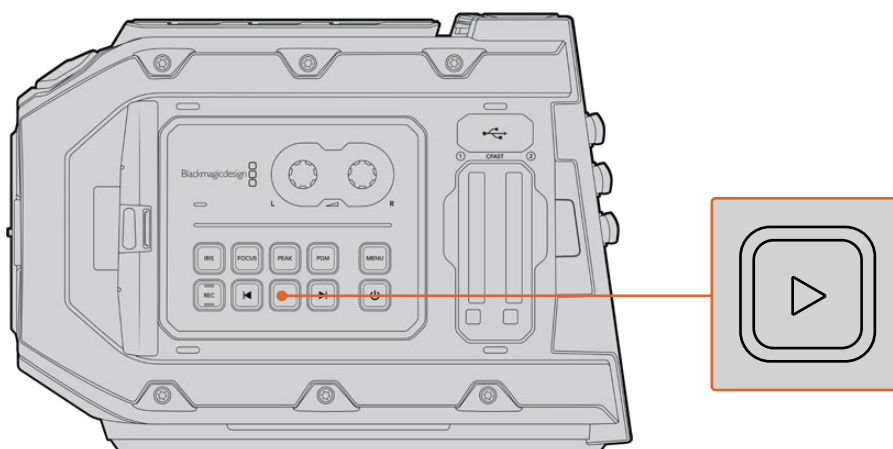
Stockage pour les formats en qualité constante en fonction du sujet dans l'image. Peut être différent des informations indiquées ci-dessus pour des scènes très détaillées ou très simples.

## Lecture

### Lecture des clips

Une fois votre vidéo enregistrée, vous pouvez utiliser les commandes de transport pour lire les clips.

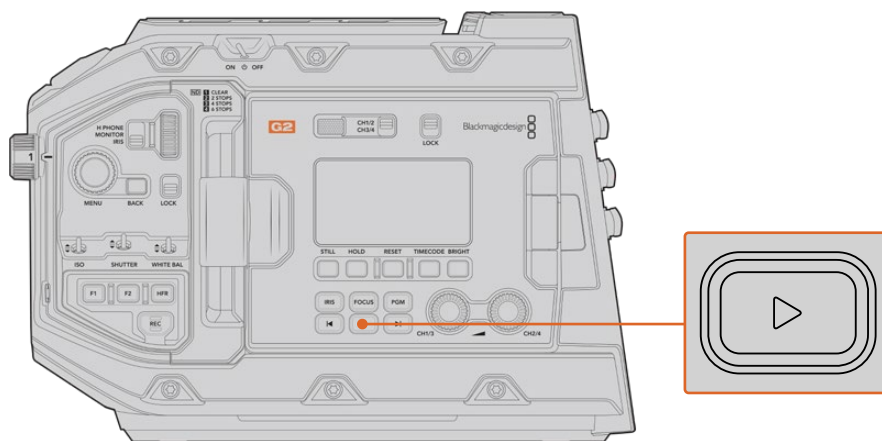
Appuyez sur le bouton de lecture une seule fois pour une lecture instantanée de votre enregistrement sur l'écran tactile de la URSA Mini. Les clips peuvent également être visualisés sur les écrans connectés aux sorties SDI de la URSA Mini.



Caméra URSA Mini

**CONSEIL** La Blackmagic URSA Mini dispose de boutons de lecture et de commandes de transport sur les panneaux de contrôle interne et ergonomique.

**REMARQUE** La Blackmagic URSA Mini lira les clips dont la qualité du codec est différente, seulement si le codec, la fréquence d'images et la résolution sont identiques.



Caméra URSA Mini Pro 4.6K

Vous pouvez vous servir des touches avant ou arrière pour passer directement au début ou à la fin des clips. Appuyez une fois sur le bouton de retour pour retourner au début du clip en cours ou deux fois pour lire le clip précédent. Maintenez ces boutons enfoncés pour lire en accéléré. Lorsque vous naviguez dans le clip, appuyez deux fois sur les boutons Avance/Retour pour lire en vitesse x4. Appuyez trois fois pour une lecture en vitesse x8 et quatre pour une vitesse x16. Vous pouvez également utiliser ces boutons sur des objectifs compatibles pour ouvrir ou fermer l'iris en cours d'enregistrement.

Lorsque vous enregistrez un clip dont la fréquence d'images du capteur est différente de la fréquence d'images du projet, la différence de vitesse du clip est reproduite sur la caméra lors de la lecture. Vous pouvez choisir de régler la fréquence d'images de votre projet et de la timeline en postproduction de façon identique, c'est-à-dire 24 images par seconde. Ainsi, si vous enregistrez vos clips à une fréquence d'images du capteur de 60 images par seconde, vos clips seront lus au ralenti à la fois sur la caméra et sur la timeline.

**CONSEIL** Pour plus d'informations sur les fréquences d'images, consultez la section « Enregistrer » de ce manuel.

# Découvrir la URSA Mini

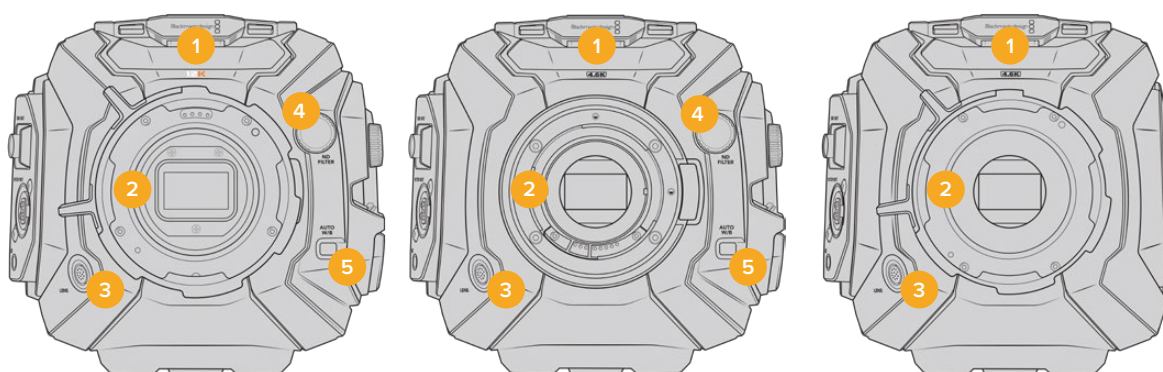
Les connecteurs BNC conformes aux normes de l'industrie se situent sur la face droite et les connecteurs SDI se situent sur la face arrière de la URSA Mini. Elle intègre deux entrées LANC séparées, une pour la poignée en option Blackmagic URSA Handgrip et une à l'arrière de la caméra pour un contrôle LANC externe.

Les entrées XLR se trouvent sur la face supérieure, derrière les pas de vis. Elles permettent de contrôler l'audio analogique symétrique sur la URSA Mini et sur la URSA Mini Pro, et l'entrée audio numérique AES sur la URSA Mini Pro. La face arrière de la caméra est équipée d'un connecteur XLR à 4 broches afin d'offrir une entrée d'alimentation externe. Enfin, la face droite est dotée d'une sortie d'alimentation pour brancher des accessoires, comme le Blackmagic URSA Viewfinder.

Le port USB situé au-dessus des fentes des supports de la URSA Mini sert à mettre à jour le logiciel interne via un ordinateur.

**REMARQUE** La URSA Mini Pro est dotée de commandes ergonomiques supplémentaires pour accéder facilement aux fonctions et paramètres principaux de la caméra sans ouvrir l'écran tactile rabattable.

## Face avant de la caméra



Modèle URSA Mini Pro 12K

Modèle URSA Mini Pro 4.6K

Modèle URSA Mini PL

### 1 Micro stéréo

Micro stéréo haut de gamme intégré. Pour plus d'information concernant le paramétrage audio du micro, consultez la section « Paramètres » de ce manuel.

### 2 Monture d'objectif

Les caméras URSA Mini comprennent une monture d'objectif EF ou PL. La URSA Mini Pro est équipée d'une monture d'objectif interchangeable qui peut accueillir des objectifs EF, F, PL et B4. Pour plus d'informations, consultez la section « Monture d'objectif interchangeable » de ce manuel.

### 3 Connecteur d'objectif broadcast

Connecteur à 12 broches permettant d'alimenter et de contrôler les montures d'objectif PL et B4 compatibles. Ce connecteur n'est disponible que sur les modèles URSA Mini PL et URSA Mini Pro. Consultez la liste des objectifs compatibles, notamment des modèles PL et B4, dans la section « Utiliser des objectifs à zoom motorisé » de ce manuel.

### 4 Filtres ND

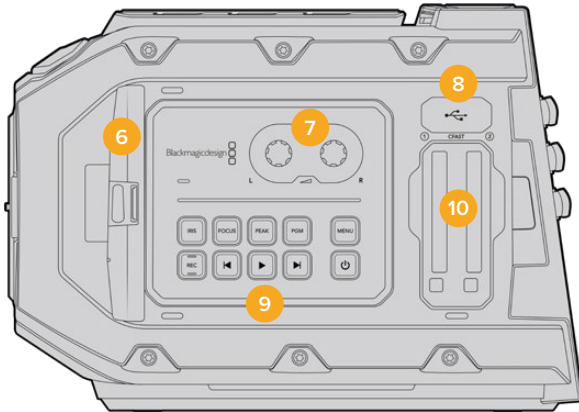
Utilisez la molette pour visualiser les trois filtres gris neutre, et le paramètre pour le désactiver. Consultez la section « Boutons de contrôle de la URSA Mini Pro » pour en savoir plus.

## 5 Balance des blancs automatique

Le bouton balance des blancs automatique **Auto W/B** permet de régler la balance des blancs en fonction de ce qui se trouve au centre de l'écran. Par exemple, régler la balance des blancs automatique en plaçant une charte de gris devant l'objectif. Consultez la section « Boutons de contrôle de la URSA Mini Pro » pour en savoir plus.

## Face gauche – URSA Mini

Sur la face gauche de la URSA Mini, vous pouvez insérer deux cartes CFast, accéder au panneau de contrôle et changer les paramètres. Le port USB situé juste au-dessus des fentes CFast permet de brancher la caméra facilement à un ordinateur et ainsi mettre à jour son logiciel interne.



### 6 Écran tactile rabattable

Écran tactile de 5 pouces rabattable et orientable pour une visualisation optimale quelle que soit la position de la caméra. Pour plus d'informations, consultez la section « Commandes de l'écran tactile ».

### 7 Molettes de réglage des niveaux audio

Molettes permettant de régler les niveaux d'enregistrement audio des canaux 1 et 2. Pour plus d'informations, consultez la section « Commandes de la URSA Mini ».

### 8 Mini port USB

Port mini USB pour mettre à jour le logiciel interne. Pour plus d'informations, consultez la section « Utilitaire Blackmagic Camera Setup ».

### 9 Boutons du panneau de contrôle

Boutons permettant d'allumer la caméra, de déclencher ou d'arrêter l'enregistrement et la lecture des clips, d'activer le focus peaking, d'accéder au menu de paramétrage ainsi que de contrôler l'iris et l'auto focus lorsque vous utilisez des objectifs EF compatibles. Pour plus d'informations, consultez la section « Commandes de la URSA Mini ».

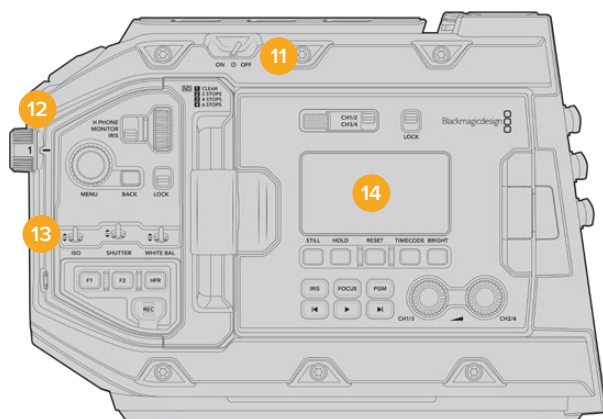
### 10 Fentes pour carte mémoire

Insérez des cartes CFast 2.0 dans les fentes pour l'enregistrement et la lecture. Consultez la section « Support de stockage » de ce manuel.

## Face gauche– URSA Mini Pro

La face gauche de la URSA Mini Pro comprend des commandes additionnelles pour un accès rapide aux fonctions les plus importantes de la caméra. Ces commandes se situent sur le panneau de contrôle avant, sur le panneau de contrôle ergonomique situé à l'extérieur de l'écran tactile, et sur le panneau de contrôle situé à l'intérieur de l'écran tactile rabattable.

Les fentes pour cartes SD et CFast se situent derrière l'écran rabattable. Le port USB de type C situé juste au-dessus des fentes pour cartes mémoire permet de brancher la URSA Mini Pro à un ordinateur et ainsi mettre à jour son logiciel interne.



Modèle URSA Mini Pro 4.6K, écran tactile rabattu

### 11 Interrupteur de mise en marche

Interrupteur permettant de mettre en marche la caméra. Vous pouvez également alimenter la caméra en pressant simultanément les boutons d'enregistrement et d'avance rapide de l'écran rabattable.

### 12 Filtres ND

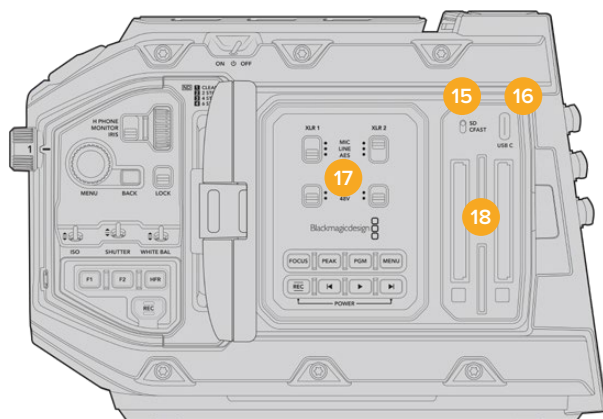
La URSA Mini Pro comprend trois filtres gris neutre pour régler la quantité de lumière qui entre dans la caméra. Il existe 4 réglages vous permettant d'ajuster jusqu'à 6 diaphragmes de réduction de lumière. Il suffit de tourner la molette pour naviguer entre les réglages. Le filtre est positionné en fonction du paramètre. Pour plus d'informations, consultez la section « Boutons de contrôle de la URSA Mini Pro » de ce manuel.

### 13 Panneau de contrôle avant

Le panneau de contrôle avant offre un accès rapide aux fonctions essentielles de la URSA Mini Pro. Ces commandes sont positionnées de façon à pouvoir filmer sur trépied ou à l'épaule, et pour ajuster les paramètres, tels que l'ISO, l'angle ou la vitesse d'obturation, l'iris, la balance des blancs, la fréquence d'images et autres. Consultez la section « Boutons de contrôle de la URSA Mini Pro » pour en savoir plus.

### 14 Panneau de contrôle ergonomique

À l'extérieur de l'écran tactile de la URSA Mini Pro, vous trouverez un écran d'état et une grande quantité de commande pour un monitoring rapide et performant. Vous y trouvez toutes les informations d'état de la caméra ainsi que les fonctions les plus importantes. Consultez la section « Boutons de contrôle de la URSA Mini Pro » pour en savoir plus.



Modèle URSA Mini Pro, écran tactile ouvert

### 15 Interrupteur pour les supports de stockage

Utilisez l'interrupteur pour choisir entre la carte CFast et la carte SD.

## 16 Port USB

Port USB-C pour les mises à jour du logiciel interne. Pour plus d'informations, consultez la section « Blackmagic Camera Setup Utility » de ce manuel. Sur la URSA Mini Pro G2, vous pouvez également utiliser ce port USB-C pour enregistrer sur un URSA Mini Recorder ou un disque flash USB-C externe.

## 17 Panneau de contrôle interne

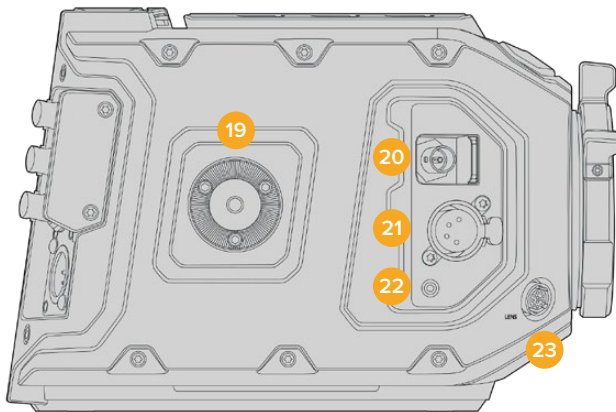
Lorsque l'écran rabattable de la URSA Mini Pro est ouvert, vous pouvez accéder au panneau de contrôle interne. Utilisez ces commandes pour régler les entrées audio et les paramètres de l'alimentation fantôme, mais aussi l'iris, la mise au point, et les commandes du menu et de la lecture. Consultez la section « Boutons de contrôle de la URSA Mini Pro » pour en savoir plus.

## 18 Fentes pour carte mémoire

Insérez des cartes CFast 2.0, SDXC ou SDHC dans les fentes pour l'enregistrement et la lecture. Veuillez vérifier la liste des cartes homologuées dans ce manuel ou sur le site Internet. Pour en savoir plus, consultez la section « Support de stockage ».

# Face droite

La face droite de la URSA Mini permet d'accéder aux connecteurs vidéo, audio et à l'alimentation, ainsi qu'à la rosette destinée à la poignée en option Blackmagic URSA Handgrip.



Modèle URSA Mini PL

## 19 Rosette latérale

Rosette standard permettant de fixer la poignée en option Blackmagic URSA Handgrip. Pour plus d'informations, consultez les sections « Mise en route », « Blackmagic URSA Handgrip » et « Blackmagic URSA Mini Shoulder Mount Kit » de ce manuel.

## 20 Sortie de monitoring HD

Connecteur 3G-SDI pour sortie HD 1080 down-convertie. Fonctionne avec le Blackmagic URSA Viewfinder ou d'autres moniteurs externes. Pour plus d'information, consultez les sections « Sortie vidéo de la caméra » et « Blackmagic URSA Viewfinder » de ce manuel.

## 21 Sortie d'alimentation 12V

Connecteur XLR à 4 broches permettant d'alimenter le Blackmagic URSA Viewfinder, le Blackmagic URSA Studio Viewfinder ou les écrans externes et les accessoires. Pour plus d'informations, consultez les sections « Blackmagic URSA Viewfinder » et « Blackmagic URSA Studio Viewfinder » de ce manuel. Cette sortie et le connecteur d'objectif Broadcast fournissent un total de 12 volts jusqu'à 2 ampères.

## 22 Entrée LANC

Connecteur LANC TRS de 2,5mm dédié pour la poignée en option Blackmagic URSA Handgrip. Pour plus d'informations sur la connexion de la poignée, consultez la section « Blackmagic URSA Handgrip ».

### 23 Connecteur d'objectif broadcast

Connecteur à 12 broches permettant d'alimenter et de contrôler les montures d'objectif PL et B4 compatibles. Cette connexion est disponible sur les modèles URSA Mini PL et URSA Mini Pro. Cette sortie et la sortie d'alimentation +12V fournissent un total de 12 volts jusqu'à 2 ampères.

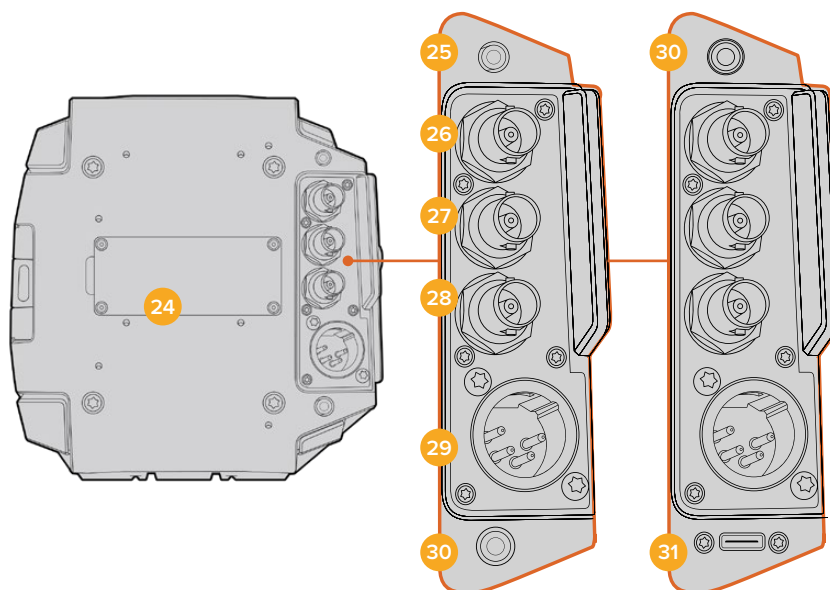
## Face arrière

### 24 Support pour batterie

Votre Blackmagic URSA Mini est dotée de pas de vis et d'un connecteur Molex pour fournir l'alimentation de/vers la caméra et pour envoyer certaines données. Les pas de vis permettent de monter différents accessoires, notamment des fixations pour batteries, le Blackmagic Camera Fiber Converter ou le URSA Mini Recorder au dos de la caméra. Le connecteur Molex peut envoyer une alimentation de 12 volts jusqu'à 15 ampères. Pour plus d'informations, consultez les sections « Fixer la batterie », « Mise en route des Blackmagic Fiber Converters » et « URSA Mini Recorder » de ce manuel.

### 25 LANC

Connecteur de 2,5mm pour le contrôle à distance LANC. Il permet de déclencher le démarrage et l'arrêt de l'enregistrement lorsque la caméra est montée sur un trépied. Le contrôle LANC permet de déclencher le démarrage et l'arrêt de l'enregistrement à distance, ainsi que de contrôler l'iris et la mise au point avec des objectifs EF compatibles. La face arrière de la URSA Mini Pro 12K ne possède pas de port LANC. Pour un contrôle LANC de la URSA Mini Pro 12K, utilisez l'entrée LANC TRS 2,5mm sur la face droite de la caméra.



URSA Mini Pro 4.6K G2, URSA Mini Pro 4.6K,  
URSA Mini 4.6K et URSA Mini 4K

URSA Mini Pro 12K

### 26 Sortie 12G-SDI

La sortie 12G-SDI de la Blackmagic URSA Mini permet d'acheminer des signaux vidéo HD et Ultra HD vers du matériel SDI, tel que des grilles de commutation, des moniteurs, des périphériques de capture SDI et des mélangeurs broadcast. Vous pouvez aussi relier la sortie 12G-SDI à des enregistreurs externes, tels que le Blackmagic Video Assist pour un enregistrement de secours.

### 27 Entrée 12G-SDI

L'entrée 12G-SDI permet de connecter un mélangeur ou un enregistreur externe. Elle peut également être utilisée pour visualiser les images, le réseau d'ordres, le tally ou les signaux de référence externes. Lorsque vous l'utilisez pour connecter un mélangeur ATEM, vous pouvez ajuster les paramètres de la caméra à l'aide de la fonctionnalité **Camera control** du mélangeur.



Si vous utilisez la URSA Mini pour une diffusion en direct, vous pouvez connecter la sortie programme du mélangeur afin d'effectuer le monitoring pendant le tournage ou pour visualiser les images sur un enregistreur externe. Maintenez le bouton **PGM** enfoncé pour visionner le flux programme. Pour plus d'informations, veuillez consulter la section « Boutons de contrôle » dédiée à la URSA Mini ou « Panneau de contrôle ergonomique » dédiée à la URSA Mini Pro.

Pour recevoir le tally et le réseau d'ordres via l'entrée SDI, assurez-vous d'avoir configuré le numéro de la caméra dans le menu Setup de la caméra. Si vous souhaitez utiliser l'entrée SDI pour recevoir un signal de référence externe, vous devrez sélectionner **Program** en tant que source de référence dans les paramètres. Lorsque le signal de référence externe est synchronisé, l'indicateur **REF** apparaît à côté du timecode sur l'écran LCD de la caméra. Pour plus d'informations, veuillez consulter la section « Paramètres de l'onglet Setup » de ce manuel.

Sur la URSA Mini Pro, l'entrée SDI peut également être utilisée pour acheminer un timecode externe vers la caméra. La caméra se synchronisera automatiquement au timecode reçu, s'il correspond à la fréquence d'images du signal SDI acheminé et s'il est valide. Lorsque le signal de référence externe est synchronisé, l'indicateur **EXT** apparaît sur l'écran LCD de la URSA Mini Pro. Si vous débranchez le câble, le timecode sera bloqué et l'indicateur **INT** apparaîtra pour indiquer que vous utilisez désormais l'horloge du timecode interne de la URSA Mini Pro.

## 28 Entrée de référence et de timecode

Cette entrée détecte et commute automatiquement entre les signaux de timecode et les signaux de référence. Synchronisez la Blackmagic URSA Mini avec un signal de référence standard, par exemple le signal tri-level, à l'aide du connecteur BNC **REF IN**. Il est important de noter que pour utiliser un signal de référence sur cette entrée, vous devez régler la source de référence sur **External** dans le menu de paramétrage de la URSA Mini.

Vous pouvez également utiliser ce connecteur pour faire correspondre une source de timecode externe et synchroniser plusieurs caméras, ou l'audio et l'image, lorsque vous tournez avec deux systèmes. Cette connexion facilite la synchronisation de l'audio et de l'image, notamment de vidéos provenant de plusieurs caméras, pendant la phase de post-production. Lorsque vous envoyez un timecode externe avec une fréquence d'images correspondante sur cette entrée, la caméra se synchronisera automatiquement sur le timecode entrant. Lorsque le signal de référence externe est synchronisé, l'indicateur **EXT** apparaît sur l'écran LCD de la URSA Mini Pro. Si vous débranchez le câble, le timecode sera bloqué et l'indicateur **INT** apparaîtra pour vous indiquer que vous utilisez désormais l'horloge du timecode interne de la URSA Mini Pro.

Vous pouvez désormais régler la caméra pour utiliser le signal de référence depuis un mélangeur ATEM via l'entrée SDI. Ceci est particulièrement utile lorsque vous travaillez avec des mélangeurs ATEM, car les caméras peuvent recevoir le retour programme, les signaux de contrôle, le tally, le réseau d'ordres, le signal de référence et le timecode à l'aide d'un seul signal SDI. Pour plus d'informations, consultez la section « Paramètres de l'onglet Setup » de ce manuel.

## 29 Entrée d'alimentation +12V

Branchez la caméra à des sources d'alimentation externes, telles que des prises de courant, des adaptateurs d'alimentation et des batteries portables, à l'aide du connecteur XLR 12-20V DC à 4 broches.

## 30 Casque

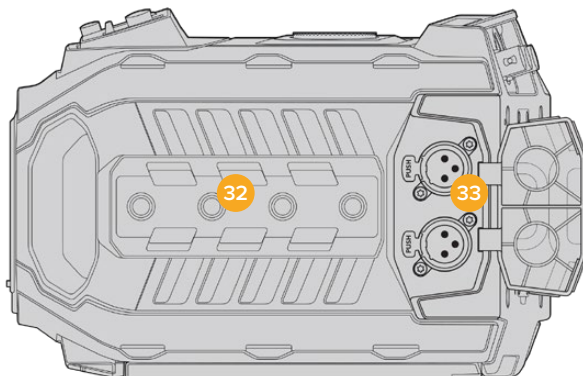
Sortie jack de 3,5mm pour un contrôle avec le casque et pour le réseau d'ordres. Vous pouvez brancher des micro-casques compatibles avec les appareils iPhone et Android pour utiliser le réseau d'ordres. Réseau d'ordres intégré aux canaux 15 et 16 de la sortie SDI.

**CONSEIL** Lorsque vous utilisez le jack de 3,5mm de la URSA Mini ou de la URSA Mini Pro, une option très abordable est de vous servir d'un kit mains libres compatible avec iPhone ou Android. Ces kits possèdent un bouton qui permet de couper ou de réactiver le son du micro. Si vous souhaitez utiliser un casque broadcast qui ne possède pas ce bouton, vous pouvez configurer les boutons de la URSA Mini ou de la URSA Mini Pro afin qu'ils offrent la même fonction. Pour plus d'informations, consultez la section « Paramètres Setup » de ce manuel.

### 31 Port USB

Port USB-C 3.1 Gen 2 avec connecteur sécurisé pour enregistrer de la vidéo sur un disque flash externe avec la URSA Mini Pro 12K.

## Face supérieure



L'audio analogique externe peut être branché à des connecteurs XLR situés sur la face supérieure.

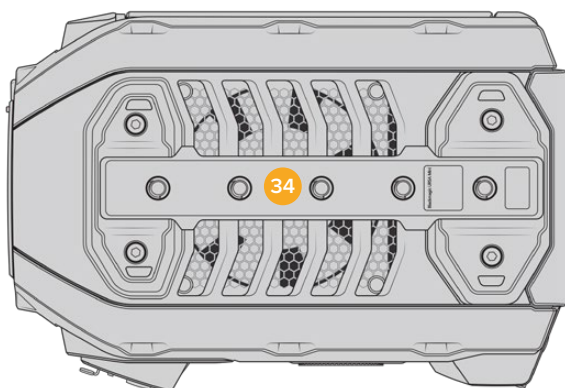
### 32 Pas de vis de 1/4 pouce

La face supérieure de la caméra est dotée de 4 pas de vis robustes sur lesquels il est possible de fixer la poignée supérieure et les accessoires.

### 33 Entrée audio XLR

Utilisez les entrées symétriques XLR pour connecter du matériel audio analogique externe professionnel, tel que des consoles de mixage audio, des systèmes PA ou des micros externes. Les connecteurs XLR fournissent une alimentation fantôme 48V pour une utilisation autonome des micros. Pour plus d'informations sur l'alimentation fantôme, consultez le paragraphe « Panneau de contrôle interne » de ce manuel.

## Face inférieure

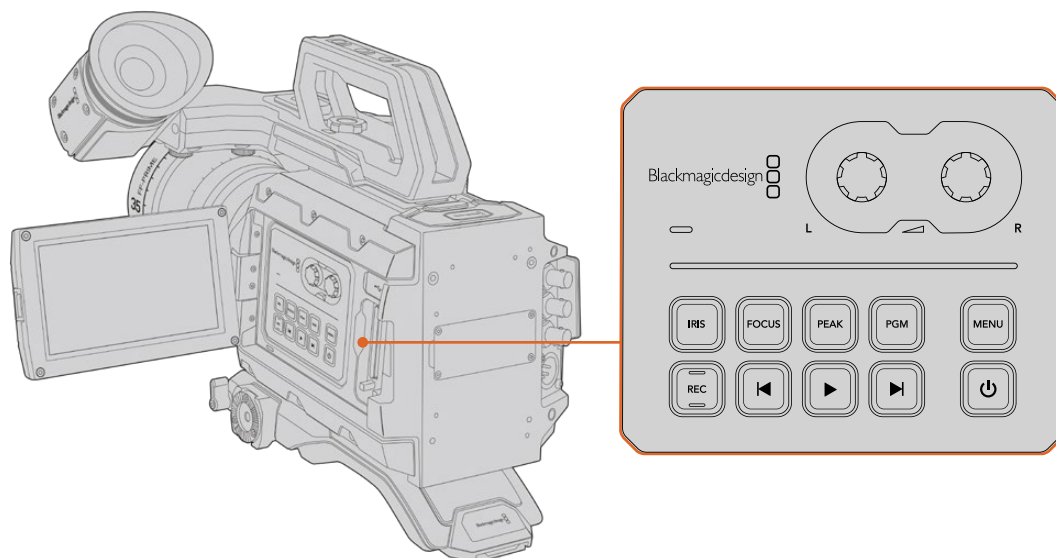


### 34 Pas de vis de 1/4 pouce

Les cinq pas de vis de la face inférieure servent à attacher la tête du trépied, le URSA Mini Shoulder Mount Kit et les autres accessoires.

## Commandes de la URSA Mini

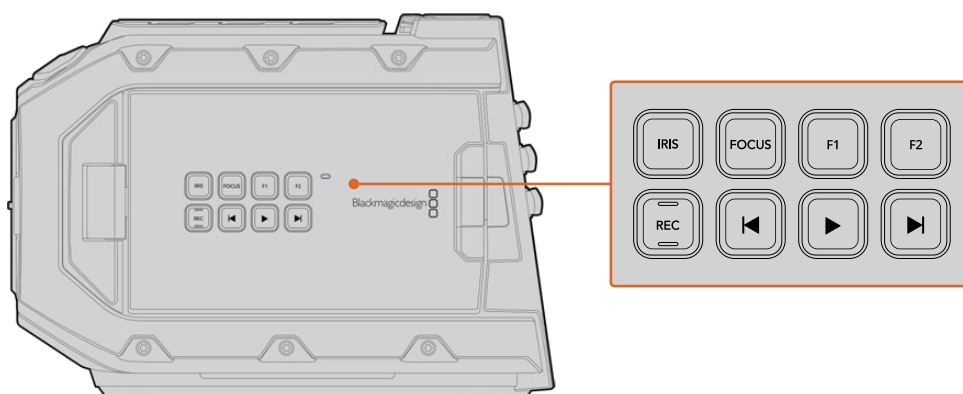
La Blackmagic URSA Mini est dotée d'un panneau de contrôle sur la face gauche. Il se situe derrière l'écran rabattable et comporte des boutons et des molettes pour régler les paramètres et les niveaux de contrôle audio. Contrôlez les niveaux audio à l'aide des vumètres situés sur l'écran tactile.



Réglez les paramètres de la caméra à l'aide des boutons du panneau de contrôle et de l'écran tactile

## Boutons de contrôle

En plus du panneau de contrôle interne, la Blackmagic URSA Mini possède des boutons de contrôle à l'extérieur de l'écran LCD et sur la poignée en option Blackmagic URSA Handgrip. Tous les boutons d'enregistrement et de lecture, de mise au point et de l'iris situés sur la caméra fonctionnent de la même façon.



Les boutons de contrôle de la face externe de la Blackmagic URSA Mini vous permettent d'enclencher et d'arrêter l'enregistrement de vos clips, d'activer ou de désactiver le focus peaking et de commuter entre les vues programme ou caméra sur l'écran. Il est également possible de régler l'iris et la mise au point automatique avec un objectif EF.

### Iris

Le bouton **IRIS** active le réglage automatique de l'ouverture lorsque la caméra est utilisée avec un objectif compatible. Lorsque le mode Video est sélectionné dans les paramètres de la plage dynamique, une simple pression sur le bouton **IRIS** règle l'exposition moyenne en fonction des hautes lumières et des zones d'ombre de la scène. Lorsque le mode **Film** est sélectionné dans les paramètres de la plage dynamique, une simple pression sur le bouton **IRIS** règle l'exposition en fonction des plus hautes lumières de la scène.

Sur la URSA Mini EF, ce bouton fonctionne avec des objectifs EF compatibles. Sur la URSA Mini PL, ce bouton fonctionne avec les objectifs compatibles connectés à une télécommande d'objectif broadcast.

Pour régler l'ouverture manuellement, appuyez sur les commandes avance et retour rapide.

### Focus

Appuyez sur le bouton **Focus** pour régler automatiquement la mise au point lorsque vous utilisez un objectif et une monture EF compatibles. Un carré blanc indiquant la zone de mise au point apparaît alors à l'écran. Il indique les éléments dont la mise au point est correctement effectuée. Une fois la mise au point effectuée, le carré disparaît.

**REMARQUE** Veuillez noter que la plupart des objectifs EF prennent en charge la mise au point automatique, cependant, certains peuvent être réglés en mode manuel ou automatique. Il vous faudra donc vérifier que votre objectif est bien réglé en mode automatique.

### Peak

Pour activer le focus peaking, appuyez sur le bouton **Peak**. La caméra possède deux modes de focus peaking. Le mode traditionnel, qui améliore artificiellement la netteté des zones de l'image mises au point, et le mode lignes de couleurs, qui superpose des lignes de couleurs noires, blanches, rouges, vertes ou bleues aux zones nettes de l'image. Pour plus d'informations, consultez la section « Paramètres du moniteur » de ce manuel. Ces bordures ne sont pas enregistrées sur les supports de stockage, mais peuvent être affichées à l'aide de la sortie de monitoring SDI. Il est également possible de les faire apparaître sur l'écran tactile en activant les informations à l'écran dans le menu.

### PGM

Le bouton PGM vous permet de commuter entre la vue de la caméra et les signaux branchés aux entrées 12G-SDI de la face arrière de la caméra. Si vous utilisez une URSA Mini pour votre production en direct, vous pouvez brancher la sortie du programme du mélangeur pour visionner ces signaux pendant le tournage. Appuyez sur ce même bouton et maintenez-le enfoncé pour visionner le flux de programme. Ce flux est lu tant que le bouton **PGM** est enfoncé. Vous pouvez aussi double-toucher ce bouton pour accéder au programme et appuyer de nouveau dessus pour fermer le flux de programme. Pour afficher la sortie de programme du mélangeur, la caméra et le mélangeur doivent être réglés sur la même fréquence d'images.

**REMARQUE** Lorsque vous réglez la source de référence de la URSA Mini ou de la URSA Mini Pro, il se peut qu'une brève perte de signal se produise sur les sorties de la caméra lorsque vous changez de source de référence. Cela se produit car la caméra ajuste son rythme de référence afin qu'il corresponde à celui de la source externe, c'est pourquoi il est important de ne pas modifier ce paramètre durant la production, ou lors des réglages.

### Menu

Appuyez sur le bouton **Menu** pour ouvrir le menu de navigation. Pour plus d'information concernant le menu de navigation et le réglage des paramètres, consultez la section « Menu Paramètres » de ce manuel.

### Enregistrement

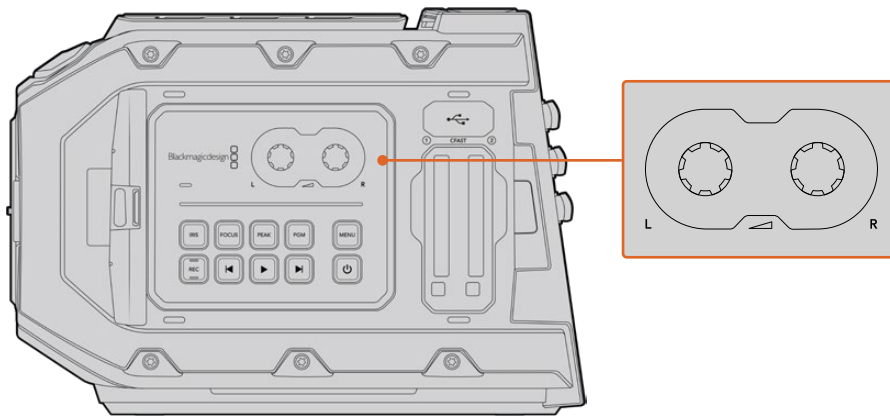
Les boutons d'enregistrement marqués REC sont situés sur le panneau de contrôle et l'écran LCD rabattable de la Blackmagic URSA Mini, ainsi que sur la poignée en option Blackmagic URSA Handgrip. Pour démarrer ou arrêter l'enregistrement, appuyez sur l'un de ces boutons. Pour plus d'informations, consultez la section « Enregistrement » de ce manuel.

### Boutons de contrôle de lecture

Les boutons de lecture vous permettent de démarrer et d'arrêter la lecture de la vidéo, ainsi que de passer au clip précédent ou suivant. Sur la Blackmagic URSA Mini EF, les boutons d'avance et de retour rapide peuvent également être utilisés pour ouvrir et fermer l'iris lorsqu'il est utilisé avec des objectifs compatibles. Pour plus d'informations concernant l'utilisation des boutons de lecture, consultez la section « Lecture » de ce manuel.

### Molettes de réglage des niveaux audio

Réglez les niveaux d'enregistrement audio des canaux 1 et 2 à l'aide des molettes intégrées. Tournez les molettes pour augmenter ou diminuer le niveau d'enregistrement audio de chaque canal. Sur l'écran, vérifiez le vumètre correspondant à la molette afin d'obtenir un réglage optimal.



Tournez les molettes de réglage des niveaux audio pour augmenter ou diminuer le niveau d'enregistrement.

### Boutons de fonction

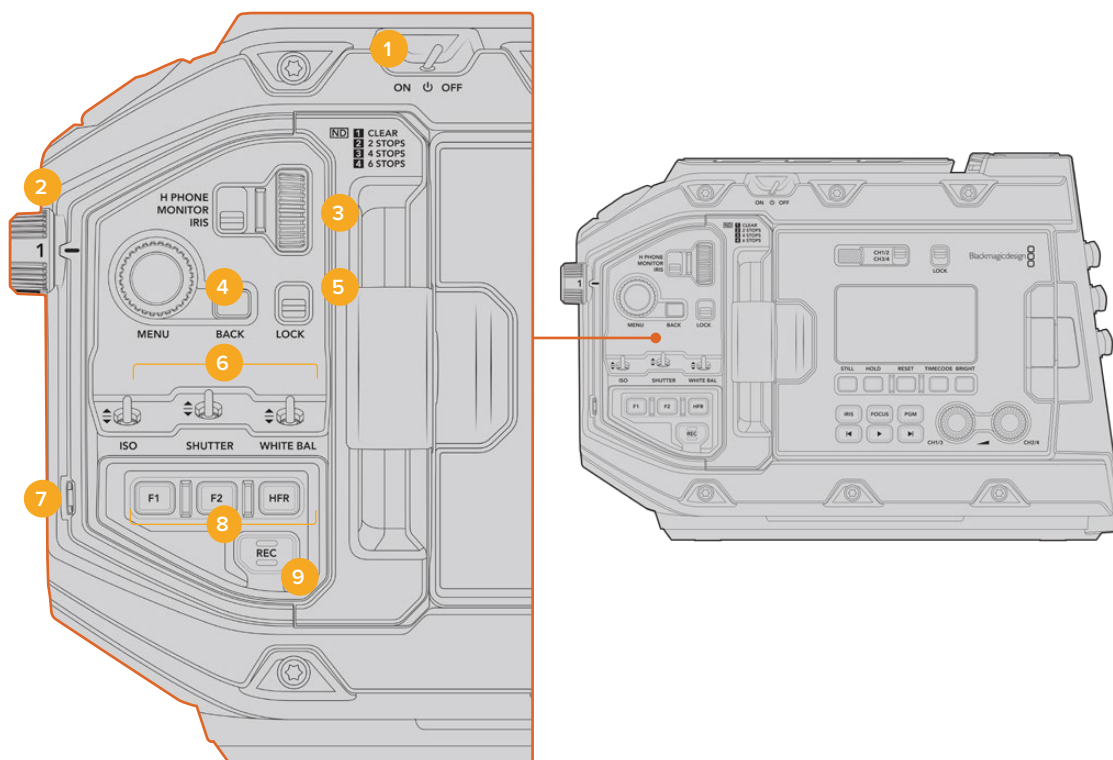
Au dos de l'écran LCD de la Blackmagic URSA Mini se trouvent les boutons de fonction F1 et F2. Vous pouvez assigner ces boutons aux fonctions de votre choix à l'aide du menu **Setup** de la URSA Mini. Pour plus d'informations, consultez la section « Paramètres de l'onglet Setup » de ce manuel.

# Boutons de contrôle de la URSA Mini Pro

La Blackmagic URSA Mini Pro possède des panneaux de contrôle sur son boîtier, ainsi que sur les faces externes et internes de l'écran tactile rabattable pour vous offrir un accès rapide à toutes les fonctions et aux outils de monitoring. Ces panneaux sont situés à portée de main, que vous tourniez avec un trépied, au poing ou avec le kit épaulière.

## Panneau de contrôle avant

Le panneau de contrôle situé à l'avant de la URSA Mini Pro regroupe toutes les commandes dont vous avez besoin pour régler la caméra et enregistrer. Vous pouvez accéder facilement à ces commandes lorsque l'écran rabattable est fermé, par exemple lorsque vous utilisez le kit épaulière.



Panneau de contrôle avant de la URSA Mini Pro 4.6K

### 1 Interrupteur de mise en marche

Déplacer l'interrupteur sur **On** pour allumer la URSA Mini Pro. Déplacer l'interrupteur sur **Off** pour éteindre la caméra.

**CONSEIL** Vous pouvez également allumer ou éteindre la URSA Mini Pro à l'aide de plusieurs interrupteurs du panneau de contrôle. Pour allumer la caméra lorsqu'elle est éteinte, ou pour l'éteindre lorsqu'elle est allumée, il suffit de maintenir les boutons **Rec** et **Forward Skip** enfoncés. Si le bouton de mise en marche de la caméra est activé, mais que votre caméra est éteinte, il se peut que vous l'ayez éteinte via le panneau de contrôle. Le cas échéant, remplacez l'interrupteur sur sa position normale.

## 2 Filtres ND

La URSA Mini Pro possède trois filtres gris neutre (ND) internes. Il est possible de désactiver le filtre ou de choisir entre les paramètres **2**, **4** et **6** diaphragmes. Ces filtres permettent de réduire la quantité de lumière reçue par le capteur de la URSA Mini par un nombre donné de repères de diaphragme. En réduisant l'exposition, vous pouvez continuer à filmer avec de grandes ouvertures dans des conditions lumineuses, par exemple à l'extérieur par un jour ensoleillé.

Pour ajuster ce paramètre, faites tourner la molette vers le haut ou vers le bas. Le paramètre **Clear** indique qu'aucun filtre ND n'est utilisé. Lorsque vous utilisez les paramètres 2 à 4, la densité des filtres gris neutre augmente progressivement, ce qui vous permet de réduire la lumière si besoin est.

L'unité de mesure du paramètre ND peut être personnalisée dans le menu de l'écran LCD. Vous pouvez ainsi identifier le coefficient ND du filtre, la réduction de lumière en nombre de diaph ou la fraction représentant la réduction de lumière appliquée pour les filtres, avec les termes de votre choix.

### Paramètre du filtre gris neutre

Position de la molette	Coefficient ND	Diaph	Fraction
1	clear	0	1
2	0.6	2	1/4
3	1.2	4	1/16
4	1.8	6	1/64

## 3 Molette de paramétrage

Réglez la fonction de cette molette en ajustant la position de l'interrupteur situé à côté de la molette. Les options disponibles sont **H Phone**, **Monitor** et **Iris**.

### H Phone

Lorsque l'interrupteur est réglé sur **H Phone**, la molette ajuste les niveaux audio du casque. Faites tourner la molette vers le haut pour augmenter le volume, et vers le bas pour le réduire.

### Monitor

Lorsque l'interrupteur est réglé sur **Monitor**, la molette ajuste les niveaux audio du haut-parleur de la URSA Mini Pro. Le haut-parleur est situé sur la face extérieure de l'écran LCD. Il peut être utilisé pour contrôler l'audio sans utiliser de casque. Faites tourner la molette vers le haut pour augmenter le volume, et vers le bas pour le réduire. Cette fonction est désactivée lorsque vous enregistrez à partir du micro interne de la caméra afin d'éviter tout feedback.

### Iris

Lorsque l'interrupteur est réglé sur **Iris**, la molette de paramétrage permet d'ajuster l'ouverture des objectifs compatibles fixés sur votre URSA Mini Pro. Pour ouvrir l'iris, faites tourner la molette vers le bas, et pour le fermer, faites tourner la molette vers le haut. Ces directions imitent le réglage de l'ouverture sur les objectifs photo et cinéma ajustables.

**REMARQUE** Pour modifier l'ouverture via la molette de paramétrage, la URSA Mini Pro doit être équipée d'un objectif qui prend en charge le changement d'ouverture sur la caméra. Si vous utilisez un objectif B4 ou PL connecté via le connecteur à 12 broches, assurez-vous que le bouton Iris de l'objectif est réglé sur **A** ou sur **Auto**.



#### 4 Molette Menu

Lorsque les informations d'état sont activées sur la sortie SDI avant de la URSA Mini Pro, vous pouvez utiliser la molette Menu pour naviguer dans les nombreuses fonctions de l'affichage semi-transparent, auxquelles vous avez habituellement accès depuis l'écran tactile LCD.

Il suffit d'appuyer sur la molette Menu comme sur un bouton pour accéder à l'affichage semi-transparent de la URSA Mini Pro sur un moniteur externe, par exemple sur le Blackmagic SmartView, le Video Assist ou le URSA Viewfinder. Lorsque la molette Menu est activée, faites-la tourner pour sélectionner des fonctions, notamment les différentes options de l'écran LCD, la fréquence d'images, l'ISO, la balance des blancs et la teinte. Appuyez sur la molette pour confirmer la sélection et apporter des modifications supplémentaires, et utilisez le bouton **Back** situé à côté de la molette pour annuler la sélection. Vous pouvez également utiliser le bouton **Back** pour revenir en arrière dans le menu, ou pour quitter le menu lorsque vous êtes dans le menu principal. Sur la URSA Mini Pro 4.6K, le menu se ferme automatiquement après une minute d'inactivité.

Pour plus d'informations concernant le réglage des informations d'état et les commandes disponibles, consultez les sections « Commandes de l'écran tactile » et « Paramètres du moniteur » de ce manuel.

#### 5 Interrupteur Lock

Déplacez cet interrupteur pour verrouiller toutes les commandes situées sur le panneau avant, afin qu'elles ne soient pas accidentellement modifiées durant le tournage. Déplacez l'interrupteur vers le bas pour verrouiller les commandes et vers le haut pour les déverrouiller.

**CONSEIL** Lorsque vous tournez dans des lieux où il y a beaucoup de monde et que vous laissez votre caméra sans surveillance, vous pouvez verrouiller le panneau avant de la URSA Mini Pro lorsque vous laissez la caméra sans surveillance. Ainsi, les paramètres ne peuvent pas accidentellement être modifiés par d'autres utilisateurs.

#### 6 Interrupteurs ISO, Shutter et White Bal

Ces petits interrupteurs permettent d'ajuster l'ISO, la balance des blancs et l'obturateur. Ils sont très pratiques lorsque vous souhaitez effectuer des ajustements rapides sans perdre l'image des yeux. Déplacez délicatement les interrupteurs vers le haut ou vers le bas pour ajuster les paramètres. Ces interrupteurs contiennent des ressorts, ils se remettent donc automatiquement en position neutre.

##### ISO

Déplacez cet interrupteur vers le haut ou vers le bas pour ajuster le paramètre ISO de la caméra. Si vous le déplacez vers le haut, le paramètre augmente d'un intervalle et si vous le déplacez vers le bas il diminue d'un intervalle. Sur la URSA Mini, les paramètres disponibles sont 200, 400, 800 et 1600. Sur la URSA Mini Pro, les paramètres disponibles sont 200, 400, 800, 1600 et 3200.

##### Shutter

Utilisez cet interrupteur pour ajuster l'angle ou la vitesse d'obturation, selon l'option sélectionnée dans le menu de paramétrage. Si vous le déplacez vers le haut, l'angle ou la vitesse d'obturation augmente d'un pré-réglage et si vous le déplacez vers le bas il/elle diminue d'un pré-réglage. Si vous maintenez l'interrupteur vers le haut ou vers le bas, les valeurs changent plus rapidement. Il y a vingt pré-réglages disponibles entre 11,2 et 360 degrés.

**CONSEIL** La URSA Mini Pro suggère des angles ou des vitesses d'obturation sans scintillement en fonction de la fréquence du courant de votre région. Ces angles doivent être sélectionnés à partir du menu de l'écran tactile LCD. Pour plus d'informations, consultez la section « Commandes de l'écran tactile » de ce manuel.

### **White Bal**

Cet interrupteur permet d'ajuster la balance des blancs de la caméra. Si vous déplacez l'interrupteur vers le haut, la température de couleur augmente de 50K, et si vous le déplacez vers le bas, la température de couleur diminue de 50K. Si vous maintenez l'interrupteur vers le haut ou vers le bas, les valeurs changent plus rapidement.

### **7 Balance des blancs automatique**

Si vous appuyez sur ce bouton, un carré blanc représentant la balance des blancs automatique s'affiche au centre de l'écran LCD pendant cinq secondes. Ce carré s'affichera également sur les sorties SDI sur lesquelles les informations d'état sont activées. Le carré blanc indique la zone spécifique de l'image à partir de laquelle la balance des blancs va être calculée. Positionnez donc votre charte de gris à l'intérieur de cette fenêtre. Appuyez et maintenez le bouton **Auto W/B** enfoncé pendant trois secondes pour effectuer une balance des blancs automatique. La fenêtre blanche deviendra verte pour confirmer la réussite de l'opération.

Pour plus d'informations concernant l'activation des informations d'état sur les sorties SDI avant et principales de la caméra, consultez la section « Paramètres du moniteur » de ce manuel.

### **8 Boutons F1 et F2**

Les boutons F1 et F2 peuvent être programmés sur une variété de fonctions fréquemment utilisées à l'aide du menu **Setup** de la URSA Mini Pro. Par défaut, F1 est réglé sur **False Color**, et F2 sur **Display LUT**.

Pour plus d'informations, consultez la section « Commandes de l'écran tactile » de ce manuel.

### **HFR**

Utilisez le bouton HFR ou high frame rate pour basculer entre les fréquences d'images. Pour ce faire, il suffit de régler la fréquence d'images off speed que vous souhaitez utiliser dans le menu **Frame Rate** de la URSA Mini Pro. Appuyez sur ce bouton pour basculer entre la fréquence d'images off speed choisie et la fréquence d'images du projet. Il est important de mentionner que ce paramètre ne peut pas être modifié durant l'enregistrement. Vous pouvez programmer le bouton HFR sur une variété de fonctions fréquemment utilisées, ou vous pouvez le désactiver.

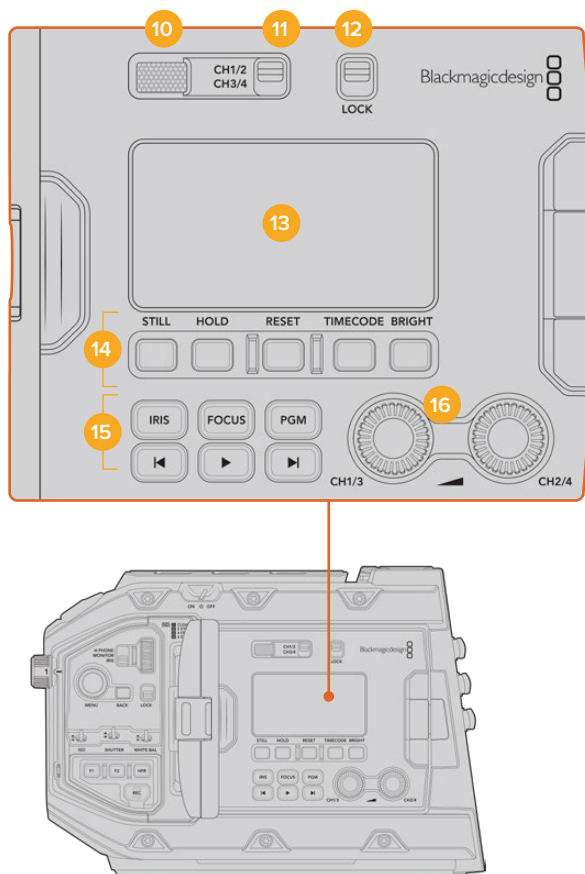
Pour plus d'informations sur les fréquences d'images du projet et off speed, consultez la section « Commandes tactiles » de ce manuel.

### **9 Enregistrement**

Le bouton d'enregistrement REC de la Blackmagic URSA Mini Pro est situé sur la face gauche de la caméra. Pour démarrer ou arrêter l'enregistrement, appuyez sur le bouton REC. Pour plus d'informations, consultez la section « Enregistrement » de ce manuel.

## Panneau de contrôle ergonomique

À l'extérieur de l'écran tactile de la URSA Mini Pro, vous trouverez un écran d'état LCD et des commandes pour le monitoring. Ce panneau vous permet de visualiser toutes les informations d'état de la caméra en un coup d'œil, mais aussi de contrôler et d'ajuster les niveaux audio. La mise au point automatique peut être réglée avec des objectifs compatibles et les commandes de transport vous permettent de lire les clips.



Panneau de contrôle ergonomique de la URSA Mini Pro 4.6K

### 10 Haut-parleur du moniteur

Le petit haut-parleur situé à l'extérieur du panneau de contrôle permet de contrôler l'audio lors de la lecture. Lorsque l'opérateur filme à l'épaule, le petit haut-parleur est positionné à hauteur d'oreille.

Pour ajuster le volume du haut-parleur, il suffit de faire tourner la molette, comme décrit dans la section « Boutons de contrôle de la URSA Mini Pro ».

### 11 Sélection du canal du moniteur

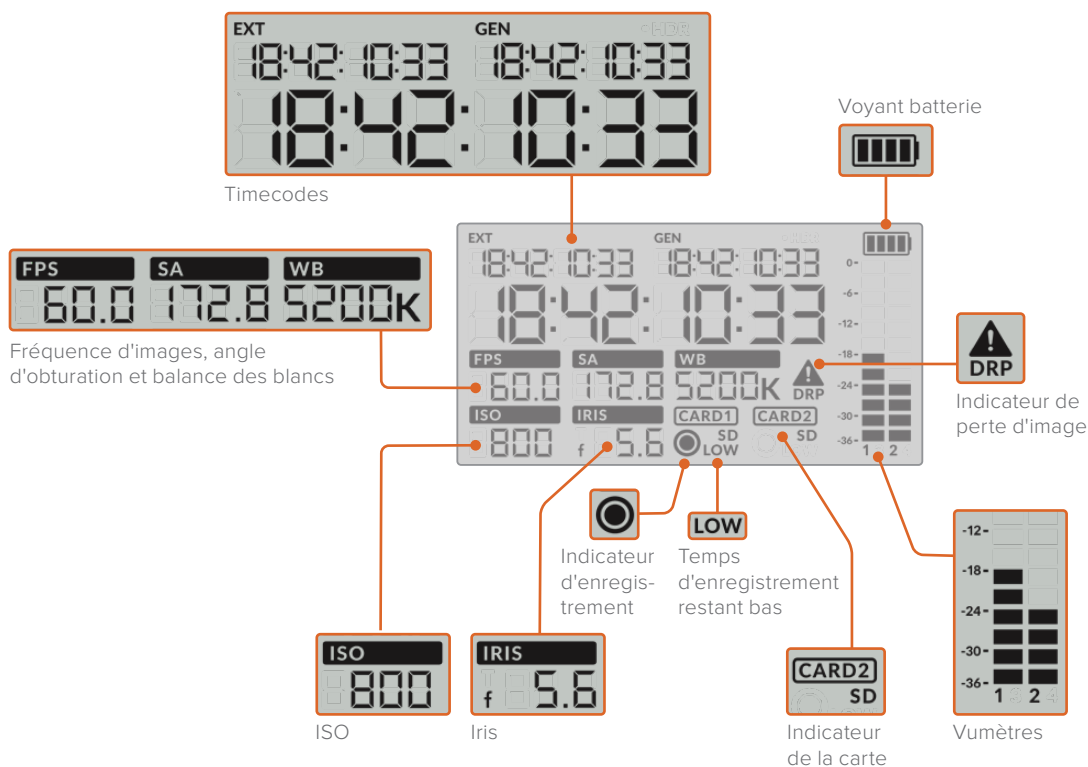
La URSA Mini Pro prend en charge deux canaux audio.

### 12 Interrupteur Lock

Utilisez cet interrupteur pour verrouiller tous les paramètres du panneau de contrôle ergonomique de la URSA Mini Pro. Les seules commandes qui resteront actives lorsque l'interrupteur Lock est activé sont les interrupteurs de sélection du canal du moniteur.

### 13 État d'état LCD

Cet écran affiche les paramètres importants de la URSA Mini Pro, vous n'avez donc pas besoin d'ouvrir d'écran tactile interne. L'écran est visible, même en pleine lumière. Les informations disponibles sont les suivantes :



#### Timecodes

La URSA Mini Pro affiche trois timecodes. Si un timecode externe est connecté, il apparaîtra sous l'intitulé **Ext**, en haut à gauche de l'écran d'état LCD. Le timecode généré de façon interne par la URSA Mini apparaît à côté, sous l'intitulé **Gen**. Ces deux timecodes sont affichés en heures, minutes, secondes et images.

L'indicateur de timecode principal affiche quant à lui le timecode en cours, sous forme de durée du clip ou de timecode. Vous pouvez passer d'un mode d'affichage à l'autre en appuyant sur le bouton **Timecode** situé sous l'écran d'état LCD.

#### Voyant batterie

Si vous utilisez la URSA Mini Pro avec une batterie, ce voyant affiche l'autonomie de la batterie par tranches de 25%. Chaque barre du voyant correspond à 25% de l'autonomie restante de la batterie. Lorsque la charge de la batterie passe au-dessous de 20%, le voyant d'état LED situé près du bouton REC clignote. Lors de l'enregistrement, il clignotera entre rouge et orange. En mode veille, il clignotera entre blanc et orange.

Lorsque la caméra est branchée sur secteur, le voyant indique que la batterie est pleine.

#### FPS, SA, WB

Les indicateurs **FPS**, **SA** et **WB** affichent la fréquence d'images, l'angle d'obturation et la balance des blancs de la caméra. L'indicateur **FPS** indique la fréquence d'images actuelle du capteur.

Pour plus d'informations sur les fréquences d'images du projet et du capteur, consultez la section « Commandes de l'écran tactile » de ce manuel.

## ISO

Affiche l'ISO actuellement réglé sur la caméra.

## Iris

Affiche l'ouverture de l'objectif sélectionnée. Selon le type d'objectif utilisé, l'ouverture sera exprimée par la lettre f ou par la lettre T (F-Stop/T-Stop).

## Informations relatives à la carte

Les indicateurs **Card 1** et **Card 2** apparaissent sur l'écran d'état LCD de la URSA Mini Pro lorsque ces logements sont occupés.

L'indicateur **SD** apparaît lorsque l'enregistrement est effectué sur une carte SD, et disparaît si vous enregistrez sur une carte CFast.

## Indicateur d'enregistrement

Lorsque vous enregistrez, un indicateur circulaire apparaît sous la ou les cartes sur lesquelles l'enregistrement est effectué.

## Temps d'enregistrement bas

L'indicateur Low apparaît sous la carte appropriée lorsqu'il reste environ 5 minutes de temps d'enregistrement.

## Vumètres

Les indicateurs de crête audio affichent les niveaux audio lors de l'utilisation du micro interne ou via l'audio externe lorsqu'une source y est connectée. L'affichage est calibré en unités dBFS et intègre des indicateurs de crête qui restent visibles quelques instants, ce qui vous permet de visualiser clairement les niveaux maximaux atteints.

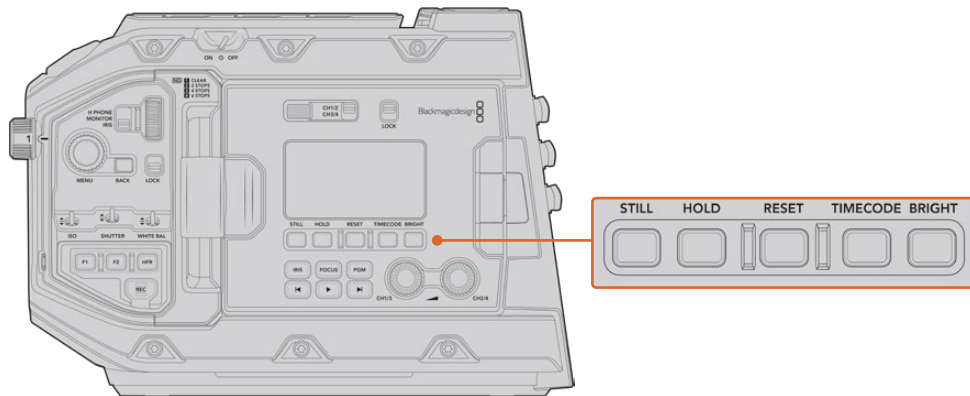
Pour obtenir une qualité audio optimale, vérifiez que vos niveaux audio ne dépassent pas 0 dBFS. Il s'agit en effet du niveau maximal auquel la caméra peut enregistrer. L'audio qui dépasse ce niveau sera écrêté et distordu.

## Indicateur de perte d'images

Cet indicateur clignote lorsque la caméra détecte une perte d'images. Lorsque vous arrêtez l'enregistrement, l'indicateur reste affiché à l'écran pour vous indiquer qu'une perte d'images a été détectée sur le clip précédent. Cet avertissement disparaîtra lors du prochain enregistrement, ou du redémarrage de la caméra. Pour plus d'informations sur la perte d'images, consultez la section « Support de stockage » de ce manuel.

**REMARQUE** Vous pouvez régler la URSA Mini Pro de façon à ce que l'enregistrement s'arrête lorsqu'une perte d'images est détectée. Pour plus d'informations, consultez la section « Paramètres d'enregistrement » de ce manuel. Cette fonction peut être sélectionnée à la discrétion de l'utilisateur, car il est possible que vous puissiez enregistrer quelques images à une fréquence d'images ou à une résolution plus élevée lorsque vous filmez avec un support plus lent.

## 14 Commandes de l'écran d'état LCD



Commandes de l'écran d'état LCD de la URSA Mini Pro 4.6K

### Still

Appuyez sur ce bouton pour capturer une image fixe. Le modèle 12K enregistrera une seule image Blackmagic RAW et les modèles URSA Mini Pro 4.6K enregistreront une seule image DNG non compressée. Cette image sera sauvegardée dans le dossier **Stills** dans le répertoire racine du support sur lequel vous enregistrez. L'image sera enregistrée selon la convention de dénomination des fichiers relative aux clips vidéo, mais les quatre derniers caractères du nom de fichier porteront le numéro de l'image, par exemple **S001**. Afin de confirmer que l'image a été sauvegardée, une image représentant une caméra s'affichera dans le coin supérieur droit de l'écran tactile de la URSA Mini et le voyant d'enregistrement de l'écran d'état LCD clignotera trois fois.

### Hold

Utilisez ce bouton pour mettre temporairement le timecode principal de l'écran d'état en pause, lorsque le timecode est en mode free run. Le timecode continuera à défiler en arrière-plan et reviendra à sa position normale lorsque vous relâcherez le bouton. Vous pourrez ainsi prendre note du timecode d'un événement particulier. Cela peut s'avérer très pratique pour noter les points-clés lorsque vous faites du journalisme électronique ou que vous réalisez un documentaire.

### Reset

Ce bouton permet de réinitialiser le timecode sur 00:00:00:00 lorsque vous souhaitez prérégler le timecode.

### Timecode

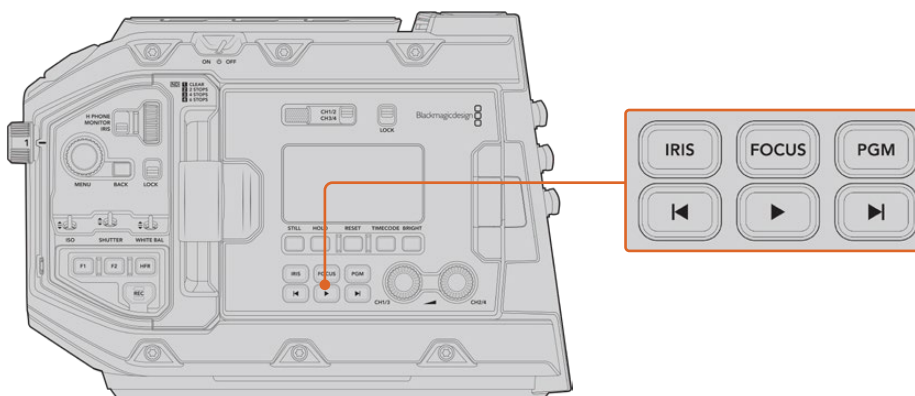
Appuyez sur ce bouton pour faire basculer le format du timecode principal entre durée du clip et timecode. Par défaut, le timecode est réglé en mode free run, car c'est le mode le plus fréquemment utilisé. Si vous maintenez le bouton **Timecode** enfoncé pendant cinq secondes, la caméra basculera en mode record run. Le générateur de timecode et les deux premiers chiffres de l'affichage du timecode principal clignoteront. Vous pourrez alors prérégler le timecode sur une valeur spécifique.

Si vous appuyez sur **Reset**, le timecode se réinitialisera et vous pourrez régler la valeur désirée en heures, minutes, secondes et images à l'aide de la molette Menu. Une fois que vous êtes satisfait du timecode, maintenez à nouveau le bouton **Timecode** enfoncé pendant trois secondes afin de prérégler le timecode sur cette valeur. Le générateur de timecode affichera alors cette valeur et il ne s'incrémentera que lorsque la caméra enregistrera. Vous obtiendrez donc des valeurs de timecode qui augmenteront continuellement. Pour revenir au mode free run, maintenez les boutons **Timecode** et **Hold** enfoncés pendant trois secondes.

### Bright

Appuyez sur ce bouton pour commuter entre les quatre paramètres de luminosité de l'écran d'état de la URSA Mini Pro. Faites votre choix entre : **Off**, **Low**, **Medium** et **High**.

## 15 Boutons de contrôle et de lecture



Boutons de contrôle et de lecture de la URSA Mini Pro 4.6K

### Iris

Le bouton Iris active le réglage automatique de l'ouverture lorsque la caméra est utilisée avec un objectif compatible. Lorsque le mode Video est sélectionné dans les paramètres de la plage dynamique, une simple pression sur le bouton Iris règle l'exposition moyenne en fonction des hautes lumières et des zones d'ombre de la scène. Lorsque le mode Film est sélectionné dans les paramètres de la plage dynamique, une simple pression sur le bouton Iris règle l'exposition en fonction des plus hautes lumières de la scène. Ce bouton fonctionne avec les objectifs EF et PL compatibles, connectés à une télécommande d'objectif broadcast.

Pour régler l'ouverture manuellement, appuyez sur les commandes avance et retour rapide.

### Focus

Appuyez sur le bouton **Focus** pour régler automatiquement la mise au point lorsque vous utilisez un objectif EF compatible. Un carré de mise au point blanc apparaîtra sur le viseur ou le moniteur connecté à la URSA Mini Pro. Il indique les éléments dont la mise au point sera correctement effectuée. Une fois la mise au point effectuée, le carré disparaît.

**REMARQUE** Certains objectifs EF disposent d'un mode manuel et d'un mode autofocus. Pour que la URSA Mini Pro puisse effectuer une mise au point automatique avec votre objectif, veillez à ce que l'objectif soit réglé sur le mode autofocus.

### PGM

Le bouton de programme vous permet de commuter entre la vue de la caméra et les signaux branchés aux entrées 12G-SDI de la face arrière de la caméra. Si vous utilisez la URSA Mini Pro pour votre production en direct, vous pouvez brancher la sortie programme du mélangeur pour visionner ces signaux pendant le tournage. Appuyez sur ce même bouton et maintenez-le enfoncé pour visionner le flux de programme. Ce flux est lu tant que le bouton **PGM** est enfoncé.

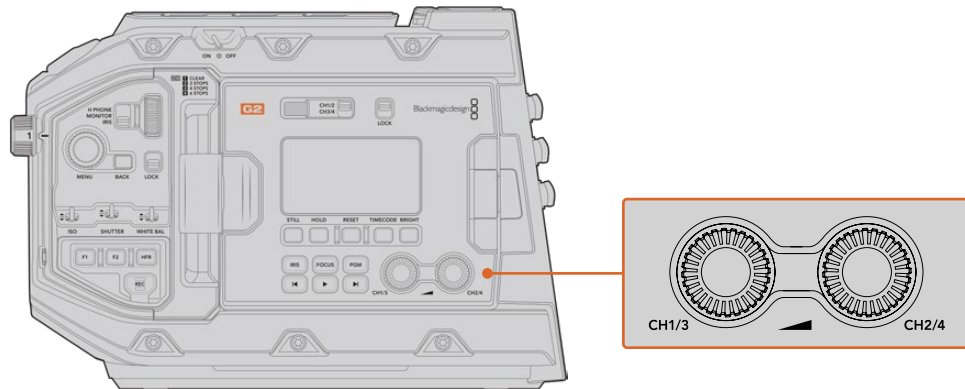
Si vous souhaitez verrouiller le moniteur sur le flux de programme, il suffit d'appuyer deux fois sur le bouton PGM. Si vous appuyez à nouveau sur ce bouton, vous quitterez le flux de programme et retournerez sur l'affichage du signal de la caméra.

### Boutons de lecture

Les boutons de lecture vous permettent de démarrer et d'arrêter la lecture de la vidéo, ainsi que de passer au clip précédent ou suivant. Lorsque vous utilisez un objectif EF, les boutons Avance/Retour peuvent également être utilisés pour ouvrir et fermer le diaphragme lorsqu'il est utilisé avec des objectifs compatibles. Pour plus d'informations concernant l'utilisation des boutons de lecture, consultez la section « Lecture » de ce manuel.



## 16 Molettes de réglage des niveaux audio

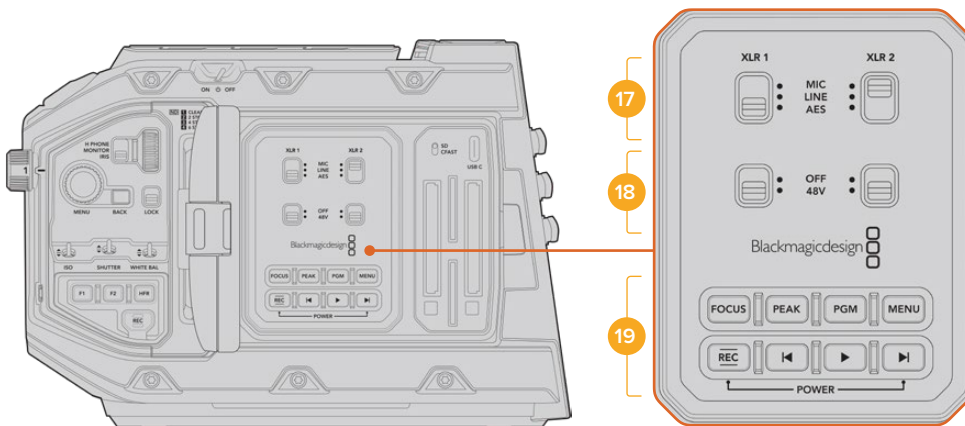


Molettes d'ajustement du niveau audio de la URSA Mini Pro 4.6K G2

Utilisez les molettes de réglage intégrées pour régler les niveaux d'enregistrement audio des canaux 1 et 2. Tournez les molettes pour augmenter ou diminuer le niveau d'enregistrement audio de chaque canal. Sur l'écran, vérifiez le vumètre correspondant à la molette afin d'obtenir un réglage optimal.

## Panneau de contrôle interne

Lorsque l'écran rabattable de la URSA Mini Pro est ouvert, vous pouvez accéder au panneau de contrôle interne. Utilisez ces commandes pour régler les entrées audio et les paramètres de l'alimentation fantôme, mais aussi l'iris, la mise au point, et les commandes du menu et de la lecture.



Panneau de contrôle interne de la URSA Mini Pro

### 17 XLR1 / XLR2

Utilisez ces interrupteurs pour régler les entrées XLR de la URSA Mini Pro, lorsqu'elles sont sélectionnées en tant que source d'entrée. Les options disponibles sont audio micro (Mic), audio de niveau ligne (Line) et audio numérique AES.

### 18 Alimentation fantôme

Les entrées XLR de la URSA Mini Pro peuvent fournir une alimentation fantôme de 48V, pour vous permettre d'utiliser des micros qui ne sont pas autonomes. Déplacez l'interrupteur sur **48V** pour activer l'alimentation fantôme du micro connecté à l'entrée XLR située au-dessus, ou sur **Off** pour la désactiver.

**REMARQUE** Il est recommandé de brancher le câble XLR avant d'activer l'alimentation fantôme. Il est également important de désactiver l'alimentation fantôme lorsqu'il n'y a plus de micro avec alimentation fantôme connecté. Si vous connectez des appareils dont les sorties XLR AES ne possèdent pas de protection contre l'alimentation fantôme et que vous envoyez de l'alimentation fantôme à partir des entrées audio XLR de la caméra, il se peut que vous endommagiez votre équipement. Vérifiez toujours que l'interrupteur 48V est désactivé lorsque vous déconnectez votre micro.

## 19 Boutons de contrôle et de lecture

### Focus

Appuyez sur le bouton Focus pour régler automatiquement la mise au point lorsque vous utilisez un objectif et une monture EF compatibles. Un carré blanc indiquant la zone de mise au point apparaît alors à l'écran. Il indique les éléments dont la mise au point sera correctement effectuée. Une fois la mise au point effectuée, le carré disparaît.

**REMARQUE** Certains objectifs disposent d'un mode manuel et d'un mode autofocus. Pour que la URSA Mini puisse effectuer une mise au point automatique avec votre objectif, veillez à ce que l'objectif soit réglé en mode autofocus.

### Peak

Pour activer le focus peaking, appuyez sur le bouton **Peak**. La caméra possède deux modes de focus peaking. Le mode traditionnel, qui améliore artificiellement la netteté des zones de l'image mises au point, et le mode lignes de couleurs, qui superpose des lignes de couleurs noires, blanches, rouges, vertes ou bleues aux zones nettes de l'image. Pour plus d'informations, consultez la section « Paramètres du moniteur » de ce manuel. Le focus peaking n'est pas enregistré sur les cartes CFast 2.0, mais peut être affiché sur la sortie de monitoring SDI. Il est également possible de le faire apparaître sur l'écran rabattable en activant les informations à l'écran dans le menu tactile.

**CONSEIL** Si vous enregistrez votre sortie vidéo sur un Blackmagic Video Assist ou un Hyperdeck Studio Mini, vérifiez que le peaking de cette sortie est désactivé. Pour ce faire, utilisez la fonction **Clean Feed** de la sortie SDI principale ou de la sortie SDI avant.

Pour plus d'informations à ce sujet, consultez la section « Paramètres du moniteur » de ce manuel.

### PGM

Le bouton PGM vous permet de commuter entre la vue de la caméra et les signaux branchés aux entrées 12G-SDI de la caméra. Si vous utilisez une URSA Mini Pro 4.6K pour votre production en direct, vous pouvez brancher la sortie du programme du mélangeur pour visionner ces signaux pendant le tournage. Appuyez sur ce même bouton et maintenez-le enfoncé pour visionner le flux de programme. Appuyez deux fois sur ce bouton pour verrouiller le flux de programme. Appuyez à nouveau sur le même bouton pour désactiver le flux de programme.

Pour afficher la sortie de programme du mélangeur, la caméra et le mélangeur doivent être réglés sur la même résolution et fréquence d'images.

### Menu

Appuyez sur le bouton Menu pour ouvrir le menu de navigation. Pour plus d'information concernant le menu de navigation et le réglage des paramètres, consultez la section « Menu Paramètres » de ce manuel.

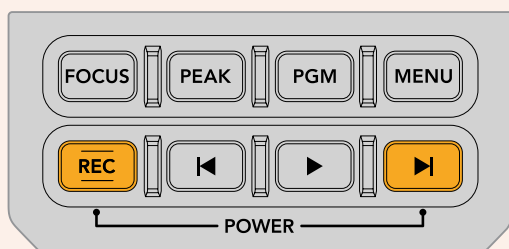
## Rec

Pour démarrer ou arrêter l'enregistrement, appuyez sur l'un des boutons intitulés Rec. Pour plus d'informations, consultez la section « Enregistrement » de ce manuel.

## Boutons de contrôle de lecture

Les boutons de lecture vous permettent de démarrer et d'arrêter la lecture de la vidéo, ainsi que de passer au clip précédent ou suivant. Lorsque vous utilisez la monture EF, les boutons Avance/Retour peuvent également être utilisés pour ouvrir et fermer le diaphragme lorsqu'il est utilisé avec des objectifs compatibles. Pour plus d'informations concernant l'utilisation des boutons de lecture, consultez la section « Lecture » de ce manuel.

**REMARQUE** Vous pouvez allumer ou éteindre la URSA Mini Pro à l'aide de plusieurs boutons du panneau de contrôle interne. Pour allumer la caméra lorsqu'elle est éteinte, ou pour l'éteindre lorsqu'elle est allumée, il suffit de maintenir les boutons **Rec** et **Forward Skip** enfoncés. Si le bouton de mise en marche de la caméra est activé, mais que votre caméra est éteinte, il se peut que vous l'ayez éteinte via le panneau de contrôle. Le cas échéant, remplacez l'interrupteur sur sa position normale.



# Commandes de l'écran tactile

## Écran tactile

L'écran tactile rabattable de 5" de la Blackmagic URSA Mini pivote afin de pouvoir filmer dans tous les angles de vues. Les boutons situés au dos de l'écran vous permettent de contrôler la URSA Mini lorsque l'écran est rabattu et quand la caméra est équipée du viseur URSA pour une utilisation à l'épaule.

## Caractéristiques de l'écran tactile

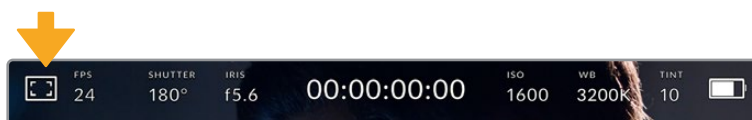
L'écran tactile est doté d'une interface intuitive conçue pour une utilisation rapide de la caméra. Il suffit de toucher et de balayer l'écran de la URSA Mini pour rapidement accéder aux fonctionnalités de la caméra pendant le tournage.



L'écran tactile de la URSA Mini offre un grand nombre d'informations et vous permet d'accéder facilement à vos paramètres préférés.

## Options de l'écran LCD

Touchez l'indicateur écran en haut à gauche de l'écran tactile de la URSA Mini pour ouvrir les options de l'écran LCD. Ces options permettent de régler les paramètres de l'écran LCD de la URSA Mini, notamment le zébra, l'aide à la mise au point, les repères de cadrage et les grilles. Lorsque vous ouvrez ces options, les fonctionnalités apparaissent dans un menu organisé par onglet en bas de l'écran.

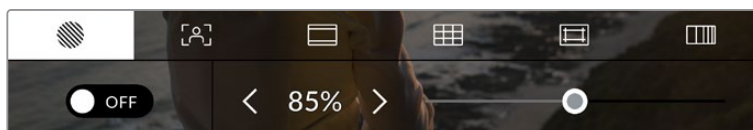


Touchez l'icône en haut à gauche de l'écran tactile de la URSA Mini pour ouvrir les options de l'écran LCD.

## Zébra

Ce paramètre affiche le zébra sur l'écran tactile et permet de régler le niveau de zébra pour toutes les sorties de la URSA Mini.

Le zébra affiche des hachures diagonales sur les zones de l'image qui dépassent le niveau d'exposition préalablement réglé. Par exemple, un réglage du zébra sur 100 % mettra en évidence les zones surexposées. Ce paramètre est utile pour obtenir une exposition optimale en conditions lumineuses fixes.



Touchez l'indicateur zébra au sein des options de l'écran LCD pour ouvrir ce paramètre sur la URSA Mini.

Dans l'onglet **Zebra**, touchez le bouton en bas à gauche de l'écran pour afficher le zébra sur l'écran tactile.

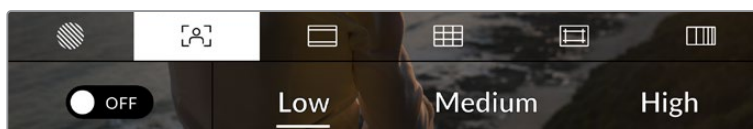
Réglez le niveau d'exposition auquel les hachures apparaîtront en faisant glisser le curseur vers la gauche ou la droite, ou touchez les flèches pour incrémenter le pourcentage du zébra. Le niveau de zébra peut être ajusté par tranches de 5% entre 75 et 100%.

Pour plus d'information concernant l'activation du zébra sur les deux sorties SDI de la caméra, consultez la section « Paramètres du moniteur » de ce manuel.

**CONSEIL** Si vous tournez en conditions lumineuses variables, telle qu'en extérieur avec un ciel nuageux, réglez le niveau de zébra en dessous de 100 peut vous permettre de voir les zones surexposées.

### Aide à la mise au point

Ce paramètre affiche l'aide à la mise au point sur l'écran tactile et permet de régler le niveau d'aide à la mise au point pour toutes les sorties de la URSA Mini.



Touchez l'indicateur d'aide à la mise au point au sein des options de l'écran LCD pour ouvrir ce paramètre sur la URSA Mini.

Pour afficher l'aide à la mise au point sur l'écran tactile, touchez le bouton en bas à gauche de l'écran.

Pour régler le niveau d'aide à la mise au point pour toutes les sorties de la URSA Mini, touchez **Low**, **Medium** ou **High** en bas de l'écran tactile.

Le niveau optimal d'aide à la mise au point peut varier selon les plans. Par exemple, lorsque vous effectuez la mise au point sur les acteurs, un niveau d'aide à la mise au point plus élevé permet de bien définir le contour du visage. En revanche, si vous réglez un niveau élevé sur un plan représentant du feuillage ou un mur de briques, vous allez sans doute obtenir trop d'informations nettes.

Pour plus d'information concernant l'activation de l'aide à la mise au point sur les deux sorties SDI de la caméra, consultez la section « Paramètres du moniteur » de ce manuel.

**CONSEIL** La URSA Mini dispose de deux modes d'aide à la mise au point. Vous pouvez alterner entre **Peak** et **Colored line** dans le menu **Monitor**. Pour plus d'information, consultez la section « Paramètres du moniteur » de ce manuel.

### Mise au point tactile

Avec des objectifs compatibles, vous pouvez effectuer la mise au point sur n'importe quelle zone de l'image, en touchant cette zone sur l'écran LCD pendant un moment. La caméra effectuera la mise au point de votre objectif sur cette zone.

Appuyez sur le bouton **Focus** de la caméra ou de la poignée en option, pour enclencher la mise au point automatique sur cette zone. Appuyez deux fois sur le bouton de mise au point pour la réinitialiser sur le centre de l'image.



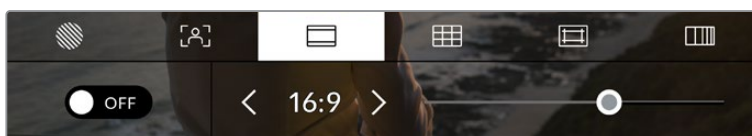
Mise au point tactile sur l'écran LCD de la URSA Mini

**CONSEIL** Si l'affichage semi-transparent se trouve à l'endroit où vous souhaitez effectuer la mise au point tactile, il vous suffit de le balayer vers le haut ou vers le bas pour le faire disparaître.

### Repères de cadrage

Ce paramètre affiche les repères de cadrage sur l'écran tactile. Vous pouvez choisir entre huit repères de cadrage pour chaque sortie de la URSA Mini.

Les repères de cadrage offrent des formats d'image propres aux standards du cinéma, de la télévision et d'Internet.



Touchez l'indicateur repère de cadrage au sein des options de l'écran LCD pour ouvrir ce paramètre sur la URSA Mini.

Pour afficher les repères de cadrage sur l'écran tactile de la URSA Mini, touchez le bouton en bas à gauche de l'écran.

Choisissez le repère de cadrage que vous souhaitez utiliser en faisant glisser le curseur vers la gauche et vers la droite, ou à l'aide des flèches.

Les repères disponibles sont :

#### **2.35:1, 2.39:1 et 2.40:1**

Affiche un rapport d'image très large compatible avec les projections cinéma au format large avec ou sans anamorphose. Ces trois paramètres sont un peu différents et représentent l'évolution de plusieurs standards cinématographiques. 2.39:1 est l'un des standards les plus répandus aujourd'hui.



Écran tactile URSA Mini sur lequel le repère de cadrage 2.40:1 est activé.

### 1:1

La URSA Mini Pro peut afficher un repère de cadrage carré 1:1 pour la composition de contenu destiné aux médias sociaux.

### 2:1

Disponible sur la URSA Mini Pro, ce paramètre affiche un ratio légèrement plus large que le 16:9, mais inférieur au 2.35:1.

### 1.85:1

Affiche un autre rapport d'image large très répandu au cinéma. Ce format est un peu plus large que le HDTV 1.78:1 mais pas autant que le 2.39:1.

### 16:9

Affiche un rapport d'image de 1.78:1 compatible avec les écrans d'ordinateur et de télévision HD 16:9.

Ce format est fréquemment utilisé pour la diffusion en HD et les vidéos en ligne. Toutefois, il a également été adopté pour la diffusion en Ultra HD.

### 14:9

Affiche le rapport d'image 14:9 utilisé pour la diffusion télévisuelle, car il représente un compromis entre les téléviseurs 16:9 et 4:3. Idéalement, les images 16:9 et 4:3 rognées latéralement peuvent être lues en format 14:9. Vous pouvez utiliser ces repères si votre projet est diffusé sur un téléviseur qui prend en charge le rapport d'image 14:9.

### 4:3

Affiche un rapport d'image de 4:3 compatible avec les écrans de télévision SD, ou en tant qu'aide de cadrage lorsque vous utilisez des adaptateurs anamorphiques 2x.

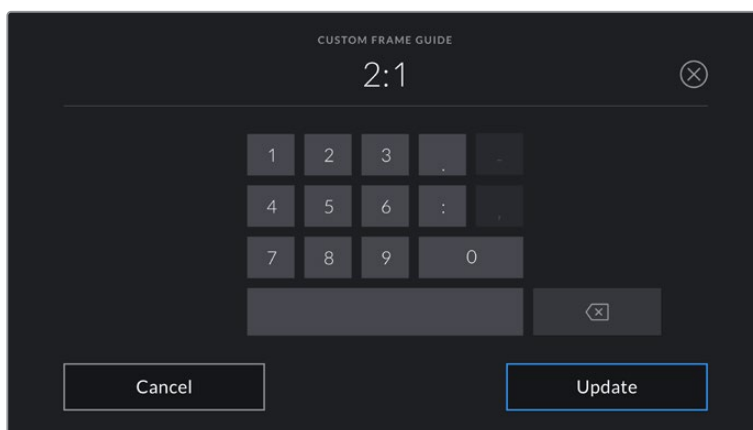
### 4:5

La URSA Mini Pro peut afficher un repère de cadrage au format portrait 4:5 pour la composition de contenu destiné aux smartphones.

### Ratios de repères de cadrage personnalisés

La URSA Mini Pro 12K peut enregistrer en Blackmagic RAW sur deux cartes simultanément. Sur l'écran de repères de cadrages personnalisés, appuyez sur la touche de retour pour supprimer le ratio actuel. Puis, utilisez le clavier numérique pour entrer votre propre ratio. Touchez **Update** pour appliquer le ratio et retourner à l'enregistrement.





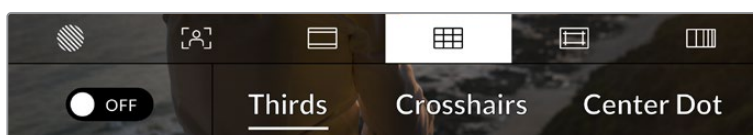
Utilisez le clavier numérique sur l'écran **Custom frame guide** pour saisir un nouveau ratio de repère de cadrage.

**CONSEIL** Vous pouvez changer l'opacité des repères de cadrage. Pour plus d'information, consultez la section « Paramètres du moniteur » de ce manuel.

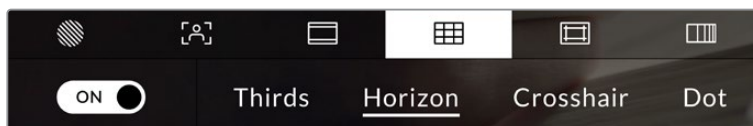
**REMARQUE** Pour plus d'information concernant l'activation de l'aide à la mise au point sur les deux sorties SDI de la caméra, consultez la section « Paramètres du moniteur » de ce manuel.

### Grilles

Ce paramètre affiche une grille selon la règle des tiers, un réticule ou un point central sur l'écran tactile et permet de choisir les informations qui apparaîtront sur chaque sortie de la URSA Mini. La URSA Mini Pro 12K possède également une option d'indicateur d'horizon.



Touchez l'indicateur des grilles au sein des options de l'écran LCDut pour ouvrir ce paramètre sur la URSA Mini.

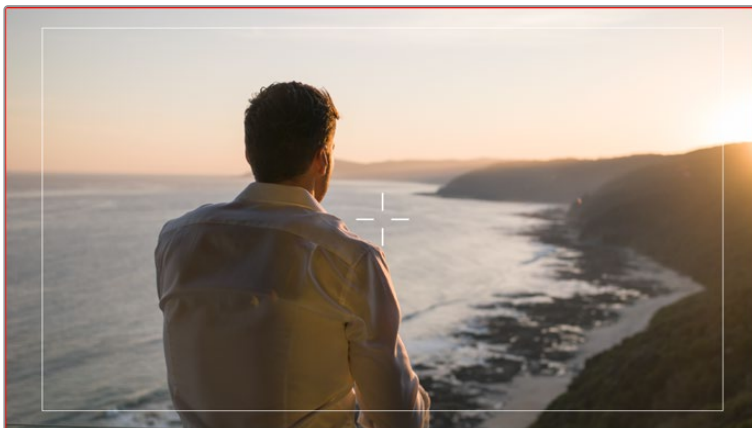


Sur la URSA Mini Pro 12K, le paramètre des grilles propose des options pour la règle des tiers, le réticule et le point central.

La grille et le réticule affichent des informations qui facilitent la composition de l'image. Quand la fonction grilles est activée, la URSA Mini affiche une grille selon la règle des tiers, un réticule ou un point central. La URSA Mini Pro 12K possède également une option d'indicateur d'horizon.

Pour afficher les grilles sur l'écran tactile de la URSA Mini, touchez le bouton en bas à gauche de l'écran, lorsque vous êtes sur l'onglet **Frames Guides**.

Lorsque la URSA Mini est réglée et connectée à un mélangeur ATEM comme source de programme et que les grilles sont réglées sur **On**, le contour tally rouge du programme s'allume à l'écran.



Lorsque la caméra est connectée à un mélangeur ATEM qui envoie un signal tally, une bordure rouge apparaît autour de la prévisualisation de l'image lorsque les grilles sont activées.

Pour sélectionner les informations que vous souhaitez afficher sur toutes les sorties de la URSA Mini, touchez **Thirds**, **Crosshairs** ou **Center dot** au bas de l'écran. La URSA Mini Pro 12K possède également l'option **Horizon**.



La grille selon de la règle des tiers s'adapte automatiquement à tous les repères de cadrage.

### Third

Affiche une grille dotée de deux lignes verticales et de deux lignes horizontales divisant l'image en tiers. Cet outil très pratique structure la composition de vos plans. Comme le regard se pose naturellement près des points d'intersection de ces lignes, il est utile de cadrer des éléments importants dans ces zones-là. Les yeux des acteurs doivent généralement être situés dans le tiers supérieur de l'écran, vous pouvez donc utiliser cette zone pour faciliter le cadrage. Cette division de l'image en tiers est très utile pour maintenir un cadrage cohérent de vos plans.

### Horizon





La URSA Mini Pro 12K possède un indicateur d'horizon. Ce paramètre indique lorsque votre caméra est inclinée vers la gauche ou vers la droite et vers le haut ou vers le bas. Cela vous permet de mesurer l'horizon pour les prises au poing et ainsi d'équilibrer l'axe de la caméra sur un stabilisateur.

Lorsque la ligne verticale grise claire s'éloigne du réticule gris foncé situé au milieu, alors votre caméra est inclinée de côté. Lorsque la ligne horizontale grise claire est au-dessus du réticule gris foncé, la caméra est inclinée vers le bas. Lorsqu'elle est au-dessous du réticule gris foncé, la caméra est inclinée vers le haut.

La distance entre les lignes et le réticule central est proportionnel à l'inclinaison horizontale ou verticale. Après avoir calibré le capteur de mouvement de la caméra, la ligne verticale devient bleue lorsque la caméra est alignée sur l'axe rectiligne, et la ligne horizontale devient bleue lorsque la caméra est alignée sur l'axe du niveau.

Notez que si la caméra est inclinée vers le bas pour une vue aérienne ou verticale, l'indicateur d'horizon le prendra en compte. Si vous inclinez la caméra sur le côté pour un portrait, l'indicateur d'horizon pivote son axe à 90 degrés.

Ce tableau présente des exemples d'inclinaisons de la caméra avec l'indicateur d'horizon.

Indicateur d'horizon	Description
	Rectiligne et à niveau
	Inclinée vers le bas et à niveau
	Rectiligne et inclinée vers la gauche
	Inclinée vers le haut et vers la droite

Pour une utilisation classique, calibrez l'indicateur d'horizon pour connaître l'inclinaison verticale ou horizontale. Si vous souhaitez utiliser l'indicateur d'horizon pour maintenir un « plan débullé » ou une inclinaison vers le bas ou le haut pour des prises en contre-plongée ou en plongée, vous pouvez calibrer l'indicateur d'horizon sur une inclinaison. Pour plus d'informations sur le calibrage de l'indicateur d'horizon, consultez la section « calibrage du capteur de mouvement ».

### Crosshair

Ce paramètre place un réticule au centre de l'image. Comme la règle des tiers, le réticule est un outil de composition qui permet de placer le sujet au centre de l'image. Ce paramètre est parfois utilisé pour filmer des scènes qui seront ensuite montées très rapidement. Pour les spectateurs, il est plus facile de suivre un enchaînement rapide de scènes si l'élément important de la scène est maintenu au centre de l'image.

### Center dot

Ce paramètre affiche un point au centre de l'image. Il fonctionne de la même façon que le paramètre Crosshairs mais dispose d'un point central moins voyant.

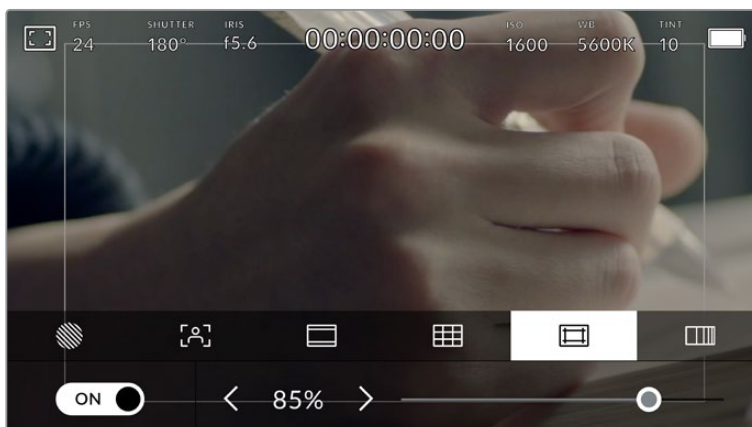
Vous pouvez activer la combinaison **Third** et **Crosshairs** ou **Third** et **Center dot** en appuyant sur ces deux options dans le menu **Grids**. Les options **Crosshairs** et **Center dot** ne peuvent pas être sélectionnées ensemble.

**CONSEIL** Pour plus d'information concernant l'activation des grilles sur les deux sortie SDI de la caméra, consultez la section « Paramètres du moniteur » de ce manuel.

### Paramètre Safe Area Guide

Ce paramètre active ou désactive la zone de sécurité sur l'écran tactile et permet de régler sa taille sur toutes les sorties de la URSA Mini.

La zone de sécurité garantit que les zones les plus importantes de l'image seront visibles à l'écran. En gardant ces zones au centre de l'image, l'image n'est pas rognée sur certains téléviseurs. De plus, cela permet aux diffuseurs d'ajouter des logos, des synthés et d'autres informations sur les bords de l'écran. La plupart des diffuseurs doivent produire des séquences dans une zone de sécurité de 90%.



Le repère indiquant la zone de sécurité est réglé sur 85%.

La zone de sécurité est également utile pour cadrer un plan qui sera stabilisé en post-production et dont les bords peuvent être rognés. Elle est aussi pratique pour indiquer un rognage spécifique. Par exemple, en réglant ce paramètre sur 50% lorsque vous enregistrez en Ultra HD 3840x2160, vous verrez à quoi un recadrage de 1920x1080 ressemble. La zone de sécurité redimensionne également les repères de cadrage, qui s'ajusteront pour refléter le pourcentage de l'image cible choisie.

Dans l'onglet **Safe Area Guides**, touchez le bouton en bas à gauche de l'écran pour afficher la zone de sécurité sur l'écran. Pour régler la valeur de la zone de sécurité pour toutes les sorties de la URSA Mini, touchez les flèches gauche ou droite situées de part et d'autre de la valeur actuelle au bas de l'écran tactile. Vous pouvez aussi ajuster le curseur en le déplaçant vers la gauche ou vers la droite.

### False Color

Ce paramètre permet d'activer l'outil d'aide à l'exposition False Color sur l'écran tactile.

La fonction fausses couleurs applique différentes couleurs à différentes zones de l'image. Ces couleurs représentent les différentes valeurs d'exposition des éléments de votre image. Par exemple, la couleur rose représente une exposition optimale pour les peaux claires, alors que le vert correspond à une couleur de peau plus foncée. En vérifiant ces fausses couleurs lorsque vous filmez des êtres humains, vous maintiendrez une exposition stable de leur couleur de peau.

De même, lorsque la couleur des éléments de votre image passe du jaune au rouge, cela signifie qu'ils sont surexposés.

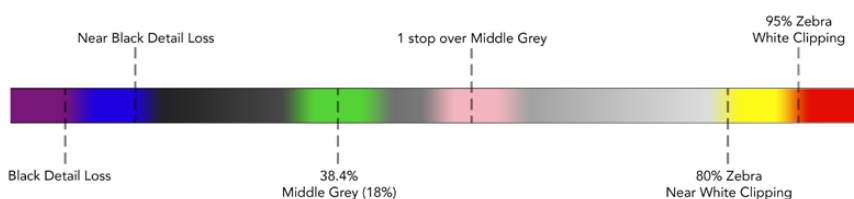
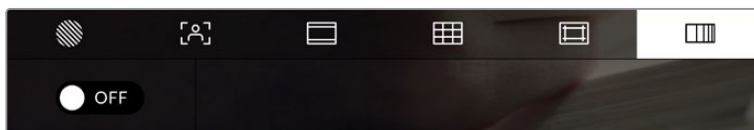


Schéma de la fonction False Color

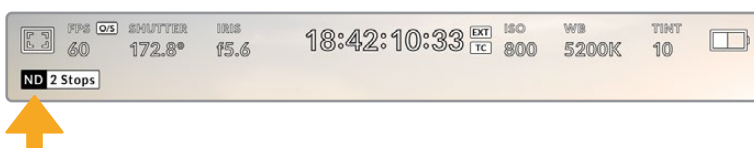
Dans l'onglet **False Color**, touchez l'icône en bas à gauche de l'écran pour activer cette fonction sur l'écran tactile.



Onglet d'aide à l'exposition **False Color**.

## Indicateur du filtre ND

Lorsque vous ajustez le filtre gris neutre (ND) de la URSA Mini Pro, l'indicateur ND apparaît en haut à gauche de l'écran tactile LCD ainsi que sur toutes les sorties SDI sur lesquelles les informations d'état sont activées. Cet indicateur restera affiché sur les informations d'état lorsque vous utilisez un filtre gris neutre. Lorsqu'il est réglé sur aucun filtre ND, la mention **Clear** disparaîtra après quatre secondes.



Lorsque vous ajustez le filtre gris neutre (ND) de la URSA Mini Pro, l'indicateur ND s'affiche.

**REMARQUE** Vous pouvez choisir la terminologie utilisée par l'indicateur du filtre ND afin qu'elle reflète la convention souhaitée. Les options disponibles sont **Number**, **Stop** et **Fraction**. Vous pouvez régler le format de votre choix dans le menu **Setup** de la URSA Mini Pro.

## Indicateur de LUT

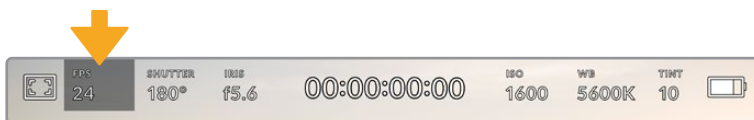
L'icône LUT s'affiche sur l'écran LCD, ou sur le moniteur SDI avant ou principal, lorsque les informations d'état sont activées et qu'une LUT est appliquée sur cette sortie.



L'icône LUT vous permet de savoir qu'une LUT est actuellement appliquée à l'image.

## Images par seconde

L'indicateur **FSP** affiche le nombre d'images par seconde sélectionné.



L'indicateur images par seconde de la URSA Mini. Touchez cet indicateur pour accéder aux paramètres de fréquence d'images.

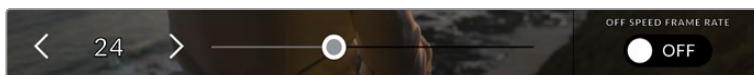
Touchez l'indicateur **FSP** pour changer la fréquence d'images du projet et du capteur via le menu situé en bas de l'écran.

### Fréquence d'images du projet

Le paramètre **Project Frame Rate** représente la fréquence d'images du format d'enregistrement de la URSA Mini. Ce paramètre propose une sélection de fréquences d'images couramment utilisées dans l'industrie du cinéma et de la télévision. En général, on fait coïncider la fréquence d'images avec la vitesse de lecture utilisée dans le workflow de postproduction.

La Blackmagic URSA Mini possède 8 paramètres de fréquence d'images dont 23.98, 24, 25, 29.97, 30, 50, 59.94 et 60 i/s.

Pour régler la fréquence d'images du projet de la URSA Mini dans le menu **FSP**, touchez les flèches gauche et droite situées de part et d'autre de la fréquence d'images en bas de l'écran tactile. Vous pouvez aussi ajuster le curseur en le déplaçant vers la gauche ou vers la droite.

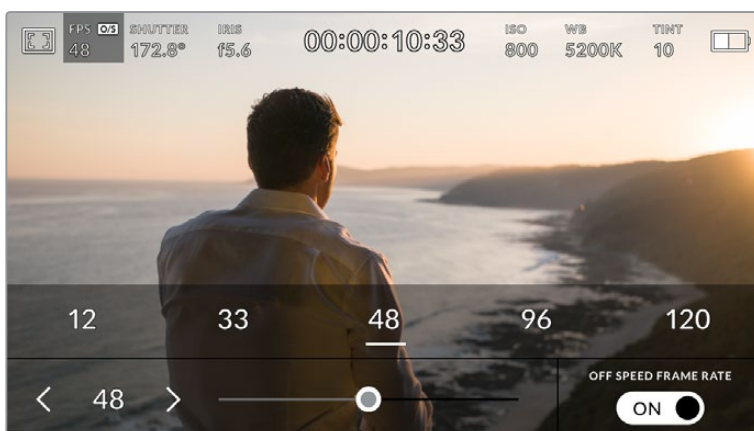


Touchez les flèches situées de part et d'autre de la fréquence d'images du projet ou déplacez le curseur pour régler ce paramètre.

**CONSEIL** La fréquence d'images du projet de la URSA Mini règle également les fréquence d'images de la sortie SDI principale et de la sortie SDI avant.

### Fréquence d'images du capteur

La fréquence d'images du capteur vous permet de régler le nombre d'images par seconde que le capteur enregistre. Cette fréquence d'images détermine la vitesse de lecture de votre vidéo en fonction de la fréquence d'images du projet.



Lorsque le bouton **Off speed frame rate** est activé, touchez les flèches situées de part et d'autre de la fréquence d'images du capteur, déplacez le curseur, ou touchez un des pré-réglages pour configurer le paramètre.

Par défaut, les fréquences d'images du projet et du capteur de la URSA Mini correspondent à une vitesse de lecture naturelle. Cependant, en touchant le bouton off speed frame rate situé en bas à droite du menu **FPS** de la URSA Mini, vous pouvez régler vous-même la fréquence d'images du capteur.

Pour modifier la fréquence d'images du capteur, touchez les flèches situées de part et d'autre de la fréquence d'images en bas à gauche de l'écran tactile. Vous pouvez également déplacer le curseur vers la gauche ou vers la droite afin d'augmenter ou de réduire la fréquence d'images. Dès que vous relâchez le curseur, la fréquence d'images du capteur est sélectionnée. Au-dessus du curseur, vous pouvez sélectionner une fréquence d'images off speed recommandée calculée en fonction de la fréquence d'images de votre projet.

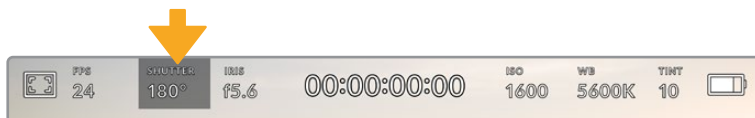
Vous pouvez également créer des effets de vitesse dynamiques et créatifs en variant la fréquence d'images du capteur. Si vous choisissez une fréquence d'images de capteur plus élevée que celle de votre projet, cela créera un ralenti durant la lecture. En revanche, plus la fréquence d'images du capteur est basse, plus la vitesse de lecture de vos clips augmentera. Il s'agit des principes d'overcranking (création d'un effet de ralenti) et d'undercranking (création d'un effet d'accélééré). L'overcranking accélère la fréquence d'images du capteur, un procédé qui permet par exemple de souligner un moment particulièrement émouvant. L'undercranking ralentit la fréquence d'images du capteur et permet notamment d'intensifier les scènes d'action. Vous disposez désormais d'un nombre illimité de possibilités !

Pour obtenir plus d'informations sur les fréquences d'images maximales disponibles avec chaque format d'enregistrement et avec chaque codec, consultez les tableaux dans la section « Enregistrement » de ce manuel.

**REMARQUE** Quand off speed frame rate est sélectionné, l'audio et la vidéo de la URSA Mini ne sont plus synchronisés. Cela est vrai, même si les fréquences d'images du projet et du capteur sont identiques. **Off speed frame rate** ne devrait jamais être sélectionné si vous souhaitez synchroniser l'audio et la vidéo.

## Shutter

L'indicateur **Shutter** affiche l'angle ou la vitesse d'obturation. Cet indicateur vous permet de changer manuellement les valeurs d'obturation de la URSA Mini ou de choisir que l'obturateur ait la priorité sur l'exposition automatique. Sur la URSA Mini 4.6K et la URSA Mini Pro, le paramètre **Shutter Measurement** peut être utilisé pour afficher l'angle d'obturation ou la vitesse d'obturation. Pour plus d'informations, consultez la section « Paramètres Setup » de ce manuel.



Indicateur **Shutter** de la URSA Mini. Touchez cet indicateur pour accéder aux paramètres de l'obturateur.

Les paramètres **Shutter angle** et **Shutter speed** définissent le niveau de flou de bougé de votre vidéo. Ils peuvent être utilisés pour compenser les conditions d'éclairage variables. 180 degrés est l'angle d'obturation optimal pour capturer un flou de bougé satisfaisant dans la plupart des conditions. En termes de vitesse d'obturation, son équivalent est 1/50 de seconde. Cependant, si les conditions d'éclairage changent ou si la quantité de mouvement dans vos scènes augmente, vous pouvez modifier ces paramètres pour refléter ces changements.

Par exemple, un angle à 360 degrés est un angle grand ouvert qui permet de faire entrer un maximum de lumière dans le capteur. Cela permet de capturer des mouvements presque imperceptibles même en conditions de faible éclairage. Par contre, si vous filmez des sujets en mouvement, une faible ouverture de l'angle (par exemple 90 degrés) diminuera considérablement le flou de bougé et capturera ainsi des images d'une grande netteté. Les équivalences en termes de vitesse et d'angle d'obturation dépendent de la fréquence d'images que vous utilisez. Par exemple, si vous filmez à 25 images par seconde, 360 degrés équivaudront à 1/25 de seconde, et 90 degrés à 1/100 de seconde.

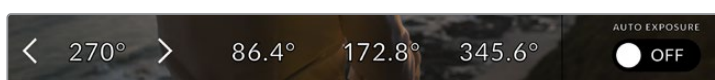
**REMARQUE** Lorsque vous filmez sous un éclairage artificiel, l'obturation choisie peut provoquer des scintillements. La URSA Mini calcule automatiquement une valeur d'obturation sans scintillement en fonction de la fréquence d'images. Lorsque vous ajustez l'obturation, jusqu'à trois options d'obturation sans scintillement vous seront suggérées en bas de l'affichage semi-transparent. Ces valeurs d'obturation sont affectées par la fréquence du courant de votre région du monde. Vous pouvez régler la fréquence du courant sur 50Hz ou 60Hz dans le menu **Setup** de la URSA Mini. Pour plus d'information, consultez la section « Paramètres Setup » de ce manuel.



Touchez l'indicateur **Shutter** pour afficher les valeurs d'obturation en bas de l'écran tactile de la URSA Mini. Si le bouton de l'exposition automatique est réglé sur **Off**, l'écran affiche la valeur d'obturation actuellement sélectionnée ainsi que les valeurs d'obturation sans scintillement disponibles. Ce réglage se fera en fonction de la fréquence du courant sélectionnée dans le menu **Setup** de la caméra. Pour plus d'information, consultez la section « Paramètres Setup » de ce manuel.

**REMARQUE** Les caractéristiques de certaines sources lumineuses peuvent provoquer des scintillements même lorsque vous utilisez des valeurs sans scintillement. Lorsque vous n'utilisez pas de lumière continue, nous vous recommandons de toujours effectuer un test avant de commencer le tournage.

Pour sélectionner des valeurs d'obturation sans scintillement, touchez une des valeurs d'obturation affichées. Appuyez sur les flèches situées de chaque côté de la valeur sélectionnée pour naviguer entre les valeurs les plus utilisées.



La URSA Mini suggère des valeurs d'obturation sans scintillement en fonction de la fréquence du courant sélectionnée dans le menu **Setup**.

Si vous souhaitez utiliser une valeur d'obturation spécifique, touchez deux fois l'indicateur d'obturation situé en bas à gauche de l'écran. Un clavier numérique s'affichera et vous pourrez saisir la valeur d'obturation de votre choix jusqu'à deux décimales.

Si vous saisissez une vitesse d'obturation incompatible avec la fréquence d'images actuellement sélectionnée, la vitesse d'obturation la plus proche sera choisie par défaut.



Le clavier numérique vous permet de saisir la valeur d'obturation de votre choix.

La URSA Mini dispose de trois modes d'exposition automatique qui modifient l'obturateur. Pour sélectionner un de ces obturateurs, touchez le bouton **Auto Exposure** à droite du menu **Shutter**.

### Shutter

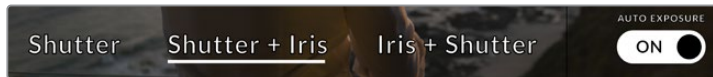
Ce paramètre règle automatiquement la valeur d'obturation pour offrir une exposition et une ouverture de l'iris stables. Choisissez ce paramètre si vous souhaitez maintenir une profondeur de champ stable. Veuillez noter que les réglages automatiques de l'obturateur peuvent affecter le flou de bougé. Nous vous recommandons de vérifier si des scintillements ont été introduits à cause des différents éclairages installés pour les tournages en studio. La fonction de réglage automatique de l'iris de la URSA Mini n'est pas disponible quand le mode d'exposition automatique est réglé sur **Shutter**.

### Shutter + Iris

Maintient le bon niveau d'exposition en modifiant l'obturateur, puis l'ouverture. Lorsque la valeur d'obturation maximale ou minimale a été atteinte et qu'il n'est toujours pas possible de maintenir la même exposition, la URSA Mini ajuste l'ouverture pour que l'exposition reste stable.

### Iris + Shutter

Maintient le bon niveau d'exposition en modifiant l'ouverture, puis la valeur d'obturation. Lorsque l'ouverture maximale ou minimale a été atteinte et qu'il n'est toujours pas possible de maintenir la même exposition, la URSA Mini ajuste la valeur d'obturation pour que l'exposition reste stable.

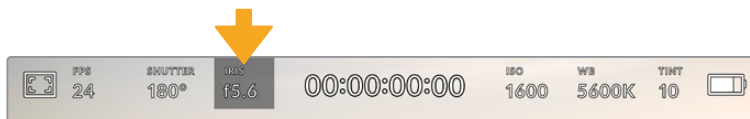


Dans le menu de l'obturateur, touchez auto exposure pour accéder aux modes d'exposition automatique qui modifient l'obturateur.

**CONSEIL** Lorsque le mode **Auto exposure** qui modifie l'iris est activé, la lettre A apparaît à côté de l'indicateur de l'iris en haut de l'écran URSA Mini.

## Iris

L'indicateur **Iris** affiche l'ouverture de l'objectif sélectionnée. En touchant cette icône, vous pouvez changer l'ouverture des objectifs compatibles et régler les modes d'exposition automatique qui modifient l'iris.



Indicateur **Iris** de la URSA Mini. Touchez cet indicateur pour accéder aux paramètres de l'iris.

**REMARQUE** Pour utiliser le contrôle de l'iris sur l'écran tactile, la URSA Mini doit être équipée d'un objectif qui prend en charge le changement d'ouverture via la caméra. Si vous utilisez un objectif B4 ou PL connecté via le connecteur à 12 broches de la URSA Mini PL, assurez-vous que le bouton Iris de l'objectif est réglé sur **A** ou sur **Auto**.

Touchez l'indicateur **Iris** pour afficher le menu de l'obturateur en bas de l'écran tactile de la URSA Mini. L'ouverture de l'objectif choisie apparaît à gauche de l'écran. Vous pouvez changer l'ouverture en touchant les flèches gauche et droite situées autour de l'indicateur, ou déplacer le curseurs vers la gauche ou la droite.

Touchez le bouton auto exposure situé à droite du menu pour ouvrir le menu d'exposition automatique de l'iris.



Dans le menu **Iris**, touchez les flèches situées autour de l'indicateur de l'iris ou utilisez le curseur pour régler ce paramètre.

Cela vous offre les options d'exposition automatique suivantes.

### Iris

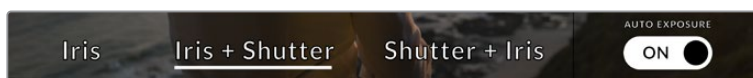
Ce paramètre règle automatiquement l'ouverture pour offrir une exposition et un angle d'obturation stables. Cela permet de maintenir le flou de bougé, mais peut affecter la profondeur de champ.

### Iris + Shutter

Maintient le bon niveau d'exposition en modifiant l'ouverture, puis la valeur d'obturation. Lorsque l'ouverture maximale ou minimale a été atteinte et qu'il n'est toujours pas possible de maintenir la même exposition, la URSA Mini ajuste la valeur d'obturation pour que l'exposition reste stable.

### Shutter + Iris

Maintient le bon niveau d'exposition en modifiant l'obturateur, puis l'ouverture. Lorsque la valeur d'obturation maximale ou minimale a été atteinte et qu'il n'est toujours pas possible de maintenir la même exposition, la URSA Mini ajuste l'ouverture pour que l'exposition reste stable.



Dans le menu **Iris**, touchez auto exposure pour ouvrir les modes d'exposition automatique qui modifient l'iris.

Lorsque le mode **Auto exposure** qui modifie l'iris est activé, la lettre A apparaît à côté de l'indicateur de l'iris en haut de l'écran URSA Mini.

**CONSEIL** L'exposition automatique fonctionne de manière progressive avec des objectifs B4 ou PL compatibles conçus pour la production de films. Les objectifs EF peuvent produire une exposition saccadée lorsque vous changez l'ouverture. Pour cette raison, nous recommandons d'utiliser uniquement les paramètres d'exposition **Shutter** si vous tournez avec la URSA Mini EF.

## Affichage de la durée

L'affichage de la durée se trouve en haut de l'écran tactile de la URSA Mini.



Affichage de la durée sur la URSA Mini. Ce champ devient rouge pendant l'enregistrement.

Cet affichage fournit le timecode relatif à la durée des clips lors de l'enregistrement et de la lecture. Le timecode est exprimé en Heures:Minutes:Secondes:Images et augmente au fur et à mesure de l'enregistrement ou de la lecture. Il s'allume en rouge pendant l'enregistrement.

Chaque clip débute par 00:00:00:00. La durée du clip en cours d'enregistrement, ou ayant été enregistré précédemment, est affichée sur l'écran tactile. Pour faciliter le travail en postproduction, le timecode sous forme de code horaire est intégré aux clips.

Pour voir le timecode, touchez simplement l'affichage de la durée. Touchez de nouveau cet affichage pour voir la durée du clip.

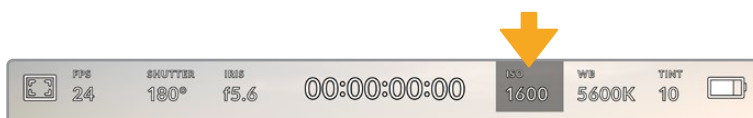
## Les indicateurs d'état suivant peuvent apparaître à côté de l'affichage de la durée :

- 
- W** Apparaît à gauche de l'affichage de la durée lorsque la URSA Mini utilise le mode Window.
- 
- TC** Apparaît à droite de l'affichage de la durée lorsque le timecode s'affiche.
- 
- EXT** Apparaît à droite de l'affichage de la durée si un timecode externe est connecté et valable.
- 
- INT** Apparaît à droite de l'affichage de la durée si la caméra repose sur le timecode interne après avoir été réglée sur jam synced, puis déconnectée.
- 
- PRE** Apparaît à droite de l'affichage de la durée lorsque vous visualisez le pré-réglage du timecode en mode record run.
- 
- REF** Apparaît à droite de l'affichage de la durée lorsque vous visualisez le pré-réglage du timecode en mode record run.
- 

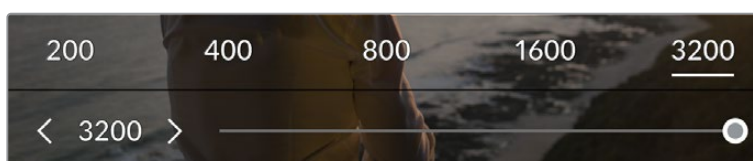
## ISO

L'indicateur **ISO** affiche le paramètre ISO (sensibilité de la lumière) réglé sur la URSA Mini. Toucher l'indicateur vous permet de régler l'ISO pour répondre aux besoins de différentes conditions d'éclairage. La plage ISO de la URSA Mini est comprise entre 200 et 1600, tandis que la plage ISO de la URSA Mini Pro peut atteindre 3200.

Le réglage ISO optimal pour la URSA Mini 4K est de 400. Le réglage ISO optimal pour la URSA Mini 4.6K et la URSA Mini Pro est de 800.



Indicateur **ISO** de la URSA Mini. Touchez cet indicateur pour accéder aux paramètres ISO.



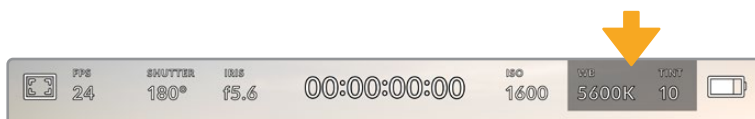
Dans le menu **ISO** de la URSA Mini, ces paramètres apparaissent en bas de l'écran tactile. Sur la URSA Mini Pro 4.6K G2, un curseur s'affiche au-dessous des pré-réglages pour vous permettre d'affiner vos réglages en incréments de 1/3 de diaphragme.

Les pré-réglages numériques vous permettent de régler l'ISO sur des valeurs entières, en les sélectionnant sur l'écran. Sur la URSA Mini Pro 4.6K G2, un curseur s'affiche au-dessous des pré-réglages pour vous permettre d'affiner vos réglages en incréments de 1/3 de diaphragme.

Toutefois, en fonction de la situation, vous pouvez choisir une sensibilité ISO plus ou moins élevée. Par exemple, si vous tournez en conditions de faible éclairage avec la URSA Mini 4.6K, vous pouvez régler l'ISO sur 1600, mais cela risque d'introduire du bruit. Dans des conditions d'éclairage élevées, vous obtiendrez des couleurs plus riches en réglant l'ISO sur 200.

## Balance des blancs






Les indicateurs **WB** et **TINT** affichent la balance des blancs et la teinte de la caméra. Touchez ces indicateurs pour régler la balance des blancs et la teinte de la caméra afin de les faire correspondre à différentes conditions d'éclairage.



Indicateurs **WB** et **TINT** de la URSA Mini. Touchez ces indicateurs pour ouvrir les paramètres de balance des blancs et de teinte.

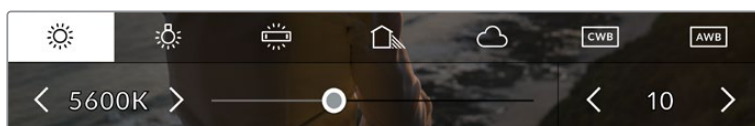
Chaque source lumineuse diffuse une couleur différente. Par exemple, une bougie diffuse une couleur chaude, alors qu'un ciel nuageux diffuse une couleur froide. Le paramètre de balance des blancs permet d'équilibrer les couleurs de votre image afin que le blanc reste bien blanc. Ce réglage s'effectue à l'aide du mélange des oranges et des bleus dans l'image. Par exemple, lorsque vous filmez sous une lumière tungstène qui diffuse une lumière chaude, régler la balance des blancs sur 3200K ajoutera du bleu à votre image. Cela permet d'équilibrer la couleur pour que le blanc soit correctement capturé.

Les caméras URSA Mini disposent de préréglages de balance des blancs pour s'adapter aux différentes températures de couleurs :

	<b>Plein soleil</b>	(5600K)
	<b>Lumière halogène</b>	(3200K)
	<b>Lumière fluorescente</b>	(4000K)
	<b>Lumière variée</b>	(4500K)
	<b>Nuageux</b>	(6500K)

Vous pouvez modifier ces préréglages en touchant ou en maintenant enfoncé les flèches gauche et droite situées autour de l'indicateur de température en bas à gauche du menu de balance des blancs. Chaque incrément de température de couleur augmente ou diminue par unité de 50K. Si vous maintenez ces flèches enfoncées, l'incrément est beaucoup plus rapide. Vous pouvez également déplacer le curseur qui se trouve dans le menu de balance des blancs.

Pour régler votre image de façon plus précise, vous pouvez également régler le paramètre **TINT**. Ceci permet de régler le niveau de vert et de magenta dans l'image. Vous pouvez par exemple ajouter du magenta pour compenser le ton vert des lumières fluorescentes. La plupart des préréglages de balance des blancs de la URSA Mini comprennent une teinte.



Toucher les indicateurs de balance des blancs et de teinte de la URSA Mini vous permet d'accéder aux cinq préréglages, au curseur de la balance des blancs et à l'indicateur de teinte. Vous pouvez régler ces icônes pour personnaliser la balance des blancs en fonction des conditions d'éclairage.

Dans le menu de balance des blancs, le paramètre de teinte de la caméra s'affiche en bas à droite de l'écran. Pour régler la teinte, touchez ou maintenez enfoncées les flèches gauche ou droite situées autour de cet indicateur. L'incrément augmente ou diminue par unité de 50K. Si vous maintenez ces flèches enfoncées, l'incrément est beaucoup plus rapide.

**REMARQUE** Si vous personnalisez la balance des blancs et la teinte, le nom du préréglage deviendra **CWB** (Custom White Balance). Les blancs personnalisés sont enregistrés malgré les charges et les changements de paramètres. Cela facilite la comparaison entre la balance des blancs personnalisée et les derniers réglages utilisés.

### Balance des blancs automatique

La URSA Mini peut régler la balance des blancs automatiquement. Toucher **AWB** affiche l'écran de la balance des blancs.

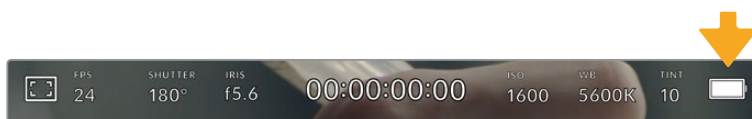
Lorsque la balance des blancs est réglée automatiquement, un carré s'affiche au centre de l'image. Positionnez une feuille blanche ou grise devant ce carré et appuyez sur **Update WB**. La URSA Mini règle alors automatiquement les valeurs de la balance des blancs et de la teinte pour capturer une valeur moyenne des blancs ou des gris et ainsi garantir une balance des blancs aussi neutre que possible. Une fois mise à jour, ce paramètre sera enregistré comme balance des blancs personnalisée.




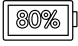
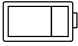
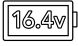

Toucher **AWB** dans le menu de la balance des blancs affiche l'écran de balance des blancs automatique. Utilisez une feuille blanche ou grise pour régler automatiquement une balance des blancs neutre.

### Alimentation

L'état de l'alimentation de la URSA Mini est affiché en haut à droite de l'écran. Il existe cinq icônes :



L'état de l'alimentation de la URSA Mini est affiché en haut à droite de l'écran. Si vous alimentez la caméra par batterie, touchez cette icône pour voir les affichages **Tension** ou **Pourcentage**.

	<b>AC</b>	Apparaît lorsque la caméra est branchée sur secteur.
	<b>Pourcentage</b>	Si vous utilisez une batterie fixée à un support prenant en charge les pourcentages, et si l'affichage <b>Pourcentage</b> est activé, cette icône affiche alors le pourcentage de charge restante de la batterie. Lorsqu'il ne reste que 20%, l'icône s'allume en rouge.
	<b>Barres</b>	Si l'affichage de la batterie est réglé sur <b>Pourcentage</b> , mais que la batterie et son support ne prennent pas en charge les pourcentages, l'icône de la batterie diminue par incrément de 25%. Lorsqu'il ne reste que 20%, l'icône s'allume en rouge.
	<b>Tension</b>	Lorsque l'option <b>Battery Display</b> est réglée sur <b>Voltage</b> , la tension restante de la batterie s'affiche. Lorsque la batterie descend au-dessous de 12,5 volts, l'indicateur devient rouge. La URSA Mini s'éteint automatiquement lorsque la batterie atteint 11.9 volts.
	<b>Fiber</b>	S'affiche lorsqu'un Blackmagic Camera Fiber Converter est fixé à votre caméra et qu'il l'alimente via un câble fibre optique SMPTE. Si un câble d'alimentation XLR et un convertisseur sont reliés simultanément à la URSA Mini, alors la mention AC est affichée.

Quand vous alimentez la caméra par batterie, vous pouvez choisir entre les indicateurs **Tension**, **Pourcentage** et **Barres** en touchant l'indicateur de batterie.

**CONSEIL** Vous trouverez une liste présentant les batteries qui prennent en charge les niveaux de charge en pourcentage dans la section « Fixer la batterie » de ce manuel.

## Histogramme

L'histogramme est situé en bas à gauche de l'écran tactile de la URSA Mini. Il affiche la distribution des hautes et des basses lumières sur un axe horizontal.



Il vous indique donc la plage tonale de votre clip. L'histogramme est également pratique pour vérifier l'exposition et éviter que les hautes lumières soient écrêtées.

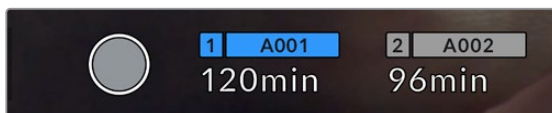
Le côté gauche de l'histogramme représente les basses lumières, ou les noirs, et le côté droit représente les hautes lumières, ou les blancs. Lorsque vous ouvrez ou fermez l'ouverture de l'objectif, la distribution des informations sur l'histogramme change en conséquence vers la gauche ou vers la droite. Vous pourrez ainsi vérifier si les hautes ou les basses lumières de votre image sont écrêtées ou écrasées. Si les valeurs de l'histogramme ne diminuent pas progressivement sur les côtés gauche et droit, il se peut que vous perdiez des détails dans les hautes ou les basses lumières.

**REMARQUE** Si aucun histogramme n'apparaît en bas à gauche de votre écran tactile, les paramètres de l'écran sont peut-être réglés sur l'affichage **Codec and resolution**. Pour plus d'information, consultez la section « Paramètres du moniteur » de ce manuel.

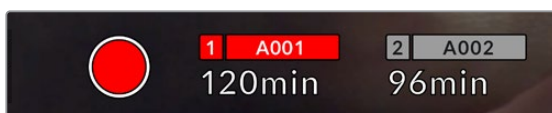


## Bouton d'enregistrement

À côté de l'histogramme, au bas de l'écran tactile de la URSA Mini, vous trouverez un bouton rond de couleur grise. C'est le bouton d'enregistrement. Appuyez une fois sur ce bouton pour commencer l'enregistrement, et appuyez à nouveau pour l'arrêter. Lorsque la caméra enregistre, le bouton et le timecode situé en haut de l'écran tactile de la URSA Mini deviennent rouges.



Le bouton d'enregistrement de la URSA Mini, situé à côté des indicateurs des supports, au bas de l'écran tactile.



Le bouton d'enregistrement devient rouge lorsque la caméra enregistre.

## Indicateur de perte d'image

Lorsqu'une perte d'image se produit durant l'enregistrement, un point d'exclamation clignotant s'affiche sur le bouton d'enregistrement. L'indicateur de temps restant de la ou des carte(s) affectée(s) devient également rouge. Par exemple, si vous enregistrez en mode Dual Card et qu'il y a une perte d'image sur la carte 1, le point d'exclamation apparaîtra sur le bouton d'enregistrement, et l'indicateur de temps restant de la carte 1 deviendra rouge. Cela vous permet de savoir si une carte est trop lente pour le codec et la résolution sélectionnés. L'indicateur de perte d'image s'affiche également lorsqu'il y a eu une perte d'image sur le clip enregistré précédemment. L'indicateur restera ainsi jusqu'à ce qu'un autre clip ait été enregistré, ou que la caméra ait été redémarrée. Consultez la section « Choisir une carte CFast 2.0 » de ce manuel pour comprendre comment éviter les pertes d'images.



L'indicateur indique une perte d'image sur la carte CFast 1.

**CONSEIL** Si le voyant d'état LED de la URSA Mini est activé, il clignotera rapidement en rouge en cas de perte d'images. Pour plus d'informations, consultez la section « Onglet Setup » de ce manuel.

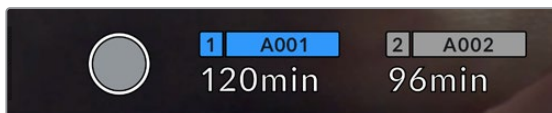
**REMARQUE** Vous pouvez régler la URSA Mini pour qu'elle interrompe l'enregistrement en cas de perte d'images afin d'éviter de continuer d'enregistrer une séquence inutilisable. Pour plus d'information, consultez la section « Paramètres d'enregistrement » de ce manuel.

## Temps d'enregistrement restant

Les indicateurs des supports de stockage sont situés au bas de l'écran tactile de la URSA Mini.

Lorsqu'une carte CFast, SD ou qu'un SSD est inséré, l'indicateur situé au bas de l'écran affiche le temps d'enregistrement restant sur la carte. Le temps est affiché en minutes et peut varier selon la fréquence d'images et le codec sélectionnés.

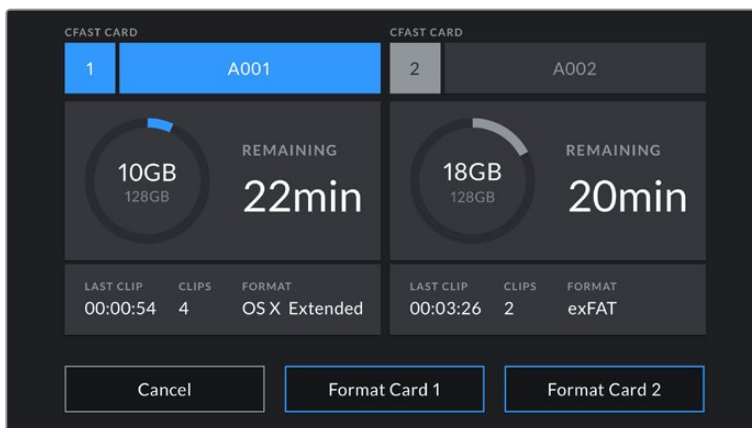
L'indicateur refera automatiquement des calculs si l'un de ces paramètres est modifié. Lorsqu'il reste approximativement 5 minutes d'enregistrement sur la carte ou le lecteur, l'indicateur devient rouge, puis il se met à clignoter lorsqu'il ne reste plus que 2 minutes. L'indicateur affiche FULL lorsque la carte ou le lecteur est plein..



Les indicateurs des supports de stockage de la URSA Mini affichent le nom de la carte CFast, SD ou du SSD et le temps d'enregistrement restant en minutes.

Le nom de la carte ou du lecteur s'affiche également dans la petite barre située au-dessus du temps restant. Cette barre devient bleue pour indiquer que l'enregistrement sera effectué sur la carte ou le lecteur correspondant. Sur la URSA Mini Pro 4.6K G2, vous pouvez choisir d'enregistrer sur une carte ou un lecteur différent via l'écran.

Restez appuyé sur le nom de la carte ou du disque flash USB-C de votre choix. La barre du support sélectionné deviendra bleue. La barre devient rouge lorsque la caméra enregistre. Lorsque vous touchez les indicateurs des supports de stockage, le menu de stockage et de formatage s'affiche.



Touchez les indicateurs des supports sur l'écran tactile de la URSA Mini pour accéder au gestionnaire de stockage.

Ce menu affiche l'espace libre de chaque carte CFast, SD, du SSD ou du lecteur externe connecté à la URSA Mini, ainsi que le nom de la carte ou du lecteur, la durée du clip précédent, le nombre total de clips et le format de fichier de chaque carte ou lecteur.

Vous pouvez également formater votre support à partir de ce menu. Pour plus d'informations sur le formatage des supports à l'aide de la URSA Mini, consultez la section « Préparer un support sur la Blackmagic URSA Mini » de ce manuel.

**CONSEIL** Touchez le nom de la carte ou du lecteur dans le menu **Storage** pour l'activer. La URSA Mini commencera par enregistrer sur cette carte ou sur ce lecteur.

## Vumètres

Les indicateurs de crête audio affichent les niveaux audio pour les canaux 1 et 2 lors de l'utilisation du micro interne ou via l'audio externe lorsqu'une source y est connectée. L'affichage est calibré en unités dBFS et intègre des indicateurs de crête qui restent visibles quelques instants, ce qui vous permet de visualiser clairement les niveaux maximaux atteints.

Pour obtenir une qualité audio optimale, vérifiez que vos niveaux audio ne dépassent pas 0 dBFS. Il s'agit en effet du niveau maximal auquel la caméra peut enregistrer. L'audio qui dépasse ce niveau sera écrêté et distordu.



Les barres de couleur sur le vumètre représentent les niveaux audio maximaux. Idéalement, les niveaux audio doivent rester dans la zone verte. Si le niveau entre dans la zone jaune ou rouge, il se peut que le son que vous venez de capturer soit écrêté.

Vous pouvez toucher les vumètres pour augmenter le volume des canaux audio 1 et 2, ainsi que celui du casque ou du haut-parleur.



Touchez les vumètres sur l'écran tactile de la URSA Mini pour accéder au volume et aux paramètres du casque ou du haut-parleur.

## Double-toucher pour zoomer

Sur la URSA Mini, vous pouvez agrandir n'importe quelle zone de l'aperçu de l'image en touchant deux fois l'écran tactile. La zone que vous touchez sera agrandie et vous pourrez vous déplacer dans l'image en faisant glisser votre doigt sur l'écran. C'est une fonction très pratique pour vérifier la mise au point. Pour retourner à l'affichage standard, double-touchez une nouvelle fois l'écran.

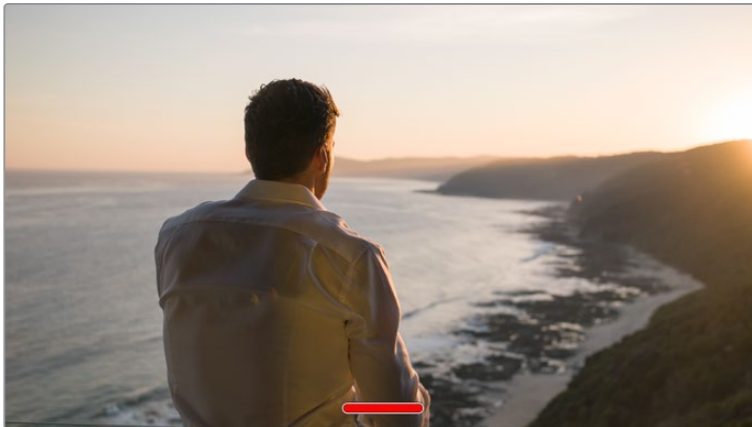
Lorsque cette fonction est activée sur la URSA Mini Pro 12K, vous pouvez ajuster le zoom en pinçant avec vos deux doigts sur l'écran tactile. Le menu **Setup** de la URSA Mini Pro 12K vous permet de configurer un bouton de fonction comme double-toucher pour zoomer. Cela peut être configuré pour être affiché sur l'écran LCD ou sur les sorties SDI avant ou principale. Pour plus d'informations concernant la configuration d'un bouton de fonction en tant que double-toucher pour zoomer, consultez la section « Réglage des boutons de fonction » de ce manuel.



Lorsque vous zoomez dans l'image, l'indicateur situé en haut à gauche de l'écran tactile indique la zone de l'image que vous êtes en train de visualiser. Vous pouvez vous déplacer dans l'image en faisant glisser votre doigt sur l'écran, comme sur un smartphone ou une tablette.

## Mode plein écran

Il est parfois utile lors du cadrage ou de la mise au point d'un plan, de masquer temporairement les informations d'état et les vumètres affichés à l'écran. Pour ce faire, il suffit de balayer l'écran tactile de la URSA Mini vers le haut ou vers le bas. L'indicateur d'enregistrement, les repères de cadrage, la grille de composition, l'aide à la mise au point et le zébra resteront visibles.



Balayez l'écran tactile de la URSA Mini vers le haut ou vers le bas pour masquer les informations d'état.

## Menu de lecture

Appuyez sur le bouton de lecture pour accéder au menu de lecture. Vous pouvez contrôler des clips enregistrés précédemment à l'aide des boutons de contrôle de la caméra ou de l'écran tactile.

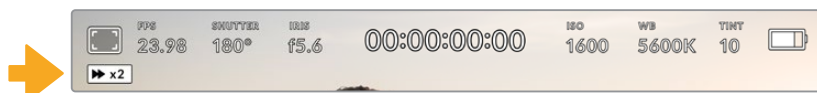
Lorsque vous utilisez l'écran tactile, il suffit de toucher le bouton de lecture pour commencer la lecture, et de le toucher une deuxième fois pour l'interrompre. Vous pouvez vous servir des touches avant ou arrière pour passer directement au début ou à la fin des clips. Appuyez une fois sur l'icône d'avance rapide pour passer au clip suivant. Appuyez une fois sur l'icône de retour rapide pour retourner au début du clip en cours ou appuyez deux fois pour revenir au début du clip précédent. Les clips peuvent également être lus en boucle si l'icône de lecture en boucle est activée.



Icône de lecture, d'avance rapide et de lecture en boucle.

Pour une avance ou un retour rapides, maintenez le bouton correspondant enfoncé. Ainsi, la séquence sera lue à une vitesse deux fois plus élevée, vers l'avant ou vers l'arrière, selon le bouton sélectionné.

Vous pouvez modifier cette vitesse en touchant à nouveau les commandes de transport. À chaque fois que vous toucherez une commande de transport dans la même direction, vous doublerez la vitesse de défilement. La vitesse de défilement maximale est de x16. Si vous atteignez la vitesse maximale et que vous appuyez à nouveau sur la même commande de transport, vous reviendrez à la vitesse x2. Si vous appuyez sur la commande de transport opposée, la vitesse de défilement diminuera de moitié pour atteindre la vitesse x2. Vous pouvez revenir à une lecture standard en touchant le bouton de lecture.



L'indicateur de vitesse de défilement affiche la vitesse et la direction de l'avance ou du retour rapides de la séquence.

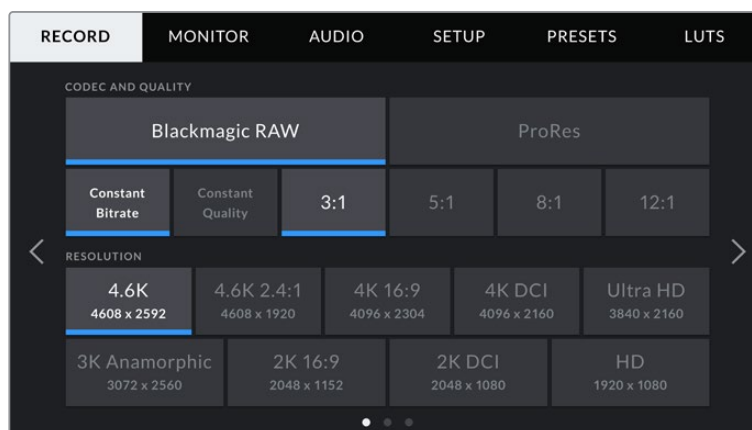
Si vous touchez le bouton d'enregistrement alors que vous êtes en mode de lecture, vous reviendrez en mode de veille et la caméra sera prête à enregistrer.

**CONSEIL** Balayez l'écran de la URSA Mini vers le haut ou vers le bas pour masquer les informations d'état pendant la lecture des séquences. Ouvrir le clap pendant la lecture vous permettra de noter dans les métadonnées la qualité du clip que vous êtes en train de lire. Pour plus d'information, consultez la section « Saisie des métadonnées » de ce manuel.

## Menu Paramètres

### Menu de navigation

Appuyez sur le bouton **Menu** de la URSA Mini pour afficher le menu de navigation. C'est un menu à onglet qui contient des paramètres auxquels vous n'avez pas accès depuis l'écran de la URSA Mini. Les paramètres sont regroupés par fonction au sein des onglets **Record**, **Monitor**, **Audio**, **Setup**, **Presets** et **LUTS**. Certains onglets, tels que **Record**, **Monitor** et **Setup** contiennent plusieurs pages. Vous pouvez passer d'une page à l'autre en appuyant sur les flèches situées de part et d'autre de l'écran de paramétrage, ou en balayant l'écran vers la gauche ou vers la droite, comme sur un smartphone ou une tablette.



Touchez les intitulés **Record**, **Monitor**, **Audio**, **Setup**, **Presets** et **LUTS** pour vous déplacer entre les différents onglets du menu de navigation.

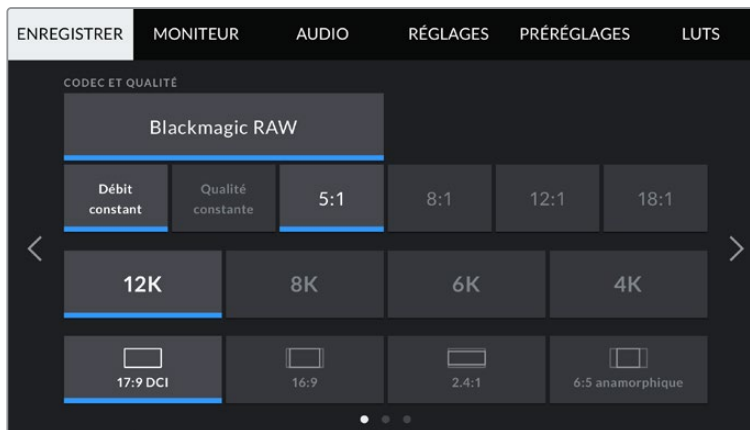
**REMARQUE** Sur la URSA Mini Pro 4.6K, le menu de navigation revient à l'affichage semi-transparent après une minute d'inactivité.

## Paramètres d'enregistrement

L'onglet **Record** permet de régler le format vidéo, le codec et la résolution, ainsi que d'autres paramètres qui affectent les séquences enregistrées avec la URSA Mini, tels que la sélection de la carte et la netteté de l'image. Ce menu possède trois pages. Vous pouvez passer d'une page à l'autre en touchant les flèches situées de part et d'autre de l'écran, ou en balayant l'écran vers la gauche ou vers la droite.

### Paramètres d'enregistrement 1

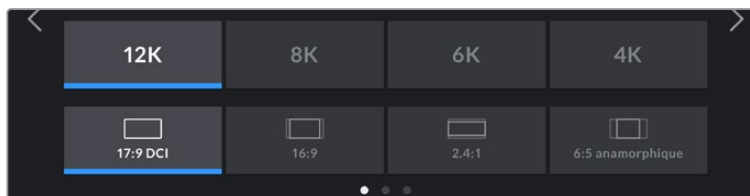
La première page de l'onglet **Record** contient les paramètres suivants.



La première page des paramètres d'enregistrement de la URSA Mini Pro 12K

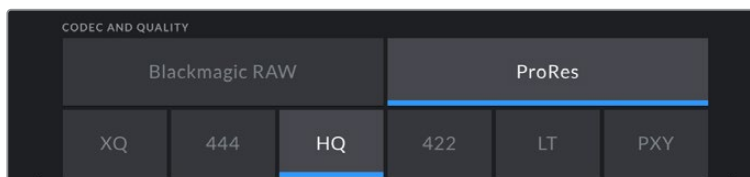
### Codec and Quality

La URSA Mini Pro 12K enregistre en Blackmagic RAW en résolutions 12K, 8K, 6K et 4K. Chaque résolution possède un menu qui prend en charge une gamme de formats d'image conformes aux normes de l'industrie.



Options de résolution et de format d'image sur la URSA Mini Pro 12K

Sur les caméras URSA Mini Pro 4.6K G2 et URSA Mini Pro 4.6K, le menu **Codec and quality** est divisé en deux rangées. Vous pouvez sélectionner Blackmagic RAW ou Apple ProRes. La rangée du bas offre des options de qualité au sein de ces familles. Les options Blackmagic RAW sont divisées entre des paramètres de débit constant (**Constant bitrate**) et des paramètres de qualité constante (**Constant quality**). Les options de qualité de la famille de codec ProRes incluent 444, HQ et LT. La URSA Mini prend en charge une large gamme de codecs ProRes.



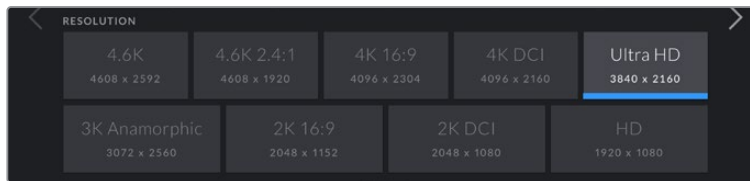
Options de codec et de qualité sur les caméras URSA Mini Pro 4.6K G2 et URSA Mini Pro 4.6K

**CONSEIL** La quantité de vidéo que vous pouvez enregistrer sur le support de stockage de la URSA Mini augmente lorsque vous choisissez des codecs qui utilisent une compression plus élevée. Pour obtenir de plus amples informations, consultez les « Tableaux des durées d'enregistrement » dans la section « Enregistrement » de ce manuel.

## Résolution

Ce paramètre fonctionne en corrélation avec le paramètre Codec. Utilisez-le pour sélectionner la résolution en fonction du format d'enregistrement.

Par exemple, si vous souhaitez enregistrer des clips Ultra HD en ProRes HQ, sélectionnez **ProRes** et **HQ** dans le menu **Codec and Quality**, puis **Ultra HD** dans le menu **Resolution**.

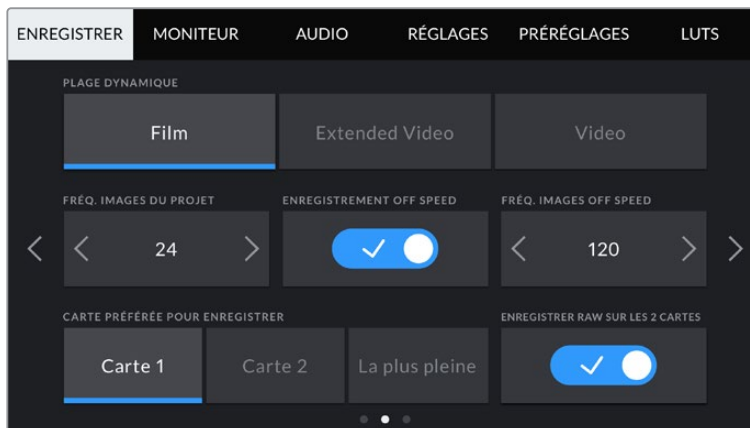


Options de résolution sur les caméras URSA Mini Pro 4.6K G2 et URSA Mini Pro 4.6K

**REMARQUE** La Blackmagic URSA Mini 4.6K et la URSA Mini Pro prennent en charge une large gamme de résolutions Apple ProRes, de la HD jusqu'au 4.6K.

## Paramètres d'enregistrement 2

La deuxième page de l'onglet **Record** contient les paramètres suivants.



La URSA Mini Pro 12K comprend le paramètre **Record RAW on 2 cards**. Cette option est désactivée sur les autres caméras URSA Mini.

### Plage dynamique

Ajustez le paramètre relatif à la plage dynamique en touchant les icônes du menu **Dynamic Range**. La Blackmagic URSA Mini possède deux paramètres de plage dynamique :

#### Film

Le mode Film capture de la vidéo à l'aide d'une courbe logarithmique. Ce mode d'enregistrement vous offre une plage dynamique de 12 à 15 diaphragmes en fonction de votre modèle de caméra URSA Mini et exploite au maximum les informations de votre signal vidéo pour tirer le meilleur parti des logiciels d'étalonnage, tels que DaVinci Resolve.



## Video

Le mode Video ressemble à l'espace colorimétrique REC 709 pour la vidéo haute définition. Cette plage dynamique vous permet de travailler plus rapidement en enregistrant directement sur des formats vidéo compressés dans un espace colorimétrique permettant une exportation directe ou un traitement minimal en post.

La URSA Mini Pro possède des paramètres supplémentaires :

### Extended Video

Le réglage Extended video offre un bon équilibre entre les réglages Video et Film. Il offre une plage dynamique plus importante que le réglage Video, tout en appliquant un léger changement de contraste et un affaiblissement progressif dans les hautes lumières. Le réglage **Extended video** est adapté aux moniteurs broadcast standard. Il est très utile si vous avez peu de temps pour effectuer la post-production et que vous voulez donner à vos clips un aspect esthétique plus agréable.

**REMARQUE** Lorsque vous utilisez la plage dynamique **Video** ou **Extended Video**, assurez-vous que le paramètre Display LUT est désactivé sur chaque sortie du moniteur LCD, Front SDI ou Main SDI. Si le paramètre Display LUT est activé, l'icône LUT s'affichera à l'écran et les images apparaîtront plus saturées et contrastées. Pour en savoir plus sur l'affichage des LUTs, veuillez consulter la section « moniteur » de ce manuel.

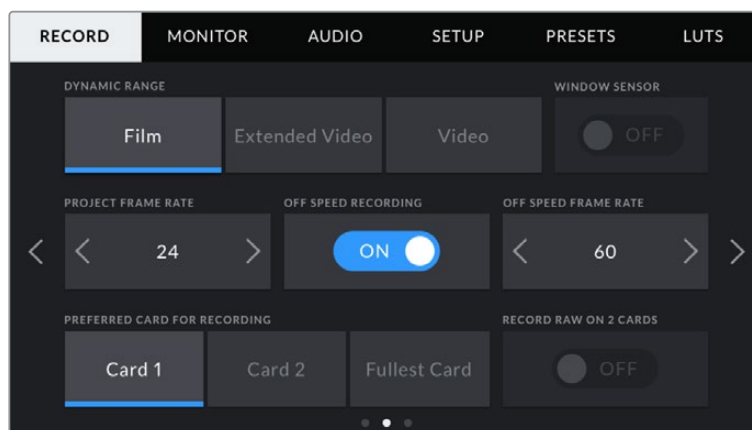
### Paramètre Window Sensor

La URSA Mini Pro 12K gère le mode Window automatiquement. Elle utilise un capteur en mode Window lorsque vous tournez en 6K Super 16 et en 4K Super 16, et l'intégralité de la hauteur ou de la largeur du capteur Super 35 dans tous les autres modes de tournage.

Il est important de noter que sur la URSA Mini Pro 12K, la 6K Super 16 rogne l'image au format Super 16. Toutefois, en résolution 6K, le rognage offrira tout de même une qualité d'image exceptionnelle. La 4K Super 16 utilise la même fenêtre Super 16 et redimensionne le résultat en 4K. Vous pouvez ainsi tourner aux fréquences d'images les plus élevées, tout en bénéficiant d'une qualité d'image époustouflante en 6K ou 4K.

Grâce au rognage Super 16 du capteur 12K, vous pouvez également utiliser des objectifs vintage Super 16mm et tourner en 4K ou 6K, ce qui offre probablement une meilleure qualité que le film Super 16mm original.

Vous pouvez régler les autres caméras URSA Mini Pro pour utiliser la surface entière du capteur, ou pour des fréquences d'images encore plus élevées, vous pouvez utiliser le mode **Window**. Ce mode utilise uniquement la quantité de pixels du capteur nécessaire pour le format vidéo sélectionné plutôt que de redimensionner les images en utilisant l'intégralité du capteur.



Option **Window Sensor** sur les caméras URSA Mini Pro 4.6K G2, URSA Mini Pro 4.6K, URSA Mini 4.6K et URSA Mini 4K

Les modes **Window** HD et **Window** 2K n'utilisent que le centre du capteur de la URSA Mini, le champ visuel de l'objectif semblera plus étroit à cause du crop-factor. Par exemple, si vous utilisez un objectif de 20mm pour filmer des séquences HD en mode Window, le champ visuel de la URSA Mini équivaldra à celui d'un objectif de 48mm.

Ce paramètre est disponible lorsque vous filmez en dessous de la résolution maximale offerte par la URSA Mini. Par exemple, le paramètre **Window Sensor** est disponible lorsque vous filmez des séquences en 4.6K 2.4:1, 4K, 3K anamorphosé, 2K ou ProRes HD sur la URSA Mini 4.6K.

Les fréquences d'images les plus élevées sont disponibles lorsque vous filmez des séquences HD en mode **Window**.

**CONSEIL** En mode **Window**, les paramètres **Resolution** de la URSA Mini sont appelés **Resolution - sensor windowed**.

### Fréquence d'images du projet

Le paramètre **Project Frame Rate** représente la fréquence d'images du format d'enregistrement de la URSA Mini. Ce paramètre propose une sélection de fréquences d'images couramment utilisées dans l'industrie du cinéma et de la télévision. Par exemple, 23.98 images par seconde au format 4K ProRes HQ. En général, on fait coïncider la fréquence d'images avec la vitesse de lecture et la synchronisation audio utilisées dans le workflow de postproduction.

La Blackmagic URSA Mini possède 8 paramètres de fréquence d'images dont 23.98, 24, 25, 29.97, 30, 50, 59.94 et 60 i/s.

**REMARQUE** La fréquence d'images de votre projet impacte grandement le rendu esthétique de la séquence.

Les fréquences d'images élevées, comme 50, 59.94 ou 60 images par secondes, sont idéales pour capturer des mouvements fluides et pour rendre la lecture moins saccadée lorsque vous déplacez la caméra.

Les fréquences d'images basses, comme 24 ou 25 images par secondes, sont les plus utilisées pour le cinéma. Elles offrent un rendu cinématographique, mais vous devrez effectuer des mouvements de caméra plus lents afin d'éviter les saccades.

### Paramètre Off Speed Recording

Par défaut, les fréquences d'images du projet et du capteur de la URSA Mini correspondent à une vitesse de lecture naturelle. Toutefois, vous pouvez régler la fréquence d'images du capteur indépendamment en touchant le bouton l'icône sur OFF du paramètre **Off Speed Recording**.

### Paramètre Off Speed Frame Rate

Lorsque le paramètre **Off Speed Recording** est activé, il suffit de toucher les flèches situées au sein du paramètre **Off Speed Frame Rate** pour régler la fréquence d'images du capteur de la URSA Mini.

La fréquence d'images du capteur vous permet de régler le nombre d'images par seconde que le capteur enregistre. Cette fréquence d'images détermine la vitesse de lecture de votre vidéo en fonction de la fréquence d'images du projet.

Pour plus d'informations concernant les fréquences d'images off speed, consultez le paragraphe « Images par seconde » de la section « Caractéristiques de l'écran tactile » de ce manuel.

**REMARQUE** Pour obtenir plus d'informations sur les fréquences d'images maximales disponibles avec chaque format d'enregistrement et avec chaque codec, consultez le tableau « Fréquences d'images maximales du capteur » dans la section « Enregistrement » de ce manuel.

### Sélection de la carte pour l'enregistrement

Utilisez le paramètre **Preferred Card for Recording** pour sélectionner le support sur lequel la URSA Mini va enregistrer en premier lorsque les deux logements sont utilisés. Les options sont **CFast Card**, **SD Card** et **Fullest Card**. Si vous utilisez un SSD, les options seront **Card 1**, **SSD** et **Fullest Card**. Choisissez l'option **Card 1** ou **Card 2** selon votre préférence. Toutefois, si vous prenez l'habitude d'utiliser toujours la même option, vous saurez alors rapidement quelle carte doit être changée en premier lorsque la première carte est pleine. L'option **Fullest Card** facilite le regroupement de fichiers de façon chronologique lorsque vous filmez un projet à l'aide d'une seule caméra.

Le paramètre sélectionné s'applique dès qu'une carte CFast, SD ou qu'un SSD est inséré. Vous pouvez modifier ce paramètre à tout moment dans le gestionnaire de stockage en sélectionnant une carte différente. Il est important de préciser que le fait d'éjecter et de réinsérer des cartes rétablira le paramètre **Preferred Card for Recording**. Lorsque le URSA Mini Recorder est connecté et qu'un SSD est inséré, le Recorder enregistre directement sur le logement de stockage numéro **2** de la URSA Mini.

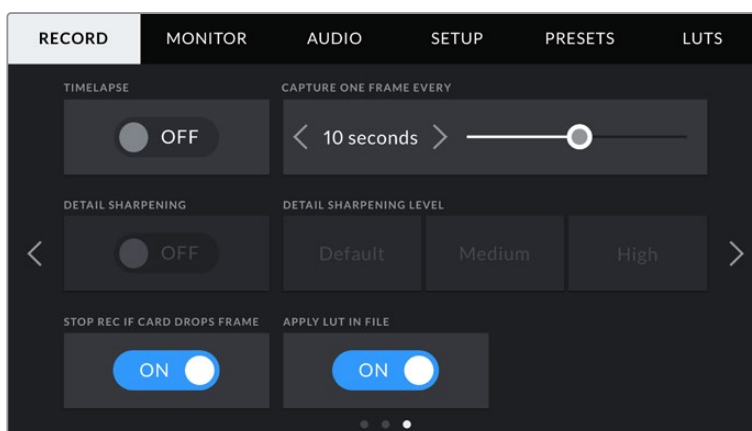
Pour plus d'informations, consultez la section « Utiliser un URSA Mini Recorder » de ce manuel.

**CONSEIL** Le paramètre **Fullest Card** est basé sur le pourcentage d'espace utilisé sur votre support plutôt que sur sa taille ou la quantité de données utilisées.

La URSA Mini Pro 12K peut enregistrer en Blackmagic RAW sur deux cartes simultanément. Vous pouvez ainsi enregistrer des clips en très haute résolution à des fréquences d'images élevées à des taux de compression plus bas. Il suffit d'insérer deux cartes CFast ou SD et d'activer l'option **Record RAW on 2 cards** dans le menu d'enregistrement. Comme cette option repose sur un enregistrement séquentiel sur les deux cartes, le débit de données de la carte la plus lente représente un facteur contraignant. Nous vous recommandons donc d'utiliser deux cartes ayant les mêmes spécifications ou des spécifications similaires. Vous pouvez également utiliser une carte CFast dans le logement 1 et un disque USB-C dans le logement 2. Lorsque vous utilisez l'option **Record RAW on 2 cards**, la limite de vitesse est deux fois plus élevée que le débit de données de la carte la plus lente. Vous pouvez copier les fichiers .BRAW et .BRAW2 de vos deux cartes mémoire dans le même dossier sur votre ordinateur, et DaVinci Resolve les regroupera en un seul clip lorsque vous les importerez dans votre bibliothèque de médias. Quand les fichiers .BRAW et .BRAW2 sont séparés, les clips peuvent être lus indépendamment à une fréquence d'images deux fois moins élevée.

### Paramètres d'enregistrement 3

La troisième page de l'onglet **Record** contient les paramètres suivants.



## Timelapse

Ce paramètre active la fonction Time Lapse qui permet l'enregistrement automatique d'une image fixe aux intervalles suivants :

<b>Images</b>	2 - 10
<b>Secondes</b>	1 - 10, 20, 30, 40, 50
<b>Minutes</b>	1 - 10

Vous pouvez par exemple régler la caméra pour qu'elle enregistre une image fixe toutes les 10 images, 5 secondes, 30 secondes, 5 minutes, etc.

La fonction Time Lapse offre de nombreuses options créatives. Par exemple, lorsque vous réglez l'intervalle de temps sur 2 images, vous obtiendrez un effet d'accélééré lors de la lecture de votre vidéo.

Le format de chaque image fixe est basé sur votre format d'enregistrement, ainsi si vous configurez la caméra sur un enregistrement en 4K ProRes HQ, le paramètre Time Lapse conservera ce format. La fréquence d'images sera basée sur la fréquence d'image de votre projet, c'est-à-dire, 24 i/s. Vos séquences en accéléré pourront alors facilement s'intégrer à votre workflow de postproduction.



Lorsque la URSA Mini est en mode Time Lapse, une icône s'affiche sur le bouton d'enregistrement.

**CONSEIL** Lorsque vous enregistrez des séquences en mode Time Lapse, le compteur du timecode se met à jour à chaque fois qu'une image vidéo est enregistrée.

## Netteté de l'image

Le paramètre **Detail Sharpening** permet de régler la netteté de l'image de la URSA Mini. Il est disponible sur les caméras URSA Mini Pro 4.6K G2, URSA Mini Pro 4.6K, URSA Mini 4.6K et URSA Mini 4K. Lorsque ce paramètre est activé, augmentez et diminuez le niveau de netteté en sélectionnant **Default**, **Medium** ou **High**.

Lorsque ce paramètre est activé, il est appliqué sur les vidéos ProRes capturées par la caméra et sur la sortie SDI de la URSA Mini. Lorsque vous utilisez la URSA Mini Pro G2 avec un mélangeur ATEM et qu'elle est réglée sur Blackmagic RAW, la fonctionnalité de netteté de l'image peut être appliquée sur votre sortie SDI. Vous pouvez activer ou désactiver cette fonction depuis l'ATEM Camera Control Panel ou l'ATEM Software Control.

Ce réglage est principalement destiné à la production en direct pour laquelle il est impossible de passer par la post-production. Nous vous recommandons de désactiver ce paramètre si vous capturez des images qui seront ensuite envoyées en post-production. Ainsi, ce paramètre ne s'applique pas aux fichiers Blackmagic RAW, car ils nécessitent d'importants travaux de post-production.

## Arrêt de l'enregistrement lors d'une perte d'images

Utilisez le paramètre **Stop Rec If Card Drops Frames** pour configurer la réponse de la URSA Mini lorsqu'une perte d'images est détectée. Lorsque ce paramètre est réglé sur **Off**, l'enregistrement continue même si une perte d'images est détectée. Lorsqu'il est réglé sur **On**, l'enregistrement s'arrête lorsqu'une perte d'images est détectée. Cela vous évitera de perdre du temps à filmer des séquences inutilisables si vous n'avez pas remarqué l'indicateur de perte d'images.

**CONSEIL** Consultez les sections « Choisir une carte CFast 2.0 », « Choisir une carte SD » et « Choisir un SSD rapide » pour comprendre comment éviter les pertes d'images.

### Appliquer une LUT dans un fichier

Si vous appliquez une LUT à une sortie de la Blackmagic URSA Mini Pro 4.6K, la LUT sélectionnée sera intégrée au fichier Blackmagic RAW que vous enregistrez.

La LUT sera sauvegardée dans l'en-tête du fichier et vous pourrez facilement l'appliquer au clip en post-production, sans avoir à gérer un fichier séparé. Lorsque la fonction **Apply LUT in file** est activée dans le menu de la URSA Mini Pro, le clip s'ouvrira dans le Blackmagic RAW Player et dans DaVinci Resolve avec la LUT sélectionnée. Vous pouvez activer ou désactiver l'application de la LUT, mais elle sera toujours présente dans le fichier Blackmagic RAW.

DaVinci Resolve comprend également une fonction **Apply LUT** dans ses paramètres, pour activer ou désactiver la LUT 3D dans le fichier Blackmagic RAW. La fonction **Apply LUT** dans DaVinci Resolve est la même que dans la caméra. Ainsi, quand vous filmez, vous pouvez demander à l'étalonneur d'utiliser une LUT depuis la caméra. Mais vous pourrez facilement désactiver cette LUT dans DaVinci Resolve en réglant **Apply LUT** sur **Off**.

## Convention de dénomination des fichiers

Les clips sont enregistrés sur votre carte CFast, SD ou votre SSD au format .braw pour le Blackmagic RAW, ou au format Quicktime .mov pour le ProRes, selon le format d'enregistrement que vous avez choisi.

Le tableau ci-dessous présente un exemple de la convention de dénomination des fichiers :

<b>A001_08151512_C001</b> .mov	<b>Nom de fichier QuickTime Movie</b>
A001_08151512_C001.mov	<b>Identifiant de la caméra</b>
<b>A001</b> _08151512_C001.mov	<b>Numéro de la bobine</b>
A001_ <b>08</b> 151512_C001.mov	<b>Mois</b>
A001_08 <b>15</b> 1512_C001.mov	<b>Jour</b>
A001_0815 <b>15</b> 12_C001.mov	<b>Heure</b>
A001_081515 <b>12</b> _C001.mov	<b>Minute</b>
A001_08151512_ <b>C001</b> .mov	<b>Numéro du clip</b>

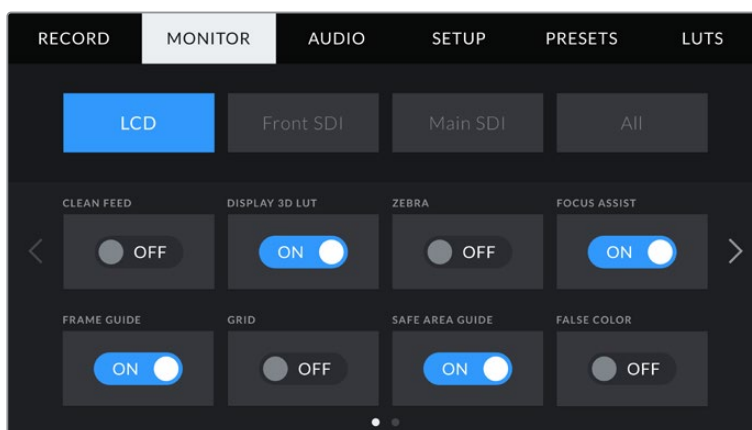
Les fichiers d'images fixes capturées à l'aide du bouton Still seront enregistrés selon la convention de dénomination des fichiers relative aux clips vidéo. Toutefois, les quatre derniers caractères du nom de fichier porteront le numéro de l'image, par exemple **S001**, au lieu du numéro du clip. La URSA Mini Pro 12K enregistrera une seule image Blackmagic RAW, tandis que la URSA Mini Pro 4.6K G2 et la URSA Mini Pro 4.6K enregistreront un fichier DNG dans le dossier Stills. Pour plus d'informations, consultez la section « Commandes de l'écran d'état LCD » de ce manuel.

## Paramètres du moniteur (Monitor)

L'onglet **Monitor** vous permet d'ajuster les informations à l'écran et d'autres options de monitoring pour l'écran tactile ainsi que pour les sorties SDI avant et principale de la URSA Mini. Les options sont organisées par sortie, notamment **LCD**, **Front SDI**, **Main SDI** et **All**. L'option **All** comprend les paramètres du moniteur qui affectent toutes les sorties de la URSA Mini. Chacun de ces menus possède deux pages. Vous pouvez passer d'une page à l'autre en touchant les flèches situées de part et d'autre de l'écran, ou en balayant l'écran vers la gauche ou vers la droite.

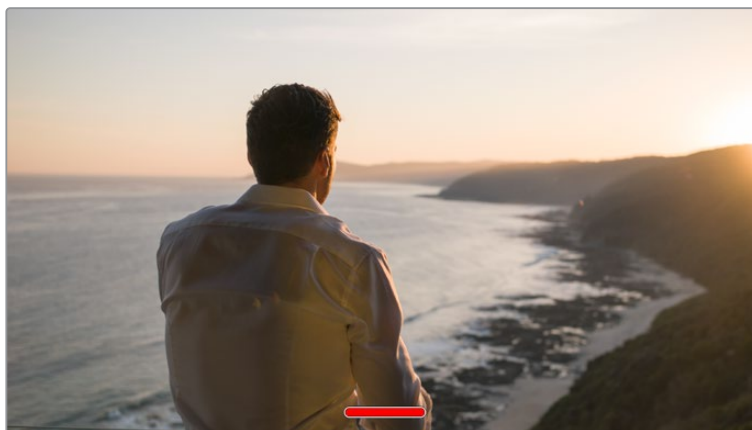
### Paramètres LCD, Front SDI et Main SDI de l'onglet Monitor 1

La première page de l'onglet **Monitor** contient des paramètres identiques pour chaque sortie. Par exemple, vous pouvez activer le zébra sur l'écran tactile, mais le désactiver sur les sorties SDI avant et principale.



#### Clean Feed

Touchez le bouton **Clean Feed** dans les menus **LCD**, **Front SDI** et **Main SDI** pour désactiver les informations à l'écran de la sortie correspondante, excepté le voyant d'enregistrement tally.



L'écran tactile de la URSA Mini affiche le voyant d'enregistrement tally, même en mode Clean Feed.

**REMARQUE** Les LUTs seront appliquées aux sorties pour lesquelles le paramètre **Clean Feed** est activé. Pour désactiver les LUTs, il suffit de désactiver le bouton du paramètre **Display LUT** dans le menu **Monitor** pour la sortie correspondante.

### Affichage de la LUT 3D

La URSA Mini peut appliquer des LUT 3D à n'importe quelle sortie pour lui donner un rendu de séquence étalonnée. C'est très pratique lorsque vous filmez avec une plage dynamique Film, car elle produit des images peu contrastées.

Si la URSA Mini possède une LUT 3D active, utilisez ce paramètre pour appliquer cette LUT à la sortie de votre choix.

**REMARQUE** Pour plus d'informations sur le chargement et l'utilisation des LUTs 3D, consultez la section LUTs de ce manuel.

### Zebra

Touchez le bouton **Zebra** dans les menus **LCD**, **Front SDI** et **Main SDI** pour activer le zébra sur ces sorties. Pour plus d'informations sur le zébra et la configuration des niveaux de zébra, consultez la section « Caractéristiques de l'écran tactile » de ce manuel.

### Focus Assist

Touchez le bouton **Focus Assist** dans les menus **LCD**, **Front SDI** et **Main SDI** pour activer l'aide à la mise au point sur ces sorties. Pour plus d'informations sur l'aide à la mise au point et la configuration des niveaux de l'aide à la mise au point, consultez la section « Caractéristiques de l'écran tactile » de ce manuel.

### Frame Guide

Touchez le bouton **Frame Guide** dans les menus **LCD**, **Front SDI** et **Main SDI** pour activer les repères de cadrage sur ces sorties. Pour plus d'informations sur les repères de cadrage et leur sélection, consultez la section « Caractéristiques de l'écran tactile » de ce manuel.

### Grid

Touchez le bouton **Grid** dans les menus **LCD**, **Front SDI** et **Main SDI** pour activer la grille de composition selon la règle des tiers sur ces sorties. Pour plus d'informations sur la grille de composition selon la règle des tiers, consultez la section « Caractéristiques de l'écran tactile » de ce manuel.

### Safe Area Guide

Touchez le bouton **Safe Area Guide** dans les menus **LCD**, **Front SDI** et **Main SDI** pour activer la zone de sécurité sur ces sorties.

Pour plus d'informations sur la zone de sécurité et la configuration de sa valeur, consultez la section « Caractéristiques de l'écran tactile » de ce manuel.

**REMARQUE** Utilisez le paramètre **Safe Area Guide %** dans le menu **All** de l'onglet **Monitor** de la URSA Mini pour régler la taille de la zone de sécurité.

### False Color

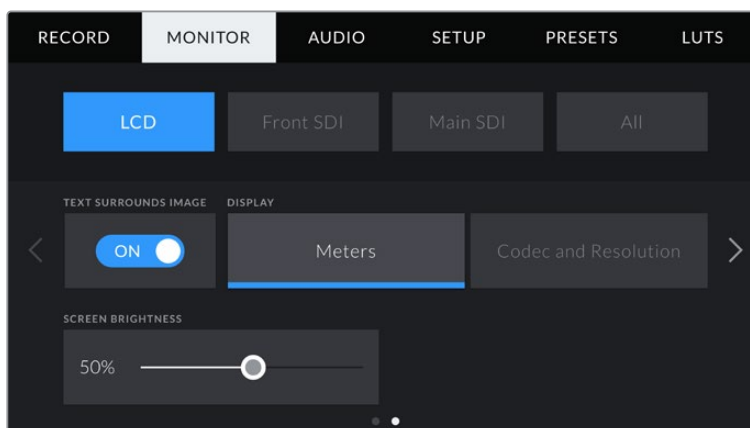
Touchez le bouton **False Color** dans les menus **LCD**, **Front SDI** et **Main SDI** pour activer les fausses couleurs sur ces sorties.

Pour plus d'informations sur les fausses couleurs, consultez la section « Caractéristiques de l'écran tactile » de ce manuel.



## Paramètre LCD de l'onglet Monitor 2

La deuxième page du paramètre LCD de l'onglet moniteur contient des options permettant de régler l'écran tactile.



### Paramètre Text Surrounds Image

Ce paramètre n'est disponible que sur les modèles URSA Mini 4K et URSA Mini 4.6K. Touchez le bouton **Text surrounds image** dans le menu **LCD** pour redimensionner l'image de l'écran tactile à 75%. Cette fonction positionne l'image au centre de l'écran tactile, loin des informations affichées sur les bords supérieurs et inférieurs. Vous pouvez ainsi parfaitement visionner l'image de la URSA Mini tout en conservant les informations affichées à l'écran.



Le paramètre **Text surrounds image** positionne l'image au centre de l'écran de la URSA Mini EF ou PL afin de faciliter le cadrage tout en conservant les informations affichées à l'écran.

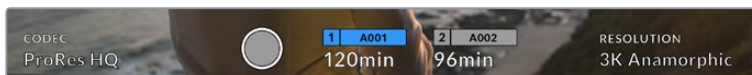
### Status Text On/Off

Ce paramètre n'est disponible que sur la URSA Mini Pro. Il est pratique de pouvoir masquer les informations d'état et les vumètres affichés sur l'écran LCD, et ainsi conserver uniquement les informations nécessaires à la composition du plan. Touchez le bouton **Status text** pour activer ou désactiver les informations d'état et les vumètres sur l'écran de la URSA Mini Pro. Les autres informations à l'écran, telles que les repères de cadrage, les grilles, l'aide à la mise au point et le zébra resteront visibles, s'ils sont actifs. Vous pouvez également balayer l'écran tactile de la URSA Mini Pro vers le haut ou vers le bas pour obtenir le même résultat.

## Écran

Au lieu de l'histogramme et des vumètres, la URSA Mini peut afficher les informations relatives au codec et à la résolution dans les coins gauche et droit de l'écran tactile. C'est très pratique si vous préférez utiliser les fausses couleurs pour régler l'exposition ou si vous enregistrez l'audio séparément et souhaitez afficher des informations supplémentaires à l'endroit où l'histogramme et les vumètres sont normalement affichés.

Pour sélectionner l'affichage souhaité, il suffit de toucher les paramètres **Meters** ou **Codec and Resolution** dans le menu **LCD**.



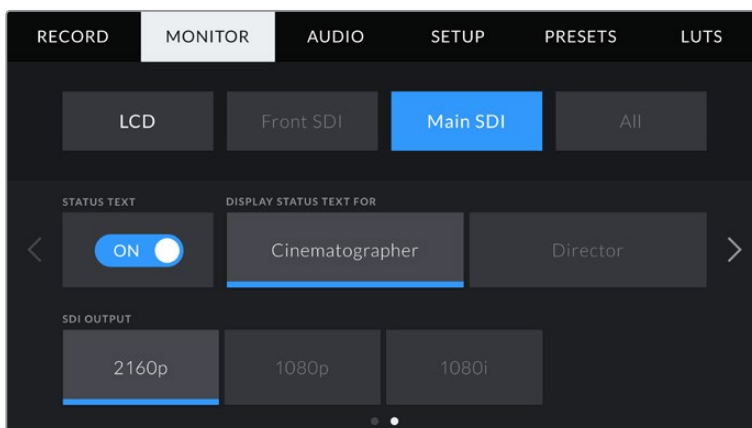
Au lieu de l'histogramme et des vumètres, la URSA Mini peut afficher les informations relatives au codec et à la résolution.

## Luminosité de l'écran

Déplacez le curseur **Screen Brightness** vers la gauche ou vers la droite dans le menu **LCD** pour ajuster la luminosité de l'écran tactile de la URSA Mini.

## Paramètres Front SDI et Main SDI de l'onglet Monitor 2

La deuxième page des paramètres **Front SDI** et **Main SDI** de l'onglet **Monitor** contient des options permettant de régler les sorties SDI avant et principale.



Les résolutions 2160p et 1080p sont disponibles en permanence sur la sortie SDI principale lorsque vous tournez à des résolutions supérieures au 3K anamorphosé. Le 1080i est uniquement disponible pour les sorties SDI avant et principale de la caméra lorsque vous tournez à des fréquences d'images de 50, 59.94 ou 60 i/s. L'option **3G SDI level** est uniquement disponible sur la URSA Mini Pro 4.6K G2.

## Informations d'état

Il est pratique de pouvoir masquer les informations d'état et les vumètres affichés sur les sorties SDI avant et principale et ainsi conserver uniquement les informations nécessaires à la composition du plan. Touchez le bouton **Status text** dans les menus **Front SDI** ou **Main SDI** du moniteur pour activer ou désactiver les informations d'état et les vumètres sur cette sortie. Les autres informations à l'écran, telles que les repères de cadrage, les grilles, l'aide à la mise au point et le zébra resteront visibles, s'ils sont actifs.

Vous pouvez également balayer l'écran tactile de la URSA Mini vers le haut ou vers le bas pour obtenir le même résultat.

### Affichage des informations d'état destinées au directeur de la photo ou au réalisateur

L'écran tactile de la URSA Mini affiche des informations telles que l'ISO, la balance des blancs et l'ouverture. Ces informations sont pratiques pour le cameraman ou le directeur de la photo qui doivent régler des plans individuels sur la caméra. Toutefois, les sorties SDI avant et principale de la URSA Mini peuvent également afficher des informations utiles au réalisateur ou au scripte qui doivent garder l'œil sur plusieurs plans ou caméras.



La URSA Mini peut afficher des informations destinées au réalisateur sur les sorties SDI avant et principale.

Lorsque vous réglez les informations d'état sur **Director** au sein des paramètres **Front SDI** ou **Main SDI** de l'onglet **Monitor**, les informations d'état suivantes s'affichent :

#### FPS

Affiche la fréquence d'images sélectionnée pour cette caméra. Si le paramètre **Off Speed Recording** est désactivé, seule la fréquence d'images du projet est affichée. Si le paramètre **Off Speed Recording** est activé, la fréquence d'images du capteur s'affiche, suivie de la fréquence d'images du projet.

#### CAM

Affiche l'identifiant de la caméra, comme réglé sur le clap de la URSA Mini. Pour plus d'informations, consultez la section **Clap** de ce manuel.

#### OPERATOR

Identifie le cameraman, comme réglé sur le clap de la URSA Mini. Pour plus d'informations, consultez la section **Clap** de ce manuel.

#### AFFICHAGE DE LA DURÉE

Affiche la durée du clip en cours d'enregistrement, ou du dernier clip enregistré au format : heures:minutes:secondes.

#### REEL, SCENE, TAKE

Affiche la bobine, la scène et la prise en cours. Pour plus d'informations sur la création des libellés bobine, scène et prise, consultez la section **Clap** de ce manuel.

#### DYNAMIC RANGE

La LUT appliquée à la sortie en cours est affichée dans le coin gauche de l'écran. Lorsqu'aucune LUT n'a été appliquée, la plage dynamique affiche **Film** ou **Video**.

#### TIMECODE

Le timecode de la URSA Mini est affiché en heures:minutes:secondes:images dans le coin droit de l'écran.

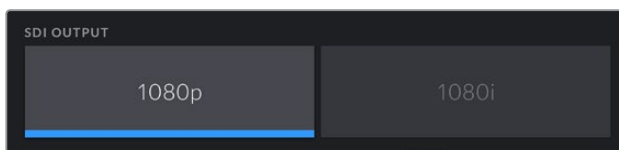
## Sorties SDI

Les deux sorties vous permettent de sélectionner entre une sortie HD progressive ou entrelacée. De plus, la sortie SDI principale de la URSA Mini offre également l'option Ultra HD progressive.

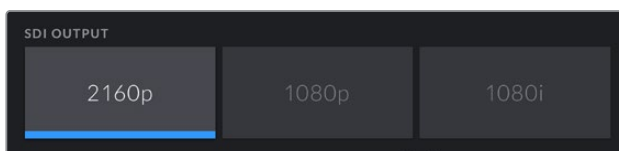
Les options disponibles au sein de ce paramètre dépendent de la résolution et de la fréquence d'images de la caméra.

L'option HD progressive ou 1080p est toujours disponible, quelles que soient la résolution et la fréquence d'images de l'enregistrement. En revanche, l'option HD entrelacée ou 1080i est disponible lorsque la fréquence d'images du projet est réglée sur 50, 59.94 ou 60.

L'option sortie SDI Ultra HD ou 2160p est disponible sur la sortie SDI principale de la URSA Mini lorsque vous filmez en résolution Ultra HD.



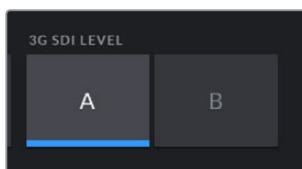
Sortie SDI - SDI avant



Sortie SDI - SDI principale

## 3G SDI Level

Sur la URSA Mini Pro, il permet de modifier la norme de la sortie 3G-SDI afin de conserver une compatibilité avec des équipements qui peuvent recevoir uniquement de la vidéo 3G-SDI de niveau A et B. Cette option apparaît seulement si vous opérez à 50, 59,94 ou à 60 images par seconde en 1080p. Touchez la lettre A ou B pour sélectionner chaque norme.

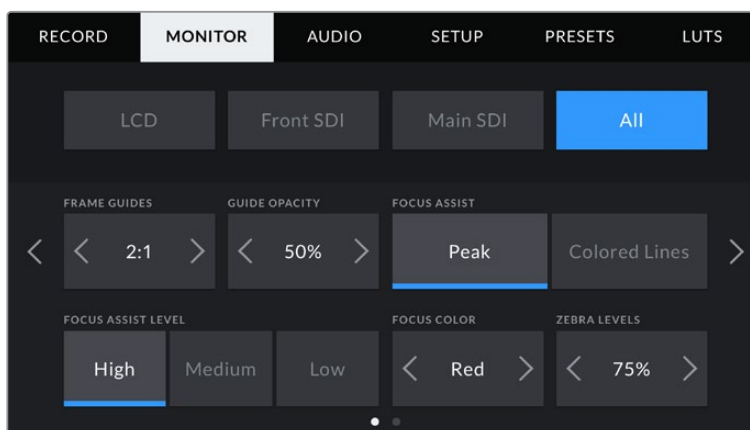


Sur la URSA Mini Pro 4.6K G2, sélectionnez A ou B pour la norme de la sortie 3G-SDI.

## Paramètre All de l'onglet moniteur 1

Les paramètres du moniteur qui affectent toutes les sorties de la URSA Mini sont regroupés au sein du menu **All**. Par exemple, si vous réglez le paramètre **Safe area guide %** sur 90% dans ce menu, la zone de sécurité du LCD et des sorties SDI avant et principale sera réglée sur 90%.

Le paramètre **All** comprend deux pages. La première page du paramètre **All** de l'onglet **Monitor** contient les options suivantes.



### Repères de cadrage

Touchez les flèches gauche et droite du paramètre **Frame Guides** afin de choisir entre les options de repères de cadrage pour toutes les sorties de la URSA Mini, y compris les viseurs électroniques tels que le Blackmagic URSA Viewfinder. Ces options sont décrites dans la section « Caractéristiques de l'écran tactile » de ce manuel. Vous pouvez également y accéder à partir du menu de monitoring LCD de l'écran LCD tactile. Veuillez noter que vous pouvez choisir indépendamment si les repères de cadrage s'affichent sur l'écran LCD, sur la sortie SDI avant et sur la sortie SDI principale dans les menus de l'onglet **Monitor** correspondants.

### Paramètre Guide Opacity

Touchez les flèches gauche et droite du paramètre **Guide Opacity** pour choisir l'opacité des zones délimitées par les repères de cadrage sur l'écran tactile, ainsi que sur les sorties SDI avant et principale. Les options sont 25%, 50%, 75% et 100%.

### Aide à la mise au point

La caméra URSA Mini intègre deux modes d'aide à la mise au point : **Peak** et **Colored Lines**.

#### Peak

Lorsque le mode **Peak** est sélectionné, les zones de l'image qui sont très nettes sur l'écran tactile ou les sorties SDI ne le seront pas sur l'image enregistrée. À l'écran, les zones nettes de l'image ressortent clairement contre l'arrière-plan. Comme il n'y a pas d'autres informations affichées à l'écran, c'est une façon intuitive de savoir si la mise au point a été effectuée, car le sujet sur lequel vous focalisez est séparé des autres éléments du plan.

#### Colored Lines

Lorsque le mode Colored Lines est sélectionné, une ligne de couleur s'affiche sur les zones nettes de l'image. Ce mode est un peu plus inconfortable que le mode **Peak** car les lignes sont superposées à l'image. Cependant, c'est une aide à la mise au point précise pour les plans qui comportent de nombreux éléments.

### Niveau focus assist

Pour régler le niveau de l'aide à la mise au point de l'écran tactile et des sorties SDI avant et principale, touchez les options **Low**, **Medium** ou **High**.

**REMARQUE** Régler le niveau d'intensité de l'aide à la mise au point n'active pas l'aide à la mise au point sur l'écran tactile ou les sorties SDI de la URSA Mini. Vous devrez donc activer l'aide à la mise au point individuellement sur les sorties **LCD**, **Front SDI** ou **Main SDI** de l'onglet **Monitor**.

**CONSEIL** Le niveau optimal d'aide à la mise au point peut varier selon les plans. Par exemple, lorsque vous effectuez la mise au point sur les acteurs, un niveau d'aide à la mise au point plus élevé permet de bien définir le contour du visage. En revanche, si vous réglez un niveau élevé sur un plan représentant du feuillage ou un mur de briques, vous allez sans doute obtenir trop d'informations nettes.

### Focus Color

Utilisez le paramètre **Focus Line Color** pour changer la couleur de la ligne de mise au point lorsque vous êtes en mode **Colored Lines**. Modifier la couleur de cette ligne peut faciliter l'aide à la mise au point. Les options disponibles sont **White, Red, Green, Blue** et **Black**.

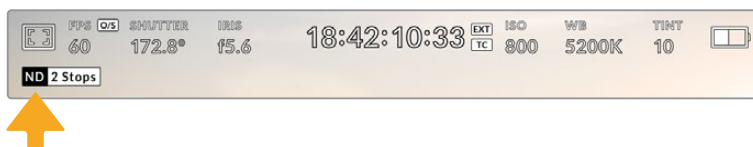
### Niveaux de zébra

Réglez le niveau d'exposition à partir duquel le zébra apparaît en touchant les flèches situées de part et d'autre du paramètre. Le niveau de zébra peut être ajusté par tranches de 5% entre 75 et 100%.

Pour plus d'informations, consultez le paragraphe **Zébra** dans la section « Caractéristiques de l'écran tactile » de ce manuel.

### Indicateur du filtre ND

Lorsque vous ajustez le filtre gris neutre (ND) de la URSA Mini Pro, l'indicateur ND apparaît en haut à gauche de l'écran tactile LCD ainsi que sur toutes les sorties SDI sur lesquelles les informations d'état sont activées. Cet indicateur restera affiché lorsque vous utilisez un filtre gris neutre. Lorsqu'il est réglé sur aucun filtre ND, la mention **Clear** disparaîtra après quatre secondes.

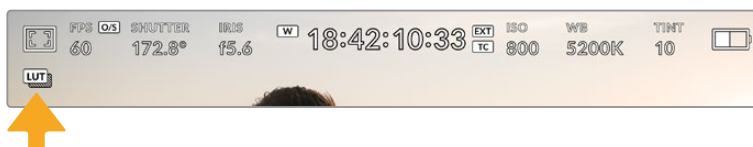


Lorsque vous ajustez le filtre gris neutre (ND) de la URSA Mini Pro, l'indicateur ND s'affiche.

**REMARQUE** Vous pouvez choisir la terminologie utilisée par l'indicateur du filtre ND afin qu'elle reflète la convention souhaitée. Les options disponibles sont **Number, Stop** et **Fraction**. Vous pouvez régler le format de votre choix dans le menu **Setup** de la URSA Mini Pro.

### Indicateur de LUT

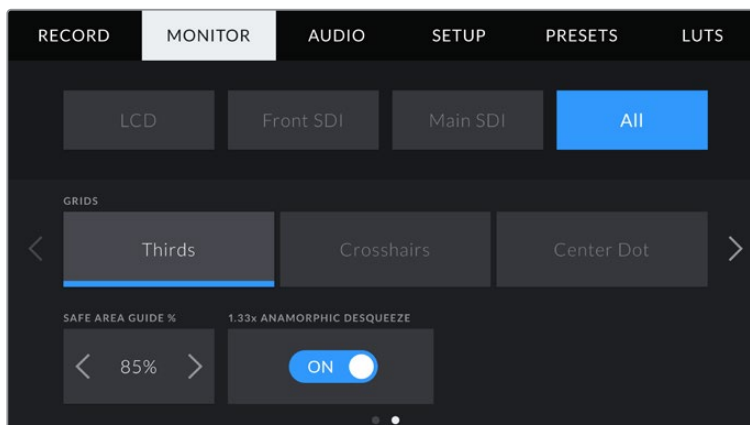
L'icône LUT s'affiche sur l'écran LCD, ou sur le moniteur SDI avant ou principal, lorsque les informations d'état sont activées et qu'une LUT est appliquée sur cette sortie.



L'icône LUT vous permet de savoir qu'une LUT est actuellement appliquée à l'image.

## Paramètre All de l'onglet moniteur 2

La deuxième page du paramètre **All** de l'onglet **Monitor** contient les options suivantes.



### Grilles

Pour régler les grilles et les réticules que vous souhaitez afficher sur l'écran tactile, la sortie SDI avant et la sortie SDI principale de la URSA Mini, touchez l'option **Thirds**, **Crosshairs** ou **Center Dot** de ce paramètre.

Pour plus d'informations, consultez le paragraphe **Grilles** dans la section « Caractéristiques de l'écran tactile » de ce manuel.

### Safe Area Guide %

Pour modifier la taille de la zone de sécurité sur l'écran tactile, la sortie SDI avant et la sortie SDI principale de la URSA Mini, touchez les flèches situées de part et d'autre de ce paramètre. Le pourcentage indique la taille de la zone de sécurité par rapport au cadre de l'image. La plupart des diffuseurs exigent une zone de sécurité de 90%.

### Paramètre Anamorphic Desqueeze

Lorsque vous tournez avec des objectifs anamorphiques, l'image est étirée horizontalement sur les sorties de prévisualisation de la URSA Mini ainsi que sur les fichiers enregistrés. Lorsque vous activez le paramètre **Anamorphic Desqueeze**, l'image de prévisualisation de la URSA Mini est corrigée. De plus, la valeur de la correction est enregistrée dans les métadonnées du clip afin de faciliter la correction en post.

La valeur de la correction varie selon le réglage de la résolution de la URSA Mini. Toutefois, l'image obtenue sera toujours au format écran large 2.4:1.

Les objectifs anamorphiques conçus pour le tournage de films ont en général un coefficient d'étirement de 2x. La résolution 3K anamorphosée de la URSA Mini est conçue pour être utilisée avec ces objectifs. La caméra effectue une correction d'étirement de 2x lorsqu'elle est réglée sur cette résolution et que le paramètre **Anamorphic Desqueeze** est activé.

Les objectifs anamorphiques conçus pour les capteurs d'image numérique 16:9 utilisent souvent un coefficient d'étirement de 1.33x afin de produire des images au format écran large 2.4:1 à partir de l'intégralité du capteur 16:9. Par conséquent, lorsque la URSA Mini est réglée sur des résolutions 16:9 telles que 4K 16:9 et **HD 16:9**, la correction d'étirement sera de 1.33:1.

**CONSEIL** Si votre image est étirée horizontalement lorsque vous tournez avec un objectif sphérique standard, vérifiez que le paramètre **Anamorphic Desqueeze** n'est pas activé.



## Paramètres Audio

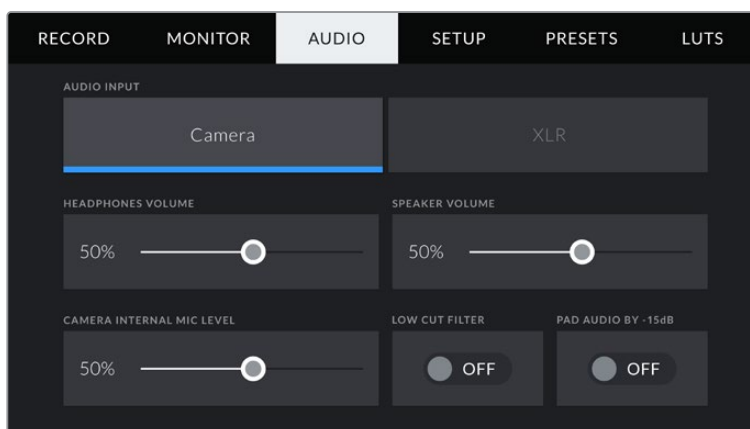
L'onglet **Audio** vous permet d'ajuster les paramètres de l'entrée audio et du monitoring sur la URSA Mini. Ce menu est légèrement différent sur les modèles URSA Mini et URSA Mini Pro, c'est pourquoi nous les avons décrits séparément ci-dessous.

### Paramètres audio de la URSA Mini

Les paramètres audio de la URSA Mini sont regroupés par source d'entrée audio sous **Camera** et **XLR** pour les sources audio internes et externes. Les paramètres **XLR** sont répartis sur deux pages. Vous pouvez passer d'une page à l'autre en touchant les flèches situées de part et d'autre de l'écran, ou en balayant l'écran vers la gauche ou vers la droite.

#### Paramètre Camera de l'onglet Audio

Lorsque vous sélectionnez l'entrée audio **Camera**, la URSA Mini propose une page de paramètres audio. Le paramètre **Camera** de l'onglet **Audio** contient les paramètres suivants.



#### Volume du casque

Le curseur du paramètre **Headphones Volume** permet d'ajuster les niveaux de la sortie du casque connecté au jack de 3,5mm de la URSA Mini. Déplacez le curseur audio vers la gauche ou vers la droite pour ajuster les niveaux.

#### Volume du haut-parleur

Le curseur du paramètre **Speaker Volume** permet d'ajuster les niveaux de la sortie du haut-parleur intégré à la URSA Mini. Déplacez le curseur audio vers la gauche ou vers la droite pour ajuster les niveaux.

#### Micro interne de la caméra

Le curseur du paramètre **Camera Internal Mic Level** permet d'ajuster les niveaux d'enregistrement du micro intégré à la URSA Mini. Déplacez le curseur audio vers la gauche ou vers la droite pour ajuster les niveaux. Le microphone intégré enregistre sur les canaux audio 1 et 2.

#### Filtre passe-bas

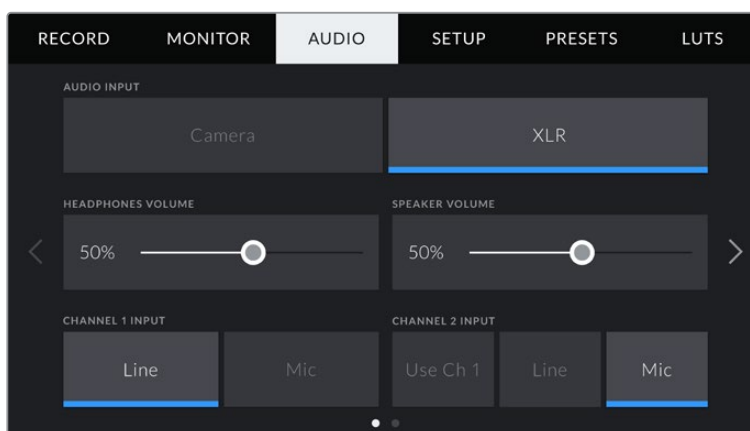
Touchez l'interrupteur du paramètre **Low Cut Filter** pour activer le filtre passe-bas sur les micros internes de la caméra. Il permet de réduire le bruit du vent ou les vibrations parasites lors de tournages en extérieur. Pour que ce filtre puisse fonctionner, le paramètre **Pad audio by -15 dB** doit être désactivé.

#### Paramètre Pad Audio By -15dB

Le paramètre **Pad Audio By -15dB** vous offre un meilleur contrôle sur la réduction du gain de l'entrée micro de la URSA Mini, lorsque vous tournez dans des environnements bruyants, même quand les niveaux de l'entrée ont déjà été réduits.

## Paramètre XLR de l'onglet Audio

Lorsque vous sélectionnez l'entrée audio **XLR**, la URSA Mini propose deux pages de paramètres audio. La première page du paramètre **XLR** de l'onglet **Audio** contient les paramètres suivants.



### Volume du casque

Le curseur du paramètre **Headphones Volume** permet d'ajuster les niveaux de la sortie du casque connecté au jack de 3,5mm de la URSA Mini. Déplacez le curseur audio vers la gauche ou vers la droite pour ajuster les niveaux.

### Volume du haut-parleur

Le curseur du paramètre **Speaker Volume** permet d'ajuster les niveaux de la sortie du haut-parleur intégré à la URSA Mini. Déplacez le curseur audio vers la gauche ou vers la droite pour ajuster les niveaux.

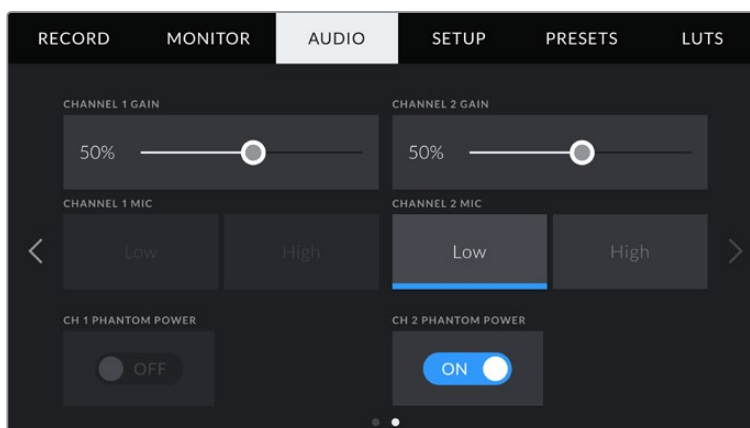
### Entrée du canal 1 et du canal 2

Réglez les niveaux des signaux audio externes en touchant les paramètres **Line** ou **Mic** du canal 1 ou 2. Ces paramètres correspondent aux niveaux micro ou ligne avec une alimentation fantôme de 48V. Il est important de sélectionner le niveau approprié pour votre signal audio. Vous pouvez régler les canaux 1 et 2 indépendamment.

Le canal 2 peut également utiliser l'entrée du canal 1 si vous souhaitez enregistrer l'audio externe du canal 1 sur les canaux 1 et 2.

## Paramètre XLR de l'onglet Audio 2

La deuxième page du paramètre **XLR** de l'onglet **Audio** contient les paramètres suivants.



### Gain des canaux 1 et 2

Déplacez le curseur des paramètres **Channel 1 Gain** et **Channel 2 Gain** vers la gauche ou vers la droite pour ajuster les niveaux audio de chaque canal.

### Micro des canaux 1 et 2

Les paramètres **Channel 1 Mic** et **Channel 2 Mic** vous offrent un contrôle plus poussé des niveaux de gain de l'entrée sur un micro externe, car ils vous permettent de régler le niveau de préamplification sur **Low** ou sur **High**. Le paramètre **Low** peut être utile lorsque vous tournez dans des environnements bruyants, même quand les niveaux de l'entrée ont déjà été réduits.

### Alimentation fantôme des canaux 1 et 2

Les entrées XLR de la URSA Mini peuvent fournir une alimentation fantôme de 48V, pour vous permettre d'utiliser des micros qui ne sont pas autonomes. Lorsque la caméra est réglée sur une entrée audio XLR, il suffit de toucher le bouton **Phantom Power** pour activer l'alimentation fantôme.

**REMARQUE** Il est recommandé de brancher le câble XLR avant d'activer l'alimentation fantôme. Il est également important de désactiver l'alimentation fantôme lorsqu'il n'y a plus de micro avec alimentation fantôme connecté. Connecter du matériel qui ne requiert pas d'alimentation fantôme lorsque vous êtes en mode alimentation fantôme peut endommager votre équipement. Cela peut prendre un peu de temps avant que l'alimentation fantôme se décharge après l'avoir désactivée. Il est donc judicieux d'attendre quelques minutes avant de brancher un autre micro ou du matériel audio XLR.

## Paramètres audio de la URSA Mini Pro

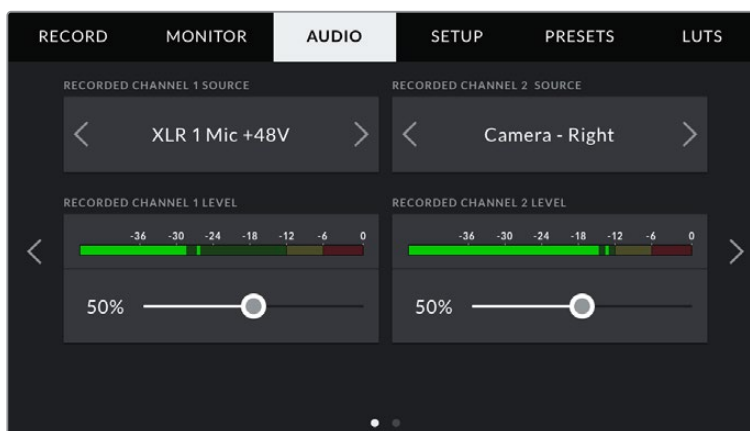
Les paramètres audio de la URSA Mini Pro sont regroupés sur deux pages et divisés entre les canaux 1 et 2. Deux canaux supplémentaires seront ajoutés lors d'une mise à jour logicielle ultérieure.

Vous pouvez attribuer une source différente à chaque canal et ajuster divers paramètres.

Ces paramètres fonctionnent de pair avec les interrupteurs situés sur le panneau de contrôle interne de la URSA Mini Pro. Si besoin, après avoir réglé la source audio d'un canal particulier, vous pouvez utiliser les interrupteurs du panneau de contrôle interne pour régler le type de signal et pour activer l'alimentation fantôme.

### Paramètres Audio 1

La première page de l'onglet **Audio** de la URSA Mini Pro contient les options suivantes :



### Source du canal

Utilisez les boutons **Recorded channel 1 source** et **Recorded channel 2 source** pour sélectionner la source audio de chaque canal audio. Les options disponibles sont :

#### Camera Left or Right

Utilisez ce paramètre pour enregistrer de l'audio à partir des micros internes de la caméra.

#### Camera Mono

Utilisez ce paramètre pour enregistrer de l'audio sur un seul canal, à partir des canaux gauche et droit du micro intégré de la URSA Mini Pro.

#### XLR 1 ou 2

Utilisez ce paramètre pour enregistrer de l'audio à partir des entrées XLR de la caméra. Selon le signal audio réglé sur les interrupteurs du panneau de contrôle interne de la URSA Mini Pro, l'entrée XLR s'affiche en tant que **Mic**, **Line**, ou **AES**. Lorsque l'alimentation fantôme est activée et que l'entrée XLR est réglée sur **Mic**, l'indicateur **+48V** s'affiche également. Sur la URSA Mini Pro, il est important de vérifier que l'interrupteur 48V est désactivé lorsque vous déconnectez le micro avec l'alimentation fantôme.

#### XLR 1 ou 2 - Mic Backup

Utilisez ce paramètre pour enregistrer de l'audio à partir d'un micro branché à l'entrée XLR 1 ou 2 de la URSA Mini Pro à un niveau plus bas que celui d'un enregistrement micro standard. Cela permet d'éviter un écrêtage de l'audio lorsque le volume augmente de façon inattendue. Cette fonction est uniquement disponible lorsque l'interrupteur de l'entrée XLR 1 ou 2 est réglé sur **Mic**.

#### None

Utilisez ce paramètre pour désactiver le canal audio.

### Recorded Channel 1/2 Level

Utilisez ces curseurs pour ajuster les niveaux de l'enregistrement audio sur le canal 1 ou 2. Des vumètres sont affichés au-dessus de chaque curseur pour vous aider à régler le niveau audio approprié. Ces niveaux se mettent à jour lorsque vous ajustez l'audio à l'aide des molettes audio situées sur le panneau de contrôle ergonomique

Pour obtenir une qualité audio optimale, vérifiez que vos niveaux audio ne dépassent pas 0 dBFS. Il s'agit en effet du niveau maximal auquel la caméra peut enregistrer. L'audio qui dépasse ce niveau sera écrêté et distordu.

### Paramètres Audio 2

La deuxième page de l'onglet **Audio** de la URSA Mini Pro contient les options suivantes.



Paramètre **Audio meters** sur la URSA Mini Pro 12K et la URSA Mini Pro G1

### Volume du casque

Le curseur du paramètre **Headphones Volume** permet d'ajuster les niveaux de la sortie du casque connecté au jack de 3,5mm de la URSA Mini. Déplacez le curseur audio vers la gauche ou vers la droite pour ajuster les niveaux. Ces niveaux se mettent également à jour lorsque vous ajustez le volume du casque à l'aide de la molette située sur le panneau de contrôle avant.

### Speaker Volume

Le curseur du paramètre **Speaker Volume** permet d'ajuster les niveaux de la sortie du haut-parleur intégré à la URSA Mini. Déplacez le curseur audio vers la gauche ou vers la droite pour ajuster les niveaux. Ces niveaux se mettent également à jour lorsque vous ajustez le volume du haut-parleur à l'aide de la molette située sur le panneau de contrôle avant.

### Pad XLR -20dB

Le paramètre **Pad Audio By -20dB** vous offre un meilleur contrôle sur la réduction du gain des entrées audio XLR de la URSA Mini lorsque vous tournez dans des environnements bruyants, même quand les niveaux de l'entrée ont déjà été réduits.

### Pad Cam Mic - 15 dB

Le paramètre **Pad Audio By -15dB** vous offre un meilleur contrôle sur la réduction du gain de l'entrée micro de la URSA Mini, lorsque vous tournez dans des environnements bruyants, même quand les niveaux de l'entrée ont déjà été réduits.

### Cam Mic Low Cut Filter

Touchez l'interrupteur du paramètre **Low Cut Filter** pour activer le filtre passe-bas sur les micros internes de la caméra. Il permet de réduire le bruit du vent ou les vibrations parasites lors de tournages en extérieur. Pour que ce filtre puisse fonctionner, le paramètre **Pad cam mic -15 dB** doit être désactivé.

### Indicateurs audio

Sélectionnez une norme d'indicateur audio pour afficher le niveau de crête.

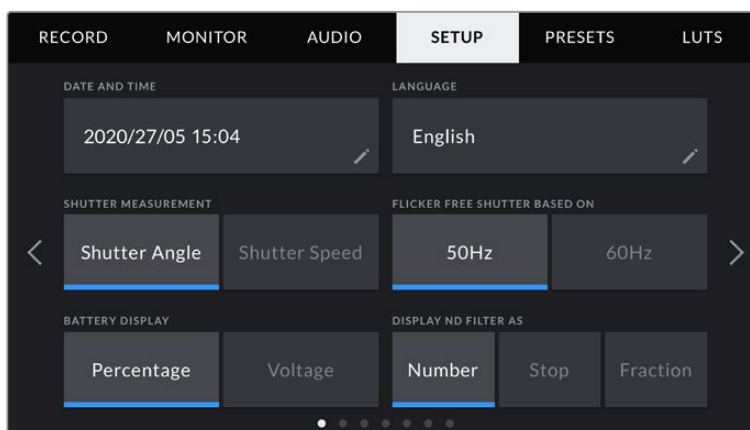
Réglage des indicateurs audio	Norme
PPM (-20 dBFS)	SMPTE RP.0155
PPM (-18 dBFS)	EBU R.68

## Paramètres de l'onglet Setup

L'onglet **Setup** contient les paramètres d'identification de la URSA Mini, la version du logiciel, les paramètres des boutons de fonction et d'autres paramètres de la caméra qui ne sont pas directement liés à l'enregistrement ou au monitoring. Vous pouvez passer d'une page à l'autre sur l'onglet **Setup** en touchant les flèches situées de part et d'autre de l'écran, ou en balayant l'écran vers la gauche ou vers la droite.

**REMARQUE** Les paramètres et les fonctionnalités ci-dessous peuvent être organisés de façon légèrement différente sur les pages de l'onglet **Setup** de votre URSA Mini selon les modèles. Par exemple, la URSA Mini Pro 4.6K G2 a cinq pages **Setup** tandis que la URSA Mini Pro 12K en a sept.

L'onglet **Setup** de la URSA Mini contient les paramètres suivants.



Sur la URSA Mini Pro 12K, la URSA Mini Pro 4.6K G2 et la URSA Mini Pro 4.6K, vous trouverez l'option **Display ND Filter As** sur la première page de l'onglet **Setup**. Comme la URSA Mini 4.6K et la URSA Mini 4K ne possèdent pas de filtre gris neutre interne, cette option n'est pas disponible sur ces caméras.

### Date et heure

Réglez la date et l'heure de la URSA Mini en touchant le paramètre **Date and Time**. Le format de la date est année, mois, jour. Le format de l'heure est 24 heures. Ce paramètre est également utilisé pour le timecode sous forme de code horaire lorsqu'aucune source de timecode externe n'est connectée.

### Langue

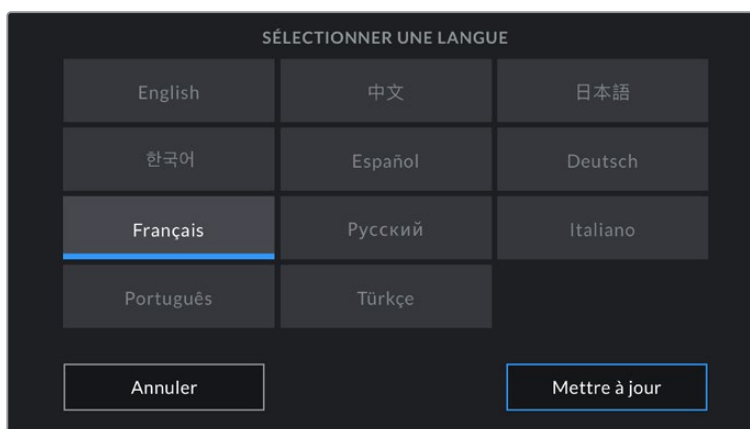
L'anglais est la seule langue actuellement disponible sur les caméras URSA Mini Pro 4.6K G2, URSA Mini 4.6K et URSA Mini 4K.

La URSA Mini Pro 12K et la URSA Mini Pro 4.6K G1 supportent 11 langues répandues : l'anglais, le chinois, le japonais, le coréen, l'espagnol, l'allemand, le français, le russe, l'italien, le portugais et le turc.

La page de la langue s'affichera également lors du premier démarrage.

#### Pour choisir la langue :

- 1 Touchez **Language** et sélectionnez votre langue dans la liste.
- 2 Touchez **Update** pour revenir au menu de configuration.



### Shutter Measurement

Sur la URSA Mini 4.6K et la URSA Mini Pro, utilisez ce paramètre pour afficher l'angle d'obturation ou la vitesse d'obturation.

Il est important de noter que lorsque vous utilisez l'angle d'obturation, l'obturateur se conforme à la fréquence d'images. Par exemple, 180 degrés produira le même flou de bougé, peu importe la fréquence d'images utilisée.

Toutefois, lorsque vous utilisez la vitesse d'obturation, une valeur absolue est attribuée à l'obturateur, déterminée indépendamment de la fréquence d'images. C'est pourquoi les résultats seront différents si vous changez de fréquence d'images.

Par exemple, si vous filmez à 24 images par seconde, 1/48 de seconde de vitesse d'obturation produira un flou de bougé agréable, qui équivaldrait à un angle d'obturation de 180 degrés. Si vous changez la fréquence d'images sur 48 images par seconde et la vitesse d'obturation sur 1/48 seconde, vous obtiendrez un flou de bougé différent, qui équivaldrait à un angle d'obturation de 360 degrés. Dans cet exemple, une fois que la fréquence d'images a été changée sur 48 i/s, vous devrez également changer la vitesse d'obturation sur 1/96 de seconde afin de produire le même effet qu'un angle d'obturation à 180 degrés.

#### **Paramètre Flicker Free Shutter Based On**

Utilisez ce paramètre pour modifier la fréquence du courant utilisée par la URSA Mini pour calculer des angles d'obturation sans scintillement.

Lorsque vous filmez sous un éclairage artificiel, l'obturateur peut provoquer des scintillements. La URSA Mini calcule automatiquement une valeur d'obturation sans scintillement en fonction de la fréquence d'images sélectionnée et suggère jusqu'à trois valeurs d'obturation sur l'affichage semi-transparent. Les valeurs d'obturation sont affectées par la fréquence du courant utilisé pour cet éclairage. Dans la plupart des pays qui utilisent le standard PAL, cette fréquence est de 50Hz. En revanche, dans les pays qui utilisent le standard NTSC, cette fréquence est de 60Hz. Il suffit de toucher le paramètre 50Hz ou 60Hz pour régler la fréquence appropriée pour votre région.

**REMARQUE** Les caractéristiques de certaines sources lumineuses peuvent provoquer des scintillements même lorsque vous utilisez des valeurs d'obturation sans scintillement. Lorsque vous n'utilisez pas de lumière continue, nous vous recommandons de toujours effectuer un test avant de commencer le tournage.

#### **Affichage du niveau de charge de la batterie**

Sur la URSA Mini, vous pouvez choisir l'affichage du niveau de charge de la batterie. Les deux paramètres disponibles sont **Pourcentage** et **Voltage**. Lorsque vous utilisez une batterie et un support qui prennent en charge les niveaux de charge en pourcentage, réglez le paramètre **Battery Display** sur **Pourcentage** pour indiquer le pourcentage de charge restante de la batterie.

**CONSEIL** Vous trouverez une liste présentant les batteries qui prennent en charge les niveaux de charge en pourcentage dans la section « Fixer la batterie » de ce manuel.

Si vous utilisez un support et une batterie qui ne permettent pas un affichage précis en pourcentage, vous verrez une icône représentant quatre barres qui se vident au fur et à mesure que la batterie se décharge.

Lorsque ce paramètre est réglé sur **Voltage**, le niveau de la batterie est affiché en volts. Nous recommandons d'échanger la batterie lorsque la charge restante atteint 12V.

**CONSEIL** Vous pouvez basculer entre les affichages Tension et Pourcentage en touchant l'icône batterie sur l'écran LCD.

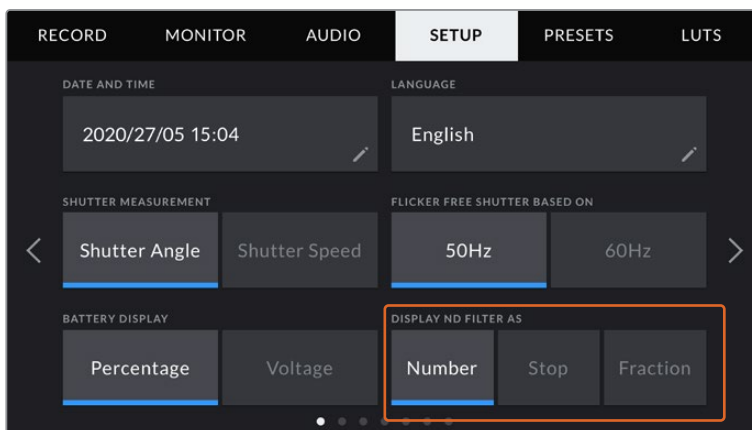
#### **Paramètre Timecode Drop Frame**

Utilisez le paramètre **Timecode Drop Frame** pour éliminer quelques images du timecode à intervalle régulier lorsque vous utilisez des fréquences d'images de projet NTSC de 29,97 et 59,94. Le timecode de votre projet sera ainsi toujours correct, bien que chaque seconde ne contienne pas un nombre entier d'images pour les fréquences d'images NTSC.

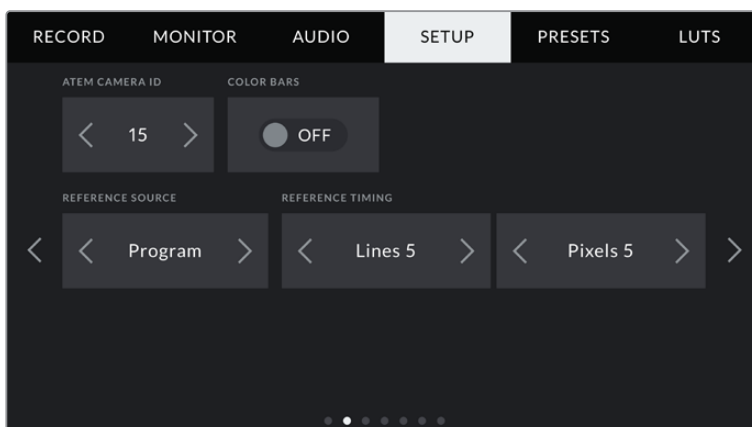


### Paramètre Display ND Filter As

Utilisez ce paramètre pour modifier l'affichage de l'indicateur filtre gris neutre (ND) sur la URSA Mini Pro. Chaque paramètre correspond à une convention différente. En général, les cinéastes utilisent la notation coefficient ND. Cependant, ceux qui sont habitués aux boîtiers DSLR et aux caméras broadcast ont tendance à préférer le format F-Stop, ou fraction. Les options disponibles sont respectivement **Number**, **Stop** et **Fraction**.



Personnalisez l'affichage des informations du filtre ND à partir du menu Setup de la URSA Mini Pro.



Veuillez noter que le paramètre **Program Audio** est uniquement disponible sur la URSA Mini Pro 4.6K.

### Identification de la caméra sur l'ATEM

Si vous utilisez la URSA Mini avec un mélangeur ATEM et si vous souhaitez que la caméra reçoive les signaux tally du mélangeur, il vous faudra personnaliser le numéro de la caméra. Cela permettra au mélangeur d'envoyer le signal tally à la bonne caméra. Le numéro de la caméra peut être réglé sur une valeur entre 1-99 en touchant les flèches gauche et droite du paramètre **ATEM Camera ID**. Par défaut, ce paramètre est réglé sur 1.

### Mire de barres couleurs

Acheminer la mire de barres couleurs plutôt qu'un aperçu de l'image peut s'avérer pratique lorsque vous connectez la URSA Mini à un mélangeur ou à un moniteur externe. Lorsque la mire de barres couleurs de la URSA Mini apparaît sur le mélangeur ou le moniteur, vous savez que les deux appareils sont connectés. Vous pouvez ainsi calibrer le moniteur selon la mire de barres couleurs. Pour activer la mire de barres couleurs sur toutes les sorties de la URSA Mini, y compris sur l'écran tactile, il suffit de déplacer le commutateur **Color Bars**.

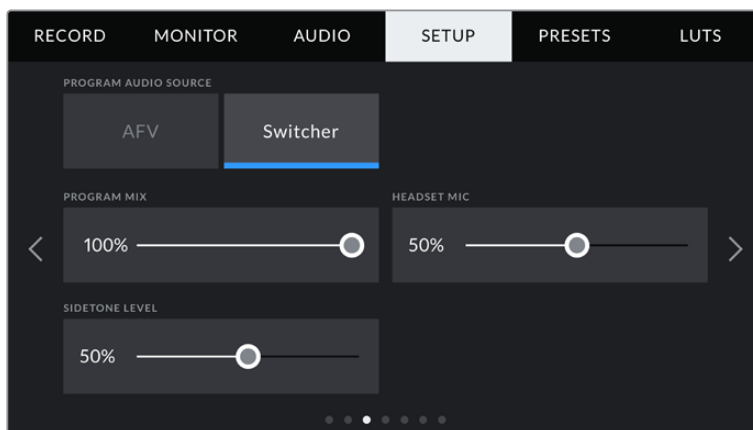
### Source de référence

Le paramètre **Reference Source** est utilisé pour sélectionner la source de référence. La URSA Mini peut être verrouillée sur une source de référence interne ou externe, ou sur le signal de référence de l'entrée du programme d'un mélangeur ATEM. Si vous utilisez la URSA Mini avec la fonction Camera Control de l'ATEM, il est important de toujours régler la source de référence sur **Program**, sauf si le mélangeur et les caméras connectées sont réglés sur une référence externe.

**REMARQUE** Lorsque vous réglez la source de référence de la URSA Mini, il se peut qu'une brève perte de signal se produise sur les sorties de la caméra lorsque vous changez de source de référence. Cela se produit car la caméra ajuste son rythme de référence afin qu'il corresponde à celui de la source externe, c'est pourquoi il est important de ne pas modifier ce paramètre durant la production, ou lors des réglages.

### Rythme de référence

Le paramètre **Reference Timing** vous permet d'ajuster manuellement le rythme de référence défini par un nombre de lignes ou de pixels. Pour apporter des modifications, il suffit de toucher les flèches situées de part et d'autre des paramètres **Lines** et **Pixels**.



### Paramètre Program Audio Source

Ce paramètre est disponible uniquement sur la URSA Mini Pro. Si vous réglez le paramètre **Program audio** sur **On** lorsqu'un mélangeur est connecté, la voie de retour audio est mixée en priorité au réseau d'ordres lors du monitoring sur casque. C'est très pratique lorsque vous n'acheminez pas le signal audio de la caméra vers le mélangeur, mais que vous souhaitez écouter le flux de programme provenant du mélangeur via le port **SDI In**. En réglant le paramètre **Program audio** sur **Off**, l'audio provenant des micros internes de la caméra ou des ports XLR **Audio In** est envoyé en priorité. C'est également le paramètre par défaut.

### Paramètre Program Mix

Le paramètre **Program Mix** permet de basculer de la balance du son de la caméra à celle du son du réseau d'ordres. Le casque achemine l'audio en fonction du contenu affiché sur l'écran LCD. Par exemple, si le signal provenant de la caméra est affiché, vous entendrez l'audio provenant de la caméra. Par contre, si c'est le signal du programme qui est affiché, vous entendrez l'audio du programme. Par défaut, ce paramètre est réglé sur 100%.

### Paramètre Headset Mic

Déplacez le curseur de volume du paramètre **Headset Mic** vers la gauche ou vers la droite pour augmenter ou diminuer les niveaux d'entrée audio du micro. Par défaut, ce paramètre est réglé sur 50%.

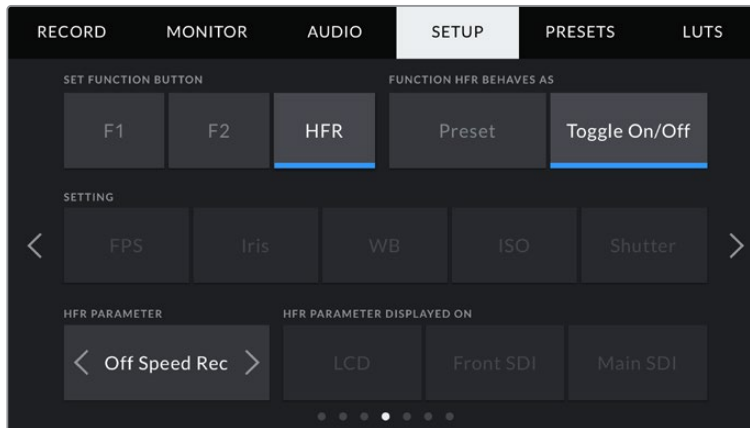
### Paramètre Sidetone Level

Ajustez ce curseur pour régler le volume du micro dans votre casque.

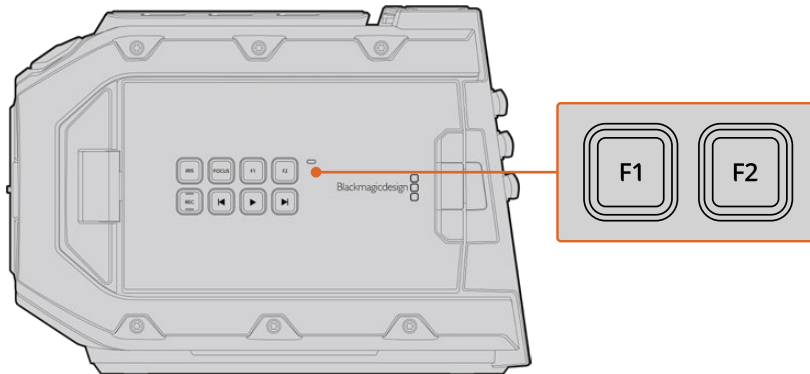
## Réglage des boutons de fonction

Sur la face externe de l'écran LCD de la URSA Mini, vous trouverez deux boutons de fonction nommés **F1** et **F2**. Ces boutons peuvent être mappés sur des fonctions fréquemment utilisées et être ainsi facilement accessibles lorsque l'écran tactile de la caméra est fermé, notamment lorsque vous utilisez le viseur URSA Viewfinder.

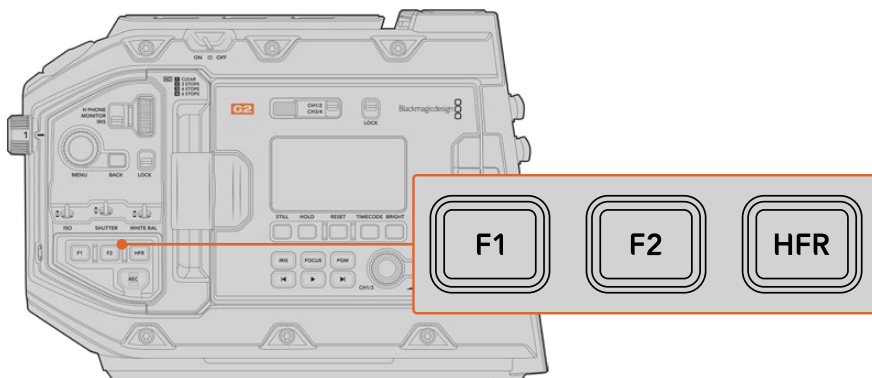
Sur les modèles URSA Mini Pro 12K, URSA Mini Pro 4.6K G2 et URSA Mini Pro 4.6K, vous pouvez également mapper le bouton HFR sur une autre fonction ou le désactiver. Par défaut, le bouton **HFR** est réglé sur **Off speed rec.**



Sur les modèles URSA Mini Pro 12K, URSA Mini Pro 4.6K G2 et URSA Mini Pro 4.6K, le bouton HFR peut être mappé sur une autre fonction.



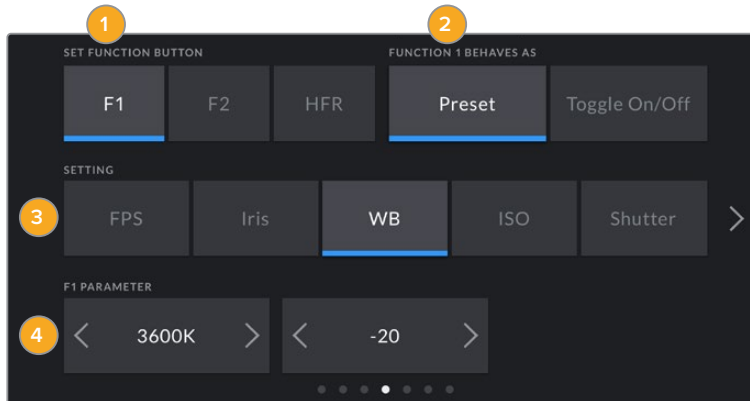
Les boutons F1 et F2 de la URSA Mini sont situés sur la face externe de l'écran LCD.



Sur les modèles URSA Mini Pro 12K, URSA Mini Pro 4.6K G2, URSA Mini Pro 4.6K et URSA Mini 4.6K, vous pouvez personnaliser les fonctions des boutons **F1**, **F2** et **HFR** ou les désactiver.

**CONSEIL** Si la URSA Mini Pro G1 est équipée d'un objectif B4, vous pouvez configurer les boutons **VTR** et **Ret** pour qu'ils servent de boutons de fonction. Tout comme avec les boutons **HFR**, **F1** et **F2**, vous pourrez leur assigner des préréglages ou une fonction d'alternance.

Pour configurer ces boutons, sélectionnez un bouton de fonction, puis sa fonction, un paramètre et une valeur pour ce paramètre.



1 Bouton 2 Fonction 3 Paramètre 4 Valeur

### Comportement du bouton de fonction

Une fois que vous avez sélectionné le bouton que vous souhaitez mapper, vous pourrez sélectionner une fonction. Sur les modèles URSA Mini Pro 12K, URSA Mini Pro 4.6K G2, URSA Mini Pro 4.6K et URSA Mini 4.6K, vous pouvez également mapper le bouton HFR sur un autre comportement.

Les options disponibles sont :

#### Preset

Lorsque vous appuyez sur un bouton réglé sur cette fonction, un paramètre et une valeur sont rappelés en mémoire.

Pour régler un préréglage, sélectionnez le paramètre que vous souhaitez utiliser dans le menu **Setting**, puis ajustez ce paramètre en touchant les flèches situées de part et d'autre du menu **Parameter**.

Par exemple, pour rappeler une ouverture de f8 à partir du bouton F1, sélectionnez **Preset** dans le menu **Function 1 Behaves as**, touchez le paramètre **Iris** dans le menu **Setting**, puis touchez les flèches situées de part et d'autre du menu **Parameter** jusqu'à ce que vous obteniez la valeur f8. Si vous touchez à nouveau le paramètre **Preset**, vous reviendrez au paramètre précédent.

#### Up/Down

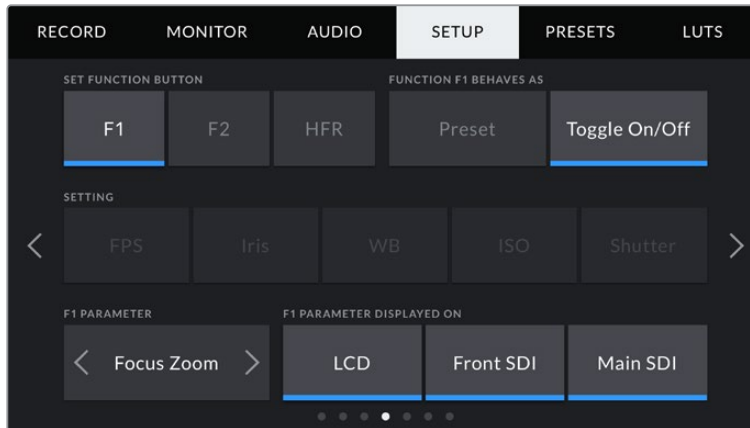
Lorsque vous appuyez sur un bouton réglé sur cette fonction, le paramètre choisi va augmenter ou diminuer.

Par exemple, vous pouvez régler le bouton F1 afin qu'il augmente l'ouverture de diaphragme et F2 afin qu'il la réduise. Pour ce faire, sélectionnez le bouton **F1**, réglez sa fonction sur **Up/Down** et sa valeur sur **Up**. Faites de même pour le bouton **F2**, mais réglez sa valeur sur **Down**.

#### Toggle On/Off

Lorsque vous appuyez sur un bouton réglé sur cette fonction, le paramètre choisi va être activé ou désactivé. Le menu **Setting** est désactivé lorsque vous utilisez ce mode. Touchez les flèches gauche ou droite dans le menu **Parameter** pour faire défiler les options disponibles. Les options sont **Off Speed Recording**, **Color bars**, **Push to talk**, **Clean feed**, **Display LUT**, **Frame Guides**, **Focus Assist**, **False Color**, et **Zebra**. Sur les modèles URSA Mini Pro, l'option **None** est disponible pour ne sélectionner aucune de ces options.

La URSA Mini Pro 12K possède une fonction d'aide à la mise au point avec le zoom. Pour plus d'informations sur l'utilisation de cette fonction lorsqu'elle est activée sur l'écran LCD, consultez la section « Double-toucher pour zoomer ». Lorsque cette fonction est activée sur les sorties SDI, vous pouvez déplacer la zone zoomée à l'aide de la molette **Menu** et ajuster le niveau de grossissement à l'aide de la molette **Iris**.

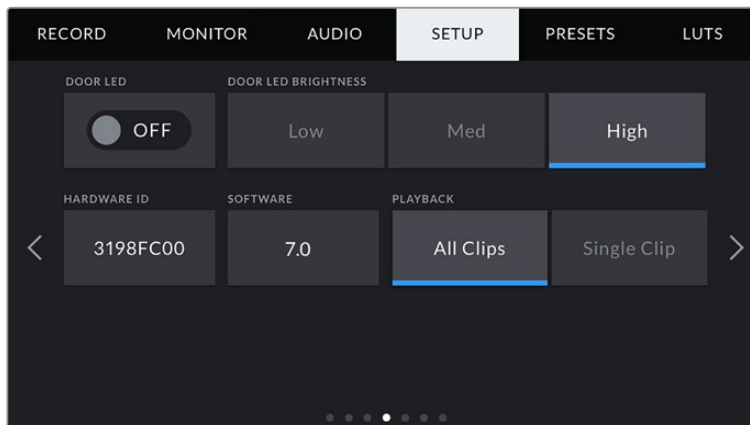


Le zoom de mise au point peut être appliqué à n'importe quelle sortie de monitoring. Pour trouver la mise au point critique, il est conseillé de l'appliquer aux trois sorties afin d'obtenir les résultats les plus nets.

La fonction **Toggle On/Off** vous permet également de sélectionner la sortie à laquelle ce paramètre s'applique. Pour ce faire, il suffit de sélectionner les sorties désirées à partir des options **LCD**, **Front SDI** et **Main SDI**. Si certaines sorties ne sont pas disponibles avec certaines options, par exemple pour la mire de barres couleurs qui s'applique toujours à toutes les sorties, les paramètres **LCD**, **Front SDI** et **Main SDI** sont désactivés. Sur les modèles URSA Mini Pro, vous pouvez désactiver la fonction et les boutons HFR en sélectionnant **None**.

**REMARQUE** Une fois le zoom de mise au point réglé et appliqué aux sorties **LCD**, **front SDI** et **main SDI**, les paramètres de la LUT 3D ou de l'aide à la mise au point appliqués au **front SDI** seront appliqués aux trois sorties lors de l'utilisation du zoom. Les repères de cadrage, les grilles et la zone de sécurité ne seront pas affichés pendant le zoom.

Vous pouvez par exemple configurer les boutons **Ret** et **VTR** comme boutons de fonction sur la URSA Mini Pro 4.6K G1 équipée d'un objectif B4. Par exemple, si l'enregistrement ISO est réalisé sur un HyperDeck, il est assez courant de régler le bouton **VTR** comme fonction Appuyer pour parler.



### Voyant d'état LED

Les caméras URSA Mini Pro sont équipées d'un voyant d'état LED, situé à côté du bouton d'enregistrement à l'avant du panneau de contrôle. Il fournit des informations sur le tally et

sur l'état de la caméra. Utilisez le paramètre **status LED** pour allumer et éteindre le voyant. Sur la URSA Mini, le voyant d'état LED est situé à côté du bouton **F2** au dos de l'écran tactile. Il correspond au bouton **Door LED** sur l'onglet **Setup**.

Le voyant LED fournit les informations d'état suivantes :

<b>Blanc</b>	La caméra est alimentée et en mode de veille.
<b>Rouge</b>	La caméra enregistre. Si ce signal clignote lentement, cela signifie que votre carte est presque pleine. Si le clignotement est rapide, cela signifie qu'une perte d'images est détectée.
<b>Vert</b>	La caméra est en mode lecture. Le voyant clignote en vert et en blanc lorsque le plan est lu. Lorsque le média inséré est reconnu, le voyant d'état LED clignote trois fois en vert et en blanc.
<b>Orange</b>	Lorsque la charge de la batterie est basse, le voyant LED alterne entre la couleur orange et la couleur de l'état en cours. Par exemple, si la caméra est en train d'enregistrer, la couleur du voyant LED va alterner lentement entre l'orange et le rouge. Si votre caméra est en mode veille, la couleur du voyant LED va alterner entre le blanc et l'orange. La charge de la batterie est considérée comme étant basse à partir de 20 pourcent pour les batteries qui prennent en charge les niveaux de charge en pourcentage, ou à partir de 12.5 volts pour les autres batteries.

### Luminosité du voyant d'état LED

Pour régler la luminosité du voyant d'état LED, touchez les options **Low**, **Medium** ou **High**.

### Hardware ID

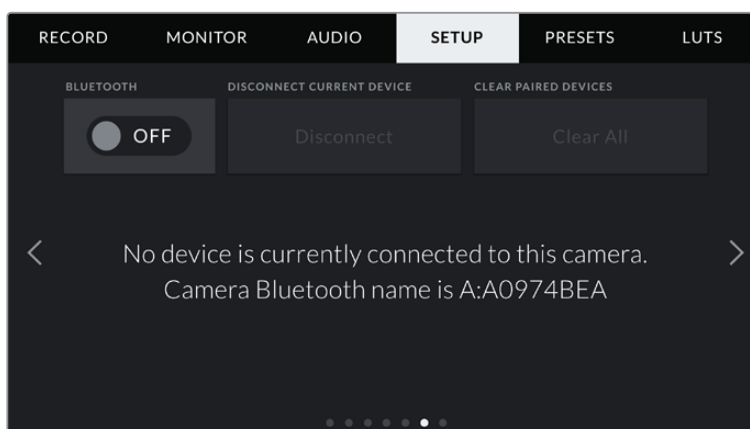
Ce paramètre affiche un identifiant à 8 caractères pour la URSA Mini. Chaque caméra possède un identifiant qui lui est propre. Une version de 32 caractères de cet identifiant est incluse dans les métadonnées pour la vidéo Blackmagic RAW et ProRes. Cela peut s'avérer pratique pour identifier de quelle caméra les séquences proviennent lorsque les noms de fichier ont été modifiés, car l'identifiant de la caméra ne change pas.

### Logiciel

Affiche la version du logiciel installée sur la URSA Mini. Pour plus d'informations, consultez la section « Utilitaire Blackmagic Camera Setup » de ce manuel.

### Lecture

Ce paramètre vous permet de sélectionner le mode de lecture des clips : **Single Clip** ou **All Clips**. Le mode **All Clips** lit les médias dont les réglages sont identiques de manière séquentielle. Le mode **Single Clip** lit un clip à la fois. Ces modes s'appliquent également avec la fonction de lecture en boucle. Lorsque le mode **All Clips** est activé avec la lecture en boucle, tous les clips qui se trouvent sur la carte CFast 2.0 ou SD sont lus en continu. Lorsque le mode **Single Clip** est activé avec la lecture en boucle, un seul clip est lu en boucle.



Le nom de la caméra Bluetooth est composé de la lettre de la caméra comme réglé sur le clap, suivi des 8 caractères de l'identifiant de votre URSA Mini.

## Bluetooth®

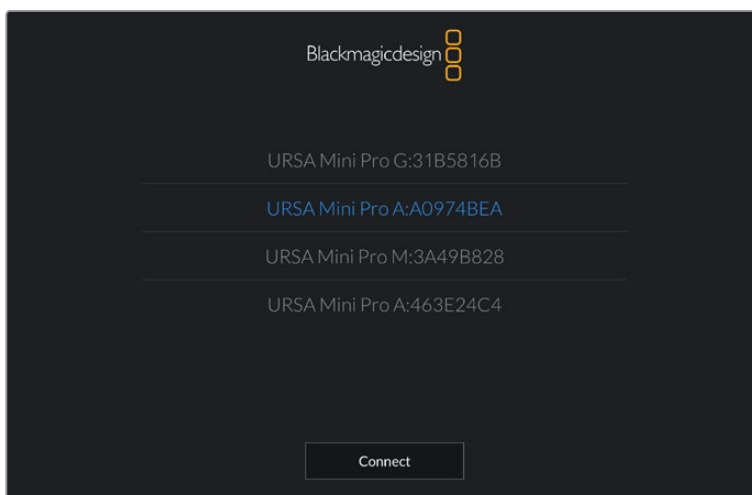
Sur la URSA Mini Pro, la fonction Bluetooth vous permet de contrôler la caméra à distance à partir d'appareils portables. En utilisant l'application **Blackmagic Camera Control App**, vous pouvez allumer ou éteindre la caméra, changer les paramètres, modifier les métadonnées et déclencher l'enregistrement à distance depuis un iPad. Vous pouvez activer et désactiver le Bluetooth en touchant l'interrupteur de la fonction **Bluetooth** dans le menu **Setup**. Lorsque le Bluetooth est activé, la caméra peut être détectée par des appareils dotés du Bluetooth à une distance de 9 mètres.

Comme les commandes de la URSA Mini Pro pour le contrôle Bluetooth sont les mêmes que pour le **Blackmagic SDI Camera Control Protocol**, vous pouvez créer vos propres applications pour contrôler quasiment tous les paramètres de la caméra à distance. Par exemple, vous pourrez contrôler à distance les paramètres de monitoring et audio, l'outil d'étalonnage DaVinci Resolve intégré ou l'objectif.

Pour plus d'informations, consultez la section « **Blackmagic SDI Camera Control Protocol** » de ce manuel.

### Pour associer votre caméra à un iPad pour la première fois :

- 1 Activez le Bluetooth en touchant l'interrupteur de la fonction **Bluetooth** dans le menu **Setup** de votre URSA Mini Pro.
- 2 Ouvrez l'application **Blackmagic Camera Control App** et choisissez la URSA Mini Pro que vous souhaitez associer. Les caméras disponibles seront affichées par leur lettre, suivie de leur identifiant unique. Par exemple A:A0974BEA.



Sélectionnez la URSA Mini Pro que vous souhaitez associer.

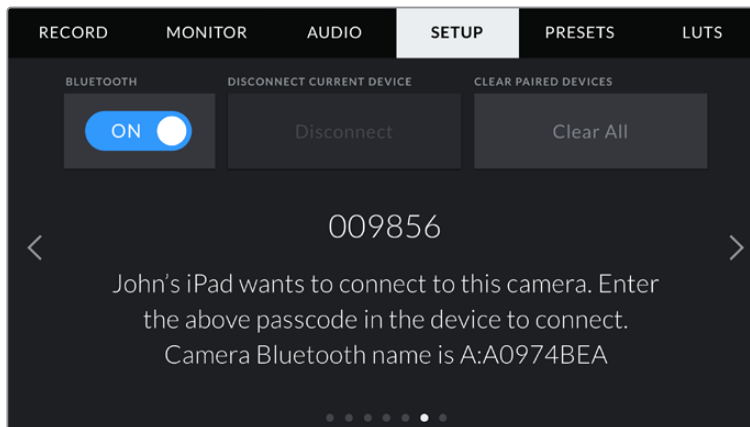
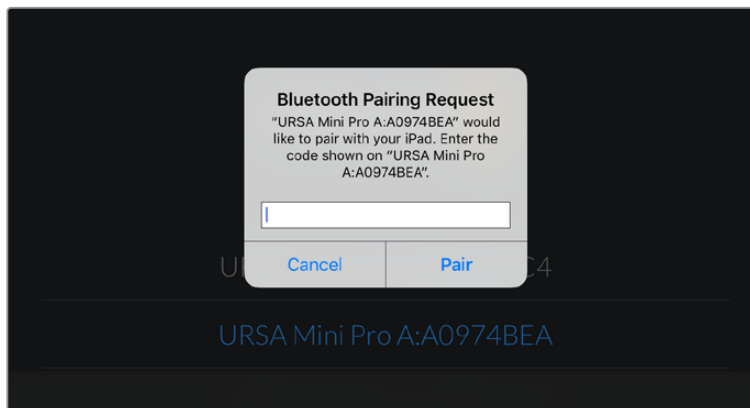
**REMARQUE** Lorsque vous installez l'application Blackmagic Camera Control et que vous l'utilisez pour la première fois, un message s'affichera pour vous demander si vous souhaitez activer les services de localisation. Si vous sélectionnez l'option **While using the app** (lors de l'utilisation de l'appli), les données GPS de votre iPad seront intégrées aux métadonnées des fichiers que vous tournez, ce qui vous permettra de géotaguer les séquences. Ces informations peuvent être visualisées dans les versions Blackmagic DaVinci Resolve 14 ou plus récentes.

Si vous ne souhaitez pas utiliser ces informations, sélectionnez **Never**.

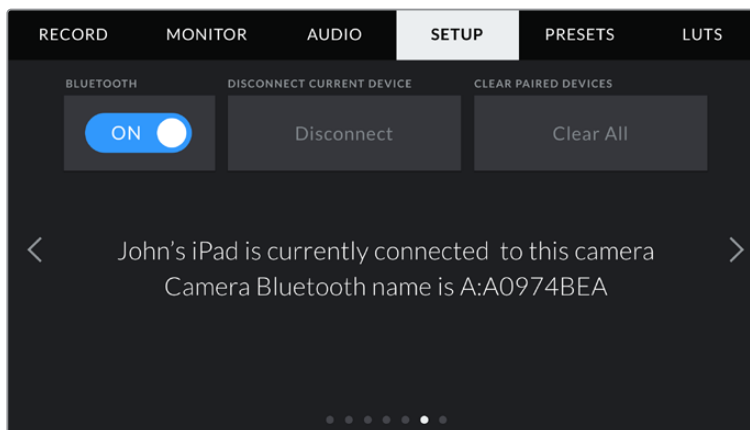
Pour changer ces paramètres depuis votre iPad, allez sur réglages, confidentialité, service de localisation, contrôle de la caméra.

- 3 Si vous vous connectez pour la première fois avec l'application, il vous sera demandé d'entrer un code à 6 chiffres pour permettre à l'iPad de s'associer à la caméra. Ce code sera affiché sur l'écran LCD de la caméra. Saisissez ce code dans l'iPad.

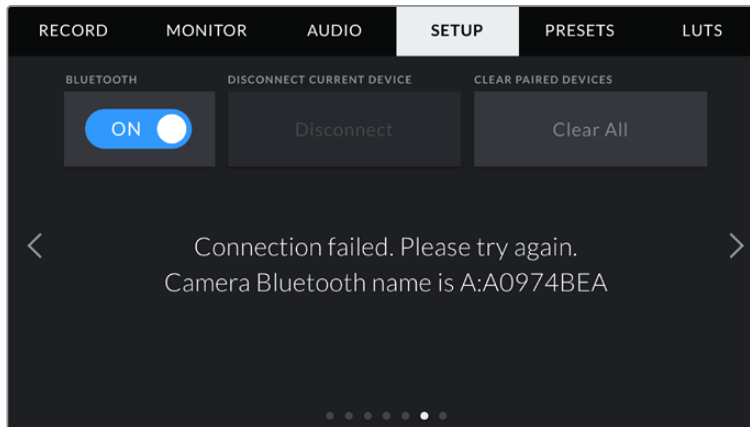




- 4 Les informations à l'écran vous confirmeront que votre URSA Mini Pro est désormais associée à votre iPad.



- 5 S'il y a un problème de connexion entre l'iPad et la caméra, le message d'erreur suivant s'affichera :



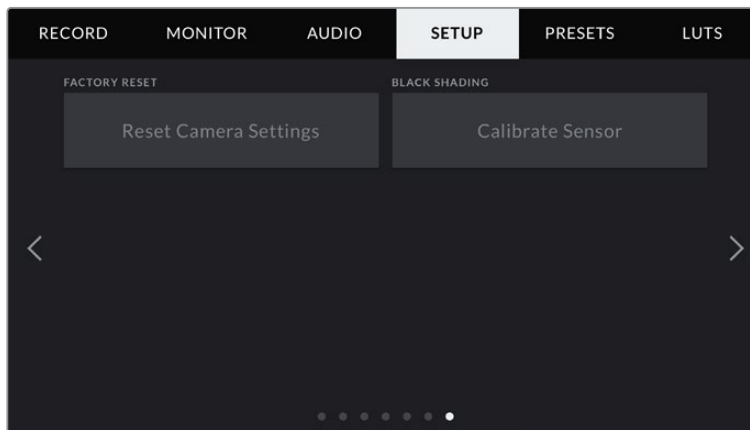
**REMARQUE** Pour des raisons de sécurité, nous vous conseillons de désactiver la fonction Bluetooth de votre URSA Mini Pro quand vous ne l'utilisez pas.

#### Déconnecter l'appareil en cours

Utilisez le paramètre **Disconnect Current Device** pour déconnecter votre URSA Mini Pro de l'iPad associé.

#### Effacer les appareils associés

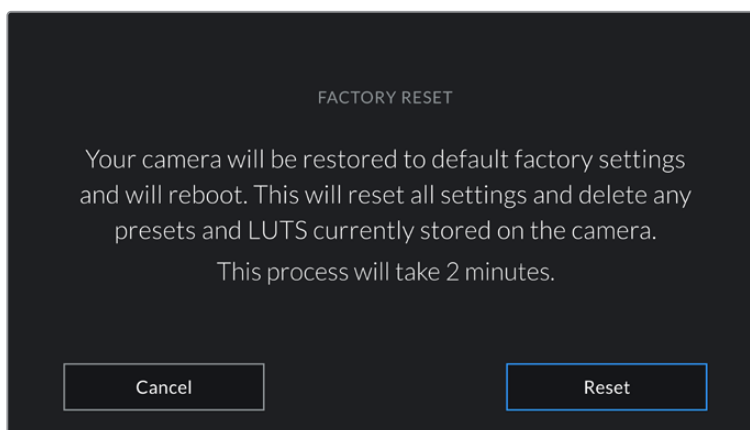
Utilisez le paramètre **Clear Paired Devices** pour supprimer la liste des appareils qui ont été associés à votre URSA Mini Pro.



#### Factory Reset

Lorsque vous souhaitez réinitialiser la caméra sur ses paramètres d'usine, touchez le bouton **Reset**. Un message s'affichera pour vous demander de confirmer cette action. Si vous la confirmez, toutes les LUTS et les préséglages stockés sur la caméra seront effacés. Touchez **Reset** sur la page de confirmation pour réinitialiser les paramètres de la caméra. Sur la URSA Mini Pro, la réinitialisation peut prendre une à deux minutes.

La réinitialisation aux paramètres d'usine supprimera toutes les LUTs et tous les préséglages stockés, puis restaurera tous les réglages par défaut. Avant de réinitialiser les paramètres, il est conseillé d'exporter vos préséglages sur une carte mémoire, comme solution de stockage. Après une réinitialisation, vous pouvez restaurer rapidement vos préséglages et vos LUTs en les important de la carte mémoire. Nous vous recommandons d'appliquer une correction de taches au noir.

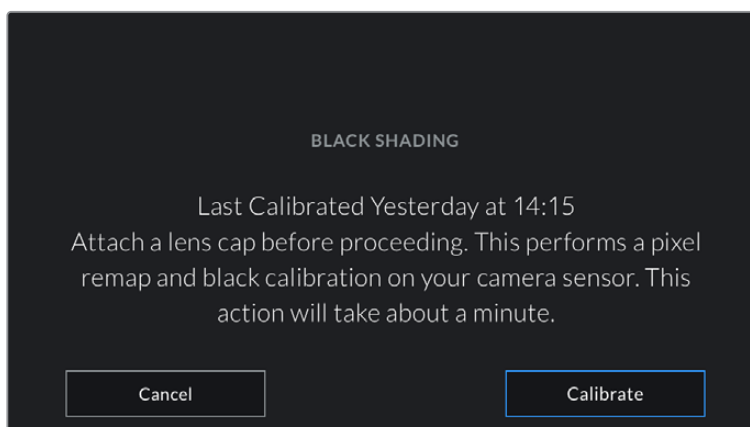


Lorsque vous sélectionnez le paramètre **Factory Reset**, un message s'affiche pour vous demander de confirmer l'action.

### Correction de taches au noir

Sur les modèles URSA Mini dotés d'un capteur 4.6K, cette fonction optimise la qualité de l'image en compensant les erreurs de polarisation du capteur dans les basses lumières. Il est recommandé d'effectuer ce réglage quelques minutes après avoir allumé la caméra. Pour régler la correction de taches au noir, il faut garder le capuchon anti-poussière sur la caméra ou placer le bouchon d'objectif sur l'objectif, puis appuyer sur le bouton **Calibrate**. Un message s'affiche alors pour vous demander de confirmer. Il faut en effet que le réglage soit correct pour que l'opération fonctionne. Le calibrage prend quelques secondes. Un message apparaît lorsque l'opération est terminée. La caméra gardera en mémoire l'heure et la date auxquelles la dernière correction de taches au noir a été effectuée. Cela optimisera la qualité d'image dans les zones d'ombres.

La URSA Mini Pro 4.6K G2 possède une fonctionnalité supplémentaire pour la correction de taches au noir. Elle permet de recalibrer les pixels afin d'améliorer les niveaux de noir. Cette opération prend environ une minute.



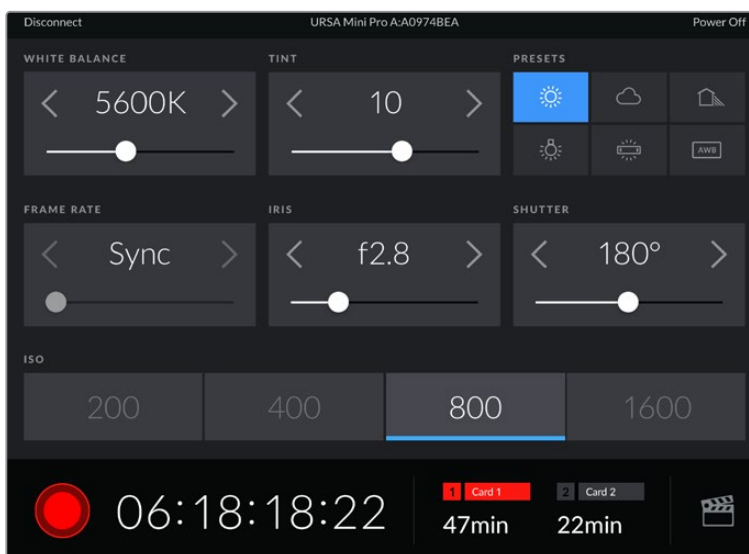
La correction de taches au noir est recommandée.

### Calibrage mouvement

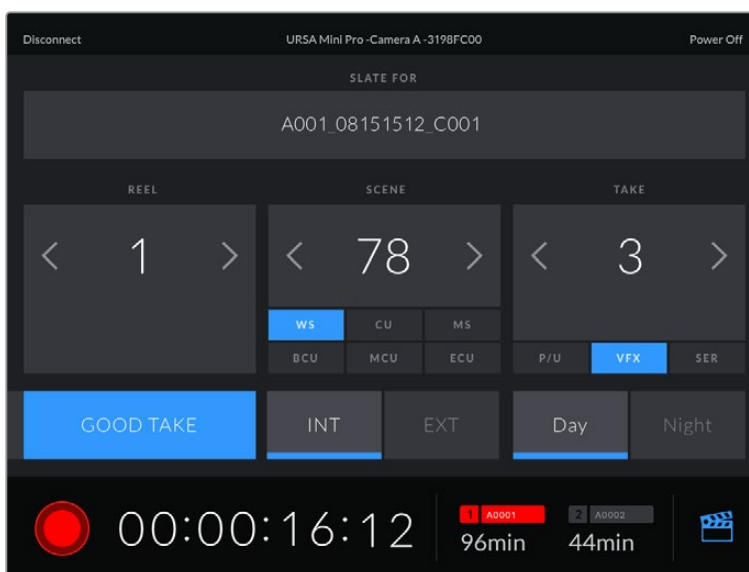
Pour calibrer l'indicateur d'horizon sur la URSA Mini Pro 12K, placez votre caméra sur une surface plane, puis appuyez sur **Calibrer le capteur de mouvement**. Il est essentiel de garder la caméra stable pendant tout le calibrage. L'opération prend environ cinq secondes.

## Contrôler votre caméra avec l'application Blackmagic Camera Control

Une fois que votre URSA Mini Pro est associée avec un iPad, vous pouvez allumer ou éteindre la caméra, changer les paramètres, régler les métadonnées et déclencher l'enregistrement à distance via l'application iPad.



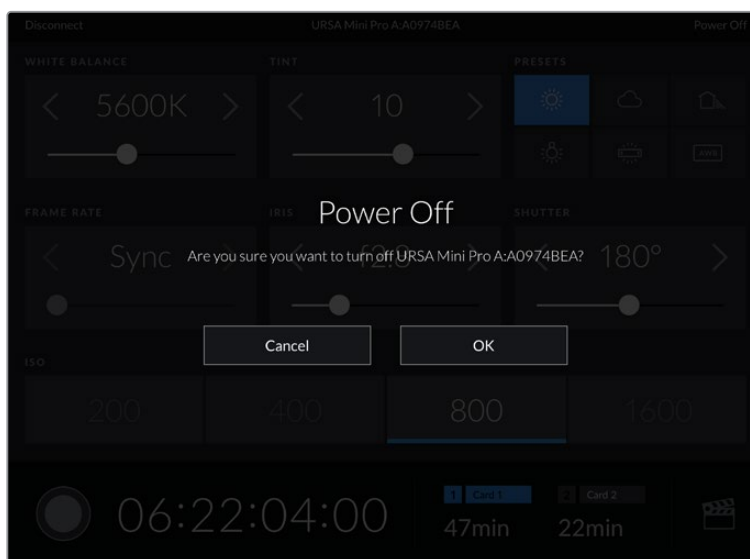
Quand la caméra est associée, l'application Blackmagic Camera Control affiche un écran vous permettant de régler les paramètres et de déclencher l'enregistrement.



Touchez l'icône du clap dans le coin inférieur gauche pour accéder aux fonctions du clap et le mettre à jour.

La URSA Mini Pro utilise la technologie Bluetooth Low Energy pour le contrôle à distance des appareils. Le protocole du Bluetooth est du même type que celui utilisé dans des appareils portables, ce qui permet d'optimiser l'utilisation de la batterie.

Pour éteindre votre URSA Mini Pro, touchez le bouton **Power off** situé dans le coin supérieur droit.



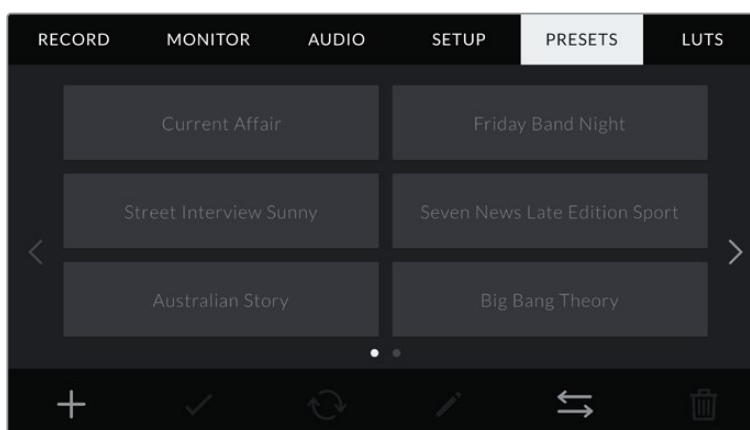
Avant l'extinction de l'appareil, il vous sera demandé de confirmer votre choix.

Lorsque votre caméra URSA Mini Pro est éteinte mais que le Bluetooth reste activé, le nom de la caméra apparaît dans la liste des appareils disponibles de l'application Blackmagic Camera Control. Comme la caméra est associée, vous pourrez l'allumer à distance en sélectionnant son nom dans la liste et en touchant le bouton **Connect**. Le nom de votre caméra apparaît uniquement si la fonction Bluetooth est activée.

## Préréglages

L'onglet **Presets** vous permet de sauvegarder et de rappeler toute une gamme de paramètres pour la URSA Mini. C'est très utile lorsqu'une caméra est utilisée sur plusieurs projets. Par exemple, vous pouvez utiliser la URSA Mini pour des documentaires ou des clips musicaux et avoir des paramètres très différents selon le projet. La fonction **Presets** vous permet de sauvegarder la configuration d'un projet ou d'un type de tournage et de le rappeler facilement quand vous en avez besoin. Il est possible que certains paramètres sauvegardés en tant que préréglages sur la URSA Mini ne soient pas compatibles avec d'autres caméras Blackmagic ou avec les versions antérieures du logiciel de la URSA Mini. Pour vous assurer que votre caméra utilise la dernière version logicielle, veuillez consulter les pages d'assistance technique de Blackmagic Design sur [www.blackmagicdesign.com/fr/support](http://www.blackmagicdesign.com/fr/support).

Vous pouvez également importer et exporter des préréglages, ce qui est très pratique pour les tournages multicaméras. En effet, il suffit de configurer une caméra URSA Mini pour votre projet, puis d'exporter ce préréglage sur toutes les autres URSA Mini utilisées pour le tournage.



Onglet **Presets** de la URSA Mini

**REMARQUE** La mémoire interne de la URSA Mini peut sauvegarder jusqu'à 12 préréglages.

### Boutons de préréglage

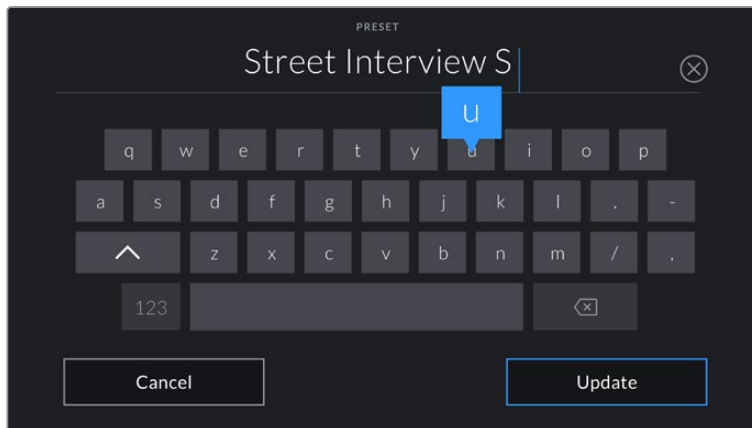
Les icônes situées au-dessous du menu **Presets** de la URSA Mini correspondent aux fonctions suivantes.



### Sauvegarder et rappeler les préréglages

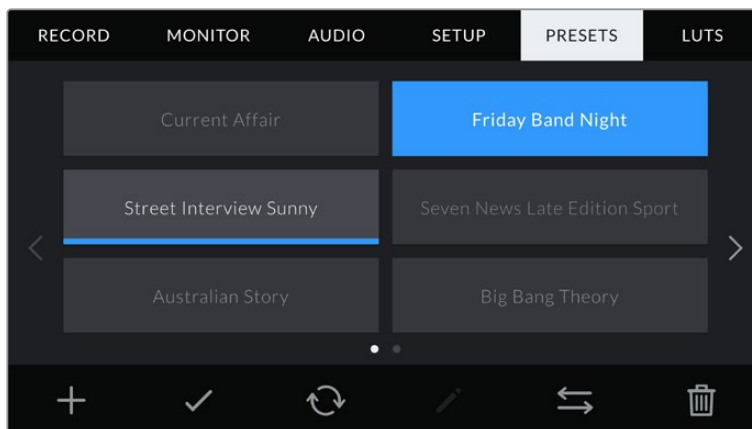
Pour créer un nouveau préréglage, touchez l'icône **Ajouter**. Un clavier tactile s'affichera sur l'écran LCD et vous pourrez nommer le préréglage. Une fois le nom saisi, touchez l'icône **Mettre à jour** pour sauvegarder tous les paramètres de la URSA Mini sur ce préréglage.

Si la URSA Mini possède déjà un préréglage portant le même nom, vous pourrez remplacer le préréglage existant ou garder les deux préréglages.



Saisissez un nom pour le préréglage à l'aide du clavier tactile en touchant l'icône **Add** de l'onglet **Presets**.

Une fois le préréglage sauvegardé, touchez son nom dans le menu **Presets** afin de le sélectionner. Pour le charger, il suffit de toucher l'icône **Charger**.



Sélectionnez un préréglage et touchez l'icône **Charger** pour le charger. Les préréglages sélectionnés s'affichent en bleu, tandis que les préréglages chargés sont soulignés en bleu.

### Importer des préséglages

Pour importer des préséglages, touchez l'icône **Gérer** située en bas du menu **Préséts**. Sur la URSA Mini Pro, sélectionnez SD ou CFast avec l'interrupteur des supports de stockage, selon l'emplacement de sauvegarde de vos préséglages. Si vous utilisez un URSA Mini Recorder, vous pouvez également importer des préséglages depuis un SSD.

Touchez le bouton **Import Preset** et confirmez votre choix à l'aide du bouton **Import**. L'écran d'importation s'affiche. Choisissez l'option **Card 1** ou **Card 2** en haut de l'écran afin d'afficher les préséglages disponibles sur la carte sélectionnée.

La URSA Mini effectue une recherche dans le répertoire racine et dans le dossier préséglages de la carte CFast ou SD sélectionnée. Il est important de noter que les préséglages qui ont été sauvegardés à un autre emplacement sur la carte CFast ou SD ne seront pas visibles.

Touchez un préséglage pour le sélectionner et touchez le bouton **Import** pour confirmer votre choix. En haut à droite de l'écran, vous verrez un nombre qui représente les préséglages vides, disponibles sur la caméra.

**REMARQUE** Lorsque les emplacements pour les préséglages de la URSA Mini sont pleins, le menu d'importation ne sera plus disponible. Il faudra alors supprimer un préséglage pour faire de la place.

### Exporter des préséglages

Pour exporter un préséglage sur une carte CFast ou SD, sélectionnez le préséglage souhaité, puis touchez l'icône **Gérer**. Deux options s'offrent à présent à vous **Import Preset** ou **Export selected preset**.

Réglez l'interrupteur des supports de stockage de la URSA Mini Pro sur SD ou CFast, selon l'emplacement dans lequel vous souhaitez exporter les préséglages. Si vous utilisez un URSA Mini Recorder, vous pouvez également exporter des préséglages vers un SSD. Si vous sélectionnez l'option **Exporter le préséglage sélectionné**, vous devrez choisir la carte sur laquelle vous souhaitez exporter le préséglage. Le préséglage sera exporté dans le dossier **Préséts** de cette carte.

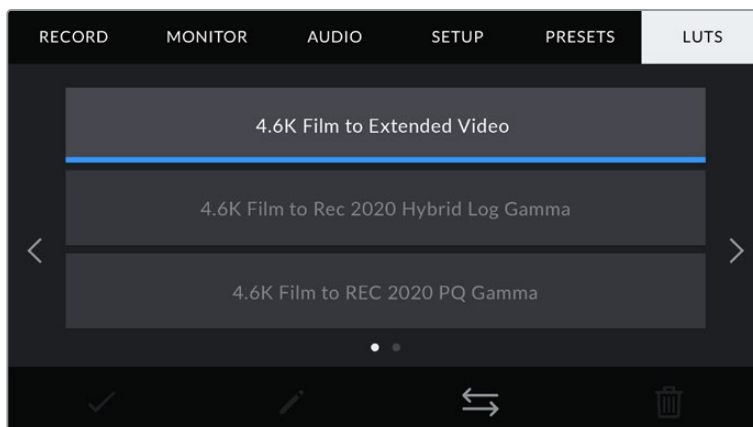
Si la carte CFast ou SD que vous avez choisie possède déjà un préséglage portant le même nom, vous pourrez remplacer le préséglage existant ou garder les deux préséglages.

### Supprimer des préséglages

La URSA Mini possède l'espace nécessaire pour douze préséglages. Pour supprimer un préséglage, il suffit de le sélectionner et de toucher l'icône **Supprimer**. Un message s'affiche pour vous demander de confirmer votre choix. Touchez le bouton **Delete** pour confirmer.

## Onglet LUTS

L'onglet LUTS vous permet d'importer, d'exporter et d'appliquer des LUTS 3D aux sorties de la caméra.



Onglet **LUTS** de la URSA Mini



### Présentation des LUTs 3D

La URSA Mini peut appliquer des LUTs 3D à des images affichées sur l'écran tactile, sur la sortie SDI avant et sur la sortie SDI principale. Les LUTs indiquent à la caméra quelle couleur et quelle luminance doivent s'afficher pour une couleur ou une luminance donnée. Par exemple, une LUT peut communiquer à la URSA Mini d'afficher une couleur bleue vive et saturée quand elle reçoit une couleur bleue relativement terne. C'est une fonction très pratique lorsque vous tournez des séquences en Blackmagic RAW, ou que vous utilisez le mode **Film**, qui offrent tout deux des images peu contrastées. Le fait d'appliquer une LUT vous donnera une meilleure idée du rendu de la séquence après l'étalonnage.

Il est facile de créer des LUTs 3D avec DaVinci Resolve ou d'autres logiciels d'étalonnage. De nombreuses LUTs sont également disponibles en ligne. La URSA Mini peut stocker jusqu'à six LUTs 3D à 17 ou 33 points, d'un maximum de 1,5 méga-octet chacune. Une fois la LUT chargée, vous pouvez l'afficher sur l'écran tactile de la caméra, sur la sortie SDI avant, sur la sortie SDI principale ou sur n'importe quelle combinaison de ces sorties.

La URSA Mini prend en charge les LUTs 3D à 33 points au format .cube, créées au sein de DaVinci Resolve et les LUTs 3D à 17 points, converties au format .cube de Resolve via des programmes de conversion de LUT. La caméra traite les LUTs 3D à l'aide d'une interpolation tétraédrique d'excellente qualité.

**CONSEIL** Pour plus d'informations sur l'affichage des LUTs, consultez la section « Paramètres du moniteur » de ce manuel.

**REMARQUE** Les LUTs peuvent uniquement être utilisées en tant qu'outils de prévisualisation. La URSA Mini n'applique pas de LUT aux séquences enregistrées. Cependant, les informations des LUTs utilisées durant une prise sont sauvegardées en tant que métadonnées avec vos enregistrements. Reportez-vous au champ **LUT utilisée** dans DaVinci Resolve pour vérifier le nom de la LUT qui a été utilisée pour le monitoring sur le plateau. Le format Blackmagic RAW vous permet d'ajouter une LUT sans endommager le film. Le fichier RAW peut donc être parfaitement utilisé en post-production. Dans DaVinci Resolve, vous pouvez donc utiliser la LUT ou appliquer un autre rendu. Pour plus d'informations, consultez la section « LUTs 3D intégrées » de ce manuel.

### LUTs intégrées

La URSA Mini offre des LUTs intégrées qui permettent de prévisualiser les différents styles lorsque vous filmez avec la plage dynamique **Film**, en ProRes ou en Blackmagic RAW.

<b>Film to Extended Video</b>	Affiche une plage dynamique plus étendue que la LUT 4.6K Film to Video, tout en appliquant un léger changement de contraste et un roll-off progressif dans les hautes lumières.
<b>Film to Video</b>	Similaire à l'espace colorimétrique REC 709 pour la vidéo haute définition. Offre un niveau élevé de contraste et de saturation. Ce réglage peut être utile lorsque vous utilisez la URSA Mini avec d'autres caméras broadcast et l'espace colorimétrique REC 709.
<b>Film to Rec 2020 Hybrid Log Gamma</b>	Affiche une image à mi-chemin entre le REC 709 et une image Log.
<b>Film to Rec 2020 PQ Gamma</b>	Affiche une courbe gamma calculée sur ce que perçoit l'œil humain, pour encoder efficacement les images HDR.

### Boutons des LUTs

Les icônes situées au bas de l'écran **LUTS** de la URSA Mini correspondent aux fonctions suivantes.



### Importer des LUTs

Pour importer une LUT 3D, touchez l'icône **Gérer** au bas du menu LUT, puis touchez le bouton **Import LUT** pour confirmer votre choix.

L'écran d'importation s'affiche. Réglez l'interrupteur des supports de stockage de la URSA Mini Pro sur SD ou CFAST, selon l'emplacement de sauvegarde de vos LUTs. Vous pouvez également importer des LUTs stockées sur un SSD, si vous utilisez le URSA Mini Recorder. Choisissez l'option **Carte 1** ou **Carte 2** en haut de l'écran afin d'afficher les LUTs 3D disponibles sur la carte sélectionnée.

La URSA Mini effectue une recherche dans le répertoire racine et dans le dossier 3DLUTS de la carte CFAST ou SD sélectionnée. Les LUTs que vous avez sauvegardées à un autre emplacement ne seront pas visibles.

Touchez une LUT pour la sélectionner et touchez le bouton **Import** pour confirmer votre choix. La LUT sera sauvegardée sur la URSA Mini.

**REMARQUE** Lorsque les emplacements pour LUT 3D de la URSA Mini sont pleins, vous devrez supprimer des LUTs existantes afin de pouvoir en importer des nouvelles.

Si la LUT que vous souhaitez importer porte le même nom qu'une autre LUT sauvegardée sur la caméra, vous pourrez remplacer la LUT existante ou garder les deux LUTs. En haut à droite de l'écran, vous verrez un nombre qui représente les LUTs vides, disponibles sur la caméra. Vous ne pourrez pas excéder ce nombre.

**REMARQUE** Si vous avez des problèmes à importer une LUT sur la URSA Mini, c'est peut-être à cause de sa taille. Vous pouvez utiliser un éditeur de LUT tel que Lattice pour vérifier sa taille, ou l'ouvrir dans un éditeur de texte sur votre ordinateur. À côté de l'intitulé LUT\_3D\_SIZE, vous trouverez un nombre indiquant la taille de la LUT. Si cette valeur n'est pas sur 17 ou 33 points, vous pouvez utiliser Lattice pour redimensionner la LUT 3D sur 17 points.

### Appliquer une LUT

Une fois la LUT sauvegardée sur la caméra, sélectionnez-la dans le menu LUT, puis touchez l'icône **Charger**. La LUT sera ainsi activée sur toutes les sorties de la caméra. Il faudra toutefois activer le paramètre **Display 3D LUT** sous chaque sortie de l'onglet **Monitor** pour l'appliquer. L'icône LUT s'affiche sur l'écran LCD, ou sur le moniteur SDI avant ou principal, lorsque les informations d'état sont activées et qu'une LUT est appliquée sur cette sortie. Pour plus d'informations, consultez la section « Paramètres du moniteur » de ce manuel.

### Exporter des LUTs

Pour exporter une LUT sur une carte CFast ou SD, sélectionnez la LUT de votre choix et touchez l'icône **Gérer**. Deux options s'offrent à présent à vous **Import LUT** ou **Export selected LUT**. Réglez l'interrupteur des supports de stockage de la URSA Mini Pro sur SD ou CFast, selon l'emplacement dans lequel vous souhaitez exporter la LUT. Si vous utilisez un URSA Mini Recorder, vous pouvez également exporter des LUTs vers un SSD.

Si vous sélectionnez l'option **Export selected LUT**, vous devrez choisir la carte sur laquelle vous souhaitez exporter la LUT. Une fois la carte choisie, l'exportation commence, à moins que vous exportiez une LUT qui existait déjà sur cette carte. Si une LUT identique existe déjà sur la carte que vous avez sélectionnée, vous aurez le choix entre remplacer la LUT existante ou garder les deux LUTs.

### Supprimer des LUTs

La URSA Mini possède l'espace nécessaire pour six LUTs 3D à 17 points ou à 33 points. Pour supprimer des LUTs que vous ne souhaitez plus utiliser, sélectionnez les LUTs de votre choix et touchez l'icône **Supprimer**. Un message s'affiche pour vous demander de confirmer votre choix. Touchez le bouton **Delete** pour confirmer.

### LUTs 3D intégrées

Lorsque vous utilisez une LUT 3D en filmant en Blackmagic RAW avec les modèles URSA Mini Pro, la LUT sélectionnée sera intégrée au fichier Blackmagic RAW que vous enregistrez. Comme la LUT 3D est sauvegardée avec vos fichiers enregistrés dans l'en-tête du fichier .braw, vous pouvez facilement l'appliquer à vos clips en post-production, sans avoir à gérer un fichier supplémentaire.

Lorsque les fichiers Blackmagic RAW sont livrés à un monteur ou un étalonneur, ces derniers auront facilement accès à la LUT qui a été utilisée pendant le tournage. Ainsi, le risque de confondre les LUTs 3D et de les appliquer au mauvais clip est considérablement réduit. Ils peuvent choisir d'appliquer ou non la LUT 3D lors du montage ou de l'étalonnage, et peuvent désactiver la LUT à tout moment.

Lorsque la fonction **Apply LUT in file** est activée dans le menu de la URSA Mini Pro, le clip enregistré s'ouvrira dans le Blackmagic RAW Player et dans DaVinci Resolve avec la LUT 3D sélectionnée. Vous pouvez activer ou désactiver l'application de la LUT 3D, mais elle sera toujours présente dans le fichier Blackmagic RAW.

DaVinci Resolve comprend également une fonction **Apply LUT** dans ses paramètres, pour activer ou désactiver la LUT 3D dans le fichier Blackmagic RAW. La fonction **Apply LUT** dans DaVinci Resolve est la même que dans la caméra. Ainsi, quand vous filmez, vous pouvez demander à l'étalonneur d'utiliser une LUT depuis la caméra. Mais vous pourrez facilement désactiver cette LUT dans DaVinci Resolve en réglant **Apply LUT** sur **Off**.

# Saisie des métadonnées

Les métadonnées sont des informations enregistrées dans le clip, telles que le numéro de prise et les paramètres de la caméra. Ce sont des données extrêmement pratiques pour trier et traiter les séquences en post-production. Par exemple, les numéros de prise, de plan et de scène sont des outils d'organisation essentiels. Les informations concernant l'objectif peuvent être utilisées pour corriger automatiquement la déformation de l'image ou pour mieux associer les VFX aux séquences.

La Blackmagic URSA Mini enregistre automatiquement certaines métadonnées, telles que les paramètres de la caméra, le timecode, la date et l'heure. Vous pouvez également utiliser le clap de la caméra pour ajouter des informations supplémentaires.

## Le clap

Balayez l'écran tactile de la URSA Mini vers la gauche ou vers la droite pour afficher le clap.

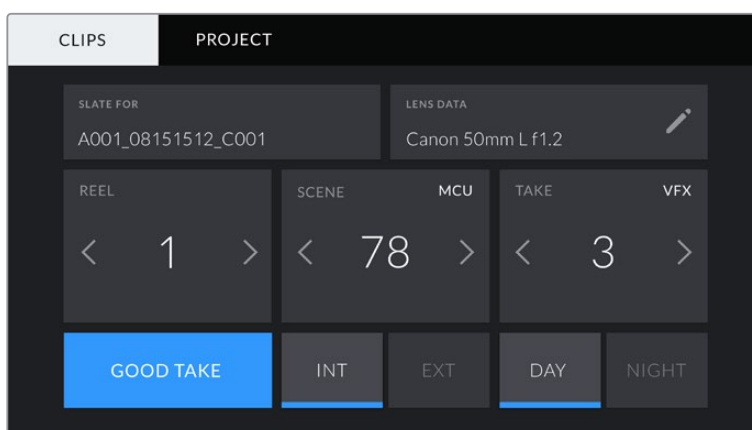
Le clap est divisé en deux onglets intitulés **Clips** et **Project**. L'onglet **Clips** contient des informations qui peuvent varier selon les clips. En revanche, les informations qui sont identiques pour tous les clips sont saisies dans l'onglet **Project**, par exemple les noms du projet, du réalisateur, de la caméra et de l'opérateur.

**CONSEIL** Les métadonnées saisies dans le clap sont affichées sur la sortie avant ou principale de la URSA Mini lorsque l'option **Display status text for** est réglée sur **Director** dans l'onglet **Monitor**. Pour plus d'informations, consultez la section « Onglet Monitor » de ce manuel.

## Métadonnées des clips

Les modifications apportées aux métadonnées des clips fonctionnent différemment en mode de veille, lorsque la URSA Mini est prête à enregistrer, et en mode de lecture, lorsque vous visionnez les séquences que vous avez tournées. En mode de veille, les métadonnées des clips sont enregistrées sur le clip suivant, excepté pour **Good take last clip**, qui fait référence au clip qui vient d'être enregistré.

En mode lecture, les métadonnées des clips sont toujours enregistrées sur le clip en cours de visionnement.



Le clap de la URSA Mini est divisé en deux onglets intitulés **Clips** et **Project**.

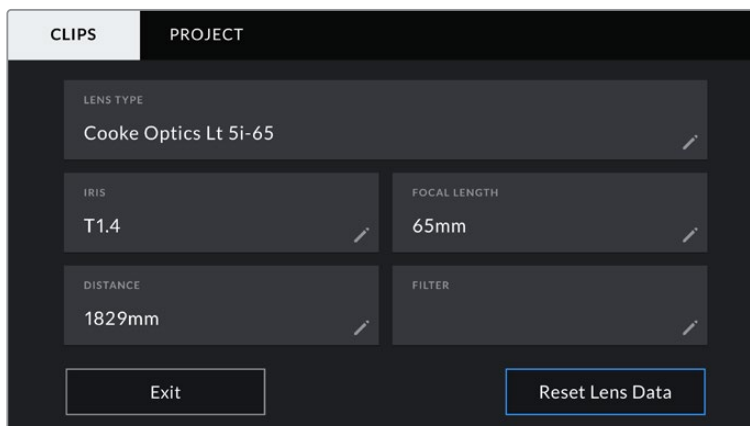
### Paramètre Slate for

Ce paramètre désigne le clip auquel les métadonnées affichées dans l'onglet **Clips** se réfèrent. En mode de veille, il se réfère au prochain clip enregistré.

### Données concernant l'objectif

Le paramètre **Lens Data** affiche des informations concernant l'objectif monté sur la caméra. De nombreux objectifs électroniques fournissent automatiquement des informations telles que le modèle de l'objectif, l'ouverture et la distance focale. Si vous utilisez un objectif qui ne fournit pas ces informations, ou si vous souhaitez saisir des données supplémentaires, touchez l'icône crayon de ce paramètre pour les saisir manuellement.

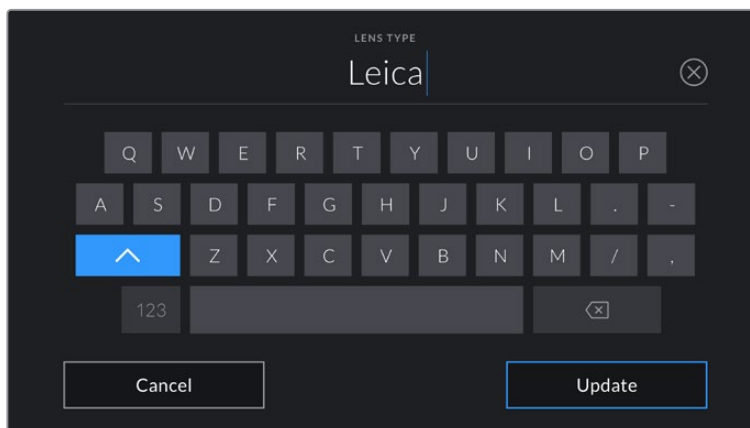
Le menu **Lens Data** s'affichera. Il contient les informations suivantes :



Le menu **Lens data** affiche les informations générées automatiquement depuis des objectifs Cooke compatibles /i Technology.

### Type d'objectif

Le paramètre **Lens Type** indique le modèle de l'objectif. Si le type d'objectif ne s'affiche pas automatiquement, touchez ce paramètre pour saisir les données manuellement. Comme votre caméra possède une base de données interne pour de nombreux objectifs, elle suggérera des noms automatiquement lorsque vous saisissez des données manuellement. La saisie des données sera donc beaucoup plus rapide.



Utilisez le clavier tactile pour saisir les métadonnées de l'objectif si elles n'apparaissent pas automatiquement.

### Iris

Ce paramètre indique l'ouverture de l'iris au début du clip. Lorsqu'elle est fournie automatiquement, cette information peut être affichée en f- ou T-Stops selon l'objectif utilisé. Touchez l'icône crayon de ce paramètre pour saisir les données manuellement.

### Longueur focale

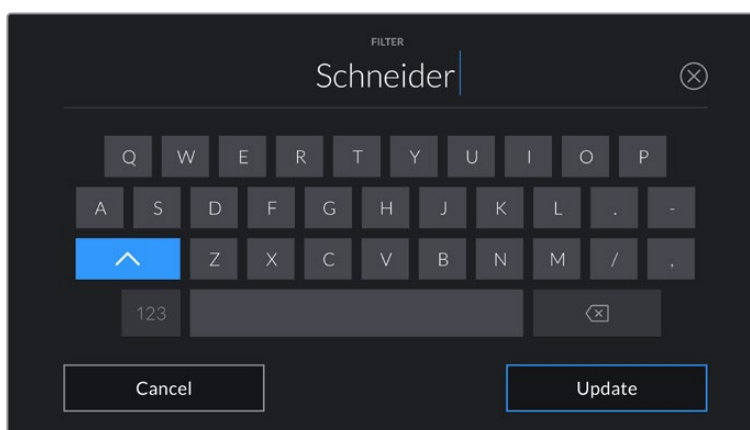
Le paramètre **Focal Length** indique la longueur focale de l'objectif au début du clip enregistré. Lorsqu'elle est fournie automatiquement, la longueur focale est exprimée en millimètres. Touchez l'icône crayon de ce paramètre pour saisir les données manuellement.

### Distance

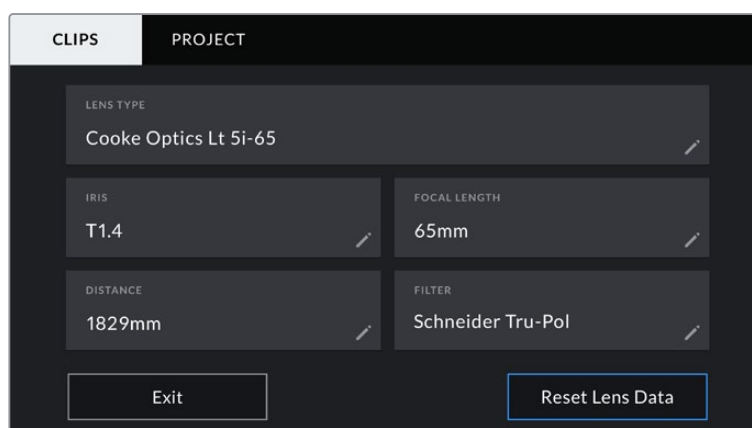
Ce paramètre indique la distance focale de l'objectif pour le clip enregistré. Certains objectifs fournissent automatiquement cette information en millimètres. Vous pouvez également saisir manuellement cette donnée.

### Filtre

Le paramètre **Filter** indique les filtres utilisés. Touchez l'icône crayon de ce paramètre pour saisir les données manuellement. Vous pouvez saisir plusieurs données en les séparant par des virgules.

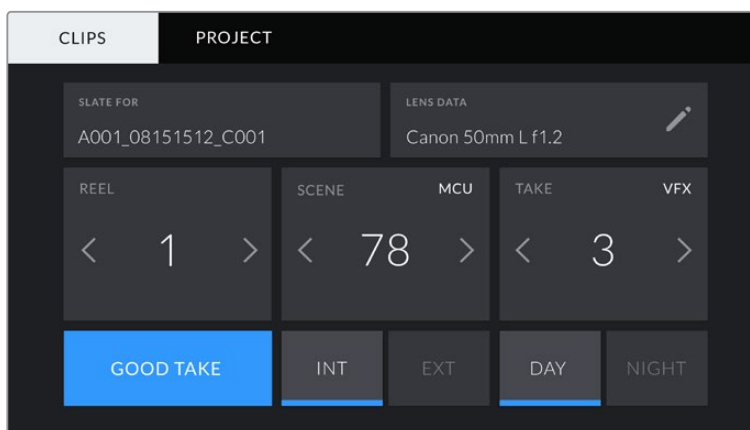


Les informations sur les filtres doivent être saisies manuellement.



Le menu **Lens data** affiche les informations générées automatiquement depuis des objectifs Cooke compatibles /i Technology, ainsi que les informations sur les filtres saisies manuellement.

**REMARQUE** Vous pouvez effacer les données de l'objectif quand vous le souhaitez en touchant le bouton **Reset Lens Data** dans le menu **Lens Data**. Un message s'affiche pour vous demander de confirmer votre choix. Si vous confirmez, toutes les données de l'objectif seront automatiquement remplacées par les données de l'objectif actuellement monté sur la caméra. Si vous avez saisi manuellement les informations présentes dans ces champs, vous devrez réinitialiser les données de l'objectif la prochaine fois que vous monterez un objectif afin de supprimer les valeurs saisies manuellement.



Le clap de la URSA Mini est divisé en deux onglets intitulés **Clips** et **Project**.

### Reel

Le paramètre **Reel** indique le numéro de la bobine en cours.

La URSA Mini incrémente automatiquement le numéro de bobine, il n'est donc généralement pas nécessaire de saisir cette information manuellement. Quand vous passez à un autre projet et que vous souhaitez recommencer à partir de la bobine 1, sélectionnez **Reset Projet Data** dans l'onglet **Project** du clap.

### Scène

Le paramètre **Scene** indique le numéro de la scène. Il est également possible d'afficher le numéro du plan et son type.

Ce numéro fait toujours référence à la scène en cours. Vous pouvez le faire augmenter ou le faire diminuer à l'aide des flèches gauche et droite situées de part et d'autre du paramètre, ou en touchant le numéro de scène pour accéder à l'éditeur de numéro de scène.

Les réglages sont compris entre 1 et 9999.

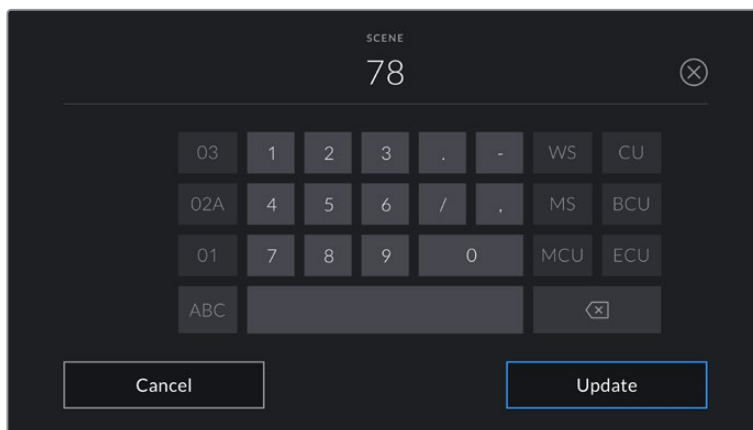
En ajoutant une lettre au numéro de scène dans l'éditeur de numéro de scène, vous pourrez également indiquer le plan en cours. Par exemple 23A indique que vous allez filmer le plan 1 de la scène 23. Si vous ajoutez une lettre au numéro de scène, la URSA Mini suggérera une incrémentation des lettres à chaque fois que vous accéderez à l'éditeur de numéro de scène. Par exemple, si le numéro de la scène est de 7B, la URSA Mini vous proposera 7C.

Le paramètre **Scene** peut également afficher des informations concernant le type de plan dans le coin supérieur droit. Vous pouvez sélectionner ces informations sur le côté droit du clavier numérique dans l'éditeur de numéro de scène.

Les types de plans disponibles sont :

<b>WS</b>	Plan large
<b>MS</b>	Plan moyen
<b>MCU</b>	Plan rapproché
<b>CU</b>	Gros plan
<b>BCU</b>	Plan très serré
<b>ECU</b>	Très gros plan





Lorsque vous saisissez les métadonnées de la scène, la URSA Mini proposera des incréments sur le côté gauche du clavier tactile, et des types de plans sur le côté droit.

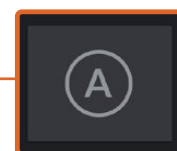
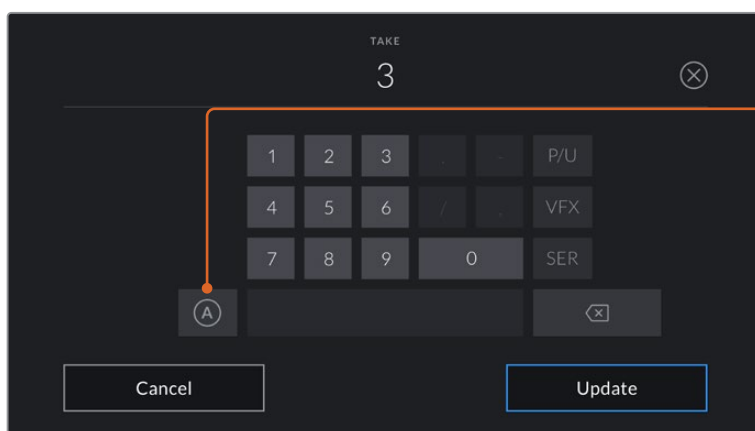
### Prise

Le paramètre **Take** indique le numéro de prise pour le plan en cours. Vous pouvez le faire augmenter ou le faire diminuer à l'aide des flèches gauche ou droite situées de part et d'autre du paramètre, ou en touchant le numéro afin d'accéder à l'éditeur de numéro de prise.

**CONSEIL** Lorsque le numéro du plan ou la lettre de la scène s'incrémentent, le numéro de prise se remettra sur 1.

Vous pouvez également ajouter la description de la prise dans l'éditeur de numéro de prise. Ces descriptions sont proposées sur la droite du clavier tactile et correspondent aux scénarios suivants :

<b>PU</b>	<b>Pick up.</b> Fait référence au tournage d'éléments supplémentaires d'une prise déjà tournée afin d'enrichir la séquence.
<b>VFX</b>	<b>Visual Effects.</b> Fait référence à une prise ou à un plan auquel on ajoute des effets visuels.
<b>SER</b>	<b>Series.</b> Fait référence à une situation où plusieurs prises ont été effectuées lors du même enregistrement.



Touchez le bouton **A** pour incrémenter automatiquement le numéro de la prise lorsque l'appareil est en mode de veille.

Lorsque cette fonction est activée, la lettre **A** apparaît en petit à côté du numéro de la prise dans le clap.

Lorsque vous saisissez des métadonnées concernant la prise, la URSA Mini propose des types de plans sur le côté droit du clavier tactile.

### Good Take

Touchez le bouton **Good Take** pour marquer les bonnes prises afin de pouvoir les retrouver facilement en post-production. En mode de veille, ce paramètre s'applique au dernier clip enregistré. En mode de lecture, il s'applique au clip en cours de visionnement.

### Int / Ext

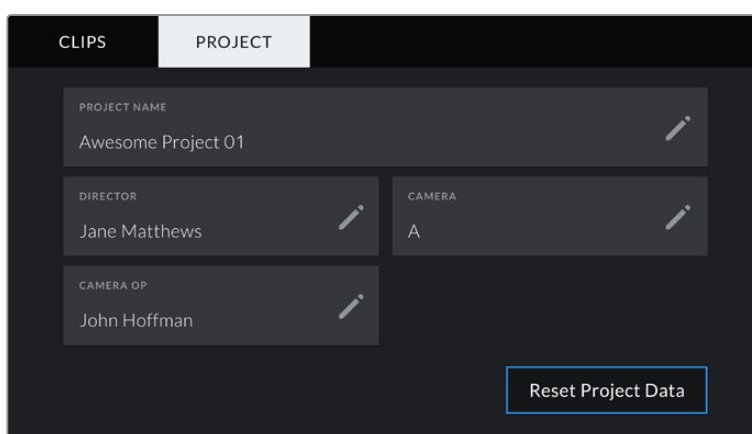
Touchez les paramètres **Int** ou **Ext** pour ajouter un marqueur **Intérieur** ou **Extérieur** au clip suivant en mode de veille, ou au clip en cours en mode de lecture.

### Day / Night

Touchez les paramètres **Day** ou **Night** pour ajouter un marqueur **Jour** ou **Nuit** au clip suivant en mode de veille, ou au clip en cours en mode de lecture.

## Métadonnées du projet

Les métadonnées du projet fonctionnent de la même façon en mode de veille ou en mode de lecture. Ces métadonnées font toujours référence à l'intégralité du projet et sont indépendantes des numéros de clip.



Onglet **Project** de la URSA Mini

### Nom du projet

Le paramètre **Project Name** affiche le nom du projet en cours. Touchez l'icône crayon pour modifier le nom du projet.

### Réalisateur

Le paramètre **Director** affiche le nom du réalisateur pour le projet en cours. Touchez l'icône crayon pour modifier le nom du réalisateur.

### Caméra

Affiche une seule lettre représentant la caméra. Touchez l'icône crayon pour modifier cette lettre.

**REMARQUE** L'identifiant de la caméra est utilisé au sein des métadonnées et pour nommer les fichiers. Il est différent de l'identifiant ATEM de la caméra, qui est utilisé pour contrôler la URSA Mini à l'aide d'un mélangeur ATEM. Pour plus d'informations sur l'identifiant ATEM de la caméra, consultez la section « Comprendre la fonction Camera Control » de ce manuel.

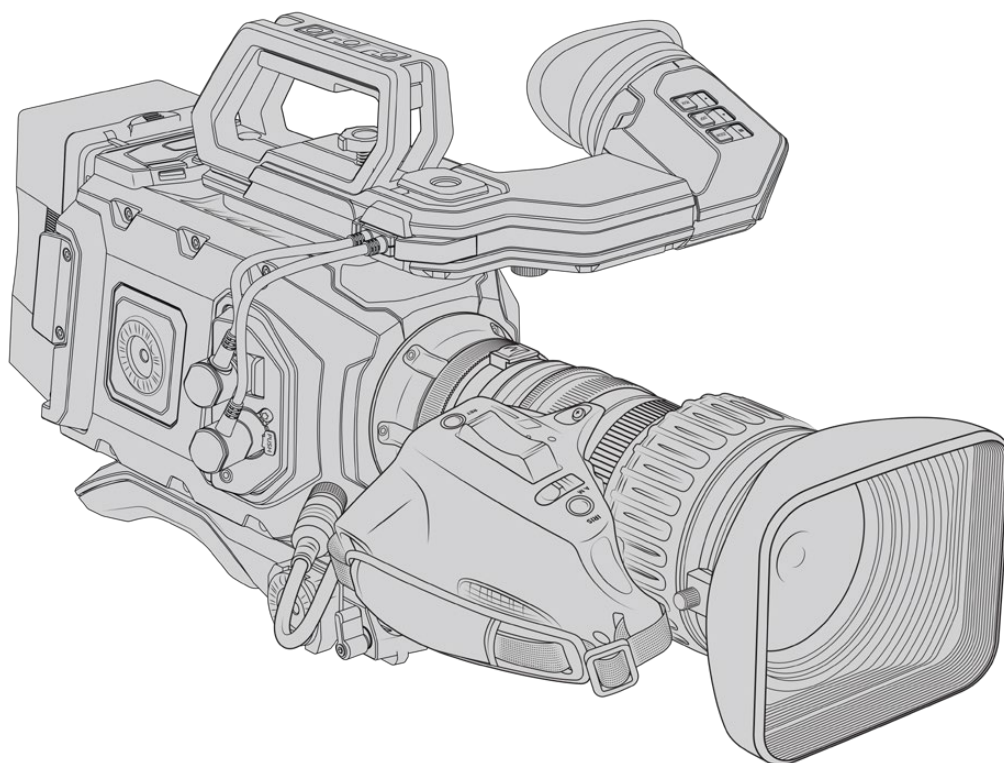
### Nom de l'opérateur

Le paramètre **Camera Op** affiche le nom de l'opérateur de la caméra. Touchez l'icône crayon pour modifier le nom de l'opérateur de la caméra.

## Utiliser des objectifs à zoom motorisé

Équiper votre caméra URSA Mini d'objectifs à zoom motorisé est une solution très performante. Les bagues de réglage manuel du diaphragme, du zoom et de la mise au point situés sur l'objectif, ainsi qu'une poignée intégrée dotée d'un commutateur de zoom, permettent de réaliser des tournages très efficacement. Cette solution offre des techniques qui auraient été difficiles voire impossible à réaliser avec d'autres objectifs. Les modèles URSA Mini PL et URSA Mini Pro 4.6K prennent en charge le contrôle des objectifs B4 et PL cine-servo via le connecteur à 12 broches.

Avec des objectifs compatibles, vous pouvez utiliser le commutateur de zoom, démarrer et arrêter l'enregistrement avec le bouton d'enregistrement et contrôler l'iris. La plupart des objectifs à zoom motorisé disposent d'un bouton **Ret**, qui fonctionne de la même façon que le bouton PGM sur une caméra. Vous pourrez ainsi faire basculer le flux envoyé vers l'écran LCD et la sortie de monitoring HD entre le signal de la caméra et le retour de programme.



Pour un contrôle électronique de l'ouverture de l'objectif, assurez-vous que le bouton de l'iris, situé au-dessus du commutateur de zoom, est réglé sur **A** ou sur **Auto**. Un contrôle électronique du zoom est également possible avec les objectifs à zoom motorisé Digital HD et 4K. Pour cela, assurez-vous que le bouton **Zoom**, situé au-dessous du commutateur de zoom, est réglé sur **S**, en référence à servo.

Comme il existe de nombreuses variantes d'objectifs B4, le guide ci-dessous vous aidera à choisir le modèle qui vous conviendra le mieux.

### Liste des objectifs B4 avec contrôle de l'iris et du zoom :

- Les modèles d'objectifs Fujinon B4 dont le nom commence par les lettres HA, ZA, XA, UA et LA et finit par les lettres RM sont équipés du contrôle électronique du diaphragme et du zoom.
- Les modèles d'objectifs Canon B4 dont le nom commence par les lettres HJ, KJ et CJ et finit par les lettres IRSE ou IRSD.

Certains objectifs B4 et PL sont également équipés de poignées motorisées pour la mise au point. Pour que cela fonctionne sur les URSA Mini PL et URSA Mini Pro, assurez-vous que le bouton **Focus**, situé au-dessous du commutateur de zoom, est réglé sur **S**, en référence à servo.

#### Liste des objectifs B4 avec contrôle motorisé complet pour la mise au point, l'iris et le zoom :

- Les modèles d'objectifs Fujinon B4 dont le nom commence par les lettres HA, ZA et UA et finit par les lettres RD ou ZD.
- Les modèles d'objectifs Canon B4 dont le nom commence par les lettres HJ, KJ et CJ et finit par les lettres IASE or IASD.

Avec des objectifs qui disposent d'un contrôle motorisé de la mise au point, vous pouvez également déclencher l'autofocus à l'aide du bouton **Focus** de la URSA Mini. La mise au point peut être contrôlée à distance par un mélangeur ATEM avec le logiciel ATEM Software Control.

Une fois que vous avez monté un objectif B4, réglez la résolution sur 2K 16:9 ou plus bas, et le paramètre **D** sur **On** dans l'onglet **Record** du menu de navigation. Ces paramétrages sont primordiaux pour éviter des effets de vignettage de l'image, car les objectifs B4 ne couvrent pas le cercle d'image des capteurs Super 35mm.

#### Liste des objectifs PL Super 35mm avec contrôle motorisé complet pour la mise au point, l'iris et le zoom :

Marque	Série	Modèle	Plage	Ouverture max.
Fujinon	Cabrio	ZK2.5x14-SAF	14-35mm	T2.9
Fujinon	Cabrio	ZK4.7x19-SAFB	19-90mm	T2.9
Fujinon	Cabrio	ZK3.5x85-SAF	85-300mm	T2.9-T4
Fujinon	Cabrio	XK6x20	20-120mm	T3.5
Fujinon	Cabrio	ZK12x25 avec ESM-15A-SA	25-300mm	T3.5-3.85
Canon	Cine-servo	CN7x17KAS S	17-120mm	T2.9-3.9
Canon	Cine-servo	CN20x50	50-1000mm	T5-8.9

En studio, les poignées de mise au point et de zoom peuvent également être reliées aux manches pour tête panoramique sur tous les objectifs dotés de zooms motorisés PL et B4 listés ci-dessus.

#### Objectifs hybrides à zoom compact-servo

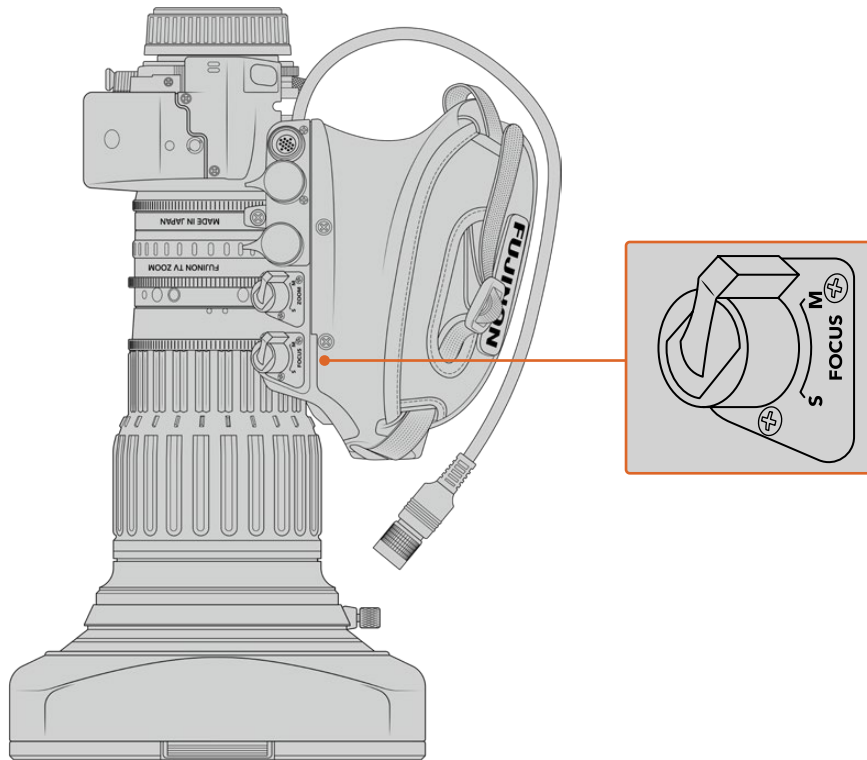
Récemment, une nouvelle catégorie d'objectifs à zoom « compact-servo » a vu le jour. Ces objectifs possèdent certaines fonctionnalités des objectifs B4 et PL à zoom motorisé, mais ils s'utilisent avec des montures EF. Le commutateur de zoom de ces objectifs peut être alimenté par la monture d'objectif des caméras URSA Mini EF et URSA Mini Pro. Les informations comme le nom de l'objectif, les valeurs de position de l'iris, de la mise au point et du zoom peuvent toutes être lues et enregistrées par le système de métadonnées de l'objectif de la URSA Mini.

Le contrôle électronique de la mise au point, de l'iris et du zoom est disponible avec ces objectifs sur la URSA Mini et la URSA Mini Pro. Lorsque la caméra est connectée à un mélangeur, ces fonctions peuvent être contrôlées à distance via l'ATEM Software Control. Si vous travaillez dans un environnement broadcast ou studio, le contrôle de la mise au point et du zoom est possible sur les appareils numériques Canon. Cependant des câbles additionnels, disponibles auprès de fabricants tiers, sont requis.

#### Liste des objectifs de cette gamme :

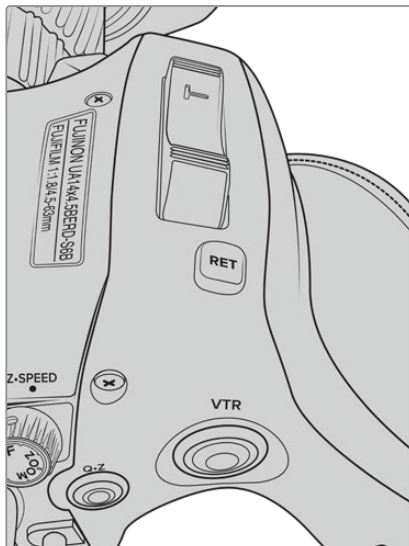
- Canon CN-E 18-80mm T4.4 Compact-servo
- Canon CN-E 70-200mm T4.4 Compact-servo

**NOTE** Les objectifs analogiques B4 dotés de servomoteurs sont également pris en charge. Cependant, la caméra n'alimentera que le zoom motorisé et prendra uniquement en charge le contrôle électronique de l'iris. La plupart de ces objectifs utilisent la définition standard et ne sont pas forcément dotés d'un connecteur broadcast à 12 broches. Avant d'utiliser un objectif analogique B4, vérifiez d'abord sa compatibilité avec votre caméra, car certains de ces objectifs possèdent un nombre réduit de fonctionnalités. Nous vous conseillons également de tester leur couverture du cercle d'image car, sur certains de ces objectifs, la lumière et la résolution peuvent se retrouver fortement réduites sur les bords de l'image.



## Ret et VTR

Sur un objectif B4, le bouton **VTR** permet d'enclencher l'enregistrement. Le bouton **Ret** correspond au bouton **Retour programme**. Pour plus d'informations concernant la configuration des boutons **VTR** et **Ret** en boutons de fonction sur la URSA Mini Pro 4.6K G1, consultez la section « Configurer les boutons de fonction » de ce manuel.



Les boutons **Ret** et **VTR** sur un objectif B4

# Sortie vidéo de la caméra

## Sortie de monitoring HD

Le connecteur de sortie 3G-SDI down-converti des Blackmagic URSA Mini achemine toujours de la vidéo HD 1080, vous pouvez ainsi facilement connecter la caméra à des grilles de commutation, des moniteurs, des appareils de capture SDI, des mélangeurs de diffusion et d'autres appareils SDI. Cette sortie est appelée **Front SDI** sur le menu de paramétrage de l'écran tactile.

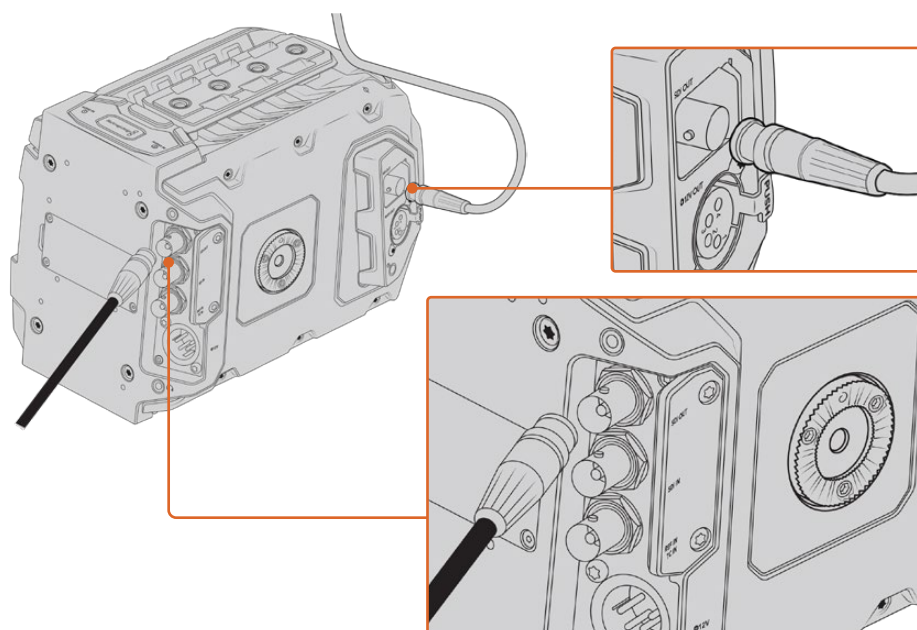
## Sortie 12G-SDI

Le connecteur de sortie 12G-SDI situé sur la face arrière de la caméra prend en charge la vidéo HD et 4K, notamment les formats progressifs à fréquences d'images élevées, tels que 2160p50, 59.94 et 60 sur un seul câble SDI. Les formats HD entrelacés sont également pris en charge, notamment le 1080i50, 59.94 et 60. Vous pouvez utiliser la sortie 12G-SDI pour connecter la caméra à un moniteur SDI ou à un mélangeur 4K, tel que l'ATEM Production Studio 4K. Cette sortie commute entre la HD et l'Ultra HD en sélectionnant le format 1080p ou 2160p dans le paramètre de sortie **SDI Output** sous l'option **Main SDI** de l'onglet **Monitor**.

### Connexion à des mélangeurs vidéo

La sortie SDI vous permet d'utiliser votre caméra pour la production télévisée en direct. Vous pouvez connecter la sortie SDI située sur la face arrière directement à un mélangeur de production pour des travaux de production en direct, ou à un ATEM Camera Converter pour convertir le signal en signal optique et l'acheminer sur des centaines de mètres vers un car régie.

Lorsque la caméra est connectée à un mélangeur, vous pouvez visualiser la sortie de programme provenant du mélangeur sur votre Blackmagic URSA Mini. Pour ce faire, il suffit de connecter le mélangeur à l'entrée 12G-SDI située sur la face arrière de la caméra et de maintenir sur le bouton PGM de l'écran rabattable appuyé afin de visualiser le flux de programme. Relâchez le bouton PGM afin de revenir au flux de la caméra. Appuyez deux fois sur le bouton PGM pour verrouiller l'entrée sur le flux de programme. Pour revenir au flux de la caméra, appuyez une fois sur le bouton PGM.



Vous pouvez connecter la sortie 12G-SDI à n'importe quel moniteur ou mélangeur de production en direct HD 1080 ou Ultra HD. La sortie de monitoring HD peut être branchée à un viseur externe, tel que le Blackmagic URSA Viewfinder, ou à un moniteur externe lorsque la caméra est montée sur du matériel de production, notamment sur une grue.

### Connexion à des moniteurs

Le monitoring SDI peut être très pratique lorsque l'accès à l'écran rabattable est difficile, par exemple lorsque la caméra est installée sur une grue ou dans un véhicule.

Affichez les informations de monitoring via la sortie de monitoring HD-SDI en ajustant les paramètres **front SDI** dans l'onglet **Monitor** de l'écran tactile. Ces paramètres permettent d'afficher les repères de cadrage et des informations concernant l'enregistrement et les paramètres de la caméra. Si vous souhaitez simplement contrôler vos prises de vue, il vous suffit de régler les informations à l'écran sur off pour obtenir une sortie SDI propre.

Pour un monitoring de forme d'onde en direct, connectez la sortie SDI de la caméra à un moniteur SDI ou à un Blackmagic SmartScope Duo 4K.

**REMARQUE** La sortie SDI arrière et la sortie de monitoring 3G-SDI signalent automatiquement les signaux HDR contenant des métadonnées auxiliaires quand vous travaillez en plage dynamique **Film** avec une LUT **Broadcast Film to Rec.2020 Hybrid Log Gamma** ou **Broadcast Film to Rec.2020 to PQ Gamma** sur la sortie SDI. Vous pouvez ainsi afficher des images HDR époustouflantes sur les écrans supportant le HDR à l'aide d'une sortie SDI.

### Formats de sortie SDI

<b>Sortie SDI arrière</b>	2160p23.98, 24, 25, 29.97, 30, 50, 59.94, 60. 1080p23.98, 24, 25, 29.97, 30, 50, 59.94, 60. 1080i50, 59.94, 60.
<b>Sortie de monitoring 3G-SDI</b>	1080p23.98, 24, 25, 29.97, 30, 50, 59.94, 60. 1080i50, 59.94, 60.

**CONSEIL** Pour réaliser un enregistrement en direct simultané avec deux codecs ou réaliser une sauvegarde, vous pouvez envoyer le signal de la sortie SDI arrière de la URSA Mini au Blackmagic Video Assist ou à l'HyperDeck.



# Kit épaulière URSA Mini Shoulder Mount Kit

## Fixer l'épaulière

Le kit épaulière URSA Mini Shoulder Mount Kit vous permet de tourner à l'épaule. Ce kit comprend une poignée qui se fixe sur la face supérieure de la caméra, un support d'épaule, un bras d'extension pour la Blackmagic URSA Handgrip en option, un long câble LANC, un support pour le viseur et toutes les vis requises.

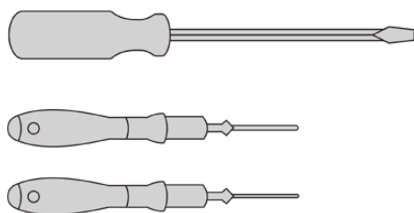
La fixation à attache rapide du support d'épaule vous permet de verrouiller la caméra sur une semelle de trépied ou de positionner la caméra sur votre épaule pour vous offrir plus de mobilité.

Le URSA Mini Shoulder Mount Kit peut être installé sur n'importe quelle semelle pour trépied conçue sur le même modèle que la Sony VCT 14. Ce type de semelle se trouve facilement dans le commerce.

Veuillez noter que les semelles conçues sur le modèle de la VCT U14 sont pourvues d'un système différent et ne sont pas compatibles avec cette caméra.

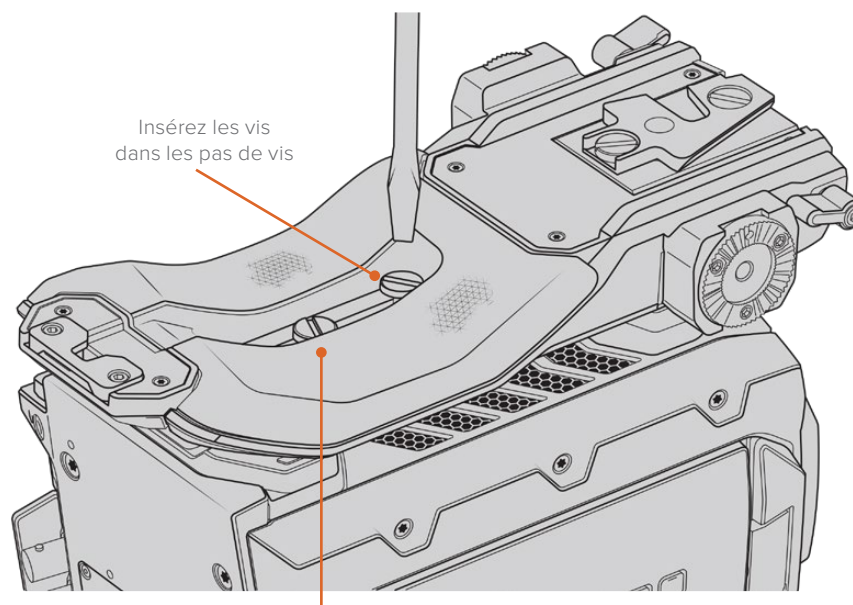
### Lorsque vous installez le kit épaulière, vous aurez besoin des outils suivants :

- 1 x tournevis à tête plate pour les deux vis de 1/4" situées sur le support d'épaule.
- 1 x clé Allen de 3/16" pour les deux vis de 1/4" situées sur la poignée supérieure.
- 1 x clé Allen de 2,5mm pour les quatre vis M3 situées sur le support du viseur.



Pour fixer le kit épaulière à la URSA Mini, utilisez un grand tournevis à tête plate, une clé Allen de 3/16" pour la poignée supérieure et une clé Allen de 2,5mm pour le support du viseur.

## Pour fixer le support d'épaule :



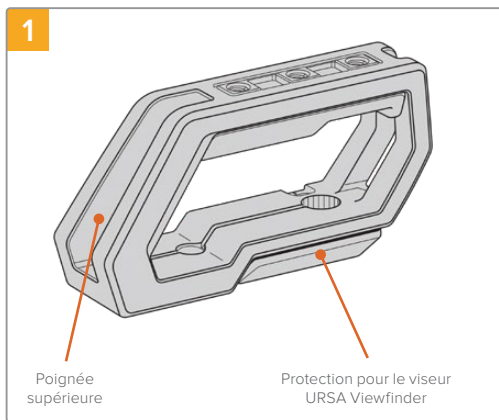
2 x vis de 1/4" pour le support d'épaule

- 1 Posez délicatement votre URSA Mini à l'envers sur une surface plate et stable afin d'accéder facilement à la face inférieure de la caméra.
- 2 Vissez le support d'épaule à la URSA Mini à l'aide des deux vis de 1/4" et du tournevis.
- 3 Serrez les vis jusqu'à ce que le support soit bien en place. Évitez cependant de trop serrer, car cela pourrait endommager les vis.

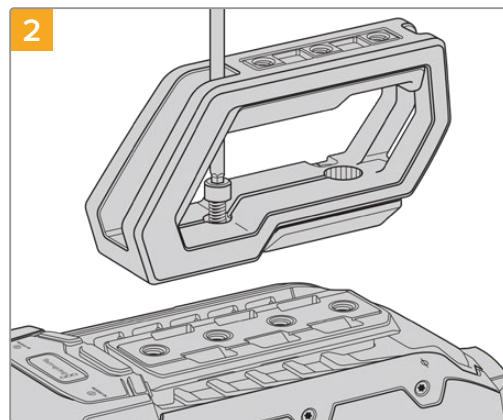
## Fixer la poignée supérieure sans le viseur URSA Viewfinder :

Vous pouvez utiliser le kit épaulière URSA Mini Shoulder Mount Kit avec ou sans le viseur URSA Viewfinder.

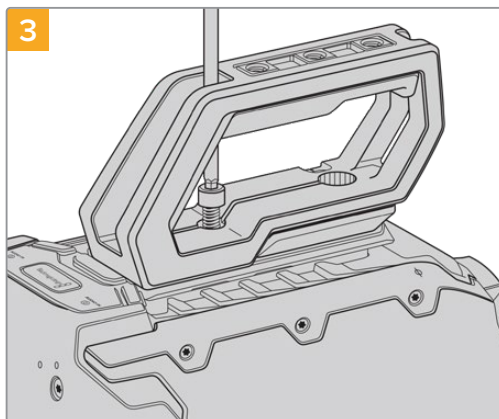
La base de la poignée supérieure est dotée d'une protection en caoutchouc qui peut être remplacée par un support permettant de fixer le viseur URSA Viewfinder. Nous recommandons de ne pas retirer la protection lorsque vous utilisez la poignée sans le viseur.



Posez délicatement votre URSA Mini sur une surface plate et stable afin d'accéder facilement à la face supérieure de la caméra.

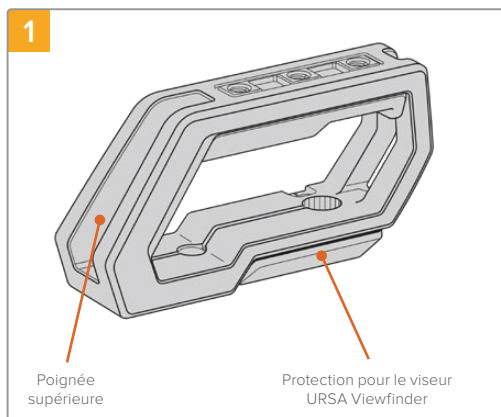


Vissez la poignée sur deux des pas de vis de 1/4" situés sur la face supérieure de la URSA Mini à l'aide des deux vis de 1/4" fournies et de la clé Allen de 3/16". Il est recommandé d'utiliser les deux derniers pas de vis de la URSA Mini dans la plupart des situations, mais vous pouvez choisir la paire de votre choix afin de mieux équilibrer la caméra lorsque vous utilisez de gros objectifs.

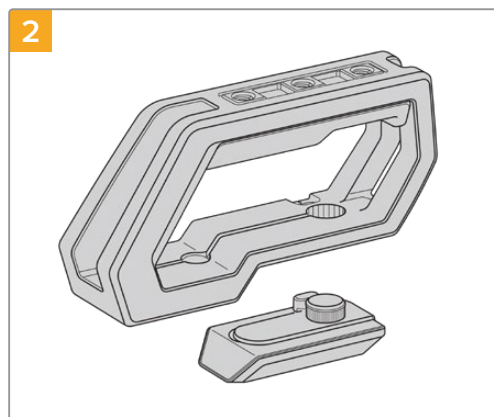


Serrez les vis jusqu'à ce que la poignée soit bien mise en place. Évitez cependant de trop serrer, car cela pourrait endommager les vis.

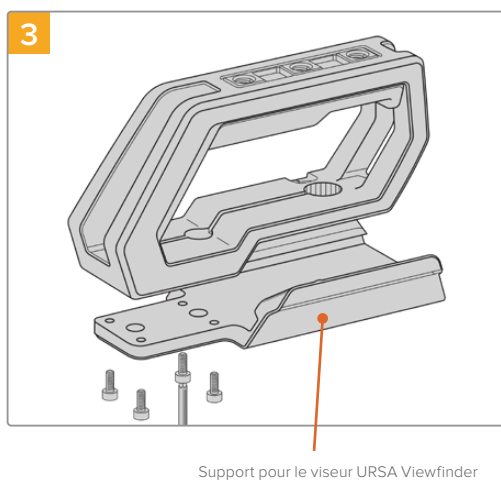
## Fixer la poignée supérieure équipée du viseur URSA Viewfinder



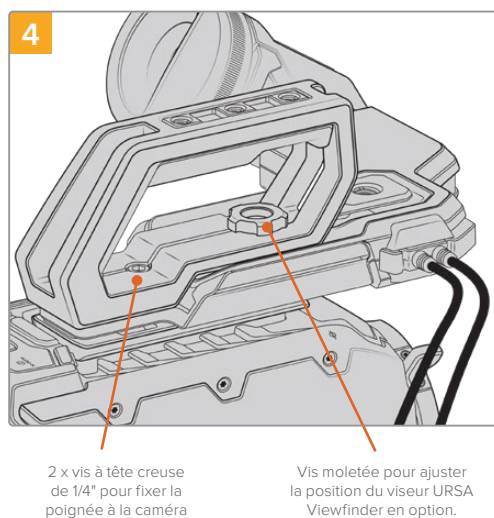
Posez délicatement votre URSA Mini sur une surface plate et stable afin d'accéder facilement à la face supérieure de la caméra.



Retirez la protection pour le viseur URSA Viewfinder de la poignée en la soulevant délicatement par le côté et en la faisant glisser hors du trou.



Vissez le support du viseur sur la poignée à l'aide des 4 vis M3 et de la clé Allen de 2,5mm.



Vissez la poignée sur deux des pas de vis de 1/4" situés sur la face supérieure de la URSA Mini à l'aide des deux vis de 1/4" fournies et de la clé Allen de 3/16". Il est recommandé d'utiliser les deux derniers pas de vis de la URSA Mini dans la plupart des situations, mais vous pouvez choisir la paire de votre choix afin de mieux équilibrer la caméra lorsque vous utilisez de gros objectifs. Évitez cependant de trop serrer, car cela pourrait endommager les vis.

Le premier trou situé à l'intérieur de la poignée permet de fixer et d'ajuster le viseur à l'aide d'une vis moletée. Pour plus d'informations sur l'installation du viseur URSA Viewfinder sur la poignée supérieure, consultez la section "Blackmagic URSA Viewfinder" du manuel URSA.

## Fixer le bras d'extension

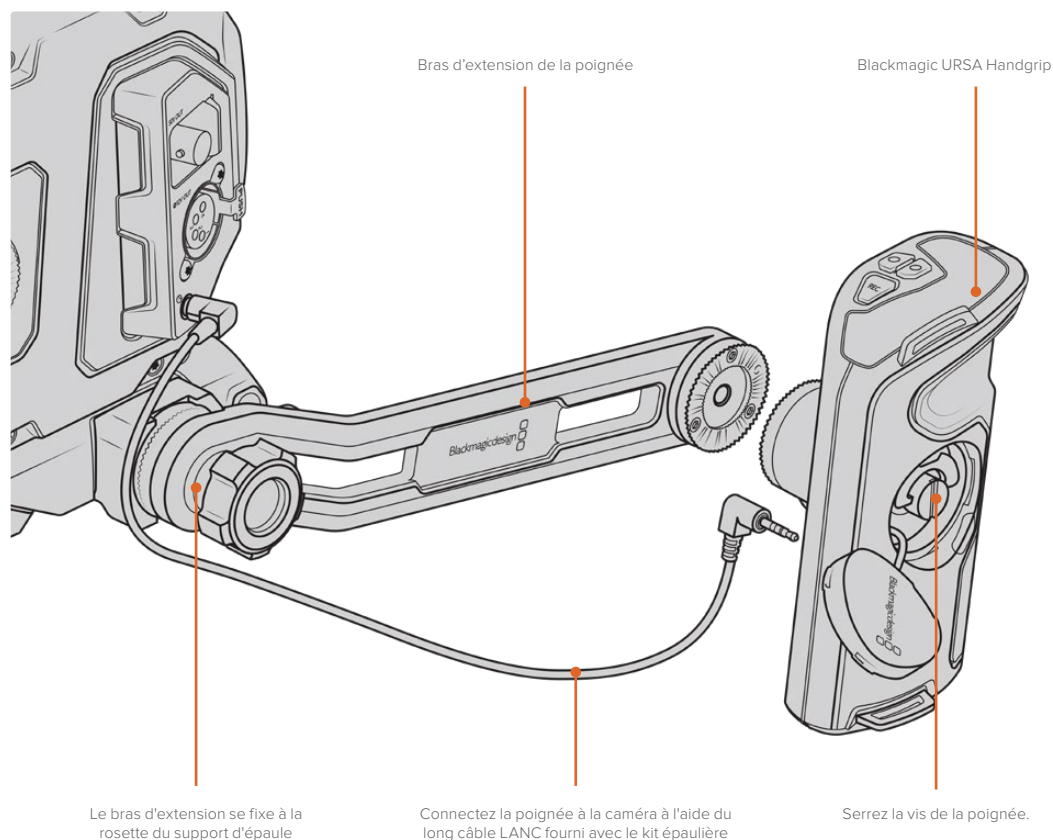
Lorsque vous utilisez le kit épaulière URSA Mini avec la Blackmagic URSA Handgrip, il vous faudra repositionner la poignée pour offrir un tournage à l'épaule plus confortable. Utilisez le bras d'extension et le long câble LANC pour positionner la poignée de façon ergonomique. Le bras d'extension de la URSA Mini est également disponible en option auprès des revendeurs Blackmagic Design.

### Pour fixer le bras d'extension :

- 1 Posez délicatement votre URSA Mini sur une surface plate et stable en laissant suffisamment d'espace à côté de la caméra pour abaisser le bras d'extension. Vous pouvez par exemple monter URSA Mini sur un trépied.
- 2 Fixez l'extrémité dentelée du bras d'extension à la rosette située sur le support d'épaule, abaissez le bras selon vos besoins, puis serrez la vis moletée de la rosette.
- 3 Fixez la poignée à la rosette avant du bras d'extension. Serrez la vis de la poignée à l'aide du grand tournevis à tête plate, ou en tournant l'anneau en D avec votre pouce et votre index.
- 4 Connectez la sortie LANC de la Blackmagic URSA Handgrip à l'entrée LANC de la caméra à l'aide du long câble LANC fourni avec le kit épaulière.

Pour ajuster la position du bras d'extension et de la Blackmagic URSA Handgrip, il suffit de desserrer les vis des rosettes, de positionner le bras à l'endroit souhaité, puis de resserrer les vis.

Le kit épaulière vous permet de tourner rapidement à l'épaule, mais aussi de monter facilement la caméra sur un trépied pour obtenir plus de stabilité !



# Blackmagic URSA Viewfinder

Le Blackmagic URSA Viewfinder est un viseur électronique performant, spécialement conçu pour la Blackmagic URSA Mini. L'écran couleur OLED HD 1080 et les lentilles de précision en verre offrent une image claire, nette et réaliste, vous pouvez ainsi effectuer rapidement la mise au point et voir tous les détails de vos images.

Ce viseur est idéal pour le tournage à l'épaule, ou lorsque la luminosité est très intense et qu'il vous faut une précision absolue sans reflets.

Le viseur est connecté et alimenté par la caméra. Il utilise les données intégrées au signal SDI de la caméra pour générer différentes options d'affichage. La caméra peut ainsi acheminer un flux propre SDI au viseur tout en vous permettant de passer d'une option d'affichage à l'autre sur le viseur, notamment l'état de la caméra et d'autres informations précises.

Par exemple, si vous sélectionnez l'option 2.40:1 dans le menu repère de cadrage de la caméra URSA Mini, cette information sera communiquée au viseur, ainsi, lorsque vous passerez à l'affichage du repère de cadrage sur le viseur, le repère 2.40:1 sera également affiché.

## Monter et connecter le viseur à la Blackmagic URSA

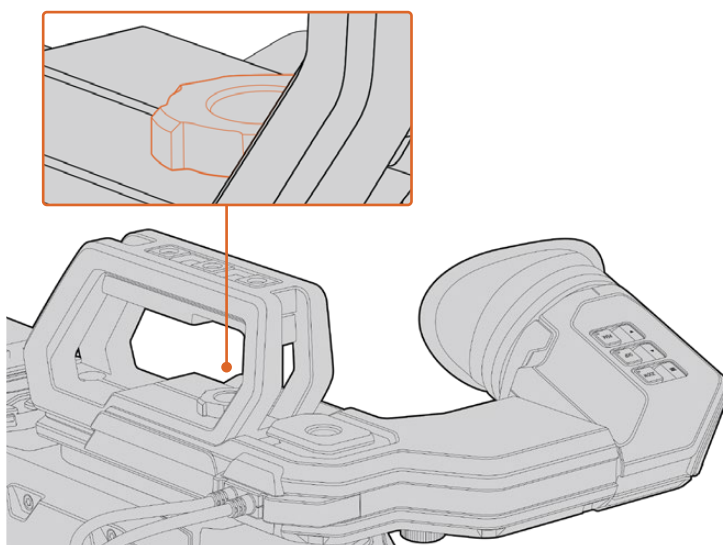
Pour fixer le Blackmagic URSA Viewfinder au boîtier de la caméra, faites-le glisser le long des rainures destinées à la poignée et vissez la vis moletée sur un des pas de vis de 1/4".

Le Blackmagic URSA Mini Shoulder Mount kit est nécessaire pour installer correctement le URSA Viewfinder sur la URSA Mini ou la URSA Mini Pro.

Pour fixer le Blackmagic URSA Viewfinder, retirez la protection pour le viseur URSA Viewfinder de la poignée supérieure du URSA Mini Shoulder Mount Kit afin d'installer le support du viseur, comme indiqué dans la section « Kit épaulière URSA Mini Shoulder Mount Kit » de ce manuel.

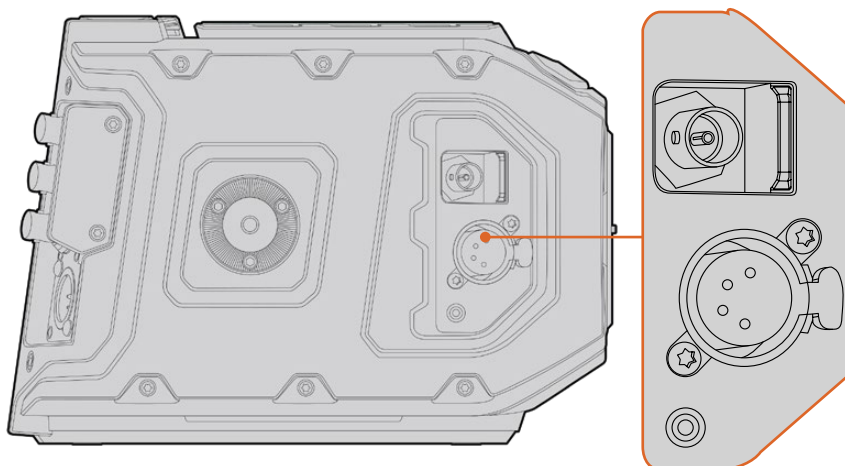
Faites glisser la monture du URSA Viewfinder sur le support du viseur URSA Viewfinder et utilisez une vis moletée 1/4" incluse dans le URSA Mini Shoulder Mount Kit pour fixer le URSA Viewfinder à la poignée supérieure et au support du viseur.

Vous n'avez pas besoin d'outils pour serrer la vis moletée. Utiliser la force de vos mains suffit, de plus cela évite de trop serrer les vis.



Pour installer le Blackmagic URSA Viewfinder sur la caméra URSA Mini, faites-le glisser le long des rainures destinées à la poignée et vissez la vis moletée sur un des pas de vis de 1/4".

Pour connecter le viseur à la caméra URSA, il suffit de connecter les câbles du viseur à la sortie d'alimentation de 12V et à la sortie 3G-SDI situées à l'avant de la caméra. Le viseur URSA s'allumera automatiquement lorsque la caméra est alimentée.



Connectez le câble SDI et le câble d'alimentation du viseur à la sortie de monitoring HD-SDI et à la sortie +12V de la caméra URSA Mini.

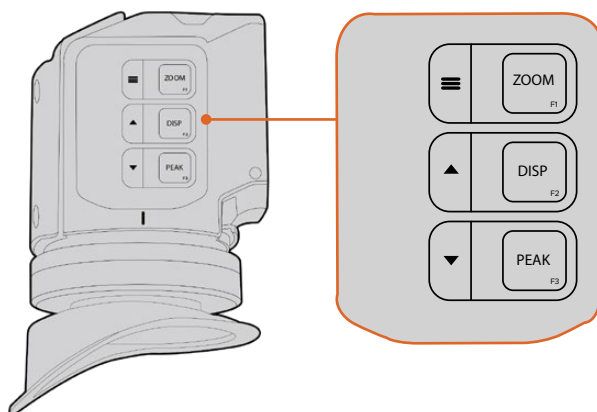
Quand vous utilisez le URSA Viewfinder avec la URSA Mini, il est recommandé d'installer le URSA Mini Shoulder Mount Kit, car il comprend les pas de vis appropriés et une vis moletée de 1/4". Il est également possible de régler la hauteur de la crosse d'épaule afin d'optimiser votre utilisation. Consultez la section « Kit épaulière URSA Mini Shoulder Mount Kit » de ce manuel.

## Ajuster l'ocilleton

L'ocilleton amovible peut être ajusté pour l'œil gauche ou l'œil droit. Ajustez le bras du viseur en dévissant la molette située sur la face inférieure du bras et en le faisant glisser vers la gauche ou vers la droite jusqu'à ce que vous obteniez un emplacement agréable à l'œil.

## Boutons de fonction

Sur la face supérieure du viseur, vous trouverez les boutons Zoom, Disp, et Peak. Ces boutons permettent de zoomer dans l'image ainsi que d'activer et de désactiver les informations à l'écran et le focus peaking.



Les boutons Zoom (F1), Disp (F2) et Peak (F3) sont situés sur la face supérieure du URSA Viewfinder.

Ces boutons offrent également des fonctions supplémentaires, telles que l'ouverture du menu et la navigation entre les paramètres. Les icônes imprimées à côté des boutons vous indiquent quels sont les boutons qui permettent de contrôler le menu du viseur et ceux qui offrent des fonctions de navigation.



Ces boutons possèdent également une fonction personnalisable, vous pouvez ainsi attribuer des raccourcis aux fonctions que vous utilisez fréquemment. Par exemple, vous pouvez attribuer la fonction False Color au bouton Zoom. Pour plus d'informations à ce sujet, consultez le paragraphe « Raccourcis » de cette section.

### ZOOM (F1) - Menu

La fonction **Zoom** permet de zoomer dans l'image pour obtenir une mise au point très nette. Appuyez sur le bouton Zoom pour effectuer un zoom avant et appuyez à nouveau sur le même bouton pour revenir à un affichage 100 %. Lorsque vous êtes dans le menu de paramétrage, le bouton **Zoom** fait également office de bouton **Menu**. Appuyez sur ce bouton et maintenez-le enfoncé pour ouvrir le menu de paramétrage. Dans le menu de paramétrage, appuyez une fois sur ce bouton pour confirmer les changements de paramètres.

### DISP (F2) - Déplacement vers le haut

Appuyez sur le bouton **Disp** pour afficher les informations à l'écran. Lorsque vous êtes dans le menu de paramétrage, ce bouton vous permet de vous déplacer vers le haut. Vous pouvez également ouvrir rapidement le menu **Shortcuts** en appuyant sur ce bouton et en le maintenant enfoncé. Pour plus d'informations sur la façon de créer des raccourcis, consultez la section « Menu Shortcuts ».

### PEAK (F3) - Déplacement vers le bas

La fonction focus peaking entoure d'une bordure verte les zones de l'image les plus nettes, une manière très efficace de vérifier la mise au point. Pour activer le focus peaking, appuyez sur le bouton **Peak**. Appuyez à nouveau sur le même bouton pour désactiver cette fonction. Lorsque vous êtes dans le menu de paramétrage, ce bouton vous permet de vous déplacer vers le bas. Vous pouvez également ouvrir rapidement le menu **Setup** en appuyant sur ce bouton et en le maintenant enfoncé.

## Menu de paramétrage

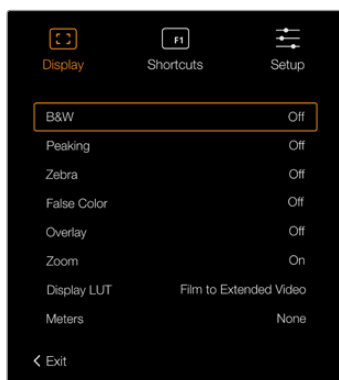
Le menu de paramétrage contient trois menus principaux : Display, Shortcuts et Setup. Appuyez sur le bouton **Menu** et maintenez-le enfoncé pour ouvrir le menu de paramétrage. Appuyez sur les boutons de déplacement vers le haut ▲ ou vers le bas ▼ pour naviguer entre les paramètres et appuyez à nouveau sur le bouton **Menu** ≡ pour confirmer votre sélection.

### Écran

Le menu **Display** contient les fonctions suivantes :

#### B&W

Commute entre un affichage en couleurs et un affichage monochrome.



Le menu **Display** du viseur URSA

#### Peaking

Active et désactive la fonction Peaking.



## Zebra

Active et désactive le zébra. Réglez les niveaux de zébra à l'aide des paramètres de la caméra. Pour plus d'information, consultez la section « Menu Paramètres » de ce manuel.

## False Color

Active et désactive la fonction **False Color**. La fonction False Color superpose différentes couleurs à votre image qui représentent les différentes valeurs d'exposition des éléments de votre image. Par exemple, la couleur rose représente une exposition optimale pour les peaux claires, alors que le vert correspond à une couleur de peau plus foncée. En vérifiant ces fausses couleurs lorsque vous filmez des êtres humains, vous maintiendrez une exposition stable de leur couleur de peau. De même, lorsque la couleur des éléments de votre image passe du jaune au rouge, cela signifie qu'ils sont surexposés.

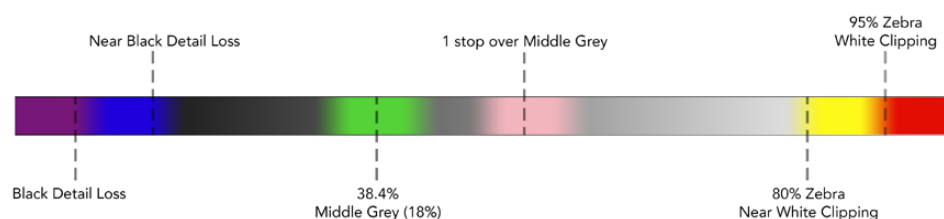


Schéma de la fonction False Color

## Overlay

Active et désactive les informations à l'écran. Vous pouvez sélectionner le type d'informations que vous souhaitez afficher dans le menu de paramétrage du viseur. Toutefois, le style de ces informations, tel que le pourcentage de la zone de sécurité, est réglé à l'aide de la caméra.

## Zoom

Active et désactive la fonction Zoom.

## Display LUT

Lorsque vous envoyez un signal SDI dont la plage dynamique est réglée sur **Film** à partir de la URSA Mini, le paramètre **Film to extended video** permet d'appliquer une LUT d'affichage, au contraste plus prononcé et aux couleurs plus vives à l'image. Le viseur détectera quand une de ces LUTs est utilisée, et vous offrira l'option de les activer ou de les désactiver.

Lorsqu'une LUT d'affichage est active sur la sortie SDI avant, ou que vous utilisez une LUT différente, l'option Display LUT est désactivée pour vous éviter d'appliquer plusieurs LUTs.

## Meters

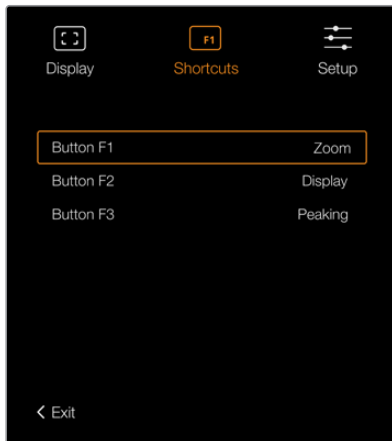
Commute entre les différents outils de mesure affichés à l'écran. Les options proposées sont **Histogram, Audio, Both** ou **None**.

## Menu Shortcuts

Le menu **Shortcuts** est très utile lorsque vous souhaitez accéder rapidement à des paramètres que vous utilisez fréquemment. Pour créer vos propres raccourcis :

- 1 Dans le menu **Shortcuts**, appuyez sur les boutons de déplacement vers le haut ▲ ou vers le bas ▼ et sélectionnez un des trois boutons pour créer votre raccourci. Appuyez sur le bouton **Menu ≡** pour confirmer la sélection.
- 2 Appuyez sur les boutons de déplacement vers le haut ▲ ou vers le bas ▼ pour sélectionner une des fonctions ci-dessous et l'attribuer à un des boutons raccourci. Appuyez sur le bouton **Menu ≡** pour confirmer la sélection.
  - N & B (B&W)
  - Peaking
  - Zébra
  - False Colour (False Color)
  - Écran
  - Zoom
  - Paramètre Film to Video
  - Outils de mesure (Meters)

- 3 Allez sur **Exit** et appuyez sur le bouton **Menu** ≡ pour fermer le menu à l'écran.



Menu **Shortcuts** du URSA Viewfinder.

## Menu Setup

Le menu **Setup** contient les fonctions suivantes :

### **Brightness**

Permet d'ajuster la luminosité de l'écran. Choisissez une valeur entre -10 et +10.

### **Tally Brightness**

Permet d'ajuster la luminosité du voyant tally.

### **Focus Chart**

Le Blackmagic URSA Viewfinder intègre une mire de Siemens pour une mise au point adaptée à votre œil. Il suffit d'ajuster le dioptre situé sur l'oculaire de visée jusqu'à ce que la mire soit parfaitement nette. Pour fermer l'affichage de la mire, appuyez sur n'importe quel bouton de votre viseur.

### **Frame Guides**

Permet d'afficher les repères de cadrage sur l'écran tactile. Lorsque ce paramètre est activé, votre viseur affichera les mêmes repères de cadrage que ceux réglés pour toutes les sorties (**All**) dans les paramètres du moniteur. Vous pouvez activer ou désactiver les repères de cadrage en sélectionnant respectivement On ou Off.

Pour plus d'information, consultez la section « Paramètres du moniteur » de ce manuel.

### **Safe Area Guide**

Permet d'afficher la zone de sécurité lorsque l'option **Overlay** est activée. Lorsque **Safe area guide** est activé dans l'option **All** de l'onglet **Monitor**, vous pouvez utiliser ce paramètre pour afficher ou non la zone de sécurité.

Pour plus d'information, consultez la section « Paramètres du moniteur » de ce manuel.

### **Grid**

Affiche la grille selon la règle des tiers, le réticule et le point central. Quand les grilles sont activées dans l'option **All** de l'onglet **Monitor** de la caméra URSA Mini, vous pouvez utiliser ce paramètre pour afficher les grilles sur le Blackmagic URSA Viewfinder lorsque l'option **Overlay** est activée.

Pour plus d'informations, consultez la section « Paramètres du moniteur » de ce manuel.

**REMARQUE** Lorsque la fonction **Grid** est activée dans le menu de paramétrage du URSA Viewfinder, le viseur affiche également les signaux tally envoyés à partir d'un mélangeur ATEM. La fonction **Overlays** doit également être activée dans le menu à l'écran.

#### Status Text

Affiche les informations d'état, telles que la balance des blancs, la fréquence d'images et l'ISO. Quand les informations d'état sont activées dans le paramètre **Front SDI** de l'onglet **Monitor** de la caméra URSA Mini, vous pouvez utiliser ce paramètre pour afficher les informations sur le Blackmagic URSA Viewfinder.

Pour plus d'information, consultez la section « Paramètres du moniteur » de ce manuel.

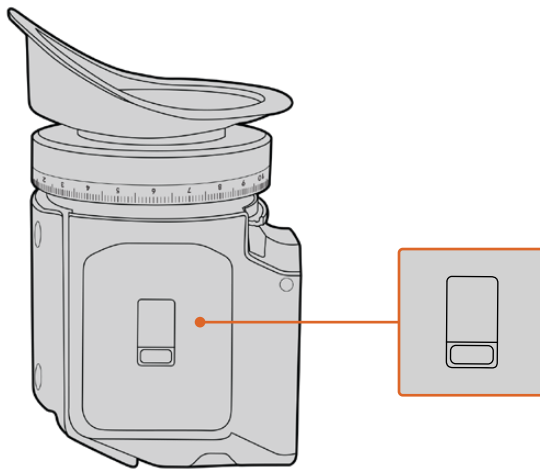
**CONSEIL** Lorsque vous utilisez le Blackmagic Viewfinder avec la URSA Mini, l'affichage des informations d'état peut être inadéquat si celles-ci sont activées à la fois sur le viseur et sur la caméra. Le cas échéant, nous vous recommandons d'activer les informations d'état sur la caméra et de les désactiver sur le viseur.

## Capteur IR

Le capteur infrarouge situé sur votre viseur allume automatiquement l'écran OLED lorsque vous approchez votre œil de l'oculon. Lorsque vous éloignez votre œil du viseur pendant plus de 20 secondes en mode veille, l'écran s'éteint pour économiser la batterie et augmenter la durée de vie de l'écran. Pendant l'enregistrement, le temps d'attente pour la mise en veille du capteur est de 5 minutes. Après ce délai, la luminosité de l'écran diminue progressivement. Tous les mouvements devant l'oculon réinitialisent le compteur. Le viseur détectera automatiquement votre présence, cependant, vous pouvez également allumer l'écran en appuyant sur n'importe quel bouton du viseur.



Couvrir ou bloquer le capteur infrarouge de façon délibérée peut entraîner des dommages sur l'écran du viseur. L'écran étant maintenu allumé pendant une période prolongée, sa durée de vie pourrait en être diminuée. Un affichage prolongé d'images très contrastées ou de repère de cadrage entraînera également une rémanence de l'image à l'écran.



Le capteur infrarouge est situé en bas du boîtier du URSA Viewfinder.

## Mise à jour du logiciel interne du URSA Viewfinder

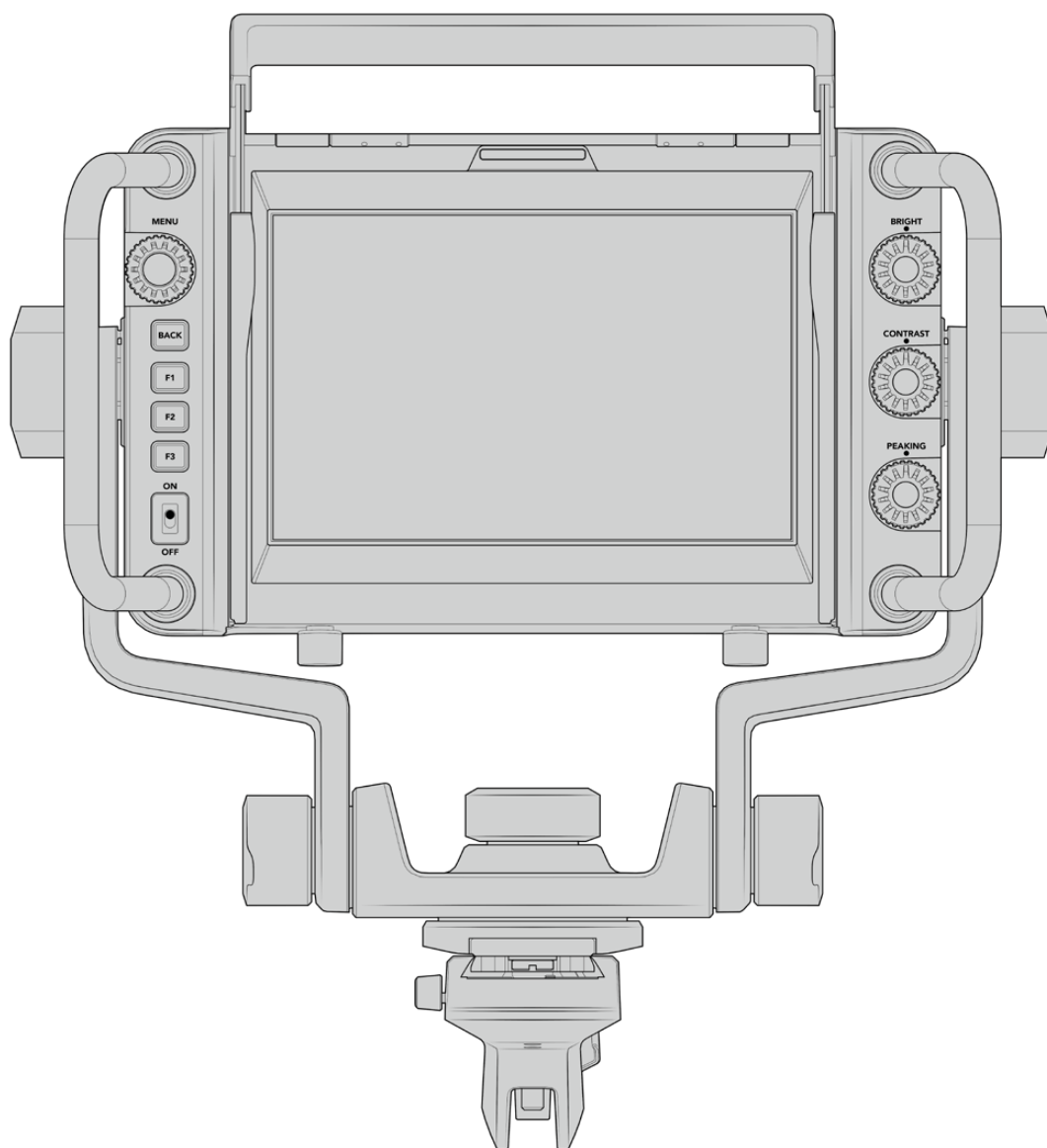
Le viseur peut être mis à jour à l'aide du logiciel Blackmagic Camera Setup Utility. Comme le viseur doit être alimenté pendant la mise à jour, nous vous recommandons d'installer le viseur sur la caméra URSA Mini pendant toute la durée de la mise à jour. La URSA Mini devra également être alimentée, il faudra donc la brancher à une source d'alimentation externe.

Connectez votre ordinateur au port USB situé à l'avant du viseur, à côté de l'oculaire de visée. Lorsque l'utilitaire Blackmagic Camera est lancé et que le viseur est connecté à votre ordinateur, la mise à jour vous sera proposée si l'ordinateur détecte que le viseur utilise une ancienne version du logiciel. Suivez les informations à l'écran pour mettre à jour le logiciel interne de votre viseur.

**REMARQUE** Pour plus d'informations, consultez la section « Utilitaire Blackmagic Camera Setup ».

**CONSEIL** Nous vous recommandons de mettre à jour tous vos équipements Blackmagic URSA au même moment pour un niveau de performance optimal.

## Blackmagic URSA Studio Viewfinder



Blackmagic URSA Studio Viewfinder

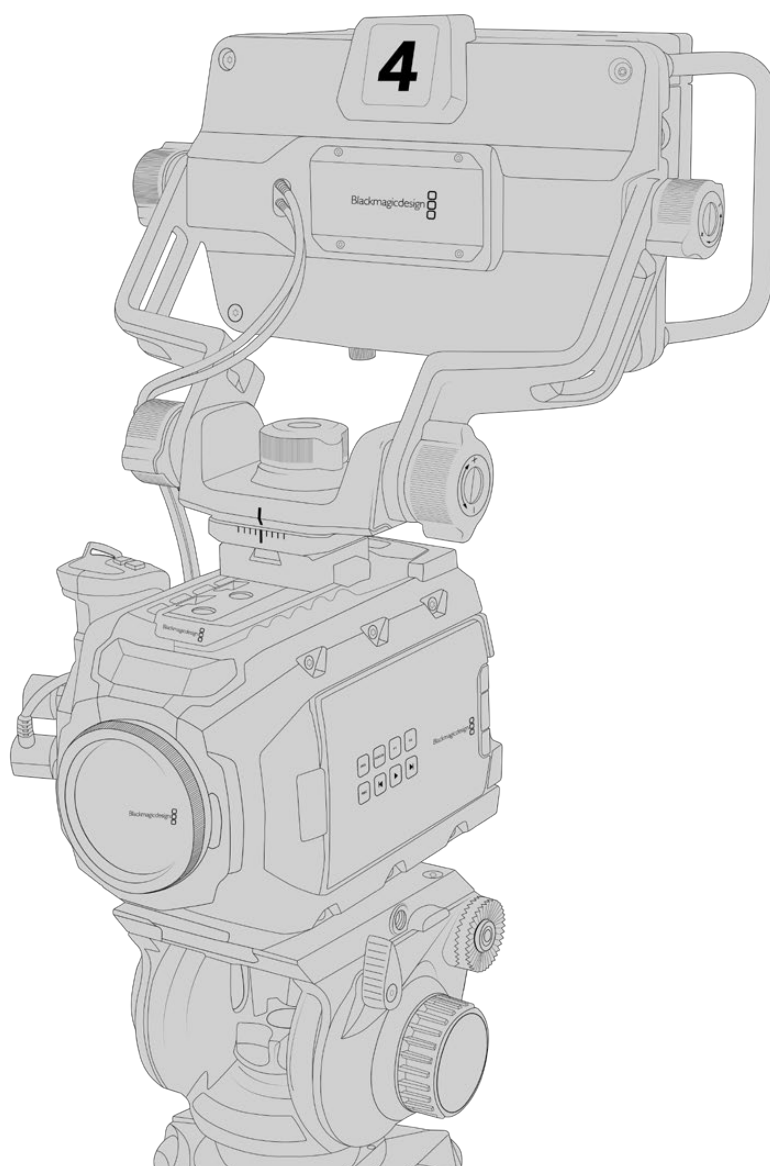
Transformez votre URSA Mini en une véritable caméra numérique professionnelle grâce au URSA Studio Viewfinder. Le Studio Viewfinder comprend un écran de 7", un voyant tally, des molettes de contrôle, de larges poignées, un pare-soleil et des attaches rotatives réglables. Toutes ces fonctionnalités permettent ainsi de rester derrière la caméra pendant de longues heures et ainsi capturer d'incroyables images. Le URSA Studio Viewfinder est la solution haut de gamme pour toutes vos productions en direct, que vous tourniez en studio ou en extérieur !

## Monter et connecter le viseur à la Blackmagic URSA Mini

Lorsque vous utilisez le Blackmagic URSA Studio Viewfinder avec la Blackmagic URSA Mini, vous pouvez choisir de monter l'appareil à la caméra de différentes façons.

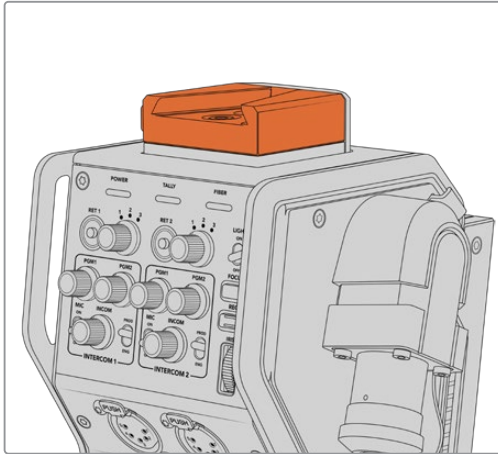
Vous pouvez monter le Blackmagic URSA Studio Viewfinder directement sur la face supérieure de la Blackmagic URSA Mini via le support V-lock. Celui-ci peut être facilement retiré du support pour poignée de la URSA Mini.

Dévissez le support V-lock du support pour poignée de la URSA Mini à l'aide d'un tournevis hexadécimal 3/16, puis attachez-le à la face supérieure de la caméra avec les vis 1/4". Puisque cette installation modifie le centre de gravité de la caméra, nous vous recommandons d'installer la caméra sur un trépied pour plus de stabilité.

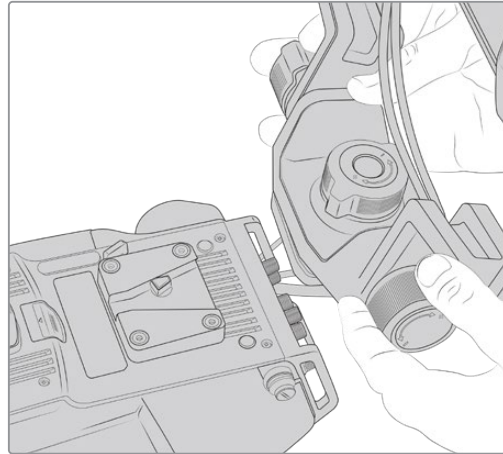


Si vous montez le Blackmagic URSA Studio Viewfinder sur la URSA Mini et que vous utilisez le URSA Mini Shoulder Kit, vous devrez le fixer avec le support pour poignée de la URSA Mini fourni. Fixez le support pour poignée de la URSA Mini à la poignée supérieure à l'aide d'un tournevis hexadécimal 3/16 et trois des vis 1/4" fournies. Faites glisser le support V-lock du Studio Viewfinder dans le logement du support V-lock jusqu'à ce qu'il soit bien enclenché.

Pour plus d'informations, consultez la section « Kit épaulière URSA Mini Shoulder Mount Kit » de ce manuel.

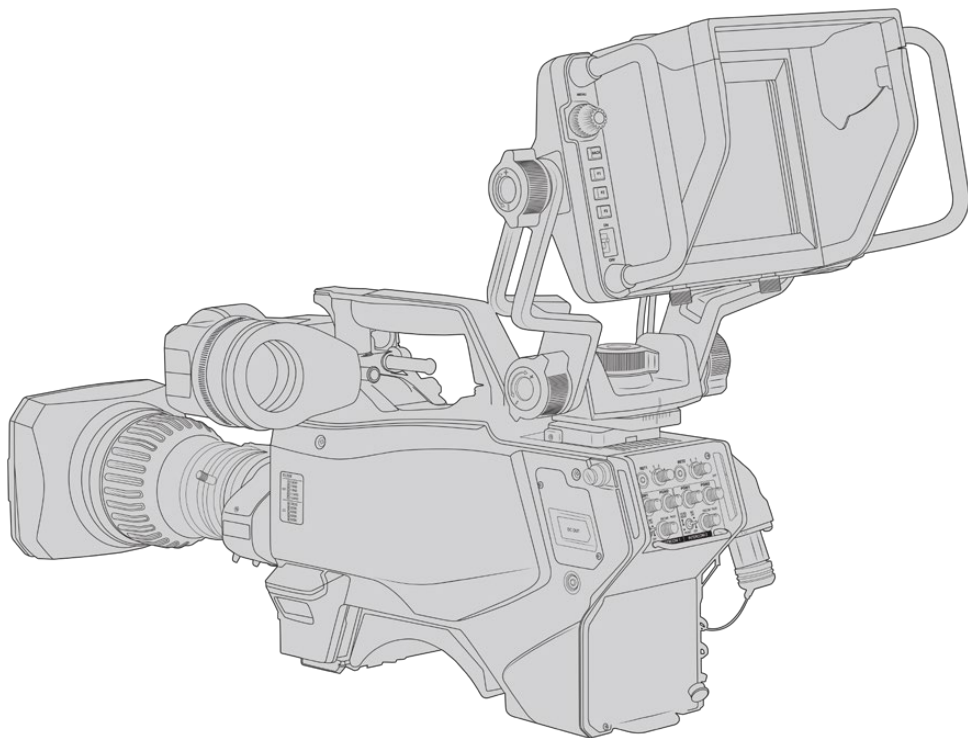


Le Blackmagic Studio Viewfinder peut se fixer sur le support V-lock au-dessus du Blackmagic Camera Fiber Converter



Support V-lock monté sur une caméra tierce.

Si vous souhaitez utiliser le URSA Studio Viewfinder avec une autre caméra, installez un support V-lock ou un support tiers à la caméra de votre choix (dotée de pas de vis 1/4"). Vous pouvez également monter le Blackmagic URSA Studio Viewfinder à une caméra tierce équipée d'un support V-lock à attache rapide.

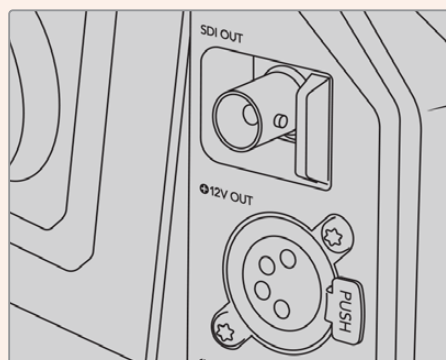


**CONSEIL** Le Blackmagic URSA Studio Viewfinder peut être installé sur la caméra à l'aide d'un support à attache rapide V-lock. Le viseur peut donc être rapidement retiré si vous voulez installer la caméra sur un trépied. Lorsque vous filmez des événements sportifs, le Blackmagic URSA Viewfinder et le Blackmagic URSA Studio Viewfinder sont des accessoires indispensables. Ils vous permettront de passer rapidement d'une installation sur trépied à une prise de vue à l'épaule. Ces deux viseurs sont équipés de sources d'alimentation 12V et 3G-SDI.



Pour connecter le Blackmagic URSA Studio Viewfinder à la URSA Mini, il suffit de connecter les câbles du viseur à la sortie d'alimentation de 12V et à la sortie 3G-SDI situées à l'avant de la caméra.

Le bouton d'alimentation du viseur permettra alors d'allumer le viseur instantanément lorsque la caméra est alimentée. Veuillez noter que les pinces situées sur les côtés du support pour poignée de la URSA Mini permettent de maintenir les câbles en place.

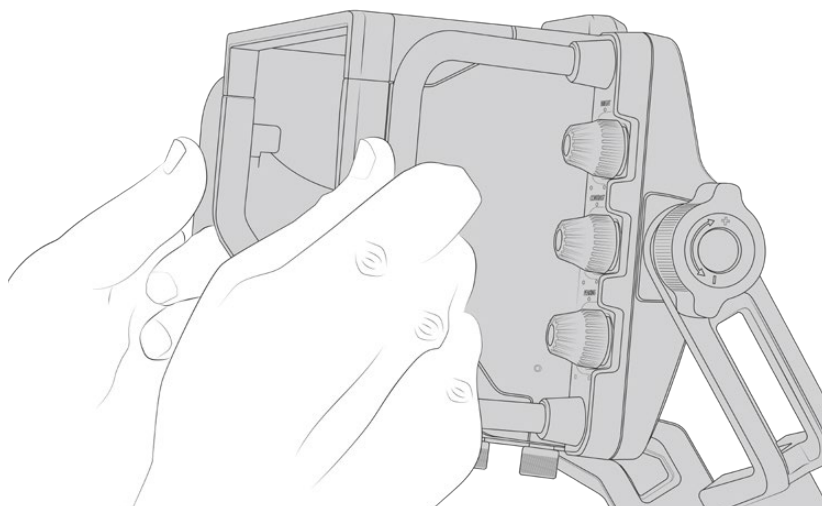


Connexions 12V et SDI de la URSA Mini

**CONSEIL** Le URSA Studio Viewfinder intègre des connexions SDI à format ouvert et XLR à 4 broches. Vous pouvez donc utiliser ce viseur avec d'autres caméras ou comme écran portable sur le plateau. Il prend également en charge le protocole de contrôle de périphérique et le protocole ATEM tally format ouvert. Vous pouvez donc utiliser n'importe quelle caméra pour afficher le flux SDI. Ce flux permet notamment d'afficher le tally et les informations à l'écran sur le URSA Studio Viewfinder.

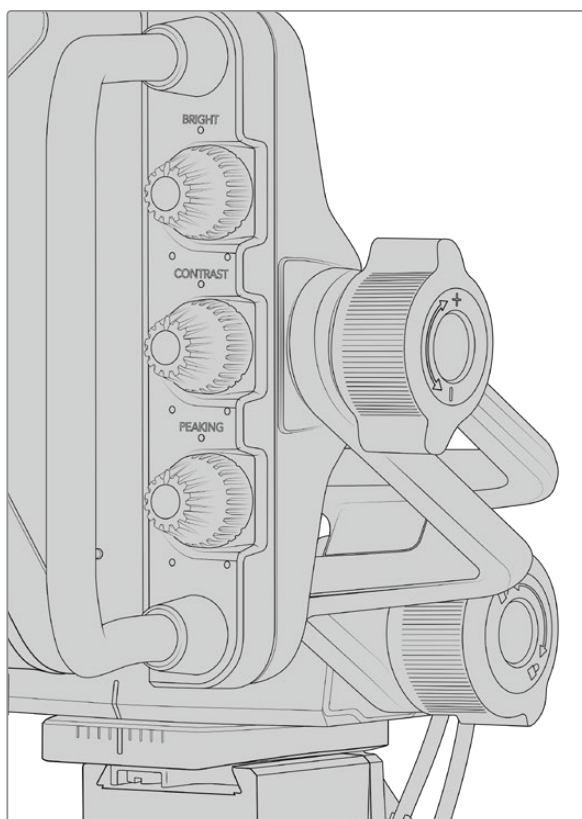
## Régler le Blackmagic URSA Studio Viewfinder

Le URSA Studio Viewfinder comprend de grandes poignées et des attaches rotatives réglables qui permettent de régler la position et l'angle du viseur. Les grandes poignées offrent une bonne prise en main et permettent de régler la position et l'angle du viseur rapidement. En plus du pare-soleil, les poignées permettent de protéger l'écran des dommages. Vous pouvez donc choisir de ranger le Blackmagic URSA Studio Viewfinder sans retirer le pare-soleil. Ses grandes poignées facilitent le transport de l'appareil entre chaque lieu de tournage.

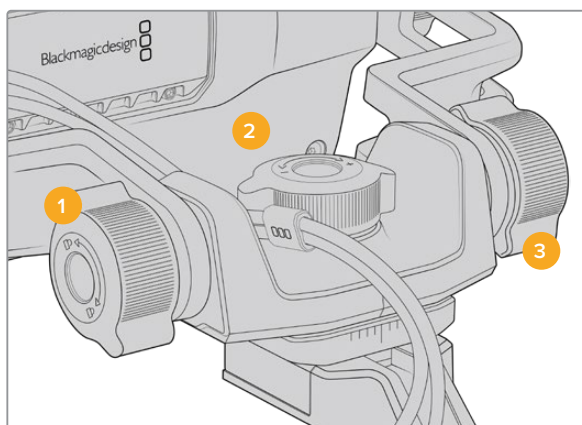


Le support fourni avec le viseur comprend des molettes de tension pour la rotation horizontale et l'inclinaison verticale. De plus, d'autres molettes de tension sont situées de part et d'autre du viseur afin d'obtenir un contrôle encore plus précis.

La molette de gauche règle la tension du bras et la molette de droite verrouille le viseur une fois l'angle choisi. Ces molettes de tension offrent de nombreuses options d'ajustement et de résistance pour régler la rotation horizontale et l'inclinaison verticale du viseur de votre choix.



Molettes de tension situées de chaque côté du viseur.

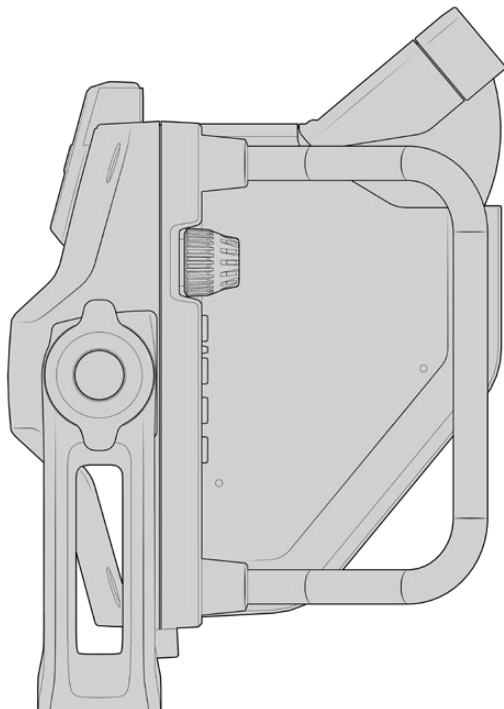
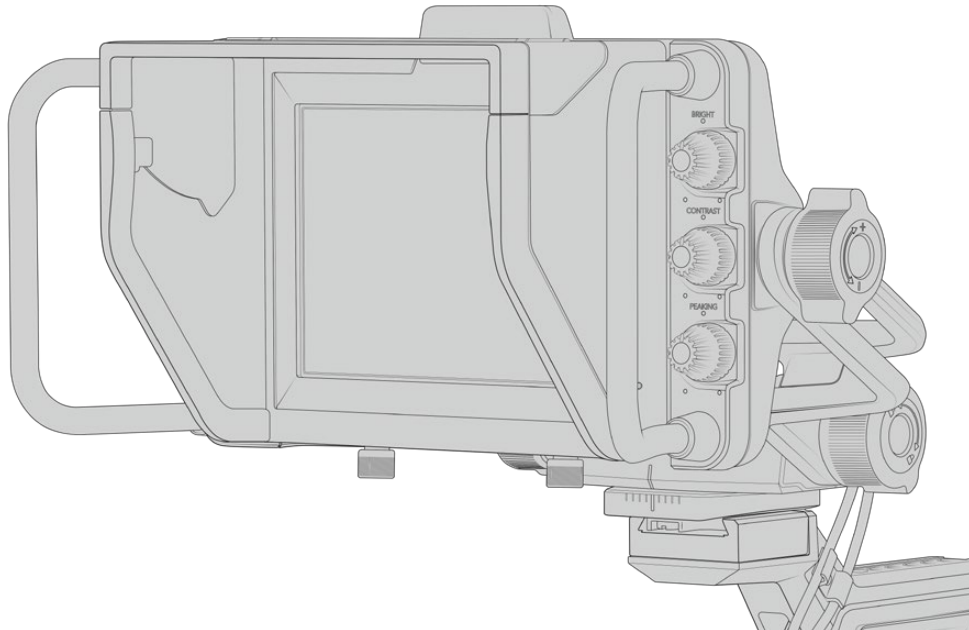


- 1 Molette de verrouillage de l'inclinaison**  
Verrouille l'angle d'inclinaison verticale du viseur.
- 2 Molette de tension de la rotation horizontale**  
Contrôle la tension de la rotation horizontale.
- 3 Molette de tension de l'inclinaison**  
Contrôle la tension de l'inclinaison verticale.

**CONSEIL** La molette de tension centrale située sur le support fourni avec l'écran permet de contrôler la rotation horizontale. Elle peut être desserrée pour modifier la position du viseur et de la caméra indépendamment. Cela signifie que lors de prises de vues de sports automobiles, par exemple, vous pourrez suivre l'action tout en gardant les yeux sur le viseur. Un repère visuel placé au centre du support facilite le repositionnement du viseur.

## Pare-soleil

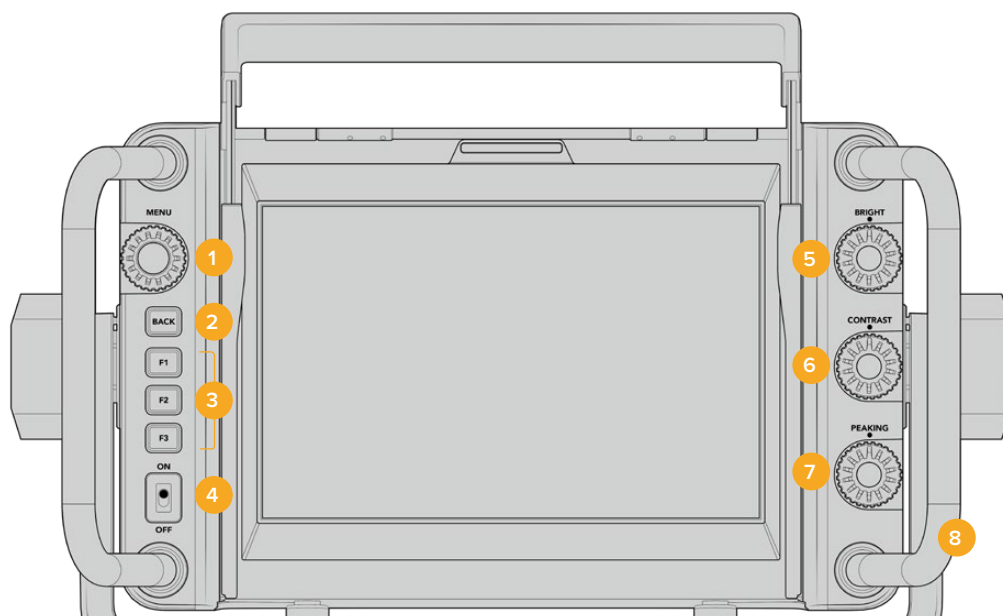
Le pare-soleil permet de voir l'écran même en conditions très lumineuses et très ensoleillées. Pour attacher le pare-soleil, faites-le glisser sur la face supérieure du Blackmagic URSA Studio Viewfinder. Il doit être attaché avec les vis imperdables. La partie supérieure du pare-soleil est réglable, elle peut être soulevée ou abaissée pour disposer d'une variété d'angles de visionnage. Le pare-soleil offre une protection supplémentaire à l'écran 7". De plus, il peut facilement être retiré pour accéder au connecteur USB-C et ainsi effectuer la mise à jour logicielle.



Pare-soleil réglable

## Boutons de fonction

Les molettes situées sur le côté droit du viseur vous permettent de changer rapidement la luminosité, le contraste et le peaking. Elles sont placées de façon à pouvoir être facilement réglées même lorsque vous utilisez un pare-soleil.



### 1 Molette Menu

Molette/bouton-poussoir **Menu** qui vous permet d'ouvrir le menu principal et de naviguer entre les paramètres du viseur.

### 2 Bouton Back

Permet de sortir du menu principal.

### 3 F1, F2, F3

Boutons de fonction personnalisables. Vous pouvez personnaliser ces boutons pour accéder facilement aux fonctions les plus courantes.

### 4 Interrupteur On/Off

Active et désactive le Blackmagic URSA Studio Viewfinder.

### 5 Molette Bright

Règle la luminosité de l'image à l'écran. L'affichage à l'écran indique le niveau de luminosité entre - 100 et + 100.

### 6 Molette Contrast

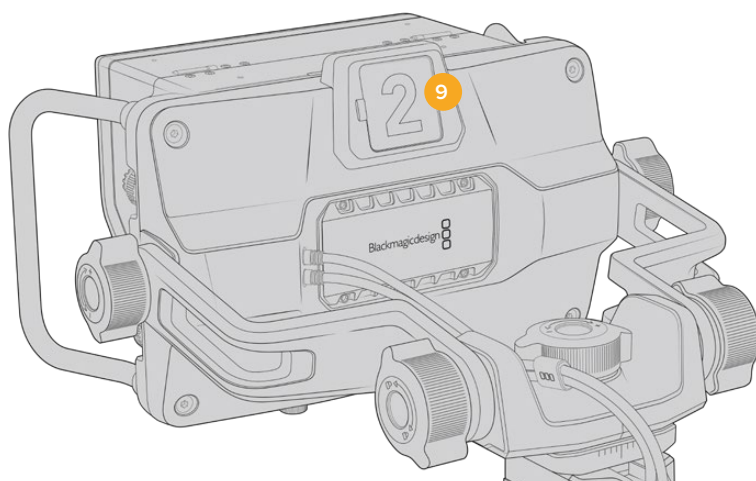
Règle le contraste de l'image à l'écran. L'affichage à l'écran indique le niveau de contraste entre - 100 et + 100.

### 7 Molette Peaking

Règle le niveau de focus peaking de l'image à l'écran. L'affichage à l'écran indique le niveau de peaking entre - 100 et + 100. Au sein de ce menu, vous pouvez choisir entre plusieurs styles de peaking en fonction de votre environnement. Il comprend l'option de focus peaking standard utilisée par les autres appareils broadcast, ainsi qu'une option pour changer la couleur des lignes de mise au point. Vous pouvez donc choisir entre les couleurs rouge, vert, bleu, noir et blanc. Cela vous permet de visualiser le peaking, quelles que soient les conditions lumineuses.

### 8 Poignées

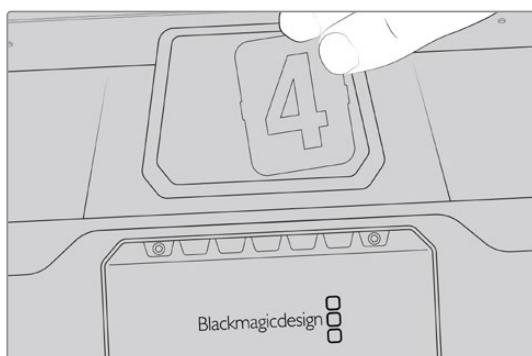
Les grandes poignées vous permettent de maintenir le Studio Viewfinder immobile pendant que vous repositionnez la caméra. Elles offrent également une protection supplémentaire pour l'écran lorsque vous transportez le viseur.



## 9 Voyant Tally

Le voyant tally placé à l'arrière du Blackmagic URSA Studio Viewfinder permet de savoir quelle caméra est à l'antenne et si le signal d'enregistrement est isolé. Le voyant tally s'allume en rouge lorsque la caméra est à l'antenne, en vert pour la prévisualisation et en orange pour l'enregistrement isolé lorsque la URSA Mini est connectée.

Lorsque le réalisateur passe d'une caméra à l'autre sur le mélangeur ATEM, les informations du tally sont envoyées à la caméra via SDI. Le voyant tally s'allume quand la commutation suivante est sélectionnée, quand le signal de la caméra est à l'antenne ou pendant l'enregistrement. En outre, le URSA Studio Viewfinder comprend des numéros transparents qui s'accrochent sur le voyant tally. Cela permet de voir le numéro de la caméra sur une distance de plus de 5 mètres !



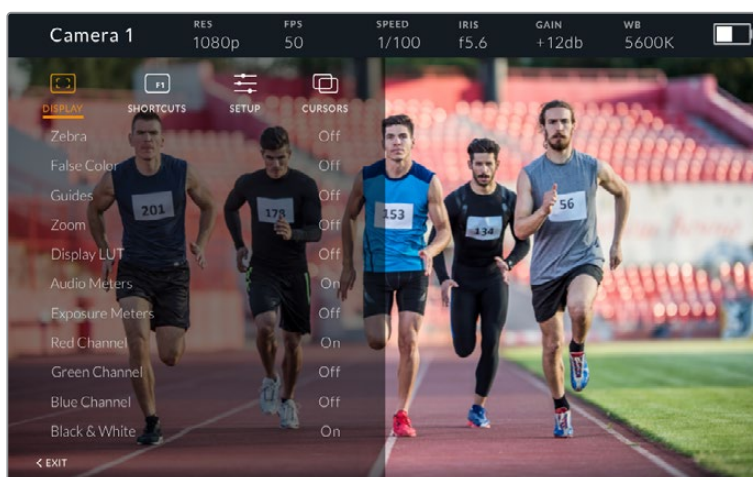
Le programme d'installation comprend un PDF modifiable qui permet de modifier et d'imprimer des numéros de tally similaires à ceux fournis avec le viseur. Vous pouvez également créer vos propres numéros de tally. Après avoir installé le logiciel Camera 4.1, vous pourrez trouver les numéros sur Mac : Applications > Blackmagic Cameras > Documents. Sur PC : Blackmagic Cameras > Documents.

La couleur du voyant tally change en fonction du type de commutation effectué sur l'ATEM. Cependant, si la caméra n'est pas connectée à un mélangeur, le voyant tally s'allume simplement en rouge. Pour plus d'informations, consultez la section « Comprendre la fonction Camera Control » de ce manuel.

**CONSEIL** Lorsque vous utilisez le Blackmagic URSA Studio Viewfinder avec un mélangeur ATEM, il est important de cocher la case **Clean feed** sur la URSA Mini. Cela permet de garantir que les informations à l'écran et le cadre de mise au point ne seront pas visibles sur la sortie SDI du mélangeur ATEM. Naviguez dans le menu **Monitor** de la URSA et sélectionnez **Clean feed** sous **Main SDI**.

## Menu de paramétrage

Pour ouvrir le menu principal, appuyez sur le bouton-poussoir **Menu** et tournez la molette pour naviguer entre les différentes options. Appuyez de nouveau sur ce même bouton pour naviguer entre les menus **Display**, **Shortcuts**, **Setup** et **Cursors**. Une fois le menu sélectionné, faites défiler les paramètres à l'aide de la molette. Appuyez toujours sur ce même bouton-poussoir pour sélectionner le paramètre et tournez la molette **Menu** pour modifier le paramètre sélectionné. Appuyez de nouveau sur le bouton poussoir **Menu** pour confirmer la sélection. Pour refermer ce menu, appuyez sur **Back** ou allez sur l'option **Exit**.



### Écran

#### Zebra

Active et désactive le zébra. Sur la URSA Mini, le niveau de zébra est déterminé dans la section **All** du menu **Monitor**. Lorsque le Studio Viewfinder n'est pas connecté à la URSA Mini, le niveau de zébra représente 95% de la luminance du signal Rec 709. Pour plus d'information, consultez la section « Menu Paramètres » de ce manuel.

#### False Color

Active et désactive la fonction **False Color**. La fonction False Color superpose différentes couleurs à votre image qui représentent les différentes valeurs d'exposition des éléments de votre image. Par exemple, la couleur rose représente une exposition optimale pour les peaux claires, alors que le vert correspond à une couleur de peau plus foncée. En vérifiant ces fausses couleurs lorsque vous filmez des êtres humains, vous maintiendrez une exposition stable de leur couleur de peau. De même, lorsque la couleur des éléments de votre image passe du jaune au rouge, cela signifie qu'ils sont surexposés. Il est judicieux d'attribuer la fonction False Color à un des boutons de fonction, afin d'obtenir un accès rapide à cet outil de référence couramment utilisé pour le réglage de l'exposition.

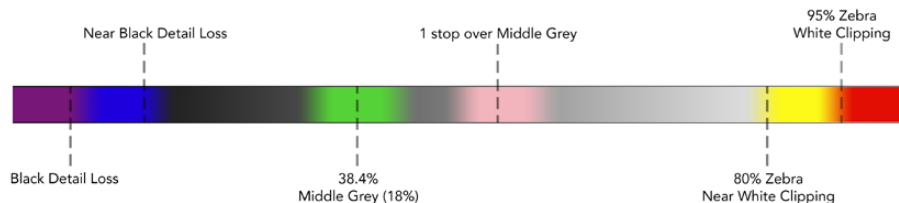


Schéma de la fonction False Color

#### Guides

Le paramètre **Guides** permet d'afficher ou de masquer les repères. Les repères correspondent au réglage effectué dans la section **All** du menu **Monitor** de la URSA Mini.

Le format de l'image, le niveau d'opacité des repères, le pourcentage de la zone de sécurité et le type de repères affichés correspondent aux réglages effectués au sein de la caméra. Le menu **Setup** du Studio Viewfinder vous permet ensuite de configurer le type de repères que vous souhaitez afficher sur le Studio Viewfinder lorsque la fonction **Guides** du menu **Display** est activée. Ce paramètre vous permet alors d'activer ou de désactiver les repères avec un seul bouton.

### **Zoom**

Active et désactive la fonction Zoom. La fonction **Zoom** permet de zoomer dans l'image pour obtenir une mise au point très nette. Une fois le zoom effectué, vous pouvez naviguer dans des zones spécifiques de l'image en faisant tourner la molette **Menu** vers la gauche ou vers la droite. Le cadre indique dans quelle zone de l'image vous avez zoomé.

### **Display LUT**

Lorsque vous envoyez un signal SDI dont la plage dynamique est réglée sur **Film** à partir de la URSA Mini, le paramètre **Film to extended video** permet d'appliquer une LUT d'affichage, au contraste plus prononcé et aux couleurs plus vives à l'image. Le viseur détectera quand une de ces LUTs est utilisée, et vous offrira l'option de les activer ou de les désactiver. Lorsqu'une LUT d'affichage est active sur la sortie SDI avant, ou que vous utilisez une LUT différente, l'option Display LUT est désactivée pour vous éviter d'appliquer plusieurs LUTs.

### **Audio Meters**

Les vumètres affichent le niveau audio acheminé via SDI vers le Blackmagic URSA Studio Viewfinder, ils indiquent donc les niveaux d'entrée audio de la URSA Mini. Lorsque l'entrée Programme est sélectionnée, les vumètres affichent ces niveaux audio.

### **Exposure Meters**

Active ou désactive l'affichage de l'histogramme.

### **Red Channel**

Permet d'activer ou de désactiver le canal rouge de l'image.

### **Green Channel**

Permet d'activer ou de désactiver le canal vert de l'image.

### **Blue Channel**

Permet d'activer ou de désactiver le canal bleu de l'image.

### **Black & White**

Commute entre un affichage en couleurs et un affichage monochrome.

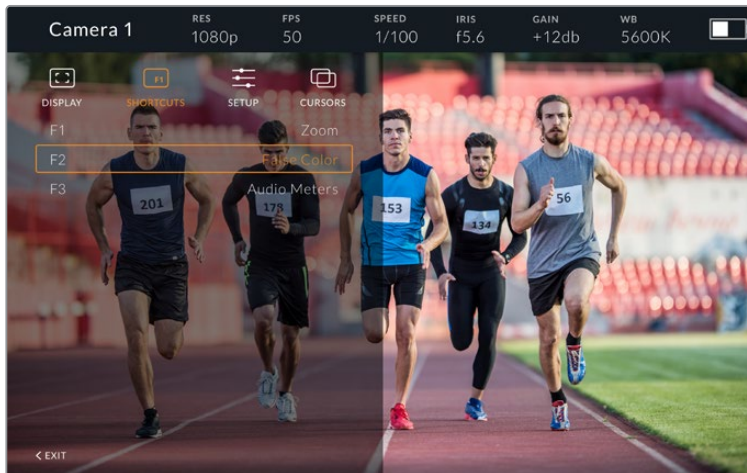
## **Menu Shortcuts**

Le menu **Shortcuts** vous permet d'assigner des fonctions spécifiques aux boutons F1, F2 et F3. Vous pourrez ainsi rapidement activer ou désactiver les paramètres du menu Display, ou les curseurs. Le menu **Shortcuts** est très utile lorsque vous souhaitez accéder rapidement à des paramètres que vous utilisez fréquemment.

Pour créer vos propres raccourcis : Dans le menu **Shortcuts**, faites tourner la molette **Menu** et sélectionnez un des trois boutons. Appuyez sur la molette pour confirmer votre sélection, puis faites-la tourner pour faire défiler les fonctions assignables. Les options offertes sont : 'zoom', 'cursor 1', 'cursor 2', 'cursor 3', 'zebra', 'false color', 'guides', 'film to video', 'audio meters', 'exposure meters', 'red channel', 'green channel', 'blue channel', 'black and white'. Une fois que vous avez fait votre choix, cliquez sur le bouton Menu pour confirmer la sélection et assigner la fonction au bouton de raccourci sélectionné. Pour activer ou désactiver cette fonction, il suffit désormais d'appuyer sur le bouton de raccourci.



Une fois les raccourcis configurés, vous pouvez sélectionner **Exit** et appuyer sur la molette **Menu** pour fermer l'affichage du menu, ou appuyer sur le bouton **Back** afin de quitter le menu.



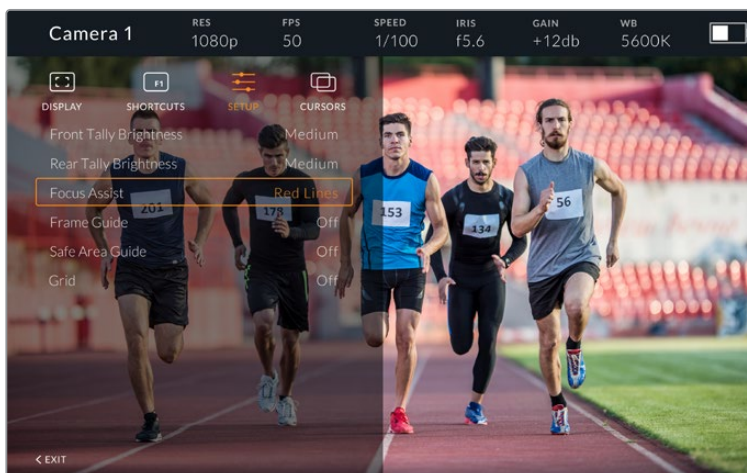
Le menu **Shortcuts**

## Menu Setup

Le menu **Setup** permet de choisir la configuration du viseur.

### Front Tally Brightness

Permet de régler la luminosité du voyant tally avant. Les options sont **Off**, **Low**, **Medium** et **High**. Le voyant tally s'allume lorsque vous le réglez pour visualiser le niveau de luminosité de chaque paramètre.



Le menu **Setup**

### Rear Tally Brightness

Permet de régler la luminosité du voyant tally avant. Les options sont **Low**, **Medium** et **High**. Le voyant tally s'allume lorsque vous le réglez pour visualiser le niveau de luminosité de chaque paramètre.

**CONSEIL** Il est recommandé de régler la luminosité du voyant LED sur **High** dans des conditions de forte luminosité, afin que les acteurs et les opérateurs puissent le voir facilement. En revanche, il est judicieux de régler la luminosité du voyant LED sur **Low** dans les environnements sombres.

### Focus Assist

Le paramètre **Focus Assist** permet de modifier l'affichage du peaking sur le viseur. Les options proposées sont **Red, Green, Blue, Black** et **White**, ainsi que les options de peaking traditionnelles.

### Frame Guide

Le paramètre **Frame Guide** permet d'afficher les repères de cadrage à partir de la fonction **Guides** du Studio Viewfinder. Lorsque le viseur est connecté à la URSA Mini, les repères de cadrage correspondent au format de l'image de la caméra. Lorsqu'il est connecté à d'autres dispositifs, les repères de cadrage sont réglés par défaut sur un format d'image 14:9.

### Safe Area Guide

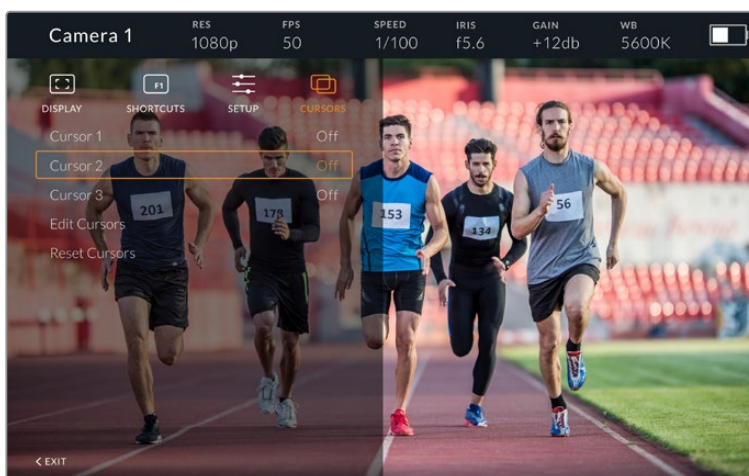
Le paramètre **Safe Area Guide** permet d'afficher la zone de sécurité à partir de la fonction **Guides** du Studio Viewfinder. Lorsque le viseur est connecté à la URSA Mini, le pourcentage de la zone de sécurité correspond à celui de la caméra. Lorsqu'il est connecté à d'autres dispositifs, la zone de sécurité est réglée par défaut sur 90%.

### Grid

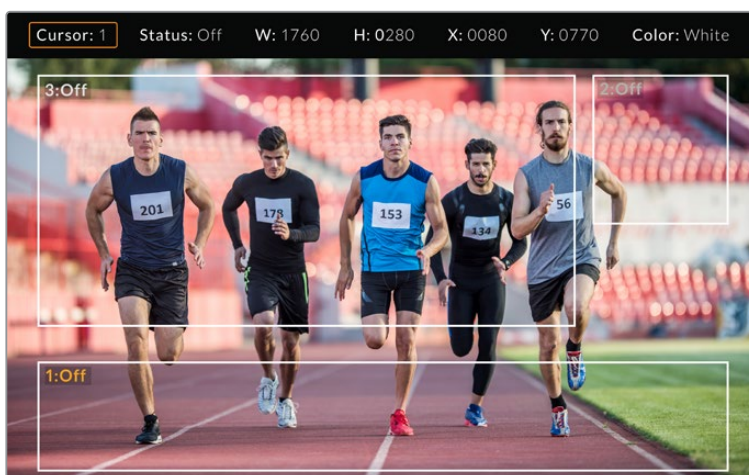
Le paramètre **Grid** permet d'afficher les grilles à partir de la fonction **Guides** du Studio Viewfinder. Lorsque le viseur est connecté à la URSA Mini, les grilles correspondent à celles réglées sur la caméra. Lorsqu'il n'est pas raccordé, ce paramètre active ou désactive les réticules.

### Cursors

Les curseurs vous permettent de créer une zone à l'écran dans laquelle des graphiques, tels que des synthés et des logos, seront affichés. Pour modifier les curseurs, allez dans le menu **Cursors** et sélectionnez **Edit Cursors**. Une page qui affiche les trois curseurs apparaît. Elle vous permet de sélectionner individuellement les curseurs et de choisir leur largeur, leur hauteur, ainsi que leurs coordonnées x et y pour les positionner.



Le menu **Cursors**



Les curseurs affichés à l'écran

Une fois les curseurs configurés, vous pouvez les activer ou les désactiver à partir du menu **Cursors** ou les assigner à un bouton de fonction pour y accéder rapidement. Cette fonction est très importante pour la production en direct, car elle permet à l'opérateur de la caméra de composer et de cadrer les prises avec précision. Vous pouvez personnaliser la hauteur, la largeur et l'emplacement de trois curseurs noirs ou blancs, ce qui vous permet de positionner avec précision les graphiques ajoutés en direct ou lors d'une diffusion ultérieure. Vous pouvez également régler les curseurs sur leurs paramètres par défaut.

## Utiliser un casque avec le Blackmagic URSA Studio Viewfinder

Lorsque vous utilisez le Blackmagic URSA Studio Viewfinder avec la URSA Mini, la connexion pour casque de la caméra devient une connexion pour le réseau d'ordres, ce qui permet de communiquer directement avec le réalisateur.

Si vous souhaitez utiliser des fonctionnalités du réseau d'ordres plus avancées, le Blackmagic Camera Fiber Converter et le Blackmagic Studio Converter vous permettront de brancher des casques broadcast standard à connecteurs XLR à 5 broches. Pour plus d'informations, consultez la section « Blackmagic Fiber Converters » de ce manuel.

**CONSEIL** Comme la prise casque de la URSA Mini est compatible avec les écouteurs pour iPhone, vous pouvez même appuyer sur le bouton des écouteurs pour communiquer avec le réalisateur.

## Mise à jour du logiciel interne du URSA Viewfinder

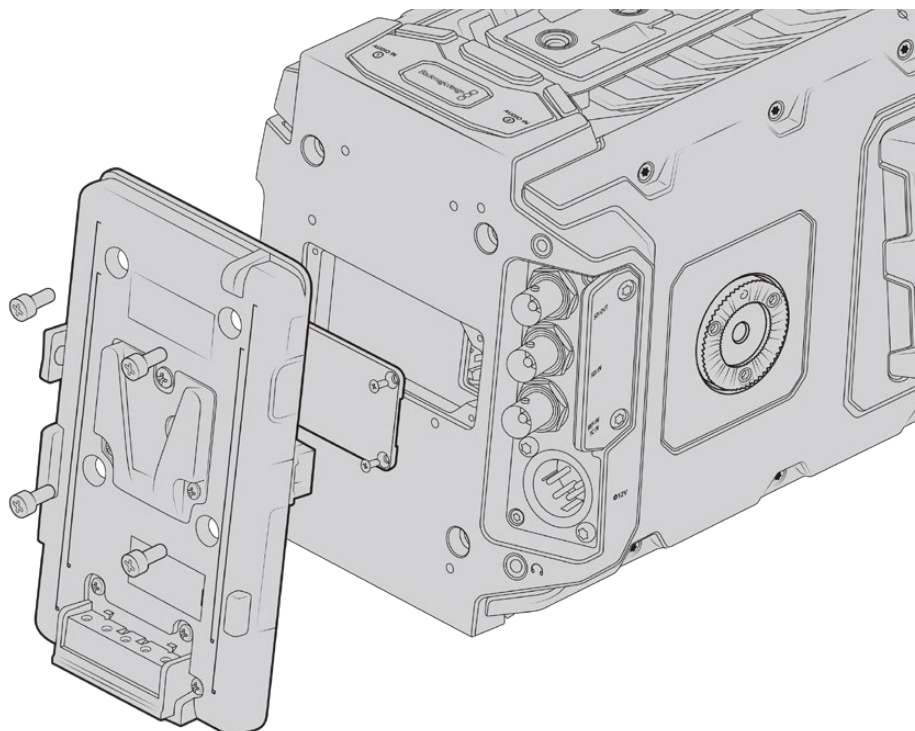
Le viseur peut être mis à jour à l'aide du logiciel Blackmagic Camera Setup. Comme le viseur doit être alimenté pendant la mise à jour, nous vous recommandons d'installer le viseur sur la caméra URSA pendant toute la durée de la mise à jour. La URSA devra également être alimentée, il faudra donc la brancher à une source d'alimentation externe.

Retirez le pare-soleil pour accéder à la connexion USB-C située au bas du Blackmagic URSA Studio Viewfinder, et connectez votre ordinateur au port USB-C. Lorsque l'utilitaire Blackmagic Camera est lancé et que le viseur est connecté à votre ordinateur, la mise à jour vous sera proposée si l'ordinateur détecte que le viseur utilise une ancienne version du logiciel. Suivez les informations à l'écran pour mettre à jour le logiciel interne de votre viseur. Pour plus d'informations, consultez la section « Utilitaire Blackmagic Camera Setup ».

Nous vous recommandons de mettre à jour tous vos équipements Blackmagic URSA au même moment pour un niveau de performance optimal.

**REMARQUE** Lorsque vous utilisez le Blackmagic URSA Studio Viewfinder avec votre URSA Mini, nous vous recommandons de mettre à jour le logiciel interne du Viewfinder sur la version la plus récente pour assurer la compatibilité des équipements. Vous trouverez la dernière version du logiciel sur la page d'assistance technique de Blackmagic Design : [www.blackmagicdesign.com/fr/support](http://www.blackmagicdesign.com/fr/support). Pour plus d'informations, consultez la section « Utilitaire Blackmagic Camera Setup » de ce manuel.

## Fixer des batteries



Une fixation tierce vous permet de fixer des batteries V-mount ou gold mount.

### Monter des batteries V-mount ou Gold Mount

Il est très simple de fixer des batteries V-mount ou Gold Mount conformes aux normes de l'industrie sur la Blackmagic URSA Mini.

Pour fixer une batterie, il suffit d'installer une fixation Blackmagic URSA VLock Battery Plate, URSA Gold Battery Plate ou une fixation tierce à la semelle de la caméra.

**CONSEIL** Les fixations Blackmagic URSA VLock Battery Plate et URSA Gold Battery Plate permettent d'afficher les informations en pourcentage avec des batteries compatibles. Les fixations pour batterie Blackmagic sont dotées d'un connecteur **+12V out**, également appelé **D-tap** ou **P-tap**. Il permet d'alimenter des accessoires, par exemple un moniteur externe. Comme cette sortie est reliée à la caméra, elle sera éteinte en toute sécurité. Elle fournit 12 volts jusqu'à 1,5 ampère. Certaines fixations URSA tierces et même certaines batteries fournissent une sortie D-tap non régulée. L'alimentation est donc continue même si la caméra est éteinte ou si on la redémarre. En revanche, la tension varie en fonction du niveau de charge de la batterie et les accessoires branchés sont alimentés en permanence.

Vous pouvez vous procurer les fixations pour batterie Blackmagic URSA VLock Battery Plates et URSA Gold Battery Plates auprès des revendeurs Blackmagic Design ou des revendeurs d'équipement vidéo et de caméras numériques professionnelles.

Vous pouvez vous procurer ces fixations pour batterie auprès des revendeurs Blackmagic Design ou des revendeurs d'équipement vidéo et de caméras numériques professionnelles. Si vous ne possédez pas de fixation pour batterie grand public compatible avec la URSA ou la URSA Mini et que vous souhaitez faire des changements à votre propre fixation, vous pouvez utiliser le câble et le connecteur adaptateurs fournis. Consultez la section « Utiliser votre propre support pour batterie » pour savoir comment adapter n'importe quelle fixation pour batterie à la caméra URSA ou URSA Mini.

#### Pour installer la fixation sur la face arrière de la caméra :

- 1 Si la face arrière de la URSA Mini est dotée d'un cache Molex, dévissez-le à l'aide d'un tournevis Philips head PH1.
- 2 Connectez le connecteur Molex du support pour batterie au connecteur d'alimentation Molex de votre caméra.
- 3 Vissez la fixation sur la face arrière de la caméra Blackmagic URSA Mini à l'aide de 4 vis M3. Vérifiez que le connecteur est correctement inséré dans l'emplacement prévu à cet effet et non pas simplement coincé entre les fixations.
- 4 Grâce à cette fixation pour batterie installée sur la caméra, vous pouvez désormais fixer la batterie V-mount ou gold mount.

## Utiliser votre propre support pour batterie

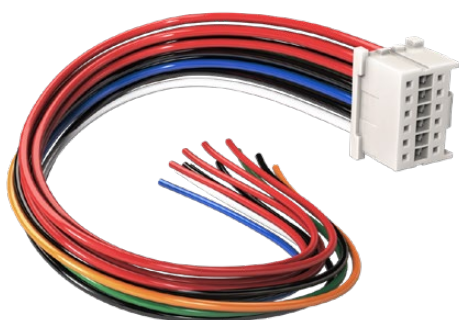
### Câble et connecteur adaptateurs

Si vous ne possédez pas de support pour batterie conçu pour être branché à la caméra URSA Mini et que vous souhaitez modifier votre propre support pour batterie, vous pouvez utiliser le câble et le connecteur adaptateurs fournis. Ces derniers sont également disponibles au centre d'assistance technique Blackmagic Design de votre région.

Pour raccorder le câble et le connecteur adaptateurs à votre support pour batterie :

- 1 Dénudez environ 1 centimètre d'isolant plastique au bout de chaque fil rouge et noir.
- 2 Soudez les 4 fils rouges **Batt** au fil positif correspondant de votre support pour batterie.
- 3 Soudez les 4 fils noirs **GND** au fil négatif correspondant de votre support pour batterie.

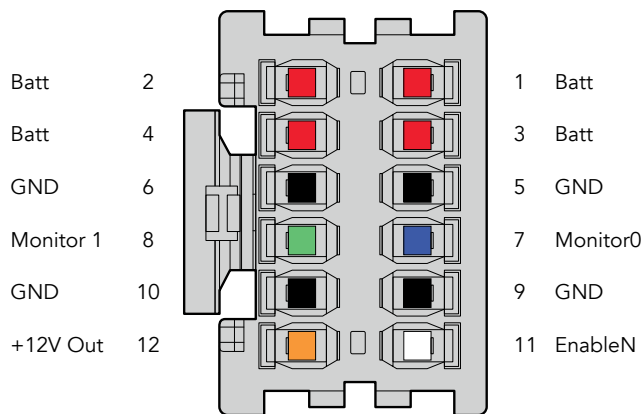
Faites en sorte que les jointures soient bien isolées.



Si vous devez modifier un support de batterie pour le brancher à URSA, utilisez les câbles et connecteurs adaptateurs fournis, qui sont également disponibles auprès du centre d'assistance technique Blackmagic Design le plus proche de chez vous.

Ce procédé permet d'alimenter votre caméra par batterie. Vous pouvez également connecter des fils supplémentaires pour des fonctions telles que la sortie 12V et l'état de la batterie. Veuillez consulter les informations relatives à votre support de batterie, ainsi qu'au diagramme et aux tableaux présents sur cette page pour vous aider à connecter les fils. Si vous avez besoin d'aide supplémentaire, veuillez visiter le centre de support technique Blackmagic Design à l'adresse suivante [www.blackmagicdesign.com/fr/support](http://www.blackmagicdesign.com/fr/support).





Face arrière du boîtier de connexion. Veuillez vous référer au tableau de configuration des fils pour obtenir une description de chaque broche.

### Tableau de configuration des fils

Broches	Signal	Couleur	Direction	Description
1, 2, 3, 4	Batt	Rouge	Vers URSA	12 V à 20 V
5, 6, 9, 10	GND	Noir	–	–
7	Monitor0	Bleu	Vers URSA	Niveau de batterie analogique ou ligne de données à collecteur ouvert (20 V max)
8	Monitor1	Vert	Vers URSA	Ligne synchronisée à collecteur ouvert (3.4 V max)
12	+12 V out	Orange	Depuis URSA	Sortie réglée à 12 V d'une intensité maximale de 1.5 A (18 W)
11	EnableN	Blanc	Vers URSA	Connectez à GND pour activer la sortie +12 V. Ne pas brancher si la sortie +12 V n'est pas nécessaire.

Chaque broche Batt et GND supporte trois ampères. Vérifiez que toutes les broches Batt et GND sont bien connectées. Pour contrôler l'état de la batterie avec les fixations Anton Bauer, IDX, ou Blueshape, veuillez consulter le tableau de connexion ci-dessous :

<b>Anton Bauer</b>	Connectez le fil rayé bleu/blanc au logement bleu de la broche 7.
<b>IDX</b>	Connectez le fil vert au logement vert de la broche 8, et le fil gris au logement bleu de la broche 7.
<b>Blueshape</b>	Connectez le fil bleu marqué <b>SMBC</b> au logement vert de la broche 8. Connectez le fil marron marqué <b>SMBD</b> au logement bleu de la broche 7.

Sécurisez tous les fils inutilisés en les coupant aussi court que possible à l'arrière du connecteur.

# Blackmagic Fiber Converters

Le Blackmagic Camera Fiber Converter et le Blackmagic Studio Fiber Converter sont des accessoires optionnels qui permettent de connecter une caméra à un mélangeur ATEM via la fibre SMPTE.

La fibre SMPTE vous permet d'acheminer l'alimentation et les flux vidéo, du réseau d'ordres, du tally et du contrôle caméra entre le mélangeur ATEM et votre caméra via un seul câble hybride fibre optique SMPTE standard. Grâce à la fibre SMPTE, l'installation est plus efficace et plus pratique, car vous n'avez pas besoin de vous encombrer de multiples câbles. Les connecteurs standard du Blackmagic Studio Fiber Converter vous permettent d'intégrer facilement les convertisseurs dans l'infrastructure broadcast déjà existante d'un car régie.

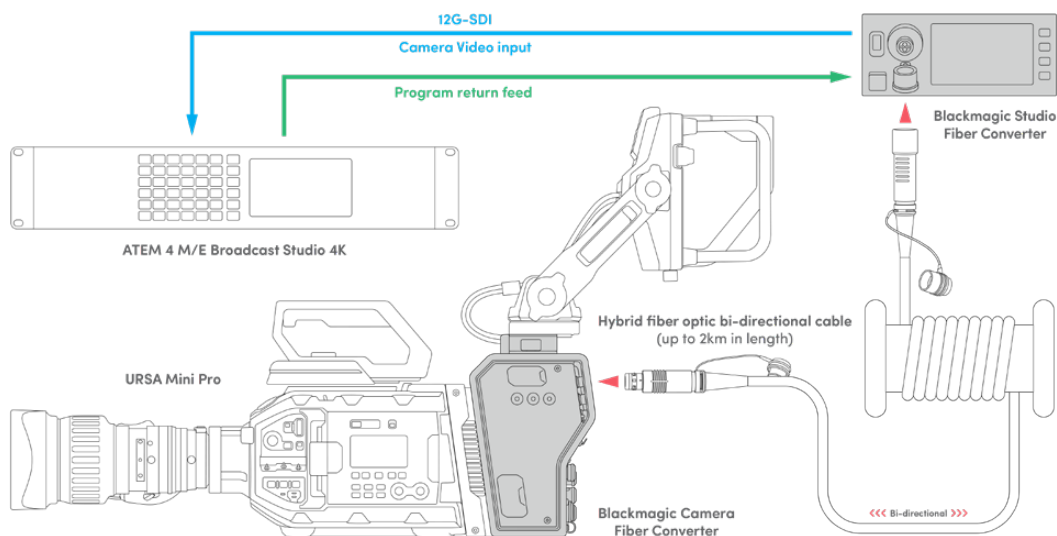


## Blackmagic Camera Fiber Converter

Il se fixe à l'arrière de votre URSA Mini ou de votre URSA Broadcast et se connecte au Blackmagic Studio Fiber Converter via un connecteur hybride SMPTE 304 standard.

## Blackmagic Studio Fiber Converter

Il convertit le signal fibre optique de la caméra en SDI via BNC, qui est ensuite acheminé vers un mélangeur ATEM. Ce convertisseur reçoit également toutes les sources de retour, dont le retour programme provenant du mélangeur ATEM, puis les renvoie à la caméra.



Les convertisseurs Camera et Studio se connectent via un seul câble fibre optique SMPTE pour fournir l'alimentation, les flux vidéo, du réseau d'ordres, du tally et du contrôle caméra SDI.



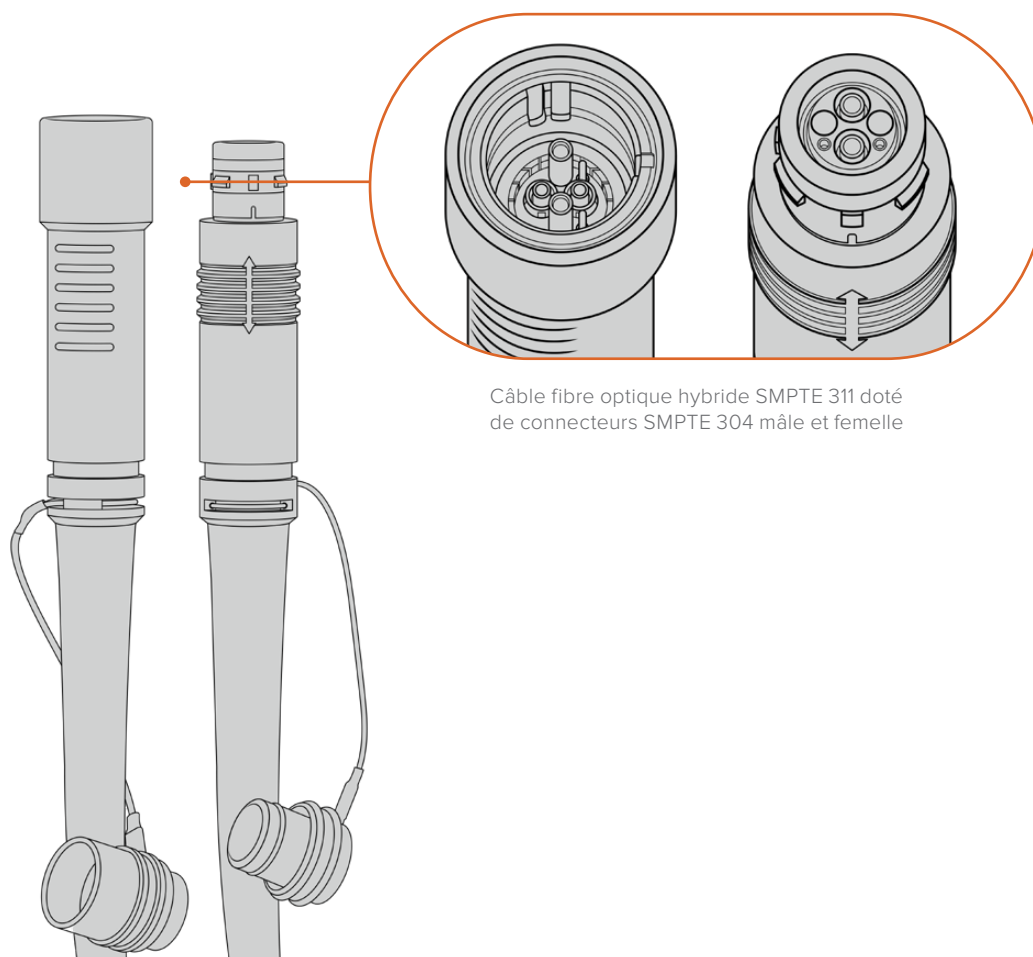
# Mise en route des Blackmagic Fiber Converters

La mise en route est rapide et efficace. Vous pourrez produire des vidéos et profiter des avantages de la fibre SMPTE en un rien de temps !

## À propos de la fibre SMPTE

Les câbles fibre SMPTE offrent une solution simple pour acheminer des signaux et l'alimentation sur de longues distances. C'est idéal si vous travaillez dans l'industrie broadcast, car vous n'aurez plus besoin de connecter plusieurs câbles à chaque caméra reliée à votre mélangeur.

Il suffit d'un câble à fibre optique hybride SMPTE 311 pour connecter chaque caméra à votre mélangeur ATEM et acheminer la vidéo, l'alimentation, le réseau d'ordres, le tally et le contrôle caméra sur une distance de 2 kilomètres.



Câble fibre optique hybride SMPTE 311 doté de connecteurs SMPTE 304 mâle et femelle

**REMARQUE** La forme des broches situées à chaque extrémité des connecteurs 304 permet d'identifier l'extrémité mâle et femelle. Le genre de chaque connecteur n'est pas reconnaissable de l'extérieur.

**CONSEIL** Connectez le capuchon de protection de chaque extrémité du câble fibre SMPTE au capuchon de chaque convertisseur pour éviter l'infiltration de poussière ou de débris dans les capuchons.

Grâce à la fibre SMPTE, vous pouvez vous connecter à la régie ou à un car régie pour diffuser des programmes en direct. La plupart des stades sportifs sont déjà équipés de câbles fibre optique, vous pouvez donc directement vous brancher aux systèmes existants.

Le câble utilisé pour connecter les deux convertisseurs est un câble à fibre optique hybride SMPTE 311 doté de connecteurs SMPTE 304.

## Protéger les connecteurs SMPTE

Il est essentiel de toujours protéger les connecteurs du câble fibre SMPTE avec leur capuchon de protection en caoutchouc. En effet, de minuscules particules de poussière peuvent s'accumuler très rapidement sur les extrémités du tube de la fibre optique, ce qui peut interrompre l'acheminement des signaux. Il est très fortement conseillé de remettre le capuchon dès que le connecteur est exposé, par exemple, juste avant et juste après la connexion.

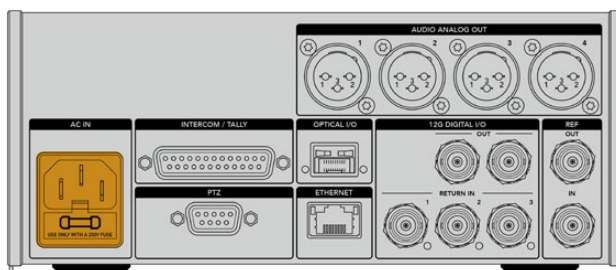
Lorsque vous utilisez les convertisseurs, nous vous recommandons d'emboîter le capuchon de chaque extrémité du câble fibre SMPTE avec le capuchon des convertisseurs pour éviter l'infiltration de poussière ou de débris.

## Brancher l'alimentation

L'alimentation du Studio Converter est acheminée via le câble fibre optique jusqu'au Camera Converter. La première étape consiste donc à alimenter le Studio Converter.

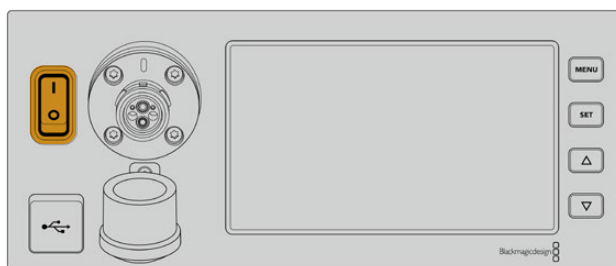
### Alimenter le Studio Fiber Converter

Branchez un câble d'alimentation IEC standard au connecteur d'alimentation situé à l'arrière de l'appareil.



Alimentez votre Studio Fiber Converter via un câble d'alimentation IEC standard

Pour allumer l'appareil, activez le bouton de mise en marche situé à l'avant de l'appareil.



## Connecter la fibre optique SMPTE

La prochaine étape consiste à connecter le câble fibre SMPTE aux deux convertisseurs. Cette connexion achemine l'alimentation et la fibre pour tous les flux vidéo du Studio Fiber Converter au Camera Fiber Converter.

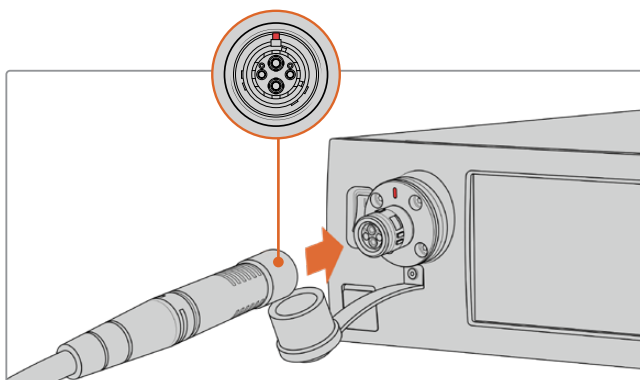
**REMARQUE** Dès qu'un câble fibre optique hybride est connecté aux convertisseurs, ces derniers effectuent un contrôle de sécurité complet. Le courant circulant entre les appareils est contrôlé en permanence pendant l'utilisation.

### Connecter le câble au Studio Fiber Converter

L'extrémité mâle du câble fibre SMPTE se branche en toute sécurité sur le connecteur femelle situé à l'avant du Studio Fiber Converter. Le branchement est verrouillé pour éviter que le câble ne soit accidentellement déconnecté pendant la diffusion.

#### Pour connecter le câble :

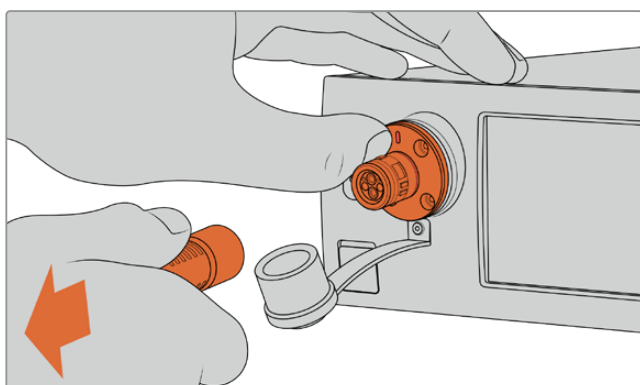
Alignez l'indicateur rouge, situé sur le connecteur du câble, au point rouge situé sur le connecteur du convertisseur, puis branchez-les jusqu'à ce qu'ils soient correctement verrouillés.



Branchez l'extrémité mâle du câble fibre SMPTE au connecteur femelle situé à l'avant du Blackmagic Studio Fiber Converter

#### Pour déconnecter le câble :

Appuyez sur la base en métal du connecteur du Studio Converter et retirez le câble.



Appuyez sur la base en métal du connecteur du Studio Converter et tirez sur le câble pour le déconnecter de l'appareil.

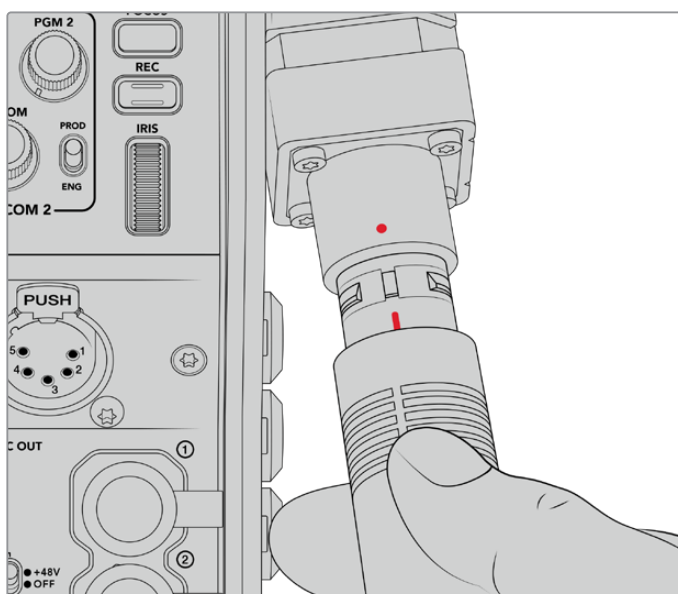
Lorsque le convertisseur est branché, nous vous recommandons d'emboîter le capuchon de l'extrémité du câble fibre SMPTE avec le capuchon du Blackmagic Studio Fiber Converter. Cela permettra de garder les capuchons propres en évitant que de la poussière ou des débris ne s'infiltrent.

## Connecter le câble au Camera Fiber Converter

L'extrémité femelle du câble fibre SMPTE se verrouille sur le connecteur mâle situé sur le côté du Blackmagic Camera Fiber Converter, pour éviter que le câble ne soit accidentellement déconnecté pendant la diffusion.

### Pour connecter le câble :

- 1 Alignez les indicateurs rouges de chaque connecteur, puis branchez-les jusqu'à ce qu'ils soient correctement verrouillés.
- 2 Lorsque le convertisseur est branché, nous vous recommandons d'emboîter le capuchon de l'extrémité du câble fibre SMPTE avec le capuchon du Blackmagic Camera Fiber Converter. Cela permettra de garder les capuchons propres en évitant que de la poussière ou des débris ne s'infiltrent.

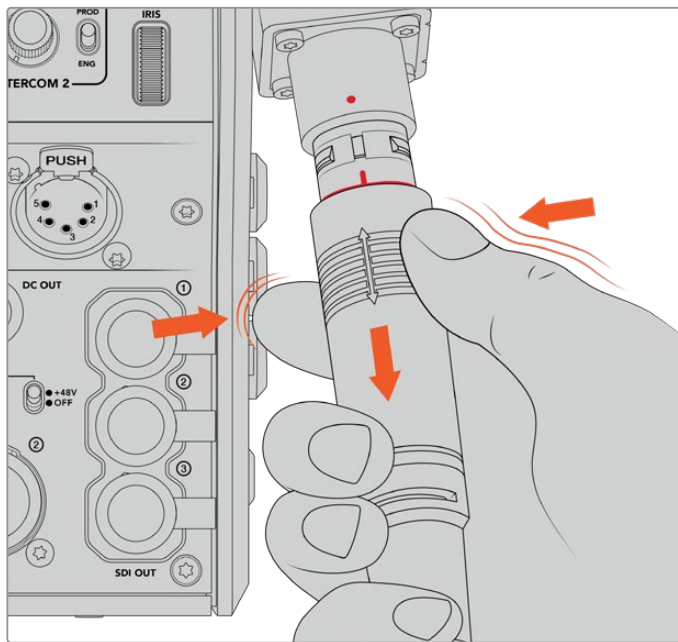


Alignez les indicateurs rouges pour connecter le câble hybride fibre optique SMPTE au connecteur du Blackmagic Camera Fiber Converter.

**REMARQUE** Les connecteurs SMPTE 304 du câble SMPTE 311 sont très résistants et se verrouillent fermement sur la caméra. Pour déconnecter le câble, assurez-vous que la caméra est fixée à une tête de trépied ou que vous la maintenez fermement avec une main pendant la déconnexion du câble.

### Pour déconnecter le câble :

- 1 Pincez la partie supérieure de l'extrémité du câble femelle, puis pressez la gaine en caoutchouc tout en la retirant doucement jusqu'à apercevoir la bague rouge située sous la gaine. La denture du mécanisme de verrouillage devrait se détacher.
- 2 Maintenez la caméra avec une main, puis retirez le câble du connecteur du Blackmagic Camera Fiber Converter. Le câble doit pouvoir se déconnecter aisément et sans forcer.



Pressez la gaine en caoutchouc pour faire apparaître la bague rouge, puis retirez le câble

**REMARQUE** Le câble fibre optique hybride SMPTE est au cœur du réseau broadcast, il est donc primordial d'en prendre grand soin. Par exemple, évitez de le courber, de le placer sous des objets lourds ou de le plier à 90 degrés. Veillez à ne pas faire tomber les connecteurs et faites attention lors de la connexion et de la déconnexion. Mettez toujours les capuchons de protection sur les connecteurs lorsque ces derniers sont exposés.

## Vérification de l'alimentation et de la fibre

Les deux appareils vont maintenant effectuer un établissement de liaison pour vérifier que l'alimentation est acheminée en toute sécurité et que la fibre est correctement connectée.

### L'établissement de liaison se déroule de la manière suivante :

- 1 Le Studio Converter établit une liaison à basse puissance avec le Camera Converter. Lorsque la liaison est établie, l'indicateur d'état du Camera Converter s'allume en rouge.
- 2 Lorsque la connexion a été définie comme sécurisée, le courant à haute puissance est activé et l'indicateur du Camera Converter s'allume en vert.
- 3 La connexion avec la fibre est confirmée et l'indicateur d'état s'allume en vert.

Le contrôle de connexion est en général très rapide et il est possible que l'indicateur s'allume en vert presque immédiatement. Plus la distance de câblage est longue, plus l'établissement de liaison peut prendre de temps.

Si le voyant reste rouge pendant longtemps, qu'il ne devient pas vert, ou qu'il clignote entre le rouge et le vert, vérifiez que les deux extrémités du câble fibre optique sont correctement connectées.

Si cela persiste, veuillez vérifier l'état du câble.

## Précautions de sécurité pour l'alimentation

Le câble fibre optique hybride SMPTE peut acheminer des hautes tensions sur de longues distances pour alimenter une caméra et ses accessoires jusqu'à 2 km de distance.

Pour assurer la sécurité des opérations, le Blackmagic Studio Fiber Converter possède des mécanismes de sécurité intégrés pour assurer le monitoring et l'acheminement du courant.

Le micro-contrôleur dédié et le protocole d'établissement de liaison et de communication entre les Blackmagic Fiber Converters assurent que le câble fibre optique hybride reste désactivé jusqu'à ce qu'il soit correctement branché au Camera Fiber Converter. Un contrôle de sécurité complet est effectué avant que le mode de haute puissance soit activé. Pour que le courant à haute tension soit activé, il faut que les convertisseurs détectent un signal optique stable, que le signal de la boucle de courant soit de 5mA, et que la différence d'intensité entre les alimentations soit inférieure à 30mA.

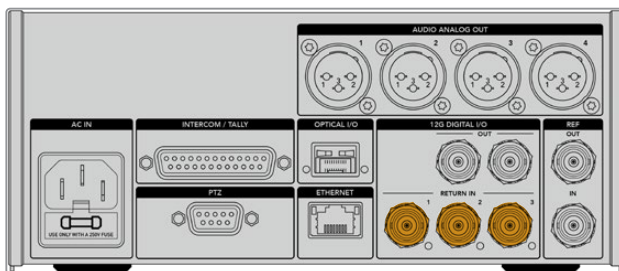
## Connecter un mélangeur ATEM

### Connecter un Blackmagic Studio Fiber Converter à votre mélangeur :

- 1 Connectez un câble BNC depuis la sortie 12G-SDI située à l'arrière du Blackmagic Studio Fiber à une des entrées SDI du mélangeur. Assurez-vous que le format et la fréquence d'images de la caméra et du mélangeur sont identiques.
- 2 Connectez un câble BNC depuis la sortie du flux de retour programme du mélangeur à l'entrée **Return in 1** située à l'arrière du Studio Converter.

**CONSEIL** Si vous utilisez plusieurs caméras pour vos productions en direct, vous aurez sûrement besoin d'acheminer le flux de retour programme provenant du mélangeur vers un Teranex Mini SDI Distribution 12G ou un Smart Videohub car il y a un nombre de sorties programme limité sur le mélangeur.

- 3 Pour acheminer une voie de retour supplémentaire, tel qu'un clean feed, une voie pour le prompteur, l'ISO d'une autre caméra, des graphiques ou autres, branchez-la à l'entrée **Return in 2** ou 3.



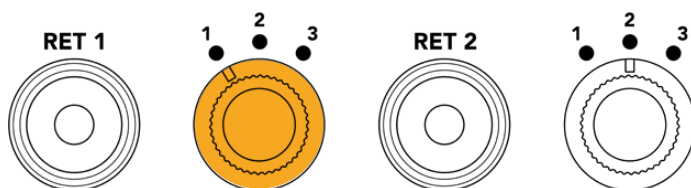
Branchez le flux de retour programme du mélangeur (ou d'autres sources de retour) aux entrées **Return in** situées à l'arrière du Studio Converter.

## Confirmer la vidéo

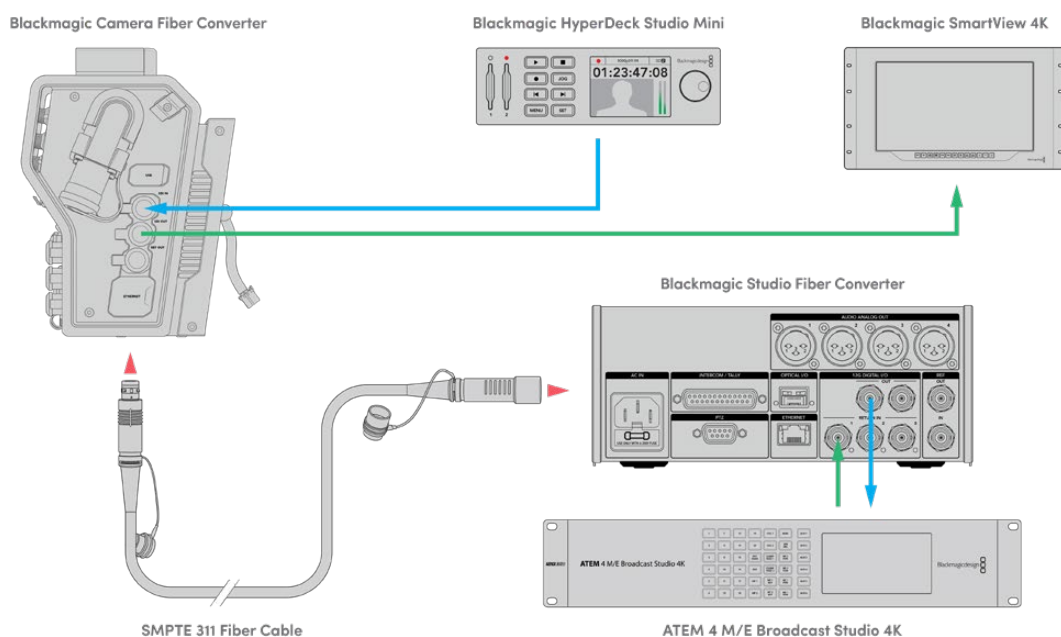
Vous pouvez maintenant vérifier que la vidéo fonctionne et que toutes les voies de retour sont présentes.

- 1 Assurez-vous que la sortie programme du mélangeur ATEM est connectée à l'entrée de retour SDI 1 du Studio Converter.
- 2 Si vous souhaitez vérifier toutes les voies de retour, branchez les sources vidéo aux entrées de retour SDI 2 et 3.
- 3 Maintenant, branchez un moniteur SDI, tel qu'un Blackmagic SmartView 4K, à la sortie SDI située sur le côté du Camera Fiber Converter.

Une fois que le moniteur est connecté à la sortie SDI, tournez la molette située près du bouton de retour correspondant pour commuter entre les trois voies de retour. Vous pouvez régler les deux boutons de retour pour contrôler deux voies de retour différentes si nécessaire.



Commutez entre les voies de retour sur le Camera Fiber Converter et appuyez sur le bouton de retour correspondant pour visualiser la voie sur un moniteur.



Pour confirmer la vidéo, branchez les sources vidéo sur les entrées des voies de retour du Studio Converter, puis visualisez-les sur un moniteur connecté au Camera Converter.

## Pourquoi les connexions sont à l'avant ?

La connexion pour la fibre est située à l'avant du Studio Converter pour servir de tableau de raccordement optique à l'arrière du rack. La face avant du Studio Converter est prévue pour être installée à l'arrière du rack, afin de pouvoir brancher le câble SMPTE directement au convertisseur. Ainsi, vous n'avez pas besoin d'effectuer d'autres raccordements et de vous équiper d'un câble supplémentaire pour relier le convertisseur. L'écran LCD, situé près du connecteur de la fibre SMPTE, vous permet de vérifier rapidement la connexion à la caméra.



## Brancher la caméra via SDI

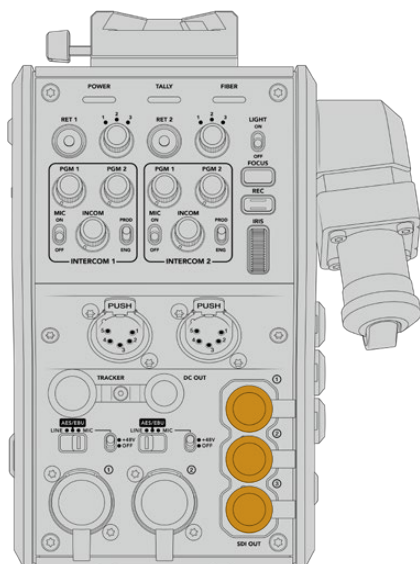
Connecter des signaux vidéo entre le Blackmagic Camera Fiber Converter et une caméra URSA Mini ou URSA Broadcast est très simple. Il suffit de prendre deux des trois câbles SDI inclus, et de relier le côté du convertisseur à l'arrière de la caméra.

### Connecter votre Camera Fiber Converter à votre caméra

- 1 Connectez un des câbles BNC inclus à la sortie 12G-SDI située à l'arrière de la URSA Mini ou de la URSA Broadcast, et branchez l'autre extrémité à l'entrée SDI du Blackmagic Camera Fiber Converter.
- 2 Connectez un des câbles BNC inclus à la sortie SDI du Blackmagic Camera Fiber Converter, et branchez l'autre extrémité à l'entrée 12G-SDI située à l'arrière de la URSA Mini ou de la URSA Broadcast.

## Brancher les sorties SDI de retour

Les trois sorties SDI appelées **SDI Out** sur l'avant du Camera Fiber Converter sont les sorties en boucle des voies de retour provenant du mélangeur. Elles vous permettent de connecter les voies de retour à d'autres équipements SDI situés près de la caméra, tels qu'un prompteur ou un moniteur pour les acteurs.



Les trois sorties en boucle de la voie de retour peuvent être connectées à un équipement SDI, comme un prompteur ou un moniteur

**REMARQUE** Les sorties en boucle SDI de la voie de retour prennent en charge le 3G-SDI pour fournir assez de bande passante pour les trois voies. Les voies de retour Ultra HD jusqu'à 2160p60 provenant du mélangeur sont down-converties en 1080p à une fréquence d'image équivalente.

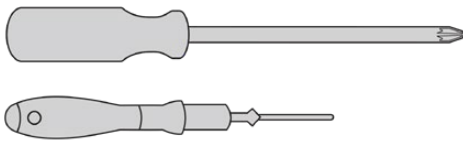
## Fixer le Blackmagic Camera Fiber Converter

Le Blackmagic Camera Fiber Converter se fixe à l'arrière de la URSA Mini ou de la URSA Broadcast et se connecte aux ports SDI in et SDI out via les connecteurs BNC. Si une fixation pour batterie est installée à l'arrière de la caméra, vous aurez besoin de la retirer avant de connecter le Blackmagic Camera Fiber Converter.

**REMARQUE** Avant d'installer le Blackmagic Camera Fiber Converter, assurez-vous que le logiciel interne de la URSA Mini est mis à jour sur la version 4.4 ou ultérieure, et celui de la URSA Broadcast sur la version 4.6 ou ultérieure. Vous pouvez vérifier la version du logiciel sur la page 4 du menu **Setup** de la caméra. Pour plus d'informations sur la mise à jour du firmware de votre caméra, veuillez consulter la section « Blackmagic Camera Setup Utility » de ce manuel.

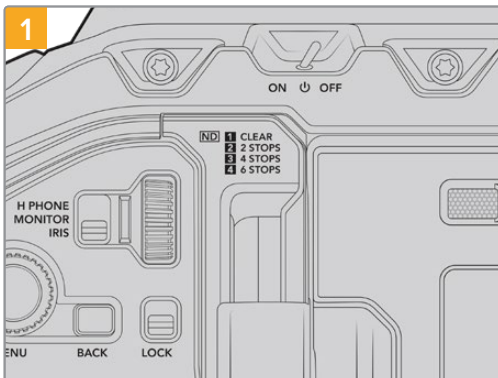
Lorsque vous installez le Blackmagic Camera Fiber Converter, vous aurez besoin des outils suivants :

- 1 x tournevis cruciforme
- 1 x clé Allen de 2,5mm

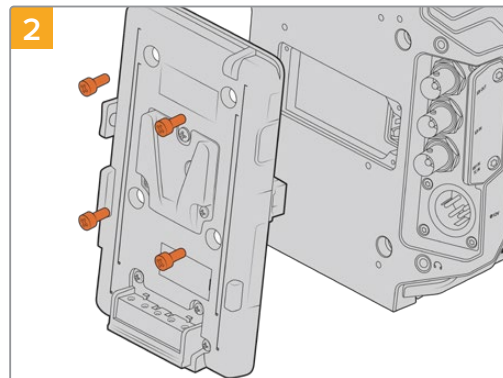


Pour fixer le Blackmagic Camera Fiber Converter sur votre URSA Mini ou votre URSA Broadcast, vous aurez besoin d'un grand tournevis cruciforme et d'une clé Allen de 2,5mm.

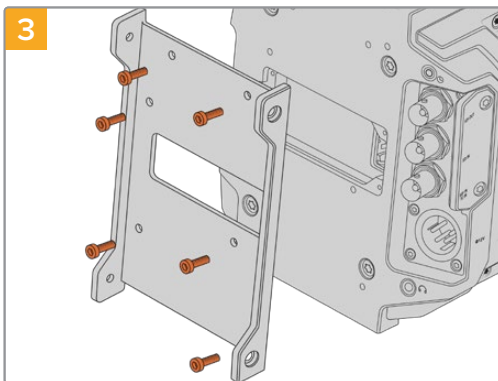
Pour fixer et connecter le Blackmagic Camera Fiber Converter :



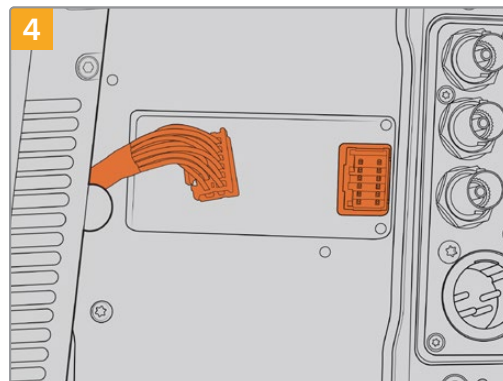
Assurez-vous que la caméra est éteinte. Si vous utilisez une URSA Mini Pro ou une URSA Broadcast, éteignez-la en positionnant l'interrupteur de mise en marche sur Off.



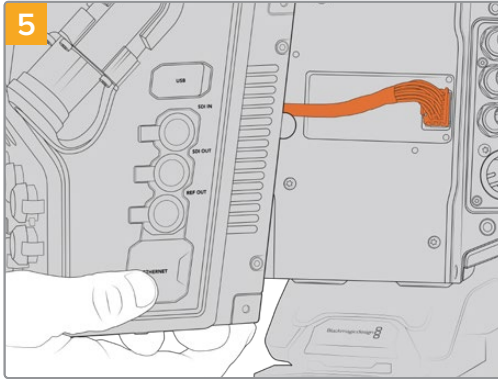
Retirez la fixation pour batterie (ou la fixation du cache Molex) à l'aide d'un tournevis cruciforme.



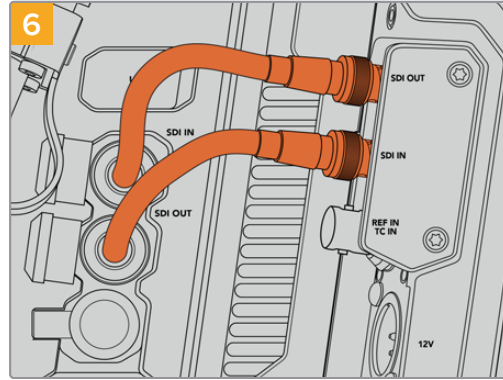
Fixez la barrette de fixation à l'aide de 6 x vis 2,5mm.



Branchez le connecteur Molex du Blackmagic Camera Fiber Converter à la prise d'alimentation Molex située à l'arrière de la caméra.



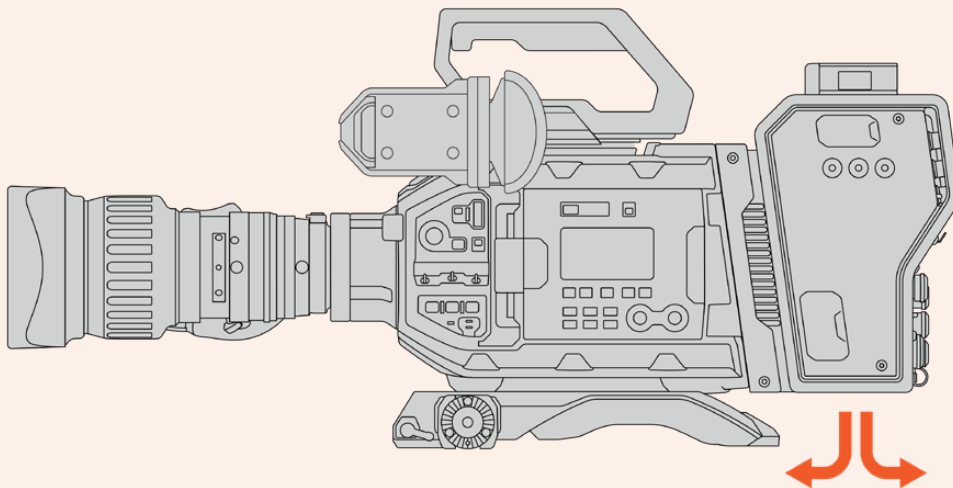
5  
Faites glisser le Blackmagic Camera Fiber Converter dans la barrette de fixation, et vissez-le à l'aide de 2 x vis 2,5mm de chaque côté de la barrette.



6  
Utilisez un des câbles BNC inclus pour connecter la sortie SDI à l'arrière de la caméra à l'entrée SDI du Blackmagic Camera Fiber Converter. Utilisez un autre câble BNC inclus pour connecter la sortie SDI du convertisseur à l'entrée SDI à l'arrière de la caméra.

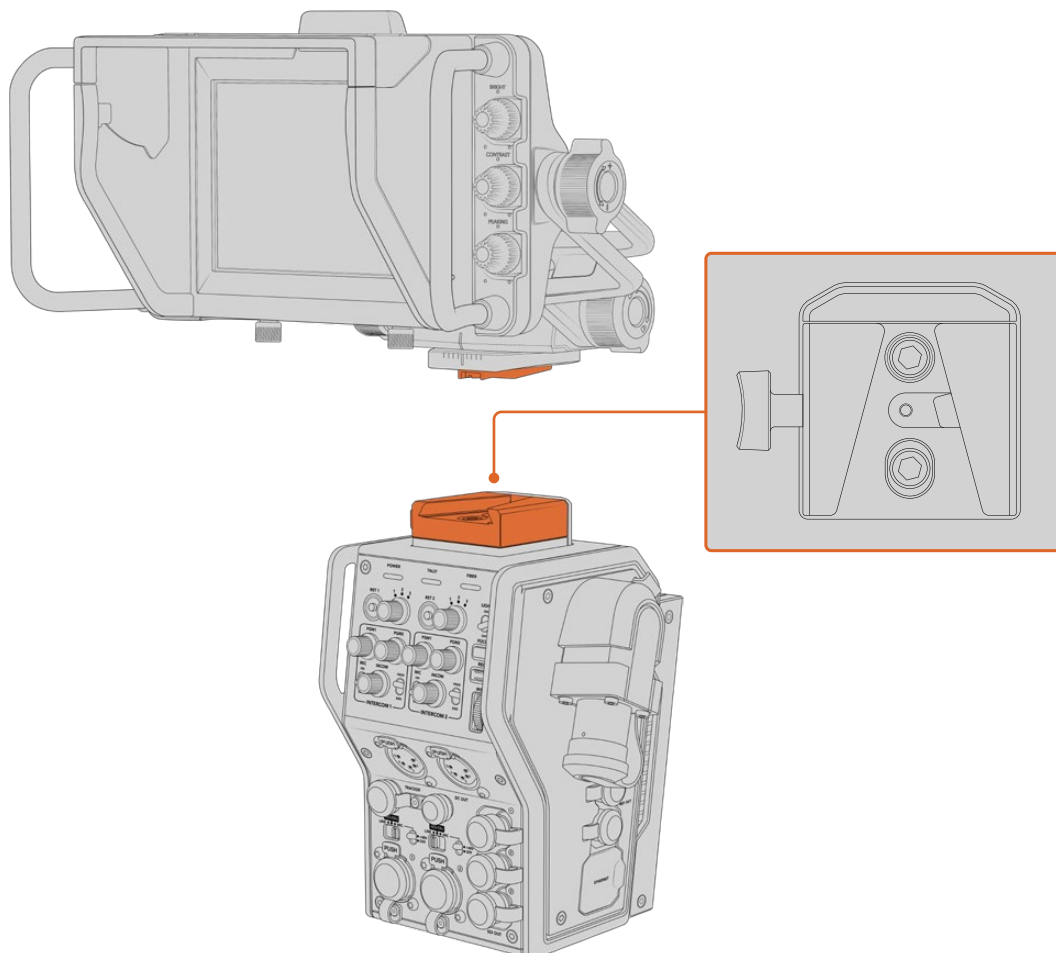
**REMARQUE** Lorsque vous installez vos équipements et que vous utilisez la URSA Mini ou la URSA Broadcast avec un Camera Fiber Converter, il est important de laisser un espace dégagé sous le convertisseur pour ne pas compromettre la ventilation.

Si votre caméra est installée sur un trépied ou sur un support d'épaule, l'espace pour la ventilation est suffisant. Cependant, si votre équipement est installé sur une surface plate, nous vous recommandons de monter l'épaulette de la URSA Mini, ou un support d'épaule tiers pour que le ventilateur situé sous le convertisseur ne soit pas obturé.



## Monter un URSA Studio Viewfinder

Le support V-Lock fixé sur le dessus du convertisseur vous permet de connecter un Blackmagic Studio Viewfinder. Ainsi, le Studio Viewfinder est à hauteur d'yeux lorsque la caméra est montée sur un socle ou un trépied.



Le support V-Lock en haut du Camera Converter permet de fixer un Blackmagic URSA Studio Viewfinder

## Brancher un casque pour le réseau d'ordres

Branchez un casque broadcast à un des deux connecteurs XLR à 5 broches situés à l'avant du Camera Converter. Les deux connecteurs pour casque permettent à deux personnes de communiquer avec l'équipe simultanément.

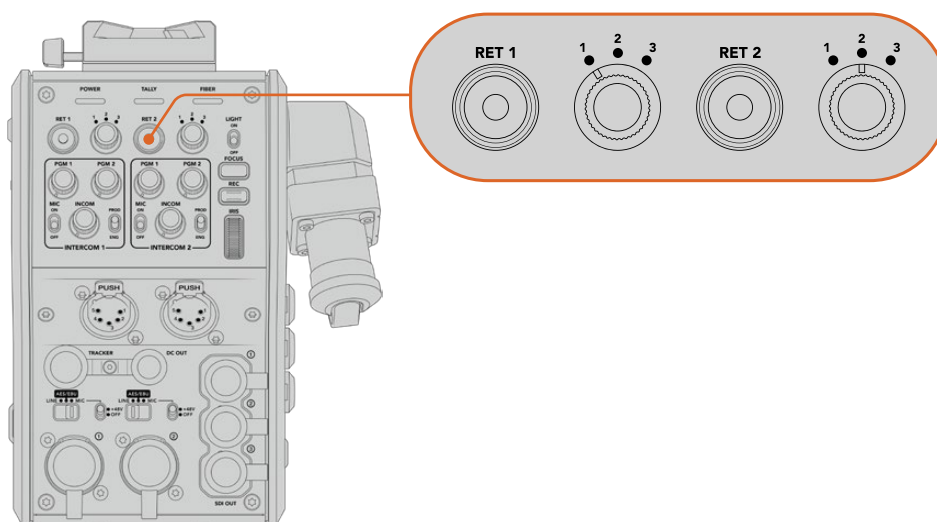
C'est tout ce que vous devez savoir pour démarrer ! Une fois que les convertisseurs sont alimentés et que la vidéo est connectée via la fibre SMPTE, vous pouvez commencer à utiliser les convertisseurs pour créer des productions en direct de manière flexible et efficace. Veuillez lire le reste de ce manuel pour comprendre l'utilisation de toutes les fonctionnalités des Blackmagic Fiber Converters.

# Fonctionnement du Camera Fiber Converter

## Sélectionner une voie de retour

Les deux boutons de retour, situés à l'avant, fonctionnent comme le bouton PGM de la caméra. Ils permettent de commuter entre les signaux de la caméra et du retour programme sur l'écran LCD, sur le Blackmagic URSA Studio Viewfinder et sur les sorties de moniteurs HD.

Les deux boutons de retour **Ret 1** et **Ret 2** commutent entre deux voies de retour. Lorsque vous sélectionnez un bouton de retour, la molette à trois crans située à gauche du bouton correspondant vous permet de sélectionner une voie de retour. Chaque cran de la molette correspond au connecteur SDI **Return in 1, 2 ou 3** situé à l'arrière du Studio Fiber Converter.



Les boutons de retour et les 3 molettes permettent de sélectionner la voie de retour que vous souhaitez visualiser

Maintenez un des boutons de retour enfoncé pour voir le flux de programme sélectionné. Ce flux est lu tant que le bouton de retour est enfoncé. Double-cliquez sur le bouton de retour pour verrouiller l'affichage sur la voie de retour. Si vous appuyez à nouveau sur ce bouton, vous quitterez la voie de retour et retournerez sur l'affichage du signal de la caméra.

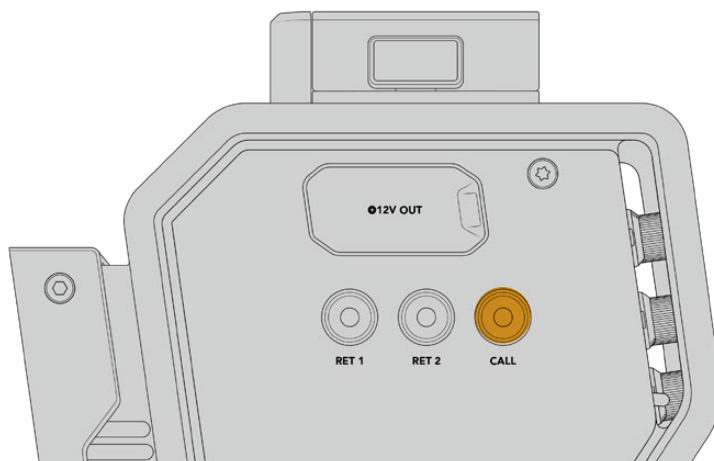
Vous pouvez facilement définir à quelle voie de retour provenant du Studio Fiber Converter vous voulez rapidement accéder via les deux boutons de retour. Par exemple, les trois voies de retour peuvent être le signal de sortie programme du mélangeur contenant des graphiques, le signal du prompteur et le signal d'une autre caméra.

Grâce à ces commandes, vous pouvez assigner le bouton **Ret 1** au flux de programme de manière permanente, puis utiliser le bouton **Ret 2** pour contrôler le prompteur, tout en commutant de temps en temps avec le signal d'une autre caméra pour vérifier le cadrage ou l'angle.

Vous trouverez les mêmes boutons de retour **Ret 1** et **Ret 2** sur le côté gauche du convertisseur. Ces boutons supplémentaires permettent de visualiser les voies de retour lorsque vous opérez depuis le côté de la caméra. Ils remplissent les mêmes fonctions que les boutons de retour situés à l'avant.

## Utiliser le bouton Call

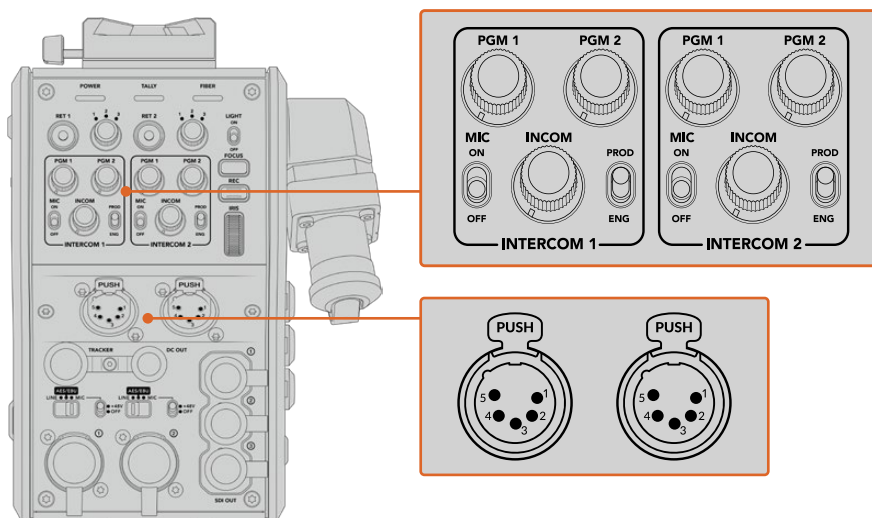
Juste à côté, se trouve le bouton **Call**. Lorsque vous appuyez sur ce bouton, le voyant du tally clignote en rouge sur l'écran LCD de votre Blackmagic Studio Fiber Converter. Ce bouton permet également de faire clignoter en rouge un bouton numéroté **Press to talk** sur le panneau de l'ATEM Talkback Converter 4K. Ces voyants permettent d'indiquer aux opérateurs de la salle de contrôle que vous avez besoin d'aide.



## Utiliser le réseau d'ordres

Les deux connecteurs femelles XLR à 5 broches vous permettent de brancher deux casques. Ainsi, une deuxième personne peut communiquer avec le reste de l'équipe simultanément.

L'appareil offre un interphone indépendant pour chaque casque, grâce aux deux groupes de commandes séparés. Chaque interphone est un véritable mixeur audio à trois voies et les connecteurs XLR correspondants sont situés juste au-dessus.



Les commandes de l'interphone sont situées directement au-dessus de la connexion de chaque casque

Vous entendrez l'audio provenant des flux que vous avez assignés aux boutons **Ret 1** et **Ret 2** via un casque connecté. Les molettes **PGM 1** et **PGM 2** ajustent les niveaux audio de ces flux, tandis que la molette **Incom** ajuste le volume général. L'interrupteur **Mic** permet à l'opérateur d'activer ou de désactiver le micro du casque.

Chaque interphone possède 2 canaux sélectionnables : un canal pour la production et un canal pour l'ingénierie. Ainsi, si vous travaillez sur un projet broadcast avec une grande équipe, vous pouvez partager les communications entre ces deux canaux. Le canal pour la production vous permet de communiquer avec le réalisateur, le producteur et d'autres membres de l'équipe dans le car régie. Le canal pour les ingénieurs permet de communiquer avec les éclairagistes, les opérateurs techniques et d'autres opérateurs caméra. Vous pouvez utiliser la page **Talkback** dans le menu de votre Blackmagic Studio Fiber Converter pour sélectionner la source pour chaque canal, parmi **SDI + DB25** ou **Intercom tally DB25** sur votre Studio Fiber Converter. Pour plus d'informations, veuillez consulter la section « Fonctionnement du Studio Fiber Converter ».

De plus, vous pouvez utiliser le canal de secours pendant la mise en route du réseau ou lors du dépannage si la liaison avec la fibre est coupée.

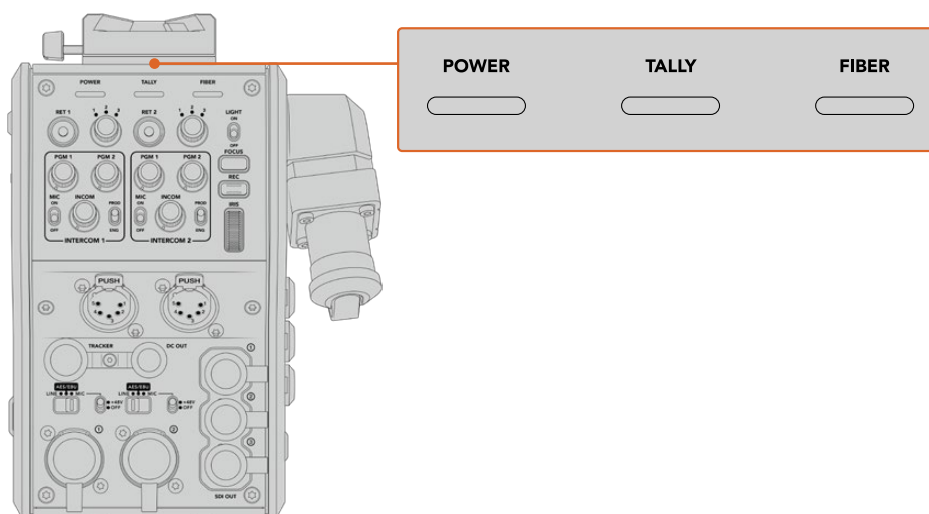
**CONSEIL** Une communication bi-directionnelle entre les opérateurs caméra et les équipes de production et d'ingénierie est essentielle pour les productions broadcast et de studio. Le bouton **Call** du Blackmagic Camera Fiber Converter permet aux opérateurs caméra d'alerter la production et les ingénieurs et de leur parler via leur casque branché à l'interphone. En appuyant sur ce bouton, cela fait clignoter un bouton numéroté **Press to talk** sur l'ATEM Talkback Converter 4K ainsi que le voyant tally sur l'écran LCD du Blackmagic Studio Fiber Converter. De la même manière, si un membre de l'équipe dans la salle de contrôle ou dans un car régie doit communiquer urgemment avec un opérateur caméra, il peut presser le bouton **Call** pour cette caméra sur l'ATEM Camera Control Panel. Cela fera clignoter le voyant tally du Camera Fiber Converter ainsi que le voyant tally du Blackmagic URSA Viewfinder ou Studio Viewfinder.

## Utilisation du Tally

Le voyant tally situé à l'avant de l'appareil est un voyant tally traditionnel, qui s'allume en rouge pour le programme et en vert pour la prévisualisation. Ainsi, vous savez quand votre caméra est à l'antenne.

## Voyants d'état

Les voyants **Power**, **Tally** et **Fiber**, situés sur la partie supérieure du convertisseur, s'allument de différentes couleurs selon l'état de l'appareil. Lorsque le câble optique est débranché, tous les voyants sont éteints.



Les voyants d'état affichent différentes couleurs en fonction de l'état de l'appareil



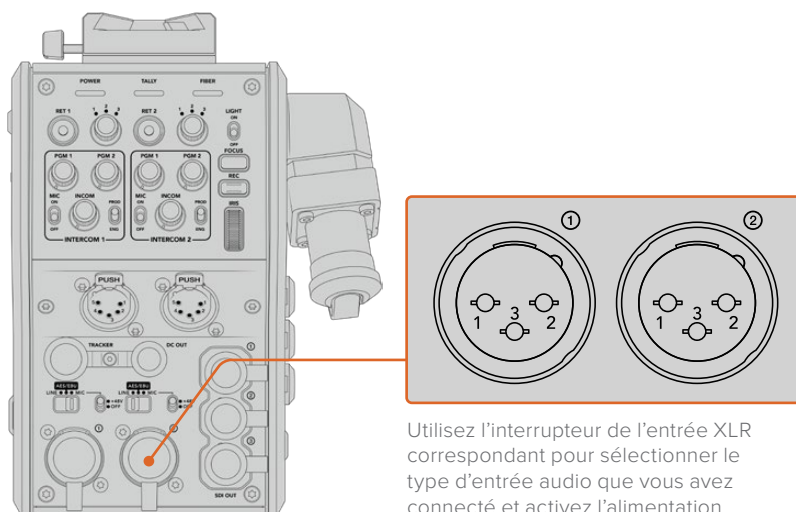
Vous trouverez ci-dessous une description de la couleur, de l'action et de l'état de chaque voyant :

<b>Alimentation</b>	<b>Lumière rouge fixe</b>	Lorsqu'une extrémité du câble fibre optique hybride est connectée à un Studio Fiber Converter alimenté et que l'autre extrémité est branchée à un Camera Fiber Converter, le voyant situé sur le convertisseur devient rouge pour indiquer que l'appareil est alimenté en mode basse puissance. Lorsque ce mode est actif, la fonction d'interphone est disponible mais l'énergie requise pour faire fonctionner l'appareil n'a pas encore été activée. Si le voyant reste rouge pendant une longue période et qu'il ne devient jamais vert, vérifiez les connexions du câble fibre optique hybride SMPTE. Si la connexion reste instable, vérifiez l'état du câble.
	<b>Lumière verte fixe</b>	Une fois que la connexion fibre optique a été établie et que le Studio Fiber Converter a déterminé que la connexion du câble est sécurisée, le voyant devient vert et le Camera Fiber Converter entre en mode haute puissance.
	<b>Clignotement rouge et vert</b>	Si le voyant clignote en rouge et vert, vérifiez les connexions du câble fibre optique hybride SMPTE. Si la connexion reste instable, vérifiez l'état du câble.
<b>Tally</b>	<b>Lumière rouge fixe</b>	Le voyant tally s'allume en rouge pour indiquer que la caméra est à l'antenne.
	<b>Lumière verte fixe</b>	Le voyant tally s'allume en vert pour indiquer que la caméra est en mode prévisualisation.
<b>Fibre</b>	<b>Lumière rouge fixe</b>	Lorsque le câble fibre optique hybride SMPTE est branché au Camera Fiber Converter, ce voyant s'allume en rouge pour indiquer que les convertisseurs effectuent un établissement de liaison et que la puissance du courant est faible. Les fonctionnalités de l'interphone restent activées pendant l'établissement de liaison ou pendant un dépannage si la liaison avec la fibre optique est coupée.
	<b>Lumière verte fixe</b>	Lorsque que la connexion au câble fibre optique hybride SMPTE est établie, le voyant s'allume en vert.

Lorsque les deux voyants Power et Fiber sont verts, cela signifie que les contrôles de sécurité ont été effectués et que les convertisseurs sont en mode haute puissance.

## Entrées audio

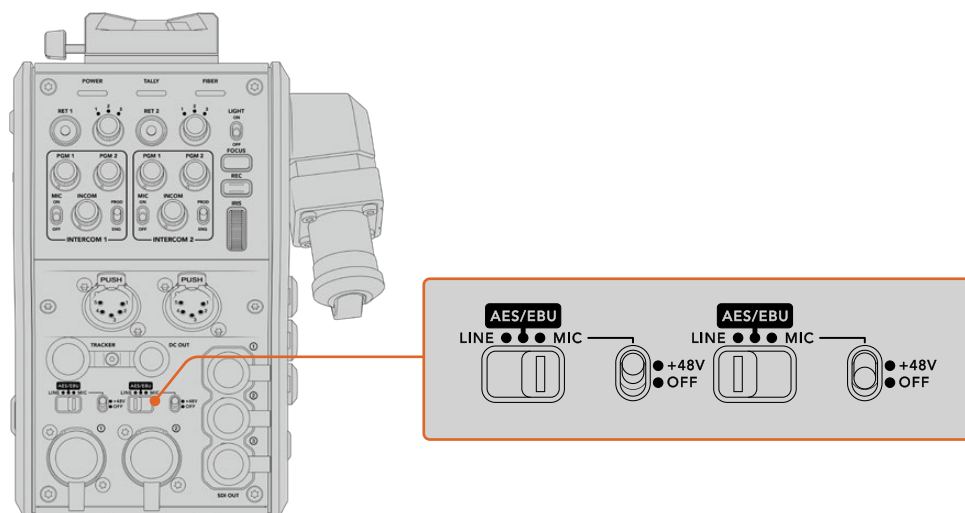
Votre Blackmagic Camera Fiber Converter possède deux entrées XLR notées **1** et **2**, qui vous permettent de brancher de l'audio analogique externe depuis des équipements professionnels, tels que des mixeurs audio, des systèmes de sonorisation ou des micro externes.



Utilisez l'interrupteur de l'entrée XLR correspondant pour sélectionner le type d'entrée audio que vous avez connecté et activez l'alimentation fantôme si nécessaire

L'audio de la caméra est intégré aux canaux 1 et 2 du signal caméra. Les 2 entrées audio situées à l'arrière du Camera Fiber Converter sont intégrées aux canaux 3 et 4. Les quatre canaux audio sont également acheminés vers le Studio Fiber Converter en tant que sorties audio analogiques.

La page **Audio** dans le menu du Blackmagic Studio Fiber Converter permet d'ajuster les niveaux des signaux d'entrée pour les sources audio connectées aux entrées XLR du Blackmagic Camera Fiber Converter. Pour plus d'informations, veuillez consulter la section « Fonctionnement du Studio Fiber Converter ». Une fois les branchements effectués, vous pouvez utiliser l'interrupteur dédié à chaque entrée XLR pour configurer les entrées XLR lorsqu'elles sont sélectionnées en tant que source d'entrée. Les options disponibles sont audio micro (Mic), audio de niveau ligne (Line) et audio numérique AES.



Si vous souhaitez connecter des micros qui ne sont pas autonomes, vous pouvez activer l'alimentation fantôme 48V. Déplacez l'interrupteur de l'alimentation fantôme sur **+48V** pour activer l'alimentation fantôme du micro connecté à l'entrée XLR correspondante, ou sur **Off** pour la désactiver.

## Vidéo IP

Le câble fibre SMPTE fournit une liaison IP de 10 Gbits entre le Camera Fiber Converter et le Studio Fiber Converter. Ainsi, toutes vos vidéos et les voies de retour sont basées sur un système de vidéo sur IP et utilisent des codecs vidéo 10 bits sans perte visuelle et de qualité broadcast. Toutes les autres connexions, comme le réseau d'ordres, le tally, le contrôle caméra et le contrôle des objectifs sont également converties en vidéo à faible latence sur IP, pour une performance optimale.


## Spécifications pour l'alimentation

Le Blackmagic Studio Fiber Converter alimente le Blackmagic Camera Fiber Converter, la caméra et ses accessoires. Un connecteur Molex se branche à la prise Molex située à l'arrière de la caméra pour acheminer l'alimentation depuis le Camera Fiber Converter.

Si vous placez votre caméra à plus de 2,1 kilomètres de distance du car régie, il est possible que la caméra et le convertisseur ne reçoivent pas assez de courant. Dans ce cas, vous pouvez les alimenter localement en branchant le connecteur XLR à 4 broches à l'entrée +12V de votre URSA Mini ou URSA Broadcast. L'alimentation sera acheminée au Camera Fiber Converter via le connecteur Molex.

Le connecteur **+12V out**, également appelé **D-tap** ou **P-tap**, vous permet d'alimenter des accessoires (comme un moniteur externe ou un large objectif de studio), à une tension nominale de 12V DC jusqu'à 500 mA. Le connecteur **DC out** fournit une option supplémentaire pour alimenter les accessoires, comme un moniteur externe. Veuillez vous référer au schéma de brochage ci-dessous.

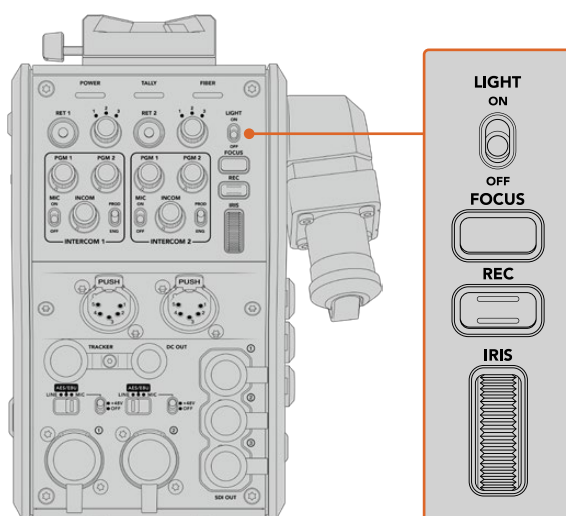
### Schéma de brochage du connecteur DC Out

Vue extérieure	Broches	Signal	E/S	Spécifications
 <p>Connecteur DC Out</p>	1	Unregulated GND	–	GND for Unregulated Out
	2	NC	–	No connection
	3	NC	–	No connection
	4	Unregulated Out	Out	Tension nominale de 12V DC jusqu'à 500 mA.

## Travailler avec une équipe réduite

Nous avons ajouté des commandes pour le contrôle de l'iris et de la mise au point sur le convertisseur. Ainsi, vous pouvez contrôler les objectifs compatibles depuis l'arrière de la caméra URSA Mini ou URSA Broadcast lorsque vous l'utilisez comme caméra de studio. C'est très pratique quand vous n'avez pas d'opérateur caméra pour contrôler les objectifs à distance.

Lorsqu'elle est utilisée comme caméra de studio, la URSA Mini ou la URSA Broadcast peut enregistrer en interne. Le bouton d'enregistrement vous permet d'enclencher l'enregistrement interne sur la caméra.



#### Light

Active le rétro-éclairage du panneau afin que toutes les commandes soient visibles pour une utilisation dans un environnement obscur.

#### Focus

Ce bouton enclenche la mise au point automatique si vous utilisez des objectifs qui prennent en charge cette fonctionnalité.

#### Rec

Ce bouton déclenche l'enregistrement. Appuyez une seconde fois sur ce bouton pour arrêter l'enregistrement.

#### Iris

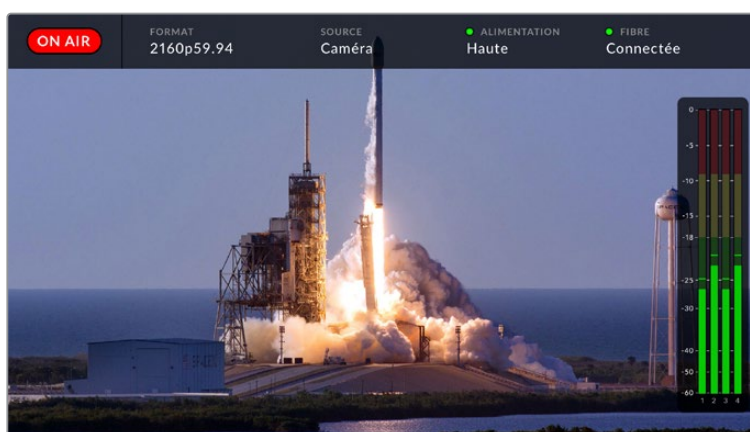
Cette molette permet d'ouvrir ou de fermer l'iris si vous utilisez des objectifs actifs compatibles qui prennent en charge le contrôle depuis la caméra. Tournez la molette vers le haut ou vers le bas pour modifier l'ouverture de l'iris.

# Fonctionnement du Studio Fiber Converter

## Sélectionner la source sur l'écran LCD

Une fois le Blackmagic Studio Fiber allumé, l'écran LCD affiche le signal provenant de la caméra. Le Studio Fiber Converter agit comme l'unité centrale. Il reçoit tous les flux de programme du mélangeur et les sources de retour, puis les envoie au Camera Fiber Converter via le câble fibre SMPTE.

L'écran LCD intégré vous permet de contrôler le flux caméra et chaque source connectée aux entrées des flux de retour. Les informations d'état et les vumètres s'affichent à l'écran.



L'affichage à l'écran permet de confirmer le nom et le format d'une source lorsque vous basculez entre les flux

### On Air

L'icône rouge **On Air** s'affiche lorsque la caméra connectée est utilisée dans le flux du programme. L'icône reste vide lorsque la caméra connectée n'est pas à l'antenne.

### Format

Affiche la résolution et la fréquence d'images de la source actuelle.

### Source

Affiche le nom de la source actuelle.

### Alimentation

Affiche l'état actuel de l'alimentation. **Basse** s'affiche avec un voyant rouge lorsque le niveau d'alimentation est faible. **Haute** s'affiche avec un voyant vert lorsque l'appareil est en mode haute puissance. Pour plus d'informations, veuillez consulter « Voyants d'état » de la section « Fonctionnement du Studio Fiber Converter ».

### Fibre

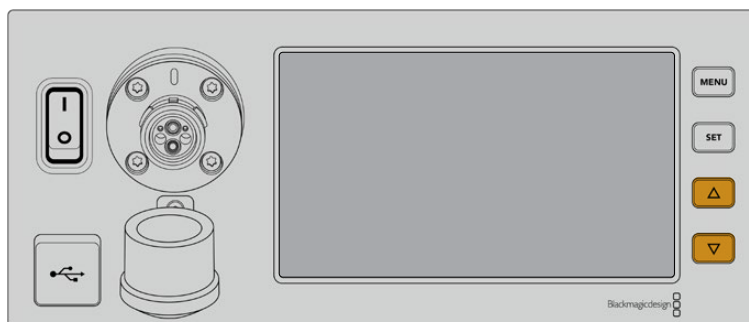
Affiche l'état actuel de la fibre. **Connexion** s'affiche avec un voyant rouge pendant la connexion initiale. **Connectée** s'affiche avec un voyant vert une fois que la connexion avec un câble fibre optique hybride SMPTE est établie. Pour plus d'informations, veuillez consulter « Voyants d'état » de la section « Fonctionnement du Studio Fiber Converter » de ce manuel.

### Indicateurs audio

Les indicateurs de crête audio affichent les niveaux audio lorsque l'audio de la caméra est intégré aux canaux 1 et 2 du flux caméra. Les canaux 3 et 4 correspondent aux sources audio connectées aux deux entrées XLR à l'arrière de votre Blackmagic Camera Fiber Converter. L'affichage est calibré en unités dBFS et intègre des indicateurs de crête qui restent visibles un petit moment, ce qui vous permet de visualiser clairement les niveaux maximaux atteints.

## Utiliser le menu

Les flèches haut et bas permettent de naviguer entre les quatre sources possibles : **Camera**, **Return1**, **Return2** et **Return3**. Appuyez sur le bouton **Menu** pour accéder au menu principal et régler vos paramètres. Utilisez les flèches pour naviguer entre les différents menus et options, puis confirmez vos sélections avec le bouton **Set**. Les paramètres du menu sont divisés entre les pages **Audio**, **Talkback** et **Setup**.

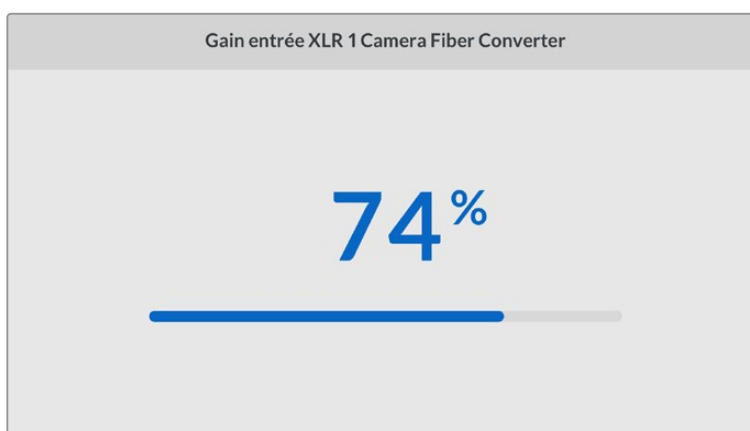


Utilisez les flèches haut et bas pour naviguer entre les quatre sources possibles et dans les menus.

### Audio

La page **Audio** permet d'ajuster les niveaux des signaux d'entrée pour les sources audio connectées aux entrées XLR du Blackmagic Camera Fiber Converter.

Audio		>
Gain entrée XLR 1 Camera Fiber Converter	50%	
Gain entrée XLR 2 Camera Fiber Converter	50%	
Sortie canal 1 et 2	1 et 2 intégrés	
Sortie canal 3 et 4	XLR 1 et 2	



Utilisez les flèches pour ajuster le niveau de chaque entrée XLR, puis appuyez sur **Set** pour confirmer.

Vous pouvez configurer quels canaux audio du Camera Fiber Converter seront mappés aux sorties XLR et SDI intégrées. Les canaux audio intégrés de la URSA Mini ou de la URSA

Broadcast se trouvent par défaut sur les canaux 1 et 2. Les entrées XLR de niveau ligne ou micro qui sont branchées au Camera Fiber Converter sont mappées par défaut sur les canaux 3 et 4. Vous pouvez ajuster les paramètres des canaux de sortie pour modifier ces mappages. Si une des entrées XLR du Camera Fiber Converter est réglée sur AES, les options de mappage des canaux incluront les canaux 5 et 6, qui seront envoyés sur la sortie SDI intégrée.

Sortie canal 1 et 2	
1 et 2 intégrés	✓
XLR 1	
AES 3 et 4	

Mappage des canaux XLR intégrés de la caméra sur les canaux 1 et 2

### Talkback

Utilisez le menu **Talkback** pour sélectionner la source audio du programme et la source du réseau d'ordres pour les canaux de production et des ingénieurs. Réglez la source du réseau d'ordres sur **SDI + DB25** ou **Intercom tally DB25** sur votre Studio Fiber Converter.

Vous pouvez également ajuster le niveau de gain du casque et de son micro pour chaque interphone, pour tenir compte de l'impédance du casque que vous utilisez. Le paramètre **Phantom power** permet d'activer l'alimentation fantôme envoyée au casque respectif. Ajustez le paramètre **Sidetone level** afin que les opérateurs des caméras puissent entendre leur propre voix dans leur casque à un volume clair et confortable.

Réseau d'ordres	
Source audio programme	Canaux SDI 1 et 2
Source canal production	SDI + DB25
Source canal ingénieurs	Interphone Tally DB25
Interphone 1	
Gain casque	50%
Gain micro casque	50%
Alimentation fantôme micro du casque	On
Niveau Effet local	50%
Interphone 2	
Gain casque	50%
Gain micro casque	50%
Alimentation fantôme micro du casque	On
Niveau Effet local	50%

La section de l'interphone sera grisée lorsqu'aucun appareil n'est connecté aux entrées XLR et elle affichera **Connexion** durant la connexion.

## Setup

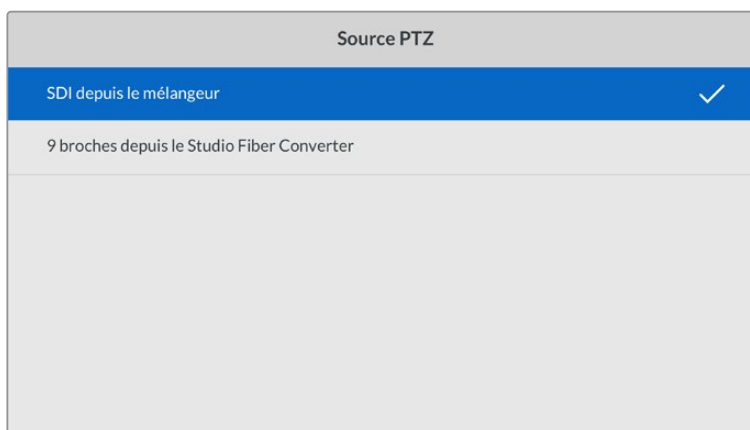
Ce menu permet de configurer la source PTZ, ainsi que de sélectionner la langue des menus et le type de niveau pour le retour SDI.



Sélectionnez la source des commandes PTZ en utilisant les réglages de la source PTZ. Vous avez le choix entre **SDI** pour sélectionner les entrées SDI Return in, ou **9 broches** pour le connecteur PTZ à 9 broches situé à l'arrière du Blackmagic Studio Fiber Converter.

Vous pouvez ainsi contrôler le pan, tilt et zoom d'une caméra PTZ depuis un mélangeur ATEM et envoyer ces commandes PTZ au Blackmagic Studio Fiber Converter via SDI. Ces commandes seront envoyées au Blackmagic Camera Fiber Converter via la fibre optique SMPTE, où elles seront isolées et acheminées via le connecteur en série DE-9, pour relier une tête motorisée PTZ.

Vous pouvez également connecter un contrôleur PTZ à votre Blackmagic Studio Fiber Converter via le connecteur DE-9, pour contrôler une tête de caméra robotisée.



Le menu de paramétrage permet de sélectionner la source **SDI** ou **9 broches** pour les commandes PTZ



Langue	
English	
中文	
日本語	
한국어	
Español	
Deutsch	
Français	✓
Русский	
Italiano	
Português	
Türkçe	

Le paramètre **Language** permet de régler la langue des menus. Le Studio Fiber Converter supporte 11 langues répandues : l'anglais, le français, l'allemand, l'italien, le japonais, le coréen, le portugais, le russe, l'espagnol et le turc. La page des langues apparaît lors du démarrage et après la mise à jour du logiciel interne.

L'option **12G SDI return** permet de down-convertir les signaux de retour programme 12G sur du 3G de niveau A ou B. Tous les signaux 12G envoyés aux entrées retour du Studio Fiber Converter sont down-converties lors du transfert vers le Camera Fiber Converter.

## Monter le Studio Fiber Converter sur un rack

Si vous utilisez plusieurs Blackmagic Studio Fiber Converters, vous pouvez utiliser le Blackmagic Studio Fiber Rack Kit pour installer les convertisseurs dans un rack ou une caisse de transport broadcast. Grâce au Rack Kit, vous pouvez monter deux appareils dans un rack côte à côte. Une plaque d'obturation est incluse dans le Studio Fiber Rack Kit pour cacher la partie vide du rack si vous ne souhaitez monter qu'un seul appareil.

Le Studio Fiber Converter mesure 2 unités de rack de hauteur et la moitié de la largeur d'un rack standard. Vous pouvez donc faire tenir deux Studio Fiber Converters côte à côte dans deux unités de rack.

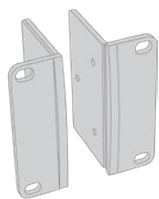


Deux Blackmagic Studio Fiber Converters côte à côte



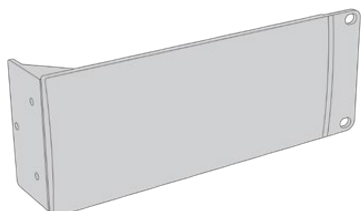
La plaque d'obturation peut être utilisée pour cacher la partie vide du rack

## Le Blackmagic Studio Fiber Rack Kit inclut :



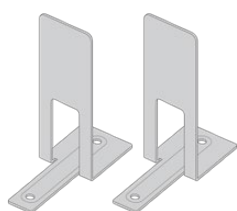
### 2x supports latéraux pour le montage sur rack

Fixez-les sur les bords externes du Blackmagic Studio Fiber Converter.



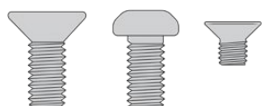
### 1x plaque d'obturation d'un demi rack de largeur

La plaque d'obturation possède un support latéral sur un côté afin de cacher l'espace vide du rack si vous n'installez qu'un seul appareil. L'illustration montre la plaque avec le support latéral sur le côté droit. Tournez la plaque à 180° pour la monter dans l'autre sens.



### 2x supports de montage

Les supports de montage en forme de T se fixent sous les deux Studio Fiber Converters, à l'avant et à l'arrière, au niveau de la jonction des deux convertisseurs.



### Vis

#### 8 x M4 10mm

Vis pour les supports latéraux

#### 4 x M4 8mm

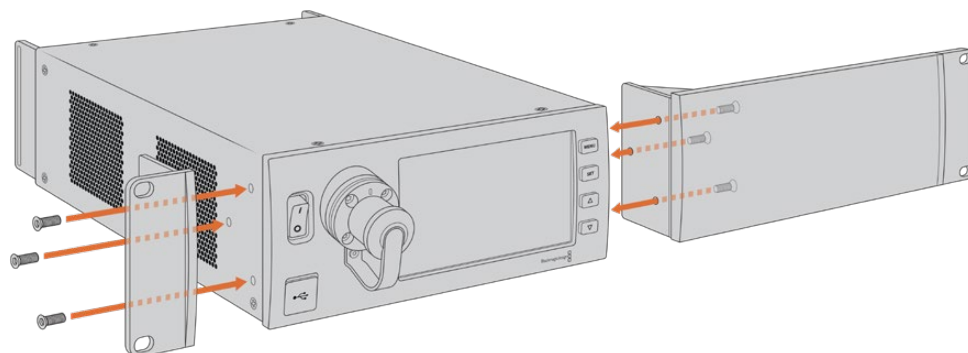
Vis pour la plaque d'obturation

#### 5 x M3 5mm

Vis pour les supports de montage

## Préparer un Blackmagic Studio Fiber Converter pour l'installation dans un rack :

- 1 Placez la plaque d'obturation sur le côté gauche ou le côté droit du Studio Fiber Converter, selon l'emplacement de l'appareil sur le rack. La face avant de la plaque doit être parallèle à la face avant de l'appareil.
- 2 Fixez la plaque d'obturation sur le côté et à l'avant du Studio Fiber Converter à l'aide des vis pour la plaque d'obturation fournies.



- 3 Utilisez trois vis des supports latéraux pour le fixer sur l'autre côté du Studio Fiber Converter.

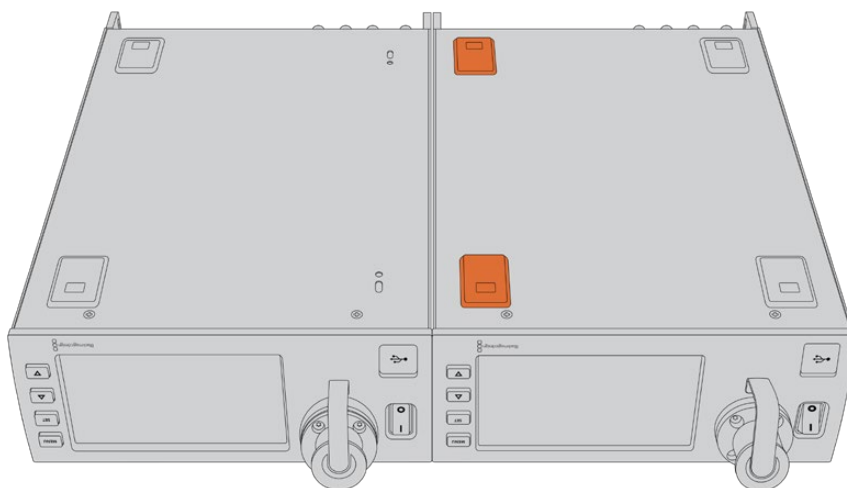
Une fois le support latéral et la plaque d'obturation fixés, vous pouvez installer le convertisseur sur deux unités de rack. Pour cela, utilisez les pas de vis sur les côtés et les vis standard.

**Préparer deux Blackmagic Studio Fiber Converters pour l'installation côte à côte dans un rack :**

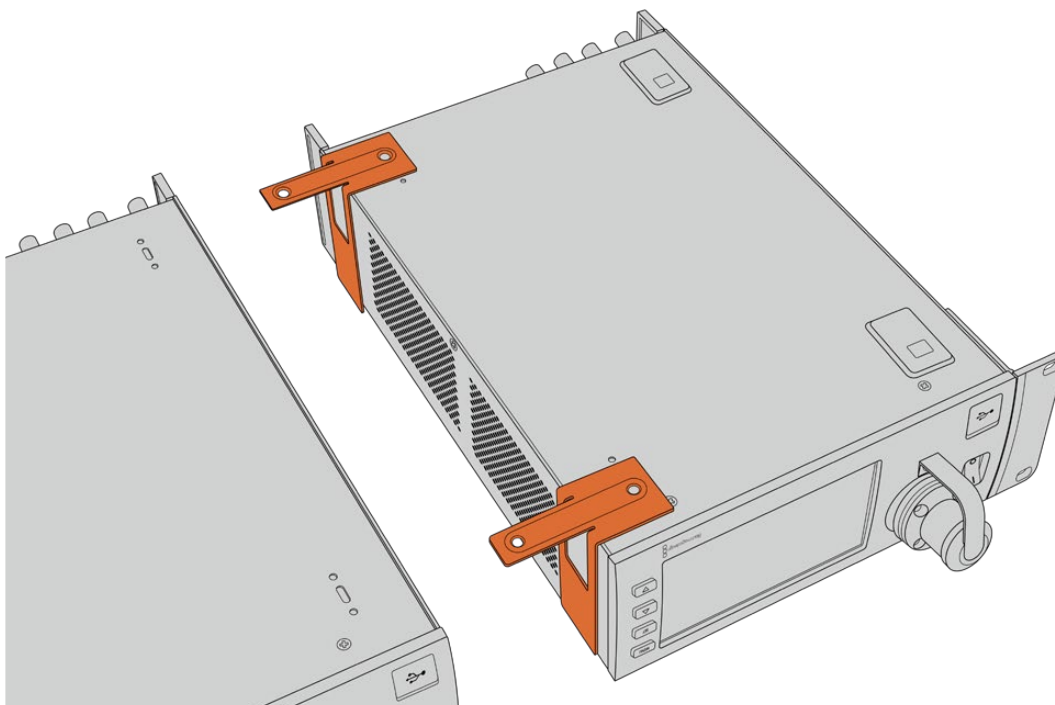
Si vous installez deux convertisseurs côte à côte, vous pouvez les fixer l'un à l'autre à l'aide des supports de montage.

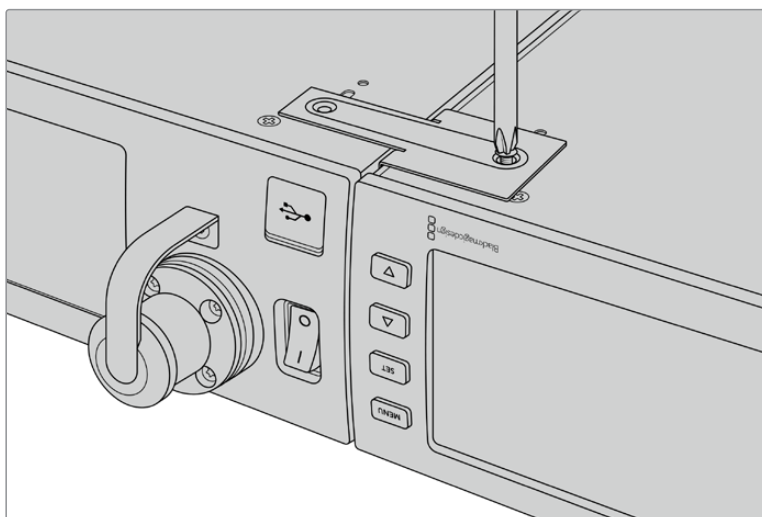
Pour fixer les deux appareils :

- 1 Tournez les deux convertisseurs à l'envers, afin que les faces supérieures se retrouvent en bas, puis installez-les côte à côte. Retirez les deux pieds en caoutchouc des bords de chaque convertisseur, au niveau de la jonction des deux convertisseurs.

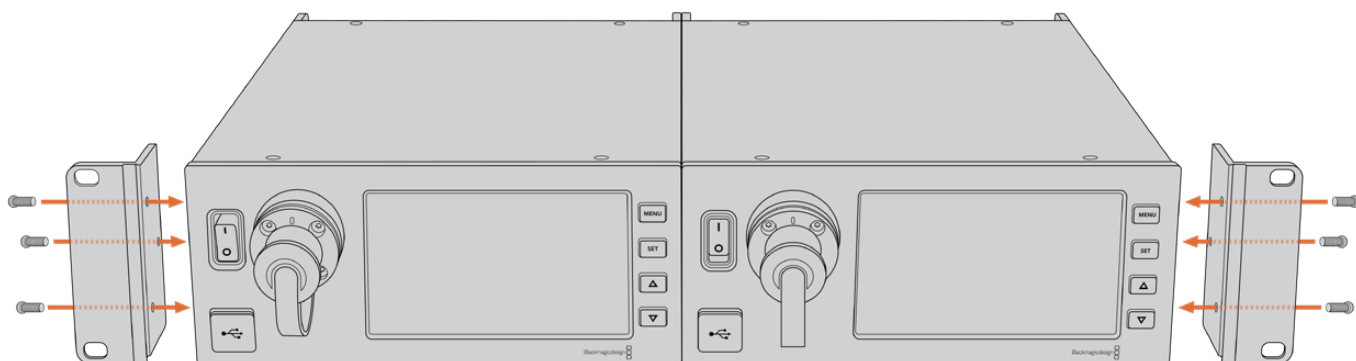


- 2 Fixez les deux supports de montage en forme de T à la base des deux Studio Fiber Converters, à l'avant et à l'arrière, au niveau de la jonction des deux convertisseurs, à l'aide des vis pour les supports de montage fournies.





- 3** Retournez les appareils et fixez les supports latéraux sur les bords externes près de la face avant des deux convertisseurs, à l'aide des vis pour les supports latéraux fournies. Vos convertisseurs sont prêts à être installés dans un rack à l'aide des pas de vis sur chaque côté et des vis du rack standard.



## Connexions du Camera Fiber Converter

Les connexions sont situées à l'arrière et sur le côté du Blackmagic Camera Fiber Converter. Lorsque l'appareil n'est pas connecté, nous vous recommandons de remettre les capuchons en caoutchouc pour protéger les connecteurs de la pluie et de l'environnement extérieur. Il est particulièrement important de protéger les connexions de la fibre SMPTE, car les particules de poussière peuvent s'accumuler rapidement sur les bords du tube de la fibre, ce qui peut interrompre la connexion. Nous vous conseillons de retirer les capuchons du câble et de l'appareil juste avant la connexion, puis de les remettre juste après la déconnexion.

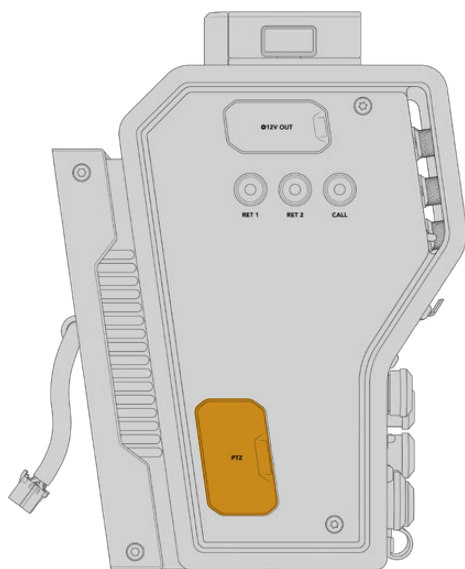
### Connexion pour l'alimentation de la caméra

L'alimentation est acheminée au Camera Fiber Converter et à la caméra depuis le Studio Fiber Converter via le câble fibre optique hybride SMPTE. Tous les accessoires fixés à la caméra, tels qu'un Blackmagic URSA Studio Viewfinder, sont également alimentés.

Vous pouvez également alimenter le Blackmagic Camera Fiber Converter via la caméra si le connecteur XLR 12V de la caméra est branché à une source de courant. C'est une bonne option si votre caméra est positionnée à plus de 2 kilomètres du Studio Fiber Converter et que l'alimentation ne peut pas être fournie via le câble fibre SMPTE.

### Interface PTZ

Le connecteur DE-9 standard permet de connecter une tête PTZ motorisée. Vous pourrez, par exemple, contrôler une tête PTZ à distance avec votre URSA Mini ou URSA Broadcast fixée à une grue. Vous pouvez sélectionner la source des commandes PTZ envoyées à votre caméra dans le menu de votre Blackmagic Studio Fiber Converter. La source des commandes peut être réglée sur le connecteur DE-9 sur votre Studio Fiber Converter ou sur les flux SDI provenant d'un mélangeur ATEM. Pour plus d'informations, consultez la section « Fonctionnement du Studio Fiber Converter » de ce manuel.

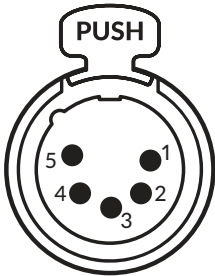


Interface PTZ

## Connexion pour le réseau d'ordres

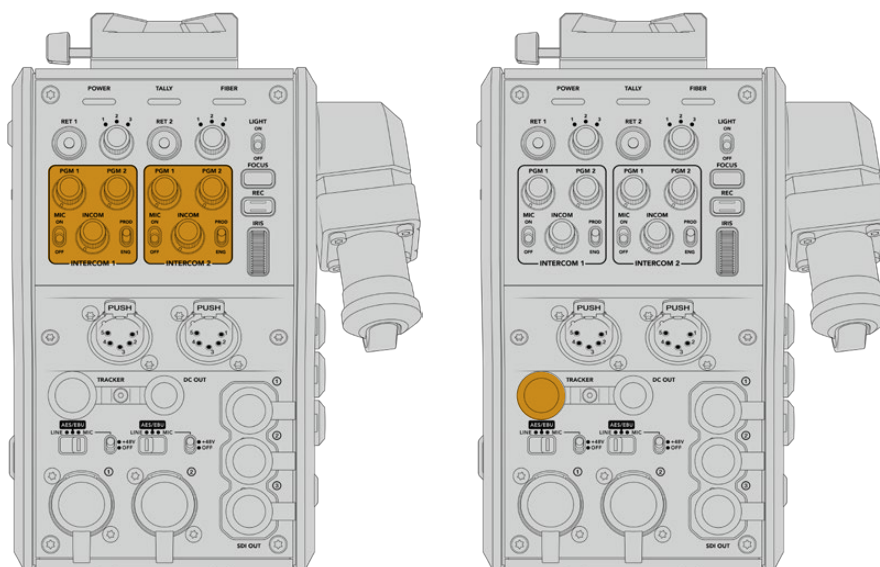
Les deux connecteurs femelle XLR à 5 broches vous permettent de brancher deux casques, pour que deux personnes puissent communiquer via le réseau d'ordres simultanément. Par exemple, le casque de l'opérateur caméra peut être branché au premier connecteur XLR, tandis qu'un opérateur grue ou un opérateur son branche son casque au second connecteur XLR. Veuillez vous reporter au schéma de brochage pour le connecteur XLR du casque ci-dessous.

### Schéma de brochage XLR pour le casque

Vues extérieures	Broches	Signal	E/S	Description
 <p>Connecteur XLR à 5 broches pour le casque</p>	1	Intercom MIC (Y)	GND	L'entrée du micro de l'intercom prend en charge les micros à condensateur électret et les micros dynamiques, symétriques ou asymétriques. La broche 1 correspond au signal micro GND et la broche 2 correspond à l'entrée accueillant les deux types de micro. Avec les micros électret, un courant de polarisation DC est envoyé sur la même broche d'entrée du signal.
	2	Intercom MIC (X)	In	
	3	GND	GND	GND
	4	Intercom left	Out	
	5	Intercom right	Out	

Les commandes de l'interphone correspondantes sont situées au-dessus de chaque connexion casque.

Pour plus d'informations sur l'utilisation des commandes de l'interphone, reportez-vous à la section « Fonctionnement du Camera Fiber Converter »



Les commandes de l'interphone sont utilisées pour mixer les niveaux audio du réseau d'ordres.

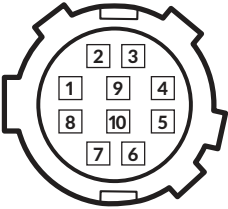
Connecteur de l'interface Tracker

## Interface Tracker

Le connecteur « tracker » à 10 broches offre une sortie démultipliée pour les signaux du réseau d'ordres et du tally, et pour les données telles que les informations du prompteur. Cette sortie est couramment utilisée par l'équipe d'assistance quand elle opère sur des équipements de production, comme une grue.

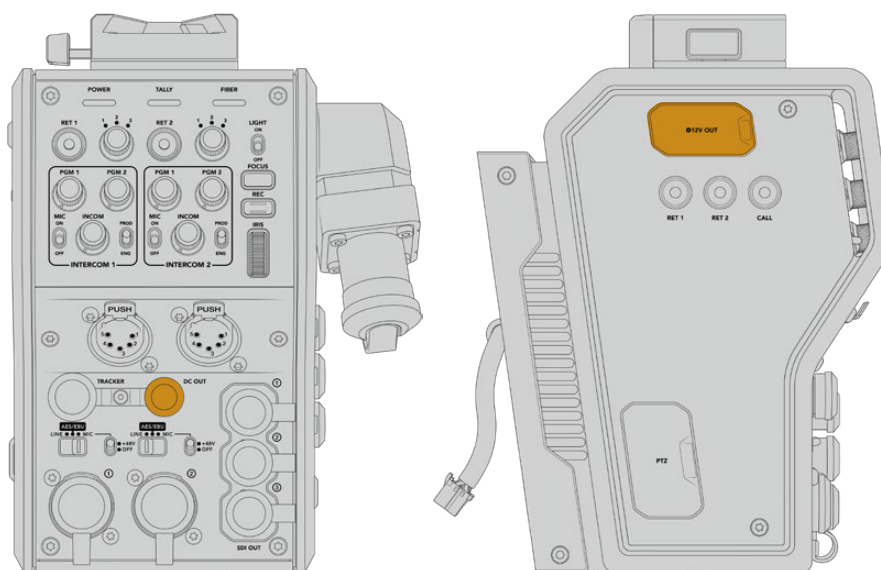
Reportez-vous au schéma de brochage dans cette section pour construire votre propre câble.

### Schéma de brochage de la sortie Tracker

Vue extérieure	Broches	Signal	E/S	Description
 <p>Connecteur « tracker » à 10 broches</p>	1	Tracker left	Out	Tracker output, -20 dBu unbalanced
	2	GND (Talk)	–	GND for tracker talk
	3	GND (Receive/PGM/tally)	–	GND for receive/PGM/tally
	4	Tracker right	Out	Tracker output, -20 dBu unbalanced
	5	Unregulated	Out	12V DC (nom), 500mA (max)
	6	GND (Unregulated)	–	GND for unregulated
	7	Tracker talk (X)	In	Tracker talk 0 dBu /-20 dBu, high impedance balanced
	8	Tracker talk (Y)	In	
	9	G Tally	Out	On: 12V Off: High impedance (open)
	10	R Tally	Out	On: 12V Off: High impedance (open)

## Connexion DC

Vous pouvez alimenter des accessoires supplémentaires, par exemple un moniteur externe via le connecteur DC.



Le connecteur DC vous permet d'alimenter des accessoires supplémentaires, comme un moniteur ou un enregistreur externe.

Sortie D-Tap

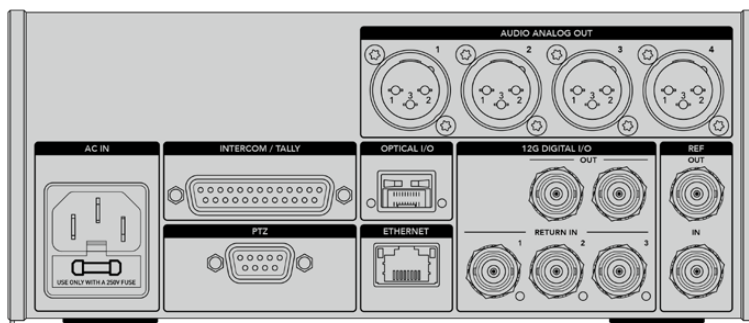




# Connexions du Studio Fiber Converter

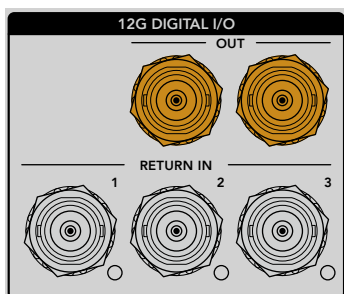
Sur la face arrière du Blackmagic Studio Fiber Converter se trouvent les connecteurs BNC pour les voies de retour SDI et pour le signal de référence, un connecteur DB-25 pour l'interphone et le tally, un port en série PTZ à 9 broches, des sorties audio et une connexion Ethernet.

Toutes les entrées SDI prennent en charge le 12G-SDI pour les formats vidéo jusqu'à 2160p60 en Ultra HD.



## Sortie 12G-SDI

Les deux sorties 12G-SDI servent à connecter le signal de la caméra depuis le Studio Fiber Converter aux entrées SDI caméra de votre mélangeur. Le second connecteur peut être utilisé pour acheminer le même signal à d'autres équipements vidéo, comme une grille de commutation Blackmagic Videohub, un moniteur SmartView ou un enregistreur à disque HyperDeck.

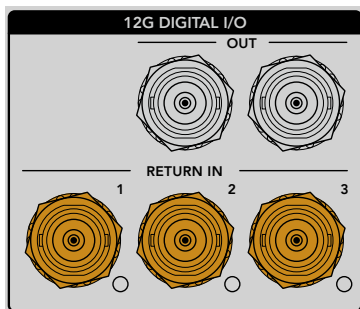


Les sorties 12G-SDI prennent en charge des signaux de 720p50 jusqu'à 2160p60.

## Entrées de retour SDI

Les connecteurs BNC des voies de retour 12G-SDI vous permettent de brancher jusqu'à trois voies de retour SDI. Par exemple, le flux de programme provenant d'un mélangeur devrait être connecté à la voie de retour 1 et avoir la même fréquence d'images que votre caméra. D'autres sources, telles qu'une deuxième sortie caméra, la lecture d'un HyperDeck, ou même un prompteur peuvent être connectées aux voies de retour 2 et 3. Si vous utilisez un mélangeur ATEM, le retour programme connecté au Return 1 inclura également le tally, ainsi que les signaux de référence et de contrôle caméra.

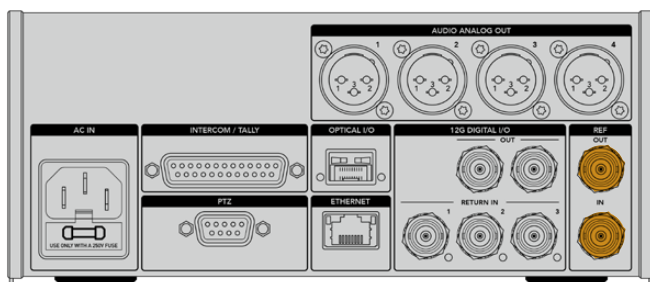
Les entrées de retour SDI vous permettent de connecter jusqu'à trois voies de retour depuis le mélangeur. Ces signaux seront acheminés à votre caméra pour être visualisés par l'opérateur caméra ou envoyés via SDI vers un autre équipement.



**REMARQUE** Si vous connectez une vidéo Ultra HD aux entrées de retour, elle sera down-convertie en 1080p à la même fréquence d'images. Le signal de sortie du Camera Fiber Converter sera donc en HD. Down-convertir les voies de retour Ultra HD en HD permet d'améliorer la bande passante et ainsi d'acheminer plusieurs sources de retour.

## Entrée et sortie de référence

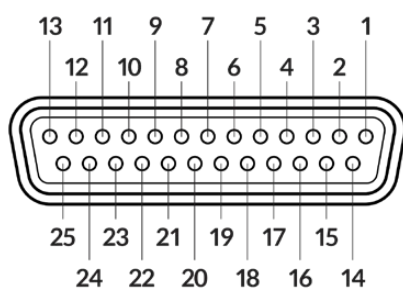
Si vous n'utilisez pas de mélangeur ATEM et que vous devez verrouiller un équipement sur un signal de référence externe commun, connectez le signal généré extérieurement à l'entrée BNC de référence. Cela enverra la référence au Camera Fiber Converter via le câble fibre SMPTE. La sortie BNC de référence du Studio Fiber Converter peut être utilisée pour connecter la source de référence à un autre équipement.



Utilisez la connexion **Ref in** pour envoyer un timing de référence depuis d'autres équipements broadcast à votre caméra.

## Interface du réseau d'ordres

Le connecteur DB-25 pour l'interphone et le tally vous permet de connecter un interphone tiers et des systèmes pour le réseau d'ordres. Pour construire un câble personnalisé, veuillez vous reporter au schéma de brochage ci-dessous. Après avoir connecté les broches pour les ingénieurs, la production, le tally ou l'entrée du programme, vous devrez adapter les réglages du menu de votre Blackmagic Studio Fiber Converter selon ces branchements.



Vue externe du connecteur interphone/tally à 25 broches

#### Tableau de brochage du réseau d'ordres

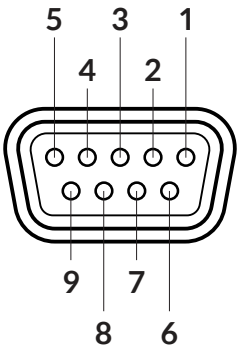
Broches	Signal	Spécifications
1	ENG(R) IN+	Engineering channel input 0dBu balanced
2	ENG(R) IN-	
3	ENG GND	GND for ENG
4	ENG(T) OUT +	Engineering channel output 0dBu balanced
5	ENG(T) OUT -	
6	PGM IN+	-20dBu
7	PGM IN-	-20dBu
8	PGM GND	-20dBu
9	GND	GND for aux
10	N/C	-
11	Red Tally IN	On = 5-24Vdc, Off= 0Vdc
12	Red Tally GND	-
13	GND	Chassis GND
14	PROD(R) IN+	Production channel input 0dBu balanced
15	PROD(R) IN-	
16	PROD GND	-
17	PROD(T) OUT+	Production channel output 0dBu balanced
18	PROD(T) OUT-	
19	N/C	-
20	N/C	-
21	N/C	-
22	N/C	-
23	N/C	-
24	Green Tally IN	On = 5-24Vdc, Off= 0Vdc
25	Green Tally GND	-

## Interface PTZ

Les deux convertisseurs possèdent chacun un connecteur DE-9 à 9 broches. Ainsi, vous pouvez connecter un contrôleur PTZ au Studio Fiber Converter et une tête de caméra robotisée au Camera Fiber Converter. Les commandes PTZ sont intégrées au signal SDI qui relie les convertisseurs via le câble fibre optique SMPTE.

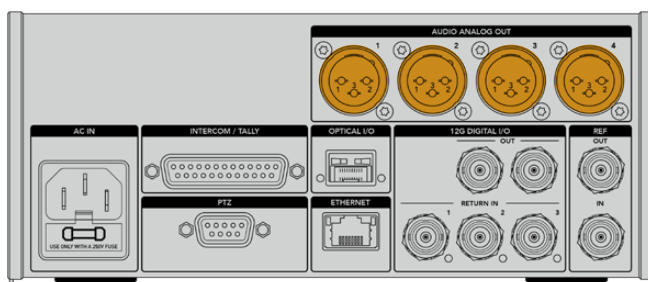
Le menu de paramétrage sur le Blackmagic Studio Fiber Converter vous permet de sélectionner la source des commandes PTZ envoyées vers votre Blackmagic Camera Fiber Converter. Vous pouvez sélectionner le connecteur PTZ situé à l'arrière du Studio Fiber Converter ou le flux de programme SDI provenant d'un mélangeur ATEM. Pour plus d'informations, veuillez consulter la section « Fonctionnement du Studio Fiber Converter ».

### Schéma de brochage de l'interface PTZ

Vue extérieure	Broches	Signal
 <p>Connecteur PTZ à 9 broches</p>	1	GND
	2	RS422 Tx-
	3	RS422 Rx+
	4	GND
	5	N/C
	6	GND
	7	RS422 Tx+
	8	RS422 Rx-
	9	GND

## Sorties audio

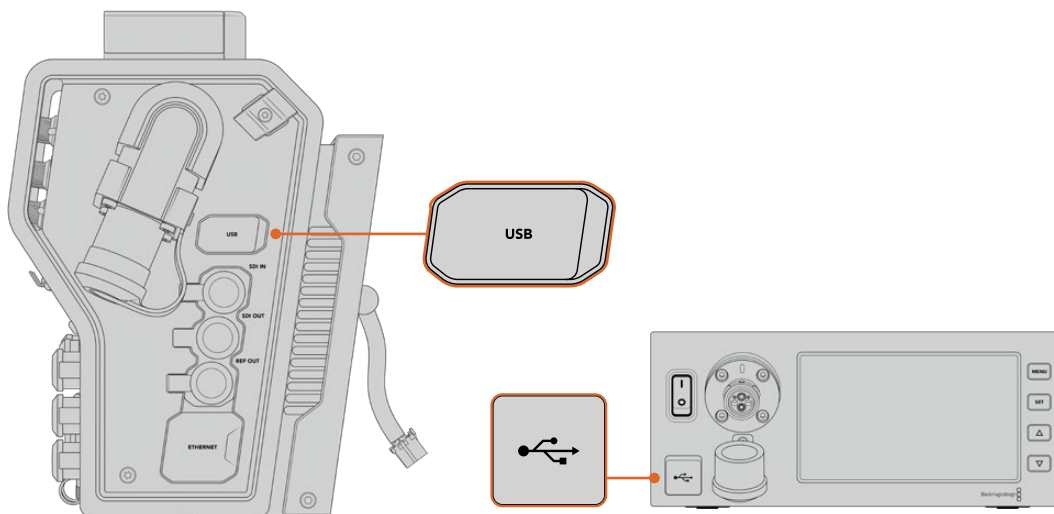
Les quatre sorties audio XLR du Studio Fiber Converter permettent d'acheminer l'audio branché aux entrées 1 et 2 de votre caméra URSA Broadcast ou URSA Mini et d'acheminer les deux entrées audio XLR au Camera Fiber Converter.



Les sorties 1 et 2 du Studio Fiber Converter correspondent par défaut aux canaux 1 et 2 intégrés aux entrées XLR de la URSA Mini Broadcast ou de la URSA Mini. Les sorties 3 et 4 du Studio Fiber Converter correspondent par défaut aux entrées XLR 1 et 2 du Camera Fiber Converter. Vous pouvez utiliser le menu pour modifier les paramètres du mappage. Pour plus d'informations, consultez la section « Utiliser le menu ».

## Mettre à jour le logiciel interne

De temps en temps, Blackmagic Design sort des mises à jour pour améliorer ou activer des fonctionnalités sur vos Blackmagic Fiber Converters. Nous vous recommandons donc de vérifier sur le site Internet de Blackmagic Design si une mise à jour pour vos convertisseurs est disponible. Les Fiber Converters peuvent être mis à jour à l'aide du logiciel Blackmagic Camera Setup Utility.



Les ports USB-C sur les Blackmagic Fiber Converters permettent de mettre à jour le logiciel interne.

## Mettre à jour le Blackmagic Camera Fiber Converter

Le Camera Fiber Converter doit être alimenté pendant la mise à jour. Nous vous recommandons donc de garder le convertisseur connecté à la URSA Broadcast ou à la URSA Mini pendant toute la durée de la mise à jour.

Il est important de déconnecter le câble fibre SMPTE du Camera Fiber Converter et d'alimenter la caméra via l'alimentation de la caméra.

Le Blackmagic Camera Fiber Converter possède un connecteur USB-C sur le côté droit pour les mises à jour du logiciel interne. Connectez votre ordinateur via ce port USB et lancez le Blackmagic Camera Setup Utility. Si votre ordinateur détecte que le Camera Fiber Converter utilise une ancienne version, il vous sera demandé d'effectuer une mise à jour. Suivez les informations à l'écran pour mettre à jour le logiciel interne de votre convertisseur.

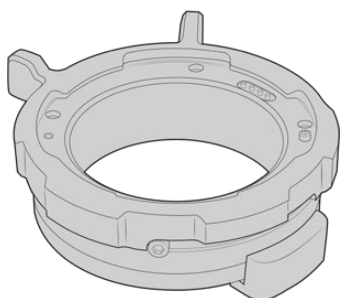
## Mettre à jour le Blackmagic Studio Fiber Converter

Le Studio Fiber Converter doit être alimenté pendant la mise à jour. Nous vous recommandons de garder le câble d'alimentation IEC branché à l'arrière de l'appareil pendant toute la durée de la mise à jour.

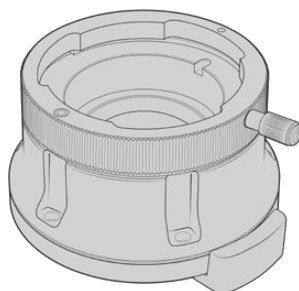
Le Blackmagic Studio Fiber Converter possède un connecteur USB-C à l'avant pour les mises à jour du logiciel interne. Connectez votre ordinateur via ce port USB et lancez le Blackmagic Camera Setup Utility. Si votre ordinateur détecte que le Studio Fiber Converter utilise une ancienne version, il vous sera demandé d'effectuer une mise à jour. Suivez les informations à l'écran pour mettre à jour le logiciel interne de votre convertisseur.

## Monture d'objectif interchangeable

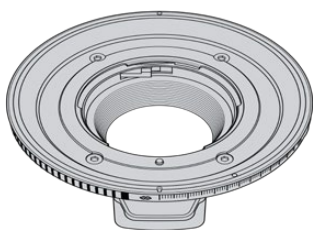
La Blackmagic URSA Mini Pro 12K est fournie avec une monture PL, tandis que les autres caméras URSA Mini Pro sont fournies avec une monture EF. Toutes les caméras URSA Mini Pro sont dotées d'une monture d'objectif interchangeable. Vous n'êtes donc pas obligé d'utiliser des objectifs qui correspondent à la monture fournie avec la caméra. Pour ce faire, il suffit de retirer la monture originale et d'installer une monture PL, B4, F ou EF en option. Veuillez contacter votre revendeur Blackmagic Design pour acheter une monture URSA Mini Pro PL Mount, URSA Mini Pro B4 Mount, URSA Mini Pro F Mount ou URSA Mini Pro EF Mount.



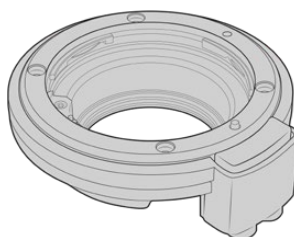
Monture PL



Monture B4



Monture F

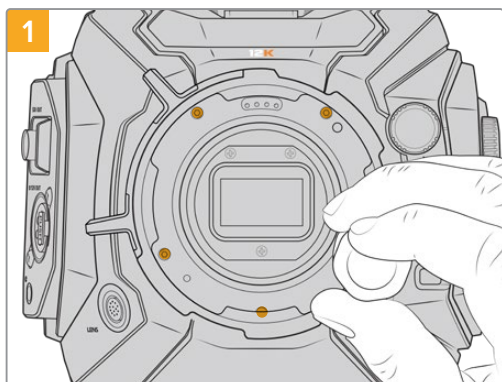


Monture EF

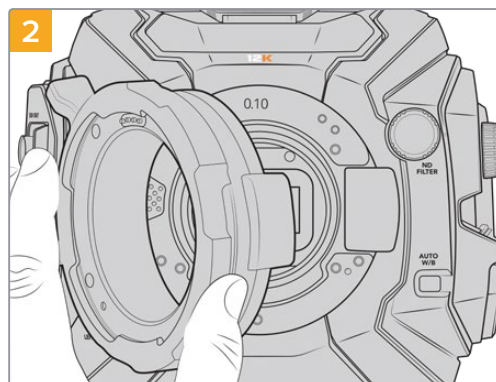
La possibilité d'interchanger trois montures vous offre la liberté d'utiliser différents objectifs, selon vos besoins. Par exemple, la monture EF vous permet de fixer des objectifs traditionnels pouvant capturer des images de haute qualité. La monture B4 est idéale si vous avez besoin d'utiliser des objectifs focalisés pour des tournages mobiles ou pour filmer des événements, comme un mariage. Enfin, grâce à la monture PL, vous pouvez travailler avec des objectifs haut de gamme, utilisés pour le cinéma, afin d'enregistrer des images d'une qualité irréprochable, et de bénéficier du contrôle de mouvement répété.

Pour fixer une monture, il suffit de dévisser la monture originale et de la remplacer par une nouvelle. C'est très simple !

### Retirer la monture PL originale de la URSA Mini Pro 12K :

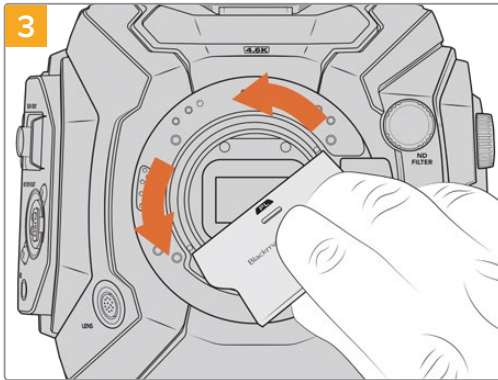


Pour retirer la monture PL originale de la URSA Mini Pro 12K, dévissez les cinq vis à l'aide d'un tournevis hexadécimal 2mm.



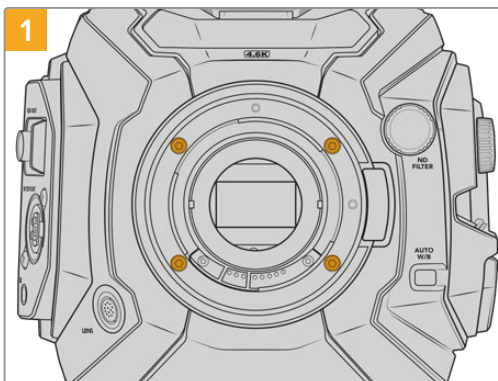
Soulevez délicatement la monture pour la séparer du boîtier de la caméra.



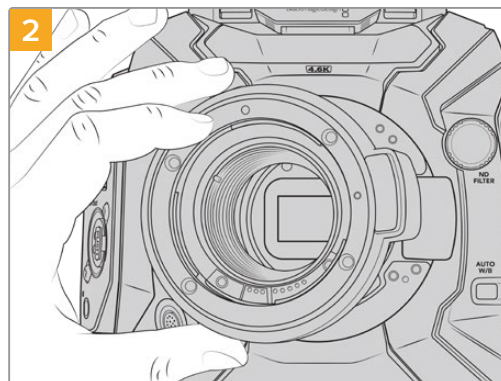


Après avoir retiré la monture d'objectif PL, utilisez la plus grande extrémité de l'outil pour défecteur afin de desserrer le défecteur PL au centre. Dévissez-le ensuite délicatement avec vos doigts.

### Retirer la monture EF originale de la URSA Mini Pro 4.6K G2 ou de la URSA Mini Pro 4.6K :



Pour retirer la monture EF originale de la URSA Mini Pro 4.6K, G2 ou de la URSA Mini Pro 4.6K, il suffit de dévisser les quatre vis à l'aide d'un tournevis hexadécimal 2mm.



Soulevez délicatement la monture pour la séparer du boîtier de la caméra.

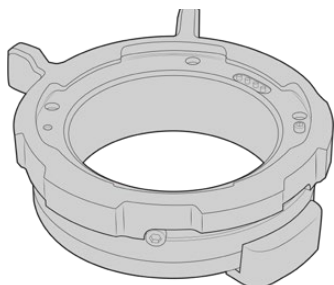
**REMARQUE** Lorsque vous retirez la monture d'objectif d'origine, veillez à ce que les rondelles situées sous la monture restent fixées à la caméra.

Dans cette section, vous trouverez toutes les informations sur les kits de montures d'objectifs PL, B4 et EF, ainsi que les étapes d'installation de chaque monture sur votre URSA Mini Pro.

## Blackmagic URSA Mini Pro PL Mount

Grâce à la monture PL, vous pouvez travailler avec des objectifs haut de gamme et d'une excellente précision, adaptés pour le cinéma, les films et les émissions télévisées.

### Le kit de monture PL comprend :



#### 1x monture PL

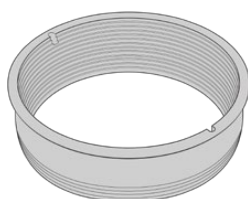
La monture PL est fournie avec un cache de protection.



#### 1x kit de rondelles

Le kit de rondelles comprend des rondelles d'épaisseurs de :

0.50mm	0.18mm	0.10mm
0.30mm	0.15mm	0.05mm
0.20mm	0.12mm	0.025mm



#### 1x déflecteur

Le déflecteur de la monture PL permet de contrôler et de diriger la lumière entrant dans le capteur.



#### 1x outil pour déflecteur

Utilisez l'outil fourni pour installer le déflecteur sur votre caméra.



#### 5x vis à 6 pans creux M2.5 2mm x 22mm pour monture

Les cinq vis à 6 pans creux M2.5 de 22mm sont spécialement adaptées à la monture PL. Vous pouvez donc conserver les vis et la monture ensemble.

Le kit pour monture PL contient également un lot de vis supplémentaires en cas de perte des vis originales.

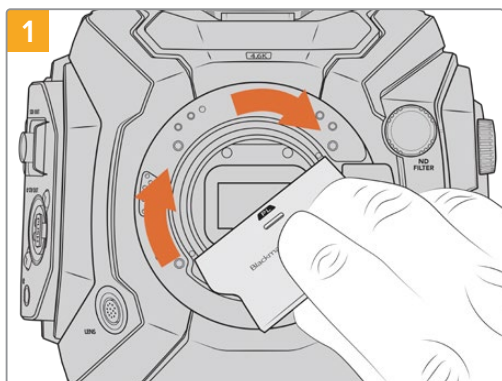
### Outils requis

Pour caler la monture PL, vous aurez besoin d'un tournevis hexadécimal 2mm. Ce n'est pas obligatoire, mais nous vous recommandons vivement d'utiliser une clé dynamométrique qui permet de régler un couple de serrage maximal de 0,45 Nm, afin d'éviter de serrer les vis trop fort.

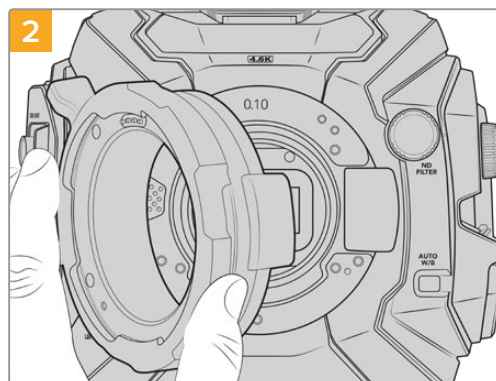


Tournevis hexadécimal 2mm

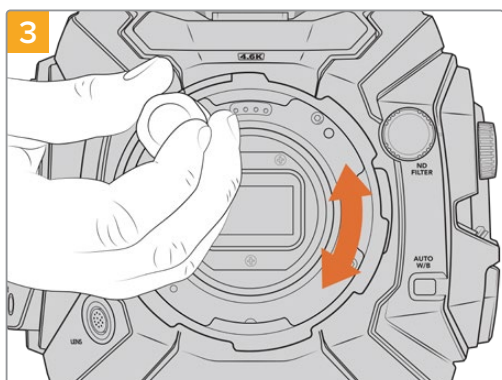
## Calage de la monture PL



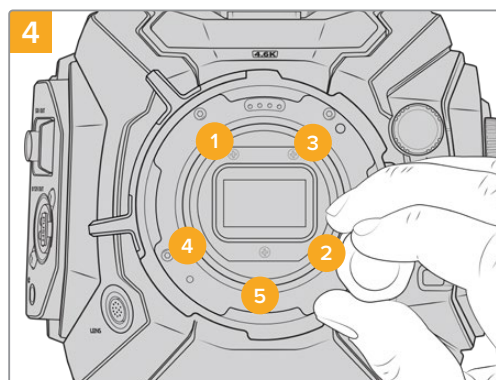
Insérez délicatement le déflecteur PL au centre de la monture d'objectif et tournez avec la main jusqu'à ce qu'il soit assez serré. Utilisez l'embout large de l'outil pour déflecteur afin de resserrer légèrement le déflecteur. Resserrez suffisamment pour que le déflecteur reste en place.



Placez délicatement la monture d'objectif Blackmagic URSA Mini Pro PL à l'intérieur du boîtier de la caméra. Assurez-vous que les goujons d'assemblage de la monture PL pour les objectifs Cooke /i technology soient à la position de 12 heures.



À l'aide d'un tournevis hexadécimal 2mm ou d'une clé dynamométrique réglée sur 0,45Nm, vissez les cinq vis sans trop serrer jusqu'à ce que l'embase de la monture d'objectif touche le boîtier de la caméra. Pour avoir accès aux cinq vis, tournez la bague de verrouillage PL, car tous les trous ne sont pas forcément visibles quand la bague est ouverte ou fermée.



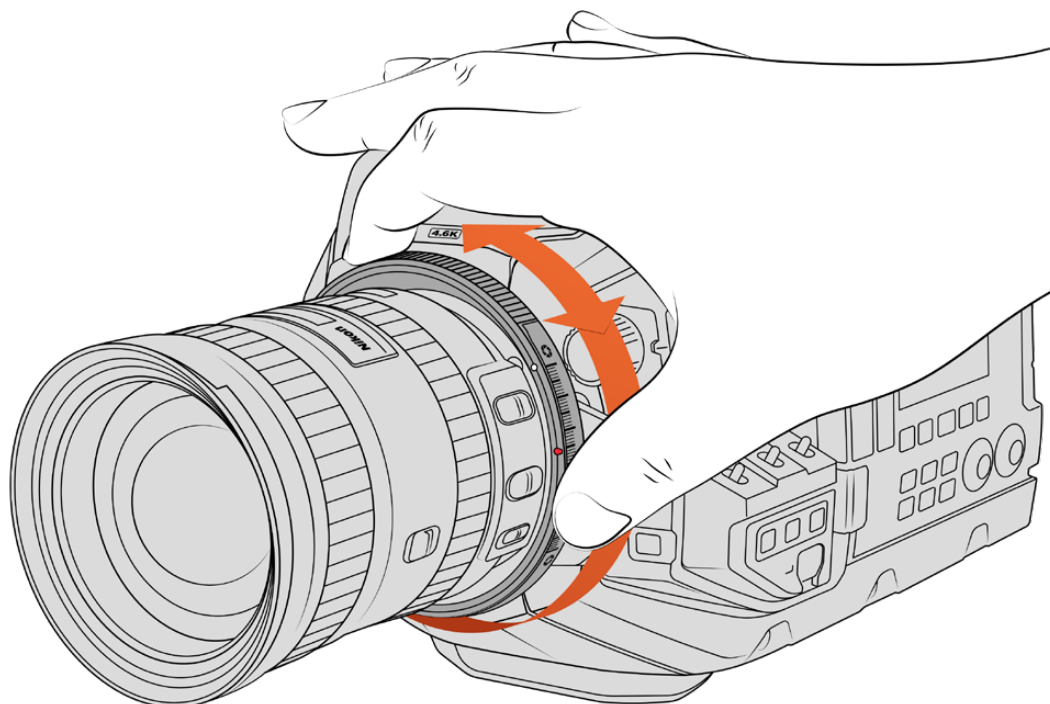
Vérifiez que la monture d'objectif est bien alignée, puis serrez les vis dans l'ordre indiqué ci-dessus avec la même pression sans trop les serrer.

**REMARQUE** Lorsque vous retirez la monture PL, il suffit de suivre les instructions dans l'ordre inverse, c'est-à-dire de l'étape 4 à l'étape 1. N'oubliez pas de retirer le déflecteur PL et rangez-le dans un endroit sûr.

## Blackmagic URSA Mini Pro F Mount

Si vous installez la monture F sur la URSA Mini Pro, vous pourrez utiliser des objectifs à monture F. Le système à monture F de Nikon remonte à 1959, mais les objectifs à monture F sont toujours fabriqués aujourd'hui. Cette monture F vous donne accès à une large gamme d'objectifs vintage et contemporains.

Il est important de noter que la Blackmagic URSA Mini Pro F Mount est une monture mécanique. Elle n'offre donc pas de contrôle électronique de la mise au point ou de l'iris. Au lieu de cela, elle est dotée d'une bague de diaphragme mécanique. Ce dispositif déplace l'ergot présent sur la plupart des objectifs Nikon afin d'ajuster l'iris de manière fluide et cinématographique.



Utilisez la bague de diaphragme de la URSA Mini Pro F Mount afin de modifier l'ouverture des objectifs à monture F de manière fluide.

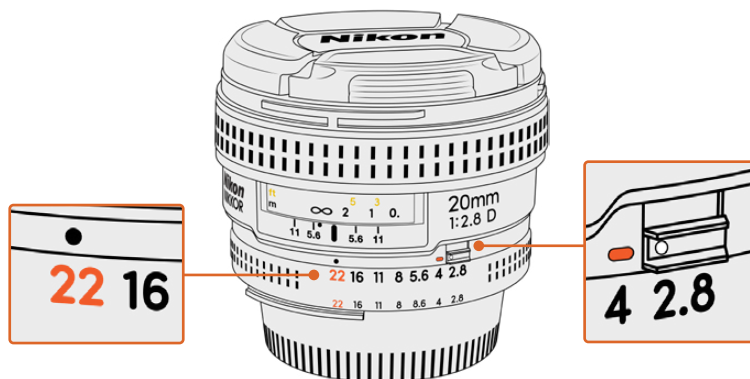
Lorsque la monture F est installée, il suffit de déplacer la bague de diaphragme de la Blackmagic URSA Mini Pro F Mount pour obtenir l'exposition souhaitée. Le point rouge sur la monture F et les repères sur la bague de diaphragme vous permettent de retrouver facilement une exposition ou une profondeur de champ particulière.

**REMARQUE** En raison du fonctionnement de la URSA Mini Pro F Mount, certains objectifs à monture F ne sont pas compatibles.

Par exemple, la gamme d'objectifs Nikkor AF-S E, qui n'offrent pas de contrôle mécanique de l'iris, et les objectifs Nikon PC-E tilt-shift, tels que le 24mm f/3.5D PC-E et le 85mm PC-E ne sont pas compatibles.

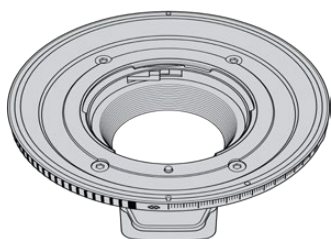
## Objectifs Nikon AF-D

Lorsque vous utilisez la gamme d'objectifs Nikon AF-D, il est nécessaire de verrouiller l'ouverture de diaphragme sur la valeur minimale, par exemple f/22, pour pouvoir vous servir de toute l'étendue de la bague de diaphragme de la Blackmagic URSA Mini Pro F Mount.



Il est plus facile de régler et de verrouiller les objectifs AF-D sur la plus petite ouverture avant de les monter sur la caméra.

## Le kit de montage F comprend :



### 1x monture F

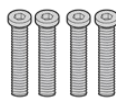
La monture F vous permet de fixer des objectifs photo F traditionnels.



### 1x kit de rondelles

Le kit de rondelles comprend des rondelles d'épaisseurs de :

0,50mm	0,18mm	0,10mm
0,30mm	0,15mm	0,05mm
0,20mm	0,12mm	0,025mm



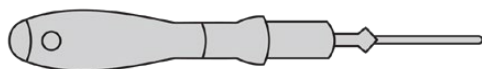
### 4x vis à 6 pans creux M.3 2mm x 18mm pour monture

Les quatre vis à 6 pans creux M3 de 18mm sont adaptées aux montures EF et F. Il est donc judicieux de conserver les vis avec leur monture respective.

Le kit pour monture F contient également un lot de vis supplémentaires en cas de perte des vis originales.

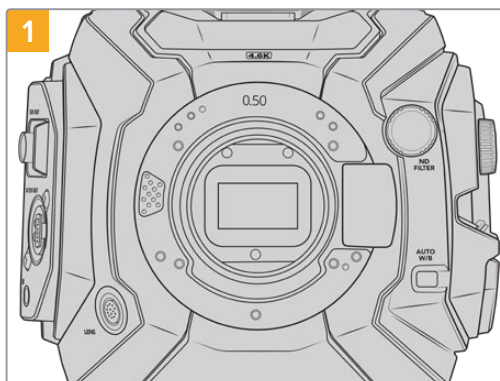
## Outils requis

Pour caler la monture F, vous aurez besoin d'un tournevis hexadécimal de 2mm. Ce n'est pas obligatoire, mais nous vous recommandons vivement d'utiliser une clé dynamométrique qui permet de régler un couple de serrage maximal de 0,45 Nm, afin d'éviter de serrer les vis trop fort.

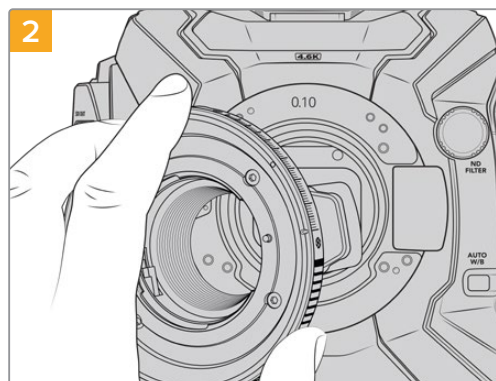


Tournevis hexadécimal de 2mm

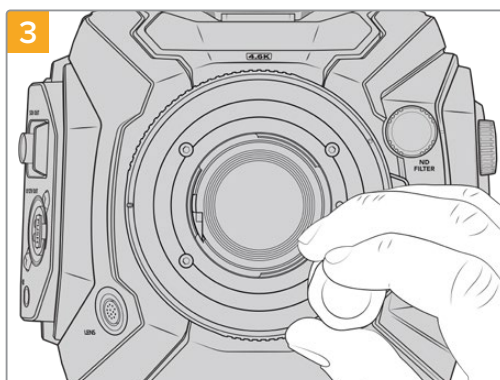
## Caler une monture d'objectif F



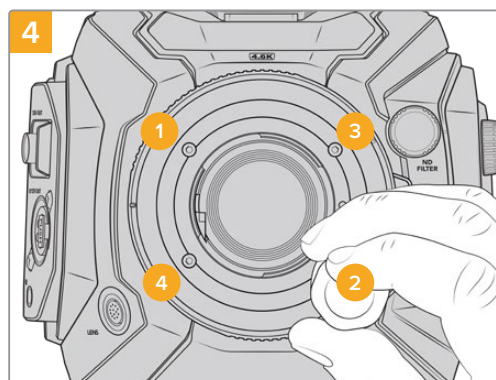
Placez la Blackmagic URSA Mini Pro en position verticale sur une surface solide et propre pour pouvoir caler la monture verticalement. Si vous remplacez une monture PL par une monture F, assurez-vous d'abord d'avoir retiré le déflecteur PL avant d'insérer la monture F.



Positionnez délicatement la monture d'objectif F de la URSA Mini Pro sur le boîtier de la caméra en faisant bien attention à ce que le point blanc soit en position de 2 heures.



À l'aide d'un tournevis hexadécimal 2mm ou d'une clé dynamométrique réglée sur 0,45Nm, vissez les quatre vis sans trop serrer jusqu'à ce que l'embase de la monture d'objectif touche le boîtier de la caméra.



Vérifiez que la monture d'objectif est bien alignée, puis serrez les vis dans l'ordre indiqué ci-dessus avec la même pression sans trop les serrer.

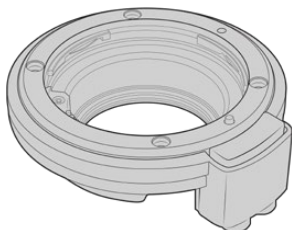
**REMARQUE** Lorsque vous retirez la monture F, il suffit de suivre les instructions dans l'ordre inverse, c'est-à-dire de l'étape 4 à l'étape 1.



## Blackmagic URSA Mini Pro EF Mount

La Blackmagic URSA Mini Pro EF Mount supporte une large gamme d'objectifs photo et cinéma EF.

### Le kit de monture EF comprend :



#### 1x monture EF

La monture EF vous permet de fixer des objectifs traditionnels.



#### 1x kit de rondelles

Le kit de rondelles comprend des rondelles d'épaisseurs de :

0.50mm	0.18mm	0.10mm
0.30mm	0.15mm	0.05mm
0.20mm	0.12mm	0.025mm



#### 1x outil pour déflecteur

Vous ne pouvez pas détacher le déflecteur de la monture EF. Cependant, si vous avez besoin d'utiliser le déflecteur avec une monture PL, un kit comprenant un déflecteur de rechange est fourni dans le kit EF.



#### 4x vis à 6 pans creux M.3 2mm x 18mm pour monture

Les quatre vis à 6 pans creux M3 de 18mm sont adaptées aux montures EF et F. Vous pouvez donc conserver les vis et la monture ensemble.

Le kit de monture EF contient également un lot de vis supplémentaires en cas de perte des vis originales.

### Outils requis

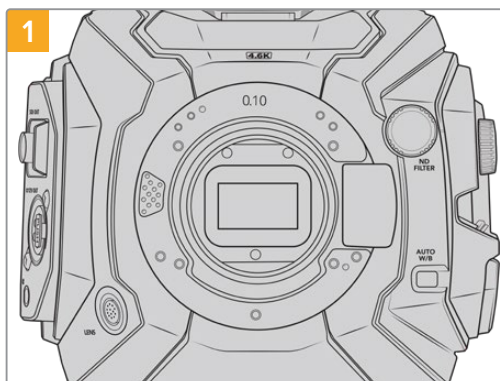
Pour caler la monture EF, vous aurez besoin d'un tournevis hexadécimal 2mm. Ce n'est pas obligatoire, mais nous vous recommandons vivement d'utiliser une clé dynamométrique qui permet de régler un couple de serrage maximal de 0,45 Nm, afin d'éviter de serrer les vis trop fort.



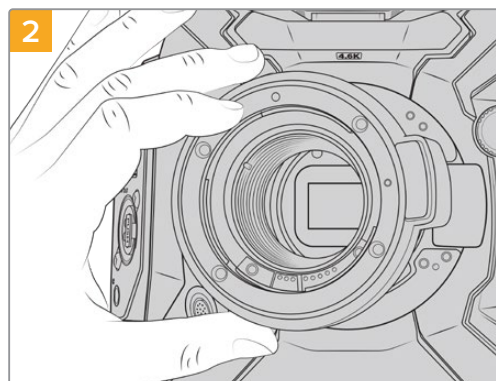
Tournevis hexadécimal 2mm



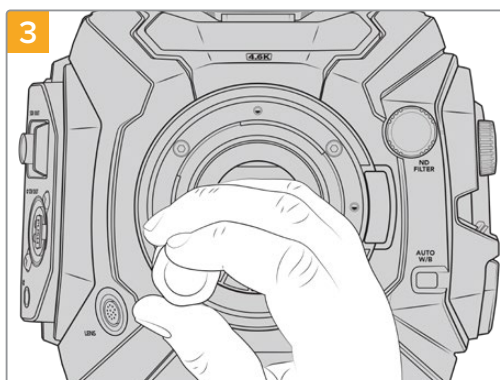
## Caler une monture d'objectif EF



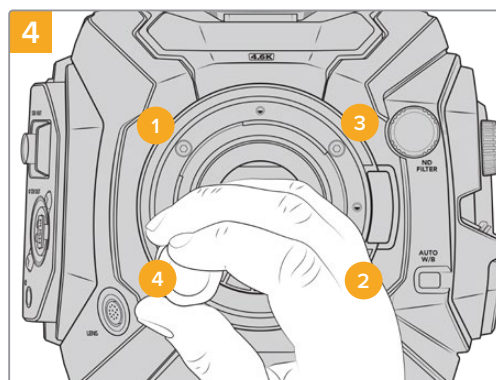
Placez la Blackmagic URSA Mini Pro en position verticale sur une surface solide et propre pour pouvoir insérer la monture verticalement. Si vous remplacez une monture PL par une monture EF, assurez-vous d'abord d'avoir retiré le déflecteur PL avant d'insérer la monture EF.



Positionnez délicatement la monture d'objectif EF de la URSA Mini Pro sur le boîtier de la caméra en faisant bien attention à ce que le point rouge soit en position de 12 heures.



À l'aide d'un tournevis hexadécimal 2mm ou d'une clé dynamométrique réglée sur 0,45Nm, vissez les quatre vis sans trop serrer jusqu'à ce que l'embase de la monture d'objectif touche le boîtier de la caméra.



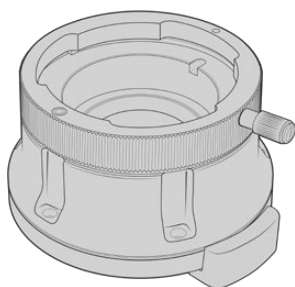
Vérifiez que la monture d'objectif est bien alignée, puis serrez les vis dans l'ordre indiqué ci-dessus avec la même pression sans trop les serrer.

**REMARQUE** Lorsque vous retirez la monture EF, il suffit de suivre les instructions dans l'ordre inverse, c'est-à-dire de l'étape 4 à l'étape 1.

## Blackmagic URSA Mini Pro B4 Mount

La monture B4 est idéale si vous avez besoin d'utiliser des objectifs focalisés pour des tournages mobiles ou pour filmer des événements, comme un mariage avec la URSA Mini Pro 4.6K G2 ou la URSA Mini Pro 4.6K. Ces objectifs conservent la mise au point pendant le zoom. Ils sont dotés de la fonction manuelle de la mise au point et du contrôle du diaphragme, mais aussi d'une bague de zoom située sur la poignée, qui vous permet d'atténuer ou d'augmenter le zoom en douceur. Si vous travaillez seul, ces objectifs vous permettent de tourner rapidement et efficacement, tout en gardant le contrôle sur le tournage. Il est important de noter que la Blackmagic URSA Mini Pro B4 Mount n'est pas compatible avec la URSA Mini Pro 12K.

### Le kit de monture B4 comprend :



#### 1x monture B4

La monture B4 vous permet d'utiliser des objectifs focalisés pour les tournages mobiles avec votre URSA Mini Pro.



#### 1x kit de rondelles

Le kit de rondelles comprend des rondelles d'épaisseurs de :

0.50mm	0.18mm	0.10mm
0.30mm	0.15mm	0.05mm
0.20mm	0.12mm	0.025mm



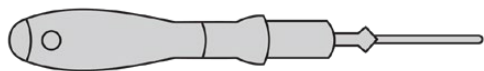
#### 5x vis à 6 pans creux M2.5 2mm x 12mm pour monture

Les cinq vis à 6 pans creux M2.5 de 12mm sont spécialement adaptées à la monture B4. Vous pouvez donc conserver les vis et la monture ensemble.

Le kit pour monture B4 contient également un lot de vis supplémentaires en cas de perte des vis originales.

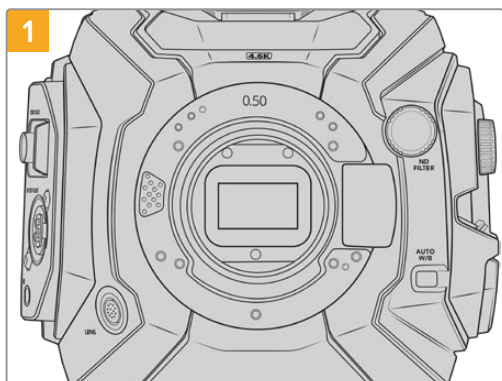
### Outils requis

Pour caler la monture B4, vous aurez besoin d'un tournevis hexadécimal 2mm. Ce n'est pas obligatoire, mais nous vous recommandons vivement d'utiliser une clé dynamométrique qui permet de régler un couple de serrage maximal de 0,45 Nm, afin d'éviter de serrer les vis trop fort.

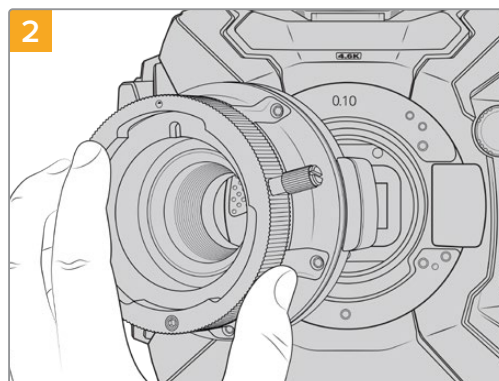


Tournevis hexadécimal 2mm

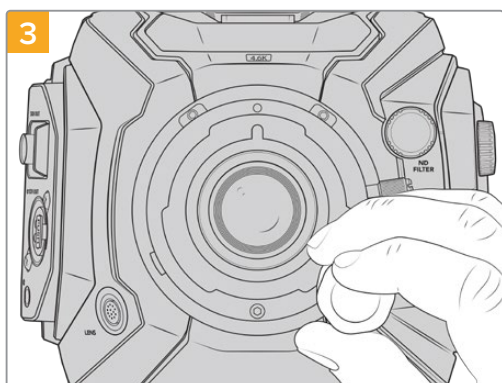
## Fixer une monture d'objectif B4



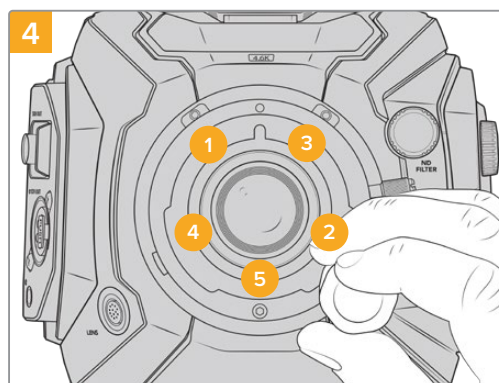
Placez la Blackmagic URSA Mini Pro en position verticale sur une surface solide et propre pour pouvoir insérer la monture verticalement.



Positionnez délicatement la monture d'objectif B4 de la URSA Mini Pro sur le boîtier de la caméra en faisant bien attention à ce que le point rouge soit en position de 12 heures.



À l'aide d'un tournevis hexadécimal 2mm ou d'une clé dynamométrique réglée sur 0,45Nm, vissez les cinq vis sans trop serrer jusqu'à ce que l'embase de la monture d'objectif touche le boîtier de la caméra.



Vérifiez que la monture d'objectif est bien alignée, puis serrez les vis dans l'ordre indiqué ci-dessus avec la même pression sans trop les serrer.

**REMARQUE** Lorsque vous retirez la monture B4, il suffit de suivre les instructions dans l'ordre inverse, c'est-à-dire de l'étape 4 à l'étape 1.

**CONSEIL** Lorsque vous utilisez un objectif B4 avec la URSA Mini Pro 4.6K G2 ou la URSA Mini Pro 4.6K, réglez la résolution sur 2K 16:9 ou plus bas, et le paramètre **Windows Sensor** sur **On** dans l'onglet **Record** du menu de navigation. Ces paramètres sont primordiaux pour éviter des effets de vignettage de l'image, car les objectifs B4 ne couvrent pas le cercle d'image des capteurs Super 35mm. Une fois que vous avez monté l'objectif B4 et que vous avez ajusté les paramètres sur votre caméra, nous vous recommandons de vérifier le tirage mécanique sur l'objectif.

## Kit de calage Blackmagic URSA Mini Pro

Pour le calage des montures PL, B4 ou F sur une URSA Mini Pro, il est nécessaire d'ajouter une rondelle de 0,10mm en plus des rondelles de 0,50mm et 0,10mm présentes avec la monture EF d'origine. Les rondelles et leurs accessoires sont inclus dans le kit de calage Blackmagic URSA Mini Pro. D'autres épaisseurs de rondelles sont incluses dans le kit au cas où vous auriez besoin d'ajouter des rondelles à votre caméra.

### Le kit de calage comprend :



#### 1x outil pour déflecteur

Utilisez l'outil pour déflecteur afin de desserrer ou de resserrer le déflecteur PL lorsque vous enlevez ou fixez la monture PL à votre URSA Mini Pro.



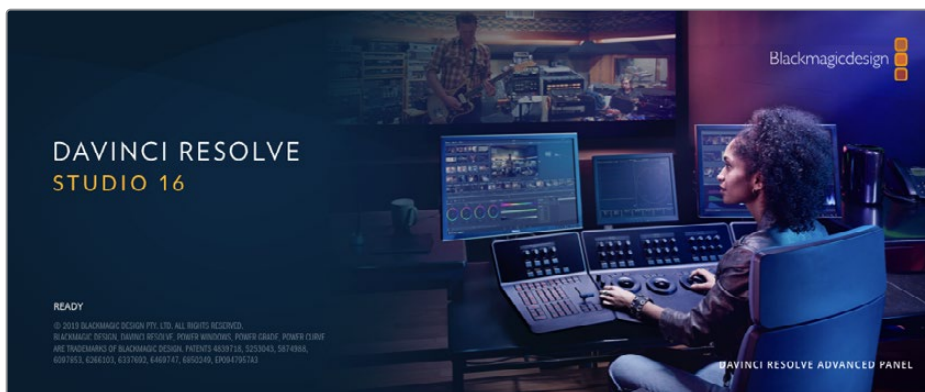
#### 1x kit de rondelles

Le kit de rondelles comprend des rondelles d'épaisseurs de :

0.50mm	0.18mm	0.10mm
0.30mm	0.15mm	0.05mm
0.20mm	0.12mm	0.025mm

# Utiliser DaVinci Resolve

La production d'émissions télévisées ou de films avec votre Blackmagic URSA Mini ne s'arrête pas au tournage. Il faut non seulement sauvegarder et organiser les médias, mais aussi effectuer le montage, l'étalonnage et l'encodage des fichiers master. La Blackmagic URSA Mini comprend une version du logiciel DaVinci Resolve pour Mac et Windows, vous disposez ainsi d'une solution complète pour le tournage et la post-production.



**REMARQUE** Nous recommandons d'utiliser la dernière version du logiciel DaVinci Resolve pour obtenir un traitement des couleurs optimal sur les clips tournés avec la URSA Mini. La version 16.3 ou ultérieure offre un traitement des couleurs précis à toutes les caméras URSA Mini. Il prend également en charge les dernières fonctionnalités du Blackmagic RAW et les fichiers 12K.

Après avoir connecté le SSD, la carte SD ou la carte CFast à votre ordinateur, vous pouvez utiliser l'outil **Clone** de DaVinci Resolve situé sur la page **Média** pour créer des sauvegardes en cours de tournage. Cela permettra d'éviter de perdre des prises à cause de dommages ou de défauts. Une fois que vous avez utilisé DaVinci Resolve pour sauvegarder vos médias, vous pouvez charger vos clips dans la bibliothèque de médias de DaVinci, puis monter, étalonner et finaliser votre projet sans quitter le logiciel.

DaVinci Resolve est utilisé pour produire de nombreuses grosses productions hollywoodiennes. Il offre bien plus de fonctionnalités qu'un logiciel de montage non linéaire standard et intègre une technologie de pointe destinée à la création de longs métrages haut de gamme. Vous bénéficiez des avantages de cette technologie lorsque vous utilisez DaVinci Resolve pour le montage et l'étalonnage de vos travaux.

Vous trouverez ci-dessous des informations relatives à l'utilisation de DaVinci Resolve avec les fichiers enregistrés à l'aide de votre caméra. Il va sans dire que DaVinci Resolve est un outil ultra performant et que son interface utilisateur renferme de nombreuses fonctionnalités. Pour plus d'informations sur l'utilisation de DaVinci Resolve, veuillez consulter le manuel d'utilisation de DaVinci Resolve sur le site internet de Blackmagic. Vous y trouverez également plusieurs formations et tutoriels.

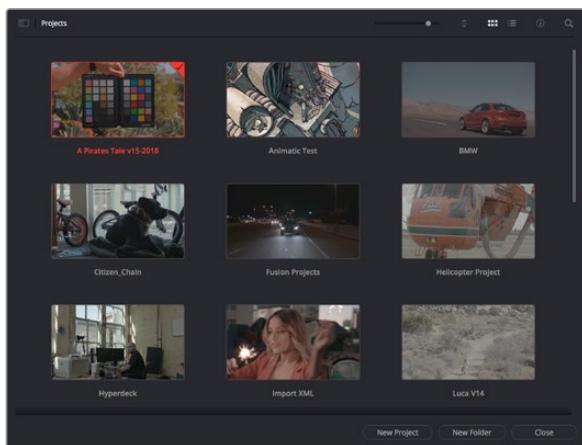
## Gestionnaire de projet

Avant d'importer des clips et de commencer le montage, vous devez configurer votre projet à l'aide du Gestionnaire de projet.

Le Gestionnaire de projet est la première page qui s'affichera à l'écran lorsque vous lancez DaVinci Resolve, mais vous pouvez y accéder à tout moment en cliquant sur l'icône d'accueil situé en bas à droite de l'interface. Il permet d'ouvrir d'anciens projets ou d'en créer de nouveaux.

Pour créer un nouveau projet, cliquez sur **Nouveau projet** en bas de la fenêtre, puis nommez le projet. Cliquez sur **Créer**.

En utilisant la page **Cut**, vous pouvez directement commencer le montage.



Le Gestionnaire de projet affiche tous les projets de l'utilisateur

Pour plus d'informations sur le Gestionnaire de projet, veuillez consulter le manuel DaVinci Resolve téléchargeable depuis la page d'assistance du site Internet de Blackmagic Design.

## Monter avec la page Cut

La page **Cut** offre un workflow de montage rapide et dynamique pour assembler, raccorder et monter vos clips de manière efficace.

Elle comprend deux timelines actives présentes simultanément à l'écran. La première affiche la totalité du montage, tandis que la deuxième offre une vue détaillée d'une zone en particulier. Ainsi, vous pouvez déposer vos clips dans la grande timeline, puis peaufiner votre montage dans la timeline détaillée, le tout au sein du même espace de travail. Grâce à ce workflow, vous pouvez monter vos clips depuis un ordinateur portable sans perdre de temps à zoomer ou à scroller dans la timeline.

### Disposition de la page Cut

Lorsque vous ouvrez la page Cut, vous verrez la bibliothèque de médias, le viewer et la timeline. Ces trois fenêtres primaires offrent un contrôle complet sur votre montage.



Disposition par défaut de la page Cut, avec la bibliothèque de médias affichée par vignette

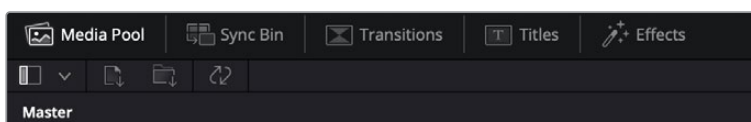


Pour plus d'informations, veuillez consulter le chapitre « Using the Cut Page » du manuel DaVinci Resolve.

## Onglets des médias

En haut à gauche de l'écran, vous trouverez cinq onglets.

Cliquez sur ces onglets pour ouvrir les outils que vous utiliserez pour réaliser votre montage. Par exemple, le premier onglet est la bibliothèque de médias, et elle est sélectionnée par défaut. Les autres onglets sont dédiés au Sync bin, aux transitions, aux titres et aux effets.



- **Bibliothèque de médias** : La bibliothèque de médias contient tous les clips, dossiers et fichiers que vous avez importés sur la page Média. Vous pouvez également importer de nouveaux fichiers directement depuis la page Cut, pour éviter d'avoir à revenir sur la page Média.
- **Sync Bin** : Cette puissante fonction permet de synchroniser automatiquement tous vos clips via le timecode, la date et l'heure. Ainsi, vous pouvez choisir les angles depuis toutes les caméras sur un projet multicaméra.
- **Transitions** : En cliquant sur cet onglet, vous afficherez toutes les transitions vidéo et audio disponibles pour votre montage, dont les fondus enchaînés, les volets animés et d'autres transitions populaires.
- **Titres** : Cet onglet permet de sélectionner le type de titre de votre choix, comme un texte défilant ou un bandeau inférieur. Vous pouvez également utiliser les modèles Fusion pour travailler avec des titres animés dynamiques, personnalisables depuis la page Fusion de DaVinci Resolve.
- **Effets** : Cet onglet affiche tous les filtres et effets que vous pouvez utiliser pour enrichir votre montage, comme des effets de flou, d'éclat et de flare personnalisables. Vous avez le choix parmi de nombreux effets, que vous pouvez retrouver facilement via l'outil de recherche.

**CONSEIL** Utilisez la barre de recherche pour retrouver facilement les éléments de votre choix. Par exemple, si l'onglet Transitions est sélectionné, entrez « Fondu » dans l'outil de recherche pour afficher uniquement les transitions de type fondu dans le viewer.

## Icônes du viewer




En haut à gauche de la fenêtre du viewer, vous trouverez les boutons des modes du viewer.



Boutons des modes du viewer

Ces boutons permettent de contrôler quel mode du viewer est utilisé parmi **Plan source**, **Bande source** et **Timeline**. Ces modes du viewer offrent énormément d'options de contrôle lorsque vous sélectionnez les clips pour votre montage.





	<b>Plan source</b>	Le viewer Plan source affiche un seul clip depuis la bibliothèque de médias et vous pouvez régler des points d'entrée et de sortie sur toute la longueur de la timeline du viewer. Cette option vous offre davantage de contrôle. Sélectionnez un clip source à visualiser en double-cliquant sur un clip dans la bibliothèque de médias, ou en le faisant glisser dans le viewer.
	<b>Bande source</b>	Le mode Bande source permet de visionner tous les clips source dans la bibliothèque de médias. C'est très pratique pour rechercher rapidement un moment précis parmi tous vos clips. Alors que vous survolez les clips avec la tête de lecture, leurs vignettes sont sélectionnées dans la bibliothèque de médias. Ainsi, lorsque vous avez trouvé le clip que vous souhaitez monter, vous pouvez cliquer sur l'icône Plan source et son clip source correspondant apparaîtra automatiquement dans le viewer.  Ce mode vous offre la liberté de travailler sur votre montage, de rechercher rapidement des prises, de tester de nouvelles idées tout en restant dans le moment.
	<b>Timeline</b>	Le viewer Timeline permet de voir la timeline de montage pour lire votre projet et peaufiner vos montages.

## Importer des clips dans la bibliothèque de médias

Vous pouvez désormais commencer à importer des médias dans votre projet. Pour cela, utilisez les outils d'importation situés au-dessus de la bibliothèque de médias de la page Cut.



Sélectionnez une des options d'importation pour ajouter des médias à votre projet

	<b>Importer un média</b>	Cette option permet d'importer des fichiers de média individuellement depuis votre espace de stockage.
	<b>Importer un dossier</b>	Cette option permet d'importer un dossier depuis votre espace de stockage. Lors de l'importation d'un dossier, DaVinci Resolve conserve la structure des fichiers, traitant chaque dossier comme un chutier séparé. Ainsi, vous pourrez naviguer entre les chutiers pour retrouver vos vidéos et autres médias.

### Pour importer des médias :

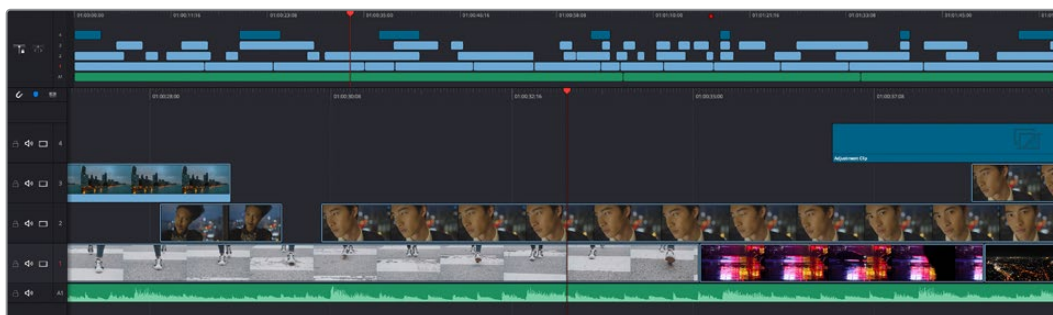
- 1 Cliquez sur l'icône d'importation d'un média ou d'un dossier.
- 2 Naviguez dans votre espace de stockage pour retrouver le média de votre choix.
- 3 Sélectionnez le fichier ou le dossier, puis cliquez sur **Ouvrir**.

Une fois les médias ajoutés à votre projet, pensez à sauvegarder vos changements. DaVinci Resolve comprend une fonctionnalité de sauvegarde automatique très rapide, appelée Enregistrement continu. Après avoir manuellement sauvegardé votre projet une première fois, l'enregistrement continu sauvegardera les prochaines modifications en temps réel. Ainsi, vous ne perdrez jamais votre travail.

Pour plus d'informations sur l'enregistrement continu et les autres fonctionnalités de sauvegarde, veuillez consulter le manuel DaVinci Resolve.

## Ajouter des clips à la timeline

Maintenant que vous êtes familiarisé avec l'onglet des médias et les modes du viewer, vous pouvez ouvrir la bibliothèque de médias et ajouter rapidement des clips à votre timeline.



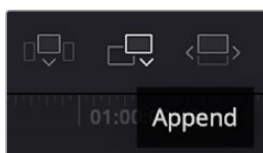
La timeline supérieure et la timeline inférieure zoomée de la page Cut

La timeline est l'endroit où vous allez effectuer votre montage. C'est comme un tableau avec des pistes sur lequel vous pouvez ajouter, déplacer et rogner des clips. Les pistes vous permettent de créer différentes couches pour superposer les clips. Ainsi, vous avez davantage de flexibilité pour essayer différents montages et pour créer des transitions et des effets. Par exemple, vous pouvez essayer un montage sur un clip d'une piste, sans que cela n'affecte les autres clips de la piste du dessous.

Vous pouvez ajouter des clips à la timeline de différentes façons, en utilisant par exemple les modes Insertion intelligente, Ajouter à la fin ou Placer au-dessus.

### Ajouter des clips à la fin

Lorsque vous sélectionnez des prises et que vous créez un montage, vous voudrez probablement ajouter ces prises à votre timeline les unes après les autres. L'outil Ajouter à la fin est parfait pour cela, car il vous permettra de monter vos clips rapidement.



Cliquez sur l'icône Ajouter à la fin pour placer un clip après le dernier clip

#### Pour ajouter un clip à la fin :

- 1 Double-cliquez sur un clip pour l'ouvrir dans le viewer.
- 2 À l'aide de l'outil scratch trim, réglez les points d'entrée et de sortie pour sélectionner la durée précise de votre prise. Vous pouvez également régler les points en appuyant sur les touches « i » ou « o » de votre clavier.

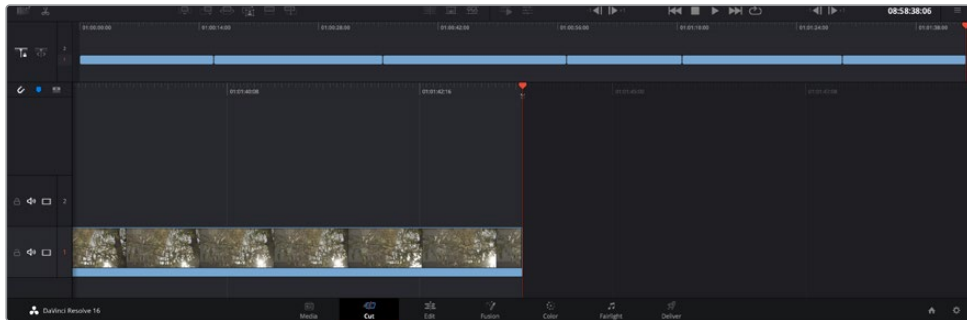


- 3 Cliquez sur l'icône **Ajouter à la fin** située dans la barre au-dessous de la bibliothèque de médias.



Votre premier clip sera placé au début de la timeline.

Répétez les étapes 1 à 3 pour ajouter des clips les uns après les autres, sans laisser d'espace entre eux.



En ajoutant des clips à la fin, vous n'aurez pas d'espace vide entre les clips

**CONSEIL** Vous pouvez travailler plus rapidement en assignant un raccourci clavier à la fonction **Ajouter à la fin**. Par exemple, en assignant la touche « p » à cette fonction, vous pouvez régler les points d'entrée et de sortie avec les touches « i » et « o », puis directement appuyer sur « p » pour ajouter le clip à la fin. Pour plus d'informations sur les raccourcis clavier, veuillez consulter le manuel DaVinci Resolve.

## Monter des clips dans la timeline

Une fois les clips ajoutés dans la timeline, vous pouvez les déplacer et effectuer des raccords comme bon vous semble.

Pour rogner un clip, survolez le début ou la fin d'un clip avec votre souris, puis cliquez et faites glisser la souris vers la gauche ou la droite. Par exemple, glissez vers la gauche pour réduire sa durée, ou vers la droite pour l'augmenter. Vous remarquerez qu'après cette action, tous les clips seront déplacés dans la timeline pour s'adapter au nouvel ajustement. C'est une des nombreuses fonctionnalités de la page Cut qui vous permettra de gagner du temps.

Vous pouvez même remonter le clip pour le déposer dans une nouvelle piste vidéo dans la grande timeline sans avoir à zoomer ou à dézoomer. Vous perdrez ainsi moins de temps à naviguer dans une longue timeline.

Après avoir monté vos clips avec la page Cut, vous pouvez insérer un titre. La section suivante vous montrera comment ajouter un titre.

## Ajouter des titres

Il est très facile d'insérer différents types de titres dans votre timeline.

Pour cela, cliquez sur l'onglet **Titres** en haut à gauche de l'écran. La fenêtre de sélection affichera la liste de tous les types de titres disponibles. Vous pouvez choisir un texte à afficher sur le tiers inférieur, en défilement, ou encore un texte standard. Vous pouvez même ajouter des titres animés Fusion personnalisables.

Essayons d'ajouter un texte standard.

**Pour ce faire :**

- 1 Cliquez sur le titre **Texte** et faites-le glisser dans la timeline. La timeline n'a pas d'importance, mais pour plus de précisions, utilisons la timeline détaillée. Le titre va automatiquement créer une nouvelle piste vidéo pour le titre et va s'aimer à la tête de lecture.
- 2 Relâchez la souris et le titre va apparaître sur la nouvelle piste. Vous pouvez désormais le déplacer ou changer sa durée, comme pour un clip vidéo.
- 3 Pour modifier un titre, cliquez sur celui-ci pour faire apparaître l'icône **Outils** sous le viewer du clip. Cliquez sur l'icône **Outils**.  
  
Une liste d'outils va s'afficher pour modifier le titre du clip, comme Transformation, Rogner, Zoom dynamique et bien plus. Pour cet exemple, cliquez sur l'outil **Titre**.
- 4 Maintenant, cliquez sur **Ouvrir l'inspecteur**.

La fenêtre de l'Inspecteur va s'ouvrir, dans laquelle vous pouvez saisir le titre et configurer le tracking, l'espacement entre les lignes, la police, la couleur et autres réglages.

Vous avez de nombreuses options à disposition pour personnaliser votre titre. Nous vous conseillons de jouer avec les différents réglages pour voir comment cela modifie le titre.

## Travailler avec des fichiers Blackmagic RAW

Les clips Blackmagic RAW offrent une grande flexibilité en post-production. Cela vous permet de faire des changements sur les clips, tels que la balance des blancs et l'ISO, comme si vous les faisiez dans les paramètres de la caméra. Le Blackmagic RAW offre également davantage d'informations tonales dans les ombres et dans les hautes lumières. Ceci est particulièrement utile pour récupérer les détails d'un ciel surexposé ou dans les zones d'ombre de l'image.

Si vous souhaitez obtenir la meilleure qualité possible ou si vous tournez des séquences comportant des contrastes importants entre les hautes lumières et les zones d'ombre, le Blackmagic RAW répondra parfaitement à vos exigences.

Grâce à la vitesse et à la petite taille de fichier du Blackmagic RAW, il n'est pas nécessaire de créer des fichiers proxy. La lecture est donc identique à celle d'un clip vidéo standard. Cette section du manuel décrit les fonctionnalités du Blackmagic RAW et la façon d'utiliser les fichiers Blackmagic RAW dans votre workflow DaVinci Resolve.

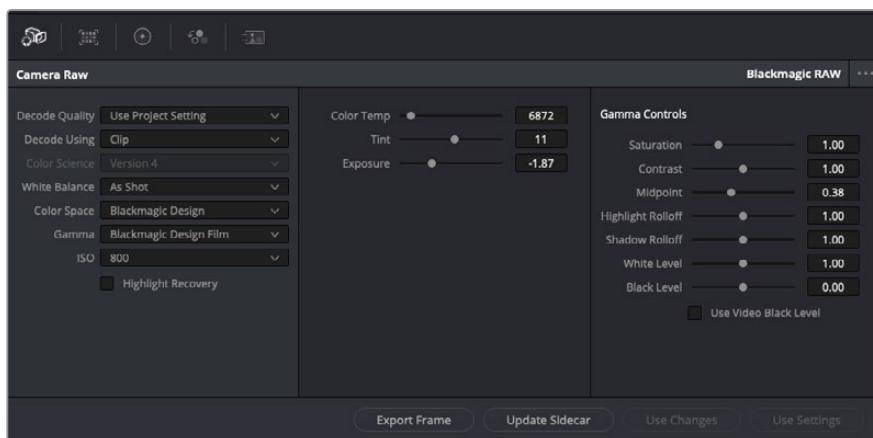
**CONSEIL** Nous vous recommandons d'ajuster les réglages Blackmagic RAW pour vos clips sur la page **Étalonnage** avant de les étalonner.

### Paramètres des clips pour le Blackmagic RAW

Quand vous importez des fichiers Blackmagic RAW, DaVinci Resolve décode les données de la caméra contenues dans les fichiers, notamment l'ISO, la balance des blancs et la teinte. Si les images vous plaisent, vous pouvez d'ores et déjà commencer le montage.

L'avantage de travailler au format Blackmagic RAW, c'est que vous pouvez changer ces réglages ! En effet, le nombre d'options pour le traitement des fichiers Blackmagic RAW vous permet de mettre au point votre propre workflow. En utilisant les paramètres **Plan** de diverses façons pour chaque clip dans l'onglet **Caméra RAW**, vous comprendrez à quel point le travail en Blackmagic RAW est performant et polyvalent.

Le menu **Color Science** vous permet de choisir entre une colorimétrie de 4e génération ou de 5e génération pour vos séquences. La URSA Mini Pro 12K est la première caméra qui utilise la colorimétrie Blackmagic Design de 5e génération. Les fichiers tournés sur des caméras dotées de la colorimétrie de 4e génération peuvent être réinterprétés avec une colorimétrie de 5e génération pour faire correspondre vos plans à ceux de la URSA Mini Pro 12K. En outre, si vous tournez principalement avec des caméras qui créent des fichiers Blackmagic RAW avec la colorimétrie de 4e génération, vous pouvez également les utiliser avec des clips filmés sur la URSA Mini Pro 12K avec la colorimétrie de 5e génération auxquels vous aurez appliqué la colorimétrie de 4e génération. Il sera ainsi plus facile d'harmoniser les plans filmés sur des caméras utilisant différentes générations de colorimétrie Blackmagic Design.



Dans l'onglet **Caméra RAW**, sélectionnez **Plan** dans le menu déroulant **Décoder avec** pour régler les paramètres Blackmagic RAW des clips.

Une fois que les paramètres des clips pour le Blackmagic RAW sont activés dans DaVinci, ces derniers ainsi que les commandes de gamma sont modifiables. Ajuster ces paramètres pour optimiser vos clips équivaut presque à un étalonnage primaire. C'est encore plus performant lorsque vous utilisez les scopes de DaVinci Resolve, car ils vous permettent de neutraliser et d'équilibrer les clips pour les préparer à un étalonnage plus poussé.

Vous trouverez ci-dessous une description des commandes relatives aux clips et au gamma.

### ISO

La valeur ISO peut être modifiée en augmentant ou en diminuant ce paramètre. C'est très utile pour éclaircir ou assombrir le clip et ensuite l'optimiser.

### Récupération des hautes lumières

Cochez cette case pour récupérer des informations dans les hautes lumières dans les canaux écrêtés en utilisant les informations des canaux non écrêtés.

### Température

Ajustez la commande de température de la couleur pour réchauffer ou refroidir les tons de l'ensemble de l'image. Ce paramètre peut être utilisé pour neutraliser la balance des couleurs de chaque image.

### Teinte

Ajustez ce paramètre pour ajouter du vert ou du magenta à l'image afin d'équilibrer les couleurs.

### Exposition

Utilisez ce paramètre pour affiner la luminosité générale de l'image.

### Saturation

Le curseur de saturation est réglé sur 1 par défaut. Vous pouvez la réduire jusqu'à -1 pour une saturation minimale et l'augmenter jusqu'à +4 pour une saturation maximale.

## Contraste

Le curseur de contraste est réglé sur 1 par défaut. Vous pouvez le réduire jusqu'à 0 pour un contraste minimal et l'augmenter jusqu'à 2 pour un contraste maximal.

## Point central

En mode Blackmagic Design Film, la valeur des tons moyens est réglée par défaut sur 0.38 ou 38.4%. Ajustez le curseur vers la gauche pour la réduire ou vers la droite pour l'augmenter jusqu'à 100%. Lorsque le contraste n'est pas réglé par défaut, vous pouvez modifier le roll-off des hautes lumières et des ombres.

## Affaiblissement (roll-off) des hautes lumières

Le curseur d'ajustement des hautes lumières est réglé sur 1 par défaut. Vous pouvez les atténuer jusqu'à 0 en déplaçant le curseur vers la gauche, ou les augmenter jusqu'à 2 en déplaçant le curseur vers la droite. Par défaut, ce paramètre est réglé sur 1.

## Affaiblissement (roll-off) des basses lumières

Déplacez le curseur d'ajustement des ombres vers la gauche pour les atténuer jusqu'à 0, ou vers la droite pour les augmenter jusqu'à 2.

## Niveau blancs

Ajustez le point blanc de la courbe de gamma en déplaçant le curseur. Les valeurs maximales et minimales sont respectivement de 2 et 0. La valeur par défaut est de 1.

## Niveau noirs

Ajustez le point noir de la courbe de gamma en déplaçant le curseur. Les valeurs maximales et minimales sont respectivement de 1 et -1. La valeur par défaut est de 0.

## Utiliser les niveaux vidéo de noir

Cochez cette case pour régler vos niveaux de noir sur Vidéo.

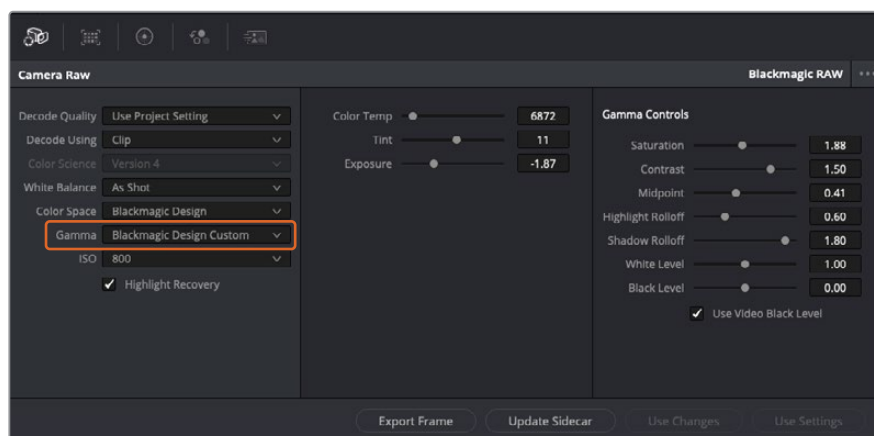
## Exporter l'image

En cliquant sur le bouton **Exporter l'image**, vous pouvez exporter une seule image du clip Blackmagic RAW.

## Mettre à jour le Sidecar

Cliquez sur ce bouton pour mettre à jour le fichier sidecar Blackmagic RAW pour le clip actuel.

Lorsque vous effectuez des modifications sur vos clips Blackmagic RAW, le paramètre Gamma sera réglé sur Blackmagic Design Custom.



Si vous souhaitez restaurer vos clips sur un paramètre Gamma par défaut, sélectionnez une option dans le menu déroulant.

**CONSEIL** Les commandes Gamma sont désactivées lorsque vous filmez avec une plage dynamique Video, mais vos données Blackmagic RAW ne sont pas perdues. Sélectionnez Blackmagic Design Film ou Blackmagic Design Extended Video depuis le menu déroulant du paramètre Gamma et effectuez vos ajustements.

### Sauvegarder les changements Blackmagic RAW

- 1 Réglez les commandes Gamma pour votre clip Blackmagic RAW.
- 2 Cliquez sur le bouton **Mettre à jour le Sidecar**.

Un fichier **Sidecar** est créé dans le même dossier que votre fichier .braw. Lorsqu'un autre utilisateur importe les fichiers Blackmagic RAW, le fichier sidecar sera automatiquement lu par DaVinci Resolve. Si vous effectuez des modifications supplémentaires, appuyez une nouvelle fois sur **Mettre à jour le Sidecar**.

**CONSEIL** Pour supprimer un fichier sidecar, effacez-le de son emplacement dans votre lecteur de média.

### Paramètres du projet pour le Blackmagic RAW

Si vous souhaitez modifier un paramètre commun à tous les clips, par exemple la balance des blancs ou l'ISO, vous pouvez régler les clips afin qu'ils utilisent les paramètres **Caméra RAW** du projet. Vous pourrez ainsi apporter des changements à plusieurs clips en même temps.

#### Régler les paramètres du projet pour le Blackmagic RAW :

- 1 Ouvrez le menu de paramétrage du projet, en cliquant sur **Fichier** puis sur **Paramètres du projet**.
- 2 Dans l'onglet **Caméra RAW**, vous trouverez un menu déroulant près du profile RAW. Cliquez sur la flèche pour sélectionner Blackmagic RAW depuis la liste.
- 3 Dans le menu déroulant **Dématricer avec**, sélectionnez **Projet**.
- 4 Réglez la **Balance des blancs** sur **Personnaliser**.
- 5 Dans le menu déroulant **Gamma**, sélectionnez **Blackmagic Design Custom**. Réglez l'espace de couleurs sur **Blackmagic Design**. Cette opération réglera également le paramètre Gamma sur **Blackmagic Design Film**.
- 6 Choisissez votre résolution depuis le menu **Qualité de dématricage**. Une basse résolution vous permettra d'améliorer la lecture sur des systèmes aux performances limitées. Pour un rendu optimal, vous pouvez changer la résolution plus tard, avant l'exportation.

Vous pouvez désormais ajuster les paramètres de la caméra tels que la saturation, le contraste et les tons moyens. Cela s'appliquera à tous les clips du projet réglés sur **Dématricer avec Projet**.

## Étalonner vos clips avec la page Étalonnage

Une fois vos clips dans la timeline et vos titres ajoutés, vous pouvez commencer à étalonner vos images depuis la page **Étalonnage**. C'est une page très puissante qui vous permettra de définir le look général de votre film. Pour cet exemple, il est conseillé de commencer par rendre vos clips neutres afin qu'ils soient consistants. Vous pouvez également retourner sur les pages **Cut** ou **Montage** à tout moment pour effectuer des modifications dans votre montage.

La page Étalonnage vous permet d'ajuster le look de votre montage. L'étalonnage est un art en soi à bien des égards, car il permet d'ajouter une réelle émotion à votre travail. C'est une partie extrêmement créative de votre workflow et, une fois les techniques acquises, il n'y a rien de plus



gratifiant que de voir vos images prendre vie ! C'est généralement la première étape, appelée correction colorimétrique primaire. Ensuite, vous pourrez passer à la correction colorimétrique secondaire, où vous pourrez faire des ajustements de couleur extrêmement précis sur des objets spécifiques dans vos images. La correction colorimétrique secondaire est très amusante, mais comme son nom l'indique, elle est généralement effectuée dans un deuxième temps pour obtenir de meilleurs résultats.

Commencez par cliquer sur l'onglet **Étalonnage** afin d'ouvrir la page Étalonnage.

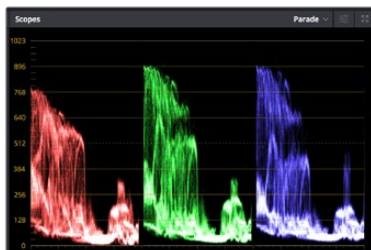
Cette page contient les réglages Caméra RAW, les roues chromatiques, les palettes de courbes, des outils d'étalonnage de base ainsi qu'une fenêtre de prévisualisation et une fenêtre contenant les nœuds. Ne soyez pas intimidés par les nombreuses fonctionnalités proposées sur cette page, car elles sont là pour vous aider à obtenir des images époustouflantes.

Dans cette section vous découvrirez les bases, mais pour des informations plus détaillées, veuillez consulter les sections spécifiquement dédiées à l'étalonnage dans le manuel. Elles vous indiqueront clairement à quoi ces outils servent et comment les utiliser. Vous apprendrez ainsi les techniques que les professionnels utilisent dans les studios d'étalonnage haut de gamme.

En général, la première étape de la correction colorimétrique primaire consiste à optimiser le niveau des ombres, des tons moyens et des hautes lumières dans vos clips. En d'autres termes, il faut ajuster les paramètres **Lift**, **Gamma** et **Gain**. Vous obtiendrez ainsi des images optimales pour débiter la phase d'étalonnage et obtenir l'esthétique souhaitée pour votre film. Les scopes s'avèrent très pratiques pour optimiser les niveaux.

## Utiliser les scopes

Les étalonneurs réalisent les corrections colorimétriques en fonction de l'émotion et du rendu qu'ils veulent donner aux programmes sur lesquels ils travaillent et n'utilisent en général qu'un simple écran pour effectuer les changements. Vous pouvez vous inspirer d'objets de tous les jours et la façon dont l'éclairage s'y reflète pour vos différents projets.



Le scope Parade vous permet d'optimiser les tons clairs, les tons moyens et les ombres

Mais il existe d'autres façons d'étalonner un film, notamment en s'aidant des scopes intégrés à DaVinci Resolve. Vous pouvez ouvrir un seul scope vidéo en cliquant sur le bouton **Scope** (le deuxième bouton à partir de la droite sur la barre d'outils). Vous pouvez choisir entre les scopes suivants : Oscilloscope (forme d'onde), Parade, Vecteurscope et Histogramme. Grâce à ces scopes, vous pouvez contrôler l'équilibre des tons, les différents niveaux de la vidéo sans écraser les noirs ni écrêter les blancs, mais aussi contrôler la dominance des couleurs de vos clips.

La palette **Roues chromatiques** contient les commandes **Lift**, **Gamma** et **Gain** qui vous permettent d'effectuer les premiers ajustements. Si vous avez déjà fait de l'étalonnage, ces roues chromatiques ressemblent sûrement aux commandes que vous avez pu voir dans d'autres applications pour ajuster les couleurs et le contraste.



Les roues chromatiques **Lift**, **Gamma**, **Gain** et **Offset** vous offrent un contrôle complet sur l'équilibre des couleurs et des tons de vos clips. Pour régler toutes les couleurs de façon identique, tournez la roue située sous les roues chromatiques

Pour un contrôle précis de chaque couleur, utilisez la souris. Vous pouvez régler les roues chromatiques sur **Barres primaires**, ce qui vous permet de régler séparément les canaux de couleurs et de luminance pour le lift, le gamma et le gain. Sélectionnez simplement **Barres primaires** dans le menu déroulant situé en haut à droite des roues chromatiques.

- **Ajuster le Lift** : Après avoir sélectionné le clip dans la timeline de la page **Étalonnage**, cliquez sur la roue **Lift** située sous la première roue chromatique. Faites-la tourner vers la gauche ou vers la droite pour constater les modifications apportées à l'image. Vous verrez que la luminosité des zones d'ombres de votre image augmente et diminue.  
Réglez-la afin d'optimiser les zones d'ombres. Si vous baissez trop le Lift, certains détails des noirs disparaissent. Utilisez le scope Parade pour éviter que cela ne se produise. La position optimale des noirs sur le graphique se situe juste au-dessus de la ligne inférieure du scope Parade.
- **Ajuster le Gain** : Cliquez sur la roue **Gain** et faites la tourner vers la gauche ou vers la droite. Cette roue règle les tons clairs, zones les plus lumineuses de l'image. Les tons clairs sont affichés dans la section supérieure du graphique dans le scope Parade. Pour une scène très lumineuse, la position optimale se situe juste en dessous de la ligne supérieure du scope Oscilloscope. Si les tons clairs dépassent la ligne supérieure de ce scope, ils sont écrêtés et les zones les plus claires perdent alors beaucoup de détails.
- **Ajuster le Gamma** : Cliquez sur la roue **Gamma** située sous la roue chromatique et faites-la tourner vers la gauche ou vers la droite. Si vous augmentez le gamma, la luminosité de l'image augmente et en fonction du réglage, la partie centrale de la roue change également. Cette partie représente les tons moyens du clip. La position optimale des tons moyens se situe généralement entre 50 et 70 % de l'affichage de la forme d'onde. Ceci n'est qu'une indication, car le réglage dépend surtout du rendu que vous souhaitez obtenir et des conditions d'éclairage du clip.

Vous pouvez également utiliser la palette Courbes pour faire vos corrections colorimétriques primaires. Pour créer des points de contrôle, il suffit de cliquer sur la ligne diagonale dans le graphique Courbes. Vous pouvez ensuite les déplacer vers le haut ou vers le bas pour ajuster le contraste RVB principal et obtenir différentes tonalités dans l'image. Le réglage optimal se situe dans le champ du tiers inférieur, du milieu et du tiers supérieur de la courbe.

Il existe différentes façons de faire de la correction colorimétrique primaire dans DaVinci Resolve.



La palette Courbes est un autre outil que vous pouvez utiliser pour faire de la correction colorimétrique primaire ou pour travailler certaines zones du clip avec une Power Window

## Correction colorimétrique secondaire

Si vous souhaitez corriger une partie spécifique de l'image, vous devrez utiliser les corrections secondaires. Les corrections que vous avez apportées jusqu'à présent à l'aide des réglages Lift, Gain et Gamma affectent l'intégralité de l'image, il s'agit donc de corrections colorimétriques primaires.

Cependant, si vous ne voulez modifier que certaines parties de l'image, comme la couleur de l'herbe dans une scène, ou la couleur du ciel, il faut alors utiliser les fonctions de correction colorimétrique secondaire. En effet, ces fonctions permettent de sélectionner et de ne modifier qu'une partie de l'image. Grâce aux nœuds, vous pouvez superposer plusieurs corrections et ainsi travailler l'image à la perfection ! Vous pouvez également utiliser les fenêtres et le tracking pour que la correction suive la partie de l'image sélectionnée.

## Sélection d'une couleur

Vous avez sans doute pu constater qu'il est souvent nécessaire de changer la couleur d'un seul élément de l'image, par exemple l'herbe sur le côté de la route, le bleu du ciel, ou tout autre élément sur lequel vous souhaitez attirer le regard du spectateur. Pour effectuer ces modifications, il est utile d'utiliser l'outil sélecteur HSL.



Utiliser les sélecteurs HSL pour sélectionner les couleurs de vos images est très pratique lorsque vous voulez mettre en valeur certaines zones de l'image, ajouter du contraste ou attirer l'attention des spectateurs sur une partie de l'image.

### Pour sélectionner une couleur :

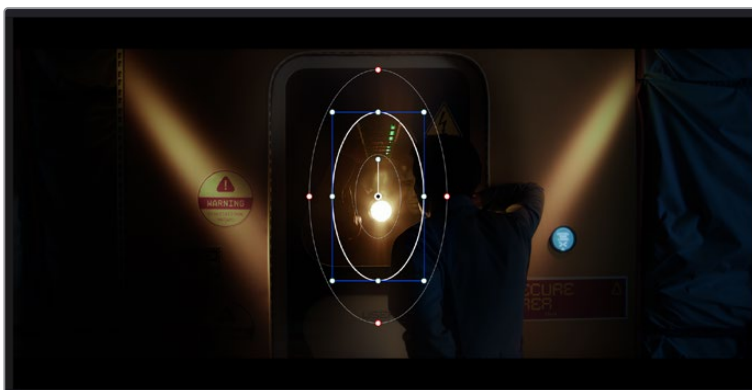
- 1 Créez un nouveau nœud Série.
- 2 Ouvrez la palette **Sélecteur** et vérifiez que la pipette d'échantillonnage **Plage de sélection** est bien sélectionnée.
- 3 Cliquez sur la couleur du clip que vous souhaitez modifier.
- 4 Il est en général nécessaire d'adoucir les contours afin de limiter la sélection à la couleur souhaitée. Pour visualiser votre sélection, cliquez sur le bouton **Masque** situé au-dessus du viewer.
- 5 Dans la fenêtre **Teinte**, réglez la commande **Largeur** pour élargir ou réduire la sélection.

Amusez-vous avec les commandes **Haut**, **Bas** et **Soft** afin d'affiner votre sélection. Vous pouvez désormais corriger les couleurs sélectionnées à l'aide des roues chromatiques ou des courbes personnalisées.

Parfois, les zones de sélection peuvent déborder sur des zones que vous ne souhaitez pas modifier. Il est alors facile de masquer ces zones à l'aide des Power Windows. Créez simplement une nouvelle Power Windows et donnez-lui la forme de la zone que vous souhaitez modifier. Si la couleur sélectionnée bouge au cours de la prise, vous pouvez utiliser la fonction de tracking pour suivre la Power Window.

## Ajouter une Power Window

Les Power Windows sont des outils de correction colorimétrique extrêmement efficaces que vous pouvez utiliser pour isoler certaines zones de vos clips. Ces fenêtres dynamiques suivent les mouvements de la caméra ou des zones sélectionnées.



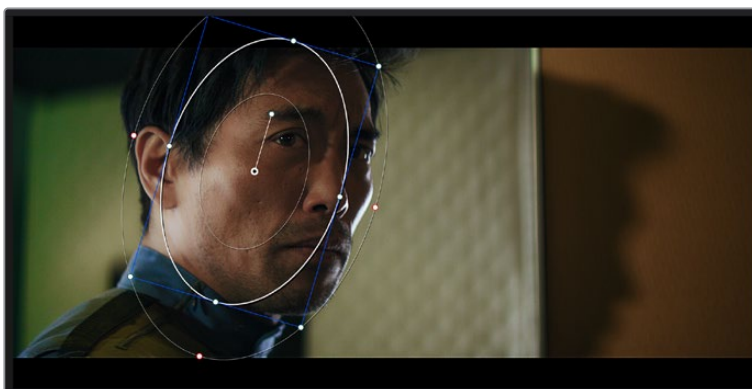
Utilisez les Power Windows pour masquer les zones que vous ne souhaitez pas modifier avec les sélecteurs HSL.

Vous pouvez, par exemple, créer une fenêtre qui suivra les mouvements d'une personne afin de changer le contraste et les couleurs sans affecter les zones alentour. Grâce à ces modifications, vous attirez l'attention du spectateur vers la zone de votre choix.

### Ajouter une Power Window à votre clip :

- 1 Créez un nouveau nœud Série.
- 2 Ouvrez la palette **Power Window** et sélectionnez la forme en cliquant sur l'une d'entre elles. La fenêtre de la forme apparaît sur le nœud.
- 3 Redimensionnez la forme à l'aide des points bleus qui entourent la forme. Les points rouges permettent de régler le flouté du contour. Vous pouvez repositionner correctement la forme à l'aide du point central. Faites pivoter la fenêtre à l'aide du point relié au point central.

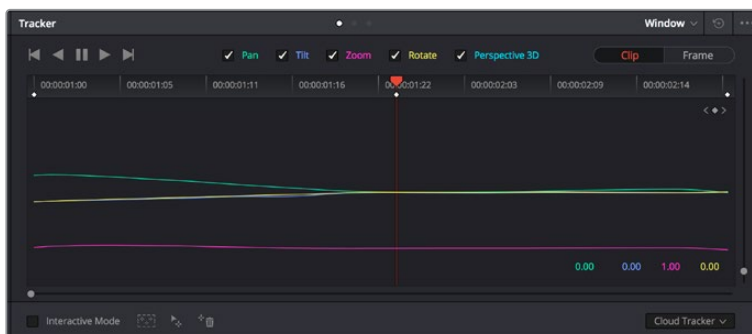
Vous pouvez désormais corriger les couleurs de la zone sélectionnée.



Les Power Windows vous permettent d'effectuer des corrections secondaires sur certaines zones de l'image.

## Tracking d'une Power Window

Lorsque la caméra, l'objet ou la zone de votre prise bougent, utilisez l'outil de tracking disponible dans DaVinci Resolve pour garantir le tracking complet de la zone sélectionnée. Le Tracker analyse les mouvements de la caméra ou de l'objet pour que la fenêtre s'adapte à ces mouvements. Si vous n'activez pas cette fonction, la correction pourrait ne pas s'appliquer à la zone sélectionnée et produire un effet indésirable.



Pour que les Power Windows suivent les mouvements de certains objets ou certaines zones du clip, vous pouvez créer un suivi à l'aide de la fonction Tracking

### Suivre un objet à l'aide d'une fenêtre :

- 1 Créez un nouveau nœud série et ajoutez une Power Window.
- 2 Placez le curseur au début du clip, puis positionnez et dimensionnez la fenêtre pour ne sélectionner que l'objet ou la zone souhaités.
- 3 Ouvrez la palette **Tracker**. Cochez ou décochez les cases Pan, Tilt, Zoom et Perspective 3D en fonction des mouvements du clip.
- 4 Cliquez sur la flèche de lecture située à gauche des cases de sélection. DaVinci Resolve applique un ensemble de points de suivi à votre clip qui analyse les mouvements de chaque image. Lorsque le suivi est terminé, la Power Window suit le mouvement de l'objet dans le clip.

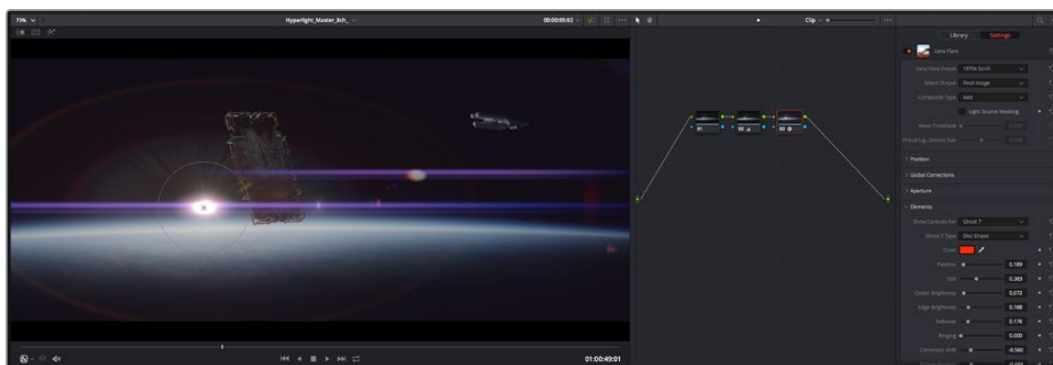
En général, le suivi automatique fonctionne sans problème, cependant, certaines scènes peuvent être complexes ou des objets peuvent se trouver devant la zone sélectionnée et ainsi interrompre ou affecter le suivi. Ce problème peut être résolu à l'aide de l'éditeur d'image. Consultez le manuel DaVinci Resolve pour en savoir plus.

## Utilisation de plug-ins

Les corrections colorimétriques secondaires peuvent être effectuées à l'aide de plug-ins ResolveFX ou OpenFX, qui permettent de créer des rendus rapides et des effets innovants au sein de la page **Étalonnage**. Il est également possible d'ajouter des transitions et des effets à vos clips au sein de la page **Montage**. Les effets ResolveFX sont fournis avec DaVinci Resolve. Les plug-ins OFX sont disponibles sur des sites fournisseurs tiers.

Vous pouvez accéder aux plug-ins OFX, une fois installés, et aux plug-ins ResolveFX, en allant sur la page **Étalonnage** et en ouvrant le panneau OpenFX (situé à droite de l'éditeur de nœuds). Une fois que vous avez créé un nouveau nœud Série, cliquez sur le bouton **OpenFX** pour ouvrir la bibliothèque d'effets, puis faites glisser un plug-in dans le nœud. Si le plug-in dispose de paramètres modifiables, vous pouvez le configurer dans le panneau **Paramètres** situé sur le côté.

Dans la page **Montage**, vous pouvez ajouter des plug-ins filtres, générateurs et transitions aux clips en ouvrant le panneau **OpenFX** dans **Bibliothèque d'effets**. Faites ensuite glisser le plug-in sélectionné sur le clip ou sur la piste au-dessus du clip dans la timeline, selon les besoins du plug-in.



Les plug-ins OFX sont des solutions rapides et faciles pour créer des rendus créatifs et innovants.

## Mixer l'audio

### Mixer l'audio dans la page Montage

Une fois le montage et l'étalonnage finalisés, vous pouvez commencer à mixer l'audio. DaVinci Resolve possède de nombreux outils pour le montage, le mixage et le mastering audio de vos projets, accessibles directement sur la page Montage. Si vous avez besoin de fonctionnalités audio plus avancées, la page Fairlight vous offre un environnement de post-production audio complet. Si vous êtes familier avec la page Montage et que vous souhaitez directement passer à la page Fairlight, consultez la section suivante.

### Ajouter des pistes audio

Si vous travaillez sur la page Montage et que vous souhaitez ajouter des effets et de la musique à un montage son, vous pouvez facilement ajouter des pistes audio selon vos besoins. C'est très pratique lorsque vous voulez séparer vos éléments audio en plusieurs pistes indépendantes, comme les dialogues, les effets sonores et la musique.

### Pour ajouter des pistes audio dans la page Montage

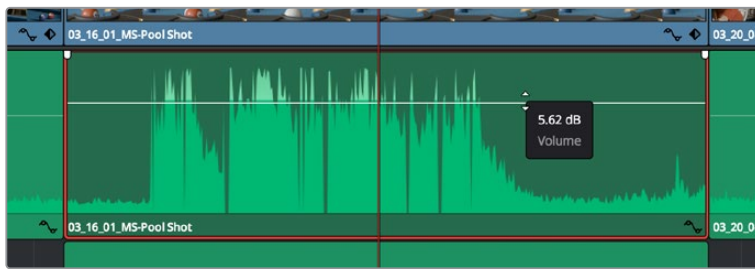
Faites un clic droit à côté du nom de n'importe quelle piste audio de votre timeline, sélectionnez **Ajouter une piste** et choisissez entre les options **Mono**, **Stéréo** et **5.1**. Cette piste sera alors ajoutée en bas de la liste de pistes. Si vous voulez choisir la position de la piste ou de plusieurs pistes dans la liste, sélectionnez **Ajouter une piste** puis choisissez l'emplacement.

La nouvelle piste audio apparaît sur la timeline.

**CONSEIL** Pour changer le type de piste après l'avoir créée, faites un clic droit sur le nom de la piste, sélectionnez **Mettre la piste en**, puis choisissez le type de piste audio de votre choix. Par exemple, Stéréo, Mono ou 5.1.

### Ajuster les niveaux audio dans la Timeline

Le niveau du volume de chaque clip audio est affiché. Vous pouvez l'ajuster en montant ou en descendant le pointeur. Cet affichage correspond aux paramètres de volume de l'inspecteur.

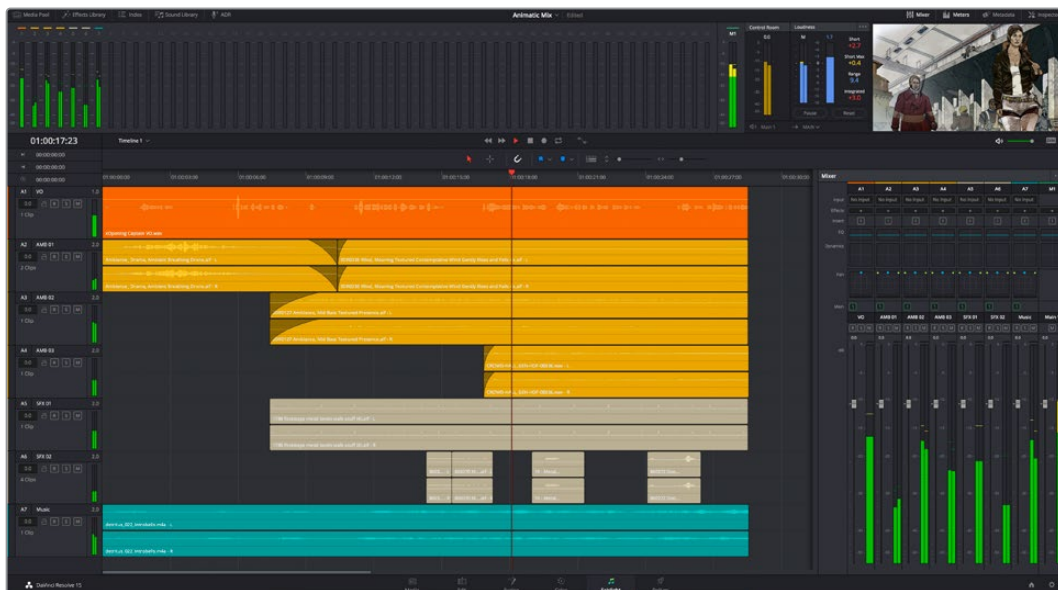


Ajuster le niveau du clip en faisant glisser le pointeur de volume

Si vous avez besoin de fonctionnalités audio plus avancées, la page Fairlight vous offre un environnement de post-production audio complet.

## La page Fairlight

La page **Fairlight** de DaVinci Resolve vous permet d'ajuster vos projets audio. Lorsque vous travaillez avec un seul moniteur, la page Fairlight vous offre un affichage optimisé des pistes audio de votre projet. Vous disposez d'un mixeur complet et de commandes de monitoring personnalisées qui vous permettent d'évaluer et d'ajuster les niveaux audio pour créer un mix fluide et harmonieux. Ne vous laissez pas intimider par le nombre de fonctionnalités présentes, tous ces outils ont été conçus pour vous aider à livrer un rendu audio de la meilleure qualité possible.



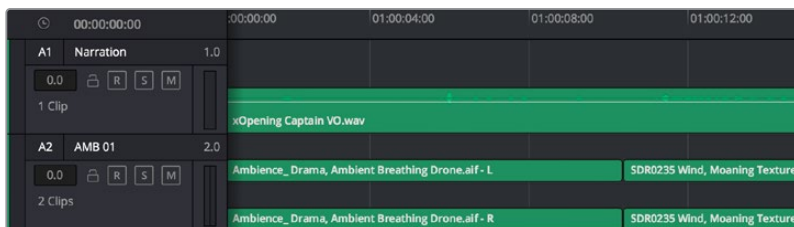
Ce guide offre un aperçu général des fonctionnalités de la page Fairlight. Pour plus d'informations, veuillez consulter le manuel d'utilisation DaVinci Resolve. Le manuel DaVinci Resolve apporte des informations détaillées sur la fonction de chaque outil et explique comment les utiliser, étape par étape.

## La timeline audio

- **En-tête de piste** : À gauche de chaque piste, vous trouverez un espace pour l'en-tête affichant le numéro, le nom et la couleur de la piste, les canaux audio, la valeur du fader et les indicateurs audio. L'en-tête de piste offre également des commandes pour verrouiller et déverrouiller des pistes et pour sélectionner les modes Solo et Mute. Ces commandes vous permettent de visualiser chaque piste séparément et de les organiser.



- **Pistes** : Chaque piste est divisée en voies, ce qui vous permet de visionner chaque canal du clip audio pour le montage et le mixage. Vous ne trouverez pas ces canaux individuels sur la page Montage. En effet, cette dernière n'affiche qu'un seul clip sur la timeline afin de faciliter le montage de sources multicanaux sans avoir à gérer un nombre de pistes trop important.



L'en-tête de piste de la piste A1 affiche une piste mono avec une seule voie pour l'audio mono. La piste A2 affiche quant à elle une piste stéréo comprenant deux voies pour l'audio stéréo.

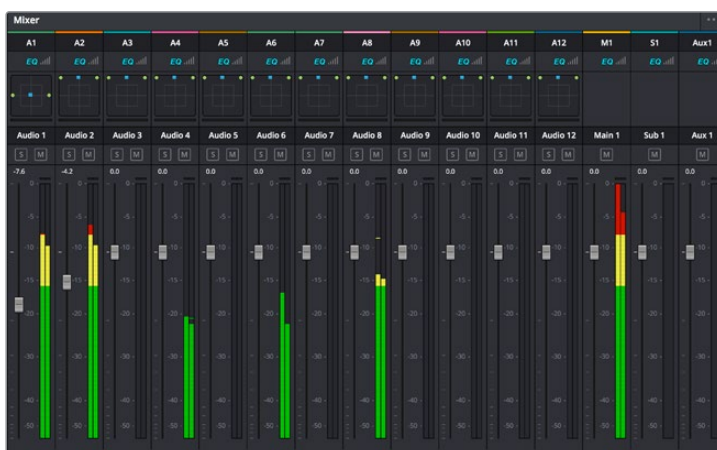
## Qu'est-ce qu'un bus ?

Globalement, un bus est un canal de destination vers lequel vous pouvez router plusieurs pistes audio depuis la timeline. Ces pistes sont mixées en un signal unique et peuvent être contrôlées via une seule bande de canal.

- **Main Bus** : Les bus principaux sont la sortie principale d'un programme. Vous commencerez chaque nouveau projet avec un **bus principal**, vers lequel toutes les pistes seront acheminées par défaut. Le bus principal regroupe toutes les pistes de la timeline en un seul signal. Cela vous permet d'ajuster le niveau global du mix audio après avoir ajusté le niveau de chaque piste individuellement.
- **Sub** : Les sous-bus vous permettent de regrouper plusieurs pistes audio qui appartiennent à la même catégorie, comme les dialogues, la musique ou les effets. Ainsi, tous les éléments d'une même catégorie peuvent être mixés comme un signal audio unique. Par exemple, si vous avez cinq pistes de dialogue, vous pouvez acheminer le signal de ces cinq pistes vers un bus sub et vous pourrez ainsi mixer le niveau des dialogues avec une commande unique. Ce sous-mixage peut être rendu séparément ou envoyé vers le bus principal.

## Le mixeur

Chaque piste audio de la timeline correspond à une bande de canal dans le mixeur. Par défaut, il y a une seule bande de canal sur le côté droit de l'interface pour le bus principal, appelée **M1**. À chaque bus principal ou sous-mixage que vous créez, une bande de canal supplémentaire s'ajoute sur le côté droit, accompagnée de commandes de contrôle. Plusieurs commandes, sous forme de graphiques, vous permettent d'assigner et d'acheminer des canaux de piste, d'ajuster les égaliseurs et les effets dynamiques, de régler les niveaux et d'enregistrer l'automation, de modifier l'emplacement d'un son dans l'image stéréo ou surround, et de choisir le mode muet ou solo pour chaque piste.



Les bandes de canal du mixeur audio, correspondant aux pistes de la timeline.

## Utiliser l'égaliseur pour améliorer l'audio

Après avoir réglé les niveaux audio de vos clips, vous pourriez avoir envie d'apporter des ajustements supplémentaires. Par exemple, il arrive que les dialogues, la musique et les effets sonores se retrouvent sur la même fréquence dans le spectre audio, ce qui rend votre audio trop chargé et confus. Dans ce cas-là, l'égaliseur s'avère très utile car il vous permet de spécifier où doit se situer chaque piste dans le spectre audio. Vous pouvez aussi utiliser l'égaliseur pour supprimer des éléments indésirés dans votre audio en isolant et en atténuant le niveau sur des fréquences spécifiques qui contiennent de légers grondements, des bourdonnements, des bruits de vent, des sifflements, ou simplement pour améliorer la qualité du son.

DaVinci Resolve est doté de filtres que vous pouvez appliquer sur chaque clip individuellement, ou sur une piste entière. Chaque clip audio de la timeline possède un égaliseur à 4 bandes dans le panneau de l'inspecteur, et chaque piste possède un égaliseur paramétrique à 6 bandes dans le mixeur. Grâce aux commandes graphiques et numériques qui permettent d'amplifier ou d'atténuer des plages de fréquences et grâce aux différents types de filtres, vous pouvez définir la forme de la courbe de l'égaliseur.



L'égaliseur à quatre bandes peut être appliqué à tous les clips de la timeline

Les bandes situées aux extrémités vous permettent d'ajuster les filtres high-shelve, low-shelve, passe-haut et passe-bas. Les filtres de type « passe » suppriment du signal toutes les fréquences supérieures ou inférieures à une fréquence donnée. Par exemple, un filtre passe-haut laissera passer les hautes fréquences mais isolera les basses fréquences. Toutes les fréquences au-delà de la fréquence de coupure sont progressivement atténuées en une courbe descendante.

Les filtres shelve sont moins agressifs et très utiles si vous souhaitez traiter les hautes ou les basses fréquences sans forcément toutes les supprimer du signal. Ils amplifient ou atténuent uniformément la fréquence ciblée et toutes les fréquences définies en dessous ou en dessus de celle-ci, selon si vous choisissez un filtre high ou low shelve.

Les commandes de contrôle des bandes situées au milieu vous permettent d'appliquer les filtres low shelve, bell, notch et high shelve.

- **Bell** : Les filtres cloche amplifient ou atténuent les fréquences qui se trouvent autour d'un certain point de la courbe en forme de cloche.
- **Notch** : Les filtres coupe-bande vous permettent de cibler une plage très réduite de fréquences. Vous pourrez par exemple supprimer un bourdonnement dans une fréquence de 50 ou de 60Hz.
- **Low Shelve** : Les filtres plateau bas amplifient ou atténuent une basse fréquence cible, et toutes les fréquences qui se situent en dessous.
- **High Shelve** : Les filtres plateau haut amplifient ou atténuent une haute fréquence cible, et toutes les fréquences qui se situent en dessus.

### Pour ajouter un égaliseur à un clip individuel :

- 1 Sélectionnez le clip dans la timeline auquel vous voulez appliquer un filtre.
- 2 Cliquez sur l'inspecteur puis sur le bouton d'activation de l'**Égaliseur du plan**.

### Pour ajouter un égaliseur à une piste :

- 1 Au niveau de l'égaliseur (**EQ**), double-cliquez sur la zone correspondante à la piste de votre choix, afin d'ouvrir l'égaliseur pour cette piste.
- 2 Choisissez le type de filtre à partir du menu déroulant pour la bande que vous souhaitez ajuster.



La zone de l'égaliseur dans le mixeur indique qu'une courbe a été appliquée sur la piste numéro une.



L'égaliseur paramétrique à 6 bandes peut être appliqué à toutes les pistes

Une fois que vous avez ajouté un égaliseur à votre clip ou à votre piste, vous pouvez égaliser chaque bande. Veuillez noter que les commandes peuvent varier selon le type de filtre sélectionné.

### Pour régler l'égaliseur pour un filtre de bande :

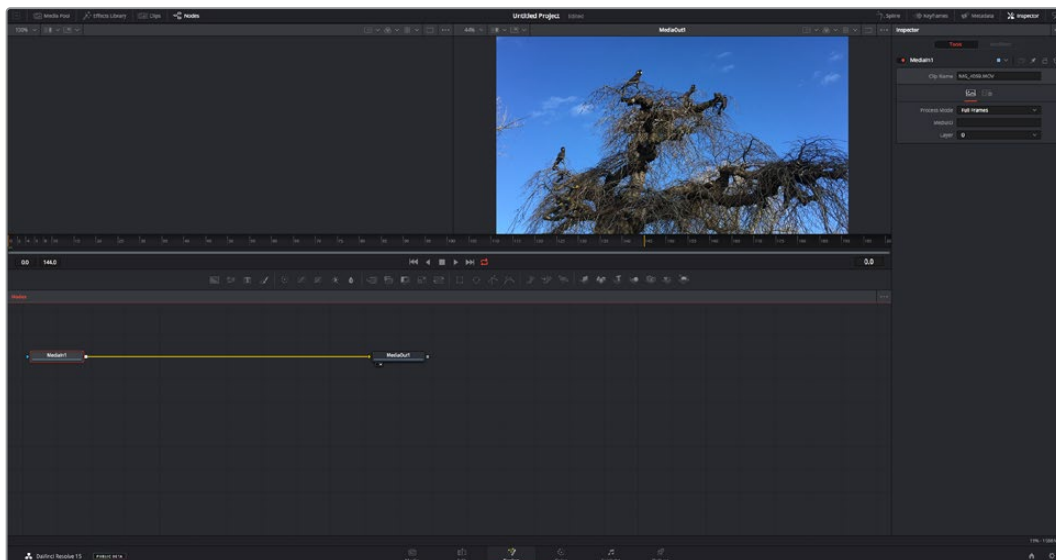
- 1 Choisissez le type de filtre à partir du menu déroulant pour la bande que vous souhaitez ajuster.
- 2 Ajustez la valeur du paramètre **Fréq.** pour sélectionner la fréquence centrale du réglage de l'égaliseur.
- 3 Ajustez la valeur du paramètre **Gain** pour amplifier ou atténuer les fréquences concernées par cette bande.
- 4 Utilisez la valeur du facteur **Q** pour ajuster la largeur de la plage des fréquences affectées.

Appuyez sur le bouton de réinitialisation pour rétablir toutes les commandes de l'égaliseur par défaut.

Fairlight possède de nombreuses fonctionnalités pour améliorer la qualité de chaque piste audio. Vous pouvez ajouter des pistes supplémentaires et organiser les bus, ajouter des effets tels que la réverbération et le délai, et apporter une amélioration générale à votre mix audio.

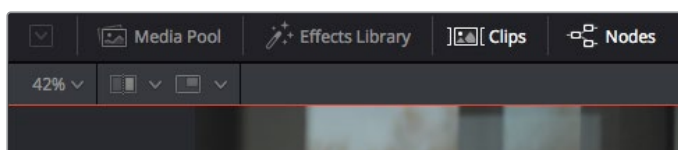
## Ajouter des VFX et des compositions sur la page Fusion

Une fois le montage finalisé, vous pouvez ouvrir la page Fusion de DaVinci Resolve pour ajouter des effets visuels 2D ou 3D ainsi que des animations. Contrairement aux logiciels de compositing en couches, Fusion est doté d'une structure nodale qui vous offre la liberté de réaliser des effets complexes tout en acheminant les données d'image dans n'importe quelle direction. La fenêtre contenant les nœuds vous permet de voir tous les outils utilisés durant votre travail. Si vous avez utilisé la structure nodale sur la page Étalonnage, le workflow de Fusion vous sera familier.

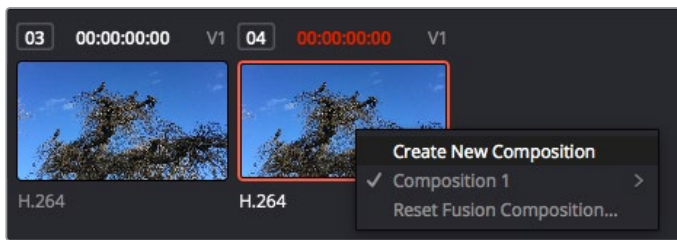


### La page Fusion

La page Fusion se compose de deux viewers dans la partie haute de l'écran avec des commandes de transport pour visualiser vos médias, d'un inspecteur sur la droite pour accéder aux outils, et d'une fenêtre contenant les nœuds dans la partie basse pour créer vos compositions. Les viewers et les commandes de transport sont toujours apparents. En cliquant sur les icônes de la barre d'outils située tout en haut de l'écran, vous pouvez faire apparaître ou masquer les nœuds et l'inspecteur, ou encore révéler ou cacher d'autres fenêtres, comme la bibliothèque d'effets ou les éditeurs Spline et Images clés.



- **Bibliothèque de médias** : La bibliothèque de médias fonctionne de la même manière que celle de la page Étalonnage. Faites directement glisser les médias depuis les chutiers dans votre composition.
- **Bibliothèque d'effets** : Dans la bibliothèque d'effets, vous trouverez les outils Fusion et les modèles rangés par catégories, dont les particules, les outils de tracking, les filtres et les générateurs. Vous pouvez cliquer sur un outil ou le faire glisser dans la fenêtre des nœuds pour l'ajouter à votre composition. La bibliothèque de médias et la bibliothèque d'effets se partagent le même espace sur l'écran. Vous pouvez les intervertir afin d'avoir plus de place pour les viewers.
- **Plans** : En cliquant sur l'onglet Plans, vous pouvez afficher ou masquer les vignettes représentant les clips sur votre timeline. Les vignettes se trouvent sous l'éditeur de nœuds, ce qui vous permet d'aller d'un clip à un autre.



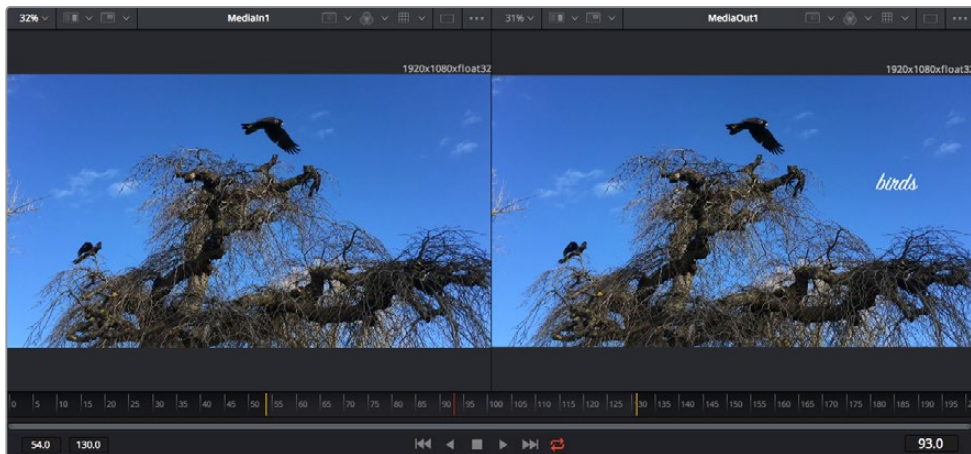
Vous pouvez créer une nouvelle version de votre composition en faisant un clic droit sur une vignette, puis en sélectionnant **Créer une nouvelle composition**.

- **Viewers** : Les viewers sont toujours visibles et vous permettent d'accéder aux différentes vues de votre composition. Par exemple, une vue 3D globale via le nœud Merge 3D, une sortie caméra ou le rendu final. Ces viewers vous permettent également de voir comment vos modifications affectent un élément en particulier.

Pour choisir quels nœuds vous souhaitez visualiser, cliquez sur un nœud, puis tapez « 1 » pour l'envoyer sur le viewer de gauche, ou « 2 » pour le viewer de droite. Des boutons blancs s'affichent sous le nœud pour vous indiquer à quel viewer il est associé. Si vous utilisez un moniteur externe, un troisième bouton s'affichera pour acheminer votre média vers ce moniteur.

**CONSEIL** Vous pouvez également associer un nœud à un viewer en le faisant glisser directement dans celle-ci.

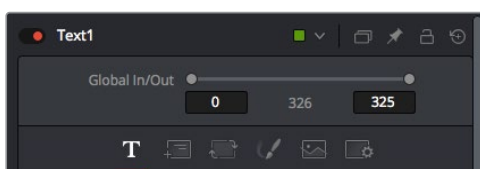
Les commandes de transport situées sous les viewers vous permettent d'aller au début ou à la fin du clip, de le lire d'avant en arrière, ou d'arrêter la lecture. La règle temporelle affiche les informations temporelles de l'ensemble du clip. Les indicateurs jaunes représentent les points d'entrée et de sortie.



Les indicateurs jaunes représentent les points d'entrée et de sortie de votre clip sur la timeline. Si vous travaillez avec un clip Fusion ou avec un clip composé, la règle temporelle affichera seulement la durée du clip tel qu'il apparaît sur la timeline, sans les poignées.

- **Nœuds** : La fenêtre comportant les nœuds est au cœur de la page Fusion. C'est ici que vous allez construire la structure nodale en connectant les outils d'un nœud à un autre. La taille de cette fenêtre est plus ou moins grande selon l'éditeur ouvert sur l'écran, comme Spline ou Images clés. Les outils les plus utilisés s'affichent en haut de la fenêtre des nœuds pour vous permettre d'y accéder rapidement.
- **Spline** : Lorsque vous cliquez sur l'éditeur Spline, ce dernier s'affiche sur la droite de la fenêtre de nœuds. Cet éditeur vous permet d'effectuer des ajustements précis pour chaque nœud. Vous pourrez par exemple adoucir une animation entre deux images clés à l'aide des courbes de Bézier.

- **Images clés** : À l'aide de l'éditeur Images clés, vous pouvez ajouter, supprimer ou modifier des images clés pour chaque outil. La fenêtre Images clés s'affiche également sur la droite de la fenêtre de nœuds.
- **Métadonnées** : La fenêtre Métadonnées affiche les métadonnées du clip actif, dont le codec, la fréquence d'images et le timecode.
- **Inspecteur** : L'inspecteur situé en haut à droite de l'écran, affiche tous les paramètres et modificateurs disponibles pour un ou plusieurs nœuds sélectionnés. Des onglets supplémentaires, triés par catégorie, sont également affichés pour vous permettre d'accéder rapidement à d'autres paramètres pour les nœuds.

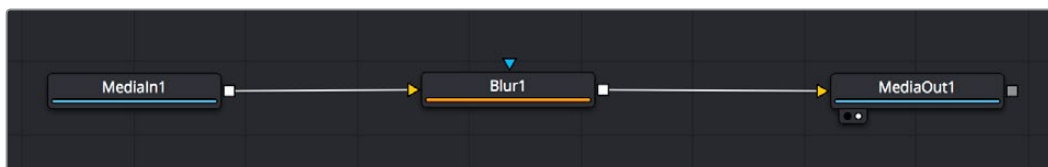


L'éditeur de texte de l'inspecteur offre des onglets supplémentaires pour le texte, la mise en forme, les ombres, les images et les paramètres.

## Démarrer avec Fusion

Pour ouvrir la page Fusion, positionnez la tête de lecture sur un clip dans la timeline, puis cliquez sur l'onglet **Fusion**.

Ce clip apparaît immédiatement dans la fenêtre des nœuds en tant que média d'entrée, intitulé **MediaIn**. Chaque composition est constituée d'un nœud de média d'entrée **MediaIn**, et d'un nœud de média de sortie **MediaOut**. Le nœud MediaIn représente le clip d'entrée de votre timeline à la tête de lecture, et ignore les autres clips. Tous les ajustements effectués sur la page Montage, tels que l'utilisation des outils de transformation ou de rognage, sont inclus.



Le nœud MediaOut représente le nœud de sortie de votre timeline sur la page Montage.

**CONSEIL** Les plug-ins ResolveFX ou OFX appliqués aux clips dans la page Montage ne sont pas répercutés sur la page Fusion. En effet, les effets de Fusion priment sur les traitements d'étalonnage et les plug-ins. Si vous souhaitez que les plug-ins OFX priment sur les effets Fusion, faites un clic droit sur le clip dans la page Montage et sélectionnez **Nouveau plan Fusion** avant de cliquer sur la page Fusion.

## Comprendre les nœuds

Pour mieux comprendre la structure nodale, visualisez chaque nœud comme une icône représentant un outil ou un effet. Les nœuds sont connectés entre eux pour former la composition globale, c'est comme les ingrédients d'un gâteau ! Il est important de comprendre les entrées et les sorties de chaque nœud, car cela vous aidera à naviguer dans le flux de votre composition tout en créant des effets visuels précis.

Certains outils possèdent plusieurs entrées et sorties que vous pouvez connecter à d'autres nœuds. Par exemple, le nœud Merge vous permet de joindre une entrée d'avant-plan, une sortie d'arrière-plan et une entrée de masque pour les caches ou les incrustations.

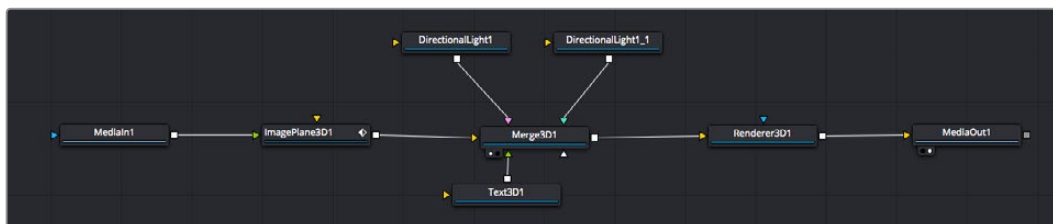


Le fait qu'un nœud possède plusieurs sorties signifie que vous pouvez le connecter à d'autres nœuds. Ainsi, contrairement aux structures en couches, vous n'avez pas besoin de dupliquer les clips. Les flèches entre les nœuds vous permettent de connaître la direction du flux des données d'image.

### Ajouter des nœuds à l'éditeur de nœud

Pour ajouter des effets, il vous suffit de placer des nœuds sur la ligne entre le nœud d'entrée et le nœud de sortie.

Il existe plusieurs façons de procéder. Vous pouvez maintenir le bouton Majuscule enfoncé et déposer un nœud entre deux autres nœuds. Vous pouvez également cliquer sur le nœud auquel vous souhaitez joindre un effet et sélectionner l'outil à ajouter, le nœud va automatiquement se connecter avec l'outil sélectionné. Enfin, vous pouvez ajouter un nœud n'importe où dans la fenêtre de nœuds et connecter manuellement la sortie d'un nœud à l'entrée d'un autre, à l'aide de votre souris.



Les outils les plus utilisés sont les outils Merge 2D ou 3D. Ils permettent de fusionner des outils en ne créant qu'une seule sortie.

Les outils Merge contrôlent la manière dont les entrées sont gérées, notamment la taille, la position et le fondu. Pour accéder à ces paramètres, sélectionnez un nœud Merge et ouvrez l'inspecteur.

La barre d'outils située au-dessus de la fenêtre de nœuds affiche les icônes des outils les plus utilisés. Pour ajouter un nœud, cliquez sur une icône ou glissez-la dans la fenêtre de nœuds. Pour afficher la liste de tous les outils disponibles, cliquez sur **Bibliothèque d'effets** en haut à gauche de l'écran, puis agrandissez l'option **Tools**. Vous trouverez tous les outils triés par catégorie, ainsi que des templates que vous pouvez utiliser, comme Lens flare, Shader et Background.

**CONSEIL** Une fois familiarisé avec le nom des outils, maintenez le bouton **Majuscule** enfoncé et appuyez sur la barre d'espace de votre clavier pour faire apparaître le menu **Select Tool**. Lorsque vous saisissez un nom d'outil, le menu vous suggérera automatiquement l'outil le plus pertinent. C'est un moyen très rapide de sélectionner l'outil de votre choix.



## Ajuster les nœuds avec l'inspecteur

Vous pouvez paramétrer les nœuds à l'aide de l'inspecteur. Cliquez sur le nœud que vous souhaitez modifier pour afficher ses paramètres dans l'inspecteur.

Dans Fusion, vous n'avez pas besoin de visualiser le nœud que vous êtes en train d'éditer. Vous pouvez modifier un nœud alors que vous en visionnez un autre dans votre composition. Par exemple, vous pouvez modifier la taille et le centrage d'un nœud **Text+** alors qu'un nœud **Merge** est dans le viewer. Cela vous permet de voir le texte sur un arrière-plan.



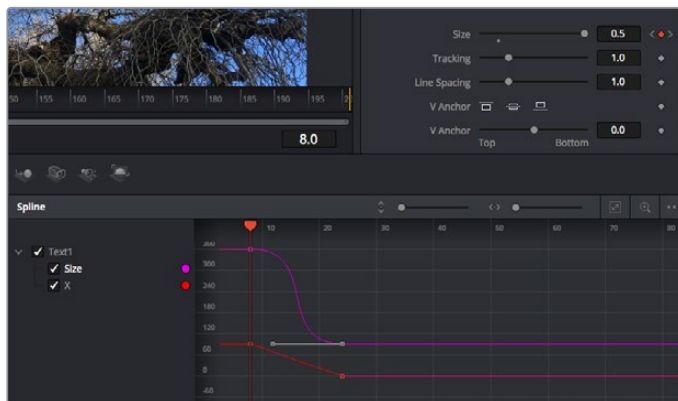
Lorsqu'un nœud est sélectionné, il est entouré d'une bordure rouge. Ici, l'inspecteur affiche la fenêtre de mise en forme du nœud Text.

Selon la fonction du nœud sélectionné, différents paramètres s'afficheront. Par exemple, vous pourrez modifier la taille, le centrage ou encore le nombre de particules. Petit à petit, régler les images clés et les paramètres animeront les effets.

## Travailler avec des images clés

Dans la fenêtre de l'inspecteur, réglez une image clé en faisant un clic droit sur un paramètre et en sélectionnant **Animer** dans le menu contextuel. L'icône des images clés sur la droite s'affichera en rouge. La fonction Images clés est désormais active, et tous les changements que vous effectuerez ne seront appliqués qu'à l'image sélectionnée. Lorsque vous créez plusieurs images clés en changeant les paramètres d'une autre image, une transition est interpolée entre elles. Les flèches de chaque côté de l'icône de l'image clé vous permettent de déplacer la tête de lecture dans les mêmes positions que la timeline.

La fenêtre Spline vous offre des paramètres supplémentaires pour contrôler votre animation d'image clé. Vous pouvez sélectionner des images clés, par exemple la première et la dernière, et adoucir l'animation entre elles avec une courbe de Bézier. Pour cela, saisissez les touches **Majuscule + s**, ou faites un clic droit sur une image clé et sélectionnez **Adoucir**.



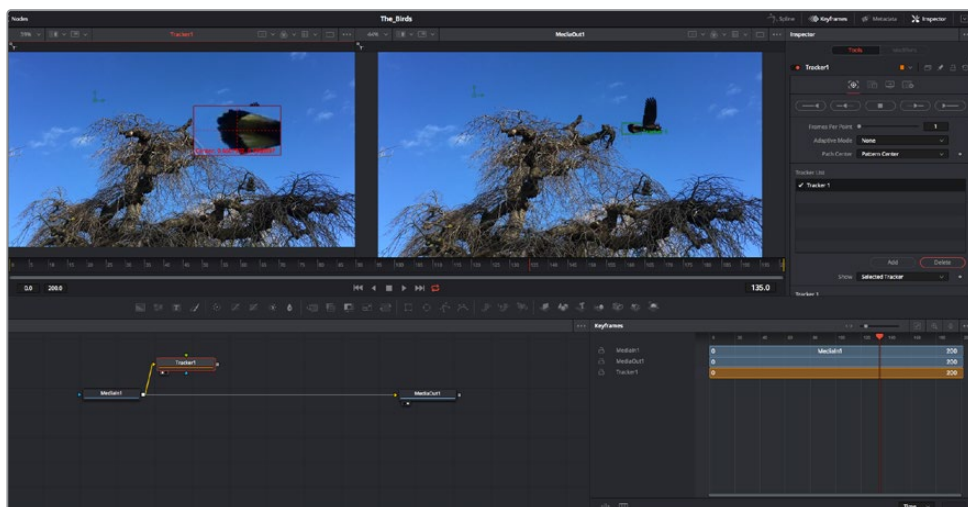
Ici, la taille de l'animation a été adoucie avec une courbe de Bézier.  
 Pour raccourcir ou allonger la courbe, cliquez sur ses poignées.  
 Pour déplacer l'animation, cliquez sur les icônes carrées.

## Tracker des éléments en mouvement et ajouter du texte

Afin de vous donner un meilleur aperçu de Fusion, nous allons vous montrer comment tracker un élément dans un clip, ajouter du texte, puis l'intégrer à un élément à l'aide des données de tracking.

L'outil **Tracker** tracke les pixels sur un axe X et Y et génère des données que vous pouvez utiliser pour intégrer des éléments. C'est très utile pour faire correspondre la position d'un texte à un objet en mouvement, comme une voiture qui roule ou un oiseau qui vole sur plusieurs images.

- 1 Dans la page **Bibliothèque d'effets**, sélectionnez l'outil **Tracking** et faites-le glisser sur la ligne entre les nœuds **MediaIn** et **MediaOut**. Cliquez sur le nœud de tracking pour afficher ses propriétés dans l'inspecteur.
- 2 Saisissez « 1 » sur votre clavier pour afficher ce nœud dans le viewer de gauche. Le clip va s'afficher dans le viewer avec le tracker, positionné par défaut sur l'image. Passez votre souris sur le tracker pour afficher ses poignées. Cliquez en haut à gauche des poignées et déplacez le tracker dans la zone de l'image de votre choix. Le tracking est plus performant sur des zones contrastées, comme la marque d'une voiture sur sa carrosserie. Pour une précision optimale, l'image est grossie au passage du tracker.
- 3 Dans la fenêtre de l'inspecteur, cliquez sur le bouton de tracking vers l'avant. Une notification apparaîtra sur votre écran pour vous informer que le tracking est effectué. Cliquez sur OK.

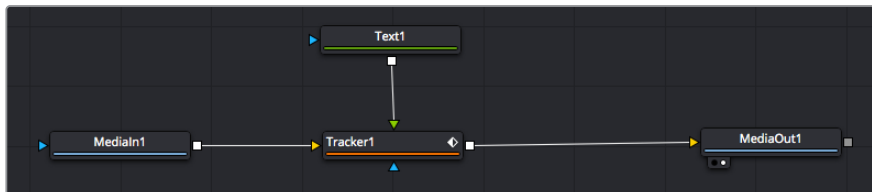


Dans l'inspecteur, vous pouvez choisir de tracker vers l'arrière depuis la dernière image, tracker vers l'arrière depuis l'image sélectionnée, arrêter le tracking, tracker vers l'avant depuis l'image sélectionnée ou tracker vers l'avant depuis la première image.

**CONSEIL** Utilisez les boutons de tracking avant et arrière depuis une image sélectionnée lorsque la zone à suivre disparaît durant le segment sur lequel vous travaillez. Par exemple, lorsqu'une voiture ou un oiseau sort de l'image. Ainsi, vous trackerez seulement les plans pertinents.

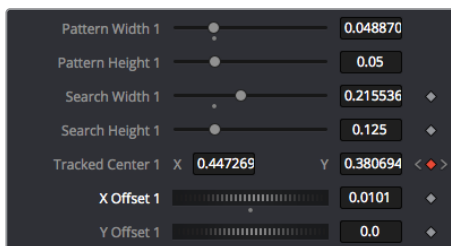
Maintenant, vous pouvez utiliser les données de tracking et appliquer un chemin d'animation à du texte.

- 4 Cliquez sur l'icône du nœud **Text+** depuis la barre d'outils et glissez-le près du nœud **Tracker** dans la fenêtre des nœuds. Connectez la sortie carrée du nœud **Texte** à l'entrée verte du nœud **Tracker**.



- 5 Cliquez sur le nœud **Tracker** et saisissez « 1 » sur votre clavier pour afficher la fusion des deux nœuds dans le viewer de gauche. Dans l'inspecteur de nœud **Tracker**, cliquez sur l'onglet **Opération**. Pour connaître le nom de chaque onglet, passez la souris sur les icônes. Cliquez sur la flèche du menu déroulant **Operation** et sélectionnez **Suivi du mouvement**.
- 6 Cliquez sur le nœud de texte pour afficher ses propriétés dans l'inspecteur. Tapez votre texte dans le champ de saisie et modifiez la police, la couleur et la taille des caractères, selon les besoins de votre composition.

Cela appliquera les données de position du tracker à votre texte. Si vous souhaitez décaler la position du texte, revenez sur la fenêtre du Tracker dans l'inspecteur, et utilisez les roues **Y Offset** et **X Offset**.



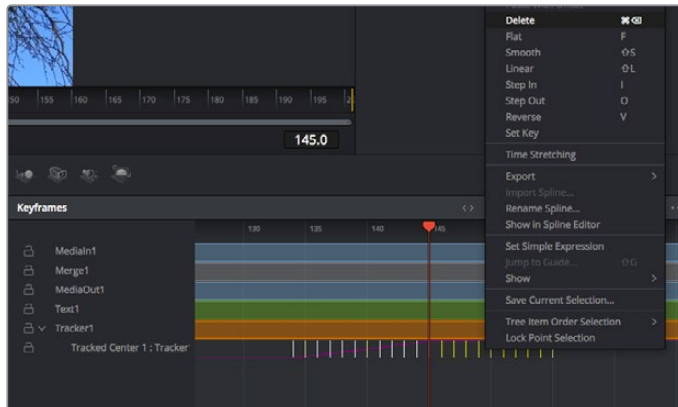
Tourner les roues Offset en bas de la fenêtre de l'inspecteur permet d'ajuster la position du texte.

Vous pouvez désormais lire votre composition et voir le texte suivre l'élément que vous avez tracké !



Le carré vert représente la position actuelle du tracker sur son tracé. La ligne en pointillé rouge représente la position de décalage pour animer le texte.

Pour certaines prises, vous pourriez vouloir supprimer les points de tracking, par exemple, quand l'objet que vous trackez disparaît de l'écran. Grâce aux images clés, c'est très simple à réaliser.



- 7 Cliquez sur la fenêtre Images clés située au-dessus de l'inspecteur. Chaque nœud auquel vous appliquez des images clés comportera une petite flèche à côté de son nom. Seuls les paramètres avec des images clés s'afficheront dans la liste. Cliquez sur l'icône de grossissement et définissez la zone que vous souhaitez éditer. Cette zone sera grossie pour vous permettre de voir l'image clé plus facilement.
- 8 Déplacez la tête de lecture sur la dernière image clé de votre choix. Maintenant, sélectionnez les images clés que vous souhaitez supprimer en définissant une zone autour d'elles à l'aide de votre souris. Les images clés seront surlignées en jaune. Faites un clic droit et sélectionnez **Supprimer** pour les supprimer.

**CONSEIL** Si vos effets sont particulièrement lourds pour votre système, faites un clic droit sur la zone des commandes de transport pour voir d'autres options de lecture, comme la lecture proxy qui vous permet d'optimiser le traitement de votre système lorsque vous créez vos compositions. Pour plus de détails sur les options de lecture, veuillez consulter le manuel DaVinci Resolve.

Bravo, vous avez finalisé votre première composition en animant du texte qui suit un élément de votre séquence !

Pour tracker une surface plate que vous souhaitez améliorer ou remplacer, vous pouvez utiliser l'outil de tracking planaire. Tracker des surfaces planes en 2D peut être utile pour changer un nom ou une marque dans une image en mouvement, ou même pour ajouter une image à un écran TV.

Pour plus d'informations sur l'outil de tracking planaire et les puissants outils de la page Fusion, veuillez consulter le manuel DaVinci Resolve.

**CONSEIL** Lorsque vous créez des effets dans la page Fusion, il est important de savoir si ces effets sont en 2D ou en 3D. En effet, cela déterminera quel outil Merge sera utilisé. Il est possible que vous combiniez des effets 2D et 3D dans une seule composition. Dans ce cas, rappelez-vous que les effets visuels 3D doivent être rendus en tant qu'image 2D avant d'être intégrés dans une composition 2D.

Nous sommes persuadés que vous adorerez créer de puissants effets visuels avec Fusion et explorer les fonctions de montage, d'étalonnage et de post audio de DaVinci Resolve. Avec tous ces outils à votre disposition, les possibilités de création sont illimitées !

## Mastériser votre montage

Une fois le montage, l'étalonnage, l'ajout de VFX et le mixage audio effectués, il est temps de partager votre création. Vous pouvez utiliser la fonction Exportation rapide pour exporter les contenus de la timeline en tant que fichier autonome dans différents formats, ou utiliser les fonctionnalités additionnelles depuis la page **Exportation**.



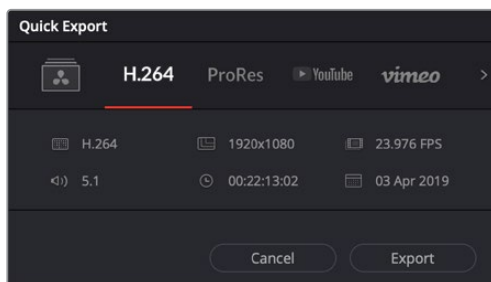
La séquence montée est exportée depuis la page **Exportation**.  
Vous pouvez choisir le format et les codecs de votre vidéo

## Exportation rapide

Vous pouvez sélectionner Fichier > Exportation rapide pour utiliser les différents préréglages d'exportation, afin d'exporter votre programme depuis n'importe quelle page de DaVinci Resolve. Vous pouvez même utiliser l'exportation rapide pour exporter et charger votre programme vers les plateformes de partage vidéo prises en charge, dont YouTube, Vimeo et Frame.io.

### Pour utiliser l'Exportation rapide :

- 1 Depuis la page **Montage**, **Fusion** ou **Étalonnage**, réglez si besoin des points d'entrée et de sortie dans la timeline pour sélectionner la plage du programme à exporter. Si aucune timeline ou aucun point d'entrée ou de sortie n'ont été sélectionnés, la timeline tout entière sera exportée.  
Choisissez Fichier > Exportation rapide.
- 2 Sélectionnez un préréglage parmi les icônes du bandeau supérieur de la boîte de dialogue, puis cliquez sur **Exporter**.
- 3 Choisissez un emplacement et nommez le fichier dans la boîte de dialogue, puis cliquez sur **Enregistrer**. Une barre de progression apparaîtra pour vous indiquer combien de temps durera l'exportation.



Boîte de dialogue de l'Exportation rapide

## Page Exportation

Cette page vous permet de sélectionner les clips que vous souhaitez exporter et de choisir le format, le codec et la résolution souhaités. Vous pouvez exporter de nombreux formats, tels que QuickTime, AVI, MXF et DPX à l'aide de codecs non compressés RVB/YUV 8 bits ou 10 bits, ProRes, DNxHD, H.264 et autres.

### Pour exporter la séquence montée en un seul clip :

- 1 Cliquez sur l'onglet **Exportation** pour ouvrir la page Exportation.
- 2 Dans la fenêtre **Paramètres d'export** en haut à gauche de la page, Vous pouvez choisir les préréglages d'exportation, par exemple YouTube, Vimeo et des préréglages audio. Vous pouvez également configurer les paramètres d'exportation manuellement en conservant le préréglage par défaut **Personnaliser** et en saisissant vos propres réglages. Dans cet exemple, sélectionnez YouTube puis cliquez sur la flèche située à côté du préréglage et sélectionnez le format vidéo 1080p.

La fréquence d'images sera la même que la fréquence d'images de votre projet.

- 3 Sous les préréglages apparaissent le nom de fichier de la timeline et l'emplacement vers lequel vos vidéos seront exportées. Cliquez sur **Parcourir**, choisissez l'emplacement où vous souhaitez sauvegarder les fichiers exportés, puis sélectionnez **Plan unique** parmi les options d'exportation.
- 4 Juste au-dessus de la timeline, vous verrez que la case **Toute la timeline** est sélectionnée. Cela exportera l'intégralité de la timeline, cependant, vous pouvez sélectionner une partie de la timeline si vous le souhaitez. Choisissez simplement **Sélection Entrée/Sortie** puis utilisez les raccourcis clavier **i** et **o** pour sélectionner les points d'entrée et de sortie sur la timeline.
- 5 Allez au bas de la fenêtre **Paramètres de rendu** et cliquez sur le bouton **Ajouter à la liste de rendu**.

Les paramètres de rendu sont ajoutés à la queue de rendus à droite de la page. Cliquez sur **Rendre**. Grâce à la queue de rendus, vous pouvez suivre la progression de votre rendu.

Lorsque le rendu est terminé, ouvrez le dossier, faites un double-clic sur le clip rendu et regardez le résultat.

Maintenant que vous avez acquis les bases du montage, de l'étalonnage, du mix audio et des effets visuels, n'hésitez pas à vous lancer avec DaVinci Resolve ! Veuillez consulter le manuel DaVinci Resolve pour plus de détails sur chaque fonctionnalité.

# Comprendre la fonction Camera Control

Votre Blackmagic URSA Mini peut être utilisée en tant que caméra de studio et contrôlée à partir du mélangeur ATEM au moyen de la fonction Camera Control sur le logiciel ATEM Software Control. Cela permet d'ajouter une caméra équipée d'un grand capteur et d'une plage dynamique étendue à votre installation. Vous pourrez ainsi contrôler la caméra comme n'importe quelle caméra de studio.



Fonction Camera Control de l'ATEM

Pour ouvrir la fonction Camera Control, il suffit de cliquer sur le bouton **Camera**. Les paramètres tels que l'iris, le gain, la mise au point et le contrôle du zoom sont facilement ajustables avec des objectifs compatibles. Vous pouvez également ajuster l'équilibrage des caméras et créer des rendus fabuleux à l'aide du correcteur de couleurs DaVinci Resolve Primary Color Corrector. Il est important de noter que le correcteur de couleurs primaire DaVinci Resolve et les fonctionnalités **Detail Sharpening** de la fonction Camera Control de l'ATEM ne sont pas disponibles sur la URSA Mini Pro 12K.

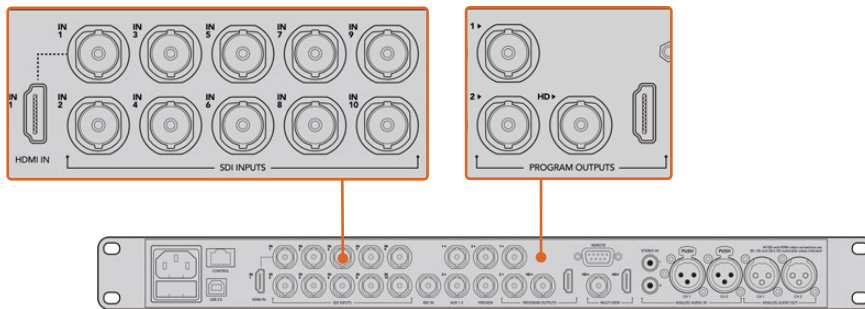
Le mélangeur ATEM contrôle la caméra en diffusant des paquets de contrôle via toutes les sorties SDI de votre mélangeur qui ne sont pas down-converties. Cela signifie que vous pouvez connecter la sortie SDI de votre mélangeur ATEM à l'entrée vidéo de la caméra. Cette dernière détectera alors les paquets de contrôle de la connexion SDI et vous permettra de contrôler les fonctionnalités de la caméra.

## Connecter la URSA Mini

- 1 Connectez la sortie 12G-SDI de la Blackmagic URSA Mini à n'importe quelle entrée SDI du mélangeur ATEM.
- 2 Connectez n'importe quelle sortie SDI du mélangeur ATEM, excepté les sorties down-converties ou Multi View, à l'entrée SDI de votre Studio Camera. Les signaux Camera Control ne sont pas acheminés via les sorties SDI down-converties et multi view.
- 3 Sur la URSA Mini, sélectionnez **ATEM Camera ID** dans le paramètre **Setup** et saisissez le nom de la caméra sur l'ATEM pour qu'il corresponde à l'entrée du mélangeur. Par exemple, si URSA Mini 1 est connectée à Cam 1 sur le mélangeur ATEM, le numéro de la caméra doit également être configuré sur 1. Ainsi, le tally est envoyé à la bonne caméra.
- 4 Sélectionnez la source de référence dans le menu **Setup**. Si aucun signal de synchronisation n'est envoyé aux caméras et au mélangeur, nous vous recommandons de régler la source de référence sur **Program** lorsque la caméra est reliée à un mélangeur ATEM.



- 5 Lorsque vous utilisez le paramètre **Main SDI**, ouvrez le menu **Monitor** et vérifiez que la case **Clean feed** est cochée. Cela permet de s'assurer que les informations à l'écran ou le cadre de mise au point ne seront pas visibles sur la sortie SDI du mélangeur ATEM.



Connectez votre URSA Mini à n'importe quelle entrée SDI du mélangeur ATEM.

## Utilisation de la fonction Camera Control

Lancez le logiciel ATEM Software Control et cliquez sur le bouton **Camera** situé au bas de la fenêtre du logiciel. Vous apercevrez une rangée de fenêtres qui permettent de commander toutes les caméras et qui contiennent des outils puissants pour ajuster et affiner l'image de chaque caméra. Les commandes sont très faciles à utiliser. Il vous suffit de cliquer sur les boutons à l'aide de votre souris, ou de cliquer et déplacer les curseurs pour effectuer des ajustements.

### Sélection de la caméra à commander

La rangée de boutons située sur le haut de la fenêtre de contrôle de la caméra vous permet de sélectionner le numéro de la caméra que vous souhaitez commander. Si plusieurs caméras apparaissent sur cette fenêtre, ou si vous utilisez la fenêtre de correction colorimétrique, appuyez simplement sur ces boutons pour sélectionner la caméra que vous souhaitez commander. Si vous utilisez une sortie auxiliaire pour le monitoring du Camera Control, les modifications apportées aux signaux de chaque caméra seront également envoyées vers la sortie auxiliaire choisie dans les préférences du mélangeur.



Cliquez sur l'icône Settings pour sélectionner la sortie auxiliaire pour la fonction Camera Control.

### État du canal

La section État du canal est située dans la partie supérieure de chaque fenêtre de contrôle de caméra et affiche le libellé de la caméra, l'indicateur de passage à l'antenne et le bouton de verrouillage. Appuyez sur le bouton de verrouillage pour verrouiller toutes les commandes relatives à une caméra spécifique. Lorsque la caméra est à l'antenne, la section État du canal s'allume en rouge et affiche l'alerte On Air.



Chaque fenêtre de contrôle de caméra affiche l'état du canal afin que vous sachiez quelle caméra est à l'antenne. Utilisez les roues chromatiques pour ajuster les paramètres Lift, Gamma et Gain de chaque canal YRGB.

## Roues chromatiques

La roue chromatique est une fonctionnalité puissante du correcteur de couleurs DaVinci Resolve et permet d'effectuer des ajustements de couleur pour les paramètres Lift, Gamma et Gain de chaque canal YRGB. Pour sélectionner le paramètre à ajuster, il vous suffit de cliquer sur un des trois boutons de sélection situés au-dessus de la roue chromatique.

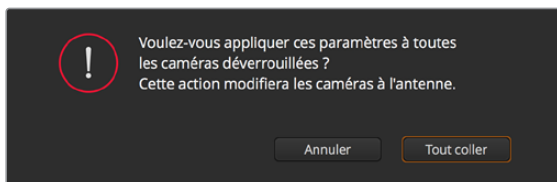
## Roue maîtresse

Utilisez la roue maîtresse située sous la roue chromatique pour effectuer des ajustements de contraste sur tous les canaux YRGB en même temps, ou uniquement de luminosité pour les paramètres lift, gamma ou gain.

## Boutons de réinitialisation

Le bouton de réinitialisation situé en haut à droite de la fenêtre de contrôle de la caméra vous permet de choisir aisément les paramètres de correction colorimétrique que vous souhaitez réinitialiser, copier ou coller. Chaque roue chromatique possède également son propre bouton de réinitialisation. Appuyez sur ce bouton pour restaurer le paramètre par défaut, ou pour copier/coller un paramètre. Les fenêtres de contrôle de caméra verrouillées ne sont pas affectées par la fonction Coller.

Le bouton de réinitialisation principal est situé en haut à droite de la fenêtre de correction colorimétrique. Il vous permet de réinitialiser les roues chromatiques Lift, Gamma et Gain ainsi que les paramètres Contrast, Saturation, Hue et Lum Mix. Vous pouvez coller les paramètres de correction colorimétrique à des fenêtres de contrôle de caméra individuelles ou à toutes les fenêtres en même temps pour créer un rendu uniforme. Les paramètres relatifs à l'iris, à la mise au point et au niveau de noir ainsi que le paramètre Limite ne sont pas affectés par la fonction Coller. Lorsque vous souhaitez appliquer la fonction Coller tout, un message apparaît pour vous demander de confirmer votre action. De cette façon, vous ne collez pas de nouveaux paramètres accidentellement aux caméras non verrouillées en cours de diffusion.



Lorsque vous souhaitez appliquer la fonction Coller tout, un message apparaît pour vous demander de confirmer votre action. De cette façon, vous ne collez pas de nouveaux paramètres accidentellement aux caméras non verrouillées en cours de diffusion.

## Contrôle de l'iris et du niveau de noir

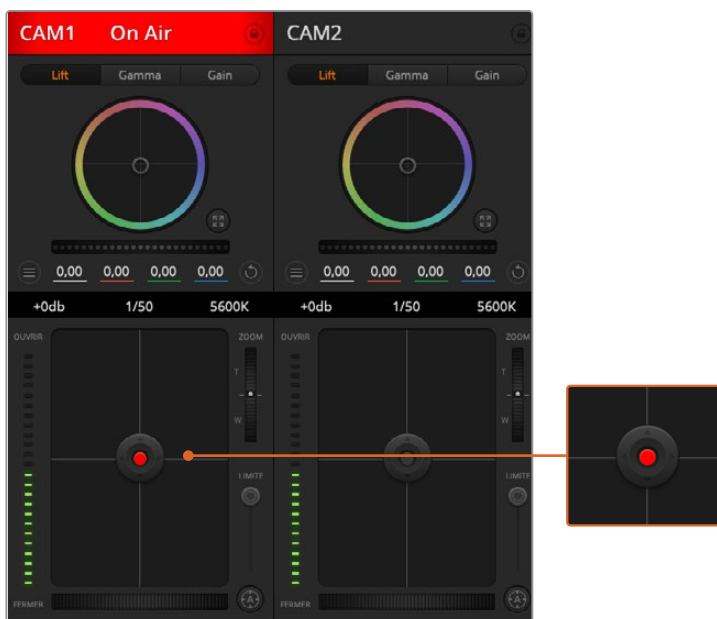
Le bouton de l'iris et du niveau de noir est situé dans le pointeur en croix de chaque fenêtre de contrôle des caméras. Le contrôle s'allume en rouge lorsque la caméra est à l'antenne.

Pour ouvrir ou fermer l'iris, déplacez le bouton vers le haut ou vers le bas. En maintenant la touche SHIFT enfoncée, vous pouvez ajuster uniquement l'iris.

**REMARQUE** Lorsque vous connectez la caméra à un mélangeur ATEM, assurez-vous que le bouton **Auto Exposure** est désactivé. Si vous avez besoin de l'iris, du zoom ou du contrôle de la mise au point, assurez-vous que vous disposez d'un objectif qui puisse être contrôlé électroniquement par la caméra.

Si vous utilisez un objectif B4 ou PL connecté via le connecteur à 12 broches de la URSA Mini, assurez-vous que l'iris de l'objectif est réglé sur **A** ou sur **Auto**.

Pour assombrir ou éclaircir le niveau de noir, déplacez le bouton vers la gauche ou vers la droite. En maintenant la touche Command (Mac) ou Control (Windows) enfoncée, vous pourrez ajuster uniquement le niveau de noir.



Le contrôle de l'iris/niveau de noir s'allume en rouge lorsque la caméra est à l'antenne.

## Contrôle du zoom

Lorsque vous utilisez des objectifs compatibles dotés d'un zoom électronique, vous pouvez effectuer des zooms avant et arrière à l'aide de la fonction de contrôle du zoom. Cette fonction fonctionne de la même manière que la bague de zoom sur un objectif, avec le téléobjectif d'un côté et le grand-angle de l'autre. Cliquez sur le contrôle du zoom situé au-dessus du curseur Limite, et déplacez-le vers le haut pour faire un zoom avant ou vers le bas pour faire un zoom arrière.

Si votre objectif ne dispose pas d'un contrôle actif de l'objectif ou si votre caméra ne prend pas en charge le contrôle du zoom via le protocole SDI de contrôle de caméra, alors ces paramètres n'auront aucune incidence. Par exemple, les objectifs EF n'intègrent pas de servomécanismes qui contrôlent le zoom de façon électronique. Le zoom ne fonctionnera pas avec la fonction ATEM Camera Control.

**REMARQUE** Les objectifs B4 à contrôle analogique ne prennent pas en charge le contrôle du zoom avec le mélangeur ATEM. Pour plus d'informations sur les objectifs analogiques B4, consultez la section « Utiliser des objectifs à zoom motorisé » de ce manuel.

## Paramètre Limite

Le paramètre Coarse est situé à gauche du contrôle de l'iris/niveau de noir et permet de limiter l'ouverture de l'iris. Cette fonctionnalité vous aide à ne pas faire passer des images surexposées à l'antenne.

Pour configurer cette limite, ouvrez complètement l'iris à l'aide de la fonction de contrôle de l'iris, puis déplacez le curseur vers le haut ou vers le bas pour configurer l'exposition optimale. À présent, lorsque vous ajustez l'iris, la limite que vous avez configurée à l'aide du paramètre Limite l'empêchera de dépasser l'exposition optimale.

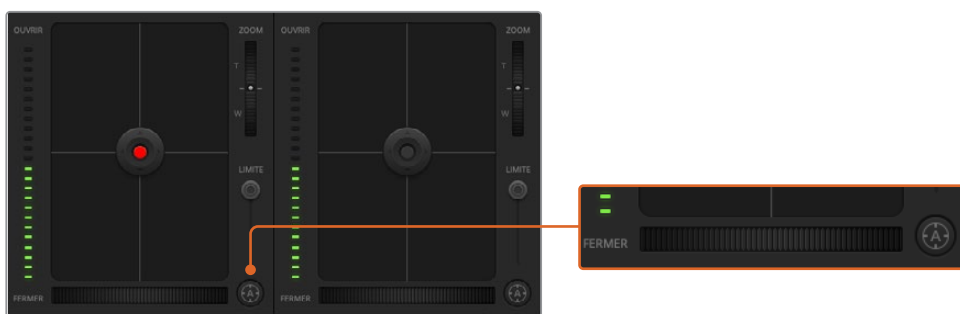
## Indicateur de l'iris

L'indicateur de l'iris est situé à gauche du bouton de contrôle de l'iris/niveau de noir et fait office de repère visuel vous permettant de visualiser l'ouverture de lentille. L'indicateur de l'iris est affecté par le paramètre Limite.

## Bouton de mise au point automatique

Le bouton de mise au point automatique est situé en bas à gauche de chaque fenêtre de contrôle de caméra. Appuyez sur ce bouton pour un réglage automatique de la mise au point lorsque vous utilisez un objectif actif qui prend en charge les ajustements de mise au point électronique.

La plupart des objectifs prennent en charge la mise au point automatique, cependant, certains d'entre eux peuvent être réglés en mode manuel ou automatique. Il vous faudra donc vérifier que votre objectif est réglé en mode automatique. Pour ce faire, il suffit parfois de faire glisser la bague de mise au point vers l'avant ou vers l'arrière. Avec les objectifs B4 dotés d'un zoom servocommandé, réglez l'interrupteur situé en bas de la poignée sur **Servo**.



Cliquez sur le bouton de mise au point automatique ou déplacez le curseur de mise au point manuelle vers la gauche ou vers la droite pour effectuer la mise au point d'un objectif compatible.

## Réglage manuel de la mise au point

Lorsque vous voulez faire une mise au point manuelle de l'objectif avec la fonction Camera Control, vous pouvez utiliser le curseur de réglage situé sous chaque fenêtre de contrôle des caméras. Déplacez la roue vers la gauche ou vers la droite pour ajuster manuellement la mise au point tout en visualisant l'image pour vous assurer qu'elle est nette.

Le contrôle de la mise au point manuel est uniquement disponible sur le mélangeur lorsque l'objectif PL et B4 est doté de contrôle électronique de la mise au point. Les objectifs EF ne disposent pas de ce contrôle.

## Gain de la caméra

Le nom de certains paramètres, tel que **Gain** et **Shutter Speed** varie entre les mélangeurs ATEM et la URSA Mini. Par exemple, à la place de la sensibilité ISO, les mélangeurs ATEM utilisent le mot **Gain** pour décrire la sensibilité de la caméra à la lumière.

**CONSEIL** La différence entre les termes **Gain** et **ISO** est principalement due à la différence entre les caméras argentiques et les caméras numériques professionnelles. L'exposition des caméras de studio, par exemple, peut être contrôlée en direct sur la caméra. Le réglage de la sensibilité lumineuse peut être réalisé de façon électronique dans la caméra. Ceci est différent des caméras argentiques purement mécaniques, qui reposent sur les techniques traditionnelles de mesure de la lumière que sont les procédés photochimiques de la sensibilité ISO.

Lorsque vous utilisez la caméra dans des conditions lumineuses différentes, vous pouvez augmenter ou réduire le gain de la caméra pour éviter de sous-exposer vos images. Pour cela, cliquez sur la flèche gauche pour réduire le gain et sur la flèche droite pour l'augmenter.

Le mélangeur ATEM affiche le gain en dB. Sur la caméra, cela correspond au réglage ISO suivant :

Gain	ISO
0	200
6	400
12	800
18	1600

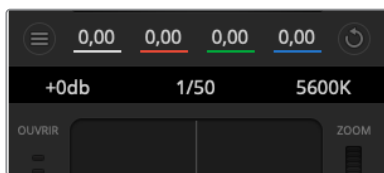
Veuillez noter que le gain de la URSA Mini 4.6K peut être réglé sur 18dB, cependant, le gain maximal de la URSA Mini 4K est de 12dB.

## Contrôle de la vitesse d'obturation

Le contrôle de la vitesse d'obturation est utile pour changer l'angle d'obturation de la URSA Mini.

Tout comme le contrôle du gain, ce paramètre est appelé différemment en fonction de la terminologie entre les caméras argentiques et les caméras numériques. Cependant, l'augmentation de la vitesse d'obturation fonctionne de la même façon que la diminution de l'angle d'obturation.

Le contrôle de la vitesse d'obturation se situe entre la roue chromatique et le bouton de contrôle de l'iris/niveau de noir. Réduisez ou augmentez la vitesse d'obturation en faisant passer le pointeur de votre souris sur l'indicateur de la vitesse d'obturation, puis cliquez sur les flèches gauche ou droite.



Faites passer le pointeur de votre souris sur les indicateurs de gain, de vitesse d'obturation et de balance des blancs pour faire apparaître les flèches qui vous permettront d'ajuster leurs paramètres respectifs.

**REMARQUE** Comme le contrôle de la vitesse d'obturation de l'ATEM est prioritaire sur l'angle d'obturation sélectionné sur la URSA Mini, le contrôle de l'angle d'obturation de la caméra est désactivé lorsque le mélangeur ATEM est connecté.

Le tableau de la page suivante présente les vitesses d'obturation disponibles et les angles d'obturation correspondants. Il est important de noter que certaines vitesses d'obturation se situent en dehors des angles d'obturation disponibles avec la URSA Mini, c'est-à-dire 11,25 et 360 degrés. Si cela se produit, l'angle d'obturation le plus proche sera choisi.

Lorsque la URSA Mini 4.6K ou la URSA Mini Pro est connectée à un mélangeur ATEM, le paramètre de vitesse d'obturation sera également visible sur l'écran d'état de la caméra. Sur la URSA Mini 4K, la vitesse d'obturation ne sera pas affichée à l'écran, mais sera visible sur le URSA Viewfinder.

Si vous avez sélectionné l'angle d'obturation sur la URSA Mini 4.6K ou la URSA Mini Pro, veuillez consulter ce tableau.

Vitesse d'obturation (Shutter Speed)	Angle d'obturation à 23.98 i/s	Angle d'obturation à 24 i/s	Angle d'obturation à 25 i/s	Angle d'obturation à 29.97 i/s	Angle d'obturation à 50 i/s	Angle d'obturation à 59.94 i/s
1/50	172.7	172.8	180	215.8	360	360*
1/60	143.9	144	150	179.8	300	359.6
1/75	115.1	115.2	120	143.9	240	287.7
1/90	95.9	96	100	120	200	239.8
1/100	86.3	86.4	90	107.9	180	215.8
1/120	71.9	72	75	89.9	150	179.8
1/150	57.5	57.6	60	71.9	120	143.9
1/180	48	48	50	59.9	100	119.9
1/250	34.5	34.6	36	43.2	72	86.3
1/360	24	24	25	29.97	50	59.94
1/500	17.3	17.3	18	21.6	36	43.2
1/725	11.9	11.9	12.4	14.9	24.8	29.8
1/1450	11.25*	11.25*	11.25*	11.25*	12.4	14.9
1/2000	11.25*	11.25*	11.25*	11.25*	11.25*	11.25*

\*Vitesses d'obturation situées en dehors des valeurs supportées par l'angle d'obturation de la URSA Mini. L'angle d'obturation le plus proche sera utilisé.

**CONSEIL** Diminuer la vitesse d'obturation est un bon moyen d'éclaircir vos images sans utiliser le gain de la caméra, car vous augmentez ainsi le temps de pose du capteur d'image. Cela permet aussi de réduire ou d'éliminer complètement le scintillement lumineux lorsque vous tournez sous des lumières fluorescentes. Augmenter la vitesse d'obturation réduit le flou de bougé et est particulièrement optimisée pour les scènes d'action. Les images sont alors propres et nettes.

## Balance des blancs (White Balance)

Le paramètre de balance des blancs est situé à côté du contrôle de la vitesse d'obturation. Il peut être réglé en utilisant les flèches gauche et droite situées de chaque côté de l'indicateur de température de couleur. Les sources lumineuses émettent des couleurs plus ou moins chaudes ou froides qui peuvent être réglées à l'aide de la balance des blancs. Les blancs de votre image demeureront ainsi réellement blancs.

## Outil d'étalonnage primaire de DaVinci Resolve

Si vous avez de l'expérience dans le domaine de la correction colorimétrique, il est possible de changer l'interface de commande des caméras pour obtenir un style d'interface qui ressemble à celle d'un outil d'étalonnage primaire communément installé sur les systèmes d'étalonnage.

Votre Blackmagic URSA Mini intègre l'outil d'étalonnage primaire de DaVinci Resolve. Si vous avez utilisé DaVinci Resolve auparavant, l'étalonnage sur la Blackmagic URSA Mini sera identique à celui de DaVinci, vous aurez donc l'opportunité de mettre votre expérience d'étalonnage à profit pour la production en direct. La fenêtre de correction colorimétrique peut être agrandie et fournit un contrôle de correction colorimétrique plus étendu comprenant des paramètres supplémentaires ainsi qu'une interface de correction colorimétrique primaire complète.

Vous disposez à présent de roues chromatiques et de paramètres, tels que la saturation. Vous pouvez également visualiser tous les paramètres relatifs aux basses lumières, aux tons moyens et aux hautes lumières en même temps. Il vous suffit de commuter entre les caméras à l'aide des commandes de sélection situées sur le haut de la fenêtre lorsqu'il est nécessaire.

**CONSEIL** L'outil d'étalonnage DaVinci Resolve s'applique à la sortie SDI de la URSA Mini et aux vidéos ProRes enregistrées par la caméra. Le format RAW est utilisé lorsque vous effectuez des traitements complexes en post. Aucune correction n'est appliquée au format RAW. Cependant, lorsque vous enregistrez de la vidéo RAW, l'étalonnage peut tout de même s'appliquer à la sortie SDI de la URSA Mini.



Cliquez sur le bouton DaVinci Resolve pour agrandir la fenêtre de correction colorimétrique et ajuster les paramètres.

### Roues chromatiques

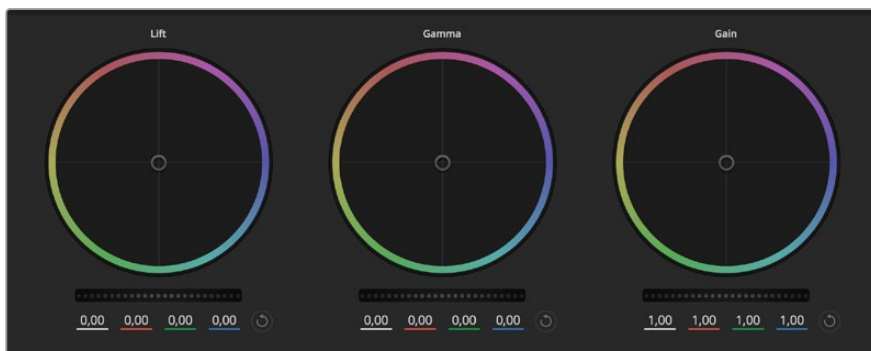
Les commandes Lift/Gamma/Gain permettent de contrôler des zones en fonction de leurs tons, même si elles se chevauchent. Dans le domaine de la photographie, le Lift, le Gamma et le Gain correspondent respectivement aux basses lumières, aux tons moyens et aux hautes lumières.

Utilisez les roues chromatiques de l'une ou l'autre des façons décrites ci-après pour effectuer des ajustements minutieux ou extrêmes :

- **Cliquez et déplacez-vous n'importe où dans le cercle de couleur :**  
Notez qu'il n'est pas nécessaire de positionner votre pointeur sur l'indicateur de la balance des couleurs. Lorsque l'indicateur de la balance des couleurs se déplace, les paramètres RGB situés sous la roue chromatique se modifient pour refléter les ajustements apportés à chaque canal.
- **Cliquez en maintenant le bouton SHIFT enfoncé et déplacez-vous n'importe où dans le cercle de couleur :**  
L'indicateur de la balance des couleurs se positionnera à l'endroit même où se trouve le pointeur, ce qui vous permet de faire des ajustements plus rapides et extrêmes.



- **Double-cliquez n'importe où dans le cercle de couleur :**  
Réinitialise l'ajustement apporté à la couleur sans réinitialiser l'ajustement apporté à la roue maîtresse pour la commande en question.
- **Cliquez sur la commande de réinitialisation située en haut à droite du cercle de couleur :**  
Réinitialise le contrôle de la balance des couleurs ainsi que la roue maîtresse correspondante.



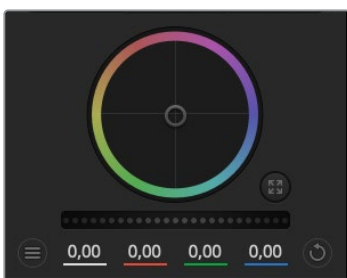
Roues chromatiques Lift, Gamma et Gain dans la fenêtre de correction colorimétrique.

## Roues maîtresses

Utilisez les roues maîtresses situées sous les roues chromatiques pour ajuster les commandes Lift, Gamma et Gain de chaque canal YRGB.

Pour effectuer des ajustements à l'aide de la roue maîtresse :

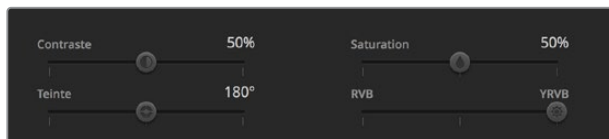
- **Déplacez la roue maîtresse vers la gauche ou vers la droite :**  
Un déplacement vers la gauche assombrit le paramètre sélectionné de l'image alors qu'un déplacement vers la droite éclaircit ce même paramètre. Lors de l'ajustement, les paramètres YRGB situés au-dessous de la roue maîtresse se modifient pour refléter l'ajustement en cours. Pour effectuer un ajustement n'affectant que la luminance, maintenez la touche ALT ou Command enfoncée et déplacez la roue vers la gauche ou vers la droite. Comme le correcteur colorimétrique prend en charge un traitement YRGB, il vous permet de faire preuve de créativité et de créer des effets uniques en ajustant uniquement le canal Y. Les ajustements du canal Y fonctionnent mieux lorsque le paramètre Lum Mix est réglé sur le côté droit pour un traitement YRGB et sur le côté gauche pour un traitement RGB standard. En général, la plupart des coloristes DaVinci Resolve utilisent le correcteur colorimétrique YRGB, car on obtient une meilleure maîtrise de la balance des couleurs sans affecter le gain général. Il vous faudra ainsi moins de temps pour obtenir le rendu désiré.



Ajustez les roues maîtresses en déplaçant la commande vers la gauche ou vers la droite.

## Paramètre Contraste

Le paramètre Contraste vous permet de contrôler la distance entre les valeurs les plus sombres et les plus claires d'une image. L'effet ressemble à celui effectué lorsque vous utilisez les roues maîtresses Lift et Gain. Par défaut, ce paramètre est réglé sur 50 %.



Déplacez les curseurs vers la gauche ou vers la droite pour ajuster les paramètres Contraste, Saturation, Teinte et Lum Mix.

## Paramètre Saturation

Le paramètre Saturation augmente ou réduit la quantité de couleur de l'image. Par défaut, ce paramètre est réglé sur 50 %.

## Paramètre Teinte

Le paramètre Teinte fait tourner toutes les teintes de l'image sur le périmètre complet de la roue chromatique. Le paramètre par défaut de 180 degrés affiche la distribution originale des teintes. L'augmentation ou la diminution de cette valeur fait tourner toutes les teintes vers l'avant ou vers l'arrière selon la distribution des teintes d'une roue chromatique.

## Paramètre Lum Mix

Le correcteur colorimétrique intégré à votre Blackmagic Studio Camera est basé sur l'outil d'étalonnage primaire de DaVinci Resolve. DaVinci crée des logiciels de correction colorimétrique depuis le début des années 80 et la plupart des films hollywoodiens sont étalonnés sur DaVinci Resolve.

Cela signifie que l'outil d'étalonnage intégré à votre Blackmagic Studio Camera possède des fonctionnalités uniques et puissantes sur le plan créatif. Le traitement YRGB est l'une de ces fonctionnalités. Lorsque vous étalonnez, vous pouvez choisir entre un traitement RGB ou un traitement YRGB. Les coloristes professionnels utilisent le traitement YRGB, car ils obtiennent ainsi un contrôle plus précis de la couleur et peuvent ajuster les canaux de façon indépendante avec une meilleure séparation et davantage d'options créatives.

Lorsque le paramètre Lum Mix est réglé sur le côté droit, vous avez une sortie provenant à 100 % du correcteur colorimétrique YRGB. Lorsque le paramètre Lum Mix est réglé sur le côté gauche, vous obtenez une sortie provenant à 100 % du correcteur RGB. Vous pouvez régler le paramètre Lum Mix sur n'importe quelle position entre la gauche et la droite pour obtenir un mélange de sorties provenant des deux correcteurs RGB et YRGB.

Quelle est la configuration idéale ? Cela ne tient qu'à vous, car la correction colorimétrique est un procédé purement créatif où il n'y a pas de vrai ou de faux. Le meilleur paramétrage est donc celui qui vous plaît le plus !

## Synchronisation des paramètres

Lorsque les deux appareils sont connectés, les signaux Camera Control sont envoyés du mélangeur ATEM à votre caméra Blackmagic. Si un paramètre est accidentellement ajusté à partir de votre caméra, la fonction Camera Control réinitialisera automatiquement le paramètre en question pour maintenir la synchronisation.

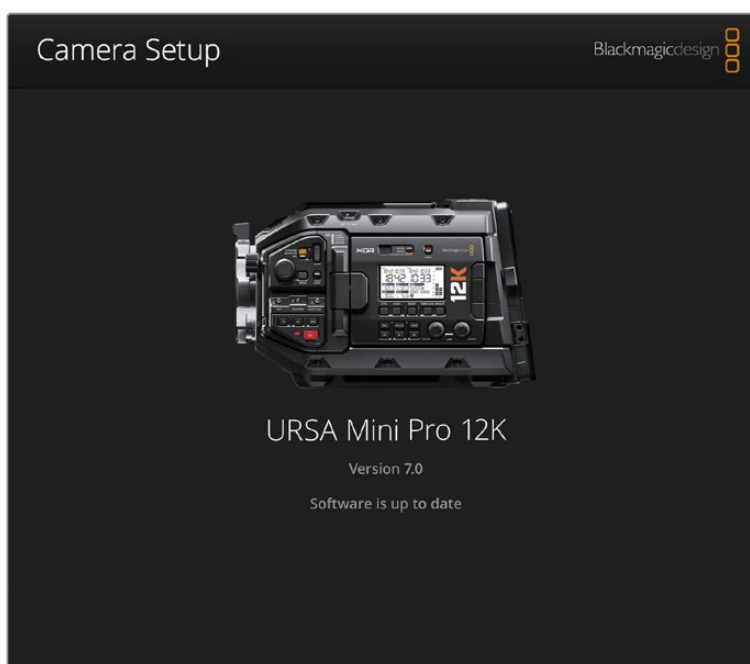
**CONSEIL** Même si vous déconnectez l'entrée 12G-SDI, la URSA Mini conserve les réglages effectués avec Da Vinci Resolve. Cela permet de changer les angles de prise de vue sans devoir de nouveau ouvrir les paramètres de l'image. Pour réinitialiser la URSA Mini à ses paramètres de couleurs par défaut, redémarrez simplement la caméra après avoir déconnecté l'entrée 12G-SDI.

# L'utilitaire Blackmagic Camera Setup

## Mise à jour du logiciel de la caméra sous Mac

Après avoir téléchargé le logiciel Blackmagic Camera Setup et dézippé le fichier téléchargé, ouvrez l'image disque pour faire apparaître le Blackmagic Camera Setup Installer.

Lancez le programme d'installation et suivez les instructions figurant à l'écran. Une fois l'installation terminée, allez sur le dossier Applications et ouvrez le dossier Blackmagic Cameras. Vous y trouverez ce manuel, l'utilitaire Blackmagic Camera Setup et un dossier contenant des fichiers readme ainsi que des informations. Vous y trouverez également un désinstalleur que vous utiliserez pour les mises à jour du Blackmagic Camera Setup.



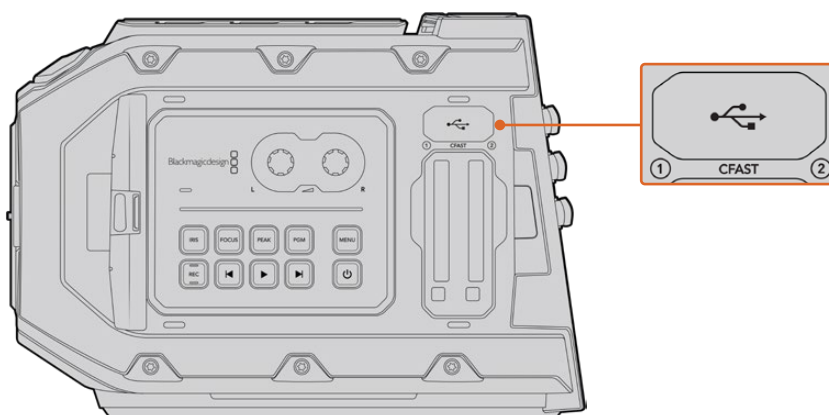
## Mise à jour du logiciel de la caméra sous Windows

Après avoir téléchargé le logiciel Blackmagic Camera Setup et dézippé le fichier téléchargé, un dossier Blackmagic Camera Setup s'affiche, contenant le PDF de ce manuel ainsi que le programme d'installation Blackmagic Camera Setup. Double-cliquez sur le programme d'installation et suivez les instructions figurant à l'écran pour terminer l'installation.

Sous Windows 10, appuyez sur le bouton de démarrage et sélectionnez **All apps**. Allez sur le dossier Blackmagic Design, puis lancez le Blackmagic Camera Setup.

Sous Windows 8.1, sélectionnez la flèche de l'écran de démarrage et allez sur le dossier Blackmagic Design, puis lancez le Blackmagic Camera Setup.

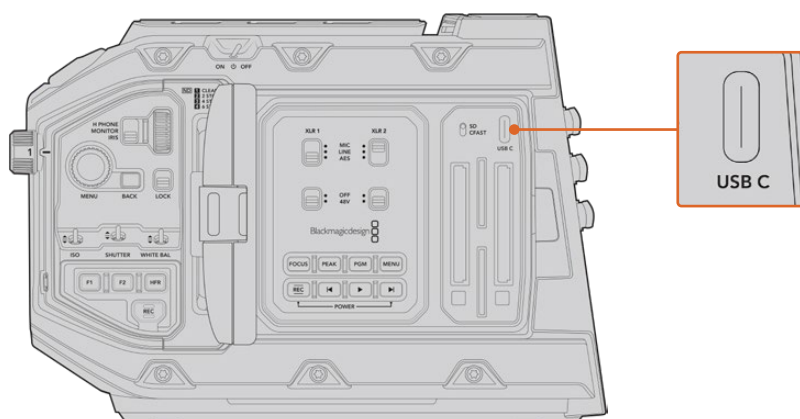
## Comment mettre à jour le logiciel de la caméra



Le port USB 2.0 mini B, situé au-dessus des fentes pour carte de stockage de la URSA Mini, permet de mettre à jour le logiciel de la caméra.

Après avoir installé la dernière version du logiciel Blackmagic Camera Setup sur votre ordinateur, connectez un câble USB entre l'ordinateur et la caméra Blackmagic URSA Mini. Sur la Blackmagic URSA Mini, le port USB est situé sur la face gauche, au-dessus des fentes pour carte de stockage. Il suffit de soulever le capuchon en caoutchouc pour accéder au port.

Lancez le logiciel Blackmagic Camera Setup et suivez les instructions figurant sur l'écran pour mettre à jour le logiciel de la caméra. La mise à jour du logiciel de la caméra supprime toutes les LUTs et tous les préréglages stockés. Tous les réglages par défaut sont alors restaurés. Avant de réinitialiser les paramètres, nous vous conseillons d'exporter vos préréglages sur une carte mémoire, comme solution de stockage. Après une réinitialisation, vous pouvez restaurer rapidement vos préréglages et vos LUTs en les important de la carte mémoire. Nous vous recommandons d'appliquer une correction de taches au noir.



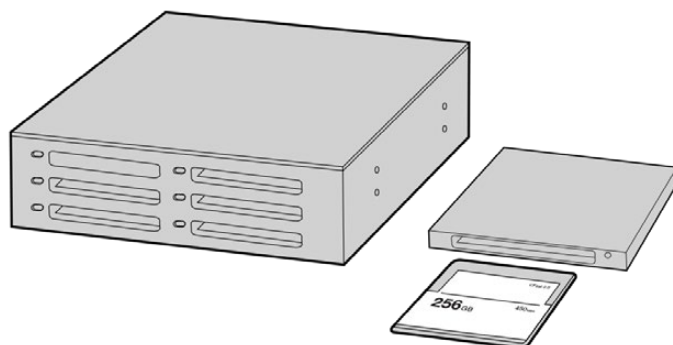
Sur la Blackmagic URSA Mini Pro, le port USB de type C, situé au-dessus des fentes pour carte de stockage et à côté de l'interrupteur permettant de sélectionner le support, permet de mettre à jour le logiciel de la caméra.

## Travailler avec un logiciel tiers

Pour monter vos clips à l'aide de votre logiciel de montage favori, vous pouvez copier vos clips sur un lecteur interne/externe ou RAID puis les importer dans le logiciel. Vous pouvez également importer vos enregistrements à partir de votre disque SSD au moyen d'une station d'accueil ou d'un adaptateur pour votre carte CFast, SD ou votre SSD.

**REMARQUE** Le Blackmagic RAW est pris en charge par DaVinci Resolve 15.3.1 ou une version ultérieure et a été adopté par une large gamme de programmes de post-production tiers. De nouveaux plug-ins permettant d'utiliser le format Blackmagic RAW sur Avid Media Composer et Adobe Premiere Pro sont disponibles sur le site : [www.blackmagicdesign.com/fr/support](http://www.blackmagicdesign.com/fr/support).

## Travailler avec des fichiers provenant de cartes CFast 2.0 et de cartes SD



Procédez au montage directement à partir de votre carte CFast en la retirant de votre caméra et en l'installant sur votre ordinateur à l'aide d'un lecteur/graveur de carte CFast 2.0 ou d'un lecteur de carte CFast.

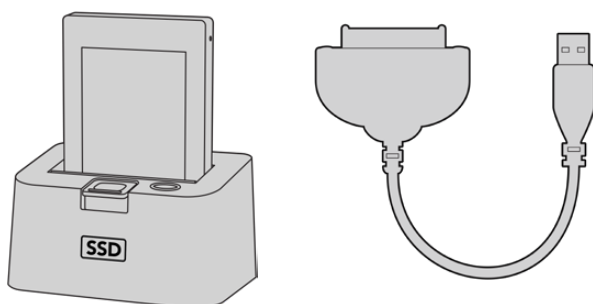
Pour importer vos clips à partir d'une carte CFast 2.0 ou d'une carte SD :

- 1 Retirez la carte CFast ou SD de votre caméra Blackmagic URSA Mini ou URSA Mini Pro. Installez la carte sur votre ordinateur Mac ou Windows à l'aide d'un lecteur de cartes CFast ou SD.
- 2 Ouvrez la carte sur votre système d'exploitation. Vous devriez voir une liste de fichiers MOV QuickTime ou Blackmagic RAW.
- 3 Faites simplement glisser les fichiers que vous souhaitez utiliser de la carte SD vers le bureau ou vers un autre disque dur. Il est également possible d'accéder aux fichiers directement sur la carte à l'aide d'un logiciel de montage.
- 4 Il est important de toujours éjecter votre carte CFast ou SD de Mac ou de Windows avant de les débrancher de votre ordinateur. Sinon, il y a un risque que vos fichiers soient corrompus.

## Travailler avec des fichiers enregistrés sur disque SSD

Importer des clips à partir d'un disque SSD :

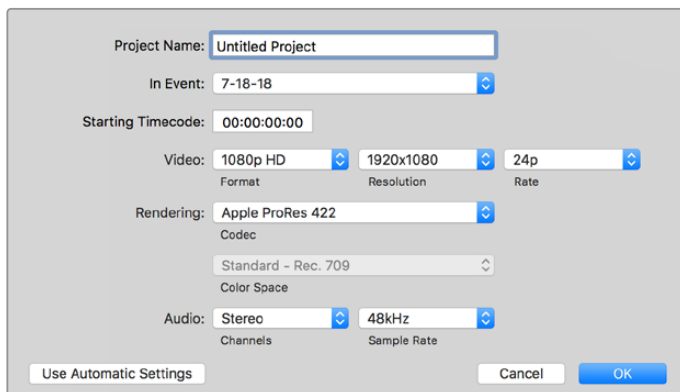
- 1 Retirer le SSD du URSA Mini Recorder
- 2 Vous pouvez accéder au contenu de votre SSD sur un ordinateur Mac ou Windows en utilisant une baie eSATA ou Thunderbolt, comme le Blackmagic MultiDock 10G. Vous pouvez également utiliser un câble adaptateur eSATA vers USB pour brancher directement le SSD au port USB de votre ordinateur. Il est préférable d'utiliser un port USB 3.0, car l'USB 2.0 n'est pas assez rapide pour monter de la vidéo en temps réel.
- 3 Double-cliquez sur le SSD pour l'ouvrir. Vous devriez voir une liste de fichiers MOV QuickTime ou des fichiers Blackmagic RAW. Selon le format d'enregistrement choisi, vous aurez peut-être un mélange de fichiers, mais leur convention de dénomination sera la même.
- 4 Faites simplement glisser les fichiers que vous souhaitez utiliser du SSD vers le bureau ou vers un autre disque dur. Il est également possible d'accéder aux fichiers directement sur le disque à l'aide d'un logiciel de montage non-linéaire.
- 5 Avant de retirer le disque SSD de votre ordinateur, veillez à l'éjecter correctement de ce dernier.



Effectuez le montage directement depuis le SSD en le retirant de votre caméra et en le connectant à votre ordinateur via une baie eSATA Thunderbolt ou un câble USB 3.0.

## Utiliser Final Cut Pro X

Pour monter des clips avec Final Cut Pro X, créez un nouveau projet et réglez le format vidéo et la fréquence d'images appropriés. Pour cet exemple, nous utiliserons le format ProRes 422 HQ 1080p24.



Paramètres du projet dans Final Cut Pro X

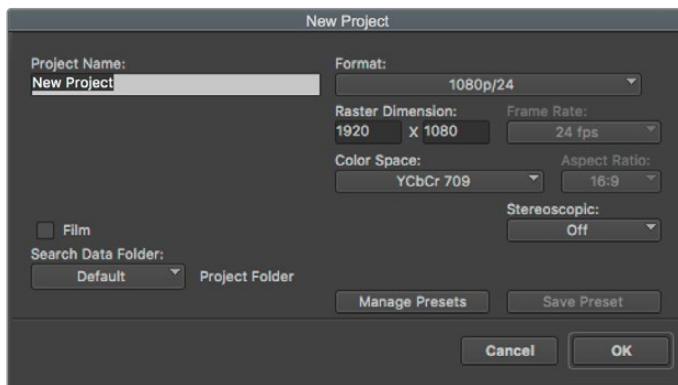
- 1 Lancez Final Cut Pro X, allez sur la barre de menu et sélectionnez **File/New Project**. Une fenêtre contenant les paramètres du projet apparaît.
- 2 Nommez votre projet et sélectionnez la case Custom.
- 3 Réglez les paramètres **Video Properties** sur 1080p HD, 1920x1080 et 24p.
- 4 Réglez les paramètres **Audio and Render Properties** sur **Stereo, 48kHz**, et **Apple ProRes 422**.
- 5 Cliquez sur OK.

Pour importer vos clips dans le projet, allez sur la barre de menu et sélectionnez **File/Import/Media**. Choisissez vos clips à partir de la carte CFast.

Vous pouvez à présent les faire glisser dans la timeline pour commencer le montage.

## Utiliser Avid Media Composer 2018

Pour monter des clips avec Avid Media Composer 2018, créez un nouveau projet et réglez le format vidéo et la fréquence d'images appropriés. Dans cet exemple, les clips sont réglés sur 1080p24.



Régler le nom et les options de votre projet dans Avid Media Composer 2018

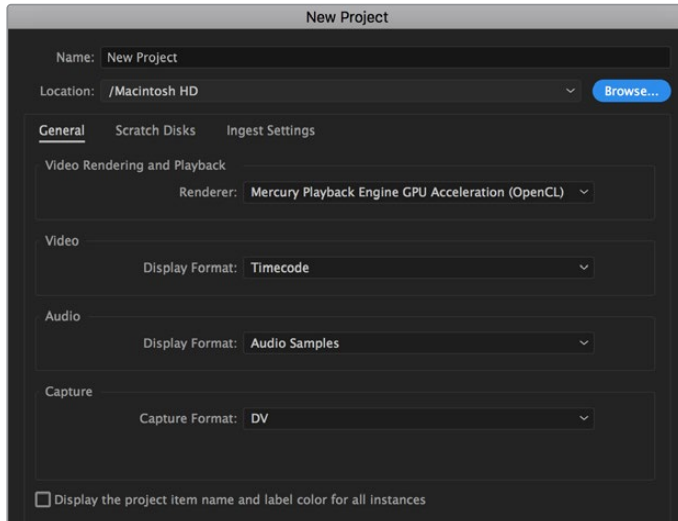
- 1 Lancez le logiciel Avid Media Composer 2018, la fenêtre de sélection du projet apparaît.
- 2 Cliquez sur le bouton **New Project** et nommez votre projet dans la fenêtre du nouveau projet.
- 3 Dans le menu déroulant **Format**, sélectionnez HD 1080 > 1080p/24 et cliquez sur **OK** pour créer le projet.
- 4 Double-cliquez sur le projet dans la fenêtre **Select Project** pour l'ouvrir.
- 5 Sélectionnez File > Input > Source browser et naviguez jusqu'aux fichiers à importer.
- 6 Sélectionnez votre chutier cible depuis le menu déroulant **Target bin**, puis cliquez sur **Import** pour importer les fichiers.

Lorsque les clips apparaissent dans le chutier, vous pouvez faire glisser vos clips dans la timeline et commencer le montage.



## Utiliser Adobe Premiere Pro CC

Pour monter des clips Apple ProRes 422 HQ avec le logiciel Adobe Premiere Pro CC, créez un nouveau projet et réglez le format vidéo et la fréquence d'images appropriés. Dans cet exemple, les clips sont réglés sur ProRes 422 HQ 1080p25.



Choisissez le nom et réglez les options de votre projet dans Adobe Premiere Pro CC

- 1 Lancez Adobe Premiere Pro CC. Sur l'écran de bienvenue, sélectionnez **New Project**. Une fenêtre contenant les paramètres du projet apparaît.
- 2 Nommez votre projet. Choisissez un emplacement pour votre projet en cliquant sur Parcourir et en sélectionnant le dossier désiré. Une fois le dossier sélectionné, cliquez sur OK dans la fenêtre **New Project**.
- 3 Allez sur la barre de menu d'Adobe Premiere Pro CC et sélectionnez **File/Import**. Choisissez ensuite les clips que vous souhaitez monter. Les clips apparaissent dans la fenêtre Projet.
- 4 Faites glisser le premier clip que vous souhaitez monter sur l'icône **New Item** située en bas à droite de la fenêtre du projet. Une nouvelle séquence possédant les mêmes paramètres que votre clip est créée.

Vous pouvez à présent les faire glisser sur la timeline pour commencer le montage.

# Developer Information

## Blackmagic Bluetooth Camera Control

Blackmagic cameras with Bluetooth LE implement a variety of features and commands that allow users to control their cameras wirelessly. Developers have full access to these features for their custom applications.

The following services and characteristics describe the full range of communication options that are available to the developer.

### Service: Device Information Service

UUID: 180A

#### Characteristics

##### **Camera Manufacturer**

UUID: 2A29

Read the name of the manufacturer (always “Blackmagic Design”).

##### **Camera Model**

UUID: 2A24

Read the name of the camera model (“URSA Mini”).

### Service: Blackmagic Camera Service

UUID: 291D567A-6D75-11E6-8B77-86F30CA893D3

#### Characteristics

##### **Outgoing Camera Control (encrypted)**

UUID: 5DD3465F-1AEE-4299-8493-D2ECA2F8E1BB

##### **Send Camera Control messages**

These messages are identical to those described in the Blackmagic SDI Camera Control Protocol section below. Please read that section for a list of supported messages and required formatting information.

For an example of how packets are structured, please see the ‘example protocol packets’ section in this document.

##### **Incoming Camera Control (encrypted)**

UUID: B864E140-76A0-416A-BF30-5876504537D9

Request notifications for this characteristic to receive Camera Control messages from the camera.

These messages are identical to those described in the Blackmagic SDI Camera Control Protocol section below. Please read that section for a list of supported messages and required formatting information.

### Timecode (encrypted)

UUID: 6D8F2110-86F1-41BF-9AFB-451D87E976C8

Request notifications for this characteristic to receive timecode updates.

Timecode (HH:MM:SS:mm) is represented by a 32-bit BCD number:  
(eg. 09:12:53:10 = 0x09125310)

### Camera Status (encrypted)

UUID: 7FE8691D-95DC-4FC5-8ABD-CA74339B51B9

Request notifications for this characteristic to receive camera status updates.

The camera status is represented by flags contained in an 8-bit integer:

<b>None</b>	= 0x00
<b>Camera Power On</b>	= 0x01
<b>Connected</b>	= 0x02
<b>Paired</b>	= 0x04
<b>Versions Verified</b>	= 0x08
<b>Initial Payload Received</b>	= 0x10
<b>Camera Ready</b>	= 0x20

Send a value of 0x00 to power a connected camera off.

Send a value of 0x01 to power a connected camera on.

### Device Name

UUID: FFAC0C52-C9FB-41A0-B063-CC76282EB89C

Send a device name to the camera (max. 32 characters).

The camera will display this name in the Bluetooth Setup Menu.

### Protocol Version

UUID: 8F1FD018-B508-456F-8F82-3D392BEE2706

Read this value to determine the camera's supported CCU protocol version.

**NOTE** Encrypted characteristics can only be used once a device has successfully bonded or paired with the Blackmagic Camera. Once a connection has been established, any attempt to write to an encrypted characteristic will initiate bonding. For example, writing a 'Camera Power On' (0x01) message to the Camera Status characteristic.

Once bonding is initiated, the camera will display a 6-digit pin in the Bluetooth Setup Menu. Enter this pin on your device to establish an encrypted connection. The device will now be able to read, write and receive notifications from encrypted characteristics.

# Blackmagic SDI and Bluetooth Camera Control Protocol

## Version 1.4

If you are a software developer you can use the Blackmagic SDI and Bluetooth Camera Control Protocol to construct devices that integrate with our products. Here at Blackmagic Design, our approach is to open up our protocols and we eagerly look forward to seeing what you come up with!

## Overview

This document describes an extensible protocol for sending a unidirectional stream of small control messages embedded in the non-active picture region of a digital video stream. The video stream containing the protocol stream may be broadcast to a number of devices. Device addressing is used to allow the sender to specify which device each message is directed to.

## Assumptions

Alignment and padding constraints are explicitly described in the protocol document. Bit fields are packed from LSB first. Message groups, individual messages and command headers are defined as, and can be assumed to be, 32 bit aligned.

## Blanking Encoding

A message group is encoded into a SMPTE 291M packet with DID/SDID x51/x53 in the active region of VANC line 16.

## Message Grouping

Up to 32 messages may be concatenated and transmitted in one blanking packet up to a maximum of 255 bytes payload. Under most circumstances, this should allow all messages to be sent with a maximum of one frame latency.

If the transmitting device queues more bytes of message packets than can be sent in a single frame, it should use heuristics to determine which packets to prioritize and send immediately. Lower priority messages can be delayed to later frames, or dropped entirely as appropriate.

## Abstract Message Packet Format

Every message packet consists of a three byte header followed by an optional variable length data block. The maximum packet size is 64 bytes.

<b>Destination device (uint8)</b>	Device addresses are represented as an 8 bit unsigned integer. Individual devices are numbered 0 through 254 with the value 255 reserved to indicate a broadcast message to all devices.
<b>Command length (uint8)</b>	The command length is an 8 bit unsigned integer which specifies the length of the included command data. The length does NOT include the length of the header or any trailing padding bytes.
<b>Command id (uint8)</b>	The command id is an 8 bit unsigned integer which indicates the message type being sent. Receiving devices should ignore any commands that they do not understand. Commands 0 through 127 are reserved for commands that apply to multiple types of devices. Commands 128 through 255 are device specific.
<b>Reserved (uint8)</b>	This byte is reserved for alignment and expansion purposes. It should be set to zero.
<b>Command data (uint8[])</b>	The command data may contain between 0 and 60 bytes of data. The format of the data section is defined by the command itself.
<b>Padding (uint8[])</b>	Messages must be padded up to a 32 bit boundary with 0x0 bytes. Any padding bytes are NOT included in the command length.

Receiving devices should use the destination device address and or the command identifier to determine which messages to process. The receiver should use the command length to skip irrelevant or unknown commands and should be careful to skip the implicit padding as well.

## Defined Commands

### Command 0 : change configuration

<b>Category (uint8)</b>	The category number specifies one of up to 256 configuration categories available on the device.
<b>Parameter (uint8)</b>	The parameter number specifies one of 256 potential configuration parameters available on the device. Parameters 0 through 127 are device specific parameters. Parameters 128 through 255 are reserved for parameters that apply to multiple types of devices.
<b>Data type (uint8)</b>	The data type specifies the type of the remaining data. The packet length is used to determine the number of elements in the message. Each message must contain an integral number of data elements.

#### Currently defined values are:

<b>0: void / boolean</b>	A void value is represented as a boolean array of length zero. The data field is a 8 bit value with 0 meaning false and all other values meaning true.
<b>1: signed byte</b>	Data elements are signed bytes
<b>2: signed 16 bit integer</b>	Data elements are signed 16 bit values
<b>3: signed 32 bit integer</b>	Data elements are signed 32 bit values
<b>4: signed 64 bit integer</b>	Data elements are signed 64 bit values
<b>5: UTF-8 string</b>	Data elements represent a UTF-8 string with no terminating character.

#### Data types 6 through 127 are reserved.

<b>128: signed 5.11 fixed point</b>	Data elements are signed 16 bit integers representing a real number with 5 bits for the integer component and 11 bits for the fractional component. The fixed point representation is equal to the real value multiplied by $2^{11}$ . The representable range is from -16.0 to 15.9995 ( $15 + 2047/2048$ ).
-------------------------------------	---

#### Data types 129 through 255 are available for device specific purposes.

<b>Operation type (uint8)</b>	The operation type specifies what action to perform on the specified parameter. Currently defined values are:
<b>0: assign value</b>	The supplied values are assigned to the specified parameter. Each element will be clamped according to its valid range. A void parameter may only be 'assigned' an empty list of boolean type. This operation will trigger the action associated with that parameter. A boolean value may be assigned the value zero for false, and any other value for true.
<b>1: offset / toggle value</b>	Each value specifies signed offsets of the same type to be added to the current parameter values. The resulting parameter value will be clamped according to their valid range. It is not valid to apply an offset to a void value. Applying any offset other than zero to a boolean value will invert that value.

#### Operation types 2 through 127 are reserved.

#### Operation types 128 through 255 are available for device specific purposes.

<b>Data (void)</b>	The data field is 0 or more bytes as determined by the data type and number of elements.
--------------------	--

The category, parameter, data type and operation type partition a 24 bit operation space.

Group	ID	Parameter	Type	Index	Minimum	Maximum	Interpretation	
Lens	0.0	Focus	fixed16	–	0.0	1.0	0.0 = near, 1.0 = far	
	0.1	Instantaneous autofocus	void	–	–	–	trigger instantaneous autofocus	
	0.2	Aperture (f-stop)	fixed16	–	-1.0	16.0	Aperture Value (where fnumber = $\sqrt{2^{AV}}$ )	
	0.3	Aperture (normalised)	fixed16	–	0.0	1.0	0.0 = smallest, 1.0 = largest	
	0.4	Aperture (ordinal)	int16	–	0	n	Steps through available aperture values from minimum (0) to maximum (n)	
	0.5	Instantaneous auto aperture	void	–	–	–	trigger instantaneous auto aperture	
	0.6	Optical image stabilisation	boolean	–	–	–	true = enabled, false = disabled	
	0.7	Set absolute zoom (mm)	int16	–	0	max	Move to specified focal length in mm, from minimum (0) to maximum (max)	
	0.8	Set absolute zoom (normalised)	fixed16	–	0.0	1.0	Move to specified focal length: 0.0 = wide, 1.0 = tele	
0.9	Set continuous zoom (speed)	fixed16	–	-1.0	+1.0	Start/stop zooming at specified rate: -1.0 = zoom wider fast, 0.0 = stop, +1 = zoom tele fast		
Video	1.0	Video mode	int8	[0] = frame rate	–	–	fps as integer (eg 24, 25, 30, 50, 60)	
				[1] = M-rate	–	–	0 = regular, 1 = M-rate	
				[2] = dimensions	–	–	0 = NTSC, 1 = PAL, 2 = 720, 3 = 1080, 4 = 2kDCI, 5 = 2k16:9, 6 = UHD, 7 = 3k Anamorphic, 8 = 4k DCI, 9 = 4k 16:9, 10 = 4.6k 2.4:1, 11 = 4.6k	
				[3] = interlaced	–	–	0 = progressive, 1 = interlaced	
				[4] = Color space	–	–	0 = YUV	
	1.1	Gain (up to Camera 4.9)	int8			1	128	1x, 2x, 4x, 8x, 16x, 32x, 64x, 128x gain
	1.2	Manual White Balance	int16	[0] = color temp	2500	10000		Color temperature in K
			int16	[1] = tint	-50	50		tint
	1.3	Set auto WB	void	–	–	–	–	Calculate and set auto white balance
	1.4	Restore auto WB	void	–	–	–	–	Use latest auto white balance setting
1.5	Exposure (us)	int32			1	42000	time in us	
1.6	Exposure (ordinal)	int16	–		0	n	Steps through available exposure values from minimum (0) to maximum (n)	
1.7	Dynamic Range Mode	int8 enum	–		0	2	0 = film, 1 = video, 2 = extended video	
1.8	Video sharpening level	int8 enum	–		0	3	0 = off, 1 = low, 2 = medium, 3 = high	

Group	ID	Parameter	Type	Index	Minimum	Maximum	Interpretation
Video	1.9	Recording format	int16	[0] = file frame rate	–	–	fps as integer (eg 24, 25, 30, 50, 60, 120)
				[1] = sensor frame rate	–	–	fps as integer, valid when sensor-off-speed set (eg 24, 25, 30, 33, 48, 50, 60, 120), no change will be performed if this value is set to 0
				[2] = frame width	–	–	in pixels
				[3] = frame height	–	–	in pixels
				[4] = flags	–	–	[0] = file-M-rate
					–	–	[1] = sensor-M-rate, valid when sensor-off-speed-set
					–	–	[2] = sensor-off-speed
					–	–	[3] = interlaced
	–	–	[4] = windowed mode				
	1.10	Set auto exposure mode	int8	–	0	4	0 = Manual Trigger, 1 = Iris, 2 = Shutter, 3 = Iris + Shutter, 4 = Shutter + Iris
	1.11	Shutter angle	int32	–	100	36000	Shutter angle in degrees, multiplied by 100
	1.12	Shutter speed	int32	–	Current sensor frame rate	5000	Shutter speed value as a fraction of 1, so 50 for 1/50th of a second
	1.13	Gain	int8	–	-128	127	Gain in decibel (dB)
	1.14	ISO	int32	–	0	2147483647	ISO value
	1.15	Display LUT	int8	[0] = selected LUT	–	–	0 = None, 1 = Custom, 2 = film to video, 3 = film to extended video
[1] = enabled or not				–	–	0 = Not enabled, 1 = Enabled	
Audio	2.0	Mic level	fixed16	–	0.0	1.0	0.0 = minimum, 1.0 = maximum
	2.1	Headphone level	fixed16	–	0.1	1.0	0.0 = minimum, 1.0 = maximum
	2.2	Headphone program mix	fixed16	–	0.1	1.0	0.0 = minimum, 1.0 = maximum
	2.3	Speaker level	fixed16	–	0.1	1.0	0.0 = minimum, 1.0 = maximum
	2.4	Input type	int8	–	0	3	0 = internal mic, 1 = line level input, 2 = low mic level input, 3 = high mic level input
	2.5	Input levels	fixed16	[0] ch0	0.0	1.0	0.0 = minimum, 1.0 = maximum
				[1] ch1	0.0	1.0	0.0 = minimum, 1.0 = maximum
	2.6	Phantom power	boolean	–	–	–	true = powered, false = not powered



Group	ID	Parameter	Type	Index	Minimum	Maximum	Interpretation
Output	3.0	Overlay enables	uint16 bit field	–	–	–	bit flags: [0] = display status, [1] = display frame guides Some cameras don't allow separate control of frame guides and status overlays.
	3.1	Frame guides style (Camera 3.x)	int8	–	0	8	0 = HDTV, 1 = 4:3, 2 = 2.4:1, 3 = 2.39:1, 4 = 2.35:1, 5 = 1.85:1, 6 = thirds
	3.2	Frame guides opacity (Camera 3.x)	fixed16	–	0.1	1.0	0.0 = transparent, 1.0 = opaque
	3.3	Overlays (replaces .1 and .2 above from Cameras 4.0)	int8	[0] = frame guides style	–	–	0 = off, 1 = 2.4:1, 2 = 2.39:1, 3 = 2.35:1, 4 = 1.85:1, 5 = 16:9, 6 = 14:9, 7 = 4:3, 8 = 2:1, 9 = 4:5, 10 = 1:1
			[1] = frame guide opacity	0	100	0 = transparent, 100 = opaque	
			[2] = safe area percentage	0	100	percentage of full frame used by safe area guide (0 means off)	
			[3] = grid style	–	–	bit flags: [0] = display thirds, [1] = display cross hairs, [2] = display center dot, [3] = display horizon	
Display	4.0	Brightness	fixed16	–	0.0	1.0	0.0 = minimum, 1.0 = maximum
	4.1	Exposure and focus tools	int16 bit field	0x1 = zebra, 0x2 = focus assist, 0x4 = false color	–	–	0 = disable, 1 = enable
	4.2	Zebra level	fixed16	–	0.0	1.0	0.0 = minimum, 1.0 = maximum
	4.3	Peaking level	fixed16	–	0.0	1.0	0.0 = minimum, 1.0 = maximum
	4.4	Color bar enable	int8	–	0	30	0 = disable bars, 1-30 = enable bars with timeout (seconds)
	4.5	Focus Assist	int8	[0] = focus assist method	–	–	0 = Peak, 1 = Colored lines
				[1] = focus line color	–	–	0 = Red, 1 = Green, 2 = Blue, 3 = White, 4 = Black
	4.6	Program return feed enable	int8	–	0	30	0 = disable, 1-30 = enable with timeout (seconds)
Tally	5.0	Tally brightness	fixed16	–	0.0	1.0	Sets the tally front and tally rear brightness to the same level. 0.0 = minimum, 1.0 = maximum
	5.1	Front tally brightness	fixed16	–	0.0	1.0	Sets the tally front brightness. 0.0 = minimum, 1.0 = maximum
	5.2	Rear tally brightness	fixed16	–	0.0	1.0	Sets the tally rear brightness. 0.0 = minimum, 1.0 = maximum Tally rear brightness cannot be turned off

Group	ID	Parameter	Type	Index	Minimum	Maximum	Interpretation
Reference	6.0	Source	int8 enum	–	0	2	0 = internal, 1 = program, 2 = external
	6.1	Offset	int32	–	–	–	+/- offset in pixels
Confi- guration	7.0	Real Time Clock	int32	[0] time	–	–	BCD - HHMMSSFF (UCT)
				[1] date	–	–	BCD - YYYYMMDD
	7.1	System language	string	[0-1]	–	–	ISO-639-1 two character language code
	7.2	Timezone	int32	–	–	–	Minutes offset from UTC
	7.3	Location	int64	[0] latitude	–	–	BCD - s0DDdddddddddd where s is the sign: 0 = north (+), 1 = south (-); DD degrees, ddddddddddd decimal degrees
				[1] longitude	–	–	BCD - sDDDdddddddddd where s is the sign: 0 = west (-), 1 = east (+); DDD degrees, ddddddddddd decimal degrees
Color Correction	8.0	Lift Adjust	fixed16	[0] red	-2.0	2.0	default 0.0
				[1] green	-2.0	2.0	default 0.0
				[2] blue	-2.0	2.0	default 0.0
				[3] luma	-2.0	2.0	default 0.0
	8.1	Gamma Adjust	fixed16	[0] red	-4.0	4.0	default 0.0
				[1] green	-4.0	4.0	default 0.0
				[2] blue	-4.0	4.0	default 0.0
				[3] luma	-4.0	4.0	default 0.0
	8.2	Gain Adjust	fixed16	[0] red	0.0	16.0	default 1.0
				[1] green	0.0	16.0	default 1.0
				[2] blue	0.0	16.0	default 1.0
				[3] luma	0.0	16.0	default 1.0
	8.3	Offset Adjust	fixed16	[0] red	-8.0	8.0	default 0.0
				[1] green	-8.0	8.0	default 0.0
				[2] blue	-8.0	8.0	default 0.0
				[3] luma	-8.0	8.0	default 0.0
	8.4	Contrast Adjust	fixed16	[0] pivot	0.0	1.0	default 0.5
				[1] adj	0.0	2.0	default 1.0
	8.5	Luma mix	fixed16	–	0.0	1.0	default 1.0
	8.6	Color Adjust	fixed16	[0] hue	-1.0	1.0	default 0.0
[1] sat				0.0	2.0	default 1.0	
8.7	Correction Reset Default	void	–	–	–	reset to defaults	

Group	ID	Parameter	Type	Index	Minimum	Maximum	Interpretation
Media	10.0	Codec	int8 enum	[0] = basic codec	-	-	0 = CinemaDNG, 1 = DNxHD, 2 = ProRes, 3 = Blackmagic RAW
				[1] = code variant	-	-	CinemaDNG: 0 = uncompressed, 1 = lossy 3:1, 2 = lossy 4:1
					-	-	ProRes: 0 = HQ, 1 = 422, 2 = LT, 3 = Proxy, 4 = 444, 5 = 444XQ
					-	-	Blackmagic RAW: 0 = Q0, 1 = Q5, 2 = 3:1, 3 = 5:1, 4 = 8:1, 5 = 12:1
	10.1	Transport mode	int8	[0] = mode	-	-	0 = Preview, 1 = Play, 2 = Record
				[1] = speed	-	-	-ve = multiple speeds backwards, 0 = pause, +ve = multiple speeds forwards
				[2] = flags	-	-	1<<0 = loop, 1<<1 = play all, 1<<5 = disk1 active, 1<<6 = disk2 active, 1<<7 = time-lapse recording
				[3] = slot 1 storage medium	-	-	0 = CFast card, 1 = SD, 2 = SSD Recorder
				[4] = slot 2 storage medium	-	-	0 = CFast card, 1 = SD, 2 = SSD Recorder
	10.2	Playback Control	int8 enum	[0] = clip	-	-	0 = Previous, 1 = Next
PTZ Control	11.0	Pan/Tilt Velocity	fixed 16	[0] = pan velocity	-1.0	1.0	-1.0 = full speed left, 1.0 = full speed right
				[1] = tilt velocity	-1.0	1.0	-1.0 = full speed down, 1.0 = full speed up
	11.1	Memory Preset	int8 enum	[0] = preset command	-	-	0 = reset, 1 = store location, 2 = recall location
			int8	[1] = preset slot	0	5	-

## Example Protocol Packets

Operation	Packet Length	Byte															
		0	1	2	3	4	5	6	7	8	9	10	11	12	13	14	15
		header			command				data								
		destination	length	command	reserved	category	parameter	type	operation								
trigger instantaneous auto focus on camera 4	8	4	4	0	0	0	1	0	0								
turn on OIS on all cameras	12	255	5	0	0	0	6	0	0	1	0	0	0				
set exposure to 10 ms on camera 4 (10 ms = 10000 us = 0x00002710)	12	4	8	0	0	1	5	3	0	0x10	0x27	0x00	0x00				
add 15% to zebra level (15 % = 0.15 f = 0x0133 fp)	12	4	6	0	0	4	2	128	1	0x33	0x01	0	0				
select 1080p 23.98 mode on all cameras	16	255	9	0	0	1	0	1	0	24	1	3	0	0	0	0	0
subtract 0.3 from gamma adjust for green & blue (-0.3 ~ = 0xfd9a fp)	16	4	12	0	0	8	1	128	1	0	0	0x9a	0xfd	0x9a	0xfd	0	0
all operations combined	76	4	4	0	0	0	1	0	0	255	5	0	0	0	6	0	0
		1	0	0	0	4	8	0	0	1	5	3	0	0x10	0x27	0x00	0x00
		4	6	0	0	4	2	128	1	0x33	0x01	0	0	255	9	0	0
		1	0	1	0	24	1	3	0	0	0	0	0	4	12	0	0
		8	1	128	1	0	0	0x9a	0xfd	0x9a	0xfd	0	0				

## Blackmagic Tally Control Protocol

### Version 1.0 (30/04/14)

This section is for third party developers or anybody who may wish to add support for the Blackmagic Tally Control Protocol to their products or system. It describes the protocol for sending tally information embedded in the non-active picture region of a digital video stream.

### Data Flow

A master device such as a broadcast switcher embeds tally information into its program feed which is broadcast to a number of slave devices such as cameras or camera controllers. The output from the slave devices is typically fed back to the master device, but may also be sent to a video monitor.

The primary flow of tally information is from the master device to the slaves. Each slave device may use its device id to extract and display the relevant tally information.

Slave devices pass through the tally packet on their output and update the monitor tally status, so that monitor devices connected to that individual output may display tally status without knowledge of the device id they are monitoring.

## Assumptions

Any data alignment / padding is explicit in the protocol. Bit fields are packed from LSB first.

## Blanking Encoding

One tally control packet may be sent per video frame. Packets are encoded as a SMPTE 291M packet with DID/SDID x51/x52 in the active region of VANC line 15. A tally control packet may contain up to 256 bytes of tally information.

## Packet Format

Each tally status consists of 4 bits of information:

```
uint4
    bit 0:  program tally status (0=off, 1=on)
    bit 1:  preview tally status (0=off, 1=on)
    bit 2-3: reserved (0x0)
```

The first byte of the tally packet contains the monitor device tally status and a version number.

Subsequent bytes of the tally packet contain tally status for pairs of slave devices. The master device sends tally status for the number of devices configured/supported, up to a maximum of 510.

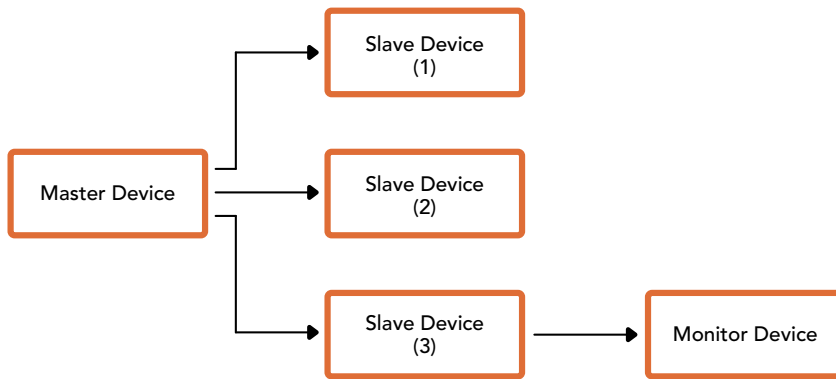
struct tally

```
uint8
    bit 0:  monitor device program tally status (0=off, 1=on)
    bit 1:  monitor device preview tally status (0=off, 1=on)
    bit 2-3: reserved (0b00)
    bit 4-7: protocol version (0b0000)

uint8[0]
    bit 0:  slave device 1 program tally status (0=off, 1=on)
    bit 1:  slave device 1 device preview tally status (0=off, 1=on)
    bit 2-3: reserved (0b00)
    bit 4:  slave device 2 program tally status (0=off, 1=on)
    bit 5:  slave device 2 preview tally status (0=off, 1=on)
    bit 6-7: reserved (0b00)

uint8[1]
    bit 0:  slave device 3 program tally status (0=off, 1=on)
    bit 1:  slave device 3 device preview tally status (0=off, 1=on)
    bit 2-3: reserved (0b00)
    bit 4:  slave device 4 program tally status (0=off, 1=on)
    bit 5:  slave device 4 preview tally status (0=off, 1=on)
    bit 6-7: reserved (0b00)

...
```



Byte	7 MSB	6	5	4	3	2	1	0 LSB
0	Version (0b0)	Version (0b0)	Version (0b0)	Version (0b0)	Reserved (0b0)	Reserved (0b0)	Monitor Preview	Monitor Program
1	Reserved (0b0)	Reserved (0b0)	Slave 1 Preview	Slave 1 Program	Reserved (0b0)	Reserved (0b0)	Slave 0 Preview	Slave 0 Program
2	Reserved (0b0)	Reserved (0b0)	Slave 3 Preview	Slave 3 Program	Reserved (0b0)	Reserved (0b0)	Slave 2 Preview	Slave 2 Program
3	...							

# Blackmagic URSA Mini B4 Mount

Vous pouvez enlever la monture PL fournie avec la Blackmagic URSA Mini PL et la remplacer par une monture B4 en option. Cette monture diffère légèrement de la monture B4 de la URSA Mini Pro. Par exemple, sur la monture de la URSA Mini Pro, les pas de vis sont positionnés différemment pour laisser de la place au bouton d'éjection des objectifs EF. Les rondelles nécessaires sont également d'épaisseurs différentes. Il est donc important de choisir une monture adaptée si vous voulez utiliser des objectifs B4 avec votre URSA Mini PL.

La monture B4 pour URSA Mini PL est disponible auprès des revendeurs Blackmagic Design.

En utilisant la monture B4, vous pouvez réaliser des tournages mobiles en HD avec des objectifs focalisés. Les objectifs focalisés conservent la mise au point pendant le zoom afin d'offrir une mise au point rapide et efficace. En zoomant au maximum et en réglant la mise au point sur un point précis, la mise au point que vous avez choisie sera conservée, peu importe le réglage de la focale. Il est important de préciser que le tirage arrière de l'objectif B4, ou tirage mécanique, doit également être correctement réglé.

## Fixer une monture d'objectif B4

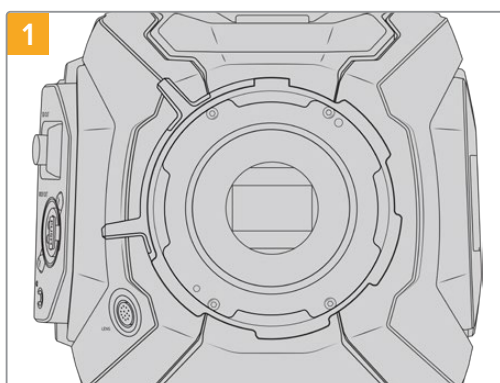
La monture B4 est fournie avec deux rondelles supplémentaires de 0,50mm. Elles peuvent être utilisées avec la rondelle de 0,50mm dont la monture d'objectif URSA Mini PL est équipée. Vous disposez alors de trois rondelles de 0,50mm qui permettent de donner du jeu et ainsi d'obtenir un tirage arrière optimal. Celui-ci peut être encore davantage réglé grâce à la bague de variation du tirage arrière qui se trouve sur les montures d'objectif B4.

En montant un objectif B4 sur une URSA Mini, vous obtenez une grande variété de prises de vues, qui seraient impossibles à réaliser avec des objectifs traditionnels.

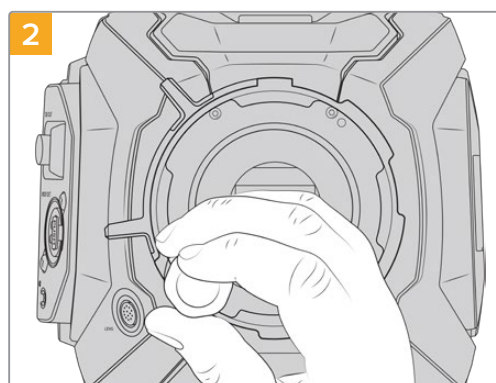
Pour fixer la monture Blackmagic URSA Mini B4 Mount, vous aurez besoin d'une clé dynamométrique qui vous permette de régler le couple de serrage maximal de 0,45 Nm et d'une clé Allen de 2,0mm.



Pour fixer la monture Blackmagic URSA Mini B4 Mount, vous aurez besoin d'une clé dynamométrique qui vous permette de régler le couple de serrage maximal de 0,45 Nm et d'une clé Allen de 2,0mm.

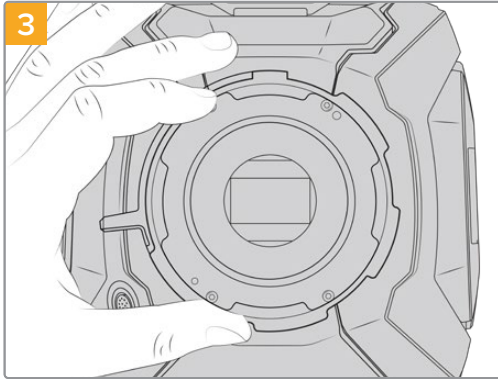


Placez la Blackmagic URSA Mini PL sur une surface solide et propre et retirez le cache anti-poussière de votre objectif. Le filtre en verre situé à l'avant du capteur sera exposé durant tout le processus de calage et il est important de faire en sorte qu'il reste aussi propre que possible. Faites bien attention de ne pas toucher le filtre lorsque vous fixez la monture B4.

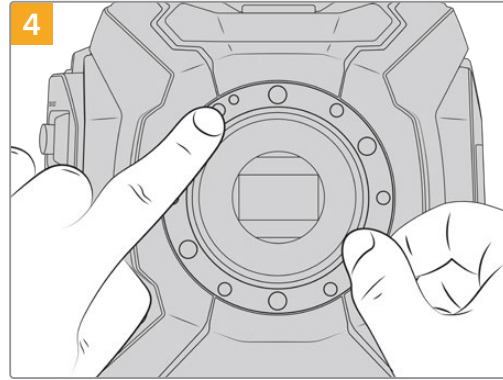


Retirez les six vis de la monture PL à l'aide du tournevis 2,0mm. Vous devrez peut-être faire tourner la bague de verrouillage PL de temps en temps dans le sens des aiguilles d'une montre ou dans le sens contraire pour accéder aux vis.

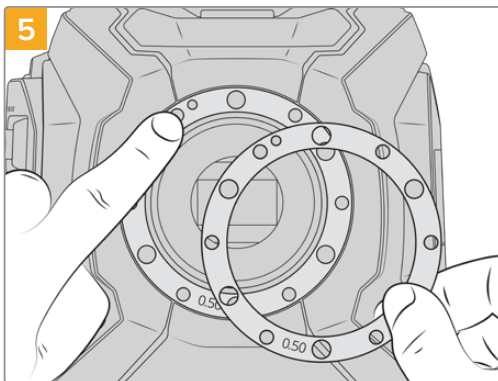




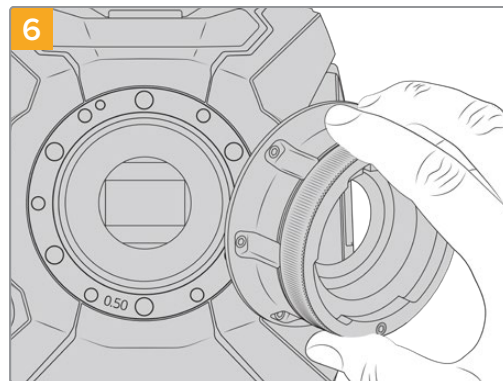
3 Soulevez délicatement la monture d'objectif pour la séparer du boîtier de la caméra. Gardez les vis à proximité de la monture d'objectif.



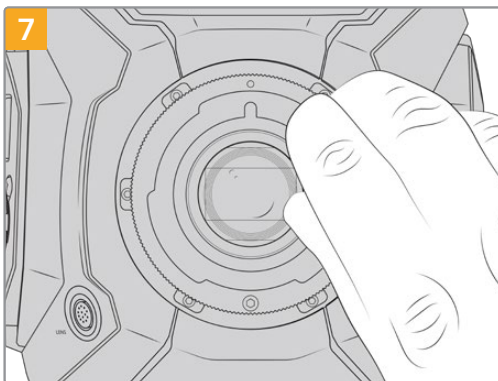
4 Notez que la rondelle de 0,50mm est alignée avec le goujon d'assemblage à la position de 11 heures.



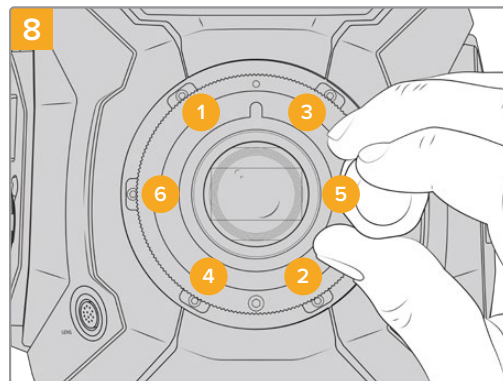
5 Placez les deux rondelles de 0,50mm fournies avec la monture Blackmagic URSA Mini B4 sur la rondelle de la caméra afin de donner du jeu et ainsi obtenir un tirage arrière optimal.



6 Placez délicatement la monture Blackmagic URSA Mini B4 sur le boîtier de la caméra en faisant bien attention à positionner la fente d'alignement et le goujon d'assemblage en position 11 heures.



7 À l'aide d'un tournevis hexadécimal 2mm ou d'une clé dynamométrique réglée sur 0,45Nm, vissez les six vis sans trop serrer jusqu'à ce que l'embase de la monture d'objectif touche le boîtier de la caméra. Pour avoir accès à toutes les vis, tournez la bague de verrouillage PL, car tous les trous ne sont pas forcément visibles quand la bague est ouverte ou fermée.



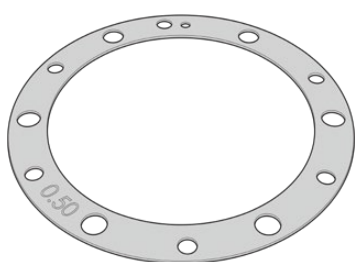
8 Vérifiez que la monture d'objectif est bien alignée, puis serrez les vis dans l'ordre indiqué ci-dessus avec la même pression sans trop les serrer.

## Calage des montures

### À quoi sert la rondelle ?

Les rondelles, dont l'épaisseur est variable, vous permettent d'ajuster précisément la distance entre la monture PL et le capteur de la caméra Blackmagic URSA Mini. On nomme cette distance tirage mécanique ou distance focale de bride. Elle peut être modifiée en fonction de divers facteurs tels que le nombre d'années de l'objectif et les conditions de tournage. Les modèles URSA Mini suivants sont conçus pour vous permettre d'ajuster facilement le tirage mécanique à l'aide des rondelles.

- URSA Mini 4K PL
- URSA Mini 4.6K PL
- URSA Mini Pro 4.6K
- URSA Mini Pro 4.6K G2



Rondelle URSA Mini



Rondelle URSA Mini Pro

Les rondelles se placent entre la monture et le boîtier de la caméra afin que la distance séparant votre sujet du capteur coïncide avec les repères de mise au point de votre objectif. Les rondelles ci-dessus sont les plus fréquemment utilisées pour les objectifs PL. Ces objectifs, utilisés au cinéma, sont dotés d'un zoom manuel et de repères de distance focale très précis affichés sur le barillet. Les rondelles sont également utilisées pour les montures interchangeables de la URSA Mini Pro.

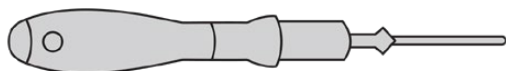
Une rondelle de 0,5mm est incluse et déjà installée sur votre Blackmagic URSA Mini. Le kit de calage

La URSA Mini Pro contient des rondelles de rechange de différentes épaisseurs. Vous pouvez également vous procurer des rondelles auprès d'un revendeur Blackmagic Design.

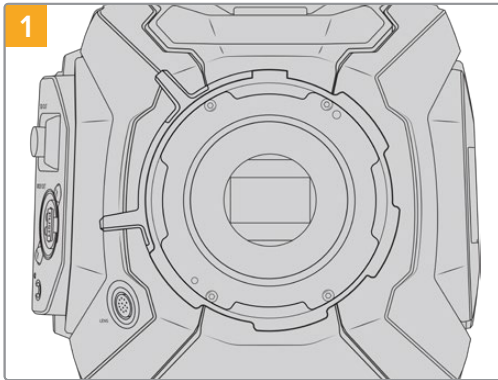
À l'achat d'une URSA Mini Pro, un ensemble de rondelles est inclus. Choisissez l'épaisseur appropriée selon le tirage mécanique souhaité.

### Calage de la monture d'objectif PL sur votre URSA Mini

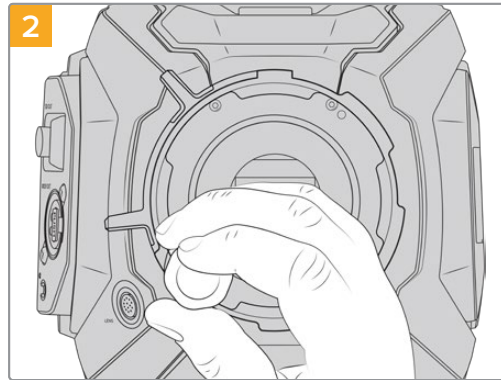
Pour caler la monture PL de votre caméra, vous aurez besoin d'une clé dynamométrique qui vous permette de régler un couple de serrage maximal de 0,45 Nm, avec une clé Allen de 2,0mm.



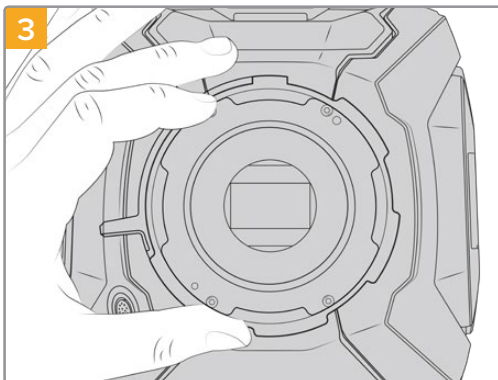
clé dynamométrique



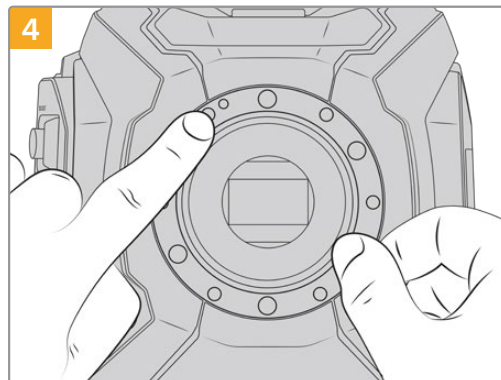
Placez la Blackmagic URSA Mini PL verticalement sur une surface solide et propre, puis retirez le cache anti-poussière de votre objectif. Le filtre en verre situé à l'avant du capteur sera exposé durant tout le processus de calage et il est important de faire en sorte qu'il reste aussi propre que possible. Faites bien attention de ne pas toucher le filtre lorsque vous calez la monture PL.



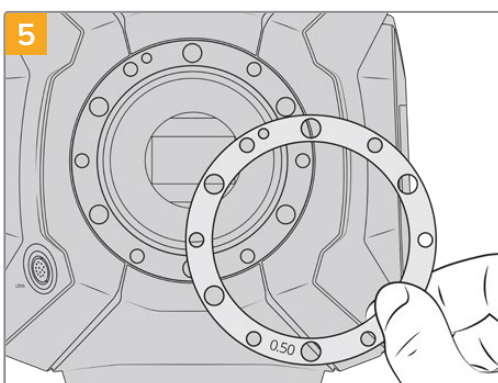
Retirez les six vis de la monture PL à l'aide du tournevis 2,0mm. Vous devrez peut-être faire tourner la bague de verrouillage PL de temps en temps dans le sens des aiguilles d'une montre ou dans le sens contraire pour accéder aux vis.



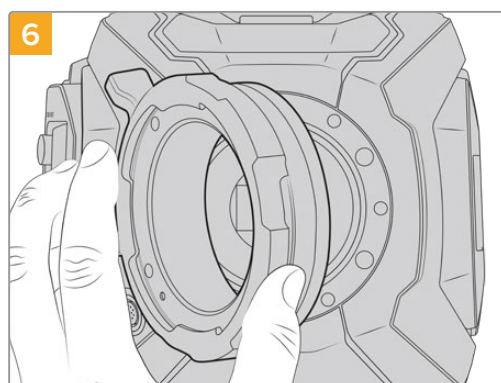
Soulevez délicatement la monture d'objectif pour la séparer du boîtier de la caméra. Gardez les vis à proximité de la monture d'objectif.



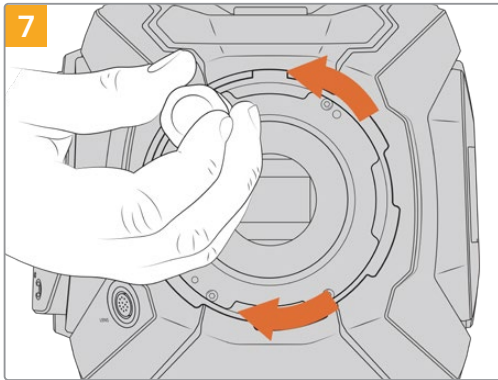
Notez que la rondelle de 0,50mm est alignée avec le goujon d'assemblage à la position de 11 heures.



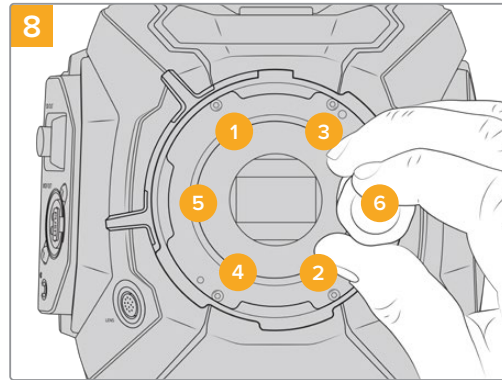
Ajoutez ou retirez des rondelles de 0,10mm, puis réassemblez la caméra jusqu'à trouver le positionnement parfait de vos objectifs. Ajustez à votre convenance, vous pouvez par exemple remplacer la rondelle de 0,50mm par une rondelle de 0,40mm si besoin est.



Placez délicatement la monture d'objectif Blackmagic URSA Mini Pro PL à l'intérieur du boîtier de la caméra.



À l'aide d'un tournevis hexadécimal 2mm ou d'une clé dynamométrique réglée sur 0,45Nm, vissez les vis sans trop serrer jusqu'à ce que l'embase de la monture d'objectif touche le boîtier de la caméra.

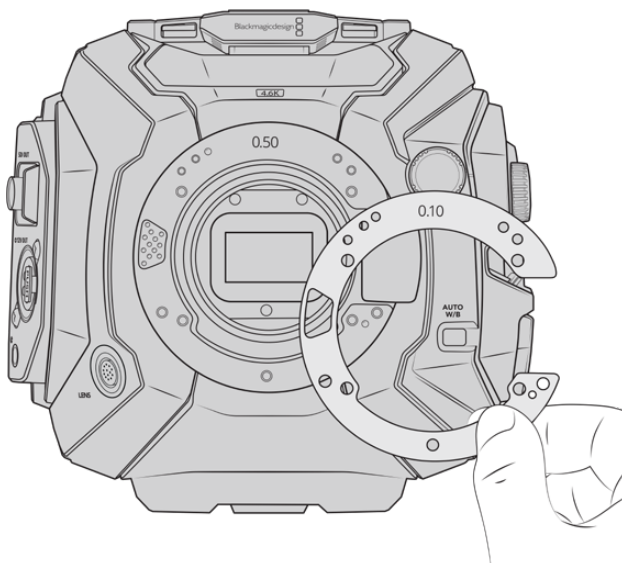


Vérifiez que la monture d'objectif est bien alignée, puis serrez les vis dans l'ordre indiqué ci-dessus avec la même pression sans trop les serrer.

## Calage de la URSA Mini Pro

Les étapes de calage de la URSA Mini Pro sont similaires à celles de la URSA Mini PL. La seule différence est la forme des rondelles. Pour caler une monture sur votre URSA Mini Pro, retirez l'objectif et ajoutez ou enlevez les rondelles de la même manière que pour la URSA Mini PL. Une fois les rondelles changées, remplacez l'objectif.

Pour en savoir plus sur l'installation des différents types de montures sur la URSA Mini Pro, consultez la section « Monture d'objectif interchangeable » de ce manuel.

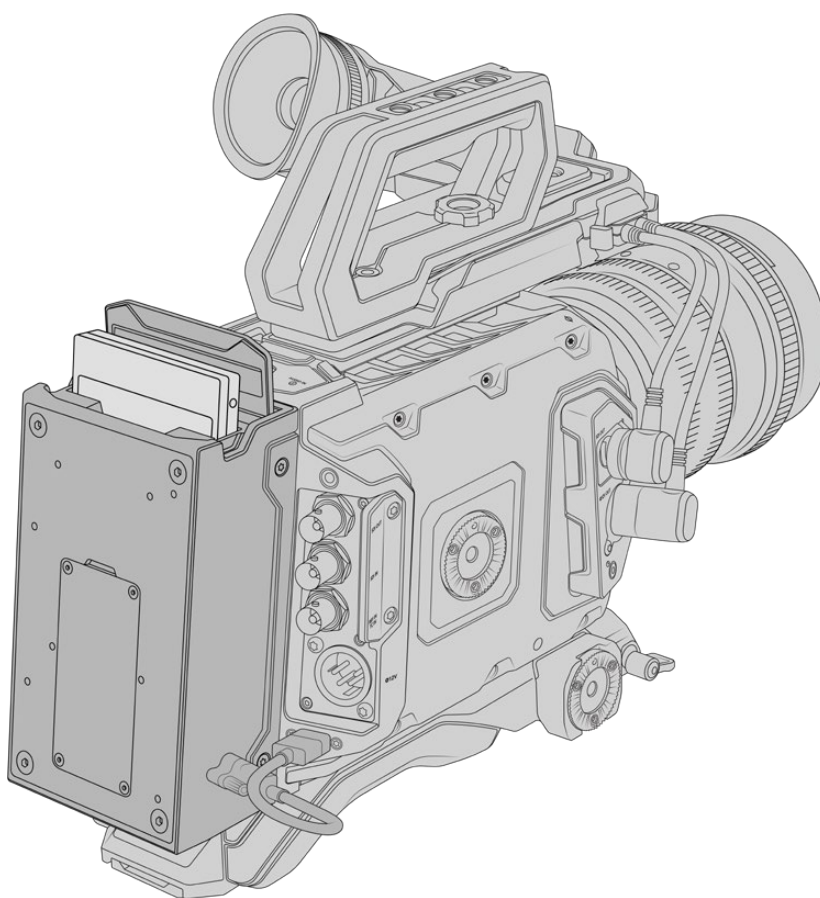


Les rondelles de la URSA Mini Pro sont en forme de C, ce qui permet d'éjecter plus facilement les objectifs d'une monture EF. Les rondelles sont ainsi plus faciles à aligner car elles ne peuvent rentrer que dans un sens. Mise à part la forme des rondelles, le calage des montures est identique à celui de la URSA Mini PL.

# URSA Mini Recorder

L'enregistreur Blackmagic URSA Mini Recorder est un module optionnel qui se fixe à l'arrière de la URSA Mini Pro 12K. Cet enregistreur permet d'enregistrer des séquences, y compris des fichiers Blackmagic RAW 12K, sur des disques état solide haute capacité, également appelés SSD.

**REMARQUE** Le URSA Mini Recorder est conçu pour être utilisé avec la URSA Mini Pro 12K et il est compatible avec la URSA Mini Pro 4.6K G2. Il n'est pas compatible avec la URSA Mini Pro 4.6K, la URSA Mini 4.6K et la URSA Mini 4K.



Lorsque vous installez le URSA Mini Recorder, vous aurez besoin des outils suivants :

- 1 x tournevis cruciforme
- 1 x tournevis T10 torx
- 1 x clé Allen de 2mm



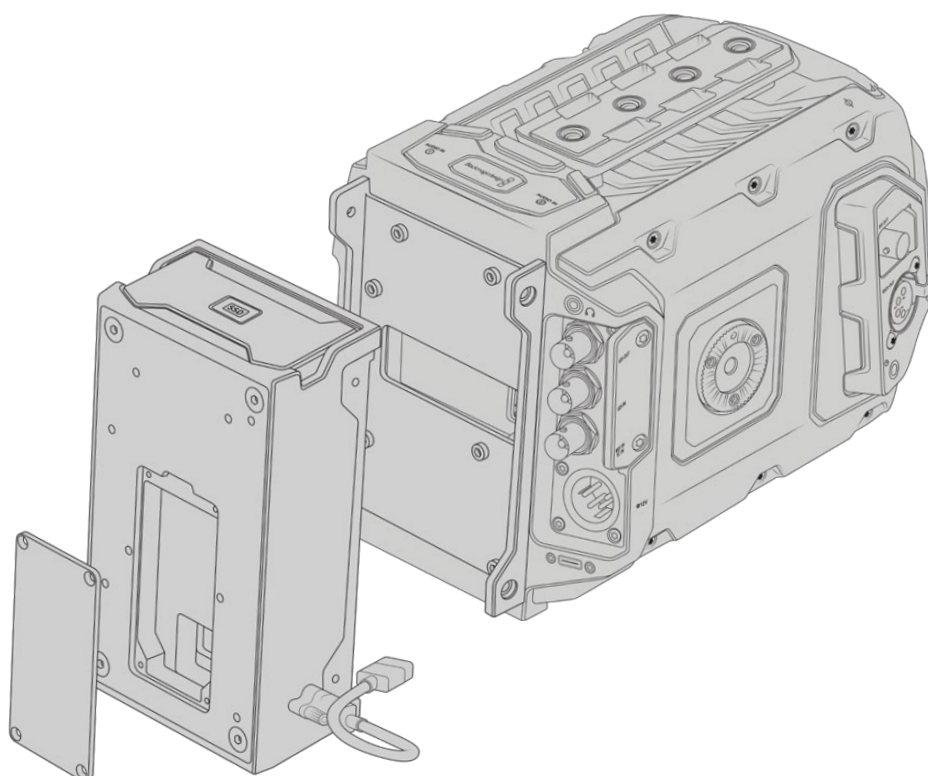
Pour fixer le URSA Mini SSD Recorder sur votre URSA Mini, vous aurez besoin d'un grand tournevis cruciforme, d'un tournevis T10 torx et d'une clé Allen de 2mm.



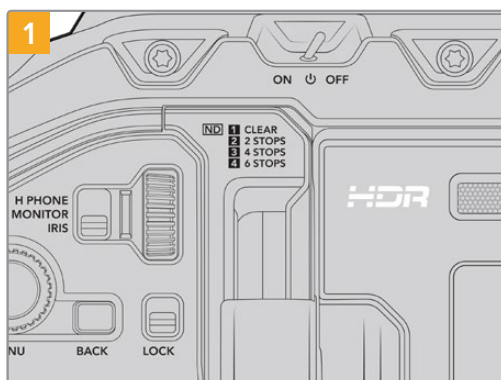
## Monter et connecter le URSA Mini Recorder

L'enregistreur URSA Mini Recorder s'installe directement sur l'arrière du boîtier de la URSA Mini. Les données sont transmises depuis et vers le URSA Mini Recorder via le port USB-C situé à l'arrière de la caméra.

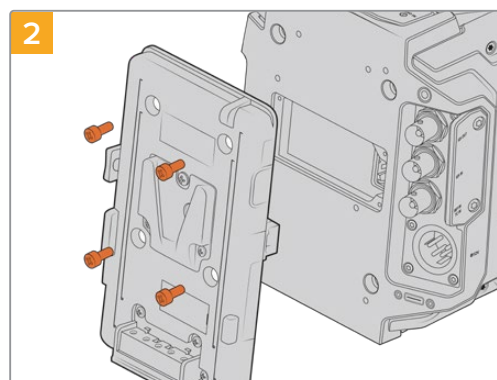
**CONSEIL** L'enregistreur URSA Mini Recorder comprend un câble offrant une liaison directe avec l'alimentation de votre caméra. Vous pouvez donc fixer des batteries V-mount ou Gold Mount à l'arrière de la caméra, derrière l'enregistreur.



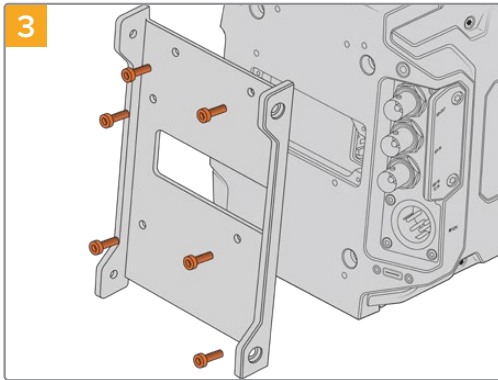
Pour monter et connecter le URSA Mini Recorder :



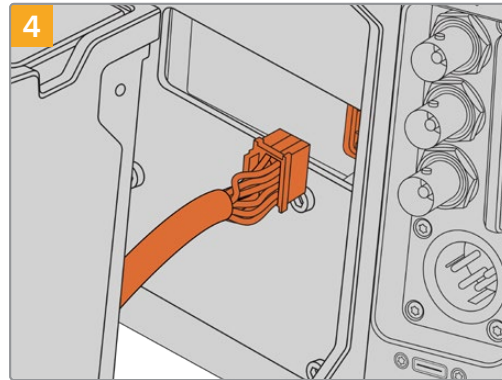
Éteignez la URSA Mini Pro en positionnant l'interrupteur **Power** sur **Off**.



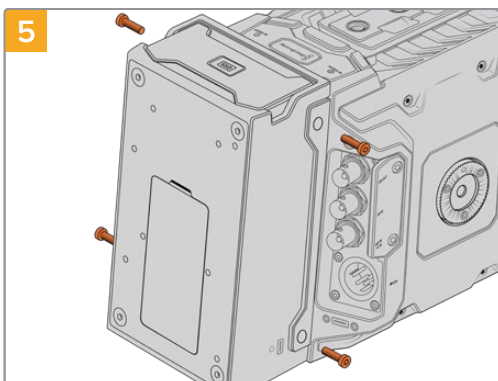
Retirez les éventuelles fixations pour batteries de votre caméra. Pour plus d'informations sur le montage et le démontage des fixations pour batteries, veuillez consulter la section « Fixer des batteries » de ce manuel.



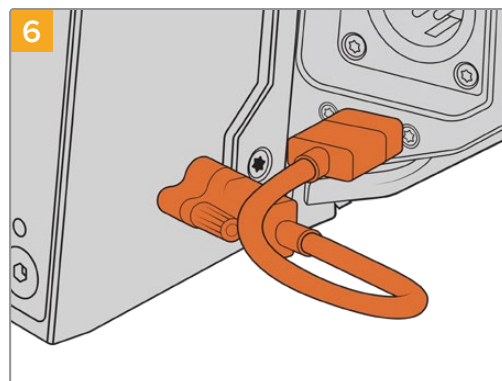
3  
Installez un support de montage pour le Recorder à l'aide de 6 x vis T10 torx.



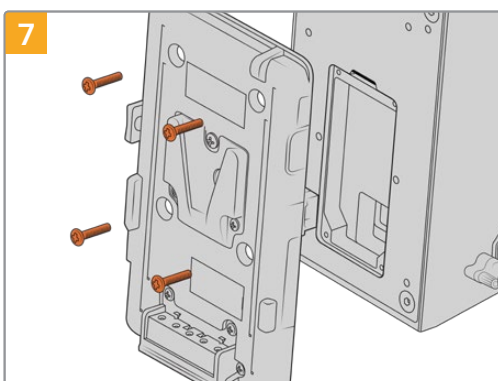
4  
Branchez le connecteur Molex du URSA Mini Recorder à la prise Molex située sur la face arrière de la caméra.



5  
Installez le URSA Mini Recorder sur le support de montage à l'aide de 2 x vis T10 torx sur les côtés gauche et droit du support.



6  
Connectez le câble USB-C du Mini Recorder au port USB-C situé à l'arrière de la URSA Mini Pro 12K. Utilisez vos doigts ou une clé Allen de 2mm pour serrer les connecteurs sécurisés. Pour l'utiliser avec la URSA Mini Pro 4.6K G2, utilisez un câble USB-C plus long et connectez-le au port USB-C situé au-dessus des fentes CFast.

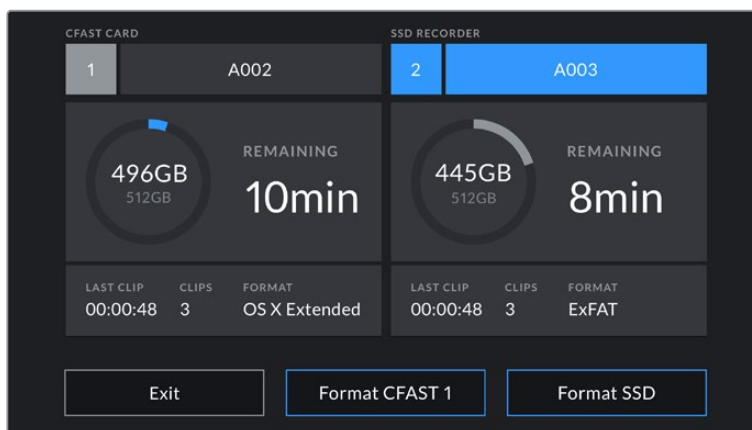


7  
Si vous souhaitez utiliser un support pour batteries avec le URSA Mini Recorder, retirez les quatre vis M3 qui maintiennent le panneau de la prise Molex à l'aide d'une clé Allen de 2mm. Une fois le panneau détaché, fixez le support pour batteries en suivant les étapes décrites dans la section « Fixer la batterie » de ce manuel.



## Utiliser un URSA Mini Recorder

Lorsque le URSA Mini Recorder est connecté et qu'un SSD est inséré, le Mini Recorder enregistre directement sur le logement de stockage numéro **2** de la URSA Mini. De plus, lorsque vous utilisez le URSA Mini Recorder, le voyant **SSD** s'affichera sur le logement 2 du gestionnaire de stockage de votre caméra.



Lorsqu'un SSD est inséré dans le URSA Mini Recorder, le voyant **SSD Recorder** apparaît sur le logement de stockage 2 du gestionnaire de stockage de la caméra.

L'enregistrement, la lecture et la gestion du stockage fonctionnent exactement de la même manière pour les SSD que pour les cartes CFast ou SD. Pour obtenir des informations générales sur la gestion du stockage et sur les instructions d'utilisation des disques SSD, veuillez consulter la section « Support de stockage » de ce manuel.

### Voyants d'état LED

L'enregistreur URSA Mini Recorder dispose d'un voyant d'état **SSD** sur la face gauche. Vous pouvez régler la luminosité de ce voyant sur **Low** (faible), **Medium** (moyenne), **High** (élevée) ou **Off** (désactivée) dans le menu **Setup** de votre caméra.

### SSD

Le voyant **SSD** indique l'état du SSD inséré. Ce voyant LED fournit les informations d'état suivantes :

<b>Vert</b>	Lorsque vous insérez un SSD, une lumière verte apparaît pendant que le URSA Mini Recorder analyse le SSD. Lorsque le voyant s'éteint, cela signifie que votre Mini Recorder est prêt à enregistrer. Le voyant d'état s'allume également en vert lorsqu'une séquence est en cours de lecture depuis le SSD.
<b>Rouge</b>	Le voyant d'état s'allume en rouge lorsque votre URSA Mini Recorder est en train d'enregistrer sur le SSD. Le voyant clignote lentement en rouge lorsque le SSD commence à manquer d'espace. Le voyant clignote rapidement en rouge lorsque le SSD subit une perte d'image. Si cela se produit, vérifiez que le disque que vous utilisez fait bien partie de la liste des SSD recommandés et que vous enregistrez à un débit compatible avec vos médias.
<b>Orange</b>	Le voyant d'état s'allume en orange si un problème s'est produit pendant l'installation du SSD. Cela peut être dû à un SSD incorrectement formaté ou incompatible. Veuillez vous reporter à la section « Support de stockage » de ce manuel pour consulter la liste des SSD compatibles et les instructions de formatage.

**CONSEIL** Si le voyant **SSD** indique une erreur pendant le montage, vous pourriez avoir besoin d'initialiser le SSD sur un Mac ou sur un PC avec l'utilitaire de disque ou le gestionnaire de disques.

## Mettre à jour le logiciel interne du URSA Mini Recorder

Vous pouvez mettre à jour votre URSA Mini Recorder via le logiciel Blackmagic Camera Setup Utility. L'enregistreur URSA Mini Recorder devra être alimenté lors de la mise à jour. Nous vous conseillons donc de laisser le Mini Recorder connecté à la URSA Mini Pro 12K durant le processus de mise à jour. La caméra devra également être alimentée. Il faudra donc la brancher à une source d'alimentation externe ou disposer d'un bloc de batteries.

Connectez votre ordinateur à l'enregistreur URSA Mini Recorder à l'aide d'un câble USB-C et démarrez le logiciel Blackmagic Camera Setup Utility. Il vous sera demandé d'effectuer une mise à jour si votre ordinateur détecte que l'enregistreur URSA Mini Recorder utilise une ancienne version. Suivez les informations à l'écran pour mettre à jour le logiciel interne de votre URSA Mini Recorder.

**REMARQUE** Pour plus d'informations, consultez la section « Utilitaire Blackmagic Camera Setup ».

**CONSEIL** Nous vous recommandons de mettre à jour tous vos équipements Blackmagic URSA au même moment pour un niveau de performance optimal.

# Assistance

Le moyen le plus rapide d'obtenir de l'aide est d'accéder aux pages d'assistance en ligne de Blackmagic Design et de consulter les dernières informations concernant votre caméra.

## Pages d'assistance en ligne de Blackmagic Design

Les dernières versions du manuel, du logiciel et des notes d'assistance peuvent être consultées sur la page d'assistance technique de Blackmagic Design : [www.blackmagicdesign.com/fr/support](http://www.blackmagicdesign.com/fr/support).

## Contactez le service d'assistance de Blackmagic Design

Si vous ne parvenez pas à trouver l'aide dont vous avez besoin dans notre matériel de support, veuillez utiliser l'option « Envoyez-nous un email » disponible sur la page d'assistance pour envoyer une demande d'assistance par email. Vous pouvez également cliquer sur le bouton « Trouver un support technique » situé sur la page d'assistance et contacter ainsi le centre de support technique Blackmagic Design le plus proche de chez vous.

## Vérification du logiciel actuel

Pour vérifier quelle version du logiciel Blackmagic Camera Setup est installée sur votre ordinateur, ouvrez la fenêtre intitulée About Blackmagic Camera Setup.

- Sur Mac, ouvrez le Blackmagic Camera Utility à partir du dossier Applications. Sélectionnez About Blackmagic Camera Utility dans le menu d'application pour connaître le numéro de version.
- Sur Windows, ouvrez le logiciel Blackmagic Camera Setup dans votre menu de Démarrage ou sur l'écran de Démarrage. Cliquez sur le menu Aide et sélectionnez About Blackmagic Camera Setup pour connaître le numéro de version.

## Comment obtenir les dernières mises à jour du logiciel

Après avoir vérifié la version du logiciel Blackmagic Camera Utility installée sur votre ordinateur, veuillez vous rendre sur la page d'assistance Blackmagic Design à l'adresse suivante [www.blackmagicdesign.com/fr/support](http://www.blackmagicdesign.com/fr/support) pour vérifier les dernières mises à jour. Même s'il est généralement conseillé d'installer les dernières mises à jour, il est prudent d'éviter d'effectuer ces mises à jour au milieu d'un projet important.

## Avis réglementaires



### Élimination des déchets d'équipements électriques et électroniques au sein de l'Union européenne.

Le symbole imprimé sur cet appareil indique qu'il ne doit pas être jeté avec les autres déchets. Cet appareil doit être déposé dans un point de collecte agréé pour être recyclé. Le tri, l'élimination et le recyclage séparés de vos équipements usagés permettent de préserver les ressources naturelles et de s'assurer que ces équipements sont recyclés dans le respect de la santé humaine et de l'environnement. Pour plus d'informations quant aux lieux d'élimination des déchets d'équipements électriques, vous pouvez contacter votre mairie ou le service local de traitement des ordures ménagères.



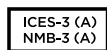
Cet appareil a été testé et reconnu conforme aux normes applicables aux appareils informatiques de Classe B, en vertu de l'article 15 des réglementations de la FCC. Ces limitations sont conçues pour fournir une protection raisonnable contre les interférences nocives dans un environnement commercial. Cet appareil génère, utilise et émet de l'énergie de fréquences radio et peut, en cas d'installation ou d'utilisation non conforme aux instructions, engendrer des interférences nuisibles au niveau des communications radio. L'utilisation de cet appareil dans une installation résidentielle peut entraîner des interférences nuisibles, lesquelles devront être corrigées aux frais de l'utilisateur.

L'utilisation de cet appareil est soumise aux deux conditions suivantes :

- 1 Ce matériel ou cet appareil ne doit pas causer d'interférences nuisibles.
- 2 Ce matériel ou cet appareil doit accepter toute interférence reçue, y compris les interférences qui peuvent provoquer des opérations non désirées.



MSIP-REM-BMD-201511002  
MSIP-REM-BMD-201608001  
MSIP-REM-BMD-201703001  
R-R-BMD-201907006  
R-R-BMD-20200421001  
R-R-BMD-20200421002



### Déclaration de ISDE Canada

Cet appareil est conforme aux normes canadiennes relatives aux appareils numériques de Classe A.

Toute modification ou utilisation de ce produit en dehors de son utilisation prévue peut annuler la conformité avec ces normes.

La connexion à des interfaces HDMI doit être faite à l'aide de câbles HDMI blindés de qualité.

Cet équipement a été testé pour être en conformité avec une utilisation prévue dans un environnement commercial. Si cet équipement est utilisé dans un environnement domestique, il peut provoquer des interférences radio.

### Bluetooth®

La URSA Mini Pro est dotée de la technologie sans fil Bluetooth.

Contient un module émetteur identification FCC: QOQBGM113

Cet équipement est conforme aux limites de radiation de la FCC comme indiqué pour un environnement non contrôlé.

Contient un module émetteur IC : 5123A-BGM113

Ce produit est conforme aux normes RSS sans licence d'Industrie Canada et aux limites applicables à l'exemption de l'évaluation courante DAS comme mentionné dans la RSS-102 Issue 5.

Certifié pour le Japon, numéro de certification : 209-J00204. Cet équipement contient des équipements radioélectriques spécifiques qui ont obtenu la certification de la conformité aux réglementations techniques conformément à la Loi de la Radio.

Ce module est certifié en Corée du Sud, numéro de certification KC : MSIP CRM-BGT-BGM113

Par la présente, Blackmagic Design déclare que la URSA Mini Pro utilisant des systèmes de transmission à large bande dans la bande ISM de 2,45 GHz est conforme à la directive 2014/53/EU

Pour obtenir le texte intégral de la déclaration EU de conformité, veuillez nous contacter à l'adresse suivante : [compliance@blackmagicdesign.com](mailto:compliance@blackmagicdesign.com)

## Informations de sécurité

L'alimentation fournie AC vers 12V DC pour la Blackmagic URSA Mini, URSA Mini Pro et le câble d'alimentation IEC pour le Blackmagic Studio Fiber Converter doivent être connectés à une prise secteur équipée d'un conducteur de protection.

La Blackmagic URSA Mini, URSA Mini Pro et le Camera Fiber Converter peuvent être utilisés dans un climat tropical lorsque la température ambiante n'excède pas 40°C. Le Blackmagic Studio Fiber Converter peut être utilisé dans un climat tropical lorsque la température ambiante n'excède pas 50°C.

Veillez à ce que l'espace autour du produit soit suffisant afin de ne pas compromettre la ventilation du Blackmagic Studio Fiber Converter et du Blackmagic Camera Fiber Converter. Lorsque vous installez le Studio Fiber Converter sur rack, veillez à ce que la ventilation ne soit pas compromise par les autres équipements.

Les pièces de la Blackmagic URSA Mini, URSA Mini Pro, du Blackmagic Camera Fiber Converter et du Blackmagic Studio Fiber Converter ne sont pas réparables par l'opérateur. Toute opération d'entretien doit être effectuée par un centre de service Blackmagic Design.

### Déclaration de l'État de Californie

Ce produit est susceptible de vous exposer à des produits chimiques, dont des traces de polybromobiphényle dans les parties en plastique, reconnu par l'État de Californie comme étant responsable de cancers, d'anomalies congénitales ou d'autres effets nocifs sur la reproduction.

Pour de plus amples informations, veuillez vous rendre sur [www.P65Warnings.ca.gov](http://www.P65Warnings.ca.gov).

### Blackmagic URSA Mini and URSA Mini Pro

En cas d'ensoleillement, prenez soin de garder votre caméra à l'ombre. Évitez toute exposition de la caméra ou de la batterie en lithium à un ensoleillement prolongé. Gardez les batteries en lithium à l'abri des sources de chaleur.

Le connecteur DC 12V est compatible avec le Blackmagic URSA Viewfinder et le Blackmagic URSA Studio Viewfinder. Si vous utilisez ce connecteur pour d'autres accessoires, assurez-vous que la consommation d'énergie est inférieure à 18W.



### Blackmagic Studio Fiber Converter

Afin de réduire le risque de décharge électrique, ne pas éclabousser ou renverser de liquide sur cet appareil. Cet appareil doit être utilisé à une altitude inférieure à 2000 mètres.

### Blackmagic Camera Fiber Converter

N'utilisez pas le Blackmagic Camera Fiber Converter lorsque le Blackmagic Studio Fiber Converter n'est pas connecté. Dans des conditions normales d'utilisation, le convertisseur est conçu pour recevoir des tensions dangereuses du Blackmagic Studio Fiber Converter.

# Garantie

## Garantie limitée

Par la présente, Blackmagic Design garantit que ce produit sera exempt de défauts matériels et de fabrication pendant une durée de un an à compter de la date d'achat. Si un produit s'avère défectueux pendant la période de garantie, Blackmagic Design peut, à sa seule discrétion, réparer le produit défectueux sans frais pour les pièces et la main-d'œuvre, ou le remplacer.

Pour se prévaloir du service offert en vertu de la présente garantie, il vous incombe d'informer Blackmagic Design de l'existence du défaut avant expiration de la période de garantie, et de prendre les mesures nécessaires pour l'exécution des dispositions de ce service. Le consommateur a la responsabilité de s'occuper de l'emballage et de l'expédition du produit défectueux au centre de service nommé désigné par Blackmagic Design, en frais de port prépayé. Il incombe au consommateur de payer tous les frais de transport, d'assurance, droits de douane et taxes et toutes autres charges relatives aux produits qui nous auront été retournés, et ce quelle que soit la raison.

La présente garantie ne saurait en aucun cas s'appliquer à des défauts, pannes ou dommages causés par une utilisation inappropriée ou un entretien inadéquat ou incorrect. Selon les termes de cette garantie, Blackmagic Design n'a en aucun cas l'obligation : a) de réparer les dommages résultant de tentatives de réparations, d'installations ou tous services effectués par du personnel non qualifié par Blackmagic Design, b) de réparer tout dommage résultant d'une utilisation inadéquate ou d'une connexion à du matériel incompatible, c) de réparer tout dommage ou dysfonctionnement causés par l'utilisation de pièces ou de fournitures n'appartenant pas à la marque de Blackmagic Design, d) de examiner un produit qui a été modifié ou intégré à d'autres produits quand l'impact d'une telle modification ou intégration augmente les délais ou la difficulté d'examiner ce produit.

Exposer le viseur URSA Viewfinder directement à la lumière du soleil peut causer des dommages à l'écran du viseur, car les lentilles agissent comme une loupe. La rémanence ou les brûlures peuvent se produire sur les écrans OLED lorsque des images statiques ou des images fortement contrastées, tels que les repères de cadrage, sont affichées à l'écran pendant une période prolongée. Afin d'éviter tout désagrément, veillez à ce que le capteur infrarouge ne soit pas délibérément couvert et pensez à déconnecter le viseur lorsque celui-ci n'est pas utilisé pendant une période prolongée. La rémanence n'est pas couverte par la garantie du produit.

CETTE GARANTIE REMPLACE TOUTE GARANTIE EXPLICITE OU TACITE. BLACKMAGIC DESIGN ET SES REVENDEURS DÉCLINENT EXPRESSÉMENT TOUTE GARANTIE TACITE DE COMMERCIALISATION OU D'ADÉQUATION À UNE FIN PARTICULIÈRE. LA RESPONSABILITÉ DE BLACKMAGIC DESIGN DE RÉPARER OU REMPLACER UN PRODUIT S'AVÉRANT DÉFECTUEUX PENDANT LA PÉRIODE DE LA GARANTIE CONSTITUE LA TOTALITÉ ET LE SEUL RECOURS EXCLUSIF PRÉVU ET FOURNI AU CONSOMMATEUR. BLACKMAGIC DESIGN N'EST PAS RESPONSABLE DES DOMMAGES INDIRECTS, SPÉCIFIQUES, ACCIDENTELS OU CONSÉCUTIFS, INDÉPENDAMMENT DU FAIT QUE BLACKMAGIC DESIGN OU LE REVENDEUR AIENT ÉTÉ AVISÉS AU PRÉALABLE DE L'ÉVENTUALITÉ DE CES DOMMAGES. BLACKMAGIC DESIGN NE PEUT ÊTRE TENU POUR RESPONSABLE DE TOUTE UTILISATION ILLICITE DU MATÉRIEL PAR LE CONSOMMATEUR. BLACKMAGIC DESIGN N'EST PAS RESPONSABLE DES DOMMAGES RÉSULTANT DE L'UTILISATION DE CE PRODUIT. LE CONSOMMATEUR UTILISE CE PRODUIT À SES SEULS RISQUES.

© Copyright 2020 Blackmagic Design. Tous droits réservés. 'Blackmagic Design', 'URSA', 'DeckLink', 'HDLink', 'Workgroup Videohub', 'Multibrige Pro', 'Multibrige Extreme', 'Intensity' et 'Leading the creative video revolution' sont des marques déposées aux États-Unis et dans les autres pays. Tous les autres noms de société et de produits peuvent être des marques déposées des sociétés respectives auxquelles ils sont associés.

Le nom de la marque Bluetooth® ainsi que ses logos sont des marques déposées et sont la propriété de Bluetooth SIG, Inc. L'utilisation de ces marques par Blackmagic Design est sous licence. Les autres marques déposées et noms de marques appartiennent à leurs propriétaires respectifs.





Blackmagicdesign

# Installations- und Bedienungsanleitung **Blackmagic URSA Mini und URSA Mini Pro**

Beinhaltet Blackmagic URSA Viewfinder, URSA Studio Viewfinder, URSA Mini Shoulder Kit, URSA Mini Lens Mounts, Blackmagic Camera Fiber Converter, Studio Fiber Converter und URSA Mini Recorder

September 2020

Deutsch





## Willkommen

Vielen Dank, dass Sie sich zum Kauf einer Blackmagic URSA Mini entschieden haben!

Seit der Markteinführung unserer ersten Digitalfilmkamera genießen wir das Privileg, hervorragende Anregungen und bestes Feedback zu erhalten, wie für kein anderes unserer neuen Produkte jemals zuvor! Viele von uns sind in Bewunderung weltführender Filmemacher und DOPs aufgewachsen. Es war eine Ehre, uns mit einigen dieser legendären Experten stundenlang über zusätzliche Features für unsere Kameras auszutauschen. Tolle Tipps erhalten wir natürlich auch von diversen anderen Leuten, mit denen wir uns über unsere Kameras unterhalten.

Die URSA Mini kommt in einem superkleinen, leichten und robusten Metallgehäuse daher, in das wir unsere Sensoren mit einem unglaublich breiten Dynamikumfang gesteckt haben.

Die ansprechende Bedienoberfläche der URSA Mini ist für Solo-Bediener konzipiert und sorgt für einen zügigen, bequemen Zugriff auf alle Kamerafunktionen. Durch die umfassende Integration mit ATEM Bildmischern steht Live-Produktionsstudios jetzt die fulminante Bildqualität dieser Super-35mm-Digitalfilmkamera zur Verfügung. Sie können sogar die Blackmagic Fiber Converters verwenden. Mithilfe dieser lässt sich eine URSA Mini über ein einziges SMPTE-Glasfaserkabel mit Ihrem Live-Produktionsmischer verbinden.

Das Beste überhaupt, die URSA Mini gibt es mit einem 4K-Sensor, einem 4.6K-Sensor für einen noch breiteren Dynamikumfang oder dem revolutionären 12K-Sensor. Bei der Entwicklung unseres Blackmagic URSA Viewfinders haben wir uns die Vorschläge von Solo-Bedienern zu Herzen genommen. Er eignet sich perfekt für präziseres Arbeiten und wenn Sie von der Schulter drehen.

Neben einer weiter verbesserten Bildqualität bringt die URSA Mini Pro zusätzliche Funktionen, darunter ergonomische Bedienelemente, auswechselbare Objektivanschlüsse und interne ND-Filter. Wenn Sie sich mit EB-Kameras auskennen, dann werden Sie diese ergonomischen Bedienelemente und integrierten ND-Filter bestimmt sehr schätzen. Es freut uns auch, unseren Blackmagic-RAW-Codec vorzustellen. Er bietet Ihnen die Flexibilität der RAW-Bildbearbeitung in einer einzigen Datei und damit sehr viel mehr Leistung bei reduzierten Dateigrößen. Und das selbst beim Verarbeiten von beeindruckenden Bildern von der Blackmagic URSA Mini Pro 12K!

Wir hoffen, Sie werden mit Ihrer URSA Mini oder URSA Mini Pro spannende Filme und Fernsehprogramme sowie Musikvideos und Werbespots von Weltklasse kreieren. Wir sind sehr gespannt auf Ihre kreativen Werke und Ihr Feedback bezüglich weiterer Features für die URSA.

**Grant Petty**

CEO, Blackmagic Design

# Inhaltsverzeichnis

<b>Mit welcher Kamera arbeiten Sie?</b>	879	<b>Bedienung per Touchscreen</b>	946
URSA Mini Pro	880	Touchscreen	946
URSA Mini	881	Funktionsmerkmale des Touchscreens	946
<b>Erste Schritte</b>	881	<b>Einstellungen</b>	968
Anbringen eines Objektivs	881	Dashboard	968
Stromversorgung der Kamera	885	RECORD-Einstellungen	969
<b>Speichermedien</b>	888	Dateinamenkonventionen	975
CFast-Karten	888	MONITOR-Einstellungen	976
SD-Karten	892	AUDIO-Einstellungen	985
USB-C-Laufwerke	897	AUDIO-Einstellungen der URSA Mini	985
SSDs	899	AUDIO-Einstellungen der URSA Mini Pro	987
Datenträger für die Aufnahme vorbereiten	901	SETUP-Einstellungen	989
Datenträger mit der Blackmagic URSA Mini vorbereiten	901	PRESETS-Einstellungen	1003
Datenträger mit der Blackmagic URSA Mini Pro vorbereiten	903	LUTS-Einstellungen	1005
Medien für den Mac-Einsatz vorbereiten	904	<b>Eingabe von Metadaten</b>	1009
Medien für den Windows-Einsatz vorbereiten	905	<b>Einsatz von Servo-Zoom-Objektiven</b>	1015
<b>Aufzeichnen</b>	906	<b>Videoausgabe der Kamera</b>	1018
Aufzeichnen von Clips	906	HD-Monitoring-Ausgang	1018
Auswahl von Codec, Auflösung und Sensorfläche	906	12G-SDI-Ausgang	1018
Blackmagic RAW	908	<b>URSA Mini Shoulder Mount Kit</b>	1020
Aufzeichnen in Blackmagic RAW	909	Anbringen des Schulteraufgabe-Kits	1020
Auswählen der Framerate	911	Anbringen des Verlängerungsarms	1023
Trigger-Aufzeichnung	916	<b>Blackmagic URSA Viewfinder</b>	1024
Tabellenübersicht der Aufzeichnungsspannen	916	Anbringen und Anschließen des Viewfinders an die Blackmagic URSA	1024
Tabellenübersicht zu Datenraten für die URSA Mini Pro 12K	919	Anpassen der Sucherlupe	1025
<b>Wiedergabe</b>	922	Die Funktionen der Tasten	1025
Wiedergabe von Clips	922	Menü-Einstellungen	1026
<b>Die URSA Mini vorgestellt</b>	923	<b>Blackmagic URSA Studio Viewfinder</b>	1031
Kameravorderseite	924	Anbringen und Anschließen des Viewfinders an die Blackmagic URSA Mini	1032
URSA Mini – linke Kameraseite	925	Anpassen der Position des Blackmagic URSA Studio Viewfinders	1034
URSA Mini Pro – linke Kameraseite	925	Die Funktionen der Tasten	1037
Rechte Kameraseite	927	Menü-Einstellungen	1039
Kamerarückseite	928	<b>Anbringen von Akkus</b>	1044
Kameraoberseite	930	Anbringen von V-Mount- oder Gold-Mount-Akkus	1044
Kameraboden	930	Gebrauch eigener Akkuplatten	1045
<b>Bedienung der URSA Mini</b>	931	<b>Blackmagic Fiber Converters</b>	1047
Bedientasten	931	<b>Erste Schritte mit den Blackmagic Fiber Convertern</b>	1048
<b>Bedienelemente der URSA Mini Pro</b>	934	Über SMPTE-Glasfaser	1048
Frontbedienfeld	934	Anschließen von SMPTE-Glasfaser	1050
Linksseitiges Bedienfeld	938	Anschließen an einen ATEM Mischer	1053
Internes Bedienfeld	943		

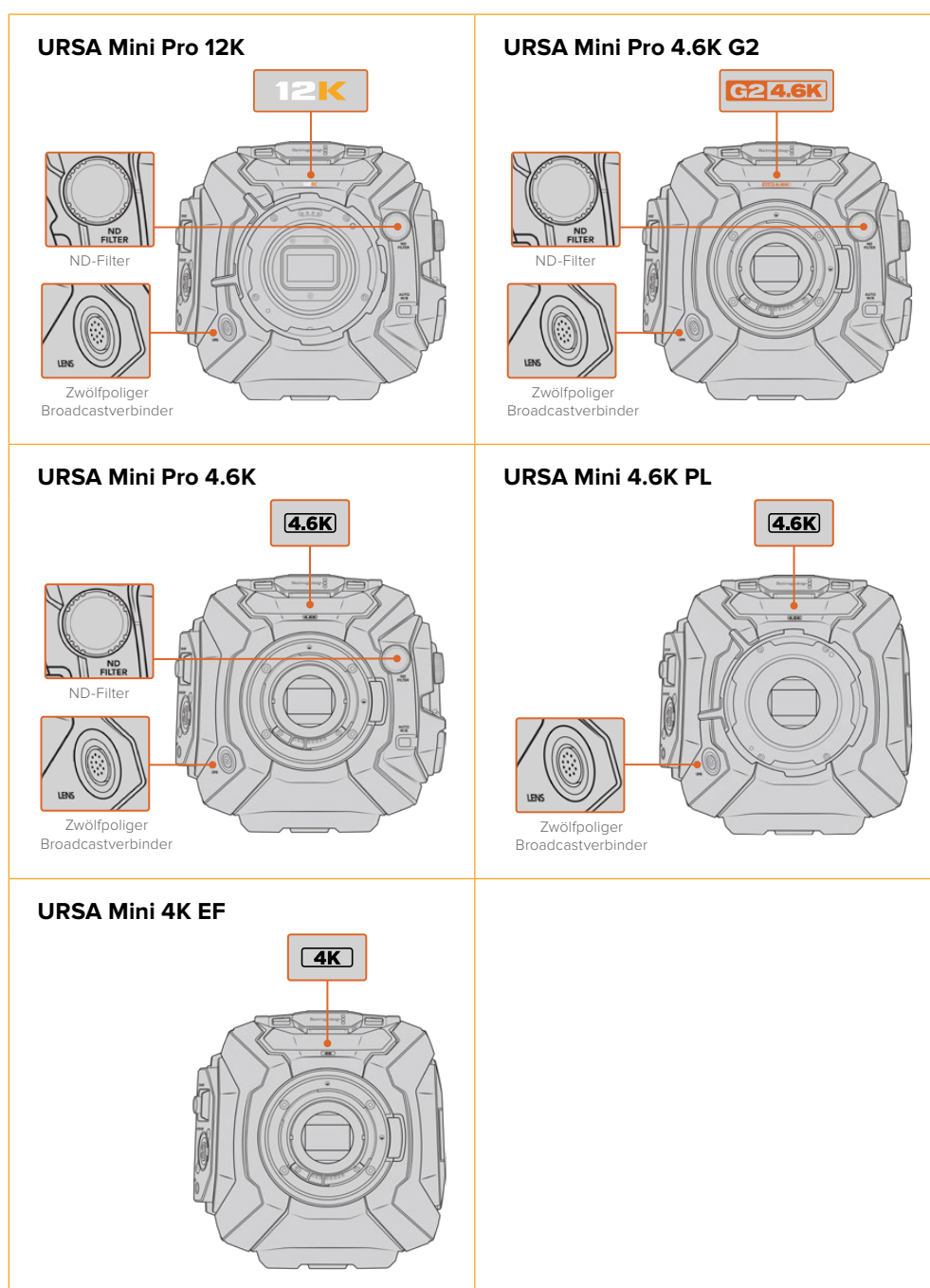
Warum sind die Anschlüsse an der Frontblende?	1054	<b>Verwendung von DaVinci Resolve</b>	1094
Anschließen von Kamera-SDI-Signalen	1055	Project Manager	1094
Anschließen von Return-SDI-Ausgabesignalen	1055	Schneiden im Cut-Arbeitsraum	1095
Installation des Blackmagic Camera Fiber Converters	1055	Einfügen von Clips in die Timeline	1098
Anbringen des URSA Studio Viewfinders	1058	Bearbeiten von Clips in der Timeline	1099
Anschließen eines Talkback-Headsets	1058	Hinzufügen von Titeln	1099
<b>Bedienung des Camera Fiber Converters</b>	1059	Arbeiten mit Blackmagic-RAW-Dateien	1100
Auswählen eines Return-Feeds	1059	Farbkorrektur von Clips im Color-Arbeitsraum	1103
Verwenden der CALL-Taste	1060	Hinzufügen eines Power Windows	1107
Arbeiten mit Talkback	1060	Arbeiten mit Plug-ins	1108
Arbeiten mit Tally	1061	Mixen von Ton	1109
Statusanzeigen	1061	Hinzufügen von VFX und Compositing im Fusion-Arbeitsraum	1114
Audioeingänge	1062	Mastern Ihres Schnitts	1122
IP-Video	1063	Quick Export	1122
Stromspezifikationen	1063	Der Deliver-Arbeitsraum	1123
Zusätzliche Bedienelemente	1064	<b>Betrieb als Studiokamera mit Software-Kamerasteuerung</b>	1124
<b>Bedienung des Studio Fiber Converters</b>	1065	Arbeiten mit Camera Control	1125
Verwenden des Menüs	1066	DaVinci Resolve Primary Color Corrector	1131
Rack-Montage des Studiokonverters	1069	<b>Blackmagic Camera Setup Dienstprogramm</b>	1134
<b>Anschlüsse des Kamerakonverters</b>	1073	<b>Arbeiten mit Fremdhersteller-Software</b>	1136
Stromanschlüsse des Kamerakonverters	1073	Arbeiten mit Dateien von CFast-2.0- und SD-Karten	1136
PTZ-Schnittstelle	1073	Arbeiten mit Dateien von SSDs	1137
Talkback-Anschluss	1074	Anwendung von Final Cut Pro X	1137
Tracker-Schnittstelle	1075	Anwendung von Avid Media Composer 2018	1138
DC Connection	1075	Anwendung von Adobe Premiere Pro CC	1139
D-Tap-Ausgang	1076	<b>Informationen für Entwickler (Englisch)</b>	1140
Referenz Ausgang und Bedienung	1076	Blackmagic Bluetooth Camera Control	1140
<b>Anschlüsse des Studiokonverters</b>	1077	Blackmagic SDI and Bluetooth Camera Control Protocol	1142
12G-SDI-Ausgang	1077	Example Protocol Packets	1149
Return-SDI-Eingänge	1077	Blackmagic Tally Control Protocol	1149
Referenzeingang und -ausgang	1078	<b>Blackmagic URSA Mini B4 Mount</b>	1152
Talkback-Schnittstelle	1078	<b>Feinjustierung von Objektivanschlüssen</b>	1154
PTZ-Schnittstelle	1080	Feinjustierung der URSA Mini PL	1154
Audioausgänge	1080	Feinjustierung der URSA Mini Pro	1156
<b>Aktualisieren der Produktsoftware</b>	1081	<b>URSA Mini Recorder</b>	1157
Aktualisieren des Blackmagic Camera Fiber Converters	1081	Installieren und Anschließen des URSA Mini Recorders	1158
Aktualisieren des Blackmagic Studio Fiber Converters	1081	Betrieb des URSA Mini Recorders	1160
<b>Wechselmounts</b>	1082	Aktualisieren der URSA Mini Recorder Produktsoftware	1161
Blackmagic URSA Mini Pro PL Mount	1084	<b>Hilfe</b>	1162
Blackmagic URSA Mini Pro F Mount	1086	<b>Gesetzliche Vorschriften</b>	1163
Blackmagic URSA Mini Pro EF Mount	1089	<b>Sicherheitshinweise</b>	1164
Blackmagic URSA Mini Pro B4 Mount	1091	<b>Garantie</b>	1165
Blackmagic URSA Mini Pro Shim Kit	1093		

# Mit welcher Kamera arbeiten Sie?

Im Verlauf dieses Handbuchs werden Ihnen gelegentlich Funktionen begegnen, die sich auf ein bestimmtes Blackmagic URSA Mini Kameramodell beziehen. Alle URSA Mini Kameras erzeugen sagenhafte Bilder mit einem breiten Dynamikumfang. Auch das Gehäuse ist vom Grundaufbau für alle Modelle gleich. Zwischen den einzelnen Modellen gibt es jedoch einige Unterschiede.

## Folgende Modelle sind erhältlich:

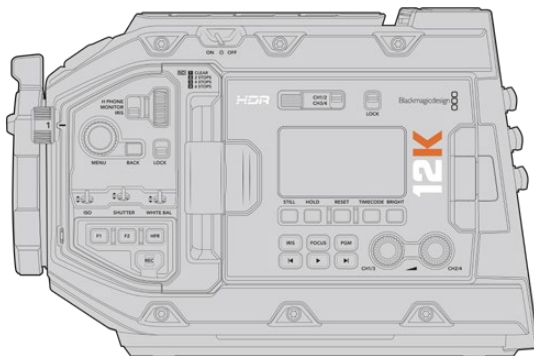
- URSA Mini Pro 12K
- URSA Mini Pro 4.6K G2
- URSA Mini Pro 4.6K
- URSA Mini 4.6K
- URSA Mini 4K



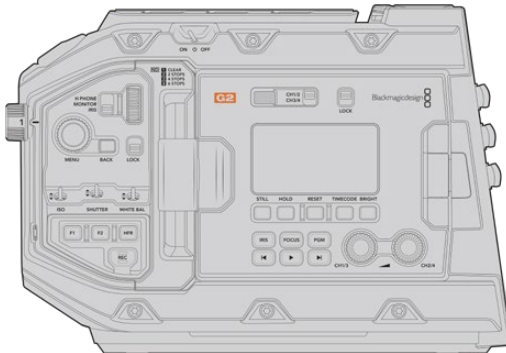
## URSA Mini Pro

Die URSA Mini Pro 12K ist mit einem PL-Mount ausgestattet. Die URSA Mini Pro 4.6K G2 und URSA Mini Pro 4.6K kommen mit einem EF-Mount. Der Objektivanschluss lässt sich auf allen URSA Mini Pro Kameras austauschen, um auch andere Objektivarten zu unterstützen. Weitere Informationen zum auswechselbaren Objektivanschluss finden Sie im Abschnitt „Wechselmounts“.

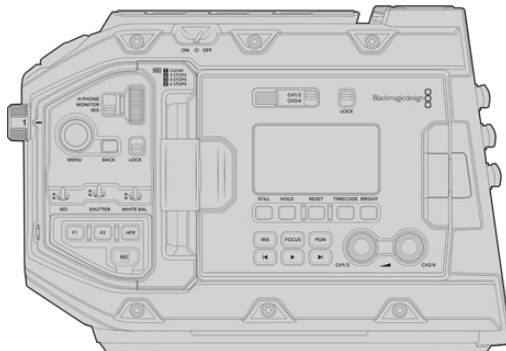
Die URSA Mini Pro ist leicht an ihren zusätzlichen Bedientasten und der LCD-Statusanzeige auf der linken Geräteseite sowie an den ND-Filtern nahe des Objektivanschlusses zu erkennen. Die URSA Mini Pro 4.6K G2 trägt zusätzlich zwei orangefarbene Schriftzüge. Vorne über dem Objektivanschluss steht „G2 4.6K“ und links vom externen Bedienfeld „G2“. Mit den extra Bedientasten erhalten Sie zusätzliche Optionen, mit denen Sie Ihre Kamera bedienen und Einstellungen ändern. Am seitlichen externen Bedienfeld der URSA Mini Pro 12K sind die Schriftzüge „12K“ und „HDR“ aufgedruckt. Am rückseitigen Bedienfeld der URSA Mini Pro 12K ist oben rechts über den SDI-Ports eine Kopfhörerbuchse vorhanden. Der USB-C-Port befindet sich in der unteren linken Ecke unter dem 12V-Stromanschluss.



URSA Mini Pro 12K – linke Kameraseite



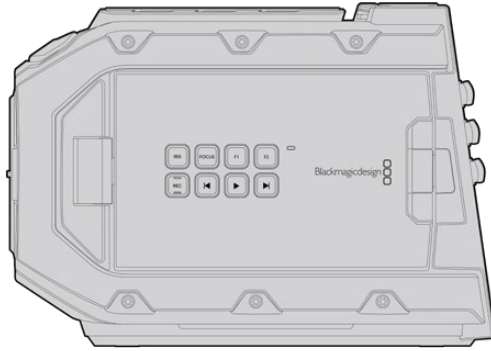
URSA Mini Pro 4.6K G2 – linke Kameraseite



URSA Mini Pro 4.6K – linke Kameraseite

## URSA Mini

Außer den verwendeten Sensoren sind die Modelle URSA Mini 4K und 4.6K so gut wie identisch. Die Bedientasten und Softwaremenüs sind gleich ausgelegt und auch die Bedienung unterscheidet sich kaum. Kameras, die den 4.6K-Sensor einsetzen, bieten schlicht ein paar mehr Optionen für die Auflösung sowie eine größere Auswahl an ISO-Einstellungen. Um festzustellen, mit welchem Sensor Ihre Kamera ausgestattet ist, schauen Sie einfach über dem Objektivanschluss nach dem Kürzel 4K oder 4.6K.



URSA Mini, Linksansicht

Wir möchten hier unbedingt erwähnt haben, dass die URSA Mini Kameras mit EF- und PL-Objektivanschlüssen erhältlich sind. Der Unterschied ist leicht erkennbar. Bei PL-Modellen befindet sich in Nähe des Objektivanschlusses ein 12-poliger Broadcastverbinder. Und natürlich unterscheiden sich die Objektivanschlüsse selbst, was für Benutzer von EF- und PL-Anschlussystemen nichts Neues ist. Näheres zu diesen Objektivanschlüssen finden Sie im Abschnitt „Erste Schritte“.

Nun können Sie die verschiedenen URSA Mini Modelle unterscheiden und sind bereit, mit Ihrer Kamera zu arbeiten!

## Erste Schritte

Die ersten Arbeitsschritte mit Ihrer Blackmagic URSA Mini sind einfach: Stecken Sie ein Objektiv auf und schalten Sie Ihre Kamera ein.

### Anbringen eines Objektivs

Zum Anbringen eines Objektivs gehen Sie bei allen URSA Mini Kameras gleich vor. Nur die Handhabung der EF-, PL-, B4- und F-Objektivanschlüsse ist etwas anders. Für alle Modelle gilt es zuerst die Staubschutzkappe abzunehmen.

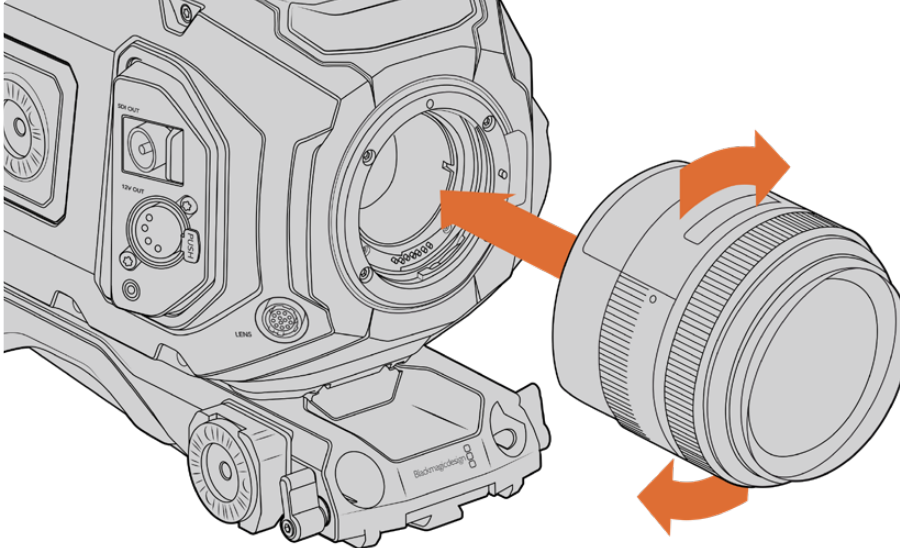
Halten Sie zum Entfernen der Verschlusskappe vom EF-Objektivanschluss die Verriegelungstaste gedrückt und drehen Sie dann die Kappe gegen den Uhrzeigersinn, bis sie sich löst. Drehen Sie bei Objektiven mit PL- oder B4-Mounts den Feststellring gegen den Uhrzeigersinn, bevor Sie die Staubschutzkappe vom Objektivanschluss entfernen. Halten Sie zum Entfernen der Verschlusskappe von einem F-Objektivanschluss die Verriegelungstaste gedrückt und drehen Sie die Kappe gegen den Uhrzeigersinn, bis sie sich löst.

**HINWEIS** Die Blackmagic URSA Mini Pro verfügt über einen Wechselmount. Mit dem entsprechenden Objektivanschluss versehen, kann man EF-, PL-, B4- oder F-Mount-Objektive mitsamt Zubehör auf die Kamera setzen. Weitere Informationen über das Wechseln von Objektivanschlüssen an der URSA Mini Pro finden Sie im Abschnitt „Wechselmounts“ in dieser Bedienungsanleitung.



**TIPP** Die URSA Mini Pro 12K ist mit einem PL-Mount ausgerüstet. Die anderen URSA Mini Pro Kameras sind frisch aus der Fabrik für EF-Objektive konfiguriert. Um direkt mit dem Filmen zu beginnen, schließen Sie das Objektiv einfach wie unten beschrieben an.

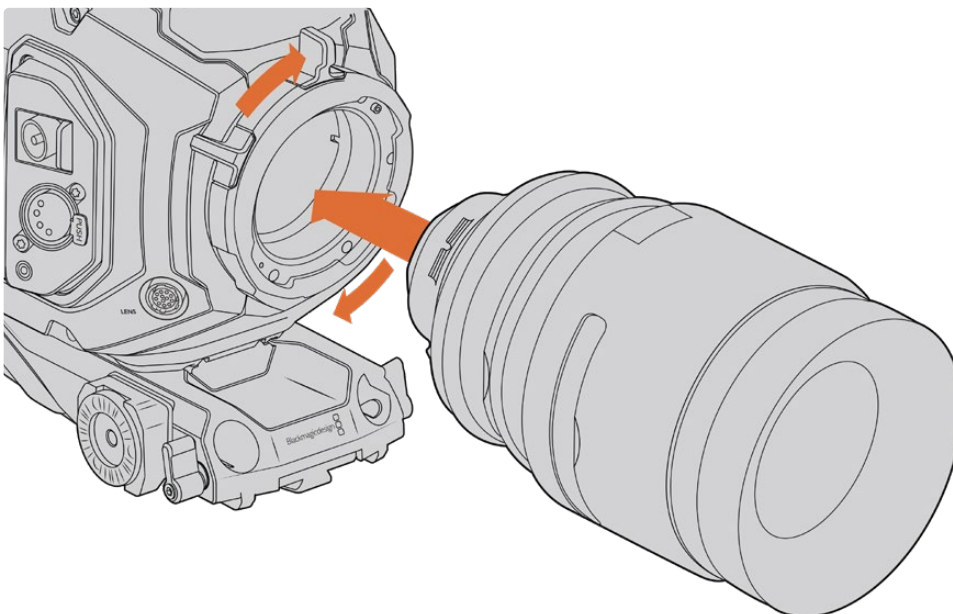
So bringen Sie ein EF-Mount-Objektiv an:



Anbringen oder Abnehmen eines EF-Mount-Objektivs bei der Blackmagic URSA Mini EF

- 1 Richten Sie den Punkt an Ihrem Objektiv auf den Punkt am Objektivanschluss der Kamera aus. Viele Objektive verfügen über einen blauen, roten oder weißen Punkt oder eine andere Ansetzmarkierung.
- 2 Stecken Sie das Objektiv auf den Mount und drehen Sie es im Uhrzeigersinn, bis es einrastet.
- 3 Halten Sie zum Abnehmen des Objektivs die Verriegelungstaste gedrückt und drehen Sie es gegen den Uhrzeigersinn, bis der Punkt bzw. die Ansetzmarkierung die 12-Uhr-Position erreicht hat. Nehmen Sie das Objektiv vorsichtig ab.

So bringen Sie ein PL-Mount-Objektiv an:



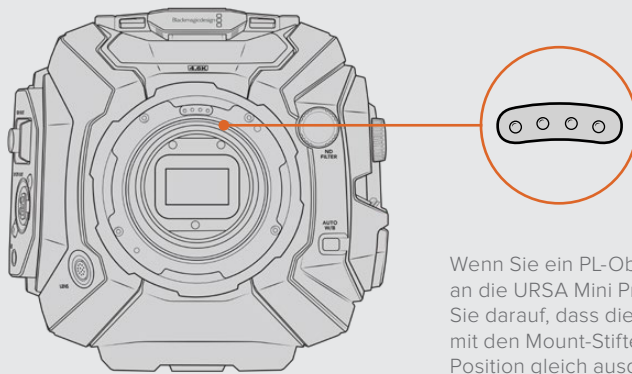
Anbringen und Abnehmen eines PL-Objektivs bei der Blackmagic URSA Mini PL und URSA Mini Pro 12K



- 1 Um den PL-Feststeller Ihrer Kamera zu lösen, drehen Sie diesen bis zum Anschlag gegen den Uhrzeigersinn.
- 2 Richten Sie eine der vier Flanschkerben Ihres Objektivs auf den Fixierstift am Bajonett Ihrer Kamera aus. Vergewissern Sie sich, dass Ihr Objektiv korrekt ausgerichtet ist und die Objektivmarkierungen gut sichtbar sind.
- 3 Drehen Sie den PL-Sperrring der Kamera im Uhrzeigersinn fest. Wenn Sie der URSA Mini PL oder URSA Mini Pro ein PL-Objektiv mit Servo aufstecken, können Sie auch den 12-poligen Broadcastverbinder für die Servosteuerung anschließen.
- 4 Zum Abnehmen des Objektivs drehen Sie den Verriegelungsring gegen den Uhrzeigersinn bis zum Anschlag und nehmen das Objektiv vorsichtig ab, indem Sie es direkt aus der Kamera herausziehen. Das Objektiv muss nicht abgedreht werden.

### URSA Mini Pro PL Mount

Der PL-Mount der URSA Mini Pro enthält vier Stifte auf der 12-Uhr-Position, um mit Objektivs zu kommunizieren, die über eine Schnittstelle des Typs Cooke /i Technology verfügen. Objektivs, die diese Schnittstelle unterstützen, gibt es von Canon, Cooke, Fujinon, Leica und Zeiss. Auf diese Weise können Sie Informationen zu Ihrem Objektiv wie z. B. Modell, Brennweite, Blendeneinstellungen, Fokusabstand und andere objektivspezifische Informationen in den Clipmetadaten aufzeichnen.



Wenn Sie ein PL-Objektiv mit /i Technology an die URSA Mini Pro anbringen, achten Sie darauf, dass die Objektivstifte mit den Mount-Stiften in der 12-Uhr-Position gleich ausgerichtet sind

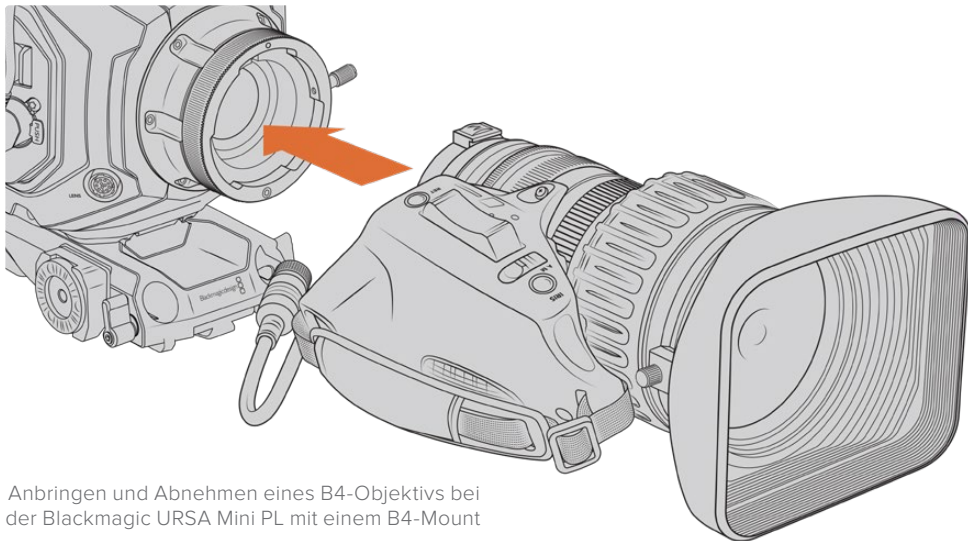
Informationen, die mittels /i-Technology von Cooke als Metadaten aufgezeichnet werden, sind besonders für die Postproduktion und visuelle Effekte nützlich. Wenn man die während einer Produktion verwendeten Objektivs und ihre genauen Einstellungen gut kennt, kann man ein Setup zu einem späteren Zeitpunkt leichter nachbauen.

Sehr genaue Informationen werden außerdem von leistungsstarken Applikationen wie DaVinci Resolve und Fusion von Blackmagic für eine breite Funktionspalette genutzt. Zum Beispiel lassen sich mit den erfassten Metadaten bestimmte 3D-Objektiveffekte simulieren oder Objektivverzerrungen korrigieren.

Die URSA Mini Pro und URSA Mini PL Modelle unterstützen die Steuerung von 35mm-PL-Objektivs mit Servo-Haltegriffen. Ist das Objektivkabel in den 12-poligen Broadcastverbinder der Kamera eingesteckt, versorgt die URSA Mini das Objektiv mit Strom und Steuersignalen, wie es auch bei B4-Objektivs der Fall ist. Näheres finden Sie im Abschnitt „Einsatz von Servo-Zoom-Objektivs“ in diesem Handbuch.

**HINWEIS** Ohne angebrachtes Objektiv liegt der den Sensor schützende Glasfilter frei und kann leicht durch Staub oder andere Ablagerungen verschmutzt werden. Belassen Sie die Staubschutzkappe deshalb möglichst ständig an der Kamera.

## So bringen Sie ein B4-Mount-Objektiv an:

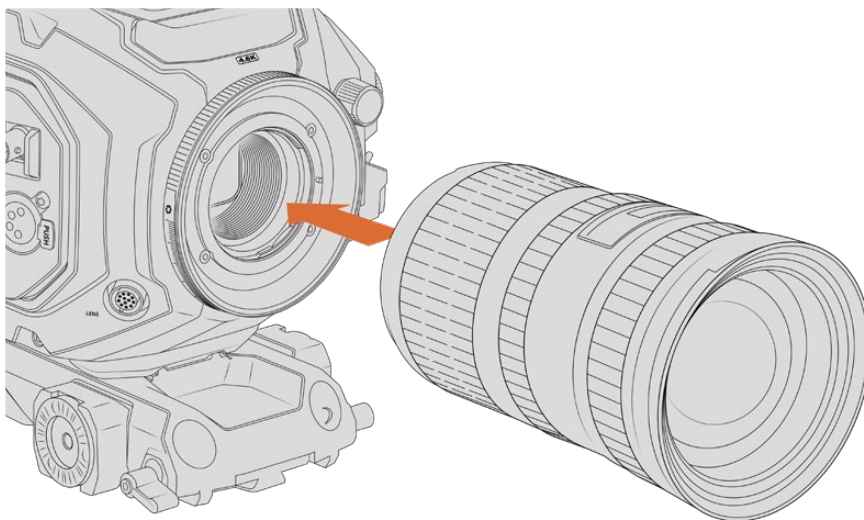


Anbringen und Abnehmen eines B4-Objektivs bei der Blackmagic URSA Mini PL mit einem B4-Mount

- 1** Drehen Sie den Sperrring des B4-Objektivs gegen den Uhrzeigersinn, bis Sie die Ausrichtungskerbe oben an der Innenseite des Objektivanschlusses sehen. Richten Sie das B4-Objektiv so auf den B4-Mount Ihrer URSA Mini aus, dass die objektivseitige Ausrichtungskerbe und der Ausrichtungsstift aufeinander treffen.
- 2** Halten Sie das Objektiv so gegen das B4-Bajonett, dass die Anschlussplatten aneinander liegen.  
Vergewissern Sie sich, dass der Ausrichtungsstift in der Kerbe eingerastet ist.
- 3** Drehen Sie den Sperrring im Uhrzeigersinn, um das Objektiv am Bajonett zu befestigen und zu verankern.
- 4** Um das Objektiv mit Strom zu versorgen und zu steuern, stecken Sie einfach das Objektivkabel in die mit „Lens“ gekennzeichnete Buchse vorne am Bajonett Ihrer URSA Mini PL oder URSA Mini Pro. Bei den meisten B4-Objektiven sind der Anschluss für den 12-poligen Steckverbinder und das Kabel integriert. So wird das Objektiv von der URSA Mini mit Strom versorgt und gesteuert.

Weitere Informationen zu den Objektivtypen mit B4-Mount und wie Sie diese Objektive mit Ihrer Kamera einsetzen, finden Sie im Abschnitt „Einsatz von Servo-Zoomobjektiven“.

## So bringen Sie ein F-Mount-Objektiv an:



Anbringen und Entfernen eines F-Mount-Objektivs bei einer URSA Mini Pro 4.6K mit optionalem F-Mount

- 1 Richten Sie den Punkt an Ihrem Objektiv auf den Punkt am Objektivanschluss der Kamera aus. Viele Objektive sind mit einer Ansetzmarkierung wie einem blauen, roten oder weißen Punkt versehen.
- 2 Stecken Sie das Objektiv auf den Objektivanschluss und drehen Sie es gegen den Uhrzeigersinn, bis es einrastet.
- 3 Halten Sie zum Abnehmen des Objektivs die Verriegelungstaste gedrückt, drehen Sie das Objektiv im Uhrzeigersinn, bis der Punkt bzw. die Ansetzmarkierung die 2-Uhr-Position erreicht hat. Nehmen Sie das Objektiv dann vorsichtig ab.

**HINWEIS** Der Blackmagic URSA Mini Pro F Mount verfügt über einen mechanischen Blendenregler. Für den Einsatz klassischer F-Mount-Objektive mit integrierten Fokussierringen an diesem Mount müssen Sie die Blende auf den kleinsten Öffnungswert, bspw.  $f/22$ , einstellen und fixieren. Näheres zum Einstellen der Blendenwerte anhand des manuellen Blendenreglers am F-Mount der Blackmagic URSA Mini Pro finden Sie im Abschnitt „Blackmagic URSA Mini Pro F Mount“ in diesem Handbuch.

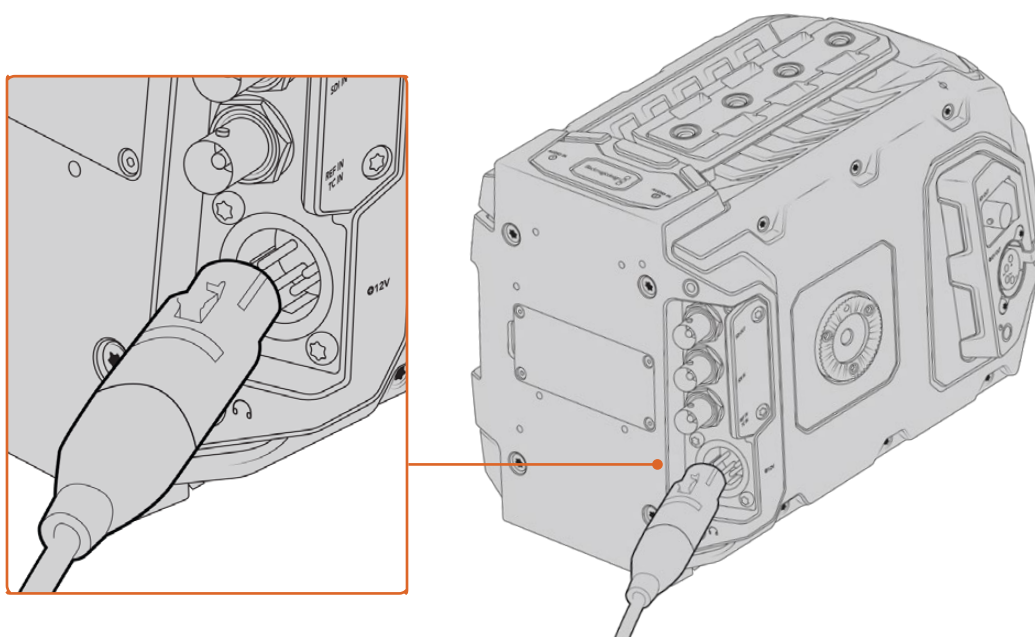
## Stromversorgung der Kamera

Nachdem Sie ein Objektiv angebracht haben, heißt es, Ihre Kamera mit Strom zu versorgen. Am schnellsten geht das, indem Sie Ihre Kamera über den mitgelieferten AC nach 12V DC-Adapter an eine externe Stromquelle anschließen.

So koppeln Sie die Kamera an eine externe Stromquelle:

- 1 Führen Sie den AC nach 12V DC-Adapterstecker in eine Netzstrom-Steckdose ein.
- 2 Stecken Sie den 4-poligen XLR-Verbinder des AC nach 12V DC-Adapters in die 12–20V-Strombuchse Ihrer Kamera.

Ist die Kamera gleichzeitig an eine externe Stromquelle und an Akkustrom angeschlossen, so wird nur die externe Stromzufuhr benutzt. Wenn dieser Akku geladen ist, schaltet Ihre Kamera unterbrechungsfrei auf Akkustrom um, sobald die externe Stromquelle entfernt wird.



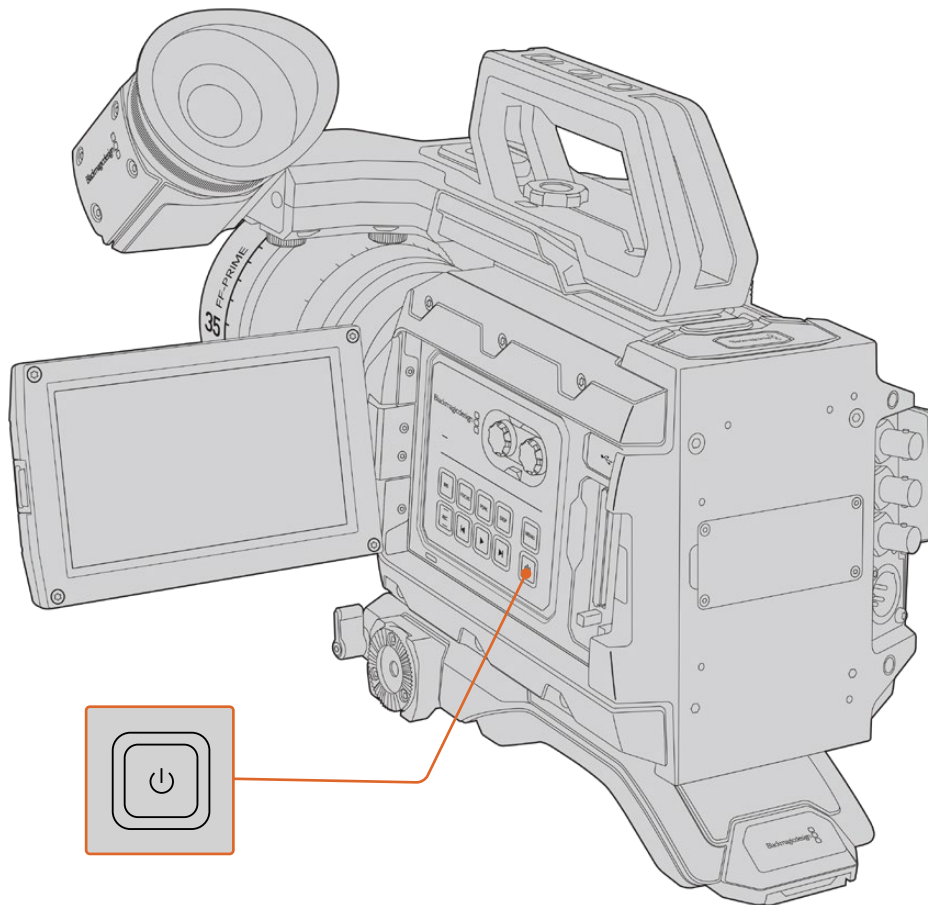
Speisen Sie Ihre Blackmagic URSA Mini über den mitgelieferten AC/DC-Wandler für 12V-Strom

Sie können Ihre URSA Mini mit branchenüblichen externen Fremdhersteller-Akkus der Macharten V-Mount oder Gold Mount betreiben. Im Abschnitt „Anbringen von Akkus“ wird erklärt, wie Sie für verschiedene Akkutypen die passende Akkutträgerplatte befestigen.

### So schalten Sie Ihre URSA Mini ein:

- 1 Drücken Sie die Ein-/Austaste und lassen Sie sie wieder los. Bei der Blackmagic URSA Mini befindet sich die Ein-/Austaste auf dem Bedienfeld hinter dem Ausklapp-LCD. Sie gelangen an das Bedienfeld, indem Sie einfach das LCD aufklappen.
- 2 Halten Sie die Ein-/Austaste gedrückt, um die Kamera auszuschalten.

Sie können nun CFast-2.0-Karten einlegen und mit dem Aufnehmen beginnen!

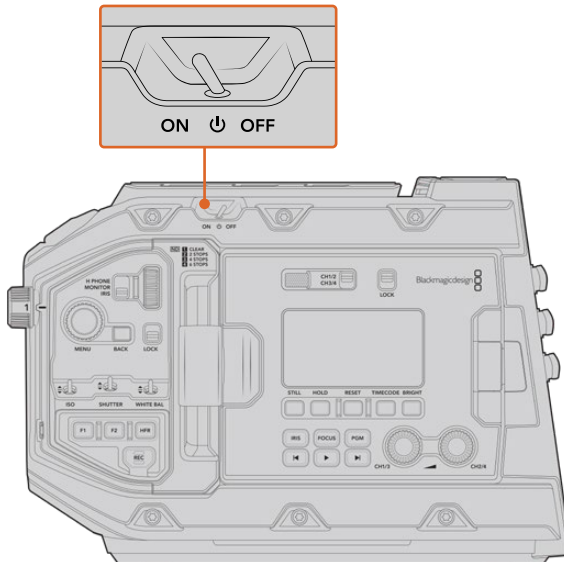


Schalten Sie Ihre URSA Mini ein, indem Sie den LCD-Touchscreen aufklappen und die Ein-/Austaste auf dem Bedienfeld drücken und loslassen. Halten Sie diese Taste gedrückt, um sie auszuschalten

**TIPP** Achten Sie beim Anschalten der Kamera darauf, die Ein-/Austaste zügig zu drücken und wieder loszulassen. Ihre Kamera braucht ungefähr zehn Sekunden, um hochzufahren. Es ist nicht nötig die Ein-/Austaste ein zweites Mal zu drücken. Zum Ausschalten drücken und halten Sie die Taste, bis sich die Kamera ausschaltet.

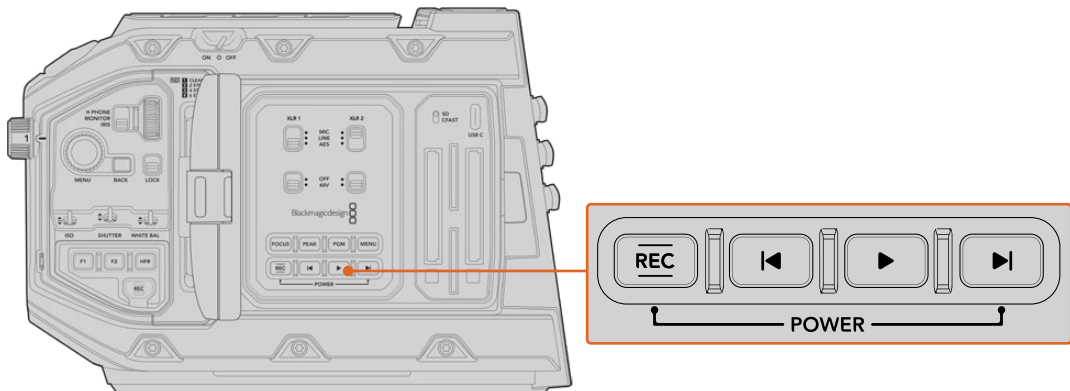
## So schalten Sie Ihre URSA Mini Pro ein:

- 1 Auf der Blackmagic URSA Mini Pro befindet sich auch über dem ausklappbaren LCD ein Ein-/Ausschalter. Stellen Sie den Schalter auf ON, um Ihre Kamera einzuschalten.
- 2 Um Ihre Kamera auszuschalten, stellen Sie den Schalter auf OFF.



Stellen Sie den Schalter auf ON, um Ihre Kamera einzuschalten

Die URSA Mini Pro verfügt auch über eine redundant ausgeführte Stromversorgungsschaltung. Sie ermöglicht das Einschalten Ihrer Kamera, indem Sie die rote Aufnahmetaste REC und die Vorlauftaste auf dem inneren Bedienfeld kurz gedrückt halten. Unter normalen Umständen verwenden Sie diese Methode natürlich nicht. Sie eignet sich jedoch, wenn der Ein-/Ausschalter oben am Gerät verdeckt ist, bspw. wenn die Kamera an einem Rig befestigt ist.



Falls erforderlich, können Sie die Kamera ein- und ausschalten, indem Sie die REC- und Vorlauftasten auf dem Bedienfeld hinter dem LCD kurz gedrückt halten

**TIPP** Wenn Ihre URSA Mini Pro ausgeschaltet ist, obwohl der Ein-/Ausschalter auf ON steht, wurde die Kamera möglicherweise über die Bluetooth®-Steuerung oder durch Gedrückthalten der Aufnahme- und Vorlauftaste auf dem Bedienfeld ausgeschaltet. Bringen Sie den Schalter einfach in die OFF- und erneut in die ON-Stellung oder halten Sie die entsprechenden Tasten auf dem Bedienfeld gedrückt, bis sich die Kamera wieder einschaltet.

# Speichermedien

Ihre Blackmagic URSA Mini Kamera bietet mehrere Optionen für Speichermedien. Alle URSA Mini Kameras zeichnen Video auf CFast-2.0-Karten auf. Die URSA Mini Pro Kameras können Video auch auf schnelle UHS-II- und UHS-I-SD-Karten aufzeichnen.

Für Aufzeichnungen auf hochschnelle Flash-Laufwerke oder mit einem optionalen URSA Mini Recorder auf speicherstarke Solid-State-Drives, kurz SSDs, verfügt die URSA Mini Pro G2 über einen USB-C-Port des Typs 3.1 Generation 1 und die URSA Mini Pro 12K über denselben Port-Typ in der Generation 2.

**HINWEIS** Der zum Einsatz mit der URSA Mini Pro 12K konzipierte URSA Mini Recorder ist auch mit der URSA Mini Pro 4.6K G2 kompatibel. Nicht kompatibel ist der Rekorder jedoch mit den Modellen URSA Mini Pro 4.6K, URSA Mini 4.6K und URSA Mini 4K. Einzelheiten zum Anschließen eines URSA Mini Recorders an Ihre Kamera finden Sie im Abschnitt „URSA Mini Recorder“.

## Wichtige Hinweise zur Geschwindigkeit von Datenträgern

Die Herstellerangaben zu Lese- und Schreibgeschwindigkeit von Speichermedien beruhen häufig auf den Höchstgeschwindigkeiten für kleinere Dateien wie bspw. Standbildern. Bei einem kontinuierlichen Fluss von hochschnellem Video stimmen diese Werte ggf. nicht genau.

Die nachstehenden Karten für die URSA Mini hat Blackmagic Design gründlich getestet. Verwenden Sie für eine verlässliche Aufzeichnung mit Ihren ausgewählten Framerraten darum nur die von Blackmagic Design empfohlenen Karten.

## CFast-Karten

CFast-2.0-Karten verarbeiten hohe Datenraten und sind damit perfekt für die Aufzeichnung von HD- und 4K-Video mit hohen Framerraten geeignet. Näheres zu den maximalen Framerraten eines jeden Formats finden Sie in der Aufzeichnungsdauer-Tabelle im Abschnitt „Aufzeichnen“.

**HINWEIS** Obwohl CFast-2.0-Karten in der Regel schnell sind, ist die Schreibgeschwindigkeit mancher Karten geringer als die Lesegeschwindigkeit. Zudem können die Datendurchsatzraten zwischen den unterschiedlichen Modellen variieren. Benutzen Sie für eine zuverlässige Aufzeichnung in den gewünschten Framerraten ausschließlich die in diesem Abschnitt empfohlenen Karten.

## Einlegen einer CFast-Karte

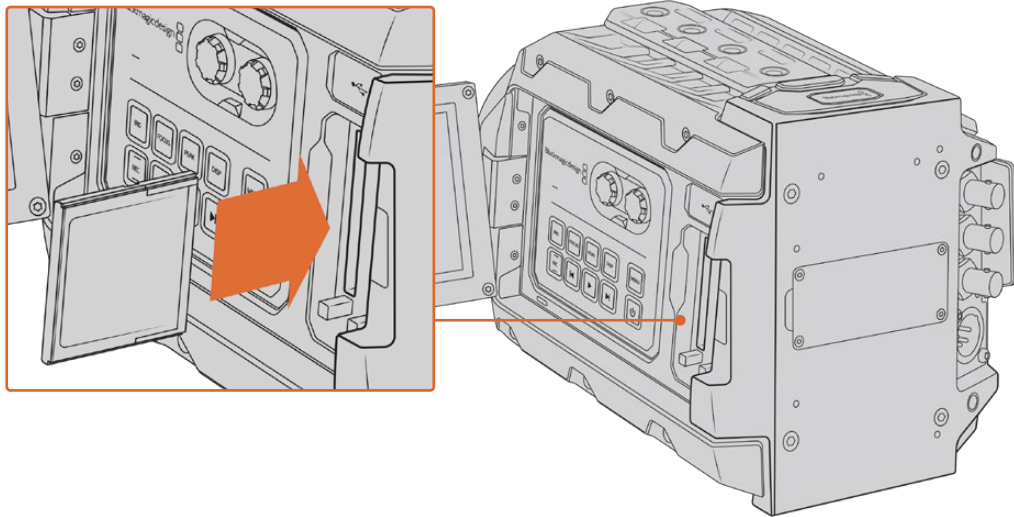
Benutzer einer URSA Mini Pro können auf CFast- oder SD-Karten aufzeichnen. Bevor Sie auf CFast-Karten aufzeichnen, müssen Sie Ihre Kamera entsprechend einstellen. Setzen Sie hierfür den Speichermedienschalter über den Kartenschächten in die CFAST-Position.



### So legen Sie eine CFast-Karte ein:

- 1 Klappen Sie den Monitor aus, um an die CFast-Kartenschächte zu gelangen.
- 2 Schieben Sie die CFast-Karte in den CFast-Kartenschacht, bis sie einrastet. Die Karte sollte sich ohne übermäßigen Kraftaufwand einführen lassen. Drücken Sie die CFast-Auswurfaste, um die Karte auszugeben.

Die Speicherangabe am unteren Rand des LCD-Touchscreens zeigt die Bezeichnung der erkannten CFast-Karten und die auf ihnen verbleibende Zeit an.



Die Blackmagic URSA Mini hat zwei CFast-Steckplätze für unterbrechungsfreies Aufnehmen

### Auswahl einer CFast-2.0-Karte

Beim Verarbeiten von Videomaterial mit hohen Datenübertragungsraten will genau überlegt sein, welchen Typ von CFast-Karte man verwendet. Dies begründet sich durch die unterschiedlichen Lese- und Schreibgeschwindigkeiten von CFast-2.0-Karten. Die nachstehenden Tabellen führen die empfohlenen CFast-Karten auf.

#### Welche CFast-Karten sollte ich mit der Blackmagic URSA Mini Pro 12K einsetzen?

Für Aufzeichnungen in 12K DCI Blackmagic RAW 18:1 und 8K DCI Blackmagic RAW 8:1 bei bis zu 60 fps werden folgende CFast-2.0-Karten empfohlen:

Marke	Kartenname	Speicher
Angelbird	AV Pro CF	128 GB
Angelbird	AV Pro CF	256 GB
Angelbird	AV Pro CF	512 GB
Angelbird	AV Pro CF	1 TB
ExAscend	Essential	512 GB
ExAscend	Essential	1 TB
FreeTail	Evoke Pro 3700x	128 GB
FreeTail	Evoke Pro 3700x	256 GB
FreeTail	Evoke Pro 3700x	512 GB
FreeTail	Evoke Pro 3700x	1 TB



Marke	Kartenname	Speicher
KomputerBay	x3400 CFast 2.0	128 GB
ProGrade Digital	550MB/s CFast 2.0	256 GB
ProGrade Digital	550MB/s CFast 2.0	512 GB
SanDisk	Extreme Pro CFast 2.0 SDCFSP-128G-x46D	128 GB
Wise	CFast 2.0 3400x	256 GB
Wise	CFast 2.0 3500x	512 GB
Wise	CFast 2.0 3500x	1 TB

### Welche CFast-Karten sollte ich mit Blackmagic URSA Mini und URSA Mini Pro Kameras einsetzen?

Für Aufzeichnungen in Blackmagic RAW 3:1 bei 4,6K mit bis zu 60 fps werden folgende CFast-2.0-Karten empfohlen:

Marke	Kartenname	Speicher
Angelbird	AV Pro CF	128 GB
Angelbird	AV Pro CF	256 GB
Angelbird	AV Pro CF	512 GB
Angelbird	AV Pro CF	1 TB
CinediskPro	510MB/s CFast 2.0	256 GB
FreeTail	Evoke Pro 3700x	128 GB
FreeTail	Evoke Pro 3700x	256 GB
FreeTail	Evoke Pro 3700x	512 GB
FreeTail	Evoke Pro 3700x	1 TB
Hagiwara Solutions	CFast 2.0 DC-SMAN64GA	64 GB
Hagiwara Solutions	CFast 2.0 DC-SMANA1GA	128 GB
KomputerBay	3600x CFast 2.0 Card	64 GB
ProGrade Digital	550MB/s CFast 2.0	64 GB
ProGrade Digital	550MB/s CFast 2.0	128 GB
ProGrade Digital	550MB/s CFast 2.0	256 GB
ProGrade Digital	550MB/s CFast 2.0	512 GB
SanDisk	Extreme Pro CFast 2.0 SDCFSP-128G-x46D	128 GB
SanDisk	Extreme Pro CFast 2.0 SDCFSP-256G-x46D	256 GB
SanDisk	Extreme Pro CFast 2.0 SDCFSP-512G-x46D	512 GB
Sony	CFast 2.0 G Series CAT-G64	64 GB
Sony	CFast 2.0 G Series CAT-G128	128 GB

Marke	Kartename	Speicher
Transcend	CFX650 CFast 2.0 TS128GCFX650	128 GB
Transcend	CFX650 CFast 2.0 TS256GCFX650	256 GB
Transcend	CFX650 CFast 2.0 TS128GCFX650BM	128 GB
Transcend	CFX650 CFast 2.0 TS256GCFX650BM	256 GB
Wise	CFast 2.0 3400x	256 GB
Wise	CFast 2.0 3500x	512 GB

Für Aufzeichnungen in ProRes 422 HQ bei 2160p mit bis zu 60 fps werden folgende CFast-2.0-Karten empfohlen:

Marke	Kartename	Speicher
Angelbird	AV Pro CF	128 GB
Angelbird	AV Pro CF	256 GB
Angelbird	AV Pro CF	512 GB
Angelbird	AV Pro CF	1 TB
Angelbird	AV Pro CF XT	256 GB
Angelbird	AV Pro CF XT	512 GB
CinediskPro	510MB/s CFast 2.0	256 GB
Hagiwara Solutions	DC-SMAN64GA	64 GB
Hagiwara Solutions	DC-SMANA1GA	128 GB
KomputerBay	3600x CFast 2.0 Card	64 GB
KomputerBay	3700x CFast 2.0 Card	256 GB
ProGrade Digital	550MB/s CFast 2.0	128 GB
ProGrade Digital	550MB/s CFast 2.0	256 GB
ProGrade Digital	550MB/s CFast 2.0	512 GB
SanDisk	Extreme Pro CFast 2.0 SDCFSP-128G-x46D	128 GB
SanDisk	Extreme Pro CFast 2.0 SDCFSP-256G-x46D	256 GB
SanDisk	Extreme Pro CFast 2.0 SDCFSP-512G-x46D	512 GB
Silicon Power	CFX310	256 GB
Sony	CFast 2.0 G Series CAT-G64	64 GB
Sony	CFast 2.0 G Series CAT-G128	128 GB
Transcend	CFX650 CFast 2.0 TS128GCFX650	128 GB
Transcend	CFX650 CFast 2.0 TS256GCFX650	256 GB

Marke	Kartenname	Speicher
Transcend	CFX650 CFast 2.0 TS128GCFX650BM	128 GB
Transcend	CFX650 CFast 2.0 TS256GCFX650BM	256 GB
Wise	CFast 2.0 3400x	128 GB
Wise	CFast 2.0 3400x	256 GB
Wise	CFast 2.0 3500x	512 GB

Bitte informieren Sie sich über die aktuellsten Angaben zu empfohlenen CFast-Karten für die Blackmagic URSA Mini im Blackmagic Design Support-Center unter [www.blackmagicdesign.com/de/support](http://www.blackmagicdesign.com/de/support).

**HINWEIS** Es sind nur SanDisk CFast-2.0-Karten der D-Reihe für den Einsatz mit der Blackmagic URSA Mini zertifiziert. Sie erkennen diese Karten an dem großen „D“ unten links auf der Kartenrückseite. Zudem haben wir die Modellnummern aufgelistet, damit die Karten leichter identifiziert werden können. Die Modellnummer kann von Region zu Region variieren. Entsprechend werden anstelle des „X“ in den verschiedenen Märkten andere Buchstaben verwendet. In den Vereinigten Staaten von Amerika wird z. B. ein „A“ verwendet, im asiatisch-pazifischen und europäischen Raum ein „G“.

## SD-Karten

Zusätzlich zu CFast-2.0-Karten kann die URSA Mini Pro auch auf extrem schnelle UHS-I- und UHS-II-SD-Karten aufzeichnen. Unter Verwendung von hochwertigen SDXC-UHS-II-Karten können Sie selbst Ultra-HD-Inhalte in ProRes HQ in 2160p aufzeichnen.

SD-Karten ermöglichen außerdem den Einsatz von erschwinglicheren Speichermedien, wenn Sie komprimierte Videoformate in HD drehen. SDXC und SDHC sind weit verbreitete Speicherformate, die Benutzer von Standbild- und Videokameras verwenden.

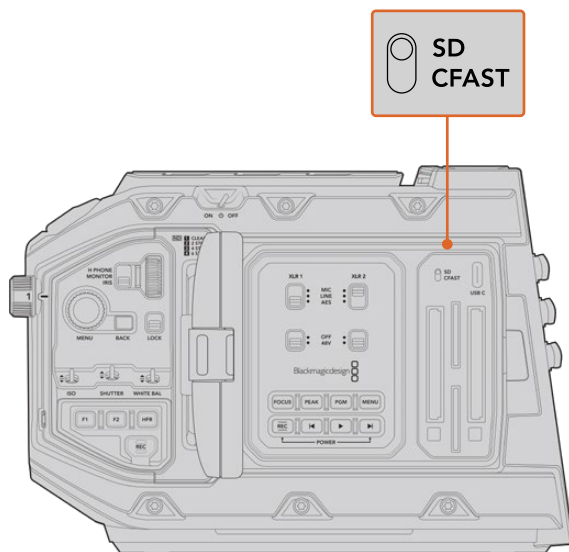
Falls Sie bereits mit einer DSLR oder einer Blackmagic Micro Cinema Camera, Pocket Cinema Camera 4K Video gefilmt oder einen Blackmagic Video Assist verwendet haben, besitzen Sie wahrscheinlich bereits kompatible SD-Karten.

Für Projekte, die keine hochauflösten Blackmagic-RAW-Dateien erfordern, oder über lange Zeiträume aufgezeichnet werden, bieten SD-Karten ggf. eine preiswerte Alternative. SD-Karten mit geringer Leistung und Geschwindigkeit eignen sich auch für das Speichern und Laden von LUTs und Presets.

### Einlegen einer SD-Karte

#### So schieben Sie eine SD-Karte ein:

- 1 Klappen Sie den Monitor aus, um an die SD-Kartenschächte zu gelangen. Dabei handelt es sich um die kleinen Steckplätze zwischen den CFast-Kartenschächten.
- 2 Stellen Sie den Speichermedienschalter über den Kartenschächten auf SD.
- 3 Halten Sie die SD-Karte mit der Beschriftung vom Touchscreen abgewandt und schieben Sie die Karte ein, bis sie spürbar einrastet. Um die SD-Karte zu entfernen, drücken Sie die Karte in Richtung Schacht, bis sie ausgeworfen wird.
- 4 Die Speicherangabe am unteren Rand des LCD-Touchscreens zeigt die Bezeichnung der erkannten Karten und die auf ihnen verbleibende Zeit an.



Wenn Sie mit der URSA Mini Pro 4.6K auf SD-Karten aufzeichnen, sorgen Sie dafür, dass Ihr Auswahlschalter auf SD steht

## Auswahl einer schnellen SD-Karte

Für Ultra-HD-Aufnahmen auf der Blackmagic URSA Mini Pro empfehlen wir, die schnellsten Hochgeschwindigkeits-SD-Karten des Typs UHS-II zu verwenden. Es ist wichtig, für die Aufzeichnung in Ultra HD und HD schnelle UHS-II-SD-Karten zu verwenden. Wenn Sie ausschließlich in HD aufzeichnen, eignen sich auch UHS-1-Karten. Die für hohe Datenraten konzipierten Karten bieten größere Speicherkapazitäten. Allgemein gilt: Je schneller die Karte, desto besser. Weitere Informationen finden Sie in der SD-Karten-Tabelle weiter unten in diesem Abschnitt.

Vor Gebrauch müssen Sie Ihre Karten entweder in HFS+ oder exFAT formatieren. Sie können Ihre Datenträger in der Speicherverwaltung der Kamera oder mit Ihrem Computer formatieren. Weitere Informationen finden Sie unter „Datenträger für die Aufnahme vorbereiten“ in diesem Handbuch.

Sie können Ihre Karten auch mit einem Mac- oder Windows-Computer formatieren. Wer seine Datenträger auf einem Mac benutzt, verwendet das Mac-Datenträgerformat HFS+. Wer unter Windows arbeitet, sollte das Windows-Datenträgerformat exFAT verwenden. Dieses Format können jedoch auch Mac-Computer lesen.

Die für das Filmen mit der Blackmagic URSA Mini Pro empfohlenen SD-Karten sind in den nachstehenden Tabellen aufgeführt. Sehen Sie in der aktuellsten Ausgabe dieses Handbuchs regelmäßig nach den neuesten Infos. Die aktuellste Version dieses Handbuchs steht zum Herunterladen auf der Blackmagic Design Website unter [www.blackmagicdesign.com/de/support](http://www.blackmagicdesign.com/de/support) bereit.

**HINWEIS** Wenn Sie mit Ihrer URSA Mini bei hohen Bildwechselraten oder in Ultra HD filmen, empfehlen wir CFast-2.0- oder SD-UHS-II-Speichermedien, die generell schneller als SD-UHS-I-Medien und mit mehr Speicherkapazität verfügbar sind.

Aktuellste Informationen zu empfohlenen SD-Karten für die URSA Mini Pro 12K finden Sie im Blackmagic Design Support Center unter [www.blackmagicdesign.com/de/support](http://www.blackmagicdesign.com/de/support).

### Welche SD-Karten sollte ich mit der Blackmagic URSA Mini Pro 12K einsetzen?

Für Aufzeichnungen in 12K DCI Blackmagic RAW 12:1 bei bis zu 24 fps werden folgende SD-Karten empfohlen:

Marke	Kartenname	Speicher
ProGrade Digital	V90 UHS-II 300MB/s SDXC	64 GB
ProGrade Digital	V90 UHS-II 300MB/s SDXC	128 GB
ProGrade Digital	V90 UHS-II 300MB/s SDXC	256 GB
Sony	Tough SF-G64 300MB/s UHS-II SDXC	64 GB
Sony	Tough SF-G128 300MB/s UHS-II SDXC	128 GB

Für Aufzeichnungen in 8K DCI Blackmagic RAW 18:1 bei bis zu 60 fps werden folgende SD-Karten empfohlen:

Marke	Kartenname	Speicher
Angelbird	AV Pro MK2 V90 SDXC	256 GB
ProGrade Digital	V90 UHS-II 300MB/s SDXC	64 GB
ProGrade Digital	V90 UHS-II 300MB/s SDXC	128 GB
ProGrade Digital	V90 UHS-II 300MB/s SDXC	256 GB
Sony	Tough SF-G64 300MB/s UHS-II SDXC	64 GB
Sony	Tough SF-G128 300MB/s UHS-II SDXC	128 GB
Wise	285MB/s UHS-II SDXC	64 GB
Wise	285MB/s UHS-II SDXC	128 GB

### Welche SD-Karten sollte ich mit der URSA Mini Pro einsetzen?

Für Aufzeichnungen in Blackmagic RAW 12:1 bei 4K DCI mit bis zu 30 fps werden folgende SD-Karten empfohlen:

Marke	Kartenname	Speicher
Angelbird	AV Pro 300MB/s UHS-II SDXC	64 GB
Angelbird	AV Pro 300MB/s UHS-II SDXC	128 GB
Lexar	Professional 2000x UHS-II 300MB/s SDXC	64 GB
Lexar	Professional 1000x UHS-II 150MB/s SDXC	64 GB
SanDisk	Extreme Pro UHS-I 95MB/s SDXC	64 GB
SanDisk	Extreme Pro UHS-I 95MB/s SDXC	128 GB
SanDisk	Extreme Pro UHS-I 95MB/s SDXC	256 GB
SanDisk	Extreme Pro UHS-I 95MB/s SDXC	512 GB
SanDisk	Extreme Pro UHS-II 280MB/s SDXC	64 GB

Marke	Kartename	Speicher
SanDisk	Extreme Pro UHS-II 300MB/s SDHC	32 GB
SanDisk	Extreme Pro UHS-II 300MB/s SDXC	128 GB
Sony	SF-G64 300MB/s UHS-II SDXC	64 GB
Sony	SF-G128 300MB/s UHS-II SDXC	128 GB
Toshiba	Exceria Pro UHS-II 270MB/s SDXC	64 GB
Toshiba	Exceria Pro UHS-II 270MB/s SDXC	128 GB
Toshiba	Exceria Pro UHS-II N502 SDHC	32 GB
Toshiba	Exceria Pro UHS-II N502 SDXC	64 GB
Toshiba	Exceria Pro UHS-II N502 SDXC	128 GB
Toshiba	Exceria Pro UHS-II N502 SDXC	256 GB
Transcend	Ultimate UHS-II 180MB/s SDXC	64 GB
Wise	285MB/s UHS-II SDXC	64 GB
Wise	285MB/s UHS-II SDXC	128 GB

Für ProRes-422-HQ-Aufzeichnungen bei 2160p bis 30 fps werden folgende SD-Karten empfohlen:

Marke	Kartename	Speicher
Angelbird	AV Pro 300MB/s UHS-II SDXC	64 GB
Angelbird	AV Pro 300MB/s UHS-II SDXC	128 GB
Delkin Devices	UHS-II 250MB/s SDHC	32 GB
ProGrade Digital	V90 UHS-II 250MB/s SDXC	128 GB
SanDisk	Extreme Pro UHS-II 280MB/s SDHC	32 GB
SanDisk	Extreme Pro UHS-II 280MB/s SDXC	64 GB
SanDisk	Extreme Pro UHS-II 300MB/s SDHC	32 GB
SanDisk	Extreme Pro UHS-II 300MB/s SDXC	128 GB
Sony	SF-G64 300MB/s UHS-II SDXC	64 GB
Sony	SF-G128 300MB/s UHS-II SDXC	128 GB
Toshiba	Exceria Pro UHS-II 270MB/s SDXC	64 GB
Toshiba	Exceria Pro UHS-II N502 SDHC	32 GB
Toshiba	Exceria Pro UHS-II N502 SDXC	64 GB
Toshiba	Exceria Pro UHS-II N502 SDXC	128 GB
Toshiba	Exceria Pro UHS-II N502 SDXC	256 GB
Transcend	Ultimate UHS-II 180MB/s SDXC	64 GB
Wise	285MB/s UHS-II SDXC	64 GB
Wise	285MB/s UHS-II SDXC	128 GB

Für ProRes-422-HQ-Aufzeichnungen bei 1080p bis 60 fps werden folgende SD-Karten empfohlen:

Marke	Kartenname	Speicher
Angelbird	AV Pro 300MB/s UHS-II SDXC	64 GB
Angelbird	AV Pro 300MB/s UHS-II SDXC	128 GB
Delkin Devices	UHS-II 250MB/s SDHC	32 GB
Lexar	Professional 2000x UHS-II 300MB/s SDHC	32 GB
Lexar	Professional 2000x UHS-II 300MB/s SDXC	64 GB
Lexar	Professional 1000x UHS-II 150MB/s SDXC	64 GB
ProGrade Digital	V90 UHS-II 250MB/s SDXC	128 GB
ProGrade Digital	V60 UHS-II 200MB/s SDXC	64 GB
ProGrade Digital	V60 UHS-II 200MB/s SDXC	128 GB
SanDisk	Extreme Pro UHS-I 95MB/s SDXC	64 GB
SanDisk	Extreme Pro UHS-I 95MB/s SDXC	128 GB
SanDisk	Extreme Pro UHS-I 95MB/s SDXC	256 GB
SanDisk	Extreme Pro UHS-I 95MB/s SDXC	512 GB
SanDisk	Extreme Pro UHS-II 280MB/s SDHC	32 GB
SanDisk	Extreme Pro UHS-II 280MB/s SDXC	64 GB
SanDisk	Extreme Pro UHS-II 300MB/s SDXC	64 GB
SanDisk	Extreme Pro UHS-II 300MB/s SDXC	128 GB
Sony	SF-G64 300MB/s UHS-II SDXC	64 GB
Sony	SF-G128 300MB/s UHS-II SDXC	128 GB
Toshiba	Exceria Pro UHS-II 270MB/s SDXC	64 GB
Toshiba	Exceria Pro UHS-II 270MB/s SDXC	128 GB
Toshiba	Exceria Pro UHS-II 270MB/s SDXC	256 GB
Toshiba	Exceria Pro UHS-II N502 SDHC	32 GB
Toshiba	Exceria Pro UHS-II N502 SDXC	64 GB
Toshiba	Exceria Pro UHS-II N502 SDXC	128 GB
Toshiba	Exceria Pro UHS-II N502 SDXC	256 GB
Transcend	Ultimate UHS-II 180MB/s SDXC	64 GB
Wise	285MB/s UHS-II SDXC	64 GB
Wise	285MB/s UHS-II SDXC	128 GB

Aktuellste Informationen zu unterstützten SD-Karten für die URSA Mini Pro finden Sie im Blackmagic Design Support Center unter [www.blackmagicdesign.com/de/support](http://www.blackmagicdesign.com/de/support).



## SD-Karten sperren und entsperren

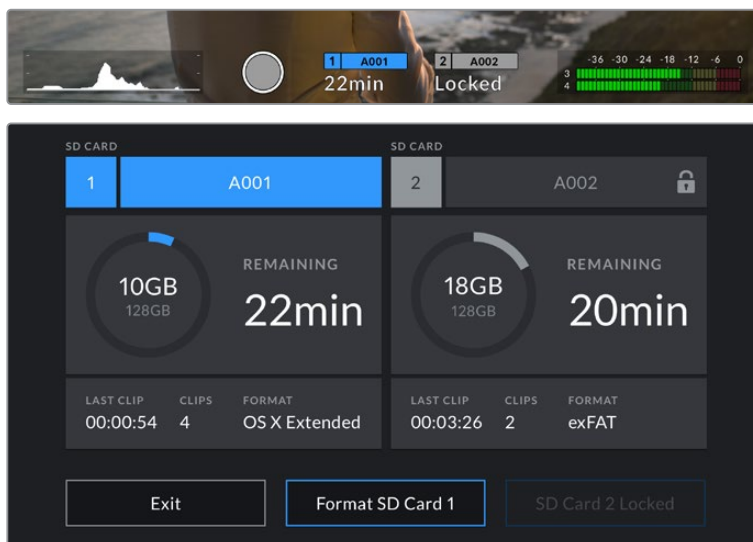
SD-Karten können schreibgeschützt oder gesperrt werden, um zu verhindern, dass Daten überschrieben werden.

Vergewissern Sie sich, dass eingelegte Karten nicht schreibgeschützt sind. Der Schreibschutz lässt sich durch Umlegen des kleinen Plastikschalters an der linken Kartenseite zu den Anschlüssen hin aufheben. Nach erfolgter Aufzeichnung können Sie den Schreibschutz der Karte wiederherstellen, indem Sie den Schalter in seine Abwärtsposition zurücklegen.



Schieben Sie die Sperrtaste nach oben oder unten, um eine SD-Karte zu sperren oder zu entsperren

Wenn Sie eine gesperrte SD-Karte eingeschoben haben, reagiert Ihre URSA Mini Pro 4.6K mit der Anzeige „Locked“ auf dem LCD-Touchscreen und im Speicher Menü. Mit einer gesperrten Karte können Sie weder Videos aufzeichnen noch Standbilder festhalten oder LUTs und Presets exportieren, bis die Karte entsperrt wird.



Ihre URSA Mini Pro 4.6K informiert Sie darüber, wenn gesperrte SD-Speichermedien eingeschoben werden

## USB-C-Laufwerke

Über den in die Blackmagic URSA Mini Pro 4.6K G2 verbauten hochschnellen USB-C-Expansionsport können Sie Video direkt auf USB-C-Laufwerke aufzeichnen. Die URSA Mini Pro 12K verfügt über zwei USB-C-Ports. Der seitliche USB-C-Port des Typs 3.1 Generation 1 nahe den CFast-Kartenschächten ist für Software-Updates. Der rückseitige USB-C-Port des Typs 3.1 Generation 2 in Nähe der SDI-Anschlüsse dient für Aufzeichnungen auf hochschnelle SSDs. Mit diesen schnellen, leistungsstarken Laufwerken können Sie Video über lange Zeiträume aufzeichnen, was bei lang andauernden Drehs wichtig sein kann.

Ist ein USB-C-Laufwerk in Ihre Kamera eingesteckt, belegt es den zweiten Medienschacht im Betriebssystem Ihrer Kamera. Durch Antippen des Karten- oder Laufwerknamens im Speicher Menü

wird dieser Datenträger als aktiver vorgegeben. Demnach erfolgen Aufzeichnung, Wiedergabe und Speicherverwaltung mit USB-C-Laufwerken genauso wie mit CFast-, SD-Karten und SSDs.

Wenn Sie mit der Aufnahme fertig sind, können Sie dasselbe Laufwerk für Schnitt und Postproduktion direkt an Ihren Computer anschließen, ohne die Daten kopieren zu müssen.

#### So verbinden Sie ein USB-C-Laufwerk:

- 1 Stecken Sie ein Ende des USB-C-Kabels in Ihr USB-C-Laufwerk.
- 2 Stecken Sie das USB-C-Kabel bei der URSA Mini Pro 12K in den USB-C-Port an der Rückseite unterhalb der SDI-Anschlüsse. Klappen Sie auf der URSA Mini Pro 4.6K G2 den Touchscreen an der linken Seite auf und stecken Sie es in die USB-C-Buchse über den CFast-Kartenschächten.

#### Welche USB-C-Laufwerke sollte ich mit der Blackmagic URSA Mini Pro 12K einsetzen?

Für Aufzeichnungen in 12K DCI Blackmagic RAW 8:1 bei bis zu 30 fps werden folgende USB-C-Laufwerke empfohlen:

Marke	Name des USB-C-Laufwerks	Speicher
Angelbird	SSD2GO PKT MK2	512 GB
Angelbird	SSD2GO PKT MK2	2 TB
Glyph	Atom Raid SSD	4 TB
Sony	Tough SL-CG5	500 GB
Sony	Tough SL-C1	1 TB
Sony	Tough SL-C2	2 TB
Delkin Devices	Juggler	2 TB
Wise	PTS-512 Portable SSD	512 GB
Wise	PTS-1024 Portable SSD	1 TB
Wise	PTS-2048 Portable SSD	2 TB

#### Welche USB-C-Laufwerke sollte ich mit einer Blackmagic URSA Mini Pro 4.6K G2 benutzen?

Für Aufzeichnungen in Blackmagic RAW bei 4,6K mit bis zu 60 fps werden folgende USB-C-Sticks empfohlen:

Marke	Name des USB-C-Laufwerks	Speicher
Samsung	Portable SSD T5	500 GB
Samsung	Portable SSD T5	1 TB
Wise	Portable SSD	1 TB
Wise	Portable SSD	256 GB
Wise	Portable SSD	1 TB

Die aktuellste Liste mit empfohlenen USB-C-Laufwerken finden Sie unter [www.blackmagicdesign.com/de/support](http://www.blackmagicdesign.com/de/support).

## Wichtige Hinweise zur Geschwindigkeit von USB-C-Laufwerken

Einige Modelle von USB-C-Laufwerken zeichnen Videodaten nicht in der vom Hersteller angegebenen Geschwindigkeit auf. Das liegt an einer vom Laufwerk verwendeten versteckten Datenkompression, mit der höhere Schreibgeschwindigkeiten erreicht werden. Mit dieser Datenkompression können Daten nur dann in den vom Hersteller angegebenen Geschwindigkeiten gespeichert werden, wenn es sich um Fülldaten oder einfache Dateien handelt. Videodaten enthalten Videorauschen und zufällige Pixel, die die Kompression erschweren und daher die wahre Geschwindigkeit des Speicherträgers offenbaren.

Die Schreibgeschwindigkeit mancher USB-C-Laufwerke kann bis zu 50 % geringer sein als vom Hersteller angegeben. Es kann also sein, dass ein USB-C-Laufwerk entgegen seinen technischen Daten nicht schnell genug für die Videoaufzeichnung in Echtzeit ist.

Prüfen Sie mithilfe des Blackmagic Disk Speed Tests, ob Ihr USB-C-Laufwerk für die Aufzeichnung und Wiedergabe von hohen Datenraten geeignet ist. Beim Blackmagic Disk Speed Test wird anhand von Daten die Videospeicherung simuliert. Er zeigt Ihnen ähnliche Ergebnisse an, wie sie sich bei der Erfassung von Video auf einer Festplatte ergeben würden. Von Blackmagic durchgeführte Tests haben ergeben, dass neuere, größere USB-C-Laufwerke und solche mit höheren Kapazitäten in der Regel schneller sind.

Der Blackmagic Disk Speed Test ist im Mac App Store erhältlich. Windows- und Mac-Versionen sind ebenfalls in der Blackmagic Desktop Video Software enthalten. Diese steht Ihnen im Blackmagic Design Support Center auf [www.blackmagicdesign.com/de/support](http://www.blackmagicdesign.com/de/support) unter „Aufzeichnung und Wiedergabe“ als Download zur Verfügung.

## SSDs

Mit einem optionalen URSA Mini Recorder können Sie direkt auf Solid-State-Drives, kurz SSDs, aufzeichnen. Diese schnellen speicherstarken Festplatten sind heutzutage überall im Elektronikfachhandel erhältlich.

Der URSA Mini Recorder ist mit einem USB-C-Port ausgestattet, der die hohen Geschwindigkeiten von regulären 2,5-Zoll-SATA-SSDs und 7mm-U.2-SSDs unterstützt. Unter Einsatz eines M.2-zu-U.2-Adapters können auch M.2-Solid-State-Drives benutzt werden. Um die technisch möglichen Geschwindigkeiten zu erreichen, ist ein zertifiziertes USB-3.1-Kabel der Generation 2 erforderlich. Die Verriegelung an beiden Enden des mitgelieferten USB-C-Kabels sorgt während des Gebrauchs für eine feste Verbindung.

**HINWEIS** Im Abschnitt „Blackmagic URSA Mini Recorder“ dieses Handbuchs wird erklärt, wie Sie den Blackmagic URSA Mini Recorder anschließen.

## Einlegen einer SSD

### So legen Sie eine SSD ein:

- 1 Halten Sie die SSD mit nach unten gerichteten Anschlussstiften vor Ihre Kamera.
- 2 Öffnen Sie den federgespannten Deckel am URSA Mini Recorder und schieben Sie die SSD vorsichtig in den Steckplatz.

**TIPP** Der URSA Mini Recorder ist mit einer Druckplatte für SSDs unterschiedlicher Größen versehen, die so ohne Abstandhalter in Ihr Laufwerk passen.

- 3 Sobald die SSD eingerastet ist, schließen Sie den Deckel des URSA Mini Recorders wieder.

### So entfernen Sie eine SSD:

Öffnen Sie den Deckel Ihres URSA Mini Recorders und halten Sie das Laufwerk vorsichtig zwischen Daumen und Zeigefinger. Der Steckplatz ist oben leicht eingebuchtet, sodass Sie das Laufwerk besser ergreifen können. Ziehen Sie das Laufwerk einfach heraus und schließen Sie den Deckel.

**HINWEIS** Der Blackmagic URSA Mini Recorder besetzt den zweiten Speicherslot im Betriebssystem Ihrer URSA Mini. Demnach ist der zweite Speicherslot nicht für eine CFast-2.0- bzw. SD-Karte verfügbar, wenn ein mit einer kompatiblen SSD bestückter URSA Mini Recorder angeschlossen ist.

Um beide Speicherslots für Karten zu benutzen, entkoppeln Sie den USB-C-Anschluss des Recorders von der URSA Mini Pro 12K. Es ist nicht nötig, den URSA Mini Recorder selbst von der Kamera zu entfernen. Weitere Informationen finden Sie im Abschnitt „Blackmagic URSA Mini Recorder“ in diesem Handbuch.

### Auswahl einer schnellen SSD für den URSA Mini Recorder

SSDs sind als schnelle, erschwingliche Speicherträger für die unterschiedlichsten Geräte konzipiert. Da das Filmemachen nur einer von vielen Einsatzzwecken für SSDs ist, ist es sehr wichtig, das richtige Laufwerk mit genügend Bandbreite zum Aufzeichnen von Footage in 12K Blackmagic RAW oder Ultra HD auszuwählen. Vielen für Heimcomputer konzipierten SSDs mangelt es an der nötigen Geschwindigkeit für Videoaufzeichnungen in Ultra HD.

Wir empfehlen dringend, ausschließlich die in der nachstehenden Tabelle aufgeführten SSDs einzusetzen. Diese mit der Blackmagic URSA Mini Pro 12K getesteten SSDs unterstützen ununterbrochenes Filmen in den spezifizierten Auflösungen. Die aktuellste Liste mit empfohlenen SSD-Laufwerken finden Sie unter [www.blackmagicdesign.com/de/support](http://www.blackmagicdesign.com/de/support).

#### Blackmagic URSA Mini Recorder U.2-Laufwerke

Für Aufzeichnungen in 12K DCI Blackmagic RAW 8:1 bei bis zu 50 fps werden folgende U.2-2,5-Zoll-SSDs empfohlen:

Marke	Modell	Speicherkapazität
Samsung	983 DCT U.2 MZ-QLB960NE	960 GB
Samsung	983 DCT U.2 MZ-QLB1T9NE	1,92 TB

#### Blackmagic URSA Mini Recorder M.2-Laufwerke

Für Aufzeichnungen in 12K DCI Blackmagic RAW 8:1 bei bis zu 30 fps werden folgende M.2-SSDs unter Einsatz eines M.2-zu-U.2-Adapters empfohlen:

Marke	Modell	Speicherkapazität
SanDisk	Extreme Pro M.2 NVMe 3D SSD	500 GB
Western Digital	WD Black NVMe SSD WDS500G2X0C	500 GB
Western Digital	WD Black SN750 NVMe SSD WDS100T3X0C	1 TB

## Wichtige Hinweise zur Geschwindigkeit von SSDs

Einige SSD-Modelle können Videodaten nicht in der vom Hersteller angegebenen Geschwindigkeit aufzeichnen. Das liegt an einer vom Speicher verwendeten versteckten Datenkompression, mit der höhere Schreibgeschwindigkeiten erreicht werden. Mit dieser Datenkompression können Daten nur dann in den vom Hersteller angegebenen Geschwindigkeiten gespeichert werden, wenn es sich um Fülldaten oder einfache Dateien handelt. Videodaten enthalten Videorauschen und zufällige Pixel, die die Komprimierung erschweren und daher die wahre Geschwindigkeit des Speicherträgers offenbaren.

Einige SSDs haben bis zu 50 % geringere Schreibgeschwindigkeiten als vom Hersteller angegeben. Es kann also sein, dass die SSD entgegen der für sie angegebenen technischen Daten nicht schnell genug für die Echtzeitaufzeichnung von Video ist.

Prüfen Sie mithilfe des Blackmagic Disk Speed Tests, ob sich Ihre SSD für die Aufzeichnung und Wiedergabe von hohen Datenraten eignet. Beim Blackmagic Disk Speed Test wird anhand von Daten die Videospeicherung simuliert. Das zeigt Ihnen ähnliche Ergebnisse an, wie sie sich bei der Erfassung von Video auf einer Festplatte ergeben würden. Von Blackmagic durchgeführte Tests haben ergeben, dass neuere, größere SSD-Modelle und SSDs mit höheren Kapazitäten in der Regel schneller sind.

## Datenträger für die Aufnahme vorbereiten

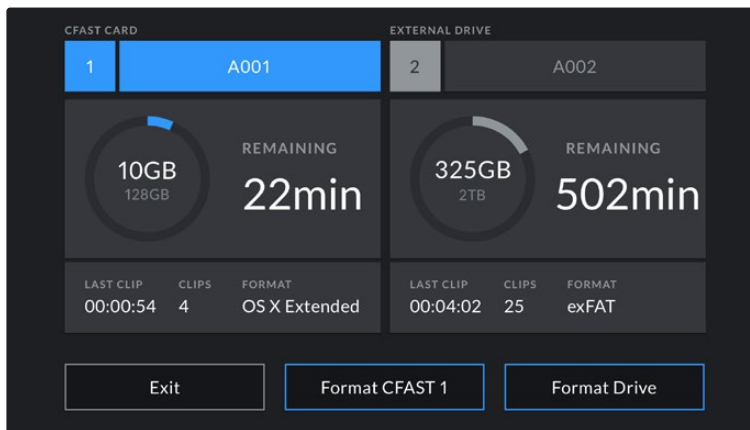
Ihre CFast-, SD- oder SSD-Medien können Sie in der Speicherverwaltung der Kamera oder mit einem Mac- oder Windows-Computer formatieren. Für eine optimale Leistung formatieren Sie Ihre Datenträger am besten mit der URSA Mini.

HFS+ wird auch als „OS X Extended“ bezeichnet und ist das empfohlene Format, da es Journaling unterstützt. Auf Datenträgern mit Journaling gespeicherte Daten lassen sich im seltenen Fall einer Beschädigung Ihres Speichermediums mit höherer Wahrscheinlichkeit wiederherstellen. HFS+ wird nativ von Mac unterstützt. ExFAT wird von Mac und Windows nativ unterstützt und macht den Kauf zusätzlicher Software überflüssig. Journaling wird jedoch nicht von exFAT unterstützt.

**HINWEIS** Bevor Sie Ihre Medien formatieren, ist der Schalter für Ihr Speichermedium entsprechend auf SD oder CFAST umzulegen. Überprüfen Sie die Einstellungen vor der Formatierung immer sorgfältig.

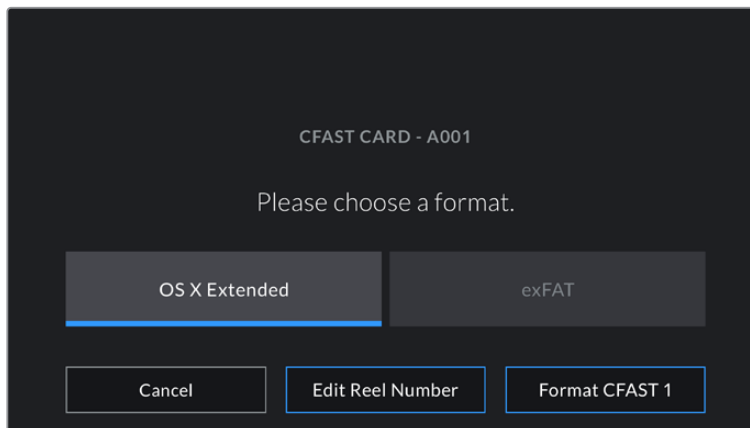
## Datenträger mit der Blackmagic URSA Mini vorbereiten

- 1 Tippen Sie auf eine der Speicheranzeigen am unteren Rand des LCD-Touchscreens, um den Storage Manager zu öffnen.
- 2 Tippen Sie auf einen der Formatier-Buttons unten am Touchscreen, um die Karte in Slot 1 oder Slot 2 zu formatieren. Ein mit dem USB-C-Anschluss einer URSA Mini Pro G2 verbundenes Laufwerk besetzt Slot 2 und wird über den Button „Format Drive“ formatiert.



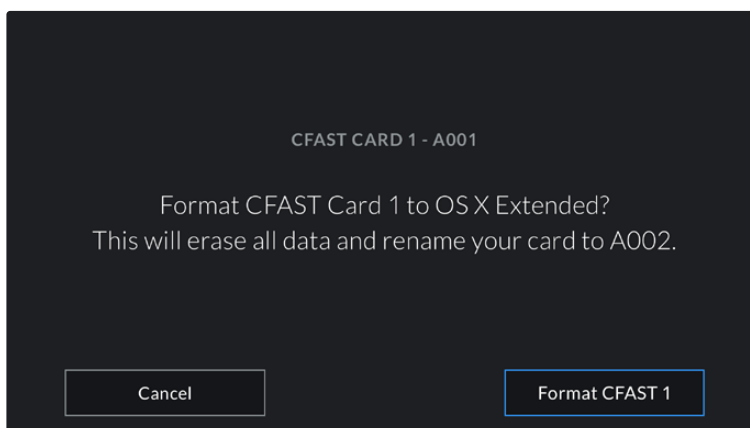
Formatieren Sie die Datenträger für Ihre Kamera über die Speicherverwaltung der URSA Mini

- 3 Tippen Sie auf „Edit Reel Number“, wenn Sie die Bandnummer manuell ändern möchten.
- 4 Wählen Sie das Format OS X Extended oder exFAT und tippen Sie auf einen Formatier-Button.



Tippen Sie auf „Edit Reel Number“, um die Bandnummer manuell zu ändern

- 5 Sie werden nun aufgefordert, Ihre Auswahl zu bestätigen. Tippen Sie erneut auf den Formatier-Button, um fortzufahren, oder auf „Cancel“, um die Formatierung zu stoppen.



Vergewissern Sie sich vor dem Formatieren, dass Sie die richtige Karte ausgewählt haben

- 6 Sie werden bei abgeschlossener Formatierung benachrichtigt.
- 7 Tippen Sie auf „OK“, um zum Storage Manager zurückzugehen.
- 8 Tippen Sie auf „Exit“, um den Storage Manager zu verlassen.

Wenn Sie CFast-, SD- oder SSD-Medien über die Speicherverwaltung formatieren, verwendet Ihre URSA Mini für die Benennung der Karte die unter KAMERA-ID eingetragene Bezeichnung auf der Slate sowie die Bandnummer. Ihre URSA Mini erhöht die Bandnummer bei jeder Formatierung automatisch. Um eine bestimmte Bandnummer manuell einzugeben, tippen Sie auf „Reelnummer bearbeiten“ und geben Sie die Nummer vor, die Ihrer Karte bei der Formatierung zugewiesen werden soll.

Zu Beginn eines neuen Projekts wird die Bandnummerierung auf 1 zurückgesetzt, wenn Sie auf der PROJECT-Registerkarte der Slate auf „Reset Project Data“ tippen.

Ist ein URSA Mini Recorder angeschlossen und eine SSD geladen, besetzt der Rekorder Speicherkartenschacht Nummer 2 der URSA Mini. Im Storage Manager Ihrer Kamera erscheint ein SSD-Indikator über Schacht 2.

## Datenträger mit der Blackmagic URSA Mini Pro vorbereiten

Speicherträger werden auf der URSA Mini Pro genauso vorbereitet wie oben für die URSA Mini beschrieben. Der einzige Unterschied ist die zusätzliche Option zum Formatieren von SD-Karten, die neben CFast-Karten, SSDs und, auf der URSA Mini Pro 12K und URSA Mini Pro 4.6K G2, für USB-C-Flash-Laufwerke geboten wird. Erwähnenswert ist auch, dass je nachdem, ob der Datenträgerschalter Ihrer Kamera auf SD oder CFAST steht, nur der vorgegebene Kartentyp formatiert wird, wenn Sie „Format Card“ antippen. Bei Einsatz eines URSA Mini Recorders oder eines USB-C-Flash-Laufwerks mit der URSA Mini Pro 12K oder URSA Mini Pro 4.6K G2 wird die SSD unabhängig von der Stellung des Datenträgerschalters über Slot 2 angezeigt.

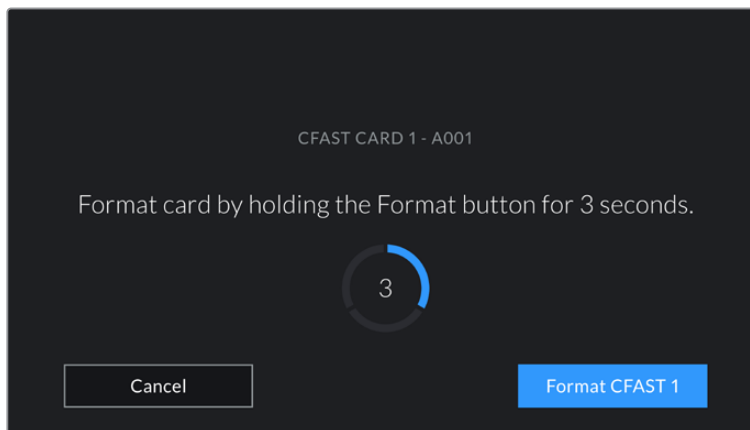


Der Storage Manager Ihrer Kamera zeigt an, ob Sie aktuell CFast-, SD-Karten, SSD- oder USB-C-Laufwerke managen

**TIPP** Wenn Ihre URSA Mini Pro für den Einsatz von SD-Karten eingestellt ist und Sie eine gesperrte Karte einstecken, lässt sich diese nicht formatieren. Im Storage Manager erscheint dann neben dem Namen der Karte ein Schloss-Icon. Entsperren Sie die Karte, um sie zu formatieren und darauf aufzuzeichnen. Weitere Informationen zum Entsperren von SD-Karten finden Sie im Abschnitt „SD-Karten“ in diesem Handbuch.

Zum Formatieren von Speichermedien auf Ihrer URSA Mini Pro werden Sie aufgefordert, den „Format“-Button 3 Sekunden lang gedrückt zu halten. Nach abgeschlossener Formatierung zeigt Ihnen die Kamera eine Benachrichtigung an.





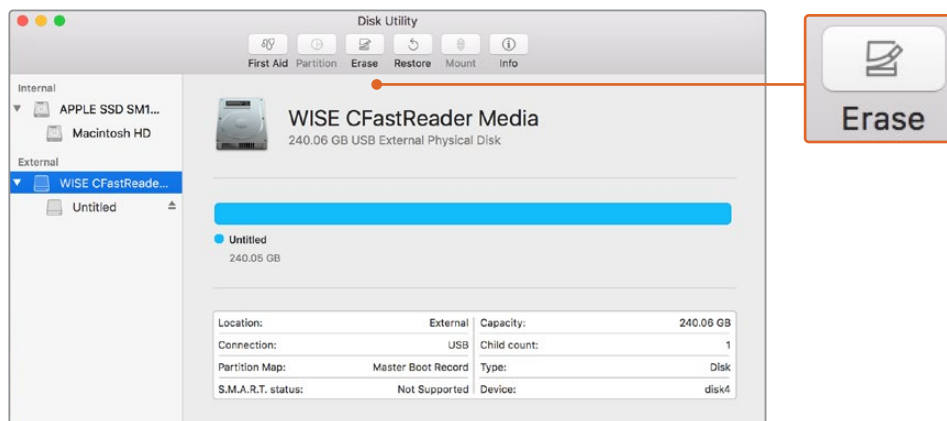
Halten Sie den „Format“-Button 3 Sekunden lang gedrückt, um Ihr Medium zu formatieren

Weitere Informationen zum Umschalten zwischen CFAST- und SD-Speichermedien finden Sie weiter oben in diesem Handbuch im Abschnitt „SD-Karten“.

**HINWEIS** Ist ein optionaler URSA Mini Recorder angeschlossen, so erscheint die Anzeige „SSD Recorder“ über Speicherschacht 2. Wenn ein USB-C-Laufwerk eingesteckt ist, erscheint die Anzeige „External Drive“.

## Medien für den Mac-Einsatz vorbereiten

Benutzen Sie das unter Mac enthaltene Festplattendienstprogramm, um Ihre CFAST-, SD-Karte oder SSD im HFS+ oder exFAT-Format zu formatieren. Denken Sie daran, zuerst eine Sicherungskopie aller wichtigen Inhalte auf Ihren Datenträgern zu erstellen, da beim Formatieren alle vorhandenen Daten gelöscht werden.



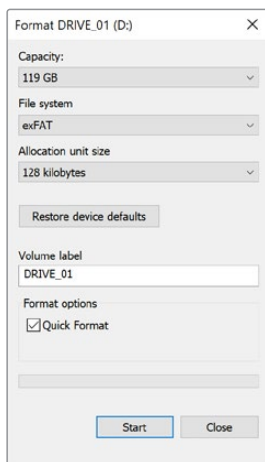
Verwenden Sie das Festplattendienstprogramm unter Mac, um das Speichermedium Ihrer Kamera im Format „Mac OS Extended“ (Journaled) oder „exFAT“ zu formatieren

- 1 Schließen Sie das CFAST-, SD- oder SSD-Medium mittels eines CFAST-2.0- oder SD-Kartenlesers bzw. SSD-Docks oder -Adapters an Ihren Computer an. Schließen Sie zudem jegliche Aufforderungen, Ihr Medium für Time Machine Backups verwenden.
- 2 Gehen Sie zu „Programme“ > „Dienstprogramme“ und starten Sie das Festplattendienstprogramm.

- 3 Klicken Sie auf das Datenträgersymbol Ihres CFast-, SD- oder SSD-Mediums und dann auf die Registerkarte „Löschen“.
- 4 Geben Sie als Format „Mac OS Extended (Journaled)“ oder „exFAT“ vor.
- 5 Geben Sie einen Namen für das neue Volumen ein und klicken Sie auf „Löschen“. Ihr CFast-, SD- oder SSD-Medium ist im Nu formatiert und einsatzbereit.

## Medien für den Windows-Einsatz vorbereiten

Auf einem Windows-PC erfolgt die Formatierung eines Speichermediums für Ihre Kamera in exFAT über das Dialogfeld „Formatieren“. Denken Sie daran, eine Sicherungskopie von wichtigen Inhalten auf Ihren Medien zu machen, da beim Formatieren alle vorhandenen Daten gelöscht werden.



Formatieren Sie das Speichermedium Ihrer Kamera auf Windows über das Dialogfeld „Formatieren“ im exFAT-Format

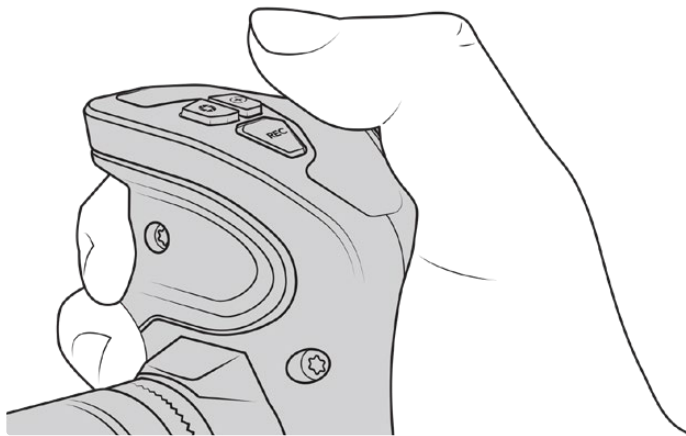
- 1 Schließen Sie Ihren Kameradatenträger mittels eines externen Speicherkartenlesers/-schreibers oder über ein SSD-Dock bzw. einen -Adapter an Ihren Computer an.
- 2 Öffnen Sie das Startmenü oder den Startbildschirm und wählen Sie „Computer“ aus. Führen Sie einen Rechtsklick auf dem Speichermedium für Ihre Kamera aus.
- 3 Wählen Sie im Kontextmenü „Formatieren“ aus.
- 4 Stellen Sie das Dateisystem auf „exFAT“ und die Größe der Zuordnungseinheit auf 128 Kilobytes ein.
- 5 Geben Sie eine Volumenkennung ein, wählen Sie „Schnellformatierung“ aus und klicken Sie auf „Start“.
- 6 Ihr Speichermedium ist im Nu formatiert und einsatzbereit.

**HINWEIS** Wenn während der Aufzeichnung Bilder fallen gelassen werden, prüfen Sie, ob Ihr Speichermedium auf unserer Liste empfohlener Medien steht und ob es für den genutzten Codec und die Framegröße geeignet ist. Versuchen Sie Ihre Framerate oder Framegröße für geringere Datenraten zu reduzieren oder einen komprimierten Codec wie ProRes zu verwenden. Die aktuellsten Informationen finden Sie auf der Blackmagic Design Website unter [www.blackmagicdesign.com/de](http://www.blackmagicdesign.com/de)

# Aufzeichnen

## Aufzeichnen von Clips

Bei der Blackmagic URSA Mini können Sie die Aufzeichnung durch Drücken der roten REC-Taste auf dem innenliegenden Bedienfeld, außen am Ausklapp-Monitor, auf dem Touchscreen oder am optionalen Blackmagic URSA Handgrip auslösen. Bei der Blackmagic URSA Mini Pro befindet sich die externe REC-Taste zum Aufzeichnen auf dem vorderen Bedienfeld, um leichteren Zugriff zu gewähren, wenn Sie von der Schulter filmen. Drücken Sie erneut auf die REC-Taste, um die Aufzeichnung zu stoppen.



Alternativ können Sie Clips durch Drücken der REC-Taste am optionalen Blackmagic URSA Handgrip aufnehmen

Eine weitere Möglichkeit die Aufzeichnung zu starten und zu stoppen, ist ein externer LANC-Controller, der an den LANC-Eingang Ihrer URSA Mini angeschlossen werden kann. Beispielsweise möchten Sie vielleicht eine LANC-Steuerung an Ihrem Stativ anbringen, um die Aufzeichnung auszulösen, ohne dabei den Fokusserring und den Stativgriff loslassen zu müssen.

**HINWEIS** Wenn Sie die Position des Auswahlschalters für Speichermedien während der Aufzeichnung ändern, beendet die Kamera die aktuelle Aufzeichnung, bevor sie auf einen anderen Medientyp umschaltet. Damit wird gewährleistet, dass Ihre Aufzeichnung fehlerlos weiterläuft, wenn der Schalter während eines Takes umgelegt wird.

## Auswahl von Codec, Auflösung und Sensorfläche

Ihre Blackmagic URSA Mini Pro kann im Blackmagic-RAW-Codec wahlweise mit einer der Einstellungen in der Rubrik „Constant Quality“ (konstante Qualität) oder „Constant Bitrate“ (konstante Bitrate) aufzeichnen. Mit URSA Mini Pro und URSA Mini Kameras besteht die zusätzliche Möglichkeit, in komprimierten ProRes-Codex von Apple aufzuzeichnen. Welche Sensor-Frameraten verfügbar sind, richtet sich nach dem Codec und der Auflösung, die Sie vorgegeben haben.

Hier sei angemerkt, dass in Blackmagic RAW aufgezeichnete Clips mit DaVinci Resolve, Blackmagic RAW Player und anderen Anwendungen, die das Blackmagic RAW SDK unterstützen, kompatibel sind. Blackmagic RAW wird bereits von zahlreichen Postproduktionsanwendungen unterstützt. Obwohl der Codec noch nicht von allen Schnittsoftwares nativ unterstützt wird, funktioniert er über die mit unseren Camera Updates und dem Blackmagic RAW Installationsprogramm bereitgestellten Plug-ins. Näheres finden Sie im Abschnitt „Verwendung von Fremdsoftware“.

## Dynamikumfang

Die Blackmagic URSA Mini Pro 12K liefert großartige Bilder mit breitem Belichtungsspielraum, der durch den Dynamikumfang von 14 Blendenstufen ermöglicht wird. Die URSA Mini Pro G2, URSA Mini Pro und URSA Mini 4.6K verfügen über einen Dynamikumfang von 15 Blendenstufen.

Die Dynamikumfang-Einstellung maximiert die in Ihrem Video enthaltenen Daten. Das hilft Ihnen, mit Farbkorrektursoftwares wie DaVinci Resolve optimale Ergebnisse zu erzielen.

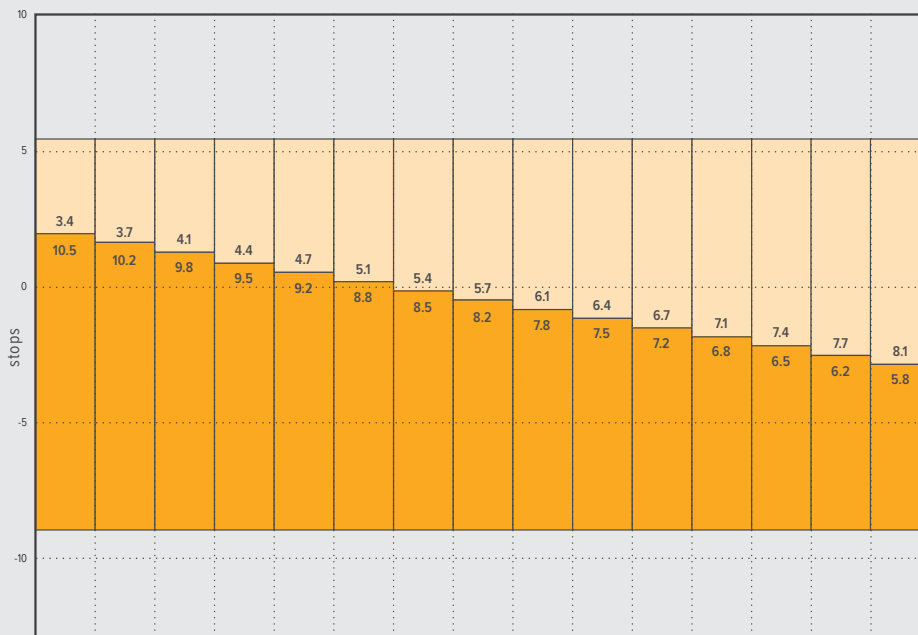
Der erfasste breite Dynamikumfang eignet sich auch für die Lieferung von HDR-Content (High Dynamic Range).

Wie aus der nachstehenden Tabelle ersichtlich, sind auf der URSA Mini Pro 12K 14 Blendenstufen über die gesamte ISO-Wertspanne von ISO 125–3200 verfügbar. Die URSA Mini 4.6K, URSA Mini Pro und URSA Mini Pro G2 bieten 15 Blendenstufen zwischen ISO 200–3200.

Die Verteilung der Blendenstufen ober- und unterhalb der mittleren Grauwerte richtet sich nach dem ausgewählten ISO-Wert. Beispiel: Auf der URSA Mini Pro G2 werden in den Schattenbereichen des Bilds bei ISO 200 10,8 Blendenstufen zugeordnet, die übrigen 3,9 Blendenstufen den Lichterbereichen des Bilds.

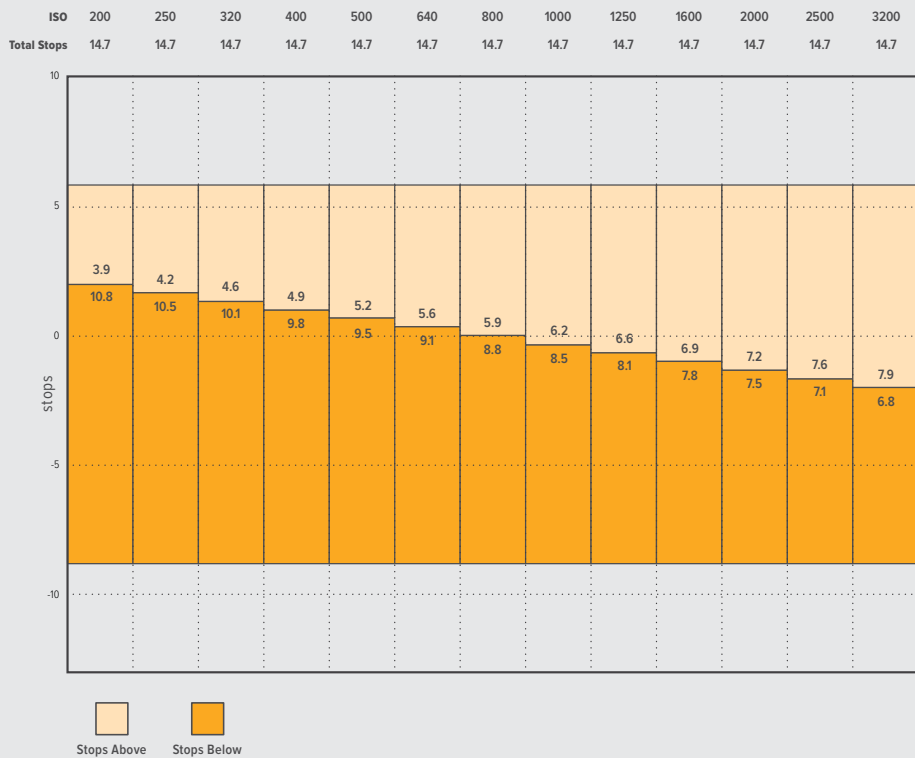
### Dynamikumfang der Blackmagic URSA Mini Pro 12K

ISO	125	160	200	250	320	400	500	640	800	1000	1250	1600	2000	2500	3200
Total Stops	13.9	13.9	13.9	13.9	13.9	13.9	13.9	13.9	13.9	13.9	13.9	13.9	13.9	13.9	13.9



Stops Above  
 Stops Below

### Dynamikumfang der Blackmagic URSA Mini 4.6K, URSA Mini Pro und URSA Mini Pro G2



## Blackmagic RAW

Die Blackmagic URSA Mini Pro unterstützt das neue Dateiformat Blackmagic RAW. Das Format liefert eine überragende Bildqualität und einen breiten Dynamikumfang in zahlreichen Kompressionsverhältnissen. Mit Blackmagic RAW genießt man alle Vorteile von RAW-Aufzeichnungen. Da das „Demosaiicing“ zum Teil in der Kamera stattfindet und von der Hardware beschleunigt wird, sind die Dateien sehr schnell zu handhaben.

Überdies ist das Blackmagic-RAW-Format intelligent, weil es den Bildsensor der Kamera „versteht“. Das bedeutet eine wesentlich bessere Qualität bei vergleichsweise kleineren Dateien. Mit kleineren Dateien bei höherer Qualität ist Blackmagic RAW eine gute Alternative zu anderen Video- und RAW-Dateiformaten.

Blackmagic RAW bietet ebenfalls umfangreichen Metadaten-Support, sodass die Software, die die Dateien liest, Ihre Kameraeinstellungen gleich miterfasst. Wenn Sie vorzugsweise in Video-Gamma drehen, weil Sie im Nu schneiden müssen und keine Zeit für Farbkorrekturen haben, dann eröffnet Ihnen die Metadaten-Feature eine neue Option. Sie können wie gehabt Video-Gamma auswählen und in Video-Gamma filmen. Beim späteren Öffnen der Datei in einer Software wird sie dann mit angewendetem Video-Gamma dargestellt. Unter all diesen Daten ist in dieser Datei aber auch das Film-Gamma verborgen. Die Datei wird nur deshalb in Video-Gamma angezeigt, weil die darin enthaltenen Metadaten die Software instruieren, Video-Gamma anzuzeigen.

Möchten Sie Ihre Bilder später doch irgendwann farbkorrigieren, verfügen Sie dank der in der Datei bewahrten Daten über den gesamten „Film“-Dynamikumfang. Da die Videoüberpegel Ihrer Bilder in den Weiß- und Schwarztönen nicht per „Hard Clipping“ abgeschnitten werden, ist ausreichend Detail vorhanden, um all Ihren Bildern durch Colorgrading einen filmischen Look zu verleihen. Kein Problem, wenn Ihnen die Zeit fürs Grading fehlt, da die Bilder mit dem angewendeten Video-Gamma ohnehin wie reguläre Videokamerabilder aussehen. Ihre beim Dreh getroffene Entscheidung ist nicht verbindlich, da Sie sie später in der Postproduktion revidieren können.

Blackmagic-RAW-Dateien sind extrem schnell und der Codec ist für den Einsatz von CPUs und GPUs auf Ihrem Computer optimiert. So wird die reibungslose Wiedergabe beschleunigt und es sind keine Hardware-Decoder mehr nötig, die andernfalls für die Verwendung auf Laptops wichtig sind. Software, die Blackmagic RAW lesen kann, bietet den zusätzlichen Vorteil der Verarbeitung mit Apple Metal, Nvidia CUDA oder OpenCL.

So lassen sich Blackmagic-RAW-Dateien auf den meisten Rechnern bei normaler Geschwindigkeit abspielen, ohne dass man sie zunächst cachen oder ihre Auflösung reduzieren muss.

Wissenswert ist auch, dass in den Metadaten für jedes Einzelbild auch die objektivbezogenen Daten mit aufgezeichnet werden. Beispiel: Alle im Laufe eines Clips an kompatiblen Objektiven vorgenommenen Änderungen der Zoomstellung oder Fokussierung werden für jeden einzelnen Frame in den Metadaten der Blackmagic-RAW-Datei gespeichert.

## Aufzeichnen in Blackmagic RAW

Blackmagic RAW funktioniert auf zweierlei Weise. Sie haben die Wahl zwischen den Codec-Modi „Constant Bitrate“ mit konstanter Bitrate oder „Constant Quality“ mit konstanter Qualität.

Der Codec-Modus mit konstanter Bitrate funktioniert ähnlich wie die meisten Codecs. Er strebt eine Datenrate auf konstantem Niveau an und verhindert allzu weite Ausschläge der Datenrate nach oben. Wenn es beim Drehen einer komplexen Einstellung gilt, mehr Bilddaten zu speichern, so komprimiert der Codec-Modus mit konstanter Bitrate das Bild einfach stärker, damit die Daten in den zugeordneten Speicherplatz passen.

Für Video-Codecs mag das ausreichen. Beim Drehen in Blackmagic RAW ist es jedoch wichtig, für eine kalkulierbare Qualität zu sorgen. Was passiert nun, wenn Ihre Aufnahmen mehr Daten generieren, der Codec sie aber bloß stärker komprimiert, damit eine vordefinierte Datenrate eingehalten wird? Womöglich hat Ihnen das einen Qualitätsverlust beschert. Sichergehen können Sie aber erst, wenn Sie das nach abgeschlossenem Dreh prüfen.

Blackmagic RAW löst dieses Problem mit einem alternativen Codec-Modus namens „Constant Quality“. Technisch ist dieser Codec bei konstanter Qualität ein Codec mit variabler Bitrate. Er erlaubt steigende Dateigrößen, wenn die Aufzeichnung Ihrer Bilder mehr Speicherplatz in Anspruch nimmt. Soll ein Bild unter Beibehaltung der Qualität verschlüsselt werden, ist die Dateigröße in diesem Modus nach oben hin offen.

Hier ist es genau richtig, Blackmagic RAW auf „Constant Quality“ einzustellen, da die Datei so groß werden darf, wie es das Encoding Ihrer Bilder verlangt. Je nachdem, was für Objekte Sie filmen, dürfen die Dateien entsprechend größer oder kleiner ausfallen. Sollten Sie jemals versehentlich mit aufgestecktem Objektivdeckel filmen, wird so kein Speicherplatz vergeudet.

Die Qualitätseinstellungen für Blackmagic RAW sind übrigens nicht willkürlich benannt. Die Namen leiten sich von den technischen Abläufen ab. Bei Auswahl des Codecs „Constant Bitrate“ werden Ihnen je nach Modell Ihrer URSA Mini Pro Kamera die Qualitätseinstellungen 3:1, 5:1, 8:1, 12:1 oder 18:1 angezeigt. Die Zahlen drücken das Verhältnis zwischen der Größe der Dateien in unkomprimiertem RAW und der Größe der beim Filmen in Blackmagic RAW zu erwartenden Dateien aus. Das Kompressionsverhältnis 3:1 liefert bessere Qualität, da die Datei größer ist. Die stärkste Kompression von 18:1 liefert die kleinste Datei und die geringste Qualität. Zahlreiche Anwender von Blackmagic RAW finden 12:1 oder 18:1 völlig in Ordnung und bemerken keine augenfälligen Qualitätseinschränkungen. Experimentieren Sie einfach selbst mit den unterschiedlichen Einstellungen.

Wenn Sie Blackmagic RAW bei konstanter Qualität verwenden, werden Ihnen je nach Modell Ihrer URSA Mini Pro Kamera die Einstellungen Q0, Q1, Q3 und Q5 angezeigt. Dabei handelt es sich um die Kompressionsparameter für den Codec, die das Maß der anzuwendenden Kompression aus technischer Sicht ausdrücken. Diese Einstellung dient zur Auswahl der auf unterschiedliche Weise – bei konstanter Bitrate im Gegensatz zu konstanter Qualität – arbeitenden Codecs. Mit der

Einstellung „Constant Quality“ ist es unmöglich, das daraus resultierende Dateigrößenverhältnis vorherzusagen, da es je nach Natur der Aufnahme stark variiert. In diesem Fall wird die Datei einfach so groß, wie das zum Speichern Ihrer Mediendaten erforderlich ist.

### „Constant Bitrate“-Einstellungen

Die Bezeichnungen 3:1, 5:1, 8:1, 12:1 und 18:1 drücken das Kompressionsverhältnis aus. Bspw. entsteht bei einer 12:1-Kompression eine Datei, die um das 12-fache kleiner ist als der Umfang der unkomprimierten RAW-Daten.

Blackmagic RAW ist auf der URSA Mini Pro 12K bei konstanter Bitrate in 5:1, 8:1, 12:1 und 18:1 verfügbar. Die URSA Mini Pro 4.6K G2 und URSA Mini Pro 4.6K unterstützen Blackmagic RAW bei konstanter Bitrate in 3:1, 5:1, 8:1 und 12:1.

### „Constant Quality“-Einstellungen

Die Einstellungen Q0, Q1, Q3 und Q5 drücken verschiedene Quantisierungsstufen aus. Mit einer stärkeren Quantisierung erzielt Q5 eine erheblich bessere Datenrate. Mit der Einstellung für konstante Qualität kann es je nach Motiv wie gesagt zu erheblichen Variationen der resultierenden Dateigrößen kommen. Es kann also passieren, dass Sie mitten im Dreh bemerken, dass die Dateigröße über die Kapazität Ihres Speicherträgers hinauswächst. Das könnte zum Auslassen von Frames führen. Das Gute ist jedoch, dass Sie das beim Dreh sofort sehen und unter Erwägung der Qualität ggf. Ihre Einstellungen ändern können.

Blackmagic RAW ist auf der URSA Mini Pro 12K bei konstanter Qualität in Q0, Q1, Q3 und Q5 verfügbar. Die URSA Mini Pro 4.6K G2 und URSA Mini Pro 4.6K unterstützen Blackmagic RAW bei konstanter Qualität in Q0 und Q5.

### Blackmagic RAW Player

Der im Softwareinstallationsprogramm Ihrer Blackmagic Kamera enthaltene Blackmagic RAW Player ist eine optimierte Anwendung zum Sichten von Clips. Öffnen Sie eine Blackmagic-RAW-Datei einfach per Doppelklick, um sie sofort wiederzugeben und bei voller Auflösung und Bittiefe durch die Datei zu scrollen.

Beim Decodieren der Frames unterstützt die CPU-beschleunigte SDK-Bibliothek alle wichtigen Architekturen. Ebenfalls unterstützt wird GPU-Beschleunigung via Metal, Nvidia CUDA und OpenCL. Für extra Performance funktioniert der Blackmagic RAW Player auch mit der Blackmagic eGPU. Der Blackmagic RAW Player ist für Mac, Windows und Linux erhältlich.

### Filialdateien

Blackmagic-RAW-Filialdateien (.sidecar) erlauben Ihnen, die Metadaten in einer solchen Sidecar-Datei zu überschreiben, ohne dabei die in der Originaldatei eingebetteten Metadaten zu ersetzen. Die Metadaten enthalten neben den RAW-Einstellungen auch Informationen zu Blende, Fokussierung, Brennweite, Weißabgleich, Tönung, Farbraum sowie Projektnamen, Take-Nummern usw. Das Encoding von Metadaten wird während der Dauer des Clips von Einzelbild zu Einzelbild vorgenommen. Wichtig ist das bspw. für Objektivdaten, falls beim Filmen einer Einstellung das Objektiv nachjustiert wurde. Da es sich um ein visuell lesbares Format handelt, können Sie mit DaVinci Resolve oder sogar mit einem Text-Editor Metadaten in Filialdateien bearbeiten oder neue hinzufügen.

Anhand von Filialdateien kann man eine Wiedergabe automatisch mit neuen RAW-Einstellungen versehen, indem man einfach die Filialdatei in denselben Ordner wie die dazugehörige RAW-Datei verschiebt. Wenn Sie die Filialdatei wieder aus dem Ordner ziehen und die Blackmagic-RAW-Datei erneut öffnen, wird Ihnen die Datei in ihrer ursprünglich gefilmten Darstellung ohne angewendete RAW-Einstellungen angezeigt. Jede Software, die das Blackmagic RAW SDK verwendet, kann auf diese Einstellungen zugreifen. Vorgenommene Änderungen werden in einer Filialdatei gespeichert, auf die der Blackmagic RAW Player und alle anderen Softwares mit der Kapazität, Blackmagic-RAW-Dateien zu lesen, zugreifen können.

Beim Drehen in Video-Gamma verbleibt die Datei in Film-Gamma. Es sind die Metadaten, die der Blackmagic-RAW-Verarbeitung den Befehl für die Anzeige in Video-Gamma erteilen. Video-Gamma ist großartig für Bilder, die Sie nicht graden, sondern unverzüglich ausgeben möchten. Trotzdem werden alle Einzelheiten festgehalten, sodass Sie später die Schwarztönebereiche eines Bildes hochziehen oder die weißen abschwächen können. Weil niemals Videoüberpegel abgeschnitten werden, bleibt das gesamte Detail für den späteren Zugriff erhalten.



## Blackmagic RAW in DaVinci Resolve

Für künstlerische Effekte oder optimiertes Sichten können die Einstellungen jeder einzelnen Blackmagic-RAW-Datei angepasst und über den „Blackmagic RAW“-Tab in DaVinci Resolve in Form einer neuen Filialdatei (.sidecar) gespeichert werden. Somit können Sie Ihre Medien für andere DaVinci Resolve Artists kopieren, die dann nach dem Import automatisch Zugriff auf Ihre modifizierten Gamma-Einstellungen haben. Zusätzlich zu den anderen in Ihren Kameradateien enthaltenen Metadaten kann DaVinci Resolve Ihren ausgewählten Dynamikumfang lesen und zeigt die Clips automatisch in „Film“, „Extended Video“ oder „Video“ an.

Die Einstellungen sind modifizierbar, indem Sie Sättigung, Kontrast, Mitteltöne sowie die Highlight- und Schatten-Werte für das Roll-Off anpassen. Sämtliche Anpassungen werden dann in einer Filialdatei ( sidecar) gespeichert. Dort sind sie für jeden sichtbar, der in der Postproduktion an den Dateien arbeitet. Sie können aber jederzeit wieder auf die ursprünglichen Kamerametadaten zugreifen.

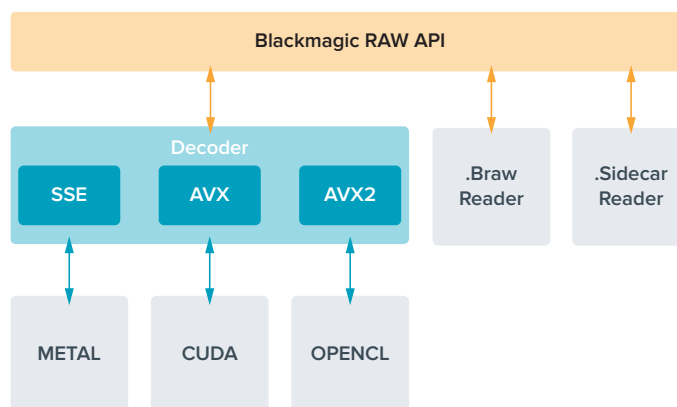
Einzelne Blackmagic-RAW-Frames können zusammen mit allen Anpassungen, Metadaten, voller Auflösung und Farbinformationen über den RAW-Tab aus DaVinci Resolve exportiert werden. So ist es ein Leichtes, ein Einzelbild oder eine Referenzdatei mit anderen zu teilen.

Wie Sie Blackmagic RAW im Einzelnen in DaVinci Resolve verwenden, steht im Kapitel „Anwendung von DaVinci Resolve“ dieser Bedienungsanleitung.

## Blackmagic RAW Software Development Kit

Das Blackmagic RAW Software Development Kit (SDK) ist eine von Blackmagic Design entwickelte Schnittstelle zur Anwendungsprogrammierung (API). Mit dem Blackmagic RAW SDK können Sie Ihre eigenen Anwendungen so programmieren, dass sie das Blackmagic-RAW-Format verwenden. Entwickler können Anwendungen mithilfe der SDK-Bibliothek um Support zum Lesen, Bearbeiten und Speichern von Blackmagic-RAW-Dateien erweitern. Im Blackmagic RAW SDK steckt die gesamte Generation 4 und Generation 5 Color Science. Damit können Sie in allen Anwendungen, die sie unterstützen, natürliche filmische Bilder erzielen. Das Blackmagic RAW SDK unterstützt Mac, Windows und Linux. Es steht zum kostenlosen Download auf der Entwickler-Seite der Blackmagic Design Website unter [www.blackmagicdesign.com/de/developer](http://www.blackmagicdesign.com/de/developer) bereit.

Das nachstehende Diagramm veranschaulicht die Komponenten der Blackmagic RAW API.



## Auswählen der Framerate

Ihre Kamera kann Video in vielen unterschiedlichen Bildwechselfrequenzen aufnehmen. Da mögen Sie sich fragen, welche Sie am besten verwenden. Die Sensor-Framerate Ihrer Kamera hat das Potenzial, den Look Ihrer Footage stark zu beeinflussen. In der Regel sind bei der Wahl der Sensor-Framerate einige generelle Faktoren zu berücksichtigen. Für die Filmverwertung im Kino und Fernsehen gibt es seit vielen Jahren Normen. Die Vorgaben für Bildwechselfrequenzen unterscheiden sich zwar von Land zu Land, bezwecken jedoch das Gleiche. Es soll eine effiziente

Anzahl von Vollbildern pro Sekunde gezeigt werden, damit Bewegungen im Bild angenehm und glaubwürdig dargestellt werden. Im Kino gilt beispielsweise die Norm von 24 Frames pro Sekunde. In jüngster Zeit wurde zwar auch mit schnelleren Framerraten experimentiert, für internationale Zuschauerschaften ist es jedoch bei den vielerorts akzeptierten 24 Bildern pro Sekunde geblieben.

Der in Kinos übliche Standard ist bspw. 24 Frames pro Sekunde. Obwohl es unlängst Experimente mit schnelleren Framerraten gegeben hat, sind 24 Frames pro Sekunde für ein internationales Publikum weitestgehend der gängige Standard. TV-Framerraten richten sich seit jeher im Allgemeinen nach den jeweiligen länderspezifischen technischen Sendestandards. So hätte man bspw. TV-Inhalte für die Distribution in Nordamerika bislang üblicherweise mit 29,97 fps aufgezeichnet, für Europa aber mit 25 fps.

Aufgrund des technischen Fortschritts hat man heute jedoch mehr Auswahl und die Sendestandards sind im Wandel begriffen. Inzwischen ist es üblich, Sportevents bei höheren Framerraten aufzuzeichnen und auszustrahlen. Manche Sportveranstaltungen in Nordamerika werden bspw. mit bis zu 59,94 fps und in Europa mit 50 fps aufgezeichnet und ausgestrahlt. Schnelle Action erscheint dadurch geschmeidiger in der Bewegung und realitätsnäher. Streaming- und Online-Broadcaster arbeiten normalerweise mit ähnlichen Framerraten wie beim Fernsehen. Sie haben allerdings mehr Experimentierfreiheit. Aufgrund nutzerspezifischer Ansichtsformate sind sie lediglich darauf beschränkt, was die Bildschirme des Publikums wiedergeben können.

Bei der Auswahl einer Framerrate für ein Projekt richtet man sich in der Regel nach dem Lieferformat. Stellen Sie die Projekt-Framerrate Ihrer Kamera auf das Lieferformat ein. Auch die Sensor-Framerrate sollte dementsprechend eingestellt werden. Dann werden Ihre Clips in der gleichen Geschwindigkeit wiedergegeben, in der sich das Event in Wirklichkeit abgespielt hat. Wenn Sie einen Effekt wie bspw. Zeitlupe gestalten möchten, können Sie als Sensor-Framerrate einen höheren Wert einstellen. Je höher die Sensor-Framerrate im Verhältnis zur Projekt-Framerrate, desto langsamer ist die Wiedergabegeschwindigkeit. Zum Beispiel können Sie auf der URSA Mini Pro 4.6K G2 extreme Zeitlupen mit sehr hohen Sensor-Framerraten filmen.

Weitere Informationen, wie sich mit Off-Speed-Sensorframeraten kreative Effekte erzielen lassen, finden Sie im Abschnitt „Bedienung per Touchscreen“.

## Mit hohen Framerraten filmen

Beim Filmen mit hohen Bildwechselfrequenzen erfasst Ihre Kamera mehr Bilder pro Sekunde als mit den herkömmlichen synchronisierten Framerrate-Geschwindigkeiten von 24, 25 und 30 fps. So hat der Sensor weniger Zeit, das für jedes Einzelbild auf die Sensorfläche treffende Licht umzusetzen, und die Kamera liefert letztendlich ein dunkleres Bild.

Wenn Sie bspw. von 25 fps auf 50 fps wechseln, halbiert sich damit die auf den Sensor treffende Lichtmenge. Soll die aktuelle Belichtung beibehalten werden, muss diese Änderung kompensiert werden. Hierfür können Sie wahlweise Ihr Objektiv um einen weiteren Blendenschritt öffnen, den Verschlusswinkel von 180° auf 360° stellen oder die Szene Ihres Drehs stärker beleuchten.

Beim Filmen mit 120 Bildern pro Sekunde reduziert sich die Lichtmenge auf ein Fünftel. Möglicherweise sind zur Erzielung der gleichen Belichtung also mehrere Faktoren zu justieren, bspw. Blendenöffnung oder Verschlusswinkel.

Beim Filmen mit hohen Bildwechselfrequenzen ist auch die Tatsache zu berücksichtigen, dass elektronische Lichtquellen möglicherweise Flimmern im aufgezeichneten Bild verursachen. Dies gilt insbesondere beim Filmen mit Framerraten über 100 fps bei einer Netzspannung von 50 Hz bzw. 120 fps bei 60 Hz, in künstlichem Tungsten-, Leuchtstoff- oder LED-Licht. In all diesen Situationen kann es zu Bildflimmern kommen. Probleme mit Lichtflimmern sind bei der Voransicht einer Szene auf Ihrem LCD oder im SDI-Feed bei der Aufzeichnung nicht unbedingt erkenntlich. Deshalb sollte man einen Testdreh unter Einsatz der vorgesehenen Leuchten ausführen und den Clip bei der Wiedergabe auf Flimmern prüfen.

Auch die Verschlusseinstellung kann beim Filmen unter Leuchten sichtbares Flimmern beeinflussen. Darum kann Ihre URSA Mini dies automatisch berechnen und Ihnen für Ihre aktuelle Framerate flimmerfreie Verschlusswerte anzeigen. Aufgrund der Eigenschaften individueller Lichtquellen kann es selbst mit flimmerfreien Verschlusswerten zu Flimmern kommen. Einzelheiten hierüber finden Sie im Abschnitt „Bedienung per Touchscreen“.

Wenn Sie bei maximaler Verschlussöffnung oder langsamster Verschlusszeit immer noch Flimmern im aufgezeichneten Bild erkennen, empfiehlt es sich ggf., andere Lichtquellen für die Szene oder den Einsatz eines schnelleren Objektivs zu erwägen.

## Maximale Frameraten

Die folgende Tabelle listet verfügbare Codecs, Auflösungen und maximale Sensor-Frameraten für die Modelle URSA Mini 4.6K und die URSA Mini Pro Modelle auf: Bitte beachten Sie, dass sich die Referenzwerte für Blackmagic RAW, ProRes 444 und ProRes 422 auf alle unterstützten Varianten innerhalb des jeweiligen Codecs beziehen.

Aufgrund der für hochaufgelöste Aufzeichnungen in Zeitlupe erforderlichen Datendurchsatzraten, sollten Sie hierfür eine schnelle CFast-Karte, einen USB-C-Stick oder eine SSD benutzen. Angaben zu den für ununterbrochene High-Speed-Aufzeichnungen empfohlenen Medien finden Sie im Abschnitt „Speichermedien“.

**TIPP** Prüfen Sie die von Ihrer Karte geleisteten Geschwindigkeit, indem Sie die Funktion „Stop record if card drops frames“ (Aufzeichnung bei fallengelassenen Bildern stoppen) aktivieren und einen Testclip aufzeichnen. So kann geprüft werden, wie lange Sie mit einer spezifischen Bildwechselrate und Auflösung filmen können. Stoppt die Karte die Aufzeichnung zu schnell, geben Sie die nächstniedrige Kompressionseinstellung oder Auflösung vor. Das reduziert die Datenrate und beansprucht die Karte weniger.

### Maximale Frameraten für die URSA Mini Pro 12K

Format		Auflösung	Codec	Sensorfläche	Max. Framerate
12K	17:9	12288 x 6480	Blackmagic RAW	Voll	60
	16:9	11520 x 6480	Blackmagic RAW	Volle Höhe	60
	2.4:1	12288 x 5112	Blackmagic RAW	Volle Breite	75
	6:5 Anamorphic	7680 x 6408	Blackmagic RAW	Volle Höhe	60
8K	17:9	8192 x 4320	Blackmagic RAW	Voll	120
	16:9	7680 x 4320	Blackmagic RAW	Volle Höhe	120
	2.4:1	8192 x 3408	Blackmagic RAW	Volle Breite	160
	6:5 Anamorphic	5120 x 4272	Blackmagic RAW	Volle Höhe	120
6K	Super 16	6144 x 3240	Blackmagic RAW	Gefenstert	120
4K	DCI	4096 x 2160	Blackmagic RAW	Voll	120
	16:9	3840 x 2160	Blackmagic RAW	Volle Höhe	120
	2.4:1	4096 x 1704	Blackmagic RAW	Volle Breite	160
	6:5 Anamorphic	2560 x 2136	Blackmagic RAW	Volle Höhe	120
	Super 16	4096 x 2160	Blackmagic RAW	Gefenstert	240

**Maximale Frameraten für die URSA Mini Pro 4.6K G2, URSA Mini Pro 4.6K und URSA Mini 4.6K**

Format	Auflösung	Codec	URSA Mini Pro 4.6K G2		URSA Mini Pro 4.6K		URSA Mini 4.6K	
			Sensorfläche	Max. Framerate	Sensorfläche	Max. Framerate	Sensorfläche	Max. Framerate
4.6K	4608 x 2592	Blackmagic RAW	Voll	120	Voll	60	–	–
		ProRes 444	Voll	40	Voll	30	Voll	30
		ProRes 422	Voll	80	Voll	40	Voll	40
4.6K 2.4:1	4608 x 1920	Blackmagic RAW	Gefenstert	150	Gefenstert	60	–	–
		ProRes 444	Gefenstert	60	Gefenstert	40	Gefenstert	40
		ProRes 422	Gefenstert	120	Gefenstert	50	Gefenstert	50
4K 16:9	4096 x 2304	Blackmagic RAW	Gefenstert	120	Gefenstert	60	–	–
		ProRes 444	Gefenstert	60	Voll oder gefenstert	30	Voll oder gefenstert	30
		ProRes 422	Gefenstert	100	Voll oder gefenstert	50	Voll oder gefenstert	50
4K DCI	4096 x 2160	Blackmagic RAW	Gefenstert	150	Gefenstert	60	–	–
		ProRes 444	Gefenstert	60	Voll oder gefenstert	40	Voll oder gefenstert	40
		ProRes 422	Gefenstert	120	Voll oder gefenstert	50	Voll oder gefenstert	50
UHD	3840 x 2160	Blackmagic RAW	Gefenstert	150	Gefenstert	60	–	–
		ProRes 444	Voll oder gefenstert	60	Voll oder gefenstert	40	Voll oder gefenstert	40
		ProRes 422	Voll oder gefenstert	120	Voll oder gefenstert	60	Voll oder gefenstert	60
3K Anamorphic	3072 x 2560	Blackmagic RAW	Gefenstert	120	Gefenstert	60	–	–
		ProRes 444	Gefenstert	70	Gefenstert	40	–	–
		ProRes 422	Gefenstert	120	Gefenstert	60	–	–
2K 16:9	2048 x 1152	Blackmagic RAW	Gefenstert	240	Gefenstert	120	–	–
		ProRes 444	Gefenstert	240	Gefenstert	120	Gefenstert	120
		ProRes 422	Gefenstert	240	Gefenstert	120	Gefenstert	120
		ProRes 444	Voll	120	Voll	60	Voll	60
		ProRes 422	Voll	120	Voll	60	Voll	60
2K DCI	2048 x 1080	Blackmagic RAW	Gefenstert	300	Gefenstert	120	–	–
		ProRes 444	Gefenstert	240	Gefenstert	120	Gefenstert	120
		ProRes 422	Gefenstert	240	Gefenstert	120	Gefenstert	120
		ProRes 444	Voll	120	Voll	60	Voll	60
		ProRes 422	Voll	120	Voll	60	Voll	60
HD	1920 x 1080	Blackmagic RAW	Gefenstert	300	Gefenstert	120	–	–
		ProRes 444	Gefenstert	240	Gefenstert	120	Gefenstert	120
		ProRes 422	Gefenstert	240	Gefenstert	120	Gefenstert	120
		ProRes 444	Voll	120	Voll	60	Voll	60
		ProRes 422	Voll	120	Voll	60	Voll	60

Wichtig: Blackmagic RAW Q0, Q1, Q3 und Q5 komprimieren bei variabler Bitrate, um eine konstante Qualität zu erzielen. Die mit Q0, Q1, Q3 und Q5 generierten Datenraten hängen von der Komplexität der aufgenommenen Motive ab und variieren innerhalb eines Clips ggf. erheblich.

### Maximale Frameraten für die URSA Mini 4K

Format	Auflösung	Codec	URSA Mini Pro 4K	
			Sensorfläche	Max. Framerate
UHD	3840 x 2160	ProRes 444	Voll oder gefenstert	40
		ProRes 422	Voll oder gefenstert	60
HD	1920 x 1080	ProRes 444	Gefenstert	80
		ProRes 422	Gefenstert	120
		ProRes 444	Voll	60
		ProRes 422	Voll	60

### So geben Sie bei der Blackmagic URSA Mini den Codec und die Auflösung nach Wunsch vor:

- 1 Drücken Sie auf die MENU-Taste im Bedienfeld.
- 2 Navigieren Sie zur ersten Seite des RECORD-Tabs.
- 3 Tippen Sie auf Ihre gewünschte Kombination von Codec, Qualität und Auflösung.
- 4 Wenn Sie mit gefensterter Sensorfläche aufzeichnen möchten, navigieren Sie zu Seite 2 des RECORD-Menüs und aktivieren Sie „Window Sensor“. Mit OFF deaktivieren Sie dies, um mit voller Sensorfläche aufzuzeichnen.
- 5 Drücken Sie zum Schließen auf MENU.

### Aufzeichnungsformate und Projekt-Frameraten

Bestimmen Sie Codec und Auflösung und geben Sie dann Ihre Projekt- und Sensor-Frameraten vor. Näheres zu Frameraten finden Sie im Abschnitt „Aufzeichnen“ dieser Bedienungsanleitung.

Die folgenden Projekt-Frameraten sind für alle URSA Mini Kameras verfügbar:

23,98; 24; 25; 29,97; 30; 50; 59,94 und 60 Bilder pro Sekunde.

Die alleinigen Ausnahmen bilden die Formate ProRes 444 XQ und ProRes 444, die bei einer Auflösung von über 2K 16:9 die Projekt-Frameraten 23,98, 24, 25, 29,97 sowie 30 unterstützen.

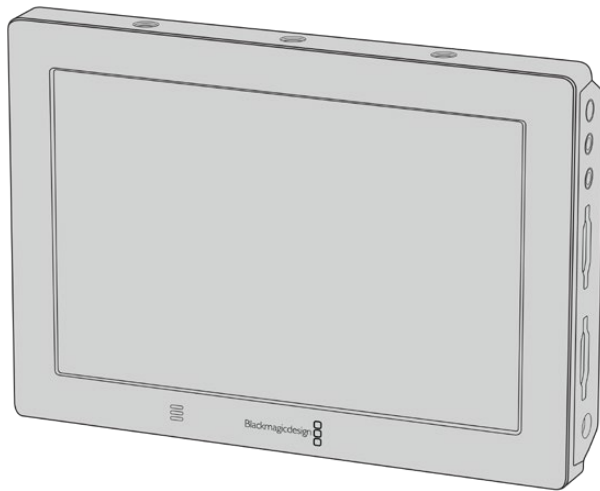
Bei Verwendung von Blackmagic-RAW- oder ProRes-Codecs bis zu ProRes 422 HQ beträgt die maximale Projekt-Framerate in allen Auflösungen 60 Bilder pro Sekunde. Werden die Codecs ProRes 444 oder ProRes 444 XQ verwendet, hängt die maximale Projekt-Framerate von der Auflösung ab.

Beispielsweise beträgt die maximale Projekt-Framerate der URSA Mini Pro 4.6K G2 beim Filmen mit ProRes-444-Codecs bei bis zu 4,6K und 2.4:1 insgesamt 60 Bilder pro Sekunde. Wenn Sie die Auflösung auf die gesamte 4.6K-Sensorfläche hochsetzen, ergibt das eine Projekt-Framerate von maximal 30 Bildern pro Sekunde. Bei der ursprünglichen URSA Mini Pro 4.6K beträgt die maximale Projekt-Framerate für ProRes-444-Codecs bei bis zu 2K und 16:9 insgesamt 60 Bilder pro Sekunde. Wenn Sie die Auflösung auf 3K anamorphotisch oder höher einstellen, ergibt das eine Projekt-Framerate von maximal 30 Bildern pro Sekunde. Der Unterschied resultiert aus der höheren Verarbeitungsleistung, die bei ProRes 444 und ProRes 444 XQ erforderlich ist.

## Trigger-Aufzeichnung

Ihre URSA Mini gibt über die SDI-Ausgänge automatisch ein Signal aus, das auf angeschlossenen Geräten mit unterstützter SDI-Trigger-Aufzeichnungsfunktion den Aufnahmevorgang auslöst, zum Beispiel bei einem Blackmagic Video Assist. Sobald Sie die Aufnahmetaste Ihrer Kamera drücken, beginnen diese externen SDI-Geräte ebenfalls aufzuzeichnen. Ein erneutes Drücken der Aufnahmetaste stoppt auch diese Geräte.

Aktivieren Sie die Funktion zur Aufzeichnung per SDI-Trigger an angeschlossenen Geräten und prüfen Sie, dass diese auf das Auslösesignal von Ihrer URSA Mini reagieren. Wenn Ihr SDI-Equipment die Aufzeichnung per SDI-Trigger unterstützt, lässt sich diese Funktion in der Regel im Einstellungsmenü des SDI-Geräts aktivieren.



Sie können die Aufzeichnung mit der Trigger-Funktion Ihrer Kamera auch auf anderen SDI-Videogeräten auslösen, so zum Beispiel auf dem Blackmagic Video Assist 4K

**TIPP** Bei extrem kalter oder warmer Witterung – beispielsweise bei Temperaturen um 0–5 °C und 32–41 °C – braucht die URSA Mini 4K manchmal bis zu 30 Sekunden, ehe sie die optimale Betriebstemperatur erreicht hat. In dieser Zeit können Sie zwar, falls nötig, aufnehmen, wir raten Ihnen jedoch, abzuwarten, bis Ihre Kamera sich erwärmt und stabilisiert hat. Sobald Ihre Kamera die optimale Betriebstemperatur erreicht hat, kalibriert sie sich neu. Das kompensiert die geänderte Sensortemperatur und Sie bemerken ggf. einen einzelnen weißen Flash-Frame. Das geschieht nur, wenn nicht aufgenommen wird, und verbessert die Ergebnisse beim Filmen in kalten Umgebungen.

## Tabellenübersicht der Aufzeichnungsspannen

Die nachstehende Tabelle gibt die ungefähren Aufzeichnungszeiten in Minuten und Sekunden im Verhältnis zu Format, Projekt-Framerate und Speicherkapazität an. Die von Ihrem Datenträger unterstützte, maximale Aufzeichnungszeit richtet sich nach seiner Kapazität, dem Aufnahmeformat und der Framerate. Zum Beispiel liegt die Speicherrate für Apple ProRes 422 HQ mit 3840 x 2160 bei etwa 880 Mbit/s. Bei 24 Bildern pro Sekunde können Sie ungefähr 47 Minuten an Videomaterial auf eine 256 GB große CFast-2.0- oder SD-Karte aufzeichnen. Mit den gleichen Einstellungen passen auf eine 128 GB CFast-2.0- oder SD-Karte rund 23 Minuten Video. Das entspricht ungefähr der halben Aufzeichnungsdauer einer Karte mit 256 GB Kapazität. Beim Aufzeichnen auf SSDs mit einem URSA Mini Recorder gelten die gleichen Zeitspannen.

Beachten Sie, dass sich auch die Aufzeichnungsspannen von CFast-2.0- und SD-Karten unterschiedlicher Hersteller ggf. leicht unterscheiden. Auch die Formatierung der CFast-Karte in exFAT oder Mac OS X Extended beeinflusst ggf. die Aufzeichnungsdauer von Speichermedien.

### Tabellenübersicht der Aufzeichnungsspannen der URSA Mini Pro 12K

Einfache Szenen mit weniger Details erfordern weniger Speicherkapazität als kompliziertere Kompositionen. Den Werten in diesen Tabellen liegen hochkomplexe Shots zugrunde. Je nach Art Ihres Drehs kann es also sein, dass Sie etwas längere Aufzeichnungszeiten erzielen.

12K auf der URSA Mini Pro 12K					
CFast-Karte	Frame-rate	Blackmagic RAW 5:1	Blackmagic RAW 8:1	Blackmagic RAW 12:1	Blackmagic RAW 18:1
1 TB		Dauer	Dauer	Dauer	Dauer
	23.98	29 Min.	47 Min.	70 Min.	106 Min.
	24	29 Min.	47 Min.	70 Min.	106 Min.
	25	28 Min.	45 Min.	67 Min.	101 Min.
	29.97	23 Min.	37 Min.	56 Min.	84 Min.
	30	23 Min.	37 Min.	56 Min.	84 Min.
	50	14 Min.	22 Min.	33 Min.	50 Min.
60	11 Min.	18 Min.	28 Min.	42 Min.	

8K auf der URSA Mini Pro 12K					
CFast-Karte	Frame-rate	Blackmagic RAW 5:1	Blackmagic RAW 8:1	Blackmagic RAW 12:1	Blackmagic RAW 18:1
1 TB		Dauer	Dauer	Dauer	Dauer
	23.98	66 Min.	106 Min.	158 Min.	238 Min.
	24	66 Min.	106 Min.	158 Min.	238 Min.
	25	63 Min.	101 Min.	152 Min.	228 Min.
	29.97	52 Min.	84 Min.	127 Min.	190 Min.
	30	52 Min.	84 Min.	127 Min.	190 Min.
	50	31 Min.	50 Min.	76 Min.	114 Min.
60	26 Min.	42 Min.	63 Min.	95 Min.	

6K auf der URSA Mini Pro 12K					
CFast-Karte	Frame-rate	Blackmagic RAW 5:1	Blackmagic RAW 8:1	Blackmagic RAW 12:1	Blackmagic RAW 18:1
1 TB		Dauer	Dauer	Dauer	Dauer
	23.98	116 Min.	186 Min.	280 Min.	419 Min.
	24	116 Min.	186 Min.	280 Min.	419 Min.
	25	112 Min.	179 Min.	268 Min.	402 Min.
	29.97	93 Min.	149 Min.	224 Min.	335 Min.
	30	93 Min.	149 Min.	224 Min.	335 Min.
	50	56 Min.	89 Min.	134 Min.	201 Min.
60	46 Min.	74 Min.	112 Min.	168 Min.	



4K auf der URSA Mini Pro 12K					
CFast-Karte	Frame-rate	Blackmagic RAW 5:1	Blackmagic RAW 8:1	Blackmagic RAW 12:1	Blackmagic RAW 18:1
1 TB		Dauer	Dauer	Dauer	Dauer
	23.98	264 Min.	442 Min.	631 Min.	941 Min.
	24	264 Min.	442 Min.	631 Min.	941 Min.
	25	254 Min.	405 Min.	606 Min.	904 Min.
	29.97	211 Min.	338 Min.	506 Min.	755 Min.
	30	211 Min.	338 Min.	506 Min.	755 Min.
	50	127 Min.	203 Min.	304 Min.	455 Min.
	60	106 Min.	169 Min.	254 Min.	380 Min.

### Tabellenübersicht der Aufzeichnungsspannen der URSA Mini Pro 4.6K G2, URSA Mini Pro 4.6K, URSA Mini 4.6K und URSA Mini 4K

Einfache Szenen mit weniger Details erfordern weniger Speicherkapazität als komplexere Kompositionen. Den Werten in diesen Tabellen liegen hochkomplexe Shots zugrunde. Je nach Art Ihres Drehs kann es also sein, dass Sie etwas längere Aufzeichnungszeiten erzielen.

4.6K								
CFast-Karte	Frame-rate	Blackmagic RAW 3:1*	Blackmagic RAW 5:1*	Blackmagic RAW 8:1*	Blackmagic RAW 12:1*	ProRes 444 XQ	ProRes 422 HQ	ProRes 422 LT
256GB		Dauer	Dauer	Dauer	Dauer	Dauer	Dauer	Dauer
	23,98	28 Min.	48 Min.	76 Min.	115 Min.	14 Min.	33 Min.	70 Min.
	24	28 Min.	48 Min.	76 Min.	114 Min.	14 Min.	33 Min.	70 Min.
	25	27 Min.	46 Min.	73 Min.	110 Min.	14 Min.	31 Min.	66 Min.
	29,976	23 Min.	38 Min.	61 Min.	92 Min.	11 Min.	26 Min.	56 Min.
	30	23 Min.	38 Min.	61 Min.	92 Min.	11 Min.	26 Min.	56 Min.
	50	13 Min.	23 Min.	36 Min.	55 Min.	–	–	–
	59,94	11 Min.	19 Min.	30 Min.	46 Min.	–	–	–
60	11 Min.	19 Min.	30 Min.	46 Min.	–	–	–	

\*Blackmagic RAW ist nur auf der URSA Mini Pro 4.6K und der URSA Mini Pro 4.6K G2 verfügbar

ULTRA HD								
CFast-Karte	Frame-rate	Blackmagic RAW 3:1*	Blackmagic RAW 5:1*	Blackmagic RAW 8:1*	Blackmagic RAW 12:1*	ProRes 444 XQ	ProRes 422 HQ	ProRes 422 LT
256GB		Dauer	Dauer	Dauer	Dauer	Dauer	Dauer	Dauer
	23,98	41 Min.	68 Min.	110 Min.	164 Min.	21 Min.	47 Min.	101 Min.
	24	41 Min.	68 Min.	109 Min.	164 Min.	21 Min.	47 Min.	101 Min.
	25	39 Min.	66 Min.	105 Min.	157 Min.	20 Min.	45 min	97 Min.
	29,976	33 Min.	55 Min.	88 Min.	131 Min.	16 Min.	38 Min.	81 Min.
	30	33 Min.	55 Min.	88 Min.	131 Min.	16 Min.	38 Min.	81 Min.
	50	19 Min.	33 Min.	52 Min.	79 Min.	–	22 Min.	48 Min.
	59,94	16 Min.	27 Min.	44 Min.	66 Min.	–	18 Min.	40 Min.
60	16 Min.	27 Min.	44 Min.	66 Min.	–	18 Min.	40 Min.	

\*Blackmagic RAW ist nur auf der URSA Mini Pro 4.6K und der URSA Mini Pro 4.6K G2 verfügbar

HD								
CFast-Karte	Frame-rate	Blackmagic RAW 3:1*	Blackmagic RAW 5:1*	Blackmagic RAW 8:1*	Blackmagic RAW 12:1*	ProRes 444 XQ	ProRes 422 HQ	ProRes 422 LT
		Dauer	Dauer	Dauer	Dauer	Dauer	Dauer	Dauer
<b>256GB</b>	23,98	159 Min.	264 Min.	418 Min.	619 Min.	84 Min.	189 Min.	403 Min.
	24	159 Min.	264 Min.	418 Min.	618 Min.	84 Min.	189 Min.	403 Min.
	25	153 Min.	253 Min.	402 Min.	595 Min.	81 Min.	182 Min.	387 Min.
	29,976	128 Min.	212 Min.	336 Min.	499 Min.	68 Min.	152 Min.	324 Min.
	30	127 Min.	212 Min.	336 Min.	499 Min.	67 Min.	152 Min.	324 Min.
	50	76 Min.	127 Min.	203 Min.	303 Min.	40 Min.	91 Min.	196 Min.
	59,94	64 Min.	106 Min.	170 Min.	254 Min.	34 Min.	76 Min.	163 Min.
	60	64 Min.	106 Min.	170 Min.	253 Min.	33 Min.	76 Min.	163 Min.

\*Blackmagic RAW ist nur auf der URSA Mini Pro 4.6K und der URSA Mini Pro 4.6K G2 verfügbar

Die „Constant Quality“-Einstellungen Q0 und Q5 zeigen variierende Spannen für die verbleibende Aufzeichnungszeit an. Die geschätzte Dauer für Q0 ist ähnlich wie für die 3:1-Komprimierung bei „Constant Bitrate“ und die für Q5 gleicht der für die 12:1-Komprimierung. Während der Aufzeichnung wird die geschätzte Aufzeichnungsdauer alle 10 Sekunden aktualisiert. Um Ihre verbleibende Aufzeichnungsdauer selbst abzuschätzen, nehmen Sie am besten 20 Sekunden lang auf und beobachten Sie die im Medienfeld des Touchscreen-Displays angezeigte

## Tabellenübersicht zu Datenraten für die URSA Mini Pro 12K

Die Blackmagic URSA Mini Pro 12K ermöglicht Ihnen die Erfassung von Bildern mit vielen verschiedenen Auflösungen und Frameraten. Daher ist es wichtig, die Auswirkungen auf die Datenrate zu verstehen, damit Sie das geeignetste Format und Speichermedium für Ihr Projekt auswählen können. Blackmagic Design hat eine Vielzahl von CFast-, SD-UHS-II-Karten und USB-C-Laufwerken gründlich getestet, um erreichbare Frameraten und Komprimierungsverhältnisse für Blackmagic RAW zu ermitteln. Weitere Informationen finden Sie im Abschnitt „Speichermedien“. Im Allgemeinen unterstützen CFast-Karten für die URSA Mini Pro 12K Datenraten von etwa 400 MB/s. Diese ungefähre Angabe ist ein guter Ausgangspunkt dafür, welche Raten und Auflösungen Sie erzielen können.

Die URSA Mini Pro 12K kann bei extrem hohen Datenraten aufzeichnen. Um die gewohnte Bitrate Ihrer Datenträger zu verdoppeln, können Sie die Aufzeichnung auf zwei Karten verteilen. Schieben Sie dazu zwei CFast- oder SD-Karten ein und aktivieren Sie im RECORD-Menü die Option „Record RAW on 2 Cards“. Da bei der Verteilung, sog. Striping, die Daten nacheinander auf beide Karten verteilt werden, wird die Datenrate von der langsamsten Karte bestimmt. Es ist daher ratsam, zwei Karten mit den gleichen oder ähnlichen Spezifikationen einzusetzen. Striping ist auch zwischen der CFast-Karte im Speicherslot 1 und einem USB-C-Laufwerk im Speicherslot 2 möglich. Bei Verwendung der Option „Record RAW on 2 Cards“ ist die Geschwindigkeit auf das Zweifache der Datenrate der langsamsten Karte beschränkt. Weitere Informationen finden Sie unter „Record RAW on 2 Cards“.

Die Optionen für konstante Bitraten in Blackmagic RAW bieten Ihnen kalkulierbare Dateigrößen und Datenraten. Beim Drehen von Szenen mit sehr vielen Details oder schnellen Bewegungen komprimiert die „Constant Bitrate“-Option das Bild bei einem konstanten Maximalwert, um die Bitrate durchgehend beizubehalten oder unter dem angegebenen Wert zu halten. Somit wissen Sie jederzeit, welche Geschwindigkeiten Ihre Datenträger beibehalten müssen, und haben einen guten Anhaltspunkt, wie lange Sie darauf aufnehmen können.

### Maximale Datenraten bei 24 fps mit Blackmagic RAW Constant Bitrate

Format		Auflösung	Framerate	Blackmagic RAW 5:1	Blackmagic RAW 8:1	Blackmagic RAW 12:1	Blackmagic RAW 18:1
12K	17:9	12288 x 6480	24	578 MB/s	361 MB/s	241 MB/s	160 MB/s
	16:9	11520 x 6480	24	542 MB/s	339 MB/s	226 MB/s	150 MB/s
	2.4:1	12288 x 5112	24	457 MB/s	286 MB/s	190 MB/s	127 MB/s
	6:5 Anamorphic	7680 x 6408	24	358 MB/s	224 MB/s	150 MB/s	99 MB/s
8K	17:9	8192 x 4320	24	257 MB/s	161 MB/s	107 MB/s	71 MB/s
	16:9	7680 x 4320	24	241 MB/s	151 MB/s	101 MB/s	67 MB/s
	2.4:1	8192 x 3408	24	203 MB/s	127 MB/s	85 MB/s	56 MB/s
	6:5 Anamorphic	5120 x 4272	24	159 MB/s	100 MB/s	67 MB/s	44 MB/s
6K	Super 16	6144 x 3240	24	146 MB/s	91 MB/s	61 MB/s	40 MB/s
4K	DCI	4096 x 2160	24	65 MB/s	41 MB/s	32 MB/s	27 MB/s
	16:9	3840 x 2160	24	61 MB/s	38 MB/s	30 MB/s	25 MB/s
	2.4:1	4096 x 1704	24	51 MB/s	32 MB/s	25 MB/s	21 MB/s
	6:5 Anamorphic	2560 x 2136	24	40 MB/s	25 MB/s	20 MB/s	17 MB/s
	Super 16	4096 x 2160	24	65 MB/s	41 MB/s	27 MB/s	18 MB/s

Es sei angemerkt, dass die tatsächlichen Speicherraten von den Bildinhalten abhängig sind. Es mag sein, dass sie bei Szenen mit vielen Details oder sehr simplen Szenen außerhalb des nachstehenden Bereichs liegen.

### Datenbereich bei 24 fps mit Blackmagic RAW Constant Quality

Format		Auflösung	Framerate	Blackmagic RAW Q0	Blackmagic RAW Q1	Blackmagic RAW Q3	Blackmagic RAW Q5
12K	17:9	12288 x 6480	24	241–578 MB/s	145–361 MB/s	97–241 MB/s	73–181 MB/s
	16:9	11520 x 6480	24	226–542 MB/s	136–339 MB/s	91–226 MB/s	68–170 MB/s
	2.4:1	12288 x 5112	24	190–457 MB/s	114–286 MB/s	76–190 MB/s	57–143 MB/s
	6:5 Anamorphic	7680 x 6408	24	150–358 MB/s	90–224 MB/s	60–150 MB/s	45–112 MB/s
8K	17:9	8192 x 4320	24	161–321 MB/s	107–214 MB/s	81–161 MB/s	52–129 MB/s
	16:9	7680 x 4320	24	151–301 MB/s	101–201 MB/s	76–151 MB/s	49–121 MB/s
	2.4:1	8192 x 3408	24	127–254 MB/s	85–169 MB/s	64–127 MB/s	41–102 MB/s
	6:5 Anamorphic	5120 x 4272	24	100–199 MB/s	67–133 MB/s	50–100 MB/s	32–80 MB/s
6K	Super 16	6144 x 3240	24	61–146 MB/s	37–91 MB/s	25–61 MB/s	19–46 MB/s
4K	DCI	4096 x 2160	24	129–214 MB/s	65–129 MB/s	41–107 MB/s	30–81 MB/s
	16:9	3840 x 2160	24	121–201 MB/s	61–121 MB/s	38–101 MB/s	28–76 MB/s
	2.4:1	4096 x 1704	24	102–169 MB/s	51–102 MB/s	32–85 MB/s	23–64 MB/s
	6:5 Anamorphic	2560 x 2136	24	80–133 MB/s	40–80 MB/s	25–67 MB/s	18–50 MB/s
	Super 16	4096 x 2160	24	41–81 MB/s	27–54 MB/s	21–41 MB/s	13–33 MB/s

Bei Off-Speed-Aufnahmen können Sie kreative Entscheidungen treffen und den gewünschten Look erzielen. Die URSA Mini Pro 12K kann in einer Auflösung von 12K bei bis zu 60 fps und in anderen Auflösungen bei Höchstwerten von 240 fps aufnehmen. Beim Drehen mit hohen Frameraten auf der URSA Mini Pro 12K, arbeitet die Kamera mit extremen Bitraten. Daher ist es wichtig, eine angemessene Komprimierung für Blackmagic RAW auszuwählen.

### Maximale Datenraten bei maximalen Frameraten mit Blackmagic RAW Constant Bitrate

Format		Auflösung	Blackmagic RAW 5:1		Blackmagic RAW 8:1		Blackmagic RAW 12:1		Blackmagic RAW 18:1	
			Frame-rate	Max. Datenrate	Frame-rate	Max. Datenrate	Frame-rate	Max. Datenrate	Frame-rate	Max. Datenrate
12K	17:9	12288 x 6480	40	963 MB/s	60	903 MB/s	60	602 MB/s	60	401 MB/s
	16:9	11520 x 6480	40	903 MB/s	60	847 MB/s	60	565 MB/s	60	376 MB/s
	2.4:1	12288 x 5112	50	951 MB/s	75	892 MB/s	75	595 MB/s	75	396 MB/s
	6:5 Anamorphic	7680 x 6408	60	895 MB/s	60	560 MB/s	60	373 MB/s	60	249 MB/s
8K	17:9	8192 x 4320	120	1285 MB/s	120	803 MB/s	120	536 MB/s	120	357 MB/s
	16:9	7680 x 4320	120	1205 MB/s	120	753 MB/s	120	502 MB/s	120	334 MB/s
	2.4:1	8192 x 3408	160	1353 MB/s	160	846 MB/s	160	564 MB/s	160	375 MB/s
	6:5 Anamorphic	5120 x 4272	120	796 MB/s	120	498 MB/s	120	332 MB/s	120	221 MB/s
6K	Super 16	6144 x 3240	120	727 MB/s	120	455 MB/s	120	303 MB/s	120	202 MB/s
4K	DCI	4096 x 2160	120	322 MB/s	120	201 MB/s	120	161 MB/s	120	134 MB/s
	16:9	3840 x 2160	120	302 MB/s	120	189 MB/s	120	150 MB/s	120	125 MB/s
	2.4:1	4096 x 1704	160	339 MB/s	160	212 MB/s	160	169 MB/s	160	141 MB/s
	6:5 Anamorphic	2560 x 2136	120	200 MB/s	120	125 MB/s	120	99 MB/s	120	83 MB/s
	Super 16	4096 x 2160	240	648 MB/s	240	405 MB/s	240	271 MB/s	240	180 MB/s

### Datenbereich bei maximalen Frameraten mit Blackmagic RAW Constant Quality

Format		Auflösung	Framerate	Blackmagic RAW Q0	Blackmagic RAW Q1	Blackmagic RAW Q3	Blackmagic RAW Q5
12K	17:9	12288 x 6480	60	602–1445 MB/s	362–903 MB/s	241–602 MB/s	181–452 MB/s
	16:9	11520 x 6480	60	565–1355 MB/s	339–847 MB/s	226–565 MB/s	170–424 MB/s
	2.4:1	12288 x 5112	75	595–1426 MB/s	357–892 MB/s	238–595 MB/s	179–446 MB/s
	6:5 Anamorphic	7680 x 6408	60	373–895 MB/s	224–560 MB/s	150–373 MB/s	112–280 MB/s
8K	17:9	8192 x 4320	120	803–1605 MB/s	536–1071 MB/s	402–803 MB/s	258–643 MB/s
	16:9	7680 x 4320	120	753–1506 MB/s	502–1004 MB/s	377–753 MB/s	242–603 MB/s
	2.4:1	8192 x 3408	160	846–1609 MB/s	564–1127 MB/s	423–846 MB/s	271–677 MB/s
	6:5 Anamorphic	5120 x 4272	120	498–995 MB/s	332–664 MB/s	249–498 MB/s	160–398 MB/s

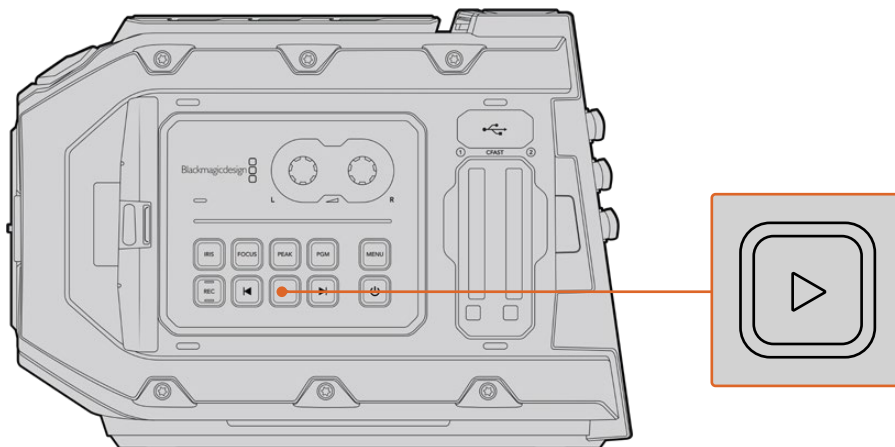
Format		Auflösung	Framerate	Blackmagic RAW Q0	Blackmagic RAW Q1	Blackmagic RAW Q3	Blackmagic RAW Q5
6K	Super 16	6144 x 3240	120	303–727 MB/s	182–455 MB/s	122–303 MB/s	92–228 MB/s
4K	DCI	4096 x 2160	120	643–1071 MB/s	322–643 MB/s	201–536 MB/s	147–402 MB/s
	16:9	3840 x 2160	120	603–1004 MB/s	302–603 MB/s	189–502 MB/s	138–377 MB/s
	2.4:1	4096 x 1704	160	677–1127 MB/s	339–677 MB/s	212–564 MB/s	155–423 MB/s
	6:5 Anamorphic	2560 x 2136	120	398–664 MB/s	200–398 MB/s	125–332 MB/s	91–249 MB/s
	Super 16	4096 x 2160	240	405–810 MB/s	271–540 MB/s	203–405 MB/s	131–325 MB/s

## Wiedergabe

### Wiedergabe von Clips

Nachdem Sie Ihr Video aufgezeichnet haben, können Sie Ihre Clips mithilfe der Steuertasten abspielen.

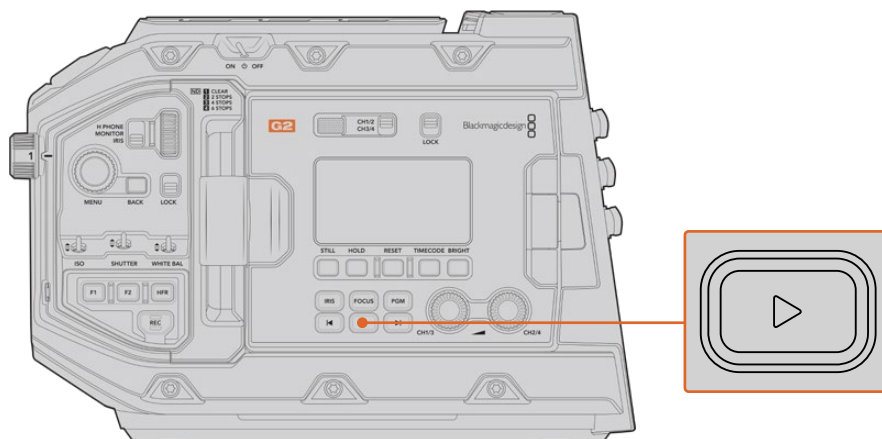
Drücken Sie einmal auf die Wiedergabetaste, um Ihr aufgezeichnetes Video sofort auf dem LCD-Touchscreen der URSA Mini abzuspielen. Ihre Clips können auch auf beliebigen Displays wiedergegeben werden, die Sie an die SDI-Ausgänge Ihrer URSA Mini anschließen.



URSA Mini Kamera

**TIPP** Die Blackmagic URSA Mini verfügt über Wiedergabe- und Transporttasten auf dem internen sowie auf dem linksseitigen Bedienfeld.

**HINWEIS** Die Blackmagic URSA Mini kann aber Clips mit unterschiedlichen Qualitätseinstellungen abspielen, sofern Codec, Framerate und Auflösung dieser Clips übereinstimmen.



URSA Mini Pro 4.6K G2 Kamera

Mit den Vor- und Rücklauftasten springen Sie an den Anfang oder das Ende eines Clips. Drücken Sie einmal auf die Rücklauftaste, um an den Anfang des aktuellen Clips zu gelangen oder drücken Sie sie zweimal, um zum Anfang des vorhergehenden Clips zurückzugehen. Halten Sie die Vor- oder Rücklauftaste gedrückt, um Ihren Clip in doppelter Geschwindigkeit abzuspielen oder zurückzuspulen. Drücken Sie die Vorlauf- bzw. Rücklauftaste beim Vor- bzw. Zurückspulen zweimal, bewirkt dies eine vierfache Beschleunigung. Drücken Sie sie dreimal für eine achtfache und viermal für eine sechzehnfache Beschleunigung. Bei Gebrauch kompatibler Objektive können Sie während der Clippaufzeichnung mithilfe der Vor- und Rücklauftasten darüber hinaus die Blende öffnen oder schließen.

Beim Aufnehmen eines Clips mit einer Sensor-Framerate, die von der Framerate Ihres Projekts abweicht, unterscheidet sich auch die Wiedergabegeschwindigkeit Ihres Clips. Nehmen wir an, dass Sie eine Projekt-Framerate vorgeben, die der Timeline Ihrer Postproduktion von 24 Frames pro Sekunde entspricht. Wenn Sie einen Clip mit einer auf 60 Frames pro Sekunde eingestellten Framerate aufnehmen, erfolgt die Wiedergabe Ihrer Clips sowohl auf der Kamera als auch in der Timeline Ihrer Postproduktion in Zeitlupe.

**TIPP** Im Kapitel „Aufzeichnen“ in diesem Handbuch finden Sie weitere Informationen über Frameraten.

## Die URSA Mini vorgestellt

Branchenübliche BNC-Verbinders für Verbindungen via SDI befinden sich an der rechten Seite und an der Rückseite Ihrer URSA Mini. Es sind auch zwei separate LANC-Eingänge vorhanden, einer für den optionalen Blackmagic URSA Handgrip, ein zweiter an der Kamerarückseite für die externe LANC-Steuerung.

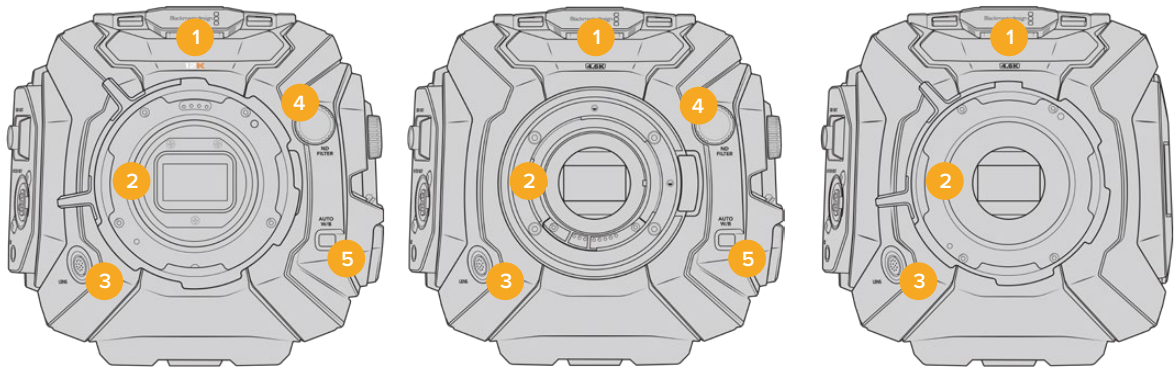
XLR-Buchsen für den Einsatz von professionellem symmetrischem Analogaudio sind bei der URSA Mini und der URSA Mini Pro an der Oberseite hinter den Befestigungspunkten vorhanden. Die URSA Mini Pro hat zudem einen AES-Eingang für Digitalaudio.

An der Geräterückseite steht ein 4-poliger XLR-Verbinder für die externe Stromspeisung bereit. Von der rechten Seite aus hat man Zugriff auf einen Ausgang zum Betreiben von Zubehör wie dem Blackmagic URSA Viewfinder.

Der USB-Port über den Steckplätzen für die Speichermedien erlaubt die Verbindung zu einem Computer, wenn Sie die Produktsoftware Ihrer URSA Mini aktualisieren wollen.

**HINWEIS** Die URSA Mini Pro enthält zusätzliche ergonomische Bedienelemente, mit denen der Zugriff auf die Grundeinstellungen und -funktionen der Kamera einfach und schnell geht, ohne den Ausklapp-Touchscreen öffnen zu müssen.

## Kameravorderseite



Das Modell URSA Mini Pro 12K

Das Modell URSA Mini Pro 4.6K

Das Modell URSA Mini PL

### 1 Stereomikrofon

Hochwertiges internes Stereomikrofon. Informationen zu Mikrofon- und Audio-Einstellungen finden Sie im Kapitel „Einstellungen“.

### 2 Objektivanschluss

URSA Mini Kameras sind mit einem EF- oder einem PL-Objektivanschluss ausgestattet. Die URSA Mini Pro verfügt über einen auswechselbaren Objektivanschluss, der durch einen EF-, F-, PL- oder B4-Mount ersetzt werden kann. Weitere Informationen finden Sie im Abschnitt „Wechselmounts“.

### 3 Anschluss für Broadcast-Objektive

Über diesen Anschluss erfolgt die Stromversorgung und Steuerung kompatibler PL- und B4-Mount-Objektive mit 12-poligen Anschlüssen. Dieser Anschluss ist nur bei den Modellen URSA Mini PL und URSA Mini Pro vorhanden. Im Abschnitt „Einsatz von Servo-Zoom-Objektiven“ dieser Bedienungsanleitung finden Sie eine Auflistung kompatibler Objektive einschließlich PL- und B4-Modellen.

### 4 ND-Filter

Mit diesem Drehknopf navigieren Sie durch die integrierten Neutraldichtefilter und löschen Einstellungen. Weitere Informationen finden Sie im Abschnitt „Bedienung der URSA Mini Pro“.

### 5 Automatischer Weißabgleich

Der Schalter für den automatischen Weißabgleich ist mit „Auto W/B“ beschriftet. Er kommt zum Einsatz, wenn Sie Ihren Weißabgleich danach ausrichten möchten, was aktuell in der Mitte des Bildschirms zu sehen ist. So zum Beispiel Weißabgleich-Einstellungen mit Graukarten als Bezugspunkt vor Ihrem Objektiv. Weitere Informationen finden Sie im Abschnitt „Bedienung der URSA Mini Pro“.

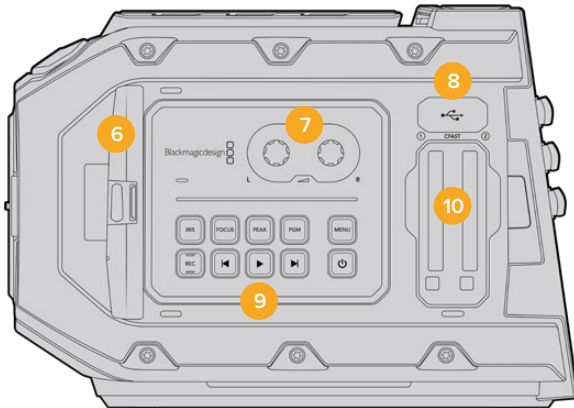


## URSA Mini – linke Kameraseite

An der linken Seite der URSA Mini können Sie CFast-Karten einführen, auf das Bedienfeld zugreifen und Einstellungen ändern. Der USB-Port befindet sich direkt über den Steckplätzen für die CFast-Karten, sodass Sie Ihre URSA Mini zur Aktualisierung der Produktsoftware problemlos an einen Computer koppeln können.

### 6 Ausklapp-Touchscreen

Ausklappbarer 5-Zoll-Monitor, der sich zur Betrachtung in unterschiedlichen Kamerahöhen schwenken lässt. Einzelheiten hierüber finden Sie im Abschnitt „Bedienung per Touchscreen“.



### 7 Audiopegel-Drehregler

Mittels dieser Drehregler gibt man die Aufnahmepegel für die Audiokanäle 1 und 2 vor. Siehe Abschnitt „Bedienung der URSA Mini“.

### 8 Mini-USB-Port

Mini-USB-Port zum Aktualisieren der Produktsoftware. Siehe Abschnitt „Blacmagic Camera Setup Dienstprogramm“ für weitere Informationen.

### 9 Bedienfeldtasten

Dienen zum Ein-/Ausschalten der Kamera, zur Steuerung von Aufzeichnung und Wiedergabe, Focus Peaking, Aufrufen des Einstellungsmenüs sowie bei kompatiblen EF-Objektiven zur Blenden- und Autofokussteuerung. Siehe Abschnitt „Bedienung der URSA Mini“ für weitere Informationen.

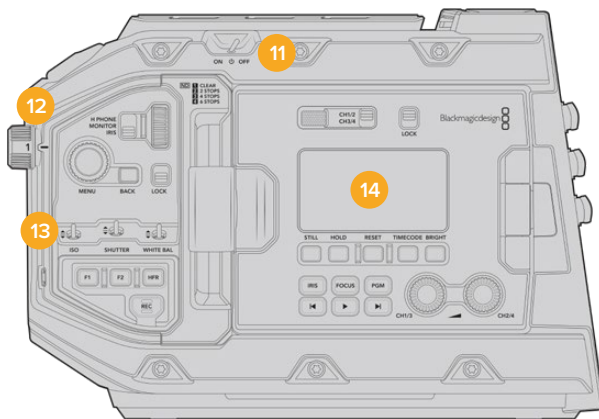
### 10 Speicherkartenschächte

Führen Sie zum Aufnehmen und zur Wiedergabe jeweils eine CFast-2.0-Karte in die Kartensteckplätze ein. Weitere Informationen finden Sie im Abschnitt „Speichermedien“.

## URSA Mini Pro – linke Kameraseite

Auf der linken Geräteseite der URSA Mini Pro befinden sich zusätzliche Bedienelemente, die den Zugang zu grundlegenden Kamerafunktionen erleichtern. Diese Bedienelemente sind zwischen dem Frontbedienfeld, dem linksseitigen Bedienfeld an der Außenseite des ausklappbaren Touchscreen-Monitors und dem internen Bedienfeld des Ausklappmonitors aufgeteilt.

CFast- und SD-Kartenschächte sind hinter dem Ausklappmonitor untergebracht. Der USB-Port Typ C liegt über den Speicherkartenschächten. Er dient dem Anschließen an einen Computer, um die Produktsoftware Ihrer URSA Mini Pro zu aktualisieren.



Das Modell URSA Mini Pro 4.6K mit eingeklapptem Touchscreen

### 11 Ein-/Ausschalter

Mit dem Ein-/Ausschalter schalten Sie die Kamera ein. Darüber hinaus kann die Kamera auf der Innenseite des Ausklappmonitors eingeschaltet werden, indem Sie die REC-Taste und die Vorlauftaste gleichzeitig gedrückt halten.

### 12 ND-Filter

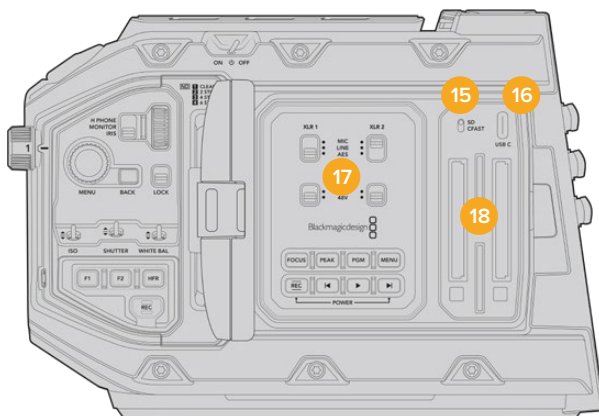
Ihre URSA Mini Pro enthält drei interne Neutraldichtefilter, um zu steuern, wie viel Licht auf den Sensor fällt. Es gibt vier Einstellungen für die Lichtreduktion um null bis sechs Blendenstufen. Um durch die verfügbaren Einstellungen zu navigieren, drehen Sie einfach an diesem Rad. Der Filter rastet bei jeder Einstellung mit einem Klick ein. Weitere Informationen finden Sie im Abschnitt „Bedienung der URSA Mini Pro“ in diesem Handbuch.

### 13 Frontbedienfeld

Das Frontbedienfeld bietet schnellen Zugriff auf die Grundfunktionen Ihrer URSA Mini Pro. Auf die dort befindlichen Bedienelemente können Sie leicht zugreifen, wenn Sie vom Stativ oder von der Schulter drehen. Des Weiteren passen Sie hier Einstellungen wie ISO, Verschlusswinkel oder Verschlusszeit, Blende, Weißabgleich, Framerate und mehr an. Weitere Informationen finden Sie im Abschnitt „Bedienung der URSA Mini Pro“.

### 14 Linksseitiges Bedienfeld

Außen auf dem Touchscreen-Monitor Ihrer URSA Mini Pro finden Sie den LCD-Statusmonitor sowie diverse Bedienelemente für die schnelle und effektive Bildkontrolle. Hier haben Sie alle Statusinformationen Ihrer Kamera im Blick. Auch etliche leistungsfähige Monitoring-Funktionen können hier gesteuert werden. Weitere Informationen finden Sie im Abschnitt „Bedienung der URSA Mini Pro“.



Das Modell URSA Mini Pro mit mit Ausklapp-Touchscreen

### 15 Medienauswahlschalter

Mit diesem Schalter wählen Sie zwischen CFast- und SD-Speichermedien.

## 16 USB-Port

USB-Port Typ C zum Aktualisieren der Produktsoftware. Weiteres ist im Abschnitt „Blackmagic Camera Setup Dienstprogramm“ nachzulesen. An der URSA Mini Pro G2 können Sie den USB-C-Port auch zum Aufzeichnen auf den URSA Mini Recorder oder ein externes USB-C-Laufwerk benutzen.

## 17 Internes Bedienfeld

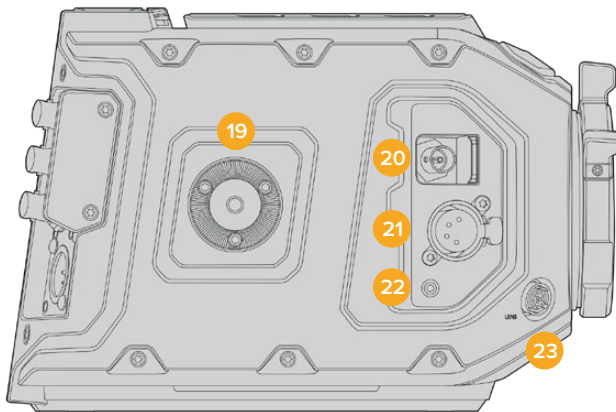
Wenn der Ausklappmonitor Ihrer URSA Mini Pro ausgeklappt ist, haben Sie Zugang zum internen Bedienfeld. Mit den dort befindlichen Bedienelementen nehmen Sie Einstellungen für Ihre Audioeingaben und die Phantomspeisung vor. Ebenso greifen Sie hier auf Blende und Fokus sowie auf Menü- und Transporttasten und mehr zu. Weitere Informationen finden Sie im Abschnitt „Bedienung der URSA Mini Pro“.

## 18 Speicherkartenschächte

Schieben Sie zum Aufzeichnen und zur Wiedergabe CFast-2.0-Karten oder SDXC- bzw. SDHC-Karten in die Kartensteckplätze ein. Bitte überprüfen Sie die Liste mit zugelassenen Speicherkarten in diesem Handbuch oder auf unserer Website. Weitere Informationen sind im Abschnitt „Speichermedien“ zu finden.

## Rechte Kameraseite

Das Bedienfeld rechts an der URSA Mini bietet Zugriff auf alle Video-, Audio- und Stromanschlüsse. An der rechten Kameraseite ist auch die Rosettenbefestigung für den optionalen Blackmagic URSA Handgrip verortet.



URSA Mini PL Modell

## 19 Seitliche Rosettenbefestigung

Normgerechter Rosententräger für den optionalen Blackmagic URSA Handgrip. Weiteres finden Sie in den Abschnitten „Erste Schritte“, „Blackmagic URSA Handgrip“ und „Blackmagic URSA Mini Shoulder Mount Kit“.

## 20 HD-Monitoring-Ausgang

3G-SDI-Buchse für abwärtskonvertierte 1080p-HD-Ausgaben. Zum Gebrauch mit dem Blackmagic URSA Viewfinder oder externen Monitoren. Siehe Abschnitte „Videoausgabe der Kamera“ und „Blackmagic URSA Viewfinder“ für weitere Informationen.

## 21 +12V Stromausgang

Vierpolige XLR-Buchse zum Betrieb des Blackmagic URSA Viewfinders, des Blackmagic URSA Studio Viewfinders oder von externen Monitoren und Zubehör. Weitere Details finden Sie in den Abschnitten „Blackmagic URSA Viewfinder“ und „Blackmagic URSA Studio Viewfinder“. Dieser Ausgang und der Broadcast-Objektivanschluss liefern zusammen insgesamt 12 Volt bei bis zu 2 Ampere.

## 22 LANC-Eingang

Speziell für den optionalen Blackmagic URSA Handgrip vorgesehener 2,5mm-TRS-LANC-Anschluss. Weitere Einzelheiten zum Anschließen des Haltegriffs finden Sie im Abschnitt „Blackmagic URSA Handgrip“.

### 23 Steueranschluss für Broadcast-Objektive

Über diesen Anschluss erfolgen die Stromversorgung und Steuerung kompatibler PL- und B4-Mount-Objektive mit 12-poligen Anschlüssen. Dieser Anschluss ist nur bei den Modellen URSA Mini PL und URSA Mini Pro vorhanden. Dieser Ausgang und die 12V-Strombuchse liefern zusammen insgesamt 12 Volt bei bis zu 2 Ampere.

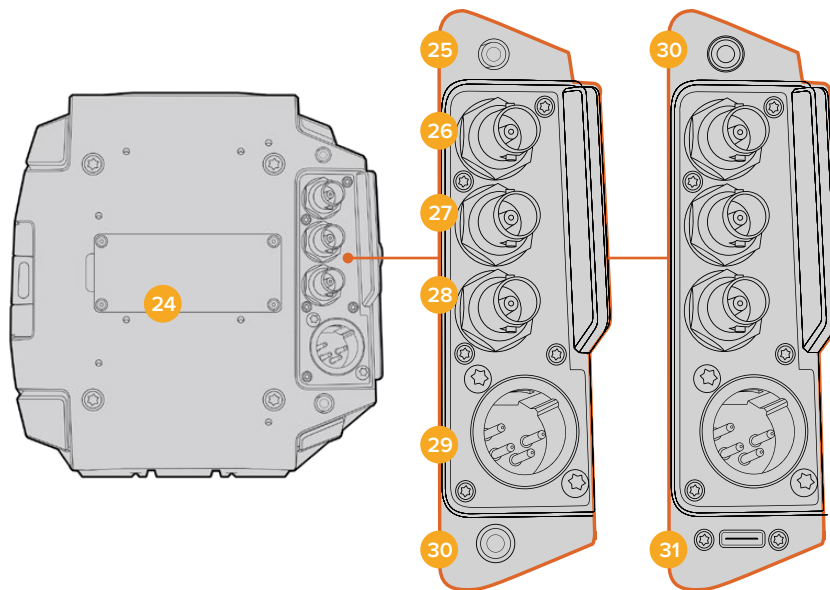
## Kamerarückseite

### 24 Befestigungspunkte für Akkuträgerplatte

Ihre Blackmagic URSA Mini verfügt über Befestigungspunkte für Zubehör und einen eingelassenen Molex-Anschluss für die Stromzufuhr von und zur Kamera und für den Datentransfer. An den Befestigungspunkten hinten an der Kamera können Sie optionales Zubehör wie Akkuträgerplatten, einen Blackmagic Camera Fiber Converter oder URSA Mini Recorder anbringen. Wenn in Gebrauch, wird über den eingelassenen Molex-Verbinder eine geregelte 12-Volt-Spannung von bis zu 1,5 Ampere geliefert. Näheres finden Sie in den Kapiteln „Anbringen von Akkus“, „Erste Schritte mit Blackmagic Fiber Convertern“ und „URSA Mini Recorder“.

### 25 LANC

2,5mm-Klinenstecker für externe Fernbedienungen über LANC, wie bspw. ein externes Aufnahmestart-/stopp-Bedienelement zur Befestigung am Stativarm. LANC unterstützt den Aufnahmestart und -stopp sowie bei kompatiblen EF-Objektiven die Blenden- und Fokussteuerung. Die URSA Mini Pro 12K hat an der Rückseite keine LANC-Buchse. Nutzen Sie zum Steuern der URSA Mini Pro 12K über den LANC-Anschluss den 2,5mm-TRS-LANC-Verbinder an der rechten Seite.



URSA Mini Pro 4.6K G2, URSA Mini Pro 4.6K,  
URSA Mini 4.6K und URSA Mini 4K

URSA Mini Pro 12K

### 26 12G-SDI Out

Der 12G-SDI-Ausgang der Blackmagic URSA Mini dient zur Übermittlung von HD- und Ultra-HD-Video an SDI-Geräte wie Kreuzschienen, Monitore, SDI-Aufzeichnungsgeräte und Broadcast-Mischer. Sie können den 12G-SDI-Ausgang auch an einen externen Rekorder wie den Blackmagic Video Assist anschließen, um Backup-Aufzeichnungen zu machen.

### 27 12G-SDI In

Der 12G-SDI-Eingang dient zum Anschließen eines Mixers oder externen Rekorders. Über ihn können Wiedergabe, Talkback, Tally oder externe Referenzsignale überwacht werden. In Verbindung mit einem ATEM Mixer lassen sich zudem mithilfe der „Camera Control“-Feature des Mixers die Kamerafunktionen anpassen.

Wenn Sie die URSA Mini für eine Live-Übertragung verwenden, können Sie die Programmausgabe des Mixers anschließen und diese während des Filmens überprüfen oder die Wiedergabe von einem externen Rekorder prüfen. Halten Sie die PGM-Taste gedrückt, um den Programmfeed zu betrachten. Näheres finden Sie im Abschnitt „Bedientasten“ der URSA Mini oder im Abschnitt „Linksseitiges Bedienfeld“ der URSA Mini Pro.

Um über den SDI-Eingang Tally oder Talkback zu empfangen, vergewissern Sie sich, dass Sie im SETUP-Menü der Kamera Ihre „ATEM Camera ID“ (ATEM Kamerakennung) eingestellt haben. Soll Ihre SDI-Eingabe ein externes Referenzsignal empfangen, müssen Sie in den SETUP-Einstellungen als Referenzquelle „Program“ auswählen. Auf dem LCD-Bildschirm Ihrer Kamera erscheint neben der Timecode-Anzeige das Kürzel „REF“, wenn mit dem externen Referenzsignal synchronisiert wird. Näheres finden Sie im Abschnitt „SETUP-Einstellungen“ in diesem Handbuch.

Auf der URSA Mini Pro kann über den SDI-Eingang auch externer Timecode in die Kamera eingespeist werden. Die Kamera greift den eingehenden Timecode automatisch auf, wenn die Framerate des eingehenden SDI-Signals passt und über einen gültigen Timecode verfügt. Auf dem LCD der URSA Mini Pro erscheint das Kürzel „EXT“, wenn mit externem Timecode synchronisiert wird. Wenn Sie das Kabel entfernen, wird der Timecode gesperrt und es erscheint ein „INT“-Kürzel, das darauf hinweist, dass der Timecode nun über den internen Timecode-Generator der URSA Mini Pro läuft.

## 28 Referenz- und Timecode-Eingang

Dieser Eingang erkennt eingehende Referenz- und Timecode-Signale und schaltet automatisch zwischen diesen um. Synchronisieren Sie die Blackmagic URSA Mini über ein gängiges Referenzsignal wie Tri-Level-Sync, indem Sie sie an den BNC-Referenzeingang REF IN anschließen. Wenn Sie auf diesem Anschluss ein Referenzsignal verwenden, denken Sie daran, Ihre Referenzquelle im SETUP-Menü der URSA Mini unbedingt auf „external“ (extern) zu stellen.

Alternativ können Sie über diesen Anschluss externe Timecode-Quellen anpassen, um mehrere Kameras oder Ton und Bild zu synchronisieren. So lassen sich Ton und Bild oder Video von mehreren Kameras während der Postproduktion bequem synchronisieren. Ist eine externe Timecode-Quelle mit passender Framerate an diesen Anschluss gekoppelt, greift die Kamera automatisch den eingehenden Timecode auf. Auf dem LCD der URSA Mini Pro erscheint das Kürzel EXT, wenn mit externem Timecode synchronisiert wird. Wenn Sie das Kabel entfernen, wird der Timecode gesperrt und es erscheint das Kürzel INT, das darauf hinweist, dass Timecode nun über den internen Timecode-Generator der URSA Mini Pro läuft.

Auch können Sie auf Ihrer Kamera einstellen, das Referenzsignal von einem ATEM Mixer über die SDI-Eingabe zu verwenden. Dies ist bei der Arbeit mit ATEM Mixern von Vorteil, weil alle Kameras das rückgespeiste Programm, Kamerasteuerungssignale, Tally, Talkback sowie Referenz- und Timecode-Signale auf einem einzigen SDI-Signal basierend empfangen können. Näheres finden Sie im Abschnitt „SETUP-Einstellungen“ in diesem Handbuch.

## 29 12V+-Strombuchse

Die 4-polige XLR-Buchse für 12–20V DC dient zum Anschließen der Kamera an externe Stromquellen, so etwa über das mitgelieferte Netzteil und tragbare Akkus.

## 30 Kopfhörer/Headset

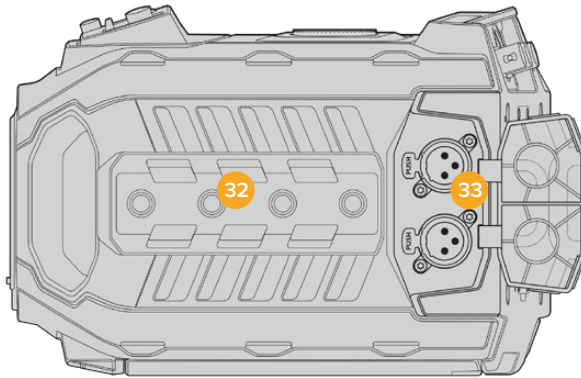
3,5mm-Klinkenbuchse für Kopfhörer-Monitoring und Talkback. Hierfür können Sie das kompatible Headset eines iPhone- oder Android-Mobiltelefons mit eingebautem Mikrofon benutzen. Talkback-Audio wird in Kanal 15 und 16 des SDI-Ausgangs eingebettet.

**TIPP** Wenn Sie die 3,5mm-Klinkenbuchse der URSA Mini oder URSA Mini Pro für Talkback verwenden, bietet sich der Einsatz eines erschwinglichen iPhone- oder Android-kompatiblen Headsets an. Diese haben normalerweise eine Inline-Taste, mit der das Mikrofon stumm oder aktiv geschaltet werden kann. Wenn Sie lieber ein Broadcast-Headset ohne eine solche Inline-Taste benutzen, können Sie die Funktionstasten der URSA Mini oder URSA Mini Pro so konfigurieren, dass sie diese Funktionalität ebenfalls bieten. Näheres finden Sie im Abschnitt „SETUP-Einstellungen“ in diesem Handbuch.

### 31 USB-Port

Der USB-C-Port des Typs 3.1 Generation 2 mit Sperrmechanismus dient für Videoaufzeichnungen von der URSA Mini Pro 12K auf ein externes Laufwerk.

## Kameraoberseite



Externes Analogaudio kann über die symmetrischen XLR-Verbindere an der Geräteoberseite angeschlossen werden

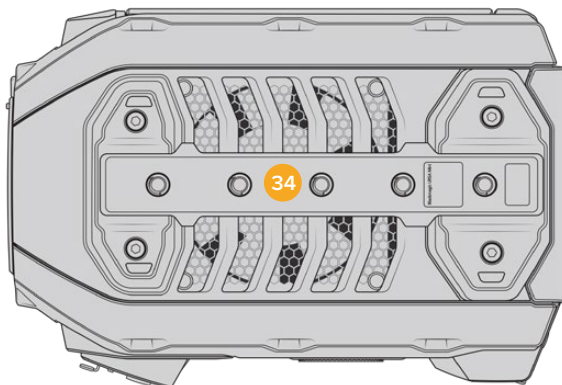
### 32 1/4-Zoll-Befestigungspunkte

Die Kameraoberseite verfügt über vier robuste Befestigungspunkte zum Anbringen des Kamerahaltegriffs und Zubehörs.

### 33 XLR-Audio-Eingang

Schließen Sie externes Audio, wie es von professionellen Anlagen wie Audiomischern, PA-Systemen oder externen Mikrofonen eingeht, an die symmetrischen XLR-Buchsen an. Die XLR-Buchsen liefern 48V-Phantomspeisung und gestatten den Einsatz von Mikrofonen ohne eigene Stromzufuhr. Näheres zur Phantomspeisung entnehmen Sie bitte dem Abschnitt „Internes Bedienfeld“ im Kapitel „Bedienelemente der URSA Mini Pro“.

## Kameraboden

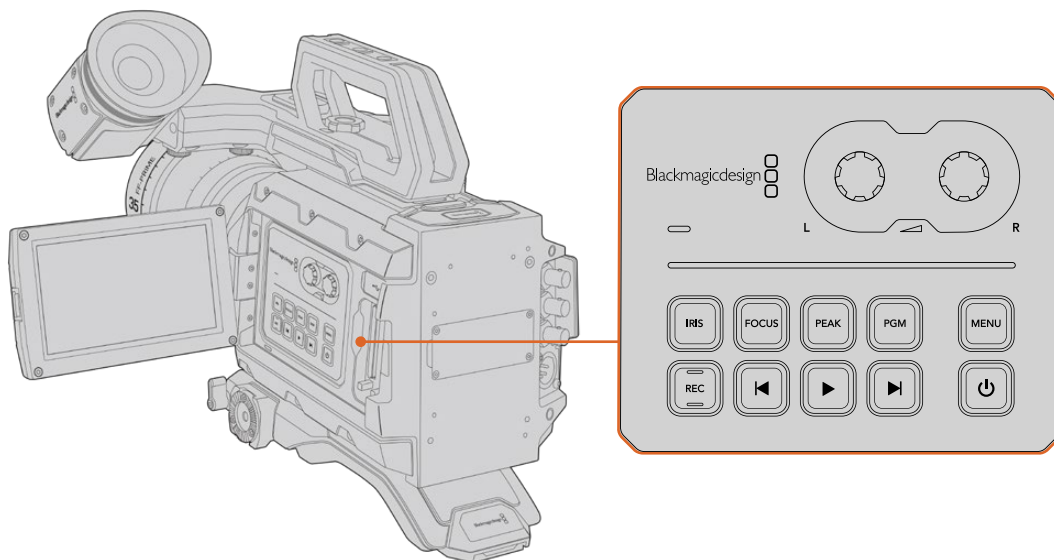


### 34 1/4-Zoll-Befestigungspunkte

Die fünf Befestigungspunkte an der Unterseite dienen zur Anbringung von Stativköpfen, des optionalen URSA Mini Shoulder Mount Kits und anderem Zubehör.

## Bedienung der URSA Mini

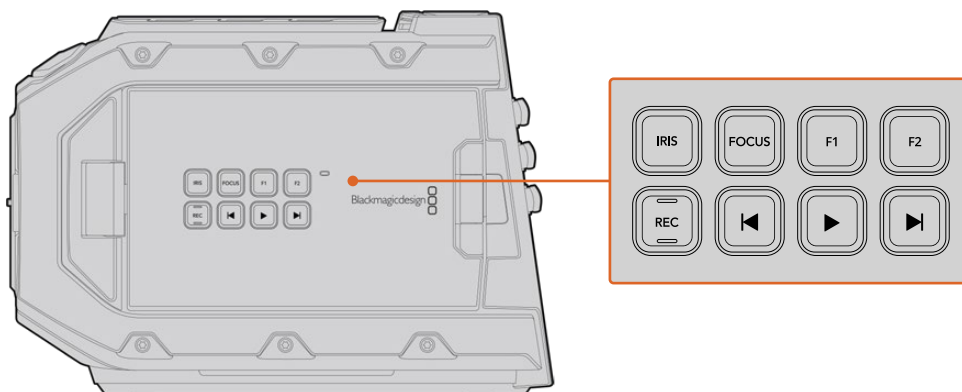
Ihre URSA Mini verfügt über ein Bedienfeld an der linken Kameraseite hinter dem ausklappbaren Monitor. Hier finden Sie alle Tasten und Drehregler, die Sie für die Änderung von Einstellungen und Audiokontrollpegeln benötigen. Anhand der Audiopegelmesser auf dem LCD-Touchscreen können Sie Ihre Audiopegel überprüfen.



Ändern Sie Kameraeinstellungen mithilfe der inneren Bedientasten und des Touchscreens

### Bedientasten

Zusätzlich zum internen Bedienfeld verfügt Ihre Blackmagic URSA Mini über Bedientasten an der Außenseite des LCDs sowie am optionalen Blackmagic URSA Handgrip. Die Tasten für Blende, Fokus und Wiedergabe erfüllen jeweils dieselben Funktionen.



Mit den äußeren Bedientasten können Sie aufzeichnen, Clips wiedergeben, Focus Peaking ein- und ausschalten, zwischen Programm und Kameraansicht auf dem LCD hin und her schalten sowie Blenden- und Autofokuseinstellungen vornehmen, wenn Sie kompatible EF-Objektive verwenden

#### IRIS

Bei Einsatz kompatibler Objektive aktiviert die IRIS-Taste die automatische Blendeneinstellung. Bei Verwendung der Dynamikumfang-Einstellungen für „Video“ wird durch einmaliges Drücken der IRIS-Taste eine durchschnittliche Belichtungszeit basierend auf der Helligkeitsverteilung in Ihrer Aufnahme eingestellt. Bei Verwendung der Dynamikumfang-Einstellungen „Film“ wird die Belichtung durch Drücken der IRIS-Taste auf die Spitzlichter in Ihrer Aufnahme eingestellt.



Bei den URSA Mini EF Modellen funktioniert diese Taste im Zusammenhang mit kompatiblen EF-Objektiven. Bei URSA Mini PL Modellen funktioniert diese Taste mit kompatiblen Objektiven, die an die Broadcast-Objektivsteuerung angeschlossen sind.

Um die Blende manuell einzustellen, drücken Sie die Vor- bzw. Rücklauftaste.

## FOCUS

Bei Einsatz eines EF-Bajonetts mit einem EF-Objektiv, das elektronische Fokusanpassungen unterstützt, aktivieren Sie den Autofokus per Druck auf die FOCUS-Taste. Auf dem Ausklappmonitor wird nun ein weißes Rechteck zum Fokussieren angezeigt. Innerhalb des Rechtecks wird alles korrekt scharf gestellt. Sobald das Objektiv fokussiert hat, verschwindet das Rechteck wieder.

**HINWEIS** Die meisten EF-Objektive unterstützen elektronische Fokussierung. Stellen Sie jedoch bei Objektiven, die automatisch und manuell fokussierbar sind, den Autofokusmodus ein.

## PEAK

Drücken Sie die PEAK-Taste, um Focus Peaking zu aktivieren. Ihre Kamera bietet zwei Focus-Peaking-Modi. Im klassischen Focus-Peaking-Modus werden fokussierte Bildpartien künstlich geschärft. Im Modus „Colored Lines“ werden die fokussierten Bildpartien mit Overlays in Form schwarzer, weißer, roter, grüner oder blauer Linien überlagert. Näheres finden Sie im Abschnitt „MONITOR-Einstellungen“ in diesem Handbuch. Focus Peaking Overlays werden auf den Speicherträgern nicht mit aufgezeichnet, können aber über den HD-Monitoring-Ausgang und auf dem Ausklappmonitor angezeigt werden, indem Sie im Touchscreen-Menü Overlays aktivieren.

## PGM

Die Programmtaste ist mit PGM gekennzeichnet und lässt Sie das LCD zwischen Kameraansicht und jeglichem Signal hin und her schalten, das an den 12G-SDI-Anschluss an der Rückseite angeschlossen ist. Wenn Sie die URSA Mini für eine Live-Übertragung verwenden, können Sie also die Programmausgabe des Mixers anschließen und diese während des Filmens überprüfen. Halten Sie die PGM-Taste gedrückt, um Ihren Programmfeed zu betrachten. Solange die PGM-Taste gedrückt wird, bleibt der Programmfeed zu sehen. Durch zweimaliges Drücken der PGM-Taste wird auf den Programmfeed geschaltet, ein erneutes Drücken dieser Taste beendet die Programmfeed-Anzeige. Um die Programmausgabe eines Mixers anzeigen zu können, müssen Ihre Kamera und der Mixer auf dieselbe Framerate eingestellt sein.

**HINWEIS** Wenn Sie die Referenzquelle für Ihre URSA Mini oder URSA Mini Pro vorgeben, kann es beim Hin- und Herschalten zwischen den Referenzquellen zu kurzen Signalunterbrechungen kommen. Das rührt daher, dass die Kamera ihre Referenzzeiten an die externe Quelle anpasst. Deshalb ist es wichtig, diese Einstellung nicht während einer Produktion, sondern nur in der Setup-Phase vorzunehmen.

## MENU

Drücken Sie auf die MENU-Taste, um das Dashboard aufzurufen. Weitere Informationen über die Dashboard-Feature und Einstellungsmöglichkeiten finden Sie im Abschnitt „Einstellungen“.

### Aufzeichnen

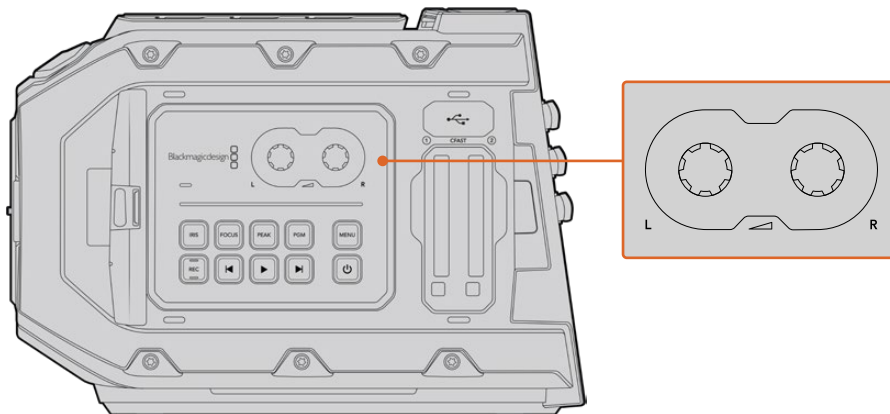
Es befindet sich je eine mit REC gekennzeichnete Aufnahmetaste in den Bedienfeldern innen und außen am Ausklapp-LCD sowie am optionalen Blackmagic URSA Mini Handgrip. Drücken Sie irgendeine dieser Aufnahmetasten, um die Aufzeichnung zu starten und stoppen. Einzelheiten hierüber finden Sie im Abschnitt „Aufzeichnen“.

### Transporttasten für die Wiedergabe

Mit den Transporttasten können Sie die Wiedergabe von Clips starten und stoppen sowie zum nächsten oder vorherigen Clip springen. Bei der Blackmagic URSA Mini EF dienen die Vor- und Rücklauf-tasten bei Gebrauch kompatibler Objektive darüber hinaus zum Öffnen bzw. Schließen der Blende. Näheres zur Verwendung der Transporttasten finden Sie im Abschnitt „Wiedergabe“.

### Tonpegelregler

Stellen Sie die Aufnahmepegel für die Audiokanäle 1 und 2 mithilfe der eingebauten Drehregler ein. Drehen Sie den jeweiligen Regler im oder gegen den Uhrzeigersinn, um den Aufzeichnungspegel für den entsprechenden Audiokanal anzuheben oder zu senken. Achten Sie dabei auf die Audiopegelmesser auf dem Display, damit Sie den für Sie günstigsten Wert einstellen können.



Drehen Sie die Lautstärkeregler im oder gegen den Uhrzeigersinn, um die Audiopegel der Aufnahme zu erhöhen oder senken

### Funktionstasten

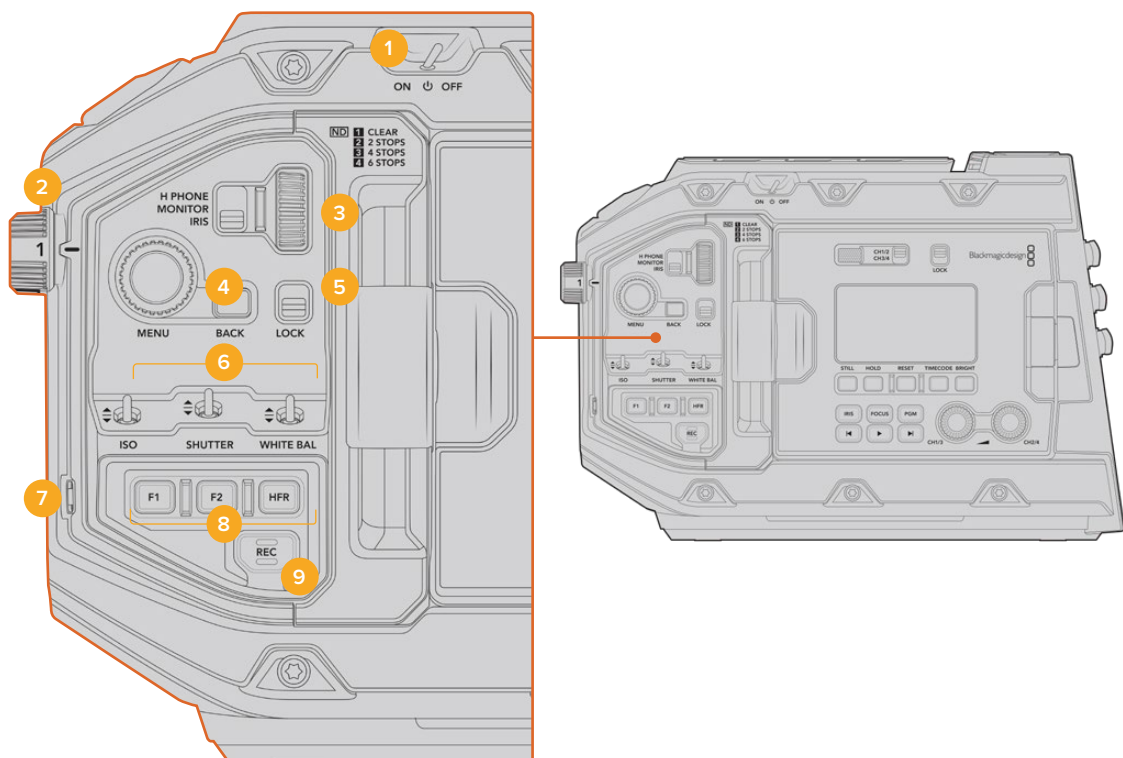
Auf der Rückseite des Blackmagic URSA Mini LCDs befinden sich zwei Funktionstasten, die mit F1 und F2 markiert sind. Diese können Sie im SETUP-Menü Ihrer URSA Mini mit häufig verwendeten Funktionen belegen. Näheres finden Sie im Abschnitt „SETUP-Einstellungen“ in diesem Handbuch..

# Bedienelemente der URSA Mini Pro

Die Blackmagic URSA Mini Pro wartet mit mehreren Bedienfeldern auf, die in das Gehäuse und in die Außen- und Innenseiten des Ausklapp-Touchscreens eingelassen sind. Sie bieten Ihnen schnellen und bequemen Zugriff auf alle relevanten Kamerafunktionen und auf leistungsstarke Monitoring-Tools. Die Bedienfelder sind so ausgelegt, dass sie beim Kameraeinsatz vom Stativ, frei Hand oder mit einem Schulterauflage-Kit unmittelbar griffbereit sind.

## Frontbedienfeld

Auf dem Frontbedienfeld Ihrer URSA Mini Pro sind alle Bedienelemente gruppiert, die es möglicherweise zu justieren gilt, um eine Einstellung und die Aufzeichnung einzurichten. Alles ist auf einfachen Zugriff beim Drehen mit geschlossenem Ausklappmonitor getrimmt, beispielsweise wenn ein Schulter-Kit benutzt wird.



Das Frontbedienfeld der URSA Mini Pro 4.6K

### 1 Ein-/Ausmacher

Schalten Sie Ihre URSA Mini Pro ein, indem Sie diesen Schalter auf die ON-Position umlegen. Zum Ausschalten stellen Sie den Schalter auf OFF.

**TIPP** Ihre URSA Mini Pro kann auch per Tastenkombination auf dem Bedienfeld eingeschaltet werden. Halten Sie die REC- und Vorlauftaste gedrückt, um Ihre Kamera ein- oder auszuschalten. Sollte der Ein-/Ausmacher auf ON stehen, obwohl Ihre Kamera ausgeschaltet ist, wurde sie möglicherweise über das Bedienfeld ausgeschaltet. Legen Sie den Schalter erneut um, um zum Normalbetrieb zurückzukehren.

## 2 ND-Filter

Ihre URSA Mini Pro ist mit drei internen Neutraldichtefiltern – auch Graufilter genannt – versehen. Die verfügbaren Einstellungen sind CLEAR (Kein Filter), 2 STOPS, 4 STOPS und 6 STOPS. Diese Filter reduzieren die auf den Sensor der URSA Mini einfallende Lichtmenge um eine vordefinierte Anzahl von Blendenstufen (Stops). Die so reduzierte Belichtung ermöglicht es Ihnen, in hellen Lichtverhältnissen bei weiter geöffneten Blenden zu filmen, beispielsweise an einem sonnigen Tag im Freien.

Stellen Sie den Neutraldichtefilter ein, indem Sie das Einstellungsrad nach oben oder unten bewegen. Die Einstellung CLEAR besagt, dass kein ND-Filter eingesetzt wird. Mit den Blendenstufen von 2 bis 4 nimmt die Dichte der eingesetzten ND-Filter stufenweise zu, sodass Sie bei Bedarf die einfallende Lichtmenge entsprechend reduzieren können.

Da Nutzer für jeden ND-Filter unterschiedliche Bezeichnungen verwenden, kann die Messeinheit Ihrer ND-Einstellungen im LCD-Menü vorgegeben werden. Zur Wahl stehen die Angabe als ND-Filternummer, als Anzahl der lichtreduzierenden Blendenstufen oder als Bruchzahl, die den durch den Filter erzielten Lichtverlust ausdrückt.

### Einstellungen der Neutraldichtefilter

Position des Rads	ND-Zahl	Blendenstufen	Bruchzahl
1	CLEAR	0	1
2	0.6	2	1/4
3	1.2	4	1/16
4	1.8	6	1/64

## 3 Einstellungsrad

Bestimmen Sie die Funktion des Einstellungsrad anhand des dreistufigen Schalters neben dem Rad. Die verfügbaren Optionen sind H PHONE, MONITOR und IRIS.

### H PHONE

In der Position H PHONE justiert man mit dem Einstellungsrad die Kopfhörerlautstärke. Bewegen Sie das Rad nach oben, um die Lautstärke anzuheben bzw. nach unten, um sie zu senken.

### MONITOR

In der Position MONITOR justiert man mit dem Einstellungsrad die Lautstärke des in die URSA Mini Pro eingebauten Monitorlautsprechers. Der Lautsprecher befindet sich am Rücken des LCD-Klappmonitors. Er dient zur Tonkontrolle ohne Einsatz von Kopfhörern. Drehen Sie das Rad nach oben, um die Lautstärke anzuheben bzw. nach unten, um sie zu senken. Bei Tonaufnahmen mit dem eingebauten Kameramikrofon wird diese Funktion deaktiviert, um unerwünschte Rückkopplungen zu vermeiden.

### IRIS

In der Position „IRIS“ justiert man mit dem Einstellungsrad die Blendenöffnung von auf die URSA Mini Pro aufgesteckten kompatiblen Objektiven. Bewegen Sie das Rad nach unten, um die Blende zu öffnen bzw. nach oben, um sie zu schließen. Die jeweilige Richtung ist der Funktionsweise der Blenden bei einstellbaren Festbrennweiten und Kinoobjektiven nachempfunden.

**TIPP** Um Blendeneinstellungen über den Einstellungs-Drehregler zu ändern, muss die URSA Mini Pro mit einem entsprechenden Objektiv ausgestattet sein, das diese Funktion unterstützt. Vergewissern Sie sich bei einem B4- oder PL-Objektiv, das an den 12-poligen Broadcast-Anschluss angeschlossen ist, dass der Blendenschalter am Handgriff auf „A“ oder „Auto“ steht.

#### 4 Menürad

Wenn die Funktion „Status Text“ für den Front-SDI-Ausgang Ihrer URSA Mini Pro aktiviert ist, können Sie anhand des Menürads zu vielen Features des Head-up-Displays navigieren, auf die normalerweise über den LCD-Touchscreen zugegriffen wird.

Drücken Sie das Menürad wie einen Knopf, um das Head-up-Display Ihrer URSA Mini Pro auf einem externen Bildschirm wie einem Blackmagic SmartView, Video Assist oder URSA Viewfinder aufzurufen. Drehen Sie das Rad in aktiviertem Zustand, um einzelne Features auszuwählen, wie bspw. die Monitoroptionen, Framerate, ISO, Weißabgleich und Tönung. Drücken Sie auf das Rad, um eine getroffene Auswahl zu bestätigen und um weitere Änderungen vorzunehmen. Brechen Sie den Vorgang mit der neben dem Rad befindlichen BACK-Taste ab. Sie können mit der BACK-Taste auch auf die nächsthöhere Menüebene springen oder, wenn Sie auf der höchsten Ebene angekommen sind, den Vorgang beenden. Bei der URSA Mini Pro 4.6K schließt sich das Menü nach einer Minute ohne Aktivität automatisch.

Näheres zu den verfügbaren Statustext-Einstellungen und Bedienelementen finden Sie in den Abschnitten „LCD-Touchscreen“ und „MONITOR-Einstellungen“ in diesem Handbuch.

#### 5 LOCK

Durch Umlegen dieses Schalters sperren Sie alle Bedienelemente am Frontbedienfeld, um deren versehentliche Betätigung beim Filmen zu unterbinden. Legen Sie den Schalter nach unten, um die Sperrung zu aktivieren bzw. nach oben, um sie zu entsperren.

**TIPP** Für Drehs in belebten Umgebungen können Sie das Frontbedienfeld der URSA Mini Pro sperren, sollten Sie die Kamera unbeaufsichtigt lassen. Auf diese Weise werden Einstellungen nicht versehentlich von anderen Personen verändert.

#### 6 Die Schalter ISO, SHUTTER, WHITE BAL

Mit diesen kleinen Schaltern justieren Sie die ISO-, Weißabgleichs- und Verschlusseinstellungen. Praktisch für flinke Anpassungen, ohne den Blick vom Motiv abzuwenden. Schieben Sie die Schalter behutsam hoch oder runter, um Einstellungen zu justieren. Die Schalter sind federbelastet und schnappen stets in eine neutrale Position zurück.

##### ISO

Schieben Sie diesen Schalter hoch oder runter, um die ISO-Werte Ihrer Kamera zu modifizieren. Das Hochschieben erhöht die Einstellung um eine Stufe, das Herunterschieben senkt den Wert um eine Stufe. Die verfügbaren Einstellungen für die URSA Mini lauten 200, 400, 800 und 1600, und für die URSA Mini Pro gibt es die Einstellungen 200, 400, 800, 1600 und 3200.

##### SHUTTER

Stellen Sie den Verschlusswinkel oder die Verschlusszeit der Kamera mithilfe dieses Schalters ein, je nachdem welche Option Sie im Einstellungsmenü gewählt haben. Hochschieben erhöht den Wert des Verschlusswinkels bzw. der Verschlusszeit auf die nächste verfügbare Voreinstellung. Runterschieben hingegen senkt ihn auf die nächste verfügbare Voreinstellung ab. Wird der Schalter beim Hoch- oder Runterschieben gedrückt gehalten, beschleunigt dies die Navigation durch die verfügbaren Werte. Für den Verschlusswinkel gibt es 20 Presets, die von 11,2 bis 360 Grad reichen.

**TIPP** Je nach der landesüblichen Netzspannung können Sie sich von Ihrer URSA Mini Pro auch flimmerfreie Verschlusswinkel vorschlagen lassen. Wählen Sie diese über das LCD-Touchscreenmenü aus. Weitere Informationen finden Sie im Abschnitt „Bedienung per Touchscreen“ in diesem Handbuch.

## **WHITE BAL**

Mit diesem Schalter wird der Weißabgleich der Kamera eingestellt. Durch Hochschieben wird die Farbtemperatur jeweils in Schritten von 50 Kelvin erhöht, Runterschieben reduziert sie jeweils um 50 Kelvin. Wird der Schalter beim Hoch- oder Runterschieben gedrückt gehalten, beschleunigt dies die Navigation durch die verfügbaren Werte.

### **7 Auto W/B**

Durch Drücken der Auto-White-Balance-Taste AWB erscheint mitten auf dem LCD ein weißes Feld für den automatischen Weißabgleich, das fünf Sekunden lang eingeblendet bleibt. Das Feld wird auch auf allen SDI-Ausgängen angezeigt, für die „Status Text“ in den Menüeinstellungen aktiviert ist. Das weiße Feld zeigt die spezifische Bildpartie an, anhand derer der Weißabgleich berechnet wird. Richten Sie Ihre Graukarte demnach so aus, dass sie innerhalb dieses Felds liegt. Halten Sie die AWB-Taste drei Sekunden lang gedrückt, um einen automatischen Weißabgleich vorzunehmen. Dabei wechselt die Farbe des Felds von weiß zu grün, was Ihnen den erfolgten Weißabgleich bestätigt.

Weitere Informationen zum Aktivieren des Statustext-Modus auf den Front- und Haupt-SDI-Ausgängen Ihrer URSA Mini Pro finden Sie im Abschnitt „MONITOR-Einstellungen“ in diesem Handbuch.

### **8 F1 und F2**

Hierbei handelt es sich um Funktionstasten, die über das SETUP-Menü Ihrer URSA Mini Pro mit vielerlei häufig benutzten Funktionen belegt werden können. Standardmäßig ist F1 auf Falschfarben-Belichtung, und F2 auf „Display LUT“ zum Anzeigen von LUTs eingestellt.

Weitere Informationen finden Sie im Abschnitt „Bedienung per Touchscreen“ in diesem Handbuch.

## **HFR**

Die HFR-Taste für hohe Framerraten dient zum Hin- und Herschalten zwischen verschiedenen Off-Speed-Framerraten. Um sie zu benutzen, geben Sie über das Framerraten-Menü Ihrer URSA Mini Pro einfach die zu verwendende Off-Speed-Framerate vor. Wenn Sie dann die Taste drücken, wird zwischen Ihrer vorgegebenen Off-Speed-Framerate und der Projekt-Framerate hin und her gewechselt. Hier ist zu erwähnen, dass sich diese Einstellung nur bei gestoppter Aufzeichnung modifizieren lässt. Alternativ dient die HFR-Taste als Funktionstaste, die Sie mit einer Auswahl gebräuchlicher Funktionen belegen oder deaktivieren können.

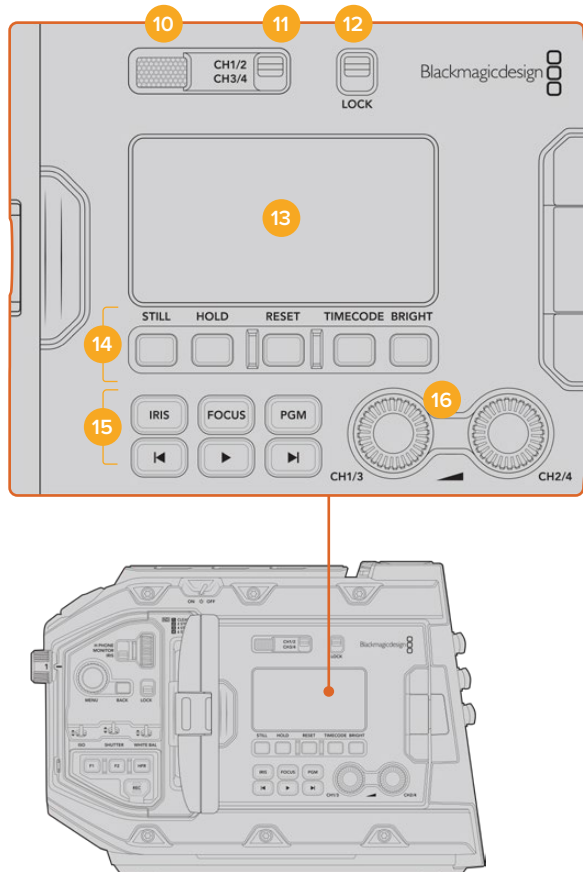
Weitere Informationen zu den Projekt- und Off-Speed-Framerraten finden Sie im Abschnitt „Bedienung per Touchscreen“ in diesem Handbuch.

### **9 Aufzeichnen**

Die mit REC gekennzeichnete Aufnahmetaste befindet sich an der linken Seite der URSA Mini Pro. Drücken Sie die Aufnahmetaste, um die Aufzeichnung zu starten und stoppen. Einzelheiten hierüber finden Sie im Abschnitt „Aufzeichnen“.

## Linksseitiges Bedienfeld

An der Außenseite des Touchscreen-Monitors Ihrer URSA Mini Pro finden Sie einen LCD-Status-Monitor und diverse Bedienelemente für das Monitoring. Dieses Bedienfeld zeigt Ihnen auf einen Blick sämtliche Statusinformationen der Kamera an. Überdies erfolgen das Monitoring und die Tonpegelung von hier. Auch die automatische Fokussierung kompatibler Objektive können Sie über das Bedienfeld einstellen, und anhand der Transportelemente Clips abspielen.



Das linksseitige Bedienfeld der URSA Mini Pro 4.6K

### 10 Monitorlautsprecher

Über den kleinen, in die Außenseite des Bedienfelds eingelassenen Lautsprecher können Sie während der Wiedergabe den Ton mithören. Der Lautsprecher ist dort verortet, wo sich beim Filmen mit geschulterter Kamera in der Regel das Ohr des Operators befindet.

Drehen Sie zur Anpassung des Lautsprecherpegels einfach das Einstellungsrad, das im Abschnitt „Bedienung der URSA Mini Pro“ beschrieben wird.

### 11 Kanalauswahl am Monitor

Ihre URSA Mini Pro unterstützt zwei Audiokanäle.

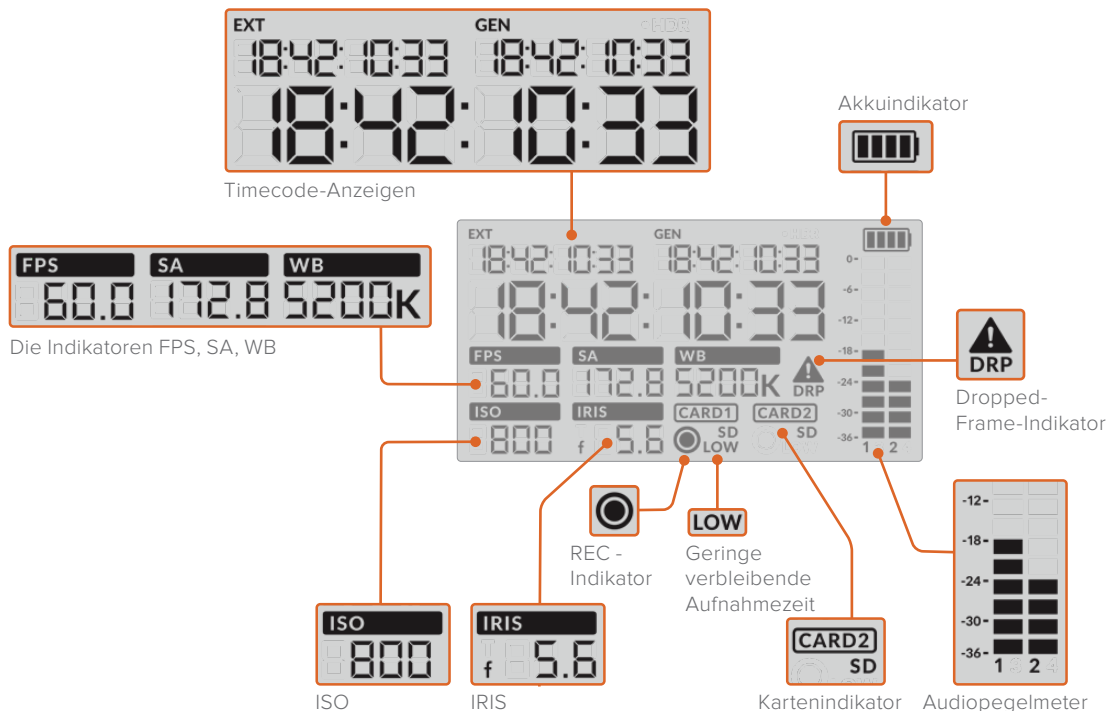
### 12 LOCK

Mit dieser Taste sperren Sie alle Einstellungen auf dem linksseitigen Bedienfeld Ihrer URSA Mini Pro. Während die LOCK-Taste auf ON steht, bleiben trotz Sperre als einzige Elemente die Tasten zur Auswahl der Monitorkanäle aktiv.



### 13 Status-LCD

Dieser Bildschirm zeigt alle wichtigen Einstellungen Ihrer URSA Mini Pro auf einen Blick an. Den internen Touchscreen braucht man hierfür nicht aufzuklappen. Der Bildschirm ist für gute Sichtbarkeit ausgelegt, selbst bei hellem Tageslicht. Er zeigt die nachstehenden Informationen an:



#### Timecode-Anzeigen

Ihre URSA Mini Pro zeigt drei Timecodes an. Bei Einspeisung eines externen Timecodes in die Kamera wird dieser unterhalb der EXT-Anzeige oben links im Status-LCD angezeigt. Der von Ihrer URSA Mini intern generierte Timecode wird daneben in der GEN-Anzeige dargestellt. Der externe wie auch der kameragenerierte Timecode werden in Stunden, Minuten, Sekunden und Frames angezeigt.

Die größere Timecode-Hauptanzeige gibt Ihren aktuellen Timecode wahlweise als Clipdauer oder Timecode an. Um zwischen den beiden Anzeigemodi hin und her zu wechseln, drücken Sie die TIMECODE-Taste unter dem Status-LCD.

#### Akkuanzeige

Bei Benutzung Ihrer URSA Mini Pro mit Akkustrom zeigt Ihnen dieser Indikator die verbleibende Akkulaufzeit in Viertelschritten an. Jeder der vier Akkuanzeige Balken entspricht 25 % der verbleibenden Akkulaufzeit. Sinkt der Akkustatus unter 20 % des verbleibenden Stroms ab, wechselt das LED neben der Aufnahmetaste die Farbe und beginnt zu blinken. Während der Aufzeichnung blinkt sie abwechselnd langsam rot und orangefarben. Im Standby-Modus blinkt sie abwechselnd weiß und orangefarben.

Wenn die Kamera an den Netzstrom angeschlossen ist, wird der Akku-Ladezustand als voll angezeigt.

#### Die Indikatoren FPS, SA, WB

Diese Indikatoren zeigen die aktuelle Framerate (FPS), den Verschlusswinkel (SA) und den Weißabgleich (WB) Ihrer Kamera an. Unter FPS wird die aktuelle Sensor-Framerate angegeben.

Näheres zu den Sensor- und Projekt-Frameraten finden Sie im Abschnitt „Bedienung per Touchscreen“ in diesem Handbuch.

## **ISO**

Zeigt den aktuell eingestellten ISO-Wert Ihrer Kamera an.

## **IRIS**

Zeigt die aktuell eingestellte Blendenstufe an. Je nach Objektivtyp wird die Blendenstufe als f- oder T-Stop angezeigt.

## **Karteninformationen**

Wenn beide Kartenschächte besetzt sind, erscheinen auf dem URSA Mini Pro Status-LCD die Indikatoren „CARD 1“ und „CARD 2“.

Der SD-Indikator erscheint bei der Aufnahme mit SD-Karten, verschwindet aber beim Aufnehmen auf CFast-Karten.

## **Aufnahmesymbol**

Das kreisförmige Aufnahmesymbol erscheint unter der bzw. den Karten, auf die aktuell aufgezeichnet wird.

## **LOW für geringe verbleibende Aufnahmezeit**

Die LOW-Anzeige erscheint, wenn weniger als circa 5 Minuten Aufnahmezeit verbleiben.

## **Audio Meters**

Die Audiopegelmeter zeigen die Spitzenpegel bei Gebrauch des internen Mikrofons oder einer angeschlossenen externen Audioquelle an. Das Tonpegel-Display ist in dBFS kalibriert und verfügt über Peak-Indikatoren mit Haltefunktion (Peak Hold), die nach der Übersteuerung kurzfristig sichtbar bleiben. Dies zeigt Ihnen erreichte Höchstpegel deutlich an.

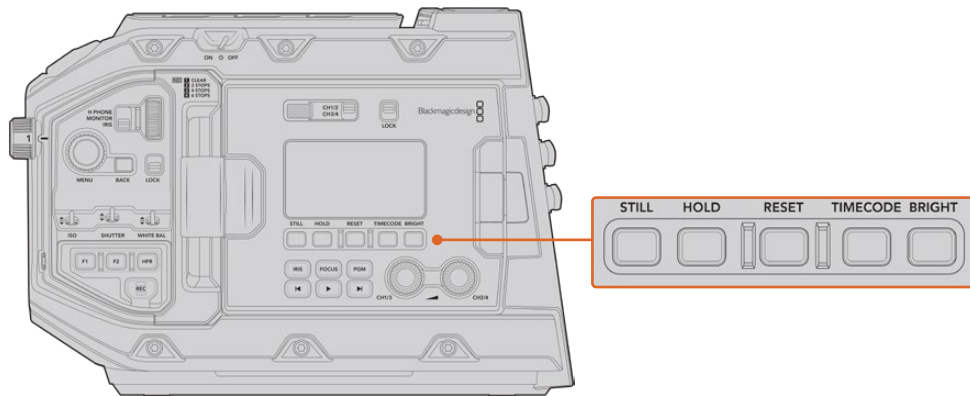
Eine optimale Tonqualität wird mit Audiopegeln gewährleistet, die den Wert von 0 dBFS nicht erreichen. Hierbei handelt es sich um den Höchstpegel, den Ihre Kamera aufzeichnen kann. Audio, das diesen Wert überschreitet, wird abgeschnitten, was zu Verzerrungen führt.

## **Indikator für ausgelassene Bilder**

Der Dropped-Frame-Indikator blinkt, wenn Ihre Kamera erkennt, dass Einzelbilder fallen gelassen werden. Sobald Sie die Aufzeichnung stoppen, verbleibt der Indikator auf dem Bildschirm, um Ihnen anzuzeigen, dass im vorherigen Clip das Fallenlassen von Frames erkannt wurde. Dieser Warnhinweis verschwindet, wenn Sie die Aufzeichnung wiederaufnehmen oder die Kamera aus- und wieder einschalten. Weitere Informationen wie sich das Fallenlassen von Einzelbildern vermeiden lässt, siehe Abschnitt „Speichermedien“.

**HINWEIS** Sie können Ihre URSA Mini Pro so einstellen, dass sie die Aufzeichnung bei Erkennung ausgelassener Einzelbilder stoppt. Näheres finden Sie im Abschnitt „RECORD-Einstellungen“ in diesem Handbuch. Diese Funktion ist vom Benutzer aktivierbar, da es bei kurzen, burstartigen Aufnahmeperioden ggf. gelingt, bei höheren Frameraten oder Auflösungen erfolgreich auf langsamere Datenträger aufzuzeichnen.

## 14 Bedienelemente des Status-LCDs



Die Status-LCD-Bedienelemente der URSA Mini Pro 4.6K

### STILL

Drücken Sie diese Taste, um ein Standbild aufzunehmen. 12K-Modelle nehmen Standbilder als Einzelframe in Blackmagic RAW auf. URSA Mini Pro 4.6K Modelle nehmen Standbilder jeweils als Einzelbild in unkomprimiertem DNG auf. Gespeichert werden Bilddateien im Stills-Ordner im Stammverzeichnis des Datenträgers, auf den aktuell aufgezeichnet wird. Die Dateinamen für gespeicherte Standbilder werden gemäß der für Videoclips üblichen Namenskonvention erteilt, wobei Kürzel wie „S001“ die Anzahl der Standbilder mit den letzten vier Stellen des Dateinamens angeben. Die erfolgreiche Speicherung eines Standbilds wird durch ein oben rechts auf dem URSA Mini Touchscreen erscheinendes Kamerasymbol und durch dreimaliges Blinken des Aufnahmeindikators auf der LCD-Statusanzeige bestätigt.

### HOLD

Mit dieser Taste lässt sich der Timecode auf dem Haupt-Status-LCD zeitweilig anhalten, wenn er sich im frei laufenden Uhrzeitmodus befindet. Der Timecode läuft im Hintergrund weiter und geht bei Loslassen der HOLD-Taste auf seinen aktuellen Stand zurück. Das Anhalten gestattet Ihnen, sich den Timecode für ein spezielles Event zu notieren. Das kann sich bei elektronischen Berichterstattungen oder Dokumentationen als praktisch erweisen, damit man sich wichtige Timecode-Werte notieren kann.

### RESET

Mit dieser Taste setzen Sie den Timecode auf 00:00:00:00 zurück, sollten Sie einen voreingestellten Timecode vorgeben wollen.

### TIMECODE

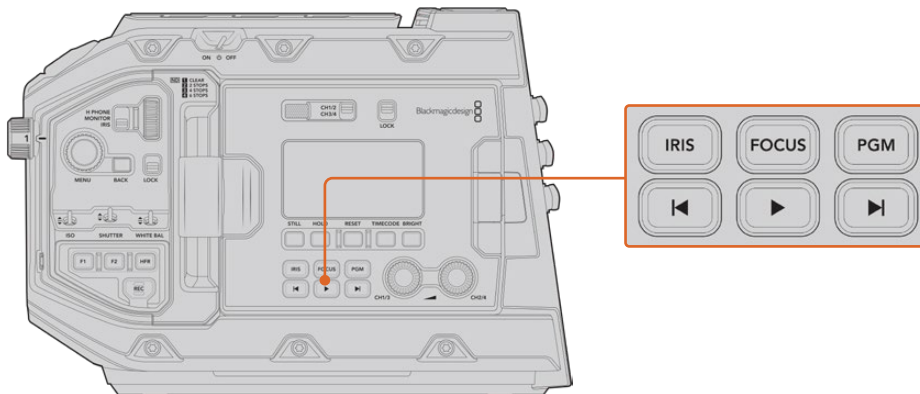
Durch Drücken der TIMECODE-Taste wird auf dem Timecode-Hauptdisplay zwischen den Timecode-Formaten Clipdauer und Timecode hin und her gewechselt. Standardmäßig ist der Timecode auf fortlaufenden Uhrzeit-Timecode eingestellt, da dieser am häufigsten verwendet wird. Wenn Sie die TIMECODE-Taste fünf Sekunden lang gedrückt halten, wechselt die Kamera zu Record Run Timecode. Der Timecode-Generator und die ersten beiden Ziffern des großen Timecode-Displays beginnen zu blinken. Das bedeutet, dass Sie den voreingestellten Timecode nun auf einen gewünschten Wert ändern können.

Wenn Sie in diesem Zustand RESET drücken, wird der Timecode auf Null zurückgesetzt. Per Druck auf das Menürad gelangen Sie vom Stundenwert zum Minutenwert und anschließend zu den Sekunden und Frames. Durch Drehen des Menürads lässt sich der Wert anpassen. Wenn Sie Ihre gewünschten Werte vorgegeben haben, halten Sie die TIMECODE-Taste drei Sekunden lang gedrückt. Der Wert wird somit als voreingestellter Timecode gespeichert. Der Timecode-Generator zeigt nun diesen Wert an und zählt nur dann weiter hoch, wenn die Kamera aufzeichnet. Das sorgt für durchgehend fortlaufende Timecode-Werte. Um zu fortlaufendem Uhrzeit-Timecode zurückzukehren, halten Sie die TIMECODE- und HOLD-Taste gleichzeitig drei Sekunden lang gedrückt.

### BRIGHT

Durch Drücken dieser Taste werden die vier Helligkeitseinstellungen für das LCD-Status-Display Ihrer URSA Mini Pro durchlaufen. Verfügbare Einstellungen sind: OFF (Aus), LOW (Niedrig), MEDIUM (Mittel) und HIGH (Hoch).

## 15 Steuer- und Wiedergabetasten



Die Steuer- und Wiedergabetasten der URSA Mini Pro 4.6K

### IRIS

Bei Einsatz kompatibler Objektive aktiviert die IRIS-Taste die automatische Blendeneinstellung. Bei Verwendung der Dynamikumfang-Einstellungen für „Video“ wird durch einmaliges Drücken der IRIS-Taste eine durchschnittliche Belichtungszeit basierend auf der Helligkeitsverteilung in Ihrer Aufnahme eingestellt. Bei Verwendung der Dynamikumfang-Einstellungen „Film“ wird die Belichtung durch Drücken der IRIS-Taste auf die Spitzlichter in Ihrer Aufnahme eingestellt. Diese Taste funktioniert mit kompatiblen EF- und PL-Objektiven, die über eine kompatible Broadcast-Objektivsteuerung angeschlossen sind.

Um die Blende manuell einzustellen, drücken Sie die Vor- bzw. Rücklauftaste.

### FOCUS

Bei Einsatz eines EF-Objektivs, das elektronische Fokusanpassungen unterstützt, aktivieren Sie den Autofokus durch Drücken der FOCUS-Taste. Auf an Ihre URSA Mini Pro angeschlossenen Suchern und Monitoren erscheint dann ein weißes Fokussier-Rechteck. Innerhalb des Rechtecks wird alles korrekt scharf gestellt. Sobald das Objektiv fokussiert hat, verschwindet das Rechteck wieder.

**HINWEIS** Manche Objektive haben einen manuellen und einen automatischen Fokussiermodus. Die URSA Mini Pro kann mit Ihrem Objektiv nur dann automatisch fokussieren, wenn Sie auf Ihrem Objektiv den Modus „Auto Focus“ (automatische Fokussierung) vorgeben.

### PGM

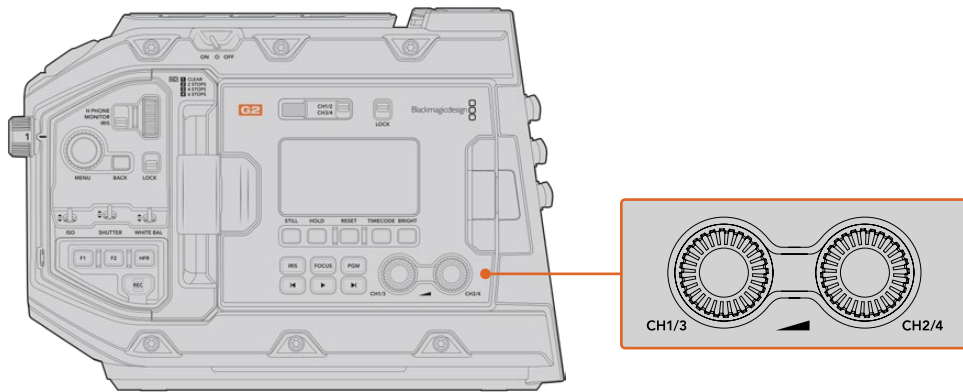
Die Programmtaste ist mit PGM gekennzeichnet und lässt Sie das LCD zwischen Kameraansicht und Signalquellen, die an den 12G-SDI-Anschluss an der Rückseite angeschlossen sind, hin und her schalten. Bei Einsatz der URSA Mini Pro für eine Live-Übertragung können Sie so die Programmausgabe des Mischers anschließen und diese während des Drehs überprüfen. Halten Sie die PGM-Taste gedrückt, um Ihren Programmfeed zu betrachten. Solange die PGM-Taste gedrückt wird, bleibt der Programmfeed zu sehen.

Wenn der Monitor auf die Anzeige des eingehenden Programmfeeds eingestellt bleiben soll, drücken Sie zwei Mal auf die PGM-Taste. Ein erneuter Druck auf die PGM-Taste beendet den Programmfeed und bringt den Monitor auf die Kameraansicht zurück.

### Transporttasten für die Wiedergabe

Mit den Transporttasten können Sie die Wiedergabe von Clips starten und stoppen sowie zum nächsten oder vorherigen Clip springen. Beim Gebrauch eines kompatiblen EF-Objektivs dienen die Vorwärts- und Rückwärtstasten darüber hinaus zum Öffnen bzw. Schließen der Blende. Näheres zur Verwendung der Transporttasten finden Sie im Abschnitt „Wiedergabe“.

## 16 Tonpegelregler

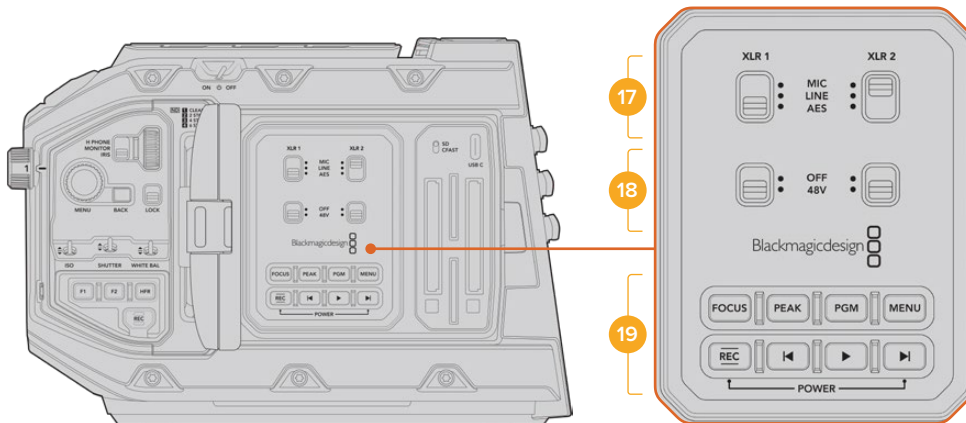


Die Tonpegelregler der URSA Mini Pro 4.6K G2

Stellen Sie die Aufnahmepegel für die Audiokanäle 1 und 2 mithilfe der eingebauten Drehregler ein. Drehen Sie den jeweiligen Regler im oder gegen den Uhrzeigersinn, um den Aufzeichnungspegel für den entsprechenden Audiokanal anzuheben oder zu senken. Achten Sie dabei auf die Audiopegelmesser auf dem Display, damit Sie den für Sie günstigsten Wert einstellen können.

## Internes Bedienfeld

Wenn der Ausklappmonitor der URSA Mini Pro geöffnet ist, haben Sie Zugriff auf das interne Bedienfeld. Dort befinden sich die Bedienelemente zum Einrichten Ihrer Audioeingaben und zum Einstellen der Phantomspeisung. Auch die Tasten für Blende, Fokussierung, Menü und den Transport sind hier zu finden.



Das interne Bedienfeld der URSA Mini Pro

### 17 XLR1 / XLR2

Bestimmen Sie anhand dieser Schalter das Verhalten der XLR-Eingänge Ihrer URSA Mini Pro, wenn diese als Eingabequelle aktiviert sind. Zur Auswahl stehen die Optionen MIC für Mikrofonton, LINE für Bezugspegelton und AES für Digitalaudio.

### 18 Phantomspeisung

Über die XLR-Eingänge Ihrer URSA Mini Pro können externe Mikrofone ohne Eigenversorgung mit 48V-Phantomstrom gespeist werden. Stellen Sie diesen Schalter für die jeweilige XLR-Buchse – siehe Kennzeichnung über dem Schalter – auf 48 V, um ein angeschlossenes Mikrofon mit Strom zu versorgen. In der OFF-Position erfolgt keine Phantomspeisung.

**HINWEIS** Es ist übliche Praxis, immer erst das XLR-Kabel anzuschließen und anschließend die Phantomspeisung einzuschalten. Schalten Sie unbedingt auch die Phantomspeisung aus, wenn Sie kein phantomgespeistes Mikrofon mehr angeschlossen haben. Geräte anzuschließen, die keinen Schutz für die Phantomspeisung in die AES-XLR-Ausgänge integriert haben, während noch Phantomspeisung von den XLR-Audioeingängen der Kamera eingeht, kann Ihr Equipment beschädigen. Sorgen Sie immer dafür, dass der 48V-Schalter auf OFF steht, wenn Sie Ihr Mikrofon entkoppeln.

## 19 Steuer- und Wiedergabetasten

### FOCUS

Bei Einsatz eines EF-Bajonetts mit einem EF-Objektiv, das elektronische Fokusanpassungen unterstützt, aktivieren Sie den Autofokus per Druck auf die FOCUS-Taste. Auf dem Ausklappmonitor wird nun ein weißes Rechteck zum Fokussieren angezeigt. Innerhalb des Rechtecks wird alles korrekt scharf gestellt. Sobald das Objektiv fokussiert hat, verschwindet das Rechteck wieder.

**HINWEIS** Manche Objektive bieten die manuelle und automatische Fokussierung. Die URSA Mini kann mit Ihrem Objektiv nur automatisch fokussieren, wenn Sie auf Ihrem Objektiv den Modus „Auto Focus“ (automatische Fokussierung) vorgeben.

### PEAK

Drücken Sie die PEAK-Taste, um Focus Peaking zu aktivieren. Ihre Kamera bietet zwei Focus-Peaking-Modi. Im klassischen Focus-Peaking-Modus werden fokussierte Bildpartien künstlich geschärft. Im Modus „Colored Lines“ werden die fokussierten Bildpartien mit Overlays in Form schwarzer, weißer, roter, grüner oder blauer Linien überlagert. Näheres finden Sie im Abschnitt „MONITOR-Einstellungen“ in diesem Handbuch. Focus Peaking Overlays werden auf den Speicherträgern nicht mit aufgezeichnet, können aber über den HD-Monitoring-Ausgang und auf dem Ausklappmonitor angezeigt werden, indem Sie im Touchscreen-Menü Overlays aktivieren.

**TIPP** Beim Aufzeichnen Ihrer Videoausgabe auf einen Blackmagic Video Assist oder einen Hyperdeck Studio Mini, empfiehlt es sich, unbedingt die Peaking-Anzeige für diese Ausgabe auszuschalten. Tun Sie dies mittels der „Clean Feed“-Funktion für den Front-SDI- bzw. Haupt-SDI-Ausgang der Kamera.

Weitere Infos zur Ausgabe eines Clean-Feeds finden Sie im Abschnitt „MONITOR-Einstellungen“ in diesem Handbuch.

### PGM

Die mit PGM gekennzeichnete Programmtaste lässt Sie das LCD zwischen Kameraansicht und jeglichem Signal hin und her schalten, das an den 12G-SDI-Anschluss am Kamerarücken angeschlossen ist. Bei Einsatz der URSA Mini Pro 4.6K für eine Live-Übertragung können Sie so die Programmausgabe des Mischers anschließen und diese während des Drehs überprüfen. Halten Sie die PGM-Taste gedrückt, um Ihren Programmfeed zu betrachten. Zweimaliges Drücken der Taste bindet den Programmfeed fest an. Ein erneuter Tastendruck schaltet den Programmfeed wieder aus.

Um die Programmausgabe eines Mischers anzeigen zu können, müssen Ihre Kamera und der Mischer auf dieselbe Framerate eingestellt sein.

## MENU

Drücken Sie auf die MENU-Taste, um das Dashboard aufzurufen. Weitere Informationen über die Dashboard-Feature und Einstellungsmöglichkeiten finden Sie im Abschnitt „Einstellungen“.

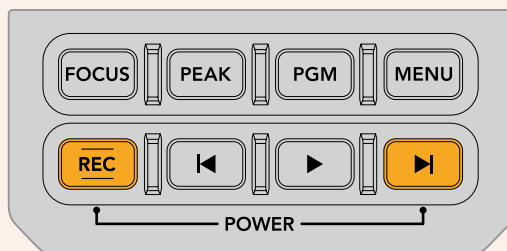
## REC

Drücken Sie irgendeine dieser Aufnahmetasten, um die Aufnahme zu starten und stoppen. Einzelheiten hierüber finden Sie im Abschnitt „Aufzeichnen“.

## Transporttasten für die Wiedergabe

Mit den Transporttasten können Sie die Wiedergabe von Clips starten und stoppen sowie zum nächsten oder vorherigen Clip springen. Auf der Blackmagic URSA EF dienen die Tasten Vorwärts- und Rückwärtsspringen bei Gebrauch kompatibler Objektive darüber hinaus zum Öffnen bzw. Schließen der Blende. Näheres zur Verwendung der Transporttasten finden Sie im Abschnitt „Wiedergabe“.

**HINWEIS** Alternativ lässt sich Ihre URSA Mini Pro anhand einer Tastenkombination über das Bedienfeld ein- oder ausschalten. Halten Sie die REC- und Vorlauftasten gedrückt, um Ihre Kamera ein- oder auszuschalten. Sollte der Ein-/Ausschalter auf ON stehen, obwohl Ihre Kamera ausgeschaltet ist, wurde sie möglicherweise über das Bedienfeld ausgeschaltet. Legen Sie den Schalter erneut um, um zum Normalbetrieb zurückzukehren.





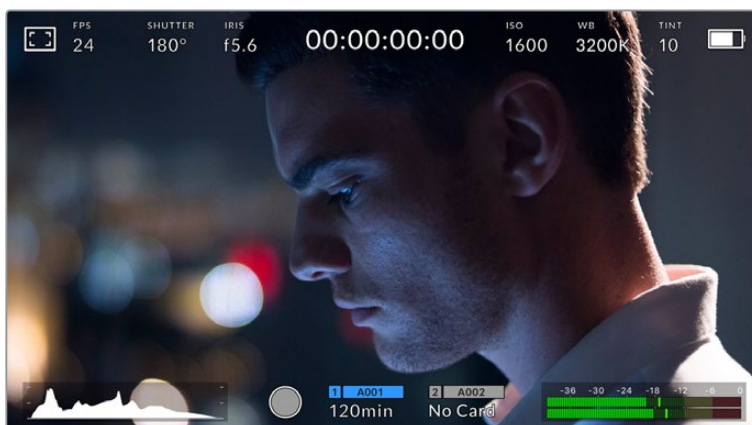
# Bedienung per Touchscreen

## Touchscreen

Der ausklappbare 5 Zoll große LCD-Touchscreen Ihrer Blackmagic URSA Mini lässt sich schwenken, damit Sie aus unterschiedlichen Winkeln filmen können. Wenn Sie Ihre URSA Mini auf der Schulter tragen und den URSA Viewfinder benutzen, können Sie die Kamera über die Tasten an der Rückseite des eingeklappten Bildschirms bedienen.

## Funktionsmerkmale des Touchscreens

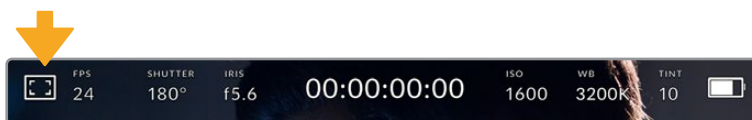
Für eine schnelle und intuitive Handhabung lässt sich der LCD-Touchscreen per Tipp- und Wischgesten bedienen. Wenn Sie in verschiedenen Bereichen des LCD-Touchscreens Tipp- oder Wischgesten ausführen, können Sie während des Filmens schnell auf die Kamerafunktionen zugreifen.



Der LCD-Touchscreen Ihrer URSA Mini verfügt über ein umfassendes Head-up-Display und bietet Zugriff auf die am häufigsten verwendeten Kameraeinstellungen

## LCD-Monitor-Optionen

Tippen Sie auf das Monitor-Icon oben links auf dem LCD-Touchscreen der URSA Mini, um zu den LCD-Monitoreinstellungen zu gelangen. Mithilfe dieser Einstellungen lässt sich das Erscheinungsbild der Monitoring-Funktionen Ihrer URSA Mini verändern und anpassen. Dazu zählen Zebra, Focus Assist, Frame Guides und Grids. Wenn Sie auf die LCD-Monitor-Optionen zugreifen, erscheinen die Steuerelemente für die Features in Form von Registerkarten entlang der Unterkante des LCD-Touchscreens.

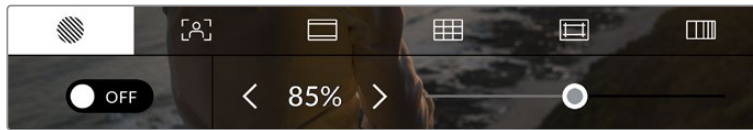


Tippen Sie auf das Icon oben links auf dem LCD-Touchscreen, um auf die LCD-Monitor-Optionen zuzugreifen

### Zebra

Mit der Zebra-Einstellung verändern Sie das Erscheinungsbild der Zebra-Funktion auf dem LCD-Touchscreen und stellen gleichzeitig den Zebra-Pegel für alle URSA Mini Ausgänge ein.

Im Zebra-Modus werden auf Bildbereichen, die den voreingestellten Belichtungspegel übersteigen, diagonale Streifen eingeblendet. Wenn Sie Zebra bspw. auf 100 % einstellen, wird Ihnen angezeigt, welche Bereiche komplett überbelichtet sind. Diese Funktion ist hilfreich, um bei gleichbleibenden Lichtbedingungen einen optimalen Belichtungspegel beizubehalten.



Tippen Sie in den LCD-Monitor-Optionen auf das Zebra-Icon, um auf die Zebra-Einstellungen zuzugreifen

Die Zebra-Einstellung für den LCD-Touchscreen stellen Sie ein, indem Sie auf der Zebra-Registerkarte auf das Schalter-Icon unten links im Display drücken.

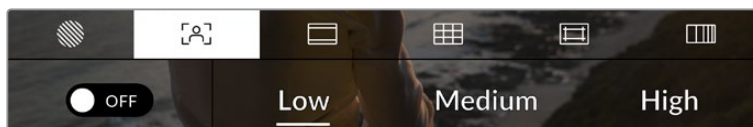
Ziehen Sie den Schieberegler nun nach links oder rechts oder tippen Sie auf die Pfeilsymbole, um die gewünschte Prozentzahl für den Zebra-Modus einzustellen. Die Intensität von Zebra lässt sich zwischen 75 und 100 % in 5%-Schritten einstellen.

Weitere Informationen zum Aktivieren des Zebra-Modus auf den Front- und Haupt-SDI-Ausgängen der Kamera finden Sie im Abschnitt „MONITOR-Einstellungen“ in diesem Handbuch.

**TIPP** Beim Filmen in variablen Lichtverhältnissen – bspw. im Freien an einem teilweise bewölkten Tag – wird ein auf unter 100 eingestellter Zebra-Wert Sie vor möglicher Überbelichtung warnen.

### Focus Assist

Mit der Focus-Assist-Einstellung passen Sie das Erscheinungsbild der Fokussierhilfe auf dem LCD-Touchscreen an. Gleichzeitig können Sie das Level der Fokussierhilfe für alle Ausgänge an Ihrer URSA Mini einstellen.



Tippen Sie in den LCD-Monitor-Optionen auf das Focus-Assist-Icon, um auf die jeweiligen Einstellungen zuzugreifen

Um die Fokussierhilfe für den LCD-Touchscreen anzupassen, tippen Sie auf der Focus-Assist-Registerkarte auf das Schalter-Icon links unten im Display.

Das Level der Fokussierhilfe für alle Ausgänge Ihrer URSA Mini können Sie durch Antippen von „Low“, „Med“ oder „High“ am unteren Rand des Touchscreens festlegen.

Die optimale Stärke der Fokussierhilfe richtet sich nach dem jeweiligen Shot. Wird bspw. auf Darsteller scharf gestellt, empfiehlt sich eine stärkere Fokussierhilfe, um mehr Einzelheiten an den Konturen der Gesichter festzuhalten. Bei einer Einstellung von Blatt- oder Mauerwerk würden die dabei zusätzlich erfassten Details womöglich ablenkend wirken.

Weitere Informationen zum Aktivieren des Fokussierhilfe-Modus auf den Front- und Haupt-SDI-Ausgängen Ihrer Kamera finden Sie im Abschnitt „MONITOR-Einstellungen“ in diesem Handbuch.

**TIPP** Ihre URSA Mini verfügt über zwei Fokussierhilfe-Modi. Im MONITOR-Einstellungsmenü können Sie zwischen den Modi „Peaking“ und „Colored Lines“ hin und her wechseln. Näheres finden Sie im Abschnitt „MONITOR-Einstellungen“ in diesem Handbuch.

### Per Touch-Druck fokussieren

Beim Gebrauch von kompatiblen Objektiven können Sie gezielt zu schärfende Bildbereiche auf dem LCD-Schirm auswählen, indem Sie fest auf die betroffenen Bereiche drücken. Die Kamera fokussiert Ihr Objektiv dann auf den ausgewählten Bereich.

Die automatische Fokussierung dieses speziellen Bereichs wird durch Drücken der FOCUS-Taste an der Kamera oder am optionalen Haltegriff ausgelöst. Um den Fokuspunkt auf die Mitte des Bildschirms zurückzusetzen, drücken Sie zweimal die FOCUS-Taste.



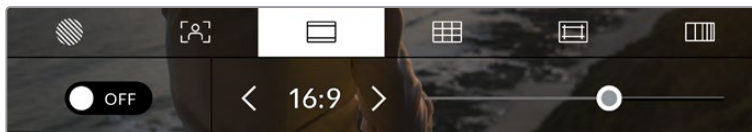
Touch-LCD der URSA Mini mit Fokussierung per Druck-Touch

**TIPP** Wenn der zu fokussierende Bildbereich bei aktivierter Touch-Fokussierfunktion vom Head-up-Display verdeckt wird, wischen Sie das Display einfach nach oben oder unten, um es beiseite zu schieben.

### Frame Guides

Die Frame-Guides-Einstellung passt das Erscheinungsbild von Bildrandmarkierungen auf Ihrem LCD-Touchscreen an. Sie können außerdem zwischen acht Frame-Guide-Optionen für alle Ausgänge Ihrer URSA Mini wählen.

Unter den Optionen für Bildrandmarkierungen finden Sie u. a. Seitenverhältnisse für verschiedene Kino-, TV- oder Online-Standards.



Tippen Sie in den LCD-Monitor-Optionen auf das Frame-Guides-Icon, um auf die Bildrandmarkierungs-Einstellungen Ihrer URSA Mini zuzugreifen

Um das Erscheinungsbild der Bildrandmarkierungen auf dem LCD-Touchscreen Ihrer URSA Mini anzupassen, tippen Sie auf das Schalter-Icon links unten auf dem Display.

Wählen Sie die gewünschte Bildrandmarkierung aus, indem Sie den Schieberegler nach links oder rechts ziehen oder die Pfeilsymbole auf beiden Seiten des derzeit ausgewählten Bildseitenverhältnisses antippen.

Die verfügbaren Bildrandmarkierungen sind folgende:

#### **2,35:1, 2,39:1 und 2,40:1**

Zeigen das Breitbildformat an, das mit anamorphotischer oder Flat-Widescreen-Kinopräsentation kompatibel ist. Die drei leicht voneinander abweichenden Breitbild-Einstellungen sind auf wechselnde Film-Standards im Laufe der Zeit zurückzuführen. 2,39:1 ist einer der heutzutage am häufigsten verwendeten Standards.



URSA Mini LCD-Touchscreen mit aktivierten 2,40:1-Bildrandmarkierungen

### **1:1**

Zum Zusammenstellen von Einstellungen für Social-Media-Material kann man auf der URSA Mini Pro Bildrandmarkierungen im quadratischen 1:1-Format anzeigen.

### **2:1**

Das auf der URSA Mini Pro verfügbare Bildseitenverhältnis ist etwas breiter als 16:9, liegt aber unter 2.35:1.

### **1,85:1**

Zeigt ein weiteres gängiges Flat-Widescreen-Kinobildseitenverhältnis an. Dieses Verhältnis ist etwas breiter als HDTV 1,78:1, aber schmaler als 2,39:1.

### **16:9**

Zeigt ein 1,78:1 Bildseitenverhältnis an, das mit 16:9 HD TV- und Computerbildschirmen kompatibel ist.

Dieses Bildseitenverhältnis wird vor allem für HD-Broadcasts und Online-Videos verwendet. Das gleiche Bildseitenverhältnis wurde auch für das Broadcasting in Ultra HD übernommen.

### **14:9**

Zeigt ein 14:9 Bildseitenverhältnis an, das von einigen Broadcastern verwendet wird, um einen Kompromiss zwischen 16:9- und 4:3-Fernsehgeräten zu schaffen. Idealerweise bleibt sowohl 16:9- als auch 4:3-Footage ansehnlich, wenn sie auf das 14:9-Format beschnitten wird. Sie können dieses Verhältnis als kompositorische Markierung verwenden, wenn Sie wissen, dass Ihr Projekt von einem Fernsehsender ausgestrahlt werden wird, das von 14:9 Gebrauch macht.

### **4:3**

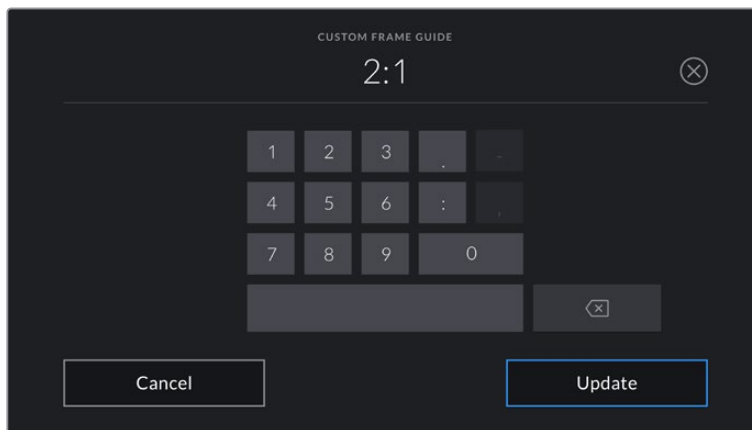
Zeigt das mit SD-Fernsehbildschirmen kompatible 4:3-Seitenverhältnis an. Das Format hilft zudem bei der Bildeinstellung, wenn 2 anamorphotische Adapter verwendet werden.

### **4:5**

Für Kompositionen von Einstellungen für Smartphone-Content lassen sich auf der URSA Mini Pro Bildrandmarkierungen im 4:5-Hochformat einblenden.

## **CUSTOM FRAME GUIDE**

Um für eine einzigartige Darstellung Ihre eigene Bildrandmarkierung zu erstellen, tippen Sie auf den eingblendeten Wert zwischen den beiden Pfeilsymbolen. Tippen Sie auf dem Bildschirm „Custom Frame Guide“ auf die Rücktaste, um das aktuelle Seitenverhältnis zu löschen und geben Sie über den Ziffernblock ein neues Seitenverhältnis ein. Tippen Sie auf „Update“, um Ihre eingegebene Bildrandmarkierung zu übernehmen und zum Aufzeichnungsmodus zurückzukehren.



Eine neue Bildrandmarkierung wird auf dem Bildschirm „Custom Frame Guide“ über den Ziffernblock eingegeben

**TIPP** Sie können die Deckkraft der eingeblendeten Bildrandmarkierungen ändern. Näheres finden Sie im Abschnitt „Monitor'-Einstellungen“ in diesem Handbuch.

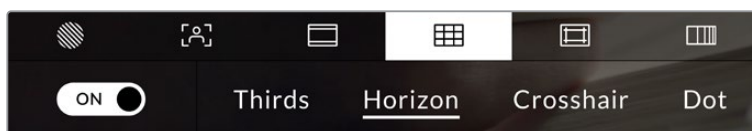
**HINWEIS** Weitere Informationen zum Aktivieren der Bildrandmarkierungen auf den Front- und Haupt-SDI-Ausgängen Ihrer Kamera finden Sie im Abschnitt „Monitor-Einstellungen“ in diesem Handbuch.

### Grids

Die Raster-Einstellung (Grids) passt die Erscheinung des Kompositionsrasters entsprechend der Drittel-Regel, als Fadenkreuz oder Mittelpunkt auf Ihrem LCD-Touchscreen an. Zudem legen Sie hierüber fest, welches Overlay auf allen URSA Mini Ausgaben zu sehen sein wird. Auf der URSA Mini Pro 12K gibt es zudem eine Option zum Anzeigen eines Horizont-Meters.



Tippen Sie in den LCD-Monitor-Optionen auf das Grids-Icon, um auf die Rastereinstellungen Ihrer URSA Mini zuzugreifen

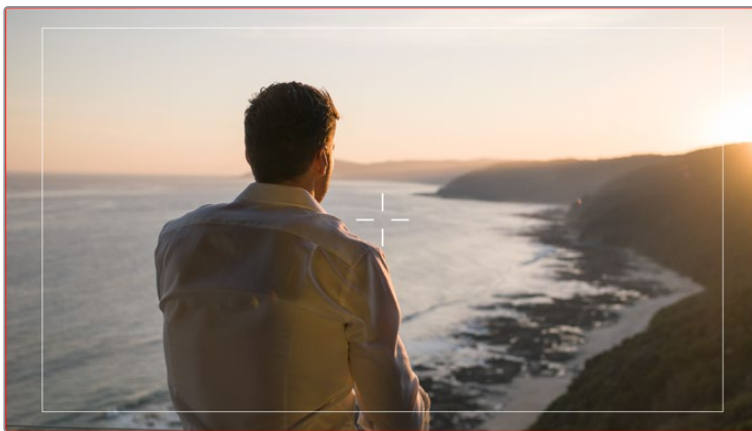


Auf der URSA Mini Pro 12K bietet die Raster-Einstellung Optionen für Drittel, Horizont-Meter, Fadenkreuz oder Mittelpunkt

Raster- und Fadenkreuz-Overlays können bei der Bildkomposition behilflich sein. Wenn die Grids-Option aktiviert ist, kann Ihre URSA Mini Raster entsprechend der Drittel-Regel, als Fadenkreuz oder Mittelpunkt angezeigt werden. Die URSA Mini Pro 12K verfügt über eine zusätzliche Option zum Einblenden eines Horizont-Meters.

Um das Erscheinungsbild der Raster auf dem Touchscreen Ihrer URSA Mini anzupassen, tippen Sie auf der Frame-Guides-Registerkarte das Schalter-Icon links unten auf dem Display an.

Wenn Ihre URSA Mini als derzeitige Programm-Quelle an einen ATEM Mischer angeschlossen ist und die Raster aktiviert sind, erscheint die rote Programm-Tally-Markierung automatisch auf Ihrem LCD.



Wenn Sie bei einem angeschlossenen ATEM Mischer ein Tally-Signal senden, erscheint um die Bildvorschau Ihrer Kamera ein roter Rand, wenn das Raster auf ON steht

Um einzustellen, welches Overlay Sie in allen URSA Mini Ausgaben angezeigt bekommen möchten, tippen Sie auf „Thirds“, „Crosshairs“ oder „Center Dot“. Die URSA Mini Pro 12K umfasst zudem die Option „Horizon“.



Das Drittel-Raster passt sich automatisch dem Maßstab jeder Bildrandmarkierung an

### Thirds

Die Einstellung „Thirds“ zeigt ein Raster mit zwei vertikalen und zwei horizontalen Linien an, die das Bild in Drittel aufteilen. Mit dem Drittel-Prinzip lassen sich Shots sehr effektiv komponieren. Zum Beispiel erwartet das menschliche Auge in der Regel, dass sich die Action im Schnittpunktbereich dieser Linien abspielt. Deshalb platziert man dort gerne Dinge, auf die aufmerksam gemacht werden soll. Die Augenpartie eines Schauspielers wird oftmals im oberen Drittel des Bildschirms positioniert. Bei der Platzierung hilft Ihnen hier die Markierung des horizontalen oberen Drittel des Bildes. Überdies dienen Drittel zum Erhalt einer konsistenten Kadrierung von einem Shot zum nächsten.

### Horizon





Auf der URSA Mini Pro 12K gibt es ein Horizont-Meter. Das Horizont-Meter zeigt an, wenn Ihre Kamera nach links oder rechts bzw. nach vorne oder hinten geneigt bzw. gekippt ist. Es unterstützt Sie bei Freihandaufnahmen, eine waagrecht verlaufende Horizontlinie zu bewahren und vertikale Kameraneigungen auf einem Gimbal zu kompensieren.

In welche Richtung Ihre Kamera geneigt ist, erkennen Sie an der Richtung, in die sich die vertikale hellgraue Linie vom mittig platzierten dunkelgrauen Fadenkreuz entfernt. Bei einem Auf- oder Abschwenk der Kamera rückt die horizontale hellgraue Linie entsprechend nach unten oder oben.

Die Entfernung zwischen den Linien und dem mittigen Fadenkreuz verhält sich proportional zum Grad der horizontalen oder vertikalen Neigung. Wenn Sie den Bewegungssensor der Kamera kalibriert haben und die Kamera korrekt auf die vertikale oder horizontale Rotationsachse ausgerichtet ist, dann erscheint auch die vertikale oder horizontale Linie blau.

Beachten Sie, dass das Horizont-Meter die Verkantung der Kamera für Auf- und Untersichten miteinberechnet. Wenn Sie die Kamera entsprechend für Hochformataufnahmen drehen, dreht sich auch das Horizont-Meter um 90 Grad.

Die folgende Tabelle zeigt anhand des Horizont-Meters, ob die Kamera nach links/rechts bzw. unten/oben geneigt ist.

Horizont-Meter	Beschreibung
	Keine Neigung
	Nur nach unten geneigt
	Nur nach links geneigt
	Nach oben und rechts geneigt

Für reguläre Anwendungen kalibrieren Sie Ihr Horizont-Meter ohne Kameraneigung. Wenn Sie das Horizont-Meter zur Beibehaltung einer gleichbleibenden Neigung oder für konsistentes Ab- und Aufschwenken verwenden möchten, können Sie es bei Schräglage der Kamera kalibrieren. Informationen zur Kalibrierung des Horizont-Meters finden Sie im Abschnitt „Motion Sensor Calibration“.

### Crosshair

Die Fadenkreuzeinstellung zeigt in der Mitte des Bildes ein Fadenkreuz an. Wie das Drittel-Raster ist auch das Fadenkreuz ein sehr hilfreiches Kompositionswerkzeug. So fängt man das Objekt genau in der Mitte eines Bildes ein. Diese Option wird manchmal verwendet, wenn Szenen gedreht werden, die später in schnellen Schnittfolgen zusammengesetzt werden. Oft ist es für den Zuschauer leichter, schnellen Schnitten zu folgen, wenn sich die Augen auf die Mitte konzentrieren.

### Center Dot

Bei der Mittelpunkt-Option wird ein Punkt in der Mitte des Bildes angezeigt. Der Mittelpunkt hat denselben Zweck wie das Fadenkreuz, ist aber ein dezenteres Overlay, das weniger aufdringlich wirkt.

Durch Antippen von zwei Optionen im Grids-Menü können Sie eine Kombination der Optionen „Thirds“ und „Crosshairs“ oder „Center Dot“ aktivieren. „Crosshairs“ und „Center Dot“ können nicht gemeinsam ausgewählt werden.

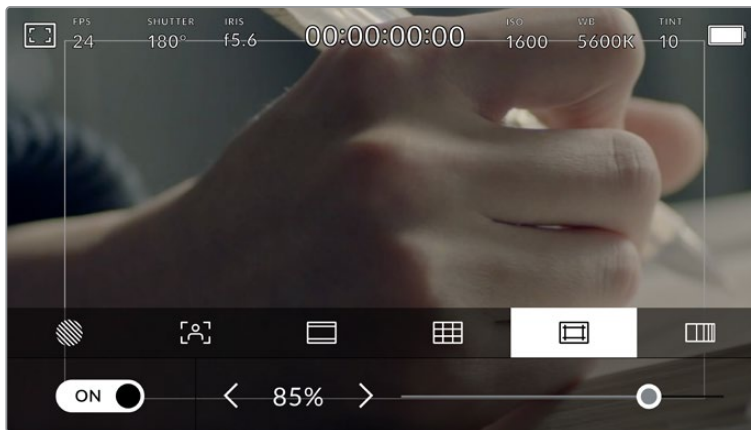
**TIPP** Weitere Informationen zum Aktivieren des Raster-Modus auf den Front- und Haupt-SDI-Ausgängen der Kamera finden Sie im Abschnitt „MONITOR-Einstellungen“ in diesem Handbuch.



## Schutzbereich

Über die Schutzbereich-Einstellung lassen sich Safe-Area-Markierungen auf dem LCD-Touchscreen ein- und ausschalten. Auch die Größe dieser Markierungen lassen sich hier für alle Ausgaben Ihrer URSA Mini vorgeben.

Schutzbereiche können in Fernsehproduktionen eingesetzt werden, um sicherzustellen, dass die wichtigsten Bereiche eines Shots von den meisten Zuschauern gesehen werden können. Indem Sie die wichtigsten Objekte Ihres Shots in diesem zentrierten sicheren Bereich halten, können Sie verhindern, dass das Bild auf einigen Fernsehgeräten abgeschnitten wird. Zudem hat der Broadcaster die Möglichkeit, Fliegen, Newsticker und andere Overlays am Bildschirmrand einzublenden. Viele Broadcaster benötigen Material, das sich zu 90 % im Schutzbereich befindet.



Der Schutzbereich-Indikator ist auf 85 % eingestellt

Schutzbereiche dienen auch der Kadrierung von Shots, wenn Sie bspw. wissen, dass ein Shot in der Postproduktion stabilisiert werden soll. Dadurch können die Kanten des Bilds abgeschnitten werden. Sie können auch dafür genutzt werden, einen bestimmten Zuschnitt anzuzeigen.

Hier ein Beispiel: Bei einer Einstellung von 50 % können Sie beim Aufzeichnen in Ultra HD 3840 x 2160 sehen, wie eine Framegröße von 1920 x 1080 aussehen würde. Schutzbereiche werden entsprechend Ihrer Bildrandmarkierungen skaliert. D. h. sie passen sich so an, dass sie die ausgewählte Prozentzahl Ihres Zielframes anzeigen.

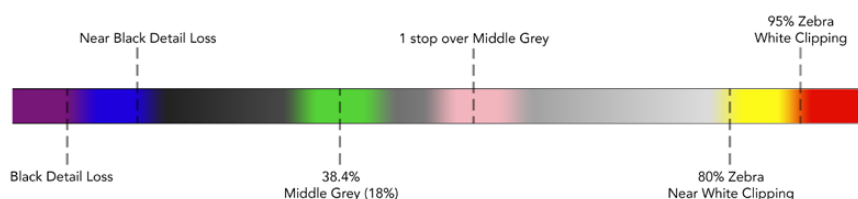
Um Schutzbereiche auf dem LCD-Touchscreen ein- oder auszuschalten, tippen Sie auf der Schutzbereich-Registerkarte unten links das Schalter-Icon an. Die Größe des Schutzbereichs für alle Ausgaben Ihrer URSA Mini stellen Sie über die Links- und Rechtspfeile seitlich der derzeitigen numerischen Werte am unteren Rand des Touchscreens ein. Oder ziehen Sie den Schieberegler nach links oder rechts.

## Falschfarben

Über die Falschfarben-Einstellung lässt sich das Erscheinungsbild der False-Color-Belichtungshilfe auf dem LCD-Touchscreen anpassen.

Falschfarben stellen unterschiedliche Helligkeitswerte von Elementen in Ihrem Bild in Farben dar, die dem jeweiligen Wertebereich entsprechen. Pink repräsentiert bspw. eine optimale Belichtung für helle Hauttöne, während Grün für dunklere Hauttöne besser geeignet ist. Wenn Sie beim Filmen von Menschen anhand der Falschfarben-Funktion Pink oder Grün kontrollieren, lässt sich eine gleichförmige Belichtung von Hauttönen erzielen.

Gleichermaßen zeigt Ihnen eine vom Gelben ins Rote wechselnde Falschfarben-Darstellung an, dass diese Bildbereiche nun überbelichtet sind.



Falschfarbentabelle

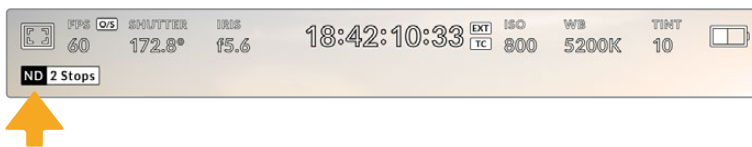
Um Falschfarben auf dem LCD-Touchscreen ein- oder auszuschalten, tippen Sie auf der Falschfarben-Registerkarte unten links das Schalter-Icon an.



Die Falschfarben-Registerkarte für die Belichtungshilfe

## ND-Filteranzeige

Wenn Sie den ND-Filter Ihrer URSA Mini Pro anpassen, erscheinen oben links auf dem LCD-Touchscreen die ND-Filteranzeige sowie die SDI-Ausgaben, für die Statustext aktiviert ist. Die Anzeige bleibt als Statustext eingeblendet, solange der ND-Filter aktiviert ist. Ist kein ND-Filter aktiviert, wird der „durchsichtige“ Text nach vier Sekunden wieder ausgeblendet.

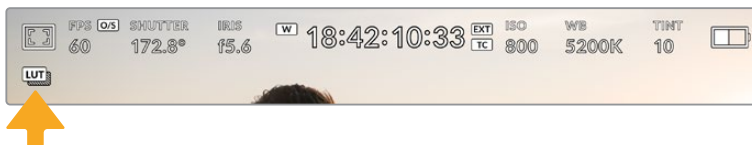


Die ND-Filteranzeige wird eingeblendet, wenn Sie auf Ihrer URSA Mini Pro die ND-Filtereinstellungen anpassen

**HINWEIS** Sie können die vom ND-Filter-Indikator verwendete Terminologie Ihren eigenen Konventionen entsprechend ändern. Es gibt die Optionen ND-Nummer, Blendenstufe und Bruchzahl. Geben Sie Ihr bevorzugtes ND-Format im SETUP-Menü Ihrer URSA Mini Pro vor.

## LUT-Anzeige

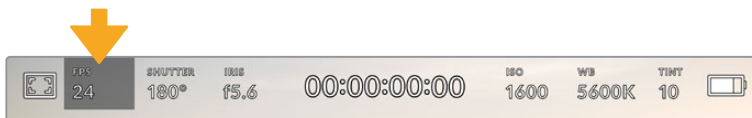
Das LUT-Icon erscheint immer dann auf dem LCD und in den Signalen der Front- und Haupt-SDI-Ausgänge, wenn Statustext aktiviert ist und eine LUT auf den Ausgang angewendet wird.



Das LUT-Icon zeigt an, dass eine LUT auf das Bild angewendet wird

## Bilder pro Sekunde

Der FPS-Indikator zeigt die derzeit ausgewählte Zahl der Bilder pro Sekunde (Frames per Second) an.



Der FPS-Indikator Ihrer URSA Mini. Tippen Sie darauf, um auf die Frameraten-Einstellungen zuzugreifen

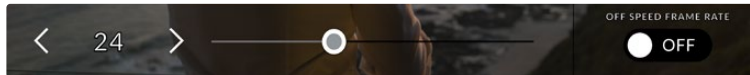
Wenn Sie auf den FPS-Indikator tippen, können Sie die Sensor- und Projekt-Framerate über das Menü am unteren Rand Ihres LCD-Touchscreens ändern.

## Project Frame Rate

Die Projekt-Framerate ist die Framerate des Aufzeichnungsformats der URSA Mini. Hierfür gibt es eine Auswahl von in der Film- und Fernsehbranche gebräuchlichen Frameraten. Diese Framerate ist in der Regel so eingestellt, dass sie der in Ihrem Postproduktions-Workflow verwendeten Wiedergabegeschwindigkeit entspricht.

Ihre Blackmagic URSA Mini verfügt über acht Projekt-Frameraten: 23,98; 24; 25; 29,97; 30; 50; 59,94 und 60 fps.

Um die Projekt-Framerate Ihrer URSA Mini im FPS-Menü anzupassen, tippen Sie auf die Pfeilsymbole neben der derzeit ausgewählten Framerate unten links auf dem Display. Oder ziehen Sie den Schieberegler nach links oder rechts.

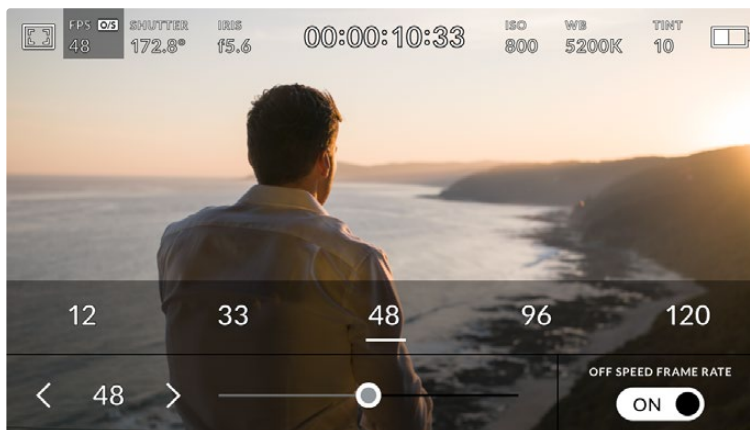


Tippen Sie auf die Pfeilsymbole neben der Projekt-Framerate oder ziehen Sie den Schieberegler hin und her

**TIPP** Mit der Projekt-Framerate Ihrer URSA Mini wird auch die Framerate für die Front- und Haupt-SDI-Ausgänge mitbestimmt.

## Sensor Frame Rate

Anhand der Sensor-Framerate wird vorgegeben, wie viele Vollbilder der Sensor pro Sekunde tatsächlich aufzeichnet. Diese Framerate wirkt sich darauf aus, wie schnell oder langsam Ihr Video bei Ihrer vorgegebenen Projekt-Framerate wiedergegeben wird.



Aktivieren Sie zunächst OFF SPEED FRAME RATE und tippen Sie dann, um Anpassungen vorzunehmen, auf die Pfeilsymbole neben der Sensor-Framerate. Alternativ ziehen Sie dafür den Schieberegler nach rechts oder links oder tippen auf eins der Presets

Standardmäßig sind die Projekt- und Sensor-Framerate auf eine natürliche Wiedergabegeschwindigkeit eingestellt. Wenn Sie jedoch auf den Schalter OFF SPEED FRAME RATE rechts unten im FPS-Menü Ihrer URSA Mini tippen, können Sie die Sensor-Framerate frei wählen.

Um die Sensor-Framerate zu ändern, tippen Sie auf die Pfeile neben der Sensor-Framerate-Anzeige unten links auf dem Touchscreen. Alternativ ziehen Sie den Schieberegler nach links oder rechts, um die Framerate anzuheben oder zu verringern. Sobald Sie den Schieberegler loslassen, wird die Sensor-Framerate ausgewählt. Über dem Schieberegler können Sie eine empfohlene Off-Speed-Framerate passend zu Ihrer aktuellen Projekt-Framerate auswählen.

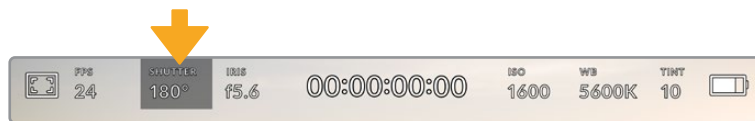
Sie können Ihre Clips mit dynamischen und interessanten Tempoeffekten versehen, indem Sie unterschiedliche Sensor-Frameraten einstellen. Ist die Sensor-Framerate auf einen höheren Wert als Ihre Projekt-Framerate eingestellt, kreieren Sie so während der Wiedergabe einen Zeitlupeneffekt. Umgekehrt gilt: Je niedriger Ihre Sensor-Framerate, desto schneller werden Ihre Clips wiedergegeben. Dieser Effekt gleicht dem Prinzip des Overcranking und Undercranking einer Filmkamera. Durch Overcranking wird die Sensor-Framerate beschleunigt, was eine Ausdehnung von Zeitspannen bei der Wiedergabe bewirkt und so Emotionen betont. Undercranking hingegen verlangsamt die Sensor-Framerate, was Sie die Action in Szenen mit viel Bewegung weiter beschleunigen lässt. Die kreativen Möglichkeiten sind unendlich und liegen völlig in Ihrer Hand.

Näheres zu den maximalen Bildwechselraten, die für die einzelnen Aufzeichnungsformate und Codecs verfügbar sind, finden Sie in der Tabelle im Kapitel „Aufzeichnen“.

**HINWEIS** Bei aktivierter Option OFF SPEED FRAME RATE werden Audio und Ton Ihrer URSA Mini nicht mehr synchronisiert. Das ist sogar der Fall, wenn Sie die gleiche Framerate für Projekt und Sensor gesetzt haben. Deshalb sollte die OFF SPEED FRAME RATE nie ausgewählt sein, wenn die Tonsynchronisation gewährleistet werden soll.

## SHUTTER

Der Verschluss-Indikator zeigt den Verschlusswinkel bzw. die Verschlusszeit an. Wenn Sie auf diesen Indikator tippen, können Sie die Verschlusswerte Ihrer URSA Mini manuell ändern oder bevorzugte Auto-Exposure-Modi konfigurieren. Auf der URSA Mini 4.6K und der URSA Mini Pro können Sie wählen, ob Verschlusswerte als Verschlusswinkel oder Verschlusszeit angegeben werden. Näheres finden Sie im Abschnitt „SETUP-Einstellungen“ in diesem Handbuch.



Der Verschluss-Indikator Ihrer URSA Mini. Tippen Sie darauf, um auf die SHUTTER-Einstellungen zuzugreifen

Der Verschlusswinkel bzw. die Verschlusszeit bestimmt das Ausmaß der Bewegungsunschärfe in Ihrem Video und kann darüber hinaus zur Kompensation variierender Lichtverhältnisse genutzt werden. Meist liegt der optimale Verschlusswinkel für eine angemessene Bewegungsunschärfe bei 180 Grad bzw. bei einer Verschlusszeit von 1/50 Sekunde. Wenn sich jedoch die Beleuchtungsverhältnisse verändern oder sich das Bewegungsspektrum in Ihrer Szene erweitert, erfordert dies ggf. entsprechende Feinabstimmungen.

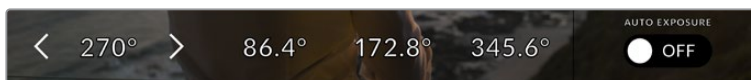
Zum Beispiel gilt eine 360-Grad-Einstellung, die die maximale Lichtmenge auf den Sensor treffen lässt, als weit offen. Das ist eine geeignete Einstellung für Szenen bei Low-Light-Bedingungen mit geringfügiger Bewegung. Beim Filmen von vielbewegten Objekten sorgt ein geringer Verschlusswinkel von bspw. 90 Grad für minimale Bewegungsunschärfe und ergibt schärfere, gestochenere Aufnahmen. Welche Verschlusszeit einem bestimmten Verschlusswinkel entspricht, ist abhängig von der verwendeten Framerate. Wenn Sie bspw. bei 25 fps filmen, entsprechen 360 Grad 1/25 und 90 Grad 1/100 einer Sekunde.

**HINWEIS** Beim Dreh in Kunstlicht kann Ihr Verschlusswinkel die Sichtbarkeit von Flimmern begünstigen. Ihre URSA Mini berechnet flimmerfreie Verschlusswerte automatisch anhand der derzeitigen Framerate. Beim Einstellen des Verschlusses zeigt Sie Ihnen daraufhin am unteren Rand des Head-up-Displays bis zu drei flimmerfreie Verschlussoptionen an. Diese Verschlusswerte hängen von der Netzfrequenz in Ihrer Region ab. Im Einrichtungsmenü Ihrer URSA Mini können Sie die lokale Netzfrequenz auf 50 Hz oder 60 Hz einstellen. Näheres finden Sie im Abschnitt „SETUP-Einstellungen“ in diesem Handbuch.

Durch Antippen des SHUTTER-Indikators öffnen sich die vorgeschlagenen Verschlusswerte entlang des unteren Rands des URSA Mini Touchscreens. Wenn „Auto Exposure“ ausgeschaltet ist, zeigt dieses Display Ihnen den derzeit ausgewählten Verschlusswert an sowie die verfügbaren flimmerfreien Verschlusswerte entsprechend der Netzfrequenz, die Sie im URSA Mini SETUP-Menü ausgewählt haben. Näheres finden Sie im Abschnitt „SETUP-Einstellungen“ in diesem Handbuch.

**HINWEIS** Aufgrund der Eigenschaften individueller Lichtquellen kann es selbst mit flimmerfreien Verschlusswerten zu Flimmern kommen. Wir empfehlen daher, beim Filmen bei unregelmäßigem Licht immer einen Probedreh vorzunehmen.

Um einen flimmerfreien Verschlusswert auszuwählen, tippen Sie einfach auf einen der angezeigten Shutter-Werte. Um durch die gebräuchlichsten Verschlusswerte zu navigieren, tippen Sie auf einen der Pfeile rechts und links vom aktuellen Verschlusswert-Indikator.



Ihre URSA Mini schlägt Ihnen flimmerfreie Verschlusswerte entsprechend der Netzfrequenz vor, die Sie im SETUP-Menü ausgewählt haben

Um einen spezifischen Verschlusswert auszuwählen, tippen Sie zweimal auf den aktuellen Wert im SHUTTER-Indikator unten links auf Ihrem Display. Es erscheint eine kleine Tastatur, über die Sie einen beliebigen Verschlusswert mit bis zu zwei Dezimalstellen eintippen können.

Wenn Sie eine Verschlusszeit eingeben, die nicht mit Ihrem aktuellen Verschlusswert kompatibel ist, wird die dieser am nächsten liegende Zeit verwendet.



Über die Shutter-Tastatur können Sie jeden beliebigen Verschlusswert eingeben

Ihre URSA Mini verfügt über drei verschlussbasierte Belichtungsautomatik-Modi. Um einen von diesen auszuwählen, tippen Sie auf den Auto-Exposure-Button ganz rechts im Verschlussmenü.

### Shutter

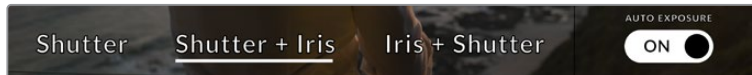
Diese Einstellung justiert den Verschlusswert automatisch, um bei konstanter Blendenöffnung eine konstante Belichtung zu bewahren. Wenn Sie eine feste Schärfentiefe beibehalten möchten, sollten Sie diese Einstellung wählen. Denken Sie jedoch daran, dass kleinste automatische Anpassungen des Verschlusses Auswirkungen auf die Bewegungsunschärfe haben können. Beim Dreh in geschlossenen Räumen ist es zudem ratsam, nach etwaigem Flimmern Ausschau zu halten, das durch unterschiedliche Beleuchtungskörper hervorgerufen werden kann. Die Blendenautomatikfunktion der Blackmagic URSA Mini ist nicht verfügbar, wenn der Verschlussmodus AUTO EXPOSURE ausgewählt ist.

### Shutter + Iris

Behält die korrekte Belichtungsstärke bei, indem zunächst der Verschluss und danach die Blende angepasst wird. Wenn der maximal oder minimal verfügbare Verschlusswert erreicht ist, der Belichtungswert dabei aber nicht beibehalten werden kann, beginnt die URSA Mini für eine konstante Belichtung die Blende zu justieren.

### Iris + Shutter

Behält die korrekte Belichtungsstärke bei, indem zunächst die Blende und danach der Verschlusswert angepasst wird. Wenn der maximal oder minimal verfügbare Blendenwert erreicht ist, der Belichtungswert dabei aber nicht beibehalten werden kann, beginnt die URSA Mini für eine konstante Belichtung den Verschlusswert zu justieren.

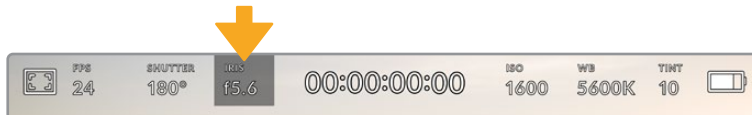


Tippen Sie im Verschlussmenü auf AUTO EXPOSURE, um auf die verschlussbasierten Belichtungsautomatik-Modi zuzugreifen

**TIPP** Wenn sich der aktivierte Modus für automatische Belichtung auf den Verschluss auswirkt, erscheint oben am Touchscreen Ihrer URSA Mini neben dem Verschlussindikator ein kleines „A“.

## IRIS

Der IRIS-Indikator zeigt die derzeit ausgewählte Blendenöffnung an. Durch Antippen dieses Indikators lässt sich die Blendenöffnung an kompatiblen Objektiven anpassen und die blendenbasierten Belichtungsautomatik-Modi konfigurieren.

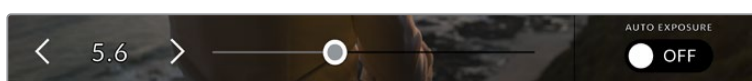


Der IRIS-Indikator Ihrer URSA Mini. Tippen Sie darauf, um auf die IRIS-Einstellungen zuzugreifen

**HINWEIS** Die Blende lässt sich über den LCD-Touchscreen steuern, wenn Ihre URSA Mini mit einem Objektiv versehen ist, das die Vornahme von Änderungen der Blendenwerte über die Kamera unterstützt. Vergewissern Sie sich bei einem B4- oder PL-Objektiv, das an den 12-poligen Broadcast-Anschluss der URSA Mini PL angeschlossen ist, dass der Blendenschalter am Handgriff auf „A“ oder „Auto“ steht.

Durch das Antippen des IRIS-Indikators öffnet sich das IRIS-Menü entlang des unteren Rands des URSA Mini Touchscreens. Ihre derzeitig eingestellte Blendenöffnung wird ganz links im Menü angezeigt. Sie können die Blendeneinstellung ändern, indem Sie auf die Pfeile neben der derzeitigen Blendenöffnung tippen oder den Schieberegler nach links oder rechts ziehen.

Das Antippen des AUTO EXPOSURE Schalter-Icons ganz rechts im IRIS-Menü öffnet das Blendenautomatik-Menü.



Tippen Sie im IRIS-Menü auf die Pfeile neben dem IRIS-Indikator oder benutzen Sie den Schieberegler, um Blendeneinstellungen anzupassen

Hier stehen Ihnen folgende Optionen zur Verfügung:

### Iris

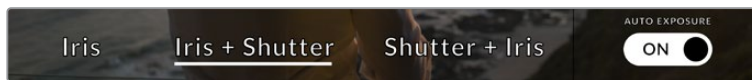
Diese Einstellung justiert die Blende automatisch und sorgt für eine konstante Belichtung bei gleichbleibendem Verschlusswinkel. Dies hält die Bewegungsunschärfe konstant, beeinflusst ggf. jedoch die Schärfentiefe.

### Iris + Shutter

Behält die korrekte Belichtungsstärke bei, indem zunächst die Blende und danach der Verschlusswert angepasst wird. Wenn der maximal oder minimal verfügbare Blendenwert erreicht ist, der Belichtungswert dabei aber nicht beibehalten werden kann, beginnt die URSA Mini für eine konstante Belichtung den Verschlusswert zu justieren.

### Shutter + Iris

Behält die korrekte Belichtungsstärke bei, indem zunächst der Verschluss und danach die Blende angepasst wird. Wenn der maximal oder minimal verfügbare Verschlusswert erreicht ist, der Belichtungswert dabei aber nicht beibehalten werden kann, beginnt die URSA Mini für eine konstante Belichtung die Blende zu justieren.



Tippen Sie im „Iris“-Menü auf AUTO EXPOSURE, um auf die blendenbasierten Belichtungsautomatik-Modi zuzugreifen

Wenn sich der aktivierte Modus für automatische Belichtung auf die Blende auswirkt, erscheint oben am Touchscreen Ihrer URSA Mini neben dem Blendenindikator ein kleines „A“.

**TIPP** Mit speziell für die Video- oder Filmproduktion konzipierten, kompatiblen B4- oder PL-Objektiven funktioniert die Belichtungsautomatik reibungslos. Bei EF-Objektiven kann es ggf. zu erkennbaren Abstufungen kommen, wenn sich die Blendenöffnung ändert. Fürs Filmen mit der URSA Mini EF empfehlen wir aus diesem Grund, ausschließlich den automatischen Belichtungsmodus „Shutter“ zu verwenden.

## Clipdaueranzeige

Ganz oben auf dem LCD-Touchscreen Ihrer URSA Mini sehen Sie die Clipdaueranzeige.



Die Clipdaueranzeige Ihrer URSA Mini. Diese färbt sich während der Aufzeichnung rot

Anhand der Clipdaueranzeige in Form eines Timecode-Zählers lässt sich die Dauer Ihrer Clips prüfen und der Timecode bei Aufnahme und Wiedergabe kontrollieren. Der Zähler zeigt eine Sequenz in Stunden:Minuten: Sekunden:Frames an und durchläuft während der Aufnahme oder Wiedergabe von Clips die gesamte Sequenz. Der Timecode färbt sich während der Aufzeichnung rot.

Die angezeigte Dauer eines jeden Clips beginnt bei 00:00:00:00. Die Dauer des derzeitigen oder zuletzt aufgezeichneten Clips wird auf dem Touchscreen angezeigt. Der Uhrzeit-Timecode wird in die Clips eingebettet. Dies vereinfacht die Postproduktion.

Um den Timecode anzuzeigen, tippen Sie einfach auf die Clipdaueranzeige. Tippen Sie erneut darauf, um zur Clipdaueranzeige zurück zu wechseln.



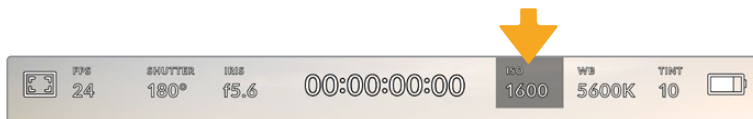
### Es können zusätzliche Statusindikatoren um die Anzeige herum erscheinen:

- |            |  |
|------------|--|
| <b>W</b>   | Erscheint links neben der Daueranzeige, wenn Ihre URSA Mini von einem gefensterten Sensormodus Gebrauch macht.                             |
| <b>TC</b>  | Erscheint rechts neben der Clipdaueranzeige, wenn der Timecode angezeigt wird.   |
| <b>EXT</b> | Erscheint rechts neben der Daueranzeige, wenn ein gültiger externer Timecode erkannt wird.   |
| <b>INT</b> | Erscheint rechts neben der Daueranzeige, wenn die Kamera nach einem Jam-Sync und einer Unterbrechung einen internen Timecode abspielt.     |
| <b>PRE</b> | Wird beim Sichten von Timecode im Modus „Preset Record Run“ rechts neben der Dauer-Anzeige eingeblendet.                                   |
| <b>REF</b> | Erscheint, wenn eine gültige Referenzquelle basierend auf den Referenzeingangseinstellungen angeschlossen und per Genlock gesichert wurde. |

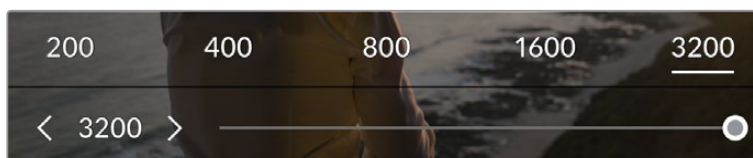
### ISO

Der ISO-Indikator zeigt die derzeitige ISO-Einstellung bzw. Lichtempfindlichkeit der URSA Mini an. Durch Antippen dieses Indikators können Sie ISO-Einstellungen wechselnden Lichtverhältnissen entsprechend anpassen. Der ISO-Wertbereich der URSA Mini liegt zwischen ISO 200 und 1600. Bei der URSA Mini Pro kann er überdies auf ISO 3200 angehoben werden.

Der optimale ISO-Wert für die URSA Mini 4K liegt bei 400. Der optimale ISO-Wert für die URSA Mini 4.6K und die URSA Mini Pro liegt bei 800.



Der ISO-Indikator Ihrer URSA Mini. Tippen Sie darauf, um auf die ISO-Einstellungen zuzugreifen



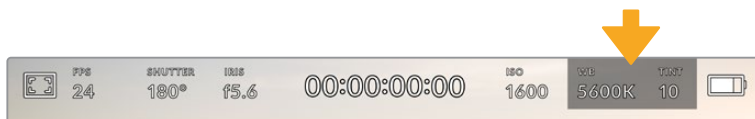
Im ISO-Menü erscheinen die ISO-Einstellungen Ihrer URSA Mini am unteren Rand des LCD-Touchscreens. Unter den Presets bietet die URSA Mini Pro 4.6K G2 einen Schieberegler zum Anpassen der ISO-Werte in 1/3-Blendenstufen

Numerische Presets ermöglichen es, einen ISO-Wert in vollen Blendenstufen durch Antippen der entsprechenden Zahl auszuwählen. Unter den Presets bietet die URSA Mini Pro 4.6K G2 einen Slider zum abgestuften Feintunen Ihrer ISO-Einstellung in gedrehten Blendenstufen zwischen den Preset-Werten.

Je nach Situation mag eine niedrigere oder höhere ISO-Einstellung geeigneter sein. Ein ISO-Wert von 1600 kann bei schlechten Lichtverhältnissen zwar angemessen sein, wenn man mit der URSA Mini 4.6K filmt, führt dies aber ggf. zu sichtbarem Bildrauschen. Bei hellen Lichtverhältnissen kann ein ISO-Wert von 200 stärker gesättigte Farben bewirken.

## WB





Die Indikatoren WB (White Balance) und TINT (Farbton) zeigen den derzeitigen Weißabgleich und Farbton Ihrer Kamera an. Durch Antippen dieser Indikatoren können Sie den Weißabgleich sowie den Farbton Ihrer Kamera variierenden Lichtverhältnissen anpassen.



Die WB- und TINT-Indikatoren Ihrer URSA Mini. Tippen Sie darauf, um auf die Weißabgleichs- und Farbton-Einstellungen zuzugreifen

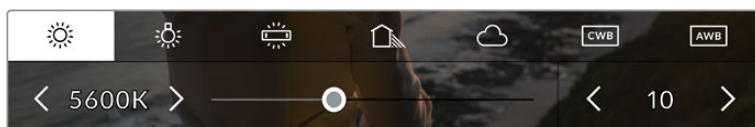
Jede Lichtquelle gibt Licht mit einer Färbung aus. Beispiel: Eine Kerze strahlt warmes Licht aus, und ein bedeckter Himmel kühlerfarbendes Licht. Die Weißabgleichseinstellungen dienen zum Ausbalancieren der Farben eines Bildes, damit Weißbereiche auch wirklich weiß bleiben. Dies geschieht durch das Anpassen der Orange- und Blautöne in Ihrem Bild. Beispiel: Beim Filmen unter Kunstlichtlampen, die warmes, orangefarbenes Licht abgeben, bewirkt man durch Auswahl von 3200 K, dass dem Bild zusätzliches Blau beigefügt wird. Der hiermit bewirkte farbliche Abgleich sorgt für eine akkurate Aufzeichnung von Weiß.

Auf Ihrer URSA Mini sind eine Reihe an Farbtemperaturbedingungen für den Weißabgleich voreingestellt.

	<b>Bright sunlight (Helles Sonnenlicht)</b>	(5600K)
	<b>Incandescent bulbs (Glühlampen)</b>	(3200K)
	<b>Fluorescent bulbs (Leuchtstofflampen)</b>	(4000K)
	<b>Mixed light (Gemischtes Licht)</b>	(4500K)
	<b>Cloud (Wolken)</b>	(6500K)

Sie können all diese Voreinstellungen nach Ihrem Belieben anpassen. Tippen Sie dafür auf die Pfeilsymbole links und rechts neben dem Temperaturindikator unten links im White-Balance-Menü. Durch jedes Antippen wird die Farbtemperatur um 50 K angehoben bzw. abgesenkt. Wenn Sie die Pfeilsymbole gedrückt halten, ändern sich die Werte schneller. Alternativ können Sie auch den Schieberegler in der Mitte des White-Balance-Menüs bewegen.

Um Ihr Bild noch weiter anzupassen, können Sie zudem den Farbton anpassen. Dies verändert die Grün- und Magentaanteile in Ihrem Bild. Zum Beispiel können einige Magentaanteile den Grünstich kompensieren, wie er häufig bei Leuchtstofflampen vorkommt. Viele der Weißabgleich-Voreinstellungen der URSA Mini enthalten einen leichten Farbstich.



Wenn Sie auf den WB- oder TINT-Indikator tippen, erhalten Sie Zugriff auf fünf Voreinstellungen sowie einen Weißabgleichindikator und Schieberegler auf der linken und einen Farbtonindikator auf der rechten Seite. Passen Sie diese an, um einen beliebigen Weißabgleich für Ihre Lichtverhältnisse einzustellen

Im White-Balance-Menü wird der derzeitige Farbton der Kamera rechts unten auf dem Touchscreen angezeigt. Um den Farbton anzupassen, tippen Sie einfach kurz auf die Pfeile links und rechts neben dem TINT-Indikator oder halten Sie sie gedrückt. Der verfügbare Bereich liegt bei -50 bis +50 in Abstufungen von einer Einheit. Halten Sie die Pfeile gedrückt, um den Wert schneller zu verändern.

**HINWEIS** Die Vorgabe eines nutzerspezifischen Weißabgleichs oder Tönungswertes bewirkt, dass Ihr Preset auf CWB (Custom White Balance) wechselt. Nutzerspezifische Weißabgleichseinstellungen haben hohe Priorität und bleiben nach dem Ein- und Ausschalten konfiguriert. Das Gleiche gilt, wenn zu einem Preset und wieder zurück zu CWB gewechselt wird. So ist es ein Leichtes, einen nutzerspezifischen Weißabgleich mit dem letzten verwendeten Preset zu vergleichen.

### Automatischer Weißabgleich

Ihre URSA Mini kann den Weißabgleich automatisch vorgeben. Durch Antippen von AWB gelangen Sie ins White-Balance-Menü.

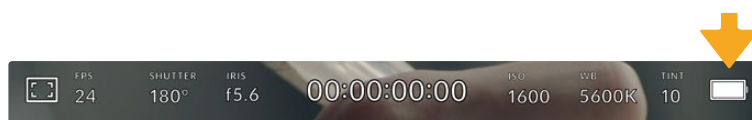
Wenn Sie den automatischen Weißabgleich einstellen, erscheint ein Quadrat-Overlay in der Mitte Ihres Bildes. Richten Sie dieses Quadrat auf eine neutralen Oberfläche wie eine weiße oder graue Karte und tippen Sie auf „Update WB“ (WB Aktualisieren). Ihre URSA Mini passt den Weißabgleich und die Farbtonwerte nun automatisch an, um sicherzustellen, dass die durchschnittlichen Weiß- oder Grautöne innerhalb des Quadrats so neutral wie möglich aussehen. Sobald Sie den Weißabgleich aktualisiert haben, wird dieser als standardmäßige Einstellung von Ihrer Kamera benutzt.





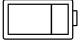
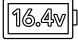

Wenn Sie im White-Balance-Menü auf das AWB-Icon tippen, rufen Sie das White-Balance-Display auf. Verwenden Sie eine weiße oder neutral graue Oberfläche, um einen neutralen Weißabgleich automatisch einzustellen

### Stromversorgung

Der Stromstatus Ihrer URSA Mini wird oben rechts auf dem LCD-Touchscreen angezeigt. Es gibt fünf verschiedene Indikatoren:



Der Stromindikator Ihrer URSA Mini befindet sich oben rechts auf dem LCD-Touchscreen. Bei Verwendung von Akkustrom schalten Sie durch Antippen dieses Indikators zwischen der Volt- und Prozentanzeige hin und her

	<b>AC</b>	Wird angezeigt, wenn Ihre URSA Mini an den Netzstrom angeschlossen ist.
	<b>Prozent</b>	Wenn Sie eine Kombination aus Akku und Akkuplatte verwenden, die Ladestandanzeigen in Prozent unterstützt, und der Indikator auf Prozent eingestellt ist, zeigt er den Ladezustand des Akkus in Prozent an. Bei einem verbleibenden Ladezustand von 20 % färbt sich der Indikator rot.
	<b>Akkubalken</b>	Ist der Indikator auf Prozent eingestellt, die Kombination aus Akku und Akkuplatte unterstützt jedoch keine prozentgenauen Akkuinformationen, zeigt Ihre URSA Mini ein Akku-Icon an, das 25%-Schritte angibt. Bei einem verbleibenden Ladezustand von 20 % färbt sich der Akkubalken rot.
	<b>Spannung</b>	Ist Ihr Strom-Indikator auf Spannung eingestellt, wird die verbleibende Spannung Ihres Akkus angezeigt. Sinkt die Spannung unter 12,5 Volt, färbt sich dieser Indikator rot. Ihre URSA Mini schaltet sich automatisch aus, wenn eine Spannung von 11,9 Volt erreicht wird.
	<b>Fiber</b>	Diese Anzeige erscheint, wenn ein Blackmagic Camera Fiber Converter an Ihre Kamera angebracht ist und sie über ein SMPTE-Glasfaserkabel mit Strom versorgt wird. Wenn Sie bei angeschlossenem Konverter ein XLR-Stromkabel an Ihre URSA Mini anschließen, erscheint stattdessen das AC-Icon.

Beim Filmen mit Akku können Sie durch Tippen auf die Stromzufuhranzeige zwischen den Anzeigen Spannung, Prozent oder Akkubalken hin und her wechseln.

**TIPP** Eine Liste mit Akkus, die prozentgenaue Informationen zum Ladezustand unterstützen, finden Sie im Abschnitt „Anbringen von Akkus“ in diesem Handbuch.

## Histogramm

Unten rechts auf dem Touchscreen Ihrer URSA Mini sehen Sie das Histogramm. Das Histogramm stellt die Kontraste zwischen weißen und schwarzen Tonwerten anhand einer horizontalen Skala dar.



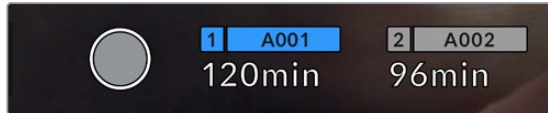
Das Histogramm verschafft Ihnen einen Überblick über die Tonwertspanne zwischen Schatten und Lichtern in Ihrem Clip. Es ist außerdem ein hilfreiches Werkzeug, um die Ausgewogenheit der Belichtung zu überprüfen und sicherzustellen, dass keine Lichter abgeschnitten werden.

Am linken Rand des Histogramms werden die Schatten bzw. Schwarzwerte und ganz rechts die Lichter bzw. Weißwerte angezeigt. Wenn Sie die Blende schließen oder öffnen, wird Ihnen auffallen, dass sich die Helligkeitsinformationen im Histogramm entsprechend nach links oder rechts verschieben. Sie können somit die Schatten und Lichter Ihrer Bilder auf Clipping überprüfen. Wenn die linke und rechte Kante Ihres Histogramms abrupt abfallen und nicht graduell auslaufen, kann es sein, dass Details in den hellen und dunklen Bereichen verloren gehen.

**HINWEIS** Ist unten links an Ihrem Touchscreen kein Histogramm zu sehen, sind Ihre LCD-Monitoreinstellungen möglicherweise auf die Anzeige von CODEC AND RESOLUTION (Codec und Auflösung) eingestellt. Näheres finden Sie im Abschnitt „MONITOR-Einstellungen“ in diesem Handbuch.

## Aufnahme-Button

Neben dem Histogramm am unteren Rand des URSA Mini Touchscreens sehen Sie einen grauen Button. Dies ist der Aufnahme-Button. Tippen Sie darauf, um mit der Aufzeichnung zu beginnen. Tippen Sie erneut, um die Aufzeichnung zu stoppen. Während des Aufzeichnungsvorgangs färben sich der Button und der Timecode am oberen Rand des Touchscreens rot.



Der Aufnahme-Button Ihrer URSA Mini befindet sich neben den Speicher-Indikatoren am unteren Rand des LCD-Touchscreens



Der Aufnahme-Button färbt sich rot, wenn aufgezeichnet wird

## Indikator für ausgelassene Bilder

Der Aufnahme-Button wird mit einem blinkenden „!“ überdeckt, wenn Ihre URSA Mini während der Aufzeichnung Bilder auslässt. Der Indikator für die verbleibende Aufnahmedauer der betroffenen Karte oder Karten färbt sich zudem rot. Wenn Sie bspw. im Dualkartenmodus aufzeichnen und Karte 1 lässt Bilder aus, erscheint der „!“-Indikator auf dem Aufnahme-Button und der Indikator für die verbleibende Aufnahmedauer von Karte 1 färbt sich rot. Das informiert Sie darüber, ob eine bestimmte Karte zu langsam für den ausgewählten Codec oder die ausgewählte Auflösung ist. Die Anzeige für ausgelassene Bilder zeigt außerdem an, sollte es beim vorherigen Clip ausgelassene Bilder geben. Der Indikator wird so lange angezeigt, bis ein neuer Clip aufgezeichnet oder die Kamera aus- und wieder eingeschaltet wird. Wie man vermeidet, dass Frames fallengelassen werden, wird im Abschnitt „Auswahl einer CFast-2.0-Karte“ erklärt.



Indikator zeigt für CFast-Karte 1 ausgelassene Bilder an

**TIPP** Wenn die Status-LED Ihrer URSA Mini aktiviert ist, beginnt sie, in kurzen Intervallen rot zu blinken, sobald das Fallenlassen von Frames erkannt wird. Näheres finden Sie im Abschnitt „SETUP-Einstellungen“ in diesem Handbuch.

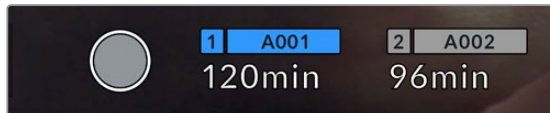
**HINWEIS** Sie können Ihre URSA Mini so einstellen, dass sie aufhört aufzuzeichnen, sobald fallengelassene Bilder erkannt werden. So kann es Ihnen nie passieren, dass Sie Zeit mit dem Filmen unbrauchbarer Footage vertun, falls Sie mal den Indikator für ausgelassene Bilder übersehen sollten. Näheres finden Sie im Abschnitt „MONITOR-Einstellungen“ in diesem Handbuch.

## Verbleibende Aufnahmezeit

Unten auf dem Touchscreen Ihrer URSA Mini sehen Sie die Speicher-Indikatoren.

Wird ein CFast-, SD- oder SSD-Medium eingeschoben, zeigt der Speicher-Indikator am unteren Rand des Touchscreens die verbleibende Aufnahmedauer der Karte an. Die in Minuten angegebene Zeit variiert entsprechend Ihren gewählten Einstellungen für Bildwechselfrequenz und Codec.

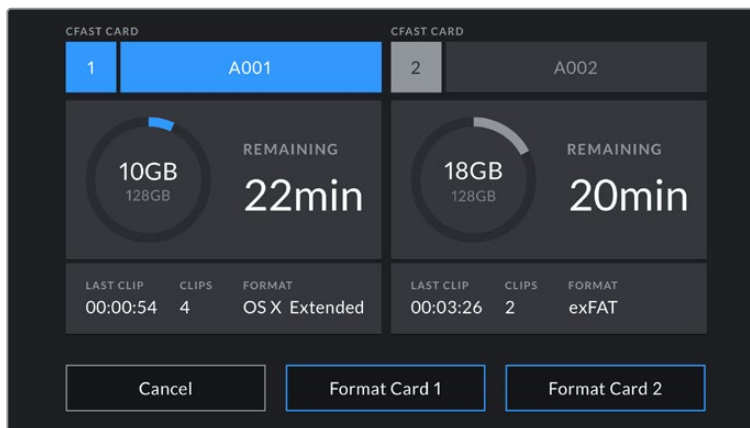
Bei Änderung dieser Einstellungen berechnet der Indikator den angegebenen Wert automatisch neu. Bei einer verbleibenden Restzeit von circa fünf Minuten wird der Indikator rot. Bei einer verbleibenden Dauer von nur zwei Minuten beginnt er zu blinken. Erreicht ein Medium seine maximale Kapazität, wird FULL angezeigt.



Die Speicher-Indikatoren Ihrer URSA Mini zeigen den Namen Ihres CFast-, SD- oder SSD-Mediums sowie die verbleibende Aufnahmedauer in Minuten an

Zudem wird der Name des Speichermediums in einem kleinen Balken über der verbleibenden Aufnahmedauer angezeigt. Dieser Balken färbt sich blau, um anzuzeigen, dass die Kamera auf dieses Speichermedium aufzeichnet. Bei der URSA Mini Pro 4.6K G2 können Sie über das Onscreen-Display für die Aufzeichnung auf eine andere Speicherkarte oder ein anderes Laufwerk wechseln.

Tippen Sie hierfür den Namen der Karte oder des USB-C-Sticks an, auf die bzw. den aufgezeichnet werden soll, und halten Sie ihn gedrückt. Der Balken wird dann blau. Während der Aufzeichnung färbt sich der Balken rot. Durch Tippen auf die Speicher-Indikatoren rufen Sie das Speicher- und Formatierungsmenü auf.



Tippen Sie auf die Speicher-Indikatoren auf dem LCD-Touchscreen Ihrer URSA Mini, um auf den Storage Manager zuzugreifen

Dieses Menü zeigt den freien Speicherplatz eines jeden CFast-, SD-, SSD-Mediums in der URSA Mini oder an die Kamera angeschlossenen externen Laufwerks an. Angezeigt werden auch der Medienname, die Länge des letzten Clips, die Gesamtzahl der Clips pro Medium und das Dateiformat.

Sie können Ihr Medium über dieses Menü formatieren. Weitere Informationen zur Formatierung von Speichermedien mit Ihrer URSA Mini finden Sie im Abschnitt „Datenträger mit der Blackmagic URSA Mini vorbereiten“ in diesem Handbuch.

**TIPP** Durch Antippen des Namens eines Speichermediums im Speichermenü wird dieses Medium als aktives vorgegeben. Dieses Medium füllt Ihre URSA Mini zuerst.

## Audiopegelmesser

Bei Gebrauch des internen Mikrofons oder einer angeschlossenen externen Audioquelle zeigen die Audiopegelmesser die Tonpegel der Kanäle 1 und 2 an. Das Tonpegel-Display ist in dBFS kalibriert und verfügt über Peak-Indikatoren mit Haltefunktion (Peak Hold), die nach der Übersteuerung kurzfristig sichtbar bleiben. Dies zeigt Ihnen erreichte Höchstpegel deutlich an.

Eine optimale Tonqualität wird mit Audiopegeln gewährleistet, die den Wert von 0 dBFS nicht erreichen. Hierbei handelt es sich um den Höchstpegel, den Ihre Kamera aufzeichnen kann. Audio, das diesen Wert überschreitet, wird abgeschnitten, was zu Verzerrungen führt.



Die farbigen Balken des Audiopegelmeters stellen die maximalen Audiopegel dar. Idealerweise sollten die Pegelspitzen im oberen grünen Bereich liegen. Schlagen Ihre Pegelspitzen jedoch in den gelben oder roten Bereich aus, besteht die Gefahr, dass Ihr Audio abgeschnitten wird.

Sie können auf die Audiopegelmesser tippen, um die Lautstärkereglер für Audioeingangskanäle 1 und 2 sowie Kopfhörer- oder Lautsprecherlautstärke aufzurufen.



Tippen Sie auf die Audiopegelmesser auf dem LCD-Touchscreen Ihrer URSA Mini, um mühelos auf die Lautstärke-, Kopfhörer- oder Lautsprechereinstellungen zuzugreifen

## FOCUS ZOOM

Durch doppeltes Tippen auf den LCD-Touchscreen können Sie einen beliebigen Bereich des Vorschaubilds Ihrer URSA Mini vergrößern. Der Bereich, auf den Sie tippen, wird vergrößert. Wenn Sie Ihren Finger über den LCD-Touchscreen ziehen, können Sie das Bild bewegen. Das ist besonders hilfreich beim Überprüfen des Fokus. Um zur normalen Bildgröße zurückzukehren, tippen Sie einfach erneut zweimal kurz hintereinander auf den Touchscreen.

Wenn Sie „Focus Zoom“ auf der URSA Mini Pro 12K aktiviert haben, können Sie den Vergrößerungsgrad auch mit einer Zoomgeste anpassen. Das SETUP-Menü auf der URSA Mini Pro 12K gestattet es Ihnen, eine der Funktionstasten so zu konfigurieren, dass sie das Gleiche bewirkt wie das doppelte Antippen des Touchscreens. Sie kann so konfiguriert werden, dass die Funktion sich auf das LCD, die Front- oder die Main-SDI-Ausgabe auswirkt. Weitere Informationen zur Konfiguration von Funktionstasten wie „Focus Zoom“ finden Sie im Abschnitt „Function Button Behaves as Preset or Toggle“.

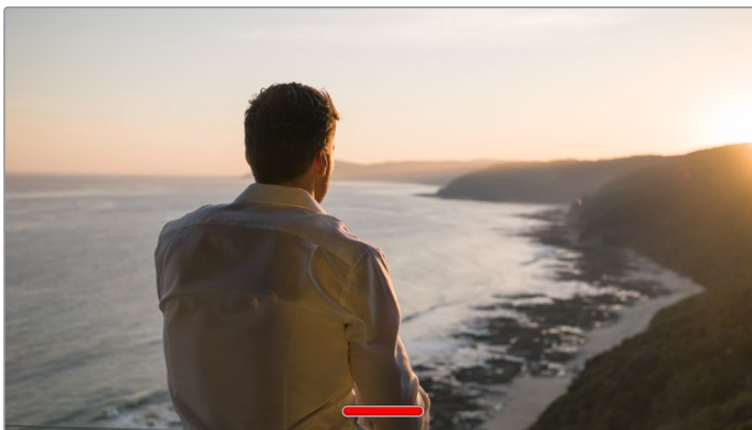




Haben Sie in das Bild hineingezoomt, zeigt ein Indikator oben links auf Ihrem LCD-Touchscreen an, welchen Teil des Bildes Sie zurzeit anzeigen. Ziehen Sie Ihren Finger wie bei einem Smartphone oder Tablet über den Touchscreen, um das Bild zu bewegen

## Vollbildschirm-Modus

Bei der Einstellung oder Fokussierung eines Shots ist es manchmal hilfreich, den Statustext und die Messwerte auf dem Touchscreen zeitweilig auszublenden. Um dies zu tun, wischen Sie mit dem Finger auf dem LCD-Touchscreen Ihrer URSA Mini nach oben oder unten. Der Aufnahme-Indikator, Bildrandmarkierungen, Raster, die Fokussierhilfe und Zebra bleiben weiterhin sichtbar.



Wischen Sie nach oben oder unten, um alle Statusindikatoren auf dem LCD-Touchscreen Ihrer URSA Mini auszublenden

## Wiedergabemenü

Tippen Sie auf den Wiedergabe-Button, um auf das Wiedergabemenü zuzugreifen. Bereits aufgezeichnete Clips können Sie mit den Bedientasten auf dem LCD-Touchscreen Ihrer Kamera steuern.

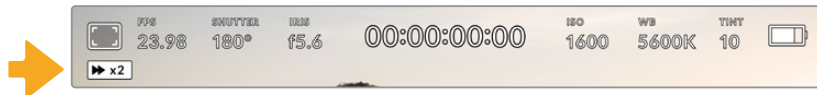
Wenn Sie den LCD-Touchscreen verwenden, tippen Sie einmal auf den Wiedergabe-Button, um die Wiedergabe zu starten, und erneut, um sie anzuhalten. Verwenden Sie den Vor- oder Rücklauf-Button, um zum Anfang oder Ende eines Clips zurückzuspringen. Einmaliges Antippen des Vorlauf-Buttons bringt Sie zum nächsten Clip. Tippen Sie einmal auf den Rücklauf-Button, um an den Anfang des aktuellen Clips zu gelangen, oder tippen Sie ihn zweimal an, um zum Anfang des vorhergehenden Clips zurückzugehen. Clips können zudem in Dauerschleife abgespielt werden, indem Sie auf den Loop-Button tippen.



Die Rücklauf-, Wiedergabe-, Vorlauf- und Loop-Buttons

Um vor- oder zurückzuspulen, halten Sie die Vor- oder Rücklauf-Buttons gedrückt. Dies spielt Ihre Footage in doppelter Geschwindigkeit vor oder zurück.

Während des Spulens können Sie die Geschwindigkeit durch ein erneutes Tippen der Buttons erhöhen. Mit jedem Tippen verdoppelt sich die Vor- bzw. Rückspulgeschwindigkeit. Die maximale Geschwindigkeit liegt jedoch bei x16 der normalen Abspielgeschwindigkeit. Tippen Sie bei x16 erneut auf den Vor- oder Rücklauf-Button, gelangen Sie zurück zur doppelten Geschwindigkeit. Einmaliges Tippen auf den entgegengesetzten Button halbiert die derzeitige Vor- bzw. Rücklaufgeschwindigkeit. Um zur normalen Abspielgeschwindigkeit zurückzukehren, tippen Sie auf den Wiedergabe-Button.



Der Geschwindigkeitsindikator für den Vor- oder Rücklauf zeigt die Geschwindigkeit und Laufrichtung an

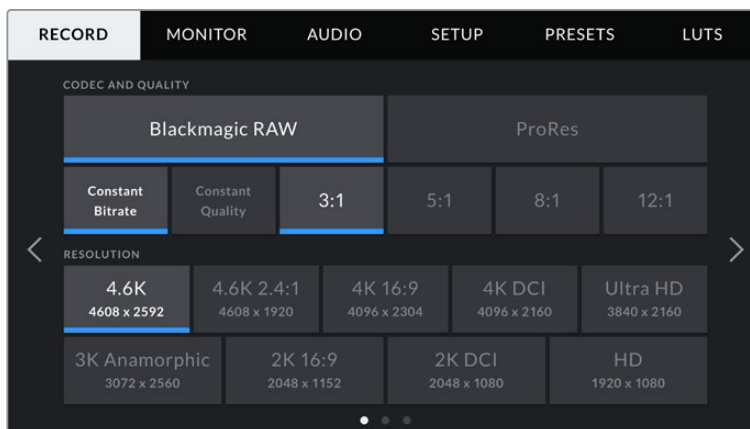
Durch Drücken des Aufnahme-Buttons im Wiedergabemodus wird die Kamera zurück in den Standby-Modus versetzt und ist wieder aufnahmebereit.

**TIPP** Führen Sie auf dem Touchscreen Ihrer URSA Mini eine Wischbewegung nach oben oder unten aus, um den Statustext bei der Wiedergabe von Footage zu verbergen. Wenn Sie die Slate im Wiedergabe-Modus öffnen, gestattet dies, den aktuellen Clip in den Metadaten als „Good Take“ (Guter Take) zu markieren. Weitere Informationen finden Sie im Abschnitt „Eingeben von Metadaten“.

## Einstellungen

### Dashboard

Durch Drücken der MENU-Taste an Ihrer URSA Mini gelangen Sie zum Dashboard der Kamera. Hierbei handelt es sich um ein Menü mit Registerkarten, auf denen Sie Einstellungen finden, die auf dem Head-up-Display nicht verfügbar sind. Das Einstellungsregister ist in Funktionen unterteilt, wie RECORD, MONITOR, AUDIO, SETUP, PRESETS und LUTS. Einige Registerkarten, wie bspw. RECORD, MONITOR und SETUP bestehen aus mehreren Seiten. Zu den einzelnen Seiten gelangen Sie über die Pfeile links und rechts von der Einstellungsseite. Oder wischen Sie wie bei einem Smartphone oder Tablet nach links bzw. rechts.



Tippen Sie auf die Überschriften RECORD, MONITOR, AUDIO, SETUP, PRESETS und LUTS um auf die entsprechenden Registerkarten zu gelangen

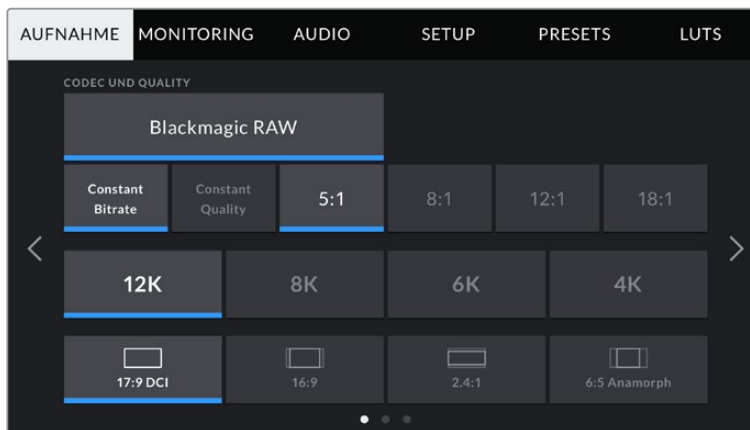
**HINWEIS** Auf der URSA Mini Pro 4.6K schließt sich das Kamera-Dashboard, wenn es länger als eine Minute inaktiv ist und kehrt dann zum Head-up-Display zurück.

## RECORD-Einstellungen

Über die RECORD-Registerkarte geben Sie Videoformat, Codec und Auflösung sowie andere Einstellungen vor, die das von Ihrer URSA Mini aufgezeichnete Material betreffen. Dazu gehören auch die bevorzugte Karte oder Detailschärfung. Dieses Menü besteht aus drei Seiten, zu denen Sie jeweils über die Pfeilsymbole am Rand der Kamera oder durch Wischen nach links oder rechts gelangen.

### RECORD-Einstellungen 1

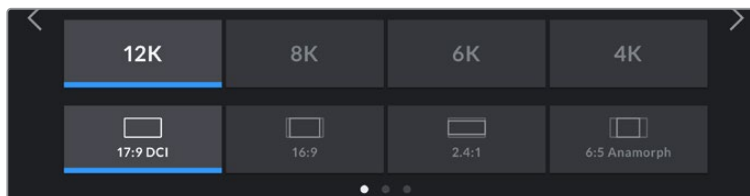
Die erste Seite der RECORD-Einstellungen beinhaltet die folgenden Einstellungen:



Die erste Seite der AUFNAHME-Registerkarte der URSA Mini Pro 12K

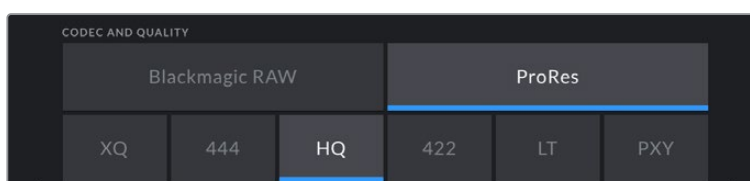
### CODEC AND QUALITY

Die URSA Mini Pro 12K zeichnet Blackmagic RAW in 12K-, 8K-, 6K- und 4K-Auflösungen auf. Für jede Auflösung gibt es ein Menü mit verschiedenen branchenüblichen Seitenverhältnissen, die unterstützt werden.



Optionen für Auflösung und Seitenverhältnis auf der URSA Mini Pro 12K

Auf URSA Mini Pro 4.6K G2 und URSA Mini Pro 4.6K Kameras ist das Menü „Codec and Quality“ über zwei Zeilen verteilt. Sie können zwischen Blackmagic RAW und Apple ProRes wählen. Die untere Displayzeile zeigt die in diesen Codecfamilien verfügbaren Optionen an. Die Optionen für Blackmagic RAW sind gemäß der Kompressionsmethoden in vier „Constant Bitrate“- und zwei „Constant Quality“-Einstellungen unterteilt. In der ProRes-Codecfamilie verfügbare Qualitätsoptionen umfassen 444, HQ und LT. URSA Mini Kameras unterstützen vielfältige ProRes-Codecfamilien-Optionen.



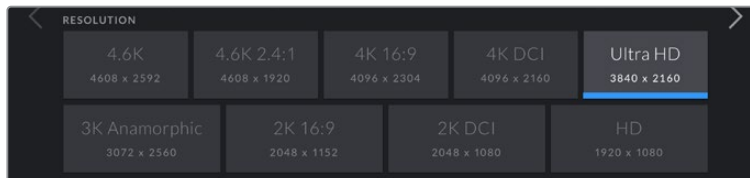
„Codec and Quality“-Optionen auf URSA Mini Pro 4.6K G2 und URSA Mini Pro 4.6K Kameras

**TIPP** Der Umfang der Videoinhalte, die Sie auf das Speichermedium Ihrer Kamera aufzeichnen können, lässt sich durch Auswahl eines Codecs mit einer höheren Kompressionsrate vergrößern. Näheres finden Sie unter „Tabellenübersicht der Aufzeichnungsspannen“ im Kapitel „Aufzeichnen“.

## RESOLUTION

Diese Einstellung steht in Zusammenhang mit der Codec-Einstellung. Wählen Sie hier die Auflösung für das gewünschte Aufnahmeformat aus.

Wenn Sie bspw. Ultra-HD-Clips in ProRes HQ aufzeichnen wollen, wählen Sie „ProRes“ und „HQ“ im Menü CODEC AND QUALITY aus. Wählen Sie anschließend im RESOLUTION-Menü „Ultra HD“.

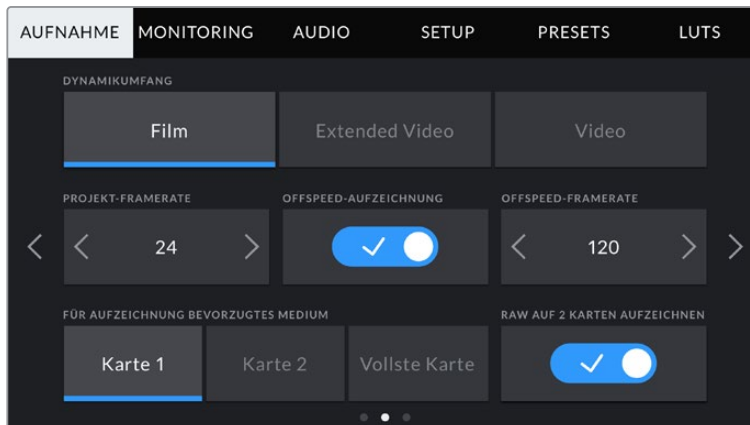


Auflösungsoptionen auf URSA Mini Pro 4.6K G2 und URSA Mini Pro 4.6K Kameras

**HINWEIS** Die Blackmagic URSA Mini 4.6K und die URSA Mini Pro unterstützen ein breites Spektrum an Apples ProRes-Auflösungen von 4,6K bis hinunter zu HD.

## RECORD-Einstellungen 2

Die zweite Seite der RECORD-Einstellungen beinhaltet die folgenden Einstellungen:



Die URSA Mini Pro 12K bietet die Einstellung „RAW auf 2 Karten aufzeichnen“. Für andere URSA Mini Kameras ist diese Option deaktiviert

## DYNAMIKUMFANG

Justieren Sie die Einstellungen für den Dynamikumfang, indem Sie die Icons unter DYNAMIC RANGE antippen. Die Blackmagic URSA Mini hat zwei Einstellungen für den Dynamikumfang:

### Film

In der „Film“-Einstellung wird Video unter Anwendung einer Log-Kurve aufgenommen, was Ihnen je nach Modell Ihrer URSA Mini einen Dynamikumfang von 12 bis 15 Blendenstufen gibt. Dies maximiert die in Ihrem Videosignal enthaltenen Daten und ermöglicht den optimalen Einsatz von Farbkorrektursoftware wie DaVinci Resolve.

## Video

Die Einstellung „Video“ ähnelt dem REC709-Farbstandard für Video in High Definition. Das erleichtert die Arbeit, da Sie direkt in einem komprimierten Videoformat und mit einem Farbraum aufzeichnen, die für die Auslieferung mit minimaler Nachbearbeitung geeignet sind.

Die URSA Mini Pro bietet eine weitere Einstellung:

### Extended Video

Der Modus „Extended Video“ bietet ein ausgewogenes Verhältnis zwischen den Dynamikmodi „Video“ und „Film“. Er arbeitet mit einem breiteren Dynamikumfang als der Video-Modus und sorgt gleichzeitig für eine leichte Kontraständerung mit einem weichen Roll-Off in den Highlights. „Extended Video“ eignet sich für gängige Broadcastmonitore, erweist sich darüber hinaus aber auch als hilfreich, wenn die Zeit für die Postproduktion knapp ist und Sie Ihre Clips bereits mit einem ansprechenden Look aufzeichnen wollen.

**HINWEIS** Wenn Sie den Dynamikumfang „Video“ oder „Extended Video“ verwenden, stellen Sie sicher, dass keine LUTs für die Ausgabe per Monitor, LCD, Front SDI oder Main SDI aktiviert sind. Bei aktivierter LUT-Anzeige wird der LUT-Indikator in die Blickfeldanzeige eingeblendet und das Bild mit mehr Sättigung und mehr Kontrast als beabsichtigt dargestellt. Wie Sie Ihre eingestellte LUT-Anzeige prüfen, siehe Abschnitt „MONITOR-Einstellungen“ in diesem Handbuch.

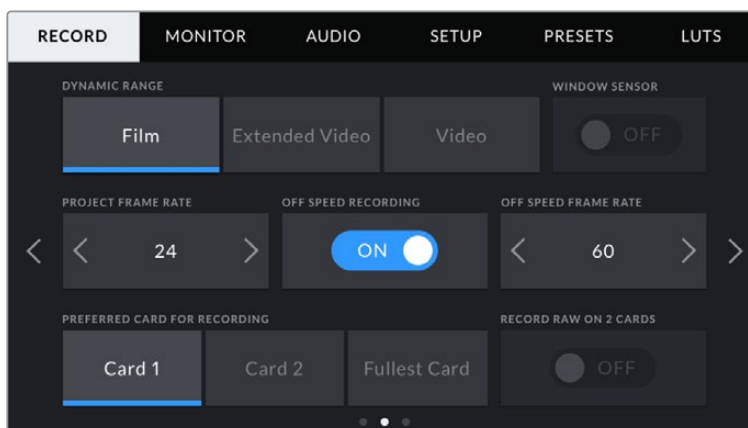
## WINDOW SENSOR

Auf der URSA Mini Pro 12K funktioniert das Cropping automatisch. Bei Aufnahmen in 6K Super 16 oder 4K Super 16 wird der gefensterete Sensormodus angewendet und in allen anderen Aufnahmemodi werden die volle Höhe und Breite des Super-35-Bildsensors ausgenutzt.

Wichtig: Auf der URSA Mini Pro 12K fenstert der Sensor die Bildmaße in 6K Super 16 zu einem Super-16-Crop. Die gecropte 6K-Auflösung liefert dennoch eine fantastische Bildqualität. In 4K Super 16 wird derselbe Super 16 Ausschnitt verwendet und das Ergebnis auf 4K abwärts skaliert. Sie können also mit Höchstframeraten filmen und die Bildqualität in 6K oder 4K bleibt trotzdem spektakulär.

Bei einem 12K-Sensor in Kombination mit dem Super-16-Crop können Sie auch 16mm-Vintage-Objektive auf Ihre Kamera setzen und in 4K- oder 6K-Auflösung drehen. Das ist unbestritten höher als die originale Qualität von Super-16mm-Film.

Die anderen URSA Mini Pro Kameras können so eingestellt werden, dass sie die gesamte Sensorfläche nutzen. Für noch höhere Frameraten können Sie unter „Window Sensor“ den gecropten Modus einschalten. Dabei werden ausschließlich die für das vorgegebene Videoformat benötigten Pixel verwendet und nicht das gesamte Sensorbild verkleinert.



Die „Window Sensor“-Option auf der URSA Mini Pro 4.6K G2, URSA Mini Pro 4.6K, URSA Mini 4.6K und URSA Mini 4K

Da in den gefensterten Sensormodi HD „Window Sensor“ und 2K „Window Sensor“ nur die mittige Sensorfläche benutzt wird, wirkt das Sichtfeld beliebiger Objektive aufgrund des Formatfaktors länger. Wird bspw. HD-Material mit einem 20mm-Objektiv im gefensterten Sensormodus gefilmt, so entspräche das Sichtfeld der URSA Mini dem eines 48mm-Objektivs.

Diese Einstellung ist verfügbar, wenn Sie mit einer Auflösung aufzeichnen, die unterhalb der maximal möglichen Auflösung der URSA Mini liegt. WINDOW SENSOR ist bspw. verfügbar, wenn Sie 4.6K 2.4:1, 4K, anamorphotisches 3K, 2K oder HD-ProRes-Footage mit der URSA Mini 4.6K drehen.

Die höchsten Frameraten sind bei der Aufzeichnung von HD-Material im gefensterten Modus verfügbar.

**TIPP** Im „Window Sensor“-Modus werden die Auflösungseinstellungen „Resolution“ Ihrer URSA Mini mit „Resolution – Sensor Windowed“ (gefensterter Sensor) gekennzeichnet.

### PROJECT FRAME RATE

Die Projekt-Framerate ist die Framerate des Aufzeichnungsformats der URSA Mini. Hierfür gibt es eine Auswahl von in der Film- und Fernsehbranche gebräuchlichen Frameraten. Zum Beispiel: 23,98 Frames pro Sekunde unter Verwendung von 4K ProRes HQ. Diese Framerate ist in der Regel so eingestellt, dass sie der in Ihrem Postproduktions-Workflow verwendeten Wiedergabegeschwindigkeit und der Audio-Synchronisation sowie den Auslieferungsvorschriften entspricht.

Ihre Blackmagic URSA Mini verfügt über acht Projekt-Frameraten: 23,98; 24; 25; 29,97; 30; 50; 59,94 und 60 fps.

**HINWEIS** Die Projekt-Framerate Ihrer Kamera kann den Look Ihrer Footage potenziell stark beeinflussen.

Bei hohen Frameraten wie 50, 59,94 oder 60 fps werden Bewegungsabläufe geschmeidig festgehalten und durch Schwenkbewegungen verursachtes Ruckeln minimiert oder eliminiert.

Bei Kinofilmproduktionen werden häufig niedrigere Frameraten wie 24 oder 25 fps eingesetzt. Diese Frameraten sorgen für einen filmischen Look. Zum Verhindern von Bildrucklern erfordert dies jedoch erhebliche langsamere Kamerabewegungen.

### OFF SPEED RECORDING

Standardmäßig sind die Projekt- und Sensor-Framerate auf eine natürliche Wiedergabegeschwindigkeit eingestellt. Wenn Sie jedoch das Schalter-Icon unter OFF SPEED RECORDING antippen, können Sie Ihre Sensor-Framerate selbst wählen.

### OFF SPEED FRAME RATE

Wenn OFF SPEED FRAME RATE aktiviert ist, tippen Sie einfach auf die Pfeile neben dem Indikator für OFF SPEED FRAME RATE, um die Sensor-Framerate Ihrer URSA Mini einzustellen.

Anhand der Sensor-Framerate wird vorgegeben, wie viele Vollbilder der Sensor pro Sekunde tatsächlich aufzeichnet. Diese Framerate wirkt sich darauf aus, wie schnell oder langsam Ihr Video bei Ihrer vorgegebenen Projekt-Framerate wiedergegeben wird.

Weitere Informationen zu OFF SPEED FRAME RATE finden Sie unter „FPS“ im Abschnitt „Funktionsmerkmale des Touchscreens“ in diesem Handbuch.

**HINWEIS** Näheres zu den maximalen Bildwechselraten, die für die einzelnen Aufzeichnungsformate und Codecs verfügbar sind, finden Sie unter „Maximale Sensor-Frameraten“ im Kapitel „Aufzeichnen“.

## PREFERRED CARD FOR RECORDING

Mit dieser Einstellung können Sie wählen, welches Speichermedium Ihre URSA Mini zuerst bespielen soll, wenn beide Steckplätze in Benutzung sind. Die Optionen lauten „Card 1“ für Karte 1, „Card 2“ für Karte 2 und „Fullest Card“ für die vollste Karte. Bei Verwendung einer SSD stehen die Optionen „Karte 1“, „SSD“ und „Fullest Card“ zur Verfügung. Ob Sie nun „Card 1“ oder „Card 2“ wählen, ist eine Frage der persönlichen Präferenz. Wenn Sie sich jedoch konsistent für die eine oder andere Karte entscheiden, wissen Sie immer, welche Karte Sie bei knappem Speicherplatz zuerst austauschen müssen. Die Option „Fullest Card“ kann dabei helfen, Dateien bei einem Einzelkameraprojekt chronologisch zu gruppieren.

Die gewählte Einstellung wird angewendet, sobald ein CFast-, SD- oder SSD-Medium eingeschoben wird. Sie können diese Einstellung jederzeit außer Kraft setzen, indem Sie in den Storage Manager gehen und einen anderen Datenträger Medium aktiv schalten. Wichtig: Sobald Sie einen Datenträger auswerfen und wieder einschieben, tritt die Einstellung für den bevorzugten Datenträger wieder in Kraft. Wenn der URSA Mini Recorder an die Kamera gekoppelt und eine SSD geladen ist, besetzt er Speicherslot Nummer 2 der URSA Mini.

Weitere Informationen finden Sie im Abschnitt „URSA Mini Recorder“ in diesem Handbuch.

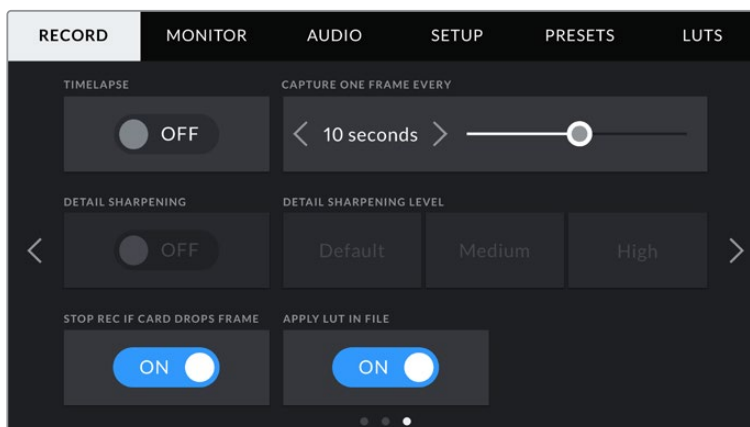
**TIPP** Der Befehl „Fullest Card“, also die vollste Karte zuerst zu bespielen, richtet sich allein nach dem Füllprozentsatz Ihrer Speicherkarten, und nicht nach ihrer Kapazität oder dem belegten Speicherplatz.

## RECORD RAW ON 2 CARDS

Die URSA Mini Pro 12K kann Blackmagic RAW auf zwei Karten gleichzeitig aufzeichnen. Sie können somit extrem hochaufgelöste Clips bei hohen Frameraten mit geringeren Kompressionsniveaus aufnehmen. Schieben Sie dazu zwei CFast- oder SD-Karten ein und aktivieren Sie im RECORD-Menü die Option „Record RAW on 2 Cards“. Da bei der Verteilung, sog. Striping, die Daten nacheinander auf beide Karten verteilt werden, wird die Datenrate von der langsamsten Karte bestimmt. Es ist daher ratsam, zwei Karten mit den gleichen oder ähnlichen Spezifikationen einzusetzen. Striping ist auch zwischen der CFast-Karte im Speicherslot 1 und einem USB-C-Laufwerk im Speicherslot 2 möglich. Bei Verwendung der Option „Record RAW on 2 Cards“ ist die Geschwindigkeit auf das Zweifache der Datenrate der langsamsten Karte beschränkt. Wenn Sie die BRAW- und BRAW2-Dateien von beiden Karten in denselben Ordner auf Ihrem Computer kopieren, erkennt DaVinci Resolve sie beim Importieren in Ihren Media Pool als einen einzelnen zusammengesetzten Clip. Im Falle einer Trennung der BRAW- und BRAW2-Dateien können die Clips einzeln bei halber Framerate wiedergegeben werden.

## RECORD-Einstellungen 3

Die dritte Seite der RECORD-Einstellungen beinhaltet die folgenden Einstellungen:





## TIMELAPSE

Diese Einstellung aktiviert die Timelapse-Funktion, um automatisch Standbilder mit folgenden Intervallen aufzunehmen:

<b>Frames</b>	2–10
<b>Sekunden</b>	1–10, 20, 30, 40, 50
<b>Minuten</b>	1–10

Sie können bspw. festlegen, dass die Kamera alle 10 Frames, alle 5 Sekunden, alle 30 Sekunden oder alle 5 Minuten etc. ein Standbild aufnimmt.

Die Zeitraffer-Funktion bietet viele kreative Möglichkeiten. Beispiel: Wenn ein Timelapse-Intervall von 2 Frames eingestellt ist, ergibt dies bei der Wiedergabe des aufgezeichneten Videos einen stroboskopischen Effekt.

Das Format der einzelnen Standbilder basiert auf dem Aufnahmeformat. Wenn die Kamera also auf 4K ProRes HQ eingestellt ist, behält die Timelapse-Einstellung dieses Format bei. Die Framerate basiert auf der Einstellung Ihrer Projekt-Framerate, z. B. 24 fps. Auf diese Weise können Sie Timelapse-Aufnahmen problemlos in Ihren Postproduktions-Workflow integrieren.



Ein Icon über dem Aufnahme-Button zeigt an, dass sich Ihre URSA Mini im Timelapse-Modus befindet

**TIPP** Wenn Sie bei aktiviertem Timelapse-Modus filmen, aktualisiert sich der Timecode-Zähler mit jeder Videoframe-Aufnahme.

## DETAIL SHARPENING

Diese Einstellung dient zur Schärfung Ihres URSA Mini Bildes. „Detail Sharpening“ ist auf der URSA Mini Pro 4.6K G2, URSA Mini Pro 4.6K, URSA Mini 4.6K und URSA Mini 4K verfügbar. Wenn die Detailschärfung aktiviert ist, können Sie den Schärfungsgrad anheben oder senken, indem Sie „Default“ (Standard), „Medium“ oder „High“ wählen.

Wenn die Schärfung aktiviert ist, wird dies auf das von der Kamera aufgezeichnete ProRes-Video sowie auf die SDI-Ausgabe der URSA Mini angewendet. Wird eine auf Blackmagic RAW eingestellte URSA Mini Pro 4.6K G2 zusammen mit einem ATEM Mischer eingesetzt, kann die Detailschärfung auf Ihre SDI-Ausgabe angewendet werden. Diese Funktion lässt sich anhand eines ATEM Camera Control Panels oder mit ATEM Software Control ein- und ausschalten.

Diese Einstellung eignet sich für Liveproduktionen, wo keine Zeit für die Postproduktion bleibt, weil das Bild live ausgestrahlt wird. Ist eine Nachbearbeitung Ihrer aufgezeichneten Bilder geplant, schalten Sie diese Einstellung am besten aus. Bei Material, das in der Postproduktion erheblich nachbearbeitet werden soll, werden Blackmagic-RAW-Dateien nicht geschärft.

## STOP RECORDING IF FRAME DROPS

Über diese Einstellung können Sie das Verhalten der URSA Mini konfigurieren, wenn fallengelassene Frames entdeckt werden. Ist OFF eingestellt, wird trotz fallengelassener Frames weiter aufgezeichnet. Ist ON eingestellt, stoppt Ihre Kamera die Aufzeichnung, sollten fallengelassene Frames entdeckt werden. Dies verhindert, dass Sie kostbare Zeit vergeuden, indem Sie unbrauchbares Material aufzeichnen, weil Sie den Indikator für ausgelassene Bilder nicht bemerkt haben.

**TIPP** Einzelheiten zum Fallenlassen von Frames und wie Sie dies verhindern, finden Sie in den Kapiteln „Auswahl einer CFast-2.0-Karte“, „Auswahl einer SD-Karte“ und „Auswahl einer schnellen SSD“ dieses Handbuchs.

## APPLY LUT IN FILE

Wenn Sie auf eine der Ausgaben Ihrer Blackmagic URSA Mini Pro 4.6K eine LUT anwenden, wird Ihre ausgewählte LUT beim Aufzeichnen in die Blackmagic-RAW-Datei eingebettet.

Die LUT wird in den Kopfdaten der Datei gespeichert und lässt sich in der Postproduktion mühelos auf den Clip anwenden. Man muss also keine separate Datei handhaben. Steht der Schalter „Apply LUT in File“ im Aufzeichnungsmenü der URSA Mini Pro auf ON, wird dieser Clip beim Öffnen im Blackmagic RAW Player und in DaVinci Resolve mit der zuvor angewendeten LUT dargestellt. Die LUT lässt sich leicht ein- und ausschalten. Sie bleibt aber immer in der Blackmagic-RAW-Datei erhalten, da die entsprechenden Daten im Clip selbst gespeichert sind.

In DaVinci Resolve bietet das Menü mit den RAW-Einstellungen einen „Apply LUT“-Schalter, mit dem sich die 3D-LUT in der Blackmagic-RAW-Datei de- bzw. aktivieren lässt. Die „Apply LUT“-Einstellung in DaVinci Resolve gleicht der Einstellung in der Kamera. Dies ermöglicht Ihnen schon beim Dreh, den Coloristen anhand der in der Kamera eingestellten LUT zu ihrer Verwendung anzuweisen. Diese LUT kann in DaVinci Resolve aber einfach deaktiviert werden, indem man „Apply LUT“ auf OFF setzt.

## Dateinamenkonventionen

Je nach ausgewähltem Format werden Clips in folgenden Dateiformaten auf Ihre CFast- bzw. SD-Karte oder SSD aufgezeichnet: mit Blackmagic RAW im BRAW-Format (.braw) oder mit ProRes in einem QuickTime-Movie-Format (.mov).

Die nachstehende Tabelle zeigt ein Beispiel der Namenskonvention:

<b>A001_08151512_C001.mov</b>	<b>QuickTime-Movie-Dateiname</b>
A001_08151512_C001.mov	<b>Kamera-Index</b>
A <b>001</b> _08151512_C001.mov	<b>Bandnummer</b>
A001_ <b>08</b> 151512_C001.mov	<b>Monat</b>
A001_08 <b>15</b> 1512_C001.mov	<b>Tag</b>
A001_0815 <b>15</b> 12_C001.mov	<b>Stunde</b>
A001_081515 <b>12</b> _C001.mov	<b>Minute</b>
A001_08151512_ <b>C001</b> .mov	<b>Clip-Nummer</b>

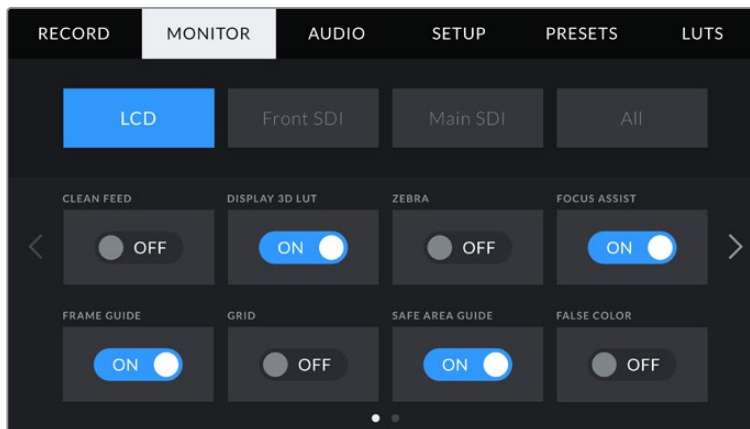
Mit der STILL-Taste aufgenommene Standbilder folgen derselben Dateinamenkonvention wie Videoclips. Der Dateiname enthält jedoch statt der Clipnummer die Endung „S001“. Diese repräsentiert die Standbildnummer. Die URSA Mini Pro 12K erfasst ein Standbild als Einzelbild in Blackmagic RAW. Die URSA Mini Pro 4.6K G2 und URSA Mini Pro 4.6K zeichnen Standbilder als DNG-Dateien im Stills-Ordner auf. Näheres finden Sie im Abschnitt „Bedienelemente des Status-LCDs“ in diesem Handbuch.

## MONITOR-Einstellungen

Die Registerkarte MONITOR lässt Sie Statustext, Overlays und andere Monitoring-Optionen Ihres URSA Mini LCD-Touchscreens sowie der Front- und Haupt-SDI-Ausgänge anpassen. Die Optionen sind nach Ausgabe sortiert: „LCD“, „Front SDI“ und „Main SDI“. „All“ deckt die Monitoreinstellungen ab, die alle Ausgänge Ihrer URSA Mini betreffen. Jedes dieser Menüs besteht aus drei Seiten, zu denen Sie jeweils über die Pfeilsymbole am Rand der Kamera oder durch Wischen nach links oder rechts gelangen.

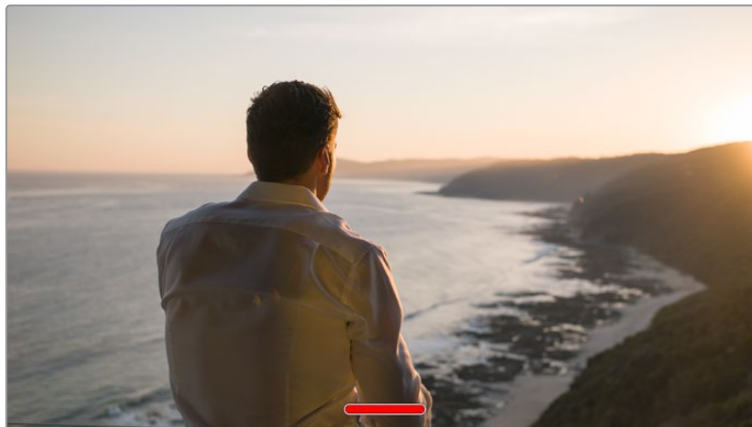
### MONITOR-Einstellungen 1, LCD, Front SDI, Main SDI

Die erste Seite der MONITOR-Registerkarte für „LCD“, „Front SDI“ und „Main SDI“ enthält identische Einstellungen für jeden Ausgang. Beispiel: Sie können Zebra für den LCD-Touchscreen aktivieren, aber für den Front- oder Haupt-SDI-Ausgang ausschalten.



#### CLEAN FEED

Tippen Sie auf das Schalter-Icon unter CLEAN FEED in den „LCD“- , „Front SDI“- und „Main SDI“-Menüs, um bis auf den Aufnahme-Tally-Indikator den gesamten Statustext und alle Overlays für den jeweiligen Ausgang zu deaktivieren.



Ihr URSA Mini LCD-Touchscreen zeigt auch im Clean-Feed-Modus weiterhin das Tally an

**HINWEIS** LUTs werden auch bei aktiviertem Clean Feed auf die Ausgaben angewendet. Die LUTs lassen sich ausschalten, indem Sie im MONITOR-Menü für die jeweilige Ausgabe den „Display LUT“-Switch deaktivieren.

## DISPLAY 3D LUT

Ihre URSA Mini kann 3D-LUTs auf jeden beliebigen Ausgang anwenden, um den annähernden Look von gegradetem Material darzustellen. Besonders hilfreich ist das beim Filmen im „Film“-Dynamikumfang, da dies ein gewollt flaches, kontrastarmes Bild generiert.

Ist auf Ihrer URSA Mini eine 3D-LUT aktiviert, verwenden Sie diese Einstellung, um diese LUT auf Ihren LCD-Touchscreen, den Front- oder Haupt-SDI-Ausgang anzuwenden.

**HINWEIS** Näheres zum Laden und Anwenden von 3D-LUTs finden Sie im Abschnitt „LUTS“ dieses Handbuchs.

## ZEBRA

Tippen Sie auf das Schalter-Icon unter ZEBRA in den „LCD“- „Front SDI“- und „Main SDI“-Menüs, um die Zebra-Funktion für diese Ausgänge zu aktivieren. Weitere Informationen zur Zebra-Funktion und wie Sie deren Grad einstellen, finden Sie im Abschnitt „Funktionsmerkmale des Touchscreens“ in diesem Handbuch

## FOCUS ASSIST

Tippen Sie auf das Schalter-Icon unter FOCUS ASSIST in den „LCD“- „Front SDI“- und „Main SDI“-Menüs, um Focus Assist für diese Ausgänge zu aktivieren. Weitere Informationen zur Fokussierhilfe finden Sie im Abschnitt „Funktionsmerkmale des Touchscreens“ in diesem Handbuch.

## FRAME GUIDE

Tippen Sie auf das Schalter-Icon unter FRAME GUIDE in den „LCD“- „Front SDI“- und „Main SDI“-Menüs, um Bildrandmarkierungen für diese Ausgänge zu aktivieren. Weitere Informationen zu Bildrandmarkierungen und wie Sie diese auswählen, finden Sie im Abschnitt „Funktionsmerkmale des Touchscreens“ in diesem Handbuch.

## GRIDS

Tippen Sie auf das Schalter-Icon unter GRID in den „LCD“- „Front SDI“- und „Main SDI“-Menüs, um das Drittel-Raster für diese Ausgänge zu aktivieren. Weitere Informationen zum Raster entsprechend der Drittel-Regel finden Sie im Abschnitt „Funktionsmerkmale des Touchscreens“ in diesem Handbuch.

## SAFE AREA GUIDE

Tippen Sie auf das Schalter-Icon unter SAFE AREA GUIDE in den „LCD“- „Front SDI“- und „Main SDI“-Menüs, um das Schutzbereich-Overlay für diese Ausgänge zu aktivieren.

Weitere Informationen zu Schutzbereichen und den jeweiligen Einstellungen finden Sie im Abschnitt „Funktionsmerkmale des Touchscreens“ in diesem Handbuch.

**HINWEIS** Die Größe des sendesicheren Bereichs geben Sie über die Einstellung „Safe Area Guide %“ unter „All“ in den Monitoring-Einstellungen Ihrer URSA Mini vor.

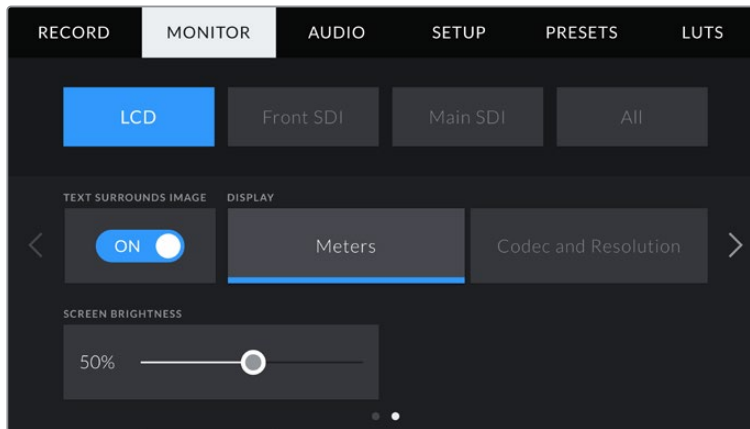
## FALSE COLOR

Tippen Sie auf das Schalter-Icon unter FALSE COLOR in den „LCD“- „Front SDI“- und „Main SDI“-Menüs, um die Falschfarbenerkennung für diese Ausgänge zu aktivieren.

Weitere Informationen zur Falschfarben-Funktion finden Sie im Abschnitt „Funktionsmerkmale des Touchscreens“ in diesem Handbuch.

## MONITOR-Einstellungen 2, LCD

Die Einstellungen auf der zweiten Seite unter der MONITOR-Registerkarte beziehen sich ausschließlich auf den LCD-Touchscreen.



### TEXT SURROUNDS IMAGE

Diese Einstellung ist nur bei den Modellen URSA Mini 4K und URSA Mini 4.6K verfügbar. Tippen Sie im LCD-Menü auf das Schalter-Icon unter TEXT SURROUNDS IMAGE, um das Bild auf Ihrem LCD-Touchscreen um 75 % zu verkleinern. Dadurch wird das Bild in die Mitte des LCD-Touchscreens und weg von den Statusindikatoren am oberen und unteren Rand gerückt und Sie erhalten eine unverspernte Sicht auf das Vorschaubild Ihrer URSA Mini, ohne den Statustext verbergen zu müssen.



TEXT SURROUNDS IMAGE gibt Ihnen einen klaren Überblick über das Vorschaubild der URSA Mini EF oder PL, ohne den Statustext auszublenden. Das hilft bei der Bildeinstellung

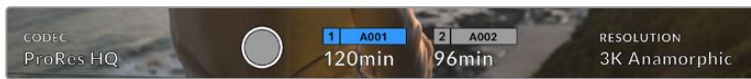
### STATUS TEXT ON/OFF

Diese Einstellung gibt es nur bei der URSA Mini Pro. Manchmal ist es von Vorteil, den Statustext und die Meter nicht in die Blickfeldanzeige Ihres LCD einzublenden und lediglich die nötigen Informationen für die Komposition oder Regie einer Aufnahme anzuzeigen. Um die Anzeige von Statustext und Metern auf dem LCD-Touchscreen Ihrer URSA Mini Pro ein- oder auszuschalten, tippen Sie auf das Schalter-Icon für STATUS TEXT. Falls aktiviert, bleiben Overlays wie Bildrandmarkierungen, Raster, Focus Assist und Zebra weiterhin sichtbar. Alternativ können Sie den Statustext aktivieren, indem Sie auf dem LCD-Touchscreen Ihrer URSA Mini mit dem Finger nach oben oder unten wischen.

## DISPLAY

Anstelle des Histogramms und den Audiopegelmessern kann Ihre URSA Mini Codec- und Auflösungsinformationen in der linken und rechten unteren Ecke des LCD-Touchscreens anzeigen. Dies ist dann hilfreich, wenn Sie lieber die False-Color-Funktion für die richtige Belichtung verwenden oder wenn Sie Audio separat aufzeichnen und an der Stelle, an der normalerweise das Histogramm und die Audiopegelmesser erscheinen, zusätzliche Informationen einblenden möchten.

Tippen Sie im LCD-Menü einfach auf „Meters“ oder „Codec and Resolution“, um die bevorzugte Ansicht auszuwählen.



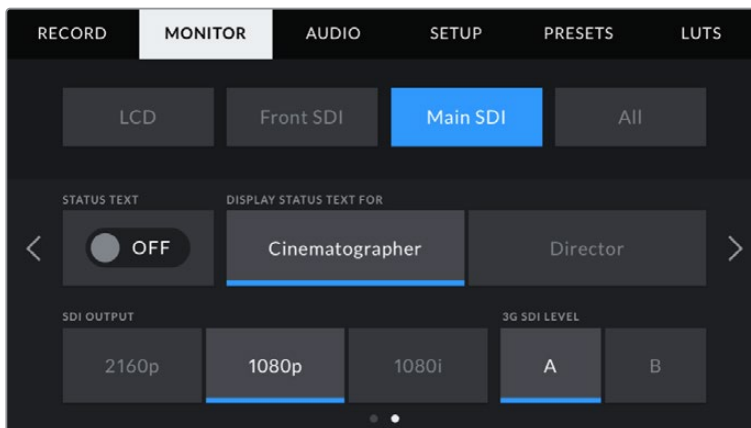
Ihre URSA Mini kann anstelle des Histogramms und der Audiopegelmesser Codec- und Auflösungsinformationen anzeigen

## SCREEN BRIGHTNESS

Ziehen Sie den Schieberegler unter SCREEN BRIGHTNESS im LCD-Menü nach links oder rechts, um die Helligkeit Ihres LCD-Touchscreens anzupassen.

## MONITOR-Einstellungen 2, Front SDI und Main SDI

Die zweite Seite unter „Front SDI“ und „Main SDI“ auf der MONITOR-Registerkarte enthält Einstellungen, die sich nur auf den Front- und Haupt-SDI-Ausgang beziehen.



Beim Filmen mit Auflösungen in höheren Einstellungen als „3K Anamorphic“ sind auf Ihrem Main-SDI-Ausgang immer die Auflösungen 2160p und 1080p verfügbar. 1080i ist auf dem Main- oder Front-SDI-Ausgang Ihrer Kamera nur beim Filmen mit den Frameraten 50, 59,94 oder 60 verfügbar. „3G SDI Level“ ist nur auf der URSA Mini Pro 4.6K G2 verfügbar.

## STATUS TEXT

Manchmal ist es von Vorteil, den Statustext und die Meter nicht über den Front- und Haupt-SDI-Ausgang auszugeben und lediglich die Informationen anzuzeigen, die für die Komposition oder Regie eines Shots notwendig sind. Tippen Sie im „Front SDI“- oder „Main SDI“-Menü auf das Schalter-Icon für STATUS TEXT, um das Erscheinungsbild des Statustexts und der Meter für den jeweiligen Ausgang einzustellen. Overlays wie Bildrandmarkierungen, Raster, Focus Assist und Zebra sind – falls aktiviert – weiterhin sichtbar.

Denselben Effekt erzielen Sie, wenn Sie auf dem LCD-Touchscreen Ihrer URSA Mini mit dem Finger nach oben oder unten wischen.

## DISPLAY STATUS TEXT FOR CINEMATOGRAPHER/DIRECTOR

Auf dem LCD-Touchscreen Ihrer URSA Mini werden Informationen wie ISO, Weißabgleich und Blendeneinstellungen angezeigt. Diese sind für den Kamerabediener oder Kinematografen, der die Kamera für individuelle Shots einstellt, sehr hilfreich. Über den Front- und Haupt-SDI-Ausgang können jedoch zusätzlich Informationen angezeigt werden, die dem Regisseur oder Script Supervisor dienen, der mehrere Shots bzw. Kameras im Auge behalten muss.



Ihre URSA Mini kann regiespezifischen Statustext über den Front- und Haupt-SDI-Ausgang ausgeben

Wenn Sie unter STATUS TEXT für einen der SDI-Ausgänge die Regie-Option „Director“ wählen, werden die folgenden Informationen angezeigt:

### FPS

Zeigt die derzeit ausgewählte Framerate in Bildern pro Sekunde an. Ist OFF SPEED FRAME RATE deaktiviert, wird nur die Projekt-Framerate eingeblendet. Wird von einer OFF SPEED FRAME RATE Gebrauch gemacht, erscheint die Sensor-Framerate gefolgt von der Projekt-Framerate.

### CAM

Zeigt den Kamera-Index gemäß Ihrer URSA Mini Slate-Einstellungen an. Im Abschnitt „Die Slate“ weiter hinten in diesem Handbuch finden Sie nähere Informationen.

### OPERATOR

Identifiziert den Kamerabediener gemäß Ihrer URSA Mini Slate-Einstellungen. Im Abschnitt „Die Slate“ weiter hinten in diesem Handbuch finden Sie nähere Informationen.

### DAUERANZEIGE

Zeigt die Dauer des derzeitigen Clips während der Aufzeichnung oder des vorherigen Clips im Format Stunden:Minuten:Sekunden an.

### REEL, SCENE, TAKE

Zeigt das derzeitige Band, die Szene und das Take an. Weitere Informationen zu Bändern, Szenen und Takes sowie deren Kennzeichnungskonventionen finden Sie im Abschnitt „Die Slate“ weiter hinten in diesem Handbuch.

### DYNAMIC RANGE

In der linken unteren Ecke des Touchscreens werden die derzeit angewandten LUTs der URSA Mini angezeigt – sofern für den jeweiligen Ausgang aktiviert. Wird keine LUT angewandt, erscheint der Dynamikumfang „Film“ bzw. „Video“.

### TIMECODE

In der rechten unteren Ecke erscheint der URSA Mini Timecode im Format Stunden:Minuten:Sekunden:Frames.



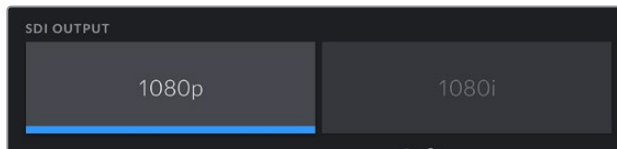
## SDI OUTPUT

Beide Ausgänge erlauben die Wahl zwischen HD-Ausgaben in „progressive“ und „interlaced“. Für den Haupt-SDI-Ausgang der URSA Mini steht außerdem die Option „progressive Ultra HD“ zur Wahl.

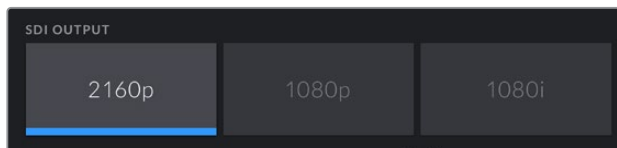
Die verfügbaren Optionen hängen von den Auflösungs- und Framerate-Einstellungen ab.

„Progressive HD“ oder „1080p“ ist immer verfügbar, während „Interlaced HD“ oder „1080i“ nur dann wählbar ist, wenn Ihre Projekt-Framerate auf 50; 59,94 oder 60 eingestellt ist.

Bei Auflösungen in Ultra HD sind „Ultra HD Output“ oder „2160p“ verfügbar.



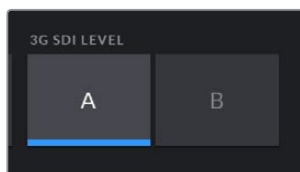
SDI-Ausgang – Front-SDI



SDI-Ausgang – Haupt-SDI

## 3G SDI LEVEL

Bei der URSA Mini Pro können Sie den 3G-SDI-Ausgabestandard ändern, um die Kompatibilität mit Equipment zu gewährleisten, das lediglich Level A oder Level B 3G-SDI-Video empfangen kann. Diese Option wird nur angezeigt, wenn Sie mit 50, 59,94 oder 60 Vollbildern pro Sekunde filmen und in 1080p ausgeben. Tippen Sie zur Auswahl des Standards das „A“- oder „B“-Icon an.

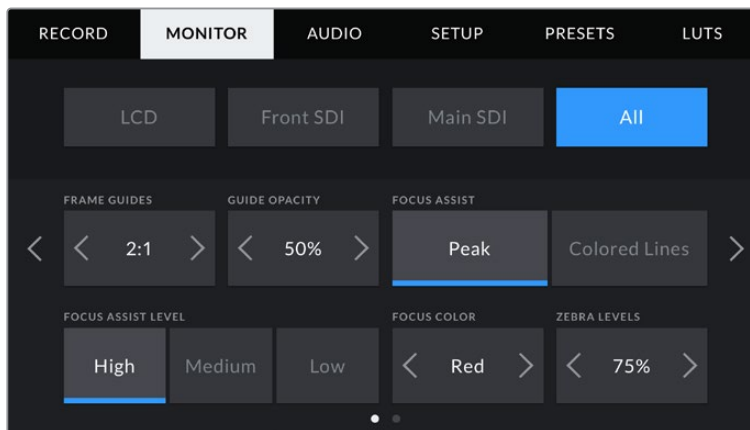


Wählen Sie auf der URSA Mini Pro 4.6K G2 als 3G-SDI-Ausgabenorm Level A oder Level B vor

## MONITOR-Einstellungen 1, All

Monitoreinstellungen, die alle Ausgänge Ihrer URSA Mini betreffen, sind unter dem Menüpunkt „All“ zusammengefasst. Stellen Sie die Option SAFE AREA GUIDE bspw. auf 90 %, wird diese Einstellung auf das LCD, den Front- und den Haupt-SDI-Ausgang angewandt.

Unter „All“ finden Sie zwei Seiten mit Einstellungsoptionen. Auf der ersten Seite sind folgende Einstellungen enthalten:



### FRAME GUIDES

Tippen Sie auf die Pfeile unter „Frame Guides“, um die Optionen für alle Ausgaben Ihrer URSA Mini zu durchlaufen. Dazu gehören EVFs wie der Blackmagic URSA Viewfinder. Die Optionen werden im Abschnitt „Funktionsmerkmale des Touchscreens“ in diesem Handbuch näher erläutert und sind zudem über das Monitoring-Menü Ihres Head-up-Displays abrufbar. Sie können auch bestimmen, ob Bildrandmarkierungen auf Ihrem LCD-Touchscreen, dem Front- oder Haupt-SDI-Ausgang erscheinen sollen. Dies ist auf der jeweiligen Seite des MONITOR-Tabs wählbar.

### GUIDE OPACITY

Tippen Sie auf die Pfeile im Menü GUIDE OPACITY, um die Deckkraft der Bildrandmarkierungen festzulegen. Es gibt folgende Optionen: 25 %, 50 %, 75 % und 100 %.

### FOCUS ASSIST

Ihre URSA Mini verfügt über zwei Focus-Assist-Modi: „Peak“ und „Colored Lines“.

#### Peak:

Wird der „Peak“-Modus für Focus Assist ausgewählt, werden die fokussierten Bereiche in Ihrem Shot auf dem LCD-Touchscreen oder über die SDI-Ausgänge extrem scharf dargestellt, jedoch nicht im aufgezeichneten Bild selbst. Auf diese Weise heben sich fokussierte Bereiche in Ihrem Shot vom weicheren Hintergrund ab. Da keine weiteren Overlays verwendet werden, ist dies eine sehr intuitive Weise zu fokussieren, besonders dann, wenn sich das Objekt, auf das Sie fokussieren, gut von den anderen Elementen des Shots abhebt.

#### Colored Lines:

Ist die Option „Colored Lines“ ausgewählt, werden die fokussierten Bereiche im Bild von farbigen Linien überlagert. Dies ist ein bisschen auffälliger als die „Peak“-Option, da die Linien genau auf dem Bild erscheinen. In elementlastigen Shots ist es jedoch eine präzise Fokussierhilfe.

### FOCUS ASSIST LEVEL

Den Grad der Fokussierhilfe für den LCD-Touchscreen und die SDI-Ausgänge können Sie auf „Low“ (Niedrig), „Medium“ (Mittel) oder „High“ (Hoch) einstellen.

**HINWEIS** Das Einstellen des Pegels der Fokussierhilfe lässt unberührt, ob Focus Assist für den LCD-Touchscreen oder für die SDI-Ausgänge Ihrer URSA Mini aktiviert ist. Schalten Sie die Fokussierhilfe in den MONITOR-Einstellungen unter „LCD“, „Front SDI“ oder „Main SDI“ dennoch für jeden Ausgang einzeln ein.

**TIPP** Die optimale Stärke der Fokussierhilfe richtet sich nach dem jeweiligen Shot. Wird bspw. auf Darsteller scharf gestellt, empfiehlt sich eine stärkere Fokussierhilfe, um mehr Einzelheiten an den Konturen der Gesichter festzuhalten. Bei einer Einstellung von Blatt- oder Mauerwerk würden die dabei zusätzlich erfassten Details womöglich ablenkend wirken.

## FOCUS COLOR

Ändern Sie hier die Farbe der Fokuslinien, wenn Sie unter Focus Assist die Option „Colored Lines“ aktiviert haben. Eine Farbänderung der Fokuslinien kann nützlich sein, um die Linien von Ihrem übrigen Bild zu unterscheiden. Die verfügbaren Optionen sind „White“ (Weiß), „Red“ (Rot), „Green“ (Grün), „Blue“ (Blau) und „Black“ (Schwarz).

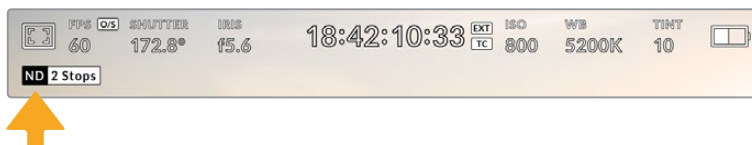
## ZEBRA LEVELS

Tippen Sie auf die Pfeile, um die Intensität von Zebra einzustellen. Die Intensität von Zebra lässt sich zwischen 75 und 100 % in 5%-Schritten einstellen.

Weitere Informationen zu Zebra finden Sie im Abschnitt „Funktionsmerkmale des Touchscreens“ in diesem Handbuch.

## ND-Filteranzeige

Wenn Sie den ND-Filter Ihrer URSA Mini Pro anpassen, erscheinen oben links auf dem LCD-Touchscreen die ND-Filteranzeige sowie die SDI-Ausgaben, für die Statustext aktiviert ist. Die Anzeige bleibt eingeblendet, solange der ND-Filter aktiviert ist. Ist kein ND-Filter aktiviert, wird der „durchsichtige“ Text nach vier Sekunden wieder ausgeblendet.

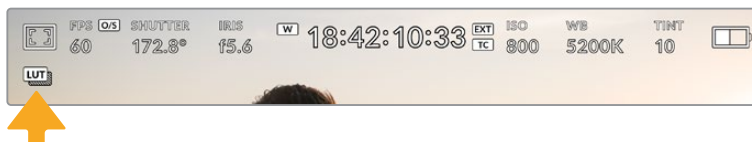


Die ND-Filteranzeige erscheint, wenn Sie auf Ihrer URSA Mini Pro die ND-Filtereinstellungen anpassen

**HINWEIS** Das Darstellungsformat der ND-Filteranzeige können Sie Ihren eigenen Konventionen entsprechend ändern. Es gibt die Optionen ND-Nummer, Blendenstufe und Bruchzahl. Geben Sie Ihr bevorzugtes Format im SETUP-Menü Ihrer URSA Mini Pro vor.

## LUT-Anzeige

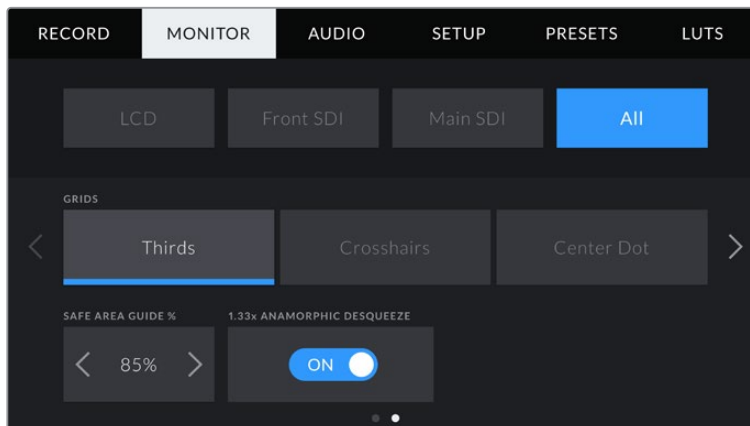
Wenn die Funktion „Status Text“ unter LCD, Front SDI oder Main SDI eingeschaltet ist und eine LUT auf diese Ausgabe angewendet wird, erscheint das LUT-Icon auf dem LCD.



Das LUT-Icon zeigt Ihnen an, dass eine LUT auf das Bild angewendet wird

## MONITOR-Einstellungen 2, All

Auf der zweiten Seite der „All“-Registerkarte sind folgende Einstellungen enthalten:



### GRIDS

Um einzustellen, welche Kombination aus Rastern und Fadenkreuz Sie auf dem LCD-Touchscreen Ihrer URSA Mini sowie dem Front- und Haupt-SDI-Ausgang ausgeben wollen, tippen Sie auf die Optionen „Thirds“ (Drittel), „Crosshairs“ (Fadenkreuz) oder „Center Dot“ (Mittelpunkt).

Weitere Informationen zu den Rastern finden Sie im Abschnitt „Funktionsmerkmale des Touchscreens“ weiter vorne in diesem Handbuch.

### SAFE AREA GUIDE %

Um die Größe des Schutzbereich-Overlays auf dem LCD-Touchscreen sowie den Front- und Haupt-SDI-Ausgängen Ihrer URSA Mini anzupassen, tippen Sie auf die Pfeile links und rechts neben der Prozentangabe. Die Prozentzahl drückt die Größe des Schutzbereichs im Verhältnis zum Bildausschnitt aus. Die meisten Fernsehsender verlangen einen sendesicheren Bereich von 90 %.

### ANAMORPHIC DESQUEEZE

Beim Dreh mit anamorphotischen Objektiven erscheint das Bild in der Vorschauausgabe und den aufgezeichneten Dateien Ihrer URSA Mini horizontal gestaucht. Die Option ANAMORPHIC DESQUEEZE korrigiert das Vorschaubild Ihrer URSA Mini und zeichnet den Grad der Entstauchung in den Metadaten für eine mühelose Korrektur in der Postproduktion auf.

Der Grad der möglichen Entstauchung hängt von der eingestellten Auflösung Ihrer URSA Mini ab. Das daraus resultierende Bild wird jedoch immer im Breitbildformat 2.4:1 angezeigt.

Anamorphotische Objektive arbeiten in der Regel mit einem Faktor von 2x. Die Auflösung „3K Anamorphic“ Ihrer URSA Mini ist für den Gebrauch mit diesen Objektiven konzipiert und entstaucht das Bild um den Faktor 2, wenn diese Auflösung in Zusammenhang mit ANAMORPHIC DESQUEEZE aktiviert ist.

Anamorphotische Objektive, die für digitale 16:9-Bildsensoren gebaut wurden, arbeiten meist mit einem Stauchungsfaktor von 1,33x, um ein 2.4:1 Breitbild vom gesamten 16:9-Sensor zu produzieren. Wenn Ihre URSA Mini auf eine 16:9-Auflösung wie „4K 16:9“ und „HD 16:9“ eingestellt ist, liegt der Entstauchungsfaktor bei 1.33 zu 1.

**TIPP** Wenn Ihr Bild beim Filmen mit einem normalen sphärischen Objektiv horizontal gestreckt wirkt, vergewissern Sie sich, dass „Anamorphic Desqueeze“ (anamorphotisches Entstauchen) deaktiviert ist.

## AUDIO-Einstellungen

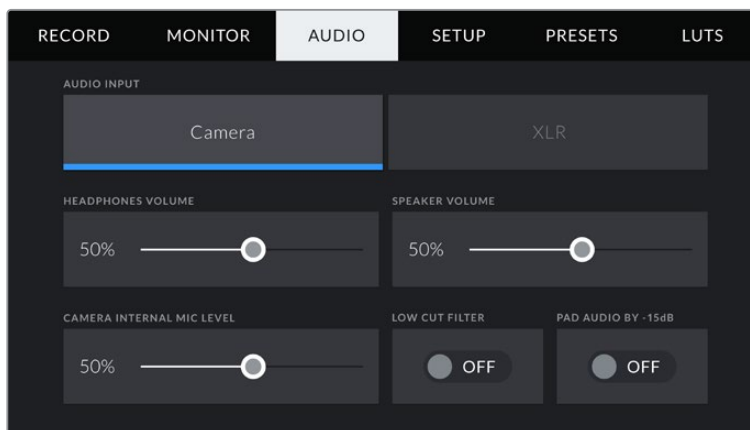
Auf der Registerkarte AUDIO lassen sich die Audioeingangs- und Monitoring-Einstellungen Ihrer URSA Mini anpassen. Dieses Menü unterscheidet sich bei den Modellen URSA Mini and URSA Mini Pro etwas, weshalb die verfügbaren Einstellungen im Folgenden separat erklärt werden.

### AUDIO-Einstellungen der URSA Mini

Die AUDIO-Einstellungen für die URSA Mini sind in die Eingangsquellen „Camera“ und „XLR“ für geräteinterne und -externe Audioquellen aufgeteilt. Unter „XLR“ gibt es zwei Seiten mit Einstellungen. Mithilfe der Pfeile können Sie von der einen zur nächsten Seite wechseln. Alternativ können Sie nach links oder rechts wischen.

#### AUDIO-Einstellungen, Camera

Unter der Option „Camera“ steht eine Seite mit Einstellungen zur Verfügung. Auf der Registerkarte „Camera“ finden Sie folgende Einstellungen:



#### HEADPHONES VOLUME

Über den Schieberegler können Sie die Lautstärke von an die 3,5mm-Klinkenbuchse der URSA Mini angeschlossenen Kopfhörern einstellen. Schieben Sie den Audio-Schieberegler zum Justieren der Pegel nach links oder rechts.

#### SPEAKER VOLUME

Dieser Schieberegler passt die Ausgabepegel der eingebauten Lautsprecher Ihrer URSA Mini an. Schieben Sie den Audio-Schieberegler zum Justieren der Pegel nach links oder rechts.

#### CAMERA INTERNAL MIC LEVEL

Dieser Schieberegler passt die Aufzeichnungspegel des eingebauten Mikrofons Ihrer URSA Mini an. Schieben Sie den Audio-Schieberegler zum Justieren der Pegel nach links oder rechts. Das interne Mikrofon zeichnet auf Audiokanäle 1 und 2 auf.

#### LOW CUT FILTER

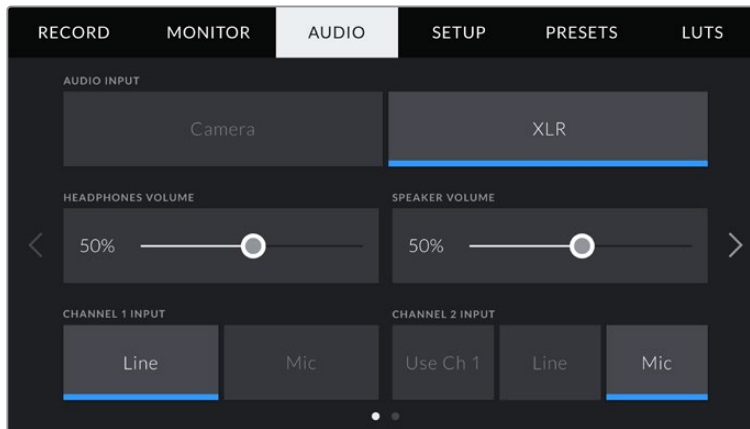
Tippen sie auf dieses Schalter-Icon, um den Tiefpassfilter des internen Mikrofons zu aktivieren. Dieser Filter hilft, potenzielle Windgeräusche oder Brummen in niedrigen Frequenzen zu reduzieren, was häufig beim Drehen im Freien vorkommt. Bitte beachten Sie, dass der Schalter unter PAD AUDIO BY -15 dB auf OFF stehen muss, damit diese Funktion genutzt werden kann.

#### PAD AUDIO BY -15dB

Die Option PAD BY -15dB des internen Mikrofons ermöglicht es Ihnen, Ihre bereits abgesenkten Verstärkungspegel (Gain) am Mikrofoneingang Ihrer URSA Mini noch weiter zu reduzieren – bspw. beim Filmen in lärmreichen Umgebungen.

## AUDIO-Einstellungen 1, XLR

Unter der Option „XLR“ stehen zwei Seiten mit Einstellungen zur Verfügung. Die erste Seite der „XLR“-Einstellungen beinhaltet die folgenden Einstellungen:



### HEADPHONES VOLUME

Mit dem Schieberegler passen Sie die Ausgabepegel für Kopfhörer an, die an die 3,5mm-Klinkenbuchse der URSA Mini angeschlossen sind. Schieben Sie den Audio-Schieberegler zum Justieren der Pegel nach links oder rechts.

### SPEAKER VOLUME

Dieser Schieberegler passt die Ausgabepegel der eingebauten Lautsprecher Ihrer URSA Mini an. Schieben Sie den Audio-Schieberegler zum Justieren der Pegel nach links oder rechts.

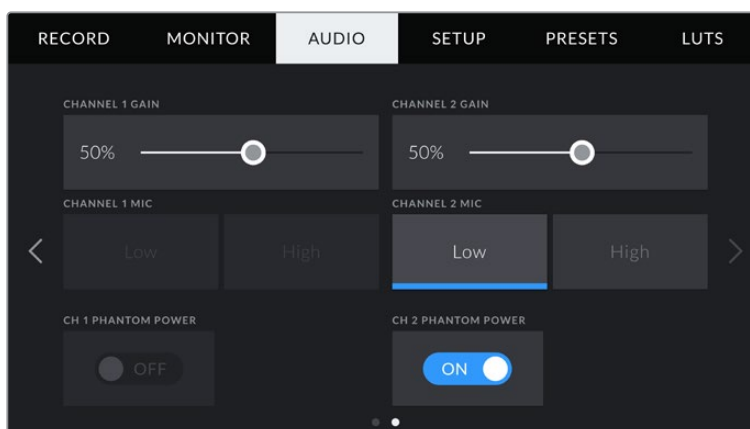
### CHANNEL 1 INPUT und CHANNEL 2 INPUT

Stellen Sie die externen Audioeingabepegel ein, indem Sie entweder auf „Line“ oder „Mic“ tippen. Diese entsprechen Bezugs- oder Mikrofonpegeln mit 48 V Phantomstrom. Es ist wichtig, einen für Ihr Audiosignal angemessenen Pegel auszuwählen. Diese Einstellungen können Sie für Kanal 1 und 2 separat vornehmen.

Für Kanal 2 haben Sie die Möglichkeit, die Eingabe von Kanal 1 zu verwenden, wenn Sie externes Audio von Kanal 1 auf Kanal 1 und 2 aufzeichnen wollen.

## AUDIO-Einstellungen 2, XLR

Die zweite Seite der „XLR“-Einstellungen beinhaltet die folgenden Einstellungen:



### CHANNEL 1 GAIN und CHANNEL 2 GAIN

Ziehen Sie den Schieberegler unter CHANNEL 1 GAIN oder CHANNEL 2 GAIN nach links oder rechts, um die Audiopegel für jeden Kanal anzupassen.

### CHANNEL 1 MIC und CHANNEL 2 MIC

Die MIC-Option bietet zusätzliche Kontrolle über die Eingabeverstärkungspegel von externen Mikrofonen, indem man den Vorverstärkungspegel auf „Low“ oder „High“ setzt. Die Einstellung „Low“ ist dann hilfreich, wenn in lauten Umgebungen gefilmt wird und die Eingabepegel bereits abgesenkt worden sind.

### CH 1 PHANTOM POWER und CH 2 PHANTOM POWER

Die XLR-Eingänge Ihrer URSA Mini können externe Mikrofone mit 48 V Phantomstrom speisen, die sonst nicht mit Strom versorgt werden. Ist Ihre Kamera auf den XLR-Audioeingang eingestellt, tippen Sie einfach auf das Schalter-Icon unter PHANTOM POWER, um die Phantomspeisung zu aktivieren.

**HINWEIS** Es ist übliche Praxis, immer erst das XLR-Kabel anzuschließen und dann die Phantomspeisung einzuschalten. Schalten Sie unbedingt auch die Phantomspeisung aus, wenn Sie kein phantomgespeistes Mikrofon mehr angeschlossen haben. Geräte anzuschließen, die keine Phantomspeisung benötigen, während der Modus Phantomspeisung noch aktiv ist, kann Ihr Equipment beschädigen, weil Ihre Kamera in diesem Modus den Ladevorgang über die Ausgänge betreibt. Es kann zudem nach Ausschalten der URSA Mini eine beträchtliche Zeit für die Entladung von Phantomspannung vergehen. Denken Sie bitte daran, nach Ausschalten der Phantomspeisung einige Minuten abzuwarten, bevor Sie andere Mikrofone oder XLR-Audiogeräte anschließen.

## AUDIO-Einstellungen der URSA Mini Pro

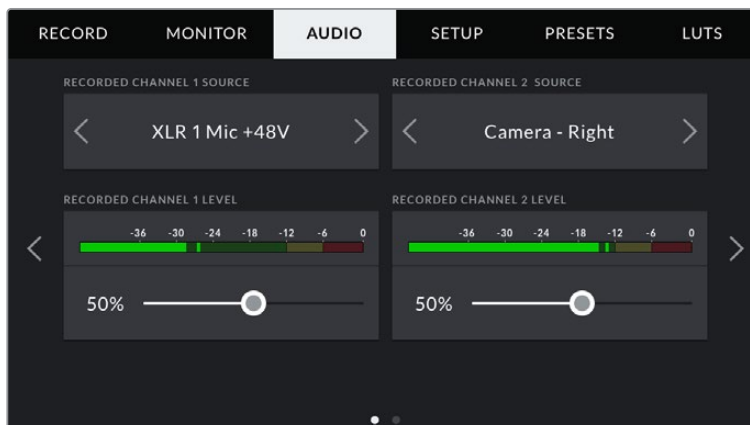
Die AUDIO-Einstellungen für Ihre URSA Mini Pro sind über zwei Seiten verteilt und in Kanäle 1 und 2 unterteilt. Ein anstehendes Software-Update wird zwei weitere Kanäle bringen.

Jeder Audiokanal kann einer anderen Quelle zugewiesen werden. Ebenso lassen sich diverse Einstellungen wie Padding und Tiefpassfilter anpassen.

Diese Einstellungen funktionieren mit den Tasten auf dem internen Bedienfeld Ihrer URSA Mini Pro. Wenn Sie für Ihre Audioquelle einen bestimmten Kanal eingestellt haben, können Sie auf dem internen Bedienfeld Ihren Signaltyp vorgeben und bestimmen, ob Phantomspeisung für diesen Kanal aktiviert werden soll.

### AUDIO-Einstellungen 1

Die erste Seite der AUDIO-Registerkarte Ihrer URSA Mini Pro enthält folgende Einstellungen:





## RECORDED CHANNEL SOURCE

Mit den Schaltflächen RECORDED CHANNEL 1 SOURCE und RECORDED CHANNEL 2 SOURCE wählen Sie Ihre Audioquelle für die einzelnen Audiokanäle aus. Es gibt folgende Optionen:

### Camera Left oder Right

Mit dieser Einstellung zeichnen Sie von den internen Kameramikrofonen auf.

### Camera Mono

Mit dieser Einstellung zeichnen Sie Audio von den linken und rechten Kanälen des internen Mikrofons Ihrer URSA Mini Pro auf einen einzelnen Audiokanal auf.

### XLR 1 oder 2

Diese Einstellung verwenden Sie, um von den XLR-Eingängen Ihrer Kamera aufzuzeichnen. Je nachdem, welches Audiosignal Sie für die Schalter auf Ihrem internen Bedienfeld Ihrer URSA Mini Pro vorgegeben haben, wird Ihr XLR-Eingang als „Mic“, „Line“ oder „AES“ gelistet. Ist Phantomspeisung aktiviert und Ihr XLR-Eingang auf „Mic“ eingestellt, wird hier zusätzlich der +48V-Indikator eingeblendet. Bei der URSA Mini Pro muss der +48V-Schalter auf OFF umgelegt werden, wenn Sie Ihr phantomgespeistes Mikrofon abkoppeln.

### XLR 1 oder 2 – Mic Backup

Diese Einstellung benötigen Sie, wenn Sie Audio von einem Mikrofon aufzeichnen möchten, das über einen XLR-1- oder XLR-2-Eingang an Ihre URSA Mini Pro angeschlossen und leiser eingestellt ist als die Lautstärke für eine standardmäßige „Mic“-Aufzeichnung. Mit dieser Einstellung lässt sich vermeiden, dass im Fall eines unerwarteten Lautheitsanstiegs Audio übersteuert wird. Diese Funktion steht nur als selektierbare Option bereit, wenn der Schalter für die XLR-1- oder XLR-2-Eingabe auf „Mic“ eingestellt ist.

### None

Mit dieser Einstellung deaktivieren Sie Ihren Audiokanal.

## RECORDED CHANNEL 1/2 LEVEL

Mit diesen Schiebereglern regeln Sie die Aufzeichnungspegel für Ihre ausgewählten Kanalquellen 1 und 2. Audiopegelmeter begleiten jeden Schieberegler, um Ihnen die korrekte Einstellung Ihrer Audiopegel zu ermöglichen. Diese Pegel werden automatisch aktualisiert, wenn Sie Audio mit den Drehreglern auf dem linksseitigen Bedienfeld verändern.

Eine optimale Tonqualität wird mit Audiopegeln gewährleistet, die den Wert von 0 dBFS nicht erreichen. Hierbei handelt es sich um den Höchstpegel, den Ihre Kamera aufzeichnen kann. Audio, das diesen Wert überschreitet, wird abgeschnitten, was zu Verzerrungen führt.

## AUDIO-Einstellungen 2

Die zweite Seite der AUDIO-Registerkarte Ihrer URSA Mini Pro enthält folgende Einstellungen:



Die „Audiopegelmeter“-Einstellung der URSA Mini Pro 12K und der URSA Mini Pro G1

## HEADPHONES VOLUME

Mit dem Schieberegler passen Sie die Ausgabepegel für Kopfhörer an, die an die 3,5mm-Klinkenbuchse der URSA Mini angeschlossen sind. Schieben Sie den Audio-Schieberegler zum Justieren der Pegel nach links oder rechts. Diese Pegel werden auch aktualisiert, wenn Sie die Kopfhörerlautstärke mit dem Einstellungsrad auf dem vorderen Bedienfeld anpassen.

## SPEAKER VOLUME

Dieser Schieberegler passt die Ausgabepegel der eingebauten Lautsprecher Ihrer URSA Mini an. Schieben Sie den Audio-Schieberegler zum Justieren der Pegel nach links oder rechts. Diese Pegel werden auch aktualisiert, wenn Sie die Lautsprecherlautstärke mit dem Einstellungsrad auf dem vorderen Bedienfeld anpassen.

## PAD XLR -20dB

Die Option PAD XLR -20dB ermöglicht es Ihnen, Ihre bereits abgesenkten Verstärkungspegel (Gain) an den XLR-Audioeingängen Ihrer URSA Mini noch weiter zu reduzieren – bspw. beim Filmen in lärmreichen Umgebungen.

## PAD CAM MIC -15dB

Die Option PAD BY -15dB des internen Mikrofons ermöglicht es Ihnen, Ihre bereits abgesenkten Verstärkungspegel (Gain) am Mikrofoneingang Ihrer URSA Mini noch weiter zu reduzieren – bspw. beim Filmen in lärmreichen Umgebungen.

## CAM MIC LOW CUT FILTER

Tippen Sie auf dieses Schalter-Icon, um den Tiefpassfilter des internen Mikrofons zu aktivieren. Dieser Filter hilft, potenzielle Windgeräusche oder Brummen in niedrigen Frequenzen zu reduzieren, die häufig bei Drehs im Freien vorkommen. Bitte beachten Sie, dass der Schalter unter PAD CAM MIC BY -15 dB auf OFF stehen muss, damit diese Funktion genutzt werden kann.

## Audio Meters

Wählen Sie einen Audiopegelstandard für die Peakmeter.

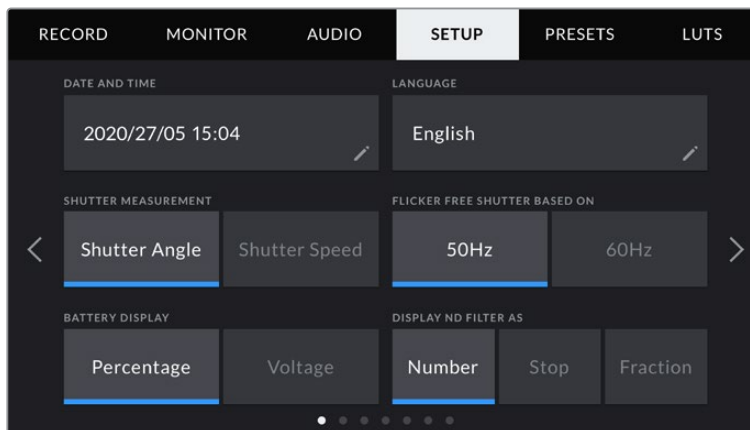
Audiometereinstellung	Standard
PPM (-20 dBFS)	SMPTE RP.0155
PPM (-18 dBFS)	EBU R.68

## SETUP-Einstellungen

Auf der Registerkarte SETUP finden Sie Identifikationseinstellungen, die Softwareversion, Einstellungsmöglichkeiten für die Funktionstasten und andere Kamera-Einstellungen Ihrer URSA Mini, die nicht im direkten Zusammenhang mit Aufzeichnung und Monitoring stehen. Zu den anderen Seiten des SETUP-Menüs gelangen Sie jeweils über die Pfeile am Rand des Touchscreens oder durch Wischen nach links oder rechts.

**HINWEIS** Das Seitenlayout der nachstehenden Einstellungen und Funktionen auf der SETUP-Registerkarte Ihrer URSA Mini kann aufgrund minimaler Unterschiede zwischen verschiedenen Modellen leicht variieren. Das SETUP-Menü der URSA Mini Pro 4.6K G2 hat bspw. fünf Seiten und das der URSA Mini Pro 12K sieben.

Die SETUP-Registerkarte Ihrer URSA Mini enthält folgende Einstellungen:



Auf der URSA Mini Pro 12K, URSA Mini Pro 4.6K G2 und URSA Mini Pro 4.6K gibt es auf der ersten Seite die Option „Display ND Filter As“. Weil die URSA Mini 4.6K und die URSA Mini 4K nicht über interne Graufilter verfügen, ist sie auf diesen Kameras nicht verfügbar

## DATE AND TIME

Tippen Sie auf DATE AND TIME, um das Datum und die Uhrzeit auf Ihrer URSA Mini einzustellen. Das Datumsformat wird in Jahr/Monat/Tag angezeigt, die Uhrzeit im 24-Stunden-Format. Diese Einstellungen werden außerdem für den Uhrzeit-Timecode verwendet, wenn keine externe Timecode-Quelle angeschlossen ist.

## SELECT LANGUAGE

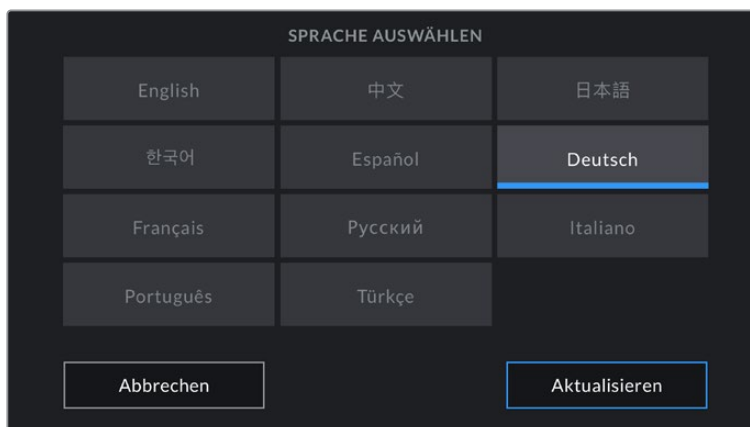
Das Menü von URSA Mini Pro 4.6K G2, URSA Mini 4.6K und URSA Mini 4.6K und URSA Mini 4K Kameras ist derzeit nur auf Englisch verfügbar.

Die URSA Mini Pro 12K und die URSA Mini Pro 4.6K G1 unterstützen 11 verbreitete Sprachen, einschließlich Englisch, Deutsch, Französisch, Italienisch, Spanisch, Portugiesisch, Russisch, Türkisch, Chinesisch, Japanisch und Koreanisch.

Der Bildschirm „Select Language“ wird Ihnen beim ersten Hochfahren angezeigt.

### So wählen Sie Ihre Sprache:

- 1 Tippen Sie zuerst auf LANGUAGE und dann auf die gewünschte Sprache.
- 2 Tippen Sie auf „Update“, um zur Registerkarte SETUP zurückzukehren.



## SHUTTER MEASUREMENT

Auf der URSA Mini 4.6K und der URSA Mini Pro können Sie wählen, ob Verschlusswerte als Verschlusswinkel oder Verschlusszeit angegeben werden.

Bei Verwendung der Verschlusswinkel-Einstellung richtet sich der Verschlusswert nach der Framerate. Beispiel: Eine Einstellung von 180 Grad erzeugt immer dieselbe Bewegungsunschärfe, unabhängig von der verwendeten Framerate.

Bei Verwendung der Verschlusszeit-Einstellung, wird dem Verschluss ein absoluter Wert zugewiesen, unabhängig von der Framerate. Das bedeutet, dass sich das Ergebnis ändert, wenn Sie die Framerate ändern.

Wenn Sie bspw. bei 24 fps filmen, erzeugt eine Verschlusszeit von 1/48 Sekunde als Äquivalent zu einem Verschlusswinkel von 180 Grad eine für das Auge angenehme Bewegungsunschärfe. Sobald Sie die Framerate zu 48 fps ändern, erzeugt die Verschlusszeit-Einstellung von 1/48 Sekunde nicht länger dieselbe Bewegungsunschärfe, sondern das Äquivalent von einem Verschlusswinkel von 360 Grad. Sobald also die Framerate auf 48 fps geändert wird, ist es notwendig, die Verschlusszeit auf 1/96 Sekunde zu setzen, um den gleichen Effekt zu erzielen wie bei einem Verschlusswinkel von 180 Grad.

### **FLICKER FREE SHUTTER BASED ON**

Hier können Sie die Netzstromfrequenz Ihrer URSA Mini einstellen. Diese verwendet die Kamera, um flimmerfreie Verschlusseinstellungen auszurechnen.

Beim Dreh in Kunstlicht kann Ihr Verschluss die Sichtbarkeit von Flimmern begünstigen. Ihre URSA Mini berechnet automatisch einen flimmerfreien Verschlusswert für die derzeit gewählte Framerate und zeigt Ihnen drei empfohlene Verschlusswerte auf dem Head-up-Display an. Verschlusswerte hängen vom lokalen Netzstrom ab, mit dem die Lampen betrieben werden. In den meisten PAL-Ländern liegt die Frequenz bei 50 Hz, in NTSC-Ländern in der Regel bei 60 Hz. Tippen Sie also einfach entsprechend Ihrer Region auf „50Hz“ oder „60Hz“.

**HINWEIS** Aufgrund der Eigenschaften individueller Lichtquellen kann es selbst mit flimmerfreien Verschlusswerten zu Flimmern kommen. Wir empfehlen daher, beim Filmen bei unregelmäßigem Licht immer einen Probedreh vorzunehmen.

### **BATTERY DISPLAY**

Ihre URSA Mini bietet verschiedene Möglichkeiten, wie der Akku-Indikator den verbleibenden Ladezustand des Akkus anzeigt. Zur Wahl stehen die Optionen „Percentage“ oder „Voltage“. Wenn Sie eine Kombination aus Akku und Akkuplatte verwenden, die akkurate Prozentangaben unterstützt, dann kann über „Percentage“ der prozentgenaue Ladezustand Ihres Akkus angezeigt werden.

**TIPP** Eine Liste mit Akkus, die prozentgenaue Informationen zum Ladezustand unterstützen, finden Sie im Abschnitt „Anbringen von Akkus“ in diesem Handbuch.

Sollte Ihre Akku- und Trägerplattenkombination jedoch keine akkurate Auslesung in Prozentwerten gestatten, werden vier Balken angezeigt, die mit abnehmender Akkuspannung nach und nach verschwinden.

Ist die Option „Voltage“ aktiviert, wird die Akkuspannung in Volt angezeigt. Nähert sich der Akku einem Wert von 12 Volt, raten wir Ihnen, ihn auszutauschen.

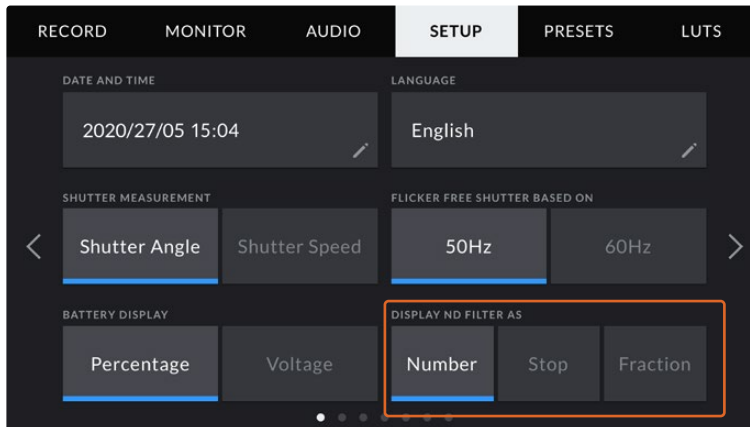
**TIPP** Sie können auch durch Antippen des Icons für externe Stromzufuhr zwischen den Akkuanzeigen „Voltage“ (Spannung) und „Percentage“ (Prozent) hin und her wechseln.

### **TIMECODE DROP FRAME**

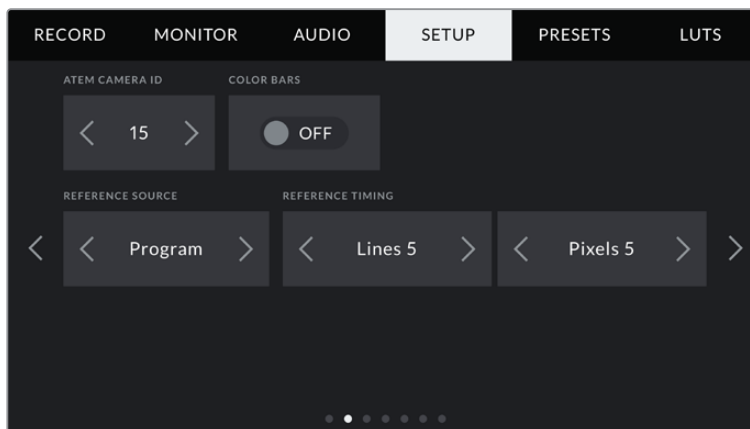
Aktivieren Sie TIMECODE DROP FRAME, um bei NTSC-Projekt-Frameraten von 29,97 und 59,94 Drop-Frame-Timecode zu verwenden. Drop-Frame-Timecode lässt in regelmäßigen Abständen eine geringe Anzahl an Einzelbildern vom Timecode fallen. So haben Sie immer den richtigen Timecode, auch wenn eine Sekunde bei NTSC-Frameraten nicht die Gesamtzahl von Einzelbildern enthält.

## DISPLAY ND FILTER AS

Diese Einstellung lässt Sie vorgeben, wie die ND-Filteranzeige in den ND-Filtereinstellungen auf Ihrer URSA Mini Pro erscheint. Jede Einstellung entspricht einer anderen Kamerakonvention. Kinematografen verwenden üblicherweise Neutraldichtewerte, während DSLR- oder Broadcastkamera-Kenner diese Information vielleicht lieber im Blendenstufenformat oder als Bruchzahl des verfügbaren Lichts darstellen. Diese Optionen sind hier unter den Bezeichnungen „Number“, „Stop“ und „Fraction“ (ND-Wert, Blendenstufe und Bruchzahl) verfügbar.



Im SETUP-Menü der URSA Mini Pro kann man vorgeben, wie die ND-Filterinformation angezeigt werden soll



Hier ist anzumerken, dass die Einstellung „Program Audio“ nur auf der URSA Mini Pro verfügbar ist.

## ATEM CAMERA ID

Wenn Sie die URSA Mini in Verbindung mit einem ATEM Mischer verwenden und Sie möchten, dass die Kamera Tally-Signale von diesem Mischer empfängt, müssen Sie die Kameranummer auf Ihrer Kamera einstellen. Dies gewährleistet, dass der Mischer das Tally-Signal an die richtige Kamera übermittelt. Für die Kameranummer ist eine Zahl zwischen 1–99 möglich. Tippen Sie hierfür auf die Pfeile. Die Standardeinstellung beträgt 1.

## COLOR BARS

Manchmal ist es von Vorteil, Farbbalken anstelle der Vorschau auszugeben. Das gilt bspw. dann, wenn die URSA Mini an einen Mischer oder externen Monitor angeschlossen wird. Erscheinen die Farbbalken der URSA Mini auf Ihrem Mischer oder Monitor, bestätigt das die Verbindung und Sie können Ihren Monitor anhand der Farbbalken kalibrieren. Tippen Sie einfach auf das Schalter-Icon, um Farbbalken für alle Ausgaben – inkl. des LCD-Touchscreens – zu aktivieren.

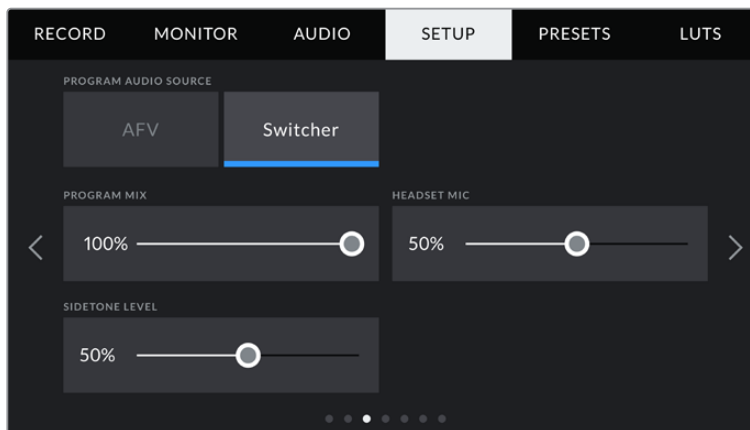
## REFERENCE SOURCE

Diese Einstellung dient zur Auswahl der Referenzquelle. Ihre URSA Mini kann an eine interne oder externe Referenzquelle sowie an das Referenzsignal in der Programmeingabe eines ATEM Mixers angeschlossen werden. Wenn Sie die URSA Mini in Verbindung mit der Funktion Camera Control eines ATEM Mixers verwenden, sollten Sie Ihre Referenzquelle stets auf „Program“ einstellen, es sei denn der Mixer selbst und alle angeschlossenen Kameras sind auf eine externe Referenz eingestellt.

**HINWEIS** Wenn Sie die Referenzquelle für Ihre URSA Mini vorgeben, kann es auf den Kameraausgängen beim Hin- und Herschalten zwischen den Referenzquellen zu kurzen Signalunterbrechungen kommen. Dies rührt daher, dass die Kamera ihre Referenzzeiten an die externe Quelle anpasst. Deshalb ist es wichtig, diese Einstellung nicht während einer Produktion, sondern nur in der Setup-Phase vorzunehmen.

## REFERENCE TIMING

Mit diesen Einstellungen können Sie die Referenzzeitvorgabe nach Zeilen oder Pixeln manuell justieren. Tippen Sie einfach auf die Pfeile, um Anpassungen vorzunehmen.



## PROGRAM AUDIO SOURCE

Diese Einstellung gibt es nur bei der URSA Mini Pro. Bei angeschlossenem Mixer kann beim Monitoring über einen Kopfhörer oder ein Headset der Ton aus dem rückgeführten Programmfeed als Eingabequelle zum Einmischen in das Talkback-Audio priorisiert werden. Geben Sie hierfür „On“ vor. Das ist praktisch wenn der Mischerton nicht über Ihre Kamera läuft, Sie aber den Programmfeed vom Mixer mithören möchten. Einstellen von „Program Audio“ auf „Off“ priorisiert von den kamerainternen Mikrofonen oder von den XLR-Buchsen eingehenden Ton und ist die Standardeinstellung.

## PROGRAM MIX

Diese Einstellung ändert das Lautstärkeverhältnis von Kameraton zu Talkback-Ton. Die Kopfhörer geben den jeweils auf dem LCD angezeigten Ton aus. Beispiel: Wenn Sie sich in der Kameraansicht befinden, ist der Ton von der Kamera zu hören. Befinden Sie sich jedoch in der Programmansicht, ist das Programmaudio zu hören. Die Standardeinstellung ist 100 %.

## HEADSET MIC

Bewegen Sie zum Erhöhen oder Verringern der Audio-Eingabepegel des Mikrofons den Lautstärke-Schieberegler nach links oder rechts. Die Standardeinstellung ist 50 %.

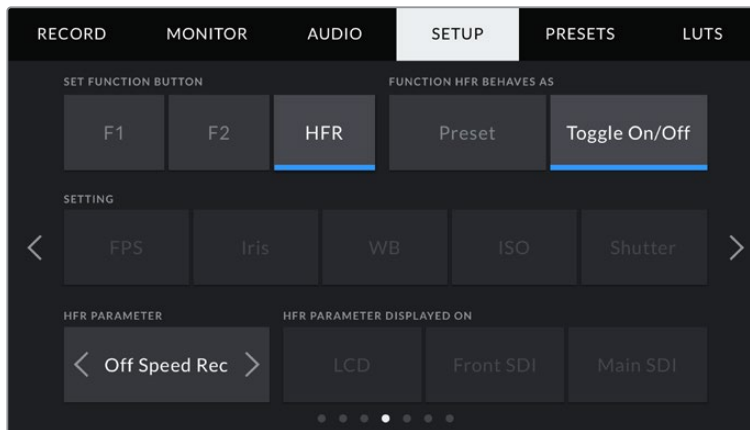
## SIDE TONE LEVEL

Mit dem Mithörton-Schieberegler stellen Sie die Lautstärke Ihrer eigenen Stimme für Ihr Headset ein.

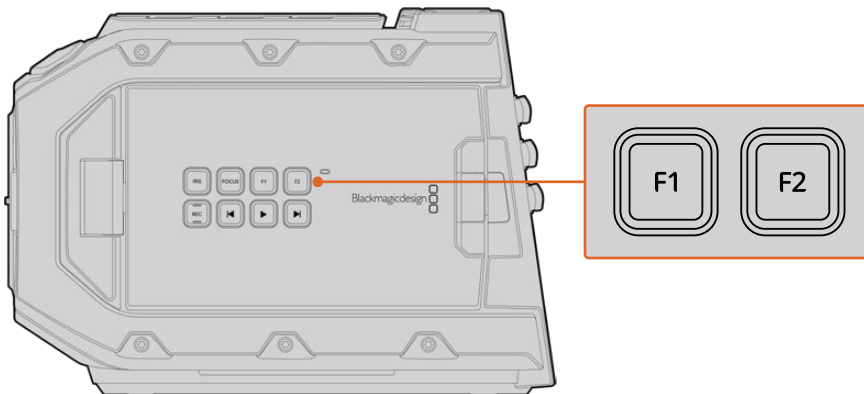
## SET FUNCTION BUTTON

Auf der Rückseite des LCD-Touchscreens Ihrer URSA Mini finden Sie zwei Funktionstasten: F1 und F2. Diese lassen sich mit häufig verwendeten Funktionen belegen, die wiederum schnell abrufbar sind, wenn Sie Ihre Kamera ohne den LCD-Touchscreen verwenden, z. B. aber mit dem URSA Viewfinder.

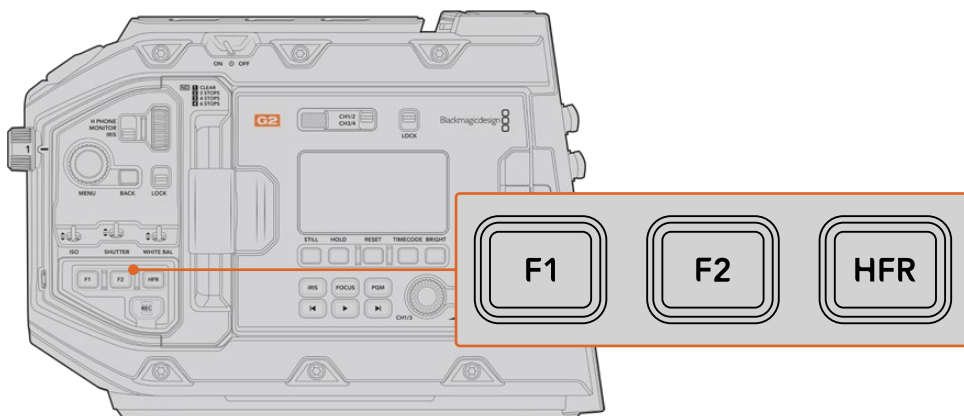
Auf URSA Mini Pro 12K, URSA Mini Pro 4.6K G2 und URSA Mini Pro 4.6K Modellen können Sie die HFR-Taste mit einer anderen Funktion belegen oder sie deaktivieren. Standardmäßig ist die HFR-Taste mit „Off Speed Rec“ auf die Aufzeichnung mit der Off-Speed-Framerate eingestellt.



Auf der URSA Mini Pro 12K, URSA Mini Pro 4.6K G2 und URSA Mini Pro 4.6K kann die HFR-Taste mit einer anderen Funktion belegt oder deaktiviert werden



Die zwei Funktionstasten F1 und F2 Ihrer URSA Mini befinden sich auf der Rückseite des LCD-Touchscreens

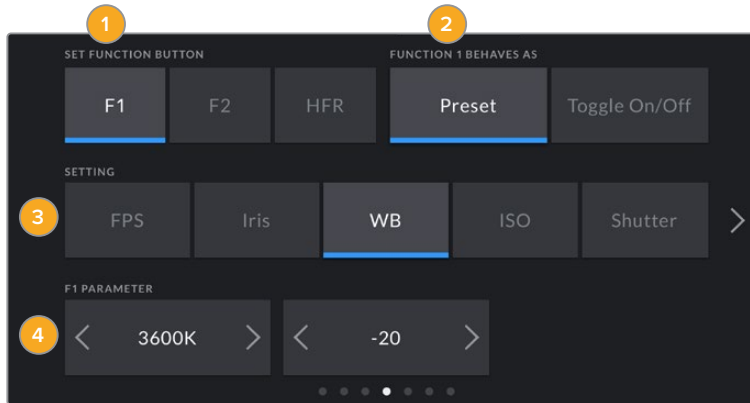


Auf der URSA Mini Pro 12K, URSA Mini Pro 4.6K G2, URSA Mini Pro 4.6K und URSA Mini 4.6K können Sie die Funktion der F1-, F2- und HFR-Tasten personalisieren oder deaktivieren



**TIPP** Wenn Ihre URSA Mini Pro G1 mit einem B4-Objektiv mit Objektivverbinder bestückt ist, können Sie die VTR- und RET-Tasten als Funktionstasten konfigurieren und ihnen Preset- oder Umschaltfunktionen zuweisen. Das geht zusätzlich zu den F1-, F2- und HFR-Tasten.

Um diese Tasten zu belegen, wählen Sie zunächst eine Funktionstaste und dann ihr Verhalten, eine Einstellung und einen Parameter für diese Einstellung aus.



1 Taste 2 Verhalten 3 Einstellung 4 Parameter

## FUNCTION BUTTON BEHAVES AS

Wählen Sie zuerst die Funktionstaste, die Sie belegen möchten, und bestimmen Sie dann ihr Verhalten. Auf URSA Mini Pro 12K, URSA Mini Pro 4.6K G2, URSA Mini Pro 4.6K und URSA Mini 4.6K Modellen können Sie die HFR-Taste mit einer anderen Funktion belegen.

### Preset

Wählen Sie eine Voreinstellung, also „Preset“, ruft das Drücken dieser Taste eine Kombination aus einer Einstellung und einem Parameter ab.

Um ein Preset festzulegen, wählen Sie aus dem SETTING-Menü eine Einstellung, die Sie verwenden möchten und passen Sie sie mithilfe der Pfeile an.

Beispiel: Um Taste F1 mit einem Preset für die Blendenzahl F8 zu belegen, wählen Sie „Preset“, tippen Sie dann auf „Iris“ und anschließend auf die Pfeile im PARAMETER-Menü, bis Sie „f8“ angezeigt bekommen. Ein erneutes Drücken des Presets bringt Ihre Kamera zurück zur vorherigen Einstellung.

### Up/Down

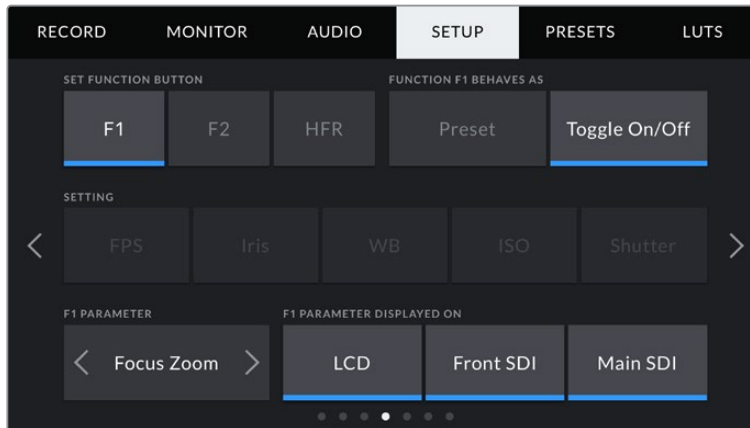
Wenn eine Funktionstaste auf dieses Verhalten eingestellt ist, bewegt das Drücken der Taste eine bestimmte Einstellung nach oben oder unten.

Beispiel: Vielleicht möchten Sie ja, dass sich per Druck auf F1 Ihre Blende weiter öffnet und mit F2 schließt. Wählen Sie hierfür die Taste F1, tippen Sie unter FUNCTION 1/2 BEHAVES AS auf „Up/Down“ und unter PARAMETER auf „Up“. Folgen Sie denselben Schritten für die Taste F2, wählen Sie hier jedoch die Option „Down“.

### Toggle On/Off

Wenn eine Funktionstaste auf dieses Verhalten eingestellt ist, wird durch Drücken der Taste die jeweilige Einstellung ein- oder ausgeschaltet. In diesem Modus ist das SETTING-Menü deaktiviert. Tippen Sie stattdessen auf die Pfeile unter „Parameter“, um durch die verfügbaren Optionen zu scrollen. Diese sind „Off Speed Recording“, „Color Bars“, „Push to Talk“, „Clean Feed“, „Display LUT“, „Frame Guides“, „Focus Assist“, „False Color“ und „Zebra“. Bei URSA Mini Pro Modellen ist die Option „None“ (Keine) verfügbar.

Die URSA Mini Pro 12K beinhaltet eine Option für „Focus Zoom“. Weitere Informationen zur Benutzung der auf das LCD angewandten Zoomfunktion finden Sie im Abschnitt „Focus Zoom“. Wenn „Focus Zoom“ für Ihre SDI-Ausgaben aktiviert ist, können Sie den Zoombereich mithilfe des Menürads verschieben und den Vergrößerungsgrad mithilfe des Blendenreglers.

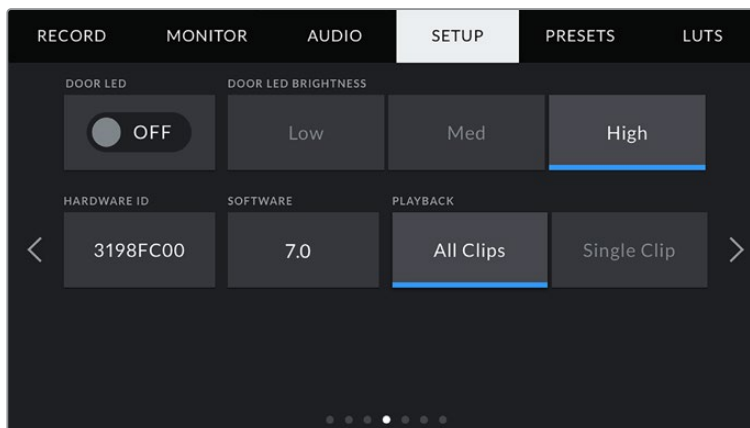


„Focus Zoom“ kann wahlweise auf beliebige Monitoringausgaben angewendet werden. Die höchste Schärfe wird erzielt, wenn man es auf alle drei Ausgaben anwendet

Bei „Toggle On/Off“ können Sie überdies auswählen, auf welche Ausgaben diese Einstellung angewendet werden soll. Tippen Sie dafür eine beliebige Kombination aus „LCD“, „Front SDI“ und „Main SDI“ an. Ist eine Option nicht für einzelne Ausgaben verfügbar, sind „LCD“, „Front SDI“ und „Main SDI“ ausgegraut. Ein Beispiel ist die Option „Color Bars“, die immer auf alle Ausgaben angewendet wird. Bei URSA Mini Pro Modellen können Sie die Funktions- und HFR-Tasten deaktivieren, indem Sie „None“ auswählen.

**HINWEIS** Wenn die „Focus Zoom“-Funktion vorgegeben ist und auf alle Ausgaben, sprich „LCD“, „Front SDI“ und „Main SDI“, angewendet wird, werden beim Zoomen alle auf „Front SDI“ angewendeten 3D-LUTs sowie Einstellungen für Fokussierhilfen auf alle drei Ausgaben angewendet. Beim Zoomen werden keine Bildrandmarkierungen, Gitter und Schutzrandmarkierungen angezeigt.

Bei der URSA Mini Pro 4.6K G1 können Sie auch die RET- und VTR-Tasten eines B4-Objektivs als Funktionstasten konfigurieren. Beispiel: Wenn keine ISO-Aufzeichnung über einen HyperDeck erfolgt, belegen viele Benutzer die VTR-Taste mit der Push-to-Talk-Funktion.



### STATUS LED

Auf der Rückseite des LCD-Touchscreens Ihrer URSA Mini befindet sich eine kleine LED, die als Tally dient und Statusinformationen anzeigt. Diese können Sie durch Antippen des Schalter-Icons ein- oder ausschalten. Die LED für Tally und Statusinformationen befindet sich auf dem vorderen Bedienfeld Ihrer URSA Mini Pro und wird als Status-LED bezeichnet. Diese können Sie durch Antippen des Schalter-Icons ein- oder ausschalten.

Die LED zeigt folgende Statusmeldungen an:

<b>Weiß</b>	Die Kamera wird mit Strom versorgt und befindet sich im Standby-Modus.
<b>Rot</b>	Die Kamera zeichnet auf. Ein langsames Blinken zeigt an, dass Ihre Karte fast voll ist, während ein schnelles Blinken auf fallengelassene Frames hindeutet.
<b>Grün</b>	Die Kamera befindet sich im Wiedergabemodus. Ein langsames Blinken der grünen LED zeigt an, dass Ihre Kamera aktuell Clips wiedergibt. Bei Erkennen eines eingeführten Datenträgers blinkt die Status-LED abwechselnd dreimal grün und weiß.
<b>Orange</b>	Ist der Akku der Kamera schwach, beginnt diese LED orangefarben und in der derzeitigen Statusfarbe zu blinken. Befindet sich die Kamera bspw. gerade im Aufzeichnungsvorgang, blinkt die LED orangefarben und rot. Befindet sich Ihre Kamera im Standby-Modus, blinkt die LED abwechselnd weiß und orangefarben. Die Grenze für einen schwachen Akku liegt bei prozentgenauen Akkus bei einem Ladezustand von 20 %, für andere Akkus bei 12,5 V.

### STATUS LED BRIGHTNESS

Stellen Sie die Helligkeit der Status-LEDs ein, indem Sie auf „Low“ (Niedrig), „Medium“ (Mittel) oder „High“ (Hoch) tippen.

### HARDWARE ID

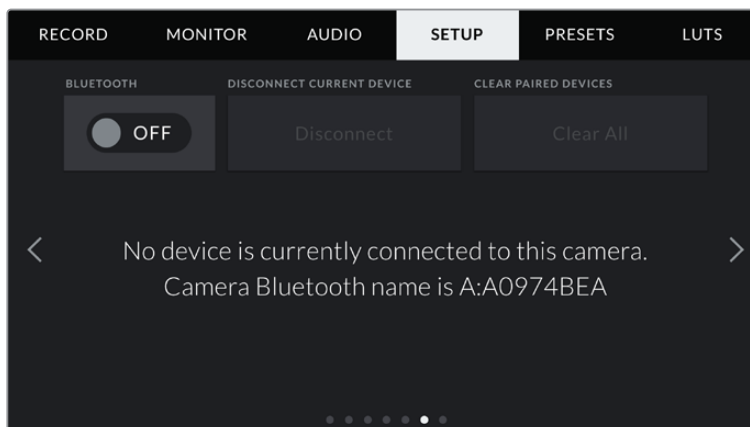
Der Indikator HARDWARE ID zeigt einen achtstelligen Identifikationscode für Ihre URSA Mini an. Dieser ist einmalig und gilt nur für Ihre Kamera. Eine längere, 32-stellige Version dieses Codes ist außerdem in den Metadaten von Blackmagic-Raw- und ProRes-Video enthalten. Dies ist nützlich, wenn Sie herausfinden möchten, welches Material mit welcher Kamera gedreht wurde, sollten Dateinamen geändert worden sein.

### SOFTWARE

Zeigt die derzeit auf Ihrer URSA Mini installierte Softwareversion an. Weitere Informationen zum Aktualisieren der Software finden Sie unter „Blackmagic Camera Setup Dienstprogramm“.

### PLAYBACK

Mithilfe dieser Einstellung legen Sie fest, ob Sie mit „Single Clip“ einen einzelnen Clip oder mit „All Clips“ alle Clips wiedergeben möchten. „All Clips“ spielt alle passenden Medien der Reihe nach ab. „Single Clip“ hingegen spielt einen Clip nach dem anderen ab. Dies gilt auch für die Loop-Funktion. Wird zusätzlich zu „All Clips“ die Loop-Funktion gewählt, werden alle Clips von der CFast-2.0- oder SD-Karte in Dauerschleife wiedergegeben. Ist „Single Clip“ aktiviert, wird nur ein Clip in Dauerschleife gespielt.



Der Bluetooth-Name der Kamera setzt sich aus dem in der Slate vorgegebenen Buchstaben und der achtstelligen Hardware-ID Ihrer URSA Mini zusammen

## BLUETOOTH®

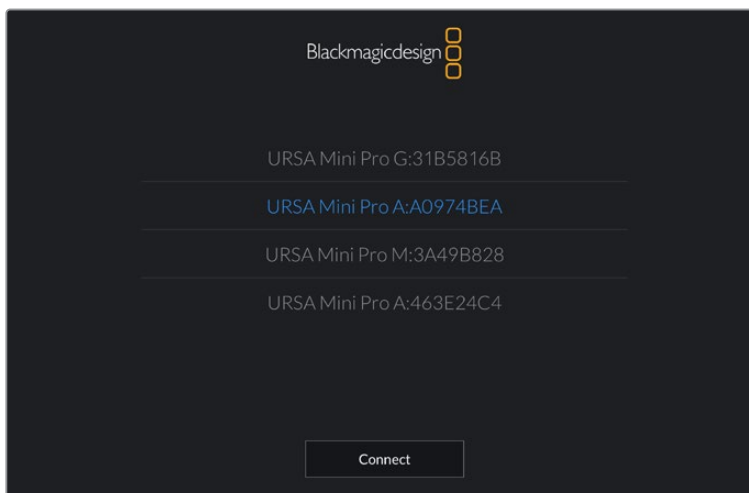
Die Bluetooth-Funktion der URSA Mini Pro erlaubt es Ihnen, Ihre Kamera von anderen Geräten aus kabellos zu steuern. Mit der Blackmagic Camera Control App schalten Sie vom iPad aus der Ferne Ihre Kamera ein bzw. aus, ändern Einstellungen, justieren Metadaten und aktivieren die Aufzeichnung per Trigger. Bluetooth lässt sich aktivieren und deaktivieren. Tippen Sie dazu auf das BLUETOOTH-Schaltersymbol im SETUP-Menü. Ist Bluetooth aktiviert, können Bluetooth-Geräte die Kamera aus bis zu 9 Metern Entfernung erkennen.

Da die URSA Mini Pro für die Bluetooth-Steuerung dieselben Befehle wie für das Blackmagic SDI Camera Control Protocol verwendet, können Sie Ihre eigenen Programme schreiben und so gut wie jede Kameraeinstellung fernsteuern. Das bedeutet alles von der Bildkontrolle über Audioeinstellungen bis hin zur kamerainternen Farbkorrektur mit DaVinci Resolve sowie die Objektivsteuerung.

Weitere Informationen finden Sie im Abschnitt „Blackmagic SDI Camera Control Protocol“ in diesem Handbuch.

### So koppeln Sie Ihre Kamera erstmalig mit einem iPad:

- 1 Aktivieren Sie Bluetooth, indem Sie im SETUP-Menü Ihrer URSA Mini Pro auf das Schalter-Icon für Bluetooth tippen.
- 2 Öffnen Sie die Blackmagic Camera Control App und wählen Sie die URSA Mini Pro aus, mit der Sie sich verbinden wollen. Verfügbare Kameras werden mit ihrem Kennbuchstaben und ihrer eigenen Hardware-ID aufgelistet, Zum Beispiel: A:A0974BEA.



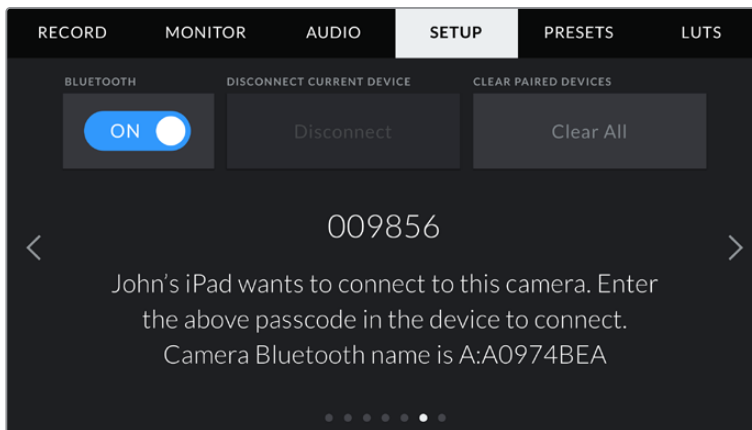
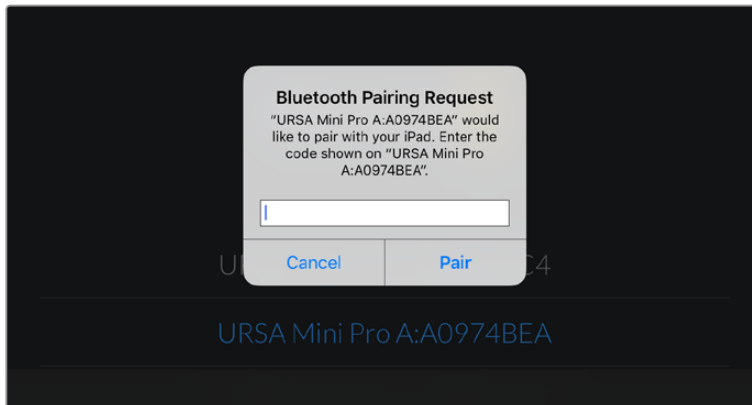
Wählen Sie die URSA Mini Pro aus, mit der die Verbindung erstellt werden soll

**HINWEIS** Nach der Installation und dem erstmaligen Öffnen der Blackmagic Camera Control App werden Sie gefragt, ob Sie mit „Allow location access“ Standortzugriff erlauben wollen. Wenn Sie dies für die Gebrauchsdauer der App mit „While using the app“ bejahen, werden die GPS-Koordinaten von Ihrem iPad in die Metadaten Ihrer gedrehten Dateien aufgenommen. So versehen Sie Ihre Footage mit Geotags. Diese Tags können in DaVinci Resolve 14 oder höheren Versionen eingesehen werden.

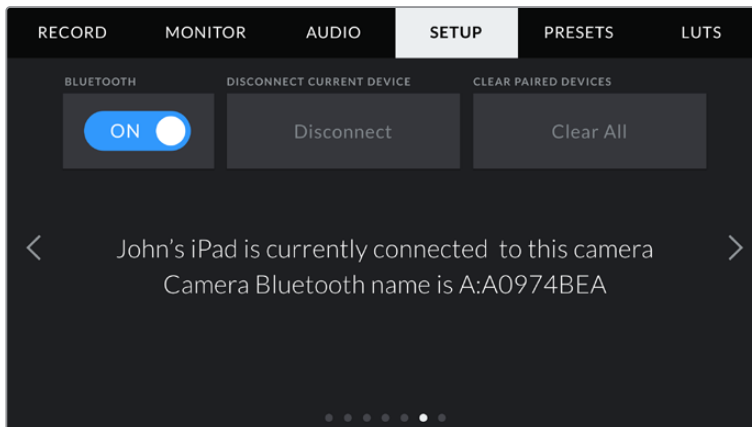
Wenn Sie diese Informationen nie verwenden wollen, wählen Sie „Never“.

Um diese Einstellungen zu ändern, gehen Sie auf Ihrem iPad unter „Einstellungen“ zu „Datenschutz“ > „Ortungsdienste“ > „Camera Control“.

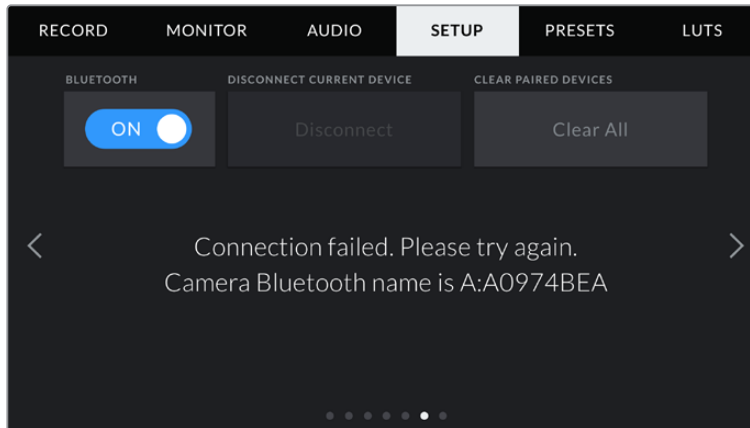
- 3 Wenn Sie zum ersten Mal eine Verbindung zu Ihrer Kamera herzustellen versuchen, verlangt die Blackmagic Camera Control App einen sechsstelligen Code. Dieser Code wird auf dem LCD der Kamera eingeblendet. Geben Sie diesen Code auf dem iPad ein.



- 4 Nun erscheint auf dem Bildschirm eine Bestätigung, dass Ihre URSA Mini Pro mit Ihrem iPad gekoppelt ist.



- 5 Verläuft die Verbindung mit Ihrem iPad nicht fehlerfrei, erscheint die folgende Fehlermeldung:



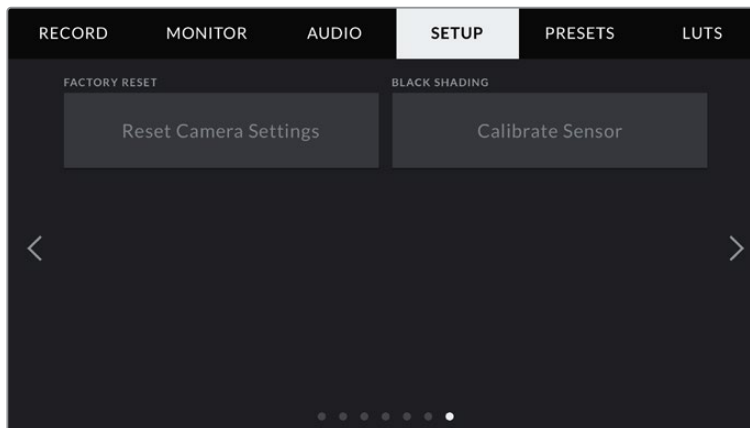
**HINWEIS** Sollten Sie Ihre URSA Mini Pro nicht per Bluetooth steuern, empfehlen wir, Bluetooth aus Sicherheitsgründen auszuschalten.

#### **DISCONNECT CURRENT DEVICE**

Trennen Sie Ihre URSA Mini Pro mithilfe dieser Option von dem iPad, mit dem die Kamera derzeit verbunden ist.

#### **CLEAR PAIRED DEVICES**

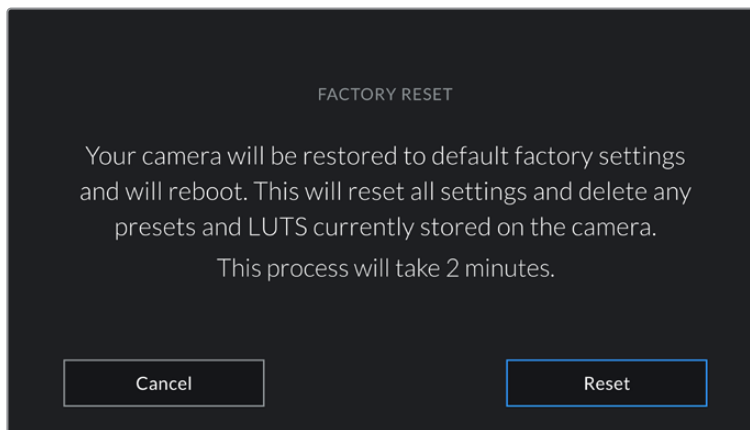
Verwenden Sie diese Einstellung, um die Liste aller Geräte zu löschen, mit denen Ihre URSA Mini Pro vorab gekoppelt war.



#### **FACTORY RESET**

Um die Kamera auf ihre Werkseinstellungen zurückzusetzen, tippen Sie auf „Reset Camera Settings“. Sie werden dann aufgefordert, diese Auswahl noch einmal zu bestätigen, da derzeit gespeicherte LUTs und Presets dabei gelöscht werden. Tippen Sie im Bestätigungsfenster auf „Reset“, um Ihre Kameraeinstellungen zurückzusetzen. Auf der URSA Mini Pro kann dieser Vorgang bis zu zwei Minuten dauern.

Wichtig: Das Zurücksetzen auf die Werkseinstellungen löscht sämtliche Presets und benutzerdefinierte LUTs und setzt alle Einstellungen zurück. Als bewährte Praxis fertigen Sie ein Backup dieser Daten auf einer Speicherkarte an, bevor Sie die Kamera auf ihre Werkseinstellungen zurücksetzen. Nach dem Zurücksetzen auf die Werkseinstellungen können Sie Ihre Presets und LUTs per Import von der Speicherkarte schnell wiederherstellen. Des Weiteren empfehlen wir Ihnen, eine Black-Shading-Kalibrierung auszuführen.

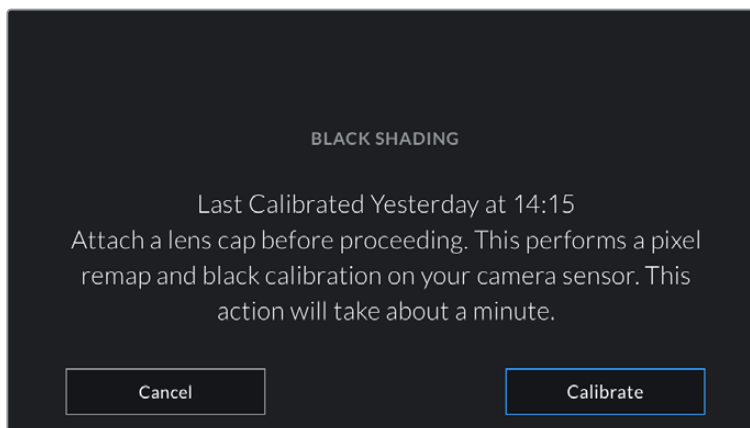


Wenn Sie FACTORY RESET antippen, werden Sie aufgefordert, Ihre Auswahl zu bestätigen

### BLACK SHADING

Bei URSA Mini Kameras mit einem 4,6K-Sensor optimiert die Black-Shading-Funktion die Bildqualität, indem der Schwarzwert auf dem Sensor justiert wird. Am besten führt man diesen Vorgang aus, wenn die Kamera sich nach einigen Minuten Betriebszeit warm gelaufen hat. Um eine Kalibrierung per Black Shading vorzunehmen, stecken Sie die Staubschutzkappe auf die Kamera bzw. bei angebrachtem Objektiv auf das Objektiv. Drücken Sie dann die Kalibrierschaltfläche. Sie werden aufgefordert, diesen Vorgang zu bestätigen, da ein korrektes Setup erforderlich ist, um die Kalibrierung effektiv auszuführen. Das dauert einige Sekunden. Bei abgeschlossener Kalibrierung werden Sie benachrichtigt. Ihre Kamera merkt sich, an welchem Tag und zu welcher Zeit Black Shading zum letzten Mal ausgeführt worden ist. Das optimiert die Bildqualität in den Schatten.

Die URSA Mini Pro 4.6K G2 hat als Teil des Black-Shading-Vorgangs eine zusätzliche Kalibrierfunktion, anhand derer Pixel für verbesserte Schwarzwerte erneut kalibriert werden können. Das dauert ca. eine Minute.



Die Kalibrierung per Black Shading wird empfohlen

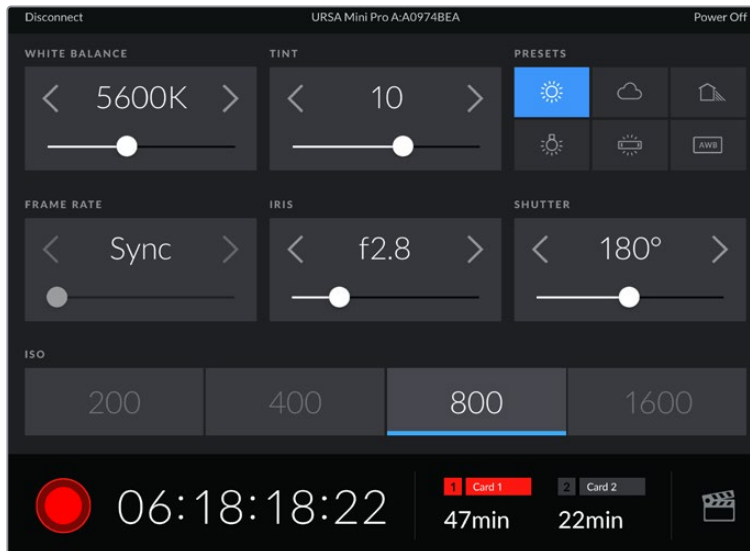
### MOTION SENSOR CALIBRATION

Um das Horizont-Meter auf Ihrer URSA Mini Pro 12K zu kalibrieren, stellen Sie Ihre Kamera auf eine ebene Oberfläche und tippen auf „Calibrate Motion Sensor“. Es ist wichtig, die Kamera während der Kalibrierung stillzuhalten. Dieser Prozess dauert ungefähr fünf Sekunden.

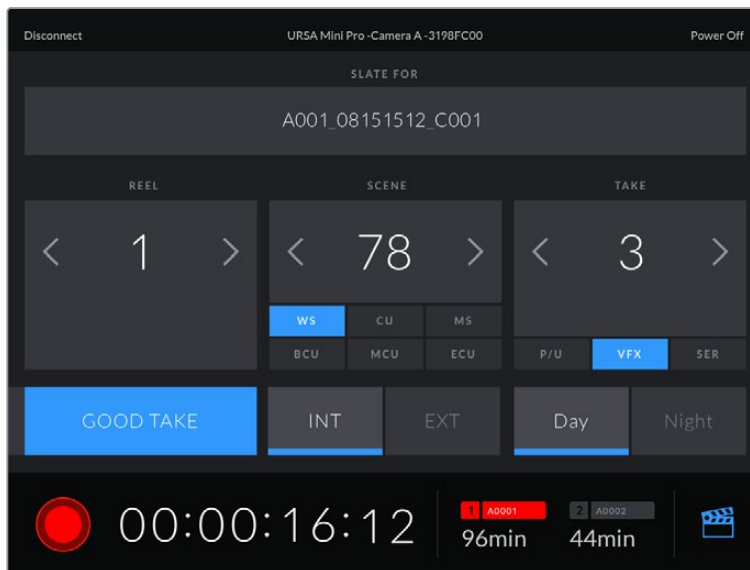


## So steuern Sie Ihre Kamera mit der Blackmagic Camera Control App

Sobald Sie erfolgreich eine Verbindung zwischen Ihrer URSA Mini Pro und Ihrem iPad erstellt haben, können Sie vom iPad aus der Ferne die Kamera ein- bzw. ausschalten, Einstellungen ändern, Metadaten anpassen und die Aufzeichnung per Trigger aktivieren



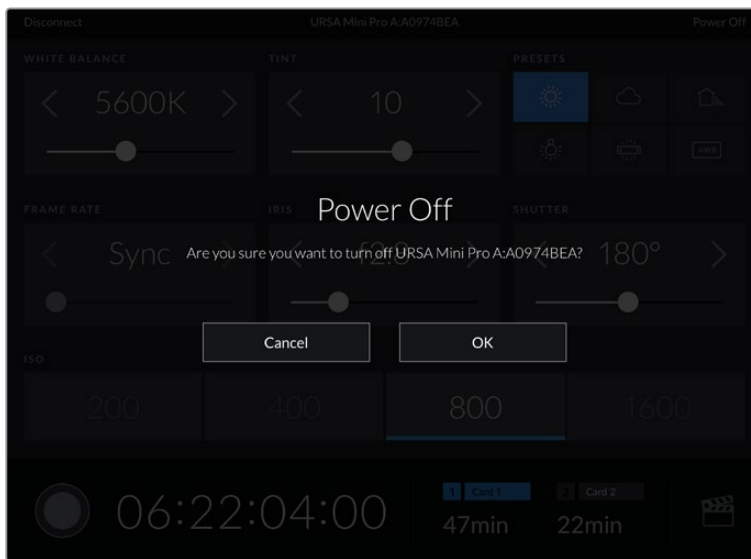
Sind die Geräte verkoppelt, blendet die Blackmagic Camera Control App diesen Bildschirm ein, wo Sie Einstellungen ändern und die Aufnahme starten können



Tippen Sie auf das SLATE-Icon unten rechts, um auf die Slate zuzugreifen und um sie zu aktualisieren

Die Geräte kommunizieren zur drahtlosen Steuerung der URSA Mini Pro per Bluetooth LE. Da dieselbe Art von Protokoll auch von mobilen Geräten verwendet wird, benötigt es nur wenig Akkustrom.

Schalten Sie Ihre URSA Mini Pro aus, indem Sie oben rechts am Bildschirm auf „Camera Off“ tippen.



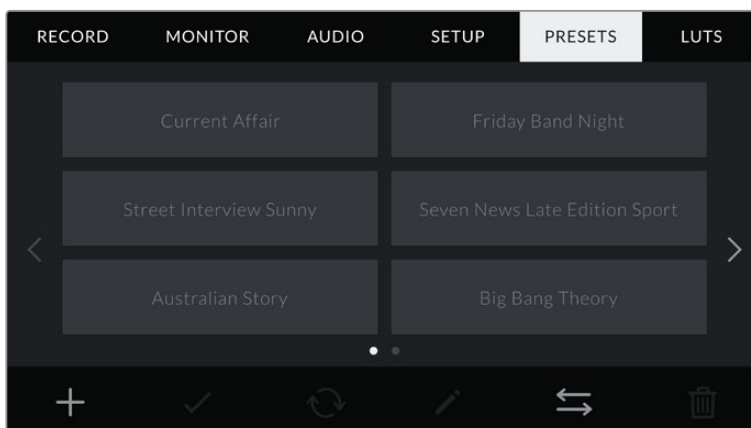
Bevor die Kamera tatsächlich ausgeschaltet wird, werden Sie aufgefordert, Ihre Auswahl zu bestätigen

Ist Bluetooth aktiviert und die URSA Mini Pro ausgeschaltet, wird der Name der Kamera weiterhin in der Liste verfügbarer Geräte in der Blackmagic Camera Control App angezeigt. Da Kamera und iPad bereits gekoppelt sind, können Sie diese nun aus der Ferne einschalten, indem Sie den Namen der Kamera auswählen und auf „Connect“ tippen. Ist Bluetooth deaktiviert, erscheint die Kamera nicht in der Liste.

## PRESETS-Einstellungen

Über die Registerkarte PRESETS können Sie eine ganze Sammlung an Einstellungen für Ihre URSA Mini als Voreinstellung speichern und wieder abrufen. Das ist nützlich, wenn Ihre Kamera für mehrere Projekte verwendet wird. Es könnte ja sein, dass Sie Ihre URSA Mini für eine ganze Reihe verschiedener Shots einsetzen, z. B. Dokumentationen oder Musikvideos, die alle unterschiedlicher Einstellungen bedürfen. Die Preset-Funktion Ihrer URSA Mini lässt Sie das Setup eines bestimmten Typs von Projekt oder Shot speichern, um es bei Bedarf schnell und mühelos wieder abzurufen. Es sei angemerkt, dass einige der mit der URSA Mini in einem Preset gespeicherten Einstellungen möglicherweise nicht mit anderen Blackmagic Kameras oder früheren Softwareversionen der URSA Mini kompatibel sind. Damit gewährleistet ist, dass auf Ihrer Kamera die aktuellste Software installiert ist, sehen Sie im Blackmagic Design Support-Center unter [www.blackmagicdesign.com/de/support](http://www.blackmagicdesign.com/de/support) nach Updates.

Außerdem lassen sich Presets importieren und exportieren. Das ist für Dreharbeiten mit mehreren Kameras praktisch. Stellen Sie die URSA Mini einfach Ihrem Projekt entsprechend ein und exportieren Sie die Voreinstellungen für alle anderen URSA Minis am Set.



PRESET-Registerkarte Ihrer URSA Mini

**HINWEIS** Der interne Speicher Ihrer URSA Mini fasst bis zu 12 Presets.

### PRESET-Icons

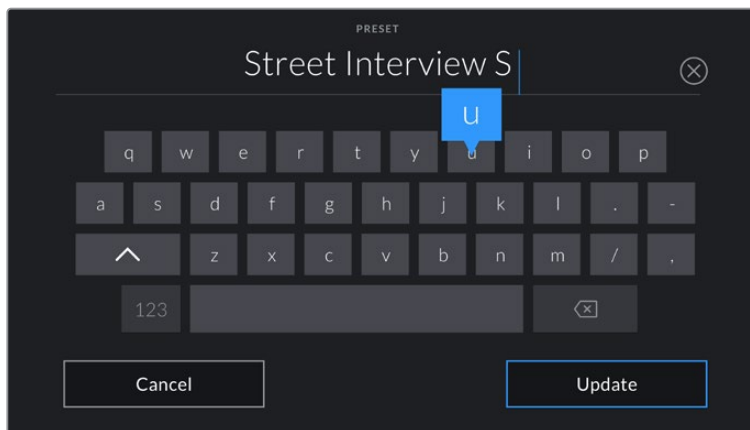
Die Icons am unteren Rand des PRESET-Menüs unterstützen folgende Funktionen:

				
<b>Hinzufügen</b>	<b>Stopp</b>	<b>Aktualisieren</b>	<b>Verwalten</b>	<b>Löschen</b>

### Speichern und Laden von Presets

Tippen Sie zum Kreieren eines neuen Projekts auf das Hinzufügen-Icon. Es erscheint eine Tastatur auf Ihrem LCD-Touchscreen. Geben Sie dort den Namen für Ihr Preset ein. Tippen Sie anschließend auf „Update“, um alle derzeitigen Einstellungen in diesem Preset zu speichern.

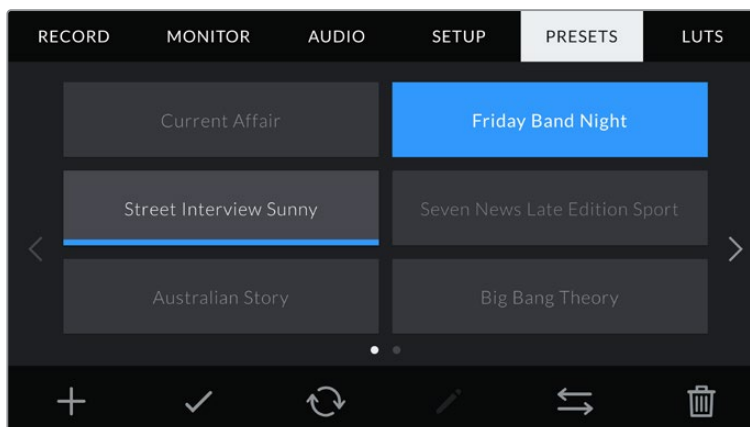
Sollte die URSA Mini bereits ein Preset mit demselben Namen geladen haben, werden Sie aufgefordert, das existierende Preset zu überschreiben oder beide zu behalten.



Tippen Sie auf der PRESETS-Registerkarte auf das Hinzufügen-Icon und geben Sie mithilfe der Tastatur einen Namen ein

Wenn Sie ein gespeichertes Preset abrufen möchten, tippen Sie auf seinen Namen. Tippen Sie auf das Laden-Icon, um es zu laden.

Sie aktualisieren ein Preset, indem Sie auf das Aktualisieren-Icon tippen. Es öffnet sich ein Fenster, das Sie fragt, ob Sie das Preset mit der derzeitigen Einstellung Ihrer URSA Mini aktualisieren wollen. Tippen Sie zur Bestätigung auf „Update“.



Wählen Sie ein Preset und laden Sie es über das Laden-Icon. Ausgewählte Presets färben sich komplett blau, während derzeit geladene Presets mit einer blauen Linie am unteren Rand des Icons markiert sind

## Importieren von Presets

Um Presets zu importieren, tippen Sie auf das Verwalten-Icon am unteren Rand des PRESETS-Menüs. Wählen Sie auf der URSA Mini Pro, je nachdem wo Ihre Presets gespeichert sind, mit dem Datenträger-Auswahlschalter SD oder CFast. Bei Einsatz eines URSA Mini Recorders können Sie Presets auch von einer SSD importieren.

Gehen Sie dann auf „Import Preset“ und bestätigen Sie Ihre Auswahl mit dem Importieren-Icon. Es erscheint der Import-Bildschirm. Wählen Sie „Card 1“ oder „Card 2“ links oben auf dem Bildschirm, um alle verfügbaren Presets auf diesen Karten anzuzeigen.

Ihre URSA Mini durchsucht daraufhin das Stammverzeichnis und den „Presets“-Ordner auf der gewählten CFast- oder SD-Karte. Bitte beachten Sie, dass Presets, die in anderen Ordnern auf Ihren CFast- oder SD-Karten gespeichert wurden, nicht gefunden werden können.

Tippen Sie auf ein Preset, um es auszuwählen und anschließend zur Bestätigung auf „Import“. Oben rechts auf dem Touchscreen sehen Sie die Anzahl der verbleibenden Preset-Plätze auf Ihrer Kamera.

**HINWEIS** Wenn alle Preset-Plätze Ihrer URSA Mini besetzt sind, ist das Importmenü nicht verfügbar. Schaffen Sie dann durch Löschen vorhandener Presets wieder Platz.

## Exportieren von Presets

Wenn Sie ein Preset auf eine CFast- oder SD-Karte exportieren möchten, tippen Sie zunächst auf das Preset und dann auf das Verwalten-Icon. Es werden zwei Optionen angezeigt: „Import Preset“ und „Export Selected Preset“.

Je nachdem, an welchem Zielort Sie das Preset speichern wollen, geben Sie auf der URSA Mini Pro mit dem Datenträger-Auswahlschalter entweder SD oder CFast vor. Bei Einsatz eines URSA Mini Recorders können Sie LUTs auch auf eine SSD exportieren. Mit „Export Selected Preset“ werden Sie aufgefordert, den Datenträger auszuwählen, auf den Sie das Preset exportieren möchten. Nach Auswahl einer Karte wird das jeweilige Preset in einen „Presets“-Ordner auf den angegebenen Datenträger exportiert.

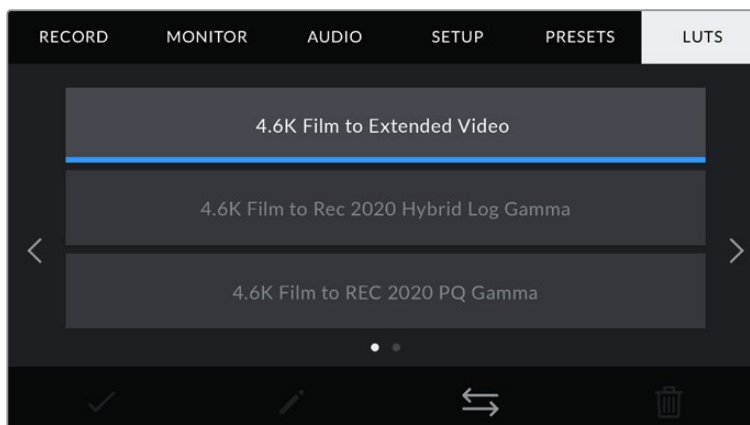
Ist auf der CFast- oder SD-Karte bereits ein Preset mit demselben Namen gespeichert, werden Sie aufgefordert, dieses Preset zu überschreiben oder beide zu behalten.

## Löschen von Presets

Ihre URSA Mini bietet Platz für zwölf Presets. Zum Löschen eines Presets, wählen Sie es aus und tippen Sie auf das Löschen-Icon. Sie werden aufgefordert, Ihre Auswahl zu bestätigen. Tippen Sie zur Bestätigung auf „Delete“.

## LUTS-Einstellungen

Im LUTS-Menü können Sie 3D-LUTs importieren, exportieren und auf die Ausgänge Ihrer Kamera anwenden.



Die LUTS-Registerkarte Ihrer URSA Mini

### 3D-LUTs vorgestellt

Ihre URSA Mini erlaubt die Anwendung von 3D-LUTs auf Bilder über den LCD-Touchscreen, den Front- und den Haupt-SDI-Ausgang. LUTs geben der URSA Mini vor, welche Farbe und Luminanz sie in der Ausgabe auf welche Farbe und Luminanz der Eingabe anwenden soll. Beispiel: Eine LUT kann Ihrer URSA Mini vorgeben, ein sonst relativ trübes Blau in der Eingabe als strahlendes, sattes Blau auszugeben. Das ist besonders bei der Aufzeichnung von Blackmagic-RAW-Material nützlich oder bei Verwendung des Dynamikumfangs „Film“. Beide sorgen für ein gewollt ungesättigtes und flaches Erscheinungsbild. Wenden Sie eine LUT auf Ihr Material an, bekommen Sie einen Eindruck, wie Ihre Footage nach der Farbkorrektur aussehen wird.

3D-LUTs lassen sich problemlos in DaVinci Resolve oder einer anderen Farbkorrektur-Software erstellen. Außerdem sind LUTs auch online erhältlich. Ihre URSA Mini kann bis zu sechs 17- oder 33-Punkt-3D-LUTs mit je bis zu 1,5 Megabytes speichern. Sobald eine LUT geladen ist, können Sie sie über die Ausgabe des LCD-Touchscreens, bzw. Front- und Haupt-SDI-Ausgangs oder einer beliebigen Kombination aus allen anzeigen.

Ihre URSA Mini unterstützt 33-Punkt-3D-LUTs im .cube-Format von DaVinci Resolve und ins Resolve .cube-Format konvertierte 17-Punkt-3D-LUTs. Möglich ist die Konvertierung mit LUT-Konvertierungsprogrammen. Ihre Kamera verarbeitet 3D-LUTs mithilfe von qualitativ hochwertiger tetraedrischer Interpolation.

**TIPP** Näheres zur Anzeige von LUTs finden Sie im Abschnitt „MONITOR-Einstellungen“ in diesem Handbuch.

**HINWEIS** LUTs werden ausschließlich als Vorschautool eingesetzt. Ihre URSA Mini wendet LUTs während des Drehs zwar an, zeichnet diese jedoch nicht mit auf. Informationen zu während eines Shots angewendeten LUTs werden jedoch als Metadaten mit Ihren Aufnahmen abgespeichert. Im Feld „LUT used“ in DaVinci Resolve kann der LUT-Name der am Set für die Bildkontrolle verwendeten LUT nachgesehen werden. Mit Blackmagic RAW können Sie eine beim Filmen verwendete LUT nicht-destruktiv in die RAW-Datei für die Postproduktion einbetten. So haben Sie später in DaVinci Resolve die Option, diese LUT oder einen anderen Look anzuwenden. Einzelheiten finden Sie im Abschnitt „Eingebettete 3D-LUTs“.

### Integrierte LUTs

Ihre URSA Mini verfügt über mehrere kamerainterne LUTs. Für Material, das mit dem Dynamikumfang „Film“ in ProRes oder Blackmagic RAW aufgezeichnet wurde, können Sie im Vorschaumodus somit verschiedene Looks ausprobieren.

<b>Film to Extended Video</b>	Bietet eine Vorschau mit einem breiteren Dynamikumfang als die LUT „4.6K Film to Video“ und sorgt bei einer leichten Änderung am Kontrast für ein geschmeidiges Roll-Off in den Highlights.
<b>Film to Video</b>	Ähnlich der Rec.709-Farbnorm für High-Definition-Video mit hohen Kontrast- und Sättigungslevels. Diese Einstellung eignet sich bei Einsatz der URSA Mini zusammen mit anderen Broadcastkameras, die den Rec.709-Farbraum verwenden.
<b>Film to Rec 2020 Hybrid Log Gamma</b>	Zeigt eine Mischung aus einem Rec.709- und einem Log-Modus-Bild an.

### Film to Rec 2020 PQ Gamma

„4.6K Film to Rec 2020 PQ Gamma“ – Bietet eine Vorschau mit Gammakurve, die darauf basiert, was das menschliche Auge wahrnehmen kann. Eignet sich für effizientes Encoding von HDR-Bildern.

### LUTS-Icons

Die Icons am unteren Rand des LUTS-Menüs unterstützen folgende Funktionen:



### Importieren von LUTs

Tippen Sie zum Importieren einer 3D-LUT auf das Verwalten-Icon unten im LUTS-Menü und anschließend zur Bestätigung auf „Import LUT“.

Es erscheint der Import-Bildschirm. Je nachdem, an welchem Zielort Sie das Preset speichern wollen, geben Sie auf der URSA Mini Pro mit dem Datenträger-Auswahlschalter entweder SD oder CFast vor. Bei Einsatz eines URSA Mini Recorders können Sie auch auf einer SSD gespeicherte LUTs importieren. Wählen Sie „Card 1“ oder „Card 2“ links oben auf dem Bildschirm, um alle verfügbaren 3D-LUTs auf diesen Karten anzuzeigen.

Ihre URSA Mini durchsucht daraufhin das Stammverzeichnis und den „3DLUTS“-Ordner auf der gewählten CFast- oder SD-Karte. An anderer Stelle gespeicherte LUTs können nicht gefunden werden.

Wählen Sie eine LUT aus und tippen Sie zur Bestätigung auf „Import“. Die LUT wird auf Ihrer URSA Mini gespeichert.

**HINWEIS** Sind alle sechs Plätze für 3D-LUTs Ihrer URSA Mini besetzt, können Sie erst dann weitere importieren, wenn sie durch Löschen vorhandener LUTs Platz schaffen.

Hat diese LUT denselben Namen wie eine bereits auf Ihrer Kamera gespeicherte LUT, werden Sie aufgefordert, die existierende LUT zu überschreiben oder beide zu behalten. Oben rechts auf dem Touchscreen sehen Sie die Anzahl der verbleibenden LUT-Plätze auf Ihrer Kamera. Sie können nur so viele LUTs laden, wie Plätze vorhanden sind.

**HINWEIS** Sollte beim Importieren einer LUT in Ihre URSA Mini ein Problem auftreten, ist ihre Größe womöglich inkorrekt. Die Größe einer LUT können Sie mithilfe eines LUT-Editors wie Lattice oder mit einem beliebigen Texteditor auf Ihrem Rechner prüfen. Die neben dem Tag „LUT\_3D\_SIZE“ erscheinende Zahl gibt Aufschluss über die Größe der LUT. Beträgt dieser Wert weder 17 noch 33, können Sie Ihre 3D LUT mithilfe von Lattice auf 17 Punkte reduzieren.

### Anwenden einer LUT

Sobald Sie eine LUT auf Ihrer Kamera gespeichert haben, wählen Sie sie aus und tippen Sie anschließend auf das Laden-Icon. Daraufhin wird die LUT auf alle Ausgänge Ihrer Kamera angewendet. Zusätzlich müssen Sie jedoch die Option „Display LUT“ für jeden Ausgang im MONITOR-Menü aktivieren, um sie auch tatsächlich anzuzeigen. Das LUT-Icon erscheint immer dann auf dem LCD und in den Signalen der Front- und Haupt-SDI-Ausgänge, wenn Statustext aktiviert ist und eine LUT auf den Ausgang angewendet wird. Näheres finden Sie im Abschnitt „MONITOR-Einstellungen“ in diesem Handbuch.

### **Exportieren von LUTs**

Um eine LUT auf eine CFast- oder SD-Karte zu exportieren, wählen Sie sie aus und tippen Sie auf das Verwalten-Icon. Es werden zwei Optionen angezeigt: „Import LUT“ und „Export Selected LUT“. Je nachdem, an welchen Zielort Sie die LUT speichern wollen, geben Sie auf der URSA Mini Pro mit dem Datenträger-Auswahlschalter entweder SD oder CFast vor. Bei Einsatz eines URSA Mini Recorders können Sie LUTs auch von einer SSD importieren.

Indem Sie auf „Export Selected LUT“ tippen, werden Sie aufgefordert, die Speicherkarte auszuwählen, auf die Sie die LUT exportieren möchten. Die bloße Auswahl einer Karte startet den Export, es sei denn, Sie exportieren eine LUT, die bereits auf der Karte existiert. Wird ein Duplikat gefunden, werden Sie gefragt, ob Sie die LUT auf Ihrer Karte überschreiben oder ob Sie beide LUTs behalten möchten.

### **Löschen von LUTs**

Ihre URSA Mini bietet Platz für sechs 17- oder 33-Punkt-3D-LUTs. Wenn Sie eine LUT löschen möchten, weil Sie sie nicht mehr benötigen oder weil Sie Platz schaffen möchten, wählen Sie die entsprechende LUT aus und tippen Sie auf das Löschen-Icon. Sie werden aufgefordert, Ihre Auswahl zu bestätigen. Tippen Sie zur Bestätigung auf „Delete“.

### **Eingebettete 3D-LUTs**

Wird beim Filmen in Blackmagic RAW auf Blackmagic URSA Mini Pro Modellen eine 3D-LUT angewendet, wird diese beim Aufzeichnen in Ihre Blackmagic-RAW-Datei eingebettet. Die 3D-LUT wird zusammen mit Ihren aufgezeichneten Dateien in der Kopfzeile der BRAW-Datei (.braw) gespeichert. So kann man die LUT in der Postproduktion mühelos auf die Footage anwenden, ohne eine separate Datei handhaben zu müssen.

Mit Blackmagic-RAW-Dateien können Editoren oder Coloristen leicht auf die beim Filmen verwendete LUT zugreifen. Das reduziert das Risiko, dass versehentlich eine falsche 3D-LUT auf einen Clip angewendet wird. Während des Schnitts oder Colorgradings der Footage kann die 3D-LUT jederzeit aktiviert oder deaktiviert werden.

Steht der Schalter „Apply LUT in File“ im RECORD-Menü der URSA Mini Pro auf ON, wird der aufgezeichnete Clip beim Öffnen im Blackmagic RAW Player und in DaVinci Resolve mit der zuvor angewendeten 3D-LUT angezeigt. Die 3D-LUT lässt sich leicht ein- und ausschalten. Sie bleibt aber immer in der Blackmagic-RAW-Datei erhalten, da die entsprechenden Daten im Clip selbst gespeichert sind.

In DaVinci Resolve bietet das Menü mit den RAW-Einstellungen einen „Apply LUT“-Schalter, mit dem sich die 3D-LUT in der Blackmagic-RAW-Datei deaktivieren oder aktivieren lässt. Die „Apply LUT“-Einstellung in DaVinci Resolve ist die gleiche wie die Einstellung in der Kamera. Dies ermöglicht Ihnen schon beim Dreh, den Coloristen anhand der in der Kamera eingestellten LUT anzuweisen, diese zu verwenden. Die LUT kann in DaVinci Resolve aber einfach deaktiviert werden, indem man „Apply LUT“ auf OFF setzt.



# Eingabe von Metadaten

Metadaten sind Informationen, die innerhalb eines Clips gespeichert werden. Dazu gehören Take-Nummern, Kameraeinstellungen und andere identifizierende Angaben. Metadaten sind extrem nützlich, um Footage in der Postproduktion zu sortieren und zu bearbeiten. Bspw. sind Take- und Shot-Nummern das A und O für die Organisation, während Objektivinformationen dazu genutzt werden können, Verzeichnungen automatisch zu entfernen oder VFX-Assets besser auf Matten abzustimmen.

Ihre Blackmagic URSA Mini speichert Clips automatisch mit einigen Metadaten ab. Dazu gehören Kamera-Einstellungen, Timecode, Datum und Uhrzeit. Sie können die Filmtafelfunktion Slate Ihrer Kamera nutzen, um viele weitere Informationen hinzuzufügen.

## Die Slate

Wenn Sie auf dem Touchscreen Ihrer URSA Mini nach links oder rechts wischen, gelangen Sie in den SLATE-Bereich.

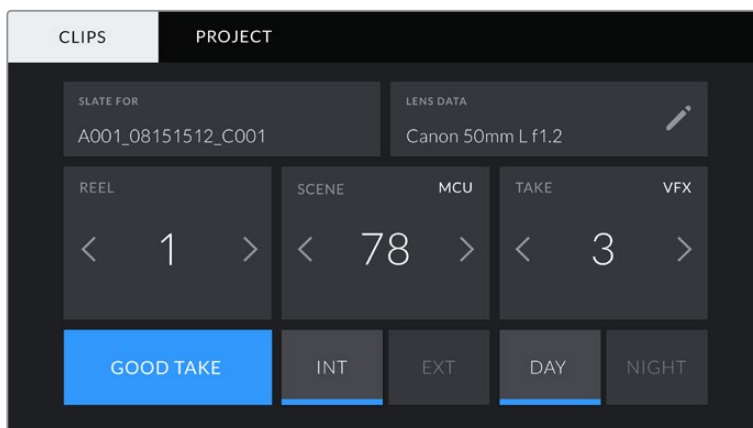
In der Slate finden Sie zwei Registerkarten: CLIPS und PROJECT. Auf der Registerkarte CLIPS finden Sie Informationen, die von Clip zu Clip variieren, während Sie unter PROJECT gängige Details eingeben, wie bspw. Projektname, Regisseur sowie Kamera- und Bediener-ID.

**TIPP** Über die Slate eingegebene Metadaten können bei aktivierter „Director“-Ansicht über die Front- oder Haupt-SDI-Ausgabe Ihrer URSA Mini eingesehen werden. Näheres finden Sie im Abschnitt „MONITOR-Einstellungen“ in diesem Handbuch.

## CLIPS-Metadaten

Wie an Metadaten vorgenommene Änderungen aufgezeichnet werden, hängt davon ab, ob sich Ihre URSA Mini aufzeichnungsbereit im Standby-Modus oder im Wiedergabemodus befindet, während Sie bspw. bereits aufgenommenes Material sichten. Im Standby-Modus werden Clip-Metadaten für den nächsten Clip aufgezeichnet. Das gilt nicht für den letzten aufgezeichneten Clip mit der Kennzeichnung GOOD TAKE LAST CLIP.

Im Wiedergabemodus werden Metadaten immer für den derzeit gesichteten Clip aufgezeichnet.



Die Einstellung SLATE Ihrer URSA Mini ist in die Registerkarten CLIPS und PROJECT unterteilt

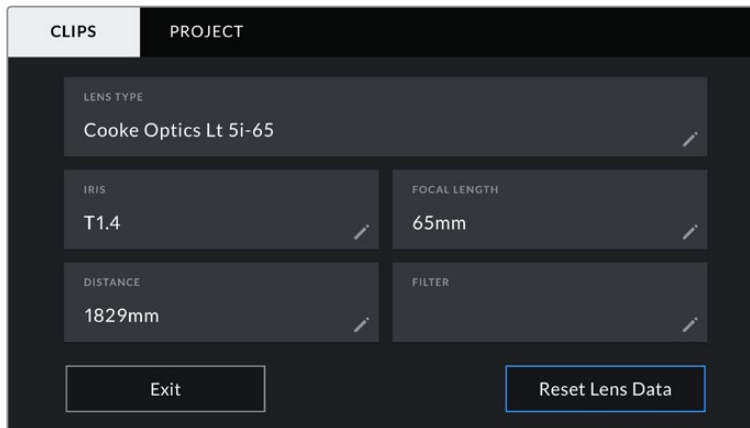
### SLATE FOR

Diese Einstellung zeigt an, auf welchen Clip sich die derzeit angezeigten Metadaten beziehen. Im Standby-Modus gelten diese Einstellungen für den nächsten Clip, der aufgenommen wird.

## LENS DATA

Hier werden Informationen zum Objektiv angezeigt, das zurzeit an Ihre Kamera angebracht ist. Viele elektronische Objektive stellen Informationen zu Modell, Blende und Brennweite automatisch zur Verfügung. Sollte Ihr Objektiv diese Informationen nicht liefern oder sollten Sie zusätzliche Informationen eingeben wollen, tippen Sie auf das Stift-Icon und tragen Sie die Informationen manuell ein.

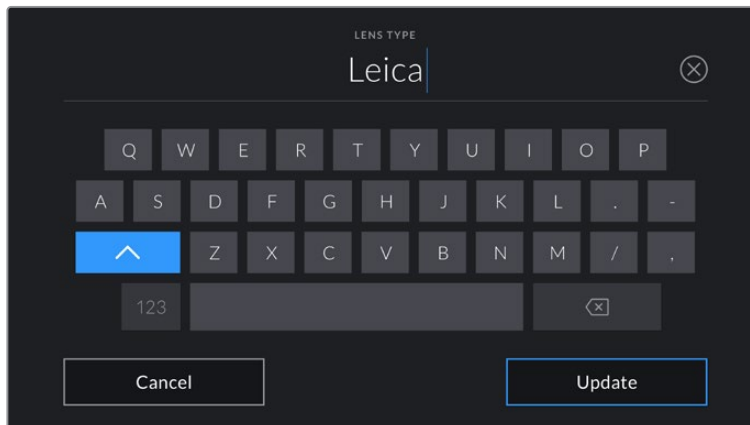
Das Objektivdatenmenü enthält folgende Informationen:



Das Objektivdatenmenü wird automatisch mit Informationen bevölkert, die von einem Objektiv des Typs Cooke /i Technology stammen

## LENS TYPE

Zeigt den Objektivtyp an. Sollte Ihr Objektivtyp nicht automatisch angezeigt werden, können Sie auf diese Einstellung tippen und die Informationen manuell eingeben. Ihre Kamera verfügt über eine interne Datenbank mit gängigen Objektiven. Sollten Sie die Daten Ihres Objektivs daher manuell eingeben müssen, schlägt Ihnen die Kamera während des Tippens Namen vor. Das beschleunigt das Eingeben von Daten.



Tragen Sie Objektivdaten mithilfe der Touch-Tastatur ein, sollten diese nicht automatisch erscheinen

## IRIS

Zeigt die Einstellung der Blende am Anfang Ihres Clips an. Diese Information kann in f- oder T-Stufen angegeben werden, je nach verwendetem Objektivtyp. Tippen Sie auf diese Einstellung, um Metadaten manuell einzugeben.

## FOCAL LENGTH

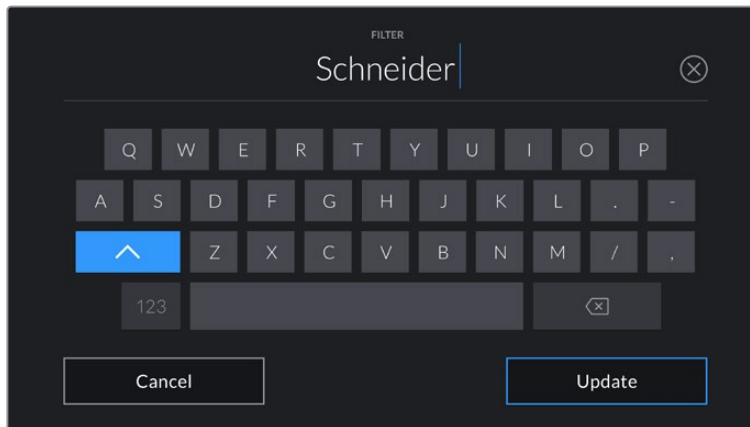
Zeigt die Brennweitereinstellung des Objektivs zu Beginn des aufgezeichneten Clips an. Wird diese Information automatisch angegeben, erscheint sie in Millimetern. Tippen Sie auf diese Einstellung, um Metadaten manuell einzugeben.

## DISTANCE

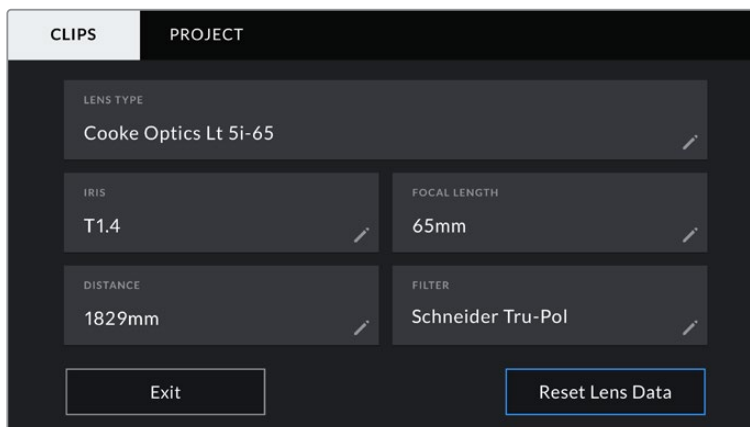
Zeigt die Einstellungen für den Fokusabstand für den aufgezeichneten Clip an. Einige Objektive liefern diese Informationen automatisch in Millimetern. Sie können diese Daten zudem manuell eingeben.

## FILTER

Zeigt die derzeit verwendeten Objektivfilter an. Tippen Sie auf diese Einstellung, um Metadaten manuell einzugeben. Sie können mehrere Eintragungen vornehmen und diese durch Kommata trennen.

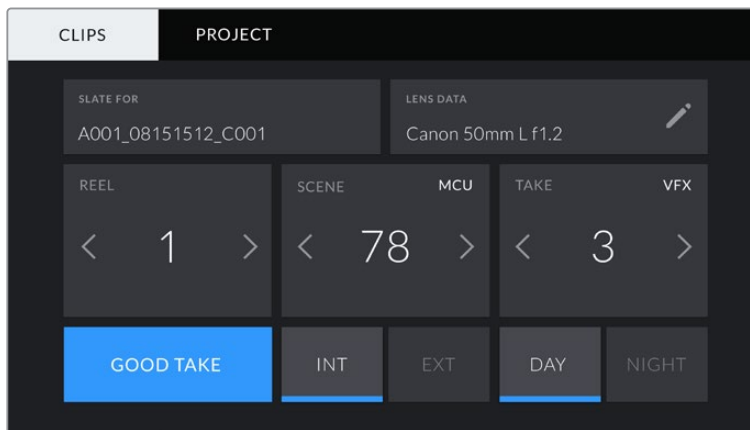


Filterinformationen müssen manuell eingegeben werden



Das Objektivdatenmenü wird automatisch mit Informationen bevölkert, die von einem Objektiv des Typs Cooke /i Technology stammen sowie mit Filterinformationen, die manuell eingegeben wurden

**HINWEIS** Objektivdaten lassen sich jederzeit löschen, indem Sie im Objektivdaten-Menü das Icon „Reset Lens Data“ (Objektivdaten zurücksetzen) antippen. Sie werden aufgefordert, Ihre Auswahl zu bestätigen. Wenn Sie bestätigen, werden alle Objektivdaten gelöscht und automatisch die Daten des aktuell aufgesetzten Objektivs aufgenommen. Wurden Informationen manuell in diese Felder eingegeben, müssen Sie beim nächsten Anbringen eines Objektivs die Objektivdaten neu einstellen, weil sonst die manuell vorgegebenen Daten beibehalten werden.



Die Einstellung SLATE ist in die Registerkarten CLIPS und PROJECT unterteilt

### REEL

Der REEL-Indikator zeigt die derzeitige Bandnummer an.

Ihre URSA Mini erhöht die Bandnummer in der Regel automatisch, sodass Sie dies nicht manuell tun müssen. Wenn Sie für ein neues Projekt mit Band 1 anfangen möchten, tippen Sie im PROJECT-Tab der Slate auf „Reset Project Data“, um Ihre Projektdaten zurückzusetzen.

### SCENE

Der SCENE-Indikator zeigt die derzeitige Szenennummer an. Gleichzeitig können auch die Shot-Nummer und der Shot-Typ angezeigt werden.

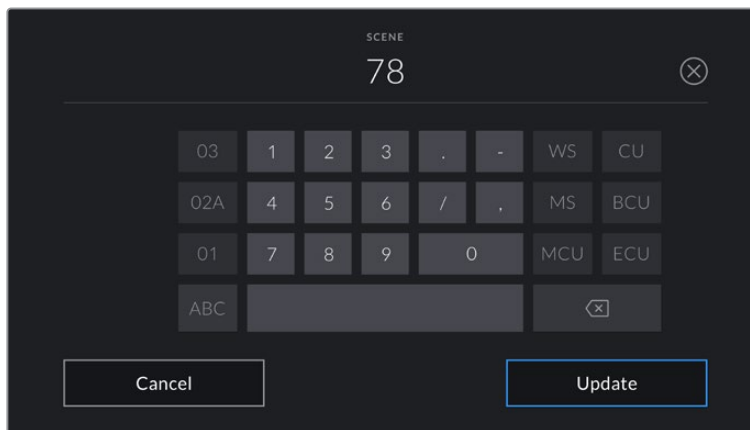
Diese Zahl bezieht sich immer auf die derzeitige Szene. Mithilfe der Pfeile neben der Szenennummer lässt sich diese anpassen. Oder tippen Sie auf die Szenennummer, um auf den Editor für eine manuelle Eintragung zuzugreifen.

Möglich sind Szenennummern zwischen 1 und 9999.

Wenn Sie den derzeitigen Shot kennzeichnen möchten, fügen Sie einfach im Szenennummern-Editor einen Buchstaben hinzu. Beispiel: „23A“ würde für Szene 23 und Shot 1 stehen. Wenn Sie Ihrer Szene einen Shot-Buchstaben zugewiesen haben, schlägt Ihre URSA Mini Ihnen den jeweils nächsten Buchstaben vor, sobald Sie den Editor erneut öffnen. Ist Ihre derzeitige Szenennummer bspw. „7B“, schlägt die URSA Mini Ihnen als nächstes „7C“ vor.

Der Szenennummern-Indikator kann außerdem Informationen über den Shot-Typ in der oberen rechten Ecke anzeigen. Wählen Sie diese im Szenennummern-Editor rechts neben der Tastatur aus. Folgende Shot-Typen sind verfügbar:

<b>WS</b>	Totale
<b>MS</b>	Medium Shot (Halbnah)
<b>MCU</b>	Medium Close Up (Nah)
<b>CU</b>	Großaufnahme
<b>BCU</b>	Nahaufnahme
<b>ECU</b>	Detail



Beim Eintragen von SCENE-Metadaten können Sie die Hochzählungsarten links neben der Touch-Tastatur und die Shot-Typen rechts neben der Tastatur auswählen

### TAKE

Der TAKE-Indikator zeigt die Take-Nummer des derzeitigen Shots an. Diese können Sie entweder durch Antippen der Pfeile neben der Take-Nummer oder über den Take-Nummern-Editor durch Tippen auf den Indikator erhöhen oder verringern.

**TIPP** Bei erweiterten Einstellungsnummern oder Szenenbuchstaben, geht die Takenummer auf 1 zurück.

Im Take-Nummern-Editor lassen sich zudem Beschreibungen hinzufügen. Diese werden Ihnen rechts neben der Take-Nummern-Tastatur angeboten und beziehen sich auf folgende Szenarien:

- PU** Pick up: Dies bezieht sich auf den Re-Shoot eines vorherigen Takes, um zusätzliches Material hinzuzufügen, nachdem die Dreharbeiten bereits beendet wurden.

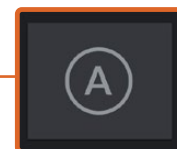
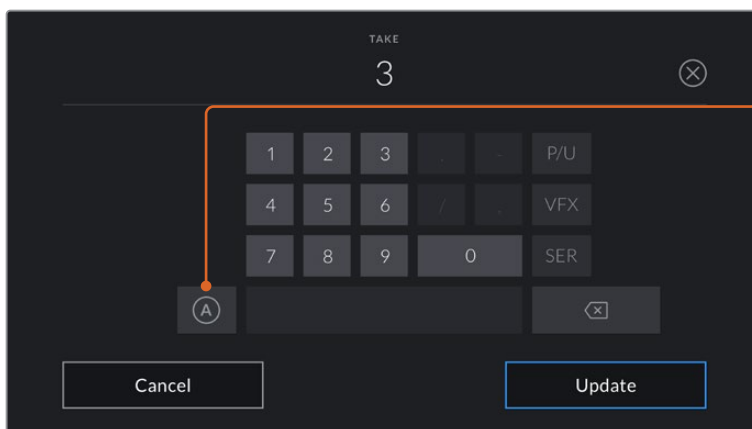
---

- VFX** Visual Effects: Dies bezieht sich auf ein Take oder einen Shot, der für visuelle Effekte gedacht ist.

---

- SER** Series: Dies bezieht sich auf eine Situation, in der mehrere Takes aufgezeichnet werden, während die Kamera ununterbrochen filmt.

---

Tippen Sie auf „A“, um im Standby-Modus die Take-Nummer für jeden Clip automatisch hochzuzählen.

Bei Aktivierung erscheint nun ein kleines „A“ neben der Take-Nummer auf der Slate.

Beim Eintragen von Metadaten können Sie zwischen diesen zusätzlichen Shot-Typen rechts neben der Touch-Tastatur wählen

## GOOD TAKE

Tippen Sie auf den Indikator GOOD TAKE, um gute Aufnahmesequenzen für ein schnelles Abrufen in der Postproduktion zu markieren. Diese Markierung bezieht sich entweder auf den letzten aufgezeichneten Clip, wenn Ihre URSA Mini im Standby-Modus ist, oder auf den Clip, der zurzeit im Wiedergabemodus abgespielt wird.

## INT und EXT

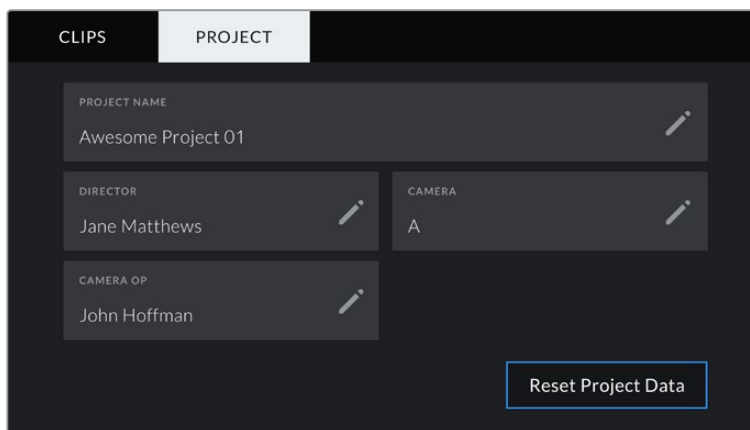
Tippen Sie auf INT oder EXT, um im Standby-Modus den nächsten, bzw. im Wiedergabemodus den derzeitigen Clip mit „Interior“ (Innen) oder „Exterior“ (Außen) zu markieren.

## DAY und NIGHT

Tippen Sie auf DAY oder NIGHT, um im Standby-Modus den nächsten, bzw. im Wiedergabemodus den derzeitigen Clip mit Tag oder Nacht zu markieren.

## PROJECT-Metadaten

Bei Projektmetadaten ist es unerheblich, ob sich die URSA Mini im Standby- oder Wiedergabemodus befindet. Diese Metadaten beziehen sich auf Ihr gesamtes Projekt und stehen daher nicht in Verbindung mit Clip-Nummern.



Die URSA Mini PROJECT-Registerkarte unter SLATE

### PROJECT NAME

Zeigt den Namen Ihres derzeitigen Projekts an. Tippen Sie auf das Stift-Icon, um den Projektnamen zu ändern.

### DIRECTOR

Zeigt den Namen des Regisseurs für das derzeitige Projekt an. Tippen Sie auf das Stift-Icon, um den Namen des Regisseurs zu ändern.

### CAMERA

Zeigt einen einzelnen Buchstaben als Kamera-Index an. Tippen Sie auf das Stift-Icon, um den Kamera-Index zu ändern.

**HINWEIS** Der Kameraindex wird für die Metadaten und zur Benennung von Dateien verwendet. Er unterscheidet sich von der „Camera ID“ (Kamerakennung), die zum Bedienen Ihrer URSA Mini mit einem ATEM Mischer eingesetzt wird. Näheres zur „ATEM Camera ID“ finden Sie im Abschnitt „Betrieb als Studiokamera mit Software-Kamerasteuerung“.

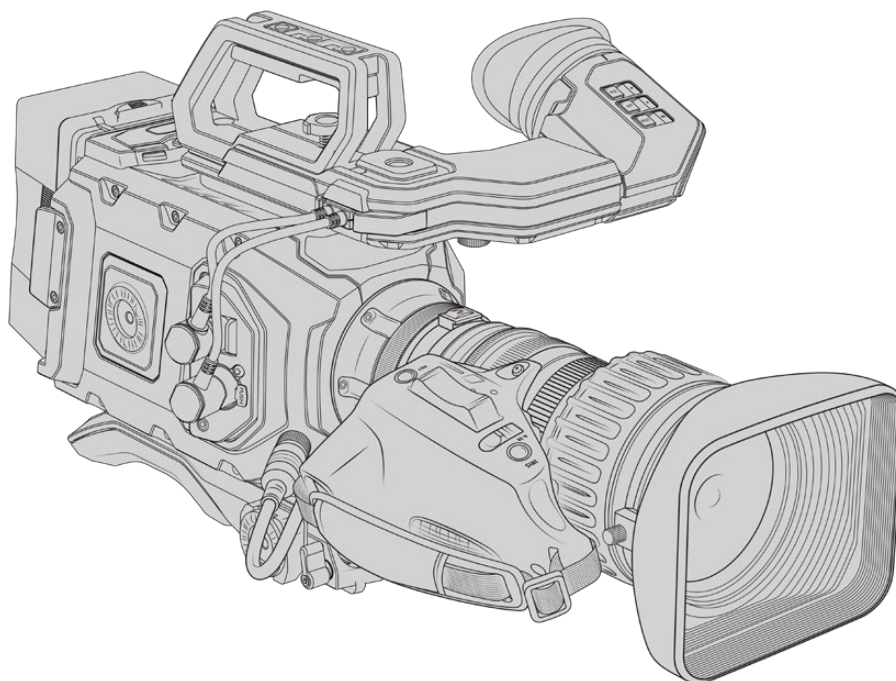
### CAMERA OP

Zeigt den Namen des Kameraoperators an. Tippen Sie auf das Stift-Icon, um den Namen des Kameraoperators zu ändern.

## Einsatz von Servo-Zoom-Objektiven

Indem Sie Servo-Zoom-Objektive mit Ihrer URSA Mini kombinieren, erhalten Sie eine potente Kamera. Blenden-, Zoom- und Fokussierringe am Objektivtubus für die manuelle Einstellung sowie der eingebaute Haltegriff und die integrierte Zoomwippe helfen Ihnen dabei, Ihren Film mit Kompetenz zu drehen. Diverse dynamische und schwierige, wenn nicht unmögliche Techniken sind möglich, weil Sie auch andere Objektivtypen einsetzen können. Aktuell unterstützen URSA Mini PL und URSA Mini Pro 4.6K Modelle die Steuerung von B4- und PL-Zoom-Objektiven mit Cine-Servo über einen 12-poligen Broadcast-Verbinder.

Bei Gebrauch kompatibler Objektive können Sie eine Zoomwippe mit Strom versorgen, mithilfe der Aufnahmetaste die Aufzeichnung starten und stoppen, und die Blende steuern. Die meisten Servo-Zoom-Objektive verfügen außerdem über eine RET-Taste (Return Video). Diese hat dieselbe Funktion wie die PGM-Taste der Kamera und schaltet den an den LCD- und HD-Monitoring-Ausgängen anliegenden Feed zwischen Kameraansicht und der Ansicht des zurückgeführten Programms um.



Zur elektronischen Steuerung der Blendenöffnung muss der Blendenschalter oben auf der Zoomwippe auf „A“ oder „Auto“ eingestellt sein. Die elektronische Steuerung des Zooms ist zudem mit digitalen HD- und Servo-Zoom-Objektiven in 4K möglich. Um Servo-Zoom zu aktivieren, ist der mit „Zoom“ markierte Schalter unten an der Zoomwippe auf „S“ einzustellen.

Folgende Angaben unterstützen Sie dabei, aus der großen Vielfalt an B4-Objektiven ihr Modell mit den benötigten Funktionen auszuwählen.

### **B4-Objektive mit Blenden- und Zoom-Steuerung:**

- B4-Objektive von Fujinon, deren Modellnamen mit HA, ZA, XA, UA und LA beginnen und mit RM enden, verfügen über eine elektronische Blenden- und Zoomsteuerung.
- B4-Objektive von Canon mit den Präfixen HJ, KJ und CJ in den Modellnamen, die zudem auf IRSE oder IRSD enden, verfügen über eine elektronische Blenden- und Zoom-Steuerung

Einige B4- und PL-Objektive haben überdies einen Haltegriff mit elektronischem Servo-Fokus. Um sicherzustellen, dass dieser mit der URSA Mini PL oder der URSA Mini Pro funktioniert und elektronisch steuerbar ist, stellen Sie den mit „Focus“ markierten Schalter unten an der Zoomwippe auf „S“ für Servo.



#### **B4-Objektive mit voller Servo-Steuerung für Fokus, Blende und Zoom:**

- B4-Objektive von Fujinon mit den Namenspräfixen HA, ZA und UA und den Namenssuffixen RD oder ZD
- B4-Objektive von Canon mit den Namenspräfixen HJ, KJ..ex und CJ und den Namenssuffixen IASE oder IASD

Bei Objektiven mit motorisierter Fokussteuerung können Sie sogar über die FOCUS-Taste Ihrer URSA Mini die Autofokus-Funktion aktivieren und diese dann mit der ATEM Software Control eines ATEM Mischers fernsteuern.

Haben Sie ein B4-Objektiv angebracht, stellen Sie die Auflösung auf 2K 16:9 oder niedriger ein und aktivieren Sie den „Window Sensor“-Modus auf der RECORD-Registerkarte auf dem Dashboard. Diese Einstellungen sind wichtig, um im Bild Vignetten zu vermeiden, da B4-Objektive im Super-35mm-Format Bildkreise nicht ausleuchten.

#### **Super-35mm-PL-Objektive mit voller Servo-Steuerung für Fokus, Blende und Zoom:**

Marke	Typ	Modell	Brennweite	Max. Blendenöffnung
Fujinon	Cabrio	ZK2.5x14-SAF	14-35 mm	T2.9
Fujinon	Cabrio	ZK4.7x19-SAFB	19–90 mm	T2.9
Fujinon	Cabrio	ZK3.5x85-SAF	85–300 mm	T2.9-T4
Fujinon	Cabrio	XK6x20	20–120 mm	T3.5
Fujinon	Cabrio	ZK12x25 mit ESM-15A-SA	25–300 mm	T3.5-3.85
Canon	Cine-Servo	CN7x17KAS S	17–120 mm	T2.9-3.9
Canon	Cine-Servo	CN20x50	50–1000 mm	T5-8.9

In Studioumgebungen können Sie Fokus und Zoom zudem über den Schwenkgriff an allen PL- und B4-Objektiven mit Servo-Zoom, wie oben aufgelistet, steuern.

#### **Hybrid-Zoomobjektive mit Compact-Servo**

Seit Kurzem gibt es eine neue Kategorie von Zoom-Objektiven mit einem sogenannten Compact-Servo. Sie haben einige Funktionalitäten der B4- und PL-Servo-Zoom-Objektive, verwenden jedoch einen EF-Mount. Die Zoomwippe für diese Objektive lässt sich über den Objektivanschluss von einer URSA Mini EF und einer URSA Mini Pro betreiben. Ebenso lassen sich mit dem Objektiv-Metadaten-System der URSA Mini Informationen wie Objektivname, Blende sowie Positionsangaben zu Fokus und Zoom lesen und aufzeichnen.

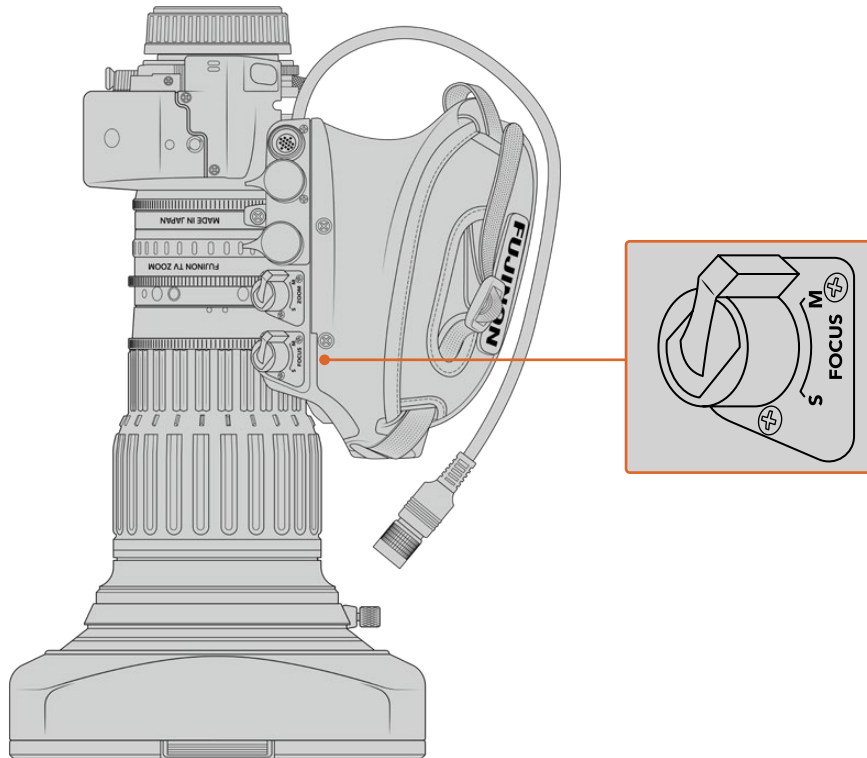
An der URSA Mini und URSA Mini Pro ist die elektronische Steuerung von Fokus, Blende und Zoom mit diesen Objektiven möglich. Besteht eine Verbindung zu einem Mischer, können diese Funktionen auch per ATEM Software Control ferngesteuert werden. In Liveübertragungs- oder Studioumgebungen ist der Einsatz von Canons Digitalfokus und Zoomsteuerung möglich. Die volle Funktionalität erhält man jedoch nur mit zusätzlichen Spezialkabeln von Fremdherstellern.

#### **Objektive in dieser Reihe:**

- Canon CN-E 18–80 mm T4.4 Compact-Servo
- Canon CN-E 70–200 mm T4.4 Compact-Servo

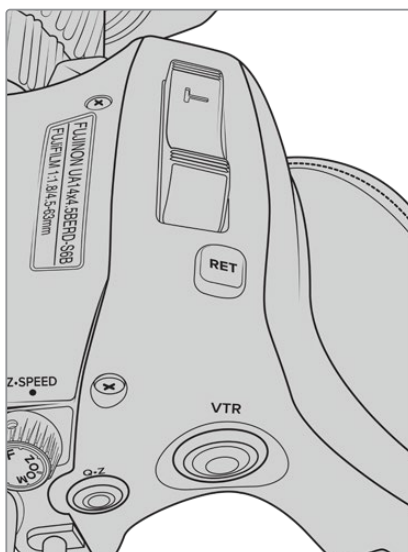
**HINWEIS** Analoge B4-Objektive mit Servomotor werden ebenfalls unterstützt, doch die Kamera versorgt nur den Zoomservo mit Strom und unterstützt die elektronische Blendensteuerung. Viele dieser Objektive sind für Standard Definition ausgelegt und verfügen möglicherweise nicht über einen regulären 12-poligen Broadcast-Verbinder.

Vergewissern Sie sich vor Gebrauch eines analogen B4-Objektivs zunächst, dass es mit Ihrer Kamera kompatibel ist, da einige Modelle nur eingeschränkte Funktionalitäten haben. Darüber hinaus empfiehlt es sich, vorab zu testen, inwieweit Bildkreise ausgeleuchtet werden. Bei manchen Modellen können Auflösung und Licht in Richtung Bildrand drastisch abnehmen.



## RET und VTR

Bei einem B4-Objektiv schaltet die VTR-Taste zwischen Aufzeichnungsstart und -stopp hin und her. Die RET-Taste aktiviert die Rückführung des Programmbilds. Einzelheiten zur Konfiguration der VTR- und RET-Tasten auf der URSA Mini Pro 4.6K G1 als Funktionstasten finden Sie im Abschnitt „Set Function Button“ (Funktionstasten belegen).



Ein B4-Objektiv mit RET- und VTR-Tasten

# Videoausgabe der Kamera

## HD-Monitoring-Ausgang

Der abwärtskonvertierte 3G-SDI-Ausgang der Blackmagic URSA Mini gibt Video stets in 1080 HD aus. So können Sie die Kamera bequem an Kreuzschienen, Monitore, SDI-Aufzeichnungsgeräte, Broadcast-Mischer und andere SDI-Geräte anschließen. Dieser Ausgang ist im Einstellungsmenü des Touchscreens als „Front SDI“ gekennzeichnet.

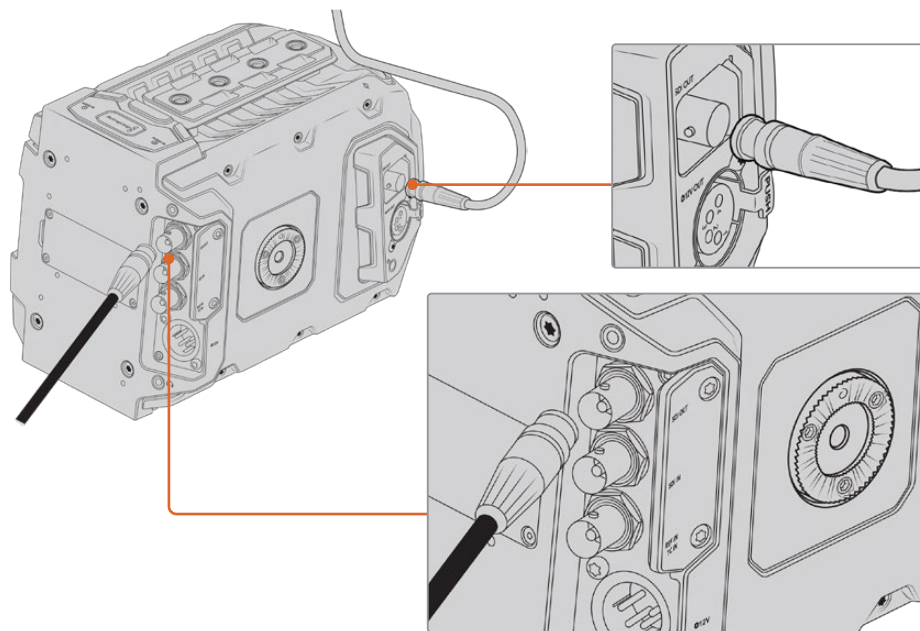
## 12G-SDI-Ausgang

Der 12G-SDI-Ausgang an der Gehäuserückseite unterstützt HD- und 4K-Video, einschließlich progressiven HFR-Formaten wie 2160p/50, 59,94 und 60 über ein einzelnes SDI-Kabel. Er unterstützt überdies HD-Halbbild-Formate (Interlaced) wie 1080i/50, 59,94 und 60. An den 12G-SDI-Ausgang können Sie beliebige SDI-Monitore ebenso wie 4K-Mischer, bspw. einen ATEM Production Studio 4K, anschließen. Dieser Ausgang lässt sich zwischen HD und Ultra HD umschalten, indem Sie auf dem Touchscreen unter dem MONITOR-Tab unter „SDI Output“ die Option 1080p oder 2160p wählen.

### Anschließen von Videomischern

Dank der SDI-Ausgänge lässt sich Ihre Kamera für Live-Fernsehproduktionen einsetzen. Für Liveproduktionsarbeiten können Sie den SDI-Ausgang an der Kamerarückseite direkt an Produktionsmischer anschließen oder ihn zur Umwandlung Ihres Signals in ein optisches an ATEM Camera Converter anschließen, was eine Übertragung über mehrere Hundert Meter an Ü-Wagen vor Ort ermöglicht.

Bei einer an einen Mischer angeschlossenen Kamera können Sie die Programmausgabe des Mixers bequem auf Ihrer Blackmagic URSA Mini sichten. Schließen Sie dafür zuerst den Mischer an den 12G-SDI-Eingang an der Rückseite Ihrer Kamera an. Halten Sie die mit PGM gekennzeichnete Programmtaste auf dem Ausklappmonitor Ihrer Kamera gedrückt, um Ihren Programmfeed anzuzeigen. Um zum Kamerafeed zurückzukehren, lassen Sie die PGM-Taste wieder los. Ein Doppelklick auf die PGM-Taste bindet die Eingabe fest an den Programmfeed. Um zum Kamerafeed zurückzuwechseln, drücken Sie die PGM-Taste einmal.



Sie können den 12G-SDI-Ausgang an einen beliebigen 1080-HD- oder Ultra-HD-Live-Produktionsmischer anschließen. Der Ausgang für das HD-Monitoring lässt sich an einen externen Sucher – etwa einen Blackmagic URSA Viewfinder – anschließen oder an einen externen Monitor, wenn die Kamera an Produktionsequipment gekoppelt ist, zum Beispiel an einem Ausleger oder Kran

## Anschließen von Monitoren

SDI-Monitoring ist eine praktische Alternative, wenn Ausklappmonitor nur schwer oder umständlich einzusehen ist, weil die Kamera hoch oben an einer Fahrzeughalterung, einem Ausleger, Kran oder auf einem Fahrzeug angebracht ist.

Monitoring-Informationen werden über Ihren HD-SDI-Monitoring-Ausgang angezeigt. Passen Sie hierfür unter dem MONITOR-Tab die Anzeigeeinstellungen für „Front SDI“ an. Diese Einstellungen aktivieren Bildrandmarkierungen, Aufnahmeinformationen sowie Kamera-Einstellungen. Wenn Sie lediglich Ihre Aufnahmen kontrollieren möchten, schalten Sie die Overlays für eine saubere SDI-Ausgabe aus.

Schließen Sie den SDI-Ausgang der Kamera für Live-Waveform-Monitoring an SDI-Monitore oder einen Blackmagic SmartScope Duo 4K an.

**HINWEIS** Am rückwärtigen SDI-Ausgang und am 3G-SDI-Monitoring-Ausgang wird HDR-Video automatisch mit zusätzlichen Metadaten versehen, wenn Sie mit dem „Film“-Dynamikumfang arbeiten und die LUT „Broadcast Film to Rec.2020 Hybrid Log Gamma“ oder „Broadcast Film to Rec.2020 to PQ Gamma“ auf die SDI-Ausgabe anwenden. So können Sie über einen beliebigen der beiden SDI-Ausgänge beeindruckende HDR-Bilder auf HDR-fähigen Bildschirmen anzeigen.

## SDI-Ausgabeformate

<b>Rückwärtiger SDI-Ausgang</b>	2160p/23,98; 24; 25; 29,97; 30; 50; 59,94; 60 1080p/23,98; 24; 25; 29,97; 30; 50; 59,94; 60 1080i/50; 59,94; 60
<b>3G-SDI-Monitoring-Ausgang</b>	1080p/23,98; 24; 25; 29,97; 30; 50; 59,94; 60 1080i/50; 59,94; 60

**TIPP** Um eine Liveaufnahme gleichzeitig mit zwei verschiedenen Codecs aufzuzeichnen oder parallel eine Sicherungskopie zu erfassen, können Sie den Feed über den hinteren SDI-Ausgang der URSA Mini an einen Blackmagic Video Assist oder HyperDeck Rekorder ausgeben.

# URSA Mini Shoulder Mount Kit

## Anbringen des Schulterauflage-Kits

Mit dem URSA Mini Shoulder Mount Kit können Sie die URSA Mini auf der Schulter tragen und im Reportagestil filmen. Im Kit enthalten sind ein Topgriff, eine Trägerplatte für die Schulterauflage, ein Verlängerungsarm für den optionalen URSA Mini Handgrip, ein langes LANC-Kabel, eine Adapterplatte für den Sucher sowie alle benötigten Schrauben.

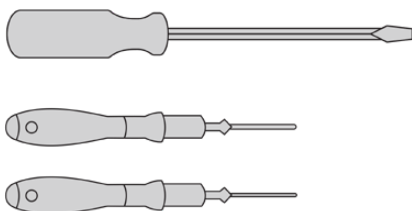
Dank der Schnellwechselplatte am Geräteboden können Sie Ihre Kamera auf einem Stativ befestigen oder sie auf der Schulter tragen. So können Sie der Action folgen.

Das URSA Mini Shoulder Mount Kit ist mit jeder Sony VCT 14 nachempfundenen Stativplatte kompatibel. Derartige Mounts sind im Fachhandel oder auch online problemlos erhältlich.

An dieser Stelle sollte jedoch auch erwähnt werden, dass die dem VCT U14 Mount nachempfundenen Stativplatten nicht kompatibel sind.

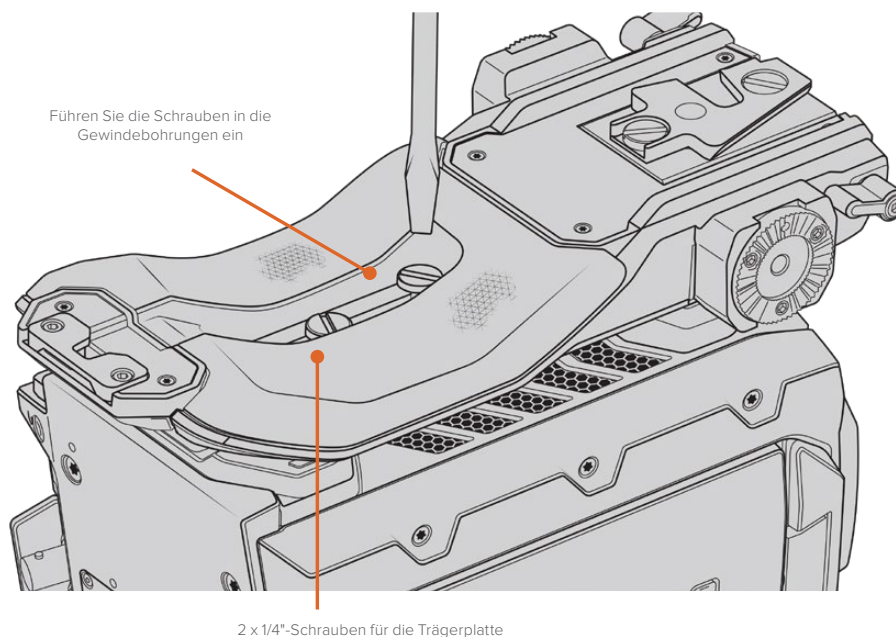
### Zum Anbringen des Schulter-Kits benötigen Sie folgende Werkzeuge:

- 1 x Schlitzschraubendreher für die 2 x 1/4"-Schrauben der Trägerplatte für die Schulterauflage.
- 1 x 3/16"-Sechskantschlüssel für die 2 x 1/4"-Schrauben des Tragegriffs.
- 1 x 2,5mm-Sechskantschlüssel für die 4 x M3-Schrauben der Viewfinder-Adapterplatte.



Zum Anbringen des Schulter-Kits an Ihre URSA Mini benötigen Sie einen großen Schlitzschraubendreher, einen 3/16"-Sechskantschlüssel für den Tragegriff und einen 2,5mm-Sechskantschlüssel für die Viewfinder-Adapterplatte

## Anbringen der Trägerplatte für die Schulterauflage

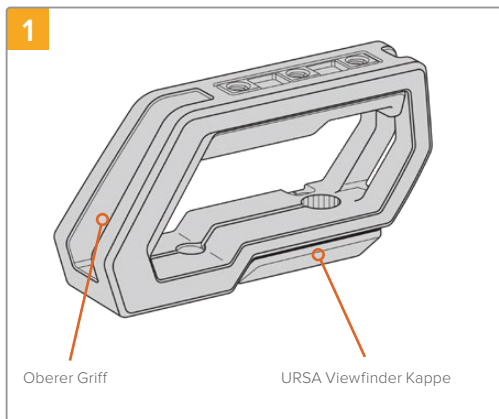


- 1 Stellen Sie Ihre URSA Mini verkehrt herum auf eine ebene, stabile Oberfläche, sodass sie freien Zugang zum Kameraboden haben.
- 2 Befestigen Sie die Trägerplatte für die Schulterauflage mithilfe der 2 x 1/4"-Flachkopfschrauben und des Schraubendrehers.
- 3 Ziehen Sie die Schrauben fest, bis die Trägerplatte sicher befestigt ist und sich die Schrauben nicht mehr selbstständig lösen. Vermeiden Sie es, die Schrauben zu fest zu ziehen. Dies kann die Schraubengewinde beschädigen.

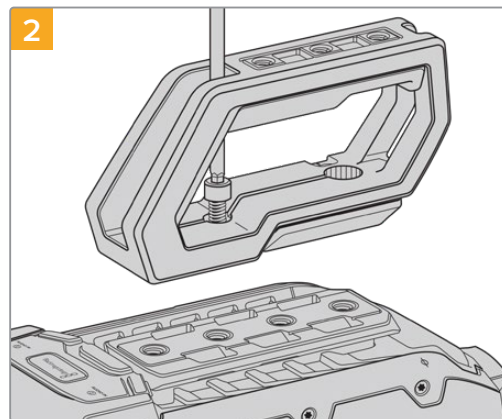
## Anbringen des Griffs ohne URSA Viewfinder

Sie können den URSA Mini Shoulder Mount Kit mit oder ohne den optionalen URSA Sucher benutzen.

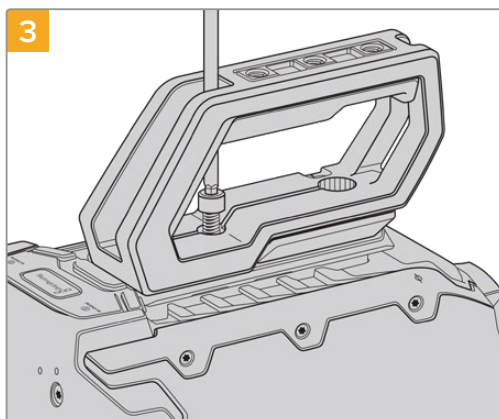
Am Fuß des Griffs befindet sich eine Kappe aus Gummi. Diese kann durch eine Adapterplatte ersetzt werden, um den URSA Viewfinder anzubringen. Wir empfehlen, die Kappe am Griff zu belassen, wenn dieser ohne den Sucher benutzt wird.



Stellen Sie Ihre URSA Mini auf eine ebene, stabile Oberfläche, sodass Sie freien Zugang zur Oberseite Ihrer Kamera haben.



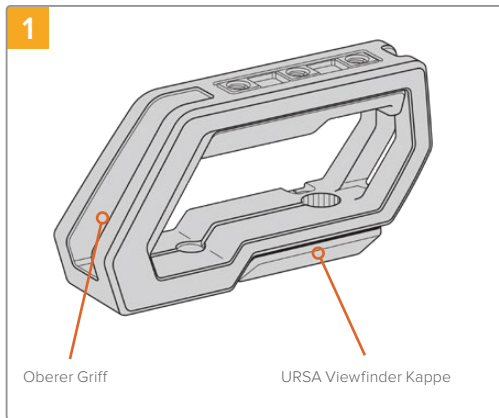
Bringen Sie den Griff mithilfe der zwei mitgelieferten 1/4"-Schrauben und einem 3/16"-Sechskantschlüssel an zwei beliebigen 1/4"-Befestigungspunkten an der Oberseite Ihrer URSA Mini an. In den meisten Fällen ist es ratsam, die hinteren beiden Befestigungspunkte zu wählen. Beim Gebrauch von großen Objektiven können Sie die Punkte zur besseren Gewichtsverteilung jedoch beliebig wählen.



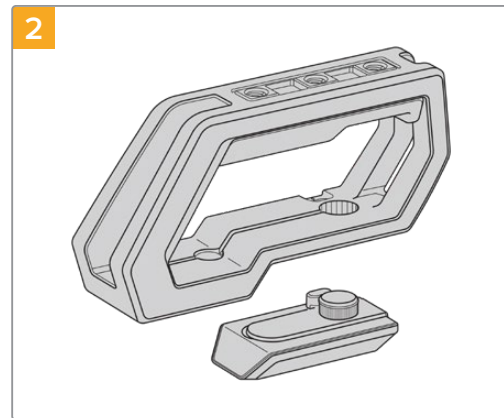
Ziehen Sie die Schrauben fest, bis der Griff sicher befestigt ist und sich die Schrauben nicht mehr selbstständig lösen. Ziehen Sie die Schrauben nicht zu fest, da dies die Gewinde beschädigen könnte.



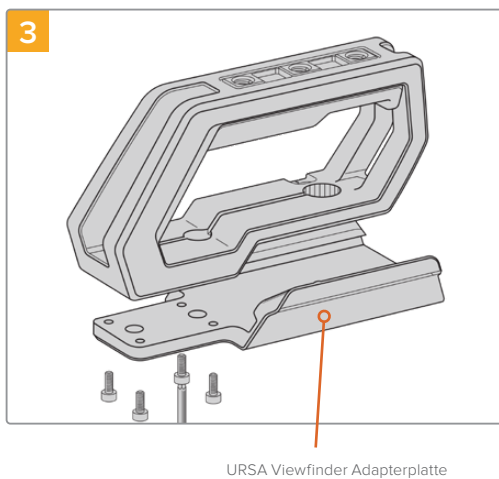
## Anbringen des Griffs in Kombination mit dem URSA Viewfinder



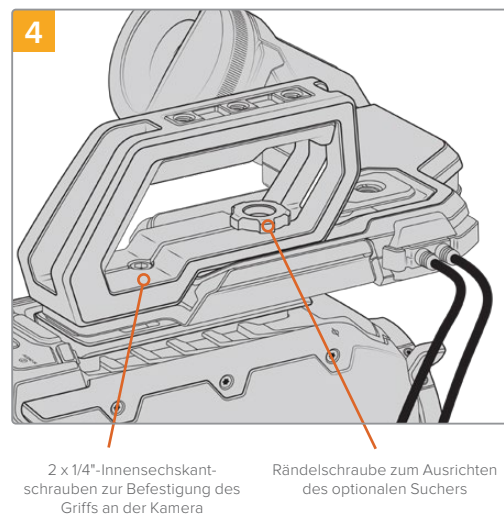
Stellen Sie Ihre URSA Mini auf eine ebene, stabile Oberfläche, sodass Sie freien Zugang zur Oberseite Ihrer Kamera haben.



Entfernen Sie die URSA Viewfinder Kappe vom Fuß des Griffs, indem Sie sie vorsichtig vom Griff lösen und die Kappe aus dem Loch ziehen.



Befestigen Sie die Adapterplatte des URSA Viewfinders am Griff mithilfe von 4 x M3-Schrauben und einem 2,5mm-Sechskantschlüssel.



Bringen Sie den Griff mithilfe der zwei mitgelieferten 1/4"-Schrauben und einem 3/16"-Sechskantschlüssel an zwei beliebigen 1/4"-Befestigungspunkten an der Oberseite Ihrer URSA Mini an. In den meisten Fällen ist es ratsam, die hinteren beiden Befestigungspunkte zu wählen. Beim Gebrauch von großen Objektiven können Sie die Punkte zur besseren Gewichtsverteilung jedoch beliebig wählen. Ziehen Sie die Schrauben nicht zu fest, da dies die Gewinde beschädigen könnte.

Das Loch im vorderen Teil des Griffs ist für die Rändelschraube vorgesehen, mit der Sie den Sucher anbringen und ausrichten können. Weitere Informationen zum Anbringen des Suchers am Griff finden Sie im Abschnitt „Blackmagic URSA Viewfinder“ in Ihrem URSA Handbuch.



## Anbringen des Verlängerungsarms

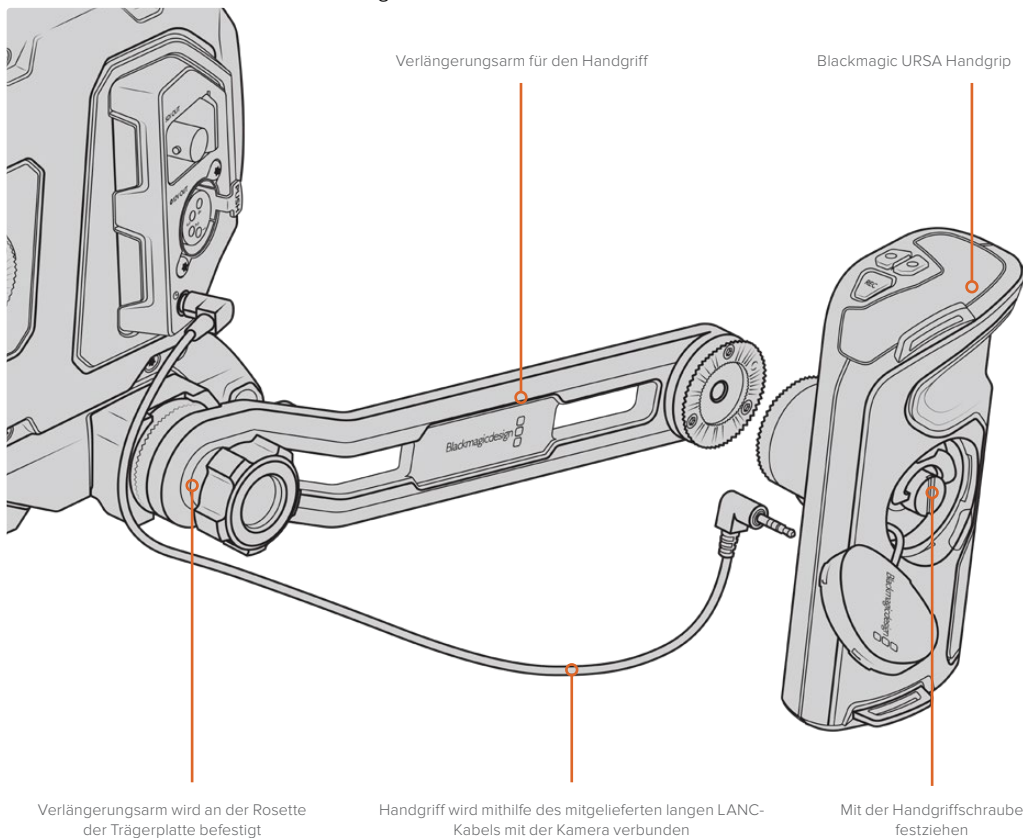
Wenn Sie das URSA Mini Shoulder Mount Kit benutzen, müssen Sie den Blackmagic URSA Handgrip an die Front der Kamera umsetzen, um bequem von der Schulter filmen zu können. Verwenden Sie hierfür den mitgelieferten Verlängerungsarm und das längere LANC-Kabel, um den Handgriff in eine ergonomisch günstigere Position zu bringen. Der URSA Mini Verlängerungsarm ist auch als separates Zubehörteil bei Blackmagic Design Fachhändlern erhältlich.

### So bringen Sie den Verlängerungsarms an:

- 1 Stellen Sie Ihre URSA Mini auf eine plane, stabile Oberfläche. Neben der Kamera sollte genügend Platz vorhanden sein, damit der Verlängerungsarm abgesenkt werden kann. Hierfür ist es von Vorteil, die URSA Mini auf ein Stativ zu setzen.
- 2 Legen Sie das entsprechende Ende des Verlängerungsarms an der Rosette der Trägerplatte an. Bringen Sie den Arm in die gewünschte Position und stellen Sie ihn mithilfe der Rändelschraube fest.
- 3 Befestigen Sie den Handgriff an der vorne am Verlängerungsarm befindlichen Rosette. Ziehen Sie die Schraube des Handgriffs mit einem Schlitzschraubendreher fest, oder indem Sie den D-förmigen Ring zwischen Daumen und Zeigefinger festdrehen.
- 4 Verbinden Sie den LANC-Ausgang des Blackmagic URSA Handgrip und den LANC-Eingang der Kamera anhand des im Schulter-Kit mitgelieferten langen LANC-Kabels.

Sie können die Position des Verlängerungsarms und des Blackmagic URSA Handgrip jederzeit mühelos anpassen, indem Sie die Rosettenschrauben lösen, die Anpassung vornehmen und die Schrauben anschließend wieder festziehen.

Dank des nun angebrachten URSA Mini Shoulder Mount Kits sind Sie noch beweglicher und können im Vorbeigehen filmen. Zudem können Sie Ihre Kamera für hautnahe, standsichere Aufnahmen blitzschnell auf einem Stativ befestigen.



# Blackmagic URSA Viewfinder

Der speziell für die URSA Mini konzipierte Blackmagic URSA Viewfinder ist ein leistungsstarker elektronischer Sucher. Das farbige OLED-Display in 1080 HD und die Optiken aus Präzisionsglas liefern strahlend helle, lebensechte Bilder, die sich mit den feinsten Einzelheiten im Blick im Nu fokussieren lassen.

Ein idealer Sucher für den Freihandbetrieb der Kamera von der Schulter oder für Umgebungen, die absolute Genauigkeit ohne jegliche Reflektion oder Blitzlichter erfordern, bspw. beim Filmen in extrem hellen Verhältnissen.

Der Sucher wird an der Kamera befestigt und über diese mit Strom versorgt. Er verwendet die eingebetteten SDI-Daten von der Kamera, um verschiedene Ansichtsoptionen darzustellen. Somit kann Ihre Kamera einen sauberen SDI-Feed an den Sucher ausgeben und gestattet Ihnen gleichzeitig, den Sucher zwischen verschiedenen Ansichtsmodi hin und her zu schalten. Beispielsweise zum schnellen Zugriff auf den Kamerastatus und akkurate Daten.

Beispiel: Wenn Sie im URSA Mini Menü unter „Frame Guides“ die Option „2,40:1“ auswählen, kommuniziert die Kamera den ausgewählten Bildrandmarkierungsmodus an den Sucher. Wird nun von der Frame-Guide-Ansicht zum Sucher gewechselt, zeigt dieser die gleiche Bildrandmarkierung, nämlich 2,40:1, an.

## Anbringen und Anschließen des Viewfinders an die Blackmagic URSA

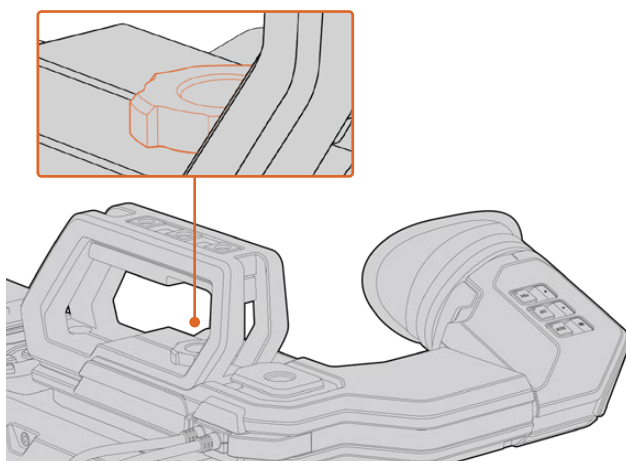
Befestigen Sie den Blackmagic URSA Viewfinder am Kameragehäuse, indem Sie ihn in die Furchen an der Kameraoberseite schieben und die Rändelschraube an einem der 1/4"-Gewinde anziehen.

Um den URSA Viewfinder sachgerecht an der URSA Mini oder URSA Mini Pro zu befestigen, benötigen Sie ein Blackmagic URSA Mini Shoulder Mount Kit.

Entfernen Sie zunächst die URSA Viewfinder Kappe vom Tragegriff des URSA Mini Shoulder Mount Kit. Montieren Sie dann die Viewfinder Adapterplatte wie im Abschnitt „URSA Mini Shoulder Mount Kit“ in diesem Handbuch beschrieben.

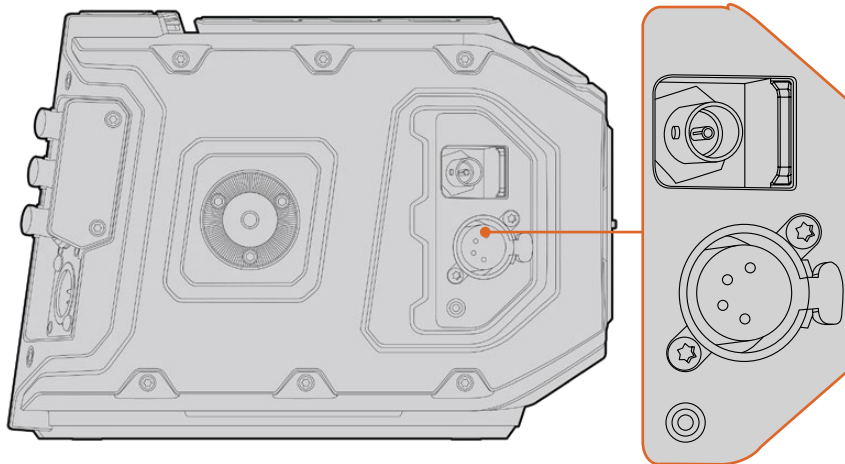
Schieben Sie die URSA Viewfinder Halterung auf die URSA Viewfinder Adapterplatte auf. Ziehen Sie dann die im URSA Mini Shoulder Mount Kit enthaltene 1/4"-Rändelschraube fest, um den URSA Viewfinder an Tragegriff und Adapterplatte zu fixieren.

Zum Anziehen der Rändelschraube ist kein Werkzeug notwendig. Die eigene Kraft ist völlig ausreichend und verhindert ein zu festes Anziehen der Schraube.



Bringen Sie Ihren Blackmagic URSA Viewfinder an Ihre URSA an, indem Sie den Sucherarm in die Furchen an der Geräteoberseite schieben und die Rändelschraube an einem der 1/4"-Gewinde festziehen

Schließen Sie Ihren URSA Viewfinder dann einfach über die am Sucher befindlichen Kabel an die 12V-Strom- und 3G-SDI-Ausgänge im vorderen Bereich Ihrer URSA an. Ihr URSA Viewfinder schaltet sich automatisch ein, sobald die mit Strom versorgte Kamera eingeschaltet wird.



Schließen Sie den Sucher mittels der SDI- und Stromkabel an den HD-SDI-Monitoring- und den 12V-Ausgang Ihrer URSA an

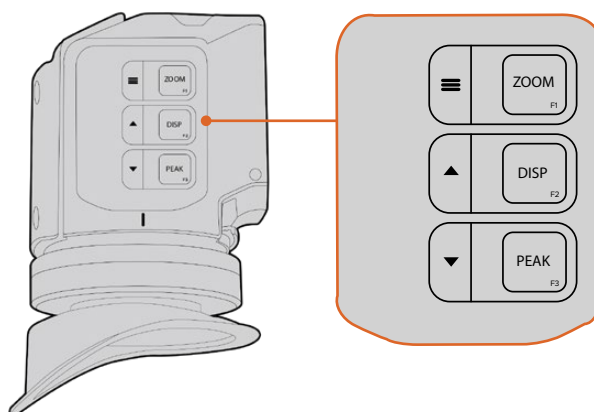
Bei Einsatz eines URSA Viewfinders mit der URSA Mini raten wir dringend, auch ein URSA Schulterauflage-Kit zu installieren. Das Kit liefert passende Befestigungspunkte, eine 1/4"-Fingerschraube sowie eine Vorrichtung für die Höhenverstellung, um die Positionierung Ihres Suchers zu optimieren. Siehe Abschnitt „URSA Mini Shoulder Mount Kit“ in dieser Bedienungsanleitung.

## Anpassen der Sucherlupe

Die Sucherlupe mit der abnehmbaren Gummimuschel lässt sich für Ihr rechtes oder linkes Auge anpassen. Justieren Sie den Arm der Sucherlupe, indem Sie die äußere Rändelschraube an der Unterseite des Arms lockern und passend für Ihr Auge nach rechts oder links schieben.

## Die Funktionen der Tasten

An der Oberseite des Suchers finden Sie die ZOOM-, DISPLAY- und PEAK-Tasten. Diese dienen zum Hereinzoomen in Ihr Bild und zum Ein- oder Ausschalten von Overlays und Focus Peaking.



Die Tasten für die Funktionen Zoom (F1), Display (F2) und Peak (F3) befinden sich oben an Ihrem URSA Viewfinder

Die Tasten erfüllen auch weitere Funktionen, wie das Aufrufen von Menü- und Navigationseinstellungen. Die Aufdrucke seitlich der Tasten informieren Sie, mit welchen sich das Sucher-Menü und die Navigationsfunktionen steuern lassen.

Die Funktion der Tasten ist überdies benutzerdefinierbar und können mit Kurzbefehlen für häufig benutzte Features belegt werden. Beispiel: Vielleicht möchten Sie die Falschfarben-Funktion der Zoom-Taste zuweisen. Einzelheiten hierüber finden Sie im Abschnitt „Kurzbefehle“.

### **ZOOM (F1) – Menü**

Die Zoom-Funktion erleichtert die präzise Scharfstellung, indem Sie in das Bild hineinzoomen. Drücken Sie die ZOOM-Taste, um hineinzuzoomen. Ein erneutes Drücken bringt die 100%-Ansicht zurück. Bei Verwendung des Einstellungsmenüs fungiert die ZOOM-Taste außerdem als Menütaste. Halten Sie diese Taste gedrückt, um das Einstellungsmenü aufzurufen. Aus dem Einstellungsmenü heraus werden dort vorgenommene Änderungen durch einmaliges Drücken bestätigt.





### **DISPLAY (F2) – Aufwärts**

Per Druck auf die DISP-Taste (Display) erscheint die Overlay-Ansicht. Bei Verwendung des Einstellungsmenüs dient diese Taste außerdem als Aufwärtstaste. Durch Gedrückthalten dieser Taste können Sie auch das Einstellungsmenü für Kurzbefehle „Shortcuts“ im Nu öffnen. Näheres zur Vorgabe von Kurzbefehlen finden Sie im Abschnitt „Shortcuts“.

### **PEAK (F3) – Abwärts**

Mit der Focus-Peaking-Funktion werden die schärfsten Bildbereiche grün umrandet, damit Sie sich mühelos Ihrer Scharfstellung vergewissern können. Ein Druck auf die PEAK-Taste aktiviert die Peaking-Funktion. Erneutes Drücken schaltet sie wieder aus. Bei Verwendung des Einstellungsmenüs dient diese Taste außerdem als Abwärts-Taste. Durch Gedrückthalten dieser Taste können Sie auch das Setup-Menü schnell aufrufen.

## **Menü-Einstellungen**

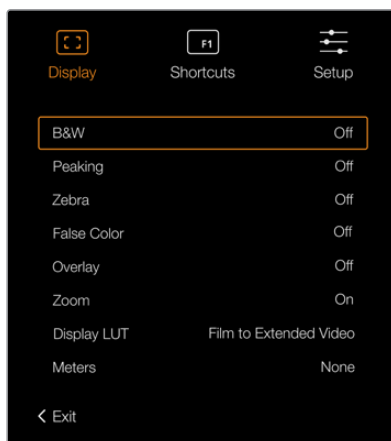
Das Einstellungsmenü enthält die drei Hauptmenütitel „Display“, „Shortcuts“ und „Setup“. Halten Sie die MENU-Taste  gedrückt, um das Einstellungsmenü aufzurufen. Drücken Sie die Tasten  und , um zwischen den Einstellungen zu navigieren. Mit einem weiteren Druck auf die MENU-Taste  bestätigen Sie Ihre Auswahl.

### **Display**

Das „Display“-Menü bietet folgende Funktionen:

#### **B&W**

Wechsel zwischen Farbe und Monochrom.



Das „Display“-Menü des URSA Viewfinders

#### **Peaking**

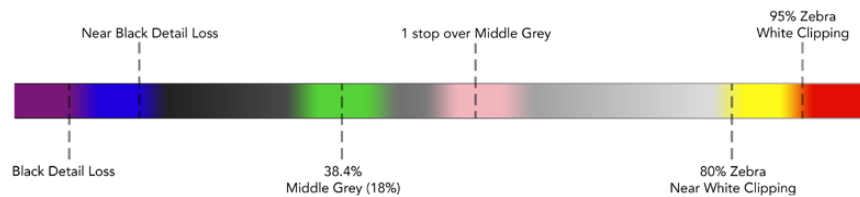
Aktiviert bzw. deaktiviert Focus Peaking.

## Zebra

Aktiviert bzw. deaktiviert den Zebra-Modus. Geben Sie Ihre gewünschte Zebra-Schraffur anhand der Kameraeinstellungen vor. Näheres finden Sie im Abschnitt „Einstellungen“ in diesem Handbuch.

## False Color

Aktiviert bzw. deaktiviert die Falschfarben-Funktion. Falschfarben-Overlays stellen unterschiedliche Helligkeitswerte von Elementen in Ihrem Bild in Farben dar. Definierte Wertebereiche werden in verschiedenen Farben dargestellt. Pink repräsentiert bspw. eine optimale Belichtung für helle Hauttöne, während Grün für dunklere Hauttöne besser geeignet ist. Wenn Sie beim Filmen von Menschen anhand der Falschfarben-Funktion Pink oder Grün kontrollieren, lässt sich eine gleichmäßige Belichtung von Hauttönen erzielen. Gleichermäßen zeigt Ihnen eine vom Gelben ins Rote wechselnde Falschfarben-Darstellung an, dass diese Bildbereiche nun überbelichtet sind.



Falschfarbentabelle

## Overlay

Schaltet eingblendete Bildinformationen ein oder aus. Sie können die einzublendenden Overlay-Typen im „Setup“-Menü Ihres Suchers vorgeben. Die Art der Overlays wie die Prozentzahl der sendesicheren Bereiche sind auf Ihrer Kamera festgelegt.

## Zoom

Schaltet die Zoom-Funktion ein und aus.

## Display LUT

Beim Senden eines SDI-Signals mit dem Dynamikumfang „Film“ von Ihrer URSA Mini ermöglichen Ihnen die Einstellungen „Film to Video“ und „Film to Extended Video“, eine farb- und kontrastreichere LUT auf Ihr Bild anzuwenden. Der Sucher erkennt, wenn eine dieser LUTs angewendet wird, und gibt Ihnen die Möglichkeit, sie in Ihrem Sucher ein- oder auszuschalten. Wenn eine Display-LUT am Front-SDI-Ausgang aktiviert ist oder Sie eine andere LUT verwenden, ist diese Option deaktiviert, um die Anwendung mehrerer LUTs zu verhindern.

## Meters

Schaltet zwischen den verschiedenen Metertypen um und zeigt diese in der Overlay-Ansicht an. Es besteht die Wahl zwischen „Histogram“, „Audio“, „Both“ (Beide) und „None“ (Keine).

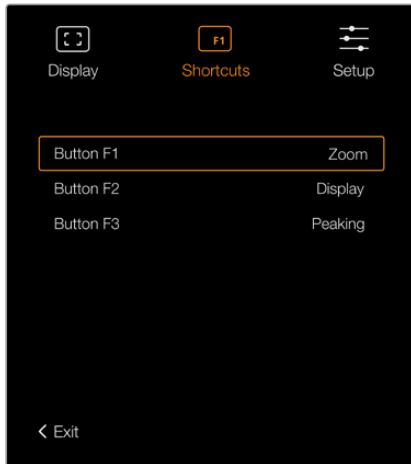
## Shortcuts

Die Kurzbefehlfunktion bietet sich an, wenn Sie für eine häufig verwendete Funktion schnell auf eine bestimmte Einstellung zugreifen müssen. So richten Sie Ihre Kurzbefehle individuell ein:

- 1 Drücken Sie im „Shortcuts“-Menü die Taste für Aufwärts ▲ oder Abwärts ▼, um nach oben oder unten zu navigieren und belegen Sie eine der drei Tasten mit Ihrem Kurzbefehl. Drücken Sie die MENU-Taste ≡, um Ihre Auswahl zu bestätigen.
- 2 Drücken Sie die Aufwärtstaste ▲ oder Abwärtstaste, um eine der nachstehenden Funktionen auszuwählen und Ihrer Taste einen Kurzbefehl zuzuweisen. Drücken Sie die MENU-Taste ≡, um Ihre Auswahl zu bestätigen.

- B&W
- Peaking
- Zebra
- False Color
- Display
- Zoom
- Display LUT
- Meters

- 3 Scrollen Sie zum Befehl „Exit“ und drücken Sie die MENU-Taste , um die Menü-Anzeige zu schließen.



Einstellungen für Kurzbefehle im URSA Viewfinder

## Setup

Das „Setup“-Menü bietet folgende Funktionen:

### **Brightness**

Ermöglicht Justierungen an der Display-Helligkeit auf einer Skala von -10 bis +10.

### **Tally Brightness**

Ermöglicht die Helligkeitseinstellungen der Tally-LED-Leuchte.

### **Focus Chart**

Ihr Blackmagic URSA Viewfinder verfügt über eine integrierte Fokussiertabelle. Dies gestattet eine Ihrer Sehstärke gerechte Fokussierung der Sucherlupe. Drehen Sie zur Fokussierung einfach den Dioptrienring, bis die Tabelle perfekt scharf ist. Das „Focus Chart“-Display lässt sich mit jeder beliebigen Taste Ihres Suchers schließen.

### **Frame Guides**

Dient bei eingeblendeten Bildrandmarkierungen zum Wechsel ihrer Darstellungsform. Ist die Option „Frame Guides“ in Ihrem Sucher mit ON aktiviert, zeigt der Sucher dieselben Bildrandmarkierungen an, die in den MONITOR-Einstellungen Ihrer Kamera mit „All“ für alle Ausgänge vorgegeben sind. Sie können zwischen den „Frame Guides“-Ansichten Ihres Suchers wechseln, indem Sie diese mit ON oder OFF ein- bzw. ausschalten.

Näheres finden Sie im Abschnitt „MONITOR-Einstellungen“ in diesem Handbuch.

### **Safe Area Guide**

Wechselt zwischen den Markierungen für sendesichere Bildbereiche hin und her, wenn „Overlay“ mit ON aktiviert ist. Wenn die Option SAFE AREA GUIDE in den MONITOR-Einstellungen Ihrer URSA Mini unter „All“ mit ON aktiviert ist, können Sie die Markierungen für sendesichere Bildbereiche ein- oder ausschalten.

Näheres finden Sie im Abschnitt „MONITOR-Einstellungen“ in diesem Handbuch.

### **GRIDS**

Wechselt zwischen den Ansichten Drittel-Raster, Fadenkreuz und Mittelpunkt hin und her. Ist die Option GRIDS in den Monitoreinstellungen Ihrer URSA Mini unter „All“ mit ON aktiviert, können Sie über diese Einstellung zwischen den im Blackmagic URSA Viewfinder angezeigten Markierungen hin und her wechseln.

Näheres finden Sie im Abschnitt „MONITOR-Einstellungen“ in diesem Handbuch.

**HINWEIS** Aktivieren Sie die GRIDS-Funktion (Raster) im Einrichtungsmenü Ihres URSA Viewfinders, um auf dem Sucher von einem ATEM Mischer gesendete Tally-Signale einzublenden. Auch die Overlay-Funktion muss im Displaymenü auf ON eingestellt sein.

### STATUS TEXT

Wechselt zwischen den angezeigten Statustexten wie Weißabgleich, Framerate und ISO hin und her. Ist die Option STATUS TEXT in den Monitoreinstellungen Ihrer URSA Mini unter „Front SDI“ mit ON aktiviert, können Sie über diese Einstellung zwischen den im Blackmagic URSA Viewfinder angezeigten verschiedenen Markierungen hin und her wechseln.

Näheres finden Sie im Abschnitt „MONITOR-Einstellungen“ in diesem Handbuch.

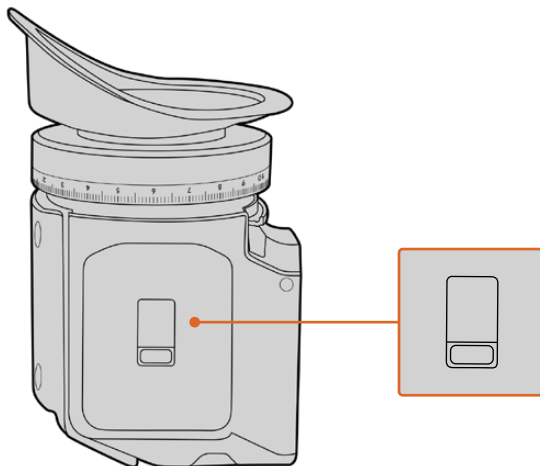
**TIPP** Wenn Sie einen Blackmagic Viewfinder zusammen mit einer URSA Mini verwenden, kann Statustext fehlerhaft erscheinen, wenn die Statustextfunktion sowohl auf dem Sucher als auch auf der Kamera aktiviert ist. In solchen Fällen empfehlen wir, die Statustextfunktion auf Ihrer Kamera ein- und auf Ihrem Sucher auszuschalten.

### IR-Sensor

Der IR-Sensor Ihres Suchers erkennt automatisch, wenn Sie sich der Sucherlupe nähern und schaltet das OLED-Display ein. Wenn Sie sich länger als 20 Sekunden vom Sucher entfernt aufhalten, schaltet das OLED-Display in den Standby-Modus um. Das spart Strom und verlängert die Lebensdauer des OLED-Bildschirms. Bei laufender Aufzeichnung verlängert sich die Zeitabschaltungsdauer auf fünf Minuten, bevor der Timeout-Sensor den OLED-Bildschirm allmählich verdunkelt. Jede Bewegung vor der Sucherlupe setzt den Timer zurück. Obwohl der Sucher automatisch erkennt, wenn Sie in die Sucherlupe schauen, lässt sich das Display auch durch Betätigen einer beliebigen Taste an Ihrem Sucher einschalten.



Wenn Sie den IR-Sensor bewusst blockieren oder verdecken, kann dies dazu führen, dass das Sucherdisplay für längere Zeiträume weiterhin mit Strom versorgt wird. Das kann die Lebensdauer des Displays verringern und zum Einbrennen führen, wenn hochkontrastige Bilder oder Bildrandmarkierungen im Sucher angezeigt werden.



Der IR-Sensor befindet sich unten am URSA Viewfinder



## Aktualisieren der Produktsoftware des URSA Viewfinders

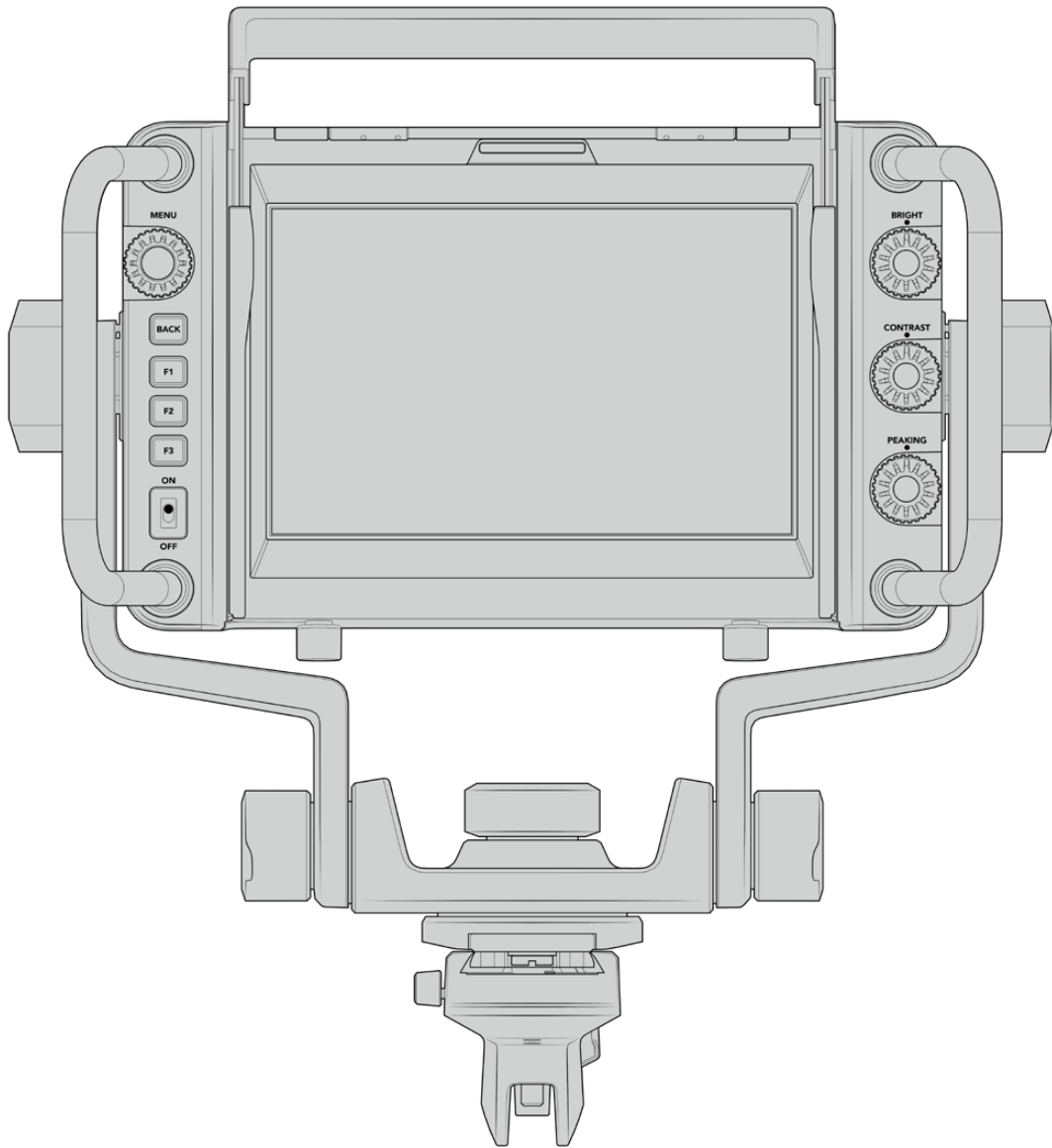
Ein Update Ihres Suchers lässt sich über das Dienstprogramm „Blackmagic Camera Setup“ vornehmen. Der Sucher muss für das Update mit Strom versorgt werden. Wir empfehlen, den Sucher während des Updates an Ihre URSA Mini angeschlossen zu lassen. Für diesen Vorgang muss Ihre URSA Mini durchgängig Strom liefern. Schließen Sie sie deshalb an eine externe Stromzufuhr an.

Koppeln Sie Ihren Computer an den kleinen USB-Anschluss vorne am Sucher neben der Sucherlupe. Wenn das Dienstprogramm Blackmagic Camera Utility läuft und Ihr Sucher an einen Computer angeschlossen ist, erhalten Sie eine Update-Aufforderung, sobald Ihr Computer eine vorhandene ältere Version erkennt. Folgen Sie den Anweisungen auf Ihrem Bildschirm, um die Produktsoftware Ihres Suchers zu aktualisieren.

**HINWEIS** Weitere Informationen finden Sie in diesem Handbuch im Abschnitt „Blackmagic Camera Setup Dienstprogramm“.

**TIPP** Für optimale Leistung empfehlen wir Ihnen, Ihre komplette Blackmagic URSA Ausrüstung auf einmal zu aktualisieren.

# Blackmagic URSA Studio Viewfinder



Blackmagic URSA Studio Viewfinder

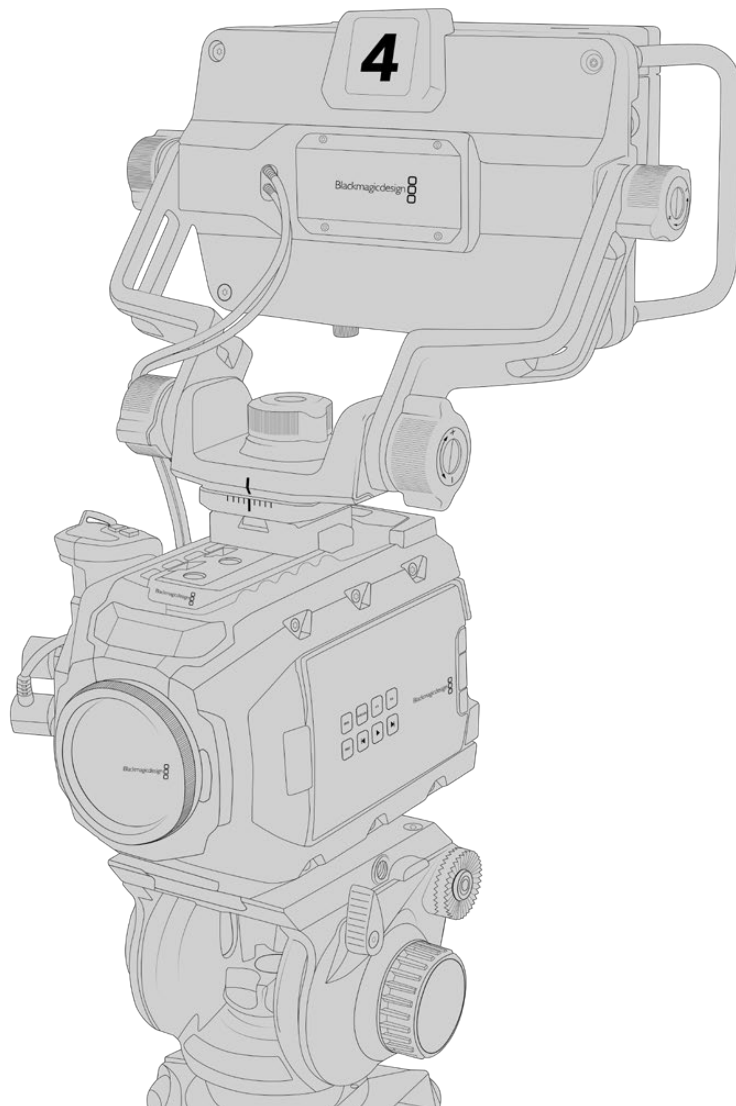
Der Blackmagic URSA Studio Viewfinder ist ein gewaltiger Suchermonitor, der Ihre Blackmagic URSA Mini in eine professionelle Live-Produktionskamera verwandelt. Der Studio Viewfinder hat einen hellen 7-Zoll-Bildschirm mit einem gut sichtbaren Tally-Licht, Steuerknöpfen, großen Haltegriffen, Gegenlichtblende und Schwenkpunkten mit variabler Spannung. Dank dieser Features kann die Action hinter der Kamera auch für längere Zeiträume bequem verfolgt werden. Das gilt besonders beim Filmen von Live-Konzerten, Sportveranstaltungen und anderen langwierigen Events. Der URSA Studio Viewfinder eignet sich perfekt für die professionelle Live-Produktion im Studio oder unterwegs.

## Anbringen und Anschließen des Viewfinders an die Blackmagic URSA Mini

Wenn Sie den Blackmagic URSA Studio Viewfinder zusammen mit der Blackmagic URSA Mini einsetzen, können Sie ihn auf vielerlei Weise an der Kamera befestigen.

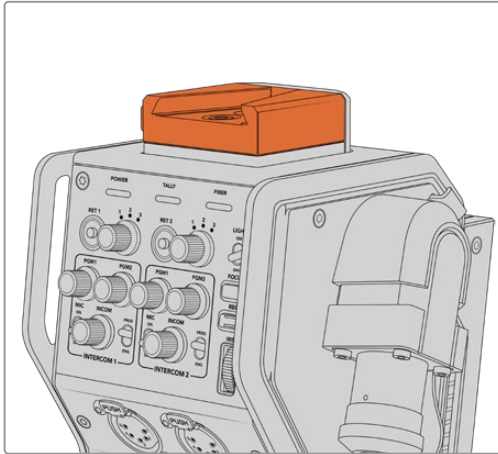
Sie können den Blackmagic URSA Studio Viewfinder mithilfe der mitgelieferten V-Lock-Schnellwechselplatte direkt an der Oberseite der Blackmagic URSA Mini befestigen. Diese kann mühelos wieder von den Montagebohrungen des oberen Kamerahaltegriffs entfernt werden.

Lösen Sie mithilfe eines 3/16-Sechskantschlüssels die V-Lock-Platte von der Griffhalterung der URSA Mini und befestigen Sie sie mit den beigefügten 1/4"-Schrauben an der Geräteoberseite. Dies verlagert den Schwerpunkt der Kamera weiter nach oben. Wir empfehlen, die Kamera dabei für mehr Stabilität auf einem Stativ zu befestigen.

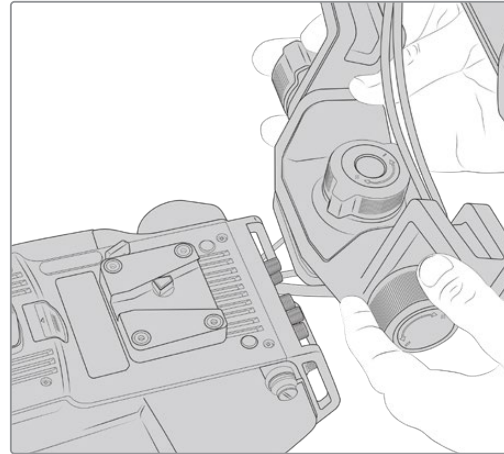


Sollte bereits ein URSA Mini Shoulder Kit angebracht sein, befestigen Sie den Blackmagic URSA Studio Viewfinder mithilfe der mitgelieferten URSA Mini Griffhalterung. Schrauben Sie die mitgelieferte URSA Mini Griffhalterung mit drei der beigefügten 1/4"-Schrauben und einem 3/16-Sechskantschlüssel am Kamerahaltegriff fest. Schieben Sie dann den V-Lock-Fuß in die V-Lock-Schiene, bis er sicher einrastet.

Weitere Informationen finden Sie im Abschnitt „URSA Mini Shoulder Mount Kit“ in dieser Bedienungsanleitung.

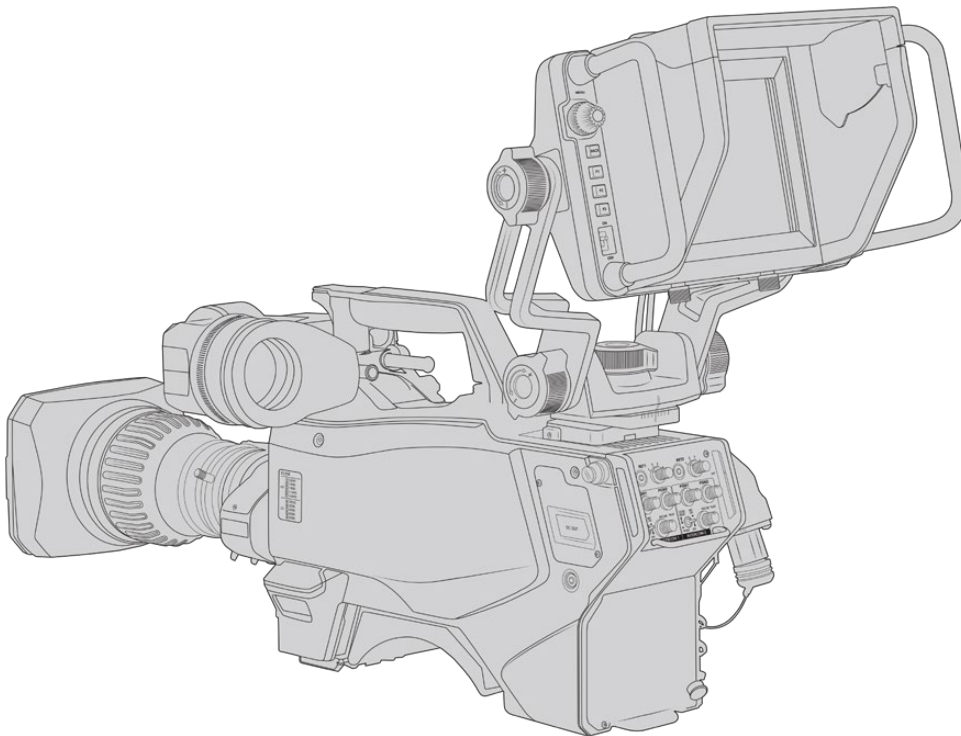


Befestigen Sie Ihren Blackmagic Studio Viewfinder an der V-Lock-Platte oben am Blackmagic Camera Fiber Converter



An eine Drittanbieter-Kamera angebrachte V-Lock-Platte

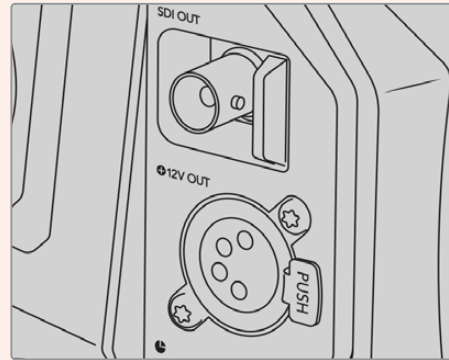
Die V-Lock-Platte kann zudem an jeder anderen beliebigen Kamera befestigt werden, die Sie in Verbindung mit dem Blackmagic URSA Studio Viewfinder nutzen wollen, vorausgesetzt sie verfügt über 1/4"-Montagebohrungen. Verwenden Sie alternativ eine Adapterplatte. Auch an Drittanbieter-Kameras, die bereits über ein Schnellwechselsystem wie eine V-Lock-Platte verfügen, kann der Blackmagic URSA Studio Viewfinder angebracht werden.



**TIPP** Der Blackmagic URSA Studio Viewfinder wird mittels einer V-Lock-Schnellwechselplatte an die Kamera angebracht. So können Sie die Kamera bei Bedarf blitzschnell vom Stativ nehmen. Beim Drehen von Sportereignissen kann es vorteilhaft sein, sowohl den Blackmagic URSA Viewfinder als auch den Blackmagic URSA Studio Viewfinder an der Kamera zu belassen. So wechseln Sie schnell zum URSA Viewfinder, um am Ende des Spiels aus der Hand weiterzufilmen. Die Kabel lassen sich in einer solchen Situation einfach umstecken, da Sucherlupe und Suchermonitor mit den gleichen 12V-Strom- und 3G-SDI-Kabeln an die Kamera angeschlossen werden.

Schließen Sie Ihren Blackmagic URSA Studio Viewfinder einfach über die am Sucher befindlichen Kabel an die 12V-Strom- und 3G-SDI-Ausgänge im vorderen Bereich Ihrer URSA Mini an.

Wird Ihre Kamera mit Strom versorgt, lässt sich der Suchermonitor über den Ein-/Ausschalter einschalten. Seitlich der URSA Mini Griffhalterung befinden sich Kabelklemmen, die Ihre Kabel ordentlich an ihrem Platz halten.

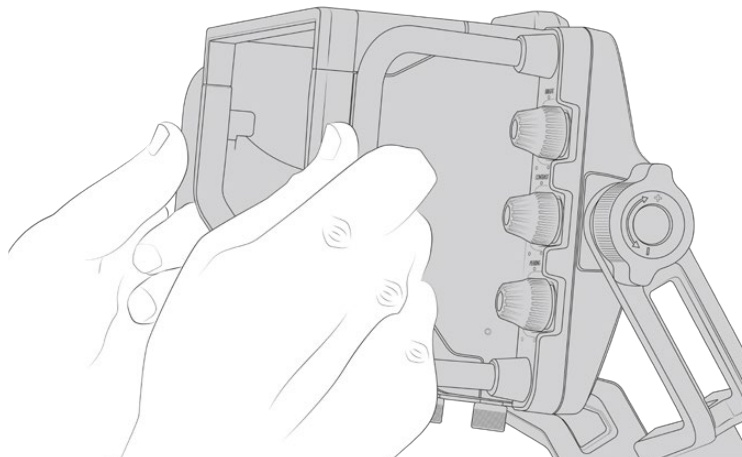


SDI- und 12V-Stromanschlüsse an der URSA Mini

**TIPP** Der URSA Studio Viewfinder verwendet 4-polige SDI- und Broadcast-XLR-Stromverbinder offenen Standards. Somit lässt er sich mit jeder beliebigen Kamera oder sogar als justierbarer Mobilbildschirm am Set einsetzen. Dieser Suchermonitor ist überdies für das ATEM Tally- und Gerätesteuerprotokoll ausgelegt. Seine Signale lassen sich also über die SDI-Datenströme beliebiger anderer Kamerasysteme transportieren, die dann auf die Tallys und Overlays vom URSA Studio Viewfinder reagieren.

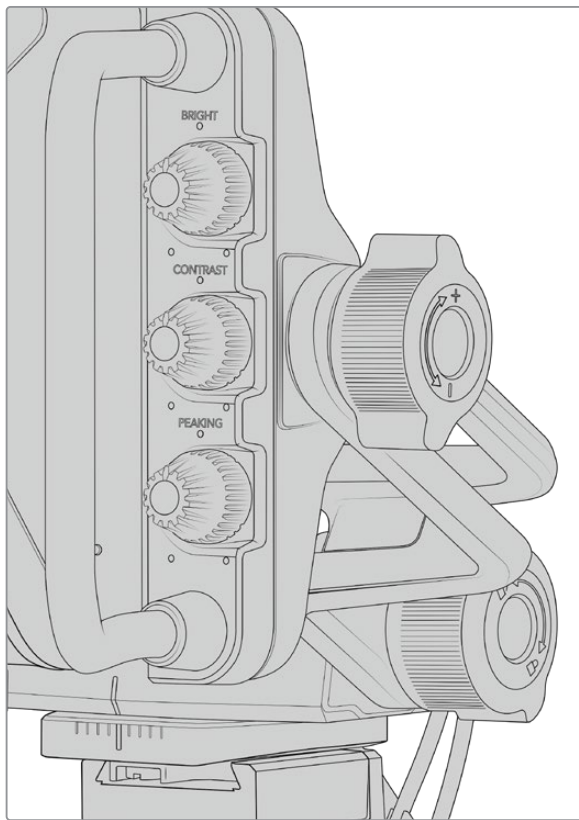
## Anpassen der Position des Blackmagic URSA Studio Viewfinders

Der Blackmagic URSA Studio Viewfinder verfügt über große Haltegriffe und Schwenkpunkte mit variabler Spannung. Über diese können Sie die Position und den Winkel des Suchermonitors einstellen. Dank der großen Haltegriffe bekommen Sie den Suchermonitor schnell und mühelos zu fassen. So können Sie Winkel und Position bestimmen. Zusammen mit der Gegenlichtblende schützen sie außerdem den Bildschirm vor Beschädigungen. Sie können den einsatzfertig zusammengebauten Blackmagic URSA Studio Viewfinder also in einem Tragekoffer verstauen, ohne ihn vorher auseinanderzubauen. Dank der großen Haltegriffe lässt sich der Suchermonitor spielend leicht fassen und von A nach B tragen.

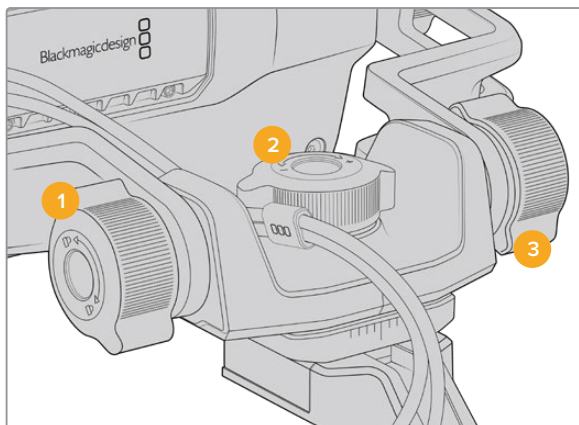


Die Halterung verfügt über Spansschrauben zum Schwenken und Neigen. An beiden Seiten des Suchermonitors befinden sich weitere Spansschrauben für eine zusätzliche Reibungskontrolle. Hierbei lässt sich über die linke Spansschraube der Reibungswiderstand des Arms anpassen. Mithilfe der rechten Schraube fixieren Sie den Suchermonitor in dem von Ihnen benötigten Winkel.

Dank des umfangreichen Einstellungsbereichs für die Spannung ist es möglich, den Widerstandswert gezielt zu justieren. Somit können Sie den Suchermonitor zur präzisen Positionierung schwenken und neigen.



Spannschrauben auf beiden Seiten des Suchermonitors

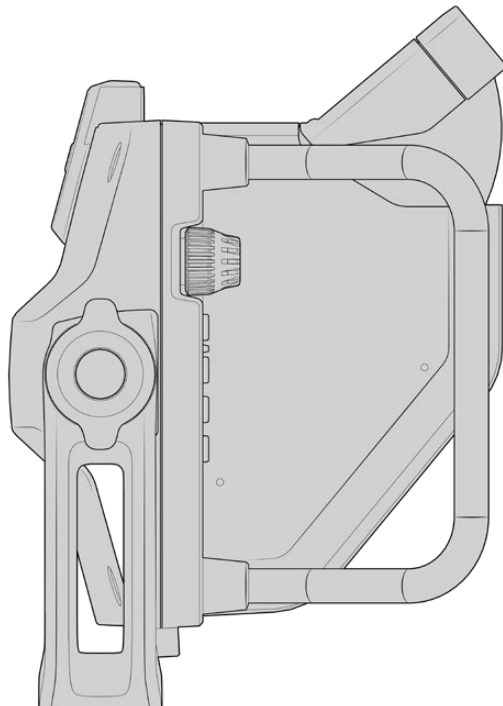
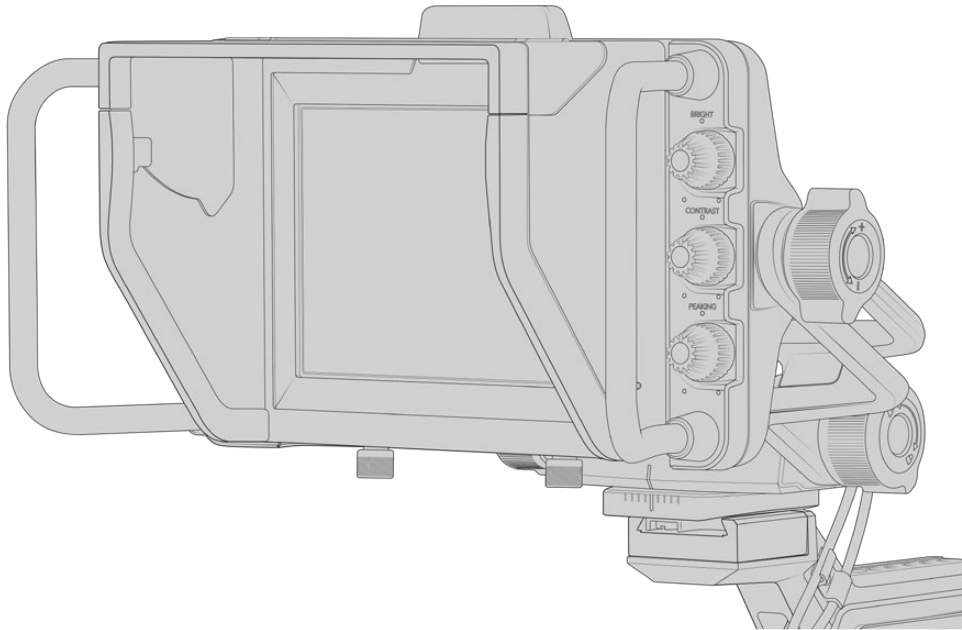


- 1 Feststellschraube zum Neigen**  
Zum Feststellen des Neigewinkels.
- 2 Spannschraube zum Schwenken**  
Zum Justieren der Schwenkspannung.
- 3 Spannschraube zum Neigen**  
Zum Justieren der Neigespannung.

**TIPP** Über die mittlere Spannschraube an der mitgelieferten Halterung kann man die Spannung für Schwenks vorgeben. Soll die Kamera unabhängig bewegt werden, kann man ihn lockern und per Hand festhalten. Beim Filmen von Motorsportereignissen, bei denen man die Kamera beim Verfolgen der Action dauernd nach links und rechts schwenkt, können Sie den Suchermonitor so immer auf Ihren Blickwinkel ausgerichtet halten. Anhand einer visuellen Markierung an der Halterung versetzt man den Suchermonitor bequem wieder in seine mittige Position zurück.

## Gegenlichtblende

Mit der Gegenlichtblende können Sie das Monitorbild auch in hellen und sonnigen Umgebungen noch sehen. Befestigen Sie die Gegenlichtblende, indem Sie sie auf die Geräteoberseite des Blackmagic URSA Studio Viewfinders schieben und sie mithilfe der beiden unverlierbaren Schrauben am Ansatz der Gegenlichtblende feststellen. Der obere Teil der Blende ist verstellbar. Für zusätzliche Betrachtungswinkel kann er angehoben oder gesenkt werden. Die Gegenlichtblende bietet zusätzlichen Schutz für das 7-Zoll-Display und kann nach Belieben schnell und einfach entfernt werden, um für Softwareupdates auf den USB-C-Anschluss zugreifen zu können.

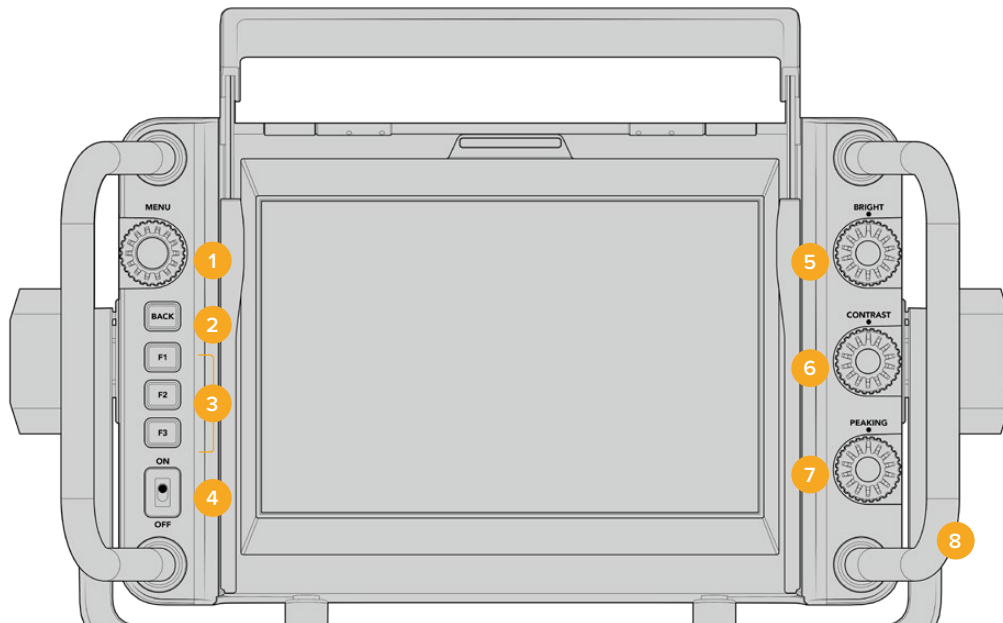


Gegenlichtblende mit einstellbarem Schirm



## Die Funktionen der Tasten

Über die haptischen Drehregler an der rechten Seite lassen sich die Optionen BRIGHT (Helligkeit), CONTRAST (Kontrast) und PEAKING schnell und mühelos einstellen. Dank des ergonomischen Designs lassen sich die Drehregler seitlich mit dem Daumen oder – für eine kontrolliertere Justierung – mit zwei Fingern anpassen, wenn Sie die Gegenlichtblende verwenden.



### 1 MENU-Drehregler

Der Drehregler MENU mit Druckknopffunktion erlaubt Zugriff auf das Menü sowie die Navigation durch die Suchereinstellungen.

### 2 BACK-Taste

Hierüber verlassen Sie die Menüführung.

### 3 F1, F2, F3

Zuweisbare Funktionstasten. Für einen schnellen Zugriff können Sie diesen Tasten häufig genutzte Funktionen zuweisen.

### 4 ON/OFF-Schalter

Schaltet den Blackmagic URSA Studio Viewfinder ein und aus.

### 5 BRIGHT

Passt die Helligkeit des Bildes auf dem Bildschirm an. Overlays zeigen den Helligkeitspegel auf einer Skala von -100 bis +100 im Bildschirm an.

### 6 CONTRAST

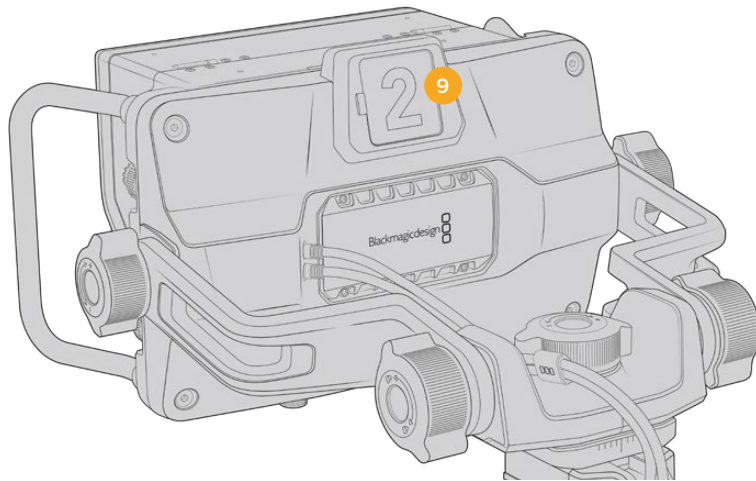
Passt den Kontrast des Bildes auf dem Bildschirm an. Overlays zeigen den Kontrastpegel auf einer Skala von -100 bis +100 im Bildschirm an.

### 7 PEAKING

Passt den Focus-Peaking-Pegel für das Bild auf dem Bildschirm an. Overlays zeigen den Peaking-Pegel auf einer Skala von -100 bis +100 im Bildschirm an. Im Einstellungsmenü können Sie zwischen unterschiedlichen Peaking-Stilen wählen, die Ihrer Arbeitsumgebung entsprechen. Mit dem traditionellen Focus-Peaking-Stil werden die meisten bereits von anderen Broadcastsystemen vertraut sein. Gleiches gilt für die farbigen Fokuslinien. Wie auch bei der URSA Mini haben Sie die Wahl zwischen den Linienfarben „Red“ (Rot), „Green“ (Grün), „Blue“ (Blau) und „White“ (Weiß). Das bietet Ihnen Flexibilität und macht die Linien leicht sichtbar, wenn Sie in Umgebungen mit einer bestimmten dominierenden Farbe drehen.

### 8 Haltegriffe

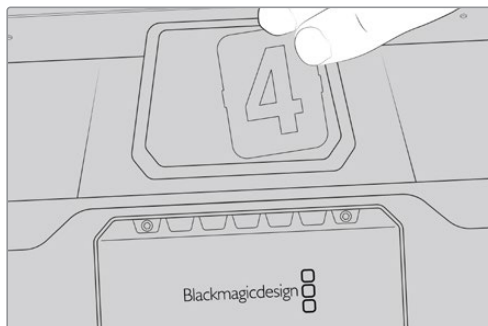
Die integrierten Haltegriffe sind groß, so können Sie den Studio Viewfinder auch dann in Position halten, wenn Sie die Kamera während eines Drehs neu ausrichten. Beim Aufbau und Abbau eines Sets schützen sie außerdem den Bildschirm.



## 9 Tally-Licht

Das große Tally-Licht an der Rückseite des Blackmagic URSA Studio Viewfinders zeigt sowohl Moderator als auch Kamerabediener an, welche Kamera auf Sendung ist bzw. auf Sendung geht und ob im ISO-Modus aufgezeichnet wird. Das Tally leuchtet rot, wenn die Kamera auf Sendung ist, grün, wenn sich der Studio Viewfinder in Verbindung mit der URSA Mini im Vorschaumodus befindet und orange, wenn im ISO-Modus aufgezeichnet wird.

Während der Regisseur über den ATEM Mischer zwischen Kameras hin und her schaltet, werden Tally-Signale über SDI zurück zur Kamera geschickt, damit das Licht zu leuchten beginnt, bevor sie auf Sendung geht, wenn sie auf Sendung ist und während sie aufzeichnet. Der URSA Studio Viewfinder wird mit transparenten Kameranummern geliefert, die sich am Tally-Licht befestigen lassen. So kann ein Moderator die Kameranummern auch aus einer Entfernung von bis zu sechs Metern noch klar sehen.



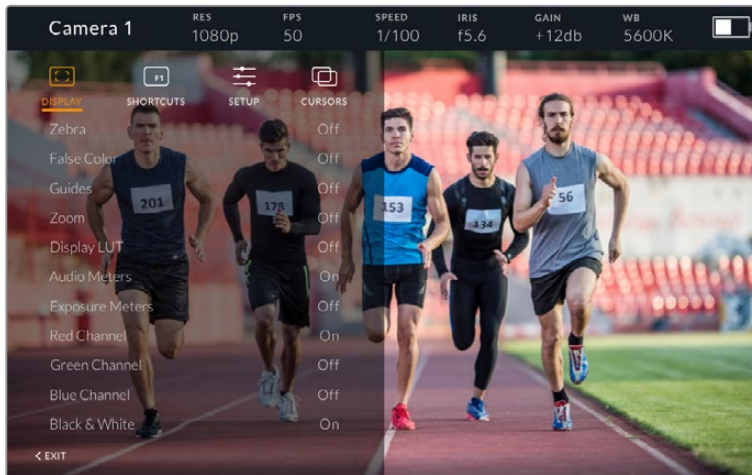
Wir haben dem Software-Installer außerdem editierbare PDF-Dateien hinzugefügt. Mithilfe dieser können Sie sich Ihre eigenen Tally-Nummern erstellen und ausdrucken. Nach Installation der Camera 4.1 Software können diese auf einem Mac auch unter „Programme“ > „Blackmagic Cameras“ > „Documents“ bzw. auf einem PC unter „Blackmagic Design“ > „Documents“ gefunden werden.

Das Tally-Licht leuchtet entsprechend den ATEM Mischerbefehlen auf. Ist Ihre Kamera nicht mit einem Mischer verbunden, verhält sich das Tally-Licht wie ein einfacher Aufzeichnungsindikator und leuchtet rot. Näheres erfahren Sie im Abschnitt „Betrieb als Studiokamera mit Software-Kamerasteuerung“ in dieser Bedienungsanleitung.

**TIPP** Wählen Sie beim Einsatz des Blackmagic URSA Studio Viewfinders mit einem ATEM Mischer auf der URSA Mini unbedingt die Option „Clean Feed“ aus. Dies gewährleistet, dass in der zum ATEM Mischer gesendeten SDI-Ausgabe weder Overlays noch das Fokussierkästchen zu sehen sind. Navigieren Sie auf der URSA zum MONITOR-Menü und wählen Sie für die Haupt-SDI-Ausgabe „Main SDI“ die Option „Clean Feed“ aus.

## Menü-Einstellungen

Per Druck auf den Drehregler MENU erhalten Sie Zugriff auf das Menü. Durch Drehen des Reglers navigieren Sie durch die Menüoptionen. Wenn Sie auf den MENU-Drehregler drücken, während eine Menü-Überschrift markiert ist, können Sie zwischen den Untermenüs DISPLAY, SHORTCUTS, SETUP und CURSORS hin und her schalten. Durch Drehen des Reglers scrollen Sie durch die jeweiligen Einstellungen eines Menüs. Wenn Sie auf den Regler drücken, während eine Einstellung markiert ist, können Sie diese durch Drehen des Reglers anpassen. Bestätigen Sie Ihre Auswahl durch erneutes Drücken des Drehreglers. Sie verlassen das Menü durch Betätigen der BACK-Taste oder indem Sie zur Option „Exit“ navigieren.



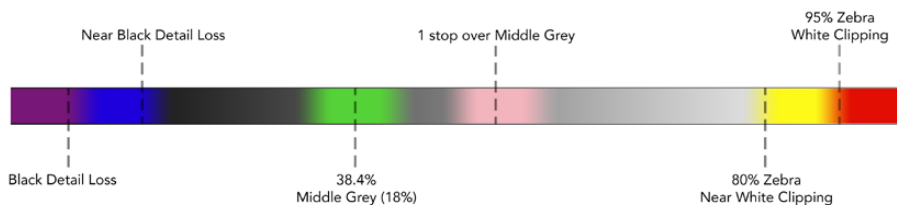
### Display

#### Zebra

Aktiviert bzw. deaktiviert den Zebra-Modus. Das Zebralevel wird auf der URSA Mini im MONITOR-Menü über den Abschnitt „All“ festgelegt. Ist der Studio Viewfinder nicht mit einer URSA Mini verbunden, repräsentiert das Zebralevel 95 % der Luminanzpegel eines Rec.709-Signals. Näheres finden Sie im Abschnitt „Einstellungen“ in diesem Handbuch.

#### False Color

Aktiviert bzw. deaktiviert die Falschfarben-Funktion. Falschfarben-Overlays stellen unterschiedliche Helligkeitswerte von Elementen in Ihrem Bild in Farben dar. Definierte Wertebereiche werden in verschiedenen Farben dargestellt. Pink repräsentiert bspw. eine optimale Belichtung für helle Hauttöne, während Grün für dunklere Hauttöne besser geeignet ist. Wenn Sie beim Filmen von Menschen anhand der Falschfarben-Funktion Pink oder Grün kontrollieren, lässt sich eine gleichmäßige Belichtung von Hauttönen erzielen. Gleichermaßen zeigt Ihnen eine vom Gelben ins Rote wechselnde Falschfarben-Darstellung an, dass diese Bildbereiche nun überbelichtet sind. Die Falschfarben-Funktion eignet sich gut zur Belegung einer der Funktionstasten, da die Tasten einen schnellen und mühelosen Zugriff auf häufig verwendete Referenztools für die Belichtung bieten.



Falschfarbentabelle

#### Guides

Über diese Einstellung können Sie Hilfslinien anzeigen oder ausblenden. Die Hilfslinien entsprechen jenem Stil, der auf der URSA Mini im MONITOR-Menü im Abschnitt „All“ festgelegt wurde.

Das Bildseitenverhältnis, die Sichtbarkeit der Bildrandmarkierungen, die Prozentzahl der sendesicheren Bereiche und die Art der angezeigten Gitter entsprechen jenen, die Sie auf der Kamera festgelegt haben. Über das SETUP-Menü des Studio Viewfinders können Sie dann vorgeben, welche Art von Hilfslinien Sie auf dem Bildschirm des Studio Viewfinders sehen möchten, sollten Hilfslinien im DISPLAY-Menü aktiviert sein. Diese können dann mithilfe eines einzelnen Befehls aktiviert bzw. deaktiviert werden.

### **Zoom**

Schaltet die Zoom-Funktion ein und aus. Die Zoom-Funktion erleichtert die präzise Scharfstellung, indem Sie in das Bild hineinzoomen. Ist eingezoomt, können Sie über den Drehregler zu bestimmten Abschnitten des Bildschirms navigieren. Das Overlay zeigt dabei an, welcher Bildbereich eingezoomt ist.

### **Display LUT**

Beim Senden eines SDI-Signals mit dem Dynamikumfang „Film“ von Ihrer URSA Mini ermöglichen Ihnen die Einstellungen „Film to Video“ und „Film to Extended Video“, eine farb- und kontrastreichere LUT auf Ihr Bild anzuwenden. Der Sucher erkennt, wenn eine dieser LUTs angewendet wird, und gibt Ihnen die Möglichkeit, sie in Ihrem Sucher ein- oder auszuschalten. Wenn eine Display-LUT am Front-SDI-Ausgang aktiviert ist oder Sie eine andere LUT anwenden, ist diese Option deaktiviert, um die Anwendung mehrerer LUTs zu verhindern.

### **Audio Meters**

Die Audiopegelmesser zeigen den Tonpegel an, der über SDI an den Blackmagic URSA Studio Viewfinder gesendet wird. Daher werden Ihnen die Toneingabepegel der URSA Mini angezeigt. Haben Sie den Programmeingang ausgewählt, zeigt der Audiopegelmesser diesen Tonpegel an.

### **Exposure Meters**

Schaltet die Histogrammanzeige für den Belichtungsmesser ein oder aus.

### **Red Channel**

Hierüber schalten Sie den roten Kanal Ihres Bildes ein oder aus.

### **Green Channel**

Hierüber schalten Sie den grünen Kanal Ihres Bildes ein oder aus.

### **Blue Channel**

Hierüber schalten Sie den blauen Kanal Ihres Bildes ein oder aus.

### **Black and White**

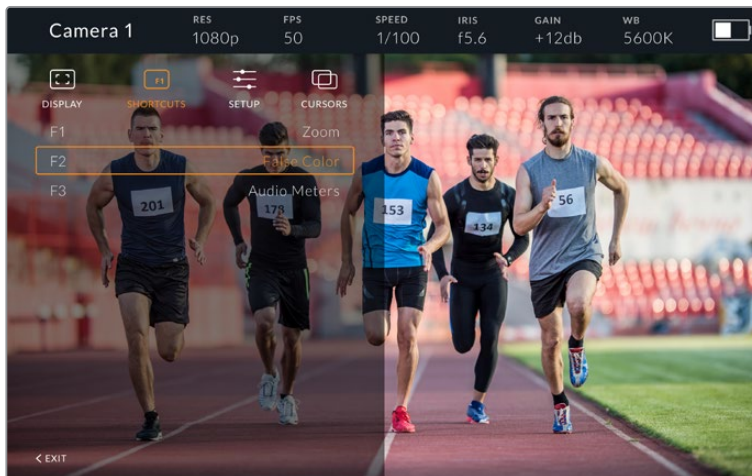
Wechselt zwischen Farbe und Monochrom.

### **Shortcuts**

Die Shortcut-Funktion erlaubt Ihnen die Belegung der Tasten F1, F2 und F3 mit bestimmten Funktionen. Über diese Shortcut-Tasten können Sie beliebige Einstellungen aus dem DISPLAY-Menü oder Ihre Cursor ein- und ausschalten. Das bietet sich besonders dann an, wenn Sie für eine häufig verwendete Funktion schnell auf eine bestimmte Einstellung zugreifen müssen.

So richten Sie Ihre Kurzbefehle individuell ein: Drehen Sie den Drehregler im „Shortcuts“-Menü, um nach oben bzw. unten zu scrollen und wählen Sie eine der drei Tasten. Drücken Sie auf den MENU-Drehregler, um die Auswahl zu bestätigen. Drehen Sie ihn anschließend, um durch die zuweisbaren Funktionen zu scrollen. Sie können eine der folgenden Funktionen auswählen: „Zoom“, „Cursor 1“, „Cursor 2“, „Cursor 3“, „Zebra“, „False color“, „Guides“, „Film to Video“, „Audio Meters“, „Exposure Meters“, „Red Channel“, „Green Channel“, „Blue Channel“, „Black and White“. Sobald Sie Ihre Auswahl getroffen haben, drücken Sie zur Bestätigung auf den MENU-Drehregler, um die jeweilige Feature der ausgewählten Funktionstaste hinzuzufügen. Durch Drücken der Funktionstaste wird diese Feature nun aktiviert bzw. deaktiviert.

Sobald Sie Ihre Shortcuts wie benötigt festgelegt haben, können Sie entweder zu „Exit“ scrollen und auf den MENU-Drehregler drücken oder die BACK-Taste betätigen, um die Menüanzeige zu schließen.



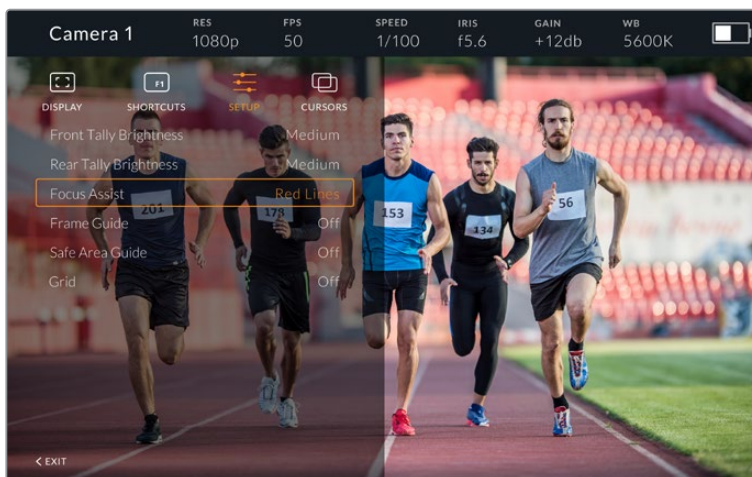
Das Untermenü „Shortcuts“

## Setup

Im SETUP-Menü legen Sie die Grundeinstellungen Ihres Suchermonitors fest.

### Front Tally Brightness

Passt die Helligkeit der Tally-LED an. Mögliche Einstellungen sind: „Off“ (Aus), „Low“ (Niedrig), „Medium“ (Mittel) und „High“ (Hoch). Das Tally-Licht leuchtet während der Anpassungen, damit Sie die entsprechende Helligkeit einer jeden Einstellungsoption nachvollziehen können.



Das Untermenü SETUP

### Rear Tally Brightness

Passt die Helligkeit der Tally-LED an. Mögliche Einstellungen sind: „Low“ (Niedrig), „Medium“ (Mittel) und „High“ (Hoch). Das Tally-Licht leuchtet während der Anpassungen, damit Sie die entsprechende Helligkeit einer jeden Einstellungsoption nachvollziehen können.

**TIPP** Für helle Lichtverhältnisse empfehlen wir eine hohe Einstellung der LED-Helligkeitswerte, damit Darsteller und Bediener das Tally besser erkennen können. Beim Filmen in dunkleren Umgebungen ist jedoch eine geringere LED-Helligkeit angebrachter, da man ein erleuchtetes Tally dann ohnehin besser sieht.



## FOCUS ASSIST

Die Einstellung „Focus Assist“ verändert das Aussehen der Peaking-Funktion auf dem Suchermonitor. Sie haben die Wahl zwischen „Red“ (Rot), „Green“ (Grün), „Blue“ (Blau), „Black“ (Schwarz) und „White“ (Weiß) sowie traditionellem Peaking.

## FRAME GUIDE

Über diese Funktion können Sie sich als Teil der Guides (Hilfslinien) Ihres Studio Viewfinders auch Bildrandmarkierungen anzeigen lassen. In Verbindung mit einer URSA Mini entsprechen diese dem Bildseitenverhältnis für Bildrandmarkierungen Ihrer Kamera. In Verbindung mit anderen Systemen wird das Bildseitenverhältnis auf den Standard von 14:9 eingestellt.

## SAFE AREA GUIDE

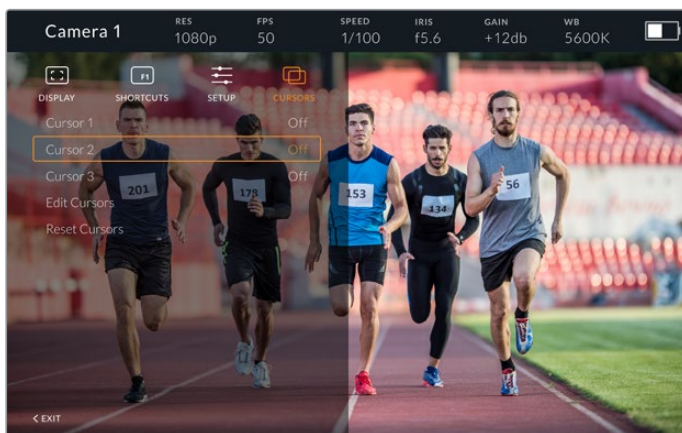
Über diese Funktion können Sie sich als Teil der Guides (Hilfslinien) Ihres Studio Viewfinders auch sendesichere Bereiche anzeigen lassen. In Verbindung mit einer URSA Mini entsprechen diese dem auf Ihrer Kamera eingestellten Prozentsatz für sendesichere Bereiche. In Verbindung mit anderen Systemen beträgt der Standardwert 90 %.

## GRIDS

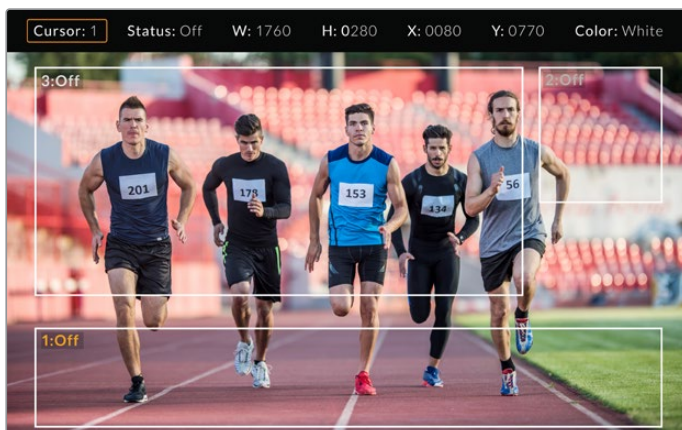
Über diese Funktion können Sie sich als Teil der Guides (Hilfslinien) Ihres Studio Viewfinders auch Gitter anzeigen lassen. In Verbindung mit einer URSA Mini entsprechen diese den Grid-Einstellungen Ihrer Kamera. Ist der Suchermonitor nicht verbunden, wird hier das Fadenkreuz aktiviert bzw. deaktiviert.

## CURSORS

Mithilfe der Cursors können Sie Bereiche im Bildschirm markieren, in die Grafiken wie Bauchbinden, Logos oder Lauftexte eingeblendet werden sollen. Um diese Cursors anzupassen, gehen Sie zu CURSORS und wählen Sie „Edit Cursors“ (Cursor bearbeiten). Es erscheint eine Seite mit allen drei Cursors, auf der Sie einen individuellen Cursor wählen und anschließend seine Breite, Höhe sowie die X- und Y-Koordinaten für die Positionierung bestimmen können.



Das Untermenü CURSORS



Eingeblendete Cursors

Sobald Cursors eingerichtet wurden, können diese über das Menü CURSORS aktiviert bzw. deaktiviert oder einer der Funktionstasten zugeordnet werden. Das ist besonders bei Live-Produktionen wichtig, weil der Kameraoperator Shots somit akkurat zusammenstellen und kadrieren kann. Es können bis zu drei schwarze oder weiße Cursors erstellt werden, deren Höhe, Breite und Position sich variabel vorgeben lassen und dort platziert werden, wo später live oder bei der Übertragung Grafiken hinzugefügt werden. Des Weiteren haben Sie die Möglichkeit, die Standardeinstellungen der Cursors wiederherzustellen.

## Gebrauch eines Headsets mit dem Blackmagic URSA Studio Viewfinder

Wenn Sie den Blackmagic URSA Studio Viewfinder in Verbindung mit einer URSA Mini einsetzen, wird die Kopfhörerbuchse Ihrer Kamera zur Headset-Verbindung für Talkback und erlaubt die direkte Kommunikation mit dem Regisseur.

Für eine erweiterte Talkback-Funktionalität können Sie alternativ mit einem Blackmagic Camera Fiber Converter und einem Blackmagic Studio Converter reguläre Broadcast-Headsets mit 5-poligen XLR-Anschlüssen einsetzen. Näheres finden Sie im Abschnitt „Blackmagic Fiber Converter“.

**TIPP** Da die Kopfhörerbuchse an der URSA Mini mit iPhone-Headsets kompatibel ist, können Sie für die Kommunikation mit dem Regisseur Ihr iPhone-Headset benutzen. Drücken Sie die eingebaute Fernsprechtaste, um vom Regisseur gehört zu werden.

## Aktualisieren der Produktsoftware des URSA Studio Viewfinder

Ein Update Ihres Suchers lässt sich über das Blackmagic Camera Setup Dienstprogramm vornehmen. Der Sucher muss für das Update mit Strom versorgt werden. Wir empfehlen, den Sucher während des Updates an Ihre URSA angeschlossen zu lassen. Für diesen Vorgang muss Ihre URSA durchgängig Strom liefern. Schließen Sie sie deshalb an eine externe Stromzufuhr an.

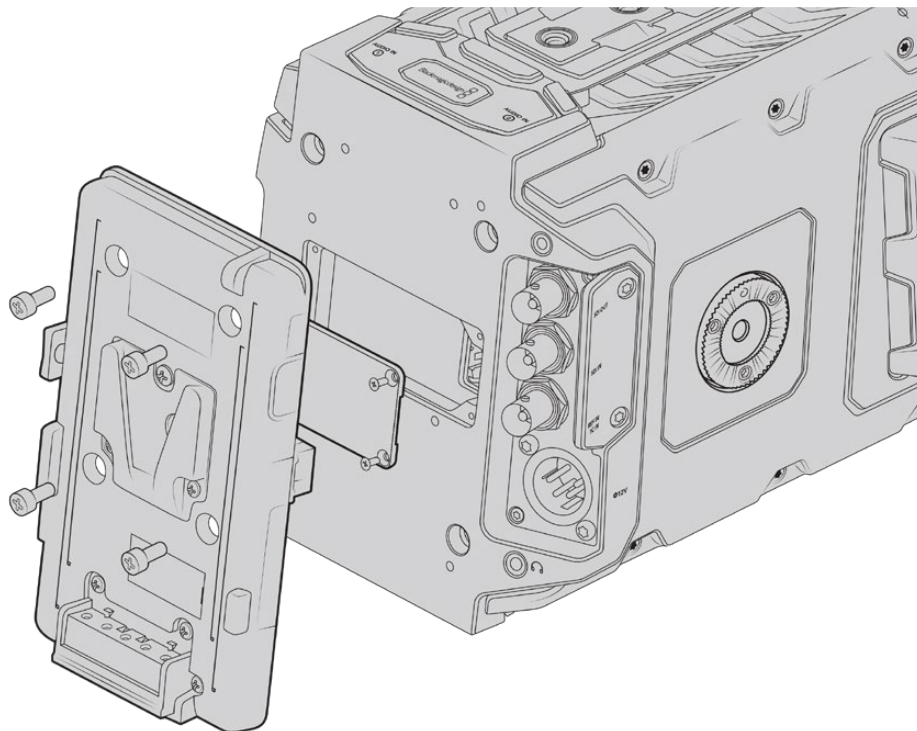
Entfernen Sie die Gegenlichtblende, um Zugriff auf den kleinen USB-C-Anschluss am Unterteil des Blackmagic URSA Studio Viewfinders zu bekommen und verbinden Sie ihn über den USB-C-Port Ihres Computers. Wenn das Dienstprogramm Blackmagic Camera Utility läuft und Ihr Sucher an einen Computer angeschlossen ist, erhalten Sie eine Update-Aufforderung, sobald Ihr Computer eine vorhandene ältere Version erkennt. Folgen Sie den Anweisungen auf Ihrem Bildschirm, um die Produktsoftware Ihres Suchers zu aktualisieren. Weitere Informationen finden Sie in diesem Handbuch im Abschnitt „Blackmagic Camera Setup Dienstprogramm“.

Für optimale Leistung empfehlen wir Ihnen, Ihre komplette Blackmagic URSA Ausrüstung auf einmal zu aktualisieren.

**HINWEIS** Beim Einsatz Ihres Blackmagic URSA Studio Viewfinders mit der URSA Mini empfehlen wir, die Produktsoftware Ihres Suchers aus Kompatibilitätsgründen mit der neuesten Version zu aktualisieren. Die aktuellste Version der Software steht im Blackmagic Support Center unter [www.blackmagicdesign.com/de/support](http://www.blackmagicdesign.com/de/support) bereit. Weitere Informationen finden Sie in diesem Handbuch im Abschnitt „Blackmagic Camera Setup Dienstprogramm“.



## Anbringen von Akkus



Der Anschluss einer Fremdhersteller-Akkuträgerplatte gestattet Ihnen den Einsatz von V-Mount- oder Gold-Mount-Akkus

### Anbringen von V-Mount- oder Gold-Mount-Akkus

Schließen Sie bequem branchenübliche V-Mount- oder Gold-Mount-Akkus an Ihre Blackmagic URSA Mini an.

Zum Einlegen eines Akkus müssen Sie zunächst eine Blackmagic URSA VLock Battery Plate oder URSA Gold Battery Plate an die vorgesehene Vorrichtung Ihrer Kamera anbringen. Es eignen sich auch Fremd-Akkuplatten.

**TIPP** Beim Einsatz kompatibler Akkus unterstützen die Blackmagic URSA VLock Battery Plate und URSA Gold Battery Plate Ladestandanzeigen in Prozent. Über den als D-Tap- oder P-Tap-Anschluss bezeichneten +12V-Ausgang der Blackmagic Akkutragerrplatten kann Zubehör, bspw. ein externer Monitor, mit Strom versorgt werden. Es ist wissenswert, dass dieser Anschluss über die Kamera geregelt und somit beim Ausschalten der Kamera ebenfalls sicher ausgeschaltet wird. Dieser geregelte Ausgang liefert 12-Volt-Strom mit bis zu 1,5 Ampere. Einige URSA Akkuträger und sogar einige Fremddakus haben einen unregelmäßigen D-Tap-Ausgang. Diese Akkus liefern beim Hochfahren oder Ein- und Ausschalten der Kamera kontinuierlich Strom. Allerdings schwankt die Spannung je nach Ladestand des Akkus und angeschlossenem Zubehör, und der Akku wird ständig beansprucht.

Blackmagic URSA VLock Battery Plates und URSA Gold Battery Plates sind bei Blackmagic Design Resellern erhältlich. Alternativ erhalten Sie Fremd-Akkuträgerplatten im Fachhandel für professionelles Digitalfilm- und Video-Equipment.

Trägerplatten für V-Mount-Akkus sind von Blackmagic Design Resellern erhältlich. Auch im Fachhandel für professionelles Digitalfilm- und Video-Equipment gibt es Trägerplatten für V-Mount-

und Gold-Mount-Akkus. Wenn Ihnen keine handelsübliche Akkuplatte für Ihre Blackmagic URSA bzw. URSA Mini vorliegt und Sie sich Ihre eigene Akkuplatte basteln möchten, können Sie sich hierfür des mitgelieferten Adapterkabels mit Verbinder bedienen. Anweisungen zur Modifikation beliebiger Akkuplatten für den Gebrauch mit einer URSA oder URSA Mini finden Sie im Abschnitt „Gebrauch eigener Akkuplatten“.

#### **So befestigen Sie Ihre Akkuplatte am Kamerarücken:**

- 1** Entfernen Sie, sofern vorhanden, die Abdeckung der Molex-Strombuchse von der Blackmagic URSA Mini, indem Sie die vier Eckschrauben mit einem Kreuzschlitzschraubendreher des Typs PH1 lösen.
- 2** Verbinden Sie den Molex-Stecker Ihrer Akkuplatte mit der Molex-Strombuchse Ihrer Kamera.
- 3** Schrauben Sie die Fremddakuplatte an den vier Befestigungspunkten Ihrer Blackmagic URSA Mini fest. Benutzen Sie vier Schrauben mit dem Profil M3. Achten Sie beim Festschrauben darauf, dass das Verbindungskabel sicher im Kabelschacht verstaut ist und nicht zwischen den beiden Platten eingeklemmt wird.
- 4** Sobald die Fremd-Akkuplatte an Ihrer Kamera befestigt ist, können Sie einen V-Mount- oder Gold-Mount-Akku anbringen.

Sobald die Fremddakuplatte an Ihrer Blackmagic URSA befestigt ist, können Sie einen V-Mount- oder Gold-Mount-Akku anbringen.

## **Gebrauch eigener Akkuplatten**

### **Adapterkabel mit Verbinder**

Wenn Sie keine im Handel erhältliche, für die URSA Mini konzipierte Akkutträgerplatte haben und Sie Ihre eigene Trägerplatte modifizieren möchten, können Sie das mitgelieferte Adapterkabel mit Verbinder benutzen. Letzteres ist auch bei einer Blackmagic Design Support-Stelle in Ihrer Nähe erhältlich.

So verdrahten Sie Adapterkabel und Verbinder mit Ihrer Akkutträgerplatte:

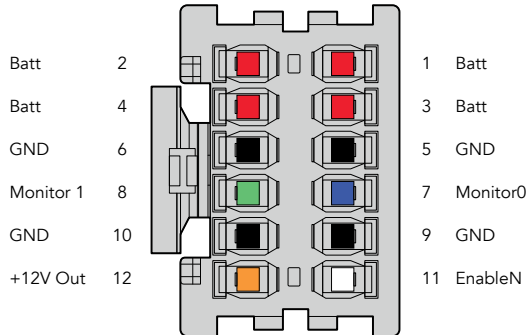
- 1** Trennen Sie am Ende aller roten und schwarzen Leiter ca. 12 mm von der Isolierung ab.
- 2** Löten Sie die vier roten Akkuleiter („Batt“) an den entsprechenden positiven Leitern Ihrer Akkutträgerplatte fest.
- 3** Löten Sie die vier schwarzen Erdungsleiter („GND“) an den entsprechenden negativen Leitern Ihrer Akkutträgerplatte fest.

Sorgen Sie für eine angemessene Isolierung der Verbindungsstellen.



Wenn Sie beliebige Akkutträgerplatten zum Anschluss an die URSA modifizieren möchten, benutzen Sie das mitgelieferte Adapterkabel mit Verbinder. Letzteres ist auch bei einer Blackmagic Design Support-Stelle in Ihrer Nähe erhältlich.

Dies gestattet die Versorgung Ihrer Kamera mit Akkustrom. Sie können auch zusätzliche Leiter für Features wie einen 12V-Ausgang und Akkustatus anschließen. Orientieren Sie sich als Hilfestellung zum Anschließen der Leiter an den Informationen Ihrer Akkuträgerplatte sowie an dem auf dieser Seite befindlichen Diagramm und der Tabelle. Bitte besuchen Sie bei eventuellen weiteren Fragen das Blackmagic Design Support Center unter [www.blackmagicdesign.com/de/support](http://www.blackmagicdesign.com/de/support).



Rückansicht des Verbindergehäuses des Adapters.  
Die Stifte sind in der Kabelkonfigurationstabelle einzeln beschrieben

### Kabelkonfigurationstabelle

Stifte	Signal	Farbe	Richtung	Beschreibung
1, 2, 3, 4	Batt	Rot	Zur URSA	12–20 V
5, 6, 9, 10	GND	Schwarz	–	–
7	Monitor0	Blau	Zur URSA	Analoger Akkupegel oder Open-Drain-Datenleitung (max. 20 V)
8	Monitor1	Grün	Zur URSA	Open-Drain-Uhrleitung (max. 3,4 V)
12	+12 V out	Orange	Von der URSA	12 V regulierte Ausgabe max. 1,5 A (18 W)
11	EnableN	Weiß	Zur URSA	Anschluss an GND (Erdung) für +12 V Ausgabe. Schweben lassen wenn keine +12V-Ausgabe erforderlich ist.

Jeder mit „Batt“ und „GND“ gekennzeichnete Pol unterstützt drei Ampere. Vergewissern Sie sich, dass alle „Batt“- und „GND“-Stifte verbunden sind. Orientieren Sie sich an der folgenden Verbindungstabelle, um den Akkustatus bei Gebrauch von Anton-Bauer- oder IDX-Trägerplatten zu prüfen:

<b>Anton Bauer</b>	Schließen Sie den blauweiß gestreiften Leiter an den blauen Gehäuseleiter bei Stift 7 an.
<b>IDX</b>	Schließen Sie den grünen Leiter an den grünen Gehäuseleiter bei Pol 8 an und den grauen Leiter an den blauen Gehäuseleiter bei Stift 7.
<b>Blueshape</b>	Schließen Sie den mit SMBC gekennzeichneten blauen Leiter an den grünen Gehäuseleiter bei Pol 8 an. Schließen Sie den mit SMBD gekennzeichneten braunen Leiter an den blauen Gehäuseleiter bei Pol 7 an.

Sichern Sie unbelegte Leiter, indem Sie diese möglichst nahe an der Rückseite des Adapterverbinders abtrennen.

# Blackmagic Fiber Converters

Der Blackmagic Camera Fiber Converter und der Blackmagic Studio Fiber Converter sind optionale Zubehörgeräte, die eine SMPTE-Glasfaser Verbindung zwischen Ihrer Kamera und einem ATEM Mischer herstellen.

Auf diese Weise lassen sich alle verfügbaren Video-, Talkback-, Tally- und Kamerasteuerungssignale sowie Strom über ein einzelnes SMPTE-Hybrid-Glasfaserkabel übertragen. Die Anzahl benötigter Kabel reduziert sich somit auf ein einziges. Das macht Ihr Produktions-Setup effizienter und einfacher zu bedienen. Dank der Standardanschlüsse am Blackmagic Studio Fiber Converter lässt er sich mühelos in existierende Ü-Wagen-Strukturen integrieren.

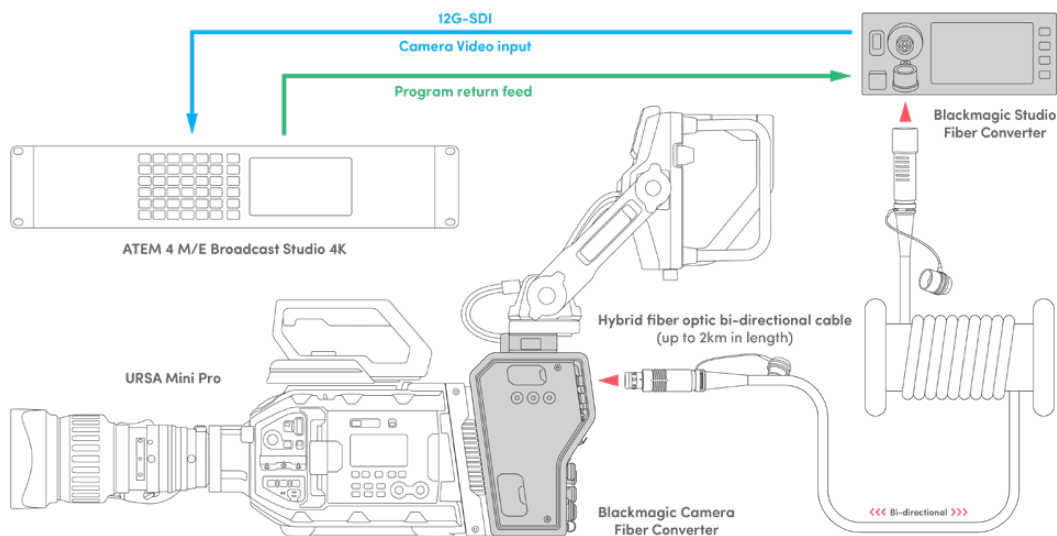


## Blackmagic Camera Fiber Converter

Der Kamerakonverter wird an der Rückseite Ihrer URSA Mini oder URSA Broadcast befestigt und stellt über ein branchenübliches SMPTE-Glasfaserkabel mit Hybrid-304-Stecker eine Verbindung zum Blackmagic Studio Fiber Converter her.

## Blackmagic Studio Fiber Converter

Der Studiokonverter wandelt optische Signale des Kamerakonverters in SDI-Signale und leitet diese per BNC an einen ATEM Mischer. Darüber hinaus leitet der Studiokonverter alle Return-Feed-Quellen, inklusive des Programm>Returns vom ATEM Mischer, an den Kamerakonverter zurück.



Blackmagic Kamera- und Studiokonverter werden über ein einzelnes SMPTE-Glasfaserkabel verbunden und sorgen für einen effizienten Austausch von SDI-Video-, Talkback-, Tally- und Steuerungssignalen sowie für die Stromversorgung

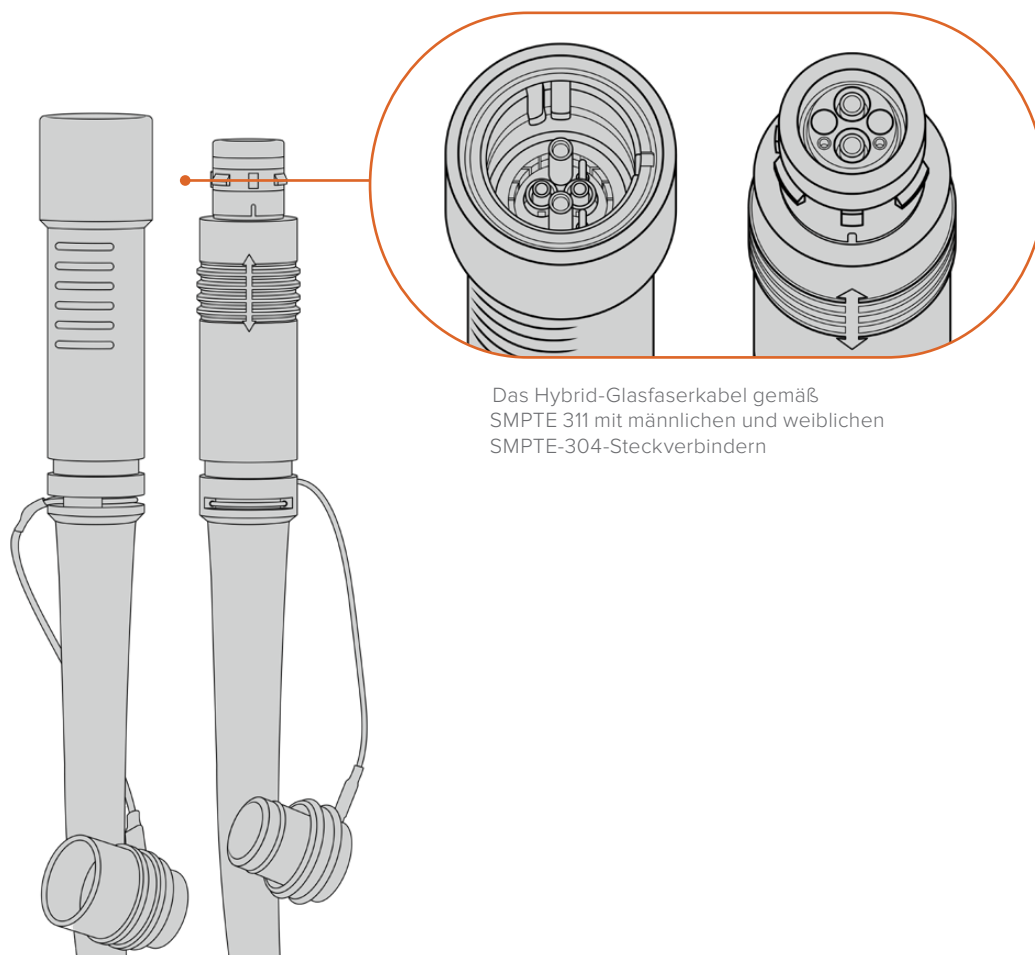
# Erste Schritte mit den Blackmagic Fiber Convertern

Der Einstieg geht schnell und mühelos. Im Nullkommanichts werden Sie Videoinhalte erstellen und sich an den Vorteilen von SMPTE-Glasfaser erfreuen.

## Über SMPTE-Glasfaser

SMPTE-Glasfaserkabel übertragen mehrere Signalarten sowie Strom über weite Entfernungen. Das ist in Broadcasting-Umgebungen praktisch, da nicht für jede mit dem Mischer verbundene Kamera mehrere Kabel verlegt werden müssen.

Pro Kamera genügt ein einziges SMPTE-311-Hybridkabel, um eine Verbindung zum ATEM Mischer herzustellen und einen Austausch aller Video-, Talkback-, Tally- und Steuerungssignale sowie die Stromzufuhr zu gestatten. Dank Lichtwellenleitern funktioniert dies über Entfernungen von bis zu 2 Kilometern.



Das Hybrid-Glasfaserkabel gemäß SMPTE 311 mit männlichen und weiblichen SMPTE-304-Steckverbindern

**HINWEIS** Die männlichen und weiblichen Enden eines SMPTE-311-Hybrid-Glasfaserkabels erkennt man an den in der Spitze verborgenen weiblichen bzw. männlichen Polen der SMPTE-304-Steckverbinder. Von außen ist das Geschlecht eines Steckverbinders nicht ersichtlich.

**TIPP** Stecken Sie die Gummiabdeckungen der beiden Enden des SMPTE-Glasfaserkabels auf die Gummiabdeckungen der beiden Konverter, damit diese keinen Staub oder sonstige Verschmutzungen einfangen.

Bei Live-Übertragungen bieten SMPTE-Glasfaserverbindungen den Vorteil, dass Kameras so mit dem Regieraum bzw. einem Ü-Wagen in ständigem Austausch bleiben. Die meisten modernen Sportstadien verfügen bereits über eine Infrastruktur aus Lichtwellenleitern zwischen den einzelnen Kamerapositionen und dem Regieraum oder Ü-Wagen. Diese Systeme können Sie also sofort nutzen.

Alles was Sie zum Verbinden der beiden Blackmagic Glasfaserkonverter benötigen ist ein SMPTE-311-Hybridkabel mit 304-Steckern.

### Schutz der SMPTE-Stecker

Es ist sehr wichtig, dass die Stecker des SMPTE-Glasfaserkabels jederzeit durch ihre Gummikappen geschützt werden. An den polierten Enden der Lichtwellenleiter sammeln sich sonst sehr schnell Staubpartikel, die den Datenfluss stören könnten. Deshalb ist es empfehlenswert, die Gummikappen über die Stecker zu stülpen, sobald sie freiliegen. Führen Sie den Stecker daher umgehend in die Gerätebuchse ein, sobald die Gummikappe entfernt wurde bzw. stülpen Sie die Gummikappe umgehend über, sobald der Stecker aus der Gerätebuchse gezogen wurde.

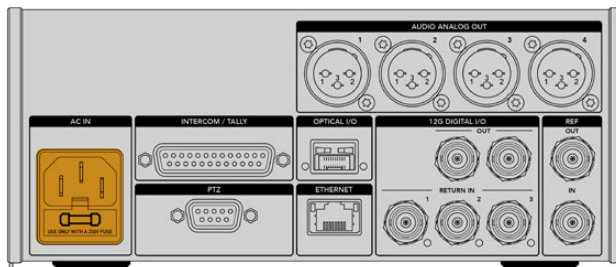
Darüber hinaus wird empfohlen, auch die Gummikappen der SMPTE-Kabelenden in das jeweilige Gegenstück am Konverter zu schieben. Das verhindert eine Verschmutzung der Gummikappen.

### Anschließen an das Stromnetz

Strom wird vom Studiokonverter über das Glasfaserkabel an den Kamerakonverter geleitet. Daher muss zunächst der Studiokonverter mit Strom versorgt werden.

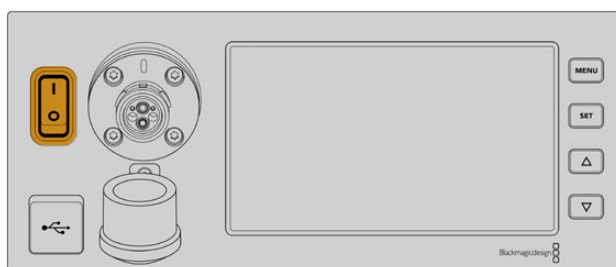
### Stromversorgung des Studio Fiber Converters

Stecken Sie ein reguläres IEC-Stromkabel in den Stromanschluss am Geräterücken des Studiokonverters.



Versorgen Sie Ihren Studio Fiber Converter mithilfe eines regulären IEC-Kabels mit Netzstrom

Zum Einschalten, stellen Sie den Schalter an der Frontblende auf die Ein-Position.



## Anschließen von SMPTE-Glasfaser

Verbinden Sie als nächstes den Studiokonverter per SMPTE-Glasfaserkabel mit dem Kamerakonverter. Der Kamerakonverter wird daraufhin vom Studiokonverter mit Strom versorgt. Zusätzlich können nun alle Video-Feeds via Glasfaser übertragen werden.

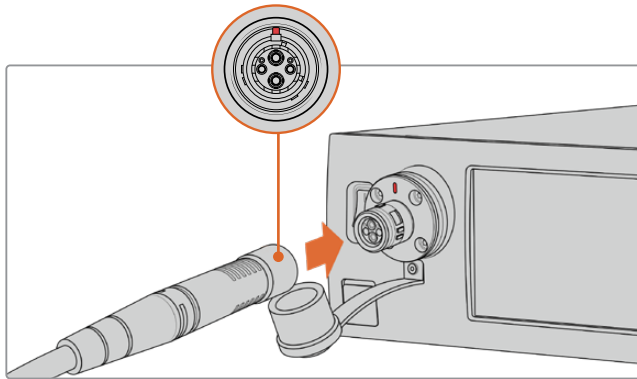
**HINWEIS** Sobald ein Hybrid-Glasfaserkabel in den Blackmagic Studio Fiber Converter eingesteckt wird, werden ausführliche Sicherheitschecks durchgeführt. Darüber hinaus wird die Sicherheit des Geräts beim Gebrauch kontinuierlich überprüft.

### Anschließen des Glasfaserkabels an den Studiokonverter

Der männliche Stecker des SMPTE-Glasfaserkabels rastet sicher in der Glasfaserbuchse an der Frontblende des Blackmagic Studio Fiber Converters ein. Eine sichere Sperre sorgt dafür, dass das Kabel während einer Übertragung nicht aus Versehen herausgezogen wird.

#### So schließen Sie das Kabel an:

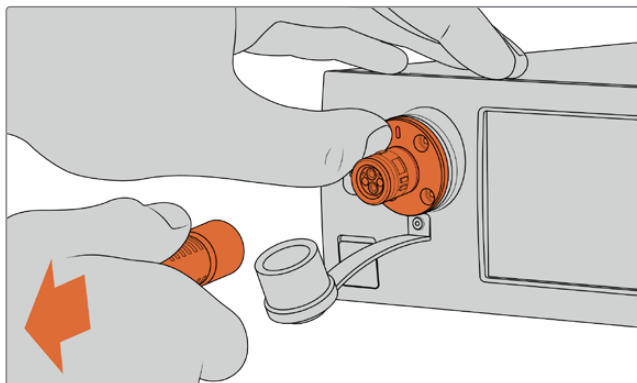
Richten Sie die rote Markierung am Kabelstecker auf den roten Punkt der Gerätebuchse aus und führen Sie den Stecker ein, bis er sicher einrastet.



Führen Sie den Stecker am SMPTE-Glasfaserkabel in die Buchse vorne am Blackmagic Studio Fiber Converter ein

#### So entfernen Sie das Kabel:

Drücken Sie die Metallplatte der Gerätebuchse Richtung Frontblende und ziehen Sie den Stecker heraus. Führen Sie den männlichen Stecker des SMPTE-Glasfaserkabels in die Glasfaserbuchse an der Frontblende des Blackmagic Studio Fiber Converters ein.



Drücken Sie die Metallplatte der Gerätebuchse Richtung Frontblende. Das löst die Kabelsperre und Sie können den Stecker aus dem Gerät herausziehen



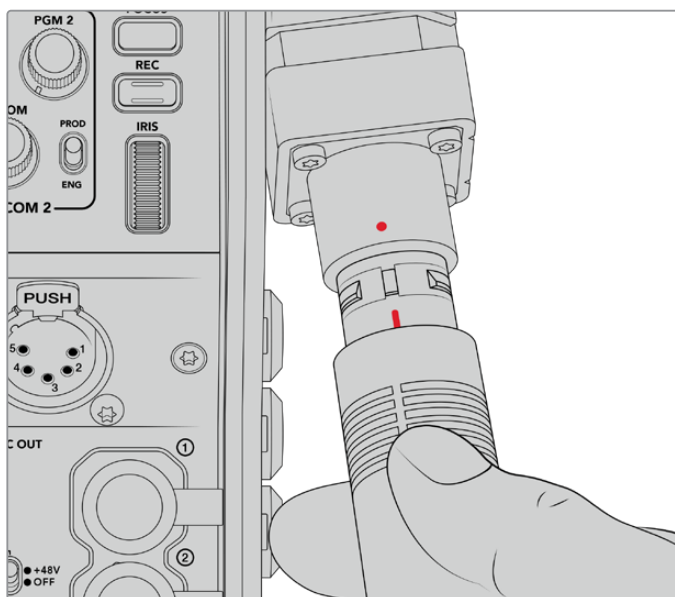
Ist das Kabel angeschlossen, wird empfohlen, die Gummikappe des Steckers vom SMPTE-Kabel in die Gummikappe der Gerätebuchse des Blackmagic Studio Fiber Converters zu stecken. Dadurch wird verhindert, dass Staub oder Schmutz in die Gummikappen gelangt.

## Anschließen des Glasfaserkabels an den Kamerakonverter

Der weibliche Stecker des SMPTE-Glasfaserkabels passt in die Gerätebuchse seitlich am Blackmagic Camera Fiber Converter. Auch hier wird sichergestellt, dass die Verbindung während einer Übertragung nicht versehentlich unterbrochen wird.

### So schließen Sie das Kabel an:

- 1 Richten Sie die roten Markierungen an Stecker und Buchse aufeinander aus und führen Sie den Stecker ein, bis er sicher einrastet.
- 2 Ist das Kabel angeschlossen, wird empfohlen, die Gummikappe des Steckers vom SMPTE-Kabel in die Gummikappe der Gerätebuchse des Blackmagic Camera Fiber Converters zu stecken. Dadurch wird verhindert, dass Staub oder Schmutz in die Gummikappen gelangt.

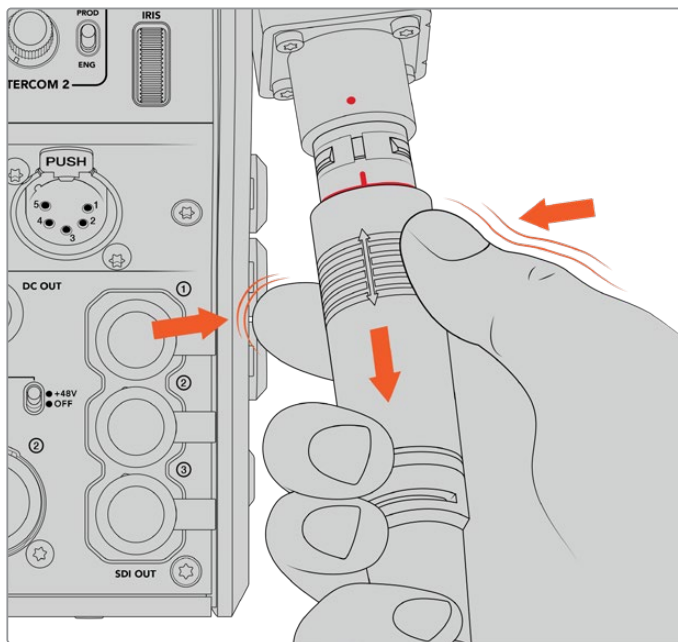


Richten Sie die roten Markierungen aufeinander aus, um das SMPTE-Hybridkabel in die Buchse am Blackmagic Camera Fiber Converter einzuführen

**HINWEIS** Die SMPTE-304-Anschlüsse am SMPTE-311-Kabel sind äußerst robust und sitzen fest in der Kamera. Sorgen Sie beim Entfernen des Kabels dafür, dass die Kamera sicher an einem Stativkopf befestigt ist oder Sie sie mit Ihrer freien Hand stützen, während Sie das Kabelende mit der anderen Hand aus der Kamera herausziehen.

### So entfernen Sie das Kabel:

- 1 Drücken Sie die Gummiummantelung des Kabels am Stecker zusammen und ziehen Sie ihn vorsichtig zurück, bis Sie den roten Ring unter der Ummantelung sehen können. Auf diese Weise werden die Zähne des Sperrmechanismus gelöst.
- 2 Stabilisieren Sie mit einer Hand die Kamera und ziehen Sie den Stecker aus der Buchse des Blackmagic Camera Fiber Converters. Das Kabel sollte sich ohne Kraftaufwand entfernen lassen.



Drücken Sie die Gummiummantelung am Stecker zusammen, bis der rote Ring darunter sichtbar wird und ziehen Sie das Kabel heraus

**HINWEIS** Da das SMPTE-Hybrid-Glasfaserkabel das Herzstück des gesamten Broadcast-Ökosystems ist, sollte es unbedingt mit größter Achtsamkeit behandelt werden. Vermeiden Sie bspw. Kabelknicks, die durch den Druck von schweren, auf dem Kabel stehenden Gegenständen oder durch Biegen um mehr als 90-Grad entstehen können. Es ist auch zu vermeiden, die Anschlüsse beim Anschließen und Abnehmen fallen zu lassen. Versehen Sie freigelegte Anschlüsse immer sofort wieder mit ihrer Abdeckung.

## Prüfen der Strom- und Glasfaserverbindung

Beide Konverter durchlaufen nun einen Handshaking-Prozess, um sicherzustellen, dass sowohl die Strom- als auch die Glasfaserverbindung sicher hergestellt werden kann.

### Dieser Prozess funktioniert wie folgt:

- 1 Der Studiokonverter leitet Strom in einem niedrigen Spannungsbereich zum Kamerakonverter. Anzeigt wird dies durch das rote Statuslämpchen am Kamerakonverter.
- 2 Sobald die Verbindung als sicher gilt, erhöht sich die Spannung und das POWER-Lämpchen am Kamerakonverter beginnt grün zu leuchten.
- 3 Wird auch die sichere Glasfaserverbindung bestätigt, beginnt das FIBER-Lämpchen ebenfalls grün zu leuchten.

Dieser Vorgang geht in der Regel sehr schnell vonstatten, sodass die Lämpchen beinahe sofort grün leuchten. Sollten Sie mit Kabellängen über größere Entfernungen arbeiten, kann es etwas länger dauern, bis die Lämpchen grün leuchten.

Bleibt das Licht für einen längeren Zeitraum rot und wechselt nicht zu grün, bzw. blinkt abwechselnd rot und grün, überprüfen Sie, dass beide Kabelenden richtig eingesteckt worden sind. Besteht das Problem weiterhin, überprüfen Sie den Zustand Ihres Glasfaserkabels.

## Anmerkungen zur elektrischen Sicherheit

Über ein SMPTE-Hybrid-Glasfaserkabel kann Hochspannungsstrom über beträchtliche Distanzen hinweg transportiert werden. Auf diese Weise können Sie eine bis zu 2 km entfernte Kamera mitsamt Zubehör mit Strom versorgen.

Zur Gewährleistung des sicheren Betriebs verfügt der Blackmagic Studio Fiber Converter über Sicherheitsmechanismen, die für eine akkurate Überprüfung und automatische Handhabung des übermittelten Stroms sorgt.

Ein spezieller Microcontroller, internes Handshaking und Kommunikation zwischen den beiden Blackmagic Glasfaserkonvertern gewährleisten, dass das Kabel so lange inaktiv bleibt, bis es in den Camera Fiber Converter gesteckt wird. Es geht dann in einen niedrigen Spannungszustand über und wird erst nach erfolgten Sicherheitschecks in einen Hochspannungsstatus versetzt. Hohe Spannungen werden erst dann ermöglicht, wenn die Konverter ein beständiges optisches Signal und eine Stromschleifenschnittstelle von 5 mA erkennen. Gleichzeitig darf das Ungleichgewicht zwischen den Leitern nicht mehr als 30 mA betragen.

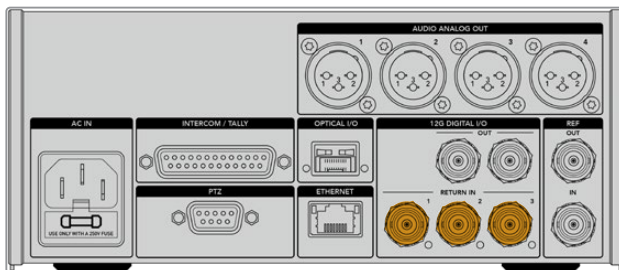
## Anschließen an einen ATEM Mischer

### So verbinden Sie den Blackmagic Studio Fiber Converter mit Ihrem Mischer:

- 1 Verbinden Sie den 12G-SDI-Ausgang des Blackmagic Studio Fiber Converters mit einem der SDI-Eingänge Ihres Mixers. Vergewissern Sie sich, dass Ihre Kamera auf dasselbe Format und dieselbe Framerate wie Ihr Mixer eingestellt ist.
- 2 Verbinden Sie den Programm-Return-Feed-Ausgang Ihres Mixers mit dem Eingang RETURN IN 1 an der Rückseite des Studiokonverters.

**TIPP** Wenn Sie mehrere Kameras für eine Liveproduktion einsetzen, kann es nötig werden, dass Sie den vom Mixer rückgeführten Programm-Feed über einen Teranex Mini SDI Distribution 12G oder eine Smart Videohub Kreuzschiene leiten. Dies hängt von der Anzahl der Programmausgänge am Mixer ab, da Sie höchstwahrscheinlich mehr als die vorhandenen brauchen werden.

- 3 Wenn Sie möchten, dass weitere Return-Feeds an Ihre Kamera gesendet werden, wie bspw. ein Clean-Feed, ein Teleprompter-Feed, ein ISO-Feed von einer anderen Kamera, Grafiken oder ein beliebiges anderes Signal, dann verwenden Sie dafür RETURN IN 2 oder 3.



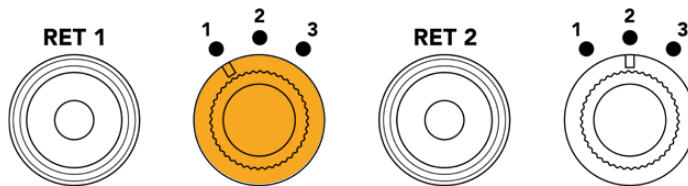
Leiten Sie den Programm-Return-Feed des Mixers sowie andere Return-Quellen an die Eingänge RETURN IN an der Rückseite des Studiokonverters

## Prüfen des Videosignals

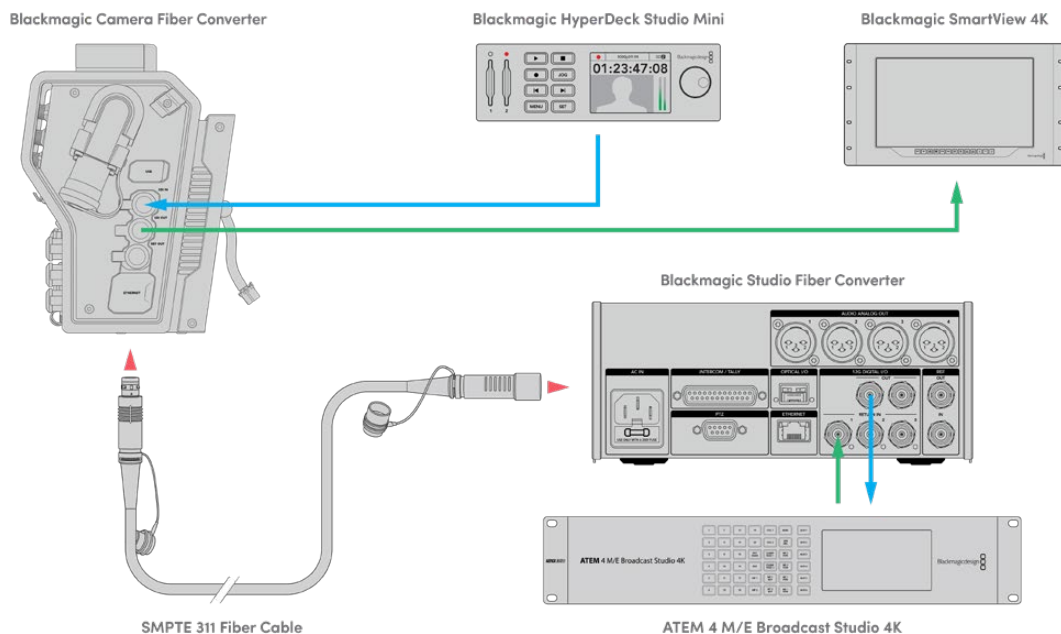
Nun können Sie überprüfen, ob alle Videosignale und Return-Feeds korrekt übertragen werden.

- 1 Vergewissern Sie sich, dass der Programmausgang des ATEM Mischers an den SDI-Return-Eingang 1 des Studiokonverters gekoppelt ist.
- 2 Wenn Sie alle Return-Feeds überprüfen möchten, schließen Sie an die SDI-Return-Eingänge 2 und 3 ebenfalls Videoquellen an.
- 3 Koppeln Sie nun einen SDI-Monitor, bspw. einen Blackmagic SmartView 4K, an den SDI-Ausgang an der Geräteseite des Kamerakonverters.

Drehen Sie neben dem SDI-Ausgang am entsprechenden Drehknopf, um zwischen den drei Return-Feeds zu wählen. Anhand der Drehknöpfe können Sie bei Bedarf zwei Return-Feeds fürs Monitoring wählen.



Schalten Sie auf dem Kamerakonverter zwischen den Return-Feeds hin und her und drücken Sie die entsprechende Return-Taste, um den ausgewählten Feed auf dem Monitor anzuzeigen



Um Videosignale zu überprüfen, koppeln Sie die Videoquellen an die Return-Feed-Eingänge des Studiokonverters und sichten Sie sie auf einem an den Kamerakonverter angeschlossenen Monitor

## Warum sind die Anschlüsse an der Frontblende?

Der Glasfaseranschluss befindet sich an der Frontblende des Studiokonverters, damit er hinten im Rack als optisches Patchfeld fungieren kann. In der Regel würde der Studiokonverter nach hinten gerichtet im Rack installiert werden, sodass SMPTE-Kabel direkt an das Gerät gekoppelt werden können. Zusätzliche Patchfelder im Rack erübrigen sich daher genauso wie die Extrakosten für ein sehr kurzes Kabel zum Glasfasergerät. Das große LCD neben dem SMPTE-Glasfaseranschluss bietet eine schnelle Überprüfung der Verbindung zur Kamera.

## Anschließen von Kamera-SDI-Signalen

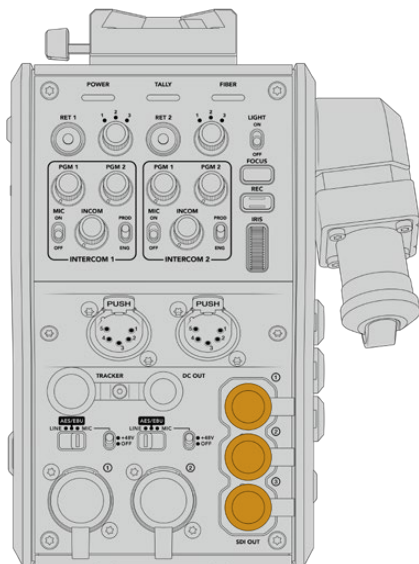
Das Verbinden von Videosignalen zwischen Blackmagic Camera Fiber Converter und URSA Mini oder URSA Broadcast ist ein Kinderspiel: Einfach zwei der drei mitgelieferten SDI-Kabel seitlich an den Konverter und an die Rückseite der Kamera anschließen.

### So verbinden Sie Ihren Camera Fiber Converter mit Ihrer Kamera

- 1 Verbinden Sie mittels eines der mitgelieferten BNC-Kabel den 12G-SDI-Ausgang an der Rückseite der Blackmagic URSA Mini oder URSA Broadcast mit dem SDI-Eingang am Blackmagic Camera Fiber Converter.
- 2 Verbinden Sie mittels eines der mitgelieferten BNC-Kabel den SDI-Ausgang am Blackmagic Camera Fiber Converter mit dem 12G-SDI-Eingang an der Rückseite der Blackmagic URSA Mini oder URSA Broadcast.

## Anschließen von Return-SDI-Ausgabesignalen

Die drei mit SDI OUT markierten SDI-Ausgänge am Kamerakonverter sind Durchschleifausgänge für die vom Mischer gesendeten Return-Feeds. Sie können diese Return-Feeds somit an anderes SDI-Equipment nahe der Kamera weiterleiten, bspw. an einen Teleprompter oder Moderatorenmonitor.



Die drei Return-Feed-Durchschleifausgaben können an anderes SDI-Equipment nahe der Kamera weitergeleitet werden, bspw. an einen Teleprompter oder Moderatorenmonitor

**HINWEIS** Die SDI-Durchschleifausgänge für den Return-Feed unterstützen 3D-SDI und bieten somit eine ausreichende Bandbreite für drei separate Feeds. Return-Feeds in Ultra HD bis 2160p/60 vom Mischer werden in der entsprechenden Framerate auf 1080p abwärtskonvertiert.

## Installation des Blackmagic Camera Fiber Converters

Der Blackmagic Camera Fiber Converter wird hinten am Kameragehäuse der URSA Mini oder URSA Broadcast angebracht und per BNC-Verbinder an den hinteren SDI-Eingang und -Ausgang angeschlossen. Sollte eine Akkuträgerplatte installiert sein, muss diese vor dem Anbringen des Blackmagic Camera Fiber Converters entfernt werden.

**HINWEIS** Prüfen Sie, ehe Sie einen Blackmagic Camera Fiber Converter installieren, dass die installierte Produktsoftware auf der URSA Mini die Version 4.4 oder höher und auf der URSA Broadcast die Version 4.6 oder höher ist. Die aktuell auf Ihrer Kamera geladene Softwareversion können Sie auf Seite 4 im SETUP-Menü der Kamera nachsehen. Näheres zur Aktualisierung der Produktsoftware Ihrer Kamera finden Sie im Abschnitt „Blackmagic Camera Setup Dienstprogramm“ dieses Handbuchs.

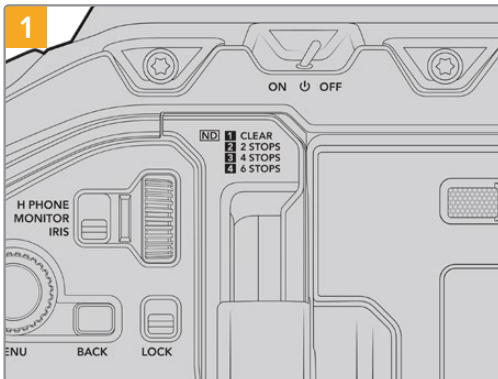
Zum Anbringen des Blackmagic Camera Fiber Converters benötigen Sie die folgenden Werkzeuge:

- 1 Kreuzschlitzschraubendreher
- 1 x 2,5mm-Sechskantschraubendreher

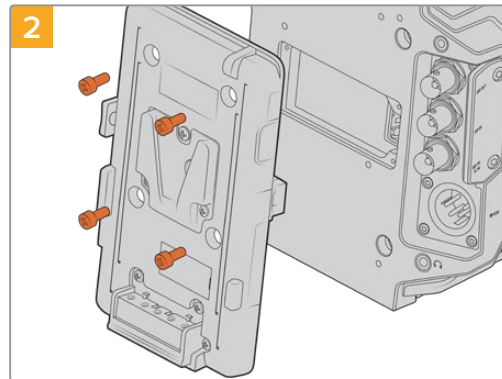


Zum Anbringen des Blackmagic Camera Fiber Converters an Ihre URSA Mini oder URSA Broadcast benötigen Sie einen großen Kreuzschlitzschraubendreher und einen 2,5mm-Sechskantschraubendreher

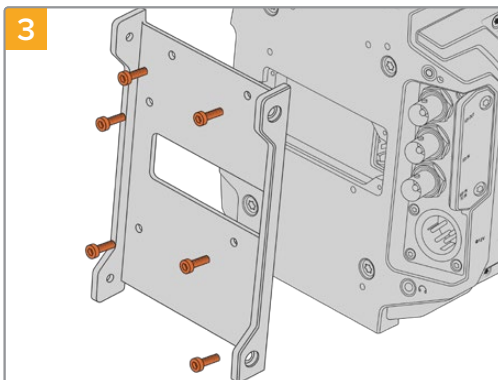
So bringen Sie den Blackmagic Camera Fiber Converter an:



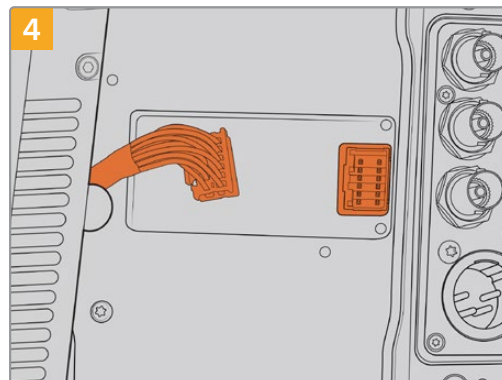
Vergewissern Sie sich, dass die Kamera ausgeschaltet ist. Schalten Sie Ihre URSA Mini Pro oder URSA Broadcast aus, indem Sie den Ein-/Ausschalter auf OFF umlegen.



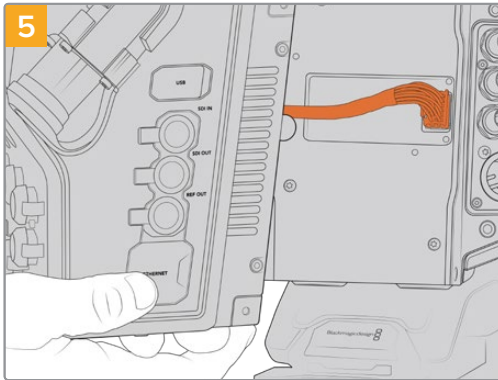
Entfernen Sie die Akkuträgerplatte oder Molex-Abdeckung mithilfe eines Kreuzschlitzschraubendrehers.



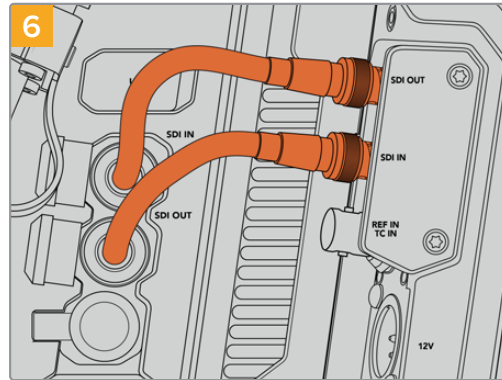
Installieren Sie die Montagehalterung des Blackmagic Camera Fiber Converters mit den 6 x 2,5mm-Sechskantschrauben.



Stecken Sie den Molex-Verbinder des Blackmagic Camera Fiber Converters in die Molex-Buchse an der Kamerarückseite.



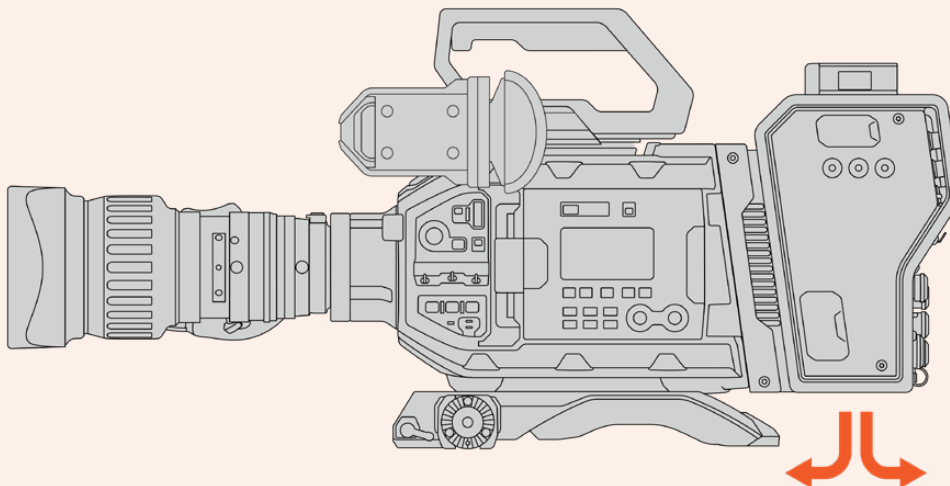
5  
Schieben Sie den Blackmagic Camera Fiber Converter auf die Montagehalterung und befestigen Sie ihn mit den 2 x 2,5mm-Sechskantschrauben an beiden Seiten der Halterung.



6  
Verbinden Sie mithilfe des mitgelieferten BNC-Kabels den SDI-Ausgang an der Rückseite Ihrer Kamera mit dem SDI-Eingang des Blackmagic Camera Fiber Converters und den SDI-Ausgang des Camera Fiber Converters mit dem SDI-Eingang an der Rückseite Ihrer Kamera.

**HINWEIS** Wenn Sie beim Einrichten der Technik für Ihre Produktion eine mit einem Glasfaserkonverter versehene URSA Mini oder URSA Broadcast einbeziehen, ist es wichtig, dass der zwischen Konverter und Kamera verbleibende Abstand eine angemessene Belüftung zulässt.

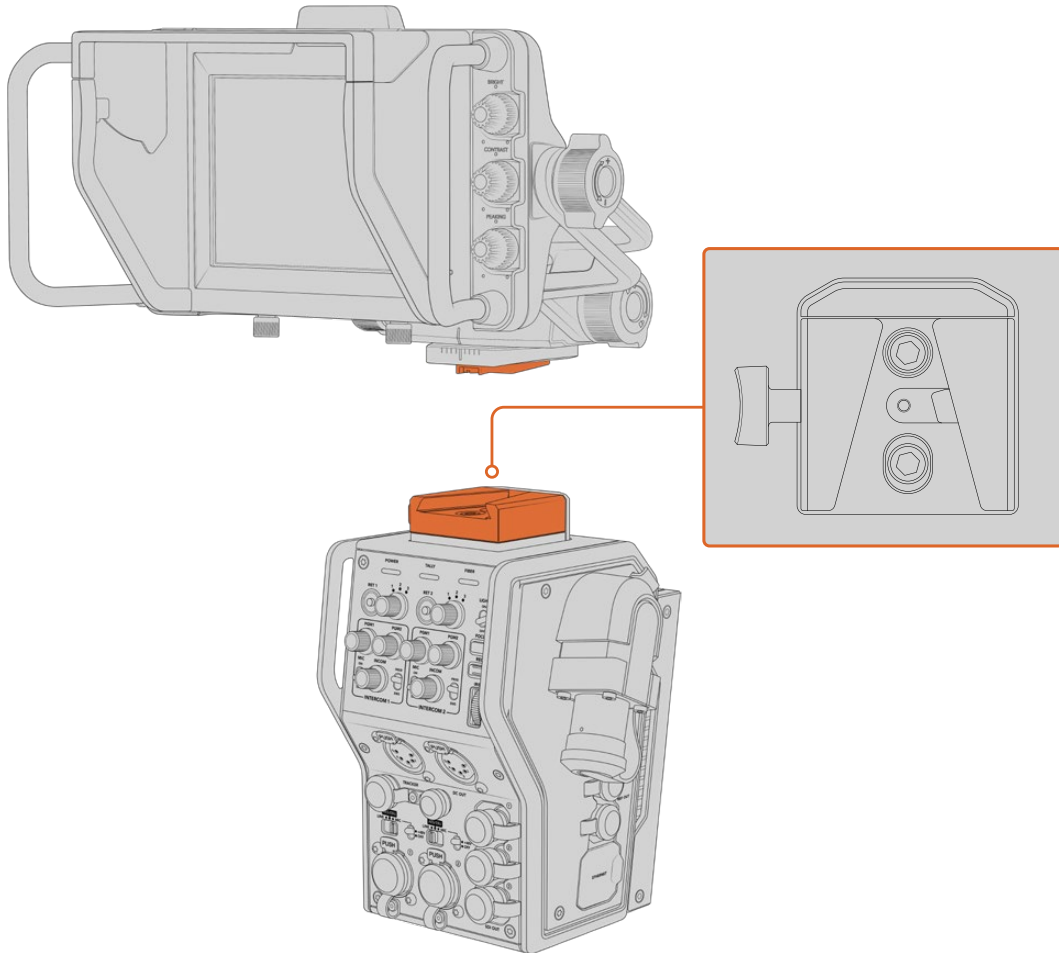
Für einen solchen Abstand ist beim Einsatz der Kamera auf einem Stativ oder auf der Schulter bereits gesorgt. Wird der Konverter jedoch plan auf einer Oberfläche platziert eingesetzt, empfiehlt es sich, das Schulterpolster des URSA Mini Shoulder Kits oder eine Träger- bzw. Brückenplatte von einem Fremdhersteller zu installieren, damit die Kühlerluft frei unter dem Konverter zirkulieren kann.





## Anbringen des URSA Studio Viewfinders

An der V-Lock-Platte an der Geräteoberseite lässt sich ein Blackmagic Studio Viewfinder anbringen. Ist die Kamera auf einem Stativ oder Pumpstativ befestigt, befindet sich der Suchermonitor somit direkt auf Augenhöhe.



An der V-Lock-Platte an der Geräteoberseite lässt sich ein Blackmagic URSA Studio Viewfinder anbringen

## Anschließen eines Talkback-Headsets

Schließen Sie ein Broadcast-Headset an einen der beiden 5-poligen XLR-Anschlüsse an der Kamerafront an. Dank der zwei Headset-Anschlüsse können zwei Personen gleichzeitig mit der Crew kommunizieren.

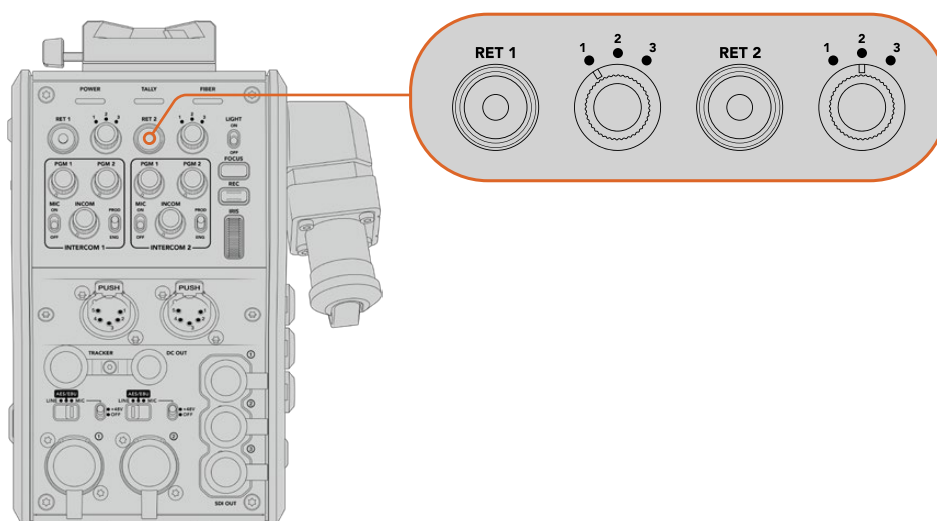
Für den Einstieg war das schon alles. Da die Blackmagic Fiber Converter nun einsatzbereit und Video per SMPTE-Glasfaser angeschlossen ist, können Sie loslegen und Ihre Liveproduktion flexibel und effizient gestalten. Im weiteren Verlauf des Handbuchs erfahren Sie, wie Sie von all den Funktionen Ihres Blackmagic Fiber Converters Gebrauch machen.

# Bedienung des Camera Fiber Converters

## Auswählen eines Return-Feeds

Die zwei mit RET gekennzeichneten Return-Tasten an der Frontblende werden auf dieselbe Weise benutzt wie die PGM-Taste der Kamera. Mit ihnen schaltet man den Feed auf dem LCD, dem Blackmagic URSA Studio Viewfinder und den HD-Monitoring-Ausgängen zwischen Kamera- und Programm-Return-Ansicht um.

Die Tasten RET 1 und RET 2 schalten zwischen zwei ausgewählten Return-Feeds um. Mit den 1-2-3-Reglern legen Sie fest, welcher Return-Feed angezeigt wird, sobald die links daneben gelegene RET-Taste gedrückt wird. Die Reglerpositionen 1, 2 und 3 entsprechen den SDI-Anschlüssen RETURN IN an der Rückseite des Studio Fiber Converters.



Mit den 1-2-3-Reglern wählen Sie bei gedrückter RET-Taste, welcher Return-Feed angezeigt werden soll

Halten Sie eine der RET-Tasten gedrückt, um den ausgewählten Programmfeed anzusehen. Solange die RET-Taste gedrückt wird, bleibt der Programmfeed zu sehen. Drücken Sie die RET-Taste zweimal direkt hintereinander, um den Return-Feed dauerhaft anzuzeigen. Ein erneuter Druck auf die RET-Taste beendet den Return-Feed und bringt auf dem Monitor die Kameraansicht zurück.

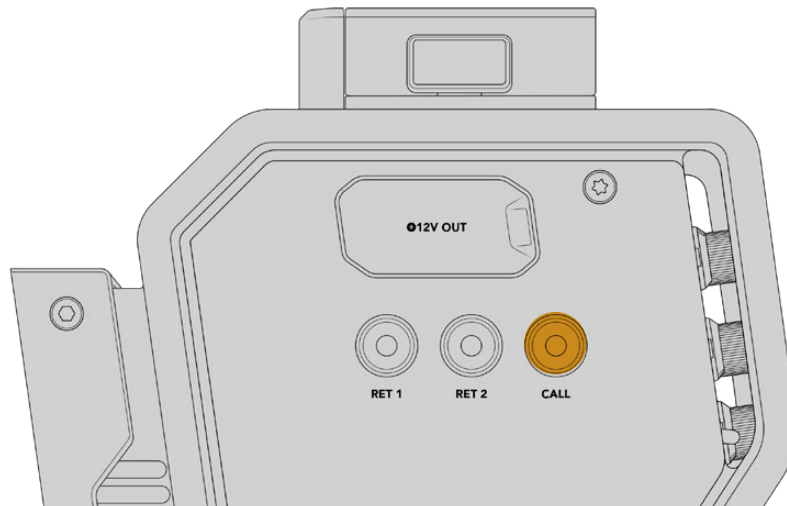
Auf diese Weise können Sie schnell und mühelos vorgeben, auf welche der drei vom Blackmagic Studio Fiber Converter gesendeten Return-Feeds Sie über die beiden RET-Tasten schnellen Zugriff haben möchten. Bei den drei Return-Feeds kann es sich bspw. um Programmausgaben des Mischers handeln, inkl. Grafiken, einem Teleprompter- und einem Kamera-Feed direkt von einer weiteren Kamera.

Beispiel: Sie können RET 1 permanent als Programm-Feed festlegen und die Taste RET 2 dafür nutzen, die an den Teleprompter gesendeten Signale zu kontrollieren und hin und wieder zu einer weiteren Kamera zu schalten, um ihren Bildausschnitt zu überprüfen, wenn die Cadrage oder der Winkel justiert werden müssen.

Auch an der linken Seite des Geräts befinden sich mit RET 1 und RET 2 gekennzeichnete Return-Tasten. Diese bieten zusätzlichen Zugriff auf die Return-Feeds, sollten Sie Ihre Kamera von der Seite bedienen. Sie haben dieselbe Funktion wie die Tasten an der Gerätefront.

## Verwenden der CALL-Taste

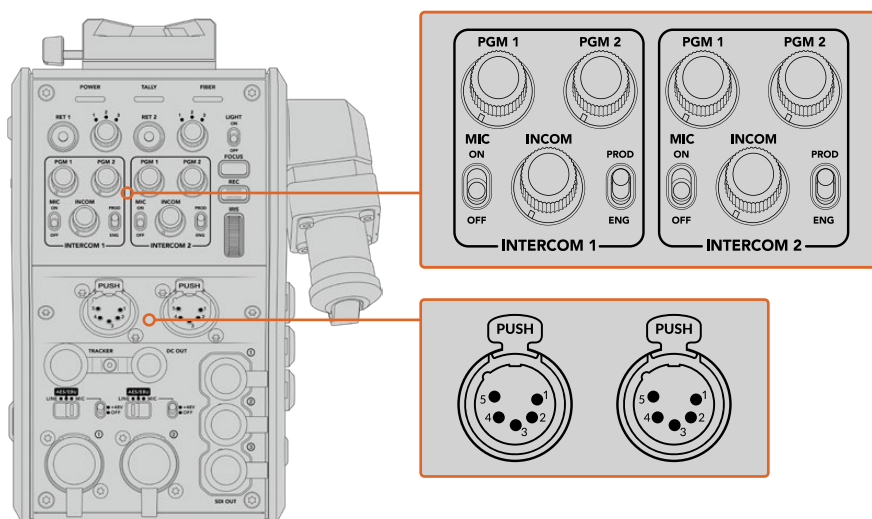
Neben den RET-Tasten befindet sich eine CALL-Taste. Wird diese Ruftaste gedrückt, beginnt der rote Tally-Indikator auf dem LCD des Blackmagic Studio Fiber Converters zu blinken. Das Drücken der Ruftaste bewirkt zudem, dass an der Frontblende des ATEM Talkback Converter 4K eine nummerierte PTT-Taste rot blinkt. Mit diesen optischen Anzeigen vermitteln Sie den Leuten im Regieraum, dass Sie Unterstützung brauchen.



## Arbeiten mit Talkback

Die beiden weiblichen 5-poligen XLR-Verbinder ermöglichen den Anschluss von zwei Headsets. So können Sie und ein weiteres Crew-Mitglied zeitgleich mit dem Rest der Crew kommunizieren.

Die Bedienelemente für jedes Headset sind in jeweils zwei Sätze für zwei individuelle Gegensprecheinrichtungen unterteilt. Im Grunde genommen handelt es sich um Dreiwegen-Audiomixer für jeden direkt darunter gelegenen XLR-Headset-Anschluss.



Die Bedienelemente für jedes Headset befinden sich direkt über dem Headset-Anschluss

Den Ton der Feeds, die Sie für RET 1 und RET 2 ausgewählt haben, hören Sie über ein angeschlossenes Headset. Mit den Drehreglern PGM 1 und PGM 2 werden die Tonpegel dieser Feeds angepasst. Mit dem Drehregler INCOM lässt sich die Gesamtlautstärke einstellen. Der MIC-Schalter erlaubt es dem Bediener, sein Headset-Mikrofon ein- oder auszuschalten.

Jede Gegensprecheinrichtung hat zwei auswählbare Kanäle, einen Produktionskanal und einen Technikerkanal. In Broadcast-Umgebungen mit großen Crews können Sie die Kommunikation daher auf zwei Kanäle aufteilen. Der Produktionskanal dient der Kommunikation mit dem Regisseur, dem Produzenten und anderen Crew-Mitgliedern im Regieraum oder Ü-Wagen. Der Technikerkanal hingegen kann zur Kommunikation mit der Beleuchtungcrew, Technikern und anderen Kameraoperatoren genutzt werden. Im Menü Ihres Blackmagic Studio Fiber Converters lassen sich auf der „Talkback“-Seite die Quellen für alle Kanäle Ihres Studio Fiber Converters als „SDI + DB25“ oder „Intercom Tally DB25“ vorgeben. Näheres dazu finden Sie im Abschnitt „Bedienung des Studio Fiber Converters“.

Darüber hinaus gibt es einen Backup-Kanal. Der kann beim Setup des Netzwerks hilfreich sein und steht sogar bei ausgefallener Glasfaserverbindung zum Troubleshooting zur Verfügung.

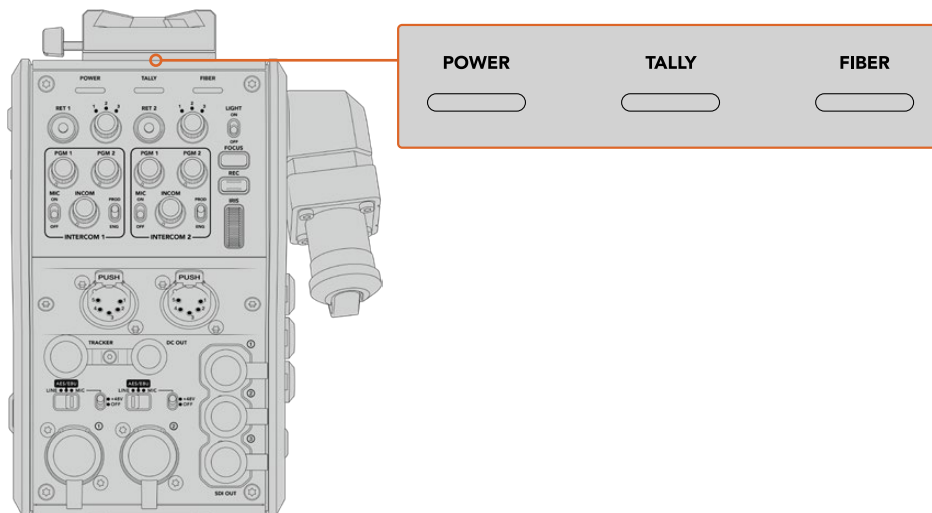
**TIPP** Bei hektischen Broadcast- und Studioübertragungen ist eine effektive Kommunikation zwischen Kamerabedienern und dem Produktions- und Technikerteam ausschlaggebend. Mithilfe der CALL-Taste des Blackmagic Camera Fiber Converters können Kameraoperatoren mit den Produktions- und Technikerteams kommunizieren und über Intercom-Headsets miteinander sprechen. Wird diese Taste gedrückt, blinken am ATEM Talkback Converter 4K eine nummerierte PTT-Taste sowie der Tally-Indikator auf dem LCD des Blackmagic Studio Fiber Converters. Muss ein Crewmitglied vom Regieraum oder Ü-Wagen aus dringend mit einem Kameraoperator sprechen, ist dies durch Drücken der CALL-Taste auf dem entsprechenden Kameracontroller des ATEM Camera Control Panels möglich. Daraufhin blinken sowohl am Camera Fiber Converter als auch am URSA Viewfinder der Kamera bzw. am URSA Studio Viewfinder die Tally-LEDs.

## Arbeiten mit Tally

Beim Tally-Indikator an der Frontblende handelt es sich um eine traditionelle Tally-Anzeige. Rotes Licht steht für die Programmausgabe und grünes Licht für Vorschau. So wissen Sie, ob die Kamera, die Sie bedienen, auf Sendung ist.

## Statusanzeigen

Die Status-LEDs POWER, TALLY und FIBER oben am Kamerakonverter leuchten je nach Status des Geräts in unterschiedlichen Farben. Ist das Glasfaserkabel nicht eingesteckt, leuchtet keines dieser Lichter.



Die Status-LEDs leuchten in unterschiedlichen Farben, um Ihnen den jeweiligen Status des Geräts anzuzeigen

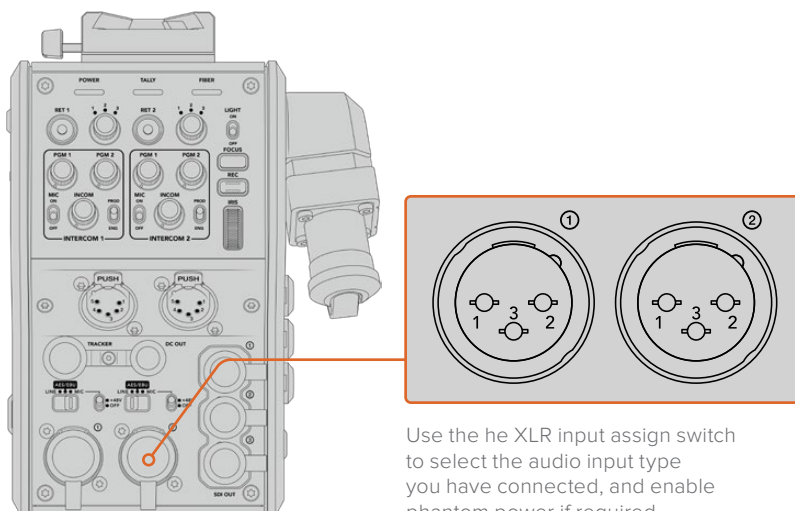
Nachstehend werden die LED-Farben, das LED-Verhalten und der so angezeigte Status beschrieben:

<b>Stromversorgung</b>	<b>Konstantes Rot</b>	Ist das eine Ende des SMPTE-Hybrid-Glasfaserkabels mit einem mit Strom versorgten Blackmagic Studio Fiber Converter verbunden und das andere Ende mit einem Blackmagic Camera Fiber Converter, leuchtet die POWER-LED an den Konvertern rot. Das zeigt an, dass Strom vorhanden ist und sich das Gerät in einem spannungsarmen Zustand befindet. In diesem Zustand ist zwar die Gegensprechfunktion möglich, jedoch ist der volle Spannungszustand des Geräts noch nicht aktiviert.  Bleibt die LED für einen längeren Zeitraum rot und wechselt nicht zu grün, bzw. blinkt abwechselnd rot und grün, überprüfen Sie, dass beide Kabelenden richtig eingesteckt worden sind. Bleibt die Verbindung weiterhin instabil, überprüfen Sie Ihr Glasfaserkabel.
	<b>Konstantes Grün</b>	Wurde eine erfolgreiche Glasfaserverbindung hergestellt und der Blackmagic Studio Fiber Converter hat festgestellt, dass die Kabelverbindung sicher ist, wird die POWER-LED grün und der Kamerakonverter in den vollen Spannungszustand versetzt.
	<b>Rot-grünes Blinken</b>	Blinkt die LED rot und grün, überprüfen Sie, dass beide Kabelenden richtig eingesteckt worden sind. Bleibt die Verbindung weiterhin instabil, überprüfen Sie Ihr Glasfaserkabel.
<b>Tally</b>	<b>Konstantes Rot</b>	Die Tally-LED leuchtet rot und zeigt somit an, dass die von Ihnen bediente Kamera derzeit auf Sendung ist.
	<b>Konstantes Grün</b>	Die Tally-LED leuchtet grün und zeigt somit an, dass die von Ihnen bediente Kamera derzeit im Vorschaumodus ist.
<b>Fiber</b>	<b>Konstantes Rot</b>	Ist das SMPTE-Glasfaserkabel an den Kamerakonverter angeschlossen, leuchtet die LED rot und zeigt an, dass der Handshaking-Prozess gestartet wurde und sich das Gerät in einem niedrigen Spannungszustand befindet. In diesem Zustand ist die Gegensprechfunktionalität einsatzbereit und steht während des Setups eines Kameraverbunds zum Troubleshooting bereit, sollte es Probleme geben.
	<b>Konstantes Grün</b>	Sobald die Glasfaserverbindung erfolgreich hergestellt wurde, wird die LED grün.

Wenn die POWER- und FIBER-LEDs grün leuchten, bedeutet dies, dass die Sicherheitsüberprüfung abgeschlossen ist und sich die Konverter im vollen Spannungszustand befinden.

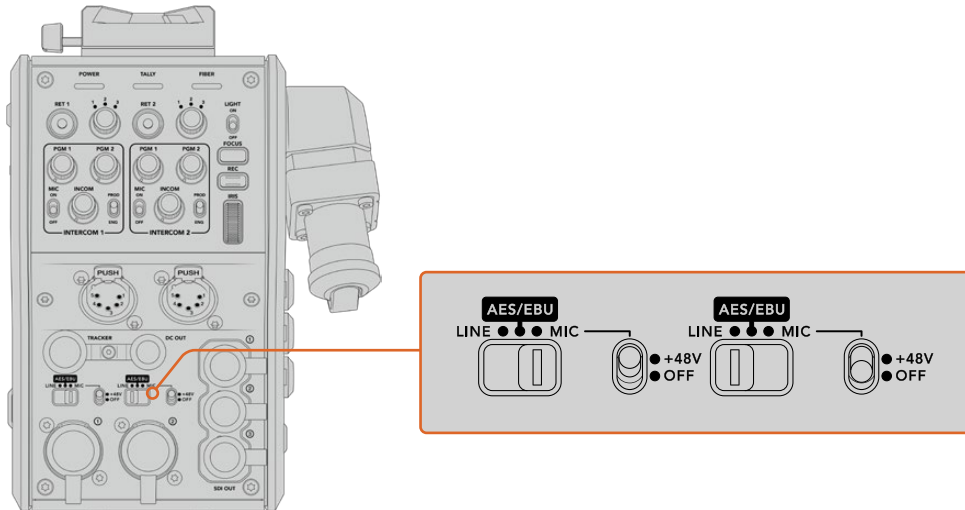
## Audioeingänge

Ihr Blackmagic Camera Fiber Converter hat zwei XLR-Eingänge, die mit 1 und 2 gekennzeichnet sind. Daran können Sie externes Analogaudio, wie es von professionellen Anlagen wie Audiomischern, PA-Systemen oder externen Mikrofonen eingeht, anschließen.



Der Kamerakonverter wird in die Kanäle 1 und 2 des Kamera-Feeds eingebettet, die Signale der beiden Audioeingänge an der Rückseite des Kamerakonverters hingegen in Kanal 3 und 4. Alle vier Audiokanäle werden dann vom Studiokonverter als analoge Audioausgaben extrahiert.

Im Menü Ihres Blackmagic Studio Fiber Converters lassen sich auf der „Audio“-Seite die Eingangsspiegel für alle an die XLR-Eingänge Ihres Blackmagic Studio Fiber Converters angeschlossenen Audioquellen anpassen. Näheres dazu finden Sie im Abschnitt „Bedienung des Studio Fiber Converters“. Nach Verbindungsherstellung können Sie über den XLR-Auswahlschalter bestimmen, wie sich die XLR-Eingänge verhalten, wenn diese als Eingabequelle ausgewählt werden. Zur Auswahl stehen die Optionen MIC für Mikrofon, LINE für Bezugspegelton und AES für AES-Digitalaudio.



Für den Einsatz von Mikrofonen ohne eigene Stromzufuhr lässt sich die 48V-Phantomspeisung aktivieren. Stellen Sie den entsprechenden Schalter für die jeweilige XLR-Buchse auf „+48V“, um ein angeschlossenes Mikrofon mit Strom zu versorgen. In der OFF-Position erfolgt keine Phantomspeisung.

## IP-Video

Ein angeschlossenes SMPTE-Glasfaserkabel sorgt für eine 10Gbit-IP-Verbindung zwischen Camera Fiber Converter und Studio Fiber Converter. Somit können all Ihre Video- und Return-Feeds mithilfe von hochwertigem, visuell verlustfreiem 10-Bit-Video-Encoding und -Decoding in broadcasttaugliches IP-Video umgewandelt werden. Auch alle anderen Verbindungen wie Talkback, Tally, Kamera- und Objektivsteuerung werden für eine unglaublich zuverlässige Performance in IP-Signale mit geringer Latenz konvertiert.

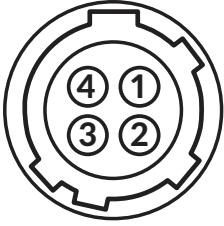
## Stromspezifikationen

Der Blackmagic Studio Fiber Converter versorgt den Blackmagic Camera Fiber Converter, Ihre Kamera und Ihr Zubehör mit Strom. Über eine Molex-Verbindung an der Rückseite Ihrer Kamera wird der Blackmagic Camera Fiber Converter mit Strom versorgt.

Wenn Sie Ihre Kamera mehr als 2,1 Kilometer vom Ü-Wagen entfernt positionieren müssen und sowohl Kamera als auch Konverter über das Kabel nicht genügend Strom empfangen, können beide Geräte auch lokal mit Strom versorgt werden. Verbinden Sie hierfür lediglich den 4-poligen XLR-Stecker der Kamerastromquelle mit dem 12V-Anschluss Ihrer URSA Mini. Der Strom wird dann via Molex-Verbindung an den Kamerakonverter geleitet.

Der +12V-Anschluss – manchmal auch D-Tap oder P-Tap genannt – erlaubt den Betrieb von Zubehör wie einem externen Monitor oder großen Studioobjektiven mit einer Nennspannung von 12 Volt DC bis 500 mA. Der Anschluss DC OUT bietet eine zusätzliche Stromversorgungsmöglichkeit für Zubehör wie externe Monitore. Eine Pinbelegungstabelle für den DC-Ausgang finden Sie unten.

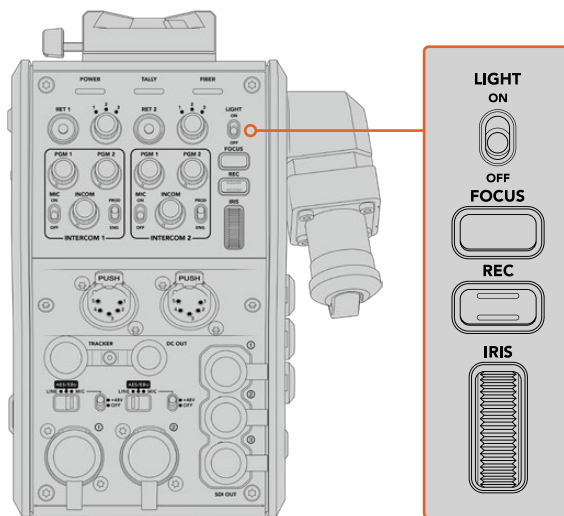
## Pinbelegung des DC-Ausgangs

Außenansicht	Pol	Signal	I/O	Spezifikationen
 DC OUT	1	Ungeregelte Erdung	–	Erdung für unregelmäßige Ausgangsspannung
	2	N. a.	–	Nicht angeschlossen
	3	N. a.	–	Nicht angeschlossen
	4	Ungeregelte Ausgangsspannung	Out	12V DC-Nennspannung bis 500 mA

## Zusätzliche Bedienelemente

Wenn Sie die URSA Mini oder URSA Broadcast als Studiokamera einsetzen, stehen Ihnen am Kamerakonverter zusätzliche Bedienelemente, bspw. zur Blenden- und Fokussteuerung, zur Verfügung. Auf diese Weise lassen sich kompatible Objektive aus einer Position hinter der Kamera bedienen. Das ist insbesondere dann hilfreich, wenn es keinen gesonderten Kamerabediener gibt, der das Objektiv fernsteuert.

Auch als Studiokameras können die URSA Mini und URSA Broadcast geräteintern aufzeichnen. Dementsprechend löst die Aufnahmetaste die interne Aufzeichnung der Kamera aus.



### LIGHT

Mit ON wird die Hintergrundbeleuchtung des Bedienfelds eingeschaltet, damit die Bedienelemente auch in dunklen Umgebungen gut sichtbar sind.

### FOCUS

Ein Druck auf die FOCUS-Taste löst bei Einsatz eines Objektivs, das Autofokus unterstützt, eben diese Funktion aus.

### REC

Per Druck auf die RED-Taste wird die Aufzeichnung ausgelöst. Erneutes Drücken stoppt die Aufzeichnung.

### IRIS

Bei Einsatz kompatibler aktiver Objektive, die die Steuerung über eine Kamera unterstützen, können Sie die Blende mithilfe des Blendenrads öffnen oder schließen. Bewegen Sie das Rad zum Öffnen oder Schließen der Blendenöffnung nach oben oder unten.

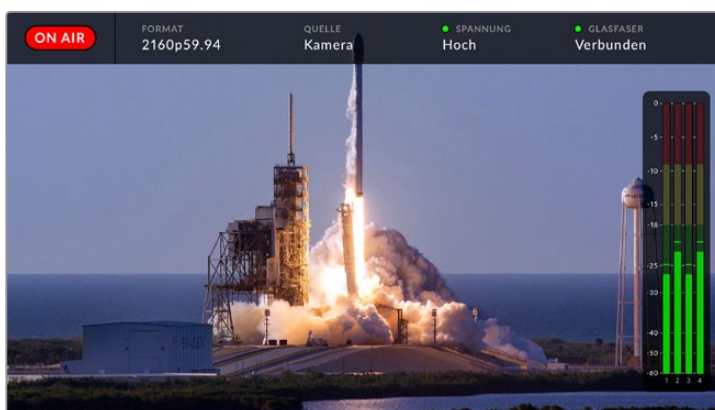


# Bedienung des Studio Fiber Converters

## Auswählen der LCD-Quelle

Nach dem Einschalten wird auf dem großen LCD Ihres Blackmagic Studio Fiber Converters der Feed Ihrer Kamera angezeigt. Als zentrale Einheit leitet der Studio Fiber Converter den Programm-Feed des Mixers sowie alle Return-Quellen per SMPTE-Glasfaser an den Blackmagic Camera Fiber Converter.

Über das eingebaute LCD können Sie die Kamerafeeds und alle an die Return-Feed-Eingänge angeschlossenen Quellen überprüfen. Angezeigt wird ein Head-up-Display mit Statusinformationen und Audiometern.



Name und Format der zu prüfenden Quelle lassen sich beim Hin- und Herwechseln zwischen verschiedenen Feeds über eingeblendete Overlays bestätigen

### **ON AIR**

Ist die angeschlossene Kamera für den Programm-Feed im Einsatz, wird der rote ON AIR-Indikator angezeigt. Ist die Kamera nicht auf Sendung, bleibt er schwarz.

### **FORMAT**

Zeigt die Auflösung und Bildwechselfrequenz der aktuellen Quelle an.

### **QUELLE**

Zeigt den Namen der aktuellen Quelle an.

### **SPANNUNG**

Zeigt den aktuellen Stromversorgungsstand an. Im niedrigen Spannungszustand („Niedrig“) wird ein rotes Statuslämpchen angezeigt und mit Erreichen des Hochspannungsmodus („Hoch“) ein grünes. Weitere Informationen dazu finden Sie unter „Statusanzeigen“.

### **GLASFASER**

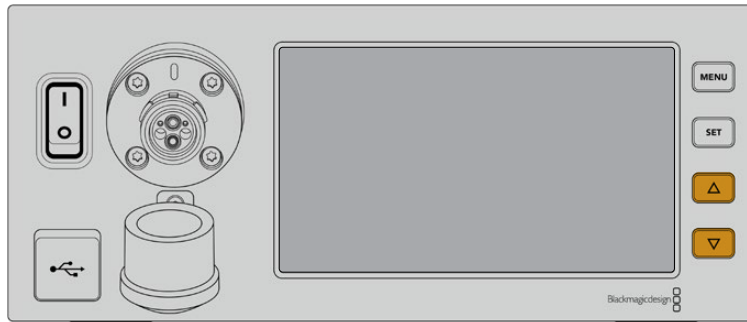
Zeigt den aktuellen Stand der Glasfaserverbindung an. Beim erstmaligen Herstellen einer Verbindung wird der Status mit der Info „Wird verbunden“ und einer roten Leuchte angezeigt. Sobald die Verbindung über ein SMPTE-Hybridglasfaserkabel erfolgreich hergestellt ist, werden „Verbunden“ und eine grüne Leuchte angezeigt. Weitere Informationen dazu finden Sie unter „Statusanzeigen“.

### **Audiopegelmeter**

Die Peakmeter zeigen die Audiopegel bei Benutzung des in Kanal 1 und 2 der Kamerafeeds eingebetteten Kameratons an. Kanal 3 und 4 entsprechen den an die beiden XLR-Eingänge auf der Rückseite Ihres Blackmagic Camera Fiber Converters angeschlossenen Audioquellen. Die Tonpegel-Anzeige ist in dBFS kalibriert. Sie verfügt über Peak-Indikatoren mit Haltefunktion (Peak Hold), die nach einer Übersteuerung kurzfristig sichtbar bleiben und erreichte Höchstpegel deutlich anzeigen.

## Verwenden des Menüs

Durch Drücken der Pfeiltasten scrollen Sie durch die vier verfügbaren Quellen: KAMERA, RETURN 1, RETURN 2 und RETURN 3. Halten Sie die MENU-Taste gedrückt, um das Einstellungsmenü aufzurufen und die Einstellungen anzupassen. Mit den Pfeiltasten navigieren Sie durch diverse Untermenüs und Optionen. Ihre Auswahl bestätigen Sie mit der SET-Taste. Das Menü ist in die Seiten „Audio“, „Talkback“ und „Setup“ aufgeteilt.

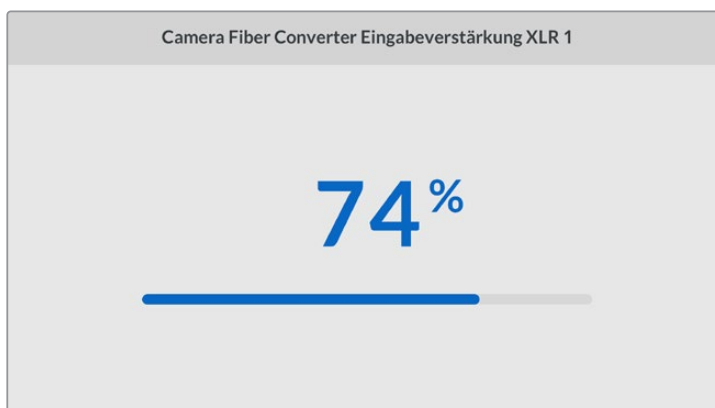


Drücken Sie die Pfeiltasten, um durch die vier verfügbaren Quellen oder das Menü zu navigieren

### Audio

Über die „Audio“-Seite lassen sich die Eingangspegel für alle Audioquellen anpassen, die an die XLR-Eingänge Ihres Blackmagic Studio Fiber Converters angeschlossen sind.

Audio	>
Camera Fiber Converter Eingabeverstärkung XLR 1	50 %
Camera Fiber Converter Eingabeverstärkung XLR 2	50 %
Ausgabekanäle 1 und 2	Eingebettet in 1 und 2
Ausgabekanäle 3 und 4	XLR 1 und 2



Mit den Pfeiltasten passen Sie den Eingabepegel für jeden XLR-Eingang an. Mit der SET-Taste bestätigen Sie den Pegel

Welche eingebetteten Audiosignale vom Camera Fiber Converter den SDI- und XLR-Ausgaben zugeordnet werden, können Sie konfigurieren. Die eingebetteten Audiokanäle der URSA Mini oder URSA Broadcast finden Sie standardmäßig auf den Kanälen 1 und 2. An den Camera Fiber Converter angeschlossene Quellen – seien diese auf LINE oder MIC

eingestellt – werden standardmäßig den Kanälen 3 und 4 zugeordnet. Um die Standardzuordnung zu ändern, können Sie die Einstellungen für die Ausgabekanäle anpassen. Wenn einer der XLR-Eingänge des Camera Fiber Converters auf AES eingestellt ist, erweitert das Ihre Zuordnungsmöglichkeiten um die Kanäle 5 und 6. Diese werden an den Ausgang für eingebettetes SDI gesendet.

Ausgabekanäle 1 und 2	
Eingebettet in 1 und 2	✓
XLR 1	
AES 3 und 4	

Zuordnung der Kanäle für eingebettetes XLR von der Kamera an die Ausgabekanäle 1 und 2

### Talkback

Im „Talkback“-Menü wählen Sie Ihre Programm-Audioquelle und die Talkback-Quelle für die Produktions- und Technikerkanäle aus. Die Talkback-Quelle Ihres Studio Fiber Converters kann auf „SDI + DB25“ oder „Intercom Tally DB25“ eingestellt werden.

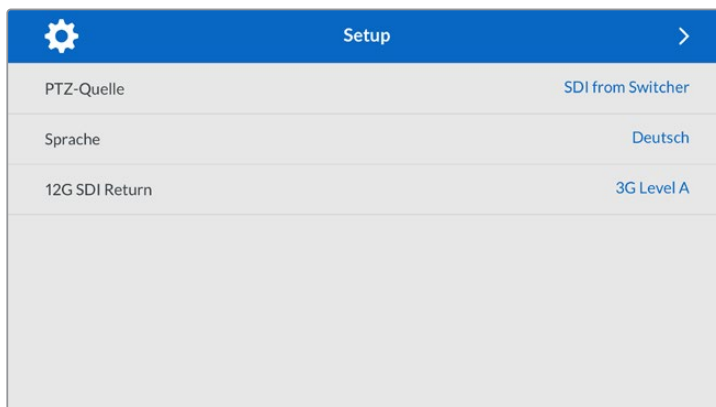
Die Kopfhörer- und Headsetmikrofon-Verstärkung für jede einzelne Gegensprecheinrichtung lässt sich auch für die Impedanzpegel Ihres Headsets anpassen. Mit der Option „Phantomspeisung“ wird die Phantomspeisung für das entsprechende Headset eingeschaltet. Durch Anpassen des Mithörton-Pegels können Kameraoperatoren ihre eigene Stimme auf ihrem Headset in einer deutlich vernehmbaren, angenehmen Lautstärke hören.

Talkback	
Quelle Programmaudio	SDI-Kanäle 1 und 2
Quelle Produktionskanal	SDI + DB25
Quelle Technikerkanal	Intercom/Tally DB25
Intercom 1	
Kopfhörer-Verstärkung	50%
Headsetmikrofon-Verstärkung	50%
Headsetmikrofon-Phantomspeisung	On
Mithörtonpegel	50%
Intercom 2	
Kopfhörer-Verstärkung	50%
Headsetmikrofon-Verstärkung	50%
Headsetmikrofon-Phantomspeisung	On
Mithörtonpegel	50%

Ohne an die XLR-Eingänge angeschlossene Quellen bleiben die Gegensprecheinrichtungsoptionen ausgegraut. Beim Anschließen einer Quelle, erscheint die Meldung „Wird verbunden ...“

## Setup

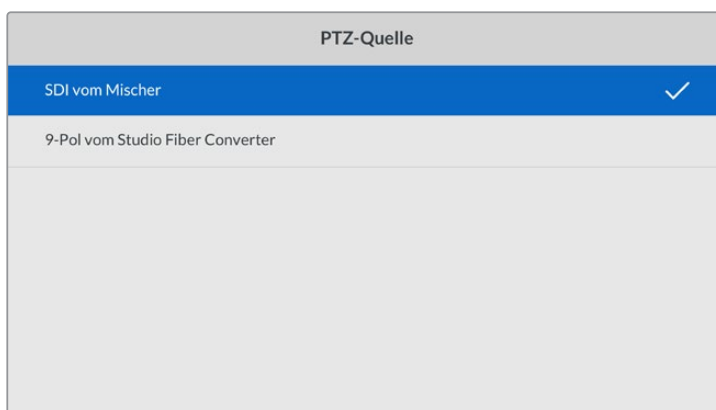
Über das „Setup“-Menü können Sie die PTZ-Quelle konfigurieren, die Menüsprache auswählen und den Signaltyp für rückgeführtes SDI vorgeben.



Wählen Sie die Quelle der PTZ-Befehle über das Menü „PTZ-Quelle“. Zur Wahl stehen „SDI“ oder „9-Pol“, also die SDI-Eingänge für eingehende Return-Feeds, oder der DE-9-Anschluss für PTZ auf der Rückseite Ihres Blackmagic Studio Fiber Converters.

Die Schwenk-, Neige- und Zoom-Funktionen einer PTZ-fähigen Kamera lassen sich mit einem ATEM Mischer steuern und die PTZ-Befehle per SDI an Ihren Blackmagic Studio Fiber Converter übermitteln. Die Befehle werden per SMPTE-Glasfaserkabel an Ihren Blackmagic Camera Fiber Converter gesendet, dort „entpackt“ und über den DE-9-Anschluss ausgegeben, um ggf. einen motorisierten Kamerakopf anzuschließen.

Um einen Kamerakopf zu steuern, lassen sich über den DE-9-Anschluss auch PTZ-Controller an Ihren Blackmagic Studio Fiber Converter anschließen.



Als Quelle der PTZ-Befehle bietet das Einstellungsmenü „SDI vom Mischer“ oder „9-Pol vom Studio Fiber Converter“ an

Sprache	
English	
中文	
日本語	
한국어	
Español	
Deutsch	✓
Français	
Русский	
Italiano	
Português	
Türkçe	

Die Option „Sprache“ gibt die Menüsprache vor. Der Studio Fiber Converter unterstützt 11 verbreitete Sprachen: Neben Englisch und Deutsch werden auch Französisch, Spanisch, Italienisch, Portugiesisch, Russisch, Türkisch, Chinesisch, Japanisch und Koreanisch unterstützt. Der Bildschirm mit der Sprachauswahl erscheint auch beim ersten Hochfahren und nach dem Aktualisieren der Produktsoftware.

Die Option „12G SDI Return“ bestimmt, ob 12G-Signale für den rückgeführten Programmfeed in 3G Level A oder 3G Level B abwärtskonvertiert werden sollen. Alle in die Return-Eingänge des Studio Fiber Converters gespeisten 12G-Signale werden auf ihrem Weg zum Camera Fiber Converter abwärtskonvertiert.

## Rack-Montage des Studiokonverters

Wenn Sie mehrere Blackmagic Studio Fiber Converter betreiben, können Sie das Blackmagic Studio Fiber Rack Kit benutzen, um Ihre Converter in einem Broadcast-Rack oder Roadcase zu installieren. Mithilfe des Rack-Kits lassen sich zwei Studiokonverter nebeneinander im Rack montieren. Sollten Sie nur einen Studiokonverter im Einsatz haben, können Sie die ungenutzte Seite des Racks mit einer Zierblende versehen.

Der Studio Fiber Converter ist zwei Rack-Höheneinheiten hoch und eine halbe Rack-Breite breit. Somit passen zwei Einheiten in 2 HE sauber nebeneinander.

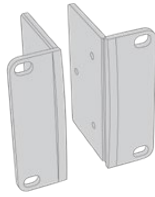


Blackmagic Studio Fiber Converter nebeneinander montiert



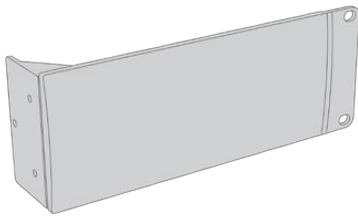
Die mitgelieferte Zierblende kann zur Abdeckung des ungenutzten Rack-Platzes genutzt werden

## Das Blackmagic Studio Fiber Rack Kit enthält die folgenden Teile:



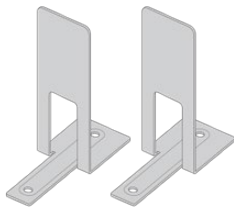
### 2 Rackhalterungen

Befestigen Sie die Rackhalterungen zur Rackmontage an den Seiten des Blackmagic Studio Fiber Converters.



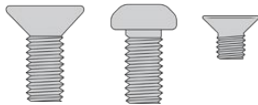
### 1 Zierblende in halber Rack-Breite

Die Zierblende verfügt über eine einseitige Rackhalterung, sodass Sie die ungenutzte Seite im Rack abdecken können, sollten Sie nur eine Einheit installieren. Die Illustration zeigt die Rackhalterung auf der rechten Seite. Drehen Sie die Zierblende einfach um 180°, um sie seitenverkehrt zu installieren.



### 2 Stützwinkel

Die Stützwinkel in T-Form werden dort angebracht, wo sich beide Einheiten vorne und hinten berühren. Sie geben dem Gerät Halt.



### Schrauben

8 x M4 10mm

4 x M4 8mm

5 x M3 5mm

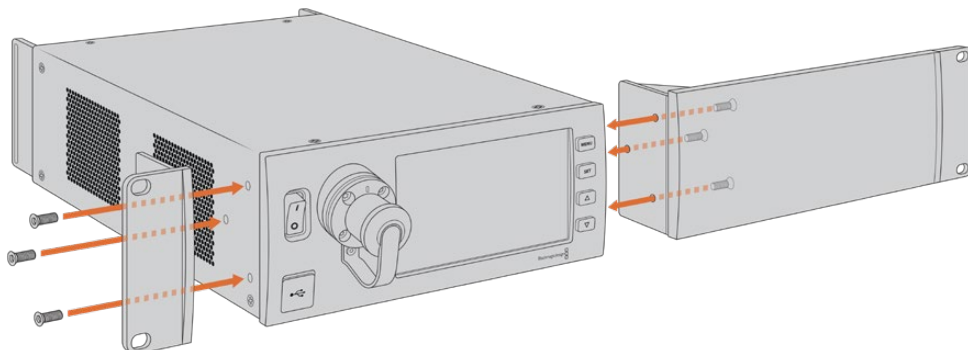
Schrauben für  
Rackhalterungen

Schrauben für  
Zierblende

Schrauben für  
Stützwinkel

## Vorbereiten des Blackmagic Studio Fiber Converters für die Installation im Rack:

- 1 Positionieren Sie die Zierblende je nach Bedarf links oder rechts neben Ihrem Blackmagic Studio Fiber Converter. Die Vorderseite der Zierblende sollte dabei parallel zur Frontblende des Converters ausgerichtet sein.
- 2 Befestigen Sie die Zierblende mit drei der mitgelieferten Schrauben seitlich der Frontblende Ihres Blackmagic Studio Fiber Converters.



- 3 Befestigen Sie auf der anderen Seite Ihres Blackmagic Studio Fiber Converters eine der Rackhalterungen mit den jeweiligen mitgelieferten Schrauben.

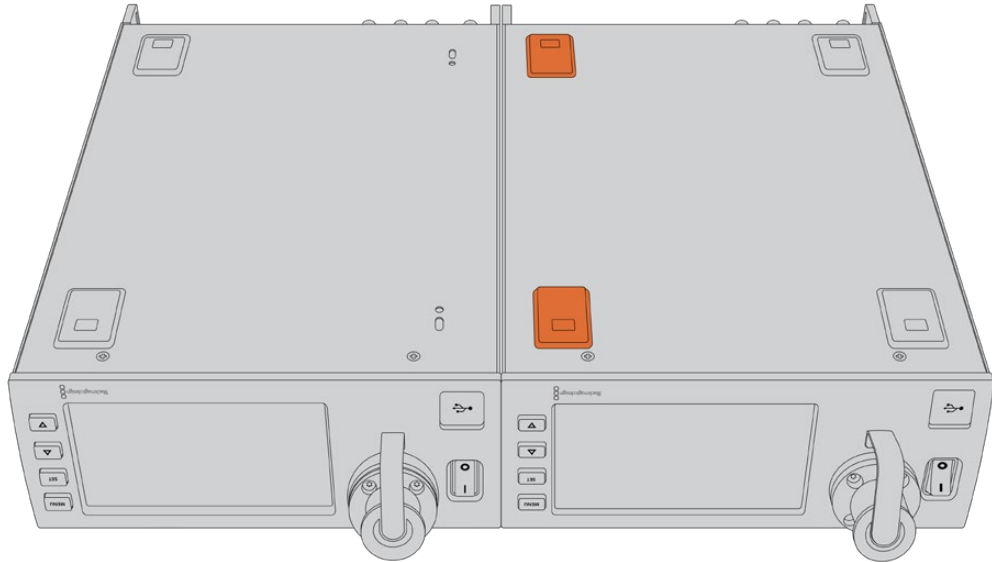
Sobald die Rackhalterungen und die Zierblende angebracht sind, können Sie Ihren Converter auf einer Fläche von zwei Rackeinheiten mithilfe der Befestigungsbohrungen auf beiden Seiten und standardmäßigen Rackschrauben installieren.

### Vorbereiten zweier Blackmagic Studio Fiber Converter für die Installation im Rack:

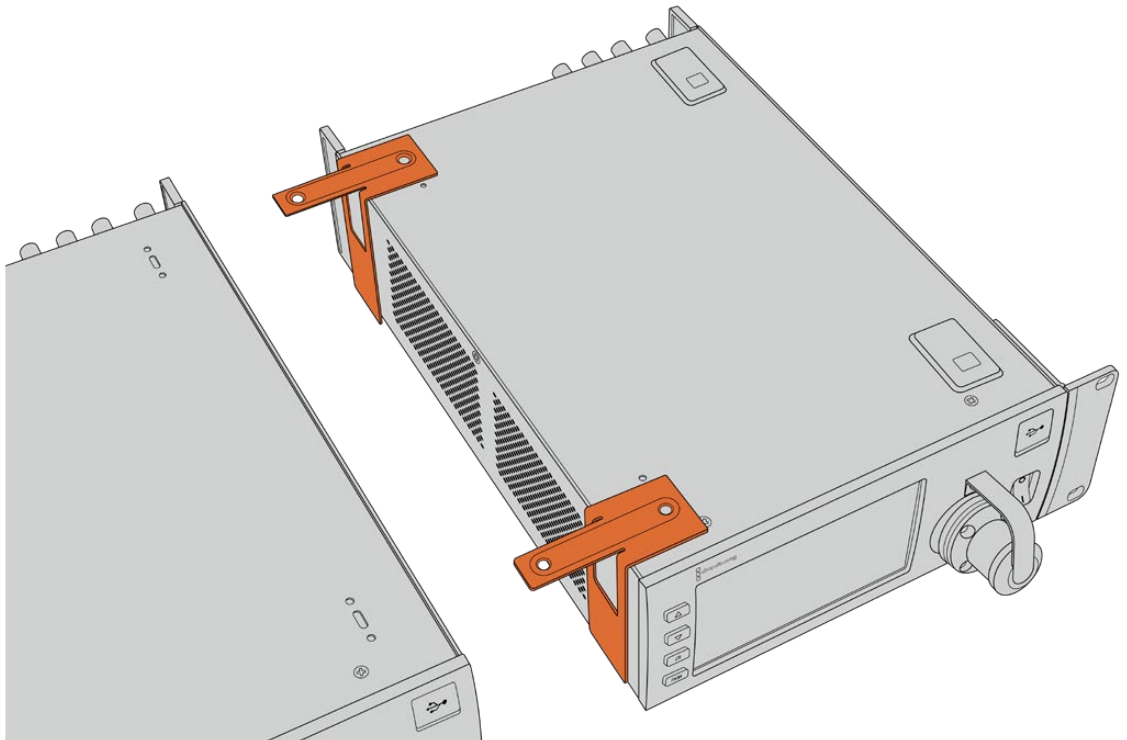
Wenn Sie zwei Konverter nebeneinander im Rack installieren, können Sie beide Einheiten mithilfe der Rackhalterungen aneinander schrauben. Das erleichtert die Installation.

So installieren Sie zwei Einheiten:

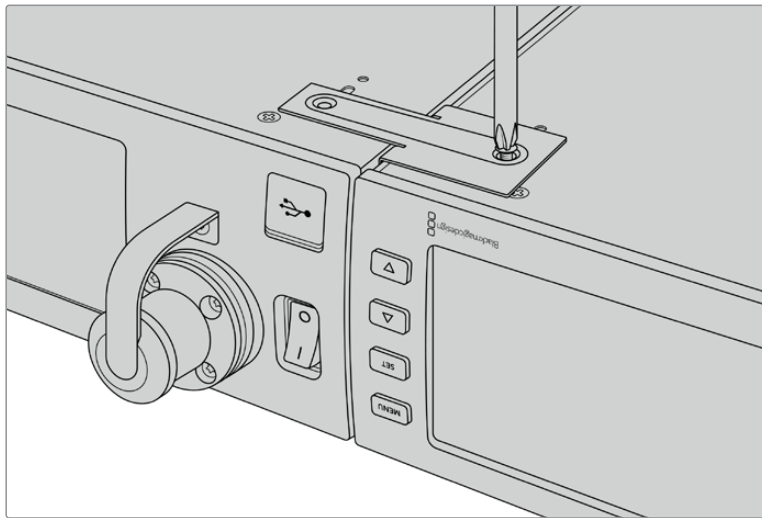
- 1 Legen Sie die zwei Konverter mit den Geräteböden nach oben zeigend nebeneinander. Entfernen Sie die beiden GummifüÙe an den Kanten, an denen sich die Konverter berühren.



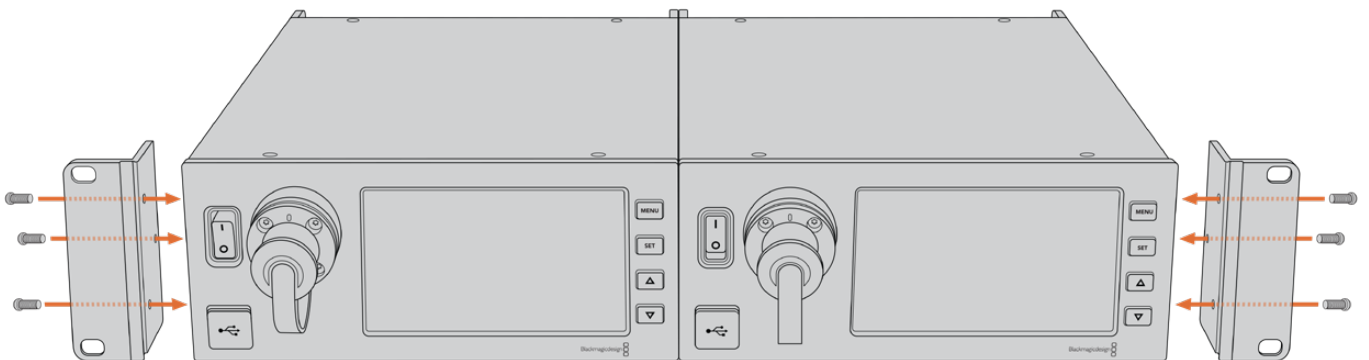
- 2 Montieren Sie die mitgelieferten T-förmigen Stützwinkel vorne und hinten am Boden der beiden Blackmagic Studio Fiber Converter, wo beide Geräte sich treffen. Nutzen Sie hierfür die vorhandenen Montagebohrungen sowie die mitgelieferten Stützwinkelschrauben.







- 3** Drehen Sie die zusammengeführten Einheiten herum und versehen Sie sie an beiden Außenseiten neben der Frontblende mithilfe der mitgelieferten Schrauben mit Rackhalterungen. Ihre Konverter können nun im Rack installiert werden. Dies geschieht über die Montagebohrungen auf beiden Seiten sowie mithilfe üblicher Rack-Schrauben.



# Anschlüsse des Kamerakonverters

Anschlüsse befinden sich an der Seite und Rückseite des Blackmagic Camera Fiber Converters. Wenn Anschlüsse nicht in Benutzung sind, sollten sie mit den Gummikappen verschlossen werden, um sie vor Wettereinwirkungen wie Regen und anderen Umwelteinflüssen in Außenbereichen zu schützen. Dies gilt insbesondere für die SMPTE-Glasfaseranschlüsse, da sich Staubpartikel schnell an den polierten Enden von Lichtwellenleitern sammeln und den Datenfluss unterbrechen können. Daher ist es empfehlenswert, die Kappen sowohl vom Kabel als auch von der Gerätebuchse erst direkt vor dem Anschließen zu entfernen und sofort nach dem Trennen der Verbindung wieder aufzusetzen.

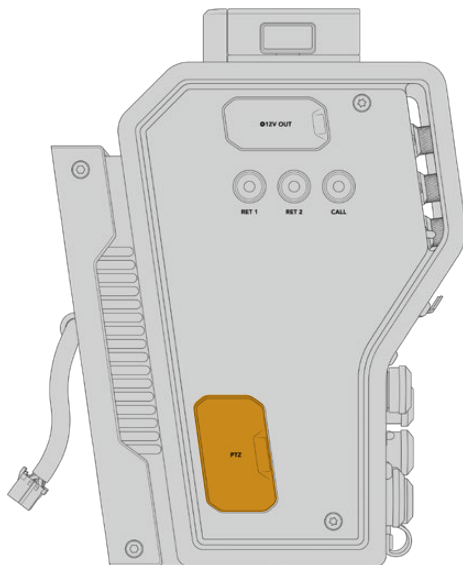
## Stromanschlüsse des Kamerakonverters

Strom für den Kamerakonverter und Ihre Kamera wird primär vom Studiokonverter per SMPTE-Hybrid-Glasfaserkabel geliefert. Gleichzeitig werden darüber alle mit der Kamera verbundenen Zubehörteile betrieben, z. B. der Blackmagic URSA Studio Viewfinder.

Alternativ lässt sich der Blackmagic Camera Fiber Converter auch per 12V-XLR-Verbindung zu einer Stromquelle betreiben. In der Regel ist dies nicht notwendig. Es ist jedoch eine Option für den Fall, dass Ihre Kamera mehr als 2 km vom Studiokonverter entfernt ist und der Strom über das SMPTE-Glasfaserkabel nicht mehr zuverlässig geleitet werden kann.

## PTZ-Schnittstelle

Der serielle DE-9-Anschluss ermöglicht den Anschluss von motorisierten Kameraköpfen, wenn Ihre Blackmagic URSA Mini bspw. an einem Kamerakran mit ferngesteuertem Kamerakopf zum Schwenken, Neigen und Zoomen befestigt ist. Die Quelle der an die Kamera zu übermittelnden PTZ-Befehle können Sie im Menü Ihres Blackmagic Studio Fiber Converters vorgeben. Die Quelle der Befehle kann auf den DE-9-Anschluss Ihres Studio Fiber Converters oder auf einen von einem ATEM Mischer eingehenden SDI-Feed eingestellt werden. Näheres dazu finden Sie im Abschnitt „Bedienung des Studio Fiber Converters“.

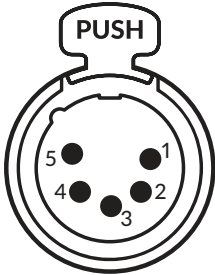


PTZ-Schnittstelle

## Talkback-Anschluss

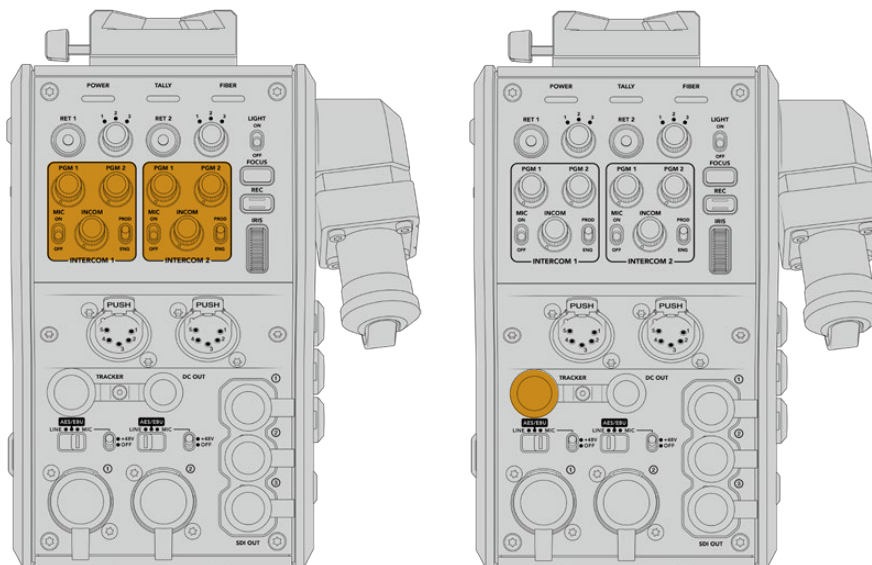
Die beiden weiblichen 5-poligen XLR-Anschlüsse erlauben den Anschluss von zwei Headsets, sodass zwei Personen gleichzeitig per Talkback kommunizieren können. So kann bspw. das Headset des Kamerabedienern an den ersten XLR-Anschluss gekoppelt werden und das des Kranbedieners oder eines anderen Crew-Mitglieds, wie dem Tonmeister, an den zweiten XLR-Anschluss. Ein Pinbelegungsdiagramm für den Headset-XLR-Anschluss finden Sie unten.

### XLR-Pinbelegung von Headsets

Außenansicht	Pol	Signal	I/O	Beschreibung
 <p>5-poliger XLR-Headset-Anschluss</p>	1	Gegensprech-Mikrofon (Y)	GND	Der Gegensprech-Mikrofoneingang unterstützt Elektretkondensatormikrofone und dynamische Mikrofone, sowohl symmetrischer als auch unsymmetrischer Art. Pol 1 ist für gebräuchliche Mikrofonensignale. Pol 2 dient als Mikrofonensignaleingang für beide Arten. Bei Elektretmikrofonen wird über denselben Mikrofonensignalausgabepol auch DC-Ruhestrom ausgegeben.
	2	Gegensprech-Mikrofon (X)	In	
	3	GND	GND	GND
	4		Out	11 dBu (VR Max, 250 Ω)
	5		Out	11 dBu (VR Max, 250 Ω)

Die Bedienelemente für jedes Headset befinden sich direkt über dem Headset-Anschluss.

Wie Sie die Bedienelemente für die Gegensprecheinrichtung einsetzen, erfahren Sie im Abschnitt „Bedienung des Camera Fiber Converters“.



Die Gegensprech-Bedienelemente werden zum Anschluss der Trackerschnittstelle genutzt

Die Trackerschnittstelle wird zum Anschluss der Trackerschnittstelle genutzt

## Tracker-Schnittstelle

Der 10-polige Tracker-Anschluss bietet einen Multiplex-Ausgang für Talkback- und Tally-Signale sowie Daten wie Teleprompter-Informationen. Dieser Ausgang wird häufig von Support-Crews benutzt, die Produktionsequipment wie Kamerakräne bedienen.

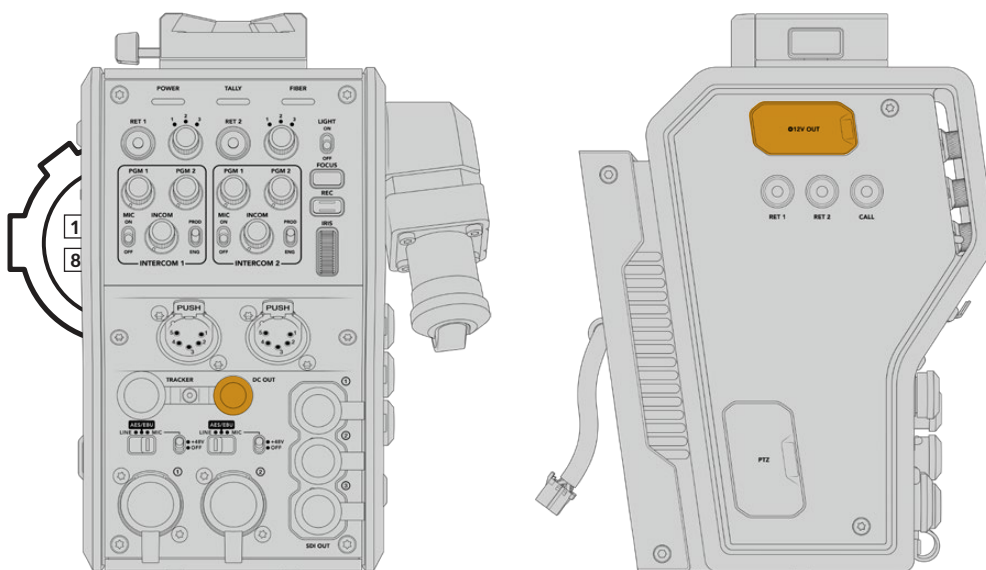
In diesem Abschnitt ist ein Pinbelegungsdiagramm enthalten, sollten Sie Ihr eigenes zusammenstellen wollen.

### Pinbelegung der Tracker-Schnittstelle

Außenansicht	Pol	Signal	I/O	Spezifikationen
10-poliger Tracker-Anschluss	1	Tracker left	Out	Tracker output, -20 dBu unbalanced
	2	GND (Talk)	-	GND for tracker talk
	3	GND (Receive/PGM/tally)	-	GND for receive/PGM/tally
	4	Tracker right	Out	Tracker output, -20 dBu unbalanced
	5	Unregulated	Out	12V DC (Nennwert), 500 mA (max.)
	6	GND (Unregulated)	-	GND for unregulated
	7	Tracker talk (X)	In	Tracker talk 0 dBu /-2 dBu, high impedance balanced
	8	Tracker talk (Y)	In	
	9	G Tally	Out	Ein: 12V Aus: hohe Impedanz (offen)
	10	R Tally	Out	Ein: 12V Aus: hohe Impedanz (offen)

## DC Connection

Über den DC-OUT-Anschluss können Sie zusätzliches Equipment wie bspw. einen externen Monitor betreiben.



Über den DC-OUT-Anschluss können Sie zusätzliches Equipment wie bspw. einen Monitor oder externe Aufnahmegeräte betreiben

D-Tap-Ausgang

## D-Tap-Ausgang

Der Ausgang +12V OUT an der linken Geräteseite wird oft als D-Tap oder P-Tap bezeichnet. Darüber lassen sich Zubehör wie Monitore oder große Studioobjektive mit Strom versorgen. Diese Strombuchse unterstützt Studioobjektive, die +12V-DC-Nennstrom mit 2 Ampere brauchen.

## Referenzausgang und Bedienung

Der Referenzausgang kann dazu genutzt werden, ein Referenzsignal per BNC-Kabel an Ihre Kamera zu leiten.

### So leiten Sie ein Referenzsignal an Ihre Kamera:

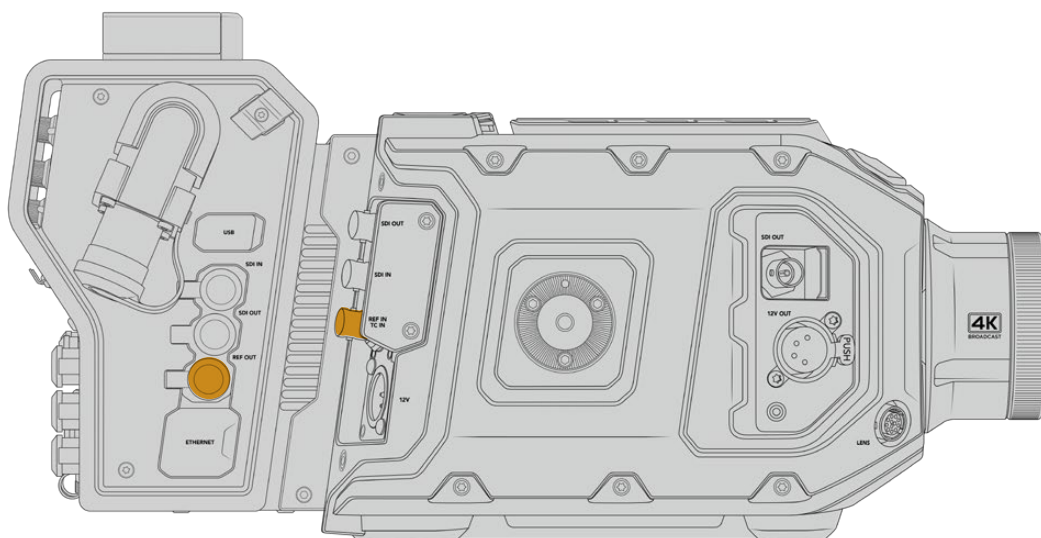
- 1 Verbinden Sie den mit REF OUT gekennzeichneten Referenzausgang des Blackmagic Camera Fiber Converters mit dem mit REF IN gekennzeichneten Referenzeingang Ihrer Kamera mithilfe eines der kleinen SDI-Kabel, die im Lieferumfang Ihres Camera Fiber Converters enthalten waren.
- 2 Stellen Sie die Referenzeinstellungen Ihrer Kamera auf den Referenzeingang ein.

Dank eines Sync-Referenzsignals kann Ihr Videoequipment mit einer gängigen Referenz synchronisiert werden, sodass sich alle Geräte nach derselben Zeitvorgabe richten. Das bedeutet, dass alle Videoquellen flüssig umgeschaltet werden können.

ATEM Mischer verfügen über einen eingebauten Resynchronisierer. Sollten Sie daher Blackmagic Design Kameras mit einem ATEM Mischer verwenden, brauchen Sie keine Referenz zur Synchronisierung anzuschließen. Das Referenzsignal ist in den SDI-Programm-Return-Feed des ATEM Mixers eingebettet. Vergewissern Sie sich daher lediglich, dass an Ihrer URSA Mini oder URSA Broadcast auf Seite 2 des SETUP-Menüs in den Referenzeinstellungen der Programmeingang gewählt wurde. Beim Resynchronisierungsprozess wird eine Verzögerung von einem Frame hinzugefügt.

Wenn Sie für den Resynchronisierungsprozess im ATEM die Latenz reduzieren wollen, generieren Sie zunächst ein Referenzsignal für die URSA Mini oder die URSA Broadcast und passen Sie anschließend das Backtiming an, sodass die Bildzeileneingabe der Kamera zeitlich vor der des ATEM Mixers erfolgt.

Um die Referenzsynchronisierung der URSA Mini oder URSA Broadcast anzupassen, gehen Sie ins SETUP-Menü und ändern Sie die Einstellungen unter „Reference Timing“.

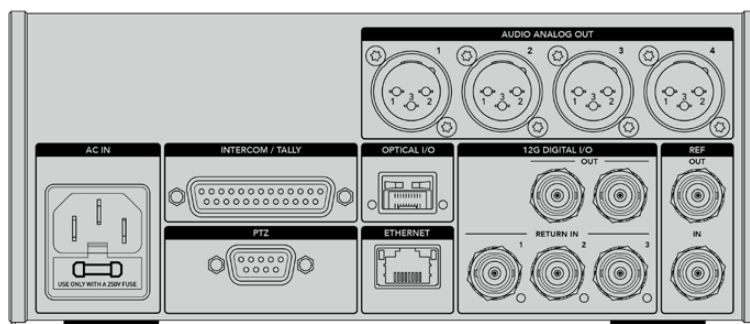


Wenn Sie ein externes Referenzsignal nutzen, verbinden Sie den Referenzausgang des Kamerakonverters mit dem Referenzeingang der URSA Mini oder URSA Broadcast

# Anschlüsse des Studiokonverters

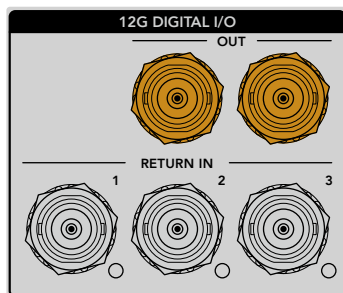
Die Rückseite des Blackmagic Studio Fiber Converters bietet Anschlüsse für den SDI-Return-Feed und Referenzsignale per BNC, einen DB-25-Anschluss für die Gegensprecheinrichtung und Tally, einen 9-poligen seriellen PTZ-Port, Audioausgänge und einen Ethernet-Port.

Alle SDI-Eingänge unterstützen 12G-SDI für Videoformate bis Ultra HD 2160p/60.



## 12G-SDI-Ausgang

Die zwei 12G-SDI-Ausgänge dienen zur Verbindung der Kamerasignale vom Studiokonverter mit einem beliebigen SDI-Eingang Ihres Mischers. Der zweite Anschluss kann dafür genutzt werden, dasselbe Signal an anderes Videozubehör auszugeben, z. B. eine Blackmagic Videohub Kreuzschiene, einen SmartView Monitor oder einen HyperDeck Disk Recorder.

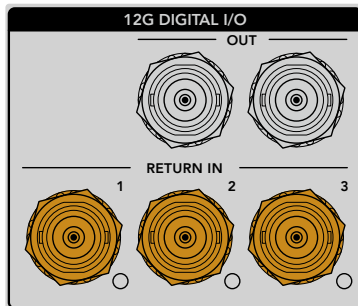


Die 12G-SDI-Ausgänge unterstützen Signale von 720p/50 bis 2160p/60

## Return-SDI-Eingänge

Die BNC-Anschlüsse für 12G-SDI-Return-Feeds bieten Ihnen die Möglichkeit, bis zu drei SDI-Return-Feeds anzuschließen. Der Programm-Feed von einem Mischer sollte bspw. an RETURN IN 1 angeschlossen und auf die gleiche Framerate wie Ihre Kamera eingestellt sein. Andere Quellen wie die Ausgabe einer Zweitkamera, die Wiedergabe eines HyperDeck Rekorders oder eines Teleprompters sollten an RETURN IN 2 und RETURN IN 3 angeschlossen werden. Bei Einsatz eines ATEM Mischers enthält der an RETURN IN 1 gekoppelte Programm-Return-Feed zudem Tally-, Talkback-, Referenz- und Kamerasteuerungssignale.

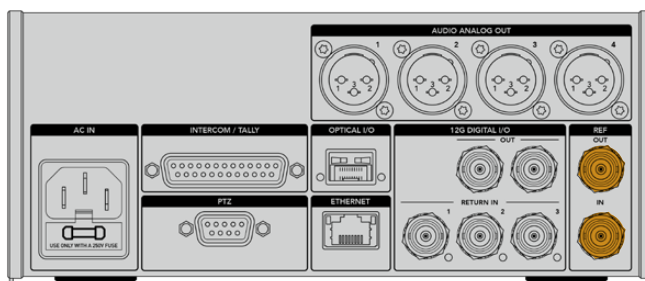
An die SDI-Return-Eingänge lassen sich bis zu drei Return-Feeds von Ihrem Mischer anschließen. Diese Feeds werden an Ihre Kamera weitergeleitet, damit sie vom Kamerabediener gesichtet oder via SDI an anderes Equipment weitergeleitet werden können.



**HINWEIS** Das Ultra-HD-Video von an die Return-Eingänge angeschlossenen Ultra-HD-Quellen wird nach 1080p in der gleichen Framerate abwärtskonvertiert. Der Kamerakonverter gibt also HD-Signale aus. Durch die Konvertierung der Ultra-HD-Return-Signale in HD wird Bandbreite frei, sodass Sie die rückgeführten Signale von mehreren Quellen übermitteln können.

## Referenzeingang und -ausgang

Wenn Sie keinen ATEM Mischer verwenden und Equipment mit einem gängigen externen Referenzsignal synchronisieren müssen, koppeln Sie die externe Signalquelle an den BNC-Anschluss. Dadurch wird das Referenzsignal über das SMPTE-Glasfaserkabel an den Kamerakonverter geleitet. Der BNC-Referenzanschluss des Studiokonverters kann zur Durchschleifung der Referenzquelle an weitere Geräte benutzt werden.

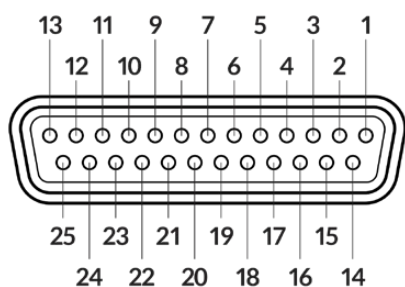


Nutzen Sie REF IN zum Senden traditioneller Referenzsignale von anderen Broadcastgeräten an Ihre Kamera

## Talkback-Schnittstelle

Der DB-25-Anschluss für die Gegensprecheinrichtung und Tally bietet Ihnen die Möglichkeit, sich mit Gegensprech- und Tally-Systemen von Fremdanbietern zu verbinden. Weiter unten finden Sie ein Pinbelegungsdiagramm, falls Sie sich eigene Kabel zusammenstellen möchten. Nachdem Sie das Techniker- bzw. Produktions-Talkback, Tally oder Programmaudio angeschlossen haben, müssen Sie das Menü Ihres Blackmagic Studio Fiber Converters entsprechend anpassen.





Außenansicht eines 25-poligen Intercom/Tally-Anschlusses

### Pinbelegung von Talkback-Schnittstellen

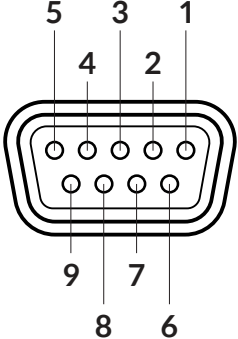
Pol	Signal	Spezifikationen
1	ENG(R) IN+	Technikerkanal-Eingang
2	ENG(R) IN-	0 dBu balanced
3	ENG GND	GND für ENG
4	ENG(T) OUT +	Technikerkanal-Ausgang
5	ENG(T) OUT -	0 dBu balanced
6	PGM IN+	-20 dBu
7	PGM IN-	-20 dBu
8	PGM GND	-20 dBu
9	GND	GND für Aux
10	N/C	–
11	Rotes Tally IN	On = 5–24 Vdc, Off = 0 Vdc
12	Rotes Tally GND	–
13	GND	Chassis GND
14	PROD(R) IN+	Produktionskanal-Eingang
15	PROD(R) IN-	0 dBu balanced
16	PROD GND	–
17	PROD(T) OUT+	Produktionskanal-Ausgang
18	PROD(T) OUT-	0 dBu balanced
19	N/C	–
20	N/C	–
21	N/C	–
22	N/C	–
23	N/C	–
24	Grünes Tally IN	On = 5–24 Vdc, Off = 0 Vdc
25	Grünes Tally GND	–

## PTZ-Schnittstelle

Sowohl der Studio- als auch der Kamerakonverter verfügen über einen 9-poligen DE-9-Anschluss, sodass Sie einen PTZ-Controller an den Studiokonverter und einen Kamerakopf an den Kamerakonverter anschließen können. PTZ-Befehle werden in das SDI-Signal eingebettet, das per SMPTE-Glasfaserkabel zwischen beiden Einheiten hin und her geleitet wird.

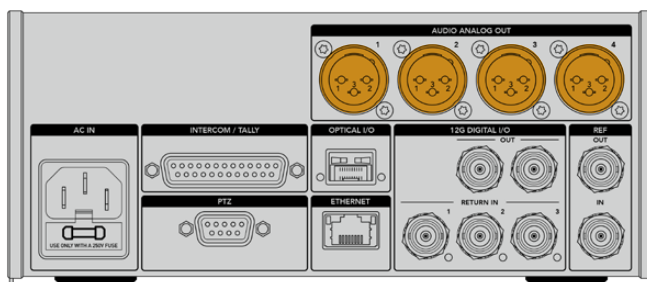
Im Einstellungsmenü Ihres Blackmagic Studio Fiber Converters können Sie die Quelle der an den Blackmagic Camera Fiber Converter zu übermittelnden PTZ-Befehle vorgeben. Sie haben die Wahl zwischen dem PTZ-Anschluss auf der Rückseite des Studio Fiber Converters oder einem SDI-Programm-Feed von einem ATEM Mischer. Näheres finden Sie im Abschnitt „Bedienung des Studio Fiber Converters“.

### Pinbelegung der PTZ-Schnittstelle

Außenansicht	Pol	Signal
 <p>9-poliger PTZ-Anschluss</p>	1	GND
	2	RS422 Tx-
	3	RS422 Rx+
	4	GND
	5	N/C
	6	GND
	7	RS422 Tx+
	8	RS422 Rx-
	9	GND

## Audioausgänge

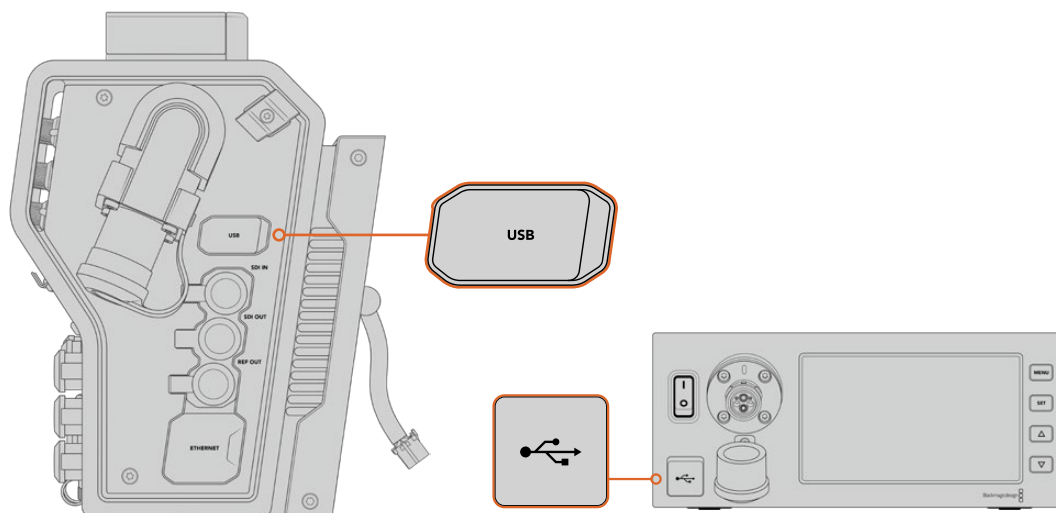
Die vier XLR-Audioausgänge am Studiokonverter ermöglichen die Ausgabe der an die Eingänge 1 und 2 der URSA Broadcast oder URSA Mini sowie an die beiden XLR-Audioeingänge am Camera Fiber Converter angeschlossenen Quellen.



Die Ausgänge 1 und 2 am Studiokonverter entsprechen standardmäßig den Eingabekanälen 1 und 2 für eingebettetes XLR an der URSA Broadcast bzw. URSA Mini. Die Ausgänge 3 und 4 am Studiokonverter entsprechen standardmäßig den XLR-Eingängen 1 und 2 am Blackmagic Camera Fiber Converter. Die Zuordnung können Sie über das Menü ändern. Weitere Informationen finden Sie im Abschnitt „Verwenden des Menüs“.

## Aktualisieren der Produktsoftware

Blackmagic Design veröffentlicht von Zeit zu Zeit Updates, die die Funktionen Ihrer Blackmagic Fiber Converter verbessern bzw. neue Funktionen hinzufügen. Wir empfehlen allen Nutzern, auf der Blackmagic Design Website regelmäßig nach Updates zu sehen, um sicherzustellen, dass auf Ihren Blackmagic Fiber Converters immer die neueste Produktsoftware läuft. Aktualisieren Sie Ihre Blackmagic Fiber Converter über das Blackmagic Camera Setup Dienstprogramm.



Über den USB-C-Port an den Blackmagic Fiber Converters lässt sich die Produktsoftware aktualisieren

## Aktualisieren des Blackmagic Camera Fiber Converters

Ihr Camera Fiber Converter muss für das Update mit Strom versorgt werden. Wir empfehlen daher, den Converter während des Updates an Ihre URSA Mini oder URSA Broadcast angeschlossen zu lassen.

Hierbei ist es wichtig, das SMPTE-Glasfaserkabel von Ihrem Camera Fiber Converter zu entfernen und Ihre Kamera über das mitgelieferte URSA Kameranetzteil mit Strom zu versorgen.

Der Blackmagic Camera Fiber Converter verfügt für die Aktualisierung der Produktsoftware über einen USB-C-Port an der rechten Geräteseite. Schließen Sie Ihren Computer an diesen USB-Port an und starten Sie das Blackmagic Camera Setup Dienstprogramm. Wenn Ihr Computer eine vorhandene ältere Version auf Ihrem Camera Fiber Converter erkennt, werden Sie zu einem Update aufgefordert. Folgen Sie den Anweisungen auf Ihrem Bildschirm, um die Produktsoftware Ihres Converters zu aktualisieren.

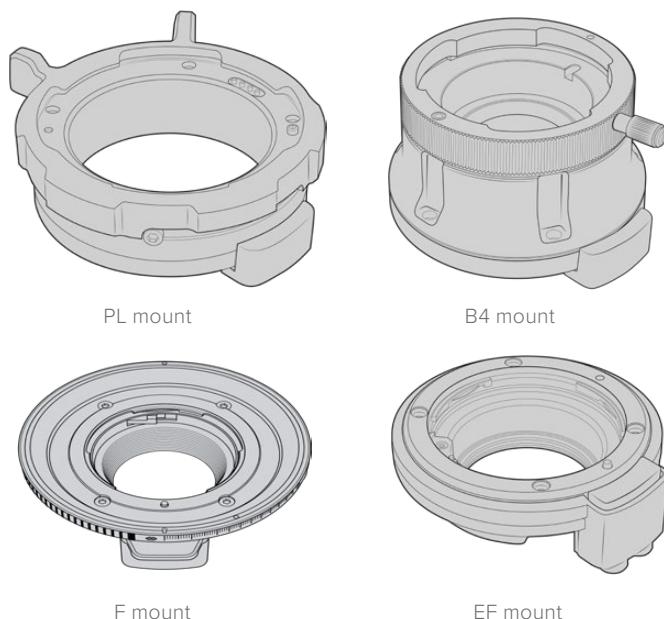
## Aktualisieren des Blackmagic Studio Fiber Converters

Ihr Studio Fiber Converter muss für das Update mit Strom versorgt werden. Wir empfehlen daher, das IEC-Stromkabel während des Updates an die Geräterückseite des Studiokonverters angeschlossen zu lassen.

Der Blackmagic Studio Fiber Converter verfügt für die Aktualisierung der Produktsoftware über einen USB-C-Port an der Frontblende. Schließen Sie Ihren Computer an diesen USB-Port an und starten Sie das Blackmagic Camera Setup Dienstprogramm. Wenn Ihr Computer eine vorhandene ältere Version auf Ihrem Studio Fiber Converter erkennt, werden Sie zu einem Update aufgefordert. Folgen Sie den Anweisungen auf Ihrem Bildschirm, um die Produktsoftware Ihres Converters zu aktualisieren.

# Wechselmounts

Die Blackmagic URSA Mini Pro 12K wird mit einem PL-Mount ausgeliefert. Andere URSA Mini Pro Kameras werden mit einem angebrachten EF-Mount ausgeliefert. Alle URSA Mini Pro Kameras sind mit Wechselmounts ausgestattet. Sie sind also nicht auf Objektive für das mit Ihrer Kamera ausgelieferte Bajonett beschränkt. Das bedeutet, Sie können Ihren originalen Mount abnehmen und einen optionalen PL-, B4- oder F-Mount anbringen. Um einen URSA Mini Pro PL Mount, URSA Mini Pro B4 Mount, URSA Mini Pro F Mount oder URSA Mini Pro EF Mount zu kaufen, wenden Sie sich an einen Blackmagic Design Fachhändler in Ihrer Nähe.

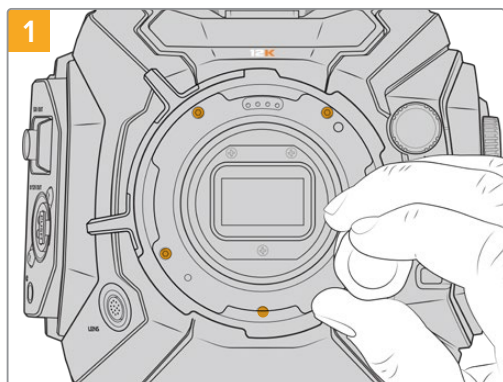


Drei unterschiedliche Mounts im Wechsel verwenden zu können, gibt Ihnen die Freiheit, je nach Auftragsart das passende Objektiv einzusetzen. Der EF-Objektivanschluss etwa ermöglicht den Einsatz hochwertiger Optiken für Standbilder. Der B4-Mount ist perfekt, wenn Sie parfokale Zoomobjektive für EB-Zwecke und Hochzeiten brauchen und der PL-Mount ermöglicht es, robuste High-End-Filmobjektive für absolute Präzision und wiederholgenaue Steuerung zu verwenden.

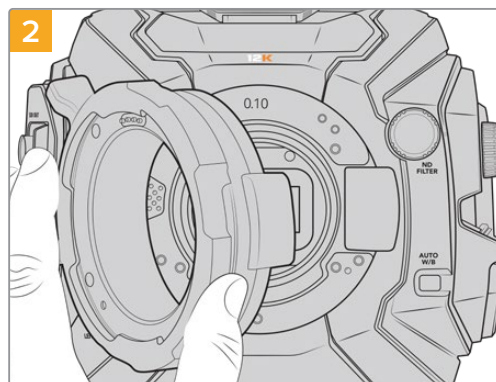
Die einzelnen Bajonette sind schnell angebracht. Schrauben Sie einfach das Original-EF-Bajonett ab und ersetzen Sie es mit dem neuen Mount. So einfach geht das!

Um den EF-Mount zu entfernen, schrauben Sie die vier M3-Sechskantschrauben mit einem 2mm-Sechskantschraubendreher ab.

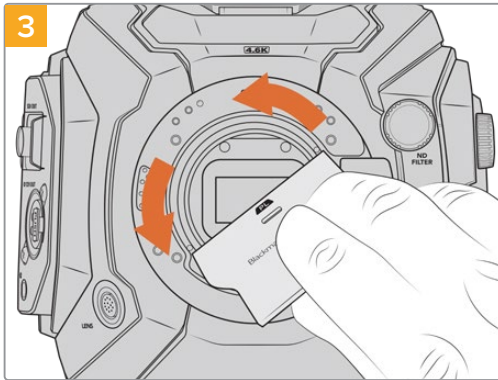
## So entfernen Sie den originalen PL-Mount von der URSA Mini Pro 12K:



Den originalen PL-Mount Ihrer URSA Mini Pro 12K entfernen Sie, indem Sie die fünf Schrauben mit einem 2mm-Sechskantschraubendreher lösen.

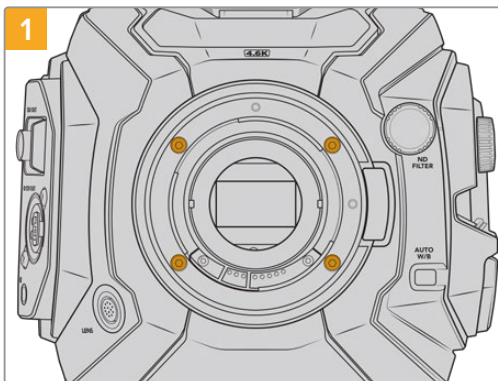


Nehmen Sie den Mount sanft vom Kameragehäuse ab.

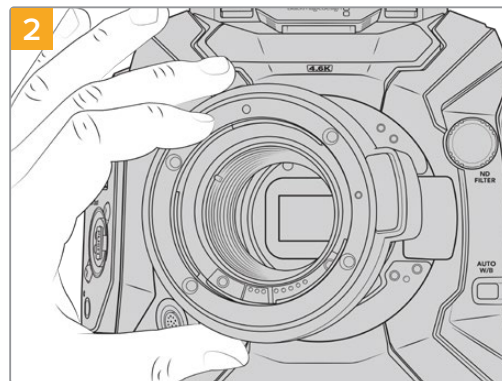


Benutzen Sie nach Entfernen des PL-Mounts das breitere Ende des Streulichtblenden-Tools, um die PL-Streulichtblende mittig zu lösen, und schrauben Sie sie dann vorsichtig mit Ihren Händen ab.

**So entfernen Sie den originalen EF-Mount von der URSA Mini Pro 4.6K G2 oder URSA Mini Pro 4.6K:**



Der originale EF-Mount Ihrer URSA Mini Pro 4.6K G2 oder URSA Mini Pro 4.6K ist durch Lösen der vier Schrauben mit einem 2mm-Sechskantschraubendreher leicht entfernt.



Nehmen Sie den Mount sanft vom Kameragehäuse ab.

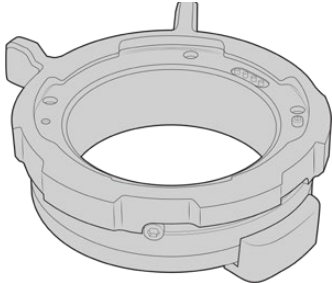
**HINWEIS** Sorgen Sie beim Entfernen des originalen Mounts dafür, dass Sie die Shims hinter dem Objektivanschluss an Ihrer Kamera belassen.

Entnehmen Sie weitere Informationen zu den PL-, B4- und EF-Mount-Kits, und wie Sie jeden Mount an Ihre URSA Mini Pro anbringen, diesem Abschnitt.

## Blackmagic URSA Mini Pro PL Mount

Wenn Sie Ihre URSA Mini Pro mit einem PL-Mount ausstatten, können Sie hochwertigste präzise Cine-Objektive für Kinofilme und TV-Produktionen verwenden.

### Das PL-Mount-Kit enthält:



#### 1 x PL-Mount

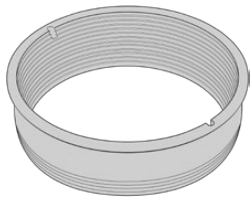
Das PL-Mount wird mit einer Staubschutzkappe geliefert.



#### 1 x Shim-Satz

Der Shim-Satz enthält verschieden dicke Einstellplättchen wie folgt:

0,50 mm	0,18 mm	0,10 mm
0,30 mm	0,15 mm	0,05 mm
0,20 mm	0,12 mm	0,025 mm



#### 1 x Interne PL-Streulichtblende

Die PL-Mount-Streulichtblende hilft das durch den Sensor einfallende Licht zu lenken.



#### 1 x Streulichtblenden-Tool

Mit dem Streulichtblenden-Tool ziehen Sie die Streulichtblende in Ihrer Kamera fest.



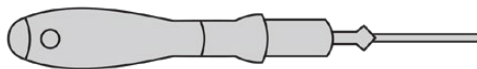
#### 5 x 2 mm M2,5 x 22mm-Sechskantschrauben

Die 5 M2,5 x 22mm-Sechskantschrauben gehören ausschließlich zum PL-Mount. Bewahren Sie die Schrauben und den Objektivanschluss entsprechend zusammen auf.

Für den Verlustfall der Originalschrauben steht im PL-Mount-Kit ein kompletter Satz an Ersatzschrauben bereit.

### Benötigte Werkzeuge

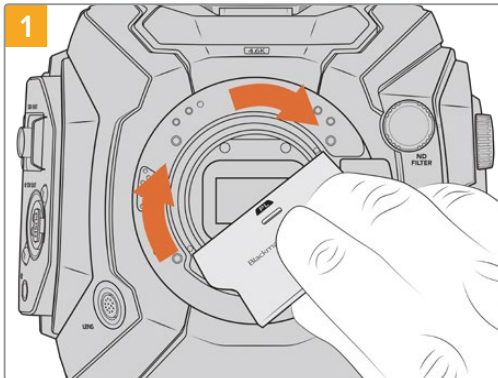
Für die Installation Ihres PL-Mounts benötigen Sie einen 2mm-Sechskantschraubendreher. Es ist zwar nicht absolut notwendig, doch wir empfehlen einen Drehmomentschlüssel, der ein maximal zulässiges Drehmoment von 0,45 Nm präzise bewältigt. Er verhindert, dass die Schrauben zu fest angezogen werden.



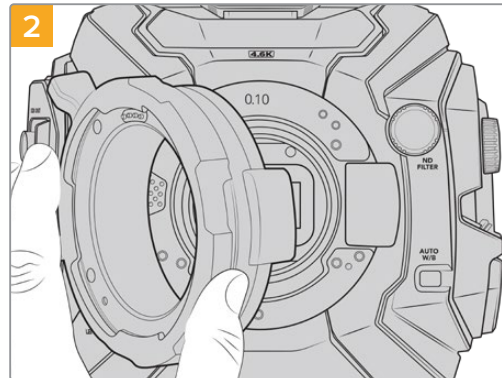
2mm-Sechskantschraubendreher



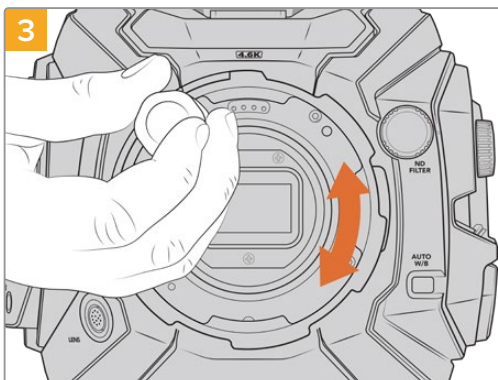
## Anbringen eines PL-Mounts



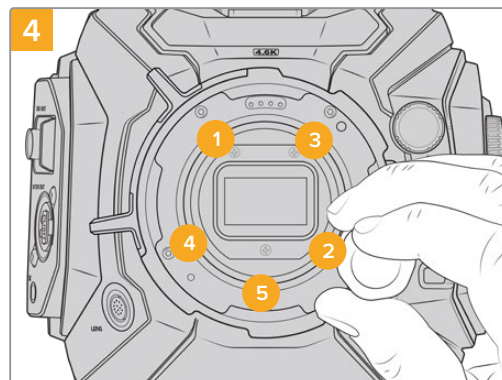
Setzen Sie die PL-Streulichtblende vorsichtig mittig in den Objektivanschluss ein und drehen Sie sie handfest. Ziehen Sie die Streulichtblende mit dem breiten Ende des Streulichtblenden-Tools leicht an. Sie soll lediglich so fest angezogen werden, dass sie nicht wackelt.



Setzen Sie den Blackmagic URSA Mini Pro PL Mount vorsichtig auf das Kameragehäuse auf. Achten Sie darauf, dass sich die Cooke /i Technology kompatiblen Stifte am PL-Mount in der 12-Uhr-Position befinden.



Drehen Sie die fünf Befestigungsschrauben mit einem 2mm-Sechskantschraubendreher oder einem Drehmomentschlüssel mit einem maximal zulässigen Drehmoment von 0,45 Nm locker fest, bis ein Kontakt mit der Schulter des Mounts besteht. Um auf alle fünf Schrauben zuzugreifen, müssen Sie den PL-Feststellring drehen, da einige Löcher verdeckt sind, wenn der Ring festgestellt oder gelockert ist.



Stellen Sie sicher, dass der Mount flach aufliegt und korrekt ausgerichtet ist. Ziehen Sie dann die Schrauben bei gleichmäßigem Druck in der abgebildeten Reihenfolge fest, ohne sie zu fest zu ziehen.

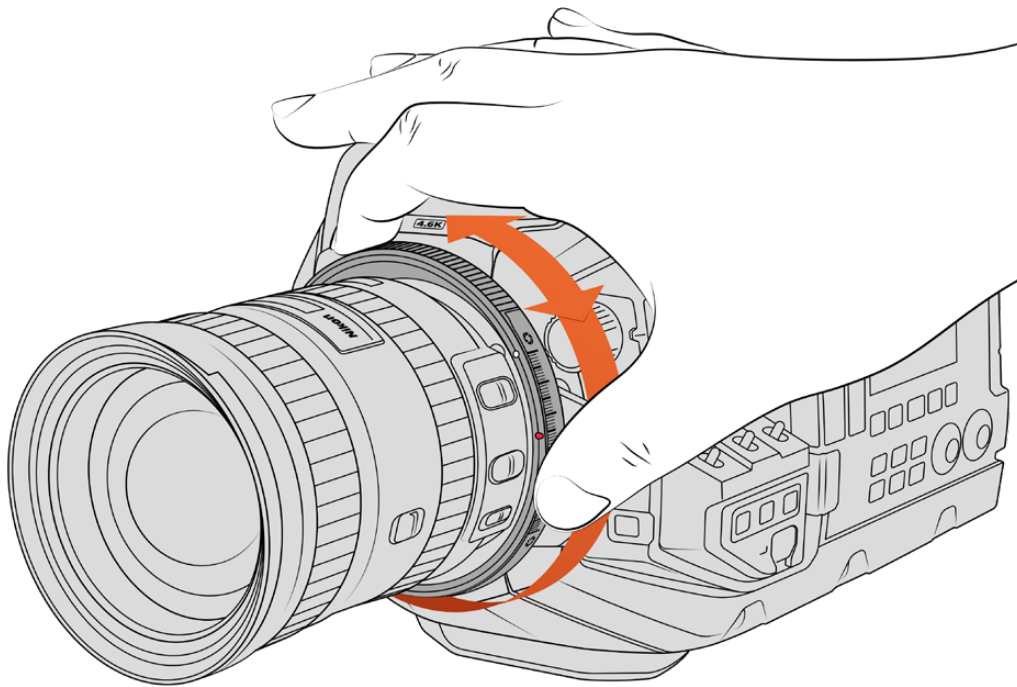
**HINWEIS** Befolgen Sie beim Entfernen des PL-Mounts die Anweisungen in umgekehrter Reihenfolge von Schritt 4 bis Schritt 1. Vergessen Sie nicht, die PL-Streulichtblende zu entfernen und sicher mit dem PL-Mount aufzubewahren.



## Blackmagic URSA Mini Pro F Mount

Mit einem an der URSA Mini Pro angebrachten F-Mount können Sie F-Mount-Objektive benutzen. Das F-Mount-System der Firma Nikon gibt es seit 1959. Bis heute werden F-Mount-Objektive hergestellt. Der Blackmagic URSA Mini Pro F Mount eröffnet Ihnen eine Auswahl aus einem riesigen Sortiment an klassischen und modernen Objektiven.

Es sei hier angemerkt, dass es sich beim Blackmagic URSA Mini Pro F Mount um einen mechanischen Objektivanschluss handelt. Demgemäß bietet er weder elektronische Fokussierung noch Blendensteuerung. Der Blackmagic URSA Mini Pro F Mount verfügt über einen mechanischen Blendenregler. Dieser Regler bewegt den in den meisten Nikon-Objektiven verbauten Blendenzapfen und bewirkt geschmeidige kinoartige Blendenjustagen.



Nutzen Sie den Blendenjustierring, um die Blendenwerte für F-Mount-Objektive geschmeidig zu ändern

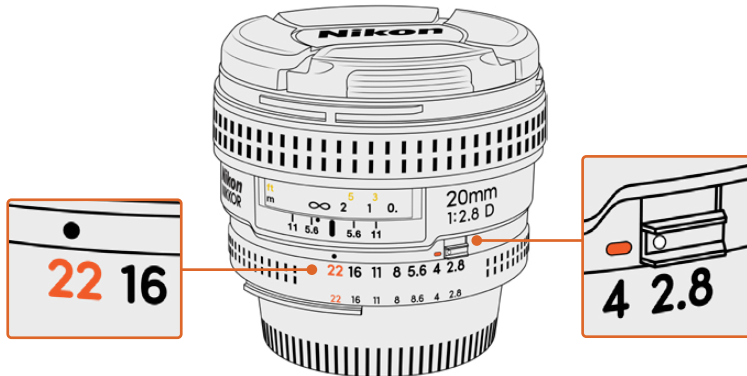
Bei installiertem F-Mount erzielen Sie Ihre favorisierte Belichtung durch Bewegen des Blendenreglers am F-Mount der Blackmagic URSA Mini Pro. Anhand des roten Punkts am F-Mount und der Markierungen am Blendenregler können Sie Einstellungen kennzeichnen und bequem auf eine bestimmte Belichtungs- und Schärfentiefeeinstellung zurückgreifen.

**HINWEIS** Aufgrund der Funktionsweise des URSA Mini Pro F Mounts ist dieser mit einigen wenigen F-Mount-Objektiven nicht kompatibel.

Dies gilt u. a. für die Objektive der Nikkor AF-S E Serie, die keine mechanische Blendensteuerung aufweisen, sowie für Nikon PC-E Tilt-Shift-Objektive wie das 24mm f/3.5D PC-E und das 85mm PC-E.

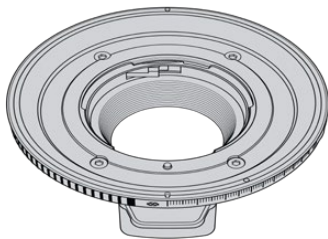
## Nikon AF-D Objektiv

Beim Einsatz von Objektiven der Nikon AF-D Serie muss die Blende Ihres Objektivs auf ihre kleinste Öffnung, bspw. f/22, fixiert werden, damit die gesamte Spanne des Blendenjustierings am Blackmagic URSA Mini Pro F Mount einsetzbar ist.



Bei AF-D-Objektiven lässt sich die kleinste Blendenöffnung des Objektivs am einfachsten einstellen und fixieren, bevor man es auf die Kamera setzt

## Das F-Mount-Kit enthält:



### 1 x F-Mount

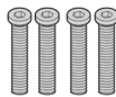
Mit dem F-Mount können Sie gängige F-Fotoobjektive anbringen.



### 1 x Shim-Satz

Der Shim-Satz enthält verschieden dicke Einstellplättchen wie folgt:

0,50 mm	0,18 mm	0,10 mm
0,30 mm	0,15 mm	0,05 mm
0,20 mm	0,12 mm	0,025 mm



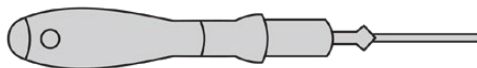
### 4 x 2 mm M3 x 18mm-Sechskantschrauben

Die 4 M3 x 18mm-Sechskantschrauben passen zum EF- wie auch zum F-Mount. Bewahren Sie die Schrauben am besten zusammen mit dem entsprechenden Mount auf.

Im Fall des Verlusts der Originalschrauben steht im F-Mount-Kit ein kompletter Satz an Ersatzschrauben bereit.

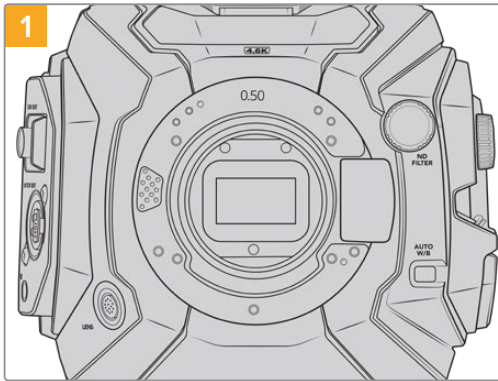
## Benötigte Werkzeuge

Zum Anbringen Ihres F-Mounts benötigen Sie einen 2mm-Sechskantschraubendreher. Obwohl dies nicht absolut notwendig ist, empfehlen wir einen Drehmomentschlüssel, der ein maximal zulässiges Drehmoment von 0,45 Nm präzise bewältigt. Er verhindert, dass die Schrauben zu fest angezogen werden.

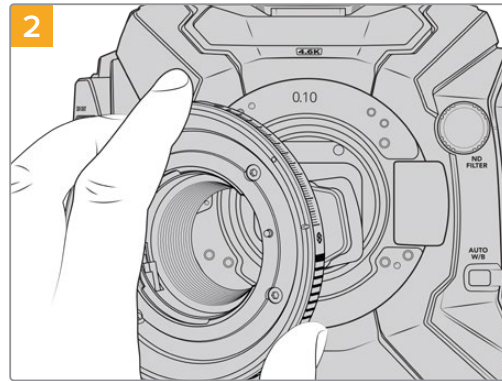


2mm-Sechskantschraubendreher

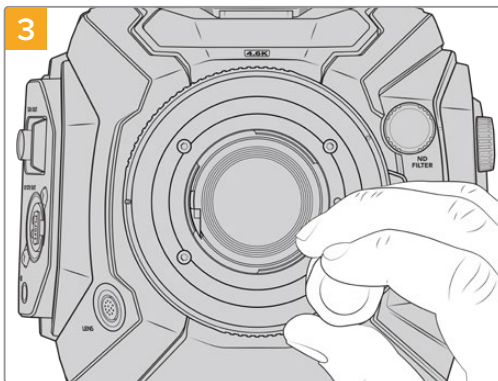
## Anbringen eines F-Mounts



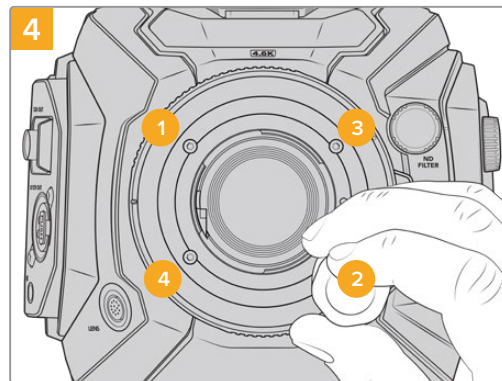
Stellen Sie die Blackmagic URSA Mini Pro aufrecht auf eine stabile, saubere Arbeitsfläche, um den Objektivanschluss in vertikaler Richtung anbringen zu können. Wenn Sie von einem PL- zu einem F-Mount wechseln, entfernen Sie die innere PL-Streulichtblende, bevor Sie den F-Mount anbringen.



Setzen Sie den Blackmagic URSA Mini Pro F Mount vorsichtig auf das Kameragehäuse auf. Achten Sie darauf, dass sich der rote Punkt in der 2-Uhr-Position befindet.



Drehen Sie die vier Befestigungsschrauben mit einem 2mm-Sechskantschraubendreher oder einem Drehmomentschlüssel mit einem maximal zulässigen Drehmoment von 0,45 Nm locker fest, bis ein Kontakt mit der Schulter des Bajonetts besteht.



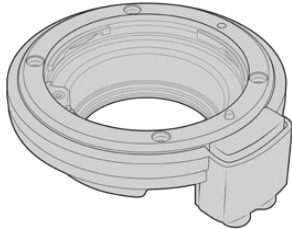
Stellen Sie sicher, dass der Mount flach aufliegt und korrekt ausgerichtet ist. Ziehen Sie dann die Schrauben bei gleichmäßigem Druck in der abgebildeten Reihenfolge fest, ohne sie zu fest zu ziehen.

**HINWEIS** Befolgen Sie beim Entfernen des F-Mounts die Anweisungen in umgekehrter Reihenfolge von Schritt 4 bis Schritt 1.

## Blackmagic URSA Mini Pro EF Mount

Der Blackmagic URSA Mini Pro EF Mount unterstützt eine Vielzahl an EF-Foto- und Kinoobjektiven.

### Das EF-Mount-Kit enthält:



#### 1 x EF-Mount

Mit dem F-Mount können Sie gängige F-Fotoobjektive anbringen.



#### 1 x Shim-Satz

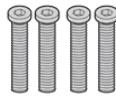
Der Shim-Satz enthält verschieden dicke Einstellplättchen wie folgt:

0,50 mm	0,18 mm	0,10 mm
0,30 mm	0,15 mm	0,05 mm
0,20 mm	0,12 mm	0,025 mm



#### 1 x Streulichtblenden-Tool

Die interne Streulichtblende am EF-Mount ist nicht abnehmbar. Allerdings befindet sich im EF-Kit ersatzweise ein Streulichtblenden-Tool, das Sie verwenden können, wenn Sie auch einen PL-Mount besitzen.



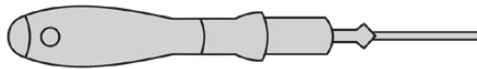
#### 4 x 2 mm M3 x 18mm-Sechskantschrauben

Die 4 M3 x 18mm-Sechskantschrauben passen zum EF- wie auch zum F-Mount. Bewahren Sie die Schrauben am besten zusammen mit dem entsprechenden Mount auf.

Im Fall des Verlusts der Originalschrauben steht im EF-Mount-Kit ein kompletter Satz an Ersatzschrauben bereit.

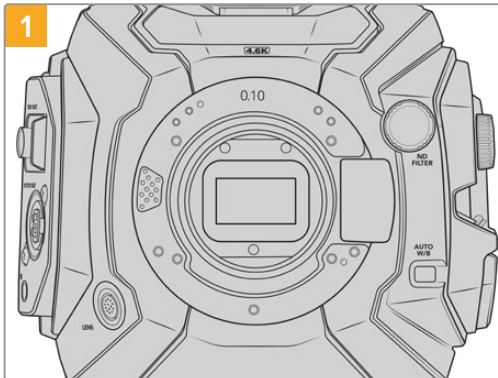
### Benötigte Werkzeuge

Um Ihren EF-Mount anzubringen, benötigen Sie einen 2mm-Sechskantschraubendreher. Es ist zwar nicht absolut notwendig, doch wir empfehlen einen Drehmomentschlüssel, der ein maximal zulässiges Drehmoment von 0,45 Nm präzise bewältigt. Er verhindert, dass die Schrauben zu fest angezogen werden.

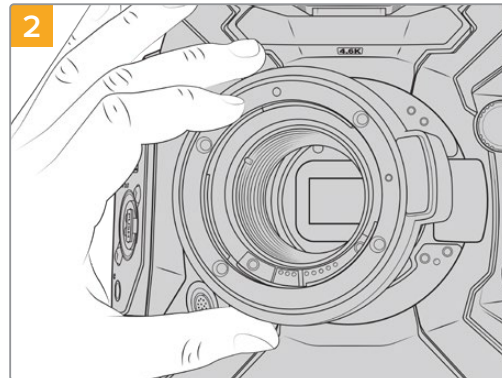


2mm-Sechskantschraubendreher

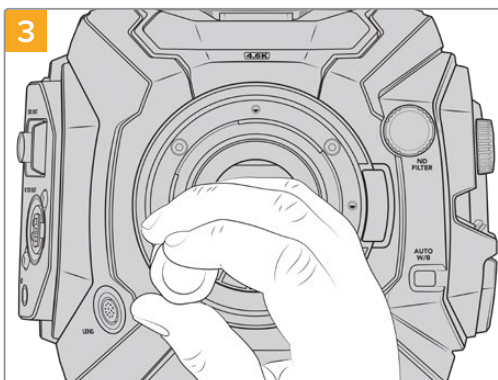
## Anbringen eines EF-Mounts



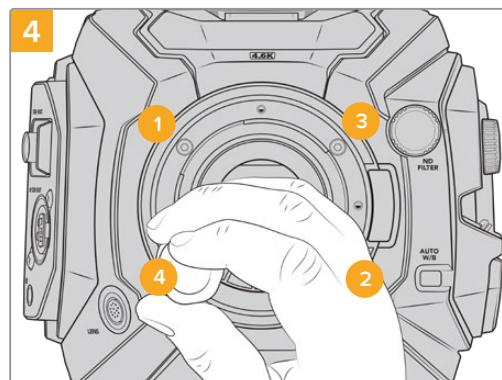
Stellen Sie die Blackmagic URSA Mini Pro aufrecht auf eine stabile, saubere Arbeitsfläche, um den Objektivanschluss in vertikaler Richtung einsetzen zu können. Wenn Sie von einem PL- zu einem EF-Mount wechseln, sorgen Sie dafür, die PL-Streulichtblende zu entfernen, bevor Sie Ihren EF-Mount anbringen.



Setzen Sie den Blackmagic URSA Mini Pro EF Mount vorsichtig auf das Kameragehäuse auf. Achten Sie darauf, dass sich der rote Punkt in der 12-Uhr-Position befindet.



Drehen Sie die vier Befestigungsschrauben mit einem 2mm-Sechskantschraubendreher oder einem Drehmomentschlüssel mit einem maximal zulässigen Drehmoment von 0,45 Nm locker fest, bis ein Kontakt mit der Schulter des Bajonetts besteht.



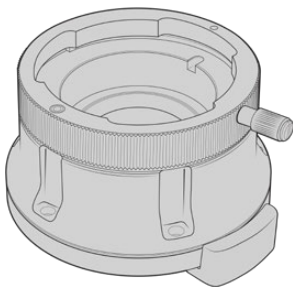
Stellen Sie sicher, dass der Mount flach aufliegt und korrekt ausgerichtet ist. Ziehen Sie dann die Schrauben bei gleichmäßigem Druck in der abgebildeten Reihenfolge fest, ohne sie zu fest zu ziehen.

**HINWEIS** Befolgen Sie beim Entfernen des EF-Mounts die Anweisungen in umgekehrter Reihenfolge von Schritt 4 bis Schritt 1.

## Blackmagic URSA Mini Pro B4 Mount

Haben Sie einen B4-Mount an Ihre URSA Mini Pro 4.6K G2 oder URSA Mini Pro 4.6K angeschlossen, dann können Sie parfokale Zoomobjektive verwenden, die häufig für EB-Material und Hochzeiten zum Einsatz kommen. Diese Objektive bleiben auch über große Zoombereiche fokussiert und verfügen für gewöhnlich über manuellen Fokus und manuelle Blendensteuerung. Eine Zoomwippe am Haltegriff gestattet es zudem, fließend in Ihre Einstellung ein- und auszuzoomen. Einzelbediener können mit diesen Objektiven schnell und gezielt drehen und erhalten zudem eine enorme Kontrolle über ihre Shots. Es ist anzumerken, dass der Blackmagic URSA Mini Pro B4 Mount nicht mit der URSA Mini Pro 12K kompatibel ist.

### Der B4-Mount-Kit enthält:



#### 1 B4-Mount

Mit dem B4-Mount können Sie branchenübliche ENG-Optiken an Ihre URSA Mini Pro anbringen.



#### 1 x Shim-Satz

Der Shim-Satz enthält verschieden dicke Einstellplättchen wie folgt:

0,50 mm	0,18 mm	0,10 mm
0,30 mm	0,15 mm	0,05 mm
0,20 mm	0,12 mm	0,025 mm



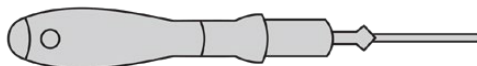
#### 5 x 2 mm M2,5 x 12mm-Sechskantschrauben

Die 5 M2,5 x 12mm-Sechskantschrauben gehören ausschließlich zum B4-Mount. Bewahren Sie die Schrauben und den Mount entsprechend zusammen auf.

Für den Verlustfall der Originalschrauben steht im B4-Mount-Kit ein kompletter Satz an Ersatzschrauben bereit.

### Benötigte Werkzeuge

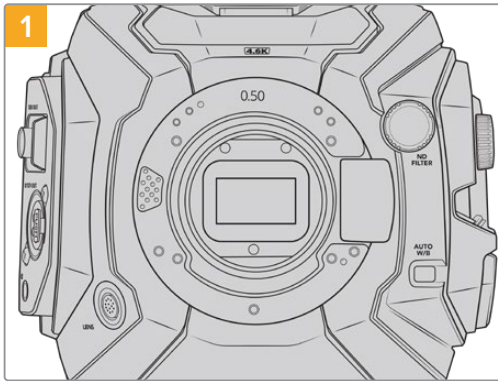
Um Ihren B4-Mount anzubringen, benötigen Sie einen 2mm-Sechskantschraubendreher. Es ist zwar nicht absolut notwendig, doch wir empfehlen einen Drehmomentschlüssel, der ein maximal zulässiges Drehmoment von 0,45 Nm präzise bewältigt. Er verhindert, dass die Schrauben zu fest angezogen werden.



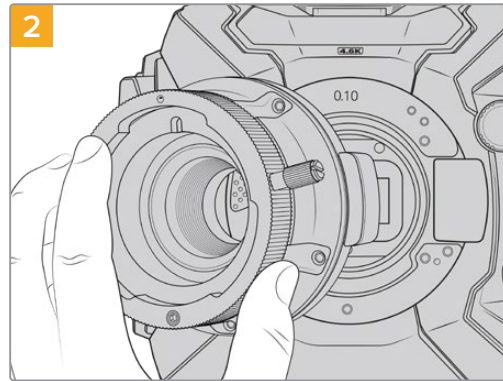
2mm-Sechskantschraubendreher



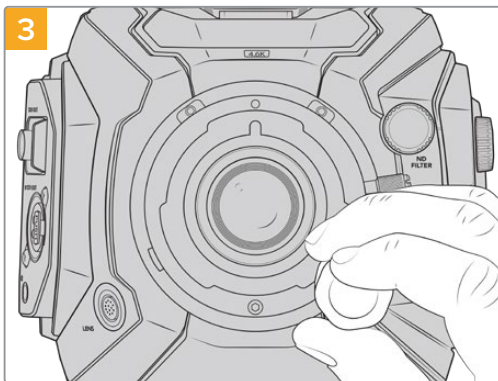
## Anbringen eines B4-Mounts



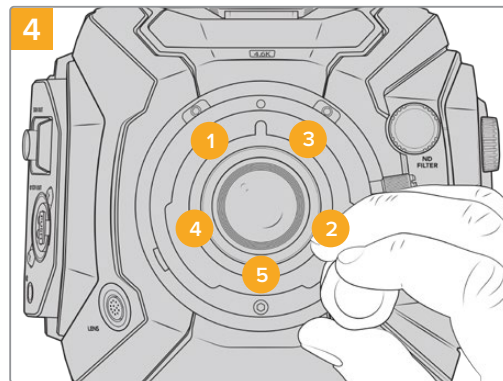
Legen Sie die Blackmagic URSA Mini Pro vertikal auf eine stabile, saubere Arbeitsfläche, um den Objektivanschluss in vertikaler Richtung einsetzen zu können.



Setzen Sie den Blackmagic URSA Mini Pro B4 Mount vorsichtig auf das Kameragehäuse auf. Achten Sie darauf, dass sich der rote Punkt in der 12-Uhr-Position befindet.



Drehen Sie die fünf Befestigungsschrauben mit einem 2mm-Sechskantschraubendreher oder einem Drehmomentschlüssel mit einem maximal zulässigen Drehmoment von 0,45 Nm locker fest, bis ein Kontakt mit der Schulter des Mounts besteht.



Stellen Sie sicher, dass der Mount flach aufliegt und korrekt ausgerichtet ist. Ziehen Sie dann die Schrauben bei gleichmäßigem Druck in der abgebildeten Reihenfolge fest, ohne sie zu fest zu ziehen.

**HINWEIS** Befolgen Sie beim Entfernen des B4-Mounts die Anweisungen in umgekehrter Reihenfolge von Schritt 4 bis Schritt 1.

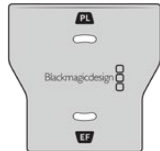
**TIPP** Wenn Sie mit Ihrer URSA Mini Pro 4.6K G2 or URSA Mini Pro 4.6K ein B4-Objektiv verwenden, geben Sie eine Auflösung von 2K 16:9 oder niedriger vor und aktivieren die Option „Window Sensor“ auf der RECORD-Registerkarte des Menüs. Diese Einstellungen sind wichtig, um im Bild Vignetten zu vermeiden, da B4-Objektive im Super-35mm-Format Bildkreise nicht ausleuchten. Wenn Sie an Ihre Kamera ein B4-Objektiv angebracht und die Kameraeinstellungen angepasst haben, sollten Sie auch den Backfokus des Objektivs überprüfen.



## Blackmagic URSA Mini Pro Shim Kit

Wenn Sie PL-, B4- oder F-Mounts an die URSA Mini Pro anbringen, wird zu den originalen 0,50mm- und 0,10mm-Shims ein weiteres 0,10mm-Shim unter dem originalen EF-Mount eingesetzt. Diese Einstellungsplättchen sind zusammen mit weiteren im Blackmagic URSA Mini Pro Shim Kit inbegriffen. Weitere verschieden dicke Shims sind im Kit inbegriffen. Damit können Sie Ihre Kamera für den Einsatz von PL-Objektiven feinjustieren, falls diese leicht andere Abstände für präzise Fokussiermarken erfordern.

### Das Shim-Kit enthält:



#### 1 Streulichtblenden-Tool

Mit dem Streulichtblenden-Tool lockern oder befestigen Sie die interne PL-Streulichtblende, wenn Sie einen PL-Mount an Ihre URSA Mini Pro anbringen.



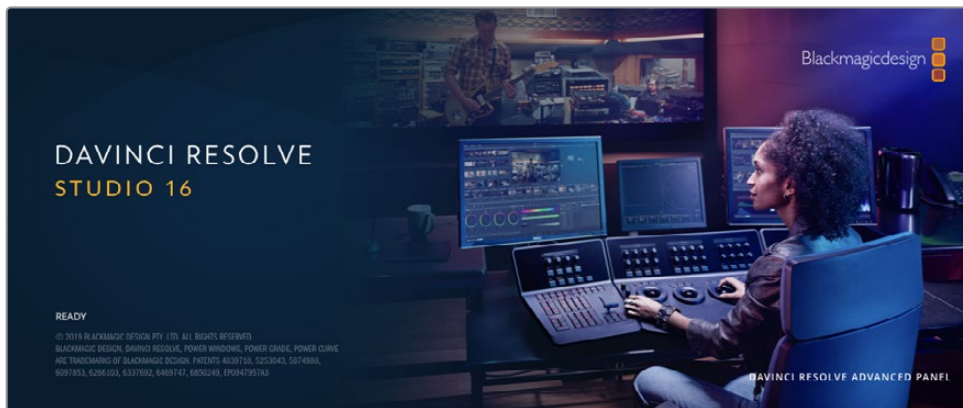
#### 1 x Shim-Satz

Der Shim-Satz enthält verschieden dicke Einstellplättchen wie folgt:

0,50 mm	0,18 mm	0,10 mm
0,30 mm	0,15 mm	0,05 mm
0,20 mm	0,12 mm	0,025 mm

# Verwendung von DaVinci Resolve

Das Filmen mit Ihrer Blackmagic URSA Mini ist nur ein Teil der Erzeugung von Film- und TV-Inhalten. Ebenso wichtig sind der Sicherungs- und Verwaltungsprozess von Medien sowie Schnitt, Farbkorrektur und die Kodierung finaler Masterdateien. Ihre Blackmagic URSA Mini wird mit einer Version von DaVinci Resolve für Mac und Windows geliefert, was Ihnen eine Komplettlösung für Dreh und Postproduktion gibt.



**HINWEIS** Um die auf der URSA Mini gedrehten Clips farblich präzise zu bearbeiten, empfehlen wir die neueste Version von DaVinci Resolve. Die Version 16.3 oder höher sorgt auf allen URSA Mini Kameras für präzise Farben und enthält die neuesten Blackmagic RAW Features. Zudem unterstützt sie 12K-Dateien.

Nachdem Sie Ihre CFast- bzw. SD-Karte oder SSD an den Rechner gekoppelt haben, können Sie mithilfe des Clone-Tools von DaVinci Resolve in der Medienverwaltung beim Dreh fortlaufend Backups erstellen. Dies empfiehlt sich, da bei jeder Art von Speichermedien das Risiko einer Beschädigung oder Störung besteht. Mit einer Sicherungskopie schützen Sie sich vor dem Verlust Ihrer Shots. Nach erfolgreichem Backup Ihrer Medien mit DaVinci Resolve können Sie Ihre Clips in den DaVinci Media Pool laden und sie dann schneiden, farblich nachbearbeiten und Ihre Produktion fertigstellen, ohne je DaVinci Resolve zu verlassen.

DaVinci Resolve wird für das Gros bedeutender Kinohits benutzt. Es bietet also viel mehr als nur ein simples NLE-Softwaretool, weil in dieser für Highend-Digitalfilm konzipierten Anwendung äußerst hochentwickelte Technologie steckt. Sie profitieren von dieser Technologie, wenn Sie Ihre Projekte mit DaVinci Resolve schneiden und farbkorrigieren.

Hier werden Ihnen die ersten Schritte zum Gebrauch von DaVinci Resolve mit Ihren Kameradateien erklärt. Als hochkomplexe Software bietet DaVinci Resolve natürlich weitaus mehr Features als der erste Blick auf die Bedienoberfläche erahnen lässt. Weitere Informationen zur Verwendung von DaVinci Resolve finden Sie in der englischsprachigen Bedienungsanleitung auf der Blackmagic Website, wo auch zahlreiche Übungsprogramme und Videotutorials angeboten werden.

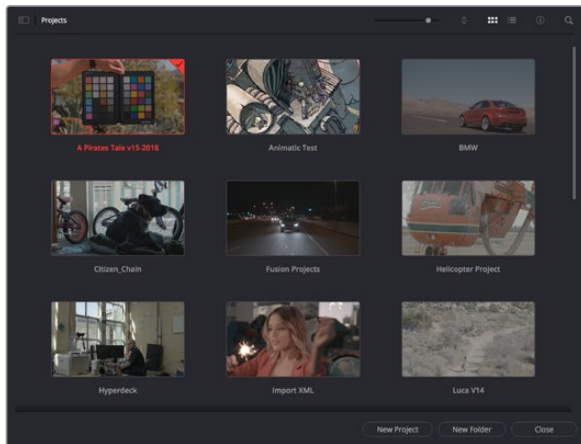
## Project Manager

Bevor Sie Ihre Clips zur Bearbeitung importieren, müssen Sie Ihr Projekt im Projektmanager einrichten.

Das Projektmanager-Fenster öffnet sich beim Starten von DaVinci Resolve. Es kann auch sonst jederzeit durch Anklicken des Home-Icons unten rechts auf der Bedienoberfläche aufgerufen werden. Das ist nützlich, wenn Sie bestehende Projekte öffnen und neue erstellen möchten.

Zum Erstellen eines neuen Projekts klicken Sie am unteren Fensterrand des Projektmanagers auf „New Project“ und benennen Ihr Projekt. Klicken Sie zur Bestätigung auf „Create“.

Im Cut-Arbeitsraum können Sie Ihren Edit sofort bearbeiten.



Der Projektmanager zeigt alle vom aktuellen User verwendeten Projekte an

Weitere Informationen zum Projektmanager finden Sie unter „Project Manager“ im englischsprachigen DaVinci Resolve Handbuch, das auf den Support-Seiten der Blackmagic Design Website heruntergeladen werden kann.

## Schneiden im Cut-Arbeitsraum

Der Cut-Arbeitsraum unterstützt einen schnellen, dynamischen Schnitt-Workflow, mit dem Sie Clips zügig und effizient zusammenstellen, trimmen, und bearbeiten können.

Zwei aktive Timelines lassen Sie ganze Edits sowie einzelne Abschnitte gleichzeitig bearbeiten. So können Sie Clips beliebig in einer großen Timeline platzieren und anschließend in derselben Arbeitsumgebung in einer detaillierten Timeline bearbeiten. Dieser Workflow ermöglicht das Schneiden und Arbeiten auf Laptops, ohne zu zoomen oder zu scrollen, was Ihnen viel Zeit spart.

## Das Layout des Cut-Arbeitsraums

Wenn Sie den Cut-Arbeitsraum öffnen, werden der Media Pool (Medienspeicher), Viewer (Ansichtsfenster) und die Timeline eingblendet. Diese drei primären Arbeitsbereiche geben Ihnen die volle Kontrolle über Ihren Edit.



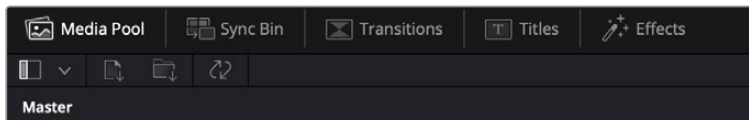
Im Cut-Arbeitsraum wird der Media Pool standardmäßig in der Icon-Ansicht dargestellt

Weitere Informationen zur Verwendung des Cut-Arbeitsraums finden Sie im Kapitel „Using the Cut Page“ des englischsprachigen DaVinci Resolve Handbuchs.

## Media-Menü

Oben links auf der Bedienoberfläche befinden sich fünf Schaltflächen.

Per Klick auf diese Schaltflächen rufen Sie das Medientoolset für die Bearbeitung Ihres Edits auf. Die erste Schaltfläche ist dem Media Pool gewidmet, der bereits ausgewählt ist. Über die anderen Schaltflächen werden die Sync Bin, Übergänge, Titel und Effekte aufgerufen.



- **Media Pool:** Der Media Pool enthält alle Ihre in den Media-Arbeitsraum importierten Clips, Ordner und Dateien. Wenn Sie einen neuen Clip importieren möchten, ist der Dateiimport auch direkt im Cut-Arbeitsraum möglich, ohne in den Media-Arbeitsraum zurückkehren zu müssen.
- **Sync Bin:** Diese leistungsstarke Funktion synchronisiert alle Ihre Clips automatisch nach Timecode, Datum und Uhrzeit. So können Sie in Mehrkameraprojekten aus allen Kamerawinkeln wählen.
- **Transitions:** Über die Transitions-Schaltfläche daneben gelangen Sie zu den Video- und Audioübergängen, die Sie in Ihrem Edit anwenden können. Sie umfassen gängige Übergänge wie Überblendungen und Wischblendungen.
- **Titles:** Neben den Übergängen befindet sich die Titel-Schaltfläche. Hier können Sie einen Titeltyp auswählen. Möglich sind z. B. Roll- oder Kriechtexte, Vollbildtexte oder Bauchbinden. Darüber hinaus gibt es eine Liste mit Fusion-Titelvorlagen für stärker animierte dynamische Titel, die im Fusion-Arbeitsraum von DaVinci Resolve eigens definiert werden können.
- **Effects:** Die fünfte Schaltfläche ist den Effekten gewidmet. Hier gibt es sämtliche Filter und Effekte wie individualisierbare Weichzeichnungs-, Leucht- und Blendeneffekte, mit denen Sie Ihren Edit lebendiger gestalten können. Es stehen zahlreiche wirkungsvolle Effekte zur Auswahl, die Sie über die Suchfunktion schnell finden.

**TIPP** Über das Suchfeld rechts unterhalb der Medienschnittflächen finden Sie exakt Ihr gewünschtes Element. Wenn Sie z. B. für Übergänge die Transitions-Schaltfläche geöffnet haben und „Dissolve“ in das Suchfeld eingeben, werden ausschließlich Überblendungen im Viewer angezeigt, was Ihre Suche nach Dissolve-Übergängen beschleunigt.

## Viewer-Menü

In der oberen linken Ecke des Viewers finden Sie Buttons für die verschiedenen Ansichtsmodi.



Ansichtsmodus-Buttons

Diese Buttons steuern, welcher Viewer gerade aktiv ist. Es gibt die Optionen „Source Clip“, „Source Tape“ und „Timeline“ (Quellclip, Quellband und Timeline). Diese Ansichtsmodi geben Ihnen beträchtliche Kontrolle bei der Clipauswahl für Ihren Edit, weshalb Sie sich Ihre Funktionsweise kurz anschauen sollten.



	Source Clip	Der „Source Clip“-Viewer dient der Sichtung eines einzelnen Quellclips aus dem Media Pool. Er unterstützt das Setzen von In- und Out-Punkten entlang der gesamten Viewer-Timeline. Das bringt mehr Kontrolle. Wählen Sie einen Quellclip zur Sichtung aus. Doppelklicken Sie dafür auf einen Clip im Media Pool oder ziehen Sie ihn direkt ins Viewer-Fenster.
	Source Tape	Der „Source Tape“-Viewer dient der Ansicht aller Quellclips im Media Pool. Diese leistungsstarke Funktion ist nützlich, wenn Sie auf der Suche nach einem bestimmten Ereignis schnell alle Ihre Clips durchsehen wollen. Wenn Sie die Clips im Viewer mit dem Abspielkopf durchlaufen, werden die entsprechenden Thumbnails im Media Pool ebenfalls mit ausgewählt. Wenn Sie also Ihren zu bearbeitenden Clip gefunden haben, können Sie auf die „Source Clip“-Schaltfläche klicken, woraufhin der dazugehörige Quellclip automatisch im Viewer erscheint.  Mit dem „Source Tape“-Viewer profitieren Sie voll vom nichtlinearen Schnitt und verschaffen sich die Freiheit, Edits zu bearbeiten, Shots schnell zu finden und Neues auszuprobieren, während Sie mitten im Geschehen bleiben.
	Timeline	Im Timeline-Viewer können Sie die Schnitt-Timeline betrachten, um Projekte wiederzugeben und Edits zu verfeinern.

## Clips in den Media Pool importieren

Jetzt können Sie damit beginnen, Medien in Ihr Projekt zu importieren. Sie tun das im Cut-Arbeitsraum mithilfe der Import-Tools, die sich am oberen Rand des Media-Pool-Fensters befinden.



Wählen Sie eine der Importoptionen aus, um Medien zu Ihrem Projekt hinzuzufügen

	Import Media	Diese Option importiert einzelne Mediendateien von einem vorgegebenen Speicherort.
	Import Media Folder	Wählen Sie diese Option, um einen ganzen Ordner von Ihrem Medienspeicherort zu importieren. Beim Importieren von Ordnern behält DaVinci Resolve die Ordnerstruktur bei und behandelt jeden Ordner als separate Bin. So können Sie zum Auffinden von Videos und anderen Dateien durch Bins navigieren.

### So importieren Sie Medien:

- 1 Klicken Sie auf das Icon „Import Media“ oder „Import Media Folder“.
- 2 Navigieren Sie zu dem Medienspeicherort mit Ihren zu importierenden Medien.
- 3 Wählen Sie die Datei oder den Ordner aus und bestätigen Sie mit „Open“.

Wenn Sie Medien zu Ihrem Projekt hinzugefügt haben, empfiehlt es sich, diese Änderungen zu speichern. DaVinci Resolve hat eine automatische Speicherfunktion namens „Live Save“, die Ihr Projekt schnell und fortwährend speichert. Ist Ihr Projekt einmal gespeichert, wird mit der Live-Save-Funktion jede weitere Änderung automatisch neu gespeichert. So geht keine Arbeit verloren.

Weitere Informationen zu „Live Save“ und anderen Speicherfunktionen finden Sie im englischsprachigen DaVinci Resolve Handbuch.

## Einfügen von Clips in die Timeline

Nachdem Sie die Menüs und Modi für Medien und Viewer kennengelernt haben, können Sie jetzt den Media Pool öffnen und Clips direkt in Ihre Timeline einfügen.



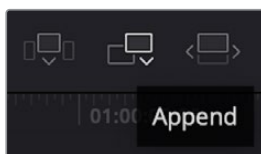
Die Timeline im Cut-Arbeitsraum mit der oberen und der herangezoomten Timeline darunter

In der Timeline stellen Sie Ihren Edit zusammen. Wie an einem Reißbrett können Sie hier Spuren mit Clips versehen, Clips verschieben und Edits trimmen. Mithilfe von Spuren lassen sich Clips in Ebenen anordnen. Das bietet mehr Flexibilität, um unterschiedliche Edits auszuprobieren und Übergänge und Effekte zu erstellen. Zum Beispiel könnten Sie in einem Edit einen Clip in eine Spur platzieren, ohne dass dieser die Clips auf den anderen Spuren darunter beeinflusst.

Clips können auf unterschiedliche Weise zur Timeline hinzugefügt werden. Es gibt „Smart Insert“, „Append“, „Place on top“ und andere Methoden.

### Hinzufügen von Clips per Append

Wenn Sie Takes auswählen und einen Edit zusammenstellen, empfiehlt es sich, Shots nacheinander in die Timeline einzufügen. Das „Append“-Tool eignet sich für diesen Zweck und ermöglicht Ihnen schnelles Editieren.



Klicken Sie auf das „Append“-Icon, um Clips im Schnellverfahren nach dem letzten Clip einzufügen

### So fügen Sie einen Clip per „Append“ ein:

- 1 Doppelklicken Sie auf einen Clip im Media Pool, um ihn im Viewer zu öffnen.
- 2 Setzen Sie mit dem sogenannten Scratch-Trim-Tool In- und Out-Punkte, um einen bestimmten Abschnitt in Ihrem Shot zu markieren. In- und Out-Punkte können auch mit den I- und O-Tasten auf Ihrer Tastatur gesetzt werden.

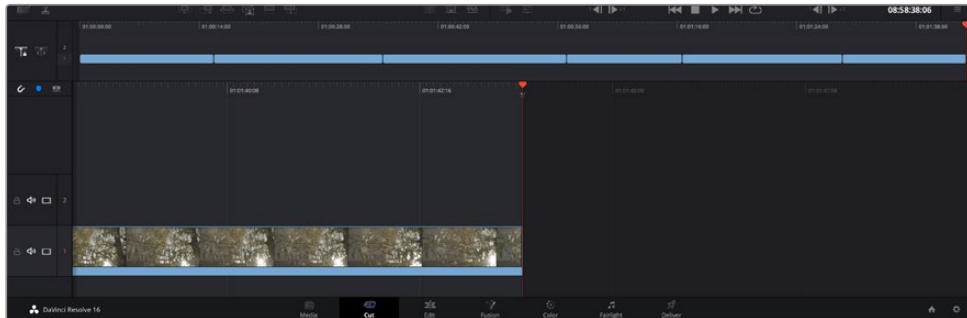


- 3 Klicken Sie nun unterhalb des Media Pools auf das „Append“-Icon.



Der erste Clip wird am Anfang der Timeline platziert.

Wiederholen Sie zum Einfügen weiterer Clips Schritte 1 bis 3. Um in der Timeline Lücken zu vermeiden, werden die Clips automatisch am Ende angehängt.



Per „Append“ werden Clips verlässlich ohne Lücken in die Timeline eingefügt

**TIPP** Dieser Vorgang lässt sich weiter beschleunigen, indem Sie dem „Append“-Icon einen Tastaturbefehl zuweisen. Wenn Sie beispielsweise die P-Taste zuweisen, können Sie Ihre In- und Out-Punkte mit den I- und O-Tasten vorgeben und den Clip anschließend durch Drücken der P-Taste am Ende anhängen. Weitere Informationen zur Vergabe von Tastaturkürzeln finden Sie im englischsprachigen DaVinci Resolve Handbuch.

## Bearbeiten von Clips in der Timeline

Befinden sich Ihre Clips erst einmal in der Timeline, haben Sie die volle Kontrolle über sie. Sie können sie umherbewegen und Edits trimmen.

Halten Sie zum Trimmen eines Edits die Maus über den Anfang oder das Ende eines Clips und klicken und ziehen Sie mit gedrückter Maustaste nach links oder rechts. Wenn Sie bspw. das Ende eines Clips nach links oder rechts ziehen, verlängern oder verkürzen Sie ihn. Sie werden merken, dass alle Clips im Anschluss an diesen Edit in der Timeline nachrücken, um diese Änderung zu ermöglichen. Dies ist nur eine Methode, mit der der Cut-Arbeitsraum Ihnen Zeit spart.

Sie können einen Clip auch mit der Maus greifen und ohne zu zoomen in eine neue Videospur der großen Timeline platzieren. Das beschleunigt den Editingprozess, weil die Navigation durch lange Timelines minimiert wird.

Wenn Sie Ihre Clips im Cut-Arbeitsraum fertig bearbeitet haben, möchten Sie vielleicht noch einen Titel hinzufügen. Im nächsten Abschnitt erfahren Sie, wie das geht.

## Hinzufügen von Titeln

Es geht leicht, einen Titel in die Timeline einzufügen. Sie haben mehrere Möglichkeiten.

Um die verschiedenen Titeltypen zu sehen, klicken Sie im Media-Arbeitsbereich oben links auf der Bedienoberfläche auf die Titel-Schaltfläche. Im Auswahlfenster werden alle verfügbaren Titelgeneratoren wie Bauchbinden, Rolltitel und regulärer Text angezeigt. Sie können sogar beliebige Titel aus Fusion hinzufügen. Dabei handelt es sich um animierte Titel, die Sie selbst gestalten können.



Als Beispiel eignet sich Standardtext.

### Sie fügen ihn wie folgt hinzu:

- 1 Klicken Sie auf den „Text“-Titel und ziehen Sie ihn in die Timeline. Das ist in beiden Timelines möglich, doch für mehr Präzision empfehlen wir die detaillierte Timeline zu verwenden. Diese Aktion erstellt automatisch eine neue Videospur und der Titel rastet am Abspielkopf ein.
- 2 Mit dem Loslassen der Maustaste erscheint der Titel in der neuen Spur. Sie können ihn nun wie jeden anderen Videoclip neu platzieren und seine Länge verändern.
- 3 Zur Titelbearbeitung klicken Sie auf den neuen Titelclip, sodass unterhalb des Clip-Viewers ein Werkzeug-Icon erscheint. Klicken Sie auf dieses Werkzeug-Icon.

Das Anklicken ruft mehrere Tools auf, mit denen Sie den Titelclip bearbeiten können. Zum Beispiel gibt es Transform, Crop und Dynamic Zoom (Transformieren, Beschneiden, Dynamischer Zoom). Für das vorliegende Beispiel klicken Sie auf das Titel-Tool.

- 4 Anschließend klicken Sie auf „Open Inspector“.

Das Inspector-Fenster wird geöffnet, in dem Sie Ihren Titeltitel eingeben und Texteneinstellungen wie Tracking, Zeilenabstand, Schriftart, Schriftfarbe und mehr bearbeiten können.

Es gibt zahlreiche Möglichkeiten, Ihren Titeltitel exakt nach Wunsch zu individualisieren. Es empfiehlt sich mit den unterschiedlichen Einstellungen zu spielen, um zu sehen, wie sie die Erscheinung und Form Ihres Titels beeinflussen.

## Arbeiten mit Blackmagic-RAW-Dateien

Clips in Blackmagic RAW geben Ihnen in der Postproduktion maximalen Spielraum. So können Sie Änderungen an Ihren Clips – bspw. am Weißabgleich und an den ISO-Werten – vornehmen, als würden Sie die ursprünglichen Kameraeinstellungen ändern. In Blackmagic RAW bleiben überdies mehr Tonwerte in den Schatten und Spitzlichtern erhalten. Das ist sehr praktisch für die Wiederherstellung von Einzelheiten wie bspw. in einem überbelichteten Himmel oder in den dunklen Bereichen des Bilds.

Das Filmen in Blackmagic RAW zahlt sich aus, wo die beste machbare Qualität angestrebt wird. Das Gleiche gilt für Einstellungen mit extremen Kontrasten zwischen Spitzlichtern und Schatten, da Sie diese Bereiche beim späteren Grading eventuell optimieren müssen.

Dank der Geschwindigkeit und kleinen Dateien von Blackmagic RAW brauchen Sie keine Proxydateien mehr zu erstellen, da Blackmagic-RAW-Dateien wie reguläre Videoclips wiedergegeben werden. Dieser Abschnitt der Bedienungsanleitung befasst sich mit den Funktionsmerkmalen von Blackmagic RAW und dem Umgang mit Blackmagic-RAW-Dateien in Ihrem DaVinci Resolve Workflow.

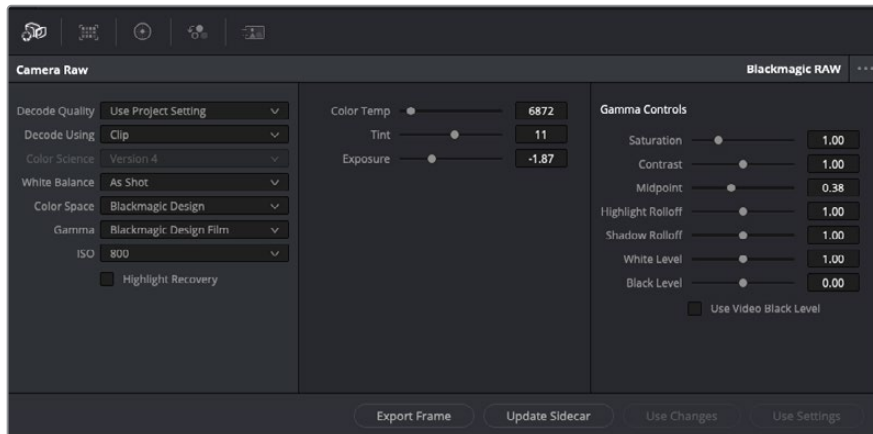
**TIPP** Es ist gängige Praxis, die Blackmagic-RAW-Einstellungen für Ihre Clips im Color-Arbeitsraum anzupassen, bevor Sie mit der Farbkorrektur beginnen.

### Clip-Einstellungen für Blackmagic RAW

Beim Importieren von RAW-Dateien entschlüsselt DaVinci Resolve die in diesen Dateien enthaltenen Kameradaten. Die Software verwendet dann die auf der Kamera zur Zeit der Aufzeichnung eingestellten ISO-, Weißabgleich- und Farbtonwerte. Wenn Ihnen der mit diesen Einstellungen erzielte Look gefällt, können Sie sofort mit dem Schnitt beginnen.

Der große Vorteil des Filmens in Blackmagic RAW liegt darin, dass man nicht an diese Einstellungen gebunden ist. Die mit Blackmagic-RAW-Dateien in der Postproduktion gegebenen vielfältigen Möglichkeiten erlauben es Ihnen, im Laufe der Zeit einen eigenen Arbeitsfluss zu entwickeln. Wenn Sie mit den „Clip“-Einstellungen einzelner Clips experimentieren, erkennen Sie schnell, wie leistungsfähig und flexibel es sein kann, mit Blackmagic RAW zu arbeiten.

Im Menü „Color Science“ können Sie auswählen, ob Sie Ihr Material mit der Generation 4 Color Science oder der Generation 5 Color Science wiedergeben möchten. Die URSA Mini Pro 12K ist die erste Kamera, die die Blackmagic Design Generation 5 Color Science verwendet. Auf anderen Kameras mit der Generation 4 Color Science aufgenommene Dateien können mit der Generation 5 Color Science neu ausgelegt und an die Aufnahmen aus der URSA Mini Pro 12K angeglichen werden. Wenn Sie hauptsächlich mit Kameras arbeiten, die Blackmagic-RAW-Dateien mit der Generation 4 Color Science generieren, können Sie alternativ auf der URSA Mini Pro 12K mit der Generation 5 Color Science gefilmte Clips einfügen und diese in der Generation 4 Color Science wiederherstellen. Damit ist der Abgleich von Einstellungen, die mit unterschiedlichen Generationen der Blackmagic Color Science gefilmt wurden, ein Leichtes.



Um Anpassungen an den Blackmagic-RAW-Einstellungen Ihres Clips vorzunehmen, wählen Sie im „Camera Raw“-Tab aus dem Drop-down-Menü „Decode Using“ (Dekodieren mit) die Option „Clip“ aus

Sobald Sie die Clip-Einstellungen für Blackmagic RAW in DaVinci Resolve aktiviert haben, können Sie die Clip-Einstellungen und Gamma-Bedienelemente anpassen. Durch Anpassen dieser Einstellungen können Sie Ihre Clips annähernd so gut optimieren wie mit einer vollständigen primären Farbkorrektur. Das ist besonders dann wirkungsvoll, wenn Sie mit den Scopes in DaVinci Resolve arbeiten. Vor der Anwendung eines Looks können Sie so Ihre Clips neutralisieren und abstimmen.

Nachstehend werden die Clip- und Gamma-Bedienelemente im Einzelnen beschrieben.

### ISO

Das Erhöhen oder Verringern dieser Einstellung passt den ISO-Wert an. Das ist nützlich, wenn Sie einen Clip zur Optimierung insgesamt heller oder dunkler setzen möchten.

### Highlight Recovery

Aktivieren Sie diese Funktion, wenn Sie Highlight-Angaben in beschnittenen Clipkanälen mit Informationen aus unbeschnittenen Kanälen wiederherstellen möchten.

### Color Temp

Um das Bild wärmer oder kühler zu machen, passen Sie die Farbtemperatur an. Mithilfe dieser Einstellung neutralisieren Sie die Farbbalance eines Bilds.

### Tint

Durch Anpassen der Tönung wird dem Bild Grün oder Magenta hinzugefügt, um die Farben auszugleichen.

### Exposure

Diese Einstellung hebt die Helligkeit im Bild insgesamt an.

### Saturation

Die Sättigungsregler reichen von -1 für die geringste Sättigung bis +4 für maximale Sättigung. Der Standardwert ist 1.

## Contrast

Der Standardwert ist 1.0. Der geringste Kontrast liegt bei 0, der stärkste bei 2. Ziehen Sie den Regler nach links, um den Kontrast zu reduzieren bzw. nach rechts, um ihn anzuheben.

## Midpoint

Im Modus „Blackmagic Design Film“ liegt der standardmäßige Graustufenwert bei 0,38 bzw. 38,4 %. Ziehen Sie den Regler nach links, um die Mitteltöne zu reduzieren oder nach rechts, um sie auf max. 100 % anzuheben. Wenn der Kontrast auf einen anderen als den Standardwert angepasst wird, können Sie Ihre Werte für Highlight- und Shadow-Roll-Off modifizieren.

## Highlight Rolloff

Sie justieren die Lichter, indem Sie den Regler nach links ziehen, um sie zu reduzieren (0 ist der niedrigste Wert) oder nach rechts, um sie hochzufahren (2 ist der höchste Wert). Der Standardwert beträgt 1.

## Shadow Rolloff

Ziehen Sie den Regler nach links, um die Schatten auf 0 zu reduzieren oder nach rechts, um sie auf 2 anzuheben.

## White Level

Sie justieren den Weißpunkt in der Gammakurve, indem Sie den Regler vom Höchstwert 2 auf den Niedrigstwert 0 ziehen. Der Standardwert beträgt 1.

## Black Level

Sie heben den Schwarzwert in der benutzerdefinierbaren Gammakurve an, indem Sie den Regler nach rechts ziehen. -1 ist der niedrigste Wert, 1 ist der höchste Wert. Der Standardwert beträgt 0.

## Use Video Black Level

Um die Schwarzwerte auf „Video“ zu setzen, aktivieren Sie dieses Kontrollkästchen.

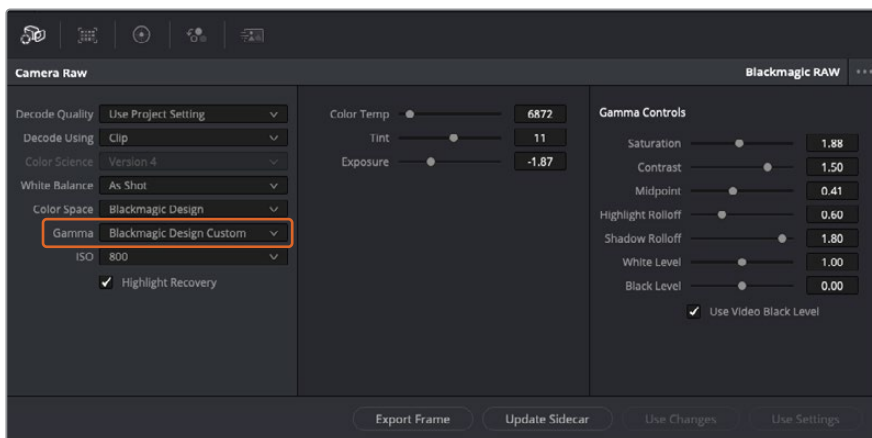
## Export Frame

Durch Klicken des Buttons „Export Frame“ können Sie einen einzelnen Frame aus dem Blackmagic-RAW-Clip exportieren.

## Update Sidecar

Klicken Sie diesen Button, um die Filialdatei für den aktuellen Clip zu aktualisieren.

An Ihren Blackmagic-RAW-Clips vorgenommene Änderungen sind daran erkennbar, dass Gamma zur benutzerdefinierten Einstellung „Blackmagic Design Custom“ wechselt.



Wenn Sie Ihren Clip wieder auf eine der verfügbaren Gamma-Standardoptionen zurücksetzen möchten, wählen Sie diese aus dem Gamma-Drop-down-Menü aus

**TIPP** Für Footage, die mit dem „Video“-Dynamikumfang gefilmt wurde, sind die Gamma-Bedienelemente gesperrt. Ihre Blackmagic-RAW-Daten sind jedoch nicht verloren gegangen. Wählen Sie im Drop-down-Menü „Gamma“ einfach „Blackmagic Design Film“ oder „Blackmagic Design Extended Video“ aus und nehmen Sie Ihre Änderungen vor.

### Änderungen an Blackmagic RAW speichern

- 1 Passen Sie die Gamma-Bedienelemente Ihres Blackmagic-RAW-Clips an.
- 2 Klicken Sie auf den Button „Update Sidecar“.

Nun wird in dem Ordner mit Ihrer BRAW-Datei eine Filialdatei, sprich Sidecar-Datei, generiert. Importieren andere Nutzer die Blackmagic-RAW-Dateien, so liest DaVinci Resolve automatisch die Sidecar-Dateien. Wenn Sie weitere Änderungen vornehmen, klicken Sie erneut auf „Update Sidecar“.

**TIPP** Sie können eine Sidecar-Datei entfernen, indem Sie sie von ihrem Speicherort auf Ihrem Medienlaufwerk löschen.

### Projekteinstellungen für Blackmagic RAW

Wenn Sie für alle Clips eine gemeinsame Einstellung ändern müssen, wie z. B. eine globale Änderung für Weißabgleich oder ISO, können Sie für Ihre Clips projektbezogene „Camera RAW“-Einstellungen vorgeben und die globalen Änderungen von hier aus vornehmen.

#### So geben Sie Projekteinstellungen für Blackmagic RAW vor:

- 1 Öffnen Sie das Projekteinstellungsmenü, indem Sie auf „File“ und dann auf „Project Settings“ klicken.
- 2 Unter dem „Camera Raw“-Tab sehen Sie ein Drop-down-Menü. Um Blackmagic RAW aus der Liste auszuwählen, klicken Sie auf den Pfeil.
- 3 Wählen Sie im Drop-down-Menü „Decode Using“ (Dekodieren mit) die Option „Project“ (Projekt) aus.
- 4 Geben Sie für den Weißabgleich „Custom“ (Benutzerdefiniert) vor.
- 5 Wählen Sie aus dem Drop-down-Menü für „Gamma“ die Option „Blackmagic Design Custom“ aus. Wählen Sie für „Color Space“ die Farbraum-Option „Blackmagic Design“ aus. Dies bewirkt auch, dass „Gamma“ auf „Blackmagic Design Film“ eingestellt wird.
- 6 Wählen Sie im „Decode Quality“-Menü Ihre Auflösung aus. Eine geringere Auflösung gibt Ihnen auf weniger leistungsstarken Systemen eine bessere Wiedergabe. Sie haben die Flexibilität, dies später auf volle Auflösung zu ändern, um Ihr Material in der höchsten Qualität auszugeben.

Jetzt können Sie die Kameraeinstellungen wie Sättigung, Kontrast und Mitteltöne für Ihre Clips anpassen. Dies wirkt sich auf alle Clips in Ihrem Projekt aus, für die die Decodieroption „Project“ ausgewählt ist.

### Farbkorrektur von Clips im Color-Arbeitsraum

Nachdem Sie Ihre Clips in die Timeline importiert und mit Titeln ergänzt haben, können Sie zur Farbkorrektur im Color-Arbeitsraum übergehen. Dieser Arbeitsbereich ist überaus leistungsstark und kann den gesamten Look Ihres Films bestimmen. Für das vorliegende Beispiel empfiehlt es sich jedoch, alle Clips zu neutralisieren und sie damit einheitlich zu gestalten. Sie können jederzeit in den Cut- oder Edit-Arbeitsraum zurückkehren, um in Ihrem Edit Änderungen vorzunehmen.

Im Color-Arbeitsraum macht Ihr Edit vor allem vom Aussehen her eine Veränderung durch. Die Farbkorrektur ist in vielerlei Hinsicht eine Kunstform. Bei der Farbkorrektur bringen Sie sich gefühlsmäßig ein. Sie ist ein unglaublich kreativer Teil des gesamten Workflows und es ist äußerst befriedigend, diese Fähigkeiten zu lernen und Ihre Arbeit zum Leben zu erwecken. Dieser Teil zählt in der Regel zur ersten Bearbeitungsphase, die als primäre Farbkorrektur oder als Anpassung der Primärfarbwerte bekannt ist. Wenn die primäre Farbkorrektur steht, können Sie sich zur sekundären Farbkorrektur übergehen. Hier sind höchst präzise Farbanpassungen bestimmter Elemente in Ihren Bildern möglich. Dieser spaßige Teil passiert normalerweise im Anschluss an die primären Anpassungen, da dies den Arbeitsablauf effizienter macht und zu einem besseren Ergebnis führt.

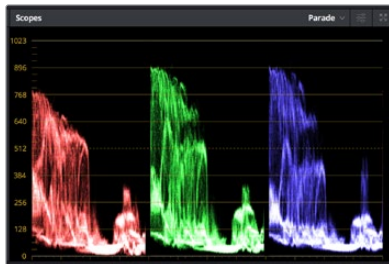
Klicken Sie zunächst auf den „Color“-Tab, um den Color-Arbeitsraum zu öffnen.

Dort finden Sie die Camera-RAW-Einstellungen, Farbräder, Kurven und generelle Farbkorrektur-Tools sowie die Fenster „Preview“ für die Vorschau und „Nodes“ für Operatoren. Lassen Sie sich von der riesigen Auswahl an Features nicht abschrecken. Mit ihnen werden Sie die großartigsten Bilder schaffen. In diesem Abschnitt lernen Sie die ersten Schritte und Grundlagen. Ausführlichere Informationen finden Sie in den entsprechenden Abschnitten des DaVinci Resolve Handbuchs (englischsprachig). Dort erfahren Sie Schritt für Schritt, wofür die Tools da sind und wie man sie benutzt. Sie erlernen dieselben Techniken, die Profis in Highend-Farbkorrekturstudios anwenden.

Im Rahmen der primären Farbkorrektur werden in Ihren Clips in der Regel zuerst die Pegel für Schatten, Mitteltöne und Lichter optimiert. Sie justieren also die Einstellungen für „Lift“, „Gamma“ und „Gain“ (Schatten-, Mittel- und Weißstonwerte). So holen Sie das Beste aus Ihren Bildern heraus. Sie sind klar, mit einem sauberen, einheitlichen Ausgangspunkt, von wo Sie den Look Ihres Films farblich nachbearbeiten können. Für die Pegeloptimierung eignen sich die Scopes.

## Verwenden von Scopes

Die meisten Coloristen treffen kreative Farbentscheidungen, indem Sie sich auf die Emotionen und den Look konzentrieren, den sie ihrem Programm verleihen möchten. Mithilfe des Monitors arbeiten sie dann daran, dies umzusetzen. Sehen Sie sich alltägliche Gegenstände an und wie unterschiedliche Lichtquellen auf sie einwirken. Sie werden erfahrener und geübter darin, was sich aus Ihren Bildern machen lässt.



Optimieren Sie anhand des Parade-Scopes die Lichter, Mitteltöne und Schatten

Ein weiterer Weg der Farbkorrektur, ist der Gebrauch von eingebauten Scopes, um Ihre Aufnahmen abzugleichen. Sie können ein einzelnes Videoskop öffnen, indem Sie auf die „Scope“-Schaltfläche klicken, die sich an zweiter Stelle von rechts in der Toolbar für die Paletten befindet. Zur Auswahl stehen Scopes für Wellenform, Parade und Histogramm sowie ein Vektorskop. Überprüfen Sie anhand dieser Scopes die tonale Balance und die Pegel Ihres Videos, um ein Stauchen der Schwarz- und ein Clipping der Weißwerte zu verhindern. Zusätzlich können Sie Ihre Clips auf Farbstiche untersuchen.

Die „Color Wheels“-Palette enthält die Regler für „Lift“, „Gamma“ und „Gain“. Hier werden Sie in der Regel Ihre erste Anpassung vornehmen. Wenn Sie Erfahrungen im Colorgrading mitbringen, werden Ihnen die Bedienelemente für Farb- und Kontrastanpassungen bekannt vorkommen.



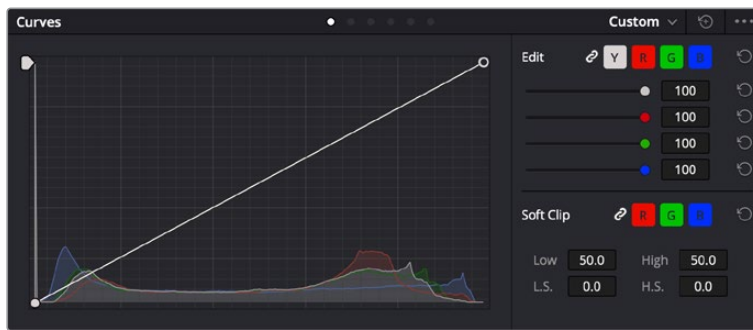
Die Farbräder „Lift“, „Gamma“, „Gain“ und „Offset“ geben Ihnen die volle Kontrolle über die farbliche und tonale Balance Ihrer Clips. Ziehen Sie das Einstellrad unter den Farbrädern hin und her, um jede Farbe eines jeden tonalen Bereichs einheitlich anzupassen

Für eine akkuratere Kontrolle jeder Farbe mit einer Maus kann man von den Farbrädern zur Balkenanzeige „Primaries Bars“ wechseln. Dort können Sie anhand der Bedienelemente „Lift“, „Gamma“ und „Gain“ jeden Farb- und Luminanzkanal separat steuern. Wählen Sie hierfür im Drop-down-Menü der Farbrad-Palette „Color Wheels“ oben rechts einfach die Option „Primaries Bars“ aus.

- **Anpassen von „Lift“ (Schwarzöne):** Wählen Sie Ihren ersten Clip auf der Farb-Timeline aus und klicken Sie auf die „Lift“-Skala unterhalb des ersten Farbrads. Schieben Sie das Einstellrad vor und zurück und beobachten Sie die Auswirkungen auf Ihr Bild. Sie werden sehen, wie die Helligkeit der dunklen Bereiche Ihres Bilds zu- und abnimmt.  
Stellen Sie sie so ein, dass die dunklen Bereiche optimal aussehen. Wenn Sie die Schwarzwerte zu sehr verringern, gehen womöglich Details im Schwarzbereich verloren. Dies lässt sich mithilfe des Parade-Scopes verhindern. Die optimale Position von Schwarzönen im Kurvenverlauf befindet sich direkt über der unteren Linie des Parade-Scopes.
- **Anpassen von „Gain“ (Weißöne):** Klicken Sie auf das Einstellrad für „Gain“ und schieben Sie es hin und her. Dies justiert die Lichter, womit die hellsten Bereiche in Ihrem Clip gemeint sind. Die Lichter werden im oberen Abschnitt des Kurvenverlaufs im Parade-Scope angezeigt. Für eine gut beleuchtete Aufnahme bringt man diese am besten direkt unter die obere Linie des Wellenform-Scopes. Wenn die Lichter über die obere Linie des Wellenform-Scopes ausschlagen, werden sie abgeschnitten und es gehen Details in den hellsten Bereichen Ihres Bilds verloren.
- **Anpassen von „Gamma“ (Mitteltöne):** Klicken Sie auf das Einstellrad für „Gamma“ unter dem Farbrad und schieben Sie es hin und her. Wenn Sie die Mitteltonwerte erhöhen, sehen Sie, wie auch die Helligkeit Ihres Bilds zunimmt. Sie werden merken, dass sich beim Anpassen der Gammawerte auch der mittlere Abschnitt der Wellenform bewegt. Er steht für die Mitteltöne Ihres Clips. Die optimale Position für Mitteltöne fällt in der Regel zwischen 50–70 % im Wellenform-Scope. Dies ist jedoch Geschmackssache und hängt vom zu kreierenden Look und den Lichtverhältnissen im Clip ab.

Sie können anhand der Kurven-Feature auch primäre Farbkorrekturen vornehmen. Erstellen Sie per Klick einfach Steuerpunkte auf der diagonalen Linie im Kurvendiagramm und ziehen Sie diese nach oben oder unten, um die Haupteinstellungen des RGB-Kontrasts für verschiedene Tonwertbereiche im Bild anzupassen. Optimal anpassen lassen sich auf der Kurve im unteren Drittel, in der Mitte und im oberen Drittel liegende Punkte.

Es gibt noch viele andere Möglichkeiten der primären Farbkorrektur in DaVinci Resolve.



Die „Curves“-Palette ist ein weiteres Tool für primäre Farbkorrekturen, oder um bei Verwendung eines Power Windows bestimmte Bereiche in Ihrem Clip zu verbessern

## Sekundäre Farbkorrektur

Wenn Sie einen bestimmten Bereich Ihres Bilds verfeinern möchten, machen Sie von der sekundären Farbkorrektur Gebrauch. Die Anpassungen, die Sie bisher vorgenommen haben, wie die Verwendung der Farbräder sowie von „Lift“, „Gamma“ und „Gain“, haben sich auf das gesamte Bild ausgewirkt, weshalb sie als primäre Farbkorrekturen bezeichnet werden.

Sollen jedoch spezifische Bereiche Ihres Bilds verfeinert werden, können Sie von der sekundären Farbkorrektur Gebrauch machen, wenn Sie beispielsweise die Farbe von Gras in einer Szene verbessern oder das Blau des Himmels vertiefen wollen. Bei der sekundären Farbkorrektur wird ein spezifischer Bereich ausgewählt, der dann isoliert bearbeitet wird. Mithilfe von Nodes lassen sich mehrere sekundäre Korrekturen aufeinanderlegen. Damit können Sie so lange an einem Bereich Ihres Bilds arbeiten, bis er perfekt ist! Sie können sogar von Windows und Tracking Gebrauch machen. So kann Ihr ausgewählter Bereich Bewegungen in Ihren Bildern folgen.

## Qualifizieren einer Farbe

Sie werden häufig feststellen, dass eine bestimmte Farbe in Ihrem Clip optimiert werden kann, z. B. Gras am Straßenrand oder das Blau des Himmels. Vielleicht empfiehlt sich auch die farbliche Justierung eines bestimmten Objekts, um die Aufmerksamkeit des Publikums darauf zu lenken. Mit dem HSL-Qualifizierer-Tool ist dies problemlos möglich.



Mit der HSL-Qualifizierer-Funktion können Sie bestimmte Farben in Ihrem Bild auswählen. Das ist praktisch, um bestimmte Bereiche hervorzuheben, den Kontrast zu erhöhen oder um die Aufmerksamkeit des Publikums auf bestimmte Bildbereiche zu lenken

### So qualifizieren Sie eine Farbe:

- 1 Fügen Sie einen neuen „Serial Node“, einen seriellen Operator, hinzu.
- 2 Öffnen Sie das Qualifizierer-Fenster „Qualifier“ und vergewissern Sie sich, dass das Pipetten-Tool „Color Range“ ausgewählt ist.
- 3 Klicken Sie in Ihrem Clip auf die zu bearbeitende Farbe.
- 4 In der Regel werden Sie einige Anpassungen vornehmen müssen, um die Kanten Ihrer Auswahl weichzuzeichnen und den Bereich ausschließlich auf die gewünschte Farbe zu begrenzen. Klicken Sie über dem Viewer auf die Schaltfläche „Highlight“, um Ihre Auswahl sichtbar hervorzuheben.
- 5 Passen Sie im Farbton-Fenster „Hue“ die Bandbreite über „Width“ an und erweitern oder verengen Sie Ihre Auswahl.

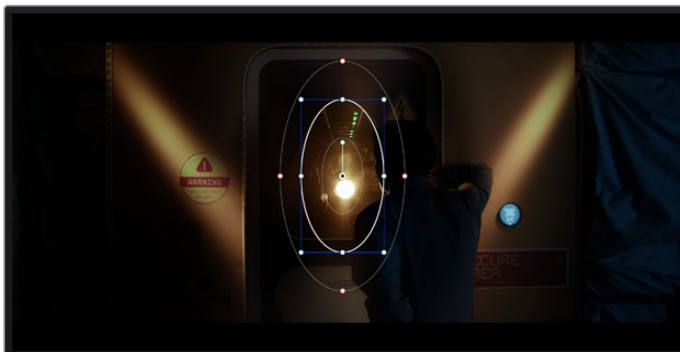


Experimentieren Sie mit den Bedienelementen „High“, „Low“ und „Softness“, um Ihre Auswahl zu verfeinern. Nun können Sie Ihre ausgewählte Farbe mithilfe von Farbrädern oder benutzerdefinierten Kurven korrigieren.

Es kann vorkommen, dass Ihre Auswahl in Bildpartien hineinreicht, die nicht einbezogen werden sollen. Sie können die unerwünschten Bereiche mühelos mit einem Power Window ausmaskieren. Erstellen Sie dazu einfach ein neues Fenster und formen Sie es entsprechend, um lediglich den gewünschten Farbbereich auszuwählen. Wenn sich die ausgewählte Farbe in der Aufnahme bewegt, können Sie Ihr Power Window mithilfe der Tracking-Feature verfolgen.

## Hinzufügen eines Power Windows

Power Windows sind ein extrem effektives Tool für die sekundäre Farbkorrektur zur Isolierung bestimmter Bereiche Ihres Clips. Diese Bereiche müssen nicht statisch sein und lassen sich auch bei einem Kameraschwenk oder einer Drehung sowie der Bewegung des Bereichs selbst verfolgen.



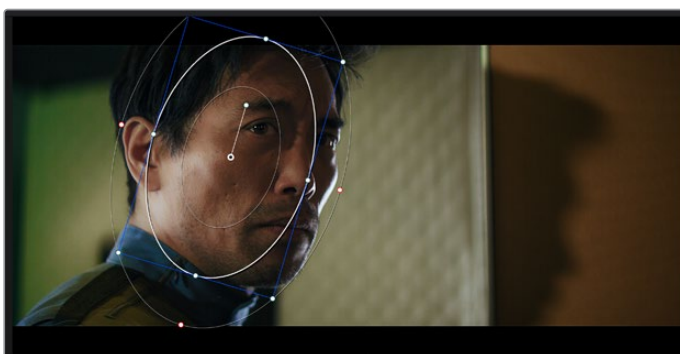
Power Windows dienen zum Ausmaskieren von Bereichen, die nicht von den sekundären HSL-Qualifizierer-Anpassungen berührt werden sollen

Zum Beispiel können Sie mithilfe eines solchen Windows die Bewegungen einer Person verfolgen, um Farb- und Kontraständerungen ausschließlich an dieser Person vorzunehmen, ohne ihre Umgebung zu beeinflussen. Mit solchen Korrekturen können Sie die Aufmerksamkeit des Publikums auf bestimmte Bereiche lenken.

### So fügen Sie Ihrem Clip ein Power Window hinzu:

- 1 Fügen Sie einen neuen „Serial Node“, einen seriellen Operator, hinzu.
- 2 Öffnen Sie die „Window“-Palette und wählen Sie eine Form für Ihr Power Window aus, indem Sie auf ein Form-Icon klicken. Das Window in der gewünschten Form erscheint nun im Node.
- 3 Passen Sie die Form an, indem Sie auf die blauen Punkte klicken und diese in Form ziehen. Mit den pinkfarbenen Punkten werden die Kanten weichgezeichnet. Sie können die Form positionieren, indem Sie auf den Mittelpunkt klicken und sie auf den zu isolierenden Bereich schieben. Mit dem Punkt, der mit dem Mittelpunkt verbunden ist, lässt sich das Fenster rotieren.

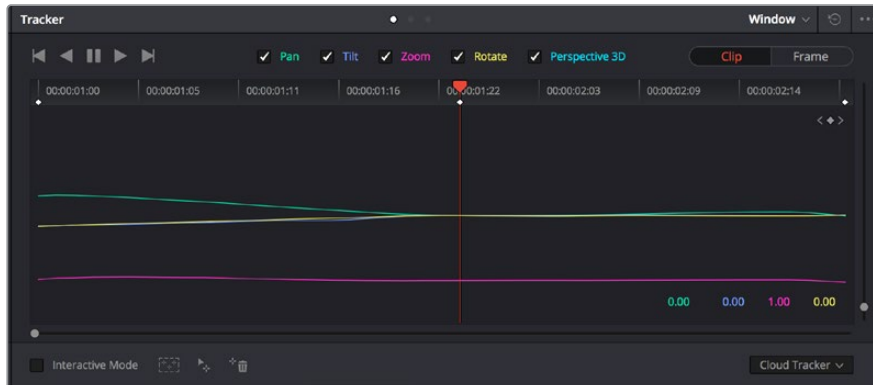
Nun können Sie Farbkorrekturen Ihres Bilds gezielt in dem Bereich vornehmen, den Sie bearbeiten möchten.



Power Windows lassen Sie in bestimmten Bereichen Ihres Bilds sekundäre Korrekturen vornehmen

## Tracking mit einem Power Window

Die Kamera, das Objekt oder der Bereich in Ihrer Aufnahme bewegt sich gegebenenfalls. Um sicherzustellen, dass das Power Window auf dem ausgewählten Objekt oder Bereich haften bleibt, müssen Sie das leistungsstarke Tracking-Tool von DaVinci Resolve zu Hilfe nehmen. Der Tracker analysiert die Schwenk-, Neige-, Zoom- und Rotationsbewegung der Kamera oder des Objekts in Ihrem Clip, womit Sie Ihr Window der Bewegung anpassen. Geschieht dies nicht, erfolgt Ihre Korrektur ggf. außerhalb des vorgegebenen Zielbereichs und fällt unnötig auf, was vermutlich unerwünscht ist.



Mithilfe der Tracking-Funktion können Sie Objekte oder Bereiche in Ihrem Clip verfolgen. Power Windows folgen dann der Bewegung

### So verfolgen Sie ein sich bewegendes Objekt mit einem Power Window:

- 1 Erstellen Sie einen neuen „Serial Node“ und fügen Sie diesem ein Power Window hinzu.
- 2 Gehen Sie zum Anfang Ihres Clips, positionieren Sie ein Power Window auf dem gewünschten Objekt oder Bereich und passen Sie seine Größe an.
- 3 Öffnen Sie die „Tracker“-Palette. Wählen Sie die geeigneten Schwenk-, Neige-, Zoom-, Rotations- und 3D-Einstellungen für die Bewegung in Ihrem Clip aus, indem Sie in die jeweiligen „Analyse“-Kontrollkästchen ein Häkchen setzen oder es entfernen.
- 4 Klicken Sie auf den Vorwärtspfeil links von den Kontrollkästchen. DaVinci Resolve wendet nun ein Cluster mit Tracking-Punkten auf Ihren Clip an und durchläuft dann die Frames, um Bewegung zu analysieren. Nach abgeschlossenem Tracking-Vorgang verfolgt Ihr Power Window die Bewegung in Ihrem Clip.

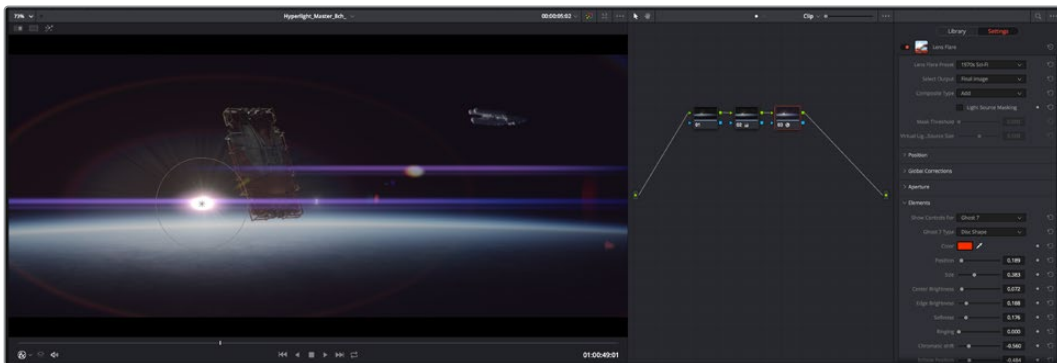
In den meisten Fällen ist das automatische Tracking erfolgreich. In komplexen Szenen kann es jedoch vorkommen, dass ein Objekt sich an Ihrem ausgewählten Bereich vorbei bewegt und damit das Tracking unterbricht oder stört. Dies kann manuell mithilfe des Keyframe-Editors gelöst werden. Näheres dazu finden Sie im englischsprachigen DaVinci Resolve Handbuch.

## Arbeiten mit Plug-ins

Während der sekundären Farbkorrektur können Sie außerdem ResolveFX- oder OpenFX-Plug-ins hinzufügen. Damit lassen sich im Color-Arbeitsraum schnelle, interessante Looks und Effekte oder im Edit-Arbeitsraum einfallreiche Übergänge für Ihre Clips kreieren. ResolveFX werden mit DaVinci Resolve geladen. OFX-Plug-ins können von Fremdanbietern erworben und heruntergeladen werden.

Nach erfolgter Installation eines Satzes von OpenFX-Plug-ins greifen Sie auf diese OFX- oder die ResolveFX-Plug-ins über den Color-Arbeitsraum zu. Öffnen Sie hierfür den OpenFX Inspector rechts neben dem Node-Editor. Erstellen Sie zunächst einen seriellen Node. Öffnen Sie dann per Klick auf den „OpenFX“-Button die Effektbibliothek und ziehen Sie ein Plug-in per Drag-and-drop auf den Node. Sollte das Plug-in über eigene Einstellungen verfügen, können Sie diese im angrenzenden „Settings“-Menü ändern.

Im Edit-Arbeitsraum können Sie Clips Plug-in-Generatoren und Übergänge hinzufügen, indem Sie das „OpenFX“-Menü in der „Effects Library“ öffnen und das gewünschte Plug-in auf die Videospur Ihres Clips in der Timeline ziehen.



OFX-Plug-ins bieten eine schnelle und einfache Möglichkeit, einfallsreiche und interessante Looks zu kreieren

## Mixen von Ton

### Tonmischen im Edit-Arbeitsraum

Sobald Sie Ihr Projekt geschnitten und farblich bearbeitet haben, können Sie mit dem Mixen des Tons beginnen. DaVinci Resolve bietet direkt im Edit-Arbeitsraum eine praktische Auswahl an Features zum Schneiden, Mixen und Mastern von Audio. Sollten Sie für Ihr Projekt noch ausgeklügeltere Audiotools benötigen, haben Sie im Fairlight-Arbeitsraum Zugriff auf eine komplette Postproduktionsumgebung für Ton. Wenn Sie bereits mit dem Edit-Arbeitsraum vertraut sind und direkt mit Fairlight weitermachen wollen, überspringen Sie diesen Abschnitt.

### Hinzufügen von Audiospuren

Wenn Sie im Edit-Arbeitsraum arbeiten und einen einfachen Tonschnitt mit vielen Toneffekten und Musik mischen wollen, können Sie bei Bedarf mühelos weitere Audiospuren hinzufügen. Das kann hilfreich sein, wenn Sie Ihre Audioelemente wie Dialoge, Toneffekte und Musik für einen Soundmix auf unterschiedliche Spuren verteilen möchten.

### Hinzufügen einer Audiospur im Edit-Arbeitsraum

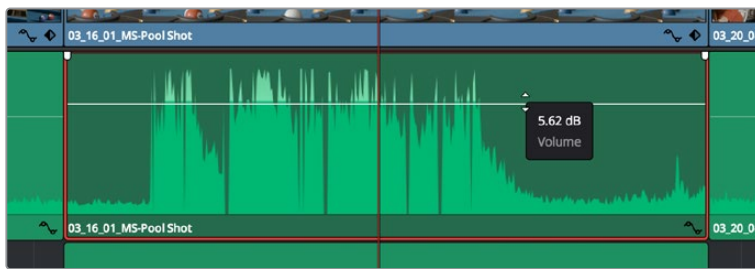
Führen Sie neben dem Namen einer Audiospur in Ihrer Timeline einen Rechtsklick aus und wählen Sie „Add Track“ sowie eine der Optionen „Mono“, „Stereo“ oder „5.1“. Dies fügt unten in der Track-Liste eine Spur hinzu. Wählen Sie alternativ „Add Track“ und anschließend die Position, an der die neue Spur eingefügt werden soll.

Ihre neue Audiospur erscheint nun auf der Timeline.

**TIPP** Wenn Sie einen Spurtyp im Nachhinein ändern möchten, wählen Sie neben dem Spurnamen per Rechtsklick den Befehl „Change track type to“ und dann aus den Optionen Stereo, Mono und 5.1 Ihre bevorzugte Option.

### Anpassen von Audiopegeln in der Timeline

Jeder Audioclip hat in der Timeline sein eigenes Lautstärke-Overlay, über das Sie die Lautstärke des Clips einstellen können. Ziehen Sie den Zeiger dafür lediglich hoch oder runter. Das Overlay korreliert mit dem Lautstärkeparameter im Inspector.

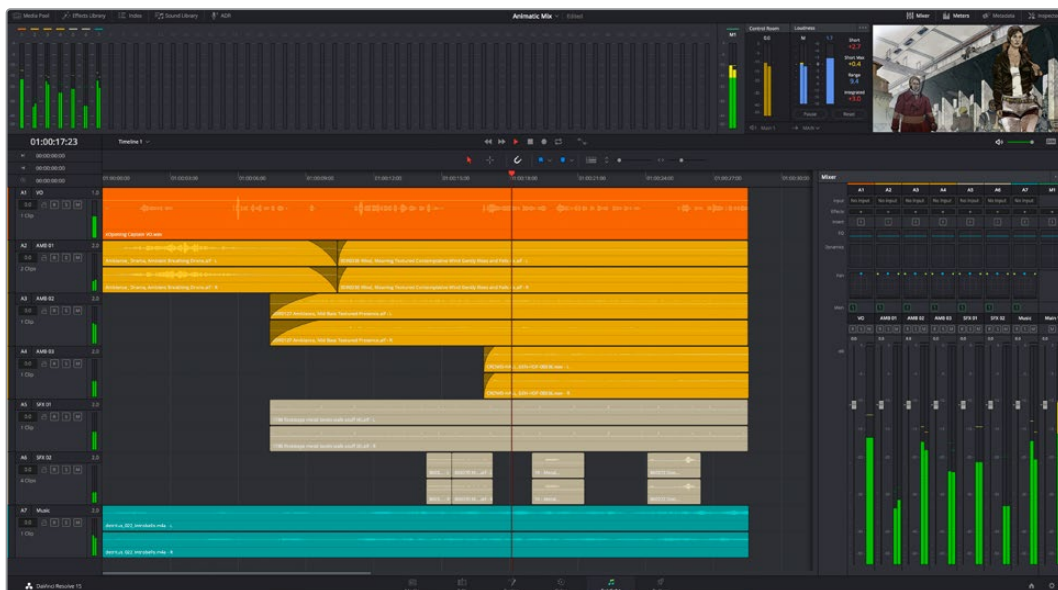


Bewegen Sie den Zeiger im Lautstärke-Overlay, um den Lautstärkepegel des Clips anzupassen.

Sollten Sie für Ihr Projekt noch ausgeklügeltere Audiotools benötigen, haben Sie im Fairlight-Arbeitsraum Zugriff auf eine komplette Postproduktionsumgebung für Ton.

## Der Fairlight-Arbeitsraum

Im Fairlight-Arbeitsraum von DaVinci Resolve bearbeiten Sie den Ton Ihres Projekts. Im Einzelmonitor-Modus bietet Ihnen dieser Arbeitsraum eine optimierte Übersicht über die Audiospuren Ihres Projekts. Ein erweiterter Mixer und spezielle Monitoring-Elemente vereinfachen die Evaluierung und Anpassung von Pegeln, um einen gleichmäßigen und harmonischen Mix zu kreieren. Lassen Sie sich von der riesigen Auswahl an Features nicht abschrecken. Mit ihnen werden Sie die bestmögliche Tonqualität für Ihr Projekt erreichen.

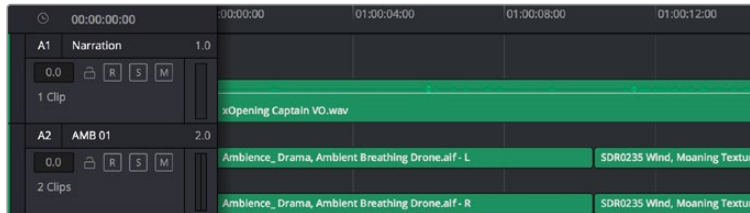


Diese Anleitung gibt Ihnen einen grundlegenden Überblick über die Funktionen im Fairlight-Arbeitsraum. Wenn Sie mehr zu den einzelnen Details einer jeden Funktion erfahren möchten, ziehen Sie das englischsprachige DaVinci Resolve Handbuch zu Rate. Es erklärt den Zweck der einzelnen Tools und beschreibt in leicht verständlichen Schritten, wie Sie sie einsetzen.

## Die Audio-Timeline

- **Spur-Header:** Links neben jeder Spur befindet sich ein Spur-Header, der die Spurnummer, den Spurnamen, die Spurfarbe, Audiokanäle, Fader-Werte und Audiopegelmesser anzeigt. Der Spur-Header enthält darüber hinaus einen Button zum Sperren und Entsperrern von Spuren sowie Solo- und Stummschalt-Buttons. Diese Elemente helfen Ihnen dabei, Spuren zu organisieren und ermöglichen die Vorschau einzelner Spuren.

- **Spuren:** Jede Spur im Fairlight-Arbeitsraum ist in Unterspuren aufgeteilt. Jede dieser Unterspuren stellt einen individuellen Kanal des Cliptons zum Schneiden und Mixen dar. Der Edit-Arbeitsraum verbirgt die individuellen Audiokanäle und zeigt stattdessen nur einen einzelnen Clip in der Timeline an. Das macht es einfacher, Mehrkanalquellen zu schneiden, ohne eine große Anzahl an Spuren verwalten zu müssen.



Der Spur-Header von Spur A1 verweist auf eine Monospur mit einer einzelnen Unterspur für Monoton. Bei Spur A2 hingegen handelt es sich um eine Stereospur für Stereoton

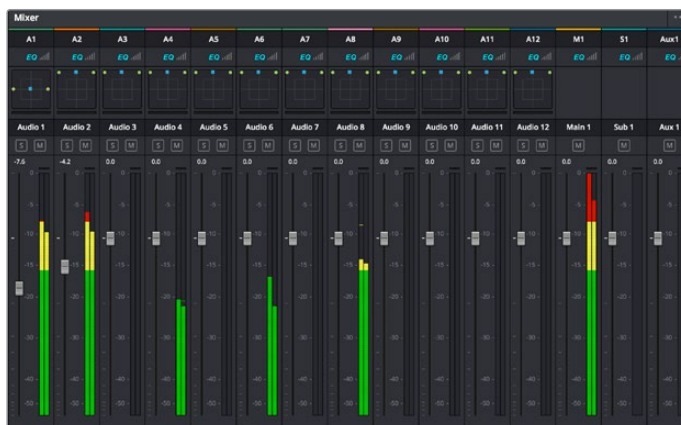
## Was ist ein Bus?

Ein Bus ist im Grunde genommen ein Zielkanal, zu dem man mehrere Audiospuren aus der Timeline routen kann. Auf diese Weise werden die Spuren zu einem einzelnen Signal zusammengemischt, das dann auch über einen einzelnen Kanalzug steuerbar ist.

- **Main Bus:** „Main Busses“ bzw. Hauptbusse sind in der Regel die primäre Ausgabe eines Programms. Jedes von Ihnen neu erstellte Projekt verfügt anfangs über einen einzelnen Main-Bus, an den standardmäßig alle Spuren geroutet werden. Der Main-Bus kombiniert alle Spuren in der Timeline zu einem einzigen Signal. So können Sie den allgemeinen Pegel des Audiomixes anpassen, sobald Sie die Pegel der individuellen Spuren eingestellt haben.
- **Sub Bus:** „Sub Busses“ erlauben ein Zusammenfügen mehrerer Audiospuren der gleichen Kategorie wie Dialoge, Musik oder Effekte. Auf diese Weise können alle Elemente derselben Kategorie als einzelnes Audiosignal gemixt werden. Beispiel: Wenn Sie fünf Dialogspuren haben, können Sie die Ausgabe aller fünf Dialogspuren zu einem Submix-Bus zusammenfügen. Die Pegel aller Dialogspuren lassen sich so mit einem einzelnen Satz von Steuerelementen anpassen. Dieser Submix kann dann separat gerendert oder zum Rendern an den Main-Bus gesendet werden.

## Der Mixer

Jede Audiospur in der Timeline entspricht einem individuellen Kanalzug im Mixer. Standardmäßig befindet sich rechts neben dem Main-Bus ein einzelner Kanalzug mit der Beschriftung „M1“. Zusätzliche Kanalzüge erscheinen auf der rechten Seite und verfügen über Steuerelemente für jeden weiteren Main- oder Submix-Bus, den Sie erstellen. Mit einem Satz grafischer Steuerelemente können Sie Spurkanäle Ausgabekanälen zuweisen, EQ und Dynamik anpassen, Pegel und Aufnahmeautomatationen einstellen, Stereo- und Surround-Ton positionieren sowie Spuren auf Solo oder stummschalten.



Audiomixer mit den zu den Spuren in der Timeline gehörigen Kanalzügen

## Verfeinern von Audio mit dem Equalizer

Sobald die Tonpegel Ihrer Audioclips angepasst sind, stellen Sie vielleicht fest, dass der Ton weiteren Verfeinerungen bedarf. Es kann vorkommen, dass Dialoge, Musik und Soundeffekte um dieselben Frequenzen im Klangspektrum konkurrieren. Das kann dazu führen, dass der Sound aufdringlich oder unklar herüberkommt. Hier kann der Equalizer (EQ) Abhilfe schaffen, da Sie darüber jene Bereiche des Klangspektrums bestimmen können, den jede Spur für sich beansprucht. Mit einem Equalizer können Sie darüber hinaus unerwünschte Elemente aus Ihrem Audio entfernen. Das geschieht, indem Pegel in bestimmten Frequenzen, die ein Dröhnen, Surren, Zischen oder auch Windgeräusche enthalten, isoliert oder reduziert werden. Auch die allgemeine Klangqualität lässt sich damit verbessern.

DaVinci Resolve stellt EQ-Filter bereit, die auf Clipsebene für individuelle Clips oder auf Spurebene für individuelle Spuren angewandt werden können. Jeder Audioclip in der Timeline verfügt über einen 4-Band-Equalizer im Inspector-Fenster. Im Mixer-Fenster steht für jede Spur ein parametrischer 6-Band-Equalizer bereit. Mit den grafischen und numerischen Steuerelementen zum Verstärken oder Dämpfen von Frequenzbereichen sowie unterschiedlichen Filterarten lässt sich die Form der EQ-Kurve definieren.



Der 4-Band-Equalizer kann auf jeden Clip in der Timeline angewandt werden

Über die äußeren Bänder lassen sich Bandfilter mithilfe von Hi-Shelf-, Lo-Shelf-, Hi-Pass- und Lo-Pass-Filtern anpassen. Ein Pass-Filter wirkt sich auf alle Frequenzen über oder unter einem bestimmten Frequenzwert aus, da diese Frequenzen komplett aus dem Signal entfernt werden. Beispiel: Ein Hochpassfilter lässt die hohen Frequenzen passieren und dämpft die niedrigen Frequenzen. Sämtliche außerhalb der Grenzfrequenz liegende Frequenzen werden in einer graduell abfallenden Kurve herausgeschnitten.

Ein Shelf-Filter ist weniger aggressiv und dann hilfreich, wenn Sie die oberen und unteren Frequenzbereiche eines Signals allgemein formen wollen, ohne diese Frequenzen komplett außen vor zu lassen. Der Shelf-Filter verstärkt oder dämpft die Zielfrequenz sowie alle darüber bzw. darunter liegenden Frequenzen, je nachdem, ob Sie einen High- oder einen Low-Shelf-Filter verwenden.

Mit den Steuerelementen der mittleren Bänder können Sie eine große Vielfalt an Equalizer-Anpassungen vornehmen und zwischen Low-Shelf-, Bell-, Notch- und High-Shelf-Filteroptionen hin und her schalten.

- **Bell:** Bell-Filter verstärken oder dämpfen Frequenzen rund um den vorgegebenen Mittelpunkt einer Glockenkurve. Wie der Name schon sagt, handelt es sich dabei um eine glockenförmige Kurve.
- **Notch:** Mit Notch-Filtern lassen sich sehr schmale Frequenzbandbreiten bearbeiten. Bspw. kann man damit Netzbrummen bei 50 oder 60 Hz entfernen.

- **Lo-Shelf:** Low-Shelf-Filter verstärken oder kappen die Zielfrequenz am unteren Ende sowie alle Frequenzen, die darunter liegen.
- **Hi-Shelf:** High-Shelf-Filter verstärken oder kappen die Zielfrequenz am oberen Ende sowie alle Frequenzen, die darüber liegen.

### So versehen Sie einen einzelnen Clip mit einem EQ:

- 1 Wählen Sie den Clip, auf den Sie EQ-Filter anwenden wollen, in der Timeline aus.
- 2 Klicken Sie dann in den Inspector und anschließend auf den Aktivierungs-Button „Clip Equalizer“.

### So versehen Sie eine Spur mit einem EQ:

- 1 Doppelklicken Sie im Mixer in das EQ-Feld für eine Ihrer Spuren, um den Equalizer für diese Spur zu öffnen.
- 2 Wählen Sie im Drop-down-Menü für das anzupassende Band den Bandfilter aus.



Der EQ-Bereich im Mixer-Fenster zeigt an, dass eine EQ-Kurve zu Spur 1 hinzugefügt wurde



Parametrischer 6-Band-Equalizer, der auf jeden Clip angewendet werden kann

Sobald Sie Ihren Clip oder Ihre Spur mit einem EQ versehen haben, können Sie den EQ für jedes Band anpassen. Beachten Sie, dass sich die Steuerelemente je nach ausgewählter Filterart unterscheiden.

### So passen Sie den EQ für einen Bandfilter an:

- 1 Wählen Sie im Drop-down-Menü für das anzupassende Band den Bandfilter aus.
- 2 Passen Sie den Frequenzwert „Frequency“ an, um die Mittenfrequenz für den EQ festzulegen.
- 3 Passen Sie den „Gain“-Wert an, um die von den Bändern gesteuerten Frequenzen zu verstärken oder zu dämpfen.
- 4 Geben Sie über den „Q Factor“-Wert die Bandbreite der betroffenen Frequenzen vor.

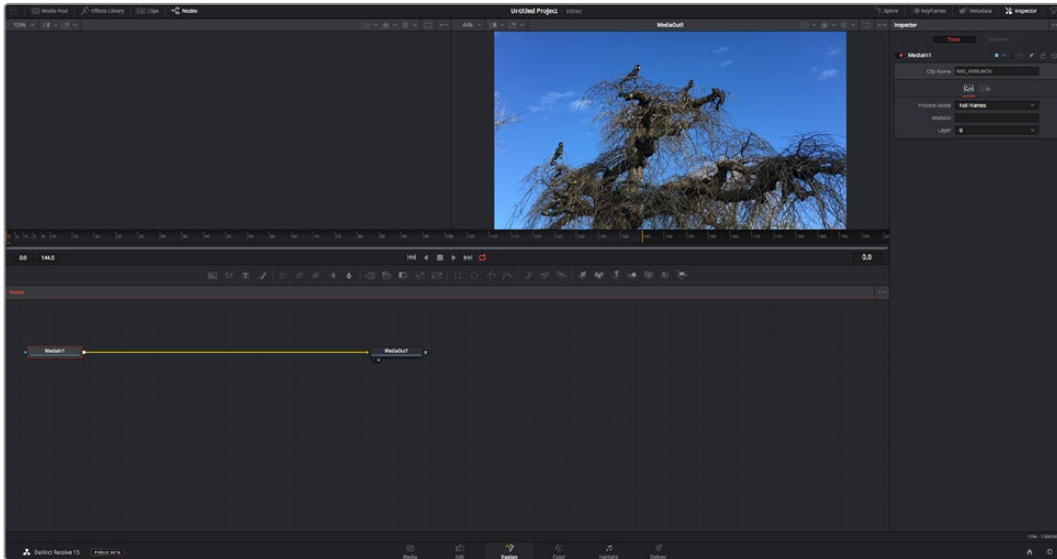
Setzen Sie mit dem Zurücksetzen-Button alle Steuerelemente im EQ-Fenster auf ihre Standardwerte zurück.

Fairlight bietet vielzählige Steuerelemente, mit denen Sie das Beste aus jeder Audiospur herausholen können. Fügen Sie Spuren hinzu, verwalten und organisieren Sie Busse und fügen Sie Effekte wie Laufzeitverzögerungen oder Hall hinzu. Oder polieren Sie Ihren Audiomix ganz allgemein auf.



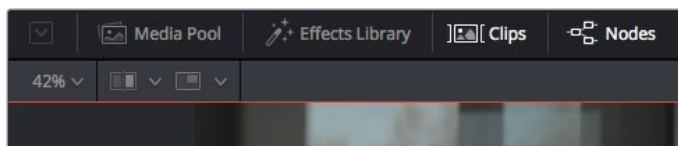
## Hinzufügen von VFX und Compositing im Fusion-Arbeitsraum

Nach abgeschlossenem Schnitt können Sie den Fusion-Arbeitsraum öffnen und direkt in DaVinci Resolve visuelle Effekte und Bewegtbilder in 2D oder 3D hinzufügen. Im Gegensatz zu ebenenbasierten Compositing-Softwares verwendet Fusion sogenannte Nodes, anhand derer Sie Bilddaten in beliebige Richtungen lenken können und so die Freiheit haben, komplexe Effekte zu bauen. Das Node-Fenster zeigt auf einen Blick alle im Verlauf dieses Prozesses verwendeten Tools. Wenn Sie den Node-Workflow im Color-Arbeitsraum verwendet haben, werden Sie sich hier wie zu Hause fühlen.

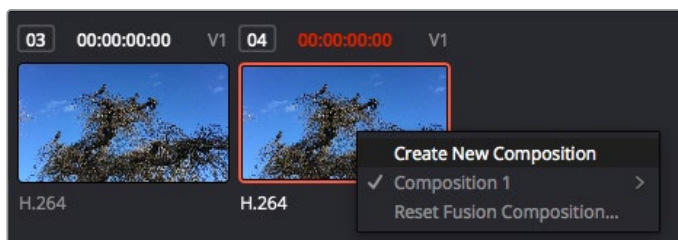


### Der Fusion-Arbeitsraum

Der Fusion-Arbeitsraum bietet im oberen Bereich zwei Ansichtsfenster (Viewer) mit Transportsteuerelementen zum Sichten Ihrer Medien. Rechts daneben ist das Inspector-Fenster für den Zugriff auf Tool-Einstellungen. Im „Nodes“-Fenster, dem sogenannten Node-Editor, im unteren Bereich erstellen Sie Ihre Kompositionen, fachsprachlich Compositings genannt. Die Viewer und Transportsteuerelemente werden immer angezeigt. Per Klick auf die Icons der Bedienoberflächen-Toolbar können Sie jedoch die Fenster „Nodes“ und „Inspector“ oder zusätzliche Fenster einschließlich der „Effects Library“ (Effektbibliothek) und Spline- und Keyframe-Editoren wahlweise aufrufen oder verbergen.



- **Media Pool:** Der Media Pool funktioniert hier genauso wie im Edit-Arbeitsraum. Ziehen Sie einfach zusätzliche Medien aus Ihren Bins direkt in Ihr Compositing.
- **Effects Library:** In der Effektbibliothek finden Sie Fusion Tools und Vorlagen, die in Kategorien wie Partikel, Tracking, Filter und Generatoren sortiert sind. Sie können Tools anklicken oder in den Node-Editor ziehen, um sie Ihrem Compositing hinzuzufügen. Der Media Pool und die Effektbibliothek sind im gleichen Bildschirmbereich verortet und man wechselt zwischen beiden hin und her. So werden die Viewer möglichst groß angezeigt.
- **Clips:** Per Klick auf den „Clips“-Tab werden die Thumbnails für die Clips in Ihrer Timeline aufgerufen oder verborgen. Die Thumbnails sind unterhalb des Node-Editors verortet, wo Sie unmittelbar zu anderen Clips navigieren können.

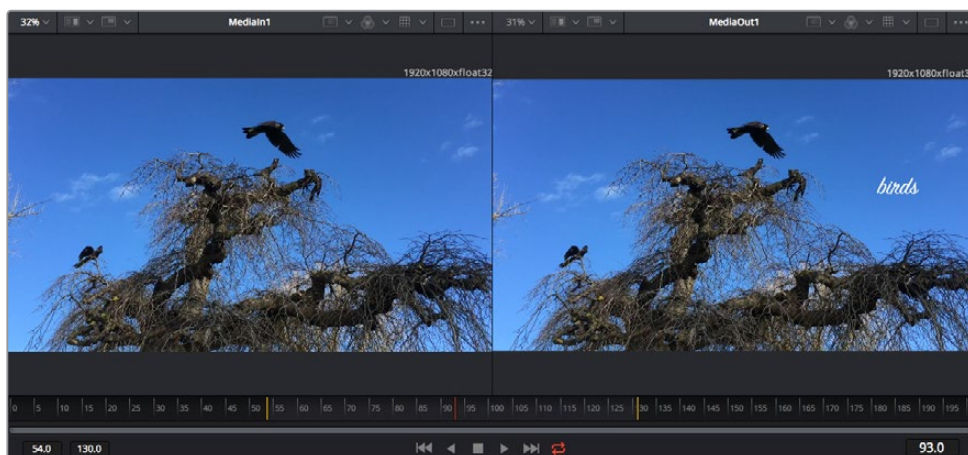


Erstellen Sie eine neue Version Ihres Compositings, indem Sie einen Rechtsklick auf einen Thumbnail ausführen und „Create New Composition“ auswählen

- Viewer:** Die Ansichtsfenster sind immer eingeblendet und zeigen Ihnen verschiedene Darstellungen Ihres Compositings an, bspw. eine 3D-Gesamtperspektive anhand der 3D-Merge-Node, die Kameraausgabe oder Ihre finale Renderversion. In den Viewern können Sie auch sehen, wie Ihre Änderungen sich auf ein spezifisches Element auswirken. Sie können die Node-Ansichten in den Viewern bestimmen, indem Sie auf einen Node klicken und „1“ für den linken und „2“ für den rechten Viewer eingeben. Der neben dem Node erscheinende weiße Punkt zeigt an, welchem der beiden Ansichtsfenster er zugewiesen ist. Bei Verwendung eines externen Videomonitors erscheint ein dritter Button, über den Sie Ihre Medien Ihrem externen Monitor zuführen können.

**TIPP** Alternativ können Sie einen Node einem Viewer zuweisen, indem Sie den Node direkt in den Viewer ziehen.

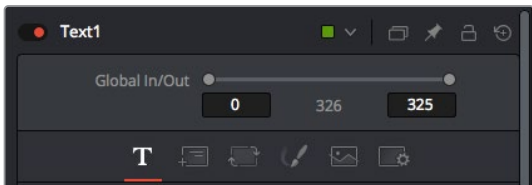
Mithilfe der unter den Ansichtsfenstern angezeigten Transportbedienelemente können Sie zum Anfang oder Ende eines Clips springen, ihn vor- oder rückwärts abspielen oder seine Wiedergabe anhalten. Das Zeitlineal zeigt den gesamten Clipbereich an, wobei die In- und Out-Punkte mit gelben Markern versehen sind.



Die gelben Marker auf dem Zeitlineal zeigen die In- und Out-Punkte Ihres Clips in der Timeline an. Wenn Sie einen Fusion Clip oder Compound Clip verwenden, sehen Sie auf dem Zeitlineal nur die Dauer des Clips, wie er in der Timeline erscheint, d. h. ohne Handles

- Nodes:** Das „Nodes“-Fenster, der sogenannte Node-Editor, ist das Herz des Fusion-Arbeitsraums. Dort bauen Sie Ihren Node-Baum, indem Sie Tools und den Ausgang eines Nodes mit dem Eingang eines anderen verknüpfen. Die Größe dieses Bereichs variiert je nachdem, welche Editoren geöffnet sind, bspw. der Spline- oder Keyframe-Editor. Die Toolbar direkt über dem Node-Editor bietet schnellen Zugriff auf häufig benutzte Tools.
- Spline:** Der geöffnete Spline-Editor wird rechts vom Node-Editor eingeblendet. Mit diesem Editor können Sie präzise Anpassungen an einzelnen Nodes vornehmen, bspw. um die Animation zwischen zwei Keyframes mithilfe von Bézier-Kurven zu glätten.

- **Keyframes:** Anhand des Keyframe-Editors kann man jedes Tool mit Keyframes versehen, diese entfernen oder modifizieren. Auch dieser Editor wird rechts vom „Nodes“-Fenster eingeblendet.
- **Metadaten:** Im Metadatenfenster werden Ihnen die für einen aktiven Clip verfügbaren Metadaten wie Codec, Framerate und Timecode angezeigt.
- **Inspector:** Der „Inspector“ oben rechts auf der Bedienoberfläche zeigt alle für einen oder mehrere aktive Nodes verfügbaren Einstellungen und Modifier an. Dort werden auch zusätzliche, nach Kategorie sortierte Tab-Optionen für schnellen Zugriff eingeblendet.

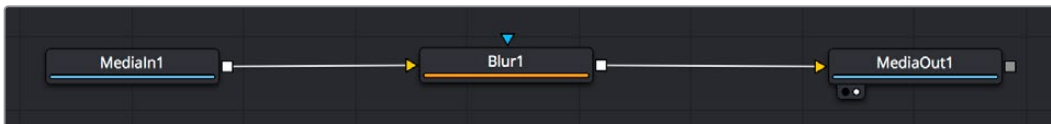


Der Text-Inspector bietet zusätzliche Tabs für Text, Layout, Transform, Shading, Bild und Einstellungen.

## Erste Schritte mit Fusion

Um mit Fusion loszulegen, platzieren Sie den Abspielkopf auf irgendeinen Clip in Ihrer Timeline. Öffnen Sie dann den Fusion-Arbeitsraum per Klick auf den „Fusion“-Tab.

Im Fusion-Arbeitsraum ist Ihr Clip dann in Form eines als „MediaIn“ gekennzeichneten Medieneingabe-Nodes sofort verfügbar. Jedes Compositing beginnt mit einem „MediaIn“- und einem „MediaOut“-Node. Dieser „MediaIn“-Node stellt den obersten Clip in Ihrer Timeline dar und ignoriert alle darunter liegenden Clips. Sämtliche im Edit-Arbeitsraum am Clip vorgenommenen Änderungen werden einbezogen, bspw. an Transform-Tools oder ausgewählten Bildausschnitten.



Der als „MediaOut“ gekennzeichnete Medienausgabe-Node sendet die Ausgabe zurück in die Timeline des Edit-Arbeitsraums von DaVinci Resolve

**TIPP** ResolveFX- oder OFX-Plug-ins, mit denen Clips im Edit-Arbeitsraum versehen wurden, werden im Fusion-Arbeitsraum nicht angewendet. Das ist so, weil Fusion Effekte vor der Farbkorrektur und vor der OFX-/ResolveFX-Verarbeitung kommen. Wenn Sie OFX in der Verarbeitungskette vor Fusion Effekten anwenden wollen, klicken Sie im Edit-Arbeitsraum auf den Clip und wählen Sie „New Fusion Clip“ aus. Klicken Sie erst dann auf den Tab für den Fusion-Arbeitsraum.

## Nodes verstehen

Man kann sich einen Node als visuelles Icon vorstellen, das ein einzelnes Tool oder einen Effekt darstellt. Nodes werden mit anderen Nodes verknüpft und so wird durch Hinzufügen von Elementen eine Gesamtkomposition gebaut. Es ist wichtig, die Ein- und Ausgänge der einzelnen Nodes zu verstehen. Das hilft Ihnen bei der Gestaltung von detaillierten visuellen Effekten, den Fluss Ihres Compositings zu navigieren.

Manche Tools verfügen über mehrere Ein- und Ausgänge, die sich mit anderen Nodes verknüpfen lassen. So können Sie einen Merge-Node bspw. mit einem Vordergrundeingang, einem Hintergrundeingang und einem Maskeneingang für Matten und Keys koppeln.

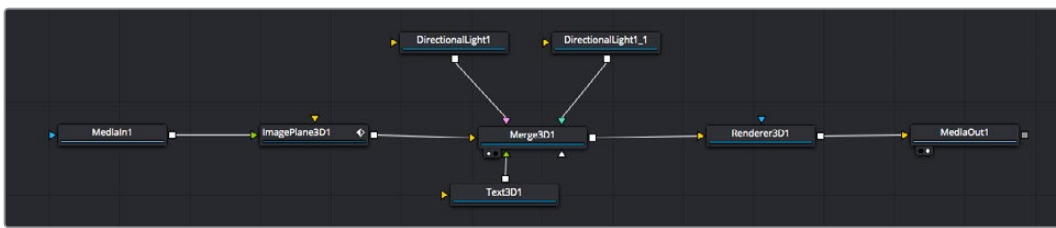


Demnach kann ein einzelner Node über mehrere Ausgänge an mehrere verschiedene Nodes in Ihrem Compositing geknüpft werden. Anders als mit einer ebenenbasierten Software brauchen Sie diese Clips nicht zu duplizieren. Die Verbindungslinien zwischen Nodes sind mit Pfeilen versehen, die die Richtung des Bilddatenflusses illustrieren.

### Hinzufügen von Nodes in den Node-Editor

Effekte kann man ganz einfach hinzufügen, indem man Nodes auf die Verbindungslinie zwischen die „MediaIn“- und „MediaOut“-Nodes setzt.

Dafür gibt es mehrere Methoden. Sie können einen Node mit gedrückter Shift-Taste zwischen zwei Nodes einsetzen. Alternativ klicken Sie auf den Node, an den Sie einen Effekt anknüpfen möchten, und wählen Sie das gewünschte Tool aus. Der neue Node wird automatisch mit dem ausgewählten Tool verbunden. Sie können einen Node auch irgendwo im Node-Editor hinzufügen und die Nodes manuell verknüpfen, indem Sie den Ausgang des einen Nodes zum Eingang des anderen ziehen.



Der 2D- oder 3D-Merge-Node ist das meistgebrauchte Tools. Dieser Node fungiert als Drehscheibe, die Tools im Node-Editor in einen einzelnen Ausgang zusammenführt

Der Merge-Node verfügt über Bedienelemente für die Handhabung der Eingänge, einschließlich von Attributen wie Größe, Position und Mix. Auf all diese Einstellungen greift man bei Auswahl des Merge-Node im Fenster „Inspector“ zu.

Die gebräuchlichsten Tools sind als Icons in der Toolbar aufgereiht. Um einem Node ein Tool hinzuzufügen, klicken Sie auf sein Icon oder ziehen Sie es in den Node-Editor. Um sich alle verfügbaren Tools anzeigen zu lassen, klicken Sie oben links auf „Effects Library“ und erweitern Sie die Option „Tools“. Dort finden Sie alle Tools nach Kategorie sortiert sowie einen Satz vorgefertigter „Templates“. Diese Vorlagen können Sie bspw. als Blendeneffekte, Shader und Hintergründe verwenden.

**TIPP** Sobald Ihnen die Werkzeugnamen vertraut sind, können Sie das Auswahlmü „Select Tools“ aufrufen, indem Sie bei gedrückter Shift-Taste die Leertaste Ihrer Tastatur drücken. Beim Eintippen des Werkzeugnamens wird Ihnen das relevante Tool aus dem Menü vorgeschlagen. So wählt man das gewünschte Tool sehr schnell aus.

## Anpassen von Nodes im Inspector

Passen Sie Ihre Node-Einstellungen im „Inspector“-Fenster an. Klicken Sie einfach den zu modifizierenden Node an, damit sich das Fenster aktualisiert und es die Einstellungen und Bedienelemente des Nodes anzeigt.

Mit Fusion brauchen Sie sich den aktuell bearbeiteten Node nicht anzeigen zu lassen, da Sie einen Node modifizieren können, während in Ihrem Compositing ein anderer Node eingeblendet wird. Beispiel: Sie können die Größe und die mittige Platzierung eines „Text“-Nodes ändern, während der Merge-Node im Viewer angezeigt wird. Dies zeigt Ihnen den Text im Verhältnis zum Hintergrund an.



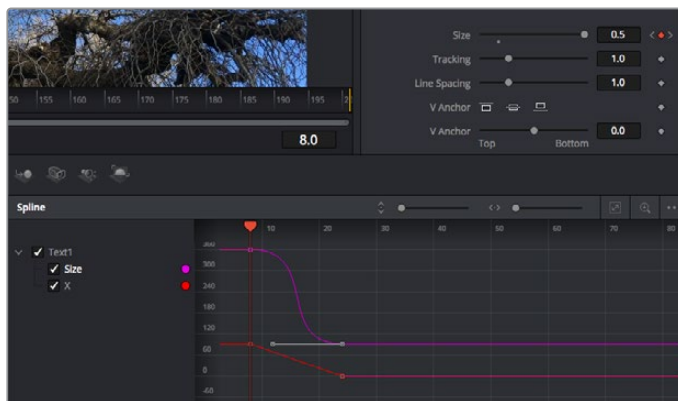
Ausgewählte Nodes sind rot umrandet. Der Inspector zeigt unter „Layout“ die Tabs mit den Bedienelementen für den Text-Node an

Die unterschiedlichen Parameter und Einstellungen können Sie für jeden Node je nach Aufgabe anpassen. Sei dies die Größenvorgabe, das Zentrieren der Position oder eine Änderung an der Anzahl von Partikeln eines Emitter-Nodes. Durch die Vorgabe von Keyframes und Einstellungen, die sich über einen Zeitverlauf ändern, wird der Effekt animiert.

## Arbeiten mit Keyframes

Setzen Sie vom „Inspector“-Fenster aus einen Keyframe, indem Sie einen Rechtsklick auf einer Einstellung ausführen und im Kontextmenü „Animate“ auswählen. Das Keyframe-Icon rechts neben der Einstellung erscheint nun in Rot. Dies besagt, dass der Keyframe jetzt aktiviert ist und jede von Ihnen vorgenommene Änderung nur auf den aktuellen Frame angewendet wird. Werden zwei oder mehr Keyframes erstellt, indem die Einstellungsparameter eines anderen Frames geändert werden, wird dazwischen ein Übergang interpoliert. Anhand der Pfeile rechts und links vom Keyframe-Icon können Sie den Abspielkopf auf der Timeline genau an diese Positionen bewegen.

Die Freiformkurve im „Spline“-Fenster gibt Ihnen noch mehr Kontrolle über Ihre Keyframe-Animation. Wählen Sie damit Keyframes aus, bspw. den ersten und letzten, und glätten Sie die Animation dazwischen anhand einer Bézierkurve. Drücken Sie hierfür Shift und die S-Taste oder rechtsklicken Sie auf einen Keyframe und geben Sie „Smooth“ vor.



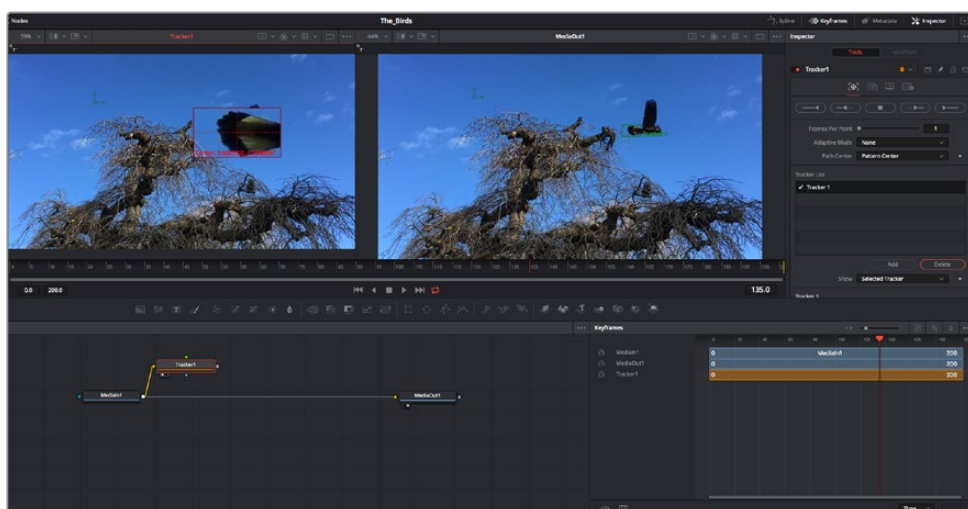
Hier wurde die Keyframe-Animation „Size“ mit einer Bézierkurve geglättet. Um die Kurve zu kürzen oder zu verlängern, klicken Sie die Bézier-Ziehpunkte an. Um die Keyframe-Platzierung zu ändern, klicken Sie die viereckigen Keyframe-Icons an.

## Mit dem Motion Tracker arbeiten und Text hinzufügen

Die folgenden Beispiele sollen Ihnen den Einsatz von Fusion besser verständlich machen. Sie veranschaulichen, wie Sie anhand des Tracker-Werkzeugs ein Element in einem Clip verfolgen und wie Sie dieses Element unter Verwendung der Trackingdaten mit Text versehen.

Der Tracker verfolgt die Pixel entlang der X- und Y-Achsen. Anhand der so generierten Daten können Sie an ein Element weitere anknüpfen. Das ist ideal, wenn Sie die Position von Text an die Bewegung eines Objekts anpassen wollen, bspw. an ein fahrendes Auto oder an einen durch das Bild fliegenden Vogel.

- 1 Wählen Sie in der „Effects Library“ das „Tracking“-Tool aus und ziehen Sie es auf die Linie zwischen die „MediaIn“- und die „MediaOut“-Nodes. Klicken Sie jetzt auf den Tracker-Node, um seine Eigenschaften im Inspector zu öffnen.
- 2 Tippen Sie auf Ihrer Tastatur die „1“, um den Tracker-Node im linken Viewer zu sichten. Nun erscheint der Clip mit dem Tracker an seiner standardmäßigen Position im Viewer. Bewegen Sie den Mauszeiger über den Tracker bis der Tracker-Ziehpunkt erscheint. Klicken Sie oben links auf den Tracker-Ziehpunkt und ziehen Sie den Tracker auf den zu verfolgenden Bereich in Ihrem Clip. Kontrastreiche Bereiche lassen sich gut verfolgen, bspw. die Kühlerfigur eines Autos. Für extra Präzision vergrößert der Tracker den betroffenen Bildbereich.
- 3 Klicken Sie im Inspector auf den „Track Forward“-Button, um mit dem Verfolgen zu beginnen. Nach abgeschlossenem Tracking erscheint ein Hinweisfenster. Klicken Sie auf „OK“.



Die im Inspector verfügbaren Tracking-Möglichkeiten umfassen u. a. das Rückwärtsverfolgen vom letzten oder vom aktuellen Frame oder das Anhalten am bzw. Vorwärtsverfolgen vom aktuellen Frame oder vom ersten Frame



**TIPP** Das Rückwärts- oder Vorwärts-Tracking vom aktuellen Frame aus bietet sich für Situationen an, in denen der betroffene Bereich mitten im Renderabschnitt verschwindet, bspw. wenn sich ein Auto oder ein Vogel aus dem Bild herausbewegt. Dies gestattet es, nur die relevante Footage zu verfolgen.

Nun können Sie die Trackingdaten des Bewegungspfads auf ein Text-Tool anwenden.

- 4 Klicken Sie in der Toolbar mit den gängigen Nodes auf den „Text“-Node und ziehen Sie diesen in das „Nodes“-Fenster in die Nähe des Tracker-Nodes. Verbinden Sie das kleine Ausgaberechteck „Text“ mit dem grünen Vordergrundeingang am „Tracker“-Node.



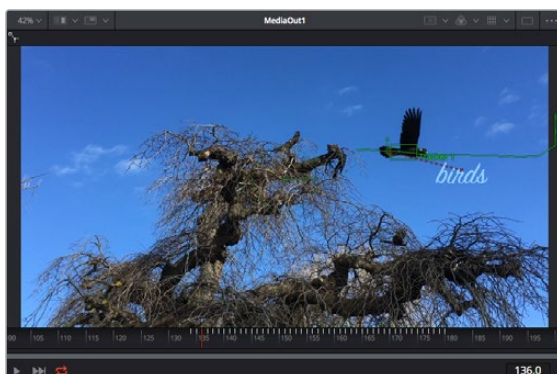
- 5 Klicken Sie auf den „Tracker“-Node und tippen Sie „1“, um das Merge-Ergebnis im linken Ansichtsfenster zu betrachten. Klicken Sie im Inspector im Feld „Tracker“ auf den „Operations“-Tab. Um den Tab-Namen einzublenden, bewegen Sie den Mauszeiger über den Tab. Wählen Sie im Drop-down-Menü für „Operation“ die Option „Match Move“.
- 6 Klicken Sie auf den „Text“-Node, um seine Eigenschaften im Inspector zu öffnen. Tippen Sie Ihren Text in das Textfeld und ändern Sie entsprechend Ihres Compositings die Art, Farbe und Größe der Schrift.

Auf diese Weise werden die Trackingpositionsdaten Ihres Trackers auf den Text angewendet. Um per Offset eine versetzte Platzierung des Textes zu bewirken, klicken Sie im Inspector auf den „Trackers“-Tab. Modifizieren Sie die Platzierung dort mithilfe der X- und Y-Scrollräder.



Die Scrollräder unten im Tracker-Fenster des Inspectors dienen zum Anpassen der Offset-Platzierung von Text

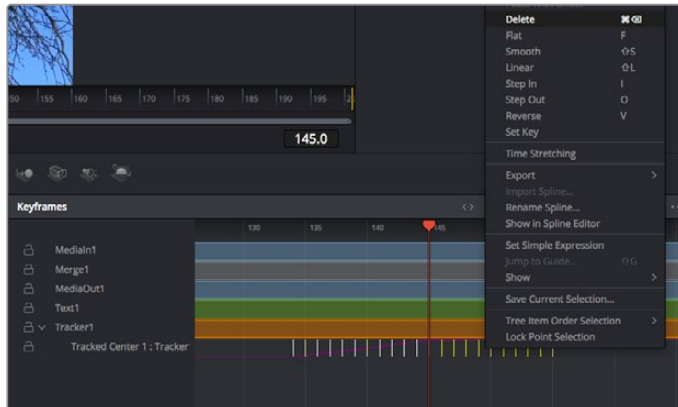
Wird das Compositing jetzt wiedergegeben, sehen Sie, wie der Text an Ihrem getrackten Objekt haftet.



Das grüne Quadrat zeigt die aktuelle Tracker-Position entlang des grünen Pfads an, und die rote gestrichelte Linie steht für die zur Textanimation benutzte Offset-Position



Bei manchen Shots werden Sie nach abgeschlossenem Tracking vermutlich die Trackpunkte entfernen wollen, bspw. wenn Ihr verfolgtes Objekt vom Bildschirm verschwindet. Mit dem Keyframe-Editor ist das ein einfacher Vorgang.



- 7 Öffnen Sie den Keyframe-Editor, indem Sie über dem Inspector auf den „Keyframes“-Tab klicken. Man erkennt Nodes, die einen Keyframe enthalten, an einem kleinen Pfeil neben dem Node-Label. In der Liste unten erscheinen nur die Parameter mit hinzugefügten Keyframes. Klicken Sie auf das Vergrößerungssymbol und ziehen Sie ein Kästchen um den zu bearbeitenden Bereich. Dies zoomt in den Bereich hinein und lässt Sie die Keyframes besser erkennen.
- 8 Bewegen Sie den Abspielkopf an den Ort des letzten gewünschten Keyframes. Wählen Sie jetzt die zu entfernenden Keyframes aus, indem Sie mit Ihrer Maus einen Kasten um diese herum ziehen. Die Keyframes werden nun gelb markiert. Führen Sie einen Rechtsklick aus und wählen Sie zum Löschen im Menü „Delete“ aus.

**TIPP** Wenn Ihre Effekte das System stark belasten, können Sie im Bereich der Transportsteuerung per Rechtsklick die Viewer-Optionen einblenden. Dort gibt es bspw. die Proxy-Wiedergabe, mit der Sie beim Erstellen von Compositings das Beste aus Ihrem System herausholen. Weitere Einzelheiten zu allen Wiedergabeoptionen finden Sie im englischsprachigen DaVinci Resolve Handbuch.

Sie haben soeben Ihr erstes Compositing mit animiertem Text erstellt, das einer Bewegung in Ihrer Footage folgt.

Um einen Bereich in Ihrem Bild mit einer planen Fläche zu verfolgen, die Sie verbessern oder ersetzen möchten, steht der Planar-Tracker zur Verfügung. Die 2D-Flächenverfolgung ist praktisch, um in einem bewegten Bild bewegte Beschriftungen und Schilder zu ändern. Man kann damit sogar ein Bild auf einen in Ihrer Footage erscheinenden Monitor oder TV-Bildschirm setzen.

Einzelheiten zum Planar-Tracker und zu den vielen leistungsstarken Werkzeugen in DaVinci Resolves Fusion-Arbeitsraum finden Sie im englischsprachigen DaVinci Resolve Handbuch.

**TIPP** Beim Erstellen Ihrer visuellen Effekte im Fusion-Arbeitsraum sollten Sie klären, ob es sich um 2D- oder 3D-Effekte handelt, um zu entscheiden welches Merge-Tool verwendet wird. Es kann gut sein, dass Sie in einem Compositing häufig sowohl 2D- als auch 3D-Effekte kombinieren. Bedenken Sie dabei, dass jeder visuelle Effekt, der den 3D-Raum verwendet, erst als 2D-Bild gerendert werden muss, ehe er in ein 2D-Compositing eingefügt werden kann.

Wir wünschen Ihnen viel Vergnügen beim Erkunden von Fusion und der visuellen Effekte zusammen mit der geballten Power von DaVincis Edit-, Color- und Fairlight-Arbeitsräumen. Mit so vielen leistungsstarken Tools in greifbarer Nähe kennt die Umsetzung Ihrer Ideen in DaVinci Resolve keine Grenzen mehr.

## Mastern Ihres Schnitts

Jetzt da Sie Ihren Edit bearbeitet, visuelle Effekte hinzugefügt und Ihren Ton gemischt haben, möchten Sie ihn bestimmt mit anderen teilen. Per „Quick Export“ über den entsprechenden Button oder die Menüauswahl können Sie Ihren Timeline-Content als eigenständige Datei oder in einem von mehreren Formaten ausgeben, oder weitere im Deliver-Arbeitsraum verfügbare Features verwenden.



Der Export Ihres Schnitts erfolgt im Deliver-Arbeitsraum. Sie haben die Wahl zwischen vielen verschiedenen Videoformaten und Codecs

## Quick Export

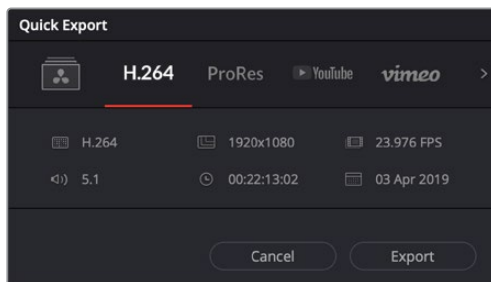
Per „File“ > „Quick Export“ können Sie Ihr Programm schnell von jedem Arbeitsraum in DaVinci Resolve ausgeben. Verwenden Sie dazu eines von diversen Export-Presets. Die Option „Quick Export“ ermöglicht auch das Exportieren und Hochladen Ihres Programms an ein unterstütztes Videosharing-Portal wie YouTube, Vimeo und Frame.io.

### So verwenden Sie Quick Export:

- 1 Setzen Sie optionsweise in den Edit-, Fusion- oder Color-Arbeitsräumen In- und Out-Punkte in der Timeline, um in Ihrem aktuellen Programm eine Sequenz für die Ausgabe zu bestimmen. Werden keine In- und Out-Punkte vorgegeben, dann wird die gesamte Timeline exportiert.

Wählen Sie „File“ > „Quick Export“ aus der Menüleiste.

- 2 Wählen Sie im Fenster „Quick Export“ aus der oben verlaufenden Icon-Zeile ein Preset und klicken Sie auf „Export“.
- 3 Wählen Sie einen Verzeichnisort aus, geben Sie im Export-Fenster einen Dateinamen ein und klicken Sie auf „Save“. Ein Fenster mit Fortschrittsbalken erscheint, um die Exportdauer anzuzeigen.



Das Dialogfenster „Quick Export“

## Der Deliver-Arbeitsraum

In diesem Arbeitsraum wählen Sie die zu exportierenden Clips aus. Zusätzlich können Format, Codec und die gewünschte Auflösung eingestellt werden. Sie können in diversen Formaten wie QuickTime, AVI, MXF und DPX exportieren und zwar unter Verwendung der folgenden Codecs: 8 Bit oder 10 Bit unkomprimiertes RGB/YUV, ProRes, DNxHD, H.264 und mehr.

### So exportieren Sie einen einzelnen Clip Ihres Schnitts:

- 1 Klicken Sie auf den Tab „Deliver“, um den Deliver-Arbeitsraum zu öffnen und Ihr finales Projekt zu exportieren.
- 2 Gehen Sie links oben im Arbeitsraum zum Render-Einstellungen-Fenster „Render Settings“. Für den Export haben Sie eine Reihe von Presets zur Auswahl, bspw. Presets für YouTube, Vimeo und Ton. Oder Sie erstellen eigene Export-Einstellungen, indem Sie diese auf dem standardmäßigen Preset „Custom“ belassen und Ihre Parameter eingeben. Hier ein Beispiel: Wählen Sie YouTube, klicken Sie auf den Pfeil neben dem Preset und anschließend auf das Videoformat 1080p.  
Die Framerate wird durch die in den Projekteinstellungen angegebene Framerate bestimmt.
- 3 Unterhalb der Presets sehen Sie den Timeline-Dateinamen und den Zielstandort Ihres exportierten Videos. Klicken Sie auf den Button „Browse“ und bestimmen Sie den Ort, an dem die exportierte Datei gespeichert werden soll.
- 4 Im Optionsfeld unmittelbar über der Timeline ist „Entire Timeline“ vorgegeben. Dies bedeutet, dass die gesamte Timeline exportiert wird. Sie können jedoch auch nur einen Bereich der Timeline festlegen, wenn Sie möchten. Wählen Sie „In/Out Range“ und bestimmen Sie mithilfe der Shortcuts „i“ und „o“ die In- und Out-Points in Ihrer Timeline.
- 5 Klicken Sie unten in den Render-Einstellungen „Render Settings“ auf die Schaltfläche „Add to Render Queue“.

Ihre Render-Einstellungen werden dann der Render-Warteschleife rechts im Arbeitsraum hinzugefügt. Klicken Sie jetzt lediglich auf „Start Render“ und verfolgen Sie den Fortschritt in der Warteschleife.

Nach abgeschlossenem Rendern können Sie den ausgewählten Ordner öffnen, auf Ihren Clip klicken und Ihren fertiggestellten Schnitt ansehen.

Sie verfügen nun über Grundkenntnisse zu Schnitt, Farbe, Vertonung und visuellen Effekten. Wir empfehlen Ihnen, mit DaVinci Resolve zu experimentieren, um diese Fähigkeiten zu vertiefen. Weitere Informationen zu Einzelheiten und wie Sie mit Funktionen das Beste aus Ihrem Projekt herausholen können, finden Sie im DaVinci Resolve Handbuch.

# Betrieb als Studiokamera mit Software-Kamerasteuerung

Ihre Blackmagic URSA Mini lässt sich als Studiokamera verwenden und von einem ATEM Mischer über die Funktion „Kamerasteuerung“ in der Bediensoftware ATEM Software Control bedienen. So können Sie Ihrem Broadcast-Studio eine Kamera mit hoher Sensorbildqualität und einem großartigen Dynamikumfang hinzufügen und sie wie jede andere Studiokamera bedienen.



ATEM Camera Control

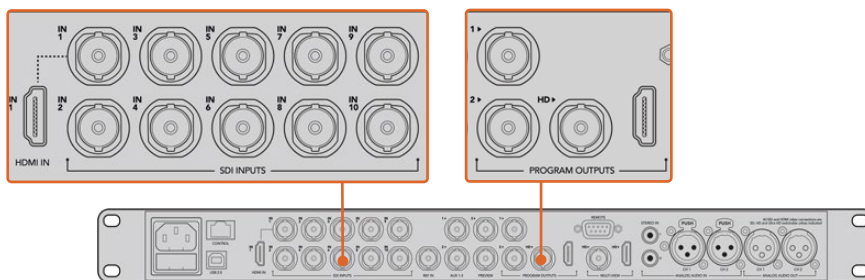
Ein Klick auf die „Kamera“-Schaltfläche ruft die Kamerasteuerung auf. Die Einstellungen für „Iris“ (Blende), „Gain“ (Lichter) und „Focus“ (Fokus) lassen sich bei Einsatz kompatibler Objektive bequem justieren. Sie können auch mehrere Kameras farblich abgleichen und mit DaVinci Resolve Primary Color Corrector, dem Tool für die primäre Farbkorrektur, einzigartige Looks kreieren. Es ist wichtig, anzumerken, dass der DaVinci Resolve Primary Color Corrector und die Detailschärfungsfunktionen in ATEM Camera Control für die URSA Mini Pro 12K nicht verfügbar sind.

Mit der ATEM Mischersteuerung werden Datenpakete zur Steuerung der Kamera über alle nicht abwärtskonvertierten SDI-Ausgänge eines ATEM Mischers übermittelt. Sie können also einen SDI-Ausgang Ihres ATEM Mischers an den 12G-SDI-Eingang der URSA Mini anschließen. Da die Kamera die Steuerungspakete über die SDI-Verbindung erkennt, erlaubt dies die Steuerung von Funktionen in der Kamera selbst.

## Anschließen der URSA Mini

- 1 Verbinden Sie den 12G-SDI-Ausgang Ihrer URSA Mini mit einem beliebigen SDI-Eingang am ATEM Mischer.
- 2 Verbinden Sie einen beliebigen SDI-Ausgang des ATEM Mischers – bis auf die abwärtskonvertierten oder Multiview-Ausgänge – mit dem 12G-SDI-Eingang Ihrer URSA Mini. Multi View Ausgänge und abwärtskonvertierte SDI-Ausgänge übermitteln keine Kamerasteuerungssignale.
- 3 Navigieren Sie auf Ihrer URSA Mini im Menü SETUP zu „ATEM Camera ID“ und gleichen Sie die ATEM-ID Ihrer Kamera mit dem Mischereingang ab. Beispiel: Wenn URSA Mini 1 an den ATEM Mischereingang „Cam 1“ angeschlossen ist, muss auch die Kameranummer auf 1 eingestellt sein. So wird das Tally-Signal an die richtige Kamera übermittelt.
- 4 Wählen Sie Ihre Referenzquelle im SETUP-Menü aus. Wenn Sie kein Genlock-Signal an Ihre Kameras und Ihren Mischer senden, empfehlen wir, für die Referenzquelle „Reference Source“ die Einstellung „Program“ (Programm) vorzugeben, wenn Sie an einen ATEM angeschlossen sind.

- 5 Gehen Sie zum MONITOR-Menü und vergewissern Sie sich, dass Sie für „Main SDI“ die Option „Clean Feed“ ausgewählt haben, damit in der SDI-Ausgabe zum ATEM Mischer keine Overlays oder Fokussierrahmen zu sehen sind.



Schließen Sie Ihre URSA Mini an einen beliebigen SDI-Eingang Ihres ATEM Mischers an

## Arbeiten mit Camera Control

Starten Sie die Bediensoftware ATEM Software Control und klicken Sie am unteren Rand der Benutzeroberfläche auf das Kamerasymbol. Nun wird eine Zeile mit gekennzeichneten Kamerabedienfeldern angezeigt, die leistungsfähige Tools zur Anpassung und Verfeinerung des Bildes der jeweiligen Kamera enthalten. Die Bedienfelder sind einfach handhabbar. Klicken Sie mit Ihrer Maus die Icons an oder nehmen Sie Anpassungen per Klicken und Ziehen vor.

### Auswahl der zu steuernden Kameras

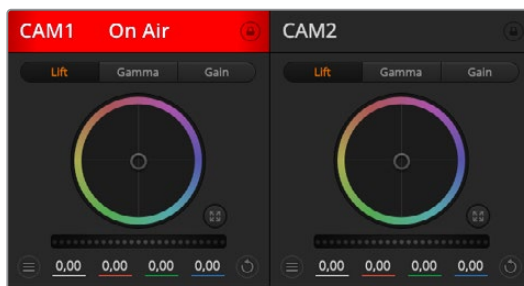
Die Schaltflächenzeile im oberen Bereich des „Kamera“-Arbeitsraums erlaubt es Ihnen, die zu steuernde Kamera anhand ihrer Nummer auszuwählen. Wenn Sie mehrere Kameras haben, deren Bedienfelder den Arbeitsraum füllen und ohne Scrollen sichtbar sind, oder das Farbkorrekturfenster geöffnet ist, können Sie über diese Schaltflächen die jeweils zu steuernde Kamera auswählen. Wenn Sie einen Aux-Ausgang zur Kontrolle Ihrer Kamerasteuerung benutzen, bewirkt das Drücken dieser Schaltflächen nicht nur, dass eine andere Kamera gesteuert wird, sondern auch, dass die Videoausgabe dieser Kamera zu dem Aux-Ausgang, der in den Voreinstellungen des Mischers eingestellt ist, gesendet wird.



Klicken Sie auf das Einstellungssymbol, um Ihren Aux-Ausgang für die Kamerasteuerung vorzugeben

### Kanalstatus

Die Kanalstatus-Box am oberen Rand jedes Kamerabedienfelds zeigt die Kamerakennung, den On-Air-Status und eine Sperrschaltfläche an. Klicken Sie auf die Sperrschaltfläche, um alle Bedienelemente einer spezifischen Kamera zu sperren. Wenn die Kamera auf Sendung ist, leuchtet der Kanalstatus rot auf und zeigt die On-Air-Warnung an.



Die Kanalstatus-Box in jedem Kamerabedienfeld zeigt an, welche Kamera sich auf Sendung befindet. Justieren Sie anhand der Farbräder die Einstellungen von Lift, Gamma und Gain einzelner YRGB-Kanäle

## Farbrad

Das Farbrad ist eine leistungsstarke Funktion des DaVinci Resolve Farbkorrektors zur Vornahme farblicher Anpassungen an den Einstellungen für „Lift“, „Gamma“ und „Gain“ einzelner YRGB-Kanäle. Die Auswahl der anzupassenden Einstellung erfolgt per Klick auf eine der drei Auswahlflächen über dem Farbrad.

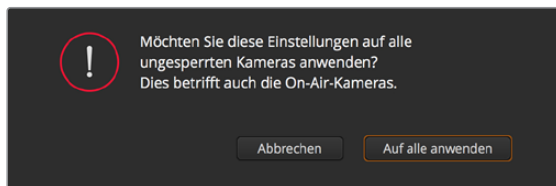
## Masterrad

Passen Sie mithilfe des nachstehenden Farbrads die Kontraste aller YRGB-Kanäle auf einmal an oder justieren Sie nur jeweils die Leuchtdichte der Einstellungen für Lift, Gamma und Gain.

## Reset-Symbole

Anhand des Reset-Icons, das sich rechts oben in allen Kamerabedienfeldern befindet, können Sie bequem auswählen, welche Farbkorrektureinstellungen zurückgesetzt, kopiert oder eingefügt werden sollen. Jedes Farbrad verfügt über ein eigenes Reset-Icon. Klicken Sie es an, um eine Einstellung auf ihren Standardwert zurückzusetzen oder um sie zu kopieren bzw. einzufügen. Gesperrte Bedienelemente bleiben von der Einfügefunktion unberührt.

Das Master-Reset-Icon oben rechts im Farbkorrektorfenster lässt Sie die Farbräder für Lift, Gamma und Gain sowie die Einstellungen für „Contrast“ (Kontrast), „Saturation“ (Sättigung), „Hue“ (Farbton) und „Lum Mix“ (Leuchtdichthemischung) zurücksetzen. Sie können Farbkorrektureinstellungen in einzelne Kamerabedienfenster kopieren oder dies für einen durchgängigen Look für alle Kameras auf einmal tun. Die Einstellungen für Blende, Körnung und Schwarzwert bleiben von der Einfügefunktion unberührt. Bei Anwendung von „In alle einfügen“ werden Sie durch einen Warnhinweis gebeten, den Vorgang zu bestätigen. Dies verhindert das versehentliche Einfügen neuer Einstellungen für auf Sendung befindliche Kameras.



Bei Anwendung von „In alle einfügen“ werden Sie durch einen Warnhinweis gebeten, den Vorgang zu bestätigen. Dies verhindert das versehentliche Einfügen neuer Einstellungen für auf Sendung befindliche Kameras

## Blenden-/Schwarzabhebungssteuerung

Blende und Schwarzabhebung werden über den kreisförmigen Button im Fadenkreuz der einzelnen Kamerabedienfelder gesteuert. Dieser Button leuchtet rot auf, wenn die Kamera auf Sendung ist.

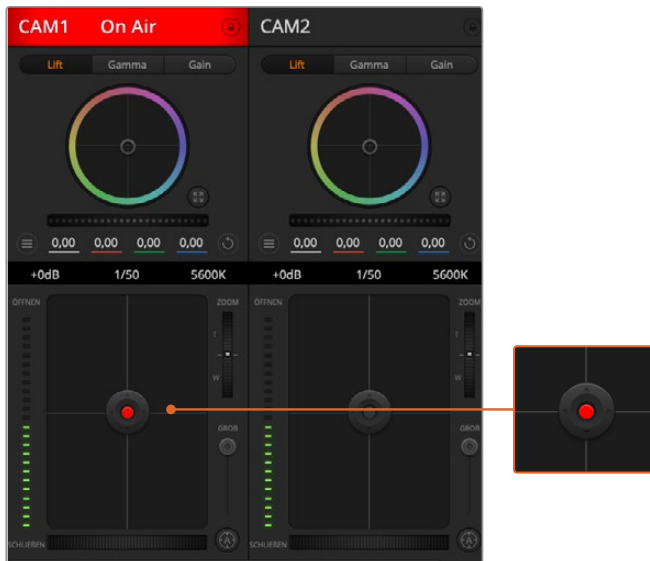
Ziehen Sie den Button zum Öffnen oder Schließen der Blende nach oben oder unten. Bei gedrückt gehaltener Shift-Taste ist nur der Blendenwert anpassbar.

**HINWEIS** Vergewissern Sie sich, wenn die Kamera an einen ATEM Mischer angeschlossen ist, dass „Auto Exposure“ (Automatische Belichtung) ausgeschaltet ist. Wenn Sie auf Blenden-, Zoom- oder Fokussteuerung angewiesen sind, brauchen Sie ein Objektiv, das elektronisch über die Kamera gesteuert werden kann.

Wenn ein B4- oder PL-Objektiv an den 12-poligen Broadcast-Anschluss der URSA Mini angeschlossen ist, versichern Sie sich, dass der Blendenschalter am Handgriff auf „A“ oder „Auto“ steht.

Vergewissern Sie sich bei einem B4- oder PL-Objektiv, das an den 12-poligen Broadcast-Anschluss der URSA Mini angeschlossen ist, dass der Blendenschalter am Handgriff auf „A“ oder „Auto“ steht.

Ziehen Sie den Button nach links oder rechts, um die Schwarzabhebung zu vertiefen oder aufzuhellen. Bei gedrückt gehaltener Command-Taste (Mac) bzw. gedrückt gehaltener Steuerungstaste (Windows) lässt sich die Schwarzabhebung separat justieren.



Eine rot leuchtende Blenden-/Schwarzabhebungssteuerung zeigt an, dass die jeweilige Kamera auf Sendung ist

## Zoom-Steuerung

Bei Einsatz kompatibler Objektive mit elektronischer Zoomfunktion können Sie Ihr Objektiv mithilfe der Zoom-Steuerung ein- und auszoomen. Das Steuerelement funktioniert so ähnlich wie eine Zoomwippe an einem Objektiv, mit Teleobjektiveinstellungen am einen und Weitwinkelobjektiveinstellungen am anderen Ende. Klicken Sie auf die Zoom-Steuerung über dem GROB-Schieberegler und ziehen Sie sie zum Einzoomen nach oben bzw. zum Auszoomen nach unten.

Wenn Ihr Objektiv über keine aktive Objektivsteuerung verfügt oder Ihre Kamera keine Zoom-Steuerung über das SDI-Kamerasteuerungsprotokoll unterstützt, bleiben diese Einstellungen wirkungslos. EF-Objektive haben bspw. keine eingebauten Servos, die das Objektiv elektronisch zoomen können. Daher sind sie auch nicht über die ATEM Camera Control steuerbar.

**HINWEIS** Die ATEM Zoom-Steuerung wird von analogen B4-Objektiven nicht unterstützt. Weitere Informationen zu analogen B4-Objektiven erhalten Sie im Abschnitt „Einsatz von Servo-Zoom-Objektiven“.

## GROB-Einstellung

Mit dem links vom Blenden-/Schwarzabhebungs-Button angeordneten GROB-Schieberegler lassen sich die zulässigen Blendenwerte begrenzen. Diese Funktion hilft zu verhindern, dass überbelichtete Bilder auf Sendung gehen.

So stellen Sie den GROB-Grenzwert ein: Öffnen Sie die Blende mithilfe der Blendensteuerung so weit es geht. Ziehen Sie dann den GROB-Regler nach oben oder unten, um den optimalen Blendenwert einzustellen. Jetzt verhindert der GROB-Grenzwert beim Einstellen der Blende, dass Ihr optimaler Blendenwert überschritten wird.

## Blenden-Indikator

Der rechts von der Blenden-/Schwarzabhebungs-Steuerung befindliche Blenden-Indikator stellt den Öffnungstatus der Blende visuell dar. Der Blenden-Indikator wird durch die GROB-Einstellung beeinflusst.



## Autofokus-Button

Jedes Kamerabedienfenster weist unten links einen Autofokus-Button auf. Klicken Sie auf diesen Button, um bei Einsatz eines Objektivs mit elektronischer Blendensteuerung automatisch zu fokussieren. Wichtig: Die meisten Objektive unterstützen elektronische Fokussierung. Stellen Sie jedoch bei Objektiven, die automatisch und manuell fokussierbar sind, den Autofokusmodus ein. Bei manchen Objektiven erfolgt dies durch Vorwärts- oder Rückwärtsschieben des Fokusrings. Bei B4-Objektiven mit Servo-Zoomsteuerung müssen Sie den Schalter am Handgriff auf „Servo“ stellen.



Klicken Sie zur Scharfstellung eines kompatiblen Objektivs auf das Autofokus-Icon oder ziehen Sie den Fokussier-Regler nach rechts oder links

## Manuelle Fokuseinstellung

Wenn Sie Ihr Objektiv mithilfe von ATEM Camera Control manuell fokussieren möchten, können Sie von der Fokusanpassung im unteren Bereich eines jeden Kamerabedienfelds Gebrauch machen. Ziehen Sie den Fokusring nach links oder rechts, um die Schärfe manuell einzustellen. Prüfen Sie dabei anhand des Videofeeds von der Kamera, ob Ihr Bild scharf ist.

Manuelle Fokuseinstellungen sind nur bei Verwendung von B4- und PL-Objektiven mit Servo-Fokussteuerung über den Mischer möglich. Da EF-Objektive keinen Servo-Fokus haben, ist diese Option bei der URSA Mini EF nicht verfügbar.

## Kameraeinstellung Gain

Die Bezeichnungen einiger Einstellungen, wie bspw. „Gain“ und „Shutter Speed“ (Verschlusszeit) sind auf ATEM Mischern und der URSA Mini unterschiedlich. Beispiel: ATEM Mischer verwenden anstelle von ISO-Werten die Bezeichnung „Gain“, um die Lichtempfindlichkeit einer Kamera auszudrücken.

**TIPP** Die Verwendung der unterschiedlichen Begriffe „Gain“ und „ISO“ ist vorrangig auf die Unterschiede zwischen Studio- und traditionellem Film-Equipment zurückzuführen. Die Belichtung einer Fernsehstudiokamera könnte bspw. live von einer Kamera kontrolliert werden. Anpassungen der Lichtempfindlichkeit könnten innerhalb der Kamera elektronisch vorgenommen werden. Filmkameras hingegen sind von mechanischer Natur und stützen sich auf traditionelle Lichtmessverfahren in Kombination mit fotochemischen ISO-Werten.

Beim Dreh in unterschiedlichen Lichtverhältnissen ist es ratsam, das „Gain“-Level Ihrer Kamera anzuheben oder zu senken, um zu verhindern, dass Ihre Bilder unterbelichtet werden. Klicken Sie hierfür auf den Linkspfeil, um „Gain“ zu verringern, und auf den Rechtspfeil, um „Gain“ anzuheben.

Ihr ATEM Mischer zeigt den „Gain“-Wert in dB an. Dies entspricht den ISO-Einstellungen Ihrer Kamera wie folgt:

Gain	ISO
0	200
6	400
12	800
18	1600

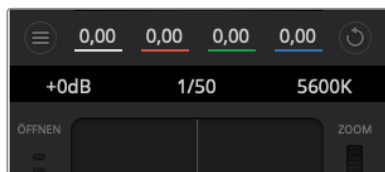
Bitte beachten Sie, dass die URSA Mini 4.6K einen Gain-Wert von 18 dB zulässt, während die URSA Mini 4K einen Höchstwert von 12 dB unterstützt

## Verschlusszeit-Steuerung

Über die Verschlusszeit-Steuerung wird der Verschlusswinkel Ihrer URSA Mini verändert.

Ähnlich wie bei „Gain“, trägt diese Einstellung aufgrund von Terminologieunterschieden zwischen Filmkameras und Studiokameras verschiedene Bezeichnungen. Von der Funktionsweise her ist die zunehmende Verschlusszeit jedoch mit dem abnehmenden Verschlusswinkel gleichzusetzen.

Die Verschlusszeit-Steuerung befindet sich zwischen dem Farbrad und der Blenden-/Schwarzabhebungssteuerung. Reduzieren oder erhöhen Sie die Verschlusszeit, indem Sie Ihre Maus über die Verschlusszeitanzeige bewegen und den Links- oder Rechtspfeil anklicken.



Schieben Sie Ihren Mauszeiger über die Anzeigen für Lichter, Verschlusszeit und Weißabgleich. Über die nun angezeigten Pfeile lassen sich die jeweiligen Einstellungen justieren

**HINWEIS** Da die ATEM Verschlusszeit-Steuerung Vorrang über den auf Ihrer URSA Mini ausgewählten Verschlusswinkel hat, wird die Verschlusszeit-Steuerung Ihrer Kamera außer Kraft gesetzt, sobald sie an einen ATEM Mischer angeschlossen wird.

Die nachstehende Tabelle gibt eine Übersicht über die verfügbaren Verschlusszeiten der Verschlusszeit-Steuerung und die dazugehörigen Verschlusswinkel. An dieser Stelle sollte erwähnt werden, dass einige Verschlusszeiten außerhalb des kleinst- und höchstmöglichen Verschlusswinkelbereichs von 11,25 bzw. 360 Grad der URSA Mini fallen. Sollte dies passieren, wird der jeweils naheliegendste Verschlusswinkel gewählt.

Ist Ihre URSA Mini 4.6K oder URSA Mini Pro 4.6K mit einem ATEM Mischer verbunden, ist die Verschlusszeit-Einstellung auch auf dem Status-Display im Touchscreen Ihrer Kamera sichtbar. Auf der URSA Mini 4K wird die Verschlusszeit nicht auf dem Touchscreen angezeigt, ist aber im URSA Viewfinder zu sehen, sofern dieser installiert ist.

Wenn Sie auf der URSA Mini 4.6K oder der URSA Mini Pro die Verschlusswinkel-Option gewählt haben, gilt die unten stehende Tabelle.

Verschlusszeit	Verschlusswinkel bei 23,98 fps	Verschlusswinkel bei 24 fps	Verschlusswinkel bei 25 fps	Verschlusswinkel bei 29,97 fps	Verschlusswinkel bei 50 fps	Verschlusswinkel bei 59,94 fps
1/50	172.7	172.8	180	215.8	360	360*
1/60	143.9	144	150	179.8	300	359.6
1/75	115.1	115.2	120	143.9	240	287.7
1/90	95.9	96	100	120	200	239.8
1/100	86.3	86.4	90	107.9	180	215.8
1/120	71.9	72	75	89.9	150	179.8
1/150	57.5	57.6	60	71.9	120	143.9
1/180	48	48	50	59.9	100	119.9
1/250	34.5	34.6	36	43.2	72	86.3
1/360	24	24	25	29.97	50	59.94
1/500	17.3	17.3	18	21.6	36	43.2
1/725	11.9	11.9	12.4	14.9	24.8	29.8
1/1450	11,25*	11,25*	11,25*	11,25*	12.4	14.9
1/2000	11,25*	11,25*	11,25*	11,25*	11,25*	11,25*

\*Bei Verschlusszeiten, die außerhalb des Verschlusswinkelbereichs der URSA Mini liegen, wird der Verschlusswinkel benutzt, der diesem Wert am nächsten liegt

**TIPP** Durch eine kürzere Verschlusszeit lassen sich Ihre Bilder ohne Einsatz der Gain-Einstellung aufhellen, da der Bildsensor so länger dem Licht ausgesetzt wird. Das kann gleichzeitig etwaiges Flimmern reduzieren oder beseitigen, wenn bei Leuchtstofflicht gefilmt wird. Eine Verlängerung der Verschlusszeit reduziert Bewegungsunschärfe und wird am besten dann eingesetzt, wenn Sie saubere, gestochene Bilder bekommen wollen.

## WHITE BAL

Die „Weißabgleich“-Einstellung neben der „Verschlusszeit“-Steuerung lässt sich durch Anklicken der beiderseits der Farbtemperaturanzeige befindlichen Links- und Rechtspfeile anpassen. Verschiedene Lichtquellen geben warm- oder kaltfarbiges Licht aus, was Sie anhand des Weißabgleichs kompensieren können. So wird dafür gesorgt, dass die Weißtöne in Ihrem Bild weiß bleiben.

## DaVinci Resolve Primary Color Corrector

Wer mit Farbkorrektur vertraut ist, kann statt der für Mischer gebräuchlichen CCU-Benutzeroberfläche der Kamerasteuerung für eine Benutzeroberfläche optieren, die dem Tool für die primäre Farbkorrektur eines Postproduktions-Grading-Systems gleicht.

Ihre Blackmagic URSA Mini ist mit einem integrierten DaVinci Resolve Tool für die primäre Farbkorrektur ausgestattet. Wenn Sie bereits mit DaVinci Resolve gearbeitet haben, können Sie Ihre Erfahrung auch für das Colorgrading bei Liveproduktionen mit der Blackmagic URSA Mini kreativ einsetzen, da dies genauso funktioniert. Das Farbkorrekturfenster lässt sich von jedem Kamerabedienfenster ausklappen und bietet eine erweiterte Farbkorrektursteuerung mit zusätzlichen Einstellungen und einer Bedienoberfläche mit allen Tools für die primäre Farbkorrektur.

Zur Verfügung stehen Ihnen hier Farbräder und Einstellungen wie Sättigung. Zusätzlich sind Einstellungen für Schatten, Mitteltöne und Lichter alle gleichzeitig sichtbar. Wechseln Sie einfach mithilfe der Schaltflächen für die Kameraauswahl oben im Fenster zwischen Kameras hin und her.

**TIPP** Die DaVinci Resolve Farbkorrektur wird auf die SDI-Ausgabe Ihrer URSA Mini und das ProRes-Video angewandt, das auf Ihrer Kamera aufgezeichnet wird. Da RAW-Video für die Nachbearbeitung gedacht ist, wird die Farbkorrektur nicht auf dieses Format angewandt. Beim Aufzeichnen von RAW-Video kann die Farbkorrektur jedoch auf die SDI-Ausgabe der URSA Mini angewandt werden.



Klicken Sie das DaVinci Resolve Primary Color Corrector Icon an, um das Farbkorrekturfenster zu erweitern und Einstellungen anzupassen

### Farbräder

Die Schaltflächen „Lift“, „Gamma“ und „Gain“ gestatten die Anpassung entlang des gesamten Tonwertspektrums, selbst in sich überlappenden Bereichen. Im fotografischen Sinne versteht man unter „Lift“, „Gamma“ und „Gain“ die Schatten, Mitten und Lichter.

So verwenden Sie die Farbräder, um feine oder rigorose Anpassungen vorzunehmen:

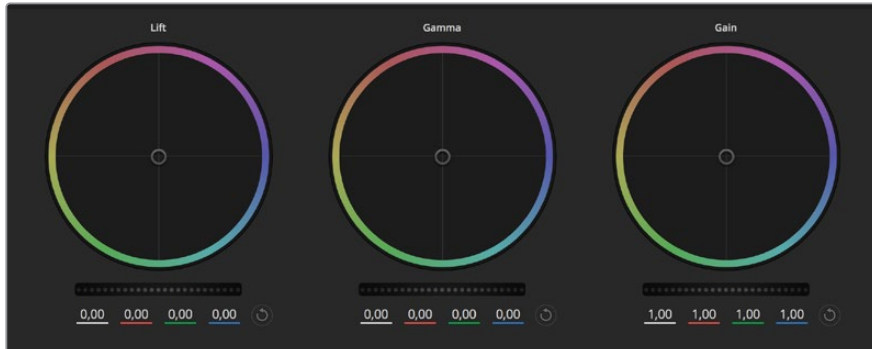
- **Führen Sie irgendwo im Farbrad einen Klick und eine Ziehbewegung aus:**  
Achten Sie darauf, dass die Farbbalance-Anzeige selbst nicht bewegt werden muss. Die unter der Farbbalance-Anzeige gelegenen RGB-Parameter verschieben sich analog zur Farbbalance-Justierung, was an einzelnen Kanälen vorgenommene Anpassungen reflektiert.
- **Führen Sie mittels Shift-Klick eine Ziehbewegung im Farbrad aus:**  
Versetzt die Farbbalance-Anzeige auf die absolute Position des Mauszeigers und gestattet schnellere, extremere Anpassungen.

- **Führen Sie einen Doppelklick im Farbrad aus:**

Setzt die Farbanpassung zurück, ohne die Anpassung des Masterrads für dieses Steuerelement zu beeinflussen.

- **Klicken Sie auf die Reset-Steuerung oben rechts in einem Farbrad:**

Dies setzt die Farbbalance zusammen mit dem ihr zugehörigen Masterrad zurück.



Die Farbräder für Lichter, Mitten und Schatten im Farbkorrekturfenster

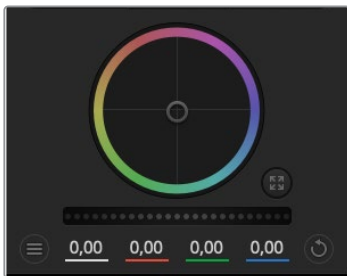
## Masterräder

Benutzen Sie die Masterräder unter den Farbrädern, um die „Lift“-, „Gamma“- und „Gain“-Steuerungen für jeden YRGB-Kanal individuell anzupassen.

So nehmen Sie Anpassungen mithilfe des Masterrads vor:

- **Drehen Sie das Masterrad nach links oder rechts:**

Durch Drehen nach links wird der ausgewählte Parameter des Bildes verdunkelt, durch Drehen nach rechts wird er erhellt. Wenn Sie eine Anpassung vornehmen, ändern sich dabei die darunter liegenden YRGB-Parameter und reflektieren Ihre soeben vorgenommene Anpassung. Führen Sie bei gedrückt gehaltener ALT-Taste eine Drehbewegung nach links oder rechts aus, um nur den Y-Wert anzupassen. Da der Farbkorrektor sich der YRGB-Verarbeitung bedient, können Sie Ihre Kreativität ausleben und einzigartige Effekte allein durch Anpassung des Y-Kanals erzielen. Anpassungen am Y-Kanal lassen sich am besten vornehmen, wenn die „Lum Mix“-Einstellung für eine YRGB-Verarbeitung nach rechts gesetzt ist. Ist diese nach links gesetzt, erfolgt eine reguläre RGB-Verarbeitung. Normalerweise arbeiten die meisten DaVinci Resolve Coloristen mit dem YRGB-Farbkorrektor, da dieser mehr Möglichkeiten zur Steuerung der Farbbalance bietet, ohne dabei die hellen Bereiche („Gain“) insgesamt zu beeinflussen. So kriegen Sie Ihren gewünschten Look schneller hin.



Passen Sie die Masterräder an, indem Sie den Regler nach links oder rechts ziehen

## „Kontrast“-Einstellung

Die Kontrasteinstellung lässt Sie die Spanne zwischen den dunkelsten und hellsten Tonwerten in einem Bild steuern. Die erzielte Wirkung ähnelt dem Einsatz der „Lift“- und „Gain“-Masterräder, um entgegengesetzte Anpassungen vorzunehmen. Die Standardeinstellung beträgt 50 %.



Kontrast, Sättigung, Farbton und Leuchtdichtemix lassen sich durch Ziehen des Schiebereglers justieren

## „Sättigungs“-Einstellung

Mit der Sättigungseinstellung lässt sich der im Bild vorhandene Farbanteil erhöhen oder senken. Die Standardeinstellung beträgt 50 %.

## „Tonwert“-Einstellung

Mit der Farbtoneneinstellung lassen sich alle in einem Bild auftretenden Farbtöne um den gesamten Umfang des Farbrads drehen. Die Standardeinstellung von 180 Grad zeigt die ursprüngliche Farbtonverteilung an. Die Steigerung bzw. Senkung dieses Wertes bewirkt, dass alle Farbtöne gemäß der auf dem Farbrad sichtbaren Farbtonverteilung gedreht werden.

## „Lum Mix“-Einstellung

Der integrierte Farbkorrektor Ihrer Blackmagic URSA Mini basiert auf dem DaVinci Resolve Tool für die primäre Farbkorrektur. DaVinci baut seit Anfang der 1980er Jahre Farbkorrektursysteme und es werden mehr Hollywood-Spielfilme mit DaVinci Resolve gegradet als mit jeder anderen Applikation.

Das bedeutet für Sie, dass der in Ihre URSA Mini integrierte Farbkorrektor eine Reihe einzigartiger Features mitbringt, die Ihren kreativen Spielraum erweitern. Eine davon ist die YRGB-Verarbeitung.

Für das Colorgrading können Sie wahlweise die RGB-Verarbeitung oder die YRGB-Verarbeitung nutzen. High-End-Coloristen favorisieren YRGB-Verarbeitung, da diese mehr Kontrolle über die Farbe gewährt, die Anpassung separater Kanäle ermöglicht und mehr kreative Möglichkeiten bietet.

Ein ganz nach rechts gezogener „Lum Mix“-Schieberegler bedeutet eine 100-prozentige Ausgabe des YRGB-Farbkorrektors. Ist „Lum Mix“ ganz nach links gezogen, bedeutet das eine 100-prozentige Ausgabe des RGB-Farbkorrektors. Der „Lum Mix“-Regler kann beliebig weit nach rechts oder links gezogen werden, um eine im entsprechenden Verhältnis gemischte Ausgabe der RGB- und YRGB-Korrektoren zu bewirken.

Welche Einstellung ist die richtige? Das ist bei diesem rein kreativen Vorgang allein Ihre Entscheidung. Es gibt kein richtig und falsch, denn es zählt nur, was Ihnen am besten gefällt!

## Synchronisation von Einstellungen

Ist die Kamera an einen ATEM Mischer gekoppelt, übermittelt er die Signale zur Kamerasteuerung an Ihre Blackmagic URSA Mini. Wenn versehentlich eine Einstellung Ihrer URSA Mini geändert wird, setzt „Camera Control“ diese Einstellung automatisch zurück, damit die Synchronisation erhalten bleibt.

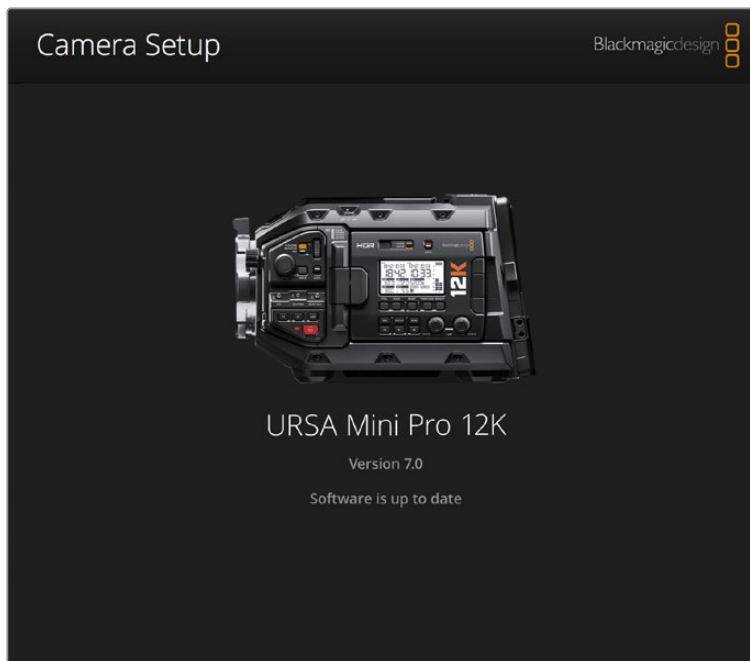
**TIPP** Auch wenn Sie die Verbindung zum 12G-SDI-Eingang Ihrer URSA Mini unterbrechen, wendet sie weiterhin alle in der DaVinci Resolve Farbkorrektur vorgenommenen Bildanpassungen an. So können Sie Kamerawinkel verändern, ohne Ihre Bildeinstellungen erneut aufrufen zu müssen. Wenn Sie die URSA Mini auf ihre Standardfarbeinstellungen zurücksetzen möchten, schalten Sie sie einfach aus und wieder ein, nachdem Sie die Verbindung zum 12G-SDI-Eingang unterbrochen haben.

# Blackmagic Camera Setup Dienstprogramm

## Die Kamerasoftware auf einem Mac aktualisieren

Laden Sie das Blackmagic Camera Setup Dienstprogramm herunter, entpacken Sie die heruntergeladene Datei und lassen Sie sich die Installationsanwendung Blackmagic Camera Setup Installer anzeigen.

Starten Sie die Installationsanwendung und folgen Sie den Anweisungen auf dem Bildschirm. Gehen Sie nach abgeschlossener Installation zu Ihrem Anwendungsordner und öffnen Sie den Ordner „Blackmagic Cameras“. Dieser enthält diese Bedienungsanleitung, das Dienstprogramm Blackmagic Camera Setup sowie einen Dokumentenordner mit Readme-Dateien und Informationen. Sie finden dort auch ein Deinstallationsprogramm, das Sie für Updates mit neueren Versionen des Dienstprogramms Blackmagic Camera Setup benötigen werden.



## Ihre Kamerasoftware unter Windows aktualisieren

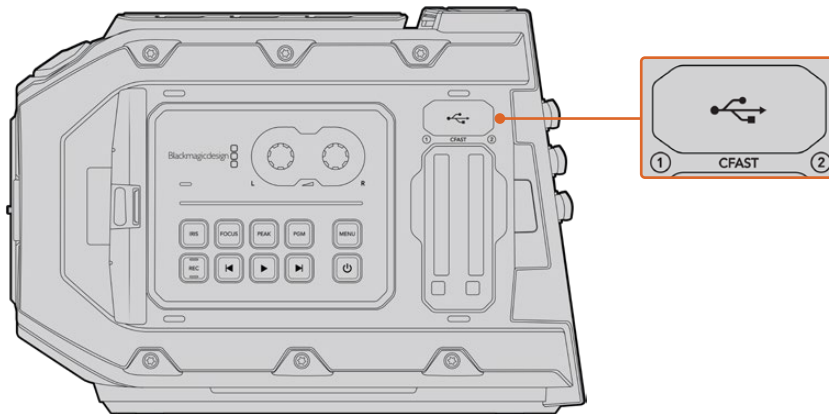
Nach erfolgreichem Download des Dienstprogramms Blackmagic Camera Setup und Entpacken der heruntergeladenen Datei ist ein Ordner namens Blackmagic Camera Setup zu sehen, der eine PDF-Version dieser Bedienungsanleitung und das Programm Blackmagic Camera Setup Installer enthält. Doppelklicken Sie auf das Installationsprogramm und folgen Sie den auf dem Bildschirm angezeigten Anweisungen zur Fertigstellung der Installation.

Unter Windows 10: Klicken Sie auf den „Start“-Button und wählen Sie „Alle Programme“ aus. Scrollen Sie zum Blackmagic Design Ordner. Starten Sie von dort die Anwendung Blackmagic Camera Setup.

Unter Windows 8.1: Klicken Sie auf dem Startbildschirm auf das Pfeilsymbol nach unten und scrollen Sie zum Blackmagic Design Ordner. Starten Sie von dort die Anwendung Blackmagic Camera Setup.



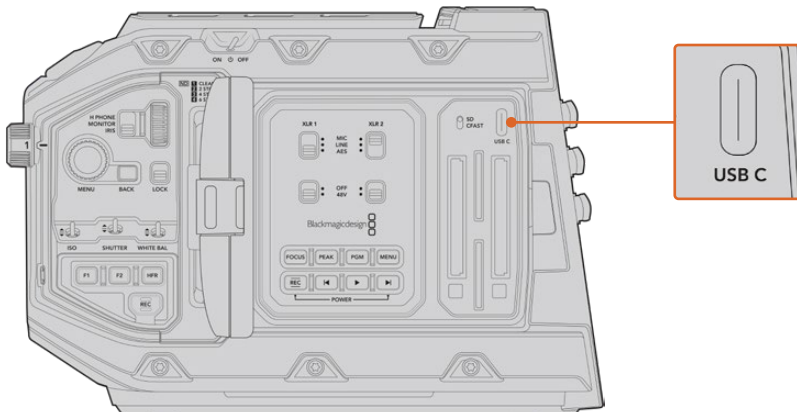
## So aktualisieren Sie Ihre Kamerasoftware



Der Mini-B-USB-2.0-Port zur Aktualisierung der Kamerasoftware befindet sich an der Unterseite der Blackmagic URSA bzw. über den Kartensteckplätzen der Blackmagic URSA Mini

Schließen Sie Ihren Computer nach erfolgter Installation des aktuellsten Blackmagic Camera Setup Dienstprogramms über ein USB-Kabel an Ihre Blackmagic URSA Mini an. Bei der Blackmagic URSA Mini ist der USB-Port an der linken Kameraseite über den Kartensteckplätzen angeordnet. Heben Sie einfach die Gummiabdeckung, um an den Port zu gelangen.

Starten Sie das Blackmagic Camera Setup Dienstprogramm und folgen Sie den auf dem Bildschirm angezeigten Aufforderungen zur Aktualisierung der Kamerasoftware. Bitte beachten Sie, dass mit dem Aktualisieren Ihrer Kamerasoftware alle Presets und benutzerdefinierten LUTs gelöscht und Einstellungen zurückgesetzt werden. Als bewährte Praxis empfiehlt es sich, ein Backup Ihrer Presets auf einer Speicherkarte anzufertigen, bevor Sie sie aktualisieren. Nach einem Softwareupdate können Sie Ihre Presets und LUTs per Import von der Speicherkarte schnell wiederherstellen. Des Weiteren empfehlen wir, eine Black-Shading-Kalibrierung auszuführen.



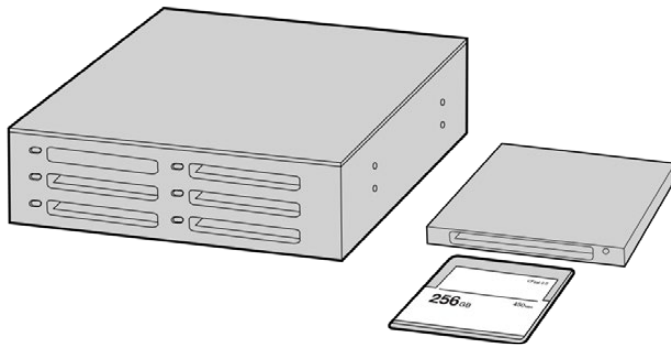
Auf der Blackmagic URSA Mini Pro 4.6K befindet sich der USB-C-Port zur Aktualisierung der Kamerasoftware über den Kartensteckplätzen neben dem Schalter für die Medienauswahl

# Arbeiten mit Fremdhersteller-Software

Um Clips mit Ihrer bevorzugten Schnittsoftware zu bearbeiten, können Sie die Clips auf ein internes/externes Laufwerk oder einen RAID kopieren und die Clips anschließend in die Software importieren. Alternativ importieren Sie Ihre Clips direkt von Ihrem Speicherträger. Dies erfolgt über ein Dock bzw. einen Adapter für Ihre CFast- oder SD-Karte bzw. SSD.

**HINWEIS** Blackmagic RAW wird in DaVinci Resolve ab Version 15.3.1 unterstützt. Zahlreiche Schnittanwendungen für die Postproduktion von anderen Herstellern unterstützen mittlerweile ebenfalls Blackmagic RAW. Plug-ins zum Schneiden von Blackmagic RAW in Avid Media Composer und Adobe Premiere Pro sind in der Blackmagic-RAW-Software enthalten. Die steht zum Download auf [www.blackmagicdesign.com/de/support](http://www.blackmagicdesign.com/de/support) bereit.

## Arbeiten mit Dateien von CFast-2.0- und SD-Karten



Schneiden Sie direkt von Ihrer CFast-Karte, indem Sie sie aus Ihrer Kamera entnehmen und über ein CFast-2.0-Lese-/Schreibgerät oder CFast-Laufwerk an Ihren Computer anschließen

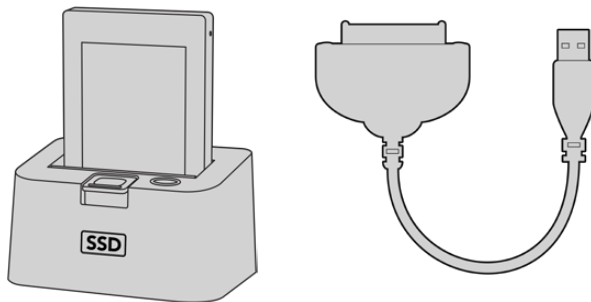
So importieren Sie Ihre Clips von einer CFast-2.0- oder SD-Karte:

- 1 Entnehmen Sie die CFast- oder SD-Karte aus Ihrer Blackmagic URSA Mini bzw. URSA Mini Pro.  
Schließen Sie die Speicherkarte über ein Lese-/Schreibgerät für CFast- oder SD-Karten an Ihren Mac- oder Windows-Computer an.
- 2 Navigieren Sie in Ihrem Betriebssystem zur Karte, um sie zu öffnen. Dort ist eine Liste mit Ihren Blackmagic-RAW- bzw. QuickTime-Movie-Dateien zu sehen.
- 3 Ziehen Sie jetzt per Drag-and-Drop die gewünschten Dateien von der SD-Karte auf Ihren Desktop oder ein anderes Laufwerk. Oder greifen Sie über Ihre Schnittsoftware direkt auf die Dateien auf der Speicherkarte zu.
- 4 Bevor Sie die CFast- oder SD-Karte aus Ihrem Computer herausziehen, ist es wichtig, diese unter Mac oder Windows zunächst auf sichere Weise auszuwerfen. Wenn Ihr Speicherträger nicht sicher ausgeworfen wird, besteht in manchen Fällen das Risiko einer Beschädigung Ihrer Footage.

## Arbeiten mit Dateien von SSDs

So importieren Sie Clips von einer SSD:

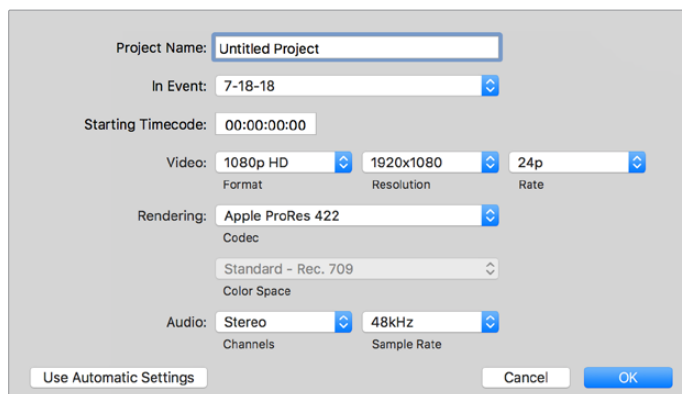
- 1 Entnehmen Sie die SSD aus dem URSA Mini Recorder.
- 2 Die SSD lässt sich über ein eSATA- oder Thunderbolt-Dock, z. B. eine Blackmagic MultiDock 10G, auf Ihrem Mac- oder Windows-Computer einlesen. Alternativ können Sie ein eSATA-USB-Adapterkabel benutzen und die SSD direkt über einen USB-Port an Ihren Computer anschließen. Verwenden Sie vorzugsweise USB 3.0, da USB 2.0 für den Videoschnitt in Echtzeit nicht schnell genug ist.
- 3 Öffnen Sie die SSD per Doppelklick. Nun müsste Ihnen eine Liste mit QuickTime-Movie oder Blackmagic-RAW-Dateien angezeigt werden. Je nach ausgewähltem Aufnahmeformat liegt Ihnen möglicherweise eine Mischung aus verschiedenen Dateien vor, deren Namenskonvention jedoch identisch ist.
- 4 Ziehen Sie jetzt einfach per Drag-and-Drop die gewünschten Dateien von der SSD auf Ihren Desktop oder auf ein anderes Laufwerk. Sie können auch direkt über Ihre NLE-Software auf die Dateien auf der SSD zugreifen.
- 5 Es ist wichtig, dass Sie die SSD zunächst sicher auf Ihrem Computer auswerfen, bevor Sie sie herausziehen.



Schneiden Sie Video direkt von der SSD. Entnehmen Sie hierfür die SSD aus der Kamera und koppeln Sie sie über ein eSATA-Thunderbolt-Dock oder ein USB-3.0-Dockingkabel an Ihren Computer

## Anwendung von Final Cut Pro X

Um Ihre Clips in Final Cut Pro X zu bearbeiten, müssen Sie ein neues Projekt erstellen, das dem Videoformat und der Framerate Ihrer Clips entspricht. In diesem Beispiel wird ProRes 422 HQ 1080p/24 verwendet.



Projekteinstellungen in Final Cut Pro X

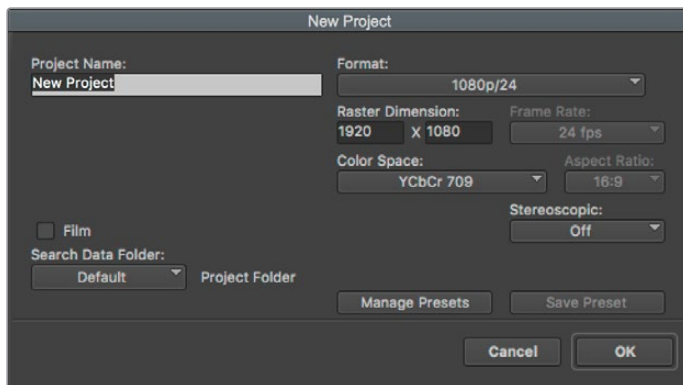
- 1 Starten Sie Final Cut Pro X und wählen Sie in der Menüleiste „File/New Project“ (Datei/Neues Projekt) aus. Es öffnet sich ein Fenster mit den Projekteinstellungen.
- 2 Benennen Sie Ihr Projekt und aktivieren Sie das Kontrollkästchen „Custom“ (Benutzerdefiniert).
- 3 Stellen Sie die „Video Properties“ (Videoeigenschaften) auf 1080p HD, 1920 x 1080 und 24p ein.
- 4 Stellen Sie Ihre „Audio and render properties“ (Audio- und Render-Eigenschaften) auf Stereo, 48 kHz, und Apple ProRes 422 HQ ein.
- 5 Klicken Sie auf „OK“.

Gehen Sie zum Importieren von Clips in Ihr Projekt auf die Menüleiste und wählen Sie „File“ > „Import“ > „Media“ (Datei > Importieren > Medien) aus. Wählen Sie die Clips von Ihrer CFast-Karte aus.

Ihre Clips lassen sich jetzt zur Bearbeitung auf die Timeline ziehen.

## Anwendung von Avid Media Composer 2018

Um Ihre Clips mit Avid Media Composer 2018 zu bearbeiten, erstellen Sie ein neues Projekt, das dem Videoformat und der Framerate Ihres Clips entspricht. In diesem Beispiel sind die Clips auf 1080p/24 eingestellt.



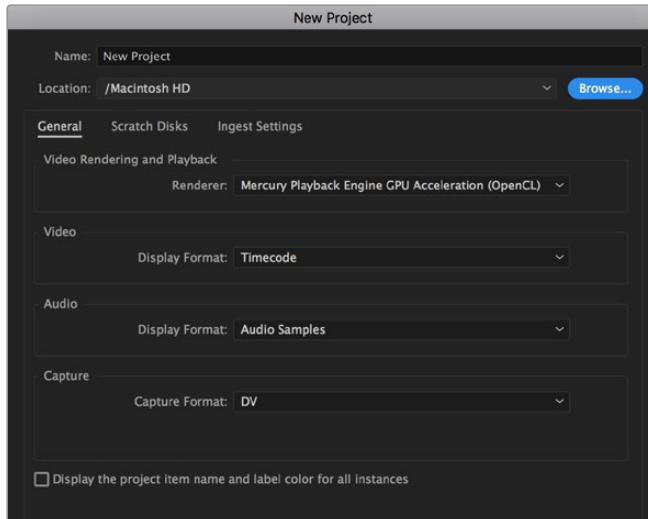
Eingabe des Projektnamens und der Projektoptionen in Avid Media Composer 2018

- 1 Starten Sie Avid Media Composer 2018. Das „Select Project“-Fenster (Projekt auswählen) erscheint.
- 2 Klicken Sie auf den Button „New Project“ (Neues Projekt) und benennen Sie Ihr neues Projekt im Fenster „New Project“.
- 3 Geben Sie im Drop-down-Menü „Format“ „HD 1080 > 1080p/24“ aus und klicken Sie auf „OK“, um das Projekt zu erstellen.
- 4 Um das Projekt zu öffnen, doppelklicken Sie es im „Select Project“-Fenster.
- 5 Wählen Sie „File“ > „Input“ > „Source Browser“ (Datei > Eingabe > Quellbrowser) aus und navigieren Sie zu den zu importierenden Dateien.
- 6 Wählen Sie im Drop-down-Menü Ihre „Target Bin“ (Ziel-Bin) aus und klicken Sie „Import“ (Importieren).

Sobald die Clips in der Medien-Bin erscheinen, können Sie Ihre Clips auf die Timeline ziehen und mit dem Schnitt beginnen.

## Anwendung von Adobe Premiere Pro CC

Um Ihre in Apple ProRes 422 HQ erstellten Clips mit Adobe Premiere Pro CC zu schneiden, müssen Sie ein neues Projekt erstellen und ein passendes Videoformat sowie eine geeignete Framerate einstellen. In diesem Beispiel sind die Clips auf ProRes 422 HQ 1080p/25 eingestellt.



Eingabe des Projektnamens und der Projektoptionen in Adobe Premiere Pro CC

- 1 Starten Sie Adobe Premiere Pro CC. Wählen Sie im Willkommensfenster „New Project“ (Neues Projekt) aus. Es öffnet sich ein Fenster mit den Projekteinstellungen.
- 2 Benennen Sie Ihr Projekt. Wählen Sie den Speicherort für Ihr Projekt per Klick auf die Schaltfläche „Browse“ (Durchsuchen) und geben Sie den gewünschten Ordner vor. Klicken Sie nach Auswahl Ihres Speicherort-Ordners Fenster „New Project“ auf „OK“.
- 3 Wählen Sie auf der Adobe Premiere Pro CC Menüleiste per „File“ > „Import“ (Datei > Importieren) die zu bearbeitenden Clips aus. Ihre Clips erscheinen im Projektfenster.
- 4 Ziehen Sie den ersten zu bearbeitenden Clip unten rechts im Projektfenster auf das Icon „New item“ (Neues Objekt). Daraufhin wird eine neue Sequenz erstellt, die mit Ihren Clip-Einstellungen übereinstimmt.

Sie können Ihre Clips jetzt zur Bearbeitung in die Sequenz-Timeline ziehen.

# Informationen für Entwickler (Englisch)

## Blackmagic Bluetooth Camera Control

Blackmagic cameras with Bluetooth LE implement a variety of features and commands that allow users to control their cameras wirelessly. Developers have full access to these features for their custom applications.

The following services and characteristics describe the full range of communication options that are available to the developer.

### Service: Device Information Service

UUID: 180A

#### Characteristics

##### **Camera Manufacturer**

UUID: 2A29

Read the name of the manufacturer (always “Blackmagic Design”).

##### **Camera Model**

UUID: 2A24

Read the name of the camera model (“URSA Mini”).

### Service: Blackmagic Camera Service

UUID: 291D567A-6D75-11E6-8B77-86F30CA893D3

#### Characteristics

##### **Outgoing Camera Control (encrypted)**

UUID: 5DD3465F-1AEE-4299-8493-D2ECA2F8E1BB

##### **Send Camera Control messages**

These messages are identical to those described in the Blackmagic SDI Camera Control Protocol section below. Please read that section for a list of supported messages and required formatting information.

For an example of how packets are structured, please see the ‘example protocol packets’ section in this document.

##### **Incoming Camera Control (encrypted)**

UUID: B864E140-76A0-416A-BF30-5876504537D9

Request notifications for this characteristic to receive Camera Control messages from the camera.

These messages are identical to those described in the Blackmagic SDI Camera Control Protocol section below. Please read that section for a list of supported messages and required formatting information.

### Timecode (encrypted)

UUID: 6D8F2110-86F1-41BF-9AFB-451D87E976C8

Request notifications for this characteristic to receive timecode updates.

Timecode (HH:MM:SS:mm) is represented by a 32-bit BCD number:  
(eg. 09:12:53:10 = 0x09125310)

### Camera Status (encrypted)

UUID: 7FE8691D-95DC-4FC5-8ABD-CA74339B51B9

Request notifications for this characteristic to receive camera status updates.

The camera status is represented by flags contained in an 8-bit integer:

<b>None</b>	= 0x00
<b>Camera Power On</b>	= 0x01
<b>Connected</b>	= 0x02
<b>Paired</b>	= 0x04
<b>Versions Verified</b>	= 0x08
<b>Initial Payload Received</b>	= 0x10
<b>Camera Ready</b>	= 0x20

Send a value of 0x00 to power a connected camera off.

Send a value of 0x01 to power a connected camera on.

### Device Name

UUID: FFAC0C52-C9FB-41A0-B063-CC76282EB89C

Send a device name to the camera (max. 32 characters).

The camera will display this name in the Bluetooth Setup Menu.

### Protocol Version

UUID: 8F1FD018-B508-456F-8F82-3D392BEE2706

Read this value to determine the camera's supported CCU protocol version.

**NOTE** Encrypted characteristics can only be used once a device has successfully bonded or paired with the Blackmagic Camera. Once a connection has been established, any attempt to write to an encrypted characteristic will initiate bonding. For example, writing a 'Camera Power On' (0x01) message to the Camera Status characteristic.

Once bonding is initiated, the camera will display a 6-digit pin in the Bluetooth Setup Menu. Enter this pin on your device to establish an encrypted connection. The device will now be able to read, write and receive notifications from encrypted characteristics.



# Blackmagic SDI and Bluetooth Camera Control Protocol

## Version 1.4

If you are a software developer you can use the Blackmagic SDI and Bluetooth Camera Control Protocol to construct devices that integrate with our products. Here at Blackmagic Design, our approach is to open up our protocols and we eagerly look forward to seeing what you come up with!

## Overview

This document describes an extensible protocol for sending a unidirectional stream of small control messages embedded in the non-active picture region of a digital video stream. The video stream containing the protocol stream may be broadcast to a number of devices. Device addressing is used to allow the sender to specify which device each message is directed to.

## Assumptions

Alignment and padding constraints are explicitly described in the protocol document. Bit fields are packed from LSB first. Message groups, individual messages and command headers are defined as, and can be assumed to be, 32 bit aligned.

## Blanking Encoding

A message group is encoded into a SMPTE 291M packet with DID/SDID x51/x53 in the active region of VANC line 16.

## Message Grouping

Up to 32 messages may be concatenated and transmitted in one blanking packet up to a maximum of 255 bytes payload. Under most circumstances, this should allow all messages to be sent with a maximum of one frame latency.

If the transmitting device queues more bytes of message packets than can be sent in a single frame, it should use heuristics to determine which packets to prioritize and send immediately. Lower priority messages can be delayed to later frames, or dropped entirely as appropriate.

## Abstract Message Packet Format

Every message packet consists of a three byte header followed by an optional variable length data block. The maximum packet size is 64 bytes.

<b>Destination device (uint8)</b>	Device addresses are represented as an 8 bit unsigned integer. Individual devices are numbered 0 through 254 with the value 255 reserved to indicate a broadcast message to all devices.
<b>Command length (uint8)</b>	The command length is an 8 bit unsigned integer which specifies the length of the included command data. The length does NOT include the length of the header or any trailing padding bytes.
<b>Command id (uint8)</b>	The command id is an 8 bit unsigned integer which indicates the message type being sent. Receiving devices should ignore any commands that they do not understand. Commands 0 through 127 are reserved for commands that apply to multiple types of devices. Commands 128 through 255 are device specific.
<b>Reserved (uint8)</b>	This byte is reserved for alignment and expansion purposes. It should be set to zero.
<b>Command data (uint8[])</b>	The command data may contain between 0 and 60 bytes of data. The format of the data section is defined by the command itself.
<b>Padding (uint8[])</b>	Messages must be padded up to a 32 bit boundary with 0x0 bytes. Any padding bytes are NOT included in the command length.

Receiving devices should use the destination device address and or the command identifier to determine which messages to process. The receiver should use the command length to skip irrelevant or unknown commands and should be careful to skip the implicit padding as well.

## Defined Commands

### Command 0 : change configuration

<b>Category (uint8)</b>	The category number specifies one of up to 256 configuration categories available on the device.
<b>Parameter (uint8)</b>	The parameter number specifies one of 256 potential configuration parameters available on the device. Parameters 0 through 127 are device specific parameters. Parameters 128 through 255 are reserved for parameters that apply to multiple types of devices.
<b>Data type (uint8)</b>	The data type specifies the type of the remaining data. The packet length is used to determine the number of elements in the message. Each message must contain an integral number of data elements.

#### Currently defined values are:

<b>0: void / boolean</b>	A void value is represented as a boolean array of length zero. The data field is a 8 bit value with 0 meaning false and all other values meaning true.
<b>1: signed byte</b>	Data elements are signed bytes
<b>2: signed 16 bit integer</b>	Data elements are signed 16 bit values
<b>3: signed 32 bit integer</b>	Data elements are signed 32 bit values
<b>4: signed 64 bit integer</b>	Data elements are signed 64 bit values
<b>5: UTF-8 string</b>	Data elements represent a UTF-8 string with no terminating character.

#### Data types 6 through 127 are reserved.

<b>128: signed 5.11 fixed point</b>	Data elements are signed 16 bit integers representing a real number with 5 bits for the integer component and 11 bits for the fractional component. The fixed point representation is equal to the real value multiplied by $2^{11}$ . The representable range is from -16.0 to 15.9995 ( $15 + 2047/2048$ ).
-------------------------------------	---

#### Data types 129 through 255 are available for device specific purposes.

<b>Operation type (uint8)</b>	The operation type specifies what action to perform on the specified parameter. Currently defined values are:
<b>0: assign value</b>	The supplied values are assigned to the specified parameter. Each element will be clamped according to its valid range. A void parameter may only be 'assigned' an empty list of boolean type. This operation will trigger the action associated with that parameter. A boolean value may be assigned the value zero for false, and any other value for true.
<b>1: offset / toggle value</b>	Each value specifies signed offsets of the same type to be added to the current parameter values. The resulting parameter value will be clamped according to their valid range. It is not valid to apply an offset to a void value. Applying any offset other than zero to a boolean value will invert that value.

#### Operation types 2 through 127 are reserved.

#### Operation types 128 through 255 are available for device specific purposes.

<b>Data (void)</b>	The data field is 0 or more bytes as determined by the data type and number of elements.
--------------------	--

The category, parameter, data type and operation type partition a 24 bit operation space.

Group	ID	Parameter	Type	Index	Minimum	Maximum	Interpretation	
Lens	0.0	Focus	fixed16	–	0.0	1.0	0.0 = near, 1.0 = far	
	0.1	Instantaneous autofocus	void	–	–	–	trigger instantaneous autofocus	
	0.2	Aperture (f-stop)	fixed16	–	-1.0	16.0	Aperture Value (where fnumber = $\sqrt{2^{AV}}$ )	
	0.3	Aperture (normalised)	fixed16	–	0.0	1.0	0.0 = smallest, 1.0 = largest	
	0.4	Aperture (ordinal)	int16	–	0	n	Steps through available aperture values from minimum (0) to maximum (n)	
	0.5	Instantaneous auto aperture	void	–	–	–	trigger instantaneous auto aperture	
	0.6	Optical image stabilisation	boolean	–	–	–	true = enabled, false = disabled	
	0.7	Set absolute zoom (mm)	int16	–	0	max	Move to specified focal length in mm, from minimum (0) to maximum (max)	
	0.8	Set absolute zoom (normalised)	fixed16	–	0.0	1.0	Move to specified focal length: 0.0 = wide, 1.0 = tele	
0.9	Set continuous zoom (speed)	fixed16	–	-1.0	+1.0	Start/stop zooming at specified rate: -1.0 = zoom wider fast, 0.0 = stop, +1 = zoom tele fast		
Video	1.0	Video mode	int8	[0] = frame rate	–	–	fps as integer (eg 24, 25, 30, 50, 60)	
				[1] = M-rate	–	–	0 = regular, 1 = M-rate	
				[2] = dimensions	–	–	0 = NTSC, 1 = PAL, 2 = 720, 3 = 1080, 4 = 2kDCI, 5 = 2k16:9, 6 = UHD, 7 = 3k Anamorphic, 8 = 4k DCI, 9 = 4k 16:9, 10 = 4.6k 2.4:1, 11 = 4.6k	
				[3] = interlaced	–	–	0 = progressive, 1 = interlaced	
				[4] = Color space	–	–	0 = YUV	
	1.1	Gain (up to Camera 4.9)	int8			1	128	1x, 2x, 4x, 8x, 16x, 32x, 64x, 128x gain
	1.2	Manual White Balance	int16	[0] = color temp	2500	10000		Color temperature in K
			int16	[1] = tint	-50	50		tint
	1.3	Set auto WB	void	–	–	–	–	Calculate and set auto white balance
	1.4	Restore auto WB	void	–	–	–	–	Use latest auto white balance setting
1.5	Exposure (us)	int32			1	42000	time in us	
1.6	Exposure (ordinal)	int16	–		0	n	Steps through available exposure values from minimum (0) to maximum (n)	
1.7	Dynamic Range Mode	int8 enum	–		0	2	0 = film, 1 = video, 2 = extended video	
1.8	Video sharpening level	int8 enum	–		0	3	0 = off, 1 = low, 2 = medium, 3 = high	

Group	ID	Parameter	Type	Index	Minimum	Maximum	Interpretation
Video	1.9	Recording format	int16	[0] = file frame rate	–	–	fps as integer (eg 24, 25, 30, 50, 60, 120)
				[1] = sensor frame rate	–	–	fps as integer, valid when sensor-off-speed set (eg 24, 25, 30, 33, 48, 50, 60, 120), no change will be performed if this value is set to 0
				[2] = frame width	–	–	in pixels
				[3] = frame height	–	–	in pixels
				[4] = flags	–	–	[0] = file-M-rate
					–	–	[1] = sensor-M-rate, valid when sensor-off-speed-set
					–	–	[2] = sensor-off-speed
					–	–	[3] = interlaced
	–	–	[4] = windowed mode				
	1.10	Set auto exposure mode	int8	–	0	4	0 = Manual Trigger, 1 = Iris, 2 = Shutter, 3 = Iris + Shutter, 4 = Shutter + Iris
	1.11	Shutter angle	int32	–	100	36000	Shutter angle in degrees, multiplied by 100
	1.12	Shutter speed	int32	–	Current sensor frame rate	5000	Shutter speed value as a fraction of 1, so 50 for 1/50th of a second
	1.13	Gain	int8	–	-128	127	Gain in decibel (dB)
	1.14	ISO	int32	–	0	2147483647	ISO value
	1.15	Display LUT	int8	[0] = selected LUT	–	–	0 = None, 1 = Custom, 2 = film to video, 3 = film to extended video
[1] = enabled or not				–	–	0 = Not enabled, 1 = Enabled	
Audio	2.0	Mic level	fixed16	–	0.0	1.0	0.0 = minimum, 1.0 = maximum
	2.1	Headphone level	fixed16	–	0.1	1.0	0.0 = minimum, 1.0 = maximum
	2.2	Headphone program mix	fixed16	–	0.1	1.0	0.0 = minimum, 1.0 = maximum
	2.3	Speaker level	fixed16	–	0.1	1.0	0.0 = minimum, 1.0 = maximum
	2.4	Input type	int8	–	0	3	0 = internal mic, 1 = line level input, 2 = low mic level input, 3 = high mic level input
	2.5	Input levels	fixed16	[0] ch0	0.0	1.0	0.0 = minimum, 1.0 = maximum
				[1] ch1	0.0	1.0	0.0 = minimum, 1.0 = maximum
	2.6	Phantom power	boolean	–	–	–	true = powered, false = not powered

Group	ID	Parameter	Type	Index	Minimum	Maximum	Interpretation
Output	3.0	Overlay enables	uint16 bit field	–	–	–	bit flags: [0] = display status, [1] = display frame guides Some cameras don't allow separate control of frame guides and status overlays.
	3.1	Frame guides style (Camera 3.x)	int8	–	0	8	0 = HDTV, 1 = 4:3, 2 = 2.4:1, 3 = 2.39:1, 4 = 2.35:1, 5 = 1.85:1, 6 = thirds
	3.2	Frame guides opacity (Camera 3.x)	fixed16	–	0.1	1.0	0.0 = transparent, 1.0 = opaque
	3.3	Overlays (replaces .1 and .2 above from Cameras 4.0)	int8	[0] = frame guides style	–	–	0 = off, 1 = 2.4:1, 2 = 2.39:1, 3 = 2.35:1, 4 = 1.85:1, 5 = 16:9, 6 = 14:9, 7 = 4:3, 8 = 2:1, 9 = 4:5, 10 = 1:1
			[1] = frame guide opacity	0	100	0 = transparent, 100 = opaque	
			[2] = safe area percentage	0	100	percentage of full frame used by safe area guide (0 means off)	
			[3] = grid style	–	–	bit flags: [0] = display thirds, [1] = display cross hairs, [2] = display center dot, [3] = display horizon	
Display	4.0	Brightness	fixed16	–	0.0	1.0	0.0 = minimum, 1.0 = maximum
	4.1	Exposure and focus tools	int16 bit field	0x1 = zebra, 0x2 = focus assist, 0x4 = false color	–	–	0 = disable, 1 = enable
	4.2	Zebra level	fixed16	–	0.0	1.0	0.0 = minimum, 1.0 = maximum
	4.3	Peaking level	fixed16	–	0.0	1.0	0.0 = minimum, 1.0 = maximum
	4.4	Color bar enable	int8	–	0	30	0 = disable bars, 1-30 = enable bars with timeout (seconds)
	4.5	Focus Assist	int8	[0] = focus assist method	–	–	0 = Peak, 1 = Colored lines
				[1] = focus line color	–	–	0 = Red, 1 = Green, 2 = Blue, 3 = White, 4 = Black
	4.6	Program return feed enable	int8	–	0	30	0 = disable, 1-30 = enable with timeout (seconds)
Tally	5.0	Tally brightness	fixed16	–	0.0	1.0	Sets the tally front and tally rear brightness to the same level. 0.0 = minimum, 1.0 = maximum
	5.1	Front tally brightness	fixed16	–	0.0	1.0	Sets the tally front brightness. 0.0 = minimum, 1.0 = maximum
	5.2	Rear tally brightness	fixed16	–	0.0	1.0	Sets the tally rear brightness. 0.0 = minimum, 1.0 = maximum Tally rear brightness cannot be turned off

Group	ID	Parameter	Type	Index	Minimum	Maximum	Interpretation
Reference	6.0	Source	int8 enum	–	0	2	0 = internal, 1 = program, 2 = external
	6.1	Offset	int32	–	–	–	+/- offset in pixels
Confi- guration	7.0	Real Time Clock	int32	[0] time	–	–	BCD - HHMMSSFF (UCT)
				[1] date	–	–	BCD - YYYYMMDD
	7.1	System language	string	[0-1]	–	–	ISO-639-1 two character language code
	7.2	Timezone	int32	–	–	–	Minutes offset from UTC
	7.3	Location	int64	[0] latitude	–	–	BCD - s0DDdddddddddd where s is the sign: 0 = north (+), 1 = south (-); DD degrees, ddddddddddd decimal degrees
				[1] longitude	–	–	BCD - sDDDdddddddddd where s is the sign: 0 = west (-), 1 = east (+); DDD degrees, dddddddddd decimal degrees
Color Correction	8.0	Lift Adjust	fixed16	[0] red	-2.0	2.0	default 0.0
				[1] green	-2.0	2.0	default 0.0
				[2] blue	-2.0	2.0	default 0.0
				[3] luma	-2.0	2.0	default 0.0
	8.1	Gamma Adjust	fixed16	[0] red	-4.0	4.0	default 0.0
				[1] green	-4.0	4.0	default 0.0
				[2] blue	-4.0	4.0	default 0.0
				[3] luma	-4.0	4.0	default 0.0
	8.2	Gain Adjust	fixed16	[0] red	0.0	16.0	default 1.0
				[1] green	0.0	16.0	default 1.0
				[2] blue	0.0	16.0	default 1.0
				[3] luma	0.0	16.0	default 1.0
	8.3	Offset Adjust	fixed16	[0] red	-8.0	8.0	default 0.0
				[1] green	-8.0	8.0	default 0.0
				[2] blue	-8.0	8.0	default 0.0
				[3] luma	-8.0	8.0	default 0.0
	8.4	Contrast Adjust	fixed16	[0] pivot	0.0	1.0	default 0.5
				[1] adj	0.0	2.0	default 1.0
	8.5	Luma mix	fixed16	–	0.0	1.0	default 1.0
	8.6	Color Adjust	fixed16	[0] hue	-1.0	1.0	default 0.0
[1] sat				0.0	2.0	default 1.0	
8.7	Correction Reset Default	void	–	–	–	reset to defaults	

Group	ID	Parameter	Type	Index	Minimum	Maximum	Interpretation
Media	10.0	Codec	int8 enum	[0] = basic codec	-	-	0 = CinemaDNG, 1 = DNxHD, 2 = ProRes, 3 = Blackmagic RAW
				[1] = code variant	-	-	CinemaDNG: 0 = uncompressed, 1 = lossy 3:1, 2 = lossy 4:1
					-	-	ProRes: 0 = HQ, 1 = 422, 2 = LT, 3 = Proxy, 4 = 444, 5 = 444XQ
					-	-	Blackmagic RAW: 0 = Q0, 1 = Q5, 2 = 3:1, 3 = 5:1, 4 = 8:1, 5 = 12:1
	10.1	Transport mode	int8	[0] = mode	-	-	0 = Preview, 1 = Play, 2 = Record
				[1] = speed	-	-	-ve = multiple speeds backwards, 0 = pause, +ve = multiple speeds forwards
				[2] = flags	-	-	1<<0 = loop, 1<<1 = play all, 1<<5 = disk1 active, 1<<6 = disk2 active, 1<<7 = time-lapse recording
				[3] = slot 1 storage medium	-	-	0 = CFast card, 1 = SD, 2 = SSD Recorder
				[4] = slot 2 storage medium	-	-	0 = CFast card, 1 = SD, 2 = SSD Recorder
	10.2	Playback Control	int8 enum	[0] = clip	-	-	0 = Previous, 1 = Next
PTZ Control	11.0	Pan/Tilt Velocity	fixed 16	[0] = pan velocity	-1.0	1.0	-1.0 = full speed left, 1.0 = full speed right
				[1] = tilt velocity	-1.0	1.0	-1.0 = full speed down, 1.0 = full speed up
	11.1	Memory Preset	int8 enum	[0] = preset command	-	-	0 = reset, 1 = store location, 2 = recall location
			int8	[1] = preset slot	0	5	-



## Example Protocol Packets

Operation	Packet Length	Byte															
		0	1	2	3	4	5	6	7	8	9	10	11	12	13	14	15
		header			command				data								
		destination	length	command	reserved	category	parameter	type	operation								
trigger instantaneous auto focus on camera 4	8	4	4	0	0	0	1	0	0								
turn on OIS on all cameras	12	255	5	0	0	0	6	0	0	1	0	0	0				
set exposure to 10 ms on camera 4 (10 ms = 10000 us = 0x00002710)	12	4	8	0	0	1	5	3	0	0x10	0x27	0x00	0x00				
add 15% to zebra level (15 % = 0.15 f = 0x0133 fp)	12	4	6	0	0	4	2	128	1	0x33	0x01	0	0				
select 1080p 23.98 mode on all cameras	16	255	9	0	0	1	0	1	0	24	1	3	0	0	0	0	0
subtract 0.3 from gamma adjust for green & blue (-0.3 ~ = 0xfd9a fp)	16	4	12	0	0	8	1	128	1	0	0	0x9a	0xfd	0x9a	0xfd	0	0
all operations combined	76	4	4	0	0	0	1	0	0	255	5	0	0	0	6	0	0
		1	0	0	0	4	8	0	0	1	5	3	0	0x10	0x27	0x00	0x00
		4	6	0	0	4	2	128	1	0x33	0x01	0	0	255	9	0	0
		1	0	1	0	24	1	3	0	0	0	0	0	4	12	0	0
		8	1	128	1	0	0	0x9a	0xfd	0x9a	0xfd	0	0				

## Blackmagic Tally Control Protocol

### Version 1.0 (30/04/14)

This section is for third party developers or anybody who may wish to add support for the Blackmagic Tally Control Protocol to their products or system. It describes the protocol for sending tally information embedded in the non-active picture region of a digital video stream.

### Data Flow

A master device such as a broadcast switcher embeds tally information into its program feed which is broadcast to a number of slave devices such as cameras or camera controllers. The output from the slave devices is typically fed back to the master device, but may also be sent to a video monitor.

The primary flow of tally information is from the master device to the slaves. Each slave device may use its device id to extract and display the relevant tally information.

Slave devices pass through the tally packet on their output and update the monitor tally status, so that monitor devices connected to that individual output may display tally status without knowledge of the device id they are monitoring.

## Assumptions

Any data alignment / padding is explicit in the protocol. Bit fields are packed from LSB first.

## Blanking Encoding

One tally control packet may be sent per video frame. Packets are encoded as a SMPTE 291M packet with DID/SDID x51/x52 in the active region of VANC line 15. A tally control packet may contain up to 256 bytes of tally information.

## Packet Format

Each tally status consists of 4 bits of information:

```
uint4
    bit 0:  program tally status (0=off, 1=on)
    bit 1:  preview tally status (0=off, 1=on)
    bit 2-3: reserved (0x0)
```

The first byte of the tally packet contains the monitor device tally status and a version number.

Subsequent bytes of the tally packet contain tally status for pairs of slave devices. The master device sends tally status for the number of devices configured/supported, up to a maximum of 510.

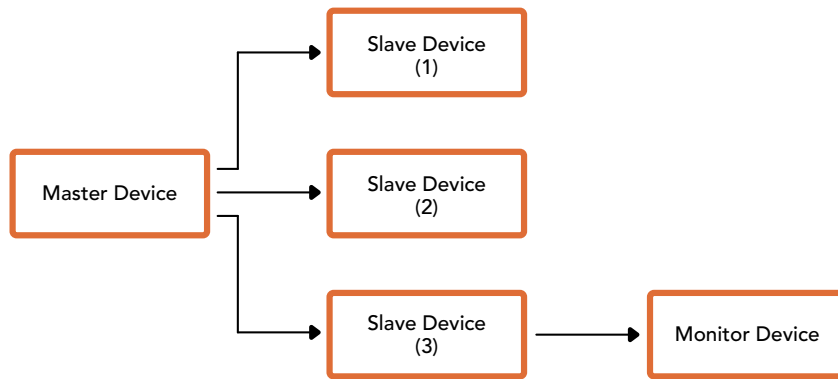
struct tally

```
uint8
    bit 0:  monitor device program tally status (0=off, 1=on)
    bit 1:  monitor device preview tally status (0=off, 1=on)
    bit 2-3: reserved (0b00)
    bit 4-7: protocol version (0b0000)

uint8[0]
    bit 0:  slave device 1 program tally status (0=off, 1=on)
    bit 1:  slave device 1 device preview tally status (0=off, 1=on)
    bit 2-3: reserved (0b00)
    bit 4:  slave device 2 program tally status (0=off, 1=on)
    bit 5:  slave device 2 preview tally status (0=off, 1=on)
    bit 6-7: reserved (0b00)

uint8[1]
    bit 0:  slave device 3 program tally status (0=off, 1=on)
    bit 1:  slave device 3 device preview tally status (0=off, 1=on)
    bit 2-3: reserved (0b00)
    bit 4:  slave device 4 program tally status (0=off, 1=on)
    bit 5:  slave device 4 preview tally status (0=off, 1=on)
    bit 6-7: reserved (0b00)
```

...



Byte	7 MSB	6	5	4	3	2	1	0 LSB
0	Version (0b0)	Version (0b0)	Version (0b0)	Version (0b0)	Reserved (0b0)	Reserved (0b0)	Monitor Preview	Monitor Program
1	Reserved (0b0)	Reserved (0b0)	Slave 1 Preview	Slave 1 Program	Reserved (0b0)	Reserved (0b0)	Slave 0 Preview	Slave 0 Program
2	Reserved (0b0)	Reserved (0b0)	Slave 3 Preview	Slave 3 Program	Reserved (0b0)	Reserved (0b0)	Slave 2 Preview	Slave 2 Program
3	...							

# Blackmagic URSA Mini B4 Mount

Der mit Ihrer Blackmagic URSA Mini PL gelieferte PL-Mount kann entfernt und durch einen optionalen B4-Mount ersetzt werden. Dieser Objektivanschluss unterscheidet sich etwas vom B4-Mount der URSA Mini Pro. Die Schraubenbohrungen befinden sich bspw. an einer anderen Stelle, um das EF-Auslösergehäuse auf der URSA Mini Pro zu berücksichtigen. Auch die benötigte Shim-Stärke ist eine andere. Wenn Sie also B4-Objektive auf Ihrer URSA Mini PL verwenden möchten, wählen Sie unbedingt das korrekte Bajonett.

Der B4-Mount für die URSA Mini PL ist von Blackmagic Design Fachhändlern erhältlich.

Der Blackmagic URSA Mini B4 Mount – auch als Bajonett oder Objektivanschluss bezeichnet – ermöglicht den Einsatz von gängigen parfokalen Zoomobjektiven zum Filmen von EB-Material in HD mit der URSA Mini PL. Bei parfokalen Objektiven bleibt die Fokussierung im gesamten Zoombereich konstant, was eine schnelle und effiziente SchärfEinstellung gestattet. Durch Zoomen auf die maximale Tele-Stellung und Fokussieren auf einen Zielpunkt können Sie sicher gehen, dass die Scharfstellung beim Zoomen in maximaler Tele- auf maximale Weitwinkelstellung beibehalten wird. Wichtiger Hinweis: Das Auflagemaß – auch Backfokus genannt – des B4-Objektivs muss ebenfalls korrekt feinjustiert sein.

## Anbringen eines B4-Mounts

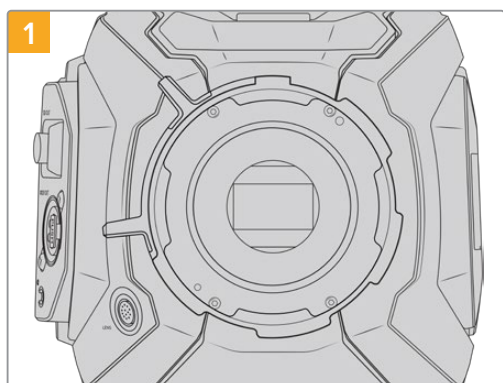
Der B4-Objektivanschluss wird mit zwei extra 0,5mm-Shims geliefert. Diese sind passend ausgeführt, um sie zusätzlich zu der bereits hinter dem Objektivanschluss Ihrer URSA Mini PL eingebauten 0,5mm-Shim anzubringen. Dies gibt Ihnen insgesamt drei 0,50mm-Shims, um den erforderlichen Abstand für ein optimales Auflagemaß zu erzielen. Dieser lässt sich durch Justieren des Auflagemaßrings an der Bajonett-Seite von B4-Objektiven weiter präzisieren.

Mit B4-Objektiven erzielen Sie mit Ihrer URSA Mini ein vielfältigeres Aufnahmespektrum als es unter Einsatz von Objektiven mit Festbrennweiten möglich wäre.

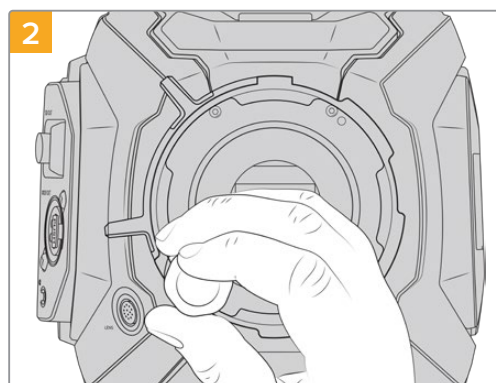
Um Ihren URSA Mini B4 Lens Mount anzubringen, brauchen Sie einen Drehmomentschlüssel, der unter Einsatz von 2mm-Sechskantschraubendrehern ein maximal zulässiges Drehmoment von 0,45 Nm bewältigt.



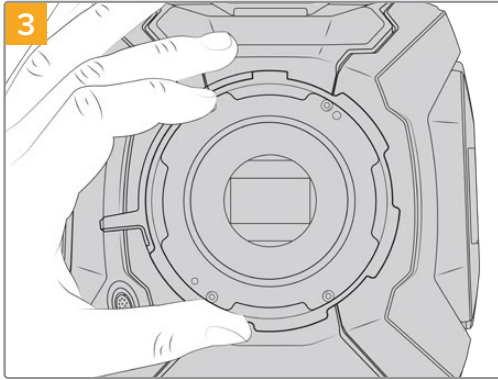
Um den Blackmagic URSA Mini B4 Mount zu installieren, brauchen Sie einen Drehmomentschlüssel, der unter Einsatz eines 2mm-Sechskantschraubendrehers ein maximal zulässiges Drehmoment von 0,45 Nm bewältigt



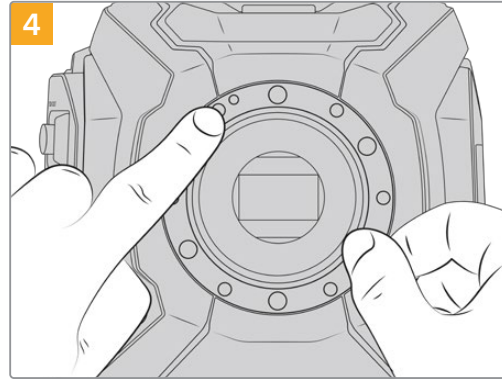
1 Platzieren Sie die Blackmagic URSA Mini PL auf eine stabile, saubere Arbeitsfläche und entfernen Sie das Objektiv bzw. die Gehäuseverschlusskappe. Der Sensor wird von einem Glasfilter geschützt, der während der Dauer der Feinjustierung freiliegt. Führen Sie diesen Vorgang daher in einer möglichst staub- und schmutzfreien Umgebung aus. Vermeiden Sie beim Anbringen des B4-Bajonetts jegliche Berührung des Sensors.



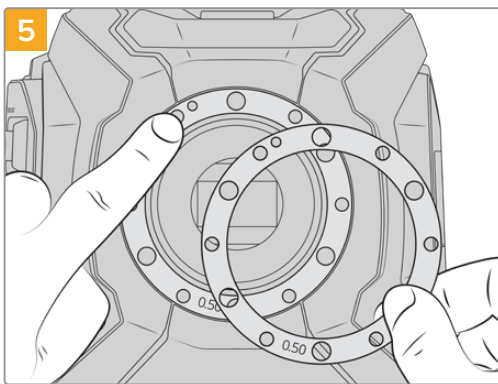
2 Entfernen Sie die sechs Schrauben des PL-Bajonetts mithilfe des 2mm-Sechskantschraubendrehers. Um an die Schrauben zu gelangen, ist ggf. ein gelegentliches Drehen des PL-Sperrings im oder gegen den Uhrzeigersinn erforderlich.



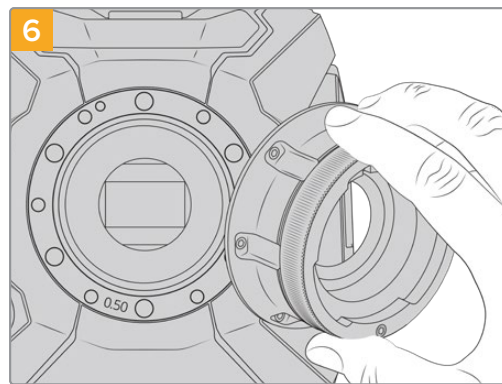
3 Heben Sie das Bajonett vorsichtig vom Kameragehäuse ab. Verwahren Sie Schrauben und Bajonett möglichst zusammen.



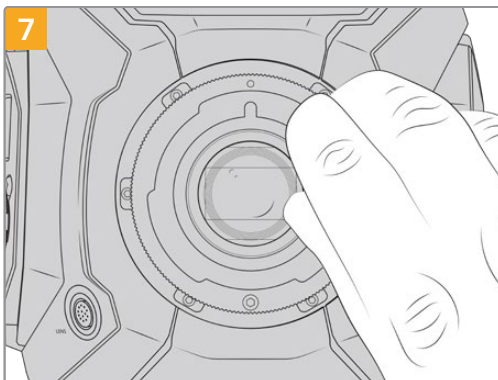
4 Merken Sie sich die Ausrichtung des vorhandenen 0,5mm-Einstellplättchens mit dem Feinjustierstift in der 11-Uhr-Position.



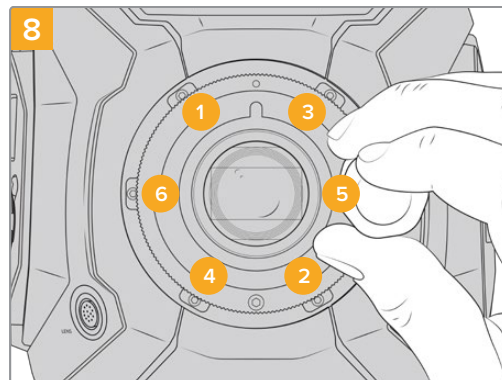
5 Legen Sie die beiden mit Ihrer Blackmagic URSA Mini B4 gelieferten 0,50mm-Einstellplättchen (Shims) auf die ursprüngliche Shim. So wird die nötige Entfernung für ein optimiertes Auflagemaß erzielt.



6 Setzen Sie den Blackmagic URSA Mini B4 Mount vorsichtig auf das Kameragehäuse auf. Achten Sie darauf, dass Registrierkerbe und Justierstift an der 11-Uhr-Position aufeinander ausgerichtet sind.



7 Drehen Sie die sechs Befestigungsschrauben mit einem 2mm-Sechskantschraubendreher oder einem Drehmomentschlüssel mit einem maximal zulässigen Drehmoment von 0,45 Nm locker fest, bis ein Kontakt mit der Schulter des Mounts besteht. Um an alle Schrauben heranzukommen, müssen Sie den PL-Feststellring drehen, denn einige Löcher sind verdeckt, wenn der Ring festgestellt oder gelockert ist.



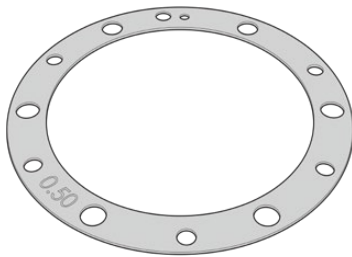
8 Stellen Sie sicher, dass der Mount flach aufliegt und korrekt ausgerichtet ist. Ziehen Sie dann die Schrauben bei gleichmäßigem Druck in der abgebildeten Reihenfolge fest, ohne sie zu fest zu ziehen.

# Feinjustierung von Objektivanschlüssen

## Was ist ein Einstellplättchen (Shim)?

Blackmagic Shims sind dünne Plättchen unterschiedlicher Dicke, die zur Feinjustierung des Abstands zwischen Ihrem PL-Objektiv und dem Sensor der Blackmagic URSA Mini dienen. Dieser Abstand wird allgemein als Auflagemaß oder Backfokus bezeichnet und kann sich je nach Alter des Objektivs und den Umgebungsbedingungen Ihres Drehs leicht verändern. Die folgenden URSA Mini Modelle sind so gestaltet, dass Sie Ihren Backfokus problemlos mithilfe der Einstellplättchen anpassen können.

- URSA Mini PL 4K
- URSA Mini PL 4.6K
- URSA Mini Pro 4.6K
- URSA Mini Pro 4.6K G2



URSA Mini Shim



URSA Mini Pro Shim

Shims werden zwischen Mount und Kameragehäuse positioniert, sodass der Abstand zwischen Subjekt und Sensor den Fokusmarkierungen auf Ihrem Objektiv entspricht. Sie kommen insbesondere für PL-Objektive zum Einsatz. Diese Kinoobjektive werden manuell fokussiert und weisen am Objektivtubus präzise Brennweitenmarkierungen auf. Shims werden auch mit dem auswechselbaren Objektivanschluss der URSA Mini Pro verwendet.

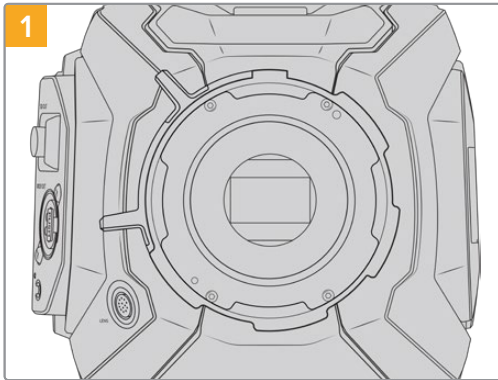
Ihre Blackmagic URSA wird mit einem bereits eingebauten 0,5mm-Einstellplättchen ausgeliefert. Das Blackmagic URSA Mini Pro Shim Kit enthält zusätzliche Shim-Sätze von unterschiedlicher Dicke und ist bei Ihrem Blackmagic Design Reseller vor Ort erhältlich. Ein Shim-Satz ist auch in allen Installationskits der URSA Mini Pro enthalten. Wählen Sie die Dicke der Einstellplättchen je nach erforderlichem Backfokus aus.

## Feinjustierung der URSA Mini PL

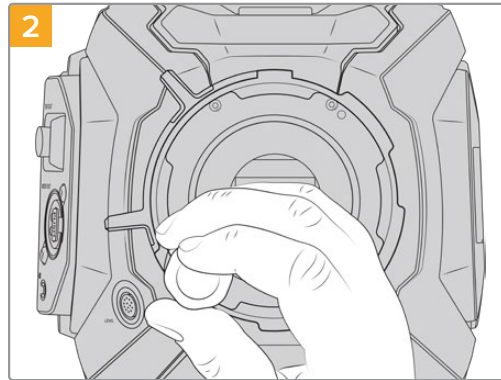
Zur Feinjustierung des PL-Bajonetts Ihrer Kamera brauchen Sie einen Drehmomentschlüssel, der unter Einsatz eines 2,0mm-Sechskantschraubendrehers mit Steckgriff ein maximal zulässiges Drehmoment von 0,45 Nm bewältigt.



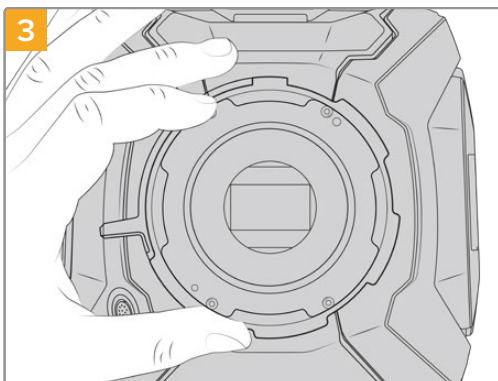
Drehmomentschlüssel



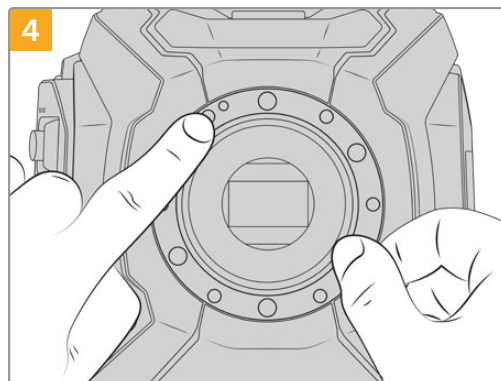
Platzieren Sie die Blackmagic URSA Mini PL auf eine stabile, saubere Arbeitsfläche und entfernen Sie das Objektiv bzw. die Gehäuseverschlusskappe. Der Sensor wird von einem Glasfilter geschützt, der während der Dauer der Feinjustierung freiliegt. Führen Sie diesen Vorgang daher in einer möglichst staub- und schmutzfreien Umgebung aus. Vermeiden Sie bei der Feinjustierung des PL-Bajonetts jegliche Berührung des Sensors.



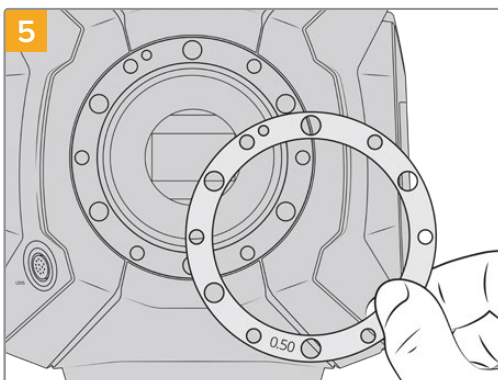
Entfernen Sie die sechs Schrauben des PL-Bajonetts mithilfe des 2mm-Sechskantschraubendrehers. Um an die Schrauben zu gelangen, ist ggf. ein gelegentliches Drehen des PL-Sperrings im oder gegen den Uhrzeigersinn erforderlich.



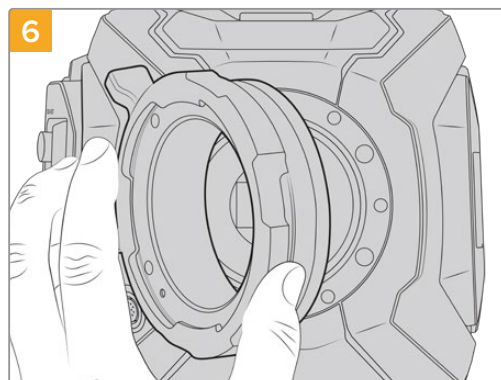
Heben Sie das Bajonett vorsichtig vom Kameragehäuse ab. Verwahren Sie Schrauben und Bajonett möglichst zusammen.



Merken Sie sich die Ausrichtung des vorhandenen 0,5mm-Einstellplättchens mit dem Feinjustierungsstift in der 11-Uhr-Position.

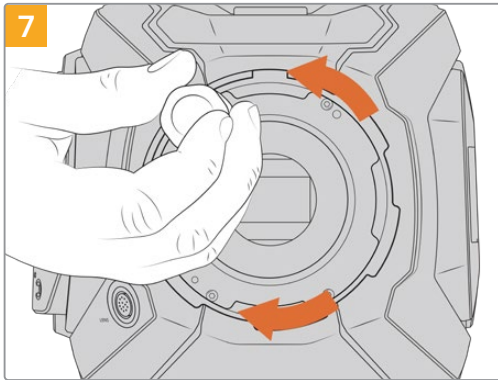


Gehen Sie beim Hinzufügen oder Entfernen von Shims in 0,10mm-Schritten vor. Prüfen Sie Ihre Objektive mit der wieder zusammengebauten Kamera und vergewissern Sie sich, dass alles richtig austariert ist. Um das Auflagemaß anhand dieser Einstellplättchen zu reduzieren, ersetzen Sie bspw. ein 0,50mm- durch ein 0,40mm-Shim.

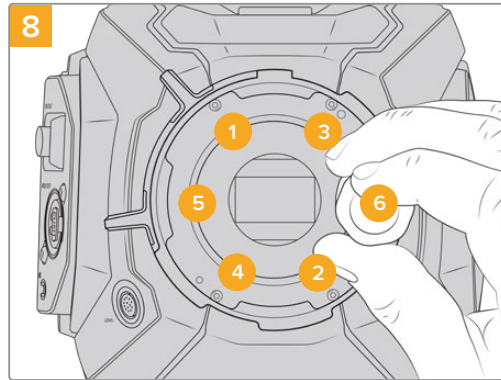


Setzen Sie den Blackmagic URSA Mini Pro PL Mount vorsichtig auf das Kameragehäuse auf.





Drehen Sie die Befestigungsschrauben mit einem 2mm-Sechskantschraubendreher oder einem Drehmomentschlüssel mit einem maximal zulässigen Drehmoment von 0,45 Nm locker fest, bis ein Kontakt mit der Schulter des Mounts besteht.

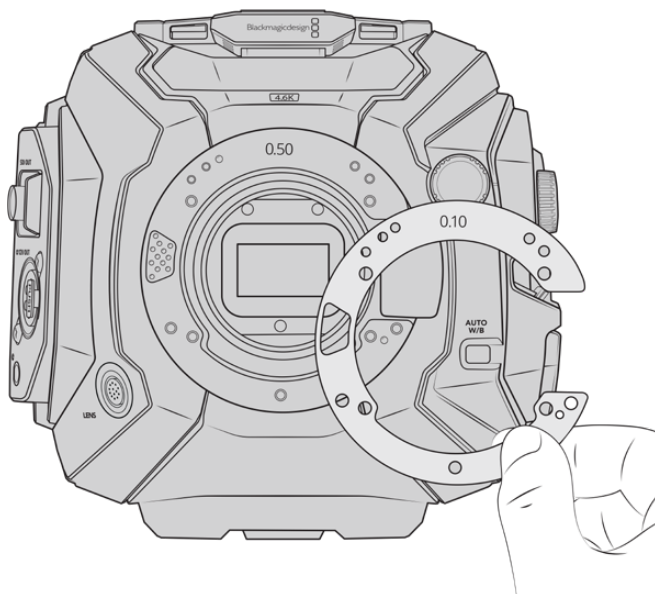


Stellen Sie sicher, dass der Mount flach aufliegt und korrekt ausgerichtet ist. Ziehen Sie dann die Schrauben bei gleichmäßigem Druck in der abgebildeten Reihenfolge fest, ohne sie zu fest zu ziehen.

## Feinjustierung der URSA Mini Pro

Die URSA Mini Pro wird nahezu auf dieselbe Weise feinjustiert wie die URSA Mini PL. Was sich unterscheidet, ist die Form der Shims. Nehmen Sie für die Feinjustierung Ihrer URSA Mini Pro einfach den angebrachten Objektivanschluss ab und ergänzen oder entfernen Sie Shims wie bei der URSA Mini PL. Setzen Sie dann den neuen Mount auf.

Im Abschnitt „Wechselmounts“ erhalten Sie weitere Informationen darüber, wie man einen Objektivanschluss an die URSA Mini Pro anbringt.

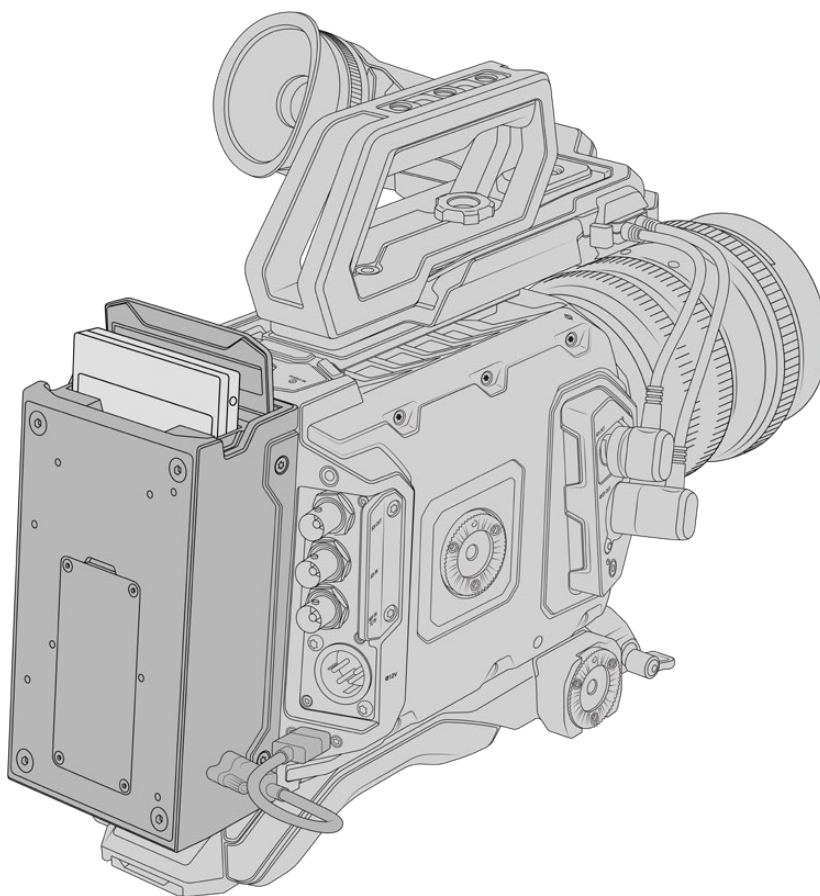


Die zur URSA Mini Pro gehörenden Shims sind C-förmig, um den Auslösemechanismus des EF-Mounts unterzubringen. Da sie nur in eine Richtung eingesetzt werden können, lassen sie sich leichter ausrichten. Ansonsten ist die Installierung genauso wie bei der URSA Mini PL.

# URSA Mini Recorder

Der Blackmagic URSA Mini Recorder ist ein optionales Modul, das am Heck der URSA Mini Pro 12K angebracht wird. Mit diesem Rekorder können Sie Footage, u. a. Blackmagic-RAW-Dateien in 12K auf speicherstarke, kostengünstige Solid-State-Drives, sogenannte SSDs, aufzeichnen.

**HINWEIS** Der zum Einsatz mit der URSA Mini Pro 12K konzipierte URSA Mini Recorder ist auch mit der URSA Mini Pro 4.6K G2 kompatibel. Nicht kompatibel ist er jedoch mit den Modellen URSA Mini Pro 4.6K, URSA Mini 4.6K und URSA Mini Pro 4K.



## Zum Anbringen des URSA Mini Recorders benötigen Sie folgende Werkzeuge:

- 1 Kreuzschlitzschraubendreher
- 1 T10-Torx-Schraubendreher
- 1 x 2mm-Sechskantschraubendreher

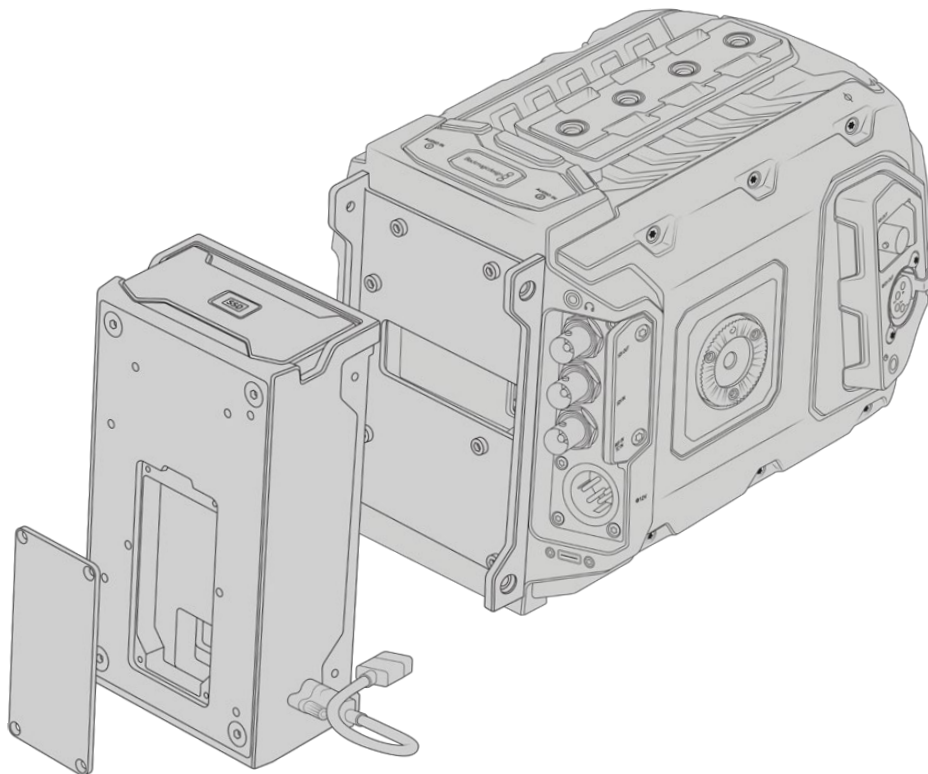


Zum Anbringen des URSA Mini SSD Recorders an Ihre URSA Mini benötigen Sie einen großen Schlitzschraubendreher, einen T10-Torx-Schraubendreher und einen 2mm-Inbusschlüssel

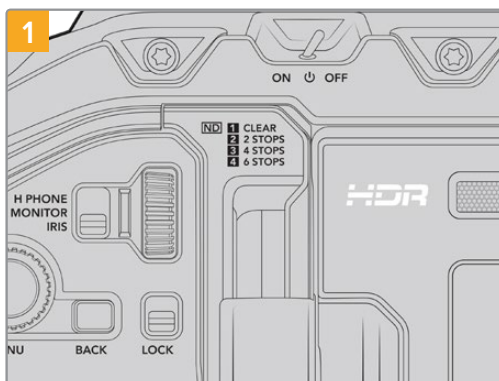
## Installieren und Anschließen des URSA Mini Recorders

Der URSA Mini Recorder wird am Heck der URSA Mini Pro direkt an das Kameragehäuse montiert. Der Datenfluss vom und zum URSA Mini Recorder erfolgt über die rückwärtigen USB-C-Port der Kamera.

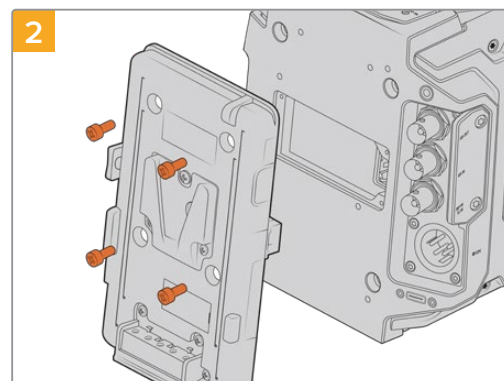
**TIPP** Der URSA Mini Recorder hat ein Passthrough-Kabel für den Akku Ihrer Kamera. So können Sie hinter dem Rekorder am Kameraheck einen V-Mount- oder Gold-Mount-Akku anschließen.



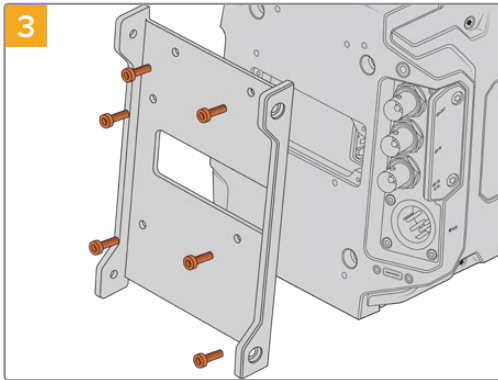
So wird ein URSA Mini Recorder installiert und angeschlossen:



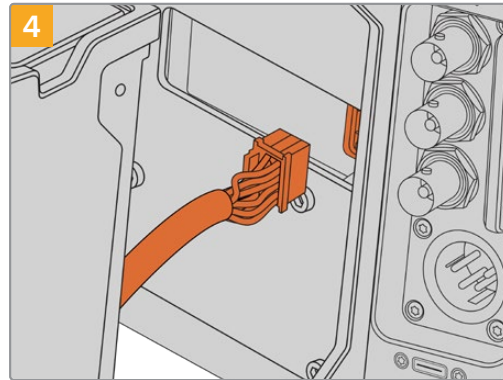
Schalten Sie Ihre URSA Mini Pro aus, indem Sie den Ein-/Ausmacher auf OFF umlegen.



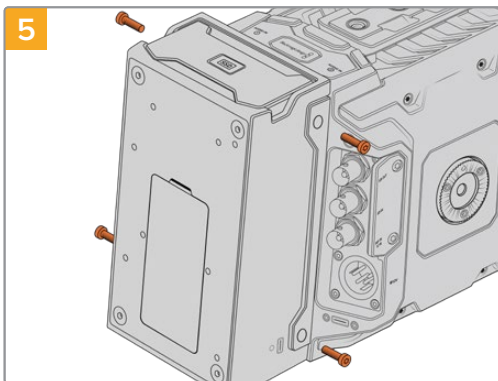
Entfernen Sie aktuell an Ihre Kamera angebrachte Akkuplatten. Näheres zum Installieren und Entfernen von Akkuplatten finden Sie im Abschnitt „Anbringen von Akkus“ in diesem Handbuch.



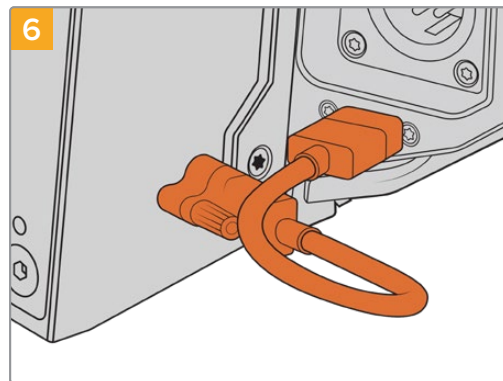
3 Befestigen Sie die Montagevorrichtung des URSA Mini Recorders mit 6 T10-Torx-Schrauben.



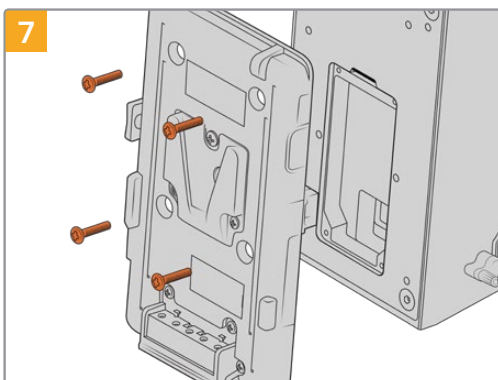
4 Stecken Sie den Molex-Verbinder des URSA Mini Recorders in die Molex-Buchse an der Kamerarückseite.



5 Befestigen Sie den URSA Mini Recorder mit 2 T10-Torx-Schrauben links und rechts der Montagevorrichtung.



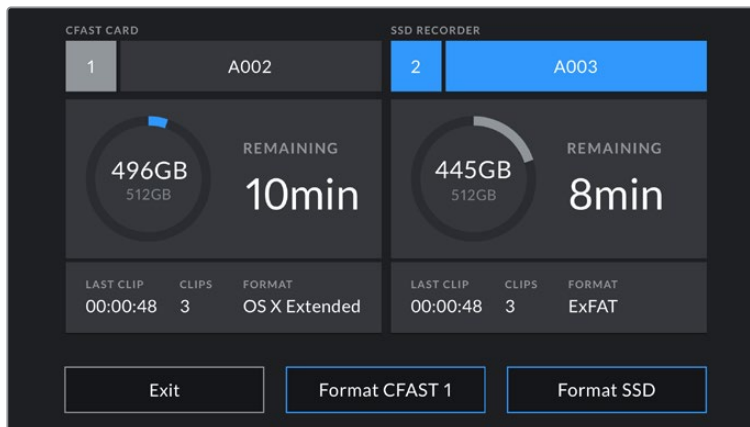
6 Stecken Sie das USB-C-Kabel des URSA Mini Recorders in den USB-C-Datenport am Heck der URSA Mini Pro 12K. Ziehen Sie die Verriegelungen am Verbinder mit den Fingern oder mit einem 2mm-Sechskantschraubendreher fest. Benutzen Sie für die URSA Mini Pro 4.6K G2 ein längeres USB-C-Kabel und stecken Sie es in den USB-C-Port über den CFast-Schächten.



7 Um eine Akkuplatte mit dem URSA Mini Recorder einzusetzen, entfernen Sie die 4 M3-Schrauben, die die Abdeckung der Molex-Buchse fixieren, mit einem 2mm-Sechskantschraubendreher. Legen Sie die Molex-Buchse frei und bringen Sie eine Akkuplatte an. Folgen Sie hierfür den im Abschnitt „Anbringen von Akkus“ in diesem Handbuch aufgeführten Schritten.

## Betrieb des URSA Mini Recorders

Wenn der URSA Mini Recorder an die Kamera gekoppelt und eine SSD geladen ist, besetzt er Speicherslot Nummer 2 der URSA Mini. Bei Betrieb des URSA Mini Recorders erscheint im Storage Manager Ihrer Kamera über Speicherslot 2 die Anzeige „SSD“.



Wenn eine SSD im URSA Mini Recorder steckt, erscheint im Storage Manager Ihrer Kamera über Speicherslot 2 die Anzeige „SSD Recorder“

Demnach erfolgen Aufzeichnung, Wiedergabe und Speicherverwaltung mit SSDs genauso wie mit CFast- oder SD-Karten. Allgemeines über die Speicherverwaltung sowie spezifische Anweisungen zur Auswahl von SSDs finden Sie im Abschnitt „Speichermedien“ dieses Handbuchs.

### Status-LEDs

Der URSA Mini Recorder hat für „SSD“ links eine Status-LED. Im SETUP-Menü Ihrer Kamera kann die Helligkeit dieser Leuchten auf „Low“, „Medium“ oder „High“ eingestellt oder mit „Off“ ausgeschaltet werden.

### SSD

Die SSD-LED zeigt den Status der aktuell eingelegten SSD anhand folgender Statusmeldungen an:

<b>Grün</b>	Beim Einlegen einer SSD zeigt Ihr URSA Mini Recorder kurz ein grünes Licht an. Es leuchtet, solange die SSD geprüft wird. Wenn die LED erlischt, ist Ihr SSD-Rekorder aufnahmebereit. Die Status-LED leuchtet auch grün auf, wenn Footage von der SSD wiedergegeben wird.
<b>Rot</b>	Beim Aufzeichnen auf eine SSD leuchtet die LED Ihres URSA Mini Recorders rot. Ein langsam blinkendes rotes Licht besagt, dass der verbleibende Speicherplatz auf Ihrer SSD knapp wird. Ein schnell blinkendes rotes Licht zeigt an, dass die SSD Bilder fallen lässt. Prüfen Sie in diesem Fall, ob Sie eine der empfohlenen SSDs von unserer Liste benutzen und ob Sie bei einer mit Ihrem Datenträger kompatiblen Datenrate aufzeichnen.
<b>Orange</b>	Sollte beim Einführen der SSD ein Problem aufgetreten sein, leuchtet die Status-LED orangefarben auf. Die Ursache könnte in einer fehlerhaft formatierten oder inkompatiblen SSD liegen. Eine Liste mit kompatiblen SSDs und Anweisungen zur Formatierung finden Sie im Abschnitt „Speichermedien“ dieses Handbuchs.

**TIPP** Zeigt die SSD-LED einen Fehler mit der Einführung des Laufwerks an, muss die SSD ggf. auf einem Mac oder PC anhand des Festplattendienstprogramms bzw. über die Speicherverwaltung initialisiert werden.

## Aktualisieren der URSA Mini Recorder Produktsoftware

Nehmen Sie Updates an Ihrem URSA Mini Recorder über das Dienstprogramm Blackmagic Camera Setup vor. Der URSA Mini Recorder muss dabei mit Strom versorgt werden. Wir empfehlen, den Rekorder während des Updates an Ihre URSA Mini Pro 12K angeschlossen zu lassen. Für diesen Vorgang muss Ihre Kamera durchgängig Strom liefern. Schließen Sie sie deshalb an eine externe Stromzufuhr oder einen Akku an.

Verbinden Sie Ihren Computer über ein USB-C-Kabel mit Ihrem URSA Mini Recorder und starten Sie das Blackmagic Camera Setup Dienstprogramm. Wenn Ihr Computer eine vorhandene ältere Version auf Ihrem URSA Mini Recorder erkennt, werden Sie zu einem Update aufgefordert. Folgen Sie den Anweisungen auf dem Bildschirm, um die Produktsoftware Ihres URSA Mini Recorders zu aktualisieren.

**HINWEIS** Weitere Informationen finden Sie in diesem Handbuch im Abschnitt „Blackmagic Camera Setup Dienstprogramm“.

**TIPP** Für optimale Leistung empfehlen wir, Ihr gesamtes Blackmagic URSA Equipment auf einmal zu aktualisieren.

# Hilfe

Am schnellsten erhalten Sie Hilfe über die Online-Support-Seiten auf der Blackmagic Design-Website. Sehen Sie dort nach der aktuellsten Support-Dokumentation für Ihre Kamera.

## Blackmagic Design Online Support Seiten

Die aktuellsten Versionen der Bedienungsanleitung, Produktsoftware und der Support-Hinweise finden Sie im Blackmagic Support Center unter [www.blackmagicdesign.com/de/support](http://www.blackmagicdesign.com/de/support).

## Kontaktaufnahme mit Blackmagic Design Support

Wenn unser Support-Material Ihnen nicht wie gewünscht hilft, gehen Sie auf unsere Support-Seite. Klicken Sie dort auf „Senden Sie uns eine E-Mail“ und schicken Sie uns Ihre Support-Anfrage. Oder klicken Sie auf „Finden Sie Ihr lokales Support-Team“ und rufen Sie Ihre nächstgelegene Blackmagic Design Support Stelle an.

## Überprüfen der aktuell installierten Softwareversion

Um zu überprüfen, welche Version des Blackmagic Camera Utility auf Ihrem Computer installiert ist, öffnen Sie das Fenster „About Blackmagic Camera Utility“.

- Öffnen Sie unter Mac das Blackmagic Camera Setup Dienstprogramm über den Ordner „Programme“. Wählen Sie im Anwendungsmenü „About Blackmagic Camera Setup“ aus, um die Versionsnummer nachzusehen.
- Öffnen Sie unter Windows das Blackmagic Camera Setup Dienstprogramm über das Startmenü oder den Startbildschirm. Klicken Sie auf das Menü „Hilfe“ und wählen Sie „About Blackmagic Camera Setup“ aus, um die Versionsnummer nachzusehen.

## So erhalten Sie die aktuellsten Software-Updates

Nachdem Sie überprüft haben, welche Version des Dienstprogramms Blackmagic Camera Utility auf Ihrem Computer installiert ist, besuchen Sie zum Auffinden der neuesten Updates bitte das Blackmagic Support Center [www.blackmagicdesign.com/de/support](http://www.blackmagicdesign.com/de/support). In der Regel empfiehlt es sich, die neuesten Updates zu laden. Vermeiden Sie jedoch Software-Updates mitten in einem wichtigen Projekt.



# Gesetzliche Vorschriften



## Entsorgung von elektrischen und elektronischen Geräten innerhalb der Europäischen Union.

Das auf dem Produkt abgebildete Symbol weist darauf hin, dass dieses Gerät nicht zusammen mit anderen Abfallstoffen entsorgt werden darf. Altgeräte müssen daher zur Wiederverwertung an eine dafür vorgesehene Sammelstelle übergeben werden. Mülltrennung und Wiederverwertung von Altgeräten tragen zum nachhaltigen Umgang mit natürlichen Ressourcen bei. Gleichzeitig wird sichergestellt, dass die Wiederverwertung nicht zulasten der menschlichen Gesundheit und der Umwelt geht. Weitere Informationen zur Entsorgung von Altgeräten sowie zu den Standorten der zuständigen Sammelstellen erhalten Sie von Ihren örtlichen Müllentsorgungsbetrieben sowie vom Händler, bei dem Sie dieses Produkt erworben haben.



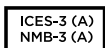
Dieses Gerät wurde geprüft und entspricht den Grenzwerten für Digitalgeräte der Klasse A gemäß Abschnitt 15 der FCC-Bestimmungen für Funkentstörung. Diese Grenzwerte dienen dem angemessenen Schutz gegen schädliche Störungen bei Betrieb des Geräts in einer kommerziellen Einrichtung. Geräte dieser Art erzeugen und verwenden Hochfrequenzen und können diese auch ausstrahlen. Bei Nichteinhaltung der Installations- und Gebrauchsvorschriften können sie zu Störungen beim Rundfunkempfang führen. Der Betrieb solcher Geräte im Wohnbereich führt mit großer Wahrscheinlichkeit zu Funkstörungen. In diesem Fall kann vom Betreiber verlangt werden, selbst für die Beseitigung solcher Störungen aufzukommen.

Der Betrieb dieses Equipments unterliegt den folgenden beiden Bedingungen:

- 1 Dieses Equipment oder Gerät darf keine schädigenden Störungen hervorrufen.
- 2 Dieses Equipment oder Gerät muss unanfällig gegenüber beliebigen empfangenen Störungen sein, einschließlich solcher, die einen unerwünschten Betrieb verursachen.



MSIP-REM-BMD-201511002  
MSIP-REM-BMD-201608001  
MSIP-REM-BMD-201703001  
R-R-BMD-201907006  
R-R-BMD-20200421001  
R-R-BMD-20200421002



## SED-Zertifizierung für den kanadischen Markt

Dieses Gerät erfüllt die kanadischen Vorschriften für digitale Geräte der Klasse A.

Jedwede an diesem Produkt vorgenommene Änderung oder unsachgemäße Verwendung kann die Konformitätserklärung zum Erlöschen bringen.

Verbindungen zu HDMI-Schnittstellen müssen über abgeschirmte HDMI-Kabel hergestellt werden.

Die Ausstattung wurde unter Einhaltung der beabsichtigten Nutzung in einer gewerblichen Umgebung getestet. Bei Einsatz des Geräts in einer häuslichen Umgebung verursacht es möglicherweise Funkstörungen.

## Bluetooth®

Das Produkt ist ein für Bluetooth-Drahtlostechnologie befähigtes Produkt.

Ausgestattet mit Sendermodul FCC ID: QOQBGM113

Das vorliegende Gerät erfüllt die Grenzwertbestimmungen der FCC für die Strahlenbelastung in unkontrollierten Umgebungen.

Ausgestattet mit Sendermodul IC: 5123A-BGM113

Dieses Gerät erfüllt die von Industry Canada vorgegebenen lizenzfreien RSS-Normen und ist gemäß RSS-102 Ausgabe 5 von den routinemäßigen SAR-Bewertungsgrenzen ausgenommen.

Zertifiziert für Japan unter Zertifikatnummer: 209-J00204. Dieses Gerät enthält spezifiziertes Funkequipment, das unter den Richtlinien für die Zertifizierung technischer Konformität gemäß des japanischen Funkgesetzes zertifiziert ist.

Dieses Modul ist in Südkorea zertifiziert, KC-Zertifizierungsnummer: MSIP CRM-BGT-BGM113

Hiermit erklärt Blackmagic Design, dass die von der URSA Mini Pro verwendeten Breitband-Übertragungssysteme für den Einsatz im 2,4 GHz ISM-Band die Vorschriften der EU-Richtlinie 2014/53/EU erfüllen.

Die Volltextversion der EU-Konformitätserklärung ist per Anfrage an [compliance@blackmagicdesign.com](mailto:compliance@blackmagicdesign.com) erhältlich.

## Sicherheitshinweise

Der mit der Blackmagic URSA Mini und URSA Mini Pro mitgelieferte AC zu 12 V DC-Wandler und das IEC-Stromkabel für den Blackmagic Studio Fiber Converter dürfen nur an Netzstromsteckdosen mit Schutzerdungskontakt angeschlossen werden.

Die Blackmagic URSA Mini, die URSA Mini Pro und der Camera Fiber Converter eignen sich für den Einsatz in tropischen Gebieten mit einer Umgebungstemperatur von bis zu 40 °C. Der Blackmagic Studio Fiber Converter eignet sich für den Einsatz in tropischen Gebieten mit einer Umgebungstemperatur von bis zu 50 °C.

Achten Sie auf eine ausreichende Luftzufuhr um den Blackmagic Studio Fiber Converter und den Camera Fiber Converter herum, sodass die Belüftung nicht eingeschränkt wird. Achten Sie bei der Installation des Studio Fiber Converters im Rack darauf, dass die Luftzufuhr nicht durch andere Geräte eingeschränkt wird.

Innerhalb der Blackmagic URSA Mini, der URSA Mini Pro, des Camera Fiber Converters oder des Studio Fiber Converters befinden sich keine vom Bediener zu wartenden Teile. Wenden Sie sich für die Wartung an ein Blackmagic Design Service-Center in Ihrer Nähe.

### California Proposition 65

Plastikteile dieses Produkts können Spuren von polybromierten Biphenylen enthalten. Im US-amerikanischen Bundesstaat Kalifornien werden diese Chemikalien mit Krebs, Geburtsfehlern und anderen Schäden der Fortpflanzungsfähigkeit in Verbindung gebracht.

Weitere Informationen finden Sie unter [www.P65Warnings.ca.gov](http://www.P65Warnings.ca.gov).

### Blackmagic URSA Mini und URSA Mini Pro

Sorgen Sie bei sonnigen Verhältnissen für Schatten, um zu vermeiden, dass Ihre Kamera und der Lithium-Akku für längere Zeit direkter Sonneneinstrahlung ausgesetzt sind. Halten Sie alle Lithium-Akkus von Hitzequellen fern.

Mit dem Verbinder für die Ausgabe von 12V-DC-Strom werden der Blackmagic URSA Viewfinder und der Blackmagic URSA Studio Viewfinder mit Strom versorgt. Sorgen Sie dafür, dass der Stromverbrauch von über diesen Verbinder angeschlossenen Geräten unter 18 W liegt.

### Blackmagic Studio Fiber Converter

Um das Risiko eines elektrischen Schlages zu verringern, setzen Sie das Gerät weder Tropfen noch Spritzern aus. Nicht in Höhen von über 2000 m über dem Meeresspiegel einsetzen.

### Blackmagic Camera Fiber Converter

Benutzen Sie den Kamerakonverter nur, wenn er an den Blackmagic Studio Fiber Converter angeschlossen ist. Der Kamerakonverter ist so ausgelegt, dass er bei Normalbetrieb lebensgefährliche Spannungen vom Blackmagic Studio Fiber Converter aufnimmt.



# Garantie

## Eingeschränkte Garantie

Für dieses Produkt gewährt die Firma Blackmagic Design eine Garantie auf Material- und Verarbeitungsfehler von 12 Monaten ab Kaufdatum. Sollte sich ein Produkt innerhalb dieser Garantiezeit als fehlerhaft erweisen, wird die Firma Blackmagic Design nach ihrem Ermessen das defekte Produkt entweder ohne Kostenerhebung für Teile und Arbeitszeit reparieren oder Ihnen das defekte Produkt ersetzen.

Zur Inanspruchnahme der Garantieleistungen müssen Sie als Kunde Blackmagic Design über den Defekt innerhalb der Garantiezeit in Kenntnis setzen und die entsprechenden Vorkehrungen für die Leistungserbringung treffen. Es obliegt dem Kunden, für die Verpackung und den bezahlten Versand des defekten Produkts an ein spezielles von Blackmagic Design benanntes Service-Center zu sorgen und hierfür aufzukommen. Sämtliche Versandkosten, Versicherungen, Zölle, Steuern und sonstige Abgaben im Zusammenhang mit der Rücksendung von Waren an uns, ungeachtet des Grundes, sind vom Kunden zu tragen.

Diese Garantie gilt nicht für Mängel, Fehler oder Schäden, die durch unsachgemäße Handhabung oder unsachgemäße oder unzureichende Wartung und Pflege verursacht wurden. Blackmagic Design ist im Rahmen dieser Garantie nicht verpflichtet, die folgenden Serviceleistungen zu erbringen: a) Behebung von Schäden infolge von Versuchen Dritter, die Installation, Reparatur oder Wartung des Produkts vorzunehmen, b) Behebung von Schäden aufgrund von unsachgemäßer Handhabung oder Anschluss an nicht kompatible Geräte, c) Behebung von Schäden oder Störungen, die durch die Verwendung von nicht Blackmagic-Design-Ersatzteilen oder -Verbrauchsmaterialien entstanden sind, d) Service für ein Produkt, das verändert oder in andere Produkte integriert wurde, sofern eine solche Änderung oder Integration zu einer Erhöhung des Zeitaufwands oder zu Schwierigkeiten bei der Wartung des Produkts führt.

Schützen Sie Ihren URSA Viewfinder vor direktem Sonnenlicht, da seine Optik wie eine Lupe wirkt und das Sucher-Display andernfalls beschädigt werden könnte. Wenn auf dem OLED über einen längeren Zeitraum statische oder hochkontrastige Bilder wie Bildrandmarkierungen angezeigt werden, können dort Geisterbilder und Burn-ins auftreten. Verhindern Sie dies, indem Sie ein versehentliches Verdecken des IR-Sensors vermeiden und den Sucher ausschalten, wenn er für einen längeren Zeitraum nicht in Gebrauch ist. Das Auftreten von Geisterbildern fällt nicht unter die Produktgarantie.

ÜBER DIE IN DIESER GARANTIEERKLÄRUNG AUSDRÜCKLICH AUFGEFÜHRTEN ANSPRÜCHE HINAUS ÜBERNIMMT BLACKMAGIC DESIGN KEINE WEITEREN GARANTIEEN, WEDER AUSDRÜCKLICH NOCH STILLSCHWEIGEND. DIE FIRMA BLACKMAGIC DESIGN UND IHRE HÄNDLER LEHNEN JEDLICHE STILLSCHWEIGENDEN GARANTIEEN IN BEZUG AUF AUSSAGEN ZUR MARKTGÄNGIGKEIT UND GEBRAUCHSTAUGLICHKEIT FÜR EINEN BESTIMMTEN ZWECK AB. DIE VERANTWORTUNG VON BLACKMAGIC DESIGN, FEHLERHAFTE PRODUKTE WÄHREND DER GARANTIEZEIT ZU REPARIEREN ODER ZU ERSETZEN, IST DIE EINZIGE UND AUSSCHLIESSLICHE ABHILFE, DIE GEGENÜBER DEM KUNDEN ZUR VERFÜGUNG GESTELLT WIRD. BLACKMAGIC DESIGN HAFTET NICHT FÜR INDIREKTE, SPEZIELLE, NEBEN- ODER FOLGESCHÄDEN, UNABHÄNGIG DAVON, OB BLACKMAGIC DESIGN ODER DER HÄNDLER VON DER MÖGLICHKEIT SOLCHER SCHÄDEN ZUVOR IN KENNTNIS GESETZT WURDE. BLACKMAGIC DESIGN IST NICHT HAFTBAR FÜR JEDLICHE WIDERRECHTLICHE VERWENDUNG DER GERÄTE DURCH DEN KUNDEN. BLACKMAGIC HAFTET NICHT FÜR SCHÄDEN, DIE SICH AUS DER VERWENDUNG DES PRODUKTS ERGEBEN. NUTZUNG DES PRODUKTS AUF EIGENE GEFAHR.

© Copyright 2020 Blackmagic Design. Alle Rechte vorbehalten. „Blackmagic Design“, „URSA“, „DeckLink“, „HDLink“, „Workgroup Videohub“, „Multibridge Pro“, „Multibridge Extreme“, „Intensity“ und „Leading the creative video revolution“ sind eingetragene Warenzeichen in den USA und in anderen Ländern. Alle anderen Unternehmens- und Produktnamen sind möglicherweise Warenzeichen der jeweiligen Firmen, mit denen sie verbunden sind.

Die Bluetooth®-Wortmarke und -Logos sind als Eigentum der Bluetooth SIG, Inc. registriert. Die Nutzung dieser Marken durch Blackmagic erfolgt unter Lizenz. Andere ausgewiesene Markennamen und Handelsmarken gehören ihren jeweiligen Eigentümern.





Blackmagicdesign

# Manual de instalación y funcionamiento **Blackmagic URSA Mini y URSA Mini Pro**

Incluye las monturas para este modelo y los dispositivos Blackmagic URSA Viewfinder, URSA Studio Viewfinder, URSA Mini Shoulder Kit, Blackmagic Camera Fiber Converter, Studio Fiber Converter y URSA Mini Recorder.

Septiembre 2020

Español



## Bienvenido

Gracias por haber adquirido este producto.

Desde que lanzamos nuestra primera cámara cinematográfica digital hace algunos años, hemos tenido el privilegio de recibir sugerencias y comentarios sumamente útiles. Todos crecimos admirando el trabajo de los cineastas y directores de fotografía más destacados, y ha sido un honor poder conversar largo y tendido con estos reconocidos expertos sobre las características que nuestras cámaras deben ofrecer. Como es de esperar, todos tienen ideas brillantes.

El modelo URSA Mini incorpora un extraordinario sensor de amplio rango dinámico en un armazón metálico resistente de tamaño compacto.

La interfaz moderna y elegante facilita el acceso a todas sus funciones, mientras que la integración con la línea de mezcladores ATEM brinda la posibilidad de emplear las extraordinarias imágenes digitales captadas por la cámara en todo tipo de producciones. Por su parte, los conversores para fibra óptica de Blackmagic permiten conectar ambos dispositivos mediante un solo cable SMPTE.

El modelo URSA Mini se encuentra disponible en versiones con sensor 4K, 4.6K (que ofrece un rango dinámico de gran amplitud) o 12K (que brinda una experiencia revolucionaria). Asimismo, tuvimos en cuenta las sugerencias de nuestros usuarios al desarrollar el nuevo visor URSA Viewfinder, el cual brinda una mayor precisión y se adapta mejor al rodaje con la cámara al hombro.

El modelo URSA Mini Pro ofrece una mejor calidad de imagen y otras prestaciones adicionales, tales como controles ergonómicos, monturas intercambiables y filtros de densidad neutra integrados. Si está familiarizado con las cámaras ENG, es probable que estas innovadoras herramientas le resulten extremadamente útiles. Además, el códec Blackmagic RAW brinda mayor flexibilidad, procesando el material en un solo archivo, así como mejoras de rendimiento al reducir su tamaño, incluso al procesar imágenes provenientes del modelo Blackmagic URSA Mini Pro 12K.

Esperamos que estos modelos te permitan producir mejores largometrajes y programas de televisión, así como videoclips y anuncios publicitarios de gran calidad. Nos gustaría ver la creatividad que eres capaz de lograr con ellos y esperamos recibir tus sugerencias con respecto a nuevas prestaciones que deberíamos incluir en la cámara.

**Grant Petty**

Director ejecutivo de Blackmagic Design



# Índice

<b>Uso de un modelo específico</b>	1170	Pantalla táctil	1237
URSA Mini Pro	1171	Características de la pantalla táctil	1237
<b>Primeros pasos</b>	1172	<b>Ajustes</b>	1259
Montaje del objetivo	1172	Panel de opciones	1259
Encendido de la cámara	1176	Ajustes de grabación	1260
<b>Almacenamiento</b>	1179	Convención para la nomenclatura de archivos	1266
Tarjetas CFast	1179	Ajustes del monitor	1267
Tarjetas SD	1183	Ajustes de audio	1276
Unidades USB-C	1188	Ajustes de audio en el modelo URSA Mini	1276
Unidades SSD	1190	Ajustes de audio en el modelo URSA Mini Pro	1278
Preparación de unidades para la grabación	1192	Ajustes generales	1280
Preparación de unidades en el modelo Blackmagic URSA Mini	1192	Ajustes predeterminados	1294
Preparación de unidades en el modelo Blackmagic URSA Mini Pro	1194	Tablas de conversión	1296
Preparación de unidades en equipos Mac	1195	<b>Ingreso de metadatos</b>	1300
Preparación de unidades en equipos Windows	1196	<b>Uso de objetivos con servomecanismo</b>	1306
<b>Grabación</b>	1197	<b>Salida de video</b>	1309
Grabación de clips	1197	Salida para supervisar señales HD	1309
Selección del formato, la resolución y el área del sensor	1197	Salida SDI 12G	1309
Blackmagic RAW	1199	<b>Soporte para el hombro</b>	1311
Grabación con el códec Blackmagic RAW	1200	<b>Blackmagic URSA Viewfinder</b>	1315
Selección de la frecuencia de imagen	1203	Montaje y conexión	1315
Grabación automática	1206	Ajuste del ocular	1316
Tablas de tiempo de grabación	1207	Botones	1316
Tablas de velocidad de transferencia de datos para el modelo URSA Mini Pro 12K	1210	Menú de ajustes	1317
<b>Reproducción</b>	1213	<b>Blackmagic URSA Studio Viewfinder</b>	1322
<b>Introducción al modelo URSA Mini</b>	1215	Montaje y conexión	1323
Parte frontal de la cámara	1215	Ajuste del visor	1325
URSA Mini, lateral izquierdo	1216	Botones	1328
URSA Mini Pro, lateral izquierdo	1216	Menú de ajustes	1330
Lateral derecho	1218	<b>Instalación de baterías</b>	1335
Panel trasero	1219	Instalación de baterías	
Panel superior	1221	V-Lock o Gold Mount	1335
Panel inferior	1221	Otros soportes para baterías	1336
<b>Controles del modelo URSA Mini</b>	1222	<b>Convertidores para fibra óptica</b>	1338
Botones de control	1222	<b>Primeros pasos</b>	1339
<b>Botones de control en el modelo URSA</b>	1225	Acerca de la fibra óptica SMPTE	1339
Panel de control frontal	1225	Conexión del cable SMPTE	1341
Panel de control ergonómico	1229	Conexión a mezcladores ATEM	1344
Panel de control interno	1234	Conexiones en el panel frontal	1345
<b>Controles de la pantalla táctil</b>	1237	Conexión del convertor a la cámara	1346
		Salidas para señales de retorno	1346
		Instalación del modelo Blackmagic Camera Fiber Converter	1346

Instalación del visor URSA Studio Viewfinder	1349	Edición con el módulo Montaje	1386
Conexión de auriculares con micrófono	1349	Agregar clips a la línea de tiempo	1389
<b>Funcionamiento del modelo Camera Fiber Converter</b>	1350	Editar clips en la línea de tiempo	1390
Selección de señales de retorno	1350	Agregar títulos	1390
Uso del botón de llamada	1351	Archivos Blackmagic RAW	1391
Sistema de comunicación	1351	Etalonaje en el módulo Color	1394
Luces piloto	1352	Power Windows	1398
Indicadores de estado	1352	Complementos	1399
Entradas de audio	1353	Mezcla de audio	1400
Video por IP	1354	Efectos visuales y composiciones en el módulo Fusion	1405
Especificaciones energéticas	1354	Masterización	1413
Controles adicionales para cámaras	1355	Exportación rápida	1413
<b>Funcionamiento del modelo Blackmagic Studio Fiber Converter</b>	1356	Módulo Entrega	1414
Uso del menú en pantalla	1357	<b>Descripción general sobre el control de cámaras</b>	1415
Instalación en bastidores	1360	Control de cámaras	1416
<b>Conexiones del dispositivo Blackmagic Camera Fiber Converter</b>	1364	Herramientas de DaVinci Resolve para correcciones primarias	1422
Alimentación del dispositivo	1364	<b>Programa utilitario de la cámara</b>	1425
Interfaz PTZ	1364	<b>Otros programas de edición</b>	1427
Conexión para la comunicación	1365	Acceso a archivos en tarjetas SD y CFast 2.0	1427
Interfaz de seguimiento	1366	Acceso a archivos almacenados en unidades SSD	1428
Conexión para corriente continua	1366	Final Cut Pro X	1428
Salida D-Tap	1367	Media Composer 2018	1429
Salida de referencia y funcionamiento	1367	Premiere Pro CC	1430
<b>Conexiones del modelo Blackmagic Studio Fiber Converter</b>	1368	<b>Información para desarrolladores</b>	1431
Salida SDI 12G	1368	Blackmagic Bluetooth Camera Control	1431
Entradas SDI de retorno	1368	Blackmagic SDI and Bluetooth Camera Control Protocol	1433
Entrada y salida de referencia	1369	Example Protocol Packets	1440
Interfaz de comunicación	1369	Blackmagic Tally Control Protocol	1440
Interfaz PTZ	1371	<b>Montura para objetivos B4</b>	1443
Salidas de audio	1371	<b>Uso de anillos adaptadores</b>	1445
<b>Actualización del software interno</b>	1372	Colocación de anillos adaptadores en el modelo URSA Mini PL	1445
Cómo actualizar el dispositivo Blackmagic Camera Fiber Converter	1372	Colocación de anillos en el modelo URSA Mini Pro	1447
Cómo actualizar el dispositivo Blackmagic Studio Fiber Converter	1372	<b>URSA Mini Recorder</b>	1448
<b>Montura intercambiable</b>	1373	Instalación y conexión del grabador	1449
Montura para objetivos PL	1375	Uso del grabador	1451
Montura F	1377	Actualización del grabador	1452
Montura para objetivos EF	1380	<b>Ayuda</b>	1453
Montura para objetivos B4	1382	<b>Normativas</b>	1454
Anillos adaptadores para el modelo URSA Mini Pro	1384	<b>Seguridad</b>	1455
<b>DaVinci Resolve</b>	1385	<b>Garantía</b>	1456
Organizador de proyectos	1385		

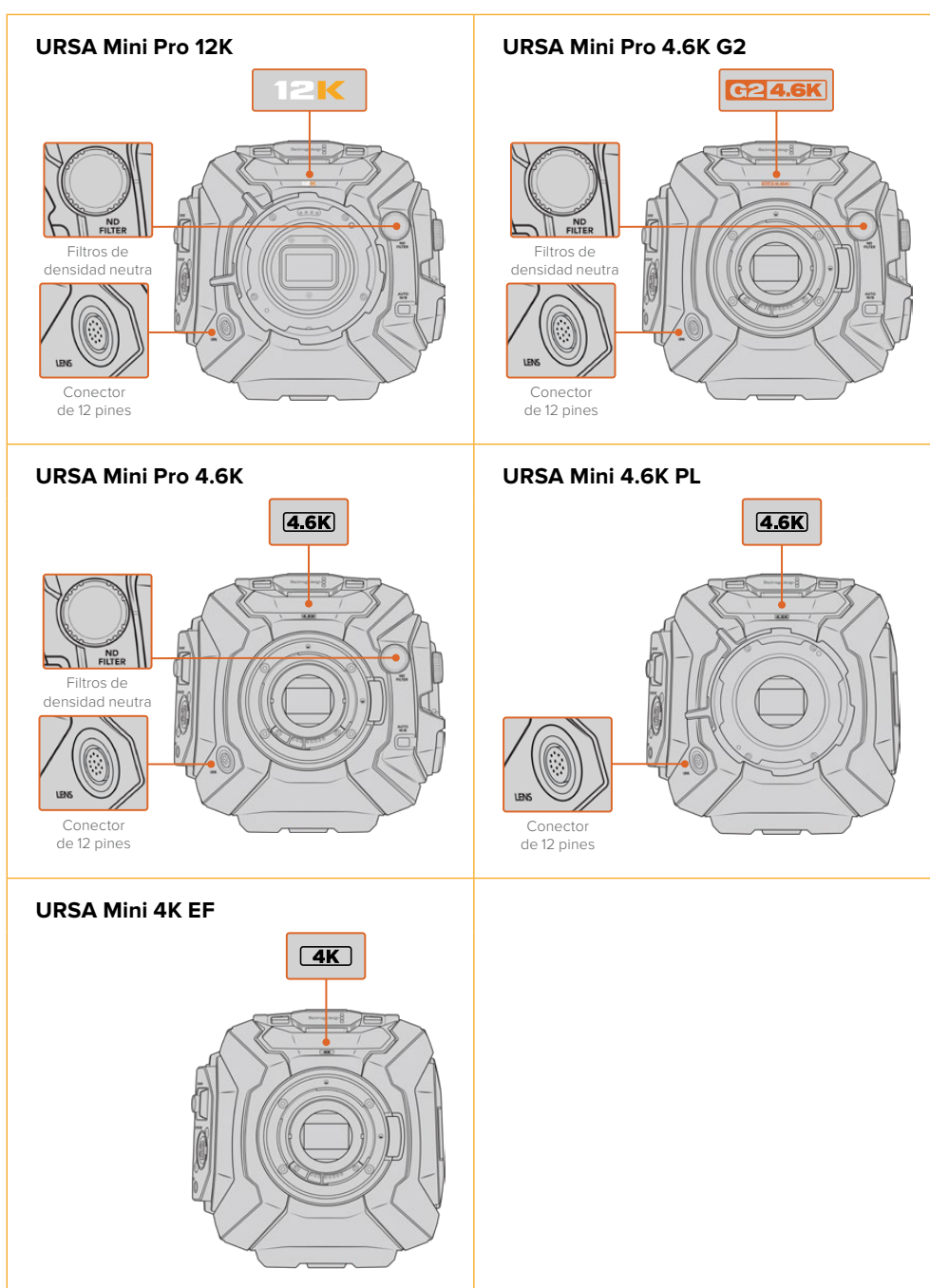


## Uso de un modelo específico

Es posible observar que, al leer este manual, se suele hacer referencia a una función específica de un modelo Blackmagic URSA Mini en particular. Todas las cámaras cuentan con el mismo armazón y permiten capturar imágenes excepcionales con un amplio rango dinámico. No obstante, existen algunas diferencias entre ellas.

### Los modelos disponibles son los siguientes:

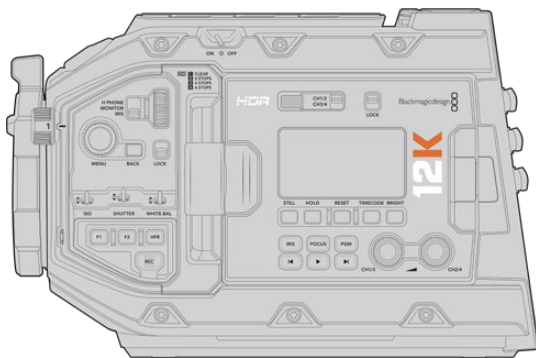
- URSA Mini Pro 12K
- URSA Mini Pro 4.6K G2
- URSA Mini Pro 4.6K
- URSA Mini 4.6K
- URSA Mini 4K



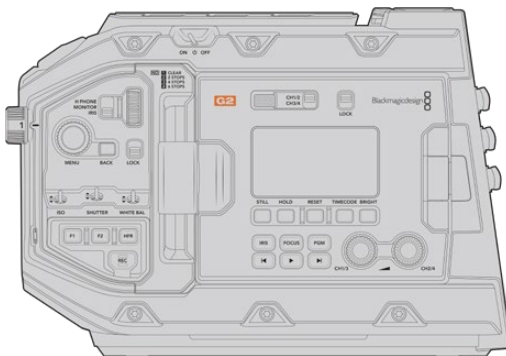
## URSA Mini Pro

La versión URSA Mini Pro 12K incluye una montura PL, mientras que los modelos URSA Mini Pro 4.6K G2 y URSA Mini Pro 4.6K, cuentan con monturas EF. Cabe destacar que estas son intercambiables, por lo que es posible emplear otro tipo de objetivos. Consulte el apartado *Montura intercambiable* para obtener más información al respecto.

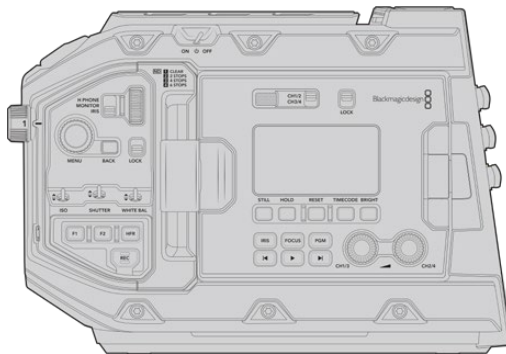
El modelo URSA Mini Pro es fácil de reconocer, gracias a los botones de control adicionales y la pantalla LCD situada en el lateral izquierdo, así como por los filtros de densidad neutra cerca de la montura del objetivo. Asimismo, la versión URSA Mini Pro 4.6K G2 presenta un distintivo de color naranja en la parte frontal, sobre el objetivo (G2 4.6K), y otro en el lateral izquierdo del panel de control externo (G2). Naturalmente, este modelo brinda más opciones para controlar la cámara y modificar los distintos ajustes. Por su parte, la versión URSA Mini Pro 12K presenta dos íconos distintivos (12K y HDR). El panel trasero incluye una conexión para auriculares en la esquina superior derecha, encima de los puertos SDI, mientras que el puerto USB-C se encuentra en la esquina inferior derecha, debajo de la fuente de alimentación de 12 V.



URSA Mini Pro 12K, lateral izquierdo



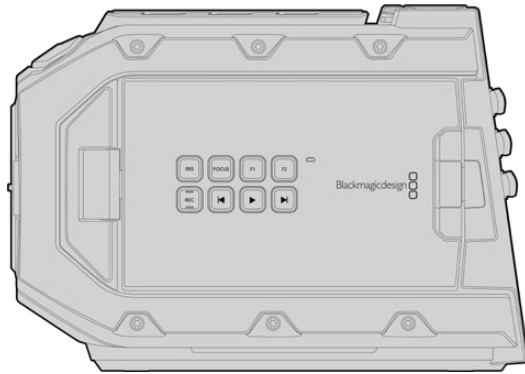
URSA Mini Pro 4.6K G2, lateral izquierdo



URSA Mini Pro 4.6K, lateral izquierdo

## URSA Mini

Las versiones URSA Mini 4K y 4.6K son prácticamente idénticas. Los botones de control y los menús en pantalla tienen la misma distribución, y el funcionamiento de las cámaras es básicamente el mismo. Solo se incluyen más opciones de resolución al utilizar el sensor 4.6K, así como una mayor gama de ajustes ISO. Una manera sencilla para saber qué tipo de sensor incluye la cámara es mediante el ícono 4K o 4.6K sobre la montura del objetivo.



URSA Mini, lateral izquierdo

Cabe destacar además que las unidades URSA Mini están disponibles con monturas para objetivos EF y PL. La diferencia entre estas es el conector para objetivos profesionales de 12 pines, situado cerca de la montura en los modelos PL, y por supuesto, las monturas en sí mismas, si es que está familiarizado con los sistemas EF y PL. Consulte el apartado *Primeros pasos* para obtener más información al respecto.

Ahora que sabe diferenciar los distintos modelos URSA Mini, puede comenzar a usar la cámara.

## Primeros pasos

Para comenzar a utilizar la cámara, basta con colocar un objetivo y encenderla.

### Montaje del objetivo

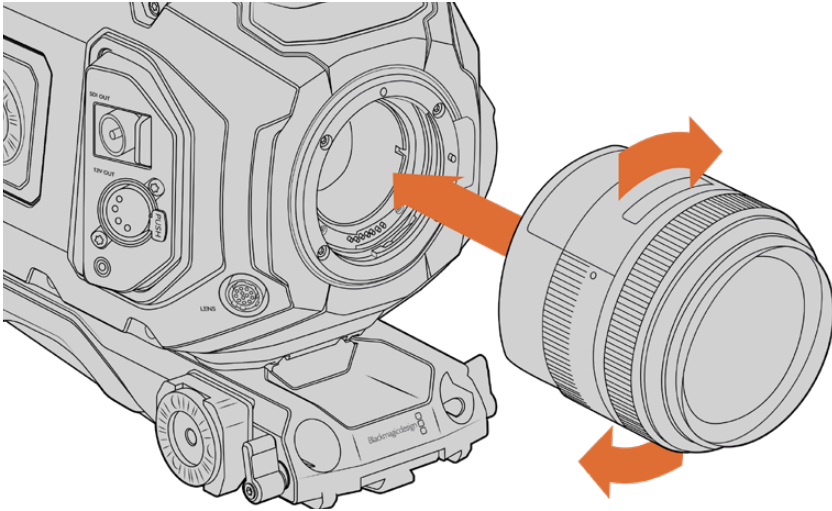
El montaje del objetivo se lleva a cabo mediante el mismo procedimiento en todos los modelos URSA Mini, aunque las monturas EF, PL, B4 y F funcionan de una manera un tanto diferente. En todos los casos, el primer paso es quitar la tapa protectora.

Para quitar la tapa protectora de la montura EF, mantenga presionado el botón de bloqueo y gire la tapa hacia la izquierda hasta aflojarla. En monturas para objetivos PL y B4, gire el aro de seguridad hacia la izquierda y quite la tapa protectora de la montura. En monturas para objetivos F, mantenga presionado el botón de bloqueo y gire la tapa hacia la derecha hasta aflojarla.

**NOTA:** El modelo URSA Mini Pro incluye una montura intercambiable que admite objetivos EF, PL, B4 y F, así como otras monturas con accesorios. Consulte el apartado *Montura intercambiable* para obtener más información al respecto.

**SUGERENCIA:** La versión URSA Mini Pro 12K incluye una montura PL, mientras que el resto de modelos vienen configurados para objetivos EF. Para empezar a grabar, basta con colocar un objetivo como se detalla a continuación.

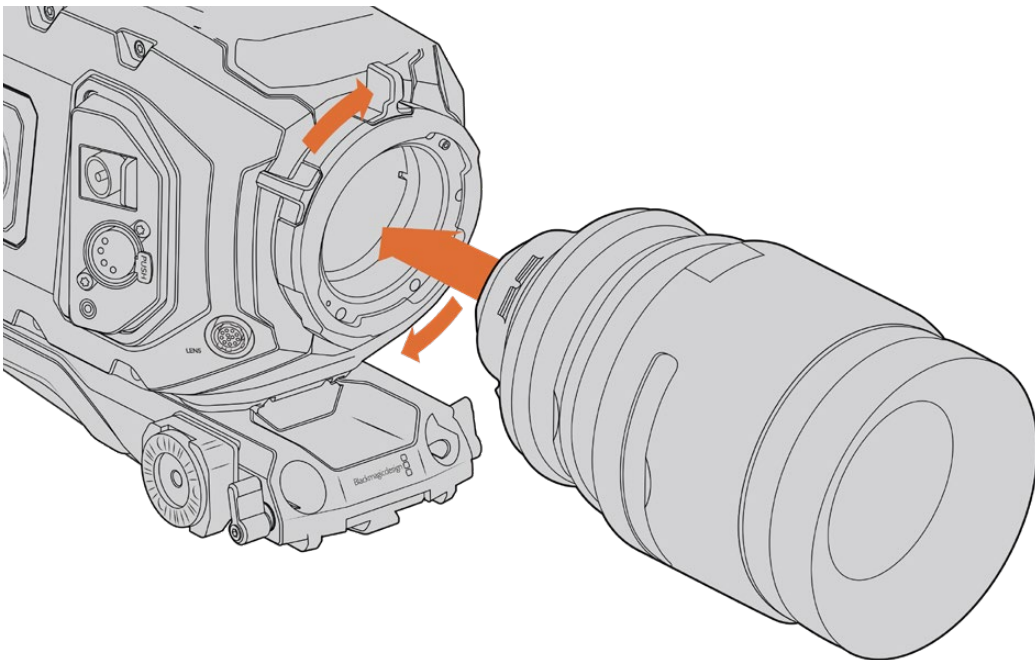
#### Para colocar un objetivo con montura EF:



Cómo colocar y retirar un objetivo EF en el modelo Blackmagic URSA Mini EF

- 1 El punto en el objetivo debe estar alineado con el de la montura de la cámara. Muchos objetivos tienen un punto azul, rojo o blanco, o algún otro indicador visual.
- 2 Inserte el objetivo en la montura y gírelo hacia la derecha hasta que calce en su lugar.
- 3 Para quitar el objetivo, mantenga presionado el botón de bloqueo, gire el objetivo hacia la izquierda hasta aflojarlo y retírelo con cuidado.

#### Para colocar un objetivo con montura PL:

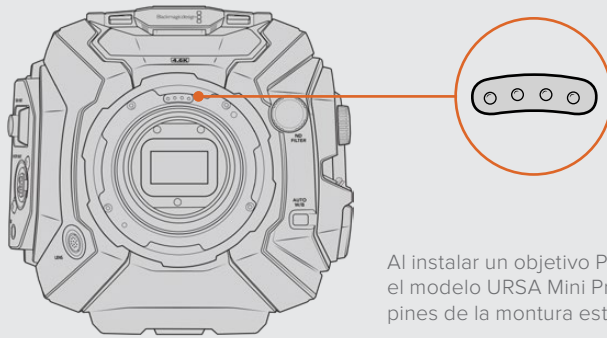


Cómo colocar y retirar un objetivo PL en las versiones URSA Mini PL y URSA Mini Pro 12K

- 1 Abra el aro de seguridad de la cámara girándolo hacia la izquierda hasta que se detenga.
- 2 Haga coincidir una de las cuatro pestañas del objetivo con el perno de sujeción situado en la montura de la cámara. Compruebe que el objetivo esté alineado correctamente para poder ver sus marcas con facilidad.
- 3 Ajuste el aro de seguridad girándolo hacia la derecha. Nótese que es posible utilizar el conector de 12 pines para colocar un objetivo PL con servomecanismo en los modelos URSA Mini PL o URSA Mini Pro.
- 4 Para quitar el objetivo, gire el aro de seguridad hacia la izquierda hasta que se detenga y luego retírelo con cuidado al alejarlo del armazón de la cámara. No es necesario girar el objetivo.

### Montura URSA Mini Pro PL

La montura PL del modelo URSA Mini Pro incluye cuatro pines en la parte superior que se emplean para la comunicación con objetivos compatibles con la interfaz /i Technology. Estos incluyen versiones de Canon, Cooke, Fujinon, Leica y Zeiss. Esto permite grabar la información del objetivo en los metadatos del clip, por ejemplo el modelo, la distancia focal y la apertura inicial, entre otros datos.



Al instalar un objetivo PL con /i Technology en el modelo URSA Mini Pro, asegúrese de que los pines de la montura estén situados hacia arriba.

La información registrada como metadatos mediante la interfaz Cooke's /i Technology puede resultar útil en la etapa de posproducción y en la creación de efectos especiales. Se recomienda saber qué tipo de objetivo se utilizó en la producción, así como los ajustes precisos, en caso de que sea necesario emplearlos de nuevo con posterioridad.

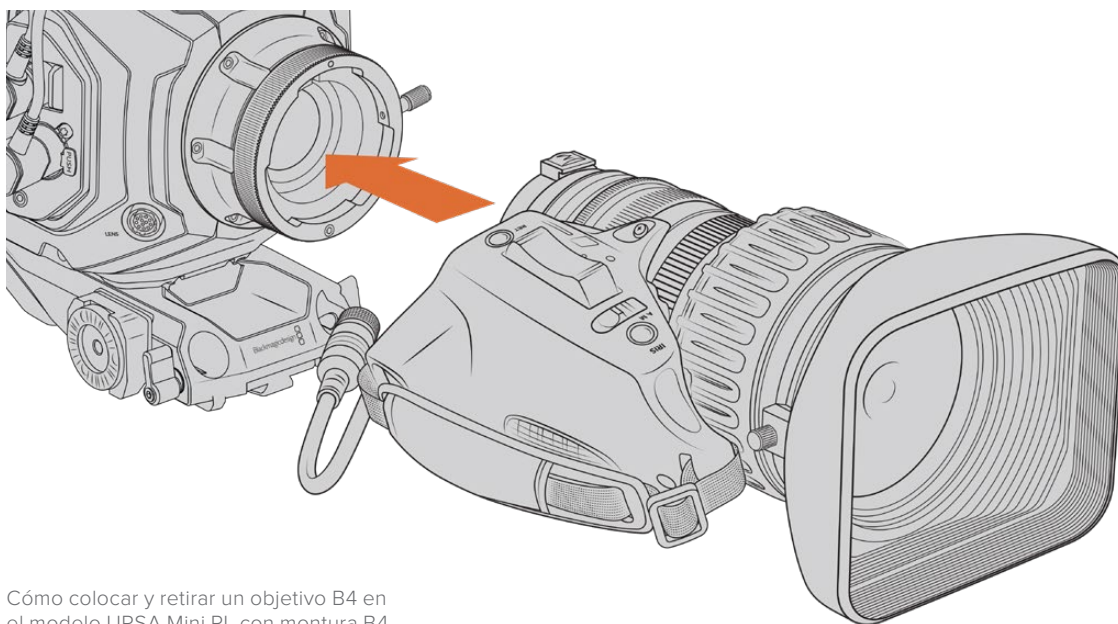
Asimismo, esta información importante puede emplearse en programas como DaVinci Resolve y Blackmagic Fusion, para un sinnúmero de funciones avanzadas. Por ejemplo, es posible utilizar los metadatos registrados para simular el objetivo en un entorno tridimensional o para corregir distorsiones del lente.

Los modelos URSA Mini Pro y URSA Mini PL son compatibles con objetivos PL de 35 mm que disponen de empuñaduras con servomecanismo. Al conectarlos a la cámara, esta le suministra energía eléctrica y envía las señales de control de la misma forma que con los objetivos B4. Consulte el apartado *Uso de objetivos con servomecanismo* para obtener más información al respecto.

**NOTA:** Cuando no hay ningún objetivo colocado en la cámara, el filtro de vidrio que cubre el sensor queda expuesto al polvo y la suciedad. por tal motivo, recomendamos cubrirlo con la tapa protectora.



### Para colocar un objetivo con montura B4:

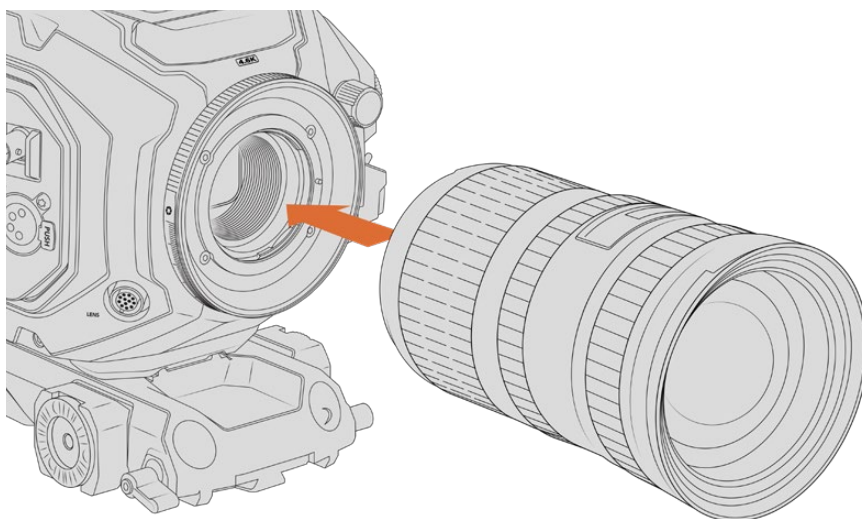


Cómo colocar y retirar un objetivo B4 en el modelo URSA Mini PL con montura B4

- 1 Gire el aro de seguridad del objetivo hacia la izquierda para acceder a la ranura de alineación de la montura. Coloque el objetivo sobre la montura y verifique que el pasador de alineación coincida con la ranura correspondiente.
- 2 Apoye el objetivo sobre la montura, de modo que los extremos estén en contacto. Compruebe que el pasador de alineación encastre en el orificio correspondiente.
- 3 Gire el aro de seguridad hacia la derecha para apretar el objetivo hasta que quede firme.
- 4 A fin de suministrar corriente eléctrica al objetivo y controlarlo desde la cámara, simplemente conéctelo a la entrada **LENS** en la parte frontal del módulo del sensor en los modelos URSA Mini PL o URSA Mini Pro. La mayoría de los objetivos B4 incluye un conector Hirose de 12 pines con un cable integrado para este fin.

Consulte el apartado *Uso de objetivos con servomecanismo* para obtener más información al respecto.

### Para colocar un objetivo con montura F:



Colocación de un objetivo con montura F en el modelo URSA Mini Pro 4.6K

- 1 El punto en el objetivo debe estar alineado con el de la montura de la cámara. Muchos objetivos tienen un punto azul, rojo o blanco, o algún otro indicador visual.
- 2 Inserte el objetivo en la montura y gírelo hacia la izquierda hasta que encaje en su lugar.
- 3 Para quitar el objetivo, mantenga presionado el botón de bloqueo, gire el objetivo hacia la derecha hasta aflojarlo y retírelo con cuidado.

**NOTA:** La montura Blackmagic URSA Mini Pro F incluye un mecanismo de ajuste del diafragma. Para emplear monturas F más antiguas con anillos de enfoque integrados, la apertura del objetivo debe estar en el valor mínimo, por ejemplo f/22. Consulte el apartado *Montura Blackmagic URSA Mini Pro F* para obtener más información al respecto.

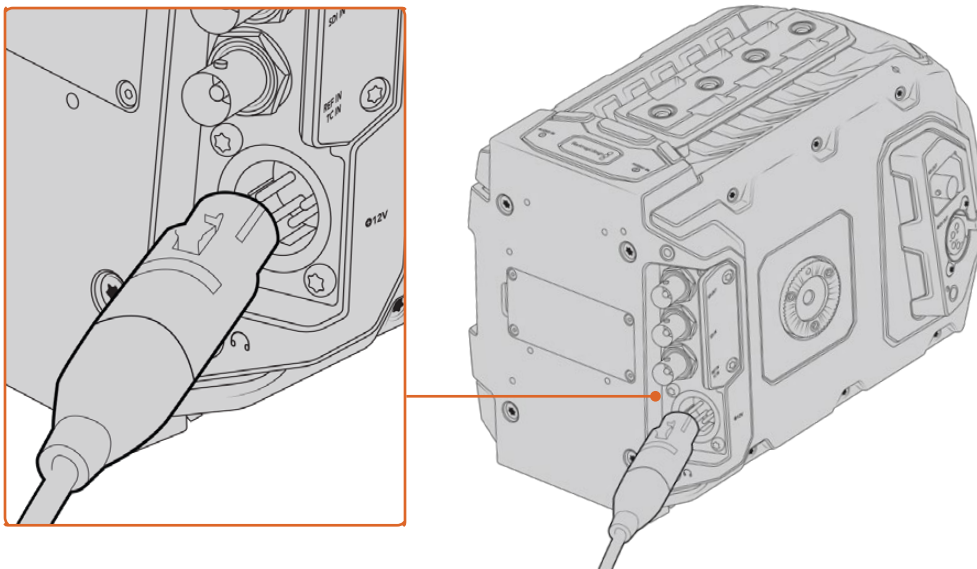
## Encendido de la cámara

Después de colocar el objetivo en la cámara, es necesario suministrarle corriente eléctrica. La forma más rápida de hacerlo es conectando el transformador de 12 V incluido.

Para conectar una fuente de alimentación externa:

- 1 Conecte el enchufe del transformador a la red de suministro eléctrico.
- 2 Enchufe el conector XLR del transformador a la entrada de alimentación (12-20 V) de la cámara.

Si hay una batería y una fuente de alimentación externa conectadas simultáneamente, la cámara solo utilizará la corriente suministrada por esta última. Al desconectarla, la cámara funcionará con la batería.



Utilice el transformador de 12 V para suministrar corriente eléctrica a la cámara.

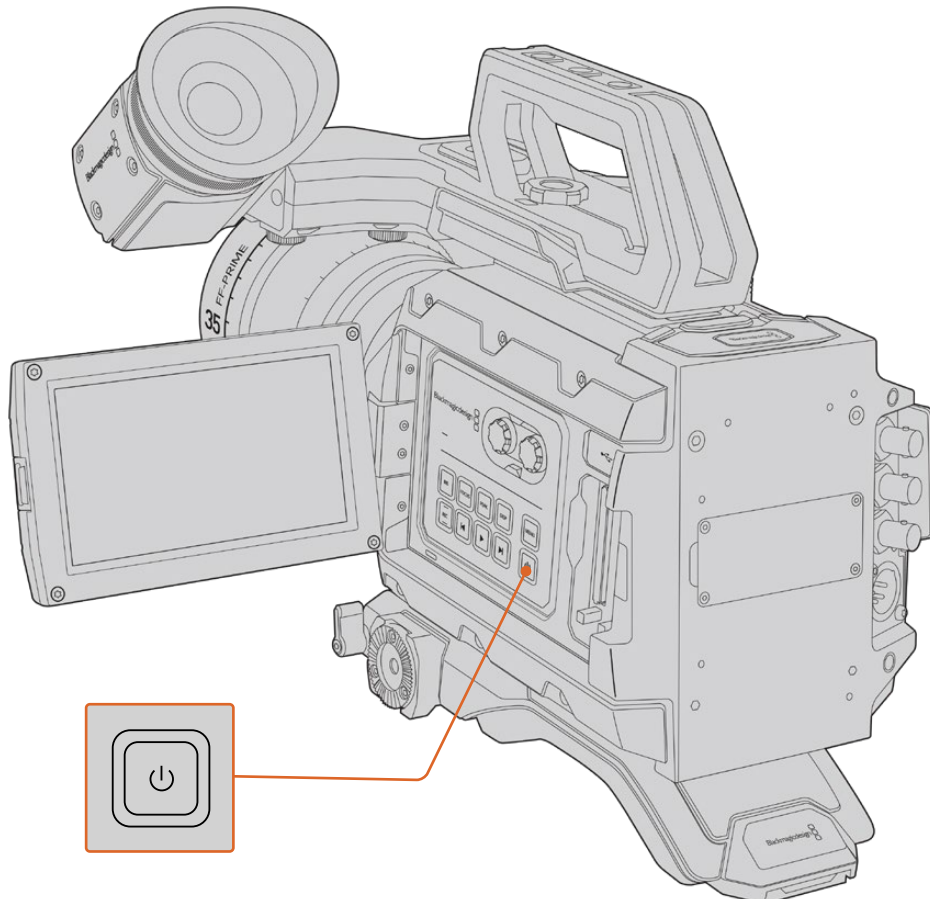


Se pueden emplear baterías externas comunes diseñadas por otros fabricantes (p. ej., tipo V-Lock o Gold Mount). Consulte el apartado *Instalación de baterías* para obtener más información al respecto.

#### Para encender el modelo URSA Mini:

- 1 Presione el botón de encendido. En la versión URSA Mini, está situado en el panel de control detrás, de la pantalla plegable. Simplemente ábrala para acceder al mismo.
- 2 Mantenga presionado el botón de encendido para apagar la cámara.

Ya está todo listo para insertar una tarjeta CFast 2.0 y comenzar a grabar.

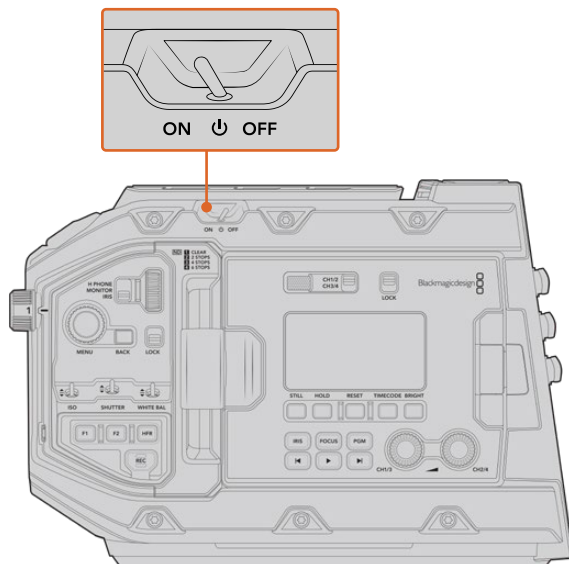


Para encender la cámara URSA Mini, abra la pantalla táctil plegable y presione el botón de encendido en el panel de control. Manténgalo presionado para apagarla.

**SUGERENCIA:** Al encender la cámara, presione el botón brevemente. La unidad demorará unos 10 segundos en iniciarse, pero no es necesario volver a presionar el botón. Para apagarla, mantenga presionado el botón.

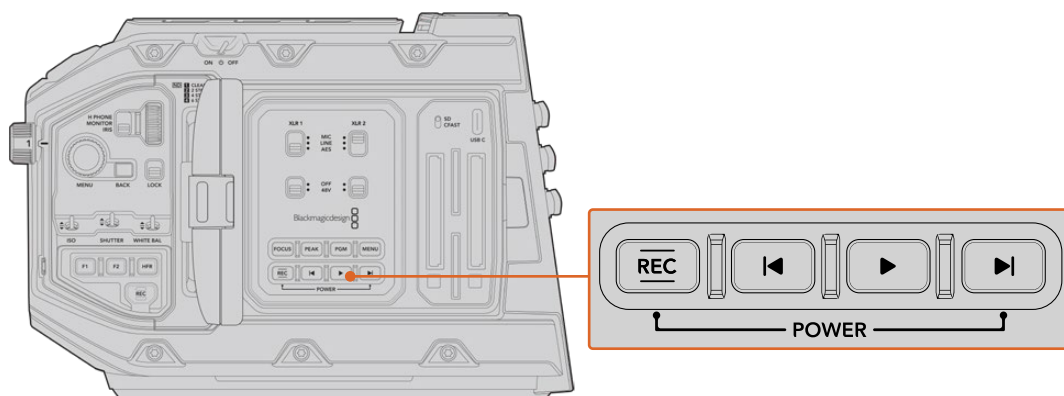
## Para encender el modelo URSA Mini Pro:

- 1 El modelo Blackmagic URSA Mini Pro incluye un interruptor de encendido sobre la pantalla plegable. Al mover el interruptor a la posición **ON**, se enciende la cámara.
- 2 Para apagar la cámara, mueva el interruptor a la posición **OFF**.



Al mover el interruptor a la posición **ON**, se enciende la cámara.

El modelo URSA Mini Pro también incluye un sistema adicional que permite encender o apagar la cámara al mantener presionados los botones de grabación y avance. A pesar de que este no es el modo más convencional de encender la unidad, es una alternativa útil en caso de no tener acceso al interruptor situado en la parte superior, por ejemplo, al usar un soporte personalizado.



Es posible mantener presionados brevemente los botones de grabación y avance situados detrás de la pantalla LCD para encender o apagar la cámara.

**SUGERENCIA:** Si el interruptor del modelo URSA Mini Pro se encuentra en la posición **ON** y la cámara está apagada, es posible que se haya apagado mediante la conexión Bluetooth® o los botones del panel de control. Simplemente mueva el interruptor entre las posiciones **ON** y **OFF** o mantenga presionados los botones del panel de control para encenderla.

# Almacenamiento

El modelo Blackmagic URSA Mini ofrece distintas posibilidades de almacenamiento. Todas las cámaras URSA Mini emplean tarjetas CFast 2.0 para grabar imágenes. Por su parte, el modelo URSA Mini Pro también admite tarjetas SD UHS-I y UHS-II.

Las cámaras URSA Mini Pro G2 y URSA Mini Pro 12K incluyen un puerto USB-C 3.1 de primera y segunda generación, respectivamente. Estos permiten grabar en memorias externas de alta velocidad o unidades de estado sólido con gran capacidad mediante el dispositivo opcional URSA Mini Recorder.

**NOTA:** El grabador URSA Mini Recorder ha sido diseñado para la cámara URSA Mini Pro 12K y puede utilizarse con la versión URSA Mini Pro 4.6K G2. Sin embargo, no es compatible con los modelos URSA Mini Pro 4.6K, URSA Mini 4.6K y URSA Mini 4K. Consulte el apartado *URSA Mini Recorder* para obtener más información sobre la conexión del dispositivo a la cámara.

## Información importante acerca de la velocidad de las unidades de almacenamiento

La velocidad de lectura y escritura indicada por los fabricantes de este tipo de soportes generalmente se basa en valores máximos para archivos pequeños, tales como imágenes fijas, y podría no reflejar el rendimiento real de las unidades para secuencias con una tasa de transferencia elevada.

Blackmagic ha realizado pruebas con todas las unidades mencionadas a continuación para el modelo URSA Mini. Por consiguiente, aconsejamos emplear solo las tarjetas recomendadas en este manual para garantizar la calidad de la grabación a la frecuencia de imagen seleccionada.

## Tarjetas CFast

Estas unidades son capaces de procesar datos a gran velocidad, de modo que son ideales para grabar contenidos con una alta frecuencia de imagen. Consulte el apartado *Grabación* para obtener más información sobre las frecuencias máximas para cada formato.

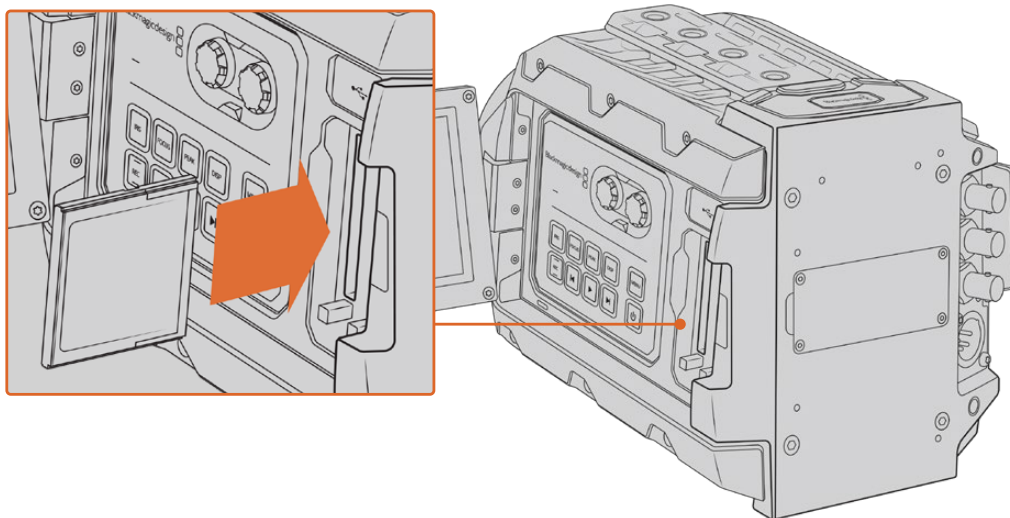
**NOTA:** Aunque por lo general las tarjetas CFast 2.0 son rápidas, en algunas unidades la velocidad de escritura es menor a la de lectura. Asimismo, la rapidez en el procesamiento de datos puede variar de un modelo a otro. Aconsejamos utilizar solo las tarjetas recomendadas para garantizar la calidad de la grabación con la frecuencia de imagen seleccionada.

## Cómo insertar tarjetas CFast

El modelo URSA Mini Pro también permite grabar en tarjetas SD o CFast. A fin de utilizar tarjetas CFast, es necesario configurar la cámara. Para ello, basta con mover el interruptor situado arriba de las ranuras a la posición **CFAST**.

### Para insertar una tarjeta CFast:

- 1 Abra el monitor plegable para acceder a las ranuras para tarjetas CFast.
- 2 Inserte la tarjeta en la ranura hasta que calce en su lugar. Para ello, no debería ser necesario ejercer demasiada fuerza. Presione el botón situado debajo de la ranura para retirarla.  
La información de almacenamiento en la parte inferior de la pantalla táctil muestra el nombre y el tiempo de grabación restante para las tarjetas CFast detectadas.



El modelo URSA Mini cuenta con dos ranuras para tarjetas CFast que permiten grabar sin interrupciones.

### Elección de tarjetas CFast 2.0

Al trabajar con material audiovisual que requiere una gran velocidad de transferencia de datos, es importante revisar cuidadosamente la tarjeta CFast que se utilizará como soporte de grabación, ya que estas unidades de almacenamiento ofrecen distintas velocidades de lectura y escritura. Las tablas que figuran a continuación muestran las tarjetas CFast recomendadas.

#### ¿Qué tarjetas CFast son las más adecuadas para el modelo Blackmagic URSA Mini Pro 12K?

Recomendamos los siguientes modelos CFast 2.0 para grabar en formato Blackmagic RAW 18:1 y resolución DCI 12K a un máximo de 60 f/s, o Blackmagic RAW 8:1 y resolución DCI 8K a un máximo de 60 f/s.

Marca	Modelo	Capacidad
Angelbird	AV Pro CF	128GB
Angelbird	AV Pro CF	256GB
Angelbird	AV Pro CF	512GB
Angelbird	AV Pro CF	1TB
ExAscend	Essential	512GB
ExAscend	Essential	1TB
FreeTail	Evoke Pro 3700x	128GB
FreeTail	Evoke Pro 3700x	256GB
FreeTail	Evoke Pro 3700x	512GB
FreeTail	Evoke Pro 3700x	1TB

Marca	Modelo	Capacidad
KomputerBay	x3400 CFast 2.0	128GB
ProGrade Digital	550MB/s CFast 2.0	256GB
ProGrade Digital	550MB/s CFast 2.0	512GB
SanDisk	Extreme Pro CFast 2.0 SDCFSP-128G-x46D	128GB
Wise	CFast 2.0 3400x	256GB
Wise	CFast 2.0 3500x	512GB
Wise	CFast 2.0 3500x	1TB

### ¿Qué tarjetas CFast son las más adecuadas para los modelos Blackmagic URSA Mini y URSA Mini Pro?

Recomendamos los siguientes modelos para grabar en formato Blackmagic RAW 3:1 con resolución 4.6K a una frecuencia máxima de 60 f/s.

Marca	Modelo	Capacidad
Angelbird	AV Pro CF	128 GB
Angelbird	AV Pro CF	256 GB
Angelbird	AV Pro CF	512 GB
Angelbird	AV Pro CF	1 TB
CinediskPro	510MB/s CFast 2.0	256 GB
FreeTail	Evoke Pro 3700x	128 GB
FreeTail	Evoke Pro 3700x	256 GB
FreeTail	Evoke Pro 3700x	512 GB
FreeTail	Evoke Pro 3700x	1 TB
Hagiwara Solutions	CFast 2.0 DC-SMAN64GA	64 GB
Hagiwara Solutions	CFast 2.0 DC-SMANA1GA	128 GB
KomputerBay	3600x CFast 2.0 Card	64 GB
ProGrade Digital	550MB/s CFast 2.0	64 GB
ProGrade Digital	550MB/s CFast 2.0	128 GB
ProGrade Digital	550MB/s CFast 2.0	256 GB
ProGrade Digital	550MB/s CFast 2.0	512 GB
SanDisk	Extreme Pro CFast 2.0 SDCFSP-128G-x46D	128 GB
SanDisk	Extreme Pro CFast 2.0 SDCFSP-256G-x46D	256 GB
SanDisk	Extreme Pro CFast 2.0 SDCFSP-512G-x46D	512 GB
Sony	CFast 2.0 G Series CAT-G64	64 GB
Sony	CFast 2.0 G Series CAT-G128	128 GB

Marca	Modelo	Capacidad
Transcend	CFX650 CFast 2.0 TS128GCFX650	128 GB
Transcend	CFX650 CFast 2.0 TS256GCFX650	256 GB
Transcend	CFX650 CFast 2.0 TS128GCFX650BM	128 GB
Transcend	CFX650 CFast 2.0 TS256GCFX650BM	256 GB
Wise	CFast 2.0 3400x	256 GB
Wise	CFast 2.0 3500x	512 GB

Recomendamos los siguientes modelos para grabar en formato ProRes 422 HQ a una frecuencia máxima de 60 f/s.

Marca	Modelo	Capacidad
Angelbird	AV Pro CF	128 GB
Angelbird	AV Pro CF	256 GB
Angelbird	AV Pro CF	512 GB
Angelbird	AV Pro CF	1 TB
Angelbird	AV Pro CF XT	256 GB
Angelbird	AV Pro CF XT	512 GB
CinediskPro	510MB/s CFast 2.0	256 GB
Hagiwara Solutions	DC-SMAN64GA	64 GB
Hagiwara Solutions	DC-SMANA1GA	128 GB
KomputerBay	3600x CFast 2.0 Card	64 GB
KomputerBay	3700x CFast 2.0 Card	256 GB
ProGrade Digital	550MB/s CFast 2.0	128 GB
ProGrade Digital	550MB/s CFast 2.0	256 GB
ProGrade Digital	550MB/s CFast 2.0	512 GB
SanDisk	Extreme Pro CFast 2.0 SDCFSP-128G-x46D	128 GB
SanDisk	Extreme Pro CFast 2.0 SDCFSP-256G-x46D	256 GB
SanDisk	Extreme Pro CFast 2.0 SDCFSP-512G-x46D	512 GB
Silicon Power	CFX310	256 GB
Sony	CFast 2.0 G Series CAT-G64	64 GB
Sony	CFast 2.0 G Series CAT-G128	128 GB
Transcend	CFX650 CFast 2.0 TS128GCFX650	128 GB
Transcend	CFX650 CFast 2.0 TS256GCFX650	256 GB

Marca	Modelo	Capacidad
Transcend	CFX650 CFast 2.0 TS128GCFX650BM	128 GB
Transcend	CFX650 CFast 2.0 TS256GCFX650BM	256 GB
Wise	CFast 2.0 3400x	128 GB
Wise	CFast 2.0 3400x	256 GB
Wise	CFast 2.0 3500x	512 GB

Para obtener información adicional sobre tarjetas CFast compatibles con la cámara Blackmagic URSA Mini, visite nuestra página de soporte técnico en [www.blackmagicdesign.com/es/support](http://www.blackmagicdesign.com/es/support).

**NOTA:** Solo se ha certificado el uso de tarjetas CFast 2.0 serie D de Sandisk en el modelo Blackmagic URSA Mini. Estas se identifican con la letra «D», impresa en la esquina inferior izquierda de la parte trasera de la tarjeta. Asimismo, para facilitar su identificación, se incluye una lista con los números del modelo. La «x» en dicho número puede variar según los diferentes mercados. Por ejemplo, se utiliza una «A» en Estados Unidos y una «G» para Europa y el sudeste asiático.

## Tarjetas SD

Por otro lado, el modelo URSA Mini Pro también permite grabar en tarjetas UHS-I y UHS-II de alta velocidad. Al utilizar unidades UHS-II SDXC de alta gama, es posible procesar material ProRes HQ en resolución 2160p.

Con las tarjetas SD, se pueden emplear soportes de almacenamiento más económicos al grabar en formatos comprimidos con alta definición. Las tarjetas SDXC y SDHC se utilizan habitualmente en cámaras fotográficas y videocámaras comunes.

Si ha empleado con anterioridad una cámara DSLR o los modelos Blackmagic Micro Cinema Camera y Pocket Cinema Camera 4K, o el dispositivo Blackmagic Video Assist, probablemente ya disponga de tarjetas SD compatibles.

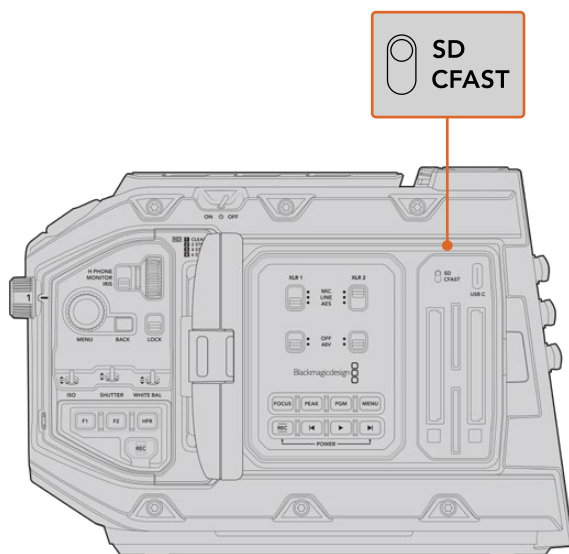
En proyectos que no requieren archivos Blackmagic RAW de alta resolución, o cuando es necesario grabar durante períodos prolongados, este tipo de tarjetas resulta más económico. También es posible usar tarjetas SD de menor capacidad y velocidad para guardar y cargar tablas de conversión y ajustes predeterminados.

### Cómo insertar una tarjeta SD

#### Para insertar una tarjeta SD:

- 1 Abra el monitor plegable para acceder a las ranuras para tarjetas SD, situadas entre las ranuras de mayor tamaño para las unidades CFast.
- 2 Mueva el interruptor situado arriba de las ranuras a la posición **SD**.
- 3 Inserte la tarjeta con la etiqueta orientada hacia la pantalla táctil y empújela hasta que calce en su lugar. Para extraerla, simplemente presione la tarjeta.
- 4 El indicador de almacenamiento, situado en la parte inferior de la pantalla táctil, muestra el nombre y el tiempo de grabación restante para las tarjetas detectadas.





Al emplear tarjetas SD en el modelo URSA Mini Pro 4.6K, es necesario asegurarse de que el interruptor correspondiente esté en la posición **SD**.

### Elección de una tarjeta SD adecuada

Para registrar imágenes en definición UHD en el modelo URSA Mini Pro, aconsejamos utilizar tarjetas tipo UHS-II de mayor velocidad. Es importante utilizar tarjetas UHS-II para grabar contenidos en definición UHD o HD. Las unidades UHS-I son adecuadas para almacenar imágenes en HD. Estas permiten procesar datos rápidamente y ofrecen una mayor capacidad. Generalmente, los soportes de almacenamiento más veloces ofrecen un mejor desempeño. Consulte la lista de tarjetas recomendadas en este apartado para obtener más información al respecto.

Antes de grabar archivos en una tarjeta, es necesario formatearla mediante el sistema HFS+ o exFAT. Es posible formatear los soportes de almacenamiento desde la cámara o el equipo informático. Consulte el apartado *Preparación de soportes para la grabación* para obtener más información al respecto.

También es posible formatear la tarjeta mediante un equipo Mac o Windows. En el primer caso, recomendamos utilizar el formato HFS+ propio del sistema operativo macOS. El formato exFAT es más adecuado para Windows, aunque también es compatible con el sistema operativo Mac.

Las tablas que figuran a continuación muestran las tarjetas SD recomendadas para el modelo Blackmagic URSA Mini Pro. Es aconsejable consultar con regularidad la versión más reciente de este manual para obtener información actualizada al respecto. Esta puede descargarse desde la página [www.blackmagicdesign.com/es/support](http://www.blackmagicdesign.com/es/support).

**NOTA:** Al filmar a una frecuencia de imagen alta o en definición UHD con el modelo URSA Mini, recomendamos utilizar tarjetas CFast 2.0 o SD UHS-II, ya que son más rápidas y ofrecen una mayor capacidad de almacenamiento.

Visite nuestra página de soporte técnico para obtener información adicional sobre las tarjetas SD recomendadas.

### ¿Qué tarjetas SD son las más adecuadas para el modelo Blackmagic URSA Mini Pro 12K?

Recomendamos los siguientes modelos SD para grabar en formato Blackmagic RAW 12:1 y resolución DCI 12K a una frecuencia máxima de 24 f/s.

Marca	Modelo	Capacidad
ProGrade Digital	V90 UHS-II 300MB/s SDXC	64GB
ProGrade Digital	V90 UHS-II 300MB/s SDXC	128GB
ProGrade Digital	V90 UHS-II 300MB/s SDXC	256GB
Sony	Tough SF-G64 300MB/s UHS-II SDXC	64GB
Sony	Tough SF-G128 300MB/s UHS-II SDXC	128GB

Recomendamos los siguientes modelos SD para grabar en formato Blackmagic RAW 18:1 y resolución DCI 8K a una frecuencia máxima de 60 f/s. 60 frames per second.

Marca	Modelo	Capacidad
Angelbird	AV Pro MK2 V90 SDXC	256GB
ProGrade Digital	V90 UHS-II 300MB/s SDXC	64GB
ProGrade Digital	V90 UHS-II 300MB/s SDXC	128GB
ProGrade Digital	V90 UHS-II 300MB/s SDXC	256GB
Sony	Tough SF-G64 300MB/s UHS-II SDXC	64GB
Sony	Tough SF-G128 300MB/s UHS-II SDXC	128GB
Wise	285MB/s UHS-II SDXC	64GB
Wise	285MB/s UHS-II SDXC	128GB

### ¿Qué tarjetas SD son las más adecuadas para el modelo URSA Mini Pro?

Recomendamos las siguientes tarjetas SD para grabar en formato DCI 4K Blackmagic RAW 12:1 a una frecuencia máxima de 30 f/s:

Marca	Modelo	Capacidad
Angelbird	AV Pro 300MB/s UHS-II SDXC	64 GB
Angelbird	AV Pro 300MB/s UHS-II SDXC	128 GB
Lexar	Professional 2000x UHS-II 300MB/s SDXC	64 GB
Lexar	Professional 1000x UHS-II 150MB/s SDXC	64 GB
SanDisk	Extreme Pro UHS-I 95MB/s SDXC	64 GB
SanDisk	Extreme Pro UHS-I 95MB/s SDXC	128 GB
SanDisk	Extreme Pro UHS-I 95MB/s SDXC	256 GB
SanDisk	Extreme Pro UHS-I 95MB/s SDXC	512 GB
SanDisk	Extreme Pro UHS-II 280MB/s SDXC	64 GB
SanDisk	Extreme Pro UHS-II 300MB/s SDHC	32 GB
SanDisk	Extreme Pro UHS-II 300MB/s SDXC	128 GB

Marca	Modelo	Capacidad
Sony	SF-G64 300MB/s UHS-II SDXC	64 GB
Sony	SF-G128 300MB/s UHS-II SDXC	128 GB
Toshiba	Exceria Pro UHS-II 270MB/s SDXC	64 GB
Toshiba	Exceria Pro UHS-II 270MB/s SDXC	128 GB
Toshiba	Exceria Pro UHS-II N502 SDHC	32 GB
Toshiba	Exceria Pro UHS-II N502 SDXC	64 GB
Toshiba	Exceria Pro UHS-II N502 SDXC	128 GB
Toshiba	Exceria Pro UHS-II N502 SDXC	256 GB
Transcend	Ultimate UHS-II 180MB/s SDXC	64 GB
Wise	285MB/s UHS-II SDXC	64 GB
Wise	285MB/s UHS-II SDXC	128 GB

Recomendamos los siguientes modelos para grabar en ProRes 422 HQ (2160p) a un máximo de 30 f/s.

Marca	Modelo	Capacidad
Angelbird	AV Pro 300MB/s UHS-II SDXC	64 GB
Angelbird	AV Pro 300MB/s UHS-II SDXC	128 GB
Delkin Devices	UHS-II 250MB/s SDHC	32 GB
ProGrade Digital	V90 UHS-II 250MB/s SDXC	128 GB
SanDisk	Extreme Pro UHS-II 280MB/s SDHC	32 GB
SanDisk	Extreme Pro UHS-II 280MB/s SDXC	64 GB
SanDisk	Extreme Pro UHS-II 300MB/s SDHC	32 GB
SanDisk	Extreme Pro UHS-II 300MB/s SDXC	128 GB
Sony	SF-G64 300MB/s UHS-II SDXC	64 GB
Sony	SF-G128 300MB/s UHS-II SDXC	128 GB
Toshiba	Exceria Pro UHS-II 270MB/s SDXC	64 GB
Toshiba	Exceria Pro UHS-II N502 SDHC	32 GB
Toshiba	Exceria Pro UHS-II N502 SDXC	64 GB
Toshiba	Exceria Pro UHS-II N502 SDXC	128 GB
Toshiba	Exceria Pro UHS-II N502 SDXC	256 GB
Transcend	Ultimate UHS-II 180MB/s SDXC	64 GB
Wise	285MB/s UHS-II SDXC	64 GB
Wise	285MB/s UHS-II SDXC	128 GB

Recomendamos los siguientes modelos para grabar en ProRes 422 HQ (1080p) a un máximo de 60 f/s.

Marca	Modelo	Capacidad
Angelbird	AV Pro 300MB/s UHS-II SDXC	64 GB
Angelbird	AV Pro 300MB/s UHS-II SDXC	128 GB
Delkin Devices	UHS-II 250MB/s SDHC	32 GB
Lexar	Professional 2000x UHS-II 300MB/s SDHC	32 GB
Lexar	Professional 2000x UHS-II 300MB/s SDXC	64 GB
Lexar	Professional 1000x UHS-II 150MB/s SDXC	64 GB
ProGrade Digital	V90 UHS-II 250MB/s SDXC	128 GB
ProGrade Digital	V60 UHS-II 200MB/s SDXC	64 GB
ProGrade Digital	V60 UHS-II 200MB/s SDXC	128 GB
SanDisk	Extreme Pro UHS-I 95MB/s SDXC	64 GB
SanDisk	Extreme Pro UHS-I 95MB/s SDXC	128 GB
SanDisk	Extreme Pro UHS-I 95MB/s SDXC	256 GB
SanDisk	Extreme Pro UHS-I 95MB/s SDXC	512 GB
SanDisk	Extreme Pro UHS-II 280MB/s SDHC	32 GB
SanDisk	Extreme Pro UHS-II 280MB/s SDXC	64 GB
SanDisk	Extreme Pro UHS-II 300MB/s SDXC	64 GB
SanDisk	Extreme Pro UHS-II 300MB/s SDXC	128 GB
Sony	SF-G64 300MB/s UHS-II SDXC	64 GB
Sony	SF-G128 300MB/s UHS-II SDXC	128 GB
Toshiba	Exceria Pro UHS-II 270MB/s SDXC	64 GB
Toshiba	Exceria Pro UHS-II 270MB/s SDXC	128 GB
Toshiba	Exceria Pro UHS-II 270MB/s SDXC	256 GB
Toshiba	Exceria Pro UHS-II N502 SDHC	32 GB
Toshiba	Exceria Pro UHS-II N502 SDXC	64 GB
Toshiba	Exceria Pro UHS-II N502 SDXC	128 GB
Toshiba	Exceria Pro UHS-II N502 SDXC	256 GB
Transcend	Ultimate UHS-II 180MB/s SDXC	64 GB
Wise	285MB/s UHS-II SDXC	64 GB
Wise	285MB/s UHS-II SDXC	128 GB

Visite nuestra página de soporte técnico para obtener información adicional sobre las tarjetas SD compatibles.

## Bloqueo y desbloqueo de tarjetas SD

Es posible bloquear las tarjetas SD, a fin de evitar la sobreescritura de datos.

Al insertar una tarjeta, compruebe que no se encuentre protegida. La protección contra la escritura de datos puede desactivarse moviendo el pequeño interruptor situado en el lado izquierdo de la unidad hacia la posición más cercana a los conectores. Después de copiar contenidos, puede proteger la tarjeta nuevamente desplazando el interruptor hacia su posición original.



Al mover el pequeño interruptor hacia arriba o abajo, se bloquea o desbloquea la tarjeta SD.

El modelo URSA Mini Pro indica si se ha insertado una tarjeta SD protegida mediante un ícono en la pantalla táctil y en el menú del soporte de almacenamiento. En este caso, es preciso desbloquearla antes de grabar imágenes, tomar fotografías o exportar tablas de conversión y ajustes predeterminados.



El modelo URSA Mini Pro indica si la tarjeta SD insertada está bloqueada.

## Unidades USB-C

El modelo Blackmagic URSA Mini Pro 4.6K G2 incluye un puerto de expansión que permite conectar discos USB-C externos. La versión URSA Mini Pro 12K presenta dos puertos USB-C 3.1, uno de primera generación situado en el lateral, cerca de las ranuras para tarjetas CFast, que permite actualizar el dispositivo, y otro de segunda generación en el panel trasero, cerca de las conexiones SDI, a fin de grabar en unidades SSD de gran velocidad. Estas unidades de gran capacidad son rápidas y brindan la posibilidad de grabar durante períodos más prolongados, lo cual es importante al filmar eventos extensos.

Al conectar una unidad USB-C a la cámara, esta aparece en el segundo espacio correspondiente a soportes de almacenamiento en el sistema operativo de la cámara. Pulse el nombre de la unidad en el menú de almacenamiento para activarla. Esto significa que la grabación, la reproducción y el almacenamiento se llevan a cabo de la misma manera en un disco USB-C, una unidad SSD o en tarjetas SD o CFast.

Una vez finalizada la grabación, la unidad puede conectarse directamente a un equipo informático para editar el material sin necesidad de copiarlo.

#### Para conectar una unidad USB-C:

- 1 Conecte el extremo de un cable USB-C a la unidad.
- 2 En la versión URSA Mini Pro 12K, conecte el cable al puerto USB-C en el panel trasero, debajo de las conexiones SDI. En la versión URSA Mini Pro 4.6K G2, abra la pantalla plegable en el lateral izquierdo de la cámara y conecte el cable al puerto USB-C.

#### ¿Qué unidades USB-C son las más adecuadas para el modelo URSA Mini Pro 12K?

Recomendamos los siguientes modelos USB-C para grabar en formato Blackmagic RAW 8:1 y resolución DCI 12K a una frecuencia máxima de 30 f/s.

Marca	Nombre	Capacidad
Angelbird	SSD2GO PKT MK2	512 GB
Angelbird	SSD2GO PKT MK2	2 TB
Glyph	Atom Raid SSD	4 TB
Sony	Tough SL-CG5	500 GB
Sony	Tough SL-C1	1 TB
Sony	Tough SL-C2	2 TB
Delkin Devices	Juggler	2 TB
Wise	PTS-512 Portable SSD	512 GB
Wise	PTS-1024 Portable SSD	1 TB
Wise	PTS-2048 Portable SSD	2 TB

#### ¿Qué unidades USB-C son las más adecuadas para el modelo URSA Mini Pro 4.6K G2?

Recomendamos los siguientes modelos para grabar con resolución 4.6K en formato Blackmagic RAW 3:1 a una frecuencia máxima de 60 f/s:

Marca	Modelo	Capacidad
Samsung	Portable SSD T5	500 GB
Samsung	Portable SSD T5	1 TB
Wise	Portable SSD	256 GB
Wise	Portable SSD	512 GB
Wise	Portable SSD	1 TB

Visite nuestra página de soporte técnico para consultar una lista actualizada de los modelos recomendados.

## Nota importante sobre la velocidad de las unidades USB-C

Algunas unidades USB-C no son capaces de grabar imágenes a la velocidad estipulada por el fabricante. Esto se debe a que se comprimen los datos ocultos para lograr una mayor velocidad de escritura, pero dicha técnica solo brinda la posibilidad de alcanzar tal velocidad al almacenar archivos simples. Sin embargo, la información de una imagen incluye otros parámetros, tales como el nivel de ruido y datos relativos a los píxeles, que son más aleatorios, y por lo tanto, comprimirlos no ayuda demasiado.

La velocidad de escritura de algunas unidades USB-C puede ser hasta un 50 % menor que la indicada por el fabricante. Por consiguiente, aunque según sus especificaciones son capaces de almacenar material audiovisual, en realidad carecen de la velocidad necesaria para grabar imágenes en tiempo real.

El programa Blackmagic Disk Speed Test permite determinar con precisión si la unidad USB-C es adecuada para grabar y reproducir archivos audiovisuales a una alta velocidad. Esta aplicación simula el almacenamiento de datos, por lo que los resultados son similares a los que se obtendrían al grabar imágenes. Según las pruebas realizadas, podemos afirmar que los modelos más nuevos y de mayor capacidad son, por lo general, más rápidos.

La aplicación Blackmagic Disk Speed Test puede descargarse desde el App Store, y además existen versiones para Windows y macOS incluidas en el programa Blackmagic Desktop Video, que está disponible en la categoría *Captura y reproducción* de nuestra página de soporte técnico.

## Unidades SSD

El dispositivo opcional URSA Mini Recorder permite grabar directamente en unidades de estado sólido (SSD) de gran capacidad que pueden adquirirse en cualquier tienda de productos electrónicos.

Este grabador incluye un puerto USB-C que brinda la posibilidad de emplear unidades SSD SATA de 2.5" o U.2 de 7 mm. Para utilizar unidades SSD M.2, es necesario contar con un adaptador M.2 a U.2. Además, a efectos de alcanzar las velocidades de transferencia disponibles, es preciso disponer de un cable USB 3.1 de segunda generación certificado. Cabe mencionar que el cable USB-C suministrado presenta un mecanismo de bloqueo en cada extremo para garantizar la seguridad de la conexión durante su uso.

**NOTA:** Consulte el apartado *Blackmagic URSA Mini Recorder* para obtener más información sobre la instalación del dispositivo.

## Cómo insertar una unidad SSD

### Para insertar una unidad SSD:

- 1 Sostenga la unidad con los contactos orientados hacia la parte frontal de la cámara.
- 2 Abra la tapa en el grabador e inserte la unidad en el compartimiento correspondiente.

**SUGERENCIA:** El grabador contiene un adaptador que permite el uso de unidades SSD de distintos tamaños sin necesidad de emplear espaciadores para ajustarlas.

- 3 Después de insertar la unidad en el compartimiento, empújela ligeramente hasta que calce en su lugar y cierre la tapa protectora.



### Para extraer una unidad SSD:

Abra la tapa del grabador y sujete la unidad entre el dedo índice y el pulgar con cuidado. El hueco en la parte superior del compartimiento permite agarrarla con mayor facilidad. Simplemente retire la unidad y cierre la tapa.

**NOTA:** El grabador sustituye a la segunda ranura de la cámara. Por tal motivo, al haber una unidad SSD compatible insertada en el dispositivo, dicha ranura no estará disponible.

Para poder usarla, desconecte el grabador de la cámara. Nótese que no es necesario desinstalarlo. Consulte el apartado *Blackmagic URSA Mini Recorder* para obtener más información al respecto.

### Elección de una unidad SSD rápida para el grabador

Estas unidades ofrecen un modo de almacenamiento rápido y accesible para una amplia variedad de dispositivos. Sin embargo, conviene mencionar que la cinematografía es solo uno de los fines con los que se utilizan, de modo que es fundamental escoger el modelo adecuado, a fin de disponer de un ancho de banda suficiente para grabar en UHD o en formato Blackmagic RAW 12K. Muchos modelos han sido diseñados para equipos informáticos domésticos, y su velocidad no es lo suficientemente rápida como para almacenar imágenes en dicha definición.

Aconsejamos emplear solo las unidades SSD recomendadas, ya que estas han sido probadas en la versión Blackmagic URSA Mini Pro 12K y garantizan la posibilidad de grabar en las resoluciones indicadas sin interrupciones. Visite nuestra página de soporte técnico para consultar una lista actualizada de modelos recomendados.

### Unidades U.2

Recomendamos los siguientes modelos U.2 de 2.5" para grabar en resolución 12K y formato Blackmagic RAW 8:1 a una frecuencia máxima de 50 f/s:

Marca	Modelo	Capacidad
Samsung	983 DCT U.2 MZ-QLB960NE	960 GB
Samsung	983 DCT U.2 MZ-QLB1T9NE	1.92 TB

### Unidades M.2

Recomendamos los siguientes modelos M.2 (con el correspondiente adaptador) para grabar en resolución DCI 12K y formato Blackmagic RAW 8:1 a una frecuencia máxima de 30 f/s:

Marca	Modelo	Capacidad
SanDisk	Extreme Pro M.2 NVMe 3D SSD	500 GB
Western Digital	WD Black NVMe SSD WDS500G2X0C	500 GB
Western Digital	WD Black SN750 NVMe SSD WDS100T3X0C	1 TB

### Información importante sobre la velocidad de las unidades SSD

Algunas unidades SSD no son capaces de grabar imágenes a la velocidad estipulada por el fabricante. Esto se debe a que los datos ocultos se comprimen para lograr una mayor velocidad de escritura, pero dicha técnica solo brinda la posibilidad de alcanzar tal velocidad al almacenar archivos simples. Sin embargo, la información de una imagen incluye otros parámetros, tales como el nivel de ruido y datos relativos a los píxeles, que son más aleatorios, y por lo tanto comprimirlos no ayuda demasiado.

La velocidad de escritura de algunas unidades SSD puede ser hasta un 50 % menor que la indicada por el fabricante. Por consiguiente, aunque según sus especificaciones son capaces de almacenar material audiovisual, en realidad carecen de la velocidad necesaria para grabar imágenes en tiempo real.

El programa Blackmagic Disk Speed Test permite determinar con precisión si la unidad SSD es adecuada para grabar y reproducir archivos audiovisuales a una alta velocidad. Esta aplicación simula el almacenamiento de datos, por lo que los resultados son similares a los que se obtendrían al grabar imágenes. Según las pruebas realizadas, podemos afirmar que los modelos más nuevos y de mayor capacidad son, por lo general, más rápidos.

## Preparación de unidades para la grabación

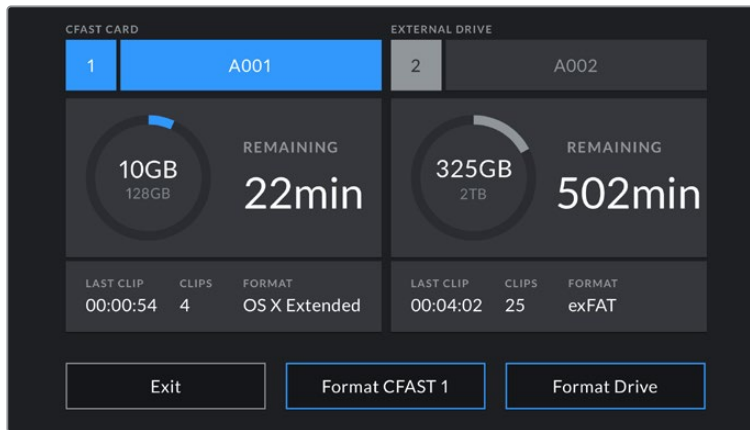
Es posible formatear los soportes de almacenamiento desde la cámara o el equipo informático. Recomendamos la primera opción para lograr un mejor rendimiento de la unidad.

El formato HFS+ (también conocido como Mac OS X Extended) es el más recomendado, ya que permite registrar la transferencia de los datos a medida que esta se lleva a cabo. De este modo, es más probable que la información pueda recuperarse en caso de un mal funcionamiento de la unidad. El sistema ExFAT puede emplearse en sistemas operativos macOS y Windows sin necesidad de adquirir programas adicionales. No obstante, este último no permite realizar un registro de la transferencia de datos.

**NOTA:** Antes de formatear el soporte de grabación, es importante asegurarse de que el interruptor correspondiente se encuentre en la posición correcta. Se recomienda comprobar los ajustes antes de iniciar el proceso.

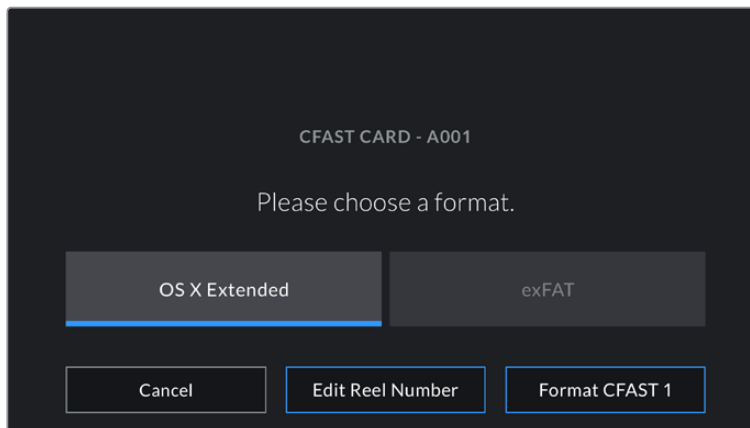
## Preparación de unidades en el modelo Blackmagic URSA Mini

- 1 Pulse cualquiera de los indicadores correspondientes en la parte inferior de la pantalla para acceder a las opciones de la unidad.
- 2 Pulse el indicador correspondiente en la parte inferior de la pantalla para formatear la tarjeta en la ranura 1 o 2, respectivamente. Si se conecta una unidad al puerto USB-C del modelo URSA Mini Pro G2, el botón para formatear el segundo soporte dice **Format Drive**.



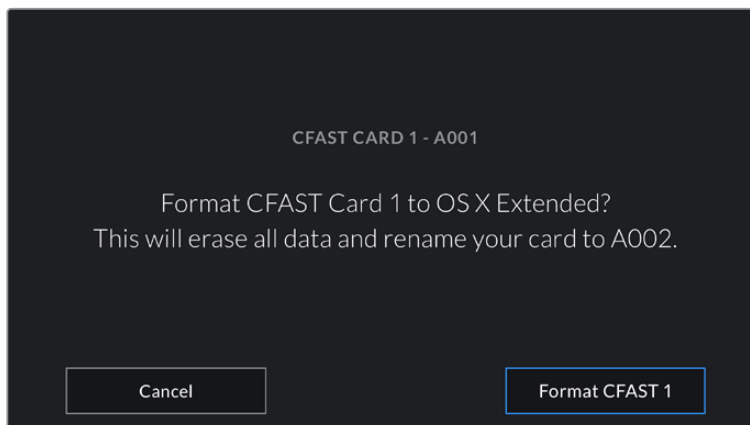
Opciones para formatear unidades de almacenamiento en el modelo URSA Mini

- 3 Pulse la opción **Edit Reel Number** para cambiar el número de rollo en forma manual.
- 4 Seleccione **OS X Extended** o **exFAT** y pulse la opción para formatear la unidad.



Pulse la opción **Edit Reel Number** para editar el número de rollo en forma manual.

- 5 El sistema solicitará una confirmación antes de proceder. Pulse **Format Card** para continuar o **Cancel** para suspender el procedimiento.



Antes de formatear la tarjeta, compruebe que la unidad seleccionada sea la correcta.

- 6 Aparecerá una notificación en la pantalla cuando el procedimiento haya finalizado.
- 7 Pulse **OK** para volver a la pantalla anterior.
- 8 Pulse **Exit** para salir.

Al formatear tarjetas CFast y SD o unidades SSD en el modelo URSA Mini, la cámara asignará una denominación a la unidad según el nombre identificador y el número de rollo introducido en la claqueta virtual. Cada vez que se formatea la unidad, el número de rollo se incrementa automáticamente. Para introducir un número de rollo específico en forma manual, pulse la opción **Edit Reel Number** e introduzca el número deseado.

Cuando se inicia un nuevo proyecto, el número de rollo se restablece y comienza nuevamente en 1 al pulsar la opción **Reset Project Data** en la pestaña **PROJECT** de la claqueta virtual.

La unidad SSD insertada en el grabador tiene prioridad sobre el soporte de almacenamiento que haya en la segunda ranura de la cámara. En este caso, el indicador **SSD** muestra que el grabador está en uso.

## Preparación de unidades en el modelo Blackmagic URSA Mini Pro

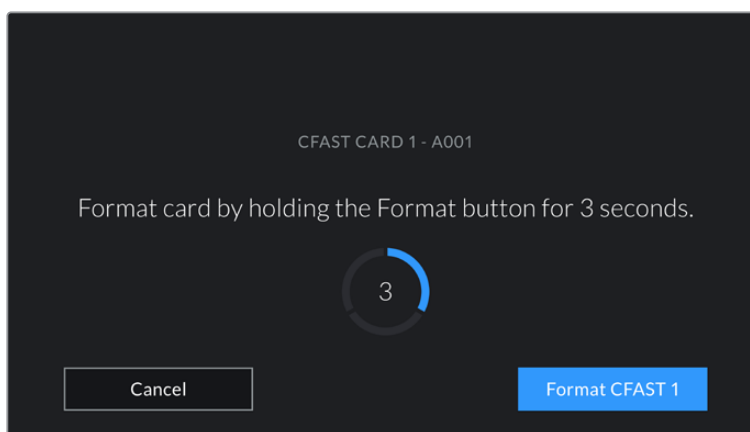
El proceso para preparar los soportes de grabación en el modelo URSA Mini Pro es exactamente igual al que se describió previamente. La única diferencia es la opción adicional para formatear tarjetas SD, además de tarjetas CFast, unidades SSD y discos USB-C en las versiones URSA Mini Pro 12K y URSA Mini Pro 4.6K G2. Cabe destacar que solo será posible formatear el tipo de tarjeta que indique la posición del interruptor correspondiente. Cuando hay un dispositivo URSA Mini Recorder o un disco USB-C externo conectado a las cámaras URSA Mini Pro 12K o URSA Mini Pro 4.6K G2, este prevalece sobre cualquier otro soporte de almacenamiento insertado en la ranura o el compartimiento 2 de la cámara, independientemente de la opción seleccionada con el interruptor.



En la pantalla de la cámara, se indica el tipo de unidad insertada.

**SUGERENCIA:** Si el modelo URSA Mini Pro se ha configurado para grabar en tarjetas SD y se inserta una unidad bloqueada, no será posible formatearla. El ícono de bloqueo aparece junto al nombre de la tarjeta en la pantalla correspondiente. Basta con desbloquearla para poder continuar y comenzar a grabar. Consulte el apartado correspondiente para obtener más información al respecto.

Al formatear soportes de almacenamiento en el modelo URSA Mini Pro, es preciso mantener presionado el botón **Formatear** durante 3 segundos. Aparecerá una notificación en la pantalla cuando el procedimiento haya finalizado.



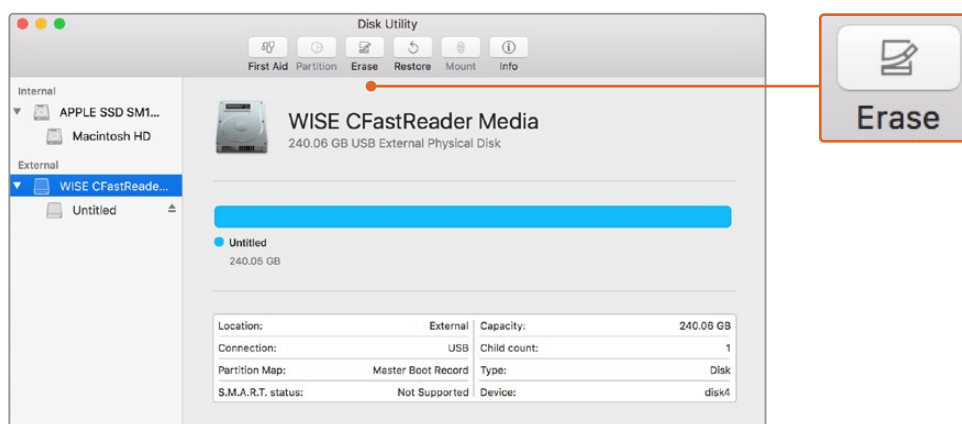
Mantenga presionado el botón tres segundos para comenzar el proceso.

Consulte el apartado *Tarjetas SD* para obtener más información al respecto.

**NOTA:** Al conectar el grabador, aparecerá **SSD** en el indicador correspondiente a la segunda ranura. Si se trata de una unidad USB-C, se mostrará el texto **Disco externo**.

## Preparación de unidades en equipos Mac

La aplicación Utilidad de Discos, incluida en el sistema operativo macOS, permite formatear soportes de almacenamiento mediante el sistema HFS+ o exFAT. Asegúrese de respaldar cualquier información importante que contenga el soporte de almacenamiento, ya que al iniciar el proceso se borrarán todos los datos.



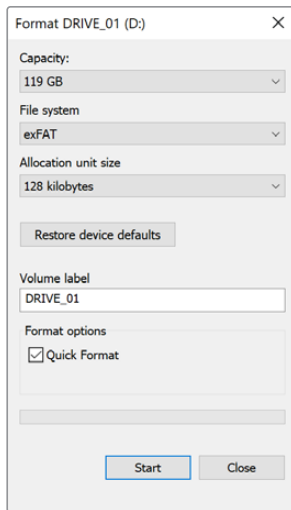
El programa Utilidad de Discos en macOS permite borrar el contenido de una unidad mediante el sistema Mac OS Extended (con registro) o exFAT.

- 1 Inserte la unidad SD, SSD o CFast en la ranura correspondiente del equipo informático o utilice un dispositivo de lectura y/o escritura para este tipo de soportes. Ignore cualquier mensaje sobre la posibilidad de realizar respaldos mediante la función **Time Machine**.
- 2 Haga clic en **Aplicaciones**, luego en **Utilidades**, y a continuación ejecute el programa **Utilidad de Discos**.
- 3 Haga clic en el ícono de la unidad y luego en la pestaña **Borrar**.

- 4 Seleccione la opción **Mac OS Extended (con registro)** o **exFAT**.
- 5 Ingrese un nombre para la unidad y luego haga clic en **Borrar**. Se dará formato a la unidad rápidamente y quedará lista para su uso.

## Preparación de unidades en equipos Windows

En equipos Windows, el soporte de almacenamiento se puede formatear mediante el sistema exFAT empleando el cuadro de diálogo **Formato**. Asegúrese de respaldar cualquier información importante que contenga la unidad, ya que al iniciar el proceso, se borrarán todos los datos.



El cuadro de diálogo **Formato** en el sistema operativo Windows permite formatear soportes de almacenamiento mediante el sistema exFAT.

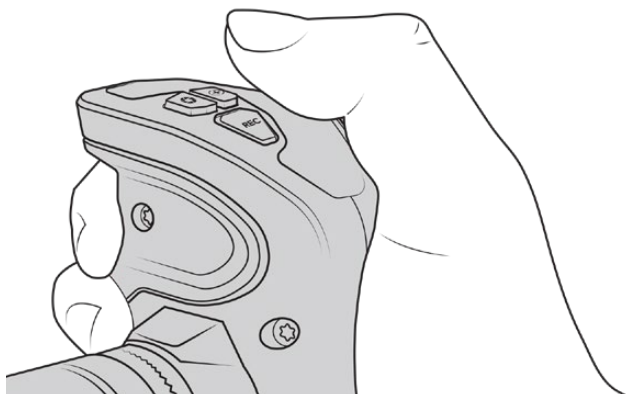
- 1 Conecte el equipo informático a un adaptador o lector externo para unidades SSD.
- 2 Abra el menú **Inicio** o la **Pantalla de Inicio** y seleccione la opción **PC**. Haga clic con el botón derecho en el ícono de la unidad correspondiente.
- 3 En el menú contextual, seleccione la opción **Formato**.
- 4 Elija la opción **exFAT** para el sistema de archivos y **128 kilobytes** para el tamaño de la unidad de asignación.
- 5 Ingrese un nombre para la unidad, marque la casilla **Formato rápido** y haga clic en **Iniciar**.
- 6 Se dará formato a la tarjeta CFast rápidamente y esta quedará lista para usar.

**NOTA:** Si se omiten fotogramas durante la grabación, compruebe que la unidad sea uno de los modelos recomendados para la resolución y el formato seleccionados. En caso de que la velocidad de procesamiento de datos no sea suficiente, intente reducir la resolución o la frecuencia de imagen, o bien seleccione un formato comprimido, p. ej. ProRes. Visite el sitio web de Blackmagic Design para obtener más información.

# Grabación

## Grabación de clips

Para comenzar a grabar con el modelo URSA Mini, presione el botón rojo situado en el panel de control, la parte externa del monitor plegable, la pantalla táctil o la manija lateral. En la versión URSA Mini Pro, uno de ellos está situado en el panel de control frontal, a fin de acceder a este con mayor facilidad cuando se utiliza el soporte para el hombro. Presione el botón de grabación nuevamente para detener el registro de imágenes.



Es posible iniciar la grabación mediante el botón rojo situado en la parte superior de la empuñadura lateral opcional.

Otra opción para iniciar y detener la grabación es conectar un controlador LANC externo a la entrada correspondiente de la cámara. Por ejemplo, este permite comenzar a grabar sin quitar las manos del anillo de enfoque o la manija del trípode.

**NOTA:** Si se modifica el tipo de unidad de almacenamiento durante la grabación, la cámara finalizará de grabar antes de realizar dicho cambio. Esto permite evitar posibles inconvenientes en el material grabado.

## Selección del formato, la resolución y el área del sensor

El modelo URSA Mini Pro permite grabar en formato Blackmagic RAW con distintas opciones de codificación para lograr una calidad o velocidad de transferencia constantes. Las versiones URSA Mini Pro y URSA Mini también admiten el códec ProRes. Es posible elegir distintas frecuencias de imagen, según la resolución y el formato seleccionados.

Cabe mencionar que el material grabado en formato Blackmagic RAW es compatible con el programa DaVinci Resolve, el reproductor Blackmagic RAW Player y otras aplicaciones creadas mediante las respectivas herramientas de desarrollo. Este formato ya ha sido adoptado por una gran cantidad de plataformas de posproducción, y aunque en un principio no sea compatible con todos los programas de edición, debería funcionar mediante los complementos que brindamos a través de las actualizaciones para la cámara y el instalador Blackmagic RAW. Consulte el apartado *Otros programas de edición* para obtener más información al respecto.



## Rango dinámico

La versión Blackmagic URSA Mini Pro 12K permite obtener imágenes con un rango dinámico de 14 pasos de latitud. Por su parte, los modelos URSA Mini Pro G2, URSA Mini Pro y URSA Mini 4.6K ofrecen 15 pasos de rango dinámico.

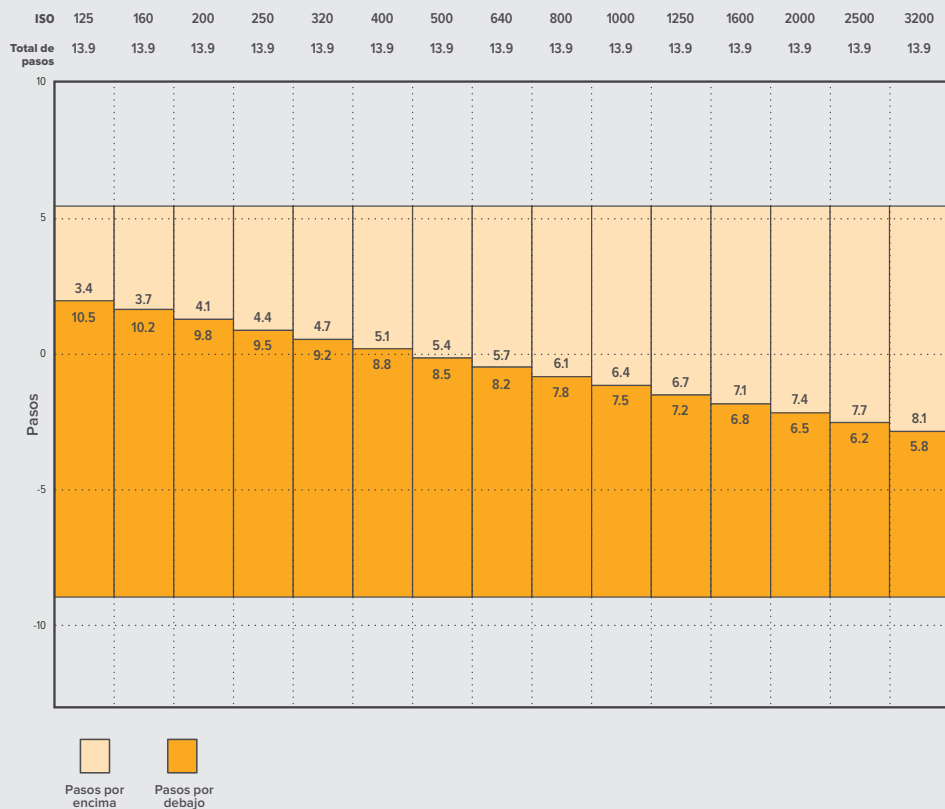
Este aprovecha al máximo la información incluida en la señal para sacar partido de las ventajas que ofrecen los programas de etalonaje, tales como DaVinci Resolve.

Asimismo, el rango dinámico captado es ideal para la entrega de contenidos en formato HDR.

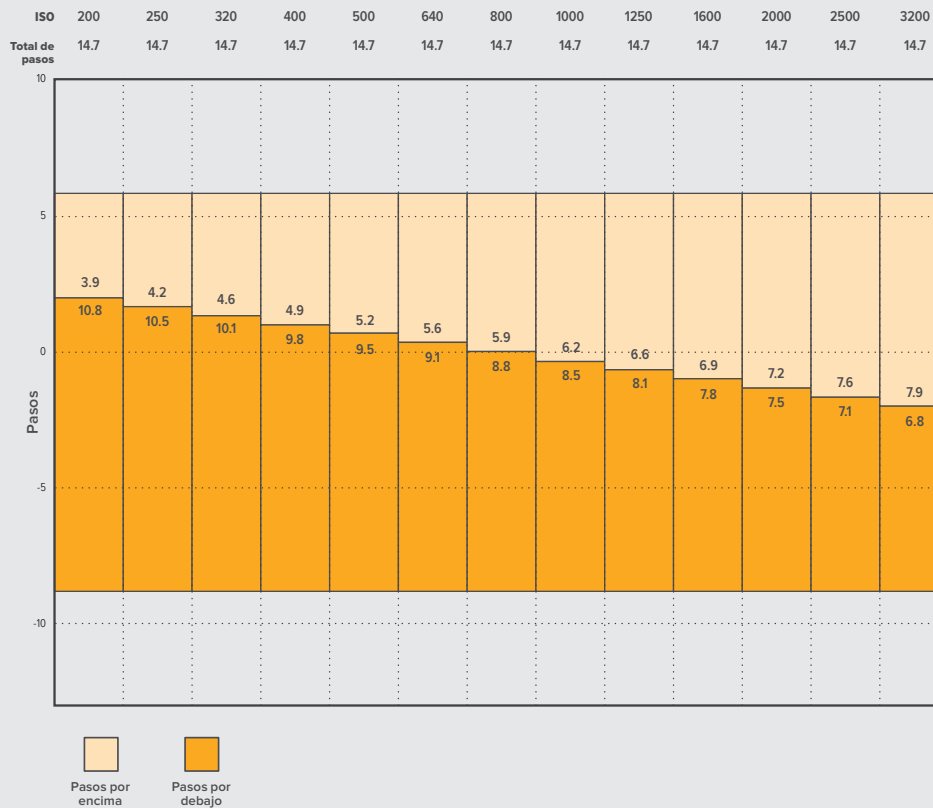
En la versión URSA Mini Pro 12K, los 14 pasos de rango dinámico se encuentran disponibles en todo el intervalo de valores ISO (125 a 3200). En los modelos URSA Mini 4.6K, URSA Mini Pro y URSA Mini Pro G2, los 15 pasos de rango dinámico están disponibles en el intervalo de valores ISO entre 200 y 3200.

La distribución de estos pasos por encima y por debajo del gris intermedio dependerá del valor ISO seleccionado. Por ejemplo, en la versión URSA Mini Pro G2, seleccionando un valor ISO de 200, se asignan 10.8 pasos a las zonas más oscuras de la imagen, y los 3.9 restantes, a las más claras.

### Rango dinámico de la versión URSA Mini Pro 12K



### Rango dinámico de las versiones Blackmagic URSA Mini 4.6K, URSA Mini Pro y URSA Mini Pro G2



## Blackmagic RAW

El modelo URSA Mini Pro es compatible con el nuevo códec Blackmagic RAW. Este formato brinda una calidad de imagen superior, un amplio rango dinámico y una gran variedad de opciones de compresión. Además, ofrece todas las ventajas de la grabación en formato RAW en archivos que se procesan más rápido, gracias a que parte de la interpolación cromática se realiza en la cámara, donde está dinamizada por el soporte físico.

Por otro lado, es un formato inteligente, ya que comprende las características del sensor en la cámara, lo que a su vez brinda una mejor calidad en un tamaño de archivo más pequeño. Teniendo todo esto en cuenta, Blackmagic RAW se convierte en una alternativa excelente a otros formatos RAW.

El códec es también compatible con metadatos avanzados, de manera que el software empleado conocerá los ajustes de la cámara. Por ejemplo, si selecciona el modo Video en el rodaje debido a que necesita una edición rápida y no tiene tiempo para el etalonaje, esta función permite mostrar las imágenes con dichos ajustes al abrirlas en el software. Sin embargo, el archivo, en realidad, fue grabado en modo Film, por lo que los metadatos del mismo son los que le dicen al programa que debe aplicar el modo Video.

En otras palabras, si en algún momento es necesario etalonar las imágenes, el archivo original aún conserva el rango dinámico completo, puesto que está grabado en el archivo. Gracias a esto, el material no pierde información en los blancos o negros, ya que se mantienen todos los detalles, y es posible realizar los ajustes cromáticos pertinentes a fin de que tenga un aspecto cinematográfico. Sin embargo, en caso de no tener tiempo para el etalonaje, las imágenes estarán igualmente en modo Video, por lo que se verán de manera adecuada. Incluso es posible cambiar de opinión durante la postproducción.

Los archivos Blackmagic RAW son muy rápidos, y el códec ha sido optimizado para la GPU y la CPU del equipo informático, lo que permite que la reproducción sea continua y prescindir del uso de placas de decodificación, que es especialmente importante al usar equipos portátiles. Por otro lado, los programas compatibles con el códec también permiten procesarlo mediante Metal, CUDA y OpenCL.

Esto significa que los archivos Blackmagic RAW se reproducen a una velocidad normal en la mayoría de los equipos, sin necesidad de emplear primero la memoria caché o una resolución inferior.

Cabe destacar que la información de los objetivos también se encuentra registrada en los metadatos de cada fotograma. Por ejemplo, al utilizar lentes compatibles, cualquier cambio en el enfoque o la distancia focal a lo largo del clip se verá reflejado, fotograma a fotograma, en los metadatos.

## Grabación con el códec Blackmagic RAW

El formato Blackmagic RAW funciona de dos modos distintos, ya que brinda la posibilidad de elegir entre calidad constante o velocidad de transferencia constante.

El modo de velocidad constante es similar al de la mayoría de los códecs. Mantiene la transferencia a un nivel consistente y, a su vez, no permite que esta sea demasiado elevada, es decir, incluso al filmar una imagen compleja en la que podría precisarse más almacenamiento, comprimirá el material a fin de que ocupe el espacio designado.

Sin embargo, esta opción no es la ideal para grabar en formato Blackmagic RAW, puesto que se prefiere una calidad predecible. ¿Que pasaría si el material que se está grabando necesita más datos, pero el códec lo comprime a fin de que ocupe el espacio asignado? Es posible que se pierda calidad, aunque no lo sabremos hasta que no lo reproduzcamos al finalizar.

Con el propósito de solucionar este problema, Blackmagic RAW ofrece una alternativa que brinda calidad constante. Esta opción, técnicamente, ofrece velocidad de transferencia variable, pero lo que verdaderamente hace es permitir que el archivo sea más grande si las imágenes así lo requieren. No existe un tamaño máximo de archivo si la imagen tiene que ser codificada conservando su calidad.

Es por esto que la opción de calidad constante del códec Blackmagic RAW hará que los archivos sean tan grandes como la codificación de las imágenes así lo requiera.

Asimismo, merece la pena destacar que el nombre de los archivos no es incomprensible, sino que contiene información significativa derivada de los aspectos técnicos. Así, por ejemplo, con el modo de velocidad de transferencia constante seleccionado, las opciones disponibles serán **3:1**, **5:1**, **8:1**, **12:1** y **18:1**, dependiendo del modelo URSA Mini Pro empleado. Estos números representan la proporción entre el tamaño del archivo RAW sin compresión y el tamaño que se desea obtener, por lo cual, la opción 3:1 brinda una mejor calidad en un archivo más grande, mientras que la opción 18:1 ofrece el mayor grado de compresión con la calidad más baja. No obstante, los usuarios que han probado el formato Blackmagic RAW afirman que esta última es perfectamente aceptable y que no han encontrado limitaciones en términos de calidad, aunque recomendamos experimentar y probar distintos ajustes.

Según la versión URSA Mini Pro utilizada, el modo de calidad constante puede incluir las opciones **Q0**, **Q1**, **Q3** y **Q5**. Estos son los parámetros de compresión transmitidos al códec y muestran, de una manera más técnica, el grado de compresión aplicado. Esta diferencia se debe a que el códec funciona de forma distinta dependiendo de si se ha seleccionado una velocidad de transferencia constante o una calidad constante. Con esta última opción seleccionada, no podemos saber con certeza el tamaño que tendrán los archivos, ya que variará según el material que se esté grabando.

## Velocidad de transferencia constante

Las opciones 3:1, 5:1, 8:1, 12:1 y 18:1 representan la proporción de compresión. Por ejemplo, la opción 12:1 ofrece un tamaño de archivo aproximadamente 12 veces inferior al del formato RAW sin compresión.

Las opciones de velocidad de transferencia constante en el modelo URSA Mini Pro 12K son **5:1**, **8:1**, **12:1** y **18:1**, mientras que en las versiones URSA Mini Pro 4.6K G2 y URSA Mini Pro 4.6K las opciones son **3:1**, **5:1**, **8:1** y **12:1**.

## Calidad constante

Las opciones Q0, Q1, Q3 y Q5 representan distintos niveles de cuantificación. El nivel de cuantificación de la opción Q5 es mayor, pero la velocidad de transferencia de datos es mejor. Como ya se ha mencionado, estos ajustes permiten obtener archivos de tamaño variable, según el material grabado. A su vez, esto significa que si al filmar el tamaño del archivo sobrepasa la capacidad de la unidad de almacenamiento, es posible que se omitan fotogramas. Sin embargo, la ventaja es que, si esto sucede, es posible notarlo inmediatamente, lo que permite cambiar los ajustes en el momento.

Las opciones de velocidad de transferencia constante en el modelo URSA Mini Pro 12K son **Q0**, **Q1**, **Q3** y **Q5**, mientras que en las versiones URSA Mini Pro 4.6K G2 y URSA Mini Pro 4.6K, las opciones son **Q0** y **Q5**.

## Reproductor Blackmagic RAW

El reproductor Blackmagic RAW incluido en el instalador del software de la cámara es una aplicación que permite ver los clips. Basta con hacer doble clic en el archivo Blackmagic RAW para abrirlo y, a continuación, reproducir el contenido y desplazarse por él con su resolución y profundidad de bit completas.

Al decodificar fotogramas, la función de aceleración por CPU, incluida en las herramientas de desarrollo, es compatible con las principales arquitecturas y admite el uso de la GPU con plataformas tales como Metal, CUDA y OpenCL. Además, es posible emplear una unidad Blackmagic eGPU, a fin de mejorar el funcionamiento. El reproductor está disponible para Mac, Windows y Linux.

## Archivos Sidecar

Los archivos .sidecar de Blackmagic RAW permiten anular metadatos sin sobrescribir los que están integrados en el archivo original. Estos metadatos incluyen tanto los ajustes RAW como información del diafragma, el enfoque, la distancia focal, el balance de blancos, el tinte, el espacio cromático, el nombre del proyecto y el número de toma, entre otros. Los metadatos están codificados fotograma por fotograma en el clip, algo que es importante para los datos del objetivo, si este ha sido ajustado durante el rodaje. Es posible añadir o editar metadatos en los archivos .sidecar con DaVinci Resolve o incluso con un editor de textos.

Estos archivos se pueden emplear a fin de añadir automáticamente nuevos ajustes RAW a un clip que se está reproduciendo; basta con agregarlo a la misma carpeta. Si movemos el archivo .sidecar fuera de la carpeta y volvemos a abrir el archivo Blackmagic RAW, observaremos que los ajustes ya no están aplicados, es decir, vemos el clip original como fue grabado. Asimismo, se tiene acceso a estos ajustes desde cualquier software compatible con las herramientas SDK de Blackmagic RAW. Los cambios realizados se guardan en el archivo .sidecar y pueden visualizarse en el reproductor especializado o en cualquier otra aplicación compatible con Blackmagic RAW.

Al grabar en modo Video, el archivo original se mantiene en modo Film, pero los metadatos permitirán que las imágenes se muestren en modo Video. El modo Video es excepcional cuando no tenemos tiempo para el etalonaje y contamos con plazos ajustados. Sin embargo, si queremos ajustar las partes blancas o negras, los detalles quedarán intactos. Nunca se perderá información y todos los detalles permanecerán ahí, en caso de que necesitemos acceder a ellos en algún momento.

## Blackmagic RAW en DaVinci Resolve

Cada archivo Blackmagic RAW puede ajustarse de manera independiente y guardarse como un nuevo .sidecar desde el panel de ajustes RAW en DaVinci Resolve, a fin de componer efectos creativos o lograr una visualización optimizada. Esto también quiere decir que es posible modificar los archivos recibidos de otros artistas y enviárselos nuevamente para que puedan ver dichos ajustes de inmediato al importarlos en DaVinci Resolve. Por otro lado, DaVinci Resolve no solo puede leer los metadatos contenidos en los archivos, sino que también reconoce el rango dinámico seleccionado, ya sea Film, Video o Extended Video.

Además, podemos personalizarlos ajustando la saturación, el contraste y los valores medios, así como la atenuación de las luces y las sombras. A su vez, estos pueden guardarse en un archivo .sidecar con el propósito de que puedan ser vistos por cualquier otra persona que se encuentre trabajando con el mismo material en posproducción. También es posible volver a los metadatos originales de la cámara de ser necesario.

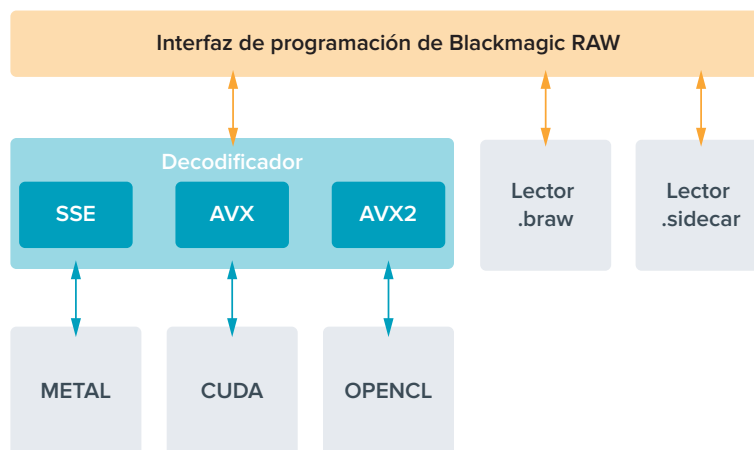
Por otra parte, ofrece la oportunidad de exportar un solo fotograma Blackmagic RAW desde el panel de ajustes RAW en DaVinci Resolve, ya que este contiene todos los parámetros, los metadatos, la resolución completa y la información cromática, lo que facilita compartir fotogramas o referencias.

Consulte el apartado *DaVinci Resolve* para obtener más información al respecto.

## Herramientas de desarrollo Blackmagic RAW

Estas herramientas son una interfaz de programación desarrollada por la compañía con el propósito de que los usuarios puedan crear sus propias aplicaciones para el formato Blackmagic RAW. Además, pueden ser utilizadas por cualquier desarrollador a fin de brindar compatibilidad con este tipo de archivos. Estas herramientas incluyen la colorimetría de cuarta y quinta generación, lo que brinda la posibilidad de conseguir imágenes con aspecto natural y cinematográfico en todos los programas compatibles, ya sea en sistemas operativos Mac, Windows o Linux. El kit se puede descargar de forma gratuita en nuestra página para desarrolladores ([www.blackmagicdesign.com/es/developer](http://www.blackmagicdesign.com/es/developer)).

El siguiente diagrama muestra los componentes de la interfaz de programación del códec Blackmagic RAW.



## Selección de la frecuencia de imagen

La cámara permite grabar a distintas frecuencias de imagen, y a veces nos preguntamos cuál es la más adecuada. La frecuencia de imagen seleccionada para el sensor de la cámara puede afectar en gran medida el aspecto del material grabado. Generalmente, al seleccionar una frecuencia de imagen para el sensor, es preciso considerar varios factores. Desde hace muchos años, existen diversos estándares para el cine y la televisión. A pesar de que las frecuencias de imagen de cada uno son distintas según el país, todas cumplen el mismo propósito: mostrar una cantidad determinada de fotogramas o cuadros por segundo para que la imagen fluya de manera agradable y convincente.

Por ejemplo, en el cine se emplea una frecuencia de 24 f/s, y aunque recientemente se han realizado pruebas con otras más rápidas, esta es la más aceptada en todo el mundo. Con respecto a la televisión, las frecuencias de imagen generalmente cumplen con las normas técnicas de teledifusión en cada país. Por ejemplo, los contenidos televisivos se graban a 29.97 f/s para su distribución en América del Norte, y a 25 f/s para Europa.

No obstante, con el avance de la tecnología, en la actualidad existe una gama más amplia de opciones, y dichos formatos han ido evolucionando. Ahora es común que los eventos deportivos se graben y se transmitan a frecuencias de imagen más altas, por ejemplo, hasta 59.94 f/s en América del Norte, y 50 f/s en Europa. Esto permite que las imágenes fluyan con mayor facilidad y parezcan más auténticas. Por otra parte, al transmitir por Internet, normalmente se emplean frecuencias similares a las de la televisión, aunque en este caso existe una mayor flexibilidad debido a que los usuarios pueden elegir diferentes formatos de visualización, según las especificaciones de las distintas pantallas.

Normalmente, a la hora de escoger una frecuencia de imagen para un proyecto, debemos guiarnos por el formato de entrega. Cabe mencionar que es necesario seleccionar el mismo valor para el sensor de la cámara. De esta manera, las imágenes se reproducen a la misma velocidad con la que se desarrolló el evento. Si el objetivo es crear un efecto interesante, por ejemplo, de cámara lenta, podemos elegir una frecuencia de imagen más alta para el sensor. Cuanto mayor sea esta en comparación con la frecuencia de imagen del proyecto, menor será la velocidad de reproducción. Por ejemplo, el modelo URSA Mini Pro 4.6K G2 permite usar frecuencias de imagen mucho más altas para capturar tomas en cámara extremadamente lenta.

Consulte el apartado *Controles de la pantalla táctil* para obtener más información al respecto.

### Grabación a frecuencias de imagen altas

Al grabar a frecuencias de imagen altas, la cámara capta una mayor cantidad de fotogramas por segundo, en comparación con la velocidad tradicional de 24, 25 y 30 f/s. Esto significa que el sensor tiene menos tiempo de captar luz para cada cuadro y, en consecuencia, la imagen obtenida será más oscura.

Por ejemplo, al cambiar de 25 a 50 f/s, se reduce un 50 % la cantidad de luz que entra al sensor. A fin de conservar el nivel de exposición y compensar este cambio, es necesario abrir un paso el objetivo, aumentar el ángulo de obturación de 180° a 360°, o incorporar más luz en la escena que se está filmando.

Al grabar a 120 f/s, la cantidad de luz es 5 veces menor, de modo que es preciso ajustar varios parámetros, tales como la apertura del diafragma, el ángulo de obturación y la iluminación, con el propósito de lograr el mismo nivel de exposición.

Otro punto por considerar en estas situaciones es el hecho de que posiblemente las fuentes lumínicas artificiales generen un parpadeo en la imagen grabada. Específicamente, al emplear frecuencias superiores a 100 f/s en un entorno de 50 Hz, o 120 f/s en uno de 60 Hz, las lámparas fluorescentes, las de tungsteno y los ledes podrían crear cierto parpadeo en las imágenes. Cabe la posibilidad de que estos artefactos no aparezcan al previsualizar la escena en un monitor LCD y en la señal SDI, o mientras se graba. Por lo tanto, es fundamental hacer una prueba con las luces que se piensan usar y luego volver a reproducir el clip para corroborar la presencia del parpadeo.

Por otro lado, la configuración del obturador también puede afectar cómo se ve el parpadeo al grabar en condiciones de luz escasa. En consecuencia, el modelo URSA Mini calculará automáticamente las opciones de obturación sin parpadeo para la frecuencia de imagen

seleccionada. Cabe destacar que las características de ciertas fuentes de luz pueden ocasionar parpadeo, incluso al emplear valores que eviten este tipo de artefacto. Consulte el apartado *Controles de la pantalla táctil* para obtener más información al respecto.

En caso de seguir viendo un parpadeo a pesar de haber configurado la velocidad de obturación en su valor más bajo o aumentado al máximo el ángulo de obturación, es posible que deba utilizar otra fuente de luz para la escena o un objetivo más rápido.

## Frecuencias de imagen máximas

La siguiente tabla indica los códecs, las resoluciones y las frecuencias de imagen máximas disponibles para los modelos URSA Mini 4.6K y URSA Mini Pro 4.6K. Cabe destacar que al referirnos a Blackmagic RAW, ProRes 444 y ProRes 422, estos comprenden todas sus variantes compatibles.

Debido a la velocidad de transferencia requerida para grabar a resoluciones altas en cámara lenta, es necesario seleccionar un soporte de almacenamiento rápido, ya sea CFast, USB-C o SSD. Consulte el apartado *Almacenamiento* para obtener una lista de los modelos que permiten una grabación continua a alta velocidad.

**SUGERENCIA:** Para verificar la velocidad de la tarjeta, seleccione la opción **STOP REC IF CARD DROPS FRAMES** y grabe un clip de prueba. Esto permitirá corroborar por cuánto tiempo es posible filmar a una frecuencia de imagen determinada en cualquier resolución. Si la grabación se detiene demasiado pronto, inténtelo nuevamente con un grado de compresión o una resolución menor para disminuir la velocidad de transferencia y lograr que se mantenga constante.

### Frecuencias de imagen máximas para la versión URSA Mini Pro 12K

Formato		Resolución	Códec	Área del sensor	Frecuencia máxima
12K	17:9	12288 x 6480	Blackmagic RAW	Full	60
	16:9	11520 x 6480	Blackmagic RAW	Full height	60
	2.4:1	12288 x 5112	Blackmagic RAW	Full width	75
	6:5 anamórfico	7680 x 6408	Blackmagic RAW	Full height	60
8K	17:9	8192 x 4320	Blackmagic RAW	Full	120
	16:9	7680 x 4320	Blackmagic RAW	Full height	120
	2.4:1	8192 x 3408	Blackmagic RAW	Full width	160
	6:5 anamórfico	5120 x 4272	Blackmagic RAW	Full height	120
6K	Super 16	6144 x 3240	Blackmagic RAW	Window	120
4K	DCI	4096 x 2160	Blackmagic RAW	Full	120
	16:9	3840 x 2160	Blackmagic RAW	Full height	120
	2.4:1	4096 x 1704	Blackmagic RAW	Full width	160
	6:5 anamórfico	2560 x 2136	Blackmagic RAW	Full height	120
	Super 16	4096 x 2160	Blackmagic RAW	Window	240



**Frecuencias de imagen máximas para las cámaras URSA Mini Pro 4.6K G2, URSA Mini Pro 4.6K y URSA Mini 4.6K**

Formato	Resolución	Códec	URSA Mini Pro 4.6K G2		URSA Mini Pro 4.6K		URSA Mini 4.6K	
			Área del sensor	Frecuencia máxima	Área del sensor	Frecuencia máxima	Área del sensor	Frecuencia máxima
4.6K	4608 x 2592	Blackmagic RAW	Completa	120	Completa	60	–	–
		ProRes 444	Completa	40	Completa	30	Completa	30
		ProRes 422	Completa	80	Completa	40	Completa	40
4.6K 2.4:1	4608 x 1920	Blackmagic RAW	Reducida	150	Reducida	60	–	–
		ProRes 444	Reducida	60	Reducida	40	Reducida	40
		ProRes 422	Reducida	120	Reducida	50	Reducida	50
4K 16:9	4096 x 2304	Blackmagic RAW	Reducida	120	Reducida	60	–	–
		ProRes 444	Reducida	60	Completa o reducida	30	Completa o reducida	30
		ProRes 422	Reducida	100	Completa o reducida	50	Completa o reducida	50
4K DCI	4096 x 2160	Blackmagic RAW	Reducida	150	Reducida	60	–	–
		ProRes 444	Reducida	60	Completa o reducida	40	Completa o reducida	40
		ProRes 422	Reducida	120	Completa o reducida	50	Completa o reducida	50
UHD	3840 x 2160	Blackmagic RAW	Reducida	150	Reducida	60	–	–
		ProRes 444	Completa o reducida	60	Completa o reducida	40	Completa o reducida	40
		ProRes 422	Completa o reducida	120	Completa o reducida	60	Completa o reducida	60
3K anamórfico	3072 x 2560	Blackmagic RAW	Reducida	120	Reducida	60	–	–
		ProRes 444	Reducida	70	Reducida	40	–	–
		ProRes 422	Reducida	120	Reducida	60	–	–
2K 16:9	2048 x 1152	Blackmagic RAW	Reducida	240	Reducida	120	–	–
		ProRes 444	Reducida	240	Reducida	120	Reducida	120
		ProRes 422	Reducida	240	Reducida	120	Reducida	120
		ProRes 444	Completa	120	Completa	60	Completa	60
		ProRes 422	Completa	120	Completa	60	Completa	60
2K DCI	2048 x 1080	Blackmagic RAW	Reducida	300	Reducida	120	–	–
		ProRes 444	Reducida	240	Reducida	120	Reducida	120
		ProRes 422	Reducida	240	Reducida	120	Reducida	120
		ProRes 444	Completa	120	Completa	60	Completa	60
		ProRes 422	Completa	120	Completa	60	Completa	60
HD	1920 x 1080	Blackmagic RAW	Reducida	300	Reducida	120	–	–
		ProRes 444	Reducida	240	Reducida	120	Reducida	120
		ProRes 422	Reducida	240	Reducida	120	Reducida	120
		ProRes 444	Completa	120	Completa	60	Completa	60
		ProRes 422	Completa	120	Completa	60	Completa	60

Cabe destacar que, en las opciones Blackmagic RAW Q0, Q1, Q3 y Q5, la velocidad de transferencia varía con el propósito de lograr una calidad constante. Esta dependerá de la complejidad de las imágenes y puede cambiar considerablemente durante la grabación.

#### Frecuencias de imagen máximas para la versión URSA Mini 4K

Formato	Resolución	Códec	URSA Mini 4K	
			Área del sensor	Frecuencia máxima
UHD	3840 x 2160	ProRes 444	Completa o reducida	40
		ProRes 422	Completa o reducida	60
HD	1920 x 1080	ProRes 444	Reducida	80
		ProRes 422	Reducida	120
		ProRes 444	Completa	60
		ProRes 422	Completa	60

#### Para seleccionar la resolución y el códec en el modelo Blackmagic URSA Mini:

- 1 Presione el botón **MENU** en el panel de control.
- 2 Acceda a la primera pantalla en la pestaña **RECORD**.
- 3 Seleccione el códec, la calidad y la resolución.
- 4 Para grabar con un área reducida del sensor, acceda a la segunda pantalla del menú **RECORD** y active la opción **Window Sensor**. De lo contrario, seleccione la opción **Off**.
- 5 Presione el botón **MENU** para salir.

#### Formatos de grabación y frecuencia de imagen del proyecto

Una vez que haya seleccionado la resolución y el códec, deberá configurar las frecuencias de imagen de grabación y reproducción. Consulte el apartado *Grabación* para obtener más información al respecto.

Las frecuencias de imagen disponibles para todos los modelos URSA Mini son las siguientes:

23.98, 24, 25, 29.97, 30, 50, 59.94 y 60 f/s.

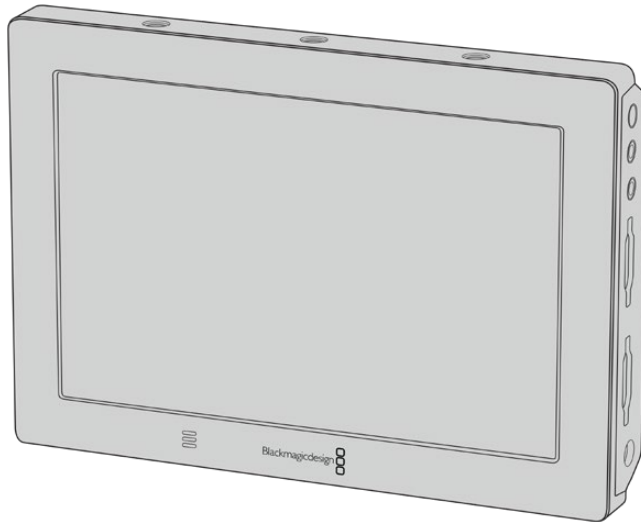
Al emplear los códecs Blackmagic RAW y ProRes, incluido ProRes 422 HQ, la frecuencia de imagen máxima para el proyecto es de 60 f/s, independientemente de la resolución. Al usar ProRes 444 y ProRes 444 XQ, la frecuencia de imagen máxima para el proyecto depende de la resolución.

Por ejemplo, en el modelo URSA Mini Pro 4.6K G2, la frecuencia de imagen máxima de un proyecto en ProRes 444 es de 60 f/s a una resolución máxima de 4.6K (2.4:1). Al aumentar la resolución para aprovechar área completa de un sensor 4.6K, la frecuencia debería ser de 30 f/s. En el modelo original URSA Mini Pro 4.6K, la frecuencia de imagen máxima de un proyecto en ProRes 444 es de 60 f/s a una resolución máxima de 2K (16:9). Al aumentar la resolución a 3K (anamórfico) o más, la frecuencia debería ser de 30 f/s. La diferencia se debe a que es necesaria una mayor capacidad de procesamiento para resoluciones más altas al utilizar los códecs ProRes 444 y ProRes 444 XQ.

### Grabación automática

Asimismo, es necesario activar esta función en el equipo a fin de que responda a la señal de la cámara. Por lo general, esto se realiza desde el menú de configuración en dicho dispositivo.

El modelo URSA Mini transmite una señal automáticamente desde las salidas SDI que permite iniciar la grabación al conectar un dispositivo compatible con dicha función, p. ej. un monitor Blackmagic Video Assist. De este modo, al presionar el botón de grabación en la cámara, la unidad externa inicia la captura de imágenes. Al volver a presionarlo, este proceso se detiene en ambos dispositivos.



Es posible iniciar la grabación automática en cualquier otro equipo SDI, por ejemplo, un dispositivo Blackmagic Video Assist 4K, utilizando dicha función en la cámara.

**SUGERENCIA:** Cuando el clima es muy frío, p. ej. entre 0 y 5 °C, es posible que el modelo URSA Mini 4K demore hasta 30 segundos en alcanzar la temperatura adecuada para su funcionamiento óptimo. Aunque es posible grabar imágenes durante este período, recomendamos esperar a que la unidad se estabilice y las condiciones sean las adecuadas. Una vez que se alcanza dicha temperatura, la cámara realiza un proceso de recalibración para compensar el cambio de temperatura en el sensor. Como consecuencia, es posible que se note un fotograma en blanco, semejante a un destello. Esto ocurre únicamente cuando la unidad no está grabando y mejora los resultados obtenidos en condiciones climáticas más frías.

## Tablas de tiempo de grabación

Las siguientes tablas muestran el tiempo de grabación aproximado en minutos y segundos según el formato, la resolución y el soporte de almacenamiento. La duración de grabación máxima no solo dependerá de la capacidad del soporte sino también del formato y la frecuencia de imagen escogidos. Por ejemplo, la velocidad de transferencia para el formato ProRes 422 (HQ) a una resolución de 3840 x 2160 es de aproximadamente 880 Mb/s. A una frecuencia de 24 f/s, una tarjeta SD o CFast 2.0 de 256 GB permite grabar durante unos 47 minutos. Con los mismos ajustes, es posible grabar aproximadamente 23 minutos en una tarjeta SD o CFast 2.0 de 128 GB, lo que representa casi la mitad de una tarjeta de 256 GB. El tiempo de duración es el mismo con una unidad SSD en un grabador SSD para cámaras URSA Mini Recorder.

Cabe destacar que la duración en estas tarjetas también puede variar ligeramente, dependiendo del fabricante. Otro factor determinante es si la unidad se formateó mediante el sistema exFat o Mac OS X Extended.

### Tablas de tiempo de grabación para la versión URSA Mini Pro 12K

Las escenas simples suelen requerir menos detalles que las composiciones más complejas. Los valores en las siguientes tablas contemplan tomas de alta complejidad. De este modo, es posible grabar durante más tiempo, dependiendo de la naturaleza propia de la toma.

URSA Mini Pro 12K (resolución 12K)					
Tarjeta CFast	Frecuencia de imagen	Blackmagic RAW 5:1	Blackmagic RAW 8:1	Blackmagic RAW 12:1	Blackmagic RAW 18:1
1TB		Duración	Duración	Duración	Duración
	23.98	29 min	47 min	70 min	106 min
	24	29 min	47 min	70 min	106 min
	25	28 min	45 min	67 min	101 min
	29.97	23 min	37 min	56 min	84 min
	30	23 min	37 min	56 min	84 min
	50	14 min	22 min	33 min	50 min
	60	11 min	18 min	28 min	42 min

URSA Mini Pro 12K (resolución 8K)					
Tarjeta CFast	Frecuencia de imagen	Blackmagic RAW 5:1	Blackmagic RAW 8:1	Blackmagic RAW 12:1	Blackmagic RAW 18:1
1TB		Duración	Duración	Duración	Duración
	23.98	66 min	106 min	158 min	238 min
	24	66 min	106 min	158 min	238 min
	25	63 min	101 min	152 min	228 min
	29.97	52 min	84 min	127 min	190 min
	30	52 min	84 min	127 min	190 min
	50	31 min	50 min	76 min	114 min
	60	26 min	42 min	63 min	95 min

URSA Mini Pro 12K (resolución 6K)					
Tarjeta CFast	Frecuencia de imagen	Blackmagic RAW 5:1	Blackmagic RAW 8:1	Blackmagic RAW 12:1	Blackmagic RAW 18:1
1TB		Duración	Duración	Duración	Duración
	23.98	116 min	186 min	280 min	419 min
	24	116 min	186 min	280 min	419 min
	25	112 min	179 min	268 min	402 min
	29.97	93 min	149 min	224 min	335 min
	30	93 min	149 min	224 min	335 min
	50	56 min	89 min	134 min	201 min
	60	46 min	74 min	112 min	168 min

URSA Mini Pro 12K (resolución 4K)					
Tarjeta CFast	Frecuencia de imagen	Blackmagic RAW 5:1	Blackmagic RAW 8:1	Blackmagic RAW 12:1	Blackmagic RAW 18:1
1TB		Duración	Duración	Duración	Duración
	23.98	264 min	442 min	631 min	941 min
	24	264 min	442 min	631 min	941 min
	25	254 min	405 min	606 min	904 min
	29.97	211 min	338 min	506 min	755 min
	30	211 min	338 min	506 min	755 min
	50	127 min	203 min	304 min	455 min
	60	106 min	169 min	254 min	380 min

### Tablas de tiempo de grabación para las versiones URSA Mini Pro 4.6K G2, URSA Mini Pro 4.6K, URSA Mini 4.6K y URSA Mini 4K

Las escenas simples suelen requerir menos detalles que las composiciones más complejas. Los valores en las siguientes tablas contemplan tomas de alta complejidad. De este modo, es posible grabar durante más tiempo, dependiendo de la naturaleza propia de la toma.

4.6K								
Tarjeta CFast	Frecuencia de imagen	Blackmagic RAW 3:1*	Blackmagic RAW 5:1*	Blackmagic RAW 8:1*	Blackmagic RAW 12:1*	ProRes 444 XQ	ProRes 422 HQ	ProRes 422 LT
256GB		Duración	Duración	Duración	Duración	Duración	Duración	Duración
	23.98	28 min	48 min	76 min	115 min	14 min	33 min	70 min
	24	28 min	48 min	76 min	114 min	14 min	33 min	70 min
	25	27 min	46 min	73 min	110 min	14 min	31 min	66 min
	29.976	23 min	38 min	61 min	92 min	11 min	26 min	56 min
	30	23 min	38 min	61 min	92 min	11 min	26 min	56 min
	50	13 min	23 min	36 min	55 min	–	–	–
	59.94	11 min	19 min	30 min	46 min	–	–	–
60	11 min	19 min	30 min	46 min	–	–	–	

\*El códec Blackmagic RAW solo está disponible para los modelos URSA Mini Pro 4.6K y URSA Mini Pro 4.6K G2.

UHD								
Tarjeta CFast	Frecuencia de imagen	Blackmagic RAW 3:1*	Blackmagic RAW 5:1*	Blackmagic RAW 8:1*	Blackmagic RAW 12:1*	ProRes 444 XQ	ProRes 422 HQ	ProRes 422 LT
256GB		Duración	Duración	Duración	Duración	Duración	Duración	Duración
	23.98	41 min	68 min	110 min	164 min	21 min	47 min	101 min
	24	41 min	68 min	109 min	164 min	21 min	47 min	101 min
	25	39 min	66 min	105 min	157 min	20 min	45 min	97 min
	29.976	33 min	55 min	88 min	131 min	16 min	38 min	81 min
	30	33 min	55 min	88 min	131 min	16 min	38 min	81 min
	50	19 min	33 min	52 min	79 min	–	22 min	48 min
	59.94	16 min	27 min	44 min	66 min	–	18 min	40 min
60	16 min	27 min	44 min	66 min	–	18 min	40 min	

\*El códec Blackmagic RAW solo está disponible para los modelos URSA Mini Pro 4.6K y URSA Mini Pro 4.6K G2.

HD								
Tarjeta CFast	Frecuencia de imagen	Blackmagic RAW 3:1*	Blackmagic RAW 5:1*	Blackmagic RAW 8:1*	Blackmagic RAW 12:1*	ProRes 444 XQ	ProRes 422 HQ	ProRes 422 LT
256GB		Duración	Duración	Duración	Duración	Duración	Duración	Duración
	23.98	159 min	264 min	418 min	619 min	84 min	189 min	403 min
	24	159 min	264 min	418 min	618 min	84 min	189 min	403 min
	25	153 min	253 min	402 min	595 min	81 min	182 min	387 min
	29.976	128 min	212 min	336 min	499 min	68 min	152 min	324 min
	30	127 min	212 min	336 min	499 min	67 min	152 min	324 min
	50	76 min	127 min	203 min	303 min	40 min	91 min	196 min
	59.94	64 min	106 min	170 min	254 min	34 min	76 min	163 min
60	64 min	106 min	170 min	253 min	33 min	76 min	163 min	

\*El códec Blackmagic RAW solo está disponible para los modelos URSA Mini Pro 4.6K y URSA Mini Pro 4.6K G2.

El modo de calidad constante para las opciones Q0 y Q5 mostrará distintas duraciones del tiempo de grabación. La duración estimada con Q0 es similar a la de velocidad de transferencia constante 3:1, mientras que con Q5 será parecida a la de la compresión 12:1. Sin embargo, la duración se actualiza cada diez segundos durante la grabación, por lo que la mejor manera de comprobar de cuánto tiempo disponemos es filmando 20 segundos y comprobando la duración en el indicador de la pantalla táctil.

## Tablas de velocidad de transferencia de datos para el modelo URSA Mini Pro 12K

La versión Blackmagic URSA Mini Pro 12K ofrece una amplia variedad de opciones de resolución y frecuencias de imagen, por lo que es importante comprender las implicaciones que esto tiene en la velocidad de transferencia de datos, a fin de seleccionar el formato y el soporte de almacenamiento más adecuado para un proyecto. Hemos realizado pruebas con un gran número de tarjetas CFast y UHS-II, así como con unidades USB-C, con el propósito de determinar las frecuencias y tasas de compresión que se pueden lograr en formato Blackmagic RAW. Consulte el apartado *Almacenamiento* para obtener más información al respecto. En general, las tarjetas CFast permiten mantener una velocidad de transferencia de alrededor de 400 MB/s. Esta aproximación debería brindar un buen punto de partida para estimar qué velocidades y resoluciones se podrán conseguir.

Debido a que la versión URSA Mini Pro 12K permite grabar a frecuencias de imagen extremadamente altas, puede que sea necesario duplicar la velocidad de transmisión que el soporte de almacenamiento normalmente permite lograr utilizando dos tarjetas. Para ello, basta con insertar dos unidades CFast o SD en la cámara y seleccionar la opción **Grabación RAW en dos tarjetas** del menú **Grabación**. Cabe destacar que, como esta opción graba el material secuencialmente entre ambas unidades, la velocidad de transferencia de la tarjeta más lenta será el factor limitante, por lo que recomendamos emplear soportes con especificaciones técnicas similares. Asimismo, es posible repartir el almacenamiento entre una tarjeta CFast y una unidad externa USB-C. Al seleccionar la opción **Grabación RAW en dos tarjetas**, el límite de velocidad será dos veces mayor que la velocidad de transferencia más baja ofrecida por los soportes de almacenamiento. Consulte el apartado *Grabación RAW en dos tarjetas* para obtener más información al respecto.

Las opciones de velocidad constante para el formato Blackmagic RAW han sido diseñadas con el objetivo de proporcionar un tamaño de archivo y una velocidad de transferencia predecibles. Al filmar una escena muy compleja o con gran cantidad de movimiento, una velocidad de transferencia constante comprime las imágenes con un máximo constante, a fin de asegurar que dicha velocidad se mantenga al nivel especificado o por debajo del mismo en todo momento. Esto permite estimar fácilmente la velocidad necesaria para el soporte de almacenamiento y el tiempo de grabación disponible.

### Frecuencias de imagen máximas a 24p con velocidad de transferencia constante en Blackmagic RAW

Formato		Resolución	Frecuencia de imagen	Blackmagic RAW 5:1	Blackmagic RAW 8:1	Blackmagic RAW 12:1	Blackmagic RAW 18:1
12K	17:9	12288 x 6480	24	578 MB/s	361 MB/s	241 MB/s	160 MB/s
	16:9	11520 x 6480	24	542 MB/s	339 MB/s	226 MB/s	150 MB/s
	2.4:1	12288 x 5112	24	457 MB/s	286 MB/s	190 MB/s	127 MB/s
	6:5 anamórfico	7680 x 6408	24	358 MB/s	224 MB/s	150 MB/s	99 MB/s
8K	17:9	8192 x 4320	24	257 MB/s	161 MB/s	107 MB/s	71 MB/s
	16:9	7680 x 4320	24	241 MB/s	151 MB/s	101 MB/s	67 MB/s
	2.4:1	8192 x 3408	24	203 MB/s	127 MB/s	85 MB/s	56 MB/s
	6:5 anamórfico	5120 x 4272	24	159 MB/s	100 MB/s	67 MB/s	44 MB/s
6K	Super 16	6144 x 3240	24	146 MB/s	91 MB/s	61 MB/s	40 MB/s
4K	DCI	4096 x 2160	24	65 MB/s	41 MB/s	32 MB/s	27 MB/s
	16:9	3840 x 2160	24	61 MB/s	38 MB/s	30 MB/s	25 MB/s
	2.4:1	4096 x 1704	24	51 MB/s	32 MB/s	25 MB/s	21 MB/s
	6:5 anamórfico	2560 x 2136	24	40 MB/s	25 MB/s	20 MB/s	17 MB/s
	Super 16	4096 x 2160	24	65 MB/s	41 MB/s	27 MB/s	18 MB/s

Cabe destacar que las velocidades de transferencia dependen de la complejidad de las imágenes grabadas, por lo que podrían variar según se trate de una escena simple o con gran cantidad de detalles.

### Intervalo de velocidades de transferencia a 24p con la opción de calidad constante Blackmagic RAW

Formato		Resolución	Frecuencia de imagen	Blackmagic RAW Q0	Blackmagic RAW Q1	Blackmagic RAW Q3	Blackmagic RAW Q5
12K	17:9	12288 x 6480	24	241-578 MB/s	145-361 MB/s	97-241 MB/s	73-181 MB/s
	16:9	11520 x 6480	24	226-542 MB/s	136-339 MB/s	91-226 MB/s	68-170 MB/s
	2.4:1	12288 x 5112	24	190-457 MB/s	114-286 MB/s	76-190 MB/s	57-143 MB/s
	6:5 anamórfico	7680 x 6408	24	150-358 MB/s	90-224 MB/s	60-150 MB/s	45-112 MB/s
8K	17:9	8192 x 4320	24	161-321 MB/s	107-214 MB/s	81-161 MB/s	52-129 MB/s
	16:9	7680 x 4320	24	151-301 MB/s	101-201 MB/s	76-151 MB/s	49-121 MB/s
	2.4:1	8192 x 3408	24	127-254 MB/s	85-169 MB/s	64-127 MB/s	41-102 MB/s
	6:5 anamórfico	5120 x 4272	24	100-199 MB/s	67-133 MB/s	50-100 MB/s	32-80 MB/s
6K	Super 16	6144 x 3240	24	61-146 MB/s	37-91 MB/s	25-61 MB/s	19-46 MB/s
4K	DCI	4096 x 2160	24	129-214 MB/s	65-129 MB/s	41-107 MB/s	30-81 MB/s
	16:9	3840 x 2160	24	121-201 MB/s	61-121 MB/s	38-101 MB/s	28-76 MB/s
	2.4:1	4096 x 1704	24	102-169 MB/s	51-102 MB/s	32-85 MB/s	23-64 MB/s
	6:5 anamórfico	2560 x 2136	24	80-133 MB/s	40-80 MB/s	25-67 MB/s	18-50 MB/s
	Super 16	4096 x 2160	24	41-81 MB/s	27-54 MB/s	21-41 MB/s	13-33 MB/s



Filmar con una frecuencia de imagen distinta permite tomar decisiones creativas y conseguir el estilo deseado. La versión URSA Mini Pro 12K permite grabar en resolución 12K a una frecuencia máxima de 60 f/s o 240 f/s en otras definiciones. Cuando se seleccionan frecuencias de imagen altas, la cámara necesita alcanzar velocidades de transferencia muy elevadas, de manera que es importante escoger el grado de compresión adecuado.

### Velocidades de transferencia máximas a frecuencias de imagen máximas y velocidad constante en Blackmagic RAW

Formato		Resolución	Blackmagic RAW 5:1		Blackmagic RAW 8:1		Blackmagic RAW 12:1		Blackmagic RAW 18:1	
			Frecuencia de imagen máxima	Velocidad de transferencia máxima	Frecuencia de imagen máxima	Velocidad de transferencia máxima	Frecuencia de imagen máxima	Velocidad de transferencia máxima	Frecuencia de imagen máxima	Velocidad de transferencia máxima
12K	17:9	12288 x 6480	40	963 MB/s	60	903 MB/s	60	602 MB/s	60	401 MB/s
	16:9	11520 x 6480	40	903 MB/s	60	847 MB/s	60	565 MB/s	60	376 MB/s
	2.4:1	12288 x 5112	50	951 MB/s	75	892 MB/s	75	595 MB/s	75	396 MB/s
	6:5 anamórfico	7680 x 6408	60	895 MB/s	60	560 MB/s	60	373 MB/s	60	249 MB/s
8K	17:9	8192 x 4320	120	1285 MB/s	120	803 MB/s	120	536 MB/s	120	357 MB/s
	16:9	7680 x 4320	120	1205 MB/s	120	753 MB/s	120	502 MB/s	120	334 MB/s
	2.4:1	8192 x 3408	160	1353 MB/s	160	846 MB/s	160	564 MB/s	160	375 MB/s
	6:5 anamórfico	5120 x 4272	120	796 MB/s	120	498 MB/s	120	332 MB/s	120	221 MB/s
6K	Super 16	6144 x 3240	120	727 MB/s	120	455 MB/s	120	303 MB/s	120	202 MB/s
4K	DCI	4096 x 2160	120	322 MB/s	120	201 MB/s	120	161 MB/s	120	134 MB/s
	16:9	3840 x 2160	120	302 MB/s	120	189 MB/s	120	150 MB/s	120	125 MB/s
	2.4:1	4096 x 1704	160	339 MB/s	160	212 MB/s	160	169 MB/s	160	141 MB/s
	6:5 anamórfico	2560 x 2136	120	200 MB/s	120	125 MB/s	120	99 MB/s	120	83 MB/s
	Super 16	4096 x 2160	240	648 MB/s	240	405 MB/s	240	271 MB/s	240	180 MB/s

### Intervalo de velocidades de transferencia a frecuencias de imagen máximas con la opción de velocidad constante en formato Blackmagic RAW

Formato		Resolución	Frecuencia de imagen	Blackmagic RAW Q0	Blackmagic RAW Q1	Blackmagic RAW Q3	Blackmagic RAW Q5
12K	17:9	12288 x 6480	60	602-1445 MB/s	362-903 MB/s	241-602 MB/s	181-452 MB/s
	16:9	11520 x 6480	60	565-1355 MB/s	339-847 MB/s	226-565 MB/s	170-424 MB/s
	2.4:1	12288 x 5112	75	595-1426 MB/s	357-892 MB/s	238-595 MB/s	179-446 MB/s
	6:5 anamórfico	7680 x 6408	60	373-895 MB/s	224-560 MB/s	150-373 MB/s	112-280 MB/s
8K	17:9	8192 x 4320	120	803-1605 MB/s	536-1071 MB/s	402-803 MB/s	258-643 MB/s
	16:9	7680 x 4320	120	753-1506 MB/s	502-1004 MB/s	377-753 MB/s	242-603 MB/s
	2.4:1	8192 x 3408	160	846-1609 MB/s	564-1127 MB/s	423-846 MB/s	271-677 MB/s
	6:5 anamórfico	5120 x 4272	120	498-995 MB/s	332-664 MB/s	249-498 MB/s	160-398 MB/s
6K	Super 16	6144 x 3240	120	303-727 MB/s	182-455 MB/s	122-303 MB/s	92-228 MB/s

Formato	Resolución	Frecuencia de imagen	Blackmagic RAW Q0	Blackmagic RAW Q1	Blackmagic RAW Q3	Blackmagic RAW Q5	
4K	DCI	4096 x 2160	120	643-1071 MB/s	322-643 MB/s	201-536 MB/s	147-402 MB/s
	16:9	3840 x 2160	120	603-1004 MB/s	302-603 MB/s	189-502 MB/s	138-377 MB/s
	2.4:1	4096 x 1704	160	677-1127 MB/s	339-677 MB/s	212-564 MB/s	155-423 MB/s
	6:5 anamórfico	2560 x 2136	120	398-664 MB/s	200-398 MB/s	125-332 MB/s	91-249 MB/s
	Super 16	4096 x 2160	240	405-810 MB/s	271-540 MB/s	203-405 MB/s	131-325 MB/s

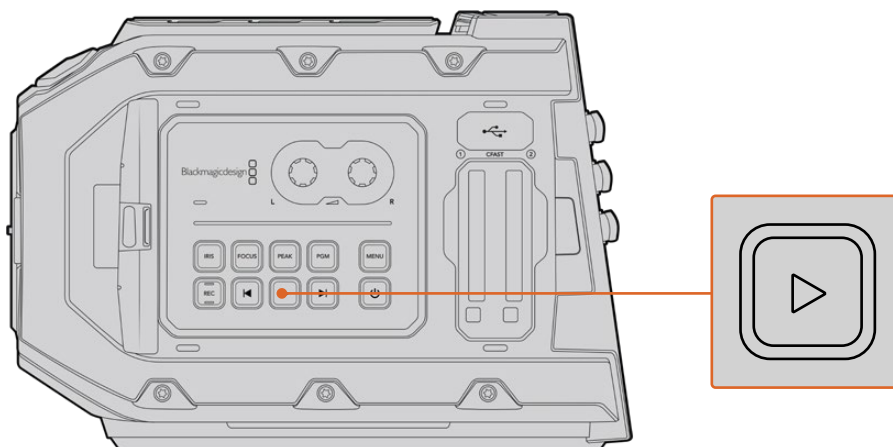
Cabe destacar que las velocidades de transferencia dependen de la complejidad de las imágenes grabadas, por lo que podrían variar según se trate de una escena simple o con gran cantidad de detalles.

## Reproducción

### Reproducción de material audiovisual

Después de realizar la grabación, es posible utilizar los controles de reproducción para ver las imágenes en la pantalla de la cámara.

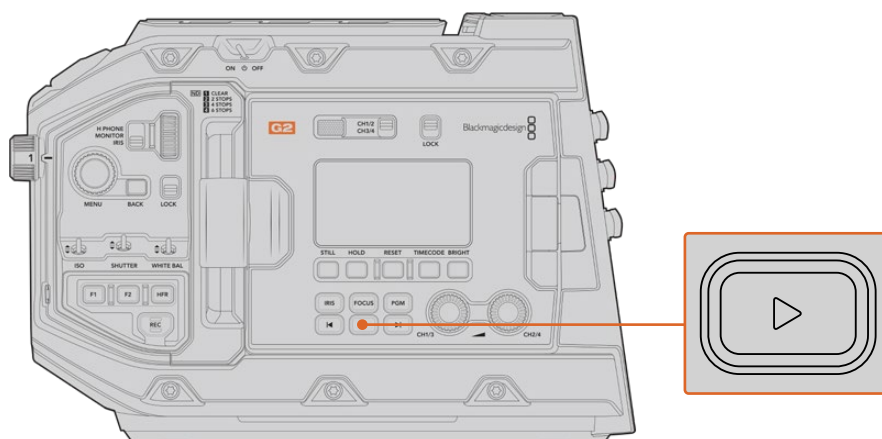
Presione el botón de reproducción una vez para verlas de forma inmediata en la pantalla táctil de la versión URSA Mini. Las imágenes también pueden verse en los dispositivos conectados a las salidas SDI de las cámaras.



URSA Mini

**SUGERENCIA:** El modelo Blackmagic URSA Mini dispone de botones de reproducción en el panel de control interno y en el ergonómico.

**NOTA:** El modelo URSA Mini reproducirá dichos clips con diferentes ajustes de calidad, siempre y cuando tengan el mismo códec, resolución y frecuencia de imagen.



URSA Mini Pro 4.6K G2

Presione los botones de avance o retroceso para ir al comienzo o el final de una secuencia. Oprima el botón de retroceso una vez para reproducir el clip actual desde el inicio, o dos veces para retroceder hasta el comienzo del clip anterior. Mantenga el botón de avance o retroceso presionado para adelantar o retroceder las imágenes al doble de velocidad. Presiónelos 2, 3 o 4 veces para aumentar la velocidad 4, 8 o 16 veces, respectivamente. Estos botones también pueden utilizarse para abrir o cerrar el diafragma en objetivos compatibles durante la grabación.

Al grabar a una frecuencia diferente a la seleccionada para el proyecto, la velocidad de reproducción de las imágenes también será distinta. A modo de ejemplo, supongamos que se selecciona una frecuencia de 24 f/s para el proyecto en la cámara, a fin de que coincida con el valor utilizado en la etapa de posproducción. Si la frecuencia del sensor es de 60 f/s, al reproducir las imágenes, estas se verán en cámara lenta, tanto en la pantalla de la cámara como en el programa de edición.

**SUGERENCIA:** Consulte el apartado *Grabación* para obtener más información al respecto.

# Introducción al modelo URSA Mini

El panel trasero de la cámara incluye conectores BNC convencionales y dos entradas LANC. Una de estas permite el uso de la empuñadura lateral, mientras que la otra se encuentra en la parte trasera y facilita la conexión de controladores externos.

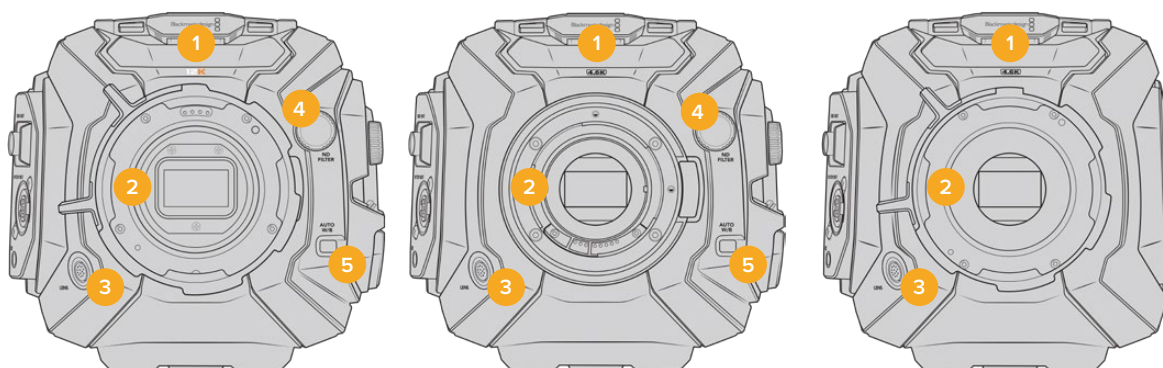
Las entradas XLR para señales de audio analógicas balanceadas se encuentran en el panel superior, detrás de los orificios roscados en los modelos URSA Mini y URSA Mini Pro, y de la entrada para audio digital AES en la versión URSA Mini Pro.

La cámara incluye un conector XLR de 4 pines en el panel trasero para fuentes de alimentación externa, así como una salida en el lateral derecho que permite suministrar corriente eléctrica a diversos accesorios.

A su vez, el puerto USB situado arriba de la ranura para tarjetas permite conectar un equipo informático, a fin de actualizar el software interno de la cámara.

**NOTA:** El modelo URSA Mini Pro incluye controles ergonómicos adicionales que facilitan el acceso a los ajustes y las funciones esenciales de la cámara sin necesidad de abrir la pantalla plegable.

## Parte frontal de la cámara



Modelo URSA Mini Pro 12K

Modelo URSA Mini Pro 4.6K

Modelo URSA Mini PL

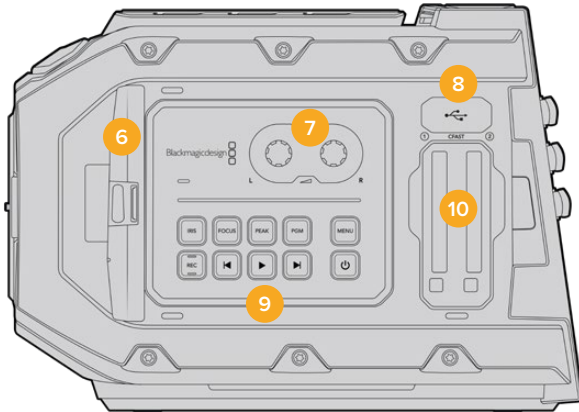
- 1 Micrófono estéreo**  
Micrófono estéreo integrado de alta calidad. Consulte la sección *Ajustes* para obtener más información al respecto.
- 2 Montura del objetivo**  
El modelo URSA Mini incluye una montura EF o PL. La versión URSA Mini Pro presenta una montura intercambiable que permite alternar entre objetivos EF, F, PL y B4. Consulte el apartado *Montura intercambiable* para obtener más información al respecto.
- 3 Conector para objetivos profesionales**  
Permite controlar objetivos B4 y PL compatibles y suministrarles corriente eléctrica mediante conexiones de 12 pines. Este conector solo está disponible en los modelos URSA Mini PL y URSA Mini Pro. Consulte el apartado *Uso de objetivos con servomecanismo* para obtener una lista de objetivos compatibles, incluidos modelos PL y B4.
- 4 Filtros de densidad neutra**  
Mediante esta rueda, es posible acceder a los tres filtros de densidad neutra disponibles. Consulte el apartado *Botones de control del modelo URSA Mini Pro* para obtener más información al respecto.

## 5 Balance de blancos automático

El botón **Auto W/B** permite establecer el balance de blancos según lo que se ve en el centro de la pantalla, por ejemplo, una tarjeta gris situada frente al objetivo. Consulte el apartado *Botones de control del modelo URSA Mini Pro* para obtener más información al respecto.

## URSA Mini, lateral izquierdo

El panel izquierdo de este modelo incluye ranuras para tarjetas CFast y permite acceder al panel de control para modificar ajustes. El puerto USB situado arriba de estas brinda la posibilidad de conectar un equipo informático, a fin de actualizar el software interno de la cámara.



## 6 Monitor plegable

Pantalla táctil plegable de 5 pulgadas que puede inclinarse para observar un plano desde diferentes ángulos. Consulte el apartado *Controles de la pantalla táctil* para obtener más información al respecto.

## 7 Controles para el volumen

Permiten ajustar la intensidad del volumen para los canales 1 y 2 durante la grabación. Consulte el apartado *Controles del modelo URSA Mini* para obtener más información al respecto.

## 8 Puerto Mini USB

Puerto mini-USB para actualizar el sistema operativo interno. Consulte la sección *Programa utilitario de la cámara* para obtener más información al respecto.

## 9 Botones del panel de control

Permiten encender la cámara, controlar la grabación y la reproducción, activar el indicador de enfoque, acceder al menú de ajustes, y modificar el enfoque automático y la apertura del diafragma en objetivos EF compatibles. Consulte la sección *Controles del modelo URSA Mini* para obtener más información al respecto.

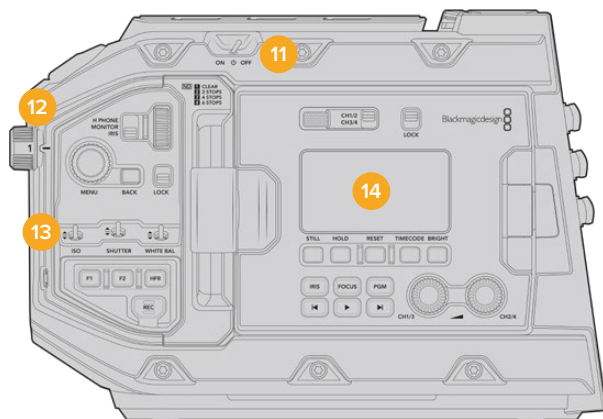
## 10 Ranuras para tarjetas de memoria

Inserte tarjetas CFast 2.0 para grabar y reproducir contenidos. Consulte el apartado *Almacenamiento* para obtener más información al respecto.

## URSA Mini Pro, lateral izquierdo

El lateral izquierdo del modelo URSA Mini Pro 4.6K incluye controles adicionales que facilitan el acceso a todas las funciones esenciales de la cámara. Estos se encuentran entre el panel de control frontal, la parte externa del monitor plegable y su panel interior.

Las ranuras para tarjetas SD y CFast están situadas detrás de la pantalla plegable. El puerto USB-C se encuentra arriba de estas y se utiliza para conectar un equipo informático, a fin de actualizar el sistema operativo interno de la cámara.



Modelo URSA Mini Pro 4.6K con la pantalla plegable cerrada

### 11 Interruptor de encendido

Interruptor utilizado para encender la cámara, lo cual también puede lograrse presionando simultáneamente los botones de grabación y avance en el interior de la pantalla plegable.

### 12 Filtros de densidad neutra

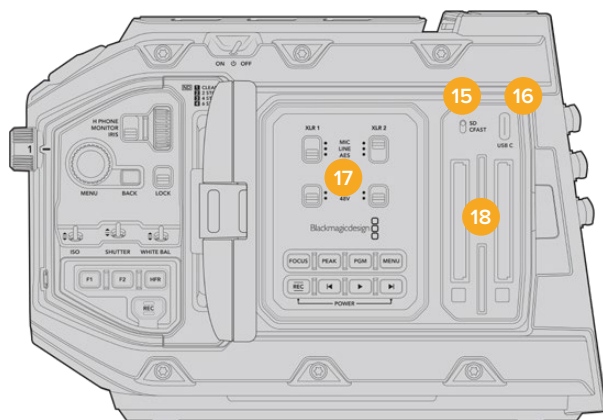
La cámara URSA Mini Pro cuenta con tres filtros integrados que permiten ajustar la luz percibida por el sensor. Se incluyen cuatro opciones disponibles, con un máximo de seis pasos de reducción. Basta con girar la rueda para seleccionar el ajuste deseado. El filtro elegido calza perfectamente en su lugar. Consulte el apartado *Botones de control del modelo URSA Mini Pro* para obtener más información al respecto.

### 13 Panel de control frontal

Este panel brinda acceso a todas las funciones esenciales de la cámara. Sus controles son ideales al utilizar un trípode, o un soporte para el hombro, y permiten ajustar parámetros tales como la sensibilidad fotográfica, la velocidad y el ángulo de obturación, la apertura del diafragma, el balance de blancos y la frecuencia de imagen. Consulte el apartado *Botones de control del modelo URSA Mini Pro* para obtener más información al respecto.

### 14 Panel de control ergonómico

La parte externa del monitor plegable en el modelo URSA Mini Pro cuenta con una pantalla LCD y diversos controles de monitorización. Esta permite visualizar fácilmente toda la información de la cámara, así como controlar distintas funciones para supervisar la calidad de las imágenes. Consulte el apartado *Botones de control del modelo URSA Mini Pro* para obtener más información al respecto.



Modelo URSA Mini Pro con el monitor plegable abierto

### 15 Interruptor para seleccionar el soporte de almacenamiento

Se utiliza para grabar en tarjetas SD o CFast.

## 16 Puerto USB

Puerto USB-C para actualizar el sistema operativo interno. Consulte el apartado *Programa utilitario de la cámara* para obtener más información al respecto. En la versión URSA Mini Pro G2 también es posible emplear este puerto a fin de grabar mediante el accesorio URSA Mini Recorder o en una unidad externa USB-C.

## 17 Panel de control interno

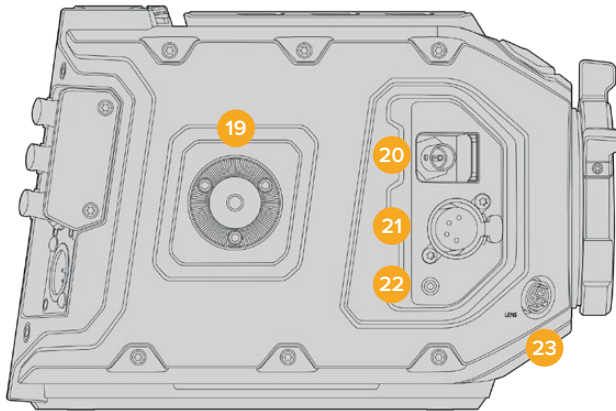
Al abrir el monitor plegable, se obtiene acceso al panel de control interno, el cual permite configurar las entradas de audio y los ajustes del modo de alimentación fantasma. Por otro lado, ofrece controles para el diafragma, el enfoque, la reproducción y los diversos menús. Consulte el apartado *Botones de control del modelo URSA Mini Pro* para obtener más información al respecto.

## 18 Ranuras para tarjetas de memoria

Inserte tarjetas CFast 2.0, SDXC o SDHC en estas ranuras para grabar y reproducir contenidos. Recomendamos consultar la lista de tarjetas certificadas o en nuestro sitio web. Consulte el apartado *Almacenamiento* para obtener más información al respecto.

## Lateral derecho

El lateral derecho de la cámara incluye todas las conexiones para señales audiovisuales y fuentes de alimentación, así como una montura en forma de roseta para sujetar la empuñadura.



URSA Mini PL

## 19 Montura lateral

Roseta estándar para la empuñadura lateral. Consulte los apartados *Inicio* y *Soporte para el hombro* a fin de obtener más información al respecto.

## 20 Salida para supervisar señales HD

Esta conexión SDI 3G brinda la posibilidad de transmitir señales en formato HD 1080 y puede utilizarse para conectar monitores externos o accesorios, tales como el visor electrónico Blackmagic URSA Viewfinder. Consulte los apartados *Salida de video de la cámara* y *Blackmagic URSA Viewfinder* para obtener más información al respecto.

## 21 Salida de +12V

Conector XLR de 4 pines para suministrar corriente eléctrica a diversos accesorios, tales como los visores Blackmagic URSA Viewfinder y Blackmagic URSA Studio Viewfinder, u otros monitores y dispositivos externos. Consulte los apartados *Blackmagic URSA Viewfinder* y *Blackmagic URSA Studio Viewfinder* para obtener más información al respecto. Esta salida y el conector para objetivos profesionales permiten dispensar un total de 12 voltios a un máximo de 2 amperes.

## 22 Entrada LANC

Conector TRS LANC de 2.5 mm para la empuñadura lateral. Consulte el apartado que describe las características generales del modelo URSA Mini para obtener más información al respecto.



### 23 Conector para el control de objetivos profesionales

Permite controlar objetivos PL y B4 compatibles y suministrarles corriente eléctrica mediante conexiones de 12 pines. Solo disponible en los modelos URSA Mini PL y URSA Mini Pro. Esta conexión y la salida de +12 V permiten dispensar un total de 12 voltios a un máximo de 2 amperes.

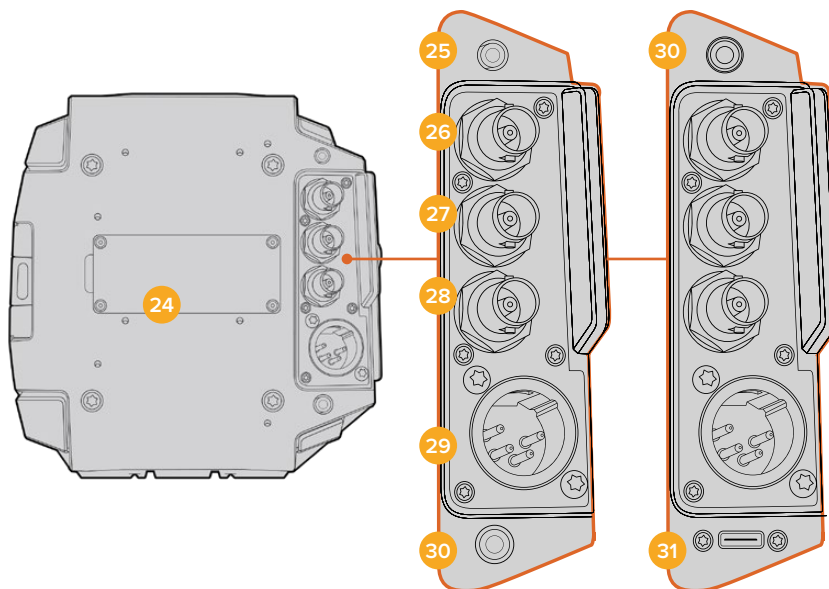
## Panel trasero

### 24 Base para soporte de batería

El modelo Blackmagic URSA Mini incluye orificios roscados y un conector Molex para suministrar corriente a la cámara u otros equipos y transmitir ciertos datos. Los orificios están ubicados de forma tal que facilitan la instalación de accesorios opcionales en la parte trasera de la cámara, por ejemplo, soportes para baterías, o los dispositivos Blackmagic Camera Fiber Converter y URSA Mini Recorder. Por su parte, el conector Molex es capaz de transmitir una corriente regulada de 12 voltios a un máximo de 1.5 amperes. Consulte los apartados *Instalación de baterías*, *Blackmagic Fiber Converter - Primeros Pasos* y *URSA Mini Recorder* para obtener más información al respecto.

### 25 Entrada LANC

Conector de 2.5 mm para controlar la cámara a distancia mediante el protocolo LANC. Permite comenzar y detener la grabación, enfocar la imagen y modificar la apertura del diafragma al utilizar objetivos EF compatibles. La versión URSA Mini Pro 12K no dispone de una entrada LANC en el panel trasero, sino que se debe emplear la conexión de 2.5 mm TRS identificada como **LANC input** en el lateral derecho.



URSA Mini Pro 4.6K G2, URSA Mini Pro 4.6K,  
URSA Mini 4.6K y URSA Mini 4K

URSA Mini Pro 12K

### 26 Salida SDI 12G

Esta salida se utiliza para transmitir señales HD o UHD a equipos tales como matrices de conmutación, monitores, dispositivos de captura y mezcladores profesionales. Permite conectar la cámara a mezcladores o grabadores externos, como el dispositivo Blackmagic Video Assist, para realizar copias de respaldo.

### 27 Entrada SDI 12G

Esta entrada permite conectar la cámara a un mezclador o a un grabador externo y puede emplearse a fin de reproducir las grabaciones, comunicarse con el resto del equipo, activar la luz piloto o transmitir otras señales de referencia externas. Cuando se usa con un mezclador ATEM, sus funciones también se pueden ajustar mediante la opción de control de cámaras.

De esta forma, al utilizar el modelo URSA Mini durante transmisiones en directo, es posible visualizar los contenidos transmitidos mediante la salida principal del mezclador para supervisarlos durante el rodaje, o verificar la reproducción desde el dispositivo externo. Mantenga presionado el botón **PGM** para ver la señal correspondiente al programa. Consulte los apartados *Botones de control* para el modelo URSA Mini o *Panel de control ergonómico* para la versión URSA Mini Pro para obtener más información al respecto.

Para poder comunicarse con el equipo o activar la luz piloto mediante la salida SDI, asegúrese de que la opción **Camera ID** esté configurada en el menú de ajustes del modelo URSA Mini Pro. Si desea utilizar la salida SDI con el propósito de recibir señales de referencia externas, deberá seleccionar como fuente de referencia la opción **Program** en el menú de ajustes. Cuando haya una señal de referencia bloqueada, aparecerá el indicador **REF** junto al código de tiempo en la pantalla. Consulte el apartado correspondiente para obtener más información al respecto.

Por su parte, en el modelo URSA Mini Pro la salida SDI puede emplearse para recibir un código de tiempo externo. De este modo, es posible sincronizarlo automáticamente si la frecuencia de imagen de la señal SDI entrante coincide y cuenta con un código de tiempo válido. El indicador **EXT** aparecerá en la pantalla de dicho modelo cuando haya un código de tiempo externo sincronizado. Al desconectar el cable, el indicador cambiará a **INT** a fin de informar al usuario de que el código de tiempo actual es el interno de la cámara.

## 28 Entrada para código de tiempo y señales de referencia

Esta reconoce automáticamente el tipo de señal y permite utilizar la conexión **REF** para sincronizar la cámara con una señal de referencia común, p. ej. Tri-level Sync. Cabe destacar que, a fin de utilizar una señal de referencia con esta entrada, es necesario seleccionar la opción **External** en el menú de configuración de la unidad.

Por otro lado, es posible emplear este conector para sincronizar varias cámaras con una fuente de código de tiempo externa, o el audio y la imagen al grabar con un sistema doble. Esto facilita la sincronización de la imagen y el sonido durante la posproducción. Al detectar un código de tiempo externo con una frecuencia de imagen que coincide, la cámara se sincroniza automáticamente. El indicador **EXT** aparecerá en la pantalla del modelo URSA Mini. Al desconectar el cable, dicho indicador cambiará a **INT**, a fin de informar al usuario que se utilizará el código de tiempo interno de la cámara.

También es posible emplear la entrada SDI principal para utilizar una señal de referencia proveniente del mezclador. Esto resulta útil al trabajar con mezcladores de la línea ATEM, dado que dicha conexión facilita el control y la sincronización de las cámaras. Además, permite comunicarse con el resto del equipo, utilizar la luz piloto y transmitir señales de referencia o el código de tiempo mediante una sola señal SDI. Consulte el apartado correspondiente para obtener más información al respecto.

## 29 Entrada de 12 V+

El conector XLR de 4 pines permite suministrar energía eléctrica a la cámara mediante fuentes externas, tales como baterías portátiles o el transformador incluido.

## 30 Auriculares

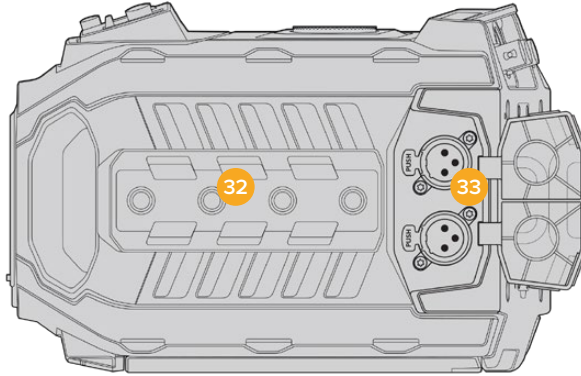
Conector hembra de 3.5 mm para monitorizar la señal de audio y comunicarse con otros miembros del equipo mediante el uso de auriculares. Permite utilizar modelos compatibles con dispositivos iPhone y Android que incluyen un micrófono integrado. El audio correspondiente al sistema de intercomunicación se transmite mediante los canales 15 y 16 de la salida SDI.

**SUGERENCIA:** Los modelos URSA Mini y URSA Mini Pro disponen de una conexión de 3.5 mm que ofrece la posibilidad de emplear auriculares para teléfonos iPhone o Android. Generalmente, estos disponen de un mando para silenciar o activar el micrófono. Asimismo, es posible configurar los botones de la cámara para que cumplan esta misma función si los auriculares profesionales empleados no cuentan con dicho control. Consulte el apartado correspondiente para obtener más información al respecto.

### 31 Puerto USB

Puerto USB-C 3.1 de segunda generación con conector de seguridad para grabar en unidades externas.

## Panel superior



Los conectores XLR situados en el panel superior permiten conectar equipos de audio analógicos.

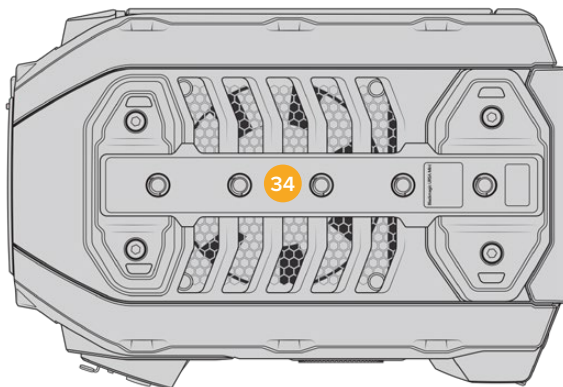
### 32 Orificios de 6.35 mm

El panel superior incluye cuatro orificios roscados para sujetar la manija y otros accesorios.

### 33 Entrada de audio XLR

Las entradas XLR para señales balanceadas permiten conectar equipos de audio analógico profesionales, tales como mezcladores de audio, sistemas de megafonía o micrófonos externos. Asimismo, son capaces de suministrar una corriente eléctrica de 48 V mediante el modo de alimentación fantasma, brindando de esta manera la posibilidad de utilizar micrófonos que no cuentan con un sistema de alimentación propio. Consulte el apartado correspondiente para obtener más información al respecto.

## Panel inferior

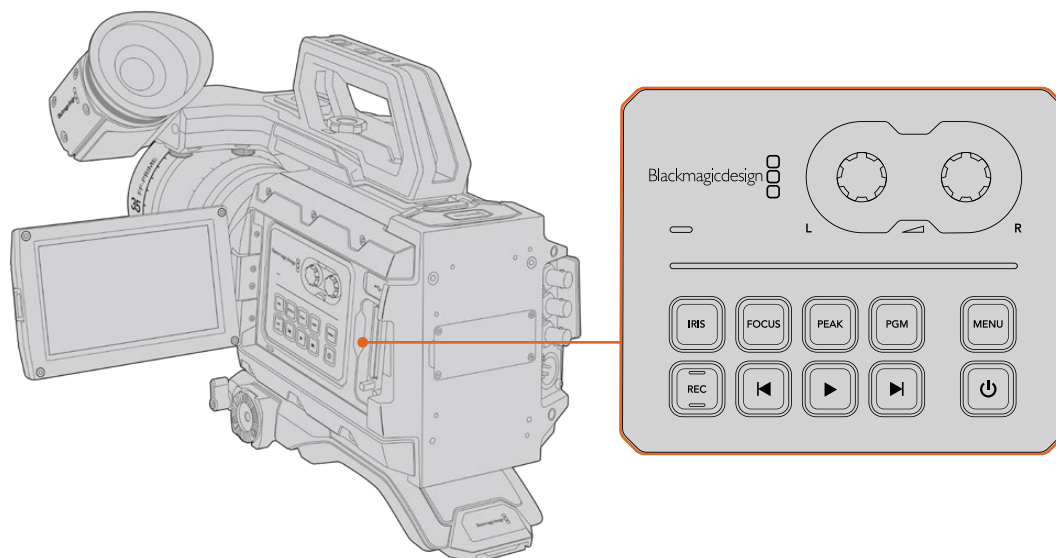


### 34 Orificios de 6.35 mm

Los cinco orificios roscados situados en el panel inferior permiten sujetar cabezales para trípodes, el soporte opcional para el hombro (URSA Mini Shoulder Mount Kit) y otros accesorios.

## Controles del modelo URSA Mini

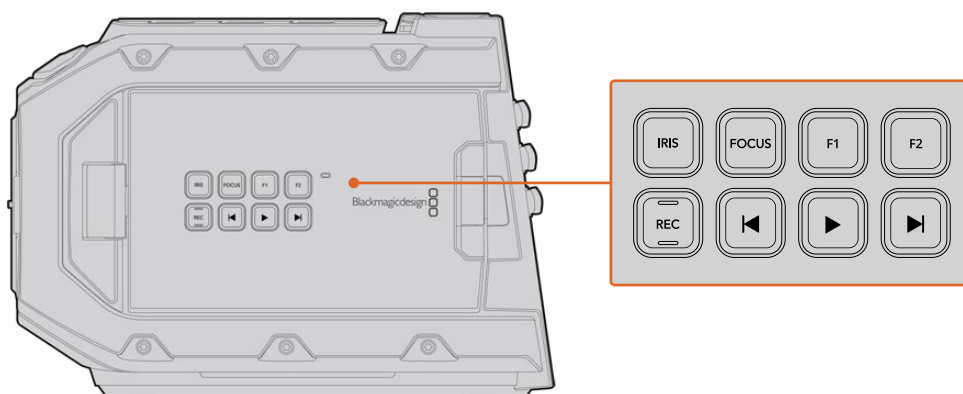
El modelo Blackmagic URSA Mini cuenta con un panel en el lateral izquierdo, detrás del monitor plegable, que incluye todos los controles necesarios para modificar diferentes ajustes y supervisar la intensidad del volumen. La pantalla táctil dispone de vómetros digitales que facilitan esta tarea.



Modifique diversos ajustes mediante la pantalla táctil y los botones del panel de control.

### Botones de control

Además del panel de control, el modelo URSA Mini cuenta con botones en la parte trasera de la pantalla LCD y en la empuñadura lateral. Todos ellos permiten realizar las mismas funciones.



Los botones en el panel exterior permiten grabar, activar o desactivar el indicador de enfoque, ver las imágenes registradas o la señal principal en la pantalla LCD y ajustar el enfoque o la apertura del diafragma en objetivos EF compatibles.

#### Diafragma

El botón **IRIS** activa la función de apertura automática del diafragma en objetivos compatibles. Al utilizar el rango dinámico en el modo **Video**, presiónelo una vez para establecer un valor de exposición promedio según las partes más claras y oscuras de la imagen. Al emplearlo en el modo **Film**, oprímalo para ajustar la exposición según las zonas más brillantes de la imagen.

En el modelo URSA Mini EF, el botón **IRIS** brinda la posibilidad de utilizar estas prestaciones en objetivos EF compatibles. En el modelo URSA Mini PL, este funciona con objetivos compatibles conectados a un controlador profesional.

Para ajustar la apertura en forma manual, presione los botones de avance y retroceso en el monitor plegable.

### **Enfoque**

Presione el botón **FOCUS** para activar la función de enfoque automático en objetivos EF compatibles. La pantalla del monitor plegable mostrará un cuadrado blanco. Cualquier objeto que se encuentre dentro del mismo estará enfocado correctamente. El cuadrado desaparece cuando el objetivo termina de enfocar.

**NOTA:** Cabe destacar que, aunque la mayoría de los objetivos EF brinda la posibilidad de ajustar el enfoque electrónicamente, algunos también permiten modificarlo en forma manual, de modo que es importante asegurarse de seleccionar el modo automático.

### **Indicador de enfoque**

Presione el botón **PEAK** para activar el indicador de enfoque. La cámara ofrece dos modos: uno tradicional, que de manera artificial hace que las áreas correctamente enfocadas de la imagen se vean más nítidas, y otro llamado **Colored Lines**, que muestra líneas de color negro, blanco, rojo, verde o azul en dichas partes de la imagen. Consulte el apartado *Ajustes del monitor* para obtener más información al respecto. Dichas líneas no aparecen en las imágenes grabadas en tarjetas CFast 2.0, pero es posible verlas en la pantalla del monitor plegable o de cualquier dispositivo conectado a la salida HD activando la opción correspondiente en el menú de la cámara.

### **Programa**

El botón **PGM** permite ver en la pantalla LCD las imágenes captadas por la cámara o cualquier señal proveniente de un equipo conectado a la entrada SDI 12G en el panel trasero. De esta forma, al utilizar el modelo URSA Mini durante transmisiones en directo, es posible visualizar los contenidos transmitidos mediante la salida principal del mezclador para supervisarlos durante el rodaje. Mantenga presionado el botón **PGM** para ver la señal correspondiente al programa. La señal continuará mostrándose en la pantalla mientras el botón se mantenga oprimido. Presione el botón **PGM** dos veces para cambiar a la señal principal. Oprímalo nuevamente dos veces para salir. Cabe destacar que las frecuencias de imagen en la cámara y el mezclador deben coincidir para ver la señal principal en el monitor plegable.

**NOTA:** Al seleccionar una señal de referencia en los modelos URSA Mini y URSA Mini Pro, es posible que se produzca un salto en la imagen transmitida. Esto se debe a que la cámara se sincroniza con la fuente externa seleccionada. Por tal motivo, es importante no llevar a cabo este procedimiento durante una producción.

### **Menú**

Presione el botón **MENU** para acceder al panel de opciones. Consulte el apartado *Ajustes* para obtener más información al respecto.

### Grabación

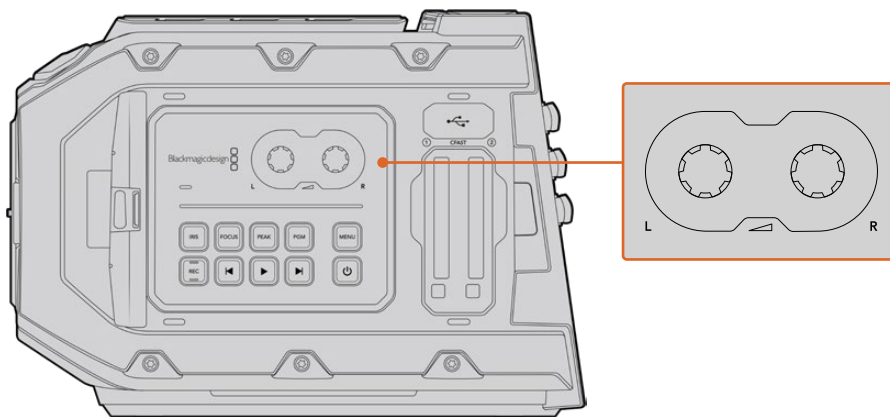
El panel de control, el monitor plegable y la empuñadura lateral del modelo URSA Mini incluyen un botón denominado **REC** que permite comenzar y detener la grabación. Consulte el apartado *Grabación* para obtener más información al respecto.

### Controles de reproducción

Estos botones permiten comenzar y detener la reproducción, así como retroceder al clip anterior o avanzar al siguiente. En el modelo URSA Mini EF, los botones de avance y retroceso también pueden utilizarse para abrir o cerrar el diafragma al emplear objetivos compatibles. Consulte el apartado *Reproducción* para obtener más información al respecto.

### Controles para la intensidad del audio

Permiten establecer la intensidad del volumen en los canales 1 y 2 durante la grabación. Gire las perillas hacia la derecha o la izquierda para aumentar o disminuir respectivamente la intensidad de la señal de audio en cada canal durante la grabación. Compruebe los vúmetros en la pantalla al realizar los ajustes para obtener un valor óptimo.



Gire las perillas de ajuste del volumen hacia la derecha o la izquierda para aumentar o disminuir respectivamente la intensidad del audio grabado.

### Botones F1 y F2

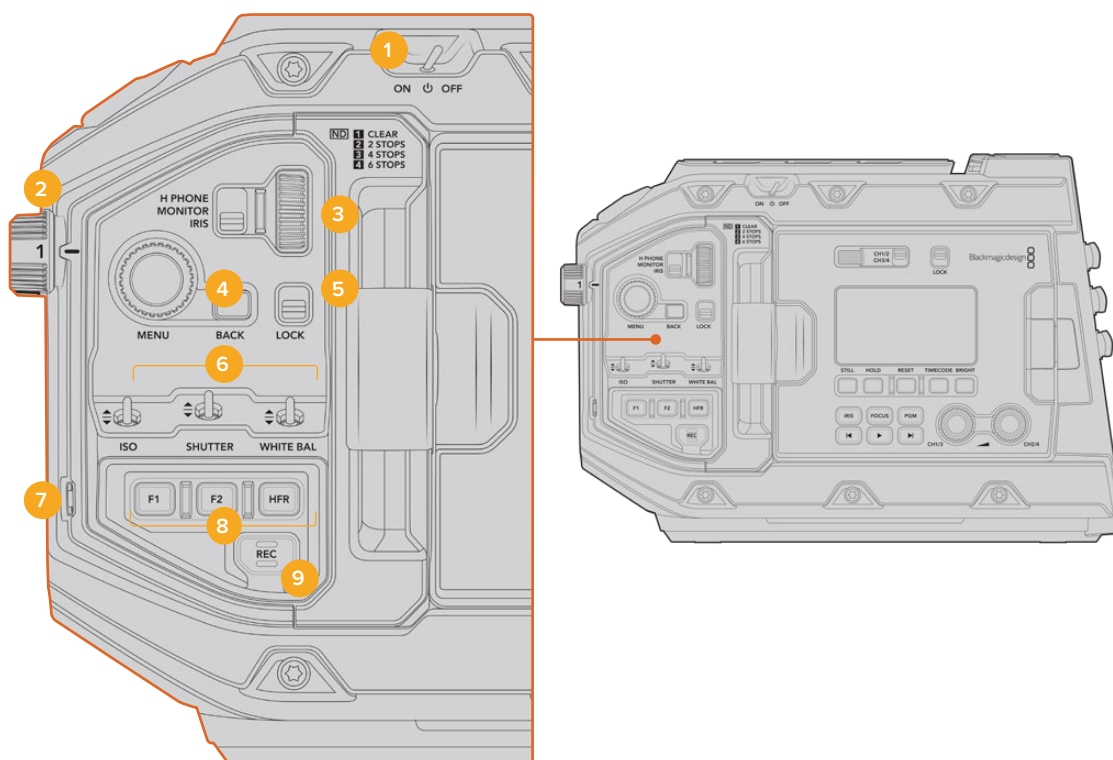
Estos dos botones se encuentran en la parte trasera del monitor plegable en el modelo URSA Mini, y pueden asignarse distintas funciones utilizadas con frecuencia mediante el menú **Setup**. Consulte el apartado correspondiente para obtener más información al respecto.

# Botones de control en el modelo URSA

El modelo Blackmagic URSA Mini Pro incluye paneles de control en el armazón, así como en el interior y exterior del monitor plegable, a fin de facilitar el acceso a todas las funciones esenciales de la cámara y a las diversas herramientas de monitorización. Estos paneles han sido diseñados para poder acceder a los distintos controles con facilidad al grabar con la cámara en la mano, sobre un trípode o con el soporte para el hombro.

## Panel de control frontal

Este panel incluye controles para aquellos ajustes que pueden ser necesario modificar antes de comenzar a rodar o durante la filmación. Asimismo, han sido diseñados de forma tal que resulte sencillo acceder a los mismos con el monitor plegable cerrado, por ejemplo, al grabar con la cámara al hombro.



Panel de control frontal del modelo URSA Mini Pro 4.6K

### 1 Interruptor de encendido

Mueva este interruptor a la posición **ON** para encender la cámara, y a la posición **OFF** para apagarla.

**SUGERENCIA:** También es posible encender o apagar la cámara URSA Mini Pro manteniendo presionados los botones de grabación y avance, situados en el panel de control. Si el interruptor de encendido se encuentra en la posición **ON** y la cámara está apagada, es posible que la unidad se haya apagado mediante los botones del panel de control. Cambie la posición del interruptor para que funcione de manera habitual.



## 2 Filtros de densidad neutra

La cámara URSA Mini Pro cuenta con tres filtros de densidad neutra internos. Las opciones disponibles son **CLEAR**, **2**, **4** y **6** pasos. Estos filtros permiten reducir la luz que percibe el sensor de la cámara, según los pasos seleccionados. Al disminuir la exposición, es posible continuar grabando con una apertura amplia, por ejemplo, en exteriores durante un día soleado.

Para seleccionar la densidad neutra, basta con girar la rueda hacia arriba o abajo. Al seleccionar el ajuste **CLEAR**, no se aplica ningún filtro. Con las opciones 2 y 4, se aumenta gradualmente la densidad de los filtros para disminuir la cantidad de luz.

Dado que los usuarios pueden preferir otra terminología para referirse a cada filtro, es posible personalizar la forma en que estos se miden desde el menú en pantalla, a fin de identificarlos mediante un número, la cantidad de pasos de reducción de luz, o la fracción que representa dicha disminución.

### Ajustes disponibles

Posición	Número	Pasos	Fracción
1	Cero	0	1
2	0.6	2	1/4
3	1.2	4	1/16
4	1.8	6	1/64

## 3 Rueda de ajustes

Ajuste la función de la rueda moviendo el interruptor situado a la izquierda de la misma. Las opciones son **H PHONE**, **MONITOR** e **IRIS**.

### Auriculares

Al seleccionar la opción **H PHONE**, la rueda permite ajustar el volumen de los auriculares. Gire la rueda hacia arriba para aumentar el volumen, o hacia abajo para disminuirlo.

### Monitor

Al seleccionar la opción **MONITOR**, la rueda permite ajustar el volumen del altavoz integrado en la cámara. Este se encuentra en la parte externa del monitor plegable y permite supervisar el audio sin necesidad de utilizar auriculares. Gire la rueda hacia arriba para aumentar el volumen, o hacia abajo para disminuirlo. Esta función se desactiva al grabar el audio desde el micrófono integrado de la cámara, para evitar un retorno innecesario.

### Diafragma

Al seleccionar la opción **IRIS**, la rueda permite ajustar la apertura de los objetivos compatibles con la cámara. Al girar la rueda hacia abajo, se abre el diafragma, mientras que al hacerlo hacia arriba, se cierra. Este proceso imita el funcionamiento de los objetivos fotográficos y cinematográficos ajustables.

**SUGERENCIA:** Para cambiar la apertura del diafragma mediante la rueda de ajustes, el modelo URSA Mini Pro debe estar equipado con un objetivo que admita dicha función. Al emplear objetivos B4 o PL en dicha unidad, verifique que el interruptor del diafragma en la empuñadura se encuentre en la posición A o Auto.

#### 4 Rueda MENU

Al activar la opción **Status Text** para la salida SDI frontal de la cámara, esta rueda permite acceder a las distintas opciones que están disponibles en la pantalla táctil.

Basta con presionarla al igual que un botón para ver las opciones en monitores externos, tales como los modelos Blackmagic SmartView, Video Assist o URSA Viewfinder. Cuando esta rueda está activa, es posible girarla para seleccionar diversos ajustes, por ejemplo, las opciones para la pantalla LCD, la frecuencia de imagen, la sensibilidad ISO, el balance de blancos y el matiz. Simplemente presiónela para confirmar la opción elegida y realizar cambios adicionales, o utilice el botón **BACK** para cancelar. También es posible usar este botón para cambiar de menú. En el modelo URSA Mini Pro, el menú desaparece automáticamente después de un minuto de inactividad.

Consulte los apartados *Pantalla táctil* y *Ajustes de monitor* para obtener más información al respecto.

#### 5 Bloqueo

Este interruptor permite bloquear todos los controles en el panel frontal, a fin de evitar que se realicen ajustes inadvertidamente durante la grabación. Mueva el interruptor a la posición inferior para bloquear los controles, y a la superior para desbloquearlos.

**SUGERENCIA:** Al grabar en entornos concurridos, es posible bloquear el panel de control frontal del modelo URSA Mini Pro cuando no se utiliza la cámara. Esto permite asegurarse de que nadie modifique los ajustes inadvertidamente.

#### 6 Sensibilidad ISO, obturación y balance de blancos

Estos pequeños interruptores se utilizan para ajustar la sensibilidad ISO, la obturación y el balance de blancos. Resultan útiles para llevar a cabo modificaciones rápidas sin apartar la vista de la escena. Basta con moverlos hacia arriba o abajo para realizar los ajustes. Dado que estos interruptores cuentan con un mecanismo de resorte, siempre regresan a su posición inicial.

##### Sensibilidad ISO

Utilice el interruptor **ISO** para ajustar este valor. Al moverlo hacia arriba, se aumenta un intervalo. Hacia abajo, se disminuye un intervalo. Las opciones disponibles son 200, 400, 800 y 1600 en el modelo URSA Mini, y además 3200 en la versión URSA Mini Pro.

##### Obturación

El interruptor **SHUTTER** permite ajustar el ángulo y la velocidad de obturación de la cámara, dependiendo de la opción seleccionada en el menú de ajustes. Al moverlo hacia arriba, el ángulo o la velocidad de obturación aumenta al siguiente ajuste predeterminado. Al moverlo hacia abajo, sucede lo contrario. Al mantener el interruptor en la posición superior o inferior, los valores cambian rápidamente. Existen 20 ajustes predeterminados, que van de 11.2 a 360 grados.

**SUGERENCIA:** La cámara recomendará ciertos parámetros basados en la frecuencia eléctrica de la región. Estos se seleccionan desde el menú en pantalla. Consulte el apartado *Controles de la pantalla táctil* para obtener más información al respecto.

### **Balance de blancos**

El interruptor **WHITE BAL** permite ajustar el balance de blancos de la cámara. Al moverlo hacia arriba, se aumenta la temperatura de color en intervalos de 50K, mientras que al moverlo hacia abajo, sucede lo contrario. Al mantener el interruptor en la posición superior o inferior, los valores cambian rápidamente.

### **7 Balance de blancos automático**

Al presionar el botón **AUTO W/B**, se muestra un recuadro en el centro de la pantalla LCD durante cinco segundos. Asimismo, este se visualiza en cualquier monitor conectado a la salida SDI, si la opción **Status Text** está activada. El recuadro blanco indica el área específica de la imagen a partir de la cual se calculará el balance de blancos, de modo que la tarjeta gris debería situarse dentro del mismo. Al mantener presionado el botón **AUTO W/B** durante tres segundos, se realiza un balance automático de blancos. El color del recuadro cambia de blanco a verde para confirmar que el procedimiento se ha completado con éxito.

Consulte el apartado *Ajustes del monitor* para obtener más información al respecto.

### **8 F1 y F2**

Las funciones de los botones **F1** y **F2** pueden modificarse desde el menú **Setup** en el modelo URSA Mini Pro. Por defecto, el botón **F1** corresponde a la función **False Color**, mientras que al botón **F2** se le asigna la función **Display LUT**.

Consulte el apartado *Controles de la pantalla táctil* para obtener más información al respecto.

### **Frecuencia de imagen alta**

Utilice el botón **HFR** para alternar entre distintas frecuencias de imagen. Para ello, seleccione la frecuencia de grabación en el menú correspondiente del modelo URSA Mini Pro. Al presionar este botón, se alterna entre la frecuencia de grabación y la del proyecto. Cabe destacar que este ajuste solo puede modificarse cuando se detiene la grabación. Este botón también puede programarse para controlar una amplia variedad de funciones comunes. Alternativamente, es posible desactivarlo por completo.

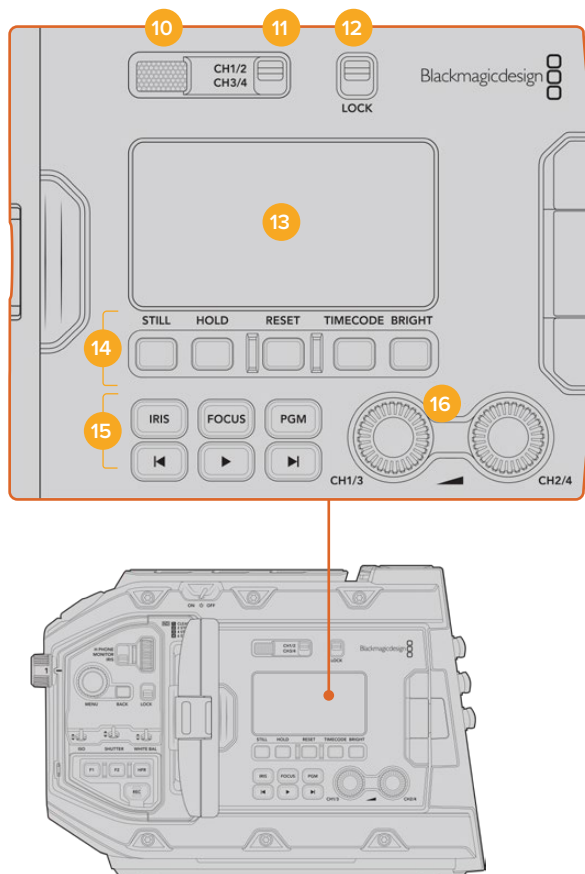
Consulte el apartado *Controles de la pantalla táctil* para obtener más información al respecto.

### **9 Grabación**

El botón **REC** en el modelo URSA Mini Pro permite comenzar y detener la grabación. Consulte el apartado correspondiente para obtener más información al respecto.

## Panel de control ergonómico

La parte externa de la pantalla táctil en el modelo URSA Mini Pro cuenta con una pantalla LCD y diversos controles de monitorización. Este panel permite visualizar toda la información de la cámara con facilidad, así como monitorizar y ajustar la intensidad del audio. Es posible configurar el enfoque automático al usar objetivos compatibles, mientras que los controles de transporte facilitan la reproducción de los clips.



Panel de control ergonómico del modelo URSA Mini Pro 4.6K

### 10 Altavoz

El pequeño altavoz integrado en la parte externa del panel permite escuchar el audio durante la reproducción de imágenes. Este queda situado a la altura de la oreja cuando la cámara se utiliza sobre un soporte para el hombro.

Para ajustar el volumen del altavoz, basta con girar la rueda de ajustes, como se indica en el apartado *Controles del modelo URSA Mini Pro*.

### 11 Selección de canales

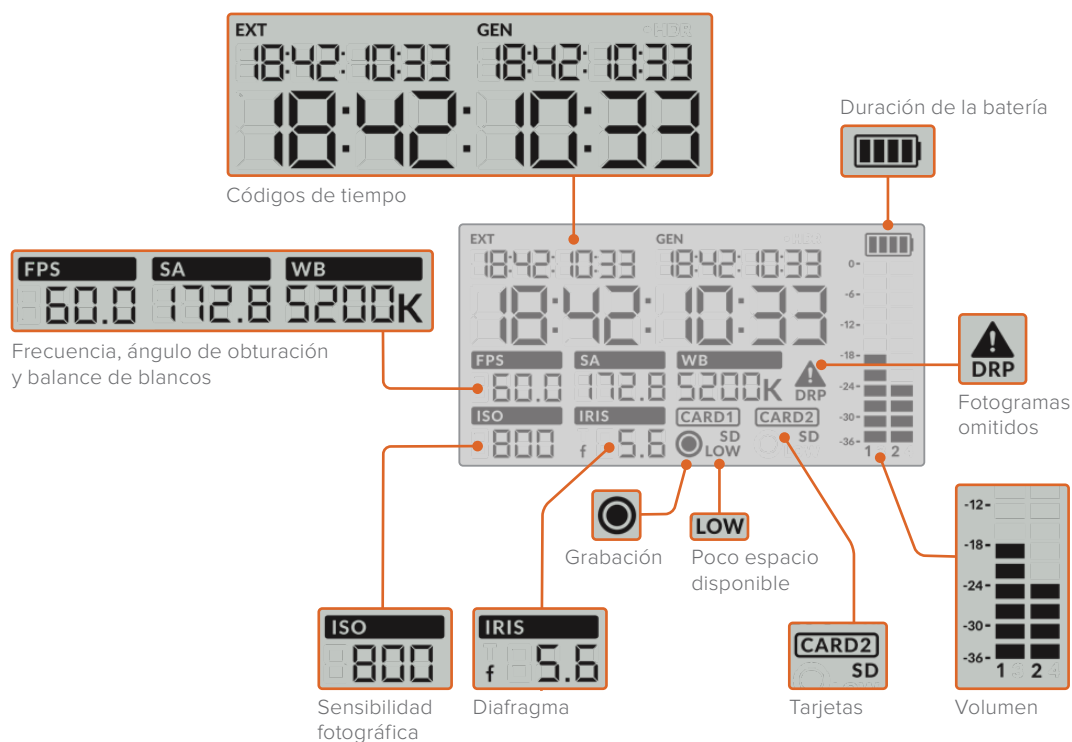
El modelo URSA Mini Pro admite dos canales de audio.

### 12 Bloqueo

El interruptor **LOCK** permite bloquear todos los ajustes en el panel de control ergonómico del modelo URSA Mini Pro. Cabe destacar que los interruptores para la selección de canales permanecen activos de todos modos.

### 13 Pantalla LCD

Esta pantalla muestra los ajustes principales de la cámara, sin necesidad de abrir el monitor plegable. Asimismo, su diseño permite ver los valores incluso a plena luz del día. La pantalla ofrece la siguiente información:



#### Códigos de tiempo

El modelo URSA Mini Pro 4.K muestra tres códigos de tiempo. Si hay un código de tiempo externo, este aparece debajo del indicador **EXT**, en la esquina superior izquierda de la pantalla. El código de tiempo generado por la cámara se sitúa debajo del indicador **GEN**. Ambos se presentan en un formato que indica las horas, los minutos, los segundos y los fotogramas.

El indicador principal de mayor tamaño muestra el código de tiempo actual, ya sea según la duración del clip o la hora del día. Es posible alternar entre estos dos modos presionando el botón **TIMECODE**, situado debajo de la pantalla.

#### Indicador de batería

Si se conecta una batería al modelo URSA Mini Pro, este indicador muestra la carga restante de la misma en incrementos de 25 % representados por cuatro barras. Cuando dicho valor disminuye por debajo de 20 %, el led situado cerca del botón **REC** parpadeará de color rojo y naranja si la cámara está grabando. Cuando la unidad se encuentra en modo de espera, alterna entre blanco y naranja.

Si la cámara está conectada a la red de suministro eléctrico, el indicador de batería se mostrará completo.

#### Frecuencia de imagen, ángulo de obturación y balance de blancos

Estos parámetros se muestran mediante los indicadores **FPS**, **SA** y **WB**. La opción **FPS** indica la frecuencia de imagen de grabación.

Consulte el apartado correspondiente para obtener más información al respecto.

**Sensibilidad ISO**

Muestra el valor ISO seleccionado.

**Diafragma**

El indicador **IRIS** muestra la apertura del diafragma. Esta se indica mediante las opciones f o T, según el objetivo empleado.

**Información de la tarjeta**

Los indicadores **CARD 1** y **CARD 2** aparecen en la pantalla LCD del modelo URSA Mini Pro cuando se insertan tarjetas en las ranuras.

El indicador **SD** aparece al grabar en tarjetas SD, y se oculta al usar unidades CFast.

**Indicador de grabación**

Al grabar, se visualiza un círculo debajo del indicador correspondiente a la tarjeta utilizada.

**Poco tiempo restante**

El indicador **LOW** aparecerá debajo de la tarjeta correspondiente cuando queden aproximadamente 5 minutos de grabación restantes.

**Vímetros**

Estos medidores muestran la intensidad del audio al utilizar el micrófono interno o conectar fuentes externas. Este parámetro se mide en dBFS (decibeles a escala completa) y, al alcanzar su nivel máximo, se enciende un indicador que permanece iluminado brevemente.

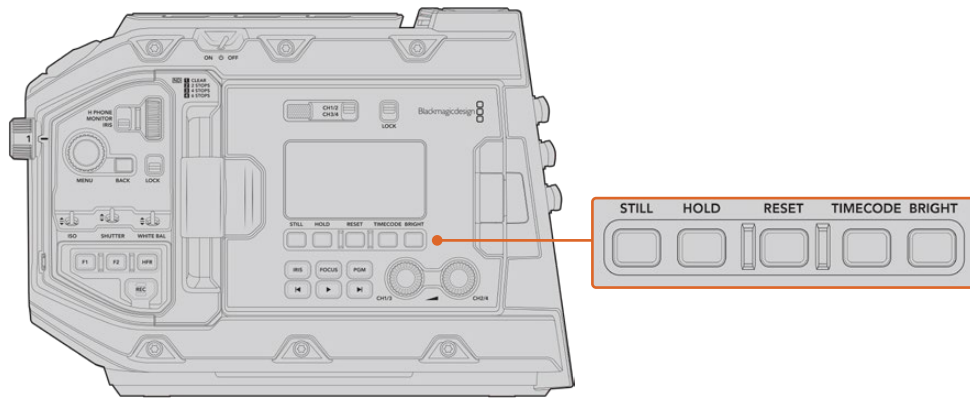
Mantenga los niveles de audio por debajo de los 0 dBFS para obtener la mejor calidad de sonido. Este valor representa el nivel máximo al cual la cámara puede registrar el audio, y si se excede, podría ocurrir una distorsión.

**Omisión de fotogramas**

El indicador **DRP** parpadea cuando la cámara detecta fotogramas omitidos. Al detener la grabación, este permanece en pantalla, a fin de indicar que se detectaron fotogramas omitidos en el clip grabado. Esta advertencia desaparece cuando se reanuda la grabación o se reinicia la cámara. Consulte el apartado correspondiente para obtener más información al respecto.

**NOTA:** Es posible configurar el modelo URSA Mini Pro para que detenga la grabación al detectar fotogramas omitidos. Consulte el apartado *Ajustes de grabación* para obtener más información al respecto. La activación de esta función depende del usuario, dado que, al emplear soportes de almacenamiento más lentos, se pueden llevar a cabo grabaciones de breve duración a una resolución o frecuencia de imagen más alta en forma esporádica.

## 14 Controles de la pantalla LCD



Controles de la pantalla LCD en el modelo URSA Mini Pro 4.6K

### Foto

Presione el botón **STILL** para tomar una fotografía. La versión 12K captura la imagen como un fotograma en formato Blackmagic RAW, mientras que el modelo URSA Mini Pro 4.6K lo hace en formato DNG sin compresión. Los archivos se guardan en la carpeta **Stills**, ubicada en el directorio raíz del soporte de grabación. Estos se denominan según la nomenclatura empleada para los clips, y se añade **S001** al final del nombre para indicar el número de imagen. A efectos de confirmar que el archivo se ha guardado correctamente, en la esquina superior derecha de la pantalla táctil aparece la imagen de una cámara. A su vez, el indicador de grabación en la pantalla LCD se enciende y se apaga tres veces.

### Pausa

El botón **HOLD** permite pausar temporalmente el código de tiempo que se muestra en la pantalla. Este continúa avanzando en segundo plano, y regresa a la normalidad cuando se suelta el botón. Al utilizar esta función, es posible registrar el código de tiempo para un evento en particular, lo que puede resultar útil durante la recopilación electrónica de noticias o en la documentación de situaciones, puesto que permite anotar el valor correspondiente a un punto importante en la secuencia.

### Reiniciar

El botón **RESET** permite reiniciar el código de tiempo al configurar la opción predeterminada para este parámetro.

### Código de tiempo

Presione el botón **TIMECODE** para ver el código de tiempo según la duración del clip o la hora del día. Por defecto, el código de tiempo se adaptará a la fecha y hora actuales, dado que es el modo más empleado. Mantenga pulsado el botón **TIMECODE** durante cinco segundos para activar el modo de grabación de la cámara y el generador de código de tiempo. Los dos primeros dígitos de dicho código comenzarán a parpadear. Esto indica que se puede editar el código de tiempo predeterminado, por lo que el usuario podrá ajustarlo a sus necesidades.

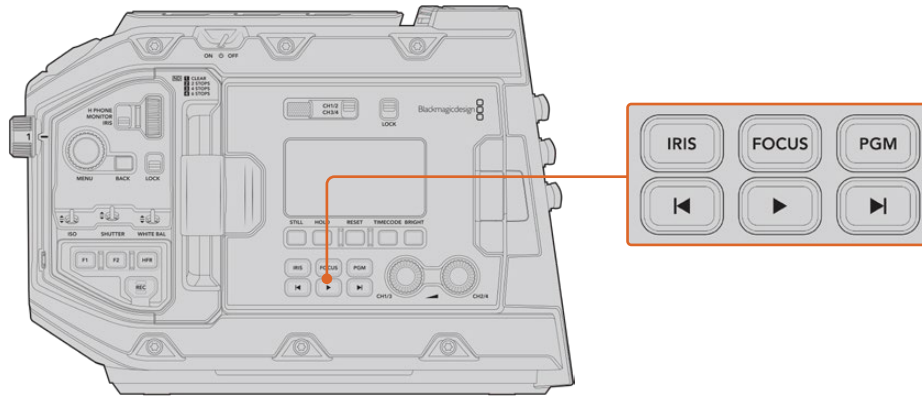
Pulse el botón **RESET** para que el código de tiempo vuelva a cero. A continuación, podrá girar y presionar la rueda **MENU** a fin de configurar los valores deseados para las horas, los minutos, los segundos y los fotogramas. Una vez realizado esto, mantenga presionado de nuevo el botón **TIMECODE** durante tres segundos para guardar estos ajustes como predeterminados. El generador de código de tiempo mostrará estos valores y únicamente comenzará a incrementarse cuando la cámara se encuentre en modo grabación. Para volver a restablecer los valores predeterminados, presione los botones **TIMECODE** y **HOLD** simultáneamente durante tres segundos.

### Brillo

Presione el botón **BRIGHT** para seleccionar entre cuatro opciones disponibles de brillo para la pantalla LCD del modelo URSA Mini Pro. Los ajustes son **Off**, **Low**, **Medium** y **High**.



## 15 Botones de control y reproducción



Botones de control y reproducción en el modelo URSA Mini Pro 4.6K

### Diafragma

El botón **IRIS** activa la función de apertura automática del diafragma en objetivos compatibles. Al utilizar el rango dinámico en el modo **Video**, presiónelo una vez para establecer un valor de exposición promedio según las partes más claras y oscuras de la imagen. Al emplearlo en el modo **Film**, oprímalo para ajustar la exposición según las zonas más brillantes de la imagen. Este funciona con objetivos EF y PL compatibles conectados a un controlador profesional.

Para ajustar la apertura en forma manual, presione los botones de avance y retroceso en el monitor plegable.

### Enfoque

Presione el botón **FOCUS** para activar la función de enfoque automático en objetivos EF compatibles. Se mostrará un recuadro blanco en cualquier visor o monitor conectado a la cámara. Cualquier objeto que se encuentre dentro del mismo estará enfocado correctamente. El cuadrado desaparece cuando el objetivo termina de enfocar.

**NOTA:** Algunos objetivos cuentan con modos de enfoque automático y manual. Para que la cámara funcione en modo automático, es necesario indicar dicha modalidad para el objetivo.

### Programa

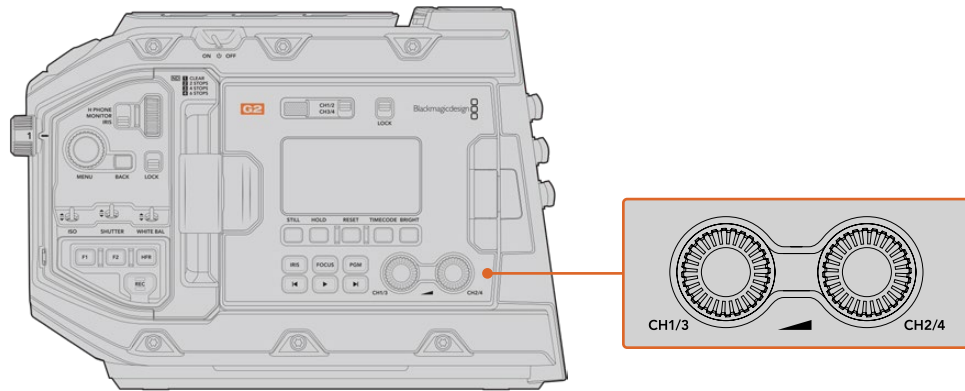
El botón **PGM** permite ver en la pantalla LCD las imágenes captadas por la cámara o cualquier señal proveniente de un equipo conectado a la entrada SDI 12G en el panel trasero. De esta forma, al utilizar el modelo URSA Mini Pro durante transmisiones en directo, es posible visualizar los contenidos transmitidos mediante la salida principal del mezclador para supervisarlos durante el rodaje. Mantenga presionado el botón **PGM** para ver la señal correspondiente al programa. La señal continuará mostrándose en la pantalla mientras el botón se mantenga oprimido.

Para que el monitor muestre solamente la señal recibida por la cámara, presione este botón dos veces. Presiónelo nuevamente para salir y visualizar las imágenes capturadas por la cámara.

### Controles de reproducción

Estos botones permiten comenzar y detener la reproducción, así como retroceder al clip anterior o avanzar al siguiente. Al emplear un objetivo EF, los botones de avance y retroceso también pueden utilizarse para abrir o cerrar el diafragma. Consulte el apartado *Reproducción* para obtener más información al respecto.

## 16 Controles para la intensidad del audio

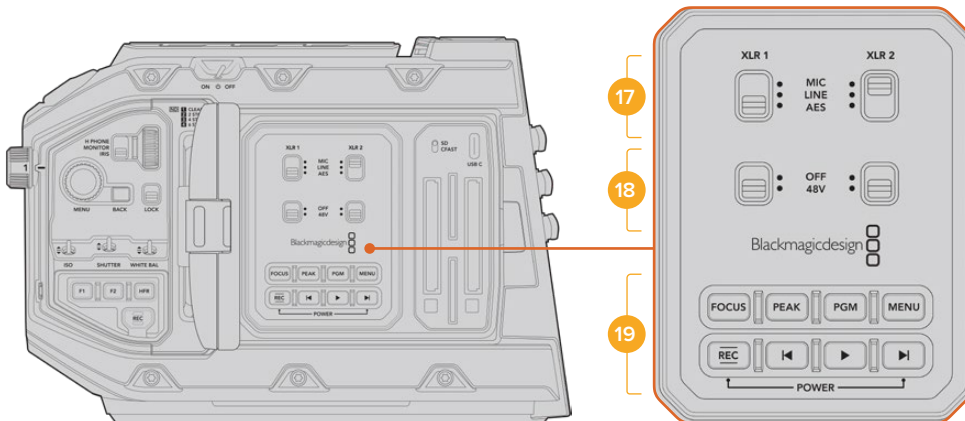


Mandos giratorios para el volumen del audio en el modelo URSA Mini Pro 4.6K G2

Permiten establecer la intensidad del volumen en los canales 1 y 2 durante la grabación. Gire las perillas hacia la derecha o la izquierda para aumentar o disminuir respectivamente la intensidad de la señal de audio en cada canal durante la grabación. Compruebe los vúmetros en la pantalla al realizar los ajustes para obtener un valor óptimo.

## Panel de control interno

Al abrir el monitor plegable, se obtiene acceso al panel de control interior, que permite configurar las entradas de audio, los ajustes del modo de alimentación fantasma, la apertura del diafragma, el enfoque y los controles de reproducción, entre otras funciones.



Panel de control interno del modelo URSA Mini Pro

### 17 XLR1 / XLR2

Estos interruptores permiten configurar el comportamiento de las entradas XLR en el modelo URSA Mini Pro cuando hay una fuente de audio conectada. Las opciones disponibles son **MIC**, **LINE** y **AES**.

### 18 Alimentación fantasma

Las entradas XLR del modelo URSA Mini Pro brindan la posibilidad de utilizar la alimentación fantasma de 48 V, a fin de emplear micrófonos autónomos. Para ello, mueva el interruptor a la posición **+48V**. Esta se activará para cualquier micrófono conectado. La posición **OFF** indica que está desactivada.

**NOTA:** En general, siempre se conecta el cable XLR antes de activar el modo de alimentación fantasma. Es importante desactivar este modo de alimentación cuando ya no haya un micrófono conectado. Los dispositivos que no cuenten con la protección adecuada en las salidas AES XLR pueden resultar dañados al intentar suministrarles corriente eléctrica mediante las entradas XLR de la cámara. Asegúrese de que el interruptor 48V esté en la posición **OFF** al desconectar el micrófono.

## 19 Botones de control y reproducción

### Enfoque

Presione el botón **FOCUS** para activar la función de enfoque automático en objetivos EF compatibles. La pantalla del monitor plegable mostrará un cuadrado blanco. Cualquier objeto que se encuentre dentro del mismo estará enfocado correctamente. El cuadrado desaparece cuando el objetivo termina de enfocar.

**NOTA:** Algunos objetivos cuentan con modos de enfoque automático y manual. Para que la cámara funcione en modo automático, es necesario indicar dicha modalidad para el objetivo.

### Indicador de enfoque

Presione el botón **PEAK** para activar el indicador de enfoque. La cámara ofrece dos modos: uno tradicional, que de manera artificial hace que las áreas correctamente enfocadas de la imagen se vean más nítidas, y otro llamado **Colored Lines**, que muestra líneas de color negro, blanco, rojo, verde o azul en dichas partes de la imagen. Consulte el apartado *Ajustes del monitor* para obtener más información al respecto. Dichas líneas no aparecen en las imágenes grabadas en las unidades de almacenamiento, pero es posible verlas en la pantalla del monitor plegable o de cualquier dispositivo conectado a la salida HD activando la opción correspondiente en el menú de la cámara.

**SUGERENCIA:** Al grabar las imágenes mediante un dispositivo Blackmagic Video Assist o Hyperdeck Studio Mini, se recomienda no tener el indicador de enfoque activado para la señal transmitida a través de dicha salida. A tales efectos, seleccione la opción **Clean Feed** para la salida SDI principal o frontal.

Consulte el apartado correspondiente para obtener más información al respecto.

### Programa

El botón **PGM** permite ver en la pantalla LCD las imágenes captadas por la cámara o cualquier señal proveniente de un equipo conectado a la entrada SDI 12G. De esta forma, al utilizar el modelo URSA Mini Pro 4.6K durante transmisiones en directo, es posible visualizar los contenidos transmitidos mediante la salida principal del mezclador para supervisarlos durante el rodaje. Mantenga presionado el botón **PGM** para ver la señal correspondiente al programa. Oprímalo dos veces para ver la señal principal. Presiónelo nuevamente para cancelarla.

La resolución y la frecuencia de imagen en la cámara y el mezclador deben coincidir para poder ver la señal principal.

### Menú

Presione el botón **MENU** para acceder al panel de opciones. Consulte el apartado *Ajustes* para obtener más información al respecto.

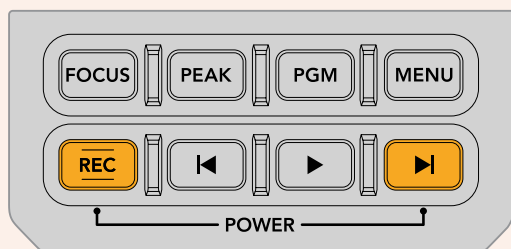
### Grabación

Presione cualquier de los botones **REC** para comenzar o detener la grabación. Consulte el apartado *Grabación* para obtener más información al respecto.

### Controles de reproducción

Estos botones permiten comenzar y detener la reproducción, así como retroceder al clip anterior o avanzar al siguiente. Al emplear un objetivo EF, los botones de avance y retroceso también pueden utilizarse para abrir o cerrar el diafragma. Consulte el apartado *Reproducción* para obtener más información al respecto.

**NOTA:** Es posible encender o apagar el modelo URSA Mini Pro manteniendo presionados los botones de grabación y avance rápido, situados en el panel de control. Si el interruptor de encendido se encuentra en la posición **ON** y la cámara está apagada, es posible que la unidad se haya apagado mediante los botones del panel de control. Cambie la posición del interruptor para que funcione de manera habitual.



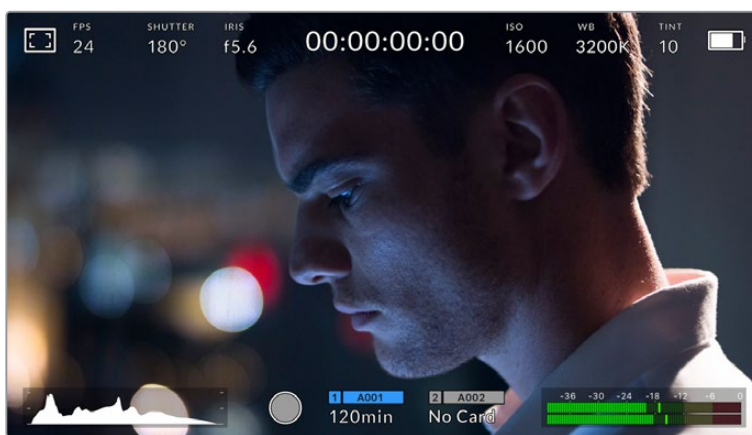
# Controles de la pantalla táctil

## Pantalla táctil

El monitor plegable del modelo URSA Mini puede inclinarse para captar imágenes desde diferentes ángulos. Los botones situados en la parte posterior permiten controlar la cámara al sostenerla sobre el hombro con la pantalla cerrada, cuando se utiliza el visor electrónico URSA Viewfinder.

## Características de la pantalla táctil

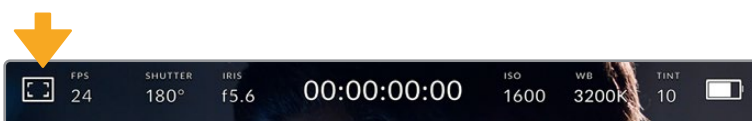
La pantalla táctil incluye una interfaz intuitiva que responde a simples toques o desplazamientos del dedo para facilitar el uso de la cámara. Esta permite acceder con rapidez a las funciones de la cámara que se utilizan con mayor frecuencia durante el rodaje.



La pantalla táctil del modelo URSA Mini brinda diversos datos y facilita el acceso a las funciones de la cámara utilizadas con mayor frecuencia.

## Opciones de monitorización

Pulse el primer ícono situado en la parte superior izquierda de la pantalla para acceder a las opciones de monitorización. Estas permiten personalizar la apariencia de diversas herramientas que incluyen la función Cebra, la cuadrícula, el indicador de enfoque y las guías de encuadre. Al acceder a las mismas, los controles correspondientes aparecen en pestañas situadas en la parte inferior de la pantalla.

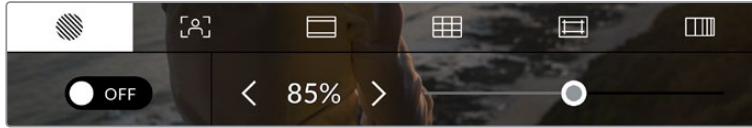


Pulse el primer ícono situado en la parte superior izquierda de la pantalla para acceder a las opciones de monitorización.

### Cebra

Este ajuste permite activar o desactivar dicha función y ajustar su intensidad en la imagen.

La función Cebra muestra líneas diagonales sobre las zonas de la imagen que superan el límite de exposición preestablecido. Por ejemplo, al seleccionar 100 %, se indicarán las áreas completamente sobreexpuestas. Esto resulta de suma utilidad para lograr un nivel de exposición adecuada en condiciones de iluminación estables.



Pulse la primera pestaña en la parte inferior de la pantalla para acceder a los ajustes de la función Cebra.

Para activar la función Cebra, pulse el interruptor situado en la parte inferior izquierda de la pantalla en la pestaña **Zebra**.

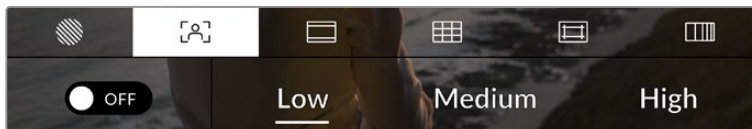
Mueva el control deslizante hacia la izquierda o la derecha para modificar la intensidad de las líneas. De manera alternativa, pulse una de las flechas situadas junto al porcentaje. Este parámetro puede ajustarse en incrementos de 5 puntos porcentuales. Es posible escoger cualquier valor entre 75 y 100 %.

Consulte el apartado correspondiente para obtener más información al respecto.

**SUGERENCIA:** Si se graba en condiciones de luz variable, por ejemplo al aire libre durante un día parcialmente nublado, al configurar un valor inferior a 100 en el nivel de cebra, se puede recibir una advertencia sobre una posible sobreexposición.

### Indicador de enfoque

Este ajuste permite activar o desactivar dicha función y ajustar su transparencia en la imagen.



Pulse la segunda pestaña en la parte inferior de la pantalla para acceder a los ajustes del indicador de enfoque.

Para activar esta función, pulse el interruptor situado en la parte inferior izquierda.

Para establecer la intensidad del indicador, seleccione una de las opciones que aparecen en la parte inferior de la pantalla.

El nivel óptimo para la función **Focus Assist** varía según la toma. Por ejemplo, al enfocar a actores, un nivel más alto facilita la atenuación de los bordes alrededor del rostro. Por el contrario, si la intensidad es demasiado alta al filmar vegetación o una pared de ladrillos, es posible que se dificulte la visualización de otros detalles en la imagen.

Consulte el apartado correspondiente para obtener más información al respecto.

**SUGERENCIA:** El modelo URSA Mini cuenta con dos modos para el indicador de enfoque. Es posible alternar entre las opciones **Peaking** y **Colored Lines** en la pestaña **MONITOR**. Consulte el apartado correspondiente para obtener más información al respecto.

### Punto de enfoque

En objetivos compatibles, es posible enfocar en cualquier parte de la imagen tocando el lugar deseado en la pantalla. En consecuencia, la cámara enfocará el objetivo en la región indicada.

Asimismo, al usar el botón **FOCUS** en el monitor plegable o en la empuñadura opcional, se activa el enfoque automático en el área especificada. Presione dos veces dicho botón para regresar al modo predeterminado.



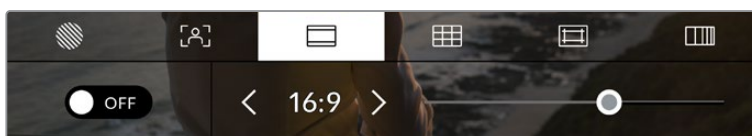
Pantalla táctil del modelo URSA Mini con la función punto de enfoque

**SUGERENCIA:** Si la información en que se muestra en la pantalla está bloqueando el área que desea enfocar, simplemente deslice el dedo hacia arriba o abajo para ocultarla.

### Guías de encuadre

Este ajuste permite ver las guías de encuadre en la pantalla u ocultarlas. Existen ocho opciones distintas en el modelo URSA Mini.

Las guías de encuadre incluyen relaciones de aspecto para distintos estándares de cine, televisión e Internet, además de una cuadrícula de 3x3 (regla de los tercios) para mejorar la composición de las imágenes.



Pulse la tercera pestaña en la parte inferior de la pantalla para acceder a los ajustes correspondientes a las guías de encuadre.

Para activarlas o desactivarlas, pulse el interruptor situado en la parte inferior izquierda de la pantalla.

Mueva el control deslizante hacia la izquierda o la derecha para seleccionar el tipo de guía. De manera alternativa, pulse una de las flechas situadas junto a la relación de aspecto.

Las opciones disponibles son las siguientes:

#### **2.35:1, 2.39:1 y 2.40:1**

Muestra la relación de aspecto compatible con la presentación anamórfica o de pantalla ancha que se utiliza en el cine. Las tres opciones varían ligeramente según los cambios que se han producido en los estándares cinematográficos con el correr del tiempo. El estándar 2.39:1 es uno de los más usados en la actualidad.





Pantalla del modelo URSA Mini con la opción 2.40:1 activada

### 1:1

El modelo URSA Mini Pro permite ver una guía de encuadre con una relación de aspecto de 1:1, a fin de crear contenidos para redes sociales.

### 2:1

Esta opción, disponible en el modelo URSA Mini Pro, permite visualizar una relación de aspecto un poco más ancha que el formato 16:9, pero no tan ancha como 2.35:1.

### 1.85:1

Muestra otra relación de aspecto para pantalla ancha muy común en la industria del cine. El ancho es levemente mayor que en los televisores de alta definición con una relación de 1.78:1, aunque no alcanza la medida del formato 2.39:1.

### 16:9

Muestra una relación de aspecto de 1.78:1 compatible con televisores HD y pantallas de equipos informáticos cuya relación es de 16:9.

Este formato se utiliza generalmente para transmitir contenidos en alta definición a través de Internet y la televisión. Dicha relación de aspecto también se ha adoptado para la transmisión de material en UHD.

### 14:9

Muestra una relación de aspecto de 14:9 utilizada por algunos canales de televisión como término medio entre los formatos 16:9 y 4:3, lo cual brinda un mayor grado de compatibilidad con ambos. Esta opción resulta adecuada si las imágenes van a ser televisadas por una emisora que utilice dicha relación.

### 4:3

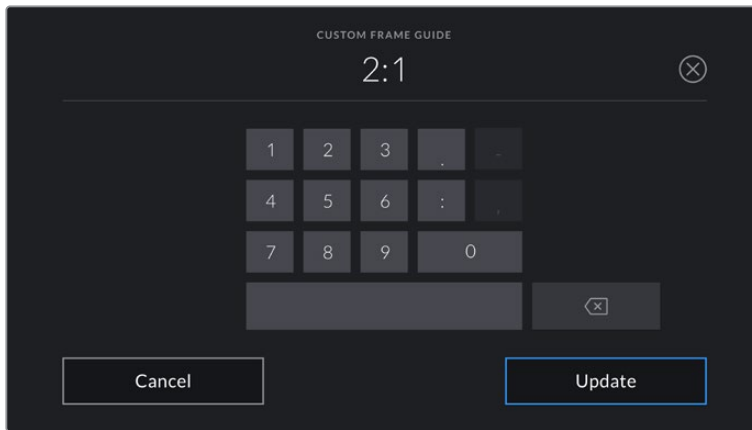
Muestra una relación de aspecto 4:3 compatible con televisores SD o facilita el encuadre al utilizar adaptadores anamórficos 2x.

### 4:5

El modelo URSA Mini Pro permite ver una guía de encuadre con una relación de aspecto de 4:5 (retrato), a fin de crear contenidos para teléfonos inteligentes.

### Guías de encuadre personalizadas

A fin de crear guías de encuadre personalizadas para lograr un estilo único, pulse el valor de la relación de aspecto que se muestra entre las flechas. En la pantalla **GUÍAS PERSONALIZADAS**, borre el valor actual mediante el botón de retroceso e introduzca uno nuevo mediante el teclado numérico. Pulse **Actualizar** a fin de aplicar los cambios y continuar grabando.



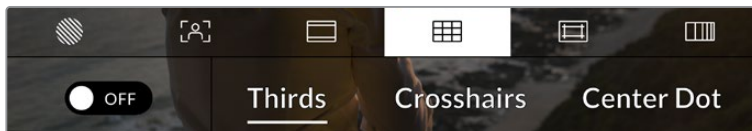
Utilice el teclado numérico para introducir una relación de aspecto distinta.

**SUGERENCIA:** Es posible cambiar la opacidad de las guías de encuadre. Consulte el apartado correspondiente para obtener más información al respecto.

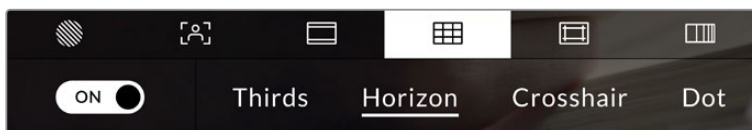
**NOTA:** Para obtener más información sobre cómo activar las guías de encuadre en las imágenes transmitidas por la cámara, consulte el apartado correspondiente.

### Cuadrículas

Esta opción permite ver una cuadrícula de 3x3 (regla de los tercios), una cruz filar o un punto central sobre la imagen visualizada en la pantalla táctil o los monitores conectados a la cámara. Asimismo, la versión URSA Mini Pro 12K ofrece un horizonte virtual.



Pulse el ícono de la cuadrícula para acceder a los ajustes correspondientes.



La versión URSA Mini Pro 12K ofrece también un horizonte virtual.

Estas guías facilitan la composición de las imágenes. Cuando se habilita esta opción, es posible ver una cuadrícula, una cruz filar o un punto central en la pantalla. En la versión URSA Mini Pro 12K, también es posible superponer un horizonte virtual.

Para activarla o desactivarla, pulse el interruptor situado en la parte inferior izquierda de la pantalla.

Cuando la cámara se encuentra conectada a un mezclador ATEM y se ha activado esta opción, es posible ver un borde rojo alrededor de la imagen.



Cuando la cámara se conecta a un mezclador ATEM y esta opción se ha activado, se ve un borde rojo alrededor de la imagen.

Pulse una de las opciones disponibles: **Thirds**, **Crosshairs** o **Center Dot**. La versión URSA Mini Pro 12K también incluye la opción **Horizon**.



La cuadrícula correspondiente a la regla de los tercios se ajusta a las guías de encuadre visualizadas en la pantalla.

### Tercios

La opción **Thirds** muestra dos líneas verticales y dos líneas horizontales superpuestas en cada tercio de la imagen. Esta es una herramienta sumamente conveniente para componer planos. Por ejemplo, el ojo humano usualmente detecta el movimiento cerca de los puntos donde se intersectan las líneas, y por ello resulta de gran utilidad para situar centros de interés en aquellas zonas. Por lo general, el horizonte de visión del actor se ubica en el tercio superior de la pantalla, de manera que es posible utilizar esta sección horizontal como guía para el encuadre. La cuadrícula permite a su vez mantener la consistencia entre las distintas tomas.

### Horizonte virtual





La versión URSA Mini Pro 12K ofrece un horizonte virtual. Esta opción ayuda a mantener la cámara nivelada al sostenerla con la mano y a calibrar su inclinación al colocarla en un estabilizador.

La dirección en la cual la línea vertical se separa de la cruz en el centro indica la inclinación de la cámara. Cuando la cámara está inclinada hacia arriba o abajo, dicha línea horizontal se desplaza en sentido opuesto.

La distancia que separa la línea de la cruz filar es proporcional a la inclinación. Una vez calibrado el sensor de movimiento de la cámara, la línea vertical se destaca en azul cuando la cámara está alineada con el eje Y, y lo mismo sucede con la línea horizontal, a fin de indicar su alineación con el eje X.

Cabe destacar que, si la cámara enfoca hacia arriba o abajo para filmar una toma desde un ángulo inclinado, el horizonte virtual lo tendrá en cuenta. Al girar la cámara 90 grados para grabar en modo retrato, el horizonte virtual también rotará.

La siguiente tabla muestra ejemplos del horizonte virtual con distintas inclinaciones de la cámara.

Horizonte virtual	Descripción
	Nivelada
	Inclinada hacia abajo y nivelada
	Girada hacia la izquierda y nivelada
	Inclinado hacia arriba y girada a la derecha

Para un uso normal de la cámara, calibre el horizonte virtual de manera que quede derecho y nivelado. Si desea utilizarlo para mantener un plano holandés o una inclinación consistente, a fin de captar imágenes con un ángulo determinado, es posible configurar un valor específico. Consulte el apartado *Calibración del sensor de movimiento* para obtener más información al respecto.

### Cruz filar

La opción **Crosshairs** permite ver una cruz filar en el centro de la imagen. Al igual que la cuadrícula, es una herramienta muy útil para componer el plano y centrar el objeto principal. En ocasiones, se utiliza al filmar escenas en las que se implementarán cortes rápidos. Esto hace posible que el espectador mantenga su atención en el centro de la imagen cuando el material editado contiene transiciones rápidas entre distintos planos.

### Punto central

La opción **Center Dot** permite ver un punto en el centro de la imagen. Funciona de la misma forma que la cruz filar, aunque resulta menos invasivo.

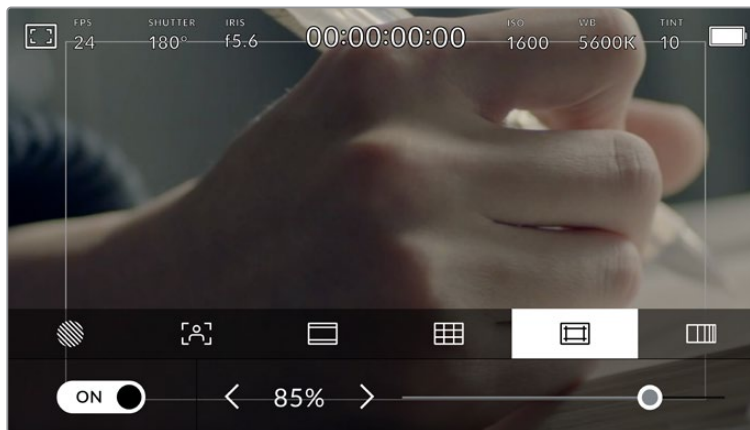
Es posible activar dos opciones de cuadrícula pulsando ambas funciones en la pestaña **MENU**. No obstante, no se pueden combinar las opciones **Crosshairs** y **Center Dot**.

**SUGERENCIA:** Para obtener más información sobre cómo activar las diferentes opciones de cuadrícula en las imágenes transmitidas por la cámara, consulte el apartado correspondiente.

## Área de seguridad

La opción **Safe Area Guides** permite mostrar u ocultar el área de seguridad en la pantalla táctil, así como ajustar su tamaño para en las imágenes transmitidas a través de las salidas de la cámara.

Esta se utiliza en la producción de contenidos para garantizar que las partes más importantes de un plano puedan ser vistas por los espectadores. Al mantener los elementos más destacados dentro del área de seguridad, se evita perder partes de la imagen en algunos televisores y se proporciona un espacio adicional para que las teledifusoras puedan agregar logos, textos móviles u otro tipo de información en la pantalla. La mayoría de las emisoras exigen que el 90 % del material grabado se encuentre dentro del área de seguridad.



El valor para este indicador es de 85 %.

Esta opción también puede ser útil para ayudar a encuadrar las imágenes si se tiene la certeza de que se van a estabilizar durante la posproducción, ya que en este proceso se pueden cortar sus bordes. Asimismo, puede emplearse para indicar un recorte específico. Por ejemplo, si se ajusta al 50 % mientras se graba con calidad UHD a una resolución de 3840 x 2160, es posible ver cómo quedaría la imagen con resolución de 1920 x 1080. Esta opción también redimensiona las guías de encuadre, adecuándose al porcentaje escogido.

Para activar esta función, pulse el interruptor situado en la parte inferior izquierda de la pestaña **Safe Area Guides**. Para activar el área de seguridad en las imágenes transmitidas a través de todas las salidas de la cámara, pulse las flechas que se encuentran a cada lado del valor numérico, en la parte inferior de la pantalla táctil. De manera alternativa, mueva el control deslizante hacia la izquierda o la derecha.

## Falso color

La opción **False Color** permite ver en la pantalla táctil un diagrama que facilita la exposición por medio de colores falsos.

Esta herramienta superpone diferentes colores en la imagen para representar los valores de exposición correspondientes a diversos elementos. Por ejemplo, el rosa representa un nivel de exposición ideal para tonos de piel más claros, mientras que el verde es adecuado para matices más oscuros. Al observar dichos colores cuando se filma el rostro de una persona, es posible mantener un rango de luminancia y brillo constante en este elemento específico.

De manera similar, las áreas sobreexpuestas de la imagen se identifican cuando el color cambia de amarillo a rojo.

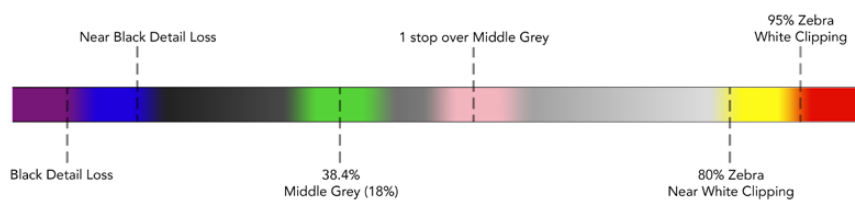


Diagrama de colores falsos

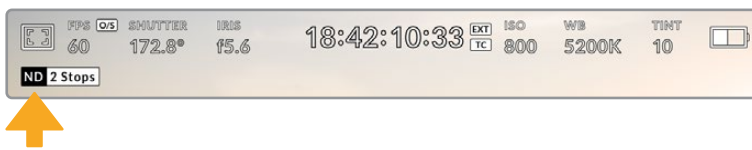
Para activar esta función, pulse el interruptor situado en la parte inferior izquierda en la pestaña **Safe Area Guides**.



Interruptor para activar o desactivar la función **False Color**

### Indicador de filtros de densidad neutra

Al ajustar el filtro de densidad neutra en el modelo URSA Mini Pro, el indicador **ND** aparece en la esquina superior izquierda de la pantalla táctil y en los monitores conectados a la salida SDI. Este ícono permanecerá en la pantalla cuando haya un filtro activado. En caso contrario, desaparecerá después de cuatro segundos.

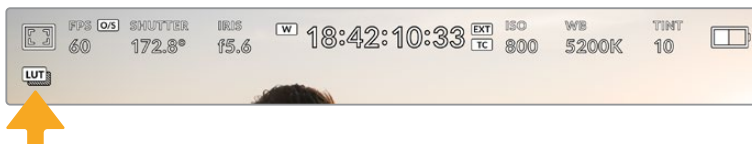


Al ajustar el filtro de densidad neutra en el modelo URSA Mini Pro, aparece el indicador correspondiente en pantalla.

**NOTA:** Es posible cambiar la terminología que utiliza el indicador de filtros de densidad neutra según las preferencias del usuario. Las opciones disponibles incluyen el números de filtro, pasos o fracciones. Seleccione el formato deseado en el menú **SETUP**.

### Indicador LUT

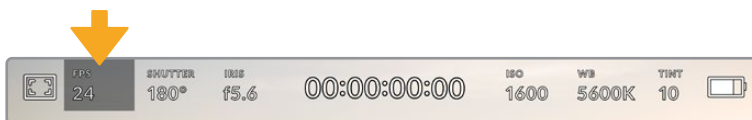
Este ícono se visualiza en la pantalla LCD o en las imágenes transmitidas mediante las salidas SDI cuando la opción **STATUS TEXT** está activada y se ha aplicado una LUT a la imagen.



El ícono **LUT** permite determinar si se ha aplicado una tabla de conversión a la imagen.

### Fotogramas por segundo

El indicador **FPS** muestra la frecuencia de imagen seleccionada en fotogramas por segundo.



Pulse el indicador **FPS** a fin de acceder a las opciones disponibles para la frecuencia de imagen.

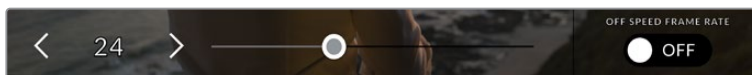
Al pulsar el indicador **FPS**, es posible modificar los valores para el sensor de la cámara y la frecuencia de imagen del proyecto mediante un menú situado en la parte inferior de la pantalla.

### Frecuencia de imagen para la reproducción

La opción **Project Frame Rate** corresponde a la frecuencia de imagen del formato seleccionado en la cámara para el proyecto y permite elegir entre diferentes velocidades comúnmente utilizadas en la industria del cine y la televisión. Normalmente, este valor se ajusta de manera que coincida con la velocidad de reproducción que se empleará durante el proceso de posproducción.

Las ocho opciones disponibles para este ajuste son: 23.98, 24, 25, 29.97, 30, 50, 59.94 y 60 f/s.

Para ajustar este parámetro en el menú **FPS**, pulse una de las flechas situadas a los costados del valor correspondiente a la frecuencia de imagen en la parte inferior de la pantalla. De manera alternativa, mueva el control deslizante hacia la izquierda o la derecha.

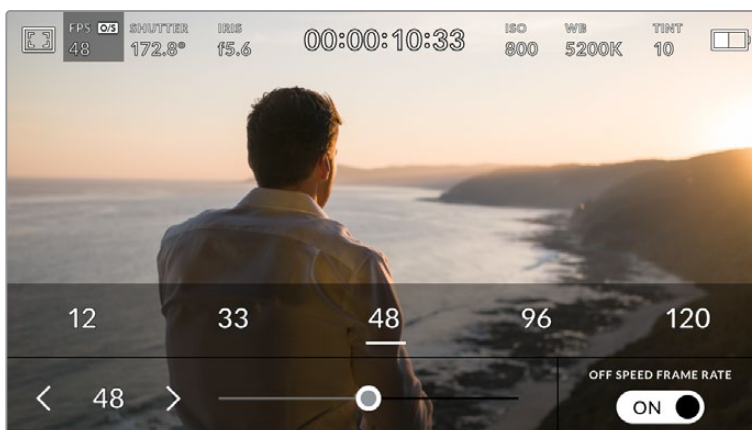


Pulse las flechas situadas a los costados del valor correspondiente a la frecuencia de imagen o deslice el control para realizar ajustes.

**SUGERENCIA:** Al configurar la frecuencia de imagen del proyecto en el modelo URSA Mini también se modifica dicho parámetro en las imágenes transmitidas por la cámara.

### Frecuencia de imagen permitida por el sensor

Este ajuste determina la cantidad de fotogramas que capta el sensor cada segundo, lo cual incide en la velocidad de reproducción de las imágenes según la frecuencia de reproducción establecida.



Cuando la opción **OFF SPEED FRAME RATE** está activada, pulse las flechas situadas a los costados del valor correspondiente a la frecuencia de imagen del sensor, mueva el control deslizante o pulse uno de los ajustes predeterminados para realizar cambios.

Por defecto, la frecuencia de imagen del sensor y del proyecto coinciden para que el material grabado se reproduzca a una velocidad normal. Sin embargo, al activar la opción **OFF SPEED FRAME RATE** en el menú **FPS**, se pueden determinar valores diferentes para estos parámetros.

Para cambiar la frecuencia de imagen del sensor, pulse las flechas situadas junto al indicador en la parte inferior de la pantalla. También es posible mover el control deslizante hacia la izquierda o la derecha para aumentar o disminuir dicho valor. Al soltarlo, la frecuencia de imagen para el sensor queda seleccionada. Encima del indicador, se incluyen distintas opciones de frecuencia de imagen que se pueden seleccionar según dicho valor en el proyecto actual.



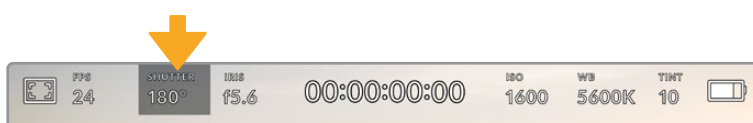
La cámara permite añadir efectos dinámicos a los clips modificando la frecuencia de imagen permitida por el sensor. Si el número de fotogramas por segundo para la grabación es mayor que el establecido para la reproducción, se generará un efecto de cámara lenta. De forma alternativa, cuanto menor sea la frecuencia de imagen seleccionada para el sensor, mayor será la velocidad de reproducción de las imágenes. Este principio se asemeja a la operación mecánica de modificar la velocidad de giro de la cinta en una cámara cinematográfica antigua. Mover la manivela más rápido aumenta la cantidad de fotogramas que capta el sensor, de manera que es posible prolongar determinadas escenas durante la reproducción, a fin de realzar su carga emotiva. Por el contrario, reducir el ritmo de giro disminuye la velocidad para acentuar la acción en las secuencias con movimientos rápidos. Las posibilidades creativas son innumerables y dependen completamente de cada usuario.

Consulte la tabla en el apartado *Grabación* para obtener más información al respecto.

**NOTA:** Al seleccionar la opción **OFF SPEED FRAME RATE** en el modelo URSA Mini, el audio y la imagen no estarán sincronizados. Esto sucede incluso al configurar la misma frecuencia de imagen para el proyecto y el sensor. Por este motivo, es recomendable no seleccionar esta función, a fin de garantizar la sincronización del audio.

## Obturador

El indicador **SHUTTER** muestra el ángulo o la velocidad de obturación. Al pulsarlo, es posible modificar este parámetro o seleccionar uno de los modos disponibles para la exposición automática. En los modelos URSA Mini 4.6K y URSA Mini Pro, también es posible ver cualquiera de dichos valores en la opción **SHUTTER MEASUREMENT**. Consulte el apartado correspondiente para obtener más información al respecto.



Pulse el indicador **SHUTTER** a fin de acceder a las opciones disponibles para el obturador.

El ángulo o la velocidad de obturación define el rastro que dejan los objetos en movimiento y puede utilizarse para compensar los cambios en las condiciones de iluminación. El valor más adecuado en la mayoría de los casos es de 180 grados, mientras que el equivalente para la velocidad de obturación es de 1/50 s. Sin embargo, puede resultar necesario ajustarlo si las condiciones cambian.

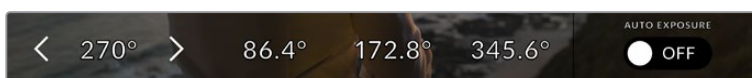
Un valor de 360 grados significa que el obturador se encuentra completamente abierto y permite que el sensor capte una mayor cantidad de luz. Esto resulta adecuado en escenas con poca luz y escaso movimiento. De manera alternativa, al filmar escenas donde los objetos se desplazan a gran velocidad, un ángulo menor de 90 grados brinda la posibilidad de eliminar su rastro y obtener imágenes mucho más nítidas. Los valores equivalentes entre ambos parámetros dependen de la frecuencia de imagen empleada. Por ejemplo, si filmamos 25 f/s, 360 grados equivalen a 1/25 s, y 90 grados a 1/100 s.

**NOTA:** Al filmar bajo luces artificiales, el obturador puede afectar la visibilidad del parpadeo. La cámara calculará automáticamente los valores de obturación sin parpadeo para la frecuencia de imagen seleccionada y mostrará hasta tres sugerencias en la parte inferior de la pantalla. Estos dependerán de la frecuencia eléctrica de su región. Es posible seleccionar las opciones **50 Hz** o **60 Hz** en la pestaña **Setup**. Consulte el apartado correspondiente para obtener más información al respecto.

Al pulsar el indicador **SHUTTER**, aparecen diversos valores de obturación sugeridos en la parte inferior de la pantalla. Si la función de exposición automática está desactivada, se mostrará el valor utilizado junto con los que permiten eliminar el parpadeo en la imagen, según la frecuencia eléctrica seleccionada en el menú **SETUP**. Consulte el apartado *Ajustes generales* para obtener más información al respecto.

**NOTA:** Las características de ciertas fuentes de luz pueden ocasionar parpadeo, incluso al emplear valores que eviten este tipo de artefacto. Se recomienda realizar una grabación de prueba previa cuando no se utilice una luz continua.

Para seleccionar un valor de obturación sin parpadeo, pulse una de las opciones que se muestran en la pantalla. Las flechas a ambos lados del indicador permiten alternar entre algunos de los valores más utilizados.



La cámara recomendará ciertos parámetros basados en la frecuencia eléctrica seleccionada en el menú **SETUP**.

Para elegir un valor de obturación específico, pulse dos veces el indicador en la parte inferior izquierda de la pantalla. Se abrirá un teclado numérico que permite escribir cualquier valor con dos números decimales.

Si la velocidad de obturación seleccionada no es compatible con la frecuencia de imagen actual, la cámara la modificará automáticamente al valor más cercano.



El teclado numérico permite introducir un valor de obturación específico.

El modelo URSA Mini ofrece tres modos para la exposición automática basados en distintos parámetros de obturación. Para seleccionar uno de ellos, pulse el botón **AUTO EXPOSURE** en la parte inferior izquierda de la pantalla.

### Obturador

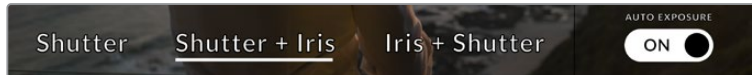
La opción **Shutter** permite ajustar automáticamente el valor de obturación para mantener la exposición sin modificar la apertura del diafragma. Resulta adecuada cuando es necesario conservar la profundidad de campo. Cabe destacar que cualquier ajuste sutil del obturador puede afectar el desenfoco dinámico. Asimismo, al rodar en interiores, es importante verificar que cualquier fuente de luz presente no genere un parpadeo en la imagen. La opción de ajuste automático del diafragma no está disponible cuando se selecciona este modo.

### Obturador y diafragma

La opción **Shutter + Iris** permite mantener una exposición adecuada ajustando primero la obturación y luego la apertura del diafragma. Cuando, a pesar de alcanzar el valor de obturación máximo o mínimo, aún no es posible mantener la exposición, la cámara intentará ajustar la apertura del diafragma para lograr dicho objetivo.

### Diafragma y obturador

La opción **Iris + Shutter** permite mantener una exposición adecuada ajustando primero el valor de obturación y luego la apertura del diafragma. Cuando, a pesar de alcanzar la apertura máxima o mínima, aún no es posible mantener la exposición, la cámara intentará ajustar el valor del diafragma para lograr dicho objetivo.

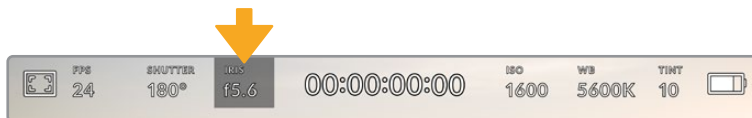


En el menú **SHUTTER**, pulse la opción **AUTO EXPOSURE** para acceder a los distintos modos de obturación.

**SUGERENCIA:** Al activar el modo de exposición automática que afecta la obturación, aparecerá una letra **A** junto al indicador del ángulo de obturación, en la parte superior de la pantalla táctil del modelo URSA Mini.

### Diafragma

El indicador **IRIS** muestra la apertura del diafragma. Al pulsarlo, es posible modificar este valor en objetivos compatibles y seleccionar distintos modos para la exposición automática basados en este parámetro.

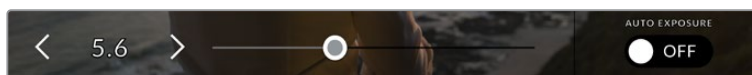


Pulse el indicador **IRIS** a fin de acceder a las opciones disponibles.

**NOTA:** Para ajustar el diafragma desde la pantalla táctil, el modelo URSA Mini debe estar equipado con un objetivo que permita modificar su apertura mediante la cámara. Al emplear objetivos B4 o PL en dicha unidad, verifique que el interruptor del diafragma en la empuñadura se encuentre en la posición **A** o **Auto**.

Al pulsar el indicador **IRIS**, aparecen diversas opciones para la apertura del diafragma en la parte inferior de la pantalla. A la izquierda, se muestra el valor actual. Para modificarlo, pulse las flechas situadas a los costados del mismo o mueva el control deslizante.

Al pulsar el interruptor **AUTO EXPOSURE** situado en la parte inferior derecha de la pantalla, es posible acceder a las siguientes opciones para la exposición automática.



Utilice las flechas junto al valor correspondiente a la apertura o el control deslizante para modificar este parámetro.

Como resultado, se obtienen las siguientes opciones de exposición automática.

### **Diafragma**

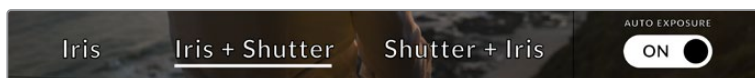
La opción **Iris** permite ajustar automáticamente la apertura del diafragma para mantener la exposición sin modificar el ángulo de obturación. Esto brinda la posibilidad de conservar un desenfoque dinámico constante, pero podría afectar la profundidad de campo.

### **Diafragma y obturador**

La opción **Iris + Shutter** permite mantener una exposición adecuada ajustando primero el valor de obturación y luego la apertura del diafragma. Cuando, a pesar de alcanzar la apertura máxima o mínima, aún no es posible mantener la exposición, la cámara intentará ajustar el valor del diafragma para lograr dicho objetivo.

### **Obturador y diafragma**

La opción **Shutter + Iris** permite mantener una exposición adecuada ajustando primero la obturación y luego la apertura del diafragma. Cuando, a pesar de alcanzar el valor de obturación máximo o mínimo, aún no es posible mantener la exposición, la cámara intentará ajustar la apertura del diafragma para lograr dicho objetivo.



Modos para la exposición automática en el menú **IRIS**

Al activar el modo de exposición automática que afecta al diafragma, aparecerá una letra **A** junto al indicador del mismo, en la parte superior de la pantalla táctil del modelo URSA Mini.

**SUGERENCIA:** La exposición automática funciona sin problemas en objetivos B4 o PL compatibles que han sido diseñados para producciones audiovisuales. Sin embargo, en lentes EF es posible notar cambios bruscos en este parámetro al modificar la apertura del diafragma. Por esta razón, recomendamos utilizar solamente la opción de exposición automática **Shutter** al filmar con el modelo URSA Mini EF.

## **Indicador del tiempo de grabación**

Este indicador se encuentra en la parte superior de la pantalla.



El tiempo de grabación se muestra en rojo cuando la cámara está grabando.

Este indicador permite verificar la duración de los clips y controlar el código de tiempo durante la grabación o la reproducción. La secuencia temporal se expresa en horas, minutos, segundos y fotogramas. El código de tiempo se muestra en rojo durante la grabación.

En la pantalla se indica la duración del clip actual o del último grabado. La hora se incluye en los metadatos, a fin de simplificar la etapa de posproducción.

Pulse el indicador del tiempo de grabación para ver el código de tiempo. Púlselo nuevamente para visualizar la duración de la grabación.

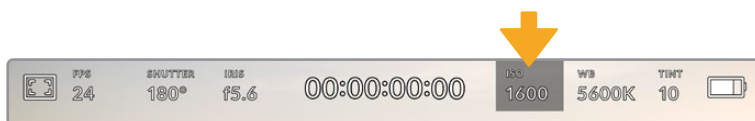
### Junto al tiempo de grabación, pueden aparecer los siguientes indicadores:

<b>W</b>	Aparece a la izquierda de la duración al reducir el área aprovechable del sensor.
<b>TC</b>	Aparece a la derecha de la duración al visualizar el código de tiempo.
<b>EXT</b>	Aparece a la derecha de la duración cuando se detecta un código de tiempo externo válido.
<b>INT</b>	Aparece a la derecha de la duración cuando la cámara funciona con un código de tiempo interno, después de sincronizarla y desconectarla.
<b>PRE</b>	Aparece a la derecha de la duración al visualizar el código de tiempo predeterminado para la grabación.
<b>REF</b>	Aparece cuando se detecta una señal de referencia válida, según los ajustes para la entrada correspondiente.

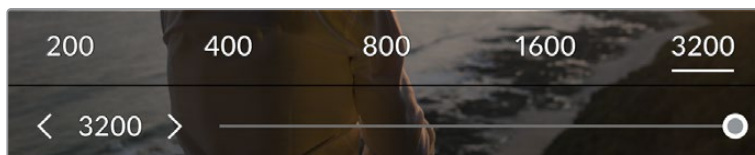
### ISO

El indicador **ISO** muestra la sensibilidad fotométrica. Al pulsarlo, es posible modificar el valor ISO según las condiciones de iluminación. En el modelo URSA Mini, las opciones varían de 200 a 1600, mientras que en la versión URSA Mini Pro, alcanzan un valor de 3200.

El valor ISO óptimo para el modelo URSA Mini 4K es 400, mientras que para las versiones URSA Mini 4.6K y URSA Mini Pro 4.6K es 800.



Pulse el indicador **ISO** a fin de acceder a las opciones disponibles para la sensibilidad fotométrica.



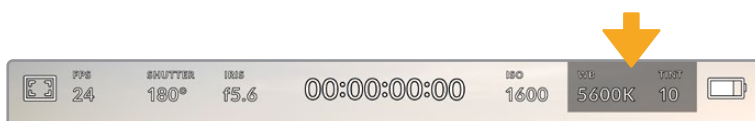
Las opciones disponibles en este menú aparecen en la parte inferior de la pantalla táctil. En el modelo URSA Mini Pro 4.6K G2, se incluye un control deslizante debajo de las opciones predeterminadas para ajustar el valor ISO en incrementos de 1/3.

Los valores numéricos predeterminados brindan la opción de seleccionar un valor ISO en incrementos completos al pulsar el número correspondiente. En el modelo URSA Mini Pro 4.6K G2, se incluye un control deslizante debajo de los ajustes predeterminados para modificar el valor ISO en incrementos de 1/3.

En función de las circunstancias, es posible seleccionar parámetros distintos. Por ejemplo, cuando la luz es escasa, un índice de 1600 puede resultar conveniente al rodar con el modelo URSA Mini 4.6K, aunque podría generar algo de ruido en la imagen. Al filmar con buena iluminación, se recomienda elegir un valor ISO de 200 para obtener colores más intensos.

## Balance de blancos

Los indicadores **WB** y **TINT** muestran el balance de blancos y el matiz respectivamente. Al pulsarlos, es posible modificar estos parámetros según las condiciones de iluminación.



Pulse estos indicadores a fin de acceder a las opciones disponibles para el matiz y el balance de blancos.

Cada fuente de luz emite un color. A modo de ejemplo, la luz de una vela emite un color cálido, mientras que un cielo cubierto emite un color frío. El balance de blancos se utiliza para ajustar los colores en la imagen, de forma que los blancos no adopten otras tonalidades, modificando la mezcla de azul y naranja. Por ejemplo, al filmar bajo lámparas de tungsteno que emiten una luz cálida anaranjada, un valor de 3200 K permite obtener una imagen más azulada. Esta función permite ajustar el color para que el blanco se registre de forma correcta.

Los modelos URSA incluyen valores predeterminados para diferentes temperaturas de color, según se indica a continuación:

	<b>Luz solar brillante</b>	(5600K)
	<b>Bombillas incandescentes</b>	(3200K)
	<b>Bombillas fluorescentes</b>	(4000K)
	<b>Mezcla</b>	(4500K)
	<b>Nubes</b>	(6500K)

Para personalizar cualquiera de estas opciones, pulse o mantenga presionadas las flechas situadas a los costados del valor correspondiente a la temperatura cromática en la parte inferior izquierda de la pantalla. Al pulsar una de las flechas, este aumenta o disminuye 50 K. Al mantenerlas presionadas, dicho valor cambia con mayor rapidez. De manera alternativa, es posible mover el control deslizante situado en el medio.

También es posible modificar el matiz para realizar ajustes con mayor precisión. Esto brinda la posibilidad de cambiar la proporción de verde y magenta presente en la imagen. Por ejemplo, al añadir más magenta, se compensa la tonalidad verdosa de las luces fluorescentes. La mayoría de las configuraciones predeterminadas para el balance de blancos que ofrece el modelo URSA Mini presentan un cierto matiz.



Al pulsar los indicadores **WB** y **TINT**, es posible acceder a cinco configuraciones predeterminadas o modificar estos parámetros en forma individual. Realice los ajustes necesarios según las condiciones de iluminación.

El matiz de la imagen se muestra en la parte inferior derecha de la pantalla. Para ajustarlo, pulse o mantenga presionada una de las flechas situadas a los costados del valor. El rango disponible es de -50 a +50 en incrementos de una unidad. Al mantener una flecha presionada, dicho valor cambia con mayor velocidad.

**NOTA:** Al modificar los parámetros de tinte o balance de blancos, la configuración predeterminada cambia a **CWB**, la cual no verá afectada si se reinicia el dispositivo o se elige otra opción. Por lo tanto, esto facilita la comparación de distintos valores para dicho ajuste.

### Balance de blancos automático

El modelo URSA Mini puede establecer el balance de blancos de forma automática. Al pulsar la opción **AWB**, se accede a las opciones disponibles para este parámetro.

Cuando el balance de blancos se determina de manera automática, aparece un cuadrado en el centro de la imagen. Haga coincidir el mismo con una superficie neutral de color blanco o gris y luego pulse el botón **Update WB**. La cámara ajustará el balance y el matiz automáticamente para garantizar que la predominancia de dichos colores dentro del cuadrado sea lo más neutral posible. Una vez actualizado, este valor se utilizará en forma predeterminada al grabar.

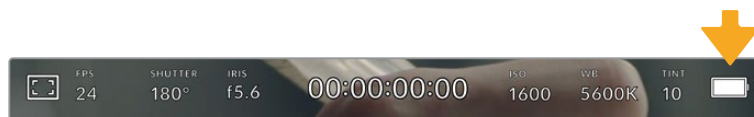


Al pulsar la opción **AWB** se accede a las opciones disponibles para el balance de blancos automático. Utilice una superficie gris o blanca para establecer un valor neutro.

### Alimentación


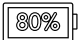
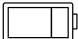
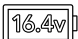

Este indicador se encuentra en la parte superior derecha de la pantalla.

Existen cinco opciones posibles:



El indicador situado en la parte superior derecha de la pantalla permite visualizar el voltaje y la carga restante de la batería.



	<b>Corriente alterna</b>	Aparece cuando la cámara está conectada a la red de suministro eléctrico.
	<b>Porcentaje</b>	Al utilizar una batería y un soporte compatible con esta función, el indicador mostrará el nivel de carga restante de la batería. Cuando este valor disminuya a 20 %, el indicador se encenderá de color rojo.
	<b>Barras</b>	Si la batería y el soporte utilizados no permiten mostrar el nivel de carga restante como un porcentaje, esta información se indica mediante barras que representan un 25 % del valor total. Cuando este valor disminuya a 20 %, el indicador se encenderá de color rojo.
	<b>Voltaje</b>	Al seleccionar la opción <b>Voltage</b> , este indicador mostrará el voltaje restante de la batería. Cuando dicho valor disminuya a 12.5 voltios, el indicador se encenderá de color rojo. La cámara se apagará automáticamente cuando el voltaje restante baje a 11.9 voltios.
	<b>Fibra óptica</b>	Este indicador aparece cuando hay un dispositivo Blackmagic Camera Fiber Converter instalado en la cámara y esta se alimenta mediante el cable de fibra óptica. Por el contrario, si se conecta un cable XLR con el conversor instalado, la pantalla mostrará el indicador <b>AC</b> .

Al utilizar la batería, es posible alternar entre el modo de visualización **Voltage**, **Percentage** o **Battery Bars** pulsando el indicador de suministro eléctrico.

**SUGERENCIA:** En el apartado *Instalación de baterías* se incluye una lista de modelos que permiten ver con precisión el porcentaje de carga restante.

## Histograma

El histograma de la señal puede apreciarse en la parte inferior de la pantalla. Este permite visualizar el contraste entre las luces y las sombras a lo largo de una línea horizontal.



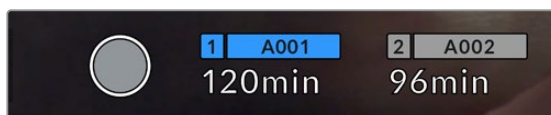
El histograma proporciona una indicación del rango de tonalidad entre las zonas más claras y oscuras de la imagen. Es una herramienta muy útil para verificar el balance de la exposición y evitar que se pierdan detalles en las partes más luminosas.

El extremo izquierdo corresponde a las partes más oscuras de la imagen, mientras que el derecho representa las zonas más claras. Al modificar la apertura del diafragma, es posible ver cómo los valores se desplazan hacia la izquierda o la derecha, según corresponda. Esto brinda la posibilidad de comprobar que no se pierdan detalles en las partes más claras y oscuras de la imagen. Si los extremos de la gráfica se cortan abruptamente en lugar de disminuir en forma gradual, es probable que haya una pérdida de información.

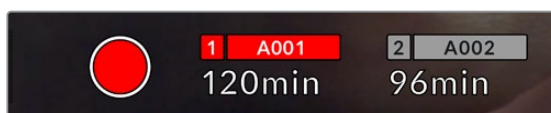
**NOTA:** Si no se visualiza un histograma en la parte inferior izquierda de la pantalla táctil, es posible que los ajustes del monitor estén configurados en la opción **Codec and Resolution**. Consulte el apartado correspondiente para obtener más información al respecto.

## Botón de grabación

El botón gris situado junto al histograma en la parte inferior de la pantalla permite registrar imágenes. Púlselo una vez para comenzar la grabación. Para detenerla, púlselo nuevamente. Al grabar, el botón y el código de tiempo en la parte superior de la pantalla se encienden de color rojo.



Botón de grabación junto a los indicadores de las tarjetas en la parte inferior de la pantalla.



El botón se enciende de color rojo al grabar.

## Indicador de fotogramas omitidos

Si se detectan fotogramas omitidos durante al grabar, aparecerá un signo de exclamación en forma intermitente sobre el botón de grabación. El indicador del tiempo restante correspondiente a la tarjeta afectada también se encenderá de color rojo. Por ejemplo, al haber dos tarjetas insertadas en la cámara y se omiten fotogramas al grabar en la primera de ellas, el signo de exclamación aparecerá sobre el botón de grabación y el indicador de la tarjeta 1 se encenderá de color rojo. Esto permite saber si una determinada unidad de almacenamiento es demasiado lenta para el formato y la resolución que se han seleccionado. El indicador también se muestra al detectarse fotogramas omitidos en un clip grabado. Este permanecerá en la pantalla hasta que se grabe otro clip o se apague la cámara. Consulte el apartado *Elección de tarjetas CFast* para obtener más información al respecto.



Indicador de fotogramas omitidos en la tarjeta CFast 1

**SUGERENCIA:** Si la luz de la pantalla plegable se encuentra activada, esta se encenderá de color rojo y se apagará de forma intermitente para indicar que se han detectado fotogramas omitidos. Consulte el apartado *Ajustes generales* para obtener más información al respecto.

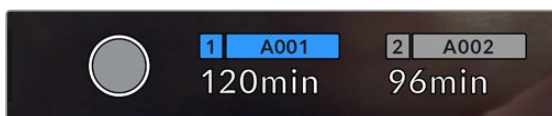
**NOTA:** En caso de que no note el indicador en la pantalla plegable, es posible configurar el modelo URSA Mini para que detenga la grabación al detectar la omisión de fotogramas, a fin de prevenir la captura de imágenes que no podrán utilizarse. Consulte el apartado correspondiente para obtener más información al respecto.

## Tiempo de grabación restante

Los indicadores correspondientes a cada soporte de almacenamiento se encuentran en la parte inferior de la pantalla.

Al insertar una unidad en la cámara, el indicador muestra el tiempo de grabación restante. Dicho valor se indica en minutos y varía según la frecuencia de imagen y el formato seleccionado.

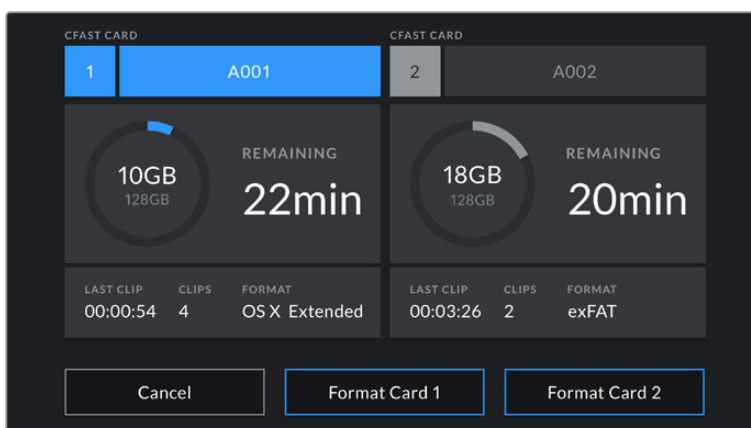
Asimismo, el tiempo restante se recalcula automáticamente al modificar cualquiera de estos parámetros. El indicador se enciende en rojo cuando quedan aproximadamente 5 minutos y parpadea cuando el tiempo de grabación restante es menos de 2 minutos. Cuando la unidad no tiene más capacidad, el indicador mostrará el siguiente mensaje: **FULL**.



Los indicadores muestran el nombre de las unidades y el tiempo de grabación restante en minutos.

El nombre de la unidad se indica en una barra pequeña sobre el tiempo de grabación restante. La barra se enciende de color azul para mostrar que las imágenes se grabarán en la unidad indicada. En el modelo URSA Mini Pro 4.6K G2, es posible seleccionar la tarjeta o unidad para la grabación mediante el menú en pantalla.

Mantenga presionado el nombre de la unidad en la que desea grabar. La barra se enciende de color azul. Durante la grabación, se enciende de color rojo. Al pulsar el indicador de la unidad, es posible acceder a las opciones de almacenamiento y al menú para formatearla.



Pulse los indicadores en la pantalla para acceder a las opciones de almacenamiento.

Este menú muestra el espacio disponible en cada unidad, su nombre, la duración del último clip grabado, la cantidad de clips almacenados y el sistema utilizado para darle formato.

También permite formatear los soportes de grabación. Consulte el apartado correspondiente para obtener más información al respecto.

**SUGERENCIA:** Pulse el nombre de la unidad en el menú de almacenamiento para activarla. El modelo URSA Mini utilizará dicho soporte en primera instancia.

## Indicador de volumen

Estos medidores muestran la intensidad del audio en los canales 1 y 2 al utilizar el micrófono interno o conectar equipos externos. Este parámetro se mide en dBFS (decibeles a escala completa) y, al alcanzar su nivel máximo, se enciende un indicador que permanece iluminado brevemente.

Mantenga los niveles de audio por debajo de los 0 dBFS para obtener la mejor calidad de sonido. Este valor representa el nivel máximo al cual la cámara puede registrar el audio, y si se excede, podría ocurrir una distorsión.



Las barras de color del vúmetro representan la intensidad del audio. De ser posible, el volumen máximo no debe exceder la zona verde superior. Si los picos de la señal alcanzan la zona amarilla o la roja, podría ocurrir una distorsión.

Al pulsar el indicador de volumen, es posible acceder a los controles para los canales 1 y 2, el altavoz o los auriculares.



Pulse los vúmetros en la pantalla a fin de acceder a las opciones para el volumen, el altavoz y los auriculares.

## Ampliación de la imagen

Es posible ampliar cualquier parte de la imagen visualizada pulsando dos veces la pantalla en el lugar que se desea ver con más detalle. Deslice el dedo sobre la misma para desplazar la imagen. Esto es de suma utilidad al comprobar el enfoque. Para volver al tamaño original, pulse la pantalla nuevamente dos veces.

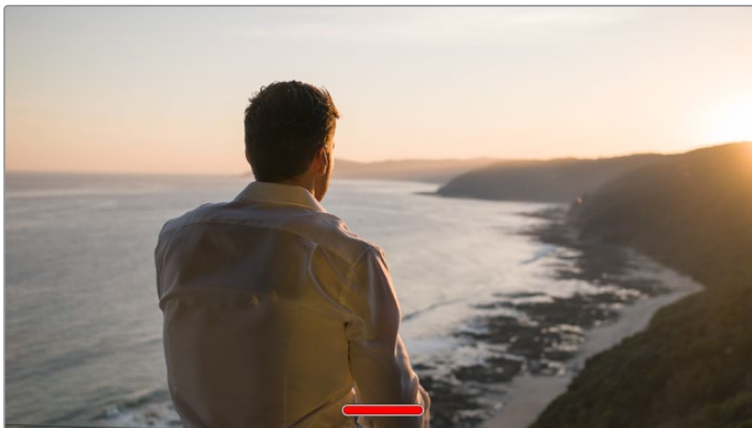
Al activar esta función en la versión URSA Mini Pro 12K, también cabe la posibilidad de pellizcar la pantalla para ampliar la imagen, así como realizar múltiples gestos a fin de ajustar el grado de ampliación. El menú **SETUP** permite asignar esta función a uno de los botones configurables. Además, puede verse tanto en la pantalla de la cámara como en los dispositivos conectados a las salidas SDI. Consulte el apartado *Ampliación de la imagen* para obtener más información al respecto.



Al ampliar la imagen, el indicador situado en la parte superior izquierda de la pantalla muestra el área visualizada. Deslice el dedo sobre la pantalla para desplazar la imagen.

### Modo en pantalla grande

Al enfocar o encuadrar un plano, puede resultar útil ocultar temporalmente el texto y los indicadores que aparecen en la pantalla. Para ello, basta con deslizar el dedo hacia arriba o abajo. Cabe destacar que los indicadores de grabación y enfoque, las guías de encuadre y las rayas diagonales de la función Cebrá permanecerán visibles.



Deslice el dedo hacia arriba o abajo sobre la pantalla para ocultar los indicadores.

### Reproducción

Presione el botón de reproducción para acceder al menú correspondiente. La reproducción de las imágenes grabadas con anterioridad puede controlarse mediante los botones de la cámara o la pantalla táctil.

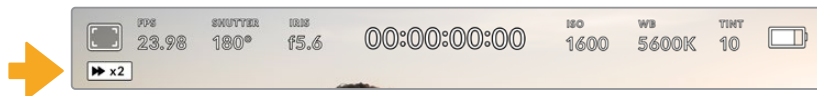
En este último caso, pulse el botón de reproducción para ver el clip grabado, y nuevamente para detenerlo. Utilice los botones de avance o retroceso para ir al comienzo o el final de una secuencia. Pulse el botón de avance una vez para ir al comienzo del clip siguiente. Oprima el botón de retroceso una vez para reproducir el clip actual desde el inicio, o dos veces para retroceder hasta el comienzo del clip anterior. La reproducción continua de clips también puede activarse pulsando el ícono correspondiente.



Muestra los íconos de retroceso, reproducción, avance rápido y reproducción continua.

Para avanzar o retroceder la reproducción, mantenga presionados los botones correspondientes. Esto permite reproducir el material grabado hacia adelante o hacia atrás al doble de la velocidad normal.

Cada vez que se pulsa el botón de avance o retroceso en este modo, la velocidad de reproducción aumenta al doble. Nótese que la velocidad máxima es de x16. Al pulsar el botón nuevamente, el material volverá a reproducirse al doble de la velocidad normal (x2). Para reducir la velocidad de reproducción a la mitad, pulse el botón correspondiente a la dirección opuesta. Es posible volver a la velocidad normal pulsando el botón de reproducción.



Este indicador muestra la velocidad y la dirección en la que se reproduce el material grabado.

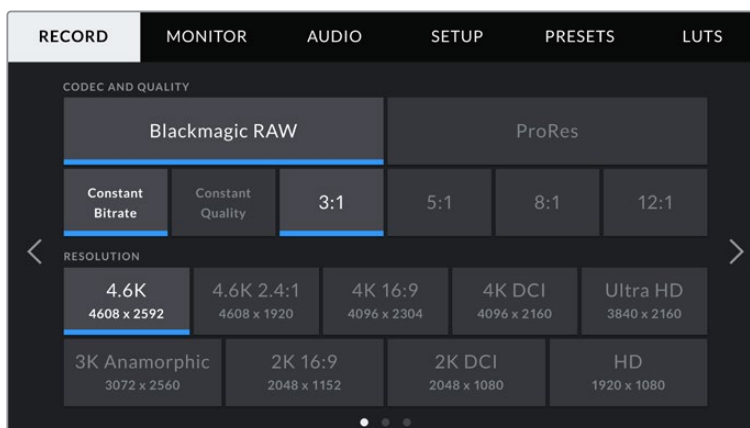
Al presionar el botón de grabación durante la reproducción, la cámara permanecerá en modo de espera.

**SUGERENCIA:** Deslice el dedo hacia arriba o abajo en la pantalla táctil del modelo URSA Mini para ocultar el texto durante la reproducción de imágenes. Al activar el modo de reproducción en la pizarra virtual, es posible marcar el clip en curso como GOOD TAKE. Consulte el apartado *Ingreso de metadatos* para obtener más información al respecto.

## Ajustes

### Panel de opciones

Al presionar el botón **MENU** en el modelo URSA Mini, es posible visualizar el panel de opciones en la pantalla de la cámara. Este incluye diferentes ajustes organizados en distintas pestañas según la función que cumplen. A su vez, algunas pestañas incluyen varias secciones. Para desplazarse de una a otra, pulse las flechas situadas a los costados de la pantalla o deslice el dedo sobre la misma hacia la izquierda o la derecha.



Pulse una pestaña para ver la opciones correspondientes.

**NOTA:** El modelo URSA Mini Pro 4.6K retorna a la pantalla principal después de un minuto de inactividad.

## Ajustes de grabación

La pestaña **RECORD** permite seleccionar el formato, el códec y la resolución del material grabado, así como otros parámetros relativos a las imágenes almacenadas. Esta incluye tres secciones a las que es posible acceder pulsando las flechas situadas a los costados de la pantalla táctil o deslizando el dedo hacia la izquierda o la derecha.

### Ajustes de grabación 1

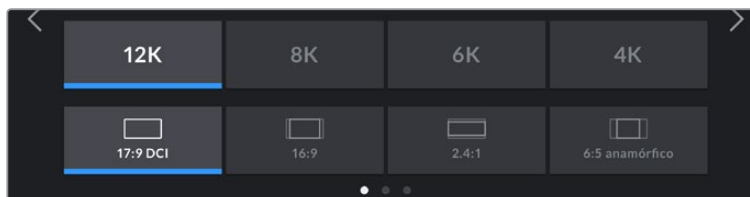
La primera pantalla incluye las siguientes opciones:



Primer grupo de opciones para los ajustes de grabación de la versión URSA Mini Pro 12K.

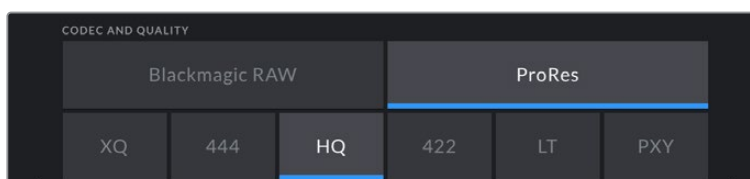
### Códec y calidad

La versión URSA Mini Pro 12K permite grabar en formato Blackmagic RAW con resolución 4K, 6K, 8K o 12K. Cada una de estas incluye un menú que brinda opciones de compatibilidad con las relaciones de aspecto habituales en la industria.



Resolución y opciones para la relación de aspecto en la cámara URSA Mini Pro 12K

En las versiones URSA Mini Pro 4.6K G2 y URSA Mini Pro 4.6K, este menú está dividido en dos filas que incluyen las opciones **Blackmagic RAW** o **ProRes**. Por su parte, la fila inferior brinda distintas opciones de calidad para cada uno de ellas. En el menú **Blackmagic RAW**, hay opciones para los ajustes **Constant bitrate** (velocidad de transferencia constante) y **Constant quality** (calidad constante). Las opciones disponibles para el códec ProRes incluyen **444**, **HQ** y **LT**. El modelo URSA Mini es compatible con una amplia variedad de formatos ProRes.



Opciones de códec y calidad en las cámaras URSA Mini Pro 4.6K G2 y URSA Mini Pro 4.6K

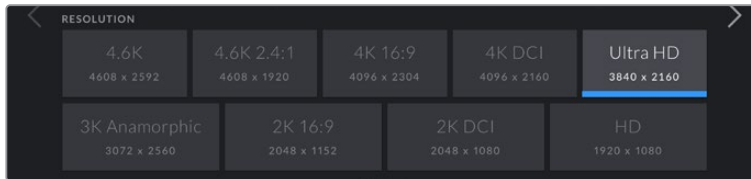


**SUGERENCIA:** El tiempo de grabación disponible en la unidad de almacenamiento aumenta al elegir formatos con un mayor nivel de compresión. Consulte la tabla en el apartado correspondiente para obtener más información sobre los tiempos de grabación.

### Resolución

La opción **Resolution** está vinculada al formato escogido. Elija la resolución según el formato de grabación.

Por ejemplo, para grabar contenidos UHD en formato ProRes HQ, seleccione **ProRes** y **HQ** en el menú **CODEC AND QUALITY**. A continuación, elija **Ultra HD** en el menú **RESOLUTION**.

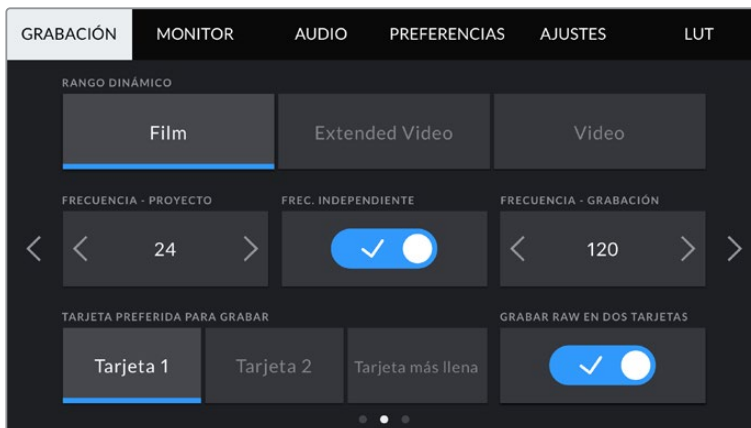


Opciones de resolución en las cámaras URSA Mini Pro 4.6K G2 y URSA Mini Pro 4.6K

**NOTA:** Los modelos Blackmagic URSA Mini 4.6K y URSA Mini Pro brindan compatibilidad con una amplia variedad de resoluciones en formatos ProRes, desde HD hasta 4.6K.

## Ajustes de grabación 2

La segunda pantalla incluye las siguientes opciones:



El modelo URSA Mini Pro 12K ofrece una opción para grabar en formato RAW en dos tarjetas. Dicha opción está desactivada en el resto de cámaras URSA Mini.

### Rango dinámico

Utilice las flechas en la opción **DYNAMIC RANGE** para cambiar el rango dinámico. La cámara ofrece dos modos:

#### Film

Este ajuste permite filmar contenidos audiovisuales utilizando una curva logarítmica con un rango dinámico de 12 a 15 pasos, según el modelo de la cámara, para aumentar los niveles de contraste y aprovechar al máximo las ventajas de los programas de etalonaje como DaVinci Resolve.

## Video

Este ajuste utiliza el estándar Rec. 709 para imágenes en alta definición y permite trabajar con mayor rapidez al emplear formatos comprimidos y un espacio cromático adecuado para entregar el material directamente o editarlo sin realizar grandes cambios.

Por su parte, el modelo URSA Mini Pro cuenta con una opción adicional:

### Extended Video

Este modo permite conseguir un equilibrio entre las opciones Video y Film, ya que ofrece un rango dinámico más amplio que el de Video, al mismo tiempo que aplica cambios sutiles en el contraste atenuando las zonas más luminosas. Esta opción se puede emplear con monitores profesionales y es de gran ayuda si se tiene un tiempo limitado para la posproducción, pero se pretende conseguir un aspecto agradable en el momento de la grabación.

**NOTA:** Al emplear los modos **Video** o **Extended Video**, es necesario asegurarse de que la opción **Display LUT** no esté activada para ninguna de las salidas. De lo contrario, el indicador **LUT** aparecerá en la pantalla y, en consecuencia, la imagen tendrá un mayor contraste y saturación de lo deseado. Para obtener más información al respecto, consulte el apartado *Ajustes del monitor*.

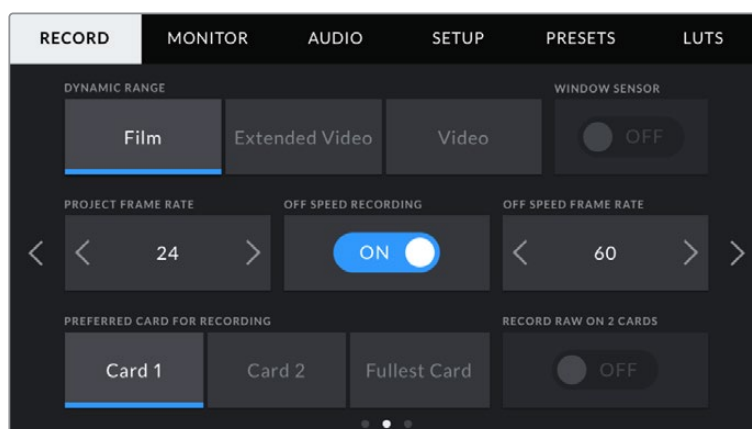
### Área aprovechable del sensor

El modelo URSA Mini Pro 12K ajusta el área aprovechable del sensor de manera automática. La cámara emplea un área reducida al filmar en formato Super 16, con resolución 6K o 4K, y el área completa en Super 35 con el resto de las opciones de grabación.

Cabe destacar que al grabar en Super 16 con resolución 6K, se reduce el área del sensor aún más, pero, al contar con una mayor resolución, las imágenes tendrán una calidad excepcional. Ocurre lo mismo en resolución 4K. Esto significa que es posible filmar a frecuencias de imagen altas y lograr una calidad asombrosa en resolución 4K o 6K.

Por otro lado, al grabar en formato Super 16 recortado y resolución 12K, se pueden emplear objetivos antiguos y filmar en resolución 4K o 6K, lo cual permite lograr una calidad incluso mayor que la original de las cintas.

Otras versiones del modelo URSA Mini permiten utilizar la totalidad del sensor o solo una parte del mismo para lograr una mayor frecuencia de imagen. En este último caso, se emplea solamente la cantidad de píxeles necesaria para un formato determinado en lugar de reducir el tamaño de la imagen captada por toda la superficie del sensor.



Opción del área del sensor reducida en los modelos URSA Mini Pro 4.6K G2, URSA Mini Pro 4.6K, URSA Mini 4.6K y URSA Mini 4K

Dado que ambos modos emplean el centro del sensor en el modelo URSA Mini, el campo de visión de cualquier objetivo empleado parecerá más angosto debido al factor de recorte que se produce. Por ejemplo, al utilizar un objetivo de 20 mm para grabar material en alta definición con un área reducida del sensor, el campo de la cámara será equivalente al de un lente de 48 mm.

Esta opción solo está disponible al filmar en una resolución menor al valor máximo admitido por la cámara, por ejemplo, al grabar contenidos 4.6K 2.4:1, 4K, 3K anamórficos, 2K o HD ProRes con el modelo URSA Mini 4.6K.

Al captar imágenes en alta definición con un área reducida del sensor, es posible lograr mayores frecuencias de imagen.

**SUGERENCIA:** Al grabar con un área reducida del sensor, aparecerá una etiqueta **RESOLUTION - SENSOR WINDOWED** en los ajustes **RESOLUTION** del modelo URSA Mini para reflejar dicho cambio.

### Frecuencia de imagen para la reproducción

La opción **Project Frame Rate** corresponde a la frecuencia de imagen del formato seleccionado en la cámara para el proyecto y permite elegir entre diferentes velocidades comúnmente utilizadas en la industria del cine y la televisión, por ejemplo, 23.98 f/s en formato ProRes HQ (4K). Normalmente, este valor se ajusta de manera que coincida con la velocidad de reproducción empleada durante el proceso de posproducción o según los requisitos para la entrega del material.

Las ocho opciones disponibles para este ajuste son: 23.98, 24, 25, 29.97, 30, 50, 59.94 y 60 f/s.

**NOTA:** La frecuencia de imagen del proyecto tiene un gran impacto en el aspecto del material grabado.

Estos valores relativamente elevados son ideales para captar movimientos con fluidez y eliminar o minimizar los saltos en la imagen al emplear la técnica de barrido.

Por su parte, frecuencias de imagen más bajas, tales como 24 o 25 f/s, son habituales en producciones cinematográficas, ya que permiten lograr un aspecto distintivo, aunque requieren movimientos de cámara más lentos, a fin de evitar problemas de inestabilidad.

### Velocidad de grabación distinta

Por defecto, la frecuencia de imagen del sensor y del proyecto coinciden para que el material grabado se reproduzca a una velocidad normal. Sin embargo, al activar la opción **OFF SPEED RECORDING**, se pueden determinar valores diferentes para estos parámetros de manera independiente.

### Frecuencia de imagen distinta

Después de activar la opción **OFF SPEED FRAME RATE**, pulse las flechas situadas junto al indicador para modificar este parámetro.

Este ajuste determina la cantidad de fotogramas que capta el sensor cada segundo, lo cual incide en la velocidad de reproducción de las imágenes según la frecuencia de reproducción establecida.

Consulte el apartado correspondiente para obtener más información al respecto.

**NOTA:** Consulte la tabla en el apartado correspondiente para obtener más información sobre las frecuencias de imagen disponibles para cada formato y códec de grabación.

### Tarjeta preferida para la grabación

La opción **TARJETA PREFERIDA PARA GRABAR** permite determinar cuál soporte de almacenamiento se utiliza para la grabación cuando hay más de una unidad en la cámara. Las opciones disponibles son **Tarjeta 1**, **Tarjeta 2** y **Tarjeta más llena**, mientras que al insertar una unidad SSD, la segunda opción es **SSD**. El hecho de emplear una u otra tarjeta es una elección meramente personal. Sin embargo, recomendamos utilizar siempre la misma unidad para saber cuál será necesario cambiar una vez que no haya más espacio para grabar. La opción **Tarjeta más llena** brinda la posibilidad de agrupar archivos cronológicamente al filmar con una sola cámara.

La opción seleccionada se aplica al insertar una unidad en la cámara. Para cambiar la configuración, acceda al menú de almacenamiento y elija una tarjeta diferente. Conviene subrayar que, al quitar una unidad e insertar otra, se restablecerá la opción seleccionada en el menú **TARJETA PREFERIDA PARA GRABAR**. La unidad SSD insertada en el grabador tiene prioridad sobre el soporte de almacenamiento que haya en la segunda ranura de la cámara.

Consulte el apartado *URSA Mini Recorder* para obtener más información al respecto.

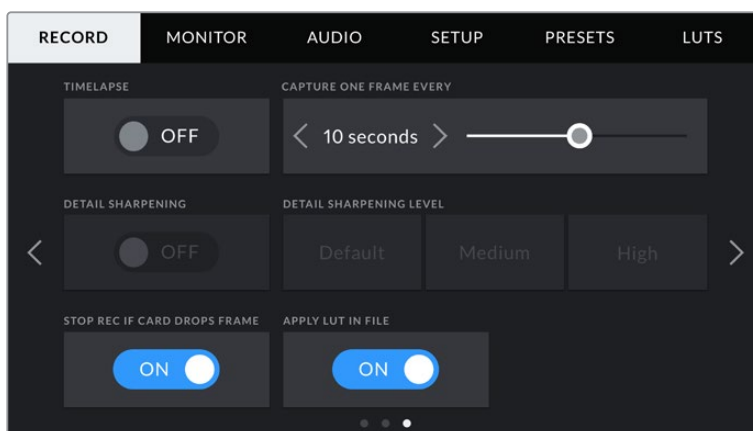
**SUGERENCIA:** La opción **Fullest Card** se basa en el porcentaje de espacio ocupado en la unidad y no en su tamaño o capacidad.

### Grabación RAW en dos tarjetas

El modelo URSA Mini Pro 12K permite grabar en formato Blackmagic RAW en dos tarjetas simultáneamente. Esto brinda la posibilidad de filmar con gran resolución y frecuencia de imagen a un menor nivel de compresión. Basta con insertar dos tarjetas CFast o SD y seleccionar la opción **Grabación RAW en dos tarjetas** del menú **Grabación**. Cabe destacar que, como esta opción graba el material secuencialmente entre ambas unidades, la velocidad de transferencia de la tarjeta más lenta será el factor limitante, por lo que recomendamos emplear soportes con especificaciones técnicas similares. Asimismo, es posible dividir el almacenamiento entre una tarjeta CFast y una unidad externa USB-C. Al seleccionar la opción **Grabación RAW en dos tarjetas**, el límite de velocidad será dos veces mayor que la velocidad de transferencia más baja ofrecida por los soportes de almacenamiento. Basta con copiar los archivos **.BRAW** y **.BRAW2** desde las tarjetas al equipo informático e importarlos desde el panel multimedia de DaVinci Resolve, a fin de que el programa los procese como un solo clip. Por el contrario, si los archivos están separados, es posible reproducirlos de manera individual a la mitad de la velocidad.

### Ajustes de grabación 3

La tercera pantalla incluye las siguientes opciones:



### Grabación por intervalos

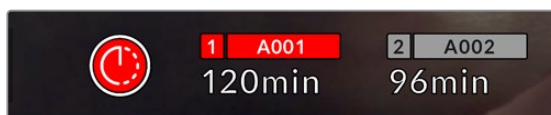
La opción **TIMELAPSE** permite grabar automáticamente un fotograma en función de los siguientes intervalos:

<b>Fotogramas</b>	2 - 10
<b>Segundos</b>	1 - 10, 20, 30, 40, 50
<b>Minutos</b>	1 - 10

Por ejemplo, la cámara puede ajustarse para captar una imagen fija cada 10 fotogramas, 5 segundos, 30 segundos, 5 minutos, etc.

Esta función brinda diferentes opciones creativas. Por ejemplo, si se establecen intervalos de 2 fotogramas, se logra un efecto de cámara rápida al reproducir el clip.

El formato de cada fotograma coincide con el de grabación, de modo que si la cámara está configurada para grabar en ProRes HQ (4K), se mantendrá dicho formato. La frecuencia de imagen está determinada por la configuración de dicho valor para la reproducción, p. ej 24 f/s, lo cual permite incorporar con facilidad el material grabado de este modo en el proceso de posproducción.



El modo por intervalos de tiempo se indica con un ícono en el botón de grabación.

**SUGERENCIA:** Al grabar material con la función **TIMELAPSE** activada, el contador del código de tiempo cambia cada vez que se graba un fotograma de video.

### Ajuste de detalles

La opción **DETAIL SHARPENING LEVEL** permite modificar la nitidez de las imágenes captadas por el modelo URSA Mini. Esta opción está disponible en las versiones URSA Mini Pro 4.6K G2, URSA Mini Pro 4.6K, URSA Mini 4.6K y URSA Mini 4K. Cuando se encuentra activada, es posible escoger entre tres niveles disponibles.

Al activar esta función, el nivel de nitidez elegido se aplicará tanto a las imágenes en formato ProRes grabadas con la cámara como a las transmitidas mediante la salida SDI. Lo mismo sucede al emplear el modelo URSA Mini Pro 4.6K G2 en formato Blackmagic RAW junto con un mezclador ATEM. Esta función se puede activar o desactivar desde el dispositivo ATEM Camera Control Panel o el programa ATEM Camera Control.

Estas opciones resultan de utilidad al filmar en directo, cuando el contenido sale al aire directamente sin modificaciones. Recomendamos seleccionar **Off** si se pretende procesar las imágenes posteriormente durante la etapa de posproducción. Por tal motivo, esta función no se aplica a los archivos en formato Blackmagic RAW.

### Detener la grabación si se omiten fotogramas

La opción **STOP RECORDING IF FRAME DROPS** permite configurar el comportamiento de la cámara cuando se detectan fotogramas omitidos. Al desactivarla, la grabación continuará de todas maneras. Si se encuentra activada, la grabación se detendrá. Esto permite evitar perder tiempo registrando imágenes que no serán utilizadas posteriormente.

**SUGERENCIA:** Consulte los apartados referentes a la elección de soportes de grabación para obtener más información al respecto.

### Aplicar una LUT a un archivo

Al aplicar una LUT a cualquiera de las imágenes transmitidas desde el modelo URSA Mini Pro 4.6K, dicha tabla se integra al archivo Blackmagic RAW grabado.

Esto significa que se almacena en el encabezado del archivo, por lo que resulta muy sencillo aplicarla al clip en la etapa de posproducción y, al mismo tiempo, se evita tener que depender de un archivo adicional. Cuando se activa la opción **Apply LUT in File** en el menú **RECORD** de la cámara, el clip se abre en el reproductor Blackmagic RAW o en el programa DaVinci Resolve con la tabla ya aplicada a la imagen. Por otro lado, es muy fácil activarla o desactivarla, aunque siempre estará integrada en el archivo Blackmagic RAW.

DaVinci Resolve también ofrece la opción **Aplicar LUT** en el panel **Ajustes RAW** del módulo Color, a fin de activar o desactivar una tabla de conversión tridimensional en el archivo Blackmagic RAW. Este ajuste funciona igual que en la cámara. De este modo, durante el rodaje, es posible indicar al colorista qué tabla de conversión emplear en la cámara, pero luego se puede cancelar en DaVinci Resolve desactivando la opción **Aplicar LUT**.

## Convención para la nomenclatura de archivos

Las imágenes captadas se guardan en los soportes SD, CFast y SSD en formato .braw cuando se ha seleccionado Blackmagic RAW o en .prores de QuickTime según el códec de grabación escogido.

La siguiente tabla muestra un ejemplo del sistema utilizado:

<b>A001_08151512_C001.mov</b>	<b>Nombre del archivo QuickTime</b>
A001_08151512_C001.mov	<b>Índice de la cámara</b>
A001_08151512_C001.mov	<b>Número de cinta</b>
A001_08151512_C001.mov	<b>Mes</b>
A001_08151512_C001.mov	<b>Día</b>
A001_08151512_C001.mov	<b>Hora</b>
A001_08151512_C001.mov	<b>Minuto</b>
A001_08151512_C001.mov	<b>Número de clip</b>

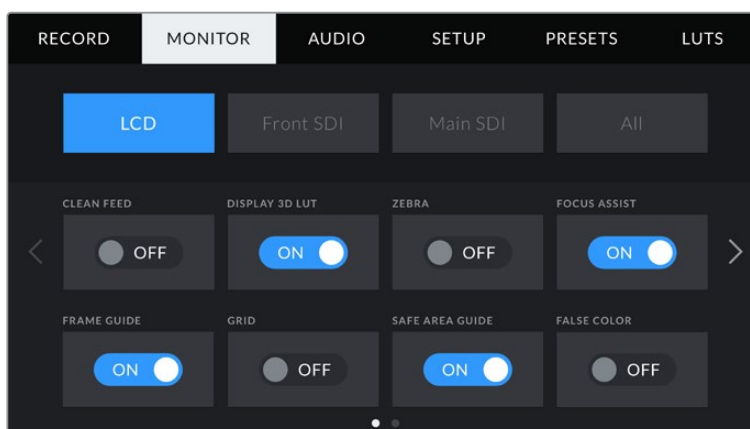
Las imágenes captadas mediante el botón **STILL** se denominan de la misma forma, aunque se añade **S001** en lugar de **C001** al final del nombre para hacer referencia al número de imagen. La versión 12K captura la imagen como un fotograma en formato Blackmagic RAW, mientras que los modelos URSA Mini Pro 4.6K G2 y URSA Mini Pro 4.6K lo hacen en formato DNG. Consulte el apartado *Controles de la pantalla táctil* para obtener más información al respecto.

## Ajustes del monitor

La pestaña **MONITOR** permite modificar el texto de los datos, la información en pantalla y otras opciones para supervisar imágenes mediante el visor de la cámara o cualquier monitor conectado a las salidas SDI de la misma. Los distintos ajustes están organizados en cuatro menús: **LCD**, **Front SDI**, **Main SDI** y **All**. Esta última opción incluye todas las salidas del modelo URSA Mini. Cada uno de los menús está compuesto por dos secciones a las que es posible acceder pulsando las flechas situadas a los costados de la pantalla táctil o deslizando el dedo hacia la izquierda o la derecha.

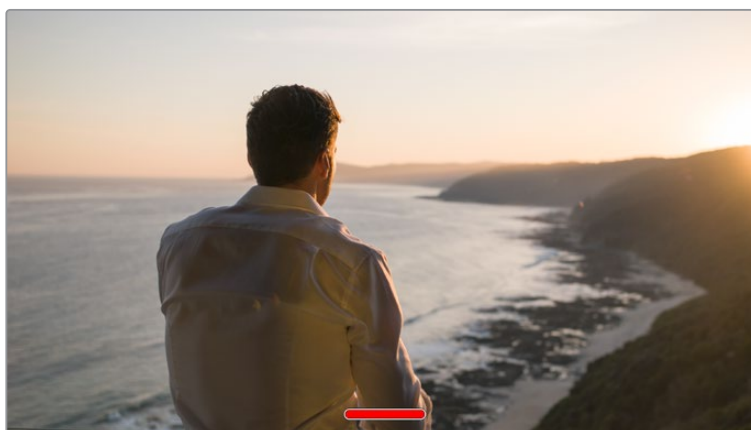
### Pantalla de ajustes 1 (LCD y salidas SDI)

La primera pantalla de cada menú incluye las mismas opciones para cada entrada. Por ejemplo, es posible activar la función Cebra para la pantalla táctil y desactivarla en la señal transmitida a través de las salidas SDI.



### Señal limpia

La opción **CLEAN FEED** permite ocultar toda la información que se muestra en la pantalla, excepto el indicador de grabación.



En el modo **CLEAN FEED**, la pantalla del modelo URSA Mini muestra solamente el indicador de grabación.

**NOTA:** Las tablas de conversión se aplican a las imágenes en las que la función **CLEAN FEED** esté activada. Para desactivar las tablas, desmarque el interruptor **DISPLAY LUT** en la pestaña **MONITOR**.

### **Aplicar tabla de conversión tridimensional**

Esta opción permite aplicar tablas de conversión tridimensionales a cualquier señal para simular la apariencia del material etalonado y es de gran utilidad al grabar con rango dinámico de película, dado que este genera imágenes de bajo contraste.

Si hay una tabla de conversión activa en la cámara, utilice esta opción para aplicarla en forma independiente a la señal visualizada en la pantalla táctil o en los monitores conectados a las salidas SDI.

**NOTA:** Consulte el apartado correspondiente para obtener más información al respecto.

### **Cebra**

Pulse la opción **ZEBRA** para activar esta función. Consulte el apartado *Características de la pantalla táctil* para obtener más información al respecto.

### **Indicador de enfoque**

Pulse la opción **FOCUS ASSIST** para activar esta función. Consulte el apartado *Características de la pantalla táctil* para obtener más información al respecto.

### **Guías de encuadre**

Pulse la opción **FRAME GUIDE** para activar esta función. Consulte el apartado *Características de la pantalla táctil* para obtener más información al respecto.

### **Cuadrícula**

Pulse la opción **GRID** para ver una cuadrícula superpuesta a la imagen. Consulte el apartado *Características de la pantalla táctil* para obtener más información al respecto.

### **Área de seguridad**

Pulse la opción **SAFE AREA** para ver el área segura de la imagen.

Consulte el apartado *Características de la pantalla táctil* para obtener más información al respecto.

**NOTA:** Utilice el ajuste **SAFE AREA GUIDE %** en la opción **ALL** de la pestaña **MONITOR** para configurar el tamaño del área de seguridad.

### **Falso color**

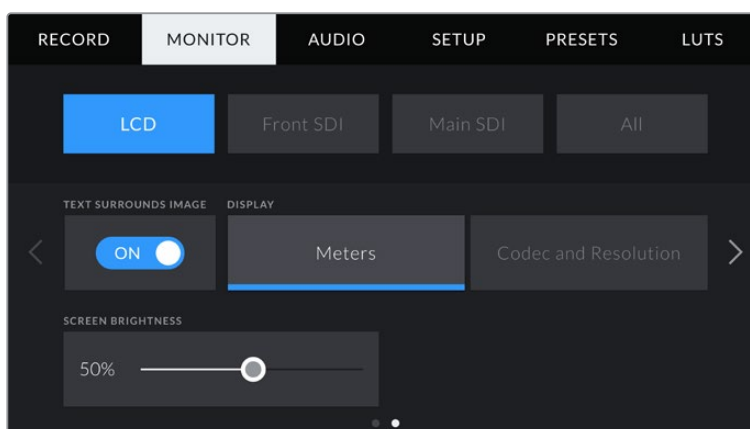
Pulse la opción **FALSE COLOR** para activar esta función.

Consulte el apartado *Características de la pantalla táctil* para obtener más información al respecto.



## Pantalla de ajustes 2 (LCD)

La segunda sección del menú **LCD** incluye ajustes que se aplican solamente a la imagen en la pantalla de la cámara.



### Texto envolvente

Solo disponible en los modelos URSA Mini 4K y URSA Mini 4.6K. La opción **TEXT SURROUNDS IMAGE** permite ajustar el tamaño de la imagen en la pantalla táctil al 75 %. Esto permite mantener los indicadores y los demás datos en la pantalla sin obstruir la visualización del material grabado.



La opción **TEXT SURROUNDS IMAGE** permite centrar la imagen en la pantalla, a fin de visualizarla con claridad manteniendo a su vez los indicadores y la información correspondiente a la misma.

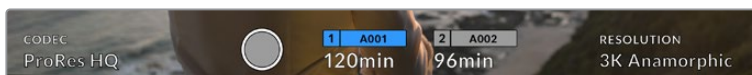
### Mostrar / ocultar texto

Este ajuste solo está disponible en el modelo URSA Mini Pro. En ocasiones, puede resultar útil ocultar los indicadores y demás datos en la imagen, a fin de ver solo la información necesaria para realizar la composición del plano. Para ello, pulse la opción **Status Text**. Cabe destacar que otras funciones, tales como las guías de encuadre, la cuadrícula y el indicador de enfoque, permanecerán en pantalla si están activadas. También es posible lograr el mismo efecto deslizando el dedo sobre la pantalla hacia arriba o abajo.

## Mostrar

Es posible ver el códec y la resolución en la parte inferior izquierda y derecha de la pantalla del modelo URSA Mini en lugar del histograma y los vúmetros. Esto puede resultar útil al utilizar la función de falso color para ajustar la exposición, o si es necesario visualizar información adicional en el espacio normalmente destinado al histograma y a los vúmetros cuando el audio se graba aparte.

Simplymente pulse **Meters** o **Codec and Resolution** en el menú para seleccionar la opción deseada.



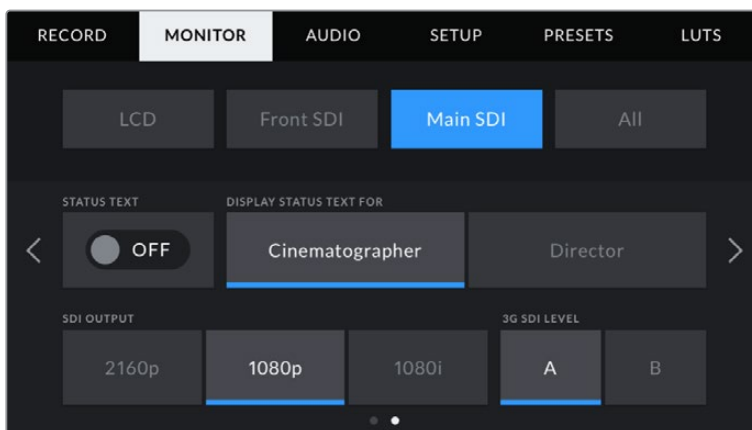
En el modelo URSA Mini, es posible ver el códec y la resolución en lugar del histograma y los vúmetros.

## Brillo de la pantalla

Deslice el control denominado **SCREEN BRIGHTNESS** hacia la izquierda o la derecha para ajustar el brillo de la pantalla táctil.

## Pantalla de ajustes 2 (salidas SDI)

La segunda sección de los menús **Front SDI** y **Main SDI** incluye ajustes que se aplican solamente a las imágenes transmitidas a través de dichas salidas.



La salida SDI principal transmite señales en formato 2160p y 1080p en cualquier momento al filmar en modo anamórfico a una resolución mayor de 3K. Sin embargo, la opción 1080i solo está disponible en la salida SDI principal o frontal al grabar a frecuencias de 50, 59.94 o 60 f/s. La opción ISO 3200 solo está disponible en el modelo URSA Mini Pro 4.6K G2.

## Texto en pantalla

En ocasiones puede resultar útil ocultar los indicadores y demás datos en la imagen transmitida a través de las salidas SDI, a fin de visualizar solo la información necesaria para realizar la composición del plano. Pulse el interruptor **STATUS TEXT** debajo de cada menú para ver u ocultar el texto y los indicadores. Cabe destacar que otras funciones tales como las guías de encuadre, la cuadrícula y el indicador de enfoque permanecerán en pantalla si están activadas.

También es posible lograr el mismo efecto deslizando el dedo hacia arriba o abajo sobre la pantalla.

### Mostrar datos para el director o el responsable de fotografía

La pantalla del modelo URSA Mini permite visualizar ciertos datos, tales como el valor ISO, el balance de blancos y la apertura del diafragma, que resultan útiles para el camarógrafo o el director de fotografía que compone los planos. Sin embargo, también es posible mostrar información útil para el director o el continuista que supervisa varias tomas o cámaras en las imágenes transmitidas mediante las salidas SDI.



El modelo URSA Mini permite ver información específica para el director en las imágenes transmitidas mediante las salidas SDI.

Al seleccionar la opción **Director** se mostrará la siguiente información:

#### Frecuencia de imagen

El indicador **FPS** muestra la frecuencia seleccionada para la cámara en fotogramas por segundo. Cuando la opción **OFF SPEED FRAME RATE** está desactivada, este valor hace referencia a la frecuencia de imagen seleccionada para el proyecto. Si dicha opción se encuentra activada, se indicarán ambos parámetros en forma alternada.

#### Cámara

El indicador **CAM** identifica la cámara especificada en la pizarra virtual. Consulte el apartado correspondiente más adelante para obtener más información al respecto.

#### Operador

El indicador **OPERATOR** identifica al camarógrafo especificado en la pizarra virtual. Consulte el apartado correspondiente más adelante para obtener más información al respecto.

#### Indicador del tiempo de grabación

El indicador **DURATION DISPLAY** muestra la duración de la grabación o del último clip grabado (horas : minutos : segundos).

#### Cinta, escena y toma

Los indicadores **REEL**, **SCENE** y **TAKE** brindan información sobre la cinta, la escena y la toma que se está grabando. Consulte el apartado correspondiente más adelante para obtener información adicional al respecto.

#### Rango dinámico

La tabla de conversión aplicada a la imagen se indica en la esquina inferior izquierda de la pantalla. De no aplicarse tabla alguna, se indica el rango dinámico utilizado (video o película).

#### Código de tiempo

El código de tiempo de la cámara se indica en la opción **TIMECODE**, situada en la esquina inferior derecha de la pantalla (horas : minutos : segundos : fotogramas).

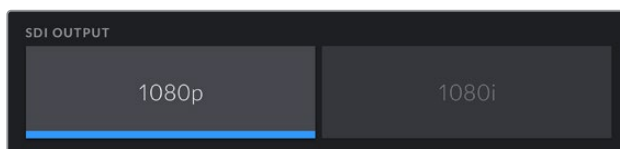
## Salida SDI

Es posible seleccionar un modo de exploración progresivo o entrelazado para las imágenes en alta definición que se transmiten a través de la salida SDI principal. El modelo URSA Mini permite asimismo emplear el modo progresivo para imágenes UHD.

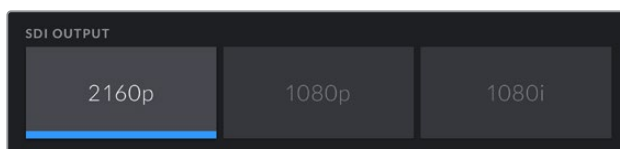
Las opciones disponibles para este ajuste dependen de la resolución y la frecuencia de imagen seleccionadas para la cámara.

La opción 1080p siempre está disponible, independientemente de la resolución y la frecuencia de imagen seleccionadas para la grabación. Por el contrario, la opción 1080i solo está disponible cuando la frecuencia empleada es de 50, 59.94 o 60.

La opción 2160p está disponible en el modelo URSA Mini al filmar en UHD.



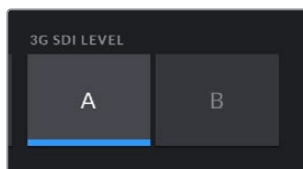
Salida SDI frontal



Salida SDI principal

## Nivel SDI 3G

En el modelo URSA Mini Pro, es posible modificar el estándar de la señal SDI 3G transmitida, a fin de no perder compatibilidad con los equipos que solo admiten señales de nivel A o B. Esta opción solo aparece al grabar a 50, 59.94 o 60 f/s con una resolución de 1080p. Pulse la opción **A** o **B** para seleccionar el nivel deseado.

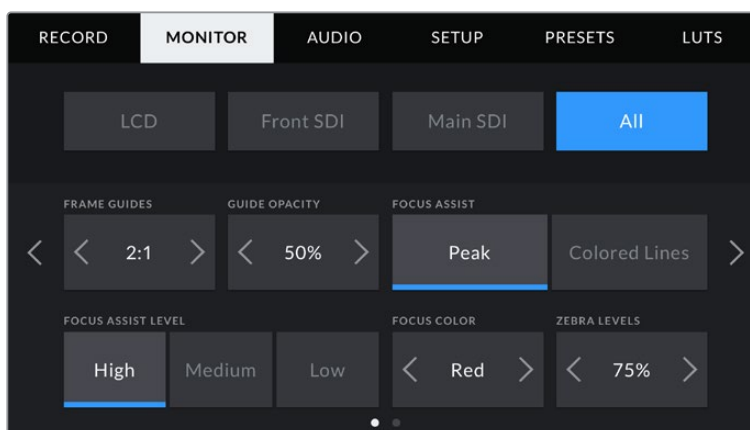


En el modelo URSA Mini Pro 4.6K G2, seleccione las opciones **A** o **B** para la salida SDI 3G estándar.

## Pantalla de ajustes generales 1

La opción **All** contiene ajustes que afectan a todas las imágenes transmitidas por la cámara. Por ejemplo, al seleccionar 90 % en la opción **SAFE AREA GUIDE %**, se aplicará este valor para el área de seguridad de las imágenes visualizadas en la pantalla táctil o en los monitores conectados a las salidas SDI.

Los ajustes están divididos en dos pantallas. En la primera pantalla se incluyen los siguientes parámetros.



### Guías de encuadre

Pulse cualquiera de las flechas a ambos lados de la opción **FRAME GUIDES** a fin de ver los ajustes disponibles para las imágenes transmitidas a monitores y otros dispositivos conectados a la cámara, tal como el ocular Blackmagic URSA Viewfinder. Consulte el apartado *Características de la pantalla táctil* para obtener más información al respecto. Cabe destacar que es posible activar o desactivar las guías de encuadre en forma individual para la imagen visualizada en la pantalla o en los monitores conectados a cualquiera de las salidas SDI en la pestaña **MONITOR**.

### Opacidad de las guías

Pulse las flechas en la opción **GUIDE OPACITY** para determinar la opacidad de las partes de la imagen situadas fuera del área delimitada por las guías. Los valores disponibles son 25 %, 50 %, 75 % y 100 %.

### Indicador de enfoque

El modelo URSA Mini ofrece dos modos para el indicador de enfoque: **Peaking** y **Colored Lines**.

#### Indicador de enfoque

Al seleccionar la opción **Peaking**, se destacan las zonas de la imagen correctamente enfocadas. Nótese que esta función no aparece en el material grabado. De este modo, dichas áreas se resaltan sobre la imagen. Dado que no se superponen otros elementos, constituye una forma sumamente efectiva de comprobar el enfoque, especialmente cuando el objeto enfocado se encuentra separado de los otros que componen la toma.

#### Líneas de color

Al seleccionar la opción **Colored Lines**, se visualiza una línea de color alrededor de las partes de la imagen correctamente enfocadas. Este modo puede interferir más en la imagen, pero puede resultar de gran utilidad para lograr un enfoque preciso, particularmente en planos con varios elementos visibles.

### Nivel del indicador

La opción **FOCUS ASSIST LEVEL** permite determinar la intensidad del indicador de enfoque en la imagen visualizada. Las opciones disponibles son **Low**, **Medium** y **High**.

**NOTA:** Al seleccionar la intensidad del asistente de enfoque, no se activa ni se desactiva dicha función en la imagen visualizada en la pantalla de la cámara o en el monitor conectado a la misma. A tales efectos, utilice el interruptor correspondiente para cada salida en la pestaña **MONITOR**.

**SUGERENCIA:** El nivel óptimo para la función **Focus Assist** varía según la toma. Por ejemplo, al enfocar a actores, un nivel más alto facilita la atenuación de los bordes alrededor del rostro. Por el contrario, si la intensidad es demasiado alta al filmar vegetación o una pared de ladrillos, es posible que se dificulte la visualización de otros detalles en la imagen.

### Color del borde

El menú **FOCUS LINE COLOR** permite determinar el color de las líneas utilizadas al activar la opción **Colored Lines**. Esto brinda la posibilidad de distinguirlas con mayor facilidad de otros elementos en la imagen. Las opciones disponibles son **White, Red, Green, Blue** y **Black**.

### Nivel de exposición para la función Cebra

La opción **ZEBRA LEVELS** permite determinar el nivel de exposición al cual esta herramienta es visible en la imagen mediante las flechas situadas a los costados del porcentaje. Este parámetro puede ajustarse en incrementos de 5 puntos porcentuales. Es posible escoger cualquier valor entre 75 y 100 %.

Consulte el apartado *Características de la pantalla táctil* para obtener más información al respecto.

### Indicador de filtros de densidad neutra

Al ajustar el filtro de densidad neutra en el modelo URSA Mini Pro, el indicador **ND** aparece en la esquina superior izquierda de la pantalla táctil y en los monitores conectados a la salida SDI. Este ícono permanecerá visible mientras el filtro esté activado. En caso contrario, desaparecerá después de cuatro segundos.

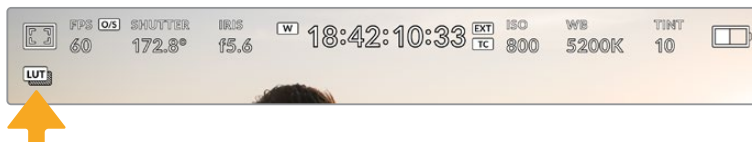


Al ajustar el filtro de densidad neutra en el modelo URSA Mini Pro, aparece el indicador correspondiente en pantalla.

**NOTA:** Es posible cambiar la terminología que utiliza el indicador de filtros de densidad neutra según las preferencias del usuario. Las opciones disponibles incluyen números de filtro, pasos o fracciones. Seleccione el formato deseado en el menú **SETUP**.

### Indicador LUT

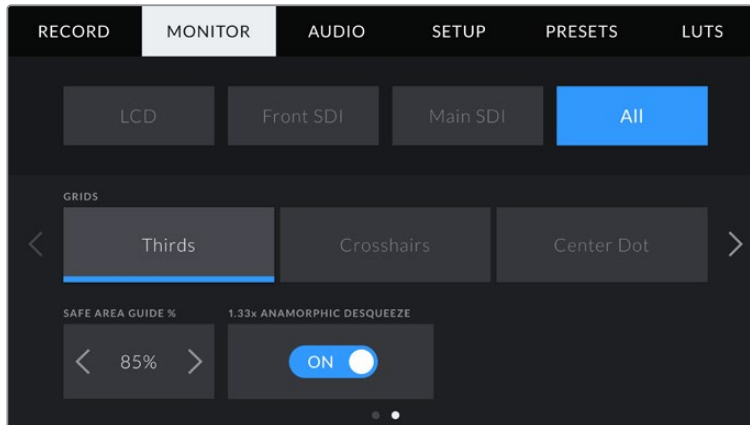
Este ícono aparece cuando la opción **STATUS TEXT** está activada y se ha aplicado una tabla de conversión a la imagen.



El ícono **LUT** permite determinar si se ha aplicado una tabla de conversión a la imagen.

## Pantalla de ajustes generales 2

La segunda pantalla de ajustes generales incluye las siguientes opciones:



### Cuadrículas

La opción **GRID** permite seleccionar el tipo de cuadrícula, marca o punto de referencia visualizado en la imagen.

Consulte el apartado *Características de la pantalla táctil* para obtener más información al respecto.

### Porcentaje del área de seguridad

La opción **SAFE AREA GUIDE %** permite ajustar el tamaño del área de seguridad sobre la imagen mediante las flechas situadas a ambos costados del número. Este porcentaje hace referencia al tamaño de dicha área con relación a la imagen. El valor exigido por la mayoría de las televisoras es de 90 %.

### Descompresión anamórfica

Al rodar con objetivos anamórficos, la imagen visualizada se comprime horizontalmente. Al activar la opción **ANAMORPHIC DESQUEEZE**, se corrige dicha distorsión y se registra el factor de descompresión en los metadatos del clip, a fin de tener en cuenta esta información durante la etapa de postproducción.

El factor de descompresión disponible varía según la resolución seleccionada en la cámara, pero la relación de aspecto de la imagen resultante siempre es de 2.4:1.

Por lo general, el factor de compresión de los objetivos anamórficos diseñados para producciones cinematográficas es de 2x. Al emplearlos con la cámara, la resolución 3K anamórfica permite realizar la descompresión correspondiente activando la opción **ANAMORPHIC DESQUEEZE**.

En términos generales, el factor de compresión de los objetivos diseñados para sensores digitales con una relación de 16:9 es de 1.33x, lo cual permite obtener imágenes en formato 2.4:1 empleando la totalidad del sensor. Por lo tanto, al seleccionar resoluciones tales como 4K 16:9 o HD 16:9 en la cámara, el factor de descompresión será de 1.33:1.

**SUGERENCIA:** Si la imagen aparece estirada en forma horizontal al filmar con un objetivo esférico estándar, asegúrese de que la opción 1.33x ANAMORPHIC DESQUEEZE esté activada.

## Ajustes de audio

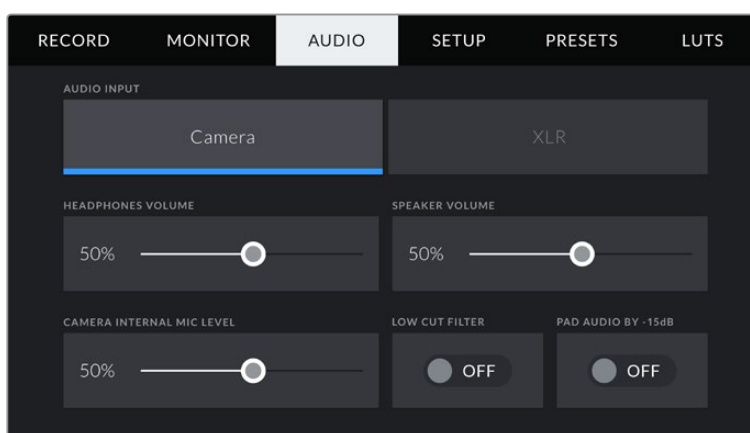
La pestaña **AUDIO** permite modificar diversos ajustes relativos a las fuentes de audio y su monitorización. Este menú es un tanto diferente en los modelos URSA Mini y URSA Mini Pro, de modo que los ajustes se describen por separado.

### Ajustes de audio en el modelo URSA Mini

Esta pantalla incluye los menús **Camera** y **XLR**, con distintas opciones según la fuente utilizada. A su vez, el menú **XLR** está compuesto por dos secciones. Para pasar de una a otra, pulse las flechas situadas a ambos costados de la pantalla o deslice el dedo sobre la misma hacia la izquierda o la derecha.

#### Cámara

Al seleccionar **Cámara**, es posible acceder a los siguientes ajustes:



#### Volumen de los auriculares

El control **HEADPHONES VOLUME** permite ajustar el volumen de los auriculares conectados a la cámara. Deslice el control hacia la izquierda o la derecha para modificarlo.

#### Volumen del altavoz

El control **SPEAKER VOLUME** permite modificar el volumen de salida para el altavoz integrado de la cámara. Deslice el control hacia la izquierda o la derecha para modificarlo.

#### Micrófono interno

El control **CAMERA INTERNAL MIC LEVEL** permite modificar el volumen de grabación. Deslice el control hacia la izquierda o la derecha para modificarlo. El micrófono graba el sonido en los canales de audio 1 y 2.

#### Filtro de corte bajo

La opción **LOW CUT FILTER** permite activar o desactivar el filtro que ayuda a reducir posible ruido ocasionado por el viento o murmullos que puedan ocurrir al grabar en exteriores. Nótese que la opción **PAD AUDIO BY -15 dB** debe estar desactivada para que esta prestación funcione correctamente.

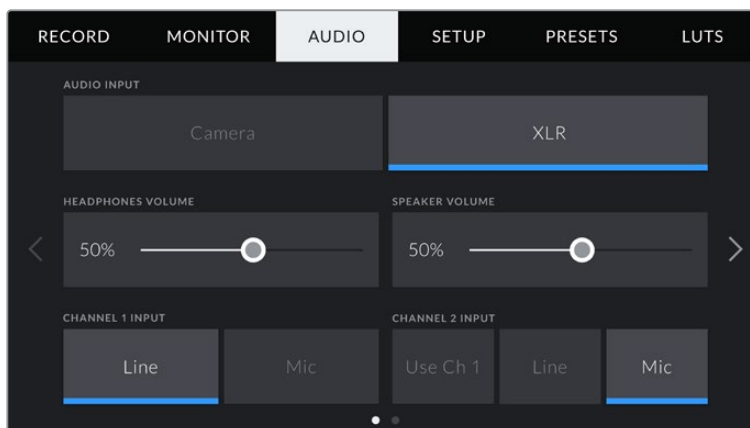
#### Reducción de ruido adicional

La opción **PAD AUDIO BY -15DB** permite reducir en mayor medida los niveles de ganancia del micrófono al filmar en un ambiente ruidoso, incluso después de disminuir la intensidad del volumen.



## Ajustes del audio XLR 1

Al seleccionar la opción **XLR** para la entrada de audio, el modelo URSA Mini proporciona distintos ajustes distribuidos en dos pantallas diferentes. En la primera, se incluyen los siguientes parámetros.



### Volumen de auriculares

El control **HEADPHONES VOLUME** permite ajustar el volumen de los auriculares conectados a la cámara. Deslice el control hacia la izquierda o la derecha para modificarlo.

### Volumen del altavoz

El control **SPEAKER VOLUME** permite modificar el volumen de salida para el altavoz integrado de la cámara. Deslice el control hacia la izquierda o la derecha para modificarlo.

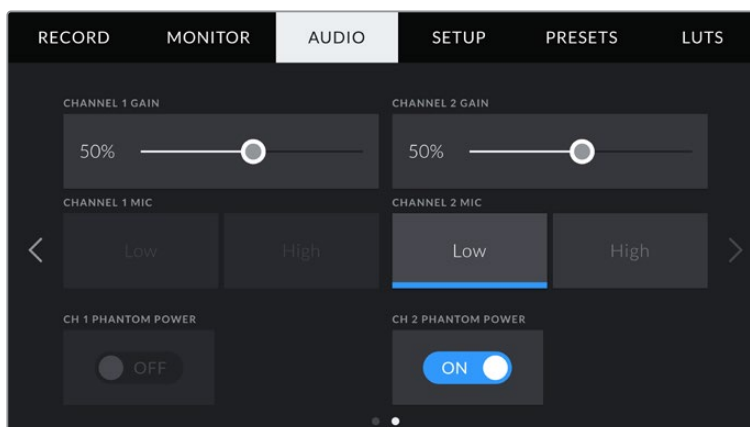
### Entrada para los canales 1 y 2

Para configurar el nivel de entrada del audio externo en las opciones **CHANNEL 1 INPUT** y **CHANNEL 2 INPUT**, seleccione **Line** o **Mic**. Estas corresponden al nivel de línea o micrófono con alimentación fantasma de 48 V. Es importante seleccionar el nivel adecuado según la señal de audio. Es posible configurarlas de manera independiente.

El canal 2 también brinda la posibilidad de utilizar la entrada del canal 1 para grabar el audio externo del canal 1 en ambos canales.

## Ajustes del audio XLR 2

En la segunda pantalla, se incluyen los siguientes parámetros.



### Ganancia en los canales 1 y 2

Mueva el control hacia la izquierda o derecha en las opciones **CHANNEL 1 GAIN** y **CHANNEL 2 GAIN** a fin de modificar el volumen de cada canal.

### Micrófono para los canales 1 y 2

Las opciones **CHANNEL 1 MIC** y **CHANNEL 2 MIC** permiten ajustar en mayor medida los niveles de ganancia de un micrófono externo al seleccionar el nivel de preamplificación **Low** o **High**. La opción **Low** puede resultar útil al filmar en un ambiente ruidoso, incluso después de disminuir la intensidad del audio entrante.

### Alimentación fantasma para los canales 1 y 2

Las entradas XLR del modelo URSA Mini brindan la posibilidad de utilizar la alimentación fantasma de 48 V, a fin de emplear micrófonos autónomos. Al seleccionar la entrada de audio **XLR**, se puede activar o desactivar este tipo de alimentación desde las opciones **CH 1 PHANTOM POWER** y **CH 2 PHANTOM POWER**.

**NOTA:** En general, siempre se conecta el cable XLR antes de activar el modo de alimentación fantasma. Es importante desactivar este modo de alimentación cuando ya no haya un micrófono conectado. Los dispositivos que no cuenten con la protección adecuada en las salidas AES XLR pueden resultar dañados al intentar suministrarles corriente eléctrica mediante las entradas XLR de la cámara. Asimismo, el modelo URSA Mini puede tardar unos momentos en desacargarse después de desactivar el modo de alimentación fantasma. Recomendamos esperar unos minutos antes de volver a conectar otros micrófonos o equipos con conexiones XLR.

## Ajustes de audio en el modelo URSA Mini Pro

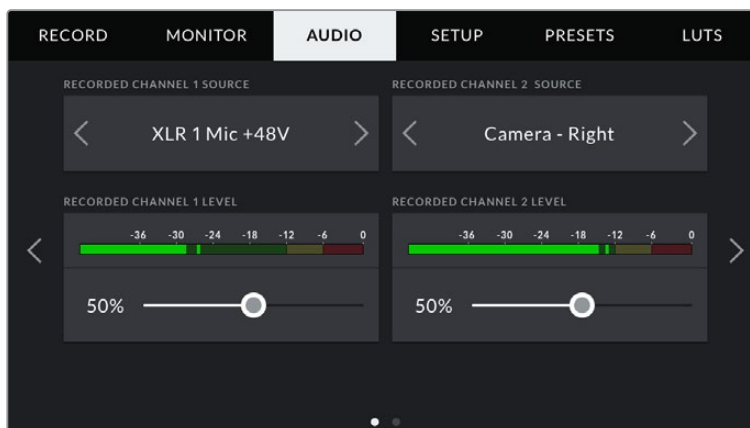
Los ajustes de audio para este modelo se distribuyen en dos pantallas y, a su vez, están divididos según los canales 1 y 2. Cabe señalar que se añadirán dos canales más en una próxima actualización del sistema operativo interno.

Es posible asignar cada canal a una fuente diferente, así como ajustar diversos parámetros.

Estos ajustes funcionan junto con los interruptores situados en el panel de control interno de la cámara. Una vez que se escoge una fuente para un canal determinado, es posible utilizar dichos interruptores para especificar el tipo de señal y activar el modo de alimentación fantasma.

### Ajustes de audio 1

La primera pantalla incluye las siguientes opciones:



## Fuente del canal

Las opciones **RECORDED CHANNEL 1 SOURCE** y **RECORDED CHANNEL 2 SOURCE** permiten seleccionar una fuente de audio para cada canal. Las opciones son las siguientes:

### Cámara - Estéreo

Las opciones **Camera - Left** y **Camera - Right** permiten grabar mediante el micrófono integrado de la cámara.

### Cámara - Mono

La opción **Camera - Mono** permite grabar el audio de los canales izquierdo y derecho captados por el micrófono integrado de la cámara en un solo canal.

### XLR 1 o 2

Las opciones **XLR 1** y **XLR 2** permiten grabar el audio mediante las entradas XLR de la cámara. Según la señal de audio seleccionada, las opciones disponibles son **MIC**, **LINE** o **AES**. Al activar el modo de alimentación fantasma y seleccionar esta opción, verá un interruptor denominado **+48V**. Es importante asegurarse de que el interruptor **+48V** está en la posición **OFF** al desconectar el micrófono con alimentación fantasma.

### XLR 1 o 2 - Micrófono de respaldo

Las opciones **XLR 1 - Mic Backup** y **XLR 2 - Mic Backup** permiten grabar audio desde un micrófono conectado a las entradas XLR de la cámara, a un volumen más bajo que el estándar. Esto permite evitar la pérdida de audio en caso de un aumento inesperado del volumen. Cabe destacar que esta opción solo está disponible cuando se selecciona **MIC** para la entrada XLR 1 o 2.

### Ninguna

La opción **NONE** permite desactivar el canal de audio.

## Volumen de grabación en los canales 1 y 2

Los controles **RECORDED CHANNEL 1 LEVEL** y **RECORDED CHANNEL 2 LEVEL** permiten ajustar el volumen de grabación para las fuentes correspondientes a los canales 1 y 2. Cada uno incluye un vúmetro que facilita el ajuste. Asimismo, los vúmetros reflejan los cambios realizados mediante las perillas situadas en el panel de control ergonómico.

Mantenga los niveles de audio por debajo de los 0 dBFS para obtener la mejor calidad de sonido. Este valor representa el nivel máximo al cual la cámara puede registrar el audio, y si se excede, podría ocurrir una distorsión.

## Ajustes de audio 2

La segunda pantalla incluye las siguientes opciones:



Ajustes para indicadores de audio en las versiones URSA Mini Pro 12K y URSA Mini Pro G1

### Volumen de los auriculares

El control **HEADPHONES VOLUME** permite ajustar el volumen de los auriculares conectados a la cámara. Deslice el control hacia la izquierda o la derecha para modificarlo. Asimismo, el indicador de volumen refleja los cambios realizados mediante la rueda situada en el panel de control frontal.

### Volumen del altavoz

El control **SPEAKER VOLUME** permite modificar el volumen de salida para el altavoz integrado de la cámara. Deslice el control hacia la izquierda o la derecha para modificarlo. Asimismo, el volumen se actualiza al utilizar la rueda situada en el panel de control frontal.

### Atenuar -20 dB la entrada XLR

La opción **PAD AUDIO BY -20dB** permite reducir en mayor medida los niveles de ganancia de las entradas de audio al filmar en un ambiente ruidoso, incluso después de disminuir la intensidad del volumen.

### Atenuar -15 dB el micrófono de la cámara

La opción **PAD AUDIO BY -15DB** permite reducir en mayor medida los niveles de ganancia del micrófono al filmar en un ambiente ruidoso, incluso después de disminuir la intensidad del volumen.

### Filtro de corte bajo para el micrófono interno

La opción **CAM LOW CUT FILTER** permite activar o desactivar el filtro que ayuda a reducir posible ruido ocasionado por el viento o murmullos que puedan ocurrir al grabar en exteriores. Nótese que la opción **PAD CAM MIC -15 dB** debe estar desactivada para que esta prestación funcione correctamente.

### Medidores de audio

Seleccione una de las opciones disponibles para el picómetro.

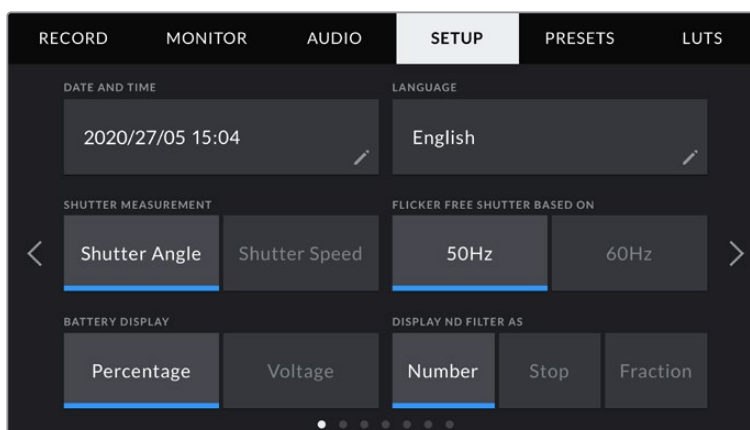
Opciones	Estándar
PPM (-20 dBFS)	SMPTE RP.0155
PPM (-18 dBFS)	EBU R.68

## Ajustes generales

La pestaña **SETUP** incluye opciones para identificar la cámara y configurar los botones personalizables, además de otros ajustes que no están directamente vinculados a la grabación o supervisión de imágenes. Este menú está compuesto por grupos de ajustes a los que es posible acceder pulsando las flechas situadas a los costados de la pantalla táctil o deslizando el dedo hacia la izquierda o la derecha.

**NOTA:** Es posible que existan diferencias en de diseño en la pestaña de preferencias de las distintas versiones URSA Mini. Por ejemplo, la interfaz del modelo URSA Mini Pro 4.6K G2 presenta cinco grupos de ajustes, mientras que la cámara URSA Mini Pro 12K cuenta con siete.

El modelo URSA Mini incluye las siguientes opciones:



En las versiones URSA Mini Pro 12K, URSA Mini Pro 4.6K G2 y URSA Mini Pro 4.6K, el primer grupo de ajustes incluye una opción para mostrar el ícono correspondiente a los filtros de densidad neutra. Debido a que los modelos URSA Mini 4.6K y URSA Mini 4K no cuentan con filtros de densidad neutra integrados, esta opción no está disponible.

### Fecha y hora

La opción **DATE AND TIME** permite seleccionar la fecha y la hora de la cámara. El formato de la fecha corresponde a año, mes y día, y la hora se expresa en el sistema de 24 horas. Esta información también se emplea para determinar el código de tiempo según la hora del día si no se detecta un dispositivo externo de código de tiempo.

### Idioma

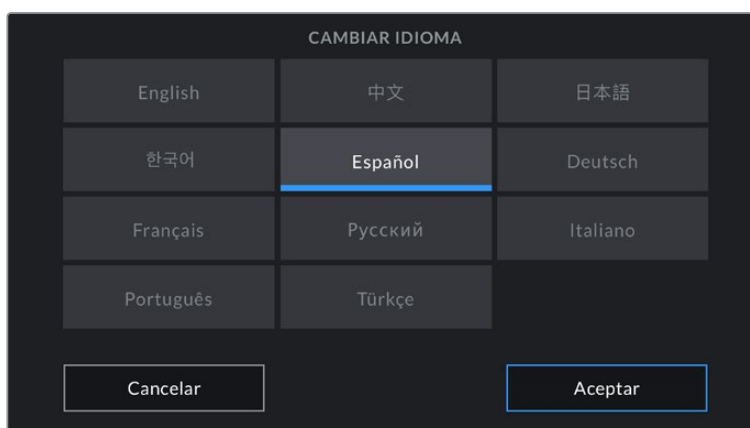
Actualmente, la interfaz de las versiones URSA Mini Pro 4.6K G2, URSA Mini 4.6K y URSA Mini 4K solo está disponible en inglés.

Por su parte, en los modelos URSA Mini Pro 12K y URSA Mini Pro 4.6K G1, es posible seleccionar otros idiomas, tales como español, inglés, alemán, francés, italiano, chino, japonés, coreano, ruso, turco y portugués.

El idioma puede seleccionarse durante la configuración inicial.

#### Para seleccionar el idioma:

- 1 Pulse **LANGUAGE** y elija una de las opciones disponibles.
- 2 Pulse **Update** para regresar al menú de configuración.



### Opciones del obturador

En los modelos URSA Mini 4.6K y URSA Mini Pro, el ajuste **SHUTTER MEASUREMENT** permite ver la información relacionada con el obturador en función del ángulo o la velocidad.

Cabe destacar que el ángulo de obturación se ajusta según la frecuencia de imagen. Por ejemplo, 180 grados generan el mismo desenfoque de movimiento, independientemente de la frecuencia seleccionada.

Sin embargo, al usar la velocidad de obturación, el valor absoluto del obturador se determina sin importar la frecuencia de imagen, de modo que si cambiamos este parámetro, los resultados obtenidos serán diferentes.

Por ejemplo, al grabar a 24 f/s, una velocidad de obturación de 1/48 s creará un desenfoque de movimiento agradable, equivalente a un ángulo de 180 grados. Si modificamos la frecuencia de imagen a 48 f/s y conservamos la velocidad de obturación, ya no logramos el mismo desenfoque, sino que obtenemos el equivalente a un ángulo de 360 grados. En este caso, si cambiamos la frecuencia, también debemos ajustar la velocidad a 1/96 s, a fin de producir el mismo efecto que con un ángulo de 180 grados.

### Reducción de parpadeo

El ajuste **FLICKER FREE SHUTTER BASED ON** permite modificar la frecuencia eléctrica que utiliza el modelo URSA Mini para calcular los ajustes de la obturación sin parpadeo.

Al capturar contenido bajo luces artificiales, el obturador puede afectar la visibilidad del parpadeo. La cámara automáticamente calculará el valor de obturación sin parpadeo para la frecuencia de imagen seleccionada y mostrará hasta tres sugerencias en la pantalla. Dichos parámetros se ven afectados por la frecuencia del suministro eléctrico utilizado para controlar las luces. En la mayoría de los países donde se utiliza el estándar PAL, la frecuencia es 50 Hz, mientras que en los que emplean la norma NTSC es 60 Hz. Seleccione la opción **50 Hz** o **60 Hz** a fin de determinar la frecuencia más adecuada para su región.

**NOTA:** Las características de ciertas fuentes de luz pueden ocasionar parpadeo, incluso al emplear valores que eviten este tipo de artefacto. Se recomienda primero realizar una grabación de prueba previa cuando no se utilice una luz continua.

### Indicador de la batería

En el modelo URSA Mini, es posible modificar la forma en que se visualiza la carga restante de la batería. Los dos ajustes con **Percentage** y **Voltage**. Si se está utilizando un soporte y una batería compatibles con mediciones precisas, al seleccionar **Percentage**, se verá la carga restante expresada como un porcentaje.

**SUGERENCIA:** En el apartado *Instalación de baterías* se incluye una lista de modelos que permiten ver con precisión el porcentaje de carga restante.

En caso de que dichos componentes no admitan este tipo de lectura, el nivel, se indicará mediante cuatro barras que desaparecen a medida que la batería se agota.

Al seleccionar la opción **Voltage**, la carga restante se muestra en voltios. Recomendamos sustituir la batería cuando este valor se acerca a los 12 V.

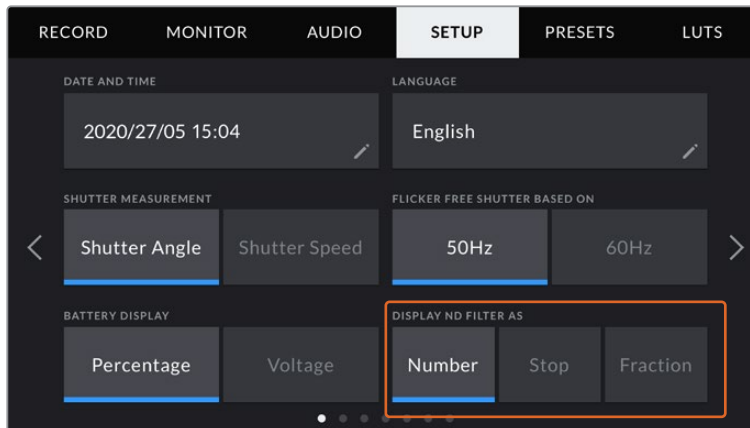
**SUGERENCIA:** También es posible alternar entre las opciones **Voltage** y **Percentage** pulsando en el ícono situado en la pantalla táctil LCD.

### Código de tiempo con omisión de fotogramas

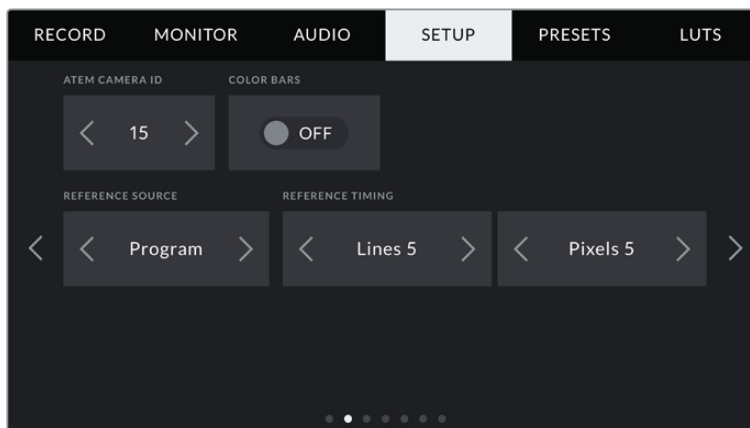
La opción **TIMECODE DROP FRAME** permite omitir fotogramas en el código de tiempo al utilizar frecuencias de imagen NTSC de 29.97 y 59.94 en el proyecto. Este tipo de código de tiempo ignora una cierta cantidad de fotogramas, teniendo en cuenta intervalos determinados. Este procedimiento respeta la precisión del código de tiempo del proyecto, a pesar de que cada segundo no contenga un número entero de fotogramas en las frecuencias de imagen NTSC.

### Indicador de filtros de densidad neutra

La opción **DISPLAY ND FILTER AS** permite seleccionar la forma en que se muestra la información correspondiente al filtro de densidad neutra en la pantalla. Cada opción corresponde a una convención diferente. Los cineastas suelen emplear un número, mientras que los usuarios familiarizados con las cámaras DSLR o de estudio prefieren la información en pasos f, o como una fracción de la cantidad de luz disponible. Las opciones disponibles son **Number**, **Stop** o **Fraction**, respectivamente.



Menú de ajustes en el modelo URSA Mini Pro con opción para personalizar la manera en la que se muestra la información sobre los filtros de densidad neutra.



Nótese que la opción **Program Audio** solo está disponible en el modelo URSA Mini Pro.

### Identificación en mezcladores ATEM

Al emplear el modelo URSA Mini con un mezclador ATEM, es preciso identificar la cámara con un número para que pueda recibir la señal que permite encender y apagar la luz piloto. Esto brinda la posibilidad de garantizar que el dispositivo envíe la señal a la cámara indicada. La opción **ATEM CAMERA ID** permite identificar la cámara con cualquier número entre 1 y 99 utilizando las flechas hacia la derecha o izquierda. El valor predeterminado es 1.

### Barras de color

Es posible que resulte más conveniente visualizar barras de color al conectar una cámara URSA Mini a un mezclador o monitor externo. Cuando estas se aparecen en el monitor o en la pantalla del mezclador, se ha establecido la conexión entre dichos dispositivos y la cámara y se puede calibrar la pantalla según el color de las barras. Esta función se activa o desactiva desde la opción **COLOR BARS**.

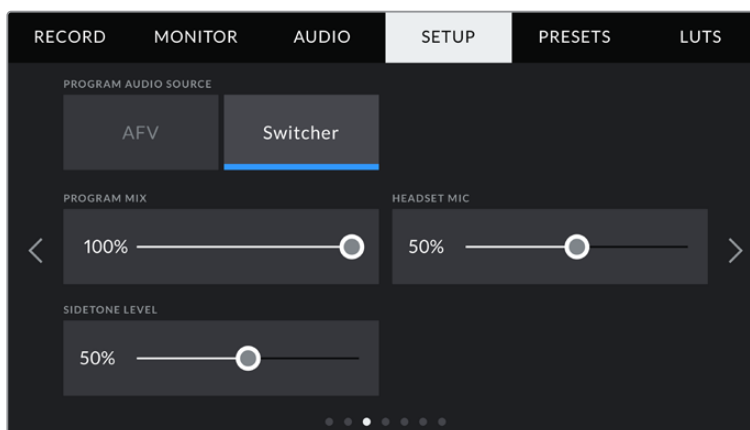
### Fuente de referencia

La opción **REFERENCE SOURCE** permite seleccionar la fuente de referencia. El modelo URSA Mini puede sincronizarse según una referencia interna o externa, o la señal principal transmitida desde un mezclador ATEM. Al utilizar la función de control de cámaras del mezclador, asegúrese de seleccionar la opción **Program**, a no ser que dicho dispositivo y todas las cámaras conectadas al mismo estén sincronizados con una señal de referencia externa.

**NOTA:** Al seleccionar la señal de referencia en los modelos URSA Mini, es posible que se produzca un salto en las imagen transmitida. Esto se debe a que la cámara se sincroniza con la fuente externa seleccionada. Por tal motivo, es importante no llevar a cabo este procedimiento durante una producción.

### Señales de referencia

La opción **REFERENCE TIMING** permite ajustar manualmente el modo de referencia según líneas o píxeles. Las flechas situadas a los laterales de las opciones **lines** y **pixels** permiten seleccionar los ajustes correspondientes.



### Fuente - Audio del programa

Este ajuste solo está disponible en las versiones URSA Mini Pro. Si la cámara se encuentra conectada a un mezclador, esta opción permite priorizar la señal de retorno del audio como fuente de entrada para combinarla con la del sistema de comunicación al realizar una monitorización mediante auriculares. Esto resulta conveniente cuando es necesario escuchar el audio del programa, aunque el sonido captado por la cámara no se transmita al mezclador. Al desactivarla, se prioriza el audio registrado por los micrófonos internos de la cámara o recibido a través de las entradas XLR.

### Mezcla de audio

La opción **PROGRAM MIX** permite cambiar el balance entre el sonido de la cámara y el del intercomunicador. La señal de audio se transmitirá por los auriculares según el modo activo indicado en la pantalla. Por ejemplo, al filmar, se escuchará el audio de la cámara. Al reproducir las imágenes transmitidas al aire, se escuchará el audio correspondiente al programa. El valor preestablecido es 100 %.

### Volumen del auricular

Mueva el control **HEADSET MIC** hacia la derecha o la izquierda para aumentar o disminuir el volumen de entrada al micrófono. El valor predeterminado es 50 %.

### Efecto local

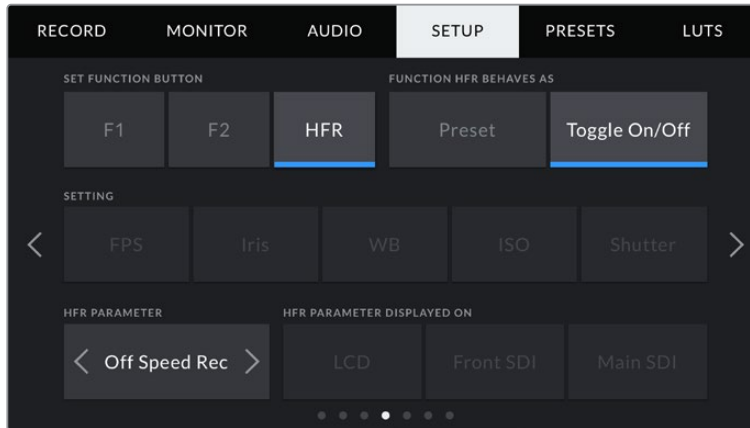
Mueva este control para ajustar el volumen de su propia voz al escucharla por los auriculares.



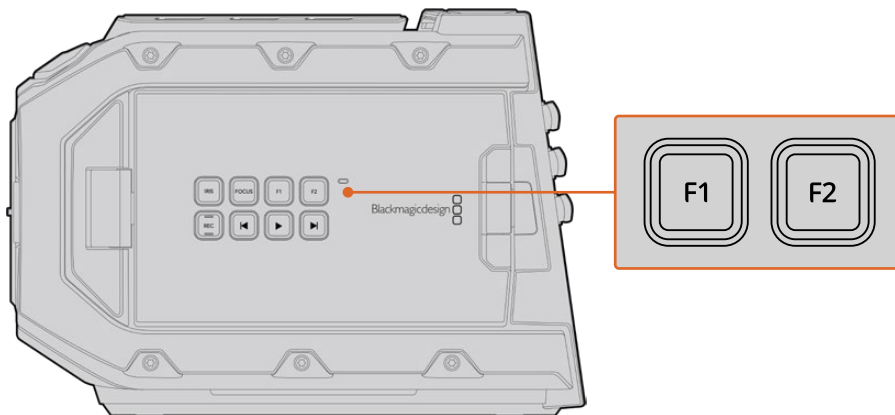
## Configuración de los botones F1 y F2

En el exterior de la pantalla táctil LDC del modelo URSA Mini, se encuentran los botones **F1** y **F2**, a los que es posible asignarles las funciones más utilizadas. Asimismo, se puede acceder rápidamente a ellos cuando la pantalla plegable está cerrada, por ejemplo, al emplear el accesorio URSA Viewfinder.

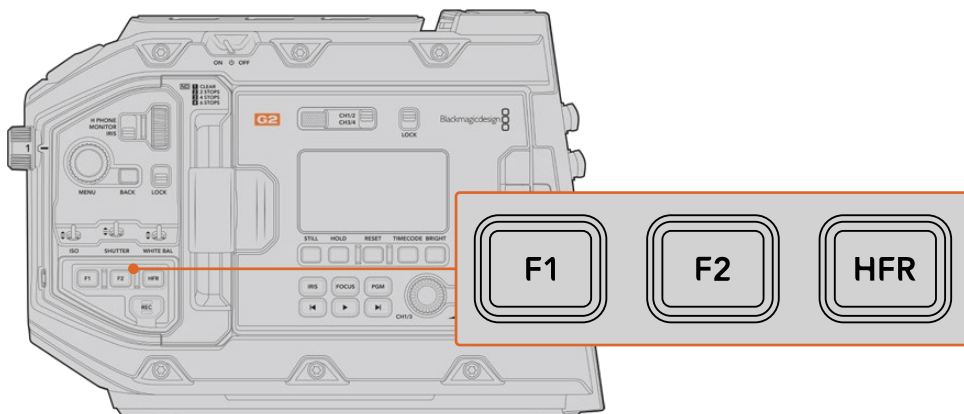
Además, es posible asignar el botón **HFR** a otra función o desactivarlo en las versiones URSA Mini Pro 12K, URSA Mini Pro 4.6K G2 y URSA Mini Pro 4.6K. Nótese que la función asignada por defecto al botón **HFR** es la que permite seleccionar una frecuencia de grabación independiente.



Es posible asignar el botón **HFR** a otra función en las versiones URSA Mini Pro 12K, URSA Mini Pro 4.6K G2 y URSA Mini Pro 4.6K.



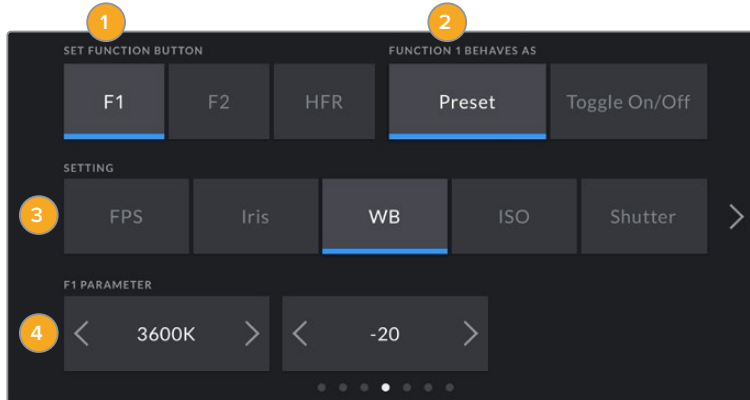
Los botones **F1** y **F2** del modelo URSA Mini se encuentran en el exterior de la pantalla plegable.



Es posible personalizar los botones **F1**, **F2** y **HFR** o desactivarlos en las versiones URSA Mini Pro 12K, URSA Mini Pro 4.6K G2, URSA Mini Pro 4.6K y URSA Mini 4.6K.

**SUGERENCIA:** Al emplear objetivos B4 con conectores, también es posible asignar funciones a los botones **VTR** y **RET**.

Para configurar estos botones, es necesario determinar las siguientes opciones:



1 Botón 2 Función 3 Ajustes 4 Parámetro

### Función

Una vez que se selecciona el botón deseado, es posible determinar su función mediante la opción **FUNCTION 1/2 BEHAVES AS**. Asimismo, es posible asignar el botón **HFR** a otra función en las versiones URSA Mini Pro 12K, URSA Mini Pro 4.6K G2, URSA Mini 4.6K y URSA Mini 4.6K.

Las opciones disponibles son las siguientes:

#### Ajuste

Al seleccionar la opción **Preset**, cuando se presiona el botón indicado, se muestra la combinación de un ajuste y un parámetro.

Para configurar un ajuste predeterminado, elija una opción en el menú **SETTING** y luego modifíquelo utilizando las flechas situadas a los laterales del menú **PARAMETER**.

Por ejemplo, para que el botón **F1** implemente una apertura predeterminada de f8, seleccione la función **Preset**, pulse **Iris** y luego, utilice las flechas situadas a los laterales del menú **PARAMETER** hasta encontrar la opción f8. Al pulsar nuevamente esta opción, se restablece el ajuste anterior de la cámara.

#### Aumentar/disminuir

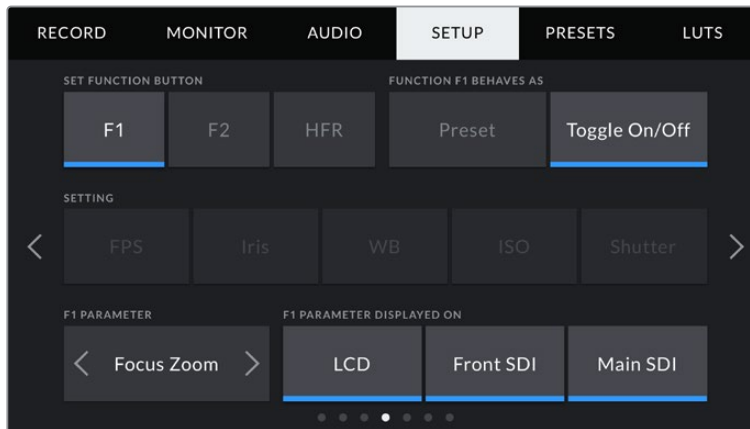
Al seleccionar la opción **Up/Down**, cuando se presione el botón indicado, se aumenta o disminuye el valor de un determinado ajuste.

Por ejemplo, se puede configurar que el botón **F1** aumente la apertura del objetivo, y que el botón **F2** la disminuya. Para ello, seleccione las opciones **F1, Up/Down** y **Up**. Se debe indicar lo mismo para el botón **F2**, aunque el parámetro será **Down**.

#### Activar y desactivar ajustes

Al seleccionar la opción **Toggle On/Off**, se activa o desactiva un determinado ajuste. En este caso, el menú **SETTING** se encuentra inhabilitado. Por lo tanto, es posible utilizar las flechas situadas a los costados del menú **PARAMETER** para seleccionar una de las opciones disponibles: **OFF SPEED RECORDING, COLOR BARS, PUSH TO TALK, CLEAN FEED, DISPLAY LUT, FRAME GUIDES, FOCUS ASSIST, FALSE COLOR** y **ZEBRA**. También se incluye la opción **NONE** en el modelo URSA Mini Pro.

La versión URSA Mini Pro 12K ofrece una opción adicional para ampliar la imagen en la pantalla. Consulte el apartado correspondiente para obtener más información al respecto. Cuando la opción **FOCUS ZOOM** está activada para las salidas SDI, es posible mover área seleccionada mediante la rueda de menús y ajustar el nivel de aumento con el control del diafragma.

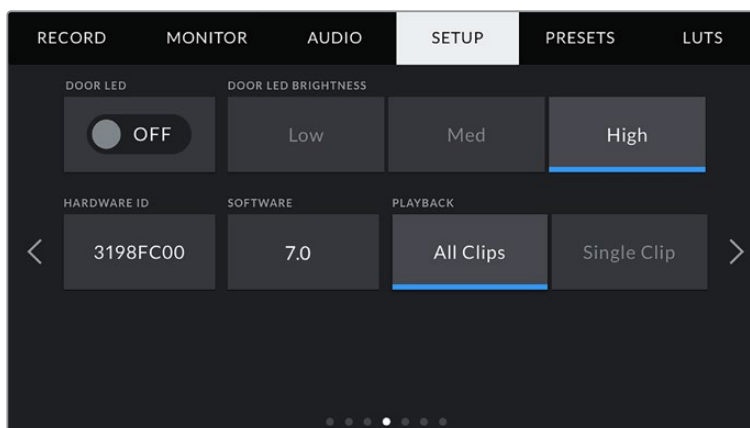


La función **Ampliar imagen** puede asignarse a las imágenes transmitidas mediante las salidas **LCD**, **SDI frontal** o **SDI principal**. Seleccione las tres para lograr mejores resultados.

Asimismo, se brinda la posibilidad de elegir la señal a la que se aplican dichos ajustes. Basta con pulsar una de las opciones que aparecen. Si una de ellas no está disponible, por ejemplo **COLOR BARS**, los ajustes **LCD**, **Front SDI** y **Main SDI** estarán desactivados. En el modelo URSA Mini Pro, es posible desactivar los botones de función **F1**, **F2** y **HFR** al seleccionar **NONE**.

**NOTA:** Cuando la función **Ampliar imagen** se aplica a la señal transmitida mediante las salidas **LCD**, **SDI frontal** o **SDI principal**, los ajustes aplicados a la salida frontal (por ejemplo, el indicador de enfoque o tablas LUT 3D) se mantendrán al ampliar la imagen. Sin embargo, cabe destacar que otros elementos, tales como las guías de encuadre o la cuadrícula, no se mostrarán.

Asimismo, se pueden asignar funciones personalizadas a los botones **RET** y **VTR** en la versión URSA Mini Pro 4.6K G1 cuando se emplean objetivos B4. Por ejemplo, al grabar mediante un dispositivo HyperDeck, dichos botones pueden utilizarse para comunicarse con otros integrantes del equipo.



### Luz indicadora

El modelo URSA Mini Pro cuenta con un indicador LED cerca del botón de grabación en el panel frontal que proporciona información sobre la señal al aire. Es posible emplear la

opción **STATUS LED** para activar o desactivar dicha función. En la versión URSA Mini, está situada en la parte exterior de la pantalla LCD, junto al botón **F2**, y corresponde a la opción **DOOR LED** en la pestaña **SETUP**.

Los diferentes indicadores son los siguientes:

<b>Blanco</b>	La cámara está encendida y en modo de espera.
<b>Rojo</b>	La cámara está grabando. Si el indicador se enciende y se apaga lentamente, significa que la capacidad del soporte de almacenamiento se está agotando. Si titila a mayor velocidad, se advierte la omisión de fotogramas.
<b>Verde</b>	La cámara se encuentra en modo de reproducción. El indicador led alterna lentamente entre verde y apagado cuando se reproduce un clip, y parpadeará tres veces en verde y blanco cuando la cámara reconoce el soporte de almacenamiento introducido.
<b>Naranja</b>	Si la carga de la batería es baja, el indicador alterna entre naranja y el color correspondiente al modo en el que se encuentra la cámara. Por ejemplo, al grabar, el led cambia entre naranja y rojo. Si la cámara se encuentra en modo de espera, el indicador alterna entre naranja y blanco. El nivel de carga baja de la batería es de 20 % para las unidades que brindan información precisa sobre dicho nivel, o en su defecto 12.5 V.

#### Brillo de la luz indicadora

La opción **STATUS LED BRIGHTNESS** permite seleccionar la intensidad del led indicador de la luz piloto.

#### Identificador

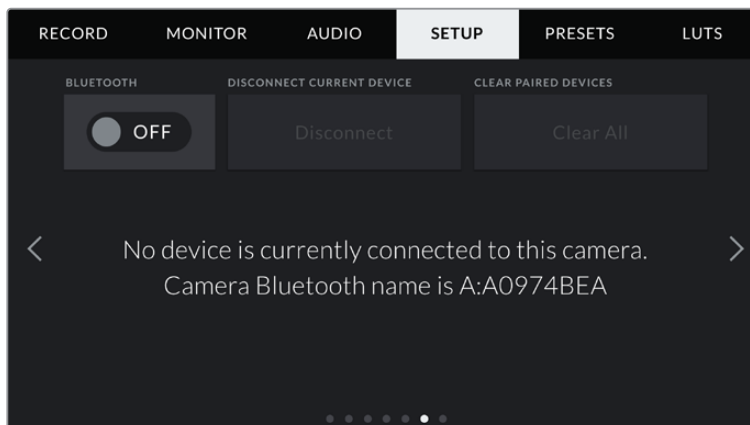
El indicador **HARDWARE ID** muestra 8 caracteres que identifican la cámara URSA Mini y son exclusivos de cada unidad. Por otra parte, los metadatos del archivo Blackmagic RAW y ProRes incluyen una versión de 32 caracteres de este identificador. Esto puede resultar útil para identificar el material grabado con una determinada cámara si los nombres de los archivos se cambian, pero el identificador sigue siendo el mismo.

#### Soporte informático

La opción **SOFTWARE** muestra la versión instalada en la cámara URSA Mini. Consulte el apartado *Programa utilitario de la cámara* para obtener más información al respecto.

#### Reproducción

La opción **PLAYBACK** permite reproducir una o todas las secuencias. Al elegir **All Clips**, se reproducen todos los archivos en orden. Mediante la opción **Single Clips** se reproduce solo uno determinado. Lo mismo sucede al activar la función de reproducción continua, es decir, se reproducen todos los clips almacenados en el soporte de grabación de manera continua o solo uno en particular, según la opción elegida.



El nombre Bluetooth de la cámara está compuesto por su letra y una identificación de 8 caracteres.

### Tecnología Bluetooth®

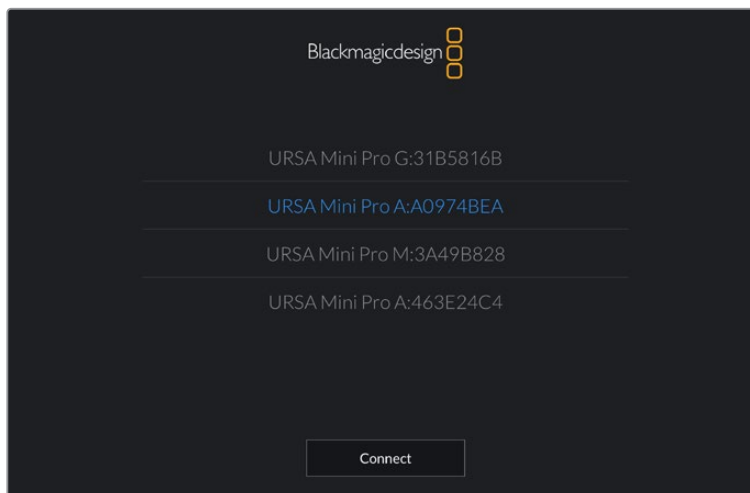
En el modelo URSA Mini Pro, esta opción permite controlar la cámara desde un dispositivo portátil. Mediante la aplicación Blackmagic Camera Control, es posible encender o apagar la unidad, modificar ajustes, cambiar los metadatos o iniciar la grabación de forma remota desde un iPad. Para activar o desactivar esta función, pulse el interruptor **Bluetooth** en el menú **Setup**. Cuando la conexión Bluetooth está activada, la cámara puede detectarse a una distancia aproximada de 9 metros.

Dado que el modelo URSA Mini Pro emplea los mismos comandos tanto para la conexión Bluetooth como para el protocolo de control SDI para cámaras, el usuario cuenta con la posibilidad de desarrollar sus propias aplicaciones para controlar prácticamente todos los parámetros de la cámara, desde el objetivo y los ajustes del audio hasta las herramientas integradas de DaVinci Resolve.

Consulte el apartado *Protocolo de control SDI de cámaras de Blackmagic* para obtener más información al respecto.

#### Para vincular la cámara con un iPad por primera vez:

- 1 Para activar esta función, pulse el interruptor **Bluetooth** en el menú **Setup** del modelo URSA Mini Pro.
- 2 Abra la aplicación Blackmagic Camera Control y seleccione la cámara que desea vincular al dispositivo. Las unidades disponibles aparecen ordenadas según su código identificador, por ejemplo, A:A0974BEA.



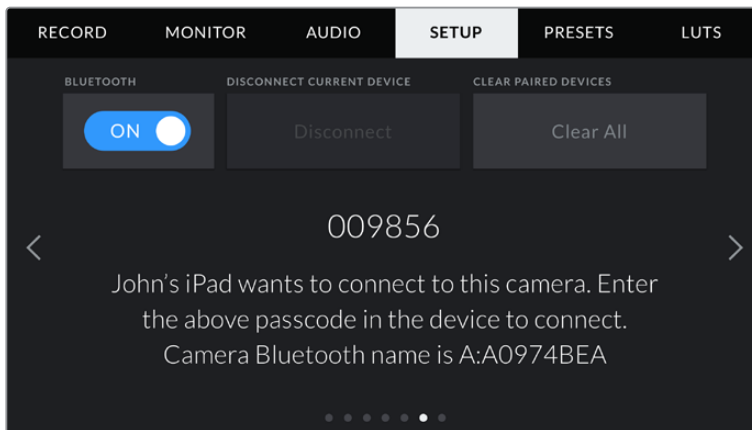
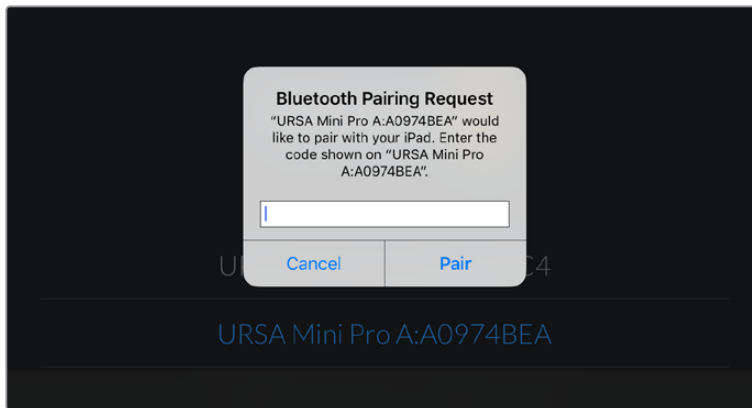
Seleccione la cámara URSA Mini Pro que desea vincular.

**NOTA:** Al instalar y ejecutar la aplicación Blackmagic Camera Control por primera vez, aparecerá el mensaje **Allow location access**. Si selecciona **While using the app** en esta opción, los datos del GPS de su iPad se incluirán en los metadatos de los archivos almacenados, permitiéndole de esta manera saber dónde se grabó el material. Dicha información también puede verse en el programa DaVinci Resolve 14 o una versión posterior.

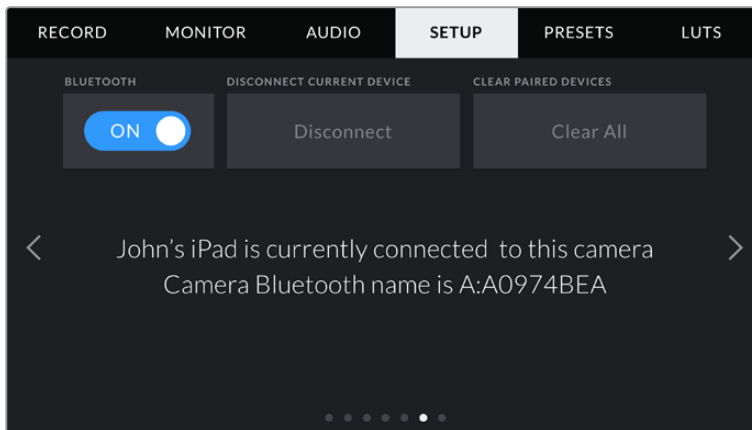
Si no desea utilizar esta prestación, seleccione la opción **Never**.

Para modificar los ajustes, seleccione la opción **Settings**, luego **Privacy**, a continuación **Location services**, y por último **Camera control** en el dispositivo iPad.

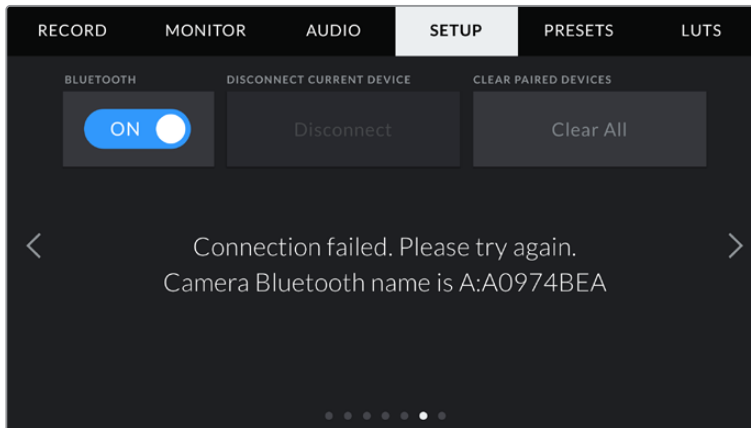
- 3 Al intentar conectarla por primera vez, la aplicación Blackmagic Camera Control le solicitará un código de seis dígitos para vincular la cámara. Este aparecerá en la pantalla de la unidad. Ingrese el código en el iPad.



- 4 Verá un mensaje en la pantalla confirmando que la cámara está vinculada al dispositivo.



- 5 En caso de error, aparecerá el siguiente mensaje:



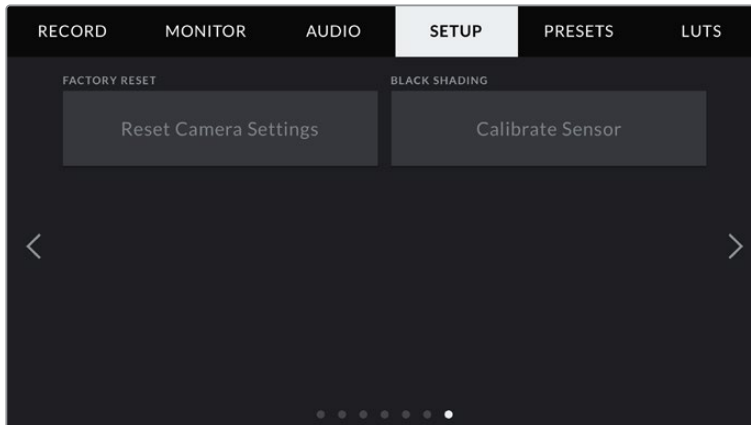
**NOTA:** Si no utiliza la función Bluetooth para controlar la cámara, recomendamos desactivarla por motivos de seguridad.

#### Desconectar dispositivo

La opción **Disconnect Current Device** permite desvincular la cámara del iPad al cual está conectada.

#### Borrar dispositivos vinculados

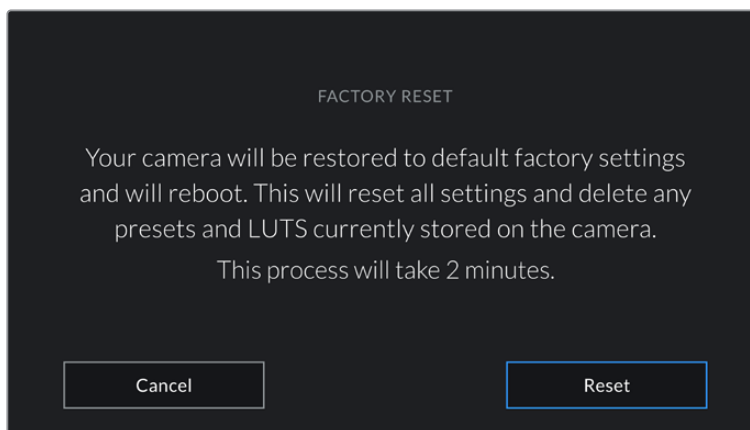
La opción **Clear Paired Devices** permite borrar la lista de dispositivos a los cuales la cámara se ha vinculado.



#### Restablecer la configuración de fábrica

La opción **FACTORY RESET** permite restablecer la configuración original de la cámara. Dado que al realizar esto se eliminan todas las tablas de conversión y configuraciones predeterminadas almacenadas en la unidad, aparecerá un mensaje de confirmación, y deberá pulsar **Reset** para continuar. En el modelo URSA Mini Pro, este proceso puede demorar hasta dos minutos.

Conviene subrayar que al llevar a cabo este procedimiento, se eliminarán las tablas de conversión almacenadas en la unidad y los grupos de ajustes personalizados. En tal sentido, recomendamos exportarlos a una tarjeta de memoria, a fin de respaldarlos antes de restablecer la configuración original. Una vez finalizado el procedimiento, es posible importarlos a la cámara nuevamente. Es recomendable llevar a cabo una calibración con balance de negros.

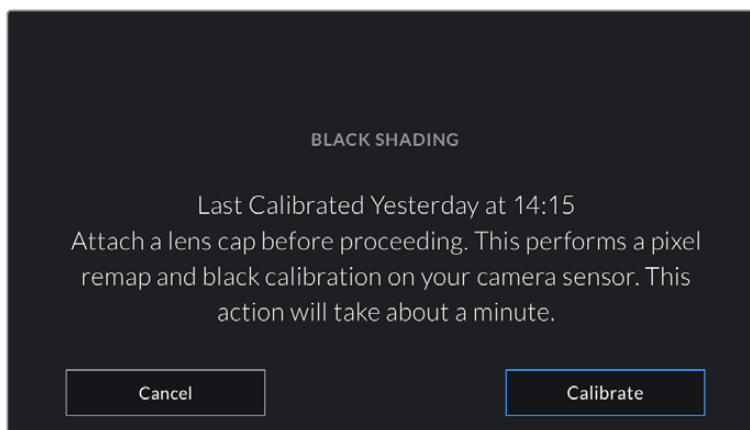


Al seleccionar la opción **FACTORY RESET**, se indica si desea continuar.

### **Balance de negros**

En las cámaras URSA Mini que cuentan con un sensor 4.6K, la función **BLACK SHADING** permite optimizar la calidad de la imagen calibrando el nivel del color negro. Recomendamos llevar a cabo este procedimiento luego de que la cámara haya estado funcionando durante algunos minutos. A tales efectos, cubra el sensor o el objetivo con la tapa protectora y luego pulse la opción **Calibrate**. Aparecerá un mensaje de confirmación, ya que el correcto funcionamiento de esta prestación requiere una preparación adecuada. La calibración demora unos segundos, y aparecerá una notificación cuando el procedimiento haya finalizado. La cámara recordará la fecha y la hora en la cual el balance de negros se realizó por última vez. Esto permite optimizar la calidad en las partes más oscuras de la imagen.

El modelo URSA Mini Pro 4.6K G2 ofrece una función adicional de calibración, la cual permite recalibrar el nivel del negro. Este procedimiento tarda un minuto aproximadamente.



Mensaje que recomienda realizar una calibración

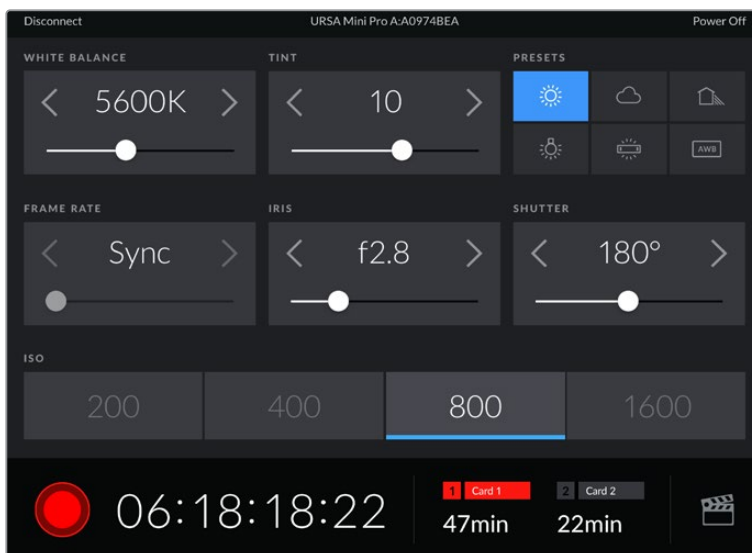
### **Calibración del sensor de movimiento**

Para calibrar el horizonte virtual en la versión URSA Mini Pro 12K, coloque la cámara sobre una superficie nivelada y seleccione la opción **Calibrar sensor de movimiento**. Es imprescindible que la cámara se mantenga estable durante todo el proceso. Esto debería tardar cinco segundos aproximadamente.

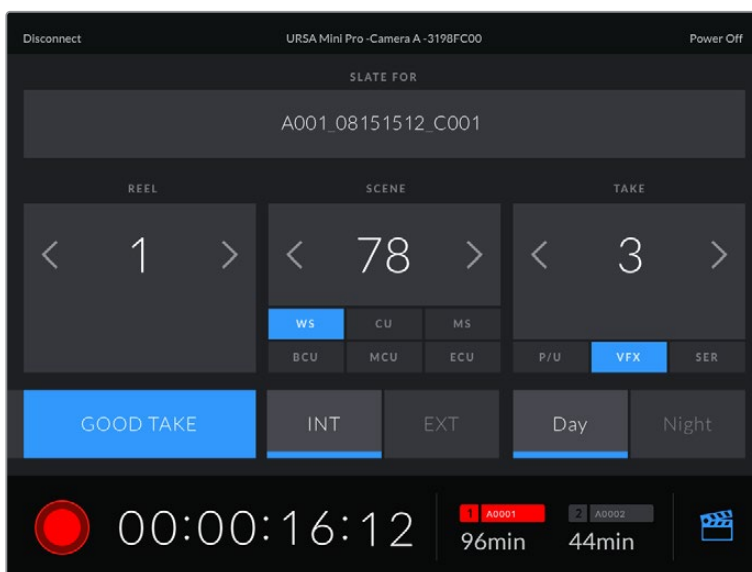


## Controlar la cámara con la aplicación Blackmagic Camera Control

Una vez vinculada la cámara URSA Mini Pro al iPad, es posible encenderla o apagarla, modificar ajustes, cambiar los metadatos o iniciar la grabación en forma remota mediante la aplicación para dicho dispositivo.



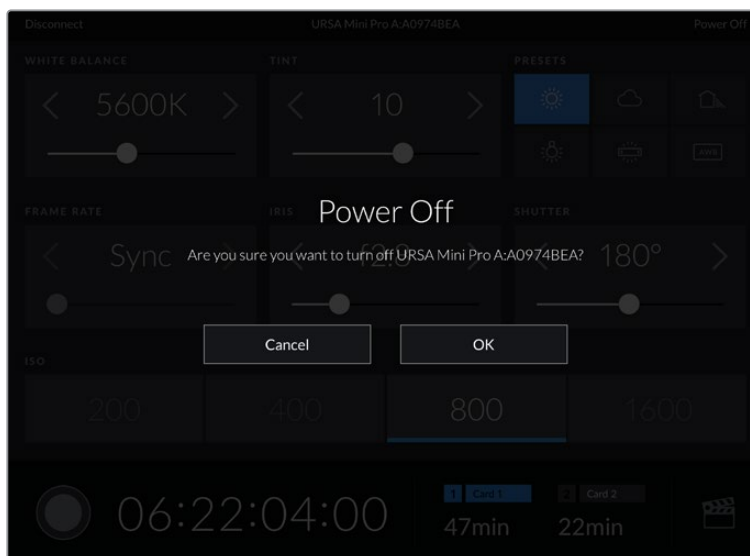
Una vez vinculada, la aplicación Blackmagic Camera Control mostrará esta pantalla que permite modificar ajustes y comenzar la grabación.



Pulse el ícono de la claqueta virtual, situado en la esquina inferior derecha, para acceder a ella y actualizarla.

La cámara URSA Mini Pro emplea tecnología Bluetooth de baja energía para intercambiar información de forma inalámbrica. Es el mismo tipo de protocolo que utilizan los dispositivos portátiles, de modo que consume una cantidad mínima de la batería.

Es posible apagar la cámara pulsando la opción **Power Off**, situada en la esquina superior derecha.



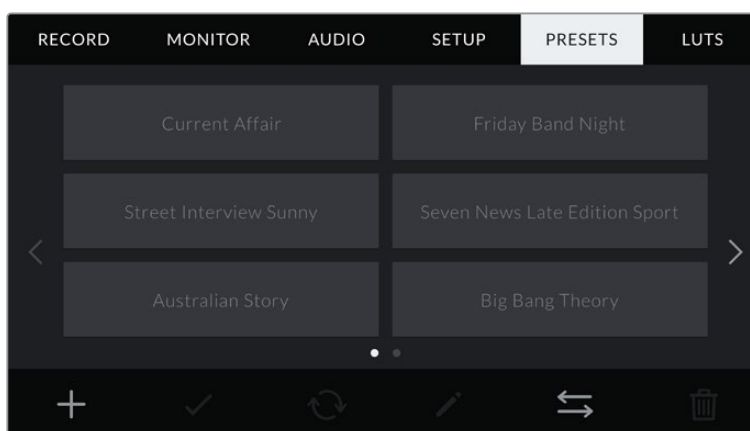
Aparecerá un mensaje preguntándole si desea confirmar la acción.

Si la opción Bluetooth se encuentra activada, aunque la cámara esté apagada, su nombre seguirá apareciendo en la lista de los dispositivos disponibles en la aplicación Blackmagic Camera Control. De este modo, es posible encender la cámara en forma remota seleccionando su nombre y pulsando **Connect**. El dispositivo no aparecerá en la lista si la opción Bluetooth está desactivada.

## Ajustes predeterminados

La pestaña **PRESETS** brinda la posibilidad de guardar y volver a utilizar un conjunto de ajustes en el modelo URSA Mini. Esto puede resultar muy útil cuando se emplea la cámara en varios proyectos. Por ejemplo, es posible que la unidad se utilice en rodajes que requieren distintos ajustes, tales como documentales o videoclips. Esta función permite guardar una configuración determinada para un proyecto específico, a fin de usar nuevamente estos ajustes cuando sea necesario. Cabe destacar que es posible que algunos ajustes almacenados en una cámara no sean compatibles con otro modelo o con versiones anteriores del software. Las actualizaciones más recientes del sistema operativo están disponibles en el centro de soporte técnico de Blackmagic Design.

Asimismo, es posible importar y exportar configuraciones predeterminadas, lo que resulta conveniente en rodajes con varias cámaras. Basta con crear la configuración requerida para el proyecto y exportarla a las unidades URSA Mini que se utilizarán en el set de grabación.



Pestaña **PRESETS** en el modelo URSA Mini

**NOTA:** El modelo URSA Mini permite almacenar hasta 12 configuraciones predeterminadas en su memoria interna.

### Botones para ajustes predeterminados

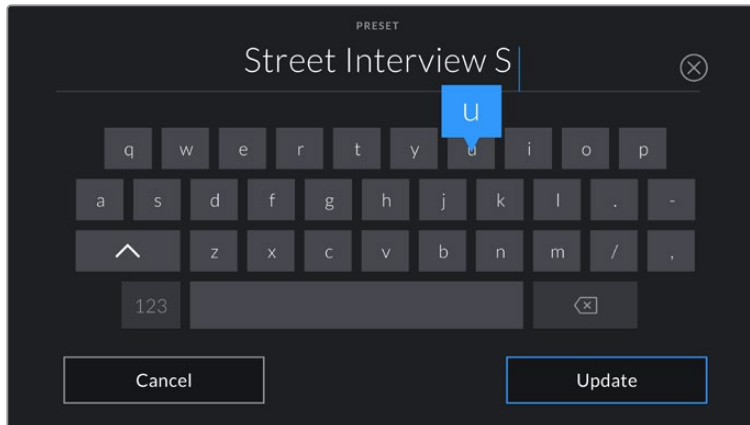
Los íconos situados en la parte inferior del menú **PRESETS** corresponden a las siguientes funciones:



### Guardar y cargar configuraciones predeterminadas

Para crear una configuración predeterminada, pulse el primer ícono. Aparecerá un teclado en pantalla mediante el cual se puede ingresar el nombre deseado. Luego, pulse el tercer ícono para guardar todos los ajustes seleccionados en dicha configuración.

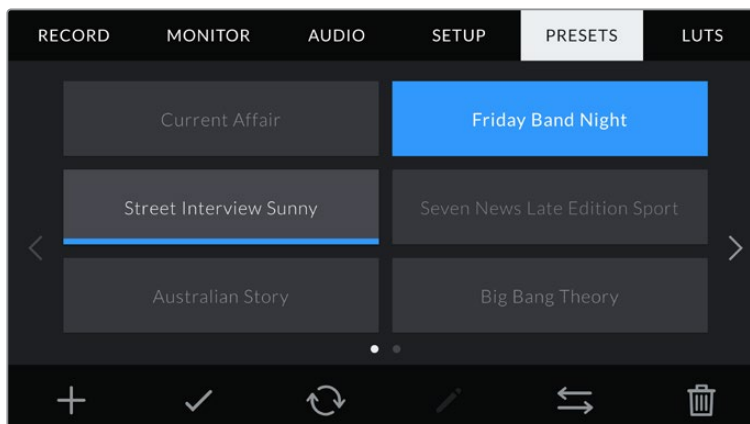
Si la cámara ya dispone de una con el mismo nombre, aparecerá un mensaje preguntándole si desea sobrescribir la configuración existente o mantener ambas.



Ingrese un nombre mediante el teclado que aparece al pulsar el primer ícono en la pestaña **PRESETS**

Una vez que se almacena la configuración predeterminada, pulse su nombre para seleccionarla. Para cargarla, pulse el segundo ícono.

Es posible actualizar una configuración pulsando el ícono **Update** en la parte inferior de la pantalla. Aparecerá un mensaje preguntándole si desea actualizar los ajustes de la cámara. Si desea continuar, pulse la opción **Update**.



Elija una configuración predeterminada y pulse el segundo ícono para cargarla. Las de color azul corresponden a las configuraciones seleccionadas, mientras que las que están cargadas presentan una línea de dicho color debajo del nombre.

### Importar ajustes predeterminados

Para importar una configuración, pulse el ícono **Organizar** en la parte inferior de la pantalla. En el modelo URSA Mini Pro, seleccione el soporte de almacenamiento que contiene dichos ajustes. Nótese que también es posible importarlos desde una unidad SSD al emplear un dispositivo URSA Mini Recorder.

Pulse la opción **Import Preset** y luego **Import** para confirmar. Aparecerá una ventana para importar los ajustes. Elija **Card 1** o **Card 2** en la parte superior izquierda de la pantalla para ver los ajustes predeterminados almacenados en una de las tarjetas.

La cámara buscará el directorio raíz y la carpeta **Presets** en la unidad SD o CFast seleccionada. Cabe destacar que no se visualizan los ajustes almacenados en otra carpeta.

Pulse el nombre de una configuración predeterminada y luego la opción **Import**. En la parte superior derecha de la pantalla se muestra la cantidad de espacios libres para agregar ajustes predeterminados.

**NOTA:** Si la cámara no cuenta con más espacios libres para almacenar configuraciones predeterminadas, el menú para importar no está disponible. Por lo tanto, es necesario eliminar una configuración para liberar espacio.

### Exportar ajustes predeterminados

Para exportar una configuración predeterminada, selecciónela y pulse el quinto ícono guardar los ajustes en una tarjeta SD o CFast. Aparecerán dos opciones: **Import Preset** y **Export Selected Preset**.

Seleccione el soporte de almacenamiento donde desea guardar los ajustes predeterminados. Nótese que también es posible exportarlos a una unidad SSD al emplear un dispositivo URSA Mini Recorder. Al pulsar la opción **Exportar ajustes seleccionados**, el sistema le preguntará qué tarjeta desea emplear. Cuando se elige una de ellas, se crea una carpeta denominada **Presets** en dicha unidad.

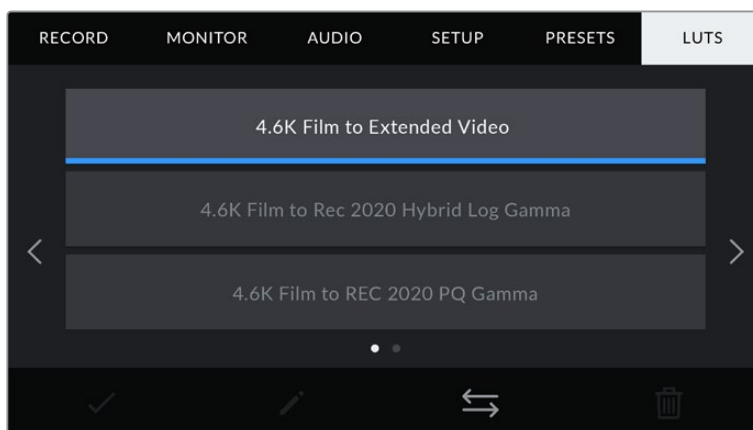
Si la tarjeta seleccionada ya incluye un conjunto de ajustes predeterminados almacenados bajo el mismo nombre, podrá sustituirlos o mantener ambas configuraciones.

### Eliminar ajustes predeterminados

El modelo URSA Mini permite crear doce configuraciones predeterminadas. Para eliminar una, selecciónela y pulse el último ícono. Aparecerá un mensaje preguntándole si desea confirmar la acción. Si desea continuar, pulse la opción **Delete**.

## Tablas de conversión

La pestaña **LUTS** brinda la posibilidad de importar, exportar y aplicar tablas de conversión tridimensionales a la señal que transmite la cámara.



Pestaña **LUTS** en el modelo URSA Mini

### Tablas de conversión tridimensionales

El modelo URSA Mini permite implementar este tipo de conversión en las imágenes que transmite la cámara. Las tablas indican qué valores cromáticos y de luminancia se aplican a una fuente determinada. Por ejemplo, es posible que, al recibir una señal con un azul relativamente apagado, la cámara lo represente con una tonalidad más saturada e intensa. Esto resulta útil al filmar en formato Blackmagic RAW o con rango dinámico **Film**, ya que en estos casos el material grabado presenta un contraste bajo. Al aplicar una tabla de conversión, se puede tener una idea de cómo lucirán las imágenes después de ser etalonadas.

Es muy sencillo generar este tipo de tablas con DaVinci Resolve u otro programa de etalonaje. Asimismo, están disponibles en diferentes sitios web. El modelo URSA Mini permite almacenar un máximo de seis tablas de conversión tridimensionales de 17 o 33 puntos, de hasta 1.5 MB cada una. Luego, es posible aplicar cualquier LUT a las imágenes visualizadas.

El modelo URSA Mini es compatible con tablas de conversión tridimensionales de 33 puntos en formato .cube creadas en DaVinci Resolve, y de 17 puntos convertidas a dicho formato mediante otros programas. La cámara procesa este tipo de LUT mediante una interpolación tetraédrica de calidad excepcional.

**SUGERENCIA:** Consulte el apartado correspondiente para obtener más información al respecto.

**NOTA:** Las tablas de conversión se emplean solo como herramienta de previsualización. La cámara no modifica el material grabado, aunque la información de la tabla aplicada a una toma se almacena en forma de metadatos. El campo **LUT used** en DaVinci Resolve permite verificar el nombre de la tabla aplicada al monitorizar las imágenes. A su vez, el formato Blackmagic RAW permite integrar estas tablas al archivo grabado, a fin de usarlas durante la posproducción. Esto brinda la oportunidad de aprovecharlas o crear una apariencia diferente. Consulte el siguiente apartado para obtener más información al respecto.

### Tablas de conversión integradas

El modelo URSA Mini incluye distintas tablas de conversión que permiten ver de manera anticipada diferentes estilos mientras se graba en modo Film en formato ProRes o Blackmagic RAW.

<b>Film to Extended Video</b>	Ofrece un rango dinámico más amplio que la tabla de conversión <b>4.6K Film to Video</b> y aplica un contraste medio con una atenuación en las luces.
<b>Film to Video</b>	Esta tabla es similar al espacio cromático Rec. 709 para HD y además tiene un alto nivel de contraste y saturación. Esta opción es muy útil al emplear la cámara URSA Mini junto a otras profesionales usando el espacio cromático Rec. 709.
<b>Film to Rec 2020 Hybrid Log Gamma</b>	Brinda una apariencia combinada entre el espacio cromático Rec. 709 y una imagen logarítmica.
<b>Film to Rec 2020 PQ Gamma</b>	Muestra una curva de respuesta tonal basada en lo que percibe el ojo. Se recomienda esta opción para la codificación eficiente de imágenes HDR.

## Botones LUT

Los íconos situados en la parte inferior del menú **LUTS** corresponden a las siguientes funciones:



## Importar tablas de conversión

Para importar una tabla de conversión tridimensional, pulse el segundo ícono situado en la parte inferior de la pestaña **LUTS** y a continuación la opción **Import LUT** para confirmar.

Aparecerá una ventana para importar los ajustes. En el modelo URSA Mini Pro, seleccione el soporte de almacenamiento que contiene las tablas. Nótese que también es posible importarlas desde una unidad SSD al emplear un dispositivo URSA Mini Recorder. Elija la unidad correspondiente en la parte superior izquierda de la pantalla para ver las tablas almacenadas en ella.

La cámara buscará el directorio raíz y la carpeta 3DLUTS en la unidad SD o CFast seleccionada. Cabe destacar que no se visualizan las tablas almacenadas en otra carpeta.

Pulse el nombre de una LUT y luego el ícono correspondiente para confirmar. La tabla de conversión importada se guardará en la cámara.

**NOTA:** Si los espacios destinados a tablas de conversión tridimensionales están en uso, es necesario eliminar alguna para poder importar otra.

Si ya existe una tabla con el mismo nombre en la cámara, aparecerá un mensaje preguntándole si desea sobrescribir la tabla existente o mantener ambas. En la parte superior derecha de la pantalla se muestra la cantidad de espacios libres para agregar tablas.

**NOTA:** Si tiene algún problema al importar una tabla de conversión a la cámara, es posible que no sea del tamaño correcto. Utilice un editor de tablas (por ejemplo, Lattice) para verificar el tamaño o ábrala en un editor de texto desde el equipo informático. Junto a la etiqueta **LUT\_3D\_SIZE**, se muestra un número que indica el tamaño de la tabla. Si el valor no es 17 o 33, se puede utilizar la función Lattice para modificar dicho parámetro.

## Aplicar una tabla de conversión

Después de guardar la tabla en la cámara, pulse la pestaña **LUTS** para seleccionarla, y luego el primer ícono. Esto aplicará la tabla a las imágenes visualizadas. No obstante, es necesario activar la opción **DISPLAY LUT** en la pestaña **MONITOR** para cada salida. Este ícono aparece cuando la opción **STATUS TEXT** está activada y se ha aplicado una tabla de conversión a la imagen. Consulte el apartado correspondiente en este manual para obtener más información al respecto.

### Exportar tablas de conversión

Seleccione una tabla de conversión y pulse el ícono correspondiente para guardarla en una tarjeta SD o CFast. Aparecerán dos opciones: **Importar LUT** y **Exportar LUT seleccionada**. Seleccione el soporte de almacenamiento en el cual desea guardar la tabla. Nótese que también es posible exportarlas a una unidad SSD al emplear un dispositivo URSA Mini Recorder.

Al pulsar la opción **Export Selected LUT**, el sistema le preguntará en cuál tarjeta desea guardar la tabla. Una vez que indique su preferencia, la tabla se guardará en la unidad, a menos que ya exista una con el mismo nombre. En tal caso, es posible sustituirla o mantener ambas versiones.

### Eliminar tablas de conversión

El modelo URSA Mini tiene capacidad para seis LUT 3D de 17 o 33 puntos. Para eliminar aquellas que ya no están en uso o liberar espacio, seleccione una tabla determinada y pulse el cuarto ícono en la parte inferior de la pantalla. Aparecerá un mensaje de confirmación. Para continuar, pulse **Delete**.

### Tablas de conversión tridimensionales integradas

Al emplear una tabla de conversión tridimensional (LUT 3D) cuando se graba en formato Blackmagic RAW en el modelo URSA Mini Pro, esta se añade al archivo .braw generado. Esto significa que se almacena en el encabezado del archivo, por lo que resulta muy sencillo aplicarla al clip en la etapa de posproducción y, al mismo tiempo, se evita tener que depender de un archivo adicional.

Por lo tanto, al entregar archivos Blackmagic RAW a un editor o colorista, dichos profesionales podrán acceder fácilmente a la tabla utilizada durante el rodaje, lo que reduce significativamente el riesgo de usar una incorrecta. Esta se puede aplicar ya sea durante la etapa de edición o etalonaje, o directamente desactivarla en cualquier momento.

Cuando se activa la opción **Apply LUT in File** en el menú **RECORD** de la cámara, el clip se abre en el reproductor Blackmagic RAW y en el programa DaVinci Resolve con la tabla de conversión ya aplicada a las imágenes. Por otro lado, es muy fácil activarla o desactivarla, aunque siempre estará integrada en el archivo Blackmagic RAW.

DaVinci Resolve también incluye la opción **Aplicar LUT** en el panel **Ajustes RAW** del módulo Color, a fin de activar o desactivar la tabla de conversión tridimensional en el archivo Blackmagic RAW. Este botón funciona igual que en la cámara. Es decir, durante el rodaje, es posible indicar al colorista qué tabla de conversión emplear en la cámara, pero luego se puede cancelar en DaVinci Resolve desactivando la opción **Aplicar LUT**.

# Ingreso de metadatos

Los metadatos son información almacenada en un clip, inclusive los números de tomas, los ajustes de la cámara, y otros datos identificatorios. Suelen ser extremadamente útiles al gestionar y procesar material grabado en la etapa de posproducción. Por ejemplo, los números de toma, plano y escena son fundamentales para organizar clips, mientras que la información sobre el objetivo se puede utilizar para eliminar cierta distorsión de manera automática o para mejorar la integración entre los efectos especiales y la imagen.

Los modelos URSA Mini almacenan algunos metadatos automáticamente en cada clip, por ejemplo los ajustes de la cámara, el código de tiempo, la fecha y la hora. Es posible utilizar la claqueta virtual para añadir más información.

## Claqueta virtual

Al deslizar el dedo hacia la izquierda o derecha en la pantalla táctil, se accede a la claqueta virtual.

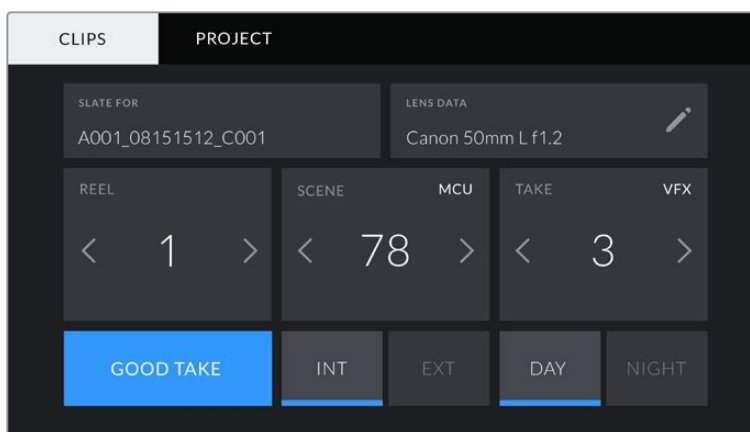
Esta está dividida en dos pestañas: **CLIPS** y **PROJECT**. La primera incluye información que puede variar según el clip, mientras que en la segunda se ingresan datos comunes a varios clips, tales como el nombre del proyecto, del director, de la cámara y del operador.

**SUGERENCIA:** Los metadatos introducidos en la claqueta virtual se visualizan en las imágenes transmitidas por la cámara al seleccionar la opción **Director** en la función **DISPLAY STATUS TEXT FOR**, dentro de la pestaña **MONITOR**. Consulte el apartado correspondiente en este manual para obtener más información al respecto.

## Metadatos del clip

La realización de los cambios en los metadatos del clip depende si la cámara se encuentra en modo de espera, cuando está lista para grabar, o en modo de reproducción, al revisar el material grabado. En el modo de espera, los metadatos se vincularán al siguiente clip grabado, a excepción de la opción **GOOD TAKE LAST CLIP**, que corresponde al anterior.

En el modo de reproducción, este tipo de metadatos siempre aplican al clip visualizado.



La claqueta virtual del modelo URSA Mini incluye las pestañas **CLIPS** y **PROJECT**.

### Nombre del clip

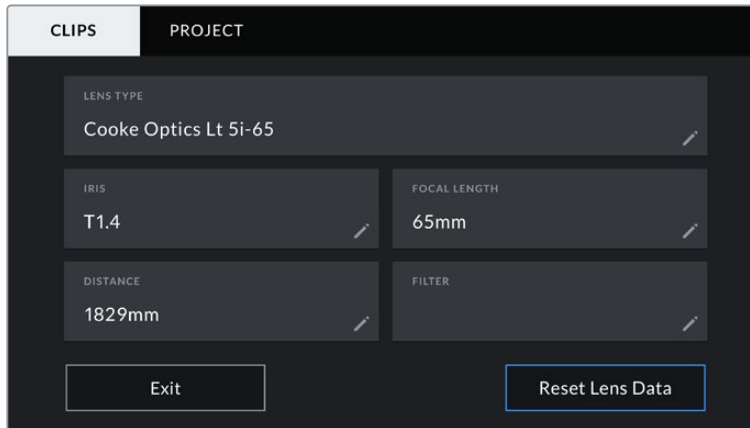
La opción **SLATE FOR** indica a qué clip corresponden los metadatos que se muestran en la pantalla. En el modo de espera, se refiere al clip que se grabará a continuación.



### Información del objetivo

La opción **LENS DATA** muestra la información correspondiente al objetivo montado en la cámara. Muchos objetivos electrónicos proporcionan los datos automáticamente, por ejemplo, el modelo, la apertura y la longitud focal. Si el objetivo no es compatible con esta función o si desea agregar información adicional, pulse el ícono del lápiz.

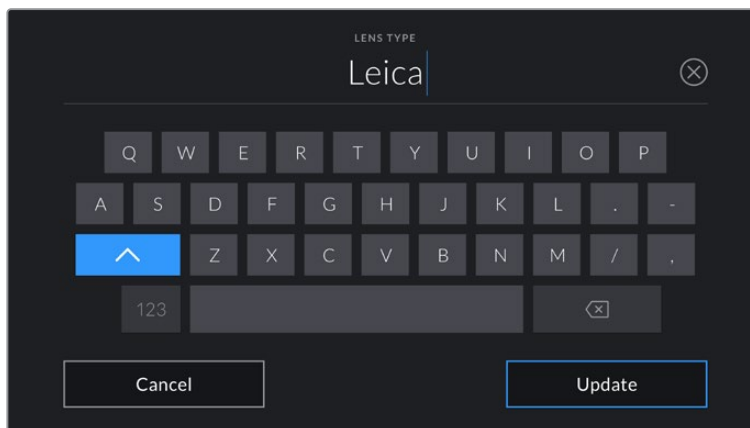
A continuación, verá el menú **Lens Data** con las siguientes opciones:



Menú **Lens Data** que muestra información obtenida automáticamente de un objetivo compatible con el protocolo /i Technology de Cooke.

### Tipo de objetivo

La opción **LENS TYPE** indica el modelo del objetivo. Si esta información no aparece automáticamente, pulse esta opción para ingresarla de forma manual. La cámara cuenta con una base de datos que incluye los objetivos de uso más frecuente, de modo que, si fuera necesario introducir dichos datos manualmente, se sugerirán nombres de forma automática a medida que escribimos. Esto facilita y agiliza el ingreso de la información.



Use el teclado táctil para ingresar la información del objetivo en forma manual.

### Diafragma

La opción **IRIS** muestra la apertura inicial del diafragma. La información se representa mediante pasos o números f, según el objetivo utilizado. Pulse esta opción para ingresar los datos en forma manual.

### Distancia focal

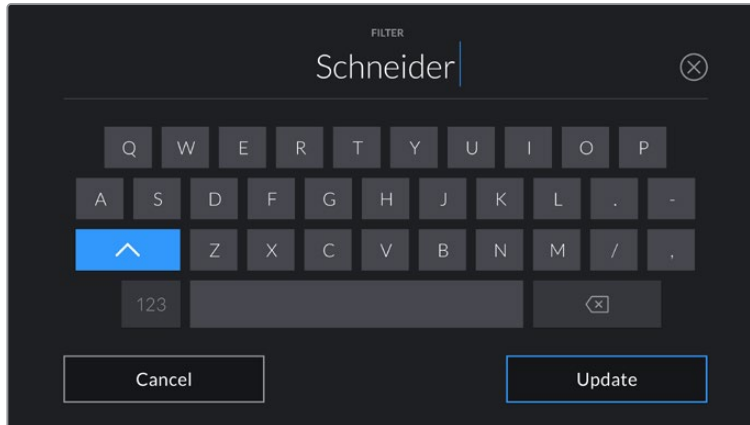
La opción **FOCAL LENGHT** muestra la longitud focal inicial del objetivo. Cuando aparece automáticamente, se representa en milímetros. Pulse esta opción para ingresar los datos en forma manual.

### Distancia

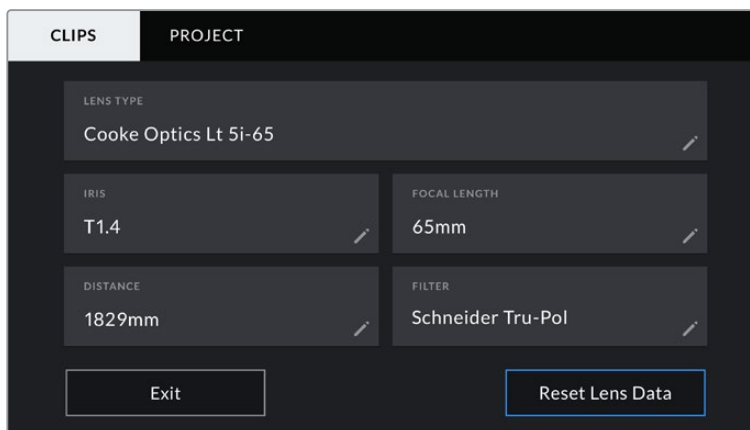
La opción **DISTANCE** indica la distancia focal del objetivo para la secuencia grabada. Algunos objetivos brindan esta información automáticamente, en cuyo caso se expresa en milímetros. Asimismo, es posible ingresarla en forma manual.

### Filtro

La opción **FILTER** muestra el filtro utilizado. Pulse esta opción para ingresar los datos en forma manual. Es posible agregar varios modelos, separados por comas.

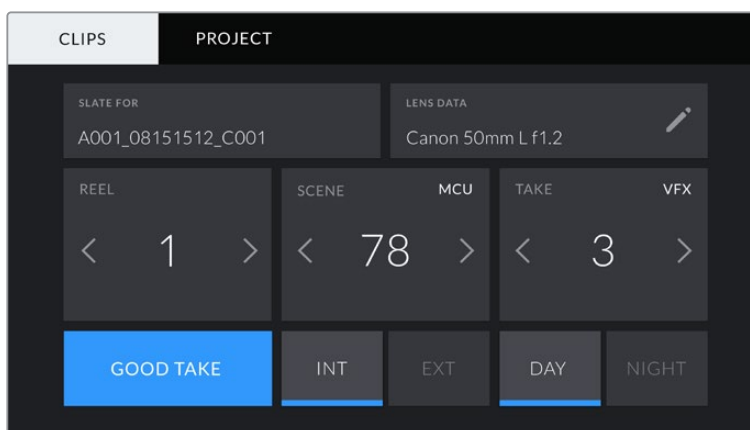


La información relativa al filtro debe ingresarse en forma manual.



Menú **Lens Data** que muestra información obtenida automáticamente de un objetivo compatible con el protocolo /i Technology de Cooke, así como los datos ingresados en forma manual.

**NOTA:** Es posible eliminar esta información en cualquier momento pulsando la opción **Reset Lens Data**. Aparecerá un mensaje de confirmación. Si acepta, se eliminarán todos los datos y se sustituirán con la información proporcionada automáticamente por objetivo montado. Si ingresó información en forma manual, es necesario restablecer la información del objetivo al colocar uno nuevo. De lo contrario, se mantienen los datos ingresados manualmente.



La claqueta virtual del modelo URSA Mini incluye las pestañas **CLIPS** y **PROJECT**.

### Rollo

El indicador **REEL** muestra la cinta utilizada. El modelo URSA Mini incrementa automáticamente los números de cinta, por lo que no es necesario ingresarlos de forma manual. Al comenzar un proyecto nuevo, pulse la opción **Reset Project Data** para empezar nuevamente en 1.

### Escena

La opción **SCENE** muestra el número de escena, así como el número y el tipo de toma.

El número siempre se refiere a la escena visualizada. Es posible aumentar o disminuir este valor utilizando las flechas situadas a los laterales de la opción, o pulsando el número a fin de modificarlo.

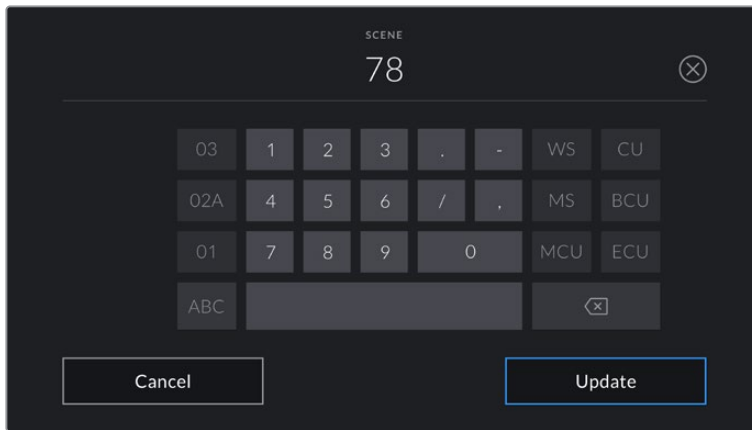
El rango numérico para las escenas se sitúa entre 1 y 999.

Al añadir una letra al número de escena, se puede indicar la toma actual. Por ejemplo, 23A representa la escena 23, toma 1. Cuando esto sucede, la cámara sugerirá un cambio en las letras cuando se ingrese un nuevo número de escena. Es decir, si el número de escena es 7B, la cámara sugerirá 7C como siguiente opción.

El indicador del número de escena también brinda información sobre el tipo de plano en la esquina superior derecha de la pantalla. Para editarla, utilice el editor de número de escena situado junto al teclado.

Las opciones disponibles son las siguientes:

<b>WS</b>	Plano general
<b>MS</b>	Plano medio
<b>MCU</b>	Plano medio corto
<b>CU</b>	Primer plano
<b>BCU</b>	Gran primer plano
<b>ECU</b>	Plano detallado



Al ingresar metadatos sobre la escena, la cámara sugiere opciones de incremento a la izquierda del teclado y tipos de plano a la derecha.

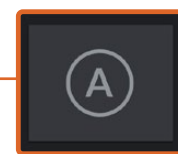
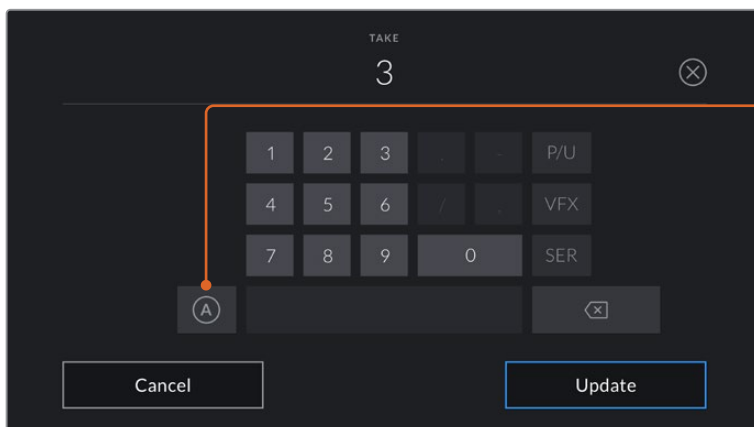
### Toma

La opción **TAKE** muestra el número de toma para el plano actual. Pulse las flechas situadas a ambos lados del número para incrementar o disminuir este valor, o el indicador para ingresar un número directamente.

**SUGERENCIA:** Al incrementar el número de plano o letra correspondiente a la escena, el número de toma regresa a 1.

También es posible añadir descripciones de la toma. Estas se encuentran a la derecha del teclado y corresponden a las siguientes situaciones:

<b>PU</b>	Retomar: Corresponde al nuevo rodaje de una toma anterior para agregar material adicional después de haber concluido la fotografía principal.
<b>VFX</b>	Efectos especiales: Corresponde a una toma o plano al que se agregarán efectos especiales.
<b>SER</b>	Serie: Corresponde a una situación en la que se capturan varias tomas mientras la cámara sigue rodando.



Pulse **A** a fin de aumentar automáticamente el número de toma para cada clip en el modo de espera.

En consecuencia, aparecerá una **A** junto al número de toma en la claqueta virtual.

Al ingresar metadatos sobre la toma, la cámara sugiere opciones para distintos tipos de planos a la derecha del teclado.

### Toma buena

Pulse la opción **GOOD TAKE** para identificar una buena toma, a fin de acceder a ella con mayor facilidad en la etapa de posproducción. Esta etiqueta se aplica al último clip grabado si la cámara se encuentra en modo de espera, o al clip visualizado en modo de reproducción.

### Interior / Exterior

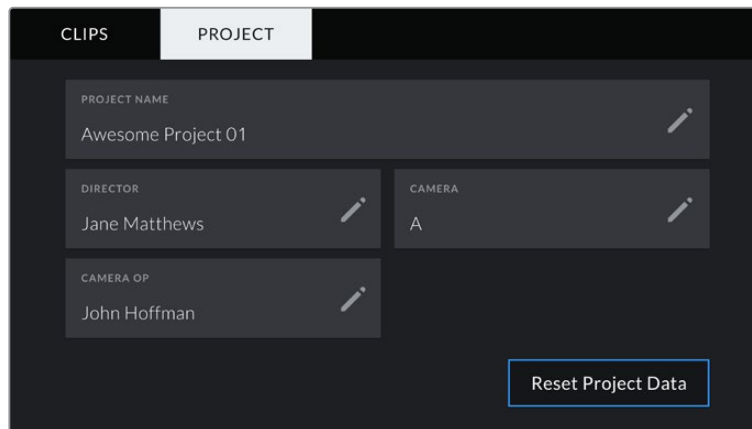
Pulse las opciones **INT** o **EXT** para agregar estas etiquetas al siguiente clip en modo de espera, o al clip visualizado en modo de reproducción.

### Día / Noche

Pulse las opciones **DAY** o **NIGHT** para agregar estas etiquetas al siguiente clip en modo de espera, o al clip visualizado en modo de reproducción.

## Metadatos del proyecto

Los metadatos del proyecto funcionan de la misma manera, tanto en modo de espera como en modo de reproducción. Siempre se refieren al proyecto completo y no tienen en cuenta la cantidad de clip incluidos en este.



Pestaña **PROJECT** en el modelo URSA Mini

### Nombre del proyecto

La opción **PROJECT NAME** muestra el nombre del proyecto en curso. Pulse el ícono del lápiz para modificarlo.

### Director

La opción **DIRECTOR** muestra el nombre del director del proyecto. Pulse el ícono del lápiz para modificarlo.

### Cámara

La opción **CAMERA** muestra una sola letra correspondiente a la cámara. Pulse el ícono del lápiz para modificarla.

**NOTA:** La identificación de la cámara se utiliza en los metadatos y la nomenclatura de los archivos. Esta difiere de la identificación empleada en los mezcladores ATEM a fin de controlar la cámara desde el dispositivo. Consulte el apartado correspondiente para obtener más información al respecto.

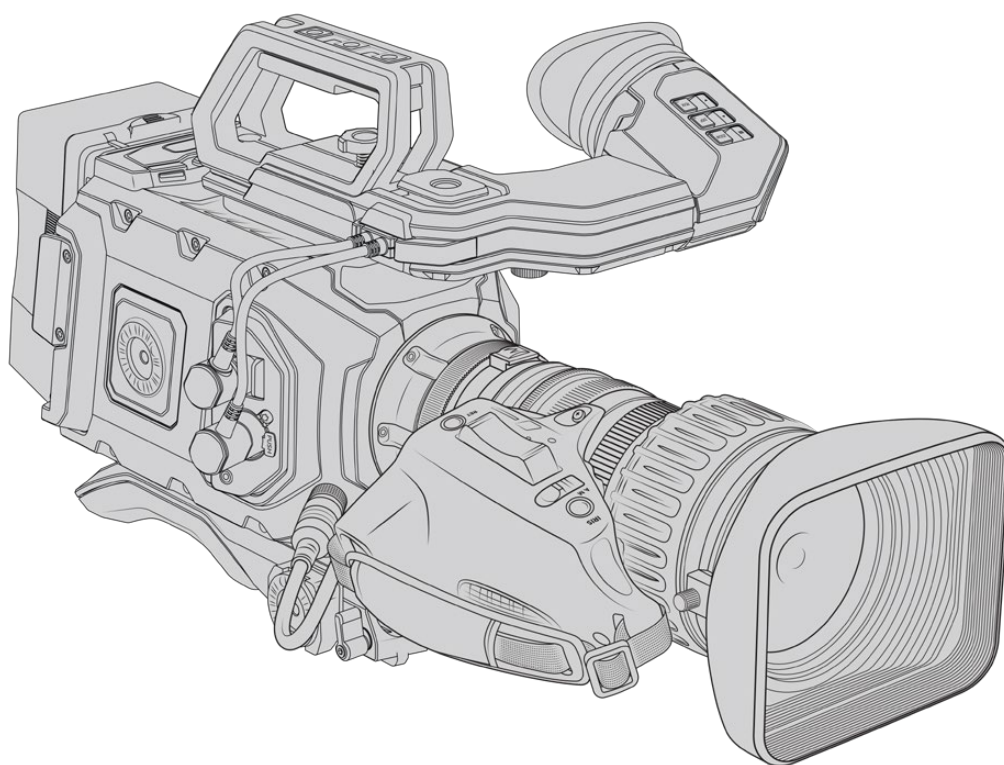
### Operador de cámara

La opción **CAMERA OP** muestra el nombre del camarógrafo. Pulse el ícono del lápiz para modificarlo.

## Uso de objetivos con servomecanismo

Al utilizar objetivos B4 con el modelo URSA Mini, es posible lograr resultados excepcionales. El control manual del diafragma, los anillos de enfoque en el objetivo, la empuñadura lateral y el interruptor para la distancia focal permiten llevar a cabo una grabación mucho más eficiente y ofrecen un sinfín de técnicas dinámicas difíciles de lograr con otros objetivos. Los modelos URSA Mini PL y URSA Mini Pro 4.6K admiten objetivos B4 y PL con servomecanismo mediante un conector de 12 pines.

Al emplear objetivos compatibles, es posible controlar la apertura del diafragma, aumentar o disminuir la distancia focal mediante el interruptor físico de la cámara, e iniciar o detener la grabación presionando el botón REC. La mayoría de estos sistemas ópticos cuentan con un botón denominado RET que funciona de igual modo que el botón PGM de la cámara. Este permite ver en la pantalla LCD o en un monitor externo las imágenes captadas por la cámara o la señal principal de un mezclador conectado a la misma.



Para controlar la apertura del objetivo electrónicamente, compruebe que el interruptor del diafragma esté en modo automático **A**. También es posible emplear esta función en objetivos Digital HD y 4K con servomecanismo. A tales efectos, verifique que el interruptor situado debajo del control para acercar o alejar la imagen se encuentre en la posición **S**.

Dada la amplia gama de objetivos B4 disponibles en el mercado, a continuación ofrecemos una guía para facilitar la identificación de los distintos modelos y sus características.

### **Objetivos B4 con control de la distancia focal y la apertura del diafragma:**

- Los modelos Fujinon B4 cuyo nombre incluye los prefijos HA, ZA, XA, UA y LA y el sufijo RM ofrecen la posibilidad de controlar electrónicamente estas funciones.
- Los modelos Canon B4 cuyo nombre incluye los prefijos HJ, KJ o CJ y los sufijos IRSE o IRSD ofrecen la posibilidad de controlar electrónicamente estas funciones.

Cabe destacar que algunos objetivos B4 y PL cuentan además con empuñaduras que permiten controlar el enfoque. Para emplear dicha función en los modelos URSA Mini PL o URSA Mini Pro,

compruebe que el interruptor situado debajo del control para acercar o alejar la imagen se encuentre en la posición **S**.

**Objetivos B4 con control del enfoque, la distancia focal y la apertura del diafragma:**

- Los modelos Fujinon B4 cuyo nombre incluye los prefijos HA, ZA o UA o los sufijos RD o ZD ofrecen la posibilidad de controlar electrónicamente estas funciones.
- Los modelos Canon B4 cuyo nombre incluye los prefijos HA, KJ o CJ o los sufijos IASE o IASD ofrecen la posibilidad de controlar electrónicamente estas funciones.

Asimismo, el botón **FOCUS** del modelo URSA Mini permite activar la función de enfoque automático en objetivos compatibles. Cabe señalar además que estas funciones pueden controlarse desde un mezclador ATEM mediante su programa de control.

Después de colocar un objetivo B4, seleccione la opción 2K 16:9 (o menor) para la resolución y active la función **Window Sensor** en la pestaña **RECORD** del panel de opciones. Es importante utilizar estos ajustes para evitar la aparición de bordes negros en la imagen, puesto que los objetivos B4 no cubren la totalidad del área de un sensor Super 35 mm.

**Objetivos PL Super 35 mm con control del enfoque, la distancia focal y la apertura del diafragma:**

Marca	Serie	Modelo	Rango	Apertura máxima
Fujinon	Cabrio	ZK2.5x14-SAF	14-35mm	T2.9
Fujinon	Cabrio	ZK4.7x19-SAFB	19-90mm	T2.9
Fujinon	Cabrio	ZK3.5x85-SAF	85-300mm	T2.9-T4
Fujinon	Cabrio	XK6x20	20-120mm	T3.5
Fujinon	Cabrio	ZK12x25 with ESM-15A-SA	25-300mm	T3.5-3.85
Canon	Cine-servo	CN7x17KAS S	17-120mm	T2.9-3.9
Canon	Cine-servo	CN20x50	50-1000mm	T5-8.9

También es posible emplear controladores para el enfoque y la distancia focal en todos los objetivos PL y B4 mencionados anteriormente.

**Objetivos híbridos con servomecanismo**

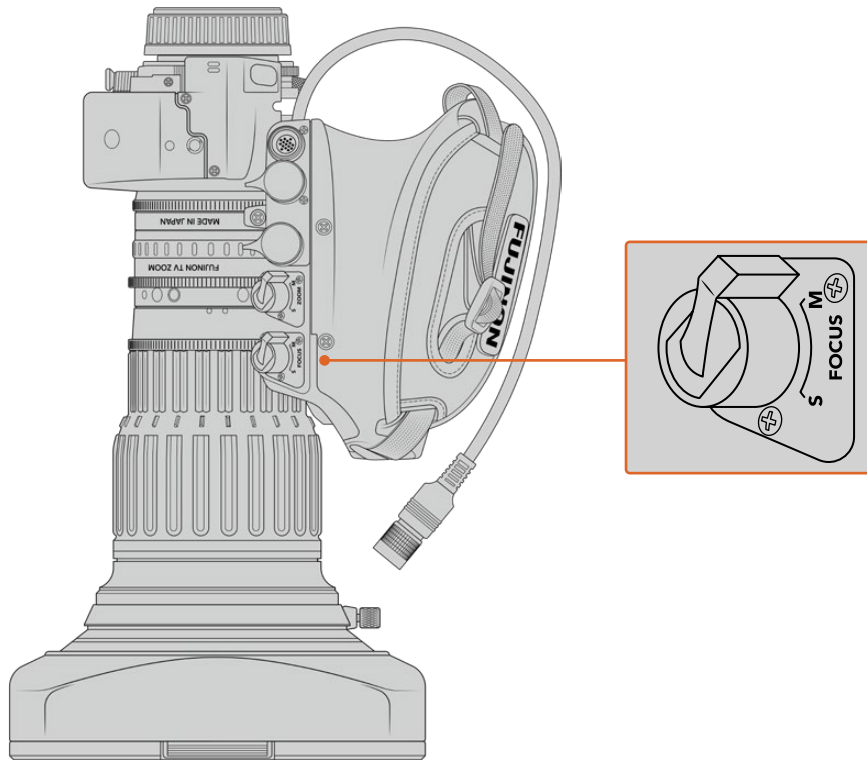
Recientemente ha surgido en el mercado una nueva categoría de objetivos compactos de distancia focal variable. Estos ofrecen las mismas funciones que los modelos B4 y PL con servomecanismo, pero cuentan con una montura EF y son compatibles con la versiones URSA Mini EF y URSA Mini Pro. El nombre del objetivo y otros parámetros relativos al enfoque y la apertura del diafragma se guardan como metadatos al grabar una secuencia.

Por otro lado, es posible controlar el enfoque, la apertura del diafragma y la distancia focal de estos objetivos electrónicamente en los modelos URSA Mini y URSA Mini Pro. Asimismo, si la cámara está conectada a un mezclador, se puede controlar en forma remota mediante el programa ATEM Software Control. Al transmitir en directo o desde un estudio, es posible emplear las funciones de enfoque digital y control de la distancia focal de Canon, aunque se deben adquirir cables adicionales de otros fabricantes para aprovechar todas las prestaciones disponibles.

**Modelos disponibles:**

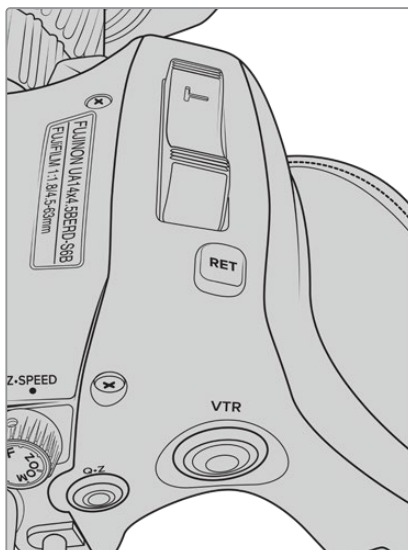
- Canon CN-E 18-80 mm T4.4 Compact-servo
- Canon CN-E 70-200 mm T4.4 Compact-servo

**NOTA:** Las cámaras admiten objetivos B4 analógicos, aunque muchos de ellos solo ofrecen definición estándar y no cuentan con el conector convencional de 12 pines. En este caso, es importante verificar que sean compatibles con la cámara utilizada. Asimismo, recomendamos comprobar el área del sensor que cubren para evitar que aparezcan bordes negros en la imagen.



### Ret y VTR

En objetivos B4, el botón **VTR** permite activar la grabación, mientras que el botón **RET** se emplea para la señal de retorno. Consulte el apartado *Botones programables* para obtener más información al respecto.



Botones **RET** y **VTR** en un objetivo B4.



# Salida de video

## Salida para supervisar señales HD

La salida SDI 3G en los modelos URSA Mini permite transmitir imágenes en formato HD 1080, brindando de este modo la posibilidad de conectar las cámaras a matrices de conmutación, monitores, dispositivos de captura, mezcladores y otros equipos SDI. Dicha salida se denomina **Front SDI** en el menú de la pantalla táctil.

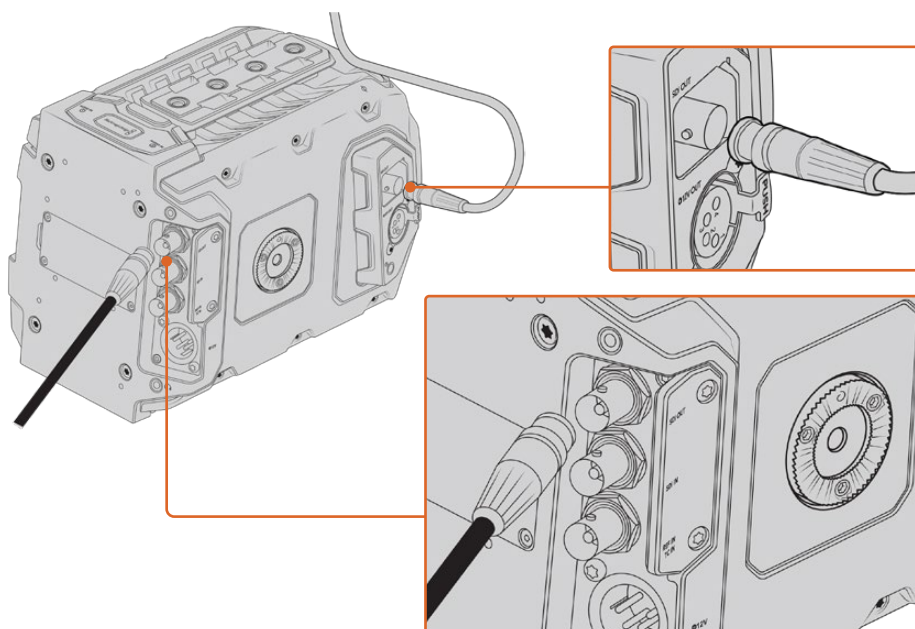
## Salida SDI 12G

La conexión SDI 12G situada en el panel trasero permite transmitir señales en definición HD o 4K mediante un único cable SDI, incluso en resolución 2160p50/59.94/60. Asimismo, la compatibilidad con el modo de exploración entrelazado facilita el procesamiento de imágenes en formato 1080i50, 59.94 y 60. Por otra parte, esta salida puede utilizarse para conectar monitores SDI o mezcladores 4K, tales como el modelo ATEM Production Studio 4K. A su vez, brinda la posibilidad de alternar entre señales HD y UHD seleccionando **1080p** o **2160p** en la opción **SDI OUTPUT**, al elegir **MAIN SDI** en la pestaña **MONITOR** de la pantalla táctil.

### Conexión a mezcladores

Las salidas SDI situadas en el panel trasero permiten utilizar la cámara en programas televisivos. Es posible conectarla directamente a un mezclador para realizar producciones en directo o a un ATEM Camera Converter para convertir las señales eléctricas en ópticas a fin de enviarlas a una unidad móvil situada a cientos de metros de distancia.

Asimismo, es posible ver la señal principal transmitida por el mezclador en la pantalla de la cámara. Para ello, conecte el mezclador a la entrada SDI 12G situada en el panel trasero y a continuación mantenga presionado el botón **PGM** en el monitor plegable. Suéltelo para volver a ver la imagen transmitida por la cámara. Al pulsarlo dos veces, se verá siempre la señal principal proveniente del mezclador. Para volver a ver las imágenes captadas por la cámara, presione dicho botón nuevamente.



Es posible conectar la salida SDI 12G a cualquier mezclador o monitor HD 1080 o UHD para realizar producciones en directo. La salida para monitorización de señales HD se puede conectar a un visor (p. ej. el modelo Blackmagic URSA Viewfinder) o monitor externo cuando la cámara se coloca en ciertos equipos, tales como brazos telescópicos o grúas.

### Conexión a monitores

La supervisión de señales SDI puede resultar muy útil, especialmente cuando la cámara se coloca en un lugar que dificulta o impide el acceso al monitor plegable.

A fin de transmitir la información necesaria para monitorizar las imágenes mediante la salida SDI, active esta función en la opción **Front SDI** del menú de ajustes de la pantalla. Asimismo, es posible ver las guías de encuadre, los datos de la grabación y la configuración de la unidad. Desactive el interruptor para ocultar esta información y ver una imagen limpia.

Conecte la salida SDI de la cámara a monitores que admitan el mismo tipo de señal o a un dispositivo SmartScope Duo 4K de Blackmagic para monitorizar los parámetros de la onda en tiempo real.

**NOTA:** Se utilizan metadatos auxiliares para identificar las imágenes de alto rango dinámico (HDR) transmitidas mediante las salidas SDI al grabar en modo **Film** y aplicar las LUT *Broadcast Film to Rec.2020 Hybrid Log Gamma* o *Broadcast Film to Rec.2020 to PQ Gamma*. Esto permite visualizar imágenes deslumbrantes de alto rango dinámico en monitores compatibles mediante la salida respectiva.

### Formatos de salida para señales SDI

<b>Salida SDI trasera</b>	2160p23.98, 24, 25, 29.97, 30, 50, 59.94, 60. 1080p23.98, 24, 25, 29.97, 30, 50, 59.94, 60. 1080i50, 59.94, 60.
<b>Salida para monitorización de señales SDI 3G</b>	1080p23.98, 24, 25, 29.97, 30, 50, 59.94, 60. 1080i50, 59.94, 60.

**SUGERENCIA:** Para grabar en directo con dos códecs al mismo tiempo o realizar respaldos simultáneos, es posible transmitir la señal desde la salida SDI trasera a un dispositivo HyperDeck o Blackmagic Video Assist.

# Soporte para el hombro

## Instalación del soporte para el hombro

El soporte opcional para el hombro del modelo URSA Mini permite utilizar la cámara en proyectos de captación electrónica de noticias. El kit completo incluye una base, una manija superior, un cable LANC de gran longitud, un adaptador para el visor Blackmagic Viewfinder y un brazo extensor donde se coloca la empuñadura lateral, además de todos los tornillos requeridos.

La montura situada en la base del soporte brinda la posibilidad de sujetar la cámara a un trípode compatible o apoyarla sobre el hombro para trasladarse al lugar donde se desarrolla la acción.

Este accesorio puede fijarse a cualquier adaptador para trípode diseñado según el modelo Sony VCT 14. Estas monturas se pueden adquirir por Internet o en cualquier tienda especializada en equipamiento audiovisual.

Cabe mencionar que las bases para trípodes tipo VCT U14 no son compatibles con este soporte, dado que corresponden a un sistema diferente.

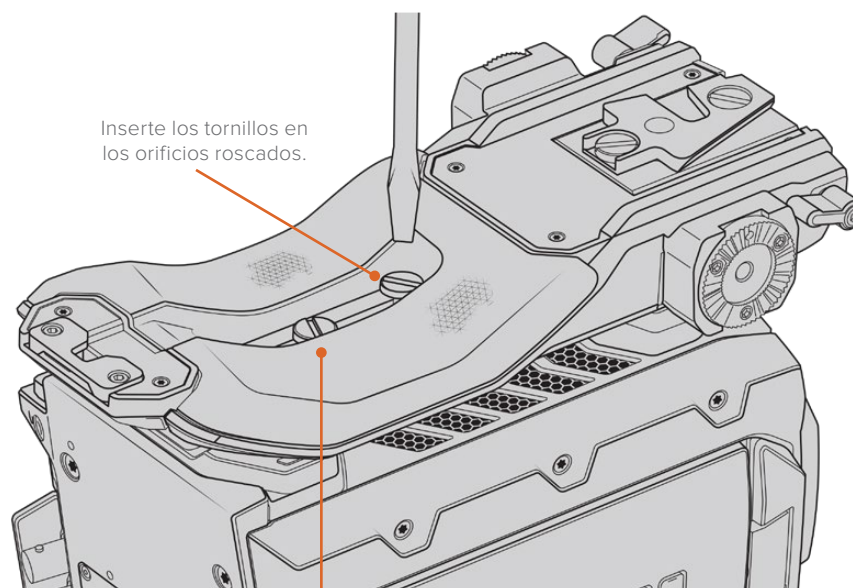
### Para instalar el soporte, se necesitarán las siguientes herramientas:

- 1 destornillador con cabeza plana para los dos tornillos de 6.35 mm correspondientes a la base.
- 1 destornillador con cabezal hexagonal de 5 mm para los dos tornillos de 6.35 mm correspondientes a la manija superior.
- 1 destornillador con cabezal hexagonal de 2.5 mm para los cuatro tornillos M3 correspondientes al adaptador del visor Blackmagic Viewfinder.



A fin de sujetar el soporte para el hombro a al modelo URSA Mini, se necesitarán tres tipos diferentes de destornilladores: uno con cabeza plana, uno con cabezal hexagonal de 5 mm para la manija superior y otro con cabezal hexagonal de 2.5 mm para el adaptador del visor.

## Para sujetar el soporte



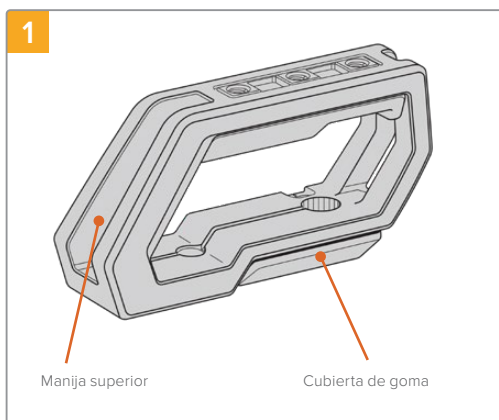
2 tornillos de 6.35 mm para la base

- 1 Coloque la cámara sobre una superficie plana y firme con el panel inferior hacia arriba.
- 2 Sujete la base del soporte para el hombro con los dos tornillos de 6.35 mm suministrados.
- 3 Apriete los tornillos hasta que la base quede firme. Evite ejercer demasiada fuerza, ya que esto podría dañar las roscas.

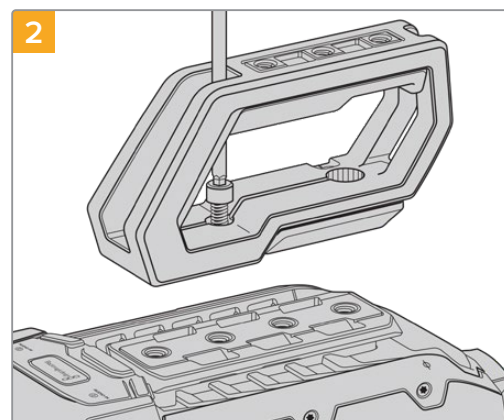
## Para sujetar la manija superior cuando el visor URSA Viewfinder no está instalado

El soporte para el hombro puede utilizarse con o sin el visor instalado.

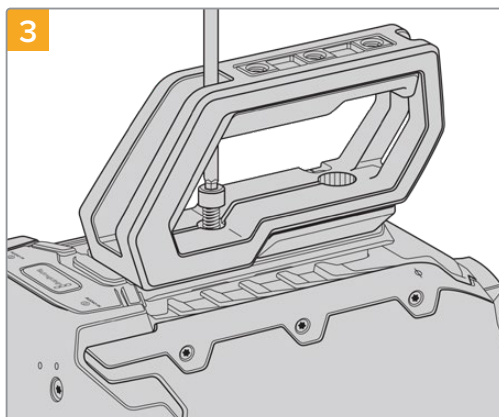
La manija superior viene con una cubierta de goma en la base que se sustituye por un adaptador al colocar el visor diseñado para el modelo URSA. Recomendamos no retirarla si va a utilizar la manija sin el visor.



Coloque la cámara sobre una superficie plana y firme.

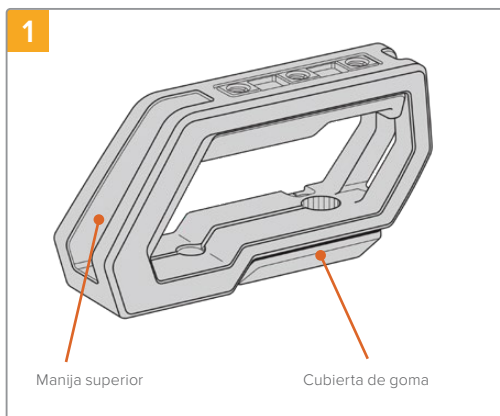


Inserte los dos tornillos de 6.35 mm incluidos en cualquiera de los orificios roscados situados en la parte superior de la cámara y sujete la manija ajustándolos con el destornillador de 5 mm. En la mayoría de los casos, se recomienda emplear los dos orificios más próximos al panel trasero. Sin embargo, es posible escoger otra combinación para garantizar un mejor equilibrio al colocar objetivos de gran tamaño.

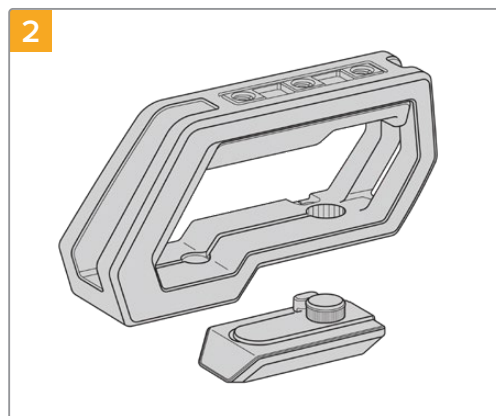


Apriete los tornillos con un destornillador de cabezal hexagonal (5 mm) hasta fijar la manija. Evite ejercer demasiada fuerza, ya que esto podría ocasionar daños en las roscas.

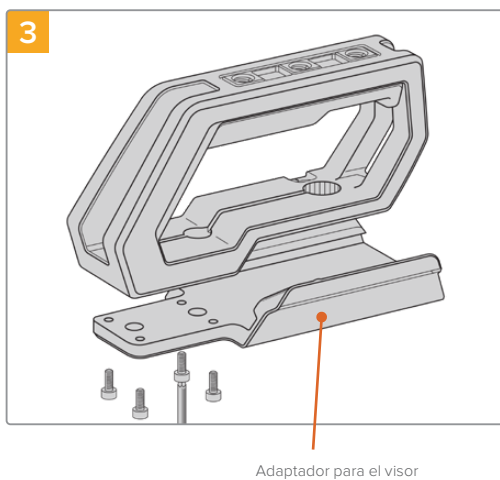
## Para sujetar la manija superior cuando el visor está instalado



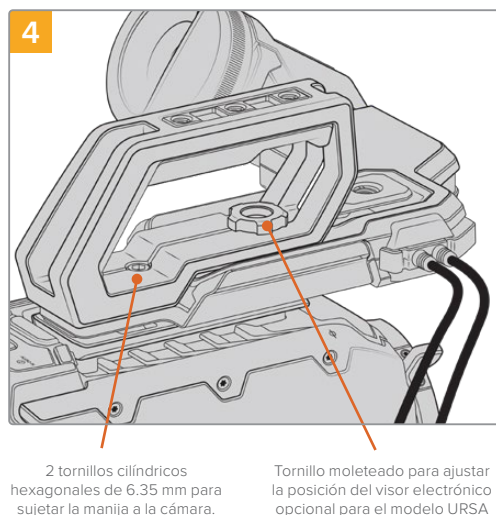
Coloque la cámara sobre una superficie plana y firme.



Retire la cubierta de goma situada en la base de la manija levantando la tapa lateral y empujando hacia abajo.



Fije el adaptador del visor a la manija con los cuatro tornillos M3 suministrados y apriételes utilizando un destornillador con cabezal hexagonal de 2.5 mm.



Inserte los dos tornillos de 6.35 mm incluidos en cualquiera de los orificios roscados situados en la parte superior de la cámara y sujete la manija ajustándolos con el destornillador de 5 mm. En la mayoría de los casos, se recomienda emplear los dos orificios más próximos al panel trasero. Sin embargo, es posible escoger otra combinación para garantizar un mejor equilibrio al colocar objetivos de gran tamaño. Evite ejercer demasiada fuerza, ya que esto podría ocasionar daños en las roscas. El orificio situado en la parte frontal de la manija corresponde al tornillo moleteado que se utiliza al colocar y ajustar el visor electrónico. Consulte el apartado correspondiente para obtener información adicional al respecto.

## Instalación del brazo extensor

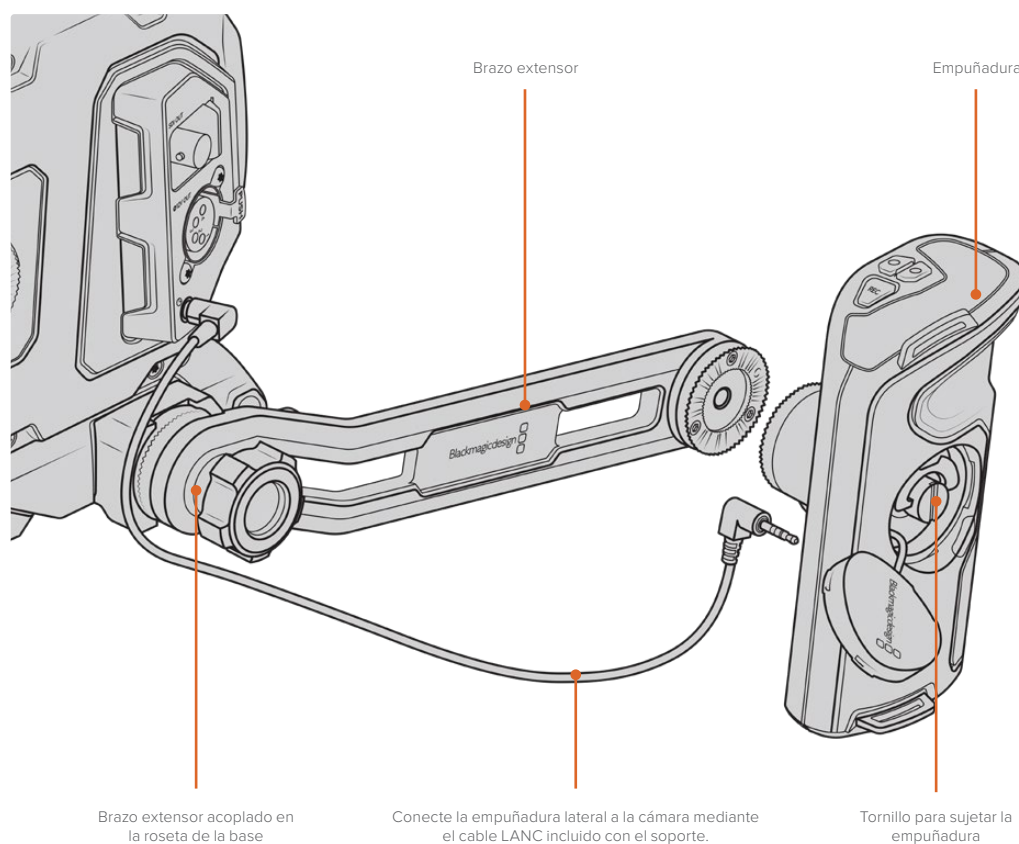
Al instalar el soporte para el hombro, es necesario cambiar la posición de la empuñadura lateral a fin de poder filmar cómodamente con la cámara al hombro. El brazo extensor y el cable LANC permiten situar dicho accesorio en forma más ergonómica. El brazo extensor para el modelo URSA Mini se vende por separado en todos los distribuidores de productos Blackmagic.

### Para instalar el brazo extensor:

- 1 Coloque la cámara sobre una superficie plana y firme, asegurándose de que haya espacio suficiente su alrededor para mover el brazo extensor hacia abajo. Para este propósito, podría ser útil apoyarla sobre un trípode.
- 2 Encaje el extremo dentado del brazo extensor en la roseta situada en la base del soporte para el hombro. A continuación, mueva el brazo hacia abajo para ajustarlo y fíjelo mediante el tornillo moleteado suministrado.
- 3 Coloque la empuñadura en la roseta frontal del brazo extensor. Para sujetarla, apriete el tornillo situado debajo de la cubierta de goma con un destornillador de cabeza plana o gire la anilla en D con los dedos pulgar e índice.
- 4 Conecte el puerto LANC de la empuñadura con su contraparte en la cámara utilizando el cable correspondiente incluido con el soporte.

Si desea ajustar el brazo extensor y la empuñadura según su preferencia, afloje los tornillos de las rosetas, cambie la posición de los accesorios y vuelva a apretarlos.

Una vez instalado el soporte para el hombro, podrá trasladarse con rapidez y facilidad de un lugar, a otro a fin de grabar contenidos sobre la marcha.





# Blackmagic URSA Viewfinder

El visor electrónico Blackmagic URSA Viewfinder ha sido especialmente diseñado para la cámara URSA Mini. La pantalla OLED de alta definición incluye un sistema óptico de extraordinaria precisión que permite ver imágenes brillantes con un realismo excepcional, a fin de poder enfocar rápidamente y apreciar hasta los más mínimos detalles.

Es ideal cuando es necesario rodar cámara en mano o en entornos que exigen una exactitud absoluta para evitar reflejos, por ejemplo, al filmar bajo una luz muy brillante.

El visor se conecta a la cámara y se alimenta a través de esta. Asimismo, utiliza los datos SDI provenientes de la misma para ofrecer distintas opciones de visualización. De este modo, aunque la cámara transmita una señal SDI limpia al dispositivo, el usuario cuenta con la posibilidad de alternar entre distintos modos de visualización para comprobar rápidamente diferentes datos.

Por ejemplo, al seleccionar la opción 2.40:1 para las guías de encuadre en el menú de la cámara, estas se muestran en la pantalla del visor.

## Montaje y conexión

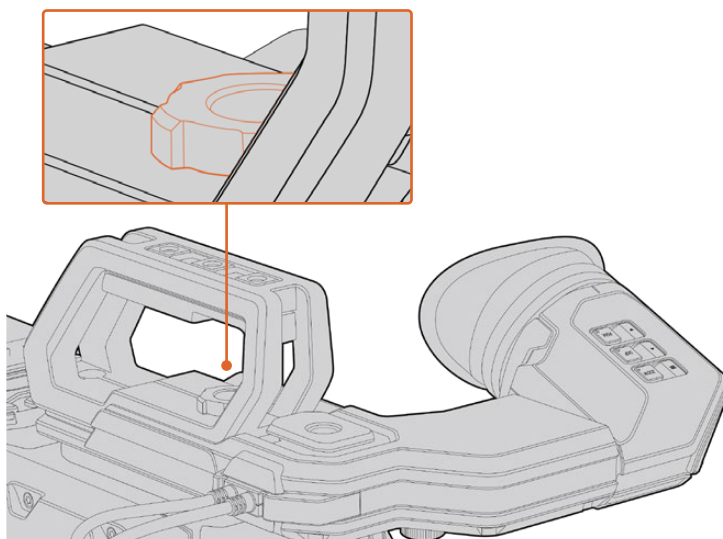
Para sujetar el visor al armazón de la cámara, deslícelo a lo largo de las ranuras utilizadas para colocar la manija y enrosque el tornillo en uno de los orificios de 6.35 mm.

Requiere soporte para el hombro, a fin de instalar el dispositivo en los modelos URSA Mini o URSA Mini Pro.

Para colocar el visor, quite la tapa de la manija superior e instale el adaptador como se describe en el apartado correspondiente en este manual.

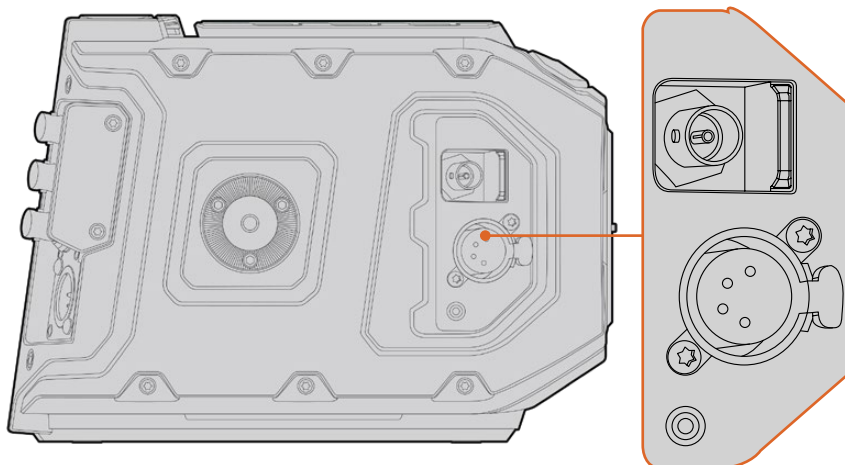
Coloque la montura del visor en el adaptador y sujétela mediante el tornillo suministrado.

Cabe destacar que no es necesario emplear herramientas adicionales, ya que la presión ejercida por los dedos será suficiente para ajustar el tornillo sin apretarlo demasiado.



A fin de sujetar el visor a la cámara, deslícelo a lo largo de las ranuras utilizadas para colocar la manija y enrosque el tornillo en uno de los orificios de 6.35 mm.

Utilice los cables suministrados para conectar el visor a la salida SDI 3G de la cámara y a la conexión de 12 V situada en la parte frontal. El visor se encenderá automáticamente al prender la cámara.



Conecte el visor a la salida SDI HD y al conector de +12 V en la parte frontal de la cámara mediante los cables suministrados.

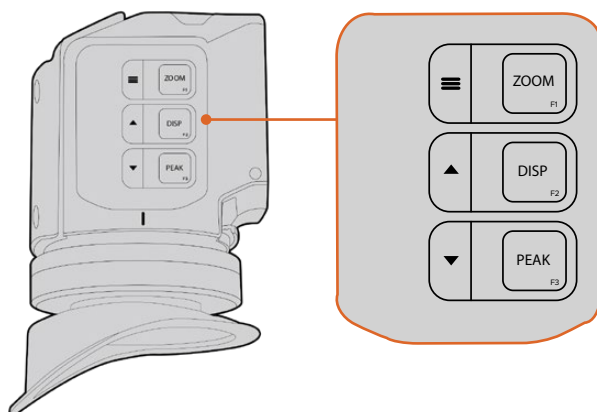
Al emplear el dispositivo con el modelo URSA Mini, es ampliamente recomendable utilizar el soporte para el hombro, ya que este dispone de orificios roscados, un tornillo moleteado de 6.35 mm y diferentes ajustes de altura que permiten colocar el visor en una posición óptima. Consulte el apartado *Soporte para hombro* a fin de obtener más información al respecto.

## Ajuste del ocular

El borde de caucho desmontable puede ajustarse para adaptarlo al ojo izquierdo o derecho. A su vez, es posible regular el brazo del visor aflojando la perilla situada debajo de este y deslizándolo a la izquierda o la derecha según resulte más cómodo.

## Botones

La parte superior del visor incluye los botones **ZOOM**, **DISPLAY** y **PEAK**. Estos se utilizan para acercar la imagen y activar o desactivar el indicador de enfoque o la información que se proporciona en la pantalla.



Los botones **ZOOM** (F1), **DISPLAY** (F2) y **PEAK** (F3) se encuentran en la parte superior del visor

Asimismo, se emplean para acceder a otras funciones adicionales, menús y diferentes ajustes. Los íconos situados junto a cada botón indican el propósito para el cual se utiliza.



Por otra parte, es posible personalizarlos para que funcionen como accesos directos a aquellas prestaciones usadas con mayor frecuencia. Por ejemplo, la función **False Color** se puede asignar al botón **ZOOM**. Consulte el apartado *Accesos directos* para obtener más información al respecto.

### **ZOOM (F1) - menú**

Este botón permite lograr una mayor nitidez en el enfoque. Presiónelo para acercar la imagen y oprímalo nuevamente para volver a la vista normal. Asimismo, facilita el acceso al menú de ajustes al mantenerlo oprimido. Después de modificar una opción, presiónelo nuevamente para confirmar el cambio.

### **DISPLAY (F2) - arriba**

Presione este botón para ver información adicional en la pantalla. También permite desplazar hacia arriba el menú de ajustes para acceder a otras opciones adicionales. Por otra parte, al mantenerlo oprimido es posible acceder rápidamente a los accesos directos. Consulte el apartado *Accesos directos* para obtener más información al respecto.

### **PEAK (F3) - abajo**

El indicador de enfoque genera un borde verde alrededor de las partes más nítidas de la imagen para facilitar el enfoque. Presione el botón **PEAK** para activar el indicador de enfoque. Presiónelo nuevamente para desactivarlo. Asimismo, este botón permite desplazar hacia abajo el menú de ajustes para ver opciones adicionales. Por otra parte, al mantenerlo oprimido, se accede rápidamente al menú de configuración.

## Menú de ajustes

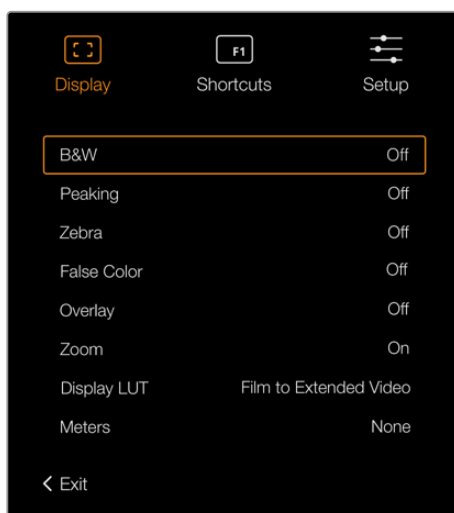
Este menú contiene tres secciones diferentes para la pantalla, los accesos directos y la configuración del dispositivo. Mantenga presionado el botón **MENU** para acceder a él. Presione las flechas hacia arriba ▲ o abajo ▼ para seleccionar distintos parámetros y oprima el botón **MENU** nuevamente para confirmarlos.

### Mostrar

El menú **Display** incluye las siguientes opciones:

#### **B&W**

Permite alternar entre la imagen a color o en blanco y negro.



Menú **Display** del visor.

#### **Peaking**

Permite activar o desactivar el indicador de enfoque.

## Zebra

Permite activar o desactivar la función Zebra. El nivel deseado puede determinarse mediante el menú de ajustes de la cámara. Consulte el apartado *Ajustes* para obtener más información al respecto.

## Falso color

Esta opción permite activar o desactivar esta función. Esta herramienta superpone diferentes colores en la imagen para representar los valores de exposición correspondientes a diversos elementos. Por ejemplo, el rosa representa un nivel de exposición ideal para tonos de piel claros, mientras que el verde es adecuado para matices más oscuros. Al observar dichos colores cuando se filma el rostro de una persona, es posible mantener un rango de luminancia y brillo constante en este elemento específico. De manera similar, resulta sencillo identificar las áreas sobrepuestas de la imagen cuando el color cambia de amarillo a rojo.

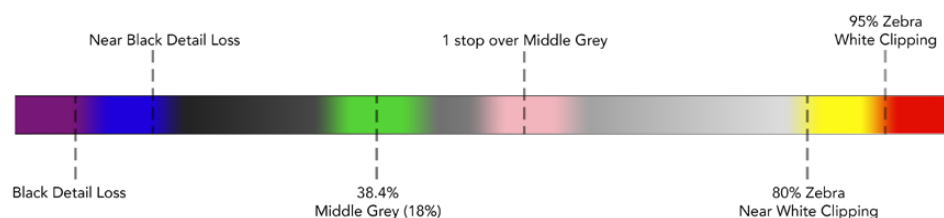


Diagrama de colores falsos

## Información en pantalla

La opción **Overlay** permite visualizar u ocultar la información adicional en la pantalla. Es posible seleccionar los tipos de controles desde el menú de configuración del visor desde la cámara.

## Zoom

Permite activar o desactivar esta función.

## Aplicar LUT

Al transmitir una señal SDI con rango dinámico de película desde la cámara, las opciones **Film to Video** y **Film to Extended Video** permiten aplicar a la imagen una tabla de conversión más colorida y de mayor contraste. El visor detectará la LUT aplicada y brindará la posibilidad de activarla o desactivarla según sea necesario. Cuando se aplica una LUT a la imagen transmitida mediante la salida SDI frontal o se usa una diferente, dicha función estará desactivada para evitar que se apliquen múltiples tablas al mismo tiempo.

## Vúmetros

La opción **Audio Meter** permite seleccionar el tipo de indicadores que se muestran en la pantalla. Las opciones son **Histogram**, **Audio**, **Both** (ambos) o **None** (ninguno).

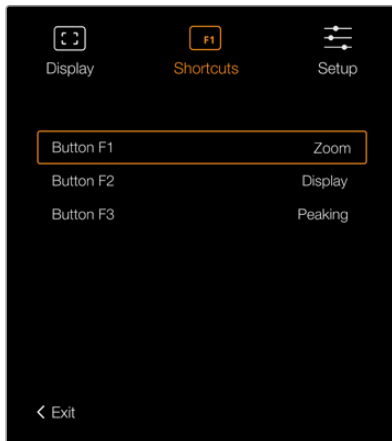
## Accesos directos

La función **Shortcuts** es útil cuando es necesario asignar un botón particular a una herramienta de uso frecuente. Para personalizar los botones de acceso directo, siga los pasos descritos a continuación:

- 1 En el menú **Shortcuts**, utilice las flechas de selección ▲ o ▼ para escoger uno de los tres botones disponibles. Presione el botón **MENU** ≡ para confirmar.
- 2 Utilice nuevamente las flechas de selección para escoger una de las funciones que se indican a continuación y asignarla al botón de acceso directo.▲ Presione el botón **MENU** ≡ para confirmar.

- Blanco y negro
- Cebra
- Distancia focal
- Indicadores
- Indicador de enfoque
- Falso color
- LUT de visualización
- Pantalla

- 3 Seleccione la opción **Exit** y presione el botón **MENU** ≡ para salir.



Botones de acceso directo en el visor electrónico

## Configuración

El menú **Setup** incluye las siguientes opciones:

### Brillo

La opción **Brightness Adjustment** permite ajustar el brillo de la pantalla con un rango de -10 a +10.

### Brillo de la luz piloto

La opción **Tally Brightness** permite determinar el brillo de la luz piloto trasera.

### Carta de enfoque

El visor electrónico Blackmagic URSA Viewfinder dispone de una carta de enfoque digital integrada que hace posible personalizar el ocular según la condición visual del usuario. Basta con girar el control de ajuste dióptrico hasta lograr un enfoque preciso. A continuación, presione cualquier botón para salir de esta opción.

### Guías de encuadre

La opción **FRAME GUIDE** permite ver las guías de encuadre en la pantalla. Al activarla, el visor mostrará las mismas guías indicadas para todas las salidas en los ajustes de la cámara.

Consulte el apartado *Ajustes del monitor* para obtener más información al respecto.

### Área de seguridad

La opción **SAFE AREA GUIDE** permite ver el área de seguridad en la pantalla. Al activarla en el modelo URSA Mini, es posible verla u ocultarla según sea necesario.

Consulte el apartado correspondiente para obtener más información al respecto.

### Cuadrícula

La opción **GRID** permite visualizar una cuadrícula, una cruz filar o un punto central en la pantalla. Al activar esta función en la opción **All** del modelo URSA Mini, es posible mostrar u ocultar dichos elementos en el visor Blackmagic URSA Viewfinder.

Consulte el apartado correspondiente para obtener más información al respecto.

**NOTA:** Al activar la función **Grid** en el menú de configuración del dispositivo URSA Viewfinder, es posible ver el indicador de cámara al aire si esta se encuentra conectada a un mezclador ATEM. Nótese que la opción **Overlays** también debe activarse en el menú en pantalla.

#### Texto en pantalla

La opción **STATUS TEXT** permite visualizar cierta información en pantalla, por ejemplo el balance de blancos, la frecuencia de imagen y el índice ISO. Al activar esta función en la opción **Front SDI** del modelo URSA Mini, es posible mostrar u ocultar dichos elementos en el visor Blackmagic URSA Viewfinder.

Consulte el apartado correspondiente para obtener más información al respecto.

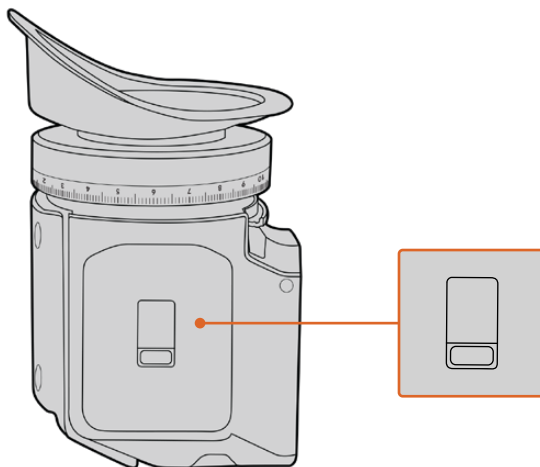
**SUGERENCIA:** Al colocar un dispositivo Blackmagic Viewfinder en una cámara URSA Mini, puede ocurrir una superposición de texto en la pantalla si ambos equipos tienen esta función activada. En este caso, recomendamos activarla en un dispositivo a la vez.

#### Sensor infrarrojo

El sensor infrarrojo detecta cuando el usuario acerca el ojo al visor, y enciende automáticamente la pantalla OLED. Por el contrario, al alejarse por más de 20 segundos en modo de espera, la pantalla se apaga para prolongar su vida útil y ahorrar energía. Al grabar, el tiempo de espera del sensor se extiende a 5 minutos, y transcurrido dicho intervalo, la pantalla OLED se atenúa lentamente. Todo movimiento registrado por el ocular reiniciará el temporizador. Aunque el sensor detecta la proximidad del usuario, también es posible encender la pantalla manualmente presionando cualquier botón.



Al cubrir o bloquear el sensor infrarrojo deliberadamente, la pantalla del visor permanecerá encendida durante períodos prolongados. Esto podría provocar una retención de imagen y en consecuencia reducir la vida útil del monitor, si ocurre cuando las guías de encuadre están activadas o al visualizar contenidos de alto contraste.



El sensor infrarrojo se encuentra en la parte inferior del visor.

## Actualización del software interno

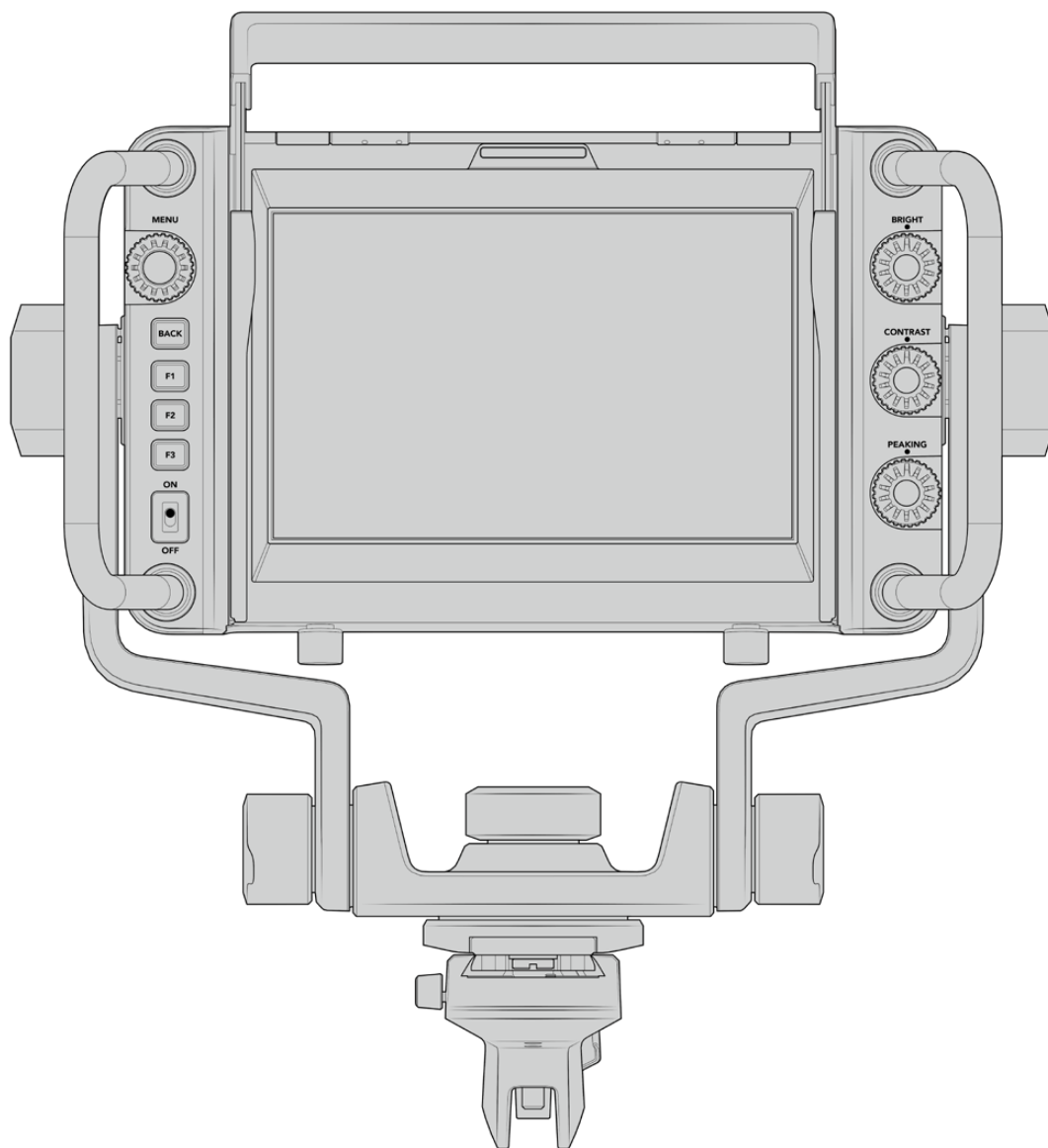
El programa utilitario para cámaras de Blackmagic permite actualizar el sistema operativo interno del visor. El dispositivo debe estar encendido al realizar la actualización, de modo que se recomienda mantenerlo conectado a la cámara durante todo el proceso. A su vez, la cámara debe ser capaz de suministrar corriente eléctrica en forma constante, por lo que es necesario enchufarla a una fuente de alimentación externa.

Conecte su equipo informático al puerto USB situado en la parte frontal del visor. Al ejecutar el programa utilitario, el equipo solicitará que actualice el software interno del dispositivo si hay una nueva versión disponible. Siga las instrucciones que aparecen en la pantalla para llevar a cabo la actualización.

**NOTA:** Consulte el apartado *Programa utilitario de la cámara* para obtener más información al respecto.

**SUGERENCIA:** Recomendamos actualizar todos los componentes del modelo URSA simultáneamente para obtener un rendimiento óptimo.

# Blackmagic URSA Studio Viewfinder



Blackmagic URSA Studio Viewfinder

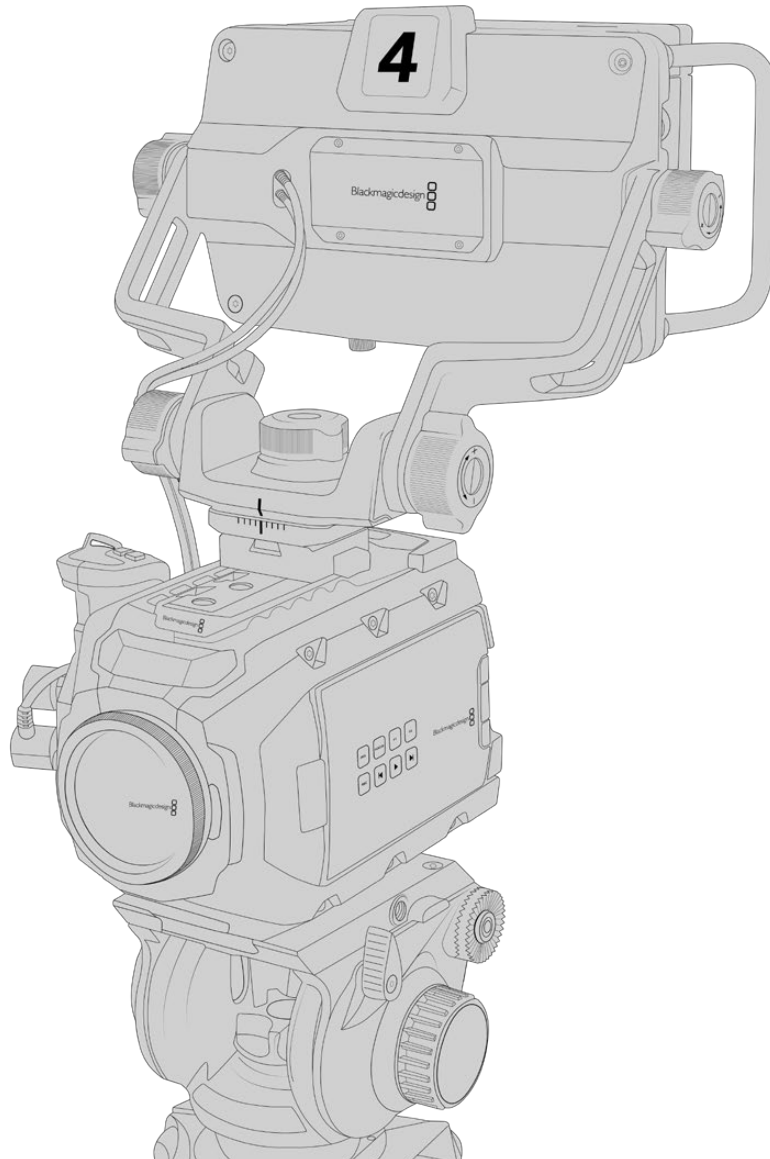
Este visor electrónico diseñado por Blackmagic permite convertir el modelo URSA Mini en una cámara profesional para llevar a cabo producciones en directo. Cuenta con una pantalla brillante de 7 pulgadas, luz piloto, varias perillas, manijas de gran tamaño, un parasol y una montura articulada de tensión regulable. Estas prestaciones permiten permanecer detrás de la cámara durante períodos prolongados con suma comodidad para seguir el desarrollo de los acontecimientos, en particular al filmar conciertos en vivo, deportes y otros eventos extensos. Asimismo, este dispositivo es ideal para llevar a cabo producciones en directo, tanto en estudios como en exteriores.

## Montaje y conexión

Al utilizar el visor electrónico con el modelo URSA Mini, es posible montarlo a la cámara de diversas maneras.

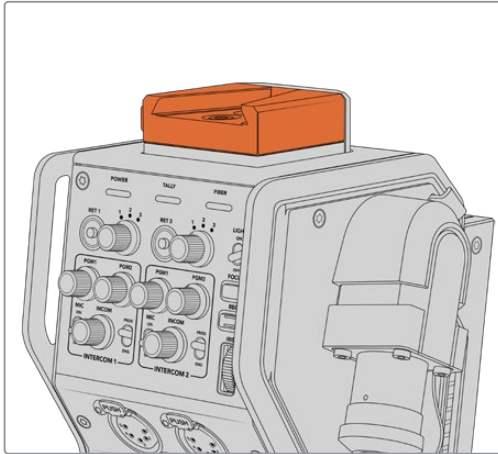
El visor también puede colocarse directamente sobre la parte superior de la cámara mediante la montura en V suministrada.

Quite la montura en V de la manija empleando una llave Allen 3/16 y a continuación sujétela a la parte superior de la cámara mediante los tornillos de 0.25 pulgadas suministrados. Esto permite elevar el centro de gravedad de la cámara. Recomendamos llevar a cabo este procedimiento con la cámara apoyada sobre un trípode para lograr una mayor estabilidad.

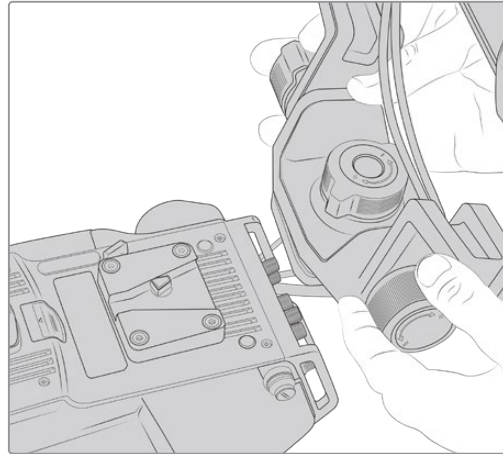


Al colocar el visor en una cámara en la que se ha instalado el soporte para el hombro, será necesario emplear la montura adicional suministrada. A tales efectos, sujétela a la manija superior ajustando los tres tornillos de 6.35 mm suministrados con una llave Allen 3/16. Inserte la montura en V del visor en la ranura correspondiente de la cámara y deslícela hasta que calce en su lugar.

Consulte el apartado *Soporte para hombro* a fin de obtener más información al respecto.

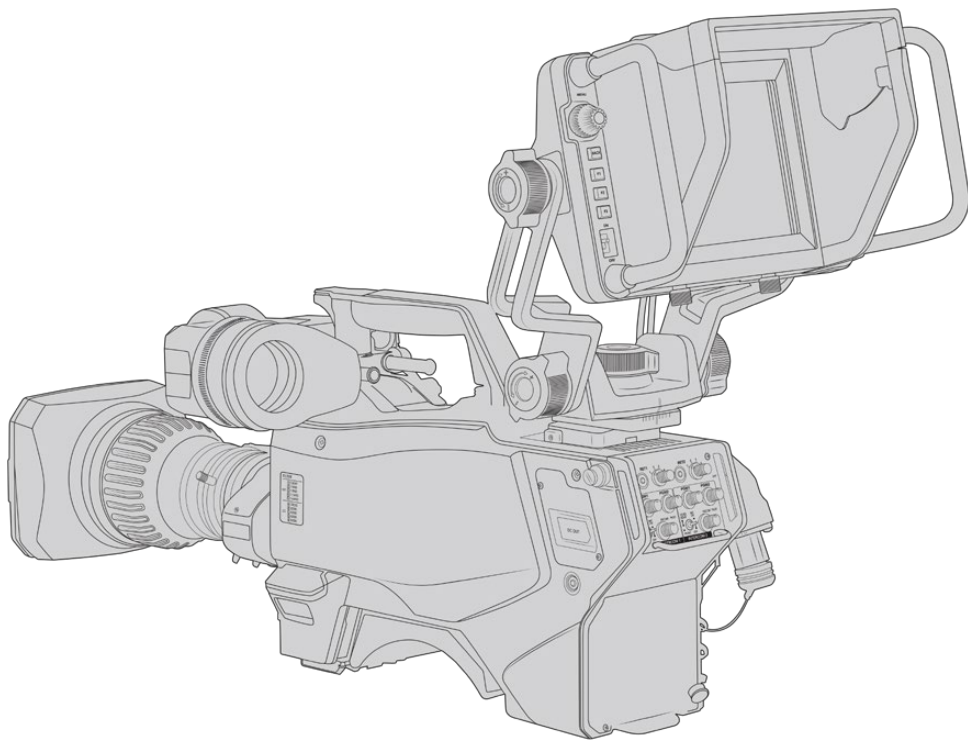


Es posible colocar el visor en la montura en V situada en la parte superior del dispositivo Blackmagic Camera Fiber Converter.



Montura en V colocada en una cámara desarrollada por otros fabricantes.

El visor puede colocarse en cualquier cámara que cuente con orificios roscados de 0.25 pulgadas mediante la montura suministrada u otras similares fabricadas por terceros. Asimismo, es posible montar el dispositivo en otras unidades que cuenten con un mecanismo de sujeción en V integrado.

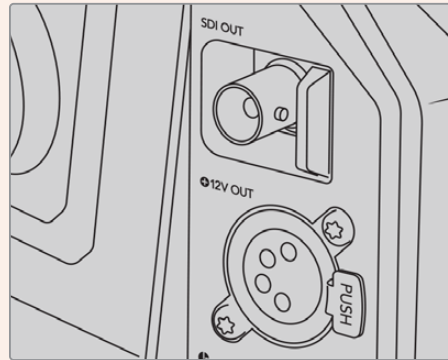


**SUGERENCIA:** El visor se conecta a la cámara mediante un soporte en forma de V que permite quitarlo rápidamente si es necesario. Al filmar encuentros deportivos, puede resultar útil dejar el ocular Blackmagic URSA Viewfinder y el visor Blackmagic URSA Studio Viewfinder instalados en la cámara, a fin de poder comenzar a grabar cámara en mano rápidamente al finalizar el encuentro. Ambos dispositivos comparten la conexión de 12 V en la cámara y el cable SDI 3G, de modo que es posible alternar entre ellos con facilidad en tal situación.



Utilice los cables suministrados para conectar el Blackmagic URSA Studio Viewfinder a la salida SDI 3G de la cámara y a la conexión de 12 V situada en la parte frontal.

El botón de encendido del dispositivo permite activarlo cuando la cámara está encendida. Nótese que la montura cuenta con sujetadores en el lateral que permiten mantener los cables en su lugar.

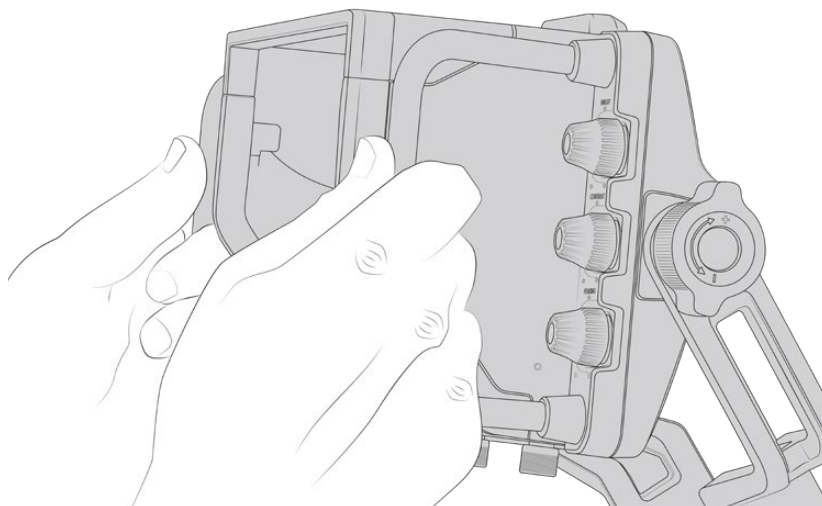


Salida SDI y conexión de 12 voltios en el modelo URSA Mini

**SUGERENCIA:** El visor funciona mediante conexiones SDI y XLR de 4 pines convencionales, de manera que es posible emplearlo con cualquier otra cámara, o incluso como un monitor portátil regulable. Asimismo, es compatible con el protocolo abierto de control y señalización ATEM, lo cual permite integrar los datos en la señal SDI para utilizar las luces piloto y la información en pantalla que ofrece el dispositivo.

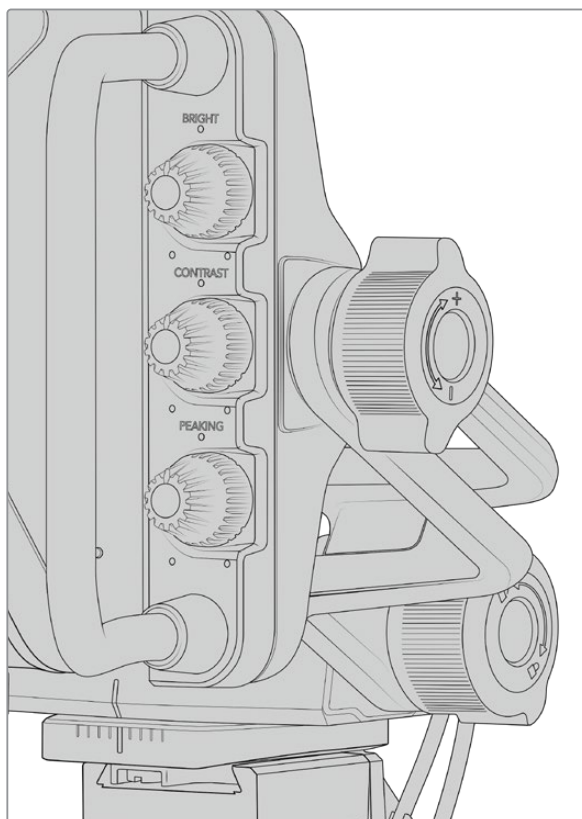
## Ajuste del visor

El visor ha sido especialmente diseñado para llevar a cabo todo tipo de producciones en directo e incluye manijas de grandes dimensiones con articulaciones de tensión variable que permiten moverlo con facilidad y ajustar el ángulo y la posición del mismo según sea necesario. Por su parte, el parasol protege la pantalla de posibles daños, y la cámara puede guardarse en un estuche de transporte sin necesidad de desarmarla. Asimismo, las manijas brindan la posibilidad de tomar la cámara para llevarla de un lugar a otro.

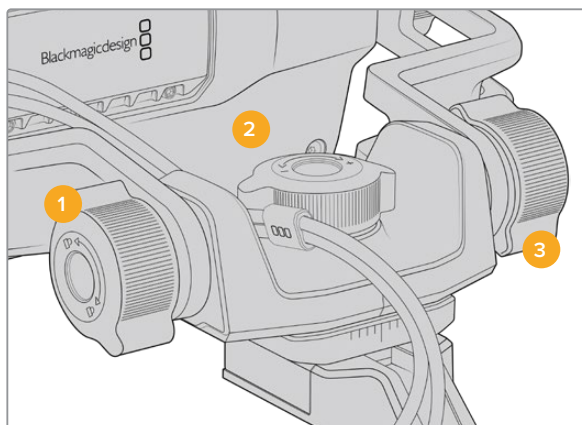


La montura suministrada incluye perillas de tensión regulable que permiten girar la cámara en dirección horizontal y vertical. El visor cuenta además con una perilla en el lateral izquierdo, que brinda la posibilidad de ajustar el grado de movilidad del brazo, y otra en el costado derecho para evitar que el dispositivo se mueva una vez que se ha encontrado el ángulo más apropiado.

El rango de tensión de las perillas es sumamente amplio, lo cual permite seleccionar un grado de resistencia específico. Esto facilita el movimiento del visor en sentido horizontal o vertical hasta la posición deseada.



Perillas de tensión regulable en ambos costados del visor



**1 Bloqueo de la inclinación vertical**

Esta perilla permite fijar el ángulo de inclinación vertical del visor.

**2 Control de giro horizontal**

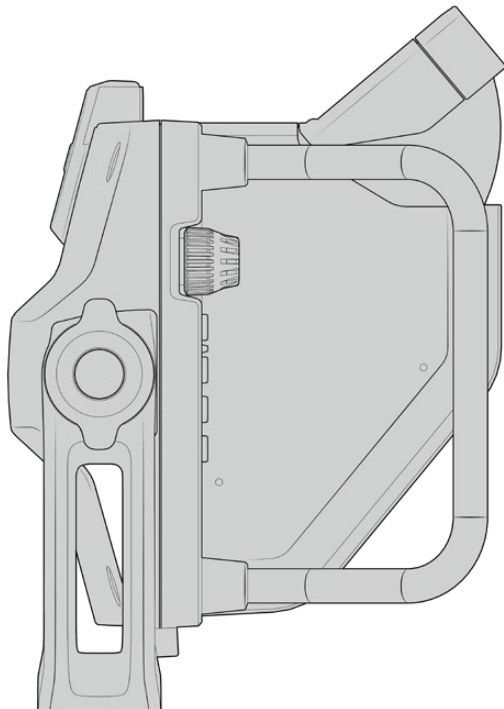
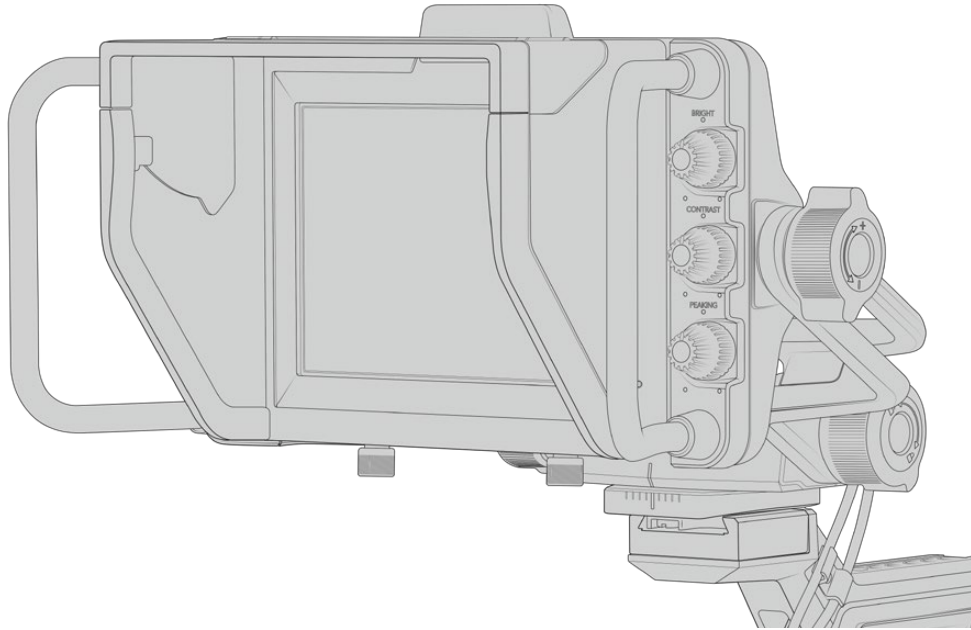
Esta perilla permite controlar la tensión al mover el dispositivo en sentido horizontal sobre un eje fijo.

**3 Control de giro vertical** Esta perilla permite controlar la tensión al mover el dispositivo en sentido vertical sobre un eje fijo.

**SUGERENCIA:** La perilla central controla la tensión al realizar un movimiento horizontal sobre un eje fijo. Al aflojarla, es posible sostener el visor y mover la cámara en forma independiente. Esto facilita la filmación de carreras, donde es necesario realizar un paneo con la cámara para seguir el desarrollo de los acontecimientos y al mismo tiempo mantener la vista sobre la pantalla del visor. La montura cuenta con una guía visual que permite regresar el dispositivo a la posición central sin dificultad.

## Parasol

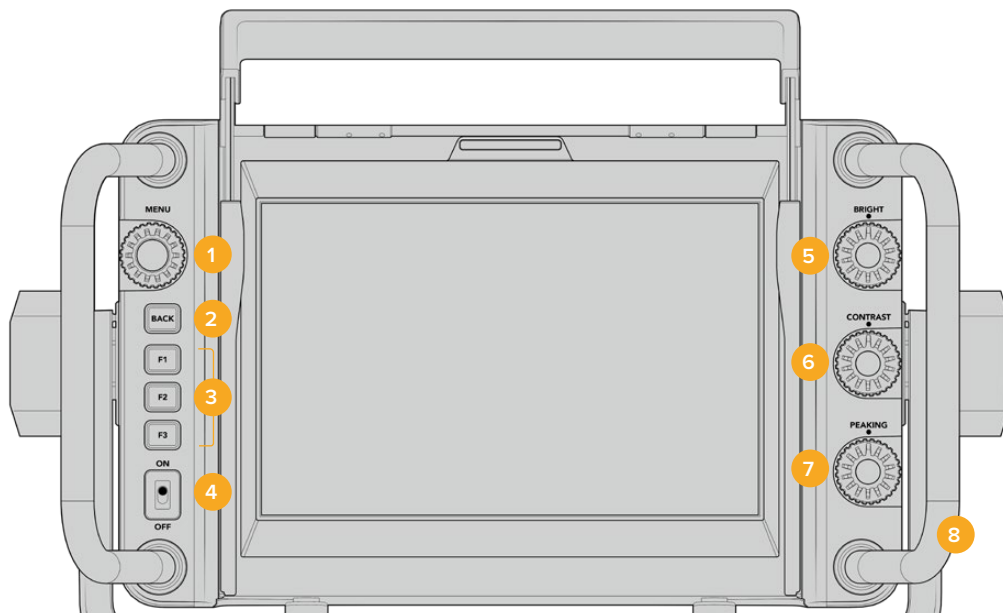
El parasol permite ver la pantalla cuando la luz es muy brillante. Para colocarlo, deslícelo sobre la parte superior del visor hasta que calce en su lugar y sujételo con los dos tornillos cautivos insertándolos en la base del mismo. La parte superior de la visera es regulable, lo cual ofrece la posibilidad de subirla o bajarla para obtener ángulos de visión adicionales. Asimismo, el parasol brinda protección a la pantalla del visor y puede quitarse con facilidad, por ejemplo para acceder a la conexión USB C, a fin de actualizar el sistema operativo interno del dispositivo.



Parasol y visera regulable

## Botones

Los controles en la parte derecha de la pantalla permiten ajustar el brillo, el contraste y el indicador de enfoque con facilidad. Estos presentan un diseño ergonómico que brinda la posibilidad de moverlos con el dedo pulgar, cuando el parasol está instalado, o con dos dedos si es necesario realizar cambios de manera más sutil.



### 1 MENU

Este selector permite acceder al menú y a los distintos ajustes del dispositivo.

### 2 BACK

Este botón permite salir del menú.

### 3 F1, F2, F3

Botones programables a los cuales es posible asignar las funciones utilizadas con mayor frecuencia.

### 4 Interruptor de encendido/apagado

Este interruptor permite encender o apagar el dispositivo.

### 5 BRIGHT

Este control permite ajustar el brillo de la imagen. El valor correspondiente (-100 a +100) se indica en la pantalla.

### 6 CONTRAST

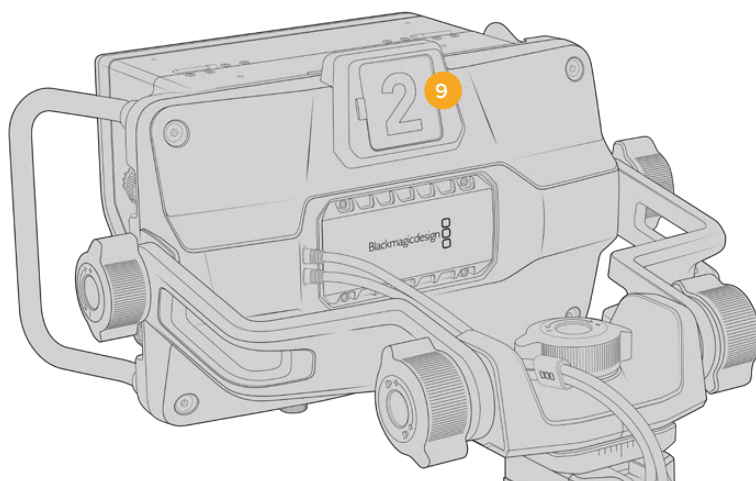
Este control permite ajustar el contraste de la imagen. El valor correspondiente (-100 a +100) se indica en la pantalla.

### 7 PEAKING

Este control permite ajustar la intensidad del indicador de enfoque en la imagen. El valor correspondiente (-100 a +100) se indica en la pantalla. El menú de ajustes ofrece diferentes estilos para esta función. La opción tradicional resultará familiar para muchos usuarios, pero al igual que en modelo URSA Mini, cabe la posibilidad de seleccionar líneas de color rojo, verde, azul o blanco, lo cual facilita su visualización en imágenes con una dominante cromática en particular.

### 8 Manijas

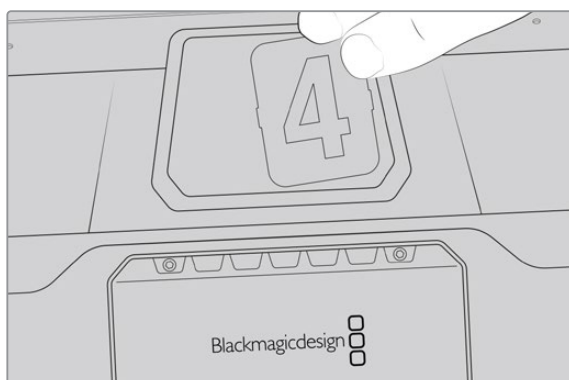
Las manijas permiten mantener el visor fijo al reubicar la cámara durante el rodaje. Asimismo, protegen la pantalla al preparar el dispositivo para su uso o guardarlo.



### 9 Luz piloto

Esta luz situada en la parte posterior del visor se enciende de color rojo si la cámara se encuentra al aire, verde si no lo está, o naranja si se está realizando una grabación aislada.

Cuando se presiona uno de los botones en el mezclador para cambiar de cámara, la información se transmite a la unidad mediante una señal SDI, de modo que la luz se prenda o se apague según corresponda. Asimismo, el visor incluye números transparentes que se colocan en la parte exterior de la luz piloto, a fin de identificar las cámaras con mayor claridad.



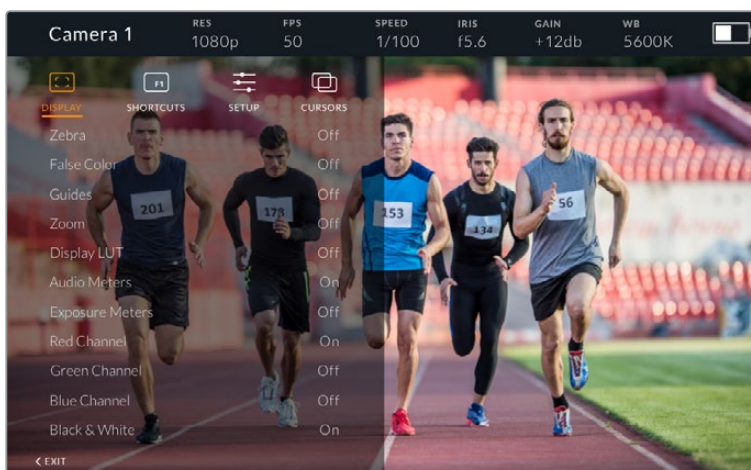
Junto con el programa de instalación, hemos incluido un archivo PDF editable que el usuario puede modificar según resulte necesario para imprimir sus propios números. Este se encuentra en la carpeta **Documents** ubicada dentro de la opción **Blackmagic Design** (Windows) o **Blackmagic Cameras en Aplicaciones** (Mac).

La luz piloto se prende o apaga según el funcionamiento del mezclador. En caso de que la cámara no se encuentre conectada a dicho dispositivo, la luz se enciende solo de color rojo cuando la unidad está grabando. Consulte el apartado *Descripción general sobre el control de cámaras* para obtener más información al respecto.

**SUGERENCIA:** Al utilizar el visor junto con un mezclador ATEM, es importante activar la opción **Clean Feed** en la cámara URSA Mini para evitar que la información superpuesta a la imagen en la pantalla del visor aparezca en la señal SDI transmitida por el mezclador. Dicha función se encuentra en la opción **Main SDI** del menú **Monitor** en la cámara.

## Menú de ajustes

Al presionar o girar el botón **MENU**, es posible acceder a los distintos ajustes y desplazarse entre las opciones disponibles en cada caso. Asimismo, permite alternar entre los menús **DISPLAY**, **SHORTCUTS**, **SETUP** y **CURSORS** cuando uno de ellos se encuentra seleccionado. Gire el botón para resaltar uno de los parámetros. Presiónelo para seleccionarlo y gírelo nuevamente para modificarlo. Oprímalo nuevamente para confirmar. Presione el botón **BACK** para salir o seleccione la opción **EXIT** en la parte inferior izquierda de la pantalla.



### Mostrar

#### Cebra

La opción **Zebra** permite activar o desactivar esta función. La intensidad de la misma dependerá de su configuración en el modelo URSA Mini. Cuando el visor no está conectado a la cámara, este valor equivale al 95 % del nivel de luminancia en una señal Rec 709. Consulte el apartado *Ajustes* para obtener más información al respecto.

#### Falso color

Esta opción permite activar o desactivar esta función. Esta herramienta superpone diferentes colores en la imagen para representar los valores de exposición correspondientes a diversos elementos. Por ejemplo, el rosa representa un nivel de exposición ideal para tonos de piel claros, mientras que el verde es adecuado para matices más oscuros. Al observar dichos colores cuando se filma el rostro de una persona, es posible mantener un rango de luminancia y brillo constante en este elemento específico. De manera similar, resulta sencillo identificar las áreas sobrepuestas de la imagen cuando el color cambia de amarillo a rojo. Puede resultar de utilidad asignar esta función a uno de los botones programables para acceder a la misma con mayor rapidez.

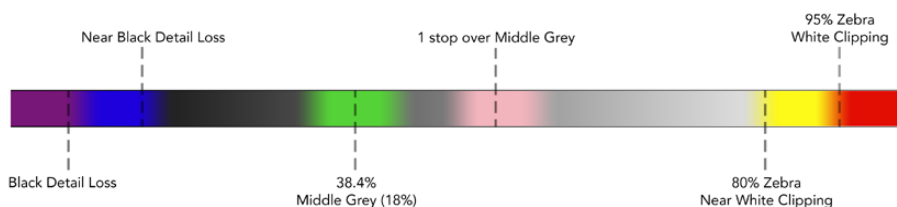


Diagrama de colores falsos

#### Guías

La opción **Guides** permite mostrar u ocultar las guías de encuadre. El formato de estas coincide con el seleccionado en el modelo URSA Mini, al igual que la relación de aspecto, la opacidad y el porcentaje del área de seguridad. A su vez, el menú **SETUP** del visor brinda la posibilidad de escoger el tipo de guías visualizado en la pantalla del dispositivo cuando esta opción está desactivada.

### **Zoom**

Permite activar o desactivar esta función. Este botón permite lograr una mayor nitidez en el enfoque. Al acercarse, es posible visualizar partes específicas de la pantalla girando el botón **MENU**. En la pantalla se indica la parte de la imagen cuyo tamaño se ha aumentado.

### **Aplicar LUT**

Al transmitir una señal SDI con rango dinámico de película desde la cámara, las opciones **Film to Video** y **Film to Extended Video** permiten aplicar a la imagen una tabla de conversión más colorida y de mayor contraste. El visor detectará la LUT que se haya aplicado y brindará la posibilidad de activarla o desactivarla según sea necesario. Cuando se aplica una LUT a la imagen transmitida mediante la salida SDI frontal o se usa una LUT diferente, dicha función estará desactivada para evitar que se apliquen múltiples tablas al mismo tiempo.

### **Vúmetros**

La opción **Audio Meters** permite obtener información sobre la intensidad del volumen en la señal SDI entrante, tanto en el visor como en la cámara. Al seleccionar la opción **Program**, se indica el volumen correspondiente a la señal emitida.

### **Exposición**

La opción **Exposure Meters** permite ver u ocultar el histograma de la señal.

### **Canal rojo**

La opción **Red Channel** permite activar o desactivar el canal rojo en la imagen.

### **Canal verde**

La opción **Green Channel** permite activar o desactivar el canal rojo en la imagen.

### **Canal azul**

La opción **Blue Channel** permite activar o desactivar el canal azul en la imagen.

### **Blanco y negro**

La opción **B&W** permite alternar entre la imagen a color o en blanco y negro.

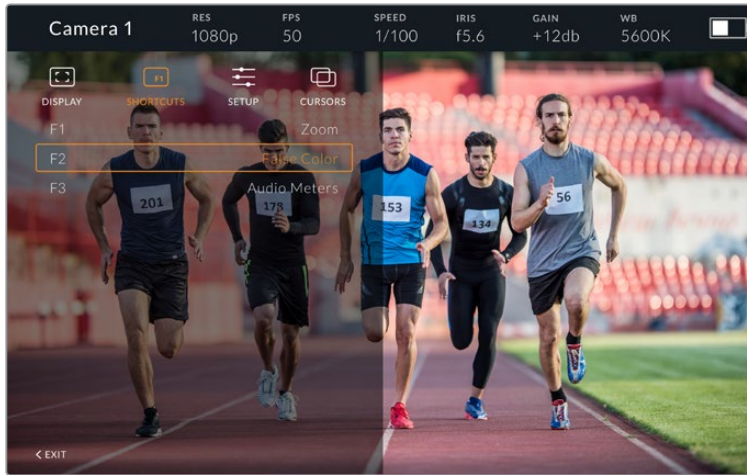
### **Accesos directos**

El menú **SHORTCUTS** permite asignar funciones específicas a los botones F1, F2 y F3. Estos brindan la posibilidad de activar o desactivar rápidamente cualquiera de las funciones del menú **DISPLAY**, o mostrar y ocultar las guías de encuadre. Esto resulta sumamente útil para acceder con facilidad a las herramientas del dispositivo empleadas con mayor frecuencia.

Para personalizar los botones de acceso directo, siga los pasos descritos a continuación: Gire el botón **MENU** para seleccionar uno de los tres botones. Presiónelo una vez para confirmar y luego gírelo nuevamente para ver las funciones disponibles. Después de escoger la opción deseada, oprima **MENU** una vez más para asignarla al botón seleccionado. De este modo, será posible activar o desactivar dicha función presionando el botón correspondiente.



Una vez asignadas las funciones a los botones, gire el control **MENU** para desplazarse hasta la opción **EXIT** y presiónelo para salir, u oprima el botón **BACK** en el dispositivo.



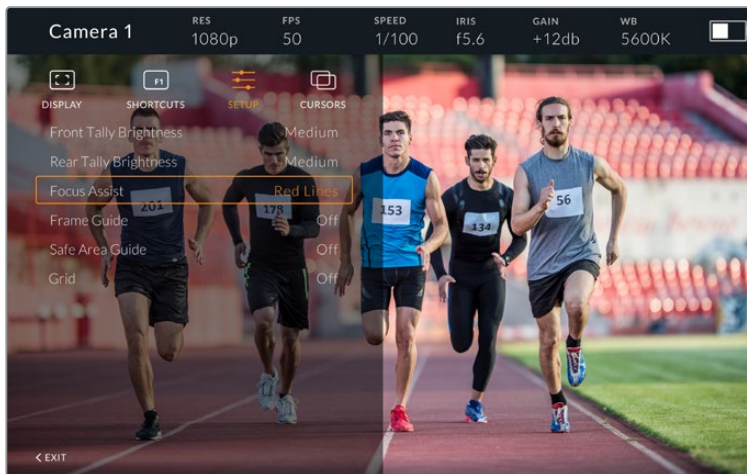
Menú **SHORTCUTS**

## Configuración

El menú **SETUP** permite configurar diversos ajustes del visor.

### Brillo de la luz piloto frontal

La opción **Front Tally Brightness** permite determinar el brillo de la luz piloto frontal. Las opciones disponibles son **Off**, **Low**, **Medium** y **High**. Al seleccionar una de estas, la luz se encenderá para proporcionar una indicación visual de la intensidad.



Menú **SETUP**

### Brillo de la luz piloto trasera

La opción **Rear Tally Brightness** permite determinar el brillo de la luz piloto trasera. Las opciones disponibles son **Off**, **Low**, **Medium** y **High**. Al seleccionar una de estas, la luz se encenderá para proporcionar una indicación visual de la intensidad.

**SUGERENCIA:** En condiciones de gran intensidad lumínica, se recomienda aumentar el brillo para facilitar la visualización de la luz piloto por parte de todos los integrantes del equipo de filmación. Por el contrario, en ambientes oscuros, es aconsejable seleccionar un nivel de brillo inferior.



### Asistente de enfoque

La opción **Focus Assist** permite activar o desactivar el indicador de enfoque. Los colores disponibles son rojo, verde, azul, blanco y negro, además del estilo tradicional para esta función.

### Guías de encuadre

La opción **Frame Guides** permite ver las guías de encuadre en la pantalla del visor. Cuando el dispositivo se encuentra conectado al modelo URSA Mini, la relación de aspecto coincidirá con la seleccionada en la cámara. En caso contrario, el valor predeterminado para este parámetro es 14:9.

### Área de seguridad

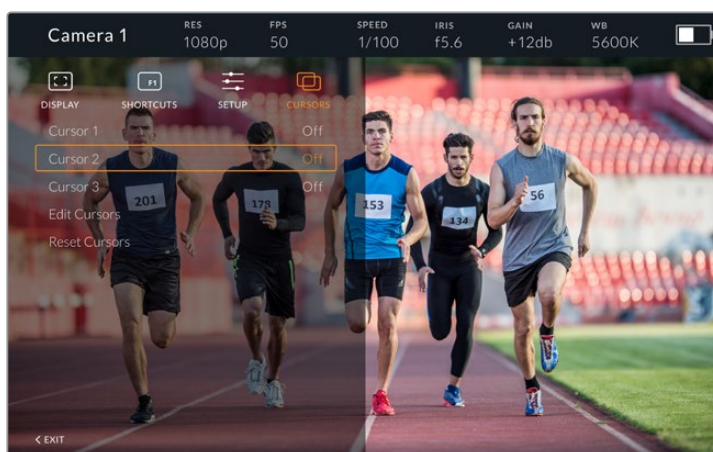
La opción **Safe Area Guide** permite ver el área de seguridad en la pantalla del visor. Cuando el dispositivo se encuentra conectado al modelo URSA Mini, el porcentaje coincidirá con el valor seleccionado en la cámara. En caso contrario, el valor predeterminado para este parámetro es 90 %.

### Cuadrilla

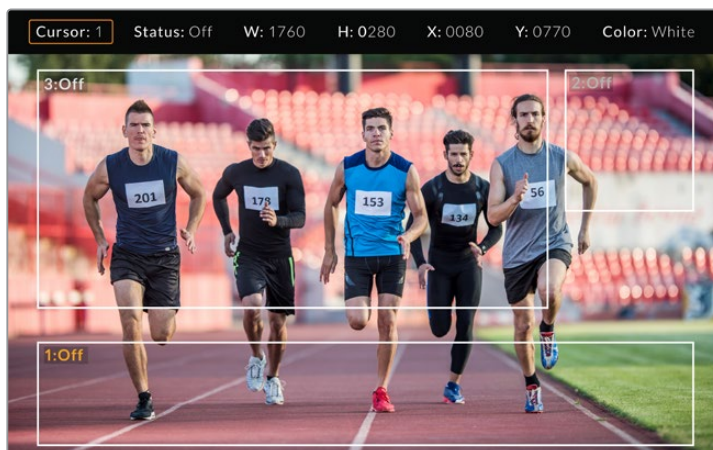
La opción **Grid** permite ver la cuadrícula en la pantalla del visor. Cuando el dispositivo se encuentra conectado al modelo URSA Mini, su formato coincidirá con el seleccionado en la cámara. En caso contrario, se muestra una cruz filar.

### Recuadros

La opción **Cursors** permite delimitar un área de la imagen sobre la cual se superponen elementos gráficos, tales como un logotipo, un texto móvil o un tercio inferior. Para ajustarla, seleccione la opción **Edit Cursors** en el menú **CURSORS**. A continuación, aparecerán tres recuadros en la pantalla cuyas dimensiones se pueden modificar individualmente.



Menú **CURSORS**



Recuadros en la pantalla

Una vez determinado el tamaño de cada uno, es posible activarlos o desactivarlos desde el menú **CURSORS** o asignarlos a uno de los botones programables para acceder a los mismos con mayor rapidez. Esto es importante al realizar producciones en directo, dado que permite al camarógrafo tener en cuenta diversos elementos al componer y encuadrar los planos. Asimismo, es posible crear hasta tres recuadros blancos o negros, con un ancho y una altura variable, y situarlos en diferentes lugares para facilitar la organización de los elementos que se añadirán posteriormente durante la transmisión. Además, se brinda la posibilidad de restablecer las dimensiones de los recuadros a sus valores predeterminados.

### Uso de auriculares con el visor electrónico

Cuando se utiliza el dispositivo conjuntamente con el modelo URSA Mini, la conexión para auriculares de la cámara permite comunicarse directamente con el director.

Para una comunicación más avanzada, es posible emplear los dispositivos Blackmagic Camera Fiber Converter y Blackmagic Studio Converter, que permiten el uso de auriculares profesionales con conectores XLR de 5 pines. Consulte el apartado *Controles de la pantalla táctil* para obtener más información al respecto.

**SUGERENCIA:** La cámara es compatible con auriculares diseñados para teléfonos iPhone, de modo que es posible emplear estos modelos a fin de comunicarse con el director. Para ello, basta con presionar el botón en el mando integrado.

### Actualización del sistema operativo interno del visor

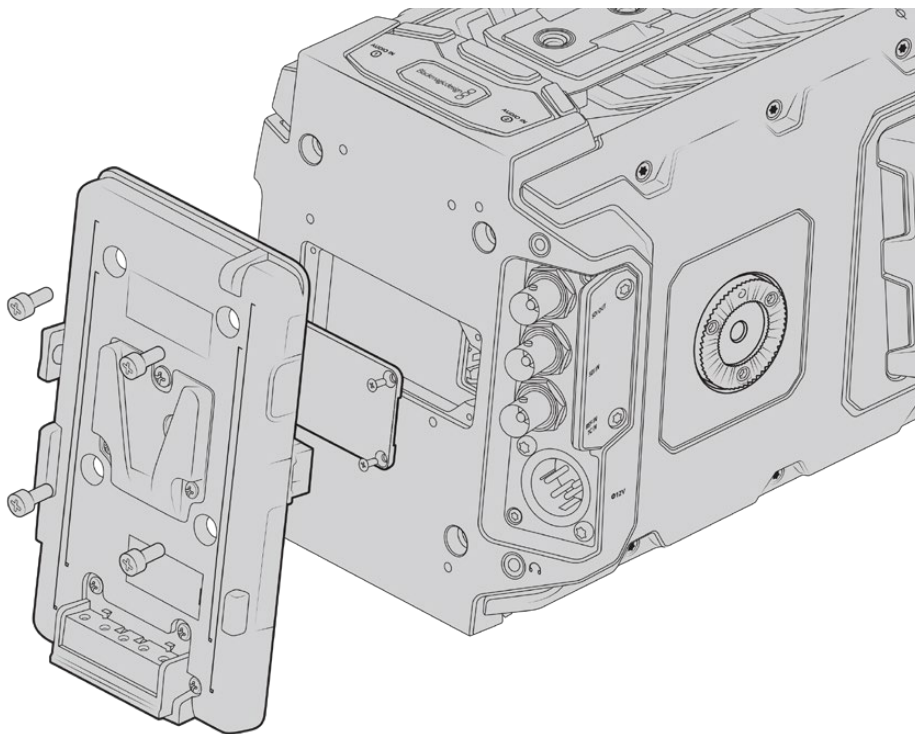
El programa utilitario para cámaras de Blackmagic permite actualizar el sistema operativo interno del visor. El dispositivo debe estar encendido al realizar la actualización, de modo que se recomienda mantenerlo conectado a la cámara durante todo el proceso. A su vez, esta debe ser capaz de suministrar corriente eléctrica en forma constante, por lo que es necesario enchufarla a una fuente de alimentación externa.

Retire el parasol para acceder al puerto USB C situado en la parte inferior del dispositivo y conéctelo a un equipo informático. Al ejecutar el programa utilitario, se le solicitará que actualice el sistema operativo interno del visor si existe una nueva versión disponible. Siga las instrucciones que aparecen en la pantalla para llevar a cabo la actualización. Consulte el apartado *Programa utilitario* para obtener información adicional al respecto.

Recomendamos actualizar todos los dispositivos utilizados con el modelo URSA simultáneamente para obtener un rendimiento óptimo.

**NOTA:** Recomendamos actualizar el visor para garantizar su compatibilidad con el modelo URSA Mini. La versión más reciente del software se encuentra disponible en nuestra página de soporte técnico. Consulte el apartado *Programa utilitario* para obtener más información al respecto.

## Instalación de baterías



Para utilizar baterías tipo V-Mount o Gold Mount, es necesario colocar un soporte en la parte trasera de la cámara.

### Instalación de baterías V-Lock o Gold Mount

La cámara permite utilizar baterías con montura tipo V-Lock o Gold Mount.

Para su instalación, es necesario colocar un soporte diseñado por Blackmagic u otros fabricantes en la parte trasera de la cámara.

**SUGERENCIA:** Los soportes Blackmagic URSA VLock Battery Plate y URSA Gold Battery Plate permiten ver la carga restante de la batería expresada como un porcentaje. Estos cuentan con un conector de +12 V denominado «D-Tap» o «P-Tap» que brinda la posibilidad de suministrar corriente a otros accesorios, tales como monitores externos. Dado que dicha salida se regula desde la cámara, el suministro se interrumpe de manera segura al apagar la unidad. Esta conexión es capaz de proporcionar 12 voltios a un máximo de 1.5 amperes. Algunos soportes para el modelo URSA e incluso algunas baterías incluyen una salida D-Tap no regulada que continúa suministrando corriente mientras la cámara se reinicia, pero el voltaje varía según el nivel de carga, y además los accesorios conectados consumen energía constantemente.

Los soportes para baterías V-Lock pueden adquirirse en cualquier distribuidor de productos Blackmagic Design. En forma alternativa, los modelos para ambos tipos de batería pueden conseguirse a través de proveedores de equipos digitales profesionales para la industria audiovisual.

Las versiones para baterías V-Lock pueden adquirirse en cualquier distribuidor de productos Blackmagic Design. En forma alternativa, los soportes para ambos tipos de batería pueden conseguirse a través de proveedores de equipos digitales profesionales para la industria audiovisual. También es posible utilizar el cable adaptador y el conector suministrados para modificar su propio soporte, en caso de no contar con uno diseñado específicamente para los modelos URSA o URSA Mini. Consulte las instrucciones que figuran en el apartado *Otros soportes para baterías* a fin de obtener más información al respecto.

#### **Para instalar el soporte en el panel trasero de la cámara:**

- 1** Afloje los cuatro tornillos ubicados en las esquinas de la cubierta posterior con un destornillador Phillips PH1 para quitarla.
- 2** Enchufe el conector Molex del soporte a la cámara.
- 3** Apriete los cuatro tornillos M3 para sujetar el soporte a la cámara. Verifique que el cable del conector esté dentro de la ranura para evitar que quede apretado entre el soporte y el panel.
- 4** Al finalizar la instalación, podrá utilizar una batería con montura en V o Gold Mount en la cámara.

## Otros soportes para baterías

### Conector y cable adaptador

Si no dispone de un soporte para baterías apropiado y desea modificar el que ya posee, puede utilizar el conector y cable adaptador suministrado o adquirirlos en el distribuidor de productos Blackmagic más cercano.

Para conectar el cable adaptador y el conector al soporte de la batería, siga los pasos descritos a continuación:

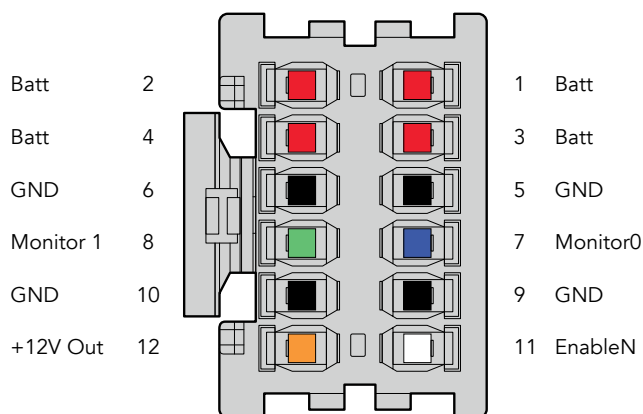
- 1** Pele aproximadamente media pulgada (1.27 cm) del aislante en los extremos de cada cable rojo y negro.
- 2** Suelde los cuatro cables rojos (Batt) al cable positivo correspondiente del soporte.
- 3** Suelde los cuatro cables negros (GND) al cable negativo correspondiente del soporte.

Asegúrese de que las uniones cuenten con un buen aislamiento.



Utilice el cable adaptador y el conector suministrado para modificar un soporte a fin de conectarlo a la cámara. De manera alternativa, puede adquirirlos en el distribuidor de productos Blackmagic más cercano.

De este modo se suministra corriente eléctrica a la cámara. Adicionalmente, es posible conectar otros cables para habilitar una salida de 12 V y comprobar el estado de la batería. Consulte las instrucciones disponibles para el soporte, además del diagrama y las tablas que se muestran en esta página, a fin de verificar la forma correcta de realizar la conexión. Para obtener información adicional al respecto, visite la página de soporte técnico en nuestro sitio web.



Vista trasera del conector. Consulte la tabla de configuración de cables para obtener información sobre cada conexión.

#### Tabla de configuración de cables

Pines	Señal	Color	Dirección	Descripción
1, 2, 3, 4	Batt	Red	Hacia la cámara	12-20 V
5, 6, 9, 10	TIERRA	Negro	–	–
7	Monitor0	Blue	Hacia la cámara	Nivel de batería analógica o línea de datos abierta (20 V máx.)
8	Monitor1	Green	Hacia la cámara	Línea abierta para reloj (3.4 V máx.)
12	Salida de +12 V	Naranja	Desde la cámara	Salida regulada de 12 V (1.5 A máx., 18 W)
11	EnableN	Blanco	Hacia la cámara	Conexión a tierra para habilitar la salida de +12 V. Dejar libre si no es necesario utilizarla.

Cada una de las conexiones **Batt** y **GND** admite una intensidad de corriente eléctrica de 3 A. Asegúrese de conectar todos los pines. Para comprobar el estado de la batería al utilizar soportes tipo Anton Bauer, IDX o Blueshape, siga las instrucciones descritas a continuación:

<b>Anton Bauer</b>	Conecte el cable azul y blanco al contacto azul (pin 7) en el conector.
<b>IDX</b>	Conecte el cable verde al contacto verde (pin 8) y el cable gris al contacto azul (pin 7) en el conector.
<b>Blueshape</b>	Conecte el cable azul (SMBC) al contacto verde (pin 8) en el conector. Conecte el cable marrón (SMBD) al contacto azul (pin 7) en el conector.

Corte los cables no utilizados lo más cerca posible de la parte trasera del conector.



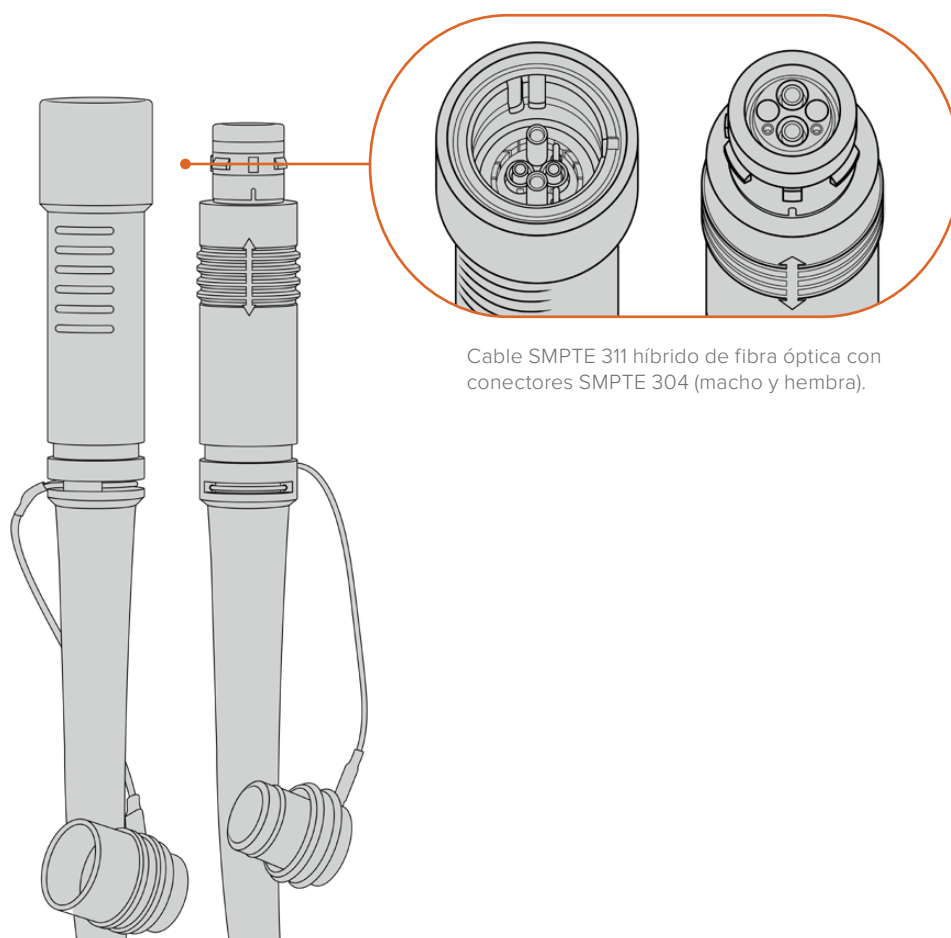
## Primeros pasos

Comenzar a utilizar los conversores es sumamente sencillo. En poco tiempo podrá disfrutar de todos los beneficios que ofrece la fibra óptica.

### Acerca de la fibra óptica SMPTE

Los cables SMPTE de fibra óptica ofrecen una manera sencilla de transmitir múltiples señales y alimentar cámaras situadas a grandes distancias. Esto es muy útil, ya que permite reducir la cantidad de cables conectados de cada cámara al mezclador.

Con un solo cable híbrido SMPTE 311, es posible transmitir señales audiovisuales, alimentar la cámara, controlarla y comunicarse con otros integrantes de la producción. Además, la fibra óptica permite cubrir distancias de hasta 2 kilómetros.



Cable SMPTE 311 híbrido de fibra óptica con conectores SMPTE 304 (macho y hembra).

**NOTA:** Los extremos macho y hembra del cable SMPTE 311 se identifican por sus pines en el conector SMPTE 304. El género no está determinado por su apariencia exterior.



**SUGERENCIA:** Coloque las cubiertas de goma en cada uno de los extremos del cable SMPTE de fibra óptica y en las conexiones de los conversores a fin de prevenir que se cubran de polvo.

Una de las principales ventajas de emplear fibra óptica radica en conexiones de las cámaras al control central o a las unidades móviles de exteriores durante las producciones en directo. La mayoría de los estadios modernos ya cuentan con un cableado de este tipo, por lo cual solo es necesario conectar los equipos.

Esto se lleva a cabo mediante un cable híbrido SMPTE 311 con conectores SMPTE 304.

### Protección de los conectores SMPTE

Los conectores del cable siempre deben estar protegidos mediante las cubiertas de goma. Estas evitan que se acumulen partículas de polvo en los extremos pulidos de los tubos de fibra de vidrio, lo cual podría provocar una interrupción de la señal. Recomendamos colocarlas inmediatamente si el conector no se encuentra en uso.

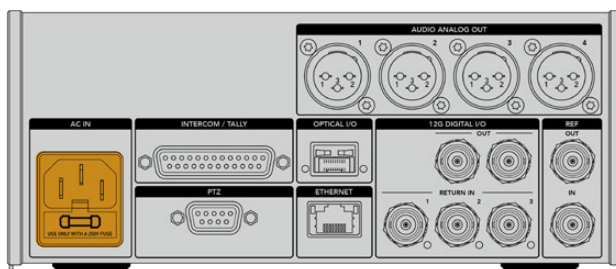
Cuando las conexiones están en uso, también es aconsejable encajar las cubiertas de goma de cada extremo del cable en las de los conversores, a fin de prevenir que les entre polvo.

### Conexión del cable de alimentación

Dado que el conversor situado en el estudio alimenta a la unidad instalada en la cámara mediante el cable de fibra óptica, el primer paso es conectarlo a una red de suministro eléctrico.

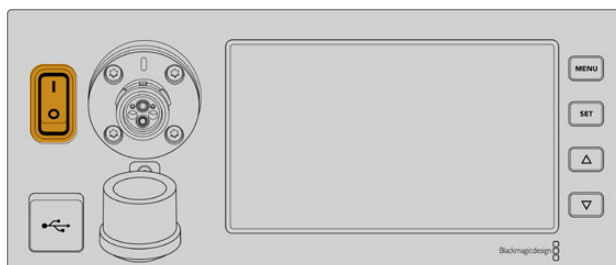
#### Alimentación del Studio Fiber Converter

Conecte un cable IEC común a la entrada de alimentación en la parte trasera del dispositivo.



Utilice un cable IEC convencional para suministrar energía eléctrica al dispositivo.

Encienda la unidad mediante el interruptor situado en el panel frontal.





## Conexión del cable SMPTE

El siguiente paso es conectar ambos conversores mediante el cable SMPTE de fibra óptica. Este permite alimentar la cámara y transmitir las señales audiovisuales.

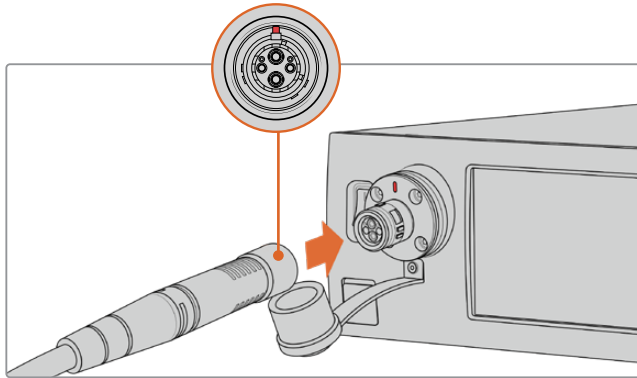
**NOTA:** Los controles de seguridad se inician al conectar el cable híbrido de fibra óptica en el conversor, y la fuente de alimentación de la unidad está en continua monitorización durante su uso.

### Conexión del cable al conversor en el estudio

El extremo macho del cable encaja perfectamente en la conexión hembra del panel frontal del modelo Studio Fiber Converter, evitando de esta forma que se desconecte accidentalmente durante una transmisión.

#### Para conectar el cable:

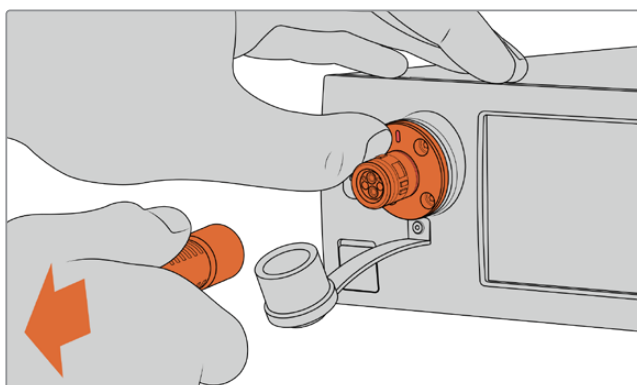
Compruebe que los indicadores rojos en cada uno de los conectores estén alineados. Inserte el cable en la conexión y verifique que calce correctamente.



Conecte el extremo del cable a la conexión en la parte delantera del modelo Studio Fiber Converter.

#### Para desconectar el cable:

Presione la base metálica del conector contra el panel frontal de la unidad y tire del cable. Conecte el extremo del cable a la conexión en la parte delantera del modelo Studio Fiber Converter.



Presione la base metálica del conector contra el panel frontal de la unidad y tire del cable para desconectarlo.

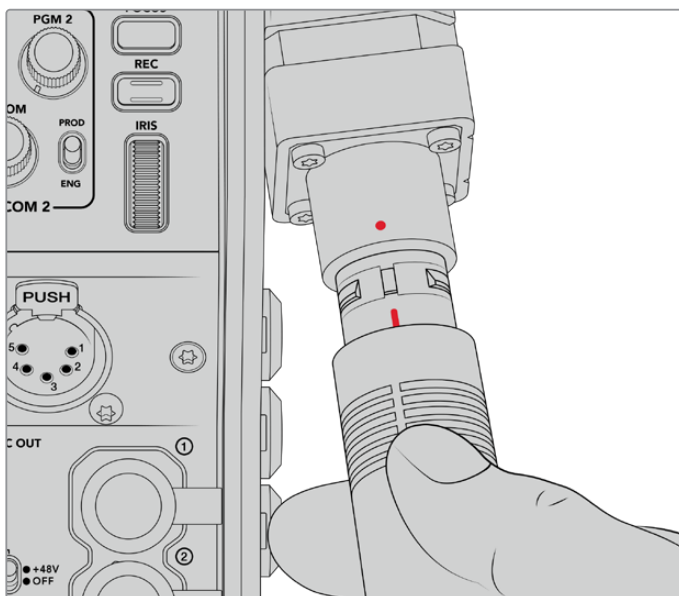
Asimismo, recomendamos que la cubierta de goma que protege el extremo del cable y la del conector en el conversor estén encajadas. Esto evitará que entre polvo en las cubiertas, y por ende en las conexiones.

### Conexión del cable al conversor en la cámara

El extremo hembra del cable encaja perfectamente en la conexión macho en el lateral del modelo Camera Fiber Converter, evitando de esta forma que se desconecte accidentalmente durante una transmisión.

#### Para conectar el cable:

- 1 Compruebe que los indicadores rojos en cada uno de los conectores estén alineados. Inserte el cable en la conexión y verifique que calce correctamente.
- 2 Asimismo, recomendamos que la cubierta de goma que protege el extremo del cable y la del conector en el conversor estén encajadas. Esto evitará que entre polvo en las cubiertas, y por ende en las conexiones.

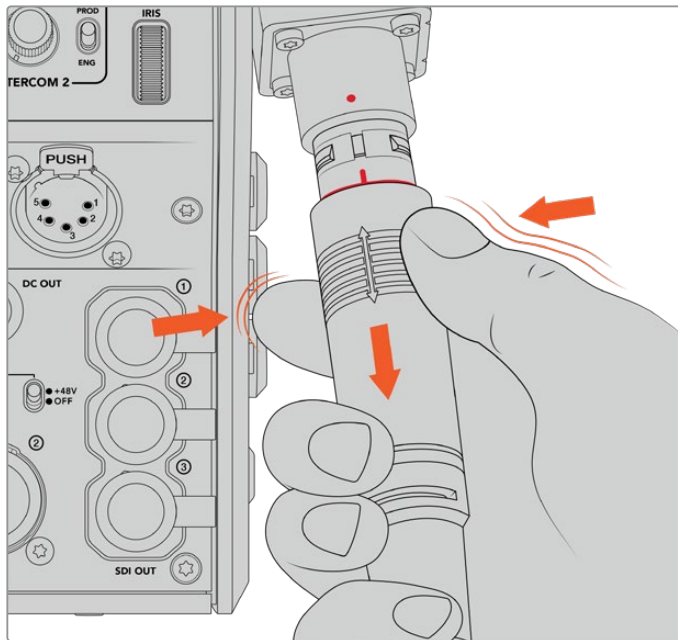


Compruebe la alineación de los indicadores rojos en el cable de fibra óptica y en el conector del conversor.

**NOTA:** Los conectores SMPTE 304 del cable son resistentes y calzan con firmeza en la cámara. Para desconectar el cable, asegúrese de que la cámara se encuentra colocada sobre un trípode, o que pueda sujetarla con fuerza antes de tirar del mismo.

#### Para desconectar el cable:

- 1 Apriete la parte superior de la cubierta de goma que rodea el extremo del cable y tire de la misma cuidadosamente hasta ver el indicador rojo debajo de esta, a fin de desbloquear el mecanismo de sujeción.
- 2 Coloque una mano sobre la cámara para sostenerla y tire del cable conectado al conversor. Este debería salir fácilmente, sin necesidad de ejercer demasiada fuerza.



Apriete la cubierta de goma que rodea el extremo del cable para ver el indicador rojo. Después tire del cable para desconectarlo.

**NOTA:** Es necesario poner especial cuidado en el cable SMPTE de fibra óptica, dado que es el núcleo central del sistema. Evite que el cable se tuerza, se doble en ángulos rectos o quede bajo equipos pesados. Asimismo, trate de no golpear los conectores, y tenga cuidado al conectarlo y desconectarlo. Cubra siempre los extremos si no se encuentran conectados.

### Confirmación de la conexión

A continuación, ambas unidades se comunicarán entre sí para comprobar el suministro eléctrico y la conexión de fibra óptica.

#### Este procedimiento implica los siguientes pasos:

- 1 El convertidor en el estudio establece una conexión de bajo consumo con su par en la cámara. El indicador de alimentación en dicha unidad se enciende de rojo.
- 2 Una vez que se ha confirmado que la conexión es segura, aumenta el voltaje del suministro eléctrico, y el indicador de alimentación se encenderá de verde.
- 3 La conexión de fibra óptica se confirma, y el indicador respectivo se enciende de color verde.

Este proceso es muy rápido, y los indicadores se encienden de color verde casi inmediatamente. Sin embargo, al utilizar cables de mayor longitud, puede tardar un poco más.

Si el indicador de alimentación permanece en rojo, o alterna entre rojo y verde, compruebe que ambos extremos del cable estén conectados correctamente. En caso de que el problema persista, verifique el estado del cable.

## Consideraciones de seguridad relativas al voltaje

El cable SMPTE híbrido es capaz de transmitir un voltaje alto, de modo que es posible alimentar la cámara y otros accesorios situados a una distancia máxima de 2 km.

A fin de garantizar la seguridad del funcionamiento, el dispositivo Blackmagic Studio Fiber Converter cuenta con mecanismos de control integrados que realizan un seguimiento preciso y una gestión automática del voltaje que se está transmitiendo.

Un microcontrolador especializado, junto con la comunicación interna entre ambos conversores, asegura que el cable híbrido de fibra óptica está desactivado hasta que se conecta al dispositivo Camera Fiber Converter. A continuación, transmite una potencia baja y realiza los controles de seguridad antes de aumentar el voltaje, ya que este no se activa hasta que el conversor ha confirmado que la señal óptica es adecuada. Hay una señal principal en la corriente derivada de 5 mA y otra inferior a 30 mA de diferencia entre las potencias centrales.

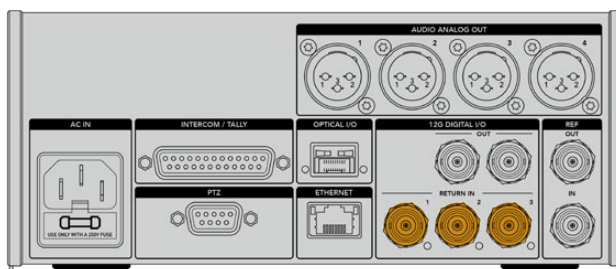
## Conexión a mezcladores ATEM

### Conexión del modelo Blackmagic Studio Fiber Converter al mezclador:

- 1 Conecte un cable BNC de la salida SDI 12G en la parte trasera del conversor a una de las entradas correspondientes en el mezclador. Compruebe que el formato y la frecuencia de imagen de la cámara y el mezclador coincidan.
- 2 Conecte un cable BNC de la salida para señales de retorno en el mezclador a la entrada **RETURN IN 1** en la parte trasera del conversor.

**SUGERENCIA:** Al emplear varias cámaras en una producción en directo, podría ser necesario transmitir la señal de retorno del mezclador mediante un conversor Teranex Mini SDI Distribution 12G o una matriz de conmutación Smart Videohub, debido a que el mezclador cuenta con un número específico de salidas principales, y en algunos casos es necesario tener acceso a otras más.

- 3 Utilice las entradas 2 y 3 para recibir otras señales adicionales.



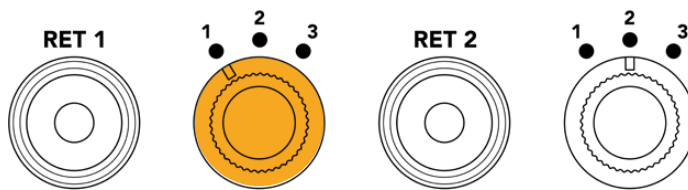
Conecte un cable del mezclador u otras fuentes de retorno a cualquiera de las entradas **RETURN IN** en la parte trasera del conversor.

### Cómo confirmar la transmisión de las señales

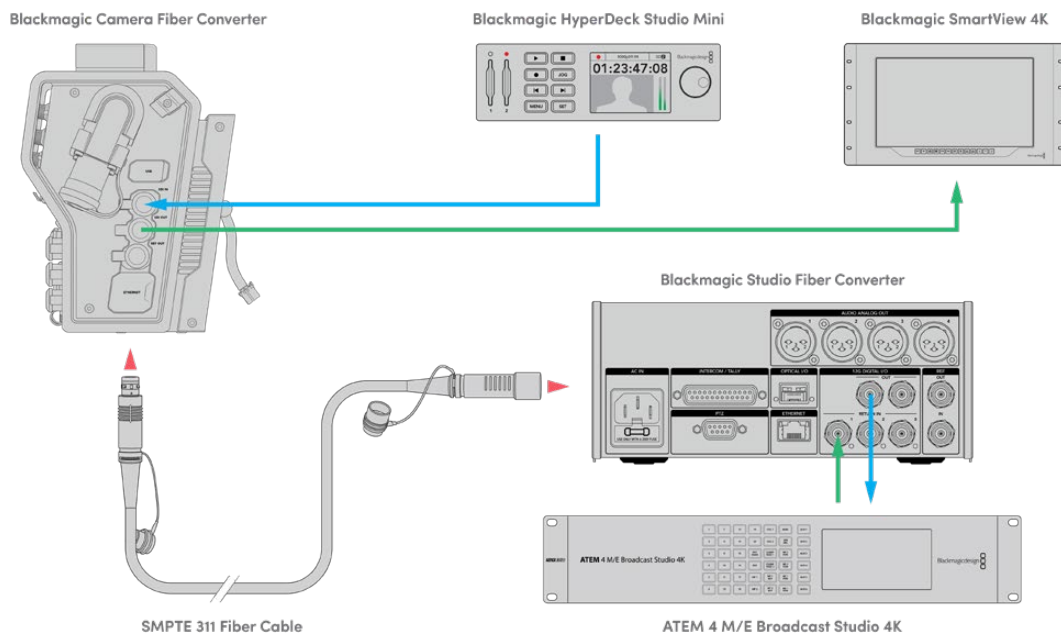
Siga los pasos descritos a continuación para comprobar que las señales se transmitan correctamente.

- 1 Verifique que la salida principal del mezclador esté conectada a la entrada **RETURN IN 1** del convertidor.
- 2 Para comprobar otras fuentes, conéctelas a las entradas 2 y 3.
- 3 Conecte un monitor (por ejemplo, el modelo Blackmagic SmartView 4K) a la salida SDI en el lateral del convertidor.

Gire el selector junto al botón **RET** correspondiente para alternar entre las tres señales de retorno. Estos botones pueden configurarse para ver dos imágenes diferentes si es necesario.



Gire el selector y presione el botón **RET** junto al mismo para ver la señal seleccionada en el monitor.



Para confirmar la transmisión correcta de las señales, conecte las fuentes a las entradas de retorno en el convertidor a fin de ver las imágenes en un monitor.

### Conexiones en el panel frontal

El motivo por el cual la conexión de fibra óptica está situada en el panel frontal es para que funcione de manera similar a un panel de conexiones en la parte trasera de un bastidor. Generalmente, el modelo Studio Fiber Converter se instala mirando hacia atrás, de manera que los cables SMPTE puedan conectarse directamente a la unidad. Esto permite prescindir de paneles y cables adicionales. A su vez, la pantalla junto al conector brinda la posibilidad de verificar la conexión con la cámara.

## Conexión del convertor a la cámara

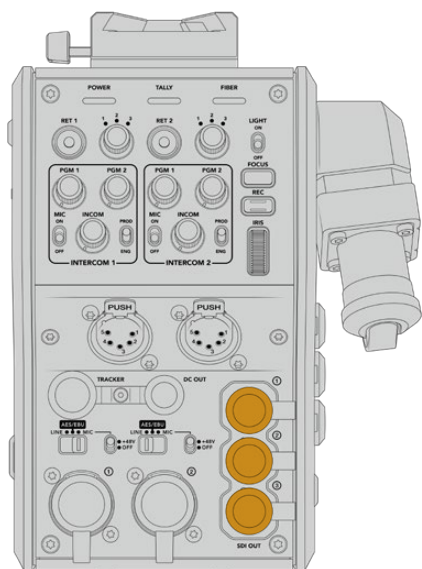
Para vincular ambos dispositivos, basta con conectar dos de los tres cables SDI suministrados desde el lateral del modelo Camera Fiber Converter a la parte trasera de la cámara.

### Cómo conectar el convertor a la cámara

- 1 Conecte la salida SDI trasera de los modelos Blackmagic URSA Mini o URSA Broadcast a la entrada correspondiente del convertor mediante uno de los cables BNC suministrados.
- 2 Conecte la salida SDI del convertor a la entrada correspondiente de la cámara mediante otro cable BNC.

## Salidas para señales de retorno

Las tres salidas denominadas **SDI OUT** en la parte delantera del convertor son salidas derivadas para señales de retorno provenientes del mezclador. Estas permiten transmitir dichas señales a otros equipos SDI cercanos a la cámara, por ejemplo, a un monitor o teleprónter.



Las salidas derivadas permiten transmitir señales de retorno a otros equipos SDI cercanos a la cámara, por ejemplo, a un monitor o teleprónter.

**NOTA:** Las salidas derivadas SDI son compatibles con la tecnología SDI 3G, lo que garantiza el ancho de banda requerido para tres señales independientes. Esto significa que las señales de retorno UHD provenientes del mezclador a una resolución máxima de 2160p60 se convertirán a 1080p a la frecuencia de imagen equivalente.

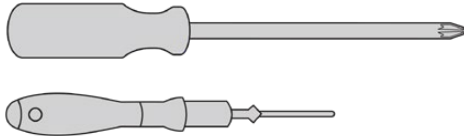
## Instalación del modelo Blackmagic Camera Fiber Converter

Este convertor se instala en la parte trasera del modelo URSA Mini o URSA Broadcast y se conecta a esta mediante la entrada y la salida SDI. Si se ha colocado un soporte para baterías en la cámara, será necesario quitarlo antes de colocar el convertor.

**NOTA:** Antes de instalar la unidad Blackmagic Camera Fiber Converter, asegúrese de que los modelos URSA Mini y URSA Broadcast cuenten con las versiones 4.4 y 4.6 (o posteriores) del software interno, respectivamente. Es posible comprobar esto en la cuarta pestaña del menú **SETUP** en la cámara. Consulte el apartado *Programa utilitario* para obtener más información acerca del firmware de la cámara.

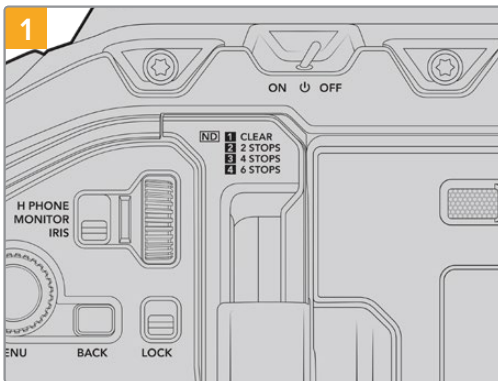
Para instalar el convertidor, deberá contar con las siguientes herramientas:

- 1 destornillador Phillips
- 1 llave Allen de 2.5 mm

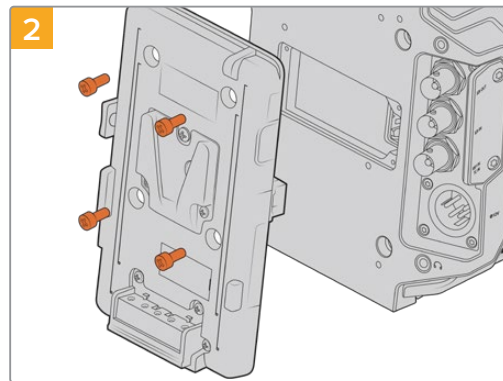


Para instalar el convertidor en la cámara, se necesita un destornillador Phillips grande y una llave Allen de 2.5 mm.

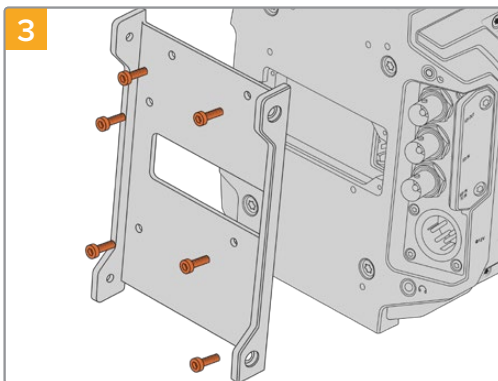
Para instalar y conectar el convertidor:



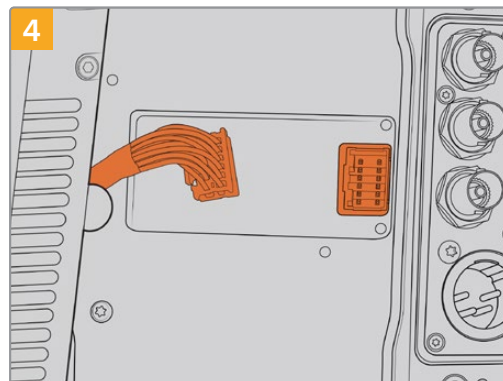
Compruebe que la cámara esté apagada. Para apagarla, mueva el interruptor de encendido a la posición OFF.



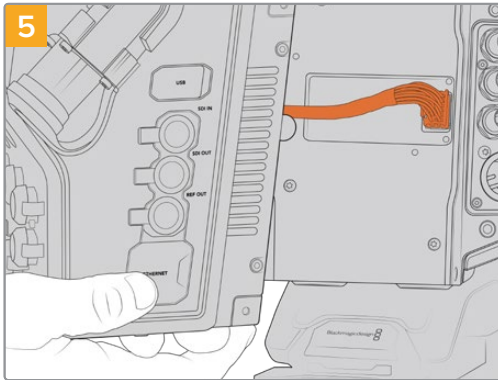
Quite el soporte para baterías o la cubierta del conector Molex con un destornillador Phillips.



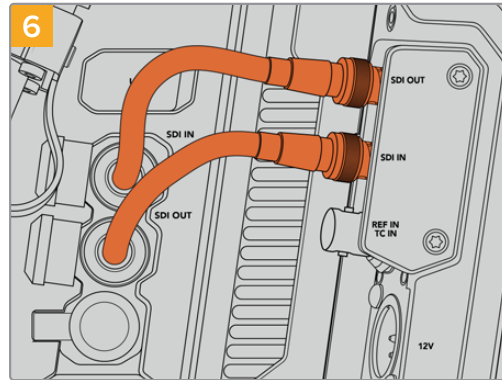
Coloque el soporte para el convertidor utilizando los 6 tornillos hexagonales de 2.5 mm.



Inserte el conector Molex del convertidor en la conexión trasera de la cámara.



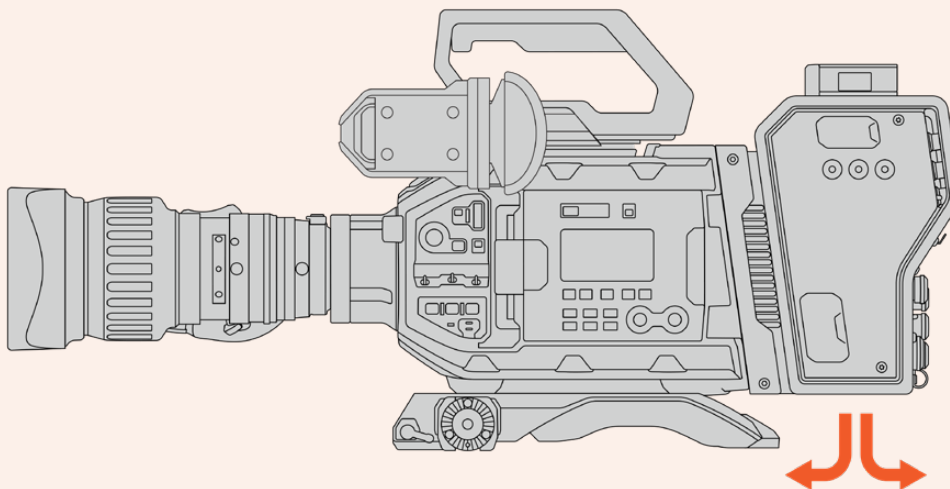
5  
Coloque el convertidor deslizándolo sobre el soporte. A continuación, sujételo mediante 2 tornillos hexagonales de 2.5 mm en cada uno de los laterales.



6  
Utilice los cables BNC suministrados para conectar la salida SDI de la cámara a la entrada respectiva del convertidor, y la salida SDI de este a la entrada correspondiente de la cámara.

**NOTA:** Al utilizar una cámara URSA Mini o URSA Broadcast con el convertidor instalado, es importante dejar espacio libre debajo de este para no obstruir la ventilación.

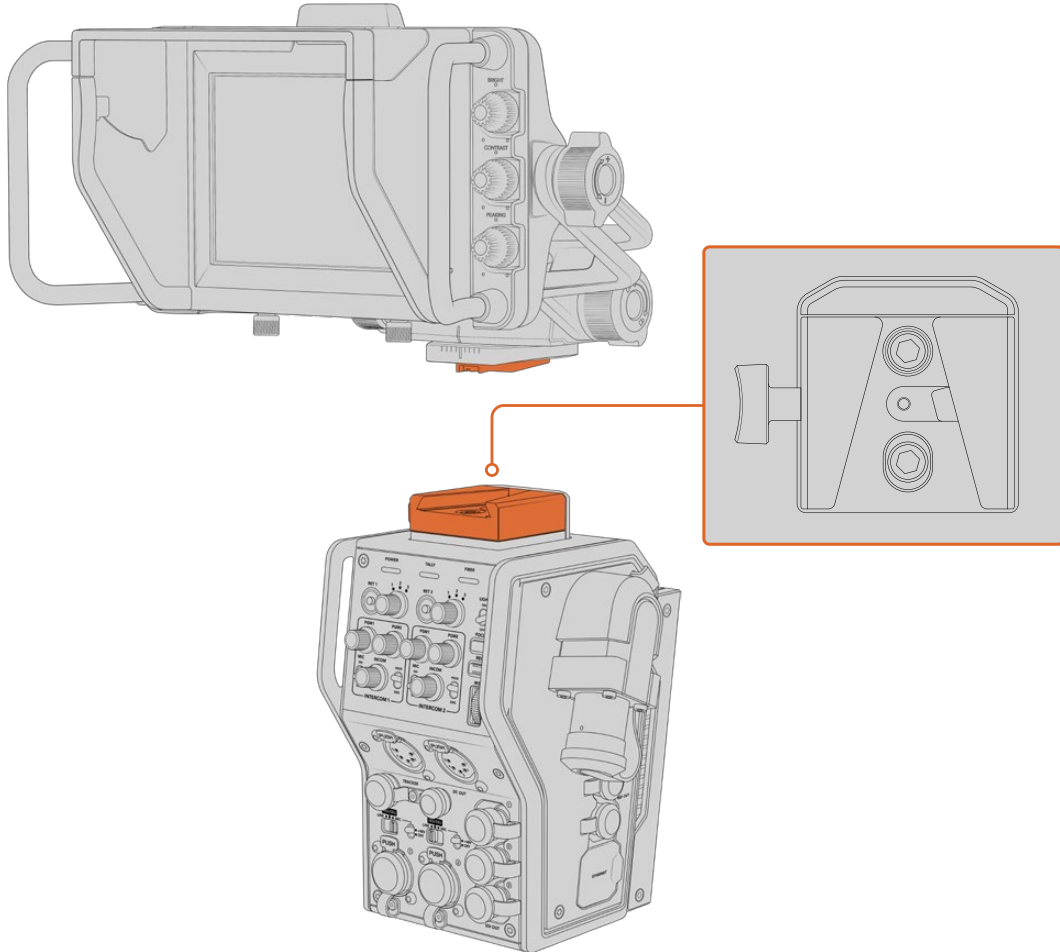
Especialmente cuando está colocada sobre un trípode o tiene instalada la montura para el hombro. Por otro lado, si se opera la cámara desde una superficie plana, recomendamos acoplarle la almohadilla del soporte para el hombro, una base de otros fabricantes u otro tipo de adaptador a fin de mantener el ventilador por encima de la superficie.





## Instalación del visor URSA Studio Viewfinder

La montura en V situada en la parte superior del conversor permite instalar un dispositivo Blackmagic URSA Studio Viewfinder. Este accesorio queda a la altura de la vista cuando la cámara se coloca sobre un trípode o pedestal.



La montura en V situada en la parte superior del conversor permite instalar un dispositivo Blackmagic URSA Studio Viewfinder.

## Conexión de auriculares con micrófono

Los dos conectores XLR de 5 pines en la parte frontal del conversor permiten utilizar auriculares profesionales con micrófono. Estas conexiones brindan la posibilidad de que dos miembros del equipo se comuniquen simultáneamente con otros integrantes de la producción.

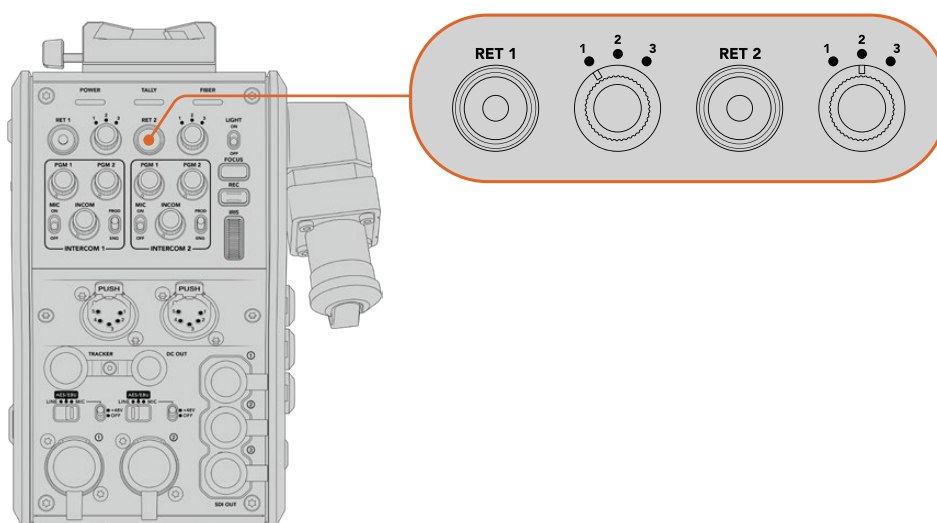
Esto es todo lo que se necesita saber para comenzar a utilizar los dispositivos. Una vez conectados los conversores y demás equipos mediante fibra óptica, es posible llevar a cabo producciones en directo con mayor eficiencia y flexibilidad. Continúe leyendo el manual para obtener más información sobre el uso de los dispositivos.

# Funcionamiento del modelo Camera Fiber Converter

## Selección de señales de retorno

Los dos botones **RET** en el panel frontal funcionan de igual modo que el botón **PGM** de la cámara, es decir, permiten ver las imágenes captadas por esta o la señal de retorno en la pantalla del visor Blackmagic URSA Studio Viewfinder o en cualquier otro monitor conectado.

Al presionar uno de estos botones, se alterna entre dos señales de retorno. Sin embargo, los selectores situados junto a los mismos brindan la posibilidad de asignar la señal de retorno que se desea ver. Las posiciones 1, 2 y 3 corresponden a los conectores SDI en la parte trasera del modelo Studio Fiber Converter.



Los botones **RET** y los selectores situados junto a los mismos permiten ver distintas señales de retorno.

Mantenga presionado uno de estos botones para ver la señal seleccionada. La imagen continuará mostrándose en la pantalla mientras el botón esté oprimido. Presiónelo dos veces para visualizar la señal de retorno sin necesidad de mantenerlo oprimido. Presiónelo nuevamente para ver las imágenes captadas por la cámara.

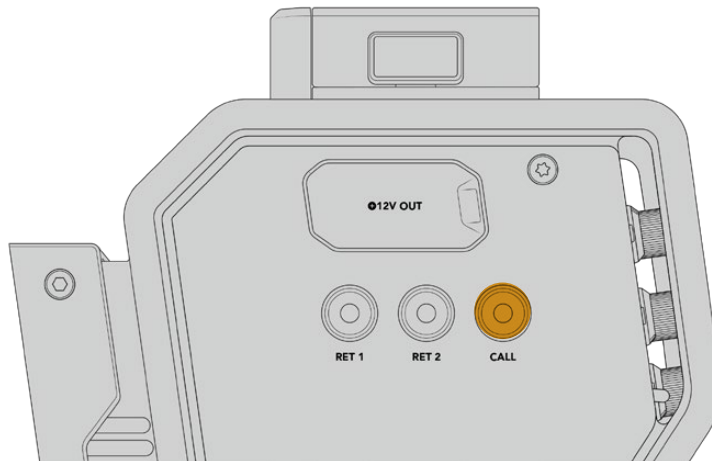
Dichos botones permiten seleccionar con facilidad la señal de retorno a la cual queremos tener acceso rápidamente. Estas pueden incluir una señal proveniente del mezclador, otra del teleprónter y una tercera de otra cámara.

Por ejemplo, es posible asignar el botón **RET 1** a la señal principal y emplear el botón **RET 2** para comprobar lo que se transmite al teleprónter, o para verificar de vez en cuando el encuadre de otra cámara.

Asimismo, en el costado de la unidad hay otros dos botones que proporcionan acceso a las señales de retorno al manejar la cámara mediante los controles laterales. Estos cumplen la misma función que aquellos en la parte delantera del convertidor.

## Uso del botón de llamada

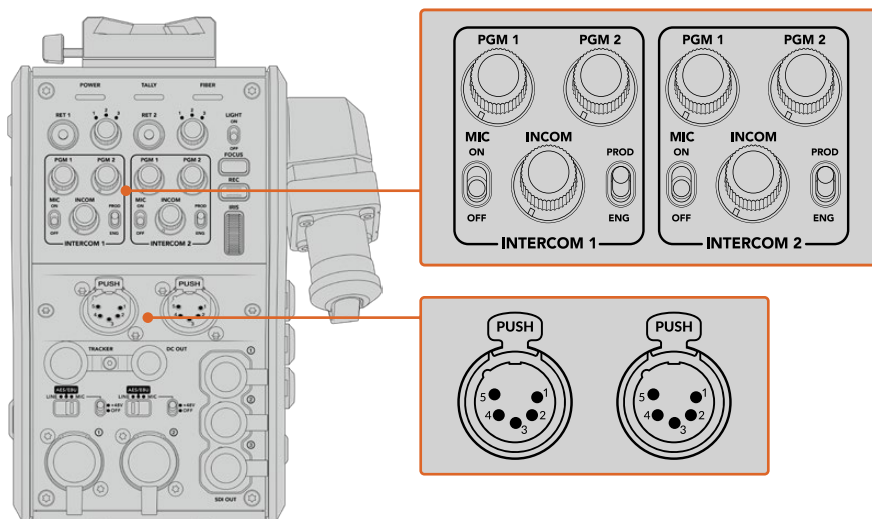
Junto a los botones **RET 1** y **RET 2**, hay otro para la comunicación. Al presionarlo, el indicador de señal en la unidad Blackmagic Studio Fiber Converter parpadea de color rojo, al igual que el botón **PTT** en el panel frontal del dispositivo ATEM Talkback Converter 4K. Estos indicadores visuales comunican a las personas en la sala de control que el camarógrafo necesita asistencia.



## Sistema de comunicación

Los dos conectores XLR de 5 pines permiten conectar dos auriculares con micrófono, de forma que el usuario y otro miembro del equipo puedan comunicarse simultáneamente con otros integrantes de la producción.

Los controles para cada uno de ellos están agrupados independientemente y brindan la posibilidad de escuchar distintas fuentes de audio.



Los controles para cada auricular se encuentran arriba de la conexión correspondiente.

Los auriculares conectados permiten escuchar el audio de las señales seleccionadas mediante los botones **RET 1** y **RET 2**. El volumen de estas se ajusta con los mandos **PGM 1** y **PGM 2** respectivamente, mientras que el mando **INCOM** brinda la posibilidad de cambiar el volumen general. Por su parte, el interruptor **MIC** permite activar o desactivar el micrófono de los auriculares.

Cada sistema de comunicación tiene un canal para los ingenieros y otro para la producción. Dividir la comunicación de esta manera es particularmente útil cuando el equipo es muy numeroso. El canal para la producción permite comunicarse con las personas responsables de la dirección, la producción y el control central o la unidad móvil, mientras que el canal para los ingenieros brinda la posibilidad de hablar con el personal encargado de las cámaras, la iluminación y otras tareas técnicas. El menú respectivo en la unidad Blackmagic Studio Fiber Converter facilita la selección de la fuente para cada canal mediante las opciones **SDI + DB25** o **Intercom Tally DB-25**. Consulte el apartado *Funcionamiento del modelo Blackmagic Studio Fiber Converter* para obtener más información al respecto.

Además, dispone de un canal de respaldo que permite solucionar problemas en caso de que la conexión por fibra óptica se interrumpa.

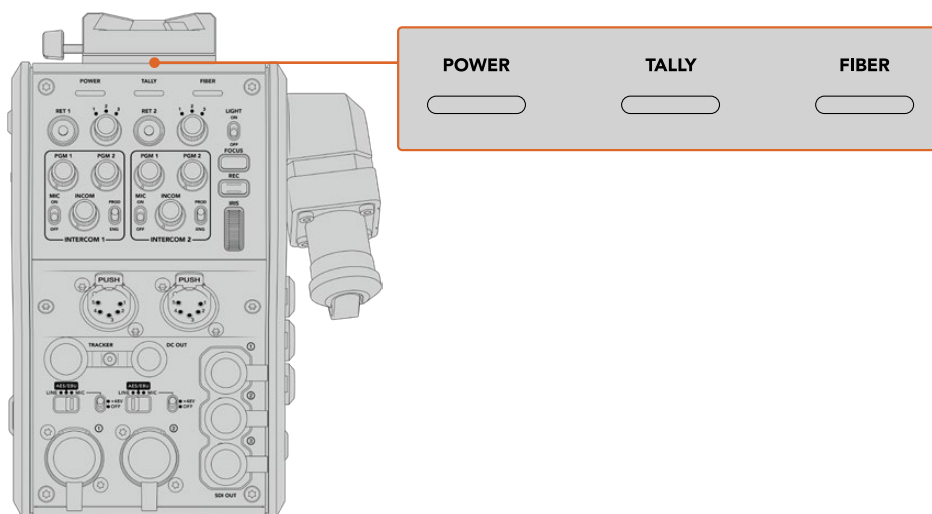
**SUGERENCIA:** Es esencial garantizar una comunicación efectiva entre los camarógrafos y el equipo técnico y de producción durante producciones en estudio y transmisiones complejas. El dispositivo Blackmagic Camera Fiber Converter incluye un botón **CALL** que facilita la comunicación mediante el uso de auriculares. Al presionarlo, el botón **PTT** en el equipo ATEM Talkback Converter 4K parpadea de color rojo, al igual que la luz indicadora en la pantalla LCD del Blackmagic Studio Fiber Converter. Lo mismo sucede si alguien en la sala de control o la unidad móvil necesita comunicarse con un camarógrafo. Basta con presionar el botón **CALL** de la cámara correspondiente en el panel ATEM Camera Control. En consecuencia, la luz indicadora en el Blackmagic Camera Fiber Converter parpadeará, así como la del monitor URSA Viewfinder o URSA Studio Viewfinder.

## Luces piloto

El indicador **TALLY** en el panel frontal se enciende de color rojo cuando la cámara está al aire o de verde si la imagen corresponde a un anticipo.

## Indicadores de estado

Los indicadores **POWER** y **FIBER** en la parte superior del convertidor se encienden de distintos colores según el estado de la unidad. Si el cable de fibra óptica no está conectado, permanecerán apagados.



Los indicadores se encienden de distintos colores para brindar información sobre el estado de la unidad.

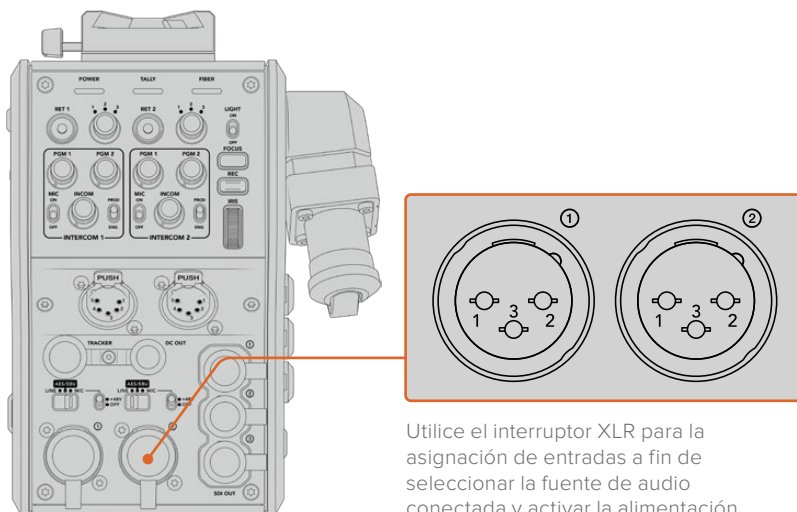
A continuación, se brinda una descripción de lo que representa cada color:

<b>POWER</b>	<b>Rojo</b>	Cuando los extremos del cable híbrido de fibra óptica están conectados a ambos conversores, indica que la unidad se encuentra en un estado de bajo consumo. En este caso, a pesar de que es posible emplear el sistema de comunicación, el suministro eléctrico aún no es suficiente para el completo funcionamiento de la cámara. Si el indicador permanece encendido, compruebe que el cable se haya conectado correctamente. Si la conexión aún es inestable, verifique el estado del mismo.
	<b>Verde</b>	Una vez establecida la conexión y realizados los controles de seguridad, el indicador se enciende de color verde, y aumenta el voltaje transmitido a la unidad.
	<b>Rojo y verde alternados</b>	Indica que es necesario comprobar que ambos extremos del cable estén conectados correctamente. Si la conexión aún es inestable, verifique el estado del mismo.
<b>TALLY</b>	<b>Rojo</b>	Indica que la imagen captada por la cámara está al aire.
	<b>Verde</b>	Indica que la imagen captada por la cámara corresponde a un anticipo.
<b>FIBER</b>	<b>Rojo</b>	Cuando el cable está conectado al dispositivo, indica que se está estableciendo la comunicación entre ambos conversores, y que la unidad se encuentra en un estado de bajo consumo. Cabe destacar que durante este proceso, es posible utilizar el sistema de comunicación para solucionar problemas si la conexión por fibra óptica se interrumpe.
	<b>Verde</b>	Indica que la conexión se ha establecido correctamente.

Al finalizar los controles de seguridad, los indicadores **POWER** y **FIBER** se encienden de color verde, y aumenta el voltaje de la corriente eléctrica entre ambos conversores.

## Entradas de audio

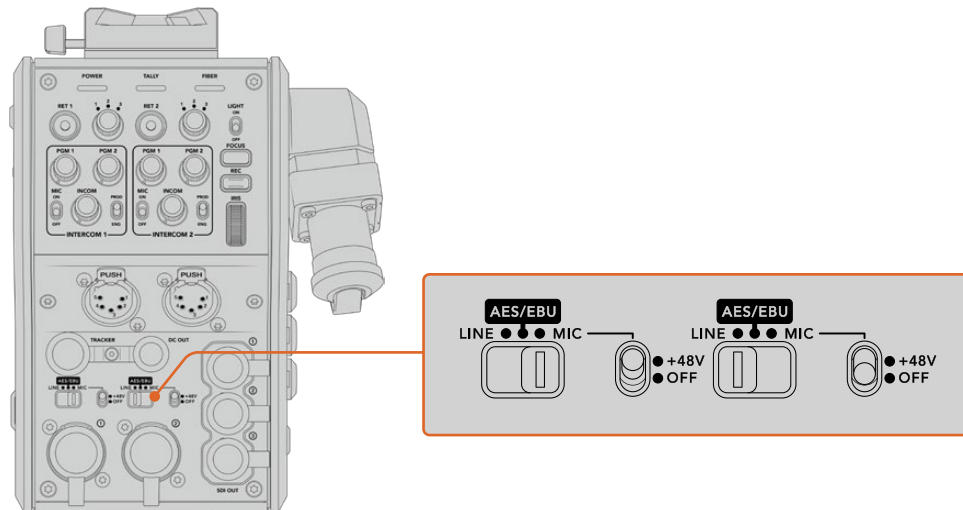
El dispositivo Blackmagic Camera Fiber Converter cuenta con dos entradas XLR que permiten conectar equipos profesionales de audio analógico, como mezcladores de audio, sistemas de magafonía o micrófonos.



Utilice el interruptor XLR para la asignación de entradas a fin de seleccionar la fuente de audio conectada y activar la alimentación fantasma en caso de ser necesario.

El audio de la cámara está integrado en los canales 1 y 2 de la señal principal, mientras que las dos entradas en la parte trasera del dispositivo corresponden a los canales 3 y 4. Los cuatro se pueden aislar como salidas de audio analógico en el otro extremo, es decir en el convertidor del estudio.

El menú de audio permite ajustar el nivel de las fuentes conectadas a las entradas XLR del convertidor. Consulte el apartado *Funcionamiento del modelo Blackmagic Studio Fiber Converter* para obtener más información al respecto. Una vez conectadas, es posible emplear el interruptor de asignación de entradas a fin de configurar su funcionamiento. Las opciones disponibles son **MIC**, **LINE** y **AES**.



Es posible conectar micrófonos autónomos activando la alimentación fantasma de 48 V. Para ello, mueva el interruptor a la posición **+48V**. Esta se activará para cualquier micrófono conectado. La posición **OFF** indica que está desactivada.

## Video por IP

El cable SMPTE de fibra óptica permite conectar los dispositivos Camera Fiber Converter y Studio Fiber Converter mediante una red Ethernet IP de 10 Gb. Esto facilita la transmisión de señales mediante el protocolo de Internet empleando un sistema de codificación y decodificación de 10 bits sin pérdida de información y de gran calidad. Por otro lado, dada la latencia baja de dicha conexión, es posible controlar los objetivos de las cámaras, encender y apagar las luces piloto o comunicarse con otros integrantes del equipo de manera confiable.

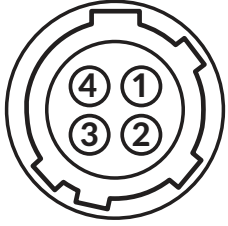
## Especificaciones energéticas

El dispositivo Blackmagic Studio Fiber Converter brinda la posibilidad de alimentar a su par Blackmagic Studio Fiber Converter, a la cámara y a los accesorios. Por su parte, la cámara cuenta con un conector Molex en la parte trasera que permite recibir energía del dispositivo Camera Fiber Converter.

Si la cámara se encuentra a más de 2 kilómetros de la unidad móvil y ni esta ni el convertidor reciben suficiente corriente eléctrica a través del cable, es posible alimentarlos de manera local insertando el conector XLR de la fuente de alimentación a la entrada de +12 V del modelo URSA Mini. El suministro eléctrico se transmite al dispositivo Camera Fiber Converter a través del conector Molex.

La salida de +12 V, también conocida como D-Tap o P-Tap, permite alimentar accesorios tales como monitores externos u objetivos de estudio/campo, con un voltaje de 12 V CC nominales a un máximo de 500 mA. La salida de 4 pines para corriente continua brinda una opción adicional a fin de alimentar otros accesorios, por ejemplo, monitores externos. A continuación, se muestra un diagrama de dicho conector.

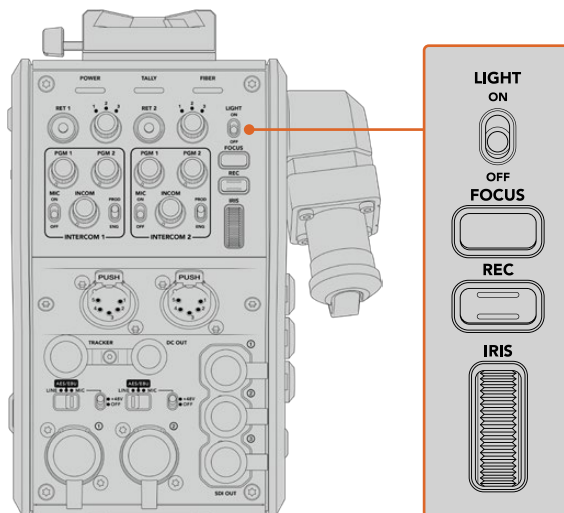
### Diagrama de asignación de pines para la salida CC

Vista externa	Pines	Señal	E/S	Especificaciones
 <p>Salida CC</p>	1	Unregulated GND	–	Toma a tierra para salida no regulada
	2	NC	–	No conectado
	3	NC	–	No conectado
	4	Unregulated Out	Salida	12 V nominales a un máximo de 500 mA

### Controles adicionales para cámaras

Cuando los modelos URSA Mini o URSA Broadcast se emplean como cámaras de estudio, el conversor añade controles adicionales que permiten ajustar el diafragma y el enfoque en objetivos compatibles. Esto resulta útil cuando no hay una persona que los maneje en forma remota.

Ambas cámaras permiten grabar internamente presionando el botón de grabación.



#### Luz integrada

El interruptor **LIGHT** permite activar la luz del panel de control, de modo que se visualice con facilidad en ambientes oscuros.

#### Enfoque

Presione el botón **FOCUS** para activar el enfoque automático en objetivos compatibles con esta función.

#### Grabación

Presione el botón **REC** una vez para comenzar la grabación y una segunda vez para detenerla.

#### Diafragma

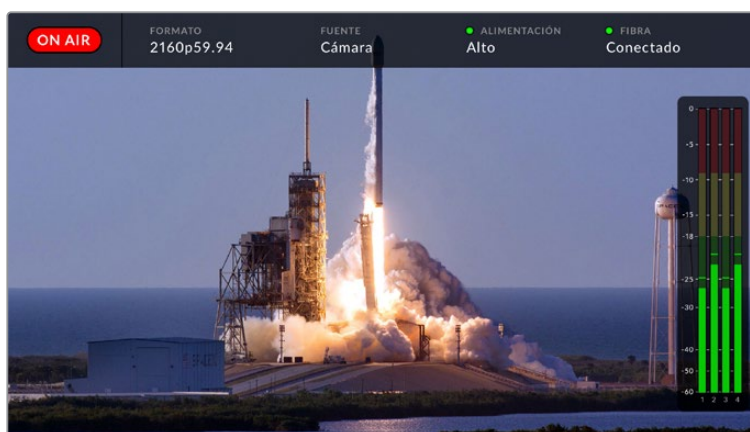
El mando giratorio **IRIS** permite abrir o cerrar el diafragma al emplear objetivos que permiten controlar esta función desde la cámara. Mueva la rueda hacia arriba o abajo para ajustar este parámetro.

# Funcionamiento del modelo Blackmagic Studio Fiber Converter

## Selección de fuentes

Al encender el dispositivo, la pantalla muestra la imagen captada por la cámara conectada. A su vez, el convertor transmite la señal principal del mezclador y todas las de retorno a la unidad Blackmagic Camera Fiber Converter en la cámara, a través del cable SMPTE de fibra óptica.

La pantalla LCD permite supervisar las imágenes captadas por la cámara y las fuentes conectadas a las entradas para señales de retorno. Además, brinda información sobre el nivel del audio y el estado del dispositivo.



La información en pantalla permite confirmar el nombre y el formato de la fuente monitorizada al cambiar la señal.

### Al aire

El indicador **ON AIR** se enciende de color rojo cuando la cámara conectada está al aire.

### Formato

El indicador **FORMAT** muestra la resolución y la frecuencia de imagen de la fuente visualizada.

### Fuente

El indicador **SOURCE** muestra el nombre de la fuente visualizada.

### Alimentación

El indicador **POWER** muestra el estado de la alimentación. Cuando aparece un punto rojo junto al mismo y la palabra **Low** debajo, el convertor se encuentra en modo de bajo consumo. Por el contrario, un punto verde y la palabra **High** indican que ha aumentado el voltaje de la corriente eléctrica. Consulte el apartado *Funcionamiento del modelo Blackmagic Studio Fiber Converter* para obtener más información al respecto.

### Fibra óptica

El indicador **Fiber** muestra el estado de la conexión por fibra óptica. Durante el proceso de conexión inicial, aparece un punto rojo junto al mismo y la palabra **Connecting** debajo. Una vez establecida la conexión, se muestra un punto verde y la palabra **Connected**. Consulte el apartado *Funcionamiento del modelo Blackmagic Studio Fiber Converter* para obtener más información al respecto.

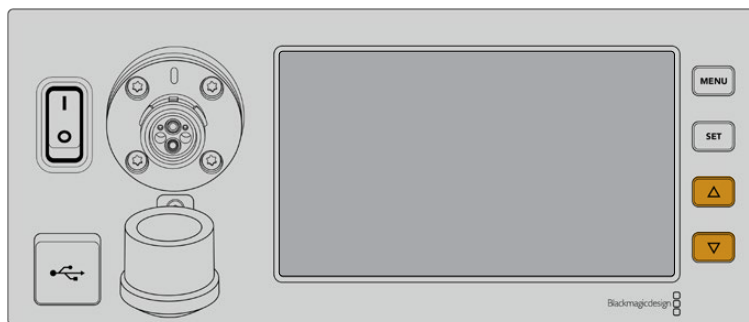
### Vúmetros

Los vúmetros indican el nivel del audio integrado en los canales 1 y 2 de la señal proveniente de la cámara. Los canales 3 y 4 corresponden a las fuentes de audio conectadas a las dos entradas XLR en la parte posterior del dispositivo Blackmagic Camera Fiber Converter. Este parámetro se mide en dBFS (decibelios a escala completa) y, al alcanzar su nivel máximo, se enciende un indicador que permanece iluminado brevemente.



## Uso del menú en pantalla

Al presionar la flecha hacia arriba o abajo, se muestran sucesivamente las cuatro fuentes disponibles: **Camera**, **Return 1**, **Return 2** y **Return 3**. Pulse el botón **MENU** para acceder al menú de ajustes. Las flechas se utilizan para ver las distintas opciones, mientras que el botón **SET** permite confirmar los ajustes seleccionados. El menú se divide en las siguientes categorías: audio, comunicación y configuración.

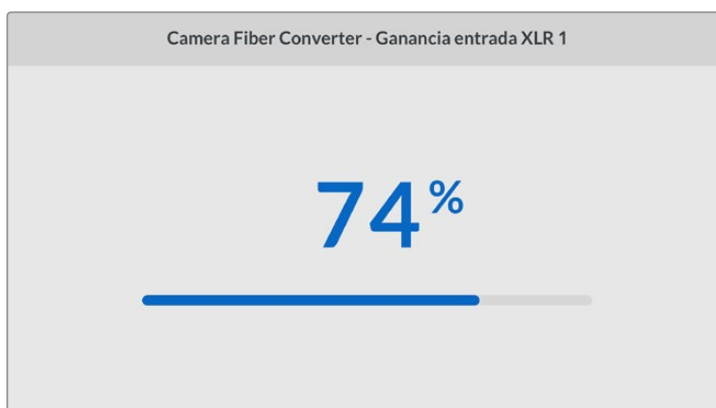


Presione la flecha hacia arriba o abajo para ver las fuentes disponibles y acceder a las distintas opciones en el menú.

### Audio

El menú de audio permite ajustar el nivel de las fuentes conectadas a las entradas XLR del conversor.

Audio	
Camera Fiber Converter - Ganancia entrada XLR 1	50 %
Camera Fiber Converter - Ganancia entrada XLR 2	50 %
Salida canales 1 y 2	Integrado 1 y 2
Salida canales 3 y 4	XLR 1 y 2



Utilice las flechas a fin de modificar el volumen de las fuentes conectadas a las entradas XLR, y el botón **SET** para confirmar.

Es posible configurar qué canales de audio del dispositivo Camera Fiber Converter se integran en las señales transmitidas mediante las salidas SDI y XLR. El audio integrado de

las cámaras URSA Mini y URSA Broadcast se asigna a los canales 1 y 2 de forma predeterminada. Del mismo modo, las fuentes XLR a nivel de línea o micrófono conectadas al convertidor se asignan a los canales 3 y 4. Sin embargo, estos ajustes pueden modificarse. Si se ha seleccionado la opción **AES** para cualquiera de las entradas XLR del dispositivo, el audio incluirá los canales 5 y 6 integrados en la señal SDI transmitida.

Salida canales 1 y 2	
Integrado 1 y 2	✓
XLR 1	
AES 3 y 4	

Asignación de fuentes XLR de la cámara a los canales 1 y 2 transmitidos.

### Comunicación

Este menú permite escoger las fuentes del audio y la comunicación para los canales correspondientes a los ingenieros y la producción. A tales efectos, seleccione la opción **SDI + DB25** o **Intercom Tally DB-25** en el dispositivo Blackmagic Studio Fiber Converter.

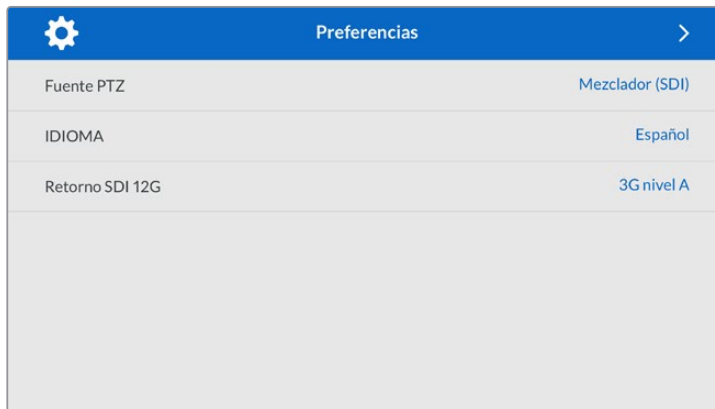
Asimismo, es posible ajustar individualmente la ganancia del micrófono y los auriculares para cada unidad, teniendo en cuenta la impedancia del modelo utilizado. La opción **Alimentación fantasma** permite activar este modo para los auriculares respectivos. Ajuste el efecto local a fin de que los camarógrafos escuchen su propia voz de forma clara y a un volumen confortable.

Comunicación	
Fuente - Audio del programa	Canales SDI 1 y 2
Fuente - Canal producción	SDI + DB25
Fuente - Canal ingenieros	INTERCOM / TALLY DB25
Intercom. 1	
Ganancia - Auriculares	50%
Ganancia - Micrófono de auriculares	50%
Alim. fantasma - Micrófono de auriculares	On
Efecto local	50%
Intercom. 2	
Ganancia - Auriculares	50%
Ganancia - Micrófono de auriculares	50%
Alim. fantasma - Micrófono de auriculares	On
Efecto local	50%

Los ajustes para el micrófono y los auriculares están desactivados cuando no hay un dispositivo conectado a las entradas XLR.

## Configuración

Este menú permite configurar la fuente PTZ, elegir el idioma de la interfaz y determinar el nivel de la señal SDI de retorno.



El menú **PTZ Source** permite seleccionar la conexión para transmitir los comandos que facilitan el movimiento de la cámara. Las opciones disponibles son **SDI from Switcher** o **9-pin from Studio Fiber Converter**, que corresponden a las entradas SDI para las señales de retorno y al conector de 9 pines en la parte trasera del dispositivo Blackmagic Studio Fiber Converter, respectivamente.

Esto brinda la posibilidad de controlar el movimiento horizontal y vertical de la cámara, así como la distancia focal, mediante comandos enviados desde un mezclador ATEM, integrados en la señal SDI, a través del cable de fibra óptica. Una vez recibidos por el conversor, se separan de la señal y se transmiten al cabezal PTZ motorizado por medio del conector DE-9.

Asimismo, este conector permite añadir controladores PTZ al conversor para manejar cabezales remotos.



El menú de configuración permite seleccionar las opciones **SDI from Switcher** o **9-pin from Studio Fiber Converter** para transmitir los comandos PTZ.

IDIOMA	
English	
中文	
日本語	
한국어	
Español	✓
Deutsch	
Français	
Русский	
Italiano	
Português	
Türkçe	

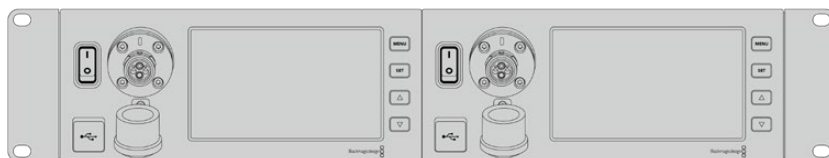
El menú **Idioma** ofrece 11 opciones disponibles para la interfaz: español, inglés, alemán, francés, italiano, chino, japonés, coreano, ruso, turco y portugués. Este menú aparecerá durante la configuración inicial y después de actualizar el dispositivo.

La opción **Retorno SDI 12G** brinda la posibilidad de convertir la señal de retorno 12G a otras 3G de nivel A o B. Todas las señales 12G recibidas a través de las entradas para señales de retorno del dispositivo Studio Fiber Converter se convierten antes de transmitir las al dispositivo Camera Fiber Converter.

## Instalación en bastidores

En caso de contar con varios dispositivos Blackmagic Studio Fiber Converter, es posible adquirir un Blackmagic Studio Fiber Rack Kit a fin de instalarlos en un estudio o un baúl portátil. Con este kit es posible montar dos unidades de forma contigua. Por otro lado, si solo se desea instalar un dispositivo, se proporciona una placa ciega para cubrir el hueco vacío.

La altura del dispositivo es de dos unidades de bastidor, mientras que el ancho solo la mitad de una. De este modo, es posible instalar dos convertidores, uno al lado del otro.

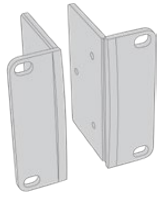


Dos dispositivos instalados de forma contigua



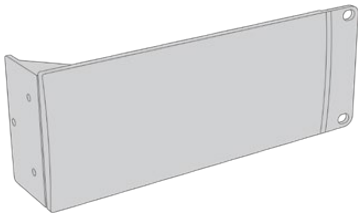
La placa ciega permite cubrir el espacio vacío.

### El kit para bastidores incluye los siguientes artículos:



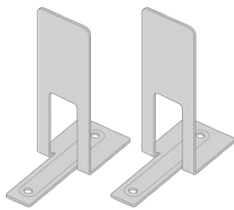
#### 2 x escuadras de montaje

Fije las escuadras a las esquinas exteriores del convertidor a fin de instalarlo en el bastidor



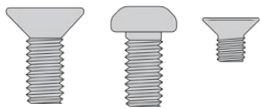
#### 1 x placa ciega (media unidad de bastidor)

La placa ciega cuenta con una escuadra en un lateral que permite montarla en el bastidor y cubrir el hueco vacío si solo se instala un dispositivo. La imagen muestra la escuadra en la derecha. Basta con girarla 180° para instalarla en el otro lado.



#### 2 x soportes angulares

Los soportes angulares con forma de T se acoplan uno en la parte delantera y otro en la trasera, debajo de los convertidores, justo donde se unen, para brindarles estabilidad.



#### Tornillos

##### 8 x M4 de 10 mm

Para las escuadras de montaje

##### 4 x M4 de 8 mm

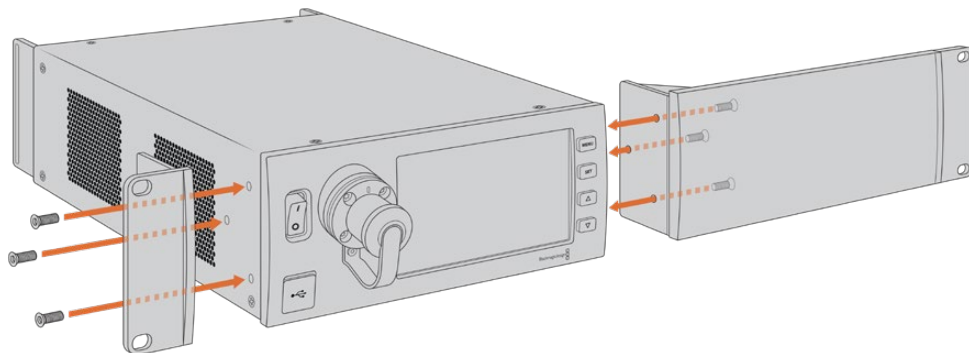
Para la placa ciega

##### 5 x M3 de 5 mm

Para los soportes angulares

### Cómo instalar el dispositivo Blackmagic Studio Fiber Converter en un bastidor:

- 1 Coloque la placa ciega en uno de los lados del dispositivo, dependiendo de si desea instalarlo en la izquierda o la derecha del bastidor. La parte delantera de la placa debe estar paralela al panel frontal del convertidor.
- 2 Fije la placa a un lado del dispositivo. Utilice tres de los tornillos suministrados para ello.



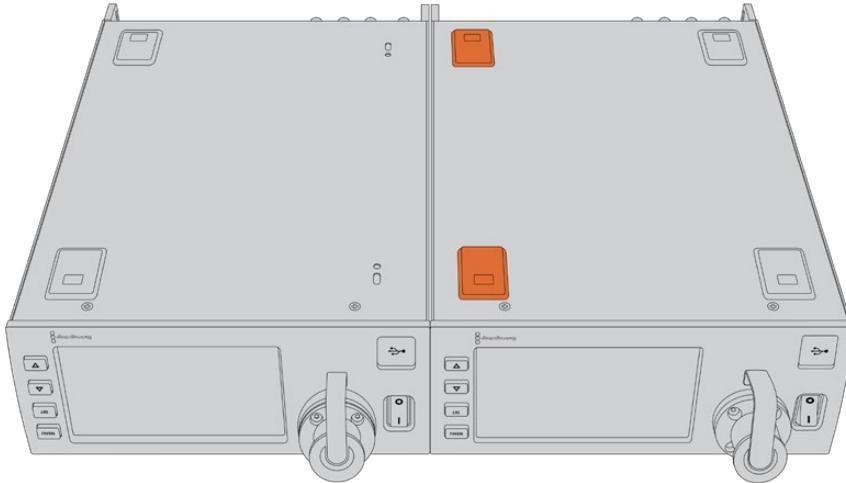
- 3 Fije una escuadra de montaje al otro lado del convertidor. Utilice para ello tres tornillos. Una vez que se realizan estos pasos, es posible instalar el convertidor en un bastidor tradicional de dos unidades mediante los orificios situados en los laterales y tornillos comunes.

### Cómo instalar dos dispositivos Blackmagic Studio Fiber Converter de forma contigua:

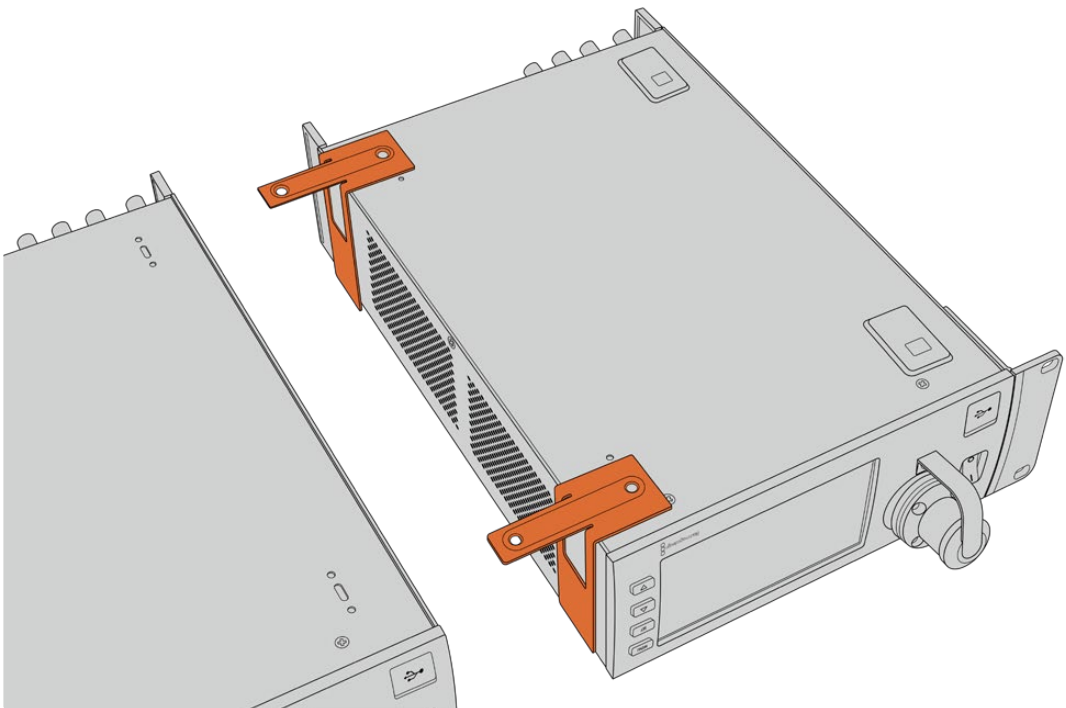
Para instalar dos unidades de manera contigua, es posible emplear los soportes angulares a fin de mantenerlas juntas y, de este modo, facilitar el proceso.

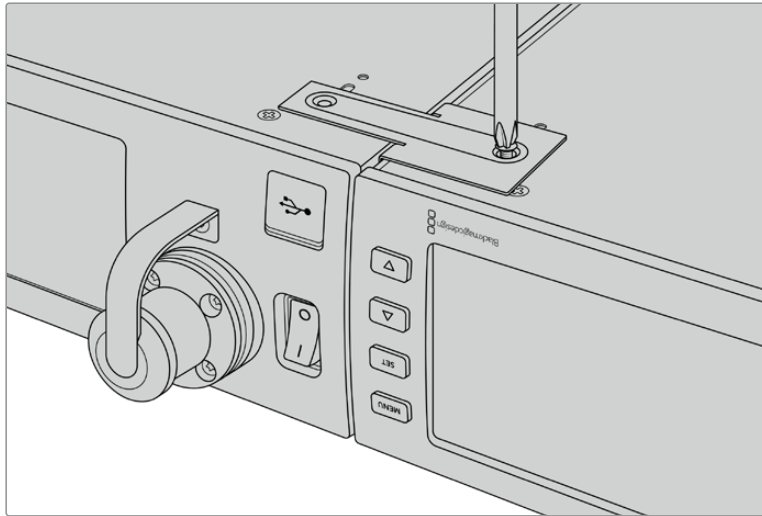
Para instalar dos unidades:

- 1 Gire ambos dispositivos de modo que queden invertidos y colóquelos uno al lado del otro. Retire los pies de goma situados en las esquinas.

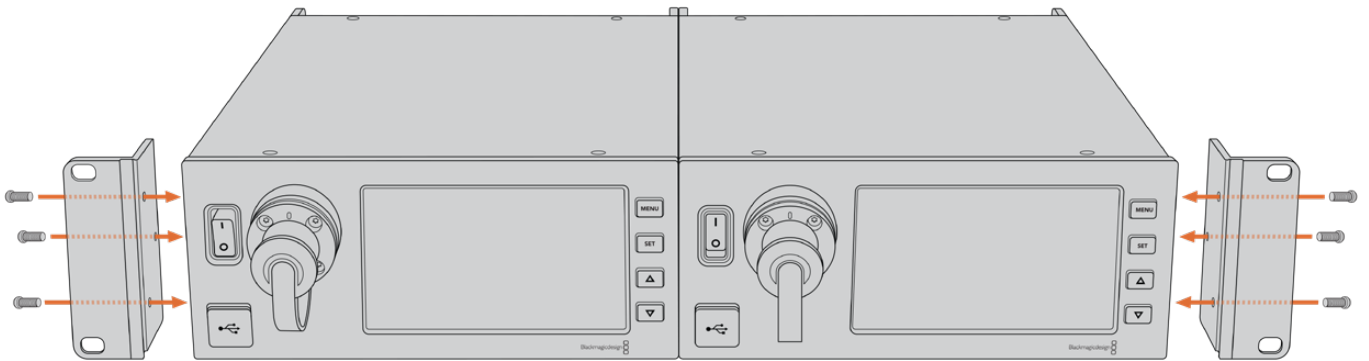


- 2 Fije los soportes angulares a la base de los dos dispositivos, uno en la parte delantera y otro en la trasera, en el lugar en el que se juntan. Utilice para ello los tornillos que se suministran.





- 3 Gire las unidades una vez juntas y fije las escuadras de montaje en las esquinas exteriores, cerca de la parte delantera de los dispositivos. Utilice para ello los tornillos que se suministran. Los conversores ya se pueden instalar en un bastidor. Para ello, fije las escuadras con tornillos comunes.



# Conexiones del dispositivo

## Blackmagic Camera Fiber Converter

Las conexiones del dispositivo para la cámara se encuentran en la parte trasera y en el lateral. Recomendamos cubrir las conexiones con las cubiertas de goma, si no están en uso, para asegurarnos de que están protegidas de las condiciones meteorológicas. Esto es especialmente importante para la conexión SMPTE de fibra óptica, ya que las partículas de polvo pueden acumularse en el borde pulido de las fibras de vidrio e interrumpir la señal. Es preciso retirar las cubiertas tanto del cable como de la unidad inmediatamente antes de conectarlos, y recomendamos volver a colocarlas una vez que hemos finalizado el trabajo.

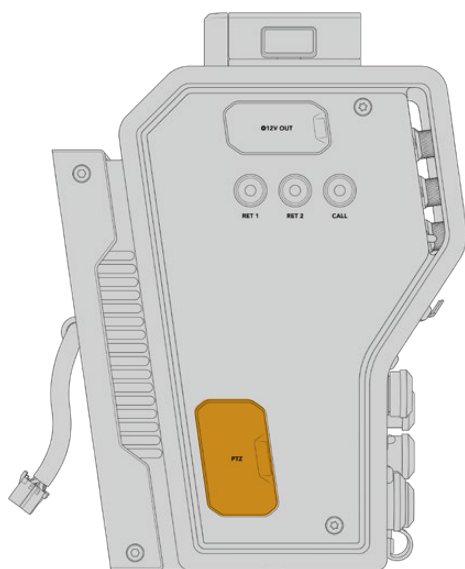
### Alimentación del dispositivo

El conversor en el estudio suministra corriente a su par en la cámara y también a esta mediante un cable SMPTE híbrido de fibra óptica. Además, permite alimentar todos los accesorios conectados a la cámara, tales como el visor Blackmagic URSA Studio Viewfinder.

Por otro lado, también es posible proporcionar energía al dispositivo Blackmagic Camera Fiber Converter a través de la cámara, siempre que esta se encuentre conectada a una fuente de alimentación mediante el conector XLR de 12 V. En general, esto no es necesario, pero es una posibilidad si la cámara se encuentra a más de 2 kilómetros de distancia de la unidad en el estudio, ya que la alimentación mediante el cable SMPTE podría no ser confiable.

### Interfaz PTZ

El puerto serial DE-9 permite conectar cabezales PTZ motorizados. Por ejemplo, si la cámara se encuentra en una grúa y dispone de uno de estos cabezales, es posible controlar de forma remota el movimiento vertical y horizontal, así como la distancia focal. La forma en que se transmiten los comandos se selecciona en el menú del dispositivo Blackmagic Studio Fiber Converter y puede ser el conector DE-9 en la unidad Studio Fiber Converter o una señal SDI proveniente de un mezclador ATEM. Consulte el apartado *Funcionamiento del modelo Blackmagic Studio Fiber Converter* para obtener más información al respecto.



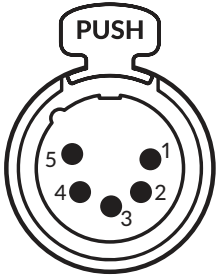
Interfaz PTZ



## Conexión para la comunicación

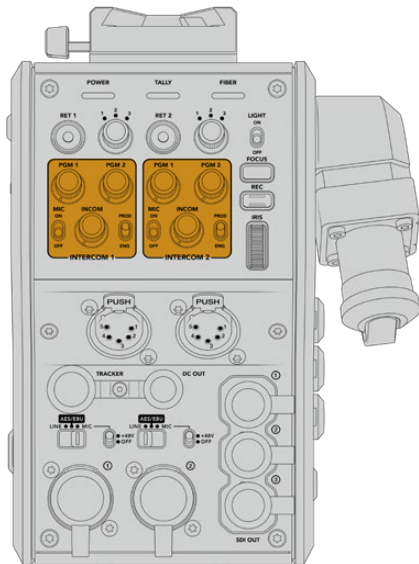
Los dos conectores hembra XLR de 5 pines permiten usar auriculares con micrófono, de modo que dos personas pueden comunicarse de forma simultánea. Por ejemplo, un camarógrafo puede conectar sus auriculares en una de las entradas XLR y un operador de grúas o cualquier otro miembro del equipo en la segunda conexión. A continuación, facilitamos un diagrama de asignación de pines para el conector XLR.

### Diagrama de pines XLR para auriculares

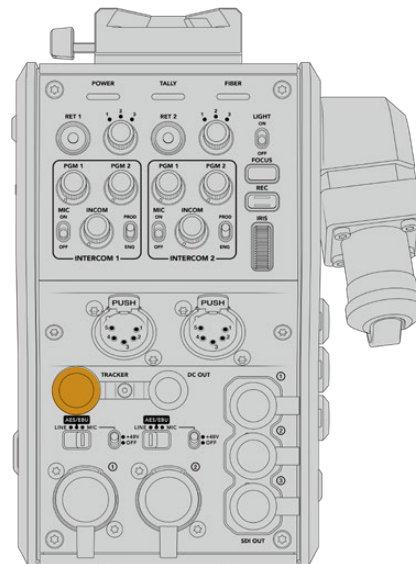
Vista externa	Pines	Señal	E/S	Descripción
 <p>Conector XLR de 5 pines para auriculares</p>	1	Intercom MIC (Y)	TIERRA	Estas conexiones admiten micrófonos electret y dinámicos. El pin 1 corresponde a la señal de modo común, mientras que el 2 se emplea para la señal entrante en ambos tipos de dispositivos. En el caso de los primeros, este mismo pin también transmite una corriente continua polarizadora.
	2	Intercom MIC (X)	Entrada	
	3	GND	TIERRA	TIERRA
	4	Intercom izq.	Salida	11 dBu (VR máx., 250 Ω de carga)
	5	Intercom der.	Salida	11 dBu (VR máx., 250 Ω de carga)

Los controles correspondientes se encuentran encima de cada una de las conexiones.

Consulte el apartado *Funcionamiento del dispositivo Camera Fiber Converter* para obtener más información al respecto.



Controles para ajustar el volumen de los canales para la comunicación



Conector para la interfaz de seguimiento

## Interfaz de seguimiento

El conector Hirose de 10 pines ofrece una salida multiplexada para el sistema de comunicación, las luces piloto y otros datos, por ejemplo, la información del teleprónter. Esta es utilizada normalmente por los técnicos de la producción que trabajan con distintos equipos, tales como grúas para cámaras.

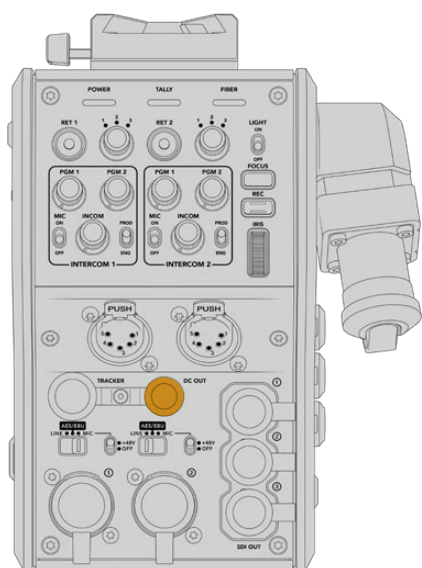
A continuación, se muestra un diagrama de asignación de pines para armar su propio cable.

### Diagrama de la salida para el seguimiento

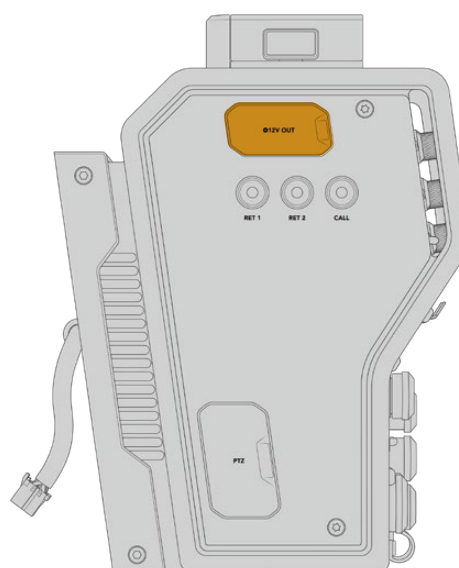
Vista externa	Pines	Señal	E/S	Descripción
 <p>Conector Hirose de 10 pines para seguimiento</p>	1	Seguimiento (izquierda)	Salida	Salida de seguimiento, -20 dBu no balanceado
	2	Tierra (Comunicación)	-	TIERRA para el seguimiento de la comunicación
	3	Tierra (Recepción / PGM / luz piloto)	-	TIERRA para recibir / señal principal / luces piloto
	4	Seguimiento (derecha)	Salida	Salida de seguimiento, -20 dBu no balanceado
	5	No regulada	Salida	12 V CC (nominal), 500 mA máx.
	6	Tierra (no regulada)	-	Tierra (no regulada)
	7	Seguimiento de comunicación (X)	Entrada	Seguimiento de comunicación 0 dBu / -20 dBu, alta impedancia balanceada
	8	Seguimiento de comunicación (Y)	Entrada	
	9	G Tally	Salida	Activada: alta impedancia (abierta)
	10	R Tally	Salida	Activada: alta impedancia (abierta)

## Conexión para corriente continua

Es posible conectar accesorios como un monitor externo mediante la salida CC.



El conector CC permite alimentar accesorios, como monitores o grabadores externos.



Salida D-Tap

## Salida D-Tap

La salida de +12 V en el lateral izquierdo, también conocida como D-Tap o P-Tap, permite suministrar corriente a accesorios tales como monitores u objetivos de estudio/campo. En tal sentido, brinda la posibilidad de emplear modelos que requieren 12 V CC nominales a 2 amperios.

## Salida de referencia y funcionamiento

Esta salida se puede emplear para transmitir una señal de referencia a la cámara mediante un cable BNC.

### Cómo transmitir una señal de referencia a la cámara:

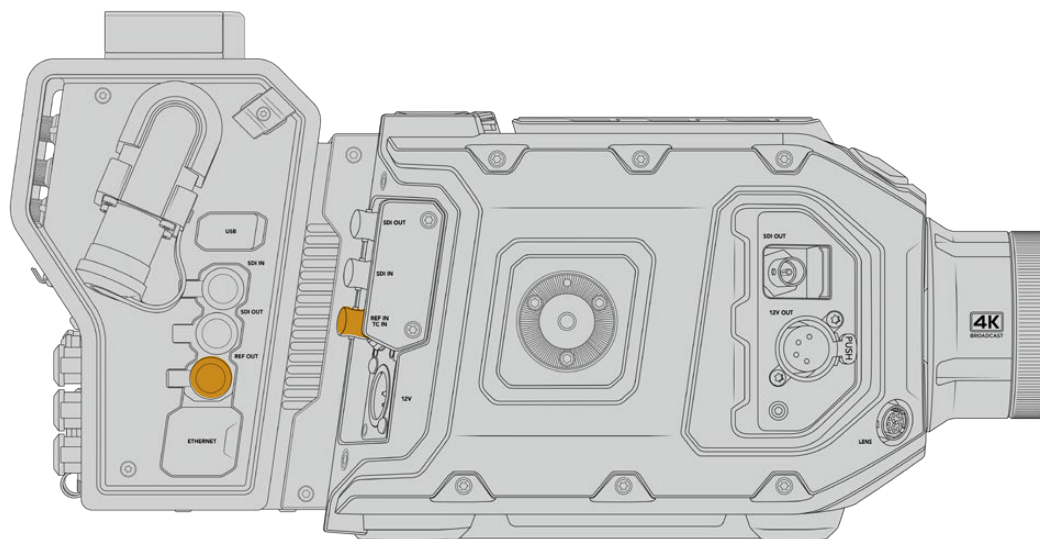
- 1 Conecte la salida de referencia (**REF OUT**) del dispositivo Blackmagic Camera Fiber Converter a la entrada de referencia en la cámara (**REF IN**) usando uno de los cables SDI proporcionados con el conversor.
- 2 Configure los ajustes en la cámara para dicha salida.

Este tipo de señales permiten sincronizar todos los equipos conectados, a fin de compartir el mismo código de tiempo. Asimismo, es posible alternar entre las distintas fuentes con facilidad.

Dado que los mezcladores ATEM disponen de resincronizadores integrados, al emplear cámaras de Blackmagic Design no es preciso recurrir a señales de referencia. Como la señal de referencia se transmite junto con la señal SDI de retorno desde el mezclador, solo es necesario asegurarse de que la entrada principal se ha seleccionado en el menú de ajustes de la cámara. El proceso de resincronización añadirá un fotograma de retraso.

Para disminuir la latencia en el proceso de resincronización en un mezclador ATEM, primero es necesario utilizar una señal de referencia para la cámara URSA Mini o URSA Broadcast, y luego ajustar el retraso, de modo que la lectura de líneas preceda a la sincronización del mezclador ATEM.

Para ajustar la sincronización de señales de referencia en los modelos URSA Mini o URSA Broadcast, abra el menú **SETUP** y modifique la opción **REFERENCE TIMING**.

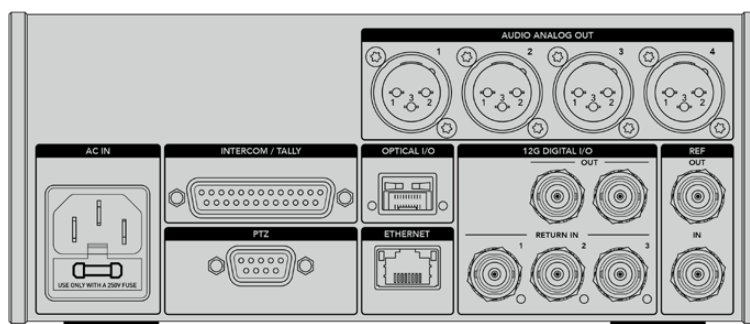


Al emplear una señal de referencia externa, conecte la salida correspondiente del conversor a la entrada respectiva del modelo URSA Mini o URSA Broadcast.

# Conexiones del modelo Blackmagic Studio Fiber Converter

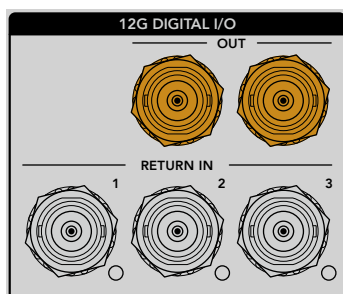
El panel trasero del dispositivo incluye conexiones para señales de retorno SDI y conectores de referencia BNC, así como un sistema de comunicación, una conexión DB-25 para luces piloto, un puerto Ethernet, salidas para audio y un puerto en serie de 9 pines que permite controlar cabezales PTZ.

Todas las entradas SDI son compatibles con formatos SDI 12G a una definición máxima de UHD 2160p60.



## Salida SDI 12G

Las dos salidas SDI 12G sirven para conectar la señal de la cámara proveniente del convertidor en el estudio a cualquier entrada SDI del mezclador. La segunda conexión puede emplearse para transmitir la misma señal a otros equipos, por ejemplo a una matriz de conmutación Videohub, a un monitor SmartView o a un grabador HyperDeck.

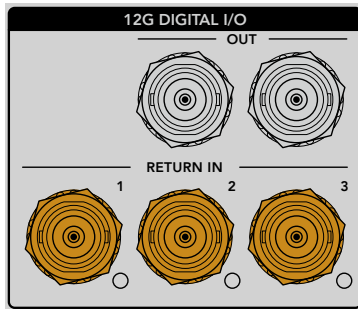


Las salidas SDI 12G son compatibles con formatos desde 720p50 hasta 2160p60.

## Entradas SDI de retorno

Los conectores BNC para señales de retorno permiten conectar hasta tres fuentes SDI 12G. Por ejemplo, la señal principal del mezclador se conecta a la entrada **RETURN IN 1**, y su frecuencia de imagen debe coincidir con la de la cámara. Otras fuentes pueden incluir una segunda cámara, un grabador HyperDeck o incluso un teleprónter, y se conectan a las 2 y 3. Al utilizar un mezclador ATEM, a través de la entrada 1 también se transmite el audio de la comunicación, así como señales de referencia o para el control de cámaras y luces piloto.

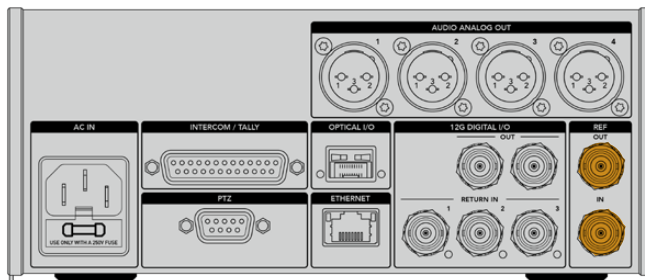
Las salidas de retorno SDI permiten recibir hasta tres señales de retorno desde el mezclador. Estas se transmitirán a la cámara o a otros equipos, a fin de que el operador las vea.



**NOTA:** Si conecta equipos UHD a las entradas de retorno, esta definición será convertida a una resolución de 1080p a la misma frecuencia de imagen, de modo que la señal transmitida por la cámara será HD. Esta subconversión brinda un mayor ancho de banda, de modo que es posible transmitir múltiples señales de retorno.

## Entrada y salida de referencia

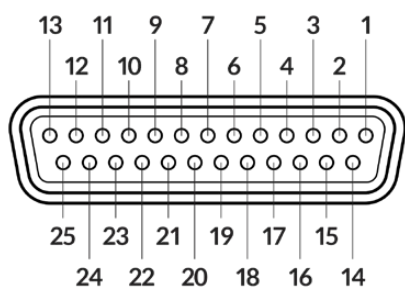
Para sincronizar equipos con una señal de referencia externa sin emplear un mezclador ATEM, es necesario conectar la fuente a la entrada BNC. La señal se transmite a la cámara mediante el cable SMPTE de fibra óptica. Asimismo, la salida BNC del convertidor permite enviar dicha señal a otros equipos.



La entrada **REF IN** permite transmitir códigos de tiempo de referencia de otros equipos a la cámara.

## Interfaz de comunicación

El conector DB-25 permite emplear sistemas desarrollados por otros fabricantes. A continuación, se muestra un diagrama de asignación de pines para armar cables personalizados. Una vez conectados los pines correspondientes, es necesario configurar el menú en el dispositivo Blackmagic Studio Fiber Converter.



Vista externa del conector DB-25

### Diagrama de pines para la comunicación

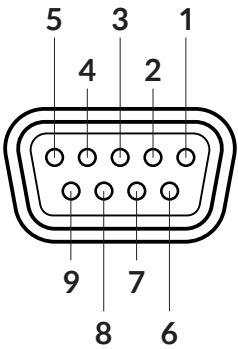
Pines	Señal	Especificaciones
1	ENG(R) IN+	Entrada para el canal de ingenieros 0 dBu (balanceada)
2	ENG(R) IN-	
3	ENG GND	Toma a tierra para el canal de ingenieros
4	ENG(T) OUT +	Salida para el canal de ingenieros 0 dBu (balanceada)
5	ENG(T) OUT -	
6	PGM IN+	-20 dBu
7	PGM IN-	-20 dBu
8	PGM GND	-20 dBu
9	GND	Toma a tierra para señales auxiliares
10	N/C	-
11	Red Tally IN	Encendida = 5-24 Vdc. Apagada = 0 Vdc.
12	Red Tally GND	-
13	GND	Toma a tierra para el armazón
14	PROD(R) IN+	Entrada para el canal de producción 0 dBu (balanceada)
15	PROD(R) IN-	
16	PROD GND	-
17	PROD(T) OUT+	Salida para el canal de producción 0 dBu (balanceada)
18	PROD(T) OUT-	
19	N/C	-
20	N/C	-
21	N/C	-
22	N/C	-
23	N/C	-
24	Green Tally IN	Encendida = 5-24 Vdc. Apagada = 0 Vdc.
25	Green Tally GND	-

## Interfaz PTZ

Ambos conversores disponen de un conector DE de 9 pines que permite controlar cabezales PTZ a distancia. Los comandos están integrados en la señal SDI que se transmite entre las unidades mediante el cable SMPTE de fibra óptica.

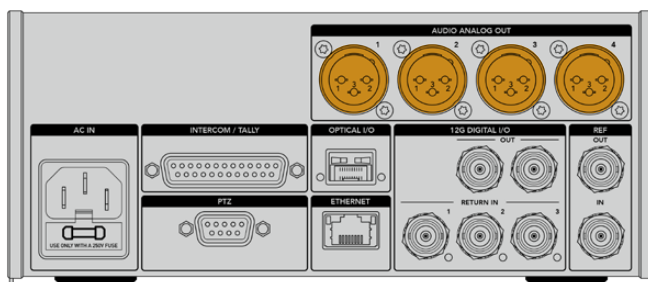
La forma en que se transmiten los comandos se selecciona en el menú de ajustes del dispositivo Blackmagic Studio Fiber Converter. En tal sentido, es posible elegir el conector PTZ en la parte trasera del conversor o la señal SDI de retorno proveniente del mezclador ATEM. Consulte el apartado *Funcionamiento del modelo Blackmagic Studio Fiber Converter* para obtener más información al respecto.

### Diagrama de asignación de pines para la interfaz PTZ

Vista externa	Pines	Señal
 <p>Conector PTZ de 9 pines</p>	1	GND
	2	RS 422 Tx-
	3	RS 422 Rx+
	4	GND
	5	N/C
	6	GND
	7	RS 422 Tx+
	8	RS 422 Rx-
	9	GND

## Salidas de audio

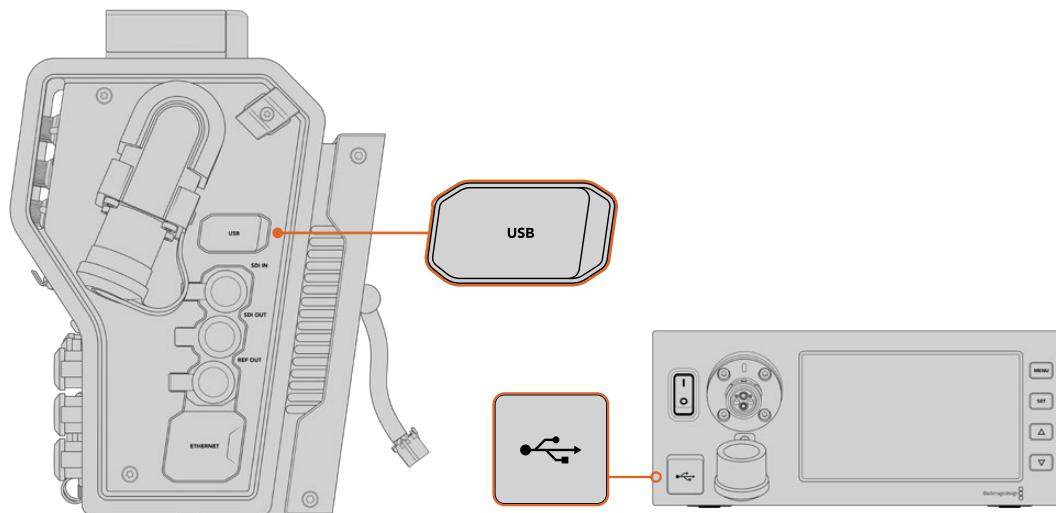
Las cuatro salidas XLR del conversor en el estudio permiten transmitir el audio de las entradas 1 y 2 de la cámara, y de las dos entradas del dispositivo URSA Camera Fiber Converter.



De forma predeterminada, las salidas 1 y 2 del conversor corresponden a las entradas XLR 1 y 2 de las cámaras URSA Broadcast o URSA Mini. Del mismo modo, las salidas 3 y 4 del conversor corresponden a las entradas XLR 1 y 2 del dispositivo Blackmagic Camera Fiber Converter. Estos ajustes pueden modificarse desde el menú correspondiente. Consulte el apartado *Uso del menú en pantalla* para obtener más información al respecto.

# Actualización del software interno

Las actualizaciones lanzadas por Blackmagic Design habilitan funciones e incluyen mejoras para los dispositivos Blackmagic Fiber Converter. Recomendamos comprobar nuestro sitio web regularmente a fin de asegurar que los conversores cuentan con las últimas versiones del sistema operativo interno. El programa utilitario para cámaras de Blackmagic permite actualizar el sistema operativo interno de ambas unidades.



El puerto USB-C en ambos conversores permite actualizar el sistema operativo interno.

## Cómo actualizar el dispositivo Blackmagic Camera Fiber Converter

El dispositivo debe estar encendido durante la actualización, de modo que recomendamos mantenerlo conectado a la cámara mientras se lleva a cabo el procedimiento.

El cable SMPTE de fibra óptica debe estar desconectado, y la alimentación de la cámara tiene que realizarse mediante su fuente de alimentación, a fin de asegurar el suministro constante de la corriente.

El conversor cuenta con un puerto USB-C en el lateral derecho que permite actualizar el sistema operativo interno. Conéctelo a su PC y ejecute el programa utilitario para cámaras de Blackmagic. Se le solicitará que actualice el software del conversor si el equipo informático detecta que hay una nueva versión disponible. Siga las instrucciones que aparecen en la pantalla para llevar a cabo la actualización.

## Cómo actualizar el dispositivo Blackmagic Studio Fiber Converter

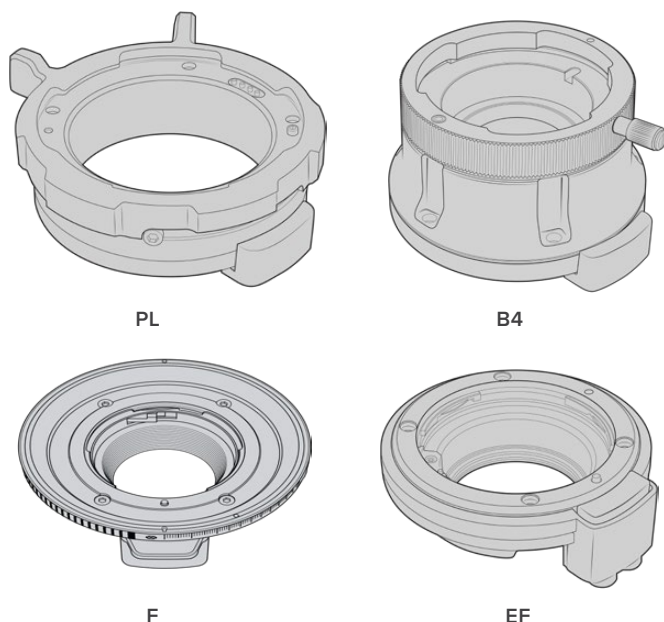
El dispositivo debe estar encendido al realizar la actualización, de modo que se recomienda mantener el cable de alimentación IEC conectado a la parte trasera del conversor durante todo el proceso.

La unidad cuenta con un puerto USB-C en la parte frontal que permite actualizar el sistema operativo interno. Conéctelo a su PC y ejecute el programa utilitario para cámaras de Blackmagic. Se le solicitará que actualice el software del conversor si el equipo informático detecta que hay una nueva versión disponible. Siga las instrucciones que aparecen en la pantalla para llevar a cabo la actualización.



## Montura intercambiable

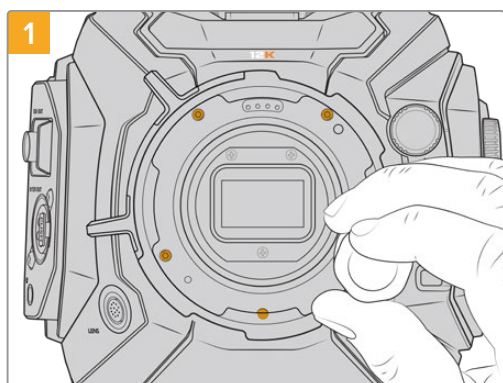
La versión URSA Mini Pro 12K incluye una montura PL, mientras que otras cámaras URSA Mini Pro cuentan con una montura EF. Sin embargo, cabe destacar que todas las versiones del modelo URSA Mini Pro disponen de una montura intercambiable. En otras palabras, se puede sustituir la montura original por otra para objetivos PL, B4, F o EF. Contacte a su distribuidor de productos Blackmagic Design más cercano para adquirir monturas adicionales.



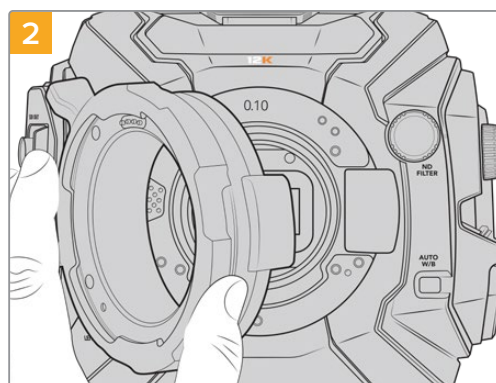
Dado que es posible intercambiar las tres monturas, el usuario tiene la libertad de seleccionar el objetivo que mejor se adapte a su dinámica de trabajo. Por ejemplo, la montura EF permite utilizar objetivos fotográficos de gran calidad, mientras que la B4 es ideal para emplear modelos con distancia focal variable en bodas o procesos de recopilación electrónica de noticias. Por otro lado, la montura PL facilita el uso de objetivos cinematográficos de alta gama, diseñados para brindar una precisión absoluta y un control inigualable.

Es muy sencillo colocar una montura. Solo basta con destornillar la pieza original y reemplazarla por la nueva .

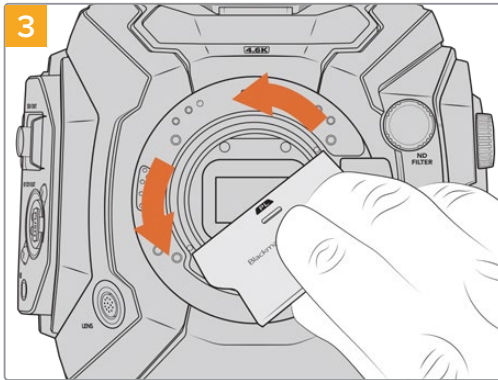
### Para retirar la montura PL de la versión URSA Mini Pro 12K:



La montura PL original de la versión URSA Mini Pro 12K se puede quitar fácilmente aflojando los cinco tornillos mediante un destornillador hexagonal de 2 mm.

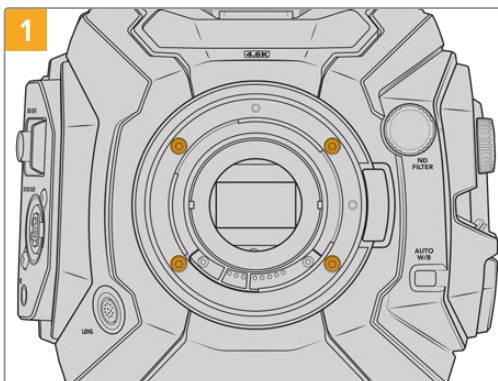


Retírela con cuidado del armazón de la cámara.

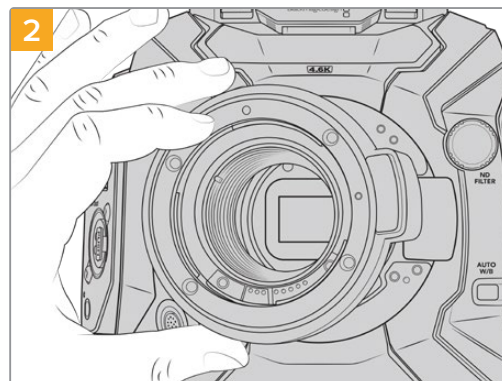


Una vez retirada, utilice la parte ancha de la herramienta para el deflector a fin de aflojar el mismo desde el centro, y luego desenrósquelo usando los dedos.

**Para retirar la montura EF de las versiones URSA Mini Pro 4.6K G2 y URSA Mini Pro 4.6K:**



La montura EF de las versiones URSA Mini Pro 4.6K G2 o URSA Mini Pro 4.6K se puede quitar fácilmente aflojando los cuatro tornillos mediante un destornillador hexagonal de 2 mm.



Retírela con cuidado del armazón de la cámara.

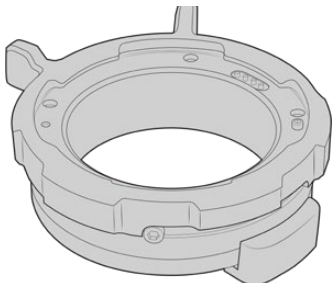
**NOTA:** Al quitar la montura original, asegúrese de no retirar los anillos que se encuentran debajo de la montura en la cámara.

Continúe leyendo este apartado para obtener más información sobre cómo instalar monturas PL, B4 y EF en el modelo URSA Mini Pro.

## Montura para objetivos PL

La montura PL en el modelo URSA Mini Pro permite utilizar objetivos cinematográficos de gran calidad en largometrajes y producciones televisivas.

### El kit de instalación incluye las siguientes piezas:



#### 1 montura PL

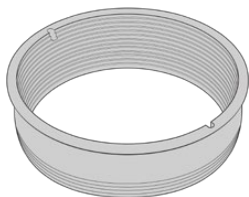
La montura incluye una tapa protectora.



#### 1 juego de anillos adaptadores

El juego incluye anillos con los siguientes espesores:

0.50 mm	0.18 mm	0.10 mm
0.30 mm	0.15 mm	0.05 mm
0.20 mm	0.12 mm	0.025 mm



#### 1 deflector PL

Ayuda a controlar y dirigir la luz que ingresa al sensor.



#### 1 herramienta de ajuste

Permite ajustar el deflector en la cámara.



#### 5 tornillos M2.5 x 22 mm hexagonales

Estos tornillos se usan exclusivamente con la versión PL, por lo que recomendamos guardarlos junto con dicha montura.

Se incluye un juego de tornillos adicional, en caso de que los originales se extravíen.

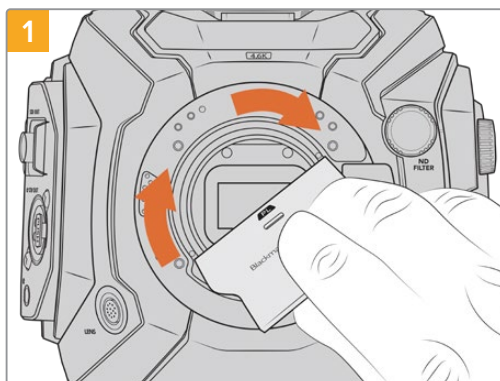
### Herramientas requeridas

Para instalar una montura PL, se necesita un destornillador hexagonal de 2 mm. Aunque no es obligatorio, recomendamos utilizar un torquímetro, a fin de lograr una torsión máxima de 0.45 Nm para evitar que los tornillos se desajusten.

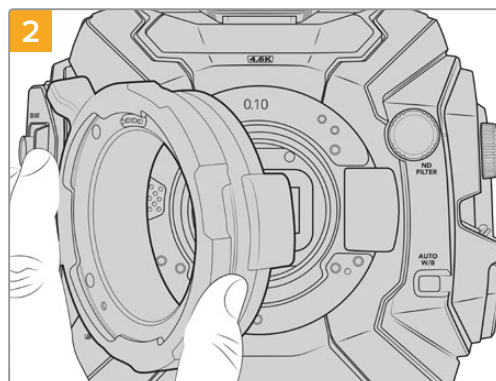


Destornillador hexagonal de 2 mm

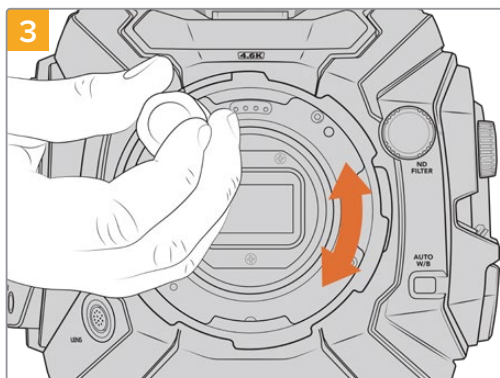
## Instalación de la montura PL



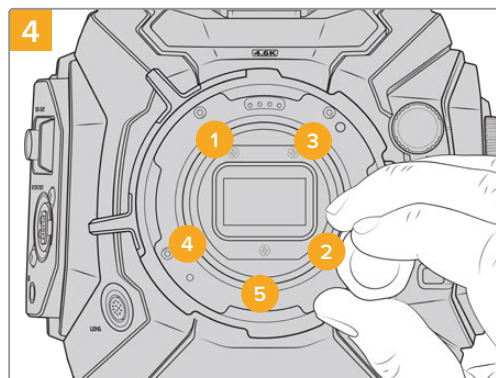
Coloque con cuidado el deflector en el centro de la montura y ajústelo con la mano. Utilice la parte más gruesa de la herramienta de ajuste para apretar el deflector ligeramente. Aplique una presión suficiente para lograr que la pieza quede firme en su lugar.



Coloque la montura PL en la cámara. Asegúrese de que los pines para la interfaz /i Technology en la montura estén en la posición superior.



Con un destornillador hexagonal de 2 mm o un torquímetro que permita aplicar una torsión de 0.45 Nm, comience a apretar los cinco tornillos sin ejercer demasiada fuerza, hasta que la montura entre en contacto con el soporte. Para acceder a los tornillos, es posible que deba girar el aro de seguridad, debido a que algunos orificios pueden quedar ocultos detrás del anillo.



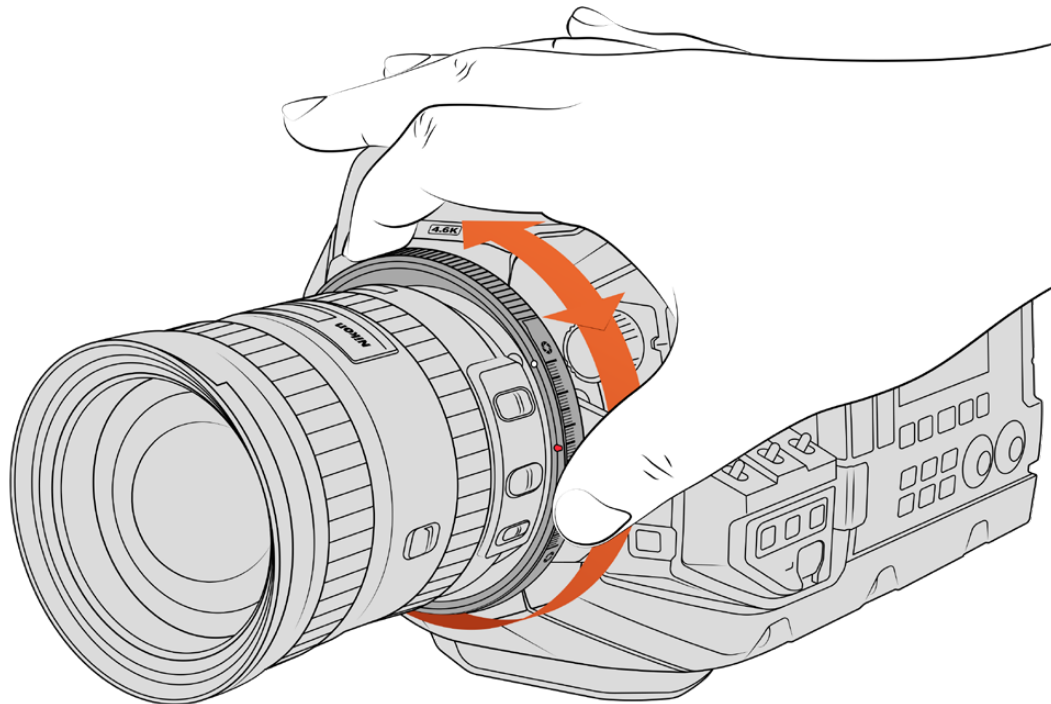
Asegúrese de que la montura está nivelada y correctamente alineada, y luego continúe apretando los tornillos en el orden mostrado a continuación, a fin de lograr una presión equitativa sin ajustarlos de más.

**NOTA:** Para quitar la montura PL, basta con seguir las instrucciones de instalación en orden inverso. No olvide de retirar el deflector y guardarlo junto con la montura.

## Montura F

Esta montura permite utilizar lentes F en la cámara URSA Mini Pro. Estos objetivos de Nikon surgieron en 1959 y aún se fabrican en la actualidad. De este modo, es posible acceder a una enorme variedad de modelos, tanto clásicos como modernos.

Cabe señalar que esta montura es mecánica, y por lo tanto no permite controlar electrónicamente el enfoque ni la apertura del diafragma. Sin embargo, cuenta con un sistema de ajuste mecánico que brinda la posibilidad de mover la palanca presente en la gran mayoría de objetivos Nikon para cambiar la apertura fácilmente.



El mecanismo de ajuste de la apertura en la montura F permite realizar cambios en este parámetro con facilidad.

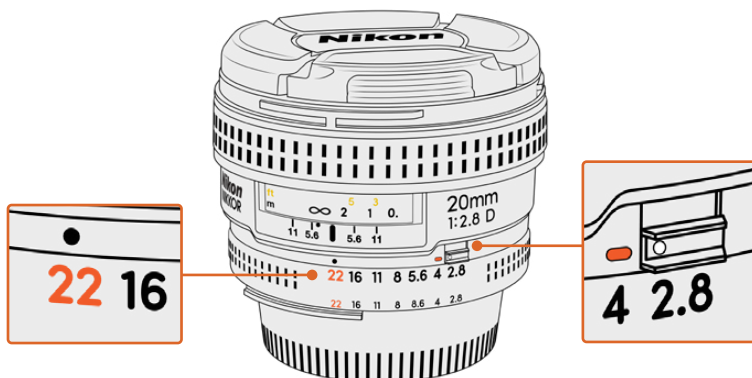
Simplemente mueva el mecanismo de ajuste del diafragma en la montura F para lograr la apertura deseada. El punto rojo y las marcas en el mecanismo permiten determinar una configuración particular de la exposición y la profundidad de campo, a fin de poder volver a utilizarla con rapidez.

**NOTA:** Debido al funcionamiento de la montura F, algunos objetivos no son compatibles.

Estos incluyen los modelos Nikkor AF-S E, que no ofrecen un control mecánico del diafragma, y aquellos pertenecientes a la serie Nikon PC-E, tales como las versiones f/3.5D PC-E de 24 mm y PC-E de 85 mm, que permiten lograr un efecto diorama o miniatura.

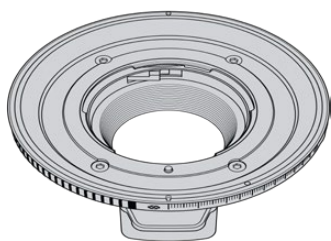
## Objetivos Nikon AF-D

Al utilizar este tipo de objetivos, es necesario reducir la apertura a un valor mínimo, por ejemplo f/22, a efectos de poder aprovechar al máximo la capacidad del anillo de ajuste incluido en la montura F.



En los objetivos AF-D resulta más fácil reducir la apertura al mínimo antes de colocarlos en la cámara.

## El kit de la montura F incluye las siguientes piezas:



### 1 montura F

Esta montura permite utilizar objetivos fotográficos F.



### 1 juego de anillos adaptadores

Se incluyen anillos con los siguientes espesores:

0.50 mm	0.18 mm	0.10 mm
0.30 mm	0.15 mm	0.05 mm
0.20 mm	0.12 mm	0.025 mm



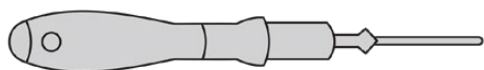
### 4 tornillos M3 x 18 mm hexagonales

Dado que estos tornillos se usan tanto en versiones F como EF, recomendamos guardarlos junto con la montura correspondiente.

Se incluye un juego de tornillos adicional, en caso de que los originales se extravíen.

## Herramientas requeridas

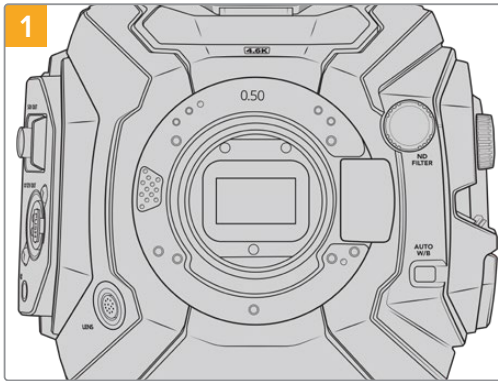
Para instalar una montura F, necesitará un destornillador con cabeza hexagonal de 2 mm. A pesar de no ser obligatorio, recomendamos utilizar una llave de torsión que permita aplicar un torque máximo de 0.45 Nm para evitar que los tornillos se desajusten.



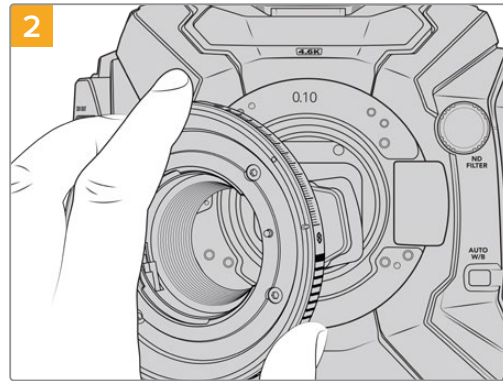
Destornillador hexagonal de 2 mm



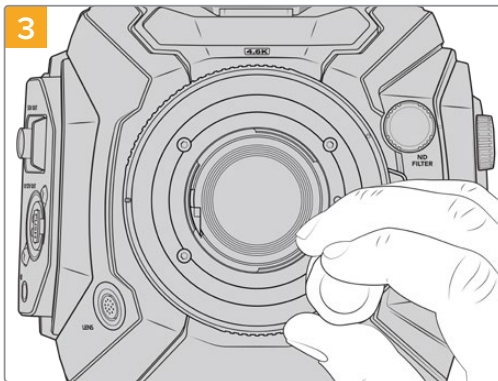
## Instalación de la montura F



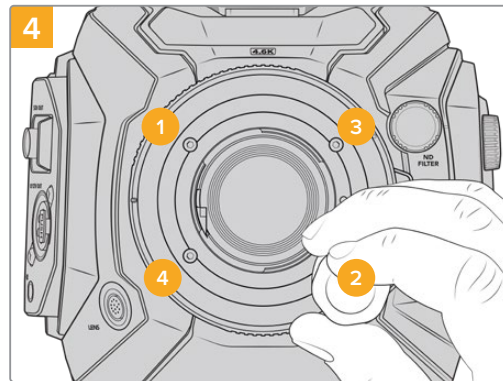
Coloque la cámara en sentido vertical sobre una superficie limpia y plana para garantizar que la montura pueda instalarse correctamente. Al sustituir un modelo PL con la versión F, compruebe que el deflector haya sido retirado con anterioridad.



Coloque con cuidado la montura F en la cámara, asegurándose de que el punto rojo esté situado en la posición de las dos en punto.



Con un destornillador hexagonal de 2 mm o un torquímetro que permita aplicar una torsión de 0.45 Nm, comience a apretar los cuatro tornillos sin ejercer demasiada fuerza, hasta que la montura entre en contacto con el soporte.



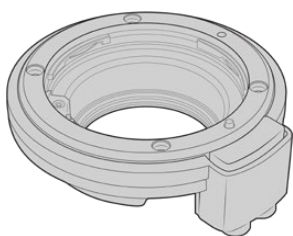
Asegúrese de que la montura está nivelada y correctamente alineada, y luego continúe apretando los tornillos en el orden mostrado a continuación, a fin de lograr una presión equitativa sin ajustarlos de más.

**NOTA:** Para quitar la montura F, siga las instrucciones de instalación en orden inverso.

## Montura para objetivos EF

La montura URSA Mini Pro EF es compatible con una amplia variedad de objetivos empleados en la industria del cine y la fotografía.

### El kit de instalación incluye las siguientes piezas:



#### 1 montura EF

Esta montura permite utilizar objetivos fotográficos EF comunes.



#### 1 juego de anillos adaptadores

El juego incluye anillos con los siguientes espesores:

0.50 mm	0.18 mm	0.10 mm
0.30 mm	0.15 mm	0.05 mm
0.20 mm	0.12 mm	0.025 mm



#### 1 herramienta de ajuste

El deflector de esta montura no es extraíble.

De todos modos, se incluye esta herramienta en caso de que se necesario instalar una montura PL.



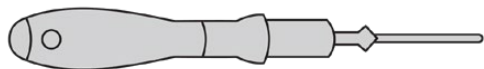
#### 4 tornillos M3 x 18 mm hexagonales

Dado que estos tornillos se usan tanto en versiones F como EF, recomendamos guardarlos junto con la montura correspondiente.

Se incluye un juego de tornillos adicional, en caso de que los originales se extravíen.

### Herramientas requeridas

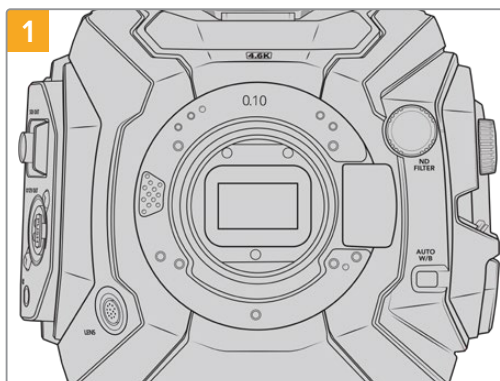
Para instalar una montura EF, se necesita un destornillador hexagonal de 2 mm. Aunque no es obligatorio, recomendamos utilizar un torquímetro, a fin de lograr una torsión máxima de 0.45 Nm para evitar que los tornillos se desajusten.



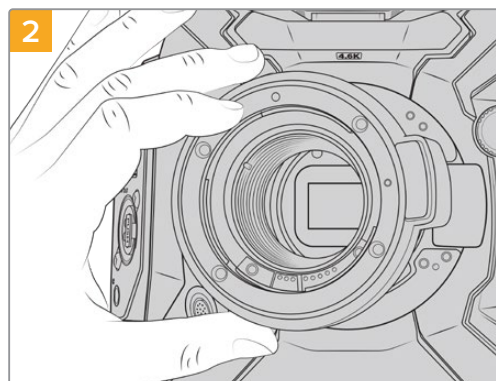
Destornillador hexagonal de 2 mm



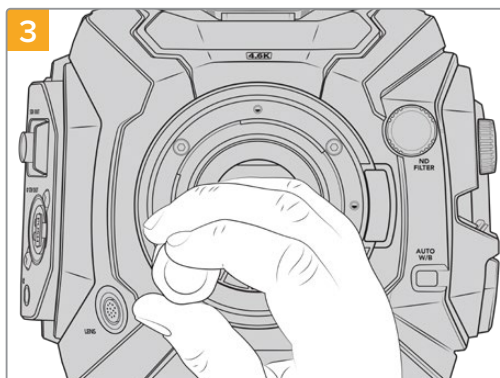
## Instalación de la montura EF



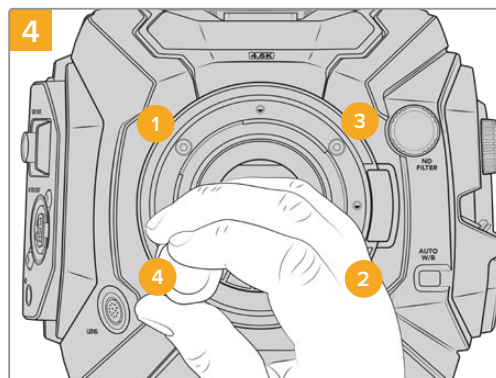
Coloque la cámara en sentido vertical sobre una superficie limpia y plana para garantizar que la montura pueda instalarse correctamente. En caso de reemplazar una montura PL con una versión EF, asegúrese de haber extraído el deflector PL previamente.



Coloque cuidadosamente la montura EF en la cámara con el punto blanco hacia arriba.



Con un destornillador hexagonal de 2 mm o un torquímetro que permita aplicar una torsión de 0.45 Nm, comience a apretar los cuatro tornillos sin ejercer demasiada fuerza, hasta que la montura entre en contacto con el soporte.



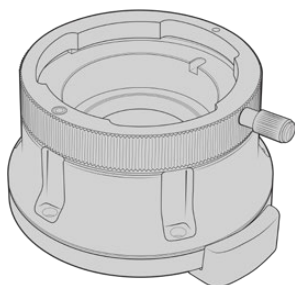
Asegúrese de que la montura está nivelada y correctamente alineada, y luego continúe apretando los tornillos en el orden mostrado a continuación, a fin de lograr una presión equitativa sin ajustarlos de más.

**NOTA:** Para quitar la montura EF, basta con seguir las instrucciones de instalación en orden inverso.

## Montura para objetivos B4

La montura B4 en las versiones URSA Mini Pro 4.6K G2 o URSA Mini Pro 4.6K permite utilizar objetivos de distancia focal variable, frecuentemente empleados en bodas y en la recopilación electrónica de noticias. Estos modelos mantienen el enfoque en rangos de distancia focal más extensos y, por lo general, permiten ajustar este parámetro y la apertura del diafragma en forma manual. Asimismo, cuentan con un interruptor físico en la empuñadura de la cámara para acercar o alejar la imagen con facilidad. Para aquellos camarógrafos que trabajan en forma individual, estos objetivos facilitan el rodaje y brindan un control excepcional sobre las tomas. Cabe destacar que la montura Blackmagic URSA Mini Pro B4 no es compatible con la cámara URSA Mini Pro 12K.

### El kit de instalación incluye las siguientes piezas:



#### 1 montura B4

Esta montura permite utilizar objetivos ENG tradicionales.



#### 1 juego de anillos adaptadores

El juego incluye anillos con los siguientes espesores:

0.50 mm	0.18 mm	0.10 mm
0.30 mm	0.15 mm	0.05 mm
0.20 mm	0.12 mm	0.025 mm



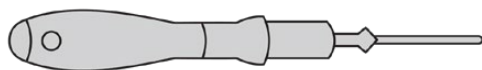
#### 5 tornillos M2.5 x 12 mm hexagonales

Estos tornillos se usan exclusivamente con la versión B4, por lo que recomendamos guardarlos junto con dicha montura.

Se incluye un juego de tornillos adicional, en caso de que los originales se extravíen.

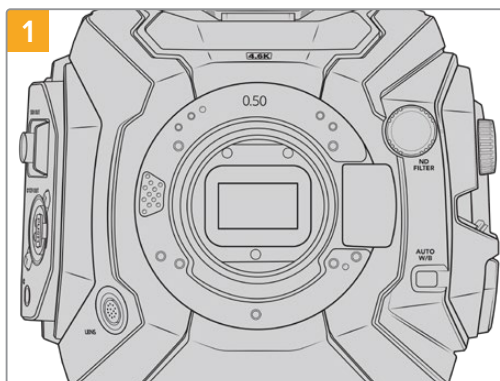
### Herramientas requeridas

Para instalar una montura B4, se necesita un destornillador hexagonal de 2 mm. Aunque no es obligatorio, recomendamos utilizar un torquímetro, a fin de lograr una torsión máxima de 0.45 Nm para evitar que los tornillos se desajusten.

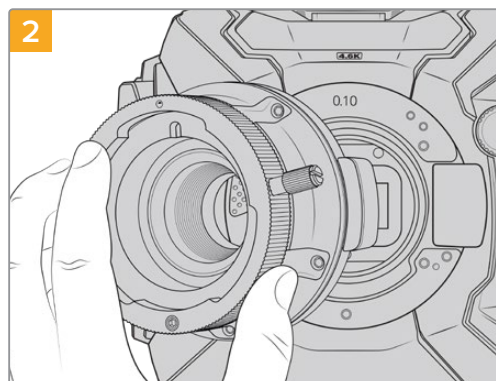


Destornillador hexagonal de 2 mm

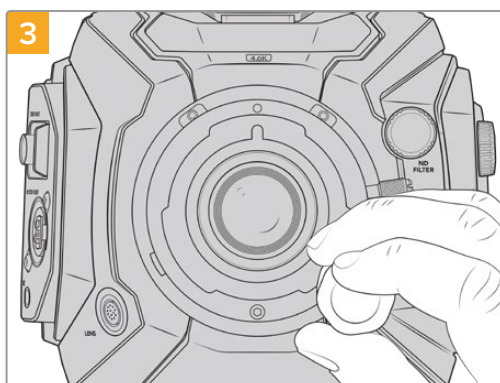
## Instalación de la montura B4



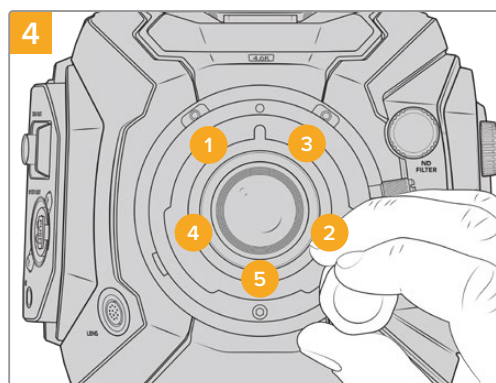
Coloque la cámara en sentido vertical sobre una superficie limpia y plana para garantizar que la montura pueda instalarse correctamente.



Coloque con cuidado la montura B4 en la cámara, asegurándose de que el punto rojo esté situado hacia arriba.



Con un destornillador hexagonal de 2 mm o un torquímetro que permita aplicar una torsión de 0.45 Nm, comience a apretar los cinco tornillos sin ejercer demasiada fuerza, hasta que la montura entre en contacto con el soporte.



Asegúrese de que la montura está nivelada y correctamente alineada, y luego continúe apretando los tornillos en el orden mostrado a continuación, a fin de lograr una presión equitativa sin ajustarlos de más.

**NOTA:** Para quitar la montura B4, basta con seguir las instrucciones de instalación en orden inverso.

**SUGERENCIA:** Al utilizar un objetivo B4 en las versiones URSA Mini Pro 4.6K G2 o URSA Mini Pro 4.6K, seleccione la opción 2K 16:9 (o menor) para la resolución y active la función **Window Sensor** en la pestaña **RECORD** del panel de opciones. Es importante utilizar estos ajustes para evitar la aparición de bordes negros en la imagen, puesto que los objetivos B4 no cubren la totalidad del área de un sensor Super 35 mm. Asimismo, recomendamos verificar la distancia de registro del objetivo.

## Anillos adaptadores para el modelo URSA Mini Pro

Al colocar las monturas PL, B4 o F en la cámara, es necesario añadir un anillo adaptador de 0.10 mm a los de 0.50 mm y 0.10 mm que ya se encuentran debajo de la montura EF original. El juego de anillos incluye estos y otros adicionales de distinto espesor, a fin de permitir la instalación de objetivos PL que requieren una distancia ligeramente distinta para mantener la precisión de los indicadores de enfoque.

### El kit de instalación incluye las siguientes piezas:

---



#### 1 herramienta de ajuste

Se incluye un deflector en caso de que se necesite instalar una montura PL.



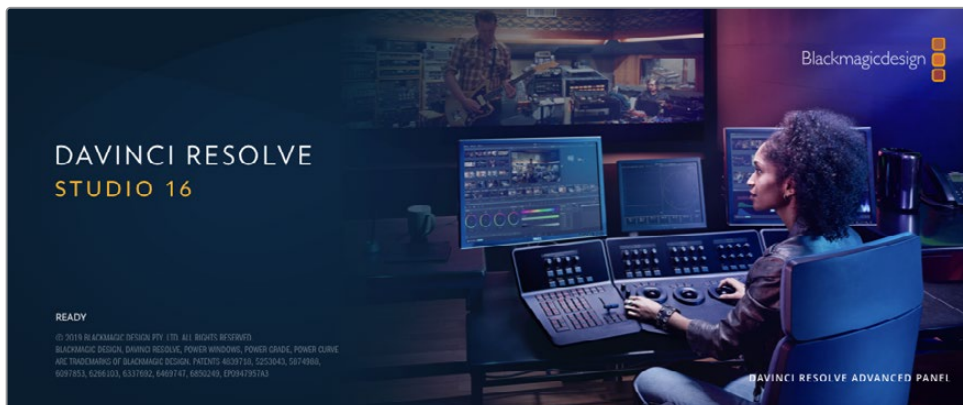
#### 1 juego de anillos adaptadores

El juego incluye anillos con los siguientes espesores:

0.50mm	0.18mm	0.10mm
0.30mm	0.15mm	0.05mm
0.20mm	0.12mm	0.025mm

# DaVinci Resolve

La captura de imágenes con el modelo URSA Mini es solo una parte del proceso para crear contenidos televisivos o cinematográficos. El respaldo y la organización del material grabado, la edición, el etalonaje y la codificación de los archivos finales son etapas que también cobran vital importancia. Esta unidad incluye una versión de DaVinci Resolve Studio para Mac y Windows, brindando de este modo una solución integral durante el rodaje y la posproducción.



**NOTA:** Recomendamos utilizar la última versión de DaVinci Resolve para lograr un procesamiento cromático adecuado en clips grabados con el modelo URSA Mini. La versión 16.3 (o posterior) permite lograr colores precisos y es compatible con el formato Blackmagic RAW y archivos con imágenes en resolución 12K.

Después de insertar una tarjeta SD o CFast o una unidad SSD en el equipo informático, es posible emplear la herramienta de clonación que ofrece DaVinci Resolve en el módulo Medios con el propósito de crear respaldos del material grabado. Esto resulta de suma utilidad, ya que los archivos digitales son susceptibles de sufrir daños o presentar fallas. Sin embargo, al contar con copias de seguridad, se previene la pérdida de las imágenes. Una vez finalizado este procedimiento, es posible agregar los clips al panel multimedia del programa para editarlos, etalonarlos y aplicar los retoques finales sin salir de la aplicación.

DaVinci Resolve se utiliza en la mayoría de los grandes éxitos cinematográficos y ofrece mucho más que un simple sistema de edición no lineal, dado que cuenta con tecnología de vanguardia que permite obtener imágenes con una calidad extraordinaria. El usuario puede sacar provecho de esta funcionalidad para editar y etalonar toda clase de proyectos.

A continuación, se proporciona información sobre cómo utilizar DaVinci Resolve para procesar los archivos grabados con las cámaras. El programa es revolucionario y contiene muchas más funciones de las que se aprecian en la interfaz a primera vista. Para obtener más información sobre su uso, consulte el manual de instrucciones, disponible en nuestro sitio web, donde también encontrará tutoriales y guías de capacitación.

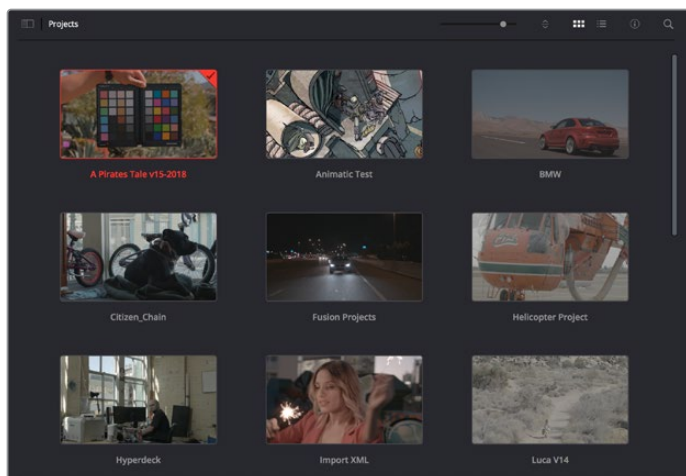
## Organizador de proyectos

Antes de importar los clips y comenzar a editar, es necesario configurar el proyecto mediante el organizador de proyectos.

Este aparece inmediatamente al abrir DaVinci Resolve. Sin embargo, se puede acceder a él en cualquier momento haciendo clic en el ícono correspondiente, situado en la esquina inferior derecha de la interfaz, para abrir proyectos o crear otros nuevos.

Para crear un nuevo proyecto, haga clic en la opción **Crear proyecto**, en la parte inferior de la interfaz, y escriba el nombre del mismo. Haga clic en **Crear**.

Con el módulo Montaje, es posible comenzar a editar el proyecto inmediatamente.



El Organizador de proyectos permite ver todos los proyectos del usuario.

Consulte el manual de DaVinci Resolve, disponible en nuestro sitio web, para obtener más información al respecto.

## Edición con el módulo Montaje

El módulo Montaje ofrece una dinámica de trabajo ágil que ofrece la oportunidad de editar, cortar y montar clips de manera rápida y eficiente.

Dos líneas de tiempo activas permiten trabajar simultáneamente tanto en toda la edición como en un área en particular. Esto brinda la posibilidad de colocar clips en cualquier lugar en la línea de tiempo y, a continuación, realizar cambios específicos en el mismo espacio de trabajo. Gracias a esta dinámica de trabajo, podrá editar en un equipo informático portátil sin que sea necesario acercar, alejar o mover la línea de tiempo a medida que avanza, lo que supondrá un ahorro de tiempo significativo.

### Módulo Montaje

Al abrir el módulo **Montaje**, se visualizan el panel multimedia, el visor y la línea de tiempo, lo que brinda un control absoluto sobre los cambios que se realizan.



Distribución predeterminada del módulo Montaje, con los archivos del panel multimedia en el modo de vista en miniatura

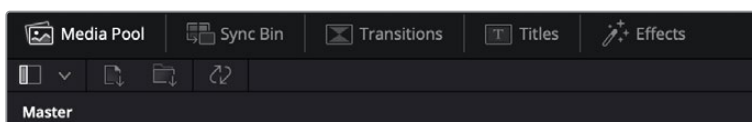


Consulte el apartado correspondiente en el manual de DaVinci Resolve para obtener más información al respecto.

## Organización de archivos multimedia

En la esquina superior izquierda de la interfaz hay cinco pestañas.

Haga clic en ellas para acceder a las herramientas que necesitará a fin de editar. Por ejemplo, la primera pestaña es el **Panel multimedia**. El resto son opciones para sincronizar las bandejas y organizar transiciones, títulos y efectos, respectivamente.



- **Panel multimedia:** Aquí se encuentran todos los clips, las carpetas y los archivos importados mediante el módulo Medios. Asimismo, es posible importar los archivos directamente desde el módulo Montaje, a fin de evitar tener que alternar entre ambos.
- **Sincronizar bandeja:** Esta opción sincroniza automáticamente todos los clips de acuerdo con el código de tiempo, la fecha y la hora, lo que permite seleccionar ángulos de todas las cámaras en un proyecto multicámara.
- **Transiciones:** Esta pestaña permite acceder a todas las transiciones audiovisuales que es posible utilizar en el proceso de edición. Estas incluyen opciones comunes, tales como fundidos encadenados y cortinillas.
- **Títulos:** Esta opción permite seleccionar el tipo de título, por ejemplo, un texto estándar con desplazamiento o situado en el tercio inferior de la imagen. Asimismo, se ofrecen distintas plantillas de efectos Fusion, a fin de emplear títulos animados y dinámicos, que a su vez pueden personalizarse desde el módulo Fusion en DaVinci Resolve.
- **Efectos:** Esta opción brinda acceso a distintos filtros y efectos, con el propósito de añadir dinamismo a la edición, por ejemplo, mediante efectos personalizables de desenfoco o brillo. Es posible escoger entre una gran variedad de efectos extraordinarios, y es muy sencillo encontrarlos gracias a la herramienta de búsqueda.

**SUGERENCIA:** Utilice la herramienta de búsqueda, situada cerca de los íconos de organización de archivos, a fin de encontrar lo que necesita. Por ejemplo, con la pestaña de transiciones seleccionada, escriba «disolvenca» en la barra para ver únicamente este tipo de transiciones y facilitar su búsqueda.




## Modos de vista

En la esquina superior izquierda del visor hay botones para los distintos modos de vista.



Botones para modos de vista

Estos botones permiten seleccionar el modo de vista. Las opciones disponibles son: **Clip original**, **Modo de cinta** y **Línea de tiempo**. Estas ofrecen un control absoluto al elegir clips para editarlos, por lo que recomendamos tomarse un momento para aprender sobre ellas.



	<b>Clip original</b>	Este modo permite ver un solo clip del panel multimedia y marcar puntos de entrada y salida a lo largo de toda la línea de tiempo. Esto ofrece un mayor control. Para seleccionar un clip, basta con hacer doble clic sobre él en el panel multimedia o arrastrarlo al visor.
	<b>Modo de cinta</b>	Esta opción permite ver todos los clips del panel multimedia, por lo que resulta muy útil cuando es preciso buscar rápidamente un evento en particular entre todos los archivos. Al desplazar el cabezal de reproducción sobre los clips, las miniaturas correspondientes se seleccionan automáticamente en el panel multimedia. Es decir, al encontrar el clip que se desea editar, es posible cambiar al modo Clip original para que se muestre en el visor automáticamente. El modo de cinta ofrece las ventajas del proceso de edición no lineal, permitiendo al usuario realizar cambios, encontrar tomas de manera rápida y probar nuevas ideas sin perder el hilo de la historia.
	<b>Línea de tiempo</b>	Esta opción permite ver la línea de tiempo en la que se está editando, lo cual brinda la posibilidad de reproducir el proyecto y optimizar los cambios.

## Importar clips al panel multimedia

A continuación, es posible comenzar a importar archivos al proyecto desde el panel multimedia en el módulo Montaje mediante las herramientas situadas en la parte superior de la interfaz.



Seleccione una de las opciones para agregar archivos al proyecto.

	<b>Importar archivos multimedia</b>	Esta opción permite importar archivos individuales desde la ubicación en la que se encuentran almacenados.
	<b>Importar carpetas</b>	Esta opción permite importar carpetas desde la unidad en la que se encuentran almacenadas. Al hacerlo, DaVinci Resolve mantendrá la estructura de los archivos y tratará cada carpeta como una bandeja individual, brindando así la posibilidad de alternar entre ellas para encontrar las imágenes y los archivos deseados.

### Para importar archivos:

- 1 Haga clic sobre el ícono para importar archivos o carpetas.
- 2 Acceda a la unidad de almacenamiento en la que se encuentra el material que desea importar.
- 3 Seleccione el archivo o la carpeta y haga clic en **Abrir**.

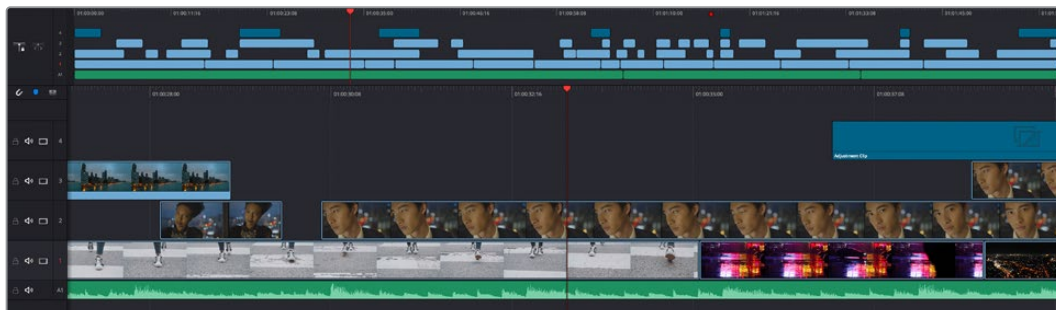
Una vez añadido el material, es un buen momento para guardar los cambios efectuados en el proyecto. En este sentido, DaVinci Resolve ofrece una opción de guardado automático que se activa después de haber guardado los cambios de forma manual por primera vez. Esto disminuye el riesgo de perder el trabajo realizado.

Consulte el apartado correspondiente en el manual de DaVinci Resolve para obtener más información al respecto.



## Agregar clips a la línea de tiempo

Ahora que ya está familiarizado con las opciones de organización de archivos multimedia y los modos de visualización, puede abrir el panel multimedia para comenzar a agregar rápidamente clips a la línea de tiempo.



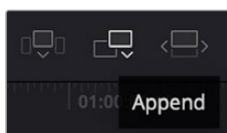
Líneas de tiempo del módulo Montaje

La línea de tiempo es el área de trabajo en la que se pueden agregar clips a distintas pistas, cambiarlos de lugar y recortarlos. Las pistas brindan la posibilidad de colocar los clips en diferentes capas, lo que ofrece una mayor flexibilidad para probar distintos cambios y crear transiciones y efectos. Por ejemplo, es posible editar un clip en una capa sin que los cambios realizados en este afecten a los situados en las capas inferiores.

Existen distintos modos de agregar clips a la línea de tiempo, por ejemplo, mediante las funciones **Inserción inteligente**, **Agregar clips** o **Superponer**.

### Agregar clips

Al seleccionar tomas y realizar el montaje, es probable que estas se agreguen a la línea de tiempo sucesivamente. La herramienta **Agregar clips** es ideal para esto, ya que facilita el proceso de edición.



Haga clic en el ícono correspondiente para agregar otros clips al final del último.

#### Para agregar clips al final:

- 1 Haga doble clic en cualquier clip del panel multimedia para abrirlo en el visor.
- 2 Con la herramienta de recorte, arrastre los puntos de entrada y salida para seleccionar la duración precisa de la toma. Asimismo, es posible presionar las teclas **I** (entrada) y **O** (salida) para marcar dichos puntos.

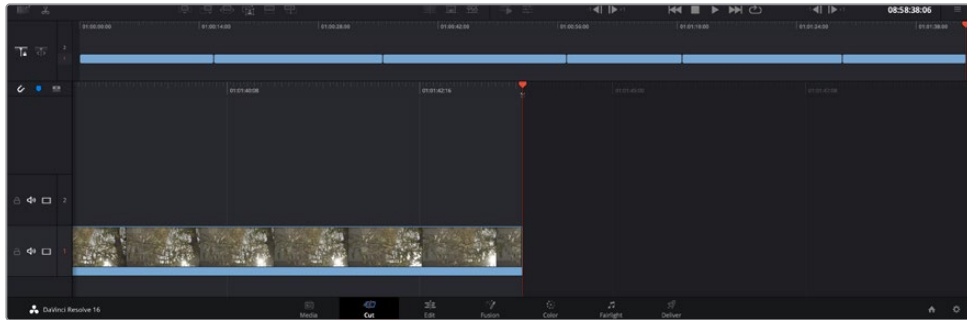


- 3 A continuación, haga clic en el ícono **Agregar clips**, situado debajo del panel multimedia.



El primer clip se situará al principio de la línea de tiempo.

Repita los pasos 1 a 3 para continuar agregando clips automáticamente sin dejar espacios vacíos en la línea de tiempo.



La función **Agregar clips** permite asegurarse de que no hay espacios vacíos en la línea de tiempo.

**SUGERENCIA:** Cabe la posibilidad de agilizar aún más este proceso asignando una combinación de teclas a la función **Agregar clips**. Por ejemplo, asignarle la letra **P** es ideal para marcar puntos de entrada y salida, y agregar clips mediante el teclado. Consulte el manual de DaVinci Resolve para obtener más información al respecto.

## Editar clips en la línea de tiempo

Una vez agregados los clips a la línea de tiempo, es posible cambiarlos de lugar o recortarlos.

Para recortar un clip, sitúe el mouse al principio o final del mismo. Luego, haga clic y arrástrelo hacia la derecha o la izquierda, por ejemplo, para aumentar o disminuir su duración. Notará que, una vez realizado el recorte, los clips en la línea de tiempo se desplazarán según los ajustes llevados a cabo. De esta forma, el módulo Montaje permite ahorrar tiempo.

Incluso es posible seleccionar el clip y moverlo a una nueva pista en la línea de tiempo, sin necesidad de ampliarla o reducirla. Esto ayuda a agilizar el proceso de edición porque no es necesario desplazarse por toda la línea de tiempo.

Después de editar los clips en el módulo Montaje, es posible agregar un título. A continuación, se explica cómo hacerlo.

## Agregar títulos

Hay distintas posibilidades para agregar un título a la línea de tiempo, todas ellas muy sencillas.

Para ver los distintos tipos de títulos que se pueden emplear, haga clic en la pestaña **Títulos**, situada en la esquina superior izquierda de la interfaz. En la ventana de selección se mostrarán todos los generadores de títulos que se pueden emplear, desde tercios inferiores hasta opciones con movimiento u otras más tradicionales. Incluso es posible agregar títulos en Fusion con efectos animados personalizables.

A continuación, se explica cómo hacerlo.

**Para añadir un título común:**

- 1 Haga clic en la opción **Texto** y arrástrela a la línea de tiempo. No importa a cuál de ellas, aunque se recomienda hacerlo a la línea de tiempo detallada para lograr una mayor precisión. Se creará automáticamente una nueva pista para el título, y el cabezal se desplazará al principio de la misma.
- 2 Suelte el botón del mouse para que el título aparezca en la nueva pista. Ahora es posible cambiarlo de lugar o modificar su duración como si fuera un clip.
- 3 Para editar el título, haga clic en el nuevo clip y, a continuación, en el ícono de herramientas que aparecerá debajo del visor.  
Aparecerá una lista de herramientas que se pueden utilizar a fin de modificar el clip, por ejemplo, para transformarlo, recortarlo o ampliar la imagen. En esta ocasión, haga clic en **Título**.
- 4 A continuación, abra el inspector.

En el inspector, escriba el título deseado y modifique sus ajustes, por ejemplo, el interletrado, el interlineado, el tipo de fuente o el color.

Se ofrecen una gran variedad de opciones que permiten personalizar cualquier título. Recomendamos probarlas todas, a fin de ver cómo los distintos ajustes cambian su apariencia.

## Archivos Blackmagic RAW

Los clips en formato Blackmagic RAW brindan una gran flexibilidad en la etapa de posproducción. Esto brinda la posibilidad ajustar el balance de blancos y la sensibilidad ISO con posterioridad a la grabación, como si se estuvieran cambiando los valores originales de la cámara. Asimismo, este códec conserva más información sobre las diferentes tonalidades en las luces y sombras, lo cual resulta útil cuando es necesario recuperar detalles, por ejemplo, en un cielo sobrepuesto o en áreas oscuras de la imagen.

Es recomendable grabar en formato Blackmagic RAW si se desea lograr la mejor calidad posible, o en tomas que presentan cambios abruptos entre las luces y las sombras, cuando es necesario ajustar el color de dichas regiones en la mayor medida posible.

Gracias a la velocidad y el tamaño de los archivos Blackmagic RAW, no es necesario crear otros proxy, y la reproducción se realizará como con un clip de video estándar. Este apartado incluye información acerca de la dinámica de trabajo en DaVinci Resolve con Blackmagic RAW.

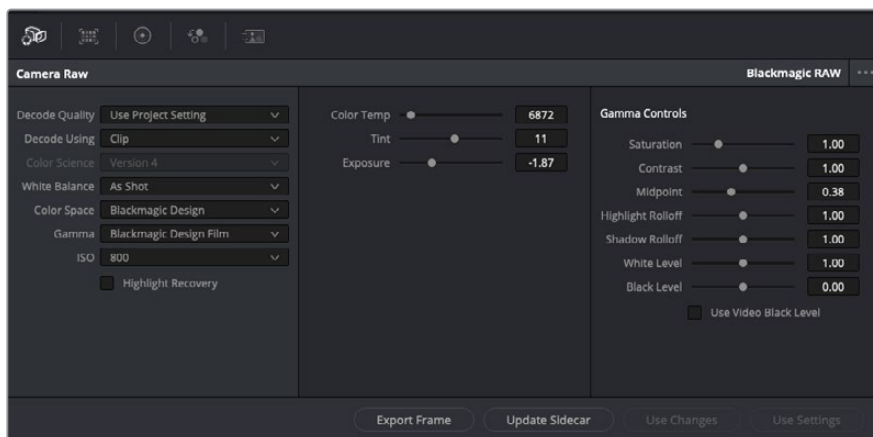
**SUGERENCIA:** Es recomendable modificar los ajustes Blackmagic RAW de los clips en el módulo Color antes de comenzar a etalonarlos.

### Ajustes del clip para el formato Blackmagic RAW

Cuando se importan archivos Blackmagic RAW por primera vez, DaVinci Resolve decodifica la información de la cámara incluida en estos utilizando los ajustes para el valor ISO, el balance de blancos y el tinte empleados durante la grabación. Una vez satisfecho con la apariencia, es posible comenzar inmediatamente con la edición.

Una de las grandes ventajas del formato Blackmagic RAW es que no depende de dichos ajustes. Gracias a la variedad de opciones disponibles en esta etapa, con el trascurso del tiempo se puede desarrollar una dinámica de trabajo propia. Al experimentar con los ajustes de los clips, se tiene una idea de lo extraordinario y flexible que resulta este códec.

El menú dedicado a la colorimetría permite seleccionar entre la cuarta o la quinta generación de esta tecnología. La versión URSA Mini Pro 12K es la primera cámara que cuenta con la colorimetría de quinta generación. En este sentido, las imágenes de otras cámaras con colorimetría de cuarta generación pueden reinterpretarse mediante la colorimetría de quinta generación, a fin de que coincidan con las obtenidas con el modelo URSA Mini Pro 12K. De manera alternativa, es posible realizar el proceso inverso. Esta opción permite que todos los archivos provenientes de cámaras con colorimetría de cuarta o quinta generación coincidan.



En el panel **Ajustes RAW**, seleccione la opción **Clip** en el menú desplegable **Modo** para modificar los ajustes de clips Blackmagic RAW.

Una vez que se ha seleccionado la opción de clip en el modo de decodificación para el formato Blackmagic RAW, es posible modificar todos los ajustes que estaban desactivados previamente. Esto permite lograr una apariencia más similar a un etalonaje inicial. Asimismo, es un método particularmente excepcional al combinarlo con el uso de las representaciones gráficas, las cuales ayudan a neutralizar y balancear los clips, a fin de aplicarles una estética determinada.

A continuación, se brinda información sobre el clip y los controles para la curva de respuesta tonal:

### **ISO**

El valor ISO puede ajustarse para mejorar el material grabado partiendo desde una imagen más clara u oscura.

### **Recuperación de luces**

Marque esta casilla para recuperar los detalles de las luces en los canales con pérdida de información empleando otros completos.

### **Temperatura del color**

Esta opción permite añadir más calidez o frialdad a la imagen para neutralizar su balance cromático.

### **Tinte**

Al ajustar esta opción, se añaden tonos verdes o magentas a la imagen, a fin de lograr un mejor balance cromático.

### **Exposición**

Permite ajustar el brillo general de la imagen.

### **Saturación**

El valor predeterminado para este parámetro es 1 y se puede ajustar entre -1 y 4.

### **Contraste**

El valor predeterminado para este parámetro es 1.0. Mueva el control hacia la izquierda para disminuirlo (mínimo 0) o a la derecha para aumentarlo (máximo 2).

### Tonos intermedios

En el modo **Film**, el valor predeterminado para los tonos grises intermedios es de 0.38 o 38.4 %. Mueva el control hacia la izquierda para disminuirlo o hacia la derecha para aumentarlo a 100. Una vez ajustado el contraste, es posible modificar la atenuación de las luces y las sombras.

### Reducción de luces

Mueva el control hacia la izquierda a fin de disminuir el valor a 0, o hacia la derecha para incrementarlo a 2. El valor predeterminado es 1.

### Reducción de sombras

Mueva el control hacia la izquierda a fin de disminuir el valor a 0, o hacia la derecha para incrementarlo a 2.

### Nivel de blancos

Ajuste el punto blanco de la curva de respuesta tonal moviendo el control desde el valor más alto (2) hasta el más bajo (0). El valor predeterminado es 1.

### Nivel de negros

Eleve el punto negro de la curva de respuesta tonal personalizada moviendo el control hacia la derecha desde el valor más bajo (-1) hasta el máximo (1). El valor predeterminado es 0.

### Usar nivel de negro en modo Video

Marque la casilla para ajustar este parámetro.

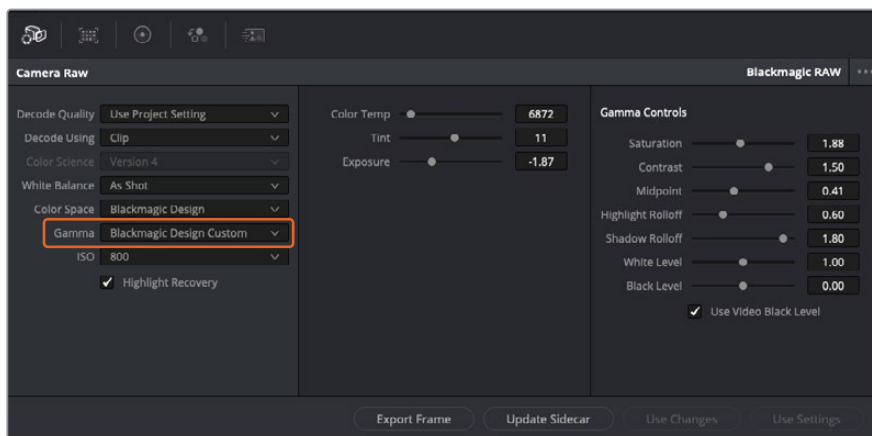
### Exportar fotograma

Al seleccionar esta opción, es posible exportar un fotograma de un clip en formato Blackmagic RAW.

### Actualizar Sidecar

Haga clic en este botón a fin de actualizar el archivo .sidecar para el clip seleccionado.

Cualquier modificación realizada en los clips Blackmagic RAW se reflejará en los ajustes **Gamma**, cuyo nombre cambiará a **Blackmagic Design Custom**.



Si desea regresar a una de las opciones disponibles por defecto, basta con seleccionarla en el menú desplegable.

**SUGERENCIA:** Los controles **Gamma** se encuentran desactivados para el material grabado en modo **Video**, aunque no se pierden datos del formato Blackmagic RAW. Basta con seleccionar la opción **Blackmagic Design Film** o **Blackmagic Design Extended Video** en el menú desplegable a fin de realizar ajustes.

#### Guardar cambios en Blackmagic RAW

- 1 Ajuste los controles de los tonos intermedios en el clip Blackmagic RAW.
- 2 Haga clic en el botón **Actualizar** .sidecar.

Se creará un archivo .sidecar en la misma carpeta del archivo .braw. Cuando otro usuario importe el material en formato Blackmagic RAW, DaVinci Resolve reconocerá automáticamente los archivos .sidecar. Si se realizan ajustes adicionales, haga clic en este botón nuevamente.

**SUGERENCIA:** Para eliminar el archivo .sidecar, basta con borrarlo de la carpeta en la unidad de almacenamiento.

#### Ajustes del proyecto para el formato Blackmagic RAW

Cuando es preciso cambiar valores que afectan a todos los clips, tal como el balance de blancos o la sensibilidad ISO, es posible configurar el programa para que estos utilicen los ajustes RAW del proyecto y luego realizar las modificaciones necesarias a dichos parámetros.

##### Para configurar los ajustes Blackmagic RAW del proyecto:

- 1 Abra el menú **Archivo** y seleccione **Configuración del proyecto**.
- 2 En el panel **Ajustes RAW**, hay un menú desplegable junto a la opción **Perfil RAW**. Haga clic en la flecha y seleccione **Blackmagic RAW** en la lista.
- 3 Seleccione la opción **Proyecto** en el menú desplegable **Modo**.
- 4 Seleccione la opción **Personalizado** para el ajuste **Balance de blancos**.
- 5 Seleccione la opción **Blackmagic Design Custom** en el menú desplegable **Gamma**. Seleccione **Blackmagic Design** para el espacio cromático. La opción **Blackmagic Design Film** en el menú **Gamma** se selecciona automáticamente.
- 6 Seleccione la resolución correspondiente en el menú **Decodificación**. Una menor resolución facilitará la reproducción en sistemas con recursos limitados. Asimismo, es posible aumentar este valor nuevamente antes de la entrega para obtener una mejor calidad.

A continuación, se pueden configurar los ajustes de la cámara para los clips, por ejemplo, la saturación, el contraste y los tonos intermedios. Esto afectará a todos los clips del proyecto para los cuales se haya activado la opción **Proyecto** en el menú **Modo**.

#### Etalonaje en el módulo Color

Una vez que los clips se encuentran en la línea de tiempo y se han agregado los títulos, es posible etalonarlos mediante el módulo Color, cuyas herramientas avanzadas permiten definir el estilo general del proyecto. Para este ejemplo, un buen punto de partida es neutralizar los clips a fin de luzcan consistentes. Por otro lado, es posible regresar a los módulos Montaje o Edición en cualquier momento, en caso de que sea necesario hacer cambios.

El módulo Color brinda la posibilidad de ajustar el estilo del material grabado y, de alguna manera, el etalonaje es un arte en sí, puesto que la corrección cromática añade emoción a las imágenes. Es una etapa realmente creativa de la dinámica de trabajo y muy satisfactoria cuando se tienen las

habilidades para poder dar vida a los proyectos. Este es normalmente el primer paso y se denomina «correcciones primarias» o «ajustes primarios». Una vez hecho esto, es el turno de las correcciones secundarias, mediante las que se pueden realizar ajustes extremadamente precisos de objetos específicos en las imágenes. Esta parte es muy divertida, y la razón por la que en general se realiza en un segundo paso es porque de este modo el proceso es más eficiente, obteniendo así mejores resultados.

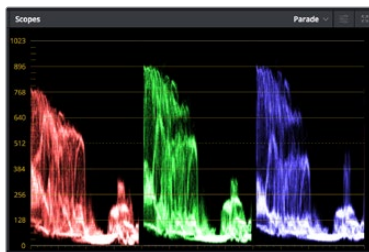
Para comenzar, haga clic en el módulo Color a fin de acceder a las opciones de etalonaje.

Podrá ver los ajustes RAW de la cámara, los círculos cromáticos, el panel de curvas y las herramientas para correcciones generales, así como los paneles de nodos y vista previa. No se sienta abrumado por la enorme cantidad de funciones que aparecen en la interfaz. Estas han sido diseñadas para ayudarle a lograr que las imágenes tengan una apariencia extraordinaria. Esta sección introductoria brinda información básica, pero para obtener pasos más detallados, consulte los apartados correspondientes. El manual de DaVinci Resolve incluye una descripción de las distintas herramientas y muestra cómo utilizarlas de manera sencilla. Aprenderá las mismas técnicas que los profesionales emplean en los mejores estudios de posproducción.

En general, el primer paso en una corrección primaria es optimizar los niveles de las sombras, los tonos intermedios y las zonas luminosas en los clips. Esto se logra ajustando los parámetros **Lift**, **Gamma** y **Gain**. De este modo, se obtienen imágenes excepcionalmente nítidas y balanceadas que sirven como punto de partida para comenzar a crear la apariencia de la película. Asimismo, resulta muy útil guiarse por las representaciones gráficas.

## Representaciones gráficas

La mayoría de los coloristas toman decisiones creativas sobre el color con base en la apariencia y la carga emotiva que desean transmitir, y luego emplean un monitor para lograr el resultado deseado. Observar objetos de uso cotidiano y analizar la interacción entre diferentes tipos de luz puede servir de inspiración para sacarle mayor provecho a las imágenes.



La gráfica de componentes cromáticos permite ajustar con precisión las luces, los tonos intermedios y las sombras.

De manera alternativa, es posible recurrir a las representaciones gráficas que ofrece DaVinci Resolve para etalonar el material grabado. Para acceder a las mismas, haga clic en el penúltimo botón de la barra de herramientas del panel. Es posible seleccionar entre cuatro tipos de representaciones: forma de onda, gráfica de componentes cromáticos, vectorscopio o histograma. Estos indicadores permiten monitorizar el balance tonal y comprobar los niveles de contraste para evitar oscurecer demasiado las sombras o perder detalles en las zonas más claras de la imagen. Asimismo, brindan la posibilidad de detectar cualquier dominante cromática.

En forma predeterminada, el panel de círculos cromáticos muestra los controles **Lift**, **Gamma** y **Gain** como barras. Estos generalmente se emplean en las correcciones primarias y se asemejan a los controles que ofrecen otras aplicaciones para realizar ajustes cromáticos y de contraste.



Los círculos cromáticos permiten controlar con precisión el balance de colores y los tonos en los distintos clips. Para ajustar cada área tonal en forma similar, deslice el dial situado debajo de los círculos cromáticos hacia la izquierda o la derecha

A fin de lograr un control más preciso de cada color al utilizar el mouse, es posible reemplazar los círculos cromáticos por barras que permiten realizar ajustes en cada canal independientemente para las luces, los tonos intermedios y las sombras. Para ello, basta con seleccionar la opción **Barras de ajustes primarios** en el menú desplegable que aparece cerca de la esquina superior derecha del panel.

- **Ajuste de sombras:** Una vez seleccionado un clip en la línea de tiempo, haga clic en el dial situado debajo del primer círculo cromático. Muévalo hacia la derecha o la izquierda y preste atención a los cambios en la imagen. Podrá observar cómo aumenta y disminuye el brillo en las zonas oscuras.  
Ajuste este parámetro según el tono que mejor se adapte a los requerimientos del proyecto. Si disminuye demasiado este valor, perderá detalles en las sombras. En cualquier caso, puede utilizar la gráfica de componentes cromáticos para evitar este inconveniente. La posición ideal para las sombras en la representación de la señal es justo por encima de la línea inferior de dicha gráfica.
- **Ajuste de luces:** Haga clic en el dial situado debajo del segundo círculo cromático y muévalo hacia la izquierda o la derecha. Esto permite ajustar las zonas más claras de la imagen que se muestran en la parte superior de la gráfica de componentes cromáticos. Para lograr un mayor brillo, las luces deben situarse justo por debajo de la línea superior de la gráfica. Si superan este límite, se perderán detalles.
- **Ajuste de tonos intermedios:** Haga clic en el dial situado debajo del tercer círculo cromático y muévalo hacia la izquierda o la derecha. A medida que aumenta la intensidad, notará que el brillo de la imagen se incrementa. Asimismo, podrá ver que la parte central de la onda cambia al realizar los ajustes. Esta franja representa los tonos intermedios del clip y su posición óptima generalmente se encuentra entre el 50 y 70 % en la representación gráfica correspondiente a la onda de la señal. No obstante, este valor puede ser subjetivo según la apariencia deseada y las condiciones de iluminación al grabar el clip.

El panel de curvas también permite realizar correcciones primarias. Basta con hacer clic en los puntos de control de las líneas diagonales en las gráficas y moverlos hacia arriba o abajo para modificar el contraste general de los canales cromáticos en diferentes áreas tonales de la imagen. Es importante ajustar los puntos situados en el tercio superior, medio e inferior de la curva.

Consulte el manual de DaVinci Resolve para obtener más información al respecto.





El panel **Curvas** permite realizar correcciones primarias o realizar áreas específicas de la imagen mediante Power Windows.

## Correcciones secundarias

Para modificar una parte específica de una imagen, es preciso aplicar correcciones secundarias. Los ajustes realizados hasta el momento mediante los círculos cromáticos y sus respectivos controles afectan a la totalidad de la imagen y se denominan correcciones primarias.

Sin embargo, las correcciones secundarias son ideales para llevar a cabo cambios en zonas específicas, por ejemplo, a fin de realzar el color del césped o del cielo en una escena. Estas brindan la posibilidad de seleccionar una parte de la imagen y modificarla sin afectar al resto. A su vez, la estructura nodal facilita el agrupamiento de varias correcciones con el objetivo de continuar ajustando zonas específicas hasta lograr el resultado deseado. Incluso es posible emplear tanto Power Windows como la función de seguimiento para aplicar cambios a objetos en movimiento.

## Ajuste de colores específicos

Con frecuencia, es preciso realzar un elemento en particular dentro de la imagen, por ejemplo, el césped al borde de una carretera o el color azul del cielo, o podría ser necesario modificar la tonalidad de un objeto específico para captar la atención del espectador. La herramienta **Colores específicos** permite cumplir con este cometido de manera sencilla.



La herramienta **Colores específicos** facilita el realce de ciertas zonas de la imagen y permite intensificar el contraste o dirigir la atención del espectador hacia determinados elementos.

### Para ajustar un color específico:

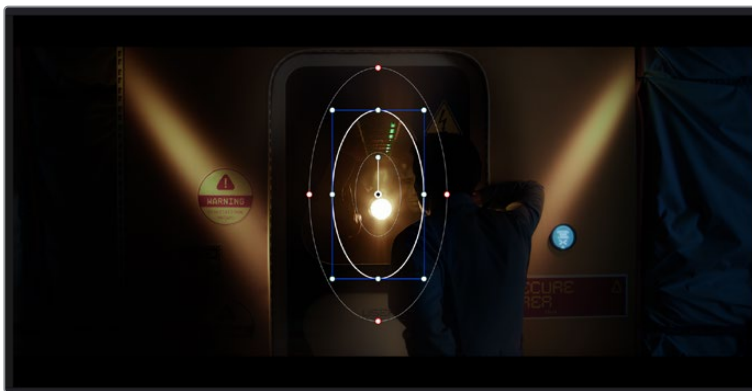
- 1 Añada un nodo en serie.
- 2 Abra el panel **Colores específicos** y compruebe que el selector esté activado.
- 3 Haga clic sobre el color que desea modificar.
- 4 Por lo general, deberá realizar algunos ajustes para atenuar los bordes del área seleccionada y limitarla únicamente al color deseado. Haga clic en la opción **Destacar** situada arriba del visor para ver la sección demarcada.
- 5 Mueva el control **Ancho** de los matices para ampliar o reducir el área seleccionada.

Ajuste los controles **Mínimo**, **Máximo** y **Atenuar** para ver las distintas maneras en las que es posible mejorar el área seleccionada. A continuación, es posible modificar el color elegido mediante los círculos cromáticos o el panel de curvas.

Es posible que en algunos casos los cambios se extiendan a ciertas zonas del plano que no se desean afectar. Para solucionar este inconveniente, se crea una Power Window a fin de aislar dichas partes. Basta con indicar sus dimensiones de manera que solo incluya el área cromática requerida. Si la región seleccionada se mueve en la imagen, es posible utilizar la función de seguimiento del programa para que los cambios se mantengan sin importar su posición.

## Power Windows

Esta es una herramienta de etalonaje sumamente útil que permite aislar zonas específicas de la imagen. Dichas regiones pueden ser móviles o estáticas, ya que también es posible seguir el movimiento de la cámara y los objetos.



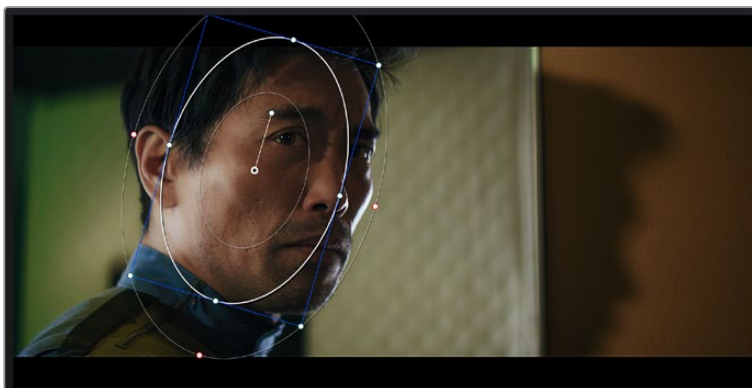
Utilice Power Windows para aislar las áreas de la imagen que no deben verse afectadas por los ajustes secundarios realizados mediante la función **Colores específicos (HSL)**

Por ejemplo, es posible trazar un contorno alrededor de una persona para realizar cambios en el color y el contraste solamente en dicha parte de la imagen, sin afectar las zonas adyacentes. Este tipo de ajustes pueden servir para dirigir la atención del espectador hacia regiones específicas.

### Para agregar una Power Window:

- 1 Añada un nodo en serie.
- 2 Abra el panel **Power Windows** y seleccione una de las formas disponibles. Esta se verá en el nodo.
- 3 Para ajustar el tamaño, haga clic sobre los puntos azules y arrástrelos según sea necesario. Los puntos rojos permiten atenuar los bordes. Para ajustar la posición de la ventana, haga clic en el punto central y muévala hacia la parte de la imagen que desea aislar. También es posible girarla mediante el punto unido al centro.

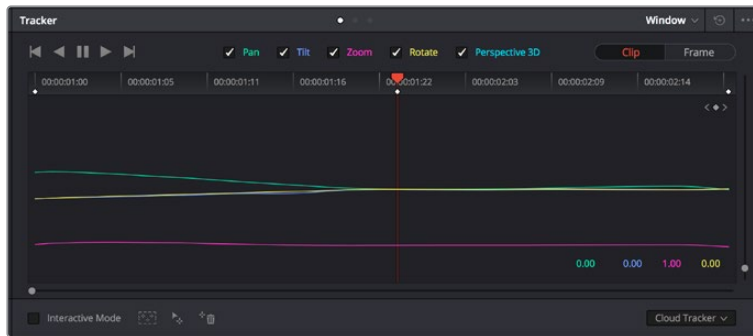
Ahora puede ajustar el color únicamente en el área seleccionada.



La herramienta Power Windows permite llevar a cabo correcciones secundarias en partes específicas de una imagen.

## Seguimiento de Power Windows

Es posible que la cámara, el objeto o el área seleccionada dentro de una imagen esté en movimiento. Por consiguiente, es preciso utilizar la función de seguimiento que ofrece DaVinci Resolve para garantizar que la viñeta permanezca vinculada al elemento delimitado. Esta herramienta analiza la inclinación y el desplazamiento horizontal o vertical de la cámara o del objeto en la imagen para sincronizar la viñeta con el movimiento. Si no se activa esta función, cabe la posibilidad de que las correcciones realizadas se separen del elemento al que se aplicaron, distrayendo al espectador.



Es posible seguir ciertos objetos o partes de la imagen para las correcciones realizadas permanezcan vinculadas a estos.

### Para realizar el seguimiento de una Power Window:

- 1 Añada un nodo en serie y luego, una Power Window.
- 2 Al comienzo del clip, ajuste la posición y el tamaño de la viñeta para destacar únicamente el objeto deseado o una zona particular de la imagen.
- 3 Abra el panel **Seguimiento**. Marque las casillas **Eje X**, **Eje Y**, **Zoom**, **Rotación** o **3D** según el patrón de movimiento.
- 4 Haga clic en la flecha de avance situada a la izquierda de las casillas de verificación. A continuación, aparecerán una serie de puntos en la imagen, y el programa reproducirá los fotogramas restantes para analizar el movimiento. Una vez configurada esta función, la viñeta seguirá la trayectoria del movimiento.

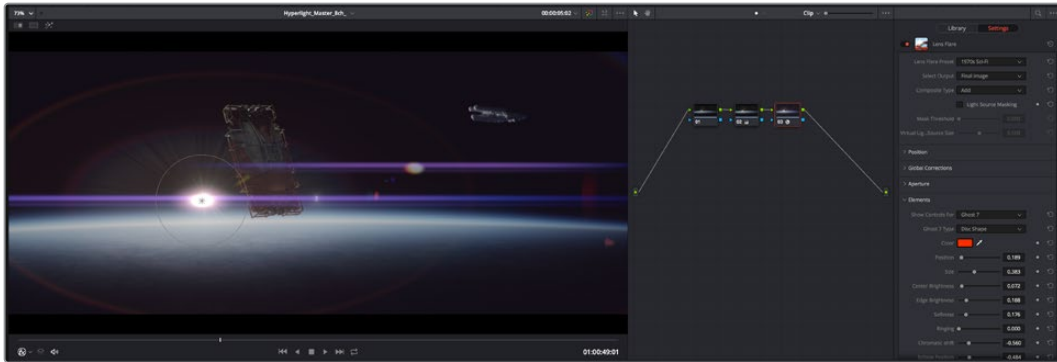
En la mayoría de los casos, el seguimiento automático ofrece buenos resultados. Sin embargo, en escenas complejas, es posible que algún objeto se atraviese en el área seleccionada e interrumpa o afecte su funcionamiento. Este inconveniente puede resolverse mediante el editor de fotogramas clave. Consulte el manual de DaVinci Resolve para obtener más información al respecto.

## Complementos

Al realizar correcciones secundarias, también es posible agregar complementos OpenFX o ResolveFX para crear apariencias interesantes en el módulo Color o efectos y transiciones innovadoras en el módulo Edición. Los complementos ResolveFX están integrados en el programa, mientras que los complementos OpenFX pueden adquirirse o descargarse a través de distribuidores externos.

Una vez instalado un conjunto de complementos, es posible acceder a ellos desde el módulo Color, abriendo el panel **OpenFX** a la derecha del editor de nodos. Basta con crear un nodo en serie y luego arrastrar el complemento hacia el mismo. Modifique los parámetros en el panel adyacente si el complemento brinda esta posibilidad.

En el módulo Edición, es posible agregar transiciones, filtros y generadores de complementos a los clips abriendo el panel **OpenFX** en la biblioteca de efectos y arrastrando el elemento seleccionado al clip en la línea de tiempo, según los requisitos del complemento.



Los complementos OFX son una herramienta rápida y sencilla para crear apariencias interesantes e innovadoras.

## Mezcla de audio

### Mezcla de audio en el módulo Edición

Una vez editado y etalonado el proyecto, es posible comenzar a mezclar el sonido. En este sentido, DaVinci Resolve cuenta con un excelente conjunto de funciones para editar, mezclar y masterizar el audio de un proyecto directamente desde el módulo Edición. Conviene subrayar que el módulo Fairlight ofrece un entorno completo de posproducción de audio para proyectos que requieren herramientas más avanzadas. Consulte el siguiente apartado si ya está familiarizado con el módulo Edición y desea saber más sobre dichas prestaciones.

### Agregar pistas de audio

Desde el módulo Edición, es posible agregar fácilmente pistas de audio para crear una mezcla compleja con música y efectos sonoros. Esto puede resultar útil cuando es necesario separar los elementos del audio en pistas individuales para crear una mezcla de sonido, por ejemplo, voz, efectos sonoros y música.

### Para añadir una pista de audio en el módulo Edición

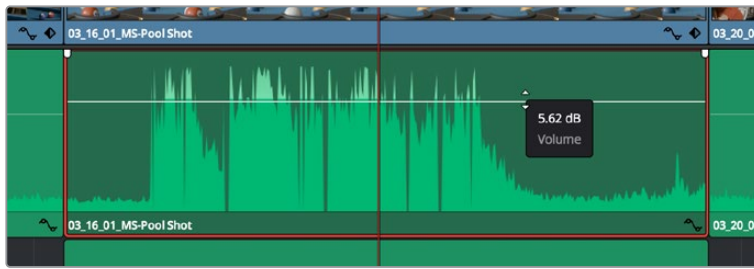
Haga clic con el botón derecho junto al nombre de cualquier pista de audio en la línea de tiempo, seleccione **Agregar pista** y elija una de las opciones disponibles. De esta forma, se añadirá una pista al final de la lista. Asimismo, es posible agregar pistas en un punto específico. Para ello, elija la opción **Agregar pista** y seleccione el lugar deseado.

La nueva pista de audio aparecerá en la línea de tiempo.

**SUGERENCIA:** Para cambiar el tipo de pista una vez creada, haga clic con el botón derecho junto a su nombre, seleccione **Cambiar tipo de pista** y elija una de las opciones disponibles, por ejemplo, estéreo, mono o 5.1.

### Ajuste del volumen en la línea de tiempo

Cada clip de audio en la línea de tiempo incluye un control de volumen superpuesto que permite ajustar su intensidad arrastrando el puntero hacia arriba o abajo. Este corresponde al parámetro **Volumen** del inspector.

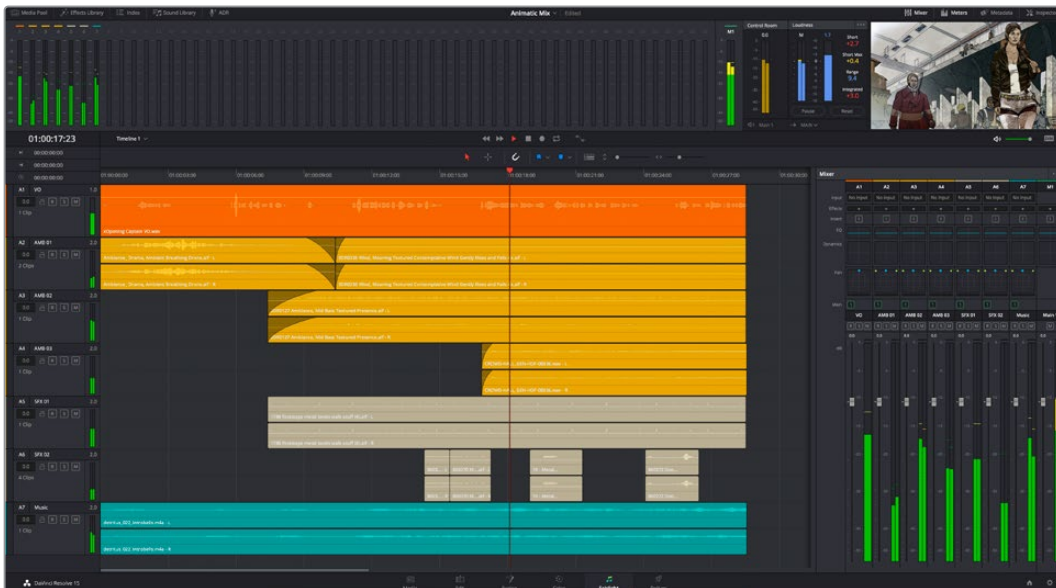


Arrastre el control para ajustar el volumen del clip.

Conviene subrayar que el módulo Fairlight ofrece un entorno completo de posproducción de audio para proyectos que requieren herramientas más avanzadas.

## El módulo Fairlight

Este módulo de DaVinci Resolve brinda la posibilidad de ajustar el audio. En una sola pantalla, ofrece una vista optimizada de las pistas de audio y controles de monitorización personalizados que permiten evaluar y ajustar la intensidad del audio con el objetivo de crear una mezcla armoniosa. No se sienta abrumado por la enorme cantidad de funciones que aparecen en la interfaz. Estas han sido diseñadas para ayudarle a lograr que la calidad del audio sea extraordinaria.

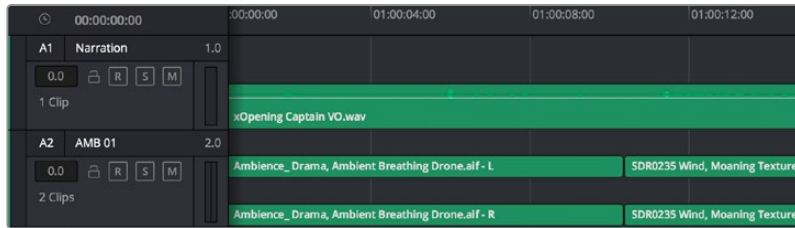


Esta guía solo proporciona un resumen básico de las funciones. Consulte el manual de DaVinci Resolve para obtener más información al respecto, ya que es más específico y proporciona detalles sobre cada una de ellas. Además, describe cómo hacer uso de estas herramientas en simples pasos.

## Línea de tiempo del audio

- **Encabezado de la pista:** En la parte izquierda de cada pista hay un encabezado que muestra su número, nombre y color, así como los canales de audio y los valores para el atenuador y los vúmetros. Además, presenta distintos controles para bloquear y desbloquear pistas, aislarlas o silenciarlas. Estos facilitan la organización de las pistas y su visualización individual.

- **Pistas:** En el módulo Fairlight, cada pista está dividida en bandas para canales individuales que permiten modificarlos y mezclarlos. Por el contrario, en el módulo Edición se muestra un solo clip en la línea de tiempo. Esto brinda la posibilidad de editar archivos de audio con múltiples canales de manera más fácil, sin tener que gestionar una gran cantidad de pistas.



En el encabezado de la pista A1, se puede apreciar que es monoaural, mientras que las dos bandas de la pista A2 indican que es estereofónica.

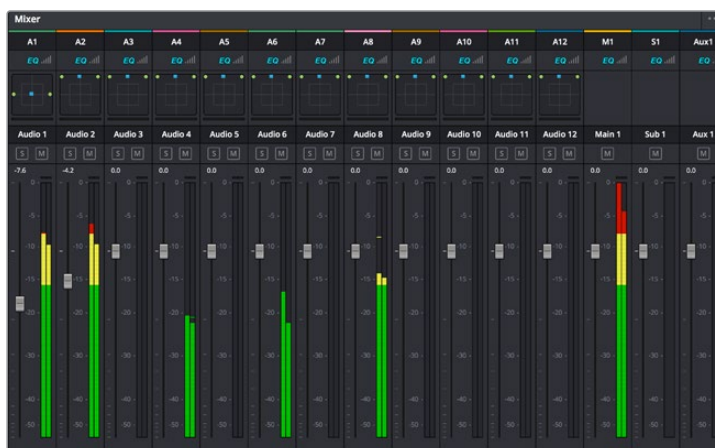
## ¿Qué es un bus?

Básicamente, un bus es un canal al que se pueden asignar diversas pistas de audio desde la línea de tiempo, con el objetivo de mezclarlas en una sola señal y controlarlas de forma colectiva.

- **Bus maestro:** Cada proyecto nuevo incluye un bus principal que constituye la salida primaria y al cual se asignan todas las pistas de audio en forma predeterminada. Este las combina en una sola señal, a fin de poder modificar el volumen general de la mezcla luego de ajustar cada pista individualmente.
- **Submezcla:** Los buses secundarios permiten combinar varias pistas de una misma categoría, por ejemplo, diálogo, música o efectos, con el objetivo de obtener una sola señal. A modo ilustrativo, si tenemos cinco pistas de diálogo, es posible asignarlas a un mismo bus para ajustar el volumen general de la voz mediante un solo conjunto de controles. Esta mezcla puede renderizarse individualmente o añadirse al bus maestro.

## Herramientas de mezcla

Cada una de las pistas en la línea de tiempo corresponden a un canal individual en la interfaz del programa. Por defecto, en la parte derecha aparece un solo canal, denominado M1, que representa el bus maestro. Asimismo, se muestran canales adicionales con diversos mandos para cada uno de los buses creados. Los controles gráficos permiten asignar pistas a los canales de salida y ajustar el ecualizador, la dinámica o el volumen, así como grabar procesos automáticos, distribuir el sonido envolvente o aislar y silenciar pistas.



Interfaz para la mezcla de audio con los canales correspondientes a las pistas en la línea de tiempo

## Uso del ecualizador para mejorar el audio

Una vez modificada la intensidad del volumen en los clips del proyecto, es posible que aún sea necesario realizar ajustes más sutiles. Por ejemplo, el diálogo, la música y los efectos podrían tener la misma frecuencia dentro del espectro sonoro, provocando que el audio resulte ruidoso y poco claro. En estos casos, el ecualizador será de gran ayuda, dado que permite determinar qué partes del espectro ocupa cada pista. Por otra parte, brinda la posibilidad de eliminar elementos no deseados aislando o reduciendo el volumen en ciertas frecuencias que contienen murmullos, zumbidos o ruidos de fondo, o simplemente mejorar la calidad general del audio para que resulte más agradable al oído.

DaVinci Resolve ofrece filtros de ecualización que pueden aplicarse a cada clip individualmente o a todas las pistas. Para cada clip, hay un ecualizador de cuatro bandas en el inspector, mientras que para las pistas se brinda un ecualizador paramétrico de seis bandas. Los controles gráficos y numéricos para aumentar o disminuir diferentes rangos de frecuencias y los distintos tipos de filtros permiten definir la forma de la curva de ecualización.



El ecualizador de cuatro bandas puede aplicarse a cualquier clip en la línea de tiempo.

Por su parte, las bandas externas permiten realizar ajustes para el realce de graves o agudos y utilizar filtros de paso alto o bajo. Un filtro de paso afecta a todas las frecuencias superiores o inferiores a una frecuencia determinada, eliminándolas por completo de la señal. Por ejemplo, un filtro de paso alto elimina las frecuencias bajas y mantiene las altas. Cualquier sonido por debajo de la frecuencia de corte se atenuará de forma gradual.

Un filtro de realce es menos drástico y permite modificar el rango superior o inferior de la señal en general sin eliminar por completo dichas frecuencias. Este aumenta o disminuye la frecuencia de corte, así como aquellas superiores o inferiores, de manera uniforme, según el tipo de filtro empleado.

Los controles intermedios brindan la posibilidad de realizar una amplia variedad de ajustes en la ecualización y ofrecen diversos tipos de filtros.

- **Filtros resonantes:** Estos filtros realzan o eliminan las frecuencias alrededor de un punto central de una curva de ecualización en forma de campana.
- **Filtros de rechazo:** Estos filtros afectan a un rango de frecuencias muy específico, por lo que resultan muy útiles, por ejemplo, para eliminar el zumbido provocado por la red de suministro eléctrico a 50 o 60 Hz.
- **Filtros de realce de graves:** Estos filtros realzan o atenúan todas las frecuencias inferiores a la frecuencia de corte.
- **Filtros de realce de agudos:** Estos filtros realzan o atenúan todas las frecuencias superiores a la frecuencia de corte.



### Para añadir un ecualizador a un clip:

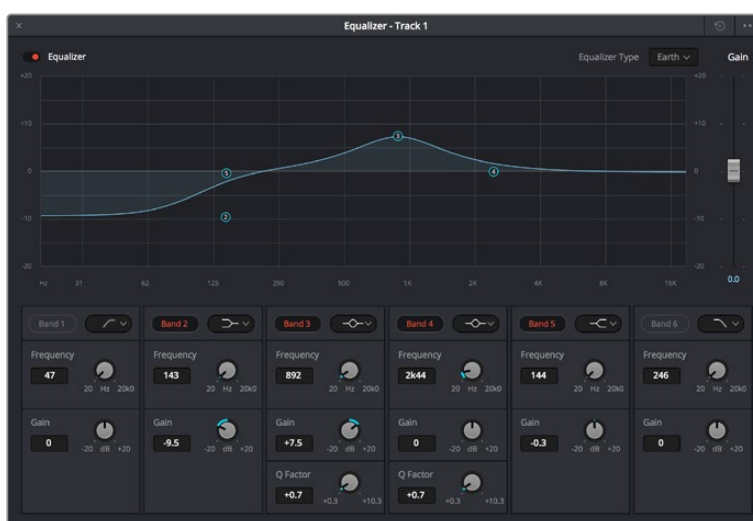
- 1 Seleccione el clip en la línea de tiempo.
- 2 Haga clic en el inspector y luego en el botón **Ecualizador de clip**.

### Para añadir un ecualizador a una pista:

- 1 Haga doble clic sobre el área de ecualización de una de las pistas para abrir el ecualizador respectivo.
- 2 Seleccione el filtro en el menú desplegable para la banda que desea ajustar.



El panel indica que el ecualizador se ha aplicado a la pista 1.



Ecualizador paramétrico de 6 bandas que puede aplicarse a cada pista

Una vez añadidos los ecualizadores, es posible ajustar cada banda. Nótese que los controles varían según el filtro escogido.

### Para ajustar el ecualizador de un filtro de banda:

- 1 Seleccione el filtro en el menú desplegable para la banda que desea ajustar.
- 2 Ajuste la frecuencia para determinar el punto correspondiente en la curva de ecualización.
- 3 Ajuste la ganancia para realzar o atenuar las frecuencias que predominan en dicha banda.
- 4 Ajuste el factor Q para modificar el intervalo de las frecuencias afectadas.

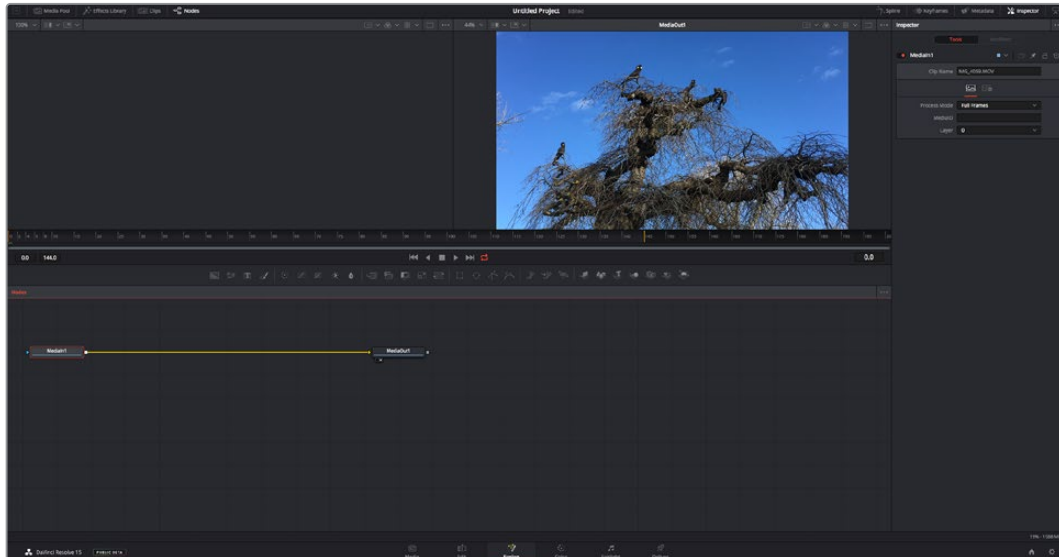
El botón para restablecer ajustes permite restaurar los valores predeterminados.

El módulo Fairlight cuenta con una gran variedad de controles que brindan la posibilidad de mejorar la calidad de cada pista. Asimismo, permite añadir otras adicionales, organizar buses, agregar efectos y optimizar el audio en general.



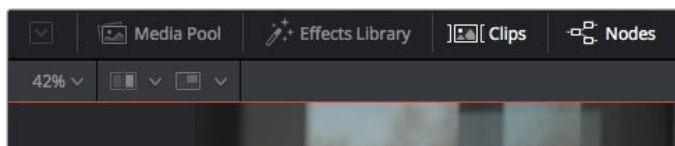
## Efectos visuales y composiciones en el módulo Fusion

Una vez finalizada la edición, es posible acceder al módulo Fusion de DaVinci Resolve para añadir efectos visuales y animaciones gráficas. A diferencia de otros programas de composición digital que utilizan capas, Fusion ofrece una dinámica de trabajo basada en nodos, lo cual brinda una mayor flexibilidad para crear efectos complejos y modificar los datos de la imagen. A su vez, dicha estructura nodal muestra claramente las herramientas empleadas durante el proceso y funciona de manera similar a la del módulo Color.

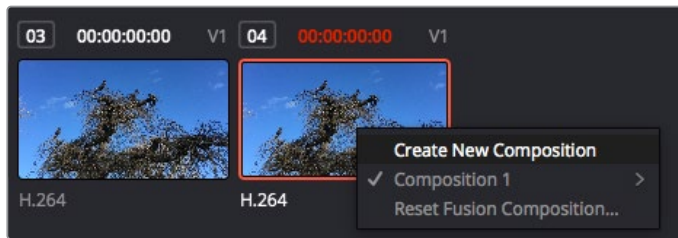


### El módulo Fusion

Este módulo incluye dos visores en la parte superior con controles de reproducción que permiten ver contenidos. A la derecha, se encuentra el inspector, con diversas herramientas, y en la parte inferior, el editor de nodos, donde se crean las composiciones. Aunque los visores y los controles de reproducción permanecen siempre visibles, los íconos de la barra de herramientas en la parte superior de la interfaz brindan la posibilidad de ocultar el inspector y el editor de nodos o acceder a la biblioteca de efectos y el editor de fotografías clave.



- **Panel multimedia:** Funciona de la misma manera que en el módulo Edición. Basta con arrastrar los archivos directamente de las carpetas a la composición.
- **Biblioteca de efectos:** Aquí es donde se encuentran las distintas plantillas y herramientas organizadas por categorías, incluidos filtros, generadores de partículas y funciones de seguimiento. Haga clic en cualquiera de ellas o arrástrela a la estructura nodal para añadirla a la composición. Cabe mencionar que el panel multimedia y la biblioteca de efectos ocupan el mismo espacio de la interfaz, de manera que es posible alternar entre ambos para maximizar el tamaño de los visores.
- **Clips:** Al hacer clic en esta pestaña, se muestra una serie de miniaturas que corresponden a los clips en la línea de tiempo. Estas se encuentran debajo del editor de nodos y permiten acceder inmediatamente a cualquier secuencia.



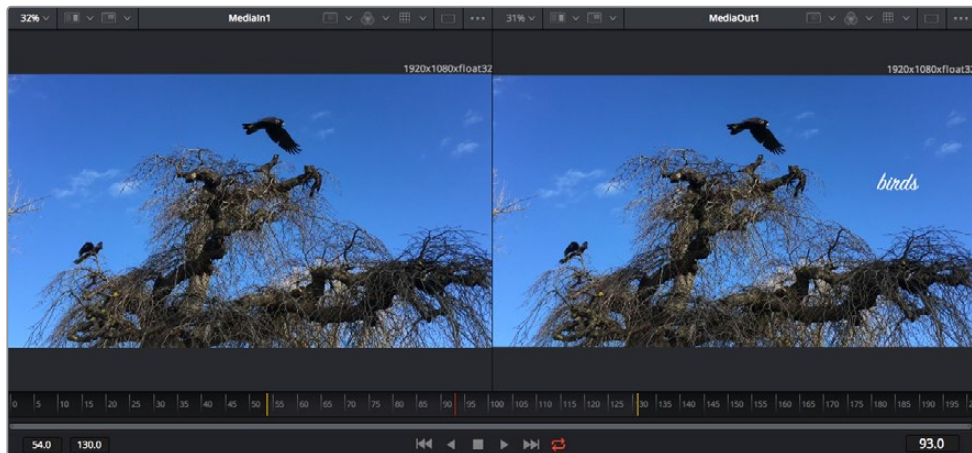
Para crear una nueva versión de la composición, haga clic con el botón derecho en una miniatura y seleccione la opción **Crear composición**.

- **Visores:** Los visores permanecen siempre visibles y muestran los distintos modos de la composición, por ejemplo, una perspectiva general en 3D, la señal de la cámara o la renderización final. Asimismo, brindan la posibilidad de ver la forma en que los cambios realizados afectan a un elemento específico.

Es posible elegir el nodo que se desea ver haciendo clic sobre este y presionando **1** para el visor izquierdo o **2** para el derecho. Aparecerá un botón con un punto blanco debajo del nodo que indica el visor asignado. También es posible asignar un monitor externo.

**SUGERENCIA:** También es posible asignar un nodo a un visor arrastrándolo al mismo.

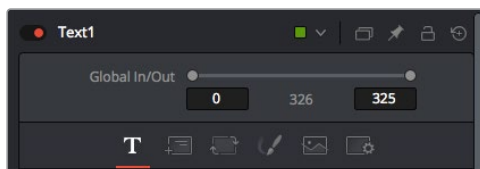
Los controles de reproducción situados debajo de los visores permiten ir al principio o el final de una secuencia, reproducirla o detener la reproducción. La escala de tiempo muestra el intervalo de un clip, con marcas amarillas que representan los puntos de entrada y salida.



Las marcas amarillas en la escala de tiempo representan los puntos de entrada y salida en un clip. Al emplear un clip Fusion o compuesto, la escala solo muestra su duración como en la línea de tiempo, sin tener en cuenta los márgenes de edición.

- **Nodos:** El editor de nodos es el elemento principal del módulo Fusion, ya que permite conectarlos entre sí para crear la estructura nodal. Su tamaño depende de los editores abiertos, por ejemplo, el de curvas paramétricas o el de fotogramas clave. A su vez, la barra de herramientas en la parte superior ofrece un rápido acceso a las funciones más utilizadas.
- **Curvas paramétricas:** El editor de curvas paramétricas se abre a la derecha del editor de nodos y permite realizar ajustes con mayor precisión, por ejemplo, atenuar una animación entre dos fotogramas clave mediante una curva de Bézier.

- **Fotogramas clave:** Este editor permite añadir, eliminar o modificar fotogramas clave en cada herramienta y se encuentra a la derecha del editor de nodos.
- **Metadatos:** El panel de metadatos muestra información del clip seleccionado, incluidos el códec, la frecuencia de imagen y el código de tiempo.
- **Inspector:** Este panel se encuentra en la esquina superior derecha de la interfaz e incluye todos los ajustes disponibles para los nodos seleccionados. Cada pestaña ofrece un rápido acceso a parámetros adicionales ordenados por categorías.

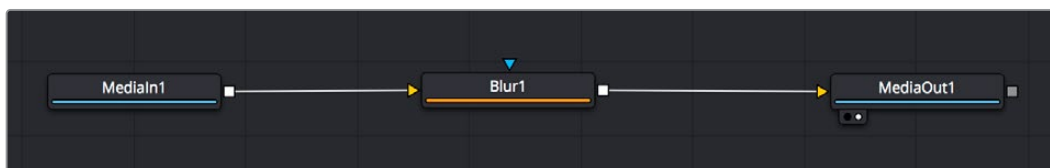


El nodo de texto brinda ajustes adicionales en el inspector.

## Primeros pasos en Fusion

Para comenzar, simplemente sitúe el cabezal de reproducción sobre cualquier clip en la línea de tiempo y haga clic en el módulo Fusion.

Dicho clip aparecerá representado por un nodo denominado *MediaIn*. Cada una de las composiciones comenzará con este nodo y finalizará con otro llamado *MediaOut*. El primero representa el clip ubicado en la posición del cabezal sobre la pista superior de la línea de tiempo, sin considerar los que haya debajo. Además, incluye los ajustes realizados al mismo en el módulo Edición.



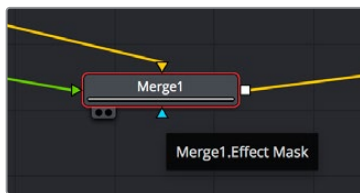
El contenido del nodo *MediaOut* se transfiere a la línea de tiempo del módulo Edición.





**SUGERENCIA:** En el módulo Fusion no se muestran los complementos OpenFX o ResolveFX aplicados a los clips en el módulo Edición. Esto se debe a que los efectos visuales se crean antes del etalonaje y el procesamiento posterior del material. Para que los complementos OpenFX se apliquen de manera previa a los efectos, haga clic con el botón derecho en el módulo Edición y seleccione **Crear clip Fusion** antes de acceder al módulo Fusion.

## ¿Cómo funcionan los nodos?

Puede resultar útil pensar en los nodos como íconos que representan una herramienta o efecto determinado. Estos se conectan entre sí para crear la composición general, al igual que los ingredientes de una receta. Asimismo, es importante entender el funcionamiento de la entrada y la salida de cada nodo, a fin de facilitar la dinámica de la composición al generar efectos visuales detallados.

Algunos nodos cuentan con múltiples entradas y salidas que pueden conectarse a otros. Por ejemplo, el nodo de combinación incluye una entrada para la imagen en primer plano, otra para el fondo y una tercera para máscaras.



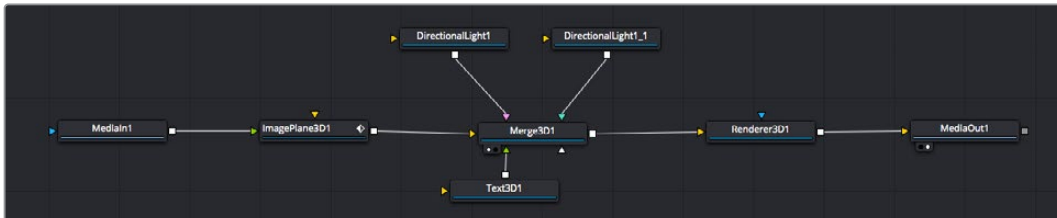
-  Entrada para la imagen en primer plano
-  Entrada para el fondo
-  Entrada para máscaras
-  Salida

Un nodo con múltiples salidas brinda la posibilidad de conectarlo a varios nodos, de manera que no hay necesidad de duplicar clips como en los programas de composición digital basados en capas. Las flechas en las líneas que conectan los nodos son un indicador visual muy útil con respecto a la dirección del flujo de datos.

### Agregar nodos al editor

Agregar efectos es tan simple como colocarlos entre los nodos *MediaIn* y *MediaOut*.

Existen distintas maneras de hacerlo. Por ejemplo, es posible mantener presionada la tecla **Shift**, arrastrar el nodo y soltarlo entre otros dos, o hacer clic donde se desea agregar un efecto y seleccionar una herramienta en particular. El nuevo nodo se conectará automáticamente a la herramienta elegida. Asimismo, se pueden añadir nodos en cualquier lugar del editor y conectarlos arrastrando la salida de uno hacia la entrada de otro.



La herramienta empleada con mayor frecuencia es el nodo de combinación 2D o 3D. Este combina diversas herramientas del editor en una sola salida.

El nodo de combinación permite organizar las entradas ajustando su tamaño, posición o la manera en la que se combinan. Asimismo, es posible acceder a estos parámetros desde el inspector al seleccionar dicho nodo.

La barra de herramientas en la parte superior del editor contiene íconos que representan las funciones empleadas con mayor frecuencia. Para agregarlas a un nodo, basta con hacer clic en uno de ellos o arrastrarlo al panel. Si desea ver todas las herramientas disponibles, acceda a la **Biblioteca de efectos** en la esquina superior izquierda de la interfaz y haga clic en la opción **Tools**. Estas se encuentran agrupadas por categorías e incluyen plantillas de efectos para añadir destellos, sombras y fondos.

**SUGERENCIA:** Una vez que se familiarice con el nombre de las herramientas, mantenga presionada la tecla **Shift** y luego oprima la barra espaciadora para abrir el menú de selección. Al escribir el nombre de la herramienta, el programa sugerirá la opción más relevante. Esta es una manera muy rápida de elegir la herramienta deseada.

## Ajustar nodos con el inspector

Es posible ajustar nodos mediante el panel **Inspector**. Para ello, haga clic en el nodo que desea modificar y se mostrarán las opciones y controles correspondientes.

Fusion brinda la posibilidad de ver un nodo mientras se modifica otro. Por ejemplo, es posible cambiar el tamaño y la posición del centro de un nodo *Text+* mientras se ve el contenido del nodo *Merge* en el visor, lo cual permite apreciar el texto con relación al fondo.



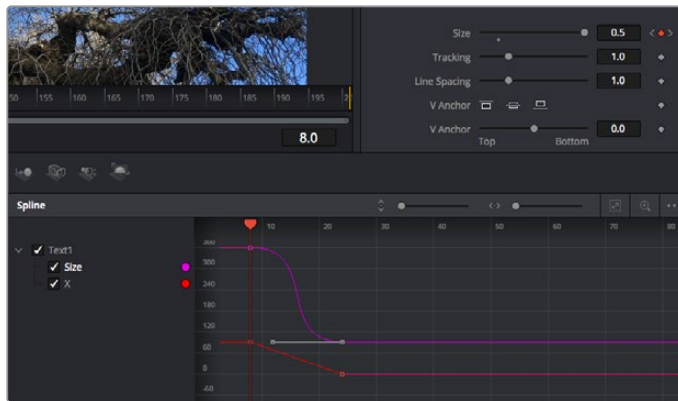
Los nodos seleccionados se indican con un borde rojo. En esta imagen, el panel **Inspector** muestra las opciones para el nodo de texto.

Existen varios parámetros y ajustes para cada nodo según la función que cumple, y estos incluyen desde el tamaño y la posición del centro hasta la cantidad de partículas de un nodo emisor. Asimismo, es posible animar un efecto marcando fotogramas clave y modificando los ajustes en función del tiempo.

## Uso de fotogramas clave

Para añadir un fotograma clave desde el inspector, haga clic con el botón derecho en uno de los ajustes y seleccione la opción **Animate** en el menú contextual. El ícono con forma de rombo a la derecha se destaca en rojo, indicando de este modo que cualquier cambio que se realice se aplicará únicamente al fotograma seleccionado. Cuando se crean dos o más fotogramas clave ajustando los parámetros en otro distinto, se realiza una interpolación entre ambos. Las flechas situadas a ambos lados del ícono permiten mover el cabezal a la posición exacta en la línea de tiempo.

Por su parte, el panel de curvas paramétricas brinda un mayor control sobre la animación. En tal sentido, permite seleccionar fotogramas clave y atenuar la animación entre ellos mediante una curva de Bézier. Para ello, presione **Shift+S** o haga clic con el botón derecho en uno de los fotogramas y seleccione la opción **Smooth**.



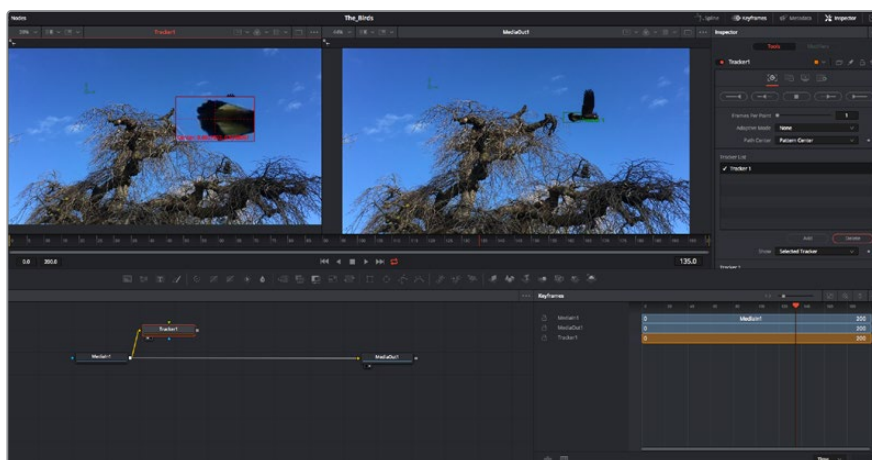
Animación atenuada mediante una curva de Bézier. Es posible hacer clic en los puntos de control para acortarla o alargarla, o en los íconos cuadrados a fin de cambiar su ubicación.

## Usar la función de seguimiento y agregar texto

Con el propósito de tener una mejor idea acerca de cómo emplear Fusion, hemos incluido los siguientes ejemplos que muestran el uso de la herramienta de seguimiento a efectos de rastrear un elemento, añadir texto y vincularlo a dicho objeto.

La herramienta de seguimiento rastrea el movimiento de los píxeles en función del tiempo, representando su posición con respecto a los ejes X e Y y generando información que puede asignarse a otros elementos. Esto resulta de gran utilidad cuando es necesario que la posición del texto coincida con un objeto en movimiento, como un coche desplazándose por una carretera o pájaros volando.

- 1 En la biblioteca de efectos, seleccione la opción **Tracker** dentro de la categoría **Tracking** y arrástrela a la línea que conecta los nodos *MediaIn* y *MediaOut*. A continuación, haga clic en el nodo de seguimiento para ver sus parámetros en el inspector.
- 2 Presione **1** en el teclado para ver el contenido del nodo en el visor izquierdo. Se mostrará el clip con la herramienta de seguimiento en la posición predeterminada. Coloque el puntero sobre esta para ver los marcadores. Haga clic en el punto de control situado en la esquina superior izquierda y arrastre la herramienta hasta el área deseada en la imagen. Se logran mejores resultados en zonas de alto contraste, como la insignia en el capó de un automóvil. La imagen se ampliará a fin de lograr una mayor precisión.
- 3 En el inspector, haga clic en el penúltimo botón para comenzar el seguimiento. Aparecerá una notificación cuando el procedimiento haya finalizado. Haga clic en **OK**.



Las opciones en el inspector incluyen la posibilidad de realizar un seguimiento desde el último fotograma (o el fotograma seleccionado) hacia atrás, a partir del primer fotograma (o el fotograma seleccionado) hacia adelante, o detener el proceso.

**SUGERENCIA:** Las opciones para realizar un seguimiento desde el fotograma seleccionado hacia adelante o atrás son ideales en situaciones en las que el rango de renderización no comprende el área de interés en la imagen, por ejemplo, cuando un automóvil o un pájaro se desplaza fuera de plano. Esto brinda la posibilidad de rastrear solamente el material relevante.

A continuación, es posible utilizar los datos del seguimiento y aplicar la trayectoria a un nodo de texto.

- Haga clic en el ícono correspondiente al nodo **Text1** en la barra de herramientas y arrástrelo al editor, cerca del nodo **Tracker1**. Conecte la salida del primero a la entrada verde del segundo.



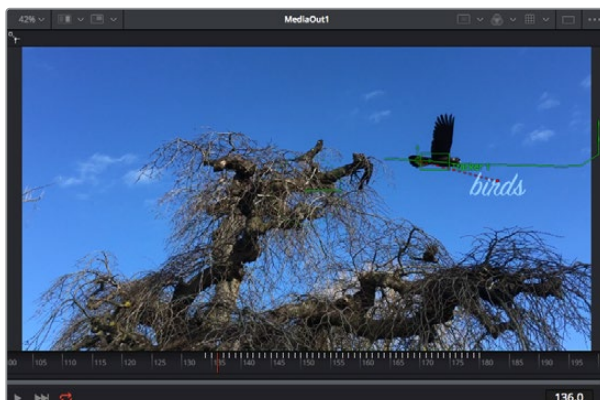
- Para ver el resultado de esta combinación en el visor izquierdo, haga clic en el nodo de seguimiento o presione **1**. En el panel **Inspector** correspondiente al nodo **Tracker1**, haga clic en la pestaña **Operation**. Es posible ver el nombre de las pestañas moviendo el puntero del mouse sobre las mismas. En el menú desplegable junto a la opción **Operation**, seleccione **Match Move**.

- Haga clic en el nodo de texto para ver sus parámetros en el inspector. Escriba el texto en el recuadro y cambie el tipo de fuente, su color y su tamaño según la composición. Los datos generados por la herramienta de seguimiento se aplicarán a la posición del texto. Para modificar la posición del texto, haga clic en la pestaña **Trackers** del inspector y ajuste el control **X Offset 1** o **Y Offset 1**.



Los controles en la parte inferior del inspector permiten ajustar la posición del texto.

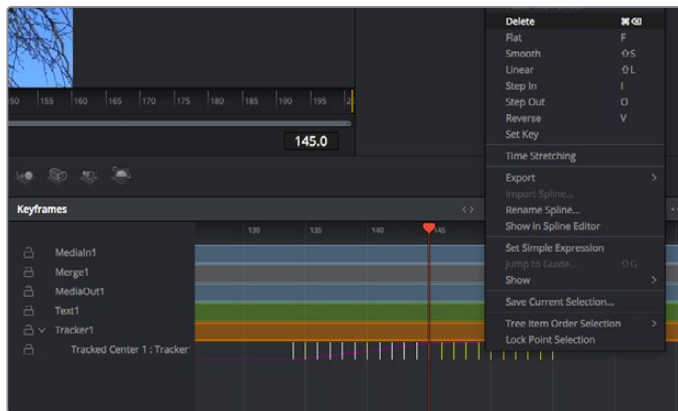
A continuación, observe la composición para notar cómo el texto se vincula al objeto al que se aplicó la función de seguimiento.



El rectángulo verde representa la posición actual del rastreador con respecto a la trayectoria, mientras que la línea roja punteada es la posición empleada para animar el texto.



En algunas tomas, es necesario eliminar los puntos de seguimiento una vez finalizado este procedimiento, por ejemplo, cuando el objeto desaparece del plano. Sin embargo, el editor de fotogramas clave permite hacerlo de manera sencilla.



- 7 Haga clic en la pestaña de fotogramas clave sobre el inspector para abrir el editor. Los nodos que incluyen fotogramas clave se indican con una pequeña flecha junto a su nombre, y en la lista solo aparecerán sus parámetros. Haga clic en la lupa y dibuje un recuadro alrededor del área que desea modificar. Esto permitirá ampliar dicha zona para facilitar la visualización de los fotogramas clave.
- 8 Mueva el cabezal de reproducción hasta el último fotograma que desea utilizar. A continuación, seleccione los fotogramas clave que quiera eliminar trazando un recuadro a su alrededor. Estos se destacarán de color amarillo. Haga clic con el botón derecho y seleccione la opción **Delete** en el menú emergente.

**SUGERENCIA:** Si los efectos consumen una gran cantidad de recursos del equipo informático, haga clic con el botón derecho sobre los controles de reproducción para acceder a opciones adicionales, como la posibilidad de reproducir las imágenes a una menor resolución, lo cual facilitará el uso del sistema mientras se crea la composición. Consulte el manual de DaVinci Resolve para obtener más información al respecto.

Ya ha completado su primera composición, animando el texto para que coincida con la trayectoria de un objeto en el material grabado.

La herramienta de seguimiento planar permite rastrear una zona de la imagen que contiene una superficie plana que se desea destacar o sustituir. En el caso de los planos bidimensionales, esto puede resultar útil para cambiar carteles y señales en una imagen en movimiento, o incluso añadir una imagen a un monitor o un televisor en el plano.

Consulte el manual de DaVinci Resolve para obtener más información al respecto.

**SUGERENCIA:** Al crear efectos visuales en el módulo Fusion, las herramientas de combinación serán distintas según se trate de efectos bidimensionales o tridimensionales. No obstante, a menudo se combinan ambos tipos en la misma composición. En este caso, merece la pena recordar que cualquier efecto visual generado en un espacio 3D deberá renderizarse como una imagen 2D antes de poder emplearlo en la composición bidimensional.



Esperamos que disfrute explorando los distintos efectos visuales que ofrece Fusion, junto con las extraordinarias prestaciones de los módulos Edición, Color y Fairlight. Gracias a la amplia variedad de herramientas que brinda DaVinci Resolve, su creatividad no tendrá límites.

## Masterización

Ahora que el proyecto ya está editado y etalonado, y se han añadido los efectos visuales y la mezcla de audio, es el momento de compartirlo con otras personas. A tal fin, es posible usar la opción para exportarlo rápidamente o el menú de selección a fin de entregar el contenido de la línea de tiempo en un único archivo multimedia, escogiendo su formato de entre varias posibilidades, o usando las funciones adicionales del módulo Entrega.



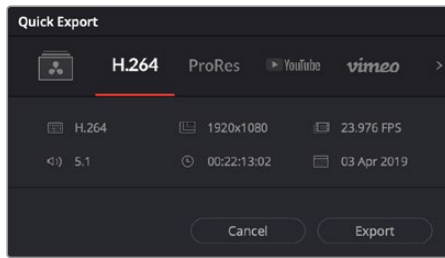
El material editado se puede exportar mediante el módulo Entrega, donde es posible seleccionar diferentes códecs y formatos.

## Exportación rápida

En el menú **Archivo**, seleccione la opción **Exportación rápida** a fin de emplear una de las opciones predeterminadas para exportar el proyecto desde cualquier módulo de DaVinci Resolve. Asimismo, es posible utilizar esta función para publicar el material directamente en una de las plataformas compatibles, como YouTube, Vimeo o Frame.io.

### Para utilizar la función de exportación rápida:

- 1 De manera alternativa, en los módulos Edición, Fusion o Color, marque puntos de entrada y salida en la línea de tiempo para seleccionar el intervalo que se desea exportar. En caso contrario, se exportará la línea de tiempo completa.  
Seleccione la opción **Archivo** y a continuación **Exportación rápida**.
- 2 Seleccione una de las opciones predeterminadas situadas en la fila superior de la ventana de diálogo y haga clic en **Exportar**.
- 3 Seleccione la ubicación en el directorio, escriba el nombre del archivo en la ventana de diálogo y haga clic en **Guardar**. Aparecerá una barra que indica cuánto demorará el proceso de exportación.



Opciones de exportación rápida

## Módulo Entrega

Este módulo brinda la oportunidad de seleccionar los clips que desean exportar, así como el formato, el códec y la resolución. DaVinci Resolve permite utilizar diversos formatos, por ejemplo, QuickTime, AVI, MXF y DPX, empleando códecs tales como RGB/YUV sin compresión de 8 o 10 bits, ProRes, DNxHD y H.264, entre otros.

### Para exportar un clip:

- 1 Haga clic en el módulo **Entrega**.
- 2 Acceda al panel **Ajustes de renderización**, situado en la parte superior izquierda. A continuación, podrá escoger una de las configuraciones predeterminadas, tales como YouTube o Vimeo, o elegir sus propios ajustes mediante la opción **Personalizado**. Por ejemplo, seleccione **YouTube**, luego haga clic sobre la flecha que aparece al costado y finalmente elija la opción **1080p** para el formato.  
La frecuencia de imagen coincidirá con la del proyecto.
- 3 Debajo de las opciones predeterminadas, verá el nombre del archivo final y su ubicación. Haga clic en **Buscar** y seleccione una carpeta para guardar el archivo exportado. A continuación, seleccione la opción **Un clip** en los ajustes de renderización.
- 4 Sobre la línea de tiempo, verá un menú desplegable con la opción **Toda la línea de tiempo** seleccionada. Esto significa que se renderizará todo su contenido. Sin embargo, también es posible seleccionar solo una parte de la secuencia. Para ello, basta con elegir la opción **Intervalo** y luego marcar los puntos de entrada y salida mediante las teclas **I** y **O**.
- 5 En la parte inferior del panel, haga clic en el botón **Agregar a la cola de procesamiento**. El material se agregará a la cola de procesamiento en la parte derecha del módulo. A continuación, haga clic en el botón **Renderizar** y supervise el progreso de la renderización en la lista de trabajos pendientes.

Una vez finalizado el procedimiento, abra el archivo generado para ver el producto final.

Ahora que ya cuenta con un conocimiento básico sobre cómo editar, etalonar, mezclar el audio y agregar efectos visuales, le recomendamos que pruebe distintas opciones en DaVinci Resolve. Consulte el manual del programa para obtener más información acerca de cada una de sus funciones.

# Descripción general sobre el control de cámaras

El modelo URSA Mini puede manejarse desde un mezclador ATEM mediante el módulo de control del programa ATEM Software Control. Esto permite utilizar versiones con sensores que ofrecen una mayor calidad de imagen y un rango dinámico excepcional, y controlar las unidades al igual que cualquier cámara de estudio.



Módulo de control de cámaras

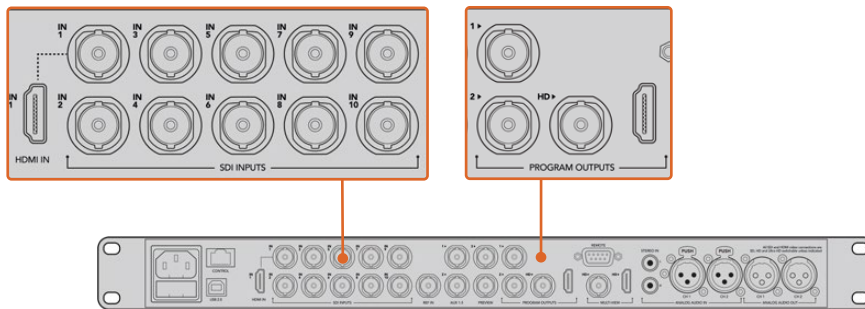
Para acceder a dicha prestación, basta con hacer clic en la pestaña **Cámara**. Asimismo, esta prestación permite modificar con facilidad diferentes parámetros, tales como la apertura del diafragma, la ganancia y la distancia focal, al emplear objetivos compatibles, así como ajustar el color de las cámaras y crear imágenes extraordinarias con las herramientas para correcciones primarias de DaVinci Resolve. Cabe destacar que las herramientas de DaVinci Resolve para correcciones primarias y las opciones para ajustar los detalles del dispositivo ATEM Camera Control no se encuentran disponibles para la cámara URSA Mini Pro 12K.

El módulo de control envía paquetes de instrucciones a la cámara mediante cualquiera de las salidas SDI del mezclador, excepto aquellas correspondientes a señales subconvertidas. Al conectar una salida SDI del dispositivo a la entrada de la cámara, esta detecta las instrucciones integradas en la señal, permitiendo de este modo controlar los diferentes parámetros.

## Conexión del modelo URSA Mini

- 1 Conecte la salida SDI 12G de la cámara a cualquier entrada SDI del mezclador.
- 2 Conecte cualquier salida SDI del mezclador (excepto aquellas utilizadas para el modo de visualización múltiple o señales subconvertidas) a la entrada SDI de la cámara. Nótese que no es posible transmitir la señal de control de la cámara a través de las salidas mencionadas en la excepción anterior.
- 3 Modifique la opción **ATEM Camera ID** en el menú de ajustes, de modo que coincida con la entrada del mezclador. Por ejemplo, si la cámara URSA Mini 1 está conectada a la entrada Cam 1 del mezclador, ingrese el mismo número en dicho campo. De este modo, es posible asegurarse de que se ha establecido la comunicación con la cámara correcta.
- 4 En el menú **Setup**, seleccione la opción **Reference Source**. A menos que se envíe una señal de sincronismo a todas las cámaras y al mezclador, recomendamos seleccionar la opción **Program** en **Reference Source**.

- 5 En la pestaña **MONITOR**, asegúrese de haber activado la función **CLEAN FEED** en la opción **Main SDI**, a fin de evitar que aparezca el indicador de enfoque u otro tipo de información superpuesta en las imágenes transmitidas al mezclador.



Conecte la cámara a cualquier entrada SDI del mezclador.

## Control de cámaras

Ejecute el programa ATEM Software Control y haga clic en la pestaña **Cámara** situada en la parte inferior de la ventana. Verá una serie de controladores con herramientas para ajustar y mejorar la imagen de cada cámara. Los controladores son fáciles de usar. Simplemente haga clic en los botones o mantenga presionado el botón del mouse y muévelo para ajustar la imagen.

### Selección de cámaras

La fila de botones situada en la parte superior de la ventana permite seleccionar la cámara que el usuario desea controlar. En la ventana de ajuste del color, también se pueden utilizar estos botones para seleccionar una cámara. Cuando se emplea una salida auxiliar para la monitorización, la señal de la cámara seleccionada también se transmitirá a través de dicha salida, según las preferencias establecidas en el mezclador.



Para seleccionar la salida auxiliar del módulo de control, haga clic en el ícono de configuración.

### Estado de la cámara

En la parte superior de cada controlador se identifica la cámara y se indica si la misma está al aire. Además, hay un botón que permite bloquear todos los controles de la cámara. Cuando la cámara está al aire, la barra superior de la ventana se enciende en rojo e indica **Al aire**.



En la parte superior de cada controlador se indica si la cámara está al aire. Utilice los controles generales debajo de cada círculo cromático para ajustar las sombras, los tonos intermedios y las luces en cada canal YRGB.

## Círculo cromático

El círculo cromático es una herramienta útil de DaVinci Resolve que permite ajustar el color en las luces, tonos intermedios y sombras de cada canal YRGB. Para seleccionar el parámetro que desea modificar, haga clic en una de las tres pestañas situadas en la parte superior del controlador.

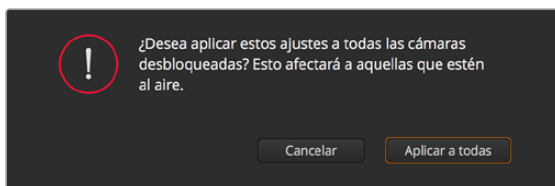
## Control general

El control general situado debajo del círculo cromático permite ajustar el contraste en todos los canales YRGB al mismo tiempo o la luminancia de las luces, tonos intermedios y sombras en forma independiente.

## Botones de reajuste

Este botón situado cerca de la parte superior derecha de cada controlador permite seleccionar los ajustes que se desean restablecer, copiar o aplicar. A su vez, cada círculo cromático también cuenta con un botón de reajuste. Haga clic sobre el mismo para copiar, aplicar o restablecer los parámetros a los valores predeterminados. Cabe destacar que los ajustes de los controladores bloqueados no se modifican al copiar y aplicar otros parámetros.

El botón situado en la esquina superior derecha de la ventana de etalonaje permite restablecer los valores predeterminados para los círculos cromáticos y los ajustes de contraste, saturación, matiz y luminancia. Es posible aplicar parámetros de etalonaje a todas las cámaras en general o a cada una en forma individual para lograr una apariencia uniforme en las imágenes. Los valores correspondientes a la apertura del diafragma, el enfoque, el control primario y el pedestal no se alteran al copiar y aplicar otros ajustes. Al modificar parámetros en todas las cámaras simultáneamente, el sistema solicita una confirmación previa por parte del usuario. De esta forma, es posible evitar cambios en las cámaras no bloqueadas cuya señal esté al aire.



Al modificar parámetros en todas las cámaras simultáneamente, el sistema solicita una confirmación previa por parte del usuario. De esta forma, es posible evitar cambios en las cámaras no bloqueadas cuya señal esté al aire.

## Control del diafragma/pedestal

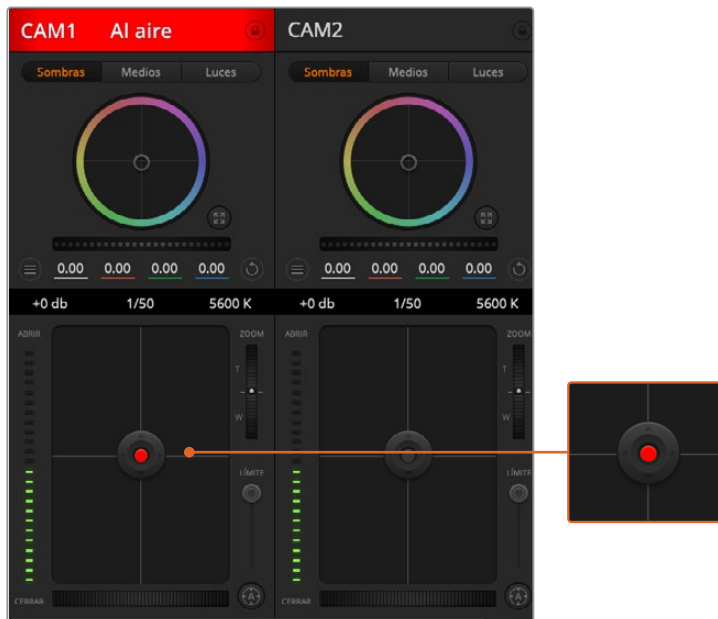
Este control se encuentra en el retículo central de cada controlador. Se enciende en rojo cuando la cámara está al aire.

Para abrir o cerrar el diafragma, arrastre el círculo hacia arriba o abajo. Al mantener presionada la tecla de mayúsculas mientras se mueve el círculo solo se modifica la apertura del diafragma.

**NOTA:** Al conectar un mezclador ATEM, asegúrese de desactivar la opción **Auto Exposure**. Si es necesario ajustar los ajustes del diafragma, el zoom o el enfoque, verifique que cuenta con un objetivo que la cámara pueda controlar electrónicamente.

Al emplear lentes B4 o PL en el modelo URSA Mini, verifique que el interruptor del diafragma en la empuñadura se encuentre en la posición **A** o **Auto**.

Para oscurecer o incrementar el pedestal, arrastre el círculo hacia la izquierda o derecha. Al mantener presionada la tecla **Command** en Mac o **Control** en Windows mientras se mueve el círculo solo se modifica el pedestal.



El control del diafragma/pedestal se enciende en rojo cuando la cámara está al aire.

### Control del zoom

Este control brinda la posibilidad de acercar o alejar la imagen al utilizar objetivos compatibles con servomecanismos integrados. Funciona de la misma manera que el interruptor físico de la cámara, el cual permite aumentar o disminuir la distancia focal presionando el extremo correspondiente. Haga clic sobre el control y arrástrelo hacia arriba para acercar la imagen o hacia abajo para alejarla.

Estos ajustes no producirán cambio alguno si el objetivo no es compatible con esta función o si la cámara no permite acercar realizar este procedimiento mediante el protocolo de control SDI. Por ejemplo, los objetivos EF no cuentan con un servomecanismo para variar la distancia focal electrónicamente, por lo cual no es posible utilizar esta herramienta del programa a tales efectos.

**NOTA:** En objetivos B4 analógicos, no es posible modificar la distancia focal mediante el programa ATEM Software Control. Consulte el apartado *Uso de objetivos con servomecanismo* para obtener más información al respecto.

### Control primario

Este control se encuentra a la izquierda del control del diafragma/pedestal y permite limitar la apertura máxima del diafragma. Es de suma utilidad para evitar que salgan al aire imágenes sobreexpuestas.

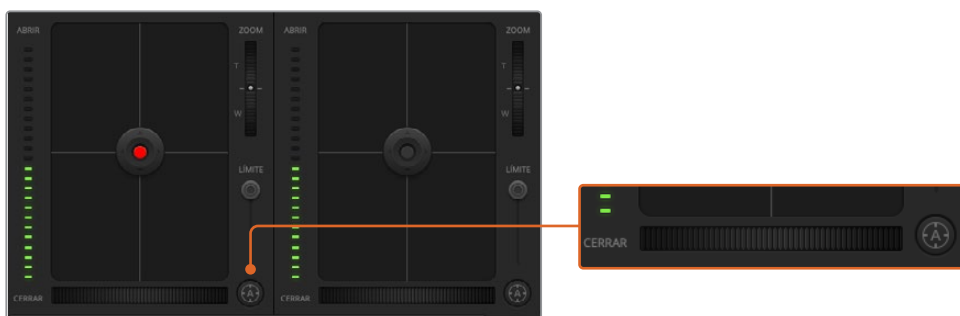
Para limitar la apertura del diafragma, ábralo completamente usando el control circular y luego utilice el control primario para ajustar la exposición. De esta forma, al modificar la apertura del diafragma, dicho umbral impedirá que se exceda el límite máximo de exposición.

### Indicador del diafragma

El indicador del diafragma se encuentra a la izquierda del control circular y brinda una rápida referencia visual de la apertura. Esta indicación depende del ajuste establecido mediante el control primario.

## Botón de enfoque automático

El botón de enfoque automático se encuentra en la esquina inferior izquierda del controlador. Presiónelo para ajustar el enfoque en forma automática si cuenta con un objetivo activo compatible con dicha función. Cabe destacar que, aunque la mayoría de los objetivos brindan la posibilidad de ajustar el enfoque electrónicamente, algunos igual disponen de un modo de ajuste manual, por lo cual es importante asegurarse de elegir el modo automático. En algunos casos, el modo se selecciona deslizando el anillo de enfoque en el objetivo hacia adelante o atrás. En objetivos B4 con servomecanismos, el interruptor situado en la parte inferior de la empuñadura debe colocarse en la posición **Servo**.



Para enfocar mediante un objetivo compatible, haga clic sobre el botón de enfoque automático o deslice el control de enfoque hacia la izquierda o la izquierda.

## Enfoque manual

Para ajustar el enfoque en forma manual mediante el módulo de control de cámaras, utilice el dial situado en la parte inferior de cada controlador. Deslice la rueda hacia la izquierda o derecha para ajustar el enfoque manualmente al mirar la señal de la cámara de forma de obtener imágenes claras y nítidas.

Esta función solo está disponible al emplear objetivos B4 o PL con servomecanismos integrados. Nótese que dicha prestación no es compatible con el modelo URSA Mini EF.

## Ganancia de la cámara

El nombre de algunos ajustes es diferente en las cámaras URSA Mini y los mezcladores ATEM. A modo de ejemplo, en estos últimos se emplea el término ganancia en lugar del índice ISO para referirse a la sensibilidad fotográfica.

**SUGERENCIA:** El uso de los términos ISO y ganancia se debe principalmente a las diferencias entre los equipos cinematográficos tradicionales y aquellos utilizados para transmisiones desde estudios. Por ejemplo, la exposición en una cámara de estudio puede monitorizarse directamente desde la unidad. La sensibilidad a la luz puede ajustarse electrónicamente en el interior de la cámara. Este no es el caso en las cámaras cinematográficas, ya que se trata de dispositivos mecánicos que dependen de técnicas tradicionales para mediar la cantidad de luz combinadas con valores ISO fotoquímicos.

Al rodar en diferentes condiciones de iluminación, podría resultar necesario aumentar o disminuir este valor para evitar la subexposición de las imágenes. A tales efectos, haga clic sobre la flecha izquierda para disminuir la ganancia o sobre la flecha derecha para aumentarla.

En el mezclador, este parámetro se indica en dB. La siguiente tabla ilustra la correspondencia entre ambas variables:

Ganancia	Sensibilidad ISO
0	200
6	400
12	800
18	1600

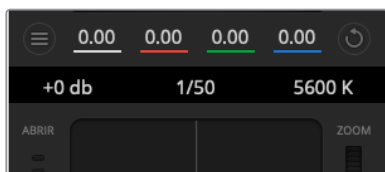
Nótese que la ganancia máxima para el modelo URSA Mini 4.6K es de 18 dB, mientras que en la versión URSA Mini 4K dicho valor es de 12 dB.

### Control de la velocidad de obturación

Este control permite cambiar el ángulo del obturador en el modelo URSA Mini.

Al igual que ocurre con la ganancia, este ajuste se denomina de distintas maneras debido a las diferencias de terminología entre las cámaras cinematográficas y las versiones utilizadas en la transmisión de contenidos. Sin embargo, desde un punto de vista funcional, un incremento de la velocidad de obturación equivale a una disminución del ángulo del obturador.

El indicador de la velocidad de obturación se encuentra situado entre el círculo cromático y el control del diafragma/pedestal. Para aumentar o disminuir este parámetro, coloque el puntero del mouse sobre el indicador y luego haga clic sobre la flecha izquierda o derecha.



Las flechas para ajustar la ganancia, la velocidad de obturación y el balance de blancos aparecen al colocar el puntero del mouse sobre los indicadores correspondientes.

**NOTA:** Debido a que la velocidad de obturación determinada mediante el programa ATEM Software Control tiene prioridad sobre el ángulo del obturador seleccionado en la cámara, dicha opción se encuentra inhabilitada cuando la unidad está conectada al mezclador.

La siguiente tabla muestra los valores disponibles para la velocidad de obturación y el ángulo correspondiente del obturador. Cabe destacar que algunas velocidades de obturación se sitúan fuera del rango angular para el modelo URSA Mini (11.25° mínimo / 360° máximo). En este caso, se utiliza el valor más cercano disponible.

Nótese que, en los modelos URSA Mini 4.6K o URSA Mini Pro 4.6K, la velocidad de obturación también aparece en el monitor plegable de la cámara cuando se encuentra conectada a un mezclador ATEM. En la versión URSA Mini 4K, dicho parámetro no aparece en el monitor plegable, pero sí en la pantalla del visor URSA Viewfinder, en caso de haberlo instalado.



Consulte la siguiente tabla al seleccionar la opción **Shutter Angle** en los modelos URSA Mini 4.6K o URSA Mini Pro.

Velocidad de obturación	Ángulo del obturador a 23.98 f/s	Ángulo del obturador a 24 f/s	Ángulo del obturador a 25 f/s	Ángulo del obturador a 29.97 f/s	Ángulo del obturador a 50 f/s	Ángulo del obturador a 59.94 f/s
1/50	172.7	172.8	180	215.8	360	360*
1/60	143.9	144	150	179.8	300	359.6
1/75	115.1	115.2	120	143.9	240	287.7
1/90	95.9	96	100	120	200	239.8
1/100	86.3	86.4	90	107.9	180	215.8
1/120	71.9	72	75	89.9	150	179.8
1/150	57.5	57.6	60	71.9	120	143.9
1/180	48	48	50	59.9	100	119.9
1/250	34.5	34.6	36	43.2	72	86.3
1/360	24	24	25	29.97	50	59.94
1/500	17.3	17.3	18	21.6	36	43.2
1/725	11.9	11.9	12.4	14.9	24.8	29.8
1/1450	11.25*	11.25*	11.25*	11.25*	12.4	14.9
1/2000	11.25*	11.25*	11.25*	11.25*	11.25*	11.25*

\*Si la velocidad de obturación se sitúa fuera del rango angular permitido por el obturador del modelo URSA Mini, se utilizará el valor disponible más cercano.

**SUGERENCIA:** Una buena forma de obtener más brillo en las imágenes sin modificar la ganancia es disminuyendo la velocidad de obturación, ya que de este modo se incrementa el tiempo de exposición del sensor. Asimismo, esto permite eliminar el parpadeo al filmar con luces fluorescentes. Al aumentar la velocidad de obturación, se reduce el desenfoque dinámico. Esto resulta de gran utilidad en escenas de acción, a fin de obtener imágenes nítidas.

### Balance de blancos

Está situado junto al control de la velocidad de obturación y puede modificarse haciendo clic en las flechas ubicadas a ambos lados del indicador de la temperatura del color. Permite compensar los colores cálidos o fríos emitidos por diferentes fuentes de luz. De este modo, es posible conservar la pureza de los blancos en la imagen.

## Herramientas de DaVinci Resolve para correcciones primarias

La ventana del módulo de control de la cámara puede convertirse en una interfaz similar a la que contiene las herramientas para correcciones primarias en un programa de edición.

Estas funciones de etalonaje están integradas en el modelo URSA Mini. Las herramientas son idénticas a las utilizadas en DaVinci Resolve, de modo que si el usuario está familiarizado con ellas, podrá valerse de su experiencia en materia de etalonaje durante las producciones en directo. Se puede expandir el panel de corrección desde el controlador de la cámara para acceder a la interfaz completa con ajustes adicionales.

Esta dispone de círculos cromáticos y otros controles que permiten ver las luces, los tonos intermedios y las sombras al mismo tiempo. Para cambiar de cámara, utilice los botones en la parte superior de la ventana.

**SUGERENCIA:** Los ajustes cromáticos se aplican a la señal que se transmite mediante la salida SDI de la cámara y al material grabado en formato ProRes, pero no a los archivos RAW que se editan durante la etapa de posproducción, ya que el formato CinemaDNG ha sido específicamente diseñado para este proceso. Sin embargo, al grabar contenidos en dicho formato, es posible modificar el color del material transmitido a través de la salida SDI.



Si desea acceder a las herramientas para correcciones primarias de DaVinci Resolve, haga clic sobre el botón situado en la parte inferior, a la derecha del círculo cromático.

### Círculos cromáticos

Los controles **Lift**, **Gamma** y **Gain** permiten realizar ajustes interdependientes pero a su vez específicos para ciertas tonalidades. En términos fotográficos, dichos controles corresponden a las partes más oscuras de la imagen, los matices intermedios y las zonas más luminosas, respectivamente.

Para realizar ajustes drásticos o sutiles, utilice los círculos cromáticos de las siguientes maneras:

- **Haga clic dentro del círculo y arrastre el mouse:**  
Nótese que no es necesario arrastrar el indicador de balance de color. A medida que este se desplaza, los valores RGB debajo del círculo cambian reflejando los ajustes realizados en cada canal.
- **Mantenga presionada la tecla de mayúsculas y haga clic en cualquier parte dentro del círculo:**  
Esto permite situar el indicador del balance de color en la posición indicada por el puntero del mouse para realizar ajustes significativos con rapidez.

- **Haga doble clic dentro del círculo:**  
Se restablecen los valores originales sin reajustar el control general para dicho parámetro.
- **Haga clic en el botón de reajuste situado en la esquina superior derecha:**  
Se restablecen todos los ajustes.



Círculos cromáticos para las luces, tonos intermedios y sombras en el panel de etalonaje

## Controles generales

Los controles generales situados debajo de cada círculo cromático permiten ajustar las sombras, tonos intermedios y luces en cada canal YRGB.

Para realizar ajustes mediante el control general:

- **Arrastre el control hacia la izquierda o la derecha:**  
Esto permite oscurecer o aclarar respectivamente el parámetro de la imagen seleccionado. Al ajustar un valor, el cambio se verá reflejado en los campos correspondientes a cada canal, situados debajo del círculo cromático. Para ajustar solo la luminancia, mantenga presionada la tecla Alt o Command y arrastre el control a la izquierda o derecha. El color y la luminancia se procesan en forma individual, de modo que es posible lograr efectos interesantes modificando solo el canal Y. Este ajuste funciona mejor si el control **Mezclador de luminancia** se desliza a la derecha. Si se encuentra sobre el lado izquierdo, el programa procesará los canales de color de forma normal. Por lo general, la mayoría de los coloristas utilizan el método YRGB, ya que permite obtener un mayor control del balance de color sin afectar la luminancia general para lograr la apariencia deseada más rápido.



Mueva los controles generales hacia la izquierda o la derecha para realizar ajustes.

## Contraste

Este control permite ajustar el rango entre los valores más claros y oscuros de una imagen. El efecto es similar al que se obtiene realizando ajustes opuestos mediante los controles generales situados debajo de las opciones **Sombras** y **Luces**. El valor predeterminado es 50 %.



Arrastre los controles hacia la izquierda o la derecha para ajustar el contraste, la saturación, el matiz y la mezcla de luminancia.

## Saturación

Este control permite aumentar o disminuir la cantidad de color en la imagen. El valor predeterminado es 50 %.

## Matiz

Este control permite modificar los matices de la imagen recorriendo el perímetro del círculo cromático. El valor predeterminado de 180 grados muestra la distribución original del matiz. Al incrementarlo o disminuirlo, todos los matices se modificarán en sentido horario o antihorario en el círculo cromático.

## Mezcla de luminancia

Las funciones de etalonaje en el modelo URSA Mini están basadas en las herramientas para correcciones primarias de DaVinci Resolve. Este programa fue desarrollado a principio de los años 80 y es el más utilizado en la producción de largometrajes en Hollywood.

El corrector cromático de la cámara incluye funciones sumamente útiles y creativas. Una de ellas es el método de procesamiento YRGB.

Al corregir el color, se puede emplear el método RGB o YRGB. Aquellos coloristas con más experiencia usan el sistema YRGB, ya que ofrece un control más preciso sobre el color y permite ajustar los canales en forma independiente, lo cual a su vez brinda más opciones creativas.

Cuando el control **Mezclador de luminancia** se desliza totalmente a la derecha, se utiliza el modo YRGB. Si se desliza totalmente a la izquierda, se emplea el modo RGB. Asimismo, se puede seleccionar cualquier posición intermedia para obtener una mezcla de ambos modos de corrección.

¿Cuál es el mejor ajuste? Esto depende del usuario, ya que el proceso de etalonaje es totalmente creativo y no hay estilos correctos o incorrectos. El ajuste más apropiado depende de las preferencias del usuario y de lo que luzca bien según su criterio.

## Sincronización de ajustes

El mezclador transmite la señal de control a la cámara cuando ambos dispositivos están conectados. Si se modifica un ajuste por error en la cámara, la unidad de control del mezclador restablecerá automáticamente los valores para mantener la sincronización.

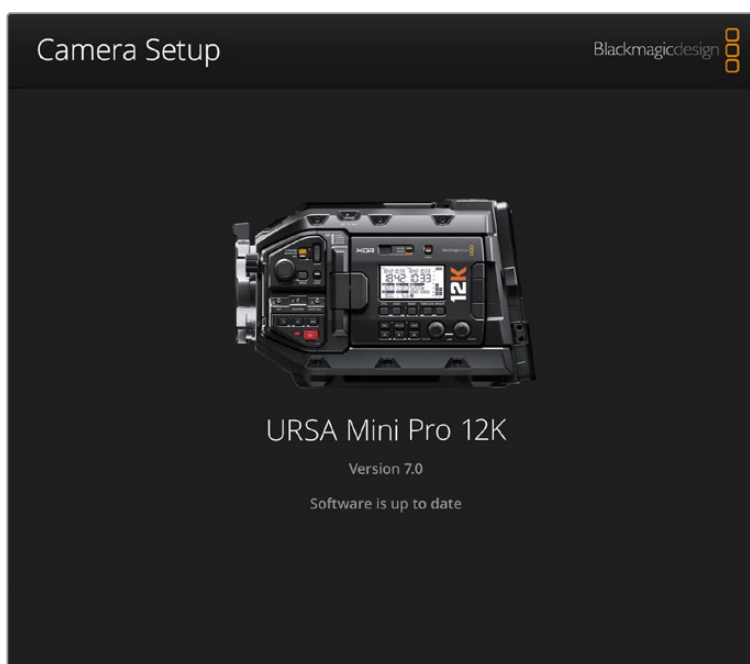
**SUGERENCIA:** La cámara URSA Mini mantendrá los ajustes cromáticos realizados, incluso al desconectar la entrada SDI 12G. Esto permite cambiar el ángulo de filmación sin necesidad de configurar los parámetros nuevamente. Para restablecer los valores predeterminados, apague y encienda la cámara.

# Programa utilitario de la cámara

## Actualización del programa en Mac

Después de descargar el programa utilitario y descomprimir el archivo, haga clic en la imagen del disco para ver los contenidos.

Ejecute el instalador y siga las instrucciones que aparecen en la pantalla. Una vez finalizada la instalación, seleccione la opción **Aplicaciones** y haga clic en la carpeta **Blackmagic Cameras**, que contiene este manual, el programa utilitario y otros archivos con información adicional. Asimismo, se incluye un desinstalador que podrá utilizar cuando sea necesario actualizar la aplicación.



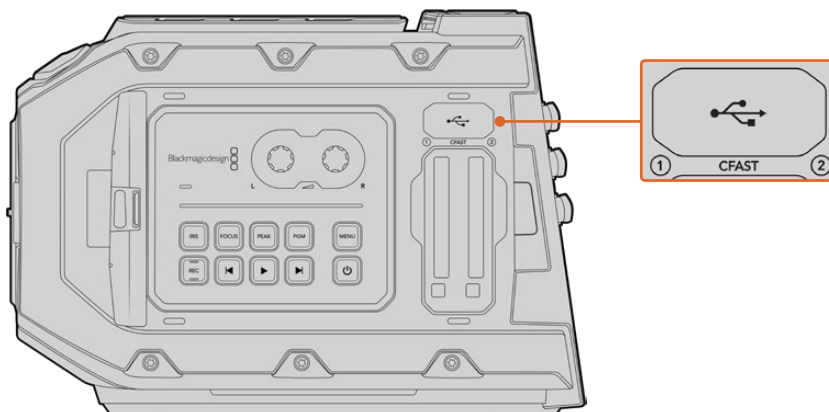
## Actualización del programa en Windows

Después de descargar el programa utilitario de la cámara y descomprimir el archivo, verá una carpeta denominada **Blackmagic Camera Utility**, que contiene este manual y el instalador. Haga doble clic en el instalador de la aplicación y siga las instrucciones que aparecen en la pantalla para completar el procedimiento.

En Windows 10, haga clic en el botón de inicio y seleccione la opción **Todas las aplicaciones**. Busque la carpeta **Blackmagic** en la lista. Desde allí podrá ejecutar el programa.

En Windows 8.1, haga clic en la flecha hacia abajo que aparece en la pantalla de inicio para ver la carpeta **Blackmagic**. Desde allí podrá ejecutar el programa.

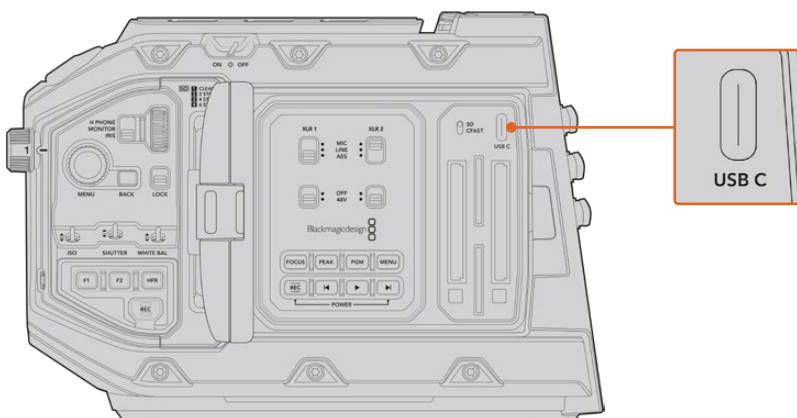
## Actualización del software interno de la cámara



Mediante el puerto USB 2.0 Mini-B es posible actualizar el sistema interno de las cámaras. Esta conexión se encuentra arriba de las ranuras para las tarjetas de memoria en los modelos URSA Mini.

Después de instalar la última versión del programa utilitario en el equipo informático, conéctelo a la cámara mediante un cable USB. En la versión URSA Mini, está situado en el lateral izquierdo, arriba de las ranuras para tarjetas de memoria. Basta con retirar la cubierta de goma para acceder a dicha conexión.

Ejecute el programa utilitario y siga las instrucciones que aparecen en la pantalla para actualizar la cámara. Conviene subrayar que, al llevar a cabo este procedimiento, se eliminarán las tablas de conversión almacenadas en la unidad y los grupos de ajustes personalizados. En tal sentido, recomendamos exportarlos a una tarjeta de memoria, a fin de respaldarlos antes de llevar a cabo la actualización. Una vez finalizado el procedimiento, es posible importarlos nuevamente. También es recomendable llevar a cabo una calibración con balance de negros.



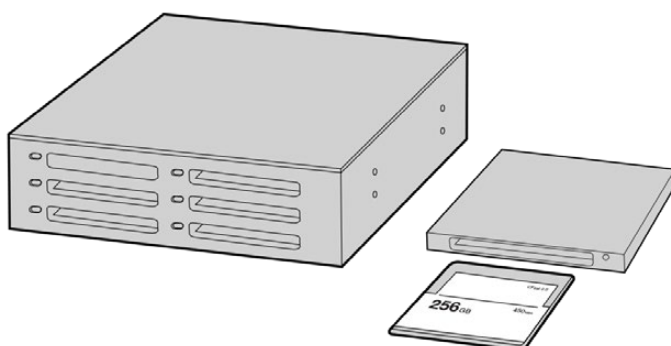
Mediante el puerto USB-C, es posible actualizar el sistema interno de las cámaras. Esta conexión se encuentra arriba de las ranuras para las tarjetas de memoria en el modelo URSA Mini Pro.

## Otros programas de edición

Si desea editar los clips con su programa preferido, puede copiarlos a una unidad interna o externa, o RAID, y luego importarlos desde la aplicación. De manera alternativa, utilice un adaptador para la unidad de almacenamiento a fin de acceder a los archivos directamente.

**NOTA:** DaVinci Resolve 15.3.1 y sus versiones posteriores son compatibles con el formato Blackmagic RAW, el cual también ha sido adoptado por una amplia variedad de programas de edición y posproducción. En tal sentido, es posible descargar complementos para Media Composer y Premiere Pro desde la página de soporte técnico de nuestro sitio web.

### Acceso a archivos en tarjetas SD y CFast 2.0



Para editar el material audiovisual directamente desde la tarjeta CFast, retírela de la cámara y conéctela a un equipo informático mediante un dispositivo de lectura y/o escritura para este tipo de unidades.

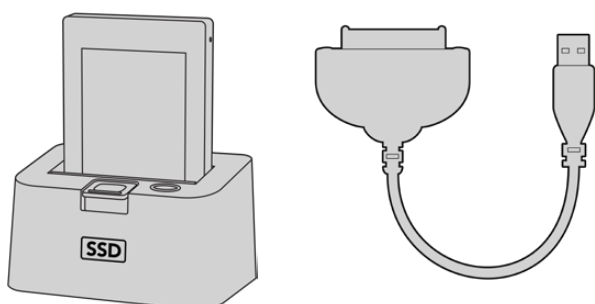
Para importar clips desde una tarjeta SD o CFast 2.0:

- 1** Retire la tarjeta de la cámara.  
Conéctela a un equipo informático Mac o Windows empleando un dispositivo de lectura para este tipo de unidades.
- 2** Busque la ubicación correspondiente a la tarjeta en el sistema operativo, donde encontrará una lista con todos los archivos Blackmagic RAW o QuickTime.
- 3** Arrastre los archivos desde la tarjeta al escritorio o a otro dispositivo de almacenamiento, o acceda directamente a ellos mediante cualquier programa de edición.
- 4** Antes de retirar la tarjeta CFast o SD del equipo informático, es importante expulsarla desde el sistema operativo. De lo contrario, el material grabado podría sufrir daños.

## Acceso a archivos almacenados en unidades SSD

Para importar clips desde una unidad SSD:

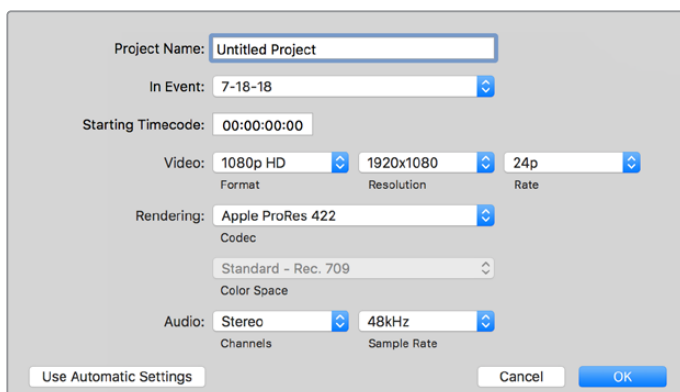
- 1 Retire la unidad del grabador.
- 2 Para conectar la unidad a un equipo Mac o Windows, utilice un dispositivo con conectividad eSATA o Thunderbolt, tal como el modelo MultiDock 10G. De manera alternativa, es posible emplear un adaptador eSATA para puertos USB y conectar la unidad directamente al equipo. Las conexiones USB 3.0 son preferibles a las 2.0, ya que estas últimas no son lo suficientemente rápidas como para permitir la edición de imágenes en tiempo real.
- 3 Haga doble clic en la unidad SSD para acceder a las carpetas que contienen los archivos Blackmagic RAW o QuickTime. Es posible que haya diversos tipos de archivos, según el formato de grabación, pero todos siguen la misma nomenclatura.
- 4 Arrastre los archivos desde la unidad al escritorio, a otro dispositivo de almacenamiento, o ábralos directamente mediante cualquier programa de edición no lineal.
- 5 Antes de desconectar la unidad SSD del equipo informático, es importante expulsarla desde el sistema operativo.



Para editar el material directamente desde la unidad SSD, retírela de la cámara y conéctela al equipo informático mediante un puerto eSATA Thunderbolt o un cable USB 3.0.

## Final Cut Pro X

Para editar en Final Cut Pro X, es necesario crear un proyecto nuevo y seleccionar la frecuencia de imagen y el formato apropiados. A efectos ilustrativos, en este ejemplo emplearemos el formato ProRes 422 (HQ) 1080p24.



Configuración del proyecto en Final Cut Pro X



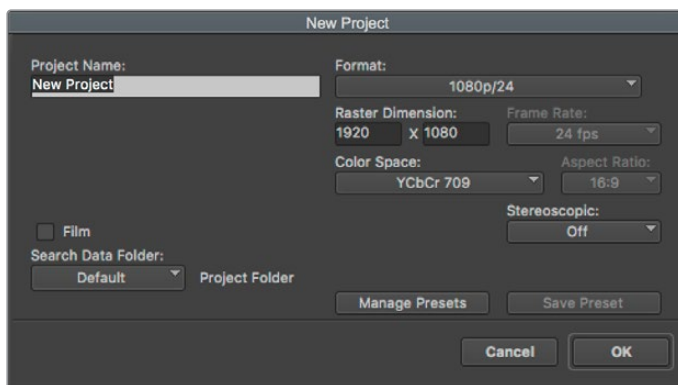
- 1 Ejecute el programa. En la barra de menús, haga clic en **File** y seleccione **New Project**. Se abrirá una ventana que muestra los parámetros del proyecto.
- 2 Introduzca un nombre para el proyecto y marque la casilla **Custom**.
- 3 Seleccione **1080p HD, 1920x1080** y **24p** como parámetros para el proyecto.
- 4 En la opción **Audio and Render Properties**, seleccione **Stereo, 48 kHz**, y **Apple ProRes 422 HQ**.
- 5 Haga clic en **OK**.

Para importar los clips, haga clic en la opción **File** situada en la barra superior. A continuación, seleccione **Import** y luego **Media**. Seleccione los archivos en la tarjeta de memoria.

Arrástrelos a la línea de tiempo para editarlos.

## Media Composer 2018

Para editar en Media Composer 2018, es necesario crear un proyecto nuevo y seleccionar la frecuencia de imagen y el formato apropiados. En este ejemplo, utilizaremos el formato 1080p24.



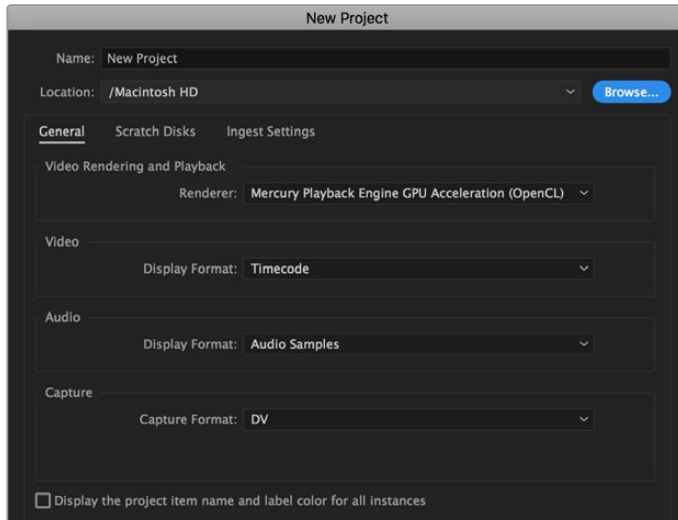
Selección del nombre del proyecto y opciones en Media Composer 2018

- 1 Ejecute el programa para acceder a la ventana de selección de proyectos.
- 2 Haga clic en el botón **New project** e introduzca un nombre en la ventana correspondiente.
- 3 En el menú de selección del formato, elija la opción **HD 1080** y luego **1080p/24**. A continuación, haga clic en **OK** para crear el proyecto.
- 4 Haga doble clic sobre el nombre del proyecto en la ventana **Select project** para abrirlo.
- 5 Seleccione la opción **File**, luego **Input** y a continuación **Source browser** para buscar los archivos que desea importar.
- 6 Seleccione la carpeta de destino en el menú desplegable y haga clic en **Import**.

Una vez que los clips aparecen en la carpeta, puede arrastrarlos a la línea de tiempo y comenzar a editarlos.

## Premiere Pro CC

Para editar clips en formato Apple ProRes 422 (HQ) con Premiere Pro CC, es necesario crear un proyecto nuevo y seleccionar la frecuencia de imagen y el formato requeridos. A efectos ilustrativos, en este ejemplo utilizaremos el formato ProRes 422 (HQ) 1080p25.



Selección del nombre del proyecto y configuración de las opciones en Premiere Pro CC

- 1 Ejecute Premiere Pro CC. En la ventana de bienvenida, seleccione la opción **New Project**. Se abrirá una ventana que muestra los parámetros del proyecto.
- 2 Introduzca el nombre del proyecto. Haga clic en **Browse** y seleccione la carpeta donde desea guardarlo. A continuación, haga clic en **OK** en la ventana del nuevo proyecto.
- 3 En la barra de menús, seleccione la opción **File** y luego **Import**. Escoja los clips que desea editar. Estos aparecerán en la ventana del proyecto.
- 4 Arrastre el primer clip al ícono **New Item** situado en la parte inferior derecha de la ventana. Se creará una nueva secuencia con los mismos parámetros del clip.

Arrastre los clips a la línea de tiempo para editarlos.

# Información para desarrolladores

## Blackmagic Bluetooth Camera Control

Blackmagic cameras with Bluetooth LE implement a variety of features and commands that allow users to control their cameras wirelessly. Developers have full access to these features for their custom applications.

The following services and characteristics describe the full range of communication options that are available to the developer.

### Service: Device Information Service

UUID: 180A

#### Characteristics

##### Camera Manufacturer

UUID: 2A29

Read the name of the manufacturer (always “Blackmagic Design”).

##### Camera Model

UUID: 2A24

Read the name of the camera model (“URSA Mini”).

### Service: Blackmagic Camera Service

UUID: 291D567A-6D75-11E6-8B77-86F30CA893D3

#### Characteristics

##### Outgoing Camera Control (encrypted)

UUID: 5DD3465F-1AEE-4299-8493-D2ECA2F8E1BB

##### Send Camera Control messages

These messages are identical to those described in the Blackmagic SDI Camera Control Protocol section below. Please read that section for a list of supported messages and required formatting information.

For an example of how packets are structured, please see the ‘example protocol packets’ section in this document.

##### Incoming Camera Control (encrypted)

UUID: B864E140-76A0-416A-BF30-5876504537D9

Request notifications for this characteristic to receive Camera Control messages from the camera.

These messages are identical to those described in the Blackmagic SDI Camera Control Protocol section below. Please read that section for a list of supported messages and required formatting information.

### Timecode (encrypted)

UUID: 6D8F2110-86F1-41BF-9AFB-451D87E976C8

Request notifications for this characteristic to receive timecode updates.

Timecode (HH:MM:SS:mm) is represented by a 32-bit BCD number:  
(eg. 09:12:53:10 = 0x09125310)

### Camera Status (encrypted)

UUID: 7FE8691D-95DC-4FC5-8ABD-CA74339B51B9

Request notifications for this characteristic to receive camera status updates.

The camera status is represented by flags contained in an 8-bit integer:

<b>None</b>	= 0x00
<b>Camera Power On</b>	= 0x01
<b>Connected</b>	= 0x02
<b>Paired</b>	= 0x04
<b>Versions Verified</b>	= 0x08
<b>Initial Payload Received</b>	= 0x10
<b>Camera Ready</b>	= 0x20

Send a value of 0x00 to power a connected camera off.

Send a value of 0x01 to power a connected camera on.

### Device Name

UUID: FFAC0C52-C9FB-41A0-B063-CC76282EB89C

Send a device name to the camera (max. 32 characters).

The camera will display this name in the Bluetooth Setup Menu.

### Protocol Version

UUID: 8F1FD018-B508-456F-8F82-3D392BEE2706

Read this value to determine the camera's supported CCU protocol version.

**NOTE** Encrypted characteristics can only be used once a device has successfully bonded or paired with the Blackmagic Camera. Once a connection has been established, any attempt to write to an encrypted characteristic will initiate bonding. For example, writing a 'Camera Power On' (0x01) message to the Camera Status characteristic.

Once bonding is initiated, the camera will display a 6-digit pin in the Bluetooth Setup Menu. Enter this pin on your device to establish an encrypted connection. The device will now be able to read, write and receive notifications from encrypted characteristics.

# Blackmagic SDI and Bluetooth Camera Control Protocol

## Version 1.4

If you are a software developer you can use the Blackmagic SDI and Bluetooth Camera Control Protocol to construct devices that integrate with our products. Here at Blackmagic Design, our approach is to open up our protocols and we eagerly look forward to seeing what you come up with!

## Overview

This document describes an extensible protocol for sending a unidirectional stream of small control messages embedded in the non-active picture region of a digital video stream. The video stream containing the protocol stream may be broadcast to a number of devices. Device addressing is used to allow the sender to specify which device each message is directed to.

## Assumptions

Alignment and padding constraints are explicitly described in the protocol document. Bit fields are packed from LSB first. Message groups, individual messages and command headers are defined as, and can be assumed to be, 32 bit aligned.

## Blanking Encoding

A message group is encoded into a SMPTE 291M packet with DID/SDID x51/x53 in the active region of VANC line 16.

## Message Grouping

Up to 32 messages may be concatenated and transmitted in one blanking packet up to a maximum of 255 bytes payload. Under most circumstances, this should allow all messages to be sent with a maximum of one frame latency.

If the transmitting device queues more bytes of message packets than can be sent in a single frame, it should use heuristics to determine which packets to prioritize and send immediately. Lower priority messages can be delayed to later frames, or dropped entirely as appropriate.

## Abstract Message Packet Format

Every message packet consists of a three byte header followed by an optional variable length data block. The maximum packet size is 64 bytes.

<b>Destination device (uint8)</b>	Device addresses are represented as an 8 bit unsigned integer. Individual devices are numbered 0 through 254 with the value 255 reserved to indicate a broadcast message to all devices.
<b>Command length (uint8)</b>	The command length is an 8 bit unsigned integer which specifies the length of the included command data. The length does NOT include the length of the header or any trailing padding bytes.
<b>Command id (uint8)</b>	The command id is an 8 bit unsigned integer which indicates the message type being sent. Receiving devices should ignore any commands that they do not understand. Commands 0 through 127 are reserved for commands that apply to multiple types of devices. Commands 128 through 255 are device specific.
<b>Reserved (uint8)</b>	This byte is reserved for alignment and expansion purposes. It should be set to zero.
<b>Command data (uint8[])</b>	The command data may contain between 0 and 60 bytes of data. The format of the data section is defined by the command itself.
<b>Padding (uint8[])</b>	Messages must be padded up to a 32 bit boundary with 0x0 bytes. Any padding bytes are NOT included in the command length.

Receiving devices should use the destination device address and or the command identifier to determine which messages to process. The receiver should use the command length to skip irrelevant or unknown commands and should be careful to skip the implicit padding as well.

## Defined Commands

### Command 0 : change configuration

<b>Category (uint8)</b>	The category number specifies one of up to 256 configuration categories available on the device.
<b>Parameter (uint8)</b>	The parameter number specifies one of 256 potential configuration parameters available on the device. Parameters 0 through 127 are device specific parameters. Parameters 128 through 255 are reserved for parameters that apply to multiple types of devices.
<b>Data type (uint8)</b>	The data type specifies the type of the remaining data. The packet length is used to determine the number of elements in the message. Each message must contain an integral number of data elements.

#### Currently defined values are:

<b>0: void / boolean</b>	A void value is represented as a boolean array of length zero. The data field is a 8 bit value with 0 meaning false and all other values meaning true.
<b>1: signed byte</b>	Data elements are signed bytes
<b>2: signed 16 bit integer</b>	Data elements are signed 16 bit values
<b>3: signed 32 bit integer</b>	Data elements are signed 32 bit values
<b>4: signed 64 bit integer</b>	Data elements are signed 64 bit values
<b>5: UTF-8 string</b>	Data elements represent a UTF-8 string with no terminating character.

#### Data types 6 through 127 are reserved.

<b>128: signed 5.11 fixed point</b>	Data elements are signed 16 bit integers representing a real number with 5 bits for the integer component and 11 bits for the fractional component. The fixed point representation is equal to the real value multiplied by $2^{11}$ . The representable range is from -16.0 to 15.9995 ( $15 + 2047/2048$ ).
-------------------------------------	---

#### Data types 129 through 255 are available for device specific purposes.

<b>Operation type (uint8)</b>	The operation type specifies what action to perform on the specified parameter. Currently defined values are:
<b>0: assign value</b>	The supplied values are assigned to the specified parameter. Each element will be clamped according to its valid range. A void parameter may only be 'assigned' an empty list of boolean type. This operation will trigger the action associated with that parameter. A boolean value may be assigned the value zero for false, and any other value for true.
<b>1: offset / toggle value</b>	Each value specifies signed offsets of the same type to be added to the current parameter values. The resulting parameter value will be clamped according to their valid range. It is not valid to apply an offset to a void value. Applying any offset other than zero to a boolean value will invert that value.

#### Operation types 2 through 127 are reserved.

#### Operation types 128 through 255 are available for device specific purposes.

<b>Data (void)</b>	The data field is 0 or more bytes as determined by the data type and number of elements.
--------------------	--

The category, parameter, data type and operation type partition a 24 bit operation space.

Group	ID	Parameter	Type	Index	Minimum	Maximum	Interpretation	
Lens	0.0	Focus	fixed16	–	0.0	1.0	0.0 = near, 1.0 = far	
	0.1	Instantaneous autofocus	void	–	–	–	trigger instantaneous autofocus	
	0.2	Aperture (f-stop)	fixed16	–	-1.0	16.0	Aperture Value (where fnumber = $\sqrt{2^{AV}}$ )	
	0.3	Aperture (normalised)	fixed16	–	0.0	1.0	0.0 = smallest, 1.0 = largest	
	0.4	Aperture (ordinal)	int16	–	0	n	Steps through available aperture values from minimum (0) to maximum (n)	
	0.5	Instantaneous auto aperture	void	–	–	–	trigger instantaneous auto aperture	
	0.6	Optical image stabilisation	boolean	–	–	–	true = enabled, false = disabled	
	0.7	Set absolute zoom (mm)	int16	–	0	max	Move to specified focal length in mm, from minimum (0) to maximum (max)	
	0.8	Set absolute zoom (normalised)	fixed16	–	0.0	1.0	Move to specified focal length: 0.0 = wide, 1.0 = tele	
	0.9	Set continuous zoom (speed)	fixed16	–	-1.0	+1.0	Start/stop zooming at specified rate: -1.0 = zoom wider fast, 0.0 = stop, +1 = zoom tele fast	
Video	1.0	Video mode	int8	[0] = frame rate	–	–	fps as integer (eg 24, 25, 30, 50, 60)	
				[1] = M-rate	–	–	0 = regular, 1 = M-rate	
				[2] = dimensions	–	–	0 = NTSC, 1 = PAL, 2 = 720, 3 = 1080, 4 = 2kDCI, 5 = 2k16:9, 6 = UHD, 7 = 3k Anamorphic, 8 = 4k DCI, 9 = 4k 16:9, 10 = 4.6k 2.4:1, 11 = 4.6k	
				[3] = interlaced	–	–	0 = progressive, 1 = interlaced	
				[4] = Color space	–	–	0 = YUV	
	1.1	Gain (up to Camera 4.9)	int8			1	128	1x, 2x, 4x, 8x, 16x, 32x, 64x, 128x gain
	1.2	Manual White Balance	int16	[0] = color temp	2500	10000		Color temperature in K
			int16	[1] = tint	-50	50		tint
	1.3	Set auto WB	void	–	–	–	–	Calculate and set auto white balance
	1.4	Restore auto WB	void	–	–	–	–	Use latest auto white balance setting
1.5	Exposure (us)	int32			1	42000	time in us	
1.6	Exposure (ordinal)	int16	–		0	n	Steps through available exposure values from minimum (0) to maximum (n)	
1.7	Dynamic Range Mode	int8 enum	–		0	2	0 = film, 1 = video, 2 = extended video	
1.8	Video sharpening level	int8 enum	–		0	3	0 = off, 1 = low, 2 = medium, 3 = high	

Group	ID	Parameter	Type	Index	Minimum	Maximum	Interpretation
Video	1.9	Recording format	int16	[0] = file frame rate	–	–	fps as integer (eg 24, 25, 30, 50, 60, 120)
				[1] = sensor frame rate	–	–	fps as integer, valid when sensor-off-speed set (eg 24, 25, 30, 33, 48, 50, 60, 120), no change will be performed if this value is set to 0
				[2] = frame width	–	–	in pixels
				[3] = frame height	–	–	in pixels
				[4] = flags	–	–	[0] = file-M-rate
					–	–	[1] = sensor-M-rate, valid when sensor-off-speed-set
					–	–	[2] = sensor-off-speed
					–	–	[3] = interlaced
	–	–	[4] = windowed mode				
	1.10	Set auto exposure mode	int8	–	0	4	0 = Manual Trigger, 1 = Iris, 2 = Shutter, 3 = Iris + Shutter, 4 = Shutter + Iris
	1.11	Shutter angle	int32	–	100	36000	Shutter angle in degrees, multiplied by 100
	1.12	Shutter speed	int32	–	Current sensor frame rate	5000	Shutter speed value as a fraction of 1, so 50 for 1/50th of a second
	1.13	Gain	int8	–	-128	127	Gain in decibel (dB)
	1.14	ISO	int32	–	0	2147483647	ISO value
	1.15	Display LUT	int8	[0] = selected LUT	–	–	0 = None, 1 = Custom, 2 = film to video, 3 = film to extended video
[1] = enabled or not				–	–	0 = Not enabled, 1 = Enabled	
Audio	2.0	Mic level	fixed16	–	0.0	1.0	0.0 = minimum, 1.0 = maximum
	2.1	Headphone level	fixed16	–	0.1	1.0	0.0 = minimum, 1.0 = maximum
	2.2	Headphone program mix	fixed16	–	0.1	1.0	0.0 = minimum, 1.0 = maximum
	2.3	Speaker level	fixed16	–	0.1	1.0	0.0 = minimum, 1.0 = maximum
	2.4	Input type	int8	–	0	3	0 = internal mic, 1 = line level input, 2 = low mic level input, 3 = high mic level input
	2.5	Input levels	fixed16	[0] ch0	0.0	1.0	0.0 = minimum, 1.0 = maximum
				[1] ch1	0.0	1.0	0.0 = minimum, 1.0 = maximum
	2.6	Phantom power	boolean	–	–	–	true = powered, false = not powered



Group	ID	Parameter	Type	Index	Minimum	Maximum	Interpretation
Output	3.0	Overlay enables	uint16 bit field	–	–	–	bit flags: [0] = display status, [1] = display frame guides Some cameras don't allow separate control of frame guides and status overlays.
	3.1	Frame guides style (Camera 3.x)	int8	–	0	8	0 = HDTV, 1 = 4:3, 2 = 2.4:1, 3 = 2.39:1, 4 = 2.35:1, 5 = 1.85:1, 6 = thirds
	3.2	Frame guides opacity (Camera 3.x)	fixed16	–	0.1	1.0	0.0 = transparent, 1.0 = opaque
	3.3	Overlays (replaces .1 and .2 above from Cameras 4.0)	int8	[0] = frame guides style [1] = frame guide opacity [2] = safe area percentage [3] = grid style	– 0 0 –	– 100 100 –	0 = off, 1 = 2.4:1, 2 = 2.39:1, 3 = 2.35:1, 4 = 1.85:1, 5 = 16:9, 6 = 14:9, 7 = 4:3, 8 = 2:1, 9 = 4:5, 10 = 1:1 0 = transparent, 100 = opaque percentage of full frame used by safe area guide (0 means off) bit flags: [0] = display thirds, [1] = display cross hairs, [2] = display center dot, [3] = display horizon
Display	4.0	Brightness	fixed16	–	0.0	1.0	0.0 = minimum, 1.0 = maximum
	4.1	Exposure and focus tools	int16 bit field	0x1 = zebra, 0x2 = focus assist, 0x4 = false color	–	–	0 = disable, 1 = enable
	4.2	Zebra level	fixed16	–	0.0	1.0	0.0 = minimum, 1.0 = maximum
	4.3	Peaking level	fixed16	–	0.0	1.0	0.0 = minimum, 1.0 = maximum
	4.4	Color bar enable	int8	–	0	30	0 = disable bars, 1-30 = enable bars with timeout (seconds)
	4.5	Focus Assist	int8	[0] = focus assist method [1] = focus line color	– –	– –	0 = Peak, 1 = Colored lines 0 = Red, 1 = Green, 2 = Blue, 3 = White, 4 = Black
4.6	Program return feed enable	int8	–	0	30	0 = disable, 1-30 = enable with timeout (seconds)	
Tally	5.0	Tally brightness	fixed16	–	0.0	1.0	Sets the tally front and tally rear brightness to the same level. 0.0 = minimum, 1.0 = maximum
	5.1	Front tally brightness	fixed16	–	0.0	1.0	Sets the tally front brightness. 0.0 = minimum, 1.0 = maximum
	5.2	Rear tally brightness	fixed16	–	0.0	1.0	Sets the tally rear brightness. 0.0 = minimum, 1.0 = maximum Tally rear brightness cannot be turned off

Group	ID	Parameter	Type	Index	Minimum	Maximum	Interpretation
Reference	6.0	Source	int8 enum	–	0	2	0 = internal, 1 = program, 2 = external
	6.1	Offset	int32	–	–	–	+/- offset in pixels
Confi- guration	7.0	Real Time Clock	int32	[0] time	–	–	BCD - HHMMSSFF (UCT)
				[1] date	–	–	BCD - YYYYMMDD
	7.1	System language	string	[0-1]	–	–	ISO-639-1 two character language code
	7.2	Timezone	int32	–	–	–	Minutes offset from UTC
	7.3	Location	int64	[0] latitude	–	–	BCD - s0DDdddddddddd where s is the sign: 0 = north (+), 1 = south (-); DD degrees, dddddddddd decimal degrees
				[1] longitude	–	–	BCD - sDDDdddddddddd where s is the sign: 0 = west (-), 1 = east (+); DDD degrees, ddddddddddd decimal degrees
Color Correction	8.0	Lift Adjust	fixed16	[0] red	-2.0	2.0	default 0.0
				[1] green	-2.0	2.0	default 0.0
				[2] blue	-2.0	2.0	default 0.0
				[3] luma	-2.0	2.0	default 0.0
	8.1	Gamma Adjust	fixed16	[0] red	-4.0	4.0	default 0.0
				[1] green	-4.0	4.0	default 0.0
				[2] blue	-4.0	4.0	default 0.0
				[3] luma	-4.0	4.0	default 0.0
	8.2	Gain Adjust	fixed16	[0] red	0.0	16.0	default 1.0
				[1] green	0.0	16.0	default 1.0
				[2] blue	0.0	16.0	default 1.0
				[3] luma	0.0	16.0	default 1.0
	8.3	Offset Adjust	fixed16	[0] red	-8.0	8.0	default 0.0
				[1] green	-8.0	8.0	default 0.0
				[2] blue	-8.0	8.0	default 0.0
				[3] luma	-8.0	8.0	default 0.0
	8.4	Contrast Adjust	fixed16	[0] pivot	0.0	1.0	default 0.5
				[1] adj	0.0	2.0	default 1.0
	8.5	Luma mix	fixed16	–	0.0	1.0	default 1.0
	8.6	Color Adjust	fixed16	[0] hue	-1.0	1.0	default 0.0
[1] sat				0.0	2.0	default 1.0	
8.7	Correction Reset Default	void	–	–	–	reset to defaults	

Group	ID	Parameter	Type	Index	Minimum	Maximum	Interpretation
Media	10.0	Codec	int8 enum	[0] = basic codec	-	-	0 = CinemaDNG, 1 = DNxHD, 2 = ProRes, 3 = Blackmagic RAW
				[1] = code variant	-	-	CinemaDNG: 0 = uncompressed, 1 = lossy 3:1, 2 = lossy 4:1
					-	-	ProRes: 0 = HQ, 1 = 422, 2 = LT, 3 = Proxy, 4 = 444, 5 = 444XQ
					-	-	Blackmagic RAW: 0 = Q0, 1 = Q5, 2 = 3:1, 3 = 5:1, 4 = 8:1, 5 = 12:1
	10.1	Transport mode	int8	[0] = mode	-	-	0 = Preview, 1 = Play, 2 = Record
				[1] = speed	-	-	-ve = multiple speeds backwards, 0 = pause, +ve = multiple speeds forwards
				[2] = flags	-	-	1<<0 = loop, 1<<1 = play all, 1<<5 = disk1 active, 1<<6 = disk2 active, 1<<7 = time-lapse recording
				[3] = slot 1 storage medium	-	-	0 = CFast card, 1 = SD, 2 = SSD Recorder
				[4] = slot 2 storage medium	-	-	0 = CFast card, 1 = SD, 2 = SSD Recorder
	10.2	Playback Control	int8 enum	[0] = clip	-	-	0 = Previous, 1 = Next
PTZ Control	11.0	Pan/Tilt Velocity	fixed 16	[0] = pan velocity	-1.0	1.0	-1.0 = full speed left, 1.0 = full speed right
				[1] = tilt velocity	-1.0	1.0	-1.0 = full speed down, 1.0 = full speed up
	11.1	Memory Preset	int8 enum	[0] = preset command	-	-	0 = reset, 1 = store location, 2 = recall location
			int8	[1] = preset slot	0	5	-

## Example Protocol Packets

Operation	Packet Length	Byte															
		0	1	2	3	4	5	6	7	8	9	10	11	12	13	14	15
		header			command				data								
		destination	length	command	reserved	category	parameter	type	operation								
trigger instantaneous auto focus on camera 4	8	4	4	0	0	0	1	0	0								
turn on OIS on all cameras	12	255	5	0	0	0	6	0	0	1	0	0	0				
set exposure to 10 ms on camera 4 (10 ms = 10000 us = 0x00002710)	12	4	8	0	0	1	5	3	0	0x10	0x27	0x00	0x00				
add 15% to zebra level (15 % = 0.15 f = 0x0133 fp)	12	4	6	0	0	4	2	128	1	0x33	0x01	0	0				
select 1080p 23.98 mode on all cameras	16	255	9	0	0	1	0	1	0	24	1	3	0	0	0	0	0
subtract 0.3 from gamma adjust for green & blue (-0.3 ~ = 0xfd9a fp)	16	4	12	0	0	8	1	128	1	0	0	0x9a	0xfd	0x9a	0xfd	0	0
all operations combined	76	4	4	0	0	0	1	0	0	255	5	0	0	0	6	0	0
		1	0	0	0	4	8	0	0	1	5	3	0	0x10	0x27	0x00	0x00
		4	6	0	0	4	2	128	1	0x33	0x01	0	0	255	9	0	0
		1	0	1	0	24	1	3	0	0	0	0	0	4	12	0	0
		8	1	128	1	0	0	0x9a	0xfd	0x9a	0xfd	0	0				

## Blackmagic Tally Control Protocol

### Version 1.0 (30/04/14)

This section is for third party developers or anybody who may wish to add support for the Blackmagic Tally Control Protocol to their products or system. It describes the protocol for sending tally information embedded in the non-active picture region of a digital video stream.

### Data Flow

A master device such as a broadcast switcher embeds tally information into its program feed which is broadcast to a number of slave devices such as cameras or camera controllers. The output from the slave devices is typically fed back to the master device, but may also be sent to a video monitor.

The primary flow of tally information is from the master device to the slaves. Each slave device may use its device id to extract and display the relevant tally information.

Slave devices pass through the tally packet on their output and update the monitor tally status, so that monitor devices connected to that individual output may display tally status without knowledge of the device id they are monitoring.

## Assumptions

Any data alignment / padding is explicit in the protocol. Bit fields are packed from LSB first.

## Blanking Encoding

One tally control packet may be sent per video frame. Packets are encoded as a SMPTE 291M packet with DID/SDID x51/x52 in the active region of VANC line 15. A tally control packet may contain up to 256 bytes of tally information.

## Packet Format

Each tally status consists of 4 bits of information:

```
uint4
    bit 0:  program tally status (0=off, 1=on)
    bit 1:  preview tally status (0=off, 1=on)
    bit 2-3: reserved (0x0)
```

The first byte of the tally packet contains the monitor device tally status and a version number.

Subsequent bytes of the tally packet contain tally status for pairs of slave devices. The master device sends tally status for the number of devices configured/supported, up to a maximum of 510.

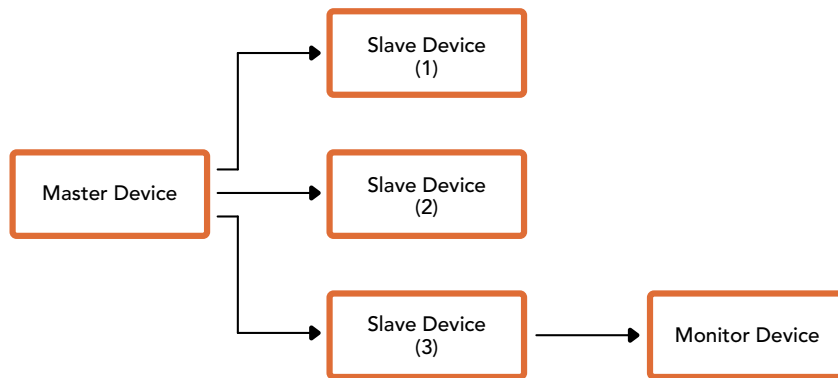
struct tally

```
uint8
    bit 0:  monitor device program tally status (0=off, 1=on)
    bit 1:  monitor device preview tally status (0=off, 1=on)
    bit 2-3: reserved (0b00)
    bit 4-7: protocol version (0b0000)

uint8[0]
    bit 0:  slave device 1 program tally status (0=off, 1=on)
    bit 1:  slave device 1 device preview tally status (0=off, 1=on)
    bit 2-3: reserved (0b00)
    bit 4:  slave device 2 program tally status (0=off, 1=on)
    bit 5:  slave device 2 preview tally status (0=off, 1=on)
    bit 6-7: reserved (0b00)

uint8[1]
    bit 0:  slave device 3 program tally status (0=off, 1=on)
    bit 1:  slave device 3 device preview tally status (0=off, 1=on)
    bit 2-3: reserved (0b00)
    bit 4:  slave device 4 program tally status (0=off, 1=on)
    bit 5:  slave device 4 preview tally status (0=off, 1=on)
    bit 6-7: reserved (0b00)

...
```



Byte	7 MSB	6	5	4	3	2	1	0 LSB
0	Version (0b0)	Version (0b0)	Version (0b0)	Version (0b0)	Reserved (0b0)	Reserved (0b0)	Monitor Preview	Monitor Program
1	Reserved (0b0)	Reserved (0b0)	Slave 1 Preview	Slave 1 Program	Reserved (0b0)	Reserved (0b0)	Slave 0 Preview	Slave 0 Program
2	Reserved (0b0)	Reserved (0b0)	Slave 3 Preview	Slave 3 Program	Reserved (0b0)	Reserved (0b0)	Slave 2 Preview	Slave 2 Program
3	...							

## Montura para objetivos B4

Es posible quitar la montura PL en el modelo Blackmagic URSA Mini PL y sustituirla por una B4. Esta es un tanto diferente a la versión para el modelo URSA Mini Pro. Por ejemplo, los orificios para los tornillos se encuentran en otra posición, a fin de dejar espacio disponible para el botón EF. Asimismo, el espesor del anillo adaptador es distinto, de modo que, al usar objetivos B4 con la cámara URSA Mini PL, es importante seleccionar la montura adecuada.

La montura B4 para la cámara URSA Mini PL puede adquirirse en todos los distribuidores de productos Blackmagic Design.

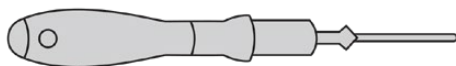
Este accesorio brinda la posibilidad de añadir un objetivo B4 parfocal al modelo URSA Mini PL para realizar coberturas de noticias en resolución HD. Esta clase de objetivos proporciona un punto de enfoque constante a lo largo de todo su rango focal, por lo que permite aplicar distintas técnicas de manera eficiente. Al enfocar un objetivo en particular utilizando la máxima distancia focal, la calidad del enfoque no se verá afectada, aun al modificar el rango de dicha distancia del mínimo al máximo. Es importante destacar que, además, se debe ajustar apropiadamente la distancia de registro, también denominada enfoque por detrás del plano focal.

### Instalación de la montura B4

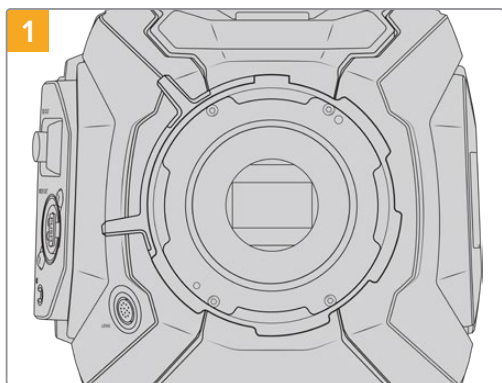
La montura para objetivos B4 incluye dos anillos adaptadores de 0.50 mm adicionales, diseñados específicamente para agregarlos a los que ya vienen instalados detrás de la montura de la cámara. De esta manera, se dispondrá de un total de tres anillos adaptadores de 0.50 mm que otorgan el espacio necesario para obtener una distancia de registro óptima. Asimismo, esta se puede continuar rectificando mediante el anillo del objetivo.

Los objetivos B4 ofrecen la posibilidad de lograr una variedad de tomas que serían imposibles de obtener mediante el uso de objetivos de distancia focal fija.

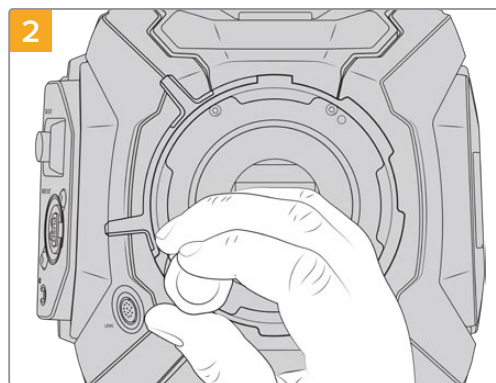
Para instalar la montura B4 necesitará un torquímetro que permita ejercer con precisión un par máximo de torsión de 0.45 Nm y un destornillador hexagonal de 2.0 mm.



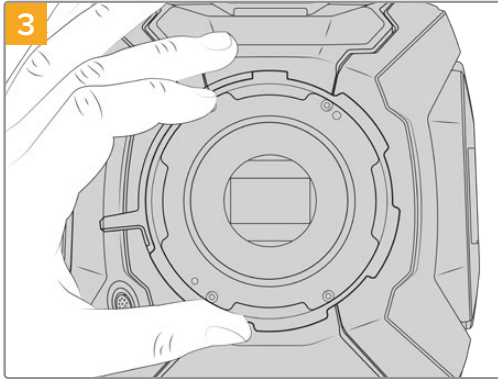
Para instalar la montura B4 en el modelo URSA Mini, necesitará un torquímetro que permita ejercer con precisión un par máximo de torsión de 0.45 Nm con y un destornillador hexagonal de 2.0 mm.



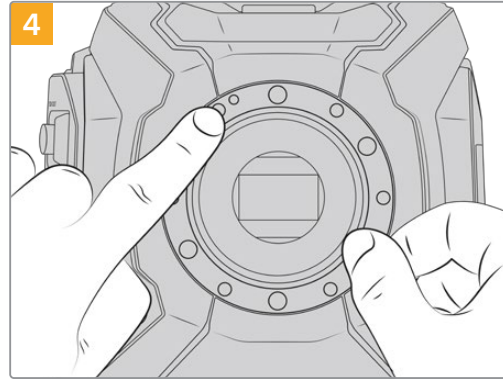
1  
Coloque la cámara sobre una superficie firme y limpia y, a continuación, retire el objetivo o la tapa protectora. El filtro de vidrio que protege el sensor estará al descubierto durante todo el procedimiento, de modo que es importante que no haya partículas de suciedad en el entorno. Procure no tocarlo durante la instalación.



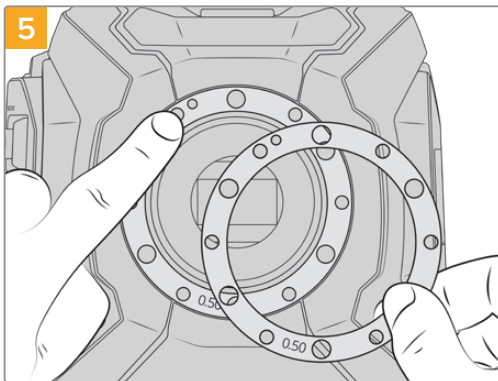
2  
Retire los seis tornillos que aseguran la montura utilizando el destornillador hexagonal de 2.0 mm. En algunos casos es necesario rotar el aro de seguridad hacia la derecha o la izquierda para acceder a los tornillos.



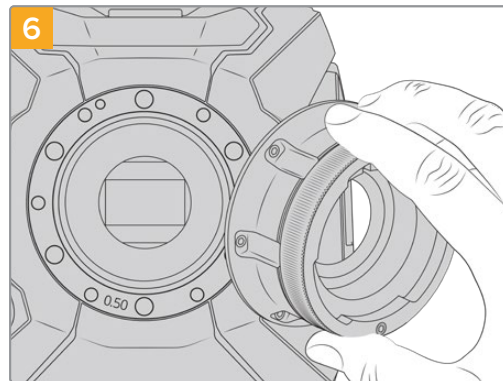
3  
Separe cuidadosamente la montura del armazón de la cámara. Deje los tornillos en un lugar seguro cerca de la montura.



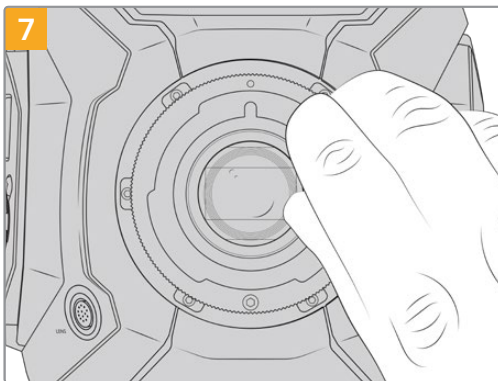
4  
Observe la alineación del anillo de 0.50 mm instalado. El punto de referencia se encuentra en la posición horaria de las once en punto.



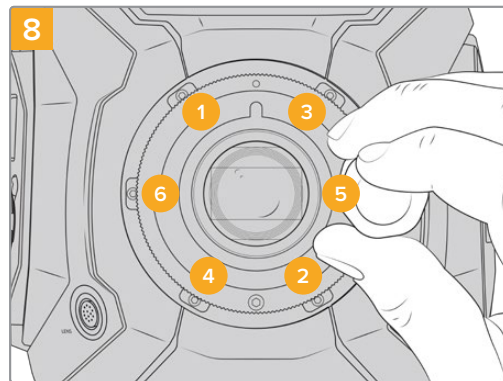
5  
Coloque los dos anillos incluidos con la montura B4 sobre anillo el original. De este modo, obtendrá el espacio suficiente para alcanzar una distancia de registro óptima.



6  
Coloque la montura sobre el armazón de la cámara y asegúrese de que el pasador de alineación encastre con el orificio correspondiente.



7  
Con un destornillador hexagonal de 2 mm o un torquímetro que permita aplicar una torsión de 0.45 Nm, comience a apretar los seis tornillos sin ejercer demasiada fuerza, hasta que la montura entre en contacto con el soporte. Para acceder a los tornillos, deberá girar el aro de seguridad, ya que algunos orificios pueden quedar ocultos detrás de este.



8  
Asegúrese de que la montura está nivelada y correctamente alineada, y luego continúe apretando los tornillos en el orden mostrado a continuación, a fin de lograr una presión equitativa sin ajustarlos de más.

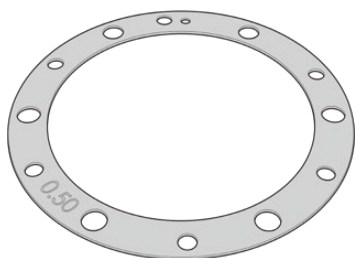


# Uso de anillos adaptadores

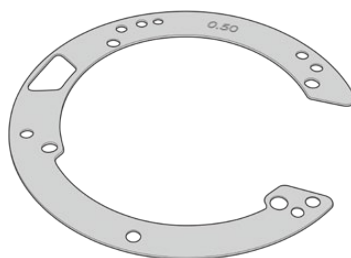
## ¿Qué es un anillo adaptador?

Los anillos adaptadores son discos delgados de grosor variable que permiten ajustar en forma precisa la distancia entre el objetivo tipo PL y el sensor de la cámara. Esta separación se denomina comúnmente distancia de registro o enfoque por detrás del plano focal y puede fluctuar ligeramente debido a variables tales como el tiempo de uso del objetivo y las condiciones climáticas en el set de grabación. Los siguientes modelos están diseñados para poder modificar con facilidad la distancia de registro mediante el uso de dichos anillos.

- URSA Mini PL 4K
- URSA Mini PL 4.6K
- URSA Mini Pro 4.6K
- URSA Mini Pro 4.6K G2



Anillo adaptador para el modelo URSA Mini



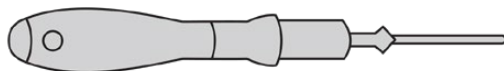
Anillo adaptador para el modelo URSA Mini Pro

Los anillos se colocan entre la montura y el armazón de la cámara, de forma que la distancia entre el elemento enfocado y el sensor coincida con las marcas en el objetivo. Estos se utilizan frecuentemente con objetivos PL. Dichas lentes cinematográficas se ajustan de manera manual y cuentan con marcas muy precisas para la distancia focal en el barrilete. Los anillos también se emplean para la montura intercambiable del modelo URSA Mini Pro.

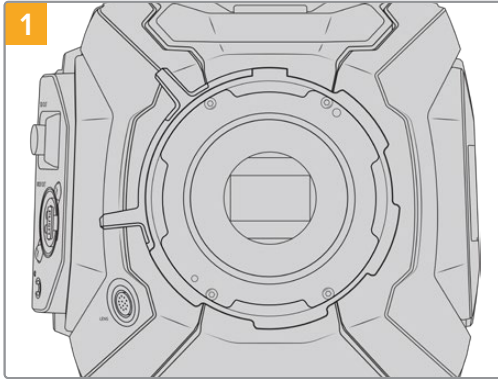
El modelo Blackmagic URSA Mini incluye un anillo de 0.50 mm. El juego de anillos para el modelo URSA Mini Pro incluye piezas adicionales de diverso grosor y puede adquirirse en cualquier distribuidor de productos Blackmagic Design. Los kits de monturas para esta cámara también incluyen un juego de anillos. Elija aquellos que mejor se adapten a sus requisitos particulares.

## Colocación de anillos adaptadores en el modelo URSA Mini PL

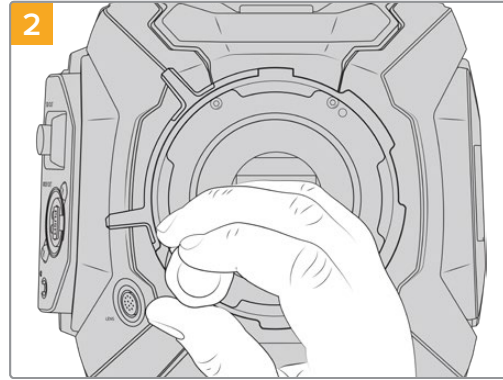
Para colocar los anillos en la montura tipo PL necesitará un torquímetro que permita ejercer con precisión un par máximo de torsión de 0.45 Nm con un destornillador hexagonal de 2.0 mm.



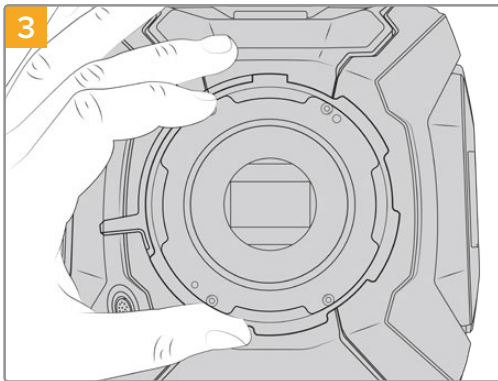
Torquímetro



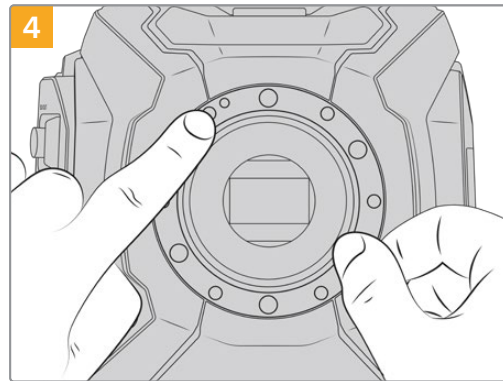
Coloque la cámara sobre una superficie firme y limpia y, a continuación, retire el objetivo o la tapa protectora. El filtro de vidrio que protege el sensor estará al descubierto durante todo el procedimiento, de modo que es importante que no haya partículas de suciedad en el entorno. Asimismo, tenga cuidado de no tocarlo.



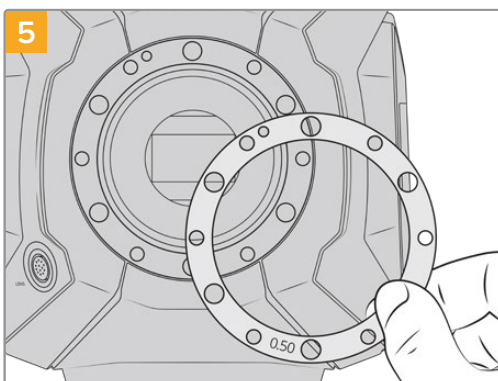
Retire los seis tornillos que aseguran la montura utilizando el destornillador hexagonal de 2.0 mm. En algunos casos es necesario rotar el aro de seguridad hacia la derecha o la izquierda para acceder a los tornillos.



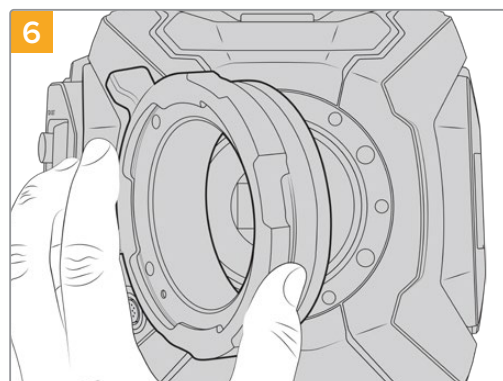
Separe cuidadosamente la montura del armazón de la cámara. Deje los tornillos en un lugar seguro cerca de la montura.



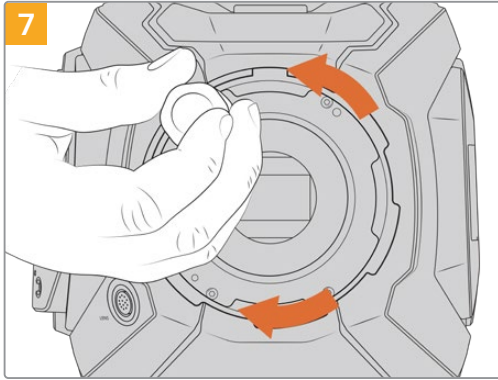
Observe que el anillo de 0.50 mm instalado coincide con el pasador de alineación, situado en la posición horaria de las once en punto.



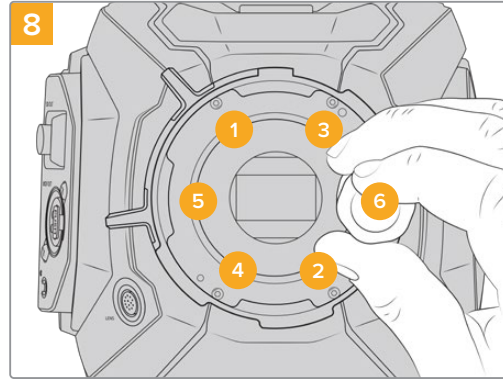
Añada o quite los anillos adaptadores en incrementos de 0.10 mm. Por ejemplo, reemplace el de 0.50 mm por uno de 0.40 mm. Después de ensamblar la cámara nuevamente, compruebe que las marcas en los objetivos coincidan.



Coloque la montura PL en la cámara.



Con un destornillador hexagonal de 2 mm o un torquímetro que permita aplicar una torsión de 0.45 Nm, comience a apretar los tornillos sin ejercer demasiada fuerza, hasta que la montura entre en contacto con el soporte.

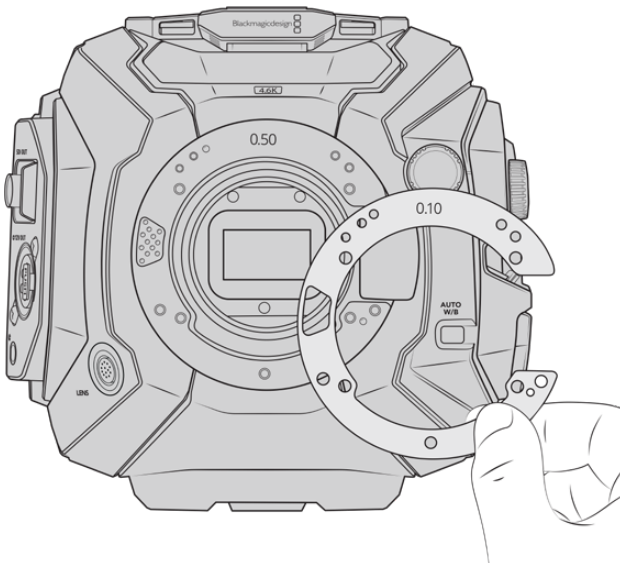


Asegúrese de que la montura está nivelada y correctamente alineada, y luego continúe apretando los tornillos en el orden mostrado a continuación, a fin de lograr una presión equitativa sin ajustarlos de más.

## Colocación de anillos en el modelo URSA Mini Pro

Este procedimiento es muy similar al descrito previamente para el modelo URSA Mini PL. La única diferencia es la forma de los anillos. Simplemente retire la montura de la cámara, añada o quite los anillos como se describió anteriormente, y vuelva a colocar la montura.

Para obtener más información al respecto, consulte el apartado *Montura intercambiable*.

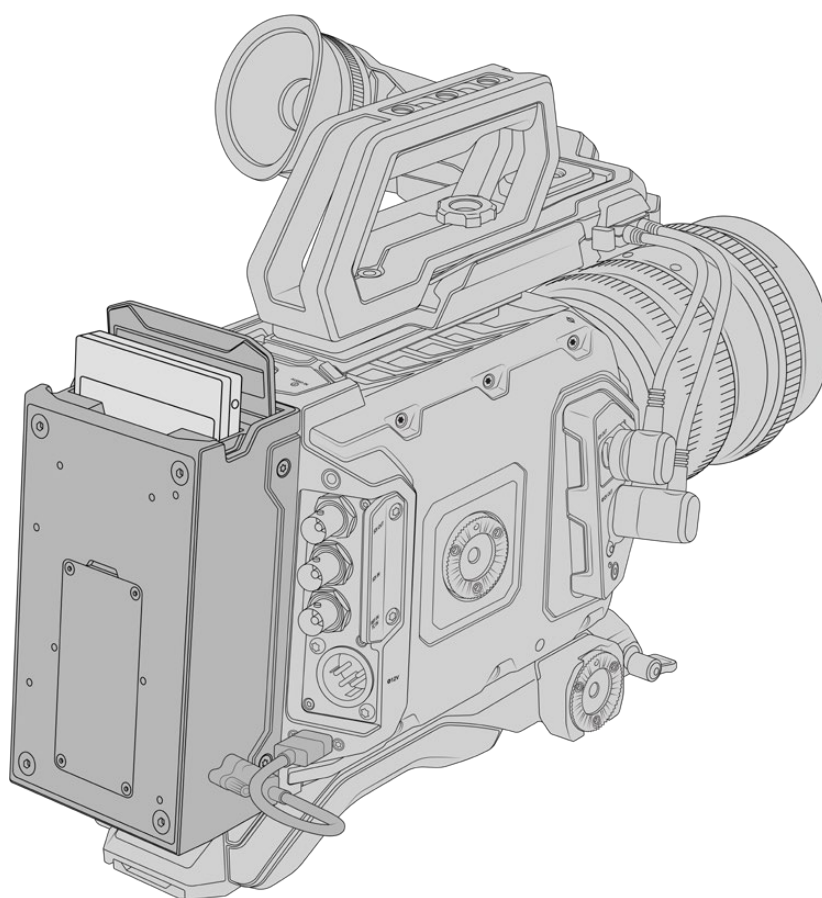


Los anillos adaptadores para el modelo URSA Mini Pro se asemejan a una C, a fin de dejar espacio disponible para el mecanismo de control de la montura EF. A su vez, esto facilita su alineación. La instalación se realiza de la misma forma descrita para el modelo URSA Mini PL.

# URSA Mini Recorder

Este grabador opcional se coloca en la parte trasera del modelo URSA Mini Pro 12Ky permite emplear unidades SSD económicas con gran capacidad para almacenar material audiovisual en formato Blackmagic RAW 12K.

**NOTA:** El grabador URSA Mini Recorder ha sido diseñado para la cámara URSA Mini Pro 12K y puede utilizarse con la versión URSA Mini Pro 4.6K G2. Sin embargo, no es compatible con los modelos URSA Mini Pro 4.6K, URSA Mini 4.6K y URSA Mini 4K.



**Para instalar el grabador en la cámara, se necesitan las siguientes herramientas:**

- 1 destornillador Phillips
- 1 destornillador Torx T10
- 1 llave Allen de 2 mm

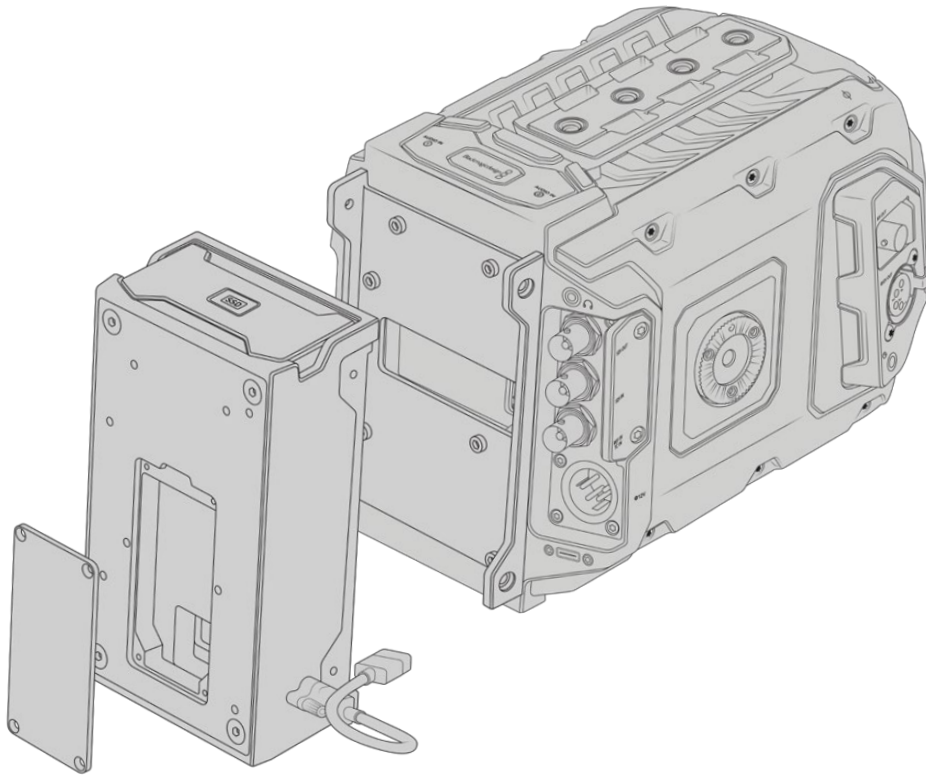


Para colocar el grabador en la cámara, necesitará un destornillador Phillips grande, un destornillador Torx T10 y una llave Allen de 2 mm.

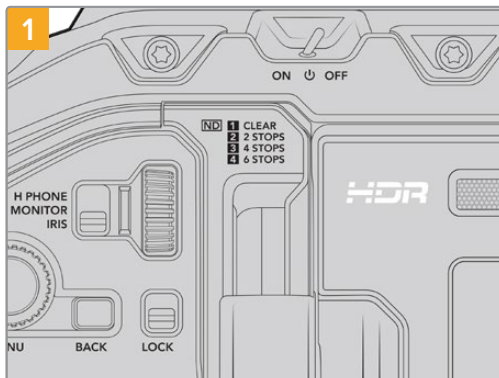
## Instalación y conexión del grabador

El grabador se instala en la parte trasera de la cámara, y la transferencia de datos entre ambos dispositivos se realiza a través del puerto USB-C.

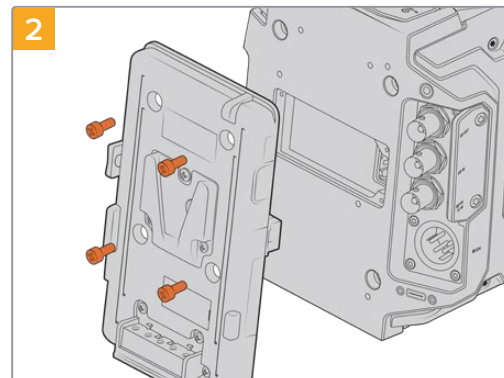
**SUGERENCIA:** El grabador incluye un cable que permite alimentar la cámara instalando una batería en la parte posterior del mismo.



Para instalar el grabador:

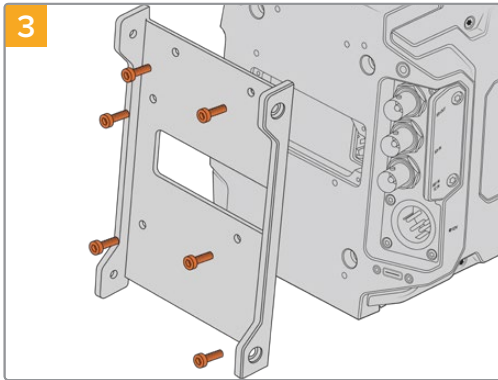


Apague la cámara moviendo el interruptor de encendido a la posición OFF.

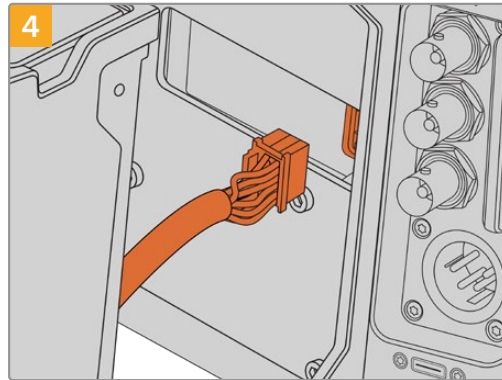


Retire el soporte para baterías en caso de haber uno conectado a la cámara. Consulte el apartado correspondiente para obtener más información al respecto.

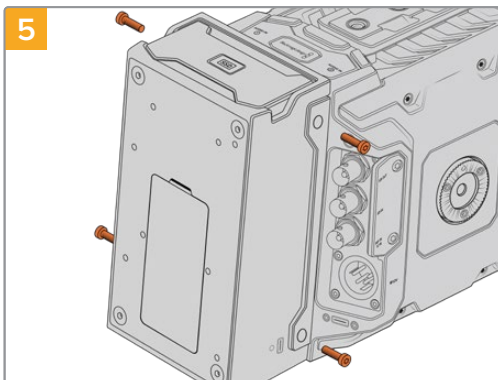




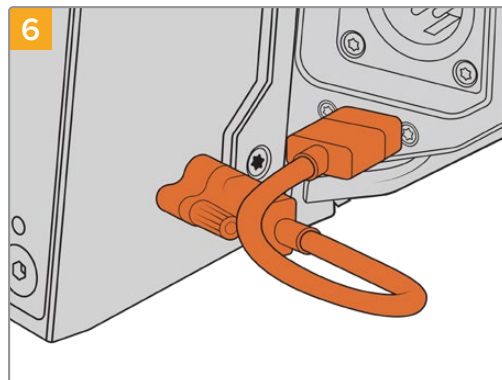
3 Coloque el soporte para el grabador utilizando los seis tornillos Torx T10.



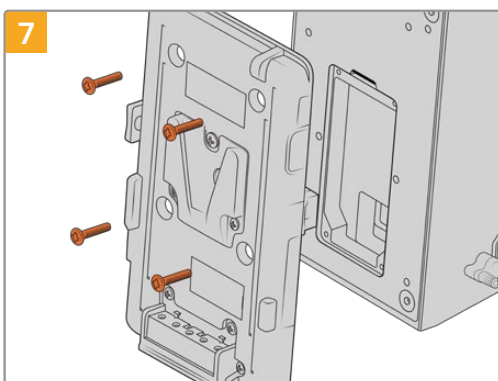
4 Enchufe el conector Molex del grabador a la parte trasera de la cámara.



5 Apriete los dos tornillos Torx T10 en ambos laterales para sujetar el grabador al soporte.



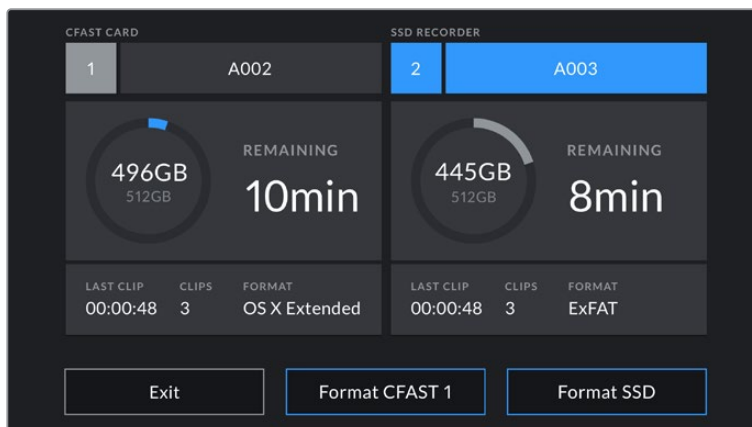
6 Conecte el cable USB-C del grabador al puerto correspondiente en la parte trasera de la cámara. Apriete los mecanismos de bloqueo con los dedos o mediante una llave Allen de 2 mm. En el caso de la versión URSA Mini Pro 4.6K G2, utilice un cable USB-C de mayor longitud y conéctelo al puerto correspondiente encima de las ranuras para tarjetas CFast.



7 Si también desea instalar un soporte para baterías, quite los cuatro tornillos M3 que sujetan la tapa del conector Molex con una llave Allen de 2 mm. Luego coloque el soporte como se describe en el apartado correspondiente de este manual.

## Uso del grabador

La unidad SSD insertada en el grabador tiene prioridad sobre el soporte de almacenamiento que haya en la ranura o el compartimiento 2 de la cámara. En este caso, el indicador **SSD** aparece en la pantalla.



Al insertar una unidad SSD en el grabador, aparecerá el indicador **Grabador SSD** sobre el espacio correspondiente a la segunda ranura.

Esto significa que la grabación, la reproducción y el almacenamiento se llevan a cabo de la misma manera en una unidad SSD o en tarjetas SD o CFast. Consulte el apartado correspondiente para obtener más información al respecto.

### Indicadores

El grabador cuenta con una luz indicadora para la unidad SSD en el lateral izquierdo. Su brillo puede ajustarse desde el menú de configuración de la cámara.

### SSD

Este led indica el estado de la unidad SSD en el grabador, según se describe a continuación:

<b>Verde</b>	El indicador se enciende brevemente al insertar una unidad SSD en el grabador mientras el dispositivo la verifica. Una vez que se apaga, el equipo está listo para comenzar a grabar. La luz también se prende al reproducir el contenido de la unidad SSD.
<b>Rojo</b>	Indica que se está grabando en la unidad SSD. La luz parpadea lentamente si el espacio disponible es escaso, o con mayor rapidez en caso de detectar fotogramas omitidos. Si esto ocurre, compruebe el modelo del soporte de almacenamiento para confirmar que sea uno de los recomendados. Verifique además la compatibilidad de la velocidad de grabación con el formato seleccionado.
<b>Naranja</b>	Si surge algún problema al comprobar la unidad SSD, el indicador se encenderá de color naranja. Esto puede ocurrir cuando la unidad no es compatible o no se ha formateado correctamente. Consulte el apartado Almacenamiento para obtener más información sobre los modelos recomendados y el modo de formatear la unidad.

**SUGERENCIA:** Si surge un problema cuando el dispositivo comprueba la unidad SSD, es posible que sea necesario inicializarla en un equipo informático utilizando un programa utilitario de discos.

## Actualización del grabador

El grabador puede actualizarse a través del programa utilitario de las cámaras. Dado que el dispositivo debe permanecer encendido durante este procedimiento, recomendamos mantenerlo conectado a la cámara. Mini Recorder connected to URSA Mini Pro 12K during the update process. A su vez, es necesario conectar la cámara a la red de suministro eléctrico o a una batería para que le proporcione corriente en forma constante.

Conecte el equipo informático al grabador mediante un cable USB-C y ejecute el programa Blackmagic Camera Setup. Camera Setup Utility. Si la versión del sistema operativo interno del grabador no es la más reciente, será preciso actualizarla. URSA Mini Recorder is using outdated version. Para ello, siga las instrucciones que aparecen en la pantalla.

**NOTA:** Consulte el apartado *Programa utilitario* para obtener más información al respecto.

**SUGERENCIA:** Recomendamos actualizar todos los componentes del modelo URSA simultáneamente para lograr un rendimiento óptimo.



# Ayuda

La forma más rápida de obtener ayuda es visitando las páginas de soporte técnico en el sitio web de Blackmagic Design, donde es posible acceder al material de apoyo más reciente.

## Página de soporte técnico de Blackmagic Design

Las versiones más recientes del manual, el software y el material de apoyo están disponibles en el centro de soporte técnico de Blackmagic Design.

## Cómo ponerse en contacto con Blackmagic Design

Si no encuentra la ayuda que necesita, solicite asistencia mediante el botón **Enviar correo electrónico**, situado en la parte inferior de nuestra página de soporte técnico. De manera alternativa, haga clic en el botón **Soporte técnico local** para acceder al número telefónico del centro de atención más cercano.

## Cómo comprobar la versión del software instalado

Para comprobar la versión del programa utilitario instalado en el dispositivo, seleccione la opción **About Blackmagic Camera Utility**.

- En un equipo Mac, ejecute el programa desde la carpeta de aplicaciones. Seleccione la opción **About Blackmagic Camera Setup** para ver el número de versión.
- En Windows, abra el programa desde el menú **Inicio** o la página principal. Haga clic en el menú **Help** y seleccione **About Blackmagic Camera Utility** para ver el número de la versión.

## Cómo obtener las actualizaciones más recientes

Después de verificar la versión del programa instalada, visite el centro de soporte técnico de Blackmagic Design para comprobar si hay actualizaciones disponibles. Aunque generalmente es recomendable descargar las versiones más recientes, evite realizar modificaciones al sistema operativo interno si se encuentra en medio de un proyecto importante.

# Normativas



## **Desecho de equipos eléctricos y electrónicos en la Unión Europea:**

Este símbolo en el producto indica que el dispositivo no debe desecharse junto con otros residuos domésticos. A tales efectos, debe ser entregado a un centro de recolección para su posterior reciclaje. Esto ayuda a preservar los recursos naturales y garantiza que el equipo se recicle de una manera que proteja la salud y el medioambiente. Para obtener más información en este sentido, comuníquese con el centro de reciclaje más cercano o el distribuidor donde adquirió el producto.



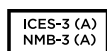
Según las pruebas realizadas, este equipo cumple con los límites indicados para dispositivos digitales Clase A, en conformidad con la sección 15 de las normas establecidas por la Comisión Federal de Comunicaciones. Estos límites han sido implementados para proporcionar una protección razonable contra interferencias nocivas al operar el dispositivo en un entorno comercial. Este equipo usa, genera y puede irradiar energía de radiofrecuencia, y si no se instala o utiliza de acuerdo con el manual de instrucciones, es posible que ocasione interferencias nocivas para las comunicaciones radiales. El funcionamiento de este equipo en una zona residencial puede ocasionar interferencias nocivas, en cuyo caso el usuario será responsable de solucionar el problema por cuenta propia.

El funcionamiento de este equipo está sujeto a las siguientes dos condiciones:

- 1 El dispositivo no puede causar interferencias nocivas.
- 2 El dispositivo debe admitir cualquier interferencia recibida, incluidas aquellas que pudieran provocar un funcionamiento incorrecto del mismo.



MSIP-REM-BMD-201511002  
MSIP-REM-BMD-201608001  
MSIP-REM-BMD-201703001  
R-R-BMD-201907006  
R-R-BMD-20200421001  
R-R-BMD-20200421002



## **Declaración ISED (Canadá)**

Esta cámara cumple con los estándares canadienses para dispositivos digitales Clase A.

Cualquier modificación o uso indebido del mismo podría acarrear un incumplimiento de dichas normas.

Las conexiones a interfaces HDMI deberán realizarse mediante cables blindados.

Este equipo cumple con las normas descritas anteriormente al emplearse en entornos comerciales. Nótese que podría ocasionar interferencia radial al utilizarlo en ambientes domésticos.

## **Conectividad Bluetooth®**

La cámara URSA Mini Pro es un dispositivo con tecnología Bluetooth.

Incluye módulo transmisor. Identificación FCC: QOQBGM113

Este dispositivo cumple con los límites de exposición a la radiación establecidos para un entorno no controlado.

Incluye módulo transmisor. Identificación IC: 5123A-BGM113

Este dispositivo cumple con los límites de exposición a las ondas electromagnéticas establecidos por el gobierno de Canadá. Como tal, no requiere una licencia y está exento de las evaluaciones habituales llevadas a cabo para determinar la absorción específica de tales ondas, según lo dispuesto en la versión 5 de las especificaciones RSS-102.

Certificado en Japón. Número de certificación: 209-J00204. Este dispositivo contiene componentes certificados según las normas técnicas establecidas en la Ley de Radiocomunicación.

Este módulo ha sido certificado en Corea del Sur. Número de certificación: MSIP CRM-BGT-BGM113

Blackmagic Design declara por medio del presente que el uso de la banda ISM 2.4 GHz para la transmisión de señales mediante el modelo URSA Mini Pro cumple con las normas de la Directiva 2014/53/EU.

Envíe un correo electrónico a [compliance@blackmagicdesign.com](mailto:compliance@blackmagicdesign.com) para solicitar el texto completo de la declaración de conformidad.

## Seguridad

Es necesario conectar tanto la fuente de alimentación proporcionada para el modelo Blackmagic URSA Mini, URSA Mini Pro como el cable IEC para el dispositivo Blackmagic Studio Fiber Converter a una toma de corriente que disponga de una conexión a tierra.

Los dispositivos Blackmagic URSA Mini, URSA Mini Pro y Camera Fiber Converter pueden utilizarse en climas tropicales a una temperatura ambiente máxima de 40 °C o 50 °C en el caso del modelo Studio Fiber Converter.

Compruebe que haya suficiente ventilación en torno a los dispositivos. Al instalar el modelo Studio Fiber Converter en un bastidor, verifique que el equipo contiguo no impida la ventilación.

La reparación o el mantenimiento de las partes internas de los equipos no debe ser llevado a cabo por el usuario. Comuníquese con nuestro centro de atención más cercano para obtener información al respecto.

### Declaración del Estado de California

Las partes plásticas de este producto pueden contener trazas de compuestos químicos, tales como polibromobifenilos (PBB), que el Estado de California reconoce como causantes de cáncer, anomalías congénitas o daños reproductivos.

Consulte el sitio [www.P65Warnings.ca.gov](http://www.P65Warnings.ca.gov) para obtener más información al respecto.

### Blackmagic URSA Mini and URSA Mini Pro

Aconsejamos resguardar la cámara a la sombra en exteriores para prevenir la exposición del equipo o la batería de litio a la luz solar durante períodos prolongados. Mantenga las baterías de litio alejadas de cualquier fuente de calor.

El conector CC de 12 V permite alimentar dispositivos Blackmagic URSA Viewfinder y Blackmagic URSA Studio Viewfinder. Al conectar otros accesorios, compruebe que el consumo energético sea inferior a 18 W.



### Blackmagic Studio Fiber Converter

A fin de reducir el riesgo de descarga eléctrica, evite exponer el equipo a goteras o salpicaduras. Evite utilizar el equipo a una altura mayor de 2000 metros.

### Blackmagic Camera Fiber Converter

Utilice el conversor solo cuando esté conectado a su par en el estudio. El dispositivo ha sido diseñado para admitir voltajes peligrosos en condiciones de uso normal.

# Garantía

## Garantía limitada

Blackmagic Design ofrece una garantía de 12 meses a partir de la fecha de compra de este producto por defectos relativos a los materiales o la fabricación. Si el producto resulta defectuoso durante el período de validez de la garantía, Blackmagic Design podrá optar por reemplazarlo o repararlo sin cargo alguno por concepto de piezas y/o mano de obra.

Para acceder al servicio proporcionado de acuerdo con los términos de esta garantía, el Cliente deberá dar aviso del defecto a Blackmagic Design antes del vencimiento del período de garantía y encargarse de los arreglos necesarios para la prestación del mismo. El Cliente será responsable del empaque y el envío del producto defectuoso al centro de servicio técnico designado por Blackmagic Design y deberá abonar las tarifas postales por adelantado. El Cliente será responsable de todos los gastos de envío, seguros, aranceles, impuestos y cualquier otro importe que surja con relación a la devolución de productos por cualquier motivo.

Esta garantía carecerá de validez ante defectos o daños causados por un uso indebido o por falta de cuidado y mantenimiento. Según los términos estipulados, Blackmagic Design no tendrá obligación alguna de (a) reparar daños provocados por intentos de personal ajeno a Blackmagic Design de instalar, reparar o realizar un mantenimiento del producto; (b) reparar daños resultantes del uso de equipos incompatibles o conexiones a los mismos; (c) reparar cualquier daño o mal funcionamiento provocado por el uso de piezas o repuestos no suministrados por Blackmagic Design; o (d) brindar servicio técnico a un producto que haya sido modificado o integrado con otros productos, cuando dicha modificación o integración tenga como resultado un aumento de la dificultad o el tiempo necesario para reparar el producto.

La pantalla del dispositivo URSA Viewfinder podría sufrir daños en caso de exposición a la luz solar directa, dado que el sistema óptico actúa como una lupa. La pantalla OLED podría quemarse o presentar problemas de retención de imagen al mostrar un fotograma determinado o contenidos de alto contraste, tales como las guías de encuadre, durante períodos prolongados. Para prevenir este inconveniente, evite cubrir el sensor infrarrojo deliberadamente y desconecte el visor si no va utilizarlo durante un largo tiempo. La garantía del producto no cubre daños por problemas de retención de imagen.

ESTA GARANTÍA OFRECIDA POR BLACKMAGIC DESIGN REEMPLAZA CUALQUIER OTRA GARANTÍA, EXPRESA O IMPLÍCITA. POR MEDIO DE LA PRESENTE, BLACKMAGIC DESIGN Y SUS DISTRIBUIDORES RECHAZAN CUALQUIER GARANTÍA IMPLÍCITA DE COMERCIALIZACIÓN O IDONEIDAD PARA UN PROPÓSITO PARTICULAR. LA RESPONSABILIDAD DE BLACKMAGIC DESIGN EN CUANTO A LA REPARACIÓN O SUSTITUCIÓN DE PRODUCTOS DEFECTUOSOS DURANTE EL PERÍODO DE LA GARANTÍA CONSTITUYE UNA COMPENSACIÓN COMPLETA Y EXCLUSIVA PROPORCIONADA AL CLIENTE. BLACKMAGIC DESIGN NO ASUME RESPONSABILIDAD ALGUNA POR CUALQUIER DAÑO INDIRECTO, ESPECIAL, FORTUITO O EMERGENTE, AL MARGEN DE QUE BLACKMAGIC DESIGN O SUS DISTRIBUIDORES HAYAN SIDO ADVERTIDOS CON ANTERIORIDAD SOBRE LA POSIBILIDAD DE TALES DAÑOS. BLACKMAGIC DESIGN NO SE HACE RESPONSABLE POR EL USO ILEGAL DE EQUIPOS POR PARTE DEL CLIENTE. BLACKMAGIC DESIGN NO SE HACE RESPONSABLE POR DAÑOS CAUSADOS POR EL USO DE ESTE PRODUCTO. EL USUARIO UTILIZA EL PRODUCTO BAJO SU PROPIA RESPONSABILIDAD.

© Copyright 2020 Blackmagic Design. Todos los derechos reservados. Blackmagic Design, URSA, DeckLink, HDLink, Workgroup Videohub, Multibridge Pro, Multibridge Extreme, Intensity y *Leading the creative video revolution* son marcas registradas en EE. UU. y otros países. Todos los demás nombres de compañías y productos pueden ser marcas comerciales de las respectivas empresas a las que estén asociadas.

La marca y logotipo Bluetooth® son marcas registradas de Bluetooth SIG, Inc., y cualquier uso de las mismas por Blackmagic Design se efectúa bajo licencia. Todas las marcas comerciales pertenecen a sus respectivos propietarios.





安装操作手册

# Blackmagic URSA Mini 和URSA Mini Pro

包括Blackmagic URSA Viewfinder、URSA Studio Viewfinder、  
URSA Mini Shoulder Kit、URSA Mini镜头卡口、Blackmagic Camera  
Fiber Converter、Studio Fiber Converter和URSA Mini Recorder。

2020年9月

中文



## 欢迎辞

感谢您购买Blackmagic URSA Mini!

自几年前我们推出首款数字电影摄影机之后, 广大专业用户纷纷不吝建言, 提出宝贵意见与反馈, 这对于一款新品来说十分的难能可贵! 从小到大, 我们欣赏了无数优秀电影摄影师和摄影指导的作品。如今, 能与这些令人敬佩的专业人士促膝长谈, 并就我们想添加的各项摄影机功能交换意见, 令我们倍感荣幸之余, 当然, 与我们讨论过的每个人都有着出色的想法!

我们在URSA Mini上加入了拥有超宽动态范围的传感器, 并为它设计出紧凑轻质的坚固金属机身。

URSA Mini设计有精美的用户界面, 适合于单一拍摄者轻松迅速地操作摄影机的全部功能。结合使用综合全面的ATEM切换台时, 这款Super 35mm数字电影摄影机更是可以让演播室现场制作获得无比优美绚丽的画质。您甚至可搭配Blackmagic Fiber Converter转换器, 通过单根SMPTE光缆将URSA Mini连接到您的现场制作切换台上!

更棒的是, URSA Mini型号分别拥有优质的4K和4.6K传感器, 以及可提供更宽动态范围的12K传感器! 此外, 我们还根据独立拍摄人士的意见反馈研发了Blackmagic URSA Viewfinder, 为您带来更为精准的取景和对焦, 是肩扛拍摄的理想之选。

URSA Mini Pro拥有更高的画质, 并且还具备众多新的功能, 以及符合人体工程学的控制设计, 还搭载可更换的镜头卡口和内置ND滤镜。如果您经常使用电子新闻采编(ENG)摄影机, 相信这些符合人体工程学设计的控制和内置ND滤镜定能令您如虎添翼。与此同时, 我们还推出了令人引以为傲的Blackmagic RAW。这一编解码格式能兼顾RAW的灵活处理能力, 降低文件大小, 并同时大幅提升性能, 即便是来自Blackmagic URSA Mini Pro 12K的拍摄图像也能轻松应对!

希望URSA Mini或URSA Mini Pro能助您一臂之力, 让您制作出各类优秀的影视作品、电视节目、音乐视频以及精彩广告! 我们期待能有幸一睹您的创意佳作。同时, 也欢迎您就URSA摄影机有待添加的各项新功能向我们提出宝贵意见!

A stylized, handwritten signature in black ink that reads "Grant Petty".

**Grant Petty**

Blackmagic Design首席执行官



# 目录

<b>您使用的是哪款摄影机?</b>	1461	<b>触摸屏控制</b>	1528
URSA Mini Pro	1462	<b>设置</b>	1550
URSA Mini	1463	主菜单	1550
<b>入门</b>	1463	记录设置	1551
安装镜头	1463	文件命名格式	1557
开启摄影机	1467	监看设置	1558
<b>存储介质</b>	1470	音频设置	1567
CFast卡	1470	音频设置 – URSA Mini	1567
SD卡	1474	音频设置 – URSA Mini Pro	1569
USB-C硬盘	1479	设置	1571
SSD固态硬盘	1481	预设	1585
存储介质在记录前的准备事项	1483	LUTS	1587
在Blackmagic URSA Mini上格式化存储介质	1483	<b>录入元数据</b>	1591
在Blackmagic URSA Mini Pro上格式化存储介质	1485	<b>使用伺服变焦镜头</b>	1597
在Mac计算机上格式化存储介质	1486	<b>摄影机视频输出</b>	1600
在Windows计算机上格式化存储介质	1487	HD监看输出	1600
<b>记录</b>	1488	12G-SDI输出	1600
记录片段	1488	<b>URSA Mini Shoulder Mount Kit肩托套件</b>	1602
选择编解码格式、分辨率以及传感器范围	1488	<b>Blackmagic URSA Viewfinder</b>	1606
Blackmagic RAW	1490	安装和连接Blackmagic URSA	1606
以Blackmagic RAW记录	1491	调整目镜	1607
选择帧率	1494	按钮功能	1607
触发记录	1498	菜单设置	1608
记录时长表	1498	<b>Blackmagic URSA Studio Viewfinder</b>	1613
URSA Mini Pro 12K的数据速率表	1501	安装和连接到Blackmagic URSA Mini	1614
<b>播放</b>	1504	调整Blackmagic URSA Studio Viewfinder	1616
<b>URSA Mini简介</b>	1506	按钮功能	1619
摄影机正面	1506	菜单设置	1621
URSA Mini左侧	1507	<b>安装电池</b>	1626
URSA Mini Pro左侧	1507	安装V-Mount或Gold Mount电池	1626
右侧	1509	使用您自己的电池扣板	1627
后面板	1510	<b>Blackmagic Fiber Converter系列</b>	1629
顶板	1512	<b>Blackmagic Fiber Converter系列使用入门</b>	1630
底部	1512	关于SMPTE光纤	1630
<b>URSA Mini的控制</b>	1513	连接SMPTE光纤	1632
<b>URSA Mini Pro控制按钮</b>	1516	连接到ATEM切换台	1635
前方控制面板	1516	为何要将接口置于前面板?	1636
符合人体工程学的控制面板	1520	连接摄影机SDI	1637
内部控制面板	1525		

连接返送SDI输出	1637	<b>使用DaVinci Resolve</b>	1676
安装Blackmagic Camera Fiber Converter	1637	项目管理器	1676
安装URSA Studio Viewfinder	1640	使用快编页面剪辑	1677
连接对讲耳机	1640	将片段添加到时间线	1680
<b>运行Camera Fiber Converter</b>	1641	在时间线上编辑片段	1681
选择返送信号	1641	添加标题	1681
使用Call按钮	1642	使用Blackmagic RAW文件	1682
使用对讲功能	1642	使用调色页面为片段调色	1686
使用Tally	1643	添加Power Window	1689
状态提示	1643	使用插件	1690
音频输入	1644	混合音频	1691
IP视频	1645	在Fusion页面添加视觉特效和合成效果	1696
电源规格	1645	制作母版剪辑	1704
其他摄影机控制	1646	快速导出	1704
<b>运行Studio Fiber Converter</b>	1647	交付页面	1705
使用菜单	1648	<b>了解Studio Camera控制</b>	1706
机架安装演播室转换器	1651	使用摄影机控制	1707
<b>摄影机转换器接口</b>	1655	DaVinci Resolve一级调色工具	1713
摄影机电源接口	1655	<b>Blackmagic Camera Setup实用程序</b>	1716
PTZ端口	1655	<b>使用第三方软件</b>	1718
对讲接口	1656	处理CFast 2.0卡和SD卡上的文件	1718
跟踪器接口	1657	处理SSD上的文件	1719
DC电源接口	1657	使用Final Cut Pro X	1719
D-Tap输出	1658	使用Avid Media Composer 2018	1720
同步输出和运行	1658	使用Adobe Premiere Pro CC	1721
<b>演播室转换器接口</b>	1659	<b>Developer Information</b>	1722
12G-SDI输出	1659	Blackmagic Bluetooth Camera Control	1722
SDI返送输入	1659	Blackmagic SDI and Bluetooth Camera Control Protocol	1724
同步输入和输出	1660	Example Protocol Packets	1731
对讲接口	1660	Blackmagic Tally Control Protocol	1731
PTZ端口	1662	<b>Blackmagic URSA Mini B4 Mount卡口</b>	1734
音频输出	1662	<b>为镜头卡口添加垫片</b>	1736
<b>内部软件更新</b>	1663	为URSA Mini PL安装垫片	1736
更新Blackmagic Camera Fiber Converter	1663	为URSA Mini Pro安装垫片	1738
更新Blackmagic Studio Fiber Converter	1663	<b>URSA Mini Recorder</b>	1739
<b>可更换镜头卡口</b>	1664	安装和连接URSA Mini Recorder	1740
Blackmagic URSA Mini Pro PL Mount	1666	使用URSA Mini Recorder	1742
Blackmagic URSA Mini Pro F Mount	1668	更新URSA Mini Recorder的内部软件	1743
Blackmagic URSA Mini Pro EF Mount	1671	<b>帮助</b>	1744
Blackmagic URSA Mini Pro B4 Mount	1673	<b>监管声明</b>	1745
Blackmagic URSA Mini Pro Shim Kit	1675	<b>安全信息</b>	1746
		<b>保修</b>	1747

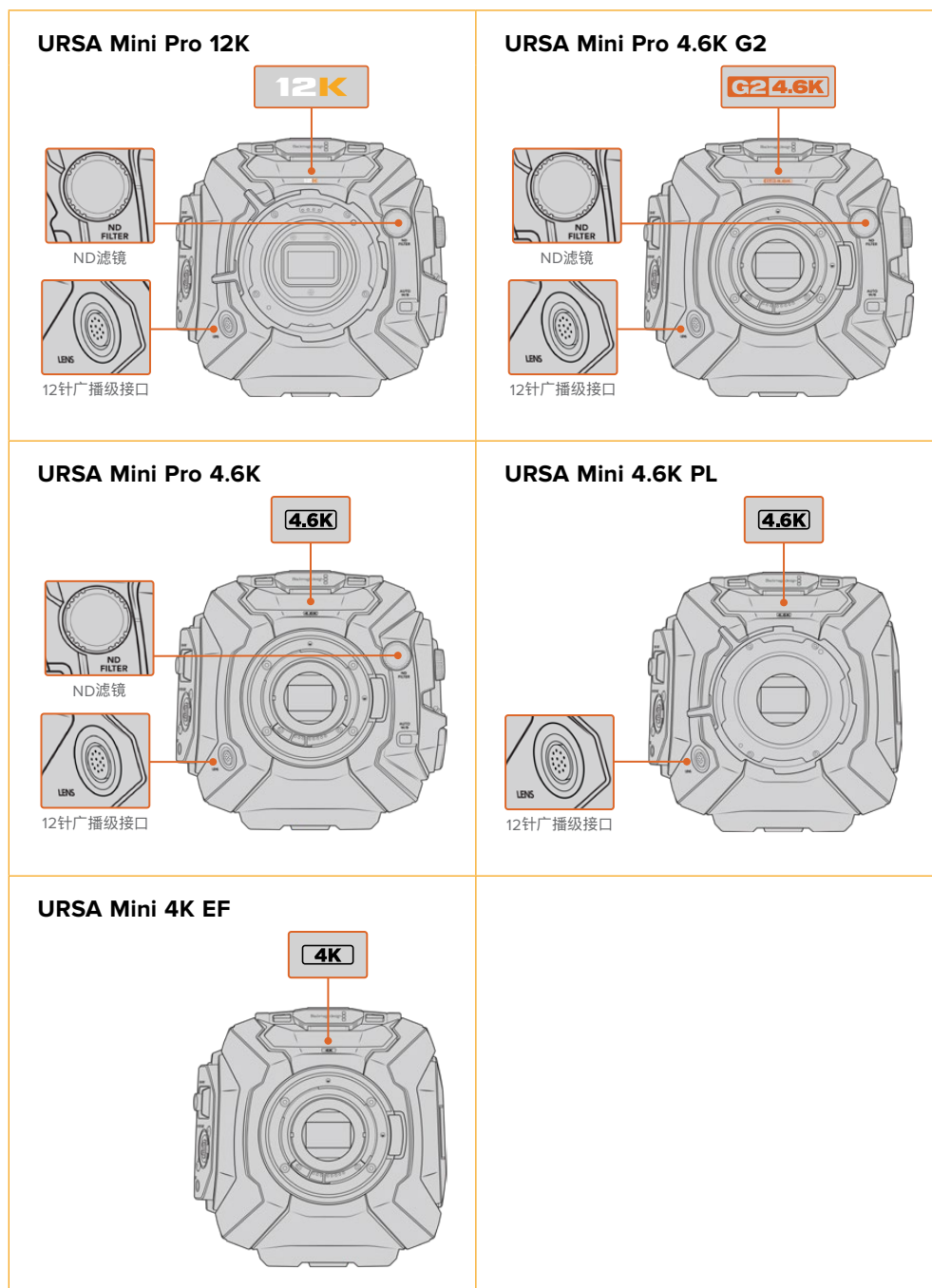


## 您使用的是哪款摄影机?

当您阅读本操作手册时,可能会注意到当中介绍的部分功能可能只针对特定的Blackmagic URSA Mini 摄影机型号。所有URSA Mini 摄影机都能拍摄出拥有超宽动态范围的图像,并且它们的机身设计基本相同。但不同型号在功能上会有所不同。

现有以下型号:

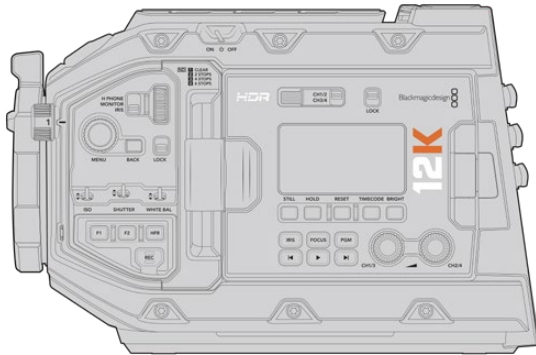
- URSA Mini Pro 12K
- URSA Mini Pro 4.6K G2
- URSA Mini Pro 4.6K
- URSA Mini 4.6K
- URSA Mini 4K



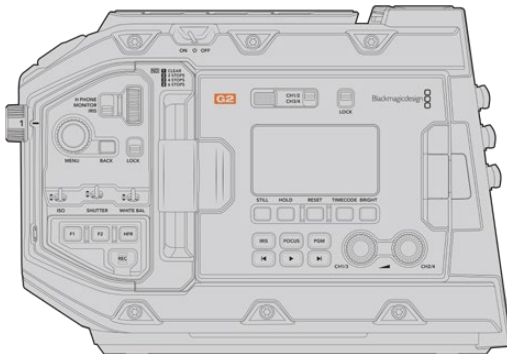
## URSA Mini Pro

URSA Mini Pro 12K标配PL卡口, URSA Mini Pro 4.6K G2和URSA Mini Pro 4.6K标配EF卡口。所有URSA Mini Pro摄影机上的镜头卡口都可以更换, 从而使用其他类型的镜头。更多关于可更换镜头卡口的信息请参考“可更换镜头卡口”部分的内容。

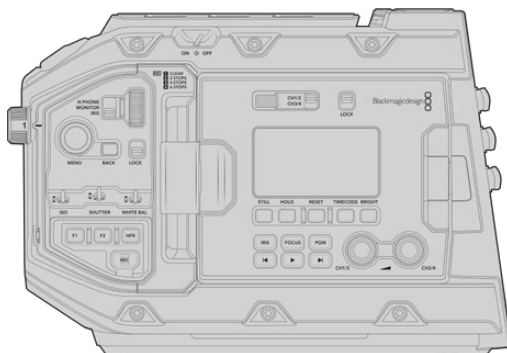
URSA Mini Pro在机身左侧增设了控制按钮和LCD状态显示屏, 并且还在镜头卡口附近设有ND滤镜, 因此很好辨认。URSA Mini Pro 4.6K G2的镜头卡口上方还标有橙色的“G2 4.6K”图标, 外部控制面板左侧则标有“G2”图标。这些增设的控制按钮意味着您将有更多不同的方法来控制摄影机并更改设置。URSA Mini Pro 12K外部控制面板的侧面标有“12K”和“HDR”图标。URSA Mini Pro 12K的后面板右上角SDI端口上方设有耳机插孔, 右下角12伏电源接口下方设有USB-C端口。



URSA Mini Pro 12K左侧



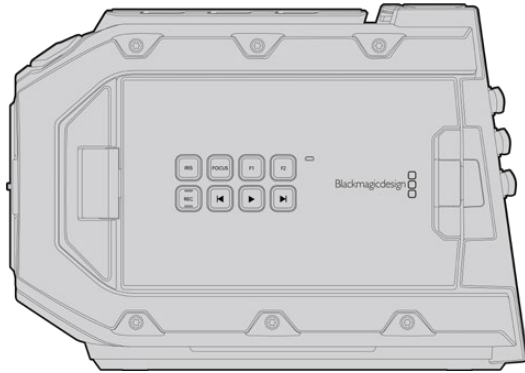
URSA Mini Pro 4.6K G2左侧



URSA Mini Pro 4.6K左侧

## URSA Mini

除了传感器不同之外，URSA Mini 4K和4.6K型号几乎没有区别。此外，控制按钮和软件菜单布局，以及摄影机的操控也基本一致。使用4.6K传感器的摄影机型号可提供更多分辨率选项，其ISO设置的选择范围也会更多。您可以通过查看镜头卡口上的“4K”或“4.6K”标识来快速确认自己的摄影机使用的是哪款传感器。



URSA Mini左侧

需要指出的是，URSA Mini摄影机系列还提供EF和PL镜头卡口。二者很容易区分，PL型号的镜头卡口附近设有一个12针的广播级镜头接口。当然，如果您熟悉EF和PL镜头的卡口，也可以直接查看卡口来区分。更多关于镜头卡口的介绍请参考“入门”部分的内容。

知道如何区分不同的URSA Mini型号后，您就可以开始学习如何使用摄影机了！

## 入门

为Blackmagic URSA Mini安装镜头并开启摄影机即可开始使用。

### 安装镜头

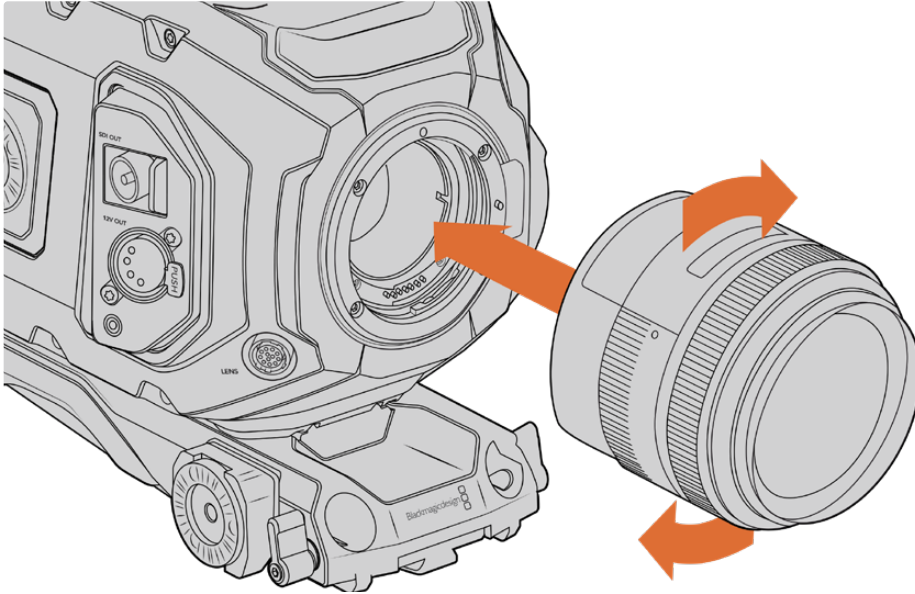
为URSA Mini系列摄影机安装镜头的步骤是一样的，只是EF、PL、B4和F卡口在操作方式上略有不同。第一步都是先取下镜头防尘盖。

如使用EF卡口机型，先按住锁定按钮再逆时针转动直至其释放便可取下防尘盖。如使用PL和B4卡口镜头，请逆时针旋转锁定环并取下镜头防尘盖。如使用F卡口，按下锁定按钮，然后顺时针旋转防尘盖直至其释放。

**备注** Blackmagic URSA Mini Pro配备可更换镜头卡口，可连接EF、PL、B4和F卡口的镜头，以及其他镜头卡口配件。更多关于更换URSA Mini Pro卡口类型的信息，请查阅本手册在名为“可更换镜头卡口”章节中的介绍。

**提示** URSA Mini Pro 12K标配PL卡口。其他URSA Mini Pro摄影机的出厂配置可使用EF镜头。根据以下具体信息安装镜头后，即可立即开始拍摄。

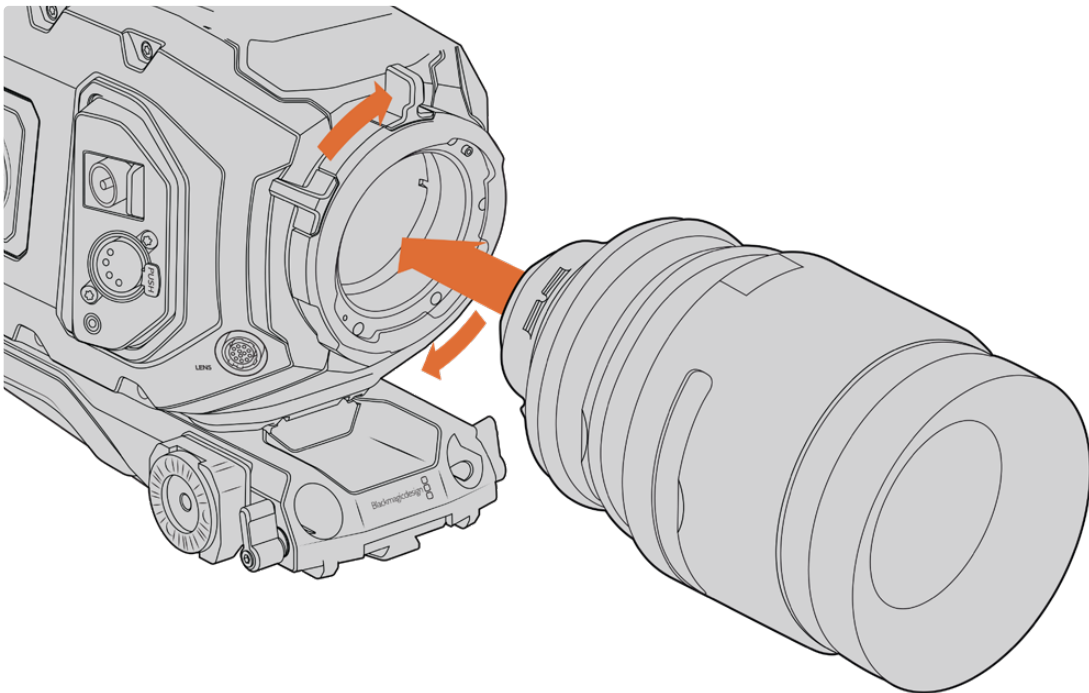
### 安装EF卡口镜头：



为Blackmagic URSA Mini EF机型安装和取下EF卡口镜头

- 1 将镜头的标志点与机身的镜头卡口标志点对齐。很多镜头都带标志点，可以是蓝色、红色或白色。
- 2 将镜头插入卡口后顺时针转动，直至听到固定销到位的声音。
- 3 取下镜头时，先按住锁定按钮，再逆时针旋转镜头直至其标志点朝向摄影机顶部12点钟方向，然后小心将镜头取下。

### 安装PL卡口镜头：

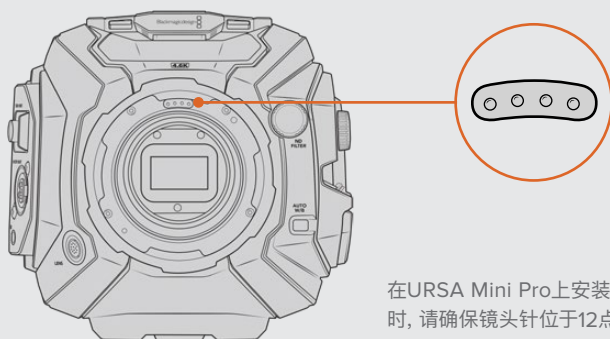


为Blackmagic URSA Mini PL和URSA Mini Pro 12K机型安装和取下PL卡口镜头

- 1 将摄影机的PL锁定环逆时针转动到底以便打开。
- 2 把卡口上的固定销对齐法兰环上四个缺口中的一个。对齐镜头时, 请选择能清晰看到镜头标记的角度进行操作。
- 3 顺时针拧紧PL锁定环。如果为URSA Mini PL或URSA Mini Pro安装带有伺服装置的PL镜头, 连接12针广播级接口后还可以实现伺服控制。
- 4 要取下镜头, 请先将锁定环逆时针转到底, 然后再从摄影机身小心取下镜头。操作过程中无需旋转镜头。

## URSA Mini Pro PL卡口

URSA Mini Pro的PL卡口的12点钟位置配有四针接口, 这是为了和搭载Cooke/i Technology技术的镜头建立通讯。支持该界面的镜头包括Canon、Cooke、Fujinon、Leica和Zeiss。该技术能让您将镜头型号、焦距、光圈设置等关于镜头的信息记录到拍摄片段的元数据当中。



在URSA Mini Pro上安装带/i Technology的PL镜头时, 请确保镜头针位于12点钟的位置, 与卡口针吻合。

通过Cooke公司的“/i Technology”技术作为元数据记录的信息将对后期制作和视觉特效工作起到很大的帮助。拍摄时, 了解您所使用的镜头及其精确设置, 会对日后需要采用相同部署方案的活动有所帮助。

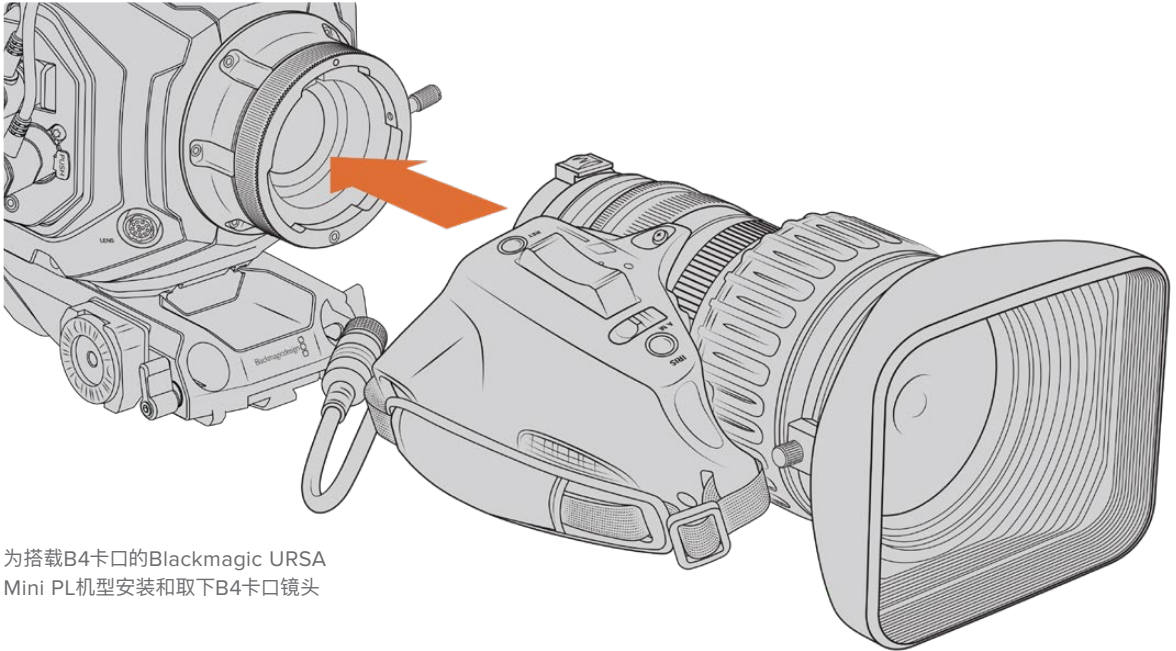
这些详细信息也可以被用于DaVinci Resolve和Blackmagic Fusion等制作软件, 发挥更强大的作用。例如, 记录下来的元数据可用于模拟特定镜头的3D空间, 或修正镜头变形。

URSA Mini Pro和URSA Mini PL可控制带伺服手柄的PL 35mm镜头。将镜头连接摄影机的12针广播级接口后, URSA Mini将以和B4镜头同样的方式为镜头提供电源和控制信号。详情请参阅本手册“使用伺服变焦镜头”部分的内容。

**备注** 没有安装镜头时, 为防止摄影机传感器上的滤光片暴露在灰尘中, 请尽可能装上镜头卡口防尘盖。



## 安装B4卡口镜头：

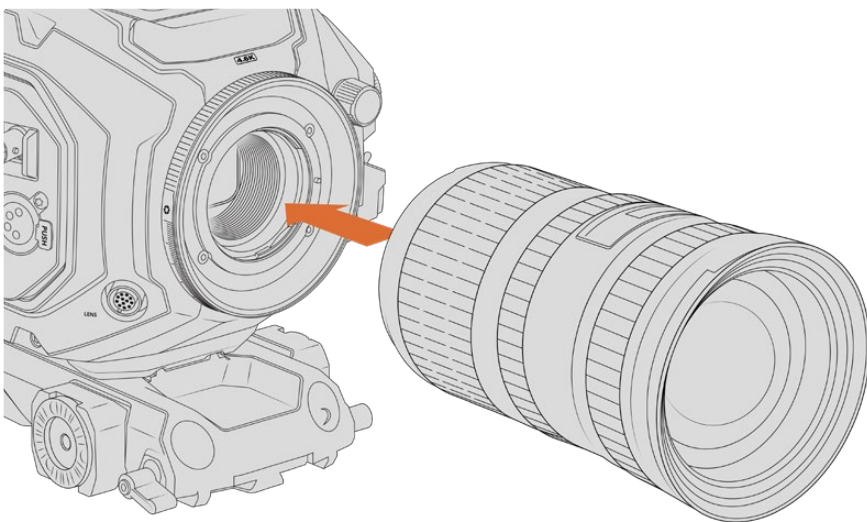


为搭载B4卡口的Blackmagic URSA Mini PL机型安装和取下B4卡口镜头

- 1 逆时针旋转B4镜头锁定环，露出卡口内侧顶部的定位槽。将B4镜头对准URSA Mini的B4卡口，使镜头卡口上的定位销和定位槽的位置相互对齐。
- 2 将镜头对准B4卡口，使二者面对面。  
请确保定位销妥善锁定于定位槽内。
- 3 顺时针旋转锁定环，将镜头和卡口拧紧并锁定到位。
- 4 想要为镜头供电并提供镜头控制，只要将镜头线缆插入URSA Mini PL或URSA Mini Pro机身前方标有“Lens”（镜头）的接口即可。大多数B4镜头都带有12针接口和连接线。这能为URSA Mini和镜头之间提供电源并传输控制信号。

更多关于B4镜头的类型介绍以及如何将它与您的摄影机搭配使用的信息，请参考本手册“使用伺服变焦镜头”部分的说明。

## 安装F卡口镜头：



为装有选配F卡口的Blackmagic URSA Mini Pro 4.6K安装和拆卸F卡口镜头

- 1 将镜头的标志点与机身的镜头卡口标志点对齐。很多镜头都带标志点，可以是蓝色、红色或白色。
- 2 将镜头插入卡口后逆时针转动，直至听到固定销到位的声音。
- 3 取下镜头时，先按住锁定按钮，再顺时针旋转镜头直至其标志点朝向摄影机顶部2点钟方向，然后小心将镜头取下。

**备注** Blackmagic URSA Mini Pro F Mount配备了机械光圈调节装置，如果要在该卡口上安装带有内置对焦环的旧款F卡口镜头，您需要将镜头光圈设置并锁定为最小数值，比如f/22。更多关于使用Blackmagic URSA Mini Pro F Mount卡口的手动光圈调节器进行光圈调整的信息，请参阅本手册“Blackmagic URSA Mini Pro F Mount卡口”部分的内容。

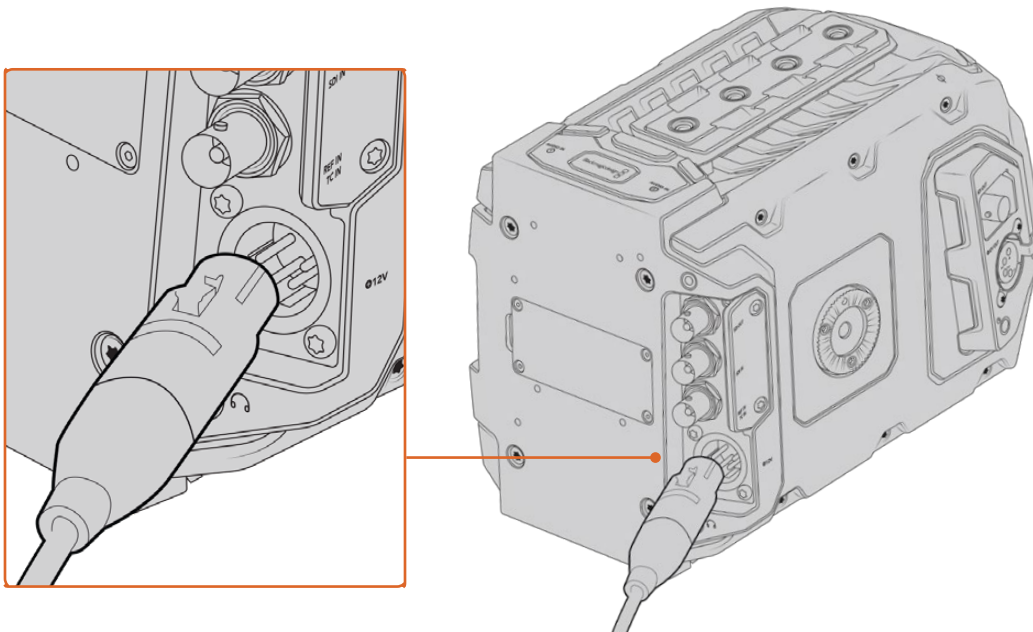
## 开启摄影机

完成镜头安装后，接下来要做的是连接电源。开启摄影机最快捷的方式是使用内附的AC到12V DC适配器连接外部电源。

### 连接外部电源步骤如下：

- 1 将AC转12V DC适配器插入到您的主电源插座中。
- 2 将AC转12V DC适配器的4针XLR连接头连接至摄影机的12-20V电源接口。

如果您同时连接了外部电源和电池电源，摄影机只使用外部电源。如果您在连接了已充电电池的情况下断开外部电源，摄影机将直接切换到电池电源，不会中断运行。



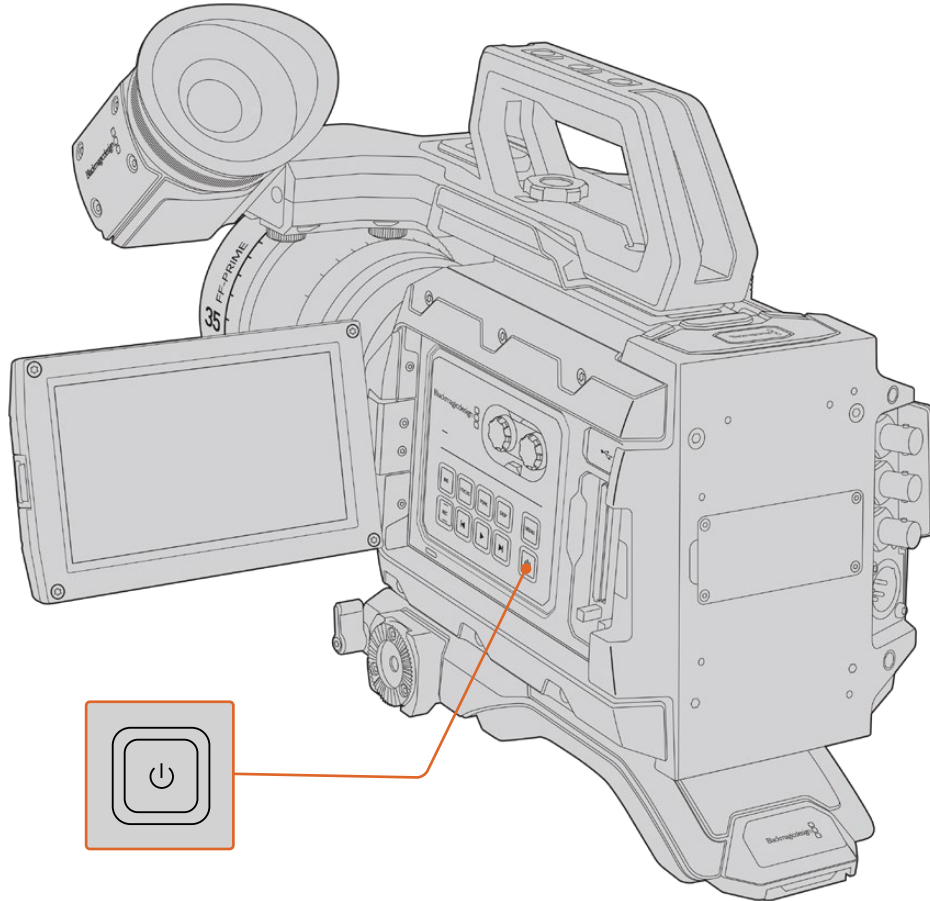
使用内附的AC转12V DC适配器为您的Blackmagic URSA Mini提供电源

您可以为URSA Mini安装V Mount或Gold Mount等行业标准第三方外接电池。请参考“安装电池”部分内容获得更多关于安装各类电池扣板来使用不同电池的信息。

## 开启URSA Mini:

- 1 按一下电源按钮。Blackmagic URSA Mini机型的电源按钮位于翻折式LCD屏幕后面的控制面板上。只要打开LCD屏幕就能看到控制面板。
- 2 长按电源按钮关闭摄影机。

准备完毕后, 您只要插入CFast 2.0卡即可开始记录。



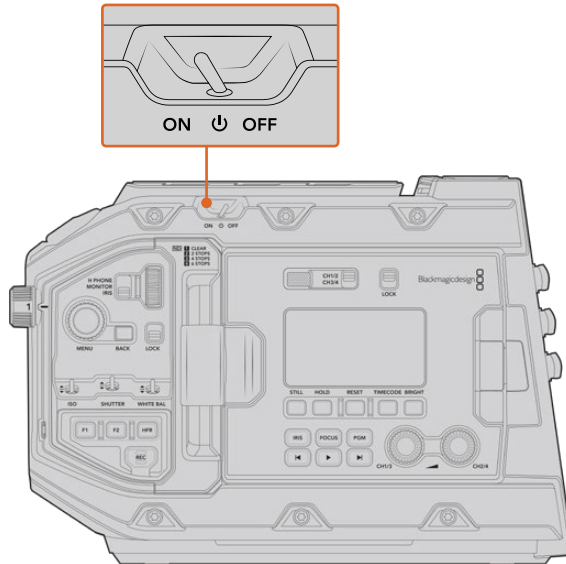
想要开启您的URSA Mini, 请打开翻折式LCD触摸屏, 然后按一下控制面板上的电源按钮。长按此按钮可将其关闭。

**提示** 开启摄影机时, 只需短按电源按钮一次。摄影机将在10秒左右完成开机, 无需再次按下该按钮。关机时, 按住该按钮直至摄影机关闭。



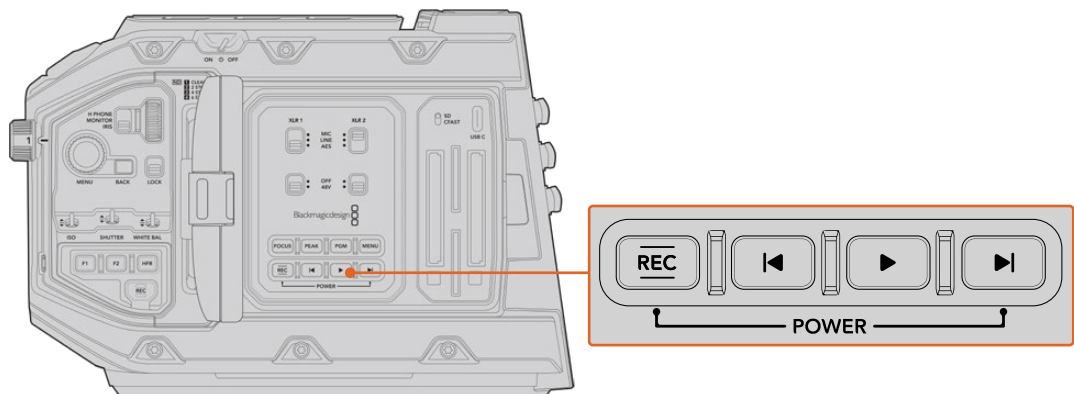
## 开启URSA Mini Pro:

- 1 Blackmagic URSA Mini Pro机型还在翻折式LCD屏幕上方设有一个电源开关。将开关拨至“ON”的位置可开启摄影机。
- 2 将开关拨至“OFF”的位置可关闭摄影机。



将开关拨至“ON”的位置开启您的摄影机

URSA Mini Pro还配备冗余电源开关,可通过按住控制面板内的“REC”(记录)按钮和步进按钮来开启和关闭摄影机。虽然这一开机方式并不常用,但它能为您提供备用方案,可以在顶部边缘的电源开关被挡住的时候使用,比如将摄影机安装到自定义装备上等情况。



必要时,您还可以按住LCD屏幕后侧控制面板上的记录和步进按钮来开启和关闭摄影机。

**提示** 当URSA Mini Pro已关机,但电源开关仍处于“ON”状态时,摄影机可能是通过Bluetooth® 蓝牙控制或者同时按下控制面板上的记录和步进按钮关机的。要开启摄影机,只需将电源开关拨到“OFF”再拨到“ON”,或按下控制面板上的相关按钮即可。

## 存储介质

Blackmagic URSA Mini摄影机拥有若干存储选项。所有URSA Mini摄影机均采用CFast 2.0卡记录视频。URSA Mini Pro机型还可使用高速UHS-II和UHS-I型SD卡进行记录。

URSA Mini Pro G2搭载一个USB-C 3.1 Gen 1端口，URSA Mini Pro 12K搭载一个USB-C 3.1 Gen 2端口，可在高速闪存盘上记录，也可使用选购的URSA Mini Recorder在大容量固态硬盘上 (SSD) 记录。

**备注** URSA Mini Recorder的设计可与URSA Mini Pro 12K搭配使用，并兼容URSA Mini Pro 4.6K G2。它不兼容URSA Mini Pro 4.6K、URSA Mini 4.6K和URSA Mini 4K。更多关于为摄影机连接URSA Mini Recorder的信息，请参考“Blackmagic URSA Mini Recorder”部分的内容。

### 关于存储介质速度的重要信息

记录存储介质厂商所提供的读写速度往往取自其读取静帧图像等小尺寸文件的峰值速度，因此可能并不能准确反映出连续高速视频流的写入速度。

Blackmagic对下面列出的所有存储卡在URSA Mini上的使用情况进行了全面测试。如果要使用您选择的帧率获得可靠的记录品质，请使用Blackmagic Design推荐的存储卡。

**备注** 更多关于为摄影机连接URSA Mini SSD Recorder的信息，请参考“Blackmagic URSA Mini SSD Recorder”部分的内容。

## CFast卡

CFast 2.0卡足以支持极高的数据速率，可记录高帧率HD和4K视频。具体每个格式可记录的最高帧率请到“记录”章节中的时长表中查询。

**备注** 虽然CFast 2.0卡的速度普遍较快，但是有些卡的写入速度可能会低于其读取速度，因此不同型号的最高数据速率也会有所不同。为确保影像能以您所选的帧率顺利记录，请只使用本章节中列出的推荐存储卡。

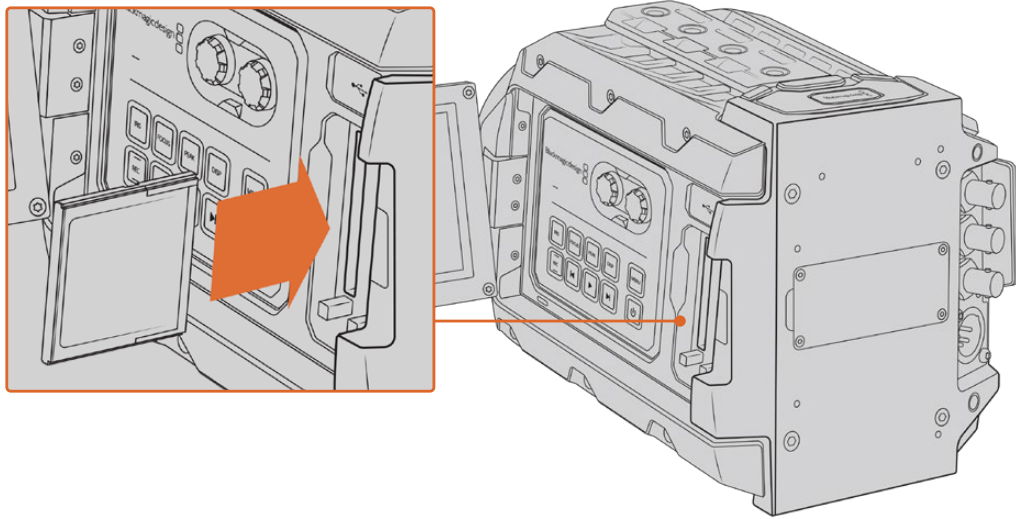
### 插入CFast卡

如果您使用的是URSA Mini Pro型号，那么您的摄影机还可以在CFast卡或SD卡上进行记录。要让摄影机在CFast卡上记录，您需要完成相应的设置。操作时，将卡槽上方的存储介质开关拨向“CFAST”位置即可。

### 插入CFast卡步骤:

- 1 打开翻折式监视器并找到CFast卡槽。
- 2 将CFast卡插入卡槽, 直至锁定到位。无需过多外力即可插入存储卡。按下CFast卡弹出按钮可弹出CFast卡。

LCD触摸屏底部的存储信息将显示检测到的CFast卡名称和剩余记录时间。



Blackmagic URSA Mini具备两个CFast卡槽, 可实现不间断记录。

### 选择CFast 2.0卡

如果您的摄制工作涉及到数据速率较高的视频, 请谨慎挑选您使用的CFast卡。这是因为CFast 2.0卡具备不同的读写速度。下面这张表格为您推荐了多款CFast卡。

#### Blackmagic URSA Mini Pro 12K摄影机应使用哪些CFast卡?

建议使用以下几款CFast 2.0存储卡记录最高60fps的12K DCI Blackmagic RAW 18:1影像, 以及最高60fps的8K DCI Blackmagic RAW 8:1影像:

品牌	存储卡名称	容量
Angelbird	AV Pro CF	128GB
Angelbird	AV Pro CF	256GB
Angelbird	AV Pro CF	512GB
Angelbird	AV Pro CF	1TB
ExAscend	Essential	512GB
ExAscend	Essential	1TB
FreeTail	Evoke Pro 3700x	128GB
FreeTail	Evoke Pro 3700x	256GB
FreeTail	Evoke Pro 3700x	512GB
FreeTail	Evoke Pro 3700x	1TB

品牌	存储卡名称	容量
KomputerBay	x3400 CFast 2.0	128GB
ProGrade Digital	550MB/s CFast 2.0	256GB
ProGrade Digital	550MB/s CFast 2.0	512GB
SanDisk	Extreme Pro CFast 2.0 SDCFSP-128G-x46D	128GB
Wise	CFast 2.0 3400x	256GB
Wise	CFast 2.0 3500x	512GB
Wise	CFast 2.0 3500x	1TB

### Blackmagic URSA Mini和URSA Mini Pro摄影机应使用哪些CFast卡？

建议您使用以下几款CFast 2.0卡记录最高60fps的4.6K Blackmagic RAW 3:1影像：

品牌	存储卡名称	容量
Angelbird	AV Pro CF	128GB
Angelbird	AV Pro CF	256GB
Angelbird	AV Pro CF	512GB
Angelbird	AV Pro CF	1TB
CinediskPro	510MB/s CFast 2.0	256GB
FreeTail	Evoke Pro 3700x	128GB
FreeTail	Evoke Pro 3700x	256GB
FreeTail	Evoke Pro 3700x	512GB
FreeTail	Evoke Pro 3700x	1TB
Hagiwara Solutions	CFast 2.0 DC-SMAN64GA	64GB
Hagiwara Solutions	CFast 2.0 DC-SMANA1GA	128GB
KomputerBay	3600x CFast 2.0 Card	64GB
ProGrade Digital	550MB/s CFast 2.0	64GB
ProGrade Digital	550MB/s CFast 2.0	128GB
ProGrade Digital	550MB/s CFast 2.0	256GB
ProGrade Digital	550MB/s CFast 2.0	512GB
SanDisk	Extreme Pro CFast 2.0 SDCFSP-128G-x46D	128GB
SanDisk	Extreme Pro CFast 2.0 SDCFSP-256G-x46D	256GB
SanDisk	Extreme Pro CFast 2.0 SDCFSP-512G-x46D	512GB
Sony	CFast 2.0 G Series CAT-G64	64GB
Sony	CFast 2.0 G Series CAT-G128	128GB

品牌	存储卡名称	容量
Transcend	CFX650 CFast 2.0 TS128GCFX650	128GB
Transcend	CFX650 CFast 2.0 TS256GCFX650	256GB
Transcend	CFX650 CFast 2.0 TS128GCFX650BM	128GB
Transcend	CFX650 CFast 2.0 TS256GCFX650BM	256GB
Wise	CFast 2.0 3400x	256GB
Wise	CFast 2.0 3500x	512GB

建议您使用以下几款CFast 2.0卡记录最高60fps的2160p ProRes 422 HQ影像:

品牌	存储卡名称	容量
Angelbird	AV Pro CF	128GB
Angelbird	AV Pro CF	256GB
Angelbird	AV Pro CF	512GB
Angelbird	AV Pro CF	1TB
Angelbird	AV Pro CF XT	256GB
Angelbird	AV Pro CF XT	512GB
CinediskPro	510MB/s CFast 2.0	256GB
Hagiwara Solutions	DC-SMAN64GA	64GB
Hagiwara Solutions	DC-SMANA1GA	128GB
KomputerBay	3600x CFast 2.0 Card	64GB
KomputerBay	3700x CFast 2.0 Card	256GB
ProGrade Digital	550MB/s CFast 2.0	128GB
ProGrade Digital	550MB/s CFast 2.0	256GB
ProGrade Digital	550MB/s CFast 2.0	512GB
SanDisk	Extreme Pro CFast 2.0 SDCFSP-128G-x46D	128GB
SanDisk	Extreme Pro CFast 2.0 SDCFSP-256G-x46D	256GB
SanDisk	Extreme Pro CFast 2.0 SDCFSP-512G-x46D	512GB
Silicon Power	CFX310	256GB
Sony	CFast 2.0 G Series CAT-G64	64GB
Sony	CFast 2.0 G Series CAT-G128	128GB
Transcend	CFX650 CFast 2.0 TS128GCFX650	128GB
Transcend	CFX650 CFast 2.0 TS256GCFX650	256GB

品牌	存储卡名称	容量
Transcend	CFX650 CFast 2.0 TS128GCFX650BM	128GB
Transcend	CFX650 CFast 2.0 TS256GCFX650BM	256GB
Wise	CFast 2.0 3400x	128GB
Wise	CFast 2.0 3400x	256GB
Wise	CFast 2.0 3500x	512GB

关于Blackmagic URSA Mini摄影机支持使用的CFast卡的最新信息, 请访问Blackmagic Design支持中心[www.blackmagicdesign.com/cn/support](http://www.blackmagicdesign.com/cn/support)。

**备注** 只有“D-series”的闪迪CFast 2.0卡是经认证可以用于Blackmagic URSA Mini摄影机的。这类存储卡在背面左下角都会标有一个“D”字样大标, 因此很好辨认。我们也列出了一些型号编号, 方便您区分。型号编号或可因为国家和地区不同而稍有不同, 编号中的“x”在不同国家可能会有其他标识方式。例如, 美国会使用“A”标识, 而亚太及欧洲地区会使用“G”标识。

## SD卡

除了CFast 2.0卡之外, Blackmagic URSA Mini Pro还可以在UHS-I和UHS-II型高速SD卡上记录。使用高端SDXC UHS-II卡时, 您还可以记录2160p的ProRes HQ影像, 获得Ultra HD内容!

使用SD卡时, 您可以在拍摄HD压缩视频格式时获得经济型存储方案。SDXC和SDHC都是消费级照相机或视频摄像机非常常用的媒体存储格式。

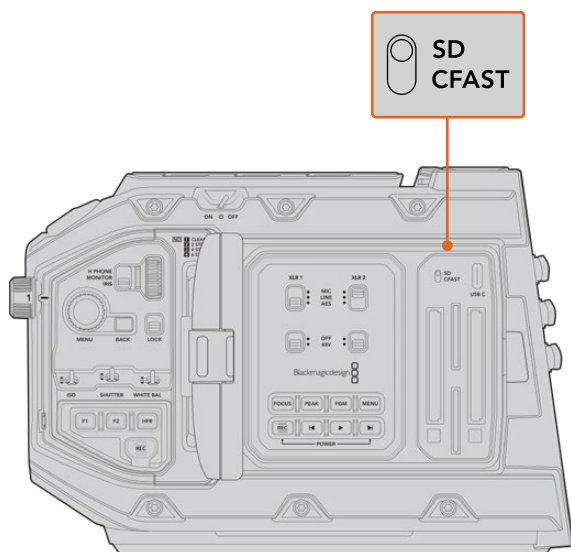
如果您使用数码单反拍摄视频, 或使用Blackmagic Micro Cinema Camera、Pocket Cinema Camera 4K或Blackmagic Video Assist进行拍摄, 可能您手头已经有兼容的SD卡可以直接使用了。

如果项目不要求使用最高分辨率Blackmagic RAW文件进行拍摄, 或项目需要进行长时间记录, 您可以使用SD卡来降低成本。容量较小、速度较慢的SD卡还可以用来存储和加载LUT和预设。

## 插入SD卡

插入SD卡步骤如下:

- 1 打开翻折式监视器并找到SD卡槽。SD卡槽位于CFast卡槽之间, 比CFast卡槽要小。
- 2 将卡槽上方的存储介质开关拨到“SD”。
- 3 将SD卡的标签背向触摸屏, 插入SD卡直至您感觉已锁定到位。要取下SD卡时, 请往里按下SD卡即可将其弹出。
- 4 LCD触摸屏底部的存储介质提示会显示所检测到的存储卡名称及剩余记录时间。



使用URSA Mini Pro 4.6K在SD卡上记录时, 请确保将存储介质开关拨到“SD”。

## 选择高速SD卡

如果您使用Blackmagic URSA Mini Pro机型记录Ultra HD影像, 我们建议您使用最高速的UHS-II型SD卡。请务必使用高速UHS-II型SD卡从事Ultra HD和HD影像记录, 或者使用UHS-I型SD卡从事HD影像记录。因为这些卡有着快速的数据处理速度和较大的存储容量。通常来讲, 卡的速度越快越好。详情请参考本操作手册中之前给出的推荐使用的SD卡列表。

使用您的存储卡前, 请先将其格式化为HFS+或exFAT格式。您可以使用摄影机的存储管理器或计算机来格式化存储介质。详情请参考“存储介质在记录前的准备事项”部分的介绍。

您也可以使用Mac或Windows计算机来格式化您的储存卡。如果您在Mac上使用存储介质, 请使用HFS+, 即Mac的磁盘格式。如果您使用Windows系统, 请选择exFAT格式, 即Windows的磁盘格式, 该格式在Mac计算机上也可读取。

下面这张表格为您推荐了多款适合Blackmagic URSA Mini Pro拍摄使用的SD卡。建议您定期查阅本手册的最新版本以获得最新信息。Blackmagic Design官网提供最新版操作手册下载, 网址:  
[www.blackmagicdesign.com/cn/support](http://www.blackmagicdesign.com/cn/support)

**备注** 使用URSA Mini拍摄高帧率或Ultra HD影像时, 我们建议使用CFast 2.0或SD UHS-II卡来记录媒体文件, 此类存储介质和SD UHS-I相比速度更快, 存储容量更大。

获取URSA Mini Pro 12K机型建议使用的SD卡最新信息, 请访问Blackmagic Design支持中心网址:  
[www.blackmagicdesign.com/cn/support](http://www.blackmagicdesign.com/cn/support)

### Blackmagic URSA Mini Pro 12K摄影机应使用哪些SD卡？

建议使用以下SD卡记录最高24fps的12K DCI Blackmagic RAW 12:1影像：

品牌	存储卡名称	容量
ProGrade Digital	V90 UHS-II 300MB/s SDXC	64GB
ProGrade Digital	V90 UHS-II 300MB/s SDXC	128GB
ProGrade Digital	V90 UHS-II 300MB/s SDXC	256GB
索尼	Tough SF-G64 300MB/s UHS-II SDXC	64GB
索尼	Tough SF-G128 300MB/s UHS-II SDXC	128GB

建议使用以下SD卡记录最高60fps的8K DCI Blackmagic RAW 18:1影像：

品牌	存储卡名称	容量
Angelbird	AV Pro MK2 V90 SDXC	256GB
ProGrade Digital	V90 UHS-II 300MB/s SDXC	64GB
ProGrade Digital	V90 UHS-II 300MB/s SDXC	128GB
ProGrade Digital	V90 UHS-II 300MB/s SDXC	256GB
索尼	Tough SF-G64 300MB/s UHS-II SDXC	64GB
索尼	Tough SF-G128 300MB/s UHS-II SDXC	128GB
Wise	285MB/s UHS-II SDXC	64GB
Wise	285MB/s UHS-II SDXC	128GB

### URSA Mini Pro应使用哪些SD卡？

建议使用以下SD卡记录上至30fps的4K DCI Blackmagic RAW 12:1影像：

品牌	存储卡名称	容量
Angelbird	AV Pro 300MB/s UHS-II SDXC	64GB
Angelbird	AV Pro 300MB/s UHS-II SDXC	128GB
Lexar	Professional 2000x UHS-II 300MB/s SDXC	64GB
Lexar	Professional 1000x UHS-II 150MB/s SDXC	64GB
闪迪	Extreme Pro UHS-I 95MB/s SDXC	64GB
闪迪	Extreme Pro UHS-I 95MB/s SDXC	128GB
闪迪	Extreme Pro UHS-I 95MB/s SDXC	256GB
闪迪	Extreme Pro UHS-I 95MB/s SDXC	512GB
闪迪	Extreme Pro UHS-II 280MB/s SDXC	64GB
闪迪	Extreme Pro UHS-II 300MB/s SDHC	32GB
闪迪	Extreme Pro UHS-II 300MB/s SDXC	128GB



品牌	存储卡名称	容量
索尼	SF-G64 300MB/s UHS-II SDXC	64GB
索尼	SF-G128 300MB/s UHS-II SDXC	128GB
东芝	Exceria Pro UHS-II 270MB/s SDXC	64GB
东芝	Exceria Pro UHS-II 270MB/s SDXC	128GB
东芝	Exceria Pro UHS-II N502 SDHC	32GB
东芝	Exceria Pro UHS-II N502 SDXC	64GB
东芝	Exceria Pro UHS-II N502 SDXC	128GB
东芝	Exceria Pro UHS-II N502 SDXC	256GB
Transcend	Ultimate UHS-II 180MB/s SDXC	64GB
Wise	285MB/s UHS-II SDXC	64GB
Wise	285MB/s UHS-II SDXC	128GB

建议您使用以下几款SD卡记录最高30fps的2160p ProRes 422 HQ影像:

品牌	存储卡名称	容量
Angelbird	AV Pro 300MB/s UHS-II SDXC	64GB
Angelbird	AV Pro 300MB/s UHS-II SDXC	128GB
Delkin Devices	UHS-II 250MB/s SDHC	32GB
ProGrade Digital	V90 UHS-II 250MB/s SDXC	128GB
闪迪	Extreme Pro UHS-II 280MB/s SDHC	32GB
闪迪	Extreme Pro UHS-II 280MB/s SDXC	64GB
闪迪	Extreme Pro UHS-II 300MB/s SDHC	32GB
闪迪	Extreme Pro UHS-II 300MB/s SDXC	128GB
索尼	SF-G64 300MB/s UHS-II SDXC	64GB
索尼	SF-G128 300MB/s UHS-II SDXC	128GB
东芝	Exceria Pro UHS-II 270MB/s SDXC	64GB
东芝	Exceria Pro UHS-II N502 SDHC	32GB
东芝	Exceria Pro UHS-II N502 SDXC	64GB
东芝	Exceria Pro UHS-II N502 SDXC	128GB
东芝	Exceria Pro UHS-II N502 SDXC	256GB
Transcend	Ultimate UHS-II 180MB/s SDXC	64GB
Wise	285MB/s UHS-II SDXC	64GB
Wise	285MB/s UHS-II SDXC	128GB

建议您使用以下几款SD卡记录最高60fps的1080p ProRes 422 HQ影像:

品牌	存储卡名称	容量
Angelbird	AV Pro 300MB/s UHS-II SDXC	64GB
Angelbird	AV Pro 300MB/s UHS-II SDXC	128GB
Delkin Devices	UHS-II 250MB/s SDHC	32GB
Lexar	Professional 2000x UHS-II 300MB/s SDHC	32GB
Lexar	Professional 2000x UHS-II 300MB/s SDXC	64GB
Lexar	Professional 1000x UHS-II 150MB/s SDXC	64GB
ProGrade Digital	V90 UHS-II 250MB/s SDXC	128GB
ProGrade Digital	V60 UHS-II 200MB/s SDXC	64GB
ProGrade Digital	V60 UHS-II 200MB/s SDXC	128GB
闪迪	Extreme Pro UHS-I 95MB/s SDXC	64GB
闪迪	Extreme Pro UHS-I 95MB/s SDXC	128GB
闪迪	Extreme Pro UHS-I 95MB/s SDXC	256GB
闪迪	Extreme Pro UHS-I 95MB/s SDXC	512GB
闪迪	Extreme Pro UHS-II 280MB/s SDHC	32GB
闪迪	Extreme Pro UHS-II 280MB/s SDXC	64GB
闪迪	Extreme Pro UHS-II 300MB/s SDXC	64GB
闪迪	Extreme Pro UHS-II 300MB/s SDXC	128GB
索尼	SF-G64 300MB/s UHS-II SDXC	64GB
索尼	SF-G128 300MB/s UHS-II SDXC	128GB
东芝	Exceria Pro UHS-II 270MB/s SDXC	64GB
东芝	Exceria Pro UHS-II 270MB/s SDXC	128GB
东芝	Exceria Pro UHS-II 270MB/s SDXC	256GB
东芝	Exceria Pro UHS-II N502 SDHC	32GB
东芝	Exceria Pro UHS-II N502 SDXC	64GB
东芝	Exceria Pro UHS-II N502 SDXC	128GB
东芝	Exceria Pro UHS-II N502 SDXC	256GB
Transcend	Ultimate UHS-II 180MB/s SDXC	64GB
Wise	285MB/s UHS-II SDXC	64GB
Wise	285MB/s UHS-II SDXC	128GB

关于URSA Mini Pro摄影机支持使用的SD卡的最新信息, 请访问Blackmagic Design支持中心网址:  
[www.blackmagicdesign.com/cn/support](http://www.blackmagicdesign.com/cn/support)

## 锁定和解锁SD卡

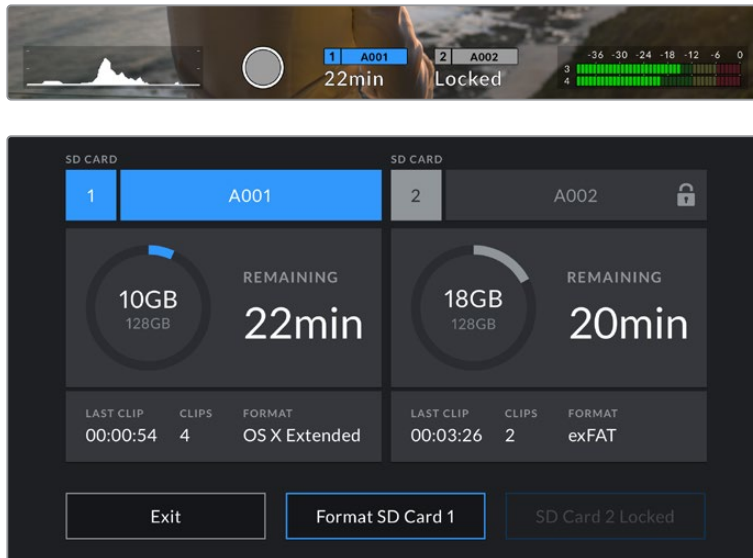
SD卡可进行写保护设置，即“锁定”，以防数据被覆盖。

插入SD卡之前，请先确保该卡没有设写保护。找到位于存储卡左侧的塑料开关，将该塑料开关移动到最靠近触点的位置即可禁用写保护功能。记录完毕后，您可以将此开关移动回底部位置，从而开启存储卡的写保护功能。



上下移动锁定开关可锁定或解锁SD卡

如果您插入的SD卡处于写保护的锁定状态，URSA Mini Pro的LCD触摸屏和存储菜单上会显示锁定图标加以提示。如果存储卡处于锁定状态，您将无法记录视频、采集静帧或导出LUT和预设，除非解除锁定。



插入了开启写保护锁定的SD存储卡时，URSA Mini Pro会给出提示。

## USB-C硬盘

Blackmagic URSA Mini Pro 4.6K G2搭载高速USB-C扩展端口，可直接将视频记录到USB-C硬盘上。URSA Mini Pro 12K搭载两个USB-C端口。位于侧面靠近CFast卡槽的USB C 3.1 Gen 1端口用于软件更新。位于后面板靠近SDI接口的USB-C 3.1 Gen 2端口用于记录到高速SSD硬盘。这类存储盘速度快，容量大，可进行长时间视频记录，因此是电影类长片拍摄工作的理想之选。

将USB-C硬盘连接到摄影机上时，它会占用摄影机操作系统中的第二个存储卡槽位置。在存储菜单中点击存储卡或存储盘名称可将其设为活动状态。也就是说USB-C硬盘的记录、播放和存储管理与CFast、SD卡和SSD完全一样。

完成记录后，您可以直接将存储盘连接到计算机上，无需复制媒体即可开始剪辑和后期制作。

连接USB-C硬盘步骤如下:

- 1 将USB-C类线缆的一端连接到您的USB-C存储盘上。
- 2 将USB-C线缆连接到位于URSA Mini Pro 12K后面板SDI端口下方的USB-C端口。打开URSA Mini Pro 4.6K G2摄影机左侧的翻折式触摸屏, 将线缆连接到CFast卡槽上方的USB-C端口。

#### Blackmagic URSA Mini Pro 12K应该使用哪些USB-C硬盘?

建议使用以下几款USB-C硬盘记录最高30fps的12K DCI Blackmagic RAW 8:1影像:

品牌	USB-C硬盘名称	容量
Angelbird	SSD2GO PKT MK2	512GB
Angelbird	SSD2GO PKT MK2	2TB
Glyph	Atom Raid SSD	4TB
索尼	Tough SL-CG5	500GB
索尼	Tough SL-C1	1TB
索尼	Tough SL-C2	2TB
Delkin Devices	Juggler	2TB
Wise	PTS-512 Portable SSD	512GB
Wise	PTS-1024 Portable SSD	1TB
Wise	PTS-2048 Portable SSD	2TB

#### Blackmagic URSA Mini Pro 4.6K G2应使用哪些USB-C硬盘?

建议您使用以下几款USB-C硬盘记录最高60fps的4.6K Blackmagic RAW 3:1影像:

品牌	USB-C硬盘名称	容量
三星	Portable SSD T5	500GB
三星	Portable SSD T5	1TB
Wise	Portable SSD	256GB
Wise	Portable SSD	512GB
Wise	Portable SSD	1TB

获取最新的USB-C硬盘推荐列表, 请访问网址: [www.blackmagicdesign.com/cn/support](http://www.blackmagicdesign.com/cn/support)

## USB-C硬盘速度注意事项

部分型号的USB-C硬盘并不能以生产厂家给出的速度保存视频数据。因为这些存储盘采用隐藏数据压缩技术来实现更高的录入速度。只有当存储空白数据或简单文件时,这种数据压缩才能以生产商声称的速度来保存数据。视频数据中包含不规则性更高的视频噪点和像素等,所以压缩无法起效,从而揭露了磁盘的真实速度。

有些USB-C硬盘的写入速度最多可以比生产商声称的速度低50%。所以,尽管存储盘规格中声称该USB-C硬盘速度足够处理视频,但真正进行实时视频拍摄时,这类存储盘的速度往往不够快。

通过Blackmagic Disk Speed Test测速软件来准确衡量您的USB-C硬盘是否足以应对高数据速率视频的采集和播放。该测速软件通过数据来模拟视频的储存情况,因此获得的数据与往硬盘采集视频的结果相类似。在Blackmagic测试中,我们发现型号较新、容量较大的USB-C硬盘和容量更大的USB-C硬盘通常具备更快的读写速度。

Blackmagic Disk Speed Test可从Mac的App Store下载。Blackmagic Desktop Video提供Windows和Mac版本,您可前往Blackmagic Design网站支持中心的“采集和播放”部分进行下载,网址: [www.blackmagicdesign.com/cn/support](http://www.blackmagicdesign.com/cn/support)

## SSD固态硬盘

有了选配的URSA Mini Recorder,您就能将视频直接记录在固态硬盘,也就是“SSD”上。这些高速大容量硬盘在许多消费级电子商店均有出售。

URSA Mini Recorder搭载一个USB-C端口,可使用标准2.5英寸的SATA SSD和7mm规格的U.2 SSD实现高速运行,通过M.2转U.2转接卡还可使用M.2固态硬盘。为获得正常读写速度,需使用经过认证的USB 3.1第二代线缆。附带的USB-C线缆两端均具备锁定接口,可在使用时保持安全连接。

**备注** 关于安装Blackmagic URSA Mini Recorder的信息,请参阅本手册“Blackmagic URSA Mini Recorder”部分的内容。

## 安装SSD硬盘

### 插入SSD:

- 1 手持SSD,将接触点对准摄影机正面。
- 2 打开URSA Mini Recorder的弹簧盖,轻轻将SSD插入插槽。

**提示** URSA Mini Recorder利用压板固定不同尺寸的SSD,所以无需使用垫环安装硬盘。

- 3 将SSD完全插入插槽后,轻推直到感觉插入到位,然后放下URSA Mini Recorder外壳。

### 取出SSD:

打开URSA Mini Recorder的外壳, 用拇指和食指轻轻抓住硬盘。插槽上有小型凹槽, 方便您抓住硬盘。将硬盘拔出, 然后关闭外壳。

**备注** Blackmagic URSA Mini Recorder可利用URSA Mini操作系统的第二个存储插槽。也就是说, 连接了URSA Mini Recorder并插入兼容的SSD时, 摄影机的第二个CFast 2.0和SD卡槽将被占用。

如要使用这些插槽, 只要从URSA Mini Pro 12K断开Mini Recorder的USB-C连接即可, 无需从摄影机上卸下Mini Recorder。详情请参阅本手册“Blackmagic URSA Mini Recorder”部分的内容。

### 为URSA Mini Recorder选择高速SSD硬盘

SSD能够为广泛的设备提供快速、经济的存储方案, 但必须注意的是, 电影制作只是SSD市场的一部分而已, 只有选择正确的硬盘才能确保足够的带宽来记录12K Blackmagic RAW或Ultra HD影像。许多用于家用电脑的SSD速度不够快, 无法记录Ultra HD视频。

我们强烈建议只使用下表中推荐的SSD, 这些SSD已在Blackmagic URSA Mini Pro 12K上经过测试, 能够以特定的分辨率持续记录。获取最新的SSD推荐列表, 请访问网址:

[www.blackmagicdesign.com/cn/support](http://www.blackmagicdesign.com/cn/support)

#### Blackmagic URSA Mini Recorder U.2硬盘

建议您使用以下几款U.2 2.5英寸SSD记录最高50fps的12K DCI Blackmagic RAW 8:1影像:

品牌	型号	容量
三星	983 DCT U.2 MZ-QLB960NE	960GB
三星	983 DCT U.2 MZ-QLB1T9NE	1.92TB

#### Blackmagic URSA Mini Recorder M.2硬盘

建议使用以下M.2 SSD搭配M.2转U.2转接卡记录最高30fps的12K DCI Blackmagic RAW 8:1影像:

品牌	型号	容量
SanDisk	Extreme Pro M.2 NVMe 3D SSD	500GB
Western Digital	WD Black NVMe SSD WDS500G2X0C	500GB
Western Digital	WD Black SN750 NVMe SSD WDS100T3X0C	1TB

## 关于SSD速度的注意事项

一些SSD保存视频数据的速度无法达到生产商声称的速度。因为这些存储盘采用隐藏数据压缩技术来实现更高的录入速度。只有当存储空白数据或简单文件时,这种数据压缩才能以生产商声称的速度来保存数据。视频数据中包含不规则性更高的视频噪点和像素等,所以压缩无法起效,从而揭露了磁盘的真实速度。

有些SSD的写入速度甚至比生产商声称的速度低50%之多。所以尽管磁盘规格中声称该SSD的速度足够处理视频,但现实中当用来存储实时拍摄的视频数据时,磁盘速度往往不够快。

通过Blackmagic Disk Speed Test测速软件来准确衡量您的SSD是否足以应对高数据速率视频的采集和播放。该测速软件通过数据来模拟视频的储存情况,因此获得的数据与往硬盘采集视频的结果相类似。在Blackmagic测试中,我们发现型号较新、尺寸较大的SSD和容量更大的SSD硬盘通常具备更快的读写速度。

## 存储介质在记录前的准备事项

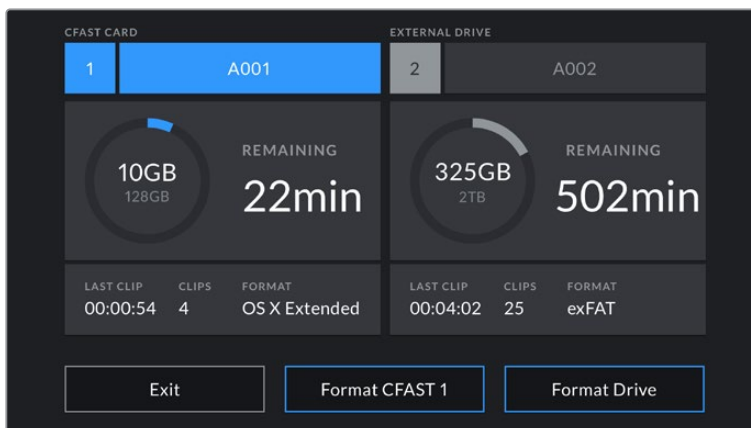
您可以使用存储管理器或者通过Mac或Windows计算机来格式化CFast卡、SD卡或SSD。为获得理想性能,我们建议您使用URSA Mini来格式化您的存储介质。

HFS+也被称为OS X扩展格式,因为它支持“日志功能”,所以被广为推荐。一旦发生存储介质损坏的情况,具有日志功能的存储介质更易恢复数据。HFS+是Mac支持的原生格式。exFAT是Mac及Windows系统都兼容的格式,因此无需另外购买软件。但是exFAT并不支持日志功能。

**备注** 格式化存储介质之前,请务必将存储介质开关设置到正确的SD卡或CFast卡选项。每次格式化之前应仔细检查设置。

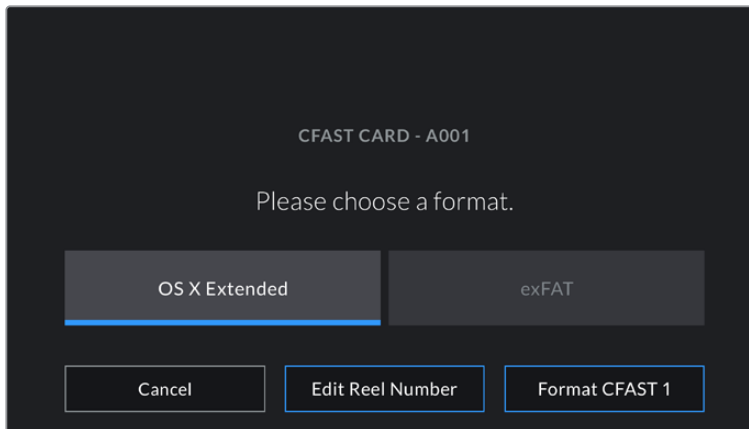
## 在Blackmagic URSA Mini上格式化存储介质

- 1 点按LCD触摸屏底部的任何一个存储介质提示,进入存储管理器。
- 2 点按触摸屏底部的其中一个格式化按钮可以分别格式化卡槽1或卡槽2中的存储介质。如果您在URSA Mini Pro G2的USB-C端口上连接一个硬盘,那么用来格式化第二块硬盘的按钮就是“Format Drive”(格式化硬盘)。



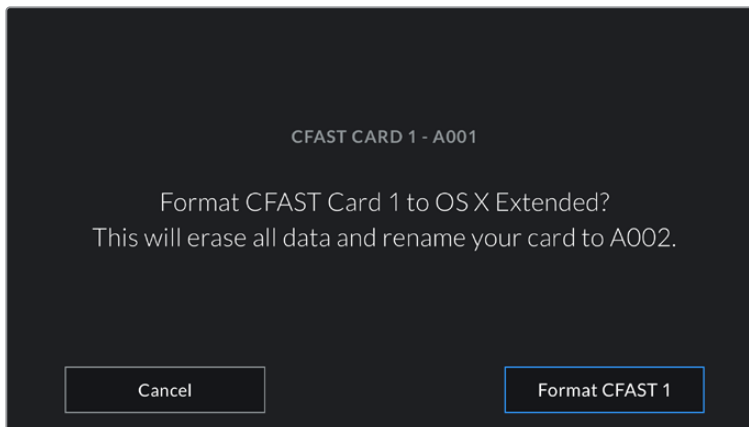
使用URSA Mini的存储管理器来格式化您摄影机上的存储介质。

- 3 点按“Edit Reel Number” (编辑卷号) 手动更改卷号。
- 4 选择“OS X Extended”或“exFAT”格式, 并按格式化按钮。



点按“Edit Reel Number”可手动更改卷号

- 5 屏幕将弹出提示信息要求您确认选择。再次点按相应的格式化按钮将开始格式化, 点按“Cancel”可取消格式化。



确认格式化之前, 请先检查是否选择了正确的存储介质。

- 6 格式化完成后, 屏幕弹出提示信息。
- 7 点按“OK”可返回存储管理器。
- 8 点按“Exit”可离开存储管理器界面。



当使用存储卡管理器格式化CFast卡、SD卡或SSD时，URSA Mini将使用场记板中摄影机ID和卷号来命名该存储卡。每次格式化时，URSA Mini会自动递增卷号。如果您需要手动输入特定的卷号，可以点击“Edit Reel Number”然后输入存储卡被格式化后的编号。

开始新项目时，您可以点击场记板“Project”（项目）选项卡中的“Reset Project Data”（重置项目数据）将卷号重置为1。

当URSA Mini Recorder处于连接状态，并且装载了SSD时，记录单元会优先于URSA Mini的“2”号存储插槽进行记录，您将在摄影机存储管理器的2号存储插槽上看到“SSD”指示。

## 在Blackmagic URSA Mini Pro上格式化存储介质

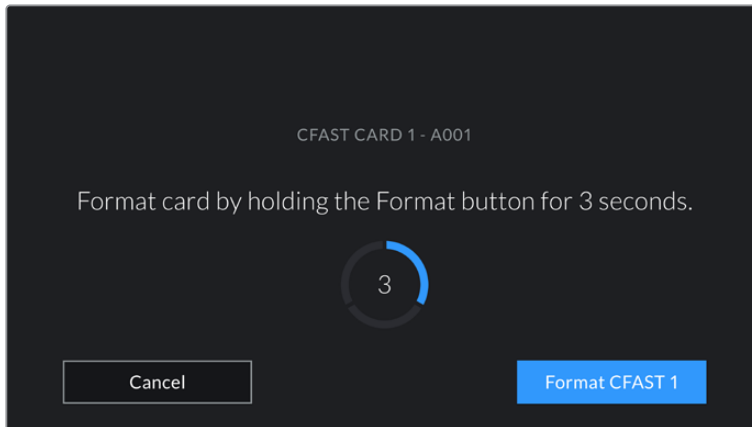
使用URSA Mini Pro格式化存储介质和上文介绍的使用URSA Mini进行格式化的步骤完全相同。唯一区别在于，除了格式化CFast卡、SSD以及URSA Mini Pro 12K和URSA Mini Pro 4.6K G2型号的格式化USB-C硬盘选项之外，该型号多设了格式化SD卡的选项。需要指出的是，如果摄影机的存储介质开关被拨到“SD”或“CFast”位置后，当您点按“格式化存储卡”按钮时，只有被选中的存储卡类型会被格式化。当URSA Mini Recorder或USB-C闪存盘与URSA Mini Pro 12K或URSA Mini Pro 4.6K G2共同使用时，不论存储介质开关位于什么位置，SSD都将显示在“2”号存储插槽。



摄影机的存储管理器会向您提示当前使用的存储介质是CFast卡、SD卡、SSD硬盘还是USB-C硬盘

**提示** 如果您将URSA Mini Pro设置为在SD卡上记录，然后插入一张开启了写保护的卡，您将无法格式化该卡。存储管理器会在卡的名称边上显示锁定图标。只要解锁该卡就可以进行格式化和记录。更多关于锁定SD卡的信息，请查阅本手册中名为“SD卡”章节的介绍。

在URSA Mini Pro上格式化存储介质时，设备将会弹出信息，提示您长按格式化按钮3秒。完成格式化后，摄影机将会给出提示。



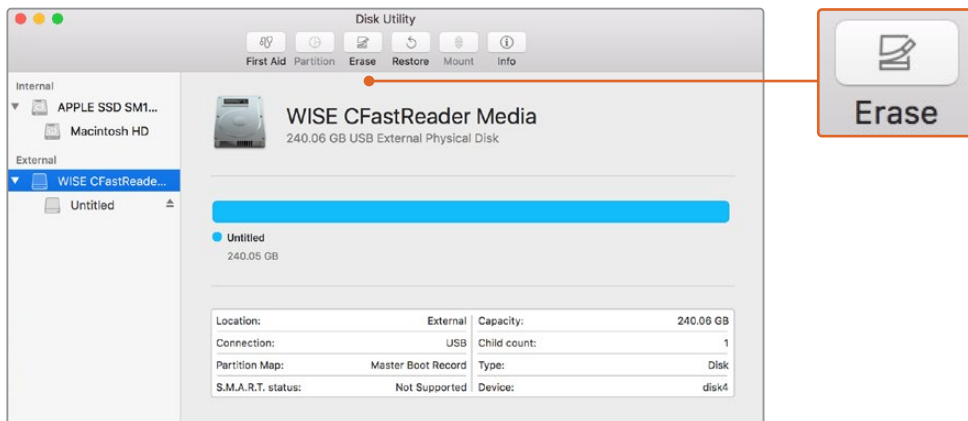
按住格式化按钮3秒可开始格式化存储介质

了解更多关于如何在CFAST和SD存储卡之间切换的内容, 请参考本手册之前在“SD卡”章节中的介绍。

**备注** 如果您连接了选购产品URSA Mini Recorder, 2号存储槽上将显示“SSD Recorder”(SSD录像机) 字样。如果您连接了USB-C硬盘, 则会显示“External Drive”(外部硬盘) 字样。

## 在Mac计算机上格式化存储介质

使用Mac计算机自带的“磁盘工具”可以将您的CFAST卡、SD卡或SSD格式化为HFS+或exFAT。由于格式化后存储介质上的所有文件都被清除, 因此请务必在格式化存储介质前先备份存储介质上的所有重要文件。

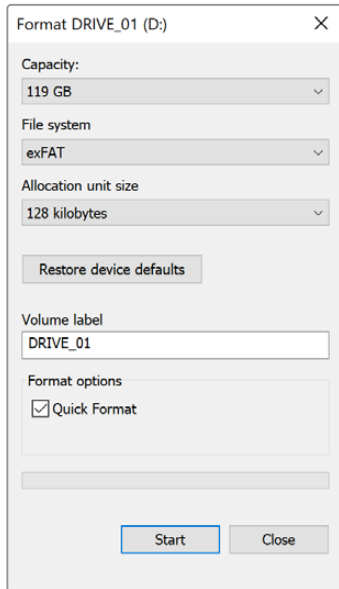


使用Mac计算机自带的“磁盘工具”可将摄影机的存储介质格式化为Mac OS扩展(日志式)或exFAT格式。

- 1 使用SD读卡器、硬盘坞或转换器将存储介质连接到您的计算机, 忽略任何关于使用您的存储介质作为Time Machine备份选择的信息。
- 2 进入“应用程序/实用工具”界面, 运行“磁盘工具”程序。
- 3 点击表示摄影机存储介质的硬盘图标, 再点击“抹掉”按钮。
- 4 将格式设置为“Mac OS扩展(日志式)”或“exFAT”。
- 5 输入新增分区的名字, 并点击“抹掉”。摄影机的存储介质或会迅速格式化, 以备使用。

## 在Windows计算机上格式化存储介质

使用Windows PC的“格式化”对话框可将您摄影机的存储介质格式化为exFAT。由于格式化后存储介质上的所有文件都被清除，因此请务必在格式化存储介质前先备份存储介质上的所有重要文件。



在Windows计算机上可使用“格式化”对话框将您摄影机的存储介质格式化为exFAT格式。

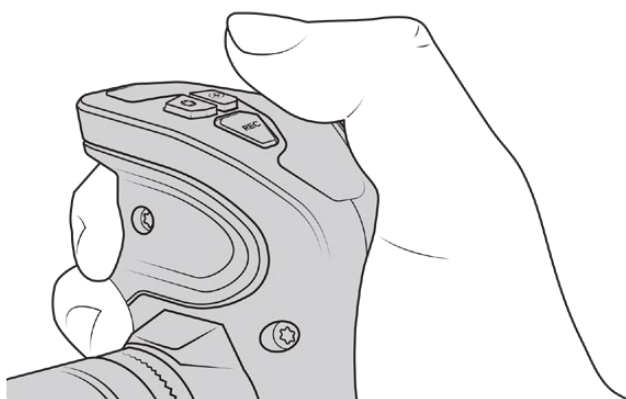
- 1 使用外置读写设备、SSD硬盘坞或转换头将摄影机的存储介质连接到您的计算机。
- 2 打开“开始菜单”或“开始画面”，选择“我的电脑”。右键点击摄影机的存储介质。
- 3 从上下文菜单中选择“格式化”。
- 4 将文件系统设置为“exFAT”，并将分配单元大小设置成128kb。
- 5 输入卷标，选择“快速格式化”，点击“开始”。
- 6 您的存储介质会迅速格式化，以备使用。

**备注** 如果记录的影像出现丢帧现象，请检查您的存储卡或硬盘是否在适用于您所用编解码格式和帧尺寸的推荐存储介质列表上。如果要求低数据速率，可尝试降低您的帧率和分辨率，或尝试ProRes等压缩编解码格式。请登录Blackmagic Design网站获取最新信息，网址：[www.blackmagicdesign.com/cn](http://www.blackmagicdesign.com/cn)

# 记录

## 记录片段

使用Blackmagic URSA Mini时,您可以通过按下控制面板内侧、翻折式监视器外侧、触摸屏或选配Blackmagic URSA Handgrip手柄上的红色“REC”按钮开始记录。使用Blackmagic URSA Mini Pro时,外部记录按钮位于前方控制面板,以便采用肩扛式拍摄方案时使用。再次按记录按钮可停止影像记录。



您还可以按选配Blackmagic URSA Handgrip手柄上的“REC”按钮来记录片段。

开始和停止记录的另一个选项是可将外部LANC控制器添加到URSA Mini的LANC输入上并从外部触发记录。例如,您可以在三脚架上安装一个LANC控制器来触发记录功能,并且同时还能令您的双手保持在对焦环和三脚架把手上。

**备注** 如果您在记录过程中使用了“存储介质选择”开关,摄影机将完成当前记录,然后切换到另一类存储介质上开始记录。这能保证您的记录工作不会因为您在拍摄一个镜头的时候调整该开关而被损坏。

## 选择编解码格式、分辨率以及传感器范围

您的Blackmagic URSA Mini Pro能以Blackmagic RAW格式记录,并且可使用固定质量或固定比特率选项设置。URSA Mini Pro和URSA Mini还可记录Apple ProRes压缩编解码格式。传感器帧率选项根据具体摄影机型号,以及您所选的编解码格式和分辨率而定。

请注意,使用Blackmagic RAW记录的片段在DaVinci Resolve、Blackmagic RAW Player等支持Blackmagic RAW SDK的软件程序上都受到兼容。Blackmagic RAW已受到众多后期制作软件平台的兼容。这一格式或许尚未受到所有剪辑软件的原生支持,但大部分软件只要使用我们在Camera Update和Blackmagic RAW安装程序里提供的插件之后都可以工作。更多相关信息,请查阅“使用第三方软件”部分的介绍。

## 动态范围

Blackmagic URSA Mini Pro 12K能拍摄具有14挡宽容度的宽动态范围影像。URSA Mini Pro G2、URSA Mini Pro和URSA Mini 4.6K拥有15挡动态范围。

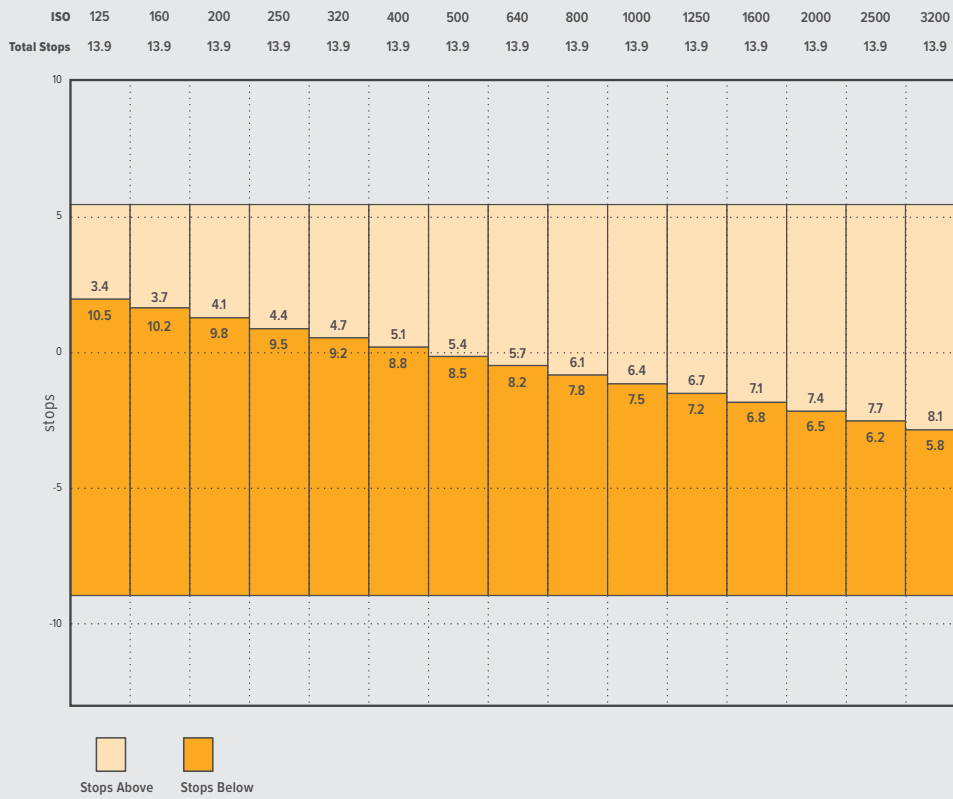
这样能最大程度丰富视频信号的信息，以便您充分利用如DaVinci Resolve等调色软件。

采集到的超宽动态范围也是高动态范围 (HDR) 内容交付的理想选择。

如下面的两张图表所示，URSA Mini Pro 12K的14挡动态范围从ISO 125到3200，URSA Mini 4.6K、URSA Mini Pro和URSA Mini Pro G2的15挡动态范围从ISO 200到3200。

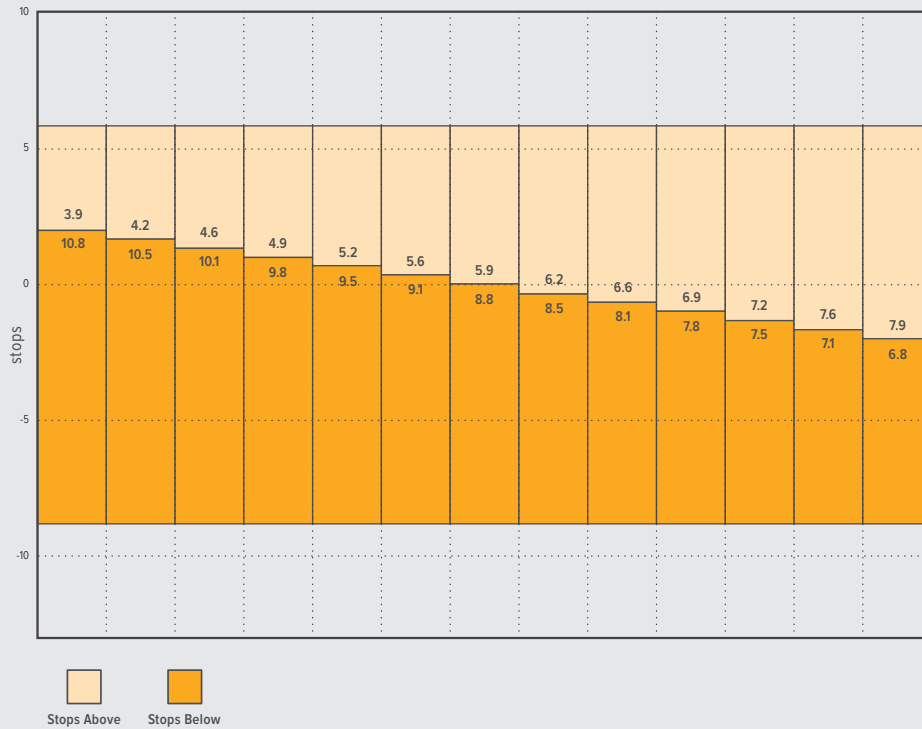
位于中灰上方和下方的动态范围分布会根据所选的ISO设置而定。例如，URSA Mini Pro G2在ISO 200设置下就会有10.8挡动态范围分布在画面暗部，剩余3.9挡会分布在画面亮部。

### Blackmagic URSA Mini Pro 12K动态范围



## Blackmagic URSA Mini 4.6K、URSA Mini Pro和URSA Mini Pro G2动态范围

ISO	200	250	320	400	500	640	800	1000	1250	1600	2000	2500	3200
Total Stops	14.7	14.7	14.7	14.7	14.7	14.7	14.7	14.7	14.7	14.7	14.7	14.7	14.7



## Blackmagic RAW

Blackmagic URSA Mini Pro还支持新型Blackmagic RAW文件格式。该格式有着高画质、宽动态范围的特点，并提供多种压缩比选择。Blackmagic RAW保留了RAW记录的所有优点，但文件速度非常快，因为部分去马赛克是在摄影机里通过硬件加速完成的。

Blackmagic RAW是一种十分智能的格式，它可以解读摄影机的图像传感器，因此可以获得更小的文件格式和更高的画质。更小的文件和更高的画质使Blackmagic RAW成为替代其他视频和RAW文件格式的理想选择。

Blackmagic RAW还包含强大的元数据支持，所以读取这一文件的软件就能明白摄影机的设置。如果您因为需要快速完成剪辑并且没有时间调色而使用视频Gamma拍摄，有了这一元数据功能，您可以选择视频Gamma模式，以视频Gamma拍摄，当您在软件里打开文件时，文件将会显示应用了视频Gamma的效果。但文件实际上还是电影Gamma模式，只不过是文件里的元数据让软件应用了视频Gamma模式。

也就是说，如果您在某个阶段希望为画面调色，所有电影动态范围都会保存在文件里。图像的亮部和暗部都不会被生硬地切掉，因此细节得以保留，从而通过调色赋予画面电影品质。如果您没时间调色也没有关系，因为图像会被应用视频Gamma，看起来就像正常的视频摄影机图像。画面并非一锤定音，到了后期制作您依然可以改变主意。

Blackmagic RAW文件速度非常快，这一编解码格式针对电脑的CPU和GPU做了优化。也就是说，播放又快又流畅，无需硬件解码板，这对于笔记本电脑来说非常重要。能读取Blackmagic RAW的软件也能获得通过Apple Metal、Nvidia CUDA和OpenCL处理的优势。

也就是说，Blackmagic RAW能像视频文件一样在大部分电脑上以正常速度播放，不需要先缓存或者降低分辨率。

另外值得一提的一点是，镜头信息会逐帧记录在元数据里。例如，使用兼容的镜头时，片段长度内所有变焦或对焦调整都会被逐帧保存在Blackmagic RAW文件的元数据里。

## 以Blackmagic RAW记录

Blackmagic RAW有两种不同的工作方式。您可以选择使用固定比特率编解码格式，或者固定质量编解码格式。

固定比特率编解码格式与大多数编解码格式的工作方式类似。它会试图将数据速率保持在恒定的程度，不会让数据速率升得太高。就是说，即使您拍摄复杂的图像，需要更多的数据来存储画面，固定比特率编解码格式也只会对图像进行进一步压缩，从而确保画面不会超出分配的空间。

这对视频编解码格式而言没有问题，但用RAW拍摄时，画质必须具有可预见性。如果您拍摄的图像需要更多数据，但编解码格式只是加大压缩程度来达到特定的数据速率，这时的结果就是，您可能会损失画质，但只有拍完回来才会发现。

为了解决这个问题，Blackmagic RAW还有另一个名为“固定质量”的编解码格式供您选择。该编解码格式技术上称为“可变比特率编解码格式”，当图像需要额外数据时，它会允许文件尺寸变大。如果您需要编解码图像，同时保持画质，文件大小将没有上限。

设置为固定质量的Blackmagic RAW会让文件尺寸无限变大，直到满足编码图像的需要。但文件同时也会根据拍摄情况变大或变小。夸张地说，即便您拍摄时忘了摘镜头盖，也浪费不了太多存储介质空间！

值得注意的是，Blackmagic RAW的画质设置选项名称并非晦涩难懂，而是能直观反映出各自的技术特点。比如，选择固定比特率编解码格式时，就会有3:1、5:1、8:1、12:1或18:1的质量设置选项，具体根据URSA Mini Pro摄影机型号而定。这些是无压缩RAW文件尺寸与使用Blackmagic RAW拍摄的文件尺寸之间的比例。3:1的画质更好，因为文件更大，而18:1的文件尺寸最小，但画质也最低。许多Blackmagic RAW的用户认为12:1或18:1已经完全够用，没有发现任何画质局限。但您最好尝试不同设置，找到最适合自己的数值。

使用固定质量Blackmagic RAW编解码格式时，就会有Q0、Q1、Q3或Q5的设置选项，具体根据URSA Mini Pro摄影机型号而定。这些是传输给编解码格式的压缩参数，它们能以更技术性的方式设置所应用的压缩程度。这个设置不一样，因为固定比特率和固定质量编解码格式的运用方式不同。固定质量设置下，无法预测文件尺寸比率，因为该比率会根据具体拍摄情况发生很大的变化。所以在这种情况下设置是不一样的，并且文件会以它所需的大小记录到存储介质中。

## 固定比特率设置

3:1、5:1、8:1、12:1和18:1代表压缩比。比如，12:1压缩生成的文件大约比无压缩RAW小12倍。

URSA Mini Pro 12K提供的Blackmagic RAW固定比特率选项为5:1、8:1、12:1和18:1。URSA Mini Pro 4.6K G2和URSA Mini Pro 4.6K支持的Blackmagic RAW固定比特率选项为3:1、5:1、8:1和12:1。

## 固定质量设置

Q0、Q1、Q3和Q5表示不同程度的量化。Q5的量化级别更高，数据速率也更高。如上所述，固定质量设置下文件尺寸会根据拍摄情况显著增大或缩小。也就是说，在拍摄时有可能会出现文件尺寸提高到超出存储卡负荷的情况。这样一来就可能发生丢帧。但您可以立即看到拍摄中是否出现这样的问题，然后查看设置和画质。也就是说，在拍摄时有可能会出现文件尺寸提高到超出存储卡负荷的情况。这样一来就可能发生丢帧。但您可以立即看到拍摄中是否出现这样的问题，然后查看设置和画质。

URSA Mini Pro 12K提供的Blackmagic RAW固定质量选项为Q0、Q1、Q3和Q5。URSA Mini Pro 4.6K G2和URSA Mini Pro 4.6K支持的Blackmagic RAW固定质量选项为Q0和Q5。

## Blackmagic RAW Player

Blackmagic Camera软件安装程序中包含的Blackmagic RAW Player播放器是一款用于查看片段的应用程序。只需双击打开Blackmagic RAW文件，就能以全分辨率和位深快速播放及浏览文件。

解码帧时，SDK库里的CPU加速支持所有主要架构，也可通过Apple Metal、Nvidia CUDA和OpenCL支持GPU加速。另外，它还兼容Blackmagic eGPU，可实现更高的性能。Blackmagic RAW Player支持Mac、Windows和Linux三大平台。

## Sidecar文件

Blackmagic RAW Sidecar文件不会重写文件的内嵌元数据，只是将新的元数据优先于原始数据之上。元数据中包含RAW设置，以及光圈、对焦、焦距、白平衡、色调、色彩空间、项目名称、镜头编号等信息。元数据在片段全程被逐帧编码，这对镜头数据来说很重要，因为镜头可能在拍摄过程中发生调整。由于是可读格式，您可以用DaVinci Resolve，甚至文本编辑器添加或编辑Sidecar文件中的元数据。

Sidecar文件可以在播放时自动添加新的RAW设置，只需把Sidecar文件与相对应的RAW文件移动到同一个文件夹即可。如果您将Sidecar文件移出文件夹，并重新打开Blackmagic RAW文件，RAW设置就不会被应用，您所看到的文件是原始拍摄时的状态。任何使用Blackmagic RAW SDK的软件都能访问这些设置。做出的修改将保存在Sidecar文件里，可以通过Blackmagic RAW Player播放器或其他任何能够阅读Blackmagic RAW文件的软件看到。

当拍摄视频Gamma模式时，文件仍然处于电影Gamma，元数据会告诉Blackmagic RAW的处理机能以视频Gamma显示。如果您不想为画面调色，希望快速交付视频内容，视频Gamma是个很好的选择。但如果您希望提升暗部或者降低亮部时，所有细节依然都在。视频不会被裁切，所有细节都在，您可以随时获取。



## Blackmagic RAW与DaVinci Resolve

设置可以根据每个Blackmagic RAW文件进行调整, 然后用DaVinci Resolve的RAW选项卡保存为新的Sidecar文件, 用于创建特效或优化查看。您可以将自己的媒体文件复制给另一位DaVinci Resolve用户, 他们在导入文件时就能自动获取您修改过的Gamma设置。除了摄影机文件中包含的其他元数据以外, DaVinci Resolve还能读取您选择的动态范围, 您的片段将自动以“Film”、“Extended Video”或“Video”动态范围在DaVinci Resolve中显示。

然后您可以通过调整饱和度、对比度和中点, 以及高光和阴影过渡, 对这些设置进行自定义。所有调整都可以保存为Sidecar文件, 后期处理文件的其他人员也能看到这些修改。您随时都可以回到摄影机的原始元数据。

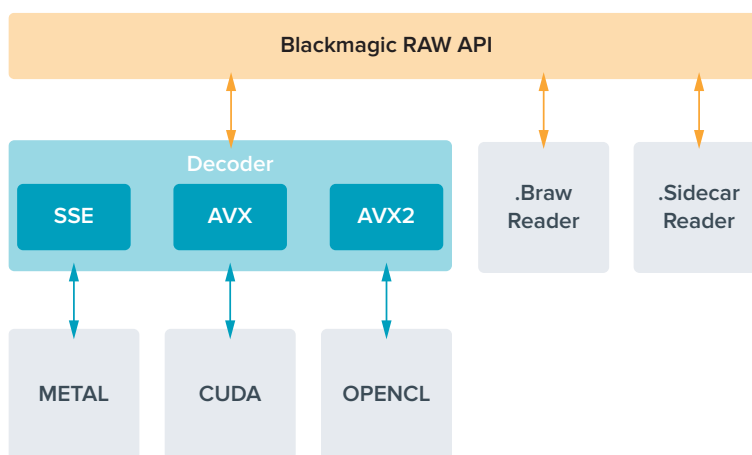
您还可以通过DaVinci Resolve的RAW选项卡导出单一的Blackmagic RAW帧, 其中包含所有调整、元数据、全分辨率和色彩信息, 方便与他人分享单帧或参考文件。

获取更多关于如何在DaVinci Resolve中使用Blackmagic RAW的信息, 请参阅本手册“使用DaVinci Resolve”部分内容。

## Blackmagic RAW软件开发工具包

Blackmagic RAW软件开发工具包是由Blackmagic Design开发的API。您可以用Blackmagic RAW SDK编写自己的应用程序来使用Blackmagic RAW格式。任何开发人员都能用SDK库添加读取、编辑和保存Blackmagic RAW文件的支持。Blackmagic RAW SDK包含第四代和第五代色彩科学, 您可以在所有支持它的应用上实现电影般的自然画面。Blackmagic RAW SDK支持Mac、Windows和Linux, 可在Blackmagic官网的开发者页面免费下载, 网址: [www.blackmagicdesign.com/cn/developer](http://www.blackmagicdesign.com/cn/developer)

以下图表显示了Blackmagic RAW API的各个组成部分:



## 选择帧率

摄影机可以使用不同的帧率拍摄视频，您可以根据需要进行选择。摄影机的传感器帧率对画面观感产生巨大影响。一般来说，选择传感器帧率时，会有一些常见的方面需要考虑。数年来，影视行业一直都有相应的标准。不同的标准会有不同的帧率要求，但其目的只有一个，就是在每一秒内显示有效的帧数来呈现悦目而真实的动态画面。

比如，影院使用的是每秒24帧的标准，虽然近年来业内已经开始尝试使用更高的帧率，但每秒24帧依然是全球广泛接受的标准。电视行业的帧率则通常要符合每个国家的播出技术标准。比如，在制作电视内容时，北美地区一般都会使用每秒29.97的帧率进行记录，而欧洲地区则会使用每秒25的帧率进行记录。

但是，随着技术的不断发展，如今的制作有了更多的选择，并且播出标准也在一直变化。现在，体育类节目通常会以更高的帧率记录和播出。比如在北美地区，有些体育节目会以高达每秒59.94帧的速度记录和播出，欧洲地区则会采用每秒50帧的速度。这样能使这类快节奏画面更加流畅和真实。此外，流媒体和网络播出一般会使用和电视节目类似的帧率，但用户可以选择不同的观看格式，而且唯一的限制就是用户的屏幕可以显示的内容，所以灵活性更大一些。

一般来说，为一个项目选择帧率时，可以根据交付的格式进行选择。摄影机的项目帧率应该使用这一设置，而传感器帧率应该被设置为匹配。这样您的片段就能以和肉眼所见的实际画面相同的速度进行播放。如果您想要创造出有趣的效果，比如慢动作，就可以使用高一些的传感器帧率设置。传感器帧率比项目帧率越高，播放速度就越慢。比如说，URSA Mini Pro G2能以非常高的传感器帧率拍摄获得极慢动作画面。

更多关于使用不同传感器帧率来达到创意效果的信息，请参考“触摸屏控制”部分的介绍。

## 以高帧率拍摄

以高帧率拍摄影像时，摄影机每秒采集到的帧画面会多于每秒24、25和30帧的传统同步速度帧率。这意味着图像传感器采集每一帧时的通光时间更短，从而造成摄影机采集到的画面会相对较暗。

例如，如果您从每秒25帧的帧率切换到每秒50帧，那么通过传感器进入的光量就会减半。为了保证曝光度，您需要进行一定的补偿，包括将镜头光圈开大一挡，将快门角度从180°增加到360°，或者为场景适当添加照明等。

以每秒120帧的速度进行拍摄时，进入传感器的光量会减少到五分之一，因此您需要调整多项设置进行补偿，比如镜头光圈、快门角度以及照明灯，从而达到相同的曝光级别。

以更高的帧率进行拍摄时，另外要注意的就是电子光源会在记录画面上造成闪烁现象。尤其是在50Hz的环境下采用每秒100帧以上的帧率进行拍摄，或者在60Hz的环境下采用每秒120帧以上的帧率进行拍摄时，钨丝灯、荧光灯和LED灯等光源都有可能造成画面闪烁。在LCD屏幕上预览场景，或者在拍摄时通过SDI信号预览场景时，您可能察觉不到这些闪烁的问题，因此请务必对计划要用到的光源进行拍摄测试，并且播放片段来检查是否存在闪烁的问题。

此外，您的快门设置也有可能影响到在灯光下拍摄时闪烁的可见情况，好在URSA Mini可以根据当前帧率设置自动计算并显示防闪烁快门选项。请注意，即使使用防闪烁快门数值，每类光源所具备的特点也依然有可能导致闪烁现象。更多信息请参考“触摸屏控制”部分的介绍。

如果您将快门设置到最低快门速度或最宽快门角度后，记录画面上依然存在闪烁现象，那就可能需要考虑换用其他类型的光源为场景照明，或者选购使用更快的镜头。

## 最高帧率

下表包含了URSA Mini 4.6K和URSA Mini Pro 4.6K型号可用的编解码格式、分辨率以及其传感器最高帧率。请注意，为Blackmagic RAW、ProRes 444和ProRes 422给出的参考也可作为每种特定编解码格式内所支持其他格式的参考。

由于以慢动作记录高分辨率影像对数据速率的要求，您需要选择高速CFast卡、USB-C硬盘或SSD硬盘。请参考“存储介质”部分的介绍获取高速记录时推荐使用的存储介质。

**提示** 您可以开启“STOP REC IF CARD DROPS FRAME”（存储卡丢帧时停止记录）功能记录一个测试片段，对存储卡进行测速。这样可以测试出特定分辨率、特定帧率情况下可以拍摄的时间。如果存储卡很快就停止记录，请调低到下一档压缩设置或分辨率设置，以便降低数据速率，易于存储卡保持记录。

### URSA Mini Pro 12K的最高帧率

格式	分辨率	编解码	传感器范围	最高帧率	
12K	17:9	12288 x 6480	Blackmagic RAW	全部	60
	16:9	11520 x 6480	Blackmagic RAW	全高	60
	2.4:1	12288 x 5112	Blackmagic RAW	全宽	75
	6:5 变形	7680 x 6408	Blackmagic RAW	全高	60
8K	17:9	8192 x 4320	Blackmagic RAW	全部	120
	16:9	7680 x 4320	Blackmagic RAW	全高	120
	2.4:1	8192 x 3408	Blackmagic RAW	全宽	160
	6:5 变形	5120 x 4272	Blackmagic RAW	全高	120
6K	Super 16	6144 x 3240	Blackmagic RAW	裁切	120
4K	DCI	4096 x 2160	Blackmagic RAW	全部	120
	16:9	3840 x 2160	Blackmagic RAW	全高	120
	2.4:1	4096 x 1704	Blackmagic RAW	全宽	160
	6:5 变形	2560 x 2136	Blackmagic RAW	全高	120
	Super 16	4096 x 2160	Blackmagic RAW	裁切	240

**URSA Mini Pro 4.6K G2、URSA Mini Pro 4.6K和URSA Mini 4.6K的最高帧率**

格式	分辨率	编解码	URSA Mini Pro 4.6K G2		URSA Mini Pro 4.6K		URSA Mini 4.6K	
			传感器范围	最高帧率	传感器范围	最高帧率	传感器范围	最高帧率
4.6K	4608 x 2592	Blackmagic RAW	全部	120	全部	60	—	—
		ProRes 444	全部	40	全部	30	全部	30
		ProRes 422	全部	80	全部	40	全部	40
4.6K 2.4:1	4608 x 1920	Blackmagic RAW	裁切	150	裁切	60	—	—
		ProRes 444	裁切	60	裁切	40	裁切	40
		ProRes 422	裁切	120	裁切	50	裁切	50
4K 16:9	4096 x 2304	Blackmagic RAW	裁切	120	裁切	60	—	—
		ProRes 444	裁切	60	全部或裁切	30	全部或裁切	30
		ProRes 422	裁切	100	全部或裁切	50	全部或裁切	50
4K DCI	4096 x 2160	Blackmagic RAW	裁切	150	裁切	60	—	—
		ProRes 444	裁切	60	全部或裁切	40	全部或裁切	40
		ProRes 422	裁切	120	全部或裁切	50	全部或裁切	50
UHD	3840 x 2160	Blackmagic RAW	裁切	150	裁切	60	—	—
		ProRes 444	全部或裁切	60	全部或裁切	40	全部或裁切	40
		ProRes 422	全部或裁切	120	全部或裁切	60	全部或裁切	60
3K 变形	3072 x 2560	Blackmagic RAW	裁切	120	裁切	60	—	—
		ProRes 444	裁切	70	裁切	40	—	—
		ProRes 422	裁切	120	裁切	60	—	—
2K 16:9	2048 x 1152	Blackmagic RAW	裁切	240	裁切	120	—	—
		ProRes 444	裁切	240	裁切	120	裁切	120
		ProRes 422	裁切	240	裁切	120	裁切	120
		ProRes 444	全部	120	全部	60	全部	60
		ProRes 422	全部	120	全部	60	全部	60
2K DCI	2048 x 1080	Blackmagic RAW	裁切	300	裁切	120	—	—
		ProRes 444	裁切	240	裁切	120	裁切	120
		ProRes 422	裁切	240	裁切	120	裁切	120
		ProRes 444	全部	120	全部	60	全部	60
		ProRes 422	全部	120	全部	60	全部	60
HD	1920 x 1080	Blackmagic RAW	裁切	300	裁切	120	—	—
		ProRes 444	裁切	240	裁切	120	裁切	120
		ProRes 422	裁切	240	裁切	120	裁切	120
		ProRes 444	全部	120	全部	60	全部	60
		ProRes 422	全部	120	全部	60	全部	60

请注意, Blackmagic RAW Q0、Q1、Q3和Q5使用可变比特率压缩以达到固定质量。Q0、Q1、Q3和Q5数据速率取决于画面中主体的复杂程度, 并且在整个片段中变化可能会相当大。

### URSA Mini 4K的最高帧率

格式	分辨率	编解码	URSA Mini 4K	
			传感器范围	最高帧率
UHD	3840 x 2160	ProRes 444	全部或裁切	40
		ProRes 422	全部或裁切	60
HD	1920 x 1080	ProRes 444	裁切	80
		ProRes 422	裁切	120
		ProRes 444	全部	60
		ProRes 422	全部	60

使用Blackmagic URSA Mini时, 选择想要的编解码器和分辨率步骤如下:

- 1 按控制面板上的“MENU” (菜单) 按钮。
- 2 导航到“RECORD” (记录) 选项卡的第一页。
- 3 点按您想要的编解码、质量及分辨率选项。
- 4 如果您想要使用窗口式传感器模式进行记录, 导航到“RECORD” (记录) 选项卡第二页菜单并开启“WINDOW SENSOR” (传感器裁切模式)。如果想要以全部传感器进行记录, 将此选项设置为关闭。
- 5 按“MENU” (菜单) 退出。

### 记录格式和项目帧率

选择了编解码和分辨率设置之后, 您接下来要设定“Project” (项目) 以及“Sensor” (传感器) 帧率。有关帧率的更多介绍请参阅本手册的“记录设置”章节。

所有URSA Mini摄影机适用的项目帧率如下:

23.98、24、25、29.97、30、50、59.94以及60fps。

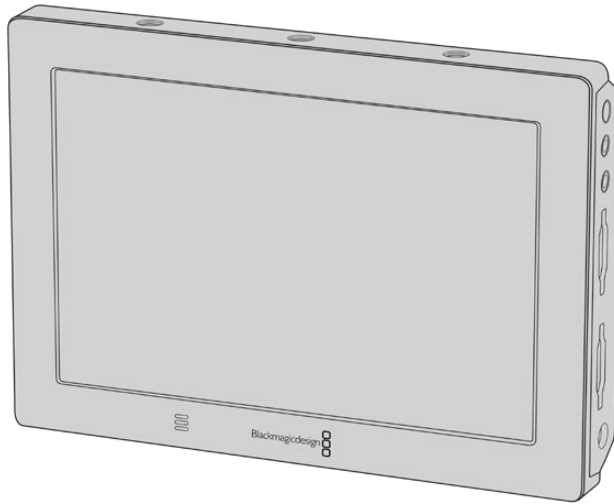
使用Blackmagic RAW和上至ProRes 422 HQ的ProRes编解码时, 所有分辨率的最高项目帧率都是60fps。使用ProRes 444和ProRes 444 XQ编解码时, 最高项目帧率取决于分辨率。

例如, 在URSA Mini Pro 4.6K G2机型上, 使用ProRes 444编解码格式进行拍摄时的最高项目帧率是60fps, 最高分辨率是4.6K 2.4:1。如果您将分辨率提高到全传感器4.6K, 那么最高项目帧率就是30fps。在原版URSA Mini Pro 4.6K机型上, 使用ProRes 444编解码格式进行拍摄时的最高项目帧率是60fps, 最高分辨率是2K 16:9。如果您将分辨率改到3K变形或更高, 那么最高项目帧率就是30fps。之所以会出现这一差别, 是因为使用ProRes 444和ProRes 444 XQ拍摄时, 更高的分辨率需要更高的处理。

## 触发记录

同时，您还需要对设备进行设置，启用其SDI触发记录功能，以便确保该设备对来自URSA Mini的触发信号给出响应。如果您的SDI设备支持SDI触发记录，则通常可使用该SDI设备的设置菜单来启用这一功能。

您的URSA Mini摄影机可通过SDI输出口自动发送一路信号，以便在连接如Blackmagic Video Assist等支持SDI触发记录功能的设备时触发记录。这样一来，当您按下摄影机上的记录按钮时，您所连接的外部SDI设备也将开始记录，并可当您再次按下该记录按钮时停止记录。



您可以使用摄影机上的触发记录功能来触发Blackmagic Video Assist 4K等SDI视频设备上的记录。

**提示** 如果在极其严寒的气候条件下进行拍摄，如气温为0–5摄氏度或者32–41华氏度时，URSA Mini 4K有时可能需要最多三十秒的时间方可达到理想运行温度。在此期间，您依然可以进行记录，但是我们建议您稍作等待，直至摄影机预热并达到稳定。达到理想运行温度后，您的摄影机将根据传感器温度变化重新进行校准，此时您可能会发现摄影机闪过一个白色闪光帧画面。这一现象只会在没有记录时出现，它能提高摄影机在寒冷气候下拍摄获得的画质。

## 记录时长表

下面这些表格以分和秒的格式列出了不同格式、项目帧率和媒体文件大小下可以记录的大致时长。存储介质的最长记录时间会根据其容量、记录格式以及帧率设定而各有不同。例如3840 x 2160的Apple ProRes 422 HQ格式，其存储速率大约为880Mbps。采用每秒24帧的记录速度时，您可以在一张容量为256GB的CFast 2.0或SD卡上记录大约47分钟的视频。在同样的设置下，您可以在一张容量为128GB的CFast 2.0或SD卡上记录大约23分钟的视频，大约是容量为256GB的存储卡一半的记录时长。当采用URSA Mini SSD Recorder在SSD上记录时，时长相同。

需要注意的是，不同厂商生产的CFast 2.0和SD卡的记录时长也略有不同。存储介质被格式化为exFAT或Mac OS X扩展格式时，记录时长也会有所不同。

### URSA Mini Pro 12K的记录时长表

含有少量信息的简单场景要比信息密集的合成场景需要的数据更少。以下表格中的数值都是以高度复杂的镜头来评估的，因此您所获得的记录时间可能会稍长些，具体取决于您所拍摄影像的类型。

在URSA Mini Pro 12K上记录12K					
CFast卡	帧率	Blackmagic RAW 5:1	Blackmagic RAW 8:1	Blackmagic RAW 12:1	Blackmagic RAW 18:1
1TB		时长	时长	时长	时长
	23.98	29分钟	47分钟	70分钟	106分钟
	24	29分钟	47分钟	70分钟	106分钟
	25	28分钟	45分钟	67分钟	101分钟
	29.97	23分钟	37分钟	56分钟	84分钟
	30	23分钟	37分钟	56分钟	84分钟
	50	14分钟	22分钟	33分钟	50分钟
	60	11分钟	18分钟	28分钟	42分钟

在URSA Mini Pro 12K上记录8K					
CFast卡	帧率	Blackmagic RAW 5:1	Blackmagic RAW 8:1	Blackmagic RAW 12:1	Blackmagic RAW 18:1
1TB		时长	时长	时长	时长
	23.98	66分钟	106分钟	158分钟	238分钟
	24	66分钟	106分钟	158分钟	238分钟
	25	63分钟	101分钟	152分钟	228分钟
	29.97	52分钟	84分钟	127分钟	190分钟
	30	52分钟	84分钟	127分钟	190分钟
	50	31分钟	50分钟	76分钟	114分钟
	60	26分钟	42分钟	63分钟	95分钟

在URSA Mini Pro 12K上记录6K					
CFast卡	帧率	Blackmagic RAW 5:1	Blackmagic RAW 8:1	Blackmagic RAW 12:1	Blackmagic RAW 18:1
1TB		时长	时长	时长	时长
	23.98	116分钟	186分钟	280分钟	419分钟
	24	116分钟	186分钟	280分钟	419分钟
	25	112分钟	179分钟	268分钟	402分钟
	29.97	93分钟	149分钟	224分钟	335分钟
	30	93分钟	149分钟	224分钟	335分钟
	50	56分钟	89分钟	134分钟	201分钟
	60	46分钟	74分钟	112分钟	168分钟

在URSA Mini Pro 12K上记录4K					
CFast卡	帧率	Blackmagic RAW 5:1	Blackmagic RAW 8:1	Blackmagic RAW 12:1	Blackmagic RAW 18:1
		时长	时长	时长	时长
	23.98	264分钟	442分钟	631分钟	941分钟
	24	264分钟	442分钟	631分钟	941分钟
	25	254分钟	405分钟	606分钟	904分钟
1TB	29.97	211分钟	338分钟	506分钟	755分钟
	30	211分钟	338分钟	506分钟	755分钟
	50	127分钟	203分钟	304分钟	455分钟
	60	106分钟	169分钟	254分钟	380分钟

### URSA Mini Pro 4.6K G2、URSA Mini Pro 4.6K、URSA Mini 4.6K以及URSA Mini 4K的记录时长表

含有少量信息的简单场景要比复杂的合成场景需要的数据更少。以下表格中的数值都是以高度复杂的镜头来评估的, 因此您所获得的记录时间可能会稍长些, 具体取决于您所拍摄影像的类型。

4.6K								
CFast卡	帧率	Blackmagic RAW 3:1*	Blackmagic RAW 5:1*	Blackmagic RAW 8:1*	Blackmagic RAW 12:1*	ProRes 444 XQ	ProRes 422 HQ	ProRes 422 LT
		时长	时长	时长	时长	时长	时长	时长
256GB	23.98	28分钟	48分钟	76分钟	115分钟	14分钟	33分钟	70分钟
	24	28分钟	48分钟	76分钟	114分钟	14分钟	33分钟	70分钟
	25	27分钟	46分钟	73分钟	110分钟	14分钟	31分钟	66分钟
	29.976	23分钟	38分钟	61分钟	92分钟	11分钟	26分钟	56分钟
	30	23分钟	38分钟	61分钟	92分钟	11分钟	26分钟	56分钟
	50	13分钟	23分钟	36分钟	55分钟	—	—	—
	59.94	11分钟	19分钟	30分钟	46分钟	—	—	—
	60	11分钟	19分钟	30分钟	46分钟	—	—	—

\*Blackmagic RAW仅在URSA Mini Pro 4.6K和URSA Mini Pro 4.6K G2型号上提供。

ULTRA HD								
CFast卡	帧率	Blackmagic RAW 3:1*	Blackmagic RAW 5:1*	Blackmagic RAW 8:1*	Blackmagic RAW 12:1*	ProRes 444 XQ	ProRes 422 HQ	ProRes 422 LT
		时长	时长	时长	时长	时长	时长	时长
256GB	23.98	41分钟	68分钟	110分钟	164分钟	21分钟	47分钟	101分钟
	24	41分钟	68分钟	109分钟	164分钟	21分钟	47分钟	101分钟
	25	39分钟	66分钟	105分钟	157分钟	20分钟	45分钟	97分钟
	29.976	33分钟	55分钟	88分钟	131分钟	16分钟	38分钟	81分钟
	30	33分钟	55分钟	88分钟	131分钟	16分钟	38分钟	81分钟
	50	19分钟	33分钟	52分钟	79分钟	—	22分钟	48分钟
	59.94	16分钟	27分钟	44分钟	66分钟	—	18分钟	40分钟
	60	16分钟	27分钟	44分钟	66分钟	—	18分钟	40分钟

\*Blackmagic RAW仅在URSA Mini Pro 4.6K和URSA Mini Pro 4.6K G2型号上提供。



HD								
CFast卡	帧率	Blackmagic RAW 3:1*	Blackmagic RAW 5:1*	Blackmagic RAW 8:1*	Blackmagic RAW 12:1*	ProRes 444 XQ	ProRes 422 HQ	ProRes 422 LT
256GB		时长	时长	时长	时长	时长	时长	时长
	23.98	159分钟	264分钟	418分钟	619分钟	84分钟	189分钟	403分钟
	24	159分钟	264分钟	418分钟	618分钟	84分钟	189分钟	403分钟
	25	153分钟	253分钟	402分钟	595分钟	81分钟	182分钟	387分钟
	29.976	128分钟	212分钟	336分钟	499分钟	68分钟	152分钟	324分钟
	30	127分钟	212分钟	336分钟	499分钟	67分钟	152分钟	324分钟
	50	76分钟	127分钟	203分钟	303分钟	40分钟	91分钟	196分钟
	59.94	64分钟	106分钟	170分钟	254分钟	34分钟	76分钟	163分钟
	60	64分钟	106分钟	170分钟	253分钟	33分钟	76分钟	163分钟

\*Blackmagic RAW仅在URSA Mini Pro 4.6K和URSA Mini Pro 4.6K G2型号上提供。

Q0和Q5的固定质量设置将显示不同的记录剩余时间时长。Q0的预计时长与固定比特率3:1类似，Q5的时长与12:1类似，但由于记录过程中预计时长每10秒钟更新一次，所以衡量记录时间最好的方法是记录20秒钟，然后在触摸屏显示器的存储介质区域监看时长。

## URSA Mini Pro 12K的数据速率表

Blackmagic URSA Mini Pro 12K可采集不同分辨率和帧率的影像，因此请务必了解各类数据速率的含义，以便为您的项目选择最合适的格式和存储介质。Blackmagic Design对一系列广泛的CFast卡、SD UHS-II卡和USB-C硬盘进行了全面测试，得出各类存储介质所能达到的帧率和Blackmagic RAW压缩比。更多相关信息，请查阅“存储介质”部分的介绍。一般来说，URSA Mini Pro 12K使用的CFast卡可以维持大约400MB/s的数据速率。您可以将这些大概的数字作为参考，掌握自己可以达到的数据速率和分辨率。

由于URSA Mini Pro 12K能以极高的数据速率记录，因此您可能需要使用两张存储卡进行记录，以便获得两倍于正常值的存储介质比特率。如需进行这一操作，请插入两张CFast卡或SD卡，然后到“记录”菜单中开启“双卡RAW记录”选项。由于这一操作需要同时在两张条带化的存储卡上以交替的方式记录，因此数据速率较慢的那张卡会限制整体记录性能，建议您使用两张参数相仿的存储卡进行记录。您还可以在存储卡槽1中安装CFast卡，在存储卡槽2中安装USB-C硬盘来实现交替记录。使用“双卡RAW记录”选项时，速度上限为条带化阵列中速度较慢那张卡的数据速率的两倍。更多相关信息，请查阅“双卡RAW记录”部分的介绍。

Blackmagic RAW固定比特率选项的设计目的旨在为您提供可预见的文件大小和数据速率。当您拍摄拥有大量细节或快速运动的场景时，固定比特率选项能以恒定最大值来压缩画面，从而确保比特率始终保持在指定值以下。这样能便于清楚了解您的存储介质需要保持在哪种速度，并且能较为可靠地预估存储介质可用于拍摄的时长。

### Blackmagic RAW固定比特率选项在24p下的最高数据速率

格式		分辨率	帧率	Blackmagic RAW 5:1	Blackmagic RAW 8:1	Blackmagic RAW 12:1	Blackmagic RAW 18:1
12K	17:9	12288 x 6480	24	578 MB/s	361 MB/s	241 MB/s	160 MB/s
	16:9	11520 x 6480	24	542 MB/s	339 MB/s	226 MB/s	150 MB/s
	2.4:1	12288 x 5112	24	457 MB/s	286 MB/s	190 MB/s	127 MB/s
	6:5 变形	7680 x 6408	24	358 MB/s	224 MB/s	150 MB/s	99 MB/s
8K	17:9	8192 x 4320	24	257 MB/s	161 MB/s	107 MB/s	71 MB/s
	16:9	7680 x 4320	24	241 MB/s	151 MB/s	101 MB/s	67 MB/s
	2.4:1	8192 x 3408	24	203 MB/s	127 MB/s	85 MB/s	56 MB/s
	6:5 变形	5120 x 4272	24	159 MB/s	100 MB/s	67 MB/s	44 MB/s
6K	Super 16	6144 x 3240	24	146 MB/s	91 MB/s	61 MB/s	40 MB/s
4K	DCI	4096 x 2160	24	65 MB/s	41 MB/s	32 MB/s	27 MB/s
	16:9	3840 x 2160	24	61 MB/s	38 MB/s	30 MB/s	25 MB/s
	2.4:1	4096 x 1704	24	51 MB/s	32 MB/s	25 MB/s	21 MB/s
	6:5 变形	2560 x 2136	24	40 MB/s	25 MB/s	20 MB/s	17 MB/s
	Super 16	4096 x 2160	24	65 MB/s	41 MB/s	27 MB/s	18 MB/s

请注意, 实际存储速率取决于具体拍摄图像, 含有大量细节的场景或者画面非常简单的场景都可能会超出下表所示数据范围。

### Blackmagic RAW固定质量选项在24p下的数据速率范围

格式		分辨率	帧率	Blackmagic RAW Q0	Blackmagic RAW Q1	Blackmagic RAW Q3	Blackmagic RAW Q5
12K	17:9	12288 x 6480	24	241–578 MB/s	145–361 MB/s	97–241 MB/s	73–181 MB/s
	16:9	11520 x 6480	24	226–542 MB/s	136–339 MB/s	91–226 MB/s	68–170 MB/s
	2.4:1	12288 x 5112	24	190–457 MB/s	114–286 MB/s	76–190 MB/s	57–143 MB/s
	6:5 变形	7680 x 6408	24	150–358 MB/s	90–224 MB/s	60–150 MB/s	45–112 MB/s
8K	17:9	8192 x 4320	24	161–321 MB/s	107–214 MB/s	81–161 MB/s	52–129 MB/s
	16:9	7680 x 4320	24	151–301 MB/s	101–201 MB/s	76–151 MB/s	49–121 MB/s
	2.4:1	8192 x 3408	24	127–254 MB/s	85–169 MB/s	64–127 MB/s	41–102 MB/s
	6:5 变形	5120 x 4272	24	100–199 MB/s	67–133 MB/s	50–100 MB/s	32–80 MB/s
6K	Super 16	6144 x 3240	24	61–146 MB/s	37–91 MB/s	25–61 MB/s	19–46 MB/s
4K	DCI	4096 x 2160	24	129–214 MB/s	65–129 MB/s	41–107 MB/s	30–81 MB/s
	16:9	3840 x 2160	24	121–201 MB/s	61–121 MB/s	38–101 MB/s	28–76 MB/s
	2.4:1	4096 x 1704	24	102–169 MB/s	51–102 MB/s	32–85 MB/s	23–64 MB/s
	6:5 变形	2560 x 2136	24	80–133 MB/s	40–80 MB/s	25–67 MB/s	18–50 MB/s
	Super 16	4096 x 2160	24	41–81 MB/s	27–54 MB/s	21–41 MB/s	13–33 MB/s

采用变速帧率模式拍摄能让您获得更大的创意空间，达到您追求的画面风格。URSA Mini Pro 12K能以最高60fps的速度拍摄12K分辨率，并且能以最高220fps的速度拍摄其他分辨率。当您使用URSA Mini Pro 12K拍摄高帧率影像时，摄影机会使用最高比特率，因此请务必选择合适的Blackmagic RAW压缩选项。

### Blackmagic RAW固定比特率选项在最高帧率下的最高数据速率

格式	分辨率	Blackmagic RAW 5:1		Blackmagic RAW 8:1		Blackmagic RAW 12:1		Blackmagic RAW 18:1		
		最高帧率	最高数据速率	最高帧率	最高数据速率	最高帧率	最高数据速率	最高帧率	最高数据速率	
12K	17:9	12288 x 6480	40	963 MB/s	60	903 MB/s	60	602 MB/s	60	401 MB/s
	16:9	11520 x 6480	40	903 MB/s	60	847 MB/s	60	565 MB/s	60	376 MB/s
	2.4:1	12288 x 5112	50	951 MB/s	75	892 MB/s	75	595 MB/s	75	396 MB/s
	6:5 变形	7680 x 6408	60	895 MB/s	60	560 MB/s	60	373 MB/s	60	249 MB/s
8K	17:9	8192 x 4320	120	1,285 MB/s	120	803 MB/s	120	536 MB/s	120	357 MB/s
	16:9	7680 x 4320	120	1,205 MB/s	120	753 MB/s	120	502 MB/s	120	334 MB/s
	2.4:1	8192 x 3408	160	1,353 MB/s	160	846 MB/s	160	564 MB/s	160	375 MB/s
	6:5 变形	5120 x 4272	120	796 MB/s	120	498 MB/s	120	332 MB/s	120	221 MB/s
6K	Super 16	6144 x 3240	120	727 MB/s	120	455 MB/s	120	303 MB/s	120	202 MB/s
4K	DCI	4096 x 2160	120	322 MB/s	120	201 MB/s	120	161 MB/s	120	134 MB/s
	16:9	3840 x 2160	120	302 MB/s	120	189 MB/s	120	150 MB/s	120	125 MB/s
	2.4:1	4096 x 1704	160	339 MB/s	160	212 MB/s	160	169 MB/s	160	141 MB/s
	6:5 变形	2560 x 2136	120	200 MB/s	120	125 MB/s	120	99 MB/s	120	83 MB/s
	Super 16	4096 x 2160	240	648 MB/s	240	405 MB/s	240	271 MB/s	240	180 MB/s

### Blackmagic RAW固定质量选项在最高帧率下的数据速率范围

格式	分辨率	帧率	Blackmagic RAW Q0	Blackmagic RAW Q1	Blackmagic RAW Q3	Blackmagic RAW Q5	
12K	17:9	12288 x 6480	60	602–1,445 MB/s	362–903 MB/s	241–602 MB/s	181–452 MB/s
	16:9	11520 x 6480	60	565–1,355 MB/s	339–847 MB/s	226–565 MB/s	170–424 MB/s
	2.4:1	12288 x 5112	75	595–1,426 MB/s	357–892 MB/s	238–595 MB/s	179–446 MB/s
	6:5 变形	7680 x 6408	60	373–895 MB/s	224–560 MB/s	150–373 MB/s	112–280 MB/s
8K	17:9	8192 x 4320	120	803–1,605 MB/s	536–1,071 MB/s	402–803 MB/s	258–643 MB/s
	16:9	7680 x 4320	120	753–1,506 MB/s	502–1,004 MB/s	377–753 MB/s	242–603 MB/s
	2.4:1	8192 x 3408	160	846–1,609 MB/s	564–1,127 MB/s	423–846 MB/s	271–677 MB/s
	6:5 变形	5120 x 4272	120	498–995 MB/s	332–664 MB/s	249–498 MB/s	160–398 MB/s
6K	Super 16	6144 x 3240	120	303–727 MB/s	182–455 MB/s	122–303 MB/s	92–228 MB/s

格式		分辨率	帧率	Blackmagic RAW Q0	Blackmagic RAW Q1	Blackmagic RAW Q3	Blackmagic RAW Q5
4K	DCI	4096 x 2160	120	643–1,071 MB/s	322–643 MB/s	201–536 MB/s	147–402 MB/s
	16:9	3840 x 2160	120	603–1,004 MB/s	302–603 MB/s	189–502 MB/s	138–377 MB/s
	2.4:1	4096 x 1704	160	677–1,127 MB/s	339–677 MB/s	212–564 MB/s	155–423 MB/s
	6:5 变形	2560 x 2136	120	398–664 MB/s	200–398 MB/s	125–332 MB/s	91–249 MB/s
	Super 16	4096 x 2160	240	405–810 MB/s	271–540 MB/s	203–405 MB/s	131–325 MB/s

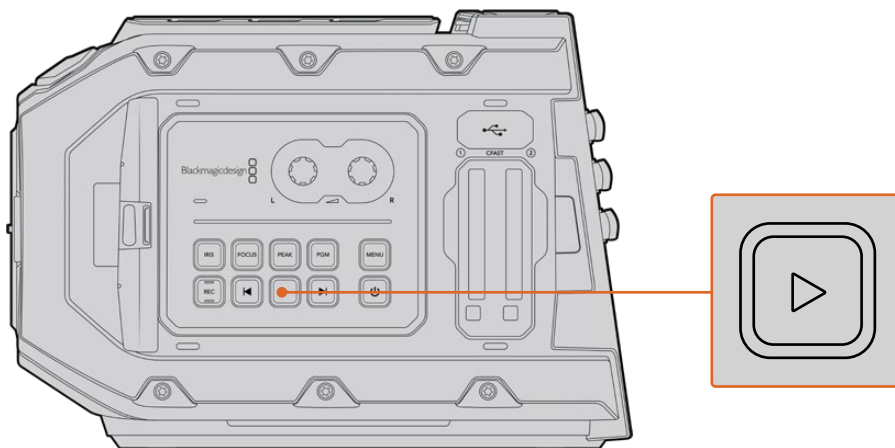
固定质量格式的实际存储速率取决于具体拍摄图像，含有大量细节的场景或者画面非常简单的场景都可能超出范围。

## 播放

### 播放片段

视频记录完毕后，您可使用摄影机上的播放控制按钮播放片段。

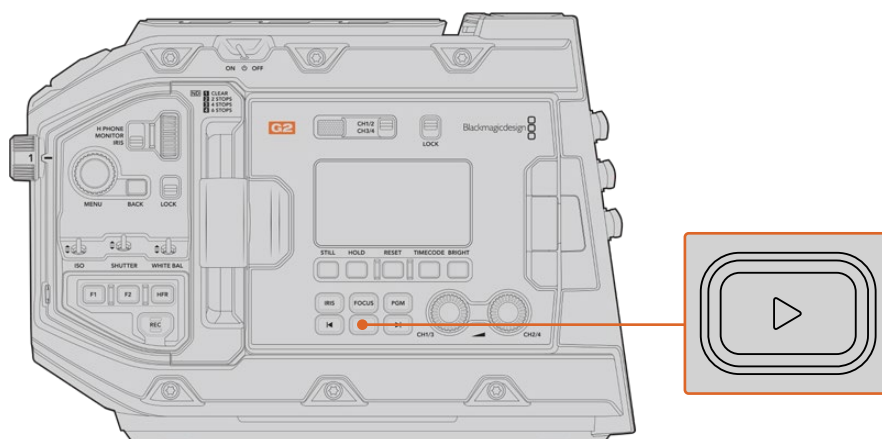
按播放按钮一次可立即播放，您可通过URSA Mini的LCD触摸屏监看记录的视频。您也可以通过URSA Mini的SDI输出接口连接显示器来查看片段。



URSA Mini摄影机

**提示** Blackmagic URSA Mini在内部和人体工学控制面板上都配有播放和播放控制按钮。

**备注** Blackmagic URSA Mini也可以播放不同质量设置的片段，前提是这些片段具有相同的编解码器、帧率和分辨率即可。



URSA Mini Pro 4.6K G2摄影机

按前进或倒退按钮可跳到片段的开始或结束处。按后退按钮一次会跳转到当前素材片段的开头，按两次则跳转到上一段素材片段的开头。长按前进或后退按钮可以两倍的速度快进或快退。位于快进或快退模式时，按两次快进或快退按钮可获得4倍速度，按三次可获得8倍速度，按四次可获得16倍速度。如使用兼容镜头，您也可以在记录时使用快进和快退按钮控制光圈的开合。

记录片段时，如果您使用的传感器帧率和项目帧率不同，您的片段播放速度也会不同。例如，您可将摄影机的项目帧率设置为与后期制作时间线相同的每秒24帧。如果您记录片段时将传感器帧率设置为每秒60帧，那么您的片段将会以慢动作模式在摄影机和后期制作时间线上播放。

**提示** 更多关于帧率的信息，请阅读本手册在“记录”章节的介绍。

# URSA Mini简介

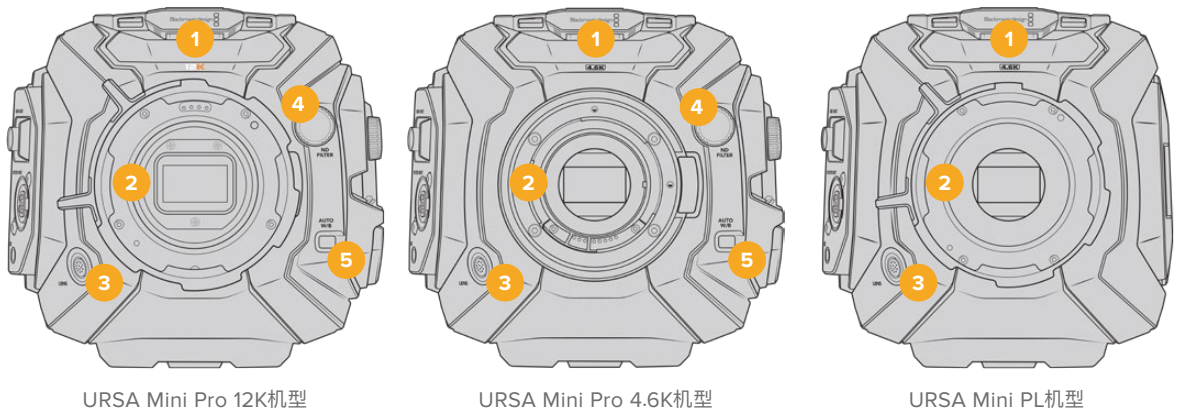
行业标准BNC接口位于URSA Mini右侧和后侧,可实现SDI连接。此外,还有两个单独设立的LANC输入口,一个用于选配的Blackmagic URSA Handgrip手柄,一个用于摄影机后方的外部LANC控制器。

URSA Mini和URSA Mini Pro的XLR输入口位于摄影机顶部的安装点后侧,可连接专业平衡模拟音频,URSA Mini Pro还设有AES数字音频输入口。摄影机后面板设有一个4针XLR接口,可连接外部电源输入。右侧则设有一路输出,可为Blackmagic URSA Viewfinder等配件提供电源。

URSA Mini的存储卡槽上方还设有USB端口,可连接到计算机更新摄影机的内部软件。

**备注** URSA Mini Pro带有额外的人体工学控制,不打开翻折式触摸屏就可以简单快速地使用摄影机的主要设置和功能。

## 摄影机正面



URSA Mini Pro 12K机型

URSA Mini Pro 4.6K机型

URSA Mini PL机型

### 1 立体声麦克风

内置优质立体声麦克风。更多关于麦克风音频设置的介绍,请参考“设置”部分的内容。

### 2 镜头卡口

URSA Mini摄影机配备EF或PL镜头卡口。URSA Mini Pro搭载可更换的镜头卡口,可在EF、F、PL和B4卡口之间更换。更多信息请参考“可更换镜头卡口”章节。

### 3 广播级镜头接口

该接口配备12针端子,可提供电源并控制兼容的PL和B4卡口镜头。此接口仅限于URSA Mini PL和URSA Mini Pro机型。请参考本手册“使用伺服变焦镜头”章节的兼容镜头列表的内容,包括PL和B4机型。

### 4 ND滤镜

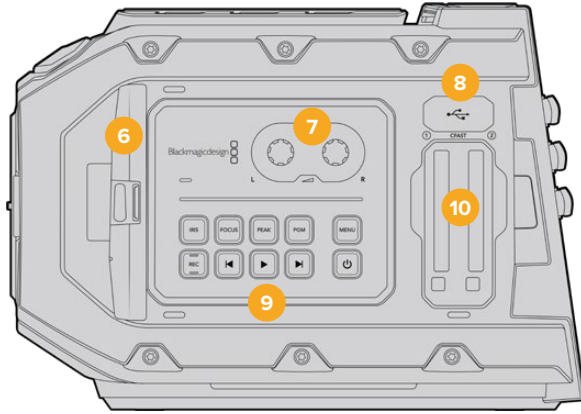
该转盘可在三种内置的中性密度滤镜和无滤镜之间切换。详情请参考“URSA Mini Pro控制按钮”部分的介绍。

### 5 自动白平衡

自动白平衡按钮标有“AUTO W/B”字样,可在您需要根据当前屏幕中心的拍摄对象来设置白平衡的时候使用。例如,为镜头前方的灰卡设置自动白平衡。详情请参考“URSA Mini Pro控制按钮”部分的介绍。

## URSA Mini左侧

URSA Mini的左侧面板可用于插入CFast卡、进入控制面板并更改各项设置。USB端口则位于CFast卡槽上方，方便您连接到计算机来升级URSA Mini的内部软件。



### 6 翻折式触摸屏

5英寸翻折式触屏显示器，可翻转到不同角度，适合各种机位高度。更多介绍请参考“触摸屏控制”部分内容。

### 7 音频电平调整旋钮

调节这些旋钮可设置声道1和声道2的录音电平。更多介绍请参考“URSA Mini控制”部分的内容。

### 8 Mini USB端口

Mini USB端口可用于更新内部软件。详情请参考“Blackmagic Camera Setup实用程序”部分的内容。

### 9 控制面板按钮

这些按钮可用于开启摄影机，控制记录和播放，峰值对焦，进入设置菜单，并可控制兼容EF镜头上的光圈和自动对焦功能。更多介绍请参考“URSA Mini控制”部分的内容。

### 10 存储卡槽

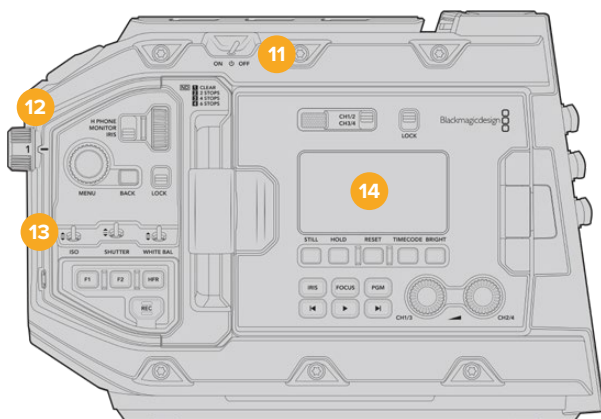
将CFast 2.0卡插入卡槽进行记录和播放。详情请参考“存储介质”部分的内容。

## URSA Mini Pro左侧

URSA Mini Pro机身左侧设有更多的控制项，可快速进入摄影机的所有常用功能。这些控制被分设在正面控制面板，翻折式触屏显示器外侧的人体工学控制面板，以及翻折式监视器内侧的控制面板上。

CFast和SD卡槽位于翻折式监视器的后方。USB-C端口位于存储卡槽上方，被用来连接电脑更新URSA Mini Pro的内部软件。





图为关闭了翻折式触摸屏的URSA Mini Pro 4.6K型号

### 11 电源开关

电源开关可开启摄影机。翻折式监视器内侧还设有一个备用电源开关，可通过同时按住记录和步进按钮来开启摄影机。

### 12 ND滤镜

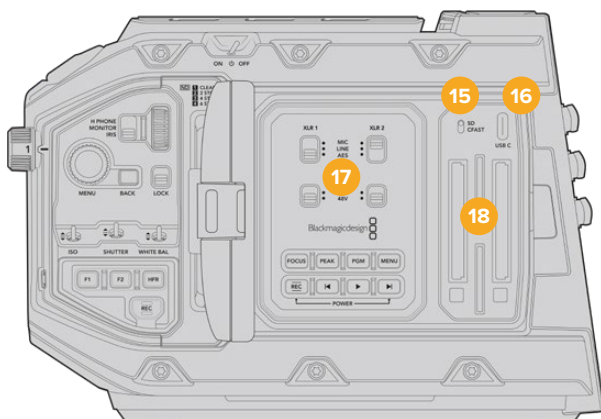
URSA Mini Pro设有三个内部中性密度滤镜，可调节到达传感器上的光线强度。滤镜共有四个设置，从透明到六挡减光不等。转动转盘可在不同设置之间调节，并以锁定声音表示每档滤镜的设置。详情请参阅本手册“URSA Mini Pro控制按钮”部分的内容。

### 13 前方控制面板

前方控制面板可提供URSA Mini Pro常用功能的快捷方式。这些控制位于手指易触及之处，使用三脚架或采用肩扛式拍摄时也可轻松控制。您可使用它们来调整如ISO、快门角度或快门速度、光圈、白平衡、帧率等设置。详情请参考“URSA Mini Pro控制按钮”部分的介绍。

### 14 符合人体工程学的控制面板

URSA Mini Pro的翻折式触屏显示器外侧设有一个LCD状态监视器和各类控制，可实现快速高效的监看控制。您可以在这里一眼查看到摄影机所有状态信息，并控制各类强大的监看功能。详情请参考“URSA Mini Pro控制按钮”部分的介绍。



图为打开了翻折式触摸屏的URSA Mini Pro型号

### 15 存储介质选择开关

使用这一开关可选择CFast和SD卡存储介质。



## 16 USB端口

USB-C端口, 可用于更新内部软件。详情请参考本手册“Blackmagic Camera Setup实用程序”部分的介绍。如使用URSA Mini Pro G2机型, 您还可以通过USB-C端口来记录到URSA Mini Recorder或USB-C外接硬盘。

## 17 内部控制面板

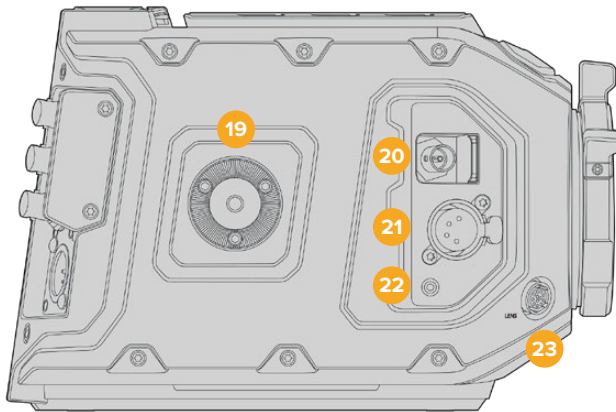
当URSA Mini Pro的翻折式监视器打开时, 您可以使用其内部控制面板。这些控制可用于设置音频输入和幻象电源, 以及光圈、对焦、菜单和播放控制等。详情请参考“URSA Mini Pro控制按钮”部分的介绍。

## 18 存储卡槽

插入CFast 2.0卡、SDXC或SDHC卡进行记录和播放。具体请查看本手册以及我们网站中列出的认证存储卡。详情请参考“存储介质”部分的介绍。

## 右侧

URSA Mini的右侧面板设有全部的视频、音频以及电源接口, 并设有选购配件Blackmagic URSA Handgrip手柄的齿形盘安装点。



URSA Mini PL机型

## 19 侧面齿形盘安装点

标准齿形盘安装点, 可用于安装选配的Blackmagic URSA Handgrip手柄。详情请参考“入门”、“Blackmagic URSA Handgrip手柄”和“URSA Mini Shoulder Mount Kit肩托套件”部分的内容。

## 20 HD监看输出

3G-SDI接口, 可用于下变换1080HD输出, 并可连接Blackmagic URSA Viewfinder或外部监视器。详情请参考“摄影机视频输出”和“Blackmagic URSA Viewfinder”部分的内容。

## 21 +12V电源输出接口

4针XLR接口, 可为Blackmagic URSA Viewfinder、Blackmagic URSA Studio Viewfinder或外部监视器和配件提供电源。详情请参考“Blackmagic URSA Viewfinder”和“Blackmagic URSA Studio Viewfinder”部分的内容。该输出口结合了广播级镜头接口, 一共可提供12伏和高达2安培的电源。

## 22 LANC输入

2.5mm TRS LANC接口, 用于选配的Blackmagic URSA Handgrip手柄控制。关于如何连接手柄的详细信息, 请参考“Blackmagic URSA Handgrip手柄”部分的介绍。

### 23 广播级镜头控制接口

12针端子, 可提供电源并控制兼容的PL和B4卡口镜头。此接口仅限URSA Mini PL和URSA Mini Pro机型。该输出口结合了12V电源输出, 一共可提供12伏和高达2安培的电源。

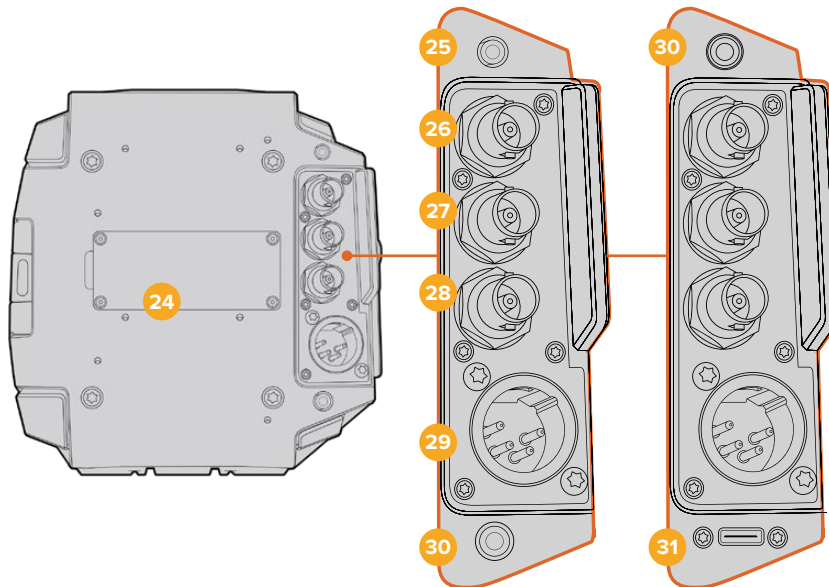
## 后面板

### 24 电池安装板

Blackmagic URSA Mini设有多个安装点和内嵌Molex接口, 可为摄影机提供电源或从摄影机获得电源, 并同时传输数据信息。您可以利用这些安装孔在摄影机背部安装电池扣板、Blackmagic Camera Fiber Converter或URSA Mini Recorder等选购配件。使用时, 内嵌Molex接口可输出规定的12伏、最高1.5安培电源。详情请参阅“安装电池”、“Blackmagic Fiber Converter系列使用入门”和“URSA Mini Recorder”部分的内容。

### 25 LANC

2.5mm插孔, 可用于外部LANC远程控制, 例如将外部记录开始/停止控制安装在三脚架上。LANC支持开始和停止记录, 使用兼容EF镜头时还可以控制光圈和对焦。URSA Mini Pro 12K机身后面板不具备LANC端口。如要实现URSA Mini Pro 12K的LANC控制, 请使用机身右侧的2.5mm规格TRS LANC输入接口。



URSA Mini Pro 4.6K G2、URSA Mini Pro 4.6K、  
URSA Mini 4.6K和URSA Mini 4K

URSA Mini Pro 12K

### 26 12G-SDI输出

Blackmagic URSA Mini的12G-SDI输出接口可将HD和Ultra HD视频输出到矩阵、监视器、SDI视频采集设备、广播级切换台等SDI设备。您还可以将这一12G-SDI输出接口连接到Blackmagic Video Assist等外部记录单元, 作为备份录像使用。

### 27 12G-SDI输入

12G-SDI输入12G-SDI输入用于连接切换台或外置录机, 可用于查看播放、对讲、Tally或外部同步信号。当与ATEM切换台共同使用时, 您还可以用切换台的“摄影机控制”功能调整摄影机的各项功能。

您可以将URSA Mini作为一台直播摄影机使用, 连接到切换台的节目输出上, 并且还能在拍摄时进行监看, 或者通过外部记录设备查看播放。长按PMG按钮可看到节目信号。获取更多信息, 请参阅URSA Mini“控制按钮”部分, 或者“URSA Mini Pro人体工学控制面板”部分内容。

如要通过SDI输入接收Tally和对讲信号,请确保您已在摄影机的设置菜单中设置了ATEM Camera ID。如果您希望通过SDI输入接收外部同步信号,您需要在设置选项中将“节目”选定为同步信号。外部同步信号被锁定后,摄影机LCD屏幕上时间码显示的旁边会出现“REF”字样。详情请参考本手册“设置”部分的内容。

URSA Mini Pro上的SDI输入也可用于将外部时间码传送给摄影机。如果输入的SDI信号拥有匹配帧率和有效时间码,那么输入时间码将会被自动锁定。外部时间码被锁定后,URSA Mini Pro的LCD屏幕上会显示“EXT”徽标。如果您拔出线缆,时间码将保持锁定状态,徽标会变成“INT”,提示您现在正在运行URSA Mini Pro的内部时间码时钟。

## 28 同步和时间码输入

这一输入接口可自动识别时间码和同步输入信号,并可在二者之间切换。连接到标有“REF IN”字样的BNC输入接口后,就可让Blackmagic URSA Mini同步到如三电平常用的同步信号。需要指出的是,要通过这路输入使用同步信号,您必须到URSA Mini的设置菜单中将同步源设置为“External”(外部)。

或者,您可以使用该接口和外部时间码源进行匹配,从而在从事双系统拍摄时同步多路摄影机信号,或进行声画同步。这样可在后期制作时确保音频、画面或多台摄影机上的视频同步。当这个接口连接了帧率相匹配的外部时间码时,摄影机将自动锁定输入时间码。外部时间码被锁定后,URSA Mini的LCD屏幕上会显示“EXT”徽标。如果您拔出线缆,时间码将保持锁定状态,徽标会变成“INT”,提示您现在正在运行URSA Mini Pro的内部时间码时钟。

您还可以通过设置,让摄影机使用来自ATEM切换台SDI输入的同步信号。当您使用ATEM切换台工作时,这一功能会有所帮助。因为所有摄影机都能通过单路SDI信号接收节目返送信号、摄影机控制信号,以及Tally、对讲、同步和时间码信号。详情请参考本手册中关于“设置”部分的介绍。

## 29 +12V电源输入

该接口为4针12–20伏DC XLR接口,可连接电源适配器(内附)或便携式电池等外接电源。

## 30 耳机/耳麦

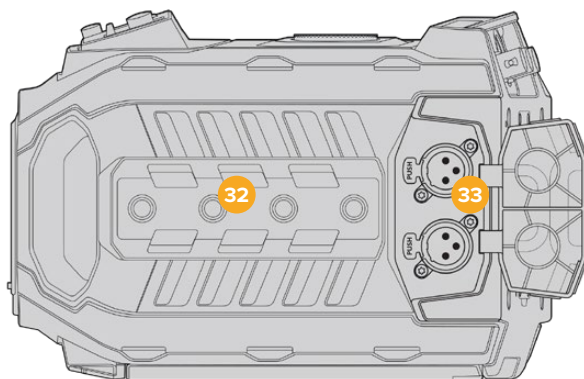
3.5mm输出插孔,用于耳机监听和对讲。您可以插入配有内置麦克风的iPhone和安卓兼容耳机,简单快速地实现对讲功能。对讲音频内嵌在SDI输出的15和16通道上。

**提示** 当使用URSA Mini或URSA Mini Pro的3.5mm插孔进行对讲时,使用兼容iPhone或安卓的耳机是非常经济的选择。这些耳机一般会带有内联按钮,可以用它对麦克风进行静音或取消静音。如果您使用不带内联按钮的广播级耳机,可以配置URSA Mini或URSA Mini Pro的功能键来实现同样的功能。详情请参考本手册“设置”部分的内容。

## 31 USB端口

USB–C 3.1 Gen 2带锁端口,可用来将URSA Mini Pro 12K的视频记录到外部硬盘上。

## 顶板



顶板设有平衡XLR接口, 可连接外部模拟音频。

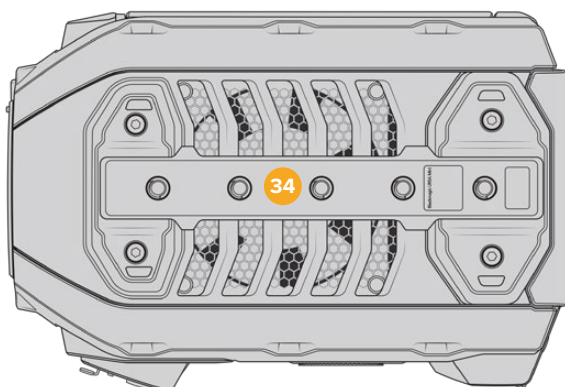
### 32 1/4英寸安装点

摄影机的顶板含有4个超强安装点, 可固定顶部把手等配件。

### 33 XLR音频输入

该接口为平衡XLR输入接口, 可连接调音台、PA系统或是外接麦克风等专业设备的外部模拟音频。这一XLR接口可提供48V幻象电源, 因此可使用非自供电麦克风。更多关于幻象电源的信息, 请阅读“内部控制面板”部分的介绍。

## 底部

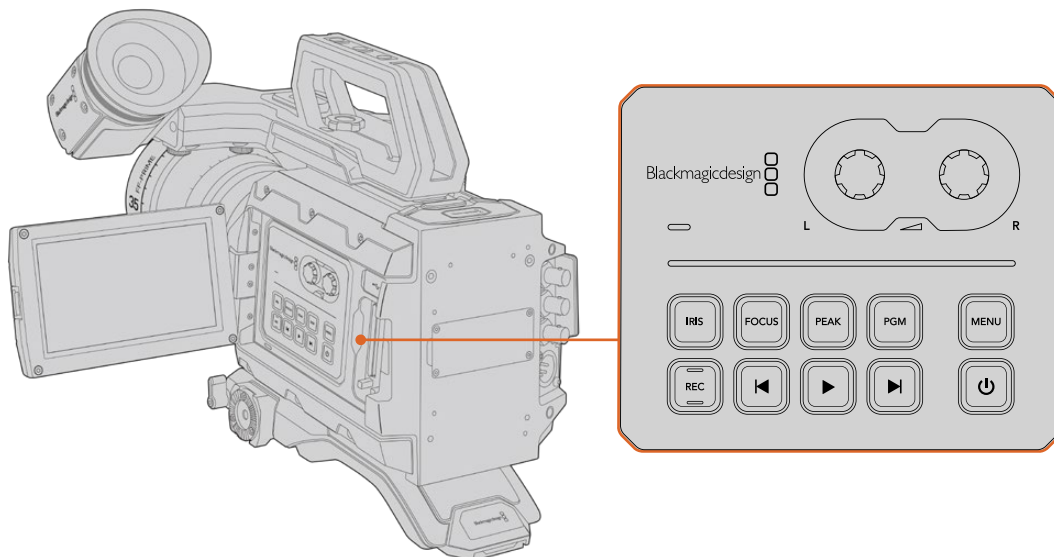


### 34 1/4英寸安装点

摄影机底部的5个安装点可用来固定三脚架接头、选购产品URSA Mini Shoulder Mount Kit 以及其它配件。

## URSA Mini的控制

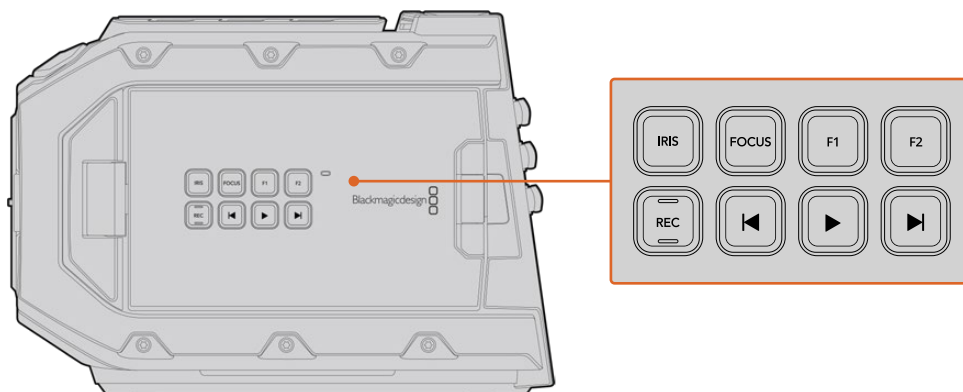
Blackmagic URSA Mini的左侧和翻折式监视器后方均设有控制面板，其中包含所有控制按钮和调节旋钮，可供您更改各项设置并控制音频电平。您可使用LCD触摸屏上的音频表来监看音频电平。



使用控制面板的按钮和触摸屏来调整各项摄影机设置。

### 控制按钮

除了内部控制面板之外，Blackmagic URSA Mini的LCD屏幕背面以及选配的Blackmagic URSA Handgrip手柄上都设有控制按钮。这些光圈、对焦、记录和播放按钮都具有一样的功能。



外部面板的控制按钮可记录和播放片段、开启或关闭峰值对焦、在LCD屏幕上切换显示节目返送视频和摄影机画面，并能在使用兼容的EF镜头时调整光圈和自动对焦功能。

### 光圈

使用兼容镜头时，“IRIS”按钮可开启自动光圈设置控制。使用Video动态范围模式时，按“IRIS”按钮后，摄影机会根据画面中的亮部或暗部情况设置平均曝光值。使用“Film”动态范围模式时，按“IRIS”按钮后，摄影机会根据画面中最亮的部分设置曝光值。

在URSA Mini EF机型上，这一按钮可控制兼容的EF镜头。在URSA Mini PL机型上，这一按钮可控制连接到广播级镜头控制器上的兼容镜头。

如需手动设置光圈，请按前进和后退播放控制按钮。

## 对焦

当在EF卡口机型上使用支持电子对焦控制的EF镜头时, 可通过“FOCUS”按钮开启自动对焦。翻折式监视器上会出现一个白色的对焦方框。框内的所有内容都会被准确对焦。当镜头完成对焦后, 方框就会消失。

**备注** 虽然大部分镜头支持电子对焦, 但是有些镜头可设置为手动或自动对焦模式, 因此请确保您的镜头设置为自动对焦模式以使用这一功能。

## 峰值对焦

按下“PEAK”按钮可开启峰值对焦。您的摄影机拥有两种峰值对焦模式。一种是传统峰值对焦, 它会人为地锐化画面中的对焦区域; 还有一种叫做“彩色线条”, 它可以在画面中的清晰区域叠加黑色、白色、红色、绿色或蓝色线条。详情请参考本手册“监看设置”部分的内容。峰值对焦不会记录到存储介质上, 但使用触摸屏菜单激活叠加功能后, 可通过HD监看输出以及翻折式监视器显示。

## 节目

节目按钮标有“PGM”字样, 可将LCD在摄影机拍摄画面和任何通过摄影机后面板的12G-SDI输入连接的信号画面之间切换。这样您就能将URSA Mini作为一台直播摄影机使用, 连接到切换台的节目输出上, 并且还能在拍摄时进行监看。长按“PGM”按钮可看到您的节目信号。按住“PGM”按钮时, 节目信号内容会一直显示。按下两次该按钮可切换到节目信号, 再次按下该按钮可退出节目信号内容。值得一提的是, 您的摄影机和切换台必须设置成相同的帧率, 才可以显示切换台的节目输出。

**备注** 当您在为URSA Mini或URSA Mini Pro设置同步源时, 可能会在同步源之间切换时遇到摄影机输出短暂中断的情况。这是因为摄影机在调整同步时间来匹配外部源。因为这个原因, 该设置只应在准备时更改, 不应在制作时更改。

## 菜单

按下“MENU”按钮可打开主菜单界面。更多关于主菜单功能以及如何调整设置方面的信息, 请参考“设置”部分的内容。

## 记录

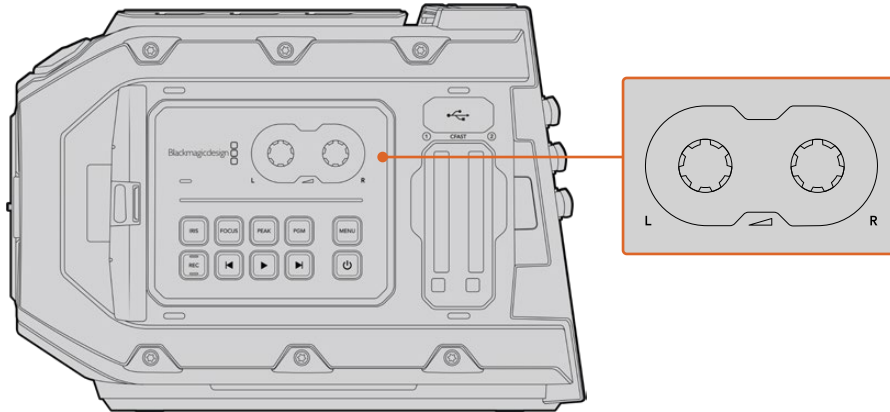
Blackmagic URSA Mini的控制面板、翻折式LCD屏幕以及选配的Blackmagic URSA Handgrip手柄上均设有一个标有“REC”字样的记录按钮。按其中任何一个记录按钮均可开始和停止记录。详情请参考“记录”部分的内容。

## 播放控制按钮

播放按钮可用于开始或停止播放功能, 并可跳到上一个或下一个片段。Blackmagic URSA Mini EF机型上的前进和后退按钮还可在使用兼容镜头时用于控制光圈的开合。更多有关播放按钮的使用信息, 请参考“播放”部分的内容。

### 音频电平调整旋钮

您可使用摄影机内置的调整旋钮来设置音频通道1和2上的记录电平。顺时针或逆时针旋转每个旋钮可升高或降低每个音频通道的录音电平。您可以在调节每个旋钮的同时查看屏幕上相应的音频表，以便获得理想音频设置。



顺时针或逆时针转动音频电平调整旋钮  
可升高或降低您的录音电平。

### 功能按钮

Blackmagic URSA Mini的LCD屏幕外部设有两个功能按钮，分别标有“F1”和“F2”字样。您可以通过URSA Mini的“SETUP”（设置）菜单将这两个按钮映射为您经常用到的功能。详情请参考本手册“设置”部分的内容。

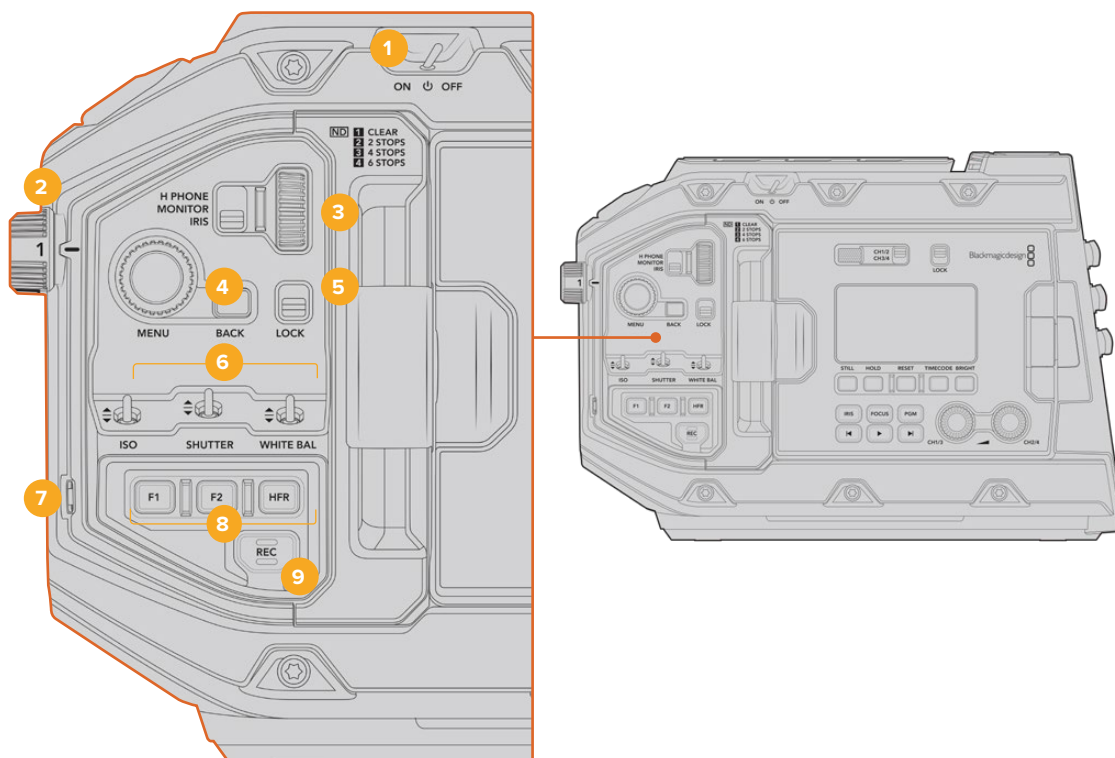


# URSA Mini Pro控制按钮

Blackmagic URSA Mini Pro的机身以及翻折式触屏显示器的外侧和内侧均设有控制面板，能为您带来快速、便捷的常用功能操控和强大的监看工具。这些控制面板设计合理，各项控制触手可及。不论是三脚架、手持式还是肩扛式拍摄方式，都可以轻松使用。

## 前方控制面板

URSA Mini Pro的前方控制面板上汇集了您在设置镜头和进行记录时可能需要用到的所有控制。采用这一设计的目的是为了在翻折式监视器关闭时也能控制，方便您在安装了肩托套件时进行操控。



URSA Mini Pro 4.6K的前方控制面板

### 1 电源开关

将开关拨至“ON”的位置即可开启URSA Mini Pro。关机时，将开关拨至“OFF”的位置即可。

**提示** 您也可以通过不同的控制面板开关开启或关闭URSA Mini Pro。当摄影机电源关闭时，按下“REC”和步进按钮将开启摄影机，当电源开启时，该操作将关闭摄影机。当摄影机的电源开关在“ON”状态，但摄影机处于关闭状态，可能因为已经通过控制面板关闭。打开电源开关即可回到正常操作。



## 2 ND滤镜

URSA Mini Pro设有三个内部中性密度滤镜。可用设置为“2”、“4”和“6”挡, 以及透明滤镜。这些滤镜能通过“挡位”来预设不同曝光程度, 从而减少到达URSA Mini传感器上的光线。降低曝光度后, 您就可以在大晴天的户外明亮环境中持续以大光圈拍摄。

上下旋转转盘即可调整ND滤镜设置。“Clear” (透明) 设置表示不使用ND滤镜。2到4的设置表示ND滤镜逐渐增加密度, 从而起到减少透光性的作用。

由于不同的人会使用不同的术语来命名每个ND滤镜, 您可以在LCD菜单中自定义自己的ND滤镜设置。您可以根据喜好设定ND滤镜编号, 减光挡数, 或者以分数的形式显示滤镜减光的量。

### 中性密度滤镜设置

滚轮位置	ND编号	挡数	分数
1	透明	0	1
2	0.6	2	1/4
3	1.2	4	1/16
4	1.8	6	1/64

## 3 设置滚轮

调整滚轮一侧的三挡位置开关可设置滚轮的功能。可用选项为“H PHONE” (耳机)、“MONITOR” (监视器) 和“IRIS” (光圈)。

### 耳机

当开关置于“H PHONE”时, 设置滚轮将用来调整耳机的音频电平。向上转动滚轮可提高音量, 向下转动滚轮则可降低音量。

### 监视器

当开关置于“MONITOR”时, 设置滚轮将用来调整URSA Mini Pro内置监视器的扬声器音频电平。扬声器位于LCD监视器的外侧, 可以在没有耳机的情况下监听音频。向上转动滚轮可提高音量, 向下转动滚轮则可降低音量。为防止出现不必要的回声, 当摄影机使用内部麦克风录音时, 该功能会处于禁用状态。

### 光圈

当开关置于“IRIS”时, 设置滚轮将用来调整安装在URSA Mini Pro上兼容镜头的光圈。向下转动滚轮可打开光圈, 向上转动滚轮则可关闭光圈。这些操作方向模仿的是相机镜头和电影镜头的光圈调整方向。

**提示** 要使用设置转轮改变光圈设置, 您的URSA Mini Pro必须要搭配支持通过摄影机更改光圈的镜头。如果您通过广播级12针接口连接B4或PL镜头, 请确保手柄上的镜头光圈设置为“A”或“Auto” (自动)。

#### 4 菜单滚轮

当启用URSA Mini Pro前方SDI输出的“STATUS TEXT” (状态信息) 功能时, 您可以使用MENU菜单滚轮来查找LCD触摸屏上常用的HUD功能。

只要像按按钮一样按下“MENU”菜单滚轮就可以在Blackmagic SmartView、Video Assist或URSA Viewfinder等外部监视器上看到URSA Mini Pro的HUD显示。当菜单滚轮处于激活状态时, 转动滚轮可选择LCD监看选项、帧率、ISO、白平衡和色调等功能。按下滚轮可确认选择并进行其他更改, 使用滚轮一侧的“BACK”按钮可取消选择。您也可以使用“BACK”按钮回到上一级菜单, 或完全退出菜单 (如果您已位于菜单顶层)。使用URSA Mini Pro 4.6K机型时, 如果您长达一分钟未使用菜单, 菜单将自动关闭。

更多关于设置状态信息和可用控制的介绍, 请查阅本手册“触摸屏控制”以及“监看设置”章节的内容。

#### 5 锁定

这一标有“LOCK”的开关可锁定前控制面板上的所有控制, 以防止拍摄时因意外触碰导致的误操作。将这一开关移到下方的位置可加以锁定, 将其移至上方的位置则可解锁。

**提示** 在繁忙或不受控制的环境下拍摄时, 您可以在离开URSA Mini Pro前锁住摄影机的前控制面板。这样可以确保他人不会无意中改变您的设置。

#### 6 ISO、快门以及白平衡开关

标有“ISO”、“SHUTTER”以及“WHITE BAL”的三个开关分别可用来调整感光度、快门和白平衡设置。如果您需要快速进行调整, 同时保证视线不离开拍摄画面时, 这组控制就会非常实用。轻轻上下拨动开关来进行设置调整。这组开关采用弹簧设计, 因此上下调整后会自动复位。

##### ISO

上下调整该开关可以设置摄影机ISO。向上拨动可增加一级设置, 向下拨动则可降低一级设置。URSA Mini的可用设置为200、400、800和1600, URSA Mini Pro的可用设置为200、400、800、1600和3200。

##### 快门

通过“SHUTTER”开关来调整摄影机的快门角度或快门速度, 具体取决于您所选定的设置菜单。向上拨动可将快门角度或快门速度上调到高级预设, 向下拨动则可将快门角度或快门速度下调到低一级预设。保持向上或向下拨的动作可在各数值之间快速移动。快门角度共有20种预设, 从11.2到360度不等。

**提示** URSA Mini Pro也会根据您所在地区的电源频率建议相应的防闪烁快门角度或快门速度。这些选项必须通过LCD触摸屏菜单选择。详情请参考本手册“触摸屏控制”部分的介绍。

##### 白平衡

“WHITE BAL”开关可用来调整摄影机的白平衡。向上拨动可将色温增加50K, 向下拨动则可降低50K。保持向上或向下拨的动作可在各数值之间快速移动。

## 7 自动白平衡

按“AUTO W/B”该按钮后, 一个表示自动白平衡的白框会在LCD屏幕中心显示五秒。该白框也会出现在所有在菜单设置中启用了“STATUS TEXT” (状态信息) 功能的SDI输出画面上。白框代表的是画面中的特定部分, 白平衡也是从这部分中计算得出。因为您的灰卡应该放置在这一白框内。长按“AUTO W/B”按钮三秒将执行自动白平衡操作, 方框也将从白色变为绿色, 以确认该操作成功完成。

更多关于在URSA Mini Pro前方和主SDI输出上启用状态信息的信息, 请参考本手册“监看设置”部分的内容。

## 8 F1和F2

F1和F2按钮属于功能按钮, 您可使用URSA Mini Pro的“SETUP” (设置) 菜单进行编程, 将这些按钮作为常用功能使用。默认情况下, F1按钮被设置为伪色功能, F2按钮则被设置为显示LUT功能。

详情请参考本手册中关于“触摸屏控制”的介绍。

### HFR

使用“HFR” (高帧率) 按钮可切换到变速帧率。要使用这一按钮, 只要在URSA Mini Pro的“Frame Rate” (帧率) 菜单中设置好您想要的变速帧率即可。按下这一按钮可在您选中的变速帧率和项目帧率之间切换。需要指出的是, 这一设置只能在记录停止时调整。HFR按钮也可作为多功能键使用, 您可以将它映射到一些常用的功能, 也可以将它禁用。

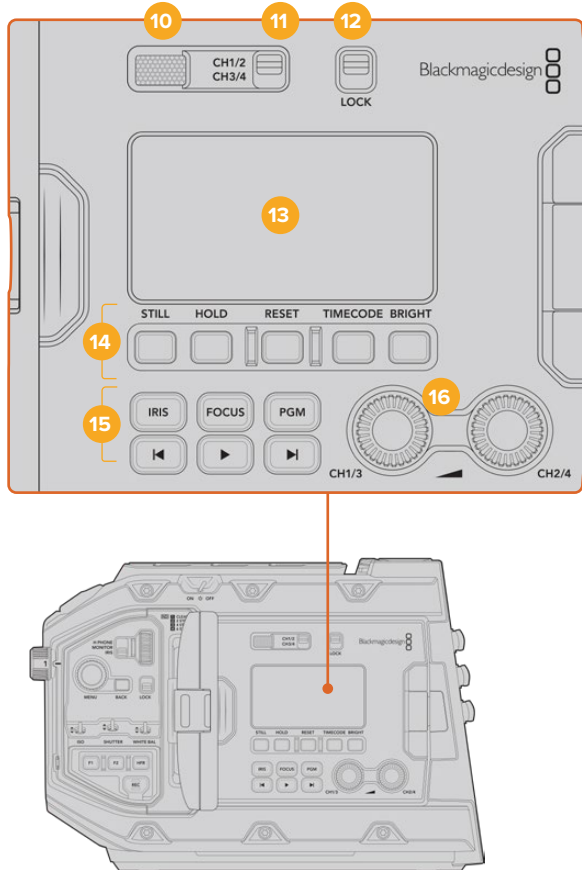
更多关于项目和变速帧率的信息, 请参考本手册“触摸屏控制”部分的内容。

## 9 记录

记录按钮标为“REC”, 位于Blackmagic URSA Mini Pro的左侧。按下该记录按钮可开始和停止记录。详情请参考“记录”部分的内容。

## 符合人体工程学的控制面板

URSA Mini Pro的触屏显示器外侧设有一个LCD状态监视器和各类控制。这块面板中包含了所有摄影机状态信息，还可以进行监看并调整音频电平。使用兼容镜头时，您可以设置自动对焦功能，并使用播放控制按钮播放片段。



URSA Mini Pro 4.6K符合人体工程学设计的控制面板

### 10 监视屏扬声器

外侧控制面板上内置小型扬声器，便于在播放时监听音频。采用肩扛式拍摄时，扬声器的位置正好位于您耳朵附近。

要调整扬声器音量，只要按照“URSA Mini Pro的控制按钮”章节中的介绍，旋转设置滚轮即可。

### 11 监听声道选择

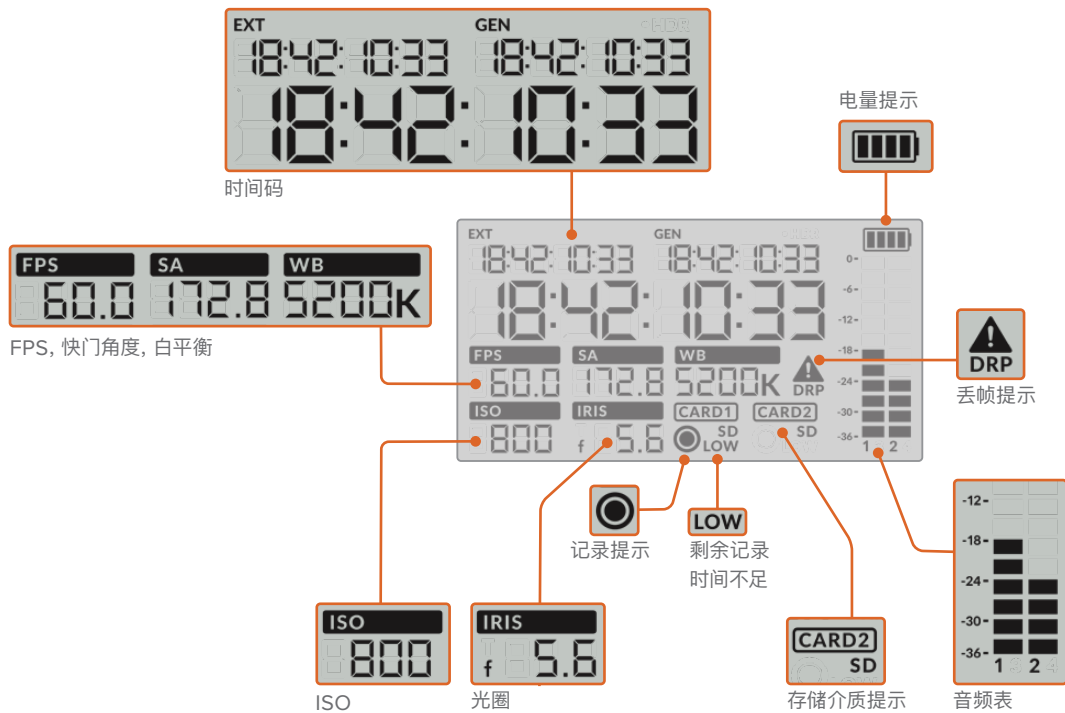
URSA Mini Pro支持二声道音频。

### 12 锁定

使用“LOCK”开关来锁定URSA Mini Pro人体工程学控制面板上的所有设置。将锁定开关置于“ON”后，唯一依然可操控的设置是监听声道选择按钮。

### 13 LCD状态显示

这一显示屏可直观反馈URSA Mini Pro的常用设置, 您无需打开摄影机的内部触摸屏。这块屏幕的设计即使在明亮日光条件下也能清晰监看。显示的信息如下:



#### 时间码

URSA Mini Pro可显示三个时间码。如果您连接了外部时间码, 该信息会显示在LCD屏幕左上方的“EXT”字样下方。URSA Mini内部生成的时间码则会显示在外部时间码一侧的“GEN”字样下方。外部时间码和生成的时间码都以小时、分钟、秒和帧数显示。

字体较大的主时间码提示可将片段时长或时间码作为您的当前时间码显示。您可以按LCD屏幕下方的“TIMECODE”按钮在两种时间码显示模式之间切换。

#### 电量提示

如果URSA Mini Pro使用电池供电, 电量提示将以25%为单位显示剩余电量。每个电池电量提示都有四格, 每一格代表25%的电池电量。当电量掉至20%以下时, 记录按钮附近的LED状态提示灯将开始闪烁。提示灯会在录制时缓慢闪烁红色和橙色, 在待机模式下闪烁白色和橙色。

如果摄影机连接了主电源, 电池提示灯会显示满格。

#### FPS, 快门角度, 白平衡

标有“FPS”、“SA”和“WB”字样的标识分别表示摄影机的当前帧率、快门角度和白平衡。“FPS”标识可显示当前传感器帧率。

更多关于传感器和项目帧率的信息, 请查阅本手册“触摸屏控制”章节的介绍。

## ISO

“ISO”可显示摄影机的当前感光度设置。

## 光圈

“IRIS”可显示当前镜头光圈。该显示栏将根据您使用的镜头类型相应显示“f”或“T”挡。

## 存储卡信息

当卡槽中安装有存储卡时，“CARD 1”和“CARD 2”标识将出现在URSA Mini Pro的LCD状态显示屏上。

如使用SD卡记录，屏幕上会出现“SD”字样；如使用CFast卡记录，则屏幕上的“SD”字样会消失。

## 记录提示

记录时，当前正在记录的存储卡下方会出现一个圆形提示图标。

## 剩余时间不足

当您仅剩约5分钟记录时间时，相应存储卡下方将出现“LOW”字样加以提示。

## 音频表

当使用内部麦克风或连接外部音频时，峰值音频表可显示音频电平。该表以dBFS为单位，并有削波警告功能，可在出现音频过载时以红标提示，并停留片刻，从而有效防止因削波过于短暂而被忽略的情况。

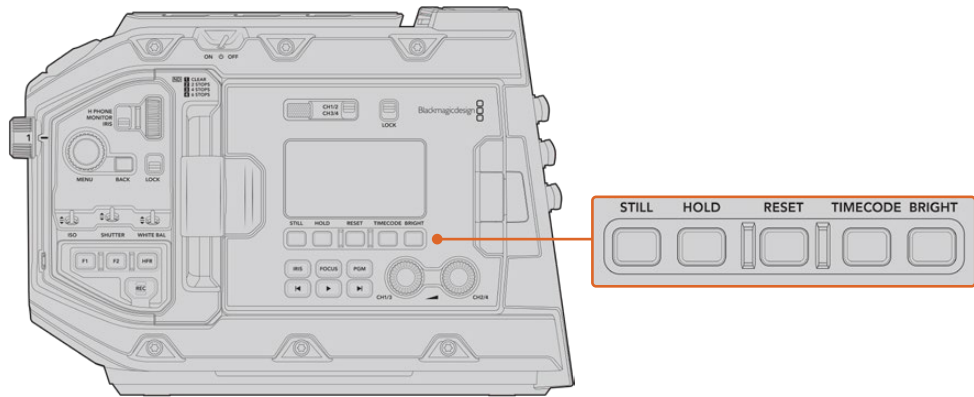
为获得理想音质，请确保将音频电平控制在0dBFS警戒线以下。这是您的摄影机可记录的最高电平，也就是说任何超过此电平的音频会被裁切掉，并导致声音失真。

## 丢帧提示

当摄影机检测到丢帧时，该图标会闪烁加以提示。当您停止记录时，该提示将保持在屏幕上，告诉您之前的片段曾检测到丢帧。该警告信息将在您下次开始记录或重启摄影机时消失。更多关于如何避免丢帧的信息，请查阅本手册“存储介质”部分的介绍。

**提示** 您可以通过设置让URSA Mini Pro检测到丢帧后停止记录。详情请参考“记录设置”部分的内容。该功能允许用户自行选择，因为当您使用速度较慢的存储介质进行记录时，也许可以躲过因高帧率或高分辨率所导致的短暂卡顿现象。

## 14 LCD状态显示控制项



URSA Mini Pro 4.6K的LCD状态控制

### 静帧

按此按钮可抓取一个静帧图像。12K型号可将采集到的静帧保存为Blackmagic RAW单帧格式。URSA Mini Pro 4.6K型号可将采集到的静帧保存为无压缩DNG单帧格式。图像文件会被保存在当前正用于记录的存储介质根目录下一个名为“stills”的文件夹内。保存时会使用视频片段的文件命名格式，但文件名末尾将含有“S001”字样，以文件名最后四位数字来表示静帧编号。URSA Mini触摸屏右上角会显示一个摄影机图标，并且LCD状态显示中的记录图标会闪烁三次，以确认您成功保存静帧。

### 保留

当时间码处于当日时间自由运行模式时，按下“HOLD”按钮可以暂时保留主状态LCD的时间码。该时间码将在后台继续运行，并且当您放开“HOLD”按钮时回到实际位置。保持显示时间码时，您可以将它记录下来用于标记某个特定事件。这项功能在电子新闻收集或制作纪录片的过程中记录重要时间码节点非常有用。

### 重置

设置预设时间码时，可以利用“RESET”按钮将时间码重置为00:00:00:00。

### 时间码

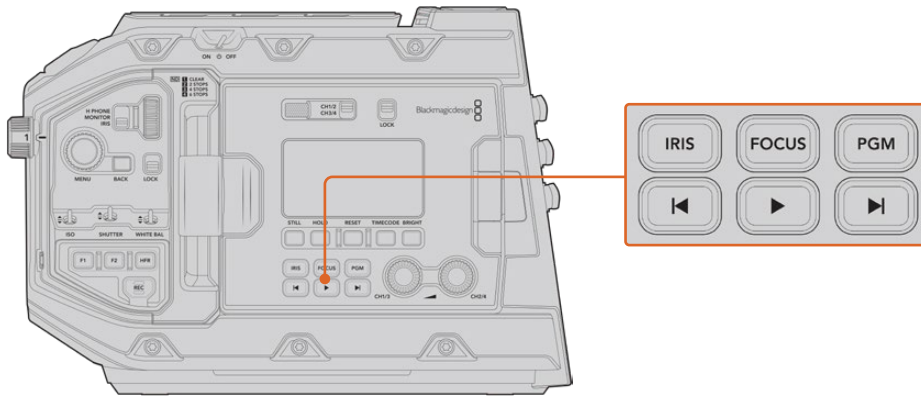
按下“TIMECODE”按钮可将主时间码显示格式在片段时长和时间码之间切换。默认时间码是自由运行的当天时间，因为最为常用。当您按住“TIMECODE”按钮五秒钟，摄影机将切换到记录运行时间码，时间码生成器和大时间码显示的前两个数字将会闪烁。这表示您正在编辑预设时间码，并且可以为预设时间码设置特定的时间码数字。

这时按下“RESET”将把时间码清零，然后您可以转动并按下菜单滚轮，设置想要获得的值，以小时、分钟、秒和帧的顺序表示。设置好时间码后，再次按住“TIMECODE”按钮三秒钟把它设置为您的预设时间码点。您会发现时间码生成器现在显示这个值，只有当摄影机处于录制状态时这个值才会增加，形成不断上升的时间码值。要将时间码调回自由运行时间，同时按下“TIMECODE”和“HOLD”按钮三秒钟。

### 亮度

按下“BRIGHT”按钮可在URSA Mini Pro的LCD状态显示所设的四个亮度级别之间循环。可用设置有“Off”（关闭）、“Low”（低）、“Medium”（中）和“High”（高）。

## 15 控制和播放按钮



URSA Mini Pro 4.6K的控制和播放按钮

### 光圈

使用兼容镜头时，“IRIS”按钮可开启自动光圈设置控制。使用Video动态范围模式时，按“IRIS”按钮后，摄影机会根据画面中的亮部或暗部情况设置平均曝光值。使用“Film”动态范围模式时，按“IRIS”按钮后，摄影机会根据画面中最亮的部分设置曝光值。这一按钮可控制连接到广播级镜头控制器的兼容EF和PL镜头。

如需手动设置光圈，请按前进和后退播放控制按钮。

### 对焦

当使用支持电子对焦调整的EF镜头时，您可通过“FOCUS”按钮激活自动对焦。白色对焦方框将出现在URSA Mini Pro连接的寻像器或监视器上。框内的所有内容都会被准确对焦。当镜头完成对焦后，方框就会消失。

**备注** 一些镜头拥有手动和自动对焦模式。为了让URSA Mini Pro能够用您的镜头自动对焦，您需要确保镜头设为自动对焦模式。

### 节目

节目按钮标有“PGM”字样，可将LCD在摄影机拍摄画面和任何通过摄影机后面板的12G-SDI输入连接的信号画面之间切换。这样您就能将URSA Mini Pro作为一台直播摄影机使用，连接到切换台的节目输出上，并且还能在拍摄时进行监看。长按“PGM”按钮可看到您的节目信号。按住“PGM”按钮时，节目信号内容会一直显示。

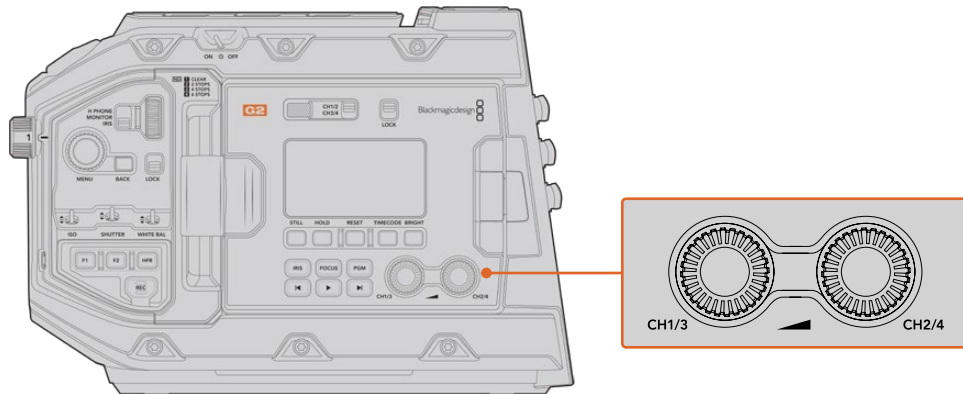
如果您想让监视器画面锁定在节目输入信号显示，请长按“PGM”按钮两次将画面锁定在节目信号即可。再次按下“PGM”按钮可退出节目信号内容，回到摄影机画面。

### 播放控制按钮

播放按钮可用于开始或停止播放功能，并可跳到上一个或下一个片段。使用EF镜头时，前进和后退按钮还可在使用兼容镜头时用于控制光圈的开合。更多有关播放按钮的使用信息，请参考“播放”部分的内容。



## 16 音频电平调整旋钮

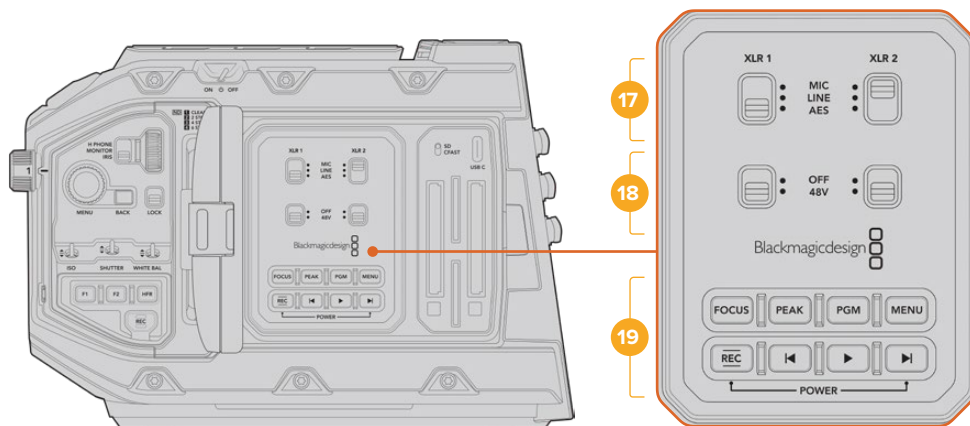


URSA Mini Pro 4.6K G2的音频调整旋钮

您可使用摄影机内置的调整旋钮来设置音频通道1和2上的记录电平。顺时针或逆时针旋转每个旋钮可升高或降低每个音频通道的录音电平。您可以在调节每个旋钮的同时查看屏幕上相应的音频表，以便获得理想音频设置。

## 内部控制面板

打开URSA Mini Pro的翻折式监视器可以使用内部控制面板。这些控制可用来设置音频输入和幻象电源、光圈、对焦、菜单以及播放控制等。



URSA Mini Pro的内部控制面板

### 17 XLR1 / XLR2

使用这些开关可设置URSA Mini Pro的XLR输入（当它被选为输入源的时候）。可用选项为“MIC”音频、“LINE”音频以及“AES”数字音频。

### 18 幻象电源

URSA Mini Pro的XLR输入可提供48V幻象电源，以便您使用自供电麦克风。将这一开关移动到“48V”的位置可为连接到相应XLR接口的任何麦克风启用幻象电源，移动到“OFF”可禁用幻象电源。

**备注** 请务必先连接XLR线缆，再开启幻象电源。另外，当没有连接幻象电源供电的麦克风时，请务必关闭幻象电源。当连接设备的AES XLR输出不带幻象电源保护功能，但摄影机的XLR音频输入仍然输送幻象电源时，您的设备可能遭到损坏。断开麦克风时，请务必确保+48V开关处于关闭状态。

## 19 控制和播放按钮

### 对焦

当在EF卡口机型上使用支持电子对焦控制的EF镜头时, 可通过“FOCUS”按钮开启自动对焦。翻折式监视器上会出现一个白色的对焦方框。框内的所有内容都会被准确对焦。当镜头完成对焦后, 方框就会消失。

**备注** 一些镜头拥有手动和自动对焦模式。为了让URSA Mini能够用您的镜头自动对焦, 您需要确保镜头设为自动对焦模式。

### 峰值对焦

按下“PEAK”按钮可开启峰值对焦。您的摄影机拥有两种峰值对焦模式。一种是传统峰值对焦, 它会人为地锐化画面中的对焦区域; 还有一种是使用彩色线条, 将画面中清晰对焦的区域以黑色、白色、红色、绿色或蓝色线条叠加标出。详情请参考本手册“监看设置”部分的内容。峰值对焦不会记录到存储介质上, 但使用触摸屏菜单激活叠加功能后, 可通过HD监看输出以及翻折式监视器显示。

**提示** 如果您将记录的视频输出至Blackmagic Video Assist或HyperDeck Studio Mini, 应确保相关输出的峰值对焦处于关闭状态。可以在前方SDI或主SDI上应用“净信号”来实现。

更多关于输出“净信号”的内容, 请参考本手册“监看设置”部分的介绍。

### 节目

节目按钮标有“PGM”字样, 可将LCD在摄影机拍摄画面和任何通过摄影机的12G-SDI输入连接的信号画面之间切换。这样您就能将URSA Mini Pro作为一台直播摄影机使用, 连接到切换台的节目输出上, 并且还能在拍摄时进行监看。长按“PGM”按钮可看到您的节目信号。连按两次该按钮将锁定节目信号。再次按该按钮可关闭节目信号。

您的摄影机和切换台必须设置成相同的分辨率和帧率, 才可以显示切换台的节目输出。

### 菜单

按下“MENU”按钮可打开主菜单界面。更多关于主菜单功能以及如何调整设置方面的信息, 请参考“设置”部分的内容。

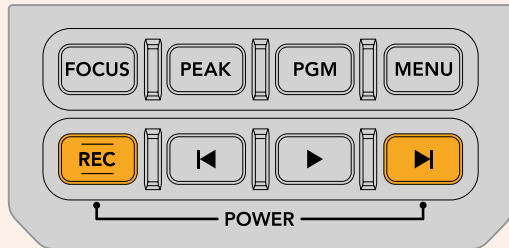
## 记录

按其中任何一个标有“REC”的按钮均可开始和停止记录。详情请参考“记录”部分的内容。

## 播放控制按钮

播放按钮可用于开始或停止播放功能，并可跳到上一个或下一个片段。使用EF卡口时，前进和后退按钮还可在使用兼容镜头时用于控制光圈的开合。更多有关播放按钮的使用信息，请参考“播放”部分的内容。

**备注** 您可以通过多个内部控制面板上的按钮开启或关闭URSA Mini Pro。当摄影机电源关闭时，按下“REC”和步进按钮将开启摄影机，当电源开启时，该操作将关闭摄影机。当摄影机的电源开关在“ON”状态，但摄影机处于关闭状态，可能因为已经通过控制面板关闭。打开电源开关即可回到正常操作。



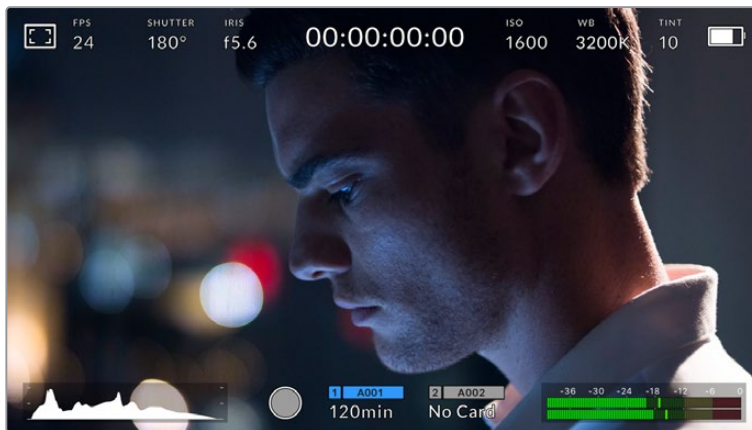
# 触摸屏控制

## 触摸屏

Blackmagic URSA Mini配有5英寸翻折式LCD触摸屏,可翻转角度,适合各种高低机位拍摄高度。当您使用URSA Viewfinder从事肩扛式拍摄并合上LCD屏幕时,可通过LCD屏幕背面的按钮控制URSA Mini。

## 触摸屏功能

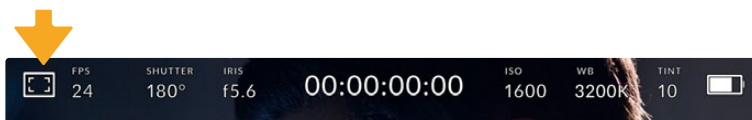
LCD触摸屏采用触摸式互动界面,能为用户带来快捷直观的操作体验。您可以在URSA Mini的LCD触摸屏上进行点按和滑动操作,从而快速实现拍摄时可能用到的摄影机功能。



URSA Mini的LCD触摸屏采用全面的HUD设计,让您可以轻松设置摄影机的绝大多数使用设置。

## LCD监看选项

点击URSA Mini LCD触摸屏左上角的监视器图标可进入LCD监看设置。这些设置可用于切换并调整URSA Mini的各项监看功能,包括斑马纹、对焦辅助、帧导栏以及网格选项。当您进入LCD监看选项时,这些功能的控制项会显示在LCD触摸屏底部的选项卡菜单中。

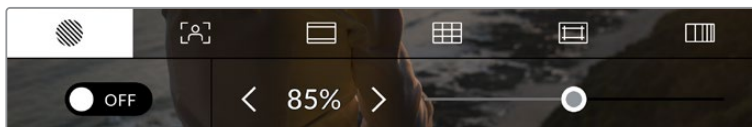


点击URSA Mini的LCD触摸屏左上所示图标可进入LCD监看选项。

## 斑马纹

该设置可开启或关闭LCD触摸屏上的斑马纹显示,还可以为所有URSA Mini输出设置斑马纹级别。

斑马纹会将画面中超过设定曝光的部分以斜线标出。例如,将斑马纹设定为100%可显示完全过曝的区域。这一功能对于既定照明条件下实现最佳曝光值非常有帮助。



进入LCD屏幕的选项后,点击斑马纹图标可设置URSA Mini的斑马纹选项。

要开启或关闭LCD触摸屏的斑马纹功能, 只要在斑马纹界面中点按屏幕左下方的切换图标即可。

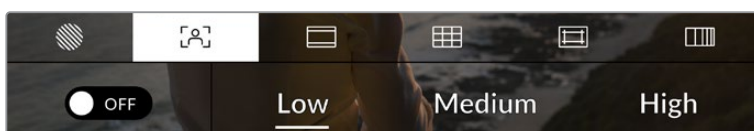
向左或向右拖动滑块或点按斑马纹百分比级别的箭头, 可为斑马纹显示设置曝光级别。斑马纹级别能以5个百分点为单位进行调整, 曝光显示范围在75%到100%之间。

更多关于在摄影机前方和主SDI输出上启用斑马纹的信息, 请参考本手册“监看设置”部分的内容。

**提示** 如果您在户外阴天等易变的照明条件下拍摄, 将斑马纹设置在100以下能提示您可能出现过曝的区域。

### 对焦辅助

该设置可开启或关闭LCD触摸屏上的对焦辅助显示, 还可以为URSA Mini上的所有输出设置对焦辅助级别。



进入LCD屏幕的监看选项后, 点击对焦辅助图标可设置URSA Mini的对焦辅助选项。

要开启或关闭LCD触摸屏的对焦辅助功能, 只要在对焦辅助界面中点按屏幕左下方的切换图标即可。

要为URSA Mini上的所有输出设置对焦辅助级别, 可点按触摸屏底部的“Low” (低)、 “Medium” (中) 或“High” (高) 选项。

对焦辅助的最佳级别因拍摄画面而异。例如, 对焦人物时, 设置较高的对焦辅助可有助于解决人物面部边缘细节的问题。而如果是对焦植物或建筑物, 较高的对焦辅助设置反而会显示许多干扰信息。

更多关于在摄影机前方和主SDI输出上启用对焦辅助的信息, 请参考本手册“监看设置”部分的内容。

**提示** URSA Mini设有两种对焦辅助模式。您可以在“MONITOR” (监看) 设置菜单中的“Peaking” (峰值对焦) 和“Colored Lines” (彩色线条) 两种对焦辅助选项间进行切换。详情请参考本手册“监看设置”部分的介绍。

## 点触式对焦

使用兼容镜头时，您可以通过点按LCD屏幕上相应的画面内容来进行对焦。摄影机会在您所选的画面位置上对焦镜头。

这之后，只要按下摄影机或选配手柄上的“FOCUS”对焦按钮就会触发这一特定位置的自动对焦功能。连按两次“FOCUS”按钮可将焦点重置到屏幕的中心位置。



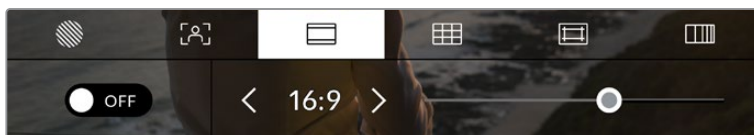
带有点触式对焦功能的URSA Mini的LCD触摸屏

**提示** 使用点触式对焦功能时，HUD显示可能会挡住您要对焦的画面部分，此时只需以向上或向下的手势轻扫屏幕即可移开HUD显示。

## 帧导栏

帧导栏设置可开启或关闭LCD触摸屏上的帧导栏显示。您还可以为URSA Mini上的所有输出选择八种帧导栏中的一种。

帧导栏包括用于电影、电视和网络标准的不同宽高比。



进入LCD监看选项后，点击帧导栏图标可设置URSA Mini的帧导栏选项。

要开启或关闭URSA Mini LCD触摸屏的帧导栏显示，只要点按屏幕左下角的切换图标即可。

要选择您想使用的帧导栏选项，请左右拖动滑块，或点按当前所选宽高比两侧的箭头进行调整即可。

帧导栏选项如下:

### 2.35:1、2.39:1和2.40:1

可显示宽屏宽高比, 适用于变形或遮幅宽银幕电影。由于电影标准随时间改变, 这三种宽高比或采用略微不同的宽屏设置。2.39:1是目前最为广泛使用的标准之一。



URSA Mini的LCD触摸屏启用2.40:1帧导栏设置后的显示。

### 1:1

在拍摄用于社交媒体的内容时, URSA Mini Pro能显示1:1方形帧导栏。

### 2:1

URSA Mini Pro机型上可用, 宽度介于16:9和2.35:1规格之间。

### 1.85:1

可显示另一种常用的遮幅宽银幕电影宽高比。宽度介于HDTV 1.78:1和2.39:1规格之间。

### 16:9

显示为1.78:1宽高比, 兼容16:9高清电视机和计算机屏幕。

该宽高比最常用于HD播出和网络视频。此外, Ultra HD播出也使用这一宽高比。

### 14:9

可显示某些电视台所用的14:9宽高比, 是16:9和4:3电视标准的折中方案。理想状态下, 当16:9和4:3素材经中心裁切以符合14:9宽高比时仍然保持清晰画面。如果您的项目可能会在使用14:9宽高比的电视台播出时, 可使用此帧导栏作为构图辅助。

### 4:3

采用4:3宽高比, 适用于SD电视屏幕, 或在使用2倍变形附加镜时帮助构图取景。

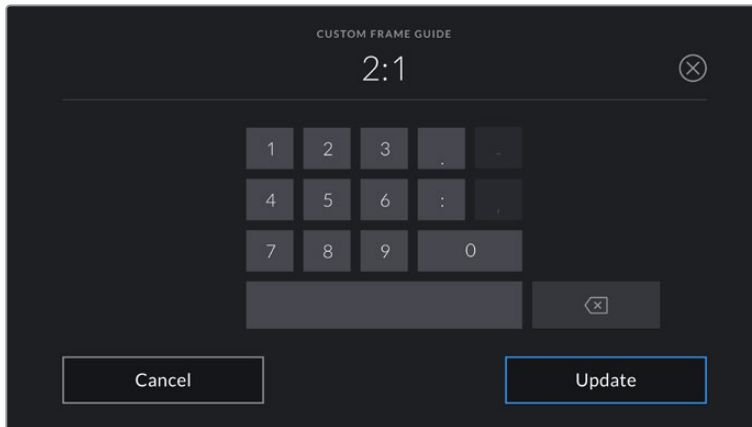
### 4:5

在拍摄用于智能手机的内容时, URSA Mini Pro能显示4:5竖屏帧导栏。

### 自定义帧导栏比例

要自行创建帧导栏比例获得独特观感, 可点按箭头图标按钮之间的比例显示。在出现的“CUSTOM FRAMEGUIDE”(自定义帧导栏) 屏幕上, 点按删除按钮将当前比例删除, 然后使用数字键盘指定一个新的比例。点按“Update”(更新) 应用自定义帧导栏比例, 然后回到拍摄画面。





使用“CUSTOM FRAMEGUIDE”（自定义帧导栏）  
屏幕上的数字键盘输入一个新的帧导栏比例

**提示** 您可以更改帧导栏叠加信息的不透明度。详情请参考本手册“监看设置”部分的内容。

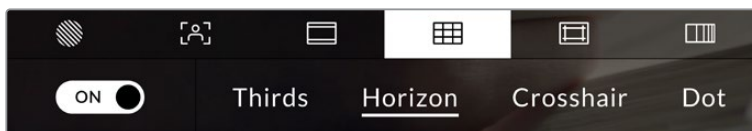
**备注** 更多关于在摄影机前方和主SDI输出上启用帧导栏的信息，请参考本手册“监看设置”部分的内容。

## 网格

网格设置可在LCD触摸屏上开启“Thirds”（三分法）、“Crosshairs”（十字准线）或“Center Dot”（中心点）显示，还可以设置URSA Mini所有输出上显示哪些叠加信息。URSA Mini Pro 12K还设有“水平线”选项。



进入LCD屏幕的选项后，点击网格图标可设置URSA Mini的网格选项。



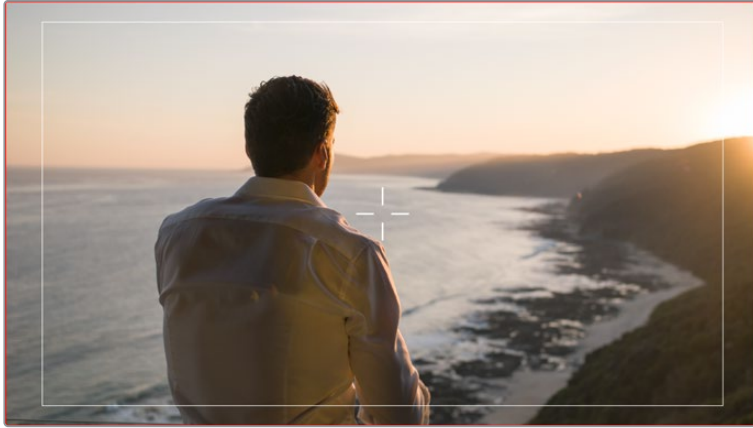
URSA Mini Pro 12K上，网格设置包括三分法、水平线、十字准线或中心点选项。

网格和十字准线叠加信息可以帮助您构图。开启网格选项后，URSA Mini可显示三分法、十字准线或中心点。URSA Mini Pro 12K还设有叠加水平线显示选项。

要开启或关闭URSA Mini LCD触摸屏的帧导栏显示，只要在“帧导栏”选项卡中点按屏幕左下角的切换图标即可。



将设置完毕的URSA Mini作为当前节目视频源连接到ATEM切换台, 并将网格设置为开启状态时, 红色的节目Tally框将自动在您的LCD上亮起。



连接ATEM切换台发送Tally信号时, 若启用了网格, 摄影机画面预览周围会出现红色边框

想要选择在URSA Mini的所有输出上显示哪类叠加信息, 只要点按显示器底部的“Thirds” (三分法)、 “Crosshairs” (十字准线) 或“Center Dot” (中心点) 选项即可。URSA Mini Pro 12K还设有“水平线”选项。



三分法网格可自动缩放到任意屏幕帧导栏。

### 三分法

“三分法”设置取画面三分之一处分别加以两条竖线和两条横线组成网格叠加显示。三分法是一种帮助镜头构图的极其强大的工具。

例如, 人眼通常会将注意力落于两条直线的交叉点位置, 因此网格非常有助于构图时将关键元素定位在这些重要区域。演员的视线通常都是取景在屏幕上三分之一部分, 因此您可以使用上面的那条水平线来帮助您构图。三分法有利于不同镜头间保持构图的一致性。

## 水平线

URSA Mini Pro 12K还设有“水平线”选项。该设置可在摄影机发生左右或者上下倾斜的时候给出提示，从而帮助您在手持拍摄时将摄影机保持在水平状态，较好地平衡摄影机在云台上的倾斜情况。

浅灰色竖线偏离中间那条深灰色竖线的移动方向，就表示摄影机当前发生倾斜的方向。当摄影机向下倾斜时，浅灰色横线会向上移动；而当摄影机向上倾斜时，浅灰色横线会向下移动。

这些线条偏离中心十字标线的距离等比对应摄影机发生上下或左右倾斜的程度。校准摄影机的运动传感器之后，只要摄影机对齐横轴和纵轴，十字标线就会变成蓝色，表示摄影机已与横纵轴对齐。

请注意，如果摄影机朝正下方拍摄俯瞰镜头，或朝正上方进行拍摄，水平线指示也会有相应反馈。假如您旋转摄影机来拍摄竖屏画面，水平线指示会将横纵轴也旋转90度。

下面的表格显示了摄影机发生不同方向的倾斜时，水平线所给出的相应指示。

水平线指示	描述
	垂直且水平
	垂直且向左倾斜
	向下倾斜且水平
	向上倾斜且向右倾斜

正常使用时，可将水平线指示校准为垂直且水平。如果您想要使用水平线指示来保持一致的斜角镜头 (Dutch Angle)，或者保持一致的倾斜角度来拍摄俯瞰或仰角镜头，也可将水平线指示校准为某个斜角角度。更多关于如何校准水平线指示的信息，请查阅“运动传感器校准”部分。

## 十字准线

“十字准线”设置可在画面中心标以十字准线。十字准线和三分法一样，都是非常有用的构图工具，可以让您轻松将画框的正中心对准某个拍摄对象。在拍摄用于快速剪切的场景时也可能用到这一功能。将观众的视线始终保持在画面中心，能够有助于他们在观看快速剪辑的画面时跟上节奏。

## 中心点

“中心点”设置是在帧画面的中心放置一个圆点。这一设置和“十字准线”设置的作用完全一样，只不过这一叠加显示更小，因此所造成的干扰也更小。

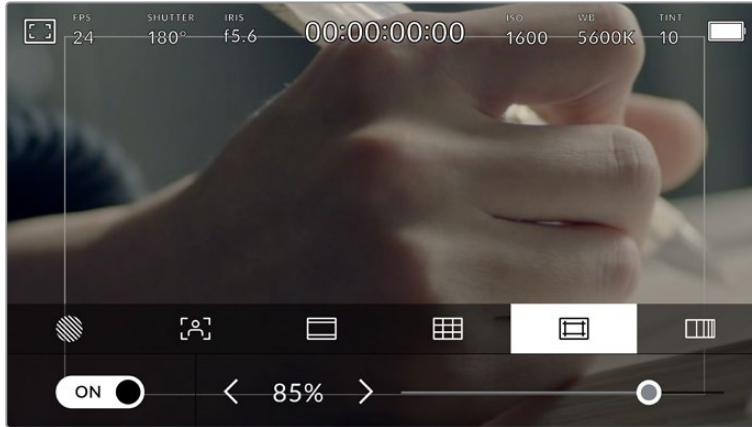
您可以在网格菜单同时点选两个选项，分别启用“三分法”和“十字准线”，或“三分法”和“中心点”的组合。“十字准线”和“中心点”不能同时选中。

**提示** 更多关于在URSA Mini前方和主SDI输出上启用网格设置的信息，请参考本手册“监看设置”部分的内容。

## 安全框

安全框设置选项用于打开或关闭LCD触摸屏上的安全框，以及设置URSA Mini上所有输出的安全框尺寸。

安全框是广电制作行业的常用工具，可用来确保观众观看到镜头中最重要的内容。将镜头中最重要的内容保持在中间区域的安全框内，一方面能避免一些电视机出现的画面裁切问题，另一方面还可以留下一定空间，以便播出机构在屏幕边缘添加台标、新角标和其他叠加信息。许多播出机构都要求内容发布方将影像素材的安全区域限制在画面的90%之内。



图为设置到85%的安全框

安全框还可以帮您为镜头构图，方便您在后期制作中裁切图像的边缘来稳定镜头。它们也可以用来显示特定的裁切。

比如以Ultra HD 3840x2160记录时将其设置为50%，您可以看到1920x1080的画面裁切效果。安全框还会根据帧导栏来调整尺寸，它们会通过调整以显示目标帧的已选百分比。

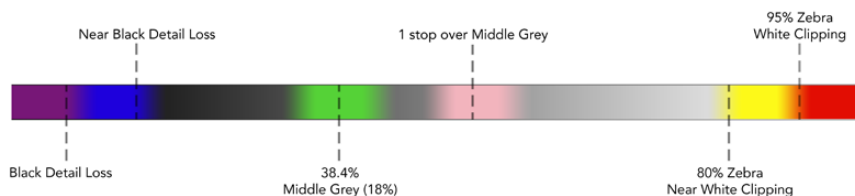
要开启或关闭LCD触摸屏的安全框，只要在安全框界面中点按屏幕左下方的切换图标即可。要设置URSA Mini上所有输出的安全框程度，可以点按触摸屏下方当前数值左右任何一边的箭头。或者，您也可以左右拖动滑块进行调整。

## 伪色

伪色设置可以打开或关闭LCD触摸屏上的伪色曝光辅助。

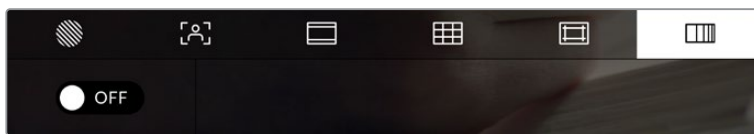
伪色功能可在您的图像上叠加不同色彩，以代表图像中不同元素的曝光值。例如，粉色代表了适合较浅肤色的最佳曝光，而绿色则是较深肤色调的对应色彩。在记录人物画面时可通过查看粉色或绿色伪色来保持肤色曝光的一致性。

以此类推，当您图像中的元素从黄色变到红色，就意味着现在处于过曝状态。



伪色表

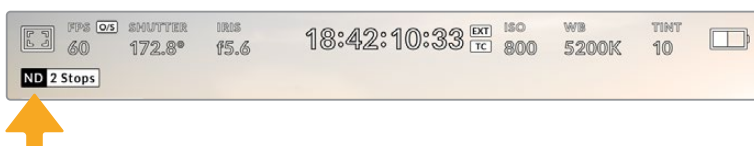
要开启或关闭LCD触摸屏的伪色功能, 只要在伪色界面中点按屏幕左下方的切换图标即可。



伪色曝光辅助

## ND滤镜提示

调整URSA Mini Pro的ND滤镜将在LCD触摸屏左上方和启用了状态信息的SDI输出画面中显示ND滤镜标识。如果您使用了ND滤镜, “Status Text” (状态信息) 上就会出现这一提示。将它设置到无ND滤镜的位置后, “Clear” (透明) 字样提示将在四秒后消失。

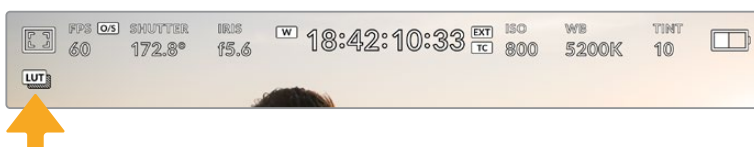


调整URSA Mini Pro的ND滤镜设置将调出ND滤镜标识

**备注** 您可以根据自己的习惯, 调整ND滤镜提示所使用的术语。选项包括ND号码, 挡数, 以及分数。您可以在URSA Mini Pro的“SETUP” (设置) 菜单中选择偏好的格式。

## LUT提示

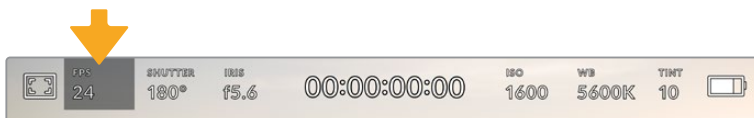
启用“STATUS TEXT” (状态信息) 并在输出上套用了LUT时, LUT图标会显示在LCD屏幕、前方SDI或主SDI输出画面上。



图中的“LUT”图标表示当前画面套用了LUT

## 每秒帧数

“FPS”提示可显示您当前所选的帧率。



图为URSA Mini的帧率提示, 点按可设置帧率

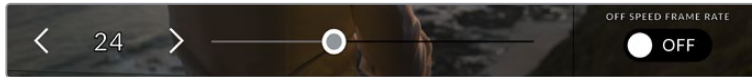
在LCD触摸屏底部的菜单里, 点按“FPS”提示可让您更改摄影机传感器及项目帧率。

## 项目帧率

项目帧率是URSA Mini的记录格式帧率, 它具备电影和电视行业所使用的各类帧率。通常, 这一帧率是设定为与您后期制作工作流程中的播放速度所匹配的帧率。

Blackmagic URSA Mini共有8种项目帧率设置分别为每秒23.98、24、25、29.97、30、50、59.94以及60帧。

想要在“FPS”菜单中调整URSA Mini的项目帧率, 请点按触摸屏左下角当前帧率旁边的左右箭头。或者, 您也可以左右拖动滑块进行调整。

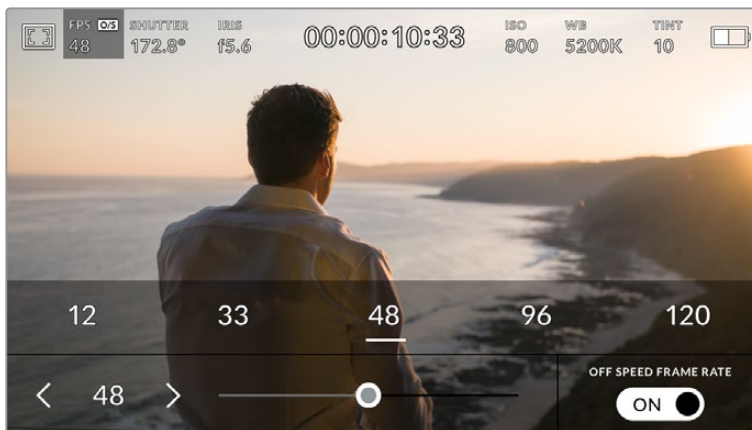


点按项目帧率两侧的箭头或移动滑块进行调整。

**提示** URSA Mini的项目帧率还可以设置前方和主SDI输出画面的帧率。

## 传感器帧率

传感器帧率可设定传感器每秒所记录的实际帧数。这一帧率将会影响视频播放的快慢, 视您所设置的项目帧率而定。



启用“OFF SPEED FRAME RATE” (变速帧率) 选项后, 点按传感器帧率两侧箭头、移动滑块或点按预设可进行调整。

默认情况下, URSA Mini会采用相同的项目帧率和传感器帧率进行拍摄, 以获得正常的播放速度。但是, 您可以点按URSA Mini摄影机“FPS”菜单右下方的“OFF SPEED FRAME RATE” (变速帧率) 开关图标来单独设置传感器帧率。

若要更改您的传感器帧率, 请点按触摸屏左下方传感器提示旁边的左右箭头。您也可以左右拖动滑块来增加或减少帧率。放开滑块后, 传感器帧率将完成设置。您可以在滑块上方选择一个根据您当前项目帧率所建议使用的变速帧率。

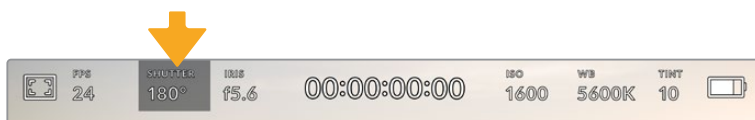
您可以设置各种不同的传感器帧率, 使片段播放时呈现出各种丰富有趣的速度效果。当传感器帧率被设置为高于项目帧率时, 播放片段可营造出慢动作效果。换言之, 传感器帧率越是低于项目帧率, 播放片段时就越快。这一原理类似于电影摄影机的快速拍摄 (Overcranking) 和慢速拍摄 (Undercranking)。快速拍摄可增高传感器帧率, 因此播放时可拖慢镜头画面进程, 起到突出强调的作用。慢速拍摄可降低传感器帧率, 因此播放时可加快画面动作, 从而使画面更具动感。这一设置可为您提供无限的创作空间!

关于每个记录格式和编解码可用最大帧率的信息, 请参阅本手册“记录”章节的表格。

**备注** 选中“OFF SPEED FRAME RATE” (变速帧率) 选项后, URSA Mini的视音频将不再同步, 即使设置了相同的项目帧率和传感器帧率也是如此。鉴于这个原因, 如果您想要确保音频同步, 则不要选中“OFF SPEED FRAME RATE”选项。

## 快门

“SHUTTER” (快门) 提示可显示您的快门角度或快门速度。点按此提示可手动更改URSA Mini的快门数值或配置基于快门的自动曝光模式。在URSA Mini 4.6K及URSA Mini Pro机型上, 快门类型设置可通过显示快门信息来选择“快门角度”或“快门速度”。详情请参考本手册中关于“设置”部分的介绍。



图为URSA Mini的快门提示, 点按可进入快门设置

快门角度或快门速度定义了视频中运动模糊的级别, 可对不同的光线条件进行补偿。大多数情况, 180度的快门角度是拍摄令人满意的运动模糊的理想选择, 相当于1/50秒的快门速度。但是, 请根据照明条件的变化或画面中动作的多少对快门角度进行相应的调整。

例如, 360度时快门为“全开”, 此时感光器可接收到最多光线。这适用于低光照条件且画面中只有轻微的动作部分。但是, 如果拍摄快速移动的物体来说, 90度等较窄的快门角度可将运动模糊降到最低, 从而获得更为锐利清晰的图像。与快门角度相对应的快门速度取决于您所使用的帧率。例如, 如果您以25帧每秒拍摄, 那么360度相当于1/25秒, 90度相当于1/100秒。

**备注** 在照明环境下拍摄时, 快门可影响闪烁程度。URSA Mini将根据当前的帧率自动计算出防闪烁快门数值。当您调整快门时HUD底部将会显示三个防闪烁快门建议选项。这些快门数值可能会受到您所在地区的主电源频率的影响。您可以在URSA Mini的设置菜单中将本地电源频率设为50Hz或60Hz。详情请参考本手册“设置”部分的内容。

点按URSA Mini触摸屏底部的“SHUTTER”提示可调出快门数值菜单。如果您将自动曝光设为关闭状态，此时屏幕将显示您当前所选的快门数值，并将显示出根据您在URSA Mini“SETUP”（设置）菜单中所选的主电源频率所得出的所有可用的防闪烁快门数值。详情请参考本手册“设置”部分的内容。

**备注** 即使使用防闪烁数值，每类光源所具备的特点也依然有可能导致闪烁现象。如果您使用的不是持续光源，我们建议拍摄前请始终进行测试。

如要选择某一种防闪烁快门值，只需点按一个显示的快门值。点按当前快门值提示两侧的箭头可逐个查看一些最常用的值。



URSA Mini将根据您在“SETUP”（设置）菜单中所选的主电源频率给出一组防闪烁快门数值建议。

如果您希望选择一个特定的快门值，可以连按两次屏幕左下方的当前快门提示，然后在打开的小型键盘中，输入最多小数点后两位的任何快门值。

如果您输入的快门速度与当前帧率不兼容，系统将使用最接近的快门速度。



您可以利用手动快门的小型键盘输入任何想要的快门值



URSA Mini设有三类基于快门的自动曝光模式。要选择三者之一，请点按快门菜单最右侧的“Auto Exposure”（自动曝光）按钮。

### 快门

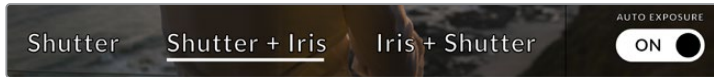
“Shutter”设置可自动调整快门数值来确保恒定曝光，并同时保持光圈不变。如果您需要保持景深不变，请选择这一设置。值得一提的是，细微的快门自动调整可能会影响到运动模糊。此外，也请您留意室内拍摄时不同的照明条件可能会造成闪烁现象。URSA Mini的自动光圈功能在选择“快门”自动曝光模式时不可使用。

### 快门+光圈

“Shutter + Iris”设置可先调整快门，再调整光圈，以保持正确的曝光水平。如果已达到最大或最小快门数值，曝光仍不能维持，那么URSA Mini将开始调整光圈来保持曝光恒定。

### 光圈+快门

“Iris + Shutter”设置可先调整光圈，再调整快门速度，以保持正确的曝光值。如果已达到最大或最小光圈值，曝光仍不能维持，那么URSA Mini将开始调整快门数值来保持曝光恒定。

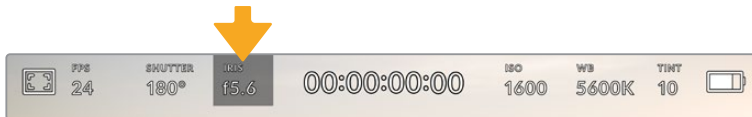


在“SHUTTER”（快门）菜单中，点按“AUTO EXPOSURE”（自动曝光）可进入基于快门的自动曝光模式选项。

**提示** 当影响快门的自动曝光模式启用时，URSA Mini触摸屏顶部快门角度提示的旁边会出现一个“A”字样小标。

## 光圈

“IRIS”提示可显示您当前的镜头光圈。点按此提示可更改兼容镜头的光圈并配置基于光圈的自动曝光模式。



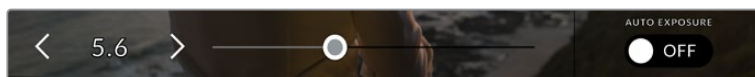
图为URSA Mini的光圈提示，点按可进入光圈设置。

**备注** 要在LCD触摸屏调整光圈，您的URSA Mini必须要搭配支持通过摄影机更改光圈的镜头。如果您通过URSA Mini PL上的广播级12针接口连接B4或PL镜头，请确保手柄上的镜头光圈设置为“A”或“Auto”（自动）。

点按URSA Mini触摸屏底部的“IRIS”（光圈）提示可调出相应菜单。当前镜头光圈将显示在此菜单的最左侧。想要更改光圈，可点按当前光圈两侧的箭头或左右拖动滑块。



点按光圈菜单最右侧的“自动曝光”的开关图标可打开光圈自动曝光菜单。



在“IRIS”（光圈）菜单中，点按光圈提示左右两侧的箭头或使用滑块来调整光圈设置。

该操作可调出以下自动曝光选项。

### 光圈

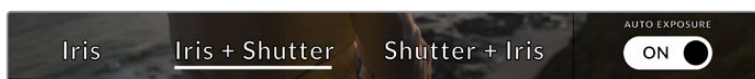
“IRIS”设置可自动调整光圈来确保恒定曝光，并同时保持快门角度恒定。它可保持运动模糊恒定，但可能会影响您的景深。

### 光圈+快门

“Iris + Shutter”设置可先调整光圈，再调整快门速度，以保持正确的曝光值。如果已达到最大或最小光圈值，曝光仍不能维持，那么URSA Mini将开始调整快门数值来保持曝光恒定。

### 快门+光圈

“Shutter + Iris”设置可先调整快门，再调整光圈，以保持正确的曝光水平。如果已达到最大或最小快门数值，曝光仍不能维持，那么URSA Mini将开始调整光圈来保持曝光恒定。



在“IRIS”（光圈）菜单中，点按“AUTO EXPOSURE”（自动曝光）可进入基于光圈的自动曝光模式选项。

当影响光圈的自动曝光模式开启时，URSA Mini触摸屏顶部光圈提示的旁边会出现一个“A”字样小标。

**提示** PL或B4镜头专为视频或电影制作设计，因此自动曝光功能搭配使用此类兼容镜头时可获得细腻流畅的效果。而EF镜头在更改光圈时可能会出现较为明显的逐级曝光变化。基于这一原因，当采用URSA Mini EF拍摄时，我们建议仅使用“SHUTTER”（快门）自动曝光设置。

## 时长显示

您可以在URSA Mini的LCD触摸屏顶部看到摄影机的时长显示。



图为URSA Mini的时长显示，该数值会在记录时变成红色

时长显示为您提供了一个时间码计数器，可用于检查素材片段长度并在记录和播放时监看时间码。计数器会以时：分：秒：帧的顺序显示，当记录或播放片段时将按照这一计时方式进行。时间码会在记录时变成红色。

每个片段的显示时长会从00:00:00:00开始。当前片段或最后记录片段的时长将显示在触摸屏上。当日时间的时码会嵌入片段，以便后期制作时使用。

想要查看时间码，只要点按时长显示即可。再次点按时长显示可回到片段时长。

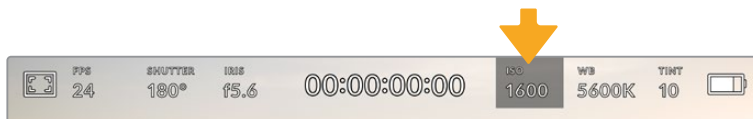
### 时长显示周围还可能出现以下其他状态提示：

- 
- |          |                                      |
|----------|--------------------------------------|
| <b>W</b> | 当URSA Mini使用传感器裁切模式时，此标识会出现在时长显示的左侧。 |
|----------|--------------------------------------|
- 
- |           |                         |
|-----------|-------------------------|
| <b>TC</b> | 当显示时间码时，此标识会出现在时长显示的右侧。 |
|-----------|-------------------------|
- 
- |            |                              |
|------------|------------------------------|
| <b>EXT</b> | 当连接有效的外部时间码时，此标识会出现在时长显示的右侧。 |
|------------|------------------------------|
- 
- |            |  |
|------------|--|
| <b>INT</b> | 当摄影机在完成“拥塞同步”并断开连接后脱离其内部时间码时，此标识会出现在时长显示的右侧。 |
|------------|--|
- 
- |            |                                  |
|------------|----------------------------------|
| <b>PRE</b> | 当您查看“预设记录运行”时间码时，此标识会出现在时长显示的右侧。 |
|------------|----------------------------------|
- 
- |            |                                   |
|------------|-----------------------------------|
| <b>REF</b> | 根据同步输入设置，当连接有效同步视频源且信号锁定时，会出现此标识。 |
|------------|-----------------------------------|
- 

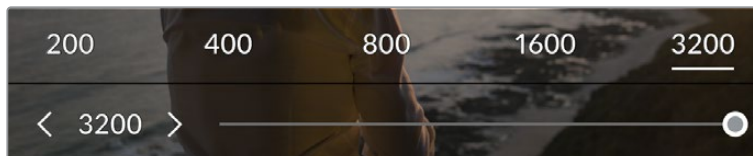
## ISO

“ISO”提示可显示URSA Mini当前的感光度设置。点按此提示可调整ISO值来用于不同的照明条件。URSA Mini的ISO范围从ISO 200到1600，而URSA Mini Pro的ISO范围可到3200。

URSA Mini 4K的最佳ISO设置为400。URSA Mini 4.6K和URSA Mini Pro的最佳ISO设置为800。



图为URSA Mini的ISO提示，点按可进入ISO设置



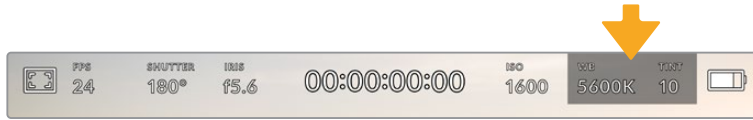
位于ISO菜单下时，URSA Mini的ISO设置会出现在LCD触摸屏的下方。URSA Mini Pro 4.6K G2在预设下方提供一个滑块，能以1/3挡为增量调整ISO。

点按数字可获得不同数值的预设，以一挡位增量选择ISO设置。URSA Mini Pro 4.6K G2在这些预设下方提供了一个滑块，能以1/3挡为增量微调ISO设置。

这一ISO设置可能会偏高或偏低，因此请根据拍摄现场的不同情况妥善设置。例如，使用URSA Mini 4.6K在低照度条件下拍摄时，1600的ISO设置较为合适，但可能造成一些可见噪点。而在明亮环境下拍摄时，则可使用200的ISO设置，以便获得更浓郁的画面色彩。

## 白平衡

“WB”（白平衡）和“TINT”（色调）提示可分别显示摄影机当前的白平衡和色调设置。点按这两个提示可让您根据不同的照明条件来调整摄影机的白平衡和色调设置。



图为URSA Mini的白平衡和色调提示，点按这两处可进入白平衡和色调设置

每种光源都会发出一种色调。例如，烛光会发出暖色调，阴天会发出冷色调。白平衡设置用于图像的色彩平衡，通过综合调整图像中的橙色和蓝色以确保白色物体在拍摄到的画面中依然为白色。例如，在钨丝灯下拍摄时会发出暖色的橙光，因此可选择3200K为图像添加一些蓝色调。如此平衡颜色后，白色可以被准确记录下来。

URSA Mini包含多种白平衡预设，适用于各类色温条件。具体设置有：

	明亮日光	(5600K)
	白炽灯	(3200K)
	荧光灯	(4000K)
	混合照明	(4500K)
	多云	(6500K)

只要点按或长按白平衡菜单左下方色温提示的左右箭头图标，就可以自定义更改任意预设。每点按箭头图标一次可将色温上调或下调50K，长按箭头图标则能以更大幅度实现快速调整。您也可以滑动白平衡菜单的色温滑块进行调整。

想要进一步调整图像，可以调整色调参数。此设置可综合调整图像的绿色和品红色。例如，添加品红可补偿荧光灯的绿色色偏。很多URSA Mini的白平衡预设都包括一些色调调整。



点按URSA Mini上的白平衡和色调提示可让您获得五种预设，以及左侧的白平衡提示和滑块，和右侧的色调提示。请根据不同的照明条件来调整自定义白平衡设置。

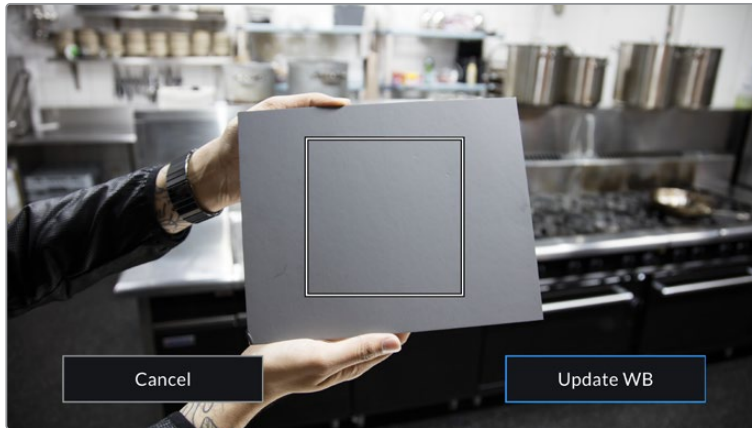
位于白平衡菜单下时，摄影机当前的色调设置会显示在屏幕右下方。点按或长按色调提示的左右箭头可调整色调。可调整范围在-50到+50之间，调整幅度为一个单位。长按箭头图标可加快调整速度。

**备注** 自定义白平衡或色调设置会把您的预设更改为“CWB”，也就是“自定义白平衡”。自定义白平衡是恒定的；您的CWB设置在重启、切换到预设及切换回CWB时都将保持配置不变。这样您就可以轻松将自定义白平衡和上一次所使用的预设相比较。

### 自动白平衡

URSA Mini可自动设置白平衡。点按“AWB”图标可调出白平衡设置界面。

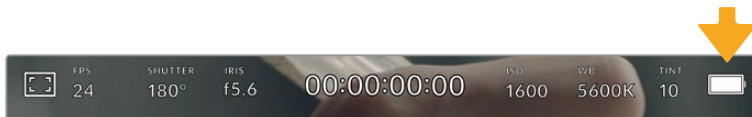
自动设置白平衡时，画面中心将出现一个方框。请将此方框对准画面中某个中性色调的部分，如白卡或灰卡，并点按“Update WB”（更新白平衡）。URSA Mini将自动调整其白平衡和色调值，并尽可能让白平衡方框内白色或灰色部分的平均值保持在中性。更新后，此数值可设为您摄影机的自定义白平衡设置。



在白平衡菜单中点按“AWB”图标，可调出自动白平衡设置界面。  
将界面中的方框对准白色或中性灰色表面来自动设置一个中性白平衡。

### 电源

URSA Mini的电源状态显示在LCD屏幕的右上角。您可能会看到以下五种提示：



URSA Mini的电源提示位于LCD触摸屏的右上角。使用电池电源时，点按此图标可在“Voltage”（电压）和“Percentage”（百分比）电量显示格式之间切换。

	<b>AC</b>	当URSA Mini连接主电源时会显示此标识。
	<b>百分比</b>	使用支持百分比电量显示的电池和扣板组合时, 选择百分比电量显示能以百分比的形式显示电池电量。当剩余电量为20%时, 此提示会变成红色。
	<b>电量条</b>	如果您将电池显示设为“Percentage”(百分比) 设置, 但您所使用的电池扣板和电池组合不支持以百分比的形式显示时, URSA Mini将显示此电池图标, 并以25%为单位递减。当剩余电量为20%时, 电量条将变成红色。
	<b>电压</b>	当您将电池显示设为“Voltage”(电压) 时, 此提示将显示电池的剩余电压值。当剩余电量低于12.5V时, 此提示将变成红色。当剩余电量降至11.9V时, URSA Mini将自动关闭。
	<b>光纤</b>	当摄影机连接了Blackmagic Camera Fiber Converter转换器, 并且通过SMPTE光纤线缆供电时, 就会显示此图标。如果您将XLR电源线连接到URSA Mini, 并同时连接这款转换器, 此时将显示AC图标。

使用电池时, 点击电源提示可在电压、百分比或电量条这三种电源提示之间进行切换。

**提示** 关于支持以百分比显示精确电量信息的电池列表, 请参考本操作手册中“安装电池”部分的内容。

## 直方图

直方图位于URSA Mini触摸屏的左下方。它能沿横向标尺显示暗部和亮部的对比。



直方图可给出一个关于片段暗部和亮部色调范围的参考。它还非常适合用于查看曝光平衡度, 以防止图像的亮部区域被裁切。

直方图最左侧显示的是阴影或暗部细节, 最右侧显示的是高光或亮部细节。当您关闭或打开镜头光圈时, 会注意到直方图里的信息会相应地向左或向右移动。您可以使用它来查看图像暗部和亮部裁切情况。如果直方图的两侧边缘不是呈平缓下降态势, 而是忽然被截断, 那就说明可能有亮部或暗部细节丢失。

**备注** 如果触摸屏左下方没有显示直方图, 这可能是由于您将LCD监看设置为显示“Codec and Resolution”(编解码和分辨率)。请阅读本手册“监看设置”部分的内容获取更多信息。

## 记录按钮

URSA Mini触摸屏底部直方图的旁边有一个圆形灰色按钮。这就是记录按钮。点按一次开始记录，再点按一次可停止记录。记录时，该圆点按钮和URSA Mini触摸屏顶部的时间码将变成红色。



URSA Mini的记录按钮位于LCD触摸屏底部的存储介质提示旁边。



记录时，记录按钮将变成红色

## 丢帧提示

如果记录按钮上重叠显示一个闪烁的“!” 标记，这表示URSA Mini在记录时出现丢帧。与之相关联的存储卡所对应的剩余时间提示也将变成红色。例如，如果您以双卡模式记录，且存储卡1出现丢帧，那么记录按钮上显示有“!” 提示，且存储卡1的剩余时间提示将变成红色。这样一来，您就能明确是哪张存储卡无法达到当前所选的编解码和分辨率。如果您在之前记录的片段上出现丢帧，屏幕也会显示丢帧提示，直到记录另一个片段或是重启摄影机为止。更多关于如何避免丢帧现象的信息，请参考本手册“选择CFast 2.0卡”部分的内容。



丢帧提示显示CFast卡1出现丢帧

**提示** 如果您开启了URSA Mini的LED状态显示，当检测到丢帧时该LED会快速闪烁红色。详情请参考本手册“设置”部分的内容。

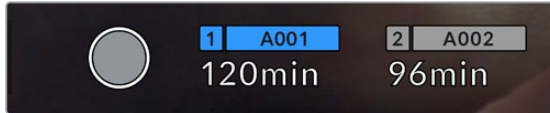
**备注** 您可以将URSA Mini设置为当检测到丢帧时停止记录，以防您因为没有注意到丢帧提示而继续花时间拍摄不可用的素材。详情请参考本手册“记录设置”部分的内容。

## 剩余记录时间

URSA Mini的触摸屏底部设有存储介质提示。

插入CFast卡、SD卡或SSD后，存储介质提示将显示该存储介质上的剩余记录时间。时间以分钟的格式显示，具体显示内容取决于您所选择的帧率及编解码，

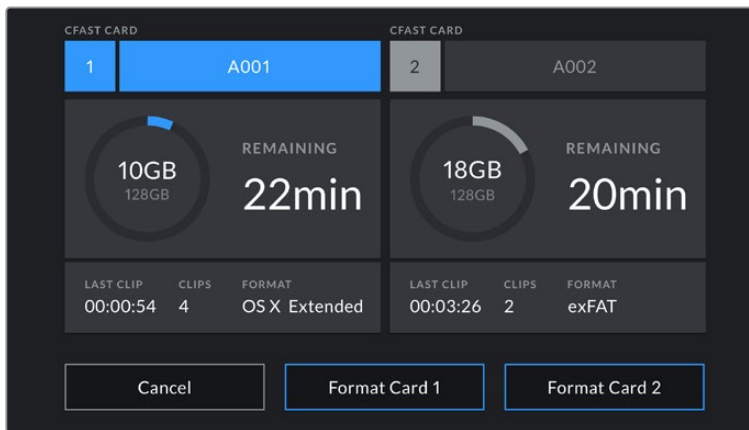
当上述两项设置中的任何一项发生改变时，该提示会自动重新计算剩余时间。当您的存储卡或硬盘上的剩余记录时间仅剩5分钟左右时，该提示文字会亮起红色；当剩余记录时间仅剩2分钟时，该提示文字会开始闪烁。当存储卡或硬盘达到最大容量时，该提示会显示“FULL”（已满）字样。



URSA Mini的存储介质提示将显示CFast卡、SD卡或SSD的名称，并以分钟显示可记录的剩余时间。

位于剩余时间上方的小显示条也会相应反馈存储卡或硬盘的名称。如果信息条显示蓝色，则代表摄影机将会在此存储卡或硬盘上记录内容。在URSA Mini Pro 4.6K G2机型上，您可以使用屏幕显示将记录切换到不通过的存储卡或硬盘上。

按住相应存储卡或USB-C硬盘的名称进行更换即可。相应存储介质的显示条会变成蓝色。记录时，显示条会变成红色。点按存储介质提示可调出存储和格式化菜单。



在URSA Mini的LCD触摸屏上点按存储介质提示可调出存储管理器界面。

该菜单可显示URSA Mini中每个CFast卡、SD卡、SSD以及当前连接的外部硬盘上的剩余空间，以及存储卡或硬盘名称、最后一个片段的长度、每个存储卡或硬盘的片段数量，以及每张存储卡的文件格式。

您可以通过这个菜单格式化存储介质。更多关于使用URSA Mini格式化存储介质的信息，请参考本手册“在Blackmagic URSA Mini上格式化存储卡”章节的内容。

**提示** 点按存储菜单上的存储卡或存储盘图标名称可将其设定为当前所使用的存储卡或存储盘。您的URSA Mini将首先使用该卡进行记录。



## 音频表

当使用内部麦克风或连接外部音频时，峰值音频表可显示通道1和通道2的音频电平。该表以dBFS为单位，并有削波警告功能，可在出现音频过载时以红标提示，并停留片刻，从而有效防止因削波过于短暂而被忽略的情况。

为获得理想音质，请确保将音频电平控制在0dBFS警戒线以下。这是您的摄影机可记录的最高电平，也就是说任何超过此电平的音频会被裁切掉，并导致声音失真。



音频表上的彩色显示条代表了峰值音频电平。理想状态下，峰值音频电平应处在绿色区域。如果音频峰值冲到了黄色或红色区域，音频就极有可能出现削波。

您可以点按音频表来调出音频输入通道1和2的音量控制，以及耳机或扬声器音量菜单。



在URSA Mini的LCD触摸屏上点按音频表可轻松进入音量和耳机或扬声器设置

## 对焦缩放

在LCD触摸屏上连续两次点按需要放大的位置，可放大URSA Mini预览图像的相应部分。在触摸屏上用手指点拖，可移动放大的图像。这非常有助于检查对焦。要回到标准大小视图，只需在触摸屏上再次点按两下即可。

启用URSA Mini Pro 12K的“对焦缩放”功能时，您可以在触摸屏上通过捏拉缩放多点触控手势来调整缩放级别。通过URSA Mini Pro 12K的“设置”菜单可将功能按钮配置成“对焦缩放”开关，类似于在触摸屏上点按两下的控制方式。它可通过配置显示在LCD或者通过前方SDI或主SDI显示在输出上。更多关于如何将功能按钮配置为“对焦缩放”功能的信息，请参阅“F1或F2按钮功能映射为预设或开关”部分的介绍。

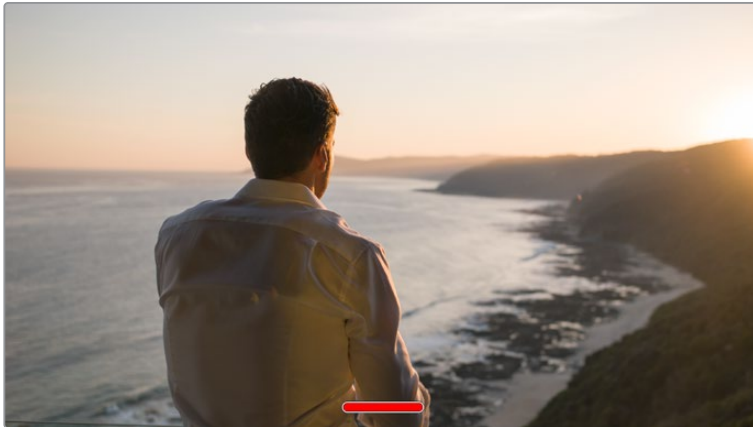




图像放大后，LCD触摸屏左上方的提示将显示您正在查看的图像部分。您可以像使用智能手机或平板电脑一样，用指尖沿着屏幕拖动图像就可以将其来回移动。

## 全屏显示模式

如果您在取景或对焦时想要暂时隐藏触摸屏的状态信息文字和各项技术监看选项，这一功能会非常有用。只要在URSA Mini的LCD触摸屏上用指尖上下滑动即可隐藏这些显示。而记录提示、帧导栏、网格、对焦辅助以及斑马纹信息将始终显示。



在URSA Mini的LCD触摸屏上，用指尖上下滑动可隐藏所有的状态提示。

## 播放菜单

点按播放控制按钮可进入播放菜单。您可以通过摄影机控制按钮或LCD触摸屏来控制之前记录的片段。

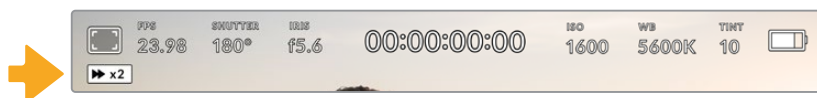
当使用LCD触摸屏时，点按播放按钮一次可开始播放，再次点按该按钮可暂停播放。使用前进或倒退按钮可跳到片段的开始或结束处。按前进按钮一次可跳至下一个片段。按后退按钮一次会跳转到当前素材片段的起始位置，按两次则跳转到上一个片段的起始位置。您还可点按循环图标激活片段的循环播放模式。



后退、播放、前进和循环图标。

想要快进或快退，可长按前进或后退按钮。根据您所按的播放控制按钮，系统将以正常速度的两倍前进或后退播放素材片段。

快进和快退时，您可以再次点按播放控制键来更改快进或快退速度。您每按相同方向的播放控制键一次，就会使快进或快退速度加倍。最高可达正常速度的16倍。当位于16倍速度时继续点按播放控制键则会回到2倍速度。点按相反方向将降回到当前快进或快退速度的一半，以此类推直到达到2倍速度。点按播放按钮可回到正常播放速度。



快进或快退速度提示可显示快进或快退片段的速度和方向

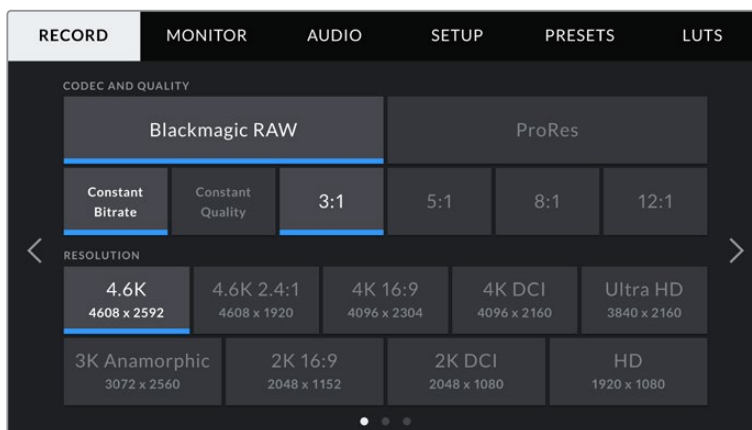
在播放模式点按记录控制按钮可回到摄影机待命模式，准备开始记录。

**提示** 播放素材片段时，在URSA Mini的触摸屏上下滑动可隐藏状态信息文字。在播放模式下进入场记板可让您在元数据中将当前片段标记为“好镜次”。更多信息，请参考本手册的“录入元数据”部分的内容。

## 设置

### 主菜单

按下URSA Mini的“MENU”（菜单）控制按钮可调出摄影机的主菜单。主菜单设有多个选项卡，当中包含了URSA Mini的HUD显示上所没有的设置。设置按照功能分为“RECORD”（记录）、“MONITOR”（监看）、“AUDIO”（音频）、“SETUP”（设置）、“PRESETS”（预设）以及“LUTS”选项卡。“RECORD”（记录）、“MONITOR”（监看）和“SETUP”（设置）等选项卡含有多页选项。您可以点按设置屏幕两侧箭头或像使用智能手机或平板电脑一样左右滑动，在多页面间逐一浏览。



点按“RECORD”（记录）、“MONITOR”（监视屏）、“AUDIO”（音频）、“SETUP”（设置）、“PRESETS”（预设）以及“LUTS”选项卡，在URSA Mini主菜单的各个选项卡间移动。

**备注** 如无任何操作，URSA Mini Pro 4.6K的摄影机主菜单将在一分钟后自动返回HUD界面。

## 记录设置

“记录”选项卡可让您设置视频格式、编解码和分辨率，以及会影响URSA Mini所保存片段的其他设置，例如存储卡优先程度以及细节锐化等。此菜单共有三页，点按摄影机触摸屏边缘的左右箭头或左右滑动便可逐页浏览。

### 记录设置 1

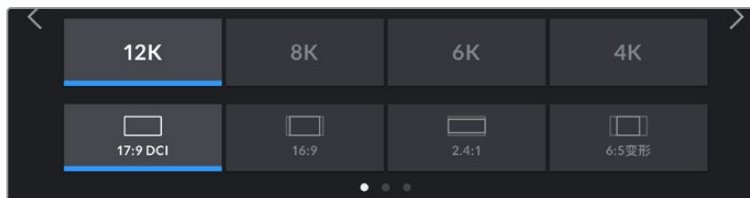
“记录”设置选项卡的第一页包含以下设置：



URSA Mini Pro 12K“记录”设置第一页

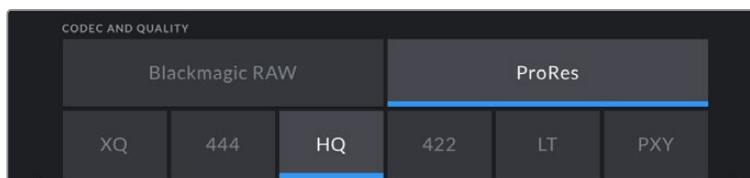
### 编解码和质量

URSA Mini Pro 12K能以12K、8K、6K和4K分辨率记录Blackmagic RAW文件。每种分辨率都设有相应菜单，支持一系列行业标准宽高比。



URSA Mini Pro 12K上的分辨率和宽高比选项。

在URSA Mini Pro 4.6K G2和URSA Mini Pro 4.6K机型上，“Codec and Quality”（编解码和质量）菜单分为两行。您可以选择Blackmagic RAW或Apple ProRes。下面一排则提供了各个格式所对应的画质选项。Blackmagic RAW的选项分为“Constant Bitrate”（固定比特率）和“Constant Quality”（固定质量）设置。ProRes编解码格式所对应的画质选项包括444、HQ和LT。URSA Mini支持一系列广泛的ProRes编解码格式。



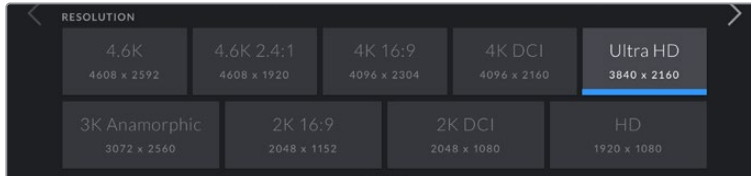
URSA Mini Pro 4.6K G2和URSA Mini Pro 4.6K摄影机上的“CODEC AND QUALITY”（编解码和质量）选项

**提示** 选择更高压缩程度的编解码器会提高摄影机存储介质上记录的视频数量。详情请参考“记录”章节中有关“记录时长表”部分的内容。

## 分辨率

即“Resolution”，该设置可与“编解码”设置搭配使用。使用它为您想要记录的格式选择相应的分辨率。

例如，要使用ProRes HQ来记录Ultra HD片段，请在“Codec and Quality”（编解码和质量）菜单中选择“ProRes”和“HQ”。然后在“Resolution”（分辨率）菜单中选择“Ultra HD”（超高清）。

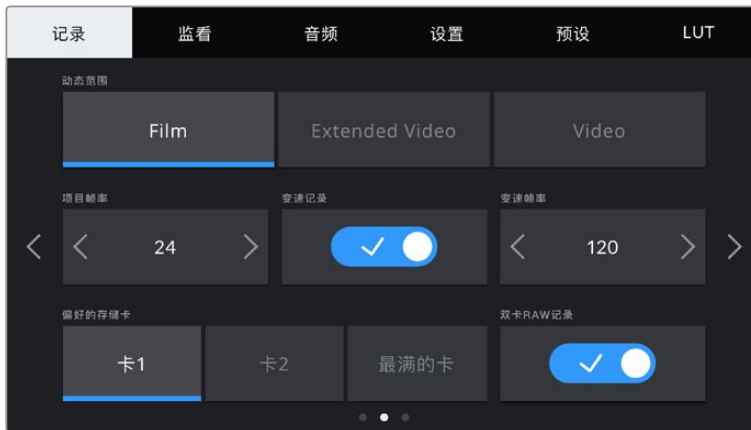


URSA Mini Pro 4.6K G2和URSA Mini Pro 4.6K摄影机上的“RESOLUTION”（分辨率）选项

**备注** Blackmagic URSA Mini 4.6K和URSA Mini Pro支持从4.6K下至HD的一系列广泛的Apple ProRes分辨率。

## 记录设置 2

“记录”设置选项卡的第二页含有下列设置：



URSA Mini Pro 12K设有“双卡RAW记录”设置。该选项在其他URSA Mini摄影机上是被禁用的。

## 动态范围

点按“动态范围”下方的图标可调整相应设置。Blackmagic URSA Mini有两项动态范围设置：

### Film

摄影机在“Film”电影模式下会使用对数曲线进行拍摄，可提供12至15挡动态范围（具体视您的URSA Mini机型而定），从而最大程度丰富视频信号信息，以便您充分利用DaVinci Resolve等调色软件。

## Video

“Video”设置类似REC 709色彩标准,可拍摄获得高清视频。这样就能以适合直接发布或者只需少量后期处理的色彩空间来直接记录压缩视频格式,从而提高您的工作效率。

URSA Mini Pro机型还设有第三个设置选项:

## Extended Video

“Extended Video”设置在“Video”和“Film”动态范围之间提供了良好的平衡。该设置提供了比“Video”更宽动态范围,同时应用了轻微的对比度改变,对高光进行柔化过渡处理。“Extended Video”适合标准广播级监视器使用,当您后期制作时间有限,并且希望给录制的片段添加满意的效果时,该设置十分有用。

**备注** 如果您使用“Video”或“Extended Video”动态范围,请确保未在任何监看输出设备、LCD以及前方SDI或主SDI屏幕上启用显示LUT功能。如果启用了显示LUT,HUD就会显示LUT提示,并且您所看到的画面饱和度以及对比度就会比原本更高。要检查显示LUT设置,请阅读本手册后续对于“监看设置”部分的介绍。

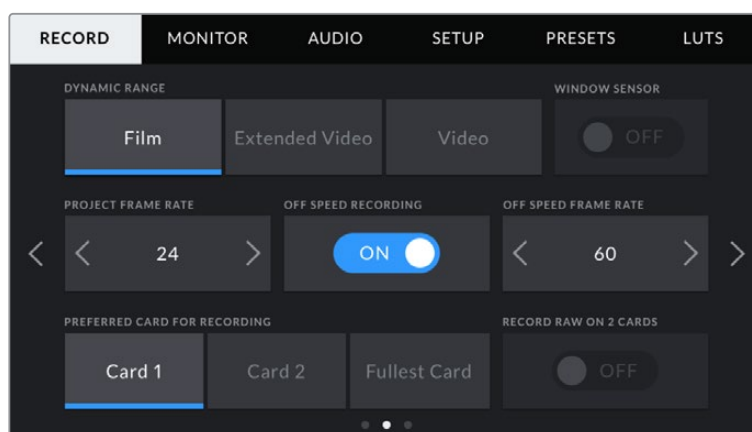
## 传感器裁切模式

URSA Mini Pro 12K可自动进行传感器裁切。它能在拍摄6K Super 16和4K Super 16影像时使用裁切传感器模式,并且能在所有其他拍摄模式下使用Super 35图像传感器的全部高度和宽度。

请注意,使用URSA Mini Pro 12K时,6K Super 16会将画幅大小调整成Super 16裁切模式,但6K分辨率下这种裁切依然能提供极高的画质。4K Super 16会使用同样的Super 16裁切,将画面缩为4K。因此,您能以最高帧率进行拍摄,获得十分优质的6K和4K画质。

12K传感器加上Super 16裁切意味着您还可以安装老式的Super 16mm镜头,拍摄4K或6K分辨率,或可获得高于原始Super 16mm胶片的画质。

其他URSA Mini Pro摄影机可设置为使用全部传感器范围进行拍摄,或者也可以使用“WINDOW SENSOR”(传感器裁切模式),获得更高帧率。该模式只使用所选视频格式需要的传感器像素,而不是在全传感器的基础上缩小画面。



URSA Mini Pro 4.6K G2、URSA Mini Pro 4.6K、URSA Mini 4.6K和URSA Mini 4K摄影机上的“WINDOW SENSOR”(传感器裁切模式)选项

由于HD传感器裁切模式和2K传感器裁切模式只使用URSA Mini传感器的中心区域, 所以会有裁切系数, 因此所有镜头的视野将变得更窄。比如, 当使用20mm镜头在传感器裁切模式下拍摄HD素材时, URSA Mini的视野就相当于48mm镜头。

当您的URSA Mini以小于其最大分辨率的设置进行拍摄时, 您可以使用这一设置。例如, 使用URSA Mini 4.6K拍摄4.6K 2.4:1、4K、3K Anamorphic、2K或HD ProRes影像时, 就可以使用“WINDOW SENSOR” (传感器裁切模式)。

在传感器裁切模式下拍摄HD影像时可使用摄影机的最高帧率。

**提示** 使用传感器裁切模式时, URSA Mini的分辨率设置将被标以“RESOLUTION – SENSOR WINDOWED” (分辨率 – 传感器裁切模式) 加以提示。

### 项目帧率

即“PROJECT FRAME RATE”, 是URSA Mini的记录格式帧率, 可提供影视行业所使用的各类常用帧率选项。例如以每秒23.98帧拍摄4K ProRes HQ格式, 这一帧率通常会设定为与您后期制作工作流程和交付所使用的播放速度和音频同步所匹配的帧率。

Blackmagic URSA Mini共有8种项目帧率设置分别为23.98、24、25、29.97、30、50、59.94以及60fps。

**备注** 摄影机的项目帧率会对画面风格有重大影响。

像50fps、59.94fps或60fps等高帧率十分适合拍摄流畅的运动画面, 并且能去除或降低摄影机平移时出现的卡顿现象。

较低的帧率一般用于电影制作, 如每秒24或25帧。这些帧率有一种电影效果, 但需要摄影机更缓慢地移动, 从而避免卡顿。

### 变速记录

即“OFF SPEED RECORDING”, 默认情况下, URSA Mini会采用相同的项目帧率和传感器帧率进行拍摄, 以匹配正常播放速度。但是, 您可以点按“OFF SPEED RECORDING” (变速记录) 切换图标来单独设置传感器帧率。

### 变速帧率

即“OFF SPEED FRAME RATE”, 启用后, 点按“OFF SPEED FRAME RATE”提示一侧的箭头就可以设置URSA Mini的传感器帧率。

传感器帧率可设定传感器每秒所记录的实际帧数。这一帧率将会影响视频播放的快慢, 视您所设置的项目帧率而定。

请参考本手册“触摸屏功能”部分中关于“每秒帧数”的介绍了解变速帧率的信息。

**备注** 关于每个记录格式和编解码可用最大帧率的信息, 请参阅本手册“记录”章节的“最高帧率”表。

### 偏好的存储卡

即“PREFERRED CARD FOR RECORDING”，当两个卡槽都安装有存储卡或硬盘时，这一设置可选择 URSA Mini 首先在哪一张存储卡上开始记录。可用选项有“Card 1”（卡1）、“Card 2”（卡2）以及“Fullest Card”（最满的卡）。当使用SSD时，该选项会相应显示“Card 1”（卡1）、“SSD”以及“Fullest Card”（最满的卡）。您可以根据个人喜好选择卡1或者卡2，但不论选择哪张存储卡，只要每次选择都一致，存储卡已满时您就知道要先更换哪张。从事单机位拍摄项目时，“最满的卡”选项可有助于按时间顺序进行文件文组。

插入CFast卡、SD卡或SSD，您所选的设置就会被应用。您可以进入存储管理器并将另一张不同的存储卡设置为“Active”（使用中）来随时覆盖这一设置。需要着重强调的是，弹出再重新插入存储卡操作将会令摄影机还原到当前“Preferred Card for Recording”（偏好的存储卡）设置。连接URSA Mini Recorder并装载SSD后，记录单元会占用URSA Mini的“2”号存储插槽进行记录。

详情请参阅本手册“URSA Mini Recorder”部分的内容。

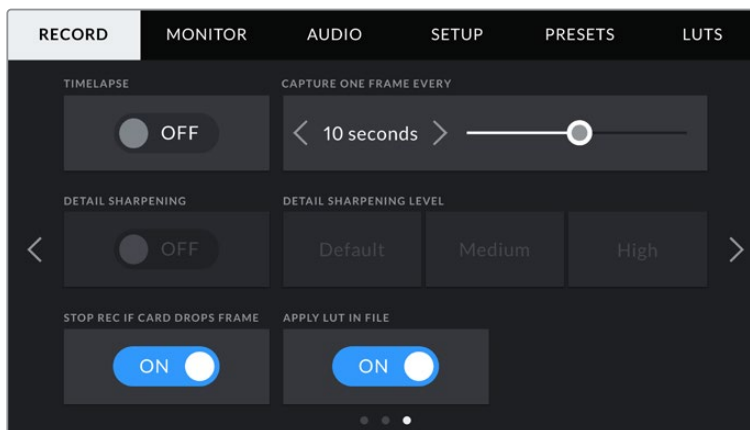
**提示** “最满的卡”设置是基于存储卡的存储百分比决定的，而不是存储卡的内存或已用数据。

### 双卡RAW记录

URSA Mini Pro 12K可以同时两张存储卡上记录Blackmagic RAW。它能以较低的压缩程度、较高的帧率记录极高分辨率的片段。插入两张CFast卡或SD卡，然后到“记录”菜单中开启“双卡RAW记录”选项。由于这一操作需要同时在两张条带化的存储卡上以交替的方式记录，因此数据速率较慢的那张卡会限制整体记录性能，建议您使用两张参数相仿的存储卡进行记录。您还可以在存储卡槽1中安装CFast卡，在存储卡槽2中安装USB-C硬盘来实现交替记录。使用“双卡RAW记录”选项时，速度上限为条带化阵列中速度较慢那张卡的数据速率的两倍。将这两张存储卡上的.BRAW和.BRAW2文件复制到您计算机上的同一个文件夹内，然后导入到DaVinci Resolve的媒体池中，软件就会把它们视作单个合并片段进行处理。如果将.BRAW和.BRAW2文件分开放置，片段也能以一半的帧率独立播放。

### 记录设置 3

“RECORD”（记录）设置选项卡的第三页含有下列设置：





## 延时摄影

即“TIMELAPSE”，该设置可开启延时摄影功能，并自动以如下间隔记录一个静帧图像：

帧	2 – 10
秒	1 – 10、20、30、40、50
分	1 – 10

比如，您可将摄影机设置成每隔10帧、5秒、30秒或5分钟记录一个静帧。

延时摄影功能可为您提供多种创意选择。例如，设定每2帧记录一个静帧，那么视频在播放时可呈现高速播放效果。

每个静帧的格式取决于您所选的记录格式，因此如果您将摄影机记录格式设置为4K ProRes HQ，则延时摄影也会采用这一格式设置。这一帧率会以项目帧率设置为准，如：24fps。因此您的延时摄影素材片段便可轻松纳入到后期制作工作流程中。



URSA Mini会在记录按钮上方显示一个图标，以提示摄影机处于延时摄影模式。

**提示** 当使用延时摄影模式记录素材时，视频中每记录一帧时间码计数器就会相应更新。

## 细节锐化

该设置可用于锐化URSA Mini图像。URSA Mini Pro 4.6K G2、URSA Mini Pro 4.6K、URSA Mini 4.6K和URSA Mini 4K摄影机上的“DETAIL SHARPENING”（细节锐化）选项。启用锐化功能时，选择“Default”（默认）、“Medium”（中）以及“High”（高）选项可降低或升高锐化的程度。

启用锐化功能时，锐化效果会被应用到摄影机所记录的ProRes视频上，以及URSA Mini的SDI输出上。当URSA Mini Pro G2设置为使用Blackmagic RAW格式并且和ATEM切换台搭配使用时，细节锐化功能可以应用到SDI输出上。您可使用ATEM Camera Control Panel或ATEM Software Control软硬件控制面板来开启和关闭这一功能。

这一设置是为棚内直播制作所设计的，这类摄制通常不具备后期制作时间，而是需要直接输出现场拍摄画面。如果您所记录的图像需要进行后期制作，我们建议您将此设置保留在关闭状态。这样一来，锐化功能就不会被应用到需要进行大幅后期处理的Blackmagic RAW文件上。

## 存储卡丢帧时停止记录

即“STOP REC IF CARD DROPS FRAME”，当URSA Mini检测到丢帧时，该设置可用于对摄影机进行配置。该选项置为关闭时，摄影机检测到丢帧后仍将继续记录。该选项置为开启时，摄影机检测到丢帧后会停止记录。这一设置可有效避免您在未察觉丢帧提示的情况下继续花时间记录不可用的素材。

**提示** 更多关于如何避免丢帧的信息，请参考“选择CFast 2.0卡”、“选择快速SD卡”和“选择快速SSD”部分的介绍。



### 在文件中套用LUT

即“APPLY LUT IN FILE”选项。如果您在来自Blackmagic URSA Mini Pro 4.6K的任何输出画面上套用LUT, 那么所选LUT会被嵌入到您正在记录的Blackmagic RAW文件中。

这意味着这个LUT将被保存在相应文件的头文件中, 可在后期制作环节轻松套用到片段上, 无需处理单独文件。将URSA Mini Pro记录菜单中的“APPLY LUT IN FILE”(在文件中套用LUT) 开关设置为开启后, 在Blackmagic RAW Player播放器和DaVinci Resolve中打开这个片段时, 画面上就已套用所选的LUT。LUT可轻松开启或关闭, 但会始终跟随Blackmagic RAW文件, 因为它是写入到片段上的。

DaVinci Resolve的RAW设置面板中还设有一个“Apply LUT”(套用LUT) 开关, 可用来启用和禁用Blackmagic RAW文件中的3D LUT。DaVinci Resolve中的“套用LUT”设置和摄影机中的设置相同。也就是说, 在您拍摄时, 可以在摄影机中进行设置从而告诉调色师使用这一LUT, 而调色师则可以在DaVinci Resolve中使用“套用LUT”开关将它关闭。

## 文件命名格式

根据您选择的记录格式, 片段会以Blackmagic RAW格式的.braw文件, 或者ProRes的QuickTime影片文件格式记录到CFast卡、SD卡或SSD硬盘上。

文件命名格式示例详见下表:

<b>A001_08151512_C001.mov</b>	<b>QuickTime电影文件名称</b>
A001_08151512_C001.mov	摄影机索引
A <b>001</b> _08151512_C001.mov	卷号
A001_ <b>08</b> 151512_C001.mov	月
A001_08 <b>15</b> 1512_C001.mov	日
A001_0815 <b>15</b> 12_C001.mov	时
A001_081515 <b>12</b> _C001.mov	分
A001_08151512_ <b>C001</b> .mov	片段编号

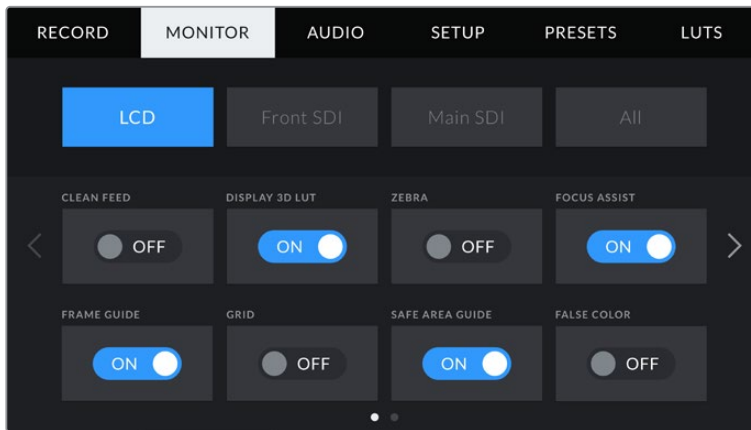
使用静帧按钮采集的静帧图像文件将依照视频片段的文件命名格式, 但文件名片段编号中的最后四位数字将包含“S001”来表示静帧编号。URSA Mini Pro 12K型号可将静帧记录为Blackmagic RAW单帧格式。URSA Mini Pro 4.6K G2和URSA Mini Pro 4.6K型号可将静帧记录为DNG文件, 并保存在“stills”文件夹中。详情请阅读本手册“LCD状态显示控制项”部分的内容。

## 监看设置

“MONITOR”（监看）选项卡可用来调整URSA Mini在LCD触摸屏以及摄影机前方及主SDI输出上显示的状态信息、叠加信息以及其他监看选项。选项依次为“LCD”、“Front SDI”（前方SDI）、“Main SDI”（主SDI），以及“All”（全部），该选项包括了影响到URSA Mini所有输出的各项监看设置。每个菜单都有两页选项，您可以点按摄影机触摸屏边缘的箭头，或者左右滑动屏幕来逐页查看。

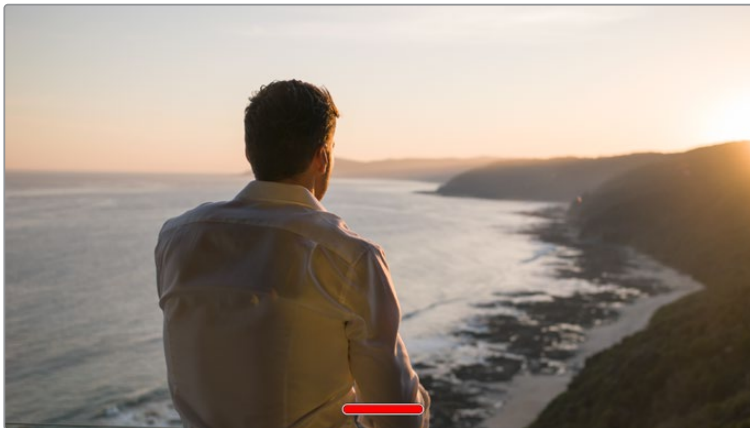
### LCD、前方SDI和主SDI监看设置 1

“LCD”、“Front SDI”（前方SDI）和“Main SDI”（主SDI）监看选项卡包含完全相同的每路输出设置。例如，您可以开启LCD触摸屏的“ZEBRA”（斑马纹）显示，但关闭“Front SDI”和“Main SDI”输出上的这一显示内容。



### 纯画面

即“Clean Feed”，点按其开关可全面禁用某路输出在“LCD”、“Front SDI”和“Main SDI”菜单中的所有状态信息和叠加信息，只留下Tally记录提示灯。



处于纯画面模式下时，URSA Mini的LCD触摸屏会显示一个Tally记录提示灯

**备注** LUT将依然套用到启用了“纯画面”的输出上。要禁用LUT，请到“MONITOR”（监看）菜单中关闭相应输出上的“DISPLAY LUT”（显示LUT）开关。

### 显示3D LUT

即“DISPLAY 3D LUT”，URSA Mini可将多种3D LUT套用在输出上，模拟出素材在调色之后的大致效果。这在使用“Film”动态范围模式拍摄时尤其有用，因为这类文件格式的拍摄图像对比度低，看起来较为平淡。

如果URSA Mini启用了一种3D LUT，请使用这一设置将该LUT单独套用到LCD触摸屏、前方SDI输出或主SDI输出上。

**备注** 更多关于加载和使用3D LUT的信息，请参考本手册“LUTS”部分的内容。

### 斑马纹

点按“LCD”、“Front SDI”和“Main SDI”菜单下的“ZEBRA”开关可在相应的输出上启用斑马纹提示功能。更多关于斑马纹提示功能以及斑马纹提示级别设置的内容，请参考本手册“触摸屏功能”部分的介绍。

### 对焦辅助

点按“LCD”、“Front SDI”和“Main SDI”菜单下的“FOCUS ASSIST”开关可在相应的输出上启用对焦辅助功能。更多关于对焦辅助功能以及斑马纹提示级别设置的内容，请参考本手册“触摸屏功能”部分的介绍。

### 帧导栏

点按“LCD”、“Front SDI”和“Main SDI”菜单下的“FRAME GUIDE”开关可在相应的输出上启用帧导栏功能。更多关于帧导栏功能以及如何选择不同帧导栏的内容，请参考本手册“触摸屏功能”部分的介绍。

### 网格

点按“LCD”、“Front SDI”和“Main SDI”菜单下的“Grid”开关可在相应的输出上启用三分法网格显示功能。更多关于三分法网格功能的内容，请参考本手册“触摸屏功能”部分的介绍。

### 安全框

点按“LCD”、“Front SDI”和“Main SDI”菜单下的“SAFE AREA GUIDE”开关可在相应的输出上启用安全框叠加显示功能。

更多关于安全框和设置安全框程度的信息，请参考本手册中“触摸屏功能”部分内容。

**备注** 使用URSA Mini的“All”监看设置中的“SAFE AREA GUIDE %”（安全框）设置来设定安全框大小。

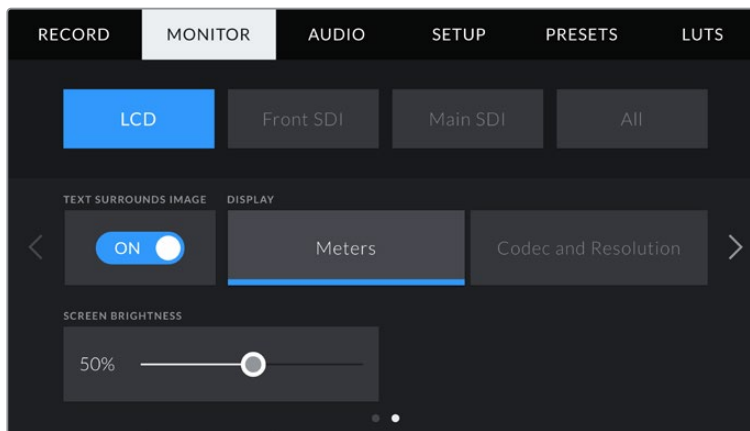
### 伪色

点按“LCD”、“Front SDI”和“Main SDI”菜单下的“FALSE COLOR”开关可在相应的输出上启用伪色曝光辅助功能。

更多关于伪色的内容，请参考本手册“触摸屏功能”部分的介绍。

## LCD监看设置 2

URSA Mini中“LCD”监看选项卡的第二页包含了LCD触摸屏的独有设置。



### 文字包围图片

即“TEXT SURROUNDS IMAGE”，该设置仅用于URSA Mini 4K和URSA Mini 4.6K机型。点按“LCD”菜单中的“TEXT SURROUNDS IMAGE”开关可将LCD触摸屏上的图像按比例缩小到75%。该操作可将图像置于LCD触摸屏正中间，令顶部和底部的状态信息提示单独显示，让您更专注地查看URSA Mini的画面预览，并且能同时清楚查看屏幕上的状态信息。



“TEXT SURROUNDS IMAGE”选项能让您清晰查看URSA Mini EF或PL的预览画面，帮助您更好地取景并能同时查看屏幕上的状态信息。

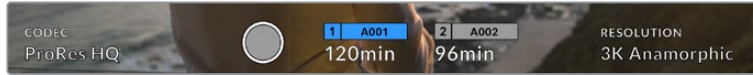
### 状态信息开启/关闭

即“STATUS TEXT”，该设置仅适用于URSA Mini Pro。隐藏LCD HUD上的状态信息以及各项技监内容，只留下与构图和镜头直接相关的信息，这会非常有用。点按“STATUS TEXT”切换开关的图标可开启或关闭URSA Mini Pro机型LCD触摸屏上的状态信息和技监内容。帧导栏、网格、对焦辅助和斑马纹等叠加信息将始终可见（如有启用）。在URSA Mini Pro的LCD触摸屏上用手指上下滑动也可以实现相同的操作。

## 显示

URSA Mini的LCD触摸屏左下角和右下角可显示显示直方图和音频表, 或者还可显示编解码器和分辨率等信息。如果您偏好使用伪色来调节曝光度, 或者在单独记录音频时想在直方图和音频表的位置显示其他信息, 这一功能将十分有用。

只要点按“LCD”菜单中的“Meters” (技术监看) 或“Codec and Resolution” (编解码器和分辨率) 选择喜欢的显示项即可。



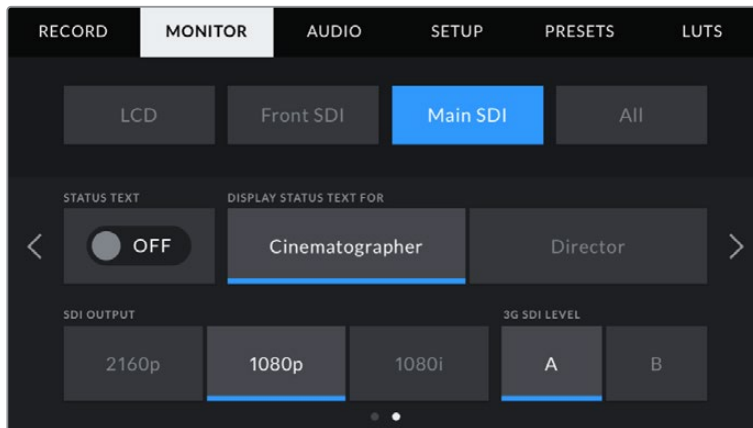
URSA Mini可在直方图和音频表的位置显示编解码器和分辨率信息

## 屏幕亮度

左右拖动“LCD”菜单中的“SCREEN BRIGHTNESS”滑块可调节URSA Mini的LCD触摸屏亮度。

## 前方SDI和主SDI监看设置 2

URSA Mini的“Front SDI”和“Main SDI”监看选项卡的第二页包含了前方和主SDI输出的独有设置。



当以3K变形以上的分辨率拍摄时, “Main SDI”输出上可提供2160p和1080p两个选项。当以50、59.94或60帧率拍摄时, 摄影机的“Main SDI”输出或“Front SDI”输出上仅提供1080i一个选项。“3G SDI LEVEL” (3G SDI级别) 仅在URSA Mini Pro 4.6K G2上可用

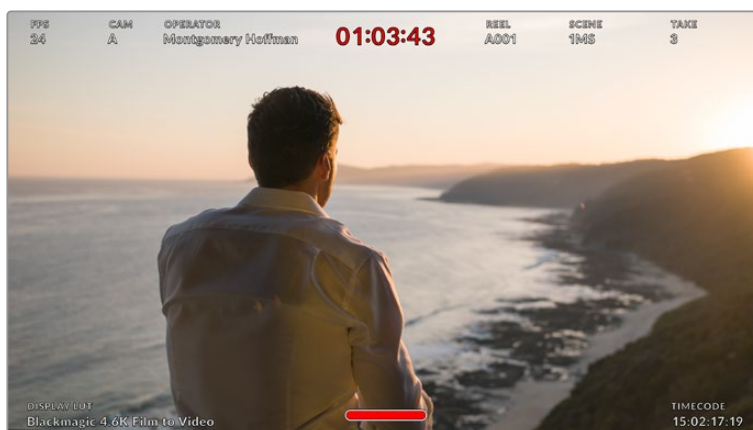
## 状态信息

隐藏前方SDI和主SDI输出上的状态信息以及各项技监内容, 只留下与构图和镜头直接相关的信息, “Status Text”选项会非常有用。点按“Front SDI”和“Main SDI”监看菜单中的“STATUS TEXT”开关图标可开启或关闭相应输出上的状态信息和技术监看内容。帧导栏、网格、对焦辅助和斑马纹等叠加信息将始终可见 (如有启用)。

在URSA Mini的LCD触摸屏上用手指上下滑动也可以实现相同的操作。

## 电影摄影师或导演使用的状态信息显示功能

URSA Mini的LCD触摸显示屏可显示ISO、白平衡以及光圈等信息，这些信息有助于摄影师或电影摄影师为每个拍摄镜头进行调试。但是，URSA Mini的前方SDI输出和主SDI输出也可显示这些有助于导演或剧本指导的信息，以便他们能对多个镜头或多台摄影机了如指掌。



URSA Mini可通过其前方及主SDI输出显示专为导演准备的状态信息。

将URSA Mini的“Front SDI”和“Main SDI”监视屏设置中的状态信息设为“Director”（导演）后，相应输出上的状态信息将显示以下内容：

### 帧率

即“FPS”，可显示摄影机当前所选的每秒帧数。如果禁用了“OFF SPEED FRAME RATE”（变速帧率）功能，则只显示项目帧率。如果使用了“OFF SPEED FRAME RATE”功能，则会先显示传感器帧率，然后显示项目帧率。

### 摄影机

即“CAM”，可显示URSA Mini在场记板中设置的摄影机索引信息。详细内容请参考本手册中“场记板”部分的介绍。

### 摄影师

即“OPERATOR”，可识别URSA Mini在场记板中设置的摄影师信息。详细内容请参考本手册中“场记板”部分的介绍。

### 时长显示

可在记录时显示当前片段时长，或上一个记录片段的时长。显示格式：时:分:秒。

### 卷号、场景和镜次

分别对应当前显示的“REEL”（卷号）、“SCENE”（场景）以及“TAKE”（镜次）。更多关于卷号、场景和镜次及其命名标识规范的信息，请参考手册中“场记板”部分的介绍。

### 动态范围

即“DYNAMIC RANGE”，URSA Mini显示屏的左下角可显示当前套用的LUT（如果套用到该路输出上）。如果未套用LUT，则会显示“Film”或“Video”动态范围模式。

### 时间码

即“TIMECODE”，可在URSA Mini显示屏的右下角以时:分:秒:帧的格式显示时间码。

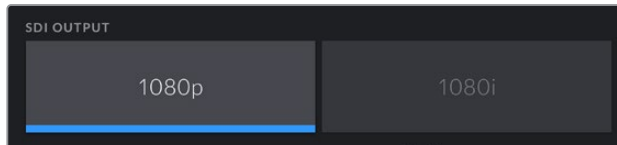
## SDI输出

即“SDI OUTPUT”，两路输出均可选择输出逐行或隔行扫描HD影像，URSA Mini的主SDI输出还可选择输出逐行Ultra HD影像。

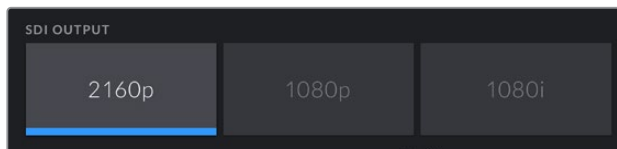
这一设置的选项取决于您的摄影机分辨率和帧率设置。

不论您以什么分辨率和帧率进行记录，逐行HD（即“1080p”）选项始终可用；而隔行HD（即“1080i”）则只有在您将项目帧率设置为50、59.94或60时才可用。

URSA Mini主SDI上的Ultra HD SDI输出（即“2160p”）在拍摄Ultra HD分辨率的影像时可用。



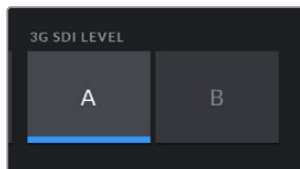
SDI输出 – 前方SDI



SDI输出 – 主SDI

## 3G SDI级别

即“3G SDI LEVEL”，在URSA Mini Pro上，您可以更改3G-SDI输出标准，从而和那些只能接收A级或B级3G-SDI视频信号的设备之间保持兼容。该选项只会在您使用50、59.94或60fps并输出1080p格式的时候出现。点按A或B图标可选择每种格式。

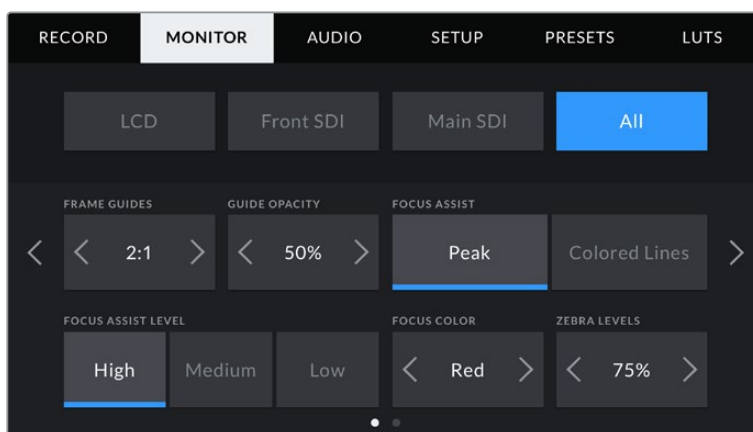


在URSA Mini Pro 4.6K G2机型上，  
您可以为3G-SDI输出格式选择A级和B级格式

## 全部监看设置 1

影响URSA Mini所有输出的监视屏设置都被归整在“All”（全部）菜单中。例如，将此菜单中的“SAFE AREA GUIDE %”（安全框）设置为90%，那么您的摄影机LCD、前方SDI输出以及主SDI输出上的安全框都将被设置为90%。

“All”设置共有两页。URSA Mini中“All”监看选项卡的第一页含有下列设置：



### 帧导栏

点按“FRAME GUIDES”菜单设置中的左右箭头可逐个查看URSA Mini所有输出上(包括Blackmagic URSA Viewfinder等电子寻像器)的帧导栏选项。这些选项在本手册“触摸屏功能”部分当中有详细介绍,同时也可在LCD触摸屏的HUD监看菜单中找到。需要注意的是,您可以在相应的“监看”菜单中单独选择帧导栏是否出现在LCD触摸屏、前方SDI或者主SDI输出上。

### 帧导栏不透明度

点按“GUIDE OPACITY”菜单设置的左右箭头可设置被LCD触摸屏、前方SDI输出以及主SDI输出的帧导栏挡住区域的不透明度。可用选项有25%、50%、75%和100%。

### 对焦辅助

URSA Mini摄影机设有两个“FOCUS ASSIST”对焦辅助模式,分别为“Peak”(峰值对焦)和“Colored Lines”(彩色线条)。

#### 峰值对焦:

选中“Peak”对焦辅助模式后,画面中的对焦部分会在您的LCD触摸屏或SDI输出上以极端锐化的方式显示出来,但不会影响所记录的图像。这一功能能使镜头中的对焦部分在屏幕中突出显示。如果您不使用其他叠加信息,这一功能将会十分直观地显示出对焦部分;而当您尝试对焦的对象与画面中其他元素有显著区分时将更为明显。

#### 彩色线条:

选中“Colored Lines”对焦辅助模式后,画面中的对焦部分的边缘会以某种色彩的线条标出。由于画面中的对焦范围会用线条直接标出来,因此这一模式要比峰值对焦模式略微直观一些。当您拍摄那些元素繁多的画面时,该模式可提供精准对焦。

### 对焦辅助级别

“FOCUS ASSIST LEVEL”可为您的LCD触摸屏、前方SDI以及主SDI设置对焦辅助的级别,请点按“Low”(低)、“Medium”(中)或者“High”(高)进行设置。

**备注** 设置对焦辅助级别并不会影响URSA Mini的LCD触摸屏或SDI输出上的对焦辅助功能。您依然需要到“LCD”、“Front SDI”或“Main SDI”的监看菜单中单独开启每路输出的设置。



**提示** 理想的对焦辅助级别因拍摄画面而异。例如，对焦人物时，设置较高的对焦辅助可有助于解决人物面部边缘细节的问题。而如果是对焦植物或建筑物，较高的对焦辅助设置反而会显示许多干扰信息。

### 对焦色彩

“Focus Color”设置可在您使用“彩色线条”对焦辅助模式的时候更改画面上叠加的对焦线条色彩。更改对焦辅助线条的色彩可将其与您的拍摄画面区分开，便于您查看对焦。可用选项有“White”（白）、“Red”（红）、“Green”（绿）、“Blue”（蓝）以及“Black”（黑）。

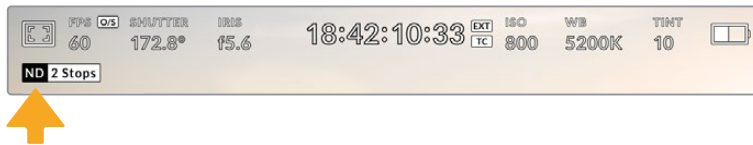
### 斑马纹级别

“Zebra Levels”可用来设置显示曝光的斑马纹级别，点按该设置两侧的箭头图标可进行调整。斑马纹级别能以5个百分点为单位进行调整，曝光显示范围在75%到100%之间。

详情请参考本手册“触摸屏功能”部分中关于“斑马纹”的介绍。

### ND滤镜提示

调整URSA Mini Pro的ND滤镜时，LCD触摸屏左上方以及启用了状态信息的SDI输出画面中会显示ND滤镜标识。使用ND滤镜时，就会出现这一提示。将它设置到无ND滤镜的位置后，“Clear”（透明）字样提示将在四秒后消失。

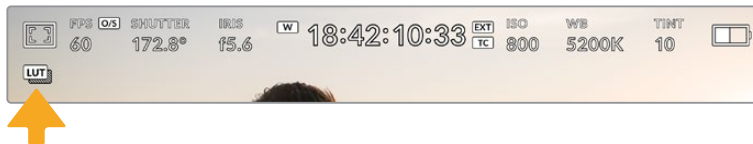


调整URSA Mini Pro的ND滤镜设置将调出ND滤镜标识

**备注** 您可以根据自己的习惯，调整ND滤镜提示所使用的术语。选项包括ND号码，挡数，以及分数。您可以在URSA Mini Pro的“SETUP”（设置）菜单中选择偏好的格式。

### LUT提示

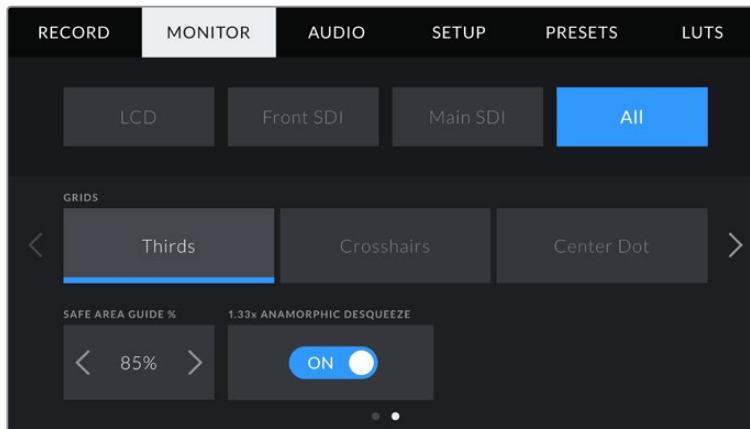
启用“STATUS TEXT”（状态信息）并在输出上套用了LUT时，LUT图标会显示在LCD屏幕、前方SDI或主SDI输出画面上。



图中的“LUT”图标表示当前画面套用了LUT

## 全部监看设置 2

URSA Mini中“All”（全部）监看选项卡的第二页含有下列设置：



### 网格

点按“GRIDS”设置中的“Thirds”（三分法）、“Crosshairs”（十字准线）或“Center Dot”（中心点）选项来选择URSA Mini的LCD触摸屏、前方SDI和主SDI输出上显示的网格和十字准线组合。

详情请参考本手册“触摸屏功能”部分中关于“网格”的介绍。

### 安全框

点按“SAFE AREA GUIDE %”设置中的左右箭头来调整显示百分比，可调整URSA Mini的LCD触摸屏、前方SDI和主SDI输出上的叠加显示的安全框大小。这一百分比代表了安全框在整幅图像中的所占比例。大多数播出机构都要求90%的安全框比例。

### 变形镜头压缩画面还原

使用变形镜头拍摄时，URSA Mini的预览输出以及记录的文件画面会呈现水平“挤压”效果。启用“ANAMORPHIC DESQUEEZE”可修正URSA Mini的预览画面，并记录下片段元数据所使用的压缩还原值，以便后期更正。

可用的压缩还原值会根据您为URSA Mini所设定的分辨率而有所不同，但是最终的画面将使用影院的宽屏2.4:1宽高比。

专为电影设计的变形镜头一般都具备2倍挤压系数。URSA Mini的“3K Anamorphic”分辨率专为此类镜头所设计，设置为该分辨率并启用“ANAMORPHIC DESQUEEZE”选项时可进行2倍压缩还原。

针对16:9数字图像传感器所设计的变形镜头通常使用1.33倍的挤压系数，可从完整的16:9传感器呈现出2.4:1的影院宽屏图像。因此，当URSA Mini设置为“4K 16:9”和“HD 16:9”等16:9分辨率时，压缩还原比率就是1.33:1。

**提示** 如果您使用标准球面镜头拍摄时图像被水平拉伸，请确保您未启用“ANAMORPHIC DESQUEEZE”（变形镜头压缩画面还原）选项。

## 音频设置

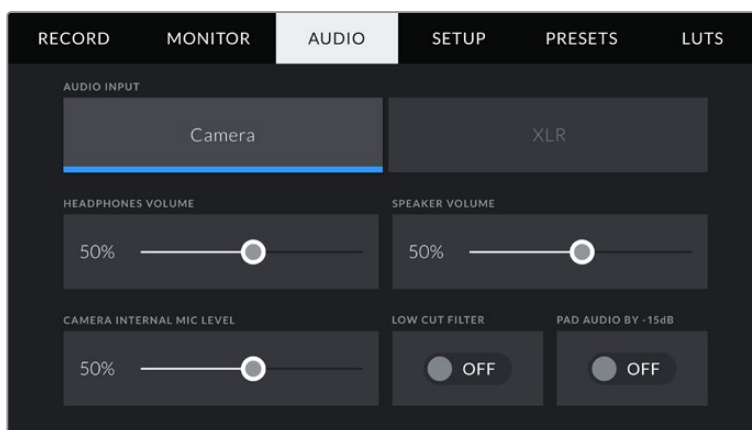
“Audio”（音频）选项卡可用来调整URSA Mini的音频输入和监听设置。该菜单在URSA Mini和URSA Mini Pro机型上稍有不同，下文将分别介绍各机型的可用设置。

### 音频设置 – URSA Mini

URSA Mini的音频设置根据音频输入源被分成“Camera”（摄影机）和“XLR”两类，用于机载音频和外接音频。“XLR”设置分为两页，您可以点按LCD触摸屏边缘的箭头查看，也可直接左右滑动屏幕查看。

#### 摄影机音频设置

选择“Camera”（摄影机）音频输入时，URSA Mini将提供一页音频设置。“Camera”音频选项卡含有下列设置：



#### 耳机音量

即“HEADPHONES LEVEL”，该滑块可调整URSA Mini上3.5mm耳机接口上所连接的耳机输出电平。左右移动音频滑块可调节电平。

#### 扬声器音量

即“SPEAKER VOLUME”，该滑块可调整URSA Mini的内置扬声器的输出电平。左右移动音频滑块可调节电平。

#### 摄影机内部麦克风

即“CAMERA INTERNAL MIC LEVEL”，该滑块可调整URSA Mini的内置麦克风的记录电平。左右移动音频滑块可调节电平。内置麦克风记录到1号和2号音频通道。

#### 低切滤波器

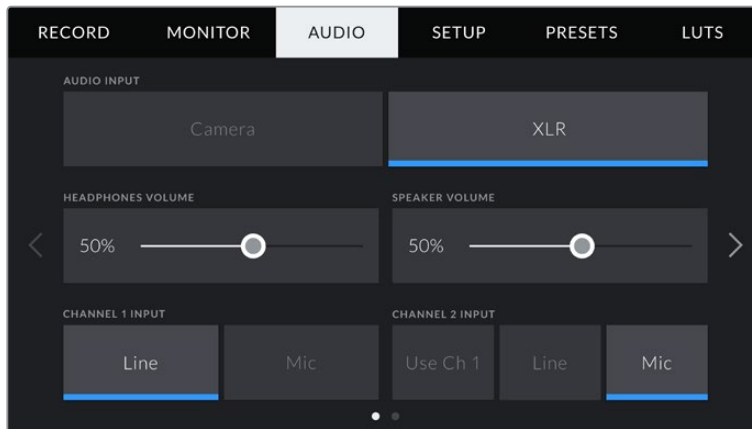
即“CAM MIC LOW CUT FILTER”，点按该开关图标可启用摄影机内部麦克风的低切滤波器，从而帮助降低户外拍摄环境下潜在的风声杂音或低频声音。请注意，使用该功能时必须关闭“PAD AUDIO BY -15dB（音频定值衰减-15dB）”选项。

#### 音频定值衰减-15dB

即“PAD AUDIO BY -15dB”，该选项可为您提供更优良的控制，在嘈杂环境中拍摄时，即使您已经将输入电平调低，它也能进一步降低URSA Mini内部麦克风输入增益电平。

## “XLR”音频设置 1

选择“XLR”音频输入时, URSA Mini将提供两页设置。“XLR”音频选项卡的第一页含有下列设置:



### 耳机音量

即“HEADPHONES LEVEL”, 该滑块可用于调整连接到URSA Mini摄影机3.5mm耳机接口上的耳机输出电平。左右移动音频滑块可调节电平。

### 扬声器音量

即“SPEAKER VOLUME”, 该滑块可调整URSA Mini的内置扬声器的输出电平。左右移动音频滑块可调节电平。

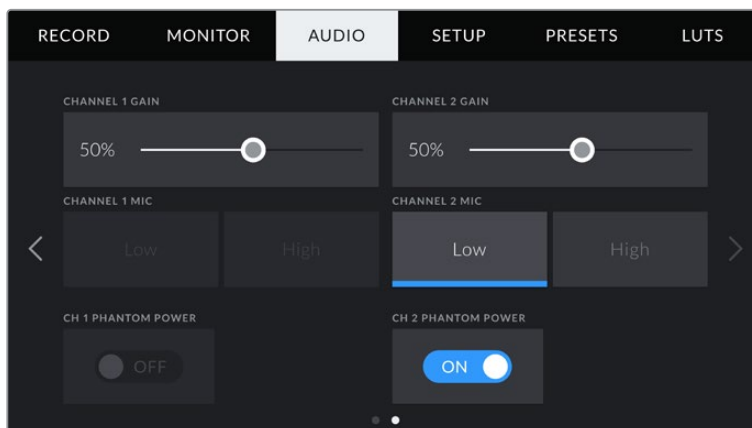
### 通道1和通道2输入

点按“Line”或“Mic”可设置“CHANNEL 1 INPUT” (通道1输入) 或“CHANNEL 2 INPUT” (通道2输入) 的外接音频输入电平。它们相当于48伏幻象电源的线路或麦克风输入电平。为您的音频信号选择合适的电平非常重要。您可以单独为通道1或通道2进行设置。

如果您想要将通道1的外部音频记录到通道1和通道2上, 通道2还可设置为使用通道1的输入。

## “XLR”音频设置 2

“XLR”音频选项卡的第二页含有下列设置:



### 通道1和通道2增益

左右移动“CHANNEL 1 GAIN”和“CHANNEL 2 GAIN”设置滑块来调整每个通道的音频电平。

### 通道1和通道2麦克风

“CHANNEL 1 MIC”和“CHANNEL 2 MIC”选项可为您提供更多外接麦克风的输入增益电平控制，只要将前置放大功能设置为“Low”（低）或“High”（高）即可。当您在嘈杂环境中进行拍摄时，“Low”设置就非常有用，即使您已经调低输入电平也依然有帮助。

### 通道1和通道2幻象电源

URSA Mini的XLR输入可提供48V幻象电源，以便您使用自供电麦克风。当摄影机设置为“XLR”音频输入时，只需点按“CH 1 PHANTOM POWER”或“CH 2 PHANTOM POWER”的幻象电源开关图标将其启用即可。

**备注** 请务必先连接XLR线缆，再开启幻象电源。另外，当没有连接幻象电源供电的麦克风时，请务必关闭幻象电源。如果所连接的设备不需要幻象电源，却仍处于幻象电源模式，就会导致设备损坏，因为该模式下摄影机会输出电荷。URSA Mini的幻象电源在关闭后还需一段时间方可完全放电。关闭幻象电源后请等待几分钟，然后再连接其他麦克风或XLR音频设备。

## 音频设置 – URSA Mini Pro

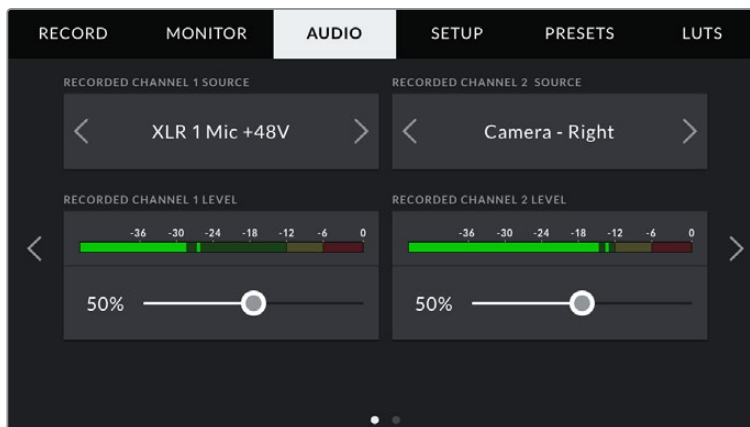
URSA Mini Pro的音频设置共有两页，分为声道1和声道2。在接下来的软件更新中，将再添加两个声道。

每个音频通道都可以被映射到不同的源，并调整定值衰减和低切滤波器等多项设置。

您可以结合使用URSA Mini Pro的各类设置以及摄影机内部控制面板的开关来加以控制。将音频源设为某个通道后，您可以使用内部控制面板的开关来设置信号类型，以及是否启用该路通道上的幻象电源。

### 音频设置 1

URSA Mini Pro中“Audio”（音频）选项卡的第一页含有下列设置：



## 通道信号源

使用“RECORDED CHANNEL 1 SOURCE”（记录通道1信号源）和“RECORDED CHANNEL 2 SOURCE”（记录通道2信号源）按钮可为每个通道选择音频源。可用选项有：

### 摄影机左声道或右声道

即“Camera Left”或“Camera Right”，这两个设置可记录摄影机的内部麦克风音频。

### 摄影机单声道

即“Camera Mono”，该设置可将来自URSA Mini Pro内置麦克风左右声道的音频记录到单个声道上。

### XLR 1或XLR 2

使用这一设置可记录来自摄影机XLR输入的音频。取决于您使用URSA Mini Pro的内部控制面板开关设置的音频信号，XLR输入可能会显示为“Mic”、“Line”或“AES”。如果您启用了幻象电源，并且将XLR输入设置为“Mic”，页面上就会显示“+48V”提示。如使用URSA Mini Pro机型，请务必确保您在断开幻象电源麦克风时，将+48V的开关置于关闭状态。

### XLR 1或2 – Mic备用

即“XLR 1 – Mic Backup”或“XLR 2 – Mic Backup”，这两个设置可以低于标准“Mic”录音的电平来记录通过XLR 1或XLR 2输入接口连接到URSA Mini Pro的麦克风音频。这样可以在音量突然升高时避免音频削波。该功能只在XLR 1或XLR 2输入开关设置为“Mic”时可用。

### 无

即“NONE”，该设置可禁用声道。

## 记录通道1/2电平

即“RECORDED CHANNEL 1 LEVEL”和“RECORDED CHANNEL 2 LEVEL”，这两个滑块可调整您所选的通道1或通道2上的录音电平。每个滑块均配有音频表，能帮助您设置正确的音频电平。当您使用符合人体工程学的控制面板上的音频旋钮来调整音频时，音频电平也会相应更新反馈。

为获得理想音质，请确保将音频电平控制在0dBFS警戒线以下。这是您的摄影机可记录的最高电平，也就是说任何超过此电平的音频会被裁切掉，并导致声音失真。

## 音频设置 2

URSA Mini Pro中“音频”选项卡的第二页含有下列设置：



URSA Mini Pro 12K和URSA Mini Pro G1型号上的音频表设置

### 耳机音量

该滑块可用于调整连接到URSA Mini摄影机3.5mm耳机接口上的耳机输出电平。左右移动音频滑块可调节电平。当您使用前方控制面板上的设置滚轮来调整耳机音量时，音频电平也会相应更新反馈。

### 扬声器音量

该滑块可调整URSA Mini的内置扬声器的输出电平。左右移动音频滑块可调节电平。当您使用前方控制面板上的设置滚轮来调整扬声器音量时，音频电平也会相应更新反馈。

### 定值衰减XLR -20dB

这两个选项可为您提供更优良的控制，在嘈杂环境中拍摄时，即使您已经将输入电平调低，它也能进一步降低URSA Mini的XLR音频输入增益电平。

### 定值衰减摄影机麦克风 -15dB

该选项可为您提供更优良的控制，在嘈杂环境中拍摄时，即使您已经将输入电平调低，它也能进一步降低URSA Mini内部麦克风输入增益电平。

### 摄影机麦克风低切滤波器

点按该开关图标可启用摄影机内部麦克风的低切滤波器，从而帮助降低户外拍摄环境下潜在的风声杂音或低频声音。请注意，使用该功能时必须关闭“PAD CAM MIC -15 dB”选项。

### 音频表

该选项可用来选择峰值电平显示的音频表标准。

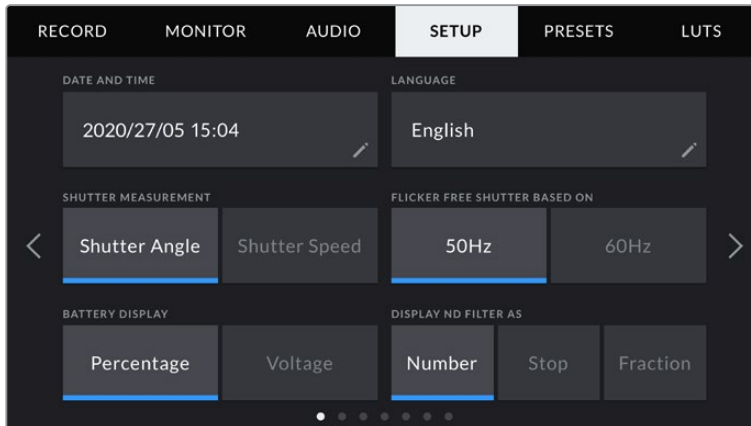
音频表设置	标准
PPM (-20 dBFS)	SMPTE RP.0155
PPM (-18 dBFS)	EBU R.68

## 设置

URSA Mini的“SETUP”选项卡中含有设置、软件版本、功能按钮设置等摄影机设置，这些设置与记录或监看没有直接联系。您可以点按LCD触摸屏边缘的箭头翻看不同页面，也可直接左右滑动屏幕查看。

**备注** 由于URSA Mini型号众多，以下所显示的设置和功能页面布局可能会和您的URSA Mini“SETUP”页面稍有不同。比如，URSA Mini Pro 4.6K G2的“SETUP”页面有五页，而URSA Mini Pro 12K则有七页。

URSA Mini的“SETUP” (设置) 选项卡含有下列设置:



在URSA Mini Pro 12K、URSA Mini Pro 4.6K G2和URSA Mini Pro 4.6K机型上,“SETUP”选项卡的第一页设有“Display ND Filter As” (ND滤镜显示方式) 选项。URSA Mini 4.6K和URSA Mini 4K并没有内置ND滤镜, 因此没有这一选项。

### 日期和时间

即“DATE AND TIME”, 该选项可为URSA Mini设置日期和时间。日期格式为年、月、日; 时间格式为24小时制。未连接外部时间码源时, URSA Mini的日期和时间也可使用显示当日时间的时间码。

### 语言

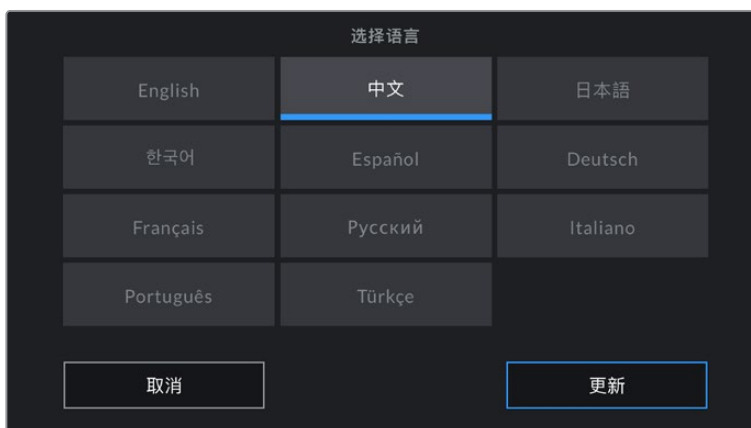
目前, URSA Mini Pro 4.6K G2、URSA Mini 4.6K和URSA Mini 4K只有英语界面。

URSA Mini Pro 12K和URSA Mini Pro 4.6K G1支持11种语言界面, 包括英语、中文、日语、韩语、西班牙语、德语、法语、俄语、意大利语、葡萄牙语以及土耳其语。

语言页面会在首次开机时出现。

### 选择语言步骤如下:

- 1 点按“LANGUAGE” (语言) 并从列表选择某种语言。
- 2 按“更新”返回设置菜单。



### 快门类型

即“SHUTTER MEASUREMENT”, 在URSA Mini 4.6K及URSA Mini Pro机型上使用该设置可选择以“Shutter Angle” (快门角度) 或“Shutter Speed” (快门速度) 的方式显示快门信息。



需要指出的是, 当使用快门角度时, 快门会采用帧率来显示。例如, 不论您使用何种帧率, 180度都将产生相同的运动模糊。

但当使用快门速度时, 快门会使用一个独立于帧率的绝对数值, 因此当您更改帧率时, 结果也会发生变化。

例如, 当您以每秒24帧的帧率拍摄时, 1/48秒的快门速度将产生美观的运动模糊, 效果等同于180度快门角度。如果您将帧率更改为每秒48帧, 那么1/48秒的快门速度就会产生不同的运动模糊, 效果将等同于360度快门角度。在这个例子中, 如果帧率更改为48fps, 您还需要将快门速度更改为1/96秒, 以实现和180度快门角度相同的效果。

### 防闪烁快门基准频率

即“FLICKER FREE SHUTTER BASED ON”, 该设置可用于更改URSA Mini用于计算防闪烁快门设置的主电源频率。

在照明环境下拍摄时, 快门可影响闪烁程度。URSA Mini可自动计算当前帧率的防闪烁快门数值, 并在HUD显示中给出至多三个建议使用的快门数值。快门数值会根据为照明供电的当地主电源频率而有所不同。大多数采用PAL制式的国家均使用50赫兹, 而采用NTSC制式的国家则通常使用60赫兹的用电频率。只需点按“50Hz”或“60Hz”为您所在地区设置合适的频率即可。

**备注** 即使使用防闪烁快门数值, 每类光源所具备的特点也依然有可能导致闪烁现象。如果您使用的不是持续光源, 我们建议拍摄前请始终进行测试。

### 电池电量显示

URSA Mini设有“BATTERY DISPLAY”选项, 可更改电池剩余电量提示的显示方式。有两个设置可选, 分别是“Percentage” (百分比) 和“Voltage” (电压)。当使用支持百分比精确电量显示的电池和电池扣板时, 将“Battery Display”设置到“Percentage”可以百分比的形式显示电池的剩余电量。

**提示** 关于支持以百分比显示精确电量信息的电池列表, 请参考本操作手册中“安装电池”部分的内容。

如果您的电池和电池扣板组合不支持以百分比精确显示电量, 屏幕上会显示四条电量条, 待电量耗尽时电量条也会相应变空。

该选项设置为“Voltage”时, 电池电量将以伏特为单位显示。我们建议您在剩余电量接近12伏时更换电池。

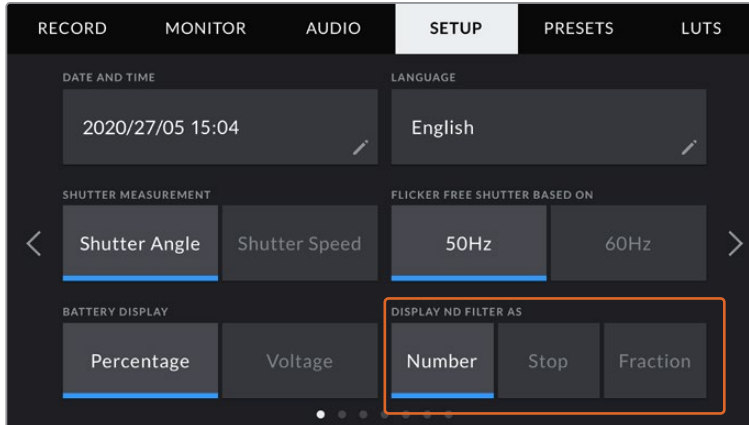
**提示** 您还可以通过点按LCD触摸屏上的电源图标来切换“Voltage” (电压) 和“Percentage” (百分比) 电量显示。

### 时间码丢帧

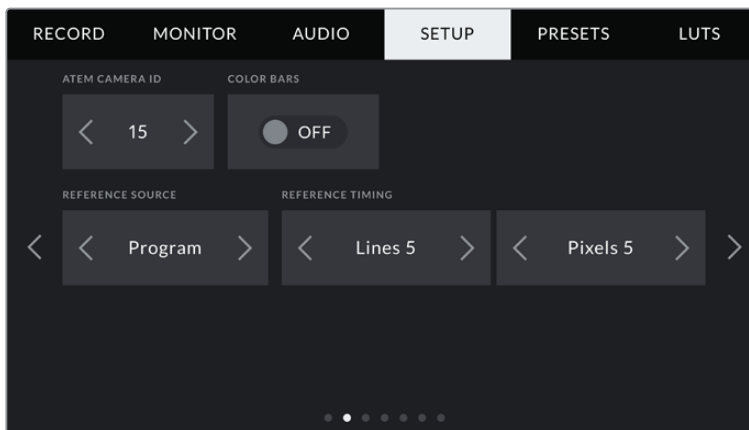
即“TIMECODE DROP FRAME”, 该选项可在您使用29.97和59.94的NTSC项目帧率时使用丢帧时间码。丢帧时间码可按照您设置的间隔丢弃少量帧画面。这样能保持您的项目时间码准确性, 即使每秒并不包含NTSC帧率的完整帧数。

## ND滤镜显示方式

即“DISPLAY ND FILTER AS”，该设置可调整URSA Mini Pro上的ND滤镜显示方式。每项设置都对应一种不同的摄影机规范。电影摄影师通常会使用ND滤镜编号，但熟悉数码单反或广播级摄影机的用户可能会偏好选择F挡或分数作为显示格式。分别有“Number”（编号）、“Stop”（挡）、“Fraction”（分数）几个选项。



URSA Mini Pro机型的设置菜单会提供选项来自定义ND滤镜信息的显示方式。



需要指出的是，“PROGRAM AUDIO”（节目音频）设置仅在URSA Mini Pro机型上可用。

## ATEM摄影机ID

即“ATEM CAMERA ID”，如果您搭配使用URSA Mini和ATEM切换台，并希望您的摄影机接收来自切换台的Tally信号，就需要为您的摄影机设置号码，以便切换台将Tally信号发送到正确的摄影机上。点按左右箭头按钮可将摄影机号码设置为1到99在内的任意数值。默认设置为1。

## 彩条

即“COLOR BARS”，如果您将URSA Mini连接到切换台或外部监视器上，那么输出彩条就会比输出预览画面更有帮助。URSA Mini的彩条画面在切换台或监视器上的显示出来之后，就代表连接成功，此时您就可以参考彩条执行基本的监视器校准操作了。只要点按“COLOR BARS”开关图标就可以开启URSA Mini上包括LCD触摸屏在内的所有输出上的彩条显示。

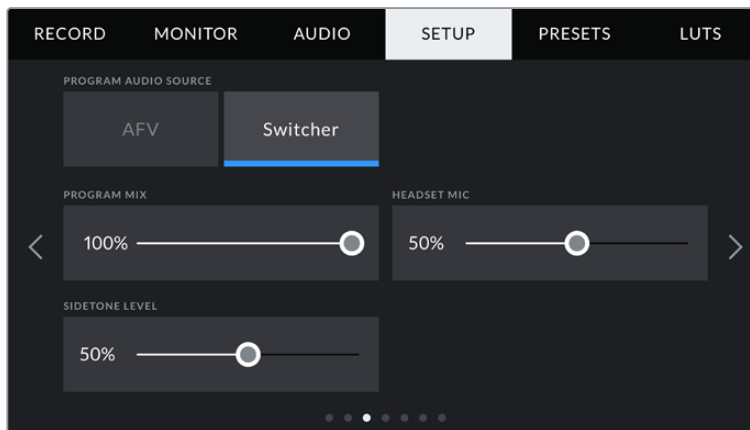
### 同步信号源

即“REFERENCE SOURCE”，该设置可用来选择同步信号源。URSA Mini可锁定内部或外部同步信号源，或者锁定来自ATEM切换台的节目输入同步信号。如果您将URSA Mini和ATEM切换台摄影机控制功能结合使用，应该始终将同步信号源设置到“Program”，除非切换台本身以及所有连接的摄影机均被设置到一路外部同步信号。

**备注** 当您在为URSA Mini设置同步源时，可能会在同步源之间切换时遇到摄影机输出短暂中断的情况。这是因为摄影机在调整同步时间来匹配外部源。因为这个原因，该设置只应在准备时更改，不应在制作时更改。

### 同步时间校准

即“REFERENCE TIMING”，该设置可以扫描线或像素为单位手动调整同步时间。只需点按“Lines”（扫描线）和“Pixels”（像素）设置两侧的箭头图标即可进行调整。



### 节目音频源

该设置仅适用于URSA Mini Pro。当与切换台连接时，将“PROGRAM AUDIO”设置为开可将节目返送音频优先设置为输入源，在使用耳机或耳麦进行监听时与对讲信号混合。如果您没有将摄影机的音频信号发送到切换台，但仍然希望通过SDI IN端口监听节目信号时，这项功能就非常实用。将“节目音频”设置为“关”后，可优先摄影机内部麦克风或“AUDIO IN”XLR端口的音频，这是默认设置。

### 节目混合

即“PROGRAM MIX”，该设置可调整摄影机音频和对讲音频两者之间的音量平衡。耳麦会根据LCD显示内容输出对应的音频。例如，如果您现在监看的是摄影机的拍摄画面，那么您听到的就是摄影机音频。如果您监看的是节目画面，那么您听到的将是节目音频。默认设置为100%。

### 耳机麦克风

即“HEADSET MIC”，左右移动该音量滑块可增减麦克风的输入音频电平。该滑块的默认设置为50%。

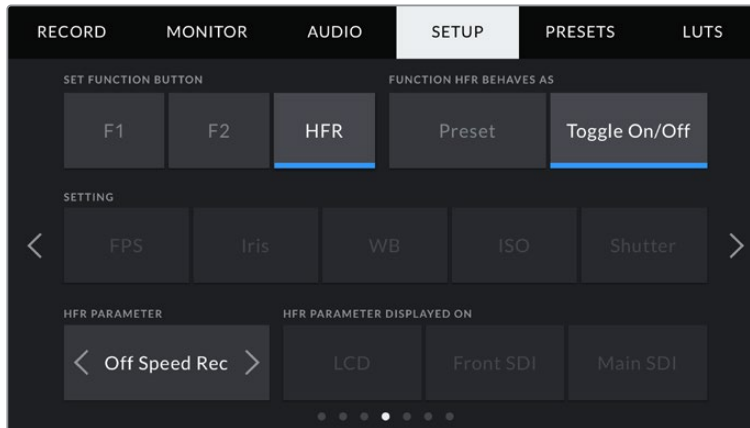
### 侧音电平

即“SIDETONE LEVEL”，调整该滑块可设置耳机中您通过麦克风说话时的音量。

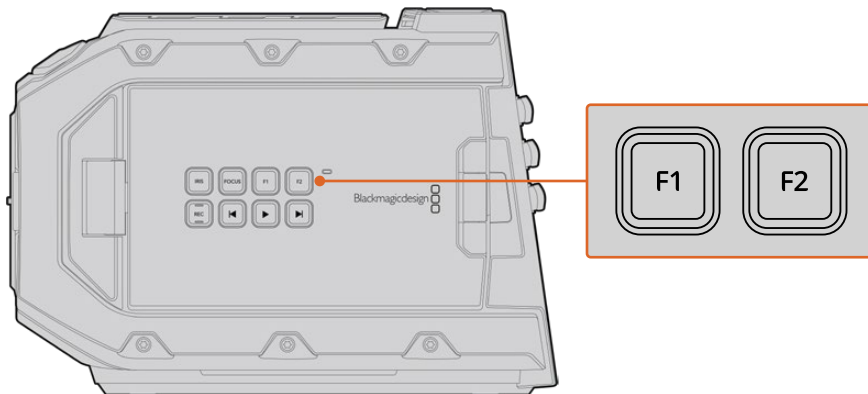
## 设置功能按钮

即“SET FUNCTION BUTTON”，URSA Mini的LCD触摸屏背面设有“F1”和“F2”两个功能按钮。这两个按钮可被映射为您经常使用的功能，这样能在关闭LCD触摸屏进行拍摄时（比如使用URSA Viewfinder）便于使用摄影机。

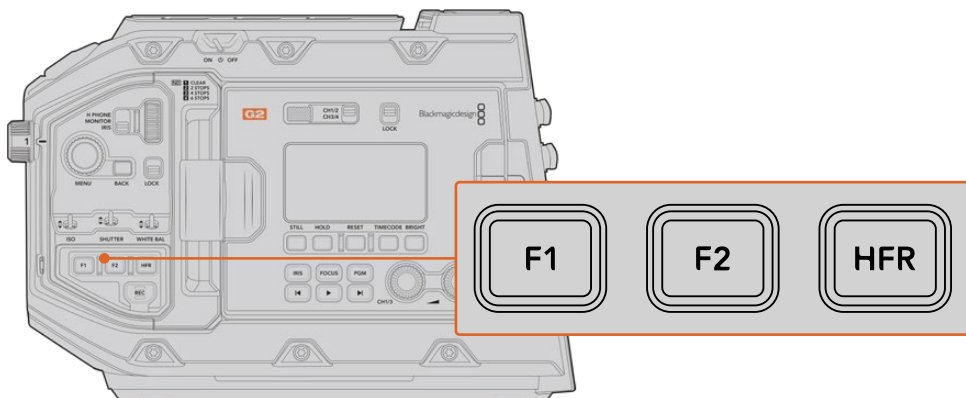
在URSA Mini Pro 12K、URSA Mini Pro 4.6K G2和URSA Mini Pro 4.6K型号上，您还可以将HFR按钮映射为另一项功能或者将其禁用。“HFR”按钮的默认设置是变速记录功能。



在URSA Mini Pro 12K、URSA Mini Pro 4.6K G2和URSA Mini Pro 4.6K型号上，HFR按钮可以被映射为另一项功能



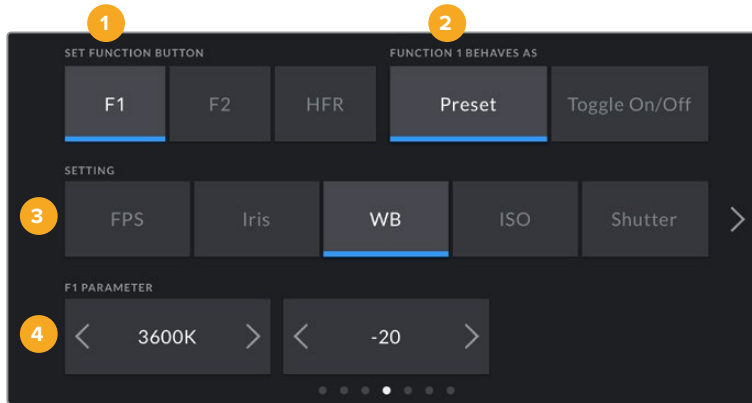
URSA Mini的F1和F2按钮位于LCD触摸屏背面。



在URSA Mini Pro 12K、URSA Mini Pro 4.6K G2、URSA Mini Pro 4.6K和URSA Mini 4.6K型号上，您可以自定义“F1”、“F2”和“HFR”按钮的功能或者将它们禁用。

**提示** 如果您为URSA Mini Pro G1安装了带有镜头接口的B4镜头, 那么除了F1、F2和HFR按钮之外, 您还可以将“VTR”和“RET”按钮配置为功能按钮, 并为它们指派预设或切换功能。

要进行设置, 请先选中其中一个按钮, 然后再为其选择相应的功能和参数即可。



1 按钮 2 功能 3 设置 4 参数

### F1或F2按钮功能映射为预设或开关

即“FUNCTION 1 HFR BEHAVES AS”和“FUNCTION 2 HFR BEHAVES AS”, 选择了您想要进行映射的按钮之后, 就需要为这一按钮选择一个功能。在URSA Mini Pro 12K、URSA Mini Pro 4.6K G2、URSA Mini Pro 4.6K和URSA Mini 4.6K型号上, 您还可以将HFR按钮映射为另一项功能。

选项如下:

#### 预设

当设为“PRESET”功能时, 按下功能按钮将调用一个设置和参数组合。

要设置一个预设, 请从“SETTING” (设置) 菜单里选中您想要使用的设置然后点按“参数”菜单两侧的箭头图标调整该设置。

例如, 要将F1按钮设置为调用f8光圈预设, 请选中“PRESET” (预设) 功能, 点按“Iris” (光圈) 设置, 然后点按“F1 PARAMETER” (F1参数) 菜单两侧的箭头图标, 直到显示f8为止。再次按下预设按钮可回到摄影机之前的设置。

#### 提高/降低

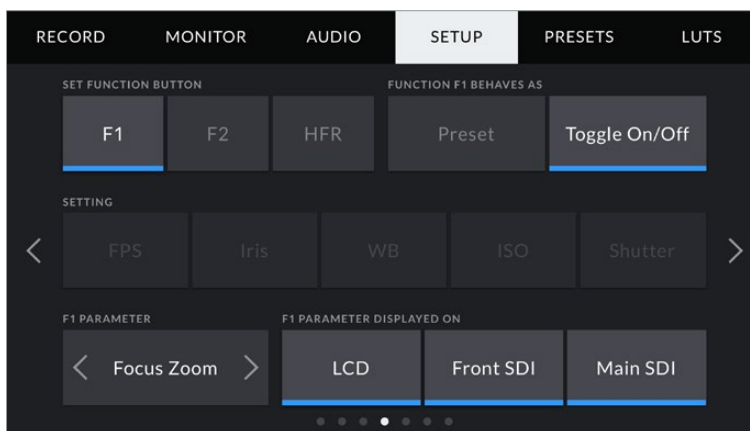
当设为“Up/Down”功能时, 按下功能按钮将提高或降低某个特定设置。

例如, 如果您想将F1按钮设置为提高镜头光圈, 将F2按钮设置为降低镜头光圈, 那么就要选中“F1”功能按钮, 然后选择“Up/Down”, 最后将参数设为“Up”。对F2按钮执行相同操作, 最后请将参数选项设为“Down”即可。

#### 开启/关闭

当设为“Toggle On/Off”功能时, 按下功能按钮将开启或关闭某个特定设置。处于这一模式下时, “SETTING”菜单将显示为禁用状态。点按参数菜单中的左右箭头可逐一查看所有可用选项。这些选项分别为: “OFF SPEED RECORDING” (变速记录)、“COLOR BARS” (彩条)、“PUSH TO TALK” (一键通话)、“CLEAN FEED” (纯画面)、“DISPLAY LUT” (显示LUT)、“FRAME GUIDES” (帧导栏)、“FOCUS ASSIST” (对焦辅助)、“FALSE COLOR” (伪色) 和“ZEBRA” (斑马纹)。URSA Mini Pro机型上还会显示“None” (无) 选项。

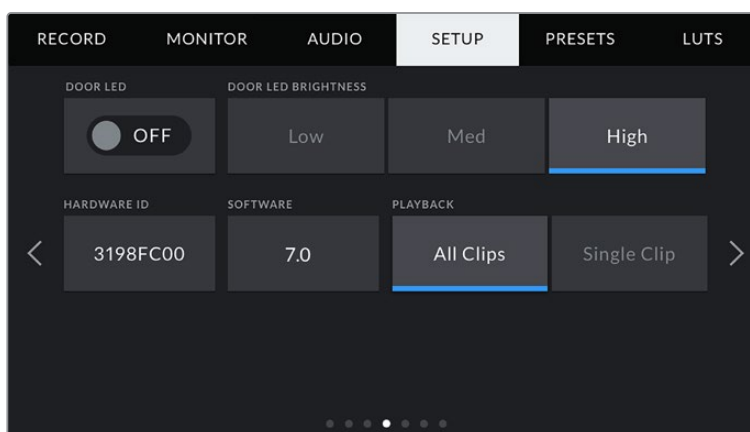
URSA Mini Pro 12K还设有“对焦缩放”选项。了解更多在LCD屏幕上启用“对焦缩放”功能后如何使用该功能的信息，请阅读“对焦缩放”部分的介绍。在SDI输出上启用“对焦缩放”功能后，您可以使用“MENU”（菜单）滚轮来移动缩放区域，并使用“IRIS”（光圈）滚轮来调整缩放程度。



对焦缩放可以应用到任何监看输出上。寻找临界焦距时，可对三路输出都应用该功能，获得最为清晰的画面效果。

使用“Toggle On/Off”功能还能让您选择将这一设置应用到哪路输出。只要点按“LCD”、“Front SDI”、“Main SDI”选项进行选择即可。如果某一输出选项不可用，比如始终应用到所有输出上的“Color Bars”选项，那么“LCD”、“Front SDI”、“Main SDI”设置就会被禁用。在URSA Mini Pro机型上，您可以通过选择“None”来禁用多功能和HFR按钮。

**备注** 当“对焦缩放”被设置并应用到“LCD”、“前方SDI”和“主SDI”输出时，任何应用到“前方SDI”的3D LUT或对焦辅助设置都会在缩放时应用到三个输出上。缩放时，帧导栏、网格和安全框叠加信息不会显示。。



### LED状态灯

即“STATUS LED”，URSA Mini Pro摄影机在前方控制面板上的记录按钮附近有一个小型LED状态显示灯，能用来提供Tally等状态信息。使用“STATUS LED”设置可开启或关闭LED状态显示功能。URSA Mini的LED状态显示位于LCD触摸屏外部靠近“F2”按钮处，对应设置选项卡中的“DOOR LED”（背面LED）。

该LED灯可提供以下状态提示：

白	摄影机已连接电源，进入待命模式。
红	摄影机正在记录。缓慢闪烁表示您的摄影机存储空间低，快速闪烁表示出现丢帧。
绿	摄影机处于播放模式。片段处于播放时，LED状态灯会缓慢闪烁绿色。插入的存储介质被识别出来后，LED状态灯会闪烁绿色和白色三次。
橙	如果您的摄影机电量低，LED提示灯将闪烁橙色，并同时穿插表示摄影机当前状态的色彩加以提示。例如，如果此时摄影机正处在记录模式，LED提示灯将缓慢交替闪烁橙色和红色。当摄影机处于待机模式，LED将交替闪烁白色和橙色。如果您的电池支持百分比精确显示电量信息，电池电量低的阈值为20%；如果不支持，则阈值为12.5伏。

### LED状态显示亮度

即“STATUS LED BRIGHTNESS”，点按“Low”（低）、“Medium”（中）或者“High”（高）可设置LED状态显示的亮度。

### 硬件ID

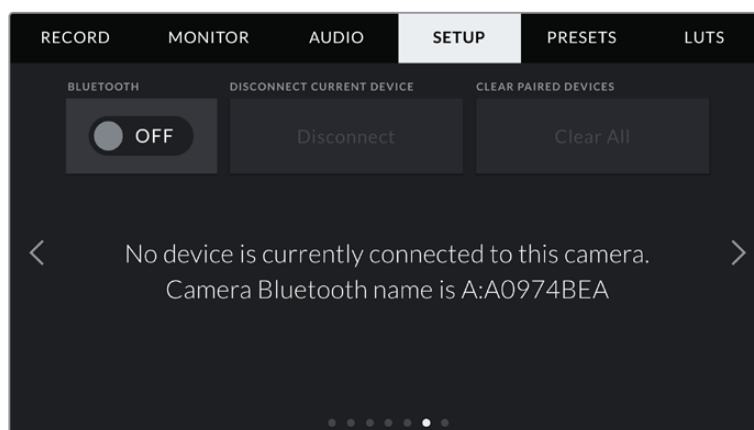
URSA Mini的“HARDWARE ID”可显示8字符识别符。每台摄影机都具备其独有的识别符。Blackmagic RAW和ProRes视频的元数据中还会显示一个更长的32字符ID版本。如果文件名被更改但是摄影机硬件ID依然保持原样时，这一功能将有助于识别来自不同摄影机的素材。

### 软件

即“SOFTWARE”，该选项可显示URSA Mini当前安装的软件版本。更多关于软件更新的信息，请阅读“Blackmagic Camera Setup实用程序”部分的内容。

### 播放

即“PLAYBACK”，该设置可用于选择播放“Single Clip”（单个片段）还是“All Clips”（所有片段）。选择“All Clips”将按顺序播放所有匹配的媒体文件，选择“Single Clip”将一次只播放一个片段。该设置也应用于循环功能。选择“All Clips”将播放CFast 2.0卡或SD卡上的所有媒体文件，所有文件播放结束后将回到第一个文件继续播放。选择“Single Clip”则一次只循环播放一个片段。



摄影机蓝牙的名称以场记板中所选摄影机的字母加URSA Mini八字符硬件ID表示。

## 蓝牙®

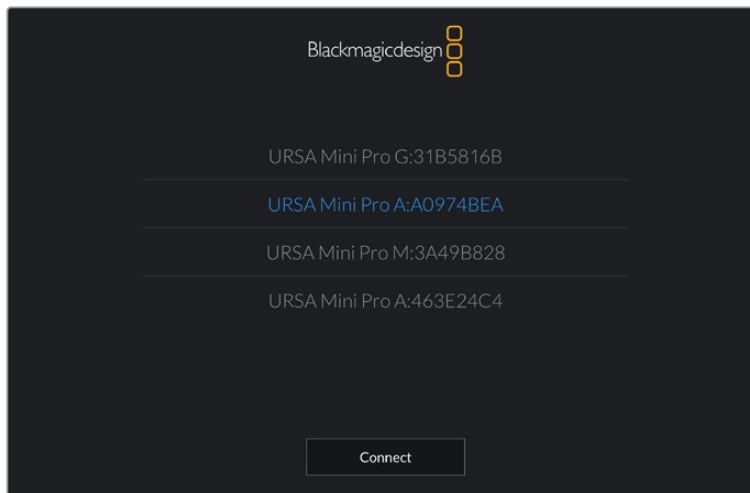
即“BLUETOOTH”，该控制让您通过便携式设备无线控制URSA Mini Pro。您可以利用“Blackmagic Camera Control App”通过iPad远程开启或关闭摄影机，改变设置，调整元数据，以及触发记录。您可以通过点按“SETUP”菜单中的“BLUETOOTH”开关图标启用或禁用蓝牙功能。蓝牙功能启用后，摄影机可被30英尺（约9米）范围内的蓝牙设备检测到。

由于URSA Mini Pro在蓝牙控制方面使用与Blackmagic SDI和蓝牙摄影机控制协议相同的命令，您可以编写自己的应用程序来远程控制几乎所有的摄影机设置，从监看到音频设置，从摄影机的内置DaVinci Resolve调色工具到镜头控制。

更多信息请参考本手册“Blackmagic SDI and Bluetooth Camera Control Protocol”部分内容。

### 首次将摄影机与iPad配对：

- 1 点按URSA Mini Pro“SETUP”（设置）菜单中的“BLUETOOTH”（蓝牙）开关图标启用蓝牙功能。
- 2 打开“Blackmagic Camera Control App”，选择您希望配对的URSA Mini Pro摄影机。系统会按照摄影机字母和独一无二的硬件ID列出可用的摄影机。比如“A:A0974BEA”。



选择您希望配对的URSA Mini Pro摄影机。

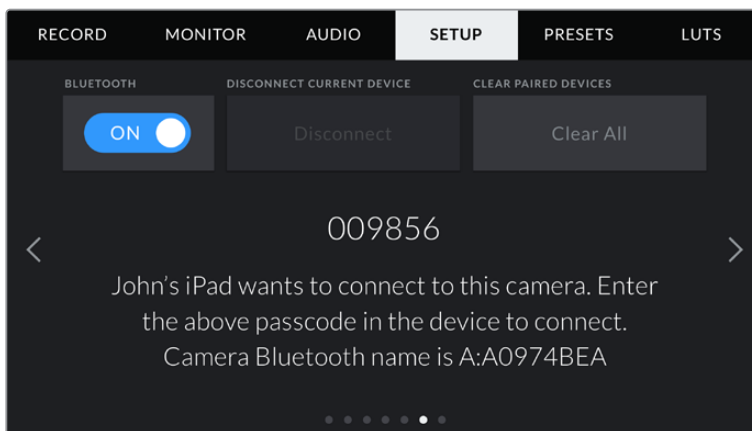
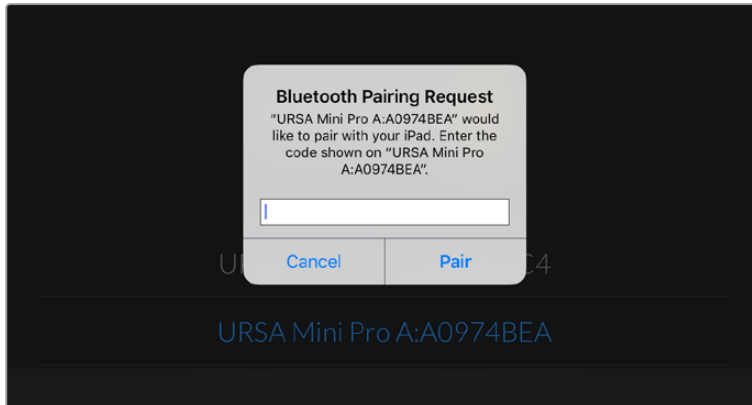
**备注** 当您安装并第一次运行Blackmagic Camera Control App时，系统会问您是否“允许地点访问”。如果您选择“仅在使用App时允许”，您拍摄文件中的元数据将包含来自iPad的GPS数据，让您对影像进行地理标记。这些信息可以在Blackmagic DaVinci Resolve 14或更高版本中查看。

如果您不希望使用这些信息，请选择“从不”。

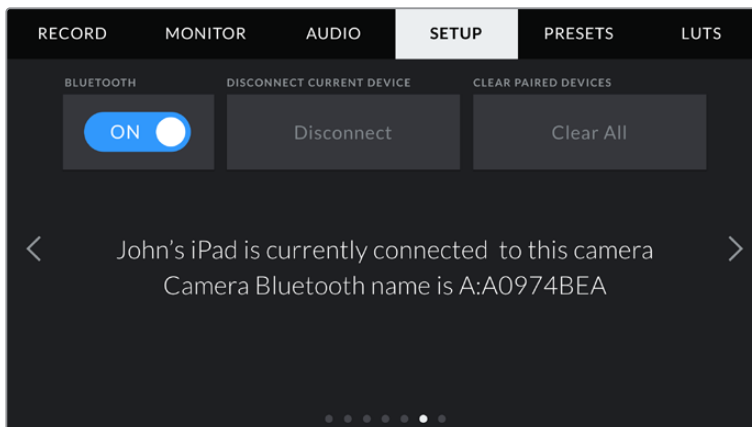
如要修改设置，在iPad上前往设置、隐私、定位服务、相机。



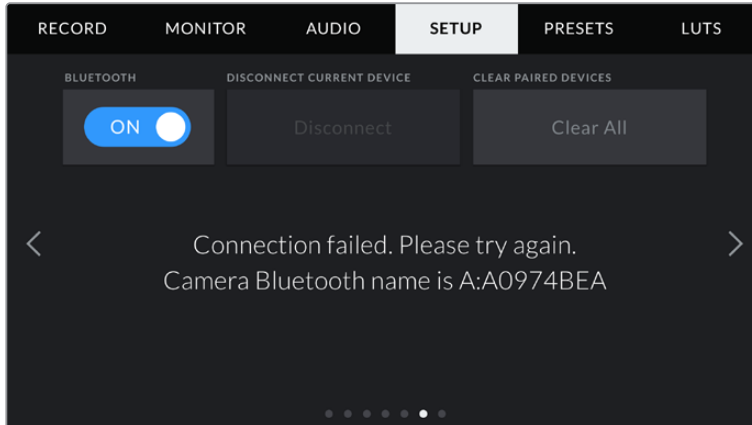
- 3 初次连接时, Blackmagic Camera Control App会请求一个六位代码来配对摄影机。代码会显示在摄影机的LCD屏幕上。将代码输入iPad。



- 4 屏幕上会显示信息确认URSA Mini Pro已经和iPad配对。



- 5 如果配对过程中出现问题, 您将看到下面的错误信息提示。



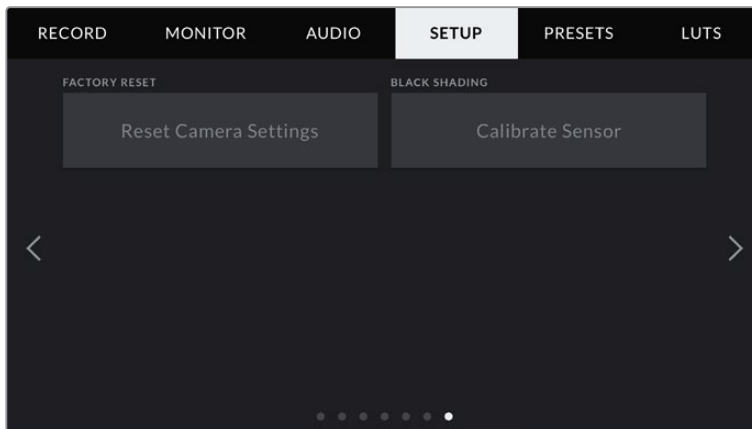
**备注** 没有使用蓝牙控制URSA Mini Pro时, 出于安全考量建议您关闭蓝牙。

#### 断开当前设备

使用“DISCONNECT CURRENT DEVICE”设置断开URSA Mini Pro与当前配对iPad的连接。

#### 清除配对设备

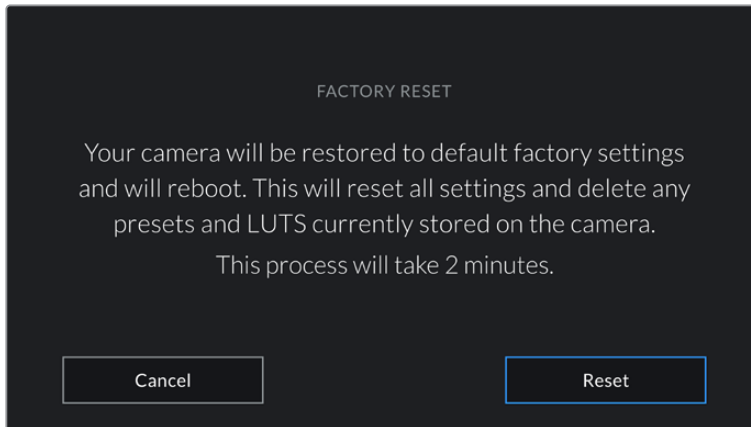
使用“CLEAR PAIRED DEVICES”设置清空URSA Mini Pro配对设备的列表。



#### 恢复出厂设置

即“FACTORY RESET”, 点按该按钮可恢复摄影机出厂时的默认设置。由于该操作将清除摄影机中存储的所有LUT和预设, 因此屏幕会弹出提示加以确认。点按确认对话框中的“Reset”按钮将摄影机恢复到出厂设置。

请务必注意, 恢复出厂设置会清除所有预设和自定义LUT, 并重置所有设置。执行恢复出厂设置操作之前, 不妨将这些数据导出到存储卡上进行备份。恢复出厂设置之后, 只要再从存储卡中导入预设和LUT就可以快速恢复。建议您执行黑平衡校准。

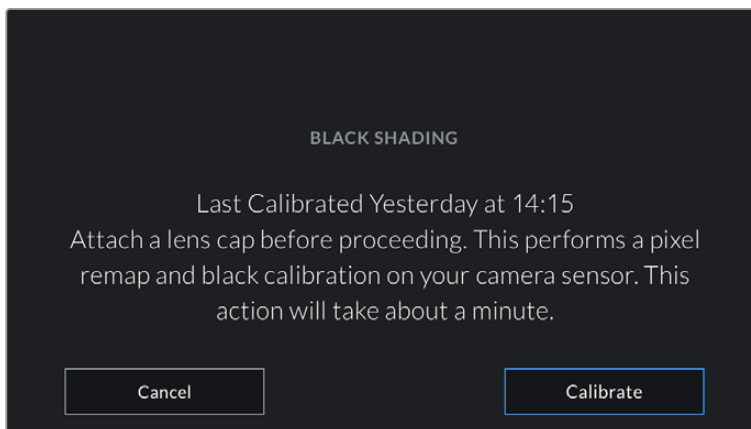


选择“FACTORY RESET”时, 您将看到如上操作确认信息

### 黑平衡校准

对于使用4.6K传感器的URSA Mini摄影机来说,“BLACK SHADING”功能可以通过平衡传感器的黑电平来优化画质。使用该功能的最佳时机,是在摄影机预热并运行几分钟后。在执行降噪校准前,您需要给摄影机装上防尘盖,或给镜头装上防尘盖,然后按下“Calibrate”(校准)按钮。之后系统会请您确认,您需要执行正确的设定该功能才能准确运行。校准需要几秒钟的时间,校准过程完毕后您将收到通知。您的摄影机会记住上一次完成黑平衡校准的日期和时间。这样能优化暗部的画质。

URSA Mini Pro 4.6K G2还另外设有校准功能,作为黑平衡校准过程的一部分,可重新校准像素获得更好的黑电平。这一过程大约需要1分钟。



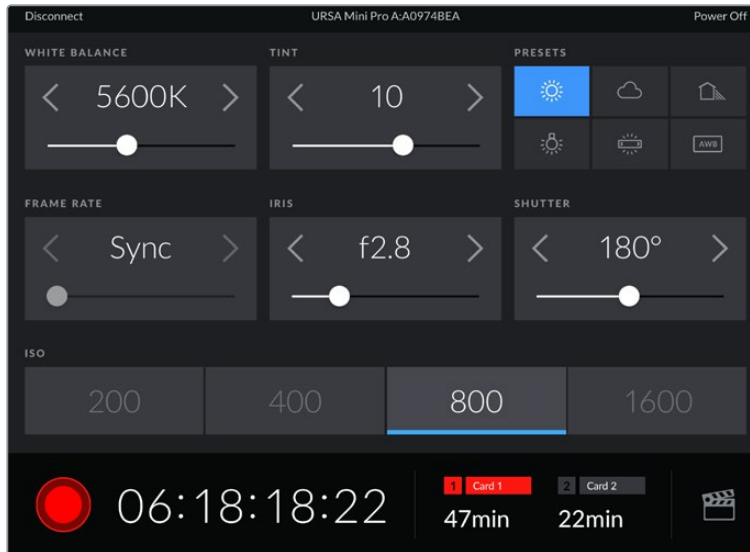
图为建议执行黑平衡校准的信息

### 运动传感器校准

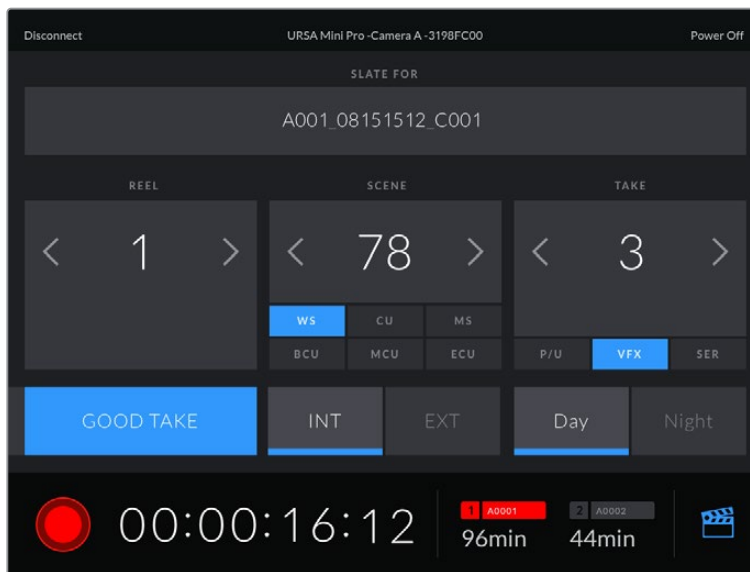
要校准URSA Mini Pro 12K的水平线指示,请将摄影机放置在水平表面上,然后点按“校准运动传感器”按钮。执行校准的过程中,摄影机必须保持稳定状态。这一过程大约需要5分钟。

## 使用Blackmagic Camera Control App控制您的摄影机

一旦将URSA Mini Pro与iPad配对成功,您可以通过iPad远程开启或关闭摄影机,改变设置,调整元数据,以及触发记录。



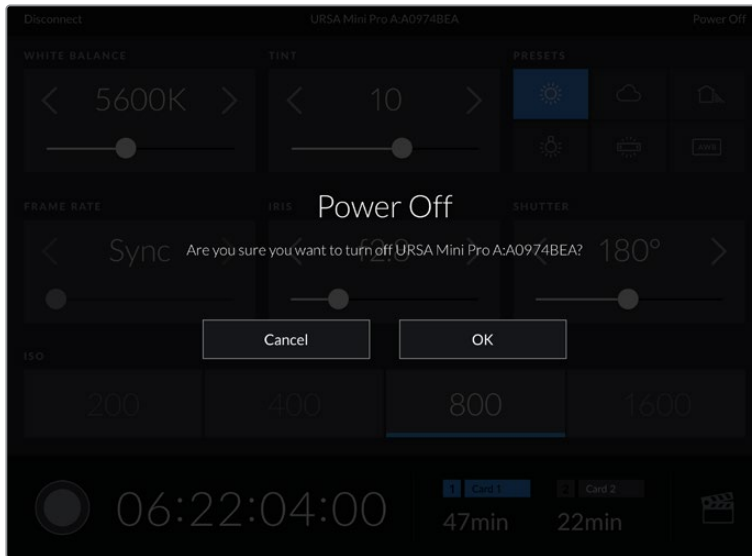
配对完成后, Blackmagic Camera Control App会显示该画面,您可以调整设置,开始记录。



点按右下角的场记板图标可打开场记板并更新信息

URSA Mini Pro使用低功耗蓝牙 (BLE) 技术与设备建立通信,实现无线控制。因为与便携设备使用同样的协议,所以耗电量极低。

您可以点按右上角的“Power Off”(关机)选项关闭URSA Mini Pro。



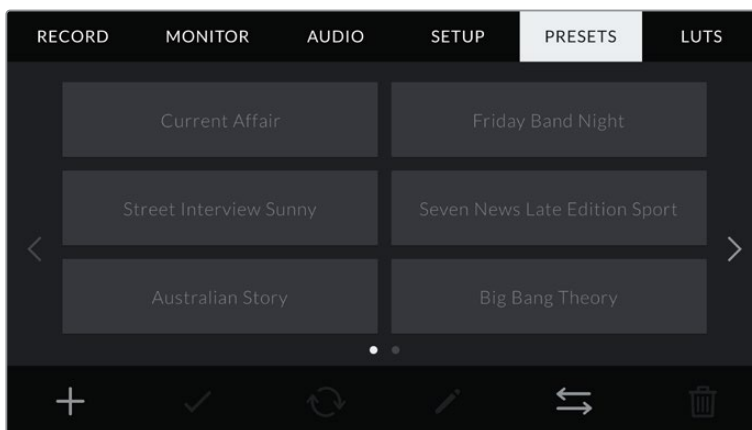
摄影机关闭前会显示提示信息让您确认选择关机。

当蓝牙启用时，即使URSA Mini Pro处于关机状态，摄影机的名称仍然会显示在Blackmagic Camera Control App中的可用设备列表中。由于已经与摄影机配对，您现在可以选择摄影机名称然后点按“Connect”（连接）来远程开启摄影机。当蓝牙处于禁用状态时，摄影机名称不会显示在列表中。

## 预设

“PRESETS”（预设）选项卡可用来保存和调调整组URSA Mini设置。当摄影机被用于多个不同项目时，这一设置将非常有用。例如，您可能会将URSA Mini用于从纪录片到MV在内的多种不同拍摄风格，这些项目都会使用不一样的设置。URSA Mini的“PRESETS”功能就可以让您保存某一项目或某类镜头的拍摄设置，方便下次需要时快速调用。值得一提的是，URSA Mini上所保存的部分预设设置可能与其他Blackmagic摄影机或者使用较早软件版本的URSA Mini不兼容。为确保摄影机安装最新软件，请登陆Blackmagic Design支持中心[www.blackmagicdesign.com/cn/support](http://www.blackmagicdesign.com/cn/support)查看。

您还可以导入和导出预设，这对于设置多机位镜头部署是非常有用的。只需将一台URSA Mini进行项目设置，然后将该预设导出到片场的所有其他URSA Mini上即可。



图为URSA Mini上的预设选项卡

**备注** URSA Mini的内存可最多容纳十二个预设。

## 预设按钮

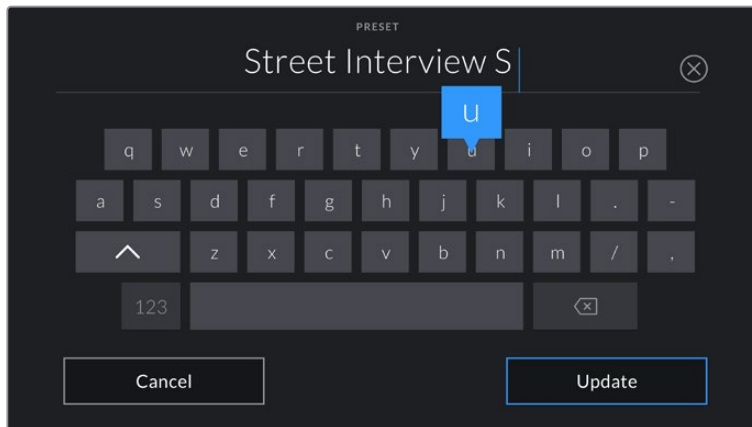
URSA Mini的“PRESETS”菜单中包含多个按钮图标，它们分别对应的功能如下图所示：

				
添加	加载	更新	管理	删除

## 保存和加载预设

要创建一个新的预设，请点按代表“添加”的图标。然后，LCD触摸屏上会出现一个屏幕键盘，此时请为您的预设命名。输入预设名称之后，请点按代表“更新”的图标将URSA Mini当前所有设置保存到您刚命名的预设当中。

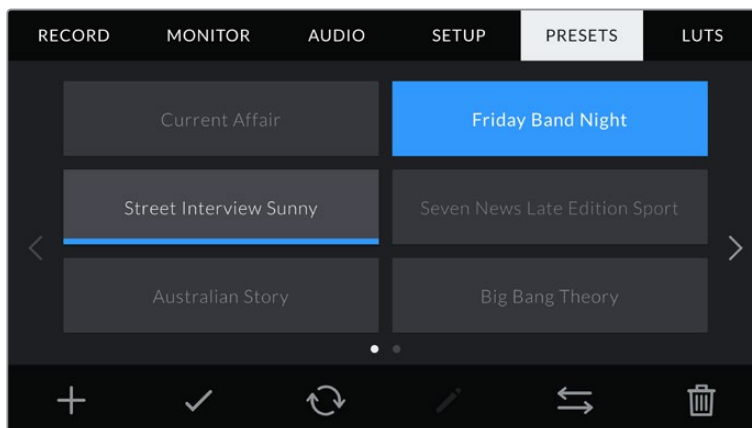
如果URSA Mini中已经含有相同名称的预设，屏幕会弹出提示询问您需要覆盖替换还是同时保留这两个预设。



点按预设选项卡中代表“添加”的图标，再使用屏幕键盘来输入预设名称。

保存预设后，在预设菜单中点按该预设的名称将其选中。要加载这一预设，点按代表“加载”的图标。

点按代表“更新”的图标可更新预设。然后，屏幕会弹出提示，询问您是否要将URSA Mini的当前设置更新为这一预设。点按代表“更新”的图标确认更新。



选择一个预设，并点按表示“加载”的图标来加载这一预设。选中的预设将以纯蓝背景显示，当前加载的预设则会在其对应的图标底部标以蓝色横线。

## 导入预设

要导入预设, 请点按预设菜单底部表示“管理”的图标。根据预设保存的位置, 用URSA Mini Pro上的存储介质选择开关选择SD或CFast。如果您使用URSA Mini Recorder, 还可以从SSD导入预设。

然后点按“Import Preset”并点按“Import”图标确认选择导入。之后会出现导入界面。选择屏幕左上角的“Card 1” (卡2) 或“Card 2” (卡2) 以显示卡中所有可用的预设。

URSA Mini将在选中的CFast卡或SD卡上搜索根目录和“Presets”文件夹。请注意, 保存在CFast卡或SD卡上其他位置的预设将不可见。

点按一个预设将其选中, 再点按“Import”确认导入。屏幕右上角会出现摄影机剩余预设空位的数量。

**备注** 如果URSA Mini的预设空位均被占用, 导入菜单将不再可用。您需要删除部分已有预设来腾出空间。

## 导出预设

要导出CFast卡或SD卡上的某个预设, 请点按以选中相应的预设, 然后点按表示“管理”的图标。屏幕会弹出两个选项, 分别为“Import Preset” (导入预设) 和“Export Selected Preset” (导出所选预设)。

使用URSA Mini Pro上的存储介质选择开关按照您希望导出预设的位置, 选择SD卡或CFast卡。如果您使用URSA Mini Recorder, 还可以从SSD导出预设。点按“Export Selected Preset” (导出所选预设) 后将弹出提示信息, 询问您需要将预设导出到哪张存储卡。选择您想要将所导出预设到哪张存储卡的“Presets”文件夹当中。

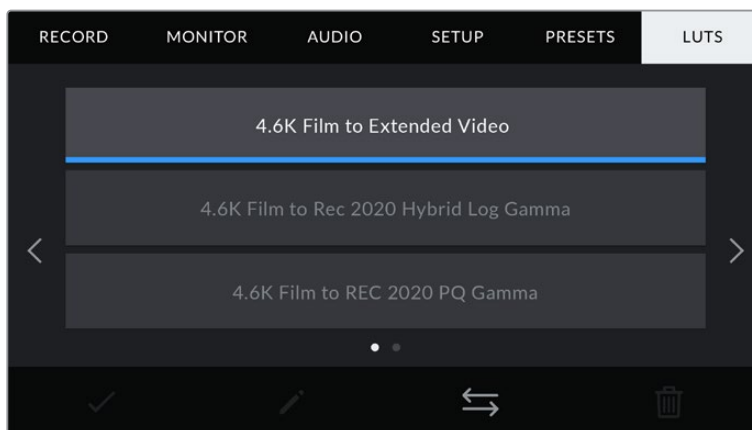
如果您选择的CFast卡或SD卡上某个已保存的预设和您正在导出的预设具有相同名称, 屏幕会弹出提示信息询问您需要覆盖替换还是同时保留这两个预设。

## 删除预设

URSA Mini一共可容纳十二个预设。要删除某个预设, 请将其选中并点按表示“删除”的图标。屏幕将弹出提示确认您的选择。点按表示“删除”的图标确认删除。

## LUTS

“LUTS”菜单可用来将多个3D LUT导入、导出并套用到摄影机的各个输出上。



URSA Mini摄影机上的LUT选项卡

### 3D LUT简介

URSA Mini可对LCD触摸屏、前方SDI和主SDI输出上的图像套用各类3D LUT。套用LUT可令URSA Mini为某类色彩和亮度输入显示相应的色彩和亮度输出。例如，某个LUT可令URSA Mini在接收到暗淡的蓝色输入时显示出鲜艳饱和的蓝色。当使用Blackmagic RAW格式或“Film”动态范围模式拍摄素材时，这一功能就非常有用，因为以上两者的拍摄片段都被刻意处理成低饱和度的平淡画面。套用LUT可以让您大致掌握素材调色后的画面。

您可以使用DaVinci Resolve或其他调色软件轻松创建3D LUT，也可以从网上找到各类LUT。URSA Mini可储存多达六类17点或33点精度的3D LUT，每类都高达1.5兆字节。加载后，您可以选择一类LUT显示在摄影机的LCD触摸屏前方SDI、主SDI或任何以上输出组合。

URSA Mini支持通过DaVinci Resolve创建的.cube格式33点精度3D LUT，以及通过LUT转换程序转换成Resolve的.cube格式17点精度3D LUT。您的摄影机可使用高品质四面体插值算法处理3D LUT。

**提示** 更多关于显示LUT的信息，请参阅本手册“监看设置”部分的内容。

**备注** LUT仅作为预览工具使用。URSA Mini不会将LUT套用或“烧录”到记录素材中，但拍摄所套用LUT的信息将作为记录内容的元数据被保存。DaVinci Resolve中的“LUT used”（使用的LUT）一栏可以用来核实现场作为监看LUT所使用的LUT的名称。Blackmagic RAW能通过非破坏性的方式嵌入LUT，供您在拍摄RAW文件以及后期制作时使用。这样一来，您在使用DaVinci Resolve中就可以选择是使用该LUT还是套用另一种风格。详情请阅读“内嵌3D LUT”部分的介绍。

### 内置LUT

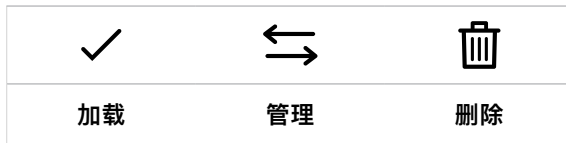
URSA Mini提供一系列内置LUT，您在用“Film”动态范围模式、ProRes或Blackmagic RAW格式拍摄时可以预览不同的效果。

<b>Film to Extended Video</b>	显示的动态范围比“4.6K Film to Video”的LUT更宽，会温和地调整对比度，并应用平滑的高光过渡。
<b>Film to Video</b>	与高清视频的REC 709色彩标准类似，拥有高对比度和饱和度。当您将色彩空间为REC 709的URSA Mini和其他广播级摄影机共同使用时，该设置会十分有用。
<b>Film to Rec 2020 Hybrid Log Gamma</b>	显示REC 709与Log画面的混合。
<b>Film to Rec 2020 PQ Gamma</b>	显示基于人眼感知形成的Gamma曲线，用于高效编码HDR图像。



## LUT按钮

URSA Mini的“LUTS”界面底部设有多个按钮图标，它们分别对应的功能如下图所示：



## 导入LUT

要导入某个3D LUT，点按LUTS菜单底部表示“管理”的图标，然后点按“Import LUT”（导入LUT）确认。

之后会出现导入界面。根据LUT所存放的位置，使用URSA Mini Pro上的存储介质选择开关相应选择SD卡或CFast卡。如果您使用URSA Mini Recorder，还可以导入保存在SSD上的LUT。选择屏幕左上角的“Card 1”（卡1）或“Card 2”（卡2）以显示卡中所有可用的3D LUT。

URSA Mini将在选中的CFast卡或SD卡上搜索根目录和“3DLUTS”文件夹。保存在其他位置的LUT将不可见。

点按一个LUT将其选中，再点按“Import”确认导入。该LUT将被保存到URSA Mini中。

**备注** 如果URSA Mini的3D LUT空位均被占用，您需要删除部分现有LUT来腾出空间，否则无法导入LUT。

如果您想要导入的LUT和摄影机中保存的某个LUT名称相同，屏幕将弹出提示信息，询问您需要覆盖替换还是同时保留这两个LUT。屏幕右上角会出现摄影机剩余LUT位置栏的数量。摄影机中的LUT位置栏有多少，您就能导入多少LUT。

**备注** 如果您无法将某个LUT导入到URSA Mini，可能是因为大小问题。您可以使用Lattice等LUT编辑器来检查其大小，或者使用您计算机上的任何一种文本编辑器将它打开。在“LUT\_3D\_SIZE”的标签边上会有一个表示LUT大小的数字。如果该数值不是17或33，您可以使用Lattice将3D LUT的大小调整到17点。

## 套用LUT

将一个LUT保存到摄影机中之后，在LUT菜单中点按其中一个LUT将其选中，然后点按加载图标。该LUT就会被套用到摄影机的所有输出上。但是，您依然需要开启每路输出监视器菜单的“DISPLAY LUT”（显示LUT）才可实现套用。启用“STATUS TEXT”（状态信息）并在输出上套用了LUT时，LUT图标会显示在LCD屏幕、前方SDI或主SDI输出画面上。请阅读本手册“监看设置”部分的内容获取更多信息。

## 导出LUT

要将一个LUT导出到CFast或SD卡上, 请选中您想要导出的LUT, 并按相应图标。屏幕会弹出两个选择, 分别为“Import LUT” (导入LUT) 和“Export Selected LUT” (导出所选LUT)。根据LUT导出后的存放位置, 使用URSA Mini Pro上的存储介质选择开关相应选择SD或CFast。如果您使用URSA Mini Recorder, 还可以从SSD导出LUT。

点按“Export Selected LUT” (导出所选LUT) 后, 会弹出信息要求您选择导出到哪张卡。选择存储卡后就会开始导出操作, 除非存储卡上已经含有您正在导出的LUT。如果卡上存在相同的LUT, 屏幕将弹出提示信息, 询问您需要覆盖替换还是同时保留这两个LUT。

## 删除LUT

URSA Mini可容纳六类17点或33点精度3D LUT。要删除您不再使用的LUT以腾出更多空间, 请选中您想要删除的LUT并按表示“删除”的图标。屏幕将弹出提示确认您的选择。点按表示“删除”的图标确认删除。

## 内嵌3D LUT

如果您使用Blackmagic URSA Mini Pro机型拍摄时套用了3D LUT, 那么所选LUT会被嵌入到您正在记录的Blackmagic RAW文件中。这个3D LUT会被保存在记录.braw文件的头文件中, 可在后期制作环节轻松应用到素材上, 无需处理单独文件。

因此, 当剪辑师或调色师拿到的是Blackmagic RAW文件, 他们就可以轻松获取影片拍摄时所使用的LUT, 显著降低了在片段上使用错误3D LUT的可能性。他们在剪辑或调色时可以选择是否将这个3D LUT套用到素材上, 并且可以随时禁用这个3D LUT。

将URSA Mini Pro记录菜单中的“APPLY LUT IN FILE” (在文件中套用LUT) 开关设置为开启后, 在Blackmagic RAW Player播放器和DaVinci Resolve中打开记录的片段时, 画面上就已套用所选的3D LUT。3D LUT可轻松开启或关闭, 但会始终跟随Blackmagic RAW文件, 因为它是写入到片段上的。

DaVinci Resolve的RAW设置面板中还设有一个“Apply LUT” (套用LUT) 开关, 可用来启用和禁用Blackmagic RAW文件中的3D LUT。DaVinci Resolve中的“套用LUT”设置和摄影机中的设置相同。也就是说, 在您拍摄时, 可以在摄影机中进行设置从而告诉调色师使用这一LUT, 而调色师则可以在DaVinci Resolve中使用“套用LUT”开关将它关闭。

# 录入元数据

元数据是片段内所保存的一系列信息，这些信息包括镜头号码、摄影机设置以及其他识别信息。后期制作时，这些信息对于素材的整理和处理起到很大的帮助。例如，镜头、镜头和场景编号是十分必要的整理工具，而镜头信息则能用于自动移除变形现象或获得更匹配的视觉特效图层。

Blackmagic URSA Mini可自动将一些元数据保存到每个片段中，如摄影机设置、时间码以及日期和时间等。您还可以使用摄影机的场记板功能添加更多信息。

## 场记板

### Blackmagic URSA Mini

左右滑动URSA Mini的触摸屏可调出场记板界面。

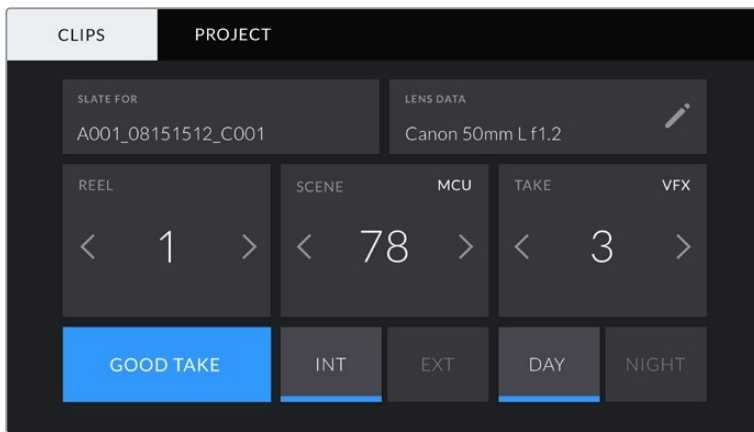
场记板界面设有两个选项卡，分别是“CLIPS”（片段）和“PROJECT”（项目）。“CLIPS”选项卡包含的信息视片段而定，而“PROJECT”选项卡可用于输入各个片段的共同信息，如项目名称、导演、摄影机ID以及摄影师ID等。

**提示** 当URSA Mini“MONITOR”（监看）选项卡中的“DISPLAY STATUS TEXT FOR”（显示状态信息）设置为“DIRECTOR”（导演）时，输入到场记板的元数据可以通过URSA Mini的前方或主SDI输出查看。请阅读本手册“监看设置”部分的内容获取更多信息。

### “片段”元数据

在URSA Mini处于准备就绪可开始记录的待命模式下更改的片段元数据，以及当您检查拍摄素材时所处的播放模式下更改的片段元数据，这两种改动的处理方式会有所不同。处于待命模式下时，片段元数据会被保存在下一个记录的片段中，除非您点按“GOOD TAKE LAST CLIP”（将上个片段标为好镜头）按钮，片段元数据会就被保存在最近记录的片段中。

处于播放模式下时，片段元数据始终会被记录到当前查看的片段中。



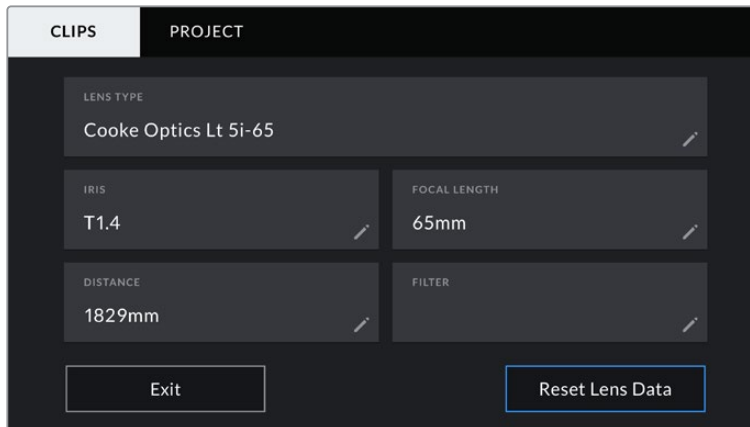
URSA Mini的场记板设有“CLIPS”和“PROJECT”两个选项卡

### 场记板所属片段

即“SLATE FOR”，该设置可显示当前出现在“CLIPS”（片段）选项卡中元数据的所在片段。在待命模式下时，这一设置显示的是下一个将被记录的片段。

### 镜头数据

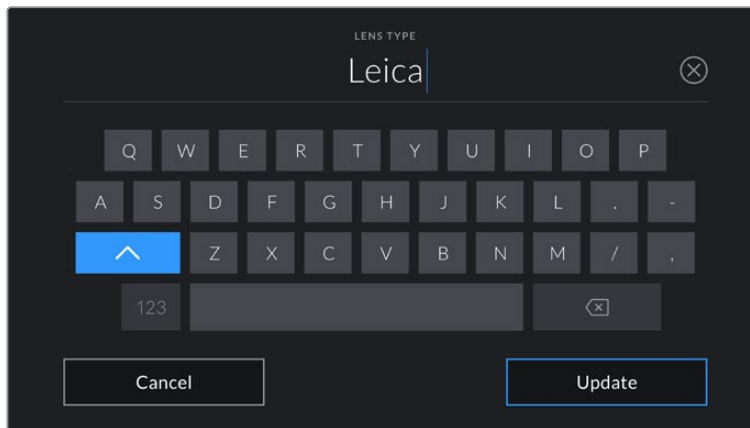
即“LENS DATA”，该设置可显示当前摄影机所安装的镜头的相关信息。许多电子镜头可自动提供镜头型号、光圈以及焦距等信息。如果您使用的镜头并不提供此类信息，或者您想要输入更多数据，可以点按该设置中的画笔图标来手动输入。该操作会调出“镜头数据”菜单，其中包含以下信息：



图中的“镜头数据”菜单显示了根据配备Cooke /i Technology技术的镜头自动填充的信息

### 镜头类型

即“LENS TYPE”，可显示镜头型号。如果您的镜头类型未自动显示在此栏，请点按这一设置手动输入相关数据。您的摄影机为众多常用镜头保存有内部数据库，因此如果您需要手动输入数据，摄影机将会在您输入信息时自动给出建议使用的名称。这一功能可以加快数据输入的速度。



如果镜头不具备自动提供信息的功能，请使用屏幕键盘来输入镜头数据。

### 光圈

即“IRIS”，可显示片段开头的镜头光圈设置。该信息是以f-或T-挡的形式显示取决于您使用的镜头，如果它自动提供的话。点按这一设置来手动输入数据。

### 焦距

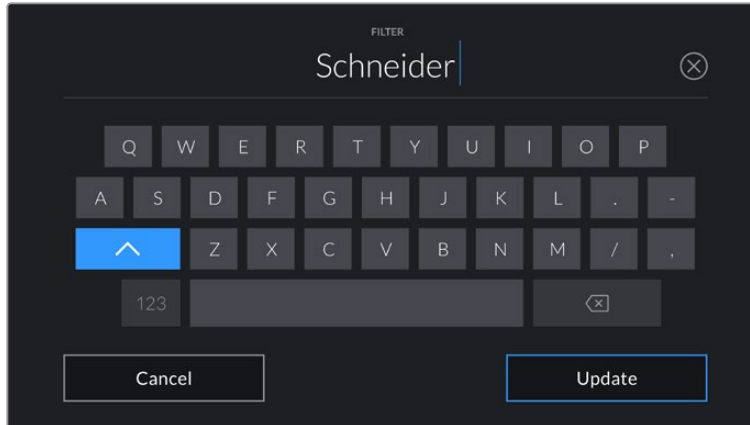
即“FOCAL LENGTH”，可显示记录片段开头的镜头焦距设置。如果镜头自动提供这一信息，焦距会以厘米为单位显示。点按这一设置来手动输入数据。

### 距离

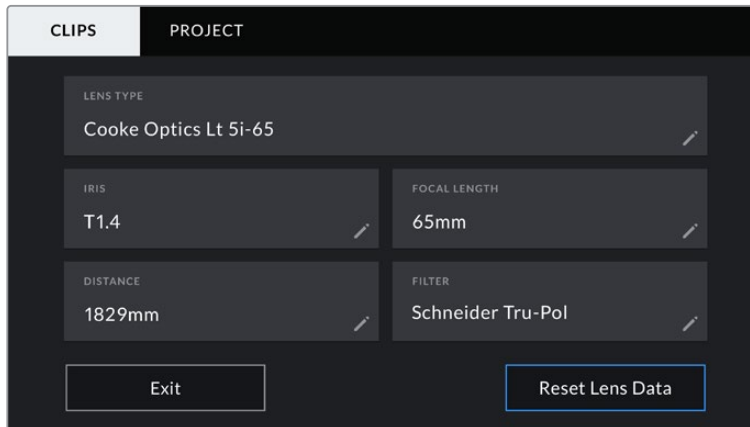
即“DISTANCE”，可显示记录片段的镜头焦距设置。有些镜头能以毫米为单位自动提供这一数据。您也可以手动输入这一数据。

### 滤镜

即“FILTER”，可显示当前镜头使用的滤镜。点按这一设置来手动输入数据。您可以输入多条信息，并以逗号隔开。

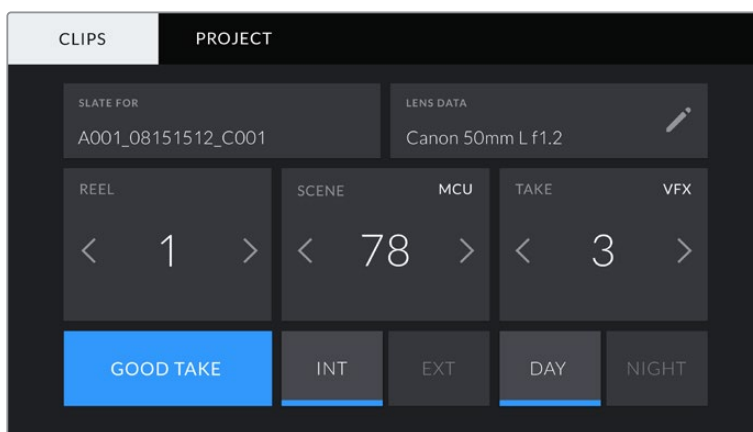


滤镜信息需手动输入



图中的镜头数据菜单显示了根据配备Cooke /i Technology技术的镜头自动输入的信息，以及手动输入的滤镜信息。

**备注** 您只要点按“LENS DATA”（镜头数据）菜单中的“Reset Lens Data”（重置镜头数据）图标就可以随时清除镜头信息。屏幕将弹出提示确认您的选择。确认后，所有镜头数据都将被清除，并被替换成任何当前安装镜头自动提供的镜头数据。如果您在这些栏中手动输入了任何信息，下次安装镜头时您需要重置镜头数据，否则手动输入的值会保持不变。



URSA Mini的场记板设有“CLIPS”和“PROJECT”两个选项卡

### 卷号

即“REEL”，可显示当前卷号。

URSA Mini可自动递增卷号，因此通常您无需手动输入。当您开始新的项目，并且希望重新从卷号“1”开始，可以进入场记板的项目选项卡，然后点按“Reset Project Data”（重置项目数据）。

### 场景

即“SCENE”，可显示当前场景号，以及当前镜头号和类型。

这一按钮上显示的号码始终代表当前场景。您可以使用场景号两侧的左右箭头增减号码，或点按场景号进入场景号编辑器进行编辑。

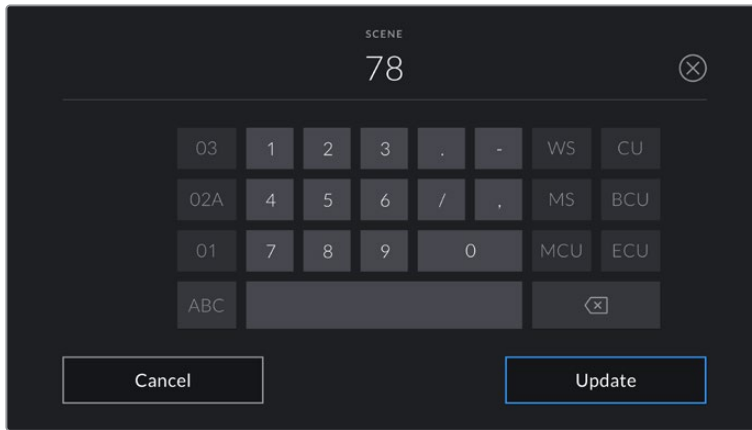
场景号可设在1到9999之间。

在场景号编辑器中为场景号添加一个字母后，您还可以为当前拍摄镜头标注。比如，23A表示场景23，镜头1。如果您为场景添加了字母，URSA Mini将在您每次进入场景号编辑器时建议采用按字母排序的命名方式。例如，如果您的当前场景号为7B，那么URSA Mini将建议使用7C作为下一个拍摄镜头的命名。

场景号提示功能还能在右上角显示当前拍摄镜头类型的信息。您可以在键盘右侧的场景号编辑器中选中这些信息。

拍摄镜头的类型如下：

<b>WS</b>	远景
<b>MS</b>	中景
<b>MCU</b>	中特写
<b>CU</b>	特写
<b>BCU</b>	大特写
<b>ECU</b>	极特写



输入“SCENE”元数据时，URSA Mini的屏幕键盘左侧会提示您采用递增顺序，右侧会提示您拍摄镜头类型。

## 镜次

即“TAKE”，可显示当前镜头的镜次号。您可以点按镜次号两侧的左右箭头增减号码，或点按镜次号按钮进入镜次号编辑器进行编辑。

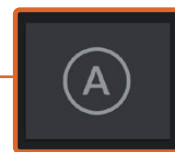
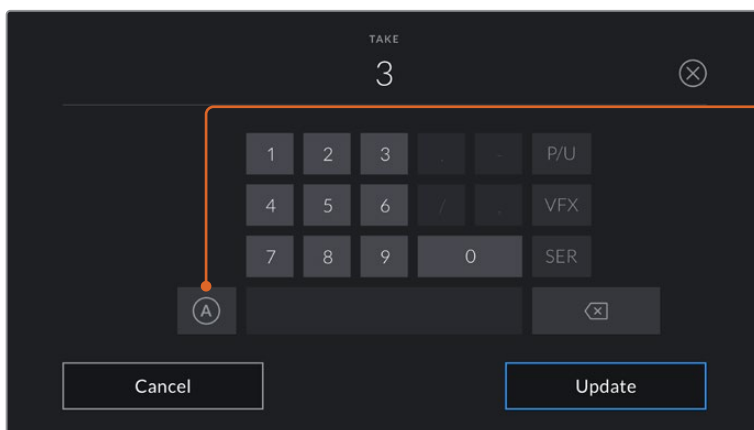
**提示** 镜头号和场景字母用完之后，镜次号将回到“1”。

您可以在镜次号编辑器中添加镜次描述。它们会出现在镜次号屏幕键盘的右侧，分别代表以下情况：

**PU** 即“补拍”。指之前某个镜次的重拍画面，可在正式拍摄结束后添加额外的影像材料。

**VFX** 即“视觉特效”。指一个用于视觉特效的镜次或镜头。

**SER** 即“镜次组”。指摄影机不中断记录所拍摄的多个镜次。



在待命模式下时，点按“A”可为每个片段自动上升一位镜次号。启用该功能时，数字场记板上的镜次号码一侧会出现一个“A”小标。

输入“镜次”元数据时，URSA Mini的屏幕键盘右侧会提示您额外拍摄的镜头类型。

### 好镜次

点按“GOOD TAKE”可为好镜次添加旗标，这样能方便后期制作时调出这些镜次。如果URSA Mini处于待命模式，该标签会被添加到上一个记录的片段上；如果URSA Mini处于播放模式，则该标签会被添加到当前正在查看的片段上。

### 棚内/外景

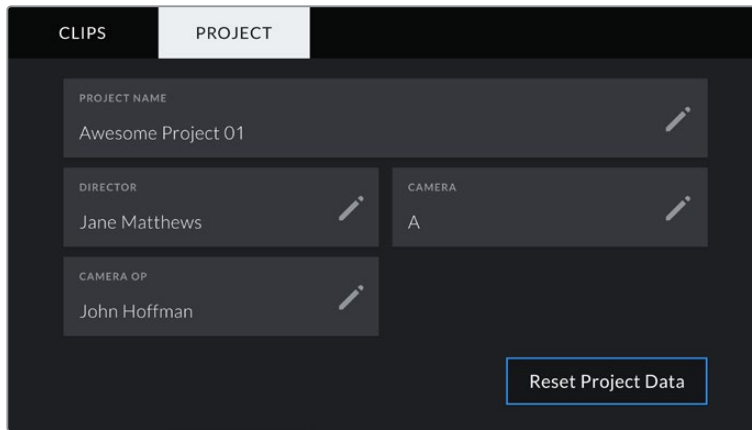
在待命模式下时，点按“INT”或“EXT”可在下一个片段添加相应标签；在播放模式下时，点按“INT”或“EXT”可在当前片段添加相应标签。

### 白天/夜晚

在待命模式下时，点按“DAY”或“NIGHT”可在下一个片段添加相应标签；在播放模式下时，点按“DAY”或“NIGHT”可在当前片段添加相应标签。

## “项目”元数据

不论您在待命模式还是播放模式，项目元数据的表现都一样。这一元数据可始终将您的项目作为整体，并且独立于片段编号。



图为URSA Mini上的项目选项卡

### 项目名称

即“PROJECT NAME”，可显示当前项目的名称。点按铅笔图标可更改项目名称。

### 导演

即“DIRECTOR”，可显示当前项目的导演名字。点按铅笔图标可更改导演名字。

### 摄影机

即“CAMERA”，可以单个字母显示摄影机索引。点按铅笔图标可更改摄影机索引。

**备注** 摄影机索引会被用于元数据和文件命名，它和URSA Mini的ATEM Camera ID不同，后者是在使用ATEM切换台控制URSA Mini时使用的。更多关于ATEM Camera ID的信息，请参考本手册“了解Studio Camera控制”部分的内容。

### 摄影师

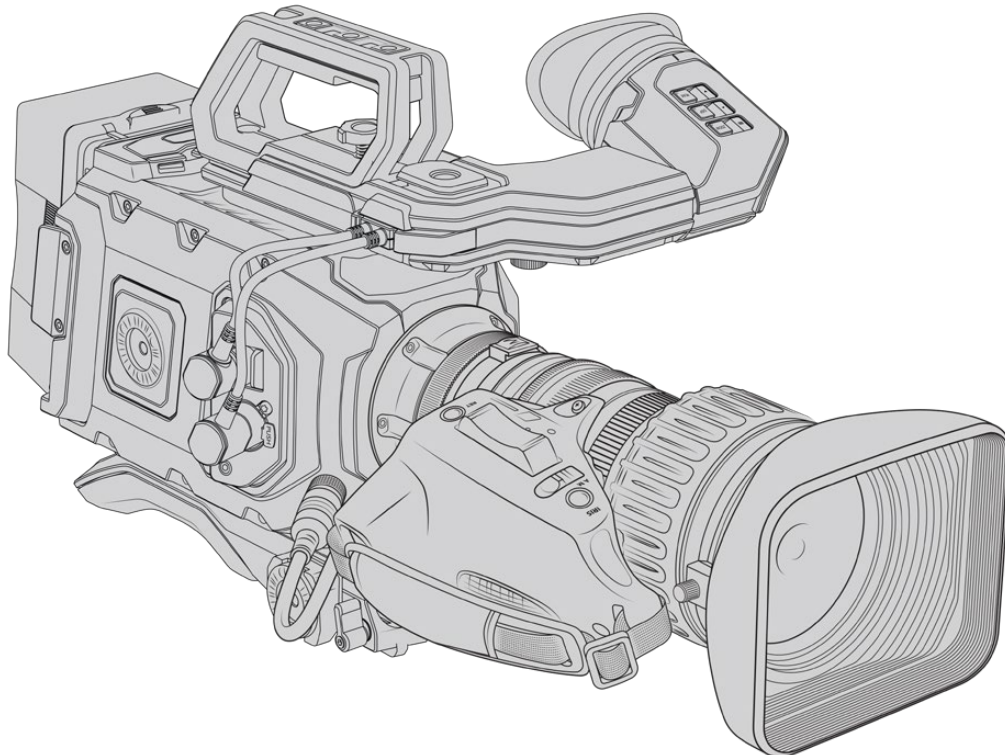
即“CAMERA OP”，可显示摄影师信息。点按铅笔图标可更改摄影师名字。



## 使用伺服变焦镜头

将伺服变焦镜头和URSA Mini摄影机结合使用是一个功能强大的组合。镜头上的手动光圈、变焦和对焦环，以及内置手柄和变焦按钮，让拍摄变得非常高效，为您提供了其它镜头类型几乎无法实现的多种技巧。URSA Mini PL和URSA Mini Pro机型目前可通过12针广播级接口支持B4镜头和CINE-SERVO PL变焦镜头的控制。

使用兼容镜头时，您就可以通过摄影机的变焦按钮进行镜头变焦，并使用记录按钮开始或停止记录，以及控制光圈。大部分伺服变焦镜头还设有Ret按钮，其作用相当于摄影机上的PGM按钮，可将LCD屏幕和HD监视器上的信号在摄影机画面和节目返送信号之间切换。



要实现镜头光圈的电子控制，请确保将变焦环上方的光圈开关设置为“A”或者“Auto”（自动）。Digital HD和4K伺服变焦镜头也可实现电子变焦控制。要启用这一功能，您必须确保变焦环下方标为“Zoom”的开关设置为“S”，表示伺服变焦。

由于B4镜头种类繁多，请您参考本手册帮助您找到具备所需功能的适合型号。

### 带有光圈和变焦控制的B4镜头包括：

- 富士龙B4镜头，型号名称中带HA、ZA、XA、UA和LA前缀，并且带RM后缀，此类型号均具备电子光圈和变焦控制。
- 佳能B4镜头，型号名称中带HJ、KJ和CJ前缀，并且带IRSE或IRSD后缀，此类型号均具备电子光圈和变焦控制。

一些B4和PL镜头也配有带电子对焦伺服的手柄。为了确保与URSA Mini PL或URSA Mini Pro兼容，并且实现电子控制，应将变焦按钮下方标有“Focus”（对焦）字样的开关设为“S”，即“伺服”。

#### 带全面对焦、光圈和变焦伺服控制的B4镜头包括:

- 型号名称前缀为HA、ZA和UA, 后缀为RD或ZD的富士龙B4镜头。
- 型号名称前缀为HJ、KJ..ex和CJ, 后缀为IASE或IASD的佳能B4镜头。

具有电动对焦控制的镜头可以利用URSA Mini上的“FOCUS”对焦按钮来激活自动对焦功能, 而且对焦功能可以在ATEM切换台上通过ATEM Software Control控制。

安装了B4镜头之后, 将分辨率设置为2K 16:9或更低, 将主菜单“RECORD”(记录)选项卡中的“WINDOW SENSOR”(传感器裁切模式)设置为开启。这一点非常重要, 因为这些设置可防止因B4镜头无法覆盖Super 35mm的成像圈所导致的暗角现象。

#### 带有全面对焦、光圈和变焦伺服控制的Super 35mm PL镜头包括:

品牌	系列	型号	焦段	最大光圈
富士龙	Cabrio	ZK2.5x14-SAF	14-35mm	T2.9
富士龙	Cabrio	ZK4.7x19-SAFB	19-90mm	T2.9
富士龙	Cabrio	ZK3.5x85-SAF	85-300mm	T2.9-T4
富士龙	Cabrio	XK6x20	20-120mm	T3.5
富士龙	Cabrio	ZK12x25 with ESM-15A-SA	25-300mm	T3.5-3.85
佳能	Cine-servo	CN7x17KAS S	17-120mm	T2.9-3.9
佳能	Cine-servo	CN20x50	50-1000mm	T5-8.9

在摄影棚中, 用户也可以通过平移把手来控制上述所有PL和B4伺服变焦镜头的对焦和变焦。

#### 混合紧凑型伺服变焦镜头

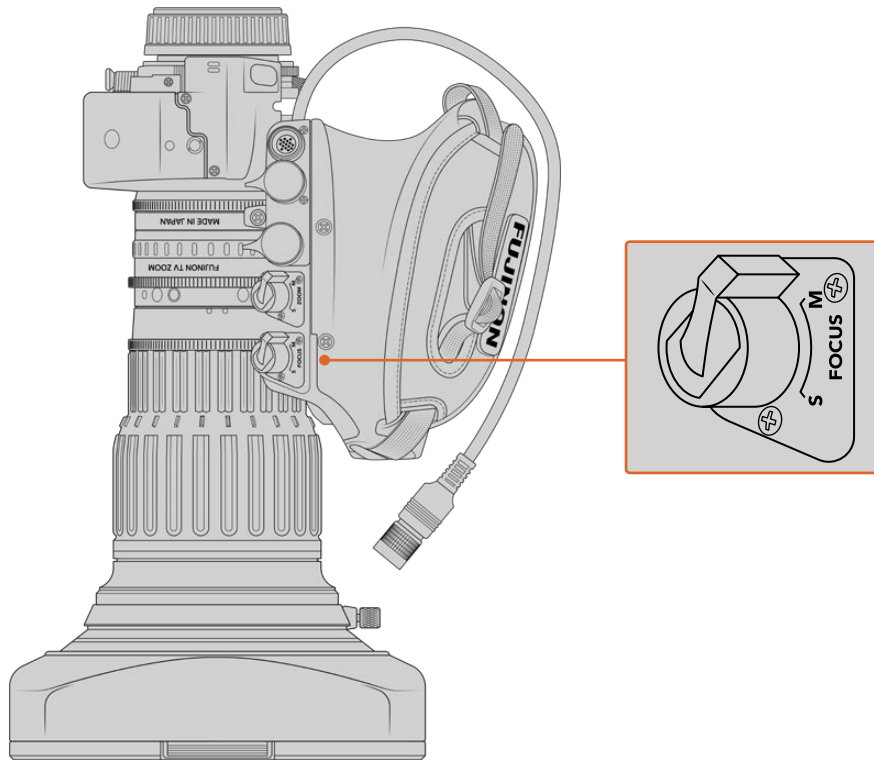
近期一种被称为“COMPACT-SERVO”紧凑型电影伺服变焦镜头的新产品类别被推向市场。这些镜头拥有一些与B4和PL伺服变焦镜头相同的功能, 但使用EF卡口。这些镜头的变焦按钮可以通过URSA Mini EF和URSA Mini Pro的镜头卡口供电, 并且镜头、名称、光圈、对焦和变焦位置等信息均可以通过URSA Mini的镜头元数据系统读取和记录。

将这些镜头安装到URSA Mini和URSA Mini Pro上, 就可以实现对焦、光圈和变焦的电子控制。当与切换台连接时, 用户还可以通过ATEM Software Control远程控制镜头。在直播或演播室环境下, 您可以使用佳能数字对焦和变焦控制, 但需要使用第三方自定义线缆来获得全部功能。

#### 这类镜头包括:

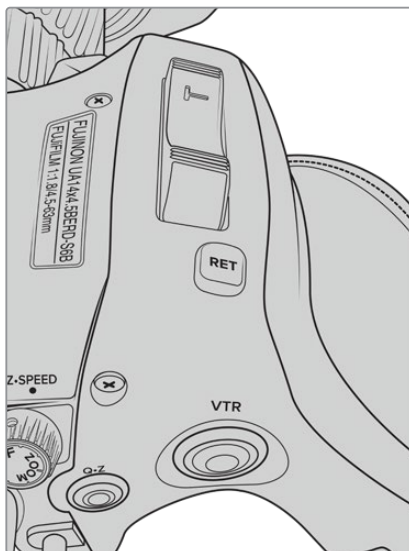
- 佳能CN-E 18-80mm T4.4 Compact-servo
- 佳能CN-E 70-200mm T4.4 Compact-servo

**备注** 虽然摄影机只能带动变焦伺服, 并且支持电子光圈控制, 但也支持带伺服的模拟B4镜头。这类镜头很多都是标清, 可能不配有标准的12针广播级接口。如果您要使用此类模拟B4镜头, 请务必事先确保镜头型号和摄影机匹配, 因为一些镜头的功能有限。建议您不妨对镜头的成像圈范围进行测试, 因为一些镜头会在画面边缘出现分辨率和亮度明显下降的现象。



## RET和VTR

B4镜头上的“VTR”按钮可开启记录功能, “RET”按钮则表示“节目返送”。更多关于如何配置URSA Mini Pro 4.6K G1“VTR”和“RET”按钮功能的信息, 请查阅“设置功能按钮”部分的介绍。



B4镜头上的“RET”和“VTR”按钮

# 摄影机视频输出

## HD监看输出

Blackmagic URSA Mini的下变换3G-SDI输出接口可始终输出1080 HD视频，因此您可以轻松连接到矩阵、监视器、SDI采集设备、广播级切换台和其他SDI设备。此输出在触摸屏设置菜单里标记为“Front SDI”（前方SDI）。

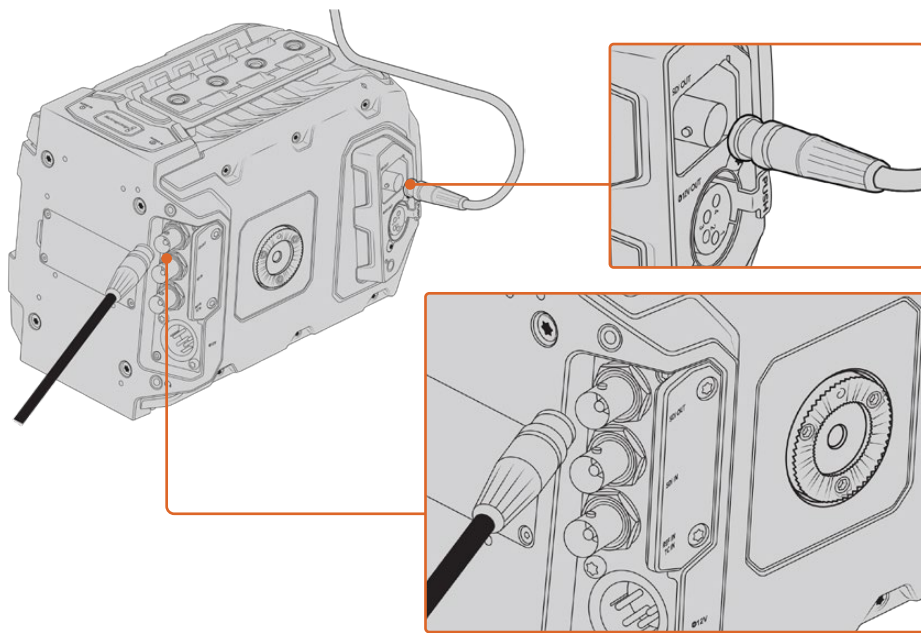
## 12G-SDI输出

机身后面板上的12G-SDI输出接口可通过单根SDI线缆支持HD和4K视频，包括2160p50、59.94和60等高帧率逐行格式。隔行HD格式还支持包括1080i50、59.94及60的格式。您可以用12G-SDI输出连接任何SDI监看器及4K切换台，如ATEM Production Studio 4K。在触摸屏“MONITOR”（监看）选项卡“Main SDI”（主SDI）菜单的“SDI OUTPUT”（SDI输出）设置中选择1080p或2160p，可让此输出在HD和Ultra HD之间切换。

### 连接视频切换台

SDI输出能方便您将摄影机用于现场电视制作。后面板的SDI输出接口可直接连接到制作切换台进行现场制作工作，也可以连接到ATEM Camera Converter转换成光纤信号，以便传送至几百米外的转播车上。

连接到切换台时，您可以通过Blackmagic URSA Mini轻松查看切换台上的节目输出。要获得这一功能，首先要将切换台连接到摄影机后面板的12G-SDI输入接口上。按住摄影机翻折式监视器上标有“PGM”字样的节目按钮，可查看节目信号。松开PGM按钮可返回摄影机信号画面。连按两下PGM按钮可将输入锁定到节目信号。再次按下PGM按钮即可切换回摄影机信号画面。



您可将12G-SDI输出连接至任何1080 HD或Ultra HD现场制作切换台或监视器。HD监看输出可连接到如Blackmagic URSA Viewfinder等外部寻像器上，也可在连接制作设备时连接外部监视器，例如摇臂等。

## 连接到监视器

拍摄鸟瞰镜头、将摄影机安装到摇臂上或车上时,无法通过翻折式监视器进行监看,此时摄影机的SDI输出监看功能则显得尤为便捷。

在触摸屏“MONITOR”(监看)选项卡的“Front SDI”(前方SDI)菜单中调整设置,就可通过您的HD-SDI监看输出接口显示叠加信息。这一设置可启用帧导栏功能,并显示记录详情和摄影机设置等信息。如果您只需要监看拍摄的镜头,您可以关闭叠加功能,获得无叠加信息的SDI输出。

将摄影机SDI输出连接到SDI监视器或Blackmagic SmartScope Duo 4K可获得现场波形监看。

**备注** 当您以“Film”动态范围拍摄并且在SDI输出上使用“Broadcast Film to Rec.2020 Hybrid Log Gamma”或“Broadcast Film to Rec.2020 to PQ Gamma”LUT时,后面板SDI输出和3G-SDI监看输出会自动为HDR视频标记辅助元数据,这意味着您可以通过其中一个SDI输出在HDR屏幕上显示惊艳的HDR画面。

## SDI输出格式

<b>后面板SDI输出</b>	2160p23.98、24、25、29.97、30、50、59.94、60。 1080p23.98、24、25、29.97、30、50、59.94、60。 1080i50、59.94、60。
<b>3G-SDI监看输出</b>	1080p23.98、24、25、29.97、30、50、59.94、60。 1080i50、59.94、60。

**提示** 要一次使用两种编解码进行实时记录或同时备份,您可以将来自URSA Mini的信号经由后面板SDI输出发送到Blackmagic Video Assist或HyperDeck。

# URSA Mini Shoulder Mount Kit肩托套件

## 安装肩托套件

使用URSA Mini Shoulder Mount Kit可以让URSA Mini能用于肩扛式拍摄并实现ENG拍摄风格。这一套件包括顶部把手、肩托底座、选配Blackmagic URSA Handgrip手柄延长杆、LANC线缆、寻像器转接板以及需要用到的螺丝。

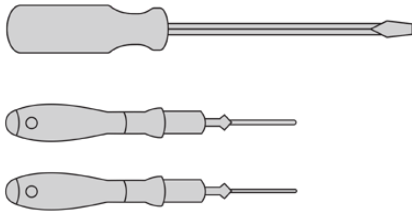
底座设有快拆板接口，可将摄影机固定到ENG风格的三脚架台座上；也可采用肩扛式拍摄，在现场随时跟拍。

URSA Mini Shoulder Mount Kit支持任何按索尼VCT 14型号设计的三脚架台座。这类固定扣板可从影像器材店或网上购得。

需要注意的是，采用VCT U14型号固定板的三脚架台座属于不同系统，因此并不兼容。

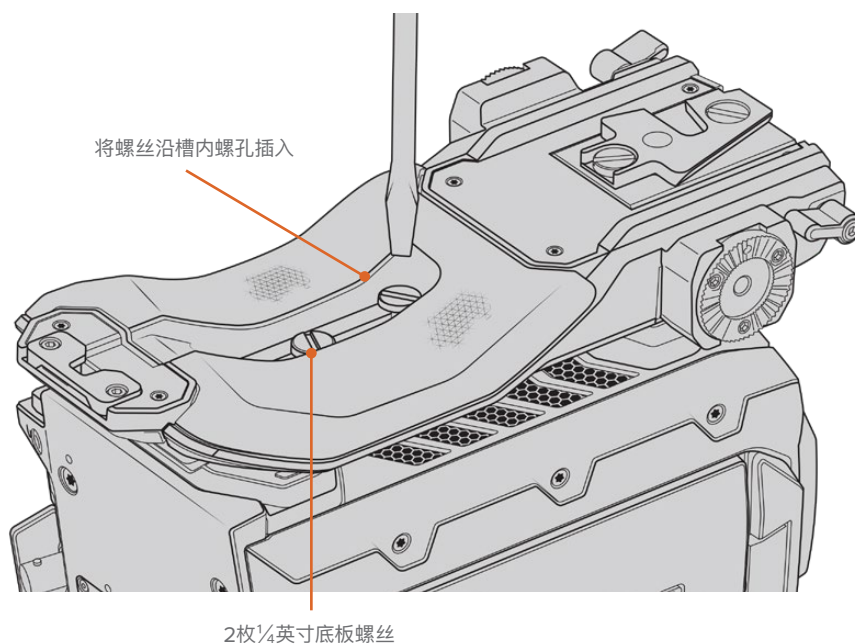
### 安装肩托套件时，您需要下列工具：

- 1把一字螺丝刀，用于固定2枚 $\frac{1}{4}$ 英寸肩托底座螺丝。
- 1把 $\frac{3}{16}$ 英寸规格六角扳手，用于固定2枚 $\frac{1}{4}$ 英寸顶部把手螺丝。
- 1把2.5毫米规格六角扳手，用于固定4枚寻像器转接板M3螺丝。



为URSA Mini安装肩托套件时，您需要使用一把大号一字螺丝刀，一把用于固定顶部把手的 $\frac{3}{16}$ 英寸规格六角扳手以及一把用于固定寻像器转接板的2.5毫米规格六角扳手。

## 安装肩托套件底板步骤如下：



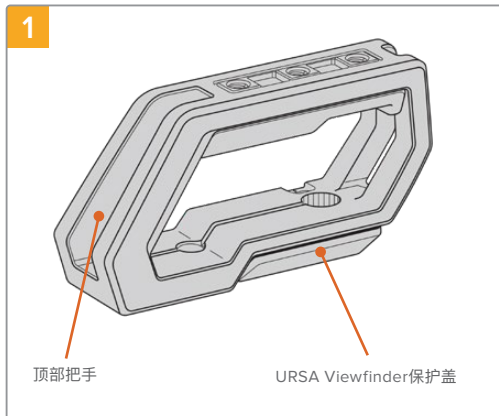


- 1 轻轻将URSA Mini摄影机底部朝上倒置于平整、稳定的桌面上便于操作。
- 2 使用2枚1/4英寸平头螺丝和螺丝刀将肩托底板固定到URSA Mini上。
- 3 旋紧螺丝直至底板紧密固定,且螺丝不再松动。请勿将螺丝旋得过紧,以防损坏螺孔纹路。

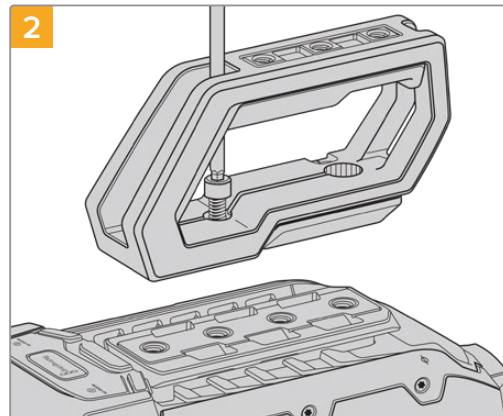
## 安装不带URSA Viewfinder的顶部把手步骤如下:

不论是否搭配选购的URSA Viewfinder寻像器,您都可以使用URSA Mini Shoulder Mount Kit。

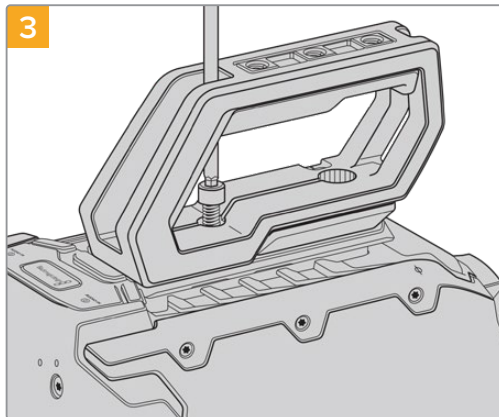
顶部把手的下方设有橡胶保护盖,安装URSA Viewfinder时可换成转接板。建议您在不使用URSA Viewfinder时盖住把手底部的橡胶保护盖。



轻轻将URSA Mini摄影机顶部朝上放置于平整、稳定的桌面上便于操作。

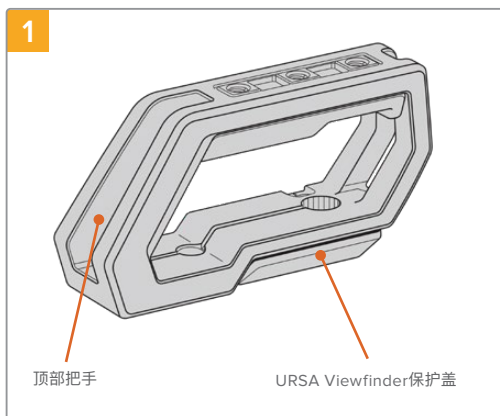


使用3/16英寸规格的六角扳手和附带的两枚1/4英寸螺丝将把手固定到URSA Mini顶部的任何两个1/4英寸固定孔上。建议您在大部分情况下选择靠后的两个固定孔,但是您可以在URSA Mini使用较大的镜头时根据合适的平衡点挑选任何一组固定孔。

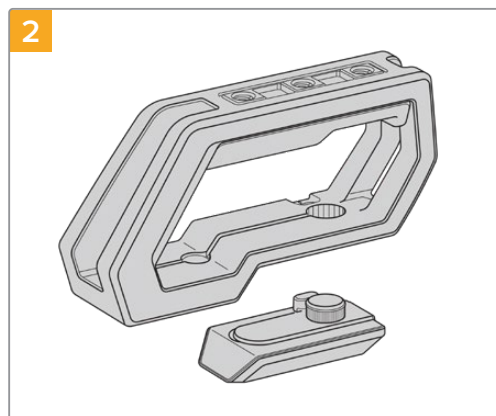


旋紧螺丝,直至把手紧密固定到位,且螺丝不易松动。请勿将螺丝旋得过紧,以防损坏螺孔纹路。

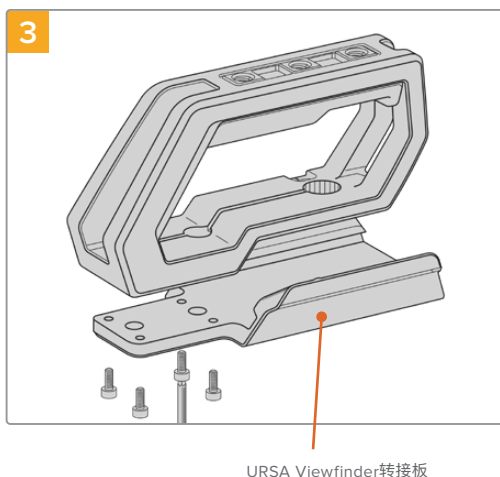
## 安装带有URSA Viewfinder的顶部把手步骤如下:



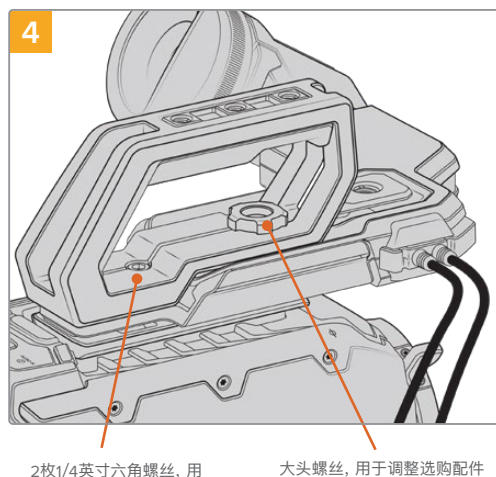
轻轻将URSA Mini摄影机顶部朝上放置于平整、稳定的桌面上便于操作。



小心提起把手底部的URSA Viewfinder保护盖并轻拉将其从固定孔中移除。



使用4枚M3螺丝和2.5毫米规格的六角扳手,将URSA Viewfinder转接板固定到把手上。



使用3/16英寸规格的六角扳手和附带的两枚1/4英寸螺丝将把手固定到URSA Mini顶部的任何两个1/4英寸固定孔上。建议您在大部分情况下选择靠后的两个固定孔,但是您可以在URSA Mini使用较大的镜头时根据合适的平衡点挑选任何一组固定孔。请勿将螺丝旋得过紧,以防损坏螺孔纹路。

把手内侧前方设有一个孔,可使用大头螺丝固定并调整URSA Viewfinder。关于如何将URSA Viewfinder安装到顶部把手的详细信息,请参考URSA操作手册中的“Blackmagic URSA Viewfinder”部分的内容。



## 安装延长杆

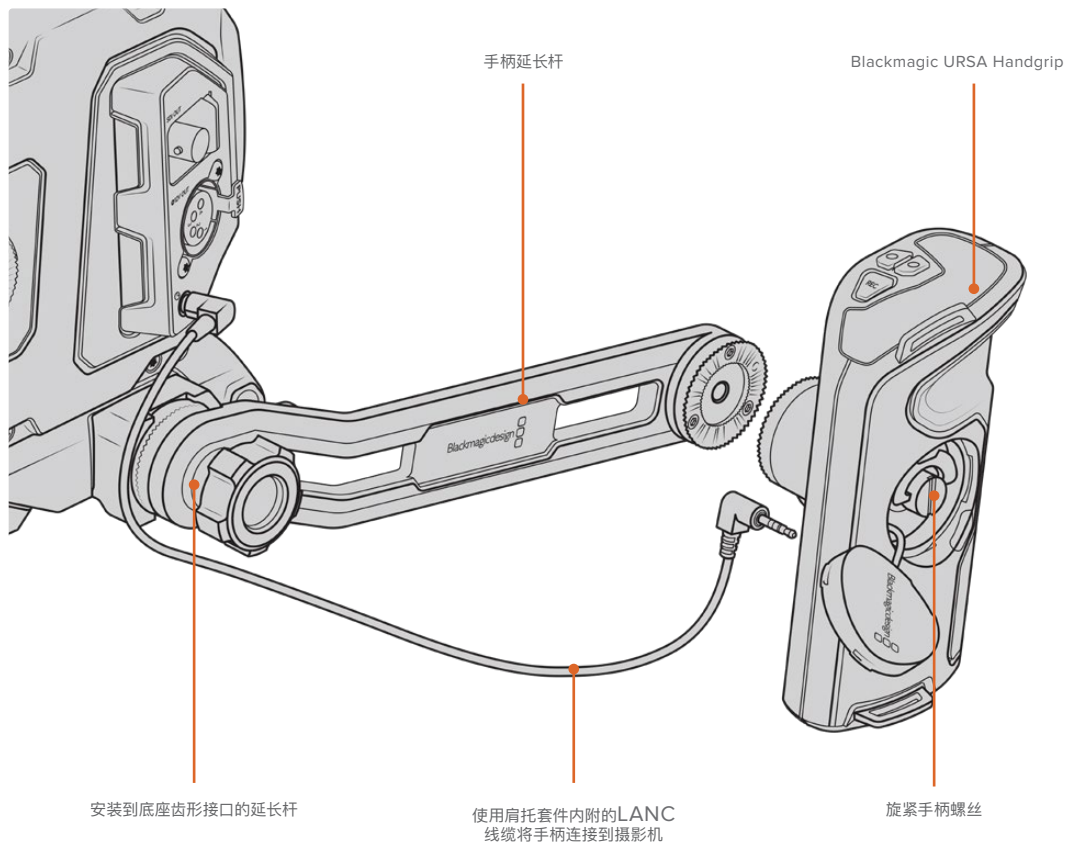
使用URSA Mini Shoulder Mount Kit肩托套件时, 您需要重新调整Blackmagic URSA Handgrip手柄, 以便获得舒适的肩扛式拍摄体验。请使用自带的延长杆和LANC线缆将手柄移动到更舒适的使用位置。URSA Mini延长杆也可通过Blackmagic Design的经销商作为单独的配件购买。

### 安装延长杆步骤如下:

- 1 轻轻将URSA Mini摄影机放置于平整、稳定的桌面上, 并为摄影机一侧留出部分空间, 以便调低延长杆。将URSA Mini安装到三脚架上会有助于安装延长杆。
- 2 将延长杆凹折的一头固定到底座齿形接口上, 适当调低把手, 再使用内附的齿形大头螺丝旋紧。
- 3 将手柄安装到延长杆前方的齿形接口。使用大号一字螺丝刀旋紧手柄螺丝加以固定, 或者以大拇指和食指旋转D形环。
- 4 使用肩托套件内附的LANC线缆将Blackmagic URSA Handgrip手柄的LANC输出接口连接到摄影机的LANC输入接口上。

您可以松开齿形螺丝, 并根据需要轻松调整延长杆和+Blackmagic URSA Handgrip手柄后, 再旋紧螺丝即可。

安装了URSA Mini Shoulder Mount Kit后, 您就能在行进中从事移动拍摄工作了, 并能快速将摄影机安装到三脚架上获得稳定的镜头画面!



# Blackmagic URSA Viewfinder

Blackmagic URSA Viewfinder是一款专为Blackmagic URSA Mini所设计的强大电子寻像器。它有着1080HD彩色OLED显示器和精准的光学元件,可提供明亮逼真的监看画面,让您快速对焦并查看到细致入微的画面细节。

它十分适用于肩扛式拍摄时手动操作,或是任何需要绝对精准、无反光和炫光的拍摄环境时使用,例如在极其明亮的拍摄条件时。

这款寻像器可连接摄影机并通过摄影机获得电源,并使用来自摄影机的SDI嵌入数据生成各类显示选项。也就是说,您的摄影机能将一路干净的SDI信号输出到这款寻像器上,同时还能切换不同的寻像器显示选项,以便快速获得摄影机状态和准确信息。

举例说明,如果您在URSA Mini摄影机的菜单上选择了“2.40:1”帧导栏选项,那么摄影机会将所选的帧导栏信息自动发送给这款寻像器,因此当您在寻像器上使用帧导栏显示时,寻像器也会相应显示相同的“2.40:1”帧导栏。

## 安装和连接Blackmagic URSA

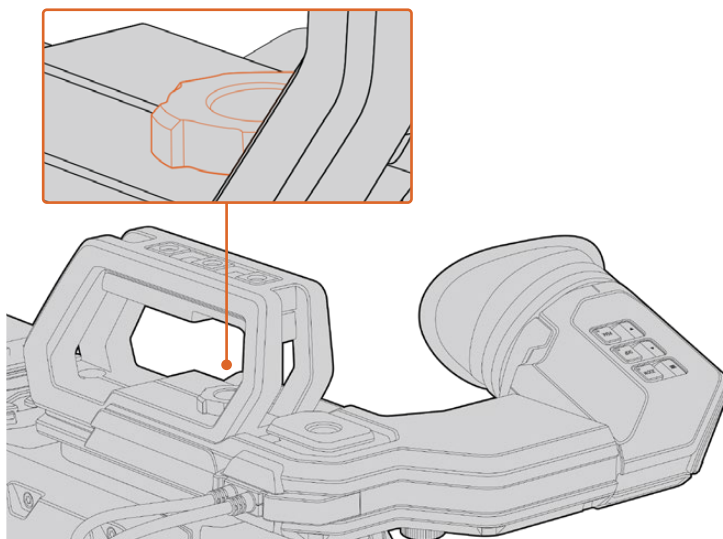
将Blackmagic URSA Viewfinder沿机身把手槽滑入,再使用大头螺丝旋紧并固定到其中一个1/4英寸安装孔,以便连接并固定到摄影机身上。

要在URSA Mini和URSA Mini Pro机型上正确安装URSA Viewfinder,请使用Blackmagic URSA Mini Shoulder Mount Kit肩托套件。

安装Blackmagic URSA Viewfinder时,请移除URSA Mini Shoulder Mount Kit顶部把手上的URSA Viewfinder盖,然后安装寻像器转接板,安装细节请阅读本手册“URSA Mini Shoulder Mount Kit肩托套件”部分的介绍。

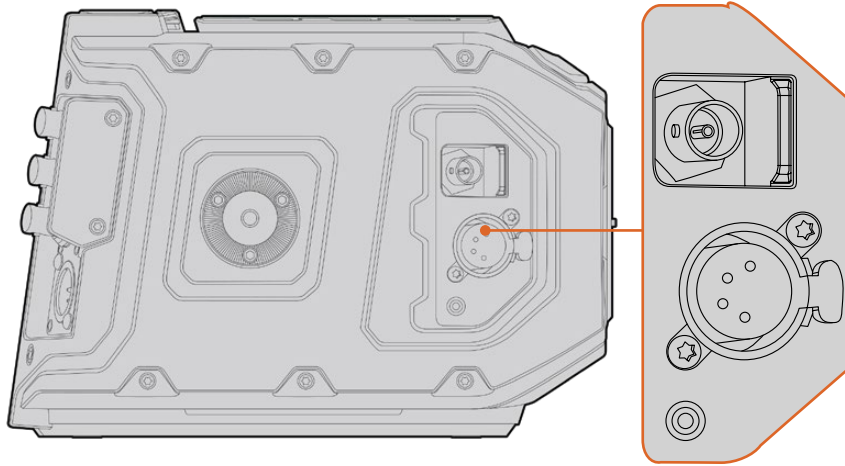
将URSA Viewfinder卡口滑入URSA Viewfinder转接板,并使用URSA Mini Shoulder Mount Kit工具包中提供的1/4英寸拇指螺丝牢牢固定URSA Viewfinder、顶部把手和转接板。

无需使用任何工具固定大头螺丝,用手指按压即可,能够避免螺丝过紧。



为URSA Mini安装Blackmagic URSA Viewfinder时,将寻像器沿摄影机把手槽滑入,并在1/4英寸安装点用螺丝拧紧。

要连接URSA Viewfinder和URSA摄影机, 只需将寻像器的线缆连接到URSA正面的12V电源以及3G-SDI输出口即可。摄影机开启时, 您的URSA Viewfinder也会自动开启。



将寻像器的SDI和电源线  
与URSA Mini的HD-SDI监看输出和+12V输出连接

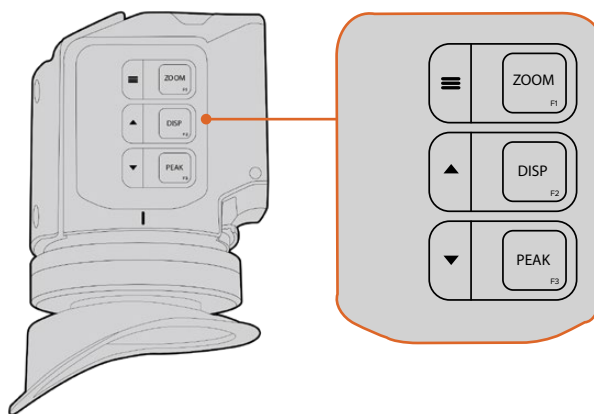
当URSA Mini搭配使用URSA Viewfinder时, 我们强烈建议您同时安装URSA Mini Shoulder Mount Kit肩托套件, 因为它提供了准确的安装点、1/4英寸大头螺丝以及高度调整, 可令您获得最优化的寻像器位置。详情请参考本手册“URSA Mini Shoulder Mount Kit肩托套件”部分的介绍。

## 调整目镜

可拆卸的橡胶目镜可以通过调节来适应左右眼使用。松开寻像器支架底部的旋钮, 并左右滑移可调节左右眼使用。

## 按钮功能

寻像器顶部设有ZOOM (缩放)、DISP (显示) 以及PEAK (峰值对焦) 按钮。这几个按钮可用于画面缩放以及开启或关闭叠加显示和峰值对焦功能。



ZOOM (F1)、DISPLAY (F2) 和PEAK (F3) 按钮  
位于URSA Viewfinder的上方

这些按钮还可用于其他功能, 比如打开菜单并导航设置。按钮一侧所印的图标可显示哪些按钮被用于控制寻像器菜单和导航功能。

这些按钮还具有可自定义功能的特性, 您可以为它们指派不同的快捷按钮, 以便快速启用各类常用功能选项。例如, 您可以将伪色功能指派到ZOOM按钮。详情请参阅“快捷设置”部分的内容。

### ZOOM (F1) – “菜单”

“ZOOM”按钮能将画面放大, 从而帮助您更精准地对焦。按“ZOOM”按钮放大画面, 再次按下可回到100%视图。使用设置菜单时, “ZOOM”按钮还可作为菜单按钮使用。长按这一按钮可打开菜单设置。在设置菜单下, 按此按钮一次可确认设置更改。

### DISPLAY (F2) – “向上”

按“DISPLAY”按钮可查看叠加视图。使用设置菜单时, 此按钮还可作为“向上”按钮使用。长按这一按钮也可快速打开“Shortcuts” (快捷设置) 菜单设置。关于快捷键设置的更多介绍请参阅“快捷设置”部分的内容。

### PEAK (F3) – “向下”

峰值对焦功能可在画面中最清晰的物体加上绿色边缘, 以便您明确对焦对象。按下“PEAK”按钮可开启峰值对焦功能。再次按下可关闭该功能。使用设置菜单时, “PEAK”按钮还可作为“向下”按钮使用。长按这一按钮也可快速打开设置菜单。

## 菜单设置

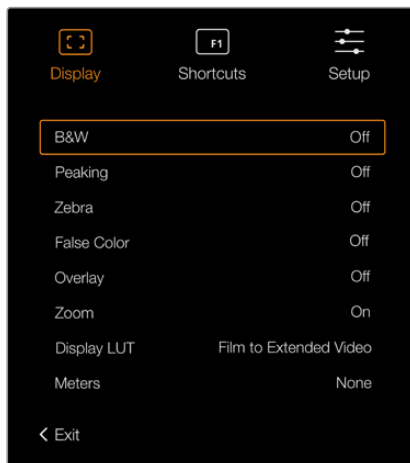
设置菜单含有Display (显示)、Shortcuts (快捷设置) 以及Setup (设置) 三个主要菜单项。长按菜单按钮≡可打开设置菜单。按向上▲和向下▼按钮可浏览设置, 再次按下菜单≡按钮可确认选择。

## 显示

“Display” (显示) 菜单可提供以下功能:

### 黑白

即“B&W”, 可在彩色和黑白显示之间切换。



URSA Viewfinder上的“Display” (显示) 菜单

### 峰值对焦

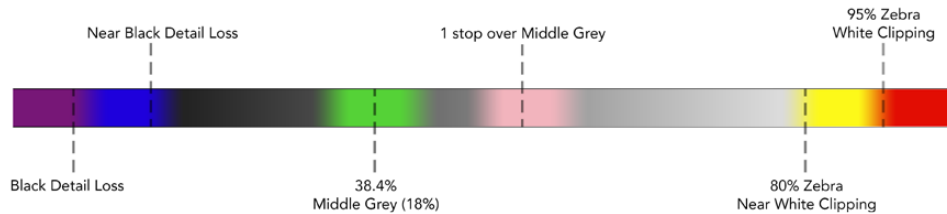
即“Peaking”, 可开启或关闭峰值对焦。

### 斑马纹

即“Zebra”, 可开启或关闭斑马纹。请使用摄影机设置来设定想要的斑马纹水平。详情请参阅本手册“设置”部分的内容。

## 伪色

即“False Color”，可开启或关闭伪色功能。伪色功能可在您的图像上叠加不同色彩，以代表图像中不同元素的曝光值。例如，粉色表示适合较浅肤色的理想曝光，绿色则是较深肤色的理想曝光。在记录人物画面时可通过查看粉色或绿色伪色来保持肤色曝光的一致性。以此类推，当您图像中的元素从黄色变到红色，就意味着现在处于过曝状态。



伪色表

## 叠加

即“Overlay”，设置可开启或关闭叠加信息。您可以在寻像器“Setup”菜单中选择显示的叠加种类。这些叠加的风格，比如安全区百分比等，可在摄影机上设置。

## 缩放

即“Zoom”，可打开或关闭缩放功能。

## 显示LUT

即“Display LUT”，从URSA Mini发送电影动态范围的SDI信号时，“Film to Video”和“Film to Extended Video”设置可让您为图像套用一个色彩更绚丽、对比度更高的LUT。寻像器会检测到这些LUT是否被使用，并给出选项让您在寻像器中开启或关闭LUT。当前方SDI输出上使用某个显示LUT，或者当您在使用另一个LUT时，这一选项会禁用，防止应用多个LUT的现象发生。

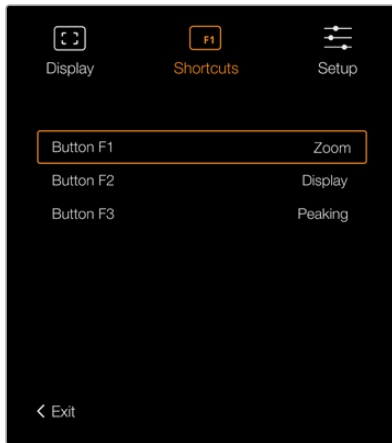
## 技术监看

即“Meters”，可在叠加显示模式下切换不同的技监类型。选项有“Histogram”（直方图）、“Audio”（音频表）、“Both”（全部）或“None”（无）。

## 快捷设置

当您需要快速操作某个经常使用的设置时，“Shortcuts”按钮设置十分有用。自定义快捷按钮步骤如下：

- 1 在“Shortcuts”（快捷设置）菜单中，通过按向上▲或向下▼按钮上下移动以选中3个按钮之一来指定您的快捷按钮。按菜单≡按钮确认您的选择。
- 2 按下向上▲或向下▼按钮进行选择，为该快捷按钮指定功能。按菜单≡按钮确认您的选择。
  - 黑白
  - 斑马纹
  - 显示
  - 显示LUT
  - 峰值对焦
  - 伪色
  - 缩放
  - 技术监看
- 3 滚动到“Exit”（退出）并按下菜单≡按钮以关闭菜单显示。



URSA Viewfinder上  
的“Shortcuts” (快捷设置)

## 设置

“Setup” (设置) 菜单可提供以下功能:

### 亮度

即“Brightness”, 可在-10到+10的范围内调节显示屏亮度。

### Tally亮度

即“Tally Brightness”, 可调节Tally的LED提示灯亮度。

### 对焦测试板

即“Focus Chart”, 您的Blackmagic URSA Viewfinder内置一个对焦测试板, 以便您为双眼调整对焦目镜。只要旋转目镜上的对焦屈光旋钮直至对焦测试板完美对焦即可。按下寻像器的任意按钮可关闭对焦测试板显示。

### 帧导栏

即“Frame Guide”, 在使用叠加显示时, 该设置可开启或关闭帧导栏。当“Frame Guide”设置为“ON”时, 您的寻像器会显示您在摄影机“监视屏设置”中“All”输出所设置的相同帧导栏。您可以选择“ON”或“OFF”来开启或关闭寻像器上的帧导栏视图。

详情请参考本手册“监看设置”部分的内容。

### 安全框

即“Safe Area Guide”, 在使用叠加显示时, 该设置可开启或关闭安全框。当URSA Mini监看设置中的“All” (全部) 选项卡中启用“Safe Area Guide”时, 您可以使用这一设置来开启或关闭安全框显示。

详情请参考本手册“监看设置”部分的内容。

### 网格

即“Grid”, 可切换三分法网格、十字准线或中心点。当URSA Mini监看设置中的“All” (全部) 选项卡中启用网格时且开启叠加显示时, 您可以使用这一设置来切换Blackmagic URSA Viewfinder的各种网格显示类别。

详情请参考本手册“监看设置”部分的内容。

**备注** 启用URSA Viewfinder设置菜单中的“Grid”（网格）功能后，寻像器将显示来自ATEM切换台的Tally信号。显示菜单中也必须开启叠加功能。

### 状态信息

即“Status Text”，可切换状态信息的显示方式，例如白平衡、帧率以及ISO等。在URSA Mini的“Front SDI”监看设置上开启状态信息时，您可以使用这一设置来切换Blackmagic URSA Viewfinder的各种状态信息显示类别。

详情请参考本手册“监看设置”部分的内容。

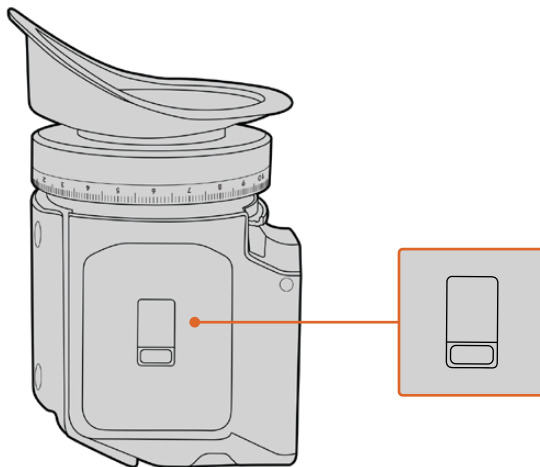
**提示** 当Blackmagic Viewfinder和URSA Mini搭配使用时，如果寻像器和摄影机都设置为显示状态文字，则状态文字可能发生冲突。在这种情况下，我们建议打开摄影机的状态文字，关闭寻像器的状态文字。

### IR感应器

寻像器上的IR感应器设置可自动探测到您靠近目镜并打开OLED显示。处于待命模式下时，如果您离开寻像器20秒以上，显示器会自动关闭以节省电源并延长OLED显示器的使用寿命。记录时，感应器会将这一时间延长到5分钟，届时OLED显示器会略微变暗。目镜前感应到的任何移动都会重置这一定时器。寻像器除了通过当您观看寻像器目镜时探测到该举动而开启之外，按下寻像器上的任意按钮同样也可打开显示器。



故意挡住或遮盖IR感应器可导致寻像器显示屏出现长时间持续开启状态。此举可能导致显示屏寿命缩短，在寻像器显示帧导栏或高对比度图像时还可能发生残影现象。



IR感应器位于URSA Viewfinder的底部

## URSA Viewfinder内部软件升级

您可通过Blackmagic Camera Setup实用程序更新寻像器软件。升级时寻像器需要有充足的电量, 因此我们建议您在升级过程中始终保持寻像器连接在您的URSA Mini上。这也意味着, URSA Mini需要供应持续的电量, 因此请您务必连接外部电源。

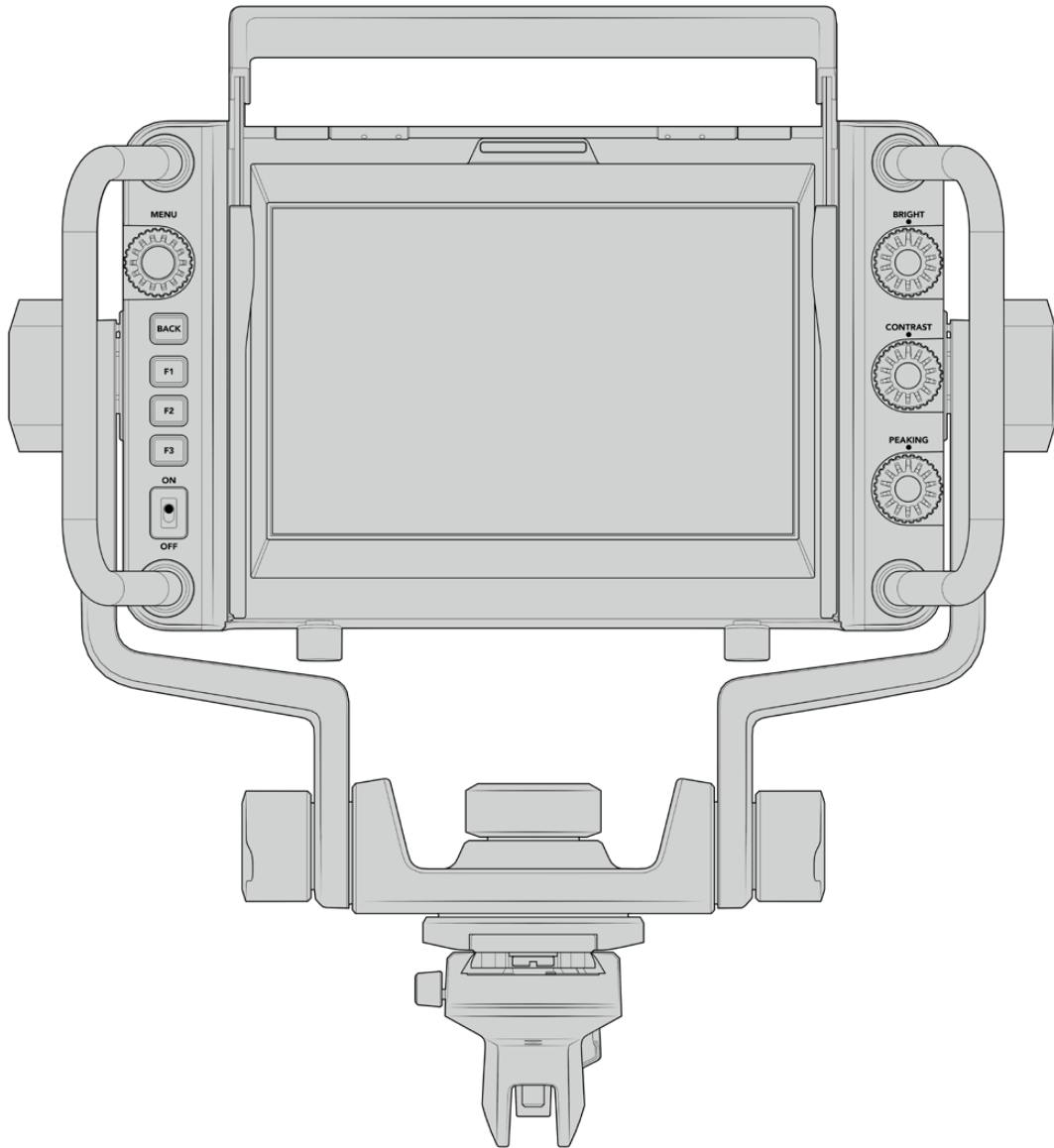
将您的计算机和寻像器前方目镜附近的USB接口相连。当打开Blackmagic Camera Utility软件时, 寻像器将连接到您的计算机上, 如果计算机探测到您的寻像器使用的是旧版本, 将提示您进行软件更新。按照屏幕提示更新您的寻像器内部软件。

**备注** 详情请参阅本手册“Blackmagic Camera Setup实用程序”部分的内容。

**提示** 建议您同时间更新所有Blackmagic URSA组件以获得最优性能表现。



# Blackmagic URSA Studio Viewfinder



Blackmagic URSA Studio Viewfinder

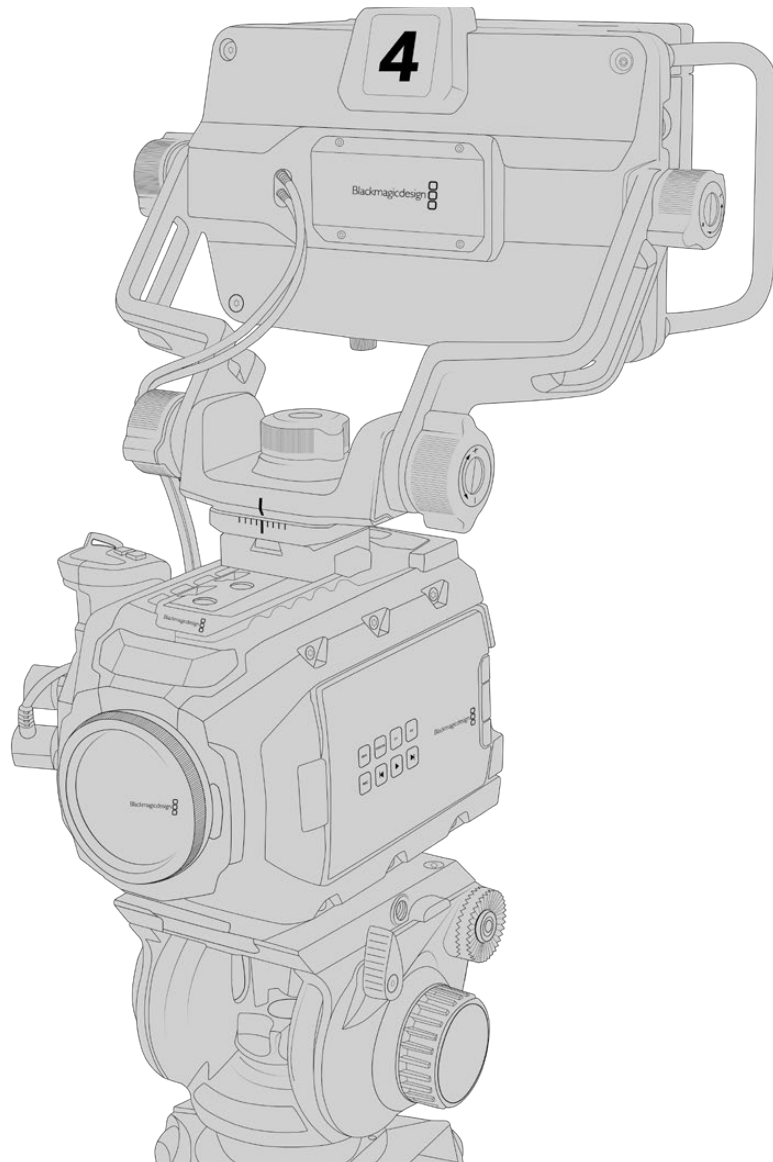
Blackmagic URSA Studio Viewfinder是一款功能强大的寻像器，能够将您的Blackmagic URSA Mini变成一台专业的现场制作摄影机。这款演播室寻像器配备一块明亮的7英寸显示屏，并搭载大而醒目的Tally提示灯、控制旋钮、大尺寸把手、遮光罩，以及可调节支架安装方案等众多功能。这些功能使摄影机操作起来更加便利，特别是在现场演唱会、体育赛事或其它长时间活动时，即使长期跟踪拍摄也能舒适自如。不论棚内还是户外摄制环境，URSA Studio Viewfinder都是您进行专业级现场制作的理想之选。

## 安装和连接到Blackmagic URSA Mini

在将Blackmagic URSA Studio Viewfinder和Blackmagic URSA Mini一起使用时, 您可以选择以多种方式将寻像器安装在摄影机上。

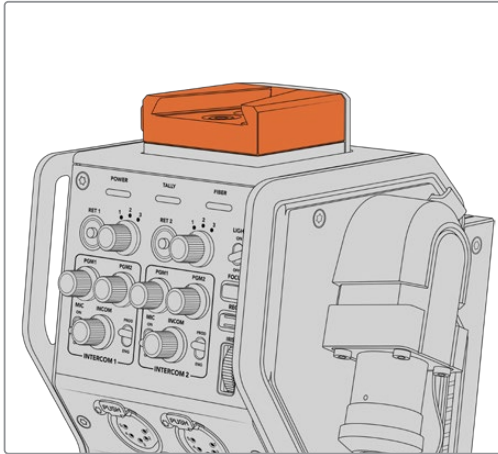
您可以通过附带的V型扣板将Blackmagic URSA Studio Viewfinder直接安装在Blackmagic URSA Mini上, 您可以方便地把V型扣板从顶端把手支架上取下来。

用3/16六角扳手把V型扣板从URSA Mini把手支架上卸下, 然后利用附带的1/4英寸螺丝将其安装在摄影机的顶部。由于这样会大幅上移摄影机的重心, 我们建议先将摄影机固定在三脚架上, 确保稳定后再进行操作。

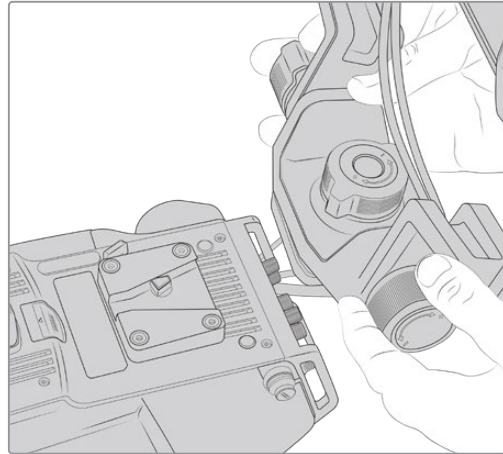


如果您要在使用了URSA Mini Shoulder Kit的URSA Mini摄影机上安装Blackmagic URSA Studio Viewfinder, 请使用附带的URSA Mini把手支架进行安装。用3/16六角扳手和三枚附带的1/4英寸螺丝把URSA Mini把手支架安装在顶端的把手上。将Studio Viewfinder的V型锁滑入V型扣板, 直到听到安装到位的响声。

详情请参考本手册在“URSA Mini Shoulder Mount Kit肩托套件”中的介绍。

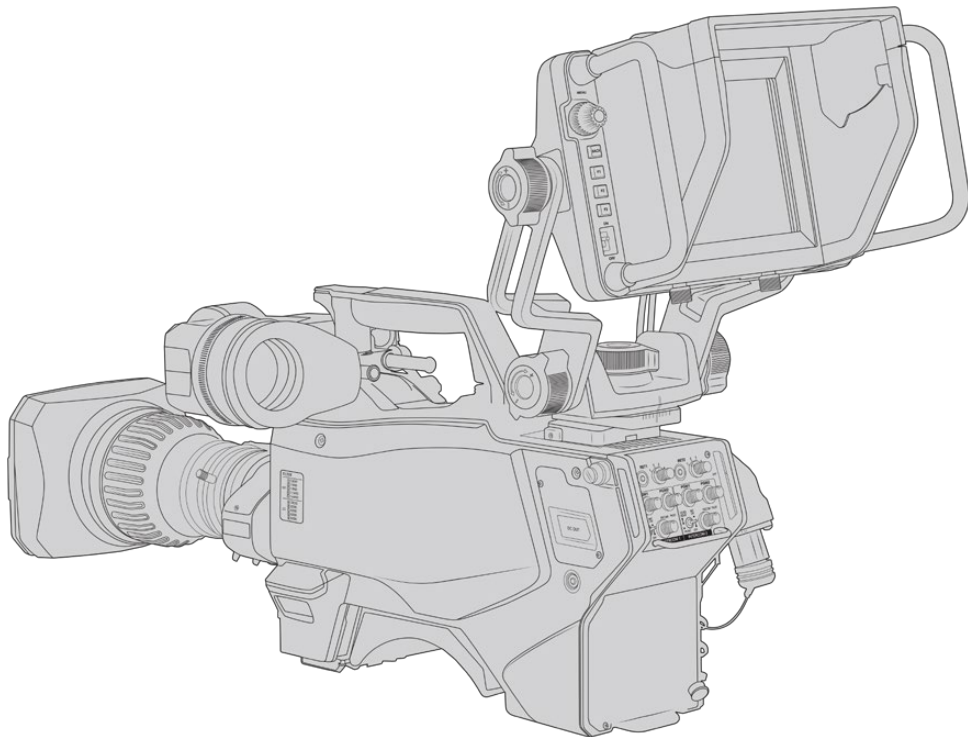


您可以将Blackmagic Studio Viewfinder安装到Blackmagic Camera Fiber Converter顶部的V型扣板上。



安装在第三方摄影机上的V型扣板

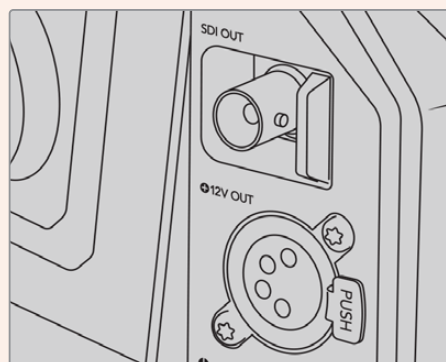
您可以利用V型扣板将URSA Studio Viewfinder安装在任何配有1/4英寸安装点的摄影机上, 或者使用第三方多孔转接板进行安装。同时, 您也可以把Blackmagic URSA Studio Viewfinder安装在已经配有V型扣板的第三方摄影机系统, 许多这些第三方系统本身就装有快拆板。



**提示** Blackmagic URSA Studio Viewfinder可通过V型快拆扣板连接到摄影机, 这样一来, 当您需要将摄影机从三脚架上取下时, 寻像器也可以快速卸下。拍摄体育赛事时, 将Blackmagic URSA Viewfinder和Blackmagic URSA Studio Viewfinder都安装在摄影机上会便于摄制, 因为这样能在比赛一结束就快速转而使用URSA Viewfinder进行手持式拍摄。两款寻像器均使用相同的12V电源和3G-SDI线缆与摄影机连接, 因此可互换连接线, 非常便于此类拍摄情况。

要连接Blackmagic URSA Studio Viewfinder和URSA Mini, 只需将寻像器的线缆连接到URSA正面的12V电源以及3G-SDI输出口即可。

您可以打开寻像器上的电源开关, 在摄影机开启的状态下立刻启动寻像器。请注意URSA Mini把手支架的侧面配有电缆夹, 可以帮您固定电缆, 使拍摄现场更加整洁。

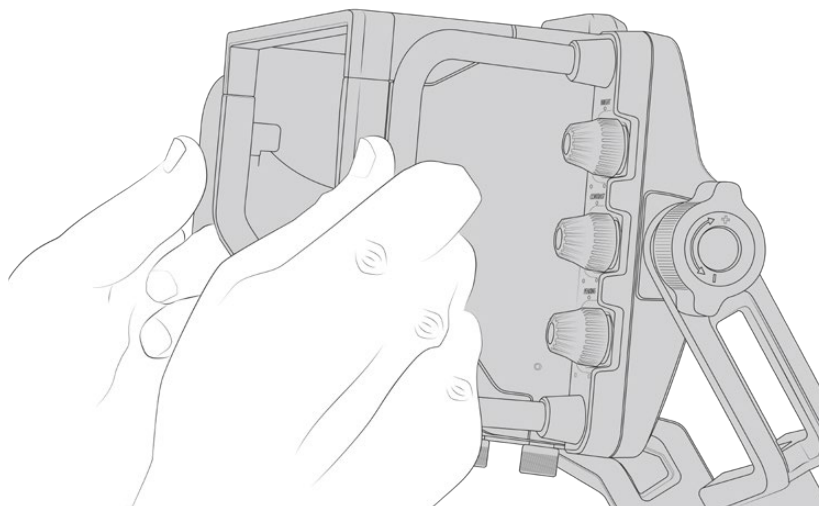


URSA Mini上的SDI与12V电源接口

**提示** URSA Studio Viewfinder使用开放标准SDI和广播级4针XLR电源接口, 可连接任何摄影机, 甚至可在从事外景拍摄时作为可调节的现场流动监视器使用。该设备还使用开放标准ATEM Tally和设备控制协议, 因此任何摄影机系统均可将这一信息添加到其SDI信号流当中, 获得URSA Studio Viewfinder上的Tally功能和叠加信息。

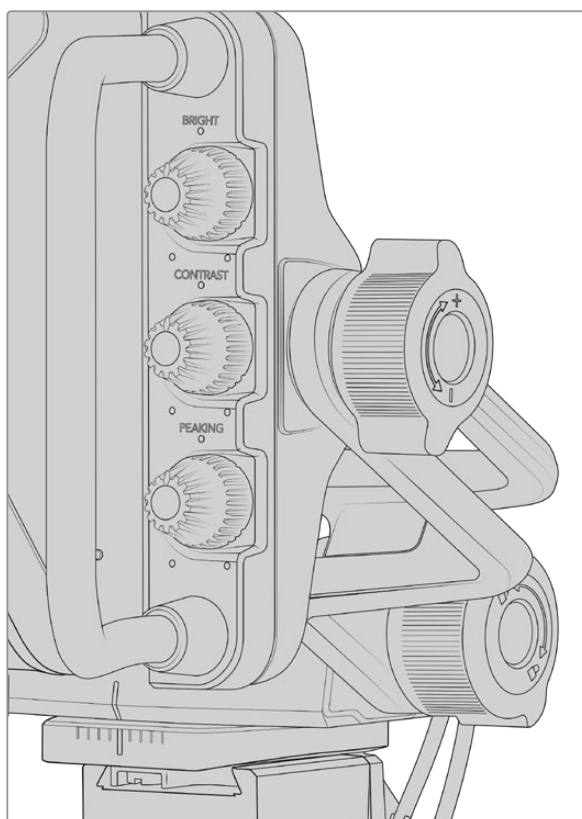
## 调整Blackmagic URSA Studio Viewfinder

Blackmagic URSA Studio Viewfinder配有大尺寸把手和可调节支架, 让您能够调整寻像器的位置和角度。大尺寸把手使您能够迅速轻松地掌控寻像器, 调整角度和方向。把手附带遮光罩, 可以保护屏幕不受损伤, 这意味着您可以把安装完毕的Blackmagic URSA Studio Viewfinder放进手提箱里, 不用提前拆分。大尺寸把手使您能够轻松地拿起寻像器, 在不同的拍摄现场间移动。

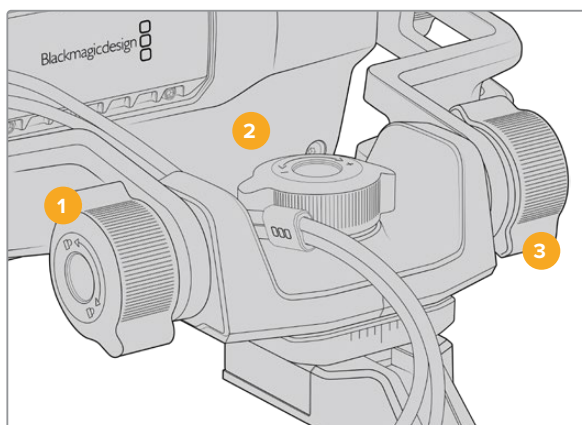


附带的支架配有竖移和平移张力调节旋钮, 寻像器两侧也附有额外的张力调节旋钮, 获得更好的摩擦控制。左侧旋钮可调整支架的摩擦阻力, 右侧旋钮可帮助您在找到需要的角度后把寻像器锁定到位。

这些张力旋钮拥有非常广泛的张力调整范围, 使您能够准确地选择所需的阻力。这样可以帮助您轻松地平移和竖移寻像器, 直到找到最精确的位置。



张力旋钮位于寻像器的两侧。

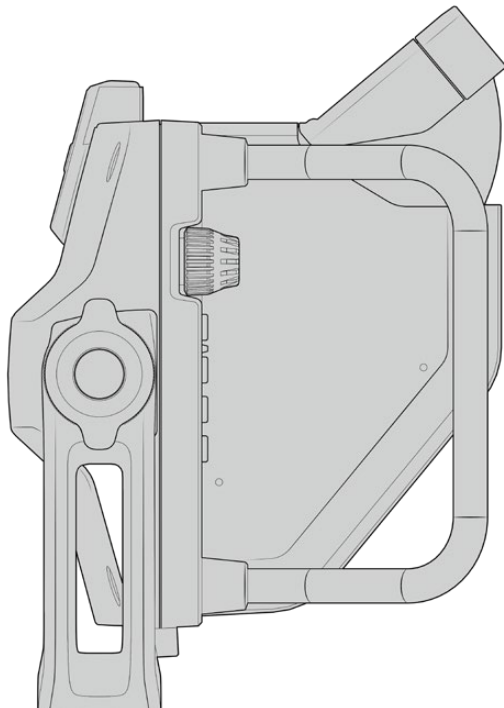
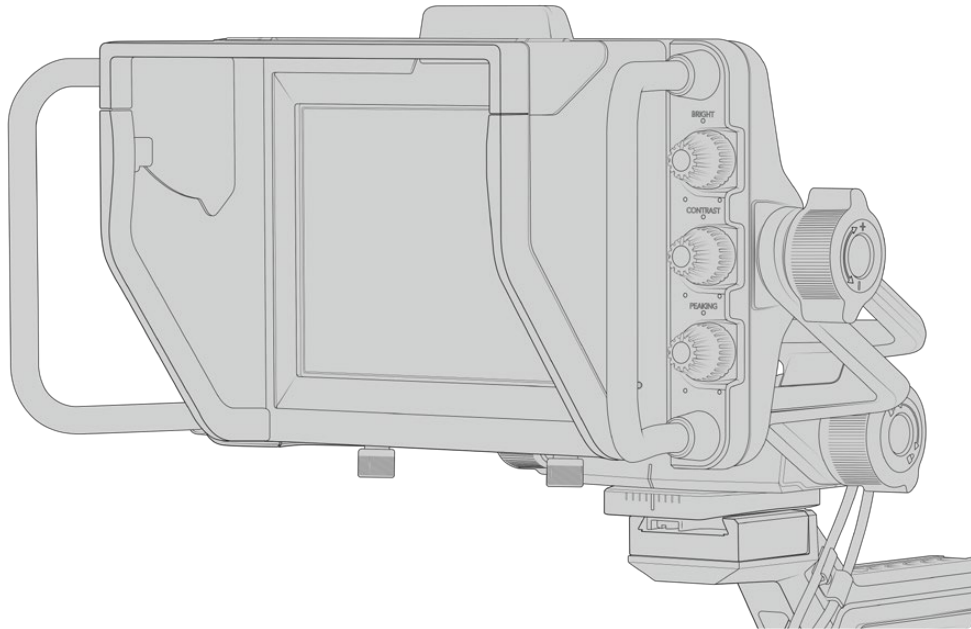


- 1 上下移动锁定旋钮**  
可锁定寻像器上下移动的角度。
- 2 左右移动力度旋钮**  
可控制左右移动的力度。
- 3 上下移动力度旋钮**  
可控制上下移动的力度。

**提示** 位于附带支架中间的张力调节旋钮可用来控制平移力度, 将其松开后能方便您在不移动寻像器的情况下单独移动摄影机。这样一来, 在拍摄如赛车运动等需要左右平移摄影机的动作画面时, 您就可以保持寻像器始终正面朝向您。支架上的刻度指引信息能帮助您轻松将寻像器回到正中间的位置。

## 遮光罩

遮光罩可帮助您在明亮或日光条件下看清屏幕。安装时, 将遮光罩滑入Blackmagic URSA Studio Viewfinder的上方, 推入到位, 然后用遮光罩底部的两个外加螺丝固定。遮光罩上的顶板可以上下调节, 从而拓宽可视角度。遮光罩可为7英寸屏幕提供额外的保护, 但也可根据您的需要快速卸下, 以便使用USB-C接口进行软件升级。

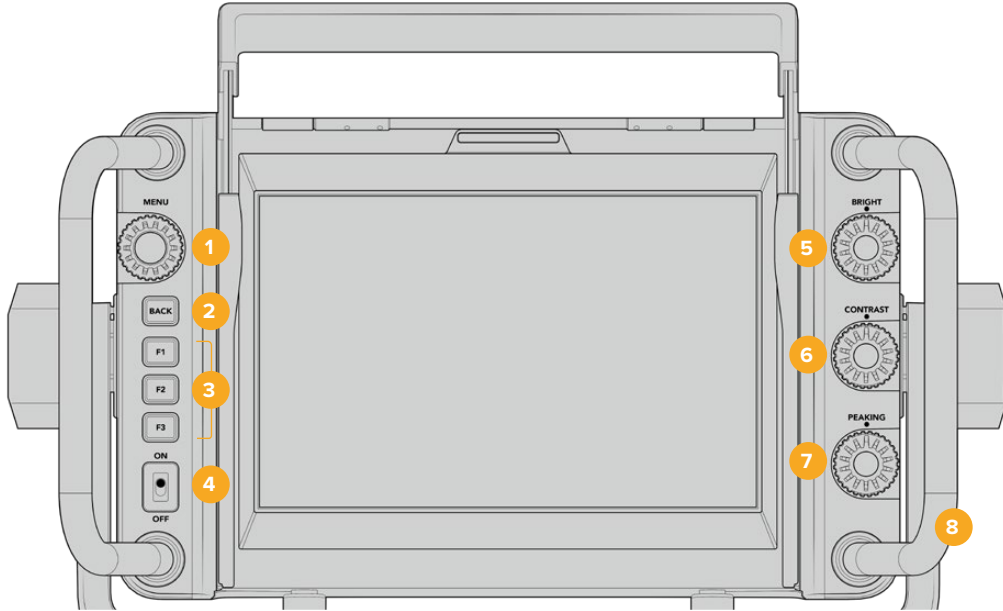


遮光罩与可调节顶板



## 按钮功能

右下方的轻触式旋钮可以快速简便地调节亮度、对比度和峰值。旋钮按照人体工程学设计, 使用遮光罩时, 您可以在侧面用拇指调节旋钮, 或者使用两根手指进行更精细准确的调节。



### 1 菜单旋钮

按下标有“MENU”字样的旋钮进入菜单和寻像器设置。

### 2 返回按钮

可退出菜单系统。

### 3 F1, F2, F3

可指派功能的按钮。您可以将最常用的功能指派到这些按钮, 以便快速调用。

### 4 开关

可开启和关闭Blackmagic URSA Studio Viewfinder。

### 5 亮度

可调整屏幕画面的亮度。屏幕上的叠加画面会显示-100到+100之间的亮度级别。

### 6 对比度

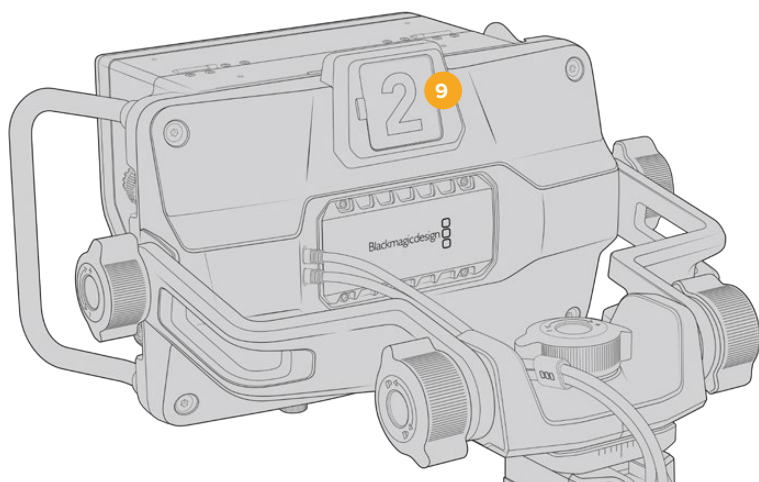
可调整屏幕画面的对比度。屏幕上的叠加画面会显示-100到+100之间的对比度级别

### 7 峰值对焦

可调整屏幕画面的峰值对焦级别。屏幕上的叠加画面会显示-100到+100之间的峰值对焦级别。您可以根据环境需要, 在设置菜单中选择不同的峰值对焦风格。您可以选择大家熟悉的传统广播系统的峰值对焦风格, 也可以选择彩色线对焦。和URSA Mini一样, 您可以根据不同拍摄环境灵活选择“红”、“绿”、“蓝”、“黑”或“白”线, 以便在画面中大量出现某种色彩时能看得更清楚。

### 8 把手

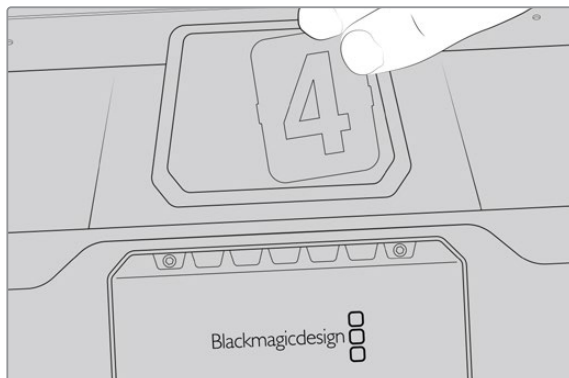
一体化的大尺寸把手使您能够在拍摄中稳稳掌握Studio Viewfinder, 在拍摄时轻松移动摄影机。同时在安装和拆卸时为屏幕提供保护。



## 9 Tally提示灯

位于Blackmagic URSA Studio Viewfinder后方的大型Tally提示灯可让拍摄对象和摄影师明确哪台摄影机画面被切入直播状态, 哪台摄影机画面即将被切入直播状态, 以及是否是ISO单独录制。Tally提示灯显示红色表示正在播出, 绿色表示预览, 与URSA Mini共同使用时, 显示橙色表示ISO单独录制。

当导演在ATEM切换台上切换不同摄影机画面时, Tally信息将通过SDI发送回摄影机上, 因此当预览某台摄影机画面用于切换, 或者当摄影机处于播出状态或录制状态时, Tally提示灯也会相应亮起。此外, URSA Studio Viewfinder还设有卡扣式透明摄影机号码牌, 可插入并固定在Tally提示灯上, 让身处20英尺外的您一眼就能轻松看清摄影机号码。



我们在软件安装程序中提供了可编辑的PDF软件, 您可以编辑和打印自己的提示灯号码牌, 从而与已有的号码牌匹配, 您也可以自制个性化Tally灯号码卡。安装Camera 4.1软件后, Mac用户可通过“应用程序” > “Blackmagic Cameras” > “文件”路径找到该软件, PC用户则可通过“Blackmagic Design” > “文件”路径找到该软件。

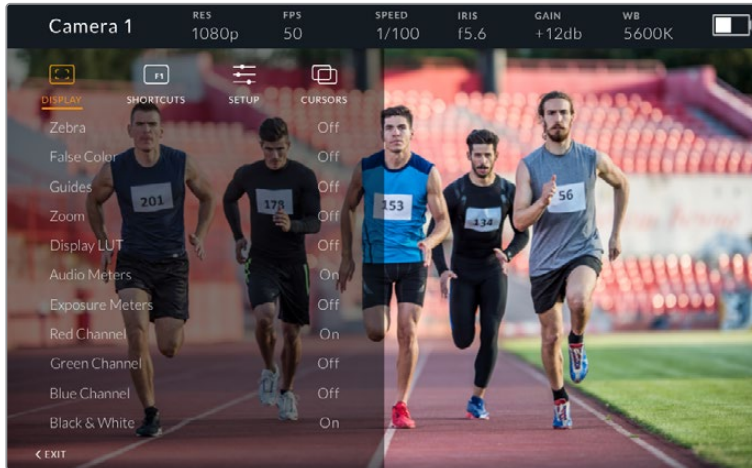
Tally提示灯将反馈ATEM切换台的导播控制, 当摄影机没有与切换台连接时, Tally提示灯将亮起红色, 作为单纯的记录提示灯。详情请参考本手册中“了解Studio Camera控制”章节的内容。

**提示** 将Blackmagic URSA Studio Viewfinder和ATEM切换台搭配使用时, 请务必在URSA Mini上选择“Clean Feed” (纯画面) 显示, 以确保通过SDI输出到ATEM切换台的画面不会含有叠加信息或对焦框。进入URSA的“MONITOR”菜单, 到“Main SDI”中选择“Clean Feed”。



## 菜单设置

寻像器的按键式菜单旋钮标有“MENU”字样，只要按下该旋钮就可以进入菜单，旋转该旋钮则可上下浏览菜单选项。当某一菜单的标题呈高光显示时，按下菜单旋钮可在DISPLAY (显示)、SHORTCUTS (快捷设置)、SETUP (设置) 以及CURSORS (叠加框) 子菜单之间切换。转动旋钮可在各个菜单的设置选项间上下翻动。当某一设置呈高光显示时，旋转该菜单旋钮可调整相应的设置。按菜单旋钮一次可确认选择。按“BACK”按钮即可退出菜单，此外，导航到“EXIT”选项并选中也可退出。



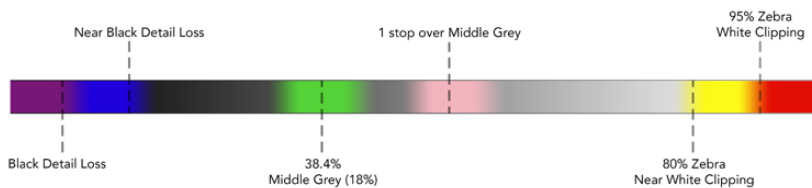
## 显示

### 斑马纹

即“Zebra”，可开启或关闭斑马纹。斑马纹显示级别取决于您在URSA Mini摄影机的“MONITOR”（监看）菜单中“All”（全部）选项下的具体设置。Studio Viewfinder未连接URSA Mini时，其斑马纹将显示Rec 709信号中95%的亮度级别。详情请参阅本手册“设置”部分的内容。

### 伪色

即“False Color”，可开启或关闭伪色功能。伪色功能可在您的图像上叠加不同色彩，以代表图像中不同元素的曝光值。例如，粉色表示适合较浅肤色的理想曝光，绿色则是较深肤色的理想曝光。在记录人物画面时可通过监看粉色或绿色伪色来保持不同肤色曝光的一致性。以此类推，当您图像中的元素从黄色变到红色，就意味着现在处于过曝状态。伪色常被用来作为检查曝光度的参考工具，因此您可将伪色指派到其中一个功能按钮，以便快速进入这一常用功能。



伪色表

## 帧导栏

即“Guides”，该设置可提供显示或隐藏帧导栏的选项。显示的帧导栏类型取决于您在URSA Mini摄影机的“MONITOR”（监看）菜单中的“All”（全部）选项下的具体设置。

所显示的宽高比、帧导栏不透明度、安全框百分比以及网格类型也取决于您在摄影机中的设置。启用显示菜单中的帧导栏选项时，您还能通过Studio Viewfinder中的“SETUP”（设置）菜单来配置需要在寻像器中显示的帧导栏类型。然后，您只要通过一个命令就可以开启或关闭帧导栏了。

## 缩放

即“Zoom”，可打开或关闭缩放功能。您可以使用该功能将画面放大，这样能有助于更精准地对焦。放大时，您可以通过左右转动菜单旋钮来查看屏幕中的任何部分。叠加框将显示您当前放大查看的是画面中的哪一部分。

## 显示LUT

即“Display LUT”，从URSA Mini发送电影动态范围的SDI信号时，“Film to Video”和“Film to Extended Video”设置可让您为图像套用色彩更绚丽、对比度更高的LUT。寻像器会检测到这些LUT是否被使用，并给出选项让您在寻像器中开启或关闭LUT。当前方SDI输出上使用某个显示LUT，或者当您在使用另一个LUT时，这一选项会禁用，防止应用多个LUT的现象发生。

## 音频表

即“Audio Meters”，可显示通过SDI输入到Blackmagic URSA Studio Viewfinder上的音频电平，从而显示URSA Mini的音频输入电平。如果您选择了节目输入，音频表将显示相应的音频电平。

## 曝光表

即“Exposure Meters”，可开启或关闭直方图显示。

## 红色通道

即“Red Channel”，可开启或关闭图像中的红色通道。

## 绿色通道

即“Green Channel”，可开启或关闭图像中的绿色通道。

## 蓝色通道

即“Blue Channel”，可开启或关闭图像中的蓝色通道。

## 黑白

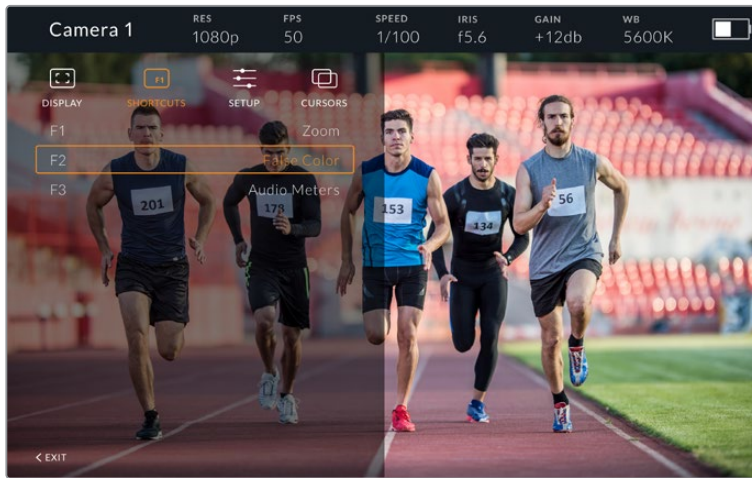
即“Black & White”，可在彩色和黑白显示之间切换。

## 快捷设置

可为F1、F2和F3快捷按钮映射不同的功能，以便您可以使用快捷设置按钮来开启或关闭显示菜单中的某些设置或叠加框。当您需快速操作某个常用功能时，快捷按钮设置就会十分有用。

自定义快捷按钮步骤如下：进入“SHORTCUTS”菜单，旋转标有“MENU”字样的按键式菜单旋钮在选项间上下移动，以选中3个按钮之一来指定您的快捷按钮。按下菜单旋钮确认您的选择，然后再旋转菜单旋钮来查找可指派的功能。您可以在以下几个功能中选择其一：“Zoom”（缩放）、“Cursor 1”（叠加框1）、“Cursor 2”（叠加框2）、“Cursor 3”（叠加框3）、“Zebra”（斑马纹）、“False Color”（伪色）、“Guides”（帧导栏）、“Film to Video”（电影到视频）、“Audio Meters”（音频表）、“Exposure Meters”（曝光表）、“Red Channel”（红色通道）、“Green Channel”（绿色通道）、“Blue Channel”（蓝色通道）、“Black and White”（黑白）。选择完毕后，按下菜单按钮以确认选择，并将该功能指派到您所选的快捷设置按钮上。这样一来，按下该快捷按钮即可开启或关闭相应功能了。

根据需要完成快捷设置后，您可以滚动到“Exit”再按菜单旋钮来关闭菜单显示视图，或按下“BACK”按钮退出菜单。



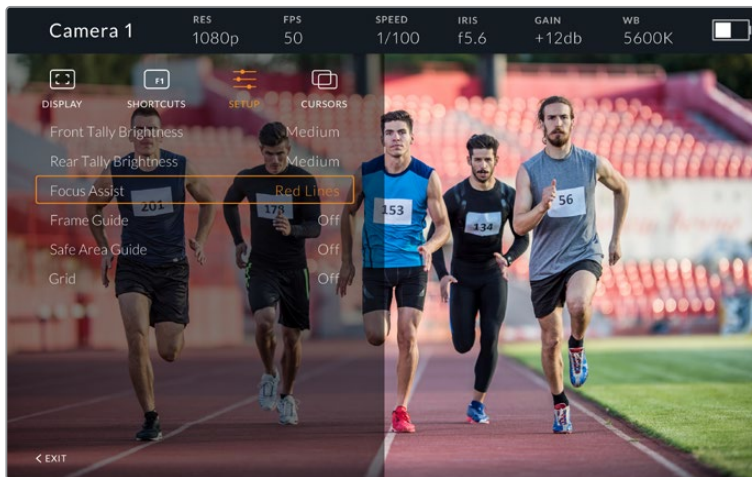
“SHORTCUTS”快捷设置的子菜单

## 设置

“SETUP”菜单中提供了多项寻像器偏好设置供您选择。

### 前方Tally灯亮度

即“Front Tally Brightness”，可调整Tally的LED灯亮度，可用选项有“Off”（关）、“Low”（低）、“Medium”（中）和“High”（高）。Tally灯会在您进行调整时亮起，以便您明确每个选项所代表的亮度。



“SETUP”设置子菜单

### 后方Tally灯亮度

即“Rear Tally Brightness”，可调整Tally的LED灯亮度，可用选项有“Low”（低）、“Medium”（中）和“High”（高）。Tally灯会在您进行调整时亮起，以便您明确每个选项所代表的亮度。

**提示** 建议您在明亮环境下使用高亮LED亮度设置，以便播报人员和工作人员均能更清晰地看见机位状态。在较暗的环境下拍摄时，使用低亮LED亮度设置应可足以察觉。

## 对焦辅助

即“Focus Assist”，设置可切换代表寻像器对焦峰值的显示颜色。可用选项有“Red”（红）、“Green”（绿）、“Blue”（蓝）、“Black”（黑）和“White”（白），以及传统的峰值对焦提示色。

## 帧导栏

即“Frame Guide”，可选择不同的帧导栏作为Studio Viewfinder的辅助显示。连接到URSA Mini时，帧导栏将根据摄影机的“帧导栏”宽高比来对应显示。连接到其他设备时，帧导栏将默认设置为14:9的宽高比。

## 安全框

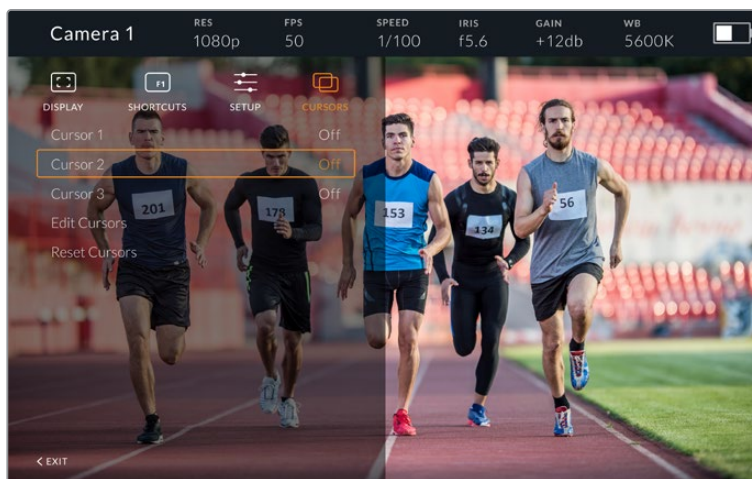
即“Safe Area Guid”，可选择不同的“安全区”提示框作为Studio Viewfinder的辅助显示。连接到URSA Mini时，安全框将根据摄影机的“安全框”百分比来对应显示。连接到其他设备时，安全框将默认设置为90%。

## 网格

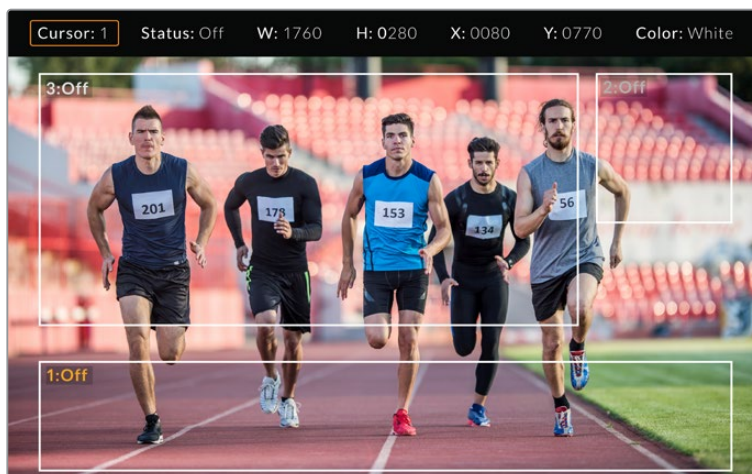
即“Grids”，可选择不同的网格作为Studio Viewfinder的辅助显示。连接到URSA Mini时，网格将根据摄影机的“网格”设置来对应显示。未连接时，该选项则可用于开启或关闭十字准线显示。

## 叠加框

即“Cursors”，可标出屏幕不同区域叠加显示的图文信息，如下横栏、图形、徽标以及滚动信息等。要调整叠加框，请选择“CURSORS”菜单，选择“Edit Cursors”（编辑叠加框），然后就会进入一个页面，当中显示了三种叠加框选项，您可以根据需要选择任何一种，然后输入宽度、高度、X和Y坐标来单独放置每类叠加框。



“CURSORS”叠加框子菜单





显示了不同叠加框的屏幕

设置完成之后,您可以通过“CURSORS”菜单来开启或关闭叠加框,也可将这一功能指派到其中一个功能菜单,获得快捷设置途径。该功能对于现场制作来说非常重要,因为它可以让摄影师明确构图要求,准确取景进行拍摄。您可以创建多达三个黑白自定义叠加框来变更高度、宽度和位置,以便对应现场或之后播出时添加的图文位置。您还可以选择重置叠加框,让它们回到默认状态。

## 在Blackmagic URSA Studio Viewfinder上使用耳麦

将Blackmagic URSA Studio Viewfinder和URSA Mini搭配使用时,摄影机上的耳机接口将成为对讲耳麦接口,从而实现摄影师和导演的直接通话。

要获得更多高端对讲功能,您还可以使用Blackmagic Camera Fiber Converter和Blackmagic Studio Converter,从而使用配有5针XLR接口的标准广播耳麦。详情请阅读“Blackmagic Fiber Converter系列”部分的内容。

**提示** 由于URSA Mini的耳机插孔兼容iPhone耳机,因此您可使用iPhone耳机实现与导演的交流。按下内置遥控上的按钮可实现和导演之间的对讲功能。

## URSA Viewfinder内部软件升级

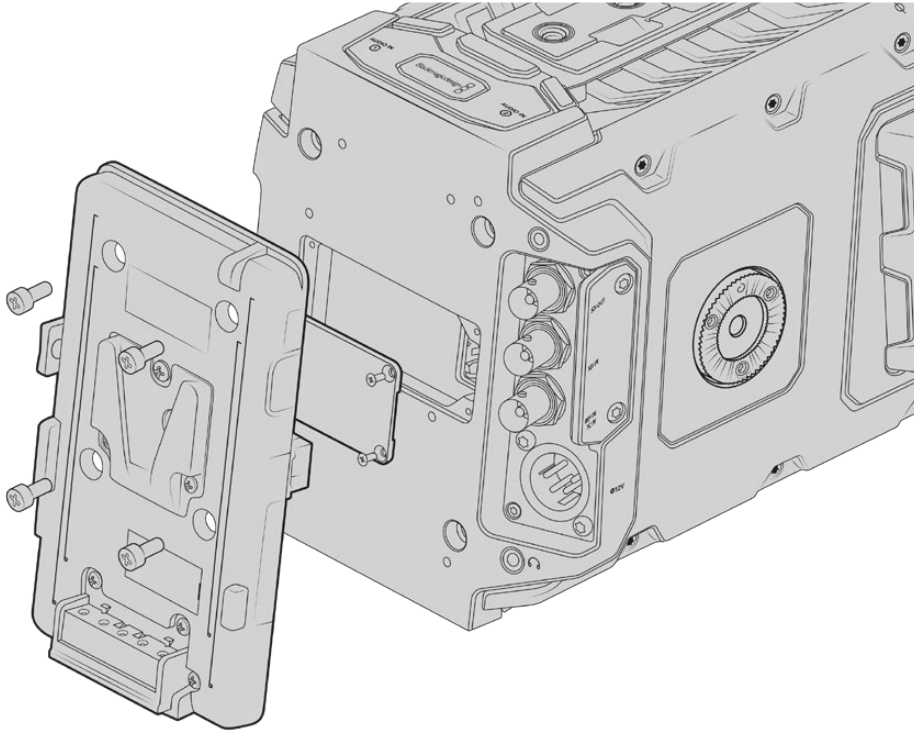
您可通过Blackmagic Camera Setup实用程序更新寻像器软件。升级时寻像器需要有充足的电量,因此我们建议您在升级过程中始终保持寻像器连接在您的URSA上。这也意味着,URSA需要供应持续的电量,因此请您务必连接外部电源。

移除遮光罩可露出位于Blackmagic URSA Studio Viewfinder底部的小型USB-C接口,以便您通过USB-C端口连接计算机。当打开Blackmagic Camera Utility软件时,寻像器将连接到您的计算机上,如果计算机探测到您的寻像器使用的是旧版本,将提示您进行软件更新。按照屏幕提示更新您的寻像器内部软件。详情请参阅本手册“Blackmagic Camera Setup实用程序”部分的内容。

建议您同时更新所有Blackmagic URSA设备,以便获得最佳性能。

**备注** 当URSA Mini搭配Blackmagic URSA Studio Viewfinder使用时,我们建议您将寻像器的内部软件升级到最新版本,以确保兼容性。请登陆Blackmagic Design支持中心[www.blackmagicdesign.com/cn/support](http://www.blackmagicdesign.com/cn/support)获得最新版软件。详情请参阅本手册“Blackmagic Camera Setup实用程序”部分的内容。

## 安装电池



连接第三方电池扣板后可安装V-Mount或Gold Mount电池。

### 安装V-Mount或Gold Mount电池

您可为Blackmagic URSA Mini连接行业标准V-Mount或Gold Mount电池。

您需要为摄影机底座安装Blackmagic URSA VLock Battery Plate或URSA Gold Battery Plate, 或安装第三方电池扣板, 才能安装电池。

**提示** Blackmagic URSA VLock Battery Plate和URSA Gold Battery Plate与所兼容电池一起使用时支持以百分比显示电池电量信息。Blackmagic电池扣板设有“+12V OUT”接口, 也称为“D-tap”或“P-tap”, 可为外部监视器等附件供电。需要注意的是, 由于该输出口由摄影机稳压控制, 因此可在摄影机关机时安全断电。该稳压输出提供12伏电源, 上至1.5安。有些第三方URSA电池扣板, 甚至有些电池提供的是非稳压D-tap输出。当摄影机重启期间它们会持续供电, 但具体电压取决于电池的充电程度, 并且连接的配件也将继续消耗电池电量。

您可以从Blackmagic Design经销商购买Blackmagic URSA VLock Battery Plate和URSA Gold Battery Plate电池扣板, 或从专业数字电影和视频设备供应商购买第三方电池扣板。

如果您没有专为Blackmagic URSA或URSA Mini设计的市售电池扣板, 也可以使用内附的适配器电缆和连接器来改装手头的电池扣板。请参考“使用您自己的电池扣板”章节获得更多有关如何自定义任何电池扣板用于URSA或URSA Mini的内容。

#### 将电池扣板安装到摄影机后面板步骤如下:

- 1 如果URSA Mini后面板安装了Molex电源盖, 可用PH1十字螺丝刀卸下电源盖上的十字螺丝, 取下电源盖。
- 2 将电池扣板的Molex接口与摄影机的Molex电源接口连接。
- 3 使用4枚M3螺丝将电池扣板旋紧并固定到Blackmagic URSA Mini的连接板上。请确保连接器的线缆妥善收纳于线槽内, 切勿在固定过程中将线缆卡入并挤压在连接板之间。
- 4 为摄影机连接完电池扣板之后, 您就能安装V-Mount或Gold Mount电池, 为摄影机供电。

## 使用您自己的电池扣板

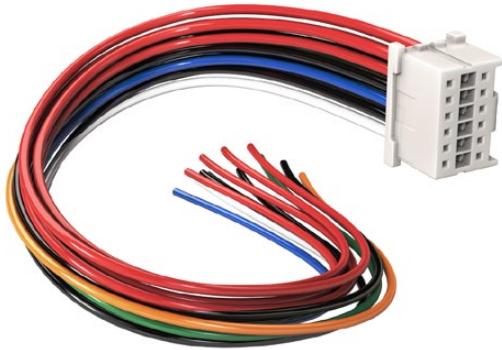
### 适配器电缆和连接器

如果您没有市面上出售的URSA Mini专用电池扣板, 您还可以使用内附的转接线和连接器来改装电池扣板。如需该配件可与Blackmagic Design当地支持中心联系。

用转接线和连接器连接电池扣板步骤如下:

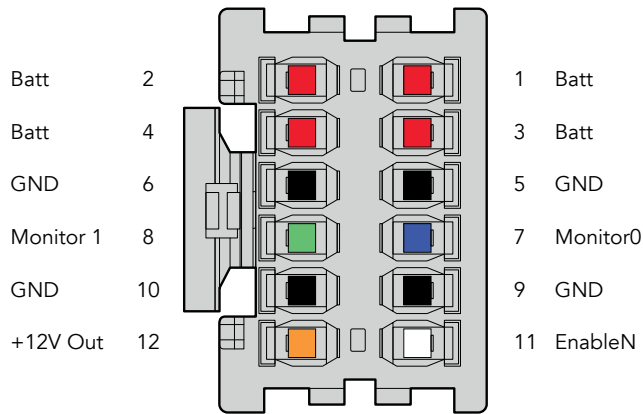
- 1 找到红色和黑色电缆, 从头剥去约半英寸(约合1.27厘米)的电缆保护层。
- 2 将4跟红色“Batt”电缆焊接到电池扣板上相应的正极电缆上。
- 3 将4根黑色“GND”电缆焊接到电池扣板上相应的负极电缆上。

请确保接点完全绝缘。



如果您需要改装任何电池扣板以便插入URSA, 请使用提供的适配器电缆和接头, 您也可向当地Blackmagic Design办事处获取。

这样, 摄影机就能从电池获得电源。您也可以连接更多电缆获得12V输出和电池状态等功能。请参考以下表格获得电池扣板详细信息, 以便妥善布线。如需更多帮助, 请访问Blackmagic Design支持中心网址: [www.blackmagicdesign.com/cn/support](http://www.blackmagicdesign.com/cn/support)。



适配器接头外壳背面图示。  
请参考电缆配置表获取每个引脚的描述信息。

### 电缆配置表

引脚	信号	颜色	方向	描述
1, 2, 3, 4	Batt	红	接入到URSA	12V到20V
5, 6, 9, 10	GND	黑	—	—
7	Monitor0	蓝	接入到URSA	模拟电池容量电平或数据线开漏 (最大20V)
8	Monitor1	绿	接入到URSA	时钟线开漏 (最大3.4V)
12	+12 V out	橙	从URSA接出	12V稳压输出最大1.5A (18W)
11	EnableN	白	接入到URSA	连接到GND接地端以达到+12V输出。 如不要求+12V, 则不用连接。

每个Batt电池端和GND接地端引脚均支持3安培。请确保所有Batt电池端和GND接地端引脚均妥善连接。如需使用Anton Bauer、IDX或Blueshape扣板监看电池状态, 请参考以下连接表格:

<b>Anton Bauer</b>	将剥去外皮的蓝色/白色线缆与连接器外壳上的7号引脚的蓝色线缆相连。
<b>IDX</b>	将绿色线缆与连接器外壳上的8号引脚的绿色线缆相连。 将灰色线缆与连接器外壳上的7号引脚的蓝色线缆相连。
<b>Blueshape</b>	将标有“SMBC”的蓝色线缆与连接器外壳上的8号引脚的绿色线缆相连。将标有“SMBD”的褐色线缆与连接器外壳上的7号引脚的蓝色线缆相连。

将不用的电缆割去, 尽可能缩短其暴露在连接器反面的长度。



# Blackmagic Fiber Converter系列

Blackmagic Camera Fiber Converter和Blackmagic Studio Fiber Converter选配组件可通过SMPTE光纤连接您的摄影机及ATEM切换台。

SMPTE光纤可让您在ATEM切换台和摄影机之间连接通过一根标准工业SMPTE复合光电缆，实现所有视频、供电、对讲、Tally和摄影机控制信号的传输。采用SMPTE光纤连接可明显减少使用线缆的数量，从而可提高部署效率、简化运行环节。Blackmagic Studio Fiber Converter所设的标准接口可让您更轻松地地在现有转播车基础上添加光纤转换器。

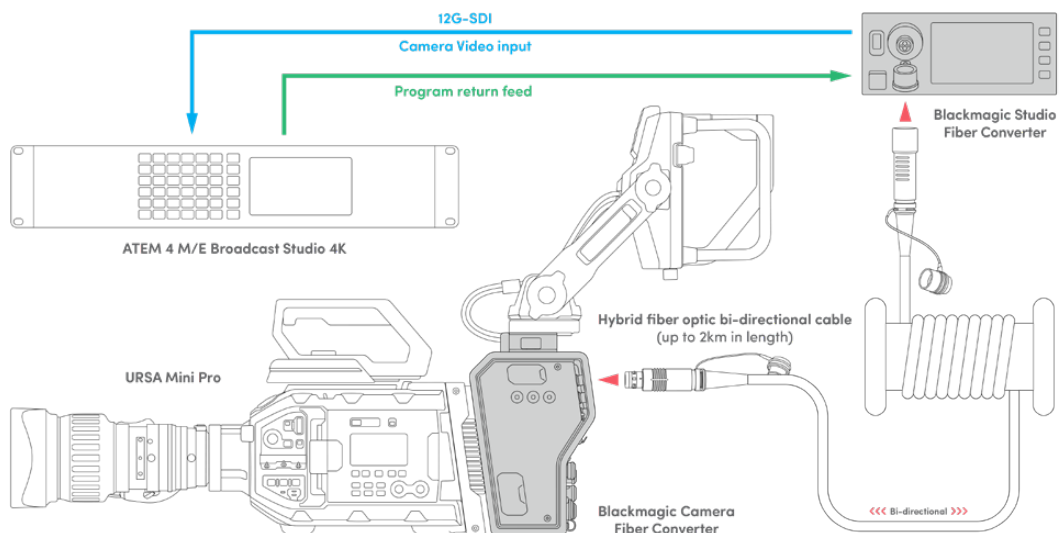


## Blackmagic Camera Fiber Converter

该转换器可安装在URSA Mini或URSA Broadcast摄影机的后侧，通过标准SMPTE 304复合端口连接至Blackmagic Studio Fiber Converter。

## Blackmagic Studio Fiber Converter

该转换器可将摄影机端设备的光纤SDI信号通过BNC转换成SDI信号，连接在ATEM切换台一端。并且还将来自ATEM切换台的节目返送等所有返送信号源发送至摄影机端。



Blackmagic Camera Fiber Converter和Studio Fiber Converter转换器可通过单根SMPTE光纤电缆连接提供高效SDI视频、电源、对讲、Tally以及控制信号传输。

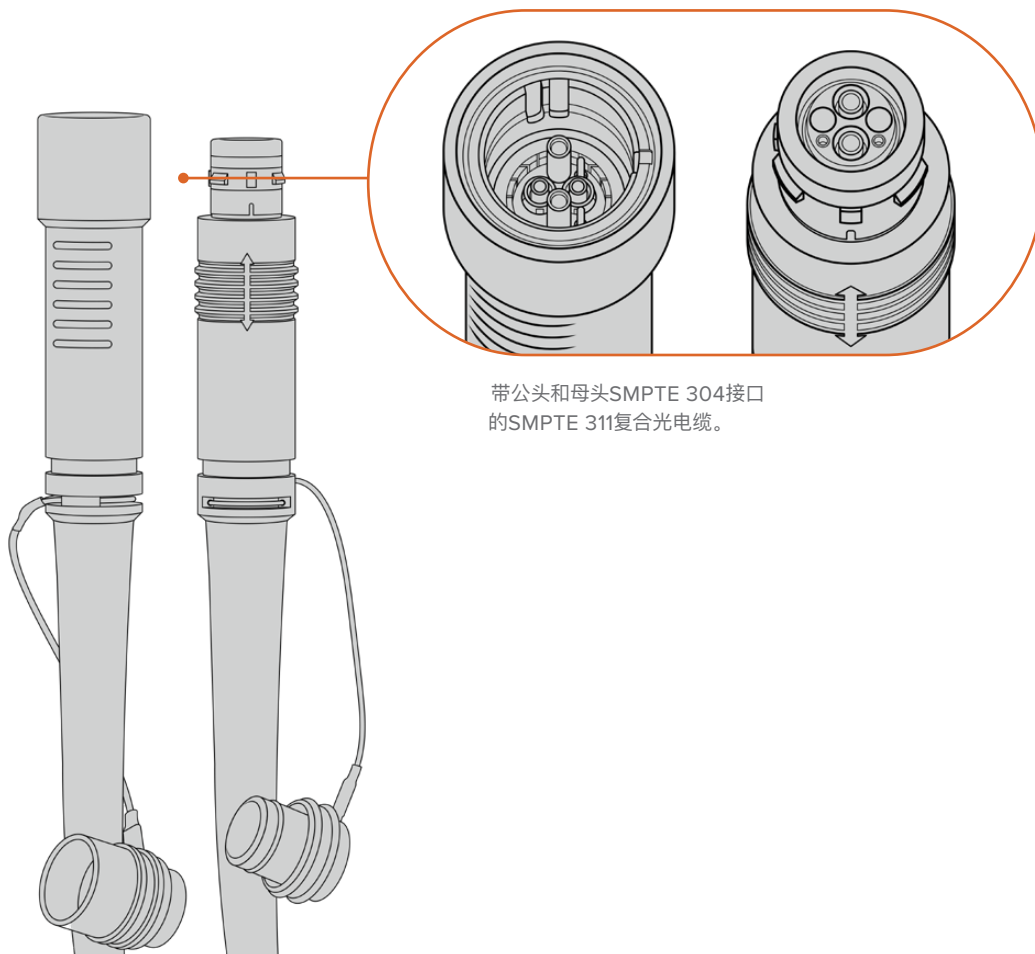
# Blackmagic Fiber Converter系列使用入门

使用前的准备工作既快速又高效。很短时间就能一切就绪，然后就可以开始制作视频内容，使用SMPTE光纤传输所带来的优势。

## 关于SMPTE光纤

SMPTE光缆提供了长距离传输多路信号及供电的简便方式。这一特性对于广电行业非常实用，因此您无需在切换台和多台摄影机之间连接多条线缆。

SMPTE 311复合光缆可让您通过符合工业标准的单根复合缆将每台摄影机与ATEM切换台相连，从而实现所有视频、电源、对讲、Tally及控制信号统统经由一根线缆传输。采用这种光纤，您还可以将信号及电源传输延长至2公里远。



带公头和母头SMPTE 304接口的SMPTE 311复合光缆。

**备注** SMPTE 311复合光缆的公头和母头端是根据SMPTE 304端口内部的公母引脚而定的，而非端口外部特征而定。

**提示** 将SMPTE光缆两头的橡胶盖与转换器上的橡胶盖连接，可以防止灰尘进入橡胶盖。

使用SMPTE光纤连接的一大优势是可连接到传统现场播出环境下的总控室或转播车中。大多数现代体育场馆在摄影机机位与总控室或转播车之间都已铺设了光纤，因此您只要直接连接至这些现成的系统即可。

用于连接已有的光纤系统，或用于连接两台Blackmagic光纤转换器的光缆是符合SMPTE 311标准、配有SMPTE 304端口的复合光电缆。

## 保护SMPTE端口

随时随地用橡胶盖保护好SMPTE光缆端口是非常重要的。即使分分钟所累积的灰尘粒子也会影响到打磨后的光纤端口的信号流传输。因此最好是当端口暴露后就立刻盖上橡胶盖。例如，连接之前或是断开连接之后立刻盖好。

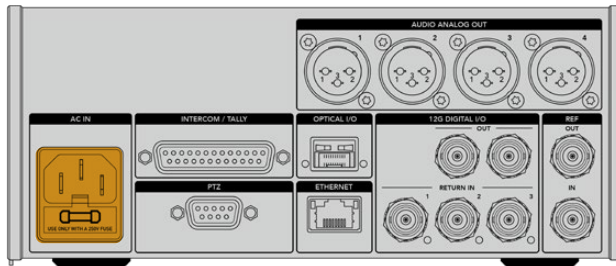
我们还建议您使用SMPTE光缆时，把光纤端的橡胶盖与转换器的橡胶盖相连，以免灰尘进入橡胶盖内。

## 连接电源

电源是从演播室端的转换器经由光缆进入摄影机端转换器，因此首先要为演播室转换器连接电源。

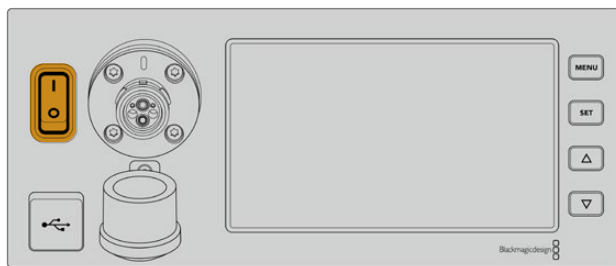
### 为Studio Fiber Converter连接电源

将标准IEC电源线连接到演播室转换器后侧的电源接口。



您可通过标准IEC电源线将Studio Fiber Converter连接至电源。

要开启该设备，请将控制面板正面的电源开关置于开的位置。



## 连接SMPTE光纤

下一步准备工作是用SMPTE光纤将演播室转换器和摄影机转换器相连。这样电源将从演播室转换器传输到摄影机转换器，并且光纤可以传输所有的视频信号。

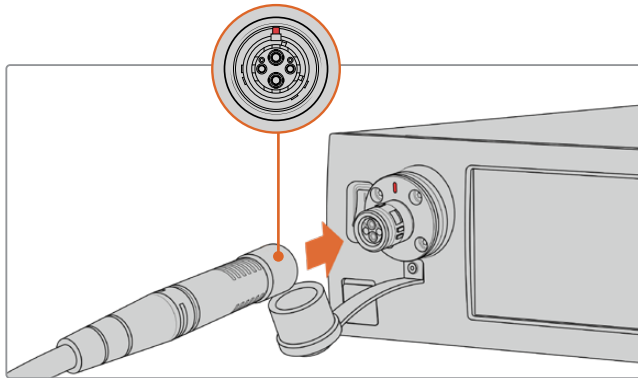
**备注** 每次通电后的复合光缆与转换器连接时，都会开始全面的安全检查，使用期间转换器将持续对电源安全进行监测。

### 为演播室转换器连接光缆

SMPTE光缆的公头接口端将牢固地锁定在Blackmagic Studio Fiber Converter前面板上的母头光纤接口上。衔接处设有安全锁定机制可确保播出时线缆不会意外断开。

#### 连接线缆：

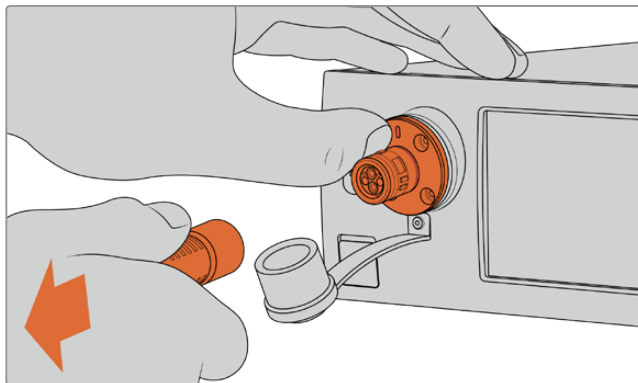
把线缆端口上的红色指示对准转换器设备光纤接口上的红点，然后将线缆插入直至锁定到位。



将SMPTE复合光纤的公头插入Blackmagic Studio Fiber Converter的母头端口。

#### 断开线缆连接：

将演播室转换器上光纤接口的金属底座朝前面板方向按下并拔出线缆。



将演播室转换器上光纤接口的金属底座朝前面板方向按下并从设备上拔出线缆。

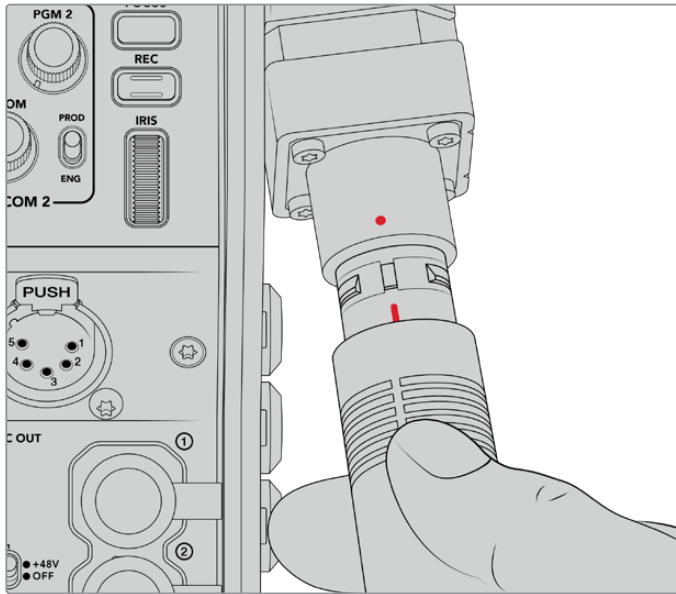
连接完，强烈建议您将SMPTE光缆末端的橡胶盖与Blackmagic Studio Fiber Converter的橡胶盖相连。以免灰尘或尘土进入橡胶盖内，并确保橡胶盖的清洁。

## 为摄影机转换器连接光缆

SMPTE光缆的母头端口可锁定Blackmagic Camera Fiber Converter的公头端口, 从而播出时线缆不会意外断开连接。

### 连接线缆:

- 1 把线缆端口每侧的红色指示对准摄影机转换器设备上光纤接口的红点, 将线缆插入直至锁定到位。
- 2 连接完, 强烈建议您将SMPTE光缆末端的橡胶盖与Blackmagic Camera Fiber Converter的橡胶盖相连。以免灰尘或尘土进入橡胶盖内, 并确保橡胶盖的清洁。

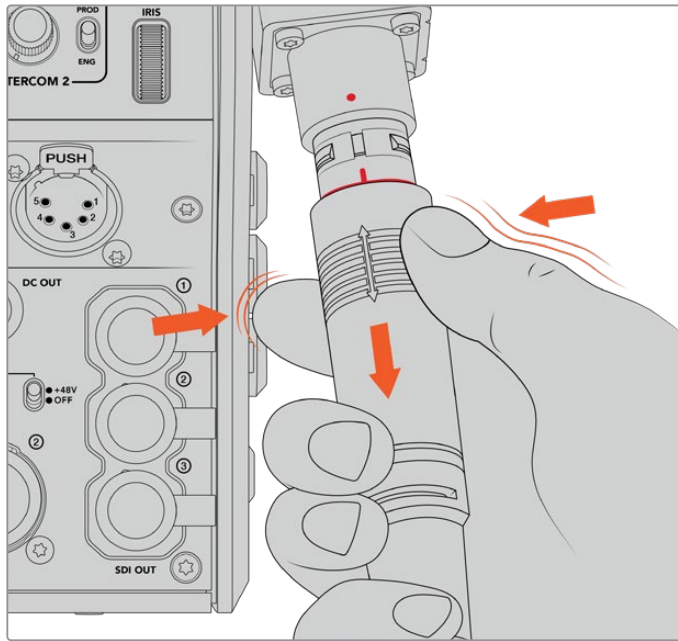


对准红色提示将SMPTE复合光缆插入Blackmagic Camera Fiber Converter上的大端口上。

**备注** SMPTE 311光缆上的SMPTE 304接口非常坚固, 能够牢牢锁定摄影机。如果您需要拔出光缆, 请务必将摄影机固定在三脚架连接头上, 或者用空出的手固定住摄影机, 然后拔出光缆。

### 断开线缆连接:

- 1 挤压线缆母头一侧的顶部, 按住线缆周围的橡胶膜, 将其轻轻从线缆顶部拔出直至看到里面的红圈。这样可以使内部锁紧机制咬合部件分离。
- 2 一手轻轻按住摄影机, 并将线缆从Blackmagic Camera Fiber Converter端口拔出。无需过多外力即可将线缆轻松断开。



挤压线缆顶部周围的橡胶保护直至漏出红圈，然后拔出线缆以断开连接

**备注** SMPTE复合光缆是广电生态系统的核心部件，请务必细心维护。比如，尽量避免光缆打结、被沉物压住、或弯曲90度等情况的发生。尽量避免线缆接头坠落，在连接和拔出时请小心谨慎。拔出光缆后，请立刻用盖子盖住接头。

## 确认电源和光纤

两台设备间将进行调试从而确保电源安全供应和光纤连接完好。

这一过程涉及以下内容：

- 1 演播室转换器与摄影机转换器建立低电压连接。此时摄影机转换器电源指示灯会亮起红色。
- 2 当电源确认安全连接后，将启用高压电源，摄影机转换器的电源指示灯将亮起绿色。
- 3 光纤连接被确认后，光纤状态指示灯将亮起绿色。

这一过程通常很快，指示灯几乎是立刻从红变绿。如果使用线缆距离过长，调试过程可能会稍长一些，之后指示灯才会亮起绿色。

如果电源灯很长一段时间都保持红色而不变绿，或在红色和绿色之间闪烁，请检查光纤的两端确保连接完好。如果仍无好转，请检查您的光纤状况。

## 电源安全注意事项

SMPTE复合光电缆能够长距离输送高压电，让您为两公里之内的摄影机和配件供电。

为保证操作安全，Blackmagic Studio Fiber Converter配备内置安全机制，确保电压得到准确监控和自动管理。

Blackmagic Fiber Converter之间设有专用微型控制器及内部调试沟通功能，能够确保复合光电缆在连接Camera Fiber Converter之前处于断电状态。随后它会进入低压模式，在完成安全检查后再进入高压模式。两款转换器会确保在出现光纤信号后、且检测到信号芯电流环路5mA、以及电源芯漏电流小于30mA后，才会启用高伏电压。

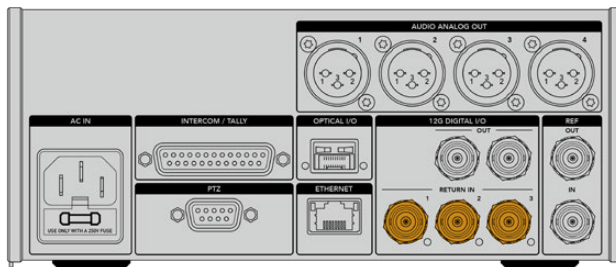
## 连接到ATEM切换台

将Blackmagic Studio Fiber Converter与切换台连接步骤如下：

- 1 通过BNC线缆将Blackmagic Studio Fiber Converter后侧的12G-SDI输出接口与切换台上的其中一个SDI输入接口相连。请确保将您的摄影机设置为与切换台所相同的格式和帧率。
- 2 通过BNC线缆将切换台上的节目返送信号输出与演播室转换器后侧的“RETURN IN 1”输入相连。

**提示** 在现场制作中采用多机位拍摄时，您可能需要通过Teranex Mini SDI Distribution 12G或Smart Videohub，用切换台运行节目返送信号。这是因为切换台的节目输出有限，您可能需要更多。

- 3 如果需要更多返送信号发送回摄影机的话，如纯净节目返送信号、提词器信号、来自另一台摄影机的ISO信号、图文或是其他信号等，请将其连接至“RETURN IN 2”或“RETURN IN 3”。



把切换台上的节目返送信号及其他返送源插入演播室转换器后侧标有“RETURN IN”的输入上。

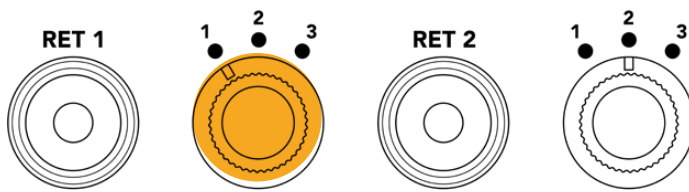
## 确认视频

接下来要检查视频是否正常运作及出现所有返送信号。

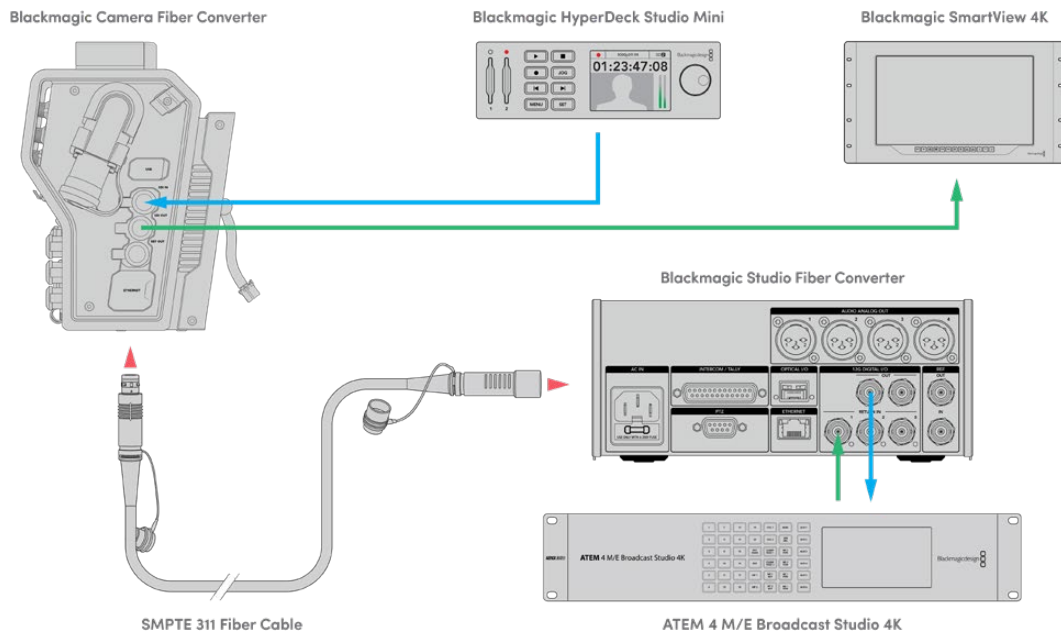
- 1 确保ATEM切换台的节目输出连接至演播室转换器的SDI “RETURN IN 1”输入上。
- 2 如果要检查所有返送信号，请将视频源插入SDI “RETURN IN 2”和“RETURN IN 3”上。
- 3 现在可将Blackmagic SmartView 4K等SDI监看设备连接至摄影机转换器一侧的“SDI OUT”接口上。

将监看设备连接至SDI输出后，转动返送按钮旁边的相应选择旋钮在三路返送信号之间进行切换。如有需要，可将两个返送按钮设置为监看不同的两路返送信号。





在摄影机转换器上的返送信号之间进行切换并按下对应的返送按钮在监看设备上查看所选的信号



要确认视频，将视频源连接至演播室转换器上的返送信号输入上，随后可在连接至摄影机转换器端的监看设备上观看

## 为何要将接口置于前面板？

光纤接口位于演播室转换器的正面，这样当它位于在机架后侧时就成了光纤接线口。通常安装时，演播室转换器将面向机架的后侧，从而SMPTE线缆就可以直接连接到设备上。也就是说，不再需要额外的后面板接线板，也省去了额外连接至光纤设备的一小段线缆。SMPTE光纤接口旁边的大型LCD屏幕可让您迅速确认是否无误地连接至摄影机端。



## 连接摄影机SDI

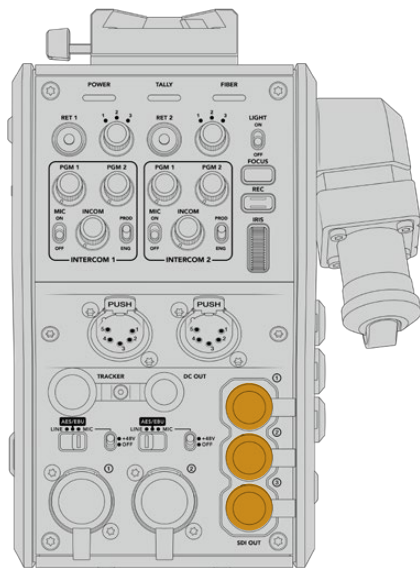
为Blackmagic Camera Fiber Converter与URSA Mini或URSA Broadcast连接视频信号的步骤很简单, 只要将转换器一侧所提供的三根SDI线缆中的两根连接至摄影机后侧即可。

将Camera Fiber Converter连接至摄影机的步骤如下

- 1 用所提供的一根BNC线缆将Blackmagic URSA Mini或URSA Broadcast摄影机后侧的12G-SDI输出连接至Blackmagic Camera Fiber Converter的SDI输入。
- 2 用所提供的另一根BNC线缆将Blackmagic Camera Fiber Converter的SDI输出连接至Blackmagic URSA Mini或 URSA Broadcast摄影机后侧的12G-SDI输入。

## 连接返送SDI输出

摄影机转换器正面标有“SDI OUT”的三个SDI输出接口可环通输出来自切换台的返送信号。因此可将返送信号连接至摄影机附近的其他SDI设备, 如提词器或播报员监看设备等。



三个返送信号环通输出可连接至摄影机附近的其他SDI设备, 如提词器或播报员监看设备等。

**备注** 返送信号SDI环通输出支持3G-SDI, 能够为三路独立的信号提供足够的带宽。因此, 来自切换台最高2160p60的Ultra HD返送信号会按照相等的帧率下变换到1080p。

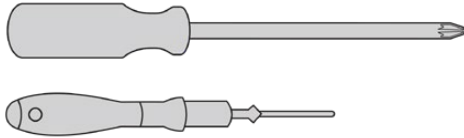
## 安装Blackmagic Camera Fiber Converter

Blackmagic Camera Fiber Converter直接安装在URSA Mini或URSA Broadcast的摄影机身后侧, 并与摄影机后侧的SDI输入和SDI输出BNC接口相连。如果摄影机后侧安装有电池扣板, 您在安装Blackmagic Camera Fiber Converter前需要将其移除。

**备注** 安装Blackmagic Camera Fiber Converter之前, 您应该检查URSA Mini内部软件是否为4.4或以上版本, URSA Broadcast是否为4.6或以上版本。您可以在摄影机“SETUP”菜单的第四页查看软件版本。更多关于升级摄影机固件的信息, 请参考本手册中“Blackmagic Camera Setup实用程序”部分内容。

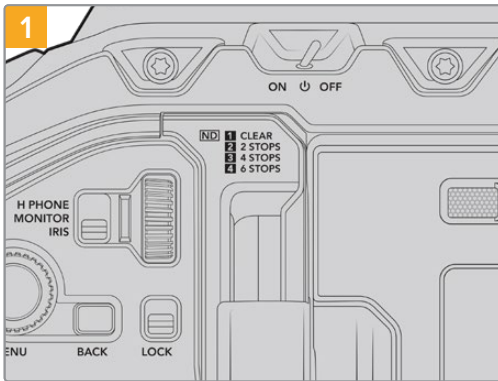
安装Blackmagic Camera Fiber Converter需要以下工具:

- 1 x 十字螺丝刀
- 1 x 2.5mm六角扳手

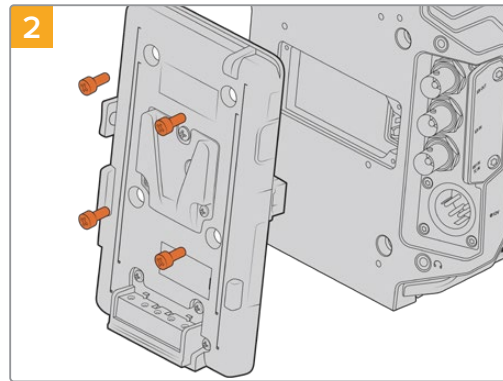


将Blackmagic Camera Fiber Converter安装在URSA Mini或URSA Broadcast上, 您需要一把大号十字螺丝刀和一把2.5mm六角扳手

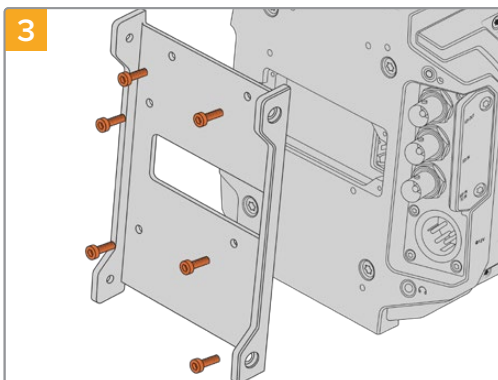
安装并连接Blackmagic Camera Fiber Converter步骤如下:



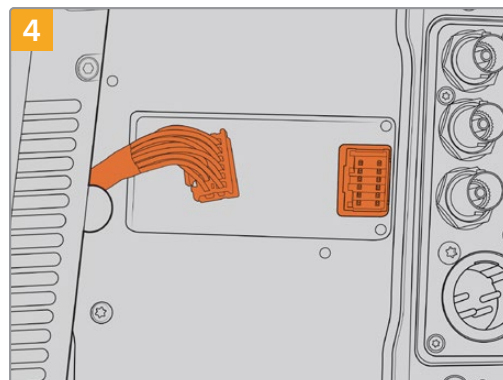
请确保摄影机是关机状态。如果使用的是URSA Mini zPro或URSA Broadcast型号, 请将“Power”开关调至“Off”将摄影机关闭。



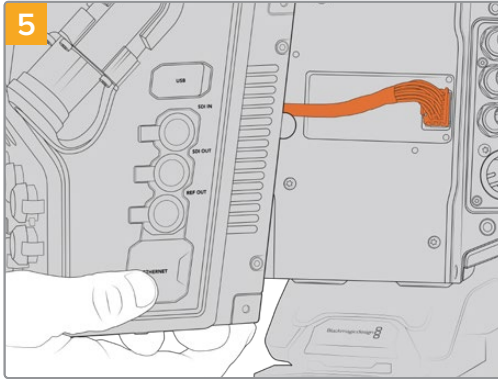
如安装有电池扣板或Molex电池扣板, 请使用十字螺丝刀将其卸除。



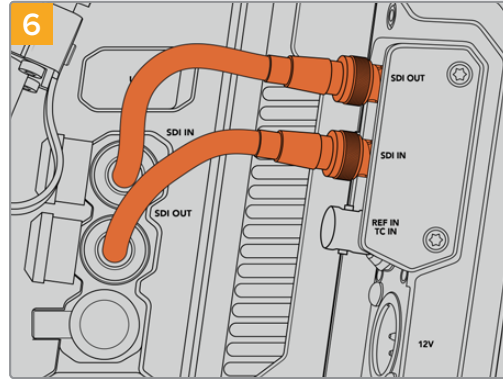
用6枚2.5mm六角螺丝将Blackmagic Camera Fiber Converter安装支架固定。



将Blackmagic Camera Fiber Converter后侧的Molex接口插入摄影机后侧的Molex电源插座。



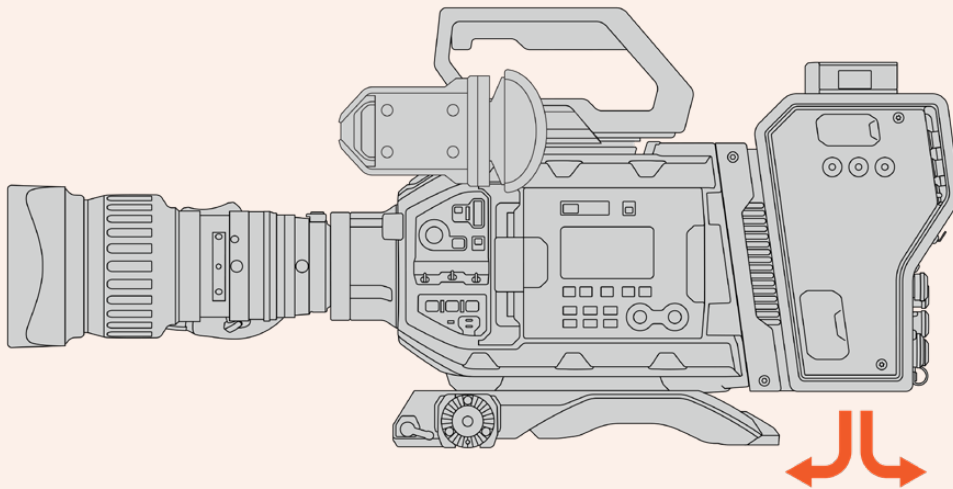
5 将Blackmagic Camera Fiber Converter滑入支架内, 在支架两侧各用2枚2.5mm六角螺丝将其固定。



6 使用所提供的BNC线缆将摄影机后侧的SDI输出连接至Blackmagic Camera Fiber Converter上的SDI输入, 并将转换器上的SDI输出与摄影机后侧的SDI输入相连。

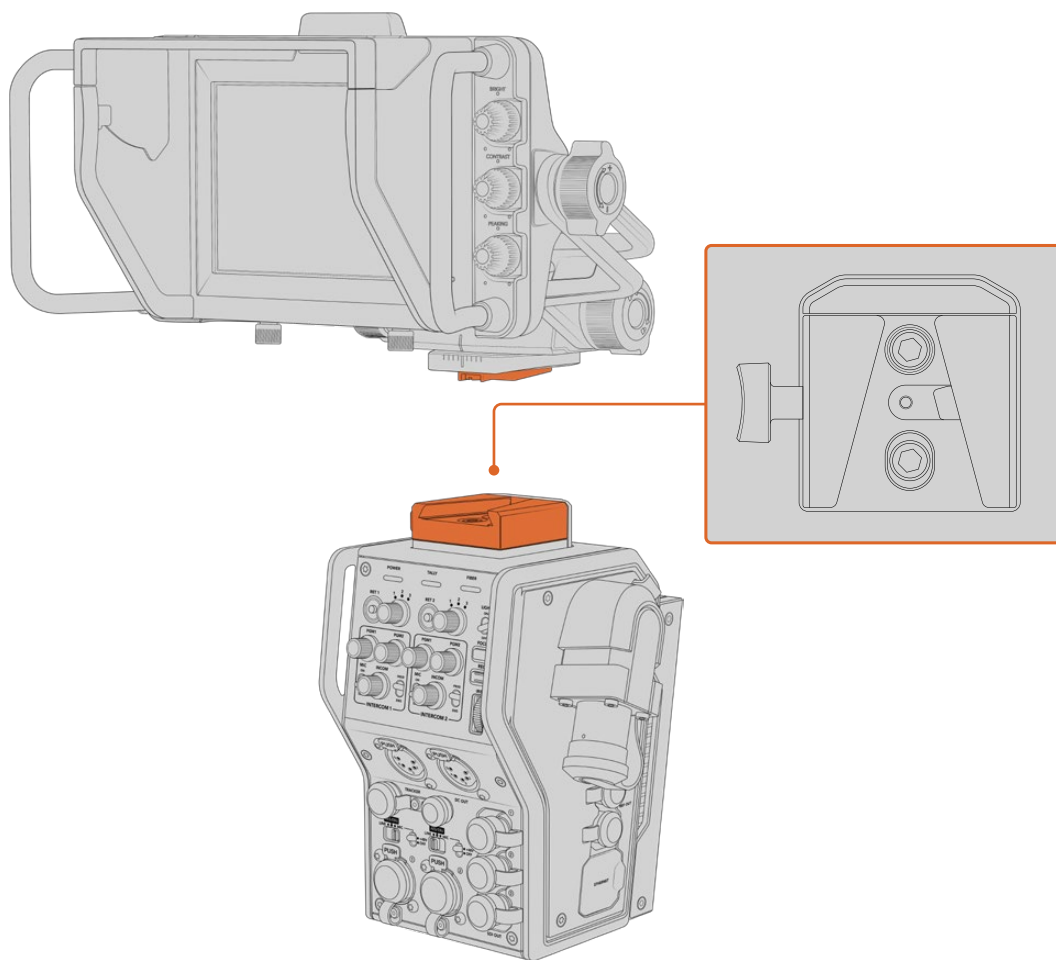
**备注** 搭建制作设施并使用装有光纤转换器的URSA Mini或URSA Broadcast时, 请务必在转换器底部留出足够的散热空间。

由于摄影机一般会安装在三脚架上或者肩扛使用, 已经留有散热空间。但如果您把设备放在平面上操作, 建议您安装URSA Mini肩托垫、第三方底板或者桥型板, 以便维持光纤转换器底部冷却风扇的空气流动。



## 安装URSA Studio Viewfinder

转换器顶部的V型扣板可用来连接Blackmagic Studio Viewfinder。当摄影机安装在座台或三脚架上时，这使得Studio Viewfinder直接位于视线水平。



摄影机转换器上的V型扣板可安装Blackmagic URSA Studio Viewfinder

## 连接对讲耳麦

将广播级耳麦连接至摄影机转换器正面的两个5针XLR接口之一。设置两组耳麦接口可实现两组人员同时和摄制团队进行沟通。

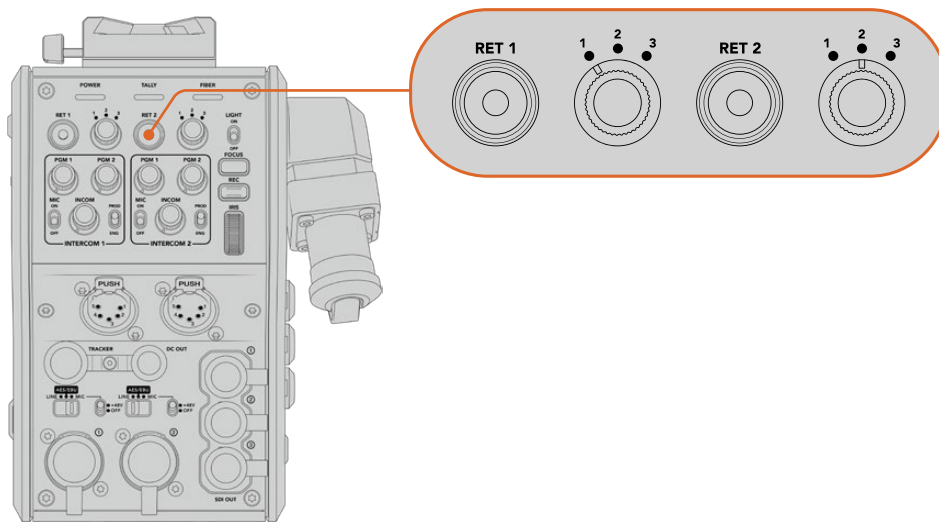
一切准备就绪！通过SMPTE光纤，转换器连接了电源且建立了视频，下面您就可以开始通过这些转换器更灵活、更高效地构建现场制作。请继续阅读本手册获得关于如何使用Blackmagic光纤转换器各项功能的更多信息。

# 运行Camera Fiber Converter

## 选择返送信号

设备正面设有两个RET按钮，其作用相当于摄影机上的PGM按钮，可将LCD屏幕、Blackmagic URSA Studio Viewfinder以及HD监看输出上的信号在摄影机画面和节目返送信号之间切换。

标有“RET 1”和“RET 2”的两个返送按钮可在两个选定返送信号间切换。当按下“RET 1”或“RET 2”按钮时，该按钮右侧的三项旋转开关可用来指派您想要进行查看的返送信号。旋转开关上的位置与Studio Fiber Converter后侧SDI接口上的RETURN IN 1、2和3相关联。



但按下返送按钮时，返送按钮和三项旋转开关可让您选择查看哪一路返送信号

长按某一个返送按钮可查看所选的节目信号。按住返送按钮时，节目信号内容会一直显示。连续按两次返送按钮可将显示锁定在返送信号画面。再次按下返送按钮可退出返送信号内容，回到摄影机画面。

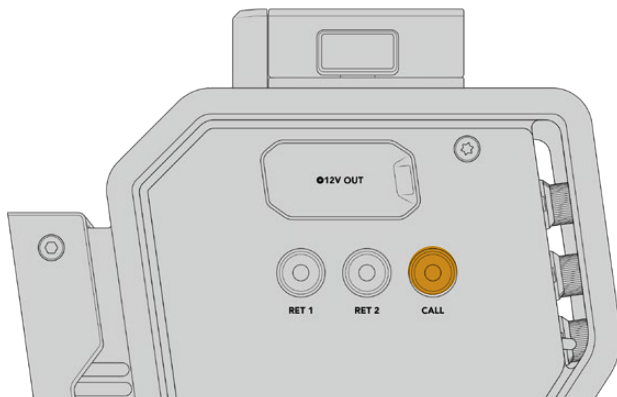
如此一来，您可以快速轻松地将Blackmagic Studio Fiber Converter发送的三路返送信号中的两路信号设定在两个返送按钮上从而可以快速按下进行查看。例如，三路返送信号可能是切换台上经过图文处理的节目输出信号、提词器信号，以及直接由另一台摄影机拍摄的信号。

使用这些开关可以将“RET 1”固定为节目信号，然后可通过第二个“RET 2”按钮来查看发送到提词器的内容，偶尔如需匹配取景或角度时，还可以将它更改为查看另一台摄影机画面来检查取景效果。

转换器左侧还设有标有“RET 1”和“RET 2”的返送按钮，当您在侧面操作摄影机时，这两个按钮提供了查看返送信号的备用选择。这两个按钮与转换器正面所设的返送按钮具有一样的功能。

## 使用Call按钮

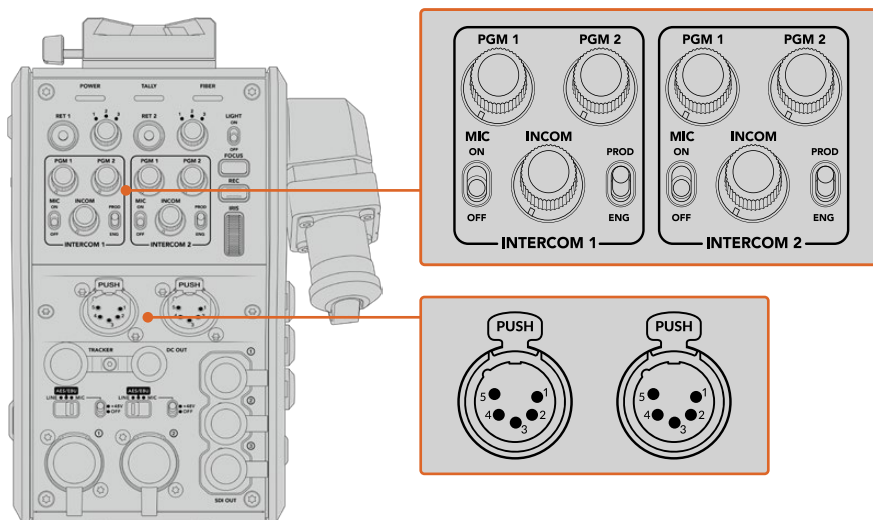
返送按钮旁边是标有“Call”的提示按钮，按下该按钮后，Blackmagic Studio Fiber Converter的LCD屏幕上将显示闪烁的红色Tally提示灯。同时，“Call”按钮会让ATEM Talkback Converter 4K面板上带编号的“Press to Talk”按钮闪烁红色。这些提示标志会提醒控制室里的人员您需要帮助。



## 使用对讲功能

两个母头5针XLR接口可连接两副耳麦，从而您和其他一名摄制组成员可以同时与剩余的成员进行沟通。

每副耳麦的对讲控制被分成两组独立的对讲设置，都可以高效地进行三种混音操作，它们的正下方就是每个XLR耳麦接口。



每副耳麦的对讲控制位于每个耳麦接口的正上方

您可以通过所连接的耳麦监听到为“RET 1”和“RET 2”所选择信号的音频。标有“PGM 1”和“PGM 2”的旋钮可调整这些信号的音频电平，而标有“INCOM”的旋钮则可调整整体音量。标有“MIC”的开关可让操作师将其耳机麦克风打开“ON”或关闭“OFF”。



每个对讲控制还设有两个可选通道，一个制作通道和一个工程通道。当进行大型团队工作广播设置时，您可以将团队交流分成两个通道。通过制作通道，能够与导演、制作人和其他位于控制室或转播车的摄制组成员沟通，而工程通道让您与照明、技术操作师和摄像师沟通。您可以使用Blackmagic Studio Fiber Converter菜单上的“Talkback”（对讲）页面，将Studio Fiber Converter每个通道的源信号选择为“SDI + DB25”或“对讲Tally DB25”。更多信息请参考“运行Studio Fiber Converter”部分的介绍。

Blackmagic Camera Fiber Converter还有一个标准10针跟踪器对讲接口，当两个耳麦接口都被占用时，您可以再连接一路对讲与摇臂操作师进行沟通。

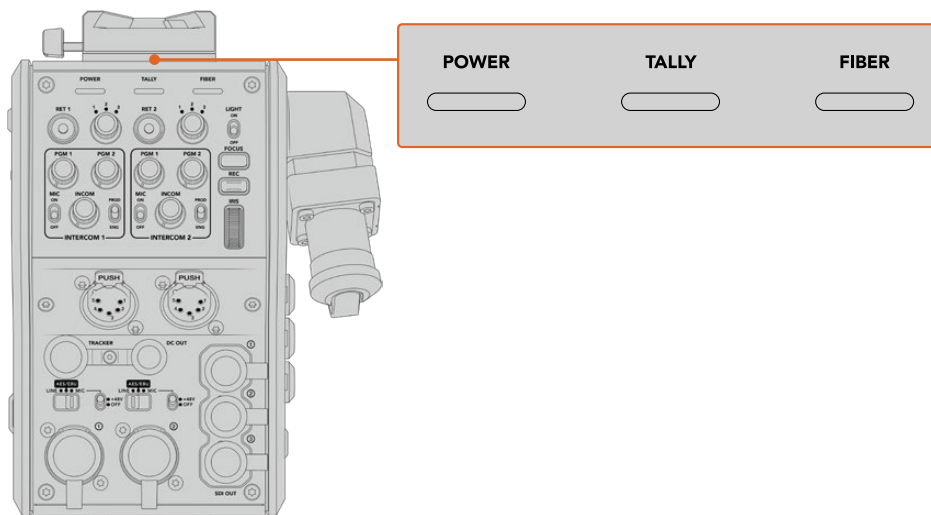
**提示** 摄像师、制作人员与工程人员之间有效的沟通对于紧张的播出及演播室制作而言至关重要。Blackmagic Camera Fiber Converter配有“Call”按钮，摄像师可以用它提醒制作人员和工程人员，然后通过对讲耳麦沟通。按下这个按钮会让ATEM Talkback Converter 4K上带编号的“Press to Talk”按钮闪烁，Blackmagic Studio Fiber Converter LCD上的Tally提示灯也会闪烁。同样，如果控制室或转播车内的人员需要紧急与摄像师对讲，可以在ATEM Camera Control Panel上按下那台摄影机的“Call”按钮。这样做会让Camera Fiber Converter上的Tally灯闪烁，也会让摄影机的URSA Viewfinder或URSA Studio Viewfinder上的Tally灯闪烁。

## 使用Tally

面板正前方设有Tally提示灯，可提供传统的Tally指示，红色代表节目、绿色代表预览，因此当所操作的摄影机处于直播状态时就可以看到提示。

## 状态提示

转换器顶部的“POWER”（电源）、“TALLY”及“FIBER”（光纤）状态LED将根据设备的状态亮起不同颜色。光纤未连接时，所有提示灯都不会亮起。



LED状态灯将亮起不同颜色提示设备状态

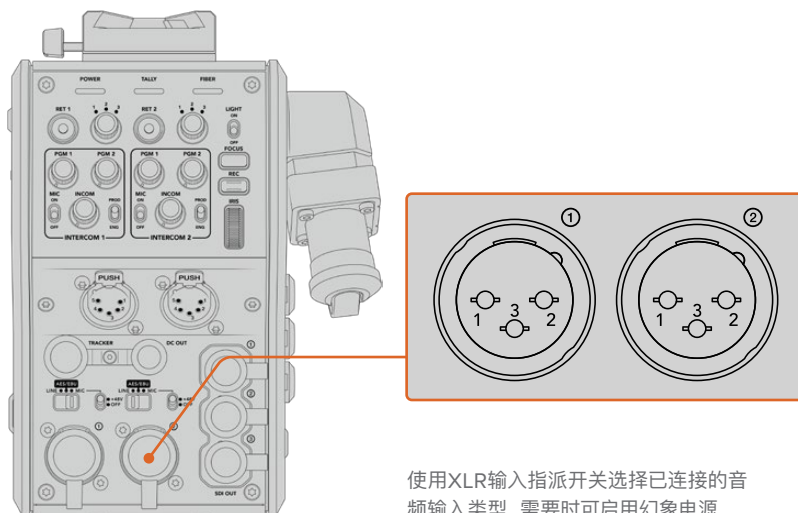
下表详细列出了每种LED颜色、LED闪烁方式及其代表的状态:

POWER	持续亮起红色	当SMPTE复合光电缆的一端连接至通电的Blackmagic Studio Fiber Converter, 而另一端连接至Blackmagic Camera Fiber Converter时, 转换器上的“POWER”电源LED灯将亮起红色提示该设备接收到低电压电源。这一低电压状态下, 您可以进行对讲, 但运行设备所需的全面电源供应尚未被启用。 如果电源LED灯很长一段时间都保持红色还未变绿, 请检查SMPTE复合光电缆两端是否连接完好。如仍不稳定, 请检查您的光电缆。
	持续亮起绿色	当光缆成功建立连接且Blackmagic Studio Fiber Converter确认了缆线连接安全之后, 电源LED灯将变成绿色且摄影机转换器进入高电压模式。
	红绿之间闪烁	如果电源LED灯在红绿之间闪烁, 请检查SMPTE复合光电缆两端是否连接完好。如仍不稳定, 请检查您的光电缆。
TALLY	持续亮起红色	Tally LED灯亮起红色代表所操作的摄影机当前正处于直播状态。
	持续亮起绿色	Tally LED灯亮起绿色代表所操作的摄影机当前正处于预监状态。
FIBER	持续亮起红色	当SMPTE复合光电缆连接至摄影机光纤转换器后, 光纤LED灯将亮起红色代表开始调试过程, 且该转换器为低电压状态。在此电压下, 对讲功能为开启状态, 可在光纤连接不工作的情况下对摄影机系统进行设置和调试时使用。
	持续亮起绿色	一旦SMPTE复合光电缆成功建立连接后, 光纤LED灯将变成绿色。

“POWER”和“FIBER”提示灯都变成绿色时, 代表安全检查已完结, 两台转换器均进入高功率模式。

## 音频输入

Blackmagic Camera Fiber Converter设有两个XLR输入接口分别标有“1”和“2”, 可连接调音台、PA系统或是外接麦克风等专业设备的外部模拟音频。

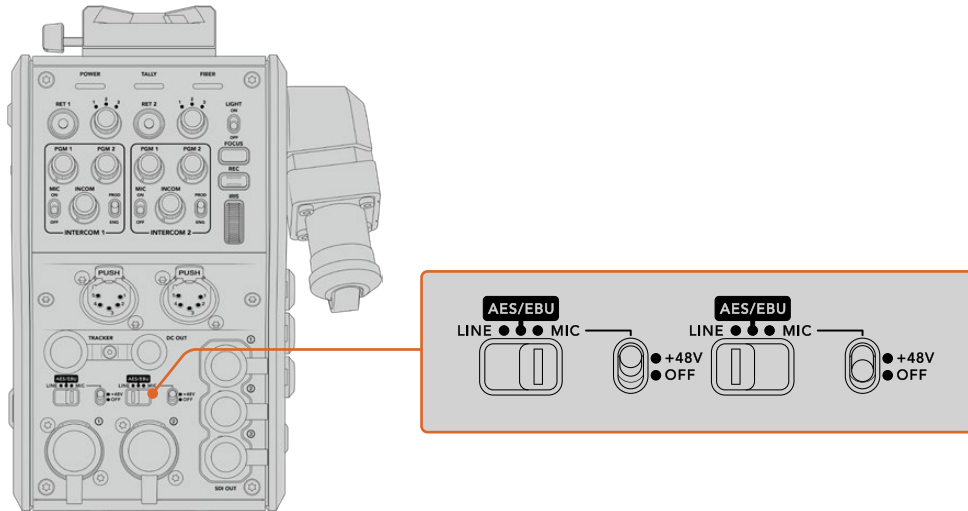


使用XLR输入指派开关选择已连接的音频输入类型, 需要时可启用幻象电源



摄影机音频加嵌在摄影机信号通道1和2中, 摄影机光纤转换器后侧的两路音频输入加嵌在通道3和4。所有4路音频通道都会在另一端的Studio Fiber Converter被解嵌为模拟音频输出。

Blackmagic Studio Fiber Converter菜单上的“音频”页面可让您为连接到Blackmagic Camera Fiber Converter XLR输入上音频源调整电平。更多信息请参考“运行Studio Fiber Converter”部分的介绍。连接好后, 您可以通过XLR输入指派开关来设置选中输入源时的XLR输入方式。可用选项为“MIC”音频、“LINE”音频以及“AES”数字音频。



想要使用非自供电麦克风, 可开启48V幻象电源。将幻象电源开关移至“+48V”的位置可为连接到下方的XLR接口的任何麦克风启用幻象电源, 移至“OFF”可禁用幻象电源。

## IP视频

连接Camera Fiber Converter和Studio Fiber Converter的SMPTE光电缆为两台设备提供有10Gbit IP链接。因此所有视频和返送信号都是基于高端、视觉无损广播级10bit视频编解码处理的IP视频。对讲、Tally、摄影机控制和镜头控制等所有其他连接也都会转换成低延迟IP处理, 因此您将获得无比可靠的性能表现。

## 电源规格

Blackmagic Studio Fiber Converter能为Blackmagic Camera Fiber Converter、摄影机及其配件供电。Molex接口连接至摄影机后面板上的Molex插座, 通过Camera Fiber Converter为摄影机供电。

如需将摄影机部署在转播车2.1公里以外的位置, 那么摄影机和转换器通过长距离线缆可能接收不到足够的电力, 因此可将+12V输入连接至URSA Mini或URSA Broadcast的4针XLR接口来获得电源。电源将通过Molex接口发送至Camera Fiber Converter。

标有“+12V OUT”的接口, 有时也叫作“D-tap”或“P-tap”接口, 可让您为外部监看设备或大型箱式镜头等附件供电, 可提供12V DC最高500毫安的电源。“DC OUT”接口为外部监看设备等附件提供了额外选项。以下是DC电源输出接口引脚图。

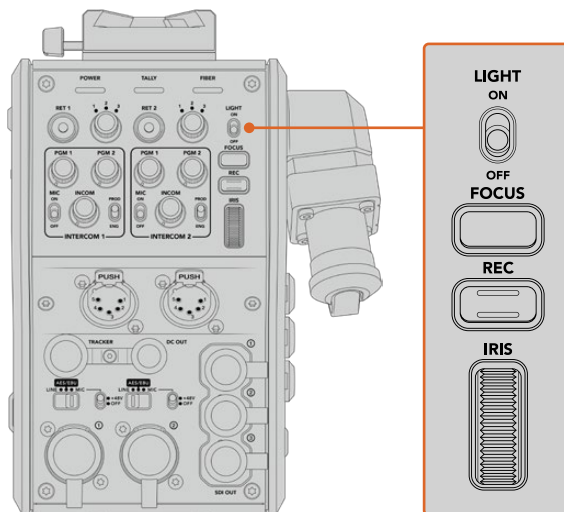
DC电源输出接口引脚图

外观示意图	引脚	信号	输入/输出	技术参数
 <p>“DC OUT”电源输出端口</p>	1	Unregulated GND	—	非稳压输出接地端
	2	NC	—	未连接
	3	NC	—	未连接
	4	Unregulated Out	输出	标称12V DC最高500毫安电源

## 其他摄影机控制

当URSA Mini或URSA Broadcast作为演播室摄影机使用时，我们在光纤转换器上添加了包括光圈和对焦等摄影机控制，因此从摄影机后侧就能控制所兼容的镜头。如果没有摄影机师进行镜头远程控制的话，这个功能就很实用。

作为演播室摄像机，URSA Mini和URSA Broadcast仍具有内部记录的功能，因此记录按钮可以让您触发摄影机上的内部记录功能。



### LIGHT

“LIGHT”可开启操作面板的背光功能，让所有控制清晰可见，便于在昏暗环境下操作。

### FOCUS

如果使用支持自动对焦的镜头，当按下标有“FOCUS”的按钮可触发自动对焦。

### REC

当按下标有“REC”的记录按钮时可触发记录，再次按下该记录按钮时可停止记录。

### IRIS

如果使用支持从摄影机进行控制的兼容主动式镜头，可通过标有“IRIS”的控制轮打开或关闭光圈。上下转动控制轮可打开或关闭镜头光圈。

# 运行Studio Fiber Converter

## 选择LCD源

Blackmagic Studio Fiber Converter开启后, 其大型LCD屏幕会显示摄影机信号。作为核心基础设备, Studio Fiber Converter从切换台接收节目信号及所有返送源, 再通过SMPTE光缆传输至Blackmagic Camera Fiber Converter。

内置LCD屏可让您监看摄影机信号和每路连接至返送信号输入上的画面。它提供了带有状态和音频表信息的HUD显示。



在不同信号间切换时, 其叠加显示可让您确认正在监看信号的名称和格式。

### ON AIR

当连接正在使用节目信号的摄影机时, 会显示红色的“On Air”图标; 不直播时则为空白。

### 格式

可显示了当前源信号的分辨率和帧率。

### 信号源

可显示当前源名称。

### 电源

可显示当前电源状态。连接时显示“低”字样且亮起红色状态灯则说明电源电量低, 当设备变成高电源模式后将显示“高”字样且亮起绿色状态灯。更多信息请参考“运行Camera Fiber Converter”部分的“状态提示灯”的介绍。

### 光纤

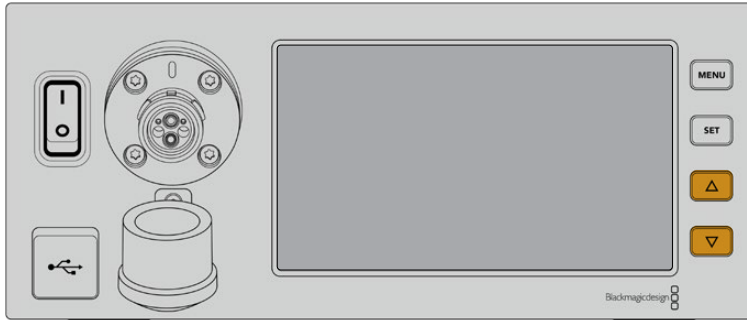
显示当前光纤状态。首次连接过程时会显示“正在连接”字样且亮起红色状态灯, 当成功建立了SMPTE复合光纤线缆连接后会显示“已连接”字样且亮起绿色状态灯。更多信息请参考“运行Camera Fiber Converter”部分的“状态提示灯”的介绍。

### 音频表

当摄影机音频嵌入摄影机信号的通道1和2时, 峰值音频表可显示音频电平。通道3和4与连接至Blackmagic Camera Fiber Converter后侧的两个XLR输入上音频源信号进行通信。该表以dBFS为单位, 并有削波警告功能, 可在出现音频过载时以红标提示, 并停留片刻, 从而有效防止因削波过于短暂而被忽略的情况。

## 使用菜单

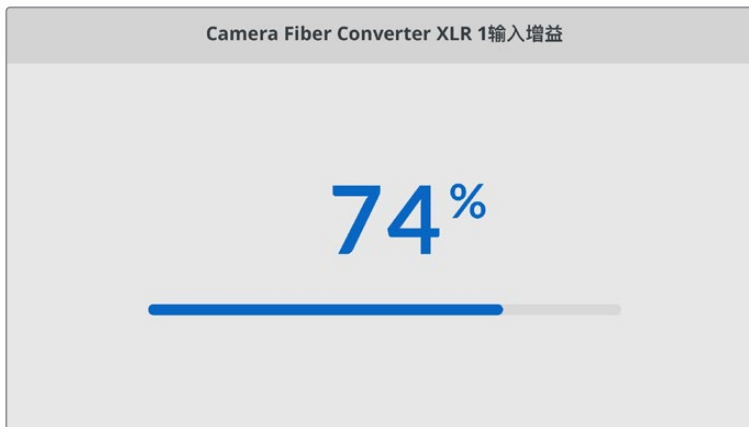
按下上下箭头按钮可滚动切换四路源“Camera”（摄影机）、“Return 1”（返送信号1）、“Return 2”（返送信号2）和“Return 3”（返送信号3）。按“MENU”按钮可进入菜单系统并调整设置。箭头按钮可在各个菜单屏幕和每个屏幕中的选项之间导航，而“Set”（设置）按钮可用于确认您的选项。菜单中的设置分为“Audio”（音频）、“Talkback”（对讲）以及“Setup”（设置）三个页面。



按上下箭头按钮可在菜单中的四个可选源信号间进行选择

### 音频

该页面可用于调整连接Blackmagic Camera Fiber Converter XLR输入的音频源的输入电平。



使用箭头按钮调整每路XLR输入的输入电平，按下“SET”按钮设置电平。

您可以选择将来自Camera Fiber Converter的哪几路音频通道配置为映射到内嵌的SDI和XLR输出上。默认情况下, 来自URSA Mini或URSA Broadcast的内嵌音频通道会被映射到通道1和2上, 连接Camera Fiber Converter的Line或Mic电平XLR输入会被映射到通道3和4上。您可以调整输出通道设置来更改默认映射。如果Camera Fiber Converter上的任何一个XLR输入被设置为AES, 通道映射选项将扩展至通道5和6, 也就是通过内嵌SDI输出的信号。

输出通道1和2	
嵌入1和2	✓
XLR 1	
AES 3和4	

将来自摄影机的内嵌XLR通道映射到输出通道1和2。

## 对讲

使用“对讲”菜单为制作通道和工程通道选择节目音频源及对讲音频源。将Studio Fiber Converter的对讲源设置为“SDI + DB25”或者“对讲 Tally DB25”。

您还可以为每个对讲装置调整“耳机增益”和“耳机麦克风增益”, 从而调整耳机的阻抗值。“幻象电源”设置可用来开启发送到相应耳机的幻象电源。调整“侧音电平”设置能让摄影师在耳机中听到他们自己的声音, 音质清晰且音量舒适。

对讲	
节目音频源	SDI通道1和通道2
制作通道源	SDI +DB25
工程通道源	对讲Tally DB25
对讲1	
耳机增益	50%
耳机麦克风增益	50%
耳机麦克风幻象电源	On
侧音电平	50%
对讲2	
耳机增益	50%
耳机麦克风增益	50%
耳机麦克风幻象电源	On
侧音电平	50%

当XLR输入没有连接任何设备时, 对讲部分会显示灰色, 连接过程中会显示“正在连接”。

## 设置

“设置”菜单能用来配置PTZ源，选择菜单语言，并选择SDI级别返送信号类型。



通过PTZ源设置选择PTZ命令的源。您可以选择“SDI”或“9针”，对应Blackmagic Studio Fiber Converter后方的“RETURN IN”SDI输入和9针PTZ接口。

这意味着您可以在ATEM切换台上控制PTZ摄影机的平移、竖移和变焦，然后将这些PTZ命令通过SDI发送给Blackmagic Studio Fiber Converter。这些命令将通过SMPTE光纤发送至Blackmagic Camera Fiber Converter，在那里将被解嵌并通过DE-9串行接口输出，从而连接PTZ电动云台。

您还可以通过DE-9接口把PTZ控制器与Blackmagic Studio Fiber Converter连接，从摄影机端远程控制云台。



该设置页面为PTZ命令源提供了“SDI”或“9针”选项

语言	
English	
中文	✓
日本語	
한국어	
Español	
Deutsch	
Français	
Русский	
Italiano	
Português	
Türkçe	

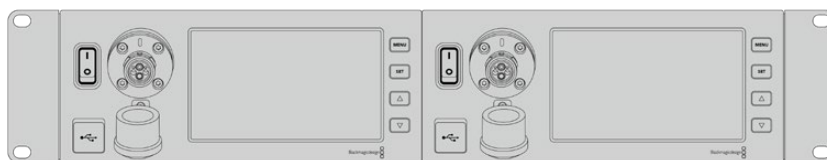
“Language” (语言) 设置可选择菜单语言。Studio Fiber Converter支持11种常用语言: 英语、中文、日语、韩语、西班牙语、德语、法语、俄语、意大利语、葡萄牙语以及土耳其语。语言页面会在首次开机以及更新内部软件时出现。

“12G SDI Return” (12G SDI返送) 选项可设置是否将12G节目返送信号下变换为3G A级或3G B级。所有发送到Studio Fiber Converter返送输入的12G信号都会在发送到Camera Fiber Converter时进行下变换。

## 机架安装演播室转换器

如果您运行有多台Blackmagic Studio Fiber Converter, 可使用Blackmagic Studio Fiber Rack Kit 机架组件将这些转换器安装到广播级机架或航空箱里。您可以使用机架组件将两台演播室转换器并排安装在机架的同一行, 或上下安装在机架的同一侧。Studio Fiber Rack Kit组件提供一个空白挡板, 只安装一台转换器时, 可用来填充机架的空白位置。

演播室转换器高度为两个机架单位, 宽度为半个标准机架单位, 因此两台Studio Fiber Converter并排安装正好占用2RU的机架空间。

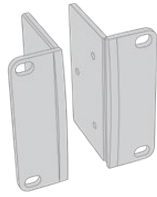


Blackmagic Studio Fiber Converter转换器并排安装



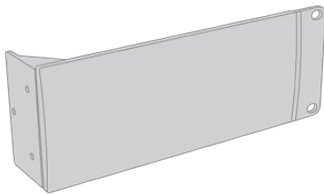
可使用所提供的挡板来添补空白位置

**Blackmagic Studio Fiber Rack Kit**包括以下内容:



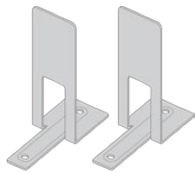
**2个机架侧把手**

机架安装Blackmagic Studio Fiber Converter时, 将侧把手安装在设备的外侧边缘



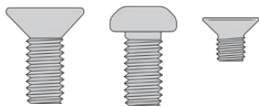
**1个半机架宽度挡板**

该挡板一侧设有安装孔, 当您只安装一台转换器时, 可用它添补机架的空白位置。图示为安装孔位于挡板右侧。只需将挡板旋转180°即可将其安装于另一侧。



**2个支撑托架**

T型支撑托架可安装于两台Studio Fiber Converter的底部前后相接的位置从而提供支撑。



**螺丝**

**8 x M4 10mm**

**4 x M4 8mm**

**5 x M4 3 5mm**

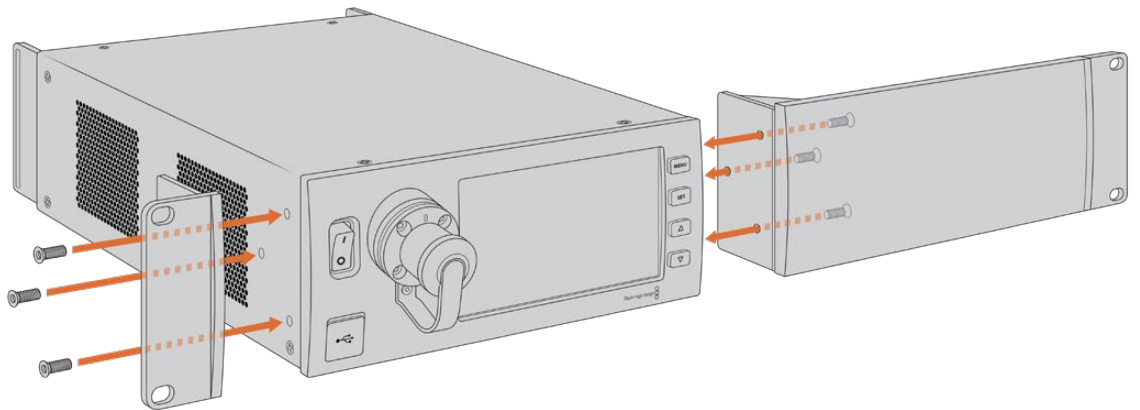
机架侧把手螺丝

挡板螺丝

连接托架螺丝

**机架安装Blackmagic Studio Fiber Converter的准备工作如下:**

- 1 将挡板放于Studio Fiber Converter的一侧, 左右位置根据您需要将转换器安装在机架哪一侧而定。挡板的正面应与设备前面板相平行。
- 2 使用所提供的三枚挡板螺丝将挡板安装至Studio Fiber Converter的前面板一侧。



- 3 使用所提供的三枚机架侧把手螺丝将侧把手安装至Studio Fiber Converter的另一侧。

安装完侧把手和挡板后, 就可以用标准机架螺丝及两侧的安装孔将转换器安装到标准的两个单位机架位置中。

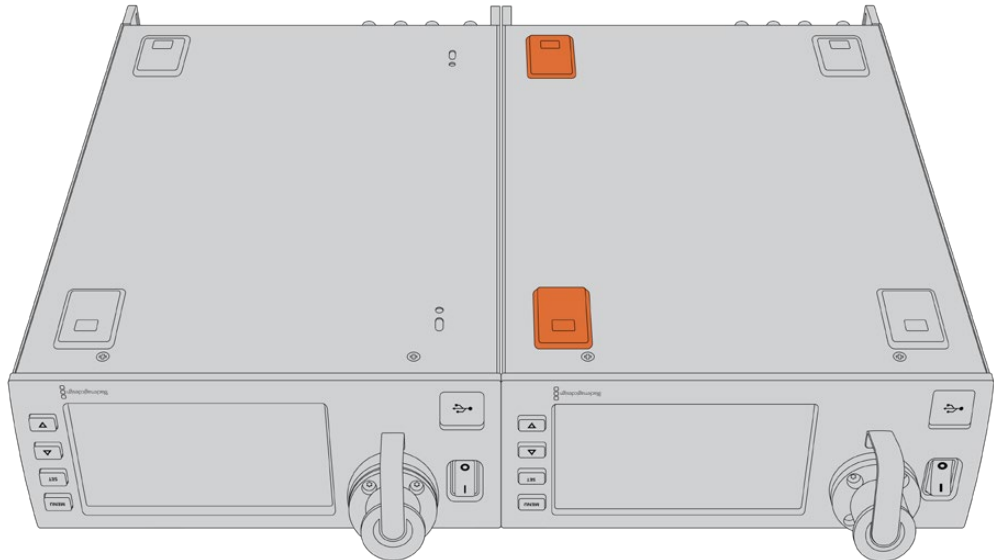


将两台Blackmagic Studio Fiber Converter并排安装到机架的准备工作如下:

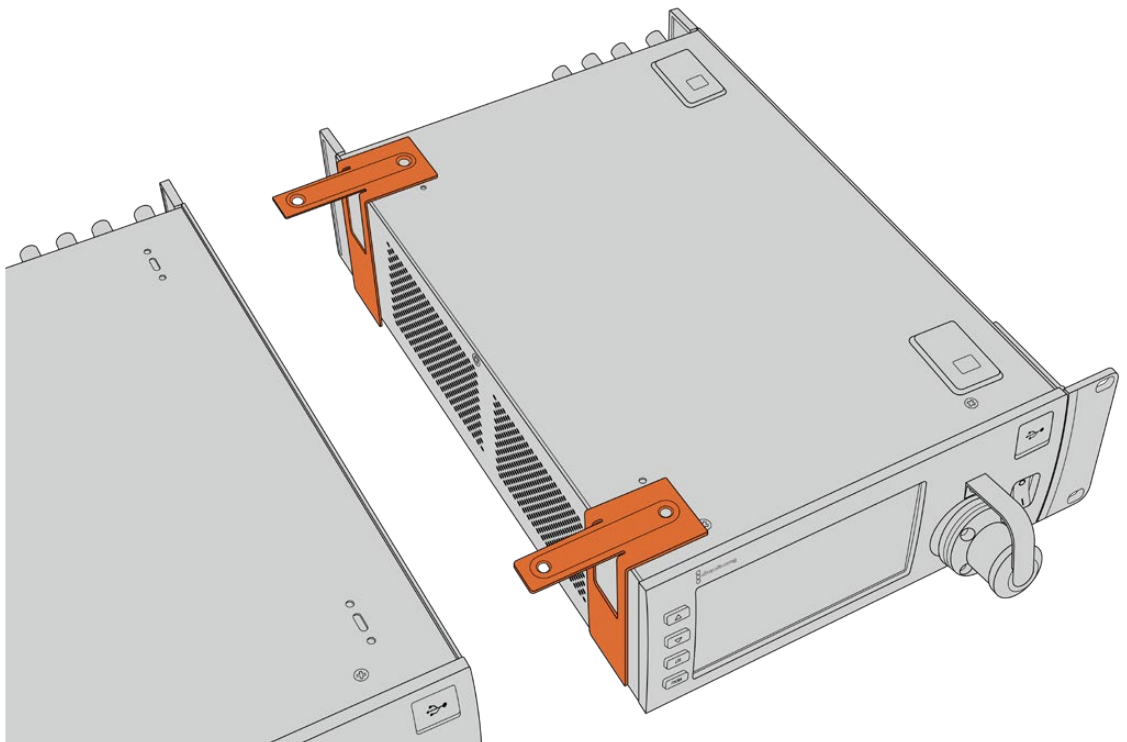
如果要并排安装两台转换器,可以使用支撑托架将它们固定在一起便于安装。

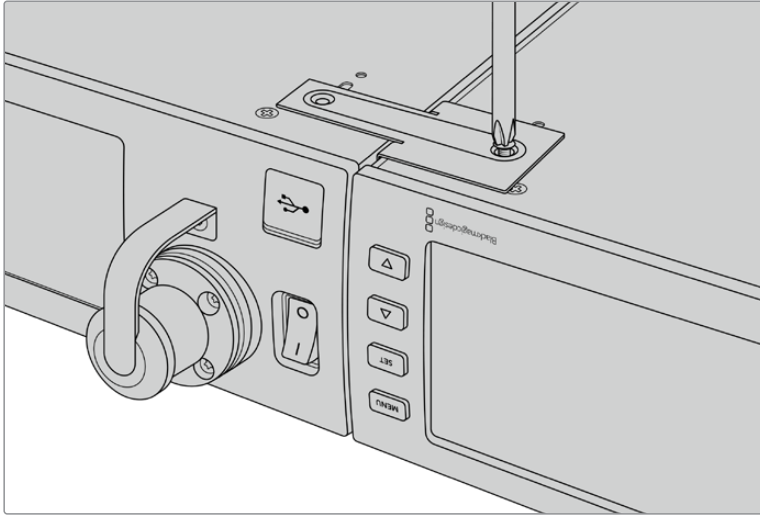
固定两台设备步骤如下:

- 1 将两台转换器底朝上并排放置到一起。卸下每台转换器边缘相接位置的橡胶螺丝。

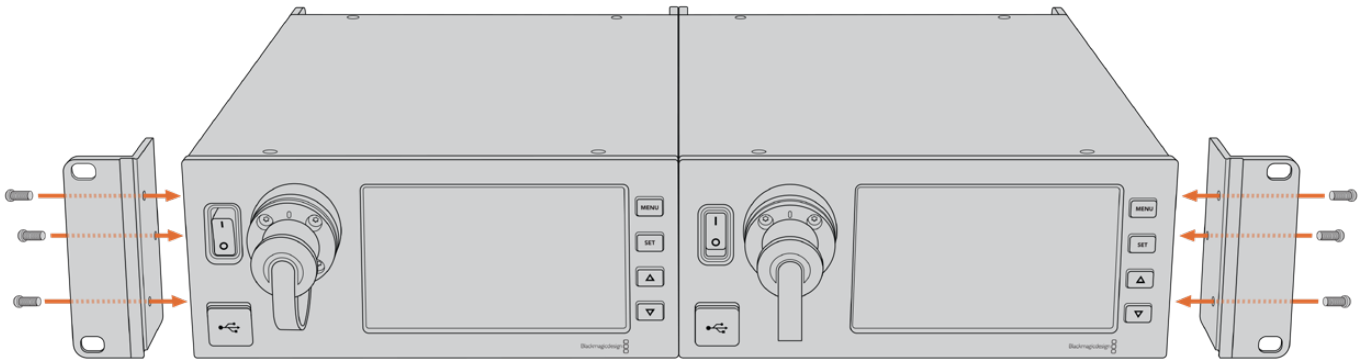


- 2 将所提供的两个T型支撑托架置于两台转换器底部前后相接的位置,将所提供的支撑托架螺丝拧入螺丝孔。





- 3 将转换器翻转回来, 在两台转换器前面板的外部边缘用所提供的机架侧把手螺丝安装机架侧把手。然后使用机架上的安装孔和标准机架螺丝, 将转换器安装并固定到机架上。



## 摄影机转换器接口

在Blackmagic Camera Fiber Converter的后面板和侧面都设有一些接口。不使用这些接口时，建议您将橡胶盖盖好，从而可确保雨天或其他天气状况下，其内部保持密闭。这对于SMPTE光纤接口来说更为重要，操作不慎的话灰尘颗粒会迅速积累在光纤接口的抛光边缘，从而会影响信号传输。因此，最好在连接光纤和转换器前再移除上面的防尘盖，断开连接后就立即盖好。

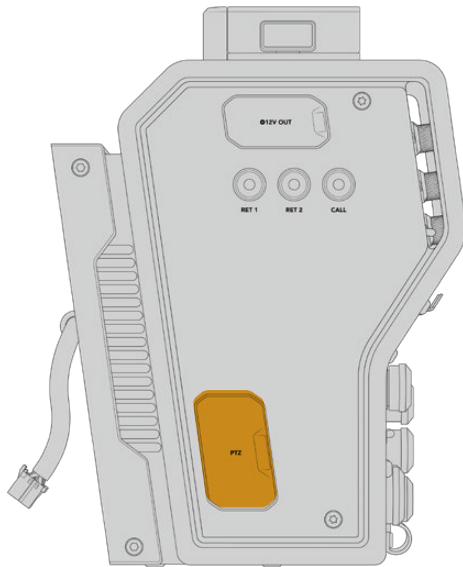
## 摄影机电源接口

电源主要是通过SMPTE复合光电缆从演播室转换器供应给摄影机转换器和摄影机。它还为Blackmagic URSA Studio Viewfinder等摄影机所连接的所有附件进行供电。

但如果摄影机的12V XLR接口连接有电源的话，也可以通过摄影机为Blackmagic Camera Fiber Converter供电。通常不需要为摄影机连接电源，但如果摄影机部署在距离演播室两公里之外的位置，其供电不能依赖SMPTE光缆，此时该方法也不失为一个备用选项。

## PTZ端口

DE-9针串行接口，可连接PTZ电动云台。例如，Blackmagic URSA Mini或URSA Broadcast安装在摄影机摇臂上通过PTZ云台进行远程控制。您可以在Blackmagic Studio Fiber Converter的菜单中选择发送至摄影机的PTZ命令源。命令源可设为Studio Fiber Converter上的DE-9接口，或者是ATEM切换台的SDI输入信号。更多信息请参考“运行Studio Fiber Converter”部分的介绍。



PTZ端口

## 对讲接口

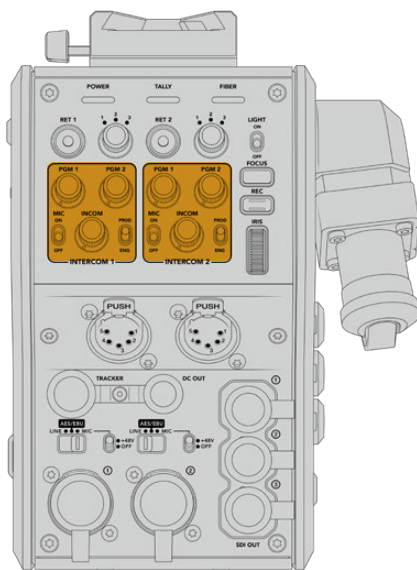
两个母头5针XLR接口可连接两副耳麦，从而允许两个人同时通过对讲系统进行交流。例如，摄影师耳麦连接至第一个XLR接口，摇臂师或音响师等其他成员可连接第二个XLR耳麦接口。下图为耳麦XLR接口的引脚图。

耳麦XLR引脚图

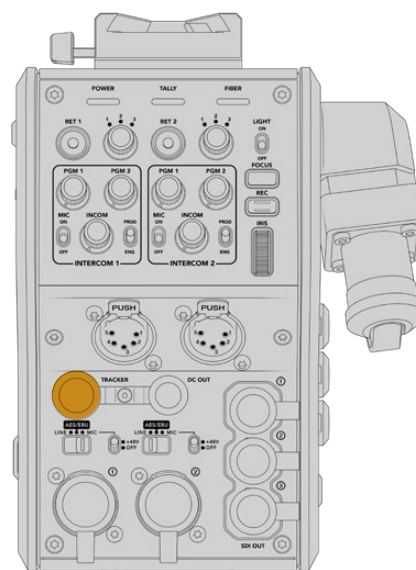
外观示意图	引脚	信号	输入/输出	描述
 <p>5针XLR耳麦端口</p>	1	Intercom MIC (Y)	接地端	对讲麦克风输入支持驻极体电容式麦克风和动圈式麦克风，可以是平衡或非平衡的。1号引脚是麦克风常用信号，2号引脚是适用于两种类型的麦克风信号输入。对于驻极体麦克风，直流偏置电压供应也会通过同个麦克风信号输入引脚进行输出。
	2	Intercom MIC (X)	输入	
	3	GND	接地端	接地端
	4	Intercom left	输出	
	5	Intercom right	输出	

相应的对讲控制位于每个耳麦接口的上方。

更多关于如何使用对讲控制的内容，请参阅“运行Camera Fiber Converter”部分。



对讲控制可进行混合对讲音频电平



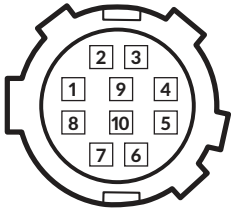
跟踪器接口

## 跟踪器接口

10针“TRACKER”接口为对讲、Tally信号以及提词器信息等数据提供了多路复和输出。这一输出通常用于摄影机摇臂操作师等操作制作设备的辅助成员。

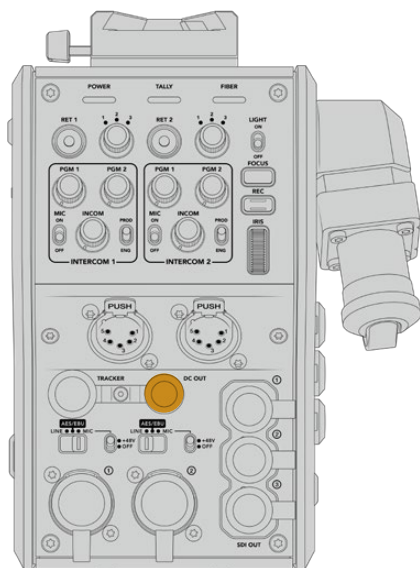
下图为该接口的引脚图，可让您构建属于自己的线缆。

跟踪器输出引脚图

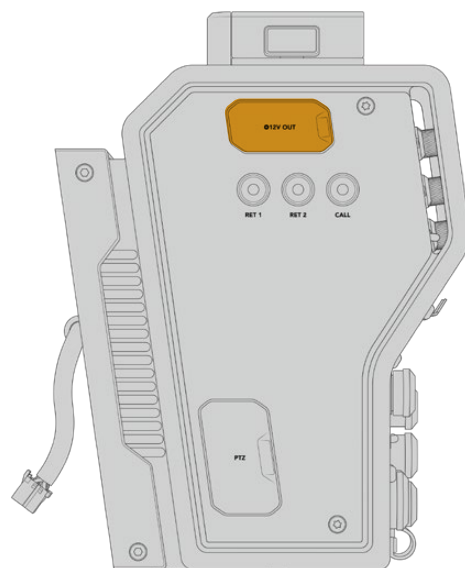
外观示意图	引脚	信号	输入/输出	描述
 <p>10针“TRACKER”接口</p>	1	Tracker left	输出	跟踪器输出, -20 dBu 非平衡
	2	GND (Talk)	—	跟踪器对讲接地端
	3	GND (Receive/ PGM/tally)	—	接收/节目/Tally接地端
	4	Tracker right	输出	跟踪器输出, -20 dBu 非平衡
	5	Unregulated	输出	12V DC (标称), 500mA (最大)
	6	GND (Unregulated)	—	非稳压接地端
	7	Tracker talk (X)	输入	跟踪器对讲0 dBu /-20 dBu, 高阻抗平衡
	8	Tracker talk (Y)	输入	
	9	G Tally	输出	开: 12V关: 高阻抗 (开)
	10	R Tally	输出	开: 12V关: 高阻抗 (开)

## DC电源接口

您可以通过DC电源输出接口为外部监看设备等其他附件供电。



“DC OUT”接口可让您为其他附件供电，如监视器或外部记录设备



D-Tap OUT接口

## D-Tap输出

左面板上的+12V输出经常也被称为“D-tap”或“P-tap”接口,可让您为监视器或大型箱式镜头等附件供电。该输出支持箱式镜头,需要2毫安标称12V直流电。

## 同步输出和运行

同步输出可通过BNC线缆将同步信号连接至摄影机。

### 将同步信号连接至摄影机:

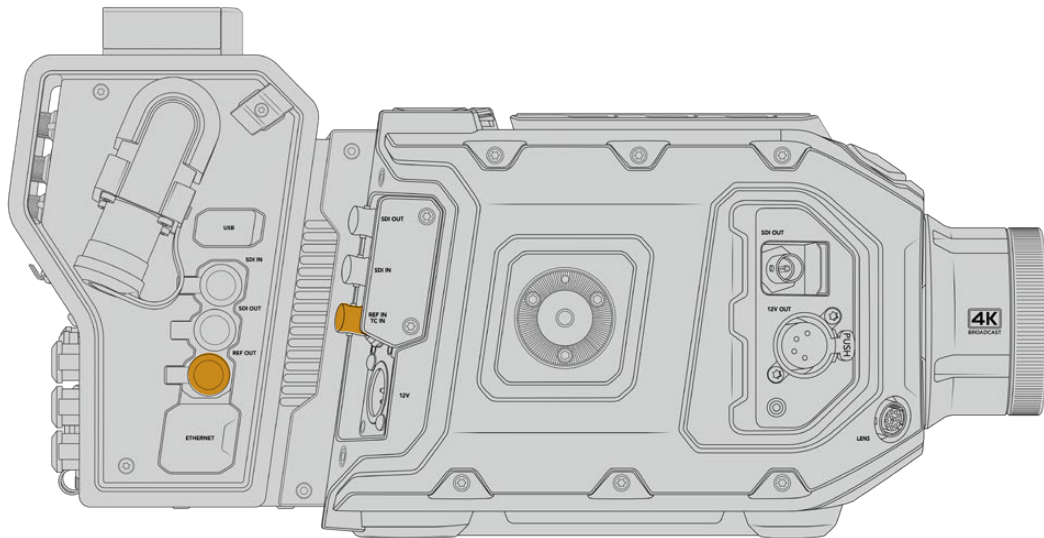
- 1 用摄影机光纤转换器所提供的一小段SDI线缆将Blackmagic Camera Fiber Converter上标有“REF OUT”的同步输出接口连接至摄影机上标有“REF IN”的同步输入接口。
- 2 将摄影机的同步设置设为同步输入。

同步参考信号可将视频设备同步锁相到常见的同步信号,因此所有的设备都具有完全一样的时间。也就是说,所有视频源都经过同步,可以平滑地进行切换。

ATEM切换台内置同步器,因此如果使用Blackmagic摄影机和ATEM切换台,就不用担心连接信号的同步问题。摄影机会与来自ATEM切换的SDI节目信号锁定,因此您只需要确保在URSA Mini或URSA Broadcast设置菜单第二页中的同步设置选中“节目输入”就好。再同步处理会引起画面延迟。

如果想要减少ATEM再同步处理的延迟,可首先对URSA Mini或URSA Broadcast应用同步信号,然后再调整时序,因此线路输入就可以位于ATEM切换切换时间之前。

要调整URSA Mini或URSA Broadcast的同步,可进入“Setup”菜单并在“Reference Timing”选项中修改设置。

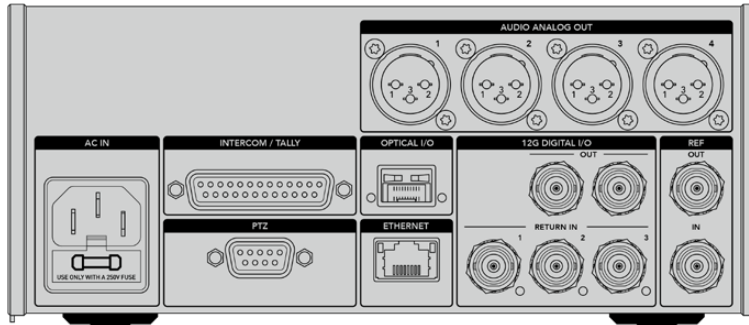


如果您使用外部同步信号,请将摄影机光纤转换器的同步输出连接至URSA Mini或URSA Broadcast的同步输入。

## 演播室转换器接口

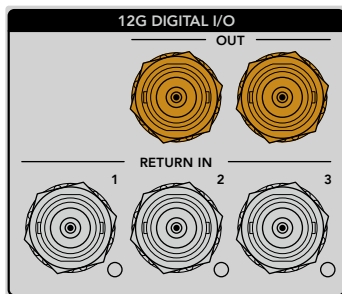
Blackmagic Studio Fiber Converter的后面板配有SDI返送信号和同步BNC接口, 对讲和Tally DB-15接口, PTZ 9针串行端口, 音频输出和以太网等接口。

所有SDI输入支持高达Ultra HD 2160p60的12G-SDI视频格式。



### 12G-SDI输出

两个12G-SDI输出用于将来自演播室转换器的摄影机信号与切换台的摄影机SDI输入相连接。另一个接口可以用于将同样的信号输出给其他视频设备, 比如Blackmagic Videohub矩阵、SmartView监视器或者HyperDeck硬盘录机。



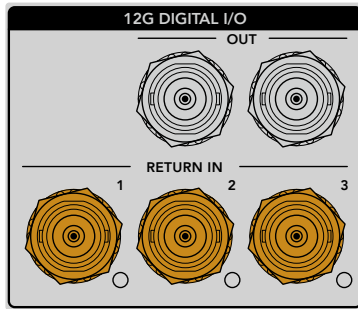
12G-SDI输出兼容从720p50到2160p60的信号

### SDI返送输入

12G-SDI返送信号BNC接口可以连接高达三路返送SDI信号。比如, 来自切换台的节目信号应该连接到返送信号1, 并跟摄影机有匹配帧率。其他信号源, 如第二路摄影机输出、HyperDeck播放、甚至提词器可以连接到返送信号2和3。如果您使用ATEM切换台, 连接返送1的节目返送信号还将包括Tally、对讲、同步和摄影机控制信号。

返送SDI输入最多可以连接三路来自切换台的返送信号。这些信号会被送入摄影机, 以便摄影师查看, 或者通过SDI送入其他设备。

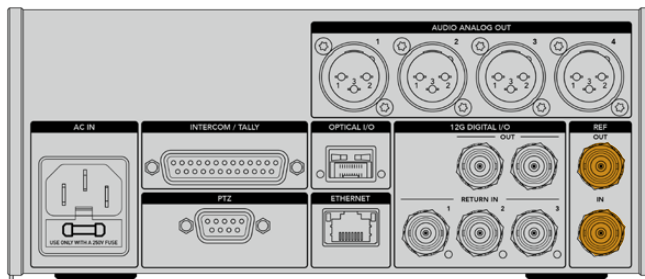




**备注** 如果您将Ultra HD信号连接到返送输入, Ultra HD视频将被下变换到相同帧率的1080p信号, 因此摄影机转换器将会输出HD信号。Ultra HD返送信号下变换到HD可以增加带宽, 让您发送多个返送信号源。

## 同步输入和输出

如果您没有使用ATEM切换台, 但需要把设备与普通外部同步信号锁定起来, 可以把外部生成的信号连接到同步BNC输入。同步信号会通过SMPTE光缆发送到摄影机转换器。来自演播室转换器的同步BNC输出可以将同步源环通连接到其他设备。

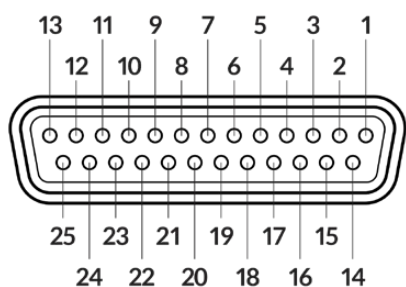


“REF IN”同步输入接口可将其他广播设备的传统同步时间信号发送到您的摄影机。

## 对讲接口

DB-25对讲和Tally接口可以连接第三方对讲和Tally系统。如果您需要搭建自定义光缆, 可以参考下面的图表。当为工程、制作、Tally或节目音频输入自行连接引脚后, 您需要在Blackmagic Studio Fiber Converter的菜单上进行相应的设置。





25针对讲/Tally接口的外观示意图

## 对讲引脚图

引脚	信号	技术参数
1	ENG(R) IN+	工程通道输入
2	ENG(R) IN-	0dBu平衡
3	ENG GND	工程接地端
4	ENG(T) OUT +	工程通道输出
5	ENG(T) OUT -	0dBu平衡
6	PGM IN+	-20dBu
7	PGM IN-	-20dBu
8	PGM GND	-20dBu
9	GND	辅助接地端
10	N/C	—
11	Red Tally IN	开启= 5-24Vdc, 关闭= 0Vdc
12	Red Tally GND	—
13	GND	机身接地端
14	PROD(R) IN+	制作通道输入
15	PROD(R) IN-	0dBu平衡
16	PROD GND	—
17	PROD(T) OUT+	制作通道输出
18	PROD(T) OUT-	0dBu平衡
19	N/C	—
20	N/C	—
21	N/C	—
22	N/C	—
23	N/C	—
24	Green Tally IN	开启= 5-24Vdc, 关闭= 0Vdc
25	Green Tally GND	—

## PTZ端口

演播室转换器和摄影机转换器均设有一个9针DE-9端口，因此您可以在演播室转换器端连接PTZ控制器，在摄影机转换器端连接遥控云台。PTZ指令加嵌在SDI信号中通过SMPTE光缆在两个转换器之间传输。

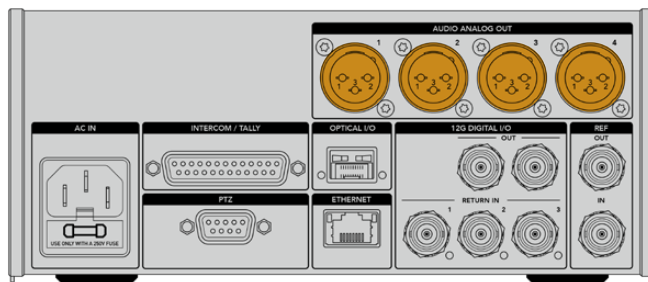
Blackmagic Studio Fiber Converter上的设置菜单可让您选择发送到Blackmagic Camera Fiber Converter的PTZ命令的源信号。您可以选择Studio Fiber Converter后方的PTZ接口信号，或者来自ATEM切换台的节目SDI信号。详情请参考“运行Studio Fiber Converter”部分的内容。

### PTZ端口引脚图

外观示意图	引脚	信号
 9针“PTZ”端口	1	GND
	2	RS422 Tx-
	3	RS422 Rx+
	4	GND
	5	N/C
	6	GND
	7	RS422 Tx+
	8	RS422 Rx-
	9	GND

## 音频输出

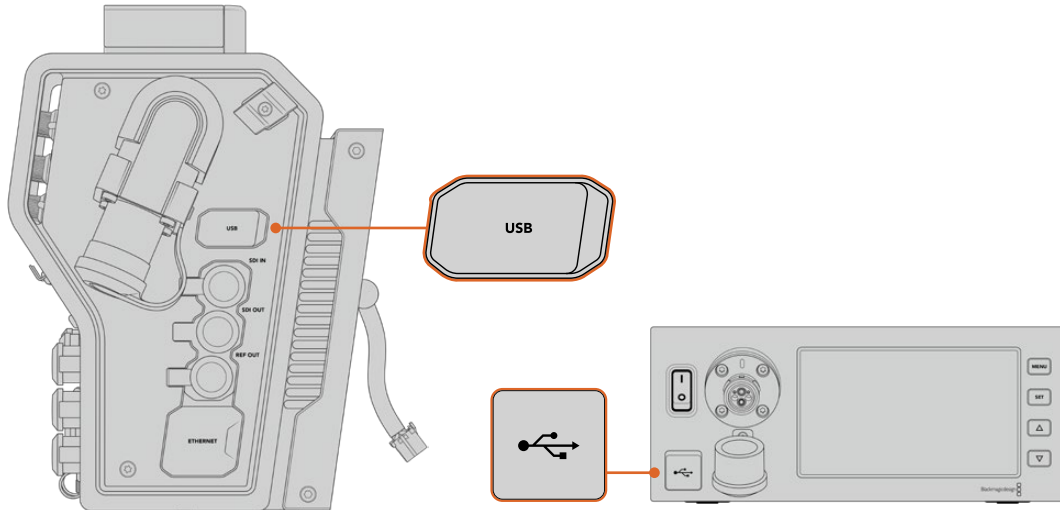
演播室转换器上的四个XLR音频输出接口可输出来自URSA Broadcast或URSA Mini摄影机输入1和2的音频，以及来自Camera Fiber Converter上两个XLR音频输入的音频。



演播室转换器上的输出1和2默认分别对应URSA Broadcast或URSA Mini上的内嵌XLR输入通道。演播室转换器上的输出3和4默认分别对应Blackmagic Camera Fiber Converter上的XLR输入1和2。您可以使用菜单来更改这些映射设置。详情请查阅“使用菜单”部分的介绍。

## 内部软件更新

Blackmagic Design会不定期发布软件更新, 强化Blackmagic Fiber Converter的已有功能, 并添加新功能。建议您关注Blackmagic Design官网, 确保您的光纤转换器使用最新版本的内部软件。您可以通过Blackmagic Camera Setup实用程序更新光纤转换器。



Blackmagic Fiber Converter的USB-C端口可以用于更新内部软件。

## 更新Blackmagic Camera Fiber Converter

更新过程中, Camera Fiber Converter需要始终通电, 我们建议在更新时保持转换器与URSA Mini或URSA Broadcast的连接。

请务必将SMPTE光缆从Camera Fiber Converter断开, 然后通过所提供的URSA Camera电源为摄影机供电。

位于Blackmagic Camera Fiber Converter机身左侧的USB-C接口可以用于更新内部软件。将计算机连接到该USB接口, 然后运行Blackmagic Camera Setup实用程序。当计算机检测到Camera Fiber Converter使用旧版软件时, 会提示您进行更新。根据屏幕提示更新您的转换器内部软件。

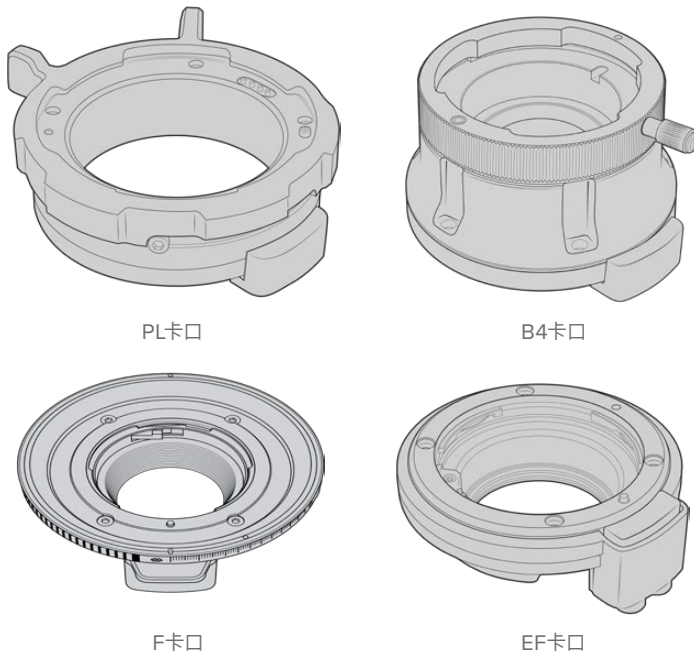
## 更新Blackmagic Studio Fiber Converter

更新过程中, Studio Fiber Converter需要始终通电, 我们建议在更新过程中保持IEC电源线连接到转换器后面板的电源接口。

位于Blackmagic Studio Fiber Converter前方的USB-C接口可以用于更新内部软件。将计算机连接到该USB接口, 然后运行Blackmagic Camera Setup实用程序。当计算机检测到Studio Fiber Converter使用过期版本时, 会提示更新。根据屏幕提示更新您的转换器内部软件。

## 可更换镜头卡口

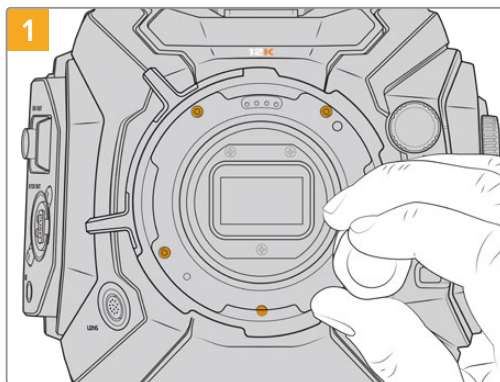
Blackmagic URSA Mini Pro 12K出厂标配PL卡口。其他URSA Mini Pro摄影机出厂标配EF卡口。所有URSA Mini Pro摄影机都配有可更换镜头卡口，您可以自由换用各类镜头。只要卸下原始卡口，然后安上选购的PL、B4、F或EF卡口即可。请联系您所在地区的Blackmagic Design经销商购买URSA Mini Pro PL卡口、URSA Mini Pro B4卡口、URSA Mini Pro F卡口或URSA Mini Pro EF卡口。



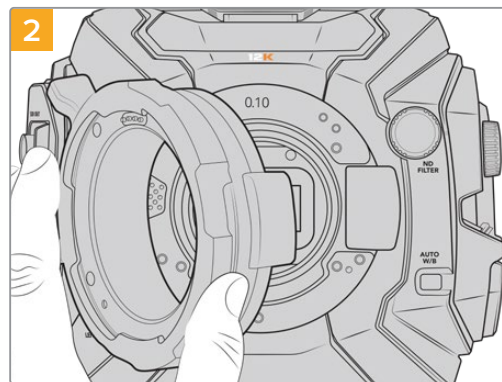
有了三个独立卡口选择，您就可以根据工作类型使用不同的镜头了。比如，EF卡口可以安装高质量相机镜头，B4卡口适合等焦面变焦镜头，可在电子新闻收集或婚礼拍摄时使用，而PL卡口适合安装高端坚固的电影镜头，可实现绝对精准和可重复控制。

替换卡口时，只需卸下原始卡口，然后换上新的卡口即可。非常简单！

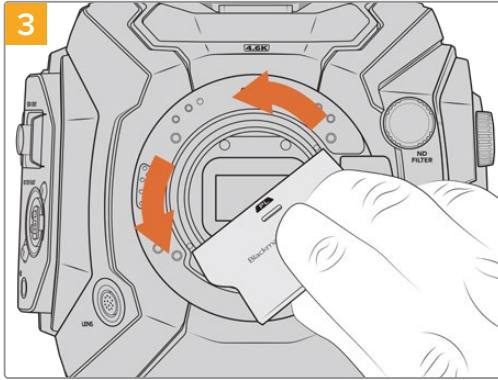
**从URSA Mini Pro 12K卸下原始PL卡口步骤如下：**



使用2mm规格六角扳手松开URSA Mini Pro 12K上的五枚螺丝即可卸下原始PL卡口

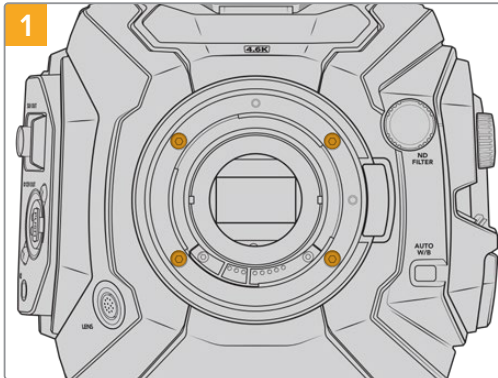


小心取下镜头卡口，使其与机身分离

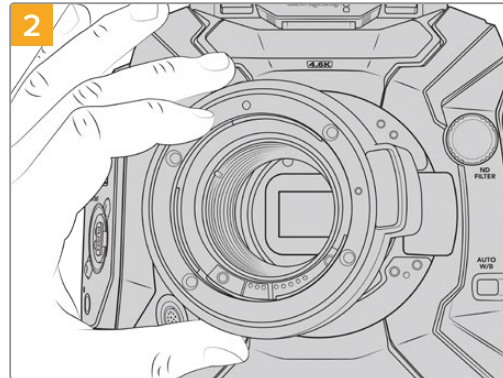


卸下PL镜头卡口后, 使用PL挡光板工具较宽的一面松开中间的PL挡光板, 然后用手指小心将其卸下

**从URSA Mini Pro 4.6K G2或URSA Mini Pro 4.6K卸下原始EF卡口步骤如下:**



使用2mm规格六角扳手松开四枚螺丝, 即可轻松卸下URSA Mini Pro 4.6K G2或URSA Mini Pro 4.6K的标配EF卡口。



小心取下镜头卡口, 使其与机身分离

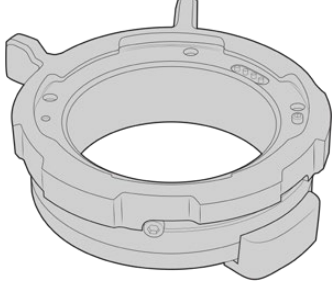
**备注** 备注 卸下标配镜头卡口时, 请确保卡口下方的垫片始终安装在摄影机上。

关于PL、B4、F和EF镜头卡口套件的详情, 以及如何在URSA Mini Pro上安装这些卡口, 请继续阅读本章节。

## Blackmagic URSA Mini Pro PL Mount

在URSA Mini Pro上安装PL卡口后, 您可以使用高端精准电影镜头进行影视制作。

### PL卡口套件包括:



#### 1 x PL卡口

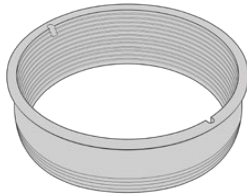
PL卡口自带保护防尘盖。



#### 1 x 垫片套件

垫片套件包括以下厚度规格:

0.50mm	0.18mm	0.10mm
0.30mm	0.15mm	0.05mm
0.20mm	0.12mm	0.025mm



#### 1 x PL挡光板

PL卡口挡光板用来控制和引导进入传感器的光线。



#### 1 x 挡光板工具

使用PL挡光板工具来拧紧摄影机的挡光板。



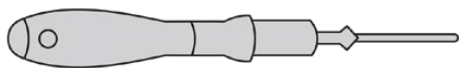
#### 5 x 2mm 六角M2.5 x 22mm卡口螺丝

五枚M2.5 x 22mm六角螺丝为PL卡口专用, 您可以将螺丝和相应的卡口一同保管。

PL卡口套件还包含一整套备用螺丝, 可在原配螺丝丢失时使用。

### 所需工具

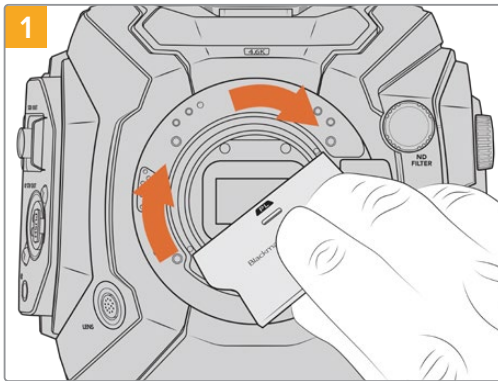
您需要一把2mm规格的六角扳手来安装PL卡口。虽然不是必须的, 但我们推荐使用最大扭矩为0.45Nm的六角扳手, 以避免将螺丝拧得过紧。



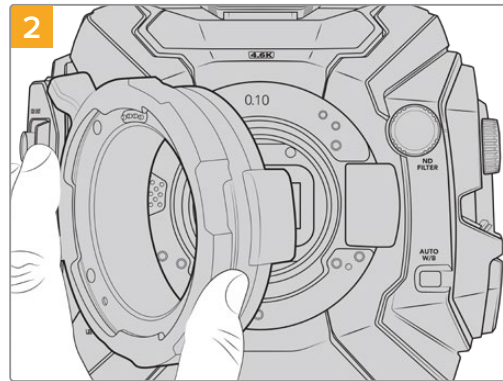
2mm六角扳手



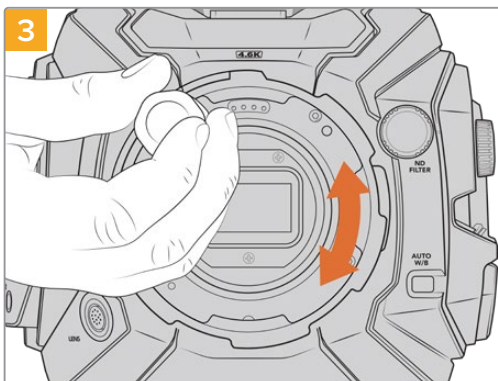
## 安装PL卡口



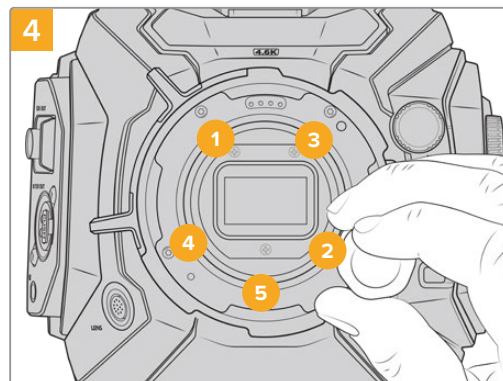
轻轻将PL挡光板插入镜头卡口的中心, 然后拧紧。用挡光板工具宽的一端轻轻拧紧挡光板。只需使用足够的力量即可安装到位。



小心将Blackmagic URSA Mini Pro PL镜头卡口安装在摄影机机身上。确保Cooke /i Technology的PL卡口定位销对准12点钟方向。



使用2mm规格六角扳手或扭矩为0.45Nm的扭力扳手稍微旋紧五枚螺丝, 直至镜头卡口初步固定到位。要旋紧全部五枚螺丝, 您需要转动PL锁定环, 因为一些孔在锁定环打开或关闭时会看不清楚。



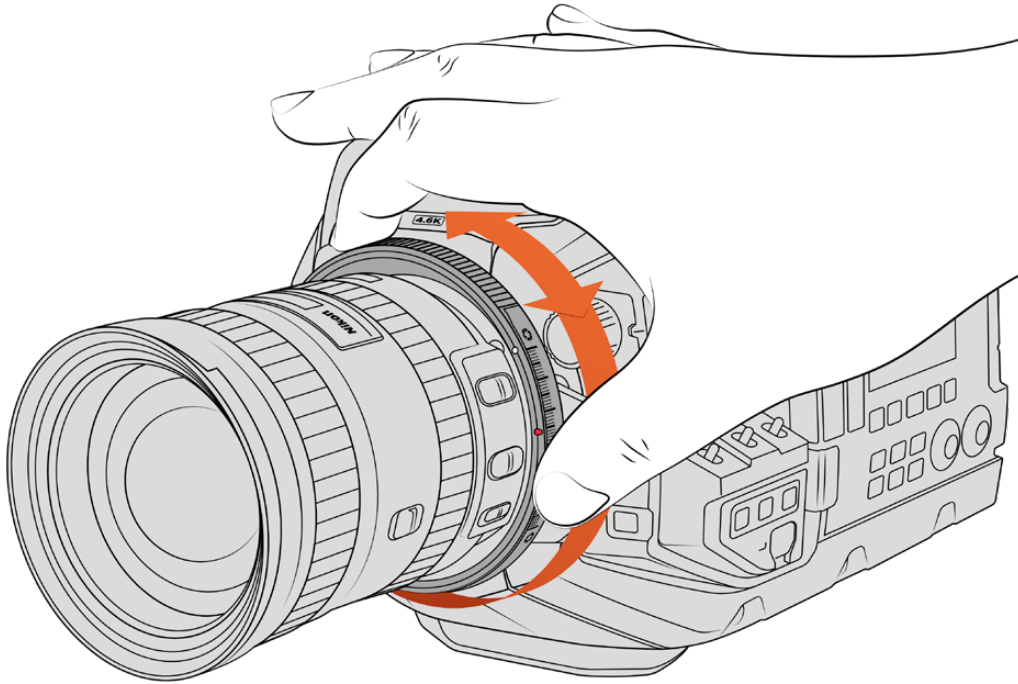
确认镜头卡口水平且正确对准, 然后按照图中所示的顺序依次旋紧螺丝, 确保均匀旋紧且没有用力过度。

**备注** 卸下PL卡口时, 只需从后往前按照第四步到第一步执行即可。不要忘记卸下PL挡光板, 和PL卡口一同妥善保管。

## Blackmagic URSA Mini Pro F Mount

在URSA Mini Pro上安装F卡口后,您就可以使用F卡口镜头了。尼康F卡口系统的历史可以追溯到1959年, F卡口镜头至今仍在生产。有了Blackmagic URSA Mini Pro F Mount,您就可以使用数量繁多的复古和现代镜头。

需要注意的是, Blackmagic URSA Mini Pro F Mount为机械卡口,也就是说,它并不具备电子对焦或光圈控制功能。但Blackmagic URSA Mini Pro F Mount配备机械光圈调节装置,可以用来带动大多数尼康镜头中的光圈控制点,实现流畅的电影风格光圈调节。



使用URSA Mini Pro F卡口的光圈调节圈,可以顺畅修改F卡口镜头的光圈。

安装F卡口后,还需移动Blackmagic URSA Mini Pro F Mount上的光圈调节装置即可获得您偏好的曝光。您可以通过F卡口上的红点和光圈调节器上的刻度记录光圈设置,在以后轻松回到喜欢的曝光或景深设置。

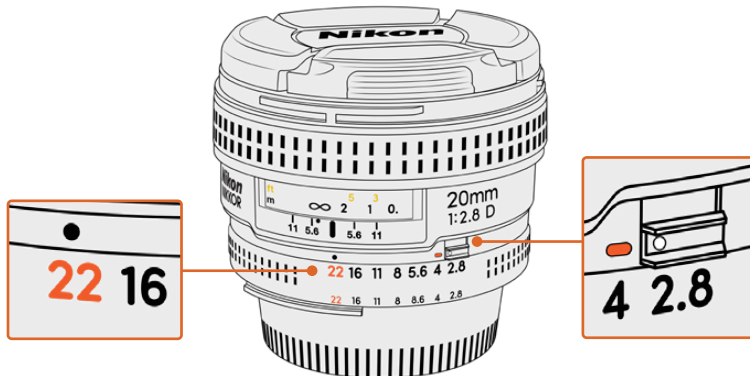
**备注** 由于URSA Mini Pro F卡口的运行方式,有少数F卡口镜头无法兼容。

这包括尼克尔AF-S E系列镜头,该镜头没有机械光圈控制,以及24mm f/3.5D PC-E和85mm PC-E等尼康PC-E移轴镜头。



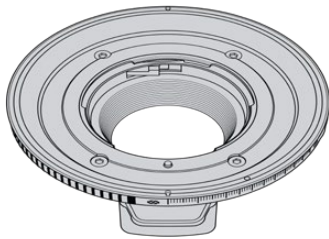
## 尼康AF-D镜头

在使用尼康AF-D系列镜头时, 需要将镜头光圈锁定到最小值, 如f/22, 才能充分使用Blackmagic URSA Mini Pro F Mount的光圈调整环。



在安装到摄影机上之前, 请通过简单步骤将AF-D镜头的光圈设置锁定到最低值。

## F卡口套件包括:



### 1 x PL卡口

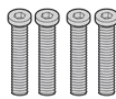
您可以在F卡口上安装常见的F相机镜头。



### 1 x 垫片套件

垫片套件包括以下厚度规格:

0.50mm	0.18mm	0.10mm
0.30mm	0.15mm	0.05mm
0.20mm	0.12mm	0.025mm



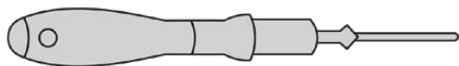
### 4 x 2mm六角 M3 x 18mm卡口螺丝

EF和F卡口使用四枚M3 x 18mm六角螺丝, 您最好将螺丝和相应的卡口一同保管。

F卡口套件还包含一整套备用螺丝, 可在原配螺丝丢失时使用。

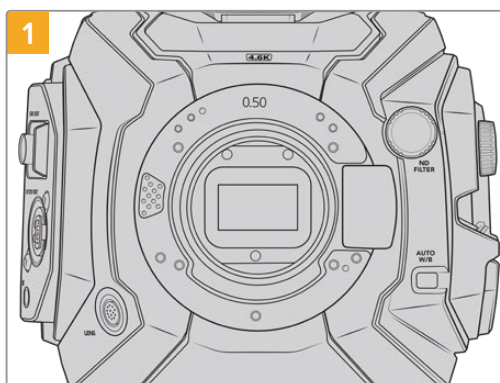
## 所需工具

您需要一把2mm规格的六角扳手来安装F卡口。虽然不是必须的, 但我们推荐使用最大扭矩为0.45Nm的六角扳手, 以避免将螺丝拧得过紧。

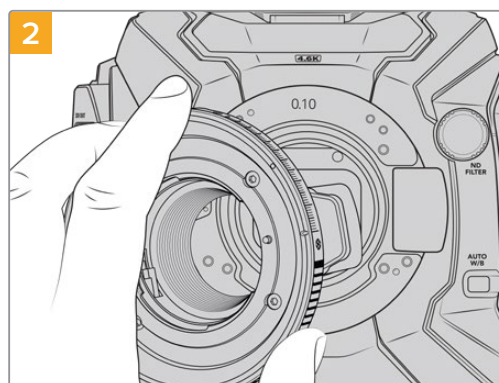


2mm六角扳手

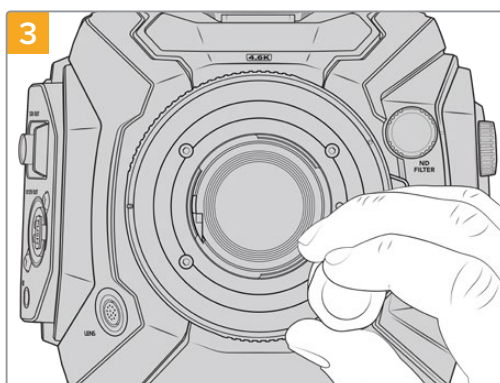
## 安装F镜头卡口



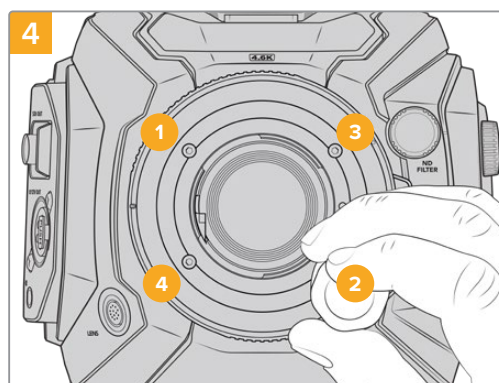
将Blackmagic URSA Mini Pro垂直放在一个平整、清洁的表面，确保卡口可以垂直安装。如果从PL卡口换成F卡口，请确保先移除PL挡光板，再安装F卡口。



小心将Blackmagic URSA Mini Pro F Mount放置在摄影机机身上，确保白点位于2点钟方向。



使用2mm规格六角扳手或扭矩为0.45Nm的扭力扳手稍微旋紧四枚螺丝，直至镜头卡口初步固定到位。



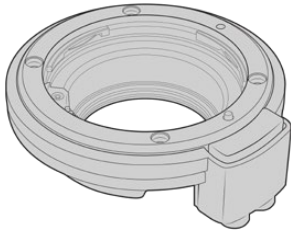
确认镜头卡口水平且正确对准，然后按照图中所示的顺序依次旋紧螺丝，确保均匀旋紧且没有用力过度。

**备注** 卸下F卡口时，只需从后往前按照第四步到第一步执行即可。

## Blackmagic URSA Mini Pro EF Mount

Blackmagic URSA Mini Pro EF Mount卡口支持各类广泛的EF相机镜头和电影镜头。

### EF卡口套件包括:



#### 1 x EF卡口

您可以在EF卡口上安装常见的EF相机镜头。



#### 1 x 垫片套件

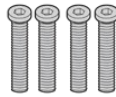
垫片套件包括以下厚度规格:

0.50mm	0.18mm	0.10mm
0.30mm	0.15mm	0.05mm
0.20mm	0.12mm	0.025mm



#### 1 x 挡光板工具

EF卡口中的挡光板无法卸下,但我们依然在EF套件中包含了挡光板工具备用,如果您拥有PL卡口,就可以使用该工具。



#### 4 x 2mm六角 M3 x 18mm卡口螺丝

EF和F卡口使用四枚M3 x 18mm六角螺丝,您最好将螺丝和相应的卡口一同保管。

EF卡口套件还包含一整套备用螺丝,可在原配螺丝丢失时使用。

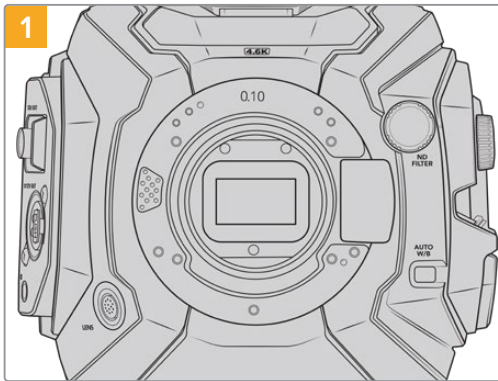
### 所需工具

您需要一把2mm规格的六角扳手来安装EF卡口。虽然不是必须的,但我们推荐使用最大扭矩为0.45Nm的六角扳手,以避免将螺丝拧得过紧。

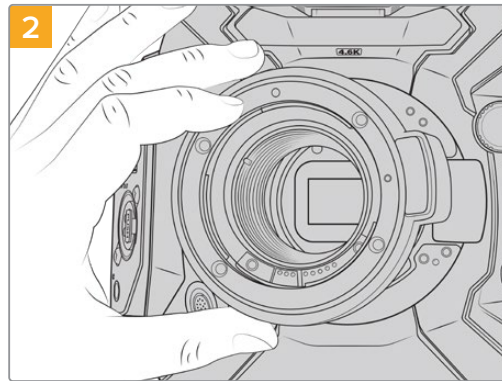


2mm六角扳手

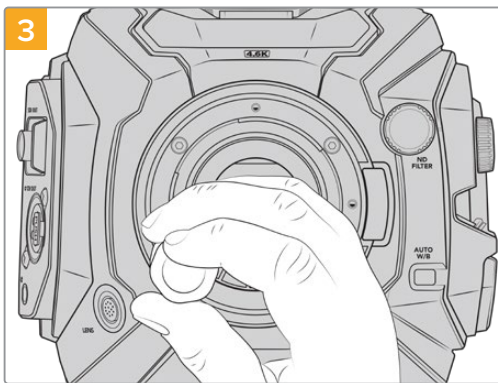
## 安装EF镜头卡口



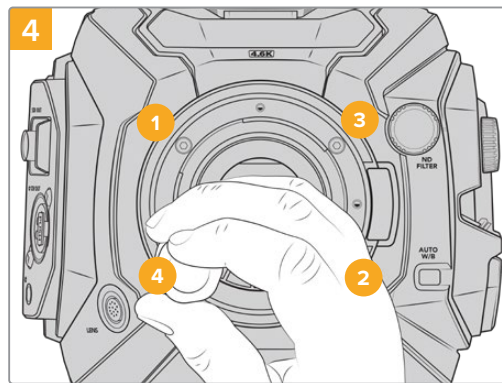
将Blackmagic URSA Mini Pro垂直放在一个平整、清洁的表面，确保卡口可以垂直插入。如果用EF卡口替换PL卡口，确保在插入EF卡口前取下PL垫片。



小心将Blackmagic URSA Mini Pro EF镜头卡口放置在摄影机机身上，确保红点位于12点钟方向。



使用2mm规格六角扳手或扭矩为0.45Nm的扭力扳手稍微旋紧四枚螺丝，直至镜头卡口初步固定到位。



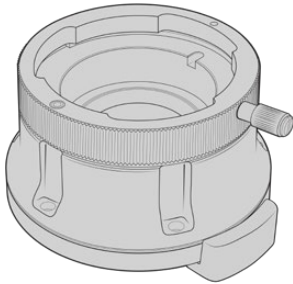
确认镜头卡口水平且正确对准，然后按照图中所示的顺序依次旋紧螺丝，确保均匀旋紧且没有用力过度。

**备注** 卸下EF卡口时，只需从后往前按照第四步到第一步执行即可。

## Blackmagic URSA Mini Pro B4 Mount

URSA Mini Pro 4.6K G2或URSA Mini Pro 4.6K安装B4卡口后, 您可以安装电子新闻采访和婚礼中常用的等焦面变焦镜头。这些镜头在大的变焦范围内维持对焦, 一般带有手动对焦和光圈控制, 同时手柄上还配有变焦按钮, 帮助您流畅地调整焦距。对于单一操作人员而言, 使用这些镜头将使拍摄非常快速高效, 给予拍摄者理想的镜头掌控。请注意, Blackmagic URSA Mini Pro B4 Mount卡口不兼容URSA Mini Pro 12K。

### B4卡口套件包括:



#### 1 x B4卡口

有了B4卡口, 您可以在URSA Mini Pro上使用行业标准的ENG镜头。



#### 1 x 垫片套件

垫片套件包括以下厚度规格:

0.50mm	0.18mm	0.10mm
0.30mm	0.15mm	0.05mm
0.20mm	0.12mm	0.025mm



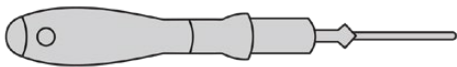
#### 5 x 2mm六角M2.5 x 12mm卡口螺丝

五枚M2.5 x 12mm规格六角螺丝为B4卡口专用, 您可以将螺丝和相应的卡口一同保管。

B4卡口套件还包含一整套备用螺丝, 可在原配螺丝丢失时使用。

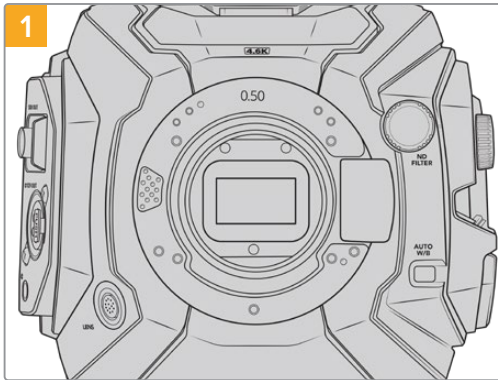
### 所需工具

您需要一把2mm规格的六角扳手来安装B4卡口。虽然不是必须的, 但我们推荐使用最大扭矩为0.45Nm的六角扳手, 以避免将螺丝拧得过紧。

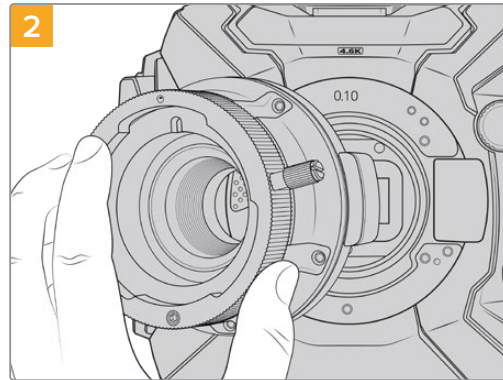


2mm六角扳手

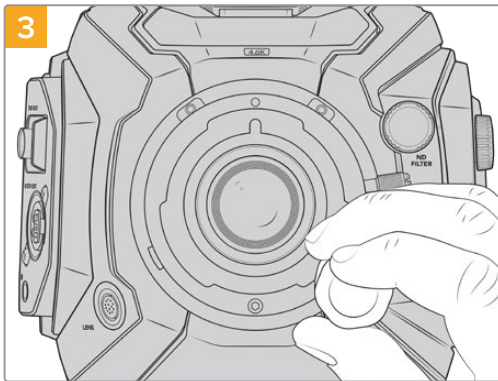
## 安装B4卡口



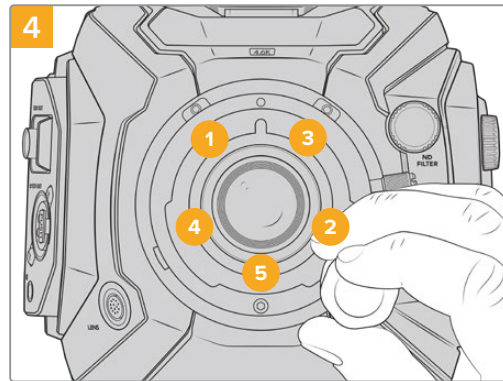
1 将Blackmagic URSA Mini Pro垂直放在一个平整、清洁的表面，确保卡口可以垂直插入。



2 小心将Blackmagic URSA Mini Pro B4镜头卡口放置在摄影机机身上，确保红点位于12点钟方向。



3 使用2mm规格六角扳手或扭矩为0.45Nm的扭力扳手稍微旋紧五枚螺丝，直至镜头卡口初步固定到位。



4 确认镜头卡口水平且正确对准，然后按照图中所示的顺序依次旋紧螺丝，确保均匀旋紧且没有用力过度。

**备注** 卸下B4卡口时，只需从后往前按照第四步到第一步执行即可。

**提示** 在URSA Mini Pro 4.6K G2或URSA Mini Pro 4.6K摄影机上使用B4镜头时，请将分辨率设置为2K 16:9，并到主菜单的“RECORD”（记录）选项卡中开启“WINDOW SENSOR”（传感器裁切模式）。这一点非常重要，因为这些设置可防止因B4镜头无法覆盖Super 35mm的成像圈所导致的暗角现象。将B4镜头安装到摄影机上并调整设置之后，您还需检查镜头的后焦。

## Blackmagic URSA Mini Pro Shim Kit

在URSA Mini Pro上安装PL、B4或F卡口时，除原有的0.50mm和0.10mm垫片外，需在原始EF卡口下方添加0.10mm垫片。所有垫片都包含在Blackmagic URSA Mini Pro Shim Kit垫片套装里。套装中包含其它厚度的垫片，当安装间隙略有不同的PL镜头时，可以使用这组垫片对PL镜头进行微调以获得准确的对焦标记。

### 垫片套件包括：



#### 1 x 挡光板工具

在URSA Mini Pro上移除或安装PL卡口时，可以使用挡光板工具松开或上紧PL挡光板。



#### 1 x 垫片套件

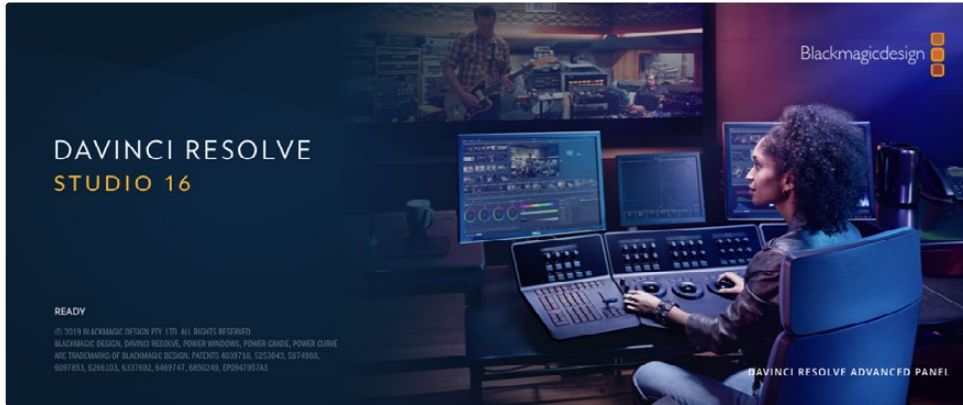
垫片套件包括以下厚度规格：

0.50mm	0.18mm	0.10mm
0.30mm	0.15mm	0.05mm
0.20mm	0.12mm	0.025mm



# 使用DaVinci Resolve

使用Blackmagic URSA Mini拍摄仅是影视节目内容创作过程中一个部分而已，就如整个过程中的媒体备份和管理、剪辑、调色和最后的编码输出母版文件一样都很重要。Blackmagic URSA Mini自带的DaVinci Resolve版本支持Mac和Windows系统，可为您提供拍摄和后期制作的全方位解决方案！



**备注** 我们推荐使用最新版本的DaVinci Resolve，对URSA Mini拍摄的镜头片段进行准确的调色。16.3或更高版本均可作为所有URSA Mini摄影机和新推出的Blackmagic RAW格式提供准确色彩，并且支持12K文件。

将您的CFast、SD卡或SSD连接到计算机后，就可以使用DaVinci Resolve“媒体”页面中的“克隆”工具，在拍摄过程的同时进行素材备份。由于任何类型的存储介质都有可能损坏或出现故障，因此建议您进行文件备份以防万一。使用DaVinci Resolve备份媒体文件后，就可以将片段添加到DaVinci的媒体池中，随后在DaVinci Resolve里进行一站式剪辑、调色、精编制作。

DaVinci Resolve拥有高端数字电影制作所需的先进技术，是大多数影院大片所使用的调色工具，因此比简单的非编软件工具要强大得多。使用DaVinci Resolve进行剪辑和调色可让您充分利用这一技术。

以下内容介绍了如何使用DaVinci Resolve开展您摄影机文件的制作工作。当然，DaVinci Resolve是非常高端的软件，它包含了大量的功能，这远比您在用户界面上一眼看上去的要多得多。想要进一步了解如何使用DaVinci Resolve，请访问Blackmagic官网查阅DaVinci Resolve操作手册，或者通过官网观看相关的培训课程和教学视频。

## 项目管理器

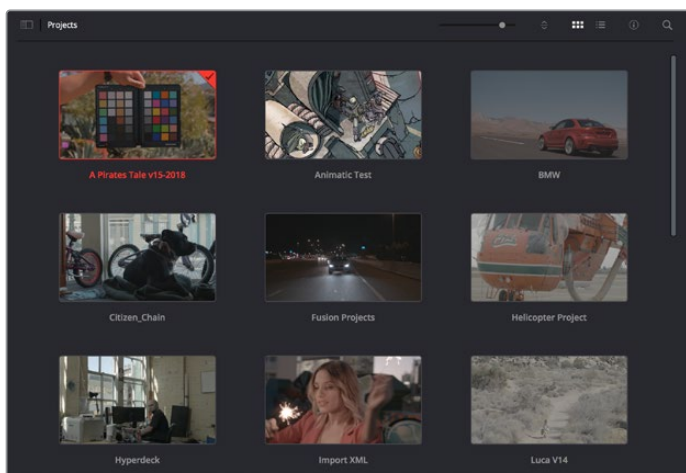
导入片段开始剪辑之前，您需要先使用项目管理器来建立一个项目。

初次运行DaVinci Resolve时，首先出现的界面就是项目管理器窗口，您也可以点击用户界面右下方的主菜单图标按钮，随时打开这一窗口。这样能便于打开之前创建的项目或创建新项目。

要创建新项目，点击窗口底部的“新建项目”按钮，然后为项目命名。点击“创建”。

您可以使用“快编”页面快速开始项目剪辑工作。





项目管理器中可显示属于当前用户的所有项目

更多关于项目管理器的信息，请到Blackmagic Design官网的支持页面下载DaVinci Resolve操作手册进一步查阅。

## 使用快编页面剪辑

快编页面能提供高效、活动的剪辑流程，能让您快速组合、修剪和编辑片段。

该页面设有两条时间线，能分别同时提供完整时间线视图和操作部分的细节放大视图。这样一来，您就可以先将片段快速拖放到完整时间线的任何位置，然后在细节放大时间线上进行剪辑，无需切换和调整界面。这样的工作流程能实现笔记本电脑快捷编辑，省去了繁琐的时间线缩放和滚动查找操作，从而节省大量时间。

### 快编页面布局

打开快编页面后，将会看到媒体池、检视器窗口和时间线。这三个主要窗口能帮助您完成剪辑全过程中的各项控制。



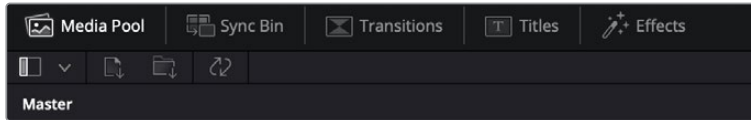
图为快编页面的默认布局，其中媒体池为缩略图显示模式

更多关于快编页面的信息，请查阅DaVinci Resolve操作手册在“使用快编页面”章节的介绍。

## 媒体选项卡

用户界面的左上角设有五个选项卡。

点击这些选项卡可分别打开不同的媒体工具集，它们可用来创建不同的编辑操作。例如，第一个是“Media Pool”（媒体池）选项卡，根据图示可判断该选项卡已被选中。其他选项卡分别为“Sync Bin”（同步媒体夹）、“Transitions”（转场）、“Titles”（标题）和“Effects”（特效）。



- **媒体池：**媒体池包含了您使用媒体页面导入的所有片段、文件夹以及文件。您也可以直接从快编页面导入文件，这样就不必回到媒体页面导入新的片段了。
- **同步媒体夹：**这个强大的功能可通过时间码、日期和时间来自动同步所有片段，让您选择不同机位角度来制作多机位项目。
- **转场：**点击同步媒体夹右侧的转场按钮，可调出所有视频和音频转场，素材中使用。它们包括交叉叠化和动态划像等普通转场。
- **标题：**位于转场右侧的是标题选项卡。您可以点击它来选择想要使用的标题，如标准滚动文本或下横栏标题。此外，还有一系列Fusion模板供您使用，获得更具动感的动画标题，具体可在DaVinci Resolve的Fusion页面中自定义。
- **特效：**第五个是特效选项卡。该选项卡可提供所有滤镜和特效，能让丰富素材画面，比如模糊、发光和镜头特效等。该选项卡里有许多强大的特效供您选择，使用搜索工具就能快速找到。

**提示** 使用媒体选项卡图标一侧的搜索工具可精确查找您需要的效果。例如，如果您选中了转场选项卡，在搜索栏输入“叠化”后，所有叠化转场类型就会被筛选出来显示在检视器中，帮助您快速找到想要的叠化转场。




## 检视器选项卡

检视器窗口的左上角是检视器模式按钮。



检视器模式按钮

这些按钮可控制当前使用的检视器，包括“源片段”、“源磁带”以及“时间线”。这些检视器模式能在您选择片段进行编辑时提供大量控制，因此不妨花些时间了解它们的工作原理。



	<b>源片段</b>	源片段检视器可显示来自媒体池的单个片段，您可以沿整条检视器时间线设置入点和出点，从而获得更好的控制。双击媒体池中的某个源片段将其选中，或者将它拖到检视器中，就可以进行查看。
	<b>源磁带</b>	源磁带视图可查看媒体池中的所有源片段。这项强大的功能是您的得力助手，它能帮在所有片段当中快速搜索，找出某个具体片段。当您在片段上方搓擦播放头进行查看时，媒体池中相应片段的缩略图也会高亮显示。这意味着，当您找到想要编辑的片段后，只要点击源片段选项卡，对应的源片段就会自动出现在检视器中。  源磁带检视器模式能让您充分利用非线性编辑的优势，让您自由进行剪辑工作，快速找到镜头，尝试新的想法，呈现出精彩画面。
	<b>时间线</b>	在时间线检视器模式下，您可以查看并剪辑时间线，播放项目并精确剪辑。

## 将片段导入媒体池

现在，您可以开始将媒体文件导入项目中了。您可以使用顶部的导入工具，在快编页面的媒体池窗口中完成这一操作。



选中其中一个导入选项，将媒体文件添加到项目中

	<b>导入媒体</b>	该选项可导入您在存储位置选中的单个媒体文件。
	<b>导入媒体文件夹</b>	要从媒体存储中导入一个文件夹，请选择这一选项。导入文件夹时，DaVinci Resolve会保留文件结构，将每个文件夹视作一个单独的媒体夹，方便您在不同媒体夹之间导航，找到需要的视频和其他媒体文件。

### 导入媒体步骤如下：

- 1 点击导入媒体或导入媒体文件夹图标。
- 2 导航到想要导入的媒体文件所在的媒体存储位置。
- 3 选中文件或文件夹，点击“打开”。

将媒体添加到项目中之后，请保存更改。DaVinci Resolve设有快速简便的自动保存功能，叫做“实时保存”。您保存项目一次之后，“实时保存”功能将在您每次更改后自动保存，有效防止数据丢失。

更多关于“实时保存”和其他自动保存功能的信息，请查阅DaVinci Resolve操作手册。

## 将片段添加到时间线

熟悉了媒体选项卡和检视器模式按钮后，现在就可以打开媒体池并快速开始在时间线上添加片段了。



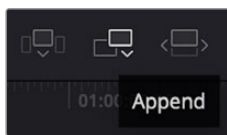
图为快编页面的时间线，上方为完整时间线，下方为局部放大时间线

时间线是进行剪辑的地方，它就像是一块工作板，您可以在轨道上放置片段，来回移动片段位置，并且进行修剪。轨道可以对片段进行上下分层，方便您尝试不同的剪辑版本并建立转场和添加特效。比如，您可以将一个片段放置在一个轨道上，尝试某个剪辑版本的效果，而下方的轨道均不会受到影响。

将片段添加到时间线有多种不同的方法，比如智能插入、附加以及叠加等。

### 附加片段

选择镜头和组合剪辑时，您可能想要将这些镜头相继添加到时间线上。进行这类操作时，就可以使用附加工具来快速完成剪辑。



点击附加工具图标按钮，快速将片段添加到上一个片段的结束处

#### 附加片段步骤如下：

- 1 双击媒体池中的一个片段，将其在检视器中打开。
- 2 使用搓擦修剪工具，拖动入点和出点来选中镜头的精确时长。您也可以按“I”和“O”键盘快捷键来设置入点和出点。

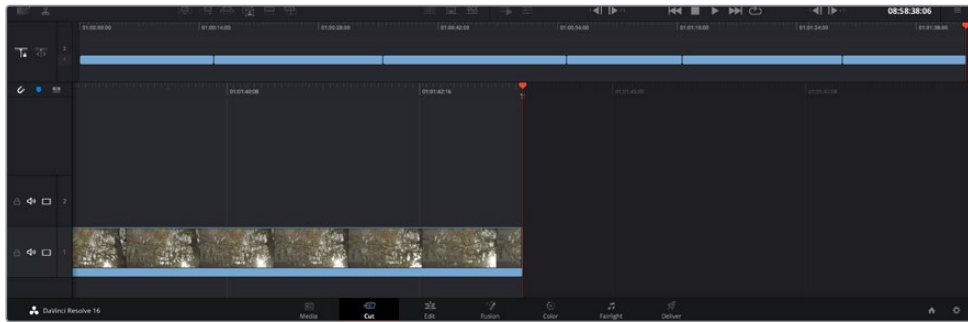


- 3 现在, 点击媒体池下方的附加图标按钮。



您的第一个片段就会被放置在时间线的开头。

重复步骤1到步骤3的操作, 继续添加更多片段, 它们会自动附加到相应位置, 确保时间线上不会出现空隙。



附加片段的操作方式能确保时间线的片段之间不会出现空隙

**提示** 您可以为“附加”图标指派一个键盘快捷键, 从而进一步加快操作进程。例如, 您可以将“P”键指派为该功能, 然后使用“I”和“O”键设置入点和出点, 再按“P”键附加该片段。更多关于指派快捷键的信息, 请查阅DaVinci Resolve操作手册。

## 在时间线上编辑片段

将片段添加大时间线上后, 您就能完全控制片段, 进行移动和修剪编辑了。

要修剪某个片段, 可将鼠标指针悬停在相应片段的开始或结束处, 然后点击并左右拖动。例如, 向左或向右拖动片段尾部, 可分别减少或增加其时长。您可能注意到, 执行刚才的剪辑操作后, 所有片段在时间线上的位置都会发生变化, 以适应新的调整。这就是快编页面帮助您节省时间的一种方式。

您还可以选取一个片段, 然后将它放置到大型时间线的新的视频轨道上, 无需缩放操作就可完成。这样能极大程度地缩减在庞大时间线上来回导航所花费的时间, 从而有效加快剪辑进程。

在快编页面上完成片段剪辑之后, 可能还需要添加一个标题。下节内容将具体介绍如何操作。

## 添加标题

将标题添加到时间线上十分简单, 并且种类多样。

要查看可供使用的标题类型, 可点击用户界面左上角的“标题”媒体选项卡。在出现的选项窗口中, 您会看到所有可供使用的标题生成器, 包括下横栏标题、滚动标题、标准文本标题等。您还可以添加各种Fusion标题, 也就是可自定义的动画标题。

此处将以添加标准标题为例。

#### 具体步骤如下：

- 1 点住“文本”标题，将其拖放到时间线上。您可以任选一条时间线，但是为了提高准确度，建议您使用放大显示的时间线。标题会自动创建一个新的视频标题轨道，并且会吸附到播放头的位置。
- 2 松开鼠标后，标题就会出现在新的轨道上。您可以想处理视频片段一样，移动标题的位置或更改其时长。
- 3 如要编辑标题，可点击新的标题片段，片段检视器下方会出现“工具”图标按钮。点击工具图标。界面中会显示一排工具，可用来修改标题片段。这些工具包括变换、裁切、动态缩放等。在本例中，请点击“标题”工具。
- 4 然后点击“打开检查器”。

检查器窗口打开后，您可以输入一个标题，然后编辑文本设置，比如字距、行距、字体、颜色等等。

您可以使用多种选项，将标题自定义为理想中的效果。建议您不妨自行尝试和摸索所有设置，看看各种设置带来的不同标题效果。

## 使用Blackmagic RAW文件

Blackmagic RAW片段可为您的后期制作提供最大的灵活性。这样能方便您在更改原始摄影机设置时调节片段各项参数，如白平衡和ISO设置。使用Blackmagic RAW格式还可保留暗部和亮部的色调信息，这将在细节恢复操作时非常有用，比如恢复过曝的天空和过暗的图像部分。

如果您追求的是更高的画质，或者拍摄亮部和暗部有显著差别的影像并于随后进行细节恢复处理并加以调色，那么使用Blackmagic RAW格式将是不错的选择。

由于Blackmagic RAW速度快，文件小，您不需要创建代理文件就可以像标准视频片段一样播放。操作手册这部分内容描述了关于Blackmagic RAW功能，以及如何在DaVinci Resolve工作流程中使用Blackmagic RAW文件的信息。

**提示** 开始调色前，先为调色页面的片段调整Blackmagic RAW设置是较好的做法。

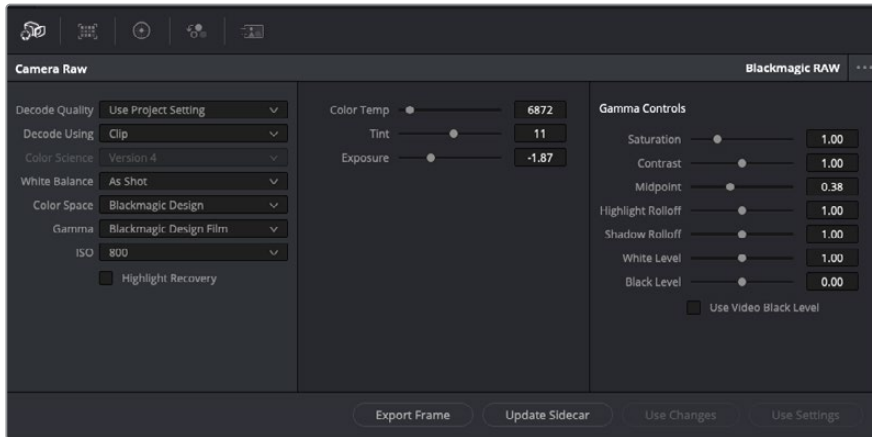
### Blackmagic RAW的片段设置

当您首次导入Blackmagic RAW文件时，DaVinci Resolve会根据拍摄时所使用的ISO、白平衡以及色调设置对文件中包含的摄影机数据进行解码。如果您对这些设置下的画面风格满意，就可直接开始编辑。

使用Blackmagic RAW格式拍摄的一大好处在于，您完全不会受限于这些设置！使用Blackmagic RAW文件可获得灵活的后期处理选项，这样您就可以逐渐发展出自己的一套工作流程。尝试在“Camera Raw”选项卡中对每个片段进行“片段”设置，您会发现Blackmagic RAW格式有多么强大和灵活。



您可通过“色彩科学”菜单来选择使用第四代色彩科学还是第五代色彩科学来解读素材。URSA Mini Pro 12K是目前首款使用Blackmagic Design第五代色彩科学的摄影机。使用其他摄影机以第四代色彩科学生成的文件可通过第五代色彩科学再次解读,以匹配URSA Mini Pro 12K的拍摄镜头。如果您主要使用的摄影机大都采用第四代色彩科学创建Blackmagic RAW文件,可将URSA Mini Pro 12K所拍摄的第五代色彩科学片段镜头退回到第四代色彩科学,从而实现不同素材的混合。这样能便于匹配来自不同Blackmagic色彩科学摄影机所拍摄的镜头。



在“Camera Raw”选项卡中,从“解码方式”下拉菜单中选择“片段”,可调整单个片段的Blackmagic RAW设置。

一旦启用了DaVinci Resolve的Blackmagic RAW片段设置,片段设置和Gamma控制就都可以进行调整了。通过调整这些设置可以优化您的片段,让其更接近全面一级校色的效果。当使用DaVinci Resolve示波器时更为强大,有助于中性化和平衡片段,为片段应用某种风格做好准备。

以下内容介绍了关于片段和Gamma控制的信息。

### ISO

升高或降低此设置可调整ISO数值。如果您需要将片段调整到更亮或更暗的起始点进行调整时,此设置很有用。

### 高光恢复

勾选该复选框可使用来自未裁切通道的信息来重建裁切通道中的高光信息。

### 色温

可将图像的色温调整到暖色或冷色。该操作有助于每个图像的色彩平衡。

### 色调

调整此设置可为图像添加绿色或品红色,从而起到平衡色彩的作用。

### 曝光

通过此设置可调整画面的整体亮度。

### 饱和度

饱和度控制默认为1,范围从最小饱和度-1到最大饱和度+4。

### 对比度

默认为1.0,将滑块向左拖动获得最小饱和度0,向右拖动可将饱和度最高增加到2。

## 中点

Blackmagic Design Film模式下, 中间灰值默认为0.38, 也就是38.4%。向左拖动滑块可降低中点, 向右拖动最高可增加到100。当对比度的调整与默认设置不一致时, 您可以修改高光和阴影过渡。

## 高光过渡

调整高光时, 向左拖动滑块可将该值降低到0, 向右拖动滑块可将该值增加到2。默认值是1。

## 阴影过渡

向左拖动滑块可将阴影降低到0, 向右拖动可增加到2。

## 白电平

如要调整Gamma曲线的白场, 可将滑块在最高值2和最低值0之间拖动。默认值是1。

## 黑电平

如要提高自定义Gamma曲线的黑场, 可将右边的滑块从最低值-1拖动至最高值1。默认值是0。

## 使用视频黑电平

点击复选框将黑电平设置为视频模式。

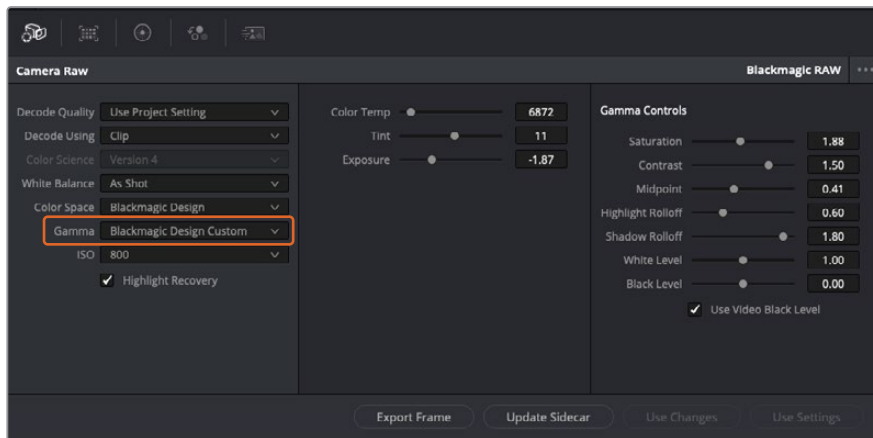
## 导出帧

点击“导出帧”按钮, 可让您从Blackmagic RAW片段中导出某一帧画面。

## 更新Sidecar

点击此按钮可为当前片段更新Blackmagic RAW Sidecar文件。

您对Blackmagic RAW片段所做的任何修改都会被识别为Blackmagic Design Custom的Gamma设置更改。



如果您希望把片段恢复到任何可用的默认Gamma选项, 可以在Gamma下拉菜单中选择相应选项。

**提示** 用“Video”动态范围拍摄的影像无法使用Gamma控制, 但Blackmagic RAW数据并没有丢失。只需从Gamma下拉菜单中选择“Blackmagic Design Film”或“Blackmagic Design Extended Video”, 然后进行调整。



## 保存您对Blackmagic RAW的修改

- 1 调整Blackmagic RAW片段的Gamma控制。
- 2 点击“更新Sidecar”按钮。

系统将在同一个文件夹里创建一个“Sidecar”文件作为.braw文件。当另一位用户导入Blackmagic RAW文件时, DaVinci Resolve会自动读取这些Sidecar文件。如果您进行了其他调整, 请再次点击“更新Sidecar”。

**提示** 如要移除Sidecar文件, 只需将其从存储介质的位置上删除即可。

## Blackmagic RAW的项目设置

如果您需要改变适用于所有片段的设置, 比如: 统一修改白平衡或ISO, 可以使用项目的“Camera RAW”设置进行统一修改。

### 为Blackmagic RAW进行项目设置:

- 1 点击“文件”, 选择“项目设置”, 进入项目设置菜单。
- 2 在“Camera RAW”选项卡中, 您会看到RAW配置文件旁边有一个下拉菜单。点击箭头可从列表中选择Blackmagic RAW。
- 3 在“解码方式”下拉菜单中选择“项目”。
- 4 将白平衡设定为“自定义”。
- 5 从Gamma下拉菜单中选择“Blackmagic Design Custom”。将色彩空间设为“Blackmagic Design”。这将同时把Gamma设定为“Blackmagic Design Film”。
- 6 在“解码质量”菜单中选择分辨率。对于性能有限的系统, 较低的分辨率播放效果会更好。之后也可以调整为全分辨率, 然后输出最高质量的文件。

现在, 您可以调整片段的摄影机设置, 比如饱和度、对比度和中点等。这将影响项目中设置为使用“项目”解码的所有片段。

## 使用调色页面为片段调色

将片段添加到时间线，并且添加了标题之后，就可以开始使用调色页面进行调色了。调色页面非常强大，影片的整体风格将在这里成型。在这个例子中，我们将首先平衡片段色彩，使它们保持一致性。在此期间，您可以随时回到快编或剪辑页面对素材进行调整。

调色页面可用来调整素材的画风。从很多方面来看，调色本身就是一门艺术。您在进行调色的时候，会将自己的情感注入到作品当中。这是工作流程当中极具创意的一个环节，当您看到自己精心雕琢的作品呈现在荧幕之上时，也会收获满满的成就感！通常来说，这是调色的第一步，也就是我们常说的“一级校色”。完成一级校色之后，就要进入二级调色阶段。在这个阶段，您可以对画面中的具体对象进行细致精准的色彩调整。这是个充满趣味的过程，一般会放在一级校色之后进行，因为这样能使制作流程更加高效，效果也会更好！

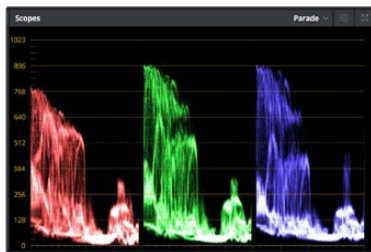
首先，点击“调色”选项卡，打开调色页面。

该页面中有Camera Raw设置、色轮、曲线面板和常用的调色工具以及预览和节点窗口。当您看到面前这些大量工具时不用慌张，它们都是能够帮助您获得最精彩画面的实用功能。这一入门章节会展示基本操作，要活的更详细的介绍，请查阅操作手册中的相关内容。操作手册将为您详细介绍每项功能，以及如何按照简单易行的步骤进行使用。从中您可以了解到专业人士在高端调色工作室所使用的技能。

一般来说，第一步就是进行一级校色，对片段的暗部、中间调和亮部电平进行优化。您可以通过调整“暗部”、“中灰”和“亮部”设置来实现。这可以让您的素材画面有一个干净平衡的起点，从而更好地开展影片调色工作。优化电平时，使用示波器作为参考会很有帮助。

## 使用示波器

大多数调色师都会通过创意调色来着重突出影片所要表现的情感，并使用监视器来辅助他们得到想要的画面风格。您可以观察日常物品以及不同的光线和它们之间产生的互动，并通过您的想象力和实践来获得灵感。



分量示波器可帮助您优化画面的亮部、中间调和暗部。

调色的另一个途径是使用内置的示波器对镜头画面进行色彩平衡处理。您可以点击“示波器”按钮打开单个视频示波器显示，该按钮位于设置面板工具栏右起第二个。您可以选择显示波形示波器、分量示波器、矢量示波器和直方图。您可以使用这些示波器来监看色调平衡，检查视频电平并防止暗部色彩挤压及亮部裁切限幅，还能监看片段中出现的任何偏色现象。

“色轮”设置面板中设有“暗部”、“中灰”和“亮部”控制项，通常可作为第一轮调整使用。如果您具备调色背景，就应该已经在其他软件中接触过这些色彩和对比度调整控制。



“暗部”、“中灰”、“亮部”、“偏移”色轮用于控制片段的色彩及色调平衡。拖动并来回滚动色轮下方的滚轮可对所有色彩的每种色调区域进行统一的调整。

如果想要使用鼠标来更加准确地控制每类色彩，您可以将色轮更改为“一级校色条”模式，具体调整每个色彩和亮度通道，分别控制暗部、中灰以及亮部控制项。只需选择色轮右上方附近的下拉菜单中的“一级校色条”即可切换模式。

- **调整“暗部”**：首先请在色彩时间线上选中一个片段，点击位于第一个色轮下方的“暗部”滚轮。来回滚动该滚轮来查看该参数变化对画面的影响。您可以看到画面中暗部的亮度会相应提高或降低。请根据需要进行设置，使暗部区域获得最佳表现。如果“暗部”参数提升过度，图像暗部的细节就会丢失，您可以参考分量示波器加以避免。波形图上的暗部位置以恰好位于分量示波器的底线之上为最佳。
- **调整“亮部”**：点击“亮部”滚轮并来回滑动。该参数可调整亮部信息，即片段中最亮的部分。亮部信息位于分量示波器的波形顶部。如果画面有充足明亮的风光，那么该画面在示波器中以恰好位于波形顶线之下最为理想。如果亮部信息超越了示波器波形的顶线，那么这部分信息将被切掉，而您画面中最亮部分的内容将缺失。
- **调整“中灰”**：点击位于色轮下方的“中灰”滚轮并来回滑动。在提升中灰值的同时，您可以观察到画面的亮度随之增加，而且波形的中段部分也会随之移动。该值体现的是片段中的中间调。通常中间调的波形位置以位于示波器的50%至70%处最为理想。但是，根据您需要的创意风格以及灯光条件，这一参数或有所不同。

此外，您还能使用曲线设置面板来实现一级调色。只需通过点击操作在曲线图中的对角线上创建控制点，并上下拖拽来调整画面不同区域的主RGB对比度色调即可。曲线调整的最佳位置位于底部三分之一、中部及顶部三分之一处。

DaVinci Resolve中还有很多方式来完成一级调色。



曲线面板工具也可用来进行一级调色, 或使用Power Window来强化片段中的局部区域。

## 二级调色

如果要对画面中的特定部分进行调整, 那么您就需要使用二级调色。目前为止, 您使用暗部、中灰和亮部等参数所做的调整都会同时影响画面整体效果, 因此这一过程被称为“一级校色”。

但是, 如果需要调整画面中的特定部分, 例如要美化画面中草地的部分, 或要加深天空的蓝色, 那么就要用到二级调色功能。进行二级调色时, 您可以选中局部画面内容, 并只对选中部分来单独调整。您可以使用节点将多个二级调色操作堆栈在一起, 这样就可以一直处理画面各部分内容, 直至所有部分完成相应的处理! 此外, 您还能使用窗口和跟踪功能, 让画面中的选定部分跟随主画面一起移动。

## 限定某一色彩

很多时候您要突出强调片段中的某一色彩, 比如路边的草坪和天空的蓝色, 或者您可能需要调整画面中某个对象的色彩来吸引观众的注意力。通过HSL限定器工具可以让您轻松实现这一操作。



当您需要突出强调画面中的某些部分、增加对比度或要将观众的注意力集中到某些区域时, 使用HSL限定器选择画面色彩十分实用。

### 如何限定某一色彩:

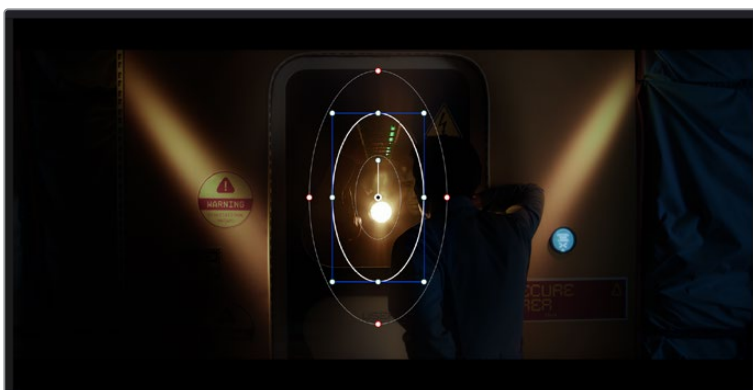
- 1 添加一个新的串行节点。
- 2 打开“限定器”设置面板, 确保选中“选择范围”拾色器工具。
- 3 点击片段中您想要调整的色彩。
- 4 一般情况下, 您需要进行一些调整来柔化所选对象的边缘, 且该操作仅对所选颜色有效。点击检视器上方的“突出显示”按钮查看所选内容。
- 5 调整“色相”窗口中的“宽度”控制来控制所选内容的宽窄。

尝试调整高区柔化、低区柔化以及柔化程度控制工具来观察这些参数如何细化您的所选内容。然后您就可以使用色轮和自定义曲线对所选色彩进行调整了。

有时，所选色彩会溢出到镜头中其他不需要调整的部分。您可以使用Power Window将不需要调整的部分通过遮罩功能隔离出来。只需创建新的Power Window窗口，并调整其形状，让它只包括所选色彩的区域。如果所选色彩在镜头中处于移动状，您可以使用跟踪功能来跟踪Power Window。

## 添加Power Window

Power Window是极其高效的二级调色工具，它可以隔离片段中的特定区域。这些区域不一定是静止对象，您可以跟踪它们使之随着摄影机的平移、竖移和转动，以及所选部分自身的移动一同移动。



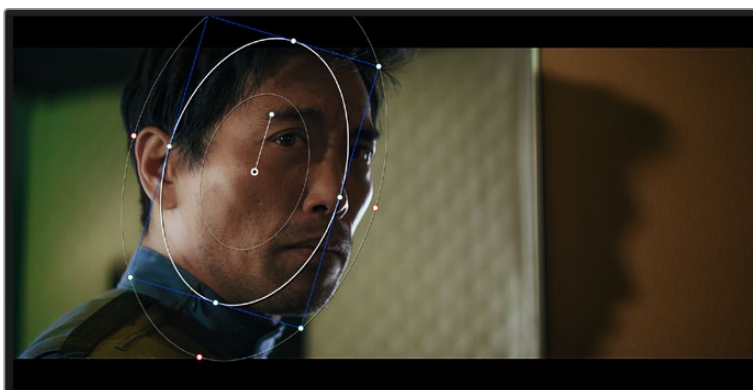
使用Power Window将不希望受到HSL限定器二级调色操作影响的区域隔离出来。

例如，您可以跟踪一个位于人物上的窗口来仅对窗口中的对象进行色彩和对比度调整，却不会影响该人物周围的画面内容。此类调色操作可以将观众的注意力转移并集中到您想要强调的画面部分。

### 如何在片段上添加Power Window:

- 1 添加一个新的串行节点。
- 2 打开“窗口”面板，点击形状图标来选择一种窗口形状。选中的窗口形状将显示在节点上。
- 3 点击并拖动该形状周围蓝色的点来重新调整它的大小。红色的点可调节其边缘柔化程度。点击并移动中心的点可将该形状移动到想要隔离的位置。使用与中心点连接的点来旋转窗口。

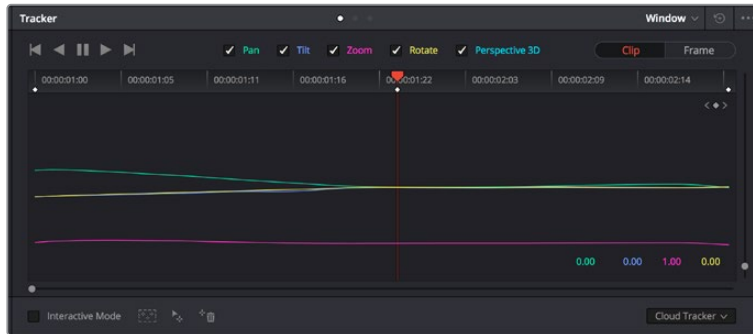
现在您就可以对画面的特定部分进行调色了。



Power Window可以让您对画面中的特定部分进行二级调色。

## 跟踪窗口

由于拍摄画面中的摄影机、物体或区域可能会移动，因此为了确保窗口位于所选物体或区域，就需要使用 DaVinci Resolve 强大的跟踪功能。跟踪器可分析摄影机或画面中物体的平移、竖移以及缩放和旋转，以便您添加的窗口可始终跟随所选对象。如果不进行窗口跟踪，您的调色操作可能会离开所选目标并给您造成不必要的麻烦。



您可以使用跟踪器功能来跟踪片段中的对象或区域，以便 Power Window 跟随对象移动。

### 如何对移动的物体进行窗口跟踪：

- 1 创建新的串行节点并添加一个 Power Window。
- 2 回到片段开头部分放置窗口并调整大小，以便仅突出显示需要的区域。
- 3 打开“跟踪器”面板。根据需要勾选或取消勾选相应的“分析”复选框，为片段选择平移、竖移、缩放以及旋转等相应的 3D 设置。
- 4 点击复选框左侧的向前箭头。然后 DaVinci Resolve 将会在您的片段上应用一组跟踪点，并逐帧分析对象的移动。完成跟踪后，Power Window 将跟随片段中的移动路径。

大部分情况下使用自动跟踪便可以成功完成上述操作，但是有时候场景会比较复杂，并且有些物体可能会从您选中的区域前景越过，这会干扰并影响跟踪功能。此时您可以使用关键帧编辑器来手动解决这一问题。请参考 DaVinci Resolve 操作手册获得更多信息。

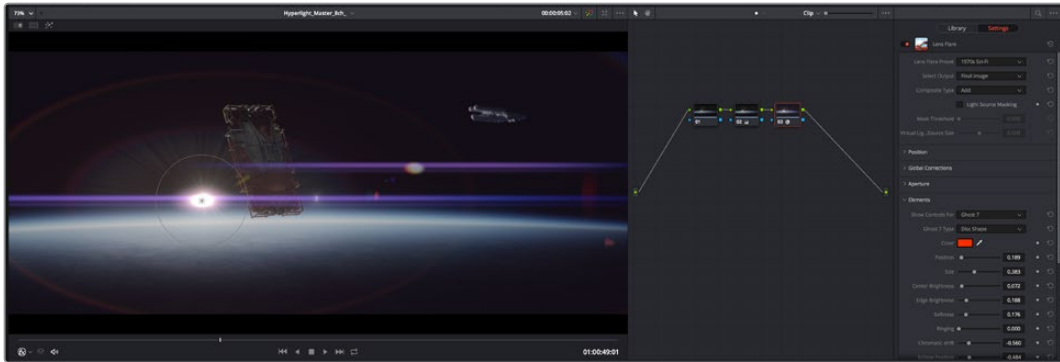
## 使用插件

从事二级调色时，您可能还需要添加 ResolveFX 或 OpenFX 插件在“调色”页面快速创建有趣的画面风格和效果，或在“剪辑”页面为片段添加富有创意的转场和特效。ResolveFX 会随 DaVinci Resolve 一同安装，OFX 插件可通过第三方供应商购买或下载。

安装 OFX 插件后，只要开启“节点编辑器”右侧的 OpenFX 检查器就能在调色页面中打开这些插件或 ResolveFX 插件。创建了新的串行节点后，只需点击“OpenFX”按钮打开特效库面板，然后将一个插件拖放到这个新节点上即可。如果该插件具有可编辑设置，您可以在相邻的“设置”面板中使用这些设置。

您可以在“剪辑”页面中打开“特效库”里的“OpenFX”面板，将所选插件拖拽到时间线的视频片段或轨道上方（视插件具体要求而定），就可以在片段上添加插件滤镜、生成器和转场。





OFX插件是您发挥想象力、进行充满趣味和个性创作的一种快速便捷的途径。

## 混合音频

### 在剪辑页面混合音频

项目剪辑和调色完毕后，就可以开始混合音频了。DaVinci Resolve拥有一套实用的工具，可直接在剪辑页面完成项目的剪辑、混合及音频母版等制作。对需要更高级音频工具的项目而言，Fairlight页面可提供一整套音频后期制作环境。如果您已经比较熟悉剪辑页面，想要直接跳至Fairlight页面，可跳过此章节，直接阅读下个章节。

### 添加音频轨道

如果您正在剪辑页面并想要为基本声音剪辑文件混合大量音效和音乐，只需根据需要添加更多音频轨道即可。当您想要构建声效并将音频元素分离到单独的轨道上用于如对白、音效以及音乐等的混音时，这一功能非常实用。

### 在剪辑页面添加音频轨道

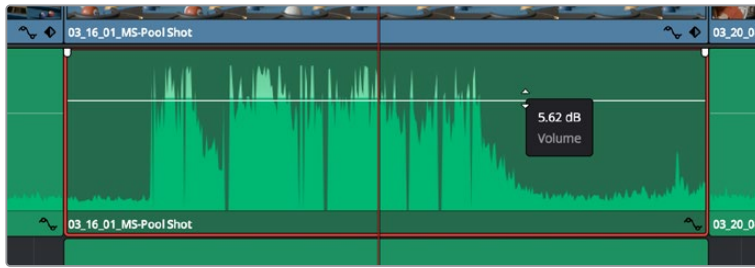
在时间线上任意一个音频轨道的名称旁边右击并选择“添加轨道”，然后根据需要选择“单声道”、“立体声”和“5.1声道”选项，从而在轨道列表底部添加一个轨道。或者，您也可以选择“添加自定义轨道”，然后选择一个或多个新轨道放置在哪个位置。

新的音频轨道将出现在时间线上。

**提示** 如果您在创建轨道之后想要进行更改，可以在轨道名称一侧右键点击，并选择“将轨道类型更改为”，然后选择如立体声、单声道或5.1声道等音频轨道类型。

### 在时间线上调整音频电平

时间线上的每个片段音频都包括一个音量叠加显示，只要用指针上下拖动即可设置片段的电平。这个叠加显示与检查器中的音量参数是一致的。

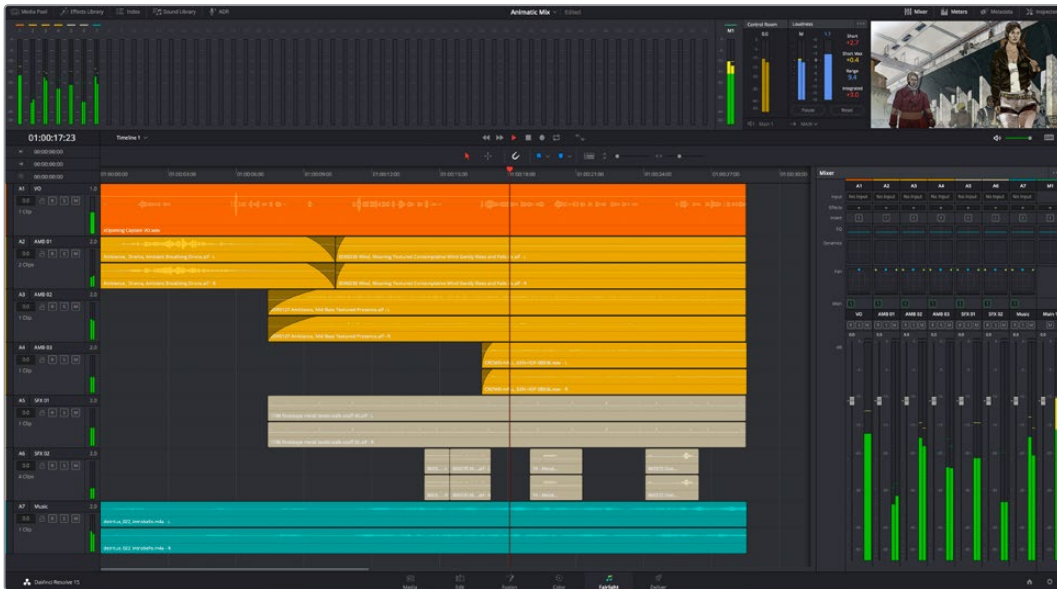


拖动音量叠加显示来调整片段电平

对需要更高级音频工具的项目而言，Fairlight页面可提供一整套音频后期制作环境。

## Fairlight页面

DaVinci Resolve中的“Fairlight”页面是用于调整项目音频的。在单检视器模式下，该页面为您的项目提供了优化音频轨道界面，显示有扩大的调音台和自定义监听控制，可让您轻松地评估和调整电平从而构建自然和谐的混合音效。当您看到面前这些大量工具时不用慌张，它们能够帮助您为项目获得最佳音质。

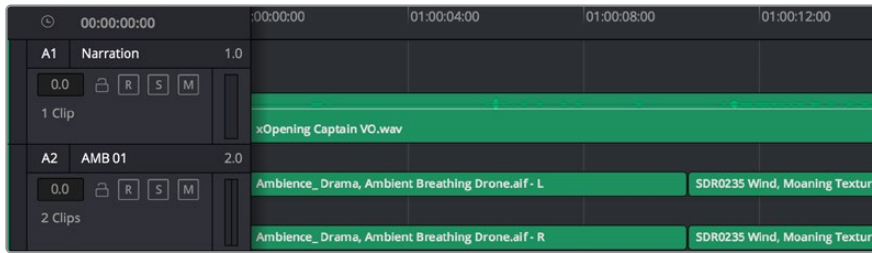


本手册只是对Fairlight页面功能进行了基本概述，如果想要了解各个功能详情，请查阅DaVinci Resolve操作手册。DaVinci Resolve操作手册详细介绍了每个工具的用途并通过易于操作的步骤描述了如何使用这些工具。

## 音频时间线

- **轨道标头：**每个轨道的左侧是轨道标头区域，显示了轨道编号、轨道名称、轨道颜色、音频通道、推子值以及音频表等信息。轨道标头还包括锁定和解锁轨道，以及单声道和静音控制等不同控制选项。这些控制选项可帮助您管理和组织轨道，让您挨个预览单个轨道。
- **轨道：**在Fairlight页面上，每条轨道会进行细分，显示出片段音频的各个声道，便于剪辑和混音。剪辑页面则会将这些单独的音频通道隐藏起来，只在时间线上显示一个单独的片段，避免了管理大量轨道的视觉混乱，从而为多通道源片段的剪辑工作带来便利。





A1轨道的轨道标头显示了一条轨道的单音轨代表了单声道音频，而A2轨道标头则显示了两条轨道的立体音轨代表了自适应立体声音频。

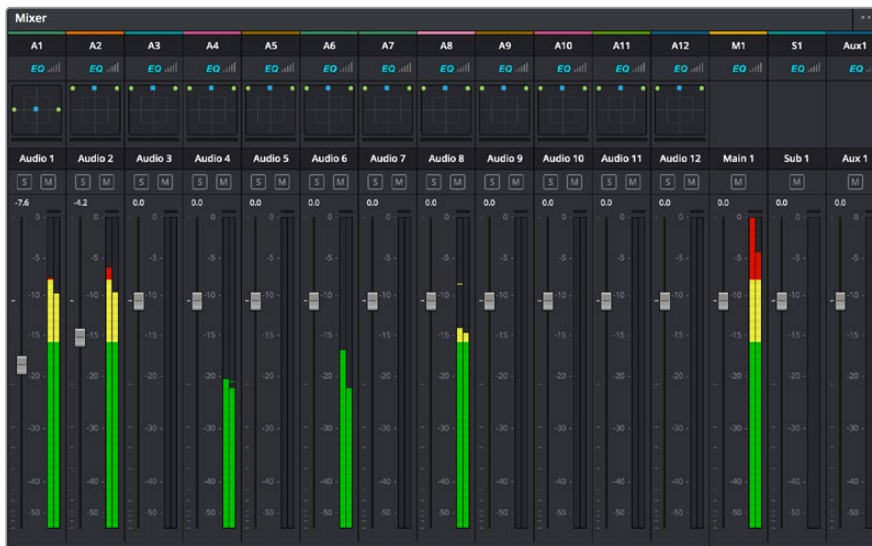
## 什么是总线？

总线是您从时间线上指派多条音轨的目标通道，从而将它们混合成单个信号，以便通过一个通道条进行控制。

- **主混总线：**“主混总线”通常是一个节目和每个新项目的主要输出，开始从单个“主混总线”入手，再到默认指派的所有轨道。“主混总线”将时间线上的所有轨道合并成一个信号，从而当为每个单独轨道调整好电平后，就可以调整混音的整体电平。
- **子混总线：**“子混总线”可将同类音频的多个轨道合并在一起，例如对白、背景音乐或特效等，因此所有属于通过类别的音频可以混合成为单个音频信号。例如，您现有五个对白轨道，就可以把所有五个对白轨道的输出指派到一个“子混总线”，这样所有的对白的电平就可以通过一套控制进行混合了。这一子混总线可以单独渲染或发送到主混总线进行渲染。

## 调音台

时间线上的每条音轨在调音台上都对应于一个单独的通道条，默认设置下在右侧会有一个标有“M1”的单独条块对应于“主混总线”。随着您创建其他的“主混总线”和“子混总线”，右侧会相应地出现带有控制选项的其他通道条。这里提供了一组图表控制工具，让您可以将轨道通道指派到输出通道、调整均衡器和动态、设定电平和记录自动化、调整立体声声相和环绕音频、以及静音和单声道轨道等处理。



图为调音台，其多个通道条分别对应的是时间线上的多个轨道。

## 使用均衡器加强音频

调整完项目中音频片段的音频电平后，您可能会发现音频还需要进一步微调。有些情况下，您可能会发现对白、音乐和音效在音频频谱的相同频段上互相干扰，导致音频太过嘈杂且不清晰。这时使用均衡器会有帮助，因为它能帮助您判断出每个音轨在音频频谱上所处的具体频段位置。您还可以通过均衡器从音频中移除不想要的元素，它可以隔离或降低包括隆隆声、嗡嗡声、风声、嘶嘶声等某些特定频率的电平，或者能让总体音效变得更优质、更悦耳。

DaVinci Resolve提供了均衡器滤波器可应用于每个单独片段的片段电平上，或应用在整个轨道的轨道电平上。时间线上的每个音频片段在检查器面板中具有四个频段的均衡器，每个轨道在调音台面板中具有六个频段的参量均衡器。这些图表和数字控制可增强或衰减频率的不同范围，不同的滤波器可让您定义均衡器曲线的形状。



四频段均衡器可应用到时间线上的每个片段

外部频段让您可以通过上限、下限、高通和低通滤波器进行频段滤波器调整。通过式滤波器会影响所有高于或低于某个特定频率的频率，将这些频率从信号中彻底移除。例如，高通滤波器可以让高频率通过滤波器，并同时切除低频。位于截止频率以外的任何频率则会以向下倾斜曲线的方式逐步剪切。

搁架式滤波器相对显得平和一些，如果您只想对信号的高频或低频部分进行塑形，而并非完全滤除这些频段，就可以使用这一滤波器。搁架式滤波器可以均匀地增强或减弱目标频率以及高于或低于目标频率的部分，这取决于您使用的是高架还是低架滤波器。

频段控制的中部设置可让您进行很广泛的一系列均衡器调整，可在低架、钟型、陷波和高架滤波器选项间进行切换。

- **钟型滤波器**：钟型滤波器可以增强或减弱钟型曲线给定中心点周围的频率，正如这一名称所暗示的该曲线的形状像钟罩。
- **陷波滤波器**：陷波滤波器允许您瞄准特定的窄频率范围。比如在50或60Hz时去除电源哼声。
- **低架滤波器**：低架滤波器会增强或降低下限目标频率，以及之下的所有频率。
- **高架滤波器**：高架滤波器会增强或降低上限目标频率，以及之上的所有频率。

### 为单个片段添加均衡器：

- 1 在时间线上选中您想要为其添加EQ滤波器的片段。
- 2 点击检查器再点击“片段均衡器”启用按钮。

### 为轨道添加均衡器：

- 1 在调音台中双击一个轨道的均衡器区块, 从而将该轨道的均衡器打开。
- 2 从下拉菜单中选择您希望调整的频段滤波器类型。



调音台面板中的均衡器区块显示了轨道1已应用均衡器曲线



六频段参量均衡器可应用到每个轨道

为片段或轨道添加均衡器后, 就可以为每个频段调整其均衡器了。需要注意的是, 选择不同的频段滤波器可能会有不同的控制。

### 为频段滤波器调整均衡器：

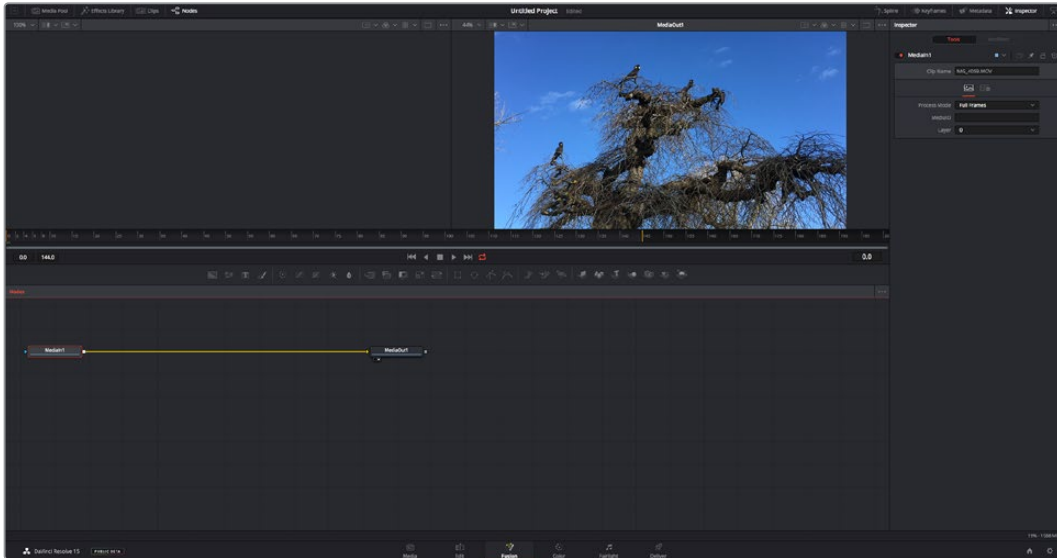
- 1 从下拉菜单中选择您希望调整的频段滤波器类型。
- 2 调整“频率”值可为均衡器调整选择中心频率。
- 3 调整“增益”值可增强或减弱该频段的频段。
- 4 使用“品质因数”可调整作用频率的带宽。

使用重置按钮可将均衡器窗口内的所有控制重设回默认设置。

Fairlight还设有许多控制可让您改善每条音轨的音质。您可以添加更多轨道并通过总线来进行组织管理, 还可以添加延迟或混响, 逐步完善您的混音。

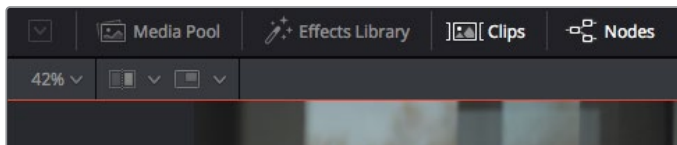
## 在Fusion页面添加视觉特效和合成效果

完成剪辑后,您可以打开Fusion页面,在DaVinci Resolve中添加2D或3D视觉特效和动态图形。与基于图层的合成软件不同,Fusion采用节点式操作,能让您更加自由地创建复杂效果,同时还可将图像数据指派到任何方向。节点窗口清楚显示了流程中使用的所有工具。如果您使用过调色页面的节点工作流程,就并不会对节点窗口感到陌生。

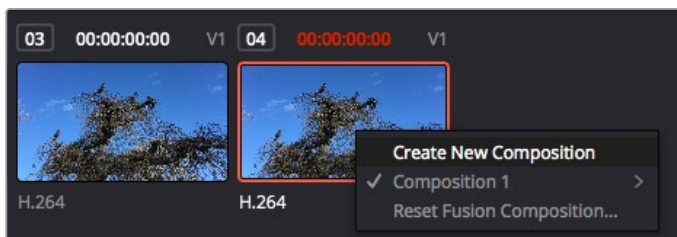


### Fusion页面

Fusion页面上方配有两个带播放控制的检视器窗口,用于查看媒体,右边的检查器窗口用于访问工具设置,下方的节点窗口用于创建合成。虽然检视器和播放控制始终可见,您可以点击显示器顶部界面工具栏中的图标来显示或隐藏节点窗口和检查器窗口,以及特效库,样条线和关键帧编辑器等其他窗口。



- **媒体池:** 媒体池的功能与剪辑页面中显示的相同。只需将媒体文件从媒体夹直接拖进合成即可。
- **特效库:** 在特效库中, Fusion工具和模板都按照粒子、跟踪、滤镜和发生器等进行归类。您可以点击工具或者将它拖到节点区域,然后添加到合成里。媒体池和特效库占用同样的屏幕区域,您可以在两者之间切换,让检视器的面积尽量大。
- **片段:** 点击片段选项卡会显示或隐藏代表时间线上相应片段的缩略图。缩略图位于节点编辑器下方,便于您即时前往其他片段。

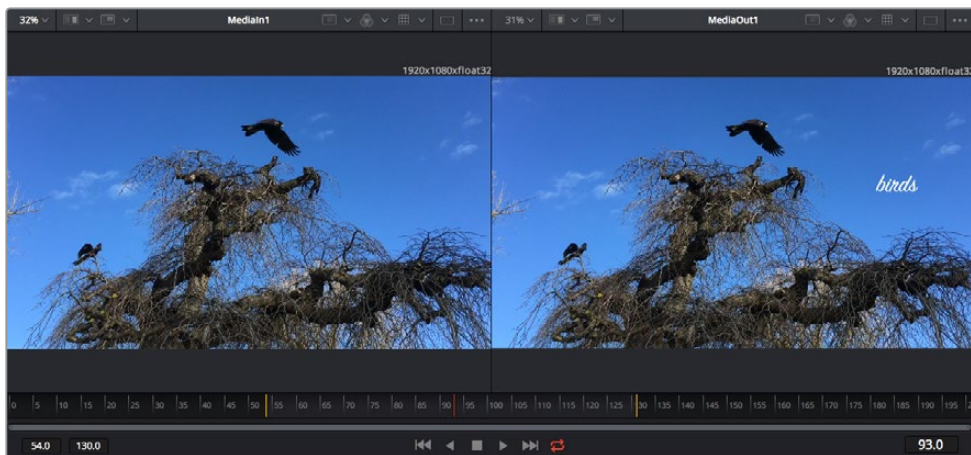


右键点击缩略图,然后选择“创建新的合成”,可创建合成的新版本。

- **检视器:** 检视器总是可见, 以便您查看不同的合成视图, 比如合并3D节点后的总体3D投影, 摄影机输出, 或者最终的渲染输出。这些检视器还可以用来查看各项修改对特定元素所产生的影响。您还可以选择查看的节点, 只要点击一个节点, 按数字键“1”即可在左侧检视器中查看, 按数字键“2”即可在右侧检视器中查看。您可以通过节点下方的白色按钮图标判断出该节点被指派到哪个检视器。如果您使用外部视频监看, 则会出现第三个按钮, 可用将来媒体指派到外部视频监视器上。

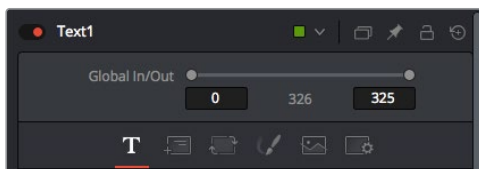
**提示** 您也可以通过将节点直接拖入检视器的方式, 将节点指派给相应检视器。

您可以通过检视器下方的播放控制跳过片段的头或尾, 正放、倒放或停止播放。时间标尺可显示片段的总体范围, 黄色标记代表入点和出点。



时间标尺上的黄色标记代表片段在时间线上的入点和出点。如果您使用Fusion片段或复合片段, 时间标尺会只显示时间线上的片段时长, 不显示余量。

- **节点:** 节点窗口是Fusion页面的核心, 您可以在这里将一个节点工具的输出端与另一个节点工具的输入端连接到一起, 创建自己的节点树。这个区域会根据打开的编辑器而改变大小, 比如样条线或关键帧编辑器。节点区域顶部的工具栏配有最常用的工具, 便于您快速调用。
- **样条线:** 样条线编辑器打开时会出现在节点窗口的右侧。您可以使用该编辑器对每个节点进行精准调整, 比如用贝塞尔曲线对两个关键帧之间的动画进行平滑处理。
- **关键帧:** 使用关键帧编辑器可以添加、删除或者修改每个工具的关键帧。关键帧编辑器也位于节点检视器的右侧。
- **元数据:** 元数据窗口显示当前片段可用的元数据, 包括编解码格式、帧率和时间码。
- **检查器:** 位于右上角的检查器可显示一个或多个选中节点的所有设置和修改器。其他选项卡选项也会出现, 让您快速访问按种类排序节点的其他设置。

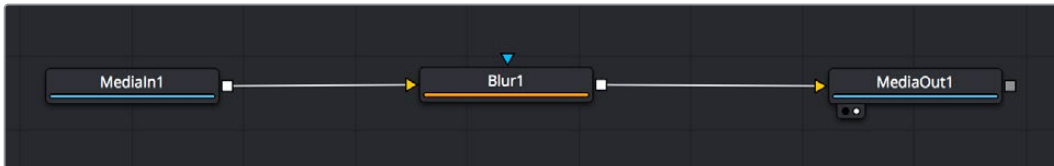


文本检查器中有其他选项卡, 包括文本、布局、转换、着色、画面和设置等。

## Fusion使用入门

开始使用Fusion时, 将播放头放在时间线上的任何片段上, 然后点击“Fusion”按钮, 即可打开Fusion页面。

在Fusion页面上, 片段在标为“MediaIn”的媒体输入节点中立即可用。所有合成都以“MediaIn”和“MediaOut”两个节点为起点。MediaIn节点表示时间线播放头所在位置最上方的片段, 下方所有片段均被忽略。您在剪辑页面中对片段应用的所有调整全部包含在内, 比如转换工具和裁切修改。



名为“MediaOut”的媒体输出节点将输出画面发送回DaVinci Resolve剪辑页面上的时间线。

**提示** 在剪辑页面的片段上应用的ResolveFX或OFX插件不会应用于Fusion页面。这是因为Fusion特效发生在调色和OFX/ResolveFX处理之前。如果您希望在Fusion特效之前应用OFX, 就需要先右键点击剪辑页面中的相应片段, 选择“新建Fusion片段”, 然后再点击Fusion页面。

## 了解节点

为了有助于理解, 您可以把每个节点想象成代表单一工具或特效的视觉图标。节点之间相互连接, 创建出总体合成, 就像蛋糕的各种原料。了解每个节点的输入输出非常重要, 因为这能帮助您在创建精细的视觉特效时, 把握合成的流程顺序。

有些工具设有多个输入和输出端与其他节点连接。比如“Merge” (合并), 该节点可以连接前景输入、背景输入和遮罩输入用于蒙版或抠像。



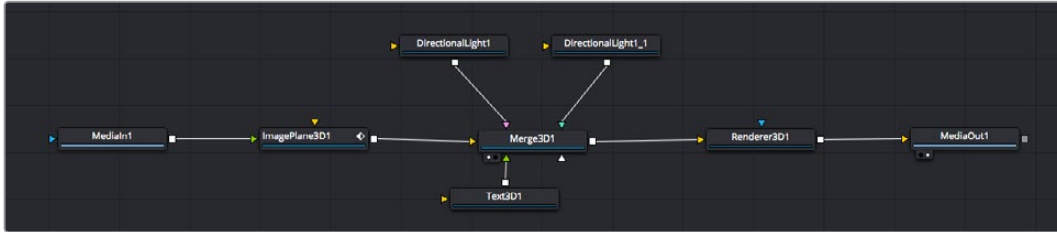
节点上有多个输出意味着单一节点能够连接合成中的许多不同节点, 所以与基于图层的软件不同, 您不需要复制片段。相连节点之间线上的箭头显示了图像数据流动的方向。



## 在节点编辑器中添加节点

如要添加特效，只需将节点放在“MediaIn”与“MediaOut”节点之间的线上即可。

这一操作可通过多种方式完成。您可以按住SHIFT按钮，把节点放在两个节点之间；或者点击希望添加特效的节点，然后选择想要添加的工具。新节点会自动连接到选定的工具上。您也可以把节点添加到节点窗口中的任何地方，然后将一个节点的输出端拖到另一个节点的输入端，手动完成节点之间的连接。



最常用的工具是2D和3D Merge (合并) 节点。该节点就像一个中枢，它可将节点编辑器上的各个工具合并起来，变成一个单一输出。

合并节点拥有控制选项，可以选择输入的管理方式，包括大小、位置和混合等设置。选定合并节点后，可以在检查器面板里访问这些设置。

节点面板上方的工具栏包含最常用工具的图标，您可以点击这些图标添加节点，或者将工具拖入节点面板。如果您想看到所有可用的工具，可点击左上角的“特效库”，然后扩展“工具”选项。这里的所有工具都按类别排序，并且提供了一组预先创建的“模板”，比如镜头光斑、着色器和背景等。

**提示** 如果您熟悉工具名称，可以按住键盘上的“SHIFT”，同时按下空格键，“选择工具”菜单就会出现。您在输入工具名称时，菜单会建议相关的工具。这是选择工具的一个非常快速的方法。

## 使用检查器面板调整节点

您可以使用检查器面板调整节点设置。点击希望修改的节点，面板会更新显示相应的设置和控制。

使用Fusion时，您可以在一个检视器中查看正在修改的节点，同时在另一个检查器中查看该节点在合成画面中的整体效果。例如，您可以修改“Text+”文本节点的大小和中心位置，并同时在检视器中查看该节点和合并节点，这样就可以查看文本与背景的匹配情况。



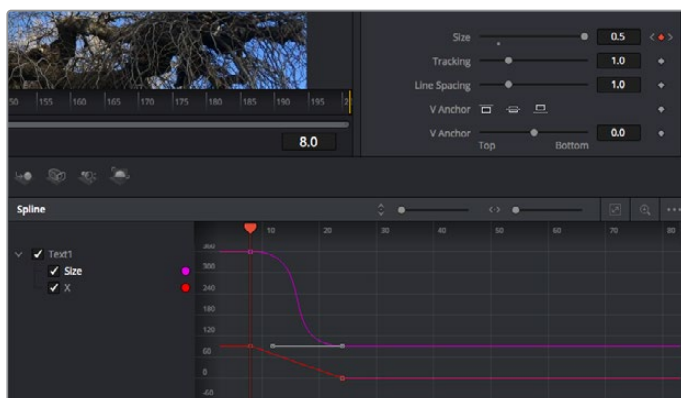
如图所示，被选中的节点会显示红色边框。图中的检查器面板显示的是文本节点的布局选项卡控制。

根据节点任务，您可以调整不同的参数和设置，从调整大小和中心位置，到修改发射器节点的粒子数量。设置关键帧并修改一段时间内的设置就会产生动画效果。

## 制作关键帧

在检查器窗口中右键点击一项设置，然后在上下文菜单中选择“动画”即可设置关键帧。该项设置右侧的关键帧图标会变红。这代表关键帧已启用，您做的任何修改只会应用于当前帧。当修改另一个帧的设置参数，创建两个或多个关键帧时，帧之间会添加过渡插值。您可以利用关键帧图标两侧的箭头，准确地将播放头移动到时间线上特定的位置。

样条线面板能为您提供更多控制关键帧动画的选项。您可以选择关键帧，比如第一个和最后一个关键帧，按下“SHIFT”+“s”，或者右键点击关键帧然后选择“平滑度”，即可将这些帧之间的动画平滑处理为一条贝塞尔曲线。



图中的“大小调整”关键帧动画已经被平滑处理为一条贝塞尔曲线。您可以点击贝塞尔手柄，缩短或拉长曲线，或者点击关键帧方块图标移动关键帧位置。

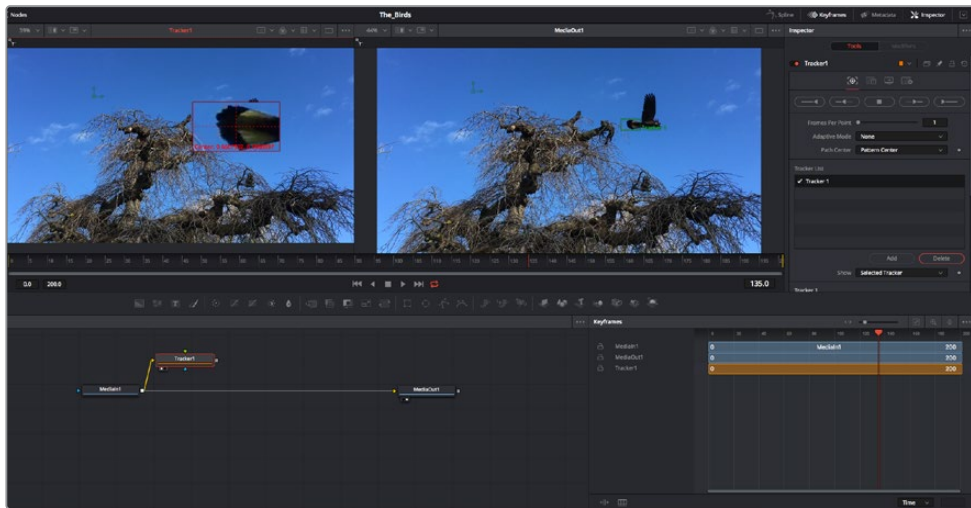


## 使用动态跟踪器和添加文本工具

为了更好地演示Fusion的使用方法，我们将举例说明如何使用跟踪器工具跟踪片段中的元素，以及如何使用跟踪数据添加文本，并将文本附在元素上。

“跟踪器”工具会在一定时间里跟踪x和y轴上的像素，并且生成数据，您可以用这些数据附加其他元素。当您想要把文本的位置与移动中的物体匹配时，比如在道路上行驶的汽车，或者飞过画面的鸟等，这项功能非常实用。

- 1 在“特效库”中选择“跟踪”工具，然后把它拖到“MediaIn”和“MediaOut”节点之间的线上。然后，点击这个跟踪器节点，在检查器中显示它的属性。
- 2 按键盘数字键“1”，可在左侧检视器中查看跟踪器节点。相应检视器中会显示带有跟踪器的片段，并且跟踪器位于默认位置。将鼠标指针悬停在跟踪器上方可显示出跟踪器控制柄。点击左上角的跟踪器控制柄，将跟踪器拖到片段中相应的AOI区域。高对比度的区域效果很好，例如汽车引擎盖上的标志。跟踪器会放大图像区域以获得更高的精确度。
- 3 到检查器窗口中，点击“正向跟踪”按钮开始跟踪。跟踪完成后会显示通知窗口。点击“OK”确定。

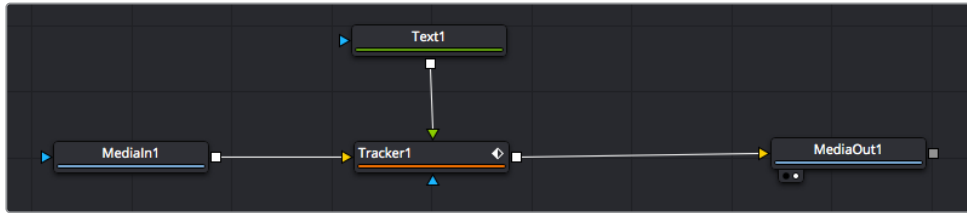


检查器面板中设有跟踪选项，其中包括从尾帧或当前帧反向跟踪，停止跟踪，从当前帧或首帧正向跟踪。

**提示** 当您的AOI区域从渲染范围消失时，比如汽车或鸟离开画面，从当前帧反向跟踪或正向跟踪就非常实用。这项功能可以只跟踪相关的影像。

现在，您就可以利用跟踪数据，将动态路径应用到文本工具上。

- 4 点击常用节点工具栏中的“Text+”文本节点图标, 将其拖入跟踪器节点旁边的节点面板。将“Text+”节点的输出方块与跟踪器上的绿色前景输入端连接起来。



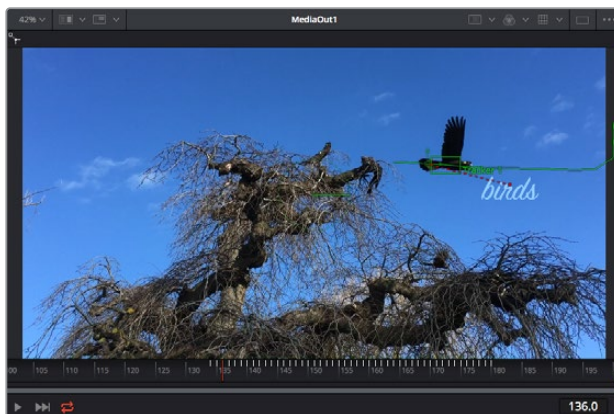
- 5 点击跟踪器节点, 按数字键“1”, 即可在左侧的检视器中看到合并结果。在跟踪器节点的检查器面板中点击“Operations” (操作) 选项卡。把鼠标指针悬停在选项卡上方就能看到相应名称。点击“Operations”旁边的下拉菜单, 然后选择“Match Move” (动作匹配)。
- 6 点击“Text”文本节点可在检查器中显示属性。在文本框中输入文本, 按照合成要求修改字体、颜色和大小。

来自跟踪器的跟踪位置数据将被应用于您的文本。如果您希望调整文本的位置偏移, 点击检查器面板中的“Trackers” (跟踪器) 选项卡, 然后用x和y偏移旋钮修改位置。



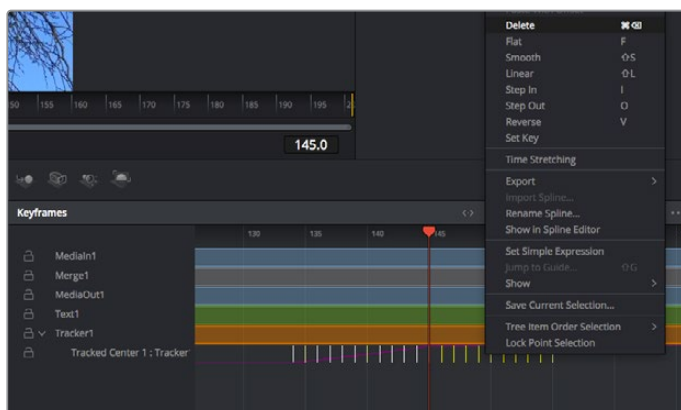
跟踪器检查器面板底部的旋钮可用于调整文本的偏移位置。

现在, 您播放合成画面时, 就能查看到附加在被跟踪物体上的文本了!



绿色方框代表当前跟踪器在绿色路径上的位置, 红色虚线代表对文本进行动画处理所使用的位置偏移。

对于一些镜头，您可能需要在跟踪后删除跟踪点，比如当所跟踪的物体从屏幕上消失的时候。关键帧编辑器让这个流程变得非常简单。



- 7 点击检查器上方的关键帧选项卡，打开关键帧编辑器。应用了关键帧的节点在节点标签旁会有一个小箭头，只有添加了关键帧的参数才会在下列表显示。点击放大图标，将方框拖到您希望编辑的区域。方框会放大选定的区域，方便您查看关键帧。
- 8 将播放头移动到最后一个关键帧的位置。如要删除关键帧，只需用鼠标在关键帧上拖画一个方框选定该关键帧即可。选定的关键帧会以黄色突出显示。右键点击，并在菜单中选择“删除”。

**提示** 如果您的特效对系统要求非常高，可右键点击播放控制区域调出代理播放等检视器选项，帮助您在创建合成时获得尽可能高的系统性能。获取完整的播放选项详细信息，请参阅 DaVinci Resolve 手册。

现在您就完成了第一套在影像中匹配动态的合成动画文本！

如果您希望跟踪含有平面的画面，对其进行强化或替换，可以使用平面跟踪器。跟踪2D平面可用于修改移动画面中的标签和指示牌，甚至为镜头中的监视器或电视机添加画面。

获取更多关于平面跟踪器和DaVinci Resolve Fusion页面中许多强大工具的信息，请参阅DaVinci Resolve手册。

**提示** 当您在Fusion页面创建视觉特效时，请务必注意所创建的是2D特效还是3D特效，因为这将决定所需合并工具的种类。您可能经常需要在一个合成中融入2D和3D特效。在这种情况下，请记住任何使用3D空间创建的视觉特效必须被渲染成2D图像，才能合并进2D合成。

我们相信您将从使用Fusion、探索Fusion的各种视觉特效和强大的DaVinci Resolve剪辑、调色及Fairlight页面过程中获得许多快乐。DaVinci Resolve强大而丰富的工具集定能助您实现无限创意！

## 制作母版剪辑

完成剪辑、调色、视觉特效和混音制作之后，下一步就是分享您的作品。您可以使用Quick Export按钮或者菜单选项来输出时间线的制作内容，具体可以作为一个独立文件输出，或者作为一组不同格式输出，您也可以使用交付页面的其他功能。



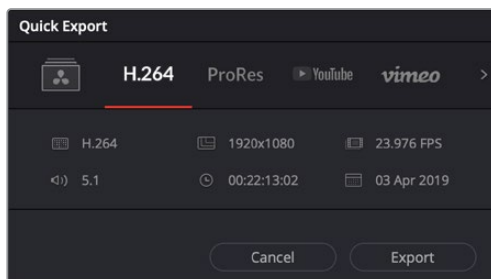
“交付”页面可用于导出您的剪辑。您可以从中选择多种不同的视频格式和编解码器。

## 快速导出

依次选择“文件”>“快速导出”，使用其中一种导出预设，以便将您的作品从DaVinci Resolve中导出。您还可以使用快速导出功能，将您的作品导出并上传到支持的视频分享平台，比如YouTube、Vimeo以及Frame.io。

快速导出步骤如下：

- 1 使用剪辑、Fusion或调色页面，在时间线上设置入点和出点（可选），从而在当前作品上选择需要导出的范围部分。如果没有选定时间线入点和出点，则会导出整条时间线。  
依次选择“文件”>“快速导出”。
- 2 从快速导出对话框顶部的预设图标中选择一个，然后点击“导出”。
- 3 在导出对话框中选择一个位置，输入文件名，然后点击“保存”。然后会出现一个进度条对话框，显示导出所需时间。



快速导出对话框

## 交付页面

在这一页面中，您可以选择想要导出的片段范围，以及片段格式、编码和分辨率。片段可以多种不同格式导出，比如使用8bit或10bit无压缩RGB/YUV、ProRes、DNxHD、H.264等编解码格式导出QuickTime、AVI、MXF和DPX等文件。

### 如何导出剪辑的单个片段：

- 1 点击“交付”选项卡打开交付页面。
- 2 找到该页面左上角的“渲染设置”窗口。您可以选择多种导出预设，例如YouTube、Vimeo以及各类音频预设，或者也可以将该设置保留在其默认的“自定义”预设方案，再输入相应的参数来手动设定您自己的导出设置。在这个例子中，选择YouTube，然后点击该预设一侧的箭头图标，并选择1080p视频格式。  
帧率将根据您的项目帧率设置而定。
- 3 您可以在每个预设下方查看到时间线文件名以及导出视频的目标位置。点击“浏览”按钮，选择导出文件的保存位置，然后从渲染选项中选择“单个片段”。
- 4 然后，您马上就会看到时间线上方出现选项框，并且“整条时间线”选项被选中。这样就会导出整条时间线，但是您可以根据需要选择一段时间线范围。要进行这一操作，只需要选择入范围和出范围，并使用“i”和“o”热键在时间线上选择入点和出点即可。
- 5 点击“渲染设置”底部的“添加到渲染队列”按钮。  
您的渲染设置将被添加到页面右侧的渲染队列中。现在，您只需要点击“开始渲染”并监看渲染队列中的渲染进度即可。

当渲染工作完成后，您可以打开目标文件夹，双击新的渲染片段来查看完成后的剪辑片段。

对剪辑、调色、混音和视觉特效有了基本了解之后，就可以开始体验DaVinci Resolve了。更多关于如何充分利用每项功能完成令人满意的项目，请查阅DaVinci Resolve操作手册。

# 了解Studio Camera控制

您可将Blackmagic URSA Mini作为演播室摄影机使用，并且在ATEM切换台上通过ATEM Software Control中的Camera Control (摄影机控制) 功能进行控制。这样就可以为您的演播厅添加拥有大尺寸传感器画质以及非凡动态范围的高品质摄影机，并且可以像控制任何演播室摄影机一样控制它。



ATEM摄影机控制

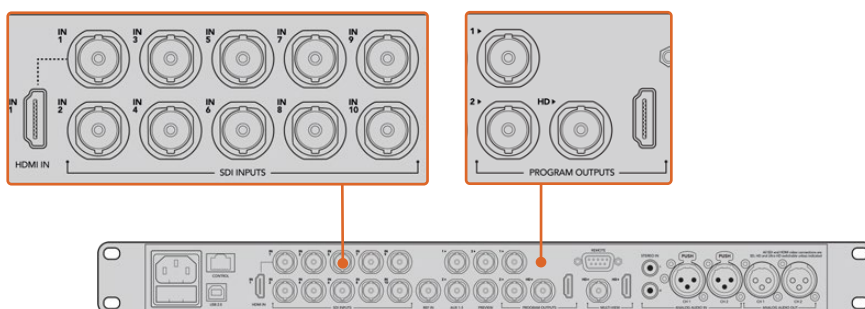
点击软件控制面板中的摄影机图标即可打开摄影机控制功能。使用兼容镜头时，您可以通过这一功能轻松设置摄影机的光圈、增益、对焦和变焦控制，并能使用DaVinci Resolve一级调色工具平衡摄影机色彩，缔造独特炫彩画面。请注意，DaVinci Resolve一级调色工具和ATEM Camera Control里的“细节锐化”功能在URSA Mini Pro 12K机型上不可用。

ATEM切换台控制的工作原理是通过ATEM切换台的所有非下变换SDI输出接口向目标设备发送摄影机控制数据包。也就是说，您将ATEM切换台的一路SDI输出连接到URSA Mini的12G SDI输入上后，摄影机会检测到SDI连接中包含的控制数据包，以便您控制摄影机的各项功能。

## 连接您的URSA Mini

- 1 将Blackmagic URSA Mini的12G-SDI输出连接到ATEM切换台的任意SDI输入上。
- 2 将ATEM切换台的任何一路SDI输出（下变换和Multi View输出口除外）连接到URSA Mini的12G-SDI输入接口。摄影机控制信号不通过Multi View和下变换SDI输出口发送。
- 3 在您的URSA Mini上找到“Setup”（设置）菜单里的“ATEM Camera ID”（ATEM摄影机ID）选项，将摄影机的ATEM ID设置为与切换台输入所匹配的选项。例如，如果1号URSA Mini连接到ATEM切换台的Cam 1接口，那么您的摄影机号码应该设置为1。这样可以确保Tally信号被准确发送到相应的摄影机上。
- 4 在“Setup”菜单中选择您的“REFERENCE SOURCE”（同步信号源）。除非您向所有摄影机和切换台发送同步锁相信号，否则我们推荐在连接ATEM时将同步信号源设置为“Program”（节目）。
- 5 找到“MONITOR”（监看）菜单，确保您为其中的“Clean Feed”（纯画面）选择了“Main SDI”（主SDI）选项，以保证输出到ATEM切换台的SDI输出画面中不显示叠加信息或对焦框。





将您的URSA Mini连接到ATEM切换台的任何一个SDI输入接口上

## 使用摄影机控制

启动ATEM Software Control, 点击位于软件窗口底部的Camera摄影机按钮后, 系统会显示一排有标签的摄影机控制窗口, 窗口内包含各类工具, 可用来调节和美化每台摄影机的画面。这些控制窗口使用起来十分简单。只需以鼠标点击某个按钮, 或点击并拖动来调节即可。

### 摄影机控制选择

摄影机控制窗口的上方有一排按钮, 可用来选择您想要控制的摄影机所对应的机位编号。如果您的窗口无法显示所有的摄影机控制窗口, 或者您在使用调色窗口界面, 那么您可以使用这些按钮来快速选择您想要控制的机位。如果您将一路辅助输出用于监看摄影机控制, 那么您通过这些按钮在不同机位间切换摄影机进行控制的同时, 也可将该摄影机的视频输出到切换台系统偏好设置中所选择的辅助输出上。



点击齿轮图标为摄影机控制选择Aux辅助输出

### 通道状态

通道状态位于每个摄影机控制窗口的顶部, 可显示摄影机标签、正在播出提示灯以及锁定按钮。按锁定按钮可锁定某台摄影机的所有控制。正在播出时, 通道状态会亮起红色, 并显示正在播出提示。



每个摄影机控制窗口都会显示通道状态, 以便您明确当前哪台摄影机正处于播出状态。使用色轮来调整每个YRGB通道的暗部、中灰和亮部设置



## 色轮

色轮是DaVinci Resolve调色工具的一项强大功能，它常用于调整每个YRGB通道色彩的暗部、中灰和亮部设置。点击色轮上方对应的三个按钮即可对相应选项进行调整。

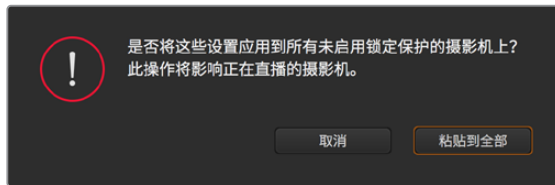
## 主滚轮

使用色轮下方的主滚轮可同时调整所有YRGB通道，也可只调整每个暗部、中灰或亮部设置的亮度值。

## 重置按钮

重置按钮位于每个摄影机控制窗口内右上方的位置，可方便您选择重置、复制或粘贴调色设置。此外，每个色轮也都有各自的重置按钮。按下重置按钮可将某项设置恢复到默认值或是复制/粘贴某项设置。粘贴功能不适用于锁定的控制窗口。

主重置按钮位于调色面板的右上角，可重置暗部、中灰和亮部色轮，以及对比度、色相、饱和度和亮度混合设置。您可将调色设置逐一粘贴到摄影机控制窗口上，也可一次性粘贴到全部摄影机上以保证整体统一效果。光圈、对焦、光圈上限设置和黑电平设置不受粘贴功能影响。当应用“粘贴到全部”操作时，软件会弹出警告消息请求确认，这样能防止意外将新的设置应用到正在直播且未启用锁定保护的摄影机上。



当应用“粘贴到全部”操作时，软件会弹出警告消息请求确认，这样能防止意外将新的设置应用到正在直播且未启用锁定保护的摄影机上

## 光圈/黑电平控制

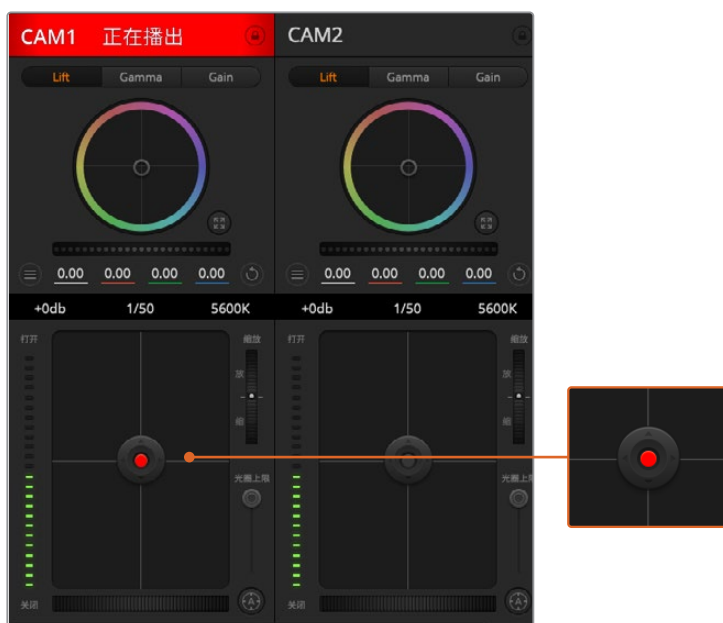
光圈/黑电平控制位于每个摄影机控制窗口内的十字标交点上。当某台摄影机处于直播状态时，对应的控制按钮会亮起红色。

要控制光圈大小，请上下拖动该控制按钮。如只需调整光圈，请按住Shift键后拖动该按钮。

**备注** 连接到ATEM时，请确保您关闭了“AUTO EXPOSURE”（自动曝光）。如需控制光圈、变焦和对焦设置，请确保您使用支持通过摄影机实现控制的电子镜头。

如果您通过URSA Mini上的广播级12针接口连接B4或PL镜头，请确保手柄上的镜头光圈设置为“A”或“Auto”（自动）。

要降低或升高黑电平，请左右拖动该控制按钮。如只需调整黑电平，请在Mac计算机上按住command键，或在Windows计算机上按住Control键后，再拖动该按钮。



当某台摄影机处于直播状态时，对应的光圈/黑电平控制按钮会亮起红色

## 缩放控制

使用带有电子变焦功能的兼容镜头时，您可以通过缩放控制来实现镜头的变焦缩放控制。使用摄影机控制窗口的缩放功能和使用镜头上的变焦按钮一样，一端是长焦，一端是广角。点击位于“光圈上限”滑块上方的“缩放”控制，向上拖动可拉近镜头，向下拖动则可拉远镜头。

如果您的镜头不支持主动式镜头控制或您的摄影机不支持通过SDI摄影机控制协议的变焦控制，那么这些设置将不会起作用。例如，EF镜头并不配备电子变焦伺服，因此不能通过ATEM Camera Control来控制变焦。

**备注** 模拟B4镜头不支持ATEM缩放控制。更多关于模拟B4镜头的信息，请参考“使用伺服变焦镜头”部分

## 光圈上限设置

该设置位于光圈/黑电平控制按钮左侧，可限制光圈范围。这一功能可防止直播画面出现过曝现象。

要设置光圈上限，请使用光圈控制按钮将光圈打开到最大，然后上下拖动光圈上限滑块设置合适的最大曝光值。光圈上限设置完成后，当您再次调整光圈时，光圈值就不会超过预先设定的最大曝光值了。

## 光圈指示灯

光圈指示灯位于光圈/黑电平控制按钮的左侧，可直观显示镜头的光圈大小。光圈指示灯可反映光圈上限设置。

## 自动对焦按钮

自动对焦按钮位于摄影机控制窗口内左下角的位置。按下此按钮后,可在支持电子对焦的主动式镜头上使用自动对焦功能。请注意,虽然大部分镜头支持电子对焦,但是有些镜头可设置为手动或自动对焦模式,因此请确保您的镜头设置为自动对焦模式以使用这一功能。有些情况下,您可以通过前后滑动镜头上的聚焦环来完成设置。使用带有伺服变焦控制的B4镜头时,请将手柄底部的开关设为“Servo”设置。



使用兼容镜头时, 点击自动对焦按钮 或左右拖动手动对焦环来进行调整

## 手动对焦调整

如果想要通过ATEM Camera Control对您的镜头进行手动对焦操作时,您可以使用位于每个摄影机控制器底部的对焦调整工具。左右拖动对焦滚轮可手动调整对焦,并同时查看摄影机的视频画面,确保拍摄到清晰图像。

只有在使用带有伺服对焦控制的B4和PL镜头时,您才可以通过切换台来手动控制对焦。由于EF镜头没有伺服对焦,当使用URSA Mini EF时此选项不可用。

## 摄影机增益

“增益”和“快门速度”等设置的名称在ATEM切换台和URSA Mini之间可能有所不同。例如,ATEM切换台使用“Gain”(增益)来描述摄影机对光照的敏感度,而不是胶片ISO感光度。

**提示** “Gain”与“ISO”的不同之处主要是因为演播室广播设备和传统电影设备之间的差异。例如,电视演播室摄影机的曝光可从摄影机上现场监看。光线敏感度调整可在摄影机内部电子调整。电影摄影机则不同,它是机械原件,靠的是传统的光测量技术与光化学ISO感光度的结合。

在不同的光照条件下运行时,您可能需要升高或降低摄影机的增益设置来避免图像欠曝。点击左箭头可降低增益,点击右箭头可升高增益。

ATEM切换台将以dB为单位显示增益程度。它与摄影机的ISO设置对应如下:

增益	ISO
0	200
6	400
12	800
18	1600

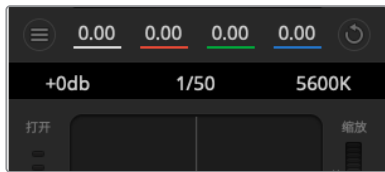
请注意, URSA Mini 4.6K的增益可被设为18dB, 但URSA Mini 4K的最大增益为12dB

## 快门速度控制

快门速度控制可用来更改URSA Mini的快门角度。

和增益控制一样, 由于电影摄影机和广播摄影机使用不同术语, 这一设置的名称也有所不同。但是升高快门速度和降低快门角度在功能上是完全一样的。

快门速度控制位于色轮和光圈/黑电平控制之间。要提高或降低快门速度, 请将鼠标指针停留在快门速度栏, 并点击左右箭头图标。



将鼠标指针停留在增益、快门速度栏以及白平衡指示器上时, 会出现箭头图标, 点击箭头图标可调整相应设置

**备注** 由于ATEM快门速度控制优先于URSA Mini上所选择的快门角度, 因此当连接到ATEM切换台时, 摄影机的快门角度控制会被禁用。

下面的表格中列出了快门速度控制中可用的快门速度及其相对应的快门角度。需要注意的是, 一些快门速度在URSA Mini的11.25度最小快门角度和360度最大快门角度范围之外。如果遇到这样的情况, 请使用最接近的可用快门角度。

当您URSA Mini 4.6K或URSA Mini Pro连接到ATEM切换台时, 还可以通过摄影机的触摸屏状态显示看到快门速度设置。URSA Mini 4K的触摸屏不显示快门速度, 但可以连接URSA Viewfinder进行查看。

如果您在URSA Mini 4.6K或URSA Mini Pro上选择了快门角度, 可参考下面的表格。

快门速度	快门角度为 23.98fps	快门角度为 24fps	快门角度为 25fps	快门角度为 29.97fps	快门角度为 50fps	快门角度为 59.94fps
1/50	172.7	172.8	180	215.8	360	360*
1/60	143.9	144	150	179.8	300	359.6
1/75	115.1	115.2	120	143.9	240	287.7
1/90	95.9	96	100	120	200	239.8
1/100	86.3	86.4	90	107.9	180	215.8
1/120	71.9	72	75	89.9	150	179.8
1/150	57.5	57.6	60	71.9	120	143.9
1/180	48	48	50	59.9	100	119.9
1/250	34.5	34.6	36	43.2	72	86.3
1/360	24	24	25	29.97	50	59.94
1/500	17.3	17.3	18	21.6	36	43.2
1/725	11.9	11.9	12.4	14.9	24.8	29.8
1/1450	11.25*	11.25*	11.25*	11.25*	12.4	14.9
1/2000	11.25*	11.25*	11.25*	11.25*	11.25*	11.25*

\*若快门速度在URSA Mini快门角度范围之外, 将使用最接近的 最小或最大可选快门角度

**提示** 如果不想通过摄影机增益功能来提升画面亮度, 那么降低快门速度是个较好的办法, 因为它可增加图像传感器的曝光时间。当在荧光灯照明下拍摄时, 此方法还可以减少或消除闪烁现象。当您想要纯净锐利的图像时, 通过提高快门速度来减少运动模糊是动作类拍摄的理想方案。

## 白平衡

白平衡设置位于快门速度控制旁边, 可通过点击色温指示器两侧的向左或向右箭头来进行调整。不同光源会发出暖色或冷色的色调, 您可通过调整白平衡来加以补偿。这样可确保白色的部分在拍摄到的画面中依然为白色。

## DaVinci Resolve一级调色工具

如果您具备一定的调色功底,那么您可以将摄影机控制界面从切换台CCU风格更改为和后期调色系统相似的一级调色界面。

您的Blackmagic URSA Mini自带DaVinci Resolve Primary Color Corrector一级调色工具。URSA Mini摄影机内的调色界面和DaVinci Resolve完全相同,因此如果您使用过DaVinci Resolve,那么您就能将丰富的调色经验运用到现场制作了。您可从任何摄影机控制窗口中展开这一调色面板,展开后可获得一个完整的一级调色界面,可为摄影机提供更多调色控制和设置项。

该界面包含色轮组和饱和度等不同设置,您可以同时查看暗部、中间调和亮部的设置。请使用窗口顶部的摄影机按钮来选择不同摄影机。

**提示** DaVinci Resolve调色工具可应用到URSA Mini摄影机的SDI输出画面及其记录的ProRes视频上。RAW格式视频是为进行密集的后处理所用,因此调色功能不会应用到RAW视频上。但记录RAW视频时,URSA Mini的SDI输出上仍可应用调色工具。



点击DaVinci Resolve Primary Color Corrector图标展开调色窗口来调整设置

### 色轮

暗部/中灰/亮部控制可对特定色调进行调整,但三者之间会相互影响。在摄影摄像专业领域中,Lift、Gamma和Gain分别代表暗部、中间调和亮部。

使用色轮可进行不同幅度的调整,具体操作方法如下:

- **在色轮内任意位置点击并拖动:**  
注意,您并不一定要点击色彩平衡图标并拖动方可执行此操作。色彩平衡图标移动时,下方对应的三个RGB参数会相应变化,反映所做的调整对各个色彩通道产生的变化。
- **在色轮内按Shift键并点击鼠标:**  
可直接将色彩平衡图标移动到鼠标指针所指的精确位置,可快速实现大幅度调整。
- **在色轮内双击鼠标:**  
重置调色设置,该项控制的主滚轮保持不变。
- **点击色轮右上方的重置控制:**  
可重置色彩平衡控制及其对应的主滚轮。



调色面板中的暗部、中灰和亮部三个色轮

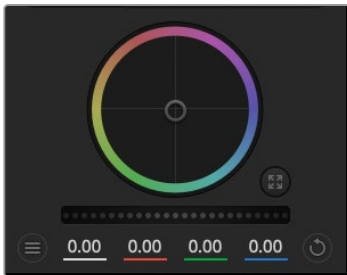
## 主滚轮

色轮下方的主滚轮用于单独调整每个YRGB通道的暗部、中灰和亮部控制项。

使用主滚轮进行调整方法如下：

- **向左或向右拖动主滚轮：**

向左拖动可使所选的画面参数变深，向右拖动可使该参数变浅。进行调整时，下方的各项YRGB参数会根据所做的调整发生相应变化。如只需对Y通道进行调整，请按住ALT键或Command键并左右拖动鼠标即可。由于这一调色系统采用的是YRGB处理方式，您可以充分利用创意，并且可以只调整Y通道，从而创作出独特的效果。当“亮度混合”滑块位于右侧时，可获得YRGB处理方式；当滑块位于左侧时，可获得常规的RGB处理方式。通常，大部分DaVinci Resolve调色师都使用YRGB调色方式，因为它能提供更多色彩平衡控制，而且不会影响整体增益，因此能更快完成并制作出理想效果。



左右拖动主滚轮进行调整



## 对比度设置

对比度设置可用来控制图像中最暗部和最亮部之间的差值。它与反向调整暗部和亮部主滚轮的效果类似。该滑块的默认设置为50%。



左右拖动滑块来调整对比度、饱和度、色相以及亮度混合设置

## 饱和度设置

饱和度设置可用来增加或减少图像中的色彩含量。该滑块的默认设置为50%。

## 色相设置

色相设置可用来将整幅图像的色彩按照色轮最边缘的色相依次调整。默认设置为180度，显示的是原始色相分布。增加或减少这一参数可沿色轮最边缘分布的色相前进或后退。

## 亮度混合设置

Blackmagic URSA Mini摄影机自带基于DaVinci Resolve Primary Color Corrector一级调色系统的调色工具。DaVinci早在20世纪80年代起就开始制造调色工具，大部分好莱坞电影都选择使用DaVinci Resolve进行调色。

也就是说，URSA Mini所内置的调色工具有着独特且极具创意的强大功能。而YRGB处理便是其中一项强大的功能。

调色时，您可以选择使用RGB或YRGB处理方式。高端调色师选择YRGB处理方式，是因为这种处理方式能更精准地控制色彩，并且可以单独调整各个通道的参数，获得更具创意的选项。

当亮度混合控制滑块位于右侧时，输出100%的YRGB调色方式。当亮度混合控制滑块位于左侧时，输出100%的RGB调色方式。您可将亮度混合百分比设置在0到100之间的任何位置，以不同的混合输出RGB和YRGB调色。

如何才能设置到理想效果呢？这取决于您，因为调色需要的是创意，因此没有标准的参数要求。只要您满意，您的设置就是最佳方案！

## 同步设置

连接后，摄影机控制信号会通过ATEM切换台发送到您的Blackmagic URSA Mini上。如果不小心从URSA Mini上对某项设置进行了调整，Camera Control会自动重置该设置，使二者保持同步。

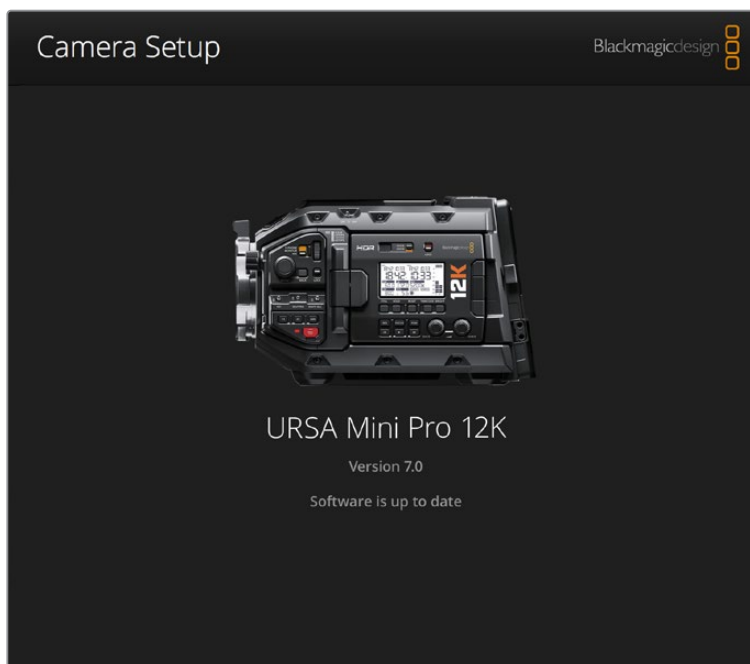
**提示** 即使您断开12G-SDI输入，URSA Mini仍将留用DaVinci Resolve调色工具处理后的图像。这样一来，您不用重新到图像设置里进行调整就能更改摄影机角度。想要将URSA Mini设置回默认色彩设置，只要断开12G-SDI输入后再重启URSA Mini即可。

# Blackmagic Camera Setup实用程序

## 更新摄影机软件 – Mac

下载了Blackmagic Camera Setup实用程序并解压缩后, 请打开下载磁盘图标查看Blackmagic Camera Setup安装程序。

运行安装程序, 根据屏幕提示完成安装。完成安装程序后, 进入实用程序文件夹, 打开“Blackmagic Cameras”文件夹, 里面含有本手册、Blackmagic Camera Setup实用程序以及一个含有自述文件和相关信息文件夹。同时还包含一个卸载程序可用于升级到Blackmagic Camera Setup较新版本。



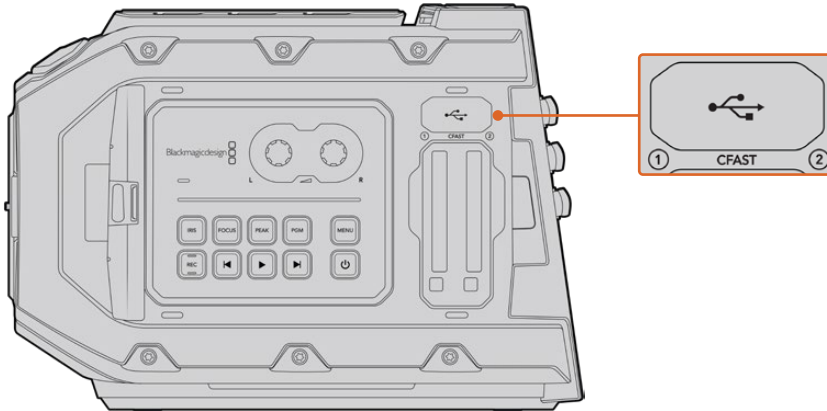
## 更新摄影机软件 – Windows

下载了Blackmagic Camera Setup实用程序并解压缩后, 您会看到一个名为“Blackmagic Camera Setup”的文件夹, 该文件夹中含有PDF版操作手册以及Blackmagic Camera Setup安装程序。双击该安装程序, 并根据屏幕提示完成安装。

在Windows 10系统下点击开始按钮并选择“所有程序”。向下滚动到Blackmagic Design文件夹。从这里运行Blackmagic Camera Setup软件。

在Windows 8.1系统下, 选择“开始”屏幕的向下箭头图标, 并向下滚动到Blackmagic Design文件夹。从这里运行Blackmagic Camera Setup软件。

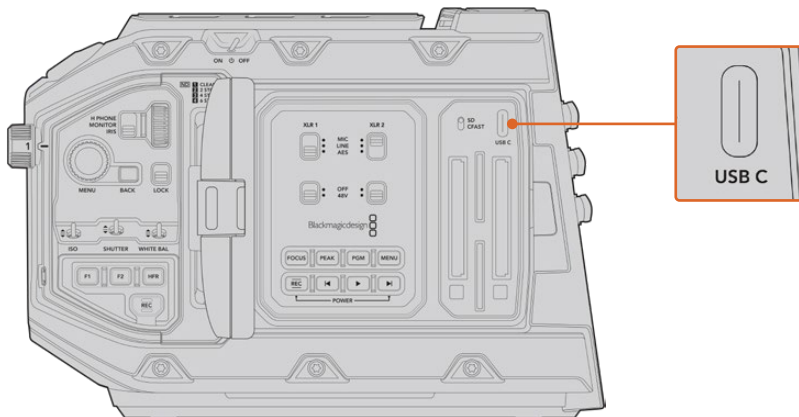
## 如何更新摄影机软件



位于Blackmagic URSA Mini记忆卡槽上方的Mini-B USB 2.0端口可用于更新摄影机软件。

在您的电脑上安装了最新版Blackmagic Camera Setup实用程序后，请使用USB连接线将计算机和Blackmagic URSA Mini连接。Blackmagic URSA Mini的USB端口位于左面板的记忆卡槽上方。只需打开橡胶盖便可找到端口。

运行Blackmagic Camera Setup实用程序，并根据屏幕提示更新摄影机软件。需要注意的是，更新摄影机软件会删除所有预设和自定义LUT，并重置所有设置。更新软件之前，不妨将这些数据导出到存储卡上进行备份。软件更新后，只要再从存储卡中导入预设和LUT就可以快速恢复。建议您执行黑平衡校准。



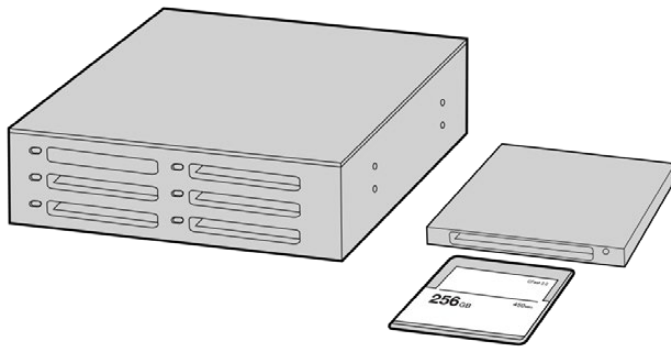
USB-C端口可用来更新摄影机软件，它位于记忆卡槽上方，Blackmagic URSA Mini Pro的存储介质选择开关一侧。

## 使用第三方软件

将素材复制到内置/外接硬盘或者RAID上, 再将素材导入编辑软件中便可使用自己喜爱的软件来剪辑素材。也可为CFast、SD卡或SSD使用硬盘座或转接器, 直接导入来自存储介质的片段。

**备注** DaVinci Resolve 15.3.1以上版本均支持Blackmagic RAW, 并且其他一系列广泛的第三方后期制作编辑软件也接受这一格式。Blackmagic RAW软件包含了在Avid Media Composer和Adobe Premiere Pro中剪辑Blackmagic RAW所使用的插件, 下载网址:  
[www.blackmagicdesign.com/cn/support](http://www.blackmagicdesign.com/cn/support)

## 处理CFast 2.0卡和SD卡上的文件



从摄影机上取下CFast卡, 通过CFast 2.0读写设备或CFast驱动器将其安装在您的计算机上, 就可直接在您的CFast卡上编辑

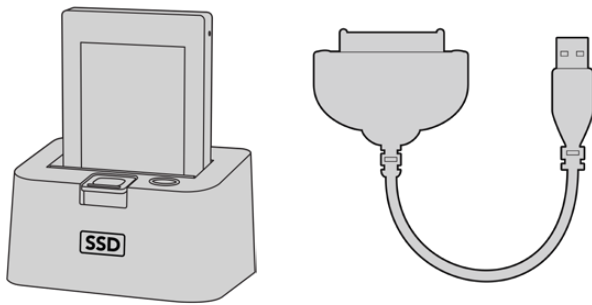
从CFast 2.0卡或SD卡上导入您的素材片段步骤如下:

- 1 从您的Blackmagic URSA Mini或URSA Mini Pro摄影机上取出CFast或SD卡。  
通过读卡器在Mac或Windows计算机上加载CFast卡或SD卡。
- 2 找到存储卡在您操作系统中的具体位置并将其打开, 就可以看到一系列Blackmagic RAW或QuickTime影片文件了。
- 3 现在您只需选中需要从卡上导入的文件, 再拖动到桌面或者其他硬盘中即可, 或者用剪辑软件直接从卡中读取文件。
- 4 从计算机上拔出CFast卡或SD卡之前, 请务必先在Mac或Windows计算机上安全弹出CFast卡或SD卡。如果在未执行弹出操作的情况下直接移除存储卡, 有些情况下会损坏素材文件。

## 处理SSD上的文件

如何从SSD上导入素材片段：

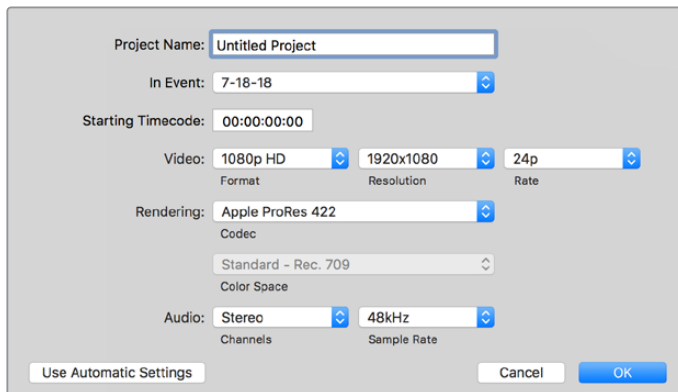
- 1 从URSA Mini Recorder上移除SSD。
- 2 用eSATA或Blackmagic MultiDock 10G等Thunderbolt硬盘座将SSD挂载到Mac或Windows计算机上。您还可以使用eSATA转USB转接线，将SSD直接连接到计算机的USB端口。推荐使用USB 3.0，因为USB 2.0对于实时剪辑视频来说速度可能不够快。
- 3 双击打开SSD硬盘后，您会看到一个包含QuickTime影片文件或Blackmagic RAW文件的列表。根据您的记录格式，您可能会看到不同格式的文件，但是它们都使用相同的文件命名格式。
- 4 现在您只需选中需要从SSD导入的文件，拖动到桌面或者其他硬盘中，或使用NLE软件直接从SSD中读取文件即可。
- 5 从计算机断开SSD连接前，请务必先将其从您的计算机安全弹出。



取出摄影机里的SSD，通过eSATA Thunderbolt硬盘座或USB 3.0连接线加载到计算机上即可直接开始剪辑。

## 使用Final Cut Pro X

若使用Final Cut Pro X剪辑片段，您需要创建一个具有合适视频格式及帧率的新项目。这个例子中使用的是ProRes 422 HQ 1080p24。



Final Cut Pro X项目设置

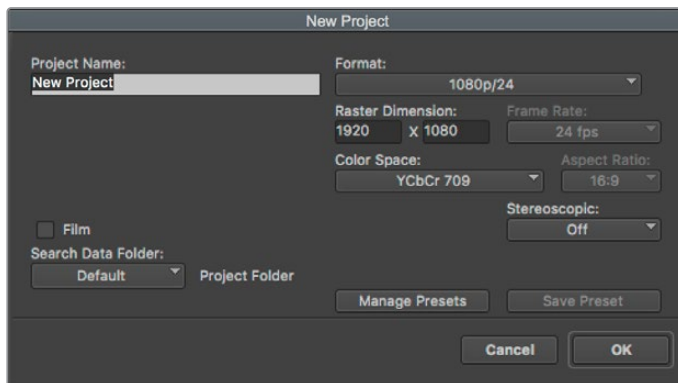
- 1 运行Final Cut Pro X, 到“Menu” (菜单) 中选择“File” (文件) / “New Project” (新项目) 后, 会出现一个项目设置窗口。
- 2 给项目命名, 并选择“Custom” (自定义) 复选框。
- 3 将“Video Properties” (视频属性) 设置为1080p HD, 1920x1080和24p。
- 4 将“Audio” (音频) 和“Render Properties” (渲染属性) 设置为“Stereo” (立体声), “48kHz”, 和“Apple ProRes 422 HQ”。
- 5 点击“OK”确定。

若要将素材导入项目中, 需到菜单栏中选择“File” (文件) / “Import” (导入) / “Media” (媒体), 然后从CFast卡中选择要导入的素材。

现在可以将素材拖动到时间线上进行剪辑了。

## 使用Avid Media Composer 2018

若使用Avid Media Composer 2018剪辑素材, 您需要创建一个合适视频格式及帧率的新项目。本例子中的素材均使用1080p24的设置。



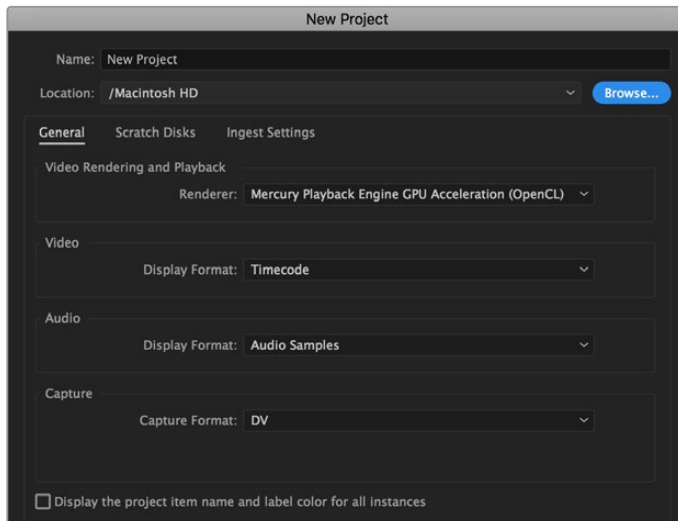
在Avid Media Composer 2018上设置项目名称和项目选项

- 1 运行Avid Media Composer 2018, 当“Select Project” (选择项目) 的窗口弹出时,
- 2 点击“New Project” (新建项目) 按钮, 并且在该窗口中为项目命名。
- 3 到“Format” (格式) 下拉菜单中选择HD 1080 > 1080p/24并点击“OK”创建项目。
- 4 到“Select Project” (选择项目) 中双击该项目将其打开。
- 5 依次选择“File” (文件) > “Input” (输入) > “Source Browser” (源浏览器) 并导航到您想要导入的文件。
- 6 从下拉菜单中选择“Target Bin” (目标库) 并点击“Import” (导入)。

当媒体库中显示出素材片段后, 您便可以将素材拖动到时间线上进行剪辑了。

## 使用Adobe Premiere Pro CC

若使用Adobe Premiere Pro CC剪辑Apple ProRes 422 HQ素材, 您需要创建一个具有合适视频格式及帧率的新项目。本例子中的素材均使用ProRes 422 HQ 1080p25设置。



在Adobe Premiere Pro CC上设置项目名称和项目选项

- 1 运行Adobe Premiere Pro CC。在“Welcome”欢迎窗口中, 选择“New Project” (新建项目)。然后会出现一个项目设置窗口。
- 2 为项目命名。点击“Browse” (浏览) 选择安装项目的文件夹, 选择了文件夹之后, 点击“新建项目”窗口中的“OK”确定。
- 3 到Adobe Premiere Pro CC的菜单栏, 选择“File” (文件) / “Import” (导入), 然后选择想要剪辑的素材。然后您的素材便会在项目窗口中显示出来。
- 4 将您需要剪辑的第一段素材拖动到位于项目窗口右下角的“New Item” (新建项) 图标上后, 就会建立一段和您的视频设置相符的新序列。

现在可以将素材拖动到序列时间线上进行剪辑了。



# Developer Information

## Blackmagic Bluetooth Camera Control

Blackmagic cameras with Bluetooth LE implement a variety of features and commands that allow users to control their cameras wirelessly. Developers have full access to these features for their custom applications.

The following services and characteristics describe the full range of communication options that are available to the developer.

### Service: Device Information Service

UUID: 180A

#### Characteristics

##### **Camera Manufacturer**

UUID: 2A29

Read the name of the manufacturer (always “Blackmagic Design”).

##### **Camera Model**

UUID: 2A24

Read the name of the camera model (“URSA Mini”).

### Service: Blackmagic Camera Service

UUID: 291D567A-6D75-11E6-8B77-86F30CA893D3

#### Characteristics

##### **Outgoing Camera Control (encrypted)**

UUID: 5DD3465F-1AEE-4299-8493-D2ECA2F8E1BB

##### **Send Camera Control messages**

These messages are identical to those described in the Blackmagic SDI Camera Control Protocol section below. Please read that section for a list of supported messages and required formatting information.

For an example of how packets are structured, please see the ‘example protocol packets’ section in this document.

##### **Incoming Camera Control (encrypted)**

UUID: B864E140-76A0-416A-BF30-5876504537D9

Request notifications for this characteristic to receive Camera Control messages from the camera.

These messages are identical to those described in the Blackmagic SDI Camera Control Protocol section below. Please read that section for a list of supported messages and required formatting information.

### Timecode (encrypted)

UUID: 6D8F2110–86F1–41BF–9AFB–451D87E976C8

Request notifications for this characteristic to receive timecode updates.

Timecode (HH:MM:SS:mm) is represented by a 32-bit BCD number: (eg. 09:12:53:10 = 0x09125310)

### Camera Status (encrypted)

UUID: 7FE8691D–95DC–4FC5–8ABD–CA74339B51B9

Request notifications for this characteristic to receive camera status updates.

The camera status is represented by flags contained in an 8-bit integer:

<b>None</b>	= 0x00
<b>Camera Power On</b>	= 0x01
<b>Connected</b>	= 0x02
<b>Paired</b>	= 0x04
<b>Versions Verified</b>	= 0x08
<b>Initial Payload Received</b>	= 0x10
<b>Camera Ready</b>	= 0x20

Send a value of 0x00 to power a connected camera off.

Send a value of 0x01 to power a connected camera on.

### Device Name

UUID: FFAC0C52–C9FB–41A0–B063–CC76282EB89C

Send a device name to the camera (max. 32 characters).

The camera will display this name in the Bluetooth Setup Menu.

### Protocol Version

UUID: 8F1FD018–B508–456F–8F82–3D392BEE2706

Read this value to determine the camera's supported CCU protocol version.

**NOTE** Encrypted characteristics can only be used once a device has successfully bonded or paired with the Blackmagic Camera. Once a connection has been established, any attempt to write to an encrypted characteristic will initiate bonding. For example, writing a 'Camera Power On' (0x01) message to the Camera Status characteristic.

Once bonding is initiated, the camera will display a 6-digit pin in the Bluetooth Setup Menu. Enter this pin on your device to establish an encrypted connection. The device will now be able to read, write and receive notifications from encrypted characteristics.

# Blackmagic SDI and Bluetooth Camera Control Protocol

## Version 1.4

If you are a software developer you can use the Blackmagic SDI and Bluetooth Camera Control Protocol to construct devices that integrate with our products. Here at Blackmagic Design, our approach is to open up our protocols and we eagerly look forward to seeing what you come up with!

## Overview

This document describes an extensible protocol for sending a unidirectional stream of small control messages embedded in the non-active picture region of a digital video stream. The video stream containing the protocol stream may be broadcast to a number of devices. Device addressing is used to allow the sender to specify which device each message is directed to.

## Assumptions

Alignment and padding constraints are explicitly described in the protocol document. Bit fields are packed from LSB first. Message groups, individual messages and command headers are defined as, and can be assumed to be, 32 bit aligned.

## Blanking Encoding

A message group is encoded into a SMPTE 291M packet with DID/SDID x51/x53 in the active region of VANC line 16.

## Message Grouping

Up to 32 messages may be concatenated and transmitted in one blanking packet up to a maximum of 255 bytes payload. Under most circumstances, this should allow all messages to be sent with a maximum of one frame latency.

If the transmitting device queues more bytes of message packets than can be sent in a single frame, it should use heuristics to determine which packets to prioritize and send immediately. Lower priority messages can be delayed to later frames, or dropped entirely as appropriate.

## Abstract Message Packet Format

Every message packet consists of a three byte header followed by an optional variable length data block. The maximum packet size is 64 bytes.

<b>Destination device (uint8)</b>	Device addresses are represented as an 8 bit unsigned integer. Individual devices are numbered 0 through 254 with the value 255 reserved to indicate a broadcast message to all devices.
<b>Command length (uint8)</b>	The command length is an 8 bit unsigned integer which specifies the length of the included command data. The length does NOT include the length of the header or any trailing padding bytes.
<b>Command id (uint8)</b>	The command id is an 8 bit unsigned integer which indicates the message type being sent. Receiving devices should ignore any commands that they do not understand. Commands 0 through 127 are reserved for commands that apply to multiple types of devices. Commands 128 through 255 are device specific.
<b>Reserved (uint8)</b>	This byte is reserved for alignment and expansion purposes. It should be set to zero.
<b>Command data (uint8[])</b>	The command data may contain between 0 and 60 bytes of data. The format of the data section is defined by the command itself.
<b>Padding (uint8[])</b>	Messages must be padded up to a 32 bit boundary with 0x0 bytes. Any padding bytes are NOT included in the command length.

Receiving devices should use the destination device address and or the command identifier to determine which messages to process. The receiver should use the command length to skip irrelevant or unknown commands and should be careful to skip the implicit padding as well.

## Defined Commands

### Command 0 : change configuration

<b>Category (uint8)</b>	The category number specifies one of up to 256 configuration categories available on the device.
<b>Parameter (uint8)</b>	The parameter number specifies one of 256 potential configuration parameters available on the device. Parameters 0 through 127 are device specific parameters. Parameters 128 through 255 are reserved for parameters that apply to multiple types of devices.
<b>Data type (uint8)</b>	The data type specifies the type of the remaining data. The packet length is used to determine the number of elements in the message. Each message must contain an integral number of data elements.

#### Currently defined values are:

<b>0: void / boolean</b>	A void value is represented as a boolean array of length zero. The data field is a 8 bit value with 0 meaning false and all other values meaning true.
<b>1: signed byte</b>	Data elements are signed bytes
<b>2: signed 16 bit integer</b>	Data elements are signed 16 bit values
<b>3: signed 32 bit integer</b>	Data elements are signed 32 bit values
<b>4: signed 64 bit integer</b>	Data elements are signed 64 bit values
<b>5: UTF-8 string</b>	Data elements represent a UTF-8 string with no terminating character.

#### Data types 6 through 127 are reserved.

<b>128: signed 5.11 fixed point</b>	Data elements are signed 16 bit integers representing a real number with 5 bits for the integer component and 11 bits for the fractional component. The fixed point representation is equal to the real value multiplied by $2^{11}$ . The representable range is from -16.0 to 15.9995 ( $15 + 2047/2048$ ).
-------------------------------------	---

#### Data types 129 through 255 are available for device specific purposes.

<b>Operation type (uint8)</b>	The operation type specifies what action to perform on the specified parameter. Currently defined values are:
<b>0: assign value</b>	The supplied values are assigned to the specified parameter. Each element will be clamped according to its valid range. A void parameter may only be 'assigned' an empty list of boolean type. This operation will trigger the action associated with that parameter. A boolean value may be assigned the value zero for false, and any other value for true.
<b>1: offset / toggle value</b>	Each value specifies signed offsets of the same type to be added to the current parameter values. The resulting parameter value will be clamped according to their valid range. It is not valid to apply an offset to a void value. Applying any offset other than zero to a boolean value will invert that value.

#### Operation types 2 through 127 are reserved.

#### Operation types 128 through 255 are available for device specific purposes.

<b>Data (void)</b>	The data field is 0 or more bytes as determined by the data type and number of elements.
--------------------	--

The category, parameter, data type and operation type partition a 24 bit operation space.

Group	ID	Parameter	Type	Index	Minimum	Maximum	Interpretation
Lens	0.0	Focus	fixed16	—	0.0	1.0	0.0 = near, 1.0 = far
	0.1	Instantaneous autofocus	void	—	—	—	trigger instantaneous autofocus
	0.2	Aperture (f-stop)	fixed16	—	-1.0	16.0	Aperture Value (where fnumber = $\sqrt{2^{AV}}$ )
	0.3	Aperture (normalised)	fixed16	—	0.0	1.0	0.0 = smallest, 1.0 = largest
	0.4	Aperture (ordinal)	int16	—	0	n	Steps through available aperture values from minimum (0) to maximum (n)
	0.5	Instantaneous auto aperture	void	—	—	—	trigger instantaneous auto aperture
	0.6	Optical image stabilisation	boolean	—	—	—	true = enabled, false = disabled
	0.7	Set absolute zoom (mm)	int16	—	0	max	Move to specified focal length in mm, from minimum (0) to maximum (max)
	0.8	Set absolute zoom (normalised)	fixed16	—	0.0	1.0	Move to specified focal length: 0.0 = wide, 1.0 = tele
	0.9	Set continuous zoom (speed)	fixed16	—	-1.0	+1.0	Start/stop zooming at specified rate: -1.0 = zoom wider fast, 0.0 = stop, +1 = zoom tele fast
Video	1.0	Video mode	int8	[0] = frame rate	—	—	fps as integer (eg 24, 25, 30, 50, 60)
				[1] = M-rate	—	—	0 = regular, 1 = M-rate
				[2] = dimensions	—	—	0 = NTSC, 1 = PAL, 2 = 720, 3 = 1080, 4 = 2kDCI, 5 = 2k16:9, 6 = UHD, 7 = 3k Anamorphic, 8 = 4k DCI, 9 = 4k 16:9, 10 = 4.6k 2.4:1, 11 = 4.6k
				[3] = interlaced	—	—	0 = progressive, 1 = interlaced
				[4] = Color space	—	—	0 = YUV
	1.1	Gain (up to Camera 4.9)	int8		1	128	1x, 2x, 4x, 8x, 16x, 32x, 64x, 128x gain
	1.2	Manual White Balance	int16	[0] = color temp	2500	10000	Color temperature in K
			int16	[1] = tint	-50	50	tint
	1.3	Set auto WB	void	—	—	—	Calculate and set auto white balance
	1.4	Restore auto WB	void	—	—	—	Use latest auto white balance setting
1.5	Exposure (us)	int32		1	42000	time in us	
1.6	Exposure (ordinal)	int16	—	0	n	Steps through available exposure values from minimum (0) to maximum (n)	
1.7	Dynamic Range Mode	int8 enum	—	0	2	0 = film, 1 = video, 2 = extended video	
1.8	Video sharpening level	int8 enum	—	0	3	0 = off, 1 = low, 2 = medium, 3 = high	

Group	ID	Parameter	Type	Index	Minimum	Maximum	Interpretation
Video	1.9	Recording format	int16	[0] = file frame rate	—	—	fps as integer (eg 24, 25, 30, 50, 60, 120)
				[1] = sensor frame rate	—	—	fps as integer, valid when sensor-off-speed set (eg 24, 25, 30, 33, 48, 50, 60, 120), no change will be performed if this value is set to 0
				[2] = frame width	—	—	in pixels
				[3] = frame height	—	—	in pixels
				[4] = flags	—	—	[0] = file-M-rate
					—	—	[1] = sensor-M-rate, valid when sensor-off-speed-set
					—	—	[2] = sensor-off-speed
					—	—	[3] = interlaced
	—	—	[4] = windowed mode				
	1.10	Set auto exposure mode	int8	—	0	4	0 = Manual Trigger, 1 = Iris, 2 = Shutter, 3 = Iris + Shutter, 4 = Shutter + Iris
	1.11	Shutter angle	int32	—	100	36000	Shutter angle in degrees, multiplied by 100
	1.12	Shutter speed	int32	—	Current sensor frame rate	5000	Shutter speed value as a fraction of 1, so 50 for 1/50th of a second
	1.13	Gain	int8	—	-128	127	Gain in decibel (dB)
	1.14	ISO	int32	—	0	2147483647	ISO value
	1.15	Display LUT	int8	[0] = selected LUT	—	—	0 = None, 1 = Custom, 2 = film to video, 3 = film to extended video
[1] = enabled or not				—	—	0 = Not enabled, 1 = Enabled	
Audio	2.0	Mic level	fixed16	—	0.0	1.0	0.0 = minimum, 1.0 = maximum
	2.1	Headphone level	fixed16	—	0.1	1.0	0.0 = minimum, 1.0 = maximum
	2.2	Headphone program mix	fixed16	—	0.1	1.0	0.0 = minimum, 1.0 = maximum
	2.3	Speaker level	fixed16	—	0.1	1.0	0.0 = minimum, 1.0 = maximum
	2.4	Input type	int8	—	0	3	0 = internal mic, 1 = line level input, 2 = low mic level input, 3 = high mic level input
	2.5	Input levels	fixed16	[0] ch0	0.0	1.0	0.0 = minimum, 1.0 = maximum
				[1] ch1	0.0	1.0	0.0 = minimum, 1.0 = maximum
	2.6	Phantom power	boolean	—	—	—	true = powered, false = not powered

Group	ID	Parameter	Type	Index	Minimum	Maximum	Interpretation
Output	3.0	Overlay enables	uint16 bit field	—	—	—	bit flags: [0] = display status, [1] = display frame guides  Some cameras don't allow separate control of frame guides and status overlays.
	3.1	Frame guides style (Camera 3.x)	int8	—	0	8	0 = HDTV, 1 = 4:3, 2 = 2.4:1, 3 = 2.39:1, 4 = 2.35:1, 5 = 1.85:1, 6 = thirds
	3.2	Frame guides opacity (Camera 3.x)	fixed16	—	0.1	1.0	0.0 = transparent, 1.0 = opaque
	3.3	Overlays (replaces .1 and .2 above from Cameras 4.0)	int8	[0] = frame guides style [1] = frame guide opacity [2] = safe area percentage [3] = grid style	— 0 0 —	— 100 100 —	0 = off, 1 = 2.4:1, 2 = 2.39:1, 3 = 2.35:1, 4 = 1.85:1, 5 = 16:9, 6 = 14:9, 7 = 4:3, 8 = 2:1, 9 = 4:5, 10 = 1:1  0 = transparent, 100 = opaque  percentage of full frame used by safe area guide (0 means off)  bit flags: [0] = display thirds, [1] = display cross hairs, [2] = display center dot, [3] = display horizon
Display	4.0	Brightness	fixed16	—	0.0	1.0	0.0 = minimum, 1.0 = maximum
	4.1	Exposure and focus tools	int16 bit field	0x1 = zebra, 0x2 = focus assist, 0x4 = false color	—	—	0 = disable, 1 = enable
	4.2	Zebra level	fixed16	—	0.0	1.0	0.0 = minimum, 1.0 = maximum
	4.3	Peaking level	fixed16	—	0.0	1.0	0.0 = minimum, 1.0 = maximum
	4.4	Color bar enable	int8	—	0	30	0 = disable bars, 1–30 = enable bars with timeout (seconds)
	4.5	Focus Assist	int8	[0] = focus assist method [1] = focus line color	— —	— —	0 = Peak, 1 = Colored lines  0 = Red, 1 = Green, 2 = Blue, 3 = White, 4 = Black
	4.6	Program return feed enable	int8	—	0	30	0 = disable, 1–30 = enable with timeout (seconds)
Tally	5.0	Tally brightness	fixed16	—	0.0	1.0	Sets the tally front and tally rear brightness to the same level. 0.0 = minimum, 1.0 = maximum
	5.1	Front tally brightness	fixed16	—	0.0	1.0	Sets the tally front brightness. 0.0 = minimum, 1.0 = maximum
	5.2	Rear tally brightness	fixed16	—	0.0	1.0	Sets the tally rear brightness. 0.0 = minimum, 1.0 = maximum Tally rear brightness cannot be turned off



Group	ID	Parameter	Type	Index	Minimum	Maximum	Interpretation
Reference	6.0	Source	int8 enum	—	0	2	0 = internal, 1 = program, 2 = external
	6.1	Offset	int32	—	—	—	+/- offset in pixels
Configuration	7.0	Real Time Clock	int32	[0] time	—	—	BCD – HHMMSSFF (UCT)
				[1] date	—	—	BCD – YYYYMMDD
	7.1	System language	string	[0–1]	—	—	ISO–639–1 two character language code
	7.2	Timezone	int32	—	—	—	Minutes offset from UTC
	7.3	Location	int64	[0] latitude	—	—	BCD – s0DDddddddddddd where s is the sign: 0 = north (+), 1 = south (-); DD degrees, ddddddddddd decimal degrees
				[1] longitude	—	—	BCD – sDDDddddddddddd where s is the sign: 0 = west (-), 1 = east (+); DDD degrees, ddddddddddd decimal degrees
Color Correction	8.0	Lift Adjust	fixed16	[0] red	-2.0	2.0	default 0.0
				[1] green	-2.0	2.0	default 0.0
				[2] blue	-2.0	2.0	default 0.0
				[3] luma	-2.0	2.0	default 0.0
	8.1	Gamma Adjust	fixed16	[0] red	-4.0	4.0	default 0.0
				[1] green	-4.0	4.0	default 0.0
				[2] blue	-4.0	4.0	default 0.0
				[3] luma	-4.0	4.0	default 0.0
	8.2	Gain Adjust	fixed16	[0] red	0.0	16.0	default 1.0
				[1] green	0.0	16.0	default 1.0
				[2] blue	0.0	16.0	default 1.0
				[3] luma	0.0	16.0	default 1.0
	8.3	Offset Adjust	fixed16	[0] red	-8.0	8.0	default 0.0
				[1] green	-8.0	8.0	default 0.0
				[2] blue	-8.0	8.0	default 0.0
				[3] luma	-8.0	8.0	default 0.0
	8.4	Contrast Adjust	fixed16	[0] pivot	0.0	1.0	default 0.5
[1] adj				0.0	2.0	default 1.0	
8.5	Luma mix	fixed16	—	0.0	1.0	default 1.0	
8.6	Color Adjust	fixed16	[0] hue	-1.0	1.0	default 0.0	
			[1] sat	0.0	2.0	default 1.0	
8.7	Correction Reset Default	void	—	—	—	reset to defaults	

Group	ID	Parameter	Type	Index	Minimum	Maximum	Interpretation
Media	10.0	Codec	int8 enum	[0] = basic codec	—	—	0 = CinemaDNG, 1 = DNxHD, 2 = ProRes, 3 = Blackmagic RAW
				[1] = code variant	—	—	CinemaDNG: 0 = uncompressed, 1 = lossy 3:1, 2 = lossy 4:1
					—	—	ProRes: 0 = HQ, 1 = 422, 2 = LT, 3 = Proxy, 4 = 444, 5 = 444XQ
					—	—	Blackmagic RAW: 0 = Q0, 1 = Q5, 2 = 3:1, 3 = 5:1, 4 = 8:1, 5 = 12:1
	10.1	Transport mode	int8	[0] = mode	—	—	0 = Preview, 1 = Play, 2 = Record
				[1] = speed	—	—	-ve = multiple speeds backwards, 0 = pause, +ve = multiple speeds forwards
				[2] = flags	—	—	1<<0 = loop, 1<<1 = play all, 1<<5 = disk1 active, 1<<6 = disk2 active, 1<<7 = time-lapse recording
				[3] = slot 1 storage medium	—	—	0 = CFast card, 1 = SD, 2 = SSD Recorder
				[4] = slot 2 storage medium	—	—	0 = CFast card, 1 = SD, 2 = SSD Recorder
	10.2	Playback Control	int8 enum	[0] = clip	—	—	0 = Previous, 1 = Next
PTZ Control	11.0	Pan/Tilt Velocity	fixed 16	[0] = pan velocity	-1.0	1.0	-1.0 = full speed left, 1.0 = full speed right
				[1] = tilt velocity	-1.0	1.0	-1.0 = full speed down, 1.0 = full speed up
	11.1	Memory Preset	int8 enum	[0] = preset command	—	—	0 = reset, 1 = store location, 2 = recall location
			int8	[1] = preset slot	0	5	—

## Example Protocol Packets

Operation	Packet Length	Byte															
		0	1	2	3	4	5	6	7	8	9	10	11	12	13	14	15
		header					command				data						
		destination	length	command	reserved	category	parameter	type	operation								
trigger instantaneous auto focus on camera 4	8	4	4	0	0	0	1	0	0								
turn on OIS on all cameras	12	255	5	0	0	0	6	0	0	1	0	0	0				
set exposure to 10 ms on camera 4 (10 ms = 10000 us = 0x00002710)	12	4	8	0	0	1	5	3	0	0x10	0x27	0x00	0x00				
add 15% to zebra level (15 % = 0.15 f = 0x0133 fp)	12	4	6	0	0	4	2	128	1	0x33	0x01	0	0				
select 1080p 23.98 mode on all cameras	16	255	9	0	0	1	0	1	0	24	1	3	0	0	0	0	0
subtract 0.3 from gamma adjust for green & blue (-0.3 ~ = 0xfd9a fp)	16	4	12	0	0	8	1	128	1	0	0	0x9a	0xfd	0x9a	0xfd	0	0
all operations combined	76	4	4	0	0	0	1	0	0	255	5	0	0	0	6	0	0
		1	0	0	0	4	8	0	0	1	5	3	0	0x10	0x27	0x00	0x00
		4	6	0	0	4	2	128	1	0x33	0x01	0	0	255	9	0	0
		1	0	1	0	24	1	3	0	0	0	0	0	4	12	0	0
		8	1	128	1	0	0	0x9a	0xfd	0x9a	0xfd	0	0				

## Blackmagic Tally Control Protocol

### Version 1.0 (30/04/14)

This section is for third party developers or anybody who may wish to add support for the Blackmagic Tally Control Protocol to their products or system. It describes the protocol for sending tally information embedded in the non-active picture region of a digital video stream.

### Data Flow

A master device such as a broadcast switcher embeds tally information into its program feed which is broadcast to a number of slave devices such as cameras or camera controllers. The output from the slave devices is typically fed back to the master device, but may also be sent to a video monitor.

The primary flow of tally information is from the master device to the slaves. Each slave device may use its device id to extract and display the relevant tally information.

Slave devices pass through the tally packet on their output and update the monitor tally status, so that monitor devices connected to that individual output may display tally status without knowledge of the device id they are monitoring.

## Assumptions

Any data alignment / padding is explicit in the protocol. Bit fields are packed from LSB first.

## Blanking Encoding

One tally control packet may be sent per video frame. Packets are encoded as a SMPTE 291M packet with DID/SDID x51/x52 in the active region of VANC line 15. A tally control packet may contain up to 256 bytes of tally information.

## Packet Format

Each tally status consists of 4 bits of information:

```
uint4
    bit 0:  program tally status (0=off, 1=on)
    bit 1:  preview tally status (0=off, 1=on)
    bit 2-3: reserved (0x0)
```

The first byte of the tally packet contains the monitor device tally status and a version number.

Subsequent bytes of the tally packet contain tally status for pairs of slave devices. The master device sends tally status for the number of devices configured/supported, up to a maximum of 510.

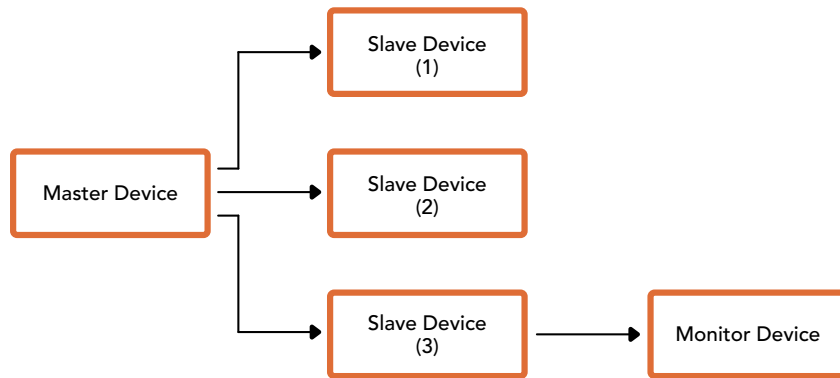
struct tally

```
uint8
    bit 0:  monitor device program tally status (0=off, 1=on)
    bit 1:  monitor device preview tally status (0=off, 1=on)
    bit 2-3: reserved (0b00)
    bit 4-7: protocol version (0b0000)

uint8[0]
    bit 0:  slave device 1 program tally status (0=off, 1=on)
    bit 1:  slave device 1 device preview tally status (0=off, 1=on)
    bit 2-3: reserved (0b00)
    bit 4:  slave device 2 program tally status (0=off, 1=on)
    bit 5:  slave device 2 preview tally status (0=off, 1=on)
    bit 6-7: reserved (0b00)

uint8[1]
    bit 0:  slave device 3 program tally status (0=off, 1=on)
    bit 1:  slave device 3 device preview tally status (0=off, 1=on)
    bit 2-3: reserved (0b00)
    bit 4:  slave device 4 program tally status (0=off, 1=on)
    bit 5:  slave device 4 preview tally status (0=off, 1=on)
    bit 6-7: reserved (0b00)
```

...



Byte	7 MSB	6	5	4	3	2	1	0 LSB
0	Version (0b0)	Version (0b0)	Version (0b0)	Version (0b0)	Reserved (0b0)	Reserved (0b0)	Monitor Preview	Monitor Program
1	Reserved (0b0)	Reserved (0b0)	Slave 1 Preview	Slave 1 Program	Reserved (0b0)	Reserved (0b0)	Slave 0 Preview	Slave 0 Program
2	Reserved (0b0)	Reserved (0b0)	Slave 3 Preview	Slave 3 Program	Reserved (0b0)	Reserved (0b0)	Slave 2 Preview	Slave 2 Program
3	...							

# Blackmagic URSA Mini B4 Mount卡口

您可以用选购的B4卡口替换Blackmagic URSA Mini PL上的PL卡口。该卡口与URSA Mini Pro上的B4卡口略有不同。比如，URSA Mini Pro上配有EF释放按钮，所以螺丝孔的位置会有所不同。此外，需要使用的垫片厚度也会有所不同，所以如果您想在URSA Mini PL上使用B4镜头，请务必选择正确的卡口。

URSA Mini PL专用的B4卡口可从Blackmagic Design经销商处购得。

B4镜头卡口让您通过使用常见等焦面变焦镜头的URSA Mini PL机型拍摄出ENG风格HD影像。等焦面镜头支持在全焦段对焦，可让您快速对焦。放大到最大长焦并在目标上设好对焦，这样您可以确保从最大变焦到最大宽度全程都对焦在目标上。需要注意的是，B4镜头后焦或法兰距也需要正确设置才可。

## 安装B4镜头卡口

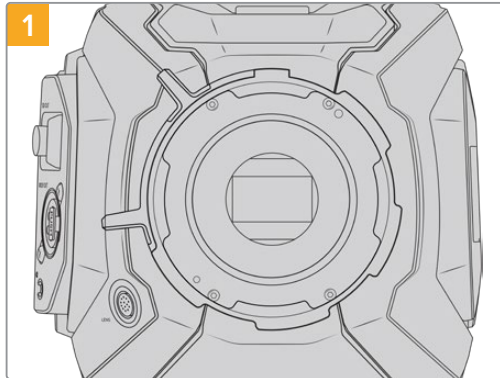
B4卡口提供两个额外的0.50mm垫片，可与您URSA Mini PL镜头卡口上已安装的0.50mm垫片一并安装。您将一共获得三个0.50mm垫片，提供足够的间隙让您实现最佳后焦，并通过调整B4定焦镜头卡口末端的后焦环进行微调。

安装B4镜头后，您可以使用URSA Mini拍摄多种相机镜头无法实现的镜头。

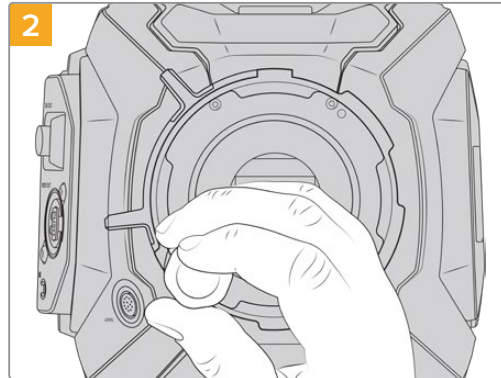
要连接URSA Mini B4镜头卡口，您需要使用最大扭矩为0.45Nm的扳手，以及2.0mm规格的六角扳手。



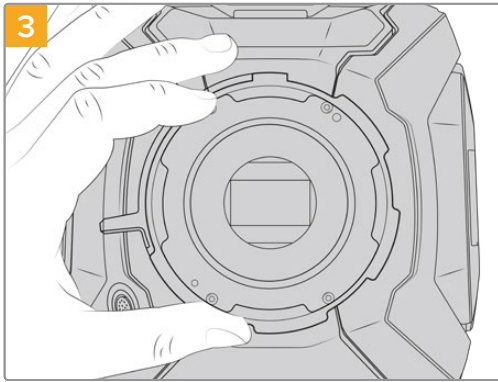
要安装Blackmagic URSA Mini B4 Mount卡口，您需要使用最大扭矩为0.45Nm的2.0mm规格六角扳手。



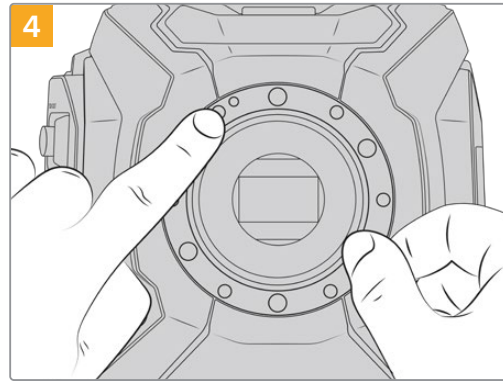
1 将Blackmagic URSA Mini PL放置于坚硬平整的桌面上，取下镜头或镜头防尘盖。由于安装垫片的过程中传感器上方的滤光片会暴露在外，因此切记操作时要尽量保证滤光片清洁无尘。在安装B4卡口时，请避免触碰滤光片。



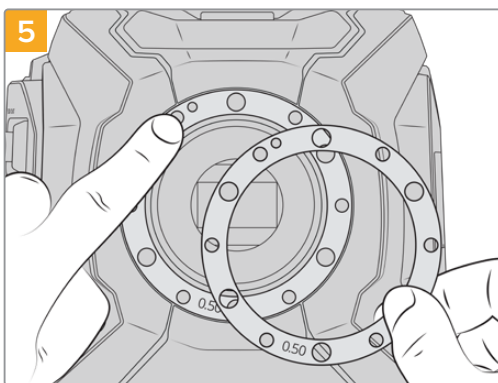
2 使用2.0mm规格六角扳手卸下六枚PL卡口螺丝。这一过程中，您可能需要偶尔顺时针和逆时针转动PL锁定环方可顺利拆卸全部螺丝。



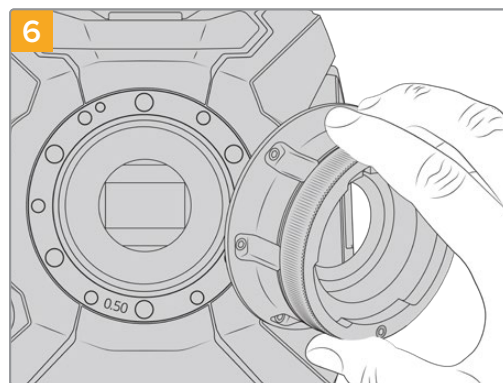
3 小心拿起镜头卡口, 使其与机身分离。请将卸下的螺丝妥善放置在镜头卡口附近。



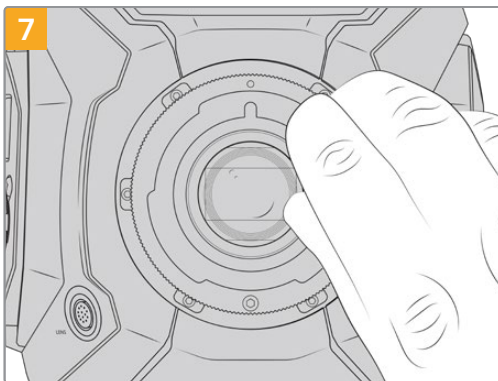
4 请注意, 摄影机自带的0.50mm规格的垫片定位销是对准11点钟方向。



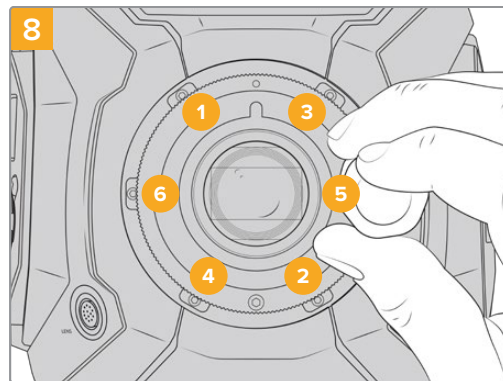
5 将Blackmagic URSA Mini B4镜头卡口所提供的两枚0.50mm规格的垫片放置在原来0.50mm规格垫片之上。这将提供足够的间隙获得最佳法兰距。



6 小心将Blackmagic URSA Mini B4镜头卡口放于摄影机机身上方, 确保其定位槽对准定位销所对准的11点钟方向。



7 使用2mm规格六角扳手或扭矩为0.45Nm的扭力扳手稍微旋紧六枚螺丝, 直至镜头卡口初步固定到位。要旋紧全部五枚螺丝, 您需要转动PL锁定环, 因为一些孔在锁定环打开或关闭时会看不清楚。



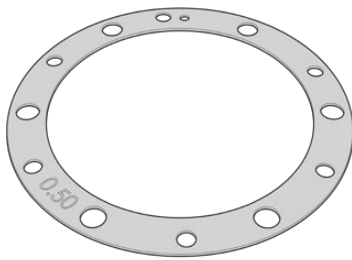
8 确认镜头卡口水平且正确对准, 然后按照图中所示的顺序依次旋紧螺丝, 确保均匀旋紧且没有用力过度。

# 为镜头卡口添加垫片

## 什么是垫片？

垫片组是一组厚度不一的垫圈，可用来微调镜头和URSA Mini传感器之间的距离。这一“距离”就是常说的“法兰焦距”，也称“后焦”。它可因镜头老化及环境条件因素等变量而产生微小的变化。以下URSA Mini机型的设计能让您使用垫片轻松调节后焦。

- URSA Mini PL 4K
- URSA Mini PL 4.6K
- URSA Mini Pro 4.6K
- URSA Mini Pro 4.6K G2



URSA Mini垫片



URSA Mini Pro垫片

垫片用来安装在镜头卡口和摄影机机身之间，从而使被摄物体到传感器的距离与镜头上的焦点标记相符。这些是PL镜头最常使用的垫片。这些电影镜头为手动对焦，在镜身上拥有非常精确的焦距刻度。垫片也用于URSA Mini Pro的可替换镜头卡口。

Blackmagic URSA Mini本身已安装有0.50毫米垫片。Blackmagic URSA Mini Pro垫片组拥有不同厚度，您可从Blackmagic Design当地经销商处购买。所有URSA Mini Pro 卡口套件均包含一组垫片。使用的垫片厚度取决于您的后焦要求。

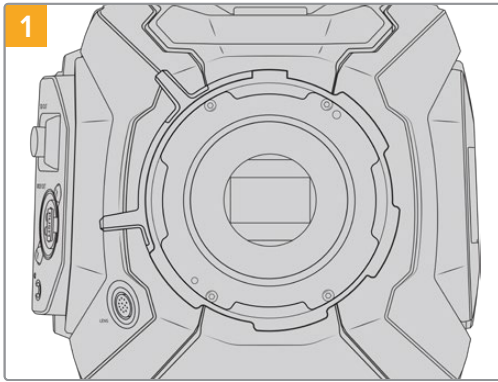
## 为URSA Mini PL安装垫片

要为摄影机的PL卡口安装垫片，您需要使用最大扭矩为0.45Nm的2.0mm规格六角扳手。

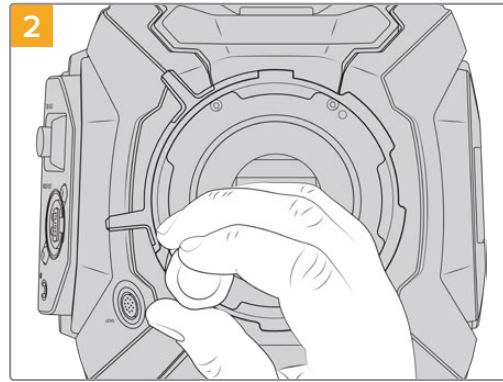


扳手

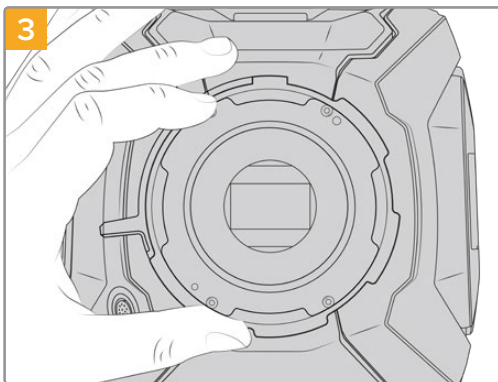




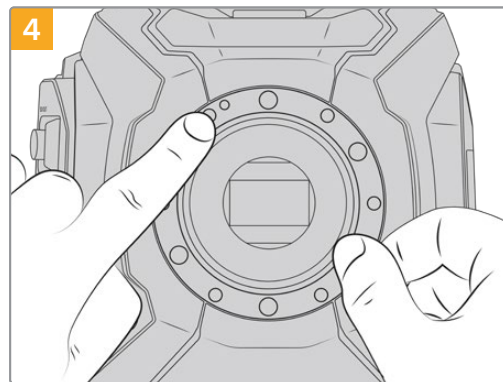
将URSA Mini PL垂直放置于坚硬平整的桌面上，取下镜头或镜头防尘盖。由于安装垫片的过程中传感器上方的滤光片会暴露在外，因此切记操作时要尽量保证滤光片清洁无尘。在为PL卡口添加垫片时，请尽量避免触碰滤光片。



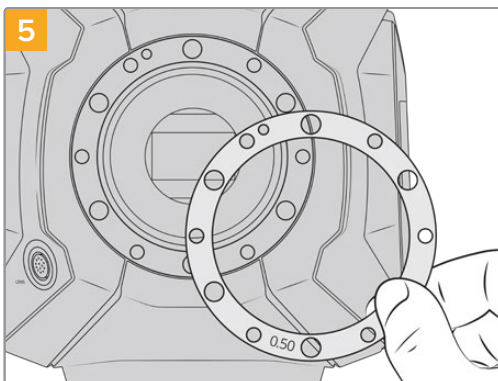
使用2.0mm规格六角扳手卸下六枚PL卡口螺丝。这一过程中，您可能需要偶尔顺时针和逆时针转动PL锁定环方可顺利拆卸全部螺丝。



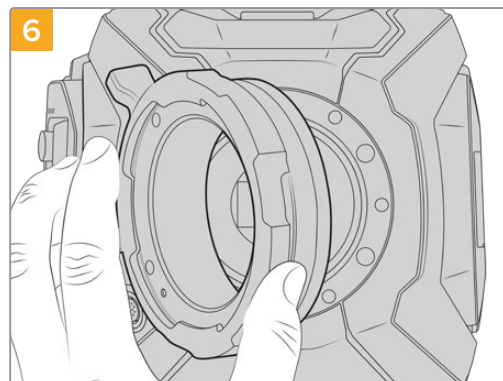
小心拿起镜头卡口，使其与机身分离。请将卸下的螺丝妥善放置在镜头卡口附近。



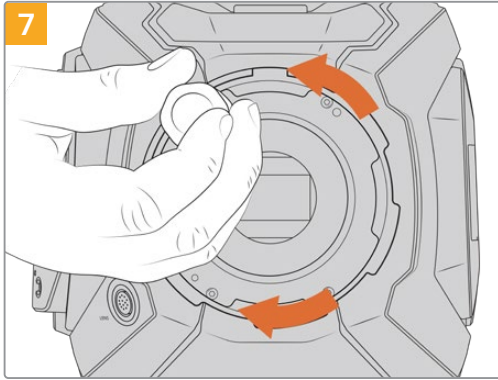
请注意，摄影机自带的0.50mm规格的垫片定位销是对准11点钟方向。



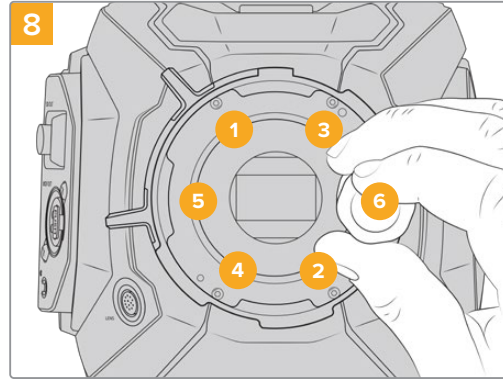
以0.10mm为单位逐渐添加或移除垫片，在摄影机组装完毕后对镜头进行测试，确保准确无误。比如，如果要移除垫片，您可以用0.40mm的垫片来替换0.50mm的垫片。



小心将Blackmagic URSA Mini Pro PL镜头卡口安装在摄影机机身上。



使用2mm规格六角扳手或扭矩为0.45Nm的扭力扳手稍微旋紧螺丝，直至镜头卡口初步固定到位。

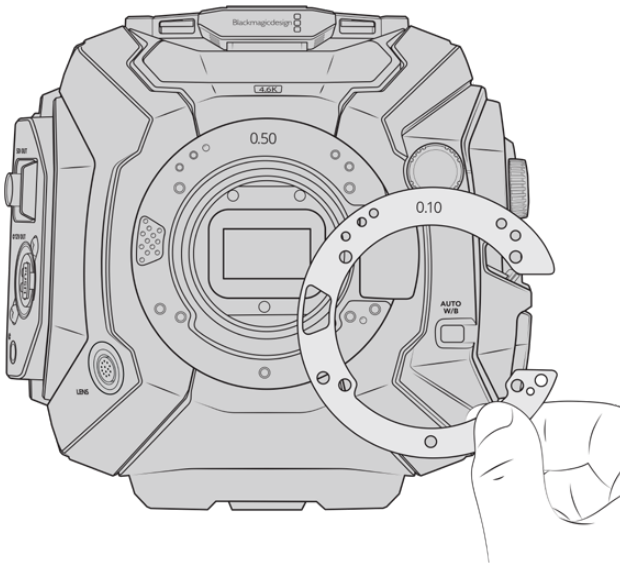


确认镜头卡口水平且正确对准，然后按照图中所示的顺序依次旋紧螺丝，确保均匀旋紧且没有用力过度。

## 为URSA Mini Pro安装垫片

为URSA Mini Pro安装垫片的步骤与URSA Mini PL几乎一样。唯一不同的地方是垫片的形状。为URSA Mini Pro安装垫片时，首先卸下镜头卡口，然后添加或卸下垫片，操作方法与URSA Mini PL一样，最后替换卡口。

更多关于在URSA Mini Pro上安装镜头卡口的信息，请参考“可更换镜头卡口”部分。

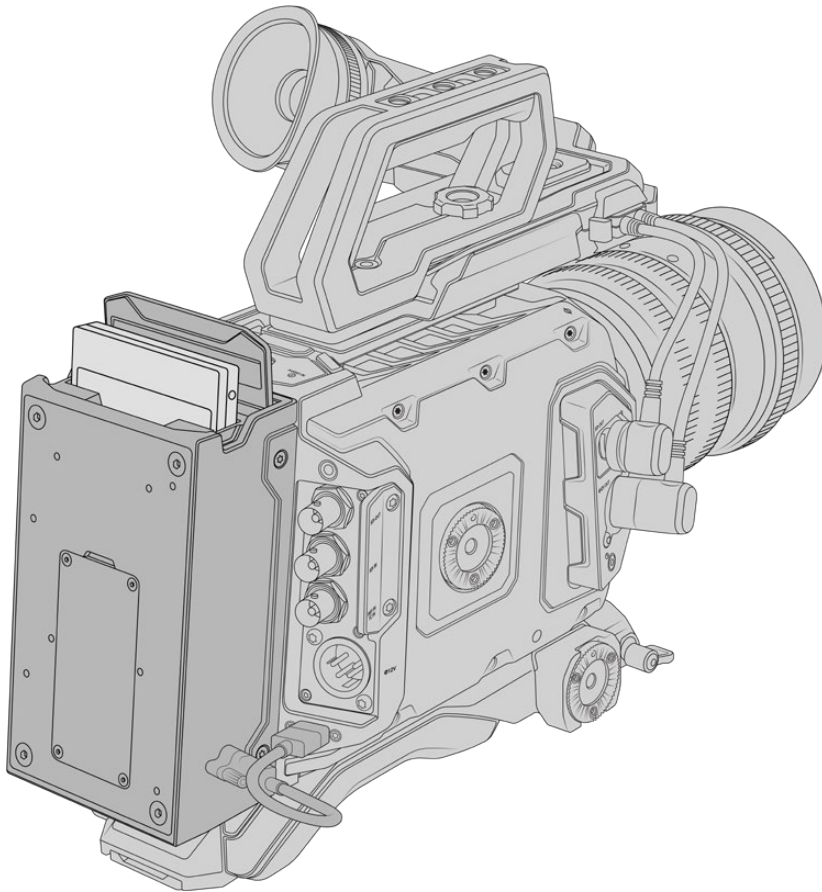


URSA Mini Pro的垫片形状为C，这是为了兼顾EF卡口的镜头释放装置。这样使垫片更容易对齐，因为只能按照一个方向安装。其余的安装步骤与URSA Mini PL完全一致。

# URSA Mini Recorder

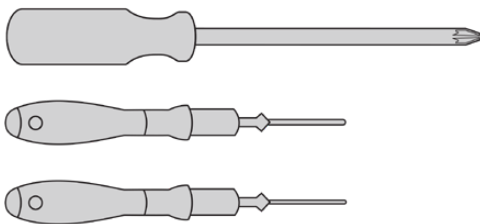
Blackmagic URSA Mini Recorder是选配模块,可安装在URSA Mini Pro 12K的后侧。安装了该记录单元以后,您可以将影像记录在高容量、低成本的固态硬盘(SSD)上,包括12K Blackmagic RAW文件。

**备注** URSA Mini Recorder的设计可与URSA Mini Pro 12K搭配使用,并兼容URSA Mini Pro 4.6K G2。它不兼容URSA Mini Pro 4.6K、URSA Mini 4.6K和URSA Mini 4K。



**安装URSA Mini Recorder时,您需要以下工具:**

- 1x 十字螺丝刀
- 1x T10 Torx螺丝刀
- 1x 2mm 六角扳手

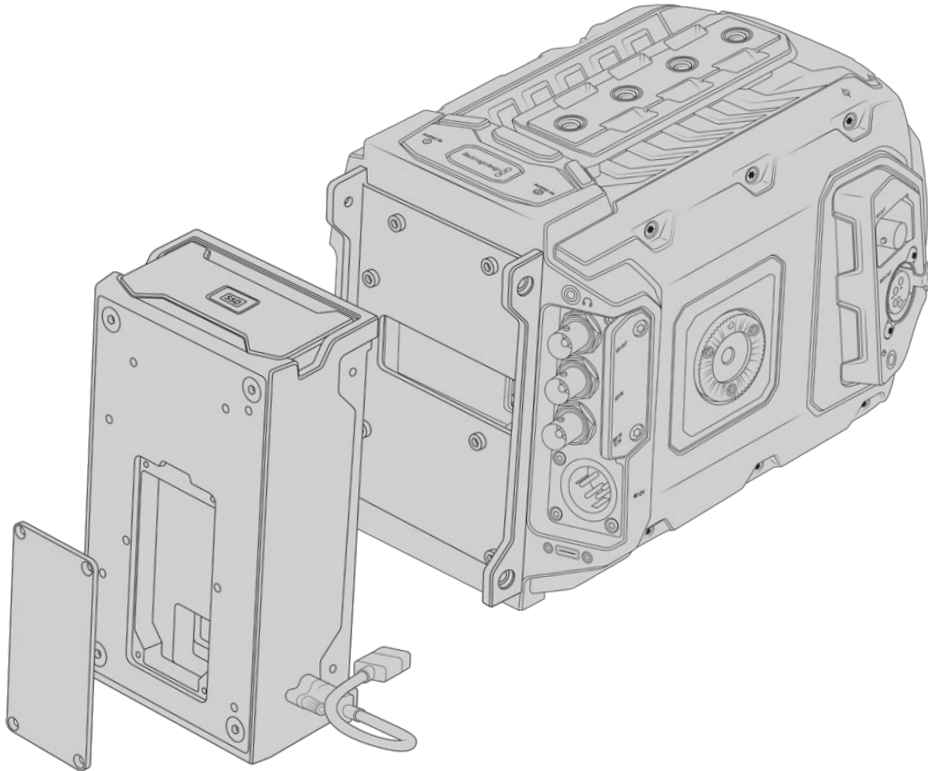


将URSA Mini SSD Recorder安装在URSA Mini上,您需要一把大号十字螺丝刀,一把T10 Torx扳手和一把2mm六角扳手。

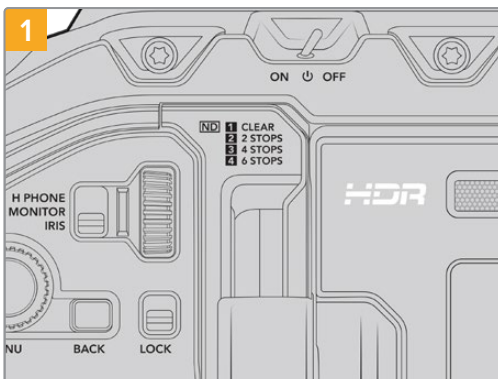
## 安装和连接URSA Mini Recorder

URSA Mini Recorder可直接安装在URSA Mini机身后方, 利用摄影机后方的USB-C数据端口实现和摄影机之间的数据传输。

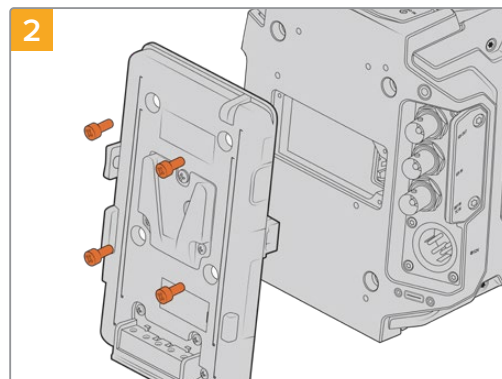
**提示** URSA Mini Recorder配有直通充电线缆, 可为摄影机电池供电, 方便您在摄影机后方的记录单元后面再安装V-Mount或Gold Mount电池。



安装和连接URSA Mini Recorder步骤如下:

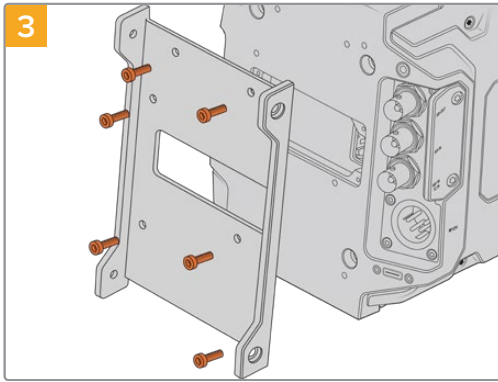


如使用URSA Mini Pro, 请将电源开关拨至“Off”的位置关闭摄影机。

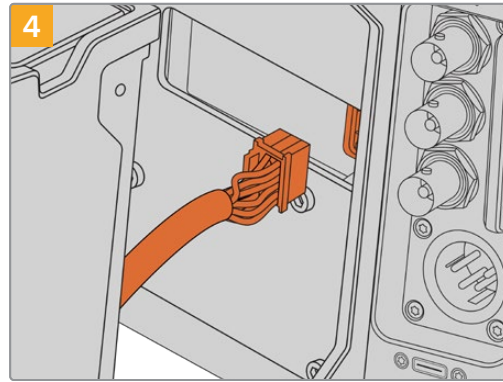


卸下当前装在摄影机上的电池扣板。更多关于安装和拆卸电池扣板的信息, 请参考本手册中“安装电池”部分的内容。

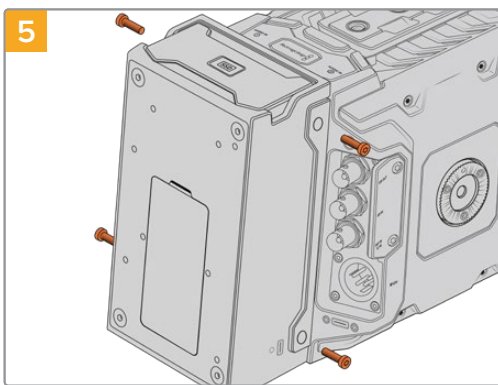




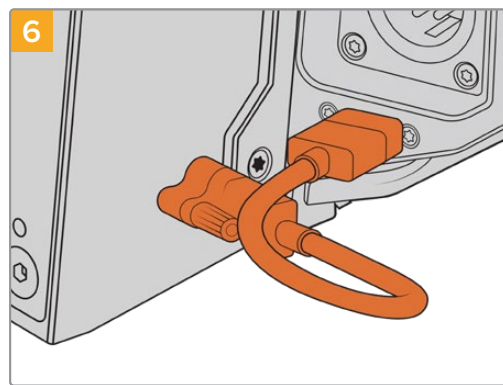
3 用六颗T10 Torx螺丝安装URSA Mini Recorder的安装支架。



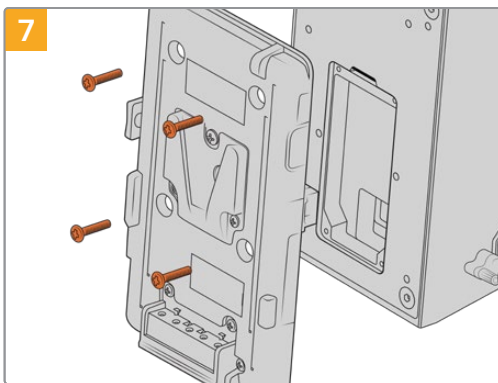
4 将URSA Mini Recorder上的Molex接头连接到摄影机后面板上的Molex插槽。



5 用两颗T10 Torx螺丝将URSA Mini Recorder安装在安装支架上，在支架左边和右边各用一颗。



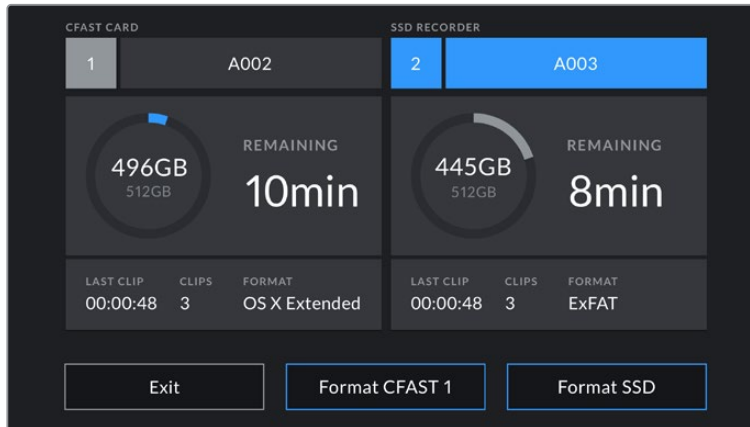
6 将Mini Recorder的USB-C线缆连接到URSA Mini Pro 12K后侧的USB-C数据端口。徒手旋紧并锁定接口，或使用2mm规格的六角扳手完成这操作。如要使用URSA Mini Pro 4.6K G2，请使用较长的USB-C线缆连接CFast卡槽上方的USB-C端口。



7 如果您希望在URSA Mini Recorder上使用电池扣板，可以用2mm六角扳手卸下固定Molex插槽外壳面板的四颗M3螺丝。露出Molex插槽后，通过本手册“安装电池”部分的步骤安装电池扣板。

## 使用URSA Mini Recorder

连接URSA Mini Recorder并装载SSD后, 记录单元会占用URSA Mini的“2”号存储插槽进行记录。使用URSA Mini Recorder时, 您会在摄影机存储管理器中看到插槽2上显示“SSD”指示灯。



当URSA Mini Recorder中插有SSD时, 摄影机存储管理器会在存储插槽2上显示“SSD RECORDER” (SSD录像机) 字样加以提示。

也就是说SSD的记录、播放和存储管理与CFast和SD卡完全一样。更多关于存储管理和选择SSD的具体方法, 请参考本手册中“存储介质”部分的内容。

### LED状态显示

URSA Mini Recorder设有一个状态提示灯, 具体位置在“SSD”左侧。您可以到摄影机的“SETUP” (设置) 菜单中将该提示灯的亮度可设为“Low” (低)、“Medium” (中)、“High” (高) 或者“Off” (关)。

### SSD

“SSD”提示灯可显示当前插入SSD的状态。该LED灯可提供以下状态提示:

<b>绿色</b>	当插入SSD时, URSA Mini Recorder会短暂亮起绿灯, 表示正在验证SSD。当提示灯熄灭时, SSD Recorder准备就绪, 可以开始记录。播放SSD中的影像时, 状态灯也会亮起绿灯。
<b>红色</b>	在SSD上记录时, URSA Mini Recorder会亮起红灯。当SSD空间不足时, 红灯会缓慢闪烁。红灯快速闪烁表示SSD出现丢帧。如发生上述情况, 请检查您是否使用了我们在推荐列表上列出的SSD, 以及是否按照与存储介质兼容的数据速率进行记录。
<b>橙</b>	在安装SSD的过程中如果出现任何问题, 状态指示灯会亮起橙色。这可能是由于格式化错误或SSD不兼容所导致的。详情请查看本手册关于“存储介质”部分的介绍, 获取兼容SSD清单以及格式化操作步骤。

**提示** 如果“SSD”LED灯显示安装硬盘出现错误, 您可能需要在Mac或PC上通过磁盘工具或磁盘管理对其进行初始化。

## 更新URSA Mini Recorder的内部软件

您可通过Blackmagic Camera Setup实用程序更新URSA Mini Recorder。升级Mini Recorder时，其电源必须处于开启状态，所以我们建议您在更新过程中将Mini Recorder和URSA Mini Pro 12K保持连接。这也意味着，摄影机需要供应持续的电量，因此请您务必连接外部电源或电池。

使用USB-C线缆将计算机连接到该Mini Recorder接口，然后运行Blackmagic Camera Setup实用程序。当计算机检测到URSA Mini Recorder使用过期版本时，会提示更新。按照屏幕提示更新您的URSA Mini Recorder内部软件。

**备注** 详情请参阅本手册“Blackmagic Camera Setup实用程序”部分的内容。

**提示** 建议您同时间更新所有Blackmagic URSA组件以获得最优性能表现。

# 帮助

获得帮助最快捷的途径是登陆Blackmagic Design在线支持页面并浏览有关摄影机的最新支持信息和材料。

## Blackmagic Design在线支持页面

请登陆Blackmagic Design支持中心[www.blackmagicdesign.com/cn/support](http://www.blackmagicdesign.com/cn/support)获得最新版操作手册、软件以及技术答疑文章。

## 联系Blackmagic Design支持中心

如果我们提供的支持信息无法解答您的疑问, 请到支持页面下点击“给我们发送电子邮件”按钮即可发送技术支持请求。或者, 您也可以点击支持页面下的“查找您所在地区的支持团队”按钮, 致电您所在地区的Blackmagic Design支持中心获得帮助。

## 查看当前安装的软件版本

要检查您的计算机当前安装的Blackmagic Camera Setup软件版本, 请打开“About Blackmagic Camera Setup Utility”窗口查看。

- 在Mac系统下, 请到“应用程序”文件夹下打开Blackmagic Camera Utility。点击文件夹中的“About Blackmagic Camera Setup Utility”后即可查看版本号。
- 在Windows系统下, 请到开始菜单打开Blackmagic Camera Setup。点击“Help” (帮助) 菜单并选择“About Blackmagic Camera Setup Utility”即可查看版本号。

## 如何获得软件更新

检查完您计算机上安装的Blackmagic Camera Utility软件版本号之后, 请登录网址[www.blackmagicdesign.com/cn/support](http://www.blackmagicdesign.com/cn/support)访问Blackmagic Design支持中心查看最新版本。请及时将软件升级到最新版本, 但切勿在重要项目制作过程中升级软件。



## 监管声明



### 在欧盟范围内处置电子垃圾和电子设备的注意事项。

根据产品所附的提示标志，本设备不得与其它废弃材料共同处置。处置废弃设备时，必须交给指定收集点进行回收。对废弃设备进行单独收集并回收能够节省自然资源，且回收方式不会损害环境和人体健康。获取更多关于废弃设备回收点的信息，请联系您所在城市的回收站，或当时购买设备的经销商。



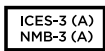
本设备经过测试，符合FCC规则的第15部分对A类数字设备的限制。这些限制旨在为运行于商业环境中的设备提供合理保护，使其免受有害干扰的影响。本设备可生成、使用且辐射射频能量，如果未按照安装手册来安装和使用本设备，则可能导致对无线电通信的有害干扰。在住宅区运行本产品可能会产生有害干扰，在这种情况下将由用户自行承担消除干扰的费用。

本设备的操作运行必须满足以下两个条件：

- 1 本设备或不会造成有害干扰。
- 2 本设备必须能够承受任何干扰，包括可能导致意外操作的干扰。



MSIP-REM-BMD-201511002  
MSIP-REM-BMD-201608001  
MSIP-REM-BMD-201703001  
R-R-BMD-201907006  
R-R-BMD-20200421001  
R-R-BMD-20200421002



### 加拿大ISED认证声明

本设备符合加拿大A类数码产品的相关标准。

任何对本产品的改装或预期用途之外的使用均可能导致相关标准认证无效。

本设备经检测符合商业环境使用要求。

### 蓝牙®

URSA Mini Pro产品采用无线蓝牙技术。

包含发射模块FCC ID: QOQBGM113

本设备符合为非受控制环境设定的FCC辐射暴露限制。

包含发射模块IC: 5123A-BGM113

本设备符合加拿大工业部免检RSS标准，并免于RSS-102第5条中规定的日常SAR评估限制。

日本认证，认证编号：209-J00204。本设备中的指定无线电设备已通过《无线电法》技术法规符合性认证。

本设备已获得韩国认证，KC认证编号：MSIP-CRM-BGT-BGM113

Blackmagic Design在此声明，使用2.4 GHz ISM宽频传输系统的URSA Mini Pro产品符合欧盟指令2014/53/EU。

获取完整版欧盟符合性声明，请联系：[compliance@blackmagicdesign.com](mailto:compliance@blackmagicdesign.com)

# 安全信息

请务必将Blackmagic URSA Mini、URSA Mini Pro所提供的AC到12V DC电源线及Blackmagic Studio Fiber Converter的IEC电源线连接至配有保护地线的电源插座。

Blackmagic URSA Mini、URSA Mini Pro及Camera Fiber Converter适合在环境温度低于40°C的热带地区使用。Blackmagic Studio Fiber Converter适合在环境温度低于50°C的热带地区使用。

确保Blackmagic Studio Fiber Converter和Camera Fiber Converter四周留有足够的空间，散热不受阻碍。将Studio Fiber Converter安装在机架上时，确保散热不受周围设备的影响。

Blackmagic URSA Mini、URSA Mini Pro、Camera Fiber Converter和Studio Fiber Converter内部没有操作人员可维护的零件。维修服务请联系当地Blackmagic Design服务中心。

## 加利福尼亚安全声明

该产品可能会让您暴露在塑料部件中所含的微量多溴化联苯等化学物质下，此类物质已被加州政府认定为可能导致癌症、先天畸形或其他遗传危害的物质。

详情请访问网址[www.P65Warnings.ca.gov](http://www.P65Warnings.ca.gov)。

## Blackmagic URSA Mini、URSA Mini Pro

在日照环境下，应考虑遮盖摄影机来避免摄影机或锂电池长期暴露在日光下。请勿将锂电池保存在热源附近。

12V DC输出接口适合为Blackmagic URSA Viewfinder或Blackmagic URSA Studio Viewfinder供电。当该接口连接其它附件时，确保耗电量低于18W。



## Blackmagic Studio Fiber Converter

为了降低触电风险，请勿将设备放在会滴水或溅水的地方。请在海拔高度2000米以下的地区使用。

## Blackmagic Camera Fiber Converter

只有连接Blackmagic Studio Fiber Converter后，该设备才能使用。在正常使用情况下，转换器将接收来自Blackmagic Studio Fiber Converter的危险电压。

# 保修

## 有限保修

Blackmagic Design保证本产品自购买之日起12个月内不会有材料和工艺上的缺陷。若本产品在其保修期内出现质量问题, Blackmagic Design可选择为产品提供免费修理或更换零部件, 或者更换缺陷产品。

为确保消费者有权享受本保修条款中的服务, 如遇产品质量问题请务必在保修期内联系Blackmagic Design并妥善安排保修事宜。消费者应将缺陷产品包装并运送到Blackmagic Design的指定服务中心进行维修, 运费由消费者承担并预先支付。若消费者因任何原因退货, 所有运费、保险费、关税等各项税务以及其他费用均由消费者承担。

本保修条款不适用于任何因使用、维护不当或保养不周造成的缺陷、故障或损坏。根据本保修服务, Blackmagic Design的保修范围不包括以下内容: 1. 对由非Blackmagic Design专门人员进行的安装、维修或保养所造成的损坏进行维修, 2. 对因使用不当或连接到不兼容设备所造成的损坏进行维修, 3. 对因使用了非Blackmagic Design生产的零部件所导致的损坏或故障进行维修, 及 4. 对经过改装或和其他产品进行组装的产品进行保养维修 (因为产品经改装或组装后会增加保养维修所需时间或保养难度)。

由于URSA Viewfinder的光学元件和放大镜原理类似, 所以将寻像器直接暴露在阳光下可能会损坏其显示器。当OLED屏幕显示帧导栏等静态或高对比度图像时间过长时, OLED基板可能发生残影或烧屏现象。为避免此现象, 长时间不使用寻像器时, 切勿遮盖用于探测面部的IR感应器, 并确保断开寻像器连接。本产品保修不包括图像残影问题。

本保修条款由BLACKMAGIC DESIGN提供, 它可取代所有其他明示或隐含的保修。BLACKMAGIC DESIGN及其供应商对任何有关适销性及就特定用途的适用性等隐含保证不作任何担保。BLACKMAGIC DESIGN负责为消费者提供缺陷产品的维修或更换服务是完整和排他性补救措施。任何间接、特殊、偶然或必然损坏等损坏, 不论BLACKMAGIC DESIGN或其供应商是否事先获悉, Blackmagic Design均不予负责。若消费者对本设备进行非法使用, BLACKMAGIC DESIGN概不负责。对因使用本产品造成的损失, BLACKMAGIC DESIGN概不负责。本产品的操作风险由用户自行承担。

© 版权所有 2020 Blackmagic Design. 保留一切权利。“Blackmagic Design”、“URSA”、“DeckLink”、“HDLink”、“Workgroup Videohub”、“Multibridge Pro”、“Multibridge Extreme”、“Intensity”以及“Leading the creative video revolution”均为美国及其他国家的注册商标。所有其他公司名称及产品名称可能是其他所有者的注册商标。

“Bluetooth®” (蓝牙) 一词, 其商标和徽标为Bluetooth SIG, Inc.公司的注册商标, 且Blackmagic Design对于上述标识的各类用途均获授权。其他商标和商标名称皆为其各自所有者所有。





Blackmagicdesign

설치 및 사용 설명서

# Blackmagic URSA Mini 및 URSA Mini Pro

Blackmagic URSA Viewfinder, URSA Studio Viewfinder,  
URSA Mini Shoulder Kit, URSA Mini Lens Mounts, Blackmagic Camera  
Fiber Converter, Studio Fiber Converter 및 URSA Mini Recorder.

2020년 9월

한국어



## 환영합니다

Blackmagic URSA Mini를 구매해 주셔서 감사합니다.

몇 년 전 처음 디지털 필름 카메라를 출시한 이후, 저희는 그 어느 때보다도 훌륭한 의견과 조언을 받는 영광을 누렸습니다. 세계 일류의 촬영 감독 및 촬영 기사들의 작품을 동경하면서 자란 저희는 이렇게 유명한 전문가들과 몇 시간 동안 카메라 추가 기능에 대해 대화를 나눌 수 있어서 영광이었습니다. 물론, 함께 대화 나눈 모든 분들의 제안 또한 훌륭했습니다!

URSA Mini는 가볍고 견고한 초소형 금속 샤페에 굉장히 넓은 다이내믹 레인지 센서를 탑재한 카메라입니다!

URSA Mini의 매력적인 사용자 인터페이스는 단독 카메라 운영자가 카메라의 모든 기능에 쉽고 빠르게 접속할 수 있도록 설계되었으며, 폭넓은 ATEM 스위처와의 통합을 통해 Super 35mm 디지털 필름 카메라의 놀라운 영상 화질을 라이브 프로덕션 스튜디오에서 사용할 수 있습니다. Blackmagic Fiber Converter를 사용하면 SMPTE 광섬유 케이블 하나로 URSA Mini와 라이브 프로덕션 스위처를 연결할 수도 있습니다.

무엇보다도 URSA Mini는 4K 센서와 더욱 뛰어난 다이내믹 레인지를 지원하는 4.6K 센서 또는 혁신적인 12K 센서를 탑재했습니다. 저희는 또한 더욱 정밀한 촬영이 필요하거나 카메라를 어깨에 올려 두고 촬영할 때 최적인 Blackmagic URSA Viewfinder 개발 당시, 단독 촬영 기사들의 의견을 귀담아들었습니다.

URSA Mini Pro는 이제 기존보다 훨씬 뛰어난 영상 화질에 인체 공학적 컨트롤과 교체형 렌즈 마운트, 내장 ND 필터 등의 기능을 추가로 탑재했습니다. ENG 카메라 사용에 익숙한 경우, 이러한 인체 공학적 컨트롤과 내장 ND 필터가 얼마나 강력한 기능을 지원하는지 쉽게 확인할 수 있습니다. 또한 새로운 Blackmagic RAW 코덱의 출시를 발표하게 되어 자랑스럽게 생각합니다. 단일 파일만으로 유연한 RAW 프로세싱이 가능한 이 코덱은 파일 크기를 축소시키고 성능을 크게 개선시켰으며, Blackmagic URSA Mini Pro 12K의 놀라운 이미지 처리 또한 가능합니다.

URSA Mini나 URSA Mini Pro를 사용하여 세계 최고 수준의 영화와 TV 프로그램, 뮤직 비디오, 상업 광고를 제작할 수 있기를 바랍니다. 앞으로 어떤 창의적인 작품을 만나게 될지 상당히 기대하고 있으며, URSA에 새롭게 추가하길 원하는 기능에 대한 고객 여러분의 의견 또한 기다리고 있습니다.

Blackmagic Design의 CEO

**그랜트 패티**



# 목차

<b>카메라 모델별 정보</b>	1752	<b>설정하기</b>	1841
URSA Mini Pro	1753	대시보드	1841
URSA Mini	1754	녹화 설정	1842
<b>시작하기</b>	1754	파일명 표준화	1848
렌즈 장착하기	1754	모니터링 설정	1849
전원 연결하기	1758	오디오 설정	1858
<b>저장 미디어</b>	1761	오디오 설정 — URSA Mini	1858
CFast 카드	1761	오디오 설정 — URSA Mini Pro	1860
SD 카드	1765	설정	1862
USB-C 플래시 디스크	1770	프리셋	1876
SSD	1772	LUT	1878
녹화용 미디어 준비하기	1774	<b>메타데이터 입력</b>	1882
Blackmagic URSA Mini에서 미디어 준비하기	1774	<b>서보 줌 렌즈 사용하기</b>	1888
Blackmagic URSA Mini Pro에서 미디어 준비하기	1776	<b>카메라의 비디오 출력</b>	1891
Mac에서 미디어 준비하기	1777	HD 모니터링 출력	1891
Windows에서 미디어 준비하기	1778	12G-SDI 출력	1891
<b>녹화</b>	1779	<b>URSA Mini Shoulder Mount Kit</b>	1893
클립 녹화하기	1779	<b>Blackmagic URSA Viewfinder</b>	1897
코덱, 해상도, 센서 영역 선택하기	1779	Blackmagic URSA에 설치 및 연결하기	1897
Blackmagic RAW	1781	아이피스 조절하기	1898
Blackmagic RAW 녹화	1782	버튼 기능	1898
프레임 레이트 선택하기	1785	메뉴 설정	1899
트리거 녹화	1789	<b>Blackmagic URSA Studio Viewfinder</b>	1904
녹화 가능 시간	1789	Blackmagic URSA Mini에 설치 및 연결하기	1905
URSA Mini Pro 12K의 데이터 레이트	1792	Blackmagic URSA Studio Viewfinder 조절하기	1907
<b>재생</b>	1795	버튼 기능	1910
<b>URSA Mini 소개</b>	1797	메뉴 설정	1912
카메라 전면부	1797	<b>배터리 장착하기</b>	1917
좌측면 — URSA Mini	1798	V-마운트 및 골드 마운트 배터리 장착하기	1917
좌측면 — URSA Mini Pro	1798	기존 배터리 플레이트 사용하기	1918
우측면	1800	<b>Blackmagic 광섬유 컨버터</b>	1920
뒷면 패널	1801	<b>Blackmagic 광섬유 컨버터 사용하기</b>	1921
상단 패널	1803	SMPTE 광케이블이란	1921
하단부	1803	SMPTE 광케이블 연결하기	1923
<b>URSA Mini 컨트롤</b>	1804	ATEM 스위처에 연결하기	1926
<b>URSA Mini Pro 컨트롤 버튼</b>	1807	연결 단자가 왜 전면에 배치되어 있을까요?	1927
전면부 제어 패널	1807	카메라 SDI 연결하기	1928
인체 공학 제어 패널	1811	리턴 SDI 출력 연결하기	1928
내부 제어 패널	1816	Blackmagic Camera Fiber Converter 장착하기	1928
<b>터치스크린 컨트롤</b>	1819	URSA Studio Viewfinder 장착하기	1931

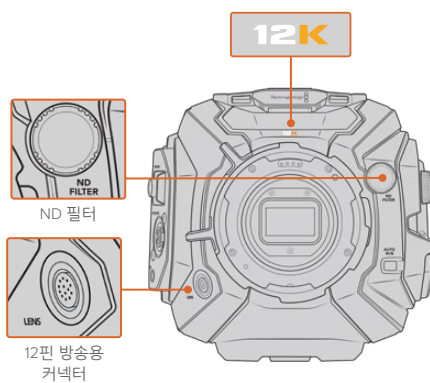
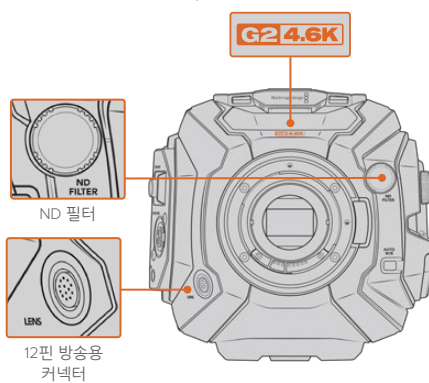
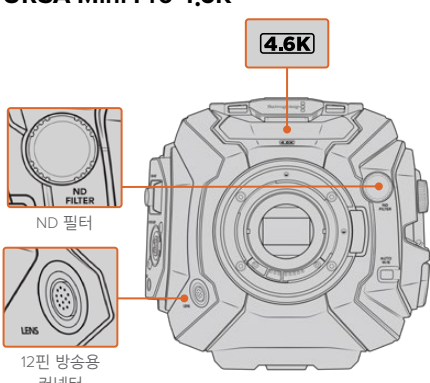
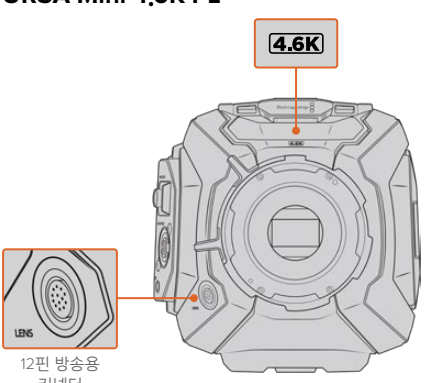
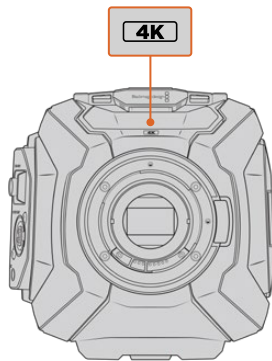
토크백 헤드셋 연결하기	1931	컷 페이지를 사용하여 편집하기	1968
<b>Camera Fiber Converter 작동하기</b>	1932	타임라인에 클립 추가하기	1971
리턴 피드 선택하기	1932	타임라인에서 클립 편집하기	1972
콜 버튼 사용하기	1933	타이틀 추가하기	1972
토크백 사용하기	1933	Blackmagic RAW 파일로 작업하기	1973
탈리 사용	1934	컬러 페이지에서 클립 색보정 하기	1976
상태 표시 장치	1934	파워 윈도우 추가하기	1980
오디오 입력	1935	플러그인 사용하기	1981
IP 비디오	1936	오디오 믹싱하기	1982
전원 사양	1936	Fusion 페이지에서 VFX 시각효과 추가 및 합성	1987
추가 카메라 제어 기능	1937	편집 영상 마스터링하기	1995
<b>Studio Fiber Converter 작동하기</b>	1938	신속한 내보내기	1995
메뉴 사용하기	1939	딜리버리 페이지	1996
랙 마운트형 스튜디오 장비	1942	<b>스튜디오 카메라 컨트롤 이해하기</b>	1997
<b>카메라 컨버터 연결 단자</b>	1946	카메라 컨트롤 사용하기	1998
카메라 전원 연결	1946	DaVinci Resolve 프라이머리 색보정 도구	2004
PTZ 인터페이스	1946	<b>Blackmagic Camera Setup 유틸리티</b>	2007
토크백 연결	1947	<b>서드 파티 소프트웨어로 작업하기</b>	2009
트래커 인터페이스	1948	CFast 2.0 및 SD 카드로 파일 작업하기	2009
DC 연결	1948	SSD 파일 작업	2010
D-탭 출력	1949	Final Cut Pro X 사용하기	2010
레퍼런스 출력 및 운영	1949	Avid Media Composer 2018 사용하기	2011
<b>스튜디오 컨버터 연결 단자</b>	1950	Adobe Premiere Pro CC 사용하기	2012
12G-SDI 출력	1950	<b>Developer Information</b>	2013
리턴 SDI 입력	1950	Blackmagic Bluetooth Camera Control	2013
레퍼런스 입/출력	1951	Blackmagic SDI and Bluetooth Camera Control Protocol	2015
토크백 인터페이스	1951	Example Protocol Packets	2022
PTZ 인터페이스	1953	Blackmagic Tally Control Protocol	2022
오디오 출력	1953	<b>Blackmagic URSA Mini B4 마운트</b>	2025
<b>내부 소프트웨어 업데이트하기</b>	1954	<b>렌즈 마운트 심 조절하기</b>	2027
Blackmagic Camera Fiber Converter 업데이트하기	1954	URSA Mini PL 심 조절하기	2027
Blackmagic Studio Fiber Converter 업데이트하기	1954	URSA Mini Pro 심 조절하기	2029
<b>교체형 렌즈 마운트</b>	1955	<b>URSA Mini Recorder</b>	2030
Blackmagic URSA Mini Pro PL 마운트	1957	URSA Mini Recorder 설치 및 연결하기	2031
Blackmagic URSA Mini Pro F 마운트	1959	URSA Mini Recorder 사용하기	2033
Blackmagic URSA Mini Pro EF 마운트	1962	URSA Mini Recorder 내부 소프트웨어 업데이트하기	2034
Blackmagic URSA Mini Pro B4 마운트	1964	<b>도움말</b>	2035
Blackmagic URSA Mini Pro 심 세트	1966	<b>규제 사항</b>	2036
<b>DaVinci Resolve 사용하기</b>	1967	<b>안전 정보</b>	2037
프로젝트 매니저	1967	<b>보증</b>	2038

# 카메라 모델별 정보

본 사용 설명서에는 Blackmagic URSA Mini의 모델에 따라 특정 모델에서만 지원되는 기능이 소개되어 있습니다. 모든 URSA Mini 카메라는 굉장히 넓은 다이내믹 레인지 영상을 제공하며 기본 샷시 구성은 동일합니다. 하지만 모델별로 일부 성능에 차이가 있을 수 있습니다.

카메라 모델 종류는 다음과 같습니다.

- URSA Mini Pro 12K
- URSA Mini Pro 4.6K G2
- URSA Mini Pro 4.6K
- URSA Mini 4.6K
- URSA Mini 4K

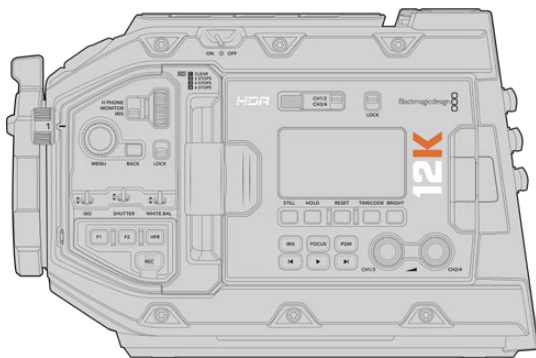
<p><b>URSA Mini Pro 12K</b></p>  <p>12K</p> <p>ND 필터</p> <p>12핀 방송용 커넥터</p>	<p><b>URSA Mini Pro 4.6K G2</b></p>  <p>G2 4.6K</p> <p>ND 필터</p> <p>12핀 방송용 커넥터</p>
<p><b>URSA Mini Pro 4.6K</b></p>  <p>4.6K</p> <p>ND 필터</p> <p>12핀 방송용 커넥터</p>	<p><b>URSA Mini 4.6K PL</b></p>  <p>4.6K</p> <p>12핀 방송용 커넥터</p>
<p><b>URSA Mini 4K EF</b></p>  <p>4K</p>	



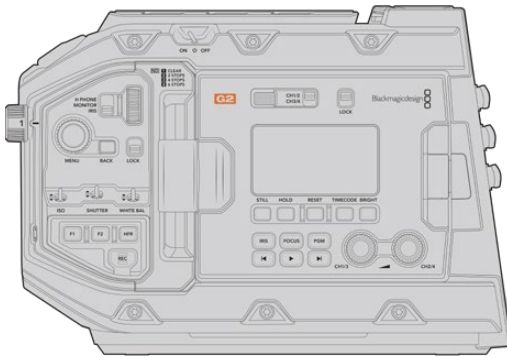
## URSA Mini Pro

URSA Mini Pro 12K에는 PL 마운트가, URSA Mini Pro 4.6K G2 및 URSA Mini Pro 4.6K에는 EF 마운트가 기본으로 탑재되어 있습니다. 모든 URSA Mini Pro 카메라의 렌즈 마운트는 교체가 가능하므로, 원하는 렌즈를 장착할 수 있습니다. 교체 가능한 렌즈 마운트에 대한 자세한 정보는 [교체형 렌즈 마운트] 부분을 참고하세요.

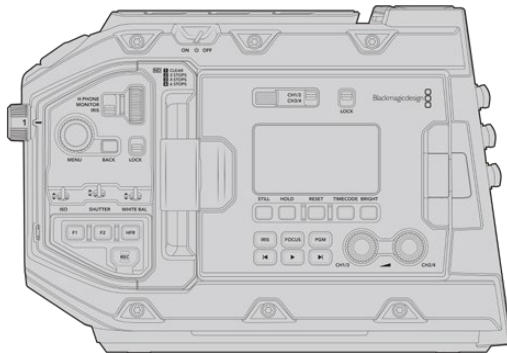
URSA Mini Pro는 새시 좌측에 있는 추가 제어 버튼 및 LCD 상태 표시 스크린, 렌즈 마운트 주변의 ND 필터를 통해 쉽게 구별할 수 있습니다. URSA Mini Pro 4.6K G2는 전면의 렌즈 마운트 위쪽에 주황색 'G2 4.6K' 마크가, 외부 제어 패널 좌측면에 주황색 'G2' 마크가 표시되어 있습니다. 추가 제어 버튼을 통해 알 수 있듯이 좀 더 다양한 카메라 제어 및 설정 변경 옵션을 사용할 수 있습니다. URSA Mini Pro 12K의 외부 컨트롤 패널 측면에 '12K' 및 'HDR' 마크가 표시되어 있습니다. URSA Mini Pro 12K의 뒷면 패널을 보면 SDI 포트 위쪽 우측 상단에 헤드폰 소켓이 있으며, 12V 전원 커넥터 우측 하단에 USB-C 포트가 탑재되어 있습니다.



URSA Mini Pro 12K의 좌측면



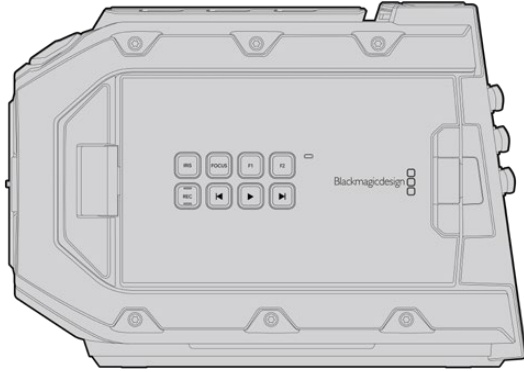
URSA Mini Pro 4.6K G2의 좌측면



URSA Mini Pro 4.6K의 좌측면

## URSA Mini

각 모델에 탑재된 센서를 제외하면 URSA Mini 4K와 4.6K 모델 성능은 거의 동일합니다. 제어 버튼과 소프트웨어 메뉴 구성은 동일하며 카메라 작동 방법은 기본적으로 같습니다. 4.6K 센서와 광범위한 ISO 설정을 사용하는 카메라에서는 몇 가지 해상도 옵션을 추가로 사용할 수 있습니다. 카메라에 탑재된 센서 종류는 렌즈 마운트 위에 있는 4K 또는 4.6K 아이콘을 통해 쉽게 확인할 수 있습니다.



URSA Mini의 좌측면

URSA Mini 카메라의 경우 EF 및 PL 렌즈 마운트 옵션으로 선택이 가능하다는 사실을 기억하세요. 이런 차이점은 PL 모델의 렌즈 마운트 주변에 있는 12핀 방송 렌즈 커넥터를 통해 쉽게 확인할 수 있습니다. 물론 EF 및 PL 시스템에 익숙한 사용자라면 마운트 자체만으로도 쉽게 구별 가능합니다. 마운트에 대한 자세한 정보는 [시작하기] 부분을 참고하세요.

지금까지 URSA Mini 모델을 구별하는 방법에 대해 알아보았습니다. 이제 카메라 사용 방법에 대해 알아보겠습니다!

## 시작하기

렌즈를 장착하고 카메라 전원을 켜기만 하면 URSA Mini의 사용 준비가 완료됩니다.

### 렌즈 장착하기

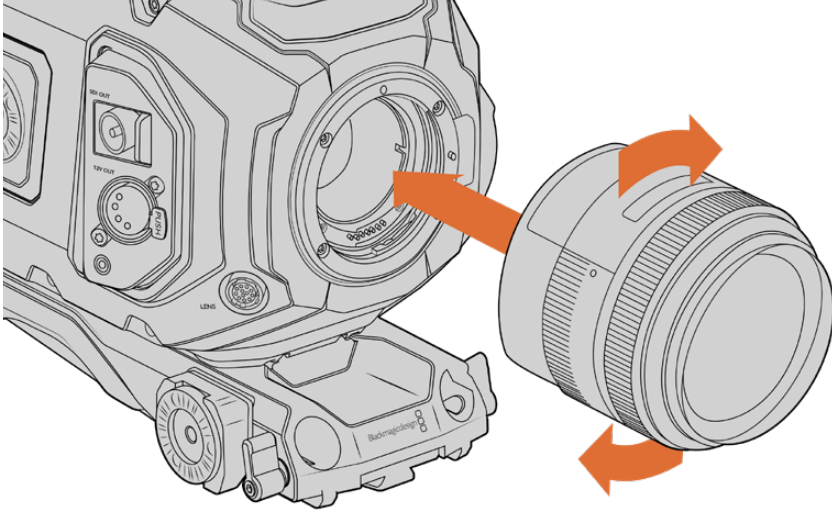
렌즈를 장착하는 방법은 모든 URSA Mini 카메라 모델 모두 동일하지만, EF, PL, B4, F 마운트의 경우엔 작동 방법이 조금씩 다릅니다. 첫 번째 단계로 렌즈 마운트 커버를 제거하세요. 이는 모든 모델에 동일하게 적용됩니다.

카메라의 잠금 버튼을 누르고 커버를 시계 반대 방향으로 돌려 EF 렌즈 마운트의 커버를 쉽게 분리할 수 있습니다. PL 및 B4 마운트 렌즈의 경우에는 잠금 링을 시계 반대 방향으로 돌린 뒤, 렌즈 마운트 커버를 당겨 분리하세요. F 마운트의 경우에는 잠금 버튼을 누르고 커버를 시계 방향으로 돌려 분리하세요.

**참고** Blackmagic URSA Mini Pro는 EF, PL, B4, F 마운트 렌즈를 장착할 수 있는 교체형 렌즈 마운트뿐만 아니라 다양한 액세서리 장착이 가능한 추가 렌즈 마운트 또한 탑재했습니다. URSA Mini Pro 마운트 교체에 대한 자세한 정보는 본 설명서의 [교체형 렌즈 마운트] 부분을 참고하세요.

**정보** URSA Mini Pro 12K에는 PL 마운트가 기본 장착되어 있습니다. 다른 URSA Mini Pro 카메라는 구입 후 바로 EF 렌즈를 장착할 수 있도록 설정되어 있습니다. 아래에 설명된 대로 간단히 렌즈를 장착해 바로 촬영을 시작할 수 있습니다.

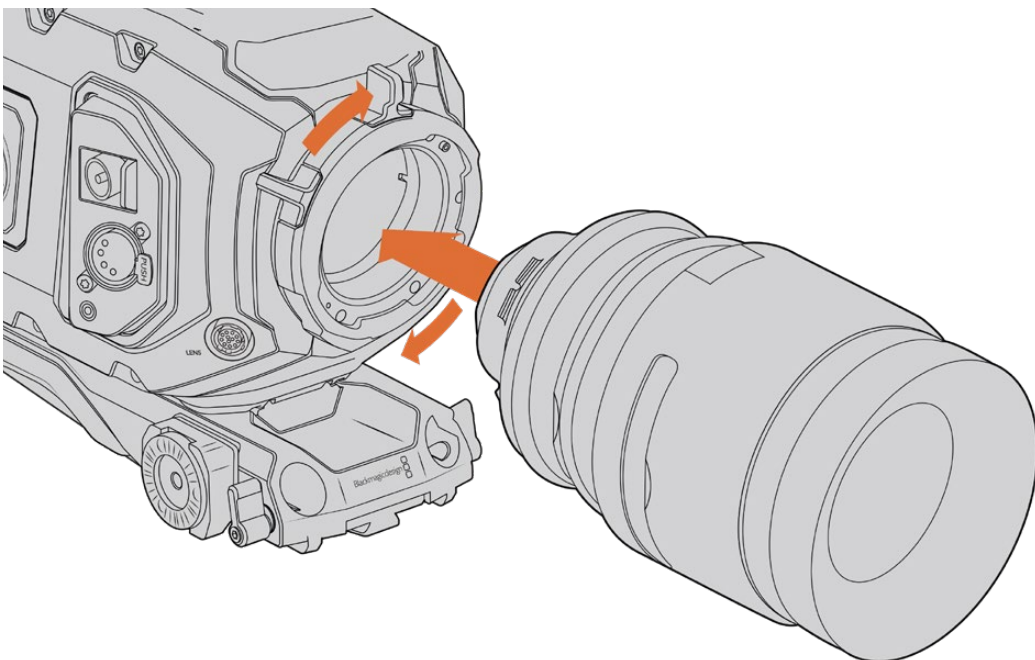
## EF 마운트 렌즈 장착하기



Blackmagic URSA Mini EF에 EF 렌즈 장착 및 분리하기

- 1 렌즈의 표시점과 카메라 마운트의 표시점을 일치시킵니다. 대부분의 렌즈에는 파랑, 빨강, 흰색과 같은 눈에 띄는 표시점이 있습니다.
- 2 렌즈를 마운트에 삽입한 뒤, 카메라에 장착될 때까지 렌즈를 시계 방향으로 돌려 끼웁니다.
- 3 렌즈를 분리하려면 잠금 버튼을 누른 채 렌즈를 시계 반대 방향으로 돌려 렌즈의 표시점이 12시 방향으로 향하게 한 뒤, 조심스럽게 렌즈를 분리합니다.

## PL 마운트 렌즈 장착하기

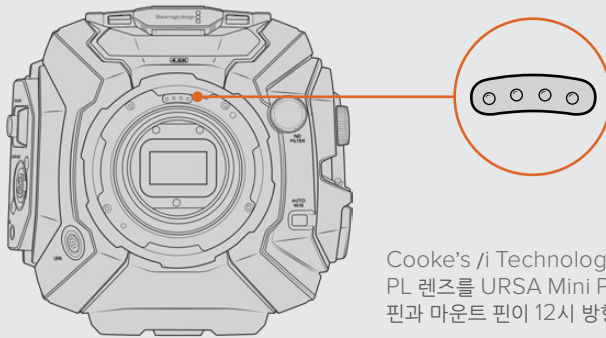


Blackmagic URSA PL 및 URSA Mini Pro 12K에 PL 마운트 렌즈 장착 및 분리하기

- 1 카메라의 PL 잠금 링을 시계 반대 방향으로 끝까지 돌려서 엽니다.
- 2 렌즈에 있는 네 개의 플랜지 표시 중 하나를 카메라 마운트에 있는 핀과 일치시킵니다. 렌즈 마크를 쉽게 확인할 수 있도록 렌즈를 확실하게 일치시킵니다.
- 3 PL 잠금 링을 시계 방향으로 돌려 단단히 고정시킵니다. 서보 유닛 지원 PL 렌즈를 URSA Mini PL 또는 URSA Mini Pro에 장착하여 사용할 경우, 서보 제어용 12핀 방송 커넥터를 연결합니다.
- 4 잠금 링을 시계 반대 방향으로 끝까지 돌린 뒤, 카메라 본체에서 렌즈를 잡아 당기면서 조심스럽게 분리합니다. 이때 렌즈를 돌릴 필요는 없습니다.

## URSA Mini Pro PL 마운트

URSA Mini Pro의 PL 마운트에는 4개의 핀이 12시 방향에 탑재되어 있어, Cooke's /i Technology 인터페이스가 탑재된 렌즈와 통신할 수 있습니다. 해당 인터페이스를 지원하는 렌즈 제조사는 Canon, Cooke, Fujinon, Leica, Zeiss가 있습니다. 이를 통해 렌즈 모델과 초점 거리, 조리개 설정, 피사체 거리 등의 렌즈 세부 정보를 클립 속 메타데이터에 녹화할 수 있습니다.



Cooke's /i Technology 인터페이스가 탑재된 PL 렌즈를 URSA Mini Pro에 장착할 경우, 렌즈 핀과 마운트 핀이 12시 방향에 정렬되도록 하세요.

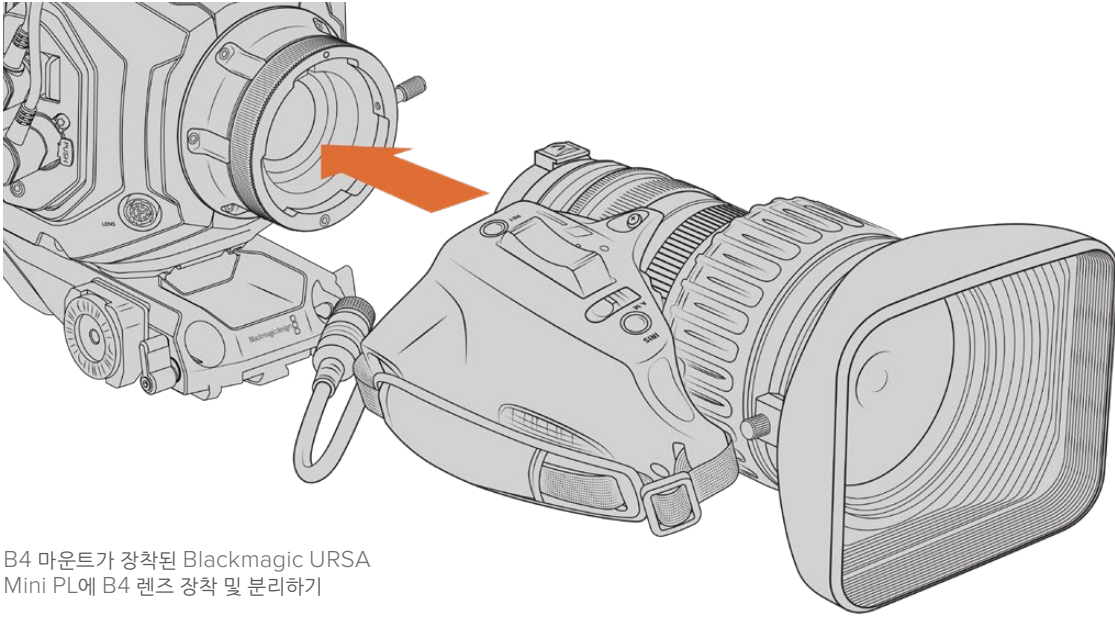
Cooke's /i Technology 인터페이스를 통해 메타데이터로 녹화된 정보는 후반 제작 및 VFX 작업에서 굉장히 유용하게 사용됩니다. 프로덕션에 사용된 렌즈의 종류와 설정 정보를 가지고 있으면, 향후 동일한 셋업을 사용해야 하는 경우에 아주 유용합니다.

이런 상세 정보는 DaVinci Resolve와 Blackmagic Fusion 같이 강력한 애플리케이션에서도 사용할 수 있어, 다양한 종류의 첨단 기능 지원이 가능합니다. 예를 들어, 녹화된 메타데이터를 사용해 3D 공간에서 특정 렌즈로 모의 촬영하거나 렌즈 왜곡 현상을 수정할 수 있습니다.

URSA Mini Pro와 URSA Mini PL의 경우, 서보 핸드그립을 통해 PL 35mm 렌즈를 제어할 수 있습니다. 해당 렌즈는 URSA Mini 카메라의 방송용 12핀 커넥터에 연결될 경우, B4 렌즈의 경우와 마찬가지로 URSA Mini로부터 전원 및 제어 신호를 전송 받습니다. 더 자세한 정보는 본 설명서의 [서보 줌 렌즈 사용하기] 부분을 참고하세요.

**참고** 카메라에 렌즈가 장착되어 있지 않은 경우에는 카메라의 글라스 필터가 먼지와 다른 이물질에 노출됩니다. 렌즈 커버는 항상 닫아 두는 것이 좋습니다.

## B4 마운트 렌즈 장착하기

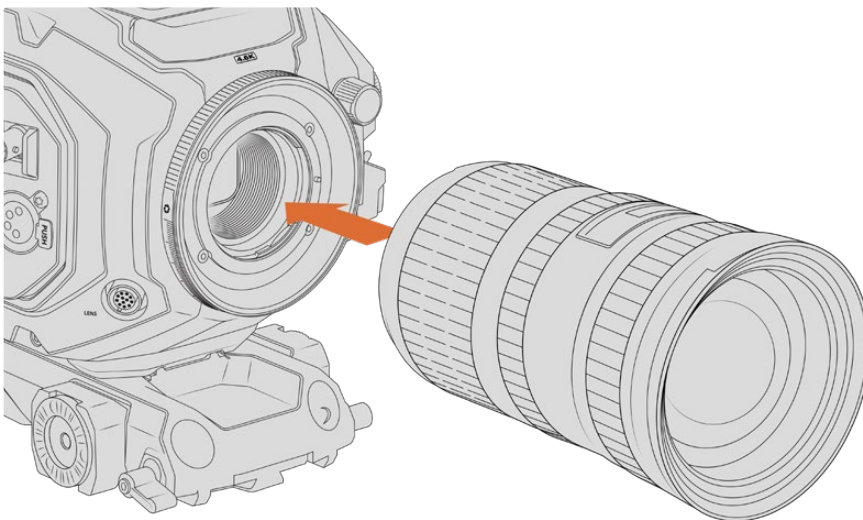


B4 마운트가 장착된 Blackmagic URSA Mini PL에 B4 렌즈 장착 및 분리하기

- 1 B4 렌즈 잠금링을 시계 반대 방향으로 돌리면 마운트 속 상부에 있는 정렬 슬롯이 나타납니다. 정렬 슬롯과 렌즈 마운트의 정렬핀을 맞춰 B4 렌즈와 URSA Mini의 B4 마운트 위치를 일치시킵니다.
- 2 마운트 플레이트가 서로 마주 보도록 렌즈를 B4 마운트 방향으로 잡고 있습니다.  
정렬핀이 마운트의 정렬 슬롯에 잘 들어갔는지 확인하세요.
- 3 잠금링을 시계 방향으로 돌려 렌즈를 마운트에 장착합니다.
- 4 URSA Mini PL 또는 URSA Mini Pro 터릿 전면에 LENS라고 적힌 커넥터가 있습니다. 여기에 렌즈 케이블을 연결하면 렌즈에 전원을 공급하고 제어할 수 있습니다. 대부분의 B4 렌즈에는 12핀 커넥터와 내장 케이블이 있습니다. 이를 통해 URSA Mini에서 렌즈로 전원과 제어 신호를 제공합니다.

지원되는 B4 렌즈의 종류 및 사용 방법에 대한 정보는 본 설명서의 [서보 줌 렌즈 사용하기] 부분을 참고하세요.

## F 마운트 렌즈 장착하기



F 마운트 옵션이 장착된 Blackmagic URSA Mini Pro 4.6K에 F 렌즈 장착 및 제거하기



- 1 렌즈의 표시점과 카메라 마운트의 표시점을 일치시킵니다. 대부분의 렌즈에는 파랑, 빨강, 흰색과 같은 눈에 띄는 표시점이 있습니다.
- 2 렌즈를 마운트에 삽입한 뒤, 카메라에 장착될 때까지 렌즈를 시계 반대 방향으로 돌려 끼웁니다.
- 3 렌즈를 분리하려면 잠금 버튼을 누른 채 렌즈를 시계 방향으로 돌려 렌즈의 표시점이 2시 방향으로 향하게 한 뒤, 조심스럽게 렌즈를 분리합니다.

**참고** Blackmagic URSA Mini Pro F 마운트에는 기계식 조리개 조절 장치가 탑재되어 있습니다. 이 마운트에 포커스 링이 내장된 구형 F 마운트 렌즈를 연결하여 사용하려면 렌즈 조리개를 f/22와 같이 가장 낮은 설정값으로 고정하세요. Blackmagic URSA Mini Pro F 마운트의 수동 조리개 조절 장치로 조리개 값을 조정하는 방법에 관한 자세한 정보는 본 설명서의 [Blackmagic URSA Mini Pro F 마운트] 부분을 참고하세요.

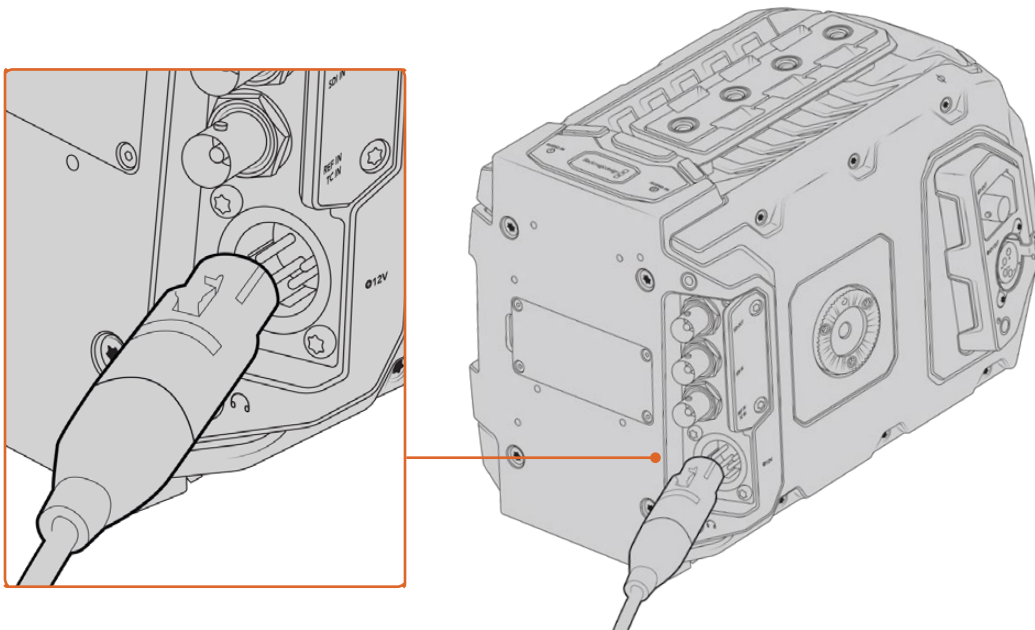
## 전원 연결하기

이제 카메라에 렌즈가 장착되었으므로 전원을 연결하면 됩니다. 카메라에 전원을 연결하는 가장 빠른 방법은 제품에 포함된 AC-12V DC 어댑터를 사용하여 외부 전원에 연결하는 것입니다.

### 외부 전원에 연결하기

- 1 메인 콘센트에 AC -12V DC 어댑터를 연결합니다.
- 2 AC-12V DC 어댑터의 4핀 XLR 커넥터를 카메라의 12V-20V DC 전원 커넥터에 연결합니다.

카메라에 배터리를 장착한 채 외부 전원에 연결할 시에는 외부 전력만 사용됩니다. 완충된 배터리를 장착한 채 외부 전원을 분리하면 차질없이 카메라 배터리 전원으로 전환됩니다.



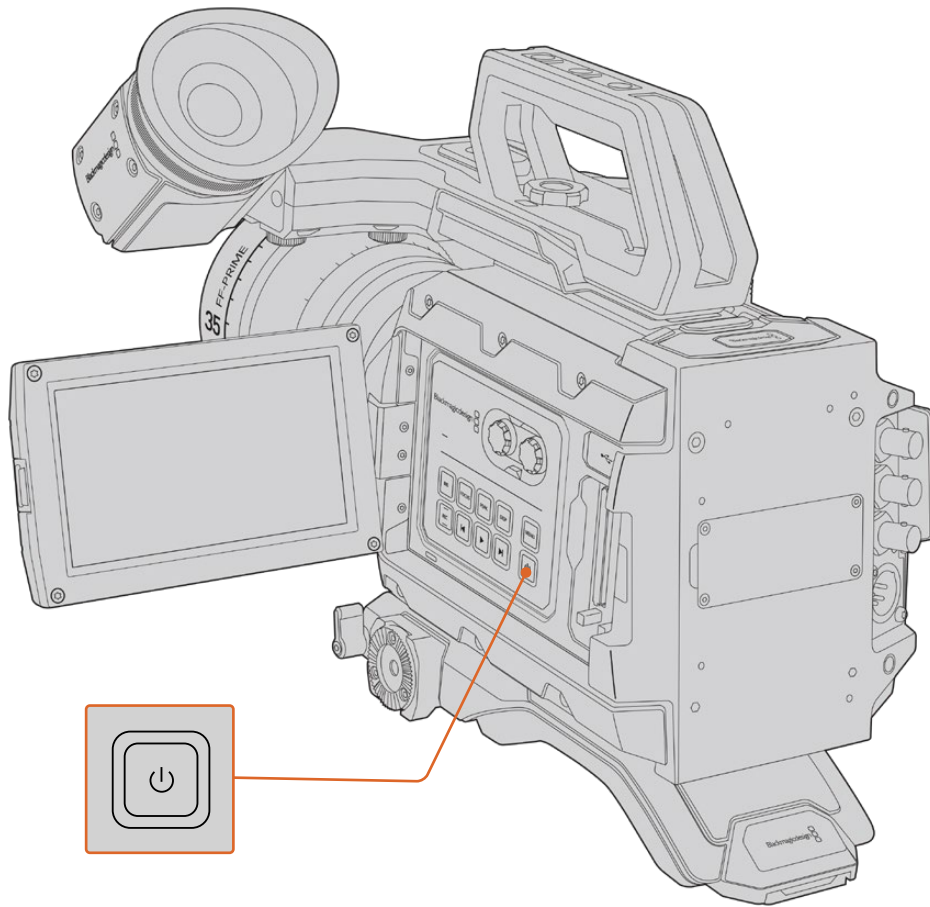
제품에 포함된 AC-12V DC 어댑터를 사용하여 Blackmagic URSA Mini에 전원을 연결하세요.

V 마운트나 골드 마운트 배터리 등 업계 표준 서드 파티 외부 배터리를 URSA Mini에 장착해 사용할 수 있습니다. 다른 종류의 배터리를 지원하는 배터리 플레이트 장착에 관한 더 자세한 정보는 [배터리 장착하기] 부분을 참고하세요.

## URSA Mini 전원 켜기

- 1 전원 버튼을 누르세요. Blackmagic URSA Mini의 경우, 접이식 LCD 안쪽의 컨트롤 패널에 전원 버튼이 있습니다. LCD를 열면 컨트롤 패널이 나타납니다.
- 2 전원 버튼을 길게 누르면 카메라의 전원이 꺼집니다.

이제 CFast 2.0 카드를 삽입하여 녹화를 시작할 수 있습니다!



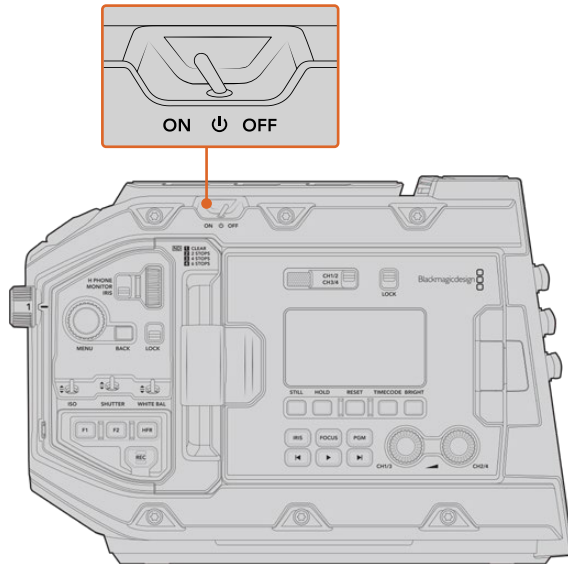
URSA Mini의 전원을 켜려면, 접이식 LCD 터치스크린을 열어 컨트롤 패널에 있는 전원 버튼을 누르세요. 다시 길게 누르면 전원이 꺼집니다.

**정보** 카메라를 켤 때는 전원 버튼을 잠깐 눌렀다가 떼세요. 카메라가 작동되기까지 약 10초 정도 소요되므로 전원 버튼을 다시 누를 필요는 없습니다. 카메라를 끄려면 전원이 꺼질 때까지 버튼을 길게 누르세요.



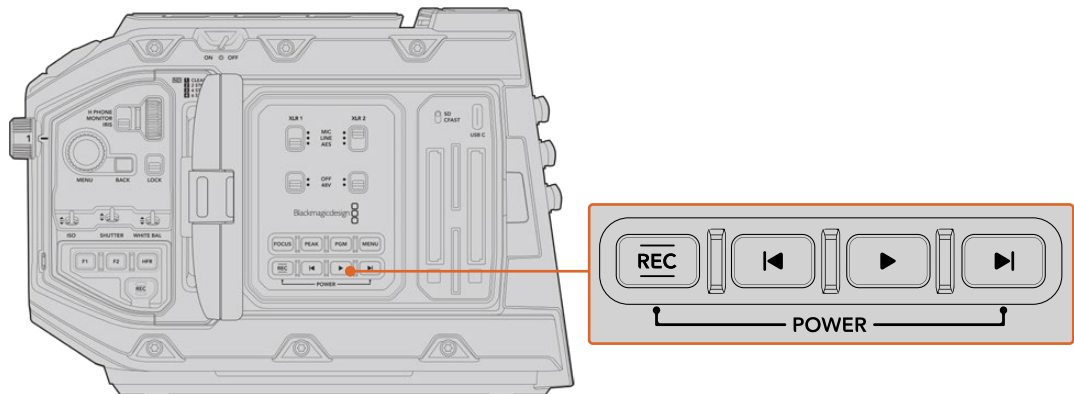
## URSA Mini Pro 전원 켜기

- 1 Blackmagic URSA Mini Pro의 경우, 접이식 LCD 위쪽에도 전원 스위치가 탑재되어 있습니다. 스위치를 ON으로 설정하면 카메라에 전원이 공급됩니다.
- 2 카메라 전원을 끄려면 스위치를 OFF로 설정하세요.



스위치를 ON으로 설정하면 카메라에 전원이 공급됩니다.

URSA Mini Pro는 리던던시 전원 공급 또한 지원하기 때문에 안쪽 제어 패널의 REC 버튼과 건너뛰기 버튼을 동시에 잠깐 눌러 전원을 켜고 끌 수 있습니다. 보통 이런 방법으로 카메라 전원을 켜지는 않겠지만, 커스텀 리그를 장착해 전원 스위치가 가려진 경우에 사용할 수 있도록 설계되었습니다.



필요에 따라 LCD 안쪽 제어 패널의 REC 버튼과 건너뛰기 버튼을 동시에 길게 눌러 전원을 켜고 끌 수 있습니다.

**정보** URSA Mini Pro의 전원 스위치가 ON으로 설정된 경우에도 카메라가 켜지지 않는다면 이는 블루투스 컨트롤을 통해, 또는 제어 패널에 있는 REC 버튼과 건너뛰기 버튼을 길게 눌러 전원이 꺼진 상태일 수 있습니다. 간단히 전원 스위치를 OFF에서 ON으로 옮기거나 제어 패널의 관련 버튼을 길게 눌러 카메라 전원을 켤 수 있습니다.

## 저장 미디어

Blackmagic URSA Mini 카메라는 수많은 스토리지 옵션을 제공합니다. 모든 URSA Mini 카메라는 CFast 2.0 카드를 사용해 비디오를 녹화합니다. URSA Mini Pro의 경우, UHS-II 및 UHS-I SD 카드를 사용해 비디오를 녹화할 수도 있습니다.

고속 플래시 디스크 녹화 또는 URSA Mini Recorder를 사용한 SSD 녹화를 위해 URSA Mini Pro G2는 USB-C 3.1 1세대 포트를, URSA Mini Pro 12K는 USB-C 3.1 2세대 포트를 탑재했습니다.

**참고** URSA Mini Recorder는 URSA Mini Pro 12K와 함께 사용할 수 있도록 설계되었으며, URSA Mini Pro 4.6K G2와도 호환됩니다. 하지만 URSA Mini Pro 4.6K 및 URSA Mini 4.6K, URSA Mini 4K와는 함께 사용할 수 없습니다. URSA Mini Recorder를 카메라에 연결하는 방법에 대한 자세한 정보는 [Blackmagic URSA Mini Recorder] 부분을 참고하세요.

### 미디어 속도 관련 유의 사항

녹화 미디어 제조 업체에서 발표한 읽기/쓰기 속도는 보통 스틸 이미지와 같이 파일 크기가 작은 경우에 측정된 최고 속도를 기반으로 하기 때문에, 연속적인 고속 비디오 스트리밍 작업에서의 쓰기 속도와 다를 수 있습니다.

Blackmagic에서는 URSA Mini에 사용 가능한 아래의 카드 품질을 철저히 테스트했습니다. 선택한 프레임 레이트에 맞는 안정적인 녹화를 위해 Blackmagic Design에서 권장하는 카드만 사용하시기 바랍니다.

## CFast 카드

CFast 2.0 카드는 매우 높은 데이터 전송률을 지원해 HD와 4K 비디오를 높은 프레임 레이트로 녹화할 수 있습니다. 각각의 녹화 포맷에 따른 최대 프레임 속도에 관한 더 자세한 정보는 [녹화] 부분에 있는 녹화 가능 시간 테이블을 참고하세요.

**참고** 대부분의 CFast 2.0 카드는 속도가 빠르지만, 일부 카드의 경우 쓰기 속도가 읽기 속도에 비해 느리기도 하며, 최대 데이터 전송 속도는 모델에 따라 달라질 수 있습니다. 선택한 프레임 속도로 안정적인 녹화를 진행하려면 아래 제시된 권장 카드만 사용하세요.

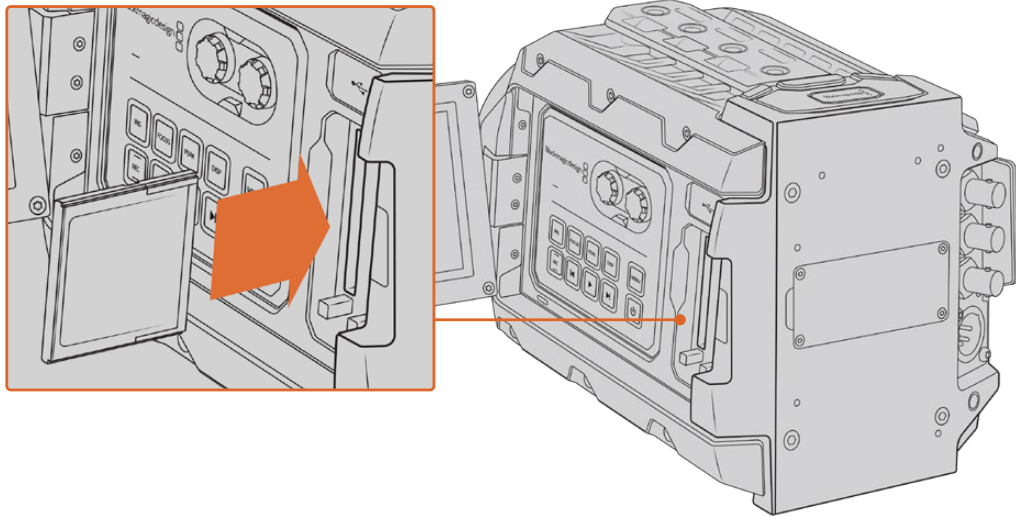
### CFast 카드 삽입하기

URSA Mini Pro를 사용하는 경우에는 CFast 또는 SD 카드에 녹화할 수도 있습니다. CFast 카드에 녹화하려면 카메라를 그에 맞게 설정해야 합니다. 이렇게 설정하려면 미디어 슬롯 위에 있는 저장 미디어 스위치를 CFAST로 선택합니다.

### CFast 카드를 삽입하는 방법은 아래와 같습니다.

- 1 접이식 모니터를 열면 CFast 슬롯이 나타납니다.
- 2 CFast 카드가 CFast 카드 슬롯에 제대로 장착될 때까지 집어넣습니다. 이 카드는 손쉽게 장착되므로 무리하게 밀어 넣을 필요가 없습니다. CFast 슬롯 밑에 있는 버튼을 눌러 카드를 꺼낼 수 있습니다.

LCD 터치 스크린 하단에 나타나는 정보를 통해 사용 중인 CFast 카드의 이름과 잔여 녹화 시간을 확인할 수 있습니다.



URSA Mini에는 두 개의 CFast 슬롯이 탑재되어 있어 연속 녹화가 가능합니다.

### CFast 2.0 카드 선택하기

데이터율이 높은 영상을 작업할 경우 사용하려는 CFast 카드의 종류를 신중히 결정해야 합니다. 이는 CFast 2.0 카드마다 다른 읽기/쓰기 속도를 지원하기 때문입니다. 아래 표는 사용이 권장되는 CFast 카드 목록입니다.

#### Blackmagic URSA Mini Pro 12K에는 어떤 CFast 카드를 사용해야 하나요?

다음은 최대 60 fps의 12K DCI Blackmagic RAW 18:1, 최대 60fps의 8K DCI Blackmagic RAW 8:1 녹화에 권장되는 CFast 2.0 카드 목록입니다.

제조사	카드 모델명	용량
Angelbird	AV Pro CF	128GB
Angelbird	AV Pro CF	256GB
Angelbird	AV Pro CF	512GB
Angelbird	AV Pro CF	1TB
ExAscend	Essential	512GB
ExAscend	Essential	1TB
FreeTail	Evoke Pro 3700x	128GB
FreeTail	Evoke Pro 3700x	256GB
FreeTail	Evoke Pro 3700x	512GB

제조사	카드 모델명	용량
FreeTail	Evoke Pro 3700x	1TB
KomputerBay	x3400 CFast 2.0	128GB
ProGrade Digital	550MB/s CFast 2.0	256GB
ProGrade Digital	550MB/s CFast 2.0	512GB
SanDisk	Extreme Pro CFast 2.0 SDCFSP-128G-x46D	128GB
Wise	CFast 2.0 3400x	256GB
Wise	CFast 2.0 3500x	512GB
Wise	CFast 2.0 3500x	1TB

### URSA Mini와 URSA Mini Pro 카메라에는 어떤 CFast 카드를 사용해야 하나요?

다음은 최대 60 fps의 4.6K Blackmagic RAW 3:1 녹화에 권장되는 CFast 2.0 카드 목록입니다.

제조사	카드 모델명	용량
Angelbird	AV Pro CF	128GB
Angelbird	AV Pro CF	256GB
Angelbird	AV Pro CF	512GB
Angelbird	AV Pro CF	1TB
CinediskPro	510MB/s CFast 2.0	256GB
FreeTail	Evoke Pro 3700x	128GB
FreeTail	Evoke Pro 3700x	256GB
FreeTail	Evoke Pro 3700x	512GB
FreeTail	Evoke Pro 3700x	1TB
Hagiwara Solutions	CFast 2.0 DC-SMAN64GA	64GB
Hagiwara Solutions	CFast 2.0 DC-SMANA1GA	128GB
KomputerBay	3600x CFast 2.0 Card	64GB
ProGrade Digital	550MB/s CFast 2.0	64GB
ProGrade Digital	550MB/s CFast 2.0	128GB
ProGrade Digital	550MB/s CFast 2.0	256GB
ProGrade Digital	550MB/s CFast 2.0	512GB
SanDisk	Extreme Pro CFast 2.0 SDCFSP-128G-x46D	128GB
SanDisk	Extreme Pro CFast 2.0 SDCFSP-256G-x46D	256GB
SanDisk	Extreme Pro CFast 2.0 SDCFSP-512G-x46D	512GB
Sony	CFast 2.0 G Series CAT-G64	64GB
Sony	CFast 2.0 G Series CAT-G128	128GB

제조사	카드 모델명	용량
Transcend	CFX650 CFast 2.0 TS128GCFX650	128GB
Transcend	CFX650 CFast 2.0 TS256GCFX650	256GB
Transcend	CFX650 CFast 2.0 TS128GCFX650BM	128GB
Transcend	CFX650 CFast 2.0 TS256GCFX650BM	256GB
Wise	CFast 2.0 3400x	256GB
Wise	CFast 2.0 3500x	512GB

다음은 최대 60 fps의 2160p ProRes 422 HQ 녹화에 권장되는 CFast 2.0 카드 목록입니다.

제조사	카드 모델명	용량
Angelbird	AV Pro CF	128GB
Angelbird	AV Pro CF	256GB
Angelbird	AV Pro CF	512GB
Angelbird	AV Pro CF	1TB
Angelbird	AV Pro CF XT	256GB
Angelbird	AV Pro CF XT	512GB
CinediskPro	510MB/s CFast 2.0	256GB
Hagiwara Solutions	DC-SMAN64GA	64GB
Hagiwara Solutions	DC-SMANA1GA	128GB
KomputerBay	3600x CFast 2.0 Card	64GB
KomputerBay	3700x CFast 2.0 Card	256GB
ProGrade Digital	550MB/s CFast 2.0	128GB
ProGrade Digital	550MB/s CFast 2.0	256GB
ProGrade Digital	550MB/s CFast 2.0	512GB
SanDisk	Extreme Pro CFast 2.0 SDCFSP-128G-x46D	128GB
SanDisk	Extreme Pro CFast 2.0 SDCFSP-256G-x46D	256GB
SanDisk	Extreme Pro CFast 2.0 SDCFSP-512G-x46D	512GB
Silicon Power	CFX310	256GB
Sony	CFast 2.0 G Series CAT-G64	64GB
Sony	CFast 2.0 G Series CAT-G128	128GB
Transcend	CFX650 CFast 2.0 TS128GCFX650	128GB
Transcend	CFX650 CFast 2.0 TS256GCFX650	256GB

제조사	카드 모델명	용량
Transcend	CFX650 CFast 2.0 TS128GCFX650BM	128GB
Transcend	CFX650 CFast 2.0 TS256GCFX650BM	256GB
Wise	CFast 2.0 3400x	128GB
Wise	CFast 2.0 3400x	256GB
Wise	CFast 2.0 3500x	512GB

Blackmagic URSA Mini에서 지원되는 CFast 카드 관련 최신 정보는 Blackmagic Design 고객 지원 센터([www.blackmagicdesign.com/kr/support](http://www.blackmagicdesign.com/kr/support))에서 확인하실 수 있습니다.

**참고** Sandisk CFast 2.0 카드 중에서는 D-series만이 Blackmagic URSA Mini에 사용하기 적합합니다. 카드 뒷면 좌측 하단에 D라고 표시되어 있어 해당 카드를 쉽게 구별할 수 있으며, 모델 번호 또한 목록에 기재되어 있어 쉽게 확인할 수 있습니다. 모델 번호는 지역별로 약간 다를 수 있습니다. 모델 번호에 포함된 알파벳 'x'는 판매 지역에 따라 달라집니다. 예를 들어, 미국에서는 'A'로, 아시아 태평양 및 유럽 지역에서는 'G'로 표기됩니다.

## SD 카드

Blackmagic URSA Mini Pro에서는 CFast 2.0 카드 이외에도 고속 UHS-I 및 UHS-II 타입의 SD 카드를 사용할 수 있습니다. 첨단 SDXC UHS-II 카드를 사용할 경우, UHD 콘텐츠를 2160p의 ProRes HQ 영상으로 녹화할 수 있습니다!

HD 압축 비디오 포맷으로 촬영할 경우에는 더 쉽게 구할 수 있는 SD 카드를 저장 미디어로 사용할 수 있습니다. SDXC와 SDHC는 일반 소비자용 스틸 및 비디오 카메라에서 자주 사용하는 미디어 저장 포맷입니다.

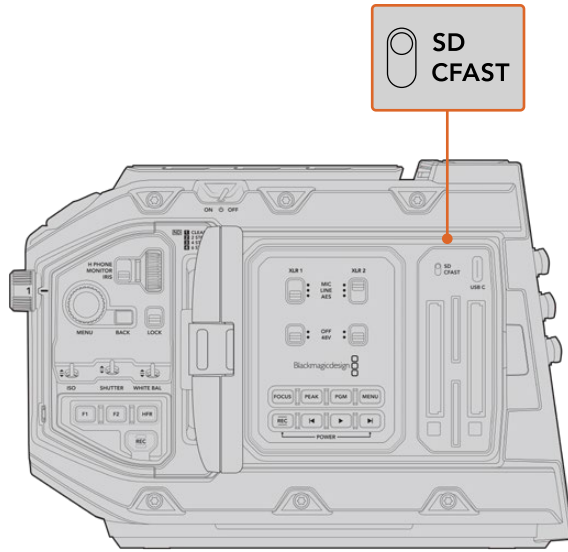
DSLR로 비디오를 촬영해본 경험이 있거나 Blackmagic Micro Cinema Camera, Pocket Cinema Camera 4K, Blackmagic Video Assist를 사용하고 있는 경우엔 기존에 보유한 SD 카드를 그대로 사용할 수 있습니다.

최고 해상도의 Blackmagic RAW 파일이 필요 없는 프로젝트를 진행하는 경우나 장시간 녹화가 필요한 경우에 SD 카드를 사용하면 아주 경제적으로 촬영할 수 있습니다. SD 카드의 용량이 작거나 속도가 느린 경우, LUT과 프리셋을 저장 및 로딩하는 데 사용할 수 있습니다.

## SD 카드 삽입하기

**SD 카드를 삽입하는 방법은 아래와 같습니다.**

- 1 접이식 모니터를 열면 SD 카드 슬롯이 나타납니다. 이 작은 슬롯은 CFast 슬롯 사이에 있습니다.
- 2 슬롯 위에 있는 저장 미디어 스위치를 SD로 변경하세요.
- 3 SD 카드의 라벨 부분이 터치스크린 반대 방향으로 향하게 한 뒤, 카드가 제대로 장착될 때까지 집어넣습니다. SD 카드를 꺼내려면 다시 한번 누르세요.
- 4 LCD 터치 스크린 하단의 저장 정보 표시 장치를 통해 사용 중인 카드 이름과 잔여 녹화 시간을 확인할 수 있습니다.



URSA Mini Pro 4.6K에서 SD에 녹화하는 경우, 저장 미디어 선택 스위치가 SD로 되어 있는지 확인하세요.

## 빠른 SD 카드 선택하기

Blackmagic URSA Mini Pro에서 UHD로 녹화하는 경우에는 초고속 UHS-II 타입의 SD 카드를 사용할 것을 권장합니다. UHD 및 HD 녹화 시에는 고속 UHS-II SD 카드를, HD 녹화 시에는 UHS-I 카드를 사용하는 것이 중요합니다. 위에 명시된 카드는 빠른 데이터 속도와 대용량 저장 공간을 지원합니다. 일반적으로 카드 속도는 빠를수록 좋습니다. 더 자세한 정보는 앞서 소개된 권장 SD 카드 목록을 확인하세요.

카드는 사용 전에 반드시 HFS+나 exFAT로 포맷해야 합니다. 카메라의 저장 관리 화면, 혹은 컴퓨터에서 저장 미디어를 포맷할 수 있습니다. 자세한 정보는 본 설명서의 [녹화용 미디어 준비하기] 부분을 참고하세요.

원할 경우, Mac 또는 Windows 컴퓨터에서 카드를 포맷할 수 있습니다. 미디어를 Mac에서 사용할 경우, Mac 디스크 포맷인 HFS+를 사용할 수 있습니다. Windows 운영체제를 사용할 경우에는 Windows 디스크 포맷인 exFAT 포맷만을 사용해야 합니다. Mac 컴퓨터에서는 exFAT 포맷도 사용 가능합니다.

아래 표는 Blackmagic URSA Mini Pro 촬영에 사용이 권장되는 SD 카드 목록입니다. 주기적으로 최신 버전의 사용 설명서를 다운로드해 최신 정보를 확인하는 것이 좋습니다. 최신 버전의 사용 설명서는 Blackmagic Design 웹사이트 [www.blackmagicdesign.com/kr/support](http://www.blackmagicdesign.com/kr/support)에서 다운로드할 수 있습니다.

**참고** URSA Mini에서 높은 프레임 레이트 혹은 UHD 영상을 녹화할 경우, 일반적으로 SD UHS-I 미디어보다 속도가 빠르고 용량이 큰 CFast 2.0 또는 SD UHS-II 카드를 사용할 것을 권장합니다.

URSA Mini Pro 12K 녹화에 권장되는 최신 SD 카드 관련 정보는 Blackmagic Design 고객 지원 센터 ([www.blackmagicdesign.com/kr/support](http://www.blackmagicdesign.com/kr/support))에서 확인할 수 있습니다.



### Blackmagic URSA Mini Pro 12K에는 어떤 SD 카드를 사용해야 하나요?

다음은 최대 24 fps의 12K DCI Blackmagic RAW 12:1 녹화에 권장되는 SD 카드 목록입니다.

제조사	카드 모델명	용량
ProGrade Digital	V90 UHS-II 300MB/s SDXC	64GB
ProGrade Digital	V90 UHS-II 300MB/s SDXC	128GB
ProGrade Digital	V90 UHS-II 300MB/s SDXC	256GB
Sony	Tough SF-G64 300MB/s UHS-II SDXC	64GB
Sony	Tough SF-G128 300MB/s UHS-II SDXC	128GB

다음은 최대 60 fps의 8K DCI Blackmagic RAW 18:1 녹화에 권장되는 SD 카드 목록입니다.

제조사	카드 모델명	용량
Angelbird	AV Pro MK2 V90 SDXC	256GB
ProGrade Digital	V90 UHS-II 300MB/s SDXC	64GB
ProGrade Digital	V90 UHS-II 300MB/s SDXC	128GB
ProGrade Digital	V90 UHS-II 300MB/s SDXC	256GB
Sony	Tough SF-G64 300MB/s UHS-II SDXC	64GB
Sony	Tough SF-G128 300MB/s UHS-II SDXC	128GB
Wise	285MB/s UHS-II SDXC	64GB
Wise	285MB/s UHS-II SDXC	128GB

### URSA Mini Pro에는 어떤 SD 카드를 사용해야 하나요?

다음은 최대 30 fps의 4K DCI Blackmagic RAW 12:1 녹화에 권장되는 CFast 2.0 카드 목록입니다.

제조사	카드 모델명	용량
Angelbird	AV Pro 300MB/s UHS-II SDXC	64GB
Angelbird	AV Pro 300MB/s UHS-II SDXC	128GB
Lexar	Professional 2000x UHS-II 300MB/s SDXC	64GB
Lexar	Professional 1000x UHS-II 150MB/s SDXC	64GB
SanDisk	Extreme Pro UHS-I 95MB/s SDXC	64GB
SanDisk	Extreme Pro UHS-I 95MB/s SDXC	128GB
SanDisk	Extreme Pro UHS-I 95MB/s SDXC	256GB
SanDisk	Extreme Pro UHS-I 95MB/s SDXC	512GB
SanDisk	Extreme Pro UHS-II 280MB/s SDXC	64GB
SanDisk	Extreme Pro UHS-II 300MB/s SDHC	32GB
SanDisk	Extreme Pro UHS-II 300MB/s SDXC	128GB

제조사	카드 모델명	용량
Sony	SF-G64 300MB/s UHS-II SDXC	64GB
Sony	SF-G128 300MB/s UHS-II SDXC	128GB
Toshiba	Exceria Pro UHS-II 270MB/s SDXC	64GB
Toshiba	Exceria Pro UHS-II 270MB/s SDXC	128GB
Toshiba	Exceria Pro UHS-II N502 SDHC	32GB
Toshiba	Exceria Pro UHS-II N502 SDXC	64GB
Toshiba	Exceria Pro UHS-II N502 SDXC	128GB
Toshiba	Exceria Pro UHS-II N502 SDXC	256GB
Transcend	Ultimate UHS-II 180MB/s SDXC	64GB
Wise	285MB/s UHS-II SDXC	64GB
Wise	285MB/s UHS-II SDXC	128GB

다음은 최대 30 fps의 2160p ProRes 422 HQ 영상에 권장되는 SD 카드 목록입니다.

제조사	카드 모델명	용량
Angelbird	AV Pro 300MB/s UHS-II SDXC	64GB
Angelbird	AV Pro 300MB/s UHS-II SDXC	128GB
Delkin Devices	UHS-II 250MB/s SDHC	32GB
ProGrade Digital	V90 UHS-II 250MB/s SDXC	128GB
SanDisk	Extreme Pro UHS-II 280MB/s SDHC	32GB
SanDisk	Extreme Pro UHS-II 280MB/s SDXC	64GB
SanDisk	Extreme Pro UHS-II 300MB/s SDHC	32GB
SanDisk	Extreme Pro UHS-II 300MB/s SDXC	128GB
Sony	SF-G64 300MB/s UHS-II SDXC	64GB
Sony	SF-G128 300MB/s UHS-II SDXC	128GB
Toshiba	Exceria Pro UHS-II 270MB/s SDXC	64GB
Toshiba	Exceria Pro UHS-II N502 SDHC	32GB
Toshiba	Exceria Pro UHS-II N502 SDXC	64GB
Toshiba	Exceria Pro UHS-II N502 SDXC	128GB
Toshiba	Exceria Pro UHS-II N502 SDXC	256GB
Transcend	Ultimate UHS-II 180MB/s SDXC	64GB
Wise	285MB/s UHS-II SDXC	64GB
Wise	285MB/s UHS-II SDXC	128GB

다음은 최대 60 fps의 1080p ProRes 422 HQ 영상에 권장되는 SD 카드 목록입니다.

제조사	카드 모델명	용량
Angelbird	AV Pro 300MB/s UHS-II SDXC	64GB
Angelbird	AV Pro 300MB/s UHS-II SDXC	128GB
Delkin Devices	UHS-II 250MB/s SDHC	32GB
Lexar	Professional 2000x UHS-II 300MB/s SDHC	32GB
Lexar	Professional 2000x UHS-II 300MB/s SDXC	64GB
Lexar	Professional 1000x UHS-II 150MB/s SDXC	64GB
ProGrade Digital	V90 UHS-II 250MB/s SDXC	128GB
ProGrade Digital	V60 UHS-II 200MB/s SDXC	64GB
ProGrade Digital	V60 UHS-II 200MB/s SDXC	128GB
SanDisk	Extreme Pro UHS-I 95MB/s SDXC	64GB
SanDisk	Extreme Pro UHS-I 95MB/s SDXC	128GB
SanDisk	Extreme Pro UHS-I 95MB/s SDXC	256GB
SanDisk	Extreme Pro UHS-I 95MB/s SDXC	512GB
SanDisk	Extreme Pro UHS-II 280MB/s SDHC	32GB
SanDisk	Extreme Pro UHS-II 280MB/s SDXC	64GB
SanDisk	Extreme Pro UHS-II 300MB/s SDXC	64GB
SanDisk	Extreme Pro UHS-II 300MB/s SDXC	128GB
Sony	SF-G64 300MB/s UHS-II SDXC	64GB
Sony	SF-G128 300MB/s UHS-II SDXC	128GB
Toshiba	Exceria Pro UHS-II 270MB/s SDXC	64GB
Toshiba	Exceria Pro UHS-II 270MB/s SDXC	128GB
Toshiba	Exceria Pro UHS-II 270MB/s SDXC	256GB
Toshiba	Exceria Pro UHS-II N502 SDHC	32GB
Toshiba	Exceria Pro UHS-II N502 SDXC	64GB
Toshiba	Exceria Pro UHS-II N502 SDXC	128GB
Toshiba	Exceria Pro UHS-II N502 SDXC	256GB
Transcend	Ultimate UHS-II 180MB/s SDXC	64GB
Wise	285MB/s UHS-II SDXC	64GB
Wise	285MB/s UHS-II SDXC	128GB

URSA Mini Pro를 위한 SD 지원 카드와 관련한 최신 정보는 Blackmagic Design 고객 지원 센터 ([www.blackmagicdesign.com/kr/support](http://www.blackmagicdesign.com/kr/support))에서 확인하실 수 있습니다.

## SD 카드 잠금 및 잠금 해제

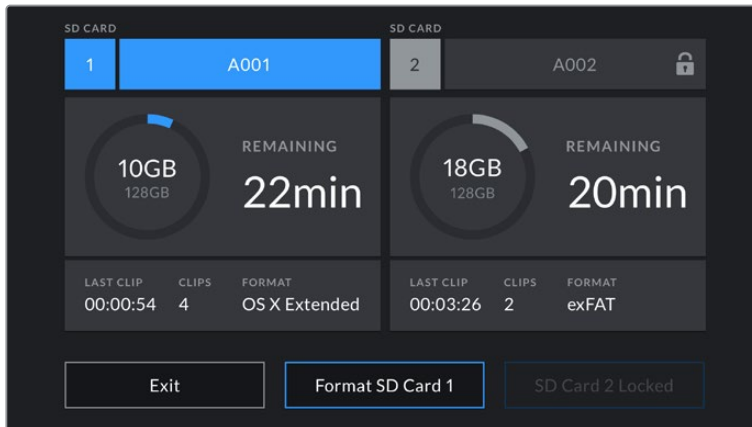
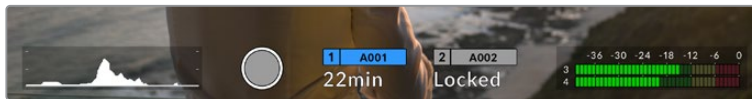
SD 카드는 쓰기 방지 또는 잠금 기능을 지원하므로 기존 데이터를 덮어쓰는 일을 방지할 수 있습니다.

SD 카드를 삽입할 시 쓰기 방지가 해제되어 있는지 반드시 확인하세요. 쓰기 방지 기능은 카드 왼쪽 측면에 있는 플라스틱 스위치를 커넥터와 가장 가까운 쪽으로 옮겨 해제할 수 있습니다. 녹화가 끝나면 스위치를 다시 아래쪽으로 옮겨 쓰기 방지 기능을 사용할 수 있습니다.



잠금 탭을 위/아래로 움직여 SD 카드를 잠금 또는 잠금 해제하세요.

URSA Mini Pro 사용 시 잠금 기능이 설정된 SD 카드를 삽입하면, LCD 터치스크린과 저장 미디어 메뉴에 각각 'Locked'라는 메시지와 자물쇠 아이콘이 표시됩니다. 카드에 잠금 기능을 설정할 경우, 잠금 기능을 해제하기 전까지는 영상 녹화, 스틸 캡처, LUT/프리셋 보내기를 수행할 수 없습니다.



URSA Mini Pro에 잠금 기능이 설정된 SD 카드를 삽입하면 해당 정보가 표시됩니다.

## USB-C 플래시 디스크

Blackmagic URSA Mini Pro 4.6K G2에는 고속 USB-C 확장 포트가 탑재되어 있어 USB-C 플래시 디스크에 영상을 바로 녹화할 수 있습니다. URSA Mini Pro 12K에는 두 개의 USB-C 포트가 탑재되어 있습니다. 측면의 CFast 카드 슬롯 주변에 있는 USB C 3.1세대 포트는 소프트웨어 업데이트용입니다. 뒷면의 SDI 커넥터 주변에 있는 USB-C 3.1 2세대 포트는 고속 SSD 녹화에 사용합니다. 빠른 고용량 드라이브를 사용하면 장시간의 행사 촬영에 꼭 필요한 장시간 녹화를 진행할 수 있습니다.

카메라에 연결된 USB-C 플래시 디스크는 카메라 운영 시스템의 두 번째 미디어 슬롯 자리를 차지합니다. 저장 메뉴에서 카드 또는 드라이브 이름을 누르면 해당 드라이브가 활성화됩니다. 다시 말해, USB-C 플래시 디스크의 녹화/재생/저장 관리 정보는 CFast/SD 카드/SSD와 동일한 방식으로 표시됩니다.

녹화가 끝나면 사용한 드라이브를 바로 컴퓨터에 연결하여 미디어 복사 과정 없이 편집 작업 및 후반 제작 작업을 바로 수행할 수 있습니다.

**다음과 같은 방법으로 USB-C 플래시 디스크를 연결합니다.**

- 1 USB(C타입) 케이블 한쪽을 USB-C 플래시 디스크에 연결하세요.
- 2 URSA Mini Pro 12K 뒷면 패널의 SDI 포트 아래쪽에 있는 USB-C 포트에 USB-C 케이블을 연결하세요. URSA Mini Pro 4.6K G2의 경우, 카메라 왼쪽 면에 있는 접이식 터치스크린을 열고, 케이블의 다른 한쪽을 CFast 슬롯 위에 있는 USB-C 포트에 연결하세요.

**Blackmagic URSA Mini Pro 12K에는 어떤 USB-C 플래시 디스크를 사용해야 하나요?**

다음은 최대 30 fps의 12K DCI Blackmagic RAW 18:1 녹화에 권장되는 USB-C 플래시 디스크 목록입니다.

제조사	USB-C Flash Disk Name	용량
Angelbird	SSD2GO PKT MK2	512GB
Angelbird	SSD2GO PKT MK2	2TB
Glyph	Atom Raid SSD	4TB
Sony	Tough SL-CG5	500GB
Sony	Tough SL-C1	1TB
Sony	Tough SL-C2	2TB
Delkin Devices	Juggler	2TB
Wise	PTS-512 Portable SSD	512GB
Wise	PTS-1024 Portable SSD	1TB
Wise	PTS-2048 Portable SSD	2TB

**Blackmagic URSA Mini Pro 4.6K G2에는 어떤 USB-C 플래시 디스크를 사용해야 하나요?**

다음은 최대 60 fps의 4.6K Blackmagic RAW 3:1 녹화에 권장되는 USB-C 플래시 디스크 목록입니다.

제조사	USB-C Flash Disk Name	용량
Samsung	Portable SSD T5	500GB
Samsung	Portable SSD T5	1TB
Wise	Portable SSD	256GB
Wise	Portable SSD	512GB
Wise	Portable SSD	1TB

최신 권장 USB-C 플래시 디스크 목록은 [www.blackmagicdesign.com/kr/support](http://www.blackmagicdesign.com/kr/support)에서 확인할 수 있습니다.

## USB-C 플래시 디스크 속도 관련 유의 사항

일부 USB-C 플래시 디스크 제품은 제조사에서 주장하는 속도로 영상 데이터를 저장할 수 없습니다. 이는 쓰기 속도를 더욱 높게 보이게 하기 위해 디스크가 숨겨진 데이터 압축을 사용하기 때문입니다. 이런 데이터 압축 기능은 빈 데이터나 간단한 파일의 데이터를 저장할 경우에만 제조사에서 주장하는 속도로 정보를 저장할 수 있습니다. 영상 데이터는 영상 노이즈와 무작위 픽셀 데이터가 포함되어 있어 압축 효과가 없으므로 디스크의 실제 속도가 그대로 드러납니다.

일부 USB-C 플래시 디스크는 제조사에서 주장하는 속도보다 50% 낮은 쓰기 속도를 지원하는 경우도 있습니다. 그러므로 USB-C 플래시 디스크 사양에는 영상을 다룰 수 있는 충분한 속도를 지원한다고 나와 있더라도, 실제로는 실시간 영상 캡처 시에는 충분한 속도를 지원하지 못할 수도 있습니다.

Blackmagic Disk Speed Test를 통해 USB-C 플래시 디스크의 속도를 정확하게 측정하여 비디오 캡처/재생을 높은 속도로 수행할 수 있는지를 확인하세요. Blackmagic Disk Speed Test에서는 데이터를 사용해 영상을 모의로 저장하기 때문에 실제로 비디오를 디스크에 저장할 때와 비슷한 결과를 확인할 수 있습니다. Blackmagic에서 테스트를 진행한 결과, 일반적으로 용량이 크고 새로운 USB-C 플래시 디스크일수록 속도가 빠른 것으로 나타났습니다.

Blackmagic Disk Speed Test는 Mac 앱스토어에서 이용하실 수 있습니다. Blackmagic Desktop Video에는 Windows/Mac 버전 또한 포함되어 있으며, 이는 Blackmagic Design 고객 지원 센터([www.blackmagicdesign.com/kr/support](http://www.blackmagicdesign.com/kr/support))의 '캡처 및 재생' 제품군 페이지에서 다운로드할 수 있습니다.

## SSD

URSA Mini Recorder 옵션을 사용할 경우, 비디오를 SSD에 직접 녹화할 수 있습니다. 이런 빠른 속도의 대용량 드라이브는 다양한 가전제품 매장에서 쉽게 구입하실 수 있습니다.

URSA Mini Recorder는 USB-C 포트를 탑재해 표준형 고속 2.5" SATA SSD뿐 아니라 7mm U.2 SSD도 사용할 수 있으며, M.2 대 U.2 어댑터를 사용하면 M.2 SSD까지 사용할 수 있습니다. 적정 속도를 얻으려면 USB 3.1 2세대 규격 케이블을 사용하세요. 제품과 함께 제공된 USB-C 케이블의 양쪽 끝에는 잠금 커넥터가 달려 있어 사용 중 연결이 분리될 염려가 없습니다.

**참고** Blackmagic URSA Mini Recorder 설치 방법에 관한 정보는 본 설명서의 [Blackmagic URSA Mini Recorder] 부분을 참고하세요.

## SSD 삽입하기

SSD를 삽입하는 방법은 아래와 같습니다.

- 1 SSD의 연결핀이 카메라 전면을 향하도록 잡으세요.
- 2 스프링이 장착된 URSA Mini Recorder 커버를 열고 SSD를 슬롯에 천천히 집어넣으세요.

**정보** URSA Mini Recorder에는 압력판에 탑재되어 있어 별도의 스페이서 없이도 각기 다른 크기의 SSD를 사용할 수 있습니다.

- 3 SSD가 슬롯에 완전히 장착될 때까지 집어넣은 다음 URSA Mini Recorder의 커버를 닫으세요.

### SSD를 제거하는 방법은 아래와 같습니다.

URSA Mini Recorder 커버를 열고 엄지 및 검지 손가락으로 드라이브를 부드럽게 잡으세요. 베이 상단에 작은 홈이 패여 있어 드라이브를 쉽게 잡을 수 있습니다. 간단히 드라이브를 꺼낸 뒤, 커버를 닫으세요.

**참고** Blackmagic URSA Mini Recorder는 URSA Mini 운영 체제에서 두 번째 스토리지 슬롯에 할당됩니다. 다시 말해, URSA Mini Recorder를 연결해 호환 SSD를 삽입할 경우, 카메라의 두 번째 CFast 2.0 및 SD 카드 슬롯은 사용할 수 없게 됩니다.

이 슬롯을 다시 사용하려면, URSA Mini Pro 12K에 연결된 Mini Recorder USB-C 케이블을 분리하세요. 이때 Mini Recorder 본체까지 카메라에서 분리할 필요는 없습니다. 더 자세한 정보는 본 설명서의 [Blackmagic URSA Mini Recorder] 부분을 참고하세요.

### URSA Mini Recorder용 고속 SSD 선택하기

SSD는 다양한 장비에 사용할 수 있는 빠르고 경제적인 가격의 스토리지 제공을 목적으로 개발되었지만, 영화 제작에 적합한 SSD 제품은 한정적이라는 사실을 기억하세요. 따라서 12K Blackmagic RAW 또는 UHD 영상을 녹화할 수 있는 충분한 대역폭을 확보하는 데 있어 가장 중요한 작업은 올바른 드라이브를 고르는 것입니다. 대부분의 SSD는 가정용 컴퓨터를 위해 개발되었기 때문에, UHD 비디오를 녹화할 정도로 속도가 빠르지 않습니다.

특정 해상도로 연속 촬영해야 할 경우, 권장 SSD 목록을 참고하여 Blackmagic Mini Pro 12K 사용에 적합한 것으로 검증된 SSD만을 사용할 것을 적극 권장합니다. 최신 권장 SSD 목록은 [www.blackmagicdesign.com/kr/support](http://www.blackmagicdesign.com/kr/support)에서 확인할 수 있습니다.

#### Blackmagic URSA Mini Recorder U.2 드라이브

다음은 최대 50 fps의 12K DCI Blackmagic RAW 8:1 녹화에 권장되는 U.2 2.5" SSD 목록입니다.

제조사	모델	용량
Samsung	983 DCT U.2 MZ-QLB960NE	960GB
Samsung	983 DCT U.2 MZ-QLB1T9NE	1.92TB

#### Blackmagic URSA Mini Recorder M.2 드라이브

다음은 최대 30 fps의 12K DCI Blackmagic RAW 8:1 녹화에 권장되는 M.2 SSD(M.2 대 U.2 어댑터 사용 시) 목록입니다.

제조사	모델	용량
SanDisk	Extreme Pro M.2 NVMe 3D SSD	500GB
Western Digital	WD Black NVMe SSD WDS500G2X0C	500GB
Western Digital	WD Black SN750 NVMe SSD WDS100T3X0C	1TB



## SSD 속도 관련 유의 사항

일부 SSD 제품은 제조사에서 주장하는 속도로 영상 데이터를 저장할 수 없습니다. 이는 쓰기 속도를 더욱 높게 보이게 하기 위해 디스크가 숨겨진 데이터 압축을 사용하기 때문입니다. 이런 데이터 압축 기능은 빈 데이터나 간단한 파일의 데이터를 저장할 경우에만 제조사에서 주장하는 속도로 정보를 저장할 수 있습니다. 영상 데이터는 영상 노이즈와 무작위 픽셀 데이터가 포함되어 있어 압축 효과가 없으므로 디스크의 실제 속도가 그대로 드러납니다.

일부 SSD는 제조사에서 주장하는 속도보다 최대 50%까지 낮은 쓰기 속도를 지원하기도 합니다. 그러므로 SSD 사양에는 영상을 다룰 수 있는 충분한 속도를 지원한다고 나와 있더라도, 실제로는 실시간 영상 캡처에 충분한 속도를 지원하지 못할 수도 있습니다.

Blackmagic Disk Speed Test를 통해 SSD의 속도를 정확하게 측정하여 비디오 캡처/재생을 높은 속도로 수행할 수 있는지를 확인하세요. Blackmagic Disk Speed Test에서는 데이터를 사용해 영상을 모의로 저장하기 때문에 실제로 비디오를 디스크에 저장할 때와 비슷한 결과를 확인할 수 있습니다. Blackmagic에서 테스트를 진행한 결과, 일반적으로 용량이 크고 새로운 SSD 모델일수록 속도가 빠른 것으로 나타났습니다.

## 녹화용 미디어 준비하기

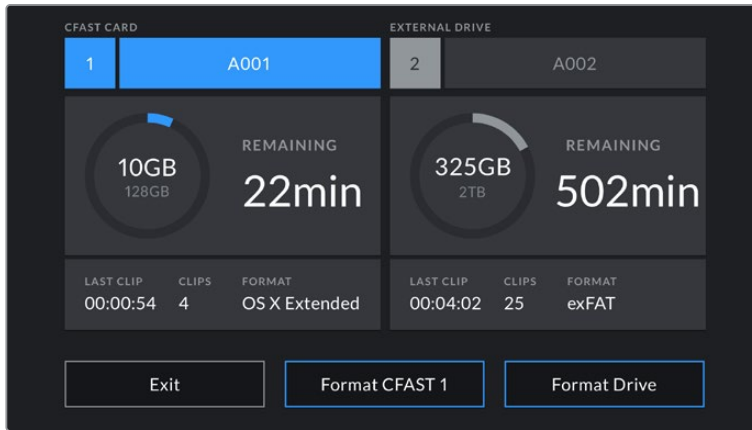
카메라의 저장 미디어 관리 화면, 혹은 Mac/Windows 컴퓨터에서 CFast 카드/SD 카드/SSD를 포맷할 수 있습니다. 최고의 저장 미디어 성능을 위해 URSA Mini에서 직접 포맷할 것을 권장합니다.

OS X 확장 포맷으로도 알려진 HFS+는 저널링이 가능하므로 사용을 권장합니다. 사용하는 저장 미디어에 문제가 생길 경우, 저널링이 적용된 미디어 카드의 데이터는 복원될 가능성이 훨씬 높습니다. HFS+는 Mac에서 기본 지원됩니다. exFAT는 Mac과 Windows에서 기본 지원되므로 추가 소프트웨어가 필요하지 않습니다. 하지만 exFAT는 저널링을 지원하지 않습니다.

**참고** 미디어를 포맷하기 전에 미디어 저장 스위치가 SD 카드 또는 CFast 카드로 올바르게 설정되어 있는지 확인하세요. 포맷 전에는 항상 설정 사항을 꼼꼼히 확인해야 합니다.

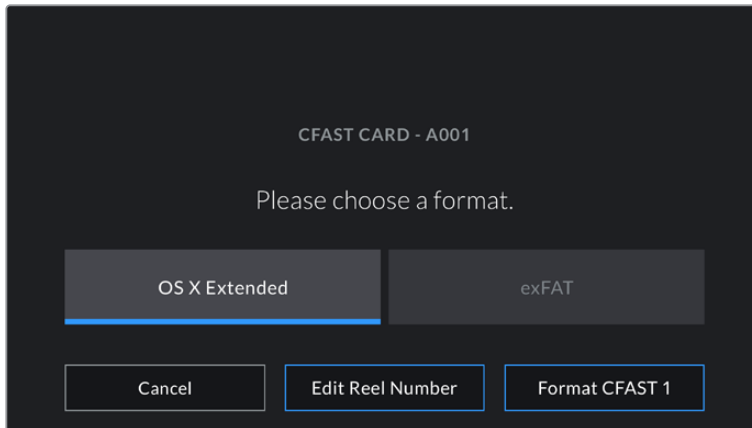
## Blackmagic URSA Mini에서 미디어 준비하기

- 1 LCD 터치스크린 하단의 저장 표시 장치를 눌러 저장 미디어 관리 화면에 접속하세요.
- 2 터치스크린 아래에 있는 포맷 버튼을 눌러 슬롯 1과 슬롯 2에 있는 카드를 각각 포맷하세요. URSA Mini Pro G2의 USB-C 포트에 플래시 디스크를 연결하면, 두 번째 드라이브의 포맷 버튼이 'Format Drive'로 표시됩니다.



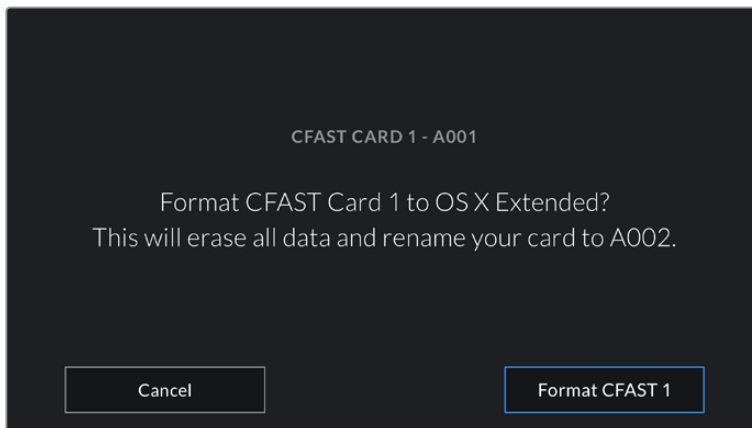
URSA Mini의 저장 관리 화면에서 카메라의 저장 미디어를 포맷하세요.

- 3 릴 넘버를 수동으로 변경하려면 'Edit Reel Number'을 누르세요.
- 4 'OS X Extended' 또는 'exFAT'를 선택한 뒤, 포맷 버튼을 누르세요.



릴 넘버를 수동으로 편집하려면 'Edit Reel Number'을 누르세요.

- 5 선택을 확인하는 문구가 나타납니다. 계속 진행하려면 포맷 버튼을 선택하고, 포맷을 취소하려면 'Cancel' 버튼을 누릅니다.



포맷을 시작하기 전에 올바른 카드를 선택했는지 확인하세요.

- 6 메시지를 통해 포맷이 완료되었음을 확인할 수 있습니다.
- 7 저장 관리 화면으로 돌아가려면 'Ok' 버튼을 누르세요.
- 8 저장 관리 화면 밖으로 나가려면 'Exit' 버튼을 누르세요.

URSA Mini의 저장 관리 화면에서 CFast 카드, SD 카드 또는 SSD를 포맷할 경우, 슬레이트에 저장된 카메라 ID와 릴 넘버가 카드명으로 설정됩니다. URSA Mini에서는 포맷할 때마다 릴 넘버가 자동으로 증가합니다. 특정 릴 넘버를 수동으로 입력하려면 'Edit Reel Number'을 누른 뒤, 포맷하려는 카드에 사용하고자 하는 숫자를 입력하세요.

새로운 프로젝트를 시작할 경우, 'PROJECT' 탭에서 'Reset Project Data'를 누르면 릴 넘버가 '1'로 초기화됩니다.

URSA Mini Recorder를 연결해 SSD를 로딩하면 레코더가 URSA Mini의 2번 스토리지 슬롯을 사용합니다. 그러면 카메라 저장 관리 화면의 2번 슬롯에 SSD 표시 정보가 나타나는 것을 확인할 수 있습니다.

## Blackmagic URSA Mini Pro에서 미디어 준비하기

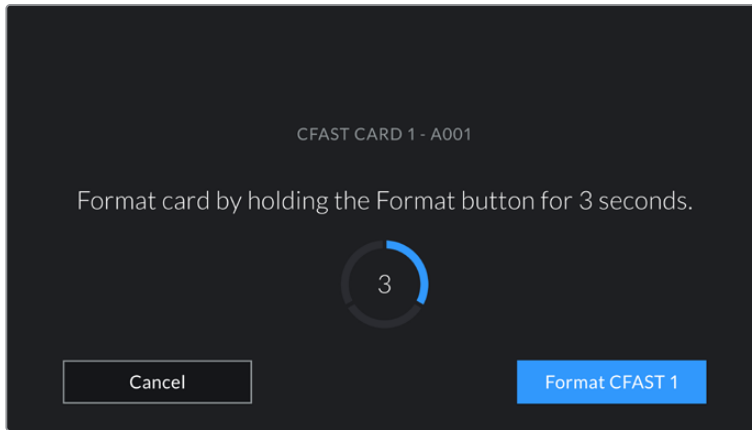
URSA Mini Pro에서 저장 미디어를 준비하는 방법은 앞서 소개한 URSA Mini에서의 과정과 동일합니다. 유일한 차이점은 URSA Mini Pro 12K 또는 URSA Mini Pro 4.6K G2에서 CFast 카드, SSD, USB-C 플래시 디스크뿐만 아니라 SD 카드도 포맷할 수 있는 기능이 추가된 점입니다. 카메라에 있는 미디어 저장 스위치가 SD 또는 CFast로 설정된 경우에 '카드 포맷하기(Format Card)' 버튼을 누르면 오직 선택된 유형의 카드만 포맷된다는 사실을 기억하세요. URSA Mini Pro 12K 또는 URSA Mini Pro 4.6K G2와 함께 URSA Mini Recorder 또는 USB-C 플래시 디스크를 사용할 경우, 미디어 저장 스위치의 설정 상태에 상관없이 2번 슬롯 위에 SSD 표시 정보가 나타납니다.



카메라의 저장 관리 화면에는 현재 사용 중인 CFast, SD, SSD, USB-C 플래시 디스크 미디어가 나타납니다.

**정보** URSA Mini Pro의 영상이 SD 카드에 녹화되도록 설정해둔 상태에서 잠금 기능이 설정된 카드를 삽입하면, 카드 포맷이 진행되지 않습니다. 이 경우, 저장 관리 화면의 카드 이름 옆에 자물쇠 아이콘이 나타납니다. 카드 잠금 장치를 간단히 해제하여 포맷과 녹화를 진행할 수 있습니다. SD 카드 잠금 기능에 대한 자세한 정보는 본 설명서의 [SD 카드] 부분을 참고하세요.

URSA Mini Pro 에서 저장 미디어를 포맷할 경우, '포맷(Format)' 버튼을 3초간 누르라는 메시지가 나타납니다. 포맷이 완료되면 알림 메시지가 나타납니다.



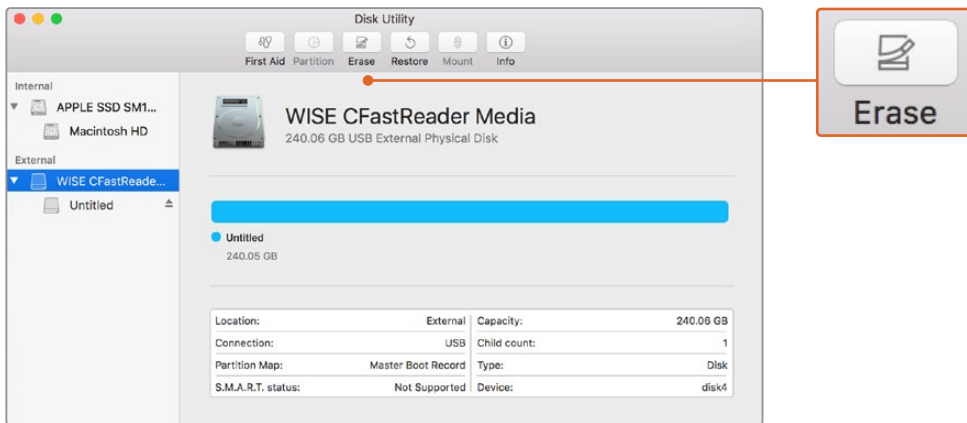
포맷 버튼을 3초간 누르면 미디어 포맷이 시작됩니다.

CFast와 SD 저장 미디어 전환에 대한 자세한 정보는 설명서 앞부분에 있는 [SD 카드] 부분을 참고하세요.

**참고** URSA Mini Recorder 옵션을 연결해 사용하는 경우, 2번 스토리지 슬롯 위에 ‘SSD 레코더(SSD Recorder)’라는 문구가 표시됩니다. USB-C 플래시 디스크를 연결하면 ‘외장 드라이브(External Drive)’라고 표시됩니다.

## Mac에서 미디어 준비하기

Mac에 있는 Disk Utility 응용 프로그램을 사용하여 CFast 카드, SD 카드, SSD를 HFS+ 또는 exFAT 로 포맷하세요. 포맷과 함께 데이터가 사라질 수도 있으므로, 미디어에 저장된 중요한 데이터는 반드시 백업해둬야 합니다.



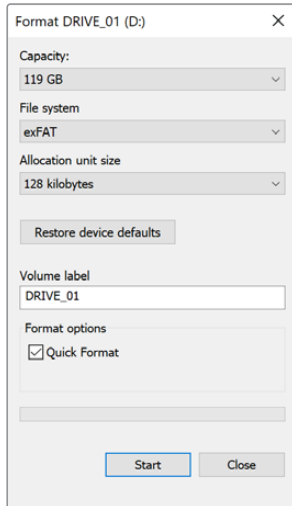
Mac OS의 ‘디스크 유틸리티’를 사용하여 ‘Mac OS 확장(저널링 지원)’ 또는 ‘exFAT’ 포맷으로 되어있는 CFast 카드 내용을 삭제하세요.

- 1 SD 카드 리더기나 도크 및 어댑터를 사용하여 저장 미디어를 컴퓨터에 연결하고, 미디어를 사용하여 타임머신 백업을 하도록 요청하는 메시지는 모두 거절하세요.
- 2 ‘응용 프로그램’ > ‘유틸리티’로 이동해 ‘디스크 유틸리티’를 실행하세요.
- 3 사용 중인 카메라 저장 미디어의 디스크 아이콘을 클릭한 뒤, ‘지우기’ 탭을 클릭하세요.

- 4 포맷을 'Mac OS 확장(저널링 지원)' 또는 'exFAT'으로 설정하세요.
- 5 새로운 볼륨의 이름을 입력하고 '지우기'를 클릭합니다. 카메라 저장 미디어가 신속하게 포맷되어 사용 준비가 완료됩니다.

## Windows에서 미디어 준비하기

Windows 컴퓨터의 '포맷' 대화 상자에서 카메라의 저장 미디어를 'exFAT'로 포맷할 수 있습니다. 포맷하면서 데이터가 사라질 수도 있기 때문에 미디어에 저장된 중요한 데이터는 반드시 먼저 백업해둬야 합니다.



Windows의 '포맷' 대화 상자에서 카메라 저장 미디어를 exFAT로 포맷하세요.

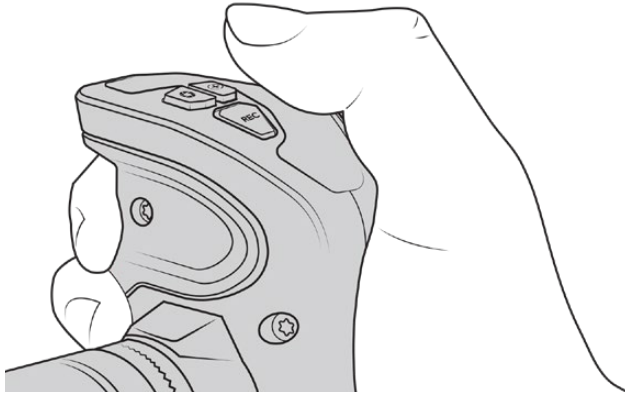
- 1 외부 판독기나 SSD 도크 및 어댑터를 사용하여 카메라 저장 미디어를 컴퓨터에 연결하세요.
- 2 시작 메뉴 또는 시작 화면을 열고 컴퓨터를 선택합니다. 카메라 저장 미디어에서 마우스 오른쪽 버튼을 클릭합니다.
- 3 메뉴에서 포맷을 선택합니다.
- 4 파일 시스템을 "exFAT"으로 설정한 뒤, 할당 단위의 크기를 '128킬로바이트'로 설정합니다.
- 5 볼륨 이름을 입력하고 '빠른 포맷'을 선택한 뒤, '시작'을 클릭합니다.
- 6 저장 미디어가 신속하게 포맷되어 사용 준비가 완료됩니다.

**참고** 녹화 중 드롭 프레임 현상이 발생할 경우, 현재 사용 중인 카드 또는 드라이브의 코덱 및 프레임 레이트 크기가 저희 권장 미디어 목록에 있는지를 확인하세요. 데이터 전송 속도가 낮을 경우에는 프레임 속도 및 해상도를 낮추거나 ProRes 같은 압축 코덱을 사용해 보세요. Blackmagic Design 웹사이트 [www.blackmagicdesign.com/kr](http://www.blackmagicdesign.com/kr)에서 최신 정보를 확인하세요.

# 녹화

## 클립 녹화하기

Blackmagic URSA Mini의 경우 안쪽의 컨트롤 패널이나 접이식 모니터 바깥쪽, 터치 스크린, Blackmagic URSA Handgrip 옵션에 있는 REC 버튼을 눌러 녹화를 시작할 수 있습니다. Blackmagic URSA Mini Pro의 경우 외부 녹화 버튼이 전면부 제어 패널에 탑재되어 있어 솔더 촬영 시 더욱 편리하게 사용할 수 있습니다. REC 버튼을 다시 누르면 녹화가 정지됩니다.



Blackmagic URSA Handgrip 옵션에 탑재된 REC 버튼을 눌러 클립을 녹화할 수도 있습니다.

녹화를 시작/정지할 수 있는 또 다른 방법은 LANC 컨트롤러를 URSA Mini의 LANC 입력에 연결한 뒤, 외부에서 녹화를 실행하는 것입니다. 예를 들어, LANC 컨트롤러를 삼각대에 장착하여 포커스 링과 삼각대에서 손을 떼지 않고도 트리거 녹화 기능을 사용할 수 있습니다.

**참고** 카메라 녹화 도중에 저장 미디어 선택 스위치를 변경하더라도 이미 녹화 중이던 미디어에 녹화가 계속 진행되며, 녹화가 완료되면 선택된 유형의 미디어로 전환됩니다. 그러므로 촬영 도중에 스위치를 바꿔도 녹화 영상에 영향을 끼치지 않습니다.

## 코덱, 해상도, 센서 영역 선택하기

Blackmagic URSA Mini Pro 촬영 영상은 균일 화질 설정 또는 고정 비트레이트 설정을 사용하는 Blackmagic RAW로 저장됩니다. URSA Mini Pro 및 URSA Mini 카메라는 Apple ProRes 압축 코덱으로 녹화할 수도 있습니다. 센서 프레임 속도 옵션은 사용하는 카메라 종류와 코덱, 해상도에 따라 다릅니다.

Blackmagic RAW 포맷으로 녹화한 영상 클립은 DaVinci Resolve와 Blackmagic RAW 플레이어 및, Blackmagic RAW SDK를 지원하는 기타 응용 프로그램과 호환된다는 사실을 기억하세요. Blackmagic RAW 포맷은 이미 수많은 후반 제작 플랫폼에서 지원됩니다. 모든 편집 소프트웨어에서 기본 지원되지는 않을 수 있지만, 대부분의 경우 카메라 업데이트 및 Blackmagic RAW 설치 프로그램에 포함된 플러그인과 호환됩니다. 더 자세한 정보는 [서드 파티 소프트웨어와 함께 작업하기] 부분을 참고하세요.

## 다이나믹 레인지

Blackmagic URSA Mini Pro 12K는 14 스탱의 관용도를 지원해 굉장히 넓은 다이나믹 레인지 영상을 제공합니다. URSA Mini Pro G2, URSA Mini Pro, URSA Mini 4.6K는 15 스탱의 다이나믹 레인지를 지원합니다.

이를 통해 가능한 많은 비디오 신호 정보를 제공하여 DaVinci Resolve와 같은 컬러 그레이딩 소프트웨어를 최대한 활용할 수 있도록 도와줍니다.

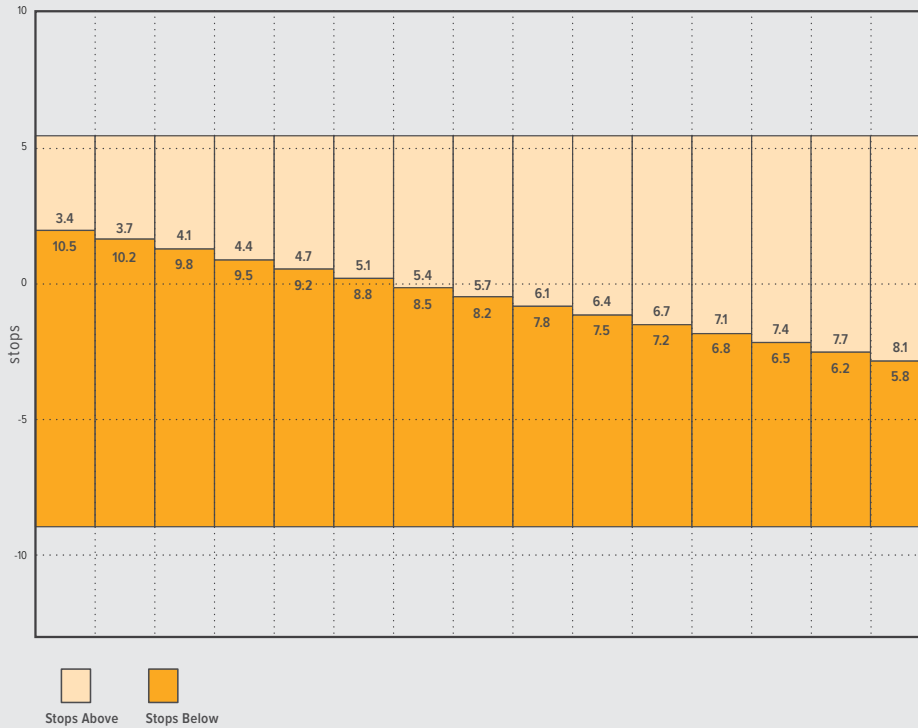
넓은 다이나믹 레인지는 HDR(고명암대비 기술) 딜리버리에 사용하기에도 최적입니다.

아래 표에서 알 수 있듯이 URSA Mini Pro 12K의 14 스탱의 다이나믹 레인지는 ISO 125에서 3200, URSA Mini 4.6K, URSA Mini Pro, URSA Mini Pro G2의 15 스탱 다이나믹 레인지는 ISO 200에서 3200에 이르는 전체 ISO 범위에서 지원됩니다.

중간 회색 위/아래에 나타나는 이러한 스탱의 분포 정도는 선택된 ISO에 따라 달라집니다. 예를 들어, URSA Mini Pro G2에서 ISO 200을 선택하면 10.8 스탱은 이미지의 새도우 영역에, 나머지 3.9 스탱은 하이라이트에 할당됩니다.

### Blackmagic URSA Mini Pro 12K 다이나믹 레인지

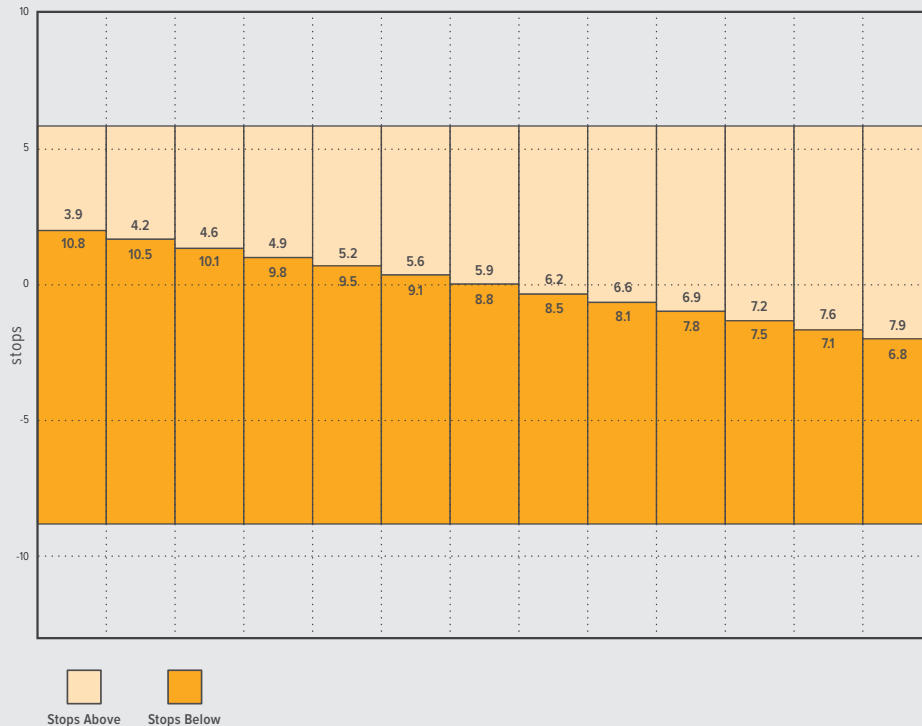
ISO	125	160	200	250	320	400	500	640	800	1000	1250	1600	2000	2500	3200
Total Stops	13.9	13.9	13.9	13.9	13.9	13.9	13.9	13.9	13.9	13.9	13.9	13.9	13.9	13.9	13.9





## Blackmagic URSA Mini 4.6K, URSA Mini Pro, URSA Mini Pro G2 다이내믹 레인지

ISO	200	250	320	400	500	640	800	1000	1250	1600	2000	2500	3200
Total Stops	14.7	14.7	14.7	14.7	14.7	14.7	14.7	14.7	14.7	14.7	14.7	14.7	14.7



## Blackmagic RAW

Blackmagic URSA Mini Pro는 새로운 Blackmagic RAW 파일 포맷을 지원합니다. 이 포맷은 사용자에게 뛰어난 영상 화질, 폭넓은 다이내믹 레인지 그리고 다양한 압축률을 제공합니다. Blackmagic RAW는 RAW 파일 녹화의 장점은 그대로 유지하는 동시에, 하드웨어 가속화 기능을 통해 일부 디코딩 과정이 카메라 하드웨어에서 처리되어 매우 빠른 파일 속도를 경험할 수 있습니다.

또한 Blackmagic RAW는 카메라 이미지 센서의 기능을 고려한 지능적인 포맷입니다. 다시 말해, 더 작아진 파일 포맷으로 훨씬 뛰어난 화질을 얻을 수 있습니다. Blackmagic RAW는 더 작아진 파일을 통해 더 뛰어난 화질을 제공하기 때문에 다른 비디오 및 RAW 파일 포맷의 좋은 대안이 됩니다.

또한 Blackmagic RAW는 강력한 메타데이터 지원 기능을 탑재해 파일을 처리하는 소프트웨어에서 사용자의 카메라 설정을 인식할 수 있습니다. 편집한 영상을 신속하게 전달해야 하고 색보정 작업에 할애할 시간이 없어 비디오 감마 촬영을 선호하는 경우, 이 메타데이터 기능은 아주 유용합니다. 비디오 감마로 설정 및 촬영한 다음 이를 소프트웨어에서 열어보면 영상에 이미 비디오 감마가 적용된 것을 확인할 수 있기 때문입니다. 그러나 사실 이 파일은 필름 감마이며 소프트웨어는 파일의 메타데이터 설정에 따라 비디오 감마를 적용한 것 뿐입니다.

다시 말해, 영상 파일에 저장되어 있는 필름 다이내믹 레인지를 활용하여 원하는 색보정 작업을 할 수 있습니다. 원본 파일의 화이트와 블랙 정보가 클리핑되지 않기 때문에, 파일에 저장된 모든 디테일을 사용하여 색보정 작업하면 시네마틱한 영상록을 연출할 수 있습니다. 또한 시간이 없어 색보정 작업을 하지 못한 경우에도 아무 문제 없이 비디오 감마를 적용하여 일반 카메라 촬영 영상처럼 보이게 만들 수 있습니다. 완벽한 촬영을 고집할 필요가 없어 차후에 후반 제작 단계에서 원하는 대로 변경이 가능합니다.

Blackmagic RAW 파일은 사용자의 컴퓨터 CPU와 GPU에 최적화되어 매우 빠른 속도를 제공하는 코덱입니다. 다시 말해, 영상을 빠르고 부드럽게 재생할 수 있으며 노트북의 핵심 기기인 하드웨어 디코더 보드를 사용할 필요가 없습니다. 또한 Blackmagic RAW를 사용하는 소프트웨어는 Apple Metal, Nvidia CUDA 및 OpenCL의 프로세싱이 가능하다는 이점이 있습니다.

다시 말해, Blackmagic RAW를 사용하면 영상 파일을 먼저 캐싱하거나 해상도를 낮추지 않고도 대부분의 컴퓨터에서 일반 속도로 재생할 수 있습니다.

또한 렌즈 정보를 각 프레임별로 메타데이터에 녹화할 수 있다는 점도 참고할 필요가 있습니다. 예를 들어, 호환용 렌즈를 사용할 경우, 클립 재생 시간 동안 변경된 줌 또는 포커스 설정을 각 프레임별로 Blackmagic RAW 파일의 메타데이터에 저장할 수 있습니다.

## Blackmagic RAW 녹화

Blackmagic RAW는 두 가지의 방법으로 작동합니다. 사용자는 고정 비트레이트 코덱 또는 균일 화질 코덱 둘 중에서 하나를 선택할 수 있습니다.

고정 비트레이트 코덱은 대부분의 코덱과 비슷한 방식으로 작동합니다. 이 코덱은 데이터 레이트를 너무 높지 않게 일정한 수치로 유지합니다. 다시 말해, 추가 데이터를 요구하는 복잡한 영상을 촬영하여 저장할 때도 고정 비트레이트 코덱을 사용하면 할당된 용량에 맞추어 파일을 더 압축하여 저장할 수 있습니다.

이는 비디오 코덱을 사용할 때에는 괜찮지만 RAW 촬영 시에는 화질을 어느 정도 예측할 수 있는 방식이 필요합니다. 영상 촬영에 더 많은 데이터가 필요한 상황에서 코덱이 특정 데이터 레이트에 맞추어져 있어 파일을 더 압축해버리는 일이 생길 수도 있기 때문이지요. 이런 경우, 화질에 손실이 있을 가능성이 있지만 이마저도 촬영을 끝내고 돌아와 확인할 때까지는 확실히 알 수 없습니다.

이 문제를 해결하기 위해 Blackmagic RAW는 균일 화질이라는 대안 코덱 옵션 또한 제공하고 있습니다. 전문적인 용어로 가변 비트레이트 코덱이라 불리는 이 코덱은 영상이 추가 데이터가 필요할 경우 파일 크기를 증가시키는 기능을 제공합니다. 영상의 화질을 유지한 채로 인코딩하는 데 있어 파일 크기의 상한치가 없습니다.

따라서 균일 화질 설정을 적용한 Blackmagic RAW를 통해 필요한 만큼 파일 크기를 늘려 영상을 인코딩할 수 있습니다. 이는 촬영하는 영상의 종류에 따라 파일의 크기가 더 클 수도, 혹은 작을 수도 있다는 것을 뜻합니다. 렌즈 커버를 씌워놓은 채로 촬영을 하여도 미디어 저장 공간을 낭비하지 않게 됩니다.

또한, Blackmagic RAW의 설정명이 혼란스러운 이름 대신 기술적으로 연관된 이름으로 표기되어 있어 사용자가 더 편리하게 인식할 수 있습니다. 예를 들어, 고정 비트레이트 코덱을 선택하면 URSA Mini Pro 카메라 유형에 따라 3:1, 5:1, 8:1, 12:1, 18:1의 화질 설정 옵션이 나타납니다. 이는 압축 전 RAW 파일 크기 대 압축 후 파일 크기의 비율을 나타냅니다. 예를 들어, 파일 크기가 큰 3:1 포맷을 사용하면 더 나은 화질을 얻을 수 있고, 반대로 파일 크기가 가장 작은 18:1 포맷을 사용하면 가장 낮은 화질을 얻게 됩니다. 현재까지 Blackmagic RAW를 이용한 많은 사용자들은 12:1 또는 18:1 포맷으로도 충분한 화질을 얻을 수 있으며 단점을 찾아볼 수 없다고 밝혔습니다. 그러나 사용자 본인이 직접 사용하며 여러 설정을 직접 시험해보는 것을 권장합니다.

균일 화질의 Blackmagic RAW 포맷을 사용할 경우, URSA Mini Pro 카메라 유형에 따라 Q0, Q1, Q3, Q5 설정이 나타납니다. 이는 코덱으로 전송되는 압축률의 파라미터 설정을 뜻하며, 어느 정도의 압축률이 적용되었는지 좀 더 기술적으로 나타냅니다. 고정 비트레이트와 균일 화질에서의 코덱 작동 방식이 다르며, 균일 화질에서는 이 설정이 달라집니다. 균일 화질 설정의 경우, 촬영 대상에 따라 파일의 압축률이 제각각이기 때문에 압축률을 예측하는 것이 어렵습니다. 따라서 이 경우에는 촬영 대상에 따라 설정이 변경되며 파일 크기는 해당 미디어를 저장하기에 충분한 크기로 변경됩니다.

## 고정 비트레이트 설정

압축률은 3:1, 5:1, 8:1, 12:1, 18:1로 표기하였습니다. 예를 들어, 12:1 압축률을 적용하여 제작한 영상 파일의 크기는 무압축 RAW 포맷의 12분의 1에 달합니다.

URSA Mini Pro 12K에서는 5:1, 8:1, 12:1, 18:1의 Blackmagic RAW 고정 비트레이트를 사용할 수 있습니다. URSA Mini Pro 4.6K G2 및 URSA Mini Pro 4.6K는 3:1, 5:1, 8:1, 12:1의 Blackmagic RAW 고정 비트레이트를 지원합니다.

## 균일 화질 설정

Q0, Q1, Q3, Q5는 양자화 단계를 뜻합니다. Q5로 설정 시 더 높은 단계의 양자화가 진행되며 데이터 레이트가 대폭 향상됩니다. 앞에서 말했듯이 균일 화질 설정의 경우, 촬영 대상에 따라 파일 크기를 대폭 증가되거나 축소될 수 있습니다. 이는 촬영한 파일의 크기가 미디어 카드의 한도 이상으로 증가될 수 있음을 뜻합니다. 이 경우, 간혹 드롭 프레임 현상으로 이어질 수도 있습니다. 그러나 장점은, 촬영 도중 이 현상이 발생하면 곧바로 알 수 있으며, 설정과 화질을 서로 비교하여 확인할 수 있다는 점입니다.

URSA Mini Pro 12K에서는 Q0, Q1, Q3, Q5의 Blackmagic RAW 균일 화질을 사용할 수 있습니다. URSA Mini Pro 4.6K G2 및 URSA Mini Pro 4.6K는 Q0 및 Q5의 Blackmagic RAW 균일 화질을 지원합니다.

## Blackmagic RAW 플레이어

Blackmagic 카메라 소프트웨어 설치 프로그램에 포함되어 있는 Blackmagic RAW 플레이어는 클립 검토에 사용되는 효율적인 프로그램입니다. Blackmagic RAW 파일을 더블 클릭하여 열면 풀 해상도와 비트 심도 설정에서 파일을 신속하게 재생하고 스크롤 해볼 수 있습니다.

프레임을 디코딩할 경우, SDK 라이브러리의 CPU 가속화를 통해 모든 주요 아키텍처를 지원하며, Apple Metal, Nvidia CUDA 그리고 OpenCL를 통한 GPU 가속화 또한 지원합니다. 추가적인 성능 향상을 위해서는 Blackmagic eGPU와 함께 사용할 수도 있습니다. Blackmagic Raw 플레이어는 Mac 및 Windows, Linux에서 지원됩니다.

## 사이드카 파일

Blackmagic RAW 사이드카 파일을 사용하면 원본 파일에 임베드된 메타데이터를 덮어쓰지 않고도 파일의 메타데이터를 재설정할 수 있습니다. 이 메타데이터에는 RAW 설정뿐 아니라 조리개, 포커스, 초점거리, 화이트 밸런스, 틸트, 컬러 스페이스, 프로젝트명, 테이크 번호 등의 정보가 포함되어 있습니다. 클립을 재생하는 동안 프레임 별로 메타데이터가 인코딩되는데, 이는 촬영 도중 렌즈 설정을 변경할 때 렌즈 데이터에 있어 중요한 부분입니다. DaVinci Resolve를 통해 사이드카 파일의 메타데이터를 추가하거나 편집할 수 있습니다. 이 파일은 보고 읽을 수 있는 포맷을 사용하여 심지어 문서 편집기로도 똑같은 작업을 수행할 수 있습니다.

그리고 사이드카 파일을 해당 RAW 파일과 동일한 폴더에 집어넣는 방법을 통해 새로운 RAW 설정을 재생에 추가할 수 있습니다. 폴더 바깥으로 사이드카 파일을 옮긴 다음 Blackmagic RAW 파일을 열면 RAW 설정을 적용하지 않은 원본 촬영 영상을 그대로 볼 수 있습니다. Blackmagic RAW SDK를 사용하는 모든 소프트웨어에서 이 설정을 사용할 수 있습니다. 변경 사항은 사이드카 파일에 저장되어 Blackmagic RAW 플레이어에서 보거나 Blackmagic RAW 파일을 읽을 수 있는 다른 소프트웨어에서 확인할 수 있습니다.

비디오 감마 촬영 시 파일은 필름 감마 형식을 유지하며, Blackmagic RAW 처리 단계에서 메타데이터를 통해 비디오 감마 포맷으로 디스플레이되도록 할 수 있습니다. 비디오 감마는 그레이딩 작업을 거치지 않고 최대한 신속하게 영상을 딜리버리하고 싶을 때 최적인 방식입니다. 하지만 모든 디테일이 파일 안에 저장되어 있으므로 영상의 블랙을 올리거나 화이트를 내릴 수 있습니다. 원본 영상이 클리핑되지 않아 모든 디테일이 유지되기 때문에 원할 때 언제든지 사용할 수 있습니다.

## DaVinci Resolve 에서의 Blackmagic RAW

각 Blackmagic RAW 파일의 설정은 조정이 가능하며, 이를 DaVinci Resolve의 'Camera RAW' 탭에서 새로운 사이드카 파일로 저장해 최적화된 환경에서 시청하거나 특수 효과를 추가할 수 있습니다. 이는 미디어를 복사하여 다른 DaVinci Resolve 아티스트에게 전달하면 불러온 즉시 변경된 감마 설정을 자동 적용할 수 있다는 것을 뜻하기도 합니다. DaVinci Resolve를 통해 카메라 파일 내 다른 메타데이터뿐 아니라 선택한 다이내믹 레인지를 읽을 수 있어, DaVinci Resolve에서 클립을 'Film', 'Extended Video' 또는 'Video' 다이내믹 레인지 모드로 디스플레이할 수 있습니다.

다음 단계에서 채도, 대비, 미드톤, 하이라이트 그리고 색도우 룰 오프 등의 설정을 사용자에게 맞게 조정할 수 있습니다. 변경된 설정 정보는 모두 사이드카 파일에 저장되며, 후반 제작에 참여한 누구나 해당 변경 사항을 확인할 수 있습니다. 항상 원본 카메라 메타데이터로 돌아올 수 있습니다.

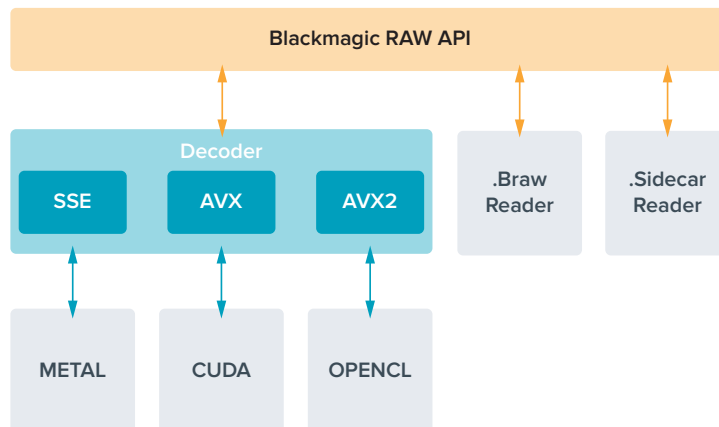
모든 설정 변경, 메타데이터, 풀해상도 및 컬러 정보가 담긴 단일 Blackmagic RAW 프레임을 DaVinci Resolve의 RAW 탭을 통해 보내기할 수 있어 단일 프레임이나 레퍼런스 파일을 다른 사용자와 손쉽게 공유할 수 있습니다.

DaVinci Resolve에서의 Blackmagic RAW 사용법에 대한 자세한 정보는 본 설명서의 [DaVinci Resolve 사용하기] 부분을 참고하세요.

## Blackmagic RAW 소프트웨어 개발 도구

Blackmagic RAW 소프트웨어 개발 도구는 Blackmagic Design에서 자체 개발한 API입니다. Blackmagic RAW SDK를 사용하여 나만의 애플리케이션에서 Blackmagic RAW 포맷을 사용할 수 있습니다. 이 SDK 라이브러리는 모든 개발자들이 Blackmagic RAW 파일을 읽고, 편집하고 저장할 수 있는 기능을 지원합니다. Blackmagic RAW SDK는 모든 4세대 및 5세대 컬러 사이언스를 탑재해, 이를 지원하는 모든 소프트웨어에서 진정한 시네마틱한 영상을 구현할 수 있습니다. Blackmagic RAW SDK는 Mac, Windows 및 Linux에서 사용 가능하며 Blackmagic 웹사이트의 개발자 페이지 ([www.blackmagicdesign.com/kr/developer](http://www.blackmagicdesign.com/kr/developer))에서 무료로 다운로드할 수 있습니다.

다음 도면을 통해 Blackmagic RAW API의 구성 요소를 확인할 수 있습니다.



## 프레임 레이트 선택하기

카메라에서 지원하는 여러 종류의 프레임 레이트 중 어떤 것을 선택해야 최상의 결과를 얻을 수 있는지 궁금해할 수 있습니다. 카메라의 센서 프레임 레이트는 영상록에도 아주 큰 영향을 끼칩니다. 일반적으로 센서 프레임 레이트를 선택하기 전에 고려해야 하는 몇 가지 기본 사항이 있습니다. 영화 및 TV의 경우, 오랫동안 사용되어 온 표준 규격이 있습니다. 이 프레임 레이트 규격은 사용 국가마다 다르지만, 모두 효과적인 초당 프레임 수를 사용하여 실감 나는 움직임을 표현하려는 공통된 이유를 가지고 만들어졌습니다.

예를 들어, 영화에서는 초당 24 프레임을 표준으로 사용합니다. 최근 이보다 빠른 프레임 레이트를 사용한 실험이 있긴 했지만, 아직 전 세계적으로 가장 널리 사용되는 표준은 초당 24 프레임입니다. TV 프레임 레이트는 일반적으로 각 국가의 방송 기술 표준과 일치합니다. TV 방송 영상을 제작하는 경우 북미 방송국에서는 일반적으로 초당 29.97 프레임 레이트를 사용하고, 유럽에서는 초당 25 프레임을 사용합니다.

하지만 기술 발전으로 방송국에서는 더욱 다양한 선택을 할 수 있게 되었고 방송 표준 또한 꾸준히 변화하고 있습니다. 요즘은 스포츠 경기를 높은 프레임 레이트로 녹화 및 방송하는 일이 보편적입니다. 예를 들어, 북미에서는 일부 스포츠 경기 장면을 초당 최대 59.94의 프레임으로 녹화 및 방송하며, 유럽에서는 초당 50 프레임을 사용합니다. 이러한 프레임 레이트는 빠른 액션 장면을 더욱 부드럽고 생동감 있게 연출합니다. 스트리밍 방송국과 온라인 방송국은 일반적으로 TV와 비슷한 프레임 레이트를 사용하지만, 사용자의 시청 포맷 선택 기능 및 한정된 사용자 화면 성능을 고려하여 여러 프레임 레이트 사용을 시험해볼 수 있습니다.

일반적으로 프로젝트를 위한 프레임 레이트는 딜리버리 포맷에 따라 결정하는 것이 좋습니다. 카메라의 프로젝트 프레임 레이트를 딜리버리 포맷에 맞게 설정하고, 센서 프레임도 같은 속도로 설정해야 합니다. 그래야 경기가 진행되면서 실시간으로 클립을 동시에 재생할 수 있습니다. 슬로우 모션 같은 효과를 생성하려면 센서 프레임 레이트를 더욱 높게 설정하면 됩니다. 센서 프레임 레이트가 프로젝트 프레임 레이트보다 높을수록 재생 속도가 느려집니다. 예를 들어, URSA Mini Pro G2에서는 굉장히 느린 슬로우 모션을 위해 아주 높은 센서 프레임 레이트로 촬영할 수 있습니다.

오프스피드 센서 프레임 레이트를 사용한 효과 생성에 관한 자세한 정보는 [터치스크린 컨트롤] 부분을 확인하세요.

## 높은 프레임 레이트로 촬영하기

높은 프레임 레이트로 촬영할 경우, 카메라에서 일반적인 동기화 속도인 초당 24, 25, 30 프레임보다 훨씬 많은 프레임을 캡처합니다. 다시 말해, 이미지 센서가 각 프레임에 빛을 모을 시간이 부족하게 되어 카메라 이미지가 어둡게 나타납니다.

따라서 초당 25 프레임에서 50 프레임으로 바꾸면 센서에 도달하는 빛의 양이 절반으로 줄어들게 됩니다. 노출 수준을 그대로 유지하려면 렌즈에서 추가 스탑을 열어 셔터 개각도를 180°에서 360°로 만들거나, 촬영 중인 장면에 추가 조명을 사용해야 합니다.

초당 120 프레임으로 촬영할 경우, 빛이 5배나 줄어들기 때문에 렌즈 조리개와 셔터 개각도, 조명 등을 조정해야 동일한 노출 레벨을 얻을 수 있습니다.

높은 프레임 레이트로 촬영 시 주의해야 할 또 다른 부분은 전자식 조명을 광원으로 사용할 경우 녹화된 이미지에서 플리커 현상이 발생할 수 있다는 점입니다. 특히 50Hz 환경에서 초당 100 프레임 이상으로 촬영하거나 60Hz 환경에서 초당 120 프레임 이상으로 촬영할 경우, 인공 텡스텐 조명, 형광등, LED 광원이 플리커 현상을 일으킬 수도 있습니다. LCD 및 SDI 피드로 장면을 미리보기 하거나 녹화 중인 상황에서는 플리커 현상을 알아차리지 못할 수도 있으므로, 사용하고자 하는 조명으로 테스트 촬영을 한 다음 해당 클립을 재생해 플리커 현상이 나타나는지 미리 확인하는 것이 중요합니다.

조명 아래에서 촬영할 경우, 셔터 설정으로 인해 플리커 현상이 발생할 수도 있기 때문에, URSA Mini 에서는 현재 사용 중인 프레임 레이트에서 플리커 현상이 발생하지 않는 셔터 옵션이 자동으로 계산되어 나타납니다. 플리커 현상이 없는 셔터 설정값을 사용하더라도 개별 광원의 특성으로 인해 플리커 현상이 발생할 수 있다는 점을 참고하세요. 더 자세한 정보는 [터치스크린 컨트롤] 부분을 참고하세요.

가장 느린 셔터 속도로 셔터를 열거나 가장 넓은 셔터 개각도를 사용해도 여전히 녹화 영상에서 플리커 현상이 발생할 경우에는 다른 조명을 사용하거나 속도가 빠른 렌즈를 사용할 필요가 있습니다.

## 최대 프레임 레이트

아래의 표에서 URSA Mini 4.6K와 URSA Mini Pro 모델에 사용 가능한 코덱, 해상도 및 최대 센서 프레임 속도를 확인하세요. Blackmagic RAW, ProRes 444, ProRes 422에 관한 참조 결과는 특정 코덱 계열에 속한 다른 지원 코덱에도 동일하게 적용된다는 점을 유의하세요.

슬로우 모션을 고해상도로 녹화하려면 높은 데이터율이 필요하므로 속도가 빠른 CFast 카드나 USB-C 플래시 디스크, SSD를 사용해야 합니다. 연속되는 고속 녹화에 사용이 권장되는 미디어에 관한 자세한 정보는 [저장 미디어] 부분을 참고하세요.

**정보** 카드의 지속 가능한 속도를 테스트하려면, 'Stop record if card drops frames' 기능을 켜고 테스트 클립을 녹화해보세요. 이를 통해 특정 프레임 레이트로 각기 다른 해상도의 영상을 얼마나 길게 촬영할 수 있는지 확인 가능합니다. 카드 녹화가 너무 빨리 중단될 경우, 사용 가능한 다음 압축 설정 또는 해상도로 신속하게 변경하면 데이터율이 낮아져 카드를 지속적으로 사용할 수 있습니다.

### URSA Mini Pro 12K의 최대 프레임 레이트

포맷	해상도	코덱	센서 스캔	최대 프레임 레이트	
12K	17:9	12288 x 6480	Blackmagic RAW	Full	60
	16:9	11520 x 6480	Blackmagic RAW	Full height	60
	2.4:1	12288 x 5112	Blackmagic RAW	Full width	75
	6:5 Anamorphic	7680 x 6408	Blackmagic RAW	Full height	60
8K	17:9	8192 x 4320	Blackmagic RAW	Full	120
	16:9	7680 x 4320	Blackmagic RAW	Full height	120
	2.4:1	8192 x 3408	Blackmagic RAW	Full width	160
	6:5 Anamorphic	5120 x 4272	Blackmagic RAW	Full height	120
6K	Super 16	6144 x 3240	Blackmagic RAW	Window	120
4K	DCI	4096 x 2160	Blackmagic RAW	Full	120
	16:9	3840 x 2160	Blackmagic RAW	Full height	120
	2.4:1	4096 x 1704	Blackmagic RAW	Full width	160
	6:5 Anamorphic	2560 x 2136	Blackmagic RAW	Full height	120
	Super 16	4096 x 2160	Blackmagic RAW	Window	240

**URSA Mini Pro 4.6K G2, URSA Mini Pro 4.6K, URSA Mini 4.6K의 최대 프레임 레이트**

포맷	해상도	코덱	URSA Mini Pro 4.6K G2		URSA Mini Pro 4.6K		URSA Mini 4.6K	
			센서 스캔	최대 프레임 레이트	센서 스캔	최대 프레임 레이트	센서 스캔	최대 프레임 레이트
4.6K	4608 x 2592	Blackmagic RAW	전체	120	전체	60	—	—
		ProRes 444	전체	40	전체	30	전체	30
		ProRes 422	전체	80	전체	40	전체	40
4.6K 2.4:1	4608 x 1920	Blackmagic RAW	윈도우	150	윈도우	60	—	—
		ProRes 444	윈도우	60	윈도우	40	윈도우	40
		ProRes 422	윈도우	120	윈도우	50	윈도우	50
4K 16:9	4096 x 2304	Blackmagic RAW	윈도우	120	윈도우	60	—	—
		ProRes 444	윈도우	60	전체 또는 윈도우	30	전체 또는 윈도우	30
		ProRes 422	윈도우	100	전체 또는 윈도우	50	전체 또는 윈도우	50
4K DCI	4096 x 2160	Blackmagic RAW	윈도우	150	윈도우	60	—	—
		ProRes 444	윈도우	60	전체 또는 윈도우	40	전체 또는 윈도우	40
		ProRes 422	윈도우	120	전체 또는 윈도우	50	전체 또는 윈도우	50
UHD	3840 x 2160	Blackmagic RAW	윈도우	150	윈도우	60	—	—
		ProRes 444	전체 또는 윈도우	60	전체 또는 윈도우	40	전체 또는 윈도우	40
		ProRes 422	전체 또는 윈도우	120	전체 또는 윈도우	60	전체 또는 윈도우	60
3K Anamorphic	3072 x 2560	Blackmagic RAW	윈도우	120	윈도우	60	—	—
		ProRes 444	윈도우	70	윈도우	40	—	—
		ProRes 422	윈도우	120	윈도우	60	—	—
2K 16:9	2048 x 1152	Blackmagic RAW	윈도우	240	윈도우	120	—	—
		ProRes 444	윈도우	240	윈도우	120	윈도우	120
		ProRes 422	윈도우	240	윈도우	120	윈도우	120
		ProRes 444	전체	120	전체	60	전체	60
		ProRes 422	전체	120	전체	60	전체	60
2K DCI	2048 x 1080	Blackmagic RAW	윈도우	300	윈도우	120	—	—
		ProRes 444	윈도우	240	윈도우	120	윈도우	120
		ProRes 422	윈도우	240	윈도우	120	윈도우	120
		ProRes 444	전체	120	전체	60	전체	60
		ProRes 422	전체	120	전체	60	전체	60
HD	1920 x 1080	Blackmagic RAW	윈도우	300	윈도우	120	—	—
		ProRes 444	윈도우	240	윈도우	120	윈도우	120
		ProRes 422	윈도우	240	윈도우	120	윈도우	120
		ProRes 444	전체	120	전체	60	전체	60
		ProRes 422	전체	120	전체	60	전체	60



Blackmagic RAW Q0, Q1, Q3, Q5는 균일한 화질을 얻기 위해 가변 비트 레이트 압축 방식을 사용한다는 사실을 기억하세요. Q0, Q1, Q3, Q5의 데이터 레이트는 촬영 대상의 복잡한 정도에 영향을 받으며, 한 클립 안에서도 상당히 달라질 수 있습니다.

#### URSA Mini 4K의 최대 프레임 레이트

포맷	해상도	코덱	URSA Mini 4K	
			센서 스캔	최대 프레임 레이트
UHD	3840 x 2160	ProRes 444	전체 또는 윈도우	40
		ProRes 422	전체 또는 윈도우	60
HD	1920 x 1080	ProRes 444	윈도우	80
		ProRes 422	윈도우	120
		ProRes 444	전체	60
		ProRes 422	전체	60

#### Blackmagic URSA Mini에서 원하는 코덱 및 해상도 선택하기

- 1 컨트롤 패널에 있는 MENU 버튼을 누르세요.
- 2 'RECORD' 탭의 첫 페이지로 이동하세요.
- 3 원하는 코덱과 화질, 해상도 조합을 선택하세요.
- 4 윈도우(Window) 센서 영역을 사용해 녹화하고자 할 경우, 'RECORD' 메뉴의 두 번째 페이지로 이동해 'WINDOW SENSOR' 항목을 활성화하세요. 전체(Full) 센서 영역을 사용해 녹화하고자 할 경우 이 항목을 'OFF'로 설정합니다.
- 5 MENU 버튼을 눌러 화면 밖으로 나갑니다.

#### 촬영 포맷과 프로젝트 프레임 속도

코덱과 해상도를 설정한 뒤, 프로젝트 프레임 레이트와 센서 프레임 레이트를 선택해야 합니다. 프레임 레이트와 관련된 더 자세한 정보는 [녹화] 부분을 참고하세요.

모든 URSA Mini 카메라에서는 프로젝트 프레임 속도를 23.98, 24, 25, 29.97, 30, 50, 59.94, 60fps로 설정할 수 있습니다.

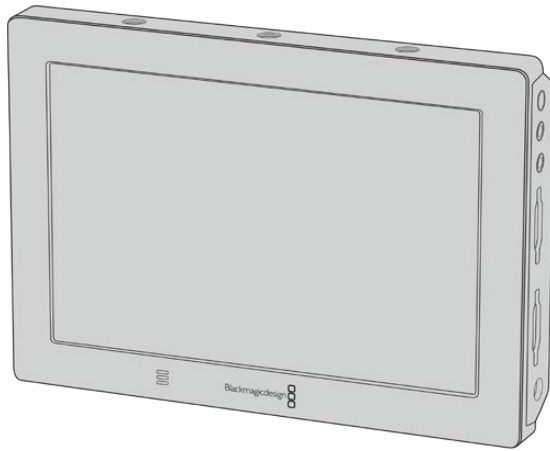
Blackmagic RAW 및 최대 ProRes 422 HQ의 ProRes 코덱 사용 시 모든 해상도에서 지원 가능한 최대 프로젝트 프레임 레이트는 초당 60 프레임입니다. ProRes 444 및 ProRes 444 XQ 코덱을 사용할 경우엔 해상도에 따라 지원 가능한 최대 프로젝트 프레임 레이트가 달라집니다.

예를 들어, URSA Mini Pro 4.6K G2의 경우 ProRes 444 코덱 사용 시 최대 60fps의 프로젝트 프레임 레이트를 4.6K 2.4:1까지 지원합니다. 해상도를 전체(Full) 센서 4.6K로 올리면 최대 프로젝트 프레임 레이트가 초당 30 프레임으로 바뀝니다. 기존의 URSA Mini Pro 4.6K에서는 ProRes 444 코덱 사용 시 초당 최대 60fps의 프로젝트 프레임 레이트를 2K 16:9까지 지원합니다. 해상도를 3K 애너모픽(Anamorphic) 이상으로 변경하면 최대 프로젝트 프레임 레이트가 30 프레임으로 바뀝니다. 이런 차이는 ProRes 444 및 ProRes 444 XQ 사용 시 해상도가 높을수록 더 많은 처리 과정이 요구되기 때문에 발생합니다.

## 트리거 녹화

연결된 외부 장비에서도 SDI 트리거 녹화를 활성화하여 URSA Mini의 트리거 신호에 응답할 수 있도록 해야 합니다. SDI 장비가 SDI 트리거 녹화 기능을 지원할 경우, 보통 SDI 장비의 SDI 설정 메뉴에서 이 기능을 활성화할 수 있습니다.

URSA Mini에 Blackmagic Video Assist 같이 SDI 트리거 녹화 기능을 지원하는 장비를 연결하면, 트리거 녹화를 위한 신호가 SDI 출력을 통해 자동 전송됩니다. 다시 말해, 카메라에 있는 녹화 버튼을 누르면 연결되어 있는 외부 SDI 장비에서도 녹화가 시작되며, 녹화 버튼을 다시 누르면 녹화가 정지됩니다.



카메라의 트리거 녹화 기능을 사용해 Blackmagic Video Assist 4K와 같은 SDI 비디오 장비에서 트리거 녹화를 수행할 수 있습니다.

**정보** 0~5°C 정도의 극도로 추운 날에 URSA Mini 4K를 사용할 시에는, 최적 운용 온도까지 도달하는데 약 30초 정도의 시간이 소요될 수 있습니다. 이 시간 동안 녹화를 진행할 수도 있지만 카메라 온도가 안정될 때까지 기다릴 것을 권장합니다. 최적 운용 온도에 도달하면 카메라에서 센서의 온도 변화에 따른 재측정 및 센서 재조정 과정을 거치게 되며, 이때 하얀 섬광 프레임이 나타나기도 합니다. 이는 녹화하고 있지 않은 경우에만 나타나는 현상으로, 추운 환경에서 촬영할 때 향상된 결과물을 만들기 위한 과정입니다.

## 녹화 가능 시간

다음 표에서 포맷과 프로젝트 프레임 속도, 미디어 크기에 따른 녹화 가능 시간을 분/초 단위로 확인할 수 있습니다. 사용 중인 저장 미디어의 최대 녹화 가능 시간은 녹화 포맷과 프레임 레이트에 따라 달라집니다. 예를 들어, 3840 x 2160의 Apple ProRes 422 HQ의 저장 속도는 초당 약 880Mb입니다. 256GB의 CFast 2.0 또는 SD 카드를 사용하여 초당 24 프레임으로 촬영할 시, 약 47분간 녹화할 수 있습니다. 같은 설정으로 128GB의 CFast 2.0 또는 SD 카드를 사용하면 약 23분간 녹화할 수 있으며, 이는 256GB 카드를 사용한 녹화 가능 시간의 약 절반에 해당합니다. 이는 URSA Mini SSD Recorder의 SSD 녹화 시간에도 동일하게 적용됩니다.

CFast 2.0 및 SD 카드의 녹화 가능 시간은 제조사에 따라 약간씩 다를 수 있음을 참고하시기 바랍니다. 또한 저장 미디어 포맷 시 선택한 exFAT 또는 Mac OS X Extended 포맷에 따라 달라질 수도 있습니다.

### URSA Mini Pro 12K의 녹화 가능 시간

디테일이 많지 않은 간단한 장면은 합성 효과를 많이 사용한 장면에 비해 적은 데이터 공간을 차지합니다. 아래 표에 제시된 측정값은 아주 복잡한 샷을 촬영하는 경우를 가정한 것으로, 촬영 특성에 따라 녹화 가능 시간이 더 길 수도 있습니다.

URSA Mini Pro 12K - 12K					
CFast 카드	프레임 레이트	Blackmagic RAW 5:1	Blackmagic RAW 8:1	Blackmagic RAW 12:1	Blackmagic RAW 18:1
1TB		녹화 가능 시간	녹화 가능 시간	녹화 가능 시간	녹화 가능 시간
	23.98	29 mins	47 mins	70 mins	106 mins
	24	29 mins	47 mins	70 mins	106 mins
	25	28 mins	45 mins	67 mins	101 mins
	29.97	23 mins	37 mins	56 mins	84 mins
	30	23 mins	37 mins	56 mins	84 mins
	50	14 mins	22 mins	33 mins	50 mins
	60	11 mins	18 mins	28 mins	42 mins

URSA Mini Pro 12K - 8K					
CFast 카드	프레임 레이트	Blackmagic RAW 5:1	Blackmagic RAW 8:1	Blackmagic RAW 12:1	Blackmagic RAW 18:1
1TB		녹화 가능 시간	녹화 가능 시간	녹화 가능 시간	녹화 가능 시간
	23.98	66 mins	106 mins	158 mins	238 mins
	24	66 mins	106 mins	158 mins	238 mins
	25	63 mins	101 mins	152 mins	228 mins
	29.97	52 mins	84 mins	127 mins	190 mins
	30	52 mins	84 mins	127 mins	190 mins
	50	31 mins	50 mins	76 mins	114 mins
	60	26 mins	42 mins	63 mins	95 mins

URSA Mini Pro 12K - 6K					
CFast 카드	프레임 레이트	Blackmagic RAW 5:1	Blackmagic RAW 8:1	Blackmagic RAW 12:1	Blackmagic RAW 18:1
1TB		녹화 가능 시간	녹화 가능 시간	녹화 가능 시간	녹화 가능 시간
	23.98	116 mins	186 mins	280 mins	419 mins
	24	116 mins	186 mins	280 mins	419 mins
	25	112 mins	179 mins	268 mins	402 mins
	29.97	93 mins	149 mins	224 mins	335 mins
	30	93 mins	149 mins	224 mins	335 mins
	50	56 mins	89 mins	134 mins	201 mins
	60	46 mins	74 mins	112 mins	168 mins

URSA Mini Pro 12K - 4K					
CFast 카드	프레임 레이트	Blackmagic RAW 5:1	Blackmagic RAW 8:1	Blackmagic RAW 12:1	Blackmagic RAW 18:1
1TB		녹화 가능 시간	녹화 가능 시간	녹화 가능 시간	녹화 가능 시간
	23.98	264 mins	442 mins	631 mins	941 mins
	24	264 mins	442 mins	631 mins	941 mins
	25	254 mins	405 mins	606 mins	904 mins
	29.97	211 mins	338 mins	506 mins	755 mins
	30	211 mins	338 mins	506 mins	755 mins
	50	127 mins	203 mins	304 mins	455 mins
	60	106 mins	169 mins	254 mins	380 mins

### URSA Mini Pro 4.6K G2, URSA Mini Pro 4.6K, URSA Mini 4.6K, URSA Mini 4K의 녹화 가능 시간

디테일이 많지 않은 간단한 장면은 복잡한 합성 장면에 비해 적은 데이터 공간을 차지합니다. 아래 표에 제시된 측정값은 아주 복잡한 샷을 촬영하는 경우를 가정한 것으로, 촬영 특성에 따라 녹화 가능 시간이 더 길 수도 있습니다.

4.6K								
CFast 카드	프레임 레이트	Blackmagic RAW 3:1*	Blackmagic RAW 5:1*	Blackmagic RAW 8:1*	Blackmagic RAW 12:1	ProRes 422 XQ	ProRes 422 HQ	ProRes 422 LT
256GB		녹화 가능 시간	녹화 가능 시간	녹화 가능 시간	녹화 가능 시간	녹화 가능 시간	녹화 가능 시간	녹화 가능 시간
	23.98	28분	48분	76분	115분	14분	33분	70분
	24	28분	48분	76분	114분	14분	33분	70분
	25	27분	46분	73분	110분	14분	31분	66분
	29.976	23분	38분	61분	92분	11분	26분	56분
	30	23분	38분	61분	92분	11분	26분	56분
	50	13분	23분	36분	55분	—	—	—
	59.94	11분	19분	30분	46분	—	—	—
60	11분	19분	30분	46분	—	—	—	

\*Blackmagic RAW는 URSA Mini Pro 4.6K 및 URSA Mini Pro 4.6K G2에서만 사용할 수 있습니다.

UHD								
CFast 카드	프레임 레이트	Blackmagic RAW 3:1*	Blackmagic RAW 5:1*	Blackmagic RAW 8:1*	Blackmagic RAW 12:1	ProRes 422 XQ	ProRes 422 HQ	ProRes 422 LT
256GB		녹화 가능 시간	녹화 가능 시간	녹화 가능 시간	녹화 가능 시간	녹화 가능 시간	녹화 가능 시간	녹화 가능 시간
	23.98	41분	68분	110분	164분	21분	47분	101분
	24	41분	68분	109분	164분	21분	47분	101분
	25	39분	66분	105분	157분	20분	45분	97분
	29.976	33분	55분	88분	131분	16분	38분	81분
	30	33분	55분	88분	131분	16분	38분	81분
	50	19분	33분	52분	79분	—	22분	48분
	59.94	16분	27분	44분	66분	—	18분	40분
60	16분	27분	44분	66분	—	18분	40분	

\*Blackmagic RAW는 URSA Mini Pro 4.6K 및 URSA Mini Pro 4.6K G2에서만 사용할 수 있습니다.

HD								
CFast 카드	프레임 레이트	Blackmagic RAW 3:1*	Blackmagic RAW 5:1*	Blackmagic RAW 8:1*	Blackmagic RAW 12:1	ProRes 422 XQ	ProRes 422 HQ	ProRes 422 LT
256GB		녹화 가능 시간	녹화 가능 시간	녹화 가능 시간	녹화 가능 시간	녹화 가능 시간	녹화 가능 시간	녹화 가능 시간
	23.98	159분	264분	418분	619분	84분	189분	403분
	24	159분	264분	418분	618분	84분	189분	403분
	25	153분	253분	402분	595분	81분	182분	387분
	29.976	128분	212분	336분	499분	68분	152분	324분
	30	127분	212분	336분	499분	67분	152분	324분
	50	76분	127분	203분	303분	40분	91분	196분
	59.94	64분	106분	170분	254분	34분	76분	163분
60	64분	106분	170분	253분	33분	76분	163분	

\*Blackmagic RAW는 URSA Mini Pro 4.6K 및 URSA Mini Pro 4.6K G2에서만 사용할 수 있습니다.

Q0 및 Q5를 위한 균일 화질 설정에는 각기 다른 잔여 녹화 가능 시간이 표시됩니다. Q0의 예상 녹화 가능 시간은 고정 비트레이트 3:1과 비슷하며 Q5의 녹화 가능 시간은 12:1과 비슷합니다. 그러나 녹화 시에는 10초마다 녹화 가능 시간이 업데이트되기 때문에 이를 예측할 수 있는 가장 좋은 방법은 20초마다 터치스크린의 미디어 구역에 나와 있는 녹화 가능 시간을 확인하는 것입니다.

## URSA Mini Pro 12K의 데이터 레이트

Blackmagic URSA Mini Pro 12K를 사용하면 다양한 해상도 및 프레임 레이트로 이미지를 캡처할 수 있습니다. 다양한 설정이 데이터 전송률에 미치는 영향을 이해하는 것이 중요한데, 이를 바탕으로 작업 중인 프로젝트에 최적인 포맷과 미디어를 선택할 수 있습니다. Blackmagic Design에서는 적정 프레임 레이트 값을 제시하기 위해 다양한 종류의 CFast 카드, SD UHS-II 카드, USB-C 드라이브를 철저히 테스트했습니다. 더 자세한 정보는 [저장 미디어] 부분을 참고하세요. 일반적으로 URSA Mini Pro 12K에 사용하는 CFast 카드는 400 MB/s 정도의 데이터 전송률을 지원합니다. 이러한 대략적인 수치는 운용 가능한 해상도 및 프레임 레이트를 가능할 수 있는 좋은 지표가 됩니다.

URSA Mini Pro 12K를 사용하면 굉장히 높은 데이터 전송률로 영상을 녹화할 수 있기 때문에, 두 개의 카드를 스트라이핑할 경우, 미디어의 비트레이트를 두 배로 높일 수 있습니다. 이렇게 설정하려면 먼저 한 쌍의 CFast 또는 SD 카드를 삽입한 다음, '녹화(RECORD)' 메뉴에 있는 '두 개의 카드에 RAW 파일로 녹화하기(RECORD RAW ON 2 CARDS)'를 활성화하세요. 이는 두 개의 카드를 순차적으로 스트라이핑하는 방식으로 둘 중 속도가 느린 카드의 데이터 레이트로 제한되기 때문에, 사양이 같거나 비슷한 두 개의 카드를 사용할 것을 권장합니다. 슬롯 1에 있는 CFast 카드와 슬롯 2에 있는 USB-C 디스크를 스트라이핑할 수도 있습니다. '두 개의 카드에 RAW 파일로 녹화하기(RECORD RAW ON 2 CARDS)' 옵션을 사용할 경우, 스트라이핑된 어레이 중 속도가 더 느린 카드 데이터 레이트의 두 배로 속도가 제한됩니다. 더 자세한 정보는 [두 개의 카드에 RAW 파일로 녹화하기] 부분을 참고하세요.

Blackmagic RAW의 고정 비트레이트 옵션을 통해 파일 크기 및 데이터 레이트를 예상할 수 있습니다. 디테일이 아주 풍부한 장면이나 움직임이 빠른 장면을 촬영할 경우, 고정 비트레이트 옵션에서는 최대 고정 비트레이트로 이미지를 압축하여 설정해둔 특정 레벨 이상으로 비트레이트가 증가하지 않도록 합니다. 이를 통해 미디어 유지에 필요한 속도를 쉽고 파악하게 알 수 있으며, 선택한 미디어로 촬영 가능한 시간을 대략적으로 확인할 수 있습니다.

**Blackmagic RAW 고정 비트레이트 설정 시 최대 데이터 레이트 - 24p**

포맷	해상도	프레임 레이트	Blackmagic RAW 5:1	Blackmagic RAW 8:1	Blackmagic RAW 12:1	Blackmagic RAW 18:1	
12K	17:9	12288 x 6480	24	578 MB/s	361 MB/s	241 MB/s	160 MB/s
	16:9	11520 x 6480	24	542 MB/s	339 MB/s	226 MB/s	150 MB/s
	2.4:1	12288 x 5112	24	457 MB/s	286 MB/s	190 MB/s	127 MB/s
	6:5 Anamorphic	7680 x 6408	24	358 MB/s	224 MB/s	150 MB/s	99 MB/s
8K	17:9	8192 x 4320	24	257 MB/s	161 MB/s	107 MB/s	71 MB/s
	16:9	7680 x 4320	24	241 MB/s	151 MB/s	101 MB/s	67 MB/s
	2.4:1	8192 x 3408	24	203 MB/s	127 MB/s	85 MB/s	56 MB/s
	6:5 Anamorphic	5120 x 4272	24	159 MB/s	100 MB/s	67 MB/s	44 MB/s
6K	Super 16	6144 x 3240	24	146 MB/s	91 MB/s	61 MB/s	40 MB/s
4K	DCI	4096 x 2160	24	65 MB/s	41 MB/s	32 MB/s	27 MB/s
	16:9	3840 x 2160	24	61 MB/s	38 MB/s	30 MB/s	25 MB/s
	2.4:1	4096 x 1704	24	51 MB/s	32 MB/s	25 MB/s	21 MB/s
	6:5 Anamorphic	2560 x 2136	24	40 MB/s	25 MB/s	20 MB/s	17 MB/s
	Super 16	4096 x 2160	24	65 MB/s	41 MB/s	27 MB/s	18 MB/s

실제 저장 공간은 촬영 대상에 따라 달라질 수 있으며, 디테일이 지나치게 높은 장면이나 아주 간단한 장면 촬영 시에도 제시된 수치 범위를 벗어날 수 있다는 사실을 기억하세요.

**Blackmagic RAW 균일 화질 설정 시 데이터 레이트 범위 - 24p**

포맷	해상도	프레임 레이트	Blackmagic RAW Q0	Blackmagic RAW Q1	Blackmagic RAW Q3	Blackmagic RAW Q5	
12K	17:9	12288 x 6480	24	241-578 MB/s	145-361 MB/s	97-241 MB/s	73-181 MB/s
	16:9	11520 x 6480	24	226-542 MB/s	136-339 MB/s	91-226 MB/s	68-170 MB/s
	2.4:1	12288 x 5112	24	190-457 MB/s	114-286 MB/s	76-190 MB/s	57-143 MB/s
	6:5 Anamorphic	7680 x 6408	24	150-358 MB/s	90-224 MB/s	60-150 MB/s	45-112 MB/s
8K	17:9	8192 x 4320	24	161-321 MB/s	107-214 MB/s	81-161 MB/s	52-129 MB/s
	16:9	7680 x 4320	24	151-301 MB/s	101-201 MB/s	76-151 MB/s	49-121 MB/s
	2.4:1	8192 x 3408	24	127-254 MB/s	85-169 MB/s	64-127 MB/s	41-102 MB/s
	6:5 Anamorphic	5120 x 4272	24	100-199 MB/s	67-133 MB/s	50-100 MB/s	32-80 MB/s
6K	Super 16	6144 x 3240	24	61-146 MB/s	37-91 MB/s	25-61 MB/s	19-46 MB/s
4K	DCI	4096 x 2160	24	129-214 MB/s	65-129 MB/s	41-107 MB/s	30-81 MB/s
	16:9	3840 x 2160	24	121-201 MB/s	61-121 MB/s	38-101 MB/s	28-76 MB/s
	2.4:1	4096 x 1704	24	102-169 MB/s	51-102 MB/s	32-85 MB/s	23-64 MB/s
	6:5 Anamorphic	2560 x 2136	24	80-133 MB/s	40-80 MB/s	25-67 MB/s	18-50 MB/s
	Super 16	4096 x 2160	24	41-81 MB/s	27-54 MB/s	21-41 MB/s	13-33 MB/s

오프스피드로 촬영하면 좀 더 창의적인 연출로 원하는 장면을 연출할 수 있습니다. URSA Mini Pro 12K를 사용할 경우, 최대 60 fps의 12K 해상도 또는 240 fps의 기타 해상도로 촬영할 수 있습니다. URSA Mini Pro 12K를 사용해 높은 프레임 레이트로 촬영하면 카메라에서 과도한 비트레이트를 사용하게 되므로, 적합한 Blackmagic RAW 압축 방식을 선택하는 것이 중요합니다.

**Blackmagic RAW 고정 비트레이트 설정 시 최대 데이터 레이트 - 최대 프레임 레이트**

포맷	해상도	Blackmagic RAW 5:1		Blackmagic RAW 8:1		Blackmagic RAW 12:1		Blackmagic RAW 18:1		
		최대 프레임 레이트	최대 데이터 레이트	최대 프레임 레이트	최대 데이터 레이트	최대 프레임 레이트	최대 데이터 레이트	최대 프레임 레이트	최대 데이터 레이트	
12K	17:9	12288 x 6480	40	963 MB/s	60	903 MB/s	60	602 MB/s	60	401 MB/s
	16:9	11520 x 6480	40	903 MB/s	60	847 MB/s	60	565 MB/s	60	376 MB/s
	2.4:1	12288 x 5112	50	951 MB/s	75	892 MB/s	75	595 MB/s	75	396 MB/s
	6:5 Anamorphic	7680 x 6408	60	895 MB/s	60	560 MB/s	60	373 MB/s	60	249 MB/s
8K	17:9	8192 x 4320	120	1,285 MB/s	120	803 MB/s	120	536 MB/s	120	357 MB/s
	16:9	7680 x 4320	120	1,205 MB/s	120	753 MB/s	120	502 MB/s	120	334 MB/s
	2.4:1	8192 x 3408	160	1,353 MB/s	160	846 MB/s	160	564 MB/s	160	375 MB/s
	6:5 Anamorphic	5120 x 4272	120	796 MB/s	120	498 MB/s	120	332 MB/s	120	221 MB/s
6K	Super 16	6144 x 3240	120	727 MB/s	120	455 MB/s	120	303 MB/s	120	202 MB/s
4K	DCI	4096 x 2160	120	322 MB/s	120	201 MB/s	120	161 MB/s	120	134 MB/s
	16:9	3840 x 2160	120	302 MB/s	120	189 MB/s	120	150 MB/s	120	125 MB/s
	2.4:1	4096 x 1704	160	339 MB/s	160	212 MB/s	160	169 MB/s	160	141 MB/s
	6:5 Anamorphic	2560 x 2136	120	200 MB/s	120	125 MB/s	120	99 MB/s	120	83 MB/s
	Super 16	4096 x 2160	240	648 MB/s	240	405 MB/s	240	271 MB/s	240	180 MB/s

**Blackmagic RAW 균일 화질 설정 시 데이터 레이트 범위 - 최대 프레임 레이트**

포맷	해상도	프레임 레이트	Blackmagic RAW Q0	Blackmagic RAW Q1	Blackmagic RAW Q3	Blackmagic RAW Q5	
12K	17:9	12288 x 6480	60	602-1,445 MB/s	362-903 MB/s	241-602 MB/s	181-452 MB/s
	16:9	11520 x 6480	60	565-1,355 MB/s	339-847 MB/s	226-565 MB/s	170-424 MB/s
	2.4:1	12288 x 5112	75	595-1,426 MB/s	357-892 MB/s	238-595 MB/s	179-446 MB/s
	6:5 Anamorphic	7680 x 6408	60	373-895 MB/s	224-560 MB/s	150-373 MB/s	112-280 MB/s
8K	17:9	8192 x 4320	120	803-1,605 MB/s	536-1,071 MB/s	402-803 MB/s	258-643 MB/s
	16:9	7680 x 4320	120	753-1,506 MB/s	502-1,004 MB/s	377-753 MB/s	242-603 MB/s
	2.4:1	8192 x 3408	160	846-1,609 MB/s	564-1,127 MB/s	423-846 MB/s	271-677 MB/s
	6:5 Anamorphic	5120 x 4272	120	498-995 MB/s	332-664 MB/s	249-498 MB/s	160-398 MB/s
6K	Super 16	6144 x 3240	120	303-727 MB/s	182-455 MB/s	122-303 MB/s	92-228 MB/s



포맷	해상도	프레임 레이트	Blackmagic RAW Q0	Blackmagic RAW Q1	Blackmagic RAW Q3	Blackmagic RAW Q5	
4K	DCI	4096 x 2160	120	643-1,071 MB/s	322-643 MB/s	201-536 MB/s	147-402 MB/s
	16:9	3840 x 2160	120	603-1,004 MB/s	302-603 MB/s	189-502 MB/s	138-377 MB/s
	2.4:1	4096 x 1704	160	677-1,127 MB/s	339-677 MB/s	212-564 MB/s	155-423 MB/s
	6:5 Anamorphic	2560 x 2136	120	398-664 MB/s	200-398 MB/s	125-332 MB/s	91-249 MB/s
	Super 16	4096 x 2160	240	405-810 MB/s	271-540 MB/s	203-405 MB/s	131-325 MB/s

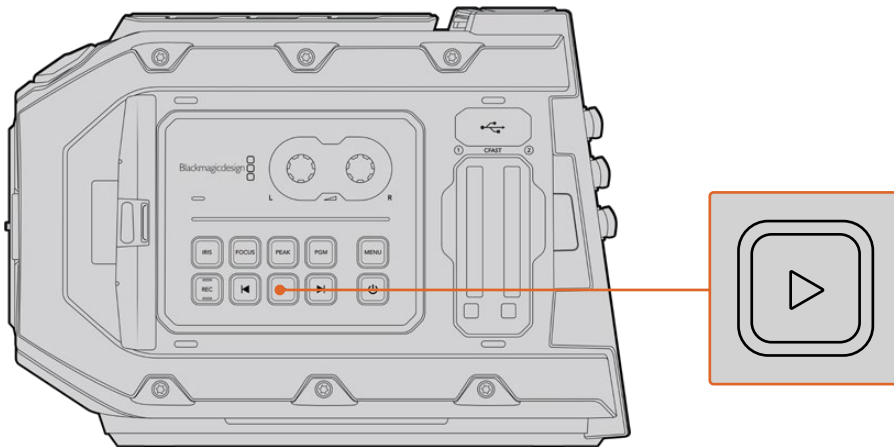
균일 화질 포맷을 위한 실제 저장 공간은 촬영 대상에 따라 달라질 수 있으며, 디테일이 지나치게 높은 장면이나 아주 간단한 장면 촬영 시에도 제시된 수치 범위를 벗어날 수 있다는 사실을 기억하세요.

## 재생

### 클립 재생하기

영상을 촬영한 뒤, 트랜스포트 컨트롤 버튼을 사용하여 해당 클립을 재생할 수 있습니다.

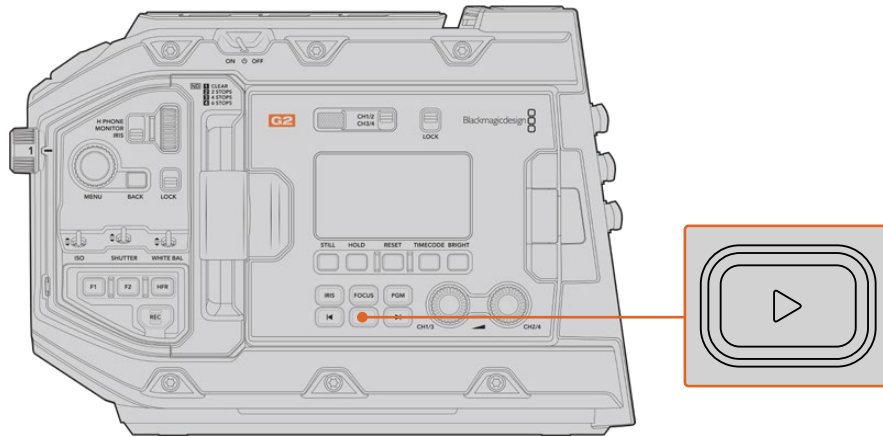
재생 버튼을 누르면 영상이 즉시 재생되어 URSA Mini의 LCD 터치스크린으로 녹화된 영상을 확인할 수 있습니다. 또한 URSA Mini의 SDI 출력에 연결된 모든 디스플레이를 통해 클립을 확인할 수 있습니다.



URSA Mini 카메라

**정보** Blackmagic URSA Mini의 내부 제어 패널과 인체 공학 제어 패널에는 재생 및 트랜스포트 제어 버튼이 탑재되어 있습니다.

**참고** Blackmagic URSA Mini의 내부 제어 패널과 인체 공학 패널에는 재생 및 트랜스포트 제어 버튼이 탑재되어 있습니다.



URSA Mini Pro 4.6K G2 카메라

건너뛰기 버튼 및 뒤로 가기 버튼을 눌러 클립의 시작 및 끝부분으로 이동할 수 있습니다. 뒤로 가기 버튼을 누르면 현재 재생 중인 클립의 시작 부분으로 넘어가며, 이 버튼을 두 번 누르면 이전 클립의 시작 부분으로 되돌아갑니다. 건너뛰기 버튼 또는 뒤로 가기 버튼을 누르고 있으면 2배속으로 재생됩니다. 건너뛰기 또는 뒤로 가기가 실행 중인 상태에서 건너뛰기 버튼 또는 뒤로 가기 버튼을 두 번 누르면 4배속, 세 번 누르면 8배속, 네 번 누르면 16배속으로 전환됩니다. 건너뛰기 버튼과 뒤로 가기 버튼을 사용하여 녹화 도중 호환 렌즈의 조리개를 열고 닫을 수도 있습니다.

프로젝트 프레임 레이트와 다른 값의 센서 프레임 레이트로 촬영한 클립의 경우, 클립의 재생 속도 또한 달라집니다. 예를 들어, 카메라의 프로젝트 프레임 레이트를 후반 제작 타임라인에서 사용하는 초당 24 프레임으로 설정했다고 가정해보세요. 만약 센서 프레임 레이트를 초당 60 프레임으로 설정하여 클립을 녹화할 경우, 촬영한 클립은 카메라와 후반 제작 타임라인에서 모두 느린 동작으로 재생됩니다.

**정보** 프레임 속도와 관련된 더 자세한 정보는 [녹화] 부분을 참고하세요.

# URSA Mini 소개

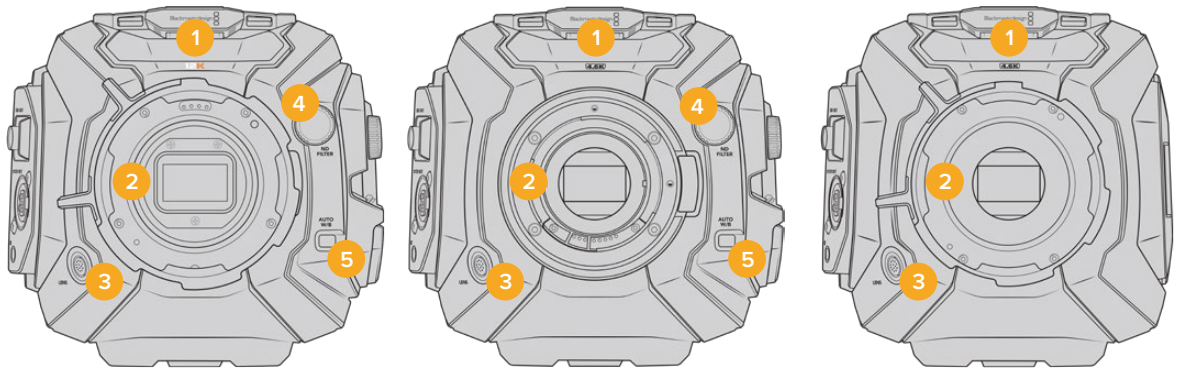
URSA Mini 우측과 뒷면 패널에는 SDI 연결을 위한 표준 BNC 커넥터가 탑재되어 있습니다. Blackmagic URSA Handgrip 옵션과 외부 LANC 컨트롤러를 위한 두 개의 LANC 입력이 각각 카메라 측면과 뒷면에 탑재되어 있습니다.

URSA Mini와 URSA Mini Pro의 경우 상단 패널의 마운팅 포인트 아래쪽에 전문 균형 아날로그 오디오를 위한 XLR 입력이 탑재되어 있으며 URSA Mini Pro에는 AES 디지털 오디오 입력이 추가로 탑재되어 있습니다. 뒷면 패널에는 외부 전원 입력을 위한 4핀 XLR 커넥터가, 우측면에는 Blackmagic URSA Viewfinder 등의 액세서리에 전원을 공급하기 위한 출력이 탑재되어 있습니다.

URSA Mini의 경우, 저장 미디어 슬롯 상단에 탑재된 USB 포트로 컴퓨터와 연결해 카메라 내부 소프트웨어를 업데이트할 수 있습니다.

**참고** URSA Mini Pro에는 인체 공학 제어 장치가 추가로 탑재되어 있어 접이식 터치스크린을 열지 않고도 카메라의 핵심 기능을 쉽고 빠르게 사용할 수 있습니다.

## 카메라 전면부



URSA Mini Pro 12K 모델

URSA Mini Pro 4.6K 모델

URSA Mini PL 모델

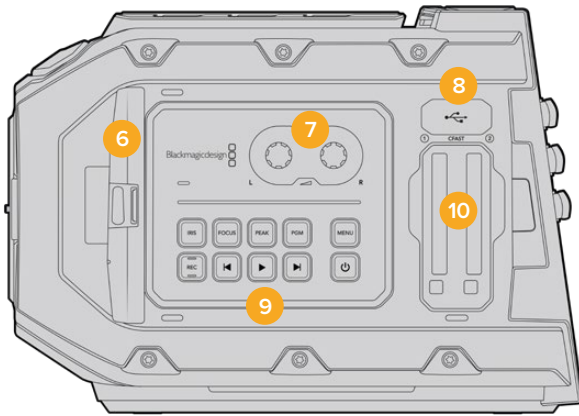
- 1 스테레오 마이크**  
고품질의 스테레오 마이크가 내장되어 있습니다. 마이크 오디오 설정에 관한 자세한 정보는 [설정하기] 부분을 참고하세요.
- 2 렌즈 마운트**  
URSA Mini 카메라에는 EF 또는 PL 렌즈 마운트가 탑재되어 있습니다. URSA Mini Pro에는 EF, F, PL, B4 마운트로 전환 가능한 교체형 렌즈 마운트가 탑재되어 있습니다. 더 자세한 정보는 [교체형 렌즈 마운트] 부분을 참고하세요.
- 3 방송 렌즈 커넥터**  
12핀 커넥터를 통해 호환 가능한 PL 및 B4 마운트 렌즈에 전원과 제어 기능을 제공합니다. 해당 커넥터는 URSA Mini PL과 URSA Mini Pro 모델에서만 사용 가능합니다. 본 설명서의 [서보 줌 렌즈 사용하기] 부분에서 PL과 B4 모델 등의 호환 렌즈 목록을 확인할 수 있습니다.
- 4 ND 필터**  
이 휠을 사용해 클리어(Clear) 설정과 세 개의 내장 ND 필터 중 원하는 것을 선택할 수 있습니다. 더 자세한 정보는 [URSA Mini Pro 컨트롤 버튼] 부분을 참고하세요.

## 5 자동 화이트 밸런스

AUTO W/B라고 표기된 자동 화이트 밸런스 버튼은 현재 스크린 중앙에 있는 것을 기반으로 화이트 밸런스를 설정하고자 할 때 사용합니다. 예를 들어, 렌즈 앞에 회색 카드를 놓고 자동 화이트 밸런스를 설정합니다. 더 자세한 정보는 [URSA Mini Pro 컨트롤 버튼] 부분을 참고하세요.

## 좌측면 — URSA Mini

URSA Mini의 좌측 패널에 CFast 카드를 삽입하고 컨트롤 패널을 통해 설정을 변경할 수 있습니다. CFast 슬롯 바로 위에 USB 포트가 탑재되어 있어 URSA Mini의 내부 소프트웨어를 업데이트 시 컴퓨터에 쉽게 연결할 수 있습니다.



## 6 접이식 터치스크린

5인치 접이식 터치스크린 모니터로 카메라 높이에 따라 다양한 각도로 회전할 수 있습니다. 더 자세한 정보는 [터치스크린 컨트롤] 부분을 참고하세요.

## 7 오디오 레벨 조절 노브

조절 노브를 사용해 오디오 채널 1과 채널 2의 녹음 레벨을 설정할 수 있습니다. 더 자세한 정보는 [URSA Mini 컨트롤] 부분을 참고하세요.

## 8 미니 USB 포트

내부 소프트웨어를 업데이트하기 위한 미니 USB 포트입니다. 더 자세한 정보는 [Blackmagic Camera Setup 유틸리티] 부분을 참고하세요.

## 9 제어 패널 버튼

카메라 전원, 녹화/재생 제어, 포커스 피킹, 설정 메뉴를 위한 버튼과 호환 가능한 EF 렌즈의 조리개 및 자동 초점 제어를 위한 버튼이 탑재되어 있습니다. 더 자세한 정보는 [URSA Mini 컨트롤] 부분을 참고하세요.

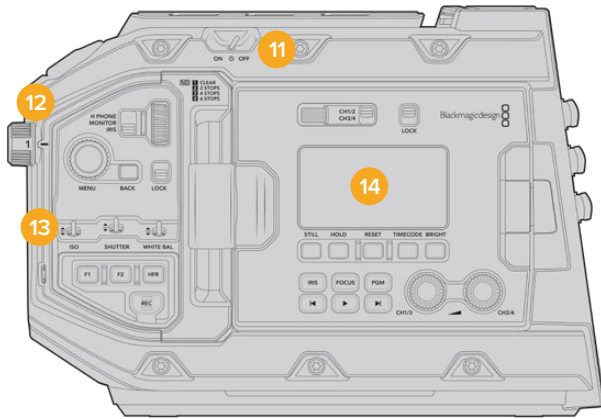
## 10 메모리 카드 슬롯

CFast 2.0 카드를 슬롯에 삽입해 영상을 녹화 및 재생할 수 있습니다. 더 자세한 정보는 [저장 미디어] 부분을 참고하세요.

## 좌측면 — URSA Mini Pro

URSA Mini Pro의 좌측면에는 제어 장치가 추가로 탑재되어 있어, 모든 카메라 핵심 기능을 쉽게 사용할 수 있습니다. 이러한 제어 장치는 전면부 제어 패널과 접이식 터치스크린 모니터 바깥쪽에 있는 인체 공학 패널, 그리고 접이식 모니터 안쪽의 제어 패널에 탑재되어 있습니다.

CFast 및 SD 카드 슬롯은 접이식 모니터 안쪽에 있습니다. 이 메모리 카드 슬롯 위에 있는 USB-C 포트는 컴퓨터와 연결해 URSA Mini Pro의 내부 소프트웨어를 업데이트하는 데 사용됩니다.



접이식 터치스크린이 닫힌 URSA Mini Pro 4.6K 모습

### 11 전원 스위치

카메라를 켜기 위한 전원 스위치입니다. 접이식 모니터 안쪽에 보조 전원 시스템을 탑재해 REC 버튼과 건너뛰기 버튼을 동시에 누르면 카메라 전원이 켜집니다.

### 12 ND 필터

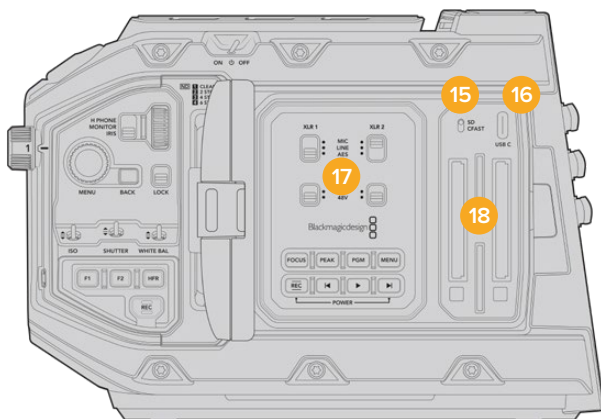
URSA Mini는 세 가지의 내부 중성 농도 필터를 탑재해 센서에 들어오는 광량을 조절할 수 있습니다. Clear에서 6 스타에 이르는 네 가지 설정 가운데 원하는 것을 선택할 수 있습니다. 간단히 휠을 돌려 사용 가능한 설정을 선택하세요. 휠을 돌리면 딸깍 소리가 나며 각 필터로 설정됩니다. 더 자세한 정보는 본 설명서의 [URSA Mini Pro 컨트롤 버튼] 부분을 참고하세요.

### 13 전면 제어 패널

전면 제어 패널에서 URSA Mini Pro의 모든 주요 기능을 신속하게 사용할 수 있습니다. 카메라를 삼각대에 설치해 촬영하거나 핸드헬드로 촬영할 경우, 이러한 제어 장치를 통해 ISO, 셔터 개각도 및 셔터 속도, 조리개, 화이트 밸런스, 프레임 속도 등의 설정을 쉽게 조정할 수 있습니다. 더 자세한 정보는 [URSA Mini Pro 컨트롤 버튼] 부분을 참고하세요.

### 14 인체 공학 제어 패널

URSA Mini Pro의 접이식 터치스크린 모니터 바깥 쪽에는 LCD 상태 모니터와 신속하고 강력하게 모니터링을 제어할 수 있는 다양한 제어 장치가 탑재되어 있습니다. 여기서 다양한 모니터링 기능을 제어할 수 있을 뿐만 아니라 카메라 상태 정보를 한 눈에 살펴볼 수 있습니다. 더 자세한 정보는 [URSA Mini Pro 컨트롤 버튼] 부분을 참고하세요.



접이식 터치스크린이 열린 URSA Mini Pro 모습

### 15 저장 미디어 선택 스위치

CFast 및 SD 저장 미디어 선택 시 사용하는 스위치입니다.

## 16 USB 포트

내부 소프트웨어를 업데이트하기 위한 USB-C 포트입니다. 더 자세한 정보는 [Blackmagic Camera Setup 유틸리티] 부분을 참고하세요. URSA Mini Pro G2의 경우, USB-C 포트를 사용해 URSA Mini Recorder 또는 외장 USB-C 플래시 디스크에 영상을 녹화할 수 있습니다.

## 17 내부 제어 패널

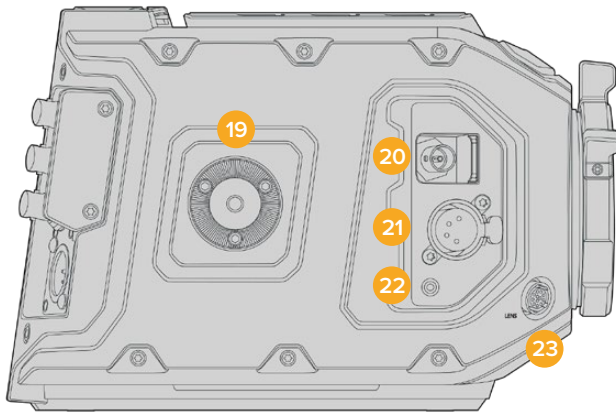
URSA Mini Pro의 접이식 모니터를 열면 내부 제어 패널을 사용할 수 있습니다. 이 제어 장치를 사용해 팬텀 파워 설정과 오디오 입력을 설정하세요. 조리개와 초점, 메뉴, 재생 제어 등을 설정할 수도 있습니다. 더 자세한 정보는 [URSA Mini Pro 컨트롤 버튼] 부분을 참고하세요.

## 18 메모리 카드 슬롯

CFast 2.0 카드와 SDXC 또는 SDHC 카드를 슬롯에 삽입해 영상을 녹화 및 재생할 수 있습니다. 본 설명서나 웹사이트에서 인증된 카드 목록을 반드시 확인하세요. 더 자세한 정보는 [저장 미디어] 부분을 참고하세요.

# 우측면

URSA Mini의 우측 패널에서는 모든 비디오와 오디오, 전원을 위한 커넥터뿐만 아니라 Blackmagic URSA Handgrip 옵션을 위한 로제트 마운트까지 사용할 수 있습니다.



URSA Mini PL 모델

## 19 측면 로제트 마운트

Blackmagic URSA Handgrip 옵션을 위한 표준형 로제트 마운트입니다. 더 자세한 정보는 [시작하기]와 [Blackmagic URSA Handgrip], [Blackmagic URSA Mini Shoulder Mount Kit] 부분을 참고하세요.

## 20 HD 모니터링 출력

다운컨버팅 1080 HD 출력을 위한 3G-SDI 커넥터입니다. Blackmagic URSA Viewfinder 또는 외부 모니터와 함께 사용하세요. 더 자세한 정보는 [카메라 비디오 출력]과 [Blackmagic URSA Viewfinder] 부분을 참고하세요.

## 21 +12V 전원 출력

Blackmagic URSA Viewfinder와 Blackmagic URSA Studio Viewfinder 또는 외부 모니터 및 액세서리에 전원을 공급하는 4핀 XLR 커넥터입니다. 더 자세한 정보는 [Blackmagic URSA Viewfinder]와 [Blackmagic URSA Studio Viewfinder] 부분을 참고하세요. 방송 렌즈 커넥터와 합쳐진 전원 출력 세기는 최대 2암페어의 12V입니다.

## 22 LANC 입력

Blackmagic URSA Handgrip 옵션 전용 2.5mm TRS LANC 커넥터입니다. 핸드 그립 연결에 대한 자세한 정보는 [Blackmagic URSA Handgrip] 부분을 참고하세요.

### 23 방송 렌즈 제어 커넥터

12핀 커넥터를 통해 호환 가능한 PL 및 B4 마운트 렌즈에 전원과 제어 기능을 제공합니다. 해당 커넥터는 URSA Mini PL과 URSA Mini Pro 모델에서만 사용 가능합니다. +12V 전원 출력 단자와 합쳐진 전원 출력 세기는 최대 2암페어의 12V입니다.

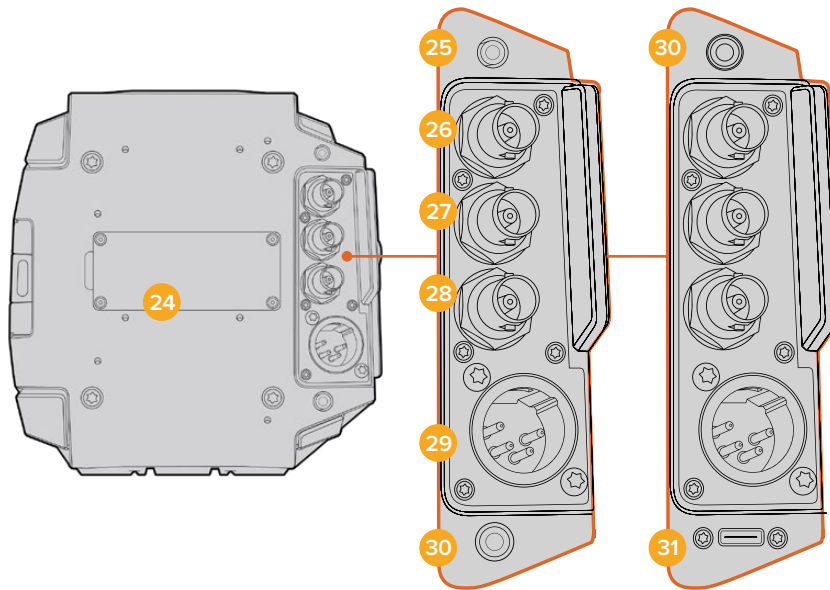
## 뒷면 패널

### 24 배터리 마운트 플레이트

Blackmagic URSA Mini 뒷면에는 마운팅 포인트뿐 아니라 안쪽에 숨겨진 Molex 커넥터까지 탑재되어 있어, 카메라에 전원을 공급하거나 카메라 전원을 사용할 수 있고 일부 데이터 정보까지 카메라에 제공할 수 있습니다. 마운팅 홀을 탑재해 배터리 플레이트와 Blackmagic Camera Fiber Converter, URSA Mini Recorder 등의 옵션 액세서리를 카메라 뒤쪽에 장착할 수 있습니다. 사용 중일 경우, 안쪽에 숨겨진 Molex 커넥터를 통해 최대 1.5암페어의 12V 전력을 공급할 수 있습니다. 더 자세한 정보는 [배터리 장착하기], [Blackmagic Fiber Converter 사용하기], [URSA Mini Recorder] 부분을 참고하세요.

### 25 LANC

2.5mm 잭은 삼각대 손잡이에 장착하는 외부 녹화 시작/정지 컨트롤 등의 외부 LANC 원격 제어를 위해 사용됩니다. LANC는 녹화 시작/정지 기능과 호환 가능한 EF 렌즈 사용 시 조리개 및 초점 제어 기능을 지원합니다. URSA Mini Pro 12K의 뒷면 패널에는 LANC 포트가 탑재되어 있지 않습니다. URSA Mini Pro 12K에서 LANC 제어 기능을 사용하려면, 우측면 패널에 있는 2.5mm TRS LANC 입력 커넥터를 활용하세요.



URSA Mini Pro 4.6K G2, URSA Mini Pro 4.6K, URSA Mini 4.6K, URSA Mini 4K      URSA Mini Pro 12K

### 26 12G-SDI 출력

Blackmagic URSA Mini의 12G-SDI 출력은 라우터와 모니터, SDI 캡처 장비, 방송용 스위처 등의 SDI 장비에 연결하여 HD 및 UHD 비디오를 전송하는 데 사용됩니다. 백업 녹화를 위한 Blackmagic Video Assist 등의 외부 녹화기에 12G-SDI 출력을 연결할 수도 있습니다.

### 27 12G-SDI 입력

12G-SDI 입력은 스위처나 외부 레코더를 연결하거나 재생, 토크백, 탈리 또는 외부 레퍼런스 신호를 확인하는 데 사용됩니다. ATEM 스위처와 함께 사용 시 스위처의 카메라 컨트롤 기능을 사용하여 카메라 설정을 변경할 수 있습니다.



다시 말해, URSA Mini를 라이브 방송에서 사용할 경우, 스위치의 프로그램 출력을 연결해 촬영 중인 영상을 모니터링하거나 외부 녹화기 영상을 재생하여 확인할 수 있습니다. PGM 버튼을 길게 눌러 프로그램 피드를 확인할 수 있습니다. 더 자세한 정보는 URSA Mini 설명서의 [컨트롤 버튼] 부분 또는 URSA Mini Pro 설명서의 [인체 공학 제어 패널] 부분을 참고하세요.

SDI 입력을 통해 탈리와 토크백 신호를 수신하려면 카메라의 'SETUP' 메뉴에서 ATEM 카메라 ID를 설정해야 합니다. SDI 입력을 통해 외부 레퍼런스 신호를 수신하려면 'SETUP' 메뉴에서 'REFERENCE SOURCE' 유형을 'Program'으로 선택하세요. 외부 레퍼런스 신호가 잠기면 카메라 LCD 스크린에 있는 타임코드 디스플레이 옆에 'REF' 표시가 나타납니다. 더 자세한 정보는 본 설명서의 [설정] 부분을 참고하세요.

URSA Mini Pro의 SDI 입력은 카메라에 외부 타임코드 피드 신호를 전송받는 용도로 사용할 수 있습니다. SDI 수신 신호의 프레임 레이트가 설정된 값과 일치하고 타임코드가 유효할 경우, SDI 입력은 자동으로 타임코드를 잠금니다. 외부 타임코드 신호가 잠기면 URSA Mini Pro의 LCD에 'EXT' 표시가 나타납니다. 케이블을 뽑을 경우, 타임코드가 멈추고 디스플레이 표시가 'INT'로 바뀌어 이제 URSA Mini Pro의 내부 타임코드 시간을 사용하고 있음을 알립니다.

## 28 레퍼런스/타임코드 입력

입력 신호를 자동으로 인식해 타임코드 입력 신호나 레퍼런스 입력 신호로 전환합니다. 레퍼런스 입력을 REF IN이라고 표시된 BNC 입력에 연결하여 Blackmagic URSA Mini를 Tri-level과 같은 일반 레퍼런스 신호에 동기화할 수 있습니다. 해당 입력을 통해 레퍼런스 신호를 사용하려면 URSA Mini 'SETUP' 메뉴에서 'REFERENCE SOURCE'를 반드시 'External'로 설정하는 것을 잊지 마세요.

아니면 이 커넥터를 사용해 외부 타임코드 소스를 여러 대의 카메라에 동기화할 수도 있습니다. 또한 오디오와 영상을 따로 촬영하는 경우에도 외부 타임코드 소스를 동기화할 수 있습니다. 이를 통해 후반 제작 단계에서 오디오 및 영상 또는 여러 카메라에서 전송되는 영상을 손쉽게 동기화시킬 수 있습니다. 프레임 레이트가 매칭되는 외부 타임코드를 이 커넥터에 연결하면 카메라가 수신 타임코드에 자동으로 동기화됩니다. 외부 타임코드 신호가 잠기면 URSA Mini의 LCD에 'EXT' 표시가 나타납니다. 케이블을 뽑을 경우, 타임코드 동기화는 여전히 유지되며 디스플레이 표시가 'INT'로 바뀌어 이제 URSA Mini Pro의 내부 타임코드 시간을 사용하고 있음을 알립니다.

SDI 입력을 통해 카메라에서 ATEM 스위치의 레퍼런스 신호를 사용하도록 설정할 수도 있습니다. 모든 카메라에서 하나의 SDI 신호를 사용해 프로그램 리턴 피드, 카메라 제어 신호, 탈리, 토크백, 레퍼런스, 타임코드를 수신할 수 있어, ATEM 스위처로 작업할 때 굉장히 유용합니다. 더 자세한 정보는 본 설명서의 [설정] 부분을 참고하세요.

## 29 12V 전원 입력

4핀 12V-20V DC XLR 커넥터를 사용하여 전원 어댑터와 콘센트, 휴대용 배터리, 발전기와 같은 외부 전원에 연결할 수 있습니다.

## 30 헤드폰/헤드셋

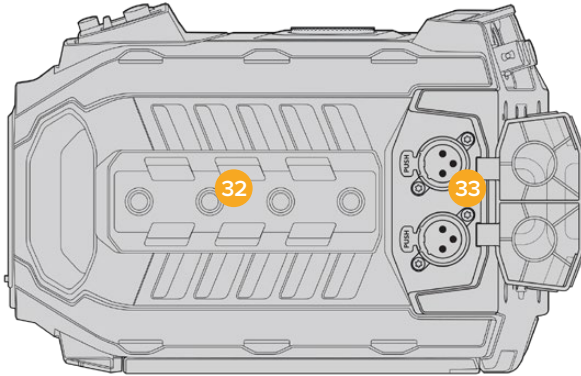
3.5mm 잭 출력 단자는 헤드폰 모니터링과 토크백에 사용됩니다. 쉽고 빠른 토크백용 마이크가 내장된 아이폰 및 안드로이드 호환 헤드셋을 연결할 수 있습니다. 토크백 오디오는 SDI 출력의 채널 15와 채널 16에 임베디드됩니다.

**정보** URSA Mini 또는 URSA Mini Pro의 토크백용 3.5mm 잭을 사용할 경우, 아이폰 또는 안드로이드 호환 헤드셋을 사용하는 것이 가장 경제적입니다. 이런 헤드셋에는 보통 인라인 마이크 버튼이 탑재되어 있어 이를 통해 마이크를 켜고 끌 수 있습니다. 이러한 인라인 스위치가 없는 방송용 헤드셋을 사용하고자 할 경우, URSA Mini 또는 URSA Mini Pro의 기능 버튼으로 동일한 기능을 사용할 수 있습니다. 더 자세한 정보는 본 설명서의 [설정] 부분을 참고하세요.

### 31 USB 포트

URSA Mini Pro12K 영상을 외장 플래시 디스크에 녹화할 수 있는 잠금 커넥터 지원 USB-C 3.1 2세대 포트입니다.

## 상단 패널



상단 패널의 균형 XLR 커넥터에 외부 아날로그 오디오를 연결할 수 있습니다

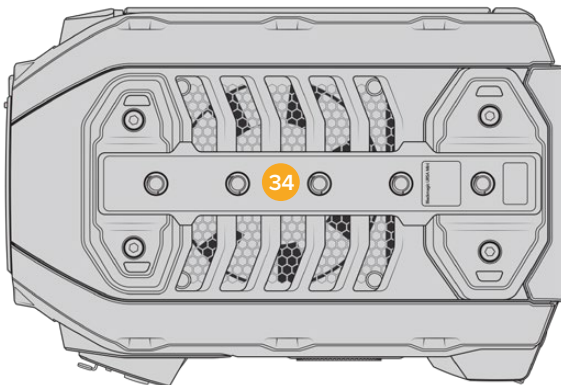
### 32 1/4 인치 마운팅 포인트

카메라 상단 패널에는 상단 핸들과 액세서리를 장착할 수 있는 4개의 견고한 마운팅 포인트가 있습니다.

### 33 XLR 오디오 입력

균형 XLR 입력을 사용하면 오디오 믹서, PA 시스템, 외부 마이크와 같은 전문가용 장비를 외부 아날로그 오디오에 연결할 수 있습니다. XLR 커넥터는 48V의 팬텀 파워를 공급하므로, 자체 전원 공급형이 아닌 마이크도 사용할 수 있습니다. 팬텀 파워에 대한 자세한 정보는 [내부 제어 패널] 부분을 참고하세요.

## 하단부

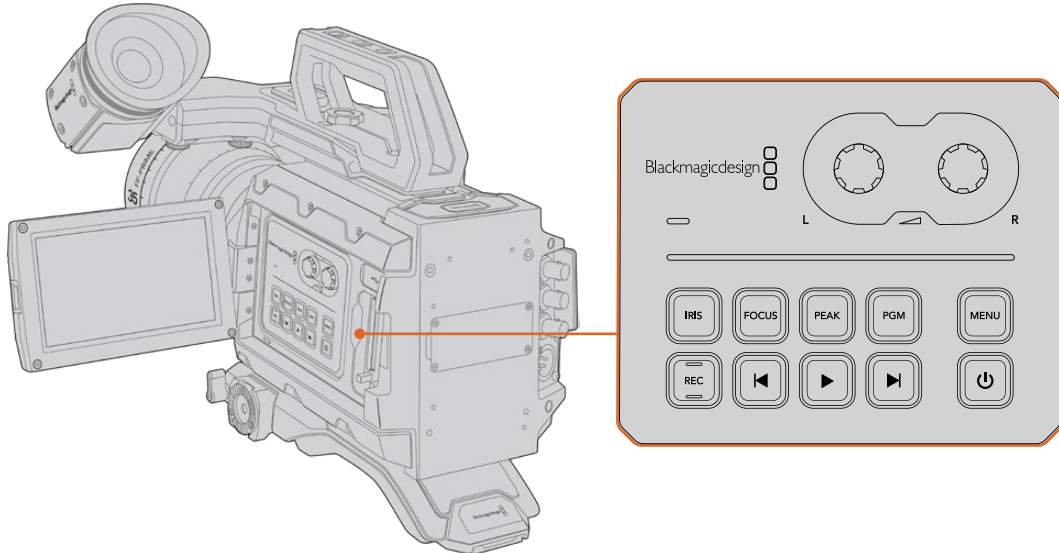


### 34 1/4 인치 마운팅 포인트

하단부에 있는 5개의 마운팅 포인트는 삼각대 헤드와 URSA Mini Shoulder Mount Kit 옵션, 기타 액세서리 등을 장착하는 데 사용됩니다.

## URSA Mini 컨트롤

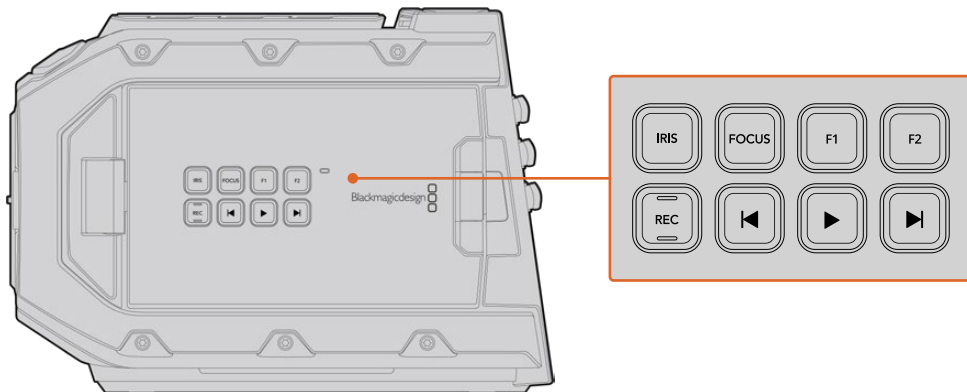
Blackmagic URSA Mini의 좌측 접이식 모니터 안쪽에는 제어 패널이 탑재되어 있으며, 설정을 변경하고 오디오 레벨을 제어하는 데 필요한 모든 버튼과 조절 노브로 구성되어 있습니다. LCD 터치스크린의 오디오 미터를 통해 오디오 레벨을 모니터링할 수 있습니다.



안쪽의 제어 패널 버튼과 터치스크린을 사용해 카메라 설정을 조정하세요.

## 컨트롤 버튼

Blackmagic URSA Mini는 안쪽의 제어 패널 이외에 LCD 패널 바깥쪽과 Blackmagic URSA Handgrip 옵션에도 컨트롤 버튼을 탑재했습니다. 조리개와 초점, 녹화, 재생 버튼은 위치에 관계없이 모두 동일한 기능을 제공합니다.



외부 패널의 컨트롤 버튼을 통해 비디오 클립 녹화 및 재생, 포커스 피킹 켜고 끄기, LCD에서의 프로그램 및 카메라 뷰 전환 기능뿐만 아니라 호환 가능한 EF 렌즈 사용 시 조리개 조정 및 자동 초점 기능까지 사용할 수 있습니다.

### 조리개(IRIS)

IRIS 버튼은 호환 렌즈의 자동 조리개 설정을 활성화합니다. 다이내믹 레인지를 Video로 설정한 경우, IRIS 버튼을 한 번 누르면 샷의 하이라이트나 새도우를 기반으로 한 평균 노출이 적용됩니다. 필름 다이내믹 레인지로 설정한 경우, IRIS 버튼을 누르면 샷의 가장 밝은 하이라이트에 맞춘 노출이 적용됩니다.

URSA Mini EF 모델의 경우, 이 버튼을 호환 EF 렌즈와 함께 사용할 수 있습니다. URSA Mini PL 모델의 경우, 이 버튼을 방송 렌즈 컨트롤러에 연결된 호환 렌즈와 함께 사용할 수 있습니다.

건너뛰기/뒤로 가기 제어 버튼을 사용해 조리개를 수동으로 설정할 수 있습니다.

### 포커스(FOCUS)

EF 마운트에 전자식 초점 조절을 지원하는 EF 렌즈를 사용할 경우, FOCUS 버튼을 누르면 자동 초점 기능이 활성화됩니다. 초점을 위한 흰색 사각형이 접이식 모니터에 나타납니다. 사각형 안에 있는 모든 피사체의 초점이 정확하게 맞춰집니다. 렌즈의 초점이 정확히 맞춰지면 사각형이 사라집니다.

**참고** 대부분의 렌즈가 전자식 초점 조절 기능을 지원하지만 일부 렌즈들은 수동 및 자동 초점 모드 중 선택이 가능하므로, 렌즈가 자동 초점 모드로 설정되어 있는지를 반드시 확인하시기 바랍니다.

### 피크(PEAK)

PEAK 버튼을 누르면 포커스 피킹 기능이 실행됩니다. 카메라는 영상에서 초점이 맞은 부분 주변에 인위적인 샤프닝 디테일이 나타나도록 하는 일반적인 포커스 피킹과, 영상의 선명한 부분에 검은색/흰색/빨간색/녹색/파란색 라인이 오버레이로 나타나는 Colored Lines 모드, 총 두 가지의 포커스 피킹 모드를 제공합니다. 더 자세한 정보는 본 설명서의 [모니터링 설정] 부분을 참고하세요. 저장 미디어에는 포커스 피킹 기능이 저장되지 않지만, 터치스크린 메뉴의 오버레이 기능을 활성화하면 HD 모니터링 출력이나 접이식 모니터에 나타납니다.

### 프로그램(PGM)

PGM이라고 표시된 프로그램 버튼을 통해 LCD 화면에서 카메라 뷰와 뒷면 패널의 12G-SDI 입력에 연결된 신호 간을 전환할 수 있습니다. 다시 말해, 라이브 방송에서 URSA Mini를 사용할 경우, 스위치의 프로그램 출력 연결을 통해 촬영하는 동안 영상을 모니터링할 수 있습니다. PGM 버튼을 길게 눌러 프로그램 피드를 확인할 수 있습니다. 프로그램 피드는 PGM 버튼을 누르고 있는 동안 계속 디스플레이됩니다. PGM 버튼을 두 번 누르면 프로그램 피드로 전환되며 한 번 더 누르면 프로그램 피드 보기가 사라집니다. 스위치의 프로그램 출력이 화면에 나타나게 하려면, 카메라와 스위치의 해상도 및 프레임 속도를 동일하게 설정해야 한다는 점을 기억하세요.

**참고** URSA Mini 또는 URSA Mini Pro를 위한 레퍼런스 소스를 설정할 때 레퍼런스 소스 간을 전환하면 카메라 출력이 약간 손실될 수도 있습니다. 이런 현상은 카메라에서 외부 소스와 레퍼런스 타이밍을 조정하는 과정에서 발생합니다. 그러므로 프로덕션 중간에는 이 설정을 변경하지 않고 셋업할 때만 변경하는 것이 중요합니다.

### 메뉴(MENU)

MENU 버튼을 누르면 대시보드가 나타납니다. 대시보드 기능과 설정 변경에 대한 자세한 정보는 [설정하기] 부분을 참고하세요.

## 녹화(REC)

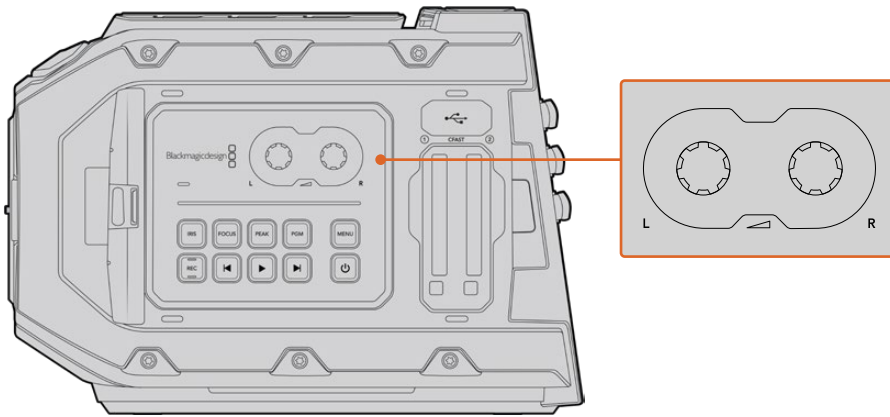
REC라고 표시된 녹화 버튼은 URSA Mini의 제어 패널과 접이식 LCD, Blackmagic URSA Handgrip 옵션에 탑재되어 있습니다. 녹화를 시작/정지하려면 이 중 아무 버튼이나 누르세요. 더 자세한 정보는 [녹화] 부분을 참고하세요.

## 재생 컨트롤 버튼

재생 컨트롤 버튼을 사용해 재생 시작/정지, 건너뛰기/뒤로 가기 등의 기능을 사용할 수 있습니다. 호환 렌즈를 사용할 경우, Blackmagic URSA Mini EF에 있는 건너뛰기/뒤로 가기 버튼을 사용해 조리개를 열거나 닫을 수 있습니다. 재생 컨트롤 버튼 사용에 대한 자세한 정보는 [재생] 부분을 참고하세요.

## 오디오 레벨 조절 노브

내장된 조절 노브를 사용해 오디오 채널 1과 채널 2의 녹음 레벨을 설정하세요. 각각의 노브를 시계 방향 또는 반시계 방향으로 돌려 각 채널의 오디오 녹음 레벨을 증가 또는 감소시킬 수 있습니다. 각 노브를 조절할 때, 설정하려는 최적의 레벨을 확인할 수 있도록 화면의 오디오 미터를 모니터링하세요.



오디오 레벨 조절 노브를 시계 방향 또는 반시계 방향으로 돌려 오디오 녹음 레벨을 높이거나 낮출 수 있습니다.

## 기능 버튼

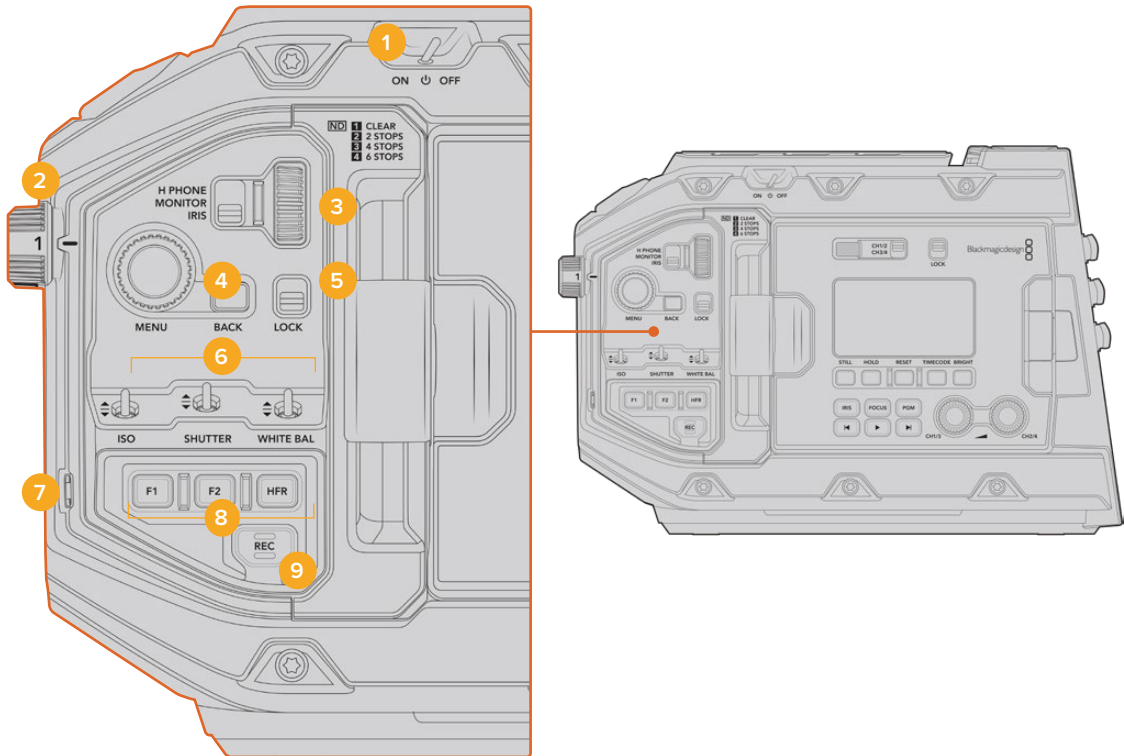
Blackmagic URSA Mini의 LCD 화면 바깥쪽에는 F1과 F2라고 표시된 두 개의 기능 버튼이 있습니다. URSA Mini의 설정 메뉴를 통해 자주 사용하는 다양한 기능을 해당 버튼에 지정할 수 있습니다. 더 자세한 정보는 본 설명서의 [설정] 부분을 참고하세요.

# URSA Mini Pro 컨트롤 버튼

Blackmagic URSA Mini Pro는 새시와 접이식 터치스크린 안쪽에 제어 패널을 탑재해 카메라의 모든 핵심 기능과 강력한 모니터링 도구를 쉽고 빠르게 사용할 수 있습니다. 이러한 패널은 삼각대나 솔더 마운트 세트를 사용해 촬영하거나 핸드헬드로 촬영하는 경우에 편리하게 사용할 수 있도록 손에 가까이 닿는 곳에 배치했습니다.

## 전면부 제어 패널

URSA Mini Pro 전면부 제어 패널에는 샷을 설정하고 녹화할 때 조정해야 하는 모든 제어 장치가 배치되어 있습니다. 카메라에 솔더 마운트 세트를 장착해 접이식 모니터를 닫고 촬영하는 경우에도 쉽게 사용할 수 있도록 설계되었습니다.



URSA Mini Pro 4.6K 전면부 제어 패널

### 1 전원 스위치

URSA Mini Pro의 전원을 켜려면 스위치를 ON으로 설정하세요. 전원을 끄려면 스위치를 OFF로 설정하세요.

**정보** URSA Mini Pro에서는 일부 제어 패널 스위치 조합을 통해 전원을 켜고 끌 수도 있습니다. REC 버튼과 건너뛰기 버튼을 동시에 길게 눌러 카메라 전원을 켜고 끌 수 있습니다. 카메라 전원 스위치가 ON으로 설정된 경우에도 전원이 켜지지 않을 경우, 제어 패널에서 전원을 해당 버튼을 길게 눌러 전원이 꺼진 상태일 수 있습니다. 전원 스위치를 사용해 일반적인 작동 방식으로 되돌릴 수 있습니다.

## 2 ND 필터

URSA Mini Pro에는 세 개의 중성 농도 필터가 탑재되어 있습니다. Clear, 2 스탑, 4 스탑, 6 스탑으로 설정할 수 있습니다. 이 필터를 사용하여 URSA Mini 센서에 노출되는 광량을 미리 설정해둔 비율에 맞게 줄일 수 있습니다. 이를 통해 노출 정도가 줄어들어 햇살이 밝은 야외 촬영 조건에서도 조리개를 열고 촬영할 수 있습니다.

휠을 위/아래로 돌려 중성 농도 설정을 조절할 수 있습니다. Clear 설정은 ND 필터를 사용하지 않는 것을 의미합니다. 2 스탑에서 4 스탑까지는 ND 필터의 농도가 점차 증가하기 때문에 광량을 원하는 정도로 줄일 수 있습니다.

사용하고자 하는 ND 필터 단위가 사용자마다 다를 수 있기 때문에 LCD 메뉴에서 ND 설정 측정 단위를 사용자 지정할 수 있도록 설계했습니다. ND 필터 번호와 광량을 감소시키는 스탑 수, 필터에서 감소되는 광량의 정도를 나타내는 비율을 자신이 원하는 방식으로 설정할 수 있습니다.

### 중성 농도 필터 설정

휠 포지션	ND 필터 번호	스탑	비율
1	Clear(사용 안 함)	0	1
2	0.6	2	1/4
3	1.2	4	1/16
4	1.8	6	1/64

## 3 설정 휠

휠 옆에 있는 3단계 스위치를 사용해 휠의 기능을 설정할 수 있습니다. 헤드폰(H PHONE), 모니터(MONITOR), 조리개(IRIS) 중에서 선택 가능합니다.

### 헤드폰(H PHONE)

H PHONE으로 설정할 경우, 설정 휠을 사용해 헤드폰 오디오 볼륨을 조절할 수 있습니다. 휠을 위로 돌리면 볼륨이 증가하고, 아래로 돌리면 줄어듭니다.

### 모니터(MONITOR)

MONITOR로 설정할 경우, 설정 휠을 사용해 URSA Mini Pro에 내장된 모니터 스피커의 오디오 볼륨을 조절할 수 있습니다. 스피커가 LCD 모니터 바깥 쪽에 탑재되어 있어 헤드폰 없이도 오디오를 모니터링할 수 있습니다. 휠을 위로 돌리면 볼륨이 증가하고, 아래로 돌리면 줄어듭니다. 카메라 내부 마이크로 녹음하는 경우에는 해당 기능이 해제되어 원치 않는 피드백을 미연에 방지할 수 있습니다.

### 조리개(IRIS)

IRIS로 설정할 경우, 설정 휠을 사용해 URSA Mini Pro에 장착된 호환 렌즈의 조리개를 조절할 수 있습니다. 휠을 아래로 돌리면 조리개가 열리고, 위로 돌리면 닫힙니다. 이런 방식은 스틸 및 시네마 렌즈의 조리개 조절 방식을 그대로 본따 적용되었습니다.

**정보** 설정 휠을 통한 조리개 설정 변경은 카메라에서 조리개를 변경할 수 있는 렌즈가 URSA Mini Pro에 장착되어 있는 경우에만 가능합니다. 방송용 12핀 커넥터를 통해 B4 또는 PL 렌즈를 사용하는 경우, 핸드그립에 있는 렌즈 조리개 스위치가 A 또는 Auto로 설정되어 있는지를 반드시 확인하세요.



#### 4 메뉴(MENU) 휠

URSA Mini Pro의 상태 표시 텍스트가 카메라 전면 SDI로 출력되도록 설정된 경우, 일반적으로는 LCD 터치스크린에서나 조정 가능한 대부분의 헤드업 디스플레이 기능을 MENU 휠을 통해 조정할 수 있습니다.

버튼을 누르듯 간단히 MENU 휠을 눌러 Blackmagic SmartView나 Video Assist 또는 URSA Viewfinder와 같은 외부 모니터에 나타나는 URSA Mini Pro의 헤드업 디스플레이에 접속할 수 있습니다. MENU 휠이 활성화된 상태에서 휠을 돌려 LCD 모니터 옵션과 프레임 속도, ISO, 화이트 밸런스, 틸트 등의 기능을 선택할 수 있습니다. 휠을 눌러 선택을 확인하고 추가 변경을 수행하거나 MENU 휠 옆에 있는 BACK 버튼을 눌러 선택을 취소하세요. BACK 버튼을 눌러 상위 메뉴로 이동할 수 있습니다. 최상위 메뉴에 있는 경우 메뉴 밖으로 완전히 나갈 수 있습니다. URSA Mini Pro 4.6K에서는 1분 이상 메뉴를 사용하지 않을 경우, 메뉴가 자동으로 닫힙니다.

상태 표시 텍스트와 사용 가능한 제어 기능에 대한 자세한 정보는 본 설명서의 [터치스크린 컨트롤]과 [모니터링 설정] 부분을 참고하세요.

#### 5 잠금 스위치(LOCK)

이 스위치로 전면부 제어 패널의 모든 제어 장치를 잠그면, 촬영 중 의도치 않게 조정되는 일을 방지할 수 있습니다. 해당 스위치를 아래로 내리면 잠기고, 위로 올리면 잠금이 해제됩니다.

**정보** 복잡하고 통제가 불가능한 촬영 환경에서 카메라를 두고 자리를 비우는 경우, URSA Mini Pro의 전면부 제어 패널을 잠글 수 있습니다. 이를 통해 다른 사람들이 의도치 않게 설정을 변경하는 일을 방지할 수 있습니다.

#### 6 ISO, 셔터(SHUTTER), 화이트 밸런스(WHITE BAL) 스위치

이 작은 스위치를 사용해 ISO, 화이트 밸런스, 셔터 설정을 조절할 수 있습니다. 샷에서 눈을 떼지 않고 신속하게 설정을 변경해야 하는 경우에 유용합니다. 스위치를 위/아래로 부드럽게 밀어 설정을 변경할 수 있습니다. 스위치에는 스프링이 장착되어 있어 항상 중립 위치로 돌아옵니다.

##### ISO

이 스위치를 위/아래로 밀어 카메라의 ISO 설정을 조절할 수 있습니다. 스위치를 위로 밀면 한 간격씩 올라가고, 아래로 밀면 한 간격씩 내려갑니다. URSA Mini에서는 200, 400, 800, 1600으로 설정할 수 있고 URSA Mini Pro에서는 200, 400, 800, 1600, 3200으로 설정할 수 있습니다.

##### 셔터(SHUTTER)

이 스위치를 사용할 경우, 설정 메뉴에서 선택한 설정에 따라 카메라 셔터 개각도 또는 셔터 속도를 조절할 수 있습니다. 이 스위치를 위로 밀면 셔터 개각도 및 셔터 속도가 한 단계 위 프리셋에 설정된 값으로 증가하고, 아래로 밀면 한 단계 아래 프리셋에 설정된 값으로 감소합니다. 스위치를 위/아래로 계속 누르면 사용 가능한 설정값으로 빠르게 이동합니다. 11.2와 360도 사이에는 20개의 개각도 프리셋이 존재합니다.

**정보** URSA Mini Pro에서 사용자의 거주 지역 전력 주파수를 기반으로 플리커 현상이 없는 셔터 개각도 또는 셔터 속도를 제시하도록 설정할 수 있습니다. 이 기능은 LCD 터치스크린 메뉴에서만 선택 가능합니다. 더 자세한 정보는 본 설명서의 [터치스크린 컨트롤] 부분을 참고하세요.

### 화이트 밸런스(WHITE BAL)

카메라의 화이트 밸런스를 조절하는 데 사용됩니다. 스위치를 위로 밀면 색온도가 50K 씩 증가하고, 아래로 밀면 50K씩 감소합니다. 스위치를 위/아래로 계속 누르면 사용 가능한 설정값으로 빠르게 이동합니다.

### 7 자동 화이트 밸런스(AUTO W/B)

이 버튼을 누르면 자동 화이트 밸런스 기능을 위한 흰색의 사각형 테두리가 LCD 화면 중앙에 5초간 나타납니다. 이 상자는 메뉴 설정에서 상태 표시 텍스트가 출력되도록 설정된 모든 SDI 출력에도 나타납니다. 이 흰색 상자는 화이트 밸런스가 측정된 영상 속 특정 영역을 나타내므로, 회색 카드를 반드시 이 흰색 상자 안에 가져다 놓아야 합니다. AUTO W/B 버튼을 3초간 길게 누르면 자동 화이트 밸런스 기능이 실행되며, 흰색의 사각형 테두리가 녹색으로 변해 해당 기능이 성공적으로 수행되었음을 알려줍니다.

상태 표시 텍스트를 URSA Mini Pro 전면에 있는 출력 또는 주요 SDI 출력에 적용하는 방법에 대한 자세한 정보는 본 설명서의 [모니터링 설정] 부분을 참고하세요.

### 8 F1 및 F2

F1과 F2는 URSA Mini Pro의 'SETUP' 메뉴에서 자주 사용하는 다양한 기능을 프로그래밍할 수 있는 기능 키입니다. F1 키는 'False Color'로, F2 키는 'Display LUT'으로 기본 설정되어 있습니다.

더 자세한 정보는 본 설명서의 [터치스크린 컨트롤] 부분을 참고하세요.

### HFR

HFR(High Frame Rate) 버튼을 사용해 오프스피드 프레임 레이트를 켜고 끌 수 있습니다. 이 버튼은 원하는 오프스피드 프레임 속도를 URSA Mini Pro의 Frame Rate 메뉴에서 간단히 설정해 사용할 수 있습니다. 이 버튼을 눌러 현재 선택된 오프스피드 프레임 레이트와 프로젝트 프레임 레이트 간을 전환할 수 있습니다. 해당 설정은 녹화가 정지된 상황에서만 조절할 수 있다는 것을 기억하세요. HFR 버튼 역시 자주 사용하는 다양한 기능을 프로그래밍할 수 있는 기능 버튼으로, 사용하지 않을 경우엔 비활성화시킬 수 있습니다.

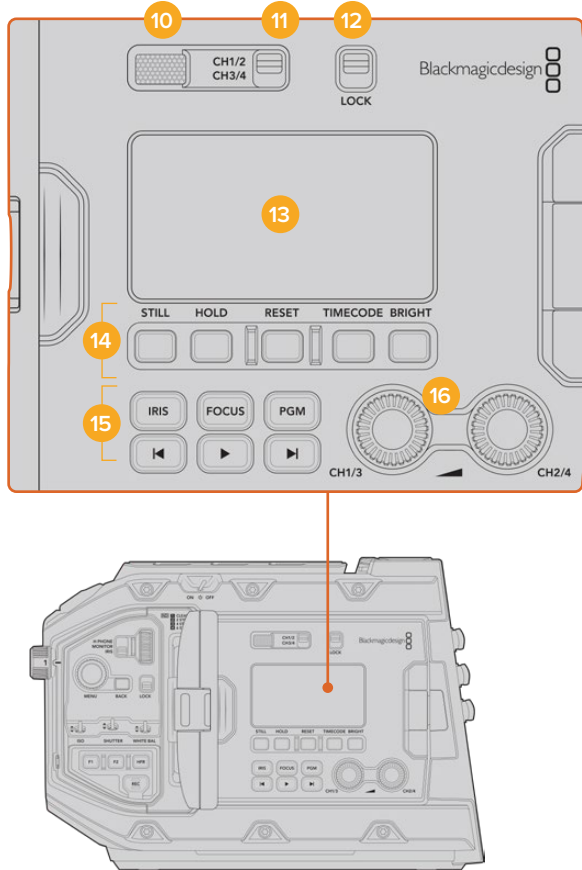
프로젝트 프레임 레이트와 오프스피드 프레임 레이트에 대한 자세한 정보는 본 설명서의 [터치스크린 컨트롤] 부분을 참고하세요.

### 9 녹화

REC라고 표시된 녹화 버튼은 Blackmagic URSA Mini Pro 좌측면에 탑재되어 있습니다. 녹화 버튼을 눌러 녹화를 시작/정지하세요. 더 자세한 정보는 [녹화] 부분을 참고하세요.

## 인체 공학 제어 패널

URSA Mini Pro의 터치스크린 모니터 바깥 쪽에는 LCD 상태 모니터와 다양한 모니터링 제어 장치가 탑재되어 있습니다. 이 패널을 통해 오디오 레벨을 모니터링 및 조정할 수 있을 뿐만 아니라 카메라 상태 정보를 한 눈에 살펴볼 수 있습니다. 호환 렌즈를 사용해 자동 초점 기능을 설정할 수 있으며 트랜스포트 컨트롤을 사용해 클립을 재생할 수 있습니다.



URSA Mini Pro 4.6K의 인체 공학 제어 패널

### 10 모니터 스피커

제어 패널 바깥쪽에 내장된 소형 스피커를 통해 비디오를 재생하면서 오디오를 모니터링할 수 있습니다. 카메라에 숄더 마운트 세트를 장착해 촬영하는 경우, 사람의 귀가 닿는 위치에 스피커가 배치되도록 설계했습니다.

[URSA Mini Pro 컨트롤 버튼] 부분에 소개된 방법대로 설정 휠을 간단히 돌려 스피커 볼륨을 조절할 수 있습니다.

### 11 모니터 채널 선택 버튼

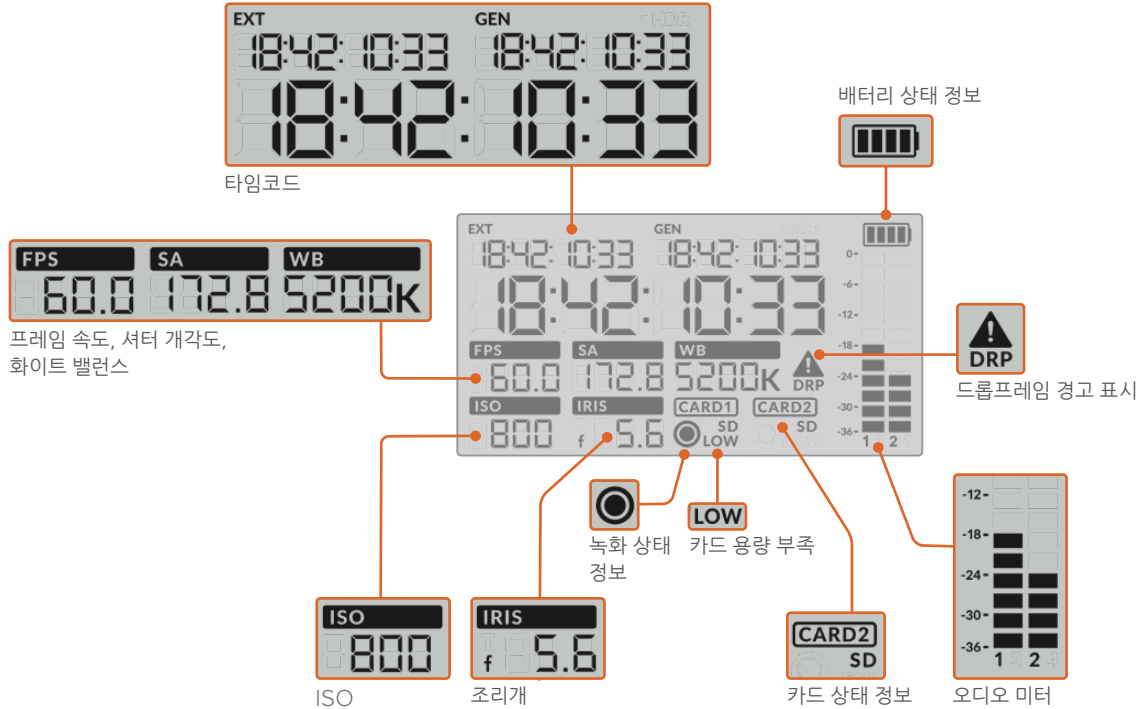
URSA Mini Pro는 두 개의 오디오 채널을 지원합니다.

### 12 잠금 스위치(LOCK)

이 스위치를 사용해 URSA Mini Pro의 인체공학 제어 패널에 있는 모든 설정을 잠글 수 있습니다. 잠금 스위치를 켜두었을 때도 사용 가능한 제어 장치는 모니터 채널 선택 스위치뿐입니다.

### 13 상태 표시 LCD

이 디스플레이를 통해 내부 터치스크린을 열지 않고도 URSA Mini Pro의 핵심 설정 사항을 한 눈에 확인할 수 있습니다. LCD 스크린은 밝은 낮에도 볼 수 있도록 설계되었습니다. 이 디스플레이에서는 다음과 같은 정보를 확인할 수 있습니다.



#### 타임코드

URSA Mini Pro에는 세 가지 타임코드가 표시됩니다. 외부 타임코드를 연결한 경우, 해당 정보가 상태 표시 LCD 좌측 상단의 'EXT' 표시 글자 아래에 표시됩니다. URSA Mini 카메라 내부에서 생성된 타임코드는 외부 타임코드 정보 바로 옆에 있는 'GEN' 표시 글자 아래에 표시됩니다. 외부 타임코드와 내부에서 생성된 타임코드 모두 시간:분:초:프레임 순으로 표시됩니다.

더 큰 텍스트로 표시되는 메인 타임코드는 클립 지속 시간이나 타임코드로 설정 가능합니다. 상태 표시 LCD 밑에 있는 TIMECODE 버튼을 눌러 두 가지 디스플레이 모드 중 원하는 것을 선택할 수 있습니다.

#### 배터리 상태 정보

URSA Mini Pro에 배터리를 장착해 촬영하는 경우, 배터리 잔량이 25% 단위로 표시됩니다. 배터리 상태 정보에 나타나는 네 개의 막대는 각각 배터리 잔량의 25%를 의미합니다. 배터리 잔량이 20% 이하로 떨어질 경우, REC 버튼 옆의 상태 표시 LED가 깜빡입니다. 녹화 중에는 빨간색과 주황색으로, 대기 모드에서는 흰색과 주황색으로 번갈아 천천히 깜빡입니다.

메인 전원 커넥터를 카메라에 연결하면 배터리가 가득 찬 것으로 표시됩니다.

#### 프레임 속도(FPS), 개각도(Shutter Angle), 화이트 밸런스(White Balance)

FPS/SA/WB는 각각 카메라의 현재 프레임 속도와 셔터 개각도, 화이트 밸런스를 나타냅니다. FPS 표시 장치는 현재 사용 중인 센서 프레임 속도를 나타냅니다.

센서 프레임 레이트와 프로젝트 프레임 레이트에 대한 자세한 정보는 본 설명서의 [터치스크린 컨트롤] 부분을 참고하세요.

## ISO

현재 카메라에 설정된 ISO를 나타냅니다.

## 조리개(IRIS)

현재 적용된 렌즈 조리개 설정을 나타냅니다. 렌즈 종류에 따라 f값 또는 T값으로 표시됩니다.

## 카드 정보

슬롯에 미디어를 삽입하면 URSA Mini Pro의 상태 표시 LCD에 'CARD 1' 및 'CARD 2' 표시가 나타납니다.

SD 카드에 녹화하는 경우에는 'SD'가 표시되며 CFast에 녹화하는 경우에는 해당 표시가 사라집니다.

## 녹화 상태 정보

현재 녹화가 진행 중인 카드 아래에 원형의 녹화 표시 아이콘 나타냅니다.

## 카드 용량 부족(LOW)

녹화 중인 카드의 잔여 녹화 시간이 5분 미만인 경우, 해당 카드 아래에 'LOW'라는 글자가 나타납니다.

## 오디오 미터

내부 마이크를 사용하거나 외부 오디오를 연결하여 사용할 경우, 오디오 레벨이 피크 오디오 미터에 나타납니다. 디스플레이는 dBFS 단위로 표시되며 일정 시간 시각적으로 유지되는 피크 홀드 방식의 표시를 지원하므로, 최대치에 도달하는 것을 분명하게 확인할 수 있습니다.

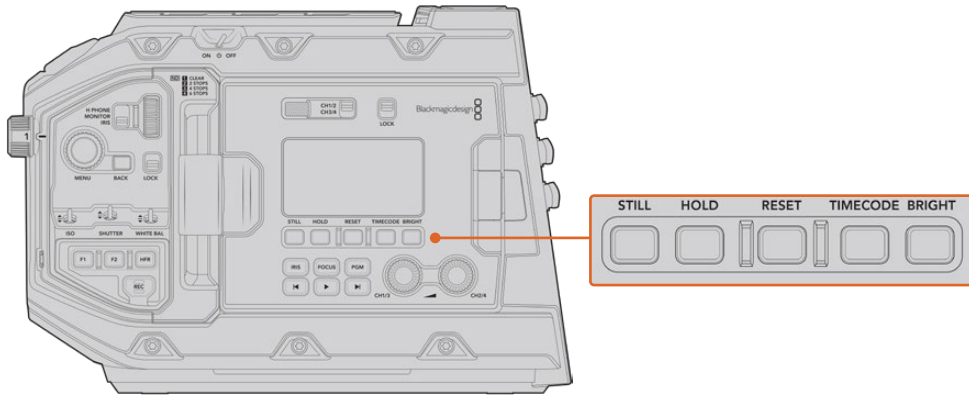
최적의 음질을 얻으려면 오디오 레벨이 절대 0dBFS를 넘지 않도록 해야 합니다. 이 레벨은 카메라로 녹화할 수 있는 최대치로, 이 수준을 넘어갈 경우에는 오디오가 클리핑되어 왜곡됩니다.

## 드롭 프레임(DRP) 경고 표시

카메라에서 드롭 프레임 현상을 감지할 경우, 해당 아이콘이 깜빡입니다. 녹화를 멈추면 표시 장치가 스크린에 그대로 남아있어 이전 녹화 클립에서 드롭 프레임 현상이 발생했음을 알 수 있습니다. 다음 녹화를 시작하거나 카메라 전원을 다시 시작하면 해당 표시가 사라집니다. 드롭 프레임 현상을 방지하는 방법에 대한 자세한 정보는 본 설명서의 [저장 미디어] 부분을 참고하세요.

**참고** URSA Mini Pro에서 드롭 프레임 현상이 감지되면 녹화를 중단하도록 설정할 수 있습니다. 더 자세한 정보는 본 설명서의 [녹화 설정] 부분을 참고하세요. 이는 사용자가 선택할 수 있는 기능으로, 속도가 느린 미디어에 높은 프레임 속도 또는 해상도로 녹화할 때 일시적으로 발생하는 녹화 오류 현상을 제거합니다.

## 14 상태 표시 LCD 컨트롤



URSA Mini Pro 4.6K의 상태 표시 LCD 컨트롤

### 스틸(STILL)

이 버튼을 눌러 스틸 이미지를 캡처할 수 있습니다. 12K 모델에서는 스틸 이미지가 Blackmagic RAW 싱글 프레임으로 캡처됩니다. URSA Mini Pro 4.6K 모델에서는 스틸 이미지가 비압축 DNG 싱글 프레임으로 녹화됩니다. 캡처된 이미지 파일은 현재 녹화 중인 미디어의 루트 디렉터리 내 'Stills' 폴더에 저장됩니다. 스틸 이미지 파일은 비디오 클립의 파일명 표준 방식을 따르지만, 파일명 마지막 4자리 숫자는 클립 번호 대신에 스틸 번호를 나타내는 'S001'로 나타냅니다. 스틸 이미지가 성공적으로 저장되었는지 확인할 수 있도록 URSA Mini 터치스크린 우측 모퉁이에 카메라 아이콘이 나타나고, 상태 표시 LCD의 녹화 표시 아이콘이 세 번 깜빡입니다.

### 홀드(HOLD)

타임코드가 프리런 모드로 설정되어 있는 경우에 이 버튼을 누르면 LCD의 메인 타임코드 상태 표시를 일시적으로 정지시킬 수 있습니다. 이 버튼을 눌러도 시스템 뒷단에서는 타임코드가 계속 진행되기 때문에, HOLD 버튼에서 손을 떼면 일시 정지되었던 타임코드가 현재 위치의 타임코드로 되돌아옵니다. 이 버튼을 누르고 있는 동안 영상 내 특정 부분의 타임코드를 기록할 수 있습니다. 이는 전자식 뉴스를 취재하거나 다큐멘터리를 촬영하는 상황에서 중요한 부분의 타임코드를 기록하는 데 유용한 기능입니다.

### 초기화(RESET)

프리셋 타임코드 설정 시 RESET 버튼을 눌러 타임코드를 00:00:00:00으로 초기화합니다.

### 타임코드(TIMECODE)

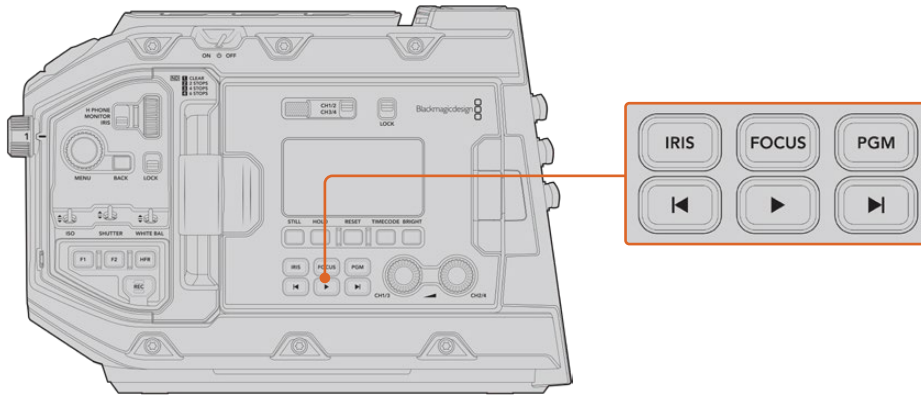
이 버튼을 눌러 메인 타임코드 디스플레이의 포맷을 클립 지속 시간이나 타임코드로 설정할 수 있습니다. 가장 자주 사용하는 프리런 타임코드 모드로 기본 설정되어 있습니다. TIMECODE 버튼을 5초 동안 길게 누르면 카메라의 타임코드가 레코드 런 모드로 전환되며, 타임코드 생성기와 커다란 타임코드 디스플레이의 앞자리 두 개가 깜빡거립니다. 이제 특정 타임코드 숫자를 설정해 프리셋 타임코드를 원하는 대로 수정할 수 있습니다.

이 단계에서 RESET 버튼을 누르면 타임코드가 00:00:00:00으로 초기화됩니다. 이후 MENU 휠을 사용해 시간:분:초:프레임 순으로 원하는 값을 설정할 수 있습니다. 원하는 타임코드로 설정한 경우, 다시 한번 TIMECODE 버튼을 3초간 길게 눌러 해당 타임코드를 프리셋 타임코드 포인트로 설정하세요. 이제 타임코드 생성기에 해당 값이 나타나는 것을 확인할 수 있습니다. 타임코드 값은 카메라 녹화가 시작된 경우에만 증가합니다. 타임코드를 프리런 모드로 되돌리려면 TIMECODE 버튼과 HOLD 버튼을 동시에 3초 동안 길게 누르세요.

### 밝기(BRIGHT)

BRIGHT 버튼을 눌러 URSA Mini Pro의 LCD 상태 표시 디스플레이 밝기를 네 가지 단계로 설정할 수 있습니다. 끄기(Off), 낮음(Low), 중간(Medium), 높음(High)으로 설정 가능합니다.

## 15 컨트롤 버튼 및 재생 버튼



URSA Mini Pro 4.6K 컨트롤 버튼 및 재생 버튼

### 조리개(IRIS)

IRIS 버튼은 호환 렌즈의 자동 조리개 설정을 활성화합니다. 다이내믹 레인지를 비디오(Video)로 설정한 경우, IRIS 버튼을 한 번 누르면 쏫의 하이라이트나 새도우를 기반으로 한 평균 노출이 적용됩니다. 필름(Film) 다이내믹 레인지로 설정한 경우, IRIS 버튼을 누르면 샷의 가장 밝은 하이라이트에 맞춘 노출이 적용됩니다. 이 버튼은 호환 방송 렌즈 컨트롤러를 통해 연결된 호환 EF 렌즈 및 PL 렌즈에 사용 가능합니다.

건너뛰기/뒤로 가기 컨트롤 버튼을 사용해 조리개를 수동으로 설정할 수 있습니다.

### 포커스(FOCUS)

전자식 초점 조절을 지원하는 EF 렌즈를 사용할 경우, FOCUS 버튼을 누르면 자동 초점 기능이 활성화됩니다. 초점을 위한 흰색 사각형이 URSA Mini Pro에 연결된 모든 뷰파인더나 모니터에 나타납니다. 사각형 안에 있는 모든 피사체의 초점이 정확하게 맞춰집니다. 렌즈의 초점이 정확히 맞춰지면 사각형이 사라집니다.

**참고** 일부 EF 렌즈의 경우, 수동 및 자동 초점 모드를 동시에 지원합니다. URSA Mini Pro에서 렌즈의 자동 초점 기능을 사용하려면, 먼저 렌즈가 자동 초점 모드로 설정되어 있는지 확인하세요.

### 프로그램(PGM)

PGM이라고 표시된 프로그램 버튼을 통해 LCD 화면에서 카메라 뷰와 뒷면 패널의 12G-SDI 입력에 연결된 신호 간을 전환할 수 있습니다. 다시 말해, 라이브 방송에서 URSA Mini Pro를 사용할 경우, 스위치의 프로그램 출력 연결을 통해 촬영하는 동안 영상을 모니터링할 수 있습니다. PGM 버튼을 길게 눌러 프로그램 피드를 확인할 수 있습니다. 프로그램 피드는 PGM 버튼을 누르고 있는 동안 계속 디스플레이됩니다.

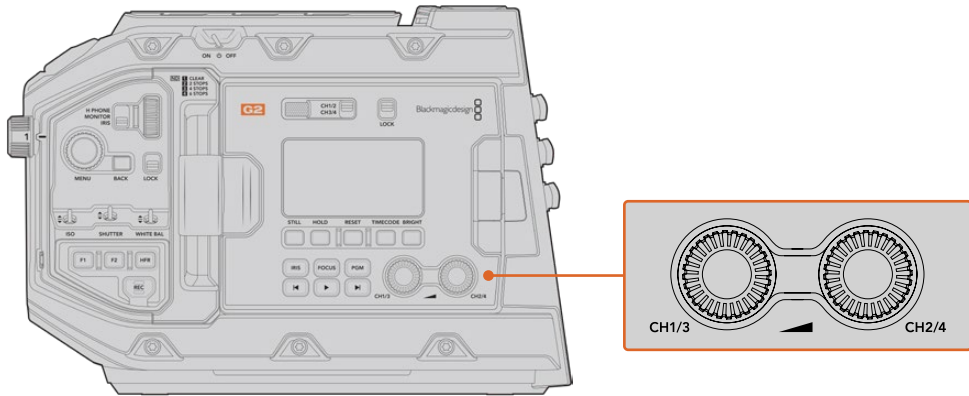
PGM 버튼을 두 번 누르면 잠금 기능이 설정되어 모니터에 프로그램 입력 피드가 계속 나타납니다. PGM 버튼을 다시 한번 누르면 프로그램 피드가 사라지고 본래 카메라 뷰로 돌아갑니다.

### 재생 컨트롤 버튼

재생 관련 버튼들을 사용해 재생 시작/정지, 건너뛰기/뒤로 가기 등의 기능을 사용할 수 있습니다. EF 렌즈를 사용할 경우 건너뛰기/뒤로 가기 버튼을 사용해 조리개를 열거나 닫을 수 있습니다. 재생 제어 버튼 사용에 대한 자세한 정보는 [재생] 부분을 참고하세요.



## 16 오디오 레벨 조절 노브

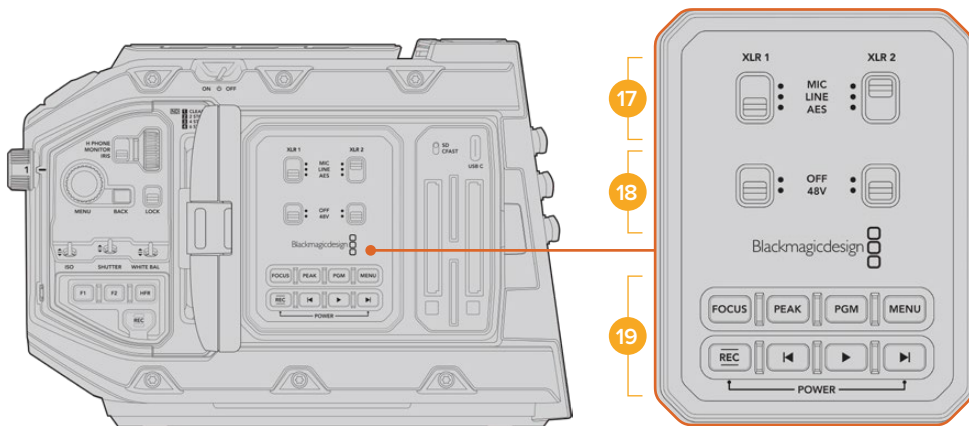


URSA Mini Pro 4.6K G2 오디오 조절 노브

내장된 조절 노브를 사용해 오디오 채널 1과 채널 2의 녹음 레벨을 설정하세요. 각각의 노브를 시계 방향 또는 반시계 방향으로 돌려 각 채널의 오디오 녹음 레벨을 증가 또는 감소시킬 수 있습니다. 각 노브를 조절할 때, 설정하려는 최적의 레벨을 확인할 수 있도록 화면의 오디오 미터를 모니터링하세요.

## 내부 제어 패널

URSA Mini Pro의 접이식 모니터를 열면 내부 제어 패널을 사용할 수 있습니다. 이 제어 장치를 사용해 팬텀 파워 설정과 조리개, 초점, 메뉴, 재생 제어, 오디오 입력을 설정하세요.



URSA Mini Pro 내부 제어 패널

### 17 XLR1 / XLR2

이 스위치를 사용하면 입력 소스로 선택된 URSA Mini Pro의 XLR 입력이 작동하는 방식을 설정할 수 있습니다. 마이크 오디오, 라인 레벨 오디오, AES 디지털 오디오 중 원하는 옵션으로 선택할 수 있습니다.

### 18 팬텀 파워(Phantom Power)

URSA Mini Pro의 XLR 입력은 48V 팬텀 파워를 지원해, 자체 전원 공급 방식이 아닌 마이크도 사용할 수 있습니다. 이 스위치를 48V로 옮기면 XLR 입력에 연결된 모든 마이크에 팬텀 파워가 공급되며, OFF로 옮기면 팬텀 파워 공급이 중단됩니다.

**참고** 일반적으로 팬텀 파워를 켜기 전에 XLR 케이블을 먼저 연결합니다. 팬텀 파워 마이크를 사용하지 않을 경우, 팬텀 파워 스위치를 OFF로 설정하는 것이 중요합니다. AES XLR 출력에서 팬텀 파워 보호 기능을 지원하지 않는 일부 마이크의 경우, 카메라의 XLR 오디오 입력에서 여전히 팬텀 파워를 전송함에 따라 카메라 장비가 손상될 수 있습니다. 마이크를 분리하기 전에 항상 48V 스위치가 OFF로 설정되어 있는지 확인하세요.

## 19 컨트롤 버튼 및 재생 버튼

### 포커스(FOCUS)

EF 마운트에 전자식 초점 조절을 지원하는 EF 렌즈를 사용할 경우, FOCUS 버튼을 누르면 자동 초점 기능이 활성화됩니다. 초점을 위한 흰색 사각형이 접이식 모니터에 나타납니다. 사각형 안에 있는 모든 피사체의 초점이 정확하게 맞춰집니다. 렌즈의 초점이 정확히 맞춰지면 사각형이 사라집니다.

**참고** 일부 렌즈의 경우, 수동 및 자동 초점 모드를 동시에 지원합니다. URSA Mini에서 렌즈의 자동 초점 기능을 사용하려면, 먼저 렌즈가 자동 초점 모드로 설정되어 있는지 확인하세요.

### 피크(PEAK)

PEAK 버튼을 누르면 포커스 피킹 기능이 실행됩니다. 카메라는 영상에서 초점이 맞은 부분 주변에 인위적인 샤프닝 디테일이 나타나도록 하는 일반적인 포커스 피킹과, 영상의 선명한 부분에 검은색/흰색/빨간색/녹색/파란색 라인이 오버레이로 나타나는 Colored Lines 모드, 총 두 가지의 포커스 피킹 모드를 제공합니다. 더 자세한 정보는 본 설명서의 [모니터링 설정] 부분을 참고하세요. 저장 미디어에는 포커스 피킹 기능이 저장되지 않지만, 터치스크린 메뉴의 오버레이 기능을 활성화하면 HD 모니터링 출력이나 접이식 모니터에 나타납니다.

**정보** Blackmagic Video Assist나 HyperDeck Studio Mini를 사용해 비디오 출력을 녹화하는 경우, 피킹 모드가 꺼졌는지 확인해야 하는 상황이 발생할 수 있습니다. 이 경우, '전면 SDI' 또는 '메인 SDI'에서 '클린 피드'를 선택하세요.

클린 피드에 대한 자세한 정보는 본 설명서의 [모니터링 설정] 부분을 참고하세요.

### 프로그램(PGM)

PGM라고 표시된 프로그램 버튼을 통해 LCD 화면에서 카메라 뷰와 카메라의 12G-SDI 입력에 연결된 신호 간을 전환할 수 있습니다. 다시 말해, 라이브 방송에서 URSA Mini Pro를 사용할 경우, 스위치의 프로그램 출력 연결을 통해 촬영하는 동안 영상을 모니터링할 수 있습니다. PGM 버튼을 길게 눌러 프로그램 피드를 확인할 수 있습니다. PGM 버튼을 두 번 누르면 모니터에 프로그램 입력 피드가 계속 나타납니다. 한 번 더 누르면 프로그램 피드가 사라집니다.

스위치의 프로그램 출력이 화면에 나타나게 하려면, 카메라와 스위치의 해상도 및 프레임 속도를 동일하게 설정해야 합니다.

### 메뉴(MENU)

MENU 버튼을 누르면 대시보드가 나타납니다. 대시보드 기능과 설정 변경에 대한 자세한 정보는 [설정하기] 부분을 참고하세요.

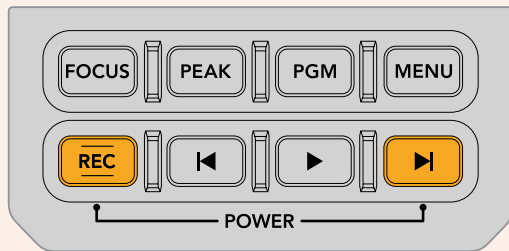
### 녹화(REC)

녹화를 시작/정지하려면 녹화 버튼 중 아무 버튼이나 누르세요. 더 자세한 정보는 [녹화] 부분을 참고하세요.

### 재생 컨트롤 버튼

재생 버튼을 사용해 재생 시작/정지, 건너뛰기/뒤로 가기 등의 기능을 사용할 수 있습니다. EF 마운트를 사용할 경우, 건너뛰기/뒤로 가기 버튼을 사용해 조리개를 열거나 닫을 수 있습니다. 재생 버튼 사용에 대한 자세한 정보는 [재생] 부분을 참고하세요.

**참고** URSA Mini Pro에서는 내부 제어 패널 버튼 조합을 통해 전원을 켜고 끌 수도 있습니다. REC 버튼과 건너뛰기 버튼을 동시에 길게 눌러 카메라 전원을 켜고 끌 수 있습니다. 카메라 전원 스위치가 ON으로 설정된 경우에도 전원이 켜지지 않을 경우, 제어 패널에서 전원을 해당 버튼을 길게 눌러 전원이 꺼진 상태일 수 있습니다. 전원 스위치를 사용해 일반적인 작동 방식으로 되돌릴 수 있습니다.



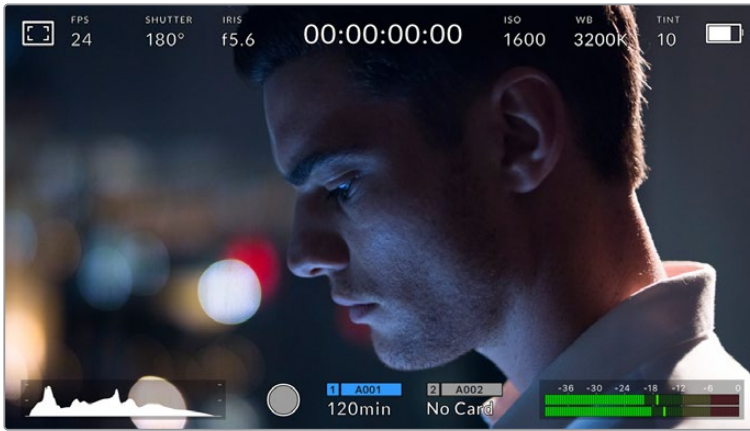
# 터치스크린 컨트롤

## 터치스크린

Blackmagic URSA Mini에 탑재된 접이식 LCD 터치스크린은 회전이 가능해 높거나 낮은 각도에서 촬영할 수 있습니다. URSA Viewfinder를 장착하고 카메라 LCD를 닫은 뒤, 어깨에 올려 사용하면 LCD 패널 바깥쪽에 있는 버튼을 사용해 URSA Mini를 제어할 수 있습니다.

## 터치 스크린 기능

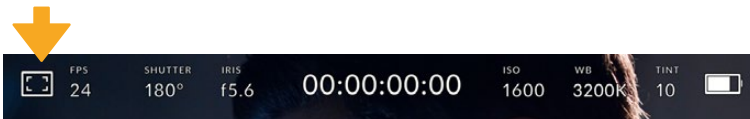
LCD 터치스크린은 빠르고 직관적인 사용자 운영을 위해 특별히 제작된 터치 및 동작 기반 인터페이스를 탑재했습니다. URSA Mini의 LCD 터치스크린 화면을 선택하거나 쓸어넘기기 하여 촬영 중 카메라 기능에 신속하게 접속할 수 있습니다.



URSA Mini의 LCD 터치스크린에 탑재된 통합 헤드업 디스플레이(HUD)를 통해 카메라에서 가장 많이 사용하는 설정에 쉽게 접속할 수 있습니다.

## LCD 모니터 옵션

URSA Mini의 LCD 터치스크린 좌측 상단에 있는 모니터 아이콘을 눌러 LCD 모니터링 설정에 접속할 수 있습니다. 지브라와 포커스 어시스트, 프레임 가이드, 그리드 등의 URSA Mini 모니터링 기능을 원하는 형태로 조정할 수 있습니다. LCD 모니터링 옵션에 접속하면 LCD 터치스크린 하단에 해당 기능을 위한 메뉴 탭이 나타납니다.

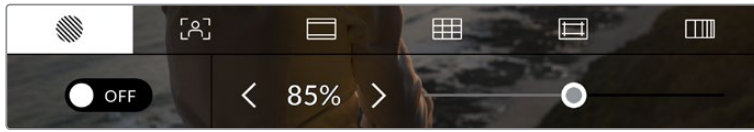


URSA Mini의 LCD 터치스크린 좌측 상단에 있는 모니터 아이콘을 눌러 LCD 모니터링 옵션에 접속할 수 있습니다.

## 지브라(Zebra)

지브라 설정을 통해 모든 URSA Mini 출력의 지브라 레벨을 설정할 수 있을 뿐만 아니라, LCD 터치스크린에 나타나는 지브라를 켜고 끌 수 있습니다.

지브라 기능을 사용할 경우, 영상에서 설정된 노출 수준을 초과하는 부분에 대각선 줄무늬가 나타납니다. 예를 들어, 지브라를 100%로 설정하면 노출 과다 부분이 나타납니다. 고정된 조명을 사용하는 환경에서 최적의 노출값을 얻는 데 유용한 기능입니다.



LCD 모니터 옵션에 접속한 뒤, 지브라 아이콘을 눌러 URSA Mini의 지브라 설정을 조절할 수 있습니다.

지브라 탭에서 스크린 좌측 하단의 토글 스위치로 LCD 터치스크린의 지브라 기능을 켜고 끌 수 있습니다.

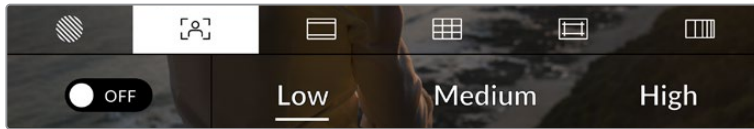
슬라이더를 좌/우로 드래그하거나 지브라 레벨 퍼센트 값 양옆에 있는 화살표 버튼을 눌러 지브라의 노출 정도를 설정하세요. 지브라 레벨은 75~100% 노출 값까지 5퍼센트 단위로 조절할 수 있습니다.

지브라 기능을 카메라의 전면 SDI 출력 및 메인 SDI 출력에 적용하는 방법에 대한 정보는 본 설명서의 [모니터링 설정] 부분을 참고하세요.

**정보** 약간 흐린 날 야외에서 촬영하는 등 다양한 조명 환경에서 촬영하는 경우, 지브라 레벨을 100 이하로 설정하면 발생할 수 있는 노출 과다 현상에 대해 알려줍니다.

#### 포커스 어시스트(Focus Assist)

포커스 어시스트 설정을 통해 모든 URSA Mini 출력의 포커스 어시스트 레벨을 설정할 수 있을 뿐만 아니라 LCD 터치스크린에 나타나는 포커스 어시스트를 켜고 끌 수 있습니다.



LCD 모니터 옵션에 접속한 뒤, 포커스 어시스트 아이콘을 눌러 URSA Mini의 포커스 어시스트 설정을 조절할 수 있습니다.

포커스 어시스트 탭에서는 스크린 좌측 하단의 토글 스위치로 LCD 터치스크린의 포커스 어시스트 기능을 켜고 끌 수 있습니다.

URSA Mini의 모든 출력에 적용할 포커스 어시스트 레벨은 터치스크린 하단의 '낮음'(Low), '중간'(Medium), '높음'(High)을 눌러 설정할 수 있습니다.

최적의 포커스 어시스트 레벨은 촬영하는 샷마다 다릅니다. 예를 들어, 배우에 초점을 맞추는 경우 높은 레벨의 포커스 어시스트를 사용하면 얼굴 가장 자리의 디테일에 도움이 됩니다. 반면, 나뭇잎이나 벽돌의 경우 포커스 어시스트 레벨을 높게 설정하면 다소 산만한 포커스 정보가 나타날 수 있습니다.

포커스 어시스트 기능을 카메라의 전면 SDI 출력 및 메인 SDI 출력에 적용하는 방법에 대한 정보는 본 설명서의 [모니터링 설정] 부분을 참고하세요.

**정보** URSA Mini는 두 가지 모드의 포커스 어시스트를 지원합니다. 'MONITOR' 메뉴에서 'Peaking'과 'Colored Lines' 중에서 선택할 수 있습니다. 더 자세한 정보는 본 설명서의 [모니터링 설정] 부분을 참고하세요.

### 터치 포커스 기능(Touch to focus)

LCD 화면에서 이미지 속 원하는 부분을 길게 눌러 해당 부분에 호환 렌즈 초점을 맞출 수 있습니다. 카메라에서 선택한 영역의 렌즈 초점을 맞춥니다.

그런 다음 카메라나 핸드그립 옵션의 FOCUS 버튼을 누르면 자동 초점 기능이 특정 영역에 적용됩니다. 초점 버튼을 두 번 누르면 초점이 화면 중심에 다시 설정됩니다.



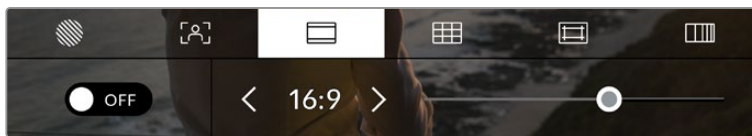
터치 포커스 기능이 적용된 URSA Mini LCD 터치스크린

**정보** 터치 포커스 기능 사용 시 헤드업 디스플레이가 초점을 맞추려는 부분을 가릴 경우, 해당 헤드업 디스플레이를 위/아래로 쓸어 넘기면 화면에서 사라집니다.

### 프레임 가이드(Frame Guides)

프레임 가이드 설정을 통해 LCD 터치스크린에 나타나는 프레임 가이드를 켜고 끌 수 있습니다. URSA Mini의 모든 출력에 적용 가능한 프레임 가이드 옵션 8개 중 원하는 것을 선택할 수 있습니다.

프레임 가이드 기능은 극장, TV, 온라인 표준을 위한 다양한 종횡비를 제공합니다.



LCD 모니터링 옵션에서 프레임 가이드 아이콘을 눌러 URSA Mini의 프레임 가이드 설정에 접속할 수 있습니다.

URSA Mini의 LCD 터치스크린에 나타나는 프레임 가이드를 바꾸려면, 화면 왼쪽 하단에 있는 스위치 아이콘을 선택하세요.

슬라이더를 좌/우로 드래그하거나 현재 선택된 종횡비 양옆의 화살표 버튼을 눌러 사용하고자 하는 프레임 가이드를 선택하세요.

선택 가능한 가이드는 다음과 같습니다.

#### **2.35:1, 2.39:1, 2.40:1**

위의 옵션은 넓은 와이드스크린 종횡비로, 애너모픽 스크린 또는 평평한 와이드스크린 영화 상영에 사용합니다. 이 세 가지의 와이드스크린 설정은 시간이 흐르면서 바뀐 영화 표준에 따라 조금씩 다릅니다. 2.39:1은 오늘날 가장 많이 사용되는 표준입니다.



2.40:1 프레임 가이드가 적용된 URSA Mini LCD 터치스크린

### 1:1

URSA Mini Pro에서 소셜 미디어용 숏 합성 시 정사각형의 1:1 프레임 가이드가 표시됩니다.

### 2:1

URSA Mini Pro에서 사용할 수 있는 이 종횡비는 16:9보다 조금 더 넓지만, 2.35:1보다는 넓지 않습니다.

### 1.85:1

자주 사용되는 또 다른 평평한 와이드스크린 시네마 종횡비입니다. 이 종횡비는 HDTV 1.78:1보다 조금 더 넓지만 2.39:1보다는 넓지 않습니다.

### 16:9

16:9를 사용하는 HD TV 및 컴퓨터 화면과 호환하는 1.78:1 종횡비입니다.

이 종횡비는 HD 방송 및 온라인 비디오에서 가장 널리 사용되는 종횡비입니다. UHD 방송에서도 이와 동일한 종횡비를 사용합니다.

### 14:9

일부 TV 방송국에서 16:9와 4:3 TV 세트의 중간 형태로 사용하는 14:9 종횡비입니다. 16:9와 4:3 영상은 14:9로 센터 크로핑했을 때 가장 이상적인 화면이 나타납니다. 작업 중인 프로젝트가 14:9 크로핑을 사용하는 방송국에서 방송될 예정인 경우, 이 종횡비를 사용해 구도를 잡을 수 있습니다.

### 4:3

SD TV 화면과 호환하는 4:3 종횡비를 디스플레이하거나, 2개의 아나모픽 어댑터를 사용할 때 프레임링을 돕기 위해 사용합니다.

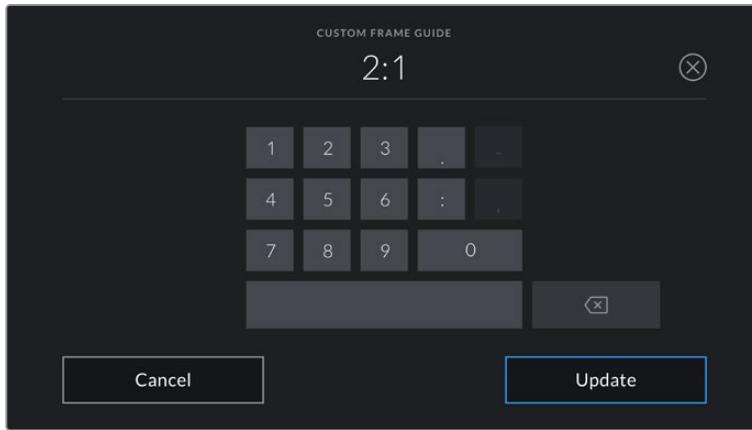
### 4:5

URSA Mini Pro에서 스마트폰용 콘텐츠 합성 시 인물 모드의 4:5 프레임 가이드가 표시됩니다.

### 커스텀 프레임 가이드

나만의 프레임 가이드를 설정하고 싶을 때는 두 화살표 사이에 나타나는 종횡비 숫자를 누르세요. '커스텀 프레임 가이드(CUSTOM FRAME GUIDE)' 화면에서 백스페이스키를 눌러 현재 표시된 비율을 삭제한 후 키패드에서 원하는 숫자를 입력하세요. '업데이트(Update)'를 눌러 적용한 후, 촬영을 재개합니다.





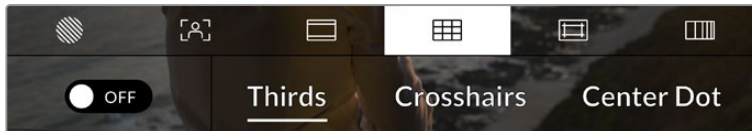
‘커스텀 프레임 가이드(CUSTOM FRAME GUIDE)’에서 숫자 키패드를 사용하여 새로운 종횡비를 입력하세요.

**정보** 프레임 가이드 오버레이의 투명도를 변경할 수 있습니다. 더 자세한 정보는 본 설명서의 [모니터링 설정] 부분을 참고하세요.

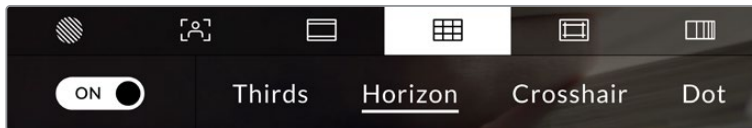
**참고** 프레임 가이드를 카메라의 전면 SDI 출력 및 메인 SDI 출력에 적용하는 방법은 본 설명서의 [모니터링 설정] 부분을 참고하세요.

### 그리드(Grids)

그리드 설정에서는 URSA Mini의 모든 출력에 나타나는 오버레이뿐만 아니라, LCD 터치스크린에 나타나는 3분할 그리드와 십자선, 중심점을 켜고 끌 수 있습니다. URSA Mini Pro 12K는 수평계 표시선 옵션도 제공합니다.



LCD 모니터링 옵션에서 그리드 아이콘을 누르면 URSA Mini의 그리드 설정에 접속할 수 있습니다.



URSA Mini Pro 12K에서 그리드 설정 시 3분할 그리드, 수평계 표시선, 십자선, 중심선 옵션을 선택할 수 있습니다.

그리드와 십자선은 영상의 구도를 잡는 데 도움이 되는 오버레이입니다. 그리드 기능을 활성화하면, URSA Mini에 3분할 선, 십자선 또는 중심점이 나타납니다. URSA Mini Pro 12K는 수평계 표시선 옵션을 추가로 제공하여 화면에 오버레이로 표시할 수 있습니다.

프레임 가이드 탭에서 스크린 좌측 하단의 토글 스위치로 URSA Mini 터치스크린 속 그리드를 켜고 끌 수 있습니다.

URSA Mini를 설치한 다음 ATEM에 연결해서 프로그램 소스로 사용 중인 경우, 그리드를 활성화하면 LCD에 빨간색 프로그램 탈리 테두리가 자동으로 나타납니다.



그리드를 활성화한 상태에서 탈리 신호를 전송하는 ATEM 스위처에 연결하면, 카메라의 미리보기 영상에 빨간색 테두리가 나타납니다.

URSA Mini의 모든 출력에 표시할 오버레이를 설정하려면, 디스플레이의 하단에 있는 3분할 선 및 십자선, 중심점 중에 선택하여 누릅니다. URSA Mini Pro 12K는 '수평계(Horizon)' 옵션도 제공합니다.



3분할 그리드는 모든 온스크린 프레임 가이드에 맞게 자동으로 조정됩니다.

### 3분할 선(Grids)

3분할 선 설정은 이미지를 삼등분한 두 개의 가로/세로줄이 나타나는 기능입니다. 이 3분할 선은 촬영 구도를 잡는 데 도움을 주는 아주 강력한 도구입니다.

예를 들어, 인간의 눈은 일반적으로 선이 교차하는 지점에서 일어나는 움직임에 집중되기 때문에, 이러한 핵심 지점에 프레임을 사용하면 촬영에 매우 유용합니다. 보통 연기자의 시선이 화면을 가로로 3등분 한 구역 중 맨 윗부분에 머물기 때문에, 맨 위의 가로줄을 사용하여 화면을 프레임합니다. 3분할 선은 촬영 장면 간 프레임밍을 일관되게 유지할 수 있는 유용한 기능입니다.

## 수평계

URSA Mini Pro 12K는 수평계 표시선 옵션을 제공합니다. 수평계 표시선은 카메라가 좌우로 회전되거나 위아래로 기울어질 때 나타납니다. 주로 핸드헬드로 촬영 시, 수평선을 맞추는 데 도움을 주며 짐벌 촬영에서 카메라 기울기를 맞추는 데 유용합니다.

중앙의 검은색 십자선에서 열린 회색선이 움직이는 방향은 카메라가 기울어지는 방향을 나타냅니다. 카메라가 아래로 기울어지면 열린 회색 가로선이 위로 올라가며, 카메라가 위로 기울어지면 열린 회색 가로선이 아래로 내려갑니다.

검은색 중앙 십자선에서 열린 회색선이 움직이는 거리는 카메라가 회전되거나 기울어지는 정도와 비례합니다. 카메라의 모션 센서를 조정한 후, 카메라가 회전축에 정렬되면 세로선이 파란색으로 변하며, 카메라가 기울임 축에 정렬되면 가로선이 파란색으로 변합니다.

카메라가 오버헤드 샷 촬영을 위해 아래로 똑바로 기울어졌거나 혹은 위로 똑바로 기울어졌을 때도 수평계가 이를 감지한다는 것을 알아두세요. 카메라를 세로로 세워 촬영 시, 두 축이 90도 방향으로 회전됩니다.

다음 표는 카메라의 기울기 및 회전을 나타내는 수평계 표시선의 예를 나타냅니다.

표시선	설명
	가로 정렬 및 세로 정렬
	가로 정렬 및 밑으로 기울어짐
	왼쪽으로 기울어짐 및 세로 정렬
	오른쪽으로 기울어짐 및 위로 기울어짐

일반적으로 표시선을 '가로 정렬 및 세로 정렬' 상태로 맞춘 후 촬영합니다. 만약, 더치앵글로 촬영 시, 수평계 표시선을 사용하여 일관된 각도로 기울여 로우/하이 샷을 촬영을 하고자 할 때는 표시선을 조정하여 기울일 수 있습니다. 수평계 표시선 조정에 관한 방법은 [모션 센서 보정] 부분을 참고하세요.

## 십자선

십자선으로 설정 시 프레임 중심에 십자선이 나타납니다. 십자선은 3분할 선과 마찬가지로 구도를 잡는데 아주 유용한 도구로, 샷 안의 피사체를 정중앙에 쉽게 프레임링할 수 있습니다. 이 설정은 여러 컷을 아주 빠르게 전환하여 하나의 장면을 완성하는 촬영에 을 사용하곤 합니다. 시청자의 눈이 프레임 중앙을 계속 응시하게 되므로, 흐름이 빠른 장면도 쉽게 따라갈 수 있습니다.

## 중심점(Center Dot)

중심점으로 설정 시 프레임의 중앙에 점이 나타납니다. 십자선과 동일한 방식으로 작동하지만, 크기가 작아 화면을 적게 가리게 되므로 눈에 덜 거슬립니다.

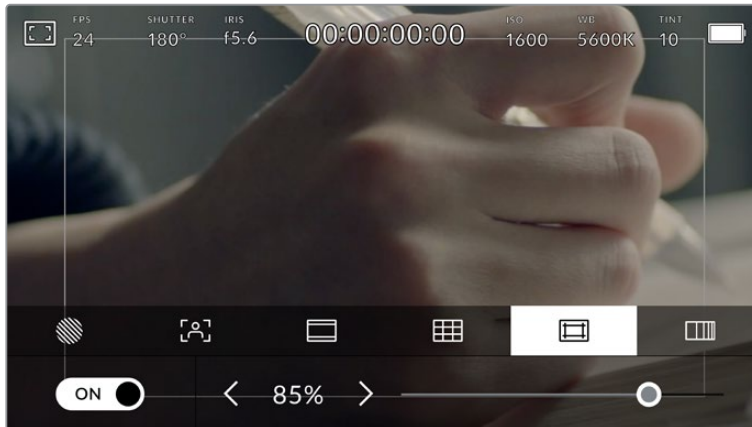
그리드 메뉴에서 3분할 선/십자선/중심점 중 두 가지 종류의 그리드를 선택해 원하는 조합으로 설정할 수 있습니다. 단, 십자선과 중심점은 함께 선택할 수 없습니다.

**정보** 그리드를 URSA Mini의 전면 SDI 출력 및 메인 SDI 출력에 적용하는 방법에 대한 정보는 본 설명서의 [모니터링 설정] 부분을 참고하세요.

### 안전 영역 가이드(Safe Area Guides)

이 설정은 LCD 터치스크린의 안전 영역을 켜고 끌 수 있을 뿐 아니라, 모든 URSA Mini 출력에 나타나는 안전 영역의 크기를 설정할 수도 있습니다.

안전 영역은 샷의 가장 중요한 부분을 시청자들이 볼 수 있는지 확인하기 위해 방송 프로덕션에서 사용합니다. 샷의 가장 중요한 부분을 '안전 영역' 중심에 배치할 경우, 일부 TV에서 영상이 크로핑되는 현상을 방지할 수 있을 뿐만 아니라 방송국에서 화면 가장자리에 버그와 뉴스 자막, 기타 오버레이를 추가할 수 있는 공간을 남겨둘 수도 있습니다. 많은 방송국에서는 90% 안전 영역에 속하는 영상을 요구합니다.



85%로 설정된 안전 영역 표시 장치

안전 영역은 샷을 프레임하는 데도 사용됩니다. 이를 통해 후반 제작 과정에서 어떤 부분을 사용하게 될지 미리 확인할 수 있으며, 상황에 따라 영상 가장자리가 크로핑될 수도 있습니다. 안전 영역은 특정 크로핑 영역을 표시하는데 사용되기도 합니다.

예를 들어, UHD 3840x2160으로 녹화하는 동안 안전 영역을 50%로 설정할 경우, 1920x1080으로 크롭핑된 프레임을 미리 확인할 수 있습니다. 안전 영역은 프레임 가이드에 맞는 크기로 조정됩니다. 따라서 현재 사용 중인 프레임 가이드 내부에 설정된 비율로 나타납니다.

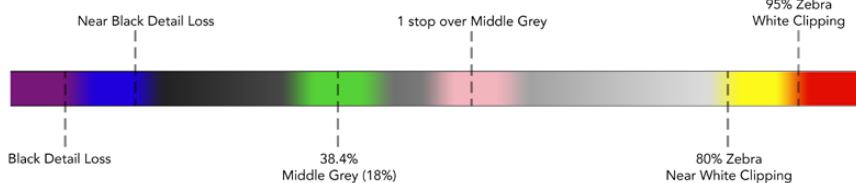
안전 영역 가이드 탭 화면의 왼쪽 하단에 있는 스위치 아이콘을 선택하여 LCD 터치스크린의 안전 영역 가이드 기능을 켜고 끌 수 있습니다. 모든 URSA Mini 출력에 나타나는 안전 영역의 비율을 설정하려면, 터치스크린 하단의 퍼센트 수치 양옆에 있는 좌/우 화살표를 누르세요. 슬라이더를 좌/우로 드래그해 조정할 수도 있습니다.

### 폴스 컬러(False Color)

폴스 컬러 설정을 통해 LCD 터치스크린에 나타나는 폴스 컬러 노출 보조 기능을 켜고 끌 수 있습니다.

폴스 컬러 오버레이 기능은 이미지 위에 노출값을 나타내는 여러 가지 색상을 더하여 이미지 속 서로 다른 요소의 노출값을 확인할 수 있는 기능입니다. 예를 들어, 분홍색은 밝은 피부톤에 최적인 노출을, 녹색은 어두운 피부톤에 최적인 노출을 나타냅니다. 인물 촬영 시 분홍색 또는 녹색으로 나타나는 폴스 컬러 부분을 확인하여 피부톤을 위한 최적의 노출값을 일정하게 유지할 수 있습니다.

마찬가지로, 이미지 속 피사체가 노란색에서 빨간색으로 변한다면 이는 노출값이 높다는 것을 의미합니다.



폴스 컬러 차트

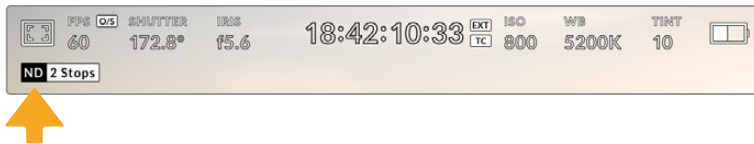
폴스 컬러 탭에서 스크린 좌측 하단의 토글 스위치를 사용하여 LCD 터치스크린의 폴스 컬러 기능을 켜고 끌 수 있습니다.



폴스 컬러 노출 보조 탭의 모습

## ND 필터 상태 정보

URSA Mini Pro의 ND 필터를 조정하면 LCD 터치스크린 좌측 상단에 ND 필터 표시 장치가 나타나며, 상태 표시 텍스트를 표시하도록 설정된 모든 SDI 출력에도 나타납니다. 이 표시 장치는 ND 필터 사용 시 상태 텍스트에 계속 나타납니다. ND 필터를 '0'에 맞출 시, 'Clear(사용 안 함)' 텍스트가 4초 후에 사라집니다.

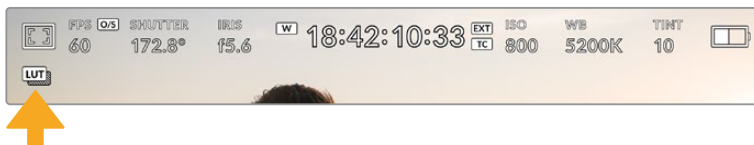


URSA Mini Pro의 ND 필터를 조정할 경우, LCD 터치스크린 좌측 상단에 ND 필터 상태 정보가 나타납니다.

**참고** ND 필터 상태 정보에서 사용하는 용어를 사용자 편의에 맞게 변경할 수 있습니다. 변경 가능한 옵션으로는 ND 필터 번호, F값, 비율이 있습니다. URSA Mini Pro의 설정 메뉴에서 선호하는 포맷을 설정할 수 있습니다.

## LUT 상태 정보

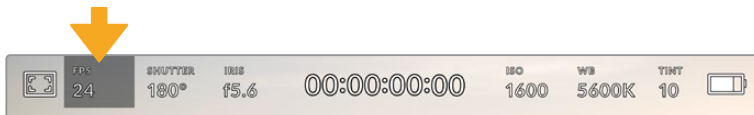
상태 표시 텍스트(Status Text)를 활성화하면 LUT 아이콘이 LCD와 전면 SDI, 메인 SDI에 나타나며, 해당 출력에 LUT가 적용됩니다.



LUT 아이콘을 통해 이미지에 LUT가 적용되었음을 확인할 수 있습니다.

## 초당 프레임 수(FPS)

FPS 상태 정보는 현재 선택된 초당 프레임 수를 나타냅니다.



URSA Mini의 초당 프레임 상태 정보. 이 탭을 누르면 프레임 속도 설정에 접속할 수 있습니다.

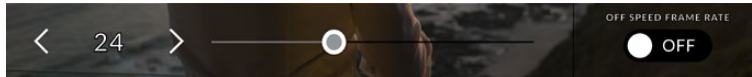
FPS 상태 정보를 누른 뒤, LCD 터치스크린 하단의 메뉴를 통해 카메라의 센서 프레임 레이트와 프로젝트 프레임 레이트를 변경할 수 있습니다.

### 프로젝트 프레임 레이트(Project Frame Rate)

프로젝트 프레임 레이트는 URSA Mini의 녹화 포맷 프레임 속도를 의미하며, 영화 및 TV 업계에서 널리 사용되는 다양한 프레임 속도를 제공합니다. 대개 프레임 레이트는 후반 제작 워크플로에서 사용하는 재생 속도로 설정합니다.

Blackmagic URSA Mini는 초당 23.98, 24, 25, 29.97, 30, 50, 59.94, 60 프레임 등 총 8가지의 프레임 레이트 설정 옵션을 제공합니다.

URSA Mini의 프로젝트 프레임 레이트를 조정하려면, 'FPS' 메뉴에서 터치스크린 아래의 현재 프레임 레이트 옆에 있는 좌/우 화살표를 누르세요. 슬라이더를 좌/우로 드래그해 조정할 수도 있습니다.

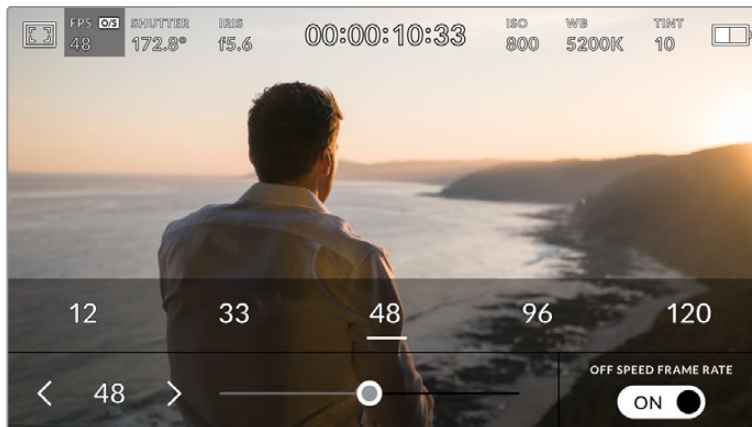


프로젝트 프레임 레이트 양옆의 좌/우 화살표를 누르거나 슬라이더를 움직여 조정할 수 있습니다.

**정보** URSA Mini의 프로젝트 프레임 속도를 통해 전면 SDI 및 메인 SDI 출력의 프레임 레이트도 설정할 수 있습니다.

### 센서 프레임 레이트(Sensor frame rate)

센서 프레임 레이트를 통해 초당 실제로 녹화되는 프레임 수가 설정됩니다. 이 센서 프레임 레이트는 설정된 프로젝트 프레임 레이트에 따라 영상이 얼마나 빠르게 또는 느리게 재생되는지를 결정합니다.



오프스피드 프레임 레이트(Off Speed Frame Rate)를 활성화한 경우 센서 프레임 레이트 양옆의 좌/우 화살표를 누르거나 슬라이더를 움직이거나 프리셋 중 하나를 눌러 조정할 수 있습니다.

URSA Mini의 프로젝트 프레임 레이트 및 센서 프레임 레이트는 일반적인 재생 속도에 맞게 기본 설정되어 있습니다. 하지만 URSA Mini의 FPS 메뉴 우측 하단에 있는 '오프스피드 프레임 레이트' 스위치 아이콘을 눌러 센서 프레임 속도를 개별적으로 설정할 수도 있습니다.

센서 프레임 레이트를 변경하려면 터치스크린 좌측 하단에 있는 센서 프레임 레이트 양옆의 화살표를 누르세요. 슬라이더를 좌/우로 드래그해 프레임 레이트를 높이거나 줄일 수도 있습니다. 슬라이더를 놓으면 센서 프레임 레이트가 바로 선택됩니다. 슬라이더 위쪽에는 현재의 프로젝트 프레임 레이트를 기준으로 권장되는 오프스피드 프레임 레이트가 표시되므로 이를 선택할 수도 있습니다.

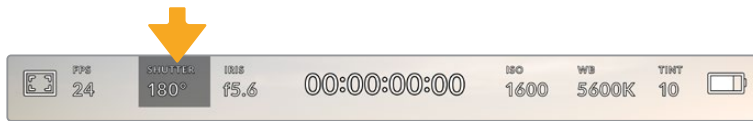
센서 프레임 레이트를 조절하면 영상 클립에 흥미롭고 역동적인 속도 효과를 더할 수 있습니다. 센서 프레임 레이트를 프로젝트 프레임 레이트보다 높게 설정하면 재생 시 슬로우 모션 효과가 나타납니다. 반대로 센서 프레임 레이트가 낮아질수록 클립의 재생 속도는 빨라집니다. 필름 카메라를 오버 크랭크 및 언더 크랭크로 촬영할 때 나타나는 효과와 유사합니다. 오버 크랭크로 촬영하면 센서 프레임 레이트가 높아져 화면이 느리게 재생되기 때문에 감정을 더욱 효과적으로 전달할 수 있습니다. 언더 크랭크로 촬영하면 센서 프레임 속도가 낮아져 움직임이 빠른 장면 속 액션을 부각시킬 수 있습니다. 사용자는 무궁무진한 창의력을 발휘할 수 있습니다!

각 녹화 포맷과 코덱에 맞는 최대 프레임 레이트에 관한 자세한 정보는 [녹화] 부분을 참고하세요.

**참고** 오프스피드 프레임 레이트를 활성화하면 URSA Mini의 오디오와 비디오의 동기화가 중단됩니다. 동일한 프로젝트 프레임 레이트 및 센서 프레임 레이트를 선택하더라도 결과는 변하지 않습니다. 따라서 오디오 동기화가 반드시 필요한 경우에는 오프스피드 프레임 레이트를 선택하지 말아야 합니다.

## 셔터(Shutter)

셔터 상태 정보는 셔터 속도를 나타냅니다. 이 상태 정보를 눌러 URSA Mini의 셔터 설정값을 변경하거나 셔터 우선 자동 노출 모드(Auto Exposure)로 설정할 수 있습니다. URSA Mini 4.6K 및 URSA Mini Pro에서는 셔터 측정 설정을 통해 셔터 정보를 셔터 개각도 또는 셔터 속도로 표시할 수 있습니다. 더 자세한 정보는 본 설명서의 [설정] 부분을 참고하세요.



URSA Mini의 셔터 상태 정보. 이 탭을 누르면 셔터 설정이 나타납니다.

셔터 개각도 또는 셔터 속도는 영상에 적용되는 모션 블러의 정도를 결정하며, 다양한 조명 조건을 보정하기 위해 사용됩니다. 180도는 대부분의 환경에서 만족할만한 모션 블러를 캡처해낼 수 있는 최적의 셔터 개각도이며, 이에 상응하는 셔터 속도는 50분의 1초입니다. 하지만 조명 조건이 변하거나 촬영 장면 속 움직임이 많은 경우에는 이에 맞는 개각도로 조절해야 합니다.

예를 들어, 최대 노출인 360도로 설정하면 센서가 최대 광량을 받게 됩니다. 이는 조명이 어두운 환경에서 미묘한 움직임이 있는 장면을 촬영할 때 유용합니다. 반대로 움직임이 빠른 장면을 촬영하는 경우, 개각도를 90도 정도로 조금만 개방하면 최소한의 모션 블러 효과로 더욱 선명하고 날카로운 영상을 얻을 수 있습니다. 각 셔터 개각도에 해당하는 셔터 속도는 현재 사용 중인 프레임 레이트에 따라 달라집니다. 예를 들어, 초당 25 프레임으로 촬영할 경우 셔터 개각도 360도는 25분의 1초에, 90도는 100분의 1초에 해당합니다.

**참고** 조명 아래서 촬영하는 경우, 셔터에 플리커 현상이 발생할 수 있습니다. URSA Mini는 현재 설정된 프레임 속도에서 플리커 현상이 없는 셔터 개각도를 자동으로 산출합니다. 플리커 현상이 발생하지 않는 권장 셔터 옵션을 최대 3개까지 헤드업 디스플레이 하단에 표시합니다. 이러한 셔터 설정값은 거주 지역의 주전력 주파수의 영향을 받게 됩니다. URSA Mini의 설정(SETUP) 메뉴에서 전력 주파수를 거주 지역에 맞게 50Hz 또는 60Hz로 설정할 수 있습니다. 더 자세한 정보는 본 설명서의 [설정] 부분을 참고하세요.



셔터 표시 장치를 누르면 URSA Mini 터치스크린 하단에 권장 셔터 설정값이 나타납니다. 자동 노출 기능을 비활성화할 경우, URSA Mini의 설정(SETUP) 메뉴에서 선택한 주전력 주파수를 기반으로 플리커 현상 없는 셔터 속도뿐만 아니라 현재 선택된 셔터 속도까지 나타납니다. 더 자세한 정보는 본 설명서의 [설정] 부분을 참고하세요.

**참고** 플리커 현상이 없는 셔터 설정값을 사용하더라도 개별 광원의 특성으로 인해 플리커 현상이 발생할 수 있다는 점을 참고하세요. 연속 광원을 사용하지 않는 경우, 촬영 전에 먼저 테스트를 거치는 것이 좋습니다.

플리커 현상이 없는 셔터 속도 중 하나를 선택하려면 디스플레이된 셔터값 중 하나를 눌러주기만 하면 됩니다. 현재의 셔터값 상태 정보 양옆에 있는 화살표를 눌러 가장 많이 사용되는 셔터값을 확인할 수 있습니다.



URSA Mini는 설정(SETUP) 메뉴에서 선택한 주전력 주파수를 기반으로 플리커 현상이 없는 셔터 개각도를 제시합니다.

특정 셔터값을 선택하려면 스크린 왼쪽 하단의 셔터값을 더블 클릭하세요. 화면에 나타난 키패드를 통해 최대 소수점 두 자리까지 셔터값을 입력할 수 있습니다.

현재 프레임 레이트에 적합하지 않은 셔터 속도를 입력할 경우, 사용 가능한 수치에 가장 근접한 셔터 속도 값이 적용됩니다.



수동 셔터 키패드를 사용하여 원하는 셔터값을 자유롭게 입력할 수 있습니다.

URSA Mini는 셔터 기반의 세 가지 자동 노출 모드를 지원합니다. 이 중 하나를 선택하려면 셔터 메뉴 맨 오른쪽에 있는 'AUTO EXPOSURE' 버튼을 누르세요.

**셔터(Shutter)**

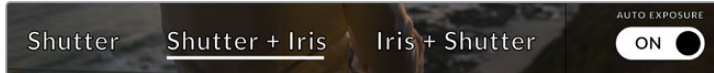
이 설정은 조리개를 일정하게 유지하면서 셔터 설정값을 자동으로 조정하여 노출 수준을 일정하게 유지합니다. 고정 피사계 심도를 유지하고자 할 경우에 이 설정을 선택하세요. 미미한 셔터의 자동 조절 움직임이 모션 블러에 영향을 끼칠 수도 있다는 점을 유념하시기 바랍니다. 또한 실내 촬영 시 다양한 조명 기구로 인해 플리커 현상이 발생할 수 있으니 주의하시기 바랍니다. 자동 노출 모드를 'Shutter'로 선택할 경우, URSA Mini의 자동 조리개 기능은 사용할 수 없습니다.

### 셔터 + 조리개(Shutter + Iris)

셔터를 조절하여 정확한 노출 수준을 유지하며 이후 조리개를 조절합니다. 셔터 설정값을 최대한 올리거나 낮춰도 원하는 수준의 노출을 유지할 수 없을 경우, URSA Mini에서 조리개를 조절하여 노출을 일정하게 유지합니다.

### 조리개 + 셔터(Iris + Shutter)

조리개를 조절하여 정확한 노출 수준을 유지하며 이후 셔터 속도를 조절합니다. 조리개값을 최대한 올리거나 낮춰도 원하는 수준의 노출을 유지할 수 없을 경우, URSA Mini에서 조리개를 조절하여 노출을 일정하게 유지합니다.

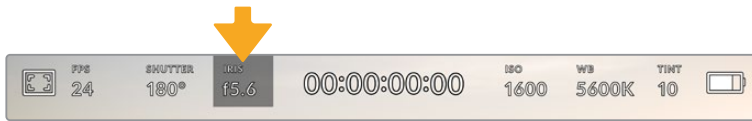


셔터 메뉴에서 'AUTO EXPOSURE'를 눌러 셔터 기반의 자동 노출 모드로 접속할 수 있습니다.

**정보** 셔터에 영향을 미치는 자동 노출 모드를 활성화할 경우, URSA Mini 터치스크린 상단의 셔터 개각도 상태 정보 옆에 'A'라는 작은 글자가 나타납니다.

## 조리개(IRIS)

조리개 상태 정보는 표시는 현재 사용 중인 렌즈 조리개값을 나타냅니다. 이 부분을 눌러 호환 렌즈의 조리개값을 변경하고 조리개 기반의 자동 노출 모드를 설정할 수 있습니다.

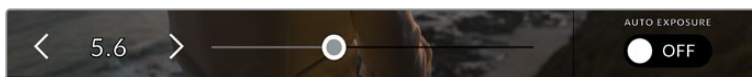


URSA Mini의 조리개 상태 정보. 이 부분을 누르면 조리개 설정이 나타납니다.

**참고** LCD 터치스크린에서 조리개를 조절하려면, 카메라로 조리개를 변경할 수 있는 렌즈를 장착해야만 합니다. URSA Mini PL의 방송용 12핀 커넥터를 통해 B4 또는 PL 렌즈를 사용하는 경우, 핸드그립에 있는 렌즈 조리개 스위치가 A 또는 Auto로 설정되어 있는지를 반드시 확인하세요.

조리개 상태 정보를 한 번 누르면 URSA Mini 터치스크린 하단에 조리개 메뉴가 나타납니다. 이 메뉴 맨 왼쪽에서 현재 렌즈의 조리개값을 확인할 수 있습니다. 현재 조리개값 좌/우에 있는 화살표를 누르거나, 슬라이더를 좌/우로 움직여 조리개값을 변경할 수 있습니다.

조리개 메뉴 맨 오른쪽에 있는 'AUTO EXPOSURE' 스위치 아이콘을 누르면 조리개 자동 노출 메뉴가 열립니다.



조리개 메뉴에서 조리개 상태 정보 양옆의 화살표를 누르거나 슬라이더를 사용해 조리개 설정을 조정하세요.

이를 통해 다음과 같은 자동 노출 옵션을 사용할 수 있습니다.

#### 조리개(Iris)

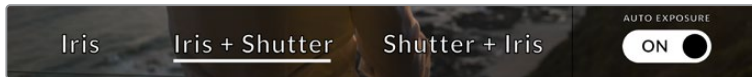
이 설정은 셔터 개각도를 그대로 유지하면서 조리개를 자동으로 조절하여 노출 수준을 일정하게 유지합니다. 모션 블러를 일정하게 유지할 수 있지만 피사계 심도에 영향을 끼칠 수도 있습니다.

#### 조리개 + 셔터(Iris + Shutter)

조리개를 조절하여 정확한 노출 수준을 유지하며 이후 셔터 설정값을 조절합니다. 조리개를 최대한 올리거나 낮춰도 원하는 수준의 노출을 유지할 수 없을 경우, URSA Mini에서 셔터를 조절하여 노출을 일정하게 유지합니다.

#### 셔터 + 조리개(Shutter + Iris)

셔터를 조절하여 정확한 노출 수준을 유지하며 이후 셔터를 조절합니다. 셔터 설정값을 최대한 올리거나 낮춰도 원하는 수준의 노출을 유지할 수 없을 경우, URSA Mini에서 조리개를 조절하여 노출을 일정하게 유지합니다.



조리개(Iris) 메뉴에서 자동 노출(Auto Exposure)을 선택하여 조리개 기반의 자동 노출 모드에 접속할 수 있습니다.

조리개에 영향을 미치는 자동 노출 모드를 활성화할 경우, URSA Mini 터치스크린 상단의 조리개 상태 정보 옆에 'A'라는 작은 글자가 나타납니다.

**정보** 자동 초점 기능은 비디오 및 영화 제작을 위해 제작된 B4 또는 PL 호환 렌즈에서 부드럽게 작동합니다. EF 렌즈를 사용할 경우, 조리개를 변경할 때마다 노출 단계가 눈에 띄게 달라질 수도 있습니다. 이런 이유로 URSA Mini EF로 촬영할 시에는 자동 노출 옵션을 'Shutter'로 설정할 것을 권장합니다.

## 녹화 시간 정보

URSA Mini의 LCD 터치스크린 상단에서 카메라 녹화 시간을 확인할 수 있습니다.



URSA Mini에 나타나는 녹화 시간 정보. 녹화 중에는 빨간색으로 변합니다.

녹화 시간 정보에서 제공되는 타임코드 측정기를 통해 클립의 길이를 확인하고 녹화 및 재생 시 타임코드를 모니터링할 수 있습니다. 타임코드 측정기는 시:분:초:프레임 순으로 나타나며, 클립의 녹화 및 재생과 함께 시간이 진행됩니다. 타임코드는 녹화 시 빨간색으로 변합니다.

모든 클립의 녹화 시간은 00:00:00:00부터 시작됩니다. 현재 녹화 중인 또는 최근에 녹화된 클립의 녹화 시간이 터치스크린에 표시됩니다. 후반 작업의 편의를 위해 현재 시각이 클립에 임베드됩니다.

타임코드는 녹화 시간 정보를 눌러 간단히 확인 가능합니다. 녹화 시간 정보를 다시 누르면 클립 녹화 시간으로 되돌아갑니다.

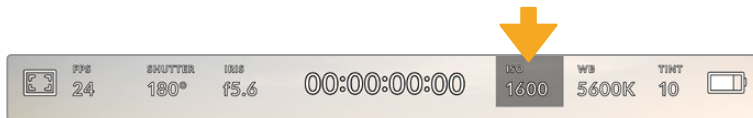
다음의 추가적인 정보가 녹화 시간 정보 주변에 나타납니다.

- W** URSA Mini에서 윈도우 센서 모드를 사용하는 경우, 녹화 시간 왼쪽에 이 표시가 나타납니다.
- TC** 타임코드가 디스플레이 중인 경우, 녹화 시간 오른쪽에 이 표시가 나타납니다.
- EXT** 유효한 외부 타임코드가 연결된 경우, 녹화 시간 오른쪽에 이 표시가 나타납니다.
- INT** 카메라에 타임코드를 복사해 사용하다가 중단하고 내부 타임코드를 사용하는 경우, 녹화 시간 오른쪽에 이 표시가 나타납니다.
- PRE** '프리셋 레코드 런' 타임코드가 디스플레이 중인 경우, 녹화 시간 오른쪽에 이 표시가 나타납니다.
- REF** 레퍼런스 입력 설정과 일치하는 유효한 레퍼런스 소스가 연결되어 잠긴 경우에 이 표시가 나타납니다.

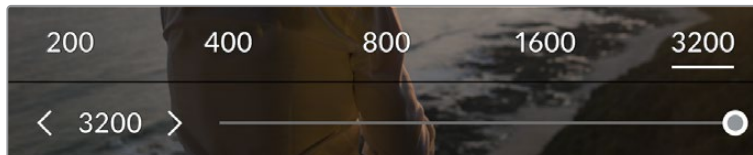
## ISO

ISO 상태 정보는 현재 URSA Mini의 ISO 설정 또는 감광도를 나타냅니다. 이 부분을 눌러 다양한 조명 조건에 맞게 ISO를 조절할 수 있습니다. URSA Mini의 ISO 범위는 200에서 1600인 반면, URSA Mini Pro의 ISO 범위는 3200까지 늘어납니다.

URSA Mini 4K를 위한 최적의 ISO 설정은 400입니다. URSA Mini 4.6K와 URSA Mini Pro를 위한 최적의 ISO 설정은 800입니다.



URSA Mini의 ISO 상태 정보. 이 부분을 누르면 ISO 설정이 나타납니다.



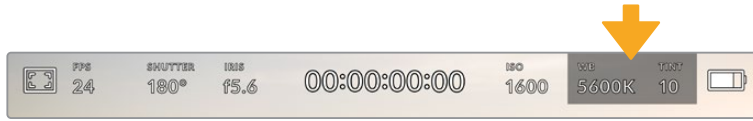
ISO 메뉴에서는 LCD 터치스크린 하단에 URSA Mini의 ISO 설정이 나타납니다. URSA Mini Pro 4.6K G2의 경우 프리셋 밑에 슬라이더가 있어 ISO를 1/3 스탱씩 증가시킬 수 있습니다.

숫자로 표시되는 프리셋 옵션을 제공하므로 숫자를 눌러 ISO 설정을 풀 스탱까지 순차적으로 증가시킬 수 있습니다. URSA Mini Pro 4.6K G2의 경우, 프리셋 밑에 슬라이더가 있어 ISO를 프리셋 값을 1/3 스탱씩 섬세하게 증가시킬 수 있습니다.

촬영 환경에 따라 ISO 설정을 좀 더 높거나 낮게 선택할 수 있습니다. 예를 들어, URSA Mini 4.6K를 조명이 낮은 환경에서 촬영하는 경우에는 ISO를 1600으로 설정하는 것이 좋지만, 약간의 노이즈 현상이 발생할 수도 있습니다. 조명이 밝은 환경에서는 ISO 200으로 촬영하면 훨씬 풍부한 색상을 얻을 수 있습니다.

## 화이트 밸런스(WB)

‘WB’와 ‘TINT’는 카메라의 현재 화이트 밸런스 및 색조를 나타냅니다. 이 부분을 누르면 카메라의 화이트 밸런스 및 색조를 다양한 조명 조건에 맞게 조절할 수 있습니다.



URSA Mini의 화이트 밸런스 및 색조 상태 정보. 이 탭을 누르면 화이트 밸런스 및 색조 설정에 접속할 수 있습니다.

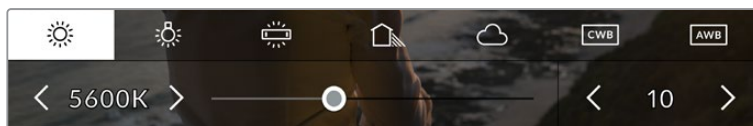
모든 광원에서는 색이 방출됩니다. 예를 들어, 촛불에서는 따뜻한 색상이, 흐린 하늘에서는 차가운 색상이 방출됩니다. 화이트 밸런스 설정을 사용하여 영상의 색상 균형을 맞출 수 있으므로, 영상 속 주황색과 파란색의 조합을 조절해 흰색을 그대로 유지할 수 있습니다. 예를 들면, 텅스텐 조명 아래에서 촬영하면 따뜻한 주황색 광원이 방출되므로, 3200K를 선택하여 차가운 색상을 영상에 추가합니다. 이러한 방식으로 색상의 균형을 맞춰 정확한 흰색을 저장할 수 있습니다.

URSA Mini는 다음과 같은 화이트 밸런스 프리셋을 제공하여 다양한 색온도 환경에 맞게 선택할 수 있습니다.

	<b>밝은 자연광</b>	(5600K)
	<b>백열등</b>	(3200K)
	<b>형광등</b>	(4000K)
	<b>혼합광</b>	(4500K)
	<b>흐린 날</b>	(6500K)

화이트 밸런스 메뉴 하단의 색온도 상태 정보 좌/우에 있는 화살표 아이콘을 눌러 모든 프리셋을 사용자 지정할 수 있습니다. 화살표를 한 번 누를 때마다 색온도가 50K씩 증가/감소하며, 길게 누르면 증가/감소 폭이 증가해 신속하게 변경할 수 있습니다. 화이트 밸런스 메뉴 중간에 있는 색온도 슬라이더를 움직여 조정할 수도 있습니다.

조정이 더 필요한 경우에는 색조를 조절할 수 있습니다. 이를 통해 영상 속 녹색과 심홍색의 조합이 조정됩니다. 예를 들어, 심홍색을 약간 추가하면 수많은 형광등에서 나오는 초록색을 보완할 수 있습니다. 대부분의 URSA Mini 화이트 밸런스 프리셋에는 약간의 색조가 포함되어 있습니다.



URSA Mini의 ‘WB’ 및 ‘TINT’ 상태 정보를 누르면 좌측엔 화이트 밸런스 상태 정보와 슬라이더가, 우측엔 색조 표시 장치가 나타날 뿐만 아니라 5개의 프리셋도 함께 나타납니다. 이를 조절해 사용 중인 조명 조건에 맞는 자신만의 화이트 밸런스를 설정하세요.

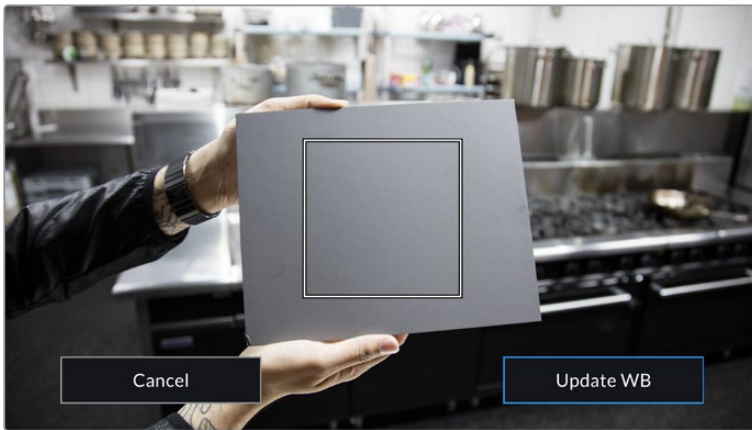
화이트 밸런스 메뉴에서는 카메라의 현재 색조 설정이 스크린 우측 하단에 나타납니다. 색조를 조절하려면 색조 표시 좌/우에 있는 화살표를 간단히 한 번씩 또는 길게 누르세요. 한 번 누를 때마다 50 단위씩 증가 또는 감소합니다. 화살표를 길게 눌러 빠르게 조절할 수 있습니다.

**참고** 화이트 밸런스나 색조를 사용자가 지정할 경우, 프리셋이 커스텀 화이트 밸런스(CWB)로 변경됩니다. 커스텀 화이트 밸런스는 계속 지속되어 전원을 껐다 켜도 CWB 설정이 그대로 유지되며, 프리셋으로 전환했다가도 다시 CWB로 되돌릴 수 있습니다. 이를 통해 최근에 사용한 프리셋과 커스텀 화이트 밸런스를 쉽게 비교할 수 있습니다.

### 자동 화이트 밸런스(AUTO W/B)

URSA Mini에서는 화이트 밸런스를 자동으로 설정할 수 있습니다. 'AWB'를 누르면 화이트 밸런스 화면이 나타납니다.

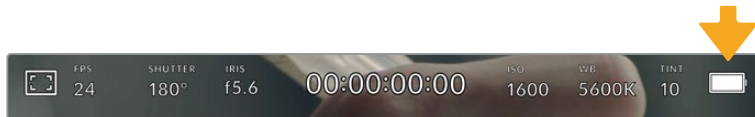
화이트 밸런스를 자동으로 설정하는 경우, 영상 중앙에 사각형이 오버레이되어 나타납니다. 이 사각형을 흰색 또는 회색 카드와 같은 중립면으로 채운 뒤, 'Update'를 누르세요. URSA Mini에서는 화이트 밸런스와 색조값이 자동으로 조절되어, 화이트 밸런스 사각형 안에 있는 전반적인 흰색 또는 회색이 최대한 중립적으로 유지됩니다. 업데이트가 끝나면 이 값이 카메라의 커스텀 화이트 밸런스로 설정됩니다.



화이트 밸런스 메뉴에 있는 AWB 아이콘을 누르면 자동 화이트 밸런스 화면이 나타납니다. 여기에 흰색 또는 중간 회색 카드를 가져다 대어 자동으로 중립적인 화이트 밸런스가 설정되도록 하세요.

### 전원

URSA Mini의 전원 상태는 LCD 화면 우측 상단에 표시됩니다. 표시 장치는 다음과 같은 5가지 형태로 표시됩니다.



URSA Mini의 전원 상태 표시는 LCD 터치스크린 우측 상단에 나타납니다. 배터리를 사용하는 경우, 이 상태 표시를 눌러 배터리 잔량을 전압 또는 퍼센트로 표시할 수 있습니다.

	<b>AC</b>	URSA Mini를 메인 전원에 연결한 경우에 나타납니다.
	<b>퍼센트</b>	정확한 퍼센트 정보를 제공하는 배터리와 플레이트를 사용하는 경우에 배터리 표시 방식을 퍼센트 방식으로 설정하면, 배터리 잔량이 퍼센트로 표시됩니다. 배터리가 20% 남은 경우, 상태 표시가 빨간색으로 변합니다.
	<b>배터리 바</b>	배터리 표시 방식을 퍼센트 방식으로 설정했지만 배터리와 플레이트가 정확한 퍼센트 정보를 제공하지 않는 경우, URSA Mini에 배터리 아이콘이 나타나 배터리가 25%씩 감소할 때마다 바가 하나씩 줄어듭니다. 배터리가 20% 남은 경우, 배터리 바가 빨간색으로 변합니다.
	<b>전압</b>	배터리 표시 방식을 전압 방식으로 설정하면 배터리 잔량이 전압으로 표시됩니다. 배터리 전압이 12.5V 밑으로 떨어질 경우, 표시 장치가 빨간색으로 변합니다. 배터리 전압이 11.9V에 다다르면 URSA Mini의 전원이 자동으로 꺼집니다.
	<b>광섬유</b>	카메라에 장착된 Blackmagic Camera Fiber Converter로부터 SMPTE 광케이블을 통해 전원이 공급되고 있는 경우에 나타납니다. URSA Mini에 컨버터를 장착한 상태에서 XLR 전원 케이블을 연결한 경우에는 AC 아이콘이 나타납니다.

배터리 전원을 사용할 경우, 전원 상태 표시를 눌러 배터리 잔량 표시를 전압/퍼센트 또는 배터리 바로 전환할 수 있습니다.

**정보** 정확한 퍼센트 정보를 제공하는 배터리 목록은 본 설명서의 [배터리 장착하기] 부분에 나와있습니다.

## 히스토그램

URSA Mini 터치스크린 좌측 하단에서 히스토그램을 확인할 수 있습니다. 히스토그램은 화이트와 블랙 간의 색 대비 정도를 수평 눈금에 나타내는 그래프입니다.



히스토그램을 통해 클립의 새도우와 하이라이트 간의 색조 범위를 확인할 수 있습니다. 또한 노출의 균형을 확인하고 하이라이트가 클리핑 되는 현상을 방지할 수 있는 유용한 도구입니다.

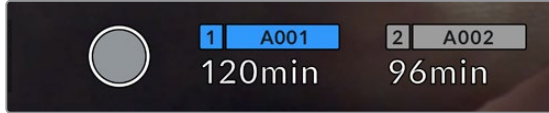
히스토그램의 맨 왼쪽은 새도우 또는 블랙을, 맨 오른쪽은 하이라이트 또는 화이트를 나타냅니다. 렌즈 조리개를 열고 닫으면 이에 따라 히스토그램의 정보 또한 좌/우로 움직이는 것을 볼 수 있습니다. 이를 통해 영상의 새도우와 하이라이트가 클리핑 되는지 확인할 수 있습니다. 히스토그램의 좌/우 양쪽 가장자리가 서서히 떨어지지 않고 갑자기 중단되는 경우에는 하이라이트 또는 새도우 디테일이 손실될 수도 있습니다.

**참고** 터치스크린 하단에 히스토그램이 나타나지 않을 경우, LCD 모니터링 설정에서 코덱과 해상도만 표시하도록 설정되었을 수 있습니다. 더 자세한 정보는 본 설명서의 [모니터링 설정] 부분을 참고하세요.



## 녹화 버튼

URSA Mini 터치스크린 하단에 있는 히스토그램 옆에는 동그란 회색 버튼이 있습니다. 이 버튼이 바로 녹화 버튼입니다. 이 버튼을 누르면 녹화가 시작되고, 다시 누르면 정지됩니다. 녹화 중에는 이 버튼과 URSA Mini 터치스크린 상단의 타임코드가 빨간색으로 변합니다.



LCD 터치스크린 하단의 저장 미디어 상태 정보 옆에 있는 URSA Mini 녹화 버튼



녹화 중에는 녹화 버튼이 빨간색으로 변합니다.

## 드롭 프레임 경고 표시

녹화 버튼 위로 [!] 표시가 깜빡이는 것을 통해 녹화 중 URSA Mini에 드롭 프레임 현상이 발생했음을 알 수 있습니다. 문제가 발생한 카드의 잔여 녹화 시간 상태 정보 또한 빨간색으로 변합니다. 예를 들어, 듀얼 카드 모드로 녹화 중인 경우에 카드 1에서 드롭 프레임 현상이 발생하면 녹화 버튼 위로 깜빡이는 [!] 표시가 나타나며, 카드 1의 잔여 녹화 시간 상태 정보도 빨간색으로 변합니다. 이는 특정 카드가 현재 선택한 코덱 및 해상도에 비해 너무 느리다는 것을 의미합니다. 또한 이전에 녹화한 클립에서 드롭 프레임 현상이 발생한 경우에도 드롭 프레임 경고 표시가 나타납니다. 드롭 프레임 표시 장치는 새로운 클립을 녹화하거나 카메라 전원을 켜다 켜 때까지 지속됩니다. 드롭 프레임 현상을 방지하는 방법에 대한 자세한 정보는 본 설명서의 [CFast 2.0 카드 선택하기] 부분을 참고하세요.



CFast 카드 1에 발생한 드롭 프레임 현상을 알리는 드롭 프레임 경고 표시

**정보** URSA Mini의 'STATUS LED' 옵션이 활성화된 상태에서 드롭 프레임 현상이 감지되면, 카메라 바깥 패널의 LED가 빨간색으로 깜빡거립니다. 더 자세한 정보는 본 설명서의 [설정] 부분을 참고하세요.

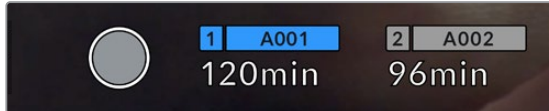
**참고** URSA Mini에서는 드롭 프레임 현상이 감지되면 녹화를 중단하도록 설정할 수 있으므로, 드롭 프레임 경고 표시를 확인하지 못한 경우에 사용 불가능한 영상을 촬영하느라 시간을 낭비하는 일을 사전에 방지할 수 있습니다. 더 자세한 정보는 본 설명서의 [녹화 설정] 부분을 참고하세요.

## 잔여 녹화 시간

저장 미디어 상태 정보는 URSA Mini 터치스크린 하단에서 확인할 수 있습니다.

CFast 카드, SD 카드 또는 SSD를 삽입하면 화면 하단의 저장 미디어 상태 정보를 통해 해당 카드의 잔여 녹화 시간을 확인할 수 있습니다. 잔여 녹화 시간은 분으로 표시되며, 선택한 프레임 레이트와 코덱에 따라 잔여 시간이 달라집니다.

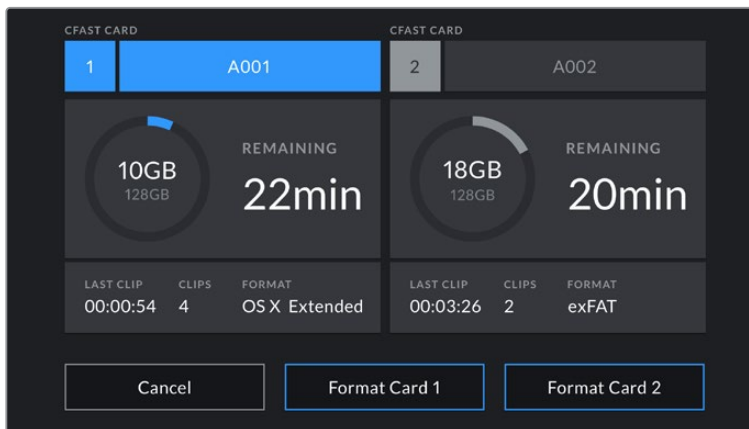
프레임 레이트나 코덱 설정이 변경되면 자동으로 다시 계산된 시간이 상태 정보에 나타납니다. 카드 또는 드라이브의 녹화 가능 시간이 약 5분 정도 남은 경우에는 표시 장치가 빨간색으로 변하며, 2분 정도 남은 경우에는 간헐적으로 깜빡입니다. 카드의 저장 공간이 거의 다 차면 'FULL'이라는 표시가 나타납니다.



URSA Mini의 저장 미디어 상태 정보를 통해 CFast 카드, SD 카드 또는 SSD의 이름과 분 단위의 잔여 녹화 시간이 표시됩니다.

카드 또는 드라이브 이름은 잔여 녹화 시간 상태 정보 위에 있는 작은 바 안에 표시됩니다. 바가 파란색으로 변하면 이 카드 또는 드라이브가 녹화에 사용된다는 의미입니다. URSA Mini Pro 4.6K G2에서는 온스크린 디스플레이를 사용해 녹화 매체를 다른 카드나 드라이브로 변경할 수 있습니다.

녹화하고자 하는 카드 또는 USB-C 플래시 디스크의 이름을 길게 누르세요. 그러면 바가 파란색으로 변합니다. 녹화 중에는 바가 빨간색으로 변합니다. 저장 미디어 상태 정보를 누르면 저장 및 포맷 메뉴가 나타납니다.



URSA Mini의 LCD 터치스크린에 있는 저장 미디어 상태 정보를 눌러 저장 관리 화면에 접속할 수 있습니다.

이 메뉴를 통해 카드 및 드라이브명, 최근 클립의 길이, 각 카드에 저장된 클립 개수와 파일 포맷뿐만 아니라 현재 URSA Mini에 삽입된 각 CFast 카드, SD 카드, SSD, 외장 드라이브의 저장 가능 공간을 확인할 수 있습니다.

이 메뉴에서 사용하고자 하는 미디어를 포맷할 수 있습니다. URSA Mini에서 미디어를 포맷하는 방법에 대한 자세한 정보는 본 설명서의 [Blackmagic URSA Mini에서 미디어 준비하기] 부분을 참고하세요.

**정보** 저장 미디어 메뉴에서 카드 이름을 누르면 해당 카드가 활성화되는데, URSA Mini에서는 이렇게 활성화된 카드 또는 드라이브를 먼저 사용합니다.

## 오디오 미터

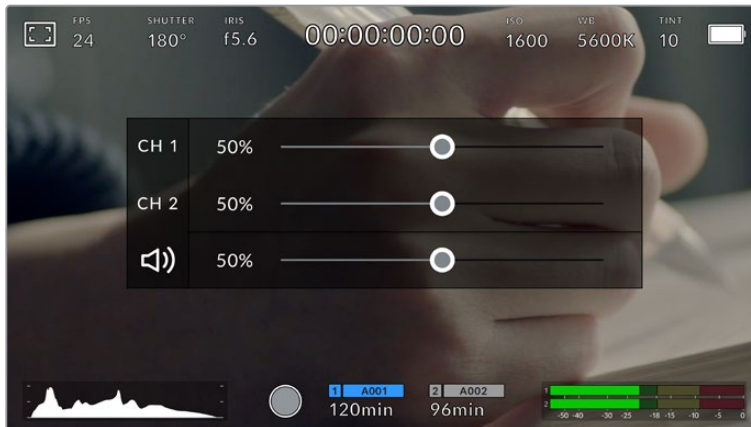
내부 마이크를 사용하거나 외부 오디오를 카메라에 연결하면 피크 오디오 미터에 채널 1과 2의 오디오 레벨이 나타납니다. 디스플레이는 dBFS 단위로 표시되며 일정 시간 시각적으로 유지되는 피크 홀드 방식의 표시를 지원하므로, 최대치에 도달하는 것을 분명하게 확인할 수 있습니다.

최적의 음질을 얻으려면 오디오 레벨이 절대 0dBFS를 넘지 않도록 해야 합니다. 이 레벨은 카메라로 녹화할 수 있는 최대치로, 이 수준을 넘어갈 경우에는 오디오가 클리핑되어 왜곡됩니다.



오디오 미터의 컬러바는 피크 오디오 레벨을 나타냅니다. 피크 오디오 레벨이 녹색 부근 상단에 머무르는 것이 가장 이상적입니다. 피크 레벨이 노란색이나 빨간색 부근에 머무르는 경우, 오디오가 클리핑될 가능성이 높습니다.

오디오 미터를 누르면 헤드셋 또는 스피커 볼륨뿐만 아니라 입력 채널 1과 채널 2의 볼륨을 조절할 수 있는 창이 나타납니다.



URSA Mini LCD 터치스크린에 있는 오디오 미터를 눌러 볼륨과 헤드셋 또는 스피커 설정에 쉽게 접속할 수 있습니다.

## 포커스 줌

LCD 터치스크린에서 확대하고 싶은 부분을 두 번 눌러 URSA Mini의 미리보기 영상 중 원하는 부분을 확대할 수 있습니다. 화면에서 손가락으로 드래그하여 확대된 부분을 움직일 수 있습니다. 이는 초점을 확인할 때 굉장히 유용한 기능입니다. 표준 확대 크기로 돌아가려면 터치스크린을 다시 두 번 두드리면 됩니다.

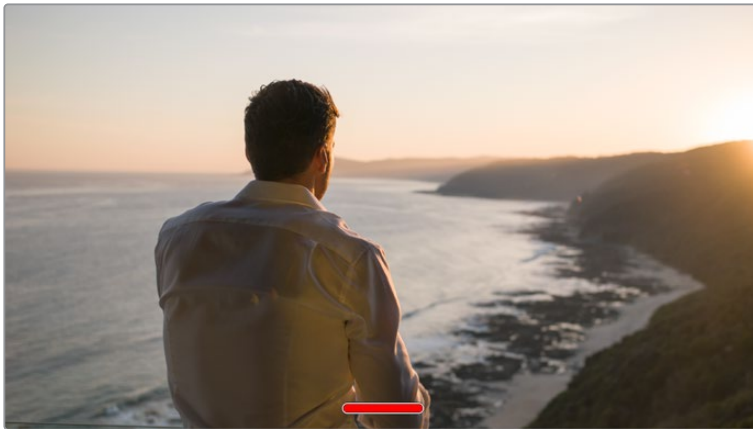
URSA Mini Pro 12K에서 포커스 줌 활성화 시, 터치스크린에서 줌 정도를 조절하기 위해 손가락 확대/축소(Pinch to Zoom) 기능을 사용할 수 있습니다. URSA Mini Pro 12K의 '설정(SETUP)' 메뉴에서 기능 버튼을 포커스 줌 토클용으로 설정할 경우, 터치스크린을 두 번 두드리는 것과 같은 기능으로 사용할 수 있습니다. 이 기능을 LCD에 나타나도록 설정하거나 전면 또는 메인 SDI 출력에 나타나도록 설정할 수 있습니다. 기능 버튼을 포커스 줌 버튼으로 설정하는 방법에 대한 자세한 정보는 [프리셋 또는 토클 기능 버튼 설정하기] 부분을 참고하세요.



줌 인 상태에서는 LCD 터치스크린 좌측 상단에 나타나는 표시 정보를 통해 현재 확대한 부분이 이미지 속 어떤 부분에 해당하는지 확인할 수 있습니다. 스마트폰이나 태블릿에서처럼 스크린을 손가락으로 드래그해 영상 여기저기를 확인할 수 있습니다.

## 전체 화면 모드

숏을 프레임하거나 초점을 잡을 때 터치스크린의 상태 정보 및 미터를 일시적으로 숨길 수 있는 유용한 기능입니다. URSA Mini의 LCD 터치스크린을 위/아래로 쓸어 넘겨 간단히 숨길 수 있습니다. 녹화 상태 정보와 프레임 가이드, 그리드, 포커스 어시스트, 지브라는 여전히 표시됩니다.



URSA Mini의 LCD 터치스크린을 위/아래로 쓸어 넘겨 모든 상태 정보를 숨길 수 있습니다.

## 재생 메뉴

URSA Mini의 재생 버튼을 눌러 재생 메뉴에 접속할 수 있습니다. 카메라 컨트롤 버튼이나 LCD 터치스크린을 사용해 이전에 녹화한 클립을 제어할 수 있습니다.

LCD 터치스크린을 사용할 경우, 재생 버튼을 누르면 영상이 재생되고, 이 버튼을 다시 누르면 일시 정지됩니다. 건너뛰기 및 뒤로 가기 버튼을 누르면 클립의 시작 및 끝 부분으로 넘어갑니다. 건너뛰기 버튼을 한 번 누르면 다음 클립으로 넘어갑니다. 뒤로 가기 버튼을 한 번 누르면 현재 재생 중인 클립의 첫 부분으로 이동합니다. 뒤로 가기를 두 번 누르면 이전 클립의 첫 부분으로 이동합니다. 반복 재생 아이콘을 누르면 클립을 반복 재생할 수 있습니다.



왼쪽부터 뒤로 감기, 재생, 건너뛰기, 반복 아이콘

건너뛰기/뒤로 가기 제어 버튼을 길게 눌러 셔틀 기능을 사용할 수 있습니다. 보통 속도의 2배속으로 영상을 빨리 감거나 되감을 수 있습니다.

셔틀 기능 사용 중에는 제어 키를 다시 눌러 셔틀 속도를 변경할 수 있습니다. 제어 키를 같은 방향으로 한 번씩 누를 때마다 셔틀 속도가 2배로 증가합니다. 최대 셔틀 속도는 16배속입니다. 16배속에서 제어 키를 한 번 더 누르면 2배속으로 되돌아갑니다. 반대 방향의 키를 누르면 현재 셔틀 속도 절반씩 낮아져 2배속으로 줄어듭니다. 재생 버튼을 누르면 일반 재생 속도로 되돌아갑니다.



셔틀 속도 상태 표시 장치를 통해 빨리 감기 또는 되감기 되고 있는 영상의 속도와 재생 방향이 표시됩니다

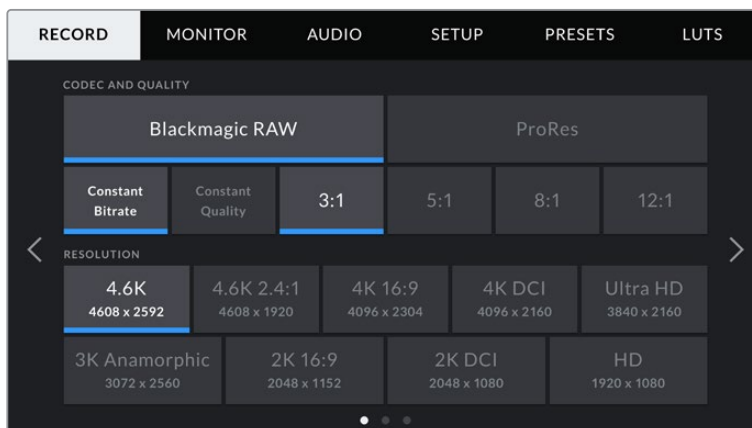
재생 모드에서 녹화 버튼을 누르면 카메라가 녹화 준비 상태인 대기 모드로 되돌아갑니다.

**정보** 영상 재생 시 URSA Mini의 터치스크린을 위/아래로 쓸어 넘겨 상태 정보 텍스트를 숨길 수 있습니다. 재생 모드에서 슬레이트를 입력하면 현재 클립이 메타데이터에 'Gook Take'로 표시됩니다. 더 자세한 정보는 본 설명서의 [메타데이터 입력] 부분을 참고하세요.

## 설정하기

### 대시보드

URSA Mini의 MENU 버튼을 누르면 카메라 대시보드가 나타납니다. 탭으로 구성된 이 화면에는 URSA Mini의 헤드업 디스플레이(HUD)에서는 사용할 수 없는 설정까지 포함되어 있습니다. 이 설정 메뉴는 기능에 따라 'RECORD', 'MONITOR', 'AUDIO', 'SETUP', 'PRESETS', 'LUTS' 탭으로 분류되어 있습니다. 'RECORD', 'MONITOR', 'SETUP' 등의 일부 탭은 여러 페이지로 구성되어 있습니다. 설정 화면 좌/우에 있는 화살표를 누르거나 스마트폰 또는 태블릿에서처럼 화면을 좌/우로 쓸어 넘겨 다른 페이지로 이동할 수 있습니다.



'RECORD', 'MONITOR', 'AUDIO', 'SETUP', 'PRESETS', 'LUTS' 탭을 눌러 URSA Mini의 대시보드 탭 간을 이동할 수 있습니다.

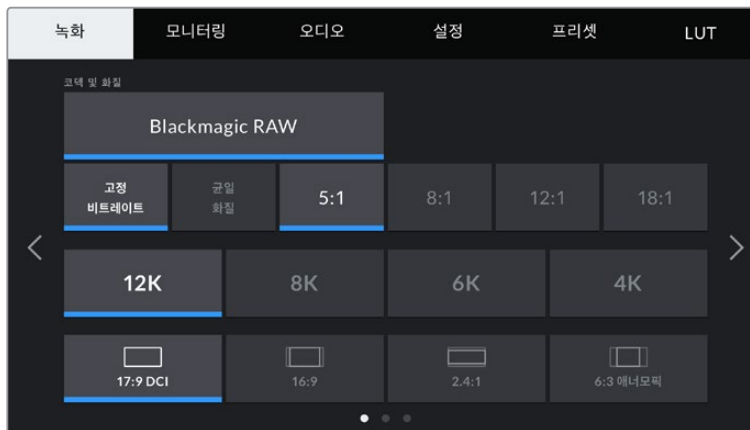
**참고** URSA Mini Pro 4.6K의 카메라 대시보드는 1분 동안 아무런 작동 없으면 타임아웃 모드로 변경돼 헤드업 디스플레이로 되돌아갑니다.

## 녹화 설정

‘RECORD’ 탭을 통해 비디오 포맷과 코덱, 해상도뿐만 아니라 선호하는 카드 및 디테일 선명도 등 URSA Mini에 저장되어 영상에 적용되는 기타 사항을 설정할 수 있습니다. 이 메뉴는 3 페이지로 구성되어 있으며 카메라 터치스크린 양쪽 끝에 있는 화살표를 누르거나 좌/우로 쓸어 넘겨 이동할 수 있습니다.

### 녹화 설정 1

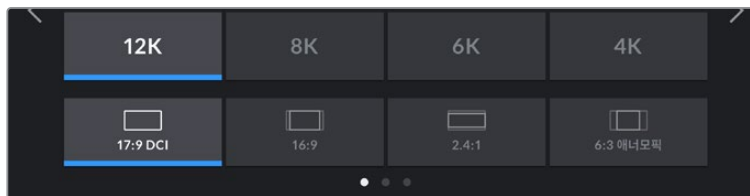
‘RECORD’ 설정 탭의 첫 번째 페이지는 다음과 같은 설정으로 구성되어 있습니다.



URSA Mini Pro 12K의 ‘녹화(RECORD)’ 설정 첫 페이지 화면.

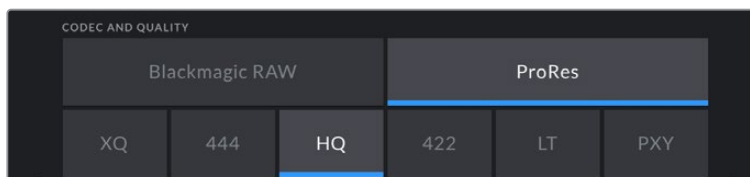
### 코덱 및 화질(Coдек and Quality)

URSA Mini Pro 12K는 Blackmagic RAW로 녹화 시 12K, 8K, 6K, 4K 해상도로 녹화할 수 있습니다. 각 해상도 메뉴에서 다양한 업계 표준 중횡비를 확인할 수 있습니다.



URSA Mini Pro 12K의 해상도 및 중횡비 옵션.

URSA Mini Pro 4.6K G2 및 URSA Mini Pro 4.6K 카메라의 ‘코덱 및 화질(CODEC AND QUALITY)’ 메뉴는 두 줄로 나누어져 있으며, Blackmagic RAW와 Apple ProRes 중에서 원하는 것을 선택할 수 있습니다. 아랫줄에는 해당 코덱에서 사용할 수 있는 화질 옵션이 있습니다. Blackmagic RAW 옵션은 고정 비트레이트와 균일 화질 설정으로 나누어져 있습니다. ProRes 코덱에서 선택할 수 있는 화질 옵션은 444/HQ/LT 입니다. URSA Mini는 폭넓은 ProRes 코덱을 지원합니다.



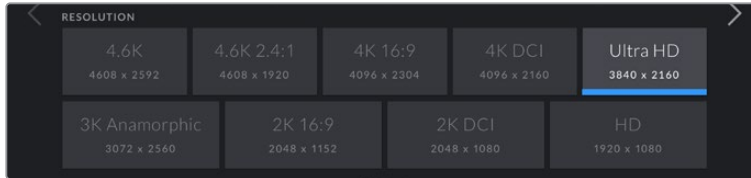
URSA Mini Pro 4.6K G2 및 URSA Mini Pro 4.6K 카메라의 ‘코덱 및 화질(CODEC AND QUALITY)’ 옵션 화면.

**정보** 선택한 코덱의 압축률이 높을 경우, 카메라 저장 미디어에 녹화할 수 있는 영상의 용량이 늘어납니다. 더 자세한 정보는 [녹화] 부분에서 '녹화 가능 시간' 표를 참고하세요.

### 해상도(Resolution)

해상도 설정은 코덱 설정에 따라 결정됩니다. 원하는 녹화 포맷을 위한 해상도를 선택하는 데 사용하세요.

예를 들어, ProRes HQ를 사용해 UHD 클립을 녹화하고자 하는 경우, 'CODEC AND QUALITY' 메뉴에서 'ProRes'와 'HQ'를 선택한 뒤, 'RESOLUTION' 메뉴에서 'Ultra HD'를 선택하세요.

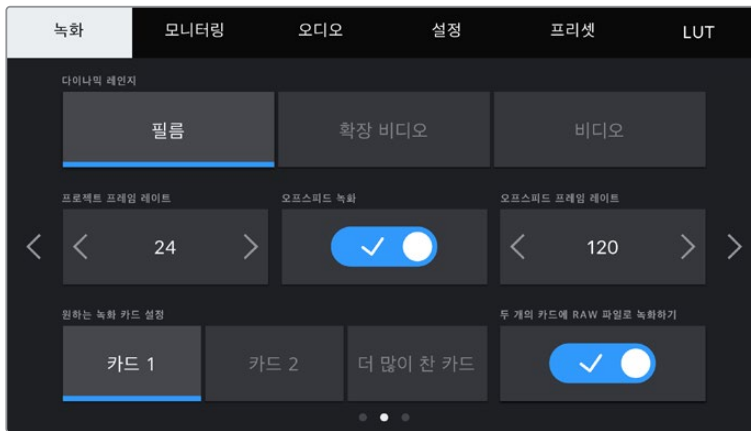


URSA Mini Pro 4.6K G2 및 URSA Mini Pro 4.6K 카메라의 '해상도' 옵션 화면.

**참고** Blackmagic URSA Mini 4.6K와 URSA Mini Pro의 경우 4.6K에서 HD에 이르는 폭넓은 Apple ProRes 해상도를 지원합니다.

### 녹화 설정 2

'RECORD' 설정 탭의 두 번째 페이지는 다음과 같은 설정으로 구성되어 있습니다.



URSA Mini Pro 12K에서는 '카드 2개에 RAW 녹화(RECORD RAW ON 2 CARDS)' 옵션이 제공되며, 다른 URSA Mini 카메라에서는 이 옵션이 비활성화됩니다.

### 다이나믹 레인지

'DYNAMIC RANGE'를 눌러 다이나믹 레인지 설정을 조절합니다. Blackmagic URSA Mini는 다음과 같은 세 가지의 다이나믹 레인지 설정을 제공합니다.

#### 필름 모드(Film)

필름 모드에서 비디오를 촬영하면 12~15 스탱의 다이나믹 레인지를 사용하게 되어 비디오 신호에 최대한 많은 정보를 제공하므로, DaVinci Resolve와 같은 컬러 그레이딩 소프트웨어를 최대한 활용할 수 있습니다.



### 비디오 모드(Video)

비디오 모드는 HD 비디오를 위한 REC709 색 표준과 유사합니다. 이를 통해 바로 딜리버리하거나 후반 작업을 최소화하는 데 적합한 색공간을 지원하는 압축 비디오 포맷으로 바로 녹화할 수 있어 작업 속도가 훨씬 빨라집니다.

URSA Mini Pro에서 사용 가능한 추가 설정

### 확장 비디오 모드(Extended Video)

확장 비디오 모드는 비디오 모드 및 필름 모드 간의 균형이 잘 이루어진 설정을 제공합니다. 이 설정은 비디오 모드보다 넓은 다이내믹 레인지를 제공하는 동시에, 부드러운 채도 변화를 적용하며 하이라이트에 완만한 롤오프 특성을 나타냅니다. 확장 비디오 모드는 표준 방송 모니터와 함께 사용하기 적합하며, 후반 제작 일정이 촉박한 상황에서 녹화 영상에 자연스러운 영상톤을 적용하고자 할 경우에 도움이 되는 설정입니다.

**참고** 비디오 모드 또는 확장 비디오 모드를 사용 중인 경우, LUT 디스플레이가 모니터 출력, LCD, 전면 SDI(Front SDI), 메인 SDI(Main SDI) 모두에 활성화되어 있지 않음을 확인하세요. LUT 디스플레이가 활성화되면 LUT 표시가 헤드업 디스플레이에 나타나며 채도와 콘트라스트가 의도한 것보다 더 강하게 표현됩니다. LUT 디스플레이 설정에 대한 자세한 정보는 본 설명서의 [모니터 설정] 부분을 참고하세요.

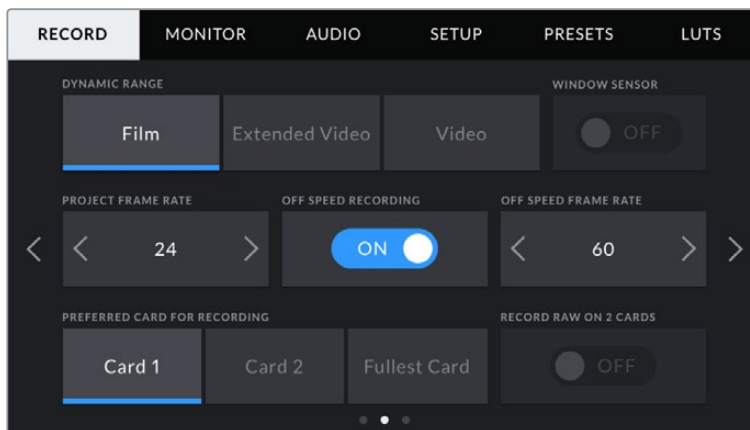
### 윈도우 센서

URSA Mini Pro 12K는 센서 윈도우 기능을 자동으로 실행합니다. 6K 슈퍼 16 또는 4K 슈퍼 16으로 촬영할 시 윈도우 센서 기능이 자동으로 실행되며, 이 외의 다른 모든 촬영 모드에서는 슈퍼 35 이미지 센서의 전체 높이 또는 전체 너비를 사용합니다.

URSA Mini Pro 12K에서 6K 슈퍼 16 윈도우 모드는 프레임 크기를 슈퍼 16 크롭으로 조정하지만, 6K 해상도에서의 크롭 이미지는 여전히 놀라운 화질을 제공하는 점을 기억하세요. 4K Super 16은 동일한 슈퍼 16 윈도우 기능을 사용하는 동시에 영상을 4K로 다운스케일링 합니다. 즉, 가장 높은 프레임 레이트로 촬영하면서도 여전히 훌륭한 6K 또는 4K 화질의 이미지를 얻을 수 있습니다.

12K 센서에서 슈퍼 16 크롭 이미지를 얻을 수 있다는 것은 빈티지 슈퍼 16mm 렌즈를 장착하여 기존 슈퍼 16mm 필름 화질보다 훨씬 높은 4K 또는 6K 화소로 촬영할 수 있음을 의미합니다.

다른 URSA Mini Pro 카메라에서는 Full 센서 영역을 사용하도록 설정할 수 있습니다. 아니면 더 높은 프레임 속도를 위해 윈도우 모드를 사용할 수 있습니다. 이 모드는 전체 센서에서 다운스케일링 하는 것이 아니라, 선택한 비디오 포맷에 필요한 센서 픽셀만을 사용하는 방식입니다.



URSA Mini Pro 4.6K G2 및 URSA Mini Pro 4.6K, URSA Mini 4.6K, URSA Mini 4K의 윈도우 센서 옵션 화면.

HD 윈도우 센서와 2K 윈도우 센서 모드는 URSA Mini 센서의 중심부만 사용하기 때문에 모든 렌즈의 시야가 크롭 팩터로 인해 좁게 나타납니다. 예를 들어, 윈도우 센서 모드에서 20mm 렌즈로 HD 영상을 촬영하는 경우 URSA Mini의 시야가 48mm 렌즈와 같아집니다.

이 설정은 URSA Mini의 최대 해상도보다 낮은 영상을 촬영하는 경우에 사용할 수 있습니다. 예를 들어, 윈도우 센서 모드는 URSA Mini 4.6K에서 4.6K 2.4:1, 4K, 3K anamorphic, 2K 또는 HD ProRes를 사용해 촬영하는 경우에 사용할 수 있습니다.

최대 프레임 레이트는 윈도우 모드에서 HD로 촬영할 시에 사용할 수 있습니다.

**정보** 윈도우 센서 모드를 사용할 경우, 이를 반영하기 위해 URSA Mini의 해상도 설정 항목에 [RESOLUTION - SENSOR WINDOWED]라는 라벨이 표시됩니다.

### 프로젝트 프레임 레이트(Project Frame Rate)

프로젝트 프레임 레이트는 URSA Mini의 녹화 포맷 프레임 속도를 의미하며, 영화 및 TV 업계에서 널리 사용되는 다양한 프레임 속도를 제공합니다. 예를 들어, 4K ProRes HQ 포맷 사용 시 초당 23.98 프레임으로 설정됩니다. 대개 프레임 레이트는 후반 제작 워크플로에서 사용하는 재생 속도 및 오디오 싱크와 딜리버리 요구 조건에 맞게 설정됩니다.

Blackmagic URSA Mini는 초당 23.98, 24, 25, 29.97, 30, 50, 59.94, 60 프레임 등 총 8가지의 프레임 레이트 설정 옵션을 제공합니다.

**참고** 카메라의 프로젝트 프레임 레이트는 영상록에 아주 큰 영향을 끼칩니다.

50, 59.94 또는 60 fps 등의 높은 프레임 레이트는 부드러운 움직임을 캡처하고 패닝 기능 사용 시 스테터 현상을 제거 또는 최소화하는데 탁월합니다.

24 혹은 25 fps처럼 낮은 프레임 레이트는 보통 영화 제작 시에 사용합니다. 이 경우 차별화된 필름 영상록을 연출할 수 있지만, 스테터 현상을 방지하려면 카메라를 훨씬 느리게 움직여야 합니다.

### 오프스피드 녹화(Off Speed Recording)

URSA Mini의 프로젝트 프레임 레이트 및 센서 프레임 레이트는 일반적인 재생 속도에 맞게 기본 설정되어 있습니다. 하지만 오프스피드 녹화 스위치 아이콘을 눌러 센서 프레임 속도를 개별적으로 설정할 수 있습니다.

### 오프스피드 프레임 레이트(Off Speed Frame Rate)

이를 활성화한 상태에서 설정값 양옆에 있는 화살표를 눌러 URSA Mini의 센서 프레임 레이트를 간단히 설정할 수 있습니다.

센서 프레임 레이트를 통해 초당 실제로 녹화되는 프레임 수가 설정됩니다. 이 센서 프레임 레이트는 설정된 프로젝트 프레임 레이트에 따라 영상이 얼마나 빠르게 또는 느리게 재생되는지를 결정합니다.

오프스피드 프레임 속도에 대한 자세한 정보는 본 설명서의 [터치스크린 기능] 부분에서 '초당 프레임 수 (FPS)' 관련 설명을 참고하세요.

**참고** 각각의 녹화 포맷과 코덱에 맞는 최대 프레임 레이트에 관한 자세한 정보는 [녹화] 부분의 '최대 프레임 레이트' 표를 참고하세요.

### 원하는 녹화 카드 설정(Preferred Card for Recording)

두 개의 슬롯을 모두 사용하는 경우, URSA Mini에서 녹화에 처음으로 사용할 저장 카드 또는 드라이버를 선택할 수 있습니다. 카드 1('Card 1')/카드 2('Card 2')/더 많이 찬 카드('Fullest Card') 설정 옵션 중 하나를 선택할 수 있습니다. SSD를 사용할 경우, 'Card 1'/'SSD'/'Fullest Card' 옵션이 나타납니다. 사용자의 기호에 따라 Card 1과 Card 2 중 아무 것이나 선택할 수 있지만, 하나의 카드를 정해서 지속적으로 사용하면 스토리지가 가득 찼을 때 어느 카드를 교체해야 하는지 쉽게 알 수 있습니다. 'Fullest Card' 옵션은 한 대의 카메라로 프로젝트를 촬영하는 경우, 파일을 시간 순서로 분류하는 데 도움이 됩니다.

선택한 설정 사항은 CFast 카드/SD 카드/SSD를 삽입했을 때 적용됩니다. 해당 설정은 저장 관리 화면에 들어가 다른 카드를 활성화시켜 언제든지 재설정 가능합니다. 하지만 카드를 꺼냈다가 다시 삽입하면 현재의 '원하는 녹화 카드 설정(PREFERRED CARD FOR RECORDING)'으로 되돌아간다는 사실을 명심하세요. URSA Mini Recorder를 연결해 SSD를 로딩하면, 레코더가 URSA Mini의 2번 스토리지 슬롯을 사용합니다.

더 자세한 정보는 본 설명서의 [URSA Mini Recorder] 부분을 참고하세요.

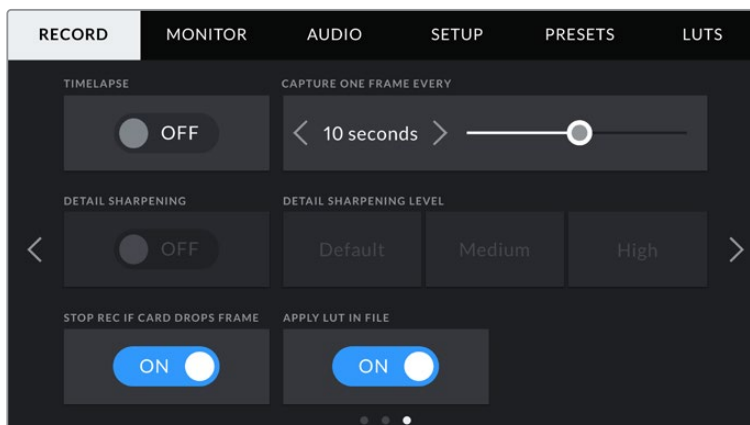
**정보** 'Fullest Card'로 설정 시 카드 용량이나 사용된 데이터 용량이 아닌, 저장 카드가 몇 퍼센트 찼는지를 기준으로 사용할 카드를 결정합니다.

### 두 개의 카드에 RAW 파일로 녹화하기(Record RAW on 2 Cards)

URSA Mini Pro 12K에서는 Blackmagic RAW 파일을 두 개의 카드에 동시에 녹화할 수 있습니다. 이 기능을 통해 프레임 레이트가 높은 초고해상도의 클립을 낮은 압축률로 녹화할 수 있습니다. CFast 카드 또는 SD 카드 한 쌍을 삽입한 후, '녹화(RECORD)' 메뉴에서 '두 개의 카드에 RAW 파일 녹화하기(RECORD RAW ON 2 CARDS)'의 스위치를 켜세요. 이는 두 개의 카드를 순차적으로 스트라이핑하는 방식으로 둘 중 속도가 느린 카드의 데이터 레이트로 제한되기 때문에, 사양이 같거나 비슷한 두 개의 카드를 사용할 것을 권장합니다. 슬롯 1에 있는 CFast 카드와 슬롯 2에 있는 USB-C 디스크를 스트라이핑할 수도 있습니다. '두 개의 카드에 RAW 파일로 녹화하기(RECORD RAW ON 2 CARDS)' 옵션을 사용할 경우, 스트라이핑된 어레이 중 속도가 더 느린 카드 데이터 레이트의 두 배로 속도가 제한됩니다. .BRAW 및 .BRAW2 파일을 두 개의 메모리카드에서 복사하여 컴퓨터 상의 동일한 폴더에 저장하면, DaVinci Resolve의 미디어 풀에서 이를 불러올 때 한 개의 합쳐진 파일로 불러옵니다. 만약 .BRAW 및 .BRAW2 파일이 따로 분리되어 있다면 각 클립을 프레임 레이트의 1/2 속도로 개별 재생할 수 있습니다.

## 녹화 설정 3

'RECORD' 설정 탭의 세 번째 페이지는 다음과 같은 설정으로 구성되어 있습니다.



## 타임랩스(Timelapse)

이 설정을 통해 타임랩스 기능이 활성화하면 다음과 같은 간격으로 스틸 프레임을 자동 녹화할 수 있습니다.

프레임	2 - 10
초	1 - 10, 20, 30, 40, 50
분	1 - 10

예를 들어, 매 10 프레임마다, 혹은 5초/30초/5분 등의 간격으로 스틸 프레임을 촬영하도록 설정할 수 있습니다.

타임랩스 기능으로 창의적인 선택의 폭이 넓어집니다. 예를 들어, 타임랩스를 2 프레임마다 촬영하도록 설정하고 녹화한 영상을 재생할 경우, 초고속 촬영 효과를 얻을 수 있습니다.

각 스틸 프레임의 포맷은 촬영 포맷을 기반으로 하기 때문에 4K ProRes HQ로 촬영하도록 카메라를 설정한 경우, 타임랩스 설정 또한 같은 포맷으로 유지됩니다. 프레임 레이트는 24 fps 등의 프로젝트 프레임 레이트 설정을 기반으로 합니다. 이를 통해 타임랩스 기능을 사용한 영상을 후반 제작의 워크플로에 쉽게 통합시킬 수 있습니다.



URSA Mini에서는 녹화 버튼 위에 나타나는 아이콘을 통해 타임랩스 모드 적용 여부를 확인할 수 있습니다.

**정보** 타임랩스 모드로 녹화하는 경우, 타임 코드 카운터는 비디오의 프레임이 녹화될 때마다 시간이 기록됩니다.

## 디테일 선명도(Detail Sharpening)

이 기능을 사용하면 URSA Mini에서 촬영하는 영상을 더욱 선명하게 만들 수 있습니다. 이 기능은 URSA Mini Pro 4.6K G2 및 URSA Mini Pro 4.6K, URSA Mini 4.6K, URSA Mini 4K에서 사용할 수 있습니다. 이 기능을 활성화한 후, '기본값(Default)', '중간(Medium)', '높음(High)' 중에서 하나를 선택하여 이미지의 선명도를 높이거나 줄일 수 있습니다.

선명도를 활성화하면 URSA Mini의 SDI 출력뿐만 아니라 카메라에 촬영된 ProRes 영상에도 샤프닝 효과가 적용됩니다. URSA Mini Pro G2의 코덱을 Blackmagic RAW로 설정해 ATEM 스위처와 함께 사용할 경우, 디테일 샤프닝 기능을 SDI 출력에 적용할 수 있습니다. 해당 기능은 ATEM Camera Control Panel 또는 ATEM Software Control을 사용해 켜고 끌 수 있습니다.

이 설정은 후반 작업을 할 시간이 없는 라이브 스튜디오 프로덕션에서 영상을 라이브로 바로 방송하고자 할 때 사용하는 설정입니다. 추가 후반 작업이 필요한 영상을 촬영하는 경우에는 OFF로 설정할 것을 권장합니다. 이런 이유로, 후반 제작 단계에서 많은 작업이 이루어지는 Blackmagic RAW 파일에는 샤프닝 효과가 적용되지 않습니다.

## 카드에 드롭 프레임 현상 발생 시 녹화 중단(Stop Rec If Card Drops Frames)

이 설정을 사용하면 드롭 프레임 현상이 감지됐을 때의 URSA Mini 작동 방식을 설정할 수 있습니다. 해당 설정을 비활성화할 경우, 드롭 프레임 현상이 발생해도 녹화가 지속됩니다. 이를 활성화하면 드롭 프레임 현상 발생 시 녹화가 중단됩니다. 드롭 프레임 경고 표시를 확인하지 못한 경우에 사용할 수 없는 영상을 촬영하느라 시간을 낭비하는 일을 사전에 방지할 수 있는 기능입니다.

**정보** 드롭 프레임 현상을 방지하는 방법에 대한 자세한 정보는 [CFast 2.0 카드 선택하기], [빠른 SD 카드 선택하기], [빠른 SSD 선택하기] 부분을 참고하세요.

### 파일에 LUT 적용하기(Apply LUT in File)

Blackmagic URSA Mini Pro 4.6K 출력에 LUT를 적용하면 선택한 LUT가 현재 녹화 중인 Blackmagic RAW 파일에 임베드됩니다.

다시 말해, LUT가 파일 헤더에 저장되며 후반 제작 과정에서 해당 LUT를 클립에 손쉽게 적용할 수 있어 별도의 파일을 사용할 필요가 없습니다. URSA Mini Pro의 '녹화(RECORD)' 메뉴에서 '파일에 LUT 적용하기(APPLY LUT IN FILE)' 스위치를 활성화할 경우, 해당 클립은 항상 선택한 LUT가 적용된 상태로 Blackmagic RAW 플레이어 및 DaVinci Resolve에서 재생됩니다. 이 LUT는 쉽게 켜고 끌 수 있는데, 이는 해당 정보가 클립 자체에 입력되어 Blackmagic RAW 파일에 항상 남아있기 때문입니다.

DaVinci Resolve의 RAW 설정 팔레트에는 Blackmagic RAW 파일에서 3D LUT를 활성화 또는 비활성화할 수 있는 'Apply LUT' 스위치가 있습니다. DaVinci Resolve의 'Apply LUT' 설정은 카메라에 있는 설정과 동일합니다. 다시 말해, 촬영할 때 컬러리스트들이 카메라에 설정해둔 LUT를 사용하도록 안내할 수 있지만, 언제든지 DaVinci Resolve에서 'Apply LUT'를 'OFF'로 설정해 해당 LUT를 쉽게 끌 수 있습니다.

## 파일명 표준화

Blackmagic RAW로 녹화 시에는 .braw 파일 포맷으로 CFast/SD/SSD 카드에 녹화되거나 선택한 녹화 포맷에 따라 ProRes QuickTime 무비 파일로 녹화되기도 합니다.

다음 표는 생성된 파일명의 예를 보여줍니다.

<b>A001_08151512_C001.mov</b>	<b>QuickTime Movie 파일명</b>
A001_08151512_C001.mov	카메라 색인
A <b>001</b> _08151512_C001.mov	릴 넘버
A001_ <b>08</b> 151512_C001.mov	월
A001_081 <b>5</b> 1512_C001.mov	일
A001_08151 <b>5</b> 12_C001.mov	시
A001_0815151 <b>2</b> _C001.mov	분
A001_08151512_ <b>C001</b> .mov	클립 번호

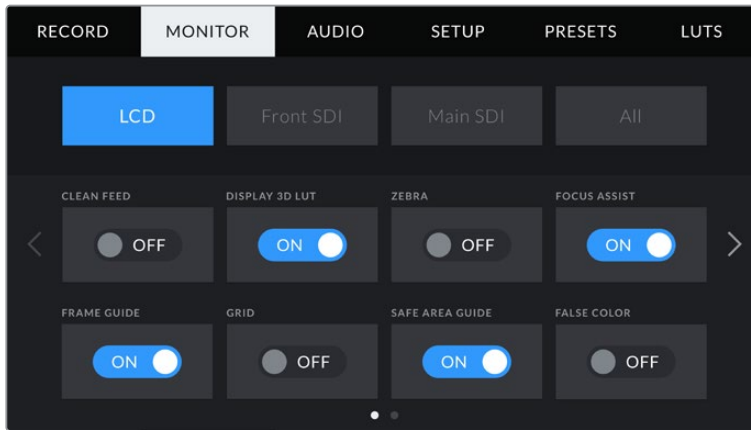
STILL 버튼을 사용해 캡처한 스틸 이미지 파일은 비디오 클립의 파일명 표준 방식을 따르지만 파일명 마지막 4자리 숫자는 클립 번호 대신에 스틸 번호를 나타내는 'S001'로 나타냅니다. URSA Mini Pro 12K에서는 스틸 이미지가 Blackmagic RAW 싱글 프레임으로 캡처됩니다. URSA Mini Pro 4.6K G2 및 URSA Mini Pro 4.6K에서는 스틸 이미지가 DNG 파일로 녹화되어 'Stills' 폴더에 저장됩니다. 더 자세한 정보는 본 설명서의 [상태 표시 LCD 컨트롤] 부분을 참고하세요.

## 모니터링 설정

‘MONITOR’ 탭을 통해 URSA Mini의 LCD 스크린과 전면 SDI, 메인 SDI 출력을 위한 상태 표시 텍스트와 오버레이, 기타 모니터링 옵션을 조절할 수 있습니다. LCD(LCD), 전면 SDI(Front SDI), 메인 SDI(Main SDI), 모두(All) 출력 별로 각 옵션을 조절할 수 있으며, 이 곳에서 URSA Mini의 모든 출력에 영향을 끼치는 모니터링 설정 사항을 조절할 수 있습니다. 각 메뉴는 두 페이지로 구성되어 있으며, 카메라 터치스크린 양쪽 끝에 있는 화살표를 누르거나 좌/우로 쓸어 넘겨 이동할 수 있습니다.

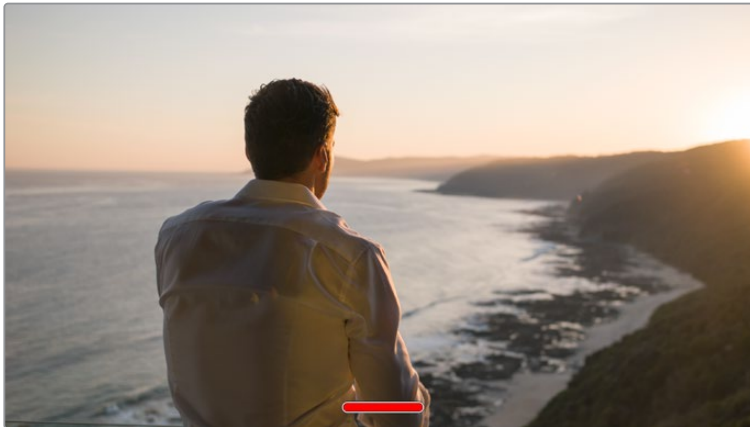
### LCD, 전면 SDI, 메인 SDI 모니터링 설정 1

LCD와 전면 SDI, 메인 SDI 메뉴의 첫 번째 페이지는 각 출력을 위한 설정 옵션을 제공합니다. 예를 들어, LCD 터치스크린 출력에서는 지브라를 활성화하고, 전면 SDI 또는 메인 SDI 출력에서는 이를 비활성화할 수 있습니다.



#### 클린 피드(Clean Feed)

LCD와 전면 SDI, 메인 SDI 메뉴에 있는 클린 피드 스위치를 눌러 녹화 탈리 표시 장치를 제외한 해당 출력의 모든 상태 정보와 오버레이를 비활성화시킬 수 있습니다.



클린 피드 모드에서는 녹화 탈리 상태 정보가 URSA Mini의 LCD 터치스크린에 나타납니다.

**참고** LUT는 클린 피드를 활성화한 출력에도 적용됩니다. LUT를 비활성화시키려면, 해당 출력의 모니터링 메뉴에서 ‘Display LUT’ 스위치를 비활성화하세요.

### 3D LUT 디스플레이(Display 3D LUT)

URSA Mini에서는 모든 출력에 3D LUT를 적용할 수 있어, 색보정 작업 후의 영상록을 대략적으로 확인할 수 있습니다. 이 기능은 명암 대비가 거의 없고 채도가 낮은 영상을 의도적으로 생성하기 때문에, 다이나믹 레인지를 '필름'으로 설정해 촬영하는 경우에 유용한 기능입니다.

URSA Mini에서 3D LUT를 활성화한 경우, 이 설정을 사용해 LCD 터치스크린과 전면 SDI 또는 메인 SDI 출력에 해당 LUT를 개별적으로 적용할 수 있습니다.

**참고** 3D LUT 불러오기 및 사용법에 관한 자세한 정보는 본 설명서의 [LUT] 부분을 참고하세요.

### 지브라(Zebra)

LCD와 전면 SDI, 메인 SDI 메뉴에 있는 지브라 스위치를 눌러 해당 출력에 지브라 가이드를 활성화할 수 있습니다. 지브라 가이드 및 지브라 레벨 설정 방법에 대한 자세한 정보는 본 설명서의 [터치스크린 기능] 부분을 참고하세요.

### 포커스 어시스트(Focus Assist)

LCD와 전면 SDI, 메인 SDI 메뉴에 있는 포커스 어시스트 스위치를 눌러 해당 출력에 포커스 어시스트를 활성화할 수 있습니다. 포커스 어시스트 및 포커스 어시스트 레벨 설정 방법에 대한 자세한 정보는 본 설명서의 [터치스크린 기능] 부분을 참고하세요.

### 프레임 가이드(Frame Guide)

LCD와 전면 SDI, 메인 SDI 메뉴에 있는 프레임 가이드 스위치를 눌러 해당 출력에 프레임 가이드를 활성화할 수 있습니다. 프레임 가이드 및 프레임 가이드 선택 방법에 대한 자세한 정보는 본 설명서의 [터치스크린 기능] 부분을 참고하세요.

### 그리드(Grid)

LCD와 전면 SDI, 메인 SDI 메뉴에 있는 그리드 스위치를 눌러 해당 출력에 3분할 그리드를 활성화할 수 있습니다. 3분할 그리드에 대한 자세한 정보는 본 설명서의 [터치스크린 기능] 부분을 참고하세요.

### 안전 영역 가이드(Safe Area Guide)

LCD와 전면 SDI, 메인 SDI 메뉴에 있는 안전 영역 가이드 스위치를 눌러 해당 출력에 안전 영역 오버레이를 활성화할 수 있습니다.

안전 영역 가이드 및 안전 영역 레벨 설정 방법에 대한 자세한 정보는 본 설명서의 [터치스크린 기능] 부분을 참고하세요.

**참고** URSA Mini의 모두(All) 모니터링 설정에서 안전 영역 가이드의 %를 조절해 안전 영역 가이드 크기를 설정할 수 있습니다.

### 폴스 컬러(False Color)

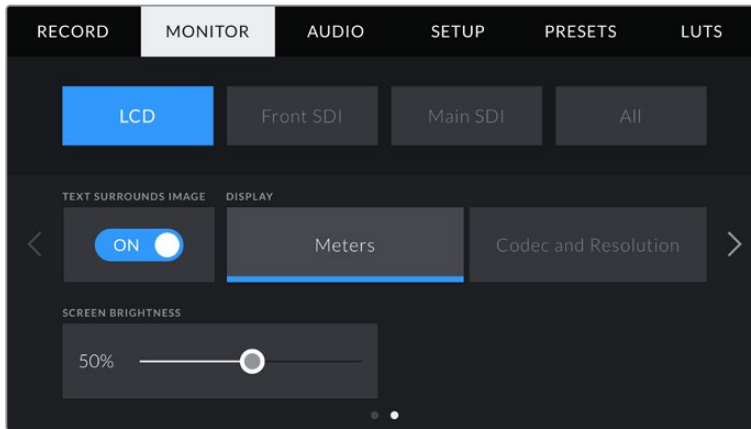
LCD와 전면 SDI, 메인 SDI 메뉴에 있는 폴스 컬러 스위치를 눌러 해당 출력에 가색상 노출 보조 기능을 활성화할 수 있습니다.

폴스 컬러에 대한 자세한 정보는 본 설명서의 [터치스크린 기능] 부분을 참고하세요.



## LCD 모니터링 설정 2

URSA Mini의 'LCD' 모니터링 탭의 두 번째 페이지는 LCD 터치스크린만을 위한 설정 항목을 제공합니다.



### 축소된 영상 주변에 상태 정보 표시하기(Text Surrounds Image)

이 설정은 URSA Mini 4K와 URSA Mini 4.6K 모델에서만 사용 가능합니다. LCD 메뉴에 있는 'TEXT SURROUNDS IMAGE' 스위치를 눌러 LCD 터치스크린 속 영상 크기를 75%까지 축소할 수 있습니다. 이를 통해 위/아래 가장자리에 상태 표시 장치를 남겨둔 채 축소된 영상을 LCD 터치스크린 가운데에 배치할 수 있어 URSA Mini의 미리보기 영상만을 깔끔하게 확인할 수 있습니다.



이 기능은 URSA Mini EF 또는 PL의 깔끔한 미리보기 영상을 프레임링하는 목적으로 사용할 수 있으며 상태 표시 텍스트는 화면에 그대로 유지됩니다.

### 상태 표시 텍스트(Status Text) 켜고 끄기

이 설정은 URSA Mini Pro에만 적용됩니다. 샷의 구도를 잡거나 샷을 연출하는 데 필요한 정보 이외의 상태 정보 텍스트를 LCD HUD에서 감추는데 유용한 기능입니다. 해당 스위치 아이콘을 눌러 URSA Mini Pro의 LCD 터치스크린 상태 정보 텍스트 및 미터를 켜고 끌 수 있습니다. 프레임 가이드와 그리드, 포커스 어시스트, 지브라 등을 활성화한 경우에는 해당 오버레이가 그대로 표시됩니다. URSA Mini Pro의 LCD 터치스크린을 위/아래로 쓸어 넘겨 터치스크린에서 동일한 기능을 사용할 수도 있습니다.

## 디스플레이(Display)

이제 히스토그램과 오디오 미터 대신에 URSA Mini의 LCD 터치스크린 하단 양쪽 끝에 코덱과 해상도 정보가 표시됩니다. 폴스 컬러를 사용하여 노출을 조절하거나, 오디오를 개별적으로 녹음하여 히스토그램과 오디오 미터가 표시되던 곳에 추가 정보를 표시하려는 경우에 유용한 기능입니다.

'LCD' 메뉴에서 미터('Meters')나 코덱 및 해상도('Codec and Resolution')를 눌러 간단히 원하는 뷰를 선택할 수 있습니다.



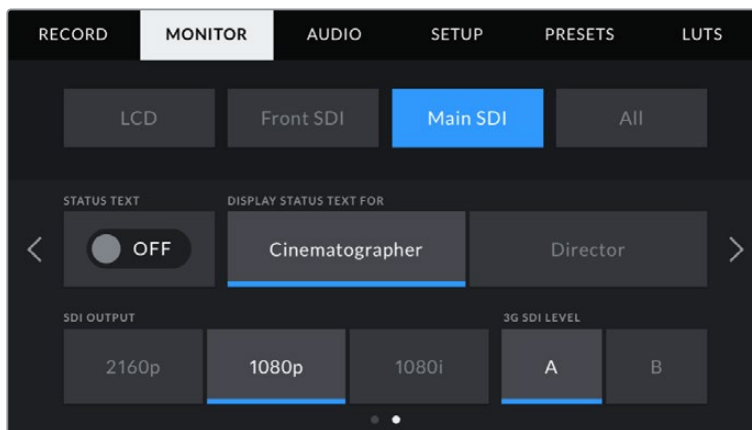
URSA Mini에서는 히스토그램과 오디오 미터가 표시되던 곳에 코덱과 해상도 정보를 표시할 수 있습니다.

## 스크린 밝기(Screen Brightness)

LCD 메뉴에서 스크린 밝기 옵션을 좌/우로 드래그해 URSA Mini의 LCD 터치스크린 밝기를 조절할 수 있습니다.

## 전면 SDI 및 메인 SDI 모니터링 설정 2

URSA Mini의 전면 SDI 및 메인 SDI 메뉴 두 번째 페이지는 전면 SDI 및 메인 SDI 출력만을 위한 설정 항목을 제공합니다.



3K 애너모픽 이상의 해상도로 촬영할 경우, 메인 SDI 출력에서 항상 2160p 및 1080p 해상도를 사용할 수 있습니다. 1080i는 초당 50, 59.94, 60의 프레임 레이트로 촬영할 경우에 카메라의 메인 출력 또는 SDI 출력에서만 사용 가능합니다. '3G SDI 레벨(3G SDI LEVEL)'은 URSA Mini Pro 4.6K G2에서만 사용 가능합니다.

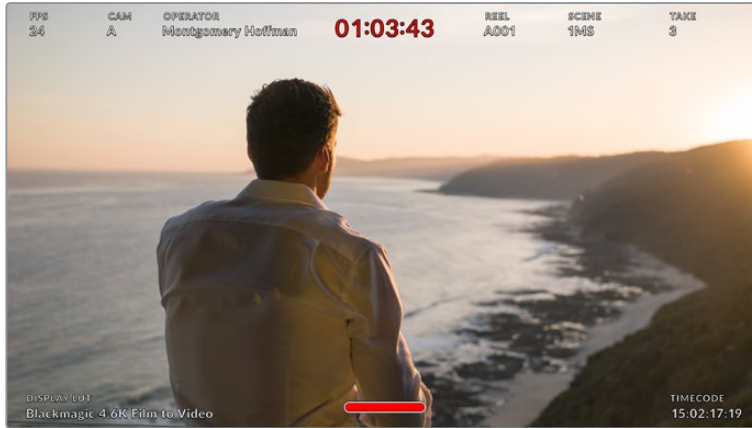
## 상태 표시 텍스트(Status Text)

샷의 구도를 잡거나 샷을 연출하는 데 필요한 정보를 제외한 상태 정보 텍스트를 전면 SDI 및 메인 SDI 출력에서 감추는 데 유용한 기능입니다. 전면 SDI 또는 메인 SDI 메뉴에서 해당 아이콘을 눌러 각 출력의 상태 정보 텍스트 및 미터를 켜고 끌 수 있습니다. 프레임 가이드와 그리드, 포커스 어시스트, 지브라 등을 활성화한 경우에는 해당 오버레이가 그대로 표시됩니다.

URSA Mini의 LCD 터치스크린을 위/아래로 쓸어 넘겨 터치스크린에서 동일한 기능을 사용할 수도 있습니다.

## 촬영 기사 및 감독을 위한 상태 정보 텍스트 디스플레이(Display Status Text)

URSA Mini의 LCD 터치스크린에는 카메라 운영자나 촬영 기사들이 자신의 카메라에 개별 샷을 설정할 때 유용하게 사용할 수 있는 ISO와 화이트 밸런스(WB), 조리개 등의 정보가 표시됩니다. 이뿐만 아니라 URSA Mini의 전면 SDI 및 메인 SDI 출력 정보는 여러 개의 샷 또는 카메라를 계속 파악해야 하는 감독이나 각본 기록 감독에게 유용한 정보가 됩니다.



URSA Mini에서는 감독을 위한 특정 상태 정보 텍스트가 전면 SDI 및 메인 SDI 출력을 통해 표시됩니다.

URSA Mini의 전면 SDI 및 메인 SDI 메뉴에서 'DISPLAY STATUS TEXT FOR'를 'Director'으로 설정하면, 해당 출력에 표시되는 상태 정보 텍스트가 다음과 같이 변경됩니다.

### FPS

해당 카메라에서 현재 선택된 초당 프레임을 표시합니다. 오프스피드 프레임 레이트를 사용하지 않는 경우에는 프로젝트 프레임 레이트만 나타냅니다. 오프스피드 프레임 레이트를 사용하는 경우에는 센서 프레임 레이트가 표시되며, 이후 프로젝트 프레임 레이트가 표시됩니다.

### 카메라(CAM)

URSA Mini의 슬레이트에서 설정해둔 카메라 색인이 표시됩니다. 더 자세한 정보는 본 설명서의 [슬레이트] 부분을 참고하세요.

### 운영자(OPERATOR)

URSA Mini의 슬레이트에서 설정해둔 카메라 운영자를 인식합니다. 더 자세한 정보는 본 설명서의 [슬레이트] 부분을 참고하세요.

### 녹화 시간 표시(DURATION DISPLAY)

현재 녹화 중인 클립이나 마지막으로 녹화된 클립의 녹화 시간을 시:분:초 순으로 표시합니다.

### 릴(REEL), 신(SCENE), 테이크(TAKE)

현재의 릴과 신, 테이크 정보를 표시합니다. 릴/신/테이크 및 라벨 표기 방법에 관한 자세한 정보는 본 설명서의 [슬레이트] 부분을 참고하세요.

### 다이내믹 레인지(DYNAMIC RANGE)

URSA Mini에 현재 적용된 LUT를 해당 출력에 설정한 경우, 모니터 하단 양쪽 끝에 관련 정보가 표시됩니다. LUT를 적용하지 않은 경우, 필름(Film) 다이내믹 레인지 또는 비디오(Video) 다이내믹 레인지가 표시됩니다.

### 타임코드(TIMECODE)

URSA Mini의 타임코드 모니터 우측 하단에 URSA Mini의 타임코드가 시:분:초:프레임 순으로 표시됩니다.

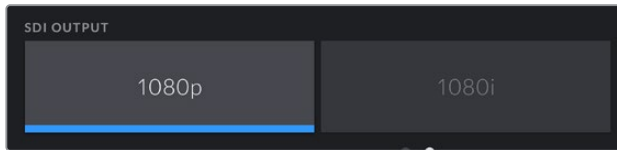
### SDI 출력(SDI Output)

두 개의 출력 모두 프로그래시브 및 인터레이스 HD 출력을 선택할 수 있으며, URSA Mini의 메인 SDI 출력에서는 프로그래시브 UHD도 선택할 수 있습니다.

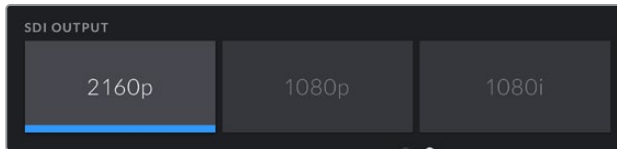
이 설정에서 선택 가능한 옵션은 카메라의 해상도와 프레임 레이트 설정에 따라 달라집니다.

프로그래시브 HD 또는 1080p는 녹화 해상도 및 프레임 속도에 관계없이 항상 선택 가능한 반면, 인터레이스 HD 또는 1080i는 프로젝트 프레임 속도를 50, 59.94 또는 60으로 설정한 경우에만 선택 가능합니다.

UHD로 출력하도록 선택하거나, 또는 UHD 해상도로 촬영할 경우에는 2160p를 URSA Mini의 메인 SDI에서 선택 가능합니다.



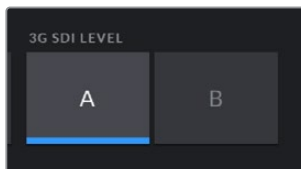
SDI 출력 - 전면 SDI



SDI 출력 - 메인 SDI

### 3G SDI 레벨(3G SDI Level)

3G-SDI 출력 표준을 변경할 경우, 3G-SDI 비디오 입력을 탑재해 레벨 A 또는 레벨 B 신호 표준 중 하나를 수신 가능한 장비와의 호환성을 유지할 수 있습니다. 이 옵션은 초당 50, 59.94, 60 프레임을 사용해 1080p로 출력하는 경우에만 나타납니다. 'A' 또는 'B' 아이콘을 눌러 각 표준을 선택하세요.

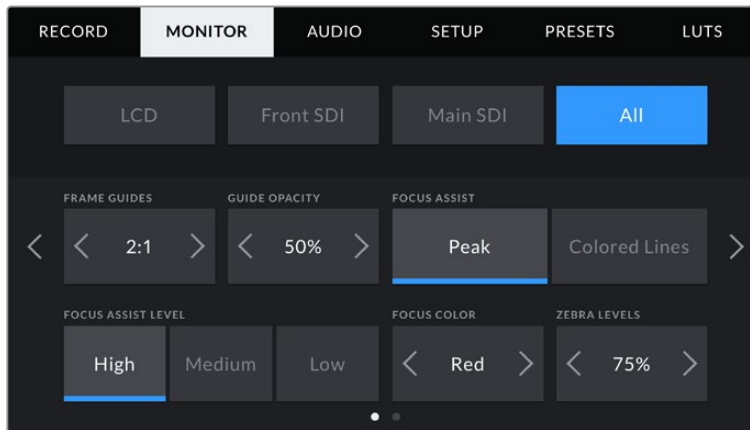


URSA Mini Pro 4.6K G2에서 3G-SDI 출력 표준을 레벨 A 또는 레벨 B로 선택하세요.

## 모든 모니터링 설정 1

모든 URSA Mini 출력에 영향을 끼치는 모니터링 설정은 'ALL' 메뉴로 분류되어 있습니다. 예를 들어, 이 메뉴에서 안전 영역 가이드의 퍼센트를 90%로 설정하면, 해당 설정이 카메라의 LCD와 전면 SDI, 메인 SDI에 일괄 적용됩니다.

'All' 설정은 2페이지로 구성되어 있습니다. URSA Mini의 'All' 메뉴 첫 번째 페이지는 다음과 같은 설정 항목을 제공합니다.



### 프레임 가이드(Frame Guides)

‘프레임 가이드’ 메뉴 설정의 좌/우 화살표를 눌러, Blackmagic URSA Viewfinder 같은 전자식 뷰파인더 (EVF)에 출력할 URSA Mini의 프레임 가이드를 선택할 수 있습니다. 해당 옵션에 대한 자세한 설명은 본 사용 설명서의 [터치스크린 기능] 부분을 참고하세요. LCD 터치스크린 헤드업 디스플레이의 LCD 모니터링 메뉴에서도 이용할 수 있습니다. 모니터링 탭에서 LCD 터치스크린, 전면 SDI, 메인 SDI 출력에 프레임 가이드를 표시할 것인지 여부를 각각 선택할 수 있다는 사실을 기억하세요.

### 가이드 불투명도(Guide Opacity)

‘GUIDE OPACITY’ 메뉴 설정의 좌/우 화살표를 눌러 LCD 터치스크린, 전면 SDI, 메인 SDI 출력에 나타나는 프레임 가이드 투명도를 설정할 수 있습니다. ‘25%’, ‘50%’, ‘75%’, ‘100%’ 중에서 선택할 수 있습니다.

### 포커스 어시스트(Focus Assist)

URSA Mini 카메라는 ‘Peak’와 ‘Colored Lines’의 두 가지 포커스 어시스트 모드를 제공합니다.

#### 피킹(Peak)

피킹 방식의 포커스 어시스트 모드를 선택할 경우, 샷에서 초점이 잘 맞춰진 부분이 LCD 터치스크린 또는 SDI 출력에서 굉장히 선명하게 나타납니다. 하지만 실제 녹화되는 영상에는 이런 효과가 반영되지 않습니다. 이 경우, 샷에서 초점이 잘 맞은 부분이 은은한 배경과 대조되어 더욱 도드라져 보입니다. 다른 오버레이를 추가로 사용하지 않는 상황에서 초점이 맞춰진 부분을 직관적으로 구분할 수 있는 방식으로, 특히 초점을 맞추려는 대상이 샷 안의 다른 요소들과 실제로 잘 구분되어 있는 경우에 사용하기 효과적입니다.

#### 컬러 라인(Colored Lines)

컬러 라인 방식의 포커스 어시스트 모드를 선택할 경우, 영상에서 초점이 잘 맞은 부분에 컬러 라인이 오버랩되어 나타납니다. 이 모드는 영상 위에 라인이 그려진다는 점에서 피킹 방식의 포커스 어시스트보다는 눈에 조금 거슬릴 수 있지만 시각 요소들이 넘쳐나는 정신없는 샷에서는 정확한 초점을 잡는데 큰 도움이 됩니다.

### 포커스 어시스트 레벨(Focus Assist Level)

LCD 터치스크린, 전면 SDI, 메인 SDI의 포커스 어시스트 레벨을 설정하려면 낮음(Low) 및, 중간 (Medium), 높음(High) 중 하나를 선택하세요.

**참고** 포커스 어시스트 레벨을 설정하더라도 URSA Mini의 LCD 터치스크린이나 SDI 출력에 아무런 영향을 끼치지 않습니다. 여전히 LCD, 전면 SDI, 메인 SDI 메뉴에서 포커스 어시스트 기능을 개별적으로 활성화시켜야 합니다.

**정보** 최적의 포커스 어시스트 레벨은 샷마다 다릅니다. 예를 들면, 배우에 초점을 맞추려는 경우에 높은 레벨의 포커스 어시스트를 사용하면 얼굴 가장 자리의 디테일에 도움이 됩니다. 반면, 나뭇잎이나 벽돌의 경우 포커스 어시스트 레벨을 높게 설정하면 다소 산만한 포커스 정보가 나타날 수 있습니다.

### 포커스 컬러(Focus Color)

컬러 라인 방식의 포커스 어시스트를 사용하는 경우, 이 설정을 통해 포커스 라인 오버레이의 색상을 변경할 수 있습니다. 포커스 라인 색상을 변경해 포커스 어시스트가 영상과 쉽게 구별되도록 설정할 수 있습니다. 흰색(White)/빨간색(Red)/초록색(Green)/파란색(Blue)/검은색(Black) 중 원하는 색상을 선택할 수 있습니다.

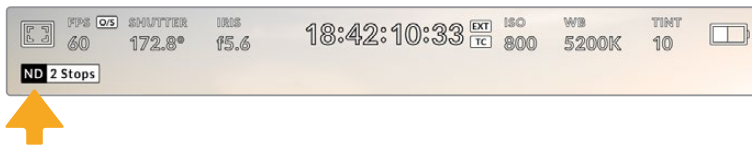
### 지브라 레벨(Zebra Levels)

이 설정 양쪽 끝에 있는 화살표를 눌러 지브라가 나타날 노출 수준을 설정하세요. 지브라 레벨은 75~100% 노출 값까지 5퍼센트 단위로 조절할 수 있습니다.

더 자세한 정보는 본 설명서의 [터치스크린 기능] 부분에서 지브라 관련 설명을 참고하세요.

### ND 필터 상태 정보

URSA Mini Pro의 ND 필터를 조정할 경우, LCD 터치스크린 좌측 상단에 ND 필터 표시 장치가 나타나며 상태 표시 텍스트를 표시하도록 설정된 모든 SDI 출력에도 나타납니다. 이 표시 장치는 ND 필터 사용 시 계속 나타납니다. ND 필터를 '0'에 맞출 시, 'Clear(사용 안 함)' 텍스트가 4초 후에 사라집니다.

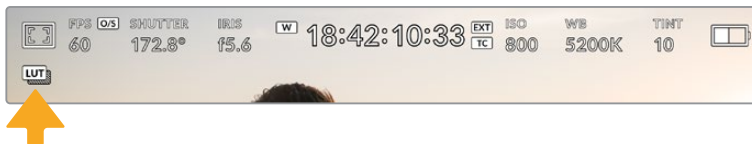


URSA Mini Pro의 ND 필터를 조정할 경우, LCD 터치스크린 좌측 상단에 ND 필터 표시 장치가 나타납니다.

**참고** ND 필터 표시 장치에서 사용하는 용어를 사용자 편의에 맞게 변경할 수 있습니다. 변경 가능한 옵션으로는 ND 필터 번호, F값, 비율이 있습니다. URSA Mini Pro의 '설정(SETUP)' 메뉴에서 선호하는 포맷을 설정할 수 있습니다.

### LUT 상태 정보

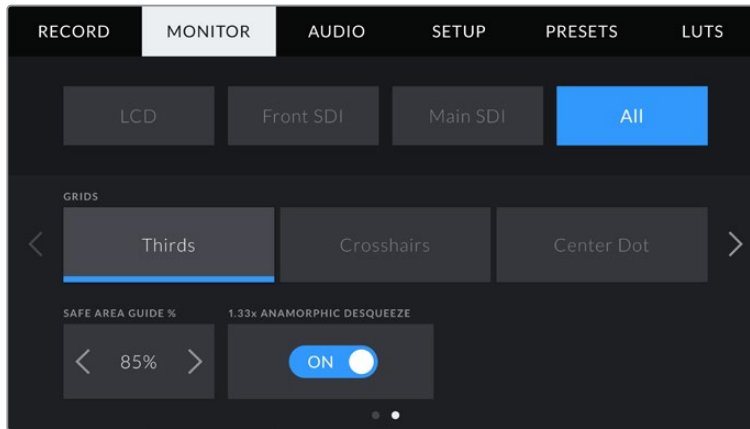
'상태 표시 텍스트'(STATUS TEXT)를 활성화하면 LUT 아이콘이 LCD와 전면 SDI 및 메인 SDI 연결 화면에 나타나며, 해당 출력에 LUT가 적용됩니다.



LUT 아이콘을 통해 이미지에 LUT가 적용되었음을 확인할 수 있습니다.

## 모든 모니터링 설정 2

URSA Mini의 'MONITOR' 탭에 있는 'All' 메뉴의 두 번째 페이지는 다음과 같은 설정 항목을 제공합니다.



### 그리드(Grids)

URSA Mini의 LCD 터치스크린, 전면 SDI, 메인 SDI 출력에 적용하고자 하는 그리드 및 십자선 조합을 설정하려면, 이 설정에서 3분할 선(Thirds)/ 십자선(Crosshairs)/중심점(Center Dot) 중 원하는 것을 선택하세요.

더 자세한 정보는 본 설명서의 [터치스크린 기능] 부분에서 언급된 그리드 관련 설명을 참고하세요.

### 안전 영역 가이드 %(Safe Area Guide %)

URSA Mini의 LCD 터치스크린, 전면 SDI, 메인 SDI 출력에 적용될 안전 영역 오버레이의 크기를 조절하려면, 이 설정에서 퍼센트 수치 좌/우에 있는 화살표를 누르세요. 이 퍼센트 수치는 영상 프레임 대비 안전 영역의 크기를 나타냅니다. 대부분의 방송국에서는 90% 안전 영역을 요구합니다.

### 애너모픽 디스퀴즈(Anamorphic Desqueeze)

애너모픽 렌즈로 촬영하는 경우, URSA Mini의 미리보기 출력과 녹화된 파일에서 영상이 수평으로 축소되어 나타납니다. 애너모픽 디스퀴즈 기능을 활성화하면 URSA Mini 영상을 올바르게 수정할 뿐만 아니라, 후반 작업에서 쉽게 보정할 수 있도록 수정한 양을 메타데이터에 기록합니다

수정할 수 있는 양은 URSA Mini에 설정한 값에 따라 달라지지만, 수정된 영상은 항상 시네마틱 와이드 스크린 2.4:1纵横비로 나타납니다.

영화를 위해 제작된 애너모픽 렌즈는 보통 2x 스퀴즈 요소를 지원합니다. URSA Mini의 '3K 애너모픽' 해상도는 이러한 렌즈와 함께 사용할 수 있도록 설계되었으며, 애너모픽 디스퀴즈 기능을 활성화한 뒤 이 해상도로 설정하면 2x 디스퀴즈 기능을 수행합니다.

16:9 디지털 이미지 센서를 위해 설계된 애너모픽 렌즈는 보통 1.33x 스퀴즈 요소를 사용하여 16:9 센서로부터 2.4:1 시네마틱 와이드 스크린 영상을 만들어 냅니다. 따라서, URSA Mini가 '4K 16:9'나 'HD 16:9' 같은 16:9 해상도로 설정된 경우, 디스퀴즈 비율은 1.33:1입니다.

**정보** 표준 구면 렌즈를 사용해 촬영하는 경우, 화면이 수평 방향으로 늘어져 보인다면, 애너모픽 디스퀴즈 기능을 비활성화하는 것을 잊지 마세요.



## 오디오 설정

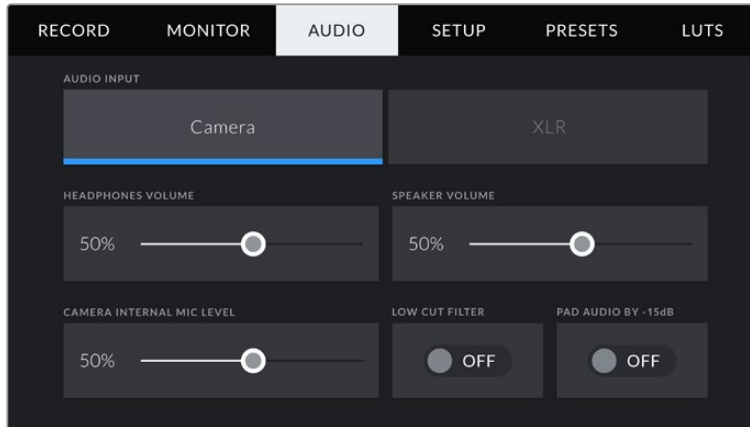
‘AUDIO’ 탭을 통해 URSA Mini의 오디오 입력과 모니터링 설정을 조정할 수 있습니다. 이 메뉴는 URSA Mini와 URSA Mini Pro 모델에 따라 약간 다르기 때문에 아래에 소개된 내용을 참고하여 사용 가능한 설정 사항을 확인하세요.

### 오디오 설정 — URSA Mini

URSA Mini를 위한 오디오 설정은 각각 내부 및 외부 오디오 입력 소스에 따라 카메라(Camera)와 XLR로 분류되어 있습니다. XLR 설정은 2 페이지로 구성되어 있으며 LCD 터치스크린 양쪽 끝에 있는 화살표를 누르거나 좌/우로 쓸어 페이지를 넘길 수 있습니다.

#### 카메라 오디오 설정

URSA Mini의 오디오 입력을 ‘Camera’로 선택할 경우, 1페이지로 구성된 오디오 설정 화면이 나타납니다. ‘Camera’ 메뉴에서는 다음과 같은 설정 항목을 제공합니다.



##### 헤드폰 볼륨(Headphones Volume)

해당 슬라이더를 사용해 URSA Mini의 3.5mm 헤드폰 잭에 연결된 헤드폰 출력 레벨을 설정할 수 있습니다. 오디오 슬라이더를 좌/우로 움직여 음량을 조절할 수 있습니다.

##### 스피커 볼륨(Speaker Volume)

해당 슬라이더를 사용해 URSA Mini의 내장 스피커 출력 레벨을 설정할 수 있습니다. 오디오 슬라이더를 좌/우로 움직여 음량을 조절할 수 있습니다.

##### 카메라 내부 마이크(Camera Internal Mic)

해당 슬라이더를 사용해 URSA Mini의 내장 마이크 녹음 레벨을 설정할 수 있습니다. 오디오 슬라이더를 좌/우로 움직여 음량을 조절할 수 있습니다. 내장 마이크는 오디오 채널 1과 채널 2에 녹음됩니다.

##### 로우컷 필터(Low Cut Filter)

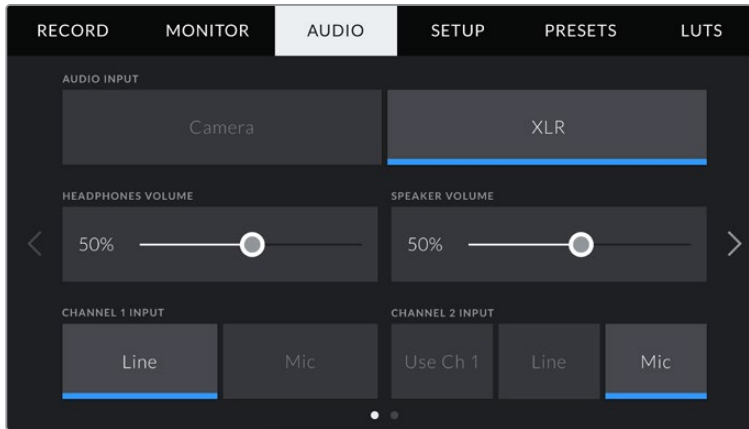
카메라의 내부 마이크를 위해 해당 스위치 아이콘을 눌러 로우컷 필터 기능을 활성화하세요. 이 필터를 활성화하면 야외 촬영 환경에서 발생할 수 있는 바람 소리나 저음역대에서 웁웅거리는 소리가 줄어듭니다. 이 기능을 사용하려면 ‘PAD AUDIO BY -15dB’ 항목을 반드시 비활성화해야 합니다.

##### 오디오 패드 -15dB(Pad Audio By -15dB)

-15dB 패드 옵션을 선택하면 시끄러운 환경에서 마이크를 사용할 시, URSA Mini의 내부 마이크 입력 게인 레벨을 더욱 낮게 조절할 수 있는 제어 기능을 추가할 수 있습니다.

## XLR 오디오 설정 1

URSA Mini의 오디오 입력을 'XLR'로 선택할 경우 2페이지로 구성된 오디오 설정 화면이 나타납니다. 그 중 첫 번째 페이지는 다음과 같은 설정으로 구성되어 있습니다.



### 헤드폰 볼륨(Headphones Volume)

해당 슬라이더를 사용해 URSA Mini의 3.5mm 헤드폰 잭에 연결된 헤드폰 출력 레벨을 설정할 수 있습니다. 오디오 슬라이더를 좌/우로 움직여 음량을 조절할 수 있습니다.

### 스피커 볼륨(Speaker Volume)

해당 슬라이더를 사용해 URSA Mini의 내장 스피커 출력 레벨을 설정할 수 있습니다. 오디오 슬라이더를 좌/우로 움직여 음량을 조절할 수 있습니다.

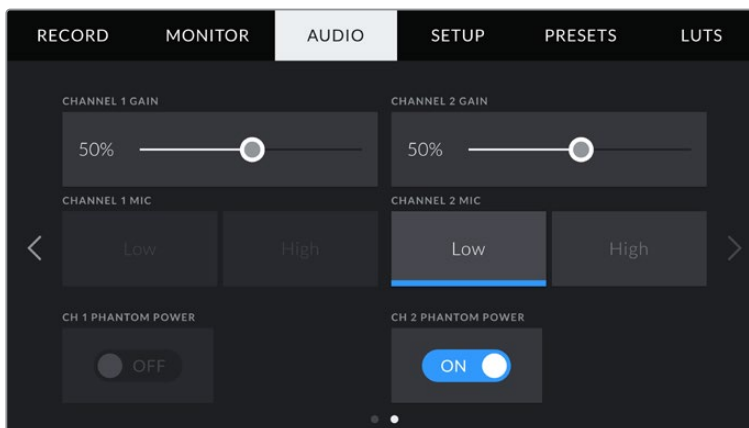
### 채널 1 및 채널 2 입력(Channel 1/2 Input)

'Line' 또는 'Mic'를 눌러 채널 1 또는 채널 2의 외부 오디오 입력 레벨을 설정할 수 있습니다. 이 설정은 라인 또는 48V 팬텀 파워를 사용하는 마이크 레벨과 일치합니다. 오디오 신호에 맞는 적절한 오디오 레벨을 선택하는 것이 중요합니다. 이 설정을 채널 1 또는 채널 2에 개별적으로 적용할 수 있습니다.

채널 2에서는 채널 1의 입력을 사용할 수 있는 옵션 또한 제공해 채널 1의 외부 오디오를 채널 1과 채널 2에 녹음할 수 있습니다.

## XLR 오디오 설정 2

XLR 메뉴의 두 번째 페이지는 다음과 같은 설정으로 구성되어 있습니다.



### 채널 1 및 채널 2 게인(Channel 1/2 Gain)

'CHANNEL 1 GAIN' 및 'CHANNEL 2 GAIN' 설정의 슬라이더를 좌/우로 움직여 각 채널의 오디오 레벨을 설정하세요.

### 채널 1 및 채널 2 마이크(Channel 1/2 Mic)

'Mic' 옵션을 선택하면 전치 증폭 레벨을 낮음(Low) 또는 높음(High)으로 설정해 외부 마이크의 입력 게인 레벨을 제어할 수 있는 기능을 추가할 수 있습니다. 'Low' 설정은 입력 레벨을 이미 낮게 설정한 뒤 시끄러운 환경에서 마이크를 사용하는 경우에 유용한 기능입니다.

### 채널 1 및 채널 2 팬텀 파워(Channel 1/2 Phantom Power)

URSA mINI의 XLR 입력은 48V 팬텀 파워를 지원해, 자체 전원 공급 방식이 아닌 마이크도 사용할 수 있습니다. 카메라를 XLR 오디오 입력으로 설정한 경우 'PHANTOM POWER' 스위치 아이콘을 간단히 눌러 팬텀 파워를 활성화할 수 있습니다.

**참고** 일반적으로 팬텀 파워를 켜기 전에 XLR 케이블을 먼저 연결합니다. 팬텀 파워 마이크를 사용하지 않을 경우, 팬텀 파워 스위치를 OFF로 설정하는 것이 중요합니다. 팬텀 파워 모드에서 팬텀 파워가 요구되지 않는 장비를 연결하게 되면 카메라에서는 계속해서 해당 전원을 출력하므로 장비가 손상될 수 있습니다. URSA Mini에서 팬텀 파워를 끄더라도 완전히 방전되기까지는 어느 정도의 시간이 소요됩니다. 팬텀 파워를 끄고 나서는 다른 마이크나 XLR 오디오 장비를 연결하기 전에 최소 몇 분 정도 기다려야 합니다.

## 오디오 설정 — URSA Mini Pro

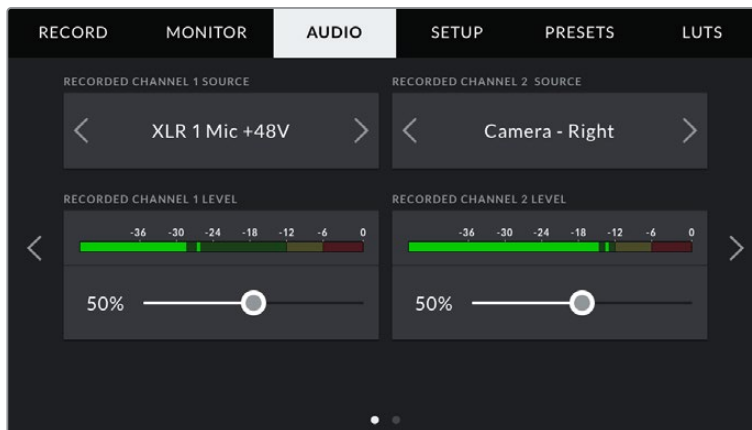
URSA Mini를 위한 오디오 설정 관련 내용은 두 페이지에 걸쳐 채널 1과 채널 2로 나누어 소개되어 있습니다. 향후 소프트웨어 업데이트를 통해 두 개의 추가 채널 또한 추가될 예정입니다.

패딩과 로우 컷 필터 등의 다양한 설정을 조정할 수 있을 뿐만 아니라 각 오디오 채널을 각기 다른 소스로 지정할 수 있습니다.

이러한 설정은 URSA Mini의 내부 제어 패널 스위치를 사용해 조정할 수 있습니다. 따라서 특정 채널을 위한 오디오 소스를 설정했다면, 내부 제어 패널의 스위치를 사용해 신호의 종류와 해당 채널에서 팬텀 파워를 사용할 것인지의 여부를 설정할 수 있습니다.

### 오디오 설정 1

URSA Mini의 'AUDIO' 탭 첫 번째 페이지는 다음과 같은 설정 항목을 제공합니다.



### 채널 소스(Channel Source)

‘녹화된 채널 1 소스’와 ‘녹화된 채널 2 소스’ 버튼을 사용하여 각 오디오 채널을 위한 오디오 소스를 선택하세요. 선택 가능한 설정은 다음과 같습니다.

#### 카메라 - 좌/우(Camera Left/Right)

카메라 내부 마이크로 녹음하고자 할 경우에 사용합니다.

#### 카메라 - 모노(Camera Mono)

URSA Mini의 내장 마이크의 좌/우 채널을 하나의 오디오 채널로 녹음하고자 할 경우에 사용합니다.

#### XLR 1/2

카메라의 XLR 입력을 녹음하고자 하는 경우에 사용합니다. XLR 입력은 URSA Mini의 내부 제어 패널 스위치에 설정해둔 오디오 신호에 따라 마이크(Mic)/라인(Line)/AES로 표시될 수 있습니다. 팬텀 파워가 활성화된 상태에서 XLR 입력을 ‘Mic’로 설정하면 ‘+48V’라는 상태 정보가 나타나는 것을 확인할 수 있습니다. 팬텀 파워 마이크를 분리할 때 +48V 스위치가 OFF로 설정되어 있는지 반드시 확인하세요.

#### XLR 1/2 - 마이크 백업(Mic Backup)

URSA Mini Pro의 XLR 1 또는 XLR 2 입력에 연결된 마이크 오디오를 표준 마이크 녹음 레벨 이하로 녹음하려는 경우에 사용합니다. 이를 통해 이벤트 현장에서 소리가 갑자기 증가해 오디오가 클리핑되는 현상을 방지할 수 있습니다. 이 기능은 XLR 1 또는 XLR 2 입력 스위치가 ‘Mic’로 설정된 경우에만 선택 가능합니다.

#### 사용 안 함(None)

오디오 채널을 비활성화하는 경우에 사용합니다.

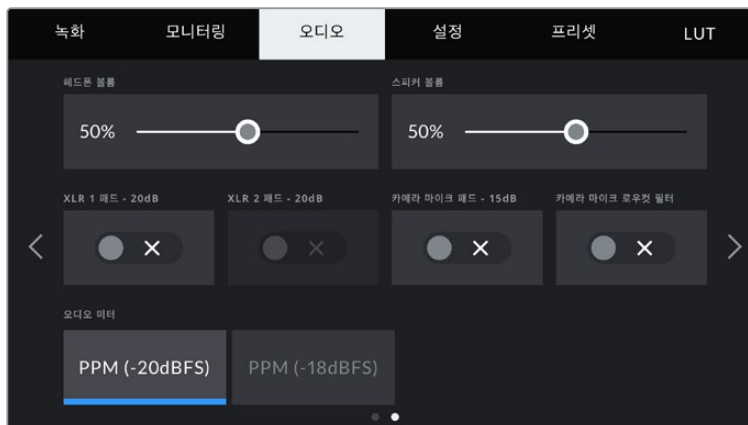
### 녹화된 채널 1/2 레벨(Recorded Channel 1/2 Level)

이 슬라이더를 사용해 선택한 채널 1 또는 채널 2 소스의 녹음 레벨을 조절할 수 있습니다. 각 슬라이더에 오디오 미터가 포함되어 있어 정확한 오디오 레벨을 설정할 수 있습니다. 인체 공학 제어 패널의 오디오 노브를 사용해 오디오를 조절하면 해당 조정 사항이 이 레벨에도 반영됩니다.

최적의 음질을 얻으려면 오디오 레벨이 절대 0dBFS를 넘지 않도록 해야 합니다. 이 레벨은 카메라로 녹화할 수 있는 최대치로 이 수준을 넘어갈 경우에는 오디오가 클리핑되어 왜곡됩니다.

## 오디오 설정 2

URSA Mini Pro의 ‘AUDIO’ 탭 두 번째 페이지는 다음과 같은 설정 항목을 제공합니다.



URSA Mini Pro 12K 및 URSA Mini Pro G1의 ‘오디오 미터(AUDIO METERS)’ 설정 화면.

### 헤드폰 볼륨(Headphones Volume)

해당 슬라이더를 사용해 URSA Mini의 3.5mm 헤드폰 잭에 연결된 헤드폰 출력 레벨을 설정할 수 있습니다. 오디오 슬라이더를 좌/우로 움직여 음량을 조절할 수 있습니다. 전면부 제어 패널의 설정 휠을 사용해 헤드폰 볼륨을 조절하면 해당 조정 사항이 이 레벨에도 반영됩니다.

### 스피커 볼륨(Speaker Volume)

해당 슬라이더를 사용해 URSA Mini의 내장 스피커 출력 레벨을 설정할 수 있습니다. 오디오 슬라이더를 좌/우로 움직여 음량을 조절할 수 있습니다. 전면부 제어 패널의 설정 휠을 사용해 스피커 볼륨을 조절하면 해당 조정 사항이 이 레벨에도 반영됩니다.

### XLR 패드 -20dB(Pad XLR -20dB)

-20dB 패드 옵션을 선택하면 시끄러운 환경에서 마이크를 사용할 시, URSA Mini의 내부 마이크 입력 게인 레벨을 더욱 낮게 조절할 수 있는 제어 기능을 추가할 수 있습니다.

### 카메라 마이크 패드 -15dB(Pad Cam Mic - 15dB)

-15dB 패드 옵션을 선택하면 시끄러운 환경에서 마이크를 사용할 시, URSA Mini의 내부 마이크 입력 게인 레벨을 더욱 낮게 조절할 수 있는 제어 기능을 추가할 수 있습니다.

### 카메라 마이크 로우컷 필터(Cam Mic Low Cut Filter)

카메라의 내부 마이크를 위해 해당 스위치 아이콘을 눌러 로우컷 필터 기능을 활성화하세요. 이 필터를 활성화하면 야외 촬영 환경에서 발생할 수 있는 바람 소리나 저음역대에서 웅웅거리는 소리가 줄어듭니다. 이 기능을 사용하려면 'PAD CAM MIC - 15dB' 항목을 반드시 비활성화해야 합니다.

### 오디오 미터

'오디오 미터'(Audio Meters)를 선택하면 오디오 미터의 표준 피크 레벨을 확인할 수 있습니다.

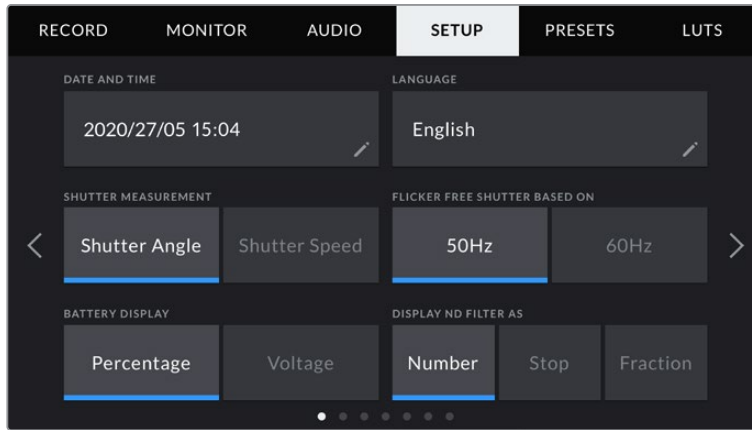
오디오 미터 설정	표준
PPM (-20 dBFS)	SMPTE RP.0155
PPM (-18 dBFS)	EBU R.68

## 설정

URSA Mini의 '설정(SETUP)' 탭에서는 URSA Mini 식별 설정과 소프트웨어 버전, 기능 버튼 설정, 그리고 녹화 및 모니터링과 직접 관련 없는 기타 항목들을 설정할 수 있습니다. 이 메뉴는 여러 페이지로 구성되어 있으며, LCD 터치스크린 양쪽 끝에 있는 화살표를 누르거나 좌/우로 쓸어 페이지를 넘길 수 있습니다.

**참고** URSA Mini 모델 간의 차이로 아래의 URSA Mini '설정(SETUP)' 탭 페이지의 레이아웃이 다른 모델과 약간 다를 수 있습니다. 예를 들어, URSA Mini Pro 4.6K G2는 '설정(SETUP)' 탭은 5 페이지로 구성되어 있으며, URSA Mini Pro 12K는 7 페이지로 구성되어 있습니다.

URSA Mini의 '설정(SETUP)' 탭은 다음과 같은 설정 항목을 제공합니다.



URSA Mini Pro 12K 및 URSA Mini Pro 4.6K G2, URSA Mini Pro 4.6K의 '설정' 탭 첫 페이지에 있는 'ND 필터 표시'(Display ND Filter As) 항목 화면으로, URSA Mini 4.6K 및 URSA Mini 4K에는 내장 ND 필터가 탑재되어 있지 않기 때문에 본 항목은 사용할 수 없습니다.

### 날짜 및 시간(Date and Time)

이 설정을 눌러 URSA Mini의 날짜 및 시간을 설정할 수 있습니다. 날짜는 연도/월/일 순으로, 시간은 24시간 형식으로 표시됩니다. URSA Mini의 날짜 및 시간 설정은 외부 타임코드 소스가 연결되지 않은 경우에 현재 시간 타임코드를 표시하는 데에도 사용됩니다.

### 지원 언어

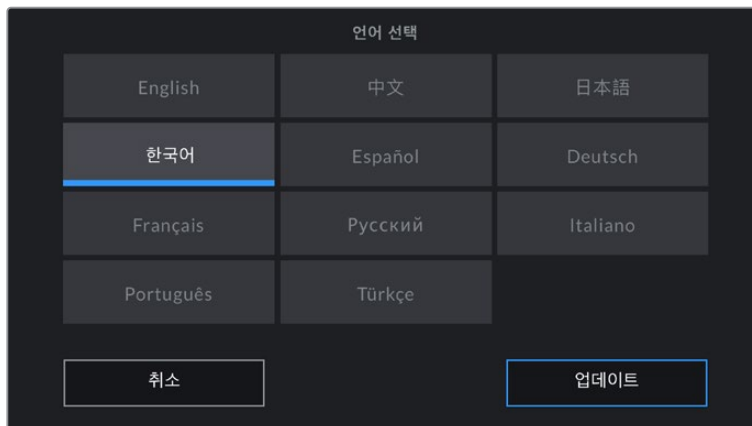
URSA Mini Pro 4.6K G2 및 URSA Mini 4.6K, URSA Mini 4K에서 사용 가능한 언어는 현재 영어뿐입니다.

URSA Mini Pro 12K 및 URSA Mini Pro 4.6K G1은 한국어, 영어, 중국어, 일본어, 스페인어, 독일어, 불어, 러시아어, 이탈리아어, 포르투갈어, 터키어 등의 11개 언어를 지원합니다.

언어 설정 페이지는 장비가 최초 가동될 때 화면에 나타납니다.

### 다음과 같은 순서로 언어를 선택하세요.

- 1 '언어' 탭의 목록에서 원하는 언어를 선택하세요.
- 2 '업데이트' 버튼을 누르면 선택 내용이 저장되고 '설정' 메뉴로 되돌아갑니다.



### 셔터 측정(Shutter Measurement)

URSA Mini 4.6K와 URSA Mini Pro에서 셔터 측정 설정을 사용해 셔터 정보를 셔터 개각도 또는 셔터 속도로 표시할 수 있습니다.

셔터 개각도와 프레임 레이트가 서로 연관되어 있다는 사실을 기억하세요. 예를 들어, 셔터 개각도를 180도로 설정하면 사용 중인 프레임 레이트에 관계없이 일정한 모션 블러를 생성합니다.

하지만 셔터 속도를 사용할 경우에는 프레임 레이트를 통해 개별 지정된 절댓값이 셔터에 적용되기 때문에 사용하는 프레임 레이트에 따라 결과가 달라집니다.

예를 들어, 초당 24 프레임으로 촬영 시 셔터 속도를 48분의 1초로 설정하면 180도의 셔터 개각도에 해당하는 만족스러운 모션 블러 효과가 생성됩니다. 셔터 속도를 48분의 1초로 두고 초당 48 프레임으로 변경하면 기존의 모션 블러 효과는 사라지고 360도의 셔터 개각도에 해당하는 효과가 생성됩니다. 여기서는 초당 48 프레임으로 변경했기 때문에 180도의 셔터 개각도에 해당하는 효과를 얻으려면 셔터 속도 역시 96분의 1초로 변경해야 합니다.

### 플리커 현상 없는 셔터 개각도(Flicker Free Shutter Based On)

이 설정에서 URSA Mini에 사용되는 주전력 주파수를 변경하면 플리커 현상이 없는 셔터 설정값이 산출됩니다.

조명 아래서 촬영하는 경우, 셔터에 플리커 현상이 발생할 수 있습니다. URSA Mini에서는 플리커 현상이 발생하지 않는 셔터 설정값을 자동 산출한 뒤, 헤드업 디스플레이를 통해 최대 세 가지의 권장 셔터 설정값을 표시합니다. 셔터 설정값은 조명을 작동하는 데 사용되는 현지 주전원 공급 장치의 주파수에 따라 달라집니다. PAL 방식을 사용하는 대부분의 국가에서는 50Hz를 사용하고, NTSC 방식을 사용하는 국가에서는 보통 60Hz의 전력 주파수를 사용합니다. 간단히 50Hz 또는 60Hz를 눌러 거주 지역에 맞는 전력 주파수를 설정하세요.

**참고** 플리커 현상이 없는 셔터 설정값을 사용하더라도 개별 광원의 특성으로 인해 플리커 현상이 발생할 수 있다는 점을 참고하세요. 연속 광원을 사용하지 않는 경우, 촬영 전에 테스트를 진행할 것을 권장합니다.

### 배터리 잔량 표시(Battery Display)

URSA Mini에서는 배터리 잔량이 표시되는 방식을 변경할 수 있습니다. 퍼센트(Percentage)와 전압(Voltage)의 두 가지 설정 옵션이 제공됩니다. 정확한 퍼센트 정보를 제공하는 배터리와 플레이트를 사용하는 경우, 배터리 잔량 표시를 'Percentage'로 설정하면 배터리 잔량이 퍼센트로 나타납니다.

**정보** 정확한 퍼센트 정보를 제공하는 배터리 목록은 본 설명서의 [배터리 장착하기] 부분에 나와 있습니다.

정확한 퍼센트 정보를 제공하지 않는 배터리와 플레이트를 사용할 경우에는 4개의 막대 모양이 화면에 나타나며, 배터리 잔량이 감소함에 따라 막대가 하나씩 사라집니다.

'Voltage'로 설정하면 배터리 잔량이 전압으로 표시됩니다. 전압이 12V에 다다르면 배터리를 교체하는 것이 좋습니다.

**정보** LCD 터치스크린의 전원 상태 정보를 눌러 볼트나 퍼센트 방식의 배터리 잔량 표시 방식으로 변경할 수도 있습니다.

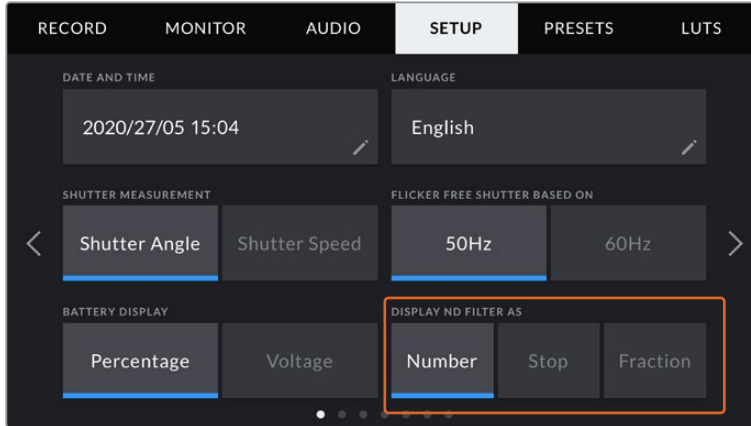
### 타임코드 드롭 프레임(Timecode Drop Frame)

이 옵션을 선택할 경우, 29.97 및 59.94의 NTSC 프로젝트 프레임 레이트 사용 시 드롭 프레임 타임코드를 사용할 수 있습니다. 드롭 프레임 타임코드는 일부 프레임 숫자를 설정해둔 간격에 따라 타임코드에서 사용하지 않고 버리는 기능입니다. NTSC 프레임 속도에서는 매초마다 전체 프레임 숫자가 포함되지 않지만, 이를 통해 프로젝트 프레임 타임코드를 정확하게 유지할 수 있습니다.

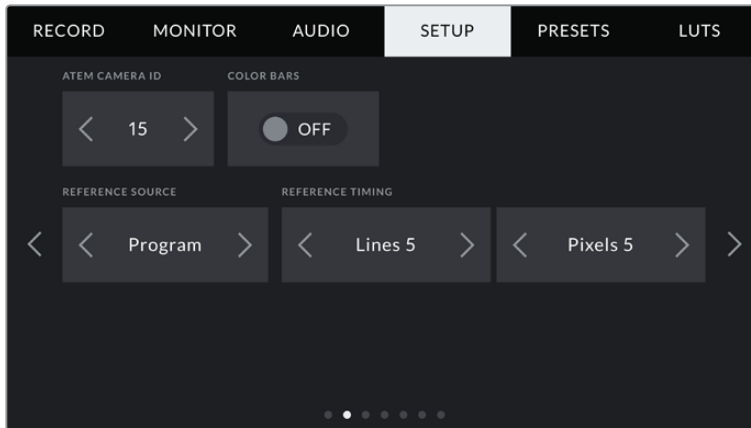


### ND 필터 디스플레이 방식(Display ND Filter As)

이 설정을 사용하면 URSA Mini Pro에 나타나는 ND 필터 표시 방식을 조정할 수 있습니다. 각 설정은 각기 다른 카메라 표준에 해당합니다. 대부분의 촬영 기사들이 ND 숫자로 표시되는 방식을 사용하는 반면, DSLR 또는 방송 카메라 사용에 익숙한 사용자들은 F값 포맷이나 사용 가능한 빛의 비율로 표시되는 방식을 선호합니다. 여기에 해당하는 옵션은 순서대로 각각 'Number'(번호), 'Stop'(스탑), 'Fraction'(비율)입니다.



URSA Mini Pro의 'SETUP' 메뉴는 ND 필터 정보 디스플레이 방식을 사용자 지정할 수 있는 옵션을 지원합니다.



'프로그램 오디오(PROGRAM AUDIO)' 설정은 URSA Mini Pro에만 있다는 사실을 기억하세요.

### ATEM 카메라 ID(ATEM Camera ID)

URSA Mini를 ATEM Switcher와 함께 사용하는 경우에 스위처에서 카메라로 탈리 신호를 전송하려면, 카메라에서 해당 카메라 번호를 설정해야 합니다. 이 기능을 통해 스위처에서 올바른 카메라로 탈리 신호를 전송하게 됩니다. 카메라 번호는 좌/우 화살표를 눌러 1~99로 설정 가능합니다. 기본 설정은 '1'입니다.

### 컬러바(Color Bars)

URSA Mini를 스위처나 외부 모니터에 연결할 경우, 미리보기 영상보다는 컬러바를 출력하는 것이 유용합니다. 스위처나 모니터에 나타나는 URSA Mini의 컬러바를 통해 연결이 제대로 되었는지 확인할 수 있으며 컬러바 색상을 기반으로 기본적인 모니터 보정을 수행할 수 있습니다. 간단히 컬러바 스위치 아이콘을 눌러 LCD 터치스크린을 포함한 URSA Mini의 모든 출력에 컬러바를 적용할 수 있습니다.

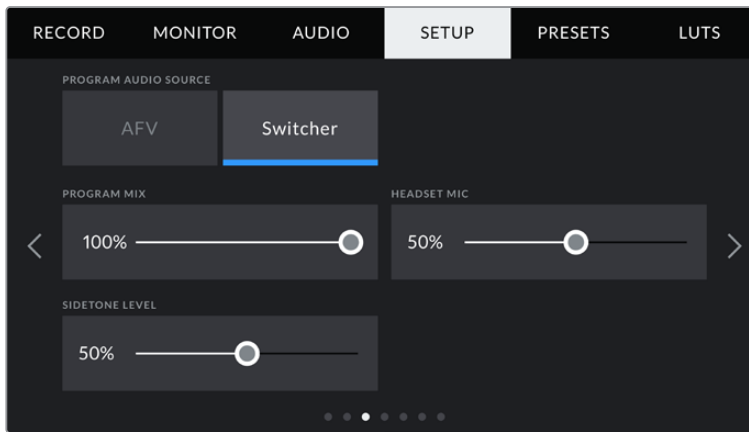
### 레퍼런스 소스(Reference Source)

이 설정은 레퍼런스 소스를 선택하는 데 사용됩니다. URSA Mini를 내부 및 외부 레퍼런스 소스나 ATEM 스위치의 프로그램 입력 레퍼런스 신호로 동기화할 수 있습니다. URSA Mini를 ATEM Switcher의 카메라 제어 기능과 함께 사용할 경우, 스위치 및 연결된 모든 카메라가 외부 레퍼런스로 설정된 경우를 제외하고는 항상 레퍼런스 소스를 'Program'으로 설정해 두어야 합니다.

**참고** URSA Mini를 위한 레퍼런스 소스를 설정할 때 레퍼런스 소스 간을 전환하면 카메라 출력이 약간 손실될 수도 있습니다. 이런 현상은 카메라에서 외부 소스와의 레퍼런스 타이밍을 조정하는 과정에서 발생합니다. 그러므로 프로덕션 중간에는 이 설정을 변경하지 않고 셋업할 때만 변경하는 것이 중요합니다.

### 레퍼런스 타이밍(Reference Timing)

레퍼런스 타이밍 설정을 통해 레퍼런스 타이밍을 라인 및 픽셀 기반으로 수동 조절할 수 있습니다. '라인(LINES)' 및 '픽셀(PIXELS)' 양옆의 화살표 아이콘을 눌러 간단히 설정을 조절할 수 있습니다.



### 프로그램 오디오 소스(Program Audio Source)

이 설정은 URSA Mini Pro 제품에만 적용됩니다. 스위처에 연결할 경우, '프로그램 오디오(PROGRAM AUDIO)'를 'On'으로 설정하면, 프로그램 리턴 오디오가 입력 소스로 우선 선택되어 헤드폰이나 헤드셋으로 모니터링 시 토크백과 함께 통합됩니다. 이 기능은 스위처에 카메라 오디오 피드를 전송하진 않지만, SDI IN 포트를 통해 스위처에서 전송되는 프로그램 피드를 듣고자 할 경우에 사용하기 유용합니다. '프로그램 오디오(PROGRAM AUDIO)'를 'Off'로 설정하면 카메라의 내부 마이크 또는 'AUDIO IN' XLR 포트로부터 오는 오디오가 우선 선택되며, 이것이 카메라의 기본 설정입니다.

### 프로그램 믹스(Program Mix)

이 설정을 통해 카메라 오디오와 토크백 오디오의 밸런스를 조절할 수 있습니다. 헤드폰에서는 LCD 화면에 나타나는 오디오가 출력됩니다. 예를 들어, 카메라 뷰로 설정하면 카메라의 오디오를 들을 수 있습니다. 프로그램 뷰로 설정하면 해당 프로그램의 오디오를 들을 수 있습니다. 기본 설정은 100% 입니다.

### 헤드셋 마이크(Headset Mic)

볼륨 슬라이더를 좌/우로 이동하여 오디오 마이크 입력 레벨을 조절할 수 있습니다. 기본 설정은 50% 입니다.

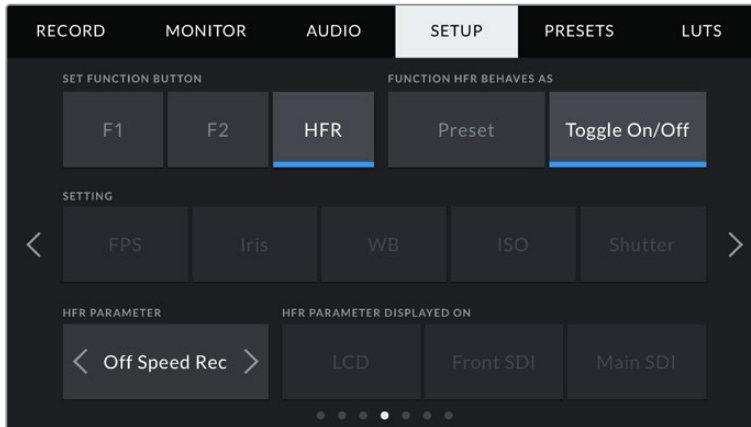
### 사이드톤 레벨(Sidetone Level)

슬라이더를 조정해 헤드셋의 음성 마이크 볼륨을 설정할 수 있습니다.

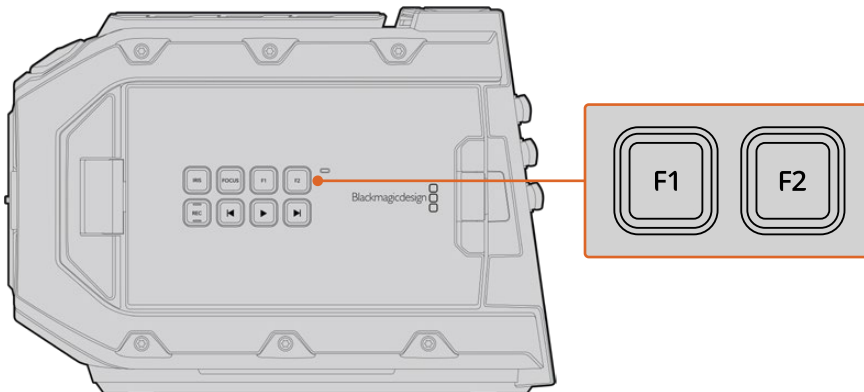
### 기능 버튼 설정(Set Function Button)

URSA Mini의 LCD 터치스크린 바깥쪽에는 F1과 F2라고 표시된 두 개의 기능 버튼이 있습니다. 이 버튼에 자주 사용하는 기능을 매핑할 수 있으며, URSA Viewfinder를 사용하는 동안 LCD 터치스크린을 닫고 카메라를 사용하는 경우에도 해당 버튼을 신속하게 사용할 수 있습니다.

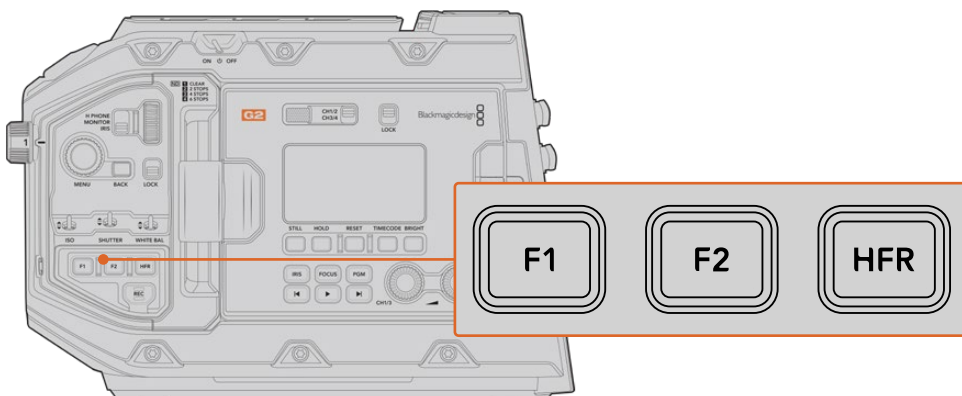
URSA Mini Pro 12K 및 URSA Mini Pro 4.6K G2, URSA Mini Pro 4.6K 모델에서는 HFR 버튼을 다른 기능으로 매핑하거나 비활성화할 수 있습니다. HFR 버튼은 '오프스피드 녹화' 기능으로 기본 설정되어 있습니다.



URSA Mini Pro 12K 및 URSA Mini Pro 4.6K G2, URSA Mini Pro 4.6K에서는 HFR 버튼을 다른 기능으로 매핑 가능합니다.



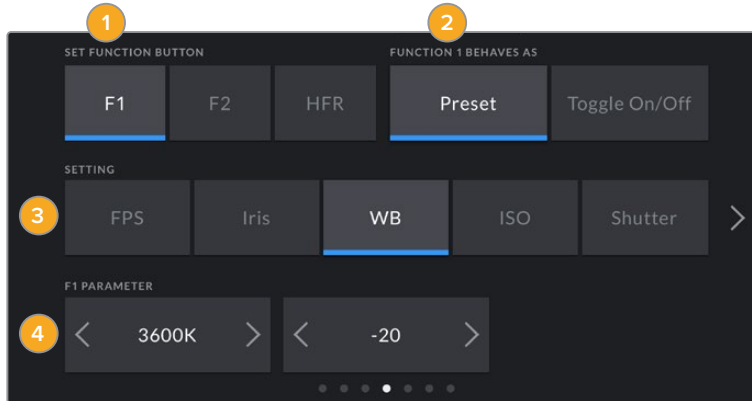
URSA Mini의 F1 및 F2 버튼은 LCD 터치스크린 바깥쪽에 있습니다.



URSA Mini Pro 12K 및 URSA Mini Pro 4.6K G2, URSA Mini Pro 4.6K, URSA Mini 4.6K에서 F1 및 F2, HFR 버튼의 기능을 매핑하거나 이 버튼들을 비활성화 할 수 있습니다.

**정보** URSA Pro G1에 B4 렌즈와 렌즈 커넥터가 연결되어 있는 경우, F1/F2/HFR 버튼뿐 아니라 VTR 및 RET(리턴) 버튼을 기능 버튼처럼 설정해 프리셋을 지정하거나 각종 기능을 켜고 끌 수 있습니다.

이 버튼을 설정하려면 기능 버튼을 선택한 뒤, 속성과 설정, 그리고 해당 설정을 위한 파라미터를 선택하세요.



1 버튼 2 속성 3 설 4 파라미터

### 프리셋 또는 토글 기능 버튼 설정하기

매핑하려는 기능 버튼을 선택한 뒤, 원하는 속성을 선택할 수 있습니다. URSA Mini Pro 12K 및 URSA Mini Pro 4.6K G2, URSA Mini Pro 4.6K, URSA Mini 4.6K 모델에서는 HFR 버튼에 다른 기능을 매핑할 수 있습니다.

선택 가능한 속성은 아래와 같습니다.

#### 프리셋(Preset)

이 속성으로 저장된 경우, 기능 버튼을 눌러 설정과 파라미터 조합을 불러올 수 있습니다.

프리셋을 설정하려면 'SETTING' 메뉴에서 원하는 설정을 선택한 뒤, 'PARAMETER' 메뉴 양쪽에 있는 화살표 아이콘을 눌러 해당 설정을 조정하세요.

예를 들어, F1 버튼을 눌러 f8 조리개 프리셋을 불러올 수 있도록 설정하려면 속성을 'Preset'으로 선택한 뒤, 'SETTING'에서 'Iris'를 누르고 f8이 나타날 때까지 'PARAMETER' 메뉴 양쪽에 있는 화살표 아이콘을 누르세요. 'Preset'을 다시 누르면 기존에 'SETTING'에 선택되었던 항목으로 돌아갑니다.

#### 위/아래(Up/Down)

이 속성으로 저장된 경우, 기능 버튼을 눌러 특정 설정을 켜고 끌 수 있습니다.

예를 들어, 렌즈 조리개값을 F1으로 높이고 F2로 줄이도록 설정할 수 있습니다. 이를 위해서는 먼저 'F1' 기능 버튼을 선택한 뒤, 속성을 'Up/Down'으로 설정하고 파라미터를 'Up'으로 설정하세요. F2 기능 버튼도 같은 방법으로 설정하되 파라미터는 'Down'으로 설정하세요.

#### 켜고 끄기(Toggle On/Off)

이 모드로 설정한 경우, 기능 버튼을 눌러 특정 설정을 켜고 끌 수 있습니다. 이 모드에서는 '설정(SETTINGS)' 메뉴가 비활성화됩니다. 대신 '파라미터' 메뉴의 좌/우 화살표를 눌러 사용 가능한 옵션을 스크롤 할 수 있습니다. '오프스피드 녹화', '컬러바', '푸시 투 토크', '클린 피드', 'LUT 디스플레이', '프레임 가이드', '포커스 어시스트', '폴스 컬러', '지브라'를 옵션으로 사용할 수 있습니다. URSA Mini Pro 모델에서는 '사용 안 함(None)' 옵션 또한 사용할 수 있습니다.

URSA Mini Pro 12K는 여기에 '포커스 줌(Focus Zoom)' 옵션을 추가로 제공합니다. LCD에서 '포커스 줌'을 활성화하여 사용하는 방법에 대한 자세한 정보는 [포커스 줌] 부분을 참고하세요. 포커스 줌이 SDI 출력에 활성화된 경우, MENU 휠을 사용하여 줌 부분을 움직이거나, IRIS 휠을 사용하여 확대 정도를 조절할 수 있습니다.

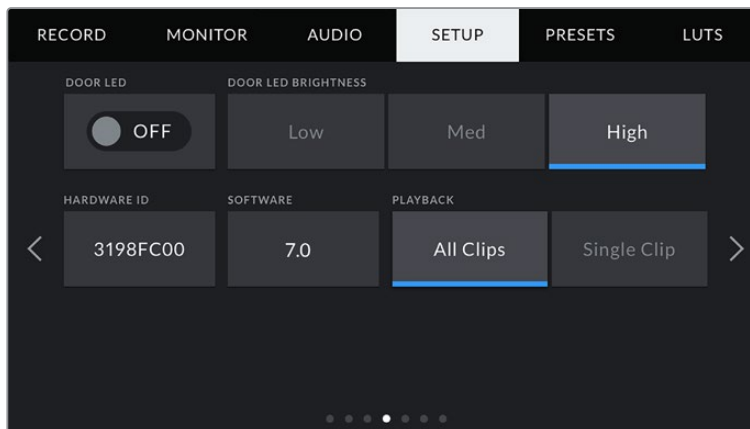


포커스 줌 기능은 모든 모니터링 출력에 개별 적용할 수 있습니다. 주요 초점을 잡는 경우, 세 개의 모든 출력에 포커스 줌을 적용하면 가장 선명한 결과물을 얻을 수 있습니다.

'ON/OFF 기능' 속성을 사용해 해당 설정이 적용될 출력을 선택할 수도 있습니다. 간단하게 'LCD', '전면 SDI', '메인 SDI'를 눌러 원하는 조합으로 설정하면 됩니다. '컬러바'처럼 모든 출력에 적용되어 옵션을 적용할 출력을 따로 선택할 수 없는 경우, 'LCD', '전면 SDI', '메인 SDI' 설정이 비활성화됩니다. URSA Mini Pro 모델에서는 '사용 안 함'을 선택해 해당 기능과 HFR 버튼을 비활성화시킬 수 있습니다.

**참고** '포커스 줌(Focus Zoom)' 기능을 설정해 모든 'LCD', '전면 SDI(Front SDI)', '메인 SDI(Main SDI)' 출력에 적용할 경우, 전면 SDI에 적용된 모든 3D LUT 또는 포커스 어시스트 설정이 줌 기능 사용 시, 세 개의 모든 출력에도 적용됩니다. 줌 기능 사용 시에는 프레임 가이드와 그리드, 안전 영역 가이드가 적용되지 않습니다.

URSA Mini Pro 4.6K G1에 B4 렌즈가 연결되어 있는 경우, 해당 렌즈에 탑재된 VTR 및 RET(리턴) 버튼을 기능 버튼처럼 사용하도록 설정할 수도 있습니다. 예를 들어, HyperDeck과 함께 개별 녹화를 진행할 경우, VTR 버튼에 '푸시 투 토크' 기능을 지정하는 옵션을 가장 많이 사용합니다.



### 상태 표시 LED(Status LED)

URSA Mini Pro 카메라에는 전면부 제어 패널의 REC 버튼 근처에 작은 상태 표시 LED가 있어서 탈리 정보 및 상태 정보를 제공합니다. 이 설정을 사용하여 상태 표시 LED를 켜거나 끌 수 있습니다.

URSA Mini의 상태 표시 LED는 LCD 스크린 바깥쪽의 F2 버튼 옆에 있으며, 'SETUP' 탭에서는 'Door LED'로 표시됩니다.

LED를 통해 다음과 같은 상태 정보가 표시됩니다.

<b>흰색</b>	카메라 전원 입력 및 대기 모드임을 의미합니다.
<b>빨간색</b>	카메라가 녹화 중임을 의미합니다. LED가 천천히 깜빡이면 카드의 용량이 얼마 남지 않았음을 나타내는 반면, 빠르게 깜빡이면 드롭 프레임 현상이 발생했음을 나타냅니다.
<b>녹색</b>	재생 모드를 의미합니다. 카메라에서 클립이 재생되고 있는 경우, LED에 녹색 불이 천천히 깜빡입니다. 삽입한 미디어가 인식되면 상태 표시 LED가 녹색과 흰색으로 번갈아 세 번 깜빡입니다.
<b>주황색</b>	카메라 배터리가 부족한 경우, LED가 주황색과 현재 상태를 나타내는 색상이 번갈아 깜빡입니다. 예를 들어, 현재 녹화 중일 경우 LED가 주황색/빨간색으로 번갈아 천천히 깜빡입니다. 대기 모드에서는 LED가 녹색과 흰색으로 번갈아 깜빡입니다. 배터리 부족 알림 장치의 임계값은 충전량을 정확한 퍼센트 정보로 제공하는 배터리를 사용하는 경우엔 20 퍼센트, 정확한 퍼센트 정보를 제공하지 않는 배터리를 사용하는 경우엔 12.5 볼트입니다.

#### 상태 표시 LED 밝기(Status LED Brightness)

상태 표시 LED의 밝기는 낮음(Low)/중간(Medium)/높음(High) 중에서 선택하여 조절합니다.

#### 하드웨어 ID(Hardware ID)

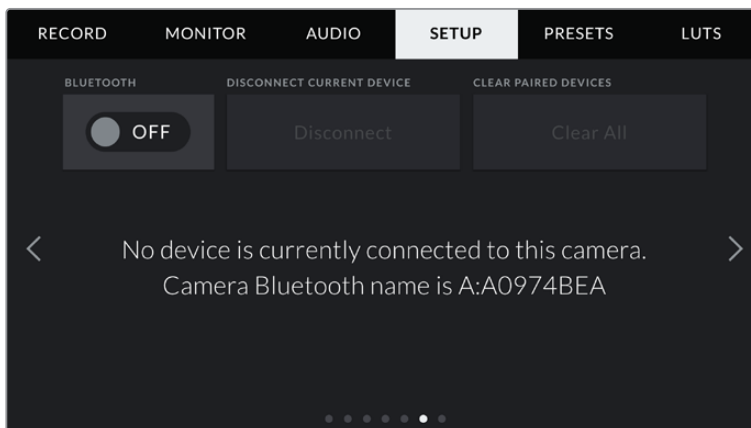
하드웨어 ID 표시 장치를 통해 8문자의 URSA Mini 식별코드가 나타납니다. 카메라마다 고유의 식별코드를 사용합니다. Blackmagic RAW 및 ProRes 비디오를 위해 이보다 더 긴 32자리 버전의 ID 또한 메타데이터에 포함되어 있습니다. 파일명이 바뀌어도 카메라 하드웨어 ID는 그대로 남아 있어 영상을 촬영한 카메라를 확인하는 데 유용합니다.

#### 소프트웨어(Software)

URSA Mini에 현재 설치된 소프트웨어 버전을 표시합니다. 소프트웨어 업데이트에 대한 자세한 정보는 [Blackmagic Camera Setup 유틸리티] 부분을 참고하세요.

#### 재생(Playback)

재생 설정에서는 단일 클립을 재생할지 또는 전체 클립을 재생할지를 선택할 수 있습니다. 전체 클립(ALL Clips)을 선택하면 해당 모든 미디어를 연속으로 재생합니다. 단일 클립(Single Clip)은 한 번에 한 개의 클립만 재생합니다. 이 설정은 반복 재생 기능에도 적용됩니다. 'All Clips'를 설정한 상태에서 반복 재생을 선택하면 미디어에 저장된 모든 클립이 재생된 후 다시 반복 재생됩니다. 'Single Clip'을 선택하면 한 번에 한 개의 클립만 반복 재생됩니다.



카메라의 블루투스 이름은 슬레이트에 입력된 카메라 알파벳과 현재 사용 중인 URSA Mini의 하드웨어 ID 8글자로 구성되어 있습니다.

## 블루투스(Bluetooth®)

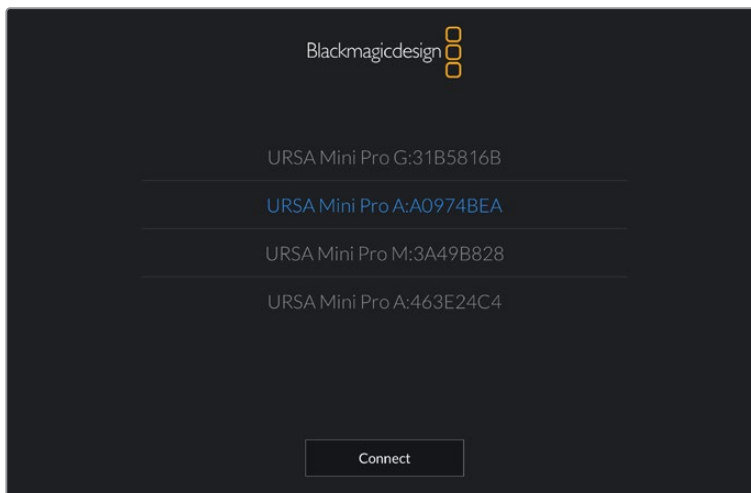
URSA Mini Pro의 블루투스 컨트롤을 사용해 휴대용 기기에서 카메라를 무선으로 제어할 수 있습니다. Blackmagic Camera Control App을 사용하면 iPad에서 원격으로 카메라 전원을 켜고 끌 수 있으며, 설정을 변경하고 메타데이터를 수정하거나 트리거 녹화를 진행할 수도 있습니다. 'SETUP' 메뉴에서 'BLUETOOTH' 스위치 아이콘을 눌러 블루투스 기능을 켜고 끌 수 있습니다. 블루투스 기능이 활성화되면 최대 9미터 떨어진 거리에서 블루투스 기기가 카메라를 감지할 수 있습니다.

URSA Mini는 'Blackmagic SDI 카메라 컨트롤 프로토콜'에서와 동일한 종류의 블루투스 제어 명령어를 사용하기 때문에, 모니터링에서 오디오 설정, 카메라 내부의 DaVinci Resolve 컬러 커렉터 또는 렌즈 컨트롤에 이르는 모든 기능을 사용자가 직접 프로그래밍해 원격으로 제어할 수 있습니다.

더 자세한 정보는 본 설명서의 [Blackmagic SDI 카메라 컨트롤 프로토콜] 부분을 참고하세요.

### 카메라와 iPad 간의 최초 페어링 방법

- 1 URSA Mini Pro의 'SETUP' 메뉴에서 'BLUETOOTH' 스위치 아이콘을 눌러 블루투스 기능을 켜세요.
- 2 Blackmagic Camera Control App을 실행한 뒤, 페어링하고자 하는 URSA Mini Pro를 선택하세요. 카메라 식별 알파벳과 고유의 하드웨어 ID로 구성된 코드를 통해 사용 가능한 카메라를 확인할 수 있습니다. 코드 예시 : 'A:A0974BEA'.



URSA Mini Pro와 페어링하고자 하는 기기를 선택하세요.

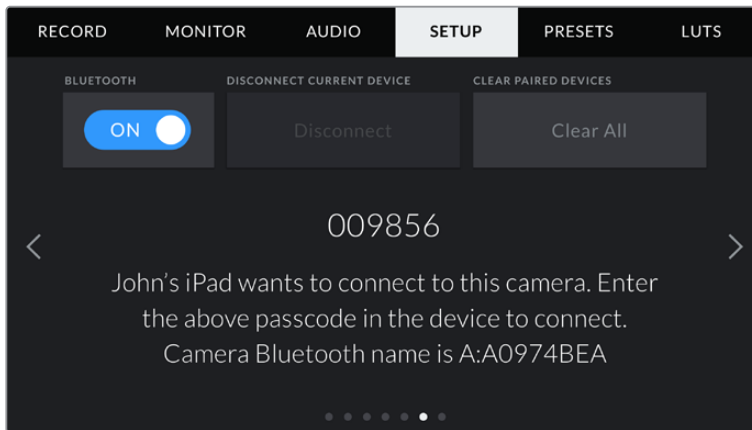
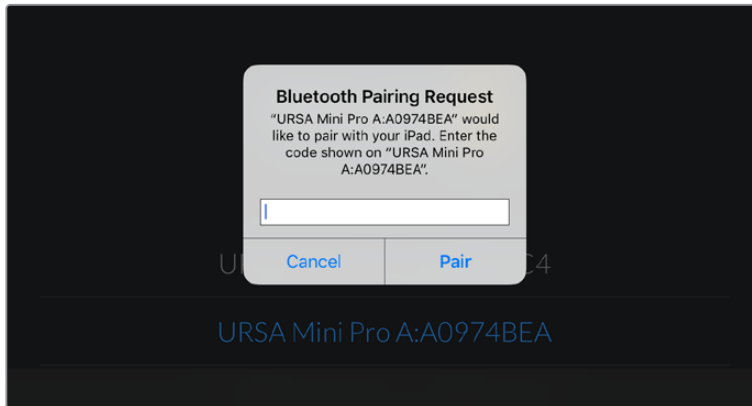
**참고** Blackmagic Camera Control App 설치를 마치고 처음으로 실행하면, 사용자 위치 접근 허용을 묻는 메시지가 나타납니다. '사용하는 동안'을 선택할 경우, iPad의 GPS 정보가 촬영 중인 파일의 메타데이터에 기록되어 푸티지에 위치 정보가 나타나도록 할 수 있습니다. 이 정보는 Blackmagic Da Vinci Resolve 14 혹은 이후 버전에서 확인할 수 있습니다.

이 정보를 사용하지 않으려면 '안 함'을 선택하세요.

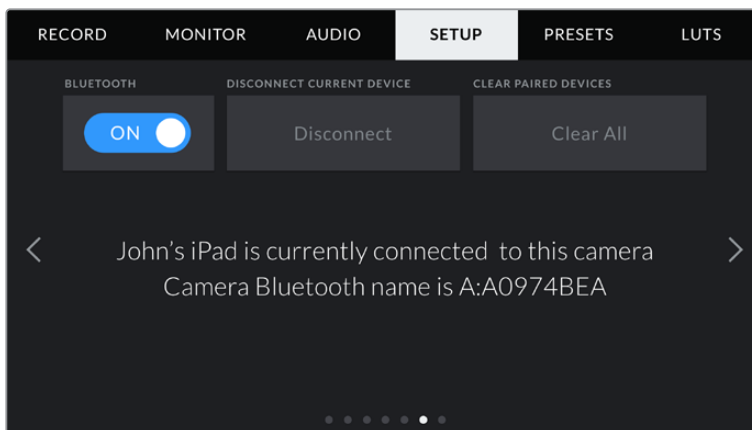
설정을 변경하려면 iPad의 설정에 들어가 '개인 정보 보호' > '위치 서비스' > '카메라'로 이동하세요.



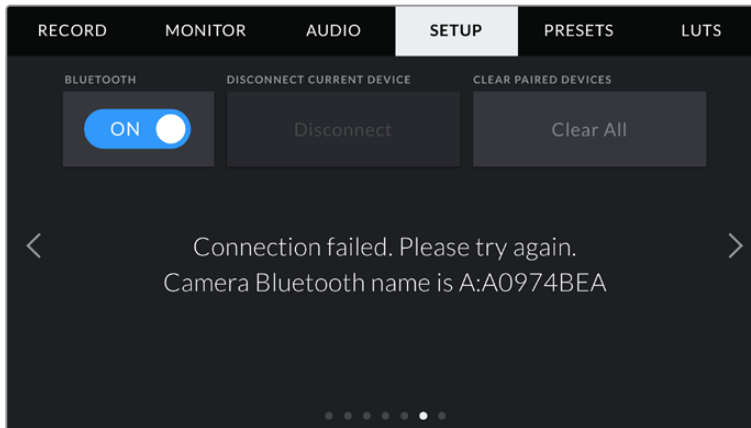
- 3 최초 연결 시 Blackmagic Camera Control App에 카메라 페어링을 위한 6자리 코드 입력을 요청하는 메시지가 나타납니다. 해당 코드는 카메라 LCD 스크린에 나타납니다. 이 코드를 iPad에 입력하세요.



- 4 URSA Mini Pro와 iPad의 페어링이 완료되었다는 정보가 스크린에 나타납니다.



- 5 카메라와 iPad를 페어링하는 데 문제가 발생할 경우, 아래와 같은 오류 메시지가 나타납니다.



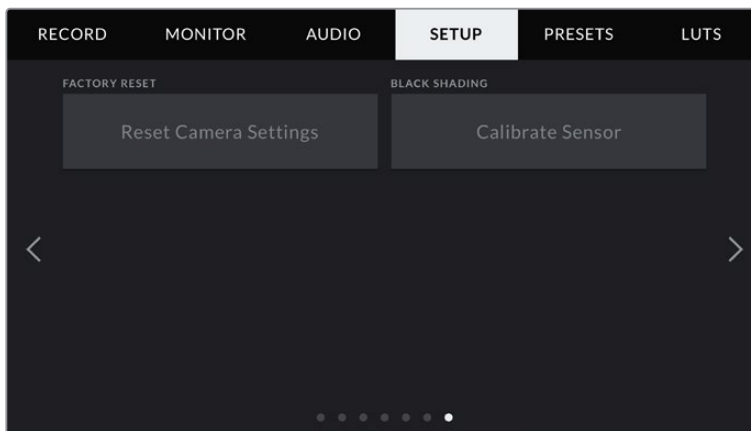
**참고** 블루투스 기능으로 URSA Mini Pro를 제어하지 않을 경우, 보안상 블루투스 기능을 꺼두는 것이 좋습니다.

#### 장치 연결 해제(Disconnect Current Device)

iPad와 페어링된 URSA Mini Pro의 연결을 해제합니다.

#### 페어링된 장치 목록 삭제(Clear Paired Devices)

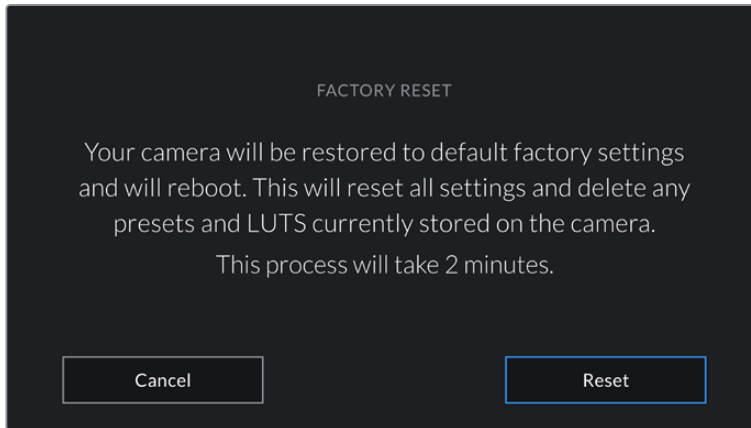
URSA Mini Pro와 페어링된 장치 목록을 삭제합니다.



#### 공장 초기화(Factory Reset)

사용중인 카메라를 공장 초기화하려면 'Reset' 버튼을 누르세요. 현재 카메라에 저장된 모든 LUT과 프리셋이 지워지기 때문에 선택을 확인하는 메시지가 나타납니다. 카메라 설정을 초기화하려면 확인 페이지에서 'Reset' 버튼을 누르세요.

카메라를 공장 초기화하면 저장된 모든 프리셋과 커스텀 LUT가 삭제되며 모든 설정이 초기화된다는 사실을 기억하세요. 공장 초기화를 실행하기 전, 메모리 카드에 모든 설정 사항을 백업해 놓기를 권장합니다. 초기화가 완료된 후, 메모리 카드에 옮겨둔 프리셋과 LUT를 다시 불러와 빠르게 복구할 수 있습니다. 블랙 셰이딩 보정 작업 또한 수행할 것을 권장합니다.

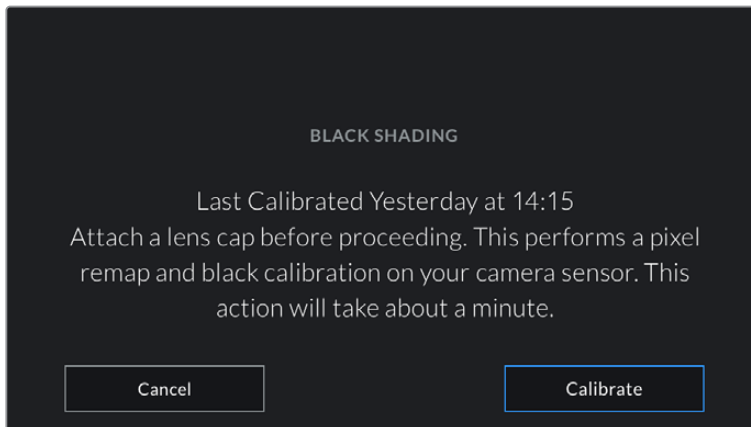


공장 초기화를 선택할 경우, 선택을 확인하는 메시지가 나타납니다.

### 블랙 셰이딩(Black Shading)

4.6K 센서를 탑재한 URSA Mini 카메라에서는 블랙 셰이딩 기능으로 센서의 블랙 레벨 균형을 맞춰 영상 화질을 최적화합니다. 해당 기능은 카메라를 작동한 지 몇 분이 지나 충분히 예열된 다음 사용해야 최적의 성능을 발휘합니다. 블랙 셰이딩 보정 기능을 사용하려면 카메라 렌즈에 먼지 보호 덮개나 렌즈 덮개를 씌운 뒤, 'Calibrate' 버튼을 누르세요. 이 기능을 정확하게 실행하기 위해서는 올바른 설정이 필요하기 때문에 선택을 확인하는 메시지가 나타납니다. 보정하는 데 몇 정도가 소요되며 작업이 완료되면 메시지가 나타납니다. 블랙 셰이딩을 마지막 사용한 날짜 및 시간이 카메라에 저장됩니다. 이는 새도우 이미지 화질을 최적화합니다.

URSA Mini Pro 4.6K G2에서 블랙 셰이딩의 일부로 지원되는 부가적인 보정 기능을 사용해 픽셀을 재조정하면 향상된 블랙 레벨을 얻을 수 있습니다. 이 작업이 완료되기까지는 약 1분 정도가 소요됩니다.



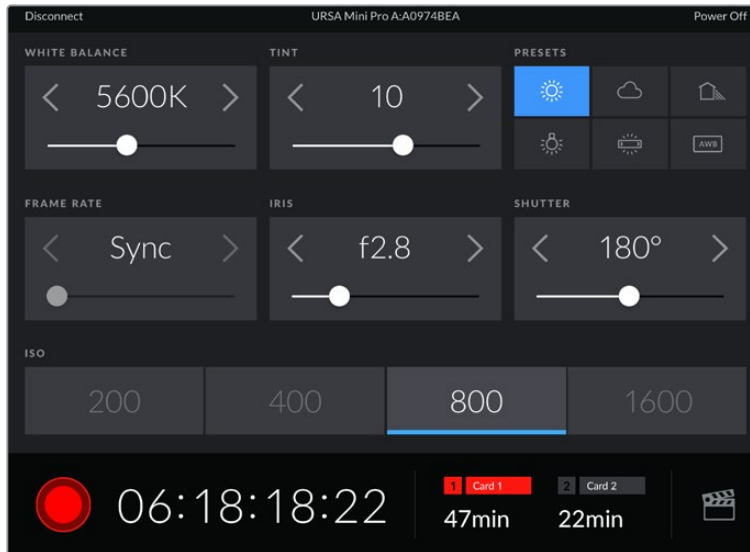
블랙 셰이딩 보정 기능 사용을 권장하는 메시지

### 모니터 센서 보정

URSA Mini Pro 12K의 가로선을 맞추려면, 카메라를 평편한 곳에 놓고 '모션 센서 보정하기' 버튼을 눌러주세요. 실행 도중 카메라가 움직이지 않도록 하세요. 해당 작업 처리에 약 5초 정도가 소요됩니다.

## Blackmagic Camera Control App으로 카메라 제어하기

iPad와 URSA Mini Pro가 성공적으로 페어링된 경우, iPad 애플리케이션을 사용해 카메라 전원 On/Off, 설정 변경, 메타데이터 수정, 트리거 녹화 등의 작업을 원격으로 수행할 수 있습니다.



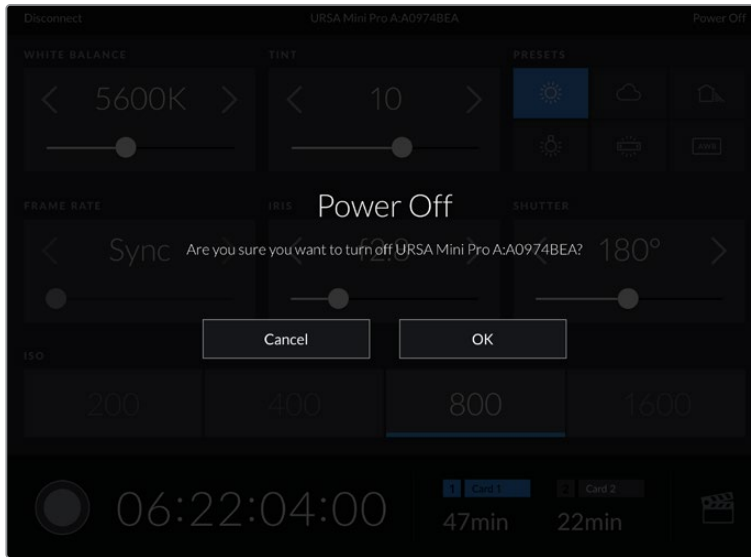
페어링이 완료되면 Blackmagic Camera Control App에 위와 같은 화면이 나타나 설정을 변경하고 녹화를 시작할 수 있습니다.



우측 하단에 있는 슬레이트 아이콘을 눌러 슬레이트를 업데이트할 수 있습니다.

URSA Mini Pro는 Bluetooth LE를 사용해 무선 제어용 기기와 의사소통합니다. 이는 휴대용 기기에서 사용하는 것과 동일한 프로토콜로 배터리 소모량을 최소화합니다.

우측 상단에 있는 'Power Off'를 눌러 URSA Mini Pro의 전원을 끌 수 있습니다.



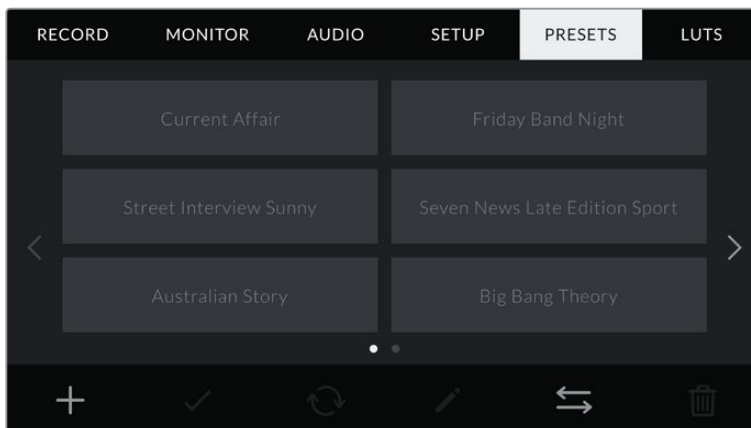
카메라 전원을 끄기 전에 선택을 확인하는 메시지가 나타납니다.

블루투스가 활성화된 상태에서는 URSA Mini Pro의 전원이 꺼지더라도 Blackmagic Camera Control 애플리케이션의 사용 가능한 장치 목록에 해당 카메라 이름이 그대로 나타납니다. 카메라와의 페어링이 이미 완료되었기 때문에 원하는 카메라를 선택한 뒤, 'Connect' 버튼을 눌러 카메라 전원을 켤 수 있습니다. 블루투스 기능을 비활성화하면 해당 카메라 이름이 목록에서 사라집니다.

## 프리셋

'PRESETS' 탭을 통해 URSA Mini에서 설정한 모든 정보를 저장하고 불러올 수 있습니다. 한 대의 카메라를 여러 프로젝트에 사용할 경우에 굉장히 유용한 기능입니다. 예를 들어, URSA Mini를 다큐멘터리에서 뮤직 비디오에 이르는 굉장히 다양한 촬영에 사용하며 프로젝트 형태마다 각기 다른 설정을 적용해야 하는 경우가 있을 수 있습니다. URSA Mini의 프리셋 기능을 통해 특정 프로젝트 설정 및 촬영 유형을 저장한 뒤 필요할 때 쉽고 빠르게 사용할 수 있습니다. URSA Mini 프리셋에 저장된 일부 설정은 다른 Blackmagic 카메라나 초기 버전의 URSA Mini용 소프트웨어 버전과는 호환되지 않을 수 있다는 사실을 기억하세요. Blackmagic Design 고객 지원 센터 ([www.blackmagicdesign.com/kr/support](http://www.blackmagicdesign.com/kr/support))를 방문해 카메라에 설치된 소프트웨어가 최신 버전인지 확인하세요.

프리셋을 불러오기/보내기할 수 있어 멀티 카메라 촬영 설정에 매우 유용합니다. URSA Mini 한 대를 프로젝트에 맞게 설정한 뒤, 촬영 현장에 있는 다른 URSA Mini에 프리셋을 보내기 하거나 하면 됩니다.



URSA Mini의 'PRESETS' 탭

**참고** URSA Mini의 내부 메모리에 최대 12개의 프리셋을 저장할 수 있습니다.

**프리셋 버튼**

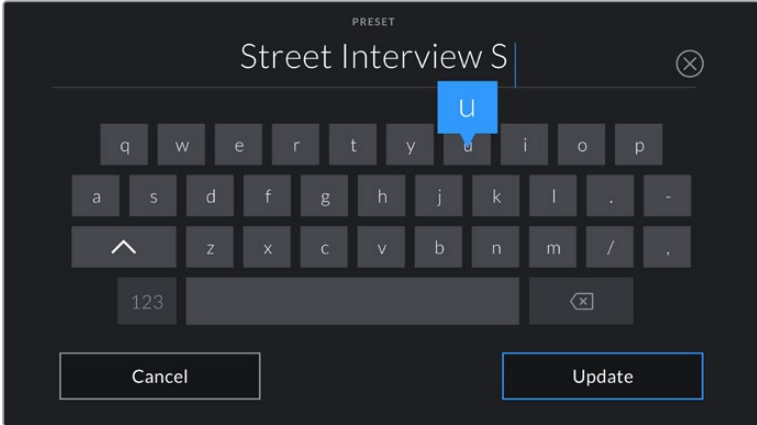
URSA Mini의 프리셋 메뉴 하단에 있는 버튼 아이콘은 다음과 같은 기능을 의미합니다.

+	✓	↻	↔	🗑️
추가	로딩	업데이트	관리	삭제

**프리셋 저장 및 로딩**

새로운 프리셋을 생성하려면 추가 아이콘을 누르세요. 그러면 LCD 터치스크린에 프리셋 이름을 입력할 수 있는 터치 키보드가 나타납니다. 이름을 입력한 뒤, 'Update' 버튼을 눌러 URSA Mini의 모든 현재 설정 사항을 해당 프리셋에 저장할 수 있습니다.

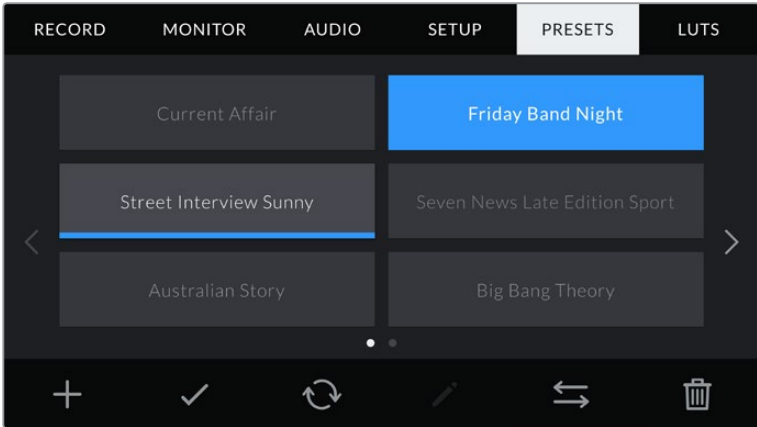
URSA Mini에 이미 같은 이름의 프리셋이 로딩된 경우, 기존 프리셋에 덮어쓰기 또는 모두 유지할 것인지를 묻는 메시지가 나타납니다.



‘PRESETS’ 탭에 있는 추가 아이콘(+)을 누르면 나타나는 터치 키보드를 사용해 프리셋 이름을 입력하세요.

프리셋을 저장한 뒤, 프리셋 메뉴에서 선택하고자 하는 프리셋 이름을 누르세요. 로딩 아이콘을 눌러 로딩하세요.

업데이트 아이콘을 눌러 프리셋을 업데이트할 수 있습니다. 이 때 URSA Mini의 현재 설정이 저장된 프리셋을 업데이트할 것인지를 묻는 메시지가 나타납니다. ‘Update’ 버튼을 누르면 완료됩니다.



프리셋을 선택한 뒤, 로딩 아이콘을 눌러 로딩하세요. 선택된 프리셋이 파란색으로 나타나는 반면 현재 로딩된 프리셋 아이콘 밑에는 파란 줄이 나타납니다.

### 프리셋 불러오기

프리셋을 불러오려면 '프리셋(PRESETS)' 메뉴 하단에 있는 프리셋 관리 아이콘을 누르세요. URSA Mini Pro의 경우, SD 또는 CFast 미디어 선택 스위치를 사용해 프리셋이 저장된 미디어를 선택하세요. URSA Mini Recorder를 사용할 경우, SSD에 저장된 프리셋을 불러올 수 있습니다.

'Import Preset' 버튼을 누른 뒤, 'Import' 버튼을 눌러 선택을 확인합니다. 그러면 불러오기 화면이 나타납니다. 이 화면 좌측 상단에 있는 'CARD 1' 또는 'CARD 2' 버튼을 누르면 해당 카드에 있는 사용 가능한 모든 프리셋이 표시됩니다.

URSA Mini에서는 선택한 CFast 또는 SD 카드의 루트 디렉터리와 프리셋 폴더를 검색합니다. CFast 또는 SD 카드 이외의 다른 곳에 저장된 프리셋은 나타나지 않는다는 사실을 명심하세요.

원하는 프리셋을 선택한 뒤, 'Import' 버튼을 눌러 선택을 확인합니다. 이 화면 우측 상단에는 현재 카메라에 남아있는 프리셋 슬롯 개수가 나타납니다.

**참고** URSA Mini의 프리셋 슬롯이 가득 찬 경우, 불러오기 메뉴를 사용할 수 없습니다. 저장 공간을 확보하려면 기존 프리셋을 삭제해야 합니다.

### 프리셋 보내기

프리셋을 CFast 또는 SD 카드로 보내기 하려면, 원하는 프리셋을 눌러 선택한 뒤, 관리 아이콘을 누르세요. 프리셋 불러오기(Import Preset) 또는 선택한 프리셋 보내기(Export Selected Preset)라는 두 가지 옵션이 나타납니다.

URSA Mini Pro의 경우엔 SD 카드 또는 CFast 미디어 선택 스위치를 사용해 프리셋을 보내기 할 미디어를 선택할 수 있습니다. URSA Mini Recorder를 사용할 경우, 프리셋을 SSD로 보내기 할 수 있습니다. '프리셋 보내기(Export Preset)' 버튼을 누르면 보내기 하려는 카드를 선택하라는 메시지가 나타납니다. 카드를 선택하면 선택한 프리셋이 해당 카드의 프리셋 폴더로 저장됩니다.

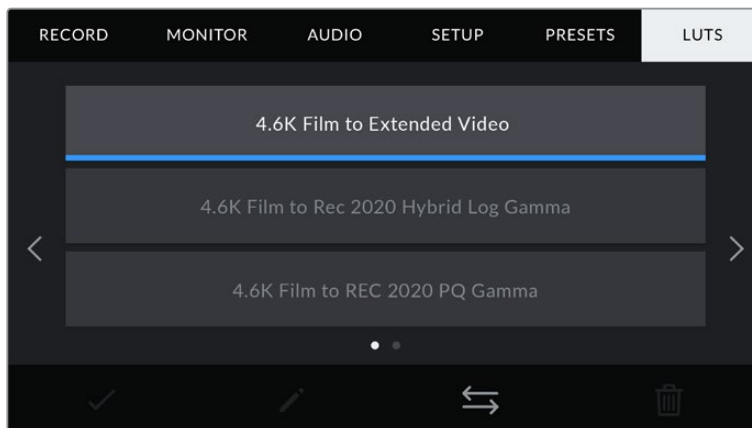
보내기 하려는 프리셋과 이름이 같은 프리셋이 CFast 또는 SD카드에 이미 존재하는 경우, 카드에 있는 프리셋에 덮어쓰기 또는 모두 유지할 것인지를 묻는 메시지가 나타납니다.

### 프리셋 삭제하기

URSA Mini에는 12개의 프리셋을 저장할 수 있습니다. 프리셋을 삭제하려면 삭제 아이콘을 선택하세요. 선택을 확인하는 메시지가 나타납니다. 'Delete' 버튼을 눌러 선택을 확인하세요.

## LUT

'LUTS' 탭을 통해 카메라 출력에 3D LUT를 불러오기/보내기/적용할 수 있습니다.



URSA Mini의 'LUT' 탭



### 3D LUT 소개

URSA Mini에서는 LCD 터치스크린과 전면 SDI, 메인 SDI에 3D LUT를 적용할 수 있습니다. LUT는 URSA Mini에서 특정 색상 및 휘도 입력에 적합한 색상 및 휘도 출력을 나타내도록 명령합니다. 예를 들어, URSA Mini에 상대적으로 흐릿한 색상의 파란색이 입력될 경우 LUT의 명령을 통해 카메라가 밝고 생생한 파란색을 표시합니다. Blackmagic RAW 영상을 촬영하거나 필름 다이내믹 레인지를 사용하는 경우에는 모두 의도적으로 채도를 낮춰 명암 대비가 낮기 때문에 이 기능을 유용하게 사용할 수도 있습니다. LUT를 적용하면 색보정 작업 후 영상록에 대한 아이디어를 얻을 수 있습니다.

DaVinci Resolve 또는 기타 색보정 소프트웨어를 사용해 3D LUT를 쉽게 생성할 수 있으며, 다양한 소스를 통해 온라인으로 LUT를 얻을 수 있습니다. URSA Mini에 개별 용량이 최대 1.5 메가바이트인 17 포인트 또는 33 포인트 3D LUT를 최대 6개까지 저장할 수 있습니다. LUT를 불러오고 나면 해당 LUT를 LCD 터치스크린과 전면 SDI, 메인 SDI 출력에 모든 조합으로 디스플레이할 수 있습니다.

URSA Mini는 DaVinci Resolve에서 생성된 .cube 포맷의 33 포인트 3D LUT와 LUT 변환 프로그램을 통해 Resolve .cube 포맷으로 변환된 17 포인트 3D LUT를 지원합니다. 카메라에서는 고품질 4면체 보간법을 사용해 3D LUT를 처리합니다.

**정보** LUT 디스플레이에 관한 자세한 정보는 본 설명서의 [모니터링 설정] 부분을 참고하세요.

**참고** LUT는 미리보기 도구로만 사용됩니다. URSA Mini에서는 LUT가 영상에 함께 녹화되지 않지만 샷을 촬영하는 동안 적용된 LUT 정보는 클립과 함께 메타데이터로 저장됩니다. DaVinci Resolve의 'LUT used' 필드를 통해 촬영 현장에서 모니터링용으로 사용한 LUT를 검색할 수 있습니다. Blackmagic RAW를 사용할 경우, 후반 작업에 사용할 RAW 파일에 아무런 영향을 끼치지 않고 촬영 시 사용한 LUT를 임베드할 수 있습니다. 이를 통해 DaVinci Resolve에서 LUT 또는 다른 영상록을 적용할 수 있습니다. 더 자세한 정보는 [임베이드 3D LUT] 부분을 확인하세요.


### 내장 LUT

URSA Mini에는 수많은 LUT가 내장되어 있어 필름 다이내믹 레인지 모드의 ProRes 또는 Blackmagic RAW로 촬영하는 동안 각기 다른 영상록을 미리보기 할 수 있습니다.

<b>확장 비디오 모드로 촬영 (Film to Extended Video)</b>	4.6K Film to Video LUT보다 훨씬 넓은 다이내믹 레인지의 프리뷰를 제공하는 동시에 부드러운 콘트라스트 변화를 적용하며 하이라이트에 완만한 롤 오프 특성을 나타냅니다.
<b>비디오 모드로 촬영 (Film to Video)</b>	HD 비디오를 위한 REC 709 색 표준과 비슷하며, 콘트라스트 및 채도가 매우 높습니다. URSA Mini를 REC 709 색공간만 지원하는 다른 방송용 카메라와 함께 사용할 경우에 유용한 설정입니다.
<b>Rec 2020 하이브리드 로그 감마 모드로 촬영 (Film to Rec 2020 Hybrid Log Gamma)</b>	REC 709와 Log 이미지의 하이브리드 영상을 나타냅니다.
<b>Rec 2020 PQ 감마 모드로 촬영 (Film to Rec 2020 PQ Gamma)</b>	사람의 눈으로 감지할 수 있는 감마 커브를 제공해 HDR 영상을 효율적으로 인코딩할 수 있습니다.

## LUT 버튼

URSA Mini의 'LUT' 화면 하단에 있는 버튼 아이콘은 다음과 같은 기능을 의미합니다.

		
로딩	관리	삭제

## LUT 불러오기

3D LUT를 불러오려면 LUT 메뉴 하단의 관리 아이콘을 클릭한 뒤, 'Import LUT' 버튼을 눌러 선택을 확인하세요.

그러면 불러오기 화면이 나타납니다. URSA Mini Pro의 경우, SD 또는 CFast 미디어 선택 스위치를 사용해 LUT가 저장된 미디어를 선택하세요. URSA Mini Recorder를 사용할 경우, SSD에 저장된 LUT를 불러올 수 있습니다. 이 화면 좌측 상단에 있는 '카드 1' 또는 '카드 2' 버튼을 누르면 해당 카드에 있는 사용 가능한 모든 LUT가 표시됩니다.

URSA Mini에서는 선택한 CFast 또는 SD 카드에 저장된 루트 디렉터리와 3DLUTS 폴더를 검색합니다. 다른 곳에 저장된 LUT는 나타나지 않습니다.

원하는 LUT를 누르고 'Import' 버튼을 눌러 선택을 확인하세요. 해당 LUT가 URSA Mini에 저장됩니다.

**참고** URSA Mini의 3D LUT 슬롯이 가득 찬 경우, 기존의 LUT를 삭제해 저장 공간을 확보하기 전까지 불러오기 메뉴를 사용할 수 없습니다.

카메라에 이미 같은 이름의 LUT가 저장된 경우, 기존 LUT에 덮어쓰기 또는 모두 유지할 것인지를 묻는 메시지가 나타납니다. 이 화면 우측 상단에는 현재 카메라에 남아있는 LUT 슬롯 개수가 나타납니다. 카메라에 비어있는 슬롯 개수만큼 LUT를 불러올 수 있습니다.

**참고** URSA Mini에 LUT를 불러오기 하는데 문제가 발생할 경우, LUT의 용량 문제일 수 있습니다. Lattice 같은 LUT 편집기를 사용해 용량을 확인하거나 컴퓨터에서 아무 문서 편집기를 사용해 열어 보세요. 'LUT\_3D\_SIZE' 태그 옆에 있는 숫자가 LUT의 용량을 나타냅니다. 이 숫자가 17 또는 33에 해당하지 않을 경우, Lattice를 사용해 3D LUT를 17 포인트로 조정할 수 있습니다.

## LUT 적용하기

카메라에 LUT를 저장한 다음, LUT 메뉴에서 해당 LUT를 누르고 로딩 아이콘을 선택하세요. 그러면 모든 카메라 출력에 해당 LUT를 적용할 수 있습니다. 하지만 모니터링 탭에서 'Display LUT'를 눌러 해당 LUT를 적용할 출력을 각각 설정해야 합니다. 상태 표시 텍스트를 활성화하면 LUT 아이콘이 LCD와 전면 SDI, 메인 SDI에 나타나며, 해당 출력에 LUT가 적용됩니다. 더 자세한 정보는 본 설명서의 [모니터링 설정] 부분을 참고하세요.

## LUT 보내기

LUT를 CFast 또는 SD 카드에 보내기 하려면 원하는 LUT를 선택한 뒤, 아이콘을 클릭하세요. 'LUT 불러오기(Import LUT)' 또는 '선택한 LUT 보내기(Export Selected LUT)'라는 두 가지 메시지가 나타납니다. URSA Mini Pro의 경우, SD 카드 또는 CFast 미디어 선택 스위치를 사용해 LUT를 보내기 할 미디어를 선택할 수 있습니다. URSA Mini Recorder를 사용할 경우, LUT를 SSD로 보내기 할 수 있습니다.

'Export Selected LUT'를 누르면 보내기 하려는 카드를 선택하라는 메시지가 나타납니다. 보내기 하려는 LUT가 해당 카드에 이미 존재하는 경우가 아니라면 카드를 선택하자마자 보내기 작업이 실행됩니다. 중복되는 LUT가 발견될 경우, 카드에 있는 LUT에 덮어쓰기 할 것인지 아니면 모두 유지할 것인지를 묻는 메시지가 나타납니다.

## LUT 삭제하기

URSA Mini에는 17 포인트 또는 33 포인트 3D LUT를 6개 저장할 수 있습니다. 더 이상 사용하지 않는 LUT를 사용하거나 저장 공간을 확보하려면 삭제할 LUT를 선택한 뒤, 삭제 아이콘을 누르세요. 선택을 확인하는 메시지가 나타납니다. 'Delete' 버튼을 눌러 선택을 확인하세요.

## 임베디드 3D LUT

Blackmagic Pocket Cinema Camera에서 Blackmagic RAW 포맷으로 촬영하는 동안 3D LUT를 적용할 경우, 선택한 LUT가 현재 녹화 중인 Blackmagic RAW 파일에 임베드됩니다. 3D LUT은 .braw 파일 헤더에 저장되며, 후반 제작 과정에서 해당 LUT를 푸티지에 손쉽게 적용할 수 있어 별도의 파일을 사용할 필요가 없습니다.

편집자나 컬러리스트에게 Blackmagic RAW 파일을 전달하면 촬영 중에 사용된 LUT에 손쉽게 접속할 수 있어 클립에 잘못된 3D LUT가 적용될 가능성이 현저하게 낮아집니다. 영상 편집 또는 색보정 작업 중에 해당 3D LUT의 적용 여부를 선택할 수 있으며, 적용된 3D LUT는 언제든지 비활성화시킬 수 있습니다.

URSA Mini Pro의 '녹화(RECORD)' 메뉴에서 '파일에 LUT 적용하기(APPLY LUT IN FILE)' 스위치를 활성화할 경우, 녹화된 클립은 항상 선택한 3D LUT가 적용된 상태로 Blackmagic RAW 플레이어 및 DaVinci Resolve에서 재생됩니다. 이 3D LUT는 쉽게 켜고 끌 수 있는데, 이는 해당 정보가 클립 자체에 입력되어 Blackmagic RAW 파일에 항상 남아있기 때문입니다.

## 메타데이터 입력

메타데이터는 클립 속에 저장된 테이크 넘버와 카메라 설정, 기타 식별 정보 등을 의미합니다. 이는 후반 작업에서 영상을 분류 및 처리할 때 유용한 정보입니다. 예를 들어, 테이크/샷/신 넘버가 영상을 구성하는 필수적인 도구라면 렌즈 정보는 자동으로 왜곡 현상을 제거하거나 VFX 요소가 플레이트에 더욱 잘 어울리도록 만드는 데 사용됩니다.

URSA Mini에서는 카메라 설정과 타임코드, 날짜 및 시간 등의 일부 메타데이터가 자동 저장됩니다. 카메라 슬레이트에 다양한 부가 정보를 추가할 수 있습니다.

## 슬레이트

URSA Mini의 터치스크린을 좌/우로 쓸어 넘기면 슬레이트가 나타납니다.

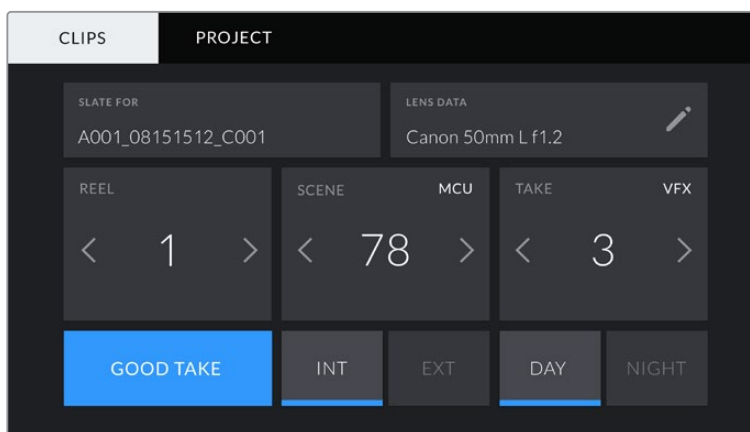
슬레이트 메뉴는 클립(CLIPS)과 프로젝트(PROJECT)의 두 가지 탭으로 나뉘어 있습니다. 클립 탭에서는 클립마다 각기 다른 정보를 설정할 수 있는 반면, 프로젝트 탭에서는 프로젝트 이름과 감독, 카메라, 운영자 ID 등의 정보를 모든 클립에 일괄 적용할 수 있습니다.

**정보** Director View로 설정할 경우 슬레이트에 입력한 메타데이터를 URSA Mini의 전면 SDI 출력 또는 주요 SDI 출력에서 확인할 수 있습니다. 더 자세한 정보는 본 설명서의 [모니터링 설정] 부분을 참고하세요.

## 클립 메타데이터

클립 메타데이터에 변경된 사항은 URSA Mini가 녹화 준비를 마친 대기 모드와 이미 녹화한 영상을 확인하는 재생 모드에서 조금씩 다르게 작동합니다. 대기 모드에서는 클립 메타데이터가 다음 녹화 클립에 저장됩니다. 단, 가장 최근에 녹화된 클립을 지칭하는 'GOOD TAKE LAST CLIP'는 제외됩니다.

재생 모드에서는 항상 현재 재생 중인 클립에 클립 메타데이터가 녹화됩니다.



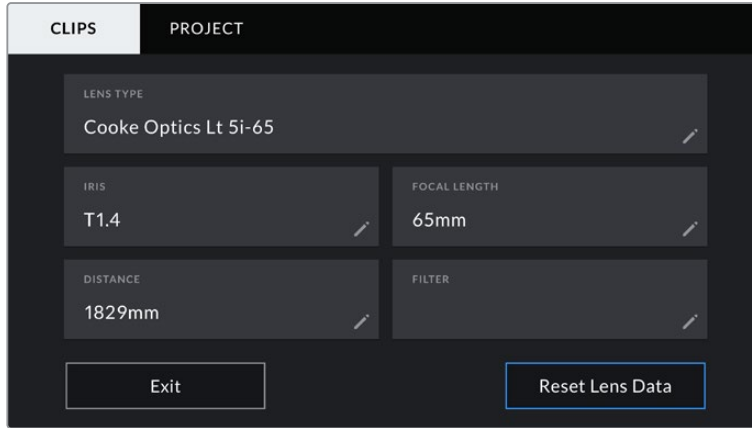
URSA Mini의 슬레이트 메뉴는 'CLIPS'와 'PROJECT'의 두 가지 탭으로 나뉘어 있습니다.

### 슬레이트를 적용할 클립(Slate for)

이 설정에는 'CLIPS'에 현재 표시된 메타데이터를 적용할 클립이 나타납니다. 대기 모드에서는 다음에 녹화될 클립을 지칭합니다.

### 렌즈 데이터(Lens Data)

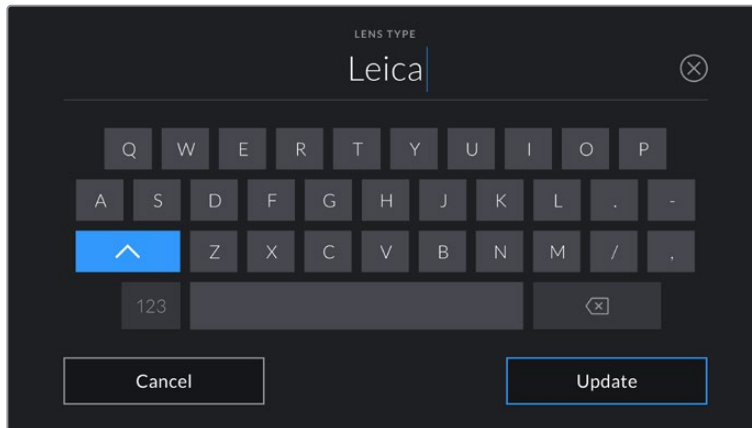
이 설정에는 현재 카메라에 장착된 렌즈 정보가 표시됩니다. 수많은 전자식 렌즈는 렌즈 모델과 조리개, 초점 거리 등의 정보를 자동으로 제공합니다. 이런 정보를 제공하지 않는 렌즈를 사용하고 있거나 추가 정보를 입력하고자 하는 경우, 연필 모양 아이콘을 눌러 정보를 수동으로 입력할 수 있습니다. 그러면 다음과 같은 정보가 담긴 렌즈 데이터 메뉴가 나타납니다.



‘LENS DATA’ 메뉴에는 Cooke /i Technology를 탑재한 렌즈의 데이터가 자동 작성되어 나타납니다.

### 렌즈 종류(Lens Type)

사용 렌즈 모델을 확인할 수 있습니다. 렌즈 종류가 자동으로 나타나지 않을 경우, 이 설정을 눌러 해당 정보를 수동으로 입력할 수 있습니다. 카메라 내부의 데이터 베이스에 자주 사용하는 렌즈 정보가 저장되어 있어, 데이터 수동 입력 시 카메라에서 자동으로 모델명을 제시합니다. 이를 통해 데이터를 신속하게 입력할 수 있습니다.



렌즈 데이터가 자동으로 제공되지 않을 경우, 터치 키보드를 사용해 입력할 수 있습니다.

### 조리개(Iris)

클립 시작 부분의 조리개 설정이 표시됩니다. 정보를 자동으로 제공하는 렌즈 사용 여부에 따라 F값 또는 T값으로 표시됩니다. 이 설정을 눌러 데이터를 수동으로 입력할 수 있습니다.

### 초점 거리(Focal length)

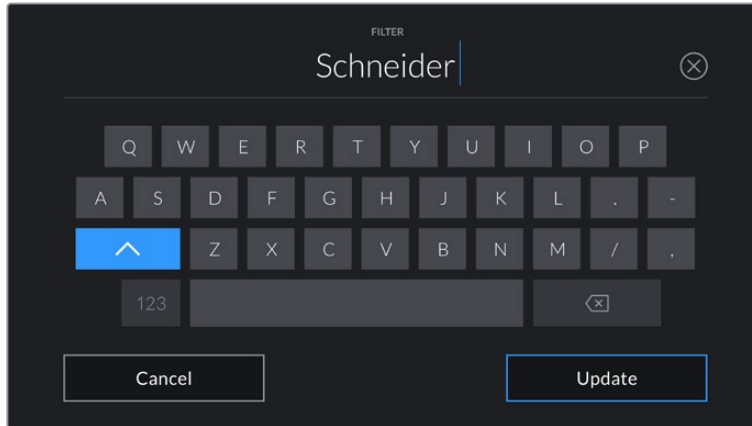
녹화된 클립 시작 부분의 렌즈 초점 거리 설정이 표시됩니다. 정보를 자동으로 제공하는 렌즈의 사용 시, 초점 거리는 밀리미터로 표시됩니다. 이 설정을 눌러 데이터를 수동으로 입력할 수 있습니다.

### 거리(Distance)

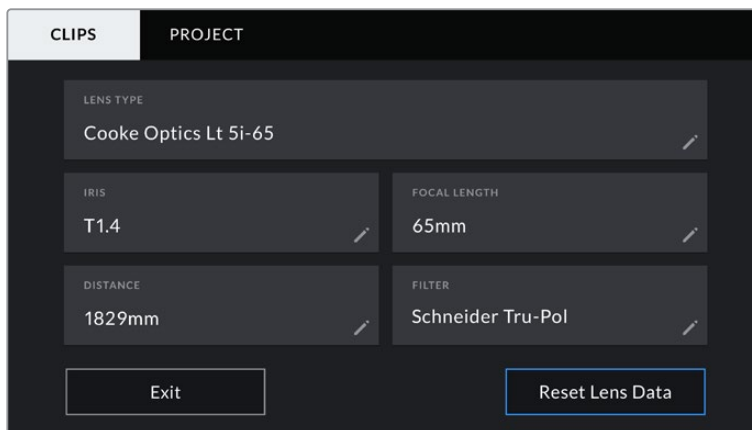
녹화된 클립의 렌즈 피사체 거리 설정이 표시됩니다. 일부 렌즈에서는 이 데이터가 밀리미터로 자동 제공됩니다. 이 데이터 역시 수동으로 입력 가능합니다.

### 필터(Filter)

현재 렌즈에 사용된 필터가 표시됩니다. 이 설정을 눌러 데이터를 수동으로 입력할 수 있습니다. 콤마를 사용해 여러 개를 입력할 수 있습니다.

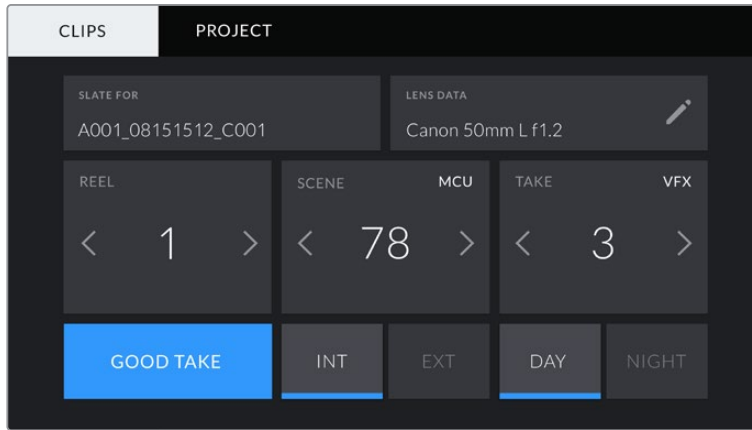


필터 정보는 수동으로 입력해야 합니다.



'LENS DATA' 메뉴에는 Cooke /i Technology를 탑재한 렌즈의 데이터가 자동 작성되어 나타나지만, 필터 정보는 수동으로 입력해야 합니다.

**참고** 렌즈 데이터 메뉴에서 'Reset Lens Data' 버튼을 누르면 언제든지 렌즈 데이터를 삭제할 수 있습니다. 선택을 확인하는 메시지가 나타납니다. 확인 과정 후 모든 렌즈 데이터가 삭제되며 현재 장착된 렌즈에서 제공하는 렌즈 데이터로 다시 채워집니다. 이 입력란에 수동으로 직접 정보를 입력한 경우, 다음에 렌즈를 장착할 때 렌즈 데이터를 다시 입력해야 합니다. 그렇지 않으면 이전 렌즈 정보가 그대로 남게 됩니다.



URSA Mini의 슬레이트 메뉴는 'CLIPS'와 'PROJECT'의 두 가지 탭으로 나뉘어 있습니다.

### 릴(Reel)

릴 상태 정보에 현재 릴이 표시됩니다.

URSA Mini에서는 릴 번호가 자동 증가해 일반적인 경우에는 수동으로 입력할 필요가 없습니다. 새로운 프로젝트로 이동해 릴 번호 1부터 시작해야 하는 경우, 슬레이트의 'PROJECT' 탭으로 이동해 'Reset Project Data'를 누르세요.

### 신(Scene)

신 상태 정보를 통해 현재 신 번호가 표시되며 현재 샷 번호와 샷 유형도 표시할 수 있습니다.

이 표시의 숫자는 항상 현재 장면을 나타냅니다. 신 번호 양옆의 좌/우 화살표를 사용해 숫자를 올리거나 줄일 수 있으며 신 번호를 눌러 편집기로 이동할 수도 있습니다.

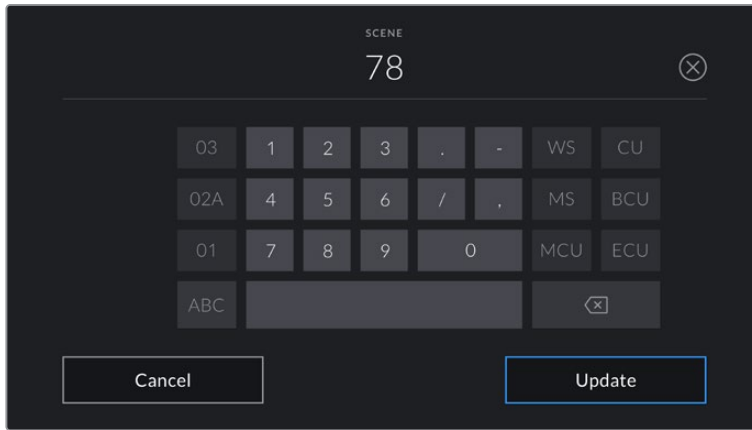
신 번호는 1~999로 설정 가능합니다.

장면 번호 편집기에서 장면 번호 뒤에 알파벳을 추가해 현재 샷을 표시할 수도 있습니다. 예를 들어, 23A는 신 번호 23/샷 1을 의미합니다. 신 번호에 샷을 나타내는 알파벳을 추가할 경우, URSA Mini에서 신 번호 편집기를 열 때마다 자동 증가된 다음 문자를 제시합니다. 예를 들어, 현재 신 번호가 7B인 경우, URSA Mini에서 자동 증가된 7C를 제시합니다.

장면 번호 표시 우측 상단에는 현재 샷 유형과 관련된 정보 또한 표시됩니다. 이 설정은 샷 키보드 우측에 있는 신 번호 편집기에서 선택 가능합니다.

샷 유형은 다음과 같습니다.

<b>WS</b>	와이드 샷(Wide Shot)
<b>MS</b>	미디엄 샷(Medium Shot)
<b>MCU</b>	미디엄 클로즈업(Medium Close Up)
<b>CU</b>	클로즈업(Close Up)
<b>BCU</b>	빅 클로즈업(Big Close Up)
<b>ECU</b>	익스트림 클로즈업(Extreme Close Up)



신 메타데이터를 입력하는 경우, URSA Mini의 터치 키보드 왼쪽에는 자동 증가 기능이, 오른쪽에는 숫 유형이 나타납니다.

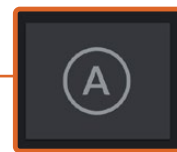
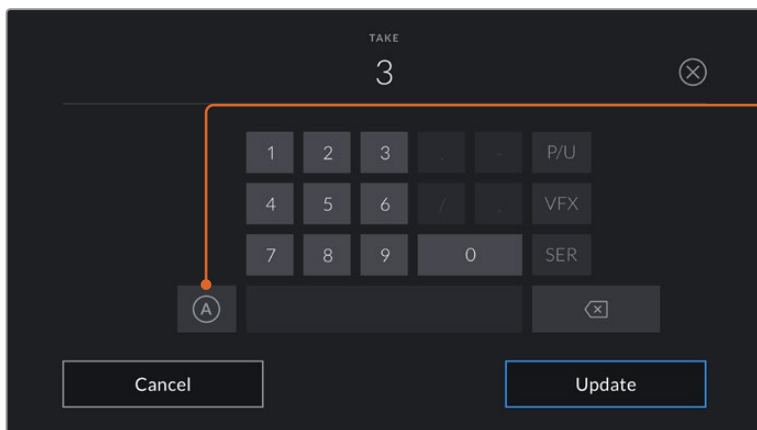
### 테이크(Take)

테이크 상태 정보는 현재 숫의 번호를 표시합니다. 테이크 넘버 양옆의 좌/우 화살표를 사용해 숫자를 높이거나 낮출 수 있으며 표시 장치를 눌러 편집기로 이동할 수도 있습니다.

**정보** 숫 넘버나 신 넘버를 앞당기면 테이크 넘버가 1로 되돌아갑니다.

테이크 넘버 편집기에서 테이크 관련 설명을 추가할 수 있습니다. 테이크 넘버 키보드 우측에 표시되는 표시는 다음과 같은 상황을 나타냅니다.

- PU** 보충 촬영(Pick up). 주요 촬영이 끝난 뒤, 기존 테이크를 메꾸기 위한 보충 촬영입니다.
- VFX 지원** 시각 효과(VFX). 시각 효과가 사용된 테이크 및 숫을 말합니다.
- SER** 시리즈(Series). 카메라 촬영 도중 여러 테이크가 촬영된 상황을 나타냅니다.



'A'를 누르면 대기 모드에 있는 경우, 테이크 번호가 각 클립마다 자동으로 증가합니다. 해당 기능이 활성화되면 슬레이트의 테이크 넘버 옆에 'A'가 작게 표시됩니다.

테이크 메타데이터를 입력하는 경우, URSA Mini의 터치 키보드 오른쪽에 추가 숫 유형이 제시됩니다.



### 굿 테이크(Good take)

이 버튼을 누르면 깃발 표시가 추가되어 후반 작업 시 간편하게 불러올 수 있습니다. 이 태그는 URSA Mini가 대기 모드로 설정된 경우에 한 해 최근 녹화한 클립이나 재생 모드로 최근 확인한 클립 모두에 적용 가능합니다.

### 내부/외부(Int / Ext)

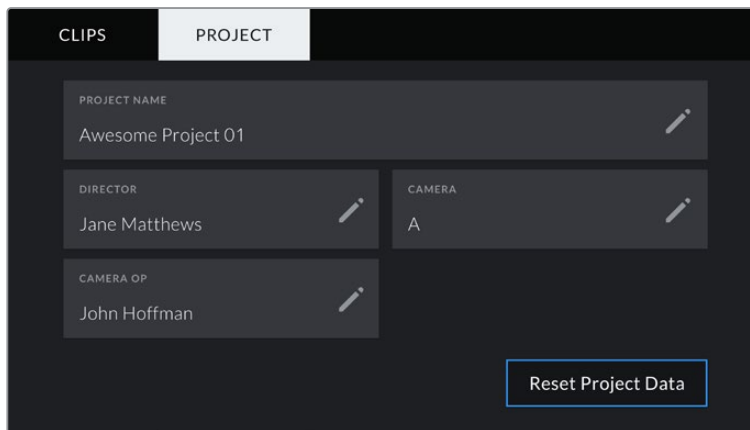
이 버튼을 누르면 대기 모드에서는 다음 녹화될 클립에, 재생 모드에서는 현재 클립에 내부 또는 외부 태그를 추가할 수 있습니다.

### 낮/밤(Day / Night)

낮 또는 밤 아이콘을 누를 경우, 대기 모드에서는 다음 녹화될 클립에, 재생 모드에서는 현재 클립에 낮 또는 밤 태그를 추가할 수 있습니다.

## 프로젝트 메타데이터

프로젝트 메타데이터는 대기 모드 또는 재생 모드에 관계 없이 동일한 방식으로 작동합니다. 이 메타데이터는 프로젝트 전체에 해당되며 클립 번호와는 관련이 없습니다.



URSA Mini의 'PROJECT' 슬레이트 탭

### 프로젝트 이름(Project name)

현재 프로젝트 이름을 표시합니다. 연필 아이콘을 눌러 프로젝트 이름을 변경하세요.

### 감독(Director)

현재 프로젝트의 감독 이름을 표시합니다. 연필 아이콘을 눌러 감독 이름을 변경하세요.

### 카메라(Camera)

한 글자로 된 카메라 색인을 표시합니다. 연필 아이콘을 눌러 카메라 색인을 변경하세요.

**참고** 카메라 색인은 메타데이터와 파일명을 생성하는 데 사용되는데, 이는 ATEM 스위처로 URSA Mini를 제어할 때 사용하는 URSA Mini의 ATEM 카메라 ID와는 다릅니다. ATEM 카메라 ID에 대한 자세한 정보는 본 설명서의 [스튜디오 카메라 컨트롤 이해하기] 부분을 참고하세요.

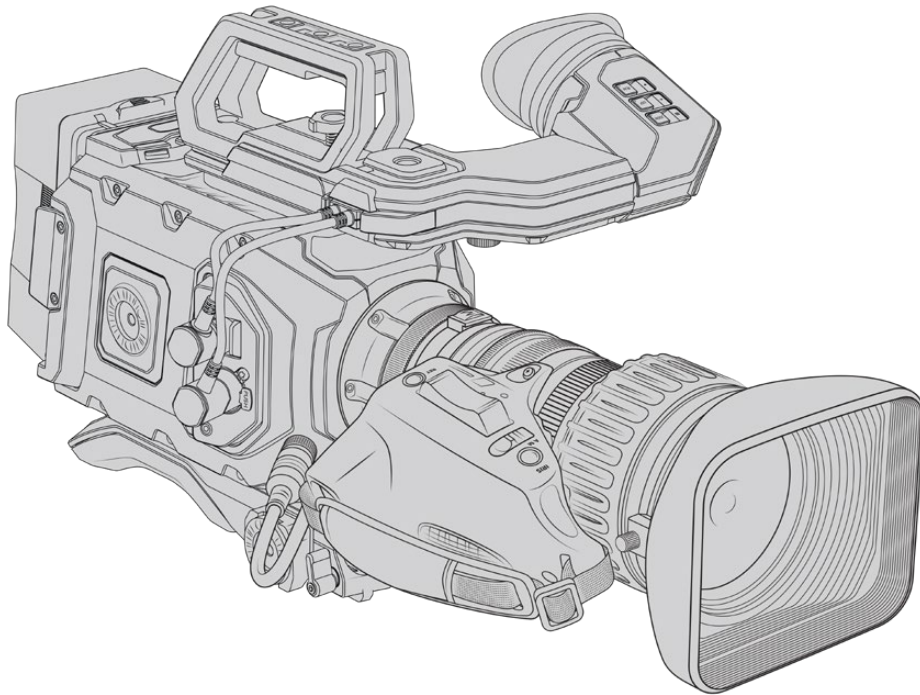
### 카메라 운영자(Camera Op)

카메라 운영자를 표시합니다. 연필 아이콘을 눌러 카메라 운영자 이름을 변경하세요.

## 서보 줌 렌즈 사용하기

URSA Mini 카메라에 서보 줌 렌즈를 사용하면 강력한 성능을 경험할 수 있습니다. 렌즈 배럴의 수동 조리개와 줌, 초점링 그리고 내장 손잡이와 줌 로커를 사용하면 더욱 효율적인 촬영을 할 수 있으며 다른 유형의 렌즈로는 구현하기 어려운 다이내믹 레인지 기술을 경험할 수 있습니다. 현재 URSA Mini PL과 URSA Mini Pro 4.6K 모델은 방송용 12핀 커넥터를 통해 사용할 수 있는 B4 렌즈 및 시네마용 서보 줌 렌즈 제어 기능을 지원합니다.

호환 렌즈를 사용할 경우, 줌 로커 스위치에 전원을 공급하고 녹화 버튼으로 촬영을 시작/정지할 수 있으며 조리개를 제어할 수도 있습니다. 대부분의 서보 줌 렌즈에는 카메라에 있는 PGM 버튼과 같은 방식으로 사용할 수 있는 Ret 버튼이 있어 LCD의 피드를 전환하고 카메라 뷰와 프로그램 리턴뷰 간의 HD 모니터링 출력을 전환할 수 있습니다.



렌즈 조리개를 전자식으로 제어하려면 줌 로커 상단에 있는 렌즈 조리개 스위치가 A 또는 Auto로 되어있는지 확인하세요. 디지털 HD 또는 4K 서보 줌 렌즈를 사용할 경우에도 전자식 줌 제어가 가능합니다. 이를 위해 줌 로커 하단에 ZOOM이라고 표시된 스위치가 서보 줌을 뜻하는 S로 설정되어 있는지 확인하세요.

B4 렌즈는 그 종류가 굉장히 다양하기 때문에 아래의 관련 설명을 통해 원하는 기능을 제공하는 렌즈 모델을 확인하세요.

### 조리개 및 줌 제어 기능을 지원하는 B4 렌즈

- 모델명이 HA, ZA, XA, UA로 시작해 RM으로 끝나는 Fujinon B4 렌즈는 전자식 조리개 및 줌 제어 기능을 제공합니다.
- 모델명이 HJ, KJ, CJ로 시작해 IRSE 또는 IRSD로 끝나는 Canon B4 렌즈는 전자식 조리개 및 줌 제어 기능을 제공합니다.

일부 B4 및 PL 렌즈에는 전자식 포커스 서보가 탑재된 핸드그립도 포함되어 있습니다. URSA Mini PL 또는 URSA Mini Pro에서 해당 기능이 제대로 작동해 전자 제어 기능을 사용할 수 있도록 하려면 줌 로커 하단에 FOCUS라고 표시된 스위치를 서보를 뜻하는 S로 설정하세요.

### 포커스, 조리개, 줌을 위한 완벽한 서보 제어 기능을 지원하는 B4 렌즈

- 모델명이 HA, ZA, UA로 시작해 RD 또는 ZD으로 끝나는 Fujinon B4 렌즈.
- 모델명이 HJ, KJ, CJ로 시작해 IASE 또는 IASD로 끝나는 Canon B4 렌즈.

전동 초점 제어 기능을 지원하는 렌즈를 사용하면 URSA Mini의 Focus 버튼으로 자동 초점기능을 사용할 수 있으며, ATEM Software Control을 통해 ATEM 스위처에서 초점을 원격으로 제어할 수 있습니다.

B4 렌즈를 장착하고 나면 해상도를 2K 16:9 이하로 설정하고, 대시보드의 'RECORD' 탭에 있는 'WINDOW SENSOR' 항목을 ON으로 설정하세요. B4 렌즈는 슈퍼 35mm 이미지를 커버하지 못하기 때문에 이러한 설정을 사용해 영상에서 비네팅 현상이 나타나는 것을 방지하는 것이 중요합니다.

### 포커스, 조리개, 줌을 위한 완벽한 서보 제어 기능을 지원하는 슈퍼 35mm PL 렌즈

제조사	시리즈	모델	범위	최대 조리개 값
Fujinon	Cabrio	ZK2.5x14-SAF	14-35mm	T2.9
Fujinon	Cabrio	ZK4.7x19-SAFB	19-90mm	T2.9
Fujinon	Cabrio	ZK3.5x85-SAF	85-300mm	T2.9-T4
Fujinon	Cabrio	XK6x20	20-120mm	T3.5
Fujinon	Cabrio	ZK12x25 with ESM-15A-SA	25-300mm	T3.5-3.85
Canon	Cine-servo	CN7x17KAS S	17-120mm	T2.9-3.9
Canon	Cine-servo	CN20x50	50-1000mm	T5-8.9

스튜디오 환경에서 패닝 핸들을 사용하여 위에 나열된 모든 PL 및 B4 서보 줌 렌즈의 포커스와 줌 컨트롤 기능을 사용할 수 있습니다.

### 하이브리드 소형 서보 줌 렌즈

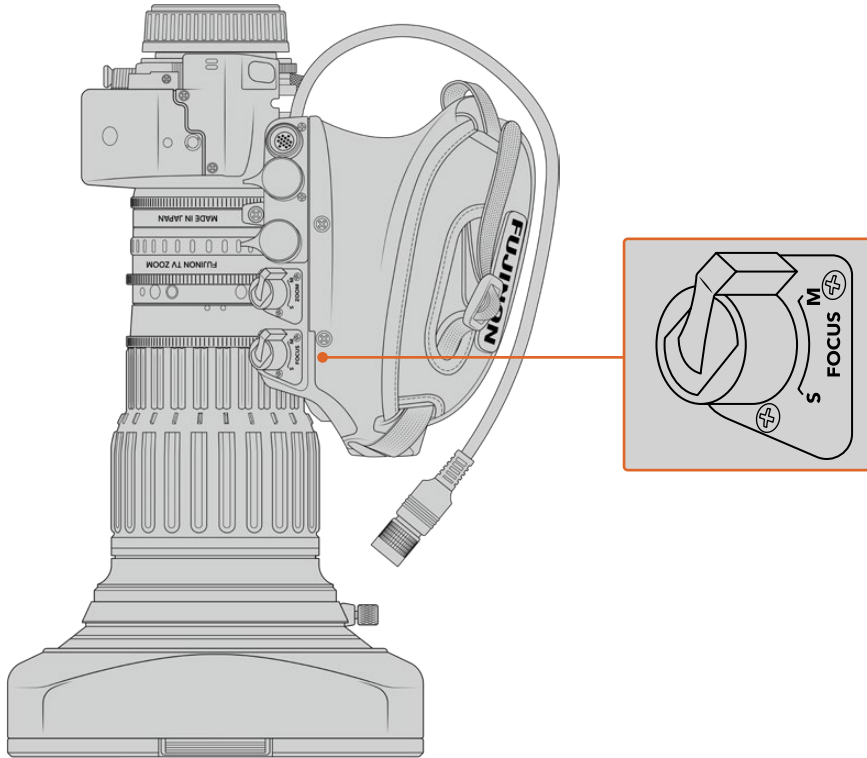
최근 '콤팩트-서보' 줌 렌즈라는 새로운 렌즈 카테고리가 생겨났습니다. 이는 EF 마운트를 사용하면서도 B4 및 PL 서보 줌 렌즈 기능을 제공하는 렌즈입니다. 이런 종류의 렌즈를 위한 줌 로커는 URSA Mini EF와 URSA Mini Pro의 렌즈 마운트를 통해 전원을 공급받을 수 있으며, URSA Mini 렌즈 메타데이터 시스템을 통해 렌즈명과 조리개, 포커스, 줌 위치 등의 정보를 읽고 쓸 수 있습니다.

이 렌즈들은 전자식 초점, 조리개, 줌 제어 기능 또한 지원하며, 스위처에 연결할 경우, ATEM Software Control을 사용해 이 기능들을 원격 제어할 수도 있습니다. 생방송 또는 스튜디오 환경에서 운영할 경우, 캐논 디지털 초점 및 줌 컨트롤을 사용할 수 있지만, 완벽한 기능을 사용하려면 서드 파티 커스텀 케이블이 추가로 필요합니다.

### 사용 가능한 소형 서보 줌 렌즈

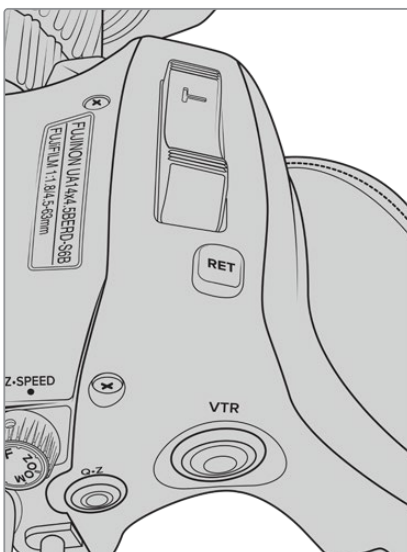
- Canon CN-E 18-80mm T4.4 Compact-servo
- Canon CN-E 70-200mm T4.4 Compact-servo

**참고** URSA Mini는 서보 기능이 탑재된 아날로그 B4 렌즈 또한 지원하지만 줌 서보 전원 공급과 조리개 전자 제어 기능만 제공합니다. 대부분의 아날로그 B4 렌즈는 SD 규격이며 표준 12핀 방송 커넥터가 탑재되어 있지 않을 수 있습니다. 따라서 아날로그 B4 렌즈 사용을 결정할 때는, 사용 기능에 제약이 발생할 경우를 대비해 카메라와의 호환 여부를 먼저 확인하는 것이 중요합니다. 이뿐만 아니라 일부 렌즈에서 프레임 가장자리의 해상도와 광량이 급격히 줄어드는 현상이 발생할 수 있기 때문에 이미지 서클의 유효 범위 또한 테스트해보기를 권장해 드립니다.



## 리턴(RET)와 VTR 녹화

B4 렌즈에는 VTR 녹화 토글 버튼과 프로그램 리턴 피드를 위한 RET 버튼이 탑재되어 있습니다. URSA Mini Pro 4.6K G1에서 RET 및 VTR 버튼을 기능 버튼으로 설정하는 방법에 대한 자세한 설명은 [기능 버튼 설정] 부분을 참고하세요.



B4 렌즈의 RET(리턴) 및 VTR 버튼

# 카메라의 비디오 출력

## HD 모니터링 출력

Blackmagic URSA Mini의 다운 컨버팅된 3G-SDI 출력 커넥터는 항상 1080 HD 영상을 출력하므로 라우터와 모니터, SDI 캡처 장비, 방송 스위처, 기타 SDI 장비 등에 손쉽게 연결할 수 있습니다. 터치스크린 설정 메뉴에는 이 출력이 'Front SDI'라고 표시됩니다.

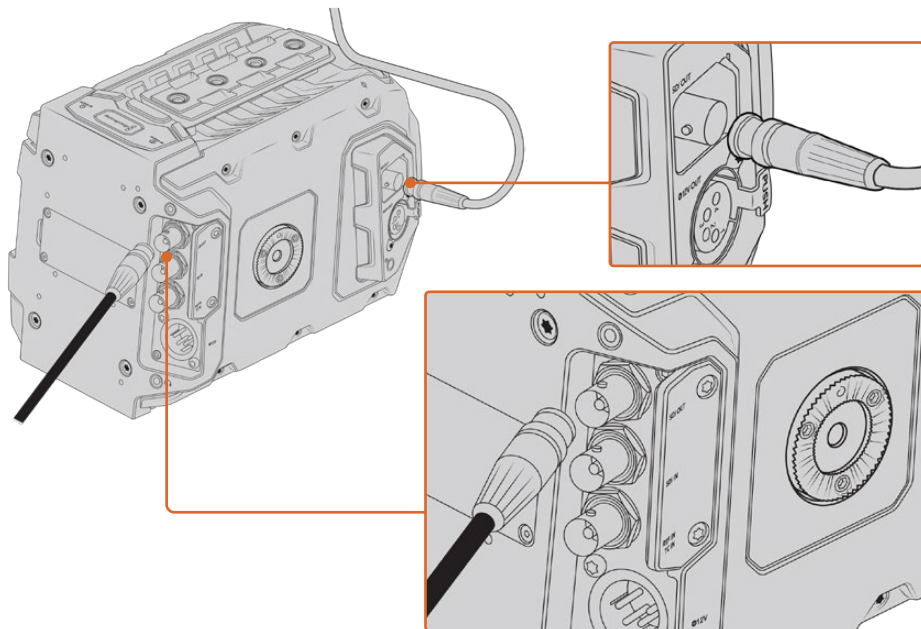
## 12G-SDI 출력

뒷면 패널의 12G-SDI 출력 커넥터는, 2160p50, 59.94, 60와 같은 고해상도 프로그레시브 포맷을 포함한 HD와 4K 비디오를 하나의 SDI 케이블로 지원합니다. 1080i50, 59.94, 60을 포함한 인터레이스 HD 포맷 또한 지원합니다. 12G-SDI 출력을 통해 ATEM Production Studio 4K와 같은 4K 스위처뿐만 아니라 모든 종류의 SDI 모니터를 연결할 수 있습니다. 터치스크린의 'MONITOR' 탭에서 'Main SDI' 부분의 'SDI OUTPUT' 항목을 1080p나 2160p로 설정하면 12G-SDI 출력이 HD와 UHD 사이를 전환할 수 있습니다.

### 비디오 스위처에 연결하기

SDI 출력을 통해 카메라를 생방송 TV 프로덕션용 카메라로 사용할 수 있습니다. 뒷면 패널의 SDI 출력을 프로덕션 스위처에 바로 연결하여 생방송 프로덕션 작업에 사용하거나, ATEM Camera Converter에 연결해 광섬유로 변환된 신호를 수백 미터 떨어진 중계 차량으로 전송할 수 있습니다.

스위처에 연결하여 사용할 경우, Blackmagic URSA Mini에서 스위처의 프로그램 출력을 손쉽게 확인할 수 있습니다. 먼저 스위처를 카메라 뒷면의 12G-SDI 입력에 연결합니다. 이제 카메라의 접이식 모니터에 PGM이라고 표시된 프로그램 버튼을 길게 눌러 프로그램 피드를 볼 수 있습니다. PGM 버튼에서 손을 떼면 다시 카메라 피드로 돌아갑니다. PGM 버튼을 두 번 누르면 입력 신호가 프로그램 피드에 잠깁니다. 카메라 피드로 되돌아가려면 PGM 버튼을 한 번 누르세요.



12G-SDI 출력을 모든 1080 HD 또는 UHD 라이브 프로덕션 스위처나 모니터에 연결할 수 있습니다. 지미 집 또는 크레인 등의 촬영 장비에 장착하여 사용하는 경우에는 HD 모니터링 출력을 Blackmagic URSA Viewfinder와 같은 외장형 뷰파인더나 외부 모니터에 연결해 사용할 수 있습니다.

## 모니터에 연결

SDI 모니터링은 지미집, 크레인, 차량에 카메라가 설치되어 있는 경우처럼 접이식 모니터 사용이 불가능한 상황에 굉장히 유용한 기능입니다.

HD-SDI 모니터링 출력 단자를 통해 모니터링 정보를 디스플레이하기 위해 'MONITOR' 탭의 'Front SDI' 부분에서 설정을 조정할 수 있습니다. 이 설정을 통해 녹화 정보 및 카메라 설정과 같은 정보와 프레임 가이드가 제공됩니다. 본인이 촬영하는 장면만 모니터링하고 싶은 경우엔 언제든지 오버레이 기능을 끄고 SDI에 클린 피드를 출력할 수 있습니다.

카메라의 SDI 출력을 SDI 모니터에 연결하거나 Blackmagic SmartScope Duo 4K에 연결하면 파형을 라이브로 모니터링할 수 있습니다.

**참고** 필름(Film) 다이내믹 레인지 모드로 촬영하며 SDI 출력에서 'Broadcast Film to Rec.2020 Hybrid Log Gamma' 또는 'Broadcast Film to Rec.2020 to PQ Gamma' LUT 를 사용할 경우, 뒷면 패널의 SDI 출력 및 3G-SDI 모니터링 출력에서 보조 메타데이터를 HDR 영상에 자동으로 표시합니다. 따라서, HDR을 지원하는 디스플레이를 연결하면, 두 개의 SDI 출력 중 하나를 통해 전달되는 놀라운 화질의 HDR 이미지를 디스플레이할 수 있습니다.

## SDI 출력 포맷

후면 SDI 출력	2160p23.98, 24, 25, 29.97, 30, 50, 59.94, 60. 1080p23.98, 24, 25, 29.97, 30, 50, 59.94, 60. 1080i50, 59.94, 60.
3G-SDI 모니터링 출력	1080p23.98, 24, 25, 29.97, 30, 50, 59.94, 60.1080i50, 59.94, 60

**정보** 두 개의 서로 다른 코덱을 사용해 실시간으로 동시에 녹화하거나 동시에 파일을 백업해야 할 경우, URSA Mini의 뒷면 패널 SDI 출력을 Blackmagic Video Assist 또는 HyperDeck으로 전송할 수 있습니다.

# URSA Mini Shoulder Mount Kit

## 숄더 마운트 장착하기

URSA Mini Shoulder Mount Kit를 장착하면 URSA Mini를 ENG 카메라처럼 사용해 촬영할 수 있습니다. 이 세트에는 상단 핸들과 숄더 마운트 베이스 플레이트, Blackmagic URSA Handgrip 옵션을 위한 익스텐션 암, 긴 LANC 케이블, 뷰파인더 어댑터 플레이트, 조립용 나사 등이 포함되어 있습니다.

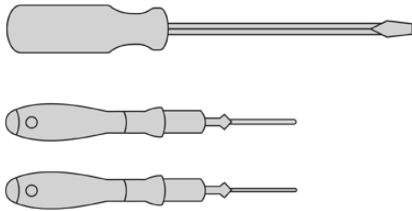
베이스 플레이트에 있는 퀵 릴리즈 마운트를 사용해 카메라를 ENG 스타일의 삼각대에 고정시키거나 어깨에 올려 액션을 따라 이동할 수 있습니다.

URSA Mini Shoulder Mount Kit는 모든 종류의 Sony VCT 14 삼각대 플레이트와 호환 가능합니다. 이 플레이트는 카메라 상점이나 온라인에서 쉽게 구할 수 있습니다.

또한, VCT U14 플레이트로 제작된 삼각대 마운트는 다른 시스템이 적용되어 호환되지 않음을 알려드립니다.

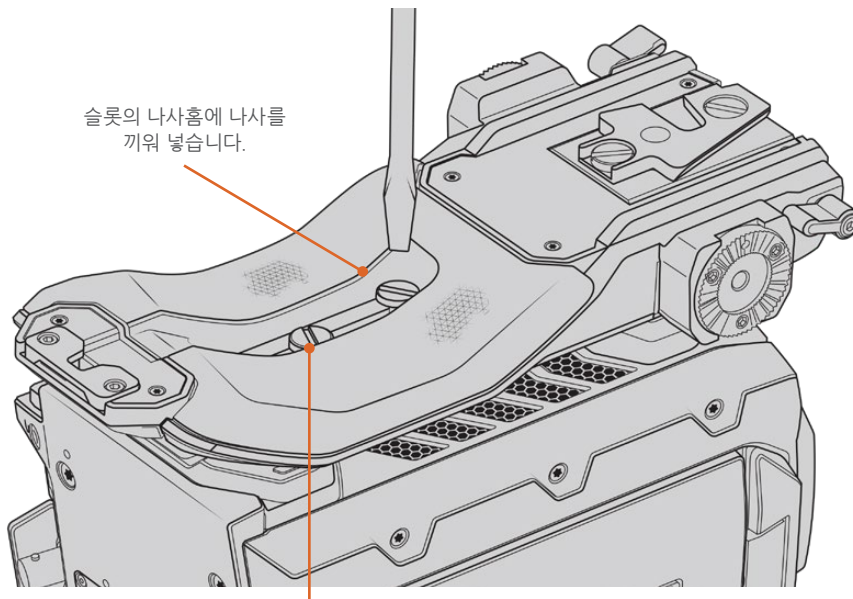
**숄더 세트를 장착할 경우, 다음과 같은 도구가 필요합니다.**

- 일자 드라이버 1개(2개의 ¼인치 숄더 마운트 베이스 플레이트 나사용).
- 3/16인치 육각 드라이버 1개(2개의 ¼인치 상단 핸들 나사용).
- 2.5mm 육각 드라이버 1개(4개의 뷰파인더 어댑터 플레이트 M3 나사용).



숄더 마운트 세트를 URSA Mini에 장착하려면, 대형 십자 드라이버와 3/16인치의 육각 드라이버(상단 핸들용), 2.5mm 육각 드라이버(뷰파인더 어댑터 플레이트용)가 필요합니다.

## 숄더 마운트 베이스 플레이트 장착하기



2개의 ¼인치 베이스 플레이트 나사

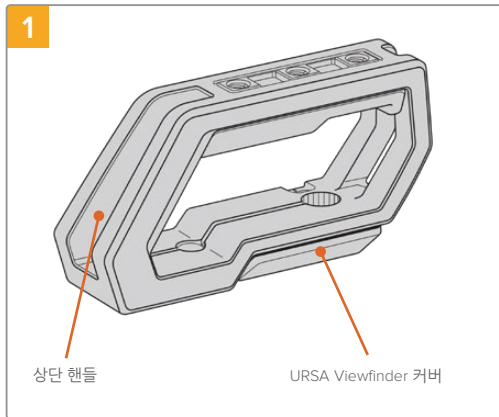


- 1 URSA Mini를 평평하고 안정적인 장소에 살며시 뒤집어 놓으면 카메라 아래쪽 작업을 편리하게 진행할 수 있습니다.
- 2 2개의 1/4인치 접시머리 나사와 드라이버를 사용해 솔더 마운트 베이스 플레이트를 URSA Mini에 고정하세요.
- 3 베이스 플레이트가 단단히 고정될 때까지 나사를 조이세요. 나사를 너무 세게 조이면 손상될 위험이 있으니 주의하세요.

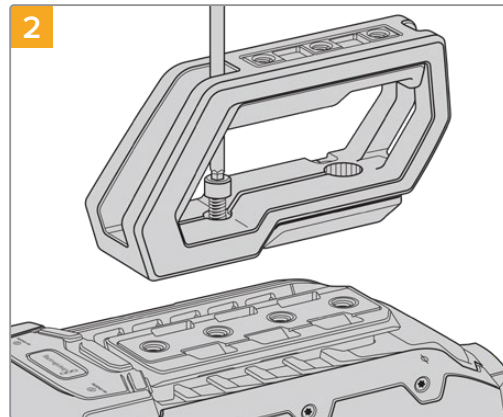
## URSA Viewfinder 미사용 시 상단 핸들 장착 방법

URSA Mini Shoulder Mount Kit는 URSA Viewfinder 장착 여부와 관계없이 사용할 수 있습니다.

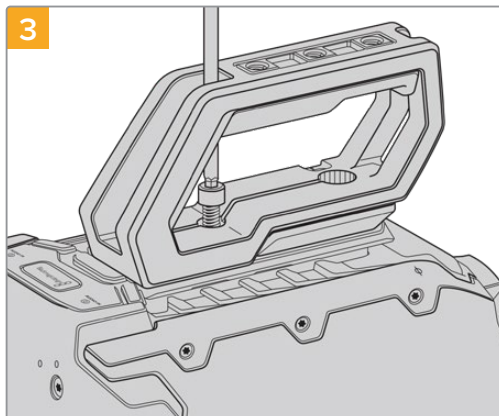
상단 핸들 아래쪽에는 뷰파인더 연결을 위한 고무 커버가 마련되어 있으며, 이 고무 커버는 URSA Viewfinder를 설치할 경우에는 어댑터 플레이트로 교체됩니다. URSA Viewfinder를 장착하지 않은 채 상단 핸들을 사용하는 경우, 캡을 그대로 남겨두길 권장합니다.



URSA Mini를 평평하고 안정적인 장소에 놓으면 카메라 상단 작업을 편리하게 진행할 수 있습니다.



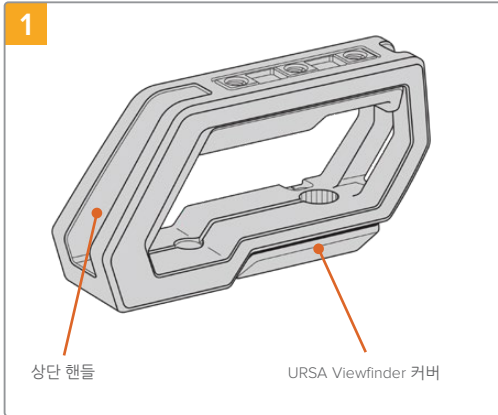
URSA Mini의 상단에 있는 1/4인치 나사홀 중 2곳에 함께 제공된 1/4인치 나사를 넣고 3/16인치 육각 드라이버로 조입니다. 대부분의 경우에 URSA Mini 뒤쪽에 있는 두 개의 나사홀을 사용할 것을 권장해 드리지만, 대형 렌즈를 사용하는 경우에는 다른 두 개의 나사홀을 사용하여 카메라를 더욱 균형 있게 조절할 수 있습니다.



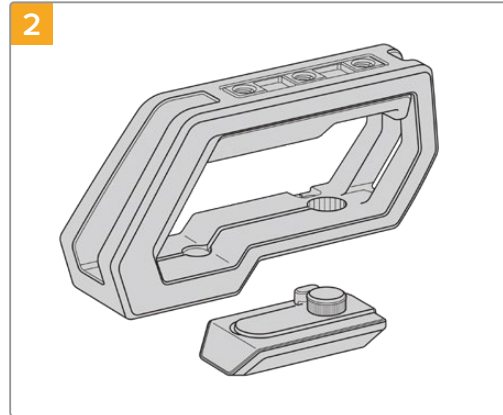
핸들이 단단하게 고정될 때까지 나사를 조여 쉽게 풀리지 않도록 합니다. 나사를 너무 많이 조이면 나삿니가 파손될 수 있으니 주의하세요.



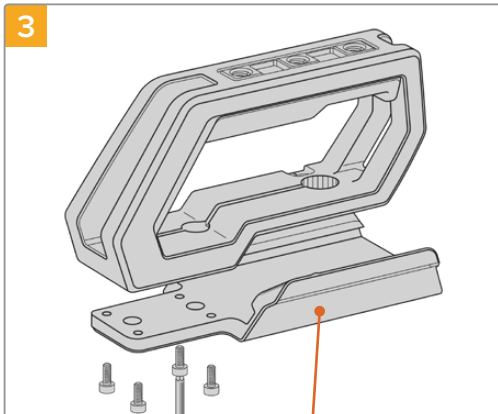
## URSA Viewfinder 사용 시 상단 핸들 장착 방법



URSA Mini를 평평하고 안정적인 장소에 놓으면 카메라 상단 작업을 편리하게 진행할 수 있습니다.

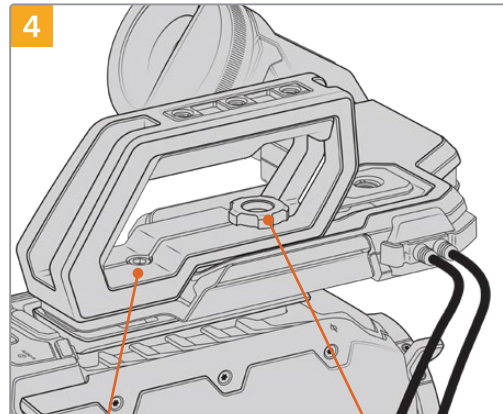


핸들 하단에 있는 URSA Viewfinder 커버를 핸들 측면에서 부드럽게 들어올린 뒤, 커버를 잡아 당겨 구멍에서 제거합니다.



URSA Viewfinder 어댑터 플레이트

34개의 M3 나사와 2.5mm 육각 드라이버를 사용해 URSA Viewfinder 어댑터 플레이트를 핸들에 고정하세요.



핸들을 카메라에 장착하기 위한 2개의 1/4인치 육각 구멍볼이 볼트

옵션 사항인 URSA Viewfinder 조정을 위한 나비 나사

URSA Mini 상단에 있는 두개의 1/4인치 나사홈에 함께 제공된 1/4인치 나사를 넣고 3/16인치 육각 드라이버로 조여 핸들을 장착합니다. 대부분의 경우에 URSA Mini 뒤쪽에 있는 두 개의 나사홈을 사용할 것을 권장해 드리지만, 대형 렌즈를 사용하는 경우에는 다른 두 개의 나사홈을 사용하여 카메라를 더욱 균형 있게 조절할 수 있습니다. 나사를 너무 많이 조이면 나삿나가 파손될 수 있으니 주의하세요.

핸들 전면 안쪽에 있는 나사홈은 나사를 통해 URSA viewfinder를 장착 및 조정하는 데 사용됩니다. URSA Viewfinder를 상단 핸들에 장착하는 방법에 대한 자세한 정보는 URSA 사용 설명서의 [Blackmagic URSA Viewfinder] 부분을 참고하세요.

## 익스텐션 암 장착하기

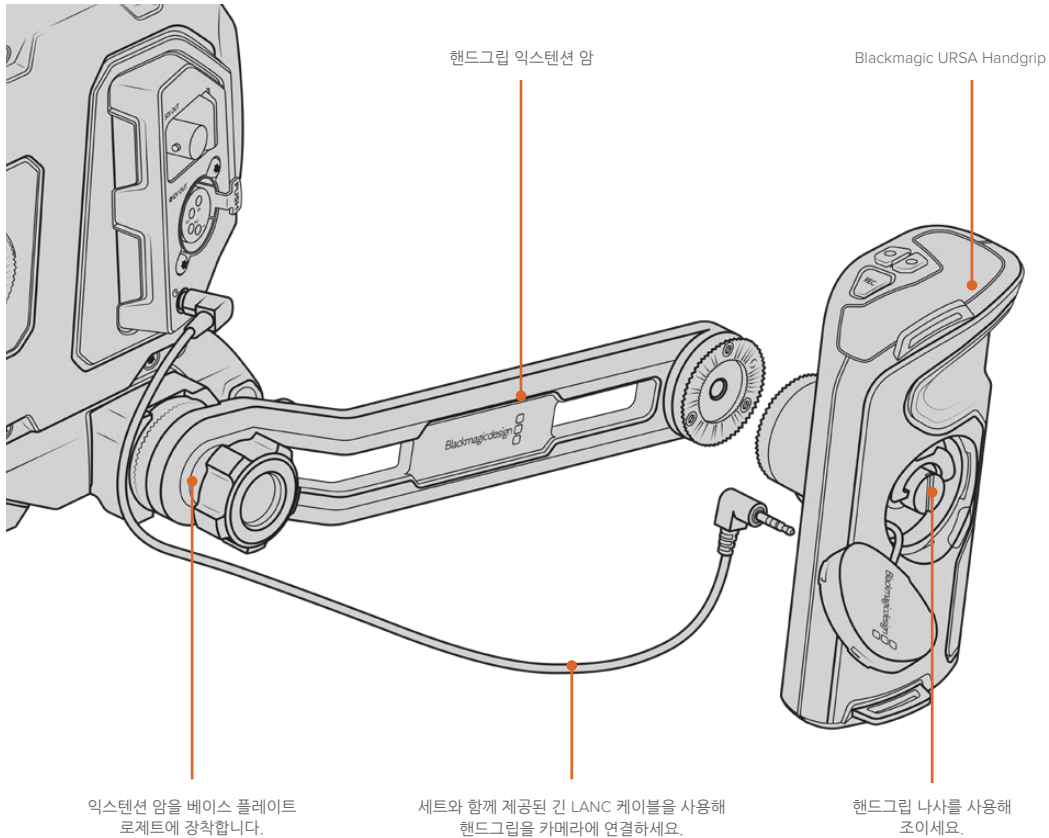
URSA Mini 숄더 마운트 세트와 Blackmagic URSA Handgrip을 함께 사용할 경우, 핸드그립 위치를 다시 조정해야 어깨에 올려두고 촬영할 때 편안하게 사용할 수 있습니다. 세트와 함께 제공되는 익스텐션 암과 긴 LANC 케이블을 사용하면 인체 공학적으로 좀 더 편안한 위치에 핸드그립을 설치할 수 있습니다. URSA Mini 익스텐션 암은 Blackmagic Design 리셀러로부터 별도 구매 가능합니다.

### 익스텐션 암 장착하기

- 1 URSA Mini를 평평하고 안정적인 장소에 두고 익스텐션 암의 한쪽 끝을 움직여 충분한 공간을 확보하세요. URSA Mini를 삼각대에 설치하면 좀 더 쉽게 작업할 수 있습니다.
- 2 익스텐션 암의 톱니 모양 한쪽 끝을 베이스 플레이트 로제트에 장착하고 적절한 위치로 내린 뒤, 함께 제공된 로제트 나비 나사로 조입니다.
- 3 익스텐션 암 앞쪽의 로제트에 사이드 핸들을 설치하세요. 대형 일자 드라이버를 사용해 사이드 핸들 나사를 조이거나 D링을 엄지 및 검지 손가락으로 돌려 장착합니다.
- 4 숄더 마운트 세트와 함께 제공되는 긴 LANC 케이블을 사용해 Blackmagic URSA Handgrip의 LANC 출력을 카메라 LANC 입력에 연결하세요.

로제트 나사를 풀고 몸에 맞게 조정해 나사를 다시 조이면 누구나 쉽게 익스텐션 암과 Blackmagic URSA Handgrip을 원하는 대로 조정할 수 있습니다.

이제 URSA Mini Shoulder Mount Kit가 카메라에 장착되어 더욱 신속하게 이동하면서 촬영할 수 있을 뿐만 아니라, 삼각대에 바로 설치해 안정된 고정점을 얻을 수 있습니다.



# Blackmagic URSA Viewfinder

Blackmagic URSA Viewfinder는 Blackmagic URSA Mini를 위해 제작된 강력한 전자식 뷰파인더입니다. 1080HD 컬러 OLED 디스플레이와 정밀 유리 광학 기술을 탑재해 밝고 선명하며, 실감나는 영상을 제공하기 때문에 초점을 쉽게 잡을 수 있고 영상에서 훌륭한 디테일을 확인할 수 있습니다.

이 뷰파인더는 어깨에 메고 촬영하는 핸드헬드 작업의 경우나, 매우 밝은 환경에서 촬영해 반사나 눈부심 등 한 치의 오차도 허용되지 않는 상황에 사용하기 적합한 제품입니다.

카메라에 연결해 전원을 공급받는 형태로, 카메라의 임베디드 SDI 정보를 사용해 다양한 디스플레이 옵션을 생성합니다. 다시 말해, 카메라에서 출력된 클린 SDI 피드가 뷰파인더로 전송되지만, 뷰파인더 자체에서 다양한 디스플레이 옵션을 켜고 끌 수 있어 카메라 상태 및 정보를 정확하고 신속하게 확인할 수 있습니다.

예를 들어, URSA Mini의 메뉴에서 2.40:1 프레임 가이드 옵션을 선택할 경우, 카메라에서 어떤 프레임 가이드를 선택했는지 뷰파인더에서 확인할 수 있기 때문에, 뷰파인더에서 프레임 가이드 디스플레이 기능을 사용하면 동일한 2.40:1 프레임 가이드가 표시됩니다.

## Blackmagic URSA에 설치 및 연결하기

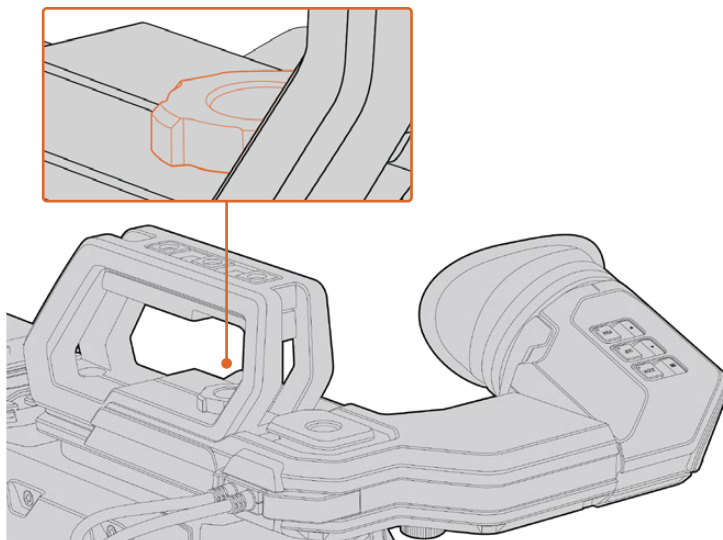
Blackmagic URSA Viewfinder를 카메라 본체에 연결하려면 뷰파인더를 핸들 레일에 밀어 넣은 뒤, 1/4" 마운팅 포인트에 나사를 조입니다.

URSA Mini 또는 URSA Mini Pro에 URSA Viewfinder를 올바르게 장착하려면 Blackmagic URSA Mini Shoulder Kit가 필요합니다.

Blackmagic URSA Viewfinder를 장착하려면 URSA Mini Shoulder Mount Kit 상단 핸들에 있는 URSA Viewfinder 커버를 제거한 뒤, 본 설명서의 [URSA Mini Shoulder Mount Kit] 부분에 설명된 대로 뷰파인더 어댑터 플레이트를 장착하세요.

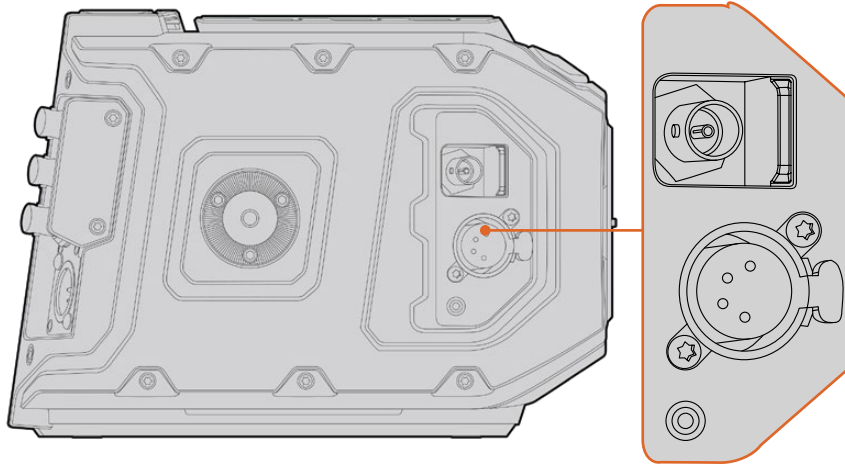
URSA Viewfinder 마운트를 URSA Viewfinder 어댑터 플레이트에 밀어 넣고 URSA Mini Shoulder Mount Kit에 포함된 1/4인치 나사를 사용해 URSA Viewfinder를 상단 핸들 및 어댑터 플레이트에 고정하세요.

나사는 다른 도구 없이 손으로만 돌려도 충분히 고정되며 나사를 너무 많이 조이는 일도 방지할 수 있습니다.



Blackmagic URSA Viewfinder를 URSA Mini에 장착하려면 뷰파인더 마운트를 카메라 핸들에 밀어 넣은 뒤, 1/4인치 마운팅 포인트에 나사를 조입니다.

URSA Viewfinder를 URSA에 연결하려면 뷰파인더에 달린 케이블을 URSA 전면에 있는 12V 전원과 3G-SDI 출력에 간단히 연결하세요. 카메라 전원을 켜면 URSA Viewfinder도 자동으로 켜집니다.



뷰파인더의 SDI 케이블과 전원 케이블을 URSA Mini의 HD-SDI 모니터링 출력과 +12V 출력에 각각 연결합니다.

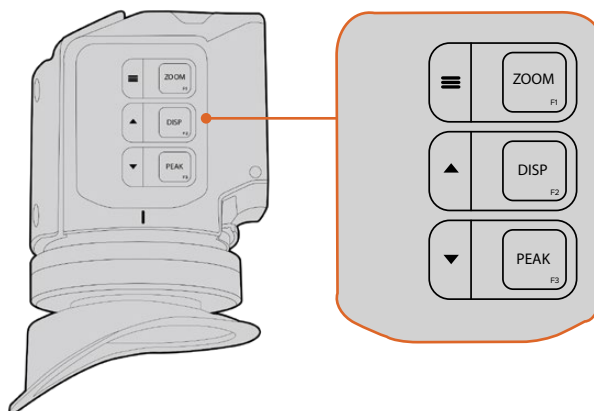
URSA Mini에 URSA Viewfinder를 함께 사용할 경우, URSA Mini Shoulder Mount Kit를 함께 장착하여 사용할 것을 권장합니다. 해당 Kit는 정확한 마운팅 포인트와 1/4인치 나비 나사를 제공하고 뷰파인더 높이를 최적의 위치로 조절할 수 있기 때문입니다. 더 자세한 정보는 본 설명서의 [URSA Mini Shoulder Mount Kit] 부분을 참고하세요.

## 아이피스 조절하기

탈착 가능한 고무 아이피스는 좌/우 눈에 맞게 조절 가능합니다. 뷰파인더 암 아래쪽에 있는 노브를 풀어 암 길이를 조절하고, 왼쪽이나 오른쪽으로 당겨 눈에 편안하게 맞도록 조절합니다.

## 버튼 기능

뷰파인더 상단에 줌(ZOOM), 디스플레이(DISP), 피킹(PEAK) 버튼이 있습니다. 이 버튼을 사용해 화면을 확장하거나 오버레이 및 포커스 피킹 기능을 켜고 끌 수 있습니다.



URSA Viewfinder 상단에는 ZOOM(F1)과 DISP(F2), PEAK(F3) 버튼이 있습니다.

이 버튼을 통해 메뉴를 열거나 설정을 변경하는 등 추가적인 기능을 수행할 수 있습니다. 버튼 옆에 아이콘이 표시되어 있어 어떤 버튼이 뷰파인더 메뉴를 제어하고 이동하는 데 쓰이는지 알 수 있습니다.

이 버튼에 사용자가 특정 기능을 지정할 수 있어 자주 사용하는 기능을 단축키처럼 지정해 둘 수 있습니다. 예를 들면, 폴스 컬러 기능을 줌 버튼에 지정할 수 있습니다. 더 자세한 정보는 [단축키] 부분을 참고하세요.

### ZOOM (F1) - '메뉴'

줌 기능을 사용하면 화면을 확대시켜 더욱 선명한 초점을 맞출 수 있습니다. ZOOM 버튼을 누르면 화면이 확장되며, 다시 한 번 누를 경우, 100% 화면 크기로 돌아갑니다. 설정 메뉴를 사용할 경우, ZOOM 버튼을 '메뉴' 버튼으로 사용할 수 있습니다. 이 버튼을 길게 누르면 설정 메뉴가 나타납니다. 설정 메뉴에서 이 버튼을 한 번 누르면 설정 변경 사항이 저장됩니다.

### DISPLAY (F2) - '위'

DISP 버튼을 누르면 오버레이 보기가 실행됩니다. 설정 메뉴를 사용할 경우, DISP 버튼을 '위' 버튼으로 사용할 수 있습니다. 이 버튼을 길게 누르면 단축키 메뉴 설정이 나타납니다. 단축키 설정 방법에 관한 자세한 정보는 [단축키] 부분을 참고하세요.

### PEAK(F3) - '아래'

포커스 피킹 기능을 사용하면 이미지의 가장 선명한 부분에 녹색 테두리를 만들어 초점을 정확하게 확인할 수 있습니다. PEAK 버튼을 누르면 피킹 기능이 활성화됩니다. 이 버튼을 다시 한 번 누르면 피킹 기능이 종료됩니다. 설정 메뉴를 사용할 경우, 이 버튼을 '아래' 버튼으로 사용할 수 있습니다. 이 버튼을 길게 누르면 설정 메뉴가 나타납니다.

## 메뉴 설정

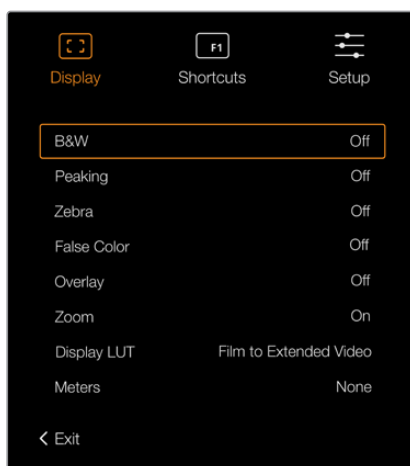
설정 메뉴는 디스플레이, 단축키, 설정의 세 가지 기본 메뉴로 구성되어 있습니다. '메뉴' ≡ 버튼을 길게 누르면 설정 메뉴에 접속할 수 있습니다. '위' ▲ 버튼과 '아래' ▼ 버튼을 눌러 설정 메뉴를 이동하고, '메뉴' ≡ 버튼을 다시 눌러 선택을 저장합니다.

### 디스플레이(Display)

디스플레이 메뉴는 다음과 같은 기능을 제공합니다.

#### 흑백(B&W)

컬러와 흑백 사이를 전환합니다.



URSA Viewfinder의 Display 메뉴

#### 피킹(Peaking)

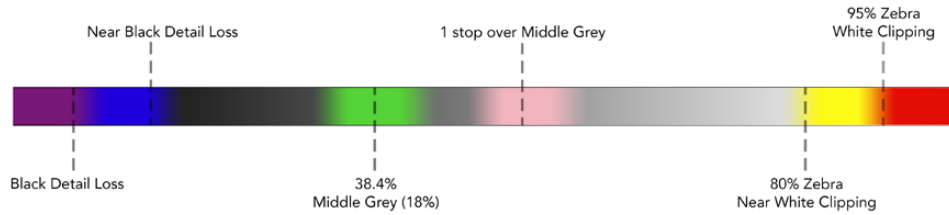
피킹 기능을 On/Off 합니다.

### 지브라(Zebra)

지브라 레벨을 On/Off 합니다. 카메라 설정을 사용하여 원하는 지브라 레벨을 설정하세요. 더 자세한 정보는 본 설명서의 [설정하기] 부분을 참고하세요.

### 폴스 컬러(False Color)

폴스 컬러 기능을 켜고 끌 수 있습니다. 폴스 컬러 오버레이 기능은 이미지 위에 노출값을 나타내는 여러 가지 색상을 더하여 이미지 속 서로 다른 요소의 노출값을 확인할 수 있는 기능입니다. 예를 들어, 분홍색은 밝은 피부톤에 최적인 노출을, 녹색은 어두운 피부톤에 최적인 노출을 나타냅니다. 인물을 촬영할 때 폴스 컬러의 분홍색 또는 녹색 부분을 확인하면 피부톤을 위한 최적의 노출값을 지속적으로 유지할 수 있습니다. 마찬가지로, 이미지 속 피사체가 노란색에서 빨간색으로 변하면 노출값이 높다는 것을 의미합니다.



폴스 컬러 차트

### 오버레이(Overlay)

오버레이를 On/Off 합니다. 뷰파인더의 설정 메뉴에서 오버레이의 디스플레이 유형을 선택할 수 있습니다. 안전 영역 퍼센트 등의 오버레이 유형은 카메라에서 설정할 수 있습니다.

### 줌(Zoom)

줌 기능을 On/Off 합니다.

### LUT 디스플레이(Display LUT)

URSA Mini에서 필름(Film) 다이내믹 레인지의 SDI 신호를 전송할 경우, 'Film to Video' 설정을 사용하면 더욱 풍부한 색감과 높은 콘트라스트를 제공하는 LUT를 이미지에 적용할 수 있습니다. 이런 LUT 중 하나가 사용될 경우 뷰파인더에서 감지해 뷰파인더에서 해당 LUT를 켜고 끌 수 있는 옵션을 제공합니다. 이 옵션은 LUT 디스플레이가 전면 SDI 출력에 활성화되거나 다른 종류의 LUT를 사용할 경우, 여러 개의 LUT가 적용되는 것을 막기 위해 비활성화됩니다.

### 미터(Meters)

오버레이 보기에 사용할 미터의 종류를 선택합니다. 'Histogram'/'Audio'/'Both'/'None' 중에서 선택할 수 있습니다.

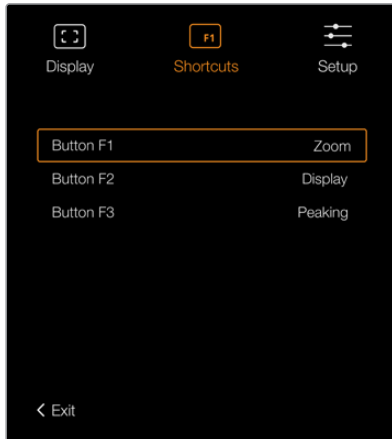
## 단축키(Shortcuts)

단축키 기능은 자주 사용하는 특정 설정에 신속하게 접속할 수 있는 유용한 기능입니다. 다음은 단축키 버튼을 지정하는 방법입니다.

- 1 'Shortcuts' 메뉴에서 '위' ▲ 또는 '아래' ▼ 버튼을 눌러 위/아래로 이동한 뒤, 3가지 버튼 중에서 단축키로 지정하려는 버튼 하나를 선택하세요 '메뉴' ≡ 버튼을 눌러 선택을 확인하세요.
- 2 '위' ▲ 버튼 또는 '아래' ▼ 버튼을 눌러 아래 기능 중 단축키에 지정할 기능을 선택하세요. '메뉴' ≡ 버튼을 눌러 선택을 저장하세요.

- |               |                       |                   |                           |
|---------------|-----------------------|-------------------|---------------------------|
| ▪ 흑백(B&W)     | ▪ 지브라(Zebra)          | ▪ 디스플레이 (Display) | ▪ LUT 디스플레이 (Display LUT) |
| ▪ 피킹(Peaking) | ▪ 폴스 컬러 (False Color) | ▪ 줌(Zoom)         | ▪ 미터(Meters)              |

- 3 'EXIT'으로 스크롤 한 다음, '메뉴' ≡ 버튼을 누르면 메뉴 디스플레이 화면이 닫힙니다.



URSA Viewfinder의 단축키 설정

## 설정(Setup)

설정 메뉴는 다음과 같은 설정 기능을 제공합니다.

### 밝기(Brightness)

화면 밝기를 -10에서 +10까지 조절할 수 있습니다.

### 탈리 밝기(Tally Brightness)

탈리 LED 밝기를 조절합니다.

### 포커스 차트(Focus Chart)

Blackmagic URSA Viewfinder에는 포커스 차트가 내장되어 있어 사용자의 눈에 맞게 아이피스 초점을 맞출 수 있습니다. 차트에 완벽한 초점이 생길 때까지 아이피스의 포커스 링을 조절합니다. 뷰파인더의 아무 버튼이나 누르면 포커스 차트 화면이 사라집니다.

### 프레임 가이드(Frame Guide)

오버레이로 설정된 프레임 가이드를 켜고 끌 수 있습니다. 프레임 가이드를 ON으로 설정할 경우, 카메라의 'All' 모니터링 출력에 설정된 것과 동일한 프레임 가이드가 뷰파인더에 나타납니다. 해당 프레임 가이드는 뷰파인더에서 ON/OFF를 선택해 켜고 끌 수 있습니다.

더 자세한 정보는 본 설명서의 [모니터링 설정] 부분을 참고하세요.

### 안전 영역 가이드(Safe Area Guide)

오버레이를 ON으로 설정한 경우 안전 영역 가이드를 켜고 끌 수 있습니다. URSA Mini의 'All' 모니터링 설정에 있는 'SAFE AREA GUIDE'가 ON으로 설정된 경우, 이 설정을 사용해 안전 영역 가이드를 켜고 끌 수 있습니다.

더 자세한 정보는 본 설명서의 [모니터링 설정] 부분을 참고하세요.

### 그리드(Grid)

3분할 선, 십자선, 가운데점을 켜고 끌 수 있습니다. URSA Mini의 'All' 모니터링 설정에서 'GRIDS'를 활성화하면, 이 설정을 통해 Blackmagic URSA Viewfinder에서 그리드를 켜고 끌 수 있습니다.

더 자세한 정보는 본 설명서의 [모니터링 설정] 부분을 참고하세요.



**참고** URSA Viewfinder 설정 메뉴에서 그리드를 활성화하면 ATEM 스위처에서 전송된 탈리 신호가 뷰파인더에 나타납니다. 이 때, 'Display' 메뉴에서 오버레이를 반드시 'On'으로 설정해야 합니다.

#### 상태 표시 텍스트 (Status Text)

화이트 밸런스와 프레임 가이드, ISO와 같은 상태 정보 텍스트를 켜고 끌 수 있습니다. URSA Mini의 'Front SDI' 모니터링 설정에서 'STATUS TEXT'를 활성화한 경우, 이 설정을 통해 Blackmagic URSA Viewfinder에서 상태 정보 텍스트를 켜고 끌 수 있습니다.

더 자세한 정보는 본 설명서의 [모니터링 설정] 부분을 참고하세요.

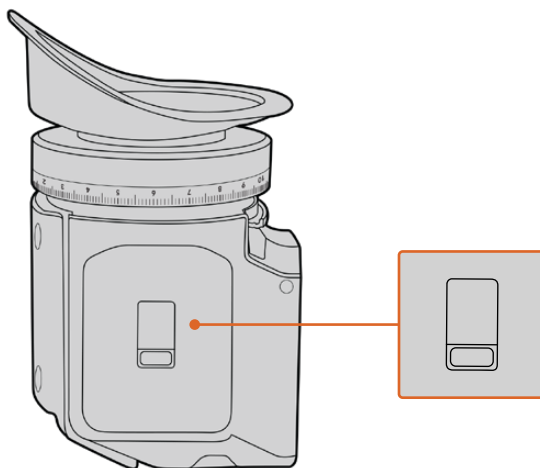
**정보** URSA Mini에 Blackmagic Viewfinder를 장착하여 사용할 때 카메라와 뷰파인더 모두에 상태 표시 텍스트가 나타나도록 설정하면 서로 충돌이 일어날 수 있습니다. 충돌이 일어날 경우, 카메라의 상태 표시 텍스트는 켜고 뷰파인더의 상태 표시 텍스트는 끌 것을 권장합니다.

## IR 센서

뷰파인더의 IR 센서는 아이피스 근처에 사람이 있는지를 자동으로 감지하여 OLED 디스플레이를 작동시킵니다. 뷰파인더가 대기 모드인 상태에서 사용자가 20초 이상 뷰파인더에서 떨어져 있으면, OLED 디스플레이가 자동으로 꺼져 전력을 아낄 수 있으므로 OLED 디스플레이의 수명 또한 연장됩니다. 녹화 중에는 타임아웃 센서가 5분으로 연장되며, 그 후에는 OLED 디스플레이가 서서히 어두워집니다. 아이피스 앞쪽에서 어떤 움직임이 포착될 경우, 타이머가 초기화되어 다시 시작됩니다. 뷰파인더에 장착된 버튼을 아무거나 누르거나 뷰파인더 아이피스에 눈을 대면 뷰파인더가 이를 감지하여 디스플레이가 다시 나타납니다.



IR 센서를 일부러 차단하거나 가리면 뷰파인더 화면에 전원이 한참 동안 계속 들어옵니다. 이럴 경우, 뷰파인더 디스플레이의 수명이 단축될 수 있으며 뷰파인더에 고대비 영상 또는 프레임 가이드를 디스플레이할 경우에 이미지 정체 현상을 일으킬 수 있습니다.



IR 센서는 URSA Viewfinder 뒷면에 있습니다.



## URSA Viewfinder의 내부 소프트웨어 업데이트하기

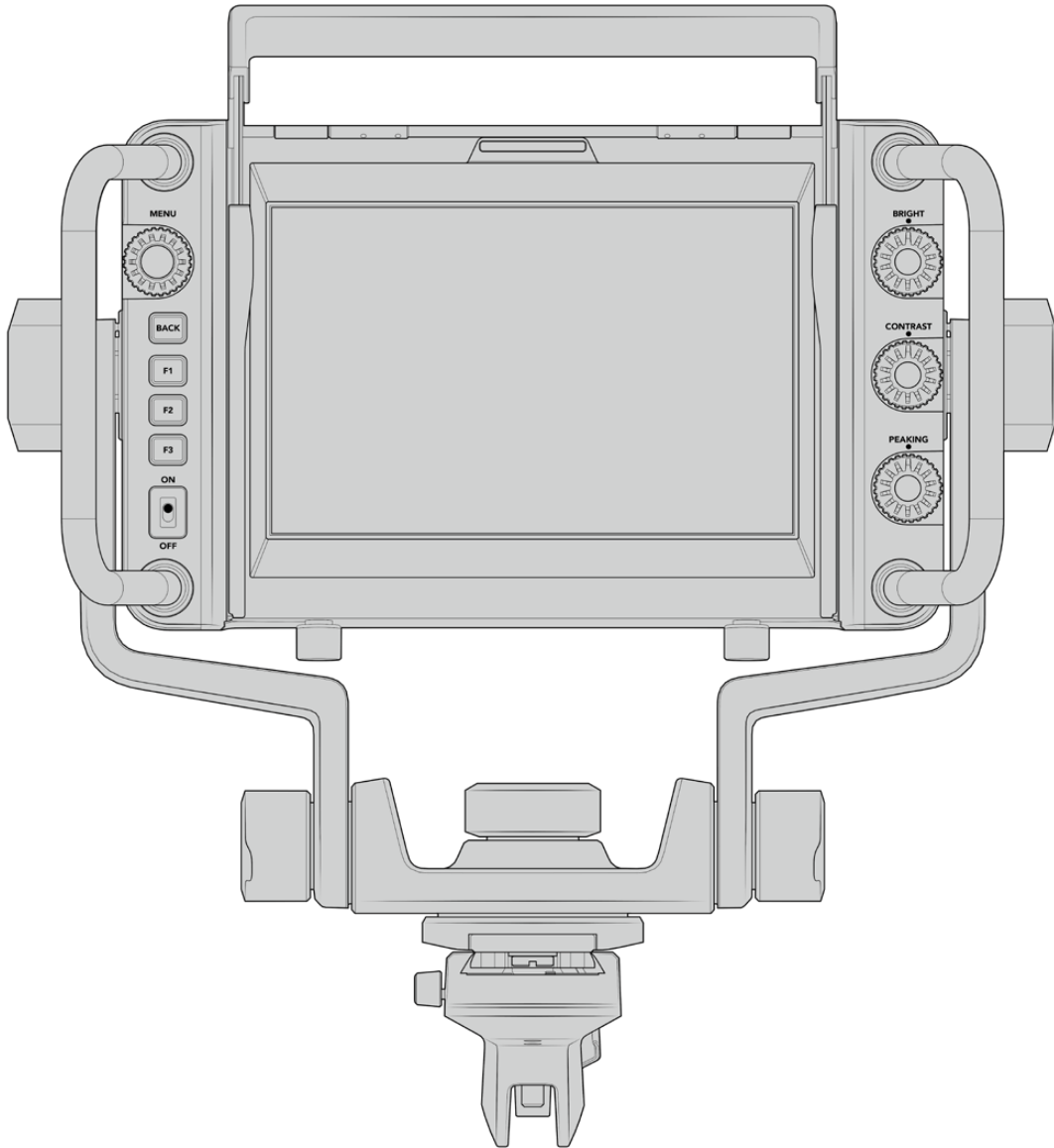
Blackmagic Camera Setup 유틸리티 소프트웨어를 사용하여 뷰파인더를 업데이트하세요. 업데이트 시 뷰파인더의 전원이 연결되어 있어야 하므로 업데이트가 진행되는 동안 뷰파인더를 URSA Mini에 연결해두는 것이 좋습니다. URSA Mini에서 지속적으로 전력 공급이 이루어져야 하므로 URSA Mini가 외부 전원에 연결되어 있는지 반드시 확인하세요.

뷰파인더 전면의 아이피스 주변에 있는 미니 USB 연결 단자에 컴퓨터를 연결하세요. Blackmagic Camera Setup 유틸리티가 실행된 상태이고 뷰파인더가 컴퓨터에 연결되어 있다면, 뷰파인더의 소프트웨어 버전이 오래된 경우에는 컴퓨터가 이를 감지하므로 업데이트를 묻는 창이 나타납니다. 뷰파인더의 내부 소프트웨어를 업데이트하려면 화면에 나타나는 지시에 따릅니다.

**참고** 더 자세한 정보는 [Blackmagic Camera Setup 유틸리티] 부분을 참고하세요.

**정보** 카메라 성능을 최적화하기 위해 모든 Blackmagic URSA 장비를 동시에 업데이트할 것을 권장합니다.

# Blackmagic URSA Studio Viewfinder



Blackmagic URSA Studio Viewfinder

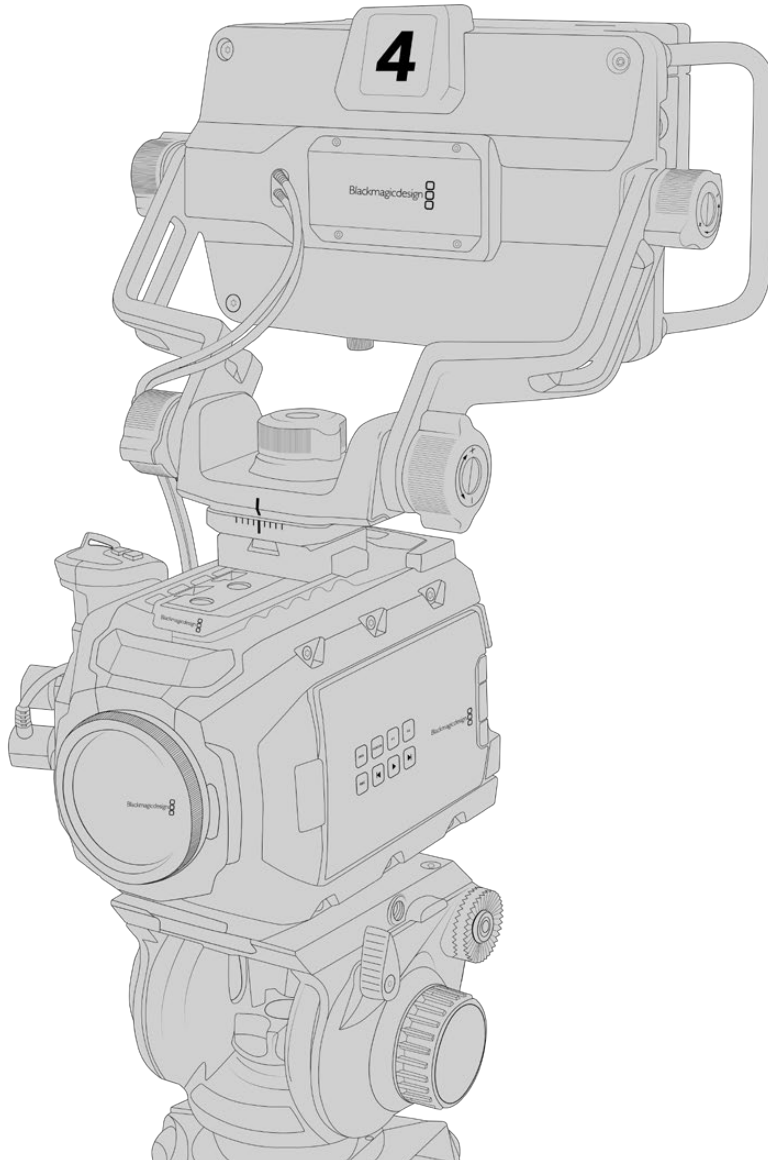
Blackmagic URSA Studio Viewfinder는 Blackmagic URSA Mini를 전문 라이브 프로덕션 카메라로 사용할 수 있는 강력한 뷰파인더입니다. URSA Studio Viewfinder는 고휘도 7인치 스크린과 쉽게 확인할 수 있는 대형 탈리 라이트, 컨트롤 노브, 커다란 손잡이, 선 후드, 다양한 강도 조절이 가능한 연결식 마운트를 탑재했습니다. 이런 기능을 통해 라이브 콘서트나 스포츠 및 기타 장시간 이벤트 촬영 시 카메라 뒤에서 오래도록 편안하게 촬영할 수 있습니다. URSA Studio Viewfinder는 스튜디오 또는 현장에서 진행되는 전문 라이브 프로덕션에 최적의 제품입니다.

## Blackmagic URSA Mini에 설치 및 연결하기

Blackmagic URSA Mini와 함께 사용할 경우, Blackmagic URSA Studio Viewfinder를 다양한 방식으로 카메라에 장착할 수 있습니다.

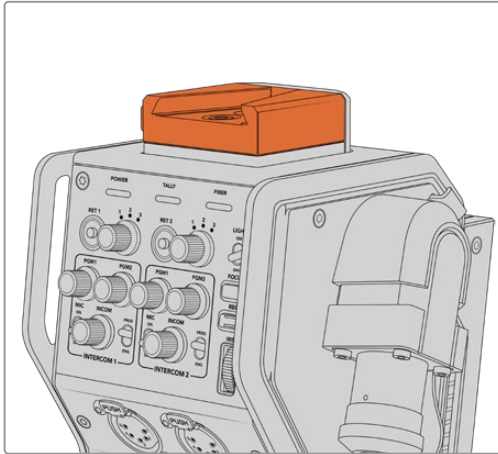
제품에 포함된 V-Lock 마운트 플레이트를 사용해 Blackmagic URSA Studio Viewfinder를 Blackmagic URSA Mini 상단에 바로 장착할 수 있습니다. V-Lock 마운트 플레이트는 상단 핸들 마운트에서 쉽게 분리할 수 있습니다.

3/16 육각 드라이버를 사용해 URSA Mini 핸들 마운트에서 V-lock 플레이트를 분리한 뒤, 제품에 포함된 1/4인치 나사를 사용해 V-Lock 플레이트를 카메라 상단에 장착하세요. 이 경우, 카메라의 무게 중심이 굉장히 높아지기 때문에 카메라를 삼각대에 장착한 상황에서 해당 작업을 진행할 것을 권장합니다.

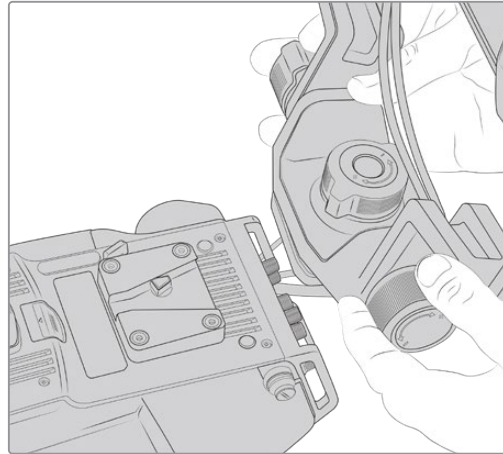


URSA Mini와 URSA Mini Shoulder Kit를 함께 사용할 시, 제품과 함께 제공되는 URSA Mini 손잡이 마운트를 사용해 Blackmagic URSA Studio Viewfinder를 장착할 수 있습니다. 3/16 육각 드라이버와 제품에 포함된 1/4인치 나사를 사용해 URSA Mini 손잡이 마운트를 카메라 상단 핸들에 장착하세요. 딸깍 소리가 나며 완전히 장착될 때까지 Studio Viewfinder의 V-Lock을 V-Lock 플레이트 슬롯에 밀어 넣으세요.

더 자세한 정보는 본 설명서의 [URSA Mini Shoulder Kit] 부분을 참조하세요.

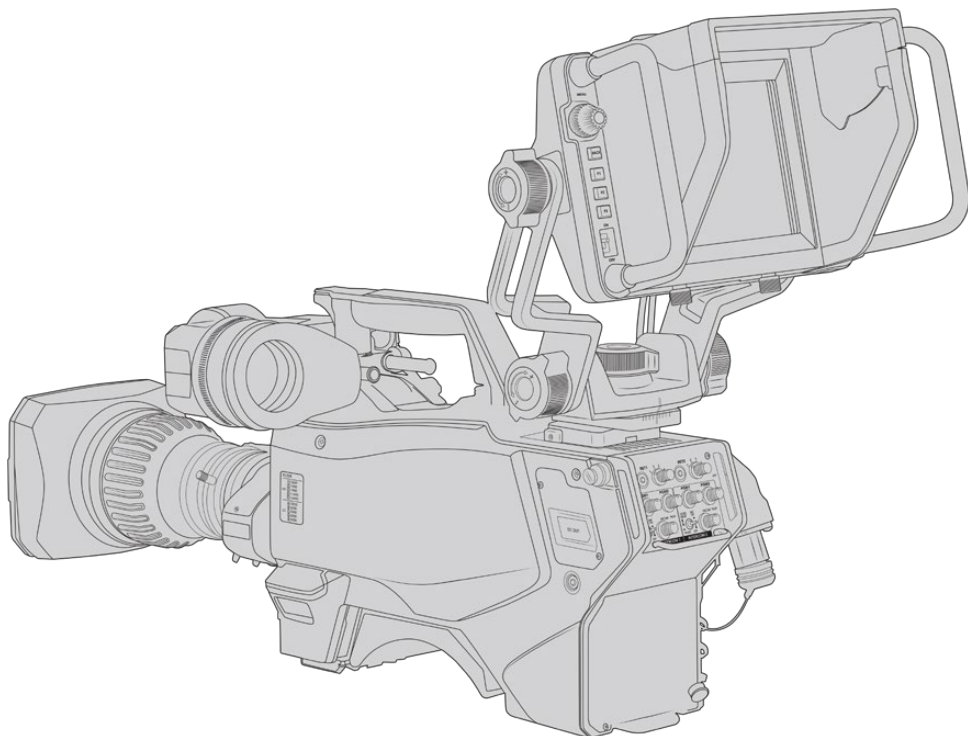


Blackmagic Camera Fiber Converter 상단에 있는 V-lock 플레이트에 Blackmagic Studio Viewfinder를 장착할 수 있습니다.



서드 파티 카메라에 장착된 V-Lock 마운트 플레이트

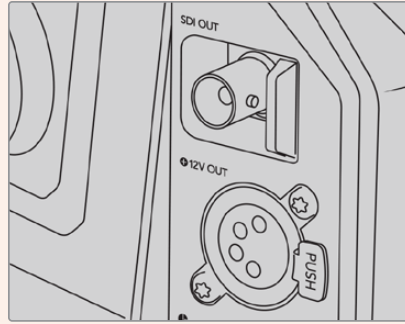
1/4인치 마운팅 포인트 또는 서드 파티 치즈 플레이트를 사용하여, URSA Studio Viewfinder를 장착하는데 필요한 V-Lock 마운트 플레이트를 모든 카메라에 설치할 수 있습니다. 또한 서드 파티 카메라 시스템에 이미 장착된 V-Lock 마운트 플레이트의 경우에는 대체로 이런 퀵릴리즈 기능이 포함되어 있기 때문에 Blackmagic URSA Studio Viewfinder를 장착할 수 있습니다.



**정보** Blackmagic URSA Studio Viewfinder는 퀵릴리즈 V-Lock 마운트 플레이트를 통해 카메라에 연결되므로 삼각대에서 카메라를 분리해야 할 때 신속하게 뷰파인더를 제거할 수 있습니다. 스포츠 경기 촬영에서는 카메라에 Blackmagic URSA Viewfinder와 Blackmagic URSA Studio Viewfinder를 둘 다 장착해 놓는 것이 좋습니다. 그래야 경기 종료 시 URSA Viewfinder를 핸드헬드 촬영에 바로 사용할 수 있기 때문입니다. 두 개의 뷰파인더 모두 12V 전원과 3G-SDI 케이블을 사용하여 카메라에 연결되므로 케이블을 바꿔 사용해도 무방합니다.

Blackmagic URSA Studio Viewfinder를 URSA Mini에 연결하려면 뷰파인더에 달린 케이블을 URSA 전면에 있는 12V 전원과 3G-SDI 출력에 연결하세요.

그러면 카메라에 전원이 연결되었을 때 뷰파인더 전원 스위치를 켜면 뷰파인더에 전원이 바로 공급됩니다. URSA Mini 핸들 마운트 측면에 케이블 클램프가 있어 케이블을 깔끔하게 정리하고 제자리에 고정시킬 수 있다는 점을 기억하세요.

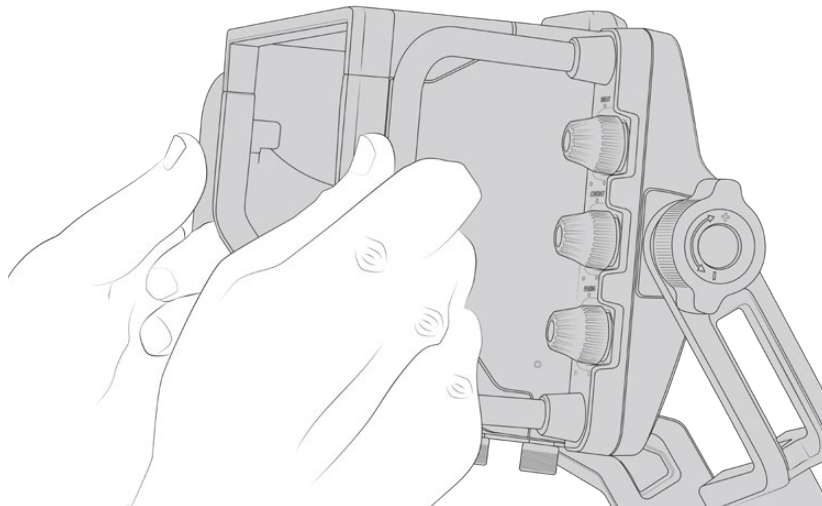


URSA Mini의 SDI 및 12V 전원 연결 단자

**정보** URSA Studio Viewfinder는 공개 표준형 SDI와 방송용 4핀 XLR 전원 연결을 사용하므로 모든 카메라 및 휴대용 현장 모니터에까지도 사용이 가능합니다. 또한 개방형 표준의 ATEM 탈리 및 장비 제어 프로토콜을 사용하므로 모든 카메라 시스템에서 이 프로토콜 정보를 SDI 스트림에 추가하면 URSA Studio Viewfinder에서 탈리 및 오버레이 기능을 사용할 수 있습니다.

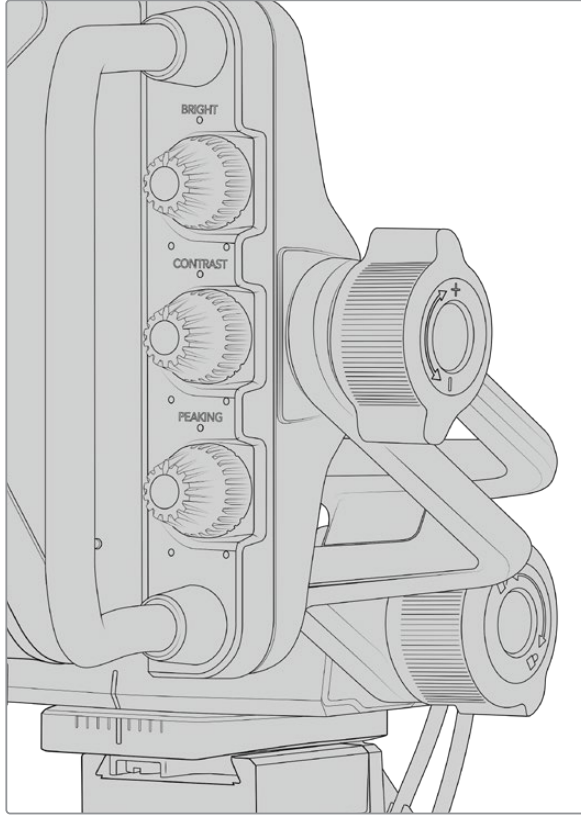
## Blackmagic URSA Studio Viewfinder 조절하기

Blackmagic URSA Studio Viewfinder는 커다란 손잡이와 다양한 강도 조절이 가능한 연접식 마운팅을 탑재해 카메라를 옮기지 않고도 뷰파인더의 위치와 각도를 조절할 수 있습니다. 커다란 손잡이를 통해 뷰파인더를 쉽고 빠르게 제어할 수 있으며 각도 및 방향을 조절할 수 있습니다. 손잡이와 선 후드가 함께 통합되어 있어 스크린 손상을 방지하기 때문에 완전히 조립된 Blackmagic URSA Studio Viewfinder를 분리하지 않고 그대로 운반 케이스에 보관할 수 있습니다. 또한 커다란 손잡이를 사용해 장소 이동 시 쉽게 운반할 수 있습니다.

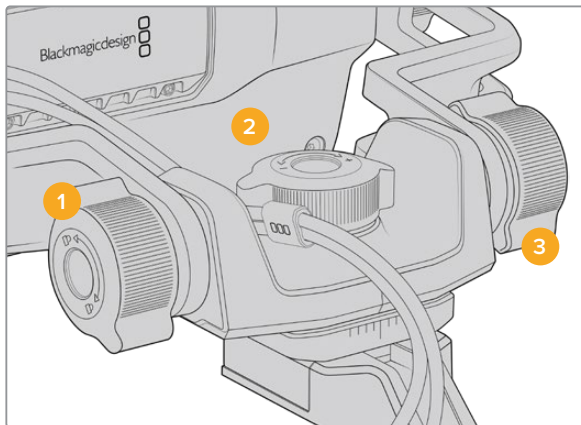


제품과 함께 제공되는 마운트에는 팬/틸팅 지원 다이얼이 탑재되어 있으며, 장력 조절 나사가 뷰파인더 양쪽에 추가로 탑재되어 마찰 항력을 조절할 수 있습니다. 왼쪽 다이얼을 사용해 암의 마찰 항력을 조절할 수 있으며 원하는 각도를 찾은 경우, 오른쪽 다이얼을 사용해 뷰파인더를 고정시킬 수 있습니다.

이 장력 조절 나사는 폭넓은 조절 범위를 제공해 특정 저항값으로 설정할 수 있습니다. 이를 통해 뷰파인더를 원하는 위치로 정확하게 조절할 수 있습니다.



뷰파인더 양쪽에 탑재된 장력 조절 다이얼

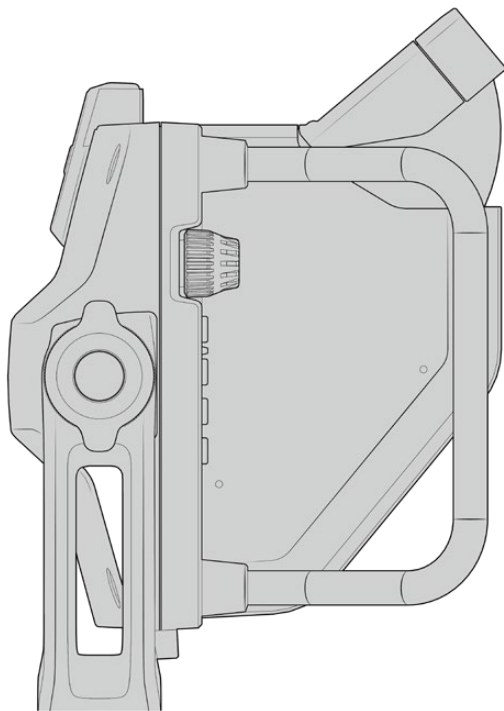
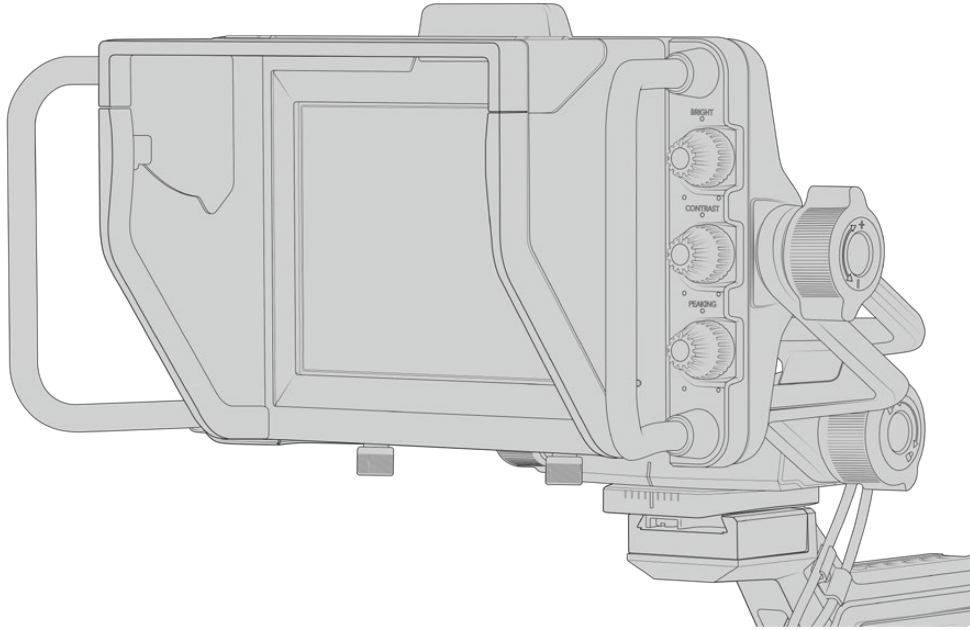


- 1 틸트 잠금 다이얼**  
뷰파인더 장치의 기울어진 정도를 고정하는 데 사용합니다.
- 2 팬 장력 조절 다이얼**  
팬 장력을 제어합니다.
- 3 틸트 장력 조절 다이얼**  
틸트 장력을 제어합니다.

**정보** 제품과 함께 제공되는 마운트 컨트롤 중간에 있는 장력 조절 나사는 패닝 장력을 조절합니다. 이 나사를 풀러 뷰파인더를 잡고 카메라를 독립적으로 움직일 수 있습니다. 즉, 모터스포츠 같은 촬영에서 움직임을 따라가기 위해 뷰파인더를 사용자의 눈 앞쪽으로 가져가 카메라를 좌/우로 패닝할 수 있습니다. 마운트에는 있는 시각 가이드를 통해 뷰파인더를 쉽게 중앙으로 다시 위치시킬 수 있습니다.

## 선 후드

선 후드를 탑재해 해가 화창한 상황에서도 스크린을 볼 수 있습니다. 선 후드를 장착하려면 Blackmagic URSA Studio Viewfinder 위에 끼우고 제대로 장착될 때까지 밀어 넣은 뒤, 두 개의 캡티브 나사를 선 후드 하단에 고정하세요. 바이저의 윗부분이 조절되므로 이를 내리거나 올려 시야각을 추가로 확보할 수 있습니다. 선 후드는 7인치 스크린을 위한 보호 기능을 추가로 제공하며 필요에 따라 또는 소프트웨어 업데이트를 위해 USB-C 커넥터에 연결해야 하는 경우, 쉽고 빠르게 제거할 수 있습니다.

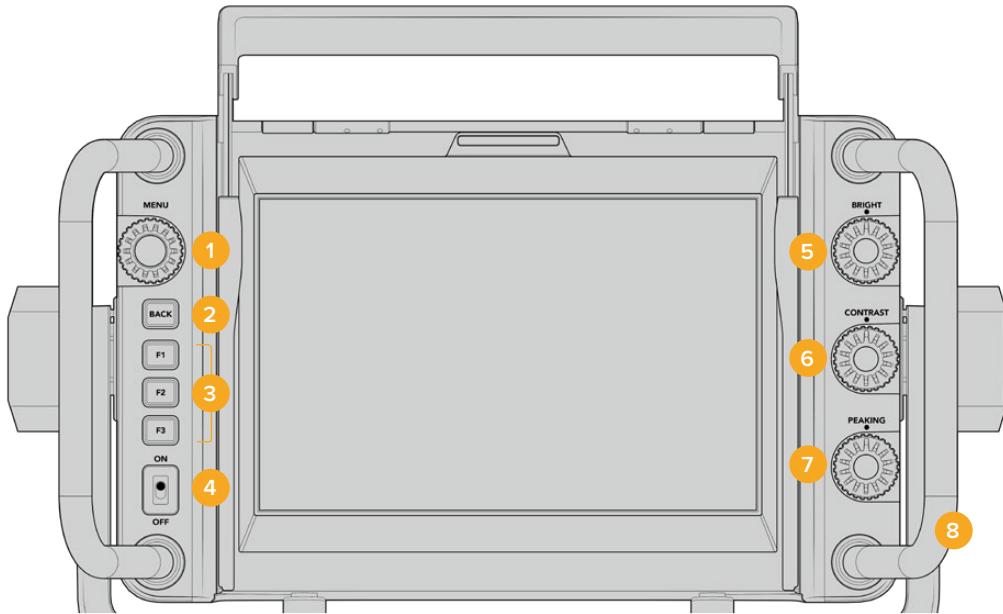


선 후드와 조절 가능한 바이저



## 버튼 기능

우측 하단에 있는 다이얼을 사용해 밝기와 콘트라스트, 피킹을 쉽고 빠르게 변경할 수 있습니다. 측면에 탑재된 다이얼은 인체 공학적으로 설계되어, 선 후드 사용 시 엄지 손가락으로도 조절할 수 있으며, 손가락 두 개를 사용하면 좀 더 세밀한 조정이 가능합니다.



### 1 MENU 다이얼

푸시 버튼 타입의 MENU 다이얼을 사용해 메뉴에 접속하고 뷰파인더 설정으로 이동할 수 있습니다.

### 2 BACK 버튼

메뉴 시스템을 빠져나갈 때 사용합니다.

### 3 F1, F2, F3

지정 가능한 기능 버튼입니다. 자주 사용하는 기능을 이 버튼에 지정해 쉽게 사용할 수 있습니다.

### 4 ON/OFF 스위치

Blackmagic URSA Studio Viewfinder 전원을 켜고 끕니다.

### 5 BRIGHT

스크린 속 영상 밝기를 조절합니다. -100 ~ +100 사이의 밝기 정도를 나타내는 오버레이가 스크린에 나타납니다.

### 6 CONTRAST

스크린 속 영상 콘트라스트를 조절합니다. -100 ~ +100 사이의 콘트라스트 레벨을 나타내는 오버레이가 스크린에 나타납니다.

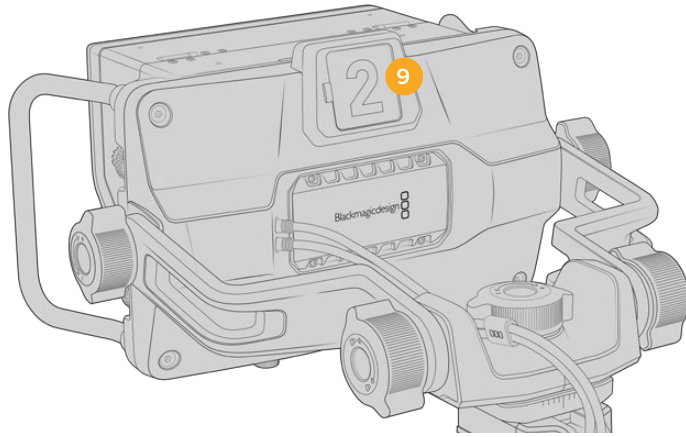
### 7 PEAKING

스크린 속 영상 피킹 레벨을 조절합니다. -100 ~ +100 사이의 피킹 레벨을 나타내는 오버레이가 스크린에 나타납니다. 설정 메뉴에서는 촬영 환경에 맞는 다양한 종류의 피킹을 선택할 수 있습니다. 초점이 잘 맞은 부분에 컬러 라인이 나타나는 옵션뿐만 아니라, 다른 방송 시스템에서 흔히 사용되는 전형적인 방식의 포커스 피킹 옵션 또한 제공합니다. URSA Mini는 빨간색, 파란색, 검은색, 흰색 라인을 지원해, 특정 색상이 많이 나타나는 촬영 환경에서 컬러 라인이 눈에 더욱 잘 보이도록 해줍니다.

### 8 손잡이

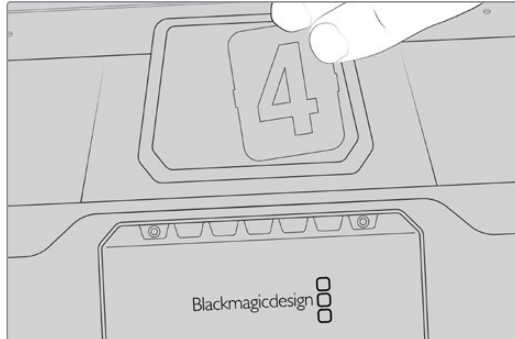
촬영 도중 카메라 위치를 변경할 때는 Studio Viewfinder에 내장된 커다란 손잡이를 통해 뷰파인더를 고정시킬 수 있습니다. 또한 카메라 셋업 작업이나 짐을 풀 경우에는 스크린을 보호하는 역할도 제공합니다.





- 9 탈리 라이트 Blackmagic URSA Studio Viewfinder 뒷면에 있는 커다란 탈리 라이트를 통해 출연자와 카메라 운영자가 현재 방송 중인 카메라 및 곧 방송될 카메라가 무엇인지 확인할 수 있으며, 개별 녹화가 진행 중인지의 여부도 확인할 수 있습니다. 방송 중에는 빨간 불이, 미리보기 시에는 녹색 불이 탈리 라이트에 들어오며, URSA Mini와 함께 사용할 경우에는 개별 녹화 시 주황 불이 들어옵니다.

감독이 ATEM 스위처로 카메라의 컷 트랜지션을 수행하면 탈리 정보가 SDI를 통해 카메라로 다시 전송되어, 방송될 장면이 미리보기 중이거나 방송/녹화 중인 경우에 탈리 불빛이 켜집니다. URSA Studio Viewfinder에는 탈리 라이트에 탈부착할 수 있는 투명한 카메라 번호판 또한 포함되어 있어 최대 6미터 거리에서도 출연자가 카메라 번호를 쉽고 분명하게 확인할 수 있습니다.



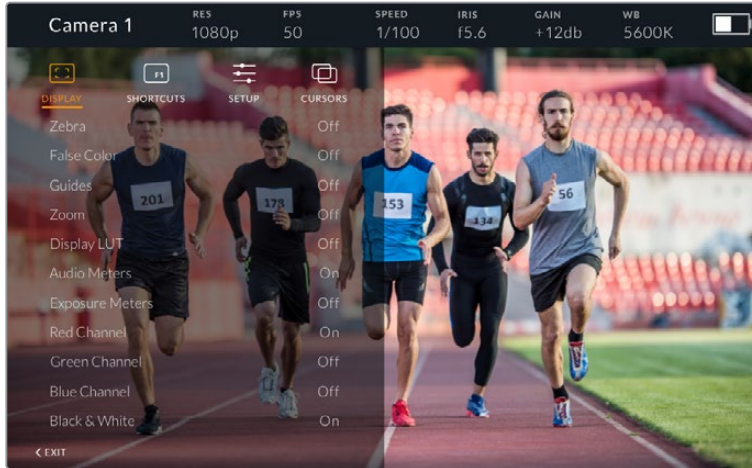
소프트웨어 설치 프로그램에는 사용자가 편집 가능한 PDF 파일이 포함되어 있어, 이를 이용해 자신만의 탈리 숫자를 편집 및 출력할 수 있으며 자신이 원하는 스타일로 직접 제작할 수도 있습니다. Camera 4.1 소프트웨어를 설치하고 나면 Mac의 경우, '응용프로그램' > 'Blackmagic Cameras' > '도큐먼트' 폴더에서, PC의 경우, 'Blackmagic Design' > '문서' 폴더에서 해당 파일을 찾을 수 있습니다.

탈리 라이트 불빛은 ATEM에서 스위칭을 실행할 때마다 이에 맞게 변합니다. 카메라가 스위처에 연결되어 있지 않은 경우, 탈리 라이트에는 녹화를 알리는 빨간 불빛만 들어옵니다. 자세한 정보는 [Studio Camera 제어 방식 이해하기] 부분을 참고하세요.

**정보** Blackmagic URSA Studio Viewfinder를 ATEM 스위처와 함께 사용할 경우, URSA Mini에서 반드시 클린 피드를 선택해야 ATEM 스위처로 출력되는 SDI에 오버레이 및 포커스 박스가 나타나지 않습니다. URSA에서 'MONITOR' 메뉴로 이동한 뒤, 'Main SDI'에서 'CLEAN FEED'를 선택하세요.

## 메뉴 설정

푸시 방식의 버튼인 MENU 다이얼을 눌러 메뉴에 접속할 수 있으며, 다이얼을 돌리면 메뉴 옵션을 위/아래로 탐색할 수 있습니다. 각 메뉴의 글자가 하이라이트 된 상태에서 MENU 다이얼을 누르면 디스플레이, 단축키, 설정, 커서 메뉴 간 전환이 가능합니다. 다이얼을 돌려 각 메뉴의 설정을 스크롤 할 수 있습니다. 설정 항목이 하이라이트 된 상태에서 MENU 다이얼을 누른 후 이를 돌려 해당 설정을 조정할 수 있습니다. MENU 다이얼을 한 번 더 누르면 선택 사항이 저장됩니다. BACK 버튼을 누르거나 메뉴 화면의 'EXIT'를 선택하면 메뉴 밖으로 빠져나갈 수 있습니다.



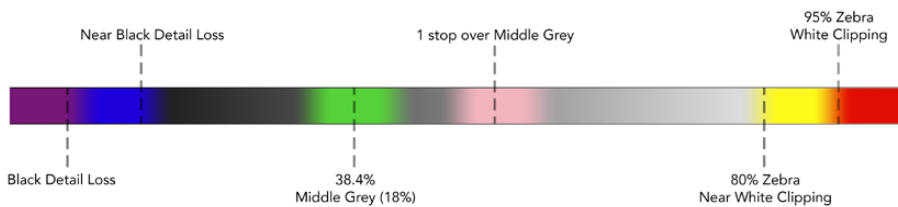
### 디스플레이(DISPLAY)

#### 지브라(Zebra)

지브라 레벨을 On/Off 합니다. 지브라 레벨은 URSA Mini의 'MONITOR' 메뉴 내 'All' 부분의 설정에 따라 달라집니다. Studio Viewfinder가 URSA Mini에 연결되어 있지 않은 경우, Rec 709 신호의 휘도 레벨 95%가 지브라 레벨로 나타납니다. 더 자세한 정보는 본 설명서의 [설정하기] 부분을 참고하세요.

#### 폴스 컬러(False Color)

폴스 컬러 기능을 켜고 끌 수 있습니다. 폴스 컬러 오버레이 기능은 이미지 위에 노출값을 나타내는 여러 가지 색상을 더하여 이미지 속 서로 다른 요소의 노출값을 확인할 수 있는 기능입니다. 예를 들어, 분홍색은 밝은 피부톤에 최적인 노출을, 녹색은 어두운 피부톤에 최적인 노출을 나타냅니다. 인물을 촬영할 때 폴스 컬러의 분홍색 또는 녹색 부분을 모니터링하여 피부톤을 위한 최적의 노출값을 지속적으로 유지할 수 있습니다. 마찬가지로, 이미지 속 피사체가 노란색에서 빨간색으로 변하면 노출값이 높다는 것을 의미합니다. 노출 설정 시 흔히 사용되는 폴스 컬러 기능을 기능 버튼에 지정하면, 쉽고 빠르게 해당 기능을 사용할 수 있습니다.



폴스 컬러 차트

#### 가이드(Guides)

가이드를 표시하거나 감출 수 있습니다. 가이드 유형은 URSA Mini의 'MONITOR' 메뉴 내 'All' 부분에 설정된 가이드 유형과 일치합니다.

총횡비, 프레임 가이드의 불투명도 레벨, 안전 영역 퍼센트, 그리드 표시 유형은 카메라에 설정한 값과 일치합니다. 원하는 가이드 유형이 Studio Viewfinder 화면에 표시되게 하려면, Studio Viewfinder의 'SETUP' 메뉴에서 원하는 가이드 유형을 선택합니다. 이제 가이드 항목을 클릭 한 번으로 On/Off 하여 가이드를 표시하거나 감출 수 있습니다.

### **줌(Zoom)**

줌 기능을 On/Off 합니다. 줌 기능을 사용하면 화면을 확대시켜 더욱 선명한 초점을 맞출 수 있습니다. 화면이 확대되면 MENU 다이얼을 좌/우로 움직여 스크린의 특정 부분으로 이동합니다. 오버레이를 통해 영상의 어떤 부분을 확대했는지 알 수 있습니다.

### **LUT 디스플레이(Display LUT)**

URSA Mini에서 필름 다이내믹 레인지의 SDI 신호를 전송할 경우 Film to Video 및 Film to Extended Video 설정을 사용하면 더욱 풍부한 색감과 높은 콘트라스트를 제공하는 LUT를 이미지에 적용할 수 있습니다. 이러한 LUT 중 하나를 사용할 경우 뷰파인더에서 이를 감지해 해당 LUT를 뷰파인더에서 켜고 끌 수 있는 옵션을 제공합니다. 디스플레이 LUT가 SDI 출력에 활성화되거나 다른 종류의 LUT을 사용할 경우, 여러 개의 LUT가 적용되는 것을 막기 위해 해당 옵션이 비활성화됩니다.

### **오디오 미터(Audio Meters)**

오디오 미터는 SDI를 통해 Blackmagic URSA Studio Viewfinder로 입력되는 오디오 레벨을 보여주므로 URSA Mini의 오디오 입력 레벨을 표시하게 됩니다. 프로그램 입력이 선택된 경우에는 오디오 미터에 프로그램 입력의 오디오 레벨이 나타납니다.

### **노출 미터(Exposure Meters)**

히스토그램 디스플레이를 On/Off로 전환합니다.

### **Red 채널(Red Channel)**

카메라 영상의 Red 채널을 On/Off로 전환합니다.

### **Green 채널(Green Channel)**

카메라 영상의 Green 채널을 On/Off로 전환합니다.

### **Blue 채널(Blue Channel)**

카메라 영상의 Blue 채널을 On/Off로 전환합니다.

### **흑백(Black & White)**

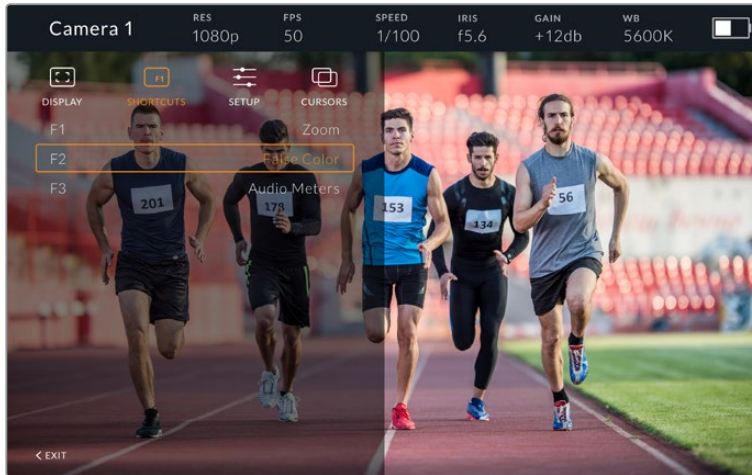
컬러와 흑백 사이를 전환합니다.

## **단축키(SHORTCUTS)**

단축키를 설정하는 메뉴로, 특정 기능을 F1, F2, F3 버튼에 매핑할 수 있습니다. 이러한 단축키 버튼을 통해 디스플레이 메뉴 또는 커서 메뉴에 있는 모든 설정을 빠르게 On/Off 할 수 있습니다. 단축키 기능은 자주 사용하는 특정 기능에 신속하게 접속할 수 있는 유용한 기능입니다.

다음은 단축키 버튼을 지정하는 방법입니다. 'SHORTCUTS' 메뉴에서 MENU 다이얼 버튼을 돌려 위/아래로 이동한 뒤, 세 개의 버튼 중에서 하나의 버튼을 눌러 선택합니다. MENU 다이얼 버튼을 눌러 선택을 확인한 뒤, MENU 다이얼을 돌려 지정 가능한 기능을 찾습니다. 다음과 같은 기능을 선택할 수 있는 옵션이 주어집니다. 줌, 커서 1, 커서 2, 커서 3, 지브라, 폴스 컬러, 가이드, Film to Video, 오디오 미터, 노출 미터, Red 채널, Green 채널, Blue 채널, 흑백 중에서 선택할 수 있습니다. 원하는 기능을 선택한 뒤, MENU 버튼을 눌러 선택을 저장하면 해당 기능이 단축키에 지정됩니다. 이제 단축키를 눌러 해당 기능을 On/Off 할 수 있습니다.

단축키 설정이 끝나면 'EXIT'라는 글자가 보일 때까지 화면을 스크롤한 후, MENU 다이얼 버튼을 눌러 메뉴 화면을 닫거나 BACK 버튼을 눌러 메뉴 화면을 빠져 나갑니다.



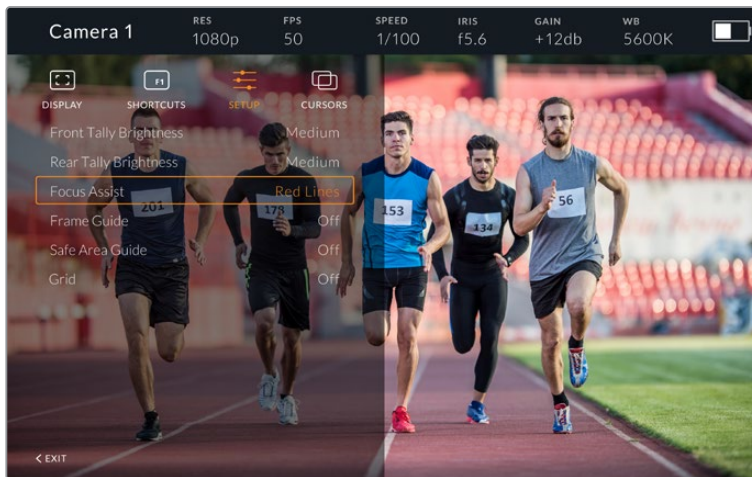
단축키 하위 메뉴

## 설정(SETUP)

이 메뉴에서는 뷰파인더의 환경 설정을 수행할 수 있습니다.

### 전면 탈리 밝기(Front Tally Brightness)

LED 탈리 밝기를 끄기(Off), 낮음(Low), 중간(Medium), 높음(Hight)으로 조절할 수 있습니다. 설정을 조절하면 탈리 불빛이 들어와 각 단계 빛의 세기를 직접 확인하실 수 있습니다.



설정 하위 메뉴

### 후면 탈리 밝기(Rear Tally Brightness)

LED의 탈리 밝기를 끄기(Off), 낮음(Low), 중간(Medium), 높음(Hight)으로 조절할 수 있습니다. 설정을 조절하면 탈리 불빛이 들어와 각 단계 빛의 세기를 직접 확인하실 수 있습니다.

**정보** 어떤 상황에서도 연기자 및 운영자가 선명하게 확인할 수 있도록 LED의 밝기를 'High'로 설정할 것을 권장합니다. 어두운 환경에서 촬영할 때에는 탈리 불빛이 잘 보이므로 LED 밝기를 'Low'로 설정하는 것이 좋습니다.



### 포커스 어시스트(Focus Assist)

뷰파인더에 나타나는 피킹을 켜고 끌 수 있습니다. 일반적인 피킹 색상 이외에도 'Red', 'Green', 'Blue', 'Black', 'White' 중에서 선택할 수 있습니다.

### 프레임 가이드(Frame Guide)

Studio Viewfinder 가이드의 일부로 프레임 가이드를 사용하도록 선택할 수 있습니다. URSA Mini에 연결하여 사용할 시에는 카메라 프레임 가이드의 종횡비를 나타냅니다. 기타 시스템에 연결할 때에는 14:9 종횡비가 기본 설정으로 사용됩니다.

### 안전 영역 가이드(Safe Area Guide)

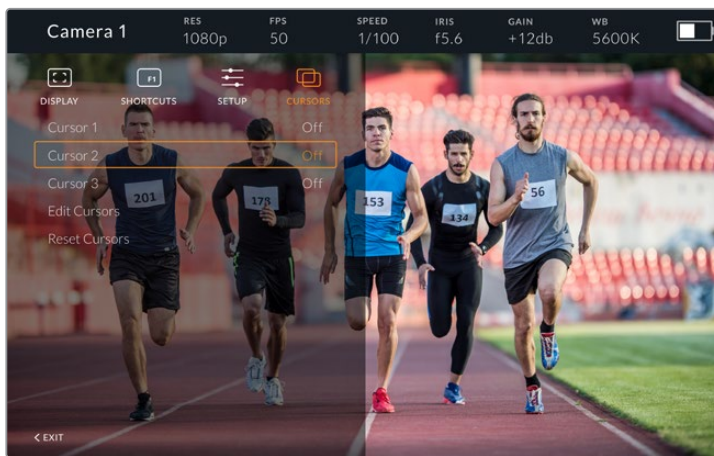
Studio Viewfinder의 가이드 기능 일부로서 안전 영역을 표시하도록 설정할 수 있습니다. URSA Mini에 연결하여 사용할 때는 카메라의 'SAFE AREA GUIDE'에 설정된 퍼센트와 동일합니다. 기타 시스템에 연결할 때에는 90%가 기본 설정으로 사용됩니다.

### 그리드(Grid)

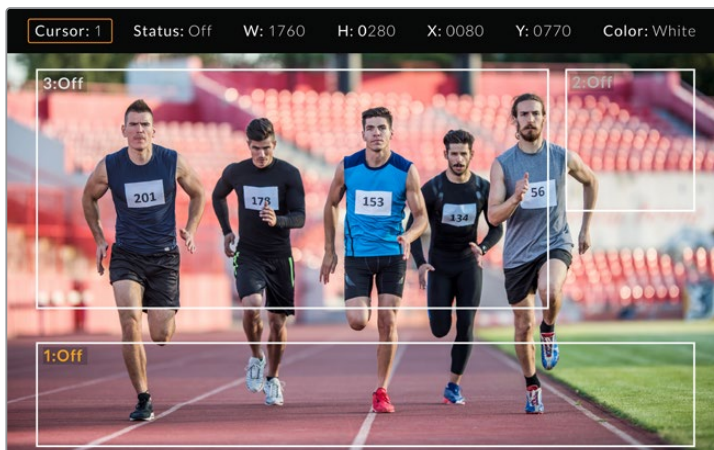
Studio Viewfinder 가이드의 일부로 그리드를 사용하도록 선택할 수 있습니다. URSA Mini에 연결하여 사용할 시에는 카메라의 'GRIDS' 설정과 동일합니다. 연결된 카메라가 없을 경우에는 십자선 기능을 On/Off 하는 용도로 사용됩니다.

### 커서(CURSORS)

커서는 스크린에서 하단 3분의 1 그래픽 및 로고, 뉴스 자막 같은 그래픽이 나타나는 곳을 표시하기 위한 기능입니다. 이 기능을 조절하려면 'CURSORS'로 이동하여 'Edit Cursors'를 선택합니다. 그러면 세 가지의 커서가 화면에 모두 나타납니다. 각 커서를 개별적으로 선택하여 해당 커서의 폭과 높이, X/Y 좌표를 조절하면 함으로써 커서의 개별 위치를 지정할 수 있습니다.



커서 하위 메뉴



화면에 나타난 커서

커서 설정을 완료하면 'CURSORS' 메뉴에서 On/Off 하거나, 신속한 접속을 위해 기능 버튼에 이를 지정할 수 있습니다. 생방송 제작 환경에서는 카메라 운영자가 커서 사용을 고려하여 더욱 정확하게 촬영shots을 구성하고 프레이밍할 수 있어 더욱 중요한 기능입니다. 높이, 폭, 위치가 다양한 흑/백 커스텀 커서를 최대 세 개까지 생성할 수 있어, 생방송이나 방송 중 또는 후반 제작에서 추가되는 모든 그래픽의 크기와 위치를 손쉽게 맞출 수 있습니다. 커서를 기본 설정 상태로 되돌릴 수 있는 옵션 또한 사용할 수 있습니다.

## Blackmagic URSA Studio Viewfinder에 헤드셋 사용하기

URSA Mini에서 Blackmagic URSA Studio Viewfinder 사용 시, 카메라의 헤드폰 연결 단자를 토크백 헤드셋 연결에 사용할 수 있어, 감독과 직접적인 의사소통이 가능합니다.

첨단 토크백 기능을 위해 Blackmagic Camera Fiber Converter와 Blackmagic Studio Converter를 추가할 경우, 5핀 XLR 커넥터가 탑재된 표준 방송용 헤드셋을 사용할 수 있습니다. 더 자세한 정보는 본 설명서의 [Blackmagic 광섬유 컨버터] 부분을 참고하세요.

**정보** URSA Mini의 헤드폰 소켓은 iPhone의 헤드폰 소켓과 호환하기 때문에 iPhone 헤드셋으로 감독과 의사소통할 수 있습니다. 헤드셋에 내장된 리모트에서 해당 버튼을 누르면 감독과 이야기할 수 있습니다.

## URSA Viewfinder의 내부 소프트웨어 업데이트하기

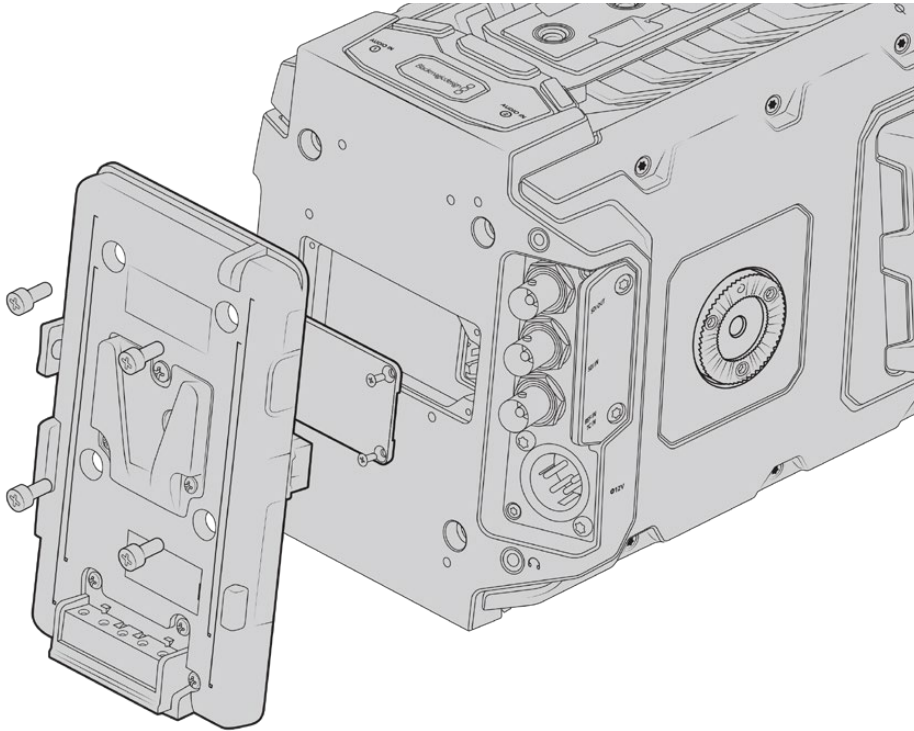
Blackmagic Camera Setup 유틸리티 소프트웨어를 사용하여 뷰파인더를 업데이트하세요. 업데이트 시 뷰파인더의 전원이 연결되어 있어야 하므로 업데이트가 진행되는 동안에는 뷰파인더를 URSA Mini에 연결해두는 것이 좋습니다. URSA Mini에서 지속적으로 전력 공급이 이루어져야 하므로 URSA Mini가 외부 전원에 연결되어 있는지 반드시 확인하세요.

Blackmagic URSA Studio Viewfinder 하단에 있는 USB-C 포트를 사용할 수 있도록 선 후드를 제거한 뒤, 이 곳에 사용 중인 컴퓨터를 연결합니다. 뷰파인더를 컴퓨터에 연결하고 Blackmagic Camera Setup 유틸리티를 실행한 상태에서 뷰파인더가 오래된 버전을 사용 중인 것으로 확인될 경우, 업데이트를 묻는 창이 나타납니다. 뷰파인더의 내부 소프트웨어를 업데이트하려면 화면에 나타나는 지시에 따릅니다. 더 자세한 정보는 [Blackmagic Camera Setup 유틸리티] 부분을 참고하세요.

카메라 성능을 최적화하기 위해 Blackmagic URSA의 모든 장비를 동시에 업데이트할 것을 권장합니다.

**참고** Blackmagic URSA Viewfinder를 URSA Mini에 장착해 사용할 경우, 호환성을 위해 뷰파인더의 내부 소프트웨어를 최신 버전으로 업데이트할 것을 권장합니다. Blackmagic 고객 지원 센터([www.blackmagicdesign.com/kr/support](http://www.blackmagicdesign.com/kr/support))에서 최신 소프트웨어를 확인할 수 있습니다. 더 자세한 정보는 [Blackmagic Camera Setup 유틸리티] 부분을 참고하세요.

## 배터리 장착하기



서드 파티 배터리 플레이트를 장착하면 V-Mount 및 골드 마운트 배터리를 장착할 수 있습니다

### V-마운트 및 골드 마운트 배터리 장착하기

표준형 V-마운트 또는 골드 마운트 배터리를 Blackmagic URSA Mini에 손쉽게 장착할 수 있습니다.

배터리를 장착하기 위해서는 Blackmagic URSA VLock Battery Plate나 URSA Gold Battery Plate, 혹은 서드파티 배터리 플레이트를 Blackmagic URSA 카메라의 플레이트 마운트에 장착해야 합니다.

**정보** Blackmagic URSA VLock Battery Plate 및 URSA Gold Battery Plate는 호환 배터리의 정보를 퍼센트 단위로 제공합니다. 이 제품들은 D탭 또는 P탭이라고 불리는 +12V 출력 커넥터가 탑재되어 있어 외부 모니터 같은 액세서리에 전원을 공급할 수 있습니다. 출력되는 전원은 카메라에서 안정화, 즉 정전압 처리되며, 카메라의 전원이 꺼질 때 해당 출력도 안전하게 꺼진다는 점을 알아두세요. 정전압 출력은 12V(최대 1.5암페어)입니다. 일부 서드파티 URSA 배터리 플레이트 제품, 혹은 배터리 제품은 안정화되지 않은, 즉 비정전압의 D탭 출력을 제공합니다. 이런 제품들은 카메라가 리부팅되거나 꺼질 때에도 전원 공급을 계속하지만, 배터리 잔량에 따라 출력 전압이 달라지며 연결된 액세서리로 인해 배터리가 계속해서 소모되는 단점이 있습니다.

Blackmagic URSA VLock Battery Plate는 Blackmagic Design 리셀러로부터 구입할 수 있으며, 서드 파티 V-마운트 및 골드 마운트 배터리 플레이트는 전문 디지털 시네마 및 비디오 장비 공급 업체로부터 구입할 수 있습니다.

Blackmagic URSA 또는 Blackmagic URSA Mini에 맞는 배터리 플레이트를 구입하지 않고 직접 배터리 플레이트를 개조하여 사용할 경우에는 제품에 포함된 어댑터 케이블과 커넥터를 사용하면 됩니다. [기존 배터리 플레이트 사용하기] 부분을 참고하여 URSA Mini에 맞는 배터리 플레이트 개조 방법을 확인하세요.

### 카메라 후면 패널에 배터리 플레이트 장착하기

- 1 URSA Mini 후면 패널에 Molex 전원 커버가 부착되어 있다면, PH1 십자 드라이버로 모서리 부분에 있는 나사 4개를 풀어 이를 분리합니다.
- 2 배터리 플레이트의 Molex 커넥터에 카메라의 Molex 전원 커넥터를 연결하세요.
- 3 4개의 M3 나사를 사용하여 배터리 플레이트를 Blackmagic URSA Mini의 플레이트 마운팅 포인트에 장착합니다. 나사를 조일 때 커넥터의 케이블이 플레이트 사이에 끼지 않도록 케이블 슬롯에 잘 집어넣습니다.
- 4 카메라에 배터리 플레이트가 장착되었으므로, 이제 V-마운트 및 골드 마운트 배터리를 장착할 수 있습니다.

## 기존 배터리 플레이트 사용하기

### 어댑터 케이블과 커넥터

URSA Mini에 맞는 배터리 플레이트가 없어 직접 배터리 플레이트를 변형하여 사용하는 경우에는 함께 제공되는 어댑터 케이블과 커넥터를 사용할 수 있습니다. 이 케이블과 커넥터는 Blackmagic Design 지원 사무실에서도 구입할 수 있습니다.

다음과 같은 방식으로 배터리 플레이트에 어댑터 케이블과 커넥터 간 배선 작업을 하세요.

- 1 빨간색 전선과 검은색 전선의 피복을 각각 약 1cm 정도 벗깁니다.
- 2 빨간색 Batt 전선 4개를 배터리 플레이트에 있는 해당 양극 전선에 납땜합니다.
- 3 검은색 GND 전선 4개를 배터리 플레이트에 있는 해당 음극 전선에 납땜합니다.

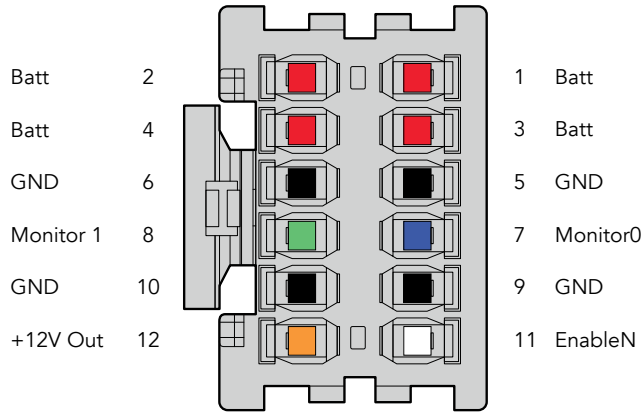
접합 부분이 제대로 절연되어 있는지 확인하세요.



URSA 제품에 연결할 배터리 플레이트를 변형하려면 제품과 함께 제공되는 어댑터 케이블과 커넥터를 사용하세요. Blackmagic Design 지원 사무실에서 직접 구매하실 수도 있습니다

이는 카메라에 배터리 전원을 공급합니다. 12V 출력 및 배터리 상태 확인 같은 기능을 사용하기 위해 전선을 추가로 연결할 수도 있습니다. 보유한 배터리 플레이트의 정보와 다이어그램, 그리고 아래 표를 참고하여 전선을 연결하세요. 지원이 필요한 경우, Blackmagic Design 지원 센터 ([www.blackmagicdesign.com/kr/support](http://www.blackmagicdesign.com/kr/support))를 방문하세요.





어댑터의 커넥터 하우징 후면 배선 구성표에서 각 핀의 설명을 확인하세요.

### 배선 구성표

핀	신호	색상	방향	상세 설명
1, 2, 3, 4	Batt	빨간색	URSA 방향	12V - 20V
5, 6, 9, 10	GND	검정색	-	-
7	Monitor0	파란색	URSA 방향	아날로그 배터리 잔량 표시 또는 오픈 드레인 데이터 라인(최대 20V)
8	Monitor1	초록색	URSA 방향	오픈 드레인 클럭 라인(최대 3.4 V)
12	+12 V 출력	주황색	URSA 반대 방향	12V 정전압 출력 최대 1.5 A(18W)
11	EnableN	흰색	URSA 방향	GND에 연결하여 +12V 출력을 활성화하세요. +12V 출력이 필요하지 않을 시에는 연결하지 않고 그대로 둡니다.

Batt 및 GND 핀은 각각 3암페어를 지원합니다. Batt 및 GND 핀이 모두 제대로 연결되어있는지 확인하세요. Anton Bauer 및 IDX, Blueshape 플레이트를 사용하여 배터리 상태를 모니터링하려는 경우, 다음 설명대로 연결하세요.

<b>Anton Bauer</b>	줄무늬가 있는 파란색/흰색 전선을 하우징의 핀 7에 있는 초록색 전선에 연결하세요.
<b>IDX</b>	초록색 전선을 하우징의 핀 8에 있는 초록색 전선에, 회색 전선을 하우징의 핀 7에 있는 파란색 전선에 연결하세요.
<b>Blueshape</b>	SMBC라고 적힌 파란색 전선을 하우징의 핀 8에 있는 초록색 전선에 연결하세요. SMBD라고 적힌 갈색 전선을 하우징의 핀 7에 있는 파란색 전선에 연결하세요.

사용하지 않는 전선은 어댑터 커넥터 뒤에 가장 가깝게 잘라내 안전하게 보관합니다.

# Blackmagic 광섬유 컨버터

Blackmagic Camera Fiber Converter와 Blackmagic Studio Fiber Converter는 카메라와 ATEM 스위처 사이의 SMPTE 광섬유 연결을 지원하는 카메라 액세스리 옵션입니다.

업계 표준의 SMPTE 하이브리드 광케이블 하나를 사용하여 카메라와 ATEM 스위처를 연결할 수 있으며, 이를 통해 모든 비디오 전원과 토크백, 탈리, 컨트롤 신호를 전송할 수 있습니다. SMPTE 광섬유 연결을 통해 훨씬 적은 수의 케이블로 더욱 효율적이고 간단하게 프로덕션을 셋업할 수 있습니다. Blackmagic Studio Fiber Converter에 탑재된 표준 커넥터를 통해 이미 보유 중인 중계 차량 시설에 광섬유 컨버터를 손쉽게 추가할 수 있습니다.

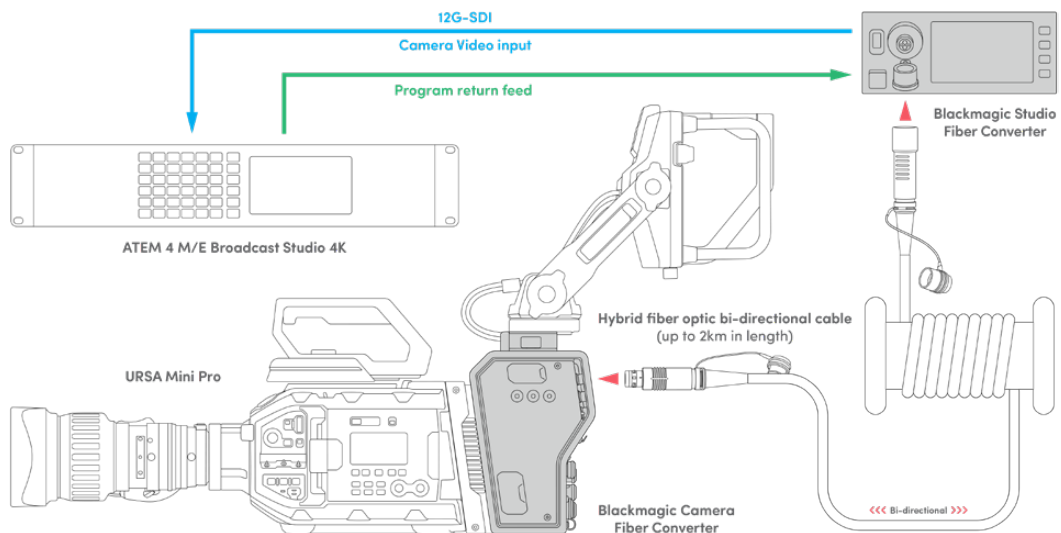


## Blackmagic Camera Fiber Converter

Blackmagic Camera Fiber Converter를 URSA Mini 또는 URSA Broadcast 뒷면에 장착하면 표준 SMPTE 하이브리드 304 커넥터를 통해 Blackmagic Studio Fiber Converter를 연결할 수 있습니다.

## Blackmagic Studio Fiber Converter

이 컨버터는 BNC 케이블을 통해 카메라의 광 SDI 신호를 SDI로 변환한 다음, 이를 ATEM 스위처로 전송합니다. 이 컨버터는 또한 ATEM 스위처의 프로그램 리턴 피드를 포함한 모든 피드 소스를 카메라로 다시 전송합니다.



Blackmagic 카메라와 스튜디오 광섬유 컨버터는 단일 SMPTE 광섬유 케이블을 통해 SDI 비디오 및 전원, 토크백, 탈리, 컨트롤 신호를 모두 효율적으로 전송합니다.

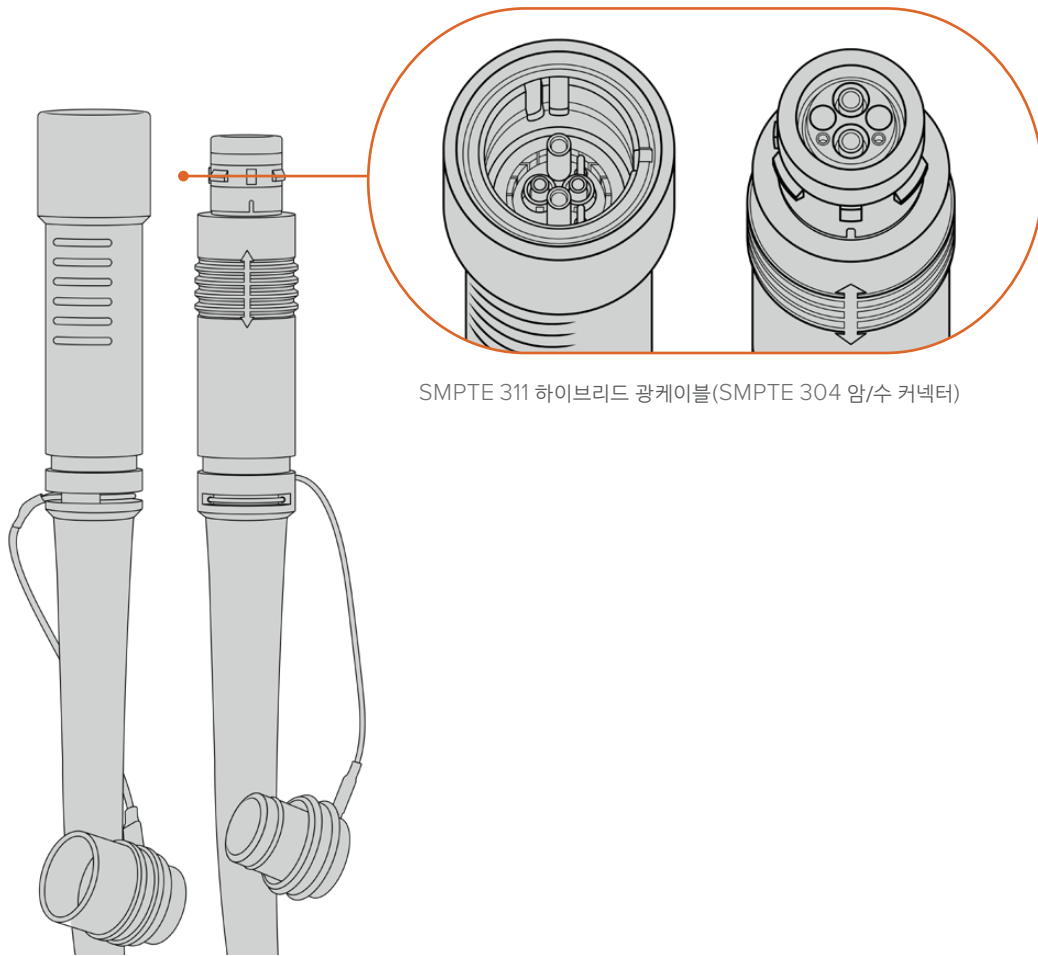
# Blackmagic 광섬유 컨버터 사용하기

쉽고 빠르게 컨버터 사용을 시작할 수 있습니다. 영상 콘텐츠를 더욱 빠르게 제작할 수 있으며 SMPTE 광케이블이 가지는 장점을 모두 활용할 수 있습니다.

## SMPTE 광케이블이란

SMPTE 광케이블은 전원 및 여러 개의 신호를 간소화된 방식으로 장거리 간 전송할 수 있는 케이블입니다. 스위처에 연결된 카메라에 케이블을 여러 개 연결하지 않아도 되어 방송 환경에서 매우 유용합니다.

SMPTE 311 하이브리드 광케이블을 사용하면 하나의 표준 광케이블로 카메라와 ATEM 스위처를 연결할 수 있으며, 모든 비디오 전원과 토크백, 탈리, 컨트롤 신호를 단일 케이블로 전송할 수 있습니다. 광케이블은 또한 최대 2km 떨어진 거리까지 신호와 전원을 공급할 수 있습니다.



SMPTE 311 하이브리드 광케이블(SMPTE 304 암/수 커넥터)

**참고** SMPTE 311 하이브리드 광섬유 케이블 끝부분의 암/수는 SMPTE 304 커넥터 안쪽의 암/수 핀 모양을 통해 구별할 수 있습니다. 외관상으로는 암/수 커넥터를 구별할 수 없습니다.

**정보** 또한 SMPTE 광케이블 양쪽 커넥터에 달린 고무캡과 컨버터 고무캡을 서로 달아두면 먼지나 잔해물이 들어가는 것을 방지할 수 있습니다.

SMPTE 광섬유 연결 사용의 가장 큰 장점은 일반 생방송 환경에서 조종실 또는 중계 차량에 연결할 수 있다는 점입니다. 대부분의 현대 스포츠 경기장에는 카메라와 조종실, 중계 차량에 광케이블이 이미 설치되어 있기 때문에 바로 시스템에 연결이 가능합니다.

기존 광섬유 시스템에 연결하거나 두 대의 Blackmagic 광섬유 컨버터를 서로 연결하는데 사용되는 광케이블은 SMPTE 304 커넥터를 지원하는 SMPTE 311 하이브리드 광케이블입니다.

## SMPTE 커넥터 보호

SMPTE 광케이블 커넥터에 있는 고무캡을 달아 항상 커넥터를 보호하는 것이 중요합니다. 유리 섬유 튜브 끝에 아주 작은 먼지 입자만 쌓여도 신호 흐름을 방해할 수 있기 때문입니다. 평소에 커넥터가 밖으로 노출되자마자 바로 마개를 달아주면 제일 좋습니다. 예를 들어, 연결 직전과 해제 직후에 바로 마개를 열고 닫는 것입니다.

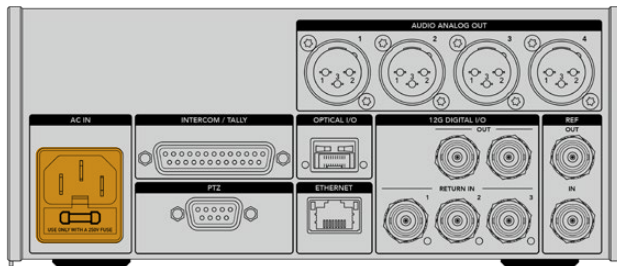
또한 SMPTE 광케이블 양쪽 커넥터에 달린 고무캡과 컨버터 고무캡을 서로 달아두면 먼지나 잔해물이 들어가는 것을 방지할 수 있습니다.

## 전원 연결하기

스튜디오 컨버터에서 광케이블을 통해 카메라 컨버터로 전원이 공급되기 때문에 스튜디오 컨버터의 전원을 먼저 연결합니다.

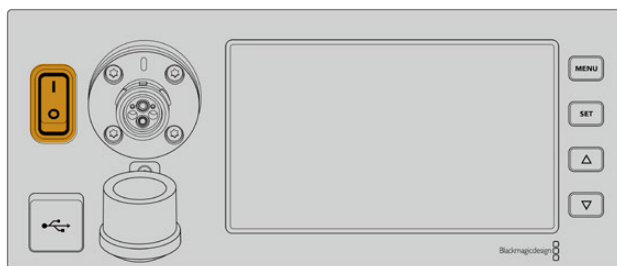
### Studio Fiber Converter 전원 연결하기

표준형 IEC 전원 케이블을 스튜디오 컨버터 뒷면 패널에 연결합니다.



표준형 IEC 전원 케이블을 통해 Studio Fiber Converter에 전원을 공급합니다.

컨버터 전원을 켜려면 전면 컨트롤 패널에 있는 전원 스위치를 On으로 설정합니다.



## SMPTE 광케이블 연결하기

SMPTE 광케이블로 스튜디오 컨버터와 카메라 컨버터 사이를 연결합니다. 이를 통해 스튜디오 컨버터에서 카메라 컨버터로 전원이 공급되고 광케이블을 통해 모든 비디오 피드가 전송됩니다.

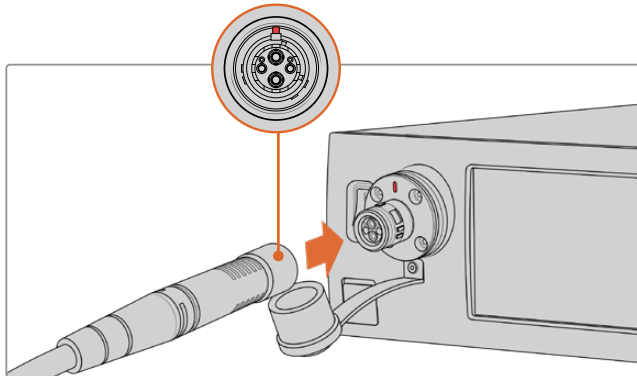
**참고** 전원 공급 기능이 있는 하이브리드 광케이블을 컨버터에 연결할 때마다 광범위한 안전 점검이 시작되며, 제품 사용 중에도 컨버터 전원이 안전한지 지속적으로 모니터링됩니다.

### 스튜디오 컨버터에 광케이블 연결하기

SMPTE 광케이블 연결 단자(수)를 Blackmagic Studio Fiber Converter 전면 패널에 있는 연결 단자(암)에 단단히 고정시킬 수 있습니다. 이는 연결 단자에 있는 고정 장치는 케이블이 방송 도중 빠지는 것을 방지합니다.

#### 케이블 연결하기

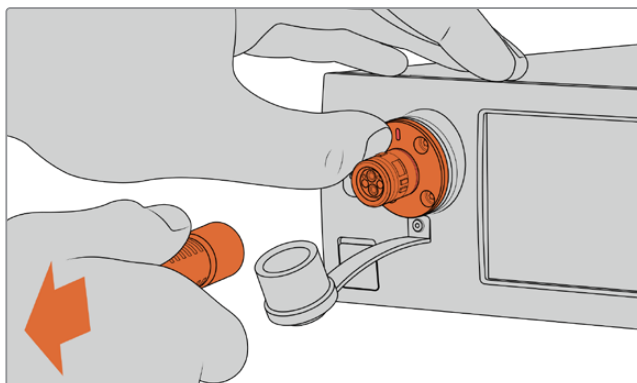
케이블 커넥터에 있는 빨간 표시를 컨버터 광커넥터에 있는 빨간점에 맞춘 다음 커넥터를 연결하면 딸깍 소리와 함께 제대로 장착됩니다.



SMPTE 광케이블 연결 단자(수)를 Blackmagic Studio Fiber Converter 전면 패널에 있는 연결 단자(암)에 연결합니다.

#### 케이블 연결 해제하기

스튜디오 컨버터의 금속 베이스 부분을 패널 방향으로 누르면 다음, 케이블 연결을 해제합니다.



스튜디오 컨버터의 금속 베이스 부분을 패널 방향으로 누르면 케이블 커넥터 부분이 분리되어 연결을 해제할 수 있습니다.

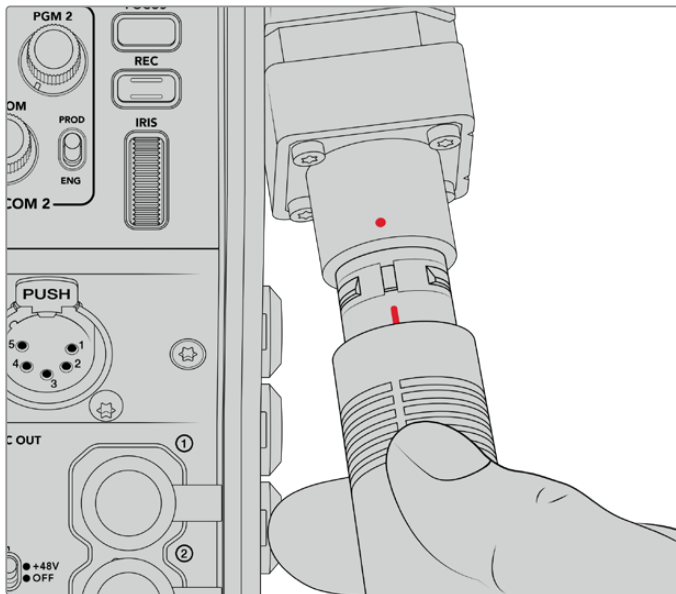
케이블이 장착되면 SMPTE 광케이블 고무캡을 Blackmagic Studio Fiber Converter에 연결해 두는 것이 좋습니다. 고무캡에 먼지나 잔해물이 들어가는 것을 방지하여 깨끗하게 유지할 수 있습니다.

## 카메라 컨버터에 광케이블 연결하기

SMPTE 광케이블 연결 단자(암)를 Blackmagic Camera Fiber Converter에 있는 연결 단자(수)에 단단히 고정시켜 케이블이 방송 도중 빠지지 않도록 합니다.

### 케이블 연결하기

- 1 각 연결 단자에 있는 빨간점을 맞춰 케이블을 카메라 컨버터에 연결하여 단단히 고정시킵니다.
- 2 케이블이 장착되면 SMPTE 광케이블 고무캡을 Blackmagic Studio Camera Converter에 연결해 두는 것이 좋습니다. 고무캡에 먼지나 잔해물이 들어가는 것을 방지하여 깨끗하게 유지할 수 있습니다.

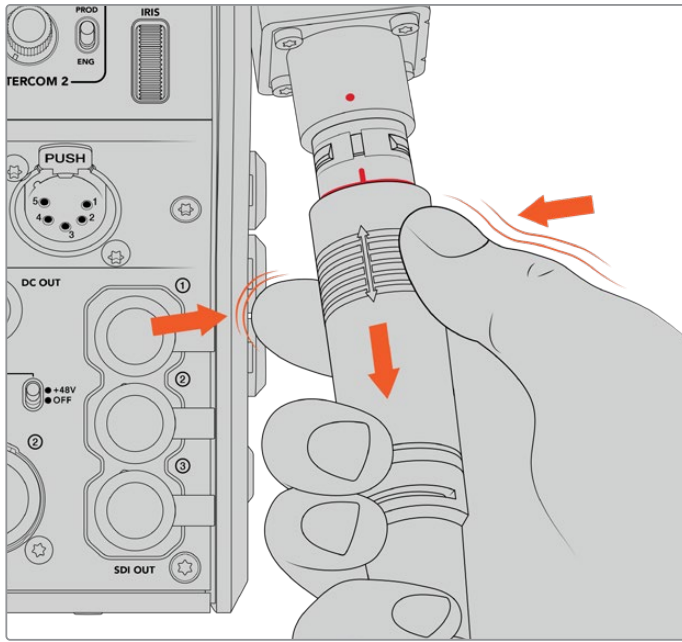


SMPTE 하이브리드 광케이블과 Blackmagic Camera Fiber Converter 커넥터에 있는 빨간점을 서로 맞춰 연결합니다.

**참고** SMPTE 311 케이블에 탑재된 SMPTE 304 커넥터는 내구성이 상당히 우수하며 카메라와의 체결성 또한 뛰어납니다. 케이블을 분리할 경우, 카메라가 삼각대 헤드에 단단히 고정되어 있는지 확인한 다음 한 손으로 카메라를 잡고 다른 한 손으로 케이블을 분리하세요.

### 케이블 연결 해제하기

- 1 케이블 연결 단자(암) 윗부분을 잡고 고무 피복 부분을 눌러 빨간 링이 보일 때까지 천천히 케이블을 분리합니다. 케이블을 눌러야 잠금 장치가 풀립니다.
- 2 카메라를 한 손으로 부드럽게 감싸 쥐고 Blackmagic Camera Fiber Converter의 커넥터에서 케이블을 당깁니다. 무리하게 힘을 주지 않아도 케이블이 쉽게 빠집니다.



케이블 끝의 고무 부분을 눌러 빨간 링이 보이면 케이블을 당겨 분리합니다.

**참고** SMPTE 하이브리드 광케이블은 방송 시스템의 핵심이기 때문에 철저한 관리가 필요합니다. 예를 들어, 케이블이 꼬이거나 90도로 구부러지는 일이 생기지 않도록 주의하시고 무거운 물건을 올려두지 마세요. 케이블을 떨어뜨리지 않도록 주의하시고 조심해서 연결 및 분리하세요. 커넥터를 사용하지 않는 경우엔 고무캡을 항상 닫아두는 것이 좋습니다.

## 전원 및 광케이블 연결 확인

이제 두 개의 컨버터 간에는 핸드셰이크 과정이 확립되어 전원이 안전하게 공급되고 광케이블 또한 안전하게 연결되었습니다.

세부 과정은 다음과 같습니다.

- 1 스튜디오 컨버터가 카메라 컨버터에 저전력 상태를 설정합니다. 저전력 상태일 경우, 카메라 컨버터의 전원 표시등에 빨간 불이 들어옵니다.
- 2 전원이 제대로 연결되면 고전력 상태가 되어 카메라 컨버터 전원 표시등에 초록 불이 들어옵니다.
- 3 광연결이 정상적으로 체결되면 광섬유 상태 표시등에는 초록 불이 나타납니다.

이 과정은 매우 빨리 진행되므로, 상태 표시등에는 거의 즉시 초록 불이 들어옵니다. 장거리 케이블을 사용하는 경우, 핸드셰이크 과정의 지연으로 초록 불이 조금 늦게 나타날 수도 있습니다.

빨간색 전원 불이 초록색으로 변하지 않고 오래 남아있거나, 빨강/초록을 번갈아 깜빡이면 광케이블 연결이 제대로 되어있는지 확인하세요. 신호 방해가 지속될 경우, 광케이블 연결 상태를 확인하세요.



## 전원 안전 유의사항

장거리 고전압 전류 공급이 가능한 SMPTE 하이브리드 광케이블을 사용해 최대 2km 떨어진 곳에 설치된 카메라 및 액세서리에 전원을 공급할 수 있습니다.

Blackmagic Studio Fiber Converter에는 안전 장치가 내장되어 있어 컨버터에 공급되는 전압을 정확하게 모니터링 및 자동 관리합니다.

전용 마이크로 컨트롤러와 Blackmagic 광섬유 컨버터 간의 내부 통신 기능을 통해 하이브리드 광케이블이 Camera Fiber Converter에 연결되기 전까지 비활성화되도록 할 수 있습니다. 그런 다음 저전력 상태를 유지하며 안전 점검을 마친 후에야 고전압 모드로 전환됩니다. 컨버터에서 광섬유 신호 연결과 5mA의 전기 신호 연결을 확인하고, 전원 연결 간의 차이가 30mA 미만인 것을 확인하기 전까지는 고전압 전류가 연결되지 않습니다.

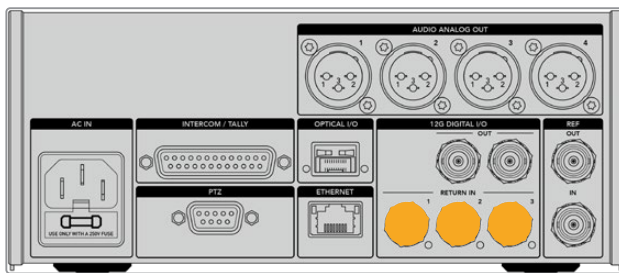
## ATEM 스위처에 연결하기

### 스위처에 Blackmagic Studio Fiber Converter 연결하기

- 1 BNC 케이블을 사용하여 Blackmagic Studio Fiber Converter의 12G-SDI 출력을 스위처 SDI 입력에 연결합니다. 카메라와 스위처의 포맷 및 프레임 레이트를 동일하게 설정하세요.
- 2 스위처의 프로그램 리턴 피드 출력에 연결된 BNC 케이블을 스튜디오 컨버터 뒷면 RETURN IN 1에 연결하세요.

**정보** 라이브 프로덕션에서 여러 대의 카메라를 사용할 경우, Teranex Mini SDI Distribution 12G 또는 Smart Videohub을 통해 스위처의 프로그램 리턴 피드를 운영해야 할 수도 있습니다. 이는, 스위처에서 가능한 프로그램 출력의 수보다 더 많은 출력을 사용해야 할 경우도 있기 때문입니다.

- 3 클린 프로그램 리턴 피드 및 텔레프롬프트 피드, ISO 피드, 그래픽 등 다른 리턴 피드를 카메라에 전송하려면 해당 피드를 RETURN IN 2 또는 3에 연결하세요.



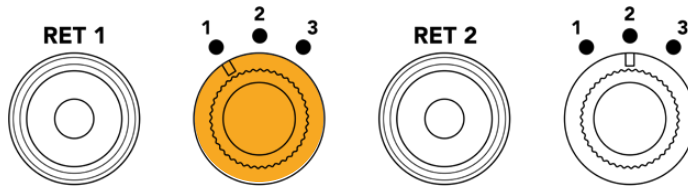
스위처의 프로그램 리턴 피드 및 다른 리턴 소스를 스튜디오 컨버터 뒷면 패널에 있는 RETURN 입력에 연결하세요.

## 비디오 확인하기

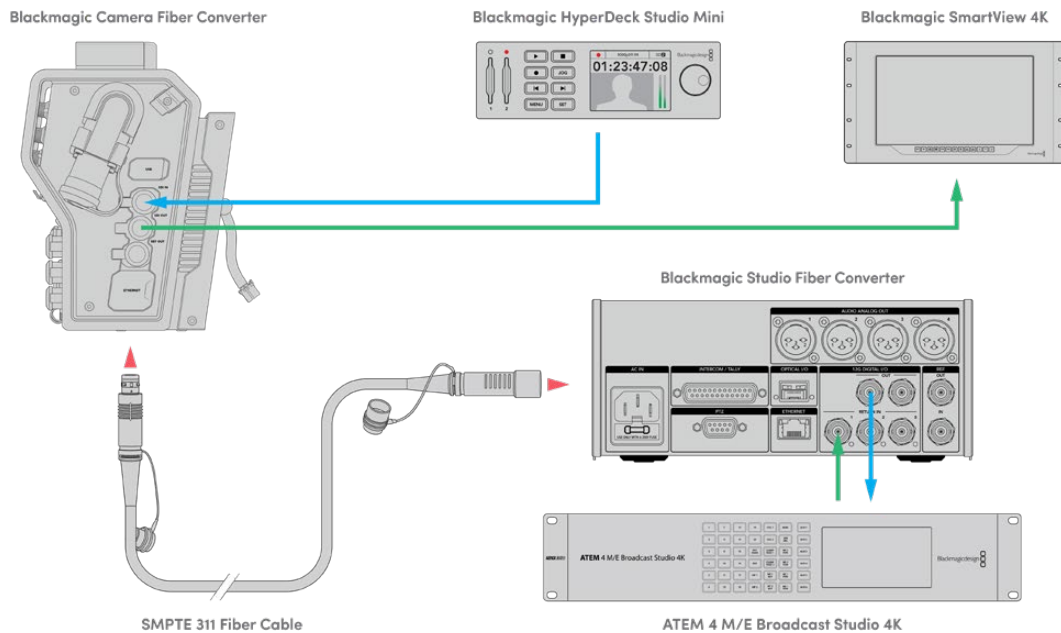
이제 비디오가 제대로 작동하고 모든 리턴 피드가 나타나는 것을 확인할 수 있습니다.

- 1 ATEM 스위처의 프로그램 출력이 스튜디오 컨버터 SDI 리턴 입력 1에 연결되어 있는지 확인하세요.
- 2 모든 리턴 피드를 확인하려면 SDI 리턴 입력 2와 입력3에 영상 소스를 연결하세요.
- 3 이제 Blackmagic SmartView 4K 같은 SDI 모니터를 카메라 컨버터 옆면에 있는 SDI 출력에 연결합니다.

SDI 출력에 모니터를 연결하고 리턴 버튼 옆에 있는 해당 노브를 돌리면 세 개의 리턴 피드 사이를 전환할 수 있습니다. 두 개의 리턴 버튼을 두 개의 각기 다른 리턴 피드를 모니터링하도록 설정할 수 있습니다.



카메라 컨버터의 리턴 피드 간 전환 후에 해당 리턴 버튼을 누르면 선택된 피드를 모니터에서 볼 수 있습니다.



비디오를 확인하려면 영상 소스를 스튜디오 컨버터의 리턴 피드 입력에 연결한 다음, 카메라 컨버터에 연결된 모니터를 통해 해당 영상을 확인합니다.

## 연결 단자가 왜 전면에 배치되어 있을까요?

스튜디오 컨버터 전면에는 광케이블 연결 단자가 있어 장비랙 뒷면을 통해 바로 연결할 수 있습니다. 일반적으로 스튜디오 컨버터는 SMPTE 케이블을 바로 연결할 수 있도록 장비랙 뒤를 향하도록 설치합니다. 따라서 장비랙에 추가 패널을 설치할 필요가 없고 광섬유 컨버터에 연결할 짧은 길이의 케이블을 구매하는 비용이 절약됩니다. SMPTE 광섬유 커넥터 옆에 있는 커다란 LCD를 통해 카메라에 연결이 제대로 이루어졌는지 신속하게 확인할 수 있습니다.

## 카메라 SDI 연결하기

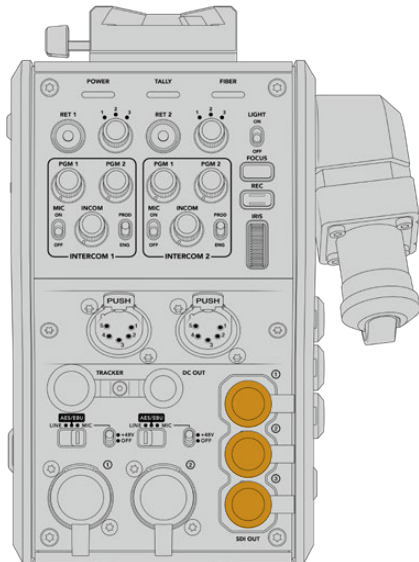
Blackmagic Camera Fiber Converter와 URSA Mini 또는 URSA Broadcast 간의 영상 신호를 연결하려면, 간단히 컨버터 옆면에 있는 세 개 중 두 개의 SDI와 카메라 뒷면을 케이블로 연결해주기만 하면 됩니다.

### Camera Fiber Converter 카메라 연결 방법

- 1 제품에 포함된 BNC 케이블을 사용하여 Blackmagic URSA Mini 또는 URSA Broadcast의 12G-SDI 출력 단자와 Blackmagic Camera Fiber Converter SDI 입력 단자를 연결합니다.
- 2 제품에 포함된 BNC 케이블을 사용하여 Blackmagic Camera Fiber Converter의 SDI 출력 단자와 Blackmagic URSA Mini 또는 URSA Broadcast 뒷면 패널의 12G-SDI 입력 단자를 연결합니다.

## 리턴 SDI 출력 연결하기

카메라 컨버터 전면의 SDI OUT이라고 표기된 세 개의 SDI 출력은 스위처에서 전송되는 리턴 피드의 루프 출력입니다. 이 출력을 통해 리턴 피드를 텔레프롬프터나 연기자용 모니터 같은 카메라 근처의 다른 SDI 장비에 연결할 수 있습니다.



세 개의 리턴 피드 루프 출력을 텔레프롬프터나 모니터 같은 카메라 근처의 다른 SDI 장비에 연결할 수 있습니다.

**참고** 리턴 피드 SDI 루프 출력은 3D-SDI를 지원하여 세 개의 개별 피드를 위한 충분한 대역폭을 제공합니다. 다시 말해, 최대 2160p60의 스위처 UHD 리턴 피드를 동일한 프레임 레이트의 1080p로 다운 컨버팅합니다.

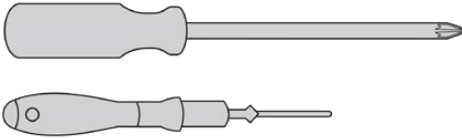
## Blackmagic Camera Fiber Converter 장착하기

Blackmagic Camera Fiber Converter를 URSA Mini 및 URSA Broadcast 카메라 본체 바로 뒷면에 장착한 후, 카메라 뒷면에 있는 SDI 입력/출력 단자의 BNC 커넥터를 통해 서로 연결합니다. 카메라 뒷면에 배터리 플레이트를 장착한 경우, Blackmagic Camera Fiber Converter를 연결하기 전에 이를 먼저 제거합니다.

**참고** Blackmagic Camera Fiber Converter를 설치하기 전에 URSA Mini와 URSA Broadcast의 내부 소프트웨어 버전이 각각 4.4/4.6 이후 버전인지 확인하세요. 현재 사용 중인 소프트웨어 버전은 카메라 'SETUP' 메뉴의 4번째 페이지에서 확인할 수 있습니다. 카메라 펌웨어 업데이트에 관한 자세한 정보는 본 설명서의 [Blackmagic Camera Setup 유틸리티] 부분을 참고하세요.

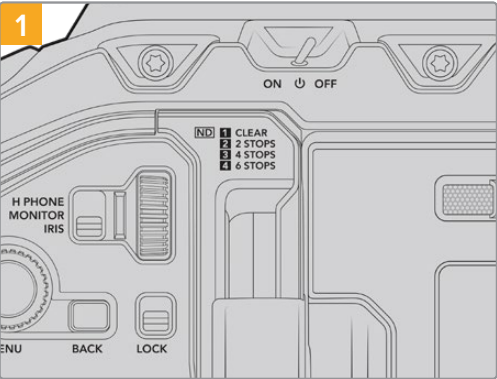
Blackmagic Camera Fiber Converter를 장착하려면 다음과 같은 도구가 필요합니다.

- 1x 십자 드라이버
- 1x 2.5mm 육각 드라이버

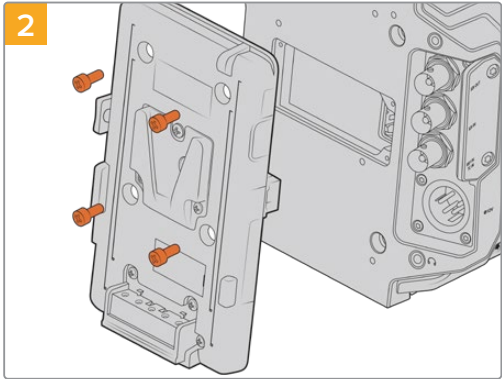


URSA Mini 또는 URSA Broadcast에 Blackmagic Camera Fiber Converter를 장착하려면 대형 십자 드라이버와 2.5mm 육각 드라이버가 필요합니다.

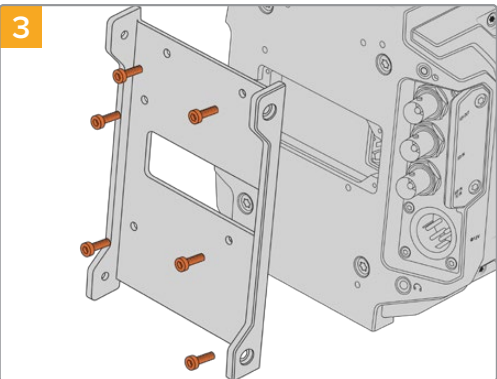
### Blackmagic Camera Fiber Converter 장착 및 연결하기



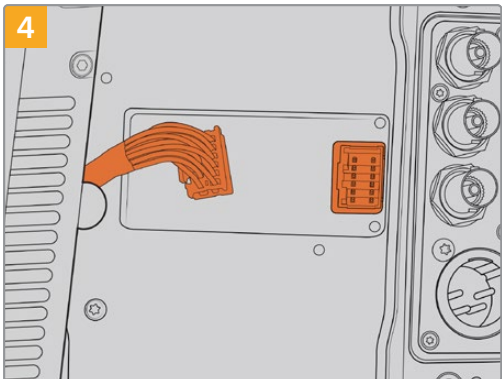
카메라 전원을 껐는지 확인합니다. URSA Mini Pro 또는 URSA Broadcast를 사용시 전원 스위치를 OFF로 설정해 전원을 끕니다.



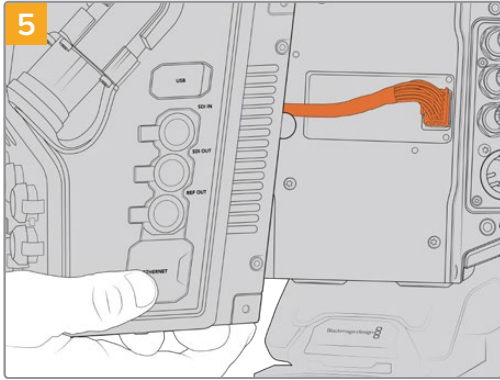
십자 드라이버를 사용하여 배터리 플레이트 또는 Molex 전원 커버를 분리하세요.



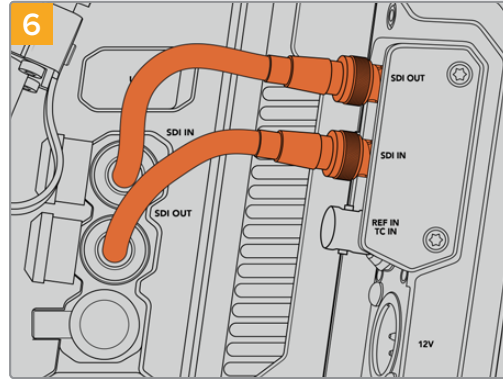
6개의 2.5mm 육각 나사로 Blackmagic Camera Fiber Converter 마운팅 브래킷을 장착합니다.



Blackmagic Camera Fiber Converter의 Molex 커넥터를 카메라 뒷면 패널에 있는 Molex 전원 소켓에 연결합니다.



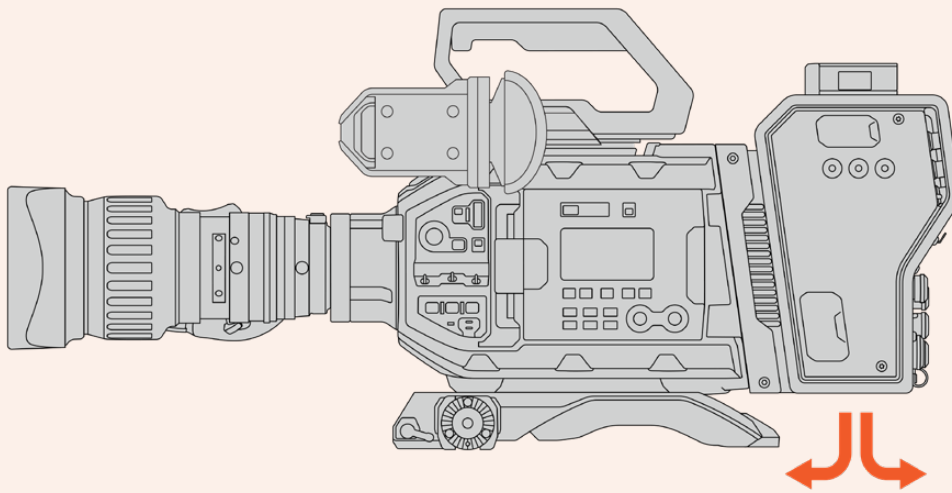
5 Blackmagic Camera Fiber Converter를 마운팅 브래킷에 밀어 넣고 2개의 2.5mm 육각 나사로 양면을 장착합니다.



6 제품에 포함된 BNC 케이블로 카메라 뒷면 SDI 출력을 Blackmagic Camera Fiber Converter의 SDI 입력에 연결하고, 광섬유 컨버터의 SDI 출력을 카메라 뒷면 SDI 입력에 연결합니다.

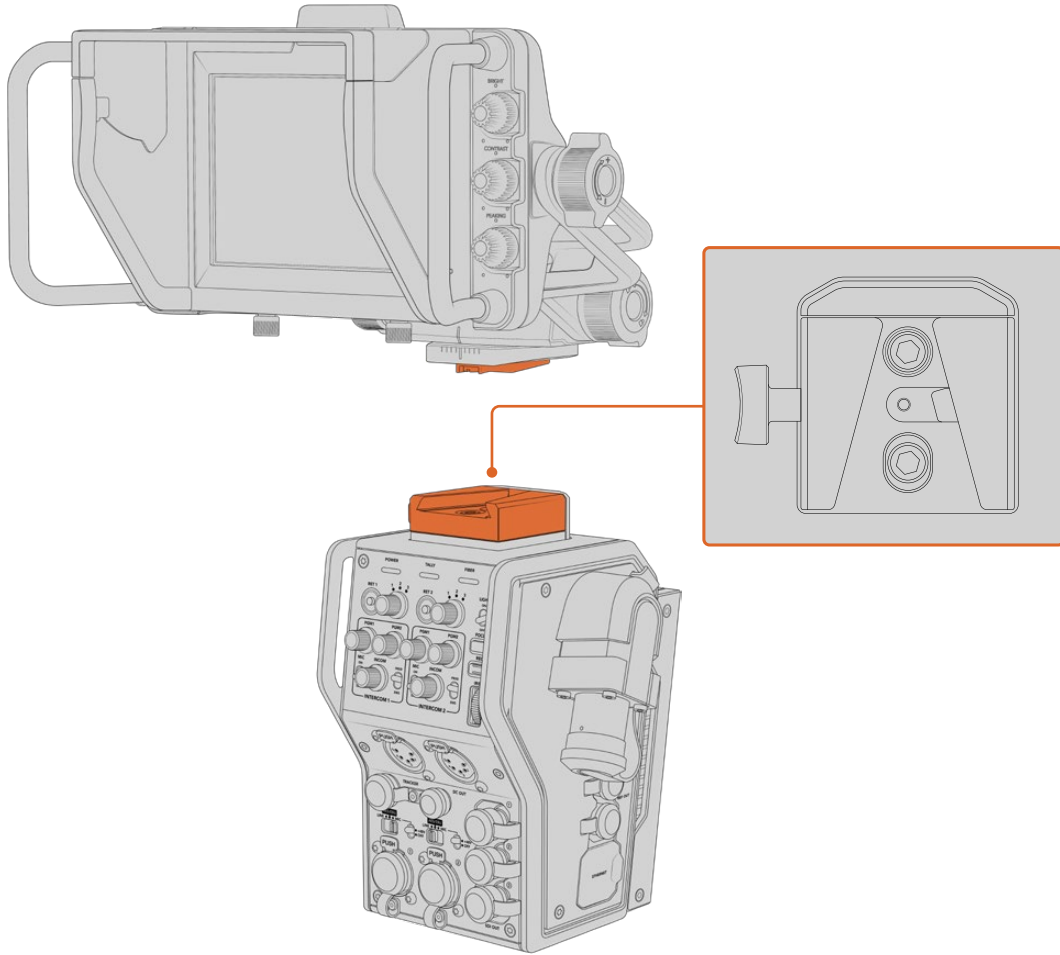
**참고** 프로덕션 셋업 시, URSA Mini 또는 URSA Broadcast에 광섬유 컨버터를 장착해 사용할 경우에는 원활한 통풍을 위해 광섬유 컨버터 아래쪽 공간을 비워두는 것이 중요합니다.

카메라를 주로 삼각대에 설치해 사용하거나 어깨에 올려 촬영하기 때문에 해당 공간을 쉽게 확보할 수 있습니다. 하지만 카메라를 평평한 곳에 두고 사용할 경우엔 광섬유 컨버터 하단부의 냉각팬 공기 흐름이 그대로 유지될 수 있도록 URSA Mini 솔더 마운트 패드 또는 서드파티 베이스 플레이트 및 브릿지 플레이트를 장착해 사용하는 것이 좋습니다.



## URSA Studio Viewfinder 장착하기

V-Lock 플레이트를 컨버터 위에 장착하면 Blackmagic Studio Viewfinder를 연결할 수 있습니다. 이렇게 하면 페디스털 또는 삼각대에 스튜디오 뷰파인더를 장착할 시 눈높이에 위치시킬 수 있습니다.



카메라 컨버터 위에 V-Lock 마운트를 장착하면 Blackmagic URSA Studio Viewfinder를 그 위에 장착할 수 있습니다.

## 토크백 헤드셋 연결하기

카메라 컨버터 전면에 있는 5핀 XLR 커넥터에 방송용 헤드셋을 연결합니다. 두 개의 헤드셋 커넥터를 지원하여 두 명이 동시에 토크백 기능을 사용할 수 있습니다.

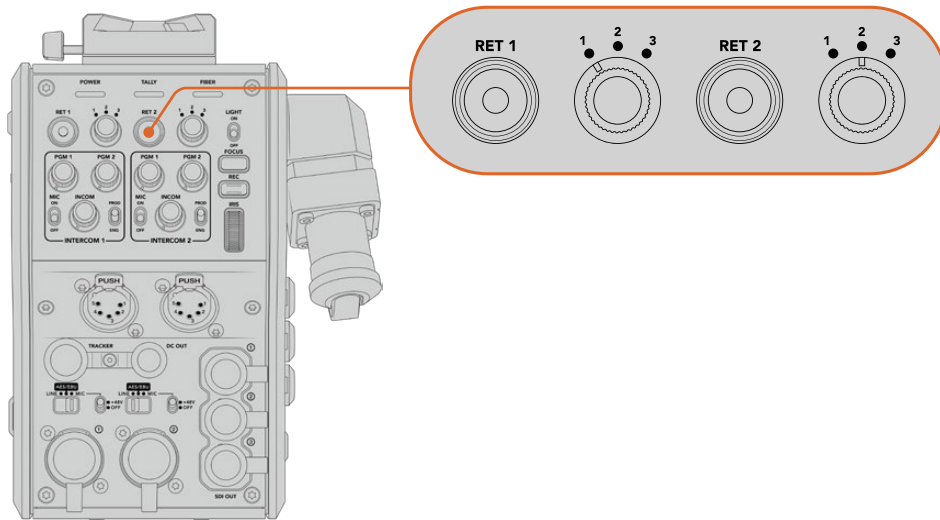
사용 준비가 모두 완료되었습니다. 광섬유 컨버터는 SMPTE 광케이블을 통해 전원과 비디오 연결을 지원하므로 더욱 유연하고 효율적인 라이브 프로덕션을 제작할 수 있습니다. Blackmagic 광섬유 컨버터의 기능에 관한 자세한 설명은 아래에 이어집니다.

# Camera Fiber Converter 작동하기

## 리턴 피드 선택하기

카메라에 있는 PGM 버튼처럼 사용할 수 있는 두 개의 리턴 버튼을 통해 LCD와 Blackmagic URSA Studio Viewfinder에 전송되는 피드를 전환하고, HD 모니터링 출력의 카메라 뷰와 프로그램 리턴 뷰를 전환할 수 있습니다.

RET 1과 RET 2라고 표기된 두 개의 리턴 버튼은 두 개의 선택된 리턴 피드로 전환할 수 있습니다. RET 1과 RET 2 버튼 옆에 있는 세 단계로 전환 가능한 회전 스위치를 사용하여 확인하려는 리턴 피드를 지정할 수 있으며, 해당 리턴 버튼을 누르면 선택한 피드가 나타납니다. 회전 스위치 설정 방향은 Studio Fiber Converter 뒤에 있는 RETURN IN 1/2/3 커넥터에 영향을 줍니다.



리턴 버튼과 세 단계로 전환 가능한 회전 스위치로 확인하려는 리턴 피드를 선택할 수 있습니다.

리턴 버튼을 길게 누르면 선택한 프로그램 피드가 나타납니다. 프로그램 피드는 리턴 버튼을 누르고 있는 동안 계속 나타납니다. 리턴 버튼을 두 번 누르면 화면에 나타나는 리턴 피드가 잠깁니다. 리턴 버튼을 다시 한번 누르면 리드 피드가 사라지고 카메라 뷰로 돌아갑니다.

즉, Blackmagic Studio Fiber Converter에서 전송되는 세 개의 리턴 피드 중 어떤 피드를 두 개의 리턴 버튼에 지정하여 신속하게 사용할 것인지 정할 수 있습니다. 예를 들어, 그래픽이 가미된 스위치의 프로그램 출력 피드, 텔레프롬터 피드, 다른 카메라에서 바로 전송되는 피드의 세 가지 리턴 피드 중 선택할 수 있습니다.

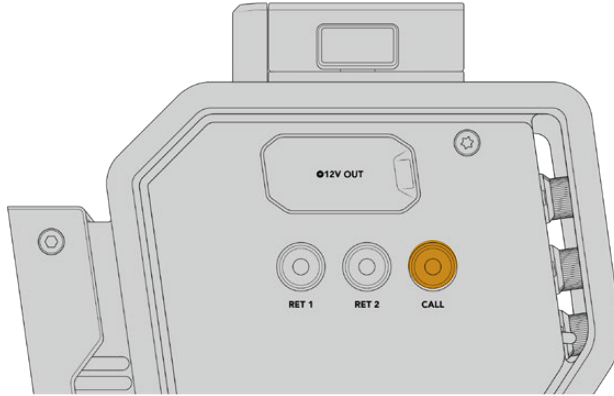
이 회전 스위치를 사용하여 RET 1 버튼에 프로그램 피드를 영구히 지정한 다음 RET 2 버튼을 사용하여 텔레프롬터에 전송되는 피드를 확인하거나, 가끔 다른 카메라로 전환하여 프레이밍 또는 앵글이 일치하는지 확인합니다.

컨버터 왼쪽에 있는 RET 1과 RET 2 리턴 버튼은 카메라를 옆면에서 운영할 시 리턴 피드를 확인할 수 있는 추가 옵션을 제공합니다. 이는 전면 패널에 있는 리턴 버튼과 같은 기능을 제공합니다.



## 콜 버튼 사용하기

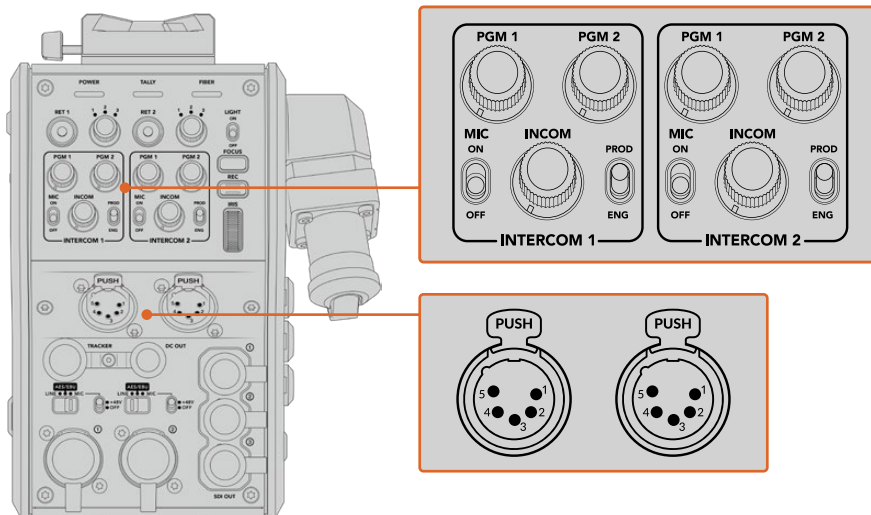
리턴 버튼들 옆에 있는 CALL 버튼을 누르면 Blackmagic Studio Fiber Converter의 LCD 스크린에서 빨간색 ON AIR 탈리 표시 장치가 깜빡입니다. CALL 버튼을 누르면 ATEM Talkback Converter 4K에 숫자로 표기된 PRESS TO TALK 버튼이 빨간색으로 깜빡거립니다. 이런 시각적인 표시 기능으로 조종실에 있는 사람들에게 지원을 요청할 수 있습니다.



## 토크백 사용하기

두 개의 5핀 XLR 커넥터(암)로 두 개의 헤드셋을 연결할 수 있어 추가 제작된 멤버가 의사소통에 참여할 수 있습니다.

각 헤드셋을 위한 인터컴 컨트롤은 독립적인 인터컴을 위한 두 세트의 컨트롤로 구성되어 각 헤드셋 XLR 커넥터를 위한 3방향 오디오 믹서를 지원합니다.



헤드셋을 위한 인터컴 컨트롤은 해당 헤드셋 연결 바로 위에 있습니다.

연결된 헤드셋을 통해 RET 1과 RET 2를 위해 선택한 피드의 오디오를 들을 수 있습니다. PGM 1과 PGM 2 다이얼은 이러한 피드의 오디오 레벨을 조절하고 INCOM 다이얼은 전체 오디오 볼륨을 조절합니다. MIC 버튼으로 헤드셋 마이크를 ON/OFF할 수 있습니다.

각각의 인터콤은 프로덕션 채널과 엔지니어링 채널 둘 중 선택할 수 있습니다. 그러므로 많은 수의 제작진이 필요한 방송 셋업에서 커뮤니케이션 채널을 두 개로 분리하여 사용할 수 있습니다. 프로덕션 채널은 조정실 또는 중계 차량에 있는 감독과 프로듀서, 기타 제작진이 서로 대화를 나누는 데 사용되는 반면, 엔지니어링 채널을 통해서도 조명 감독 및 기술자 그리고 카메라 운영자와 대화를 나누는 데 사용됩니다. Blackmagic Studio Fiber Converter 메뉴에 있는 '토크백' 페이지에서 각 채널 소스를 'SDI + DB25' 또는 '인터컴 탈리 DB25'로 선택할 수 있습니다. 더 자세한 정보는 [Studio Fiber Converter 작동하기] 부분을 참고하세요.

Blackmagic Camera Fiber Converter는 두 개의 헤드셋 연결을 모두 사용 중인 경우, 크레인 기사와 이야기할 수 있는 토크백을 추가로 연결해야 하는 상황에 사용하기 완벽한 트래커 토크백용 표준 10핀 연결까지 탑재했습니다.

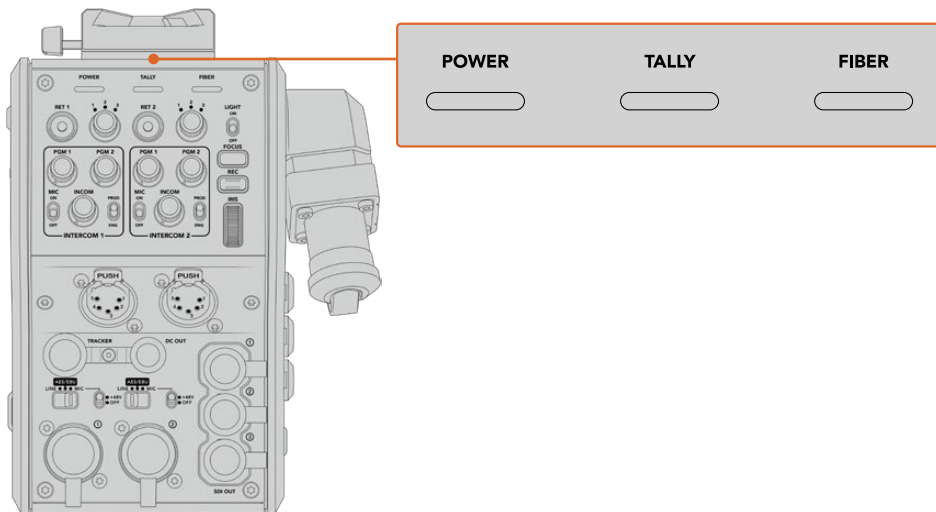
**정보** 카메라 운영자와 효과적인 프로덕션/엔지니어 제작진들 간의 효과적인 양방향 커뮤니케이션 기능은 바쁘게 돌아가는 방송 및 스튜디오 프로덕션 작업에 필수적인 기능입니다. Blackmagic Camera Fiber Converter에는 CALL 버튼이 탑재되어 있어 카메라 운영자들이 인터컴 헤드셋을 통해 프로덕션/엔지니어 제작진들에게 메시지를 전달할 수 있습니다. 이 버튼을 누르면 ATEM Talkback Converter 4K에 숫자로 표기된 PRESS TO TALK 버튼이 깜빡거리며, Blackmagic Studio Fiber Converter의 LCD 스크린에서 탈리 표시 장치가 깜빡입니다. 마찬가지로 조정실 또는 방송 차량에 있는 제작진이 카메라 운영자와 긴급히 대화해야 할 상황이 발생할 경우, ATEM Camera Control 패널에 있는 해당 카메라의 CALL 버튼을 누르면 됩니다. 그러면 Camera Fiber Converter에 있는 탈리 라이트가 깜빡거리며, 카메라의 URSA Viewfinder 또는 URSA Studio Viewfinder에 있는 탈리 라이트도 마찬가지로 깜빡거립니다.

## 탈리 사용

패널 전면의 탈리 표시등은 일반적인 탈리 표시 장치로, 프로그램 상태에는 빨간색으로, 프리뷰 상태에는 초록색으로 표시되어 카메라가 온에어 상태인지를 알 수 있습니다.

## 상태 표시 장치

컨버터 상단에 있는 전원, 탈리, 광섬유 상태 표시 LED에는 컨버터 상태에 따라 다른 색상의 불빛이 들어옵니다. 광케이블이 연결되어 있지 않은 경우에는 불빛이 나타나지 않습니다.



LED 상태 표시등에는 컨버터 상태를 나타내는 다양한 색상의 불빛이 들어옵니다.

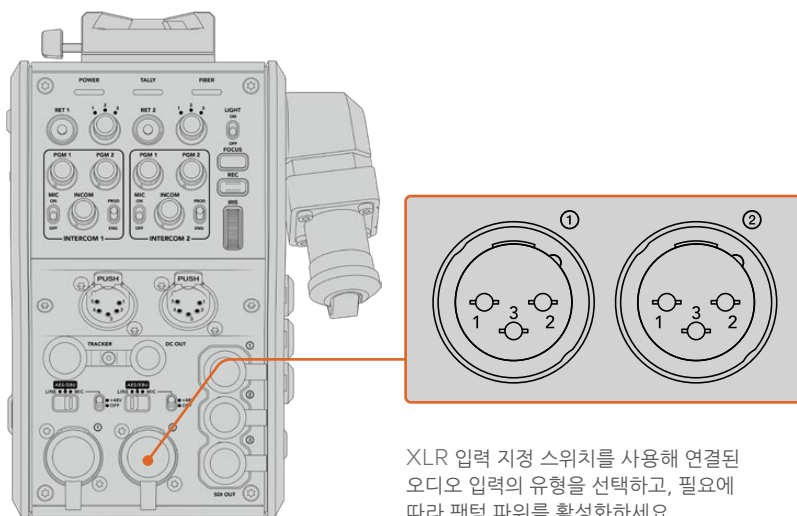
다음은 LED 색상과 움직임, 그리고 그에 따른 상태에 대한 설명입니다.

전원	빨간색 유지	SMPTE 하이브리드 광케이블이 Blackmagic Studio Fiber Converter에 연결되어 있는 상태에서 케이블 다른 한 쪽을 Blackmagic Camera Fiber Converter에 연결하면, 컨버터의 전원 LED에는 현재 전원이 공급 중이며 저전력 상태임을 나타내는 빨간 불이 들어옵니다. 저전력 상태에서 인터컴 기능은 활성화되지만, 컨버터 가동에 요구되는 풀전력은 활성화되지 않습니다.  전원 LED의 빨간 불이 초록색으로 변하지 않고 계속 남아 있을 경우, SMPTE 하이브리드 광케이블이 제대로 연결되어 있는지 확인하세요. 연결이 계속 불안정할 경우, 광케이블 상태를 확인하세요.
	녹색 유지	광케이블 연결이 제대로 수립되고 Blackmagic Studio Fiber Converter의 케이블 연결 상태가 확인되면 전원 LED에 초록 불이 나타나며 카메라 컨버터가 고전력 모드로 전환됩니다.
	빨강/초록 깜빡임	전원 LED가 빨강/초록으로 깜빡일 경우, SMPTE 하이브리드 광케이블 연결 단자가 제대로 연결되었는지 확인하세요. 연결이 계속 불안정할 경우, 광케이블 상태를 확인하세요.
탈리	빨간색 유지	탈리 LED에 빨간불이 깜빡거리면 카메라가 현재 온에어 상태임을 나타냅니다.
	녹색 유지	탈리 LED에 초록불이 깜빡거리면 카메라가 현재 미리보기 모드임을 나타냅니다.
광섬유	빨간색 유지	SMPTE 하이브리드 광케이블이 카메라 광섬유 컨버터에 연결되고 광섬유 LED에 빨간 불이 들어오면, 핸드셰이크 과정이 시작되었으며 컨버터가 저전력 상태임을 나타냅니다. 이 상태에서 인터컴 기능이 활성화되므로, 설정 작업에 사용하거나 혹은 광섬유 연결이 끊어질 경우, 카메라 연결 문제를 해결하기 위해 이 기능을 사용할 수 있습니다.
	녹색 유지	SMPTE 하이브리드 광케이블이 성공적으로 연결되면 광섬유 LED에 초록 불이 들어옵니다.

전원과 광섬유 불빛이 모두 초록색으로 나타나면 안전 점검이 완료되었으며 컨버터가 고전력 모드로 전환되었음을 나타냅니다.

## 오디오 입력

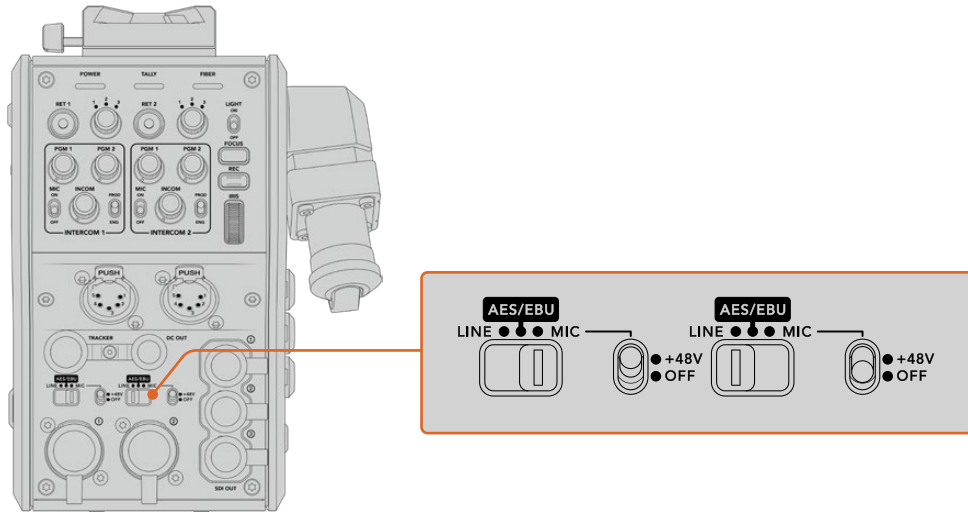
Blackmagic Camera Fiber Converter에 '1'과 '2'라고 적힌 두 개의 XLR 입력에는 오디오 믹서와 PA 시스템, 외부 마이크와 같은 전문 장비의 외부 아날로그 오디오를 연결할 수 있습니다.



XLR 입력 지정 스위치를 사용해 연결된 오디오 입력의 유형을 선택하고, 필요에 따라 팬텀 파워를 활성화하세요.

카메라 오디오는 카메라 피드의 채널 1과 채널 2에 임베디드되며, 카메라 광섬유 컨버터 뒷면의 오디오 입력 2는 채널 3/4에 임베드됩니다. 4개의 오디오 채널 모두 스튜디오 광섬유 컨버터의 다른쪽 연결 단자에 오디오 출력으로 임베드됩니다.

Blackmagic Studio Fiber Converter 메뉴의 '오디오' 페이지에서는 Blackmagic Camera Fiber Converter의 XLR 입력에 연결된 오디오 소스 레벨을 조절할 수 있습니다. 더 자세한 정보는 [Studio Fiber Converter 작동하기] 부분을 참고하세요. 연결이 완료되면 XLR 입력 지정 스위치를 사용하여 입력 소스 선택 시 원하는 XLR 입력 사용 방식을 설정할 수 있습니다. 마이크 오디오, 라인 레벨 오디오, AES 디지털 오디오 중 원하는 옵션으로 선택할 수 있습니다.



자체 전원 방식을 지원하지 않는 마이크를 연결하여 사용하려면 48V 팬텀 파워 기능을 활성화 시킬 수 있습니다. 팬텀 파워 스위치를 +48V로 옮기면 XLR 입력에 연결된 모든 마이크에 팬텀 파워가 공급되며, OFF로 옮기면 팬텀 파워 기능이 비활성화 됩니다.

## IP 비디오

SMPTE 광케이블은 카메라 광섬유 컨버터와 스튜디오 광섬유 컨버터 사이를 10-Gbit IP 링크로 연결합니다. 이는 모든 비디오 및 리턴 피드를 방송급 화질의 첨단 무손실 10비트 비디오 인코딩/디코딩 기술을 사용하는 IP 비디오를 기반으로 합니다. 토크백, 탈리, 카메라 컨트롤, 렌즈 컨트롤 등의 모든 연결 또한 저지연 IP로 변환되므로 아주 안정적인 성능을 경험하실 수 있습니다.

## 전원 사양

Blackmagic Studio Fiber Converter는 Blackmagic Camera Fiber Converter와 카메라, 그리고 해당 액세서리를 위한 전원을 공급합니다. Molex 커넥터를 카메라 뒷면 패널의 Molex 소켓에 연결하면 Camera Fiber Converter에서 카메라로 전원이 공급됩니다.

또한 카메라가 중계 차량에서 2.1km 이상 떨어진 곳에 있어 먼거리에서 케이블을 통해 카메라와 컨버터에 충분한 전원이 공급되지 않는 경우, 카메라 4핀 XLR 전원을 URSA Mini 또는 URSA Broadcast의 +12V 입력에 연결하면 카메라와 컨버터에 충분한 전원을 공급할 수 있습니다. 전원은 Molex 커넥터를 통해 Camera Fiber Converter로 전송됩니다.

흔히 D탭 또는 P탭이라고도 불리는 +12V 출력 커넥터를 사용하면 최대 12V DC(500 mA) 공칭 전압의 외부 모니터 또는 박스형 카메라 렌즈 같은 액세서리 옵션에도 전원을 공급할 수 있습니다. DC OUT으로 표기된 DC 출력 커넥터는 외부 모니터 같은 액세서리 옵션에 전원을 공급합니다. 아래 표에서 DC 출력 커넥터를 위한 핀 배치도를 확인하실 수 있습니다.

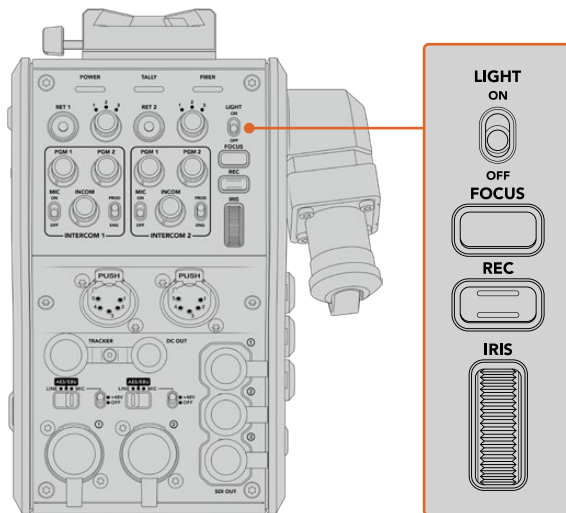
DC 출력 커넥터 핀 배치도

외부 모습	핀	신호	입/출력	사양
 <p>‘DC 출력’ 커넥터</p>	1	Unregulated GND	-	GND for Unregulated Out
	2	NC	-	No connection
	3	NC	-	No connection
	4	Unregulated Out	Out	12V DC nominal at up to 500 mA

## 추가 카메라 제어 기능

URSA Mini 또는 URSA Broadcast를 스튜디오 카메라로 사용하는 경우, 광섬유 컨버터에 조리개 및 초점 제어 같은 카메라 컨트롤 기능이 탑재되어 있어 카메라 뒤에서 렌즈를 제어할 수 있습니다. 이는 원격으로 렌즈를 제어하는 기능이 따로 없을 경우에 아주 유용한 기능입니다.

URSA Mini와 URSA Broadcast는 스튜디오 카메라가 가진 내부 녹화 기능을 지원하여 녹화 버튼을 누르면 카메라 내부 녹화를 진행할 수 있습니다.



### 라이트

ON으로 설정하면 패널에 불이 들어와 어두운 곳에서도 컨트롤 버튼을 쉽게 확인할 수 있습니다.

### 포커스

오토포커스 지원 렌즈를 사용할 경우, FOCUS 버튼을 누르면 자동 초점 기능이 활성화됩니다.

### 녹화

REC 버튼을 누르면 녹화가 시작되고, 버튼을 다시 누르면 녹화가 중지됩니다.

### 조리개(IRIS)

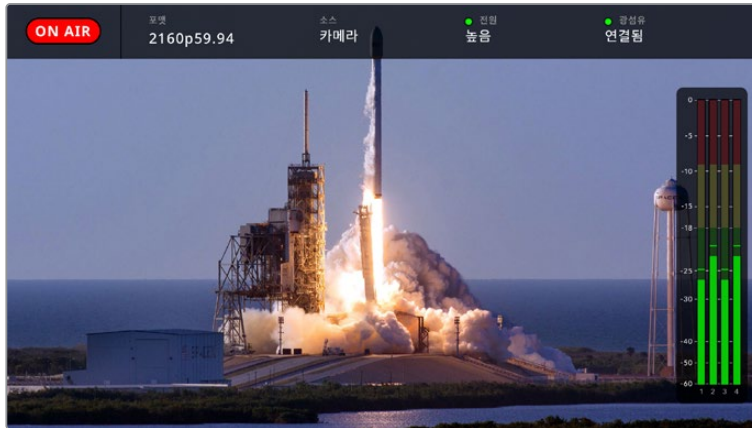
카메라에서 제어할 수 있는 호환 액티브 렌즈를 사용할 경우, IRIS 휠을 사용하여 조리개를 열고 닫을 수 있습니다. 이 휠을 위/아래로 조절하면 조리개를 열고 닫을 수 있습니다.

# Studio Fiber Converter 작동하기

## LCD 소스 선택하기

Blackmagic Studio Fiber Converter에 전원이 연결되면 커다란 LCD 화면에 바로 카메라 피드가 나타납니다. Studio Fiber Converter는 핵심이 되는 장비로서, 스위처에서 프로그램 피드와 모든 리턴 소스를 가져와 SMPTE 광케이블을 통해 Blackmagic Camera Fiber Converter로 전송합니다.

내장된 LCD를 통해 카메라 피드 및 리턴 피드 입력에 연결된 각 소스 영상을 모니터링할 수 있습니다. 헤드업 방식의 디스플레이를 통해 상태 정보 및 오디오 미터가 표시됩니다.



피드 간을 전환하며 모니터링할 경우, 오버레이를 통해 현재 소스의 이름 및 포맷을 확인할 수 있습니다.

### 온에어

연결된 카메라가 프로그램 피드에 사용될 경우, 빨간색 ON AIR 아이콘이 나타나며, 온에어 상태가 아닐 경우에는 아무것도 표시되지 않습니다.

### 포맷

사용 중인 영상 소스의 해상도와 프레임 레이트가 표시됩니다.

### 소스

사용 중인 영상 소스의 이름이 표시됩니다.

### 전원

현재 전력 상태가 표시됩니다. 저전력 상태에서는 빨간색 상태 표시등과 함께 '낮음'이라는 글자가 표시되며, 고전력 모드로 전환될 경우, 녹색 상태 표시등과 함께 '높음'이라는 글자가 나타납니다. 더 자세한 정보는 [Camera Fiber Converter 작동하기]의 '상태 표시 장치' 부분을 참고하세요.

### 광섬유

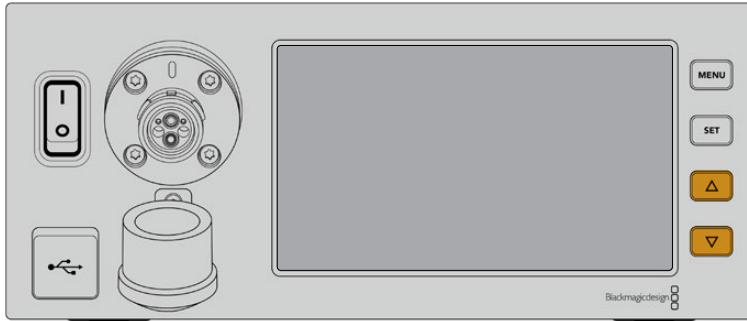
현재의 광섬유 연결 상태가 표시됩니다. 연결 초반에는 빨간색 표시등과 함께 '연결 중'이라는 글자가 나타나며, SMPTE 하이브리드 광케이블이 성공적으로 연결될 경우, 녹색 상태등과 함께 '연결됨'라는 글자가 나타납니다. 더 자세한 정보는 [Camera Fiber Converter 작동하기]의 '상태 표시 장치' 부분을 참고하세요.

### 오디오 미터

카메라 피드의 채널 1 및 채널 2에 임베드된 카메라 오디오를 사용할 경우, 피크 오디오 미터에 오디오 레벨이 나타납니다. 채널 3 및 채널 4는 Blackmagic Camera Fiber Converter 뒷면에 있는 두 개의 XLR 입력에 연결된 오디오 소스를 표시합니다. 오디오 미터 디스플레이는 dBFS 단위로 표시되며 일정 시간 시각적으로 유지되는 피크 홀드 방식을 지원하므로 최대치에 도달하는 것을 분명하게 확인할 수 있습니다.

## 메뉴 사용하기

위/아래 화살표 버튼을 눌러 네 개의 Camera, Return 1, Return 2, Return 3 소스 중 원하는 것을 선택할 수 있습니다. MENU 버튼을 누르면 메뉴 시스템으로 이동해 설정을 조정할 수 있습니다. 그런 다음 화살표 버튼을 사용해 다양한 메뉴 화면 및 각 화면 속 옵션을 검색할 수 있고, SET 버튼을 눌러 선택을 완료할 수 있습니다. 메뉴 속 설정은 '오디오', '토크백', '설정' 페이지로 구성되어 있습니다.

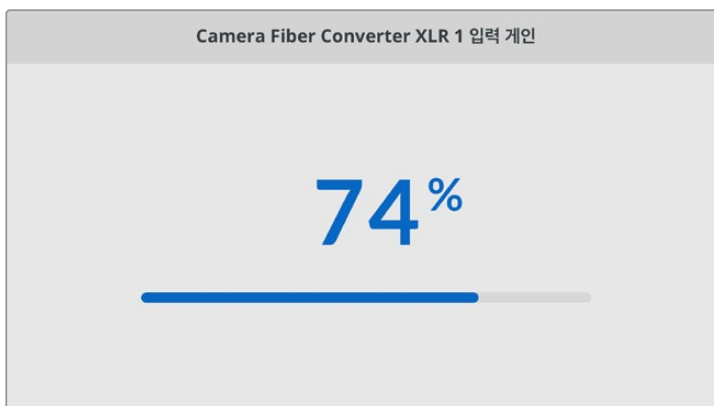


위/아래 화살표 버튼을 눌러 네 개의 소스를 검색하거나 메뉴를 검색할 수 있습니다.

### 오디오

'오디오' 페이지에서는 Blackmagic Camera Fiber Converter의 XLR 입력에 연결된 오디오 소스 레벨을 조절할 수 있습니다.

오디오	
Camera Fiber Converter XLR 1 입력 게인	50%
Camera Fiber Converter XLR 2 입력 게인	50%
출력 채널 1 및 채널 2	임베디드 1 및 임베디드 2
출력 채널 3 및 채널 4	XLR 1 및 XLR 2



위/아래 화살표 버튼을 사용해 각 XLR 입력의 입력 레벨을 조절하고 SET 버튼을 눌러 레벨을 설정하세요.

Camera Fiber Converter의 오디오 채널 중 임베디드 SDI 및 XLR 출력으로 매핑될 채널을 설정할 수 있습니다. URSA Mini 또는 URSA Broadcast의 임베디드 오디오 채널은 채널 1과 채널 2로 기본 설정되어 있습니다. Camera Fiber Converter에 연결된 라인 또는 마이크



레벨 XLR 입력은 채널 3과 채널 4로 매핑되도록 기본 설정되어 있습니다. 이러한 기본 설정을 바꾸려면 출력 채널 설정을 조절해 매핑을 변경할 수 있습니다. Camera Fiber Converter의 XLR 입력 중 하나가 AES로 설정되어 있을 경우, 채널 매핑 옵션이 채널 5와 채널 6까지 확장되어 임베디드 SDI 출력에 전송됩니다.

출력 채널 1 및 채널 2	
임베디드 1 및 임베디드 2	✓
XLR 1	
AES 3 및 AES 4	

카메라의 임베디드 XLR 채널을 출력 채널 1 및 채널 2로 매핑하기

### 토크백

‘토크백’ 메뉴를 사용해 프로그램 오디오뿐 아니라 프로덕션 및 엔지니어링 채널을 위한 토크백 소스를 선택할 수 있습니다. Blackmagic Studio Fiber Converter에서 토크백 소스를 ‘SDI + DB25’ 또는 ‘인터컴 탈리 DB25’로 설정하세요.

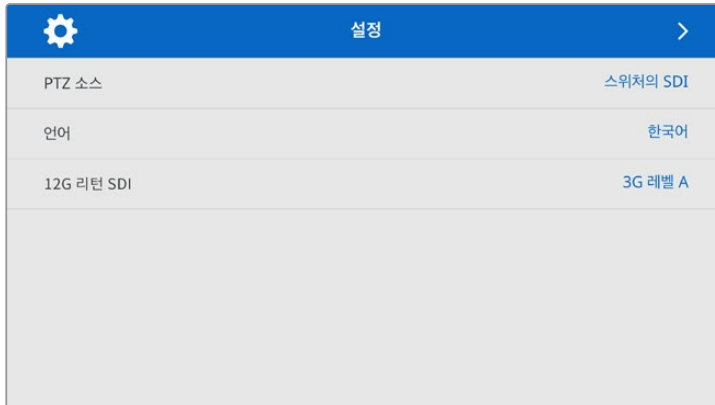
또한 개별 인터컴 헤드셋의 ‘헤드폰 게인’ 및 ‘헤드셋 마이크 게인’ 레벨을 조절하여 헤드셋의 임피던스 레벨을 보충할 수 있습니다. ‘팬텀 파워’ 설정을 통해 각 헤드셋으로 전송되는 팬텀 파워를 켤 수 있습니다. ‘사이드톤 레벨’ 설정을 조절하면 카메라 운영자들이 헤드셋을 통해 자신들의 목소리를 분명하고 듣기 좋은 레벨로 들을 수 있습니다.

토크백	
프로그램 오디오 소스	SDI 채널 1 및 채널 2
프로덕션 채널 소스	SDI+DB25
엔지니어링 채널 소스	인터컴 탈리 DB25
인터컴 1	
헤드폰 게인	50%
헤드셋 마이크 게인	50%
헤드셋 마이크 팬텀 파워	ON
사이드톤 레벨	50%
인터컴 2	
헤드폰 게인	50%
헤드셋 마이크 게인	50%
헤드셋 마이크 팬텀 파워	ON
사이드톤 레벨	50%

XLR 입력에 아무것도 연결하지 않으면 ‘인터컴’이라는 글자가 회색으로 나타나며, 연결 중에는 ‘연결 중’이라고 표시됩니다.

## 설정

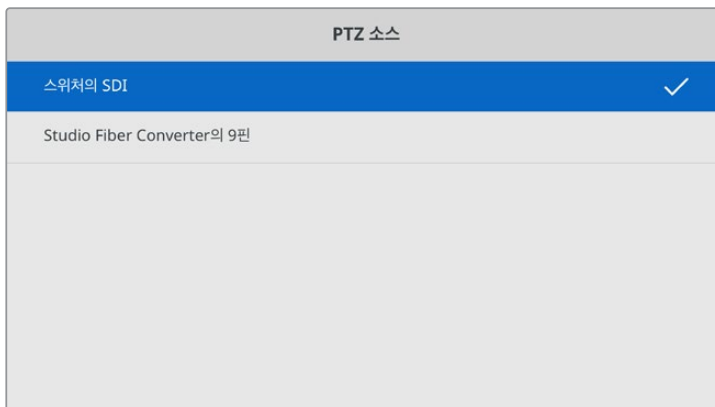
'설정' 메뉴를 통해 PTZ 소스를 설정하고 메뉴 언어 및 SDI 레벨 리턴 유형을 선택할 수 있습니다.



PTZ 소스 설정을 사용하여 PTZ 명령어를 위한 영상 소스를 선택하세요. 'SDI' 또는 '9핀'으로 설정하면 각각 Blackmagic Studio Fiber Converter 뒷면에 있는 'RETURN IN' SDI 입력, 또는 PTZ용 DE-9 커넥터가 선택됩니다.

다시 말해, PTZ 카메라의 팬, 틸트, 줌 기능을 ATEM 스위처에서 제어할 수 있으며, SDI를 통해 이러한 PTZ 명령어를 Blackmagic Studio Fiber Converter로 전송할 수 있습니다. 이러한 명령어는 다시 SMPTE 광케이블을 통해 Blackmagic Camera Fiber Converter로 전송되고, 여기서 디임베드된 명령어는 DE-9 직렬 커넥터를 통해 출력되어 PTZ 전동식 헤드에 전달됩니다.

또한 '9핀'으로 설정 시, DE-9 커넥터를 통해 PTZ 컨트롤러를 Blackmagic Studio Fiber Converter에 연결하여 카메라 컨버터의 원격 헤드를 제어할 수 있습니다.



설정 페이지에서는 'SDI' 또는 '9핀' 커넥터를 PTZ 명령어 소스로 선택할 수 있습니다.

언어	
English	
中文	
日本語	
한국어	✓
Español	
Deutsch	
Français	
Русский	
Italiano	
Português	
Türkçe	

‘언어’ 설정을 통해 메뉴 언어를 선택할 수 있습니다. Studio Fiber Converter는 한국어, 영어, 중국어, 일본어, 스페인어, 독일어, 불어, 러시아어, 이탈리아어, 포르투갈어, 터키어 등의 11개 언어를 지원합니다. 언어 설정 페이지는 장비가 최초로 가동될 때, 그리고 내부 소프트웨어를 업데이트한 후에도 화면에 나타납니다.

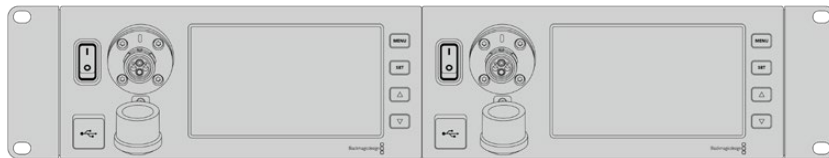
‘12G SDI 리턴’ 옵션에서 12G 프로그램 리턴 신호를 3G 레벨 A 또는 3G 레벨 B로 다운 컨버팅하도록 설정할 수 있습니다. Studio Fiber Converter의 리턴 입력으로 전송된 모든 12G 신호는 다운 컨버팅되어 Camera Fiber Converter로 전송됩니다.

## 랙 마운트형 스튜디오 장비

여러 대의 Blackmagic Studio Fiber Converter를 운영할 경우, Blackmagic Studio Fiber Rack Kit를 사용하면 방송 장비랙 또는 로드케이스에 컨버터를 설치할 수 있습니다. 랙마운트 키트를 사용하면 두 대의

스튜디오 광섬유 컨버터를 나란히 장비랙에 설치할 수 있습니다. Studio Fiber Rack Kit은 한 대의 컨버터만 설치 시 빈 공간을 채울 수 있는 블랭킹 패널이 함께 제공됩니다.

Studio Fiber Converter는 2RU 높이에 1/2 RU 폭 크기로, 2RU 장비랙에 두 대를 나란히 설치할 수 있습니다.

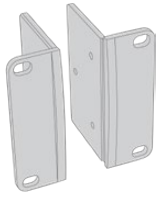


나란히 설치된 Blackmagic Studio Fiber Converter의 모습



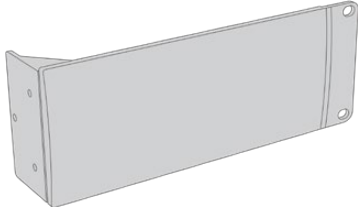
제품과 함께 제공되는 블랭킹 패널을 사용해 랙의 빈공간을 마무리할 수 있습니다.

**Blackmagic Studio Fiber Rack Kit 구성 품목은 다음과 같습니다.**



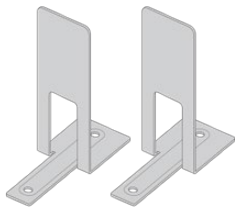
**2x 랙 이어**

Blackmagic Studio Fiber Converter 양쪽 끝에 랙 이어를 부착하여 장비랙에 장착합니다.



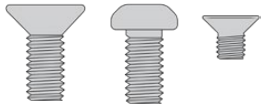
**1x 1/2 RU 폭의 블랭킹 패널**

블랭킹 패널 한쪽에는 랙 이어가 장착되어 있어 한 대의 장비만 사용할 시에 빈 곳을 채울 수 있습니다. 왼편 그림은 오른쪽 랙 이어를 설치한 모습입니다. 패널을 180° 돌리면 반대쪽으로 설치할 수 있습니다.



**2x 지지대**

T 모양의 지지대 브래킷으로, 두 대의 스튜디오 광섬유 컨버터가 만나는 지점의 앞면과 뒷면에 장착합니다.

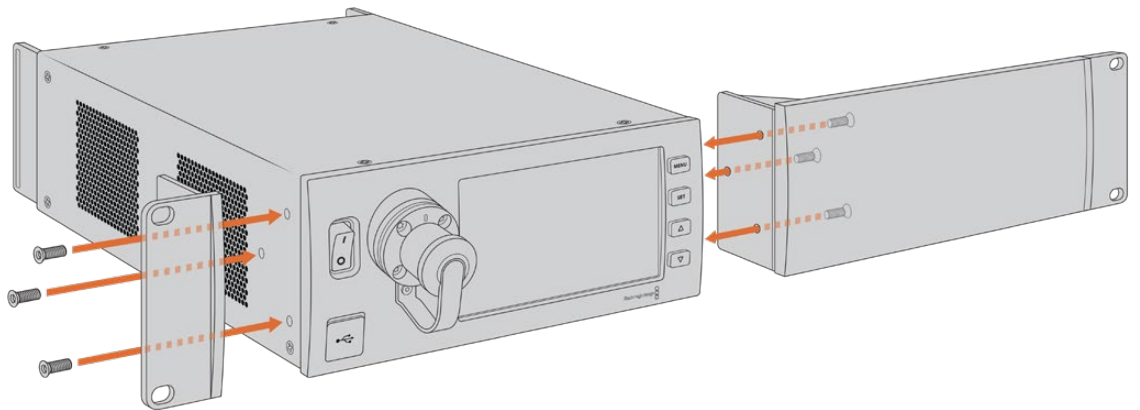


**나사**

8 x M4 10mm	4 x M4 8mm	5 x M3 5mm
랙 이어용 나사	블랭킹 패널 나사	지지대 브래킷 나사

**장비랙에 Blackmagic Studio Fiber Converter 설치 준비하기**

- 1 Studio Fiber Converter 오른쪽 또는 왼쪽 옆에 블랭킹 패널을 준비합니다. 컨버터와 블랭킹 패널의 앞면을 일렬로 맞춥니다.
- 2 세 개의 블랭킹 패널 나사를 사용하여 Studio Fiber Converter 옆에 블랭킹 패널을 부착합니다.



- 3 랙 이어용 나사 세 개를 사용하여 Studio Fiber Converter 옆면에 랙 이어를 부착합니다.

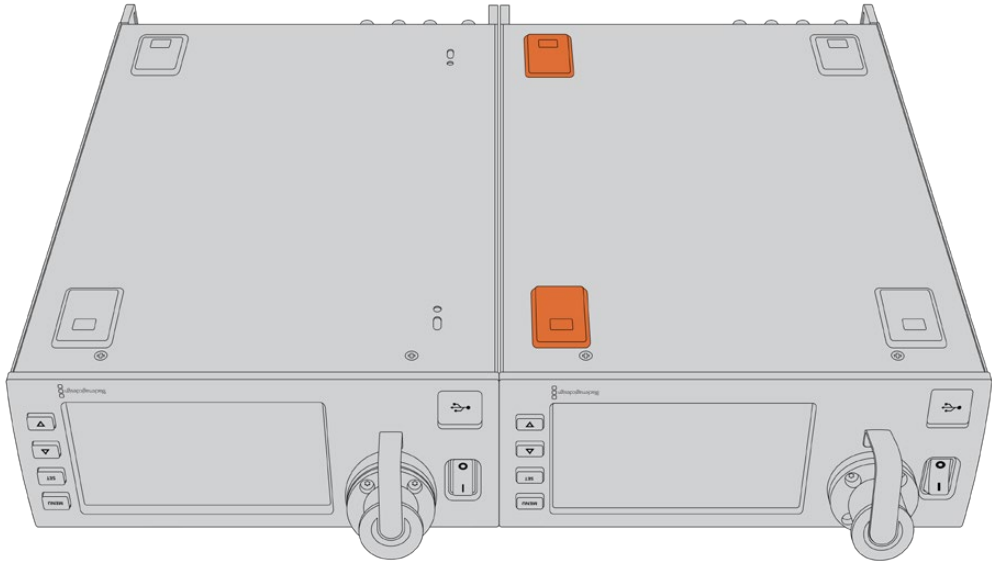
랙 이어와 블랭킹 패널이 장착되면 장비랙 양쪽 마운팅 홀에 나사를 조여 표준형 2RU 장비랙 공간에 컨버터를 설치할 수 있습니다.

### 장비랙에 두 대의 Blackmagic Studio Fiber Converter 설치 준비하기

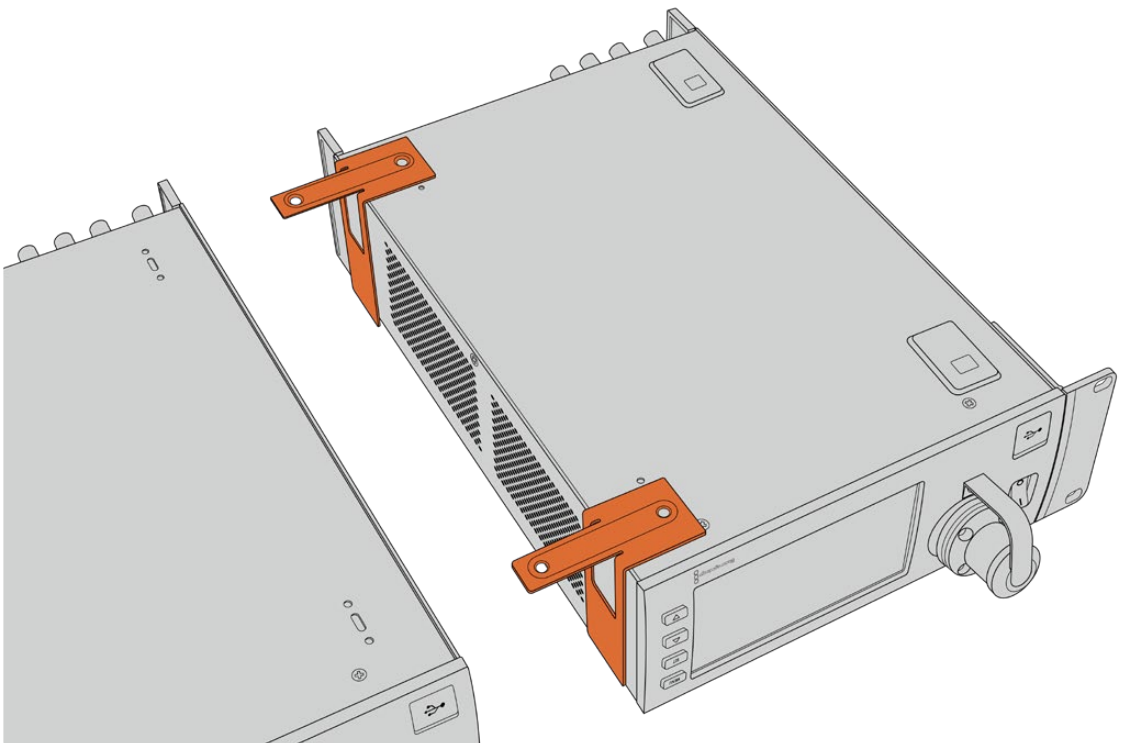
두 대의 컨버터를 나란히 설치하려면, 먼저 지지대 브래킷으로 두 대의 컨버터를 서로 고정한 다음 이를 장비랙에 설치하면 더 편리합니다.

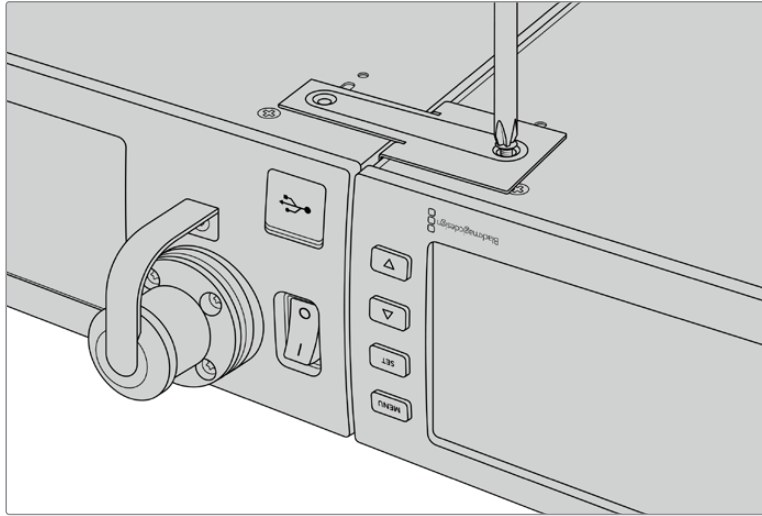
두 대의 컨버터 서로 고정하기

- 1 먼저 두 대의 컨버터를 뒤집어 아랫 부분이 위에 오도록 한 다음, 이를 나란히 정렬합니다. 컨버터가 서로 만나는 면의 고무 받침대 두 개를 제거합니다.

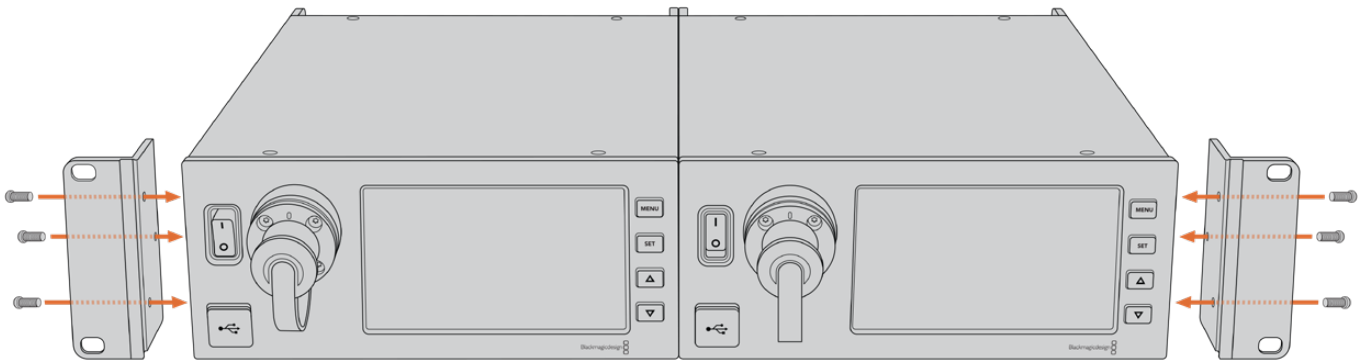


- 2 함께 제공되는 지지대 브래킷 나사를 사용하여 두 대의 Studio Fiber Converter가 만나는 지점 밑에 T 모양의 지지대 브래킷을 앞뒤로 장착합니다.





- 3 서로 고정된 두 개의 컨버터를 다시 뒤집어 랙 이어 나사를 사용해 랙 이어 부분을 컨버터 전면 양쪽 끝에 장착합니다. 이제 마운팅 홀에 표준 나사를 조이면 장비랙에 컨버터를 설치하실 수 있습니다.



## 카메라 컨버터 연결 단자

Blackmagic Camera Fiber Converter의 뒷면 및 측면 패널에 연결 단자가 탑재되어 있습니다. 해당 단자를 사용하지 않을 경우, 비가 오는 등의 야외 상황에 대비해 고무캡을 닫아 두세요. 특히 SMPTE 광케이블을 연결해 사용할 경우엔 미세한 먼지가 유리 섬유 끝부분에 쌓여 신호 흐름을 방해할 수 있습니다. 따라서 사용 직전에만 케이블 및 컨버터 커넥터의 고무캡을 제거하고, 사용 후에는 바로 닫아두는 것이 좋습니다.

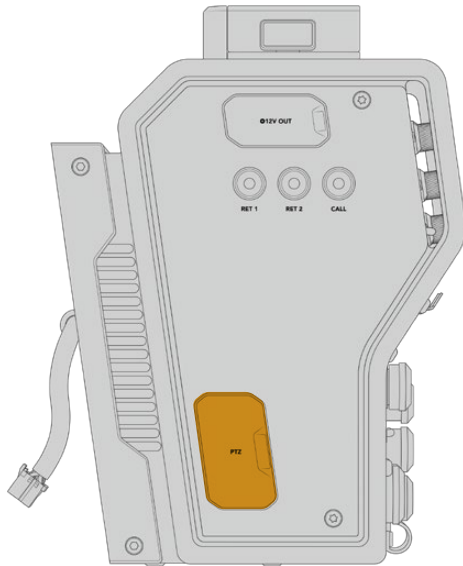
### 카메라 전원 연결

카메라 컨버터 및 카메라의 전원은 주로 스튜디오 컨버터와 연결된 SMPTE 하이브리드 광케이블을 통해 공급됩니다. 이를 통해 Blackmagic URSA Studio Viewfinder 등 카메라에 장착된 모든 액세서리에도 전원이 공급됩니다.

하지만 카메라의 12V XLR 커넥터에 전원이 연결되어 있을 경우, 카메라에서 Blackmagic Camera Fiber Converter로 전원을 공급할 수도 있습니다. 이는 일반적으로 사용되는 방법은 아니지만, 카메라가 스튜디오 컨버터로부터 2km 이상 떨어져 SMPTE 광케이블을 통한 전원 공급이 불안정할 경우를 위한 대비용 옵션입니다.

### PTZ 인터페이스

DE-9 직렬 포트에 PTZ 전동식 헤드를 연결할 수 있습니다. 예를 들어, Blackmagic URSA Mini 또는 URSA Broadcast를 크레인에 장착해서 사용할 때 팬·틸트·줌(PTZ) 헤드를 원격으로 제어할 수 있습니다. 이를 위해서는 Blackmagic Studio Fiber Converter의 메뉴 페이지에서 카메라로 전송될 PTZ 명령어의 소스를 지정해야 합니다. PTZ 명령 소스로는 Studio Fiber Converter의 DE-9 커넥터, 혹은 ATEM 스위처에서 전송되는 SDI 피드를 선택할 수 있습니다. 더 자세한 정보는 [Studio Fiber Converter 작동하기] 부분을 참고하세요.



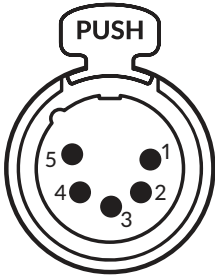
PTZ 인터페이스



## 토크백 연결

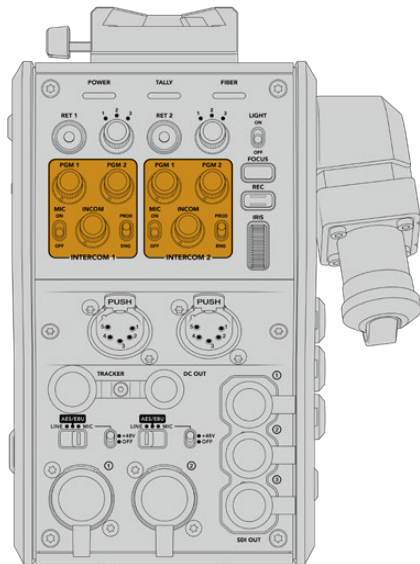
두 개의 5핀 XLR 커넥터(암)를 통해 두 개의 헤드셋을 연결할 수 있습니다. 이를 통해 두 사람이 토크백으로 동시에 의견을 주고받을 수 있습니다. 예를 들어, 카메라 운영자의 헤드셋은 첫 번째 XLR 커넥터에 연결하고, 크레인 운영자나 음향 기사와 같은 동료 제작진의 헤드셋은 두 번째 XLR 헤드셋 커넥터에 연결할 수 있습니다. 헤드셋 XLR 커넥터를 위한 핀 배치도는 다음과 같습니다.

### 헤드셋 XLR 핀 배치도

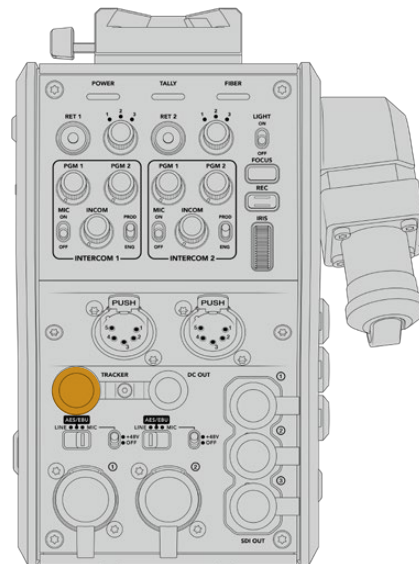
외부 모습	핀	신호	입/출력	상세 설명
 <p>5핀 XLR '헤드셋' 커넥터</p>	1	Intercom MIC (Y)	GND	인터컴 마이크 입력은 전자 콘덴서 마이크 및 다이내믹 마이크류를 지원하며, 균형/불균형 오디오를 모두 수용합니다. 1번 핀은 마이크 신호 접지용이며, 2번 핀은 두 종류의 마이크를 위한 마이크 신호 입력용입니다. 전자 마이크를 사용할 때는, DC 바이어스 전원 또한 같은 마이크 신호 입력 핀을 통해 출력됩니다.
	2	Intercom MIC (X)	In	
	3	GND	GND	GND
	4	Intercom left	Out	
	5	Intercom right	Out	

인터컴 컨트롤은 각 헤드셋 연결 단자 위쪽에 탑재되어 있습니다.

인터컴 컨트롤 사용법에 관한 자세한 정보는 [Camera Fiber Converter 작동하기] 부분을 참고하세요.



토크백 오디오 레벨 믹싱용 인터페이스 커넥터



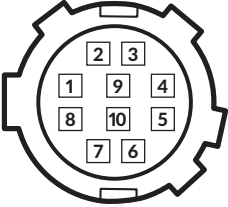
인터컴 컨트롤트래커

## 트래커 인터페이스

10핀 트래커 커넥터는 토크백과 탈리 신호뿐 아니라 텔러프롬프터 정보와 같은 데이터를 위한 멀티플렉스 출력을 지원합니다. 해당 출력은 보통 카메라 크레인과 같은 프로덕션 장비 보조 운영자들이 사용합니다.

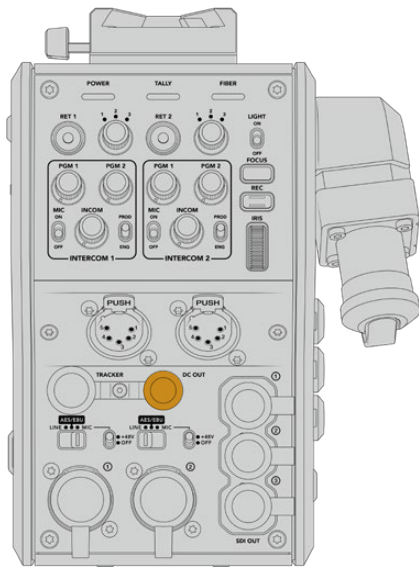
다음 핀 배치도를 참고하여 자신만의 케이블을 제작할 수 있습니다.

### 트래커 출력 핀 배치도

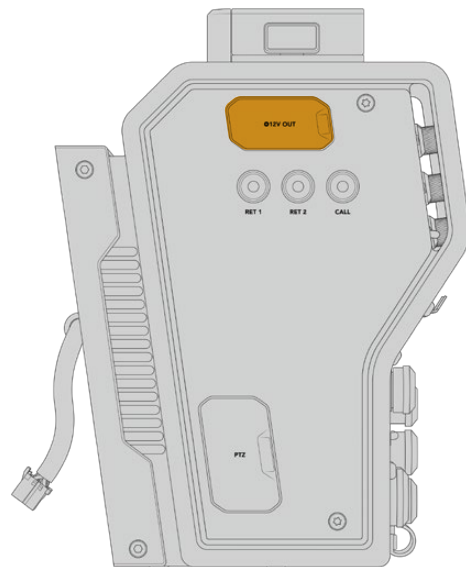
외부 모습	핀	신호	입/출력	상세 설명
 <p>10핀 '트래커' 커넥터</p>	1	Tracker left	Out	Tracker output, -20 dBu unbalanced
	2	GND (Talk)	-	GND for tracker talk
	3	GND (Receive/PGM/tally)	-	GND for receive/PGM/tally
	4	Tracker right	Out	Tracker output, -20 dBu unbalanced
	5	Unregulated	Out	12V DC (nom), 500mA (max)
	6	GND (Unregulated)	-	GND for unregulated
	7	Tracker talk (X)	In	Tracker talk 0 dBu /-20 dBu, high impedance balanced
	8	Tracker talk (Y)	In	
	9	G Tally	Out	On: 12V Off: Off: high impedance (open)
	10	R Tally	Out	On: 12V Off: Off: high impedance (open)

## DC 연결

DC 출력 커넥터를 통해 외부 모니터 등의 추가 액세서리에도 전원을 공급할 수 있습니다.



DC 출력 커넥터를 통해 모니터나 외부 녹화 장비 같은 부가 액세서리에 전원을 공급할 수 있습니다.



D-탭 출력

## D-탭 출력

좌측 패널에는 보통 D-탭 또는 P-탭이라고 불리는 +12V 출력이 탑재되어 있으며, 모니터나 커다란 박스 렌즈와 같은 액세서리에 전원을 공급할 수 있습니다. 해당 출력은 +12V DC(2암페어) 공칭 전압을 요구하는 박스 렌즈에 전원을 공급할 수 있습니다.

## 레퍼런스 출력 및 운영

레퍼런스 출력을 사용할 경우, BNC 케이블을 통해 레퍼런스 신호를 카메라에 연결할 수 있습니다.

카메라에 레퍼런스 신호를 연결하기

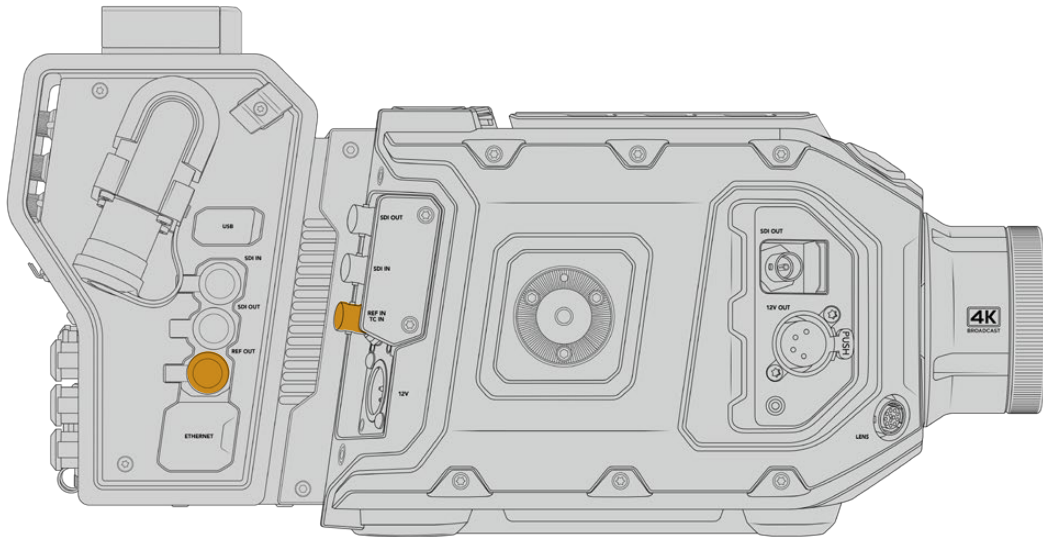
- 1 Blackmagic Camera Fiber Converter에서 REF OUT이라고 표시된 레퍼런스 출력을 REF IN이라고 표시된 카메라 레퍼런스 입력에 연결하세요. 이때 Blackmagic Camera Fiber Converter와 함께 제공되는 작은 SDI 케이블을 사용하세요.
- 2 카메라 레퍼런스 설정을 레퍼런스 입력으로 설정하세요.

동기 레퍼런스 신호를 통해 비디오 장비를 공통의 레퍼런스에 잠금하면 모든 장비가 완벽하게 동기화됩니다. 다시 말해, 모든 비디오 소스가 동기화되어 스위칭 작업 시 부드럽게 전환됩니다.

ATEM 스위처에는 재동기화 장치가 탑재되어 있어 ATEM 스위처와 Blackmagic 카메라를 함께 사용 시 레퍼런스 동기화를 걱정하지 않아도 됩니다. 카메라 신호가 ATEM 스위처에서 오는 SDI 프로그램 리턴 피드에 락킹되므로, URSA Mini 또는 URSA Broadcast 'SETUP' 메뉴의 'REFERENCE SOURCE' 설정에 'Program'이 선택되었는지만 확인하면 됩니다. 재동기화 시 1 프레임이 지연됩니다.

ATEM에서 재동기화 시 지연 현상을 없애려면, 먼저 레퍼런스 신호를 URSA Mini 또는 URSA Broadcast에 적용한 다음에 시간을 조정하여 라인 입력을 ATEM 시간 이전으로 설정하세요.

URSA Mini 또는 URSA Broadcast의 레퍼런스 동기화를 조정하려면 '설정(RECORD)' 메뉴의 '레퍼런스 타이밍(REFERENCE TIMING)' 설정을 변경하면 됩니다.

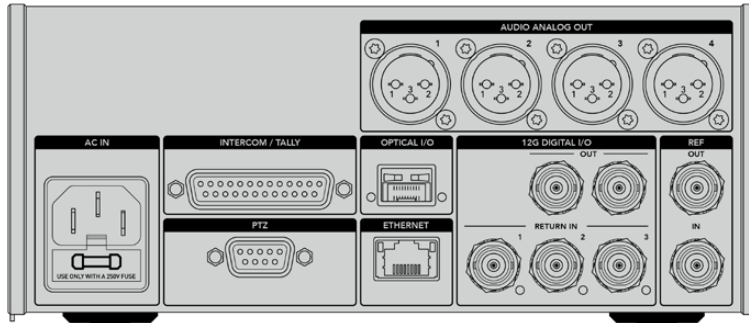


외부 레퍼런스 신호를 사용할 경우, 카메라 컨버터의 레퍼런스 출력을 URSA Mini 또는 URSA Broadcast의 레퍼런스 입력에 연결하세요.

## 스튜디오 컨버터 연결 단자

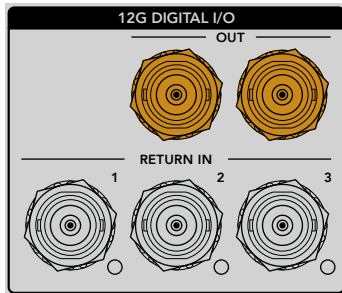
Blackmagic Studio Fiber Converter의 뒷면에는 SDI 리턴 피드와 레퍼런스 BNC 커넥터, 인터컴 및 탈리 DB-25 커넥터, PTZ 9핀 직렬 포트, 오디오 출력, 이더넷이 탑재되어 있습니다.

모든 SDI 입력은 12-SDI를 통해 최대 2160p60의 UHD 비디오 포맷을 지원합니다.



### 12G-SDI 출력

두 개의 12G-SDI 출력을 지원해 스튜디오 컨버터의 카메라 신호를 모든 스위처의 카메라 SDI 입력에 연결할 수 있습니다. 두 번째 커넥터는 동일 신호를 Blackmagic Videohub 라우터, SmartView 모니터 또는 HyperDeck Disk Recorder 등의 기타 비디오 장비에 출력할 때 사용합니다.

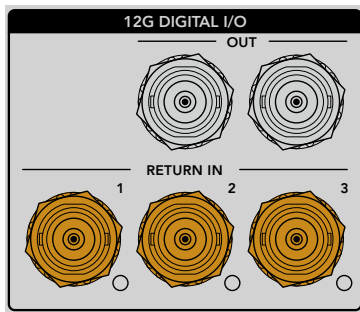


12G-SDI 출력 단자를 통해 720p50부터 최대 2160p60의 신호를 출력할 수 있습니다.

### 리턴 SDI 입력

12G-SDI 리턴 피드 BNC 커넥터를 통해 최대 세 개의 SDI 리턴 피드를 연결할 수 있습니다. 이를 위해서는 스위처의 프로그램 피드를 RETURN 1에 연결하고, 프레임 레이트를 카메라의 프레임 레이트와 일치시켜야 합니다. 두 번째 카메라 출력, HyperDeck 재생 영상, 또는 텔레프롬프터 같은 다른 소스 영상을 리턴 피드 2 및 리턴 피드 3에 연결할 수 있습니다. ATEM 스위처를 사용할 경우, RETURN 1에 연결된 프로그램 리턴 피드엔 탈리와 토크백, 레퍼런스 및 카메라 신호 또한 포함되어 있습니다.

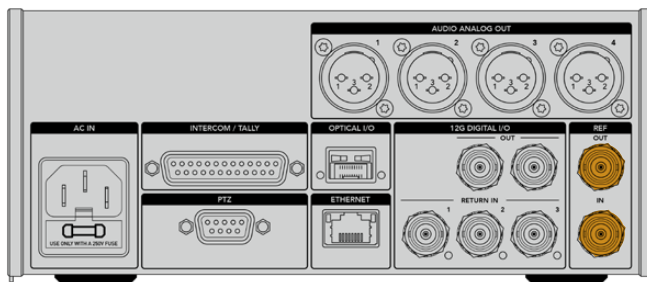
리턴 SDI 입력을 통해 최대 세 개의 스위처 리턴 피드를 연결할 수 있습니다. 해당 피드는 카메라에도 전송되어 카메라 운영자가 확인할 수 있으며, SDI를 통해 다른 장비로도 전송 가능합니다.



**참고** UHD 소스를 리턴 입력에 연결하면 UHD 비디오가 동일한 프레임 레이트의 1080p로 다운 컨버팅되기 때문에 카메라 컨버터의 출력이 HD로 변환됩니다. UHD 리턴 신호를 HD로 다운 컨버팅하면 대역폭이 훨씬 넓어져 여러 개의 리턴 소스를 전송할 수 있습니다.

### 레퍼런스 입/출력

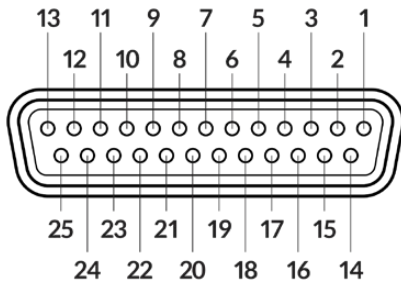
ATEM 스위처를 사용하지 않는 상황에서 장비를 외부의 공통의 레퍼런스 신호에 락킹해야 할 경우, 외부에서 생성된 신호를 BNC 레퍼런스 입력에 연결하세요. SMPTE 광케이블을 통해 레퍼런스 신호가 카메라 컨버터에 전송됩니다. 스튜디오 컨버터의 레퍼런스 BNC 출력을 사용해 레퍼런스 소스를 다른 장비에 루프 출력할 수 있습니다.



REF IN 연결을 사용해 다른 방송 장비에서 오는 일반 레퍼런스 신호를 카메라에 전송하세요.

### 토크백 인터페이스

DB-25 인터콤과 탈리 커넥터를 통해 서드파티 인터콤 및 탈리 시스템을 연결할 수 있습니다. 아래 핀 배치도를 참고하여 자신만의 케이블을 제작할 수 있습니다. 엔지니어, 프로덕션, 탈리, 프로그램 오디오 입력을 위한 핀 연결을 마치고 나면 Blackmagic Studio Fiber Converter의 메뉴도 그에 맞게 설정해야 합니다.



25핀 '인터컴/탈리' 커넥터 외부 모습

### 토크백 핀 배치도

핀	신호	사양
1	ENG(R) IN+	Engineering channel input 0dBu balanced
2	ENG(R) IN-	
3	ENG GND	GND for ENG
4	ENG(T) OUT +	Engineering channel output 0dBu balanced
5	ENG(T) OUT -	
6	PGM IN+	-20dBu
7	PGM IN-	-20dBu
8	PGM GND	-20dBu
9	GND	GND for aux
10	N/C	-
11	Red Tally IN	On = 5-24Vdc, Off= 0Vdc
12	Red Tally GND	-
13	GND	Chassis GND
14	PROD(R) IN+	Production channel input 0dBu balanced
15	PROD(R) IN-	
16	PROD GND	-
17	PROD(T) OUT+	Production channel output 0dBu balanced
18	PROD(T) OUT-	
19	N/C	-
20	N/C	-
21	N/C	-
22	N/C	-
23	N/C	-
24	Green Tally IN	On = 5-24Vdc, Off= 0Vdc
25	Green Tally GND	-

## PTZ 인터페이스

스튜디오 및 카메라 컨버터 모두 DE-9 커넥터를 탑재해 스튜디오 컨버터에는 PTZ 컨트롤러를, 카메라 컨버터에는 리모트 헤드를 연결할 수 있습니다. PTZ 명령어는 SMPTE 광케이블을 통해 연결된 두 컨버터 사이를 오가는 SDI 신호에 임베드됩니다.

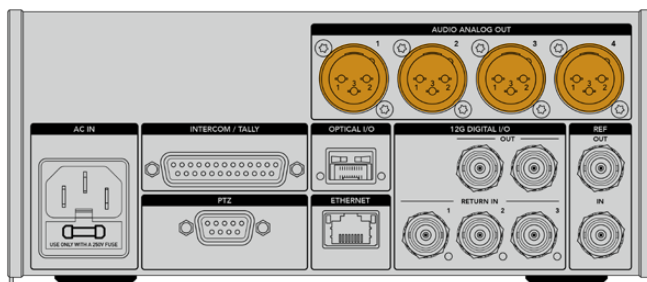
Blackmagic Studio Fiber Converter의 설정 메뉴를 통해 Blackmagic Camera Fiber Converter로 전송될 PTZ 명령어의 소스를 선택할 수 있습니다. PTZ 명령어 소스는 Studio Fiber Converter 뒷면의 PTZ 커넥터, 또는 ATEM 스위처에서 전송되는 SDI 프로그램 피드 중 선택할 수 있습니다. 더 자세한 정보는 [Studio Fiber Converter 작동하기] 부분을 참고하세요.

### PTZ 인터페이스 핀 배치도

외부 모습	핀	신호
<p>9핀 'PTZ' 커넥터</p>	1	GND
	2	RS422 Tx-
	3	RS422 Rx+
	4	GND
	5	N/C
	6	GND
	7	RS422 Tx+
	8	RS422 Rx-
	9	GND

## 오디오 출력

스튜디오 유닛에 있는 네 개의 XLR 오디오 출력을 통해 URSA Broadcast 또는 URSA Mini 카메라의 입력 1과 입력 2에 연결된 오디오, 그리고 Camera Fiber Converter에 있는 두 개의 XLR 오디오 입력을 출력할 수 있습니다.

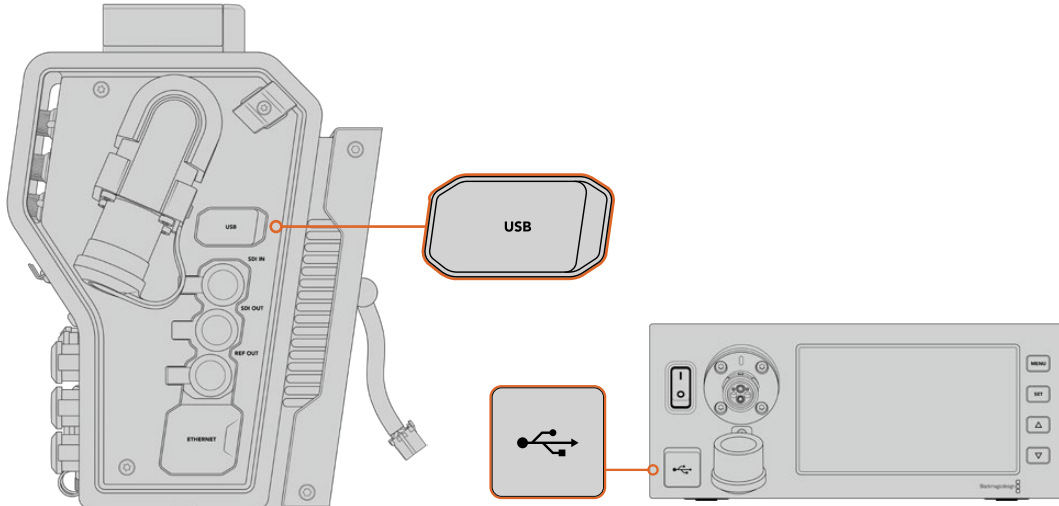


스튜디오 유닛의 출력 1과 출력 2는 URSA Broadcast 또는 URSA Mini의 임베디드 XLR 입력 채널 1과 채널 2와 연동되도록 기본 설정되어 있습니다. 스튜디오 유닛의 출력 3과 출력 4는 Blackmagic Camera Fiber Converter의 XLR 입력 1과 입력 2에 연동되도록 기본 설정되어 있습니다. 메뉴에서 이러한 매핑 설정을 변경할 수 있습니다. 더 자세한 정보는 [메뉴 사용하기] 부분을 참고하세요.



## 내부 소프트웨어 업데이트하기

Blackmagic Design은 Blackmagic 광섬유 컨버터의 기능 및 성능 향상을 위한 업데이트를 수시로 배포합니다. Blackmagic Design 웹사이트를 자주 방문하시어 광섬유 컨버터의 내부 소프트웨어를 최신 버전으로 업데이트할 것을 권장합니다. Blackmagic Camera Setup 유틸리티 소프트웨어를 사용하여 광섬유 컨버터를 업데이트하세요.



Blackmagic 광섬유 컨버터의 내부 소프트웨어는 USB-C 포트를 통해 업데이트할 수 있습니다.

## Blackmagic Camera Fiber Converter 업데이트하기

Camera Fiber Converter 업데이트 시에 전원이 연결되어 있어야 하므로, URSA Mini 또는 URSA Broadcast에 컨버터를 항상 연결해 놓기 바랍니다.

Camera Fiber Converter에서 SMPTE 광케이블을 제거한 다음 URSA 전원 공급 장치를 통해 카메라 전원을 지속적으로 공급하는 것이 중요합니다.

Blackmagic Camera Fiber Converter 우측면에는 내부 소프트웨어 업데이트를 위한 USB-C 커넥터가 탑재되어 있습니다. USB 커넥터를 통해 컴퓨터와 연결한 뒤, Blackmagic Camera Setup 유틸리티를 실행하세요. Camera Fiber Converter에서 구버전을 사용 중인 것으로 확인될 경우, 업데이트를 묻는 창이 나타납니다. 컨버터의 내부 소프트웨어를 업데이트하려면 화면에 나타나는 지시에 따릅니다.

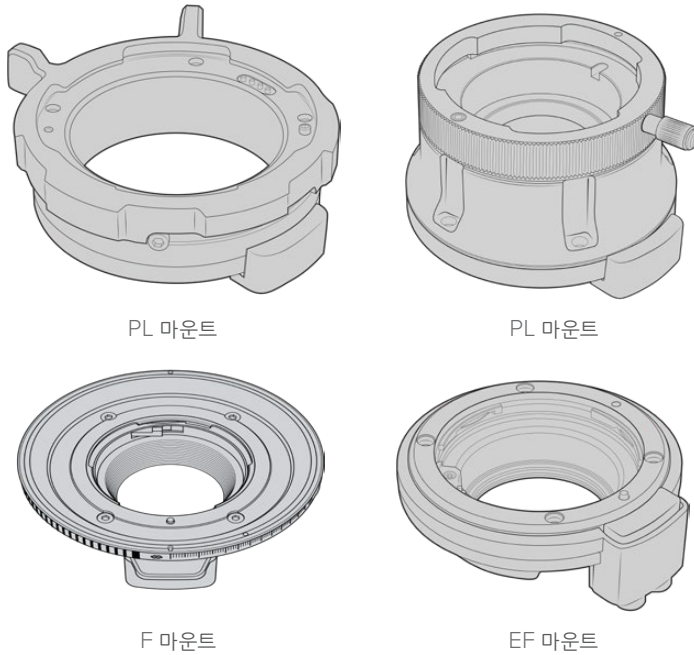
## Blackmagic Studio Fiber Converter 업데이트하기

Studio Fiber Converter 업데이트 시 전원 공급을 위해 IEC 전원 케이블을 스튜디오 컨버터의 뒷면 패널 전원 커넥터에 그대로 연결해둘 것을 권장합니다.

Blackmagic Studio Fiber Converter 전면에는 내부 소프트웨어 업데이트를 위한 USB-C 커넥터가 탑재되어 있습니다. USB 커넥터를 통해 컴퓨터와 연결한 뒤, Blackmagic Camera Setup 유틸리티를 실행하세요. Studio Fiber Converter에서 구버전을 사용 중인 것으로 확인될 경우, 업데이트를 묻는 창이 나타납니다. 컨버터의 내부 소프트웨어를 업데이트하려면 화면에 나타나는 지시에 따릅니다.

## 교체형 렌즈 마운트

Blackmagic URSA Mini Pro 12K에는 PL 마운트가 포함되어 있습니다. 이 외의 URSA Mini Pro 카메라에는 EF 마운트가 탑재되어 있습니다. 모든 URSA Mini Pro 카메라에는 교체형 렌즈 마운트를 포함되어 있기 때문에, 카메라에 탑재된 렌즈 마운트에 맞는 한정된 종류의 렌즈만 사용할 필요가 없습니다. 다시 말해, 카메라에 장착된 기본 마운트를 제거하고 PL, B4, F, EF 마운트를 장착할 수 있습니다. Blackmagic Design 리셀러에게 연락하여 URSA Mini Pro용 PL 마운트, URSA Mini Pro B4 마운트, URSA Mini Pro F 마운트, 또는 URSA Mini Pro EF 마운트를 구입할 수 있습니다.

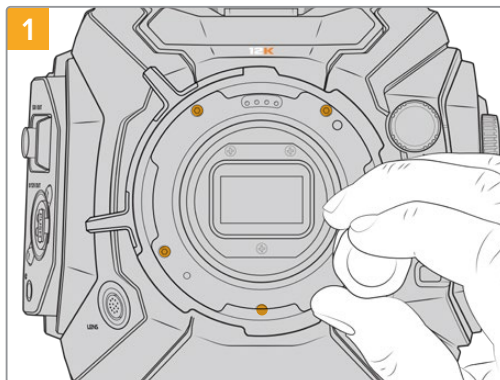


세 가지 종류의 마운트를 장착할 수 있어 작업 유형에 맞는 렌즈를 자유롭게 사용할 수 있습니다. 예를 들어, EF 마운트를 통해 고화질 스틸 렌즈를 사용할 수 있으며, B4 마운트는 전자식 뉴스 취재나 웨딩 촬영에 필요한 파포컬 줌 렌즈를 사용하기 완벽하고, PL 마운트는 완벽한 정밀도와 반복적인 제어에 적합하도록 설계된 견고한 첨단 시네마 렌즈 사용에 적합합니다.

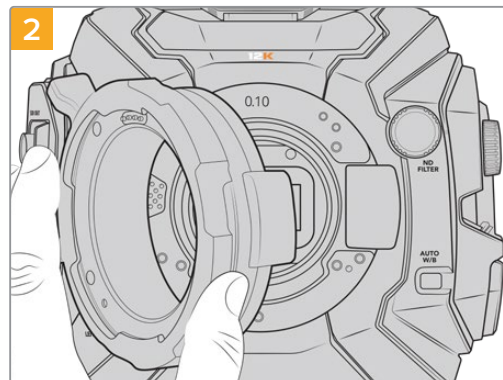
마운트 교체 작업은 아주 간단하며, 기본 장착된 B4 마운트의 나사를 풀고 새로운 마운트를 장착하기만 하면 됩니다. 아주 쉽게 장착할 수 있습니다!

EF 마운트는 2mm 육각 드라이버로 4개의 M3 육각 나사를 풀어 쉽게 분리할 수 있습니다.

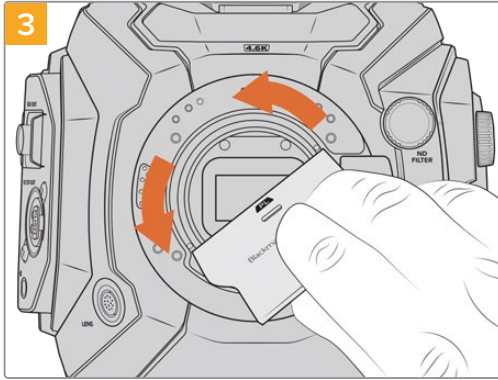
### URSA Mini Pro 12K의 기본 PL 마운트 분리하기



URSA Mini Pro 12K 제품에 장착된 PL 마운트는 2mm Hex 드라이버를 사용하여 5개의 나사를 풀어 제품에서 분리할 수 있습니다.

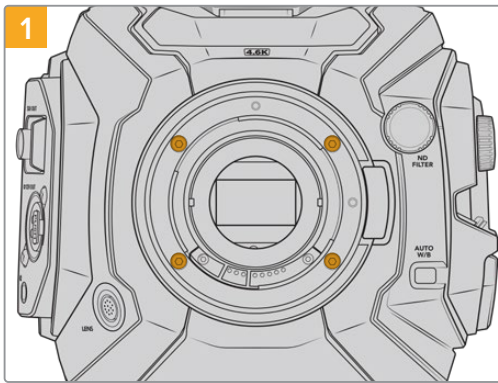


카메라 본체에서 마운트를 부드럽게 들어 올리세요.

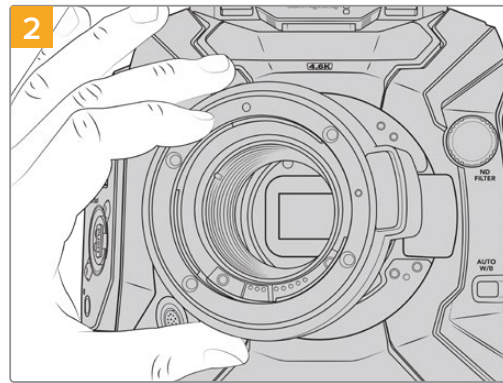


PL 렌즈 마운트를 제거한 후, 배플 도구의 넓은 끝 쪽을 사용하여 중앙의 PL 배플을 풀고 손가락으로 조심스럽게 분리하세요.

### URSA Mini Pro 4.6K G2 또는 URSA Mini Pro 4.6K의 기본 EF 마운트 분리하기



URSA Mini Pro 4.6K G2 또는 URSA Mini Pro 4.6K의 기본 EF 마운트는 2mm Hex 드라이버로 4개의 나사를 풀어 쉽게 분리할 수 있습니다.



카메라 본체에서 마운트를 부드럽게 들어 올리세요.

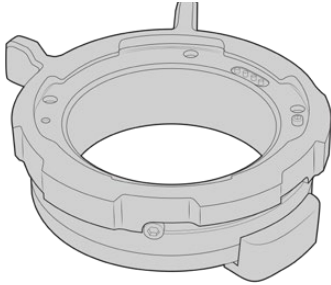
**참고** 원래 장착되어 있던 렌즈 마운트를 제거할 때, 마운트 밑에 있는 심은 항상 카메라에 장착되어 있어야 한다는 점을 명심하세요.

이 부분을 끝까지 읽어 PL, B4, F, EF 렌즈 마운트 세트 상세 설명과 각 마운트를 URSA Mini에 설치하는 방법에 대한 자세한 정보를 확인하시기 바랍니다.

## Blackmagic URSA Mini Pro PL 마운트

URSA Mini Pro에 PL 마운트를 장착하면 장면 영화 및 TV 프로덕션을 위한 첨단 정밀 시네마 렌즈를 사용할 수 있습니다.

**PL 마운트 세트 구성은 다음과 같습니다.**



### 1 x PL 마운트

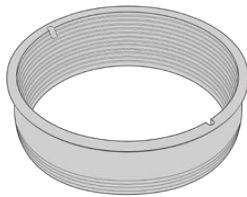
PL 마운트는 먼지 보호 덮개와 함께 제공됩니다.



### 1x 심 세트

심 세트는 다음과 같은 두께의 심으로 구성되어 있습니다.

0,50mm	0,18mm	0,10mm
0,30mm	0,15mm	0,05mm
0,20mm	0,12mm	0,025mm



### 1 x PL 배플

PL 마운트 배플을 통해 센서에 들어오는 빛을 제어 및 관리할 수 있습니다.



### 1 x 배플 도구

PL 배플 도구를 사용해 배플을 카메라에 단단히 고정하세요.



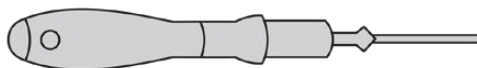
### 5x 2mm Hex M2,5x22mm 마운트 나사

5개의 M2,5x22mm Hex 나사는 PL 마운트 전용 나사이므로 해당 마운트와 함께 나사를 보관합니다.

PL 마운트 세트에는 분실에 대비한 여분의 나사 세트 또한 포함되어 있습니다.

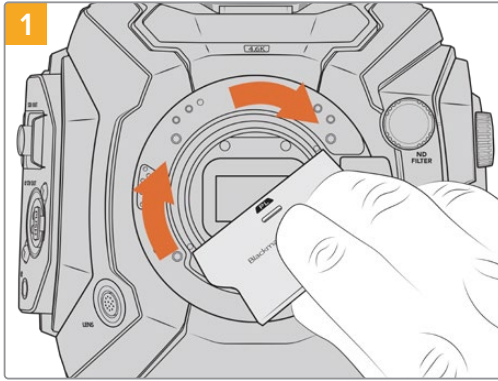
### 필요한 도구

PL 마운트를 장착할 시에는 2mm 육각 드라이버가 필요합니다. 반드시 이 도구가 필요한 것은 아니지만, 토크 렌치를 사용하면 최대 토크 0,45Nm를 정확하게 설정할 수 있어 나사를 너무 많이 조이는 일을 방지할 수 있습니다.

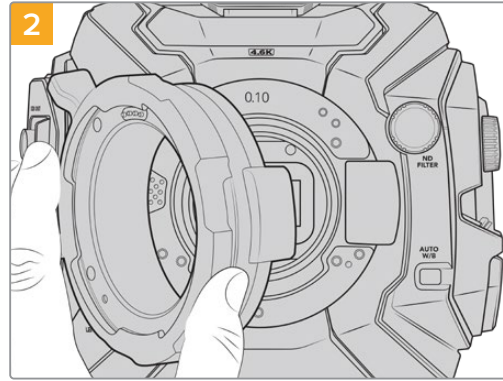


2mm 육각 드라이버

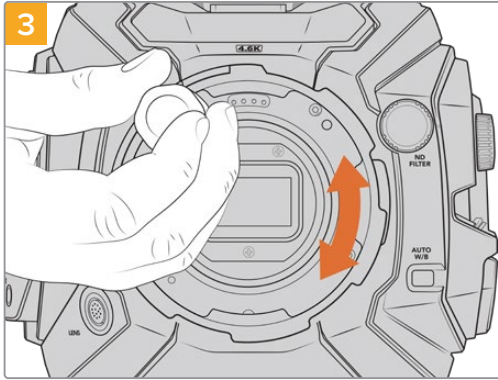
## PL 마운트 장착하기



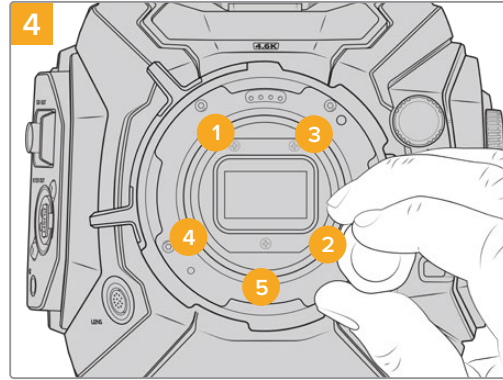
PL 배플을 렌즈 마운트 중심부에 천천히 집어넣고 돌려 단단히 고정시킵니다. 배플 도구의 넓은 끝부분 사용하여 배플을 끝까지 고정시킵니다. 제대로 고정시키기 위해서는 충분한 압력이 필요합니다.



Blackmagic URSA Mini Pro PL 렌즈 마운트를 조심스럽게 카메라 본체에 올려놓으세요. Cooke/i Technology를 위한 PL 마운트의 핀이 12시 방향에 오도록 확인하세요.



2mm Hex 드라이버 또는 0.45Nm로 조정된 토크 렌치를 사용하여 5개의 마운팅 나사가 렌즈 마운트의 베이스에 살짝 닿을 정도로만 나사를 느슨하게 조입니다. 잠금 링이 열리거나 닫히면 나사 구멍이 잘 보이지 않기 때문에 5개의 나사가 보이도록 PL 잠금 링을 회전합니다.



렌즈 마운트가 수평으로 정확하게 정렬되어 있는지 확인한 후, 나사를 너무 꽉 조이지 않는 선에서 밀의 보기와 같이 동등한 힘이 가해지도록 조입니다.

**참고** PL 마운트를 제거할 경우에는 위 설명 4번부터 반대 방향으로 마운트를 제거하면 됩니다. PL 배플을 제거하여 반드시 PL 마운트와 함께 보관하세요.

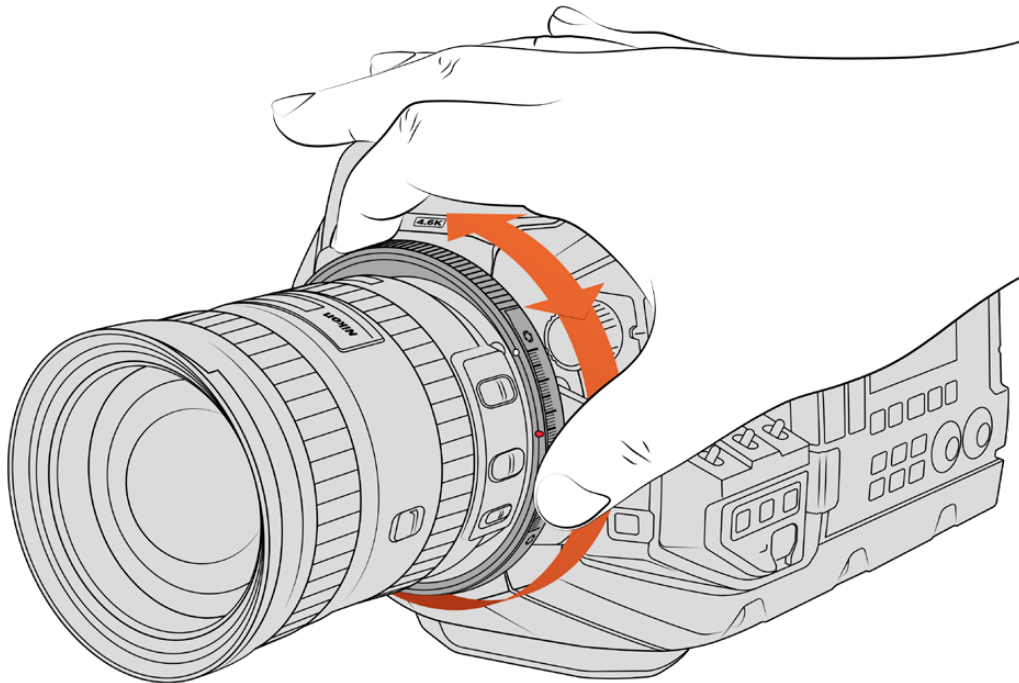


## Blackmagic URSA Mini Pro F 마운트

URSA Mini Pro에 F 마운트를 장착하면 F 마운트 렌즈를 사용할 수 있습니다. Nikon의 F 마운트 시스템 역사는 1959년으로 거슬러 올라가며, 오늘날에도 여전히 F 마운트 렌즈를 생산하고 있습니다. 다시 말해, Blackmagic URSA Mini Pro F 마운트를 통해 방대한 종류의 빈티지 및 현대 렌즈를 사용할 수 있습니다.

Blackmagic URSA Mini Pro F 마운트는 기계식 마운트라는 점을 알아두세요. 다시 말해, 전자식 포커스 및 조리개 제어 기능을 지원하지 않습니다. 대신 Blackmagic URSA Mini Pro F 마운트에는 기계식 조리개 조절 장치가 탑재되어 있습니다. 이를 통해 대부분의 Nikon 렌즈에 탑재된 조리개 핀을 조절할 수 있어 시네 스타일의 부드러운 조리개 조절이 가능합니다.

F 마운트를 장착할 경우, Blackmagic URSA Mini Pro F 마운트의 조리개 조절 장치를 간단히 움직여 원하는 노출 수준을 적용할 수 있습니다. F 마운트의 빨간 점과 조리개 조절 장치의 눈금을 통해 조리개 설정을 표시할 수 있어 특정 노출 또는 피사계 심도 설정으로 쉽게 되돌릴 수 있습니다.



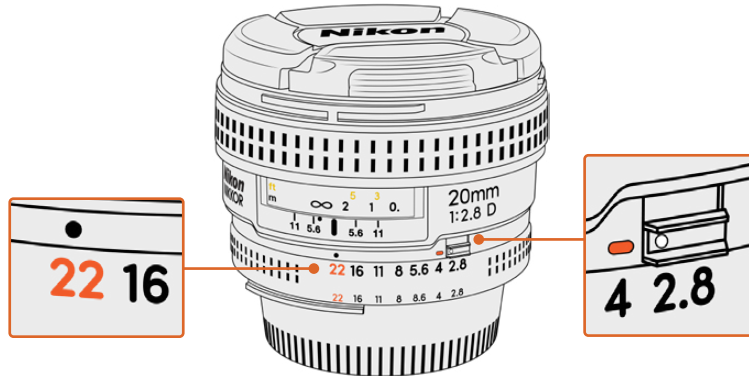
URSA Mini Pro F 마운트의 조리개 조절 링을 사용해 F 마운트 렌즈의 조리개를 부드럽게 변경할 수 있습니다.

**참고** URSA Mini Pro F 마운트의 작동 방식 특성상, 일부 F 마운트 렌즈는 호환되지 않을 수 있습니다.

기계식 렌즈 조절 장치를 지원하지 않는 Nikkor AF-S E 시리즈 렌즈와 24mm f/3.5D PC-E 및 85mm PC-E 등의 Nikon PC-E 틸트 슈프트 렌즈가 여기에 해당합니다.

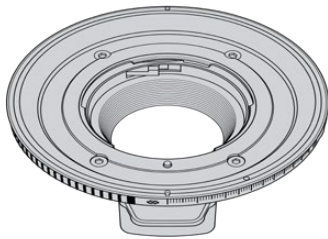
## Nikon AF-D 렌즈

Nikon AF-D 시리즈 렌즈를 사용할 경우, Blackmagic URSA Mini Pro F 마운트의 조리개 조절 링의 기능을 최대한 활용하려면 렌즈 조리개를 f/22 등의 가장 낮은 설정값으로 고정하세요.



AF-D 렌즈의 조리개 값을 가장 낮은 값으로 설정 및 고정하는 제일 쉬운 방법은 바로 카메라에 설치하기 전에 미리 조정하는 것입니다.

F 마운트 세트 구성은 다음과 같습니다.



### 1 x F 마운트

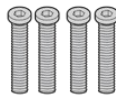
F 마운트를 장착하면 일반 F 사진 렌즈를 사용할 수 있습니다.



### 1 x 심 세트

심 세트는 다음과 같은 두께의 심으로 구성되어 있습니다.

0,50mm	0,18mm	0,10mm
0,30mm	0,15mm	0,05mm
0,20mm	0,12mm	0,025mm



### 4 x 2mm Hex M3 x 18mm 마운트 나사

네 개의 M3x18mm 육각 나사는 EF 및 F 마운트 전용 나사이므로 해당 마운트와 함께 나사를 보관하는 것이 좋습니다.

F 마운트 세트에는 분실에 대비한 여분의 나사 세트 또한 포함되어 있습니다.

## 필요한 도구

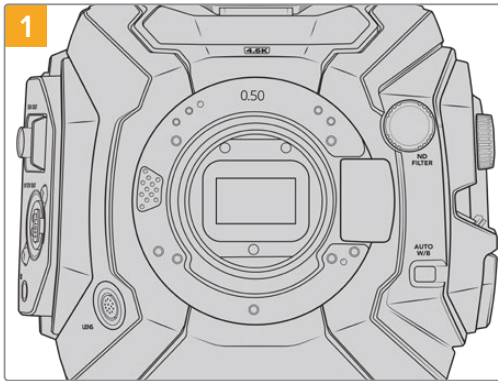
F 마운트를 장착할 시에는 2mm 육각 드라이버가 필요합니다. 반드시 이 도구가 필요한 것은 아니지만 토크 렌치를 사용하면 최대 토크 0.45Nm를 정확하게 설정할 수 있어 나사를 너무 많이 조이는 일을 방지할 수 있습니다.



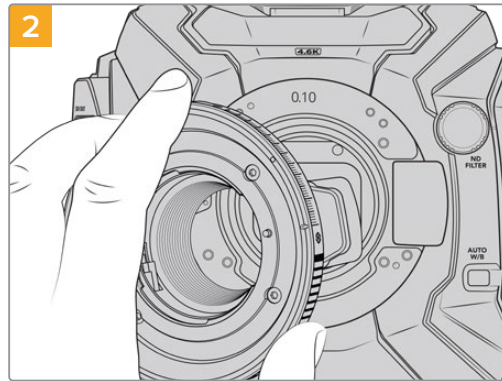
2mm 육각 드라이버



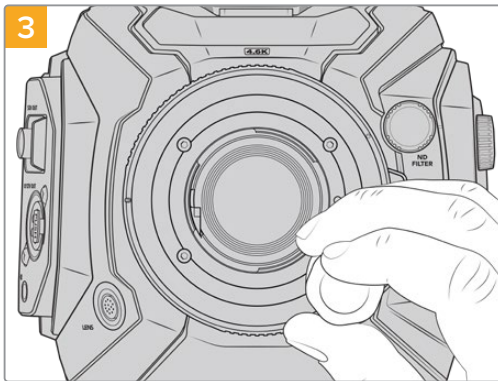
## F 마운트 장착하기



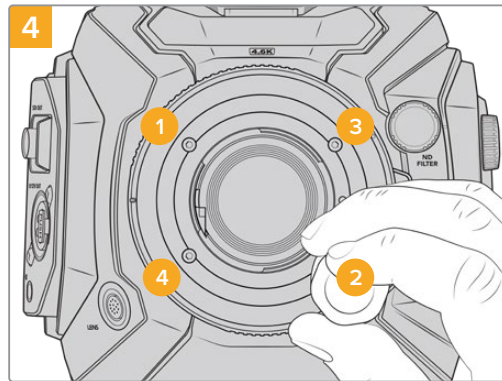
마운트를 수직 방향으로 장착할 수 있도록 단단하고 깨끗한 작업대 위에 Blackmagic URSA Mini Pro 를 세로 방향으로 올려놓습니다. PL 마운트에서 F 마운트로 교체할 경우, F 마운트를 장착하기 전에 PL 배플을 제거했는지 확인하세요.



Blackmagic URSA Mini Pro F 렌즈 마운트를 흰 점이 2시 방향에 오도록 카메라 본체에 올려놓습니다.



2mm Hex 드라이버 또는 0.45Nm로 조정된 토크 렌치를 사용하여 4개의 마운팅 나사가 렌즈 마운트의 베이스에 살짝 닿을 정도로만 나사를 느슨하게 조입니다.



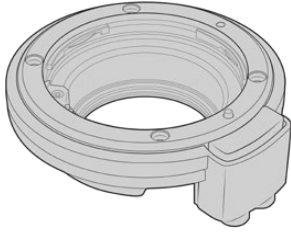
렌즈 마운트가 수평으로 정확하게 정렬되어 있는지 확인한 후, 나사를 너무 꽉 조이지 않는 선에서 밑의 보기와 같이 동등한 힘이 가해지도록 조입니다.

**참고** B4 마운트를 제거할 경우에는 위 설명 4번부터 반대 방향으로 마운트를 제거하면 됩니다.

## Blackmagic URSA Mini Pro EF 마운트

Blackmagic URSA Mini Pro EF 마운트는 광범위한 종류의 EF 스틸 및 시네마 렌즈와 함께 사용할 수 있습니다.

EF 마운트 세트 구성은 다음과 같습니다.



### 1 x EF 마운트

EF 마운트를 장착하면 일반 EF 스틸 렌즈를 사용할 수 있습니다.



### 1 x 심 세트

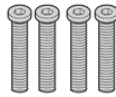
심 세트는 다음과 같은 두께의 심으로 구성되어 있습니다.

0.50mm	0.18mm	0.10mm
0.30mm	0.15mm	0.05mm
0.20mm	0.12mm	0.025mm



### 1 x 배플 도구

EF 마운트에 장착된 배플은 분리가 불가능하지만, PL 마운트 교체 시 사용할 수 있도록 EF 세트에 배플 도구가 포함되어 있습니다.



### 4 x 2mm Hex M3 x 18mm 마운트 나사

네 개의 M3x18mm 육각 나사는 EF 및 F 마운트 전용 나사이므로 해당 마운트와 함께 나사를 보관하는 것이 좋습니다.

EF 마운트 세트에는 분실에 대비한 여분의 나사 세트 또한 포함되어 있습니다.

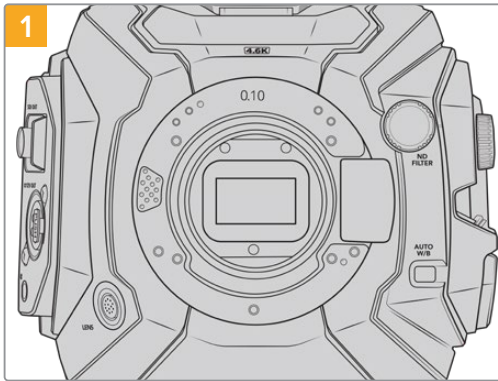
### 필요한 도구

EF 마운트를 장착할 시에는 2mm 육각 드라이버가 필요합니다. 반드시 이 도구가 필요한 것은 아니지만 토크 렌치를 사용하면 최대 토크 0.45Nm를 정확하게 설정할 수 있어 나사를 너무 많이 조이는 일을 방지할 수 있습니다.

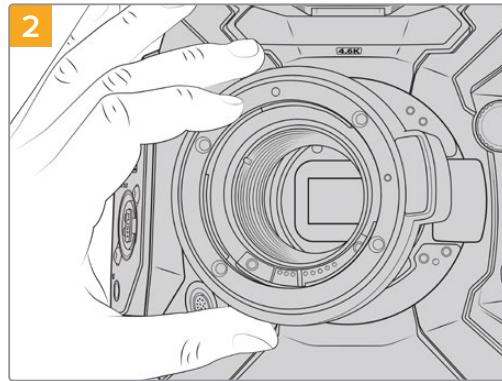


2mm 육각 드라이버

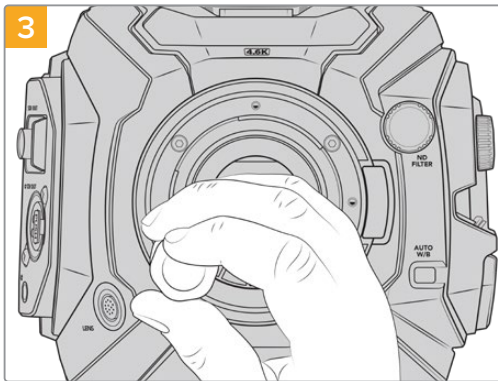
## EF 마운트 장착하기



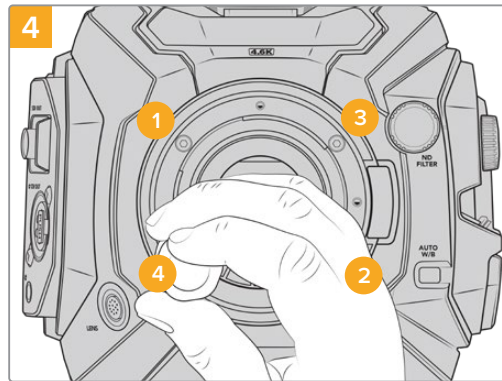
마운트를 수직 방향으로 장착할 수 있도록 단단하고 깨끗한 작업대 위에 Blackmagic URSA Mini Pro를 세로 방향으로 올려놓습니다. PL 마운트에서 EF 마운트로 교체할 경우, EF 마운트를 장착하기 전에 PL 배플을 제거했는지 확인하세요.



Blackmagic URSA Mini Pro EF 렌즈 마운트를 빨간색 점이 12시 방향에 오도록 조심스럽게 카메라 본체에 올려놓으세요.



2mm Hex 드라이버 또는 0.45Nm로 조정된 토크 렌치를 사용하여 4개의 마운팅 나사가 렌즈 마운트의 베이스에 살짝 닿을 정도로만 나사를 느슨하게 조입니다.



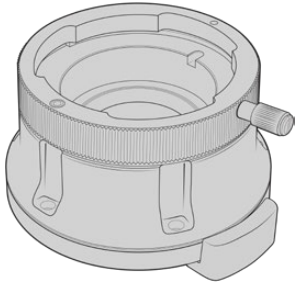
렌즈 마운트가 수평으로 정확하게 정렬되어 있는지 확인한 후, 나사를 너무 꽉 조이지 않는 선에서 밑의 보기와 같이 동등한 힘이 가해지도록 조입니다.

**참고** EF 마운트를 제거할 경우에는 위 설명 4번부터 반대 방향으로 마운트를 제거하면 됩니다.

## Blackmagic URSA Mini Pro B4 마운트

B4 마운트가 장착된 URSA Mini Pro 4.6K G2 또는 URSA Mini Pro 4.6K에는 온라인 뉴스 영상 및 결혼식 영상에 흔히 사용하는 동초점 렌즈를 장착할 수 있습니다. 동초점 렌즈는 넓은 확대/축소 범위에서 초점을 유지하고, 일반적으로 수동 초점과 조리개 조절을 사용하며, 핸드 그립에 있는 줌 로커를 사용해 부드러운 줌 조절을 간단하게 수행할 수 있습니다. 카메라를 혼자서 운영할 시 이 렌즈를 사용하면 뛰어난 제어 기능으로 빠르고 효과적인 촬영을 할 수 있습니다. Blackmagic URSA Mini Pro B4 마운트는 URSA Mini Pro 12K와 호환하지 않는 점을 기억하세요.

**B4 마운트 세트 구성은 다음과 같습니다.**



### 1 x B4 마운트

B4 마운트를 사용하면 URSA Mini Pro에 업계 표준 ENG 렌즈를 사용할 수 있습니다.



### 1 x 심 세트

심 세트는 다음과 같은 두께의 심으로 구성되어 있습니다.

0.50mm	0.18mm	0.10mm
0.30mm	0.15mm	0.05mm
0.20mm	0.12mm	0.025mm



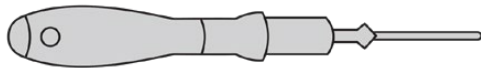
### 5 x 2mm Hex M2.5 x 12mm 마운트 나사

5개의 M2.5x12mm Hex 나사는 B4 마운트 전용 나사이므로 해당 마운트와 함께 나사를 보관합니다.

B4 마운트 세트에는 분실에 대비한 여분의 나사 세트 또한 포함되어 있습니다.

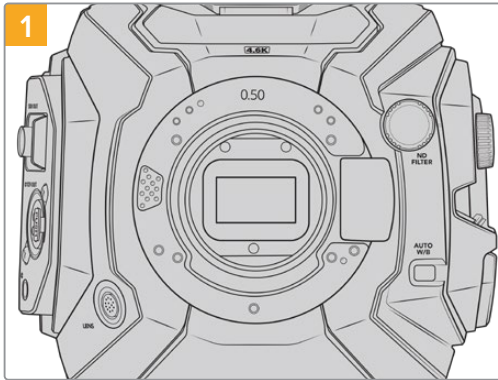
### 필요한 도구

B4 마운트를 장착할 시에는 2mm 육각 드라이버가 필요합니다. 반드시 이 도구가 필요한 것은 아니지만 토크 렌치를 사용하면 최대 토크 0.45Nm를 정확하게 설정할 수 있어 나사를 너무 많이 조이는 일을 방지할 수 있습니다.

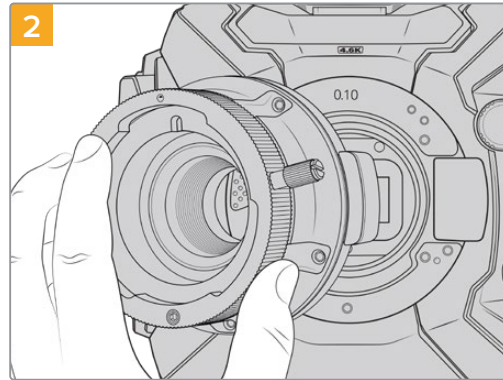


2mm 육각 드라이버

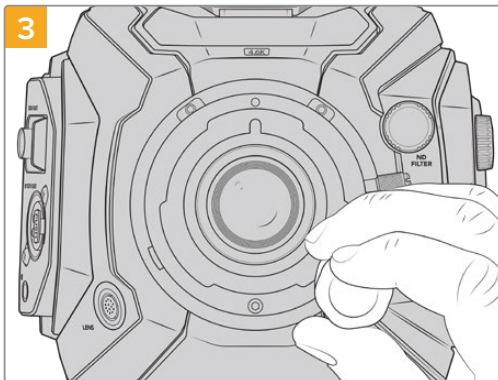
## B4 마운트 장착하기



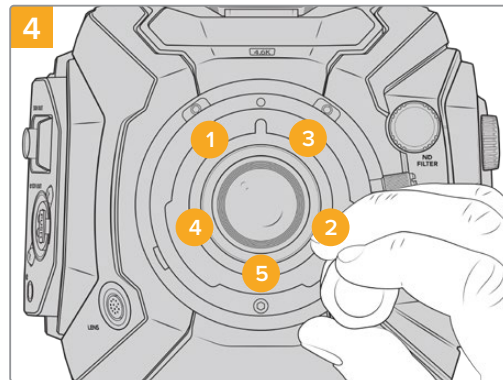
1  
마운트를 수직 방향으로 장착할 수 있도록 단단하고 깨끗한 작업대 위에 Blackmagic URSA Mini Pro를 세로 방향으로 올려놓습니다.



2  
Blackmagic URSA Mini Pro B4 렌즈 마운트를 빨간색 점이 12시 방향에 오도록조심스럽게 카메라 본체에 올려 놓으세요.



3  
2mm Hex 드라이버 또는 0.45Nm로 조정된 토크 렌치를 사용하여 5개의 마운팅 나사가 렌즈 마운트의 베이스에 살짝 닿을 정도로만 나사를 느슨하게 조입니다.



4  
렌즈 마운트가 수평으로 정확하게 정렬되어 있는지 확인한 후, 나사를 너무 꽉 조이지 않는 선에서 밀의 보기와 같이 동등한 힘이 가해지도록 조입니다.

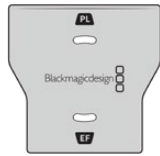
**참고** B4 마운트를 제거할 경우에는 위 설명 4번부터 반대 방향으로 마운트를 제거하면 됩니다.

**정보** URSA Mini Pro 4.6K G2 또는 URSA Mini Pro 4.6K에 B4 렌즈를 장착해 사용할 경우 해상도를 2K 16:9 이하로 설정하고, 대시보드의 '녹화(RECORD)' 탭에 있는 '윈도우 센서 (WINDOW SENSOR)' 항목을 'On'으로 설정하세요. B4 렌즈는 슈퍼 35mm 이미지 서클을 커버하지 못하기 때문에, 이러한 설정을 사용해 영상에서 비네팅 현상이 나타나는 것을 방지하는 것이 중요합니다. B4 렌즈를 장착한 뒤, 설정 조정을 마치고 나면 렌즈의 백 포커스를 확인하시기 바랍니다.

## Blackmagic URSA Mini Pro 심 세트

PL/B4/F 마운트를 URSA Mini Pro에 장착할 시에는 원래 EF 마운트 밑에 있는 0.50mm와 0.10mm 심에 0.10mm 심을 추가합니다. 0.10mm 및 다른 크기의 심은 Blackmagic URSA Mini Pro Shim Kit에 포함되어 있습니다. PL 렌즈 사용시, 정확한 포커스 마크 유지를 위해 다른 간격이 필요할 때를 대비해 다른 두께의 심을 재장착할 수 있도록 다양한 두께의 심이 포함되어 있습니다.

심 세트 구성은 다음과 같습니다.



### 1 x 배플 도구

URSA Mini Pro에 PL 마운트를 장착하거나 제거할 때 PL 배플을 조이거나 푸는 데 사용합니다.



### 1 x 심 세트

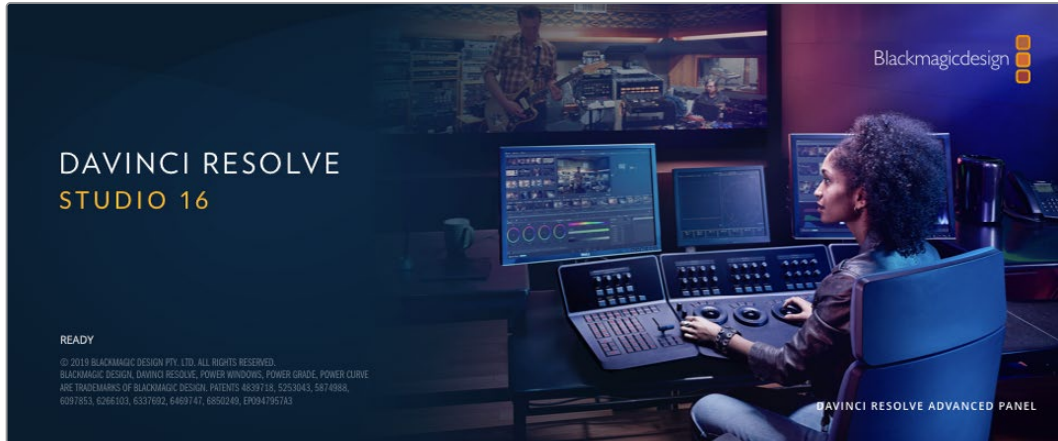
심 세트는 다음과 같은 두께의 심으로 구성되어 있습니다.

0.50mm	0.18mm	0.10mm
0.30mm	0.15mm	0.05mm
0.20mm	0.12mm	0.025mm



# DaVinci Resolve 사용하기

Blackmagic URSA Mini를 사용한 촬영은 영화 및 TV 콘텐츠 제작의 일부 단계로, 미디어 백업 및 관리, 편집 및 색보정, 마스터 파일 인코딩 작업 또한 촬영 못지않게 상당히 중요합니다. Blackmagic URSA Mini는 Mac OS/Windows 지원 DaVinci Resolve와 함께 제공되므로 촬영과 후반 제작을 위한 일체형 솔루션을 갖출 수 있습니다.



**참고** URSA Mini로 촬영한 클립에 보다 정확한 색보정을 적용하려면 항상 최신 버전의 DaVinci Resolve를 사용할 것을 권장합니다. DaVinci Resolve 16.3 혹은 그 이후 버전을 사용하면 모든 URSA Mini 모델을 위한 정확한 컬러 및 최신 Blackmagic RAW 기능, 12K 파일 지원 기능을 사용할 수 있습니다.

CFast/SD 카드 및 SSD를 컴퓨터에 연결한 뒤, DaVinci Resolve의 미디어 페이지에서 클론 도구를 사용하면 촬영과 동시에 미디어를 백업할 수 있습니다. 모든 종류의 미디어는 손상 및 결함 발생 위험이 있으므로, 미디어를 백업해 촬영된 영상이 손실되는 위험을 방지하는 것이 좋습니다. DaVinci Resolve 안에서 미디어를 백업해 놓으면, 미디어 풀에 클립을 추가하여 편집과 색보정, 피니싱 작업을 DaVinci Resolve 프로그램 안에서 모두 마칠 수 있습니다.

대부분의 주요 블록버스터 영화 제작에서 사용하는 DaVinci Resolve는 첨단 디지털 영화를 위한 최고 성능 기술을 탑재한 소프트웨어로, 일반 비선형 편집 소프트웨어와는 비교할 수 없을 만큼 그 성능이 강력합니다. DaVinci Resolve를 사용하여 이러한 최첨단 기술을 영상 편집 및 색보정에 활용해 보세요.

이 부분에서는 DaVinci Resolve에서 카메라 파일을 사용하는 방법이 기술되어 있습니다. DaVinci Resolve는 프로그램 실행 시 처음 나타나는 사용자 인터페이스에서 확인하는 기능보다 훨씬 다양한 기능을 제공합니다. DaVinci Resolve에 관한 보다 자세한 정보는 Blackmagic Design 홈페이지의 DaVinci Resolve 설명서를 확인해 주시기 바랍니다. 또한 홈페이지에서 다양한 트레이닝 코스 및 튜토리얼 영상을 확인할 수 있습니다.

## 프로젝트 매니저

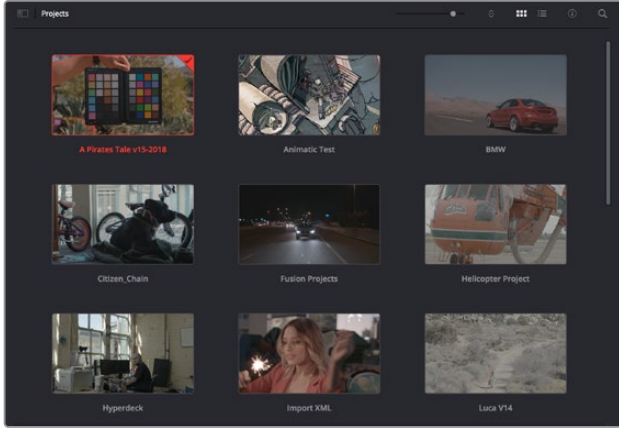
클립을 불러와 편집을 시작하기 전 프로젝트 매니저를 사용하여 새로운 프로젝트를 만들어야 합니다.

DaVinci Resolve를 실행하면 첫 화면에서 프로젝트 매니저를 확인할 수 있습니다. 후에 언제라도 사용자 인터페이스의 오른쪽 하단에 '홈' 아이콘을 클릭하여 프로젝트 매니저를 다시 열 수 있습니다. 이 아이콘은 기존 프로젝트를 열고 싶을 때나 새로운 프로젝트를 더 만들고 싶을 때 유용합니다.



새로운 프로젝트를 만들기 위해, 창 하단의 'New Project'를 클릭하고 프로젝트 명을 정합니다. 'Create'를 클릭합니다.

컷(CUT) 페이지를 사용하면 곧바로 편집을 시작할 수 있습니다. 프로젝트 매니저는 현재 사용자의 모든 프로젝트를 보여줍니다.



프로젝트 매니저는 현재 사용자의 모든 프로젝트를 보여줍니다.

프로젝트 매니저에 대한 자세한 정보는 Blackmagic Design 지원 온라인 페이지에 있는 DaVinci Resolve 설명서를 다운로드하여 확인할 수 있습니다.

## 컷 페이지를 사용하여 편집하기

컷(CUT) 페이지는 보다 빠르고 역동적인 편집 워크플로를 제공하여 클립을 빠르게 모으고 다듬을 수 있으며 효과적으로 편집할 수 있습니다.

두 개의 활성화 된 타임라인은 전체적 편집 및 세부 편집을 동시에 가능하게 합니다. 즉, 널찍한 타임라인 공간에서 원하는 클립을 원하는 곳으로 옮기고, 세부 타임라인에서는 보다 정교한 편집을 수행할 수 있습니다. 이 워크플로를 사용하면 스크롤, 확대 및 축소 작업 없이 노트북 컴퓨터에서도 편집이 가능하여 작업 시간을 획기적으로 단축할 수 있습니다.

### 컷 페이지 레이아웃

컷 페이지를 열면 미디어 풀 및, 뷰어 윈도우, 타임라인이 나타납니다. 이 세 창이 편집 작업 시 완벽한 제어 기능을 제공하는 주요 창입니다.



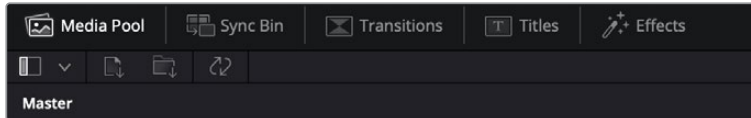
아이콘 보기 형식의 미디어 풀이 있는 컷 페이지의 기본 모습

컷 페이지에 대한 보다 자세한 정보는 DaVinci Resolve 설명서의 '컷 페이지 사용하기' 부분을 참고하시기 바랍니다.

## 미디어 탭

사용자 인터페이스의 왼쪽 상단에 다섯 개의 탭이 있습니다.

이 탭을 클릭하여 편집에 사용할 미디어 도구모음을 열어보세요. 첫 번째 탭은 미디어 풀(Media Pool) 탭으로, 이미 해당 탭이 선택되어 있는 것을 확인할 수 있습니다. 그 외 나머지는 동기화 빈(Sync Bin) 및 트랜지션(Transitions), 타이틀(Titles), 효과(Effects)입니다.



- **미디어 풀:** 미디어 풀에는 미디어 페이지를 사용하여 불러오기 한 모든 클립 및 폴더, 파일이 담겨 있습니다. 컷 페이지에서 이러한 파일들을 곧바로 불러오기 할 수 있으므로, 작업 시 클립을 더 불러오고 싶을 경우, 미디어 페이지로 되돌아갈 필요가 없습니다.
- **동기화 빈:** 이 강력한 기능은 모든 클립을 타임코드 및 날짜, 시각에 따라 자동으로 정렬하여, 멀티캠 영상 프로젝트를 편집 시 다양한 각도에서 촬영된 클립을 손쉽게 확인 및 선택할 수 있습니다.
- **트랜지션:** 이 탭을 클릭하면 편집에 사용할 수 있는 모든 비디오 및 오디오 트랜지션을 확인할 수 있습니다. 대표적으로 크로스 디졸브 및 모션 와이프 등이 있습니다.
- **타이틀:** 트랜지션 탭 옆에 타이틀 탭이 있습니다. 이를 클릭하면 원하는 타이틀 유형을 선택할 수 있습니다. 예를 들어, 스크롤 및 일반 텍스트, 하단 3분의 1 그래픽 등을 사용할 수 있습니다. 또한, Fusion 템플릿 목록을 사용하여 보다 역동적인 애니메이션 타이틀을 사용할 수 있으며, Fusion 페이지에서 직접 변경하여 만들 수도 있습니다.
- **효과:** 다섯 번째 탭은 '효과' 탭입니다. 이 탭은 편집에 생동감을 불어넣을 수 있는 다양한 종류의 필터 및 효과를 제공합니다. 대표적으로 사용자에게 맞게 조정 가능한 블러 및 글로우, 렌즈 효과가 있습니다. 이 외에도 수많은 강력한 효과들이 있는데, 검색창(Search)을 사용하면 보다 빠르게 원하는 효과를 찾을 수 있습니다.

**정보** 미디어 탭 근처에 있는 검색창을 사용하여 원하는 효과를 바로 찾아보세요. 예를 들어, 트랜지션 탭을 선택한 후 검색창에 'dissolve'를 입력하면 디졸브 관련 트랜지션만 나타나기 때문에, 그중에서 원하는 디졸브 트랜지션을 보다 빠르게 찾을 수 있습니다.




## 뷰어 탭

뷰어 창의 왼쪽 상단에는 뷰어 모드 버튼들이 있습니다.



뷰어 모드 버튼

이 버튼들은 소스 클립 뷰어 및 소스 테이프 뷰어, 타임라인 뷰어로, 현재 사용되고 있는 뷰어 모드를 확인할 수 있습니다. 이 뷰어 모드들은 편집 과정에서 클립을 선택할 때 큰 도움을 주기 때문에, 각 버튼들이 어떤 기능을 하는지 살펴볼 필요가 있습니다.



	<b>소스 클립</b>	소스 클립 뷰어는 미디어 풀에서 선택한 단일 클립을 보여주며 뷰어 타임라인을 따라 전체 길이를 훑고 인/아웃 포인트를 지정할 수 있습니다. 이 모드를 사용하면 매우 자유롭게 제어할 수 있습니다. 미디어 풀에서 확인하려는 소스 클립을 더블클릭하거나, 뷰어 안으로 드래그 하세요.
	<b>소스 테이프</b>	미디어 풀에 담긴 전체 클립을 확인하는데 유용한 기능입니다. 이 강력한 기능은 전체 클립들을 빠르게 확인하여 특정 부분을 확인하는데 유용합니다. 클립에 놓여 있는 플레이헤드를 스크러빙하면, 미디어 풀에서 해당 클립의 썸네일이 선택되는 것을 확인할 수 있습니다. 즉, 편집하고자 하는 클립을 찾은 후 소스 클립 탭을 클릭하면 해당 소스 클립이 자동으로 뷰어에 나타납니다.  소스 테이프 뷰어를 통해 비선형 편집 작업의 장점을 최대한 이용할 수 있기 때문에, 자유롭게 편집하고 슷을 빠르게 찾을 수 있으며, 새로운 아이디어를 시도하면서 창의력을 마음껏 발휘할 수 있습니다.
	<b>타임라인</b>	타임라인 뷰어로 편집 타임라인을 볼 수 있으며 프로젝트를 재생하고 섬세하게 편집할 수 있습니다.

## 미디어 풀로 클립 가져오기

이제, 원하는 미디어를 프로젝트로 가져와 보겠습니다. 이 작업은 컷 페이지의 미디어 풀 창 상단에 있는 가져오기 도구를 사용합니다.



두 가지 옵션 중 하나를 선택하여 원하는 미디어를 프로젝트로 가져옵니다.

	<b>미디어 가져오기</b>	저장 위치에서 개별적인 미디어 파일을 선택하여 가져올 때 사용합니다.
	<b>미디어 폴더 가져오기</b>	미디어 저장 위치에서 원하는 폴더를 가져올 때 사용합니다. DaVinci Resolve로 폴더를 가져올 경우, 파일의 구조가 그대로 유지되며, 각 폴더는 개별적인 빈으로 인식되기 때문에 빈을 이동하며 원하는 비디오 및 기타 미디어 파일을 찾을 수 있습니다.

### 미디어 가져오기:

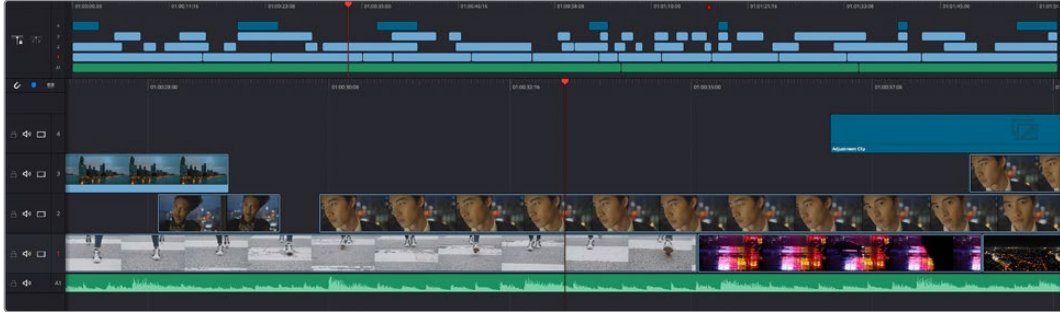
- 1 'Import Media' 혹은 'Import Media Folder'를 클릭하세요.
- 2 미디어 스토리지에서 가져오고자 하는 미디어를 찾으세요.
- 3 찾은 파일 혹은 폴더를 선택한 후 'Open'을 클릭합니다.

미디어를 프로젝트로 추가했다면 이제 편집을 시작하면 됩니다. DaVinci Resolve는 '라이브 저장'이라 불리는 빠른 자동저장 기능을 지원합니다. 프로젝트를 저장하고 나면, 이 '라이브 저장' 기능을 통해 추후에 발생하는 수정사항 등이 자동으로 저장되어 작업 손실을 예방할 수 있습니다.

'라이브 저장' 기능 및 다른 자동 저장 기능에 대한 자세한 정보는 DaVinci Resolve 설명서를 참고해 주세요.

## 타임라인에 클립 추가하기

이제 미디어 탭 및 뷰어 모드 버튼에 익숙해졌다면, 미디어 풀에서 클립을 타임라인으로 빠르게 추가할 수 있습니다.



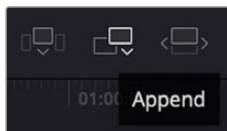
컷 페이지의 타임라인은 상부 타임라인 및 하단의 확대된 타임라인으로 구성됩니다.

편집 공간인 타임라인은 여러 트랙으로 구성되어 여기에 클립을 붙이고, 옮기며 편집본을 다듬을 수 있습니다. 여러 개의 트랙을 사용하여 클립을 층층이 쌓아 다양한 편집본을 만들어 볼 수 있으며 트랜지션 및 효과도 트랙에 쌓을 수 있습니다. 예를 들어, 하나의 트랙 위에 있는 클립을 편집할 때, 그 외의 다른 트랙들의 클립에는 영향을 전혀 주지 않습니다.

클립을 타임라인에 추가하는 방법에는 스마트 삽입(Smart Insert), 합치기(Append), 최상위 트랙에 두기(Place on Top) 등의 다양한 방법이 있습니다.

### 클립 합치기

여러 테이크를 선택하고 한 곳에 모을 시, 이 샷들을 타임라인에 하나씩 이어 붙이고 싶을 때가 있습니다. 클립 합치기는 이러한 때 완벽한 기능으로, 편집 속도가 매우 빨라집니다.



'클립 합치기' 아이콘(Append)을 클릭하여 마지막 클립 뒤에 원하는 클립을 빠르게 이어 붙일 수 있습니다.

### 클립 합치기

- 1 미디어 풀에 있는 클립을 더블 클릭하면 뷰어에 해당 클립이 나타납니다.
- 2 스크래치 트리밍 도구를 사용하여 인/아웃 포인트를 드래그하면 샷을 원하는 길이로 정확하게 조정할 수 있습니다. 인/아웃 포인트는 키보드 단축기를 사용하여 설정할 수도 있습니다. 인 포인트는 [I], 아웃 포인트는 [O] 키를 사용합니다.

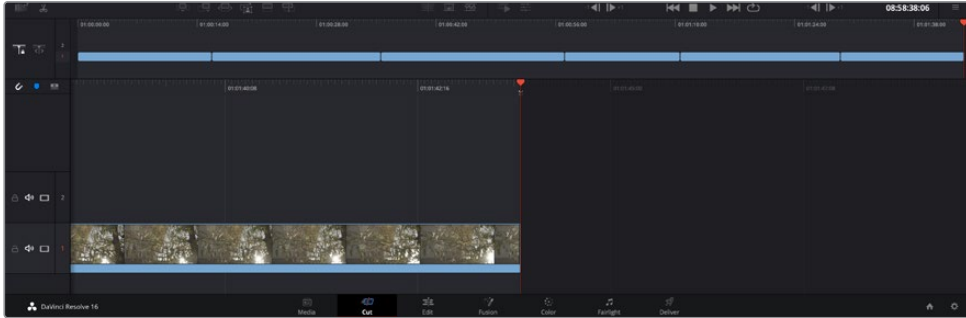


- 3 인/아웃 포인트 설정 후, 미디어 풀 아래에 있는 ‘클립 합치기’ 아이콘을 클릭합니다.



첫 번째 클립이 타임라인의 앞부분에 놓여지게 됩니다.

앞의 세 순서를 반복하면 여러 개의 클립이 자동으로 합쳐지며, 타임라인에서 이 클립들 사이의 빈 간격이 없이 합쳐지게 됩니다.



클립 합치기는 타임라인의 클립들 사이에 빈 간격을 만들지 않고 클립을 합칩니다.

**정보** ‘클립 합치기’ 아이콘을 단축키로 설정하면 위의 과정을 보다 빠르게 진행할 수 있습니다. 예를 들어, 영문 [P]를 ‘클립 합치기’ 단축키로 지정해 놓으면, 단축키 [I] 및 [O]를 사용해 인/아웃 포인트를 설정한 다음, [P] 단축키를 눌러 클립을 합칠 수 있습니다. 단축키 지정 방법에 관한 자세한 정보는 DaVinci Resolve 설명서를 참고하시기 바랍니다.

## 타임라인에서 클립 편집하기

타임라인에 클립이 추가됐다면, 이제 자유자재로 클립들을 옮기고 트리밍하여 편집할 수 있습니다.

트리밍을 실행하려면, 마우스를 클립 하나의 처음 혹은 끝 부분에 올려 놓고 클릭한 후, 좌/우로 드래그합니다. 예를 들어, 클립의 끝 부분을 좌로 움직이면 클립 길이가 감소하며, 반대로 우로 움직이면 클립 길이가 늘어납니다. 이렇게 편집이 끝나면 모든 클립이 타임라인에서 공백 없이 정렬되어 새로운 수정을 적용할 준비를 하게 됩니다. 이것이 바로 컷 페이지에서 작업 시간을 단축 시켜주는 요소 중 하나입니다.

넓은 타임라인 공간에서 클립을 들어올려 새로운 비디오 트랙에 내려놓을 수 있으며, 여기에 확대/축소 과정은 필요 없습니다. 이렇게 긴 타임라인을 훑어보는 시간을 최소화하여 편집 작업 속도가 빨라집니다.

컷 페이지에서 편집이 끝났다면 이제 타이틀을 적용할 순서입니다. 다음 단계에서 타이틀 추가 방법을 살펴보겠습니다.

## 타이틀 추가하기

타임라인에 타이틀을 추가하는 방법은 매우 간단하며, 다양한 옵션을 사용할 수 있습니다.

사용할 수 있는 다양한 타이틀을 확인하기 위해, 사용자 인터페이스의 왼쪽 상단에 있는 ‘타이틀’(Titles) 미디어 탭을 클릭하세요. 선택 창에서 하단 3분의 1 그래픽 및, 스크롤, 일반 텍스트 타이틀 등 다양한 타이틀 생성기를 확인할 수 있습니다. 또한, 사용자가 직접 제작할 수 있는 애니메이션 타이틀인 Fusion 타이틀도 추가할 수 있습니다.

여기서는 일반 텍스트 타이틀을 추가하겠습니다.

### 일반 텍스트 추가하기

- 1 '텍스트'(Text) 타이틀을 클릭한 뒤, 이를 타임라인으로 드래그합니다. 어느 타임라인이든지 상관없지만, 보다 높은 정확성을 위해 세부 타임라인을 사용할 것을 권장합니다. 타이틀을 만들기 위한 새로운 비디오 트랙이 자동으로 생성되며 플레이헤드 부분으로 빠르게 이동합니다.
- 2 마우스에서 손가락을 떼면, 타이틀이 새로운 트랙에 나타납니다. 이제 타임라인 위에서 이 타이틀을 옮기거나, 클립 길이를 조정할 때처럼 타이틀의 길이도 조정할 수 있습니다.
- 3 타이틀을 편집하려면 새롭게 만들어진 타이틀 클립을 클릭하세요. '도구'(Tools) 아이콘이 클립 뷰어 밑에 나타납니다. 이 '도구' 아이콘을 클릭하세요.  
  
그러면 타이틀 클립을 수정하는데 사용할 수 있는 도구들이 나타납니다. 대표적으로 변형 (Transform), 자르기(Crop), 다이내믹 줌(Dynamic Zoom) 등의 기능을 사용할 수 있습니다. 이번 예제에서는 '타이틀'(Title) 도구를 클릭해 보겠습니다.
- 4 'Open Inspector'를 클릭합니다.

인스펙터 창이 열리면 타이틀 문구를 입력하고 트래킹, 줄 간격, 폰트, 컬러 등의 텍스트 설정을 편집할 수 있습니다.

다양한 옵션을 사용하여 원하는 타이틀을 마음껏 만들어 보세요. 제공되는 다양한 옵션을 적용하면서 옵션별로 타이틀이 어떻게 변경되는지 직접 확인해 보시기를 권장합니다.

## Blackmagic RAW 파일로 작업하기

Blackmagic RAW 클립을 사용하면 후반 제작 과정에서 작업의 유연성을 극대화시킬 수 있습니다. 이를 통해 마치 실제 카메라의 설정을 바꾸는 것처럼 화이트 밸런스나 ISO 설정 등의 조정을 클립에 적용할 수 있습니다. Blackmagic RAW로 작업하면 새도우나 하이라이트 내에서 더욱 풍부한 색조 정보를 유지할 수 있어 디테일이 사라진 하늘이나 영상 속 어두운 부분의 디테일을 복구할 때 유용합니다.

최고의 화질을 원하거나 하이라이트와 새도우 간의 극심한 차이로 인해 해당 부분을 색보정 작업에서 최대한 조정해야 하는 경우에는 Blackmagic RAW로 촬영하는 것이 좋습니다.

Blackmagic RAW는 빠른 속도와 작은 파일 크기를 제공하여 프록시 파일을 생성할 필요가 없으며 표준 비디오 클립과 같은 재생 방식을 사용할 수 있습니다. 이번 부분에서는 Blackmagic RAW의 기능과 DaVinci Resolve 워크플로에서의 Blackmagic RAW 파일 사용법을 설명합니다.

**정보** 색보정을 시작하기 전에 클립의 Blackmagic RAW 설정을 컬러 페이지에서 조정하는 것이 좋습니다.

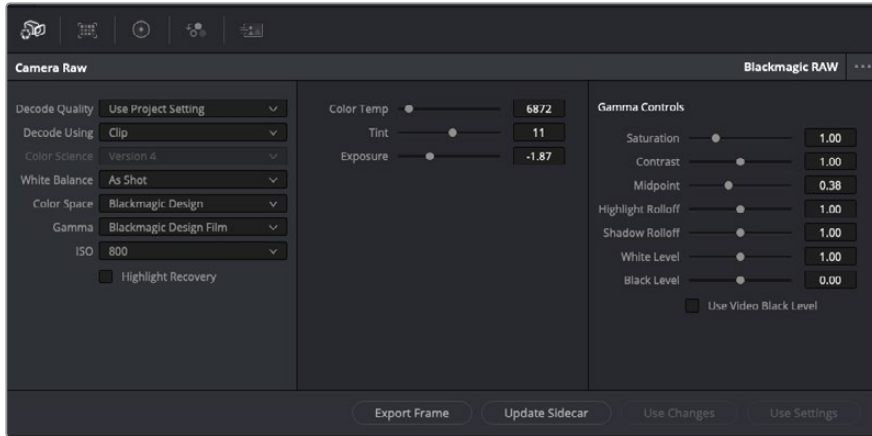
### Blackmagic RAW를 위한 클립 설정

DaVinci Resolve는 Blackmagic RAW 파일을 처음으로 불러올 때, 촬영 당시 사용된 ISO와 화이트 밸런스, 색조 설정을 사용해 파일에 담긴 카메라 데이터를 디코딩합니다. 촬영 당시의 설정이 적용된 영상록에 만족할 경우에는 곧바로 편집을 시작할 수 있습니다.

하지만 Blackmagic RAW 파일의 장점은 이러한 설정으로부터 자유롭다는 점입니다. Blackmagic RAW 파일로 작업 시 후반 작업에서 사용 가능한 작업 옵션의 폭이 더욱 넓어져, 작업을 해나감에 따라 자신만의 워크플로를 개발할 수 있습니다. 'Camera RAW' 탭에서 각 클립을 위한 설정들을 보면 Blackmagic RAW 파일 작업이 얼마나 강력하고 유연한지 확인할 수 있습니다.



‘컬러 사이언스(Color Science)’ 메뉴에서는 푸티지에 사용할 4세대 컬러 사이언스 또는 5세대 컬러 사이언스를 선택할 수 있습니다. URSA Mini Pro 12K는 Blackmagic Design 5세대 컬러 사이언스를 적용한 첫 카메라입니다. 4세대 컬러 사이언스를 적용한 다른 카메라의 파일일지라도 URSA Mini Pro 12K의 샷과 매칭될 수 있도록 5세대 컬러 사이언스를 적용하여 재해석할 수 있습니다. 만약 촬영한 대부분의 영상이 4세대 컬러 사이언스를 적용한 Blackmagic RAW 파일일 경우, URSA Mini Pro 12K에서 5세대 컬러 사이언스를 적용한 클립 샷을 4세대 컬러 사이언스로 돌린 다음 이를 함께 사용할 수 있습니다. 이 기능은 각기 다른 세대의 Blackmagic 컬러 사이언스를 사용한 카메라로 촬영한 샷을 매칭할 때 편리한 기능입니다.



‘Camera RAW’ 탭에서 ‘Decoding Using’ 항목을 ‘Clip’으로 설정하면 사용하는 클립의 Blackmagic RAW 설정을 조절할 수 있습니다.

DaVinci Resolve에서 Blackmagic RAW를 위한 클립 설정 기능을 활성화시키면 클립 설정과 감마 컨트롤을 조절할 수 있습니다. 이러한 설정을 통해 클립을 최적화함으로써 전체 프라이머리 색보정을 더욱 수월하게 할 수 있습니다. 영상록 적용 전에 클립의 균형을 맞출 때 DaVinci Resolve의 스코프 기능을 사용하면 더욱 강력한 성능을 경험할 수 있습니다.

아래는 클립 컨트롤과 감마 컨트롤에 관한 설명입니다.

### ISO

이 설정을 통해 ISO 값을 증가하거나 감소시킬 수 있습니다. 클립 최적화 작업을 위한 시작 포인트를 밝게 또는 어둡게 설정할 시 유용하게 사용할 수 있는 기능입니다.

### 하이라이트 복구(Highlight Recovery)

클리핑되지 않은 채널의 정보를 사용하여 클리핑된 채널의 하이라이트 정보를 복구하려면 해당 항목을 활성화하세요.

### 색온도(Color Temp)

이를 조절하여 이미지를 따뜻하게 또는 차가운 느낌으로 설정합니다. 각 이미지의 색 균형을 중립으로 조절하고자 할 때 도움이 됩니다.

### 틴트(Tint)

이미지에 초록색 또는 자홍색을 추가하여 색 균형을 맞춥니다.

### 노출(Exposure)

전체 이미지의 밝기를 조절합니다.

### 채도

채도 컨트롤의 기본값은 1로 맞춰져 있으며 최소 -1부터 최대 +4까지 조절할 수 있습니다.



### 콘트라스트(Contrast)

기본값은 1.0으로 설정되어 있으며 왼쪽으로 슬라이더를 드래그하여 최소 대비값 0까지 설정할 수 있으며 오른쪽으로 드래그하면 최대 2까지 설정 가능합니다.

### 미드포인트(Midpoint)

Blackmagic Design Film에서 중간 회색의 기본값은 0.38% 또는 38.4%로 맞춰져 있습니다. 왼쪽으로 슬라이더를 드래그하여 미드톤을 낮추거나 오른쪽으로 드래그하여 최대 100까지 증가시킬 수 있습니다. 콘트라스트를 기본값에서 하향 또는 상향 조절했을 경우, 하이라이트와 새도우 롤오프 설정을 변경할 수 있습니다.

### 하이라이트 롤오프(Highlight Rolloff)

왼쪽으로 슬라이더를 드래그하여 하이라이트 값을 가장 낮은 0까지 낮추거나 오른쪽으로 드래그하여 최대 2까지 증가시킬 수 있습니다. 기본 설정값은 1입니다.

### 새도우 롤오프(Shadow Rolloff)

왼쪽으로 슬라이더를 드래그하여 새도우를 0까지 낮추거나 오른쪽으로 드래그하여 최대 2까지 증가시킬 수 있습니다.

### 화이트 레벨(White Level)

가장 높은 설정값인 2와 가장 낮은 값인 0 사이를 슬라이더로 드래그하여 감마 커브의 화이트 포인트를 조절합니다. 기본 설정값은 1입니다.

### 블랙 레벨(Black Level)

최소 설정값인 -1과 최대 설정값인 1 사이를 슬라이더로 드래그하여 커스텀 감마 커브의 블랙 포인트를 증가시킵니다. 기본 설정값은 0입니다.

### 비디오 블랙 레벨 사용하기(Use Video Black Level)

비디오 블랙 레벨로 설정하려면 해당 항목을 활성화합니다.

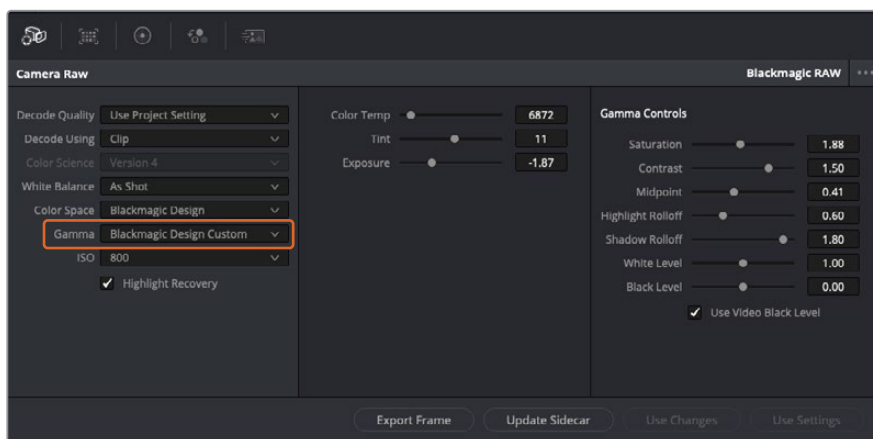
### 프레임 내보내기(Export Frame)

‘Export Frame’ 버튼을 클릭하면 Blackmagic RAW 클립에서 한 개의 프레임을 내보낼 수 있습니다.

### 사이드카 파일 업데이트(Update Sidecar)

‘Update Sidecar’ 버튼을 클릭하면 현재 클립을 위한 Blackmagic RAW 사이드카 파일이 업데이트됩니다.

Blackmagic RAW 클립에 적용한 모든 변경 사항은 ‘Gamma’ 설정에서 식별되어 Blackmagic Design Custom에 업데이트됩니다.



클립을 기본 감마 옵션 중 하나로 변경하려면 ‘Gamma’ 드롭다운 메뉴에서 원하는 설정을 선택하세요.

**정보** Video 다이내믹 레인지를 사용하여 촬영한 영상에서는 감마 설정을 제어할 수 없지만, Blackmagic RAW 데이터는 손실되지 않습니다. 'Gamma' 드롭다운 메뉴에서 'Blackmagic Design Film' 또는 'Blackmagic Design Extended Video'를 선택하여 설정을 변경할 수 있습니다.

### Blackmagic RAW 변경 사항 저장하기

- 1 Blackmagic RAW 클립의 감마 컨트롤을 조정하세요.
- 2 'Update Sidecar' 버튼을 클릭하세요.

이제 .braw 파일이 있는 동일한 폴더 안에 사이드카 파일이 생성되었습니다. 다른 사용자가 Blackmagic RAW 파일을 불러올 경우, DaVinci Resolve에서 해당 사이드카 파일을 자동으로 읽기 시작합니다. 추가 변경 사항을 적용하려면 'Update Sidecar' 버튼을 한 번 더 눌러주세요.

**정보** 사이드카 파일을 제거하려면 미디어 드라이브에 저장된 폴더에서 파일을 삭제해주기만 하면 됩니다.

### Blackmagic RAW를 위한 프로젝트 설정

화이트 밸런스 및 ISO 설정의 전역 변경같이 모든 클립에 설정 변경을 적용하려면, 클립이 프로젝트 Camera Raw 설정을 사용하도록 설정한 후 전역 변경을 수행해야 합니다.

#### Blackmagic RAW 프로젝트 설정하기

- 1 'File'을 클릭한 뒤 'Project Settings'를 클릭해 프로젝트 설정 메뉴로 이동합니다.
- 2 Camera RAW 탭을 클릭하면 'RAW Profile' 옆에 드롭다운 메뉴가 있는 것을 확인할 수 있습니다. 아래 방향 화살표를 클릭하여 목록에서 'Blackmagic RAW'를 선택하세요.
- 3 'Decode Using' 드롭다운 메뉴에서 'Project'를 선택하세요.
- 4 'White Balance'를 'Custom'으로 설정하세요.
- 5 'Gamma' 드롭다운 메뉴에서 'Blackmagic Design Custom'을 선택하세요. 'Color Space'를 'Blackmagic Design'으로 설정하세요. 이렇게 하면 감마 설정까지 'Blackmagic Design Film'으로 설정됩니다.
- 6 'Decode Quality' 메뉴에서 해상도를 선택하세요. 제한된 시스템에서는 낮은 해상도를 선택하는 것이 영상 재생에 도움이 됩니다. 딜리버리 단계 바로 전에 영상을 풀 해상도로 변경하여 최상의 화질로 출력하는 것도 가능합니다.

이제 채도와 콘트라스트, 미드포인트 등 클립을 위한 카메라 설정을 변경할 수 있습니다. 변경된 카메라 설정은 'Decode Using'에서 'Project' 설정으로 디코딩하도록 설정된 프로젝트 내 모든 클립에 영향을 끼칩니다.

### 컬러 페이지에서 클립 색보정 하기

여기까지 타임라인에 클립을 추가하고 타이틀도 추가했으니, 이제 컬러 페이지에서 색보정을 적용할 순서입니다. 컬러 페이지는 매우 강력한 기능으로 전체적인 영상룩을 정의합니다. 하지만 이를 위해, 우선 모든 클립의 균형을 맞추어 클립의 일관성이 유지되도록 설정하는 것을 권장합니다. 편집을 다시 손보고 싶을 때는 언제든지 컷페이지나 편집페이지로 돌아갈 수 있습니다.

컬러 페이지에서는 영상의 룩을 조정할 수 있습니다. 색보정은 여러 측면에서 보았을 때, 하나의 예술의 형태로 색보정 작업을 통해 감성을 영상에 담을 수 있습니다. 이는 매우 창의적인 워크플로이기 때문에, 사용자가 색보정과 관련한 다양한 기술을 배우고 적용하여 생동감 넘치는 영상을 본다면 매우 큰 만족감을 느낄 수 있습니다. 본 페이지에서의 색보정 작업이 일반적인 첫 단계로써, 프라이머리 색보정, 혹은 프라이머리 수정이라 부릅니다. 프라이머리 색보정이 완료되면, 세컨더리 색보정 작업을 진행하며 주로 특정 피사체의 아주 세밀한 색보정을 적용합니다. 세컨더리 색보정은 매우 즐거운 작업이지만, 좀 더 효율적인 과정 및 보다 완성된 결과물을 만들기 위해 주로 프라이머리 색보정이 완료된 후에 진행하게 됩니다.

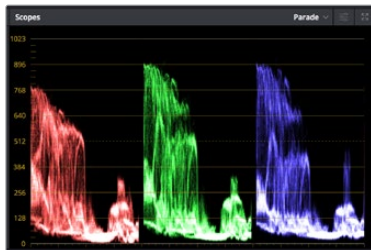
먼저, 'Color' 탭을 클릭하여 컬러 페이지를 엽니다.

카메라 RAW 설정 및 컬러 휠, 커브 팔레트, 일반 색보정 도구, 미리보기 창, 노드 창이 나타납니다. 눈 앞에 펼쳐진 방대한 컨트롤 기능들을 보고 당황할 필요가 없습니다. 이 기능들은 단지 멋진 영상을 만들기 위한 도구일 뿐이기 때문입니다. 본 페이지에는 기초적인 내용이 담겨 있으며, 더욱 자세한 정보는 DaVinci Resolve 설명서의 관련 부분을 참고하시기 바랍니다. DaVinci Resolve 설명서에는 모든 도구의 용도와 사용 방법이 단계별로 이해하기 쉽게 소개되어 있습니다. 설명서를 통해 첨단 색보정 작업실에서 전문가들이 사용하는 기술을 배울 수 있습니다.

일반적으로 프라이머리 색보정의 첫 단계는 클립의 새도우 및, 미드톤, 하이라이트의 레벨을 최적화하는 것입니다. 다른 말로는 리프트, 감마, 게인 설정을 조절한다고 하기도 합니다. 원하는 영상룩을 완성하기 위한 매끄럽고 균형 잡힌 그레이딩 작업의 시작 단계로, 매끄럽고 균형 잡힌 상태에서 최적의 밝기를 유지한 최고의 영상으로 만들 수 있습니다. 레벨을 최적화하기 위해서 스코프를 사용해보도록 하겠습니다.

## 스코프 사용하기

컬러리스트는 대부분 그들이 프로그램에 표현하고자 하는 감정과 룩에 초점을 맞춰 창의적인 컬러를 선택한 뒤, 모니터를 통해 이를 연출합니다. 일상생활의 물건이 얼마나 다양한 종류의 빛에 반응하는지를 보고 아이디어를 얻어 본인의 영상에 이를 적용할 수 있습니다.



퍼레이드 스코프는 하이라이트, 미드톤, 새도우를 최적화할 수 있도록 도와줍니다.

색보정을 할 수 있는 또 다른 방법은 내장 스코프를 사용하여 샷의 균형을 맞추는 것입니다. 팔레트 툴바 오른쪽 두 번째에 있는 'Scope' 버튼을 클릭하면 단일 비디오 스코프를 볼 수 있습니다. 파형, 퍼레이드, 벡터스코프, 히스토그램에서 디스플레이할 스코프를 선택할 수 있습니다. 이 스코프를 통해 영상의 톤 균형을 모니터링하고, 블랙 레벨 크러싱과 하이라이트 클리핑 현상을 방지하기 위해 각 레벨을 확인하며, 클립에 특정 컬러 발현 현상이 나타나는지를 모니터링 할 수 있습니다.

컬러휠 팔레트에 포함된 리프트, 감마, 게인 제어 장치는 일반적으로 색보정 첫 단계에서 사용합니다. 이 제어 장치는 다른 소프트웨어의 컬러 및 콘트라스트 조절 기능과 비슷하여 색보정 작업을 해 본 경험이 있는 사용자일 경우, 익숙할 수도 있습니다.



리프트, 감마, 게인, 오프셋을 위한 각각의 컬러휠을 사용하여 클립의 전체 색상 및 색상 균형을 제어할 수 있습니다. 각각의 컬러휠에서 색상을 균일하게 조절하려면 컬러휠 아래에 있는 다이얼을 앞/뒤로 움직여 정확히 조절합니다.

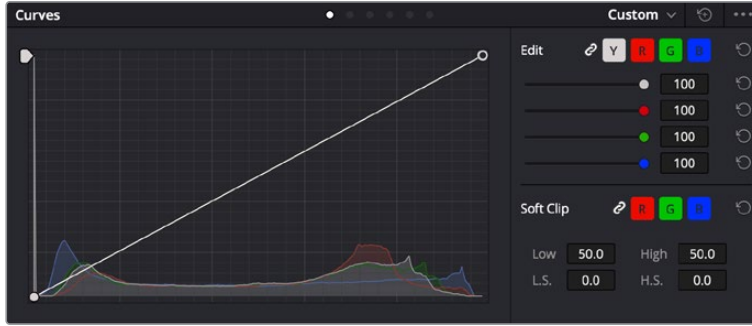
마우스를 사용해 각 컬러를 좀 더 정확하게 제어하려면 컬러휠을 'Primaries Bars'로 변경해 리프트, 감마, 게인의 컬러 및 휘도 채널을 개별적으로 조절하세요. Primaries Bars는 컬러휠 우측 상단의 드롭 다운 메뉴에서 간단히 선택할 수 있습니다.

- 리프트 조정하기:** 컬러 타임라인의 클립을 선택한 상태에서 첫 번째 'Lift' 컬러휠 아래쪽에 있는 다이얼을 클릭하세요. 이 다이얼을 앞/뒤로 움직이면서 이미지가 어떻게 변하는지 확인하세요. 영상 속 어두운 부분의 밝기가 증가 또는 감소하는 것을 볼 수 있습니다.

어두운 영역을 원하는 최적의 상태로 설정하세요. 리프트를 과도하게 낮추면 블랙의 디테일이 사라지므로, 퍼레이드 스코프를 확인해가며 이러한 현상이 일어나지 않도록 주의하세요. 파형에서 블랙을 위한 최적의 위치는 퍼레이드 스코프 맨 아래 라인의 바로 윗부분입니다.
- 게인 조절하기:** 'Gain' 다이얼을 클릭하고 앞/뒤로 움직여 조절합니다. 게인은 클립에서 밝은 영역의 하이라이트를 조절합니다. 퍼레이드 스코프의 파형에서 맨 윗부분이 하이라이트가 나타나는 부분입니다. 밝은 샷의 경우, 파형 스코프 맨 윗선 바로 아래가 최적의 위치입니다. 하이라이트가 파형 스코프의 맨 윗 선을 넘어서면 하이라이트가 클리핑되어 이미지 속 밝은 부분의 디테일을 잃게 됩니다.
- 감마 조절하기:** 'Gamma' 컬러휠 밑의 다이얼을 클릭하고 앞/뒤로 움직여 조절합니다. 감마를 높이면 이미지의 밝기가 높아지는 것을 확인할 수 있습니다. 감마를 조절하면 파형 그래프의 중간 부분이 같이 움직이는 것을 볼 수 있습니다. 이 부분은 클립의 미드톤 부분을 나타냅니다. 일반적으로 미드톤을 위한 최적의 파형 스코프 위치는 스코프 중앙 자리인 50%에서 70% 사이입니다. 하지만 최적의 스코프 위치는 연출하고자 하는 영상룩과 클립 속 조명 조건에 따라 달라집니다.

커브 팔레트를 사용하여 프라이머리 색보정을 진행할 수도 있습니다. 커브 그래프 안에 그려진 대각선 위를 클릭하면 컨트롤 포인트가 생깁니다. 이 포인트를 위/아래로 드래그하여 이미지 속 각 부분의 마스터 RGB 콘트라스트를 조절합니다. 커브 라인을 3분의 1로 나눴을 때, 맨 아래와 중간, 맨 윗부분이 각각 새도우, 미드톤, 하이라이트를 조절하기에 가장 좋은 지점입니다.

DaVinci Resolve에서 사용할 수 있는 프라이머리 색보정 방법에는 여러 가지가 있습니다.



커브 팔레트는 프라이머리 색보정에 쓰이는 색보정 도구로, 파워 윈도우를 사용할 때 클립에서 특정 영역의 색상을 향상시키는 데 사용합니다.

## 세컨더리 색보정

이미지의 특정 부분만을 조절하려면 세컨더리 색보정을 사용해야 합니다. 지금까지는 리프트, 감마, 게인을 조절하여 전체 영상을 동시에 조절하는 프라이머리 색보정을 진행했습니다.

그러나, 영상 속 수풀의 색상을 살리거나 하늘의 푸른 색을 더욱 짙게 만드는 것과 같이 이미지의 특정 부분만 조절하는 작업은 세컨더리 색보정 단계에서만 가능합니다. 세컨더리 색보정에서는 이미지 속 특정 부분만을 선택하여 해당 부분만 조절할 수 있습니다. 노드를 사용하면 여러 부분에 세컨더리 색보정을 적용할 수 있어 만족스러울 때까지 영상 속 특정 부분을 작업할 수 있습니다. 파워 윈도우와 트래킹 기능을 사용하면 선택한 부분이 움직이는 영상을 따라서 함께 움직입니다.

## 특정 색상 조정하기

도로변에 있는 잔디, 하늘의 푸른색, 관객의 주의를 끌기 위한 특정 물체 등의 색상을 조절하는 것처럼 클립 속 특정 색상을 두드러지게 해야 할 때가 종종 있습니다. 이 작업은 HSL 퀄리파이어 도구를 사용해 손쉽게 진행할 수 있습니다.



이미지의 특정 영역을 두드러지게 하거나, 콘트라스트를 추가할 경우, 또는 관객의 주의를 특정 영역에 집중시키고 싶을 때는 HSL 퀄리파이어를 사용하여 이미지 속 색상을 효과적으로 선택할 수 있습니다.

### 다음과 같은 방식으로 색상을 조절하세요

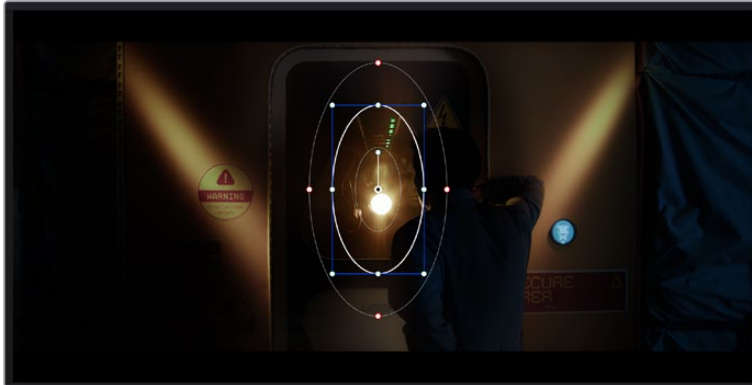
- 1 새로운 시리얼 노드를 추가하세요.
- 2 'Qualifier' 팔레트를 연 다음 'Selection Range'의 'picker' 도구가 선택되어 있는지 확인하세요.
- 3 클립에서 보정하려는 특정 색상을 클릭하세요.
- 4 대부분의 경우, 선택 영역의 테두리를 부드럽게 조절하고 선택 영역의 색상만 보정해야 합니다. 뷰어 상단의 'Highlight' 버튼을 선택하면 선택 영역을 볼 수 있습니다.
- 5 'Hue' 창에서 'Width' 컨트롤을 조절하면 선택 영역을 늘리거나 좁힐 수 있습니다.

High, Low, Soft 컨트롤을 조절하면서 선택 영역이 어떻게 개선되는지 시험해보세요. 이제 컬러휠 또는 커스텀 커브를 사용하여 선택한 색상을 보정할 수 있습니다.

간혹 원하지 않는 부분까지도 보정 효과가 번지는 경우가 있습니다. 파워 윈도우를 사용하면 원치 않는 부분을 손쉽게 숨길 수 있습니다. 새로운 윈도우를 생성하고 원하는 색상 부분에 맞게 도형의 형태를 조정합니다. 선택한 색상이 샷안에서 움직이는 경우, 트래킹 기능을 사용하면 파워 윈도우가 같이 따라 움직입니다.

## 파워 윈도우 추가하기

파워 윈도우는 매우 효과적인 세컨더리 색보정 도구로 클립에서 특정 영역만 분리시키기 위해 사용합니다. 반드시 고정된 부분이 아닌 패닝, 틸팅, 회전 기법을 사용한 장면에서도 선택 영역을 따라 윈도우가 움직이며 선택 영역 자체만 움직여도 추적이 가능합니다.



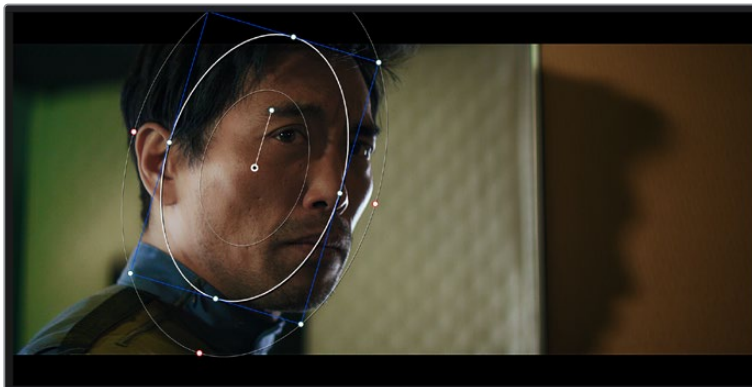
파워 윈도우를 사용하여 HSL 컬러피어 세컨더리 조절 기능을 사용하고 싶지 않은 영역을 숨길 수 있습니다

예를 들어, 인물의 주변을 제외한 채 인물에만 색상 및 콘트라스트 수정 사항이 적용되도록 할 경우, 인물 위에 윈도우를 적용하여 지속적으로 추적하도록 설정할 수 있습니다. 이러한 방식의 색보정 효과를 사용하면 원하는 특정 부분에 관객의 시선을 집중시킬 수가 있습니다.

**다음과 같이 클립에 파워 윈도우를 추가하세요.**

- 1 새로운 시리얼 노드를 추가하세요.
- 2 'Window' 팔레트를 열고 원하는 모양의 윈도우 아이콘을 클릭하세요. 선택한 윈도우 도형이 노드에 나타납니다.
- 3 도형 주위에 있는 파랑 포인트를 드래그하여 크기를 조절합니다. 빨간색 포인트는 테두리의 소프트니스를 조절합니다. 중앙에 있는 포인트를 드래그하여 색보정을 적용하려는 부분에 도형을 올려놓으세요. 중앙 포인트에 연결된 작은 포인트를 사용하면 윈도우를 회전시킬 수 있습니다.

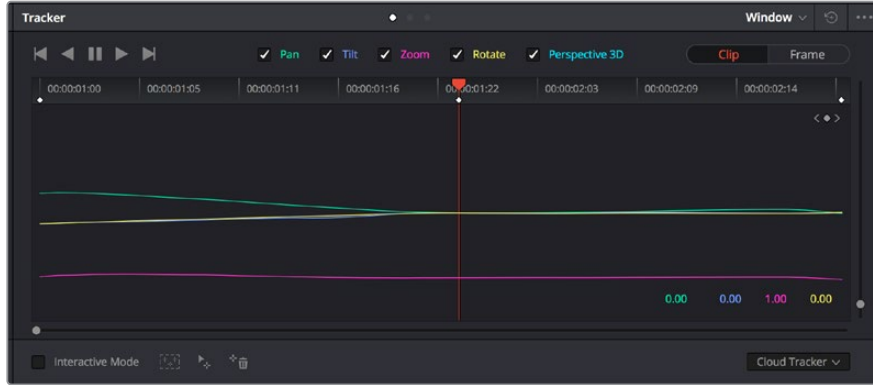
이제 이미지의 선택된 부분에만 색보정을 실행할 수 있습니다.



세컨더리 색보정 단계에서 사용하는 파워 윈도우는 이미지의 특정 부분에만 효과를 적용합니다

## 윈도우 트래킹

카메라 또는 샷의 피사체 및 특정 부분이 움직일 수 있으므로 DaVinci Resolve의 강력한 트래킹 기능을 사용하여 항상 윈도우가 선택한 피사체 및 영역에 적용되도록 설정할 수 있습니다. 트래킹 기능은 카메라의 패닝, 틸팅, 줌, 회전, 클립의 물체를 자동으로 분석하여 화면 속 움직임에 따라 윈도우를 움직입니다. 트래킹 기능을 사용하지 않을 시에는 색보정이 적용하고자 하는 부분을 벗어나 다른 곳의 주의를 환기시키므로 의도하지 않은 결과를 초래할 수도 있습니다.



클립의 피사체 또는 특정 영역에 트래킹 기능을 사용하면 파워 윈도우가 움직임을 따라 움직입니다

### 움직이는 피사체에 윈도우 트래킹 사용하기

- 1 새로운 시리얼 노드를 생성하고 파워 윈도우를 추가합니다.
- 2 클립의 시작 부분에서 윈도우의 크기와 위치를 조절하여 원하는 영역 또는 피사체를 강조합니다.
- 3 'Tracker' 팔레트를 엽니다. 'Pan', 'Tilt', 'Zoom', 'Rotate', 'Perspective 3D' 설정 중에서 클립 속 움직임 분석에 필요한 체크 박스를 선택 혹은 선택 해제하세요.
- 4 체크박스 왼쪽의 앞으로 가기 화살표를 클릭하세요. DaVinci Resolve는 이제 수많은 트래킹 포인트를 클립에 적용시킨 다음, 프레임 전반에 걸쳐 움직임을 분석합니다. 트래킹이 완료되면 클립 속 움직임 경로를 따라 파워 윈도우가 움직입니다.

자동 트래킹 기능은 대부분의 상황에서 성공적으로 사용할 수 있지만, 복잡한 장면이나 선택 영역 앞으로 물체가 지나가는 장면에서는 트래킹 기능이 방해받을 수도 있습니다. 이러한 문제는 키프레임 편집 기능을 수동으로 사용하여 해결할 수 있습니다. 더 자세한 정보는 DaVinci Resolve 설명서를 참조하세요.

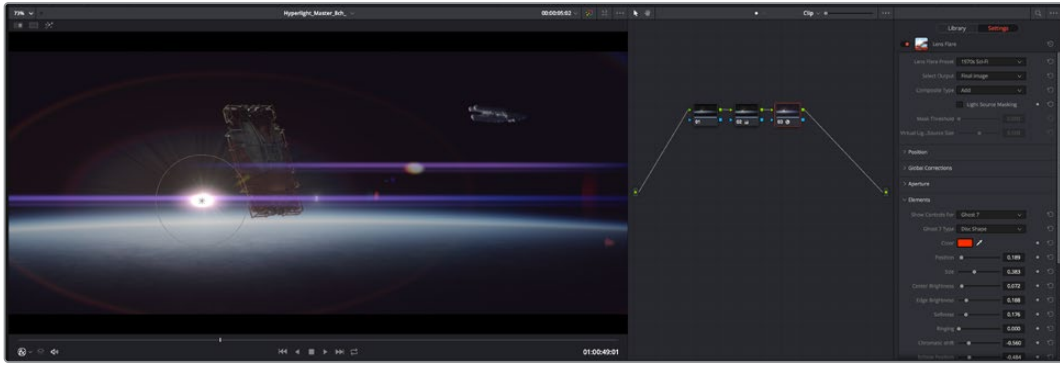
## 플러그인 사용하기

세컨더리 색보정 과정에서 ResolveFX 또는 OpenFX 플러그인을 추가하여 컬러 페이지에서 영상에 빠르고 흥미로운 모습 및 효과를 생성할 수 있으며, 편집 페이지에서 창의적인 트랜지션 및 효과를 클립에 추가할 수도 있습니다. ResolveFX는 DaVinci Resolve와 함께 설치되며 OFX 플러그인은 서드파티 공급 업체에서 구입해 다운로드할 수 있습니다.

여러 개의 OFX 플러그인을 설치한 후, 'Node' 탭 우측의 'OpenFX' 인스펙터를 열면 컬러 페이지에서 OFX 플러그인이나 ResolveFX 플러그인을 사용할 수 있습니다. 새로운 시리얼 노드를 생성하고 나면 'OpenFX' 버튼을 클릭하여 FX 라이브러리를 열고 플러그인을 새로운 노드로 드래그해 옮길 수 있습니다. 플러그인 설정을 편집할 수 있는 경우, 'Settings' 창에서 이를 조정할 수 있습니다.

편집 페이지에서 이펙트 라이브러리에 있는 OpenFX 창을 열고 선택한 플러그인을 플러그인 요구 사항에 맞추어 타임라인에 있는 클립의 비디오나 트랙으로 드래그하여 옮기면 클립에 플러그인 필터 및 생성기, 트랜지션을 추가할 수 있습니다.





OFX 플러그인을 사용해 창의적이고 흥미로운 영상을 쉽고 빠르게 만들어낼 수 있습니다.

## 오디오 믹싱하기

### 편집 페이지에서 오디오 믹싱하기

프로젝트의 편집과 색보정 작업을 완료하면 오디오 편집을 시작할 수 있습니다. DaVinci Resolve는 편집 페이지에서 바로 오디오 편집과 믹싱, 마스터링할 수 있는 유용한 기능들을 제공합니다. 첨단 오디오 작업 도구가 필요한 프로젝트에 적합한 Fairlight 페이지는 종합적인 오디오 후반 제작 환경을 제공합니다. 이미 편집 페이지에 익숙하여 Fairlight로 바로 넘어가고자 하는 경우에는 본 설명을 건너뛰고 다음 설명으로 이동하세요.

### 오디오 트랙 추가하기

편집 페이지에서 작업 시, 다양한 음향 효과 및 음악을 사용하여 기본적인 믹싱 작업을 하려면 필요에 따라 오디오 트랙을 추가할 수 있습니다. 이 기능은 음향을 제작하거나 대사 및 음향 효과, 음악 같은 오디오 요소를 여러 트랙으로 따로 분리할 때 사용합니다.

### 오디오 트랙을 편집 페이지에 추가하기

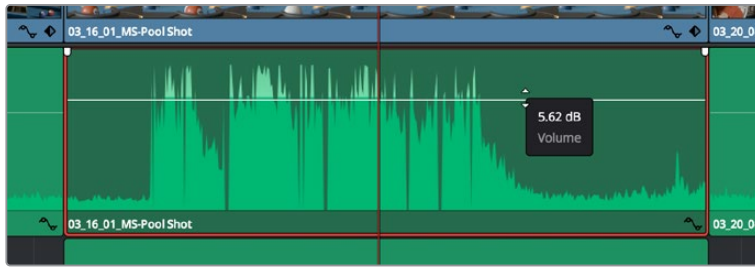
타임라인의 오디오 트랙 중 하나를 선택하여 이름을 우클릭하세요. 그 다음 Add Track에서 Mono, Stereo 그리고 5:1 등의 옵션 중에서 원하는 기능을 선택합니다. 트랙 목록 아래에 오디오 트랙이 추가됩니다. 아니면 'Add Track'을 선택하고 새로운 단일, 혹은 여러 트랙을 놓고자 하는 위치를 선택합니다.

타임라인에 새로운 오디오 트랙이 나타납니다.

**정보** 트랙을 생성한 후에 트랙 종류를 변경하려면 트랙명 옆을 우클릭한 다음 'Change Track Type To'를 선택하세요. 그다음, 'Stereo', 'Mono', '5:1' 등, 오디오 트랙에서 원하는 종류를 선택하세요.

### 타임라인에서 오디오 레벨 조절하기

타임라인에 있는 각각의 오디오 클립에는 볼륨 조절을 위한 오버레이가 있어 마우스 포인터로 드래그하여 간단히 클립의 오디오 레벨을 설정할 수 있습니다. 이 오버레이는 인스펙터에 있는 볼륨 파라미터와 연동됩니다.

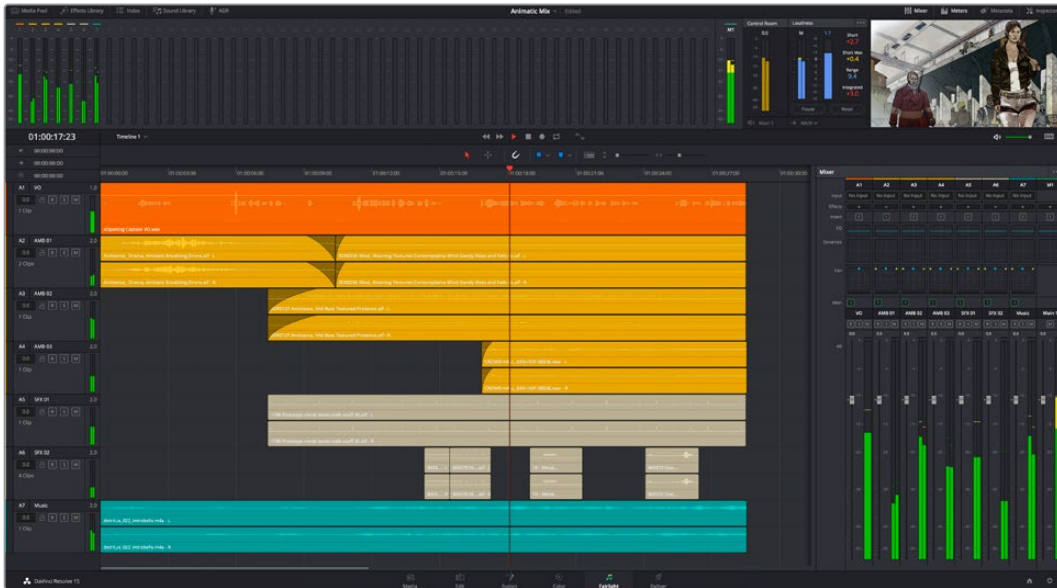


볼륨 오버레이를 드래그하여 클립의 오디오 레벨을 조절합니다.

첨단 오디오 작업 도구가 필요한 프로젝트에 적합한 Fairlight 페이지는 종합적인 오디오 후반 제작 환경을 제공합니다.

## Fairlight 페이지

DaVinci Resolve의 Fairlight 페이지에서는 프로젝트의 오디오를 제어할 수 있습니다. 단일 모니터를 사용하여 작업하는 환경에 최적화된 모니터링을 통해 프로젝트의 오디오 트랙을 확인하고, 확장된 오디오 믹서 및 커스텀 모니터링 컨트롤을 사용하여 각 레벨을 쉽게 조절함으로써, 보다 부드럽고 조화로운 사운드를 만들 수 있습니다. 화면에 보이는 복잡한 기능을 보고 겁먹을 필요 없습니다. 모든 기능은 여러분의 프로젝트를 최고의 품질로 제작할 수 있도록 완벽히 준비되어 있습니다.

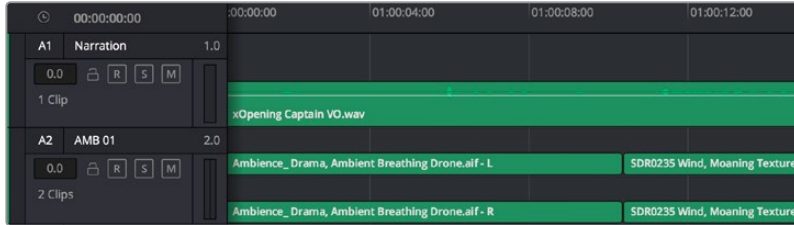


본 설명서에는 Fairlight 페이지 기능이 간략하게 설명되어 있지만, 각각의 기능에 관한 더욱 자세한 설명은 DaVinci Resolve 설명서에서 확인하실 수 있습니다. DaVinci Resolve 설명서에는 각 도구의 용도와 사용 방법이 단계별로 자세히 설명되어 있습니다.

## 오디오 타임라인

- 트랙 헤더:** 모든 트랙 좌측에 있는 헤더 부분에는 트랙 번호와 이름, 색상, 오디오 채널, 페이더 값, 오디오 미터가 나타납니다. 트랙 헤더에서는 트랙에 잠금 기능을 설정 및 해제할 수 있을 뿐만 아니라 솔로 컨트롤과 음소거 컨트롤을 사용할 수도 있습니다. 이러한 컨트롤을 사용하여 오디오 트랙을 정리하고 개별 트랙을 하나씩 미리보기할 수 있습니다.

- **트랙:** Fairlight 페이지에 있는 모든 오디오 트랙은 레인별로 구분되어 있으며, 이 레인은 오디오 편집과 믹싱을 위한 클립의 채널을 개별적으로 나타냅니다. 편집 페이지에는 이러한 개별 오디오 채널은 나타나지 않고 타임라인에 오직 클립 하나만 나타나므로 많은 수의 오디오 트랙을 관리할 필요 없이 여러 채널 소스의 편집을 더욱 간단하게 수행할 수 있습니다.



트랙 A1의 트랙 헤더에는 모노 오디오를 위한 단일 레인으로 구성된 모노 트랙이 나타나는 반면, 트랙 A2 트랙 헤더에는 스테레오 오디오를 위한 두 개 레인으로 구성된 스테레오 트랙이 나타납니다.

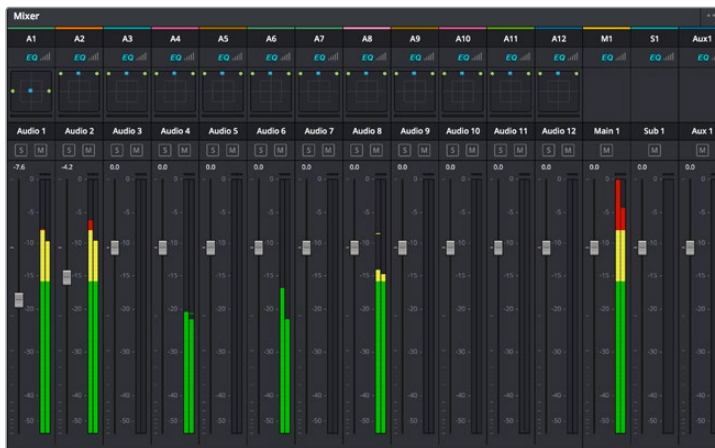
## 버스란?

버스는 기본적으로 타임라인에서 여러 개의 오디오 트랙이 전송되어 도착하는 도착 채널을 말하며, 여러 개의 오디오 트랙이 믹싱되어 하나의 채널 스트립으로 제어할 수 있는 단일 신호로 변경됩니다.

- **메인 버스:** 메인 버스는 일반적으로 프로그램의 주요 출력을 말하며, 새로운 프로젝트를 생성 시, 모든 트랙이 묶여 있는 하나의 메인 버스가 같이 나타나도록 기본 설정되어 있습니다. 메인 버스는 타임라인에 있는 모든 트랙을 하나의 신호로 합치므로 개별 트랙 조절을 완료하면 오디오 믹싱 레벨을 전체적으로 조절할 수 있습니다.
- **서브 버스:** 서브 버스는 동일한 카테고리 내의 여러 오디오 트랙을 하나로 합칠 수 있습니다. 예를 들어, 대화 및 음악, 효과 같은 카테고리 별로 해당 카테고리 내에서 하나로 믹싱하여 단일 오디오 신호로 출력합니다. 예를 들어, 다섯 개의 대화 트랙이 있는 경우에는 다섯 개를 전부 Submix 버스에 출력하면, 모든 대화가 하나의 컨트롤 모음을 사용하여 믹싱됩니다. 이 서브믹스 버스는 개별적으로 렌더링하거나 메인 버스에 전송하여 렌더링할 수 있습니다.

## 믹서

타임라인에 있는 각각의 오디오 트랙은 믹서의 해당 채널 스트립과 연동되며, 우측에는 메인 버스를 의미하는 M1이 적힌 하나의 채널 스트립이 기본 설정으로 나타납니다. 메인 버스 및 서브믹스 버스를 추가로 생성할 때마다 컨트롤 모음을 가진 추가 채널 스트립이 우측에 나타납니다. 그래픽 컨트롤 모음을 사용하여 출력 채널에 트랙 채널을 설정하고, 이퀄라이저와 다이내믹스를 조절하고, 오디오 레벨과 자동 녹음 설정, 스테레오 오디오와 서라운드 오디오 패닝, 음소거, 솔로 트랙 수행이 가능합니다.



타임라인의 오디오 트랙과 연동되는 오디오 믹서의 채널 스트립

## 이퀄라이저를 사용해 오디오 높이기

프로젝트의 오디오 클립 레벨을 조절하고 나서도 추가 조절이 필요할 때가 있습니다. 경우에 따라서는 다이얼로그 및 음악, 음향 효과가 오디오 스펙트럼에서 동일한 주파수를 두고 충돌하여 복잡해진 신호 때문에 깨끗한 음질을 만들어내지 못합니다. 이퀄라이저는 이러한 경우에 유용한 기능으로 오디오 스펙트럼에서 원하는 부분을 지정할 수 있습니다. 또한 이퀄라이저를 사용하여 특정 주파수의 레벨을 줄이거나 분리시키는 방식으로, 우르릉 거리는 소리 및, 웅웅거리는 소리, 바람 소리, 식식거리는 소리 등, 오디오에서 원치 않는 현상을 제거할 수 있으며, 전체적인 음질을 향상시킬 수 있어 더욱 듣기 좋은 음향을 만들어낼 수 있습니다.

DaVinci Resolve는 개별 클립의 오디오 레벨 또는 전체 오디오 트랙을 위한 오디오 트랙 레벨에 적용할 수 있는 EQ 필터를 제공합니다. 타임라인의 각 오디오 클립은 인스펙터의 4밴드 이퀄라이저를 사용할 수 있으며, 각 트랙은 믹서 패널의 6밴드 파라메트릭 이퀄라이저를 사용할 수 있습니다. 그래픽 컨트롤과 숫자 컨트롤을 사용하여 다양한 음역대의 주파수를 강화하거나 약화시킬 수 있으며, 다양한 종류의 필터를 사용해 EQ 커브의 모양을 결정할 수 있습니다.



4밴드 이퀄라이저는 타임라인에 있는 모든 클립에 적용할 수 있습니다.

바깥쪽의 밴드는 하이셸프, 로우셸프, 하이패스, 로우패스 필터를 사용하여 밴드 필터를 조절할 수 있습니다. 패스 필터는 특정 주파수를 기준으로 상위, 혹은 하위의 모든 주파수에 적용되며 신호에서 주파수를 완전히 제거하는 역할을 합니다. 예를 들어, 하이패스 필터는, 특정 주파수보다 낮은 주파수를 모두 제거하는 동시에 높은 주파수는 필터를 그대로 통과시킵니다. 제외하고자 하는 주파수는 하강 곡선을 따라 점차 사라지게 됩니다.

셸프 필터는 하이패스 필터보다 강도가 조금 약한 필터로, 특정 부분을 완전히 제거하지 않고 신호의 가장 높은 부분과 낮은 부분을 전반적으로 웨이핑하고자 할 때 사용합니다. 셸프 필터는 타깃 주파수를 강화하거나 잘라내며, 하이/로우 셸프 사용에 따라, 타깃 주파수 위/아래를 편평하게 만듭니다.

가운뎃줄의 밴드 컨트롤 모음을 사용해 매우 다양한 이퀄라이제이션을 조절할 수 있고, 로우셸프와 벨, 노치, 하이셸프 필터링 옵션으로 전환할 수 있습니다.

- **벨:** 벨 필터는 벨 커브에 주어진 중심점 주변의 주파수를 증가 또는 제거하며 이름에서 알 수 있듯이 벨 모양의 커브가 나타납니다.
- **노치:** 노치 필터는 특히 아주 낮은 음역대를 조절하기 위한 필터입니다. 예를 들어, 50 또는 60Hz에서 발생하는 험 노이즈를 제거합니다.
- **로우 셸프:** 로우 셸프 필터는 대상 주파수의 가장 낮은 지점과 그 밑에 해당하는 모든 주파수를 증가 또는 제거합니다.
- **하이 셸프:** 하이 셸프 필터는 대상 주파수의 가장 높은 지점과 그 위에 해당하는 모든 주파수를 증가 또는 제거합니다.

### 개별 클립에 EQ 추가하기

- 1 타임라인에서 EQ 필터를 추가하려는 클립을 선택하세요.
- 2 'Inspector'를 클릭한 다음, 'Clip Equalizer' 활성화 버튼을 클릭합니다.

### 오디오 트랙에 EQ 추가하기

- 1 믹서에서 EQ를 추가하고자 하는 트랙의 EQ 부분을 더블클릭하여 EQ를 엽니다.
- 2 드롭다운 메뉴에서 조절하려는 밴드 필터 유형을 선택하세요.



믹서 창의 EQ 섹션에는 트랙 1에 적용된 EQ 커브가 나타납니다.



모든 오디오 트랙에 적용 가능한 6밴드 파라메트릭 이퀄라이저

오디오 클립 또는 트랙에 EQ를 추가하면 각 밴드를 위한 EQ를 조절할 수 있습니다. 선택하는 밴드 필터 유형에 따라 컨트롤이 달라질 수 있습니다.

### 밴드 필터를 위한 EQ 조절하기

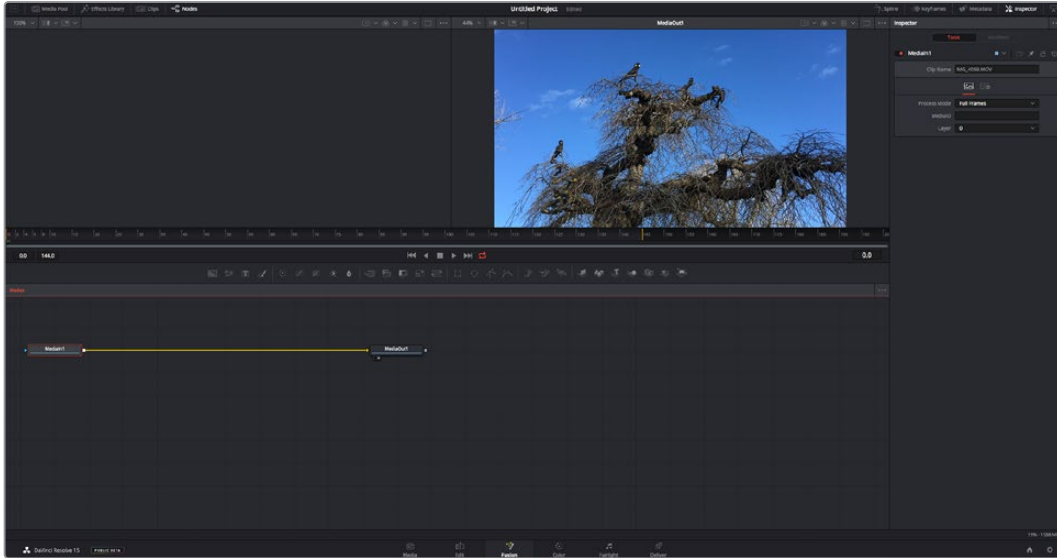
- 1 드롭다운 메뉴에서 조절하려는 밴드 필터 유형을 선택하세요.
- 2 'Frequency' 값을 조절하여 EQ 조절의 중심 주파수를 선택하세요.
- 3 'Gain' 값을 조절하여 해당 밴드로 통제되는 주파수를 강화 또는 약화시킵니다.
- 4 'Q Factor' 값을 사용하여 해당 주파수의 대역폭을 조절합니다.

리셋 버튼을 사용하면 EQ 창에 있는 모든 컨트롤을 기본 설정값으로 리셋할 수 있습니다.

Fairlight에는 각 오디오 트랙의 음질을 높일 수 있는 많은 컨트롤 기능을 제공합니다. 더 많은 트랙을 추가하고 버스로 이러한 트랙을 관리할 수 있을 뿐만 아니라 딜레이 또는 리버브 같은 효과를 추가하는 등 완벽한 오디오 믹싱 작업을 수행할 수 있습니다.

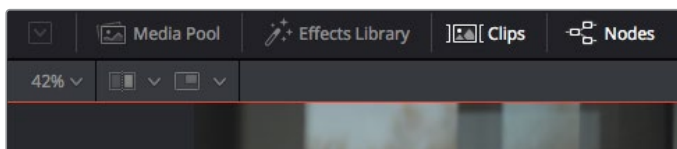
## Fusion 페이지에서 VFX 시각효과 추가 및 합성

편집 과정을 마친 상태라면 이제 Fusion 페이지를 열고 DaVinci Resolve에 2D 또는 3D 시각 효과와 모션 그래픽을 그대로 추가할 수 있습니다. 레이어 기반 합성 소프트웨어와는 달리 노드 기반 소프트웨어인 Fusion에서는 이미지 데이터를 원하는 방식으로 연결해 복잡한 합성 효과를 생성할 수 있습니다. 노드 윈도우를 통해 작업에 사용된 모든 도구를 한 눈에 확인할 수 있습니다. 컬러 페이지에서 노드 기반 워크플로를 이미 사용해 본 적이 있다면, 앞으로 소개하는 내용도 익숙할 것입니다.



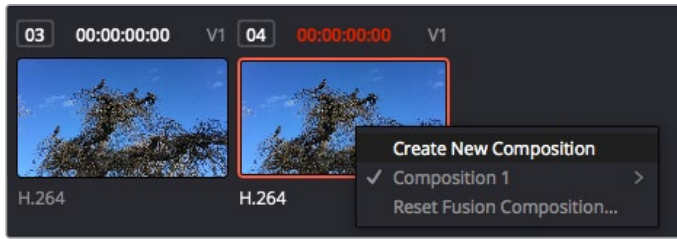
### Fusion 페이지

Fusion 페이지에는 두 개의 뷰어 윈도우가 가로로 배열되어 있으며 트랜스포트 컨트롤을 통해 미디어를 확인할 수 있습니다. 오른쪽에는 인스펙터 창이 있어 도구 설정을 할 수 있으며, 뷰어 윈도우 하단의 노드 창을 통해 합성을 추가할 수 있습니다. 뷰어와 트랜스포트 컨트롤은 항상 보이는 곳에 있지만, 디스플레이 상단 맨 끝에 있는 인터페이스 툴바에 있는 아이콘을 클릭하면 노드 및 인스펙터 창을 띄우거나 숨길 수 있으며, 또한 이펙트 라이브러리 및, 스플라인 및 키프레임 같은 추가 창을 띄우거나 숨기는 것도 가능합니다.



- **미디어 풀(Media Pool):** 미디어 풀은 편집 페이지에 나온 방식과 동일하게 작동합니다. 추가하고자 하는 미디어를 빈에서 드래그해 와서 합성 영상에 가져다 놓기만 하면 됩니다.
- **이펙트 라이브러리(Effects Library):** 이펙트 라이브러리는 Fusion 도구와 템플릿을 파티클, 트래킹, 필터 및 제너레이터 등의 항목으로 나누어 놓은 곳입니다. 도구를 클릭하거나 노드 영역으로 드래그하여 합성에 추가해주기만 하면 됩니다. 미디어 풀과 이펙트 라이브러리는 화면에서 똑같은 공간을 차지하므로 둘을 바꿔가며 사용하면 뷰어를 최대 크기로 놓고 작업할 수 있습니다.
- **클립(Clips):** 'Clips' 탭을 누르면 타임라인에서 작업 중인 클립을 나타내는 썸네일을 띄우거나 숨길 수 있습니다. 썸네일이 노드 창 하단에 나타나기 때문에 즉시 다른 클립을 살펴보는 것이 가능합니다.



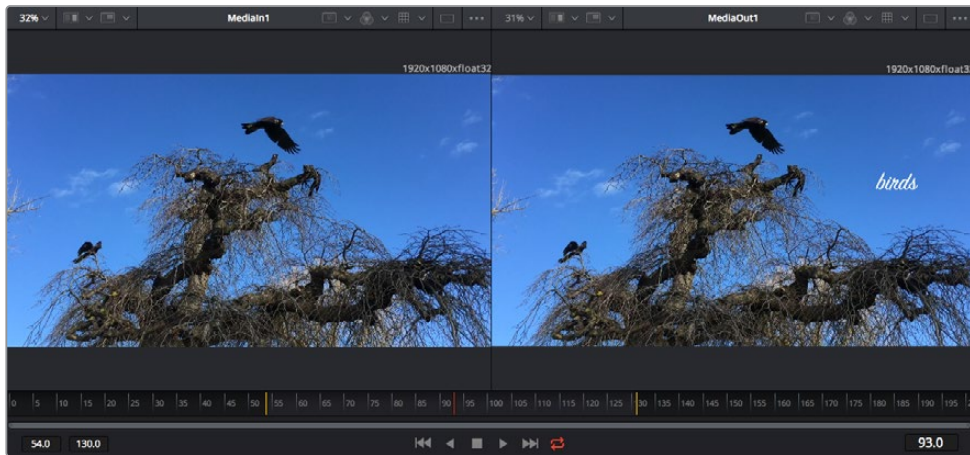


새로운 합성 버전을 생성하려면 썸네일을 우클릭하여 'Create New Composition'을 선택하세요.

- 뷰어:** 뷰어는 항상 보이는 곳에 있으며 합성 효과를 다양한 각도에서 확인할 수 있습니다. 예를 들어 3D 시점에서 3D 노드 합치기, 카메라 출력 또는 최종 렌더링 출력 등을 전체적으로 확인할 수 있습니다. 또한, 이 뷰어를 통해 변경 사항이 어떻게 적용되었는지 확인할 수 있습니다. 노드를 선택한 다음 숫자 1을 입력하면 왼쪽 뷰어에, 숫자 2를 입력하면 오른쪽 뷰어에 해당 노드가 나타납니다. 노드 하단에 하얀 버튼 아이콘이 나타나 어떤 뷰어가 지정되었는지 알 수 있습니다. 외부 비디오 모니터링을 사용할 경우, 세 번째 버튼을 통해 미디어를 사용 중인 외부 비디오 모니터로 라우팅할 수 있습니다.

**정보** 노드를 뷰어로 직접 드래그하면 뷰어에 해당 노드를 지정할 수도 있습니다.

뷰어 하단의 트랜스포트 제어를 통해 클립의 시작 또는 끝 부분으로 이동하거나, 앞으로 감기, 뒤로 감기 또는 재생 멈추기 기능을 사용할 수 있습니다. 클립 전체의 인/아웃 포인트가 타임라인 눈금 위에 노란색으로 표시되어 나타납니다.

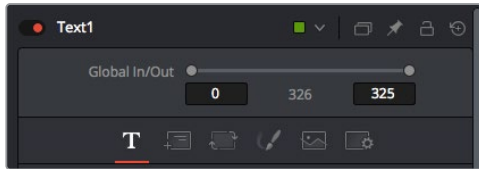


타임라인 눈금의 노란색 표시는 타임라인 상 클립의 인/아웃 포인트를 나타냅니다. Fusion 클립 또는 컴파운드 클립을 사용할 경우, 타임라인 눈금은 핸들을 제외하고 타임라인에 나온 클립의 재생 시간만을 표시하게 됩니다.

- 노드(Nodes):** Fusion 페이지의 중심에 자리한 노드 창을 통해 하나의 노드 출력을 다른 노드 출력에 연결하는 식으로 노드 트리를 생성할 수 있습니다. 노드 창의 크기는 스플라인 창이나 키프레임 창 등, 현재 사용 중인 편집 창에 따라 달라집니다. 노드 창 상단의 툴바에는 가장 자주 사용되는 도구를 선별해 놓아 신속하게 사용할 수 있도록 하였습니다.
- 스플라인(Spline):** 스플라인 창은 노드 창의 오른쪽에 나타납니다. 이 편집 창에서는 각 노드에 베지어 커브를 사용하여 두 개의 키프레임 간에 있는 애니메이션을 부드럽게 하는 등 정교한 조절이 가능합니다.



- **키프레임(Keyframes):** 키프레임 편집 창을 사용하여 각 도구를 위한 키프레임을 추가, 제거 및 변경할 수 있습니다. 키프레임 창은 노드 창의 오른쪽에 나타납니다.
- **메타데이터(Metadata):** 메타데이터 창에서는 작업 중인 클립의 코덱 및 프레임 레이트, 타임코드 같은 메타데이터를 확인할 수 있습니다.
- **인스펙터(Inspector):** 오른쪽 상단 모서리의 인스펙터는 선택된 하나 이상의 노드를 위한 모든 설정과 모디파이어를 보여줍니다. 또한, 항목별로 분류된 여러 노드 설정을 위한 추가 탭도 나타나므로 이를 통해 빠르게 설정할 수 있습니다.

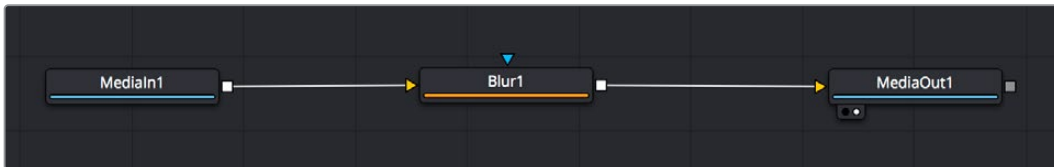


텍스트 인스펙터는 텍스트, 레이아웃, 변형, 셰이딩, 이미지 및 설정 등의 추가 탭을 보여줍니다.

## Fusion 시작하기

Fusion을 시작하려면 타임라인 상 아무 클립 위에 재생 헤드를 이동한 다음 'Fusion' 탭을 클릭하여 Fusion 페이지를 열기만 하면 됩니다.

Fusion 페이지에서 'MediaIn'이라고 표시된 미디어 입력 노드가 클립에 적용되어 사용 가능합니다. 모든 합성순은 MediaIn과 MediaOut 노드로 시작됩니다. 이 MediaIn 노드는 재생 헤드가 있는 타임라인의 가장 위에 있는 클립을 나타내며, 이 클립 밑에 있는 다른 클립들은 반영하지 않습니다. 지금까지 편집 페이지에서 클립에 적용한 변형 도구와 크로핑과 같은 모든 변경 사항이 그대로 적용되어 있는 것을 확인할 수 있습니다.



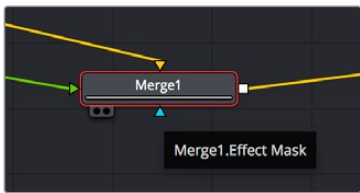
미디어 출력 노드는 DaVinci Resolve의 편집 페이지에서 타임라인으로 출력을 보낼 수 있는 노드이며 MediaOut으로 표시되어 있습니다.

**정보** 편집 페이지에서 클립에 적용된 ResolveFX 또는 OFX 플러그인은 Fusion 페이지에서는 적용되지 않습니다. 이는 Fusion 효과가 색보정 및 OFX/ResolveFX 프로세싱 이전 단계에서 일어나기 때문입니다. Fusion 효과 이전 단계에서 OFX를 적용하려면 편집 페이지에서 클립을 우클릭한 후 'New Fusion Clip'을 선택한 다음 'Fusion' 페이지를 클릭하세요.

## 노드 이해하기

각 노드를 단일 도구, 또는 효과를 나타내는 시각적인 아이콘으로 생각하면 사용법 이해에 도움이 됩니다. 마치 여러 재료를 조합하여 케이크를 만드는 것처럼 노드를 다른 노드와 연결하면 전체적인 합성 작업을 마칠 수 있습니다. 각 노드의 입력과 출력을 이해해야 디테일한 시각 효과를 제작하는 동시에 합성의 플로우를 확인할 수 있어 중요한 부분이라 할 수 있습니다.

일부 도구는 다른 노드와 연결할 수 있는 다수의 입력과 출력을 가지고 있습니다. 예를 들어, 노드 합치기 도구를 사용하면 전경 입력과 배경 입력 그리고 마스크 입력을 매트 또는 키와 합칠 수 있습니다.



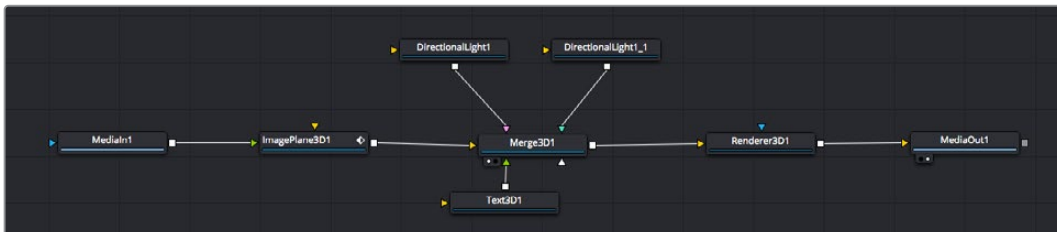
- ▶ 전경 입력
- ▶ 배경 입력
- ▶ 효과 마스크 입력
- 출력

여러 개의 노드 출력은 단일 노드에 다양한 노드를 연결해 합성 슷을 작업할 수 있음을 뜻합니다. 따라서 레이어 기반 소프트웨어를 사용할 때처럼 클립을 복사할 필요가 없습니다. 연결된 노드 사이의 화살표는 이미지 데이터가 이동하는 방향을 파악하는데 도움을 주는 유용한 시각적 표시 장치입니다.

### 노드 편집기에 노드 추가하기

효과를 추가하려면 간단히 MediaIn과 MediaOut 노드 사이의 선에 노드를 가져다 놓기만 하면 됩니다.

이는 몇 가지 방법을 통해 수행할 수 있습니다. [Shift] 키를 누른 채로 두 노드 사이에 노드를 떨어뜨리거나 효과를 적용하려는 노드를 클릭한 후 추가하려는 도구를 선택하면 됩니다. 그러면 새로운 노드가 선택한 도구에 자동적으로 연결됩니다. 또한, 노드 창의 아무 곳이나 노드를 추가하거나, 노드의 출력을 다른 노드의 입력 부분에 드래그해 놓는 방식을 사용해 수동적으로 노드를 연결할 수도 있습니다.



가장 자주 사용되는 도구는 2D 또는 3D 노드 합치기 도구입니다. 이 노드는 노드 편집자의 도구를 단일 출력으로 합쳐주는 중앙 허브와도 같습니다.

노드 합치기는 크기, 위치, 블렌드 등의 입력을 제어할 수 있는 기능을 갖추고 있습니다. 노드 합치기를 선택할 경우, 모든 설정을 인스펙터 창에서 사용할 수 있습니다.

가장 자주 사용하는 도구는 노드 창 상단의 툴바에 아이콘으로 표시되어 있으며, 이를 클릭하여 노드를 추가하거나 도구를 노드창으로 드래그할 수 있습니다. 사용 가능한 모든 도구를 보려면 화면 상단 왼쪽의 'Effects Library'를 클릭한 다음 'Tools' 옵션을 눌러 창을 여세요. 여기에서 항목 별로 분류된 모든 도구뿐 아니라 렌즈 플레이어, 음형 효과 및 배경 등 사전 제작한 템플릿을 사용할 수 있습니다.

**정보** 도구 이름에 익숙해졌다면 키보드에서 [Shift] 키를 누른 채 스페이스바를 누르면 'Select Tools' 메뉴가 나타납니다. 도구 이름을 입력하면 메뉴에 현재 작업에 알맞은 도구가 나타납니다. 이는 원하는 도구를 신속하게 선택할 수 있는 방법입니다.

## 인스펙터 패널을 사용하여 노드 조정하기

인스펙터 창을 사용하여 노드 설정을 변경하세요. 변경하려는 노드를 클릭해주기만 하면 창이 업데이트되어 변경된 설정과 제어가 나타납니다.

Fusion을 사용할 경우, 합성 단계에서 다른 노드를 보면서 해당 노드를 변경할 수 있기 때문에 편집 도중 노드를 직접 보면서 작업할 필요가 없습니다. 예를 들어, 노드 합치기가 뷰어에 있는 상태에서 'Text+' 노드의 크기와 중심 위치를 변경하여 배경과 비교하면서 텍스트를 확인할 수 있습니다.



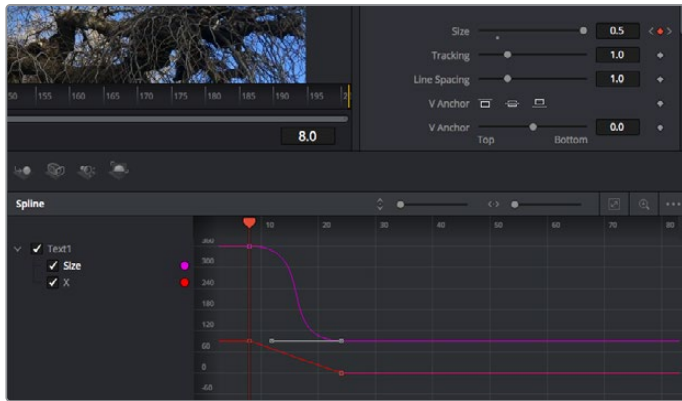
선택한 노드의 테두리는 빨간 색으로 표시됩니다. 여기서 인스펙터 창을 통해 텍스트 노드의 레이아웃 탭 컨트롤을 볼 수 있습니다.

작업에 따라 각 노드의 크기, 중심 위치부터 에미터 노드 파티클 개수까지 다양한 파라미터와 설정을 변경할 수 있습니다. 키프레임 설정을 조절하고 변경하면 시간이 지남에 따라 애니메이션 효과를 적용하게 됩니다.

## 키프레임 작업

인스펙터 창에서 키프레임을 설정하려면 'Settings' 공간에서 마우스를 우클릭한 후, 메뉴에서 'Animate'를 선택하세요. 'Settings' 공간의 오른쪽에 있는 키프레임 아이콘이 빨간색으로 변합니다. 이는 키프레임이 활성화되어 앞으로 모든 변경 사항은 현재 프레임에만 적용됨을 뜻합니다. 다른 프레임에서 파라미터 설정을 변경하는 도중에 두 개 이상의 키프레임이 생성될 경우, 키프레임 사이에 트랜지션이 생성됩니다. 키프레임 아이콘 양 쪽에 있는 화살표를 통해 타임라인의 정확한 위치로 재생 헤드를 이동시킬 수 있습니다.

Spline 창을 통해 키프레임 애니메이션을 추가적으로 제어할 수 있습니다. 처음과 마지막 부분의 키프레임을 선택한 다음 [Shift + S] 키를 입력하면 두 키프레임 사이의 애니메이션이 부드러운 베지어 커브를 그리도록 만들 수 있습니다. 아니면 키프레임을 우클릭한 다음 'Smooth'를 선택해도 동일한 기능이 적용됩니다.



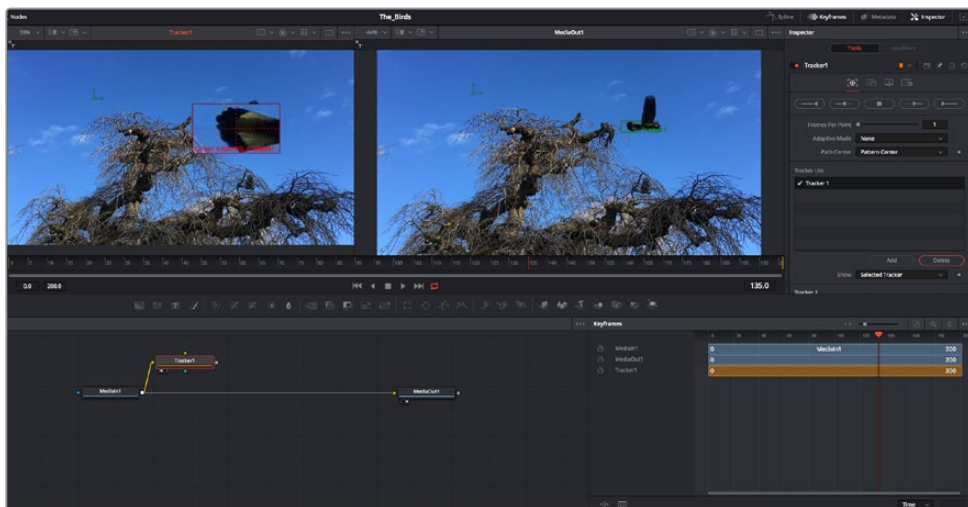
여기에서 'Size' 키프레임 애니메이션이 베지어 커브 모양으로 부드럽게 표현된 것을 확인할 수 있습니다. 베지어 핸들을 클릭하여 커브를 단축하거나 늘리고, 네모 모양의 키프레임 아이콘을 클릭하여 키프레임 위치를 이동할 수도 있습니다.

## 모션 트래커 사용과 텍스트 추가 방법

Fusion 사용법에 대한 이해를 돕기 위해 다음 예시를 통해 클립에서 트래커 기능 사용하는 방법과 트래킹 데이터를 사용하여 텍스트를 추가하고 요소에 연결하는 방법을 설명하겠습니다.

Tracker 도구는 X/Y 축의 픽셀을 지속적으로 추적한 후 데이터를 생성하여, 이를 해당 픽셀에 다른 요소를 추가하는데 사용할 수 있습니다. 이는 길을 따라 움직이는 차량이나 프레임을 가로질러 날아가는 새와 같이 움직이는 사물에 텍스트를 매칭시키기 매우 유용한 기능입니다.

- 1 'Effects Library'에서 'Tracking' 도구를 선택하여 'MediaIn'과 'MediaOut' 노드 사이의 선 위로 드래그하세요. 이제 트래커 노드를 클릭하여 인스펙터 속성을 확인하세요.
- 2 키보드에서 숫자 [1]을 입력하면 왼쪽 뷰어에서 트래커 노드를 확인할 수 있습니다. 트래커 노드가 클립과 함께 뷰어에서 기본 설정된 위치에 나타납니다. 트래커 위에 마우스 포인터를 가져다 대면 트래커 핸들이 나타납니다. 왼쪽 상단 코너의 트래커 핸들을 클릭한 후 트래커를 원하는 클립 부분으로 드래그하세요. 이 기능은 자동차 보닛의 상표처럼 고대비를 이루는 부분을 작업하는데 적합합니다. 트래커로 이미지 영역을 확대해 아주 정밀하게 작업할 수 있습니다.
- 3 인스펙터 창을 띄운 채로 'Track Forward' 버튼을 클릭하면 트래킹이 시작됩니다. 트래킹이 완료되면 알림창이 나타납니다. 'OK'를 클릭합니다.

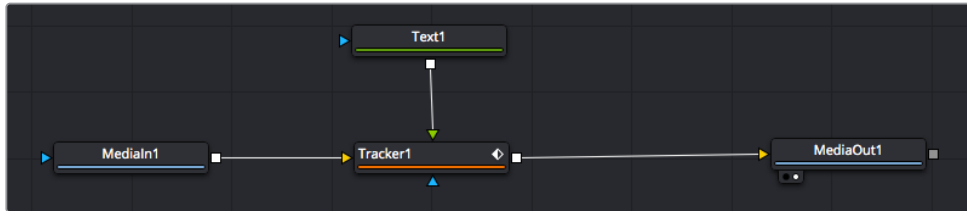


인스펙터 창의 트래킹 기능 중에는 이전 또는 현재 프레임에서부터 뒤로 가기, 트래킹 중지, 현재 프레임 또는 첫번째 프레임에서부터 앞으로 가기 등이 있습니다.

**정보** 현재 프레임의 뒤로 가기/앞으로 가기 트래킹 기능은 차량이나 새가 프레임 밖으로 나갈 때처럼 렌더링 도중 작업하던 부분이 사라지는 상황에서 매우 유용합니다. 이를 통해 필요한 영상만을 트래킹할 수 있습니다.

이제 트래킹 데이터를 가져와 텍스트 도구에 움직임 경로를 적용할 수 있습니다.

- 4 자주 사용되는 노드 툴바에서 'Text+' 노드 아이콘을 클릭한 다음, 노드 창 안의 트랙커 노드 근처로 드래그하세요. 텍스트 노드의 출력 점을 트랙커 노드의 초록색 입력 점과 연결하세요.



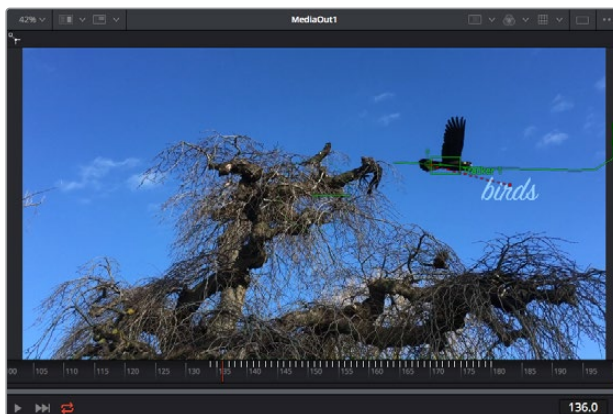
- 5 트랙커 노드를 클릭한 후 숫자 '1'을 입력하면 왼쪽 뷰어에서 합쳐진 결과를 확인할 수 있습니다. 트랙커 인스펙터 창에서 'Operations' 탭을 클릭하세요. 마우스 포인터를 위에 가져다 대면 탭의 이름을 확인할 수 있습니다. 'Operation' 옆에 있는 드롭다운 메뉴를 클릭한 다음 'Match Move'를 선택하세요.
- 6 이제 텍스트 노드를 클릭하여 인스펙터 속성을 확인하세요. 텍스트 상자 안에 텍스트를 입력한 후 폰트, 색상 및 크기를 합성 작업에 맞게 변경하세요.

이를 통해 트랙커의 트래킹 위치 데이터가 텍스트에 적용됩니다. 텍스트 오프셋을 변경하려면 인스펙터 창의 'Trackers' 탭을 클릭한 후 X/Y 오프셋 스크롤 휠을 사용하여 위치를 변경할 수 있습니다.



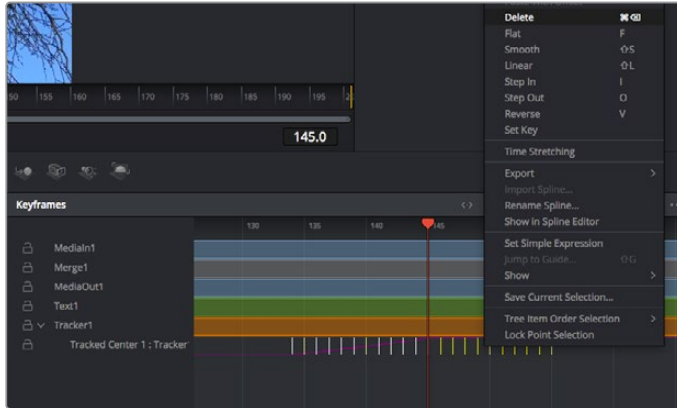
트래커 인스펙터 창의 하단에 있는 스크롤 휠을 통해 텍스트의 오프셋 위치를 조정할 수 있습니다.

이제 합성을 재생하여 트래킹한 영상 속에 텍스트가 추가된 것을 확인할 수 있습니다.



초록색 상자는 초록색 선 상 트랙커의 현재 위치를 나타내며, 빨간색 점선은 텍스트 애니메이션에 사용된 오프셋 위치를 나타냅니다.

추적하던 사물이 더 이상 등장하지 않을 경우엔 트래킹 포인트를 제거하고 싶을 수도 있습니다. 이때, 키프레임 창을 사용하면 트래킹 포인트를 손쉽게 처리할 수 있습니다.



- 7 인스펙터 창 상단의 'Keyframes' 탭을 클릭하여 키프레임 창을 여세요. 키프레임이 적용된 모든 노드의 라벨 옆에 작은 화살표가 생기며, 키프레임이 추가된 파라미터만이 아래 목록에 나타납니다. 돋보기 아이콘을 클릭하여 편집하려는 영역을 박스 모양으로 드래그하세요. 그러면 해당 영역이 줌인되어 키프레임을 좀 더 손쉽게 볼 수 있습니다.
- 8 원하는 이전 키프레임 위치로 재생 헤드를 이동하세요. 이제 제거하려는 키프레임을 선택하려면 마우스를 드래그하여 키프레임 주변에 박스 모양의 테두리를 만드세요. 키프레임이 노란색으로 빛나는 것을 확인할 수 있습니다. 마우스를 우클릭한 다음 메뉴에서 'Delete'를 선택하세요.

**정보** 시스템 중심적인 효과 작업에서는 트랜스포트 컨트롤을 우클릭하면 프록시 재생 등의 뷰어 옵션이 나타나 합성 작업 시 시스템 기능을 최대한 활용할 수 있습니다. 모든 재생 기능에 대한 더 자세한 정보는 DaVinci Resolve 설명서를 참고하세요.

이렇게 영상 속 움직임에 맞추어 텍스트 애니메이션을 추가하는 첫 번째 합성 작업이 끝났습니다.

영상 속에서 밋밋해 보이는 부분을 좀 더 살리거나 교체하려면 플래너 트래킹 기능을 사용할 수 있습니다. 2D 면을 트래킹하면 움직이는 영상 속의 라벨과 사인을 변경하거나 심지어는 슛에 나오는 모니터나 TV에 이미지를 추가하는 데 도움이 됩니다.

DaVinci Resolve Fusion 페이지의 플래너 트래커와 다양한 뛰어난 도구 모음에 대한 더 자세한 정보는 DaVinci Resolve 설명서를 참고하세요.

**정보** Fusion 페이지에서 시각 효과를 제작할 경우, 2D 효과 또는 3D 효과 작업에 따라 사용할 합치기 도구가 달라진다는 점을 기억하세요. 하나의 합성 작업에서 2D와 3D 효과를 함께 사용해야 하는 일이 자주 있을 수 있습니다. 이러한 상황에서는 3D 공간을 사용하는 모든 시각 효과를 2D 합성본으로 합치기 전에 2D 이미지로 렌더링해야 한다는 사실을 기억하세요.

이제, Fusion의 시각 효과와 DaVinci Resolve의 강력한 편집, 컬러, Fairlight 페이지 기능을 즐겁게 사용하시기를 바랍니다. DaVinci Resolve에서는 손가락 끝으로 이 놀랍도록 강력한 기능들을 모두 제어할 수 있으며 무한한 방식으로 사용할 수 있습니다.



## 편집 영상 마스터링하기

지금까지 편집 및 색보정, 시각효과 적용, 오디오 믹스까지 마쳤으니 이제 다른 사람들과 작업 결과물을 공유할 수 있습니다. 타임라인의 콘텐츠를 단일 파일로 다양한 포맷으로 출력하려면 'Quick Export' 버튼 혹은 메뉴 버튼을 누르거나, 딜리버리 페이지의 추가 기능들을 사용합니다.



딜리버리 페이지는 편집 영상을 보내기를 하는 곳입니다. 다양한 비디오 포맷과 코덱을 선택할 수 있습니다

## 신속한 내보내기

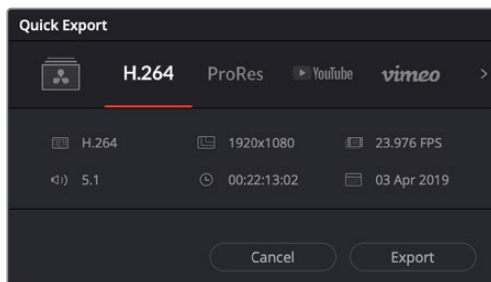
'File'에서 'Quick Export'를 눌러 다양한 내보내기 프리셋 기능들을 사용해 보세요. DaVinci Resolve의 어느 페이지에서나 제작한 결과물을 내보낼 수 있습니다. 또한, 신속한 내보내기 기능을 사용하여 유튜브 및 비메오, Frame.io 등의 지원 비디오 공유서비스로 프로그램을 즉각 업로드 할 수 있습니다.

### 신속한 내보내기 기능 사용하기

- 1 편집 및, Fusion, 컬러 페이지에서 내보내고 싶은 부분을 타임라인에서 인/아웃 포인트로 설정합니다. 만약 타임라인에 인/아웃 포인트가 설정되지 않았다면, 전체 타임라인에 내보내기 기능이 적용됩니다.

'File' > 'Quick Export' 를 선택합니다.

- 2 신속한 내보내기 대화창에 있는 상단 아이콘 열에서 프리셋을 선택하세요.
- 3 대화창에서 디렉토리 위치를 선택한 후 파일명을 입력한 다음 'Save'를 클릭하세요. 진행 창이 나타나며 내보내기에 걸리는 시간을 보여줍니다.



신속한 내보내기 창



## 딜리버리 페이지

이 페이지에서는 내보내기 하려는 클립의 범위, 포맷, 코덱, 해상도 등을 선택할 수 있습니다. 8비트 및 10비트 비압축 RGB/YUV, ProRes, DNxHD, H.264 등의 코덱을 사용해 QuickTime, AVI, MXF, DPX 같은 다양한 포맷으로 내보내기 할 수 있습니다.

### 편집 영상을 하나의 클립으로 내보내기

- 1 'Deliver' 탭을 클릭해 딜리버리 페이지를 여세요.
- 2 좌측 상단의 'Render Settings' 창으로 이동하세요. 'YouTube', 'Vimeo', '오디오' 등 다양한 내보내기 프리셋에서 선택하거나, 기본 설정인 'Custom' 프리셋으로 두고 파라미터를 직접 입력하여 내보내기를 수동으로 설정할 수도 있습니다. 예를 들어, 'YouTube'를 선택한 뒤 프리셋 옆의 화살표를 클릭해 '1080p' 비디오 포맷을 선택하세요.

프레임 레이트는 보통 프로젝트 프레임 레이트 설정과 동일하게 설정됩니다.

- 3 프리셋 아래쪽에서 타임라인 파일명과 내보내기한 비디오의 저장 위치를 확인할 수 있습니다. 'Browse' 버튼을 클릭하고 내보내기 한 파일을 저장할 위치를 선택한 다음, 'Render' 옵션에서 'Single Clip'을 선택하세요.
- 4 타임라인 바로 위에 'Entire Timeline'으로 선택된 옵션 상자가 있습니다. 해당 설정은 전체 타임라인을 익스포트하는 설정으로, 원할 경우, 다양한 타임라인 옵션으로 설정 가능합니다. 간단히 'In/Out Range'를 선택한 뒤, [I] 및 [O] 단축키를 사용하여 타임라인의 입/출력 포인트를 선택할 수 있습니다.
- 5 'Render Settings' 아래에 있는 'Add to Render Queue' 버튼을 클릭하세요.

설정된 렌더링이 화면 우측의 'Render Queue'에 추가됩니다. 이제 'Start Render'를 클릭해 'Render Queue'에서 진행되는 렌더링 진행 과정을 모니터링하면 됩니다.

렌더링이 완료되면 해당 폴더에서 렌더링 된 클립을 더블 클릭해 완성된 편집 영상을 확인할 수 있습니다.

지금까지 편집 및, 색보정, 오디오 믹스, 시각효과를 어떻게 사용하는지에 대한 기본 지식을 습득하였습니다. 이제 DaVinci Resolve로 다양한 기능을 시도해 보세요! DaVinci Resolve 설명서를 참고하시면 각 기능에 대한 설명을 보다 자세히 파악할 수 있습니다.

# 스튜디오 카메라 컨트롤 이해하기

Blackmagic URSA Mini를 스튜디오 카메라로 사용 시, ATEM Software Control의 카메라 컨트롤을 사용하여 ATEM 스위처에서 카메라를 제어할 수 있습니다. 이 기능은 커다란 센서의 영상 화질과 놀라운 다이내믹 레인지를 제공하는 카메라를 방송 스튜디오에 추가하여 일반 스튜디오 카메라와 같은 방식으로 카메라를 제어할 수 있도록 해줍니다.



ATEM 카메라 컨트롤

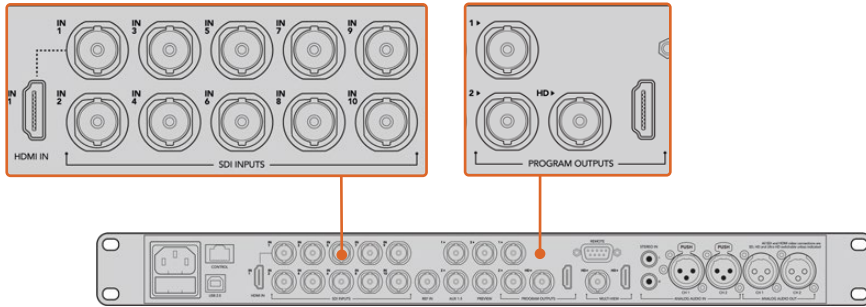
카메라 버튼을 클릭하면 카메라 컨트롤이 나타납니다. 호환용 렌즈의 조리개, 게인, 초점 등을 손쉽게 조절할 수 있으며, DaVinci Resolve의 프라이머리 색보정 도구를 사용하여 카메라의 색균형을 맞추고 독특한 장면을 연출해 낼 수 있습니다. URSA Mini Pro 12K에서는 DaVinci Resolve의 프라이머리 컬러 커렉터 및 ATEM Camera Control의 디테일을 선명하게 만드는 '디테일 샤프닝(Detail Sharpening)' 기능을 사용할 수 없다는 점을 기억하세요.

ATEM Software Control은 다운 컨버팅되지 않은 스위처의 모든 SDI 출력을 통해 카메라 컨트롤 패킷을 브로드캐스팅 방식으로 송출합니다. 즉, ATEM 스위처의 SDI 출력을 URSA Mini의 12G SDI 입력에 연결하면, 카메라가 SDI 링크의 컨트롤 패킷을 감지하여 그에 맞는 명령을 수행합니다.

## URSA Mini 연결하기

- 1 Blackmagic URSA Mini의 12G-SDI 출력을 ATEM 스위처의 SDI 입력에 연결합니다.
- 2 다운 컨버팅된 출력과 멀티뷰 출력을 제외한 ATEM 스위처의 SDI 출력을 URSA Mini의 12G-SDI 입력에 연결합니다. 카메라 제어 신호는 멀티뷰 출력과 다운 컨버팅된 SDI 출력을 통해서만 전송할 수 없습니다.
- 3 URSA Mini의 'SETUP' 메뉴에서 'ATEM CAMERA ID' 항목을 찾아 들어가, 연결된 ATEM에 해당하는 번호를 선택합니다. 예를 들어, URSA Mini 1을 ATEM 스위처의 Cam 1에 연결했을 경우, 카메라 ID 항목에서 '1'을 선택합니다. 그래야 탈리 신호가 올바른 카메라로 전송됩니다.
- 4 'SETUP' 메뉴에서 'REFERENCE SOURCE'를 선택하세요. 카메라와 스위처 전체에 전송할 전록 신호가 없는 상태에서 카메라를 ATEM에 연결한 경우, 'REFERENCE SOURCE' 항목을 'Program'으로 설정할 것을 권장합니다.

- 5 'MONITOR' 메뉴로 이동하여 'Main SDI'가 'CLEAN FEED'로 설정되어 있는지 확인합니다. 이는 ATEM 스위치의 SDI 출력에 오버레이 또는 포커스 박스가 나타나지 않도록 하기 위함입니다.



URSA Mini를 ATEM 스위치의 SDI 입력에 연결하세요.

## 카메라 컨트롤 사용하기

ATEM Software Control을 실행한 뒤 소프트웨어 창 하단의 카메라 아이콘을 클릭합니다. 카메라의 영상을 조정 및 개선할 수 있는 도구와 함께 카메라 번호가 적힌 컨트롤이 줄지어 나타납니다. 카메라 컨트롤의 사용법은 간단합니다. 마우스로 해당 버튼을 클릭하거나 드래그하여 원하는 조절을 수행할 수 있습니다.

### 카메라 컨트롤 선택

카메라 컨트롤 페이지의 상단에 있는 버튼들을 클릭하여 제어하고자 하는 카메라 번호를 선택할 수 있습니다. 소프트웨어 창에 나타나는 카메라 수보다 더 많은 수의 카메라를 운영 중이거나 혹은 색보정 창을 사용 중일 경우, 이 버튼들을 사용하여 제어할 카메라를 선택할 수 있습니다. 카메라 컨트롤을 모니터링하기 위해 보조 출력을 사용할 경우, 이 버튼 중 하나를 누르면 제어할 카메라를 변경하는 것과 동시에 해당 카메라의 비디오 출력을 스위치의 환경 설정에서 선택한 보조 출력으로 전송할 수 있습니다.



설정 아이콘을 클릭하여 카메라 제어를 위한 보조 출력을 선택하세요.

### 채널 상태

각 카메라 컨트롤 상단에 있는 채널 상태 정보는 카메라 라벨, On Air 표시, 잠금 버튼을 나타냅니다. 잠금 버튼을 누르면 해당 카메라의 모든 제어 기능이 잠깁니다. 방송 중에는 채널 상태 정보에 빨간 불이 들어오면서 'On Air' 경고 문구가 나타납니다.



각 카메라 컨트롤에는 채널 상태 정보가 표시되어 카메라가 온에어 상태인지를 알 수 있습니다. 컬러휠을 사용하여 YRGB 각 채널의 리프트, 감마, 게인 설정을 조절하세요.

## 컬러휠

컬러휠은 DaVinci Resolve 컬러 커렉터의 강력한 기능으로, 각 YRGB 채널의 리프트, 감마, 게인 설정을 통해 색상을 조절합니다. 컬러휠 위에 있는 세 개의 버튼에서 원하는 설정을 선택하여 조절할 수 있습니다.

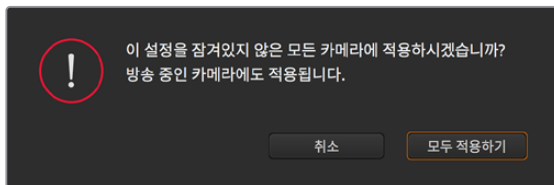
## 마스터 휠

컬러휠 아래에 있는 마스터휠을 사용하여 모든 YRGB 채널의 색대비를 한 번에 조절하거나, 또는 각 리프트/감마/게인 설정의 휘도만 조절할 수도 있습니다.

## 리셋 버튼

리셋 버튼은 각 카메라 제어장 우측 상단에 위치해 있으며, 색보정 설정을 간단히 리셋, 복사, 붙이기 할 수 있습니다. 컬러휠에는 각각의 리셋 버튼이 있습니다. 리셋 버튼을 눌러 기본 설정 상태로 되돌리거나 설정을 복사/붙이기할 수 있습니다. 잠겨있는 컨트롤에는 붙이기 기능이 적용되지 않습니다.

컬러 커렉터 패널 우측 상단에 있는 마스터 리셋 버튼은 컬러휠의 리프트/감마/게인뿐만 아니라 색대비, 채도, 색조, 휘도 혼합 설정을 모두 초기화합니다. 색보정 설정을 각 카메라 컨트롤에 개별적으로 붙이기 하거나, 모든 카메라에 적용하여 영상에 통일감을 줄 수도 있습니다. 조리개, 초점, 조절 범위, 페디스털 설정은 붙이기 기능을 사용해도 적용되지 않습니다. 모든 카메라에 붙이기 기능을 사용하는 경우, 재차 확인하는 경고 메시지가 나타납니다. 이러한 경고 메시지는 현재 방송 중인 잠겨있지 않는 카메라에 새로운 설정을 복사해 붙이기 하는 실수를 방지합니다.



모든 카메라에 붙이기 기능을 사용하는 경우, 재차 확인하는 경고 메시지가 나타납니다. 이러한 경고 메시지는 현재 방송 중인 잠겨있지 않는 카메라에 새로운 설정을 복사해 붙이기 하는 실수를 방지합니다

## 조리개/페디스털 컨트롤

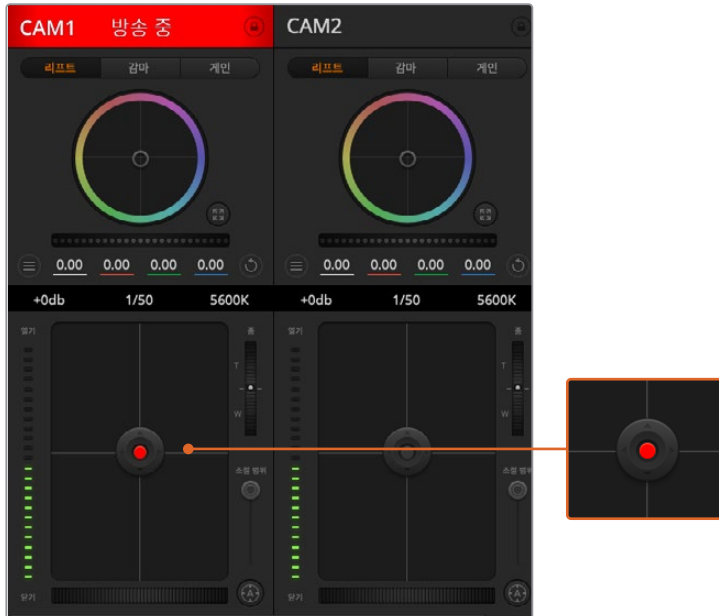
조리개/페디스털 컨트롤은 각 카메라 컨트롤의 십자선 중앙에 있습니다. 이 컨트롤에 빨간 불이 들어오면 해당 카메라가 방송 중임을 나타냅니다.

컨트롤을 위/아래로 드래그하면 조리개를 열거나 닫을 수 있습니다. [shift] 키를 누른 채 드래그하면 조리개만 조절됩니다.

**참고** ATEM에 연결할 경우, 자동 노출(AUTO EXPOSURE) 기능이 해제되어 있는지 반드시 확인하세요. 조리개와 줌, 초점 제어 기능이 필요할 경우, 카메라를 통해 전자식 제어가 가능한 렌즈인지 확인하세요.

URSA Mini의 방송용 12핀 커넥터를 통해 B4 또는 PL 렌즈를 사용하는 경우에는 손잡이에 있는 렌즈 조리개 스위치가 A 또는 Auto로 설정되어 있는지를 반드시 확인하세요.

컨트롤을 좌/우로 이동하면 페디스털을 어둡게 하거나 밝게 할 수 있습니다. Mac에서는 [command] 키를, Windows에서는 [ctrl] 키를 누른 채 드래그하면 페디스털만 조절됩니다.



조리개/페디스털 컨트롤에 빨간 불이 들어오면 해당 카메라가 방송 중임을 나타냅니다

## 줌 컨트롤

전자식 줌 렌즈 기능이 탑재된 호환 렌즈를 사용할 경우, 줌 컨트롤을 사용해 줌인/줌아웃 할 수 있습니다. 해당 컨트롤의 한쪽 끝에는 망원 기능(T)이, 다른 끝에는 광각 기능(W)이 마련되어 있어 실제 렌즈에 있는 줌 로커와 동일한 방식으로 작동합니다. Coarse 슬라이더 위에 있는 줌 컨트롤을 클릭하여 위로 드래그하면 줌인 기능을, 아래로 드래그하면 줌아웃 기능을 사용할 수 있습니다.

사용 중인 렌즈에서 액티브 렌즈 제어 기능을 지원하지 않거나 SDI 카메라 컨트롤 프로토콜을 통한 카메라 줌 제어를 지원하지 않을 경우에는 이 기능을 사용할 수 없습니다. 예를 들어, EF 렌즈에는 전자식으로 렌즈를 줌인할 수 있는 서보가 내장되어 있지 않기 때문에 ATEM 카메라 컨트롤에서 줌 기능을 사용할 수 없습니다.

**참고** 아날로그 B4 렌즈는 ATEM을 통한 줌 컨트롤 기능을 지원하지 않습니다. 아날로그 B4 렌즈와 관련한 자세한 정보는 [서보 줌 렌즈 사용하기] 부분을 참고하세요.

## 조절 범위 설정

조리개/페디스털 컨트롤 왼편에 있는 'Coarse' 설정은 조리개의 범위를 제한하는 데 사용됩니다. 이 기능은 과다 노출된 영상이 방송되는 것을 방지합니다.

Coarse의 최대 값을 설정하기 위해서는 조리개 컨트롤을 사용하여 조리개를 최대한 개방한 뒤, Coarse 설정을 위/아래로 이동하여 노출 최적값을 설정합니다. 이제 조리개 조절시 조리개 값이 설정된 노출 최적값 이상으로 높아지는 것이 방지됩니다.

## 조리개 표시 정보

조리개/페디스털 컨트롤 왼쪽에 있는 조리개 표시 정보는 렌즈 구경이 얼마나 열려 있고 닫혀 있는지를 시각적으로 보여줍니다. 이 표시 정보는 조절 범위 설정에 영향을 받습니다.

## 자동 초점 버튼

자동 초점 버튼은 각 카메라 컨트롤 좌측 하단에 있습니다. 전자식 초점 조절 기능을 지원하는 액티브 렌즈 사용할 때 이 버튼을 누르면 초점이 자동으로 설정됩니다. 대부분의 렌즈가 전자식 초점 조절 기능을 지원하지 않지만 일부 렌즈들은 수동 및 자동 초점 모드 중 선택이 가능하므로, 렌즈가 자동 초점 모드로 설정되어 있는지를 반드시 확인하시기 바랍니다. 일부 렌즈는 포커스 링을 돌려서 초점을 설정할 수도 있습니다. 서보 줌을 지원하는 B4 렌즈를 사용할 시에는 손잡이 아래에 있는 스위치를 Servo로 설정해야 합니다.



자동 초점 버튼을 클릭하여 자동 기능을 사용하거나, 수동 제어시에는 해당 컨트롤을 좌/우로 드래그하여 호환용 렌즈의 초점을 맞추세요.

## 수동 초점 조절

ATEM 카메라 컨트롤을 사용하여 수동으로 렌즈의 초점을 조절하려면 카메라 컨트롤 화면 아래에 있는 초점 조절 장치를 사용합니다. 멋지고 선명한 영상을 위해 카메라에서 전송되는 비디오 피드를 보면서 바퀴 모양의 제어 장치를 좌/우로 드래그하여 수동으로 초점을 조절할 수 있습니다.

서보 포커스 제어를 지원하는 B4 렌즈와 PL 렌즈를 사용할 시에만 스위처에서 수동 초점 제어 방식을 사용할 수 있습니다. EF 렌즈는 서보 포커스를 지원하지 않기 때문에 URSA Mini EF에서는 해당 기능을 사용할 수 없습니다.

## 카메라 게인

게인 및 셔터 속도 같은 일부 설정 이름은 ATEM 스위처와 URSA Mini에서 다르게 사용됩니다. 예를 들어, 필름 ISO의 값을 ATEM 스위처에서는 카메라의 빛 민감도를 나타내는 '게인'이란 용어로 사용합니다.

**정보** '게인'과 'ISO'의 차이점은 주로 스튜디오 방송 장비와 기존의 영화 장비의 차이에서 비롯됩니다. 예를 들어, TV 스튜디오에서 사용하는 카메라에서는 실시간으로 카메라 노출을 모니터링할 수 있습니다. 감광도를 카메라 내에서 전자식으로 조절할 수 있습니다. 이 점이 필름 카메라와 다른 점입니다. 필름 카메라는 사실상 기계로 작동되며, 일반적인 조명 측정 기술과 광화학 ISO 값에 의존합니다.

다양한 조명 조건에서 카메라를 운영할 경우에는 카메라의 게인값을 증가 또는 감소시켜 영상이 과소 노출되는 일을 방지합니다. 게인값을 낮출 때는 좌측 화살표를, 게인값을 높일 때는 우측 화살표를 클릭합니다.

ATEM 스위처에서는 게인값이 dB로 표시됩니다. 이는 카메라에 설정된 게인값과 일치합니다.

게인	ISO
0	200
6	400
12	800
18	1600

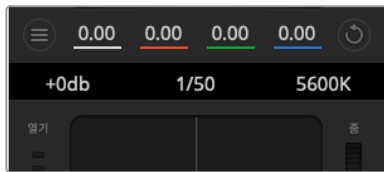
URSA Mini 4.6K의 게인값은 18dB로 설정할 수 있으며, URSA Mini 4K의 최대 설정 게인값은 12dB이라는 점을 기억하세요.

## 셔터 속도 컨트롤

셔터 속도 컨트롤을 사용하여 URSA Mini의 셔터 개각도를 변경합니다.

게인 컨트롤과 마찬가지로, 필름 카메라와 방송용 카메라 간의 용어 차이로 인해 셔터 속도 설정 또한 다른 이름으로 사용됩니다. 하지만, 기능 면에서 셔터 속도의 증가는 셔터 개각도의 감소와 같습니다.

셔터 속도 컨트롤은 컬러휠과 조리개/페디스털 컨트롤 중간에 있습니다. 마우스 포인터를 셔터 속도 컨트롤에 대고 움직이면 셔터 속도를 감소 또는 증가시킬 수 있는 좌/우 화살표가 나타납니다.



마우스 포인트를 게인, 셔터 속도 컨트롤, 화이트 밸런스 표시기 위에 놓으면 화살표가 나타나며, 이를 클릭하여 각 설정을 조절할 수 있습니다.

**참고** ATEM 셔터 속도 컨트롤이 URSA Mini에 설정된 셔터 개각도보다 우선시되므로, ATEM 스위처를 카메라에 연결하면 카메라의 셔터 개각도 컨트롤은 비활성화됩니다.

아래 표를 통해 셔터 속도 컨트롤에서 설정 가능한 셔터 속도 및 이에 해당하는 셔터 개각도 설정값을 확인할 수 있습니다. 일부 셔터 속도는 URSA Mini에서 적용 가능한 최소/최대 셔터 개각도인 11.25도와 360도의 범위에서 벗어난다는 점을 알아두세요. 설정값이 최소/최대값을 벗어날 경우, 가장 근접한 셔터 개각도 설정값을 사용합니다.

URSA Mini 4.6K 또는 URSA Mini Pro를 ATEM 스위처에 연결하면 카메라 터치스크린 화면을 통해서도 설정된 셔터 속도값을 확인할 수 있습니다. URSA Mini 4K의 경우엔 터치스크린에 셔터 속도가 나타나지 않지만, URSA Viewfinder를 장착한 경우 뷰파인더를 통해 확인할 수 있습니다.



URSA Mini 4.6K 또는 URSA Mini Pro에서 셔터 개각도를 선택한 경우, 아래 표를 참고하세요.

셔터 속도	23.98 fps 시 셔터 개각도	24 fps 시 셔터 개각도	25 fps 시 셔터 개각도	29.97 fps 시 셔터 개각도	50 fps 시 셔터 개각도	59.94 fps 시 셔터 개각도
1/50	172.7	172.8	180	215.8	360	360*
1/60	143.9	144	150	179.8	300	359.6
1/75	115.1	115.2	120	143.9	240	287.7
1/90	95.9	96	100	120	200	239.8
1/100	86.3	86.4	90	107.9	180	215.8
1/120	71.9	72	75	89.9	150	179.8
1/150	57.5	57.6	60	71.9	120	143.9
1/180	48	48	50	59.9	100	119.9
1/250	34.5	34.6	36	43.2	72	86.3
1/360	24	24	25	29.97	50	59.94
1/500	17.3	17.3	18	21.6	36	43.2
1/725	11.9	11.9	12.4	14.9	24.8	29.8
1/1450	11.25*	11.25*	11.25*	11.25*	12.4	14.9
1/2000	11.25*	11.25*	11.25*	11.25*	11.25*	11.25*

\*셔터 속도가 URSA Mini의 셔터 개각도 범위에서 벗어날 경우, 가장 근접한 최소/최대 셔터 개각도 값을 사용합니다.

**정보** 셔터 속도를 낮추면 카메라 계인을 조절하지 않고도 이미지 센서의 노출 시간을 늘려 영상의 밝기를 높일 수 있습니다. 이를 통해 형광등 조명 아래서 촬영할 시 나타나는 조명 플리커 현상을 줄이거나 완전히 없앨 수 있고 있습니다. 셔터 속도를 높이면 모션 블러 효과가 줄어들기 때문에 매끄럽고 선명한 액션숏을 촬영 시 최적입니다.

## 화이트 밸런스

셔터 속도 컨트롤 옆에 있는 화이트 밸런스 설정은 각 색온도 표시 옆의 좌/우 화살표를 클릭하여 조정합니다. 빛은 저마다 따뜻한 색상 또는 차가운 색상을 방출하기 때문에 화이트 밸런스 조정을 통해 이러한 차이를 조절할 수 있습니다. 이 설정을 잘 조절해야만 영상 속 흰 색조에 왜곡 현상이 나타나지 않습니다.

## DaVinci Resolve 프라이머리 색보정 도구

색보정 작업 경험이 있다면, 카메라 컨트롤을 스위치 방식의 CCU 인터페이스가 아닌, 후반 색보정 시스템의 프라이머리 색보정 도구와 유사한 사용자 인터페이스로 바뀌어서 사용할 수 있습니다.

Blackmagic URSA Mini에는 DaVinci Resolve 프라이머리 색보정 도구가 내장되어 있습니다. DaVinci Resolve를 사용해본 경험이 있다면 동일한 방식으로 URSA Mini에서 그레이딩 작업을 할 수 있어 라이브 프로덕션에서 여러분의 색보정 실력을 발휘할 수 있습니다. 카메라 컨트롤에서 'Color Corrector' 패널을 확장하면 추가 컨트롤 및 프라이머리 색보정 전체 인터페이스를 사용할 수 있습니다.

컬러휠과 채도 등의 설정을 모두 사용할 수 있고 새도우, 미드 톤, 하이라이트 설정 또한 한꺼번에 볼 수 있습니다. 화면 상단의 카메라 선택 컨트롤을 사용하여 간단히 다른 카메라로 전환할 수 있습니다.

**정보** DaVinci Resolve 색보정은 URSA Mini의 SDI 출력과 카메라의 ProRes 녹화 영상에 적용됩니다. 대대적인 후반 제작 작업을 위해 RAW 영상에는 이 색보정이 적용되지 않습니다. 하지만 RAW 비디오 녹화 시, URSA Mini의 SDI 출력에는 색보정 작업 내용이 적용된 채로 출력됩니다.



DaVinci Resolve 프라이머리 색보정 버튼을 클릭하면 색보정 창이 확장되어 관련 설정을 변경할 수 있습니다

## 컬러휠

리프트/감마/게인 컨트롤은 각기 조절하는 영역이 구분되어 있지만, 서로 겹쳐지는 영역이 존재합니다. 사진 용어에서 리프트, 감마, 게인은 각각 새도우, 미드톤, 하이라이트 영역을 조절합니다.

다음과 같은 방식으로 컬러휠을 사용하여 섬세하게 또는 과감하게 조정 작업을 할 수 있습니다.

- **컬러 링 안쪽 부분 아무데나 클릭하여 드래그할 수 있습니다.**  
반드시 컬러 링 안의 작은 동그라미, 즉 색균형 표시점 자체를 드래그할 필요는 없습니다. 색균형 표시점이 움직임에 따라 그 아래에 있는 RGB 파라미터도 함께 변경되어 각 채널에 적용됩니다.
- **[shift] 키를 누른 채 마우스를 클릭한 뒤 컬러 링 안에서 드래그합니다.**  
[shift] 키를 누른 채 마우스를 클릭하면 색균형 표시점이 마우스 포인터가 있는 지점에 정확하게 따라오므로, 더 빠르고 과감한 조절을 수행할 수 있습니다.

- 컬러링 안에서 더블 클릭합니다.  
이는 마스터휠에 적용된 설정은 유지한 채 컬러 조정한 내용만 초기화합니다.
- 컬러링 우측 상단에 있는 리셋 버튼을 클릭합니다.  
이는 색균형 컨트롤 및 이에 상응하는 마스터휠 모두를 초기화합니다.



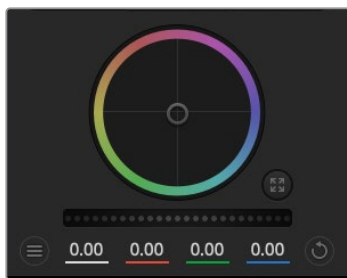
색보정 패널의 리프트/감마/게인 컬러휠

## 마스터휠

컬러휠 아래에 있는 마스터휠을 사용하여 YRGB의 리프트, 감마, 게인 제어를 조절할 수 있습니다.

다음과 같이 마스터휠을 사용하여 설정을 조절하세요.

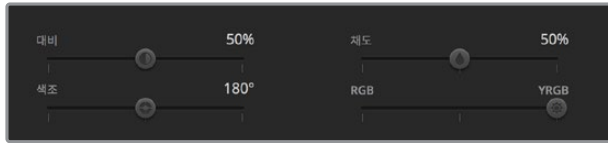
- **마스터휠을 좌/우로 드래그합니다.**  
좌측으로 드래그하면 선택한 이미지의 파라미터가 이미지를 어둡게 만드는 값으로 변하며 우측으로 드래그하면 밝게 만드는 값으로 변합니다. 마스터 휠을 조정하면 그 아래 있는 YRGB 파라미터에도 함께 변합니다. [alt] 혹은 [command] 키를 누른 상태에서 좌/우로 드래그하면 Y 파라미터만 조절할 수 있습니다. 이 색보정 도구는 YRGB 처리 방식을 사용하기 때문에 Y 채널만 조절하여 창의적으로 작업할 수 있으므로 독특한 효과를 만들어낼 수 있습니다. ‘Lum Mix’ 설정을 맨 우측으로 조정하여 YRGB 처리 방식을 사용하도록 설정하면 Y 채널 조절을 최대로 사용할 수 있으며, 맨 좌측으로 설정하면 일반적인 RGB 처리 방식을 사용할 수 있습니다. 일반적으로 대부분의 DaVinci Resolve 컬러리스트들은 YRGB 색보정 도구를 사용하는데, 이는 전체 게인 값에 영향을 주지 않고 색균형을 더욱 자유자재로 제어할 수 있어 짧은 시간 안에 원하는 장면을 연출해낼 수 있기 때문입니다.



휠 컨트롤을 좌/우로 드래그하여 마스터휠을 조절합니다.

## 대비(Contrast) 설정

대비 설정에서는 이미지의 가장 어두운 값과 가장 밝은 값 사이를 조절할 수 있습니다. 리프트와 게인 마스터휠을 반대로 조정하는 것과 비슷한 효과가 나타납니다. 기본 설정은 50%입니다.



슬라이더를 좌/우로 드래그하여 대비, 채도, 색조, 휘도 혼합의 설정을 조절하세요.

## 채도(Saturation) 설정

채도 설정에서는 이미지 색상의 양을 증가 및 감소시킬 수 있습니다. 기본 설정은 50%입니다.

## 색조(Hue) 설정

색조 설정에서는 컬러휠 전체 둘레의 색조를 회전시킬 수 있습니다. 기본 설정인 180도는 색조의 기본 분포도를 나타냅니다. 이 값을 증가/감소시키면, 컬러휠을 통해 볼 수 있듯이 모든 색조의 분포가 앞/뒤로 회전합니다.

## 휘도 혼합(Lum Mix) 설정

Blackmagic URSA Mini에 내장된 컬러 커렉터는 DaVinci Resolve 프라이머리 색보정 도구를 기반으로 합니다. DaVinci사는 1980년대 초반부터 색보정 프로그램들을 개발해 왔으며, 대부분의 할리우드 영화가 DaVinci Resolve를 사용하여 색보정 작업을 합니다.

이렇게 강력한 색보정 도구가 URSA Mini에 내장되어 있어, 이를 사용하여 독특하고 창의적인 작업을 수행할 수 있습니다. YRGB 처리 기능이 이러한 기능 중 하나입니다.

색보정 작업시, RGB 처리 혹은 YRGB 처리 사용을 선택할 수 있습니다. 첨단 컬러리스트들은 YRGB 처리 방식을 사용합니다. 그 이유는, 색상을 더 정확하게 제어할 수 있을 뿐 아니라 독립된 각 채널을 더욱 명확하게 분리하여 조절할 수 있고 창의적인 옵션들도 다양하게 사용할 수 있기 때문입니다.

휘도 혼합 컨트롤을 맨 우측으로 설정하면 YRGB 컬러 커렉터의 100% 출력을 사용할 수 있습니다. 휘도 혼합 컨트롤을 맨 좌측으로 설정하면 RGB 커렉터의 출력을 100% 사용할 수 있습니다. 휘도 혼합을 좌/우로 이동하여 RGB와 YRGB 커렉터의 출력을 혼합할 수 있습니다.

어떤 설정이 올바른 설정일까요? 이에 대한 대답은 사용자에게 따라 다릅니다. 색보정은 순수한 창작 과정이기 때문에 뚜렷한 해답이 없으며 사용자가 가장 선호하는 방식이 최고의 설정인 셈입니다.

## 동기화 설정

카메라를 연결하면 ATEM 스위처에서 Blackmagic URSA Mini로 카메라 컨트롤 신호가 전송됩니다. 실수로 URSA Mini에서 설정이 변경될 경우, 카메라 컨트롤은 동기화를 유지하기 위해 자동으로 설정을 초기화합니다.

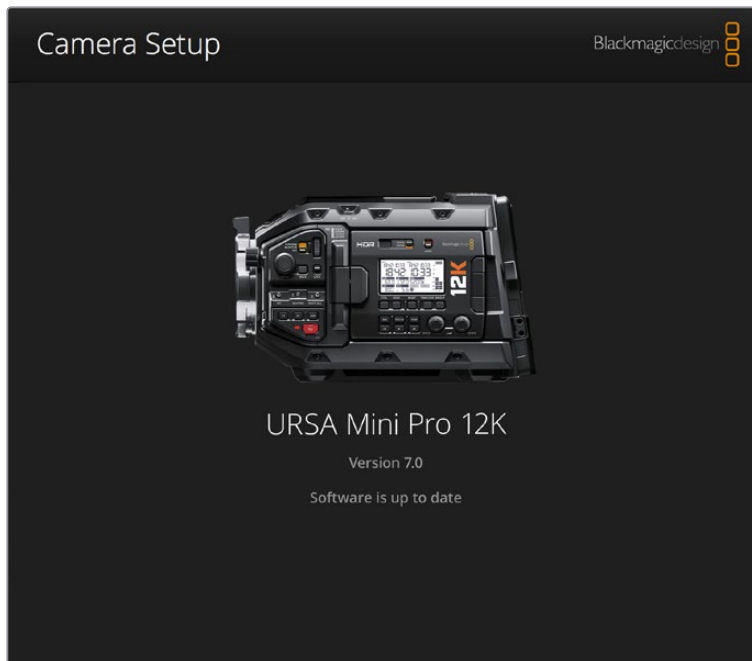
**정보** ATEM에서 오는 12G-SDI 입력이 연결 해제되더라도 URSA Mini는 DaVinci Resolve 색보정에서 변경된 설정값들을 계속해서 적용합니다. 따라서 설정값들을 일일이 다시 변경하지 않고서도 카메라 각도를 변경할 수 있습니다. URSA Mini의 색 관련 설정을 기본값으로 초기화하려면 12G-SDI 입력의 연결을 해제한 뒤, URSA Mini의 전원을 껐다가 다시 켜세요.

# Blackmagic Camera Setup 유틸리티

## 카메라 소프트웨어 업데이트 — Mac

Blackmagic Camera Setup 유틸리티 소프트웨어를 다운로드한 뒤, 다운로드한 파일의 압축을 해제합니다. 생성된 디스크 안에는 Blackmagic Camera Setup 설치 프로그램이 있습니다.

설치 프로그램을 실행하여 화면에 나타나는 지시에 따릅니다. 설치가 완료된 후 응용 프로그램 폴더 내 Blackmagic Camera 폴더를 열면 설명서와 Blackmagic Camera Setup 유틸리티뿐 아니라 Readme 파일 및 정보가 담긴 문서 폴더를 확인할 수 있습니다. 설치 제거 프로그램 또한 포함되어 있어, 이를 통해 Blackmagic Camera Setup을 최신 버전으로 업데이트할 수 있습니다.



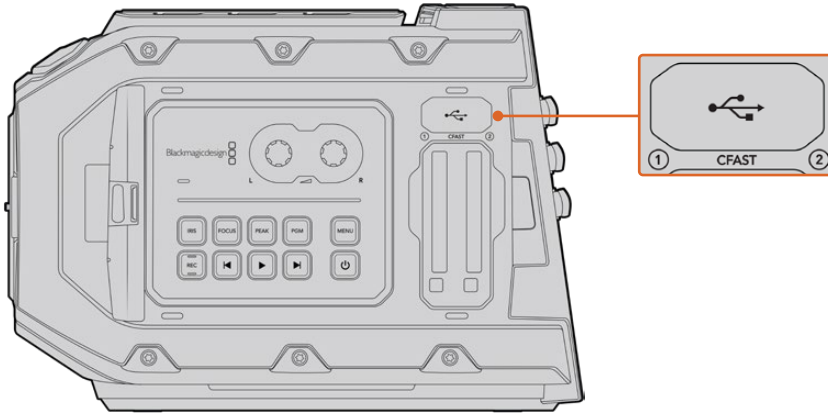
## 카메라 소프트웨어 업데이트 — Windows

Blackmagic Camera Setup 유틸리티 소프트웨어를 다운로드한 뒤, 다운로드한 파일의 압축을 풀면 Blackmagic Camera Setup 설치 프로그램과 PDF 설명서가 담긴 Blackmagic Camera Setup 폴더가 나타납니다. 설치 프로그램을 더블 클릭한 뒤, 화면에 나타나는 지시 사항에 따라 소프트웨어를 설치합니다.

Windows 10에서는 시작 버튼을 누른 뒤, '모든 앱' 버튼을 선택하세요. 그런 다음 아래로 스크롤하여 Blackmagic Design 폴더를 찾으세요. 해당 폴더에서 Blackmagic Camera Setup을 실행할 수 있습니다.

Windows 8.1에서는 시작 화면에서 아래 방향 화살표 아이콘을 누른 뒤, 아래로 스크롤하여 'Blackmagic Design' 폴더를 선택하세요. 해당 폴더에서 Blackmagic Camera Setup을 실행할 수 있습니다.

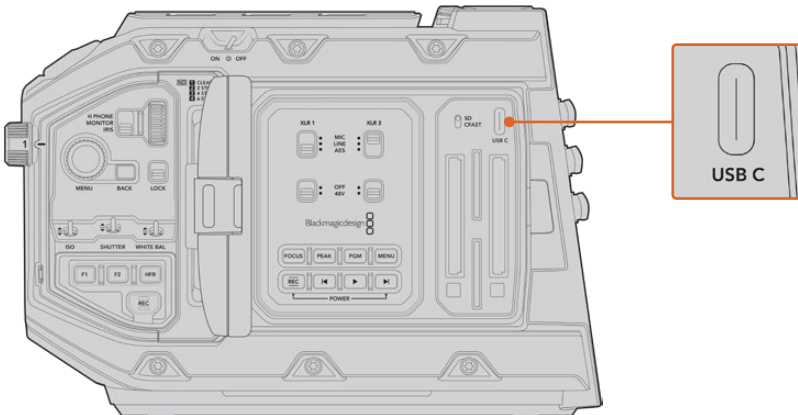
## 카메라 소프트웨어 업데이트하기



카메라 소프트웨어를 업데이트하는 데 사용하는 USB-C 포트는 Blackmagic URSA Mini의 메모리 카드 슬롯 상단, 미디어 선택 스위치 옆에 탑재되어 있습니다.

최신 Blackmagic Camera Setup 유틸리티를 컴퓨터에 설치한 뒤, 컴퓨터와 Blackmagic URSA Mini를 USB 케이블로 연결합니다. Blackmagic URSA Mini의 USB 포트는 좌측 패널의 메모리 카드 슬롯 위에 있습니다. 간단히 고무 커버를 열어 포트를 사용할 수 있습니다.

Blackmagic Camera Setup 유틸리티를 실행한 뒤, 화면에 나타나는 지시에 따르면 카메라 소프트웨어가 업데이트됩니다. 카메라 소프트웨어를 업데이트하면 프리셋 및 커스텀 LUT가 모두 삭제되고 설정도 모두 초기화된다는 사실을 기억하세요. 공장 초기화를 실행하기 전, 메모리 카드에 모든 설정 사항을 백업해 놓기를 권장합니다. 초기화가 완료된 후, 메모리 카드에 옮겨둔 LUT 다시 불러와 빠르게 복구할 수 있습니다. 블랙 세이딩 보정 작업 또한 수행할 것을 권장합니다.



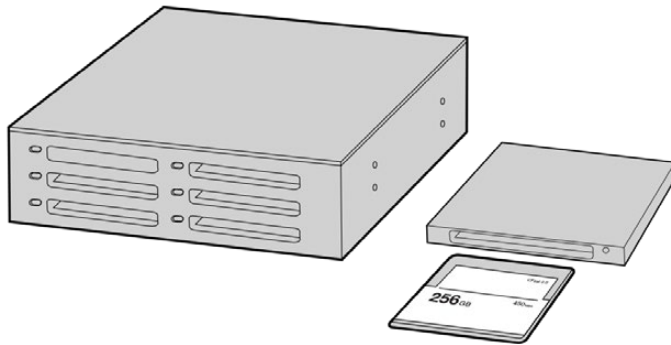
카메라 소프트웨어를 업데이트하는 데 사용하는 USB-C 포트는 Blackmagic URSA Mini Pro의 메모리 카드 슬롯 상단, 미디어 선택 스위치 옆에 탑재되어 있습니다.

## 서드 파티 소프트웨어로 작업하기

원하는 편집 소프트웨어를 사용하여 클립을 편집하려면 내장/외장 드라이버 또는 RAID에 클립을 복사한 뒤, 소프트웨어에서 클립을 불러옵니다. 아니면 CFast 및 SD 카드나 SSD를 위한 도크 또는 어댑터를 사용해 영상 클립을 저장 미디어에서 직접 가져올 수도 있습니다.

**참고** Blackmagic RAW는 DaVinci Resolve 15.3.1 이후 버전을 사용 시에만 지원되며, 다양한 종류의 서드파티 후반 제작 편집 프로그램과 호환합니다. Avid Media Composer 및 Adobe Premiere Pro에서 Blackmagic RAW를 편집하기 위해 필요한 플러그인은 Blackmagic RAW 소프트웨어에 포함되어 있으며, [www.blackmagicdesign.com/kr/support](http://www.blackmagicdesign.com/kr/support)에서 다운로드할 수 있습니다.

### CFast 2.0 및 SD 카드로 파일 작업하기



카메라에서 CFast 카드를 꺼내어 CFast 2.0 카드 리더기 또는 CFast 드라이브를 통해 컴퓨터에 연결하면 바로 편집을 시작할 수 있습니다.

다음과 같은 방식으로 CFast 2.0 또는 SD 카드에서 클립을 불러오기할 수 있습니다.

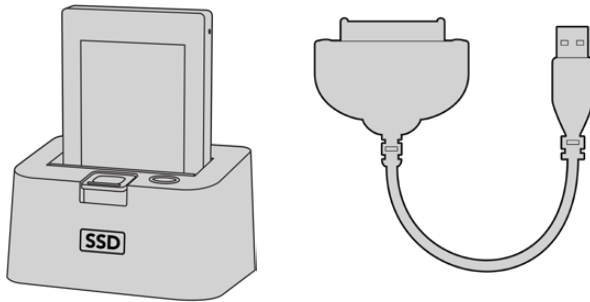
- 1 Blackmagic URSA Mini 또는 URSA Mini Pro에서 CFast 카드 또는 SD 카드를 제거하세요. CFast/SD 카드 리더기를 사용하여 Mac 또는 Windows 컴퓨터에 CFast 카드를 연결하세요.
- 2 사용하는 운영 시스템에서 해당 카드를 찾아서 열면 Blackmagic RAW 또는 QuickTime 동영상 파일 목록을 확인할 수 있습니다.
- 3 카드에서 원하는 파일을 컴퓨터 또는 다른 하드 드라이브로 간단히 드래그하여 옮기거나, 편집 소프트웨어를 사용해 카드에 저장된 파일을 바로 사용할 수 있습니다.
- 4 Mac 또는 Windows 컴퓨터에서 CFast/SD 카드를 분리하기 전에는 항상 CFast/SD 카드의 접속을 해제하는 것이 중요합니다. 접속을 해제하지 않고 꺼낼 경우 영상이 손상될 가능성이 있습니다.



## SSD 파일 작업

SSD에서 클립을 불러오는 방법은 아래와 같습니다.

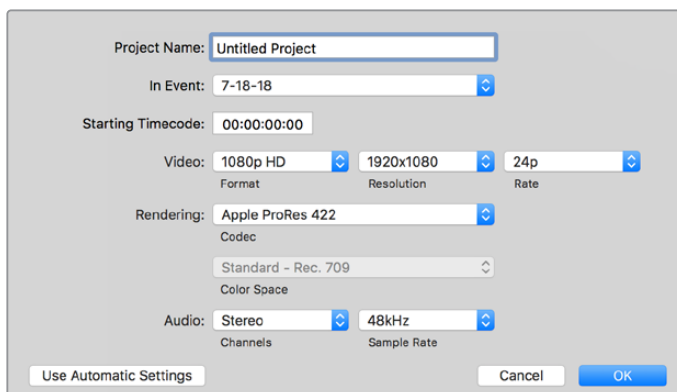
- 1 URSA Mini Recorder에서 SSD를 분리하세요.
- 2 eSATA 또는 Blackmagic MultiDock 10G와 같은 Thunderbolt 도크를 사용하여 SSD를 Mac 및 Windows 컴퓨터에 장착합니다. USB 어댑터 케이블로 eSATA와 컴퓨터 USB 단자를 연결하여 SSD를 직접 컴퓨터에 연결할 수도 있습니다. USB 2.0은 실시간 비디오 편집을 할 수 있을 만큼 빠르지 않기 때문에 USB 3.0 사용이 권장됩니다.
- 3 SSD 카드를 더블 클릭하면 QuickTime 또는 Blackmagic RAW 동영상 파일 목록이 나타납니다. 선택한 촬영 포맷에 따라 파일 포맷이 여러 가지로 나타날 수 있지만, 파일의 이름은 동일한 규칙에 의해 생성됩니다.
- 4 SSD에서 원하는 파일을 컴퓨터 또는 다른 하드 드라이브로 간단히 드래그하여 옮기거나, NLE 소프트웨어를 사용하여 SSD에 저장된 파일을 바로 사용할 수 있습니다.
- 5 컴퓨터에서 SSD를 꺼내기 전에 컴퓨터에서 SSD의 접속을 안전하게 해제하는 것이 중요합니다.



카메라에서 SSD를 꺼낸 뒤, eSATA Thunderbolt 도크 및 USB 3.0 도킹 케이블을 사용하여 컴퓨터에 연결하면 SSD에서 바로 편집할 수 있습니다.

## Final Cut Pro X 사용하기

Final Cut Pro X를 사용하여 클립을 편집하려면 새로운 프로젝트를 생성하여 알맞은 비디오 포맷과 프레임 레이트를 설정해야 합니다. 다음 예시는 ProRes 422 HQ 1080p24 설정을 사용하고 있습니다.



Final Cut Pro X 프로젝트 설정

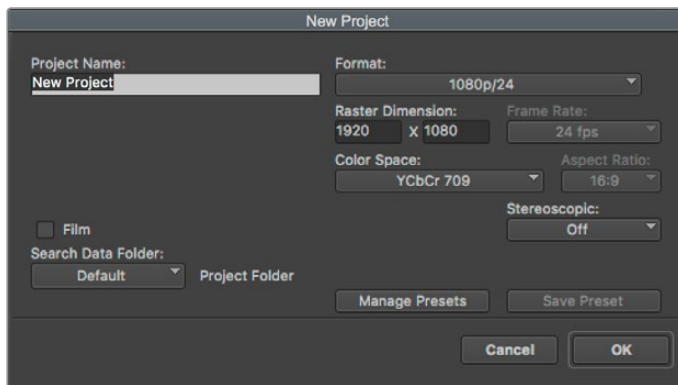
- 1 Final Cut Pro X를 실행하고 메뉴바에서 'File' > 'New Project'를 선택하세요. 프로젝트 설정 창이 열립니다.
- 2 프로젝트의 이름을 입력하고 'Custom' 확인란을 선택합니다.
- 3 'Video Properties' 설정을 '1080p HD', '1920x1080', '24p'로 설정합니다.
- 4 'Audio'와 'Rendering' 설정을 각각 'Stereo'/'48kHz'/'Apple ProRes 422 HQ'로 설정합니다.
- 5 'OK'를 클릭합니다.

메뉴바에서 'File' > 'Import' > 'Media'를 선택하면 프로젝트에 클립을 가져오기 할 수 있습니다. CFast 카드에서 클립을 선택합니다.

이제 편집하려는 클립을 타임라인에 드래그합니다.

## Avid Media Composer 2018 사용하기

Avid Media Composer 2018에서 클립을 편집하려면, 새로운 프로젝트를 생성하여 알맞는 비디오 포맷과 프레임 레이트를 설정하세요. 여기서는 클립을 1080p24로 설정한 것을 예로 듭니다.



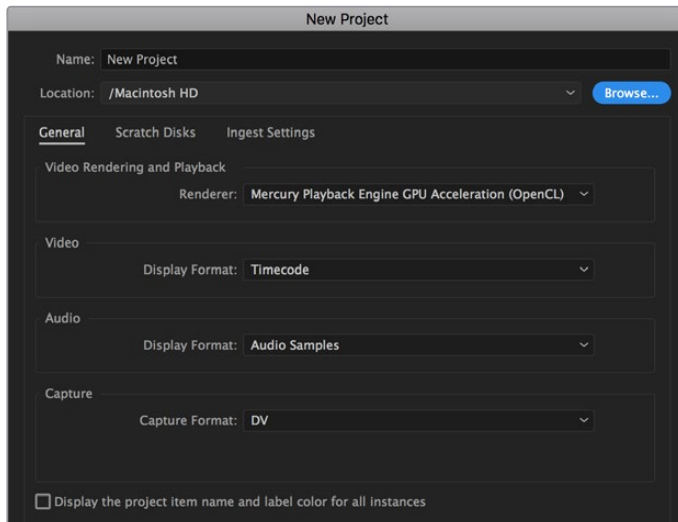
Avid Media Composer 2018의 프로젝트 이름과 옵션을 설정하세요.

- 1 Avid Media Composer 2018을 실행하면 'Select Project' 창이 나타납니다.
- 2 'New Project' 버튼을 클릭한 다음 'New Project' 창에서 프로젝트 이름을 만들어주세요.
- 3 'Format' 드롭다운 메뉴에서 'HD 1080' > '1080p/24'를 선택한 후 'OK'를 눌러 프로젝트를 생성하세요.
- 4 'Select Project'에서 해당 프로젝트를 더블 클릭하여 열어주세요.
- 5 'File' > 'Input' > 'Source Browser'를 차례로 선택한 다음 가져오려는 파일로 이동하세요.
- 6 드롭다운 메뉴에서 'Target Bin'을 선택한 다음 'Import'를 클릭하세요.

미디어 빈에 클립이 나타나면 클립을 타임라인에 드래그한 뒤, 편집을 시작할 수 있습니다.

## Adobe Premiere Pro CC 사용하기

Adobe Premiere Pro CC에서 Apple ProRes 422 HQ 클립을 편집하려면 새로운 프로젝트를 생성해 알맞은 비디오 포맷과 프레임 레이트를 설정해야 합니다. 여기서는 클립을 ProRes 422 HQ 1080p25로 설정한 것을 예로 듭니다.



Adobe Premiere Pro CC의 프로젝트 이름과 옵션 설정하기

- 1 Adobe Premiere Pro CC를 실행합니다. 웰컴 창에서 'New Project'를 선택합니다. 프로젝트 설정 창이 열립니다.
- 2 프로젝트의 이름을 입력합니다. 'Browse'를 클릭한 뒤, 프로젝트를 저장할 폴더를 설정합니다. 원하는 폴더를 설정한 뒤 'New Project' 창에서 'OK'를 클릭합니다.
- 3 Adobe Premiere Pro CC Menu 바에서 'File'/'Import'를 선택한 뒤, 편집하려는 클립을 선택합니다. 프로젝트 창에 선택한 클립이 나타납니다.
- 4 첫 번째로 편집하려는 클립을 프로젝트 창 우측 아래에 있는 'New Item' 아이콘으로 드래그합니다. 클립 설정에 맞는 새로운 시퀀스가 생성됩니다.

이제 편집하려는 클립을 시퀀스 타임라인에 드래그합니다.

# Developer Information

## Blackmagic Bluetooth Camera Control

Blackmagic cameras with Bluetooth LE implement a variety of features and commands that allow users to control their cameras wirelessly. Developers have full access to these features for their custom applications.

The following services and characteristics describe the full range of communication options that are available to the developer.

### Service: Device Information Service

UUID: 180A

#### Characteristics

##### Camera Manufacturer

UUID: 2A29

Read the name of the manufacturer (always “Blackmagic Design”).

##### Camera Model

UUID: 2A24

Read the name of the camera model (“URSA Mini”).

### Service: Blackmagic Camera Service

UUID: 291D567A-6D75-11E6-8B77-86F30CA893D3

#### Characteristics

##### Outgoing Camera Control (encrypted)

UUID: 5DD3465F-1AEE-4299-8493-D2ECA2F8E1BB

##### Send Camera Control messages

These messages are identical to those described in the Blackmagic SDI Camera Control Protocol section below. Please read that section for a list of supported messages and required formatting information.

For an example of how packets are structured, please see the ‘example protocol packets’ section in this document.

##### Incoming Camera Control (encrypted)

UUID: B864E140-76A0-416A-BF30-5876504537D9

Request notifications for this characteristic to receive Camera Control messages from the camera.

These messages are identical to those described in the Blackmagic SDI Camera Control Protocol section below. Please read that section for a list of supported messages and required formatting information.

##### Timecode (encrypted)

UUID: 6D8F2110-86F1-41BF-9AFB-451D87E976C8

Request notifications for this characteristic to receive timecode updates.

Timecode (HH:MM:SS:mm) is represented by a 32-bit BCD number:  
(eg. 09:12:53:10 = 0x09125310)

### Camera Status (encrypted)

UUID: 7FE8691D-95DC-4FC5-8ABD-CA74339B51B9

Request notifications for this characteristic to receive camera status updates.

The camera status is represented by flags contained in an 8-bit integer:

<b>None</b>	= 0x00
<b>Camera Power On</b>	= 0x01
<b>Connected</b>	= 0x02
<b>Paired</b>	= 0x04
<b>Versions Verified</b>	= 0x08
<b>Initial Payload Received</b>	= 0x10
<b>Camera Ready</b>	= 0x20

Send a value of 0x00 to power a connected camera off.

Send a value of 0x01 to power a connected camera on.

### Device Name

UUID: FFAC0C52-C9FB-41A0-B063-CC76282EB89C

Send a device name to the camera (max. 32 characters).

The camera will display this name in the Bluetooth Setup Menu.

### Protocol Version

UUID: 8F1FD018-B508-456F-8F82-3D392BEE2706

Read this value to determine the camera's supported CCU protocol version.

**NOTE** Encrypted characteristics can only be used once a device has successfully bonded or paired with the Blackmagic Camera. Once a connection has been established, any attempt to write to an encrypted characteristic will initiate bonding. For example, writing a 'Camera Power On' (0x01) message to the Camera Status characteristic.

Once bonding is initiated, the camera will display a 6-digit pin in the Bluetooth Setup Menu. Enter this pin on your device to establish an encrypted connection. The device will now be able to read, write and receive notifications from encrypted characteristics.

# Blackmagic SDI and Bluetooth Camera Control Protocol

## Version 1.4

If you are a software developer you can use the Blackmagic SDI and Bluetooth Camera Control Protocol to construct devices that integrate with our products. Here at Blackmagic Design, our approach is to open up our protocols and we eagerly look forward to seeing what you come up with!

## Overview

This document describes an extensible protocol for sending a unidirectional stream of small control messages embedded in the non-active picture region of a digital video stream. The video stream containing the protocol stream may be broadcast to a number of devices. Device addressing is used to allow the sender to specify which device each message is directed to.

## Assumptions

Alignment and padding constraints are explicitly described in the protocol document. Bit fields are packed from LSB first. Message groups, individual messages and command headers are defined as, and can be assumed to be, 32 bit aligned.

## Blanking Encoding

A message group is encoded into a SMPTE 291M packet with DID/SDID x51/x53 in the active region of VANC line 16.

## Message Grouping

Up to 32 messages may be concatenated and transmitted in one blanking packet up to a maximum of 255 bytes payload. Under most circumstances, this should allow all messages to be sent with a maximum of one frame latency.

If the transmitting device queues more bytes of message packets than can be sent in a single frame, it should use heuristics to determine which packets to prioritize and send immediately. Lower priority messages can be delayed to later frames, or dropped entirely as appropriate.

## Abstract Message Packet Format

Every message packet consists of a three byte header followed by an optional variable length data block. The maximum packet size is 64 bytes.

<b>Destination device (uint8)</b>	Device addresses are represented as an 8 bit unsigned integer. Individual devices are numbered 0 through 254 with the value 255 reserved to indicate a broadcast message to all devices.
<b>Command length (uint8)</b>	The command length is an 8 bit unsigned integer which specifies the length of the included command data. The length does NOT include the length of the header or any trailing padding bytes.
<b>Command id (uint8)</b>	The command id is an 8 bit unsigned integer which indicates the message type being sent. Receiving devices should ignore any commands that they do not understand. Commands 0 through 127 are reserved for commands that apply to multiple types of devices. Commands 128 through 255 are device specific.
<b>Reserved (uint8)</b>	This byte is reserved for alignment and expansion purposes. It should be set to zero.
<b>Command data (uint8[])</b>	The command data may contain between 0 and 60 bytes of data. The format of the data section is defined by the command itself.
<b>Padding (uint8[])</b>	Messages must be padded up to a 32 bit boundary with 0x0 bytes. Any padding bytes are NOT included in the command length.

Receiving devices should use the destination device address and or the command identifier to determine which messages to process. The receiver should use the command length to skip irrelevant or unknown commands and should be careful to skip the implicit padding as well.

## Defined Commands

### Command 0 : change configuration

---

<b>Category (uint8)</b>	The category number specifies one of up to 256 configuration categories available on the device.
<b>Parameter (uint8)</b>	The parameter number specifies one of 256 potential configuration parameters available on the device. Parameters 0 through 127 are device specific parameters. Parameters 128 through 255 are reserved for parameters that apply to multiple types of devices.
<b>Data type (uint8)</b>	The data type specifies the type of the remaining data. The packet length is used to determine the number of elements in the message. Each message must contain an integral number of data elements.

---

#### Currently defined values are:

---

<b>0: void / boolean</b>	A void value is represented as a boolean array of length zero. The data field is a 8 bit value with 0 meaning false and all other values meaning true.
<b>1: signed byte</b>	Data elements are signed bytes
<b>2: signed 16 bit integer</b>	Data elements are signed 16 bit values
<b>3: signed 32 bit integer</b>	Data elements are signed 32 bit values
<b>4: signed 64 bit integer</b>	Data elements are signed 64 bit values
<b>5: UTF-8 string</b>	Data elements represent a UTF-8 string with no terminating character.

---

#### Data types 6 through 127 are reserved.

---

<b>128: signed 5.11 fixed point</b>	Data elements are signed 16 bit integers representing a real number with 5 bits for the integer component and 11 bits for the fractional component. The fixed point representation is equal to the real value multiplied by $2^{11}$ . The representable range is from -16.0 to 15.9995 ( $15 + 2047/2048$ ).
-------------------------------------	---

---

#### Data types 129 through 255 are available for device specific purposes.

---

<b>Operation type (uint8)</b>	The operation type specifies what action to perform on the specified parameter. Currently defined values are:
<b>0: assign value</b>	The supplied values are assigned to the specified parameter. Each element will be clamped according to its valid range. A void parameter may only be 'assigned' an empty list of boolean type. This operation will trigger the action associated with that parameter. A boolean value may be assigned the value zero for false, and any other value for true.
<b>1: offset / toggle value</b>	Each value specifies signed offsets of the same type to be added to the current parameter values. The resulting parameter value will be clamped according to their valid range. It is not valid to apply an offset to a void value. Applying any offset other than zero to a boolean value will invert that value.

---

#### Operation types 2 through 127 are reserved.

#### Operation types 128 through 255 are available for device specific purposes.

---

<b>Data (void)</b>	The data field is 0 or more bytes as determined by the data type and number of elements.
--------------------	--

---

The category, parameter, data type and operation type partition a 24 bit operation space.



Group	ID	Parameter	Type	Index	Minimum	Maximum	Interpretation
Lens	0.0	Focus	fixed16	-	0.0	1.0	0.0 = near, 1.0 = far
	0.1	Instantaneous autofocus	void	-	-	-	trigger instantaneous autofocus
	0.2	Aperture (f-stop)	fixed16	-	-1.0	16.0	Aperture Value (where fnumber = $\sqrt{2^{AV}}$ )
	0.3	Aperture (normalised)	fixed16	-	0.0	1.0	0.0 = smallest, 1.0 = largest
	0.4	Aperture (ordinal)	int16	-	0	n	Steps through available aperture values from minimum (0) to maximum (n)
	0.5	Instantaneous auto aperture	void	-	-	-	trigger instantaneous auto aperture
	0.6	Optical image stabilisation	boolean	-	-	-	true = enabled, false = disabled
	0.7	Set absolute zoom (mm)	int16	-	0	max	Move to specified focal length in mm, from minimum (0) to maximum (max)
	0.8	Set absolute zoom (normalised)	fixed16	-	0.0	1.0	Move to specified focal length: 0.0 = wide, 1.0 = tele
	0.9	Set continuous zoom (speed)	fixed16	-	-1.0	+1.0	Start/stop zooming at specified rate: -1.0 = zoom wider fast, 0.0 = stop, +1 = zoom tele fast
Video	1.0	Video mode	int8	[0] = frame rate	-	-	fps as integer (eg 24, 25, 30, 50, 60)
				[1] = M-rate	-	-	0 = regular, 1 = M-rate
				[2] = dimensions	-	-	0 = NTSC, 1 = PAL, 2 = 720, 3 = 1080, 4 = 2kDCI, 5 = 2k16:9, 6 = UHD, 7 = 3k Anamorphic, 8 = 4k DCI, 9 = 4k 16:9, 10 = 4.6k 2.4:1, 11 = 4,6k
				[3] = interlaced	-	-	0 = progressive, 1 = interlaced
				[4] = Color space	-	-	0 = YUV
	1.1	Gain (up to Camera 4.9)	int8		1	128	1x, 2x, 4x, 8x, 16x, 32x, 64x, 128x gain
	1.2	Manual White Balance	int16	[0] = color temp	2500	10000	Color temperature in K
			int16	[1] = tint	-50	50	tint
	1.3	Set auto WB	void	-	-	-	Calculate and set auto white balance
	1.4	Restore auto WB	void	-	-	-	Use latest auto white balance setting
	1.5	Exposure (us)	int32		1	42000	time in us
	1.6	Exposure (ordinal)	int16	-	0	n	Steps through available exposure values from minimum (0) to maximum (n)
	1.7	Dynamic Range Mode	int8 enum	-	0	2	0 = film, 1 = video, 2 = extended video
1.8	Video sharpening level	int8 enum	-	0	3	0 = off, 1 = low, 2 = medium, 3 = high	

Group	ID	Parameter	Type	Index	Minimum	Maximum	Interpretation
Video	1.9	Recording format	int16	[0] = file frame rate	-	-	fps as integer (eg 24, 25, 30, 50, 60, 120)
				[1] = sensor frame rate	-	-	fps as integer, valid when sensor-off-speed set (eg 24, 25, 30, 33, 48, 50, 60, 120), no change will be performed if this value is set to 0
				[2] = frame width	-	-	in pixels
				[3] = frame height	-	-	in pixels
				[4] = flags	-	-	[0] = file-M-rate
					-	-	[1] = sensor-M-rate, valid when sensor-off-speed-set
					-	-	[2] = sensor-off-speed
					-	-	[3] = interlaced
	-	-	[4] = windowed mode				
	1.10	Set auto exposure mode	int8	-	0	4	0 = Manual Trigger, 1 = Iris, 2 = Shutter, 3 = Iris + Shutter, 4 = Shutter + Iris
	1.11	Shutter angle	int32	-	100	36000	Shutter angle in degrees, multiplied by 100
	1.12	Shutter speed	int32	-	Current sensor frame rate	5000	Shutter speed value as a fraction of 1, so 50 for 1/50th of a second
	1.13	Gain	int8	-	-128	127	Gain in decibel (dB)
	1.14	ISO	int32	-	0	2147483647	ISO value
	1.15	Display LUT	int8	[0] = selected LUT	-	-	0 = None, 1 = Custom, 2 = film to video, 3 = film to extended video
[1] = enabled or not				-	-	0 = Not enabled, 1 = Enabled	
Audio	2.0	Mic level	fixed16	-	0.0	1.0	0.0 = minimum, 1.0 = maximum
	2.1	Headphone level	fixed16	-	0.1	1.0	0.0 = minimum, 1.0 = maximum
	2.2	Headphone program mix	fixed16	-	0.1	1.0	0.0 = minimum, 1.0 = maximum
	2.3	Speaker level	fixed16	-	0.1	1.0	0.0 = minimum, 1.0 = maximum
	2.4	Input type	int8	-	0	3	0 = internal mic, 1 = line level input, 2 = low mic level input, 3 = high mic level input
	2.5	Input levels	fixed16	[0] ch0	0.0	1.0	0.0 = minimum, 1.0 = maximum
				[1] ch1	0.0	1.0	0.0 = minimum, 1.0 = maximum
	2.6	Phantom power	boolean	-	-	-	true = powered, false = not powered

Group	ID	Parameter	Type	Index	Minimum	Maximum	Interpretation
Output	3.0	Overlay enables	uint16 bit field	-	-	-	bit flags: [0] = display status, [1] = display frame guides  Some cameras don't allow separate control of frame guides and status overlays.
	3.1	Frame guides style (Camera 3,x)	int8	-	0	8	0 = HDTV, 1 = 4:3, 2 = 2.4:1, 3 = 2.39:1, 4 = 2.35:1, 5 = 1.85:1, 6 = thirds
	3.2	Frame guides opacity (Camera 3,x)	fixed16	-	0,1	1,0	0,0 = transparent, 1,0 = opaque
	3.3	Overlays (replaces .1 and .2 above from Cameras 4.0)	int8	[0] = frame guides style [1] = frame guide opacity [2] = safe area percentage [3] = grid style	- 0 0 -	- 100 100 -	0 = off, 1 = 2.4:1, 2 = 2.39:1, 3 = 2.35:1, 4 = 1.85:1, 5 = 16:9, 6 = 14:9, 7 = 4:3, 8 = 2:1, 9 = 4:5, 10 = 1:1  0 = transparent, 100 = opaque  percentage of full frame used by safe area guide (0 means off)  bit flags: [0] = display thirds, [1] = display cross hairs, [2] = display center dot, [3] = display horizon
Display	4.0	Brightness	fixed16	-	0,0	1,0	0,0 = minimum, 1,0 = maximum
	4.1	Exposure and focus tools	int16 bit field	0x1 = zebra, 0x2 = focus assist, 0x4 = false color	-	-	0 = disable, 1 = enable
	4.2	Zebra level	fixed16	-	0,0	1,0	0,0 = minimum, 1,0 = maximum
	4.3	Peaking level	fixed16	-	0,0	1,0	0,0 = minimum, 1,0 = maximum
	4.4	Color bar enable	int8	-	0	30	0 = disable bars, 1-30 = enable bars with timeout (seconds)
	4.5	Focus Assist	int8	[0] = focus assist method [1] = focus line color	- -	- -	0 = Peak, 1 = Colored lines  0 = Red, 1 = Green, 2 = Blue, 3 = White, 4 = Black
	4.6	Program return feed enable	int8	-	0	30	0 = disable, 1-30 = enable with timeout (seconds)
Tally	5.0	Tally brightness	fixed16	-	0,0	1,0	Sets the tally front and tally rear brightness to the same level. 0,0 = minimum, 1,0 = maximum
	5.1	Front tally brightness	fixed16	-	0,0	1,0	Sets the tally front brightness. 0,0 = minimum, 1,0 = maximum
	5.2	Rear tally brightness	fixed16	-	0,0	1,0	Sets the tally rear brightness. 0,0 = minimum, 1,0 = maximum Tally rear brightness cannot be turned off

Group	ID	Parameter	Type	Index	Minimum	Maximum	Interpretation
Reference	6.0	Source	int8 enum	-	0	2	0 = internal, 1 = program, 2 = external
	6.1	Offset	int32	-	-	-	+/- offset in pixels
Configuration	7.0	Real Time Clock	int32	[0] time	-	-	BCD - HHMMSSFF (UCT)
				[1] date	-	-	BCD - YYYYMMDD
	7.1	System language	string	[0-1]	-	-	ISO-639-1 two character language code
	7.2	Timezone	int32	-	-	-	Minutes offset from UTC
	7.3	Location	int64	[0] latitude	-	-	BCD - s0DDdddddddddd where s is the sign: 0 = north (+), 1 = south (-); DD degrees, ddddddddddd decimal degrees
				[1] longitude	-	-	BCD - sDDDdddddddddd where s is the sign: 0 = west (-), 1 = east (+); DDD degrees, ddddddddddd decimal degrees
Color Correction	8.0	Lift Adjust	fixed16	[0] red	-2.0	2.0	default 0.0
				[1] green	-2.0	2.0	default 0.0
				[2] blue	-2.0	2.0	default 0.0
				[3] luma	-2.0	2.0	default 0.0
	8.1	Gamma Adjust	fixed16	[0] red	-4.0	4.0	default 0.0
				[1] green	-4.0	4.0	default 0.0
				[2] blue	-4.0	4.0	default 0.0
				[3] luma	-4.0	4.0	default 0.0
	8.2	Gain Adjust	fixed16	[0] red	0.0	16.0	default 1.0
				[1] green	0.0	16.0	default 1.0
				[2] blue	0.0	16.0	default 1.0
				[3] luma	0.0	16.0	default 1.0
	8.3	Offset Adjust	fixed16	[0] red	-8.0	8.0	default 0.0
				[1] green	-8.0	8.0	default 0.0
				[2] blue	-8.0	8.0	default 0.0
				[3] luma	-8.0	8.0	default 0.0
8.4	Contrast Adjust	fixed16	[0] pivot	0.0	1.0	default 0.5	
			[1] adj	0.0	2.0	default 1.0	
8.5	Luma mix	fixed16	-	0.0	1.0	default 1.0	
8.6	Color Adjust	fixed16	[0] hue	-1.0	1.0	default 0.0	
			[1] sat	0.0	2.0	default 1.0	
8.7	Correction Reset Default	void	-	-	-	reset to defaults	

Group	ID	Parameter	Type	Index	Minimum	Maximum	Interpretation
Media	10.0	Codec	int8 enum	[0] = basic codec	-	-	0 = CinemaDNG, 1 = DNxHD, 2 = ProRes, 3 = Blackmagic RAW
				[1] = code variant	-	-	CinemaDNG: 0 = uncompressed, 1 = lossy 3:1, 2 = lossy 4:1
					-	-	ProRes: 0 = HQ, 1 = 422, 2 = LT, 3 = Proxy, 4 = 444, 5 = 444XQ
					-	-	Blackmagic RAW: 0 = Q0, 1 = Q5, 2 = 3:1, 3 = 5:1, 4 = 8:1, 5 = 12:1
	10.1	Transport mode	int8	[0] = mode	-	-	0 = Preview, 1 = Play, 2 = Record
				[1] = speed	-	-	-ve = multiple speeds backwards, 0 = pause, +ve = multiple speeds forwards
				[2] = flags	-	-	1<<0 = loop, 1<<1 = play all, 1<<5 = disk1 active, 1<<6 = disk2 active, 1<<7 = time-lapse recording
				[3] = slot 1 storage medium	-	-	0 = CFast card, 1 = SD, 2 = SSD Recorder
				[4] = slot 2 storage medium	-	-	0 = CFast card, 1 = SD, 2 = SSD Recorder
	10.2	Playback Control	int8 enum	[0] = clip	-	-	0 = Previous, 1 = Next
PTZ Control	11.0	Pan/Tilt Velocity	fixed 16	[0] = pan velocity	-1.0	1.0	-1.0 = full speed left, 1.0 = full speed right
				[1] = tilt velocity	-1.0	1.0	-1.0 = full speed down, 1.0 = full speed up
	11.1	Memory Preset	int8 enum	[0] = preset command	-	-	0 = reset, 1 = store location, 2 = recall location
			int8	[1] = preset slot	0	5	-

## Example Protocol Packets

Operation	Packet Length	Byte															
		0	1	2	3	4	5	6	7	8	9	10	11	12	13	14	15
		header				command				data							
		destination	length	command	reserved	category	parameter	type	operation								
trigger instantaneous auto focus on camera 4	8	4	4	0	0	0	1	0	0								
turn on OIS on all cameras	12	255	5	0	0	0	6	0	0	1	0	0	0				
set exposure to 10 ms on camera 4 (10 ms = 10000 us = 0x00002710)	12	4	8	0	0	1	5	3	0	0x10	0x27	0x00	0x00				
add 15% to zebra level (15 % = 0,15 f = 0x0133 fp)	12	4	6	0	0	4	2	128	1	0x33	0x01	0	0				
select 1080p 23,98 mode on all cameras	16	255	9	0	0	1	0	1	0	24	1	3	0	0	0	0	
subtract 0.3 from gamma adjust for green & blue (-0,3 ~ = 0xfd9a fp)	16	4	12	0	0	8	1	128	1	0	0	0x9a	0xfd	0x9a	0xfd	0	0
all operations combined	76	4	4	0	0	0	1	0	0	255	5	0	0	0	6	0	0
		1	0	0	0	4	8	0	0	1	5	3	0	0x10	0x27	0x00	0x00
		4	6	0	0	4	2	128	1	0x33	0x01	0	0	255	9	0	0
		1	0	1	0	24	1	3	0	0	0	0	0	4	12	0	0
		8	1	128	1	0	0	0x9a	0xfd	0x9a	0xfd	0	0				

## Blackmagic Tally Control Protocol

### Version 1.0 (30/04/14)

This section is for third party developers or anybody who may wish to add support for the Blackmagic Tally Control Protocol to their products or system. It describes the protocol for sending tally information embedded in the non-active picture region of a digital video stream.

### Data Flow

A master device such as a broadcast switcher embeds tally information into its program feed which is broadcast to a number of slave devices such as cameras or camera controllers. The output from the slave devices is typically fed back to the master device, but may also be sent to a video monitor.

The primary flow of tally information is from the master device to the slaves. Each slave device may use its device id to extract and display the relevant tally information.

Slave devices pass through the tally packet on their output and update the monitor tally status, so that monitor devices connected to that individual output may display tally status without knowledge of the device id they are monitoring.

## Assumptions

Any data alignment / padding is explicit in the protocol. Bit fields are packed from LSB first.

## Blanking Encoding

One tally control packet may be sent per video frame. Packets are encoded as a SMPTE 291M packet with DID/SDID x51/x52 in the active region of VANC line 15. A tally control packet may contain up to 256 bytes of tally information.

## Packet Format

Each tally status consists of 4 bits of information:

```
uint4
    bit 0:  program tally status (0=off, 1=on)
    bit 1:  preview tally status (0=off, 1=on)
    bit 2-3: reserved (0x0)
```

The first byte of the tally packet contains the monitor device tally status and a version number.

Subsequent bytes of the tally packet contain tally status for pairs of slave devices. The master device sends tally status for the number of devices configured/supported, up to a maximum of 510.

struct tally

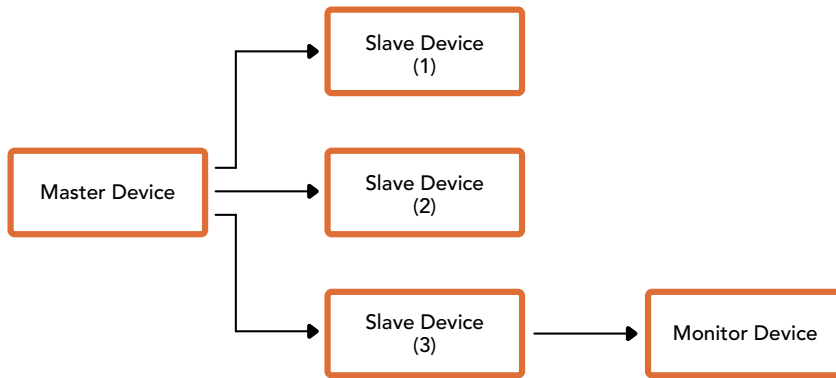
```
uint8
    bit 0:  monitor device program tally status (0=off, 1=on)
    bit 1:  monitor device preview tally status (0=off, 1=on)
    bit 2-3: reserved (0b00)
    bit 4-7: protocol version (0b0000)

uint8[0]
    bit 0:  slave device 1 program tally status (0=off, 1=on)
    bit 1:  slave device 1 device preview tally status (0=off, 1=on)
    bit 2-3: reserved (0b00)
    bit 4:  slave device 2 program tally status (0=off, 1=on)
    bit 5:  slave device 2 preview tally status (0=off, 1=on)
    bit 6-7: reserved (0b00)

uint8[1]
    bit 0:  slave device 3 program tally status (0=off, 1=on)
    bit 1:  slave device 3 device preview tally status (0=off, 1=on)
    bit 2-3: reserved (0b00)
    bit 4:  slave device 4 program tally status (0=off, 1=on)
    bit 5:  slave device 4 preview tally status (0=off, 1=on)
    bit 6-7: reserved (0b00)
```

...





Byte	7 MSB	6	5	4	3	2	1	0 LSB
<b>0</b>	Version (0b0)	Version (0b0)	Version (0b0)	Version (0b0)	Reserved (0b0)	Reserved (0b0)	Monitor Preview	Monitor Program
<b>1</b>	Reserved (0b0)	Reserved (0b0)	Slave 1 Preview	Slave 1 Program	Reserved (0b0)	Reserved (0b0)	Slave 0 Preview	Slave 0 Program
<b>2</b>	Reserved (0b0)	Reserved (0b0)	Slave 3 Preview	Slave 3 Program	Reserved (0b0)	Reserved (0b0)	Slave 2 Preview	Slave 2 Program
<b>3</b>	...							

# Blackmagic URSA Mini B4 마운트

Blackmagic URSA Mini PL의 PL 마운트를 제거하고 B4 마운트 옵션으로 교체할 수 있습니다. 이 마운트는 URSA Mini Pro의 B4 마운트와는 약간 차이가 있습니다. 예를 들면, URSA Mini Pro의 경우, 하우징을 풀기 위한 EF 버튼을 탑재해 나사홈이 다른 곳에 배치되어 있습니다. 심의 두께 또한 서로 다르기 때문에 URSA Mini PL에 B4 렌즈를 사용하려는 경우 정확한 마운트를 선택하는 것이 중요합니다.

URSA Mini PL을 위한 B4 마운트는 Blackmagic Design 리셀러로부터 구입할 수 있습니다.

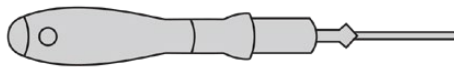
URSA Mini PL에 B4 마운트를 장착하면 B4 동초점 렌즈를 사용하여 HD 커버리지를 ENG 스타일로 촬영할 수 있습니다. 빠르고 효율적인 초점 기술의 파포컬 렌즈는 어떤 범위의 줌 기능을 사용해도 일관된 초점을 제공하는 렌즈입니다. 망원 렌즈를 최대로 줌인하고 피사체에 초점을 설정하면 줌인과 줌아웃을 최대값으로 설정해도 항상 해당 피사체에 초점이 그대로 유지됩니다. B4 렌즈의 백포커스 및 플랜지 초점거리 또한 정확하게 설정하는 것이 중요합니다.

## B4 렌즈 마운트 장착하기

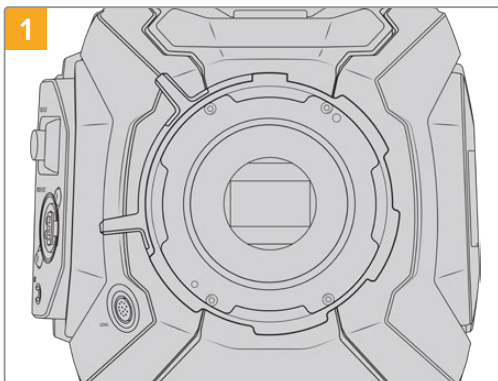
B4 마운트는 URSA Mini PL 렌즈 마운트 뒤에 미리 장착되어있는 0.50mm 심과 함께 설치할 수 있도록 설계된 0.50mm 심 두 개가 추가로 제공됩니다. 필요한 간격을 제공하는 0.50mm 크기의 심 세 개가 주어지므로 최적의 백포커스를 얻을 수 있습니다. B4 줌 렌즈의 마운트 끝에 있는 백포커스 링을 조절하면 백포커스를 조금 더 개선시킬 수 있습니다.

URSA Mini에 B4 렌즈를 사용하면 스틸 렌즈로는 얻을 수 없는 다양한 종류의 샷을 얻을 수 있습니다.

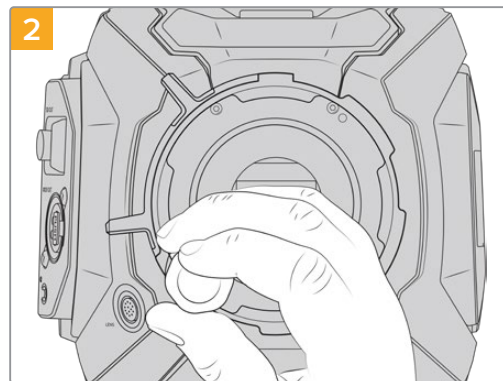
URSA Mini의 B4 렌즈 마운트를 연결하려면 최대 토크 0.45Nm을 정확하게 설정할 수 있는 토크 렌치와 2.0mm 크기의 육각 드라이버가 필요합니다.



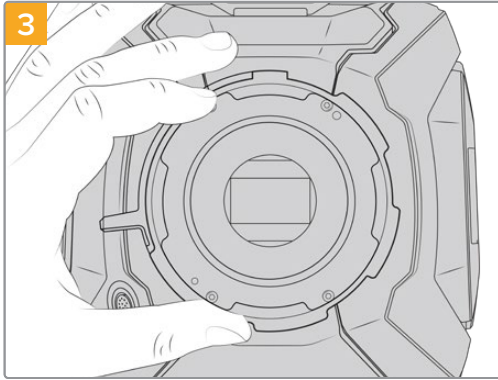
Blackmagic URSA Mini의 B4 렌즈 마운트를 장착하려면 최대 토크 0.45Nm을 정확하게 설정할 수 있는 토크 렌치와 2.0mm 크기의 육각 드라이버가 필요합니다.



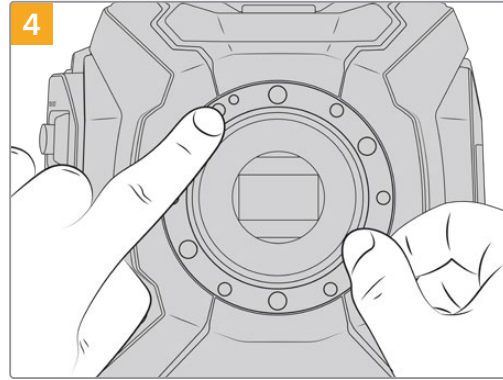
1 Blackmagic URSA Mini PL을 튼튼하고 깨끗한 작업대 위에 세로 방향으로 놓고 렌즈 및 렌즈 커버를 분리합니다. 심을 조절하는 동안 센서를 덮고 있는 필터가 외부에 노출될 수 있으므로 필터를 최대한 깨끗하게 유지할 수 있도록 주의합니다. B4 마운트를 장착하면서 필터를 건드리지 않도록 주의하세요.



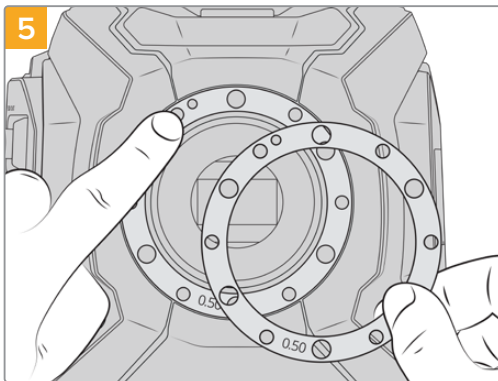
2 2.0mm 육각 렌치를 사용하여 여섯 개의 PL 마운트 나사를 제거합니다. 간혹 PL 잠금 링을 시계/반시계 방향으로 돌려야 나사에 접근할 수 있습니다.



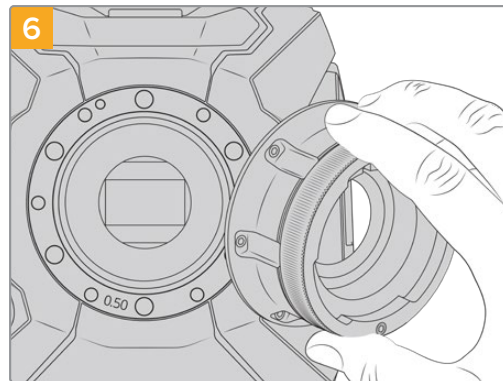
3  
조심스럽게 렌즈 마운트를 카메라 본체에서 들어 올립니다. 나사는 렌즈 마운트와 가까운 곳에 안전하게 보관합니다.



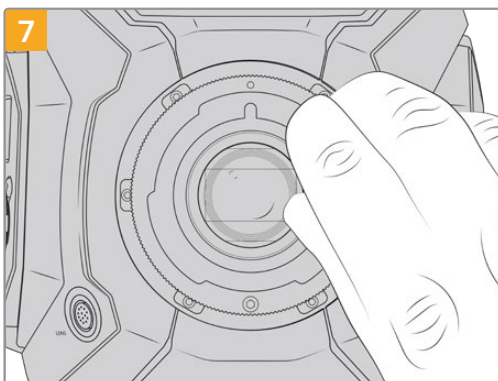
4  
핀에 장착되어 있던 기존 0.50mm 심의 11시 방향 위치를 기억해둡니다.



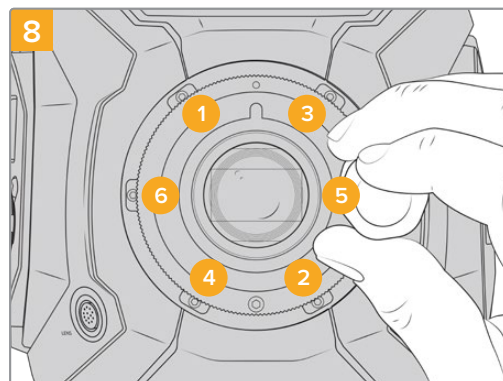
5  
Blackmagic URSA Mini B4 렌즈 마운트와 함께 제공되는 두 개의 0.50mm 심을 원래 장착되어 있던 0.50mm 심 위에 올려놓습니다. 이는 최적의 플랜지 초점거리를 확보하기 위한 간격을 만들어줍니다.



6  
Blackmagic URSA Mini B4 렌즈 마운트를 마운트 구멍이 11시 방향에서 정렬 핀과 정렬되도록 카메라 본체에 올려놓으세요.



7  
2mm Hex 드라이버 또는 0.45Nm로 조정된 토크 렌치를 사용하여 6개의 마운팅 나사가 렌즈 마운트의 베이스에 살짝 닿을 정도로만 나사를 느슨하게 조입니다. 잠금 링이 열리거나 닫히면 나사 구멍이 잘 보이지 않기 때문에 나사가 보이도록 PL 잠금 링을 회전합니다.



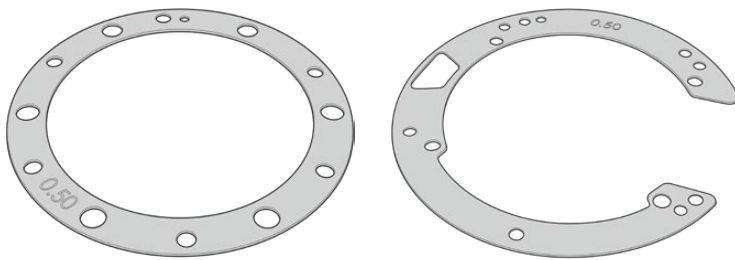
8  
렌즈 마운트가 수평으로 정확하게 정렬되어 있는지 확인한 후, 나사를 너무 꽉 조이지 않는 선에서 밑의 보기와 같이 동등한 힘이 가해지도록 조입니다.

# 렌즈 마운트 심 조절하기

## 심(Shim)이란?

심이란 다양한 두께의 얇은 디스크로, 렌즈와 URSA Mini 센서 간의 간격을 조절하는 데 사용됩니다. 이 간격은 일반적으로 플랜지 초점 거리로 알려져 있으며 렌즈 연식과 촬영 환경 등의 다양한 요인에 따라 조금씩 달라집니다. 다음 URSA Mini 모델은 심을 사용해 백 포커스를 쉽게 조정할 수 있도록 설계되었습니다.

- URSA Mini PL 4K
- URSA Mini PL 4.6K
- URSA Mini Pro 4.6K
- URSA Mini Pro 4.6K G2



URSA Mini 심 URSA Mini Pro 심

렌즈 마운트와 카메라 본체 사이에 심을 장착하므로, 피사체에서 센서까지의 거리가 렌즈 위의 포커스 마크 숫자와 일치됩니다. PL 렌즈는 대부분 이 방식을 사용합니다. 이러한 영화 렌즈는 수동으로 초점을 맞추는 방식이며 렌즈 배럴에 피사체 거리가 아주 정확하게 표시되어 있습니다. 심은 URSA Mini Pro의 교체형 렌즈 마운트에도 사용됩니다.

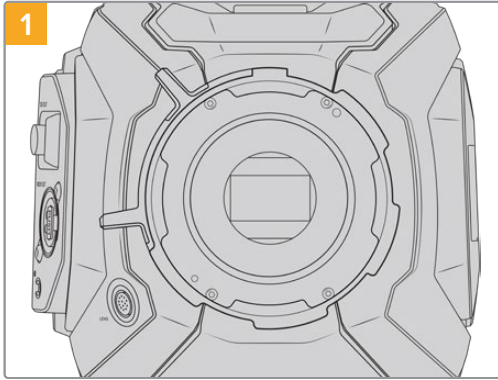
Blackmagic URSA Mini에는 0.50mm의 심이 이미 장착되어 있습니다. Blackmagic URSA Mini Pro Shim Kit에는 다양한 두께의 추가 심 세트가 포함되어 있으며, Blackmagic Design 리셀러로부터 구입하실 수 있습니다. 심 세트는 URSA Mini Pro를 위한 모든 마운트 세트에도 포함되어 있습니다. 원하는 백 포커스에 맞는 두께의 심을 사용하시기 바랍니다.

## URSA Mini PL 심 조절하기

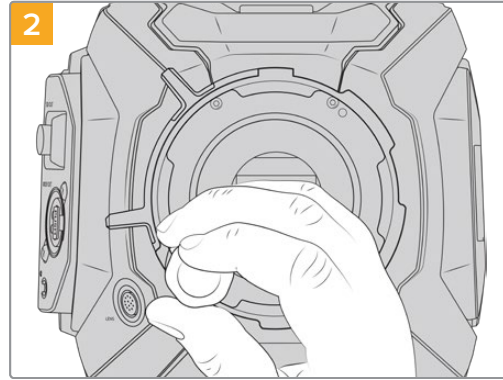
카메라 마운트의 심을 조절하려면 최대 토크 0.45Nm을 정확하게 설정할 수 있는 토크 렌치와 2.0mm 크기의 육각 렌치 및 드라이버가 필요합니다.



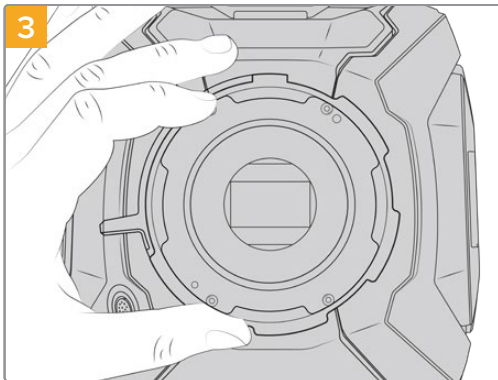
토크 렌치



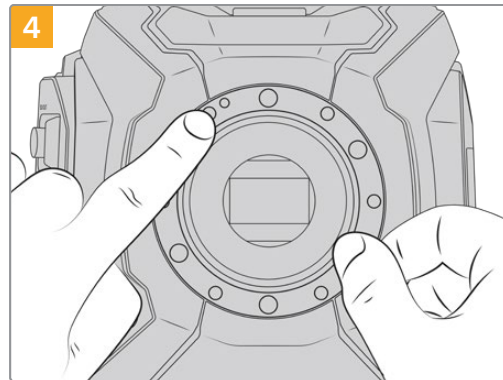
URSA Mini PL를 튼튼하고 깨끗한 작업대 위에 세로 방향으로 놓고 렌즈 및 렌즈 커버를 분리합니다. 심을 조절하는 동안 센서를 덮고 있는 필터가 외부에 노출될 수 있으므로 필터를 최대한 깨끗하게 유지할 수 있도록 주의합니다. PL 마운트의 심을 조절하는 동안 필터를 건드리지 않도록 주의하세요.



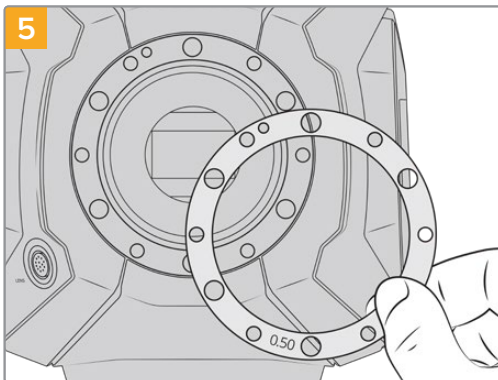
2.0mm 육각 렌치를 사용하여 여섯 개의 PL 마운트 나사를 제거합니다. 간혹 PL 잠금 링을 시계/반시계 방향으로 돌려야 나사에 접근할 수 있습니다.



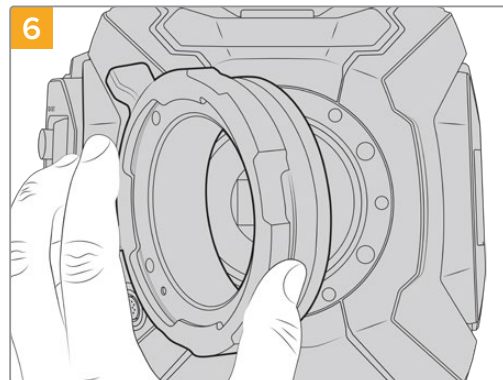
조심스럽게 렌즈 마운트를 카메라 본체에서 들어 올립니다. 나사는 렌즈 마운트와 가까운 곳에 안전하게 보관합니다.



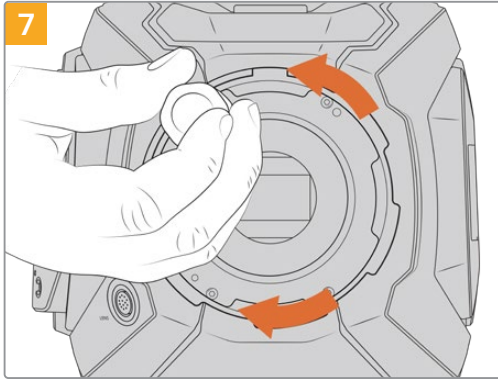
핀에 장착되어 있던 기존 0.50mm심의 11시 방향 위치를 기억해둡니다.



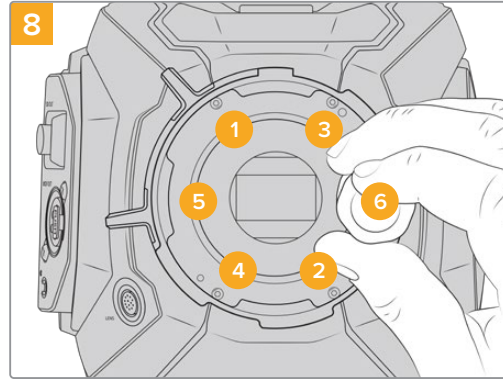
카메라를 재조립할 경우, 심을 0.10mm 단위로 추가하거나 제거하면서 렌즈가 포커스 마크에 제대로 들어맞는지 테스트하세요. 예를 들면, 심을 제거하기 위해 0.50mm 심을 0.40mm 심으로 교체해야 할 수 있습니다.



Blackmagic URSA Mini Pro PL 렌즈 마운트를 조심스럽게 카메라 본체에 올려놓으세요.



2mm Hex 드라이버 또는 0.45Nm로 조정된 토크 렌치를 사용하여 마운팅 나사가 렌즈 마운트의 베이스에 살짝 닿을 정도로만 나사를 느슨하게 조입니다.

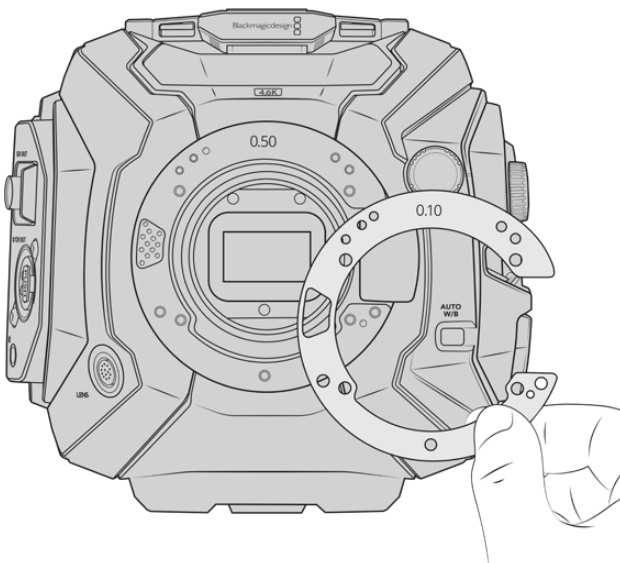


렌즈 마운트가 수평으로 정확하게 정렬되어 있는지 확인한 후, 나사를 너무 꽉 조이지 않는 선에서 밑의 보기와 같이 동등한 힘이 가해지도록 조입니다.

## URSA Mini Pro 심 조절하기

URSA Mini Pro의 심을 조절하는 방법은 URSA Mini PL과 거의 동일합니다. 유일한 차이점은 심의 모양이 다르다는 점입니다. URSA Mini Pro의 심을 조절하려면 간단히 장착된 렌즈 마운트를 제거하고 URSA Mini PL에 필요한 심을 추가하거나 제거한 뒤, 마운트를 교체하세요.

URSA Mini Pro에 렌즈 마운트를 장착하는 방법에 대한 자세한 정보는 [교체형 렌즈 마운트] 부분을 참고하세요.



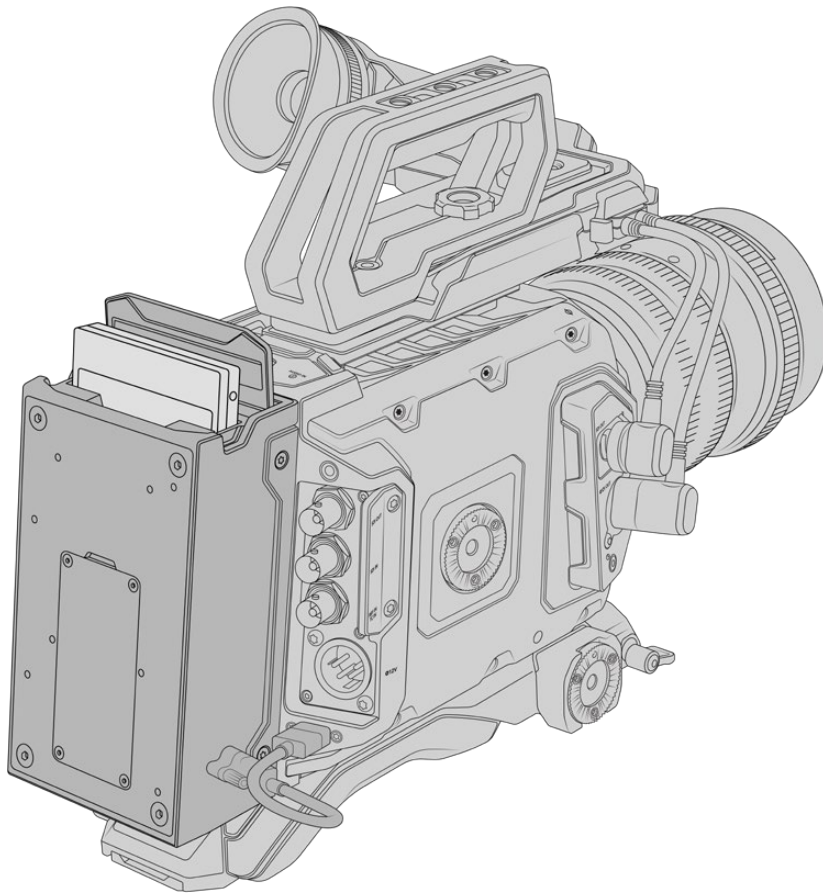
URSA Mini Pro의 심은 EF 마운트의 렌즈 탈착 장치에 맞게 C자 형태로 제작되었습니다. 한쪽만 들어맞는 구조로 쉽게 정렬할 수 있습니다. 설치 방법은 URSA Mini PL과 동일합니다.



# URSA Mini Recorder

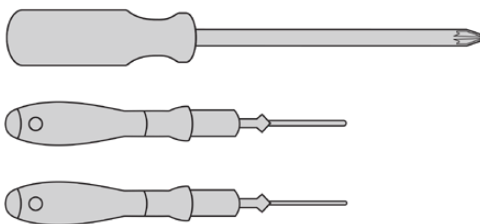
Blackmagic URSA Mini Recorder는 URSA Mini Pro 12K 뒷면에 장착하는 옵션 모듈입니다. 이 레코더를 사용할 경우, 12K Blackmagic RAW 파일 등의 푸티지를 저렴한 가격의 대용량 SSD에 녹화할 수 있습니다.

**참고** URSA Mini Recorder는 URSA Mini Pro 12K와 함께 사용할 수 있도록 설계되었으며, URSA Mini Pro 4.6K G2와도 호환됩니다. 하지만 URSA Mini Pro 4.6K 및 URSA Mini 4.6K, URSA Mini 4K와는 함께 사용할 수 없습니다.



**URSA Mini Recorder를 장착하기 위해서는 다음과 같은 도구가 필요합니다.**

- 1x 십자 드라이버 1개
- 1x T10 Torx 드라이버 1개
- 1x 2mm 육각 드라이버 1개



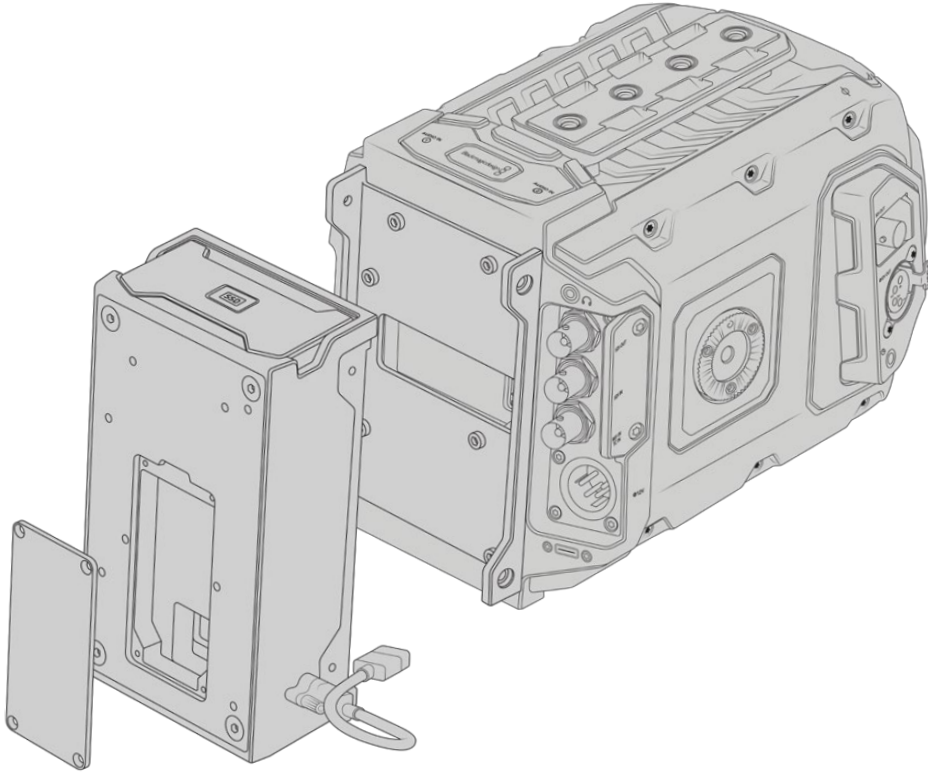
URSA Mini SSD Recorder를 URSA Mini에 장착하려면 대형 십자 드라이버와 T10 Torx 드라이버, 그리고 2mm 육각 드라이버가 필요합니다.



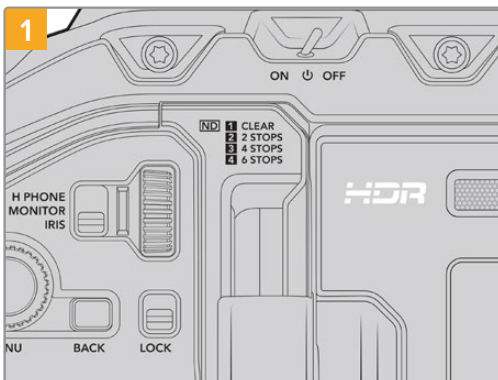
## URSA Mini Recorder 설치 및 연결하기

URSA Mini Recorder는 URSA Mini 카메라 본체 뒷면에 바로 장착합니다. 이때 카메라 뒷면의 USB-C 데이터 포트에 연결하여 URSA Mini Recorder의 데이터를 주고받습니다.

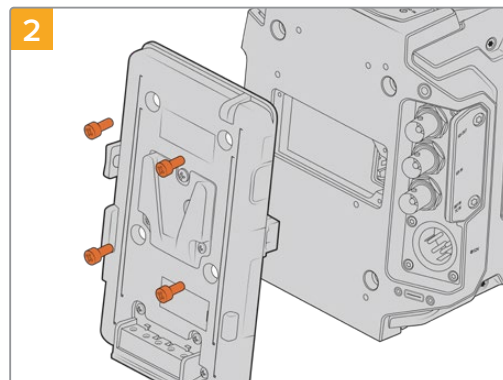
**정보** URSA Mini Recorder에는 카메라 배터리 전원 공급을 위한 패스스루 케이블이 탑재되어 있어, V-마운트 또는 골드 마운트 배터리를 레코더 뒤에 장착할 수 있습니다.



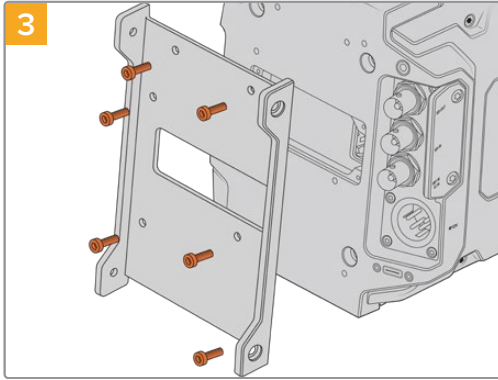
### URSA Mini Recorder 설치 및 연결 방법



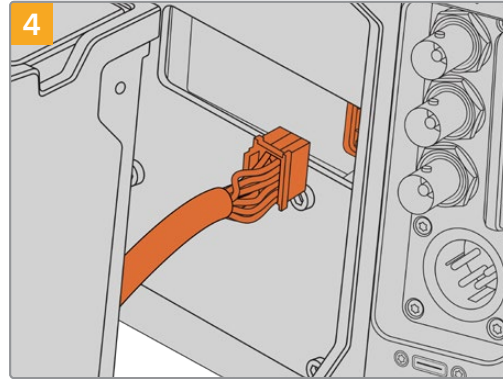
1 전원 스위치를 OFF로 설정해 URSA Mini Pro의 전원을 끄세요.



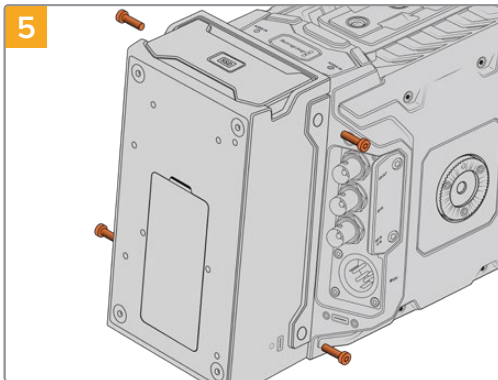
2 현재 카메라에 장착된 모든 배터리 플레이트를 제거하세요. 배터리 플레이트를 장착 및 제거하는 방법에 대한 자세한 정보는 본 설명서의 [배터리 장착하기] 부분을 참고하세요.



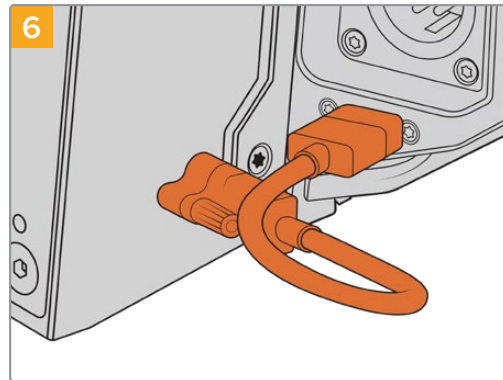
3 6개의 T10 Torx 나사를 사용해 URSA Mini Recorder의 마운팅 브래킷을 장착하세요.



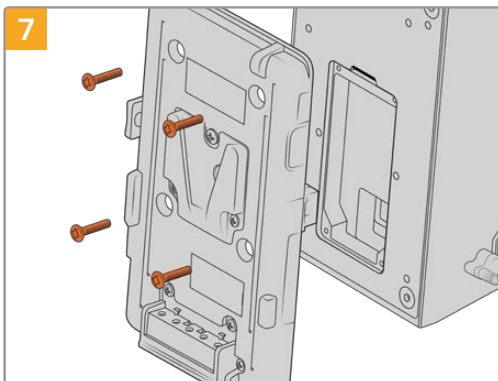
4 URSA Mini Recorder의 Molex 커넥터를 카메라 뒷면의 Molex 소켓에 연결하세요.



5 URSA Mini Recorder를 마운팅 브래킷에 대고 좌/우에 각각 2개의 T10 Torx 나사를 조여 장착하세요.



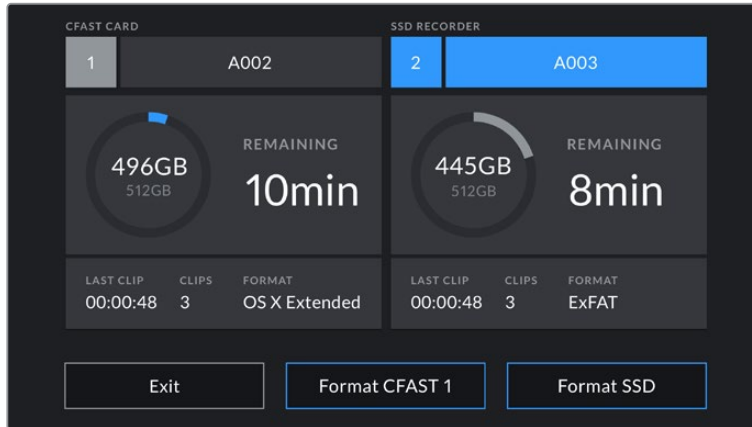
6 Mini Recorder의 USB-C 케이블을 URSA Mini Pro 12K 뒷면에 있는 USB-C 데이터 포트에 연결하세요. 손가락이나 2mm 육각 드라이버를 사용해 잠금 커넥터를 조이세요. URSA Mini Pro 4.6K G2를 사용할 경우, 길이가 긴 USB-C 케이블을 사용하여 CFast 슬롯 위에 있는 USB-C 포트에 연결하세요.



7 URSA Mini Recorder와 배터리 플레이트를 함께 사용하고자 할 경우, 2mm 육각 드라이버를 사용해 Molex 소켓 커버에 고정된 네 개의 M3 나사를 제거하세요. Molex 소켓 커버를 제거한 뒤, 본 설명서의 [배터리 장착하기] 부분에 소개된 방법에 따라 배터리 플레이트를 장착하세요.

## URSA Mini Recorder 사용하기

URSA Mini Recorder를 연결해 SSD를 로딩하면, 레코더가 URSA Mini의 2번 스토리지 슬롯을 사용합니다. URSA Mini Recorder 사용 시 카메라 저장 관리 화면의 2번 슬롯에 SSD 표시 정보가 나타나는 것을 확인할 수 있습니다.



URSA Mini Recorder에 SSD를 삽입할 경우, 카메라 저장 관리 화면 속 2번 스토리지 슬롯에 'SSD 레코더(SSD RECORDER)'라는 정보가 나타납니다.

다시 말해, CFast 또는 SD 카드와 동일한 방식으로 SSD의 녹화/재생/저장 관리 정보가 나타납니다. 저장 관리에 관한 일반 정보와 SSD를 선택하는 구체적인 방법에 대한 정보는 본 설명서의 [저장 미디어] 부분을 참고하세요.

### 상태 표시 LED

URSA Mini Recorder의 경우, 왼쪽 측면에 SSD를 위한 상태 표시등이 하나 탑재되어 있습니다. 상태 표시등 밝기는 카메라의 '설정(SETUP)' 메뉴에서 낮음(Low), 중간(Medium), 높음(High), 끄기(Off)로 설정할 수 있습니다.

### SSD

SSD 표시등을 통해 현재 삽입된 SSD의 상태를 확인할 수 있습니다. LED를 통해 다음과 같은 상태 정보가 표시됩니다.

<b>초록색</b>	URSA Mini Recorder에 SSD를 삽입할 경우, 표시등이 녹색 불이 짧게 들어옵니다. 이는 SSD 식별 중임을 나타냅니다. 표시등에 불이 꺼지면 URSA Mini Recorder를 사용해 녹화를 시작할 수 있습니다. SSD에 녹화된 영상을 재생할 경우에도 표시등에 녹색불이 들어옵니다.
<b>빨간색</b>	SSD에 녹화가 진행 중인 경우, URSA Mini Recorder 표시등에 빨간 불이 들어옵니다. SSD 저장 공간이 거의 다 찰 경우, 빨간 불이 천천히 깜빡입니다. SSD에 드롭 프레임 현상이 발생할 경우, 빨간 불이 빠르게 깜빡입니다. 이런 현상이 발생할 경우에는 권장 SSD 목록에 있는 디스크를 사용 중인지, 그리고 미디어와 호환되는 데이터율로 녹화 중인지 확인하세요.
<b>주황색</b>	SSD를 연결하는 도중에 문제가 발생할 경우, 표시등에 주황 불이 들어옵니다. SSD 포맷이 잘못되었거나 호환되지 않는 경우에 이런 현상이 발생할 수 있습니다. 호환 SSD 목록과 포맷 방법에 대한 정보는 본 설명서의 [저장 미디어] 부분을 참고하세요.

**정보** SSD 전용 LED에 드라이브 연결 관련 문제가 표시될 경우, 디스크 유틸리티나 디스크 관리 프로그램을 사용해 Mac 또는 PC 컴퓨터에서 드라이브를 초기화해야 할 수도 있습니다.

## URSA Mini Recorder 내부 소프트웨어 업데이트하기

Blackmagic Camera Setup 유틸리티 소프트웨어를 사용하여 URSA Mini Recorder를 업데이트하세요. 업데이트 시 Mini Recorder의 전원이 연결되어 있어야 하므로 업데이트가 진행되는 동안 Mini Recorder를 URSA Mini Pro 12K에 연결해 두는 것이 좋습니다.

이를 위해서는 카메라에 전력 공급이 지속적으로 이루어져야 하므로 카메라에 외부 전원 또는 배터리 팩이 연결되어 있는지 반드시 확인하세요.

USB-C 케이블을 사용해 컴퓨터와 Mini Recorder를 연결한 다음, Blackmagic Camera Setup 유틸리티를 실행하세요. URSA Mini Recorder에서 구형 버전을 사용 중인 것으로 확인될 경우, 업데이트를 여부를 묻는 창이 나타납니다. 화면에 나타나는 URSA Mini Recorder 내부 소프트웨어 업데이트 지시에 따르세요.

**참고** 더 자세한 정보는 [Blackmagic Camera Setup 유틸리티] 부분을 참고하세요.

**정보** 카메라 성능을 최적화시키기 위해 Blackmagic URSA의 모든 장비를 동시에 업데이트할 것을 권장합니다.

## 도움말

가장 빠르게 지원 받을 수 있는 방법은 Blackmagic Design 온라인 고객지원 페이지에 접속하여 카메라 관련 최신 지원 정보를 확인하는 것입니다.

### Blackmagic Design 온라인 고객 지원 페이지

최신 사용 설명서와 소프트웨어, 지원 노트는 Blackmagic 고객 지원 센터 ([www.blackmagicdesign.com/kr/support](http://www.blackmagicdesign.com/kr/support))에서 확인하실 수 있습니다.

### Blackmagic Design 고객 지원에 문의하기

고객 지원 페이지에서 원하는 정보를 얻지 못한 경우에는 [이메일 보내기] 버튼을 클릭하여 지원 요청 이메일을 보내주세요. 다른 방법으로는, 고객지원 페이지의 [지역별 고객 지원팀 찾기] 버튼을 클릭하여 가장 가까운 Blackmagic Design 고객지원 사무실에 문의하세요.

### 현재 설치된 소프트웨어 버전 확인하기

컴퓨터에 설치된 Blackmagic Camera Utility 소프트웨어 버전을 확인하려면 'About Blackmagic Camera Utility' 창을 엽니다.

- Mac에서는 애플리케이션 폴더에 있는 Blackmagic Camera Utility를 실행하세요. 애플리케이션 메뉴에서 About Blackmagic Camera Utility를 선택하면 버전 번호가 나타납니다.
- Windows에서는 시작 메뉴 또는 시작 화면에서 Blackmagic Camera Utility를 실행합니다. 도움말 메뉴를 클릭한 뒤 'About Blackmagic Camera Utility'를 선택해 버전을 확인할 수 있습니다.

### 최신 버전 소프트웨어로 업데이트하기

컴퓨터에 설치된 Blackmagic Camera Utility 소프트웨어 버전을 확인한 뒤, Blackmagic Design 고객 지원 센터([www.blackmagicdesign.com/kr/support](http://www.blackmagicdesign.com/kr/support))에 방문하여 최신 업데이트를 확인하세요. 최신 버전으로 업데이트하는 것을 권장하지만, 중요한 프로젝트를 실행하는 도중에는 소프트웨어 업데이트를 하지 않는 것이 좋습니다.

## 규제 사항



### 유럽 연합 국가 내의 전기전자제품 폐기물 처리 기준

제품에 부착된 기호는 해당 제품을 다른 폐기물과는 별도로 처리되어야 함을 나타냅니다. 제품을 폐기하려면 반드시 재활용 지정 수거 장소에 폐기해야 합니다. 폐기물 제품을 분리수거 및 재활용으로 처리하는 것은 자연 자원을 보전하고 인간의 건강과 환경을 보호할 수 있도록 폐기물을 재활용할 수 있는 방법입니다. 재활용을 위한 제품 폐기물 장소에 관한 자세한 정보는 해당 지역 시청의 재활용 센터 혹은 해당 제품을 구입한 상점으로 문의하십시오.



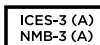
본 제품은 테스트 결과 FCC 규정 제15항에 따라 A급 디지털 기기 제한 사항을 준수하는 것으로 확인되었습니다. 해당 제한 사항은 본 제품을 상업적 환경에서 사용할 시 발생할 수 있는 유해 혼선으로부터 적절한 보호를 제공하기 위함입니다. 이 제품은 무선 주파수를 생성 및 사용, 방출할 수 있습니다. 따라서 설명서의 안내에 따라 제품을 설치 및 사용하지 않을 시, 무선 통신을 방해하는 전파 혼선을 일으킬 수 있습니다. 해당 제품을 주거 지역에서 사용할 경우, 유해 전파 혼선이 발생할 가능성이 있으며 이 경우, 사용자는 자체 비용으로 전파 혼선 문제를 해결해야 합니다.

제품 작동은 다음 두 가지 조건을 전제로 합니다.

- 1 본 기기는 유해 혼신을 일으키지 않습니다.
- 2 본 기기는 원치 않는 작동을 일으킬 수 있는 혼신을 포함하여 모든 혼신을 수용합니다.



MSIP-REM-BMD-201511002  
MSIP-REM-BMD-201608001  
MSIP-REM-BMD-201703001  
R-R-BMD-201907006  
R-R-BMD-20200421001  
R-R-BMD-20200421002



### ISED 캐나다 성명

본 기기는 캐나다 표준 A급 디지털 장치 규정을 준수합니다.

정해진 사용 목적 이외의 다른 목적의 사용 또는 제품 변경은 표준 규정 위반으로 간주할 수 있습니다.

HDMI 인터페이스 연결 시에는 반드시 고품질의 쉴드 HDMI 케이블을 사용해야 합니다.

이 기기는 업무용 환경에서 사용할 목적으로 적합성 평가를 거쳤습니다.

### Bluetooth®

URSA Mini Pro는 블루투스 무선 기술이 적용된 제품입니다.

송신 모듈의 FCC ID는 QOQBGM113입니다.

본 제품은 통제가 불가능한 환경을 위해 설정된 FCC 방사선 피폭 허용 기준을 준수합니다.

송신 모듈의 FCC ID는 5123A-BGM113입니다.

본 제품은 인증서가 필요 없는 캐나다 산업성의 RSS 표준 및 RSS-102 Issue 5에 명시된 통상 전자파 흡수율(SAR) 평가 제한 사항을 준수합니다.

일본 규정에 맞게 인증되었으며 인증 번호는 209-J00204입니다. 본 제품에는 일본 내 무선법 기술기준 적합성 인증을 획득한 특정 무선 장치가 탑재되어 있습니다.

해당 모듈은 한국 규정에 맞게 인증되었으며 KC 인증 번호는 MSIP-CRM-BGT-BGM113입니다.

Blackmagic Design은 2.4 GHz ISM 대역의 광대역 전송 시스템을 사용하는 본 URSA Mini Pro 제품이 유럽 무선 기기 지침인 Directive 2014/53/EU를 준수한다는 사실을 증명합니다.

EU 제조자인증 전문은 [compliance@blackmagicdesign.com](mailto:compliance@blackmagicdesign.com)에서 확인할 수 있습니다.

## 안전 정보

Blackmagic URSA Broadcast를 위한 AC-12V DC 전원 장치와 Blackmagic Studio Fiber Converter를 위한 IEC 전원 케이블은 보호 접지가 되어있는 메인 콘센트에 연결해야 합니다.

Blackmagic URSA Broadcast는 주위 온도가 최대 40°C인 열대 지역에서 사용하기 적합합니다. Blackmagic Studio Fiber Converter는 주위 온도가 최대 50°C인 열대 지역에서 사용하기 적합합니다.

공기가 잘 통할 수 있도록 Blackmagic Studio Fiber Converter와 Camera Fiber Converter를 통풍이 잘되는 곳에 보관하세요. Studio Fiber Converter를 장비랙에 설치할 시, 주변 장비가 제품 통풍에 방해가 되지 않도록 주의하세요.

Blackmagic URSA Broadcast와 Camera Fiber Converter, Studio Fiber Converter에는 사용자가 수리 가능한 부품이 없습니다. 제품 수리는 해당 지역 Blackmagic Design 서비스 센터에 문의하세요.

### 캘리포니아주 성명

본 제품을 사용하는 사용자는 제품의 플라스틱 내 폴리브롬화 비페닐에 노출될 수 있으며 캘리포니아주에서는 해당 물질이 암, 선천적 결손증, 기타 생식기능의 손상을 유발하는 것으로 알려져 있습니다.

더욱 자세한 정보는 [www.P65Warnings.ca.gov](http://www.P65Warnings.ca.gov)를 확인하세요.

### Blackmagic URSA Broadcast

일광 조건에서는 카메라나 리튬 배터리가 햇빛에 장시간 노출되지 않도록 그늘에 보관하세요. 리튬 배터리에 열기가 닿지 않도록 주의하세요.

Blackmagic URSA Viewfinder나 Blackmagic URSA Studio Viewfinder 전원 공급에는 12V DC 출력 커넥터가 적합합니다. 이 커넥터에 다른 액세서리를 연결할 경우, 소비 전력이 18W 이하로 떨어집니다.



### Blackmagic Studio Fiber Converter

감전사고 위험을 줄이기 위해서 본 제품을 물이 튀거나 젖는 곳에 두지 마십시오. 최대 작동 고도는 해수면 기준 2000m입니다.

### Blackmagic Camera Fiber Converter

Blackmagic Studio Fiber Converter에 연결되어 있는 경우에만 컨버터를 사용하세요. 정상적인 사용 조건일 경우에 한해 Blackmagic Studio Fiber Converter로부터 위험 전압을 공급받을 수 있도록 설계되었습니다.



# 보증

## 한정 보증

Blackmagic Design은 본 제품의 부품 및 제조에 어떠한 결함도 없음을 제품 구매일로부터 12개월 동안 보증합니다. 보증 기간 내에 결함이 발견될 경우, Blackmagic Design은 당사의 결정에 따라 무상 수리 또는 새로운 제품으로 교환해드립니다.

구매 고객은 반드시 보증 기간이 만료되기 전에 결함 사실을 Blackmagic Design에 통지해야 적절한 보증 서비스를 제공받을 수 있습니다. 구매 고객은 지정된 Blackmagic Design 서비스 센터로 결함 제품을 포장 및 운송할 책임이 있으며, 운송 비용은 선불로 지급되어야 합니다. 구매 고객은 또한 이유를 불문하고 제품 반송에 대한 운송료, 보험, 관세, 세금, 기타 비용을 부담해야 합니다.

이 보증은 부적절한 사용, 관리 및 취급으로 인한 파손, 고장, 결함에는 적용되지 않습니다. Blackmagic Design은 다음과 같은 경우에 보증 서비스를 제공할 의무가 없습니다. a) Blackmagic Design 판매 대리인이 아닌 개인에 의해 발생한 제품 손상. b) 부적절한 사용 및 호환하지 않는 장비와의 연결로 인한 제품 손상. c) Blackmagic Design사의 부품 및 공급품이 아닌 것을 사용하여 발생한 손상 및 고장. d) 제품을 개조하거나 다른 제품과 통합하여 제품 작동 시간 증가 및 기능 저하가 발생한 경우.

뷰파인더 렌즈는 확대경 역할을 하기 때문에 URSA Viewfinder가 직사광선에 노출될 시 뷰파인더 화면이 손상될 수 있습니다. 프레임 가이드 같은 정지 영상 및 고대비 영상이 OLED 패널에 장시간 나타날 경우, OLED 패널에 화면 잔상 및 번인 현상이 일어날 수도 있습니다. 이런 현상을 방지하기 위해서는, 얼굴 감지 IR 센서가 고의로 덮여있지 않는지 확인하고 장기간 사용하지 않을 때는 뷰파인더 연결을 해제하세요. 화면 잔상 문제는 본 제품 보증에 적용되지 않습니다.

BLACKMAGIC DESIGN에서 제공하는 제품 보증은 다른 모든 명시적 또는 묵시적 보증을 대신합니다. BLACKMAGIC DESIGN사와 관련 판매 회사는 상품성 및 특정 목적의 적합성과 관련된 모든 묵시적 보증을 부인합니다. BLACKMAGIC DESIGN의 결함 제품 수리 및 교환 관련 책임은 구매 고객에게 제공되는 유일한 배상 수단입니다. Blackmagic Design은 자사 또는 판매 회사에서 관련 위험의 소지에 대한 사전 통보의 여부와 관계없이 모든 간접적, 특별, 우발적, 결과적 손해에 대한 책임을 지지 않습니다. BLACKMAGIC DESIGN은 고객이 사용한 불법 장비에 대해서는 어떤 법적 책임도 지지 않습니다. BLACKMAGIC은 본 제품의 사용으로 인해 발생하는 손해에 대해서는 어떤 법적 책임도 지지 않습니다. 제품 사용으로 인해 발생할 수 있는 위험에 대한 책임은 본인에게 있습니다.

© Copyright 2020 Blackmagic Design. 모든 권리 보유. 'Blackmagic Design', 'URSA', 'DeckLink', 'HDLink', 'Workgroup Videohub', 'Multibrige Pro', 'Multibrige Extreme', 'Intensity', 'Leading the creative video revolution'은 모두 미국 및 기타 국가에 등록된 상표입니다. 모든 다른 회사명 및 제품 이름은 관련 회사의 등록 상표일 수 있습니다.

Bluetooth® 마크 및 로고는 Bluetooth SIG 주식회사 소유의 등록 상표이며, Blackmagic Design은 정당한 라이선스를 통해 이 마크를 사용합니다. 그 외 등록 상표 및 회사명은 관련 업체가 소유합니다.



Blackmagicdesign

# Руководство по установке и эксплуатации **Blackmagic URSA Mini** **и URSA Mini Pro**

Включает разделы о Blackmagic URSA Viewfinder, URSA Studio Viewfinder, URSA Mini Shoulder Kit, Blackmagic Camera Fiber Converter, Studio Fiber Converter, URSA Mini Recorder и байонетах для URSA Mini

Сентябрь 2020 г.

Русский





## Добро пожаловать!

Благодарим вас за покупку камеры Blackmagic URSA Mini.

За несколько лет, прошедших с момента выпуска нашей первой цифровой кинокамеры, мы получили большое количество полезных отзывов и пожеланий. Одни из самых ценных советов дали ведущие специалисты кино и опытные операторы, чьи работы на протяжении многих лет служат источником вдохновения для нас как для производителя профессионального оборудования. Неоценимую помощь оказало и сообщество наших пользователей.

Внутри компактного, легкого и прочного металлического корпуса камеры URSA Mini находится матрица невероятно широкого динамического диапазона.

Интерфейс обеспечивает быстрый и удобный доступ оператора ко всем функциям этой цифровой кинокамеры с матрицей Super 35, а совместимость с видеомикшером ATEM позволяет создавать материал исключительного качества во время вещания в прямом эфире. Для подключения URSA Mini к ATEM можно использовать конвертеры линейки Fiber и один оптоволоконный кабель по стандарту SMPTE.

Наконец, главное преимущество URSA Mini — оснащенность 4K- или 4.6K-сенсором с расширенным динамическим диапазоном либо новейшим 12K-сенсором! Мы также учли пожелания операторов и разработали видоискатель Blackmagic URSA Viewfinder, который имеет дисплей высокого разрешения и будет полезным аксессуаром при съемке с плеча.

URSA Mini Pro позволяет создать изображение более высокого качества, а также имеет дополнительные преимущества: эргономичные органы управления, сменный байонет для оптики и встроенные светофильтры ND. Кроме того, камера поддерживает наш новый кодек Blackmagic RAW, который обеспечивает сохранение материала одним файлом, в том числе объемного контента, записанного на Blackmagic URSA Mini Pro 12K, увеличение скорости обработки и уменьшение размера занимаемого на накопителе места.

Надеемся, что URSA Mini и URSA Mini Pro помогут вам создать исключительно качественные фильмы, телевизионные программы, видеоклипы и рекламные ролики. Мы будем очень рады любым отзывам и приложим все усилия, чтобы сделать эту камеру еще лучше за счет добавления новых полезных функций.

**Грант Петти**

Генеральный директор Blackmagic Design

# Содержание

<b>Тип используемой камеры</b>	2043	Настройки RECORD	2133
URSA Mini Pro	2044	Присвоение имен файлам	2139
URSA Mini	2045	Настройки MONITOR	2140
<b>Подготовка к работе</b>	2045	Настройки звука	2149
Установка объектива	2045	Настройки звука для URSA Mini	2149
Подключение питания	2049	Настройки звука для URSA Mini Pro	2151
<b>Работа с накопителями</b>	2052	Вкладка SETUP	2153
Карты CFast	2052	Вкладка PRESETS	2167
Карты памяти SD	2056	LUTS	2169
Флеш-накопители USB-C	2061	<b>Ввод метаданных</b>	2173
SSD-диски	2063	<b>Использование объективов с сервоприводом</b>	2179
Подготовка накопителя к записи	2065	<b>Выходной сигнал камеры</b>	2182
Подготовка носителя на Blackmagic URSA Mini	2065	Выход для мониторинга HD-материала	2182
Подготовка накопителя на Blackmagic URSA Mini Pro	2067	Разъем 12G-SDI	2182
Подготовка носителя на Mac	2068	<b>URSA Mini Shoulder Mount Kit</b>	2184
Подготовка носителя на Windows	2069	<b>Blackmagic URSA Viewfinder</b>	2188
<b>Запись</b>	2070	Установка и подключение к Blackmagic URSA	2188
Запись клипов	2070	Регулировка окуляра	2189
Выбор кодека, разрешения и рабочей области матрицы	2070	Функции кнопок	2189
Blackmagic RAW	2072	Настройки Menu	2190
Запись в Blackmagic RAW	2073	<b>Blackmagic URSA Studio Viewfinder</b>	2195
Выбор кадровой частоты	2075	Установка и подключение к Blackmagic URSA Mini	2196
Запуск записи	2079	Работа с Blackmagic URSA Studio Viewfinder	2198
Таблицы продолжительности записи	2080	Функции кнопок	2201
Таблицы скорости передачи данных для URSA Mini Pro 12K	2083	Настройки Menu	2203
<b>Воспроизведение</b>	2086	<b>Установка аккумуляторной батареи</b>	2208
<b>Работа с камерой URSA Mini</b>	2088	Оснащение батареями V-Mount или Gold Mount	2208
Передняя панель камеры	2088	Использование аккумуляторной пластины	2209
URSA Mini — левая сторона	2089	<b>Конвертеры линейки Blackmagic Fiber</b>	2211
URSA Mini Pro — левая сторона	2089	<b>Начало работы с конвертерами Blackmagic Fiber</b>	2212
Правая панель	2091	Волоконно-оптический кабель по стандарту SMPTE	2212
Задняя панель	2092	Подключение оптоволоконного кабеля по стандарту SMPTE	2214
Верхняя панель	2094	Работа с видеомикшером ATEM	2217
Нижняя панель	2094	Почему порт расположен на передней панели	2218
<b>Органы управления URSA Mini</b>	2095	Подключение камеры через SDI-интерфейс	2219
Кнопки управления	2095	Подключение к SDI-выходам для использования обратных потоков	2219
<b>Кнопки управления на URSA Mini Pro</b>	2098		
Передняя панель управления	2098		
Эргономичная панель управления	2102		
Внутренняя панель управления	2107		
<b>Органы управления с сенсорного экрана</b>	2110		
<b>Настройки</b>	2132		
Панель инструментов	2132		

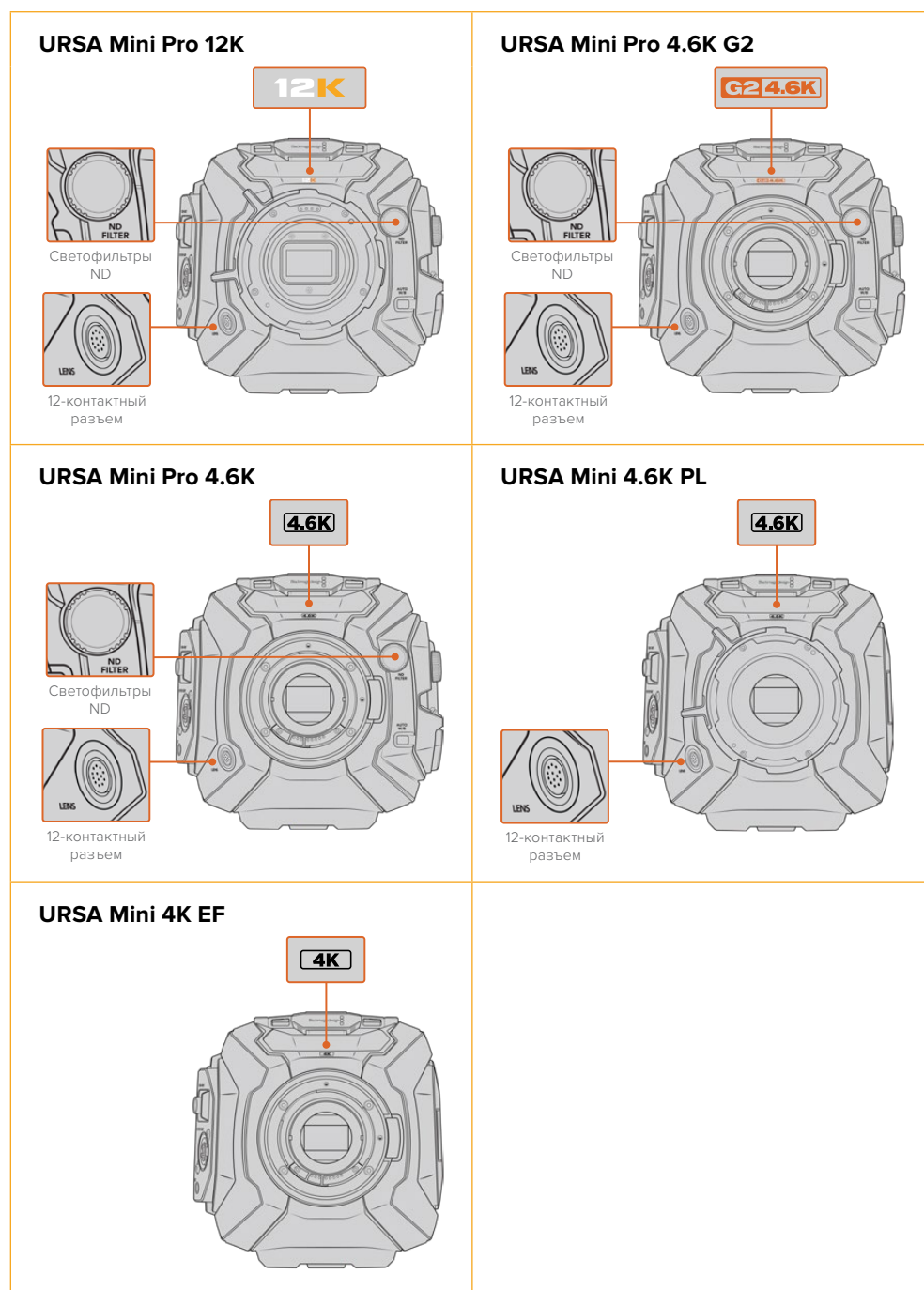
Установка модели Blackmagic Camera Fiber Converter	2219	Редактирование клипов на временной шкале	2263
Установка видеоскателя URSA Studio Viewfinder	2222	Добавление титров	2263
Подключение наушников двусторонней связи	2222	Работа с файлами Blackmagic RAW	2264
<b>Работа с Camera Fiber Converter</b>	2223	Цветокоррекция клипов на стр. «Цвет»	2267
Выбор обратного потока	2223	Добавление Power-зоны	2271
Кнопка CALL	2224	Использование плагинов	2272
Использование интерком-связи	2224	Микширование звука	2273
Индикация состояния	2225	Добавление визуальных эффектов и композитинг на стр. Fusion	2278
Индикаторы состояния	2225	Создание мастер-копий	2286
Аудиовходы	2226	Быстрый экспорт	2286
Передача видео по IP-протоколу	2227	Страница «Экспорт»	2287
Подача питания	2227	<b>Управление камерой с помощью ATEM Camera Control</b>	2288
Дополнительные органы управления	2228	Использование функции управления камерами	2289
<b>Работа со Studio Fiber Converter</b>	2229	DaVinci Resolve Primary Color Corrector	2295
Работа с меню	2230	<b>Утилита Blackmagic Camera Setup</b>	2298
Установка студийного конвертера в стойку	2233	<b>Работа с программным обеспечением других производителей</b>	2300
<b>Разъемы на конвертере камеры</b>	2237	Работа с файлами, записанными на карты памяти CFast 2.0 и SD	2300
Разъем питания камеры	2237	Работа с файлами, записанными на SSD-диск	2301
Интерфейс управления панорамированием	2237	Работа с Final Cut Pro X	2301
Порт двусторонней связи	2238	Работа с Avid Media Composer 2018	2302
Разъем TRACKER	2239	Работа с Adobe Premiere Pro CC	2303
Разъем питания постоянного тока	2239	<b>Информация для разработчиков</b>	2304
Выход D-Tар	2240	Blackmagic Bluetooth Camera Control	2304
Использование синхровыхода	2240	Blackmagic SDI and Bluetooth Camera Control Protocol	2306
<b>Интерфейсы студийного конвертера</b>	2241	Example Protocol Packets	2313
Разъем 12G-SDI	2241	Blackmagic Tally Control Protocol	2313
Входы 12G-SDI для обратного потока	2241	<b>Blackmagic URSA Mini B4 Mount</b>	2316
Ввод и вывод синхросигнала	2242	<b>Установка регулировочных прокладок</b>	2318
Интерфейс двусторонней связи	2242	Установка регулировочных прокладок для байонета URSA Mini PL	2318
Интерфейс управления панорамированием	2244	Установка регулировочных прокладок на URSA Mini Pro	2320
Аудиовыходы	2244	<b>URSA Mini Recorder</b>	2321
<b>Обновление программного обеспечения</b>	2245	Установка и подключение URSA Mini Recorder	2322
Обновление ПО на Blackmagic Camera Fiber Converter	2245	Работа с URSA Mini Recorder	2324
Обновление ПО на Blackmagic Studio Fiber Converter	2245	Обновление ПО на URSA Mini Recorder	2325
<b>Сменный байонет</b>	2246	<b>Помощь</b>	2326
Blackmagic URSA Mini Pro PL Mount	2248	<b>Соблюдение нормативных требований</b>	2327
Blackmagic URSA Mini Pro F Mount	2250	<b>Правила безопасности</b>	2328
Байонет Blackmagic URSA Mini Pro EF	2253	<b>Гарантия</b>	2329
Байонет Blackmagic URSA Mini Pro B4	2255		
Blackmagic URSA Mini Pro Shim Kit	2257		
<b>Работа с DaVinci Resolve</b>	2258		
Менеджер проектов	2258		
Монтаж на странице «Сборка»	2259		
Добавление клипов на временную шкалу	2262		

# Тип используемой камеры

Обратите внимание, что в данном руководстве приводятся сведения о функционале всех моделей Blackmagic URSA Mini, а не только используемой вами камеры. Общее для техники URSA Mini — отличная съемка в широком динамическом диапазоне и одинаковый корпус. Между тем, имеется ряд отличий.

## Список моделей

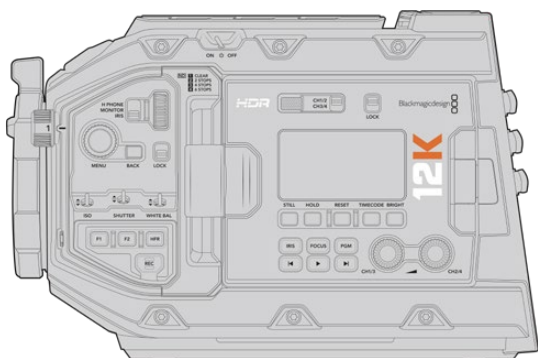
- URSA Mini Pro 12K
- URSA Mini Pro 4.6K G2
- URSA Mini Pro 4.6K
- URSA Mini 4.6K
- URSA Mini 4K



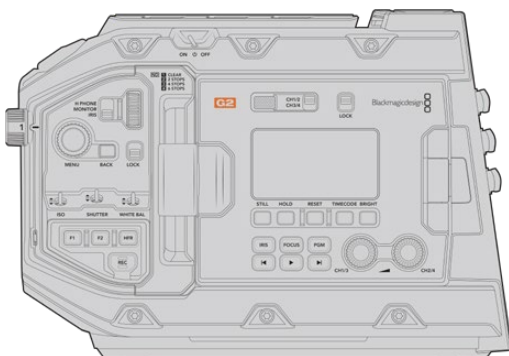
## URSA Mini Pro

Модель URSA Mini Pro 12K оснащена байонетом PL, а URSA Mini Pro 4.6K G2 и URSA Mini Pro 4.6K — EF. Установленные на камерах URSA Mini Pro крепления оптики можно легко заменить на другие. Подробнее см. раздел «Сменный байонет».

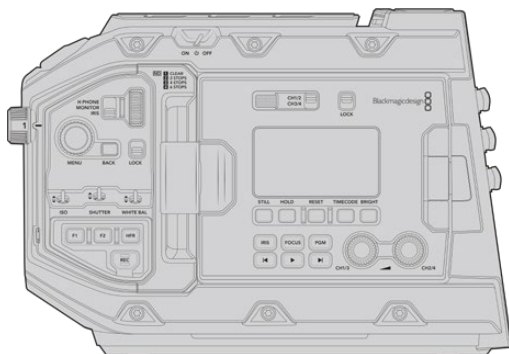
URSA Mini Pro оснащается дополнительными кнопками и ЖК-дисплеем с левой стороны корпуса, а также светофильтрами ND рядом с креплением оптики. Кроме того, URSA Mini Pro 4.6K G2 имеет значок "G2 4.6K" оранжевого цвета спереди выше байонета и такого же цвета символ G2 на левой стороне внешней контрольной панели. Кнопки служат для выбора разных опций при управлении камерой и установке настроек. На внешней панели управления модели URSA Mini Pro 12K есть значки "12K" и "HDR". На тыльной стороне в правом верхнем углу над SDI-портами имеется разъем для наушников, а в правом нижнем углу под входом питания 12 В находится интерфейс USB-C.



URSA Mini Pro 12K, вид слева



URSA Mini Pro 4.6K G2, вид слева

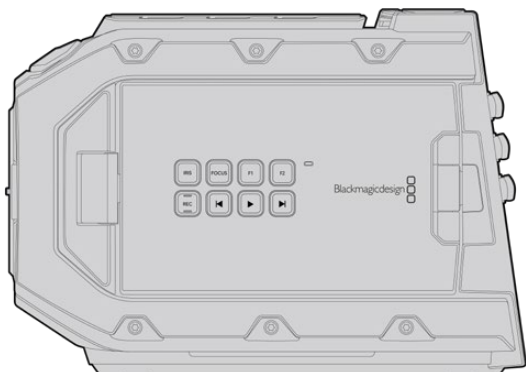


URSA Mini Pro 4.6K, вид слева



## URSA Mini

За исключением используемой матрицы, обе модели URSA Mini 4K и URSA Mini 4.6K идентичны. То же самое касается расположения кнопок управления и раскладки меню. Камеры с матрицей 4.6K имеют немного больше вариантов настройки разрешения и ISO. Чтобы узнать, какого типа камера 4K или 4.6K, достаточно посмотреть на значок над байонетом.



URSA Mini, вид слева

Кроме того, модели URSA Mini различаются по виду крепления оптики — EF или PL. Визуальное отличие между ними — в наличии 12-контактного разъема для вещательного объектива вблизи байонета на PL-моделях и разной системе крепления. Подробнее о байонетах см. раздел «Подготовка к работе».

Ознакомившись с различиями моделей URSA Mini, можно приступать к пользованию камерой.

## Подготовка к работе

Чтобы начать работу с Blackmagic URSA Mini, достаточно установить объектив, а затем включить питание.

### Установка объектива

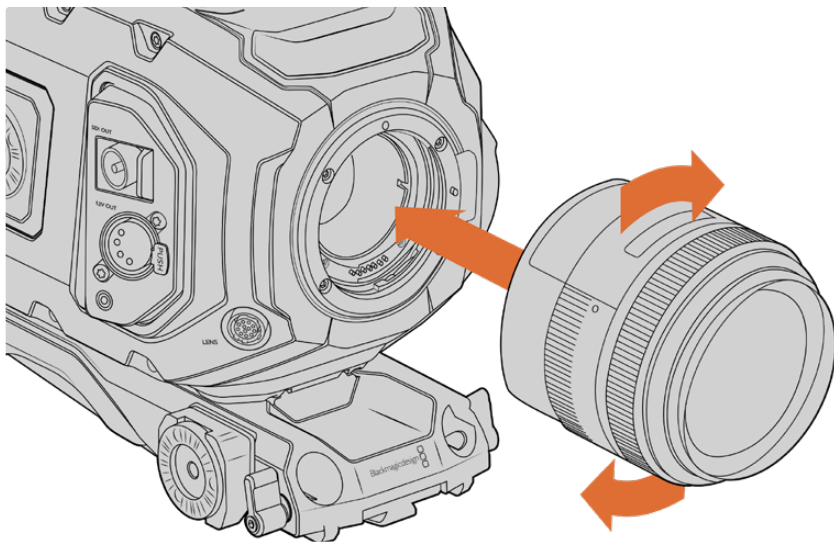
Установка объектива одинакова для всех камер URSA Mini, однако порядок действий зависит от используемого байонета — EF, PL, B4 или F. Во всех случаях сначала нужно снять пылезащитную крышку.

Чтобы снять пылезащитную крышку с байонета EF, нажмите фиксирующую кнопку и поверните крышку против часовой стрелки. При работе с байонетом PL и B4 поверните фиксирующее кольцо против часовой стрелки и потяните крышку на себя. При использовании байонета F нажмите фиксирующую кнопку и поверните крышку по часовой стрелке.

**ПРИМЕЧАНИЕ.** Blackmagic URSA Mini Pro имеет сменный байонет с поддержкой объективов EF, PL, B4 и F, а также позволяет установить другие крепления и аксессуары. Подробнее о замене байонета на камере URSA Mini Pro см. раздел «Сменный байонет».

**СОВЕТ.** На URSA Mini Pro 12K установлен байонет PL. Другие камеры URSA Mini Pro поставляются готовыми к работе с объективами EF. Чтобы приступить к съемке, установите оптику, как описано ниже.

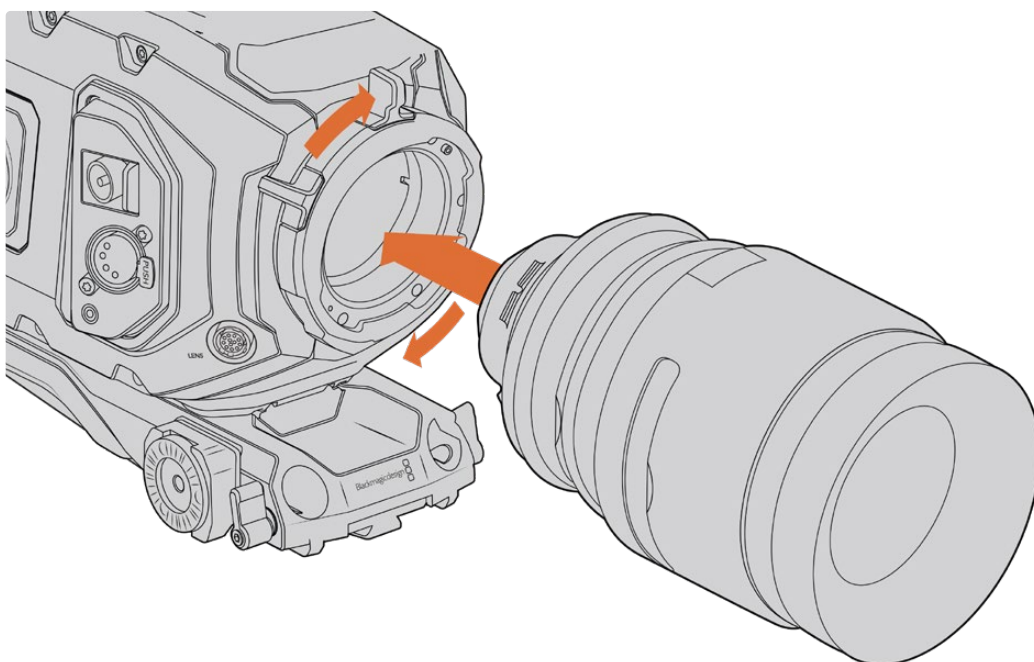
### Порядок установки объектива с байонетом EF



Установка и снятие EF-объектива (Blackmagic URSA Mini EF)

- 1 Совместите метку на объективе с меткой на байонете. Многие объективы имеют указатель в виде синей, красной или белой метки.
- 2 Установите объектив на байонет и поверните по часовой стрелке до конца.
- 3 Чтобы снять объектив, нажмите фиксирующую кнопку, поверните объектив против часовой стрелки до перехода метки или указателя в положение «12 часов», затем осторожно извлеките объектив.

### Порядок установки объектива с байонетом PL



Установка и снятие PL-объектива (Blackmagic URSA Mini PL и URSA Mini Pro 12K)

- 1 Поверните фиксирующее кольцо PL-крепления против часовой стрелки до упора.
- 2 Совместите один из четырех выступов с прорезями на объективе и центровочный штифт на байонетном креплении камеры.
- 3 Затяните фиксирующее кольцо PL, повернув его по часовой стрелке до упора. Если объектив с PL-креплением оснащен сервоприводом, при установке на URSA Mini PL или URSA Mini Pro его можно подключить через 12-контактный разъем.
- 4 Чтобы снять объектив, поверните фиксирующее кольцо против часовой стрелки до упора, затем осторожно извлеките объектив, потянув его на себя. При этом не нужно поворачивать объектив.

### Байонет URSA Mini Pro PL

Модель URSA Mini Pro с байонетом PL имеет четыре контакта, предназначенные для связи с оптикой по протоколу *i* Technology компании Cooke. Он используется на объективах Canon, Cooke, Fujinon, Leica и Zeiss. Это позволяет вместе с клипами записывать такие метаданные, как модель объектива, его настройки и фокусное расстояние.



При установке PL-оптики с поддержкой *i* Technology убедитесь в том, что контакты объектива совпадают с контактами байонета и находятся в положении «12 часов»

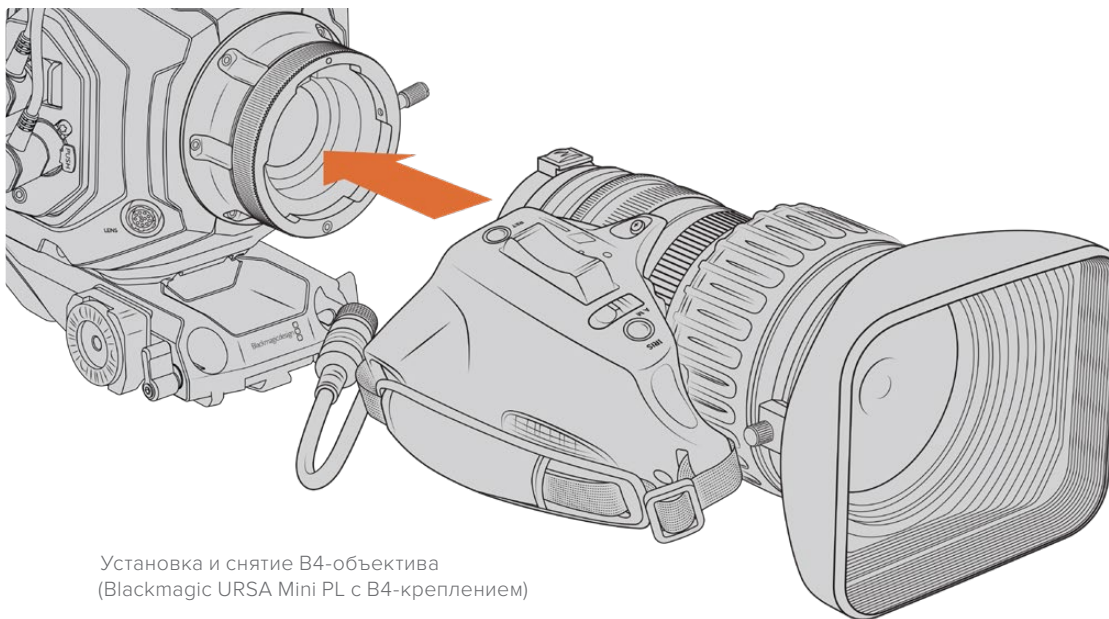
Информация, записанная в виде метаданных через оптический интерфейс Cooke (*i* Technology), может пригодиться при постобработке и добавлении визуальных эффектов. Если известны типы применяемых при съемке объективов и их настройки, это поможет при дублировании параметров.

Кроме того, детальная информация важна при работе с функционалом таких приложений, как DaVinci Resolve и Blackmagic Fusion. Сохраненные метаданные могут быть использованы для имитации изображения через специальные объективы в 3D-пространстве или исправления искажений.

URSA Mini Pro и URSA Mini PL поддерживают работу с PL-объективами 35 мм, которые оснащены рукояткой с сервоприводом. Когда оптика подключена к камере через 12-контактный разъем, питание и сигналы управления будут поступать с URSA Mini так же, как при использовании В4-объективов. Подробнее см. раздел «Использование объективов с сервоприводом».

**ПРИМЕЧАНИЕ.** Когда камера хранится без объектива, стеклянный фильтр матрицы подвергается воздействию пыли и загрязнению, поэтому рекомендуется всегда использовать пылезащитную крышку.

## Порядок установки объектива с байонетом B4

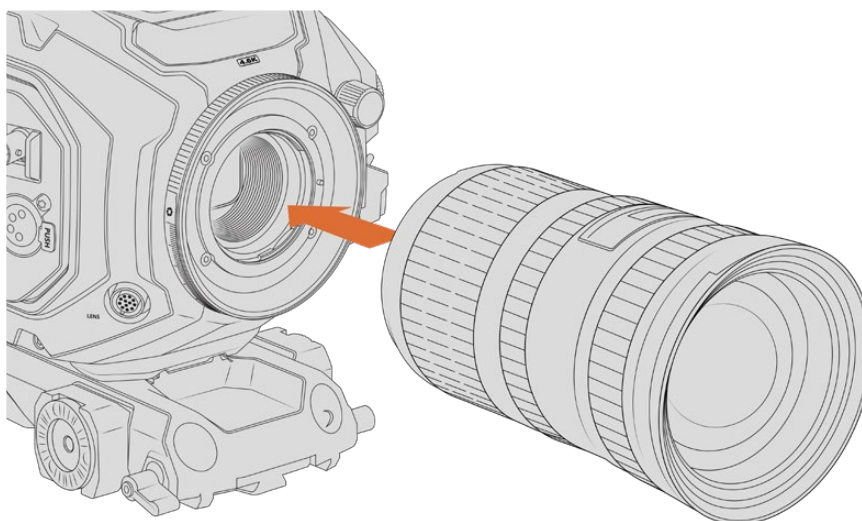


Установка и снятие B4-объектива  
(Blackmagic URSA Mini PL с B4-креплением)

- 1 Поверните фиксирующее кольцо на корпусе против часовой стрелки, чтобы открыть доступ к пазу в верхней части крепления. Совместите паз крепления B4 с центрирующим штифтом объектива.
- 2 Поместите объектив на байонет B4 так, чтобы их монтажные поверхности соприкасались. Убедитесь в том, что центрирующий штифт зафиксирован в пазу.
- 3 Поверните фиксирующее кольцо по часовой стрелке, чтобы закрепить объектив на байонете в нужном положении.
- 4 Для подачи питания и управления объективом подключите его кабель к разъему с маркировкой Lens на передней панели URSA Mini PL или URSA Mini Pro. Большинство объективов с B4-креплением имеют 12-контактный разъем и оснащаются интегрированным кабелем. С их помощью на оптику поступают питание и сигналы управления с URSA Mini.

Подробнее см. раздел «Использование объективов с сервоприводом».

## Порядок установки объектива с байонетом F



Установка и снятие объектива при оснащении камеры  
URSA Mini Pro 4.6K дополнительным байонетом F

- 1 Совместите метку на объективе с меткой на байонете. Многие объективы имеют указатель в виде синей, красной или белой метки.
- 2 Установите объектив на байонет и поверните против часовой стрелки до конца.
- 3 Чтобы снять объектив, нажмите фиксирующую кнопку, поверните объектив по часовой стрелке до перехода метки или указателя в положение «2 часа», затем осторожно извлеките объектив.

**ПРИМЕЧАНИЕ.** Blackmagic URSA Mini Pro F оснащается механизмом ручной регулировки диафрагмы. При работе с байонетом F, имеющим встроенные кольца для настройки диафрагмы, необходимо выбрать минимальное значение апертуры объектива, такое как  $f/22$ . Подробнее о настройке апертуры при ручной регулировке диафрагмы на Blackmagic URSA Mini Pro F см. раздел "Blackmagic URSA Mini Pro F Mount".

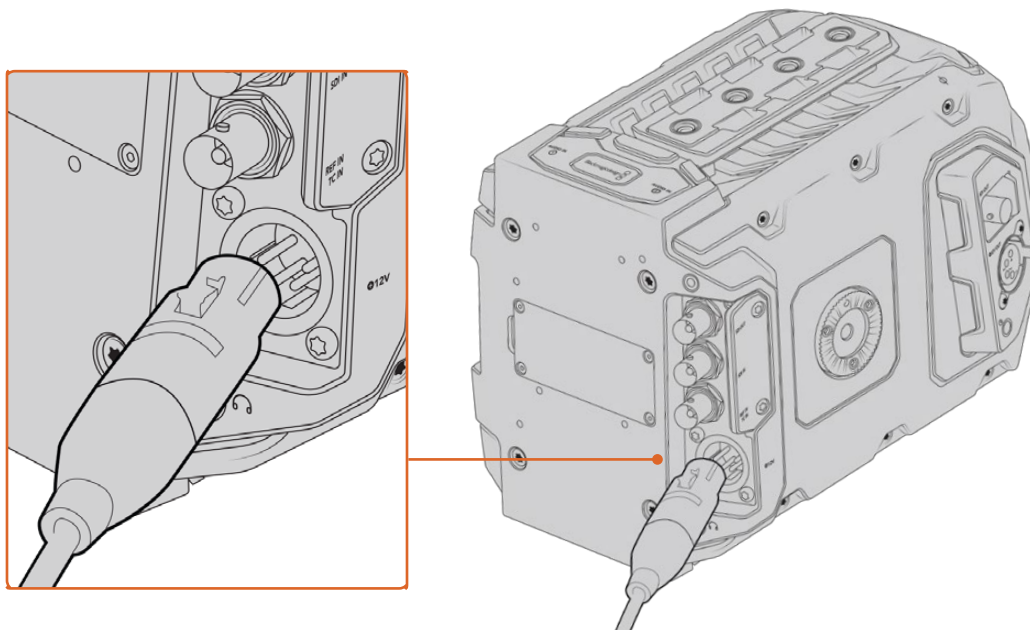
## Подключение питания

После установки объектива можно подключить питание камеры. Самый простой способ — использовать прилагаемый адаптер переменного тока 12 В.

### Подключение внешнего источника питания

- 1 Подключите вилку адаптера 12 в к сетевой розетке.
- 2 Соедините 4-контактный XLR-разъем адаптера с разъемом 12-20 В на камере.

При одновременном подключении внешнего источника питания и аккумуляторной батареи будет использоваться только внешний источник. Если его отключить, при наличии установленной и полностью заряженной батареи камера сразу перейдет на питание от аккумулятора.



Для питания камеры Blackmagic URSA Mini от источника переменного тока используйте прилагаемый адаптер 12 В

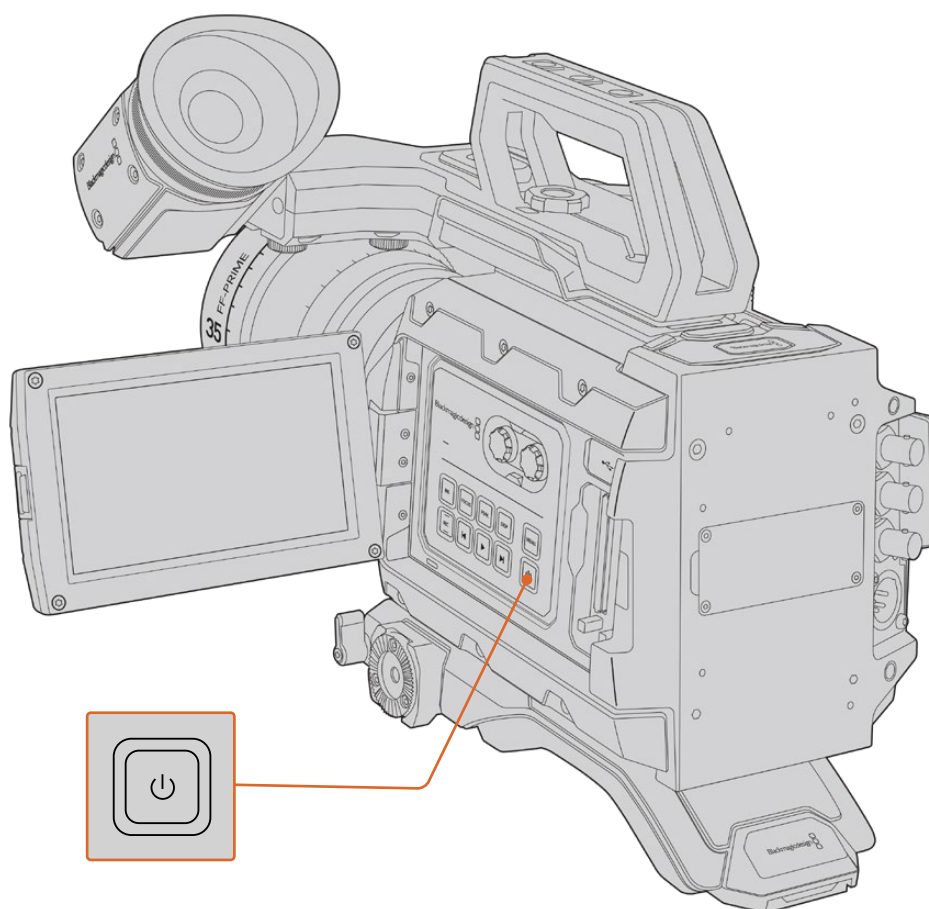


С камерой URSA Mini можно использовать внешние батареи с креплением V-Mount или Gold Mount. Подробнее о работе с различными пластинами см. раздел «Установка аккумуляторной батареи».

### Порядок включения камеры URSA Mini

- 1 Нажмите и отпустите кнопку питания. На Blackmagic URSA Mini кнопка питания находится на панели управления за откидным ЖК-дисплеем. Для доступа к панели откройте дисплей.
- 2 Нажмите и удерживайте кнопку питания, чтобы выключить камеру.

Теперь можно установить карты памяти CFast 2.0 и начать запись.

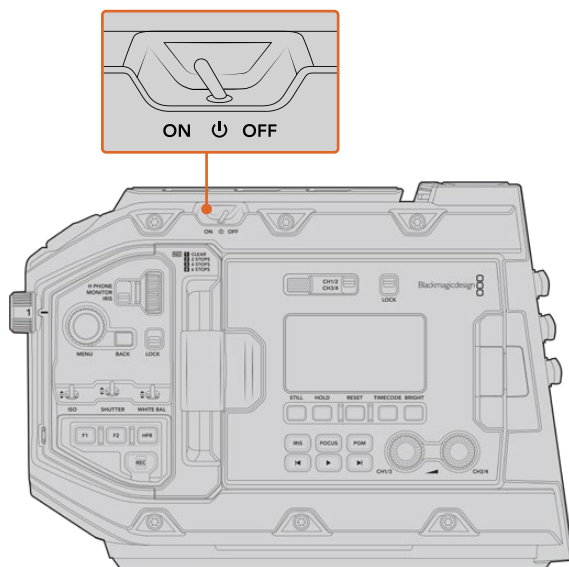


Чтобы включить URSA Mini, откройте откидной сенсорный ЖК-экран, затем нажмите и отпустите кнопку питания на панели управления. Для отключения камеры нажмите и удерживайте кнопку.

**СОВЕТ.** Для включения камеры нажмите и отпустите кнопку. Не нажимайте кнопку вновь, так как для включения требуется около 10 секунд. Для выключения камеры нажмите и удерживайте кнопку, пока камера не отключится.

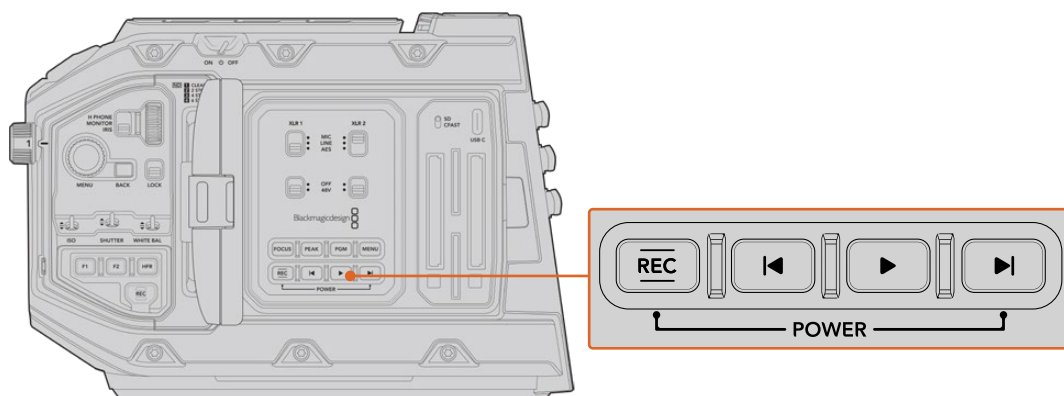
## Порядок включения камеры URSA Mini Pro

- 1 На Blackmagic URSA Mini Pro тумблер питания находится над откидным ЖК-дисплеем. Чтобы включить камеру, установите его в положение ON (Вкл.).
- 2 Для отключения камеры верните тумблер в положение OFF (ВЫКЛ.).



Чтобы включить камеру, установите тумблер в положение ON (ВКЛ.)

Камеру URSA Mini Pro можно включать и отключать с помощью кратковременного нажатия на кнопки REC и перемотки вперед на внутренней панели управления. Этот дополнительный способ удобен в тех случаях, когда затруднен доступ к верхней панели, например при работе с обвесом.



Питание можно включить и отключить с помощью кнопок ускоренной перемотки и REC, расположенных на задней панели ЖК-дисплея

**СОБЕТ.** Если URSA Mini Pro отключается, когда тумблер питания находится в положении ON, вероятными причинами могут быть управление через Bluetooth® или одновременное нажатие кнопок REC и перемотки вперед. В этом случае для включения камеры переведите тумблер на OFF, а затем верните на ON, либо нажмите и удерживайте соответствующую кнопку на панели управления.



## Работа с накопителями

Камеры Blackmagic URSA Mini имеют несколько опций для сохранения материала. Для записи видео все модели используют карты памяти CFast 2.0. URSA Mini Pro также поддерживает работу со скоростными SD-картами UHS-II и UHS-I.

URSA Mini Pro G2 имеет порт USB-C 3.1 Gen 1, а URSA Mini Pro 12K — USB-C 3.1 Gen 2, предназначенный для сохранения контента на высокоскоростные флеш-накопители или SSD-диски с помощью устройства URSA Mini Recorder, устанавливаемого дополнительно.

**ПРИМЕЧАНИЕ.** Устройство URSA Mini Recorder предназначено для работы с моделями URSA Mini Pro 12K и URSA Mini Pro 4.6K G2. Оно не совместимо с камерами URSA Mini Pro 4.6K, URSA Mini 4.6K и URSA Mini 4K. Подробнее о подключении к камере устройства URSA Mini Recorder см. раздел "Blackmagic URSA Mini Recorder".

### Скорость накопителей

Скорость записи и считывания данных, указываемая производителями накопителей, часто приводится для небольших статичных изображений и поэтому может отличаться при сохранении непрерывного потока видео.

Все перечисленные ниже карты тщательно протестированы специалистами Blackmagic Design на совместимость с камерой URSA Mini. При выборе носителя используйте только карты, рекомендуемые компанией Blackmagic Design.

## Карты CFast

Накопители CFast 2.0 поддерживают очень высокий битрейт, поэтому они идеально подходят для записи в HD и 4K. Более подробно о максимальном битрейте для каждого формата см. таблицу продолжительности записи в разделе «Запись».

**ПРИМЕЧАНИЕ.** Максимальный битрейт, а также скорость записи и воспроизведения карты CFast 2.0 может варьироваться в зависимости от модели. Для гарантированной записи с выбранной кадровой частотой рекомендуется использовать накопители, перечень которых приведен в данном разделе.

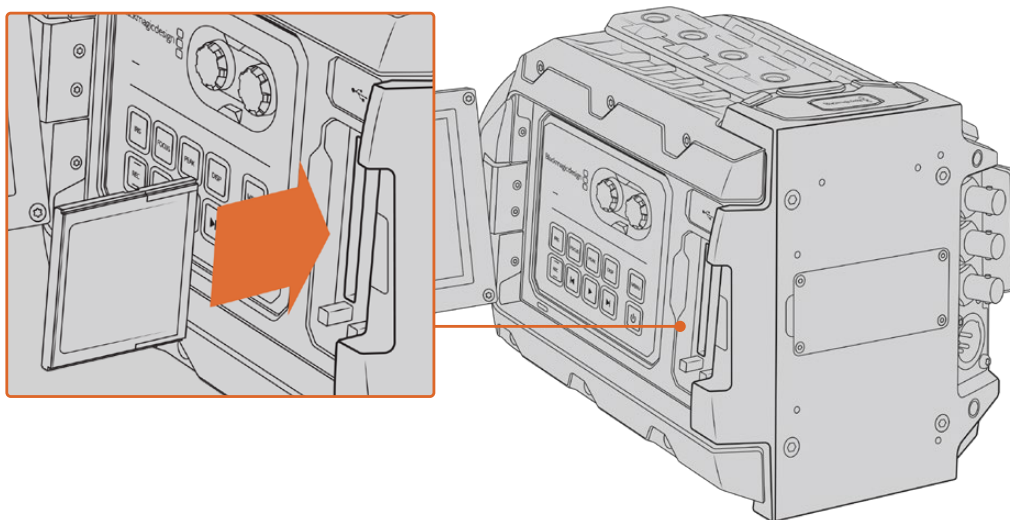
### Установка карты CFast

Камера URSA Mini Pro позволяет сохранять материал на накопители CFast или SD. Для работы с картами CFast установите находящийся над слотом переключатель в положение CFAST.

### Порядок установки карты CFast

- 1 Откройте откидной монитор, чтобы получить доступ к слотам CFast.
- 2 Вставьте карту CFast в слот до конца. Она должна свободно войти внутрь без приложения излишней силы. Для извлечения накопителя нажмите соответствующую кнопку.

В нижней части ЖК-дисплея будет выводиться название обнаруженной карты CFast и оставшееся время записи.



Blackmagic URSA Mini имеет два слота для карт памяти CFast

### Выбор карты памяти CFast 2.0

При работе с видео, которое требует передачи большого объема данных, важно правильно подобрать карту CFast. Носители отличаются по скорости записи и считывания данных. В таблице этого раздела приведен перечень рекомендуемых карт CFast.

#### Выбор карты CFast при работе с Blackmagic URSA Mini Pro 12K

Рекомендуемые карты CFast 2.0 для записи в 12K DCI (Blackmagic RAW 18:1) с кадровой частотой до 60 fps и в 8K DCI (Blackmagic RAW 8:1) до 60 fps

Производитель	Название	Емкость
Angelbird	AV Pro CF	128 ГБ
Angelbird	AV Pro CF	256 ГБ
Angelbird	AV Pro CF	512 ГБ
Angelbird	AV Pro CF	1 ТБ
ExAscend	Essential	512 ГБ
ExAscend	Essential	1 ТБ
FreeTail	Evoke Pro 3700x	128 ГБ
FreeTail	Evoke Pro 3700x	256 ГБ
FreeTail	Evoke Pro 3700x	512 ГБ
FreeTail	Evoke Pro 3700x	1 ТБ

Производитель	Название	Емкость
KomputerBay	x3400 CFast 2.0	128 ГБ
ProGrade Digital	550MB/s CFast 2.0	256 ГБ
ProGrade Digital	550MB/s CFast 2.0	512 ГБ
SanDisk	Extreme Pro CFast 2.0 SDCFSP-128G-x46D	128 ГБ
Wise	CFast 2.0 3400x	256 ГБ
Wise	CFast 2.0 3500x	512 ГБ
Wise	CFast 2.0 3500x	1 ТБ

### Карты CFast для съемки на камеры Blackmagic URSA Mini и URSA Mini Pro

Рекомендуемые карты CFast 2.0 для записи в 4.6K (Blackmagic RAW 3:1) с частотой до 60 кадров/с

Производитель	Название	Емкость
Angelbird	AV Pro CF	128 ГБ
Angelbird	AV Pro CF	256 ГБ
Angelbird	AV Pro CF	512 ГБ
Angelbird	AV Pro CF	1 ТБ
CinediskPro	510 МБ/с CFast 2.0	256 ГБ
FreeTail	Evoke Pro 3700x	128 ГБ
FreeTail	Evoke Pro 3700x	256 ГБ
FreeTail	Evoke Pro 3700x	512 ГБ
FreeTail	Evoke Pro 3700x	1 ТБ
Hagiwara Solutions	CFast 2.0 DC-SMAN64GA	64 ГБ
Hagiwara Solutions	CFast 2.0 DC-SMANA1GA	128 ГБ
KomputerBay	3600x CFast 2.0 Card	64 ГБ
ProGrade Digital	550 МБ/с CFast 2.0	64 ГБ
ProGrade Digital	550 МБ/с CFast 2.0	128 ГБ
ProGrade Digital	550 МБ/с CFast 2.0	256 ГБ
ProGrade Digital	550 МБ/с CFast 2.0	512 ГБ
SanDisk	Extreme Pro CFast 2.0 SDCFSP-128G-x46D	128 ГБ
SanDisk	Extreme Pro CFast 2.0 SDCFSP-256G-x46D	256 ГБ
SanDisk	Extreme Pro CFast 2.0 SDCFSP-512G-x46D	512 ГБ
Sony	CFast 2.0 G Series CAT-G64	64 ГБ
Sony	CFast 2.0 G Series CAT-G128	128 ГБ

Производитель	Название	Емкость
Transcend	CFX650 CFast 2.0 TS128GCFX650	128 ГБ
Transcend	CFX650 CFast 2.0 TS256GCFX650	256 ГБ
Transcend	CFX650 CFast 2.0 TS128GCFX650BM	128 ГБ
Transcend	CFX650 CFast 2.0 TS256GCFX650BM	256 ГБ
Wise	CFast 2.0 3400x	256 ГБ
Wise	CFast 2.0 3500x	512 ГБ

Рекомендуемые карты CFast 2.0 для записи в 2160p (ProRes 422 HQ) с частотой до 60 кадров/с

Производитель	Название	Емкость
Angelbird	AV Pro CF	128 ГБ
Angelbird	AV Pro CF	256 ГБ
Angelbird	AV Pro CF	512 ГБ
Angelbird	AV Pro CF	1 ТБ
Angelbird	AV Pro CF XT	256 ГБ
Angelbird	AV Pro CF XT	512 ГБ
CinediskPro	510 МБ/с CFast 2.0	256 ГБ
Hagiwara Solutions	DC-SMAN64GA	64 ГБ
Hagiwara Solutions	DC-SMANA1GA	128 ГБ
KomputerBay	3600x CFast 2.0 Card	64 ГБ
KomputerBay	3700x CFast 2.0 Card	256 ГБ
ProGrade Digital	550 МБ/с CFast 2.0	128 ГБ
ProGrade Digital	550 МБ/с CFast 2.0	256 ГБ
ProGrade Digital	550 МБ/с CFast 2.0	512 ГБ
SanDisk	Extreme Pro CFast 2.0 SDCFSP-128G-x46D	128 ГБ
SanDisk	Extreme Pro CFast 2.0 SDCFSP-256G-x46D	256 ГБ
SanDisk	Extreme Pro CFast 2.0 SDCFSP-512G-x46D	512 ГБ
Silicon Power	CFX310	256 ГБ
Sony	CFast 2.0 G Series CAT-G64	64 ГБ
Sony	CFast 2.0 G Series CAT-G128	128 ГБ
Transcend	CFX650 CFast 2.0 TS128GCFX650	128 ГБ
Transcend	CFX650 CFast 2.0 TS256GCFX650	256 ГБ

Производитель	Название	Емкость
Transcend	CFX650 CFast 2.0 TS128GCFX650BM	128 ГБ
Transcend	CFX650 CFast 2.0 TS256GCFX650BM	256 ГБ
Wise	CFast 2.0 3400x	128 ГБ
Wise	CFast 2.0 3400x	256 ГБ
Wise	CFast 2.0 3500x	512 ГБ

Актуальную информацию о картах CFast для URSA Mini можно найти в разделе поддержки на сайте [www.blackmagicdesign.com/ru/support](http://www.blackmagicdesign.com/ru/support).

**ПРИМЕЧАНИЕ.** Для камеры Blackmagic URSA Mini сертифицированы только карты CFast 2.0 серии D производства Sandisk. Эти накопители имеют крупную букву D на маркировке. В данном разделе приведены также номера моделей для удобства их идентификации. Номера моделей могут отличаться по символу X в зависимости от региона. Например, в США используется обозначение A, в Европе и странах АТР — G.

## Карты памяти SD

Дополнительно к CFast 2.0 камера Blackmagic URSA Mini Pro поддерживает работу с высокоскоростными SD-картами UHS-I и UHS-II. Применение самых современных носителей SDXC класса UHS-II позволяет вести запись Ultra HD-материала в ProRes HQ 2160p.

HD-видео можно сохранять на более доступные SD-карты. SDXC и SDHC — наиболее распространенные типы накопителей для бытовых фото- и видеокамер.

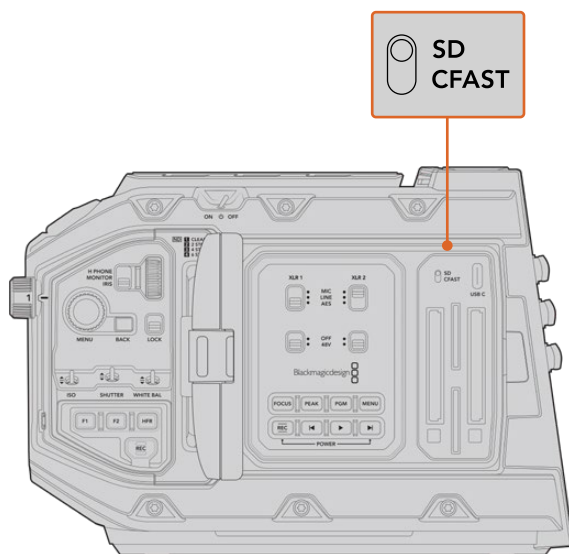
Если вы вели съемку на DSLR, Blackmagic Micro Cinema Camera или Pocket Cinema Camera 4K либо использовали решение Blackmagic Video Assist, то наверняка работали с SD-картами.

Применять такие носители особенно удобно в проектах, не требующих создания файлов Blackmagic RAW с самым высоким разрешением, или при продолжительной записи. Обладающие меньшей емкостью и более низкой скоростью карты SD подходят для хранения LUT-таблиц и предустановок.

## Установка SD-карты

### Порядок установки SD-карты

- 1 Откройте откидной монитор, чтобы получить доступ к слотам SD-карт. Они меньшего размера и расположены между слотами для CFast.
- 2 Установите переключатель над слотом в положение SD.
- 3 Возьмите SD-карту таким образом, чтобы ее наклейка была обращена к сенсорному экрану, и вставьте карту в слот до конца. Чтобы вынуть носитель, слегка надавите на него и достаньте из слота.
- 4 Индикатор носителя внизу сенсорного ЖК-экрана будет показывать имена обнаруженных карт и оставшееся время записи.



При записи на SD-карты с помощью камеры URSA Mini Pro 4.6K переключатель должен быть в положении SD

## Выбор скоростной SD-карты

На Blackmagic URSA Mini Pro материал в Ultra HD рекомендуется сохранять на наиболее скоростные SD-карты класса UHS-II. Для записи в Ultra HD и HD необходимо использовать носители класса UHS-II, для сохранения в HD подойдут карты UHS-I. Эти накопители обеспечивают высокую скорость передачи и хранение большого объема данных. Подробнее о рекомендуемых SD-картах см. таблицу в этом разделе.

Перед использованием карты ее необходимо отформатировать под файловую систему HFS+ или exFAT. Это можно сделать на камере или на компьютере. Подробнее см. раздел «Подготовка накопителя к записи».

Карты памяти можно также отформатировать на компьютере с операционной системой Mac или Windows. В первом случае используется файловая система HFS+, во втором — exFAT, при этом последний формат также поддерживается на Mac.

В таблице ниже приведен перечень SD-карт, рекомендуемых при съемке на камеру Blackmagic URSA Mini Pro. Эта информация регулярно обновляется, поэтому мы рекомендуем обращаться к самой последней версии руководства. Его можно загрузить с веб-сайта Blackmagic Design по адресу [www.blackmagicdesign.com/ru/support](http://www.blackmagicdesign.com/ru/support).

**ПРИМЕЧАНИЕ.** Если на камеру URSA Mini снимают материал в формате Ultra HD или записывают видео с высокой кадровой частотой, рекомендуем использовать накопители CFast 2.0 или SD UHS-II, так как они обычно быстрее и вместительнее, чем SD-карты класса UHS-I.

В разделе поддержки на сайте Blackmagic Design [www.blackmagicdesign.com/ru/support](http://www.blackmagicdesign.com/ru/support) есть последняя информация по SD-картам, которые можно использовать с камерой URSA Mini Pro 12K.

### Выбор карты SD при работе с Blackmagic URSA Mini Pro 12K

Рекомендуемые карты SD для записи в 12K DCI (Blackmagic RAW 12:1) с частотой до 24 кадров/с

Производитель	Название	Емкость
ProGrade Digital	V90 UHS-II 300MB/s SDXC	64 ГБ
ProGrade Digital	V90 UHS-II 300MB/s SDXC	128 ГБ
ProGrade Digital	V90 UHS-II 300MB/s SDXC	256 ГБ
Sony	Tough SF-G64 300MB/s UHS-II SDXC	64 ГБ
Sony	Tough SF-G128 300MB/s UHS-II SDXC	128 ГБ

Рекомендуемые карты SD для записи в 8K DCI (Blackmagic RAW 18:1) с частотой до 60 кадров/с

Производитель	Название	Емкость
Angelbird	AV Pro MK2 V90 SDXC	256 ГБ
ProGrade Digital	V90 UHS-II 300MB/s SDXC	64 ГБ
ProGrade Digital	V90 UHS-II 300MB/s SDXC	128 ГБ
ProGrade Digital	V90 UHS-II 300MB/s SDXC	256 ГБ
Sony	Tough SF-G64 300MB/s UHS-II SDXC	64 ГБ
Sony	Tough SF-G128 300MB/s UHS-II SDXC	128 ГБ
Wise	285MB/s UHS-II SDXC	64 ГБ
Wise	285MB/s UHS-II SDXC	128 ГБ

### Выбор SD-карты при работе с камерой URSA Mini Pro

Рекомендуемые SD-карты для записи в 4K DCI Blackmagic RAW 12:1 с частотой до 30 кадров/с

Производитель	Название	Емкость
Angelbird	AV Pro 300MB/s UHS-II SDXC	64 ГБ
Angelbird	AV Pro 300MB/s UHS-II SDXC	128 ГБ
Lexar	Professional 2000x UHS-II 300MB/s SDXC	64 ГБ
Lexar	Professional 1000x UHS-II 150MB/s SDXC	64 ГБ
SanDisk	Extreme Pro UHS-I 95MB/s SDXC	64 ГБ
SanDisk	Extreme Pro UHS-I 95MB/s SDXC	128 ГБ
SanDisk	Extreme Pro UHS-I 95MB/s SDXC	256 ГБ
SanDisk	Extreme Pro UHS-I 95MB/s SDXC	512 ГБ
SanDisk	Extreme Pro UHS-II 280MB/s SDXC	64 ГБ
SanDisk	Extreme Pro UHS-II 300MB/s SDHC	32 ГБ
SanDisk	Extreme Pro UHS-II 300MB/s SDXC	128 ГБ



Производитель	Название	Емкость
Sony	SF-G64 300MB/s UHS-II SDXC	64 ГБ
Sony	SF-G128 300MB/s UHS-II SDXC	128 ГБ
Toshiba	Exceria Pro UHS-II 270MB/s SDXC	64 ГБ
Toshiba	Exceria Pro UHS-II 270MB/s SDXC	128 ГБ
Toshiba	Exceria Pro UHS-II N502 SDHC	32 ГБ
Toshiba	Exceria Pro UHS-II N502 SDXC	64 ГБ
Toshiba	Exceria Pro UHS-II N502 SDXC	128 ГБ
Toshiba	Exceria Pro UHS-II N502 SDXC	256 ГБ
Transcend	Ultimate UHS-II 180MB/s SDXC	64 ГБ
Wise	285MB/s UHS-II SDXC	64 ГБ
Wise	285MB/s UHS-II SDXC	128 ГБ

Рекомендуемые карты SD для записи в 2160p (ProRes 422 HQ) с частотой до 30 кадров/с

Производитель	Название	Емкость
Angelbird	AV Pro 300MB/s UHS-II SDXC	64 ГБ
Angelbird	AV Pro 300MB/s UHS-II SDXC	128 ГБ
Delkin Devices	UHS-II 250MB/s SDHC	32 ГБ
ProGrade Digital	V90 UHS-II 250MB/s SDXC	128 ГБ
SanDisk	Extreme Pro UHS-II 280MB/s SDHC	32 ГБ
SanDisk	Extreme Pro UHS-II 280MB/s SDXC	64 ГБ
SanDisk	Extreme Pro UHS-II 300MB/s SDHC	32 ГБ
SanDisk	Extreme Pro UHS-II 300MB/s SDXC	128 ГБ
Sony	SF-G64 300MB/s UHS-II SDXC	64 ГБ
Sony	SF-G128 300MB/s UHS-II SDXC	128 ГБ
Toshiba	Exceria Pro UHS-II 270MB/s SDXC	64 ГБ
Toshiba	Exceria Pro UHS-II N502 SDHC	32 ГБ
Toshiba	Exceria Pro UHS-II N502 SDXC	64 ГБ
Toshiba	Exceria Pro UHS-II N502 SDXC	128 ГБ
Toshiba	Exceria Pro UHS-II N502 SDXC	256 ГБ
Transcend	Ultimate UHS-II 180MB/s SDXC	64 ГБ
Wise	285MB/s UHS-II SDXC	64 ГБ
Wise	285MB/s UHS-II SDXC	128 ГБ

Рекомендуемые карты SD для записи в 1080p (ProRes 422 HQ) с частотой до 60 кадров/с

Производитель	Название	Емкость
Angelbird	AV Pro 300MB/s UHS-II SDXC	64 ГБ
Angelbird	AV Pro 300MB/s UHS-II SDXC	128 ГБ
Delkin Devices	UHS-II 250MB/s SDHC	32 ГБ
Lexar	Professional 2000x UHS-II 300MB/s SDHC	32 ГБ
Lexar	Professional 2000x UHS-II 300MB/s SDXC	64 ГБ
Lexar	Professional 1000x UHS-II 150MB/s SDXC	64 ГБ
ProGrade Digital	V90 UHS-II 250MB/s SDXC	128 ГБ
ProGrade Digital	V60 UHS-II 200MB/s SDXC	64 ГБ
ProGrade Digital	V60 UHS-II 200MB/s SDXC	128 ГБ
SanDisk	Extreme Pro UHS-I 95MB/s SDXC	64 ГБ
SanDisk	Extreme Pro UHS-I 95MB/s SDXC	128 ГБ
SanDisk	Extreme Pro UHS-I 95MB/s SDXC	256 ГБ
SanDisk	Extreme Pro UHS-I 95MB/s SDXC	512 ГБ
SanDisk	Extreme Pro UHS-II 280MB/s SDHC	32 ГБ
SanDisk	Extreme Pro UHS-II 280MB/s SDXC	64 ГБ
SanDisk	Extreme Pro UHS-II 300MB/s SDXC	64 ГБ
SanDisk	Extreme Pro UHS-II 300MB/s SDXC	128 ГБ
Sony	SF-G64 300MB/s UHS-II SDXC	64 ГБ
Sony	SF-G128 300MB/s UHS-II SDXC	128 ГБ
Toshiba	Exceria Pro UHS-II 270MB/s SDXC	64 ГБ
Toshiba	Exceria Pro UHS-II 270MB/s SDXC	128 ГБ
Toshiba	Exceria Pro UHS-II 270MB/s SDXC	256 ГБ
Toshiba	Exceria Pro UHS-II N502 SDHC	32 ГБ
Toshiba	Exceria Pro UHS-II N502 SDXC	64 ГБ
Toshiba	Exceria Pro UHS-II N502 SDXC	128 ГБ
Toshiba	Exceria Pro UHS-II N502 SDXC	256 ГБ
Transcend	Ultimate UHS-II 180MB/s SDXC	64 ГБ
Wise	285MB/s UHS-II SDXC	64 ГБ
Wise	285MB/s UHS-II SDXC	128 ГБ

В разделе поддержки на сайте Blackmagic Design [www.blackmagicdesign.com/ru/support](http://www.blackmagicdesign.com/ru/support) есть последняя информация по SD-картам, которые можно использовать с камерами URSA Mini Pro.

## Защита SD-карт

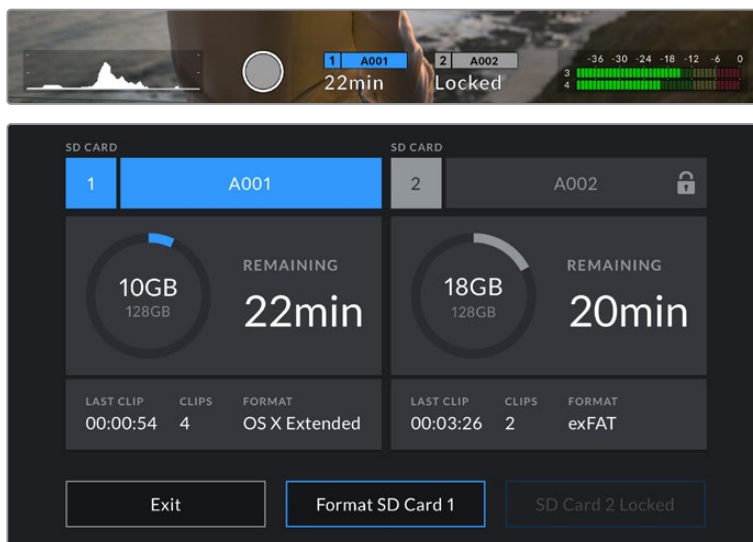
SD-карты имеют защиту от записи.

При работе с картой убедитесь в том, что защита от записи разблокирована. Передвиньте переключатель блокировки на боковой стороне накопителя в положение рядом с контактами. По окончании работы можно снова включить защиту, вернув переключатель в первоначальное положение.



Чтобы установить или снять защиту от записи, передвиньте переключатель блокировки вниз или вверх

Если на камеру URSA Mini Pro установлена SD-карта с защитой от записи, на ЖК-дисплее и в меню выбора носителя появится соответствующий значок. Чтобы выполнить сохранение, экспорт LUT-таблиц и конфигурации параметров, необходимо снять блокировку.



При использовании SD-карты с защитой от записи на камере URSA Mini Pro появится соответствующее сообщение

## Флеш-накопители USB-C

Blackmagic URSA Mini Pro 4.6K G2 имеет высокоскоростной порт расширения USB-C, который позволяет вести сохранение видео напрямую на флеш-накопители USB-C. На модели URSA Mini Pro 12K есть по одному интерфейсу USB-C 3.1 Gen 1 и USB-C 3.1 Gen 2. Первый находится возле слота для CFast-карты и служит для обновления ПО. Второй, расположенный на задней панели около SDI-разъемов, предназначен для записи материала на высокоскоростные SSD-диски. Эти носители имеют большую емкость и обеспечивают запись в течение долгого времени, что очень важно во время работы на длительных массовых мероприятиях.

Когда флеш-накопитель USB-C соединен с камерой, в операционной системе он занимает второй слот. Если в меню настроек сохранения коснуться имени носителя, он будет назначен как активный. Порядок записи, воспроизведения и сохранения данных на флеш-диски USB-C остается таким же, как при работе с SSD-дисками, картами CFast и SD.

По окончании записи накопители можно подключить напрямую к компьютеру для выполнения монтажа и постобработки без копирования материала.

### Порядок подключения флеш-накопителя USB-C

- 1 Соедините один конец кабеля USB-C со флеш-накопителем.
- 2 Другой конец кабеля подключите к интерфейсу USB-C, находящемуся под SDI-портами на тыльной панели модели URSA Mini Pro 12K. При использовании камеры URSA Mini Pro 4.6K G2 откройте откидной сенсорный дисплей с левой стороны и подсоедините кабель к порту USB-C над слотами CFast.

### Выбор флеш-накопителя USB-C при работе с Blackmagic URSA Mini Pro 12K

Рекомендуемые флеш-накопители USB-C для записи в 12K DCI (Blackmagic RAW 8:1) с частотой до 30 кадров/с

Производитель	Флеш-накопитель USB-C	Емкость
Angelbird	SSD2GO PKT MK2	512 ГБ
Angelbird	SSD2GO PKT MK2	2 ТБ
Glyph	Atom Raid SSD	4 ТБ
Sony	Tough SL-CG5	500 ГБ
Sony	Tough SL-C1	1 ТБ
Sony	Tough SL-C2	2 ТБ
Delkin Devices	Juggler	2 ТБ
Wise	PTS-512 Portable SSD	512 ГБ
Wise	PTS-1024 Portable SSD	1 ТБ
Wise	PTS-2048 Portable SSD	2 ТБ

### Выбор флеш-накопителя USB-C при работе с Blackmagic URSA Mini Pro 4.6K G2

Рекомендуемые флеш-накопители USB-C для записи в Blackmagic RAW 3:1 (4.6K) с частотой до 60 кадров/с

Производитель	Флеш-накопитель USB-C	Емкость
Samsung	Portable SSD T5	500 ГБ
Samsung	Portable SSD T5	1 ТБ
Wise	Portable SSD	256 ГБ
Wise	Portable SSD	512 ГБ
Wise	Portable SSD	1 ТБ

В разделе поддержки на сайте Blackmagic Design [www.blackmagicdesign.com/ru/support](http://www.blackmagicdesign.com/ru/support) есть последняя информация по таким накопителям.

## Скорость флеш-накопителей USB-C

Из-за использования скрытого сжатия некоторые модели флеш-накопителей USB-C не в состоянии сохранять данные со скоростью, указанной производителем. В этом случае заявленные характеристики достигаются только для файлов с простой структурой, а при работе с видео реальное значение такого параметра будет меньше.

На некоторых флеш-накопителях USB-C скорость записи меньше заявленной производителем, при этом отклонение может достигать 50%. Даже если в технических характеристиках указано, что носитель подходит для работы с видео, на практике он не всегда поддерживает запись в реальном времени.

Чтобы узнать, подходит или нет флеш-накопитель USB-C для записи и воспроизведения видео с большим объемом данных, воспользуйтесь утилитой Blackmagic Disk Speed Test. Она проверяет носитель на производительность, поэтому результаты теста будут отражать скорость, близкую к фактической. Как правило, современные и емкие накопители отличаются достаточным быстродействием.

Утилита Blackmagic Disk Speed Test доступна в Mac App Store. Версии для работы на платформах Windows и Mac также включены в приложение Blackmagic Desktop Video, которое можно загрузить в разделе «Запись и воспроизведение» центра поддержки Blackmagic Design на странице [www.blackmagicdesign.com/ru/support](http://www.blackmagicdesign.com/ru/support).

## SSD-диски

При подключении дополнительного устройства URSA Mini Recorder запись можно вести напрямую на SSD-диски. Эти скоростные твердотельные накопители имеют большую емкость, поставляются уже готовыми к работе и доступны в любом магазине электроники.

URSA Mini Recorder имеет порт USB-C для быстрой передачи данных на обычные SSD-диски шириной 2,5 дюйма, а также на твердотельные накопители толщиной 7 мм с разъемом U.2. Применять можно и платы с интерфейсом M.2, но для них потребуется адаптер. Для достижения оптимальных скоростных показателей рекомендуется использовать сертифицированный кабель USB 3.1 Gen 2. Для обеспечения надежности подключения на поставляемом кабеле USB-C предусмотрены специальные фиксаторы.

**ПРИМЕЧАНИЕ.** Подробнее о подключении устройства URSA Mini Recorder см. раздел "URSA Mini Recorder".

## Установка SSD-диска

### Порядок установки диска

- 1 Возьмите SSD-диск так, чтобы его контакты были обращены к передней панели камеры.
- 2 Откройте подпружиненную крышку на URSA Mini Recorder и осторожно вставьте диск в слот.

**СОВЕТ.** URSA Mini Recorder имеет прижимную пластину для использования различных по размеру SSD-дисков, поэтому дополнительные вставки не нужны.

- 3 Задвиньте диск в слот до конца, затем опустите крышку рекордера.

### Порядок извлечения диска

Откройте крышку на URSA Mini Recorder и осторожно возьмите диск большим и указательным пальцами. Для удобства сверху слота есть небольшая выемка, которая позволяет удерживать накопитель. Осторожно извлеките диск и закройте крышку.

**ПРИМЕЧАНИЕ.** ПРИМЕЧАНИЕ. Blackmagic URSA Mini Recorder использует второй слот для накопителей в операционной системе URSA Mini. Когда рекордер подключен и имеет установленный SSD-диск, второй слот камеры, предназначенный для карт CFast 2.0 и SD, будет недоступен.

Чтобы использовать оба слота камеры, отсоедините кабель USB-C рекордера от URSA Mini Pro 12K. Само устройство можно оставить на камере. Подробнее см. раздел "Blackmagic URSA Mini Recorder".

### Выбор скоростного SSD-диска для URSA Mini Recorder

Доступные SSD-диски предназначены для скоростного сохранения видео при работе с широким рядом устройств. Так как кинопроизводство — только одно из применений твердотельных накопителей, важно правильно выбрать носитель при записи 12K-материала в Blackmagic RAW или Ultra HD. Многие SSD-диски служат для бытового использования, поэтому их скорость недостаточна для Ultra HD-видео.

Ниже перечислены рекомендуемые модели SSD-дисков, которые были протестированы на совместимость с Blackmagic URSA Mini Pro 12K при продолжительной записи с заданным разрешением. В разделе поддержки на сайте Blackmagic Design [www.blackmagicdesign.com/ru/support](http://www.blackmagicdesign.com/ru/support) есть последняя информация по таким накопителям.

#### Накопители с интерфейсом U.2 для Blackmagic URSA Mini Recorder

Рекомендуемые твердотельные накопители шириной 2,5 дюйма с интерфейсом U.2 для записи в 12K DCI (Blackmagic RAW 8:1) с частотой до 50 кадров/с

Производитель	Модель	Емкость
Samsung	983 DCT U.2 MZ-QLB960NE	960 ГБ
Samsung	983 DCT U.2 MZ-QLB1T9NE	1.92 ТБ

#### Накопители с интерфейсом M.2 для Blackmagic URSA Mini Recorder

Рекомендуемые твердотельные накопители с интерфейсом M.2 и адаптером для записи в 12K DCI (Blackmagic RAW 8:1) с частотой до 30 кадров/с

Производитель	Модель	Емкость
SanDisk	Extreme Pro M.2 NVMe 3D SSD	500 ГБ
Western Digital	WD Black NVMe SSD WDS500G2X0C	500 ГБ
Western Digital	WD Black SN750 NVMe SSD WDS100T3X0C	1 ТБ

## Скорость SSD-дисков

Из-за использования скрытого сжатия некоторые модели SSD-дисков не в состоянии сохранять данные со скоростью, указанной производителем. В этом случае заявленные характеристики достигаются только для файлов с простой структурой, а при работе с видео реальное значение такого параметра будет меньше.

На некоторых твердотельных накопителях скорость записи меньше заявленной производителем, при этом отклонение может достигать 50%. Даже если в технических характеристиках указано, что диск подходит для работы с видео, на практике он может не поддерживать запись в реальном времени.

Чтобы узнать, подходит или нет SSD-диск для записи и воспроизведения видео с высоким битрейтом, воспользуйтесь утилитой Blackmagic Disk Speed Test. Она проверяет носитель на производительность, поэтому результаты теста будут отражать скорость, близкую к фактической. Как правило, современные и емкие твердотельные накопители отличаются достаточным быстродействием.

## Подготовка накопителя к записи

Карты CFast и SD, а также SSD-диски можно отформатировать на камере или на компьютере под управлением Mac либо Windows. Для получения оптимального результата рекомендуется выполнять форматирование носителя непосредственно на URSA Mini.

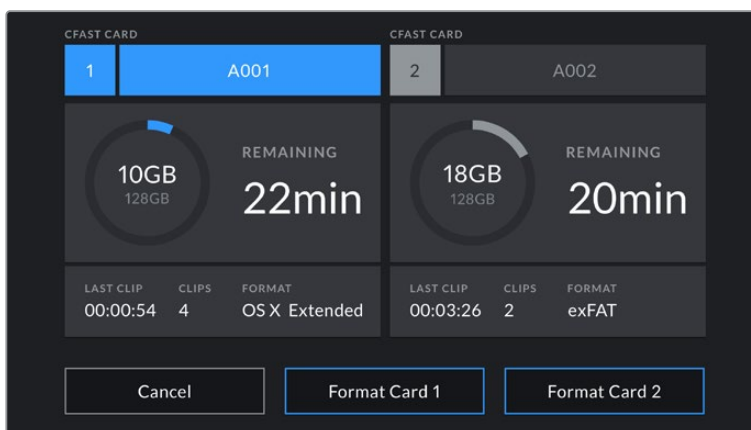
Формат HFS+ также известен как OS X Extended и является предпочтительным, так как он поддерживает протоколирование. В этом случае при повреждении носителя содержащиеся на нем данные будет проще восстановить. Формат HFS+ поддерживается операционной системой Mac, а exFAT можно использовать на платформах Mac и Windows без дополнительного программного обеспечения. Следует помнить, что exFAT не поддерживает протоколирование.

**ПРИМЕЧАНИЕ.** Перед форматированием носителя необходимо проверить заданный переключателем тип накопителя — SD или CFast.

## Подготовка носителя на Blackmagic URSA Mini

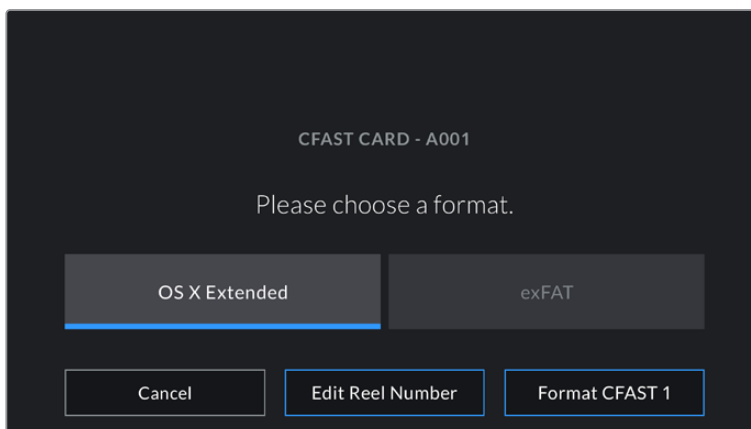
- 1 Коснитесь любого значка накопителя внизу сенсорного ЖК-дисплея, чтобы открыть панель параметров сохранения.
- 2 Для форматирования накопителя в первом или втором слоте нажмите соответствующую кнопку. Если подключить флэш-диск к порту USB-C модели URSA Mini Pro G2, кнопка для форматирования второго диска будет называться Format Drive.





На URSA Mini для форматирования накопителей используется специальная панель

- 3 Нажмите кнопку Edit Reel Number, если нужно вручную изменить номер тома.
- 4 Выберите нужный формат (OS X Extended или exFAT) и нажмите кнопку форматирования.



Чтобы вручную изменить номер тома, нажмите кнопку Edit Reel Number

- 5 После этого необходимо подтвердить сделанный выбор. Нажмите кнопку форматирования еще раз, чтобы продолжить, или Cancel, чтобы прервать процесс.



Перед форматированием убедитесь в том, что выбрана нужная карта

- 6 По окончании форматирования появится соответствующее уведомление.
- 7 Нажмите ОК, чтобы вернуться к панели параметров сохранения.
- 8 Для выхода коснитесь кнопки Exit.

Во время форматирования карт CFast, SD и SSD-дисков им присваиваются имена в соответствии с настройками Camera ID и Reel Number. При каждом последующем форматировании выполняется автоматическая нумерация томов. Чтобы изменить ее вручную, нажмите кнопку Edit Reel Number и введите нужное значение.

Если в новом проекте необходимо начать нумерацию томов с 1, нажмите кнопку Reset Project Data на вкладке PROJECT в меню Slate.

После подключения URSA Mini Recorder и установки SSD-диска используется второй слот камеры URSA Mini, над которым отображается SSD-индикатор.

## Подготовка накопителя на Blackmagic URSA Mini Pro

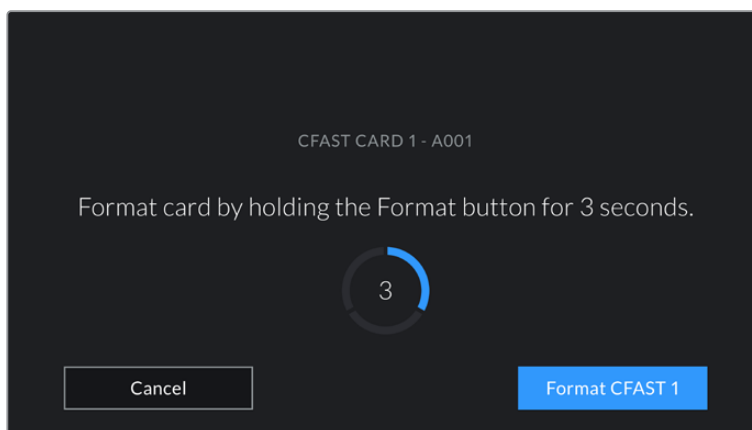
Подготовка накопителя на URSA Mini Pro выполняется так же, как описано выше для моделей URSA Mini. Кроме накопителей CFast, SSD и USB-C, камеры URSA Mini Pro 12K и URSA Mini Pro 4.6K G2 позволяют форматировать также SD-карты. Обратите внимание, что это действие можно выполнить только для того носителя, который выбран с помощью соответствующего переключателя (SD или CFAST). При использовании URSA Mini Recorder или флеш-диска USB-C с камерой URSA Mini Pro 12K или URSA Mini Pro 4.6K G2 индикатор SSD отображается над слотом 2 независимо от положения переключателя.



Панель параметров сохранения на камере показывает, какой носитель (CFast, SD, SSD или USB-C) используется в настоящий момент

**СОБЕТ.** Если камера URSA Mini Pro использует SD-карту с защитой от записи, ее нельзя отформатировать. В этом случае на ЖК-дисплее напротив имени карты будет отображаться значок замка. Для дальнейшей работы нужно снять блокировку. Подробнее о защите SD-карт от записи см. раздел «Карты памяти SD».

При форматировании накопителя на камере URSA Mini Pro появится подсказка с просьбой удерживать кнопку форматирования нажатой в течение трех секунд. После того как действие завершится, появится соответствующее сообщение.



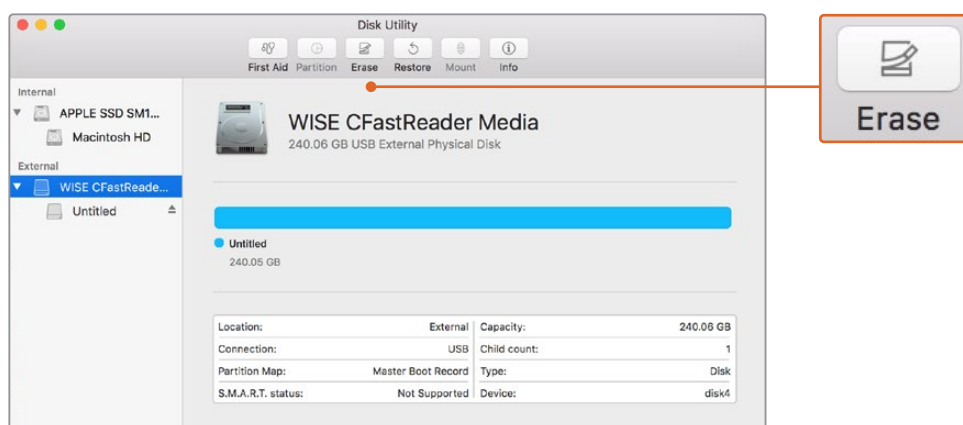
Чтобы начать форматирование накопителя, удерживайте кнопку Format нажатой в течение трех секунд

Подробнее о переключении между накопителями CFast и SD см. раздел «Карты памяти SD».

**ПРИМЕЧАНИЕ.** Если камера используется вместе с URSA Mini Recorder, над вторым слотом будет отображаться текст "SSD RECORDER". Если к камере подключен флеш-накопитель USB-C, вместо этого появится "EXTERNAL DRIVE".

## Подготовка носителя на Mac

Для форматирования носителя (CFast, SD или SSD) под систему HFS+ или exFAT воспользуйтесь приложением «Дисковая утилита», которое входит в пакет Mac. Сначала выполните резервное копирование всех важных данных, потому что при форматировании накопителя они будут удалены.



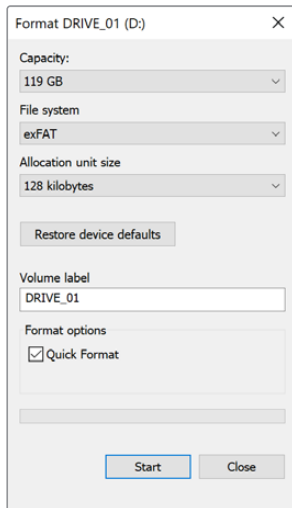
На платформе Mac для форматирования носителя под систему Mac OS Extended (журналируемый) или exFAT используется «Дисковая утилита»

- 1 Подключите накопитель к компьютеру с помощью картридера, док-станции или адаптера, и пропустите сообщение, предлагающее использовать его для создания резервной копии Time Machine.
- 2 Выберите Applications/Utilities (Приложения/утилиты) и запустите Disk Utility.
- 3 Щелкните кнопкой мыши по значку накопителя и выберите вкладку Erase (Очистить).

- 4 Выберите формат "Mac OS Extended (Journaled)" или exFAT.
- 5 Укажите название нового тома в поле Name и выберите Erase. По окончании форматирования накопитель будет готов к использованию.

## Подготовка носителя на Windows

На компьютере под управлением Windows форматирование накопителя под систему exFAT выполняется с помощью диалогового окна Format (Форматировать). Выполните резервное копирование всех важных данных, потому что при форматировании они будут удалены.



На платформе Windows для форматирования накопителей под систему exFAT используется диалоговое окно Format

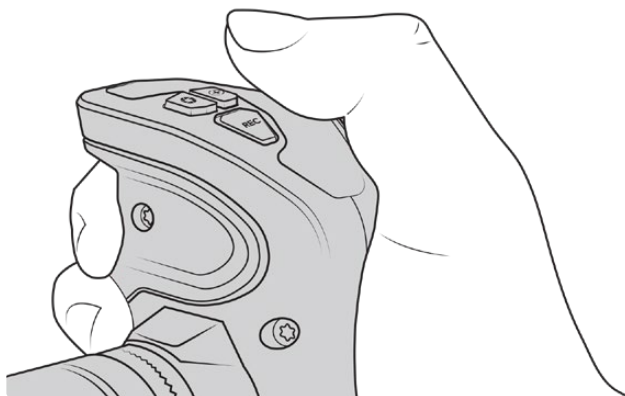
- 1 Подключите накопитель к компьютеру с помощью картридера, док-станции или адаптера.
- 2 Откройте меню или экран Start (Пуск) и выберите Computer (Компьютер). Щелкните правой кнопкой мыши по значку накопителя.
- 3 В контекстном меню выберите Format (Форматировать).
- 4 Выберите файловую систему exFAT и для размера кластера установите значение 128 КБ.
- 5 Укажите метку тома, выберите Quick Format (Быстрое форматирование) и Start (Начать).
- 6 По окончании форматирования носитель будет готов к использованию.

**ПРИМЕЧАНИЕ.** При наличии пропущенных кадров убедитесь в том, что накопитель находится в списке рекомендуемых носителей и поддерживает выбранный кодек и разрешение. Чтобы уменьшить битрейт, попробуйте работать с более низкой кадровой частотой и разрешением или используйте кодек ProRes. Актуальную информацию можно найти на веб-сайте Blackmagic Design по адресу [www.blackmagicdesign.com/ru](http://www.blackmagicdesign.com/ru).

# Запись

## Запись клипов

При работе с Blackmagic URSA Mini для начала записи нажмите красную кнопку на внутренней панели управления, откидном мониторе, сенсорном экране или дополнительной рукоятке. Камера имеет внешнюю кнопку записи, расположенную на передней панели управления для удобного доступа во время съемки с плеча. Для остановки записи нажмите кнопку еще раз.



Для запуска записи можно также использовать кнопку REC на дополнительной рукоятке Blackmagic URSA

Для дистанционного запуска и остановки записи по протоколу LANC на URSA Mini предусмотрен порт LANC. При необходимости LANC-контроллер можно установить на ручку штатива и использовать его для управления съемкой во время работы с объективом.

**ПРИМЕЧАНИЕ.** Если во время записи был изменен тип носителя, камера сначала закончит сохранение текущего проекта, а уже затем переключится на другой тип накопителя. Это сделано для защиты процесса записи от случайного вмешательства.

## Выбор кодека, разрешения и рабочей области матрицы

Запись на URSA Mini Pro в кодеке Blackmagic RAW можно вести с постоянным битрейтом или качеством. На URSA Mini Pro и URSA Mini дополнительно доступны форматы Apple ProRes со сжатием, при этом настройки кадровой частоты матрицы зависят от выбранного кодека и разрешения.

Клипы, сохраненные в Blackmagic RAW, совместимы с DaVinci Resolve, медиаплеером Blackmagic RAW и другими программами, разработчики которых предусмотрели поддержку данного формата с использованием пакета Blackmagic RAW SDK. Кодеки Blackmagic RAW уже интегрированы во многие постпроизводственные процессы, и хотя он входит не во все приложения монтажа, доступ к нему обеспечивается с помощью плагинов, устанавливаемых при обновлении ПО камеры. Подробнее см. раздел «Работа с программным обеспечением других производителей».

## Динамический диапазон

Для получения исключительно качественного видео на камере Blackmagic URSA Mini Pro 12K используется широкий динамический диапазон в 14 ступеней, а на URSA Mini Pro G2, URSA Mini Pro и URSA Mini 4.6K — в 15 ступеней.

При такой настройке изображение сохраняет полный объем данных, что позволяет добиться наилучшего результата при цветокоррекции в системах класса DaVinci Resolve.

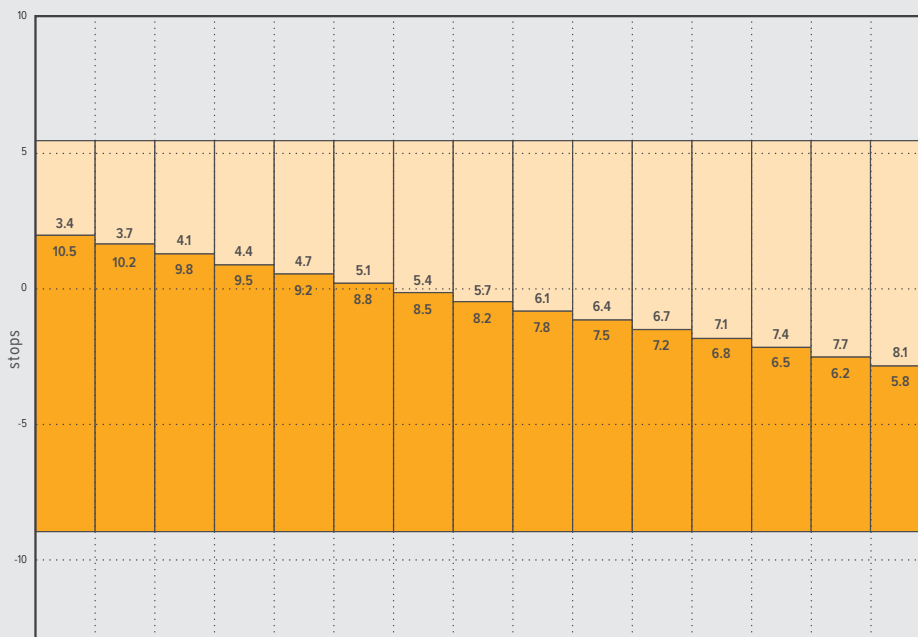
Запись в широком динамическом диапазоне также идеально подходит для получения HDR-материала.

Как видно из таблиц ниже, на URSA Mini Pro 12K имеется 14 ступеней динамического диапазона, которые доступны по всей шкале ISO (от 125 до 3200), а на URSA Mini 4.6K, URSA Mini Pro и URSA Mini Pro G2 — 15 ступеней от ISO 200 до 3200.

Распределение ступеней вне среднего серого участка зависит от выбранной настройки ISO. Например, на модели URSA Mini Pro G2 при ISO 200 зона теней будет иметь 10,8 ступеней, а участки света — 3,9.

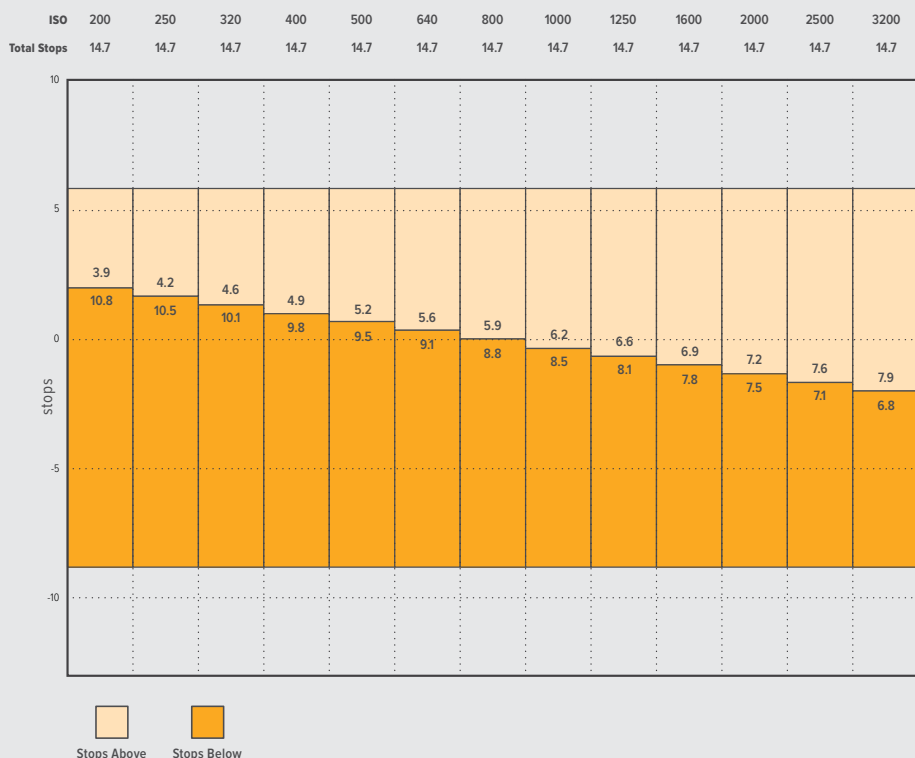
### Динамический диапазон на Blackmagic URSA Mini Pro 12K

ISO	125	160	200	250	320	400	500	640	800	1000	1250	1600	2000	2500	3200
Total Stops	13.9	13.9	13.9	13.9	13.9	13.9	13.9	13.9	13.9	13.9	13.9	13.9	13.9	13.9	13.9



Stops Above    Stops Below

## Динамический диапазон на Blackmagic URSA Mini 4.6K, URSA Mini Pro и URSA Mini Pro G2



## Blackmagic RAW

Камера URSA Mini Pro поддерживает новый кодек Blackmagic RAW. Он обеспечивает исключительно высокое качество изображения, сохранение широкого динамического диапазона и использование разной степени компрессии. Blackmagic RAW имеет все преимущества записи в формате RAW, при этом файлы обрабатываются гораздо быстрее, потому что дебайеризация выполняется на камере с аппаратным ускорением.

Еще одно преимущество нового кодека — учет индивидуальных особенностей конкретной матрицы. Это позволяет получать изображение гораздо более высокого качества с уменьшением размера файла. Таким образом, Blackmagic RAW — хорошая альтернатива для других видеоформатов и разновидностей RAW.

Blackmagic RAW дополнительно позволяет обрабатывать большой объем метаданных, поэтому приложение, в котором открыт данный файл, способно считывать настройки камеры. Если съемка ведется в режиме Video для исключения этапа цветокоррекции, то материал будет иметь соответствующий вид. За счет этого можно сократить сроки выполнения проекта и быстро получить кадры, готовые к показу. Тем не менее, такие параметры изображения определяются всего лишь применением программных параметров, а в файле все равно сохраняется информация о гамме режима Film.

На практике это означает, что файл содержит полную информацию о динамическом диапазоне режима киносъемки. Благодаря ей сохраняется полная детализация в областях света и тени, поэтому при необходимости можно выполнить грейдинг изображения, чтобы придать ему кинематографический вид. Если времени на цветокоррекцию нет, материал будет выглядеть как обычная видеосъемка. Таким образом, жесткая привязка к какому-либо



одному формату отсутствует, и вас всегда есть метаданные для дополнительной обработки кадров.

Файлы Blackmagic RAW имеют превосходные скоростные характеристики, а сам кодек оптимизирован под обработку с использованием центрального и графического процессоров. Благодаря этому достигается плавное воспроизведение материала и устраняется потребность в аппаратных средствах декодирования, что особенно важно при работе на ноутбуке. Приложения, способные считывать файлы .braw, получают дополнительное преимущество за счет таких технологий, как Apple Metal, Nvidia CUDA и OpenCL.

Это позволяет воспроизводить материал в Blackmagic RAW с обычной скоростью на большинстве компьютеров без предварительного кэширования или уменьшения разрешающей способности.

Еще одна особенность Blackmagic RAW — сохранение параметров объектива для каждого кадра, если оптика поддерживает обмен метаданными. В этом случае фиксируется вся информация о таких настройках, как изменение зума или фокуса на протяжении всего видеоклипа.

## Запись в Blackmagic RAW

Кодек Blackmagic RAW позволяет использовать два разных варианта сохранения: с постоянным битрейтом или постоянным качеством.

При постоянном битрейте запись ведется таким же способом, как при работе с большинством других кодеков. Скорость потока остается на постоянном уровне, что позволяет контролировать объем занимаемой памяти. В тех случаях, когда снимается комплексная сцена с большим количеством деталей, компрессия изображения будет увеличиваться, чтобы уместить записываемый материал на накопителе.

Для видеокодеков сжатие является обычным явлением, однако формат Blackmagic RAW используется для того, чтобы получить изображение максимально высокого качества. При компрессии большого объема данных возможна утрата отдельных деталей, причем это будет заметно уже по окончании съемки.

Кодек Blackmagic RAW позволяет решить подобную проблему за счет сохранения видео с постоянным качеством. Для этого используется переменный битрейт, поэтому при увеличении объема данных растет и размер файла. Так как отсутствует верхняя граница для занимаемого на накопителе пространства, изображение будет иметь полную детализацию.

При сохранении с постоянным качеством создается файл того размера, который необходим для получения полноценного изображения. Объем такого файла напрямую зависит от характера съемки: чем сложнее композиция, тем он больше, и наоборот.

Настройки сохранения при работе с кодеком Blackmagic RAW могут служить как обозначения технических характеристик компрессии. В зависимости от модификации камеры URSA Mini Pro для постоянного битрейта доступны такие опции, как 3:1, 5:1, 8:1, 12:1 и 18:1. Первая цифра соответствует степени сжатия видео при съемке в Blackmagic RAW. Так, разновидность 3:1 дает более высокое качество, но и файлы в этом случае будут больше, в то время как компрессия с соотношением 18:1 уменьшает размер файла до минимума за счет потери детализации. Тем не менее, многие пользователи отмечают, что даже Blackmagic RAW 12:1 или 18:1 позволяет получать материал без каких-либо ограничений в качестве. Лучший способ найти оптимальный вариант — самостоятельный подбор опции.

В зависимости от модификации камеры URSA Mini Pro при записи в кодеке Blackmagic RAW с постоянным качеством доступны настройки Q0, Q1, Q3 или Q5. Каждая из них соответствует определенной степени компрессии. В этом случае нельзя заранее просчитать размер конечного файла, потому что коэффициент сжатия будет варьироваться в зависимости от характера выполняемой съемки. Чем сложнее композиция в кадре, тем больше места требуется на накопителе для сохранения полного объема информации.

## Настройки Constant Bitrate (Постоянный битрейт)

Разновидности 3:1, 5:1, 8:1, 12:1 и 18:1 обозначают степень компрессии. Например, при использовании опции 12:1 конечный файл по своему размеру приблизительно в 12 раз меньше по сравнению с данными в формате RAW без компрессии.

На URSA Mini Pro 12K в настройках кодека Blackmagic RAW для постоянного битрейта доступны опции 5:1, 8:1, 12:1 и 18:1, а на URSA Mini Pro 4.6K G2 и URSA Mini Pro 4.6K — 3:1, 5:1, 8:1 и 12:1.

## Настройки Constant Quality (Постоянное качество)

Q0, Q1, Q3 и Q5 обозначают уровень квантования. При использовании опции Q5 он более высокий, но за счет этого уменьшается объем необходимой памяти. Как отмечено выше, при сохранении с постоянным качеством размер файла зависит от сложности композиции в изображении. В этом случае видео может не уместиться на накопитель выбранной емкости, а также появляется вероятность пропуска кадров. Тем не менее, подобные проблемы заметны непосредственно во время съемки, поэтому их легко исправить путем изменения настроек.

На URSA Mini Pro 12K в настройках кодека Blackmagic RAW для постоянного качества доступны опции Q0, Q1, Q3 и Q5, а на URSA Mini Pro 4.6K G2 и URSA Mini Pro 4.6K — Q0 и Q5.

## Blackmagic RAW Player

В состав ПО для камер Blackmagic входит медиаплеер для воспроизведения материалов, записанных в кодеке Blackmagic RAW. Чтобы открыть файл .braw, дважды щелкните кнопкой мыши по нему. После этого можно просмотреть клип с полным разрешением и битовой глубиной, а также перейти к нужному фрагменту.

При декодировании кадров можно предусмотреть ускорение графического процессора с помощью средств из SDK-пакета. Это позволяет использовать такие технологии, как Apple Metal, Nvidia CUDA и OpenCL. Для дополнительной оптимизации рабочего процесса предусмотрена совместимость с решением Blackmagic eGPU. Медиаплеер Blackmagic RAW поддерживается на платформах Mac, Windows и Linux.

## Файлы .sidecar

Файлы с расширением .sidecar можно использовать вместо метаданных, сохраненных вместе с оригинальной информацией с сенсора камеры. Они содержат настройки RAW, а также параметры диафрагмы, фокуса, фокусного расстояния, баланса белого, оттенка и цветового пространства, название проекта, номер дубля и другие сведения. Метаданные кодируются для каждого кадра и позволяют отслеживать изменение настроек объектива. Их легко добавить или отредактировать в DaVinci Resolve или простом текстовом редакторе, потому что формат доступен для чтения.

Файл .sidecar можно использовать для автоматического применения новых настроек RAW к воспроизводимому материалу. Для этого его достаточно перетащить в ту папку, где находится клип в формате RAW. Если файл .sidecar удалить из папки и снова открыть клип, записанный в Blackmagic RAW, изображение будет иметь свой исходный вид. Считывание настроек доступно в любых приложениях, разработчики которых предусмотрели поддержку кодека Blackmagic RAW с помощью нашего SDK-пакета. Формат .sidecar позволяет сохранять внесенные изменения, поэтому они заметны при просмотре в Blackmagic RAW Player или другой программе, способной распознавать файлы .braw.

При съемке в режиме Video оригинальная информация об изображении сохраняется в режиме Film, и только способ ее обработки определяет, какой будет гамма визуального ряда. Преимущество первого варианта в том, что не надо выполнять грейдинг, поэтому материал будет быстро готов к показу. Если же нужно осветлить области тени и сделать менее яркими светлые участки, для этого есть полный набор необходимых данных.

## Работа с кодеком Blackmagic RAW в приложении DaVinci Resolve

Для каждого клипа в формате .braw настройки можно скорректировать и сохранить в виде отдельного файла .sidescar. Для этого в приложении DaVinci Resolve есть вкладка RAW. Такая функция позволяет копировать материал для другого человека, работающего в DaVinci Resolve, который после импорта получит доступ к измененным параметрам гаммы. Помимо метаданных, встроенных в полученную с сенсора информацию, предусмотрено считывание выбранного динамического диапазона, поэтому клипы автоматически отображаются в режиме Film, Extended Video или Video.

Параметры изображения можно скорректировать с помощью настроек Saturation (Насыщенность), Contrast (Контраст) и Midpoint (Срединная точка), а также Highlight Rolloff и Shadow Rolloff (Плавная градация в крайних точках светлых и темных тонов). Все изменения легко сохранить в файле .sidescar, и тогда они будут видны другим членам группы постобработки. Кроме того, в любой момент времени доступны оригинальные метаданные камеры.

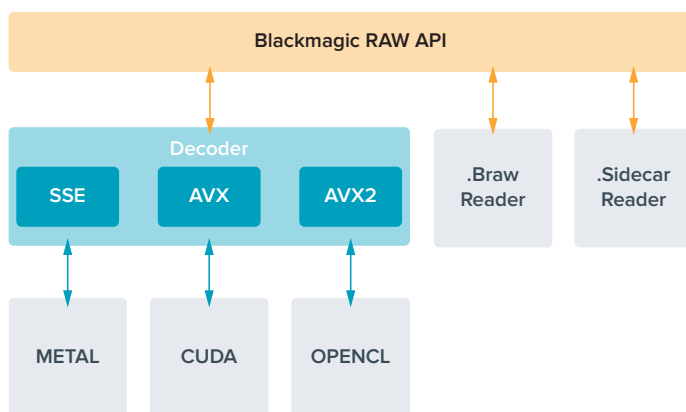
Вкладка RAW в приложении DaVinci Resolve также позволяет экспортировать один кадр файла .braw со всеми изменениями, метаданными, полным разрешением и информацией о цвете. Его можно использовать в качестве отправной точки во время групповой работы над проектом.

Подробнее о работе с файлами .braw в приложении DaVinci Resolve см. соответствующую главу ниже.

## SDK-пакет для Blackmagic RAW

SDK-пакет для Blackmagic RAW представляет собой интерфейс API, разработанный компанией Blackmagic Design. С его помощью можно предусмотреть поддержку кодека Blackmagic RAW в уже существующих приложениях или создать новые. Это позволяет читать, редактировать и сохранять файлы .braw. Кроме того, данный набор инструментальных средств содержит алгоритмы 4-го и 5-го поколения, которые обеспечивают точную и последовательную цветопередачу на кинематографическом уровне. SDK-пакет для Mac, Windows и Linux доступен для бесплатной загрузки в разделе «Разработчикам» на веб-сайте Blackmagic по адресу [www.blackmagicdesign.com/ru/developer](http://www.blackmagicdesign.com/ru/developer).

Компоненты интерфейса API для поддержки кодека Blackmagic RAW



## Выбор кадровой частоты

Диапазон кадровой частоты позволяет использовать наиболее подходящее значение, поскольку оно может влиять на визуальный ряд материала. При его выборе нужно учитывать несколько факторов. За многие годы в индустрии установились определенные стандарты для съемки кино и ТВ-программ. Они отличаются в зависимости от страны, но в каждом случае служат одной и той же цели — получение качественного видео, в том числе при съемке движущихся объектов.

Например, в кинематографе используют частоту 24 кадра/с, и хотя некоторые операторы экспериментируют с более высокими значениями, этот формат остается предпочтительным для международной аудитории. Телевизионная кадровая частота зависит от вещательных стандартов конкретного региона. Например, для стран Северной Америки она составляет 29,97 fps, а в Европе — 25 fps.

По мере развития технологий выбор форматов становится шире, а стандарты вещательной отрасли меняются. В настоящее время запись и трансляция спортивных мероприятий ведется с более высокой кадровой частотой. В Северной Америке для этих целей используют значение 59,94 fps, в Европе — 50 fps. Оно позволяет качественно показать динамичные сцены, чтобы изображение выглядело более естественным. В потоковом интернет-вещании и онлайн-трансляциях обычно используют значения кадровой частоты, близкие к ТВ-индустрии. В этих случаях зрители имеют больше свободы при выборе формата, так как ограничения зависят только от технических возможностей потребителя.

При выборе кадровой частоты проекта следует руководствоваться требованиями для конечного материала. Когда это значение соответствует кадровой частоте матрицы, видео воспроизводится с той же скоростью, с какой оно записано. Для создания интересного эффекта (например, замедленное движение), кадровая частота матрицы должны быть выше. Чем больше это значение по сравнению с частотой проекта, тем медленнее скорость воспроизведения. Например, камера URSA Mini Pro G2 позволяет вести съемку с очень высокой кадровой частотой.

Подробнее об использовании этой настройки и создании хронометражных эффектов см. раздел «Органы управления с сенсорного экрана».

### **Съемка с высокой кадровой частотой**

При съемке с высокой кадровой частотой увеличивается количество кадров в секунду по сравнению с обычными показателями (24, 25 и 30 fps). Из-за этого на матрицу попадает меньше света в каждую отдельную единицу времени, поэтому изображение становится темнее.

Например, при переходе от 25 к 50 fps количество света, попадающего на матрицу, сокращается вдвое. Чтобы поддерживать необходимую экспозицию для компенсации такого изменения, можно добавить шаг для настройки объектива (то есть увеличить угол затвора с 180° до 360°) или сильнее осветить съемочную площадку.

При съемке на частоте 120 fps на матрицу попадает в пять раз меньше света, поэтому для сохранения экспозиции нужно отрегулировать сразу несколько параметров, таких как диафрагма, угол затвора и подсветка.

При работе с высокой кадровой частотой необходимо также учитывать, что искусственные источники света часто становятся причиной мерцания. Особенно это касается флюоресцентных и светодиодных ламп при съемке на скорости выше 100 fps (в системах энергоснабжения 50 Гц) или 120 fps (при 60 Гц). Во время записи или предварительного просмотра на ЖК-дисплее или подключенном SDI-дисплее эти проблемы можно не заметить, поэтому важно выполнять проверку сцен с источниками света, которые планируется применять.

Так как при съемке с искусственным освещением на мерцание также может влиять настройка параметров затвора, камера URSA Mini допускает автоматический расчет и вывод опций по текущей кадровой частоте во избежание помех при записи. Стоит отметить, что отдельные источники света могут вызывать мерцание при любых значениях затвора. Подробнее см. раздел «Органы управления с сенсорного экрана».

Если мерцание сохраняется при самой медленной скорости срабатывания затвора или самом широком его угле, попробуйте использовать разные источники света или скоростные объективы.

## Максимальная кадровая частота

В таблице ниже приводятся доступные кодеки и разрешение вместе с соответствующей им максимальной кадровой частотой матрицы при съемке на URSA Mini 4.6K и URSA Mini Pro. Для Blackmagic RAW, ProRes 444 и ProRes 422 указаны все возможные варианты по каждому отдельному формату.

Поскольку для записи замедленного движения в высоком разрешении необходима определенная скорость передачи данных, следует выбрать карту CFast, флеш-диск USB-C или накопитель SSD. Список рекомендуемых носителей для продолжительного сохранения см. в разделе «Работа с накопителями».

**СОВЕТ.** Для проверки поддерживаемой скорости носителя используйте функцию "Stop record if card drops frames" на тестовом клипе. Это позволит определить продолжительность сохранения во время съемки с определенной кадровой частотой и любым заданным разрешением. При появлении пропущенных кадров перейдите к следующему значению компрессии или разрешения для уменьшения объема передаваемых данных.

### Максимальная кадровая частота на URSA Mini Pro 12K

Формат		Разрешение	Кодек	Режим матрицы	Макс. частота кадров
12K	17:9	12288 x 6480	Blackmagic RAW	Полный	60
	16:9	11520 x 6480	Blackmagic RAW	Полная высота	60
	2.4:1	12288 x 5112	Blackmagic RAW	Полная ширина	75
	6:5 Anamorphic	7680 x 6408	Blackmagic RAW	Полная высота	60
8K	17:9	8192 x 4320	Blackmagic RAW	Полный	120
	16:9	7680 x 4320	Blackmagic RAW	Полная высота	120
	2.4:1	8192 x 3408	Blackmagic RAW	Полная ширина	160
	6:5 Anamorphic	5120 x 4272	Blackmagic RAW	Полная высота	120
6K	Super 16	6144 x 3240	Blackmagic RAW	Ограниченный	120
4K	DCI	4096 x 2160	Blackmagic RAW	Полный	120
	16:9	3840 x 2160	Blackmagic RAW	Полная высота	120
	2.4:1	4096 x 1704	Blackmagic RAW	Полная ширина	160
	6:5 Anamorphic	2560 x 2136	Blackmagic RAW	Полная высота	120
	Super 16	4096 x 2160	Blackmagic RAW	Ограниченный	240

**Максимальная кадровая частота на URSA Mini Pro 4.6K G2,  
URSA Mini Pro 4.6K и URSA Mini 4.6K**

Формат	Разрешение	Кодек	URSA Mini Pro 4.6K G2		URSA Mini Pro 4.6K		URSA Mini 4.6K	
			Режим матрицы	Макс. частота кадров	Режим матрицы	Макс. частота кадров	Режим матрицы	Макс. частота кадров
4.6K	4608 x 2592	Blackmagic RAW	Полный	120	Полный	60	–	–
		ProRes 444	Полный	40	Полный	30	Полный	30
		ProRes 422	Полный	80	Полный	40	Полный	40
4.6K 2.4:1	4608 x 1920	Blackmagic RAW	Ограниченный	150	Ограниченный	60	–	–
		ProRes 444	Ограниченный	60	Ограниченный	40	Ограниченный	40
		ProRes 422	Ограниченный	120	Ограниченный	50	Ограниченный	50
4K 16:9	4096 x 2304	Blackmagic RAW	Ограниченный	120	Ограниченный	60	–	–
		ProRes 444	Ограниченный	60	Полный или ограниченный	30	Полный или ограниченный	30
		ProRes 422	Ограниченный	100	Полный или ограниченный	50	Полный или ограниченный	50
4K DCI	4096 x 2160	Blackmagic RAW	Ограниченный	150	Ограниченный	60	–	–
		ProRes 444	Ограниченный	60	Полный или ограниченный	40	Полный или ограниченный	40
		ProRes 422	Ограниченный	120	Полный или ограниченный	50	Полный или ограниченный	50
UHD	3840 x 2160	Blackmagic RAW	Ограниченный	150	Ограниченный	60	–	–
		ProRes 444	Полный или ограниченный	60	Полный или ограниченный	40	Полный или ограниченный	40
		ProRes 422	Полный или ограниченный	120	Полный или ограниченный	60	Полный или ограниченный	60
3K Anamorphic	3072 x 2560	Blackmagic RAW	Ограниченный	120	Ограниченный	60	–	–
		ProRes 444	Ограниченный	70	Ограниченный	40	–	–
		ProRes 422	Ограниченный	120	Ограниченный	60	–	–
2K 16:9	2048 x 1152	Blackmagic RAW	Ограниченный	240	Ограниченный	120	–	–
		ProRes 444	Ограниченный	240	Ограниченный	120	Ограниченный	120
		ProRes 422	Ограниченный	240	Ограниченный	120	Ограниченный	120
		ProRes 444	Полный	120	Полный	60	Полный	60
		ProRes 422	Полный	120	Полный	60	Полный	60
2K DCI	2048 x 1080	Blackmagic RAW	Ограниченный	300	Ограниченный	120	–	–
		ProRes 444	Ограниченный	240	Ограниченный	120	Ограниченный	120
		ProRes 422	Ограниченный	240	Ограниченный	120	Ограниченный	120
		ProRes 444	Полный	120	Полный	60	Полный	60
		ProRes 422	Полный	120	Полный	60	Полный	60
HD	1920 x 1080	Blackmagic RAW	Ограниченный	300	Ограниченный	120	–	–
		ProRes 444	Ограниченный	240	Ограниченный	120	Ограниченный	120
		ProRes 422	Ограниченный	240	Ограниченный	120	Ограниченный	120
		ProRes 444	Полный	120	Полный	60	Полный	60
		ProRes 422	Полный	120	Полный	60	Полный	60

При настройках Blackmagic RAW Q0, Q1, Q3 и Q5 для достижения постоянного качества изображения используется компрессия с переменным битрейтом. В этих случаях скорость передачи данных, зависящая от сложности происходящих в кадре событий, будет значительно варьироваться.

### Максимальная кадровая частота на URSA Mini 4K

Формат	Разрешение	Кодек	Режим матрицы	Макс. частота кадров
UHD	3840 x 2160	ProRes 444	Полный или ограниченный	40
		ProRes 422	Полный или ограниченный	60
HD	1920 x 1080	ProRes 444	Ограниченный	80
		ProRes 422	Ограниченный	120
		ProRes 444	Полный	60
		ProRes 422	Полный	60

### Порядок выбора кодека и разрешения на Blackmagic URSA Mini

- 1 Нажмите кнопку MENU на панели управления.
- 2 Перейдите на первую страницу вкладки RECORD.
- 3 Выберите нужную комбинацию кодека, сжатия и разрешения.
- 4 Для записи в режиме Window перейдите на вторую страницу меню RECORD и выберите Window Sensor. Чтобы вести запись с полным использованием матрицы, установите настройку Off.
- 5 Для выхода нажмите MENU.

### Форматы записи и кадровая частота проекта

После выбора кодека и разрешения установите кадровую частоту для Project и Sensor. Подробнее об использовании кадровой частоты см. раздел «Настройки записи».

Возможные варианты кадровой частоты проекта для всех камер URSA Mini:

23,98/24/25/29,97/30/50/59,94/60 fps.

При записи в кодеках Blackmagic RAW или ProRes (вплоть до ProRes 422 HQ) максимальная кадровая частота проекта составляет 60 fps в любом разрешении. При сохранении в ProRes 444 и ProRes 444 XQ этот показатель зависит от заданного разрешения.

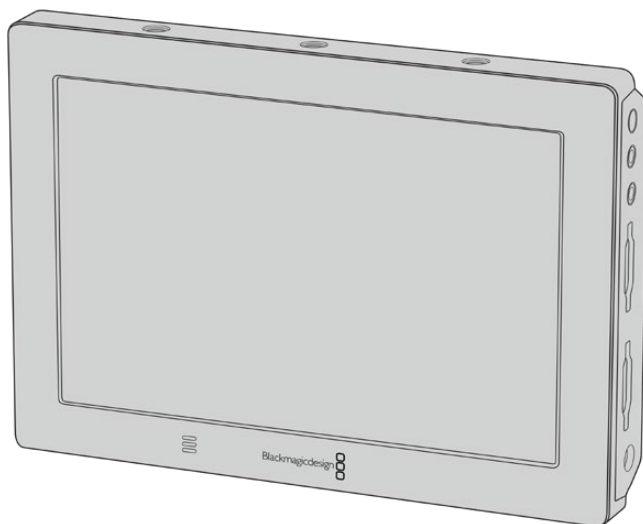
Например, при выборе кодека ProRes 444 на камере URSA Mini Pro 4.6K G2 максимальная кадровая частота проекта составляет 60 fps с разрешением вплоть до 4.6K (2,4:1). При использовании всего сенсора 4.6K частота составит 30 fps. При записи в кодеке ProRes 444 на модели URSA Mini Pro 4.6K максимальная кадровая частота проекта в разрешении вплоть до 2K (16:9) будет 60 fps, в 3K Anamorphic — 30 fps. Разница возникает из-за увеличения объема обработки, необходимой для более высокого разрешения при использовании форматов ProRes 444 и ProRes 444 XQ.

## Запуск записи

Чтобы оборудование принимало команду с URSA Mini, на нем необходимо активировать функцию записи через SDI-сигнал. Если работа в таком режиме возможна, в настройках должна быть доступна соответствующая опция.



На SDI-выходы камеры URSA Mini автоматически поступает сигнал, позволяющий запускать запись при подключении к оборудованию, которое поддерживает подобную функцию (например, Blackmagic Video Assist). В этом случае при нажатии соответствующей кнопки на камере внешнее SDI-устройство будет начинать, а при повторном нажатии — останавливать запись.



На SDI-выходы камеры автоматически поступает сигнал, позволяющий запускать запись при подключении к другому видеоборудованию, например Blackmagic Video Assist

**СОВЕТ.** Если вы используете URSA Mini 4K для записи в условиях низкой температуры (0-5° C), для выхода на оптимальный режим работы может потребоваться до 30 секунд. Хотя в это время можно вести съемку, рекомендуется подождать, пока камера прогреется. После достижения оптимальных параметров будет выполнена повторная калибровка, что позволит добиться наилучших результатов с учетом температуры сенсора. Если запись не ведется, такая калибровка сопровождается однократной вспышкой на дисплее.

## Таблицы продолжительности записи

В таблице ниже приведена приблизительная продолжительность записи в минутах в зависимости от формата, кадровой частоты проекта и емкости носителя данных. На максимальную продолжительность влияют эти же факторы. Например, для Apple ProRes 422 HQ с разрешением 3840 x 2160 объем занимаемой памяти составляет примерно 880 Мбит/с. При частоте 24 кадра/с на карту CFast 2.0 или SD емкостью 256 ГБ можно записать видео длительностью около 47 минут. На карту CFast 2.0 или SD емкостью 128 ГБ при аналогичных настройках уместится примерно 23 минуты видео, то есть в два раза меньше. При использовании твердотельных накопителей и URSA Mini Recorder продолжительность записи будет аналогичной.

Продолжительность записи на карты CFast 2.0 и SD может варьироваться у разных производителей. Она также зависит от того, под какую систему выполнено форматирование — exFat или Mac OS X Extended.

### Таблицы продолжительности записи для URSA Mini Pro 12K

Как правило, видео с небольшим количеством деталей занимает на диске меньше места по сравнению с клипами, которые отличаются насыщенной композицией. В таблице указаны значения для второго типа, поэтому при съемке простых кадров продолжительность записи может немного увеличиваться.

12K на URSA Mini Pro 12K					
Карта CFast	Частота кадров	Blackmagic RAW 5:1	Blackmagic RAW 8:1	Blackmagic RAW 12:1	Blackmagic RAW 18:1
1 ТБ		Время	Время	Время	Время
	23.98	29 мин.	47 мин.	70 мин.	106 мин.
	24	29 мин.	47 мин.	70 мин.	106 мин.
	25	28 мин.	45 мин.	67 мин.	101 мин.
	29.97	23 мин.	37 мин.	56 мин.	84 мин.
	30	23 мин.	37 мин.	56 мин.	84 мин.
	50	14 мин.	22 мин.	33 мин.	50 мин.
	60	11 мин.	18 мин.	28 мин.	42 мин.

8K на URSA Mini Pro 12K					
Карта CFast	Частота кадров	Blackmagic RAW 5:1	Blackmagic RAW 8:1	Blackmagic RAW 12:1	Blackmagic RAW 18:1
1 ТБ		Время	Время	Время	Время
	23.98	66 мин.	106 мин.	158 мин.	238 мин.
	24	66 мин.	106 мин.	158 мин.	238 мин.
	25	63 мин.	101 мин.	152 мин.	228 мин.
	29.97	52 мин.	84 мин.	127 мин.	190 мин.
	30	52 мин.	84 мин.	127 мин.	190 мин.
	50	31 мин.	50 мин.	76 мин.	114 мин.
	60	26 мин.	42 мин.	63 мин.	95 мин.

6K на URSA Mini Pro 12K					
Карта CFast	Частота кадров	Blackmagic RAW 5:1	Blackmagic RAW 8:1	Blackmagic RAW 12:1	Blackmagic RAW 18:1
1 ТБ		Время	Время	Время	Время
	23.98	116 мин.	186 мин.	280 мин.	419 мин.
	24	116 мин.	186 мин.	280 мин.	419 мин.
	25	112 мин.	179 мин.	268 мин.	402 мин.
	29.97	93 мин.	149 мин.	224 мин.	335 мин.
	30	93 мин.	149 мин.	224 мин.	335 мин.
	50	56 мин.	89 мин.	134 мин.	201 мин.
	60	46 мин.	74 мин.	112 мин.	168 мин.

4K на URSA Mini Pro 12K					
Карта CFast	Частота кадров	Blackmagic RAW 5:1	Blackmagic RAW 8:1	Blackmagic RAW 12:1	Blackmagic RAW 18:1
1 ТБ		Время	Время	Время	Время
	23.98	264 мин.	442 мин.	631 мин.	941 мин.
	24	264 мин.	442 мин.	631 мин.	941 мин.
	25	254 мин.	405 мин.	606 мин.	904 мин.
	29.97	211 мин.	338 мин.	506 мин.	755 мин.
	30	211 мин.	338 мин.	506 мин.	755 мин.
	50	127 мин.	203 мин.	304 мин.	455 мин.
	60	106 мин.	169 мин.	254 мин.	380 мин.

### Таблицы продолжительности записи для URSA Mini Pro 4.6K G2, URSA Mini Pro 4.6K, URSA Mini 4.6K и URSA Mini 4K

Как правило, видео с небольшим количеством деталей занимает на диске меньше места по сравнению с более сложными композициями. В таблице указаны значения для второго типа, поэтому при съемке простых кадров продолжительность записи может немного увеличиваться.

4.6K								
Карта CFast	Частота кадров	Blackmagic RAW 3:1*	Blackmagic RAW 5:1*	Blackmagic RAW 8:1*	Blackmagic RAW 12:1*	ProRes 444 XQ	ProRes 422 HQ	ProRes 422 LT
256 ГБ		Время	Время	Время	Время	Время	Время	Время
	23.98	28 мин.	48 мин.	76 мин.	115 мин.	14 мин.	33 мин.	70 мин.
	24	28 мин.	48 мин.	76 мин.	114 мин.	14 мин.	33 мин.	70 мин.
	25	27 мин.	46 мин.	73 мин.	110 мин.	14 мин.	31 мин.	66 мин.
	29.976	23 мин.	38 мин.	61 мин.	92 мин.	11 мин.	26 мин.	56 мин.
	30	23 мин.	38 мин.	61 мин.	92 мин.	11 мин.	26 мин.	56 мин.
	50	13 мин.	23 мин.	36 мин.	55 мин.	–	–	–
	59.94	11 мин.	19 мин.	30 мин.	46 мин.	–	–	–
60	11 мин.	19 мин.	30 мин.	46 мин.	–	–	–	

\* Кодек Blackmagic RAW доступен только на камерах URSA Mini Pro 4.6K и URSA Mini Pro 4.6K G2.

Ultra HD								
Карта CFast	Частота кадров	Blackmagic RAW 3:1*	Blackmagic RAW 5:1*	Blackmagic RAW 8:1*	Blackmagic RAW 12:1*	ProRes 444 XQ	ProRes 422 HQ	ProRes 422 LT
256 ГБ		Время	Время	Время	Время	Время	Время	Время
	23.98	41 мин.	68 мин.	110 мин.	164 мин.	21 мин.	47 мин.	101 мин.
	24	41 мин.	68 мин.	109 мин.	164 мин.	21 мин.	47 мин.	101 мин.
	25	39 мин.	66 мин.	105 мин.	157 мин.	20 мин.	45 мин.	97 мин.
	29.976	33 мин.	55 мин.	88 мин.	131 мин.	16 мин.	38 мин.	81 мин.
	30	33 мин.	55 мин.	88 мин.	131 мин.	16 мин.	38 мин.	81 мин.
	50	19 мин.	33 мин.	52 мин.	79 мин.	–	22 мин.	48 мин.
	59.94	16 мин.	27 мин.	44 мин.	66 мин.	–	18 мин.	40 мин.
60	16 мин.	27 мин.	44 мин.	66 мин.	–	18 мин.	40 мин.	

\* Кодек Blackmagic RAW доступен только на камерах URSA Mini Pro 4.6K и URSA Mini Pro 4.6K G2.

HD								
Карта CFast	Частота кадров	Blackmagic RAW 3:1*	Blackmagic RAW 5:1*	Blackmagic RAW 8:1*	Blackmagic RAW 12:1*	ProRes 444 XQ	ProRes 422 HQ	ProRes 422 LT
256 ГБ		Время	Время	Время	Время	Время	Время	Время
	23.98	159 мин.	264 мин.	418 мин.	619 мин.	84 мин.	189 мин.	403 мин.
	24	159 мин.	264 мин.	418 мин.	618 мин.	84 мин.	189 мин.	403 мин.
	25	153 мин.	253 мин.	402 мин.	595 мин.	81 мин.	182 мин.	387 мин.
	29.976	128 мин.	212 мин.	336 мин.	499 мин.	68 мин.	152 мин.	324 мин.
	30	127 мин.	212 мин.	336 мин.	499 мин.	67 мин.	152 мин.	324 мин.
	50	76 мин.	127 мин.	203 мин.	303 мин.	40 мин.	91 мин.	196 мин.
	59.94	64 мин.	106 мин.	170 мин.	254 мин.	34 мин.	76 мин.	163 мин.
60	64 мин.	106 мин.	170 мин.	253 мин.	33 мин.	76 мин.	163 мин.	

\* Кодек Blackmagic RAW доступен только на камерах URSA Mini Pro 4.6K и URSA Mini Pro 4.6K G2.

При сохранении с постоянным качеством оставшееся время записи для Q0 и Q5 будет разным. Продолжительность для Q0 приблизительно соответствует показателю для постоянного битрейта с коэффициентом компрессии 3:1, для Q5 — показателю со сжатием 12:1. Во время записи это значение обновляется каждые 10 секунд, поэтому лучший способ определить оставшееся время — выполнить 20-секундную съемку с мониторингом данного параметра на сенсорном дисплее.

## Таблицы скорости передачи данных для URSA Mini Pro 12K

Blackmagic URSA Mini Pro 12K позволяет записывать контент с широким диапазоном разрешения и кадровой частоты. Поэтому важно понять, как эти параметры влияют на скорость передачи данных, чтобы для своего проекта правильно выбрать формат изображения и тип накопителей. Специалисты Blackmagic Design тщательно протестировали большое количество карт CFast и SD UHS-II, а также дисков USB-C, чтобы определить достижимые значения частоты кадров и степени компрессии кодака Blackmagic RAW. Подробнее см. раздел «Работа с накопителями». В большинстве случаев используемые на URSA Mini Pro 12K карты CFast в состоянии обеспечить передачу данных со скоростью около 400 МБ/с. Этого показателя обычно достаточно, чтобы выбрать кадровую частоту и разрешение видео.

Способность камеры URSA Mini Pro 12K передавать записываемые данные на носители с очень высокой скоростью позволяет увеличить битрейт вдвое путем распределения сохранения контента на две карты. Для этого вставьте пару CFast- или SD-карт и включите опцию Record RAW on 2 Cards в меню RECORD. Поскольку материал записывается на обе карты последовательно, общая скорость передачи данных будет определяться пропускной способностью более медленного носителя. Поэтому рекомендуется использовать накопители с одинаковыми или похожими характеристиками. Сохранение можно также выполнять одновременно на карту CFast в слоте 1 и диск USB-C в слоте 2. При активированной опции Record RAW on 2 Cards общая скорость передачи данных в два раза выше показателя более медленного носителя. Подробнее см. раздел «Запись в RAW на две карты».

Размер полученных файлов и скорость передачи данных зависят от выбранного значения постоянного битрейта кодака Blackmagic RAW. При съемке сцен с множеством деталей или быстрым движением данный параметр обеспечивает указанную степень компрессии изображения. Это помогает определить требуемые скоростные показатели используемых носителей и продолжительность уместяющегося на них материала.

**Максимальная скорость передачи данных при частоте 24 fps и настройках постоянного битрейта кодека Blackmagic RAW**

Формат		Разрешение	Частота кадров	Blackmagic RAW 5:1	Blackmagic RAW 8:1	Blackmagic RAW 12:1	Blackmagic RAW 18:1
12K	17:9	12288 x 6480	24	578 МБ/с	361 МБ/с	241 МБ/с	160 МБ/с
	16:9	11520 x 6480	24	542 МБ/с	339 МБ/с	226 МБ/с	150 МБ/с
	2.4:1	12288 x 5112	24	457 МБ/с	286 МБ/с	190 МБ/с	127 МБ/с
	6:5 анаморф.	7680 x 6408	24	358 МБ/с	224 МБ/с	150 МБ/с	99 МБ/с
8K	17:9	8192 x 4320	24	257 МБ/с	161 МБ/с	107 МБ/с	71 МБ/с
	16:9	7680 x 4320	24	241 МБ/с	151 МБ/с	101 МБ/с	67 МБ/с
	2.4:1	8192 x 3408	24	203 МБ/с	127 МБ/с	85 МБ/с	56 МБ/с
	6:5 анаморф.	5120 x 4272	24	159 МБ/с	100 МБ/с	67 МБ/с	44 МБ/с
6K	Super 16	6144 x 3240	24	146 МБ/с	91 МБ/с	61 МБ/с	40 МБ/с
4K	DCI	4096 x 2160	24	65 МБ/с	41 МБ/с	32 МБ/с	27 МБ/с
	16:9	3840 x 2160	24	61 МБ/с	38 МБ/с	30 МБ/с	25 МБ/с
	2.4:1	4096 x 1704	24	51 МБ/с	32 МБ/с	25 МБ/с	21 МБ/с
	6:5 анаморф.	2560 x 2136	24	40 МБ/с	25 МБ/с	20 МБ/с	17 МБ/с
	Super 16	4096 x 2160	24	65 МБ/с	41 МБ/с	27 МБ/с	18 МБ/с

Следует отметить, что реальные показатели скорости зависят от сложности композиции. При съемке очень простых кадров или сцен со множеством деталей они могут выходить за пределы указанного диапазона.

**Скорость передачи данных при частоте 24 fps и настройках постоянного качества кодека Blackmagic RAW**

Формат		Разрешение	Частота кадров	Blackmagic RAW Q0	Blackmagic RAW Q1	Blackmagic RAW Q3	Blackmagic RAW Q5
12K	17:9	12288 x 6480	24	241-578 МБ/с	145-361 МБ/с	97-241 МБ/с	73-181 МБ/с
	16:9	11520 x 6480	24	226-542 МБ/с	136-339 МБ/с	91-226 МБ/с	68-170 МБ/с
	2.4:1	12288 x 5112	24	190-457 МБ/с	114-286 МБ/с	76-190 МБ/с	57-143 МБ/с
	6:5 анаморф.	7680 x 6408	24	150-358 МБ/с	90-224 МБ/с	60-150 МБ/с	45-112 МБ/с
8K	17:9	8192 x 4320	24	161-321 МБ/с	107-214 МБ/с	81-161 МБ/с	52-129 МБ/с
	16:9	7680 x 4320	24	151-301 МБ/с	101-201 МБ/с	76-151 МБ/с	49-121 МБ/с
	2.4:1	8192 x 3408	24	127-254 МБ/с	85-169 МБ/с	64-127 МБ/с	41-102 МБ/с
	6:5 анаморф.	5120 x 4272	24	100-199 МБ/с	67-133 МБ/с	50-100 МБ/с	32-80 МБ/с
6K	Super 16	6144 x 3240	24	61-146 МБ/с	37-91 МБ/с	25-61 МБ/с	19-46 МБ/с
4K	DCI	4096 x 2160	24	129-214 МБ/с	65-129 МБ/с	41-107 МБ/с	30-81 МБ/с
	16:9	3840 x 2160	24	121-201 МБ/с	61-121 МБ/с	38-101 МБ/с	28-76 МБ/с
	2.4:1	4096 x 1704	24	102-169 МБ/с	51-102 МБ/с	32-85 МБ/с	23-64 МБ/с
	6:5 анаморф.	2560 x 2136	24	80-133 МБ/с	40-80 МБ/с	25-67 МБ/с	18-50 МБ/с
	Super 16	4096 x 2160	24	41-81 МБ/с	27-54 МБ/с	21-41 МБ/с	13-33 МБ/с

Для осуществления творческого замысла используются самые разные приемы, в том числе съемка со специальной кадровой частотой. URSA Mini Pro 12K может вести запись в 12K с частотой вплоть до 60 fps, а в другом разрешении — вплоть до 240 fps. При съемке в таком режиме камера использует очень высокие значения битрейта, поэтому очень важно выбрать правильную степень компрессии кодака Blackmagic RAW.

### Максимальная скорость передачи данных при максимальной частоте кадров и настройках постоянного битрейта кодака Blackmagic RAW

Формат		Разрешение	Blackmagic RAW 5:1		Blackmagic RAW 8:1		Blackmagic RAW 12:1		Blackmagic RAW 18:1	
			Макс. частота кадров	Макс. скорость передачи	Макс. частота кадров	Макс. скорость передачи	Макс. частота кадров	Макс. скорость передачи	Макс. частота кадров	Макс. скорость передачи
12K	17:9	12288 x 6480	40	963 МБ/с	60	903 МБ/с	60	602 МБ/с	60	401 МБ/с
	16:9	11520 x 6480	40	903 МБ/с	60	847 МБ/с	60	565 МБ/с	60	376 МБ/с
	2.4:1	12288 x 5112	50	951 МБ/с	75	892 МБ/с	75	595 МБ/с	75	396 МБ/с
	6:5 анаморф.	7680 x 6408	60	895 МБ/с	60	560 МБ/с	60	373 МБ/с	60	249 МБ/с
8K	17:9	8192 x 4320	120	1285 МБ/с	120	803 МБ/с	120	536 МБ/с	120	357 МБ/с
	16:9	7680 x 4320	120	1205 МБ/с	120	753 МБ/с	120	502 МБ/с	120	334 МБ/с
	2.4:1	8192 x 3408	160	1353 МБ/с	160	846 МБ/с	160	564 МБ/с	160	375 МБ/с
	6:5 анаморф.	5120 x 4272	120	796 МБ/с	120	498 МБ/с	120	332 МБ/с	120	221 МБ/с
6K	Super 16	6144 x 3240	120	727 МБ/с	120	455 МБ/с	120	303 МБ/с	120	202 МБ/с
4K	DCI	4096 x 2160	120	322 МБ/с	120	201 МБ/с	120	161 МБ/с	120	134 МБ/с
	16:9	3840 x 2160	120	302 МБ/с	120	189 МБ/с	120	150 МБ/с	120	125 МБ/с
	2.4:1	4096 x 1704	160	339 МБ/с	160	212 МБ/с	160	169 МБ/с	160	141 МБ/с
	6:5 анаморф.	2560 x 2136	120	200 МБ/с	120	125 МБ/с	120	99 МБ/с	120	83 МБ/с
	Super 16	4096 x 2160	240	648 МБ/с	240	405 МБ/с	240	271 МБ/с	240	180 МБ/с

### Скорость передачи данных при максимальной частоте кадров и настройках постоянного качества кодака Blackmagic RAW

Формат		Разрешение	Частота кадров	Blackmagic RAW Q0	Blackmagic RAW Q1	Blackmagic RAW Q3	Blackmagic RAW Q5
12K	17:9	12288 x 6480	60	602-1445 МБ/с	362-903 МБ/с	241-602 МБ/с	181-452 МБ/с
	16:9	11520 x 6480	60	565-1355 МБ/с	339-847 МБ/с	226-565 МБ/с	170-424 МБ/с
	2.4:1	12288 x 5112	75	595-1426 МБ/с	357-892 МБ/с	238-595 МБ/с	179-446 МБ/с
	6:5 анаморф.	7680 x 6408	60	373-895 МБ/с	224-560 МБ/с	150-373 МБ/с	112-280 МБ/с
8K	17:9	8192 x 4320	120	803-1605 МБ/с	536-1071 МБ/с	402-803 МБ/с	258-643 МБ/с
	16:9	7680 x 4320	120	753-1506 МБ/с	502-1004 МБ/с	377-753 МБ/с	242-603 МБ/с
	2.4:1	8192 x 3408	160	846-1609 МБ/с	564-1127 МБ/с	423-846 МБ/с	271-677 МБ/с
	6:5 анаморф.	5120 x 4272	120	498-995 МБ/с	332-664 МБ/с	249-498 МБ/с	160-398 МБ/с
6K	Super 16	6144 x 3240	120	303-727 МБ/с	182-455 МБ/с	122-303 МБ/с	92-228 МБ/с

Формат		Разрешение	Частота кадров	Blackmagic RAW Q0	Blackmagic RAW Q1	Blackmagic RAW Q3	Blackmagic RAW Q5
4K	DCI	4096 x 2160	120	643-1071 МБ/с	322-643 МБ/с	201-536 МБ/с	147-402 МБ/с
	16:9	3840 x 2160	120	603-1004 МБ/с	302-603 МБ/с	189-502 МБ/с	138-377 МБ/с
	2.4:1	4096 x 1704	160	677-1127 МБ/с	339-677 МБ/с	212-564 МБ/с	155-423 МБ/с
	6:5 анаморф.	2560 x 2136	120	398-664 МБ/с	200-398 МБ/с	125-332 МБ/с	91-249 МБ/с
	Super 16	4096 x 2160	240	405-810 МБ/с	271-540 МБ/с	203-405 МБ/с	131-325 МБ/с

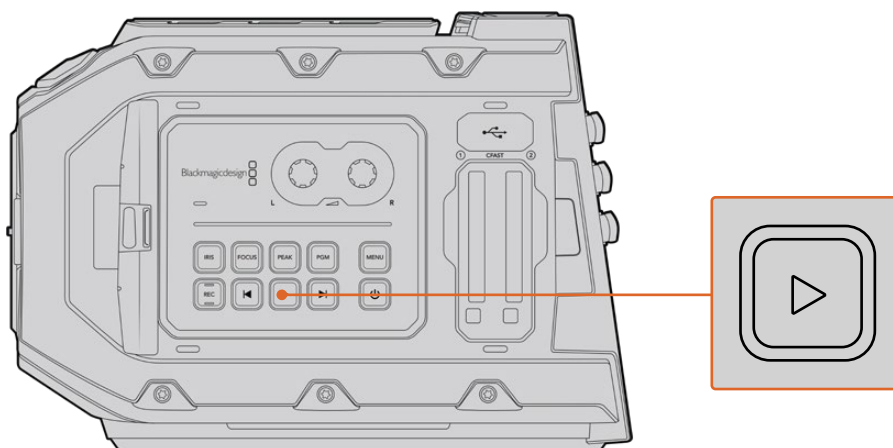
Реальные показатели скорости при настройках постоянного качества зависят от сложности композиции. При съемке очень простых кадров или сцен со множеством деталей они могут выходить за пределы указанного диапазона.

## Воспроизведение

### Воспроизведение клипов

После того как клипы записаны, их можно вывести на монитор с помощью кнопок управления воспроизведением.

Чтобы начать воспроизведение на сенсорном ЖК-дисплее URSA Mini, нажмите соответствующую кнопку один раз. Также для просмотра клипов можно использовать любой монитор, подключенный к SDI-выходам камеры.

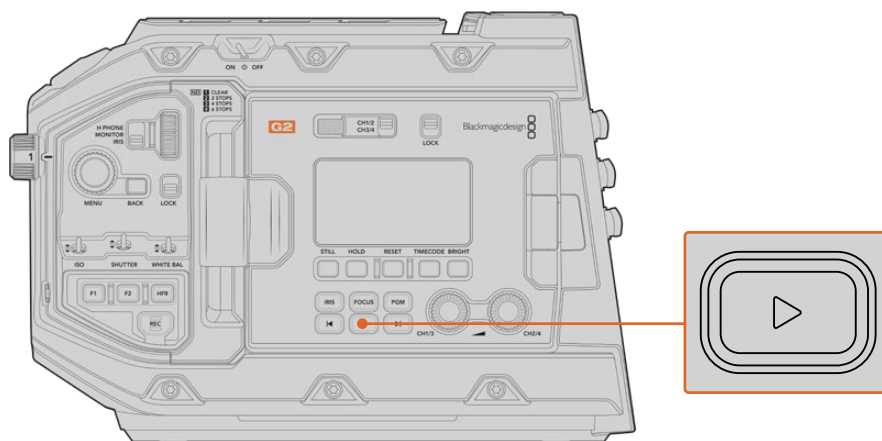


Камера URSA Mini

**СОВЕТ.** Blackmagic URSA Mini имеет кнопки контроля воспроизведением как на внутренней, так и на эргономичной панелях управления.

**ПРИМЕЧАНИЕ.** Blackmagic URSA Mini позволяет просматривать клипы разного уровня качества, когда они имеют одинаковые настройки кодека, кадровой частоты и разрешения.





Камера URSA Mini Pro 4.6K G2

Для перехода к началу или окончанию клипа нажмите кнопку перемотки вперед или назад. Для перехода к началу текущего клипа нажмите кнопку обратной перемотки один раз, для перехода к началу предыдущего клипа — два раза. Чтобы выполнить обычное или обратное воспроизведение с удвоенной скоростью, нажмите и удерживайте кнопку перемотки вперед или назад. Если в режиме перемотки нажать одну из этих кнопок два, три или четыре раза, скорость воспроизведения увеличится в 4, 8 и 16 раз соответственно. Во время записи кнопки перемотки вперед/назад можно также использовать для изменения настройки диафрагмы, если на камеру установлен объектив с поддержкой электронного управления.

Когда частота записи клипа отличается от кадровой частоты проекта, скорость воспроизведения тоже будет другой. Например, для съемки проекта вы выбрали частоту 24 кадра/с, которая используется для работы с материалами на стадии постпроизводства. Если записать отдельный клип с частотой 60 кадров/с, то при воспроизведении на камере и на временной шкале в приложении постобработки будет получен эффект замедленного движения.

**COBET.** Подробнее об использовании кадровой частоты см. раздел «Настройки записи».

## Работа с камерой URSA Mini

С правой стороны и на задней панели корпуса URSA Mini расположены стандартные BNC-разъемы для передачи SDI-сигнала. Также на камере есть два входа LANC: один — для управления с дополнительной рукоятки Blackmagic URSA, другой — для дистанционного контроля с внешнего устройства.

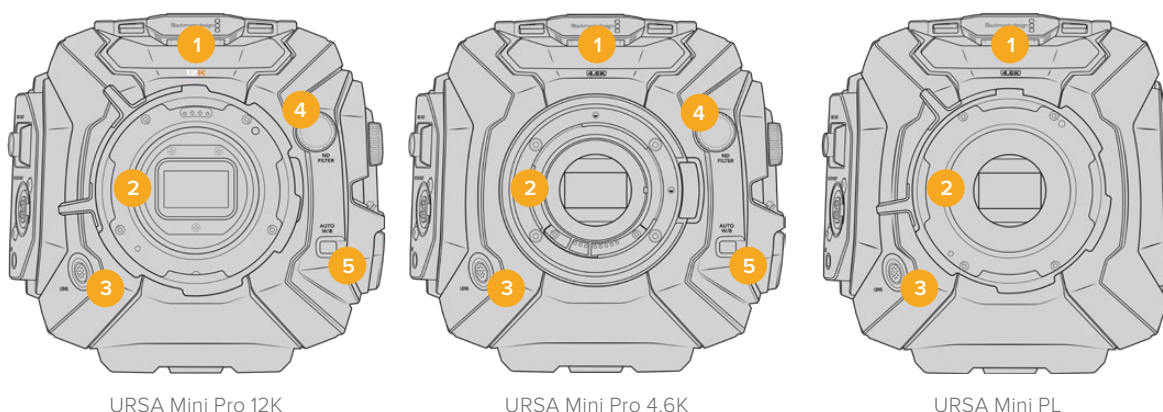
Входы XLR на верхней панели за монтажными отверстиями служат для подключения к источникам балансного аналогового (на URSA Mini и URSA Mini Pro) и цифрового AES-звука (на URSA Mini Pro).

На задней панели предусмотрен 4-контактный XLR-разъем для внешнего источника питания, а расположенный с правой стороны силовой выход позволяет использовать такие дополнительные устройства, как видеоискатель.

Над слотами накопителей есть порт USB, через который можно обновлять ПО камеры при подключении к компьютеру.

**ПРИМЕЧАНИЕ.** URSA Mini Pro имеет дополнительную эргономичную панель управления для удобного доступа к наиболее важным настройкам и функциям без использования откидного сенсорного экрана.

### Передняя панель камеры



#### 1 **Стереомикрофон**

Встроенный стереомикрофон высокого качества. Подробнее о настройках звука см. раздел «Настройки».

#### 2 **Байонет**

Камера URSA Mini оснащается одним из двух видов крепления: EF или PL. Модель URSA Mini Pro имеет сменный байонет, который позволяет установить объектив EF, F, PL или B4. Подробнее см. раздел «Сменный байонет».

#### 3 **Разъем для вещательного объектива**

Обеспечивает подачу питания и команд управления на PL- и B4-объективы с 12-контактным разъемом. Этот разъем доступен только на моделях URSA Mini PL и URSA Mini Pro. Перечень совместимой PL- и B4-оптики содержится в разделе «Использование объективов с сервоприводом».

#### 4 **Светофильтры ND**

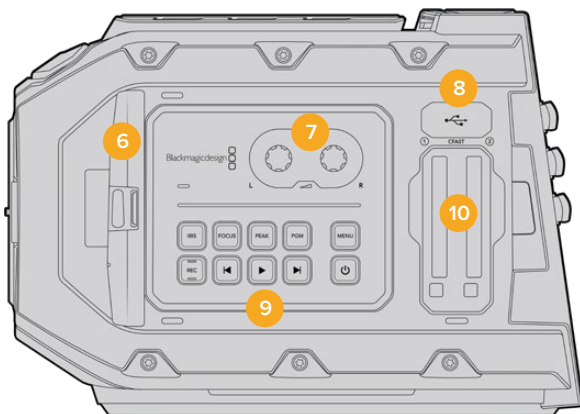
Возможность выбора одного из трех встроенных нейтральных светофильтров или работа без них. Подробнее см. раздел «Кнопки управления на URSA Mini Pro».

## 5 Кнопка Auto W/B

Служит для настройки баланса белого по тому цвету, который в данный момент находится перед объективом. Для этого можно использовать лист серого картона. Подробнее см. раздел «Кнопки управления на URSA Mini Pro».

## URSA Mini — левая сторона

С левой стороны расположены слоты для карт CFast, а также панель управления для работы с настройками. Над слотами находится порт USB, через который URSA Mini подключают к компьютеру для обновления внутреннего ПО камеры.



## 6 Откидной сенсорный экран

5-дюймовый откидной монитор, который можно поворачивать в зависимости от положения камеры. Подробнее см. раздел «Органы управления с сенсорного экрана».

## 7 Настройка уровня звука

Ручки регулировки предназначены для настройки уровня записи на каналах 1 и 2. См. раздел «Органы управления URSA Mini».

## 8 Порт Mini USB

Порт Mini USB для обновления встроенного программного обеспечения. Подробнее см. раздел «Утилита Blackmagic Camera Setup».

## 9 Кнопки панели управления

Кнопки питания, управления записью и воспроизведением, выделения контуров изображения и доступа к настройкам, а также установки диафрагмы и автоматического фокуса на EF-объективах с поддержкой данных функций. Подробнее см. раздел «Органы управления Blackmagic URSA Mini».

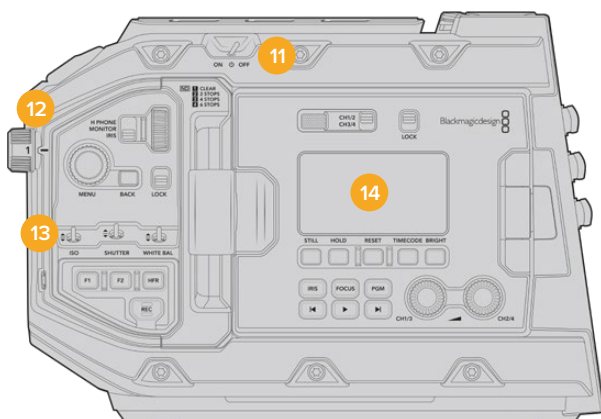
## 10 Слоты для карт памяти

Слоты под карты памяти CFast 2.0, которые используются для записи и воспроизведения. Подробнее см. раздел «Работа с накопителями».

## URSA Mini Pro — левая сторона

С левой стороны расположены дополнительные органы управления для доступа ко всем необходимым функциям камеры. Они находятся на боковой панели, а также на внешней и внутренней сторонах откидного сенсорного дисплея.

За откидным сенсорным экраном находятся слоты для карт CFast и SD. Над слотами расположен порт USB-C, предназначенный для обновления встроенного программного обеспечения URSA Mini Pro при подключении к компьютеру.



URSA Mini Pro 4.6K с закрытым откидным сенсорным дисплеем

### 11 Тумблер питания

Служит для включения камеры. Также камеру можно включить, если одновременно нажать две кнопки на передней панели откидного дисплея — записи и ускоренной перемотки вперед.

### 12 Светофильтры ND

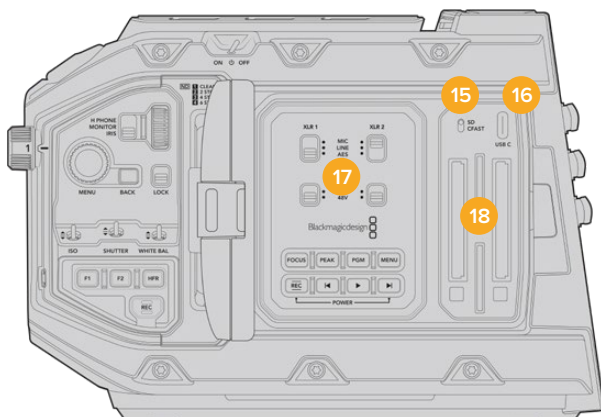
Для регулировки света, попадающего на матрицу камеры, URSA Mini Pro имеет три нейтральных светофильтра. Доступны четыре режима настройки — от чистого изображения до шести ступеней снижения количества света. При прокрутке колесика во время смены фильтра раздается характерный щелчок. Подробнее см. раздел «Кнопки управления на URSA Mini Pro».

### 13 Передняя панель управления

Служит для быстрого доступа ко всем основным функциям камеры URSA Mini Pro. При съемке со штатива или плечевого упора панель обеспечивает удобное управление такими настройками, как ISO, выдержка или угол раскрытия затвора, диафрагма, баланс белого и кадровая частота. Подробнее см. раздел «Кнопки управления на URSA Mini Pro».

### 14 Эргономичная панель управления

Расположена на внешней стороне откидного сенсорного экрана и состоит из ЖК-дисплея и органов управления. Здесь отображаются все основные служебные параметры и есть доступ к функциям мониторинга. Подробнее см. раздел «Кнопки управления на URSA Mini Pro».



Камера URSA Mini Pro с открытым откидным сенсорным дисплеем

### 15 Переключатель типа носителя

Служит для выбора между CFast и SD.

## 16 Порт USB

Служит для обновления встроенного программного обеспечения. Подробнее см. раздел «Утилиты Blackmagic Camera Setup». На URSA Mini Pro G2 этот порт USB-C можно также использовать для записи видео на устройство URSA Mini Recorder или внешний флеш-диск USB-C.

## 17 Внутренняя панель управления

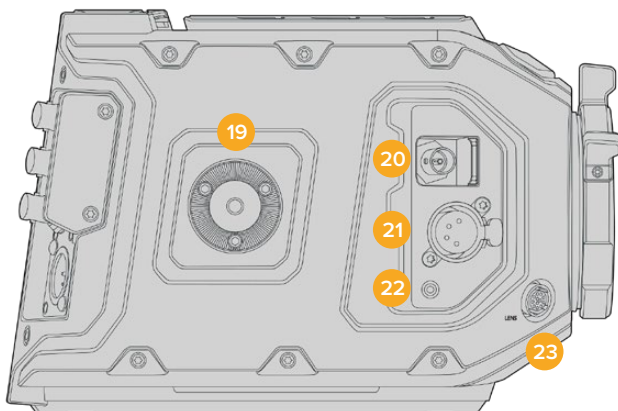
Доступна на камере URSA Mini Pro при открытом сенсорном экране. Она позволяет выбирать аудиовходы, а также настройки фантомного питания и диафрагмы, устанавливать фокус, работать с меню и воспроизведением. Подробнее см. раздел «Кнопки управления на URSA Mini Pro».

## 18 Слоты для карт памяти

Обеспечивают запись и воспроизведение с помощью карт CFast 2.0, SDXC или SDHC. Перед использованием проверьте список сертифицированных носителей, имеющийся в данном руководстве или на нашем веб-сайте. Подробнее см. раздел «Работа с накопителями».

## Правая панель

С правой стороны расположены разъемы для подключения источников питания, видео и аудио, а также фиксатор дополнительной рукоятки Blackmagic URSA Handgrip.



URSA Mini PL

## 19 Боковой фиксатор

Стандартный фиксатор для установки дополнительной рукоятки. См. разделы «Подготовка к работе», «Рукоятка Blackmagic URSA Handgrip» и «Blackmagic URSA Mini Shoulder Mount Kit».

## 20 Выход для мониторинга HD-материала

Разъем 3G-SDI для понижающей конверсии в 1080 HD. Предназначен для использования с Blackmagic URSA Viewfinder и внешними мониторами. Подробнее см. разделы «Выходной сигнал камеры» и «Blackmagic URSA Viewfinder».

## 21 Выход питания +12 В

4-контактный XLR-разъем для питания Blackmagic URSA Viewfinder, Blackmagic URSA Studio Viewfinder или внешних мониторов и аксессуаров. Подробнее см. разделы «Blackmagic URSA Viewfinder» и «Blackmagic URSA Studio Viewfinder». Этот выход и разъем для управления вещательным объективом обеспечивают питание напряжением 12 В и суммарной силой тока до 2 А.

## 22 Вход LANC

Разъем TRS 2,5 мм для соединения с дополнительной рукояткой Blackmagic URSA Handgrip по протоколу LANC. Подробнее см. раздел «Рукоятка Blackmagic URSA Handgrip».

### 23 Разъем для управления вещательным объективом

Обеспечивает подачу питания и команд управления на PL- и B4-объективы с 12-контактным разъемом. Используется только на моделях URSA Mini PL и URSA Mini Pro. Этот разъем и выход питания +12 В обеспечивают питание напряжением 12 В и суммарной силой тока до 2 А.

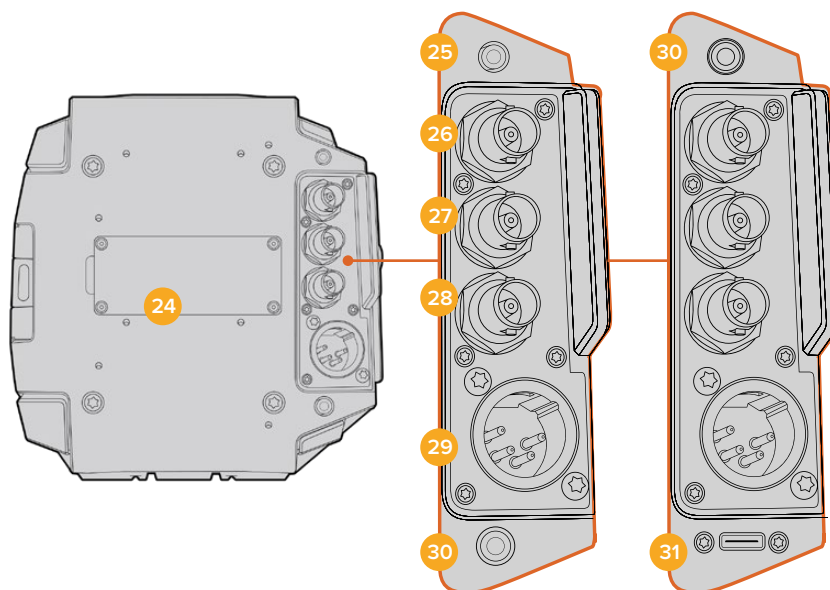
## Задняя панель

### 24 Крепление аккумуляторной пластины

В нем находится разъем Molex, через который питание не только подается на камеру, но и выводится вместе с дополнительными данными на другие устройства. Здесь также расположены монтажные отверстия, предназначенные для установки на заднюю панель таких аксессуаров, как аккумуляторная пластина, Blackmagic Camera Fiber Converter и URSA Mini Recorder. Разъем Molex обеспечивает стабилизируемое выходное напряжение 12 В силой тока до 1,5 А. Подробнее см. главы «Установка аккумуляторной батареи», «Конвертеры линейки Blackmagic Fiber» и «URSA Mini Recorder».

### 25 LANC

Гнездо 2,5 мм предназначено для удаленного управления камерой по протоколу LANC, например для запуска/остановки записи с рукоятки штатива. Кроме того, ДУ позволяет устанавливать диафрагму и фокус при использовании EF-объективов, поддерживающих данную функцию. У модели URSA Mini Pro 12K на задней панели нет порта LANC. Для управления этой камерой по протоколу LANC служит 2,5-мм разъем TRS, расположенный на правой панели.



URSA Mini Pro 4.6K G2, URSA Mini Pro 4.6K,  
URSA Mini 4.6K и URSA Mini 4K

URSA Mini Pro 12K

### 26 12G-SDI Out

Выход 12G-SDI на Blackmagic URSA Mini предназначен для вывода HD и Ultra HD на оборудование с SDI-интерфейсом, такое как коммутаторы, мониторы, устройства захвата видео и эфирные видеомикшеры. Также через него можно подключить внешний рекордер для дублирования записи, такой как Blackmagic Video Assist.

### 27 12G-SDI In

Вход 12G-SDI позволяет подключаться к видеомикшеру или внешнему рекордеру для просмотра изображения, использования двусторонней связи, Tally-индикации или внешнего синхросигнала. При работе с микшером АТЕМ это также дает возможность устанавливать настройки камеры в дистанционном режиме.

Интерфейс позволяет выводить на ЖК-дисплей программный сигнал при подключении URSA Mini к соответствующему выходу микшера, а также просматривать материал с внешнего устройства записи. Чтобы увидеть программное изображение, нажмите и удерживайте кнопку PGM. Подробнее см. раздел «Кнопки управления» (для URSA Mini) или «Эргономичная панель управления» (для URSA Mini Pro).

Чтобы получать сигналы двусторонней связи и Tally-индикации через вход SDI, в меню SETUP камеры должен быть задан ее идентификатор. Чтобы использовать синхронизацию через SDI-интерфейс по внешнему источнику, выберите опцию Program. В этом случае на ЖК-дисплее камеры рядом с тайм-кодом отображается обозначение "REF". Подробнее см. раздел «Настройки SETUP».

Вход SDI на URSA Mini Pro также позволяет передавать внешний тайм-код на камеру. Если кадровая частота такого SDI-сигнала совпадает с заданными настройками и тайм-код является действительным, он будет использоваться автоматически. В этом случае на ЖК-экране камеры появляется обозначение "EXT". Если отсоединить кабель, обозначение изменится на "INT", что указывает на использование внутреннего тайм-кода камеры.

### 28 Синхровход и ввод тайм-кода

Интерфейс автоматически распознает тайм-код или синхросигнал на входе. Вход REF IN (BNC-разъем) предназначен для ввода опорного сигнала, например tri-level. Чтобы получать опорный сигнал через этот вход, в меню камеры URSA Mini необходимо задать источник как External (Внешний).

Также его можно использовать для синхронизации многокамерной съемки по тайм-коду из внешнего источника либо сведения аудио- и видеосигнала при работе с двумя устройствами. Это помогает синхронизировать звук и изображение, а также материал с нескольких камер на этапе постпроизводства. Если кадровая частота сигнала из источника внешнего тайм-кода совпадает с заданными настройками, данный тайм-код будет выбран автоматически. В этом случае на ЖК-экране камеры появляется обозначение "EXT". Если отсоединить кабель, обозначение изменится на "INT", что указывает на использование внутреннего тайм-кода камеры.

Опорный сигнал с видеомикшера ATEM может также поступать через SDI-вход. В этом случае все камеры будут получать программное изображение, команды управления, двусторонней связи и Tally-индикации, синхросигнал и тайм-код с помощью одного SDI-потока. Подробнее см. раздел «Настройки SETUP».

### 29 Вход питания +12 В

4-контактный XLR-разъем 12-20 В для подключения к внешним источникам питания, таким как адаптеры или переносные аккумуляторные батареи.

### 30 Гнездо для гарнитуры

Разъем диаметром 3,5 мм предназначен для мониторинга звука и двусторонней связи. Позволяет подключать iPhone- и Android-совместимую гарнитуру со встроенным микрофоном. Сигналы связи передаются в исходящем SDI-сигнале на каналах 15 и 16.

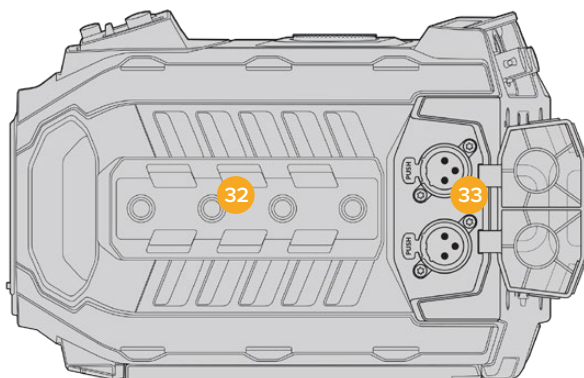
**СОВЕТ.** Для двусторонней связи на камерах URSA Mini или URSA Mini Pro есть разъем 3,5 мм, позволяющий подключать гарнитуру iPhone и Android. Обычно это оборудование имеет кнопку для использования микрофона. При работе с вещательной гарнитурой без встроенного переключателя допускается соответствующая настройка функциональных кнопок URSA Mini или URSA Mini Pro. Подробнее см. раздел «Настройки SETUP».



### 31 Порт USB

Порт USB-C 3.1 Gen 2 с фиксатором для записи видео с камеры URSA Mini Pro 12K на внешний флеш-диск.

## Верхняя панель



На верхней панели расположены балансные XLR-разъемы для подключения внешнего источника аналогового звука

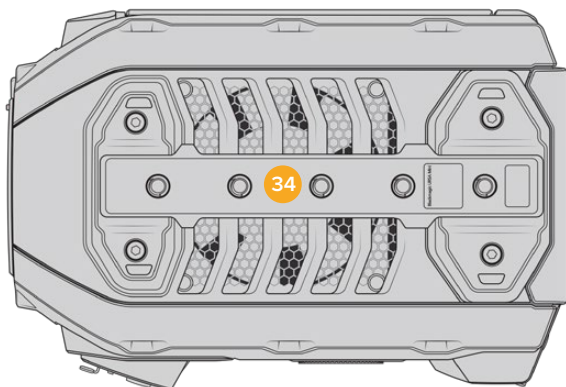
### 32 Отверстия диаметром 1/4 дюйма

На верхней панели есть четыре монтажных отверстия для установки ручки и дополнительных устройств.

### 33 Аудиовход XLR

Балансные входы XLR позволяют подключать внешние источники аналогового аудиосигнала, в том числе звуковые микшеры, системы громкой связи или микрофоны. Разъемы XLR 48 В предусматривают возможность фантомного питания микрофонов. Подробнее о фантомном питании см. раздел «Внутренняя панель управления».

## Нижняя панель

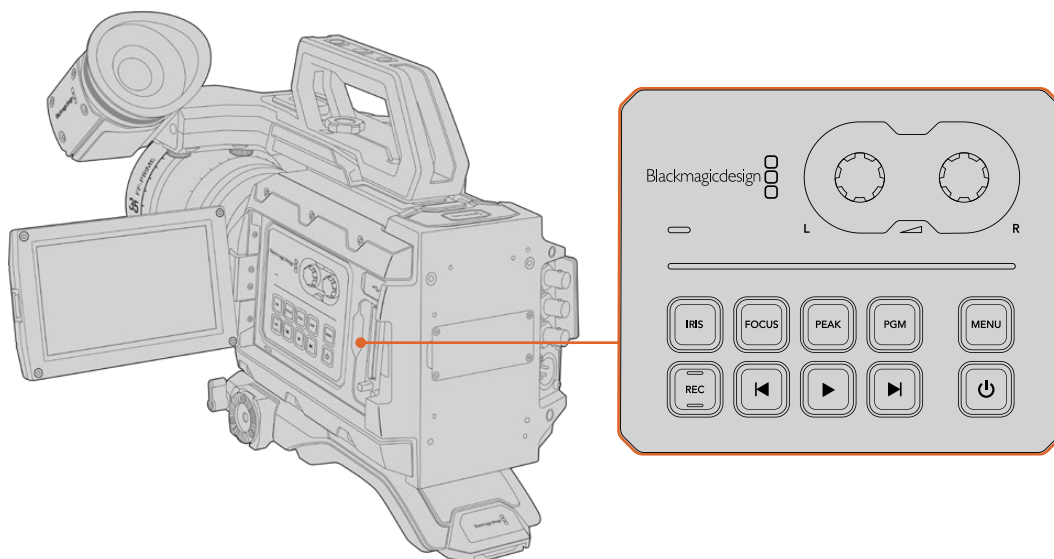


### 34 Отверстия диаметром 1/4 дюйма

На нижней панели есть пять монтажных отверстий для установки на штатив, крепления плечевого упора URSA Mini Shoulder Mount Kit и других дополнительных устройств.

## Органы управления URSA Mini

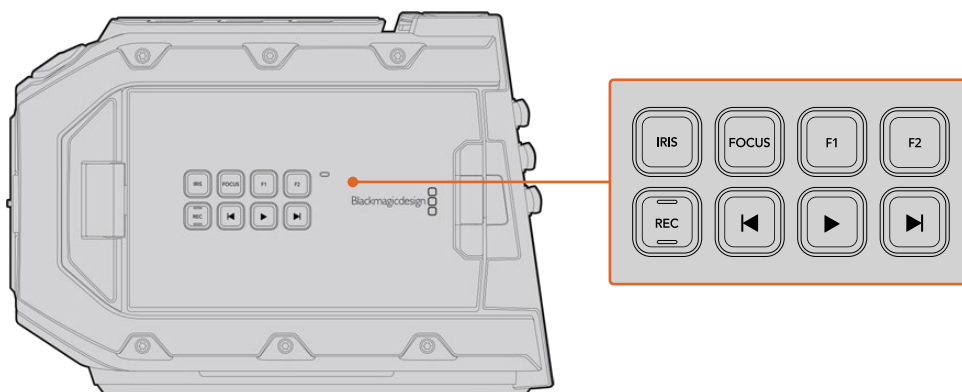
С левой стороны корпуса Blackmagic URSA Mini находится панель управления. С помощью ее кнопок и ручек можно менять настройку параметров и устанавливать уровень аудиосигнала. Сенсорный ЖК-экран позволяет выводить индикаторы для мониторинга звука.



Настройки камеры устанавливаются с помощью кнопок панели управления и сенсорного экрана

### Кнопки управления

Дополнительно к панели управления, Blackmagic URSA Mini имеет кнопки на внешней поверхности ЖК-дисплея и на дополнительной рукоятке Blackmagic URSA Handgrip. Кнопки IRIS, FOCUS, REC и воспроизведения выполняют одинаковые функции вне зависимости от их положения.



Кнопки управления на корпусе используют для записи и просмотра клипов, выделения контуров, переключения между программным и получаемым камерой изображением, а также для изменения диафрагмы и автоматической фокусировки при работе с EF-объективами, поддерживающими данные функции

#### IRIS

Кнопка IRIS включает автоматическую диафрагму при использовании объективов с поддержкой данной функции. В режиме видеосъемки при одном нажатии этой кнопки будет установлена средняя экспозиция на основе параметров света или тени в кадре. В режиме киносъемки при нажатии IRIS устанавливается экспозиция по самому светлому участку в кадре.

На моделях URSA Mini EF эта кнопка работает при использовании EF-объективов, поддерживающих данную функцию. На моделях URSA Mini PL кнопка будет работать с совместимыми объективами, подключенными к разъему для управления вещательной оптикой.

Чтобы настроить диафрагму в ручном режиме, нажмите кнопку перемотки вперед или назад.

### **FOCUS**

Кнопка FOCUS включает автофокус при использовании объектива с креплением EF и поддержкой электронного управления. На откидном мониторе появится белая фокусная рамка. Все детали изображения внутри этой рамки будут в фокусе. После наведения фокуса рамка исчезнет.

**ПРИМЕЧАНИЕ.** Важно помнить, что некоторые объективы также допускают ручную установку фокуса, поэтому для работы данной функции необходимо выбрать автоматический режим.

### **PEAK**

Кнопка PEAK используется для выделения контуров изображения. При обычном выделении контуров искусственно усиливается резкость оказавшихся в фокусе зон изображения. Во втором режиме к зонам резкости добавляются цветные линии в виде черных, белых, красных, зеленых или синих полос. Подробнее см. раздел «Настройки Monitor». Выделяемые контуры не записываются на носитель, но их можно отображать на устройствах, подключенных через выход для мониторинга HD-материала, и на откидном мониторе. Для этого нужно активировать режим вывода используемых параметров.

### **PGM**

Кнопка PGM служит для переключения между изображением камеры и любым сигналом, поступающим на вход 12G-SDI. Это позволяет выводить на ЖК-дисплей программный сигнал при подключении URSA Mini к соответствующему выходу видеомикшера. Чтобы увидеть программное изображение, нажмите и удерживайте кнопку PGM. Оно будет выводиться до тех пор, пока нажата эта кнопка. При двойном нажатии кнопки PGM происходит переход на программный сигнал, при повторном нажатии — отключение сигнала. Для просмотра сигнала, поступающего с видеомикшера, камера и микшер должны использовать одинаковую кадровую частоту.

**ПРИМЕЧАНИЕ.** При настройке источника синхронизации и переключении между ними может происходить кратковременная потеря сигнала на выходе камеры URSA Mini или URSA Mini Pro. Это происходит из-за перенастройки на новый опорный сигнал, поэтому изменения рекомендуется выполнять не во время работы, а в паузах между проектами.

### **MENU**

Нажмите кнопку MENU, чтобы открыть экранную панель инструментов. Подробнее о работе с панелью инструментов и изменении настроек см. раздел «Настройки».

## REC

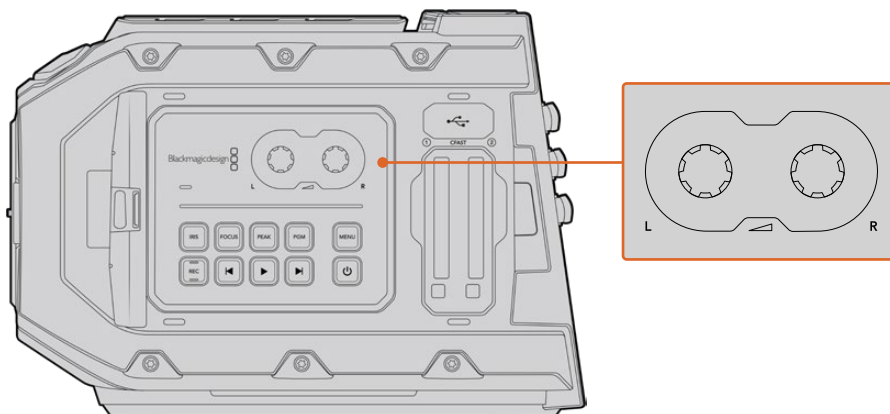
Blackmagic URSA Mini имеет три кнопки красного цвета: на панели управления, откидном ЖК-дисплее и дополнительной рукоятке Blackmagic URSA Handgrip. Для запуска и остановки записи нажмите любую из них. Подробнее см. раздел «Запись».

## Кнопки управления воспроизведением

Эти кнопки позволяют запускать и останавливать воспроизведение, а также переходить к следующему или предыдущему клипу. На Blackmagic URSA Mini EF кнопки перемотки вперед/назад можно также использовать для изменения настройки диафрагмы при работе с объективами, поддерживающими электронное управление. Подробнее см. раздел «Воспроизведение».

## Настройка уровня звука

Уровень записи на каналах 1 и 2 можно настроить с помощью ручек регулировки. Для увеличения или уменьшения уровня звука поверните соответствующую ручку по часовой стрелке или против часовой стрелки. Чтобы установить оптимальное значение, используйте экранные индикаторы.



Для увеличения или уменьшения уровня звука поверните ручки по часовой стрелке или против часовой стрелки

## Функциональные кнопки

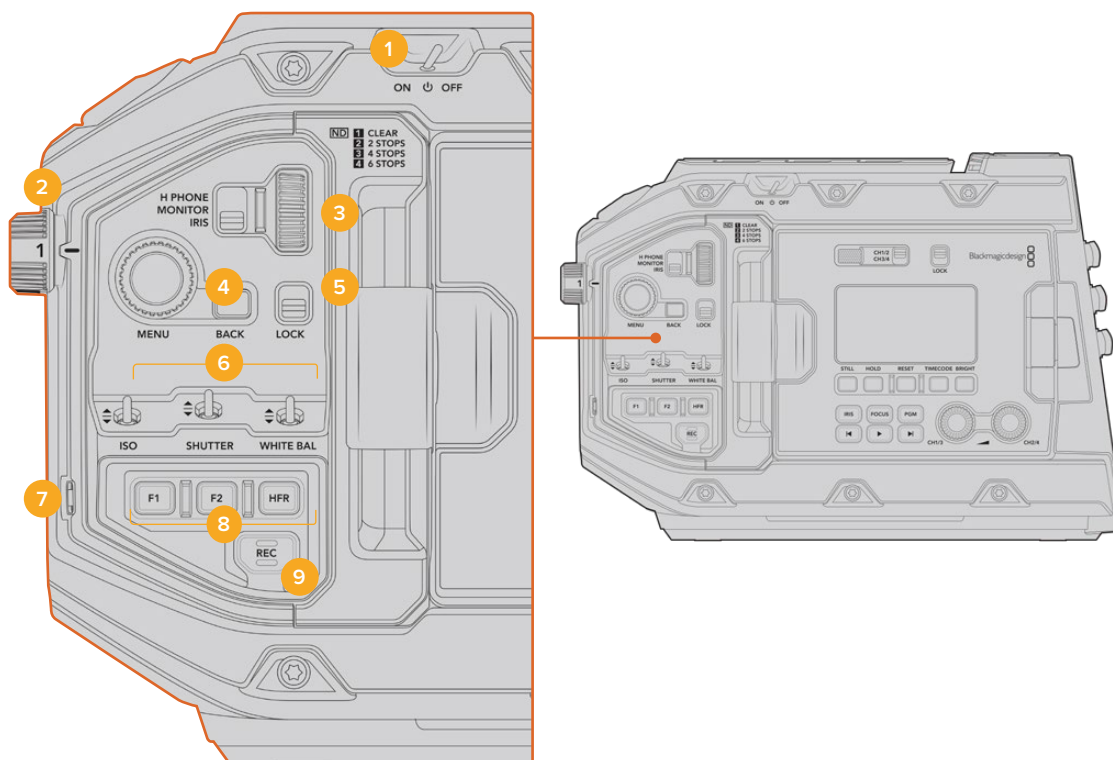
Blackmagic URSA Mini имеет кнопки F1 и F2 на внешней поверхности ЖК-дисплея. С помощью меню Setup их можно настроить для работы с любыми часто используемыми функциями. Подробнее см. раздел «Настройки Setup».

# Кнопки управления на URSA Mini Pro

Blackmagic URSA Mini Pro имеет органы управления на корпусе, внешней и внутренней сторонах откидного сенсорного экрана для быстрого и удобного доступа ко всем важным функциям, а также мониторинга сигнала. Они расположены таким образом, чтобы быть всегда под рукой в любых условиях съемки: со штатива, с рук или плечевого упора.

## Передняя панель управления

На боковой панели управления URSA Mini Pro сгруппированы все органы контроля, необходимые для подготовки к съемке и во время записи. Они обеспечивают удобный доступ при закрытом откидном экране, например при работе с плеча.



Передняя панель управления URSA Mini Pro 4.6K

### 1 Питание

Для подачи питания на URSA Mini Pro установите тумблер в положение ON. Для отключения камеры верните тумблер в положение OFF (Выкл.).

**СОВЕТ.** Управлять питанием URSA Mini Pro можно с помощью комбинаций кнопок на панели. Чтобы включить или отключить камеру, нажмите REC и кнопку ускоренной перемотки. Если тумблер питания находится в положении ON, но камера обесточена, отключите и снова включите его, чтобы вернуться к обычному режиму работы.

## 2 Светофильтры ND

Камера URSA Mini Pro имеет три нейтральных светофильтра. Доступные настройки: CLEAR, 2 STOPS, 4 STOPS и 6 STOPS. Данные фильтры позволяют уменьшить количество света, попадающего на матрицу URSA Mini, и регулируются числом ступеней экспозиции. Снижая этот показатель, можно продолжать съемку при ярком свете с широкой диафрагмой, например вне студии в солнечный день.

Для настройки нейтрального светофильтра поверните колесико вперед или назад. Положение CLEAR означает отсутствие фильтрации. Настройки со 2 по 4 повышают плотность фильтрации, что уменьшает проходимость света.

Так как для светофильтров используются разные термины, допускается их индивидуальная настройка в меню на ЖК-дисплее. Это позволяет идентифицировать светофильтры ND по числу, ступени экспозиции и объему пропускаемого света в дробях.

**Таблица настройки нейтральных светофильтров ND**

Положение колесика	Число	Ступени	Дробь
1	0	CLEAR	1
2	0,6	2	1/4
3	1,2	4	1/16
4	1,8	6	1/64

## 3 Колесико настроек

Задайте настройки любых трех функций, расположенных рядом с колесиком: H PHONE (Наушники), MONITOR (Динамик) и IRIS (Диафрагма).

### H PHONE

При выборе этой опции проводится настройка уровня звука в наушниках. Поворот колесика меняет громкость.

### MONITOR

При выборе этой опции настраивается уровень звука на встроенном динамике, который находится на внешней стороне ЖК-дисплея и может использоваться для мониторинга аудиосигнала без наушников. Поворот колесика вверх или вниз увеличивает или уменьшает громкость. Функция блокируется при записи с использованием встроенного микрофона, чтобы исключить нежелательные звуковые помехи.

### IRIS

При выборе этой опции настраивается диафрагма при использовании совместимых объективов. Поворот колесика вниз открывает диафрагму, вверх — закрывает. Такое направление аналогично настройке данной функции на фото- и кинообъективах.

**СОВЕТ.** Для изменения диафрагмы с помощью колесика на URSA Mini Pro необходимо установить оптику с поддержкой данной функции. При использовании объективов B4 или PL, подключенных к камере через 12-контактный разъем, проверьте настройку диафрагмы на рукоятке. Она должна быть в положении "A" (или "Auto").

#### 4 Колесико MENU

Когда на URSA Mini Pro включена опция вывода служебных данных через фронтальный SDI-выход, колесико MENU позволяет перейти к функциям, которые обычно доступны с сенсорного ЖК-дисплея.

Нажмите колесико для входа в меню камеры URSA Mini Pro и вывода информации на внешний экран, например Blackmagic SmartView, Video Assist или URSA Viewfinder. Поверните колесико, чтобы выбрать функции — опции мониторинга на ЖК-дисплее, кадровую частоту, ISO, баланс белого и оттенок. Для подтверждения выбора или дополнительных настроек вновь нажмите на колесико. Кнопка BACK рядом с колесиком служит для отмены выбора. Эту же кнопку можно использовать для навигации по меню или выхода из него. Если с меню на URSA Mini Pro 4.6K не работают, оно автоматически закрывается через одну минуту.

#### 5 LOCK

Переключатель блокирует органы управления на передней панели и помогает избежать случайного изменения настроек. В нижнем положении блокировка активирована, в верхнем — отменена.

**СОВЕТ.** Если при съемке на массовом мероприятии вам нужно отойти, можно заблокировать переднюю панель камеры URSA Mini Pro от постороннего вмешательства.

#### 6 Переключатели ISO, SHUTTER и WHITE BAL

Небольшие по размеру переключатели для настройки ISO, баланса белого и затвора. Они позволяют быстро вносить поправки без остановки съемочного процесса. Чтобы изменить параметры, осторожно подвиньте переключатель вверх или вниз, после чего он сам вернется в нейтральное положение.

##### ISO

Сдвиг этого переключателя вверх повышает значение ISO на один шаг, вниз — понижает. Доступные варианты: 200, 400, 800 и 1600 для URSA Mini; 200, 400, 800, 1600 и 3200 на URSA Mini Pro.

##### SHUTTER

Этот переключатель используется для изменения угла или выдержки затвора (в зависимости от того, какая настройка выбрана в меню Setup). Сдвиг вверх позволяет перейти к более высокой настройке, вниз — к более низкой. Для ускоренного перехода между опциями необходимо удерживать переключатель в верхнем или нижнем положении. Для угла раскрытия затвора доступно 20 значений: от 11,2 до 360 градусов.

**СОВЕТ.** URSA Mini Pro также рассчитывает значения выдержки и угла затвора на основе частоты сетей энергоснабжения в вашей стране. Эту настройку можно выбрать в меню ЖК-экрана. Подробнее см. раздел «Органы управления с сенсорного экрана».



## **WHITE BAL**

Позволяет настраивать баланс белого. Сдвиг вверх повышает температуру цвета на 50K, а вниз — понижает. Удерживайте переключатель в положении вверх или вниз для ускоренного перехода между опциями.

### **7 AWB**

При нажатии этой кнопки в центре ЖК-дисплея на пять секунд появляется окно автоматической настройки баланса белого. Также оно выводится при передаче сигнала через SDI-выход вместе с информацией о состоянии, если эта опция активирована в настройках меню. Окно обозначает особую зону изображения, в которой рассчитывается баланс белого. Картон серого цвета должен размещаться внутри его границ. Для автоматической настройки баланса белого нажмите и удерживайте кнопку AWB в течение трех секунд. При успешном завершении настройки цвет рамки изменится с белого на зеленый.

О том, как включить отображение служебной информации на фронтальном и главном SDI-выходах, см. раздел «Настройки MONITOR».

### **8 F1 и F2**

С помощью меню SETUP на URSA Mini Pro можно запрограммировать кнопки F1 и F2 для доступа к часто используемым функциям. По умолчанию F1 настроена для False Color, а F2 — на вывод LUT-таблицы.

Подробнее см. раздел «Органы управления с сенсорного экрана».

## **HFR**

Эта кнопка служит для включения специальной кадровой частоты. Чтобы использовать эту функцию, выберите пользовательскую частоту в меню Frame Rate. После этого при нажатии кнопки можно переключаться между специальной и стандартной кадровой частотой проекта. Данная настройка доступна для изменения только при остановке записи. Допускается также настройка кнопки HFR для работы с часто используемыми функциями или ее отключение.

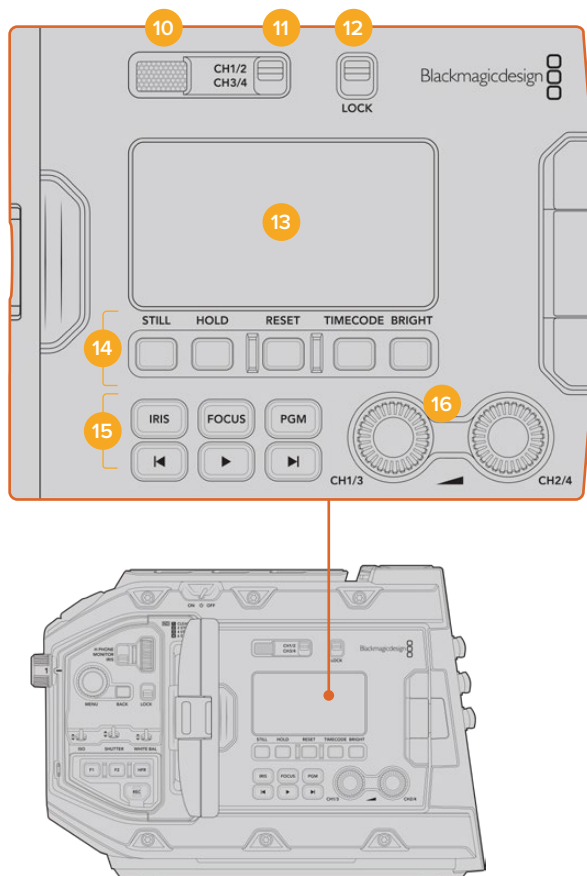
Подробнее о специальной и стандартной кадровой частоте проекта см. раздел «Органы управления с сенсорного экрана».

### **9 REC**

Кнопка REC расположена с левой стороны корпуса Blackmagic URSA Mini Pro. Нажмите ее для запуска или остановки записи. Подробнее см. раздел «Запись».

## Эргономичная панель управления

Расположена на внешней стороне откидного сенсорного экрана URSA Mini Pro и состоит из ЖК-дисплея и инструментов мониторинга. На этой панели отображаются все служебные параметры и уровни звука. При установке объектива с поддержкой электронного управления можно использовать автоматическую фокусировку, а органы управления воспроизведением позволяют просматривать видео.



Эргономичная панель управления URSA Mini Pro 4.6K

### 10 Динамик

Небольшой встроенный динамик позволяет выводить звук в режиме воспроизведения. Он расположен на уровне человеческого уха при условии ведения съемки с плеча.

Для регулировки громкости поверните колесико настройки, как описано в разделе «Органы управления на URSA Mini Pro».

### 11 Выбор канала мониторинга

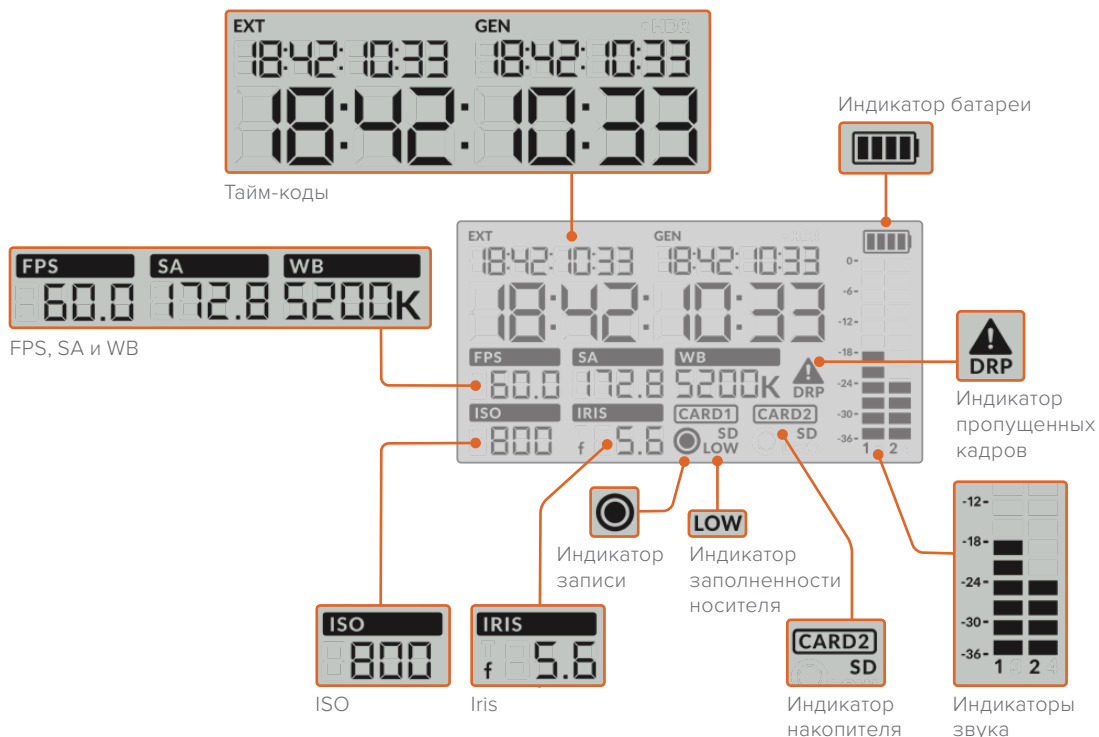
URSA Mini Pro позволяет использовать два аудиоканала.

### 12 LOCK

Этот переключатель служит для блокировки всех настроек эргономичной панели управления на URSA Mini Pro. Единственная настройка, которая остается при этом активной, — выбор канала для мониторинга.

### 13 ЖК-дисплей состояния

На экран состояния выводятся основные настройки, поэтому для просмотра служебной информации не нужно открывать внутренний сенсорный дисплей. Конструкция экрана позволяет четко видеть изображение даже в яркую солнечную погоду. Доступны несколько параметров.



#### Тайм-коды

URSA Mini Pro отображает три разных тайм-кода. Если подключен источник внешнего тайм-кода, он будет выводиться под индикатором EXT в левом верхнем углу. Внутренний тайм-код камеры URSA Mini Pro показан под индикатором GEN. Оба тайм-кода выводятся в формате часы:минуты:секунды:кадры.

Крупные символы показывают продолжительность клипа или тайм-код. Для перехода между режимами отображения нажмите кнопку TIMECODE под ЖК-дисплеем состояния.

#### Индикатор батареи

Если URSA Mini Pro работает от батареи, этот индикатор показывает оставшееся время с шагом 25%. Каждая из четырех секций аккумулятора — это 25% заряда. При уровне ниже 20% начинает мигать светодиодный индикатор состояния, расположенный возле кнопки записи. Во время сохранения он будет попеременно загораться красным и оранжевым, в режиме ожидания — белым и оранжевым цветом.

При питании камеры от электрической сети индикатор батареи отображает полную зарядку.

#### FPS, SA и WB

Индикаторы отображают текущую кадровую частоту (FPS), угол раскрытия затвора (SA) и баланс белого (WB). Подробнее о матрице и кадровой частоте проекта см. раздел «Органы управления с сенсорного экрана».

## **ISO**

Текущий параметр ISO.

## **IRIS**

Текущая выдержка объектива. В зависимости от типа оптики отображается как f или T.

## **Носитель**

Индикаторы CARD1 и CARD2 отображают информацию о накопителях, находящихся в данный момент в соответствующих слотах.

При использовании SD-карт появляется значок SD, который исчезает при работе с CFast.

## **Индикатор записи**

Во время записи круглый значок появляется под наименованием носителя, на который сохраняется материал.

## **Индикатор памяти**

LOW означает, что на используемом носителе осталось места примерно на пять минут записи.

## **Индикаторы звука**

Этот индикатор показывает уровни звука при использовании встроенного микрофона или подключении внешнего аудиооборудования. На дисплее уровень отображается в dBFS, при этом максимальные значения фиксируются на короткое время для облегчения их зрительного восприятия.

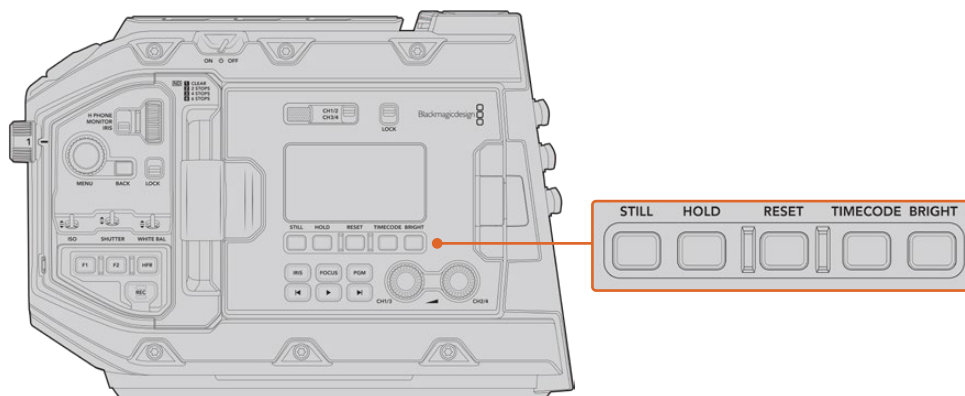
Чтобы получить качественную звуковую дорожку, значения сигнала должны быть ниже 0 dBFS. В случае превышения этого уровня возникает перегрузка, и аудиосигнал искажается.

## **Индикация пропущенных кадров**

При обнаружении пропущенных кадров индикатор начинает мигать. После остановки записи индикатор остается в том же состоянии, сообщая об обнаружении пропущенных кадров. Предупреждение исчезнет при следующем сеансе записи или при повторном включении камеры. Подробнее о том, как избежать пропуска кадров, см. раздел «Работа с накопителями».

**ПРИМЕЧАНИЕ.** На URSA Mini Pro можно выбрать опцию остановки записи при обнаружении пропущенных кадров. Подробнее см. раздел «Настройки RECORD». Эта функция настраивается самим пользователем, чтобы устранить погрешности при записи с высокой кадровой частотой или разрешением на более медленные накопители.

## 14 Органы управления на ЖК-дисплее состояния



Органы управления на ЖК-дисплее состояния (URSA Mini Pro 4.6K)

### STILL

При нажатии этой кнопки происходит захват статического изображения. На 12K-камере кадр будет сохранен в кодеке Blackmagic RAW, а на моделях URSA Mini Pro 4.6K — в несжатом формате DNG. Файлы сохраняются в папку Stills в той же директории, где находятся медиафайлы текущей записи. Их имена совпадают с названиями видеофайлов, но в конце содержат индекс S001, цифры которого соответствуют номеру статического изображения. Когда изображение сохранено, оно появляется в верхнем правом углу сенсорного экрана URSA Mini, а датчик записи на ЖК-дисплее мигает три раза.

### HOLD

Эта кнопка временно останавливает внешний тайм-код текущего времени при его выводе на ЖК-дисплей. Отсчет тайм-кода продолжается в фоновом режиме и возвращается к фактическому состоянию после того, как отпущена кнопка. Такую задержку можно использовать в тех случаях, когда нужно установить значение тайм-кода для определенного фрагмента, например во время репортажной или документальной съемки.

### RESET

Эта кнопка позволяет сбросить тайм-код до 00:00:00:00 при установке собственного значения.

### TIMECODE

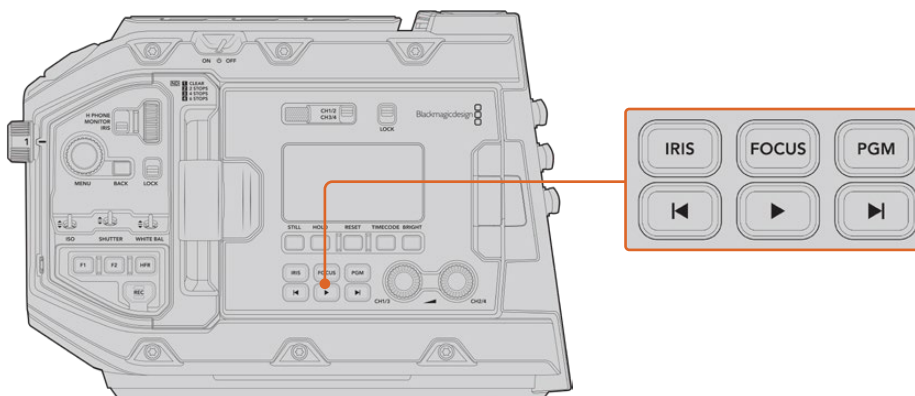
При нажатии этой кнопки можно переключаться между двумя форматами отображения. По умолчанию используется тайм-код, который привязан к текущему времени суток. Если кнопку нажать и удерживать в течение пяти секунд, камера перейдет в режим внутреннего тайм-кода (продолжительность). Индикатор тайм-кода и два первых сегмента на дисплее начнут мигать. На этом этапе можно задать собственное значение.

При нажатии кнопки RESET тайм-код обнуляется. После этого с помощью колесика MENU можно установить значение для часов, минут, секунд и кадров. Когда тайм-код задан, нажмите и удерживайте кнопку TIMECODE в течение трех секунд, чтобы задать точку отсчета. Выбранное значение будет отображаться на дисплее и начнет меняться, когда оператор приступит к съемке. Чтобы вернуться к внешнему тайм-коду, одновременно удерживайте кнопки TIMECODE и HOLD в нажатом положении в течение трех секунд.

### BRIGHT

Кнопка для перехода между четырьмя настройками яркости ЖК-дисплея состояния: Off (выкл.), Low (низк.), Medium (средн.) и High (высок.).

## 15 Кнопки управления и воспроизведения



Кнопки управления и воспроизведения URSA Mini Pro 4.6K

### IRIS

Кнопка IRIS включает автоматическую диафрагму при использовании объективов с поддержкой данной функции. В режиме видеосъемки при одном нажатии этой кнопки будет установлена средняя экспозиция на основе параметров света или тени в кадре. В режиме киносъемки при нажатии IRIS устанавливается экспозиция по самому светлому участку в кадре. Функция доступна при работе с EF- и PL-оптикой, подключенной к вещательным объективам с поддержкой электронного управления.

Чтобы настроить диафрагму в ручном режиме, нажмите кнопку перемотки вперед или назад.

### FOCUS

Кнопка FOCUS активирует автофокус при использовании объектива с креплением EF и поддержкой электронного управления. На подключенном к URSA Mini Pro видеискателе или мониторе появится рамка белого цвета. Все детали изображения внутри этой рамки будут в фокусе. После наведения фокуса рамка исчезнет.

**ПРИМЕЧАНИЕ.** Некоторые объективы имеют режим как ручной, так и автоматической фокусировки. Для того, чтобы URSA Mini Pro поддерживала автоматическую фокусировку оптики, необходимо настроить объектив на этот режим работы.

### PGM

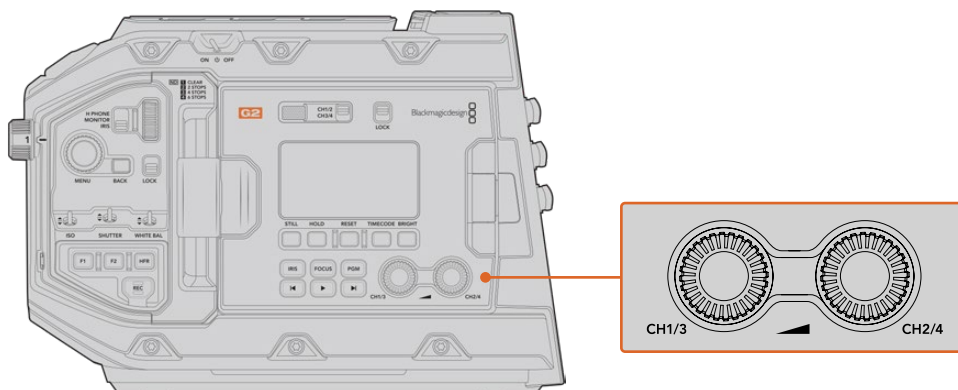
Эта кнопка служит для переключения между изображением камеры и любым сигналом, поступающим на вход 12G-SDI. Это позволяет выводить на ЖК-дисплей программный сигнал при подключении URSA Mini Pro к соответствующему выходу видеомикшера. Чтобы увидеть программное изображение, нажмите и удерживайте кнопку PGM. Оно будет выводиться до тех пор, пока нажата эта кнопка.

При желании вывод программного изображения можно заблокировать. Для этого нажмите кнопку PGM два раза. Чтобы разблокировать программное изображение и вернуться к изображению камеры, нажмите эту кнопку еще раз.

### Кнопки управления воспроизведением

Эти кнопки позволяют запускать и останавливать воспроизведение, а также переходить к следующему или предыдущему клипу. Кнопки перемотки вперед/назад можно также использовать для изменения настройки диафрагмы при работе с объективами, поддерживающими электронное управление. Подробнее см. раздел «Воспроизведение».

## 16 Настройка уровня звука

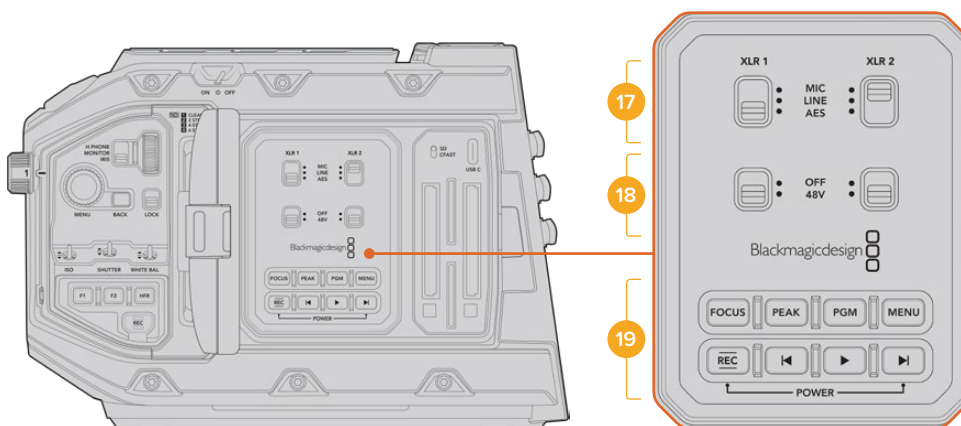


Ручки настройки звука на URSA Mini Pro 4.6K G2

Уровень записи на каналах 1 и 2 можно настроить с помощью ручек регулировки. Для увеличения или уменьшения уровня звука поверните соответствующую ручку по часовой стрелке или против часовой стрелки. Чтобы установить оптимальное значение, используйте экранные индикаторы.

## Внутренняя панель управления

URSA Mini Pro имеет откидной сенсорный экран, при открытии которого появляется доступ к внутренней панели управления. Она позволяет выбирать аудиовходы, контролировать настройки фантомного питания и диафрагмы, устанавливать фокус, работать с меню и выполнять воспроизведение.



Внутренняя панель управления на URSA Mini Pro

### 17 XLR1 / XLR2

Эти переключатели служат для выбора режима работы при использовании XLR-входов как источника. Доступны три опции: микрофон, линейный сигнал и цифровое AES-аудио.

### 18 Фантомное питание

XLR-источник камеры URSA Mini Pro позволяет подавать фантомное питание 48 В, что дает возможность использовать микрофоны без автономного энергоснабжения. Для использования этого режима установите переключатель в положение 48V, для отключения — в положение OFF.



**ПРИМЕЧАНИЕ.** Перед подачей фантомного питания рекомендуется сначала подсоединить кабель XLR. Если микрофон больше не получает питание, необходимо установить соответствующий переключатель в положение OFF. Устройства, не имеющие встроенной защиты на выходах AES XLR, могут быть повреждены при подключении к XLR-входам камеры, если на них еще подается питание. При отсоединении микрофона переключатель 48V должен быть установлен в положение OFF.

## 19 Кнопки управления и воспроизведения

### FOCUS

Кнопка FOCUS включает автофокус при использовании объектива с креплением EF и поддержкой электронного управления. На откидном мониторе появится белая фокусная рамка. Все детали изображения внутри этой рамки будут в фокусе. После наведения фокуса рамка исчезнет.

**ПРИМЕЧАНИЕ.** Некоторые объективы имеют режим как ручной, так и автоматической фокусировки. Для того, чтобы URSA Mini поддерживала автоматическую фокусировку оптики, необходимо настроить объектив на этот режим работы.

### PEAK

Кнопка Peak используется для выделения контуров изображения. При обычном выделении контуров искусственно усиливается резкость оказавшихся в фокусе зон изображения. Во втором режиме к зонам резкости добавляются цветные линии в виде черных, белых, красных, зеленых или синих полос. Подробнее см. раздел «Настройки Monitor». Выделяемые контуры не записываются на носитель, но их можно отображать на устройствах, подключенных через выход для мониторинга HD-материала, и на откидном мониторе. Для этого нужно активировать режим вывода используемых параметров.

**СОВЕТ.** При передаче видеосигнала на Blackmagic Video Assist или Hyperdeck Studio Mini убедитесь в том, что переключатель PEAK исходящего канала установлен в положение OFF. Это можно сделать с помощью функции CLEAN FEED для фронтального или главного SDI-выхода. Подробнее о настройке CLEAN FEED см. раздел «Настройки Monitor».

### PGM

Кнопка PGM служит для переключения между изображением камеры и любым сигналом, поступающим на вход 12G-SDI. Это позволяет выводить на ЖК-дисплей программный сигнал при подключении URSA Mini Pro 4.6K к соответствующему выходу видеомикшера. Чтобы увидеть программное изображение, нажмите и удерживайте кнопку PGM. Для блокировки вывода программного изображения нажмите кнопку дважды. Нажмите ее вновь, чтобы отключить программное изображение.

Для просмотра сигнала, поступающего с видеомикшера, камера и микшер должны использовать одинаковые разрешение и кадровую частоту.

### MENU

Нажмите кнопку MENU, чтобы открыть экранную панель инструментов. Подробнее о работе с панелью инструментов и изменении настроек см. раздел «Настройки».

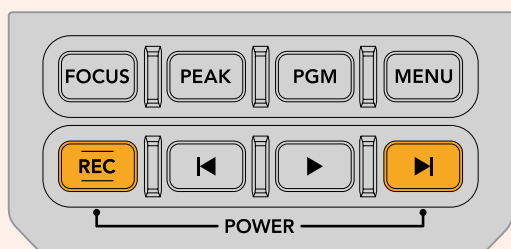
## REC

Для запуска и остановки записи нажмите любую из кнопок с маркировкой REC. Подробнее см. раздел «Запись».

### Кнопки управления воспроизведением

Эти кнопки позволяют запускать и останавливать воспроизведение, а также переходить к следующему или предыдущему клипу. Кнопки перемотки вперед/назад можно также использовать для изменения настройки диафрагмы при работе с байонетом EF и оптикой, поддерживающей электронное управление. Подробнее см. раздел «Воспроизведение».

**ПРИМЕЧАНИЕ.** Для подачи питания на URSA Mini Pro можно использовать разные комбинации кнопок на внутренней панели управления. Чтобы включить или отключить камеру, нажмите REC и кнопку ускоренной перемотки. Если тумблер питания находится в положении ON, но камера обесточена, отключите и снова включите его, чтобы вернуться к обычному режиму работы.



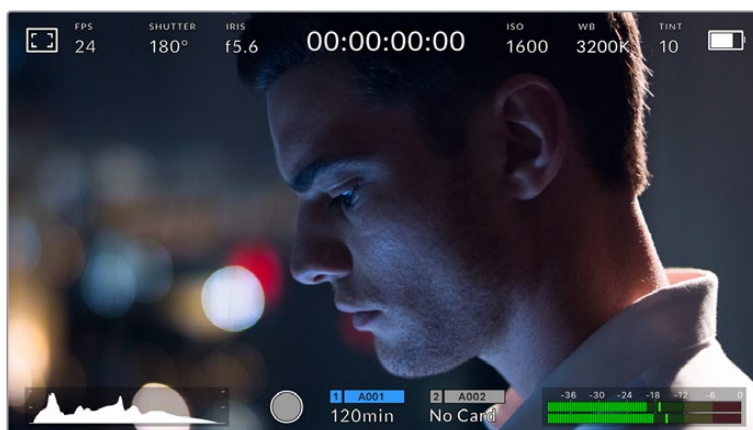
# Органы управления с сенсорного экрана

## Сенсорный экран

Blackmagic URSA Mini имеет откидной 5-дюймовый сенсорный экран, который можно поворачивать с учетом условий съемки. На внешней поверхности ЖК-дисплея есть кнопки, позволяющие управлять камерой, когда она используется с видоискателем URSA Viewfinder при закрытом экране.

## Функции сенсорного экрана

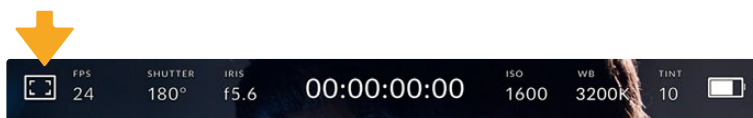
Сенсорный экран представляет собой интуитивно понятный интерфейс, позволяющий быстро выбирать нужные настройки. С помощью касания или прокрутки оператор получает удобный доступ к основным функциям камеры, которые используются во время съемки.



Сенсорный экран на URSA Mini позволяет выводить полную информацию об используемых параметрах и обеспечивает удобный доступ к большинству настроек камеры

## Настройки мониторинга на ЖК-экране

Чтобы получить доступ к настройкам мониторинга, коснитесь значка дисплея в верхнем левом углу сенсорного ЖК-экрана. После этого можно выбрать параметры таких функций, как зебра, помощь при фокусировке, рамки кадрирования и сетка. В этом случае органы управления отображаются как меню внизу сенсорного экрана.

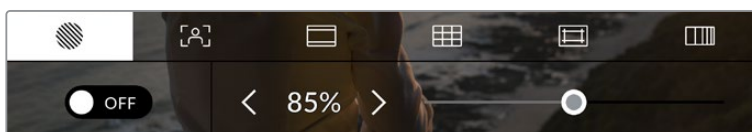


Чтобы получить доступ к настройкам мониторинга, коснитесь соответствующего значка в верхнем левом углу сенсорного ЖК-экрана

## Zebra (Зебра)

Настройка позволяет выбирать способ отображения этой функции на ЖК-экране, а также устанавливать ее уровень на всех выходах камеры URSA Mini.

Эта функция отображает диагональные линии в тех областях, где экспозиция превышает установленный уровень. Например, при настройке 100% будут видны полностью засвеченные области. Это помогает выбрать оптимальную экспозицию в постоянных условиях освещения.



Чтобы установить параметры зебры, коснитесь соответствующего значка после выбора настроек мониторинга на ЖК-экране

Для отображения зебры на ЖК-дисплее коснитесь значка переключения в нижнем левом углу экрана на соответствующей вкладке.

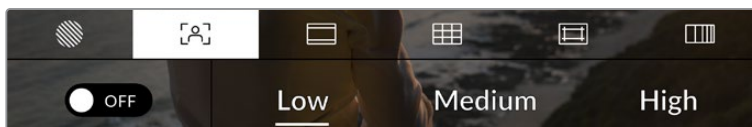
Чтобы установить уровень экспозиции, при котором начинает отображаться зебра, перетащите слайдер влево или вправо либо коснитесь соответствующей стрелки рядом с цифровым значением в процентах. Диапазон доступных значений — от 75 до 100 процентов с шагом 5%.

О том, как включить эту функцию для сигнала на фронтальном и главном SDI-выходах, см. раздел «Настройки Monitor».

**COBET.** При съемке в меняющихся условиях освещения (например, вне помещения при переменной облачности) настройка уровня зебры ниже 100 поможет избежать избыточной экспозиции.

### Focus Assist (Помощь при фокусировке)

Эта настройка позволяет выбирать способ отображения функции на ЖК-экране, а также устанавливать необходимый уровень помощи при фокусировке для всех выходов на URSA Mini.



Чтобы установить нужные параметры, коснитесь соответствующего значка после выбора настроек мониторинга на ЖК-экране

Для изменения настройки коснитесь значка переключения в нижнем левом углу экрана на вкладке Focus Assist.

Чтобы установить уровень помощи при фокусировке для всех выходов камеры URSA Mini, коснитесь нужной настройки: Low (низкий), Medium (средний), High (высокий).

Оптимальный уровень помощи при фокусировке варьируется в зависимости от характера кадра. Например, при съемке людей он может быть высоким для сохранения детализации при изображении лиц. В других случаях (например, для статичных предметов) такой высокий уровень не требуется.

О том, как включить функцию помощи при фокусировке для фронтального и главного SDI-выходов, см. раздел «Настройки Monitor».

**COBET.** URSA Mini имеет два режима помощи при фокусировке Peaking и Coloured Lines, выбор которых возможен в меню Monitor. Подробнее см. раздел «Настройки Monitor» данного руководства.

## Фокусировка с экрана

При использовании объективов с поддержкой данной функции допускается фокусировка для любого участка изображения легким прикосновением к этой зоне на ЖК-дисплее. Настройка выполняется автоматически.

При нажатии кнопки FOCUS на камере или дополнительной рукоятке фокусировка заданного участка будет сделана автоматически. Для сброса настройки и возврата к фокусировке по центру нажмите кнопку дважды.



Сенсорный ЖК-дисплей камеры URSA Mini при фокусировке

**СОВЕТ.** Если служебные параметры заслоняют участок фокусировки, уберите их, проведя пальцем по экрану в вертикальном направлении.

## Frame Guides (Рамки кадрирования)

Эта настройка позволяет выбирать рамки кадрирования, отображаемые на ЖК-экране. Для всех выходов камеры URSA Mini можно выбрать один из восьми видов рамки.

В зависимости от назначения материала (кино, ТВ или онлайн-просмотр) доступны разные пропорции кадра.



Чтобы установить параметры рамки, коснитесь соответствующего значка после выбора настроек мониторинга на ЖК-экране

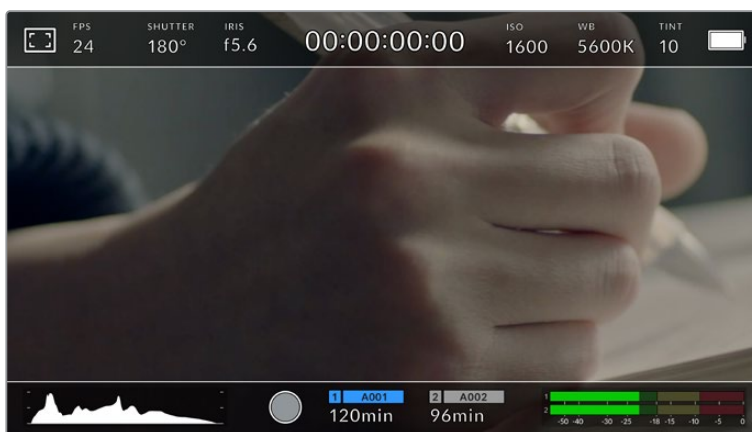
Чтобы изменить отображаемые рамки кадрирования на URSA Mini, коснитесь соответствующего значка в нижнем левом углу экрана.

Для выбора рамок кадрирования можно перетащить слайдер влево или вправо либо нажать одну из стрелок рядом с текущим значением пропорций кадра.

Доступные рамки кадрирования

### 2,35:1; 2,39:1 и 2,40:1

Отображение с пропорциями кадра, которые используются в широкоэкранном и анаморфированном форматах. Эти три настройки имеют небольшие отличия друг от друга в результате изменения стандартов кино за последние десятилетия. В настоящее время соотношение сторон 2,39:1 является одним из наиболее популярных форматов.



Изображение на сенсорном ЖК-экране URSA Mini с рамками 2,40:1

### **1:1**

На URSA Mini Pro можно выбрать квадратную рамку с соотношением сторон 1:1, которая используется для кадрирования материала для социальных сетей.

### **2:1**

Данный формат доступен на URSA Mini Pro и по своим пропорциям находится между 16:9 и 2,35:1.

### **1,85:1**

Еще одно соотношение сторон кадра, часто используемое в широкоформатном кинематографе. По своим пропорциям данный формат находится между HDTV 1,78:1 и 2,39:1.

### **16:9**

Эта опция позволяет отображать пропорции кадров 1,78:1, которые соответствуют 16:9 для ТВ-экранов высокой четкости и компьютерных мониторов.

Такие параметры получили наибольшее распространение при трансляции HD-сигнала и размещении видео в Интернете. Такие же пропорции кадра стали популярны и в вещании Ultra HD-сигнала.

### **14:9**

Промежуточный вариант между 16:9 и 4:3. В большинстве случаев видео с пропорциями кадра 16:9 и 4:3 уместится в границы изображения с соотношением сторон 14:9 при обрезке по краям. Эту опцию можно использовать, если материал предназначен для трансляции в формате 14:9.

### **4:3**

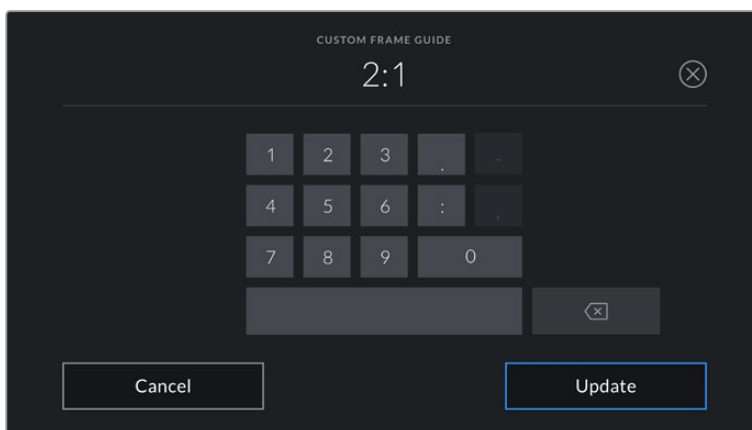
Отображение с пропорциями 4:3, которые подходят для телевизоров стандартной четкости и для кадрирования с помощью двух анаморфных адаптеров.

### **4:5**

На URSA Mini Pro можно выбрать рамку книжной ориентации с соотношением сторон 4:5, которая используется для кадрирования материала для смартфонов.

### **Собственные пропорции рамки**

Чтобы создать собственные пропорции рамки, коснитесь значения между стрелками. На экране под названием CUSTOM FRAME GUIDE удалите текущее значение с помощью кнопки возврата, а затем введите новое, используя числовую клавиатуру. Для применения данной настройки рамки и возврата к съемке нажмите Update.



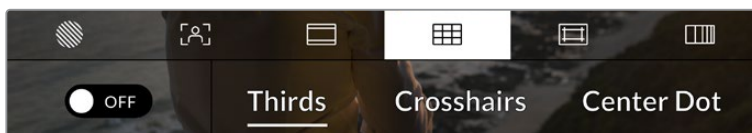
Для ввода новых пропорций рамки используется цифровая клавиатура на экране CUSTOM FRAME GUIDE

**СОВЕТ.** Прозрачность рамок кадрирования можно изменить. Подробнее см. раздел «Настройки Monitor».

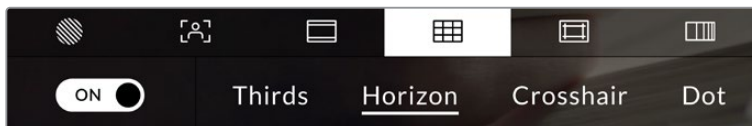
**ПРИМЕЧАНИЕ.** О том, как включить рамки кадрирования для фронтального и главного SDI-выходов, см. раздел «Настройки Monitor».

### Grids (Сетка)

Эта настройка позволяет отображать один из трех видов сетки (Thirds, Crosshairs и Center Dot) на ЖК-экране, а также выбирать ее для вывода на все выходы камеры URSA Mini. На URSA Mini Pro 12K также имеется индикатор горизонта.



Чтобы установить параметры сетки, коснитесь соответствующего значка после выбора настроек мониторинга на ЖК-экране



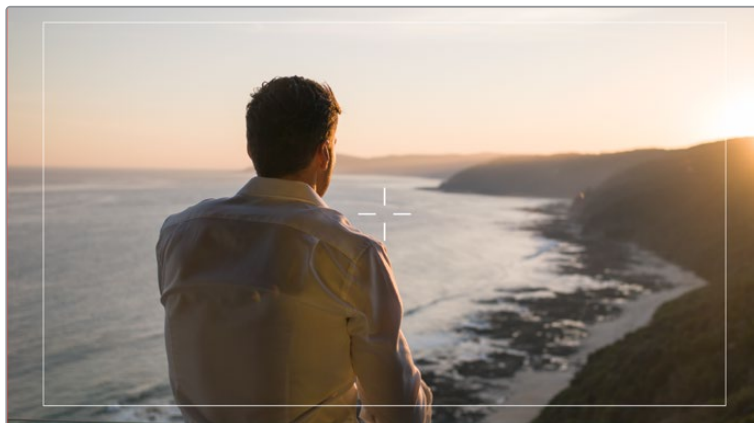
Этот инструмент облегчает построение композиции. Доступны три опции: Thirds, Crosshairs и Center Dot. На URSA Mini Pro 12K также имеется опция Horizon.

Этот инструмент облегчает построение композиции. Доступны три опции: Thirds, Crosshairs и Center Dot. На URSA Mini Pro 12K также имеется опция Horizon.



Чтобы изменить вид сетки на URSA Mini, коснитесь нужного значка в нижнем левом углу экрана на соответствующей вкладке.

После настройки камеры URSA Mini и ее подключения к видеомикшеру в качестве текущего источника программного сигнала на ЖК-дисплее будет автоматически загораться красный Tally-индикатор, если включено отображение сетки.



Если включено отображение сетки Grids, то при получении Tally-сигнала с видеомикшера ATEM вокруг изображения с камеры будет появляться красная рамка

Чтобы задать сетку для вывода на все выходы камеры URSA Mini, выберите опцию Thirds, Crosshairs или Center Dot в нижней части дисплея. На URSA Mini Pro 12K также имеется опция Horizon.



Сетка по правилу третей автоматически масштабируется в соответствии с пропорциями кадра

### Thirds (Трети)

Этот инструмент представляет собой сетку с двумя вертикальными и двумя горизонтальными полосами. С ее помощью кадр будет разделен на трети по вертикали и горизонтали. Считается, что лучше располагать важные части изображения вдоль этих линий или на их пересечении, потому что так улучшается их зрительное восприятие. Например, уровень взгляда актера обычно выравнивают по горизонтальной линии, ограничивающей снизу верхнюю треть кадра. Данная функция также обеспечивает последовательность кадрирования между дублями.

### Horizon (Горизонт)

На URSA Mini Pro 12K есть индикатор горизонта, который показывает наклон камеры влево, вправо, вверх и вниз. Он помогает поддерживать камеру в горизонтальном положении как при съемке с рук, так и со стабилизатора.

Направление смещения светло-серой вертикальной линии от центрального темно-серого перекрестия показывает, в какую сторону горизонта наклонена камера. Когда камера опущена вниз или повернута вверх, светло-серая горизонтальная линия сдвигается соответственно вверх или вниз.

Расстояние отхода линий от центрального перекрестия пропорционально степени горизонтального или вертикального наклона. Если сенсор движения камеры откалиброван и камера совмещена с осями наклона, вертикальная и горизонтальная линии будут иметь синий цвет.

Если камеру наклонить прямо вниз для съемки сверху или направить вверх, индикатор горизонта примет это во внимание. При установке камеры в книжную ориентацию, оси индикации повернутся на 90 градусов.

В таблице ниже приведены примеры индикации вертикального и горизонтального наклонов камеры.

Индикатор горизонта	Описание
	Ровно по вертикали и по горизонтали
	Наклон вниз, ровно по горизонтали
	Ровно по вертикали, наклон влево
	Наклон вверх и вправо

Для обычной съемки калибровка индикатора горизонта выполняется в вертикальном и горизонтальном положениях. Если для записи нужно использовать «голландский угол» или же получить вид снизу или сверху, индикатор горизонта можно откалибровать под наклоном. Подробнее см. раздел «Калибровка сенсора движения».

### Crosshair (Крестик)

При выборе этой опции в центре кадра отображается перекрестие. Как и сетка по правилу третей, она облегчает создание композиции, помогая оператору разместить нужный объект строго по центру. Иногда такой способ используется во время съемки сцены, которая требует очень быстрого монтажа. В этом случае процесс редактирования видео значительно ускоряется.

### Center Dot (Точка)

При выборе этой опции в центре кадра отображается точка. Настройка выполняет ту же роль, что и перекрестие, но при этом имеет меньшие размеры.

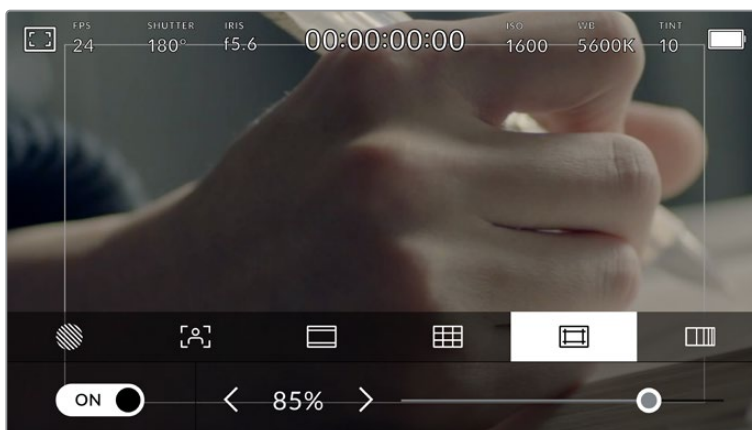
Можно использовать комбинацию двух опций: Thirds и Crosshairs или Thirds и Center Dot. Режимы Crosshairs и Center Dot вместе не используются.

**СОВЕТ.** О том, как включить отображение сетки для сигнала на фронтальном и главном SDI-выходах, см. раздел «Настройки Monitor».

## Границы изображения

Этот переключатель позволяет обозначать границы изображения на ЖК-дисплее, а также устанавливать их параметры для всех выходов камеры URSA Mini.

Подобная функция используется в телевизионном производстве для обозначения наиболее важной области, которую видят все зрители. С ее помощью можно избежать обрезки кадра при трансляции на некоторые телевизоры, а также оставить место по краям для добавления логотипов, титров и другой дополнительной информации. Большинство вещательных станций требуют, чтобы эта область составляла 90%.



Индикатор границ изображения с настройкой 85%

Границы можно также использовать при кадрировании, если на этапе постпроизводства выполняется стабилизация изображения с обрезкой по краям. Кроме того, они помогают задать область нужного размера. Например, при настройке 50% во время съемки в Ultra HD с разрешением 3840x2160 это позволяет увидеть, каким получится видео 1920x1080. Границы изображения масштабируются в соответствии с выбранными рамками кадрирования.

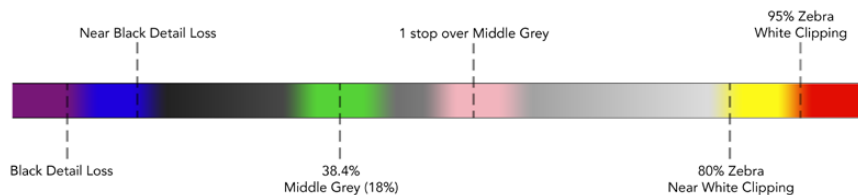
Для отображения границ на ЖК-дисплее коснитесь значка переключения в нижнем левом углу экрана на соответствующей вкладке. Чтобы задать настройку для всех выходов камеры URSA Mini, используйте правую и левую стрелки по краям текущего значения в нижней части дисплея. Еще один способ — перетащить слайдер влево или вправо.

## FALSE COLOR (Условный цвет)

Переключатель условного цвета позволяет использовать инструмент, помогающий выбрать экспозицию.

Эта функция добавляет к изображению различные цвета, которые показывают уровень экспозиции для его отдельных элементов. Например, розовый является показателем оптимальной экспозиции для достоверной передачи тонов светлой кожи, зеленый — более темной. Во время съемки людей подобная функция помогает обеспечить однородность изображения.

Если его элементы меняют цвет с желтого на красный, это означает избыточную экспозицию.



Шкала условного цвета

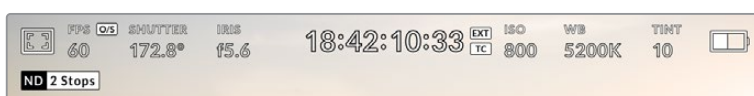
Для использования условного цвета коснитесь значка переключения в нижнем левом углу экрана на соответствующей вкладке.



Вкладка для работы с инструментом условного цвета

## Индикатор светофильтра ND

При настройке ND-фильтра камеры URSA Mini Pro в верхнем левом углу ЖК-экрана и на всех подключенных через SDI устройствах для вывода служебной информации появится значок ND. Этот индикатор будет отображаться пока включен ND-фильтр. При его выключении индикатор исчезнет через четыре секунды.

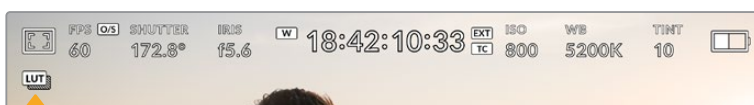


При настройке ND-фильтра на камере URSA Mini Pro появится отдельный индикатор с информацией

**ПРИМЕЧАНИЕ.** Для удобства обозначения, используемые при работе со светофильтрами ND, можно изменить. Доступные опции: номера ND, ступени и объем пропускаемого света. Чтобы выбрать нужную настройку, перейдите в меню SETUP камеры URSA Mini Pro.

## Индикатор LUT

При включении настройки STATUS TEXT видео, выводимое на ЖК-дисплей, через фронтальный или основной SDI-выход, обрабатывается с помощью LUT-таблицы и содержит соответствующее обозначение.



Значок LUT указывает на применение таблицы LUT к данному изображению

## FPS

Этот индикатор показывает текущую частоту в кадрах в секунду.



Индикатор кадровой частоты URSA Mini. Коснитесь его для изменения настройки.

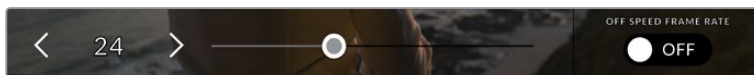
Если коснуться значка FPS, внизу ЖК-экрана откроется меню, с помощью которого можно изменить кадровую частоту матрицы и проекта.

### Кадровая частота проекта

Частота кадров, с которой URSA Mini ведет запись. Данная настройка позволяет использовать традиционные для кино и ТВ кадровые частоты. Обычно выбирают такую настройку, которая соответствует скорости воспроизведения в приложении постобработки.

Камера Blackmagic URSA Mini имеет восемь настроек для съемки проектов: 23,98; 24; 25; 29,97; 30; 50; 59,94 и 60 кадров/с.

Чтобы изменить кадровую частоту проекта из меню FPS, коснитесь левой или правой стрелки рядом с текущим значением в нижнем левом углу ЖК-экрана. Еще один способ — перетащить слайдер влево или вправо.

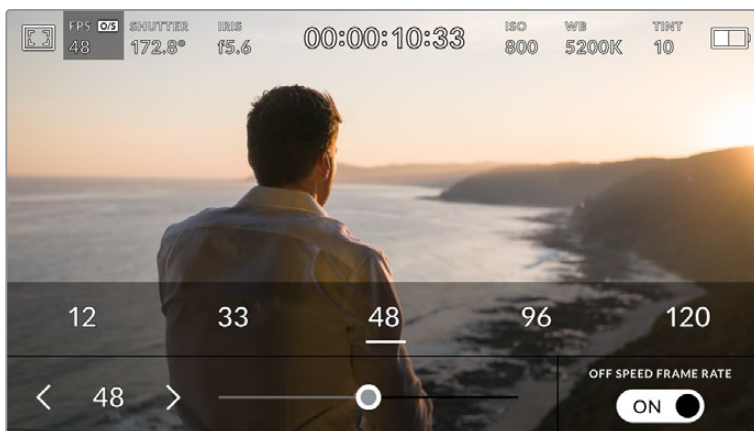


Для изменения кадровой частоты проекта коснитесь стрелки сбоку от текущего значения или перетащите слайдер

**СОВЕТ.** На URSA Mini кадровая частота проекта также задает кадровую частоту на фронтальном и главном SDI-выходах.

### Кадровая частота матрицы

Служит для выбора фактического количества кадров, записываемых в секунду. Кадровая частота матрицы влияет на скорость воспроизведения, которая определяется кадровой частотой проекта.



Для изменения параметра коснитесь стрелки сбоку от текущего значения, выберите одну из настроек Presets либо перетащите слайдер (опция Off Speed Frame Rate должна быть включена)

По умолчанию URSA Mini использует кадровую частоту матрицы и проекта, которая соответствует воспроизведению с обычной скоростью. При необходимости можно установить специальную кадровую частоту матрицы. Для этого коснитесь значка Off Speed Frame Rate в правом нижнем углу меню FPS.

Чтобы изменить кадровую частоту сенсора, используйте стрелки рядом с текущим значением либо перетащите слайдер влево или вправо. После изменения параметра отпустите слайдер. Сверху слайдера доступны для выбора рекомендуемые величины специальной частоты, определяемые текущей кадровой частотой проекта.

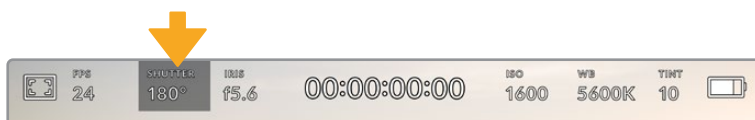
Изменяя настройки кадровой частоты матрицы, можно создавать различные эффекты движения. Если значение кадровой частоты матрицы выше, чем частота проекта, во время воспроизведения материал будет выглядеть как замедленная съемка. Чем ниже кадрковая частота матрицы, тем выше скорость клипов при просмотре. Принцип действия такой же, как ускорение или замедление работы пленочной кинокамеры. В первом случае происходит ускорение кадровой частоты матрицы, что позволяет растянуть отдельные моменты видео для усиления эмоционального эффекта. Во втором случае замедление частоты матрицы ведет к увеличению скорости воспроизведения. Благодаря этой функции потенциал творческих решений станет практически безграничным!

Значения максимальной кадровой частоты для каждого кодека и разрешения приведены в таблице раздела «Запись».

**ПРИМЕЧАНИЕ.** При выборе опции "Off Speed Frame Rate" камера URSA Mini перестает выполнять синхронизацию звука и изображения. Она отсутствует и в том случае, когда для проекта и матрицы выбрана одинаковая кадрковая частота. По этой причине опцию "Off Speed Frame Rate" не следует использовать, если требуется синхронизировать видео и аудио.

## SHUTTER

Индикатор SHUTTER показывает угол раскрытия или выдержку затвора. С его помощью можно вручную изменить это значение или установить приоритет затвора в режимах автоматической экспозиции. На URSA Mini 4.6K и URSA Mini Pro для данной настройки предусмотрено два способа расчета и отображения. Подробнее см. раздел «Настройки SETUP».



Индикатор SHUTTER на URSA Mini. Для доступа к настройкам коснитесь текущего значения.

Настройка Shutter Angle или Shutter Speed определяет уровень размытости движущихся объектов и используется для поправки на условия освещения. В большинстве случаев оптимальный угол составляет 180 градусов, что соответствует выдержке 1/50 с. При изменении освещенности или при более высокой динамике может потребоваться корректировка этого значения.

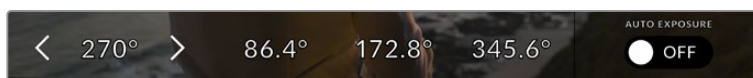
Например, при угле 360 градусов на матрицу попадает максимальное количество света. Такая настройка позволяет получать хорошие результаты при слабом освещении и незначительном движении объектов. Если же вы работаете над сценами с высокой динамикой, угол раскрытия около 90 градусов позволит свести к минимуму эффект размытости и получить резкое изображение. Соответствующая выдержка затвора зависит от используемой кадровой частоты. Так, при съемке с частотой 25 кадров/с угол 360 градусов = 1/25 с, 90 градусов = 1/100 с.

**ПРИМЕЧАНИЕ.** Мерцание может возникать при определенных параметрах затвора во время съемки с искусственным освещением. URSA Mini автоматически определяет варианты настройки, которые помогут избежать этого при текущей кадровой частоте. Три из них отображаются в нижней части экрана во время коррекции значения. Они зависят от частоты сети питания в вашем регионе. В меню Setup предусмотрены две опции частоты: 50 Гц и 60 Гц. Подробнее см. раздел «Настройки Setup».

Если коснуться индикатора SHUTTER, внизу экрана откроется меню для изменения этого параметра. Когда для настройки Auto Exposure выбрана опция Off (выкл.), будет показано текущее значение затвора и варианты, которые позволяют избежать мерцания (на основе частоты питающей сети, установленной в меню Setup). Подробнее см. раздел «Настройки Setup».

**ПРИМЕЧАНИЕ.** Отдельные источники света могут вызывать мерцание при любых значениях затвора. Рекомендуется предварительно выполнить съемку в тестовом режиме.

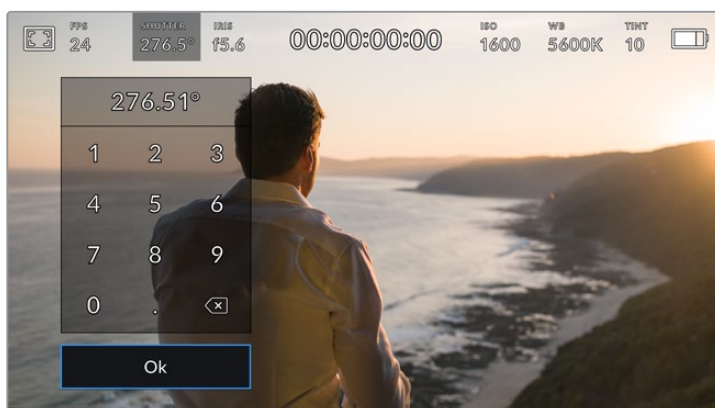
Чтобы не допустить мерцания, коснитесь необходимого значения затвора. Для перехода между параметрами используйте стрелки с любой стороны от текущей настройки.



URSA Mini рассчитывает значения затвора на основе настроек питания в меню Setup

Для выбора определенной скорости затвора дважды коснитесь текущего значения в нижнем левом углу экрана и на появившейся клавиатуре введите необходимое число с точностью до двух десятичных знаков.

Если выбранное значение скорости затвора несовместимо с текущей кадровой частотой, будет использоваться ближайшая доступная настройка.



Клавиатура позволяет вручную ввести скорость раскрытия затвора

URSA Mini имеет три режима автоматической экспозиции с разным использованием угла затвора. Чтобы выбрать один из них, коснитесь кнопки AUTO EXPOSURE в крайнем правом углу меню Shutter.

### Shutter

Настройка затвора устанавливается автоматически для поддержания постоянной экспозиции при заданной диафрагме. Это помогает сохранять фиксированную глубину резкости. Нужно помнить, что автоматическая настройка затвора может повлиять на уровень размытости и добавить мерцание от приборов освещения при съемке в помещении. При работе в этом режиме на URSA Mini недоступна функция автоматической настройки диафрагмы.

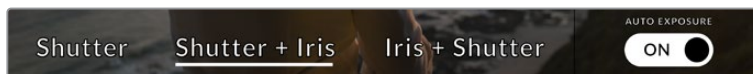


### Shutter + Iris

Сохраняет необходимый уровень экспозиции путем изменения настройки затвора, затем — значения диафрагмы. Если по достижении максимального или минимального значения экспозиция не является стабильной, начнется коррекция диафрагмы.

### Iris + Shutter

Сохраняет необходимый уровень экспозиции путем изменения диафрагмы, затем — значения затвора. Если по достижении максимального или минимального значения диафрагмы экспозиция не является стабильной, начнется коррекция настройки затвора.

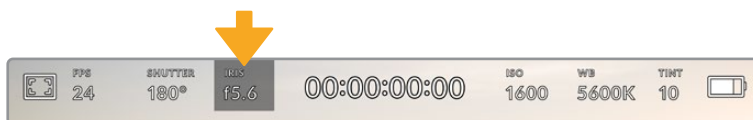


Чтобы выбрать один из режимов автоматической экспозиции, коснитесь значка AUTO EXPOSURE в меню Shutter

**СОВЕТ.** Когда активирована автоматическая экспозиция с использованием настройки затвора, вверху сенсорного экрана рядом с соответствующим индикатором отображается буква "A".

## IRIS

Индикатор IRIS показывает текущее значение диафрагмы. С его помощью можно изменить диафрагму совместимых объективов и выбрать режимы автоматической экспозиции, в которых используется данная настройка.

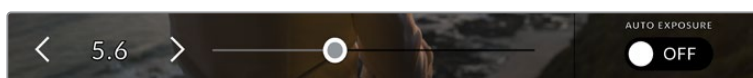


Индикатор IRIS на URSA Mini. Для доступа к настройкам коснитесь текущего значения.

**ПРИМЕЧАНИЕ.** Для управления диафрагмой с сенсорного экрана URSA Mini необходимо установить объектив с поддержкой данной функции. При использовании объективов B4 или PL, подключенных к URSA Mini через 12-контактный разъем, проверьте настройку диафрагмы на рукоятке. Она должна быть в положении "A" (или "Auto").

Если коснуться индикатора IRIS, внизу экрана откроется меню для настройки этого параметра. В левом углу отображается текущее значение диафрагмы. Чтобы изменить его, используйте стрелки либо перетащите слайдер влево или вправо.

Значок AUTO EXPOSURE в правом углу меню Iris позволяет выбрать режим автоматической экспозиции с разным использованием диафрагмы.



Настройки диафрагмы можно изменить в меню IRIS с помощью стрелок или слайдера

Три возможные опции

### Iris

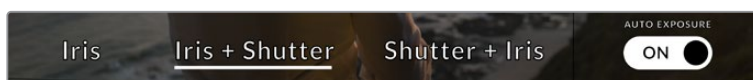
Значение диафрагмы устанавливается автоматически для поддержания постоянной экспозиции при заданном угле затвора. Уровень размытости изображения не меняется, однако это может повлиять на глубину резкости.

### Iris + Shutter

Сохраняет необходимый уровень экспозиции путем изменения диафрагмы, затем — значения затвора. Если по достижении максимального или минимального значения диафрагмы экспозиция не является стабильной, начнется коррекция настройки затвора.

### Shutter + Iris

Сохраняет необходимый уровень экспозиции путем изменения настройки затвора, затем — значения диафрагмы. Если по достижении максимального или минимального значения экспозиция не является стабильной, начнется коррекция диафрагмы.



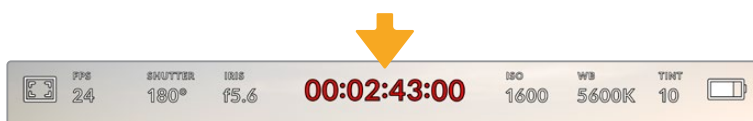
Чтобы выбрать режим автоматической экспозиции с использованием диафрагмы, коснитесь значка AUTO EXPOSURE в меню Iris

Когда активирована автоматическая экспозиция с использованием настройки диафрагмы, вверху сенсорного экрана рядом с соответствующим индикатором отображается буква "A".

**COBET.** Автоматическая настройка экспозиции дает оптимальный результат на совместимых B4- и PL-объективах, предназначенных для видео- и кинопроизводства. На EF-объективах изменение диафрагмы может приводить к заметной ступенчатой настройке экспозиции. По этой причине на URSA Mini EF рекомендуется использовать автоматическую экспозицию только в режиме Shutter.

## Продолжительность записи

Вверху сенсорного экрана URSA Mini имеет индикатор, показывающий продолжительность записи.



Во время записи индикатор продолжительности становится красным

Продолжительность записи отображается как тайм-код, который можно использовать для мониторинга при записи и воспроизведении. Тайм-код показывает длительность каждого клипа (часы:минуты:секунды:кадры) и изменяется в динамическом режиме во время записи или воспроизведения. При записи цвет индикатора становится красным.

Для каждого клипа отображаемая продолжительность записи начинается со значения 00:00:00:00. На дисплей выводится длительность текущего, то есть самого последнего видео. Для облегчения постпроизводства тайм-код также содержит дату.

Чтобы отобразить тайм-код, коснитесь индикатора продолжительности. Для возврата к обычному виду коснитесь индикатора еще раз.

## Дополнительные обозначения, выводимые вместе с индикатором продолжительности

**W**

Отображается слева от индикатора продолжительности, когда URSA Mini ведет съемку в режиме Window.

**TC**

Отображается справа от индикатора продолжительности при выводе тайм-кода.

**EXT**

Отображается справа от индикатора продолжительности при вводе действительного тайм-кода с внешнего устройства.

**INT**

Отображается справа от индикатора продолжительности, когда камера использует внутренний тайм-код после синхронизации по внешнему устройству и его отключения.

**PRE**

Отображается справа от индикатора продолжительности при выводе тайм-кода текущей записи.

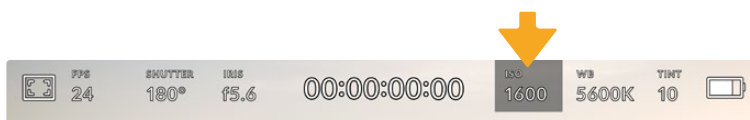
**REF**

Отображается при подключении источника опорного сигнала, который используется для синхронизации на основе настроек Reference Input.

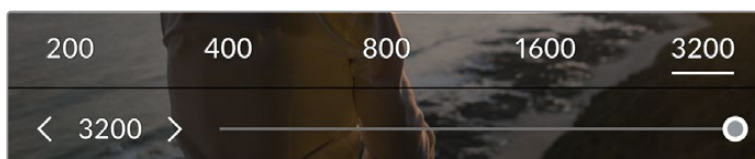
## ISO

Индикатор ISO показывает текущее значение световой чувствительности. Коснитесь индикатора, чтобы изменить эту настройку. ISO на URSA Mini доступно в диапазоне от 200 до 1600, в то время как на URSA Mini Pro максимальное значение — 3200.

Для URSA Mini 4K оптимальное значение ISO — 400, для URSA Mini 4.6K и URSA Mini Pro — 800.



Индикатор ISO на URSA Mini. Для изменения настройки коснитесь текущего значения.



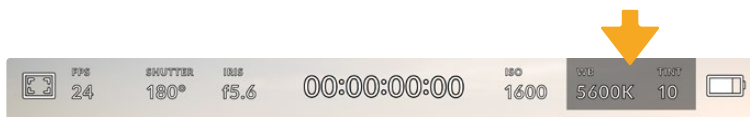
После открытия меню ISO внизу экрана отображаются настройки этого параметра. На камере URSA Mini Pro 4.6K G2 слайдер под доступными параметрами позволяет изменить ISO с шагом 1/3 ступени.

Чтобы выбрать целое число, коснитесь соответствующего значения ISO. На URSA Mini Pro 4.6K G2 слайдер под доступными параметрами позволяет изменить ISO с шагом 1/3 ступени.

В зависимости от конкретных условий съемки можно выбрать более высокое или низкое значение ISO. Например, настройка ISO 1600 будет давать хороший результат при съемке на URSA Mini 4.6K в условиях слабого освещения, хотя при ее использовании есть вероятность появления шума. При ярком освещении для передачи насыщенных цветов лучше всего подойдет значение ISO 200.

## WB (Баланс белого)

Индикаторы WB и TINT отображают текущие настройки баланса белого и оттенка. Чтобы изменить настройки в соответствии с условиями освещения, коснитесь нужного из них.



Для изменения настроек баланса белого и оттенка коснитесь соответствующего индикатора

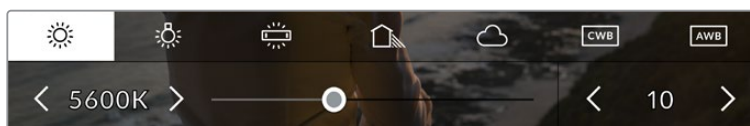
Каждый источник света излучает какой-либо цвет. Например, пламя свечи будет источником теплого цвета, а облачное небо — холодного. Настройки White Balance используют для цветовой балансировки изображений, чтобы получить белый цвет за счет смешивания в разном соотношении оранжевого и синего. Так, вольфрамовые лампы излучают теплый оранжевый свет, поэтому при выборе температуры 3200K будет добавлено некоторое количество синего. Это обеспечивает баланс цветов и корректную запись белого.

URSA Mini имеет несколько настроек баланса белого для разных условий освещения.

	<b>Яркий солнечный свет</b>	(5600K)
	<b>Лампы накаливания</b>	(3200K)
	<b>Флуоресцентные лампы</b>	(4000K)
	<b>Смешанный свет</b>	(4500K)
	<b>Облачный день</b>	(6500K)

Любую из этих настроек можно скорректировать с помощью стрелок рядом со значением температуры в нижнем левом углу меню White Balance. При каждом нажатии температура увеличивается или уменьшается на 50K, а при удерживании стрелки она будет меняться с ускоренным шагом. Еще один способ — передвинуть слайдер в середине меню White Balance.

Для дополнительной балансировки цвета можно использовать настройку Tint. Она позволяет корректировать соотношение зеленого и пурпурного. Например, добавление небольшого количества пурпурного цвета помогает компенсировать избыток зеленого, который дают флуоресцентные лампы. На URSA Mini многие настройки баланса белого обеспечивают незначительное изменение оттенка.



URSA Mini позволяет выбрать одну из пяти настроек баланса белого, а также имеет индикатор этого значения вместе со слайдером (слева) и показывает уровень оттенка (справа). Эти инструменты можно использовать для коррекции баланса белого в соответствии с условиями освещения.

При открытии меню White Balance текущее значение оттенка отображается в нижнем правом углу экрана. Изменить этот уровень можно с помощью стрелок слева и справа от индикатора. Доступный диапазон: от -50 до +50 с шагом одна единица. Если стрелку удерживать, значение будет меняться быстрее.

**ПРИМЕЧАНИЕ.** При пользовательской настройке баланса белого или оттенка на экране отображаются буквы "CWB". Она сохраняется в памяти при отключении питания и при переходе к предустановленным параметрам. Это позволяет сравнивать результат, полученный в двух разных случаях.

## AWB

Камера URSA Mini может устанавливать баланс белого автоматически. Если коснуться значка AWB, откроется соответствующий экран.

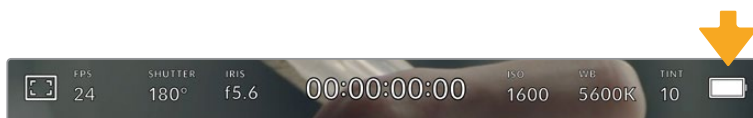
При автоматической установке баланса белого по центру изображения появится квадратная рамка. Наведите эту рамку на нейтральную поверхность (картон белого или серого цвета) и нажмите Update. Камера скорректирует значения баланса и оттенка таким образом, чтобы средний уровень белого или серого в границах рамки был как можно более нейтральным. После обновления эта настройка будет использоваться как пользовательская.





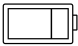
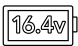

Значок AWB в меню White Balance позволяет открыть экран для автоматической установки баланса белого. С помощью поверхности белого или серого цвета можно задать пользовательское значение с нейтральным уровнем.

## Питание

Индикатор питания отображается в верхнем правом углу экрана. Он может иметь пять состояний.



На URSA Mini индикатор питания находится в верхнем правом углу экрана. При работе от батареи он позволяет попеременно отображать заряд в вольтах и процентах.

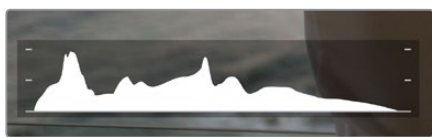
	<b>AC</b>	Отображается при подключении URSA Mini к питанию от сети.
	<b>Проценты</b>	При использовании батареи и пластины с отображением заряда в процентах этот индикатор показывает уровень заряда в соответствующих единицах. Когда уровень опускается до 20%, индикатор загорается красным цветом.
	<b>Секции батареи</b>	Если уровень заряда должен отображаться в процентах, но аккумулятор и пластина не поддерживают данную функцию, на дисплее будет показана батарея, каждая секция которой соответствует шагу 25%. Когда уровень заряда опускается до 20%, батарея загорается красным цветом.
	<b>Заряд (В)</b>	При отображении заряда батареи в вольтах этот индикатор показывает соответствующее значение. Когда уровень опускается до 12,5 В, индикатор загорается красным цветом. URSA Mini автоматически отключается, когда заряд батареи составляет 11,9 В.
	<b>Оптическое волокно</b>	Индикатор отображается при использовании устройства Blackmagic Camera Fiber Converter и подаче питания на камеру по оптоволоконному кабелю стандарта SMPTE. Если при подключении конвертера на URSA Mini используется силовой XLR-кабель, на экране появится индикатор AC.

При работе от батареи для переключения между разными режимами отображения заряда коснитесь индикатора питания.

**СОВЕТ.** Список аккумуляторов, поддерживающих процентную индикацию уровня заряда, см. В разделе «Установка аккумуляторной батареи».

## Гистограмма

В нижнем левом углу ЖК-экрана отображается гистограмма. Гистограмма показывает контраст между светлыми и темными тонами на горизонтальной шкале.



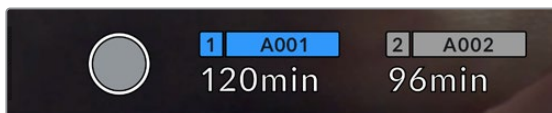
Гистограмма показывает распределение оттенков изображения от темных тонов к светлым. Она является полезным инструментом для проверки экспозиции и предотвращения засветки.

С левой стороны отображаются темные тона, с правой — светлые. При раскрытии или закрытии диафрагмы гистограмма будет отображать изменение настройки. С ее помощью можно добиться корректного отображения темных и светлых тонов. Если вместо плавного понижения кривая резко обрывается слева или справа, это говорит об утрате деталей в одной из областей.

**ПРИМЕЧАНИЕ.** Гистограмма не будет отображаться на дисплее, если для мониторинга с помощью ЖК-экрана выбрана настройка Codec and Resolution. Подробнее см. раздел «Настройки Monitor».

## Кнопка записи

Внизу экрана, рядом с гистограммой, есть кнопка серого цвета. Она предназначена для работы с функцией записи. Чтобы начать запись, нажмите кнопку один раз, чтобы остановить — еще один раз. Во время записи кнопка и тайм-код в верхней части сенсорного экрана горят красным цветом.



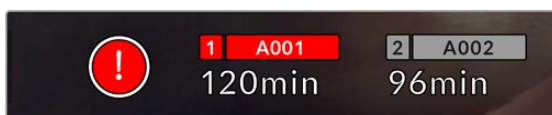
Кнопка записи рядом с индикаторами накопителя внизу сенсорного экрана на URSA Mini



Во время записи кнопка загорается красным цветом

## Индикация пропущенных кадров

Если во время записи камера URSA Mini начинает пропускать кадры, внутри кнопки записи будет отображаться восклицательный знак. В этом случае индикатор оставшегося времени записи для соответствующей карты (или карт) горит красным цветом. Например, если ведется сохранение на два накопителя и карта 1 пропускает кадры, вместе с кнопкой записи загорается восклицательный знак, а индикатор оставшегося времени для этой карты становится красным. Это позволяет узнать, какая карта является недостаточно скоростной для выбранного кодека и разрешения. Индикация также выводится при наличии пропущенных кадров в последнем записанном клипе. Она отображается до сохранения следующего клипа или до тех пор, пока не отключено питание камеры. См. раздел «Выбор карты памяти CFast 2.0», который содержит дополнительную информацию о съемке без пропуска кадров.



Индикация пропущенных кадров на карте 1

**СОВЕТ.** Если на корпусе URSA Mini включен светодиодный индикатор, при пропуске кадров он будет мигать красным цветом. Подробнее см. раздел «Основные настройки».

**ПРИМЕЧАНИЕ.** URSA Mini позволяет выбрать настройку, при которой в случае обнаружения пропущенных кадров запись будет остановлена. Подробнее см. раздел «Настройки Record».

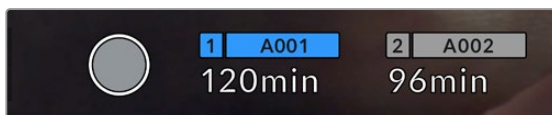


## Оставшееся время записи

Внизу ЖК-экрана отображаются индикаторы накопителей.

При установке SSD-диска, CFast- или SD-карты в слот они загораются и показывают оставшееся время записи. Время отображается в минутах и варьируется в зависимости от частоты кадров и кодека.

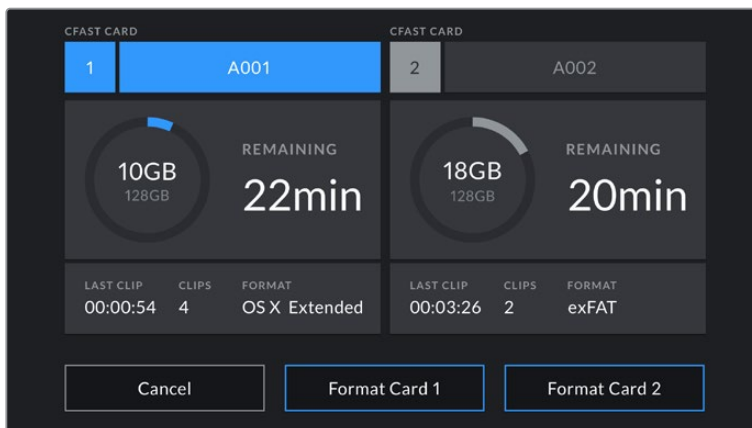
При изменении любых настроек происходит автоматический перерасчет этого параметра. Когда до конца записи на карту памяти или диск останется 5 минут, индикатор загорится красным цветом, а за две минуты до окончания начнет мигать. При заполнении накопителя на дисплей выводится сообщение "FULL".



На URSA Mini индикаторы накопителей отображают их имя и оставшееся время записи в минутах

Над оставшимся временем записи также отображается имя карты или диска. Оно загорается синим цветом для обозначения накопителя, на который будет выполняться сохранение. Камера URSA Mini Pro 4.6K G2 позволяет переходить на другой накопитель с помощью дисплея.

Выберите имя накопителя и удерживайте нажатой соответствующую кнопку. Оно загорится синим цветом. Во время записи имя становится красным. Если коснуться индикатора накопителя, откроется меню форматирования и настроек сохранения.



Чтобы открыть панель параметров сохранения, коснитесь индикаторов накопителя на сенсорном экране URSA Mini

Это меню показывает свободный объем на SSD, внешнем диске, карте CFast или SD при их использовании с камерой URSA Mini, имена носителей, продолжительность последнего клипа, общее количество клипов и файловый формат.

С помощью меню можно выполнить форматирование накопителя. Подробнее см. раздел «Подготовка накопителя на Blackmagic URSA Mini».

**COBET.** Коснитесь имени накопителя в меню Storage, чтобы выбрать его для текущей работы. При сохранении материала на URSA Mini он будет использоваться в первую очередь.

## Индикация звука

Этот индикатор показывает уровни звука для каналов 1 и 2 при использовании встроенного микрофона или подключении внешнего аудиооборудования. На дисплее уровень отображается в dBFS, при этом максимальные значения фиксируются на короткое время для облегчения их зрительного восприятия.

Чтобы получить качественную звуковую дорожку, значения сигнала должны быть ниже 0 dBFS. В случае превышения этого уровня возникает перегрузка, и аудиосигнал искажается.



Трёхцветный индикатор показывает пиковые значения звука. Оптимальным будет уровень, при котором значения находятся в границах зеленого сегмента. Если пиковая величина попадает в желтый или красный сегмент, звук будет иметь погрешности.

Коснитесь индикатора звука, чтобы увеличить громкость для каналов 1 и 2, наушников и динамика.



Для изменения настроек громкости коснитесь индикаторов звука на сенсорном экране URSA Mini

## Focus Zoom (Зум для фокуса)

Любую область изображения, просматриваемого на экране камеры URSA Mini, можно увеличить двойным касанием. Укрупненный участок можно перемещать сдвигом пальца. Эта функция особенно полезна для проверки фокуса. Чтобы вернуться к первоначальному масштабу, снова коснитесь экрана дважды.

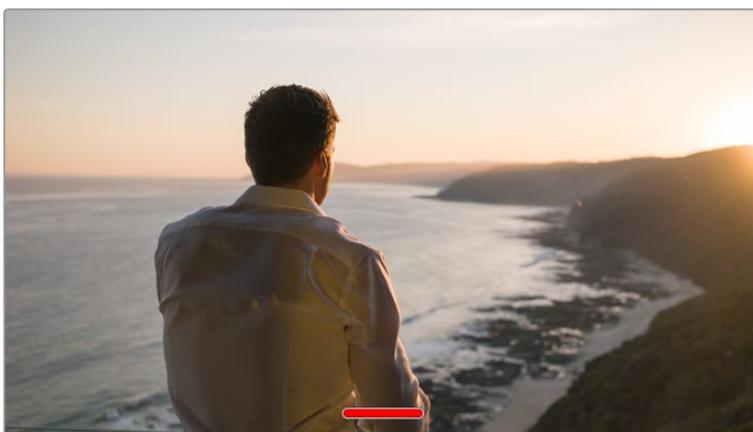
Когда на URSA Mini Pro 12K активирована опция Focus Zoom, степень увеличения легко изменить раздвиганием пальцев. Меню Setup позволяет настроить функциональную кнопку для включения режима Focus Zoom в дополнение к двойному касанию экрана. Данная опция может отображаться на ЖК-дисплее либо на устройствах, подключенных к фронтальному или основному SDI-выходу. Подробнее см. раздел «Опции Preset и Toggle для функциональных кнопок».



При зуммировании индикатор в верхнем левом углу экрана показывает, какую часть общего изображения вы просматриваете. Для навигации используется такой же способ, как на сенсорных экранах смартфонов и планшетов.

## Режим полного экрана

Для удобства кадрирования и фокусировки иногда требуется временно скрыть служебную информацию и индикаторы на сенсорном экране. Чтобы видеть только изображение, проведите пальцем по экрану вверх или вниз. Индикатор записи, рамки кадрирования, сетка, зебра и инструмент помощи при фокусировке будут по-прежнему видны.



Чтобы скрыть всю служебную информацию на URSA Mini, проведите пальцем по сенсорному экрану

## Меню воспроизведения

Чтобы открыть меню воспроизведения, коснитесь соответствующей кнопки. Для просмотра записанных клипов можно использовать как кнопки управления, так и сенсорный экран.

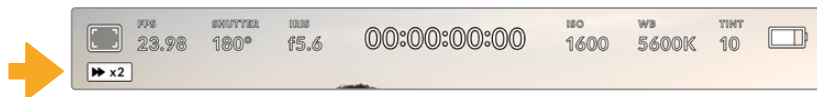
При использовании сенсорного экрана коснитесь кнопки воспроизведения, чтобы начать просмотр. Для постановки на паузу нажмите кнопку еще раз. Для перехода к началу или концу клипа служат кнопки ускоренной перемотки. Выберите кнопку ускоренной перемотки вперед, чтобы перейти к следующему клипу. Для перехода к началу текущего клипа нажмите кнопку обратной перемотки один раз, для перехода к началу предыдущего клипа — два раза. Чтобы воспроизвести клипы в циклическом режиме, коснитесь соответствующего значка.



Значки перемотки назад и вперед, воспроизведения и циклического режима

Чтобы выполнить ускоренную перемотку, нажмите и удерживайте соответствующую кнопку. В этом случае клип будет воспроизведен с удвоенной скоростью в прямом или обратном направлении.

После перехода в режим ускоренного воспроизведения его скорость можно изменить. При каждом нажатии кнопки скорость для выбранного направления будет увеличиваться в два раза. Максимальная скорость воспроизведения — в 16 раз быстрее по сравнению с нормальной. При ее достижении во время следующего нажатия кнопки будет выполнен переход к 2-кратной скорости. Если нажать кнопку обратного направления, текущая скорость перемотки будет уменьшена в два раза (до достижения 2-кратной скорости). Чтобы вернуться к обычному режиму, нажмите кнопку воспроизведения.



Индикатор ускоренной перемотки показывает скорость и направление воспроизведения

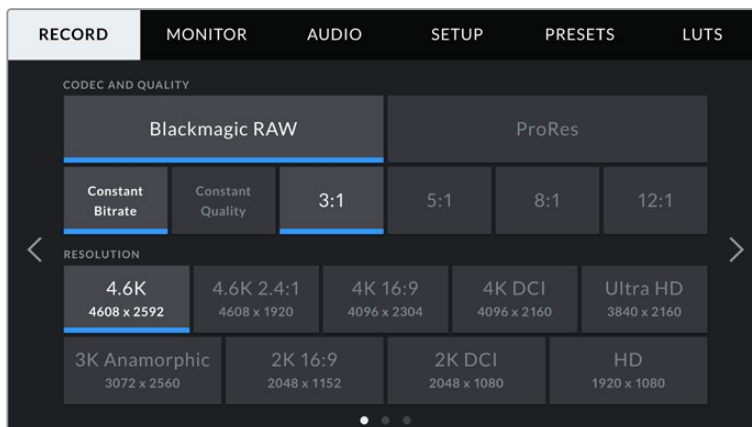
Если во время воспроизведения нажать кнопку записи, камера перейдет в режим ожидания.

**СОВЕТ.** Чтобы во время просмотра видео скрыть служебную информацию, проведите пальцем по сенсорному экрану камеры URSA Mini. Если во время воспроизведения перейти на экран ввода данных, текущему клипу можно присвоить помету "Good Take". Подробнее см. раздел «Ввод метаданных».

## Настройки

### Панель инструментов

При нажатии кнопки MENU на камере URSA Mini будет открыта экранная панель инструментов. Она обеспечивает доступ к настройкам, которые нельзя установить с дисплея. Настройки сгруппированы по функциональному признаку и объединены на нескольких вкладках: RECORD, MONITOR, AUDIO, SETUP, PRESETS и LUTS. Некоторые вкладки (RECORD, MONITOR, SETUP) имеют более одной страницы. Для перехода между страницами можно использовать стрелки с правой и левой сторон, а также прокрутку, как на смартфонах и планшетах.



Экранная панель инструментов камеры URSA Mini содержит вкладки RECORD, MONITOR, AUDIO, SETUP, PRESETS и LUTS

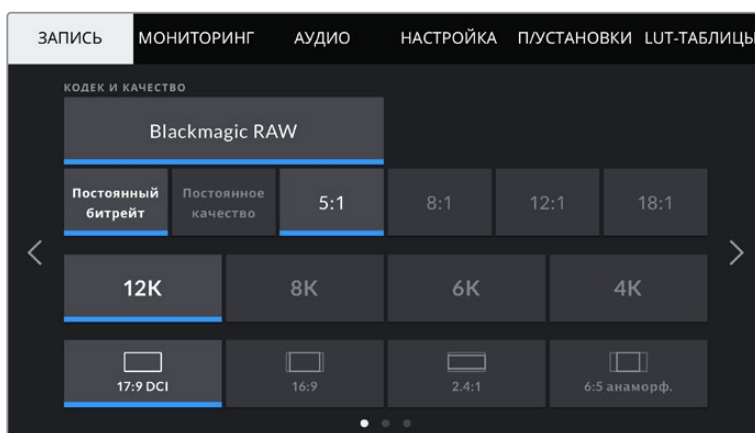
**ПРИМЕЧАНИЕ.** Если экранная панель инструментов камеры URSA Mini Pro 4.6K не используется в течение одной минуты, она автоматически возвращается к прежнему режиму работы дисплея.

## Настройки RECORD

Вкладка RECORD позволяет выбрать формат видео, кодек и разрешение, а также задать другие настройки записи на URSA Mini, такие как предпочтительная карта для сохранения и уровень резкости. Меню имеет три страницы, для перехода между которыми можно использовать стрелки по краям экрана или прокрутку.

### Настройки RECORD (стр. 1)

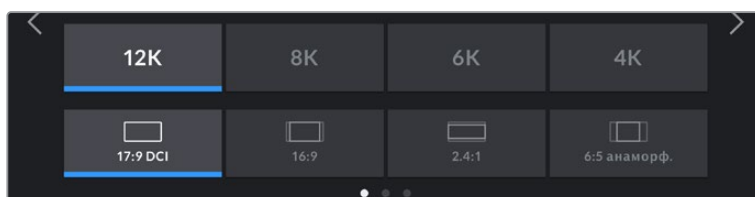
Первая страница вкладки «ЗАПИСЬ» содержит перечисленные ниже настройки.



Первая страница вкладки «ЗАПИСЬ» на URSA Mini Pro 12K

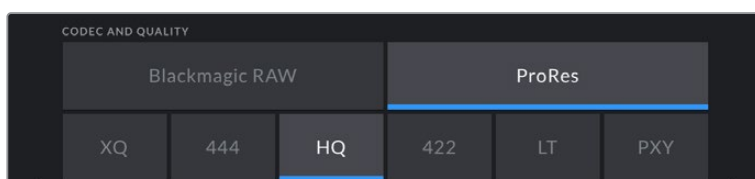
### Кодек и качество

URSA Mini Pro 12K позволяет записывать в Blackmagic RAW с разрешением 12K, 8K, 6K и 4K. Для каждого из этих параметров можно выбрать принятое в индустрии соотношение сторон.



Разрешение и соотношение сторон на URSA Mini Pro 12K

На камерах URSA Mini Pro 4.6K G2 и URSA Mini Pro 4.6K меню CODEC and QUALITY разбито на две секции. Доступны два вида кодеков — Blackmagic RAW и Apple ProRes. В нижней секции отображаются соответствующие настройки качества. Для Blackmagic RAW предусмотрена запись с постоянным битрейтом или с постоянным качеством, а для ProRes есть опции 444, HQ и LT. Камеры линейки URSA Mini поддерживают работу с широким диапазоном кодеков ProRes.



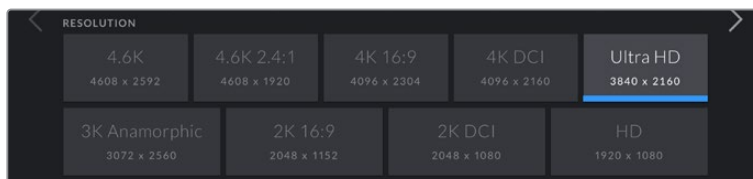
Опции в меню CODEC and QUALITY на камерах URSA Mini Pro 4.6K G2 и URSA Mini Pro 4.6K

**СОВЕТ.** Использование кодеков с более высокой компрессией позволяет увеличить продолжительность записи. Подробнее см. таблицу в разделе «Запись».

## Разрешение

Эта настройка используется вместе с CODEC и позволяет выбрать разрешение для нужного формата записи.

Например, если нужно записать Ultra HD-видео в ProRes HQ, в секции CODEC AND QUALITY выберите настройки ProRes и HQ. После этого в секции RESOLUTION выберите настройку Ultra HD.

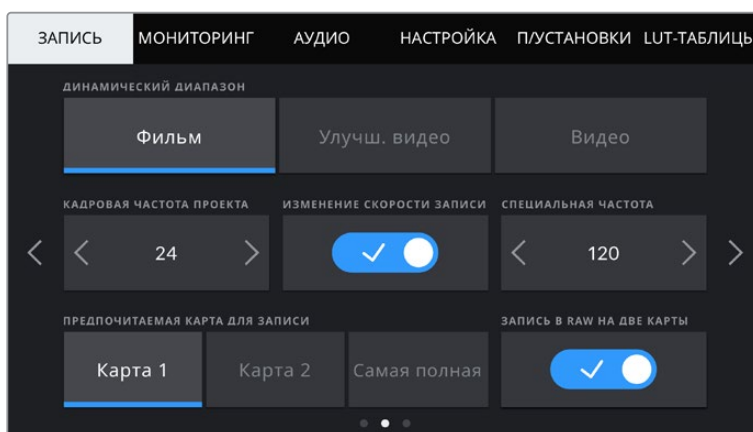


Опции в меню RESOLUTION на камерах URSA Mini Pro 4.6K G2 и URSA Mini Pro 4.6K

**ПРИМЕЧАНИЕ.** Blackmagic URSA Mini 4.6K и URSA Mini Pro поддерживают кодеки Apple ProRes с разрешением от HD до 4.6K.

## Настройки RECORD (стр. 2)

Вторая страница вкладки «ЗАПИСЬ» содержит перечисленные ниже настройки.



На URSA Mini Pro 12K имеется настройка «ЗАПИСЬ В RAW НА ДВЕ КАРТЫ». На других камерах URSA Mini данная опция отключена.

## DYNAMIC RANGE

Настройку динамического диапазона выполняют с помощью стрелок. В камере Blackmagic URSA Mini используются две настройки динамического диапазона.

### Film (Фильм)

В режиме киносъемки используется логарифмическая кривая с динамическим диапазоном от 12 до 15 ступеней (в зависимости от модели URSA Mini). При такой настройке изображение сохраняет максимально полный объем данных, что позволяет добиться наилучшего результата при цветокоррекции в системах класса DaVinci Resolve.

## Video (Видео)

В режиме видео съемка ведется на основе стандарта REC709, который предназначен для телевидения высокого разрешения. Это позволяет ускорить производство путем прямого сохранения в форматах со сжатием, цветовое пространство которых требует минимальной постобработки.

На URSA Mini Pro есть несколько дополнительных настроек.

## Extended Video (Улучш. видео)

В этом режиме работа ведется в динамическом диапазоне, который находится посередине между настройками Video и Film. Такой диапазон шире, чем в режиме Video, и характеризуется мягкой контрастностью с плавными переходами в светлых зонах. Режим Extended Video подходит для использования с обычными вещательными мониторами и при постпроизводстве в ограниченных временных рамках.

**ПРИМЕЧАНИЕ.** При использовании режимов Video и Extended Video убедитесь в том, что при выводе на ЖК-дисплей, фронтальный и главный SDI-выходы не выбрана настройка Display LUT. Если она включена, на экране появляется индикатор LUT, а изображение будет выглядеть более контрастным и насыщенным. Подробнее см. раздел «Настройки MONITOR».

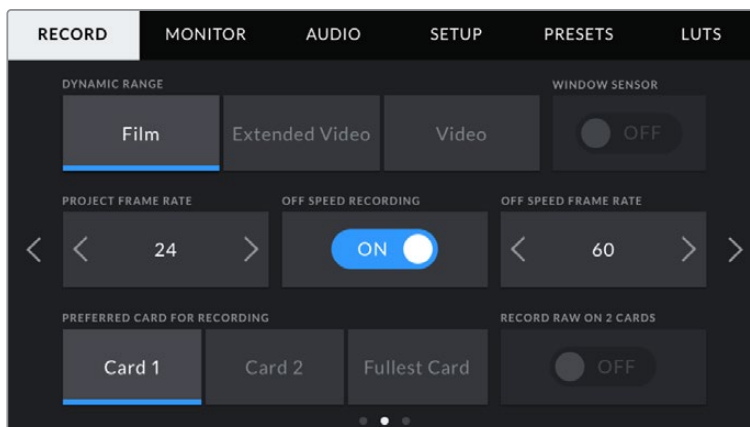
## WINDOW SENSOR

Модель URSA Mini Pro 12K автоматически выбирает режим сенсора. При съемке в 6K Super 16 и 4K Super 16 она использует ограниченный режим, а во всех других форматах — полную высоту или ширину размера Super 35.

Следует отметить, что при записи в 6K Super 16 камера URSA Mini Pro 12K обрезает кадры до размера Super 16, но благодаря разрешению 6K изображение остается очень качественным. В режиме 4K Super 16 по-прежнему используется формат Super 16, а разрешение понижается до 4K. С таким функционалом можно получать превосходный 6K- и 4K-материал даже при съемке с высокой кадровой частотой.

Наличие 12K-сенсора и формата Super 16 позволяет также устанавливать винтажную оптику Super 16 и вести запись в 4K или 6K. Некоторые считают, что качество видео при этом выше, чем при использовании оригинальной киноплёнки Super 16.

Другие модели URSA Mini Pro можно настроить для работы с сенсором в полном или ограниченном режиме. Во втором случае вместо уменьшения масштаба используются только те пиксели, которые требуются для создания видео в выбранном формате.



Опция WINDOW SENSOR на URSA Mini Pro 4.6K G2, URSA Mini Pro 4.6K, URSA Mini 4.6K и URSA Mini 4K



Так как в режиме WINDOW SENSOR при съемке в HD и 2K используется только центральная часть матрицы, из-за кроп-фактора поле зрения будет уже. Например, объектив 20 мм при записи HD-видео в таком режиме имеет поле зрения, которое дают объективы 48 мм.

Эта настройка доступна при съемке с разрешением ниже максимального значения для URSA Mini. Например, на URSA Mini 4.6K ее можно использовать при сохранении материала в 4.6K 2,4:1; 4K; 3K anamorphic; 2K и HD ProRes.

При съемке в режиме ограниченного использования матрицы доступна запись в HD с самой высокой кадровой частотой.

**СОВЕТ.** Когда на URSA Mini используется режим WINDOW SENSOR, настройки разрешения будут иметь обозначение "Resolution - Sensor Windowed".

### PROJECT FRAME RATE

Project Frame Rate — частота кадров, с которой URSA Mini ведет запись. Данная настройка позволяет использовать традиционные для кино и ТВ кадровые частоты, например 23,98 кадров/с для видео в 4K ProRes HQ. Обычно выбирают такую настройку, которая соответствует скорости воспроизведения и звукового сопровождения в приложении постобработки.

Камера Blackmagic URSA Mini имеет восемь настроек для съемки проектов: 23,98; 24; 25; 29,97; 30; 50; 59,94 и 60 кадров/с.

**ПРИМЕЧАНИЕ.** На визуальный ряд материала может влиять кадровая частота проекта.

Высокие кадровые частоты, такие как 50, 59,94 или 60 fps, превосходно подходят для показа динамичных объектов и устраняют или снижают эффект размытия при перемещении камеры.

Более низкие значения, такие как 24 или 25 fps, обычно применяются в кинопроизводстве. Они позволяют получить кинематографический вид, но требуют замедленного движения камеры.

### OFF SPEED RECORDING

По умолчанию URSA Mini использует кадровую частоту матрицы и проекта, которая соответствует воспроизведению с обычной скоростью. При необходимости изменить кадровую частоту матрицы коснитесь поля OFF SPEED RECORDING.

### OFF SPEED FRAME RATE

Когда настройка OFF SPEED FRAME RATE включена, для изменения кадровой частоты матрицы коснитесь соответствующей стрелки рядом с текущим значением.

Это позволит выбрать фактическое количество кадров, записываемых в секунду. Кадровая частота матрицы влияет на скорость воспроизведения, которая определяется кадровой частотой проекта.

Подробнее о работе со специальной кадровой частотой см. главу «Кадровая частота» в разделе «Функции сенсорного экрана».

**ПРИМЕЧАНИЕ.** Подробнее см. раздел «Запись» и таблицу со значениями максимальной кадровой частоты матрицы.

### Preferred Card for Recording (Предпочитаемая карта для записи)

При наличии накопителей в обоих слотах эта настройка позволяет выбрать тот, который будет использоваться первым. Возможные опции: Card 1, Card 2 и Fullest Card. Варианты при работе с SSD-дисками: Card 1, SSD и Fullest Card. При выборе одной из первых двух опций следует помнить, что их последовательное использование позволяет упорядочить работу оператора. В этом случае он всегда будет знать, какую карту менять первой. Опция Fullest Card обеспечивает систематизацию файлов в хронологическом порядке при съемке проекта с помощью одной камеры.

Заданная настройка применяется после установки SSD-диска, карты CFast или SD. Чтобы отменить ее, откройте панель параметров сохранения и выберите в качестве активной другую карту. Следует помнить, что после извлечения и повторной установки карт будет вновь использоваться текущая настройка Preferred Card for Recording. После подключения URSA Mini Recorder и установки SSD-диска будет использоваться второй слот камеры URSA Mini.

Подробнее см. раздел "URSA Mini Recorder".

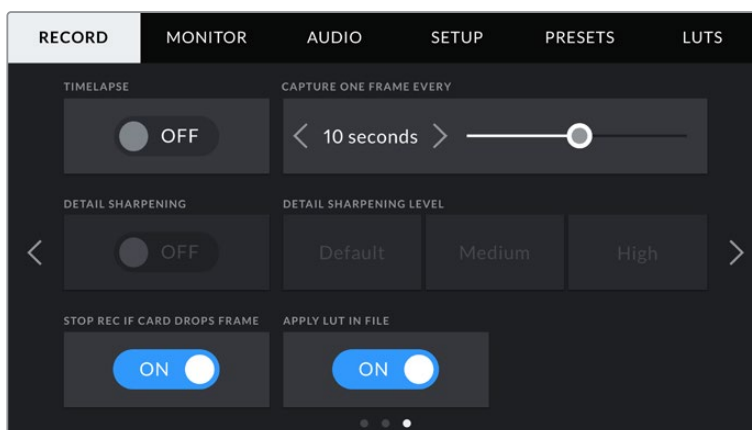
**COBET.** Настройка Fullest Card использует оценку заполнения в процентном отношении, а не по объему сохраненных данных.

### RECORD RAW ON 2 CARDS (Запись в RAW на две карты)

URSA Mini Pro 12K может сохранять видео в кодеке Blackmagic RAW на две карты одновременно. Это позволяет записывать клипы с исключительным разрешением, высокой частотой кадров и низкой степенью компрессии. Вставьте пару CFast- или SD-карт и включите опцию Record RAW on 2 Cards в меню RECORD. Поскольку материал записывается на обе карты последовательно, общая скорость передачи данных будет определяться пропускной способностью более медленного носителя. Поэтому рекомендуется использовать накопители с одинаковыми или похожими характеристиками. Сохранение можно также выполнять одновременно на карту CFast в слоте 1 и диск USB-C в слоте 2. При активированной опции Record RAW on 2 Cards общая скорость передачи данных будет в два раза выше показателя более медленной карты. Скопируйте файлы .BRAW и .BRAW2 с обеих карт памяти на диск компьютера в одну папку. При импорте в медиатеку приложения DaVinci Resolve они будут объединены и появятся в виде единого клипа. Если файлы .BRAW и .BRAW2 находятся в разных местах, клипы можно воспроизводить по отдельности с половинной кадровой частотой.

### Настройки RECORD (стр. 3)

Третья страница вкладки RECORD содержит перечисленные ниже настройки.



## TIMELAPSE

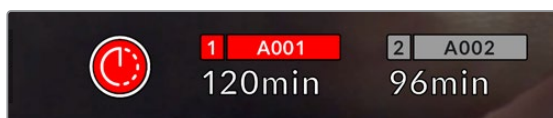
Эта настройка позволяет автоматически записывать стоп-кадр с заданным интервалом для замедленной съемки.

<b>Кадры</b>	2 - 10
<b>Секунды</b>	1 - 10, 20, 30, 40, 50
<b>Минуты</b>	1 - 10

Камеру можно настроить таким образом, чтобы она записывала стоп-кадр через каждые 10 кадров, 5 секунд, 30 секунд, 5 минут и т. д.

Функция записи стоп-кадра с установленным интервалом открывает большие возможности для творчества. Например, если записывать статичное изображение с интервалом два кадра, при воспроизведении видео будет иметь эффект ускоренной съемки.

Формат каждого стоп-кадра будет совпадать с форматом записи, то есть если используется 4K ProRes HQ, функция Time Lapse сохраняет эту настройку. Частота кадров совпадает с аналогичным параметром, установленным для всего проекта (например, 24 кадра/с). Благодаря этому статичные изображения можно легко включать в процесс постпроизводства.



В режиме замедленной съемки кнопка записи содержит соответствующий значок

**СОВЕТ.** При замедленной съемке счетчик временного кода будет обновляться по мере записи кадра.

## DETAIL SHARPENING (Уровень резкости)

Функция позволяет повысить резкость изображения на URSA Mini. Данная функция имеется на URSA Mini Pro 4.6K G2, URSA Mini Pro 4.6K, URSA Mini 4.6K и URSA Mini 4K. Чтобы увеличить или уменьшить уровень резкости, выберите одну из следующих опций: Default (По умолчанию), Medium (Средний) или High (Высокий).

Настройки этой функции применяются к видео, записываемому на камере в ProRes, а также к SDI-сигналу на выходе камеры. Если на URSA Mini Pro G2 выбран кодек Blackmagic RAW и камера используется вместе с видеомикшером ATEM, настройка резкости может применяться к SDI-выходу. Включение и отключение функции выполняются с помощью аппаратной или программной панели управления ATEM.

Это особенно удобно в прямом эфире, когда нет времени на дополнительную обработку изображения. При записи видео с последующей постобработкой рекомендуется данную опцию не включать. В этом случае резкость изображения файлов Blackmagic RAW не меняется, что облегчает процесс постпроизводства.

## STOP RECORDING IF FRAME DROPS

Данная настройка позволяет задать действие при обнаружении пропущенных кадров. Когда выбрана опция OFF (Выкл.), камера продолжит запись с пропущенными кадрами. Если выбрана опция ON (Вкл.), при обнаружении пропущенных кадров сохранение будет остановлено. Это позволяет избежать записи материала, непригодного для дальнейшего использования.

**СОВЕТ.** Подробнее о съемке без пропуска кадров см. разделы «Выбор карты памяти CFast 2.0», «Выбор карты памяти SD» и «Выбор скоростного SSD-диска».

### Apply LUT in File (Встроить LUT в файл)

При применении LUT к изображению на любом выходе камеры URSA Mini Pro 4.6K таблица будет встроена в записываемый файл Blackmagic RAW.

Она сохраняется в заголовке файла и может применяться к клипу во время постобработки без создания отдельного файла. Если в меню RECORD на камере URSA Mini Pro для настройки APPLY LUT IN FILE переключатель установлен в положение ON, полученное видео будет открыто в приложениях Blackmagic RAW Player и DaVinci Resolve с выбранной LUT-таблицей. Ее можно быстро активировать и отменять, но она всегда будет храниться в файле .braw вместе с самим изображением.

Для включения или отключения 3D LUT-таблицы в файле Blackmagic RAW нужно выбрать соответствующую настройку режима Apply LUT на панели RAW в приложении DaVinci Resolve. Она используется так же, как на камере. Благодаря этому колорист может по своему усмотрению использовать или отменить ее применение на этапе постобработки.

## Присвоение имен файлам

При сохранении на SSD-диск, карты CFast или SD запись ведется в формате .braw (для Blackmagic RAW) или QuickTime (для ProRes).

Таблица ниже содержит образец, по которому файлам присваиваются имена.

<b>A001_08151512_C001.mov</b>	<b>Имя файла в формате QuickTime Movie</b>
A001_08151512_C001.mov	<b>Идентификатор камеры</b>
A001_08151512_C001.mov	<b>Номер тома</b>
A001_08151512_C001.mov	<b>Месяц</b>
A001_08151512_C001.mov	<b>День</b>
A001_08151512_C001.mov	<b>Часы</b>
A001_08151512_C001.mov	<b>Минуты</b>
A001_08151512_C001.mov	<b>Номер клипа</b>

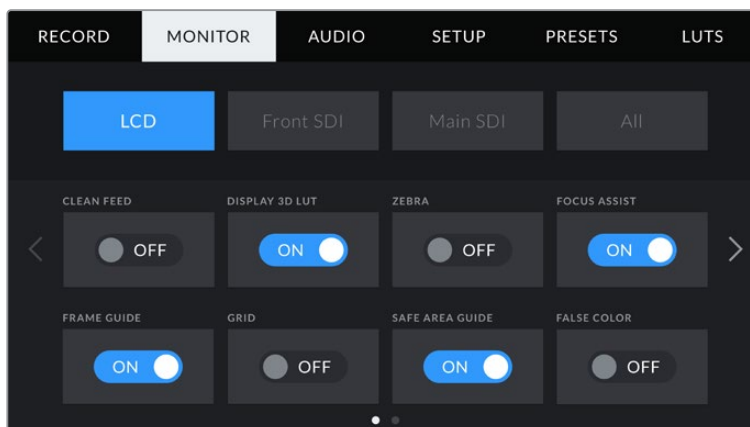
Моментальные снимки, созданные с помощью кнопки STILL, совпадают с названиями видеофайлов, но в конце содержат индекс S001, цифры которого соответствуют номеру статического изображения. На камере URSA Mini Pro 12K кадры сохраняются в кодеке Blackmagic RAW, а на моделях URSA Mini Pro 4.6K G2 и URSA Mini Pro 4.6K — в виде DNG-файла в папке Stills. Подробнее см. раздел «Органы управления на ЖК-дисплее состояния».

## Настройки MONITOR

На вкладке MONITOR можно выбрать служебные параметры, выводимые на сенсорный экран, фронтальный и главный SDI-выходы. Все настройки мониторинга сгруппированы на полях LCD, Front SDI, Main SDI и All. Каждое меню имеет две страницы, для перехода между которыми можно использовать стрелки по краям экрана или прокрутку.

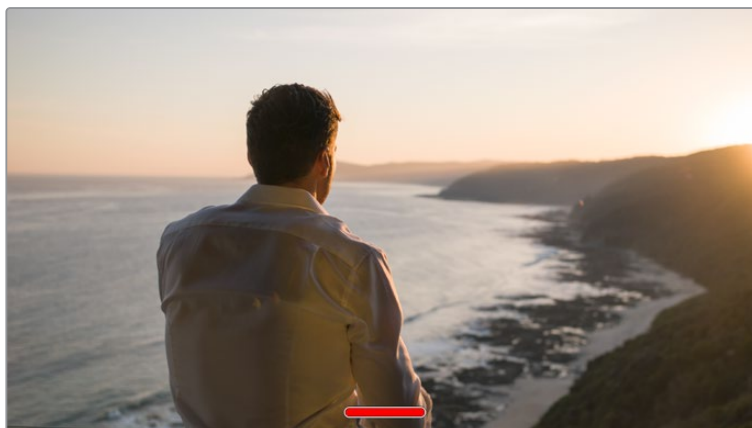
### Настройки MONITOR > LCD, Front SDI, Main SDI (стр. 1)

Первая страница вкладки MONITOR имеет идентичные настройки для полей LCD (ЖК-экран), Front SDI (Фронтальный SDI-выход) и Main SDI (Главный SDI-выход). Например, функцию Zebra можно активировать в поле LCD, но отключить для фронтального и главного SDI-выходов.



#### CLEAN FEED (Чистый сигнал)

Чтобы отключить вывод всех служебных параметров (за исключением Tally-индикатора записи) на ЖК-экран, фронтальный или главный SDI-выход, коснитесь соответствующего поля.



При выводе чистого сигнала на ЖК-экране отображается Tally-индикатор записи

**ПРИМЕЧАНИЕ.** При использовании опции Clean Feed к изображению на выходе применяются LUT-таблицы. Для их отключения установите переключатель Display LUT на вкладке MONITOR в положение Off (Выкл.).

### **DISPLAY 3D LUT (Отображение 3D LUT-таблиц)**

URSA Mini позволяет применять 3D LUT-таблицы к изображению на любом выходе камеры. Эта функция особенно полезна при записи в режиме Film с кинематографическим динамическим диапазоном, так как создается изображение с низким контрастом.

Когда включено применение таких таблиц, их можно активировать независимо для ЖК-экрана, фронтального и главного SDI-выходов.

**ПРИМЕЧАНИЕ.** Подробнее о загрузке и использовании 3D LUT-таблиц см. соответствующий раздел руководства.

### **ZEBRA (Зебра)**

Чтобы использовать зебру, коснитесь соответствующего переключателя в меню LCD, Front SDI или Main SDI. Подробнее о работе с этим инструментом и установке нужного уровня см. раздел «Функции сенсорного экрана».

### **FOCUS ASSIST (Помощь при фокусировке)**

Чтобы использовать помощь при фокусировке, коснитесь соответствующего переключателя в меню LCD, Front SDI или Main SDI. Подробнее о работе с этим инструментом и установке нужного уровня см. раздел «Функции сенсорного экрана».

### **FRAME GUIDE (Рамки кадрирования)**

Чтобы использовать рамки кадрирования, коснитесь соответствующего переключателя в меню LCD, Front SDI или Main SDI. Подробнее о работе с этим инструментом и выборе рамок см. раздел «Функции сенсорного экрана».

### **GRID (Сетка)**

Чтобы использовать сетку, коснитесь соответствующего переключателя в меню LCD, Front SDI или Main SDI. Подробнее о правиле третей см. раздел «Функции сенсорного экрана».

### **SAFE AREA GUIDE (Границы изображения)**

Чтобы выводить границы изображения, коснитесь соответствующего переключателя в меню LCD, Front SDI или Main SDI.

Подробнее об использовании этой функции и ее настройках см. раздел «Функции сенсорного экрана».

**ПРИМЕЧАНИЕ.** Чтобы установить границы изображения, используйте настройку Safe Area Guide % в меню All вкладки MONITOR.

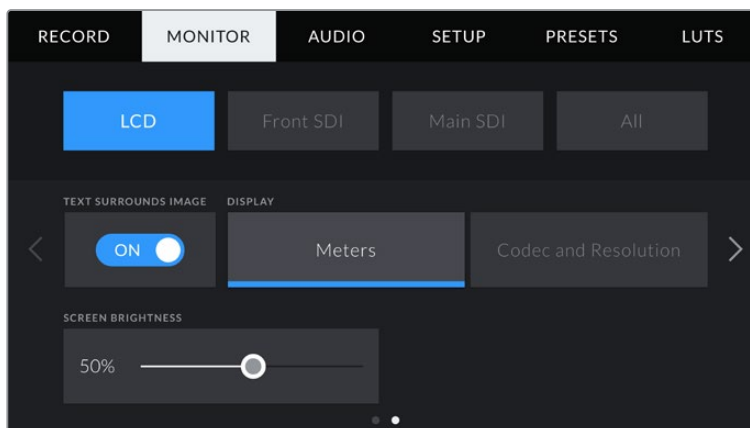
### **FALSE COLOR (Условный цвет)**

Чтобы использовать условный цвет, коснитесь соответствующего переключателя в меню LCD, Front SDI или Main SDI.

Подробнее о работе с условным цветом см. раздел «Функции сенсорного экрана».

Настройки MONITOR > LCD (стр. 2)

Вторая страница меню LCD на вкладке MONITOR содержит настройки, которые используются только для ЖК-экрана.



### TEXT SURROUNDS IMAGE

Эта настройка доступна только на моделях URSA Mini 4K и URSA Mini 4.6K. Чтобы уменьшить изображение до масштаба менее 75%, коснитесь переключателя в поле TEXT SURROUNDS IMAGE. В этом случае изображение будет помещено в центр дисплея с размещением служебной информации по краям.



Функция Text Surrounds Image позволяет полностью выводить на экран URSA Mini EF или URSA Mini PL изображение и служебную информацию

### STATUS TEXT (Служебная информация)

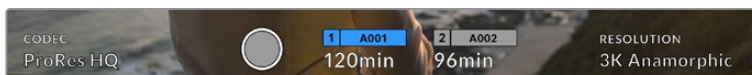
Эта настройка доступна только на URSA Mini Pro. С ее помощью на ЖК-дисплее можно скрыть дополнительно выводимую информацию и оставить только те индикаторы, которые необходимы для кадрирования и съемки. Чтобы использовать нужный режим, установите переключатель STATUS TEXT в соответствующее положение. Если рамки кадрирования, сетка, инструмент помощи при фокусировке и зебра активированы, они будут по-прежнему отображаться. Для выбора режима можно также провести пальцем по сенсорному экрану в вертикальном направлении.



## DISPLAY (Дисплей)

Вместо гистограммы и индикаторов звука внизу ЖК-экрана камеры URSA Mini можно отображать информацию о кодеке и разрешении. Это полезно в том случае, когда необходимо выводить инструмент False Color для настройки экспозиции или при отдельной записи аудиодорожки.

Чтобы задать нужный режим, выберите опцию Meters или Codec and Resolution в меню LCD.



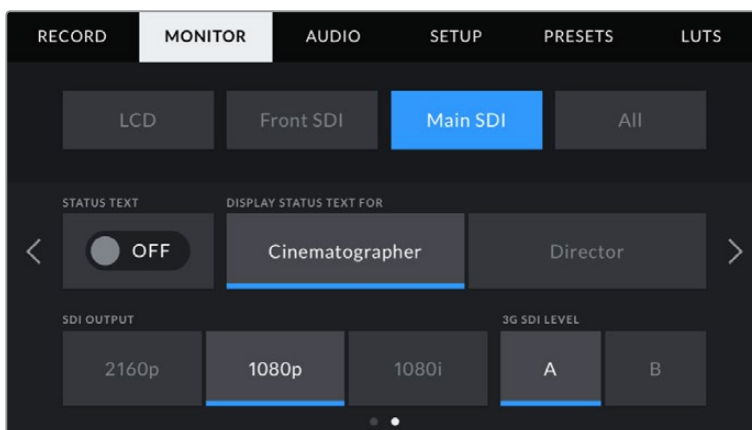
URSA Mini позволяет вместо гистограммы и индикаторов звука отображать информацию о кодеке и разрешении

## SCREEN BRIGHTNESS (Яркость экрана)

Чтобы изменить яркость ЖК-экрана, перетащите соответствующий слайдер в меню LCD.

## Настройки MONITOR > Front SDI, Main SDI (стр. 2)

Вторая страница меню Front SDI и Main SDI вкладки MONITOR содержит настройки, которые используются только для фронтального и главного SDI-выходов.



При съемке в форматах выше, чем 3K Anamorphic, для главного SDI-выхода всегда можно использовать разрешение 2160p или 1080p. Настройка 1080i для главного или фронтального SDI-выхода доступна только при записи с частотой 50/59,94/60 кадров/с. Опция 3G SDI LEVEL доступна только на URSA Mini Pro 4.6K G2.

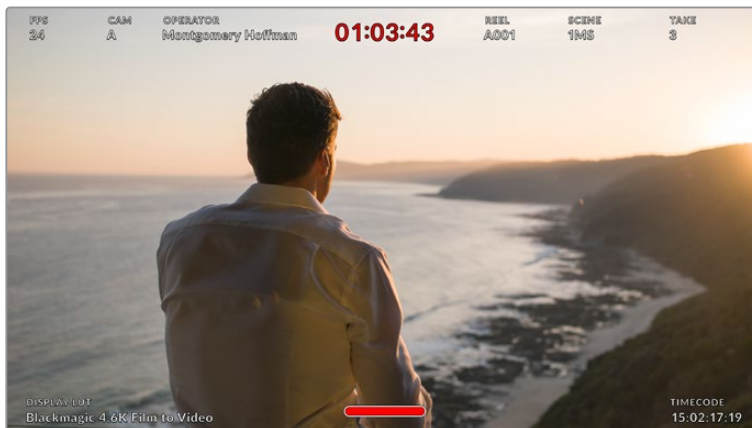
## STATUS TEXT (Служебная информация)

На фронтальном и главном SDI-выходах можно скрыть дополнительно выводимую информацию и оставить только те индикаторы, которые требуются для кадрирования и съемки. Чтобы выбрать необходимый режим, коснитесь переключателя в поле STATUS TEXT соответствующего меню (Front SDI или Main SDI). Если рамки кадрирования, сетка, инструмент помощи при фокусировке и зебра активированы, они будут по-прежнему отображаться.

Для работы с сенсорным экраном камеры URSA Mini по нему достаточно провести пальцем в вертикальном направлении.

## DISPLAY STATUS TEXT FOR: Cinematographer/Director

На экран камеры URSA Mini можно выводить настройки ISO, баланса белого и диафрагмы, которые будут полезны для оператора во время подготовки к съемке. Фронтальный и главный SDI-выходы вместе с изображением позволяют дополнительно выводить информацию, когда нужно систематизировать материал.



URSA Mini дает возможность выводить на фронтальный и главный SDI-выходы дополнительную информацию

Если в меню Front SDI или Main SDI выбрать опцию Director, на соответствующий выход вместе с изображением будет поступать информация об используемых параметрах.

### FPS

Текущая кадровая частота в секунду. Если опция Off Speed Frame Rate отключена, отображается только кадровая частота проекта. При использовании опции Off Speed Frame Rate выводится кадровая частота матрицы, затем — частота проекта.

### CAM

Идентификатор камеры URSA Mini в соответствии с настройкой, выбранной в меню Slate. Подробнее см. раздел «Функция Slate».

### OPERATOR

Оператор камеры в соответствии с настройкой, выбранной в меню Slate. Подробнее см. раздел «Функция Slate».

### DURATION DISPLAY

Продолжительность текущего клипа в режиме записи или последнего записанного клипа (часы:минуты:секунды).

### REEL, SCENE, TAKE

Текущее значение тома, сцены, дубля. Подробнее о присвоении значений см. раздел «Функция Slate».

### DYNAMIC RANGE

В случае использования на выходе LUT-таблицы в левом нижнем углу отображается ее название. Если LUT-таблица не применяется, выводится текст "Film" или "Video".

### TIMECODE

В нижнем правом углу отображается тайм-код (часы:минуты:секунды:кадры).

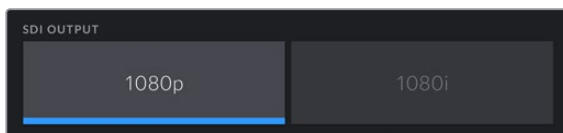
## SDI OUTPUT (Выход SDI)

Оба выхода допускают вывод HD-материала с прогрессивной и чересстрочной разверткой, а главный SDI-выход дополнительно позволяет работать с прогрессивным Ultra HD-видео.

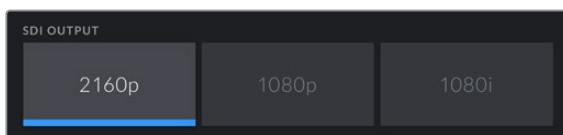
Возможные опции этой настройки определяются выбранным разрешением и кадровой частотой.

Вывод прогрессивного HD-видео (опция "1080p") возможен независимо от разрешения и кадровой частоты записи. HD-видео с чересстрочной разверткой доступно в том случае, если для проекта выбрана кадровая частота 50/59,94/60.

Выводить Ultra HD-видео на главный SDI-выход (опция "2160p") можно при съемке в Ultra HD.



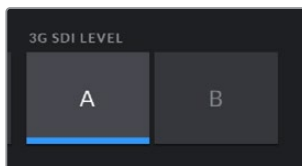
SDI Output — фронтальный SDI-выход



SDI Output — главный SDI-выход

## 3G-SDI LEVEL

Эта опция позволяет настраивать вывод сигнала 3G-SDI с URSA Mini Pro для совместимости с оборудованием, которое поддерживает ввод 3G-SDI только как Level A или Level B. Она доступна лишь при кадровых частотах 50; 59,94 и 60 fps в формате 1080p. Коснитесь значка A или B для выбора соответствующего стандарта.

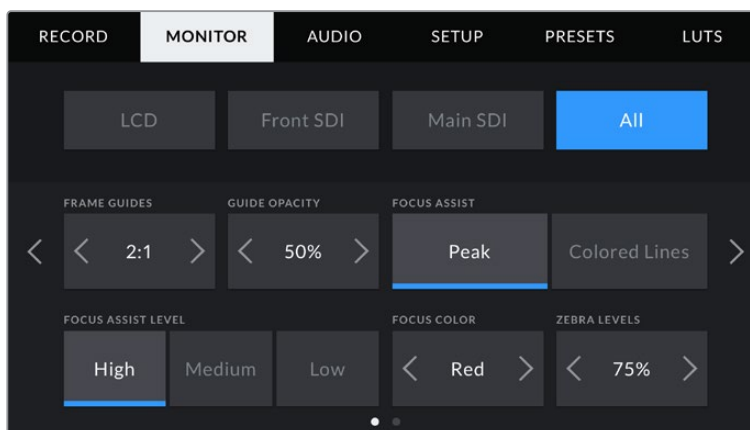


На камере URSA Mini Pro 4.6K G2 можно выбрать способ вывода через 3G-SDI

## Настройки MONITOR > All (стр. 1)

Настройки Monitor, которые затрагивают все выходы камеры URSA Mini, сгруппированы в меню All. Например, если для поля SAFE AREA GUIDE % задать значение 90%, оно будет использоваться для фронтального и главного SDI-выходов.

Меню All вкладки MONITOR сгруппировано на двух страницах. Первая из них содержит перечисленные ниже настройки.



### FRAME GUIDES (Рамки кадрирования)

Коснитесь правой или левой стрелки в поле FRAME GUIDES, чтобы выбрать одну из настроек для всех выходов камеры URSA Mini (в том числе с выводом на видоискатель Blackmagic URSA Viewfinder). Возможные опции описаны в разделе «Функции сенсорного экрана». Для доступа к ним можно также использовать меню MONITOR на ЖК-дисплее. Это меню позволяет по отдельности выбрать рамки кадрирования для ЖК-экрана, фронтального и главного SDI-выходов.

### GUIDE OPACITY (Прозрачность рамок)

Коснитесь правой или левой стрелки в поле GUIDE OPACITY, чтобы выбрать прозрачность участков, закрываемых рамками кадрирования на ЖК-экране, фронтальном и главном SDI-выходах. Возможные опции: 25%, 50%, 75% и 100%.

### FOCUS ASSIST (Помощь при фокусировке)

URSA Mini имеет два режима помощи при фокусировке: Peak и Colored Lines.

#### Peak

При использовании режима Peak участки изображения в фокусе становятся более резкими на ЖК-экране и SDI-выходах, однако это не влияет на запись.

На дисплее камеры становится заметной разница между объектами в фокусе и задним планом. За счет этого оператору становится легче выстраивать композицию, если на экран не выводится дополнительная служебная информация.

#### Colored Lines

При использовании режима Colored Lines участки изображения в фокусе выделяются цветными линиями. Он может быть полезным при съемке сложных композиций с большим количеством деталей, когда нужно настроить фокус для особенно важных объектов.

### FOCUS ASSIST LEVEL

Чтобы установить уровень помощи при фокусировке для ЖК-экрана, фронтального и главного SDI-выходов, выберите одну из трех настроек: Low (Низкий), Medium (Средний), High (Высокий).

**ПРИМЕЧАНИЕ.** Уровень помощи при фокусировке не влияет на настройку этой функции для ЖК-экрана и SDI-выходов. Для ее использования надо дополнительно выбрать опцию Focus Assist в меню LCD, Front SDI или Main LCD вкладки MONITOR.

**СОБЕТ.** Оптимальный уровень помощи при фокусировке варьируется в зависимости от характера кадра. Например, при съемке людей он может быть высоким для сохранения детализации при изображении лиц. В других случаях (например, для статичных предметов) такой высокий уровень не требуется.

### FOCUS COLOR (Цвет линий)

Эта настройка позволяет выбрать цвет линий, используемых для помощи при фокусировке в режиме Colored Lines. Ее изменение может потребоваться в зависимости от преобладающего цвета композиции, чтобы улучшить визуализацию предметов в фокусе. Доступные опции: White (белый), Red (красный), Green (зеленый), Blue (синий), Black (черный).

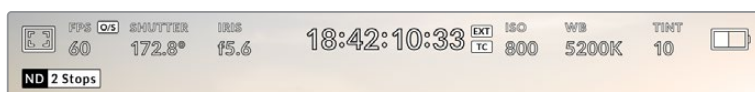
### ZEBRA LEVELS

С помощью стрелок сбоку от значения можно выбрать уровень экспозиции, при котором будет отображаться зебра. Диапазон доступных значений — от 75 до 100 процентов с шагом 5%.

Подробнее о работе с функцией зебры см. раздел «Функции сенсорного экрана».

### Индикатор светофильтра ND

При настройке ND-фильтра камеры URSA Mini Pro в верхнем левом углу ЖК-экрана на четыре секунды появится отдельный индикатор. Этот индикатор будет отображаться пока включен ND-фильтр. При его выключении индикатор исчезнет через четыре секунды.

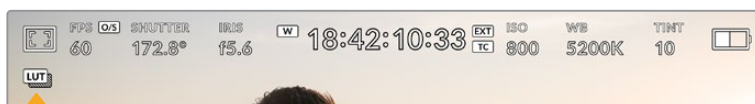


При настройке ND-фильтра на камере URSA Mini Pro появится отдельный индикатор с информацией

**ПРИМЕЧАНИЕ.** Для удобства обозначения, используемые при работе со светофильтрами ND, можно изменить. Доступные опции: число, ступень и дробь. Чтобы выбрать нужную настройку, перейдите в меню SETUP камеры URSA Mini Pro.

### Индикатор LUT

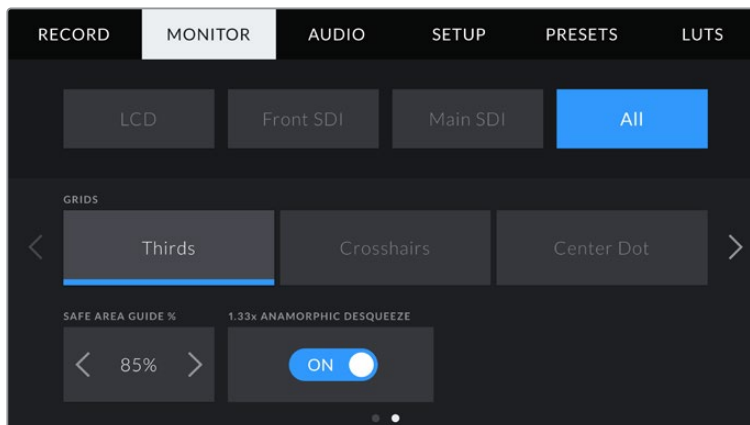
При включении настройки STATUS TEXT видео, выводимое на ЖК-дисплей, через фронтальный или основной SDI-выход, обрабатывается с помощью LUT-таблицы и содержит соответствующее обозначение.



Значок LUT указывает на применение таблицы LUT к данному изображению

## Настройки MONITOR > All (стр. 2)

Вторая страница меню All вкладки MONITOR содержит перечисленные ниже настройки.



### GRIDS (Сетка)

Чтобы выбрать комбинацию инструментов для отображения на ЖК-экране, фронтальном и главном SDI-выходах, коснитесь необходимого значка: Thirds, Crosshairs или Center Dot.

Подробнее о работе с сеткой см. раздел «Функции сенсорного экрана» выше.

### SAFE AREA GUIDE % (Границы изображения)

Чтобы изменить границы для ЖК-экрана, фронтального и главного SDI-выходов, используйте стрелки слева и справа от текущего значения. Настройка соответствует размеру области в процентах от кадра изображения. Большинство вещательных станций требуют, чтобы она составляла 90%.

### ANAMORPHIC DESQUEEZE

При использовании анаморфотных объективов URSA Mini создает изображение, которое выглядит сжатым по горизонтали. Опция Anamorphic Desqueeze позволяет растянуть изображение, выводимое на выходы камеры для предварительного просмотра, а также записать необходимую информацию с метаданными клипа для облегчения постобработки.

Степень возможного растяжения зависит от настройки разрешения, при этом полученное изображение будет всегда иметь пропорции 2,4:1.

Анаморфотные объективы, предназначенные для съемки фильмов, обычно используют коэффициент сжатия 2. Когда в секции RESOLUTION выбрана опция 3K Anamorphic, настройка Anamorphic Desqueeze помогает выполнять двукратное растягивание изображения.

Анаморфотные объективы, предназначенные для работы с цифровыми матрицами формата 16:9, часто используют коэффициент сжатия 1,33, что позволяет получать изображение с пропорциями 2,4:1. Когда выбраны настройки 4K 16:9 и HD 16:9, изображение будет увеличено в 1,33 раза.

**COBET.** Если при использовании стандартного сферического объектива изображение вытянуто по горизонтали, убедитесь в том, что не используется режим Anamorphic Desqueeze.

## Настройки звука

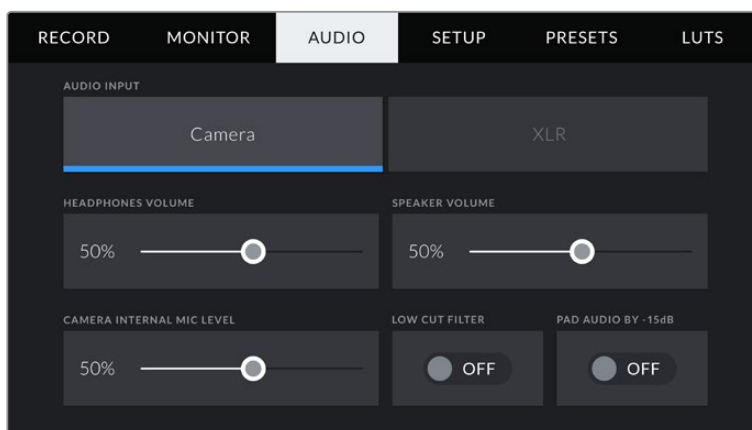
При работе с URSA Mini вкладка AUDIO позволяет менять настройки источника звука и мониторинга аудиосигнала. Меню для URSA Mini и URSA Mini Pro немного отличаются друг от друга, поэтому настройки описаны ниже отдельно по каждой модели.

### Настройки звука для URSA Mini

Они подразделяются на внутренний и внешний источник, задаваемый соответственно в меню Camera и XLR. Меню XLR занимает две страницы. Для навигации по нему используйте стрелки, расположенные по краям сенсорного ЖК-экрана, или проведите по экрану в горизонтальном направлении.

#### Настройки AUDIO > Camera

При выборе Camera в качестве источника звука на URSA Mini откроется одна страница меню с доступными настройками аудиосигнала.



#### **HEADPHONES VOLUME (Громкость наушников)**

Настройку уровня звука в подключенных через 3,5 мм разъем наушниках выполняют с помощью слайдера. Для этого передвиньте слайдер влево или вправо.

#### **SPEAKER VOLUME (Громкость динамика)**

На камере URSA Mini настройку уровня звука встроенного динамика выполняют с помощью слайдера. Для этого передвиньте слайдер влево или вправо.

#### **CAMERA INTERNAL MIC LEVEL (Уровень микрофона камеры)**

Настройку уровня записи на встроенном микрофоне камеры URSA Mini выполняют с помощью слайдера. Для этого передвиньте слайдер влево или вправо. Встроенный микрофон ведет запись на аудиоканалах 1 и 2.

#### **LOW CUT FILTER**

Нажмите этот значок, чтобы активировать фильтр верхних частот для встроенных микрофонов камеры. Это помогает снизить шумовые и низкочастотные помехи при съемке вне павильона. Для работы функции переключатель PAD AUDIO BY -15 dB должен находиться в положении OFF.

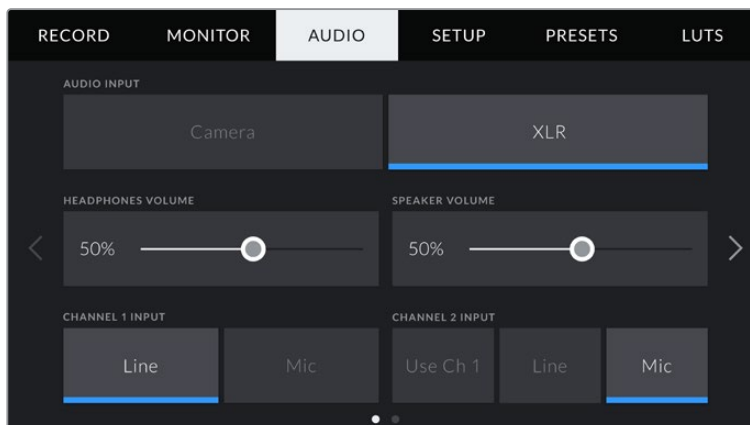
#### **PAD AUDIO BY -15dB**

Эта опция позволяет использовать URSA Mini для съемки в шумных условиях, если после уменьшения уровня входящего сигнала необходимо дополнительно понизить уровень звука для микрофона.



## Настройки AUDIO > XLR (стр. 1)

При выборе XLR в качестве источника звука на URSA Mini откроется меню доступных настроек аудио на двух страницах. Первая страница содержит перечисленные следующие настройки.



### HEADPHONES VOLUME (Громкость наушников)

Настройку уровня звука в подключенных через 3,5 мм разъем наушниках выполняют с помощью слайдера. Для этого передвиньте слайдер влево или вправо.

### SPEAKER VOLUME (Громкость динамика)

На камере URSA Mini настройку уровня звука встроенного динамика выполняют с помощью слайдера. Для этого передвиньте слайдер влево или вправо.

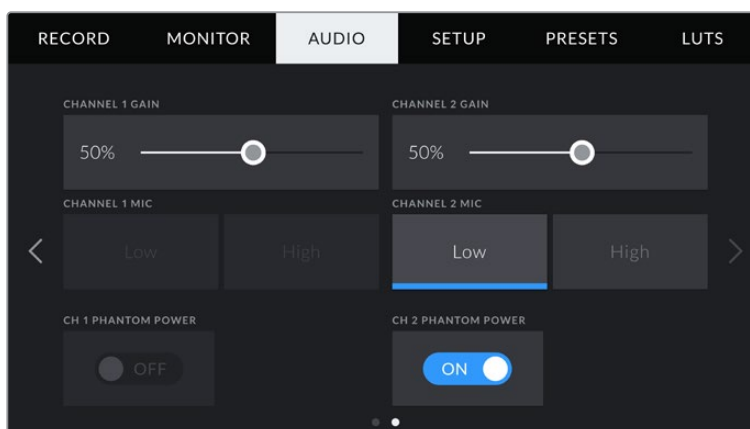
### CHANNEL 1 INPUT и CHANNEL 2 INPUT

Чтобы настроить уровень внешнего аудиосигнала, нажмите Line или Mic для каналов 1 или 2. Эти настройки соответствуют уровню микрофонного или линейного сигналов при использовании фантомного питания 48 В. Важно правильно установить уровень звука, который выбирается независимо для каналов 1 и 2.

При работе с каналом 2 можно также использовать сигнал канала 1, если его необходимо записать на оба канала.

## Настройки AUDIO > XLR (стр. 2)

Вторая страница меню XLR содержит перечисленные ниже настройки.



### CHANNEL 1 GAIN и CHANNEL 2 GAIN

Чтобы настроить уровень аудиосигнала для каждого канала, передвиньте слайдер в настройках CHANNEL 1 GAIN и CHANNEL 2 GAIN.

### CHANNEL 1 MIC и CHANNEL 2 MIC

Данная настройка позволяет дополнительно управлять усилением аудиосигнала при использовании внешнего микрофона. Возможные опции: Low и High. Настройка Low позволяет вести съемку в шумных условиях, если необходимо дополнительно понизить уровень звука для микрофона.

### CHANNEL 1 PHANTOM POWER и CHANNEL 2 PHANTOM POWER

XLR-источник камеры URSA Mini позволяет подавать фантомное питание 48 В, что дает возможность использовать микрофоны без автономного энергоснабжения. Чтобы включить его, выберите XLR в качестве источника сигнала и нажмите Phantom Power.

**ПРИМЕЧАНИЕ.** Перед подачей фантомного питания рекомендуется сначала подсоединить кабель XLR. Если микрофон больше не получает фантомное питание, необходимо установить переключатель фантомного питания в положение OFF. Те устройства, которые не требуют фантомного питания, но находятся в этом режиме работы, могут повредить остальное оборудование из-за напряжения, подаваемого на выходы камеры. После отключения функции Phantom Power на URSA Mini необходимо подождать несколько минут перед использованием микрофонов или другого аудиооборудования с XLR-интерфейсом.

## Настройки звука для URSA Mini Pro

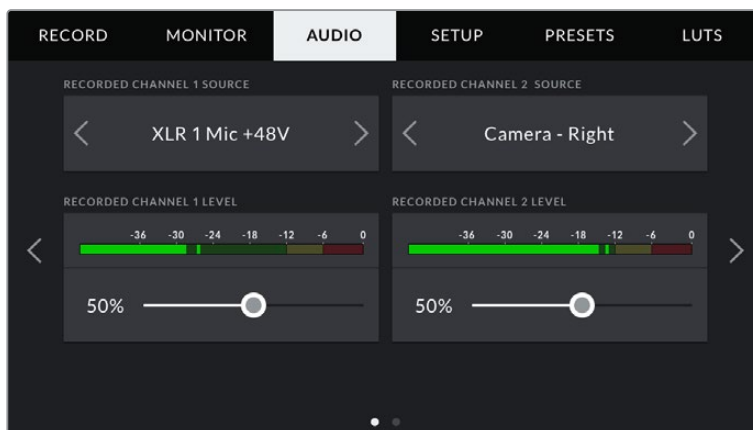
Меню аудионастроек для камеры URSA Mini Pro состоит из двух страниц, разделенных между каналами 1 и 2. В одном из будущих обновлений ПО к ним добавятся еще два канала.

Можно назначить свой источник звука для каждого из каналов, а также использовать настройки Padding и Low Cut Filter.

Они применяются вместе с переключателями на внутренней панели управления камеры URSA Mini Pro. После привязки источника звука к определенному каналу можно использовать переключатели панели управления для выбора типа сигнала и фантомного питания (при его наличии).

### Настройки AUDIO (стр. 1)

На URSA Mini Pro первая страница этого меню содержит перечисленные ниже настройки.



## Источник канала

Для выбора источника звука по каждому каналу используйте секции RECORDED CHANNEL 1 SOURCE и RECORDED CHANNEL 2 SOURCE. Ниже описаны возможные опции.

### Camera Left или Camera Right

Настройка записи звука со встроенных микрофонов камеры.

### Camera Mono

Настройка записи звука с левого или правого канала встроенного микрофона на один аудиоканал.

### XLR 1 или XLR 2

Настройка записи звука с XLR-входов камеры. В зависимости от того, какой сигнал выбран на внутренней панели камеры URSA Mini Pro, вход XLR может быть показан как Mic, Line или AES. При наличии фантомного питания и установке настройки Mic для XLR-входа будет дополнительно отображаться индикатор +48V. При работе с URSA Mini Pro важно убедиться в том, что переключатель +48V находится в положении OFF (Выкл.), если микрофон с фантомным питанием не используется.

### XLR 1 или XLR 2 - Mic Backup

Используется при записи с микрофона, подключенного ко входам XLR 1 или XLR 2 камеры, с более низким уровнем. Такая настройка позволяет избежать искажений звука при неожиданном повышении громкости. Функция доступна только в том случае, когда для входов XLR 1 или XLR 2 используется настройка Mic.

### None

Отключение аудиоканала.

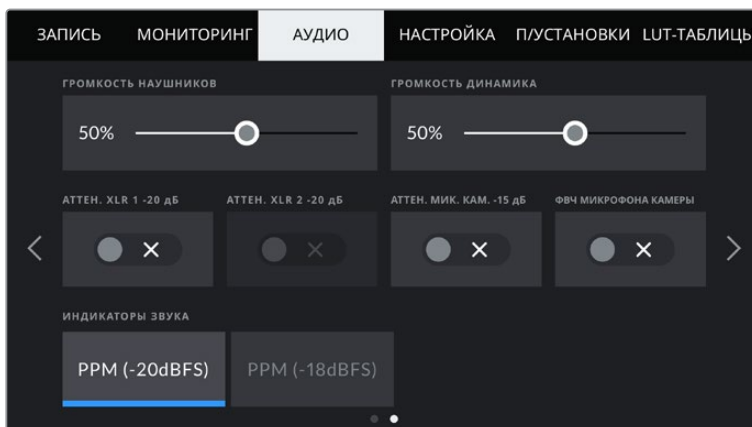
## RECORDED CHANNEL 1 LEVEL и RECORDED CHANNEL 2 LEVEL

Настройка уровней записи для каналов 1 и 2 с использованием слайдеров. Для большей точности слайдеры снабжены индикаторами звука. Уровни обновляются также при корректировке аудиосигнала с помощью ручки на эргономичной панели управления.

Чтобы получить качественную звуковую дорожку, значения сигнала должны быть ниже 0 dBFS. В случае превышения этого уровня возникает перегрузка, и аудиосигнал искажается.

## Настройки AUDIO (стр. 2)

На URSA Mini Pro вторая страница этого меню содержит перечисленные ниже настройки.



Настройки «ИНДИКАТОРЫ ЗВУКА» на моделях URSA Mini Pro 12K и URSA Mini Pro G1

### HEADPHONES VOLUME (Громкость наушников)

Настройку уровня звука в подключенных через 3,5 мм разъем наушниках выполняют с использованием слайдера. Для этого передвиньте слайдер влево или вправо. Уровни обновляются также при настройке громкости наушников с помощью колесика на передней панели управления.

### SPEAKER VOLUME (Громкость динамика)

На камере URSA Mini настройку уровня звука встроенного динамика выполняют с помощью слайдера. Для этого передвиньте слайдер влево или вправо. Уровни обновляются также при настройке громкости динамика с помощью колесика на передней панели управления.

### PAD XLR -20dB

Эта опция позволяет использовать URSA Mini для съемки в шумных условиях, если после уменьшения уровня входящего сигнала необходимо дополнительно понизить уровень звука для XLR-входа.

### PAD CAM MIC - 15 dB

Эта опция позволяет использовать URSA Mini для съемки в шумных условиях, если после уменьшения уровня входящего сигнала необходимо дополнительно понизить уровень звука для микрофона.

### CAM MIC LOW CUT FILTER

Нажмите на этот значок, чтобы активировать фильтр верхних частот для встроенных микрофонов камеры. Он позволяет уменьшить шумовые помехи при съемке вне павильона. Для работы функции переключатель PAD CAM MIC -15 dB должен находиться в положении OFF.

### AUDIO METERS (Индикаторы звука)

Выберите стандарт для индикаторов пикового уровня звука.

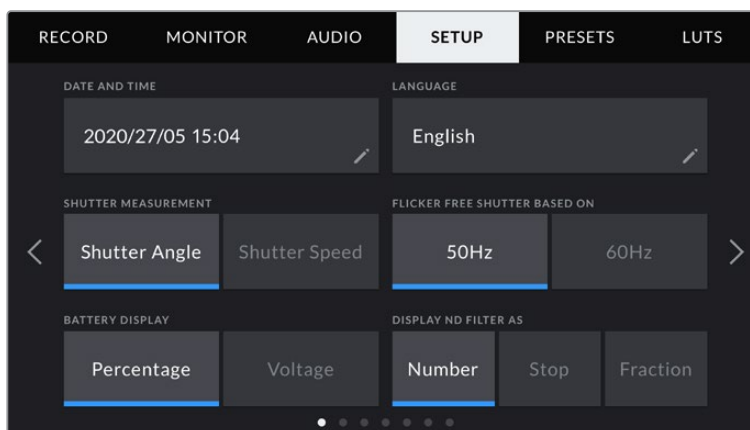
Настройки индикаторов звука	Стандарт
PPM (-20 dBFS)	SMPTE RP.0155
PPM (-18 dBFS)	EBU R.68

## Вкладка SETUP

Вкладка SETUP содержит идентификатор камеры URSA Mini, номер используемой версии ПО, настройки кнопок функционала и другие параметры, напрямую не связанные с записью или мониторингом. Для навигации по страницам вкладки нажмите стрелки, расположенные по краям сенсорного ЖК-экрана, или проведите по экрану в горизонтальном направлении.

**ПРИМЕЧАНИЕ.** Приведенные ниже настройки и их расположение могут слегка отличаться на разных моделях URSA Mini. Например, вкладка SETUP на URSA Mini Pro 4.6K G2 имеет пять страниц, а на URSA Mini Pro 12K — семь.

На вкладке SETUP доступны приведенные ниже настройки.



На URSA Mini Pro 12K, URSA Mini Pro 4.6K G2 и URSA Mini Pro 4.6K на первой странице вкладки SETUP имеется опция DISPLAY ND FILTER AS. На URSA Mini 4.6K и URSA Mini 4K нет внутреннего ND-фильтра, поэтому данный параметр отсутствует.

## DATE AND TIME

Ввод даты и времени. Выберите ее, чтобы указать год, месяц, день и время в 24-часовом формате. Эта же настройка используется для тайм-кода при отсутствии внешнего источника тайм-кода.

## LANGUAGE (Язык)

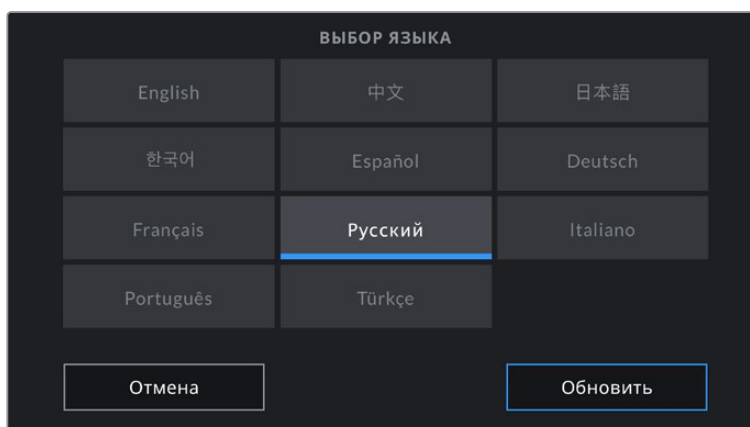
В настоящий момент на URSA Mini Pro 4.6K G2, URSA Mini 4.6K и URSA Mini 4K интерфейс доступен только на английском языке.

URSA Mini Pro 12K и URSA Mini Pro 4.6K G1 имеет пользовательский интерфейс на 11 основных языках, включая английский, китайский, японский, корейский, испанский, немецкий, французский, русский, итальянский, португальский и турецкий.

Экран выбора языка отображается при первоначальной настройке.

### Выбор языка

- 1 Нажмите настройку LANGUAGE и выберите нужный язык.
- 2 Нажмите кнопку «Обновить» для возврата к меню настройки.



## SHUTTER MEASUREMENT

Эта настройка позволяет выбрать способ отображения информации о затворе на камерах URSA Mini 4.6K и URSA Mini Pro.

При использовании угла раскрытия затвора настройка согласуется с кадровой частотой. Например, угол 180 градусов дает один и тот же эффект размытия независимо от частоты кадров.

При работе с выдержкой используется абсолютное значение параметра, которое дает разный эффект в зависимости от выбранной кадровой частоты.

Так, при съемке с частотой 24 кадра/с выдержка затвора 1/48 с будет создавать такой же эффект размытия, как при угле раскрытия 180 градусов. Если выбрать частоту 48 кадров/с, при выдержке 1/48 с получится такая же степень размытия, как при угле затвора 360 градусов. Чтобы эффект размытия оставался прежним, при кадровой частоте 48 fps необходимо использовать выдержку со значением 1/96 с.

#### **FLICKER FREE SHUTTER BASED ON**

Эта настройка позволяет выбрать частоту электропитания, чтобы не допустить мерцания.

Мерцание может возникать при определенных параметрах затвора во время съемки с искусственным освещением. Для текущих настроек кадровой частоты URSA Mini автоматически рассчитывает значения затвора, чтобы избежать мерцания, и отображает три из них на экране. Эти параметры зависят от частоты в местной сети энергоснабжения, питание от которой поступает на лампы освещения. В большинстве стран с телевизионным стандартом PAL используется частота 50 Гц, в странах с NTSC — 60 Гц. Выберите значение 50 Гц или 60 Гц в зависимости от вашего региона.

**ПРИМЕЧАНИЕ.** Отдельные источники света могут вызывать мерцание при любых значениях затвора. Рекомендуется предварительно выполнить съемку в тестовом режиме.

#### **BATTERY DISPLAY**

На URSA Mini отображать оставшийся заряд батареи можно двумя способами: Percentage и Voltage. Настройка Battery Display на опцию Percentage позволяет видеть уровень заряда в процентах при использовании батареи и аккумуляторной пластины, которые поддерживают эту функцию.

**СОБЕТ.** Список аккумуляторов, поддерживающих процентную индикацию уровня заряда, см. в разделе «Установка аккумуляторной батареи».

Когда процентная индикация не поддерживается, полный уровень заряда отображается в виде четырех секций батарейки, которые по мере расхода будут становиться пустыми.

При настройке опции Voltage уровень заряда будет отображаться в вольтах. Замену батареи рекомендуется выполнить при значении около 12 В.

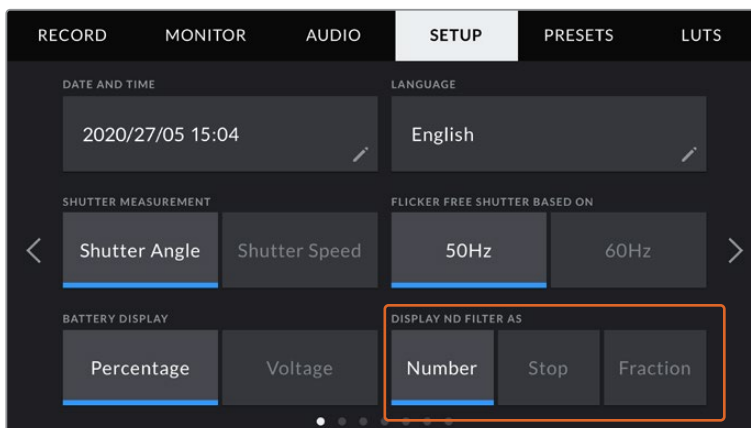
**СОБЕТ.** При нажатии значка питания на ЖК-дисплее можно также поменять режим отображения заряда (Percentage или Voltage).

#### **TIMECODE DROP FRAME**

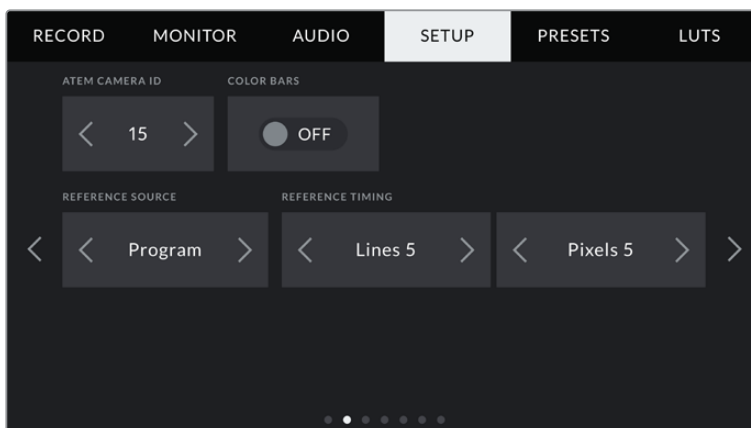
Эта настройка вводит поправку тайм-кода при использовании стандарта NTSC с кадровой частотой проекта 29,97 и 59,94. Она позволяет исключать отдельные кадры из тайм-кода с определенным интервалом. Благодаря этому удастся поддерживать корректный тайм-код при работе с NTSC, когда каждый второй кадр не является целым числом.

## DISPLAY ND FILTER AS

Настройка индикации светофильтра ND на дисплее камеры URSA Mini Pro. Каждый параметр соответствует различным условным обозначениям. Кинооператоры обычно используют номера светофильтров, а те, кто имеет опыт работы с DSLR и вещательной техникой, предпочитают выводить информацию в виде шага экспозиции или объема пропускаемого света. Доступные опции: номер, ступень и количество света.



Вкладка SETUP на URSA Mini Pro позволяет настроить отображение информации о светофильтрах ND



Опция PROGRAM AUDIO доступна только на камере URSA Mini Pro.

## ATEM Camera ID

Чтобы URSA Mini получала Tally-сигнал с видеомикшера ATEM, камере необходимо присвоить идентификационный номер. В этом случае сигнал микшера будет поступать на нужную камеру. Выберите значение от 1 до 99 с помощью левой или правой кнопки. По умолчанию используется значение 1.

## COLOR BARS (Цветные полосы)

При подключении URSA Mini к видеомикшеру или внешнему монитору настройка позволяет выводить цветные полосы вместо изображения. После их появления на экране можно выполнять основную калибровку монитора. Чтобы выводить цветные полосы на всех выходах камеры URSA Mini, в том числе на ЖК-дисплей, выберите значок COLOR BARS.



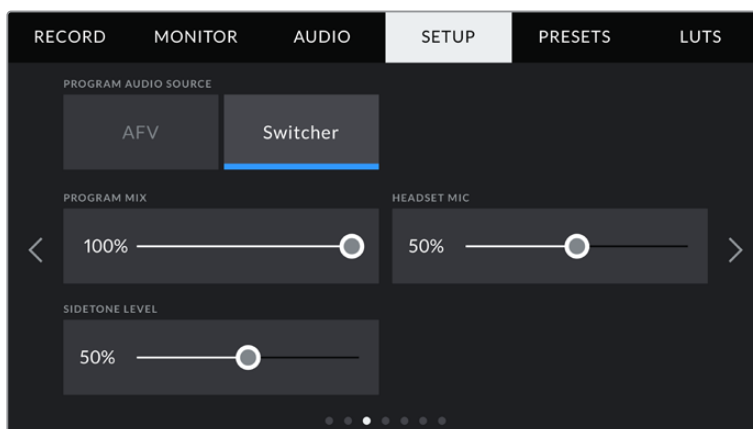
## REFERENCE SOURCE (Источник синхронизации)

Выбор внутреннего или внешнего источника синхронизации, а также привязка URSA Mini к опорному сигналу, поступающему на вход URSA Mini с видеомикшера ATEM. Если камерой управляют с программной панели ATEM, необходимо всегда задавать настройку на Program, за исключением случаев, когда видеомикшер и всю подключенную к нему технику синхронизируют по внешнему устройству.

**ПРИМЕЧАНИЕ.** При настройке источника синхронизации и переключении между ними может происходить небольшая потеря сигнала на выходе из камеры URSA Mini. Это случается из-за того, что камера подстраивается под способ синхронизации внешнего источника. По этой причине важно не менять настройку во время работы, а только в паузах между проектами.

## REFERENCE TIMING (Способ синхронизации)

Эта настройка позволяет вручную устанавливать способ синхронизации — по строкам или по пикселям. Для этого используйте стрелки сбоку от настроек Lines и Pixels.



## PROGRAM AUDIO SOURCE

Эта настройка доступна только на URSA Mini Pro. При подключении к видеомикшеру опция ON позволяет выводить в наушники двусторонней связи программную аудиодорожку. Такая функция будет полезной в тех случаях, когда ваша камера не является источником звука, но вы хотите слышать программный аудиосигнал, поступающий с видеомикшера через порт SDI IN. Выбранная по умолчанию опция OFF выводит звук со встроенных микрофонов камеры или XLR-портов AUDIO IN.

## PROGRAM MIX

Настройка баланса между звуком камеры и уровнем двусторонней связи. В наушниках воспроизводится звук того сигнала, который отображается на ЖК-дисплее. Например, при просмотре изображения с камеры выводится соответствующее звуковое сопровождение. Если на дисплей поступает программный сигнал, будет воспроизводиться программный звук. По умолчанию установлено значение 100%.

## HEADSET MIC

Для увеличения или снижения уровня микрофонного аудиосигнала передвиньте слайдер влево или вправо. По умолчанию установлено значение 50%.

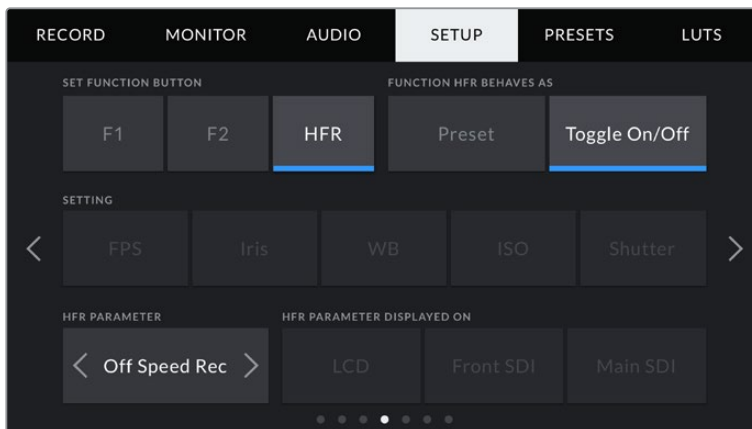
## SIDETONE LEVEL

Регулировка громкости собственного голоса в наушниках.

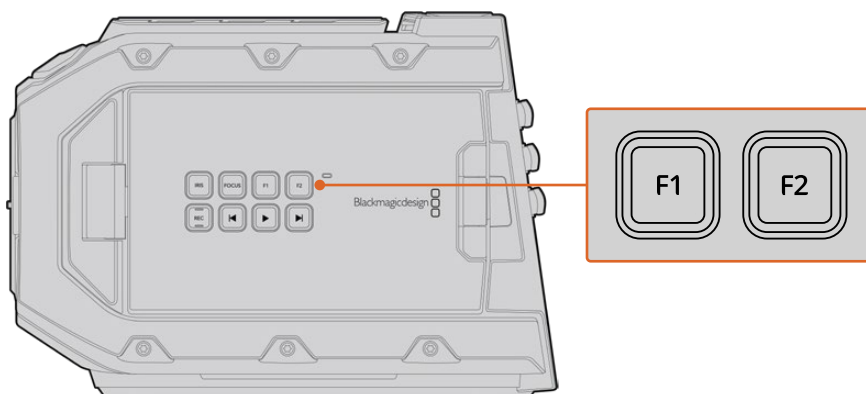
## SET FUNCTION BUTTON

На внешней стороне ЖК-дисплея камеры расположены кнопки F1 и F2. Они предназначены для быстрого доступа к часто используемым функциям при закрытом ЖК-дисплее, например при работе с URSA Viewfinder.

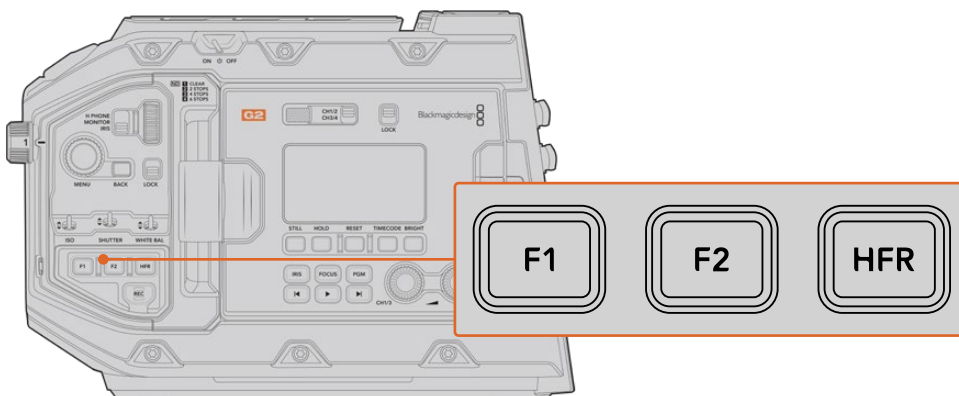
На моделях URSA Mini Pro 12K, URSA Mini Pro 4.6K G2 и URSA Mini Pro 4.6K кнопку HFR можно отключить или назначить для нее другую функцию. По умолчанию кнопка HFR изменяет скорость записи.



На URSA Mini Pro 12K, URSA Mini Pro 4.6K G2 и URSA Mini Pro 4.6K для кнопки HFR можно назначить другую функцию



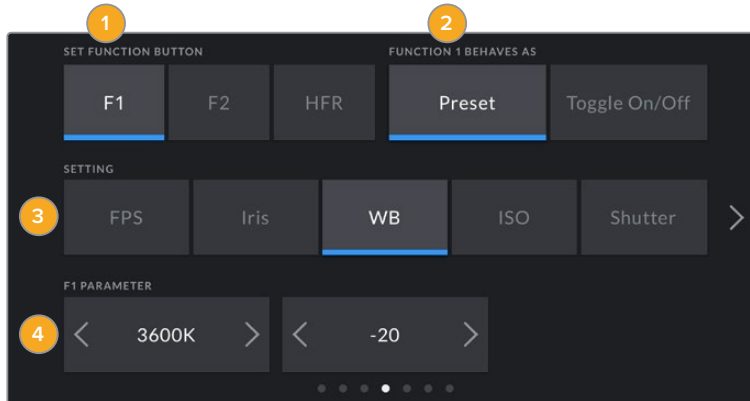
Кнопки F1 и F2 расположены на внешней стороне сенсорного ЖК-экрана



На URSA Mini Pro 12K, URSA Mini Pro 4.6K G2, URSA Mini Pro 4.6K и URSA Mini 4.6K кнопки F1, F2 и HFR можно отключить или назначить для них другую функцию.

**СОБЕТ.** Если URSA Mini Pro G1 имеет В4-объектив, подключенный к камере через специальный разъем, функциональными можно также сделать кнопки VTR и RET (в дополнение к F1, F2 и HFR) и задать им режим предустановки или переключения.

Выберите соответствующую кнопку, а затем назначьте нужное действие, настройку и параметр.



1 Кнопка 2 Действие 3 Настройка 4 Параметр

### Опции Preset и Toggle для функциональных кнопок

После выбора функциональной кнопки укажите назначаемое действие. На моделях URSA Mini Pro 12K, URSA Mini Pro 4.6K G2, URSA Mini Pro 4.6K и URSA Mini 4.6K другую функцию можно назначить и для кнопки HFR.

Доступные опции

#### Preset

Эта опция позволяет запустить одновременно SETTING и PARAMETER.

Для ее настройки выберите SETTING и укажите значение PARAMETER с помощью стрелок по сторонам.

Например, для запуска значения диафрагмы f8 с помощью кнопки F1 выберите Behavior > Preset, затем Setting > Iris и, используя стрелки в строке Parameter, перейдите к значению f8. Нажав Preset еще раз, можно вернуть настройки камеры к предыдущим параметрам.

#### Up/Down

Эта опция позволяет менять значение определенной настройки в большую или меньшую сторону.

Например, можно задать F1 для увеличения диафрагмы объектива, а F2 — для ее уменьшения. Для этого выберите F1, затем Behavior > Up/Down и установите Parameter на Up. Сделайте то же самое для F2, но установите Parameter на Down.

#### Toggle On/Off

Эта опция позволяет включить (On) или отключить (Off) определенную настройку. В данном режиме меню SETTING отключено. Для перехода между возможными опциями коснитесь правой или левой стрелки в меню. Доступны следующие настройки: Off Speed Recording, Color Bars, Push to Talk, Clean Feed, Display LUT, Frame Guides, Focus Assist, False Color и Zebra. На URSA Mini Pro также есть настройка None.

На URSA Mini Pro 12K имеется опция Focus Zoom. Подробнее об использовании данной функции на ЖК-дисплее, см. раздел «Focus Zoom (Зум для фокуса)». Когда она применяется на устройствах, подключенных к SDI-выходам, увеличенный участок можно перемещать с помощью колесика MENU, а изменять степень зуммирования — с помощью колесика IRIS.

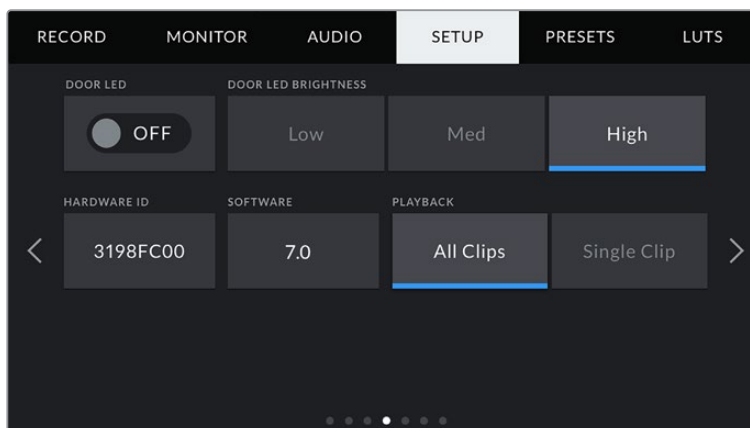


Зум для фокуса можно применить к любому из выходов для мониторинга. Использование этой функции на всех трех выходах обеспечит наилучший результат.

Опция Toggle On/Off также позволяет выбрать выход, для которого она будет применяться. Для этого нажмите LCD, Front SDI и Main SDI в любой комбинации. Если для конкретного выхода невозможно применить выбранную настройку (например, Color Bars относится ко всем выходам), LCD, Front SDI и Main SDI не используются. На URSA Mini Pro можно отключить функциональные кнопки и кнопку HFR. Для этого выберите опцию None.

**ПРИМЕЧАНИЕ.** Когда зум для фокуса используют для всех выходов, то есть для ЖК-дисплея, фронтального и главного SDI-выходов, любые настройки 3D LUT-таблиц или индикации фокуса, выбранные для фронтального SDI-выхода, при масштабировании будут применяться ко всем трем сигналам. Рамки кадрирования, сетка и границы изображения появляться при этом не будут.

На URSA Mini Pro 4.6K G1 кнопкам VTR и RET на B4-объективе можно также задать определенные функции. Например, если отдельные видеопотоки записываются на HurterDeck, кнопке VTR обычно задают функцию связи.



## STATUS LED

На передней панели модели URSA Mini Pro возле кнопки записи находится небольшой светодиодный индикатор двусторонней связи и состояния камеры.

Для его включения и выключения используется настройка STATUS LED. На URSA Mini индикатор состояния расположен с внешней стороны ЖК-дисплея рядом с кнопкой F2, и на вкладке SETUP он называется DOOR LED.

Цвет индикатора соответствует одному из состояний камеры.

<b>Белый</b>	Камера получает питание и находится в режиме ожидания.
<b>Красный</b>	Идет запись. Если индикатор мигает с длинными интервалами, на карте заканчивается свободное место. Если мигает с короткими интервалами — есть пропущенные кадры.
<b>Зеленый</b>	Камера находится в режиме воспроизведения. Во время просмотра видео индикатор мигает с длинными интервалами, а при распознавании вставленного накопителя он три раза загорается зеленым и белым.
<b>Оранжевый</b>	При низком заряде батареи индикатор меняет цвет с оранжевого на другой, соответствующий состоянию камеры. Например, во время записи он будет мигать попеременно оранжевым и красным. Если камера находится в режиме ожидания, индикатор по очереди загорается белым и оранжевым. Порог низкого заряда — 20% при процентной индикации или 12,5 В в иных случаях.

### STATUS LED BRIGHTNESS

Эта настройка позволяет задать яркость светодиодного индикатора: Low (Низкая), Medium (Средняя) или High (Высокая).

### HARDWARE ID

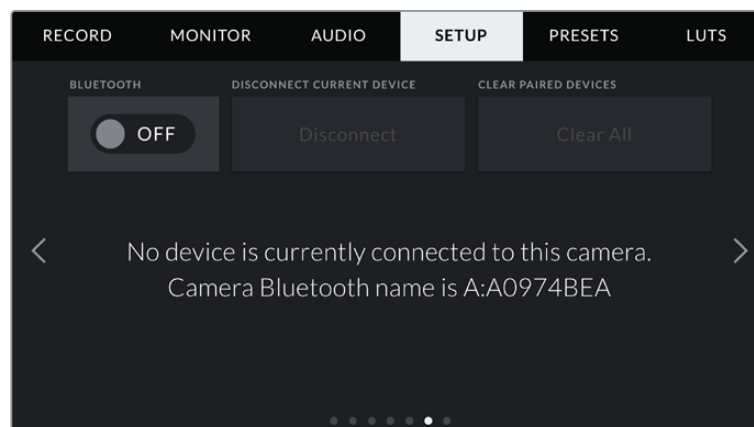
Отображает восьмизначный уникальный идентификатор камеры URSA Mini. Метаданные видеофайла в Blackmagic RAW и ProRes содержат также более длинный 32-значный номер, по которому можно установить камеру, на которой была сделана запись. В отличие от имен файлов, ID оборудования никогда не меняется.

### SOFTWARE (Программное обеспечение)

Отображает текущую версию программного обеспечения камеры URSA Mini. Подробнее об обновлении ПО см. раздел «Работа с Blackmagic Camera Setup Utility».

### PLAYBACK (Воспроизведение)

Эта настройка имеет две опции: Single Clip или All Clips. При выборе All Clips выводятся все клипы по порядку, а Single Clip позволяет просмотреть только один клип. В циклическом режиме опция All Clips позволяет последовательно воспроизвести все клипы, сохраненные на карте CFast 2.0 или SD, а затем снова начать с первого из них. Если использовать Single Clip в циклическом режиме, будет выводиться один и тот же клип.



Имя камеры как устройства Bluetooth состоит из буквы выбранного названия и восьми символов, которые составляют идентификатор URSA Mini

## BLUETOOTH®

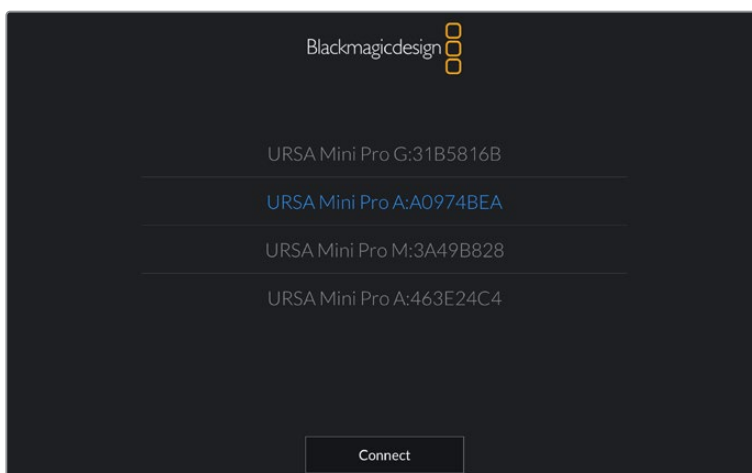
URSA Mini Pro поддерживает дистанционное управление с портативных устройств через Bluetooth. Приложение Blackmagic Camera Control позволяет включать и отключать камеру, менять настройки, редактировать метаданные и запускать запись с iPad. Чтобы активировать беспроводную связь по протоколу Bluetooth, выберите положение ON для соответствующего значка на вкладке SETUP. После этого камера будет доступна для обнаружения на расстоянии до девяти метров.

При работе с Bluetooth используется такой же набор команд, как при дистанционном управлении камерами Blackmagic по SDI-интерфейсу, поэтому для URSA Mini Pro можно создать собственные приложения, чтобы удаленно контролировать практически все настройки, в том числе параметры мониторинга и звука, объектива и встроенного инструмента цветокоррекции DaVinci Resolve.

Подробнее см. раздел "Blackmagic SDI Camera Control Protocol".

### Установка первого соединения между iPad и камерой

- 1 Для работы с Bluetooth коснитесь соответствующего значка на вкладке SETUP камеры URSA Mini Pro.
- 2 Откройте приложение Blackmagic Camera Control App и выберите камеру URSA Mini Pro, с которой нужно установить соединение. Доступные устройства будут отображаться в виде имен, состоящих из буквы и уникального идентификатора (например, A:A0974BEA).



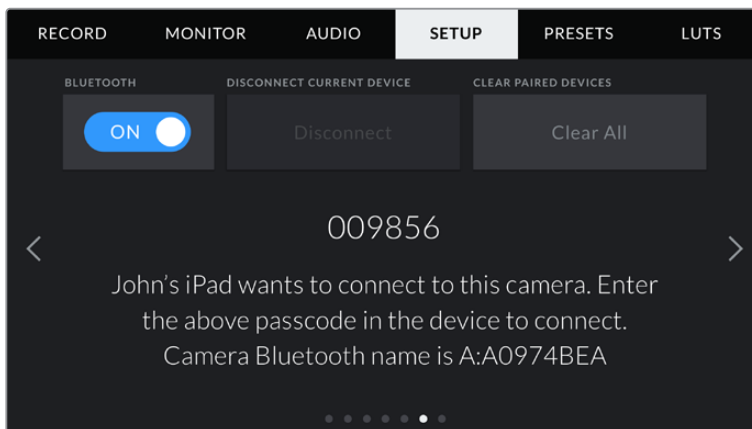
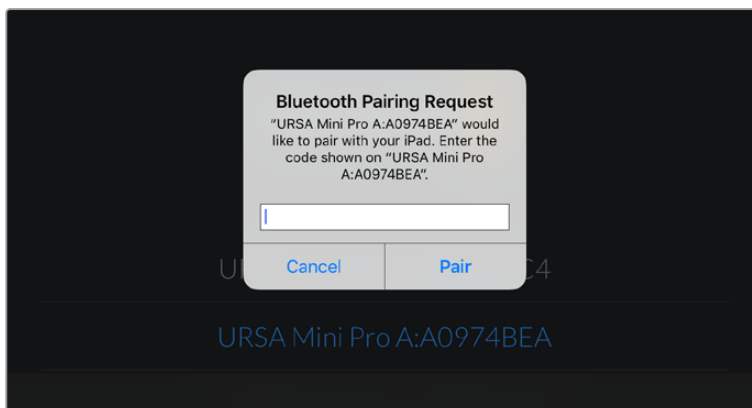
Выберите камеру URSA Mini Pro, с которой нужно установить соединение

**ПРИМЕЧАНИЕ.** При первом запуске приложения Blackmagic Camera Control App необходимо дать разрешение на локальный доступ. Если выбрать опцию *While using the app*, GPS-координаты с планшета iPad будут сохраняться вместе с метаданными видео. Эти геотеги можно отображать при обработке материала в DaVinci Resolve 14 и более поздних версиях.

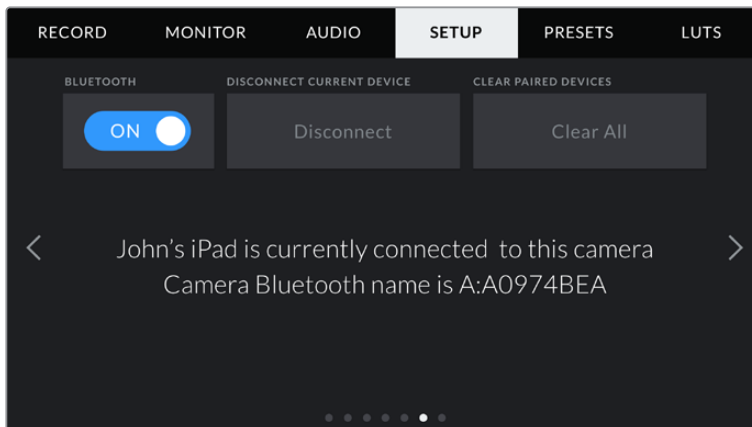
Если такая информация не требуется, выберите опцию *Never*.

Для изменения настроек используйте *Settings > Privacy > Location > Services > Camera Control* на iPad.

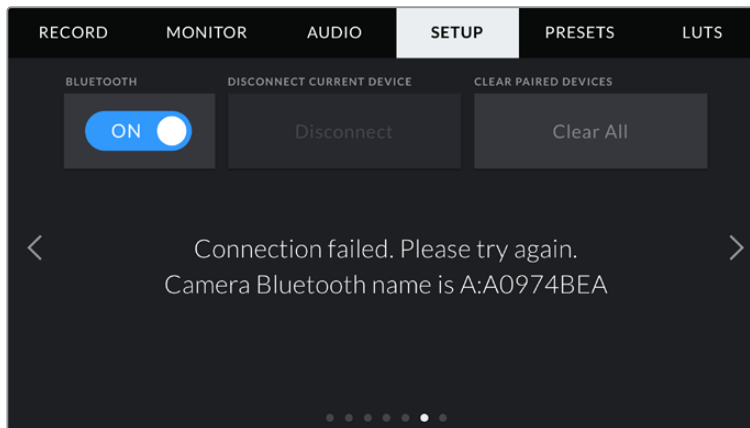
- 3 При первом соединении с камерой в приложении Blackmagic Camera Control App будет запрошен шестизначный код. Он появится на ЖК-экране камеры. Введите это число на iPad.



- 4 На экране появится подтверждение установленного соединения между URSA Mini Pro и iPad.



- 5 Если соединение не выполнено, появится сообщение об ошибке.



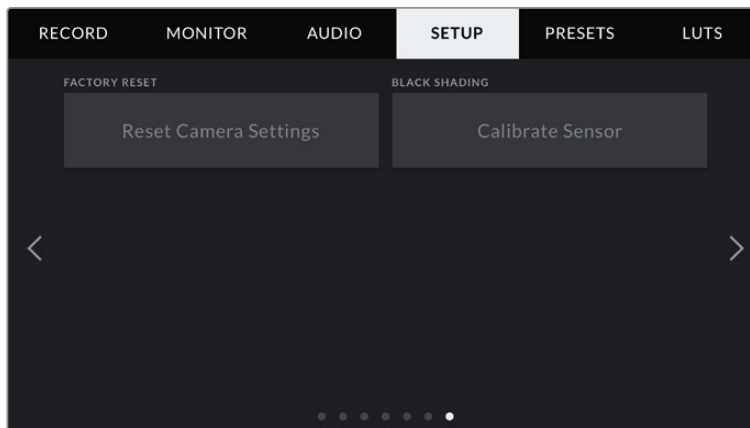
**ПРИМЕЧАНИЕ.** Если Bluetooth не используется для управления камерой URSA Mini Pro, в целях безопасности эту функцию лучше отключить.

#### **DISCONNECT CURRENT DEVICE**

С помощью этой команды камеру URSA Mini Pro отключить от iPad.

#### **CLEAR PAIRED DEVICES**

Эта команда позволяет очистить список устройств, которые используются для соединения с URSA Mini Pro.



#### **FACTORY RESET (Сброс к заводским настройкам)**

Чтобы выполнить сброс к заводским настройкам по умолчанию, нажмите кнопку Reset. В ответ появится запрос на подтверждение, потому что после этого действия будут удалены все текущие настройки LUTS и Presets. Для подтверждения нажмите Reset. На URSA Mini Pro весь процесс занимает до двух минут.

Помните, что при возврате к заводским настройкам все предустановки и личные LUT-таблицы удаляются, а пользовательские параметры сбрасываются. Прежде чем выполнять данную операцию, предустановки и LUT-таблицы рекомендуется экспортировать на карту памяти. После завершения сброса их можно будет легко импортировать. Рекомендуется также выполнить калибровку уровня черного.



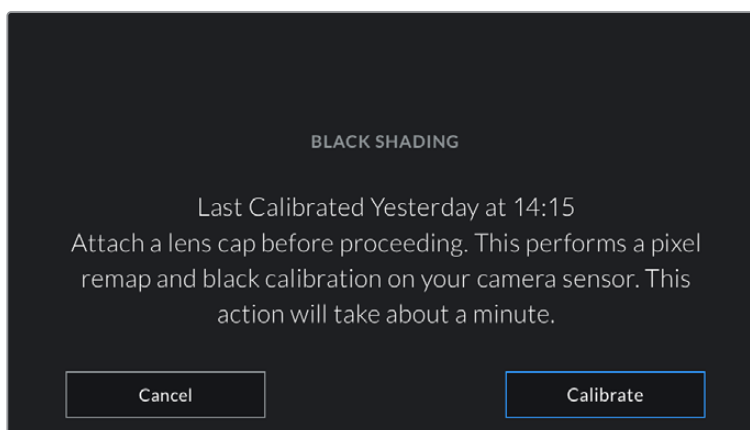


При выборе FACTORY RESET появится предупреждение с просьбой подтвердить действие

### **BLACK SHADING (Калибровка уровня черного)**

На моделях URSA Mini, оборудованных матрицей 4.6K, калибровка улучшает качество изображения с помощью баланса черного цвета. Ее лучше всего выполнять после прогрева камеры в течение нескольких минут. Сначала установите на камеру или объектив пылезащитную крышку, затем нажмите кнопку Calibrate. После этого необходимо подтвердить действие, так как оно требует нужной настройки. Калибровка занимает несколько секунд. По ее окончании выводится соответствующее сообщение. Камера сохраняет дату и время последней калибровки уровня черного. Это улучшает качество изображения в областях тени.

На URSA Mini Pro 4.6K G2 доступен еще один вид калибровки, который позволяет выполнить переназначение пикселей. Он занимает приблизительно одну минуту.



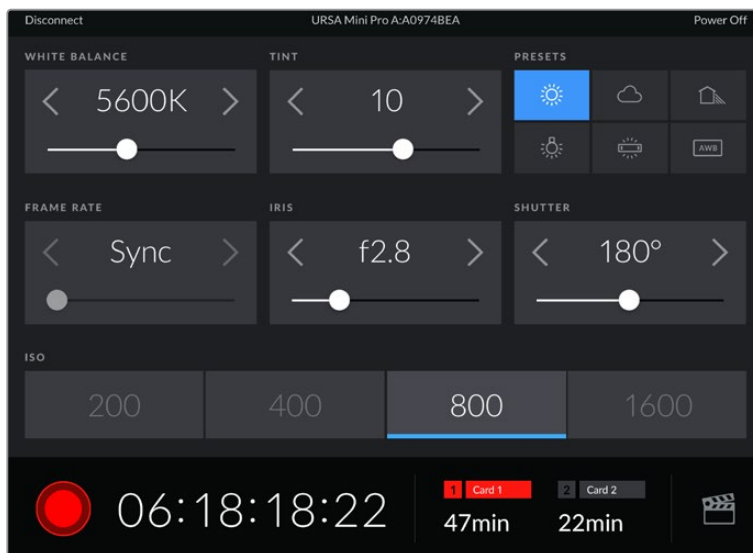
Рекомендуется выполнить калибровку уровня черного

### **Калибровка сенсора движения**

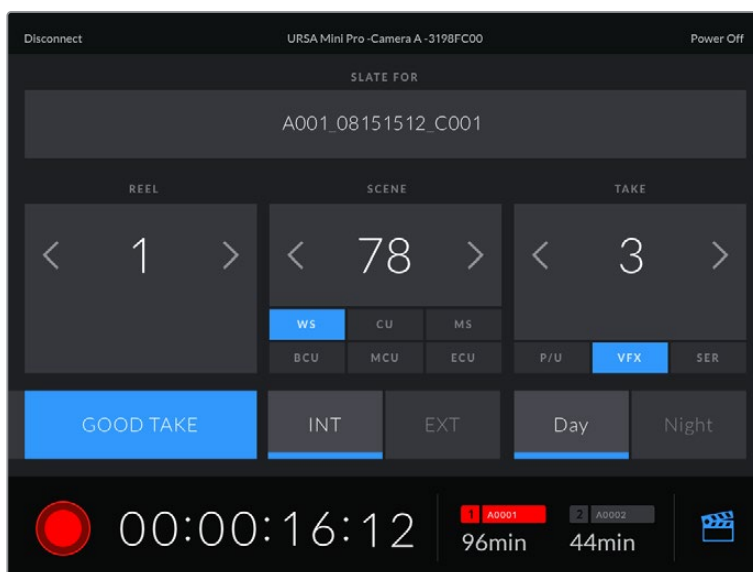
Чтобы выполнить калибровку индикатора горизонта на URSA Mini Pro 12K, поместите камеру на ровную поверхность и нажмите кнопку Calibrate Motion Sensor. Во время калибровки камера должна быть неподвижна. Данный процесс занимает приблизительно пять секунд.

## Управление камерой из приложения Blackmagic Camera Control App

После успешной установки соединения между URSA Mini Pro и iPad можно в удаленном режиме включать и отключать камеру, менять настройки, редактировать метаданные и запускать запись.



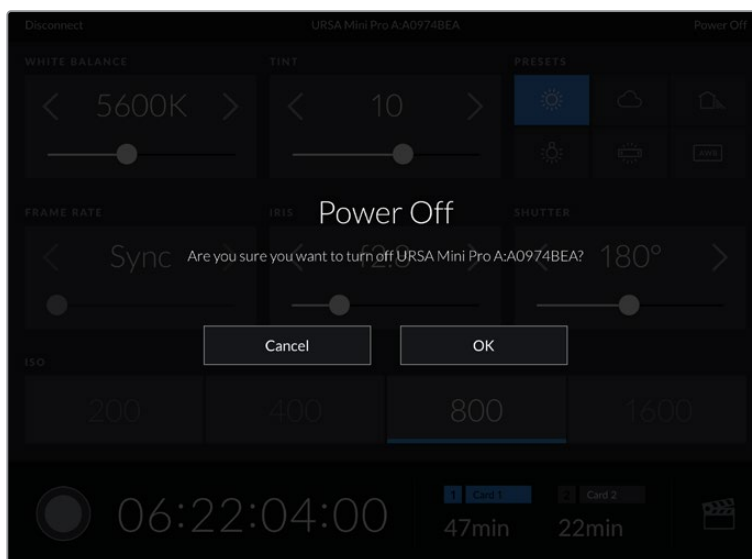
После установки соединения приложение Blackmagic Camera Control позволяет менять настройки и запускать запись



Чтобы получить доступ к служебной информации, коснитесь значка хлопушки в правом нижнем углу

Для беспроводного управления камерой URSA Mini Pro с других устройств используется протокол Bluetooth LE, который отличается минимальным потреблением энергии.

Чтобы отключить питание на URSA Mini Pro, нажмите на Power Off в правом верхнем углу.



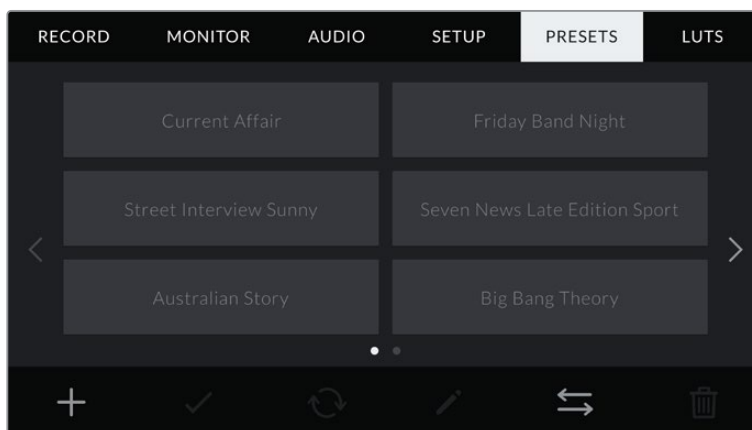
Перед отключением камеры необходимо подтвердить выбранное действие

Если активировано управление по протоколу Bluetooth, после отключения камера URSA Mini Pro будет по-прежнему отображаться как доступное устройство в приложении Blackmagic Camera Control App. Чтобы включить камеру, нужно выбрать ее по названию и нажать на Connect. Когда функция Bluetooth не используется, камеры не будет в списке.

## Вкладка PRESETS

Вкладка PRESETS позволяет сохранять и вызывать из памяти конфигурацию параметров при работе с URSA Mini. Это удобно, когда одна камера используется для нескольких проектов (например, при записи разного материала, от документальных фильмов до музыкальных клипов, когда нужны отличные друг от друга настройки). Функция PRESETS на URSA Mini дает возможность сохранять группу параметров для определенной съемки, а затем быстро переходить к ним. Следует помнить, что некоторые из них не всегда совместимы с другими камерами Blackmagic и более ранней версией ПО для URSA Mini. Актуальное программное обеспечение доступно в разделе поддержки Blackmagic Design на странице [www.blackmagicdesign.com/ru/support](http://www.blackmagicdesign.com/ru/support).

Сохраненные таким образом конфигурации можно импортировать и экспортировать, что удобно при многокамерной съемке. После настройки одной камеры URSA Mini аналогичные параметры можно применить ко всем остальным URSA Mini на съемочной площадке.



Вкладка PRESETS камеры URSA Mini

**ПРИМЕЧАНИЕ.** URSA Mini позволяет сохранить во внутренней памяти до 12 настраиваемых пользователем конфигураций параметров.

### Кнопки PRESETS

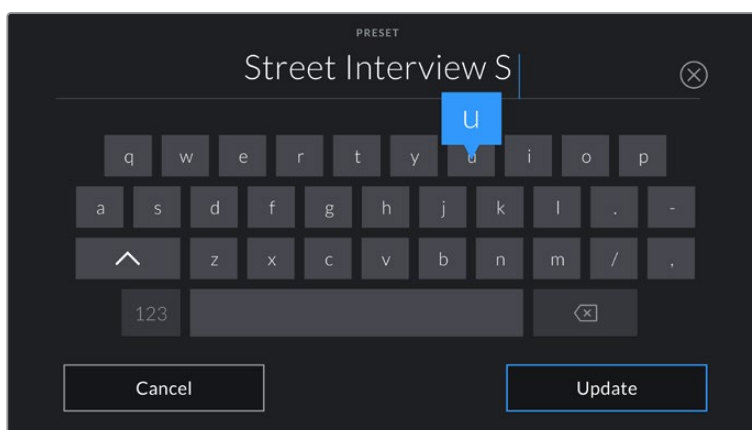
В нижней части меню PRESETS есть несколько значков.



### Сохранение и загрузка конфигураций параметров PRESETS

Чтобы создать новую настройку Preset, выберите значок «Добавить». На ЖК-дисплее отобразится сенсорная клавиатура для ввода имени Preset. По окончании ввода выберите «Обновить», чтобы сохранить все текущие настройки в эту конфигурацию Preset.

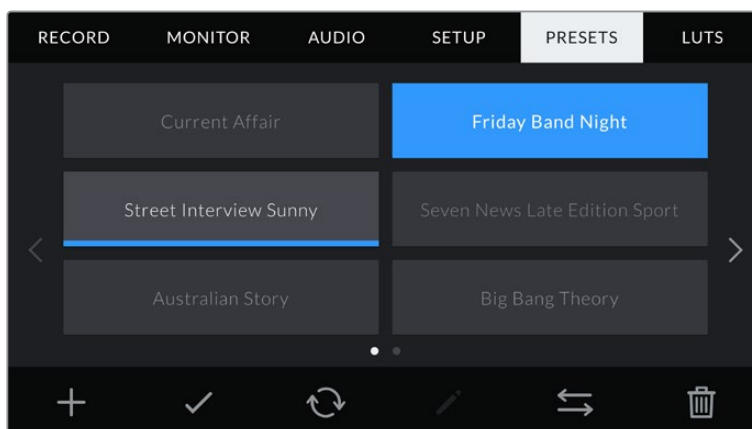
Если в камере URSA Mini уже есть конфигурация под таким же именем, будет предложено перезаписать существующую конфигурацию Preset или сохранить обе.



Для ввода имени Preset выберите значок «Добавить» и используйте сенсорную клавиатуру

Чтобы выбрать ранее сохраненную конфигурацию Preset, введите ее имя в меню Preset, а затем нажмите значок «Загрузить».

Чтобы обновить Preset, нажмите значок «Обновить». Появится диалоговое окно с запросом на обновление Preset в соответствии с текущими настройками камеры. Чтобы подтвердить, нажмите «Обновить».



Выберите необходимую конфигурацию Preset и нажмите значок «Загрузить». Выбранная конфигурация станет синего цвета, а текущая будет подчеркнута синей линией, расположенной под ее именем.

## Импорт Preset

Для импорта предустановки нажмите значок управления в нижней части меню. На URSA Mini Pro укажите, где сохранены настройки — на карте SD или CFast. При работе с URSA Mini Recorder они могут также находиться на SSD-диске.

Нажмите Import Preset и подтвердите выбор с помощью значка «Управление». Появится окно импорта. В левом верхнем углу выберите Card 1 или Card 2 для отображения доступных конфигураций Preset на этих картах.

После этого на выбранной карте CFast или SD будут найдены директория и папка Presets. Обратите внимание, что конфигурации Preset, сохраненные в другом месте, отображаться не будут.

Выберите Preset и нажмите Import для подтверждения. В верхнем правом углу экрана появится число доступных слотов Preset.

**ПРИМЕЧАНИЕ.** Если не осталось доступных слотов Preset, меню импортирования не выводится на экран. Необходимо удалить любую из настраиваемых пользователем конфигураций, чтобы освободить место.

## Экспорт Preset

Для экспорта конфигурации Preset на карту CFast или SD выберите параметры и нажмите значок «Управление». Появятся две опции: Import Preset и Export Selected Preset.

На URSA Mini Pro укажите место, куда нужно экспортировать настройки — на SD или CFast. При работе с URSA Mini Recorder их также можно сохранить на SSD-диске. Нажмите кнопку Export Selected Preset и выберите одну из двух карт. Конфигурация будет сохранена в папке Presets на выбранном накопителе.

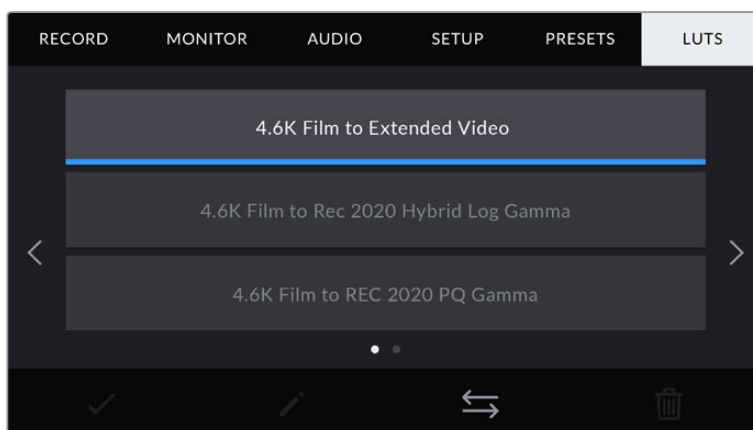
Если на выбранной карте CFast или SD уже есть конфигурация Preset, сохраненная под таким именем, будет предложено перезаписать ее или сохранить оба варианта.

## Удаление Preset

На камере URSA Mini предусмотрено место для 12 конфигураций параметров Preset. Чтобы удалить любую из них, выберите нужную и нажмите значок «Удалить». Появится запрос с просьбой подтвердить действие. Нажмите значок «Удалить».

## LUTS

Меню LUTS позволяет импортировать, экспортировать и применять 3D LUT-таблицы к изображению на выходах.



Вкладка LUTS на URSA Mini

### Работа с 3D LUT-таблицами

Таблицы 3D LUT можно применять к изображению, выводимому на ЖК-дисплей, фронтальный и основной SDI-интерфейсы. Они задают соответствие цвета и уровень яркости на выходе аналогичным параметрам на входе. Например, если изображение на входе имеет бледно-синий цвет, то с помощью LUT-таблицы его можно выводить насыщенным и ярким. Это удобно при съемке в Blackmagic RAW или в режиме Film — в обоих случаях изображение изначально не такое контрастное. Применив LUT, можно увидеть, как будет выглядеть материал после грейдинга.

Используя DaVinci Resolve или другое приложение цветокоррекции, легко создать 3D LUT-таблицы. Они также доступны для загрузки из Интернета. Камера URSA Mini позволяет сохранять до шести 3D LUT-таблиц на основе 17 или 33 координатных точек, каждая объемом до 1,5 МБ. После загрузки их можно выводить на ЖК-дисплей камеры, фронтальный и основной SDI-интерфейсы или вместе в любой комбинации.

URSA Mini поддерживает 3D LUT-таблицы (на основе 33 точек) в виде файлов с расширением .cube, созданных в среде DaVinci Resolve, а также таблицы (на основе 17 точек), конвертированные в .cube с помощью программных приложений. Камера обрабатывает 3D LUT-таблицы с помощью высококачественной тетраэдрической интерполяции.

**СОВЕТ.** Подробнее об отображении LUT-таблиц см. раздел «Настройки Monitor».

**ПРИМЕЧАНИЕ.** LUT-таблицы служат только для мониторинга и не применяются при записи изображения, однако эта информация сохраняется в виде метаданных. Таблица, которая использовалась во время съемки, отображается в поле LUT used при обработке материала в системе DaVinci Resolve. Технология Blackmagic RAW позволяет внедрить LUT-таблицу в записанный RAW-файл, чтобы использовать ее на стадии постобработки. Это дает возможность придавать изображению вид, определяемый параметрами данной таблицы, или же выбирать другие параметры цветовой палитры. Подробнее см. раздел «Встроенные 3D LUT-таблицы».

### Встроенные LUT-таблицы

URSA Mini имеет несколько встроенных LUT-таблиц, которые позволяют выводить изображение с разными цветовыми схемами при съемке в режиме Film с сохранением материала в ProRes или Blackmagic RAW.

<b>Film to Extended Video</b>	4.6K Film to Extended Video — Более широкий динамический диапазон по сравнению с LUT-таблицей 4.6K Film to Video. Имеет мягкую контрастность с плавной градацией в крайних точках светлых тонов.
<b>Film to Video</b>	4.6K Film to Video — Цветовое пространство с характеристиками REC 709 для HD-видео с высоким уровнем контрастности и насыщенности. Такая функция будет полезной в тех случаях, когда URSA Mini используется вместе с другими вещательными камерами при работе с REC 709.
<b>Film to Rec 2020 Hybrid Log Gamma</b>	4.6K Film to Rec 2020 Hybrid Log Gamma — Промежуточный вариант между REC 709 и изображением, записанным в режиме Log.
<b>Film to Rec 2020 PQ Gamma</b>	4.6K Film to Rec 2020 PQ Gamma — Кривая гамма-распределения на основе зрительного восприятия для эффективного кодирования HDR-файлов.

## Кнопки вкладки LUTS

В нижней части меню LUTS есть несколько значков.



## Импорт LUT-таблиц

Для импорта 3D LUT-таблиц выберите значок «Управление» в нижней части экрана, затем нажмите Import LUT.

Появится окно импорта. На URSA Mini Pro укажите, где сохранены таблицы — на карте SD или CFast. При работе с URSA Mini Recorder они могут также находиться на SSD-диске. В левом верхнем углу выберите Card 1 или Card 2 для отображения доступных 3D LUT-таблиц на этих картах.

После этого на выбранной карте CFast или SD будут найдены директория и папка 3DLUTS. Любые LUT-таблицы, сохраненные в другом месте карты, отображаться не будут.

Нажмите LUT для выбора таблицы, затем — Import. Таблица будет сохранена на камере URSA Mini.

**ПРИМЕЧАНИЕ.** Если заняты все шесть слотов для 3D LUT-таблиц, для импорта необходимо удалить любую из имеющихся таблиц, чтобы освободить место.

Если на камере уже есть LUT-таблица с таким же именем, будет предложено перезаписать существующую таблицу или сохранить обе. В верхнем правом углу экрана появится число доступных LUT-слотов. Импортировать можно такое же количество таблиц.

**ПРИМЕЧАНИЕ.** При возникновении проблем с импортом LUT-таблицы на камеру URSA Mini проверьте размер таблицы. Для этого можно использовать такой LUT-редактор, как Lattice, или открыть таблицу в любом текстовом редакторе. Размер будет указан в виде числа рядом с тегом "LUT\_3D\_SIZE". Если он не равен 17 или 33, можно применить Lattice, чтобы она включала 17 координатных точек.

## Применение LUT-таблиц

После сохранения LUT-таблицы на камере перейдите в меню LUT и нажмите значок загрузки. Это позволит применить LUT к изображению на всех выходах камеры. Дополнительно необходимо включить Display LUT в меню MONITOR для каждого выхода. При включении настройки STATUS TEXT видео, выводимое на ЖК-дисплей, через фронтальный или основной SDI-выход, обрабатывается с помощью LUT-таблицы и содержит соответствующее обозначение. Подробнее см. раздел «Настройки MONITOR».

### **Экспорт LUT-таблиц**

Для экспорта LUT-таблиц на карту CFast или SD выберите LUT, затем нажмите значок. Появятся две опции: Import LUT и Export Selected LUT. На URSA Mini Pro укажите место, куда нужно экспортировать таблицы — на SD или CFast. При работе с URSA Mini Recorder их также можно сохранить на SSD-диске.

Нажмите кнопку Export Selected LUT и выберите одну из карт. После этого начнется экспорт. Если на карте уже есть LUT-таблица с таким именем, будет предложено перезаписать ее или сохранить оба варианта.

### **Удаление LUT-таблиц**

Камера URSA Mini позволяет сохранять шесть 3D LUT-таблиц на основе 17 или 33 координатных точек. Чтобы удалить LUT, выберите ее и нажмите значок. Появится запрос с просьбой подтвердить действие. Нажмите значок «Удалить».

### **Встроенные 3D LUT-таблицы**

Когда 3D LUT-таблица используется для съемки на URSA Mini Pro в кодеке Blackmagic RAW, она сохраняется вместе с видео в заголовке файла с расширением .braw. Благодаря этому ее можно легко применять к изображению на этапе постобработки без обращения к дополнительным ресурсам.

Когда колорист или специалист по монтажу получает файлы Blackmagic RAW, он имеет быстрый доступ к 3D LUT-таблице, которая использовалась во время съемки. Ее можно применить к изображению на этапе редактирования и грейдинга или отключить в любое время.

Если в меню RECORD на камере URSA Mini Pro для настройки APPLY LUT IN FILE переключатель установлен в положение ON, записанный клип будет открыт в приложениях Blackmagic RAW Player и DaVinci Resolve с применением выбранной 3D LUT-таблицы. Ее можно быстро активировать и отменять, но она всегда будет храниться в файле .braw вместе с самим видео.

Для включения или отключения 3D LUT-таблицы в файле Blackmagic RAW нужно выбрать соответствующую настройку режима Apply LUT на панели RAW в приложении DaVinci Resolve. Она используется так же, как на камере. Благодаря этому колорист может по своему усмотрению использовать или отменить ее применение на этапе постобработки.



## Ввод метаданных

Метаданные — это различная информация, сохраненная внутри клипа: номера дублей, настройки камеры и другие сведения. Она может быть полезна при сортировке и обработке материала на этапе постпроизводства. Например, номера сцен, кадров и дублей обязательны при систематизации видео, в то время как информация об объективах пригодится для автоматического исправления искажений или наложения эффектов.

Blackmagic URSA Mini автоматически сохраняет некоторые метаданные по каждому клипу, такие как настройки камеры, тайм-код, время и дата. Для добавления дополнительных данных можно использовать функцию Slate.

### Функция Slate

Чтобы активировать меню Slate, проведите пальцем по сенсорному экрану в горизонтальном направлении.

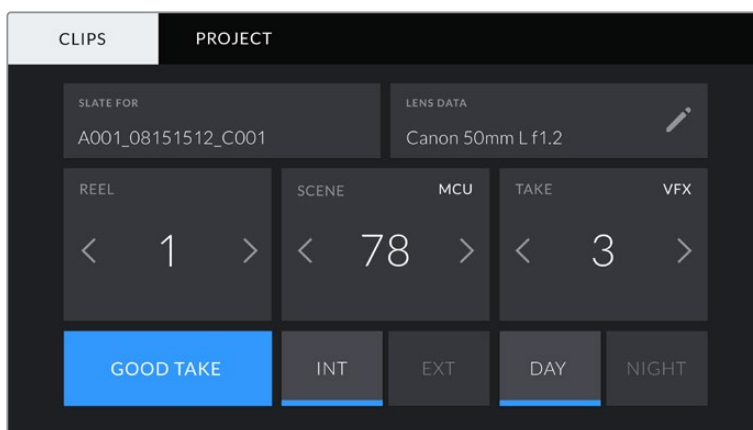
На экране появятся две вкладки: CLIPS и PROJECT. Вкладка CLIPS содержит информацию, которая может различаться в зависимости от клипа, а в PROJECT хранятся общие данные для всех видеофайлов, такие как название проекта, имя режиссера, идентификатор камеры и оператора.

**COBET.** Введенные метаданные отображаются через фронтальный или основной SDI-выход камеры URSA Mini, когда для параметра DISPLAY STATUS TEXT FOR на вкладке MONITOR выбрана опция Director. Подробнее см. раздел «Настройки MONITOR».

### Метаданные на вкладке CLIPS

Изменения, внесенные в метаданные клипа, будут применяться в зависимости от режима: ожидание, запись или воспроизведение. В режиме ожидания метаданные сохраняются в следующий записываемый клип, за исключением функции Good Take Last Clip, связанной с самым последним записанным видеофайлом.

В режиме воспроизведения метаданные всегда записываются в текущий выводимый на экран клип.



Меню Slate камеры URSA Mini содержит вкладки CLIPS и PROJECT

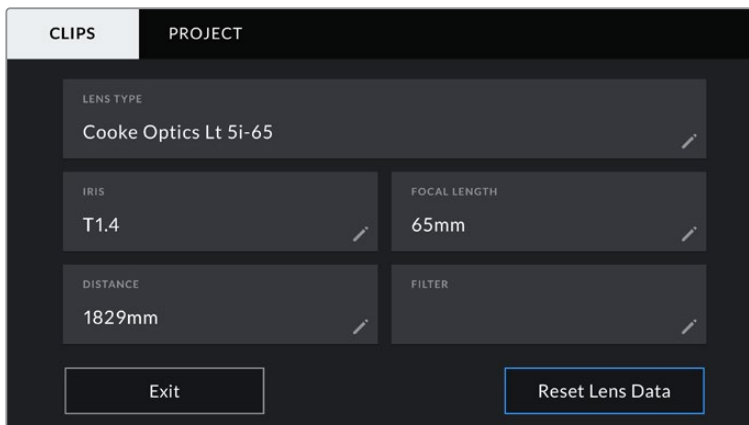
### Slate For

Поле с информацией о клипе, метаданные которого выводятся в настоящий момент на вкладке CLIPS. В режиме ожидания эти настройки относятся к следующему записываемому клипу.

## Lens Data

Поле с информацией об установленном на камеру объективе. Большинство оптики с электронным управлением поддерживает автоматический вывод таких данных, как модель объектива, значение диафрагмы и фокусное расстояние. Если используемая оптика не имеет такой функции или необходимо указать дополнительные сведения, нажмите изображение карандаша в поле Lens Data для ввода информации вручную.

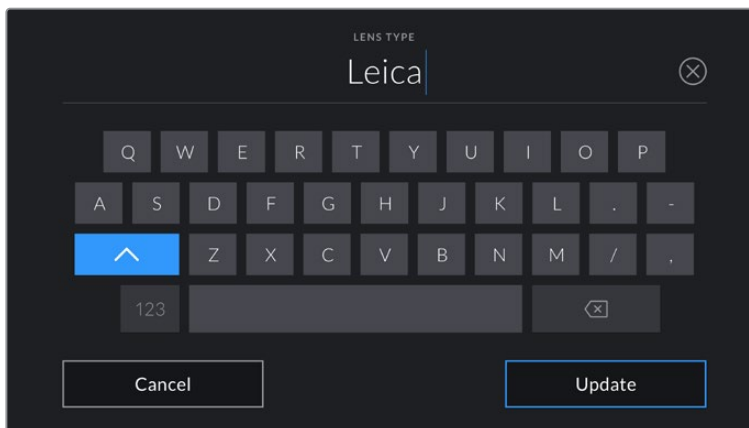
Откроется меню Lens Data, содержащее перечисленные ниже параметры.



Поля с информацией, которая вводится автоматически при использовании объектива с поддержкой протокола /i Technology (Cooke)

### • Lens Type

Поле с названием модели объектива. Если тип оптики не выводится автоматически, его можно указать вручную. Во внутренней памяти камеры есть список наиболее распространенных объективов. Для помощи при вводе данных вручную отображаются автоматические подсказки.



Если данные по объективу не выводятся автоматически, используйте клавиатуру для ввода вручную

### • Iris

Поле для настройки значений диафрагмы в момент начала клипа в шагах фокусного или динамического диапазона (в зависимости от используемой оптики и поддержки автоматического вывода данных). Нажмите в поле для ввода информации вручную.

### • Focal Length

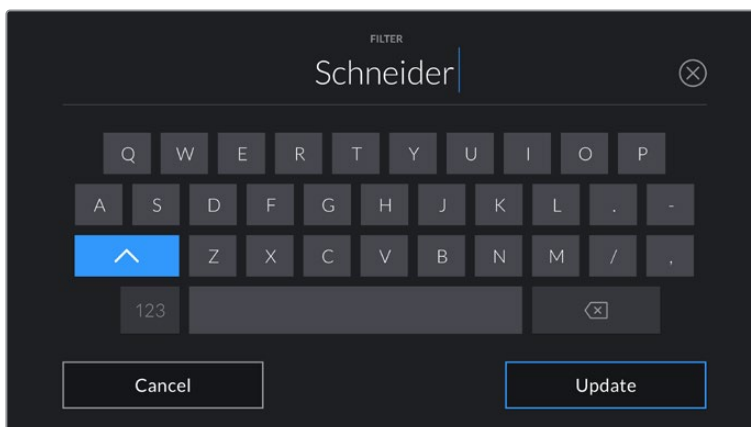
Поле для настройки фокусного расстояния в момент начала записи клипа. Указывается в мм при автоматическом выводе данных. Нажмите в поле для ввода информации вручную.

- **Distance**

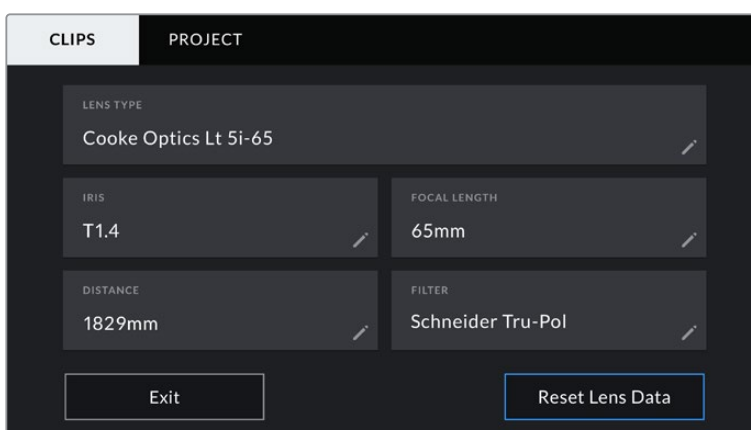
Показывает фокусное расстояние для записанного клипа. Некоторые объективы автоматически передают эту информацию с указанием в мм. Также возможен ввод информации вручную.

- **Filter**

Показывает используемые фильтры объектива. Нажмите в поле для ввода информации вручную. Возможен ввод через запятую нескольких значений.

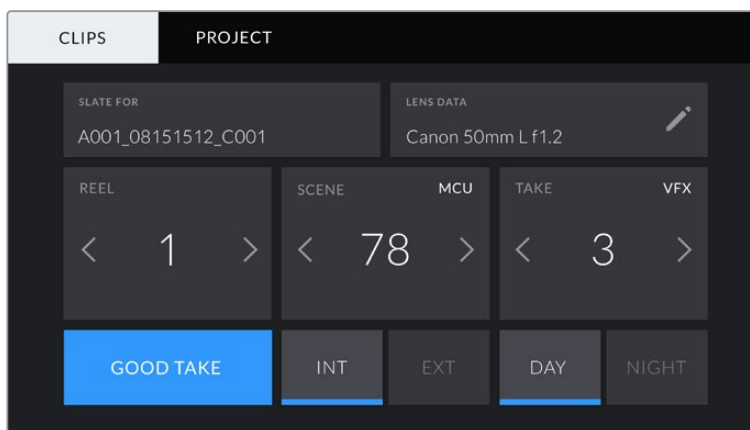


Информацию о фильтрах вводят вручную



Информация, которая заполняется автоматически при использовании объектива с поддержкой протокола /i Technology (Cooke), и введенные вручную данные о фильтре

**ПРИМЕЧАНИЕ.** Нажмите Reset Lens Data в меню Lens Data, чтобы удалить данные об объективе. Появится запрос с просьбой подтвердить действие. После подтверждения все данные будут удалены и автоматически заполнены другими при установке текущего объектива. Если данные были введены вручную, необходимо их сбросить при новой установке оптики. В противном случае такие введенные вручную данные сохраняются.



Меню Slate имеет две вкладки: CLIPS и PROJECT

### Reel

Поле с указанием текущего тома.

Камера URSA Mini присваивает номер тома автоматически, поэтому обычно его не нужно вводить вручную. Если вы приступаете к новому проекту и хотите начать с тома 1, перейдите на вкладку PROJECT и нажмите кнопку Reset Project Data.

### Scene

Поле для указания номера текущей сцены, а также вывода типа и номера кадра.

Эти данные всегда относятся к текущей сцене. С помощью боковых стрелок это число можно увеличивать или уменьшать.

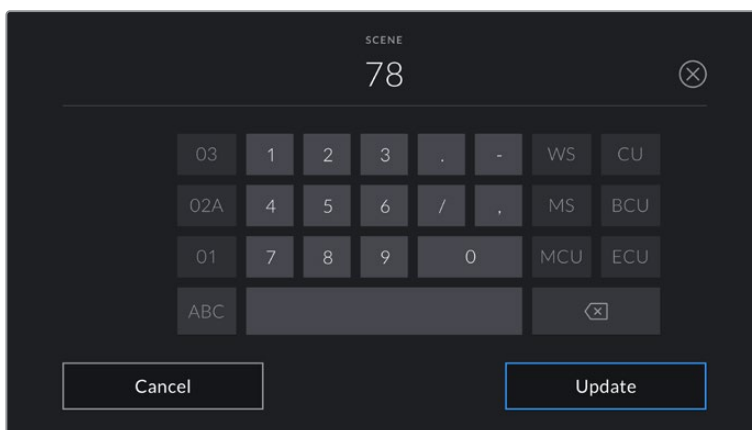
Диапазон номеров сцены от 1 до 9999.

Добавив к номеру сцены букву, можно указать текущий кадр. Например, 23A будет означать сцену номер 23, кадр первый. В этом случае камера URSA Mini будет пошагово изменять номера кадров без вашего вмешательства. Например, если номер сцены 7B, то следующий кадр будет 7C.

В верхнем правом углу окна с номером сцены выводится информация о типе текущего кадра. Поля для выбора этого параметра расположены справа от клавиатуры.

Ниже указаны возможные типы кадров.

<b>WS</b>	общий план
<b>MS</b>	средний план
<b>MCU</b>	средне-крупный план
<b>CU</b>	крупный план
<b>BCU</b>	портретный план
<b>ECU</b>	сверхкрупный план



При вводе метаданных поля Scene камера URSA Mini предлагает пошаговые изменения номеров сцен и указывает их слева от сенсорной клавиатуры, а справа выводит типы кадров

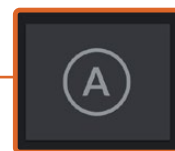
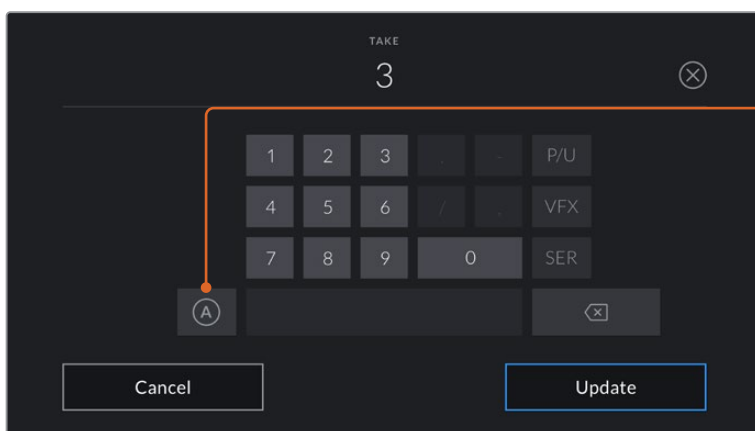
### Take

Поле для указания номера дубля в текущем кадре. С помощью боковых стрелок это число можно увеличивать или уменьшать. Нажмите его значение, чтобы перейти к вводу номера вручную.

**COBET.** Когда обновляется номер кадра или буквенное значение сцены, номер дубля возвращается к значению "1".

Здесь же можно добавить описание дубля. Справа от клавиатуры находятся указанные ниже варианты описания.

- |            |   |
|------------|---|
| <b>PU</b>  | Pick Up. Съемка дополнительного материала к предыдущему дублю после завершения основной работы. |
| <b>VFX</b> | Visual Effects. Дубль или кадр для комбинированных сцен.  |
| <b>SER</b> | Series. Несколько дублей было снято, и камера продолжает работать.                              |



Коснитесь значка «А», чтобы дублям автоматически присваивался следующий номер в режиме ожидания.

Когда эта функция включена, рядом с числовым значением отображается буква «А».

При вводе метаданных поля Take справа от клавиатуры предлагаются некоторые типы кадров

### Good Take

Укажите флажком качественные дубли для удобства поиска на этапе постпроизводства. Эти теги относятся как к последнему записанному клипу, если камера находится в режиме ожидания, так и к видео при его воспроизведении.

### Int и Ext

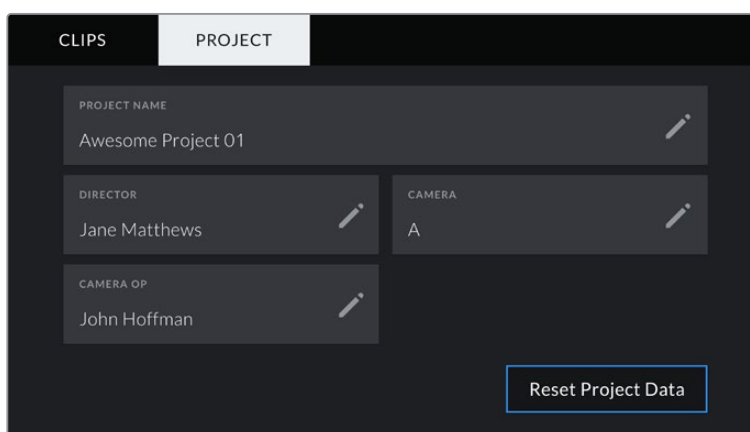
Служат для добавления тегов Interior и Exterior к следующему клипу в режиме ожидания или к текущему при его воспроизведении.

### Day и Night

Служат для добавления тегов Day и Night к следующему клипу в режиме ожидания или к текущему при его воспроизведении.

## Вкладка метаданных PROJECT

Метаданные на вкладке PROJECT отображаются одинаково как в режиме ожидания, так и при воспроизведении. Они всегда связаны с проектом в целом и с отдельными клипами в соответствии с их номерами.



Вкладка PROJECT камеры URSA Mini

### PROJECT NAME

Отображает название текущего проекта. Для изменения нажмите значок карандаша.

### DIRECTOR

Отображает имя режиссера текущего проекта. Для изменения нажмите значок карандаша.

### CAMERA

Отображает отдельную букву идентификатора камеры. Для изменения нажмите значок карандаша.

**ПРИМЕЧАНИЕ.** Индекс камеры используется в метаданных и при названии файлов. Он отличается от ATEM Camera ID, применяемого для управления URSA Mini с помощью микшера ATEM. Подробнее об ATEM Camera ID см. раздел «Управление камерой с помощью ATEM Camera Control».

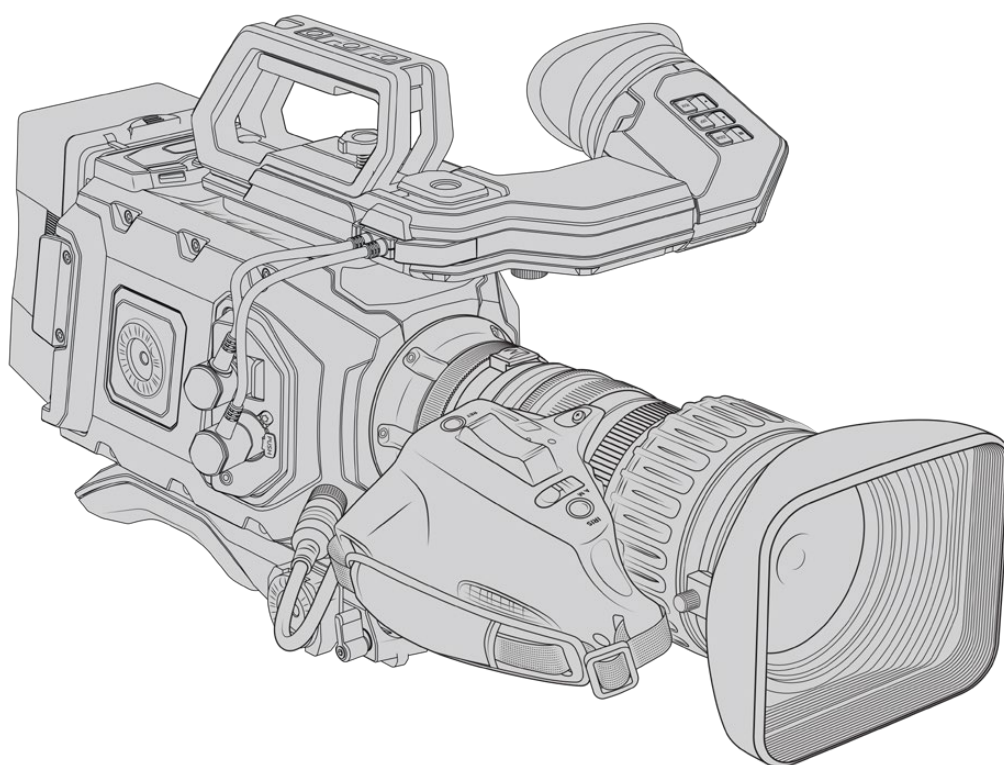
### CAMERA OP

Отображает имя оператора камеры. Для изменения нажмите значок карандаша.

## Использование объективов с сервоприводом

Камера URSA Mini позволяет решать целый спектр съемочных задач при использовании объективов с сервоприводом. Они имеют кольца для ручной настройки диафрагмы, фокуса и зума, а также встроенную боковую рукоятку с органами управления. Такое оснащение существенно расширяет технический арсенал оператора. URSA Mini PL и URSA Mini Pro 4.6K поддерживают управление оптикой с B4- и PL-креплениями через 12-контактный разъем.

При установке совместимых объективов можно управлять зумом и диафрагмой, а также запускать и останавливать запись с помощью кнопки REC. Оптика с сервоприводом часто имеет кнопку Ret, которая позволяет переключаться между сигналом камеры и программным изображением на ЖК-дисплее и HD-выходе для мониторинга.



Для электронного управления апертурой необходимо выбрать автоматическую установку диафрагмы. Подобную функцию также имеют объективы Digital HD и 4K. Для работы в таком режиме переключатель Zoom должен находиться в положении S.

Ниже перечислены некоторые виды B4-объективов и функции, которые они поддерживают.

### **B4-объективы с управлением диафрагмой и зумом**

- Модели Fujinon с префиксами HA, ZA, XA, UA, LA и окончанием RM поддерживают электронное управление диафрагмой и зумом.
- Модели Canon с обозначением HJ, KJ и CJ, IRSE и IRSD поддерживают электронное управление диафрагмой и зумом.

Некоторые B4- и PL-объективы также оснащаются рукояткой с электронным управлением фокусом. Чтобы использовать сервопривод такой оптики при ее установке на камеру URSA Mini PL или URSA Mini Pro, переключатель Focus должен находиться в положении S.

#### **В4-объективы с полным электронным управлением фокусом, диафрагмой и зумом**

- Модели Fujinon с обозначением HA, ZA, UA, RD и ZD.
- Модели Canon с обозначением HJ, KJ..ex, CJ, IASE и IASD.

Если объектив имеет электропривод фокуса, кнопка Focus на URSA Mini позволяет активировать его автоматическую установку для удаленного управления с видеомикшера ATEM при использовании программной панели ATEM Software Control.

При работе с В4-объективом выберите разрешение 2K 16:9 или более низкое значение, а для опции WINDOW SENSOR на вкладке RECORD установите переключатель в положение ON. Эти настройки помогают избежать виньетирования, потому что при использовании оптики с В4-креплением размеры изображения меньше, чем в формате Super 35.

#### **PL-объективы с полным электронным управлением фокусом, диафрагмой и зумом (формат Super 35)**

<b>Производитель</b>	<b>Серия</b>	<b>Модель</b>	<b>Фокусное расстояние</b>	<b>Максимальная диафрагма</b>
<b>Fujinon</b>	Cabrio	ZK2.5x14-SAF	14-35 мм	T2.9
<b>Fujinon</b>	Cabrio	ZK4.7x19-SAFB	19-90 мм	T2.9
<b>Fujinon</b>	Cabrio	ZK3.5x85-SAF	85-300 мм	T2.9-T4
<b>Fujinon</b>	Cabrio	XK6x20	20-120 мм	T3.5
<b>Fujinon</b>	Cabrio	ZK12x25 with ESM-15A-SA	25-300 мм	T3.5-3.85
<b>Canon</b>	Cine-servo	CN7x17KAS S	17-120 мм	T2.9-3.9
<b>Canon</b>	Cine-servo	CN20x50	50-1000 мм	T5-8.9

При использовании всех перечисленных PL- и В4-объективов управлять фокусом и зумом можно с ручек панорамирования.

#### **Гибридные объективы с сервоприводом**

В последнее время появились новые модели объективов, которые отличаются компактными размерами и оснащены сервоприводом. Они имеют некоторые функции В4- и PL-оптики, но используют крепление EF. При их установке питание на рычажок зума поступает с URSA Mini EF или URSA Mini Pro через контакты байонета, при этом камера может считывать и записывать служебную информацию, значения диафрагмы, фокуса и параметры масштабирования.

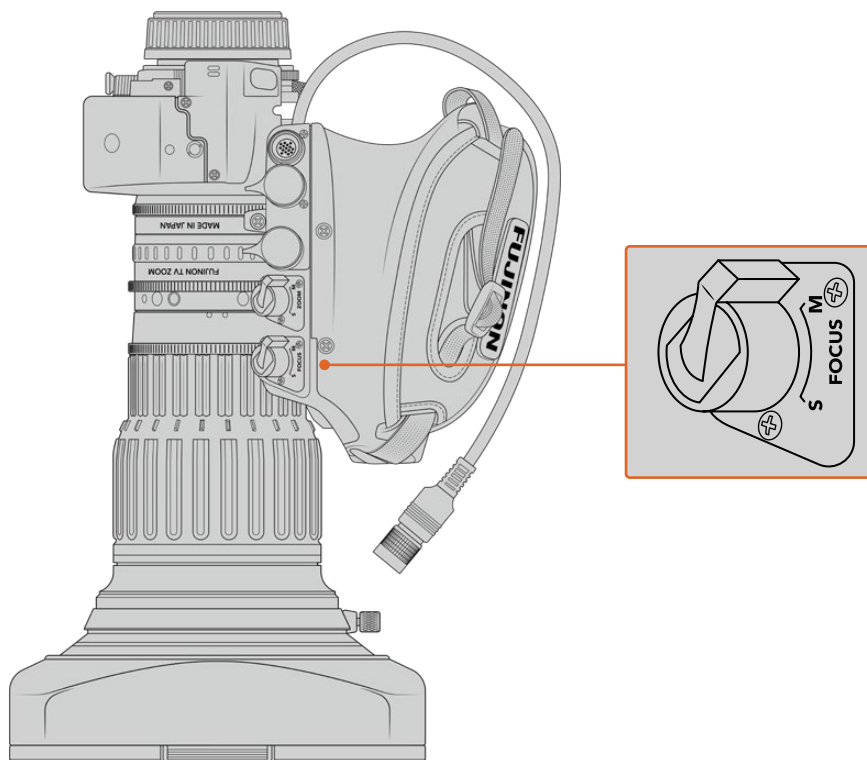
URSA Mini и URSA Mini Pro поддерживают электронное управление фокусом, диафрагмой и зумом при работе с гибридными объективами. Когда камера подключена к видеомикшеру, эта функция также доступна в удаленном режиме из приложения ATEM Software Control. На объективах Canon можно цифровым способом менять параметры фокуса и зума, однако для этого требуются кабели сторонних производителей.

#### **Гибридные объективы**

- Canon CN-E 18-80 mm T4.4 Compact-servo
- Canon CN-E 70-200 mm T4.4 Compact-servo

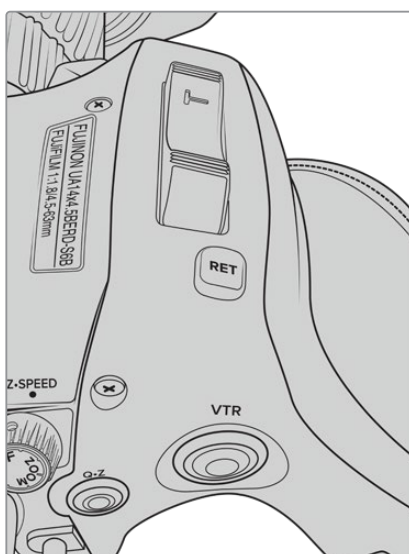


**ПРИМЕЧАНИЕ.** Можно также использовать аналоговые V4-объективы с сервоприводом, однако в этом случае электронное управление доступно только для зума и диафрагмы. Большинство подобной оптики предназначено для работы с SD-видео и не имеет 12-контактного разъема. Перед установкой таких объективов необходимо убедиться в их совместимости. Вначале рекомендуется провести пробную съемку, так как есть вероятность потери разрешения и виньетирования в углах кадра.



### Кнопки RET и VTR

Расположенная на V4-объективе кнопка VTR включает и выключает запись, а RET активирует обратный программный поток. Подробнее о настройке кнопок VTR и RET в качестве функциональных на URSA Mini Pro 4.6K G1 см. раздел «Функциональные кнопки».



Кнопки RET и VTR на V4-объективе

# Выходной сигнал камеры

## Выход для мониторинга HD-материала

Blackmagic URSA Mini имеет разъем 3G-SDI для понижающей конверсии, который позволяет выводить видео в 1080 HD на коммутаторы, мониторы, SDI-устройства захвата, вещательные микшеры и другое оборудование с SDI-интерфейсом. В меню на сенсорном экране этот выход обозначен как Front SDI.

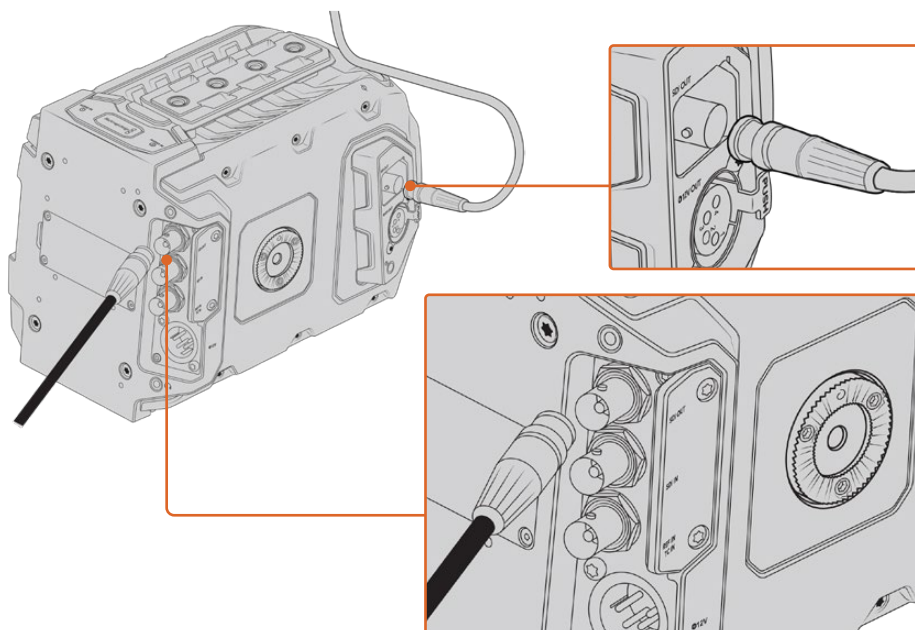
## Разъем 12G-SDI

Расположенный на задней панели разъем 12G-SDI позволяет по одному SDI-кабелю передавать HD и 4K, включая форматы прогрессивного видео с высокой частотой кадров, такие как 2160p50/59,94/60. Также поддерживаются чересстрочные HD-форматы, в том числе 1080i/50/59,94/60. Интерфейс 12G-SDI обеспечивает подключение к SDI-монитору и 4K-микшерам, таким как ATEM Production Studio 4K. Для переключения между HD и Ultra HD на сенсорном экране выберите 1080p или 2160p в поле SDI OUTPUT настройки Main SDI вкладки MONITOR.

### Подключение к видеомикшерам

Выходы SDI позволяют использовать камеру для производства телевизионного материала в прямом эфире. Выход SDI, расположенный на задней панели камеры, можно подключить непосредственно к эфирному видеомикшеру или к ATEM Camera Converter для преобразования и передачи сигнала по оптическому кабелю на сотни метров при трансляции из передвижных телевизионных станций.

При подключении к видеомикшеру его программный сигнал можно просматривать на Blackmagic URSA Mini. Для этого соедините микшер со входом 12G-SDI на задней панели камеры. Чтобы просмотреть программный сигнал, нажмите и удерживайте кнопку PGM на откидном дисплее камеры. Для вывода изображения с камеры отпустите кнопку. При двойном нажатии кнопки PGM на вход будет поступать программный сигнал. Чтобы перейти к изображению с камеры, нажмите кнопку PGM еще раз.



Разъем 12G-SDI обеспечивает подключение к мониторам или эфирным видеомикшерам с поддержкой 1080 HD или Ultra HD. Через HD-выход можно подключить внешний видеискатель, например Blackmagic URSA Viewfinder, или другой монитор. Эта функция помогает просматривать материал, если камера установлена на операторском кране.

## Подключение к мониторам

Вывод сигнала на устройства с SDI-интерфейсом удобен в тех случаях, когда нельзя использовать откидной монитор (например, если камера установлена на операторском кране или на автомобиле).

Поступающий на выход HD-SDI сигнал регулируется параметрами настройки Front SDI на вкладке MONITOR. С их помощью можно активировать рамки кадрирования, а также информацию о записи и настройках камеры. Если необходим только контроль изображения, можно отключить вывод этих параметров, чтобы получить чистый сигнал SDI.

Подключите SDI-выход камеры к монитору или к Blackmagic SmartScope Duo 4K для контроля формы сигнала в режиме реального времени.

**ПРИМЕЧАНИЕ.** Через выход SDI на задней панели и выход 3G-SDI, предназначенный для мониторинга, HDR-видео автоматически выводится с дополнительными метаданными при использовании динамического диапазона Film и LUT-таблицы "Broadcast Film to Rec.2020 Hybrid Log Gamma" или "Broadcast Film to Rec.2020 to PQ Gamma". Это означает, что с обоих SDI-выходов можно передавать на HDR-экраны изображение исключительного качества.

## Форматы вывода через SDI

<b>Выход SDI на задней панели</b>	2160p23.98, 24, 25, 29.97, 30, 50, 59.94, 60. 1080p23.98, 24, 25, 29.97, 30, 50, 59.94, 60. 1080i50, 59.94, 60.
<b>Выход 3G-SDI для мониторинга</b>	1080p23.98, 24, 25, 29.97, 30, 50, 59.94, 60. 1080i50, 59.94, 60.

**СОВЕТ.** Для выполнения записи сразу в двух кодеках или одновременного создания резервной копии выход SDI на задней панели можно подключить к устройству Blackmagic Video Assist или рекордеру HyperDeck.

# URSA Mini Shoulder Mount Kit

## Крепление плечевого упора

URSA Mini Shoulder Mount Kit позволяет использовать URSA Mini для съемки с плеча. В комплект входят ручка, опорная пластина, держатель для приобретаемой отдельно боковой рукоятки Blackmagic URSA Handgrip, кабель LANC, крепление для Viewfinder и все необходимые винты.

Крепление на опорной пластине дает возможность быстро перейти от съемки на штативе к иной конфигурации.

URSA Mini Shoulder Mount Kit позволяет работать с любыми креплениями, созданными на основе Sony VCT 14. Эти штативные адаптеры можно приобрести в магазинах видеоэлектроники или через Интернет.

Крепления на основе VCT U14 имеют другую конструкцию и не совместимы с плечевым упором.

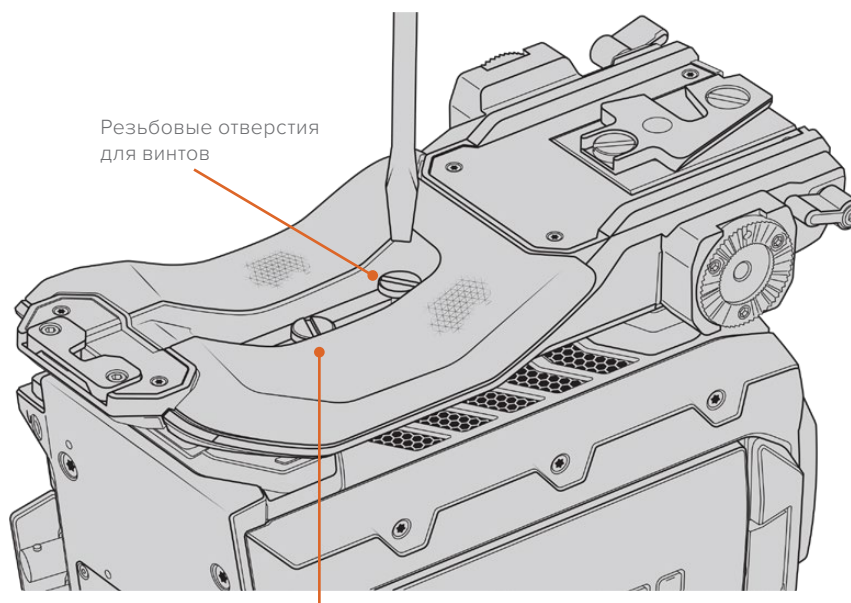
### Набор инструментов для установки плечевого упора

- Одна плоская отвертка для двух винтов 1/4 дюйма (опорная пластина).
- Один шестигранный ключ 3/16 дюйма для двух винтов 1/4 дюйма (ручка).
- Один шестигранный ключ 2,5 мм для четырех винтов M3 (крепление для Viewfinder).



Чтобы установить плечевой упор на камеру URSA Mini, потребуются большая плоская отвертка, шестигранные ключи 3/16 дюйма и 2,5 мм

## Порядок установки опорной пластины



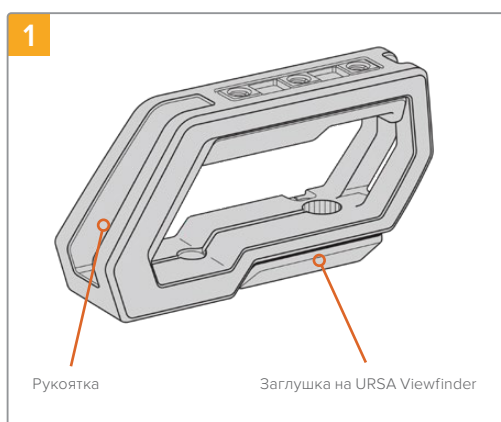
Два винта 1/4 дюйма для опорной пластины

- 1 Аккуратно переверните камеру URSA Mini и поместите ее на ровную поверхность.
- 2 Используя отвертку, закрепите опорную пластину на URSA Mini с помощью двух винтов 1/4 дюйма.
- 3 Затяните каждый винт, чтобы опорная пластина плотно прилегала к камере. Во избежание повреждения резьбы не затягивайте винты слишком сильно.

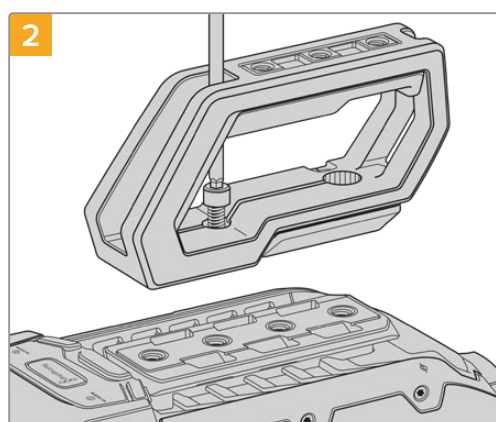
## Установка ручки без URSA Viewfinder

Плечевой упор URSA Mini Shoulder Mount Kit можно использовать без видоискателя URSA Viewfinder.

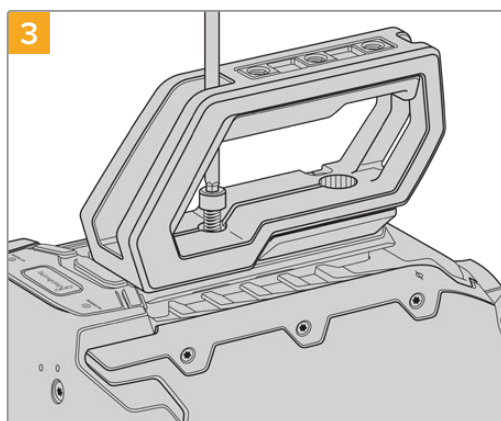
Ручка поставляется с резиновой заглушкой на нижней панели. При установке крепления для URSA Viewfinder ее необходимо снять. При работе без видоискателя URSA Viewfinder рекомендуется не снимать заглушку.



Поместите камеру URSA Mini на плоскую поверхность.

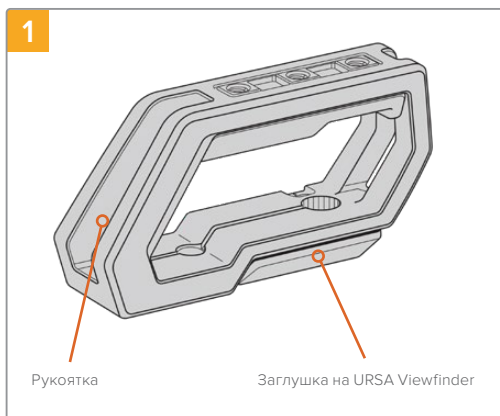


С помощью двух винтов 1/4 дюйма и шестигранного ключа 3/16 дюйма закрепите ручку на монтажных отверстиях верхней панели. В большинстве случаев рекомендуется использовать два последних отверстия, однако в некоторых ситуациях для наилучшей балансировки камеры можно выбрать другую комбинацию.

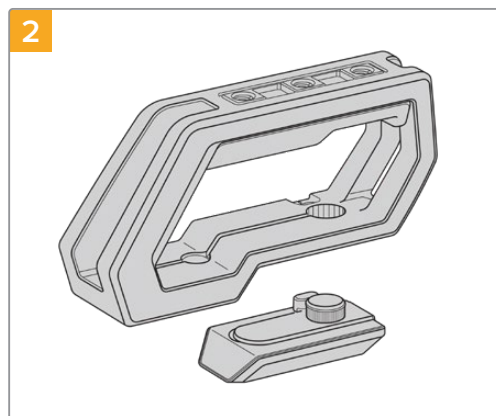


Затяните винты, чтобы ручка плотно прилегала к корпусу. Во избежание повреждения резьбы не затягивайте винты слишком сильно.

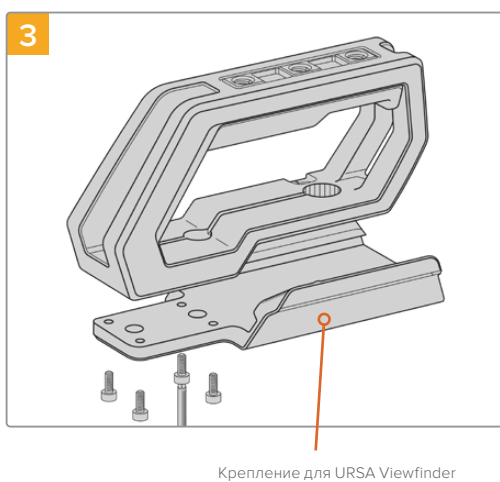
## Установка ручки при использовании URSA Viewfinder



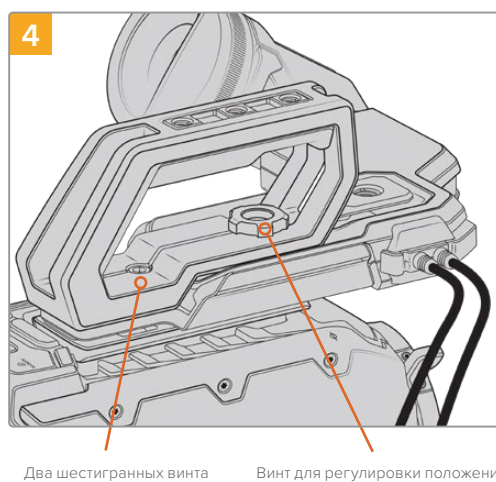
Поместите камеру URSA Mini на плоскую поверхность.



Снимите заглушку с основания, слегка приподняв ручку.



Установите крепление для URSA Viewfinder на ручку, используя четыре винта M3 и шестигранный ключ 2,5 мм.



С помощью двух винтов 1/4 дюйма и шестигранного ключа 3/16 дюйма закрепите ручку на монтажных отверстиях верхней панели. В большинстве случаев рекомендуется использовать два последних отверстия, однако в некоторых ситуациях для наилучшей балансировки камеры можно выбрать другую комбинацию. Во избежание повреждения резьбы не затягивайте винты слишком сильно. Отверстие на внутренней части ручки предназначено для крепления URSA Viewfinder с помощью винта с накатанной головкой. Более подробно о креплении видеискателя URSA Viewfinder см. раздел "Blackmagic URSA Viewfinder".



## Установка держателя

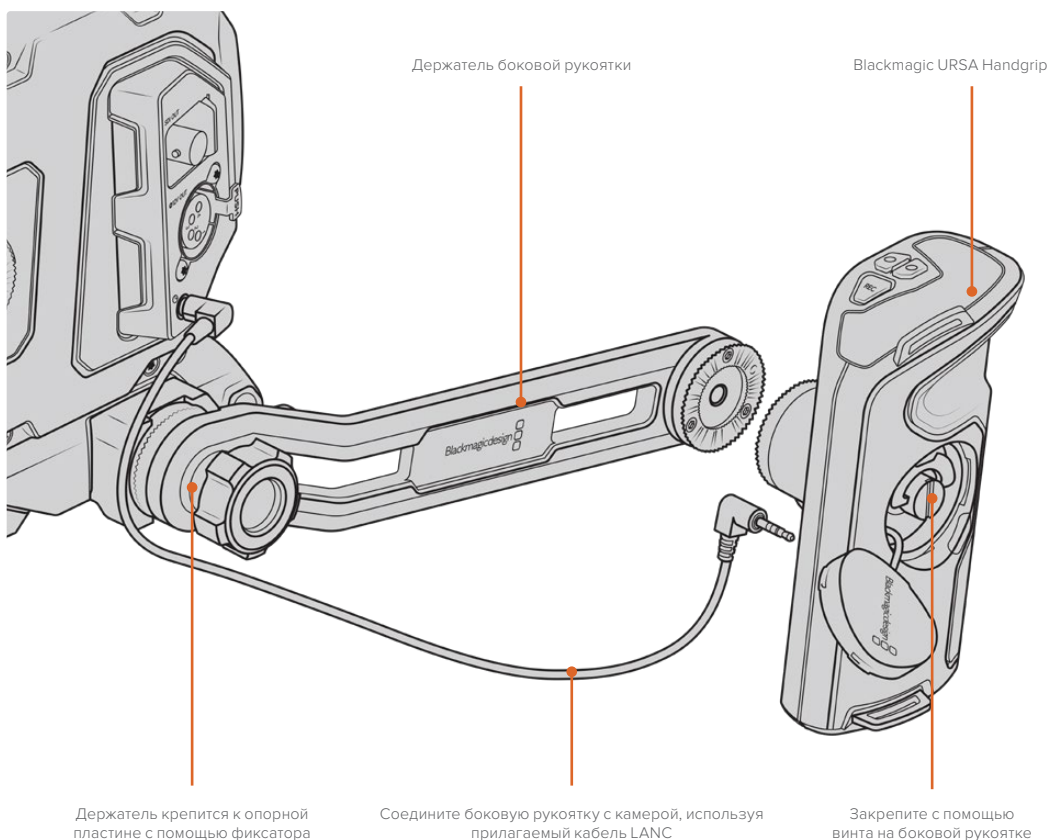
При использовании URSA Mini с упором необходимо переставить боковую рукоятку Blackmagic URSA Handgrip для более удобной съемки с плеча. Входящий в комплект поставки держатель и кабель LANC позволяют установить боковую рукоятку в нужное положение. Держатель для URSA Mini можно приобрести как отдельный аксессуар у представителей компании Blackmagic Design.

### Установка держателя боковой рукоятки

- 1 Поместите камеру URSA Mini на плоскую устойчивую поверхность и убедитесь, что рядом с ней достаточно места для держателя. Для этого камеру можно установить на штатив.
- 2 Соедините нужный конец держателя с фиксатором, установите держатель в нужное положение и закрепите его прилагаемым винтом.
- 3 Установите боковую рукоятку на передний фиксатор держателя. Закрепите ее винтом с помощью большой плоской отвертки или поворотом D-образного кольца.
- 4 С помощью прилагаемого кабеля LANC соедините выход на боковой рукоятке Blackmagic URSA Handgrip и вход LANC на камере.

Чтобы изменить положение держателя и боковой рукоятки Blackmagic URSA Handgrip, ослабьте винты фиксатора, выберите нужную позицию и снова закрепите винты.

Плечевой упор URSA Mini Shoulder Mount Kit позволяет комфортно работать вне студии и при необходимости быстро переходить к съемке со штатива, когда нужно получить стабильное изображение.



# Blackmagic URSA Viewfinder

Blackmagic URSA Viewfinder — электронный видоискатель, специально разработанный для использования с камерой Blackmagic URSA Mini. Цветной OLED-дисплей имеет высокоточную оптику для вывода изображения в 1080HD, обеспечивая удобную и быструю установку фокуса.

Электронный видоискатель идеально подходит для съемки с плеча и в ситуациях, когда необходима самая точная фокусировка и недопустимы блики или отражение в условиях яркого освещения.

Подключенный видоискатель получает питание от камеры и использует ее встроенные в SDI-поток данные для отображения различных параметров. Таким образом, на видоискатель можно выводить как чистый SDI-сигнал, так и изображение с дополнительной служебной информацией.

Например, если в меню URSA Mini выбраны рамки формата 2,40:1, то при активации аналогичной функции на видоискателе будут использоваться рамки кадрирования именно для этого формата.

## Установка и подключение к Blackmagic URSA

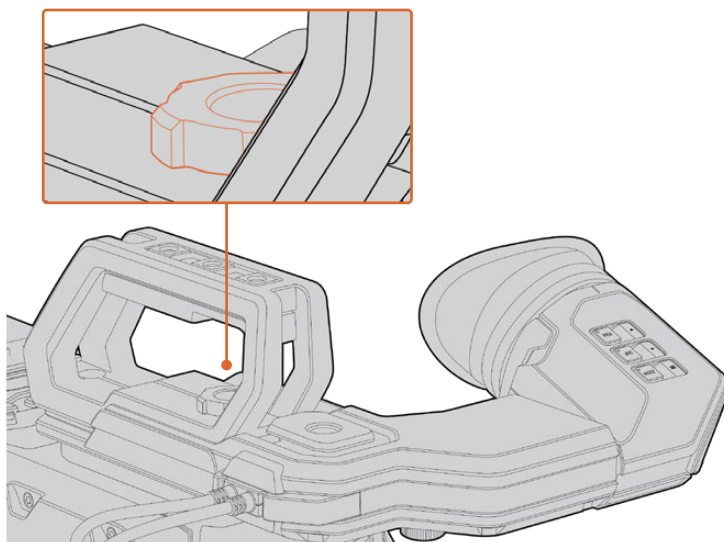
Чтобы установить Blackmagic URSA Viewfinder на корпус камеры, поместите его основание на направляющие и закрепите с помощью винта на одном из резьбовых отверстий 1/4 дюйма.

Для правильной установки URSA Viewfinder на URSA Mini и URSA Mini Pro необходимо использовать комплект Blackmagic URSA Mini Shoulder Mount Kit.

Чтобы оснастить камеру видоискателем Blackmagic URSA Viewfinder, снимите заглушку с верхней ручки комплекта URSA Mini Shoulder Mount Kit и установите крепление для Viewfinder (см. раздел "URSA Mini Shoulder Mount Kit").

Поместите основание видоискателя на крепление и зафиксируйте его с помощью винта 1/4 дюйма, входящего в комплект URSA Mini Shoulder Mount Kit.

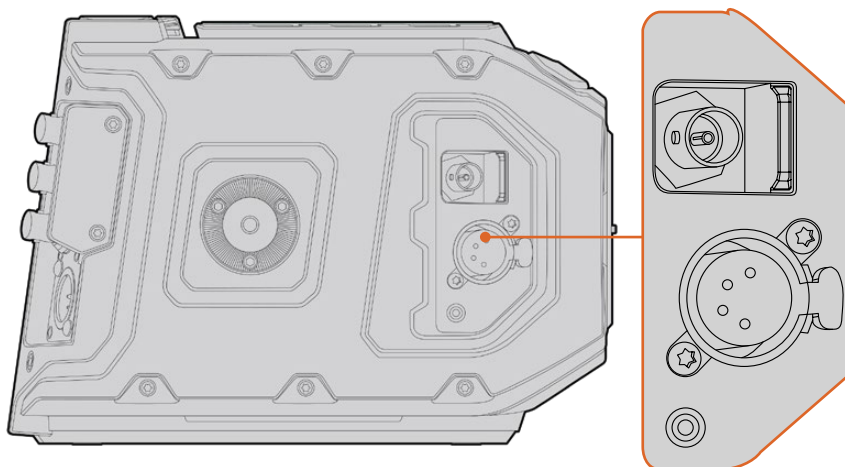
Чтобы не повредить резьбу, затяните винт вручную без использования инструментов.



Для установки Blackmagic URSA Viewfinder на камеру URSA Mini поместите основание видоискателя на направляющие и закрепите его с помощью винта на одном из резьбовых отверстий 1/4 дюйма



URSA Viewfinder подключают к камере URSA через разъемы 3G-SDI OUT и 12 V OUT. Для этого используют кабели, которые входят в комплект поставки видеискателя. Если в данный момент камера работает, URSA Viewfinder включится автоматически.



URSA Viewfinder подключают к камере URSA Mini через разъемы HD-SDI OUT и 12 V OUT

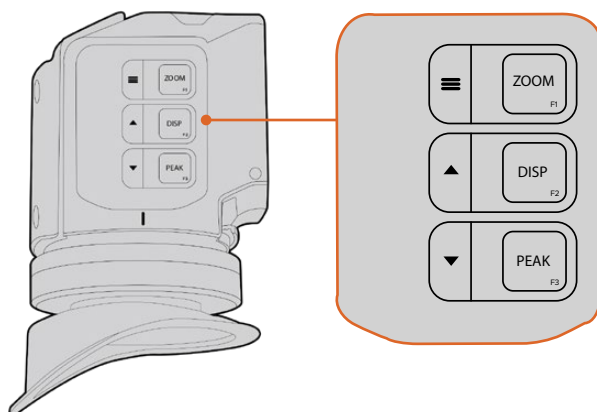
При использовании URSA Viewfinder с URSA Mini настоятельно рекомендуется также установить плечевой упор URSA Mini Shoulder Mount Kit, который оснащен необходимыми монтажными отверстиями, крепежным винтом 1/4 дюйма и позволяет оптимально расположить видеискатель. См. раздел "URSA Mini Shoulder Mount Kit".

## Регулировка окуляра

Окуляр со съемной резиновой насадкой можно настроить под левый или правый глаз. Ослабив винт на нижней части ручки, передвиньте окуляр вправо или влево, чтобы выбрать комфортное для работы положение.

## Функции кнопок

В верхней части видеискателя расположены кнопки ZOOM, DISP и PEAK. Они предназначены для увеличения изображений, выделения контуров и вывода параметров.



В верхней части видеискателя расположены кнопки ZOOM (F1), DISP (F2) и PEAK (F3)

С помощью этих кнопок можно воспользоваться дополнительными функциями, например открыть меню или перейти к нужным настройкам. Рядом с кнопками есть значки, которые обозначают соответствующие им функции управления и навигации.

Предусмотрена пользовательская настройка кнопок, которая позволяет привязать к ним часто используемые функции. Например, для работы с функцией False Color можно назначить кнопку ZOOM. Подробнее о пользовательской настройке кнопок см. раздел «Назначение кнопок».

### **ZOOM (F1) — «меню»**

Функция Zoom служит для настройки резкости при фокусировке. Нажмите кнопку ZOOM, чтобы увеличить изображение. Для возвращения к исходному виду нажмите кнопку еще раз. При использовании меню настроек она также служит для вывода меню. Нажмите и удерживайте кнопку, чтобы открыть меню настроек. При работе с этим меню нажмите кнопку один раз для подтверждения сделанных изменений.

### **DISP (F2) — «вверх»**

Для вывода параметров нажмите кнопку DISP. При использовании меню настроек эта кнопка также служит для перехода вверх. Нажмите и удерживайте ее, чтобы открыть меню назначения кнопок. Подробнее см. раздел "Shortcuts".

### **PEAK (F3) — «вниз»**

Эта функция создает зеленую кромку вокруг наиболее резких элементов изображения, помогая правильно установить фокус. Для включения функции нажмите кнопку PEAK. Для отключения функции нажмите кнопку еще раз. При использовании меню настроек эта кнопка также служит для перехода вниз. Нажмите и удерживайте эту кнопку, чтобы открыть меню Setup.

## Настройки Меню

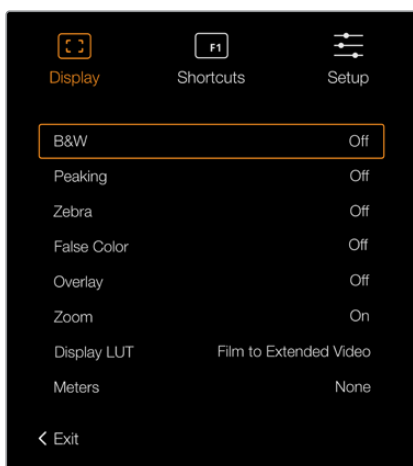
Меню настроек содержит три раздела — Display, Shortcuts и Setup. Нажмите и удерживайте кнопку «меню» ≡, чтобы открыть настройки. Для перехода между настройками используйте кнопки «вверх»▲ и «вниз»▼. Для подтверждения выбора снова нажмите кнопку ≡.

### Display (Дисплей)

Меню Display дает возможность работать с несколькими функциями.

#### **B&W**

Переключение между цветным и черно-белым изображением.



Меню Display видеоискателя URSA Viewfinder

#### **Peaking**

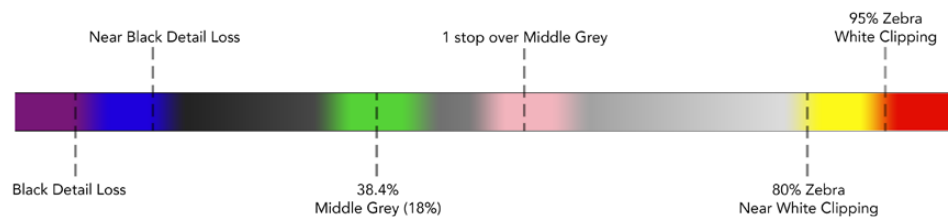
Включение и отключение выделения контуров.

## Zebra (Зебра)

Включение и отключение уровней функции Zebra. Чтобы задать необходимые уровни функции Zebra, используйте настройки камеры. Подробнее см. раздел «Настройки» данного руководства.

## False Color (Условный цвет)

Включение и отключение функции False Color. Эта функция добавляет к изображению различные цвета, которые показывают уровень экспозиции для его отдельных элементов. Например, розовый является показателем оптимальной экспозиции для достоверной передачи тонов светлой кожи, зеленый — более темной. Во время съемки людей подобная функция помогает обеспечить однородность изображения. Если его элементы меняют цвет с желтого на красный, это означает избыточную экспозицию.



Шкала False Color

## Overlay

Включение и отключение вывода параметров. С помощью этой функции можно выбирать, какие типы параметров выводятся в меню Setup на видеискателе. Параметры, в том числе границы изображения, задаются настройками на камере.

## Zoom

Включение и отключение функции Zoom.

## Display LUT

Когда поступающий с URSA Mini сигнал имеет динамический диапазон кино съемки, настройки Film to Video и Film to Extended Video позволяют применять более яркую и контрастную LUT-таблицу. В этом случае на видеискателе ее можно включить или отключить. Если для фронтального SDI-выхода выбрано отображение такой таблицы или вы используете другой подобный инструмент, данная опция недоступна.

## Meters

Выбор индикаторов, отображаемых при выводе параметров. Можно использовать опции Histogram, Audio, Both или None.

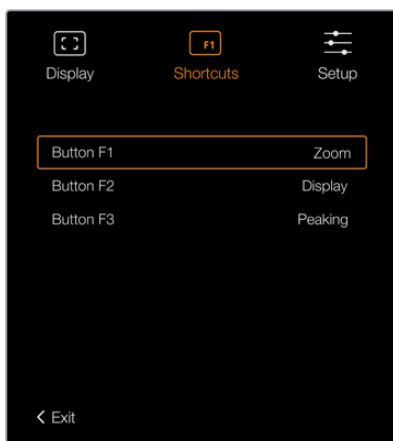
## Shortcuts

Функция Shortcuts служит для быстрого доступа к определенным настройкам часто используемой функции. Для назначения кнопок выполните действия в описанном ниже порядке.

- 1 В меню Shortcuts используйте кнопку «вверх»▲ или «вниз»▼, чтобы выбрать одно из трех положений для назначения быстрого доступа. Для подтверждения выбора нажмите кнопку «меню»☰.
- 2 Нажмите кнопку «вверх»▲ или «вниз»▼, чтобы перейти к одной из перечисленных ниже функций и назначить для нее выбранную кнопку. Для подтверждения выбора нажмите кнопку «меню»☰.

- B&W
- Zebra (Зебра)
- Display
- Display (Дисплей)
- Peaking
- False Color
- Zoom
- Meters

- 3 Чтобы закрыть меню, перейдите к Exit и нажмите кнопку «меню»☰.



Настройки Shortcuts видоискателя URSA Viewfinder

## Setup

Меню Setup содержит несколько функций.

### **Brightness (Яркость)**

Настройка яркости дисплея в диапазоне от -10 до +10.

### **Tally Brightness**

Настройка яркости светодиодного индикатора.

### **Focus Chart**

Blackmagic URSA Viewfinder имеет встроенную цифровую таблицу для настройки окуляра. Для точной установки фокуса достаточно повернуть диоптр. Чтобы закрыть таблицу для проверки фокуса, нажмите любую кнопку видоискателя.

### **Frame Guides (Рамки кадрирования)**

Включение и отключение рамок кадрирования при выводе поверх изображения. При опции On видоискатель будет использовать те же рамки, которые заданы на вкладке MONITOR в меню All. Если этот инструмент не используется, выберите опцию Off.

Подробнее см. раздел «Настройки Monitor».

### **Safe Area Guide (Границы изображения)**

Включение и отключение границ изображения при выборе опции On для настройки Overlay. Для работы с этим инструментом необходимо, чтобы в меню All на вкладке MONITOR камеры URSA Mini для настройки SAFE AREA GUIDE выбрана опция On.

Подробнее см. раздел «Настройки Monitor».

### **Grid (Сетка)**

Включение и отключение сетки по правилу третей, перекрестия или центральной точки. Если на URSA Mini в меню All вкладки MONITOR для настройки GRID выбрана опция On, на Blackmagic URSA Viewfinder можно включать и отключать сетку, когда для настройки Overlay используется опция On.

Подробнее см. раздел «Настройки Monitor».

**ПРИМЕЧАНИЕ.** Включение сетки в настройках URSA Viewfinder обеспечит передачу сигналов индикации с видеомикшера ATEM. Также рекомендуется в меню Display включить вывод параметров.

### Status Text (Служебная информация)

Включение и отключение информации состояния, такой как баланс белого, кадровая частота и ISO. Если в меню Front SDI вкладки Monitor функция Status Text отмечена как On (вкл.), можно включать и отключать вывод служебных данных на Blackmagic URSA Viewfinder.

Подробнее см. раздел «Настройки Monitor».

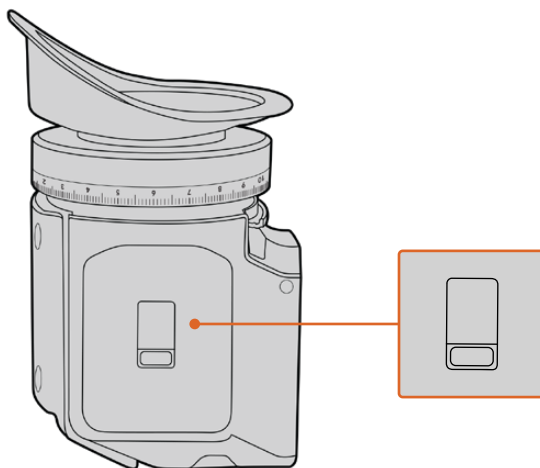
**СОВЕТ.** Если Blackmagic Viewfinder подключен к URSA Mini и на обоих устройствах включена функция Status Text, следует учесть, что сообщения о состоянии будут наслаиваться. В этом случае рекомендуется отключить функцию Status Text на видеоискателе.

### Инфракрасный датчик

Инфракрасный датчик автоматически включает OLED-дисплей при приближении к окуляру. Если видеоискатель не используется в течение двадцати секунд, дисплей отключается, что позволяет продлить срок его службы и сэкономить энергию. Во время записи режим ожидания составляет 5 минут, после чего дисплей медленно гаснет. Любое движение рядом с окуляром отменяет режим отключения. Если необходимо вручную включить дисплей, нажмите любую кнопку видеоискателя.



Если инфракрасный датчик накрыт или доступ к нему заблокирован, дисплей видеоискателя может оставаться включенным в течение длительного времени. При выводе на экран высококонтрастных объектов или рамок кадрирования это ведет к сокращению срока службы изделия и появлению остаточного изображения.



Инфракрасный датчик расположен на нижней стороне URSA Viewfinder

## Обновление программного обеспечения на URSA Viewfinder

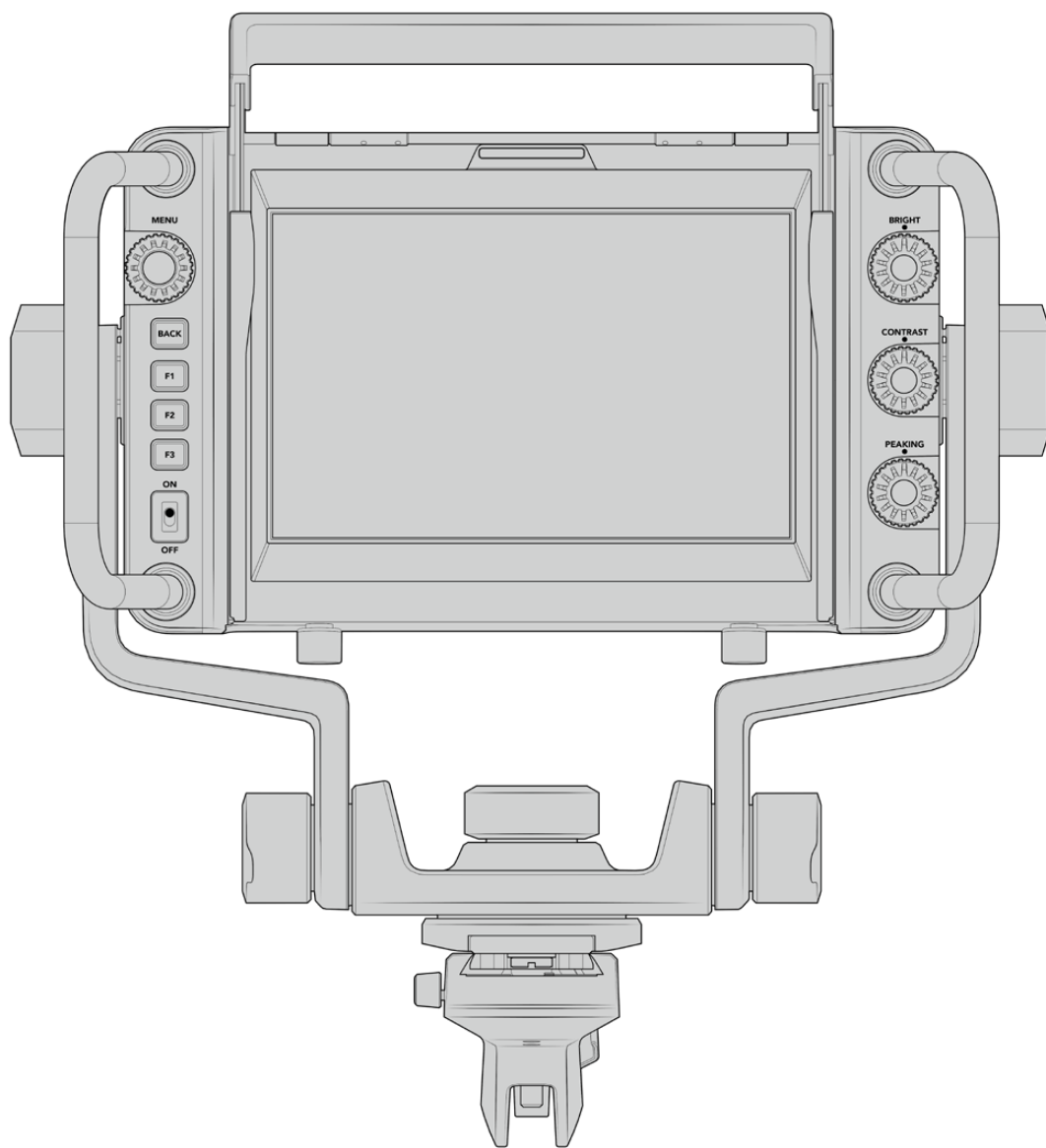
Для обновления ПО видоискателя используйте утилиту Blackmagic Camera Setup. Во время обновления рекомендуется не отсоединять видоискатель от камеры URSA. Для обеспечения бесперебойного питания камера URSA Mini должна быть подключена к внешнему источнику энергии.

Подключите компьютер к USB-разъему, расположенному рядом с окуляром в передней части видоискателя. Если утилита Blackmagic Camera Setup обнаружит устаревшую версию программного обеспечения, появится диалоговое окно с предложением установить последнюю версию. Для обновления программного обеспечения видоискателя следуйте инструкциям на экране.

**ПРИМЕЧАНИЕ.** Подробнее см. раздел «Утилита Blackmagic Camera Setup» данного руководства.

**СОВЕТ.** Для оптимальной производительности рекомендуется одновременно обновлять ПО всего оборудования Blackmagic URSA.

## Blackmagic URSA Studio Viewfinder



Blackmagic URSA Studio Viewfinder

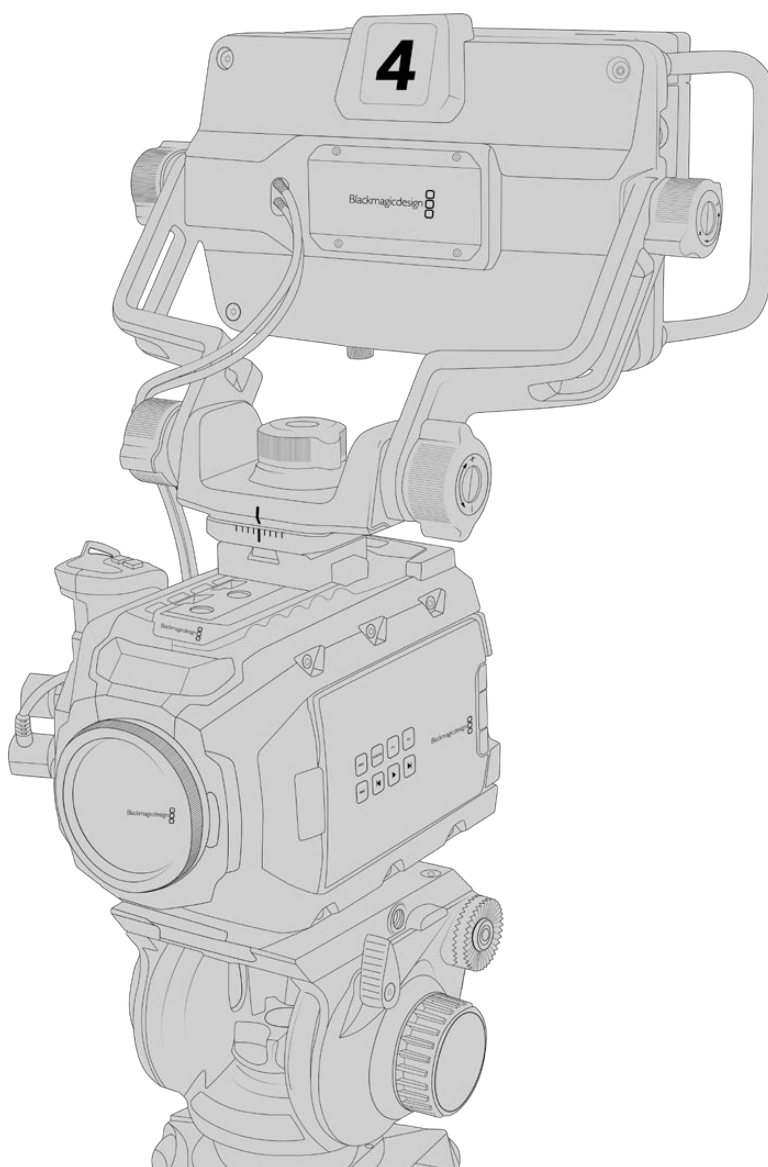
Blackmagic URSA Studio Viewfinder — современный видоискатель, который позволяет превратить Blackmagic URSA Mini в профессиональную студийную камеру. Он имеет яркий 7-дюймовый экран, крупный индикатор состояния, удобные органы управления, боковые ручки, солнцезащитную бленду и систему регулируемых креплений. Это обеспечивает комфортную работу оператора при использовании камеры для съемки живых концертов, показа спортивных соревнований и других длительных мероприятий. URSA Studio Viewfinder идеально подходит для применения в студии и за ее пределами.

## Установка и подключение к Blackmagic URSA Mini

Когда видоискатель Blackmagic URSA Studio Viewfinder используется вместе с камерой Blackmagic URSA Mini, его можно установить двумя способами.

Видоискатель Blackmagic URSA Studio Viewfinder можно установить непосредственно на камеру URSA Mini с помощью панели V-Lock. Для этого ее сначала нужно снять с держателя на верхней ручке.

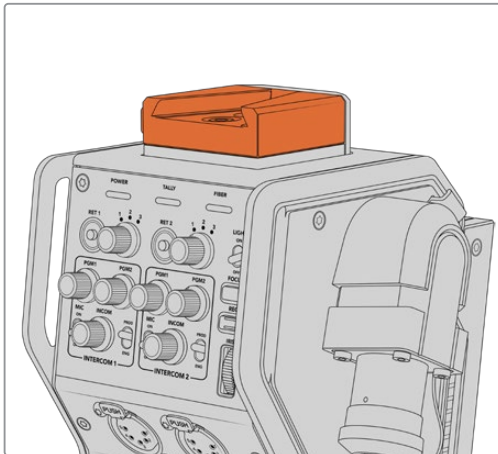
Используя шестигранный ключ 3/16 дюйма, открутите панель V-Lock от держателя и установите ее на верхнюю поверхность камеры с помощью прилагаемых винтов 1/4 дюйма. В этом случае центр тяжести станет значительно выше. Чтобы обеспечить устойчивость, перед монтажом рекомендуется поместить камеру на штатив.



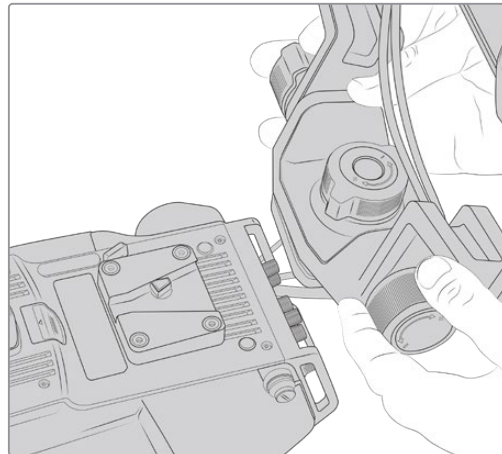
Если URSA Mini оснащается упором URSA Mini Shoulder Kit, видоискатель Blackmagic URSA Studio Viewfinder устанавливаются на верхнюю ручку. Для этого закрепите на ней входящий в комплект поставки держатель, используя три винта 1/4 дюйма и шестигранный ключ 3/16 дюйма. Затем совместите панель V-Lock на видоискателе с соответствующим пазом и задвиньте ее до конца.

Подробнее см. раздел "URSA Mini Shoulder Mount Kit".



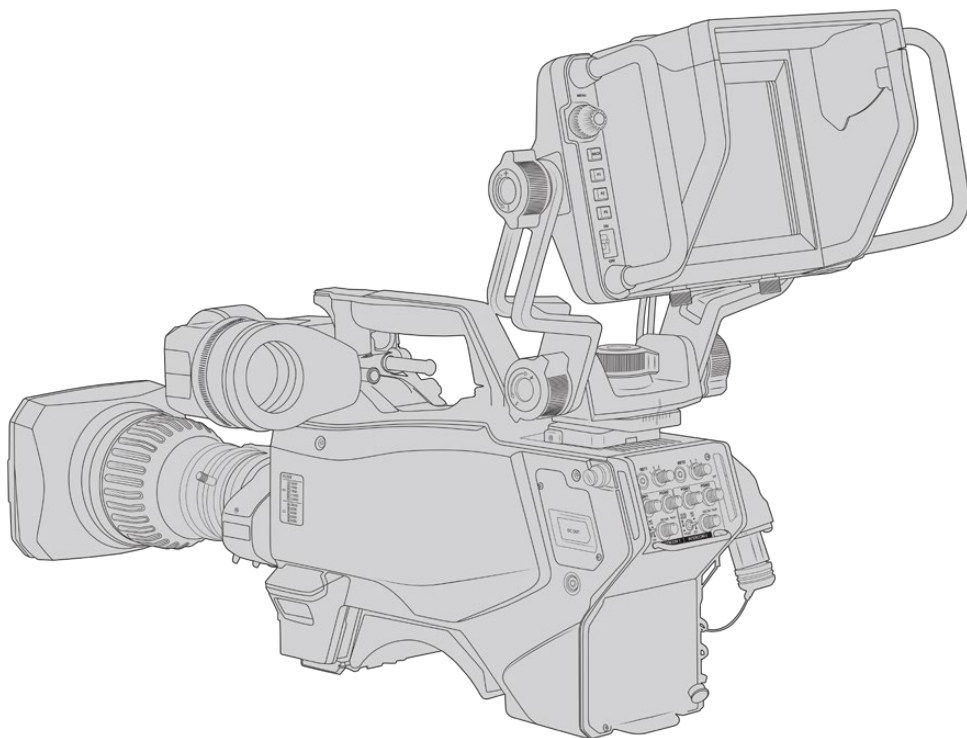


Видоискатель Blackmagic Studio Viewfinder можно установить на пластину V-Lock, которая находится на верхней панели устройства Blackmagic Camera Fiber Converter



Панель V-Lock на камере другого производителя

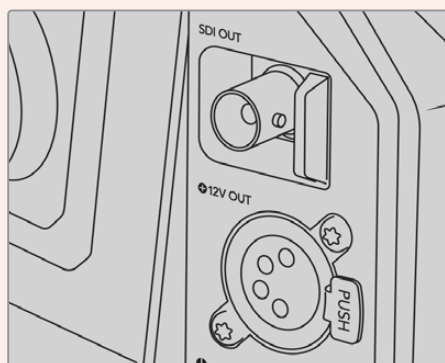
Панель V-Lock для URSA Studio Viewfinder можно установить на любую камеру, имеющую отверстия 1/4 дюйма или оснащенную монтажной пластиной других производителей. Видоискатель Blackmagic URSA Studio Viewfinder также совместим с камерными системами, которые имеют панель V-Lock.



**COBET.** Видоискатель Blackmagic URSA Studio Viewfinder крепят на камеру с помощью панели V-Lock. При необходимости (например, во время показа спортивных соревнований) можно установить оба видоискателя: Blackmagic URSA Viewfinder и Blackmagic URSA Studio Viewfinder. В этом случае по окончании матча достаточно снять URSA Studio Viewfinder, чтобы перейти от съемки на штативе к ручной конфигурации с использованием URSA Viewfinder. Для подключения к камере в обоих случаях служат силовой разъем 12 В и интерфейс 3G-SDI.

Blackmagic URSA Studio Viewfinder соединяют с камерой URSA Mini через разъемы 3G-SDI OUT и 12 V OUT. Для этого используют кабели, которые входят в комплект поставки видеискателя.

После включения камеры питание сразу начнет поступать на видеискатель. При необходимости можно применять кабельные зажимы, которыми оснащается держатель камеры URSA Mini.

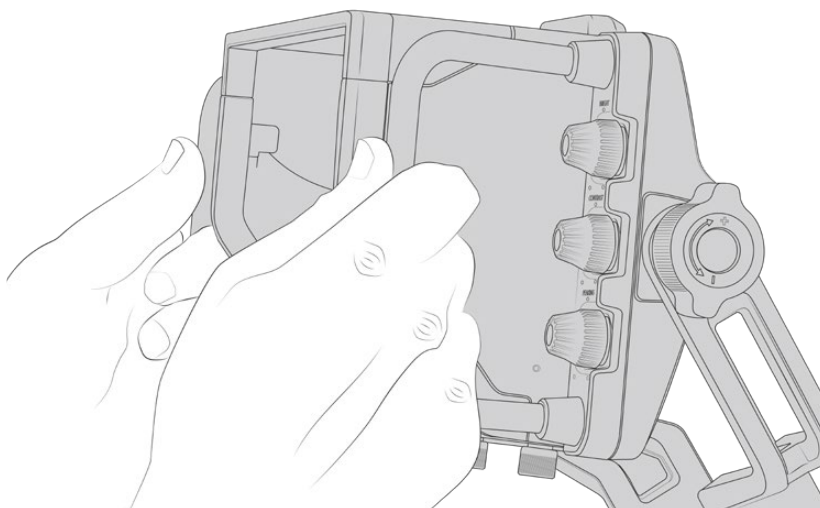


Разъемы 3G-SDI OUT и 12 V OUT на URSA Mini

**СОБЕТ.** Видеискатель URSA Studio Viewfinder подключают через стандартные SDI-интерфейс и 4-контактный силовой XLR-разъем. Это позволяет использовать его с любой камерой, а также в качестве портативного монитора. Команды управления устройством и индикации состояния передаются по открытому протоколу, поэтому Tally-сигналы и служебную информацию можно выводить при работе с любой камерой в комбинации с видеомикшером АТЕМ.

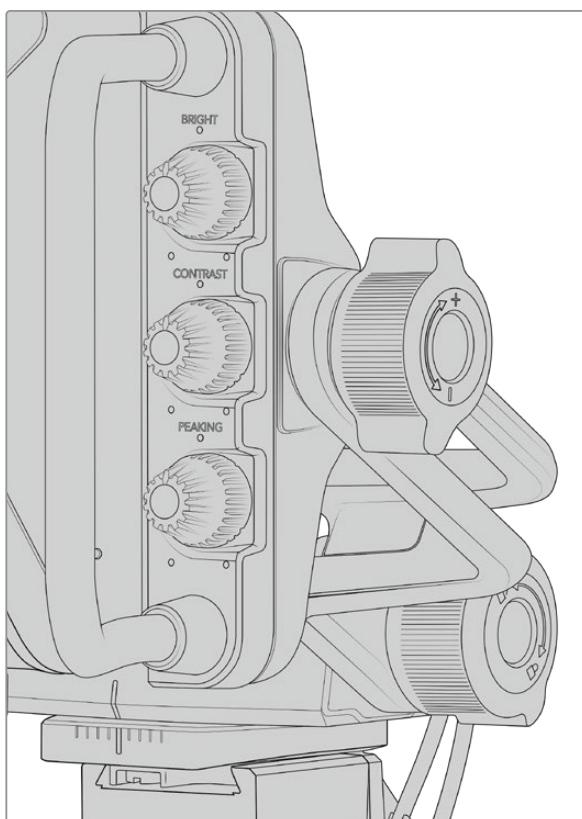
## Работа с Blackmagic URSA Studio Viewfinder

Blackmagic URSA Studio Viewfinder имеет большие боковые ручки и регулируемые крепления, с помощью которых можно менять положение устройства и угол его наклона. Видеискатель оснащается солнцезащитной блендой, предохраняющей экран от повреждений, и умещается в дорожный кейс в собранном виде. Такая удобная эргономика позволяет быстро переносить устройство на новое место съемки.

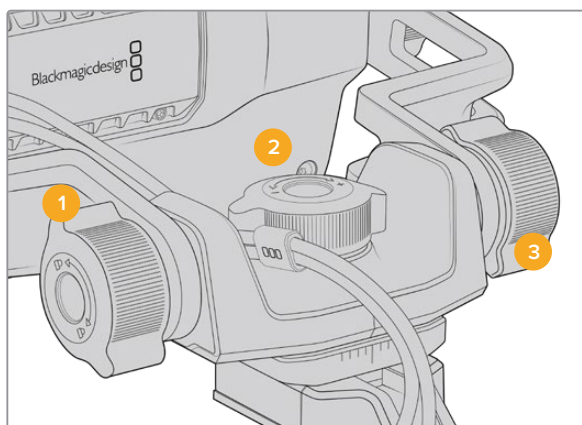


Система креплений обеспечивает выбор нужного угла наклона и поворота. Дополнительно с каждой стороны устройства есть по одному регулятору. Левый используют для изменения степени натяжения, а правый — для ее фиксации.

Подобная система позволяет задать необходимый уровень затяжки при выборе положения видоискателя. В этом случае оператор может менять угол наклона и поворота устройства в соответствии с условиями съемки.



Регуляторы натяжения по бокам видоискателя

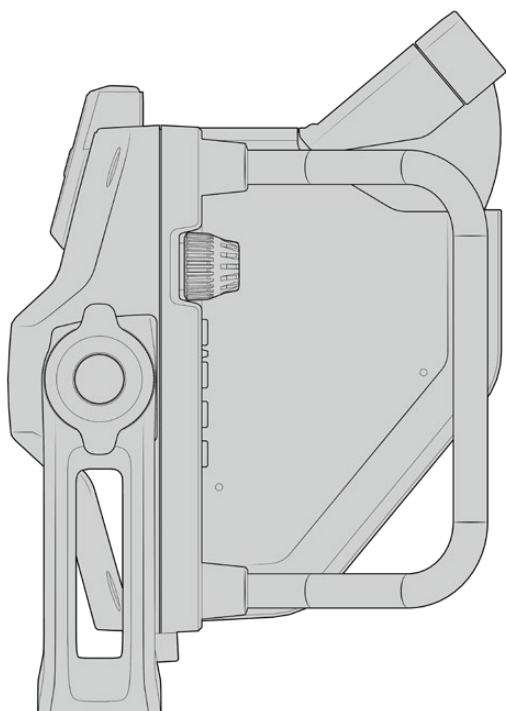
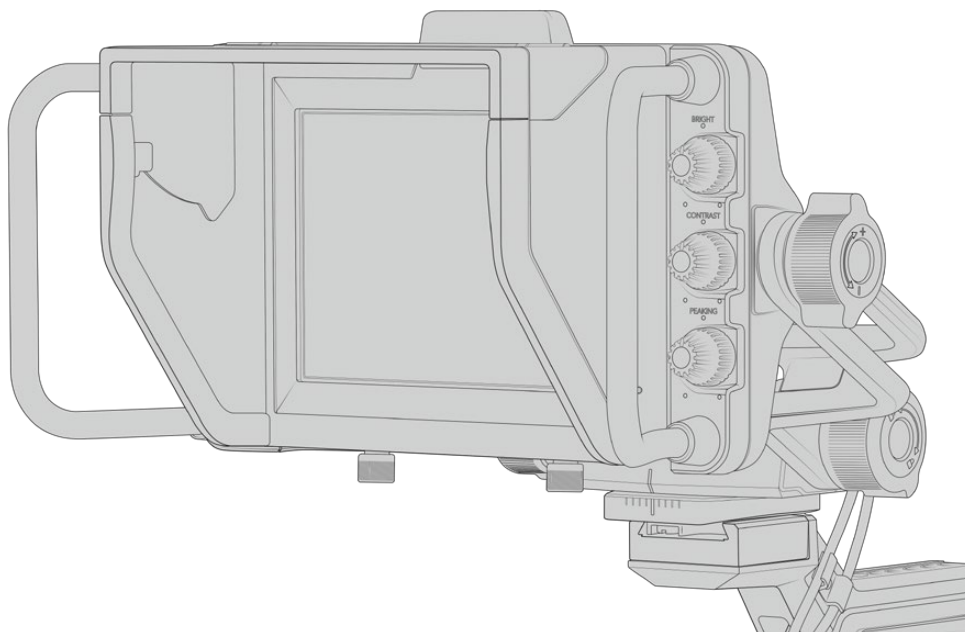


- 1 Регулятор блокировки наклона**  
Фиксирует выбранный угол наклона видоискателя.
- 2 Регулятор поворота**  
Задаёт угол поворота устройства.
- 3 Регулятор наклона**  
Задаёт угол наклона устройства.

**СОВЕТ.** Центральный регулятор можно использовать для ослабления затяжки, когда нужно повернуть камеру независимо от видоискателя. Это позволяет смещать камеру вправо и влево при съемке сцен с высокой динамикой и одновременно держать видоискатель руками для сохранения удобного угла обзора. На креплении есть визуальные метки, которые дают возможность быстро вернуть устройство в начальное положение.

## Солнцезащитная бленда

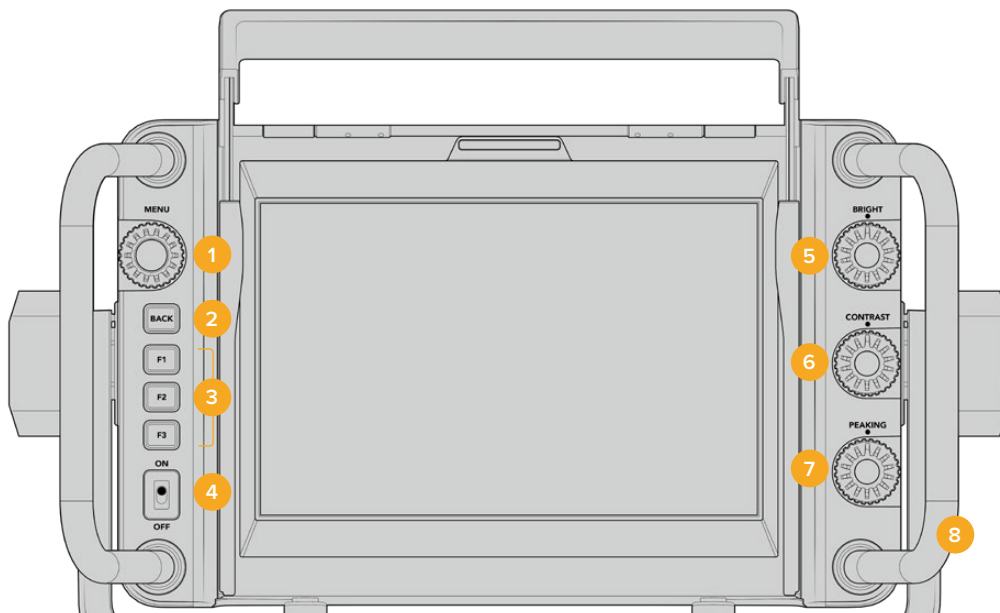
Солнцезащитная бленда предохраняет дисплей во время съемки при солнечном свете или ярком освещении. Для установки бленды поместите ее на верхнюю панель видоискателя Blackmagic URSA Studio Viewfinder и зафиксируйте с помощью двух винтов в основании. Положение верхней части бленды можно отрегулировать, подняв или опустив ее. Если дополнительная защита 7-дюймового экрана не требуется или нужен доступ к порту USB-C для обновления программного обеспечения, бленду легко снять.



Солнцезащитная бленда с регулируемым козырьком

## Функции кнопок

Органы управления с правой и левой сторон позволяют быстро настраивать яркость, контрастность и выделение контуров изображения. Благодаря удобному расположению регулировку можно выполнять одним или двумя пальцами.



### 1 **Menu**

Этот орган управления используют для доступа к меню и перехода к нужным настройкам.

### 2 **Кнопка BACK**

Используется для выхода из меню.

### 3 **F1, F2, F3**

Программируемые кнопки. Дают возможность быстро переходить к наиболее часто используемым функциям.

### 4 **Переключатель ON/OFF**

Включение и выключение видеосканера URSA Studio Viewfinder.

### 5 **BRIGHT**

Используется для регулировки яркости изображения. Экранный индикатор будет показывать шкалу яркости от -100 to +100.

### 6 **CONTRAST**

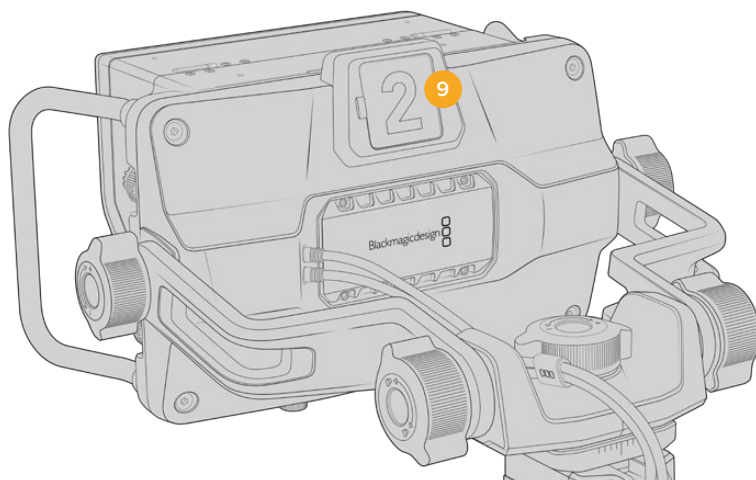
Используется для регулировки контрастности изображения. Экранный индикатор будет показывать шкалу контрастности от -100 to +100.

### 7 **PEAKING**

Позволяет менять интенсивность выделения контуров изображения. Экранный индикатор будет показывать шкалу интенсивности от -100 до +100. Меню настройки содержит две опции для работы с этой функцией. Одна из них — традиционный режим выделения наиболее резких элементов, который часто применяется на вещательной технике, вторая — использование цветных линий. Так же, как на камере URSA Mini, можно выбрать красный, зеленый, синий, черный или белый цвет. Это дает оператору больше гибкости при съемке в разных условиях.

### 8 **Боковые ручки**

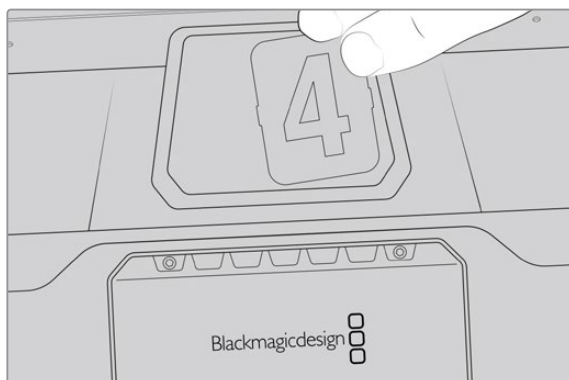
Встроенные ручки позволяют сохранять положение видеосканера Studio Viewfinder при изменении ракурса съемки. Они также обеспечивают защиту экрана при наклоне устройства вверх или вниз.



### 9 Индикатор состояния

Индикатор на задней панели Blackmagic URSA Studio Viewfinder показывает, когда сигнал камеры является программным, готовится к выводу в эфир или используется для записи. Он загорается красным при передаче изображения в эфир, зеленым — во время предварительного просмотра и оранжевым, когда URSA Mini ведет запись.

Когда режиссер эфира выбирает одну из камер, подключенных к видеомикшеру АТЕМ, сигнал состояния поступает на нее через SDI-интерфейс. В комплект поставки входят прозрачные таблички с номерами, которые облегчают идентификацию студийной техники на расстоянии до нескольких метров.



Папка с программным обеспечением содержит файл PDF, с помощью которого можно самостоятельно изготовить дополнительные номера для табличек. ПО Camera 4.1 находится в папке «Приложения» > Blackmagic Cameras > Documents (Mac) или Blackmagic Design > Documents (Windows).

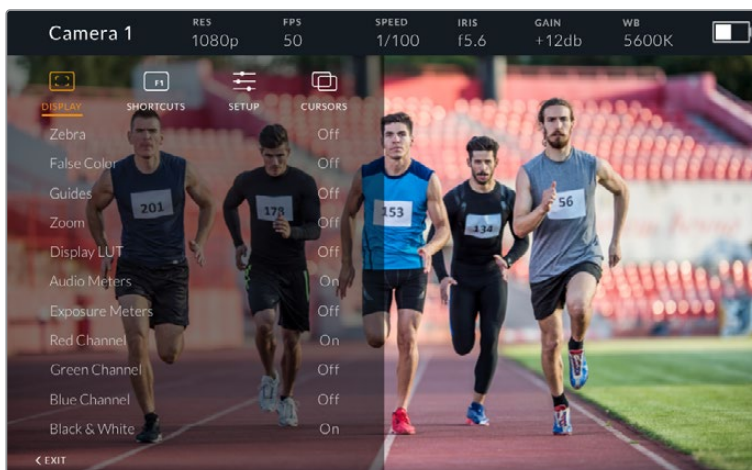
Индикатор состояния загорается в соответствии с действием, выполняемым на АТЕМ. Если камера не подключена к видеомикшеру, он будет гореть красным цветом как обычный индикатор записи. Подробнее см. раздел «Управление камерой с помощью АТЕМ Camera Control».

**СОВЕТ.** При использовании Blackmagic URSA Studio Viewfinder вместе с видеомикшером АТЕМ убедитесь в том, что на URSA Mini выбран вывод чистого изображения. В противном случае с SDI-выхода на АТЕМ будет поступать сигнал со служебными параметрами или фокусной рамкой. Перейдите к меню Monitor на URSA и для настройки Main SDI выберите опцию Clean Feed.



## Настройки Меню

Для доступа к меню нажмите круглую ручку Menu, для перехода к нужной опции — поверните ее. Когда заголовок подсвечивается, при каждом нажатии можно выбрать одну из опций меню: Display, Shortcuts, Setup и Cursor. Для перехода между настройками поверните ручку. Когда настройка подсвечивается, ее можно изменить. Для этого нажмите на ручку и поверните ее. Чтобы подтвердить выбор, нажмите на ручку еще раз. Для выхода из меню нажмите кнопку BACK или выберите опцию Exit.



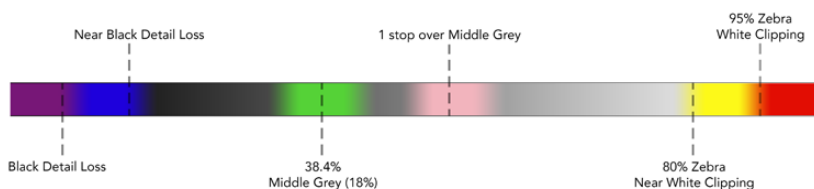
### Display (Дисплей)

#### Zebra (Зебра)

Включение и отключение уровней функции Zebra. Этот уровень задается настройкой на URSA Mini (меню Monitor > All). Если видеискатель Studio Viewfinder не подключен к URSA Mini, зебра выводится при значении 95% уровня яркости в сигнале Rec 709. Подробнее см. раздел «Настройки» данного руководства.

#### False Color (Условный цвет)

Включение и отключение функции False Color. Эта функция добавляет к изображению различные цвета, которые показывают уровень экспозиции для его отдельных элементов. Например, розовый является показателем оптимальной экспозиции для достоверной передачи тонов светлой кожи, зеленый — более темной. Во время съемки людей подобная функция помогает обеспечить однородность изображения. Если его элементы меняют цвет с желтого на красный, это означает избыточную экспозицию. Так как False Color является удобным инструментом для настройки экспозиции, для работы с ним можно назначить одну из функциональных кнопок.



Шкала False Color

#### Guides

Эта настройка позволяет отображать или скрывать рамки кадрирования. Их использование определяется настройкой на URSA Mini (меню Monitor > All).

Пропорции кадра, границы изображения, уровень прозрачности и вид рамок задаются настройками на камере URSA Mini. После этого в меню Setup на Studio Viewfinder можно выбрать те инструменты, которые будут использоваться при активации в меню Display. Их включение и отключение выполняют с помощью опций On и Off.

### **Zoom**

Включение и отключение функции Zoom. Функция Zoom служит для настройки резкости при фокусировке. Когда изображение увеличено, для перехода к его отдельным участкам поверните круглую ручку Menu вправо или влево. Область просмотра будет выделена рамкой.

### **Display LUT**

Когда поступающий с URSA Mini сигнал имеет динамический диапазон кино съемки, настройки Film to Video и Film to Extended Video позволяют применять более яркую и контрастную LUT-таблицу. В этом случае на видеискателе ее можно включить или отключить. Если для фронтального SDI-выхода выбрано отображение такой таблицы или вы используете другой подобный инструмент, данная опция недоступна.

### **Индикаторы звука**

Индикаторы звука показывают уровень аудиосигнала, поступающего на Blackmagic URSA Studio Viewfinder через SDI-интерфейс, то есть уровень аудио на входе камеры URSA Mini. Если выбран программный звук, индикаторы выводят уровень соответствующего сигнала.

### **Exposure Meters**

Эта настройка позволяет включать и отключать гистограмму.

### **Red Channel**

Позволяет включать и отключать канал красного цвета.

### **Green Channel**

Позволяет включать и отключать канал зеленого цвета.

### **Blue Channel**

Позволяет включать и отключать канал синего цвета.

### **Black and White**

Переключение между цветным и черно-белым изображением.

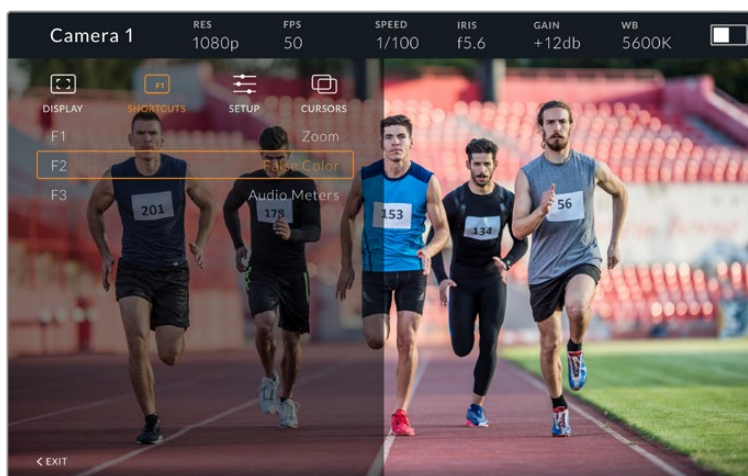
### **Shortcuts**

Эта настройка позволяет назначить кнопки F1, F2 и F3 для работы с отдельными функциями. С помощью кнопок можно быстро включать и отключать опции меню Display и Cursors, чтобы иметь быстрый доступ к отдельным параметрам используемой функции.

Для назначения кнопок выполните действия в описанном ниже порядке. После перехода к меню Shortcuts используйте круглую ручку Menu, чтобы выбрать одну из трех кнопок. Нажмите ручку Menu для подтверждения выбора, затем поверните ее, чтобы перейти к одной из назначаемых функций. Доступны следующие инструменты: Zoom, Cursor 1, Cursor 2, Cursor 3, Zebra, False Color, Guides, Film to video, Audio Meters, Exposure Meters, Red Channel, Green Channel, Blue Channel, Black and White. Для подтверждения выбора нажмите ручку Menu. После этого включение и отключение выбранной функции будет выполняться одним нажатием кнопки.



Для выхода из меню Shortcuts перейдите к строке Exit и нажмите круглую ручку Menu или используйте кнопку BACK.



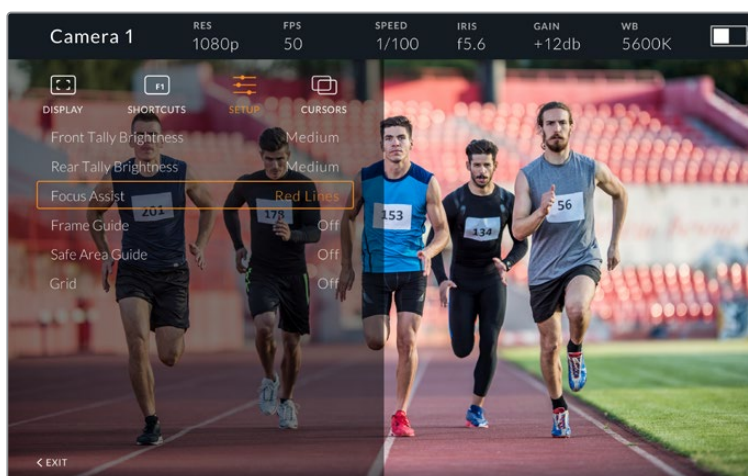
Меню Shortcuts

## Setup

Меню Setup используют для выбора предпочтительных настроек.

### Front Tally Brightness (Яркость индикатора на передней панели)

Возможные опции: Off (выкл.), Low (низк.), Medium (средн.), High (высок.). Во время настройки индикатор будет загораться в соответствии с текущим выбранным уровнем.



Меню Setup

### Rear Tally Brightness (Яркость индикатора на задней панели)

Возможные опции: Low (низк.), Medium (средн.), High (высок.). Во время настройки индикатор будет загораться в соответствии с текущим выбранным уровнем.

**COBET.** При работе в ярких условиях освещения рекомендуется использовать высокое значение настройки, а в затемненных условиях - низкое.

### Focus Assist (Помощь при фокусировке)

Настройка Focus Assist позволяет выбрать режим помощи при фокусировке. Доступные опции: Red (красный), Green (зеленый), Blue (синий), Black (черный), White (белый), а также традиционный способ выделения наиболее резких элементов.

### Frame Guide (Рамки кадрирования)

Этот инструмент позволяет отображать рамки кадрирования. При подключении к URSA Mini их размер будет соответствовать пропорциям кадра, выбранным на камере. При подключении к другой технике по умолчанию используется формат 14:9.

### Safe Area Guide (Границы изображения)

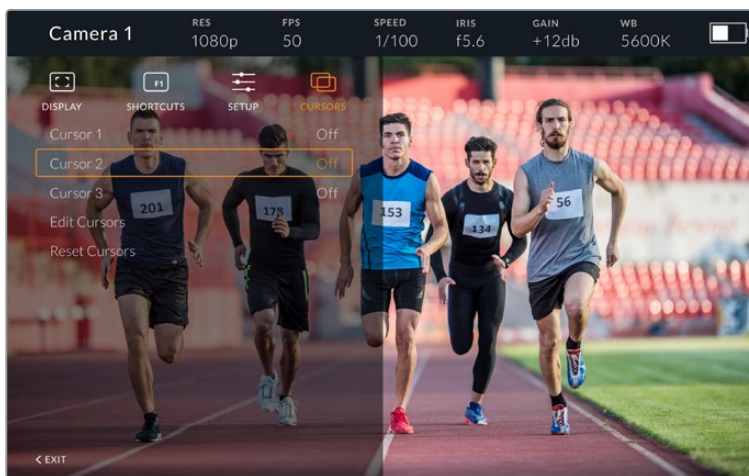
Этот инструмент позволяет показывать границы изображения. При подключении к URSA Mini они совпадают с соответствующей настройкой на URSA Mini. При подключении к другой технике по умолчанию используется площадь 90%.

### Grid (Сетка)

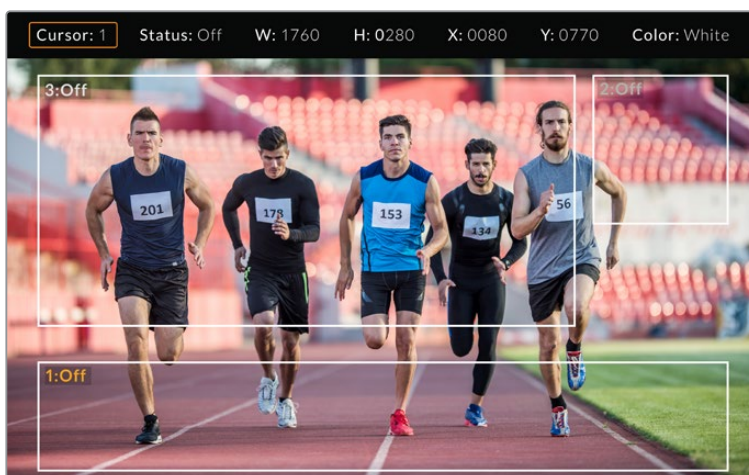
Этот инструмент позволяет отображать разные виды сетки. При подключении к URSA Mini используется настройка, выбранная на камере. В остальных случаях выполняется включение и отключение опции Crosshairs.

### Cursors

Указатели позволяют обозначить область экрана, где будет находиться графика (бегущая строка или логотипы). Чтобы изменить параметры указателей, перейдите к меню Cursors и выберите строку Edit Cursors. В открывшемся окне можно настроить ширину, высоту, координаты X и Y для каждого указателя по отдельности.



Меню Cursors



Расположение указателей на экране

После настройки указатели включают и отключают из меню Cursors или с помощью функциональных кнопок. Это особенно удобно при работе в прямом эфире, когда оператору нужно точно выполнить кадрирование. Чтобы отметить место для вещательной графики, можно создать до трех черных или белых указателей с необходимыми параметрами высоты и ширины. Дополнительно предусмотрен сброс для возврата к первоначальному состоянию.

## Использование наушников при работе с Blackmagic URSA Studio Viewfinder

Когда Blackmagic URSA Studio Viewfinder используется вместе с URSA Mini, подключенные к камере наушники обеспечивают двустороннюю связь между оператором и режиссером эфира.

Для более качественной двусторонней связи можно использовать модели Blackmagic Camera Fiber Converter и Blackmagic Studio Converter, а также обычные наушники с 5-контактным XLR-разъемом. Подробнее см. раздел «Конвертеры линейки Blackmagic Fiber».

**СОВЕТ.** Разъем для наушников на URSA Mini позволяет подключать гарнитуру iPhone. После нажатия соответствующей кнопки ее можно использовать для двусторонней связи между режиссером и оператором.

## Обновление программного обеспечения на URSA Viewfinder

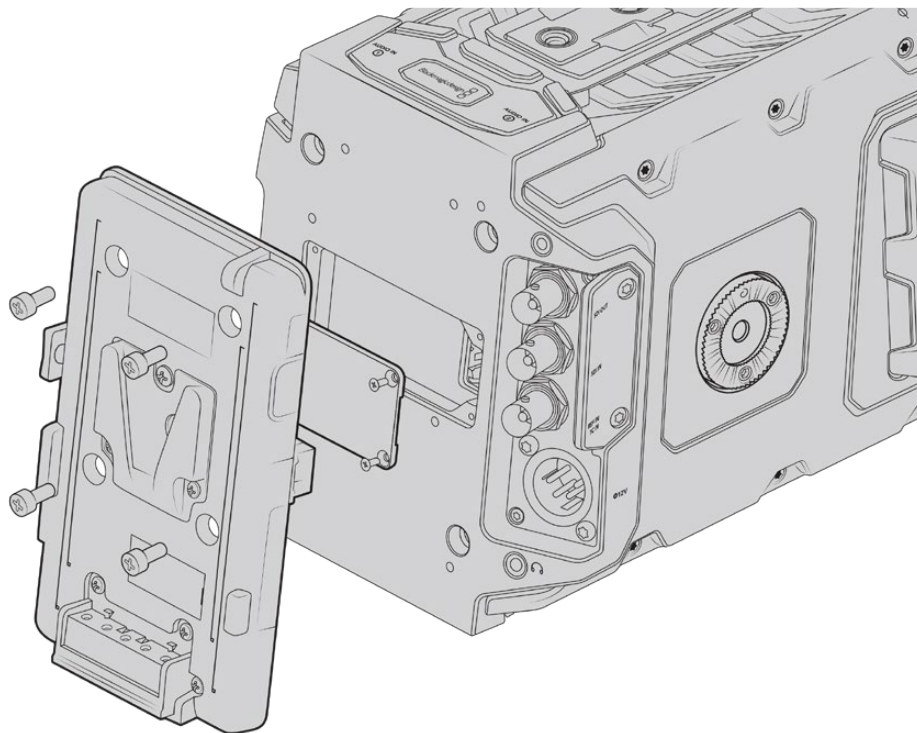
Для обновления ПО видеискателя используйте утилиту Blackmagic Camera Setup. Во время обновления рекомендуется не отсоединять видеискатель от камеры URSA. Для обеспечения бесперебойного питания камера URSA должна быть подключена к внешнему источнику энергии.

Снимите солнцезащитную бленду, чтобы получить доступ к порту USB-C на нижней панели Blackmagic URSA Studio Viewfinder, и подключите видеискатель к компьютеру. Если утилита Blackmagic Camera Setup обнаружит устаревшую версию программного обеспечения, появится диалоговое окно с предложением установить последнюю версию. Для обновления программного обеспечения видеискателя следуйте инструкциям на экране. Подробнее см. раздел «Утилита Blackmagic Camera Setup» данного руководства.

Для оптимальной производительности рекомендуется одновременно обновлять ПО всей техники Blackmagic URSA.

**ПРИМЕЧАНИЕ.** Для лучшей совместимости при использовании Blackmagic URSA Studio Viewfinder с камерой URSA Mini рекомендуется предварительно обновить ПО видеискателя. Последние версии программного обеспечения можно найти в разделе поддержки Blackmagic Design на странице [www.blackmagicdesign.com/ru/support](http://www.blackmagicdesign.com/ru/support). Подробнее см. раздел «Утилита Blackmagic Camera Setup».

## Установка аккумуляторной батареи



Для подключения аккумуляторных батарей можно использовать пластины V-Mount или Gold Mount сторонних производителей

### Оснащение батареями V-Mount или Gold Mount

На Blackmagic URSA Mini можно установить стандартные аккумуляторные батареи с креплениями V-Mount и Gold Mount.

Для этого камеру сначала нужно оснастить пластиной Blackmagic URSA VLock или Blackmagic URSA Gold либо использовать пластину других производителей.

**COBET.** Аккумуляторные пластины Blackmagic URSA VLock и Blackmagic URSA Gold поддерживают процентную индикацию уровня заряда для совместимых с ними батарей. На этих пластинах есть выход +12 В, который называется разъемом D-tap или P-tap. Он служит для питания аксессуаров, например внешнего монитора. Поскольку камера обеспечивает стабилизированное напряжение, при ее выключении отключение аксессуаров будет происходить совершенно безопасно. На выходе стабилизированное напряжение равно 12 В, а сила тока — до 1,5 А. Некоторые аккумуляторные пластины и даже батареи других производителей обеспечивают нерегулируемое питание D-tap. Его подача не прекращается, когда камера перезагружается, но напряжение часто колеблется в зависимости от уровня заряда батареи, а подключенные принадлежности ее непрерывно разряжают.

Аккумуляторные пластины Blackmagic URSA VLock и Blackmagic URSA Gold есть в продаже у дилеров Blackmagic Design, а пластины других брендов доступны у продавцов профессионального кино- и видеоборудования.

Если у вас нет готовой аккумуляторной пластины для установки на Blackmagic URSA Mini и вы хотите модифицировать уже имеющуюся, это можно сделать с помощью прилагаемого кабеля и разъема. Подробнее см. раздел «Использование аккумуляторной пластины».

#### **Установка собственной аккумуляторной пластины на заднюю панель**

- 1** Если на задней панели камеры URSA Mini есть крышка Molex, снимите ее, открутив четыре винта с помощью отвертки Phillips.
- 2** Подключите аккумуляторную пластину к силовому разъему Molex на камере.
- 3** Закрепите аккумуляторную пластину на корпусе Blackmagic URSA Mini с помощью четырех винтов М3. Убедитесь в том, что кабель утоплен в предназначенный для него канал и не зажат между двумя поверхностями.
- 4** После установки аккумуляторной пластины к ней можно подсоединять батарею V-Mount или Gold Mount и включать камеру.

## **Использование аккумуляторной пластины**

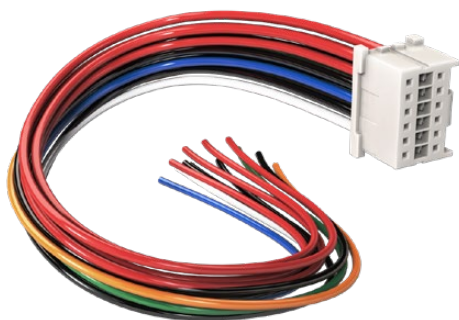
### **Соединительный кабель и разъем**

Если у вас нет готовой аккумуляторной пластины для URSA Mini и вы хотите модифицировать уже имеющуюся, используйте прилагаемый соединительный кабель и разъем. Эти аксессуары можно также приобрести через местное представительство Blackmagic Design.

Порядок подключения кабеля и разъема к аккумуляторной пластине

- 1** Снимите изоляцию приблизительно на 1,25 см с каждого конца всех красных и черных проводов.
- 2** Припаяйте все четыре красных провода ("Batt") к соответствующему положительному проводу аккумуляторной пластины.
- 3** Припаяйте все четыре черных провода ("GND") к соответствующему отрицательному проводу аккумуляторной пластины.

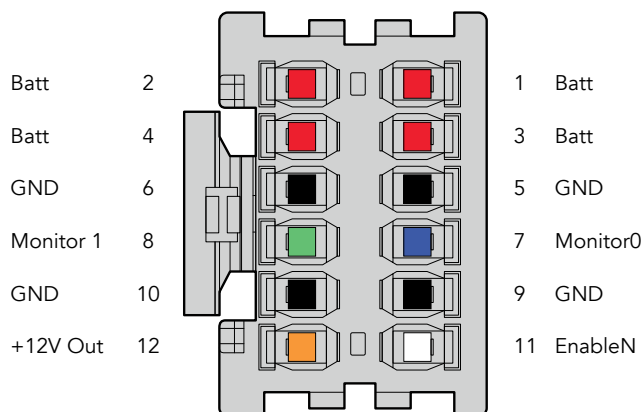
Выполните надежную изоляцию в местах соединения.



Чтобы модифицировать имеющуюся аккумуляторную пластину для установки на Blackmagic URSA, используйте прилагаемый кабель и разъем, которые можно также приобрести через местное представительство Blackmagic Design

Теперь камера может получать питание от батареи. Для выхода 12 В и состояния батареи можно подключить дополнительные провода. Обратитесь к документации аккумуляторной пластины и используйте схему и таблицу на этой странице. Если вам нужна помощь, посетите раздел поддержки на странице [www.blackmagicdesign.com/ru/support](http://www.blackmagicdesign.com/ru/support).





Корпус адаптера (вид сзади). Описание каждого контакта см. в таблице распайки.

### Таблица распайки

Контакты	Сигнал	Цвет	Направление	Описание
1, 2, 3, 4	Batt	Красный	к URSA	12-20 В
5, 6, 9, 10	GND	Black	–	–
7	Monitor0	Синий	к URSA	Уровень батареи или линия передачи данных со свободным стоком (20 В макс.)
8	Monitor1	Зеленый	к URSA	Линия счетчика времени с открытым стоком (3,4 В макс.)
12	+12 V out	Оранжевый	от URSA	Стабилизированное выходное напряжение 12 В силой тока 1,5 А макс. (18 Вт)
11	EnableN	Белый	к URSA	Подключите к GND для активации +12 V out. Если +12 V out не используется, оставьте в свободном положении.

Каждый контакт Batt и GND рассчитан на 3 А. Все контакты Batt и GND должны быть подсоединены. Чтобы отслеживать состояние батареи на пластинах Anton Bauer, IDX и Blueshape, используйте таблицу ниже.

<b>Anton Bauer</b>	Соедините бело-синий провод с синим проводом корпуса на контакте 7.
<b>IDX</b>	Соедините зеленый провод с аналогичным по цвету проводом корпуса на контакте 8, а серый провод — с синим на контакте 7.
<b>Blueshape</b>	Соедините синий провод, имеющий маркировку "SMBC", с зеленым проводом корпуса на контакте 8. Соедините коричневый провод, имеющий маркировку "SMBD", с синим проводом корпуса на контакте 7.

Все неиспользуемые провода следует обрезать как можно ближе к тыльной поверхности разъема.

# Конвертеры линейки Blackmagic Fiber

Blackmagic Camera Fiber Converter и Blackmagic Studio Fiber Converter — дополнительные устройства, которые позволяют передавать сигнал с камеры на видеомикшер при использовании оптоволоконного кабеля по стандарту SMPTE.

В этом случае питание камеры и управление ею с микшера ATEM, двусторонняя связь с оператором, поддержка индикации состояния и передача изображения осуществляются по одному соединению. Гибридный кабель по стандарту SMPTE упрощает всю конфигурацию оборудования и делает ее более эффективной. На конвертерах предусмотрены стандартные разъемы, поэтому их легко интегрировать в существующую инфраструктуру передвижных телестанций.

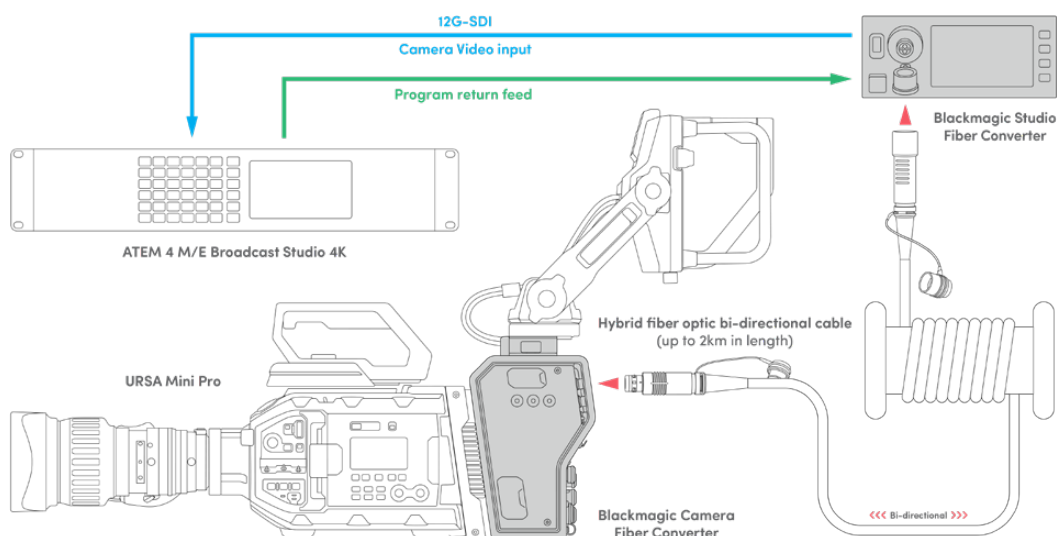


## Blackmagic Camera Fiber Converter

Эту модель с разъемом по стандарту SMPTE 304 устанавливают на заднюю панель URSA Mini или URSA Broadcast и соединяют гибридным оптоволоконным кабелем с Blackmagic Studio Fiber Converter.

## Blackmagic Studio Fiber Converter

Эта модель с BNC-разъемом выполняет преобразование поступающего с камеры оптического сигнала для вывода на видеомикшер ATEM через SDI-интерфейс. Конвертер также обеспечивает передачу обратных потоков вместе с программным изображением обратно на камеру.



Конвертеры линейки Blackmagic Fiber позволяют использовать один оптоволоконный кабель по стандарту SMPTE для питания камеры и управления ею, а также двусторонней связи, индикации состояния и передачи видео

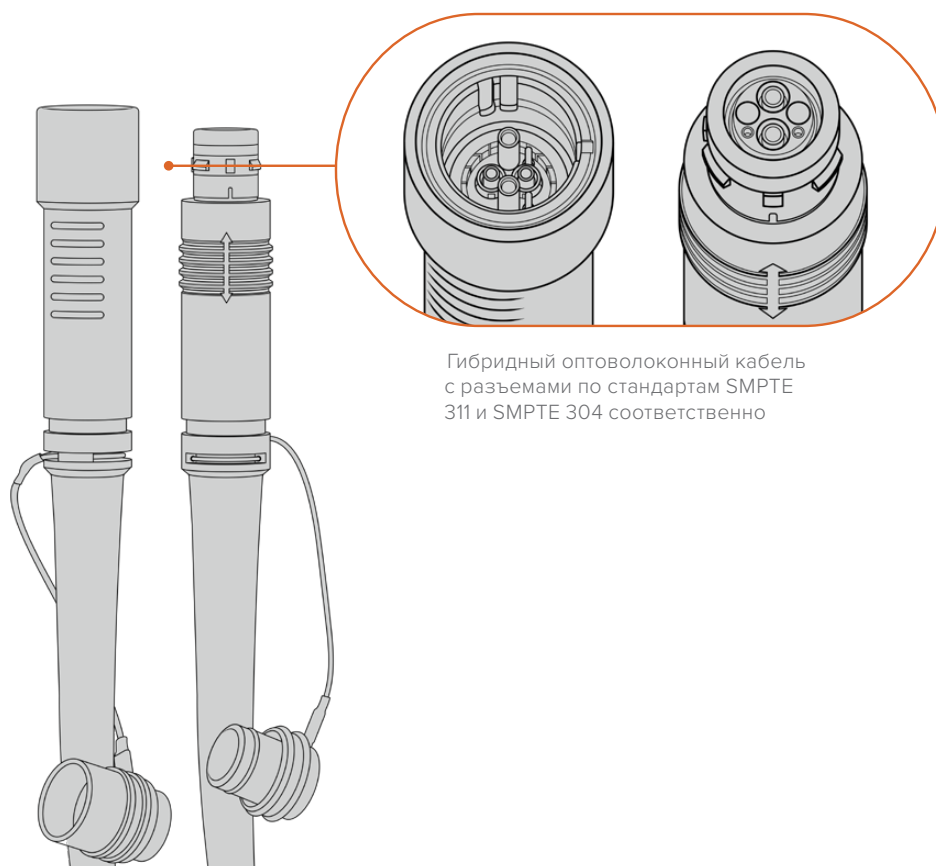
# Начало работы с конвертерами Blackmagic Fiber

Конвертеры линейки Fiber легко интегрировать в существующую конфигурацию оборудования. После этого можно использовать оптоволоконный кабель по стандарту SMPTE.

## Волоконно-оптический кабель по стандарту SMPTE

Оптоволоконно по стандарту SMPTE обеспечивает питание камеры вместе с передачей разных сигналов на большое расстояние. В этом случае для соединения съемочной техники и видеомикшера вместо нескольких кабелей используется только один.

Оптоволоконный кабель по стандарту SMPTE 311 позволяет подключить камеры к микшеру АТЕМ для передачи видео, управления съемкой, двусторонней связи с оператором и индикации состояния. Кроме того, по этому соединению можно подавать питание на технику, расположенную на расстоянии до двух километров от студии.



Гибридный оптоволоконный кабель с разъемами по стандартам SMPTE 311 и SMPTE 304 соответственно

**ПРИМЕЧАНИЕ.** Чтобы определить тип разъема на концах оптоволоконного кабеля по стандарту SMPTE 311, необходимо снять защитные крышки. Один из них представляет собой штекер, другой — гнездо.



**СОВЕТ.** Во время использования оптоволоконного соединения рекомендуется соединить между собой защитные крышки на кабеле и разъеме.

Одно из преимуществ оптоволоконного по стандарту SMPTE — подключение удаленной камеры к аппаратной или передвижной телестанции при вещании в прямом эфире. Большинство стадионов и спортивных арен оснащены соответствующей кабельной разводкой, поэтому конвертеры легко интегрировать в существующую инфраструктуру.

Для подключения к другому оборудованию и соединения конвертеров Blackmagic Fiber между собой используются гибридный волоконно-оптический кабель и разъемы по стандартам SMPTE 311 и SMPTE 304 соответственно.

## Защита оптических разъемов

Оптические разъемы необходимо содержать в чистоте, потому что даже попадание небольших частиц пыли может приводить к нарушениям при передаче сигнала. Если разъемы не используются, они должны быть закрыты резиновыми крышками. После отсоединения кабеля эти крышки следует сразу же вернуть на место.

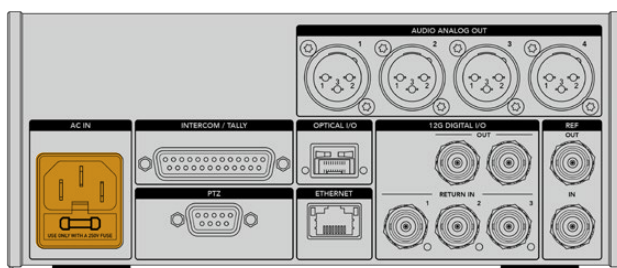
Чтобы предотвратить попадание пыли внутрь защитных крышек на кабеле и разъеме, во время использования оптоволоконного соединения их рекомендуется соединить друг с другом.

## Подключение питания

Питание на камеру поступает со студийного конвертера, поэтому сначала нужно подключить к электрической сети именно эту модель.

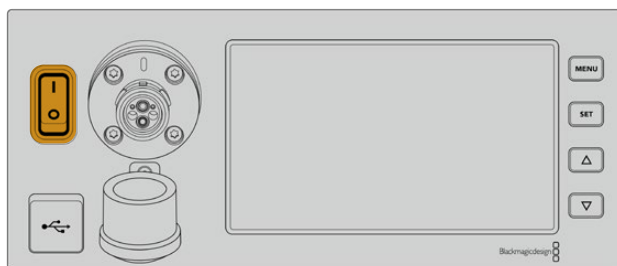
### Подключение питания к Studio Fiber Converter

Подключите силовой кабель по стандарту IEC к разъему питания на задней панели студийного конвертера.



Для питания конвертера Studio Fiber Converter подключите силовой кабель по стандарту IEC

Чтобы включить устройство, установите тумблер питания на передней панели в положение I.



## Подключение оптоволоконного кабеля по стандарту SMPTE

Следующий шаг — соединение двух моделей с помощью оптоволоконного кабеля по стандарту SMPTE, который будет использоваться для питания съемочной техники и передачи всех потоков видео.

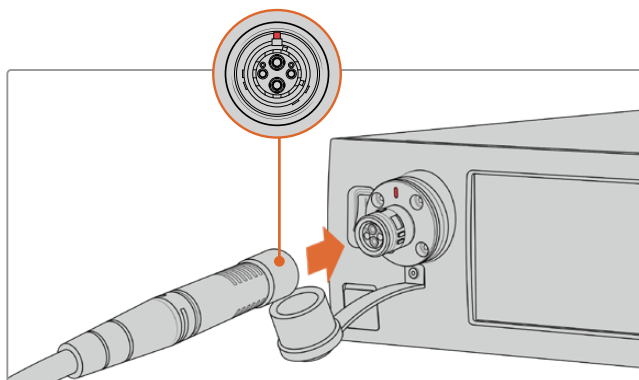
**ПРИМЕЧАНИЕ.** Проверка безопасности выполняется при каждом подключении гибридного оптоволоконного кабеля к конвертеру, а также на протяжении всего периода работы.

### Подключение оптоволоконного кабеля к студийному конвертеру

Штекерный конец оптоволоконного кабеля по стандарту SMPTE нужно вставить в гнездо на передней панели модели Blackmagic Studio Fiber Converter. Это соединение с фиксацией предотвращает случайное извлечение кабеля во время работы.

#### Порядок подключения кабеля

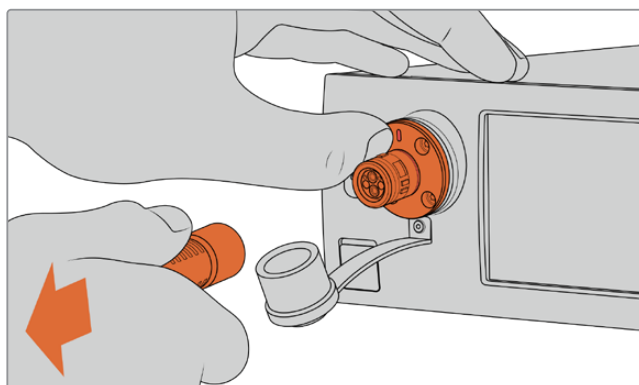
Совместите красный индикатор на кабельном наконечнике с красной точкой на разъеме конвертера и вставьте кабель таким образом, чтобы зафиксировать его.



Вставьте штекер оптоволоконного кабеля в гнездо на передней панели модели Blackmagic Studio Fiber Converter

#### Порядок отключения кабеля

На студийном конвертере нажмите на металлическое основание разъема по направлению к передней панели и извлеките кабель.



Чтобы извлечь кабель, нажмите на металлическое основание разъема по направлению к передней панели студийного конвертера

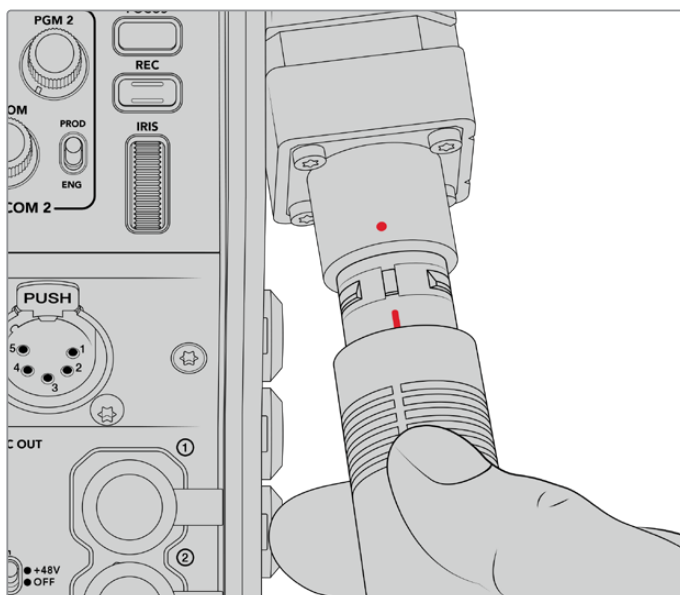
После подключения соедините друг с другом защитные крышки оптоволоконного кабеля и разъема на Blackmagic Studio Fiber Converter. Это поможет предотвратить попадание пыли внутрь и обеспечит чистоту оборудования.

## Подключение оптоволоконного кабеля к конвертеру на камере

Гнездо оптоволоконного кабеля по стандарту SMPTE нужно совместить со штекером на Blackmagic Camera Fiber Converter. Такое соединение предотвращает случайное извлечение кабеля во время работы.

### Порядок подключения кабеля

- 1 Совместите красные индикаторы на кабеле и разъеме конвертера, а затем вставьте кабель таким образом, чтобы зафиксировать его.
- 2 После подключения соедините друг с другом защитные крышки оптоволоконного кабеля и разъема на Blackmagic Camera Fiber Converter. Это поможет предотвратить попадание пыли внутрь и обеспечит чистоту оборудования.

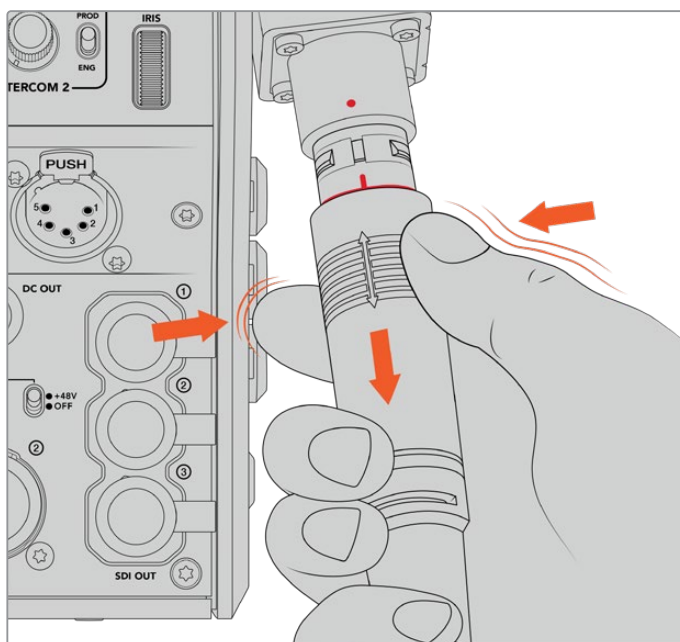


При подключении модели Blackmagic Camera Fiber Converter совместите красные индикаторы на гибридном оптическом кабеле и разъеме

**ПРИМЕЧАНИЕ.** Разъемы по стандарту SMPTE 304 являются очень прочными и обеспечивают надежную фиксацию кабеля. При его отсоединении камера должна быть закреплена на штативе или ее необходимо придерживать руками.

### Порядок отключения кабеля

- 1 Возьмитесь за верхнюю часть кабеля со стороны гнезда, сожмите резиновую оболочку и осторожно потяните ее в противоположную от конца сторону, чтобы показалось красное кольцо. Это позволяет снять блокировку соединения.
- 2 Придерживая камеру одной рукой, извлеките кабель из разъема на Blackmagic Camera Fiber Converter. Он должен свободно выйти без приложения излишней силы.



Потяните вниз резиновую оболочку, чтобы показалось красное кольцо, и извлеките кабель

**ПРИМЕЧАНИЕ.** Гибридный оптоволоконный кабель по стандарту SMPTE является центральным элементом системы вещания, поэтому при обращении с ним необходимо соблюдать осторожность. Следует избегать перегибов, скручивания под прямым углом, давления от тяжелых предметов, а также падения разъемов при подключении и отсоединении. Всегда используйте защитные крышки после окончания работы.

## Проверка питания и оптического канала

После соединения двух конвертеров проверяется готовность к подаче питания и наличие оптического канала связи.

### Этапы проверки

- 1 Со студийного конвертера подается низкое напряжение. В это время индикатор питания на конвертере камеры горит красным цветом.
- 2 По окончании проверки на конвертер камеры подается полное напряжение, и его индикатор питания загорается зеленым цветом.
- 3 Установлен оптический канал связи; индикатор FIBER имеет зеленую подсветку.

Обычно проверка выполняется очень быстро, и индикаторы загораются зеленым цветом практически сразу. При использовании протяженного кабеля время проверки может увеличиваться.

Если подсветка остается красной на протяжении долгого времени или индикатор питания попеременно мигает красным и зеленым, проверьте соединение кабеля с обеих сторон и его целостность.

## Правила безопасности

Гибридный оптоволоконный кабель по стандарту SMPTE позволяет питать камеру и ее аксессуары на расстоянии до 2 км.

Blackmagic Studio Fiber Converter имеет встроенные защитные механизмы защиты для точной проверки подаваемого напряжения и автоматического управления им.

Благодаря микроконтроллеру и системе внутренней коммуникации между конвертерами линейки Fiber гибридный оптоволоконный кабель остается без напряжения до тех пор, пока он не соединен с Camera Fiber Converter. После подключения кабеля первоначально используется низкий заряд для окончательной проверки безопасности. Высокое напряжение подается только при наличии оптического сигнала, токовой петли 5мА и дисбаланса между жилами кабеля менее 30 мА.

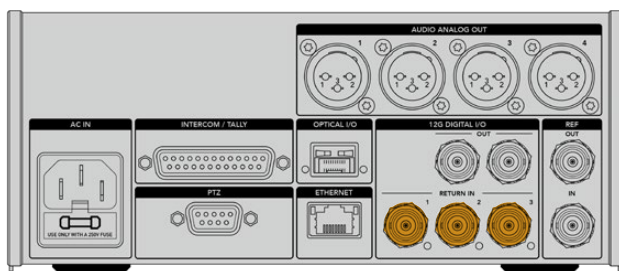
## Работа с видеомикшером АТЕМ

### Порядок подключения Blackmagic Studio Fiber Converter к микшеру

- 1 Используя BNC-кабель, соедините выход 12G-SDI на задней панели конвертера с одним из SDI-входов видеомикшера. Убедитесь в том, что на камере и микшере используются одинаковые формат и кадровая частота.
- 2 Используя BNC-кабель, соедините выход обратного программного сигнала на видеомикшере со входом RETURN IN 1 на задней панели студийного конвертера.

**СОВЕТ.** При эфирной работе с несколькими камерами для передачи обратного программного потока можно использовать конвертер Teranex Mini SDI Distribution 12G или коммутатор Smart Videohub, если нужно получить больше программных выходов, чем есть на видеомикшере.

- 3 Если на камеру необходимо направить дополнительные обратные потоки (например, чистый программный сигнал, текст с телесуфлера, изображение с другой камеры или графику), можно использовать входы RETURN IN 2 и RETURN IN 3.



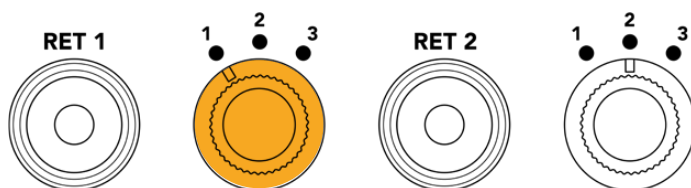
Для приема обратного программного сигнала и других потоков используют входы RETURN IN на задней панели студийного конвертера

## Проверка видеосигнала

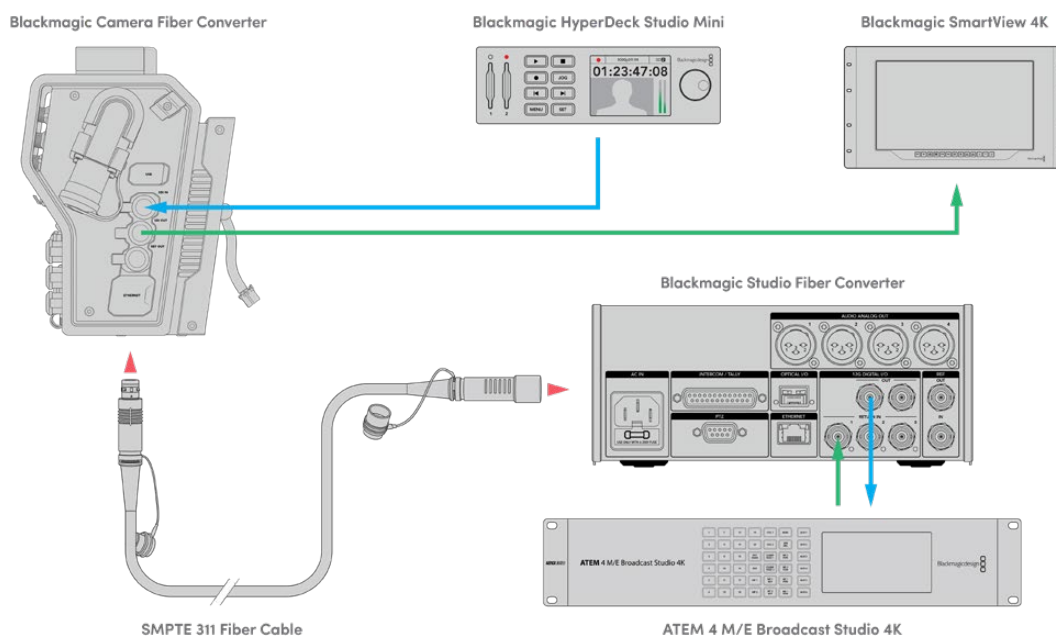
После подключения конвертера можно проверить наличие обратного сигнала.

- 1 Убедитесь в том, что программный выход видеомикшера ATEM соединен со входом RETURN IN на студийном конвертере.
- 2 Если нужно проверить все обратные потоки, подключите источники изображения ко входам RETURN IN 2 и RETURN IN 3.
- 3 Подключите SDI-монитор (например, Blackmagic SmartView 4K) к выходу SDI на боковой панели конвертера, который устанавливают на камеру.

После подключения монитора к выходу SDI используйте соответствующую поворотную ручку для выбора нужного обратного потока. При нажатии кнопки на дисплей можно выводить два из трех поступающих сигналов.



Конвертер камеры имеет ручки и кнопки для вывода нужного обратного сигнала на монитор



Чтобы выводить обратные сигналы на монитор, соединенный с конвертером камеры, подключите их источники к студийному конвертеру

## Почему порт расположен на передней панели

Оптический разъем находится на передней панели студийного конвертера для удобного доступа, поэтому к нему можно быстро подключать оптоволоконный кабель даже при размещении устройства в стойке. Это позволяет оптимизировать конфигурацию оборудования и снизить затраты на ее создание. Рядом с разъемом есть большой ЖК-дисплей для мгновенной проверки качества соединения с камерой.

## Подключение камеры через SDI-интерфейс

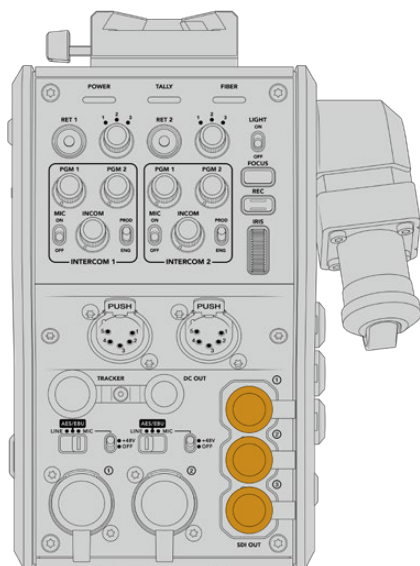
Чтобы соединить Blackmagic Camera Fiber Converter с камерой URSA Mini или URSA Broadcast, используют два из трех прилагаемых SDI-кабелей.

### Порядок подключения Camera Fiber Converter к камере

- 1 Используя один из прилагаемых BNC-кабелей, соедините выход 12G-SDI на URSA Mini или URSA Broadcast с SDI-входом на Blackmagic Camera Fiber Converter.
- 2 Используя один из прилагаемых BNC-кабелей, соедините SDI-выход на Blackmagic Camera Fiber Converter со входом 12G-SDI на задней панели камеры URSA Mini или URSA Broadcast.

## Подключение к SDI-выходам для использования обратных потоков

Три выхода с маркировкой SDI OUT на передней панели Camera Fiber Converter позволяют использовать обратные потоки, поступающие с видеомикшера. С их помощью можно выводить сигналы на другое подключенное к камере оборудование, например телесуфлер или монитор для ведущего программы.



Три SDI-выхода позволяют выводить обратные потоки на телесуфлер или монитор для ведущего программы

**ПРИМЕЧАНИЕ.** Чтобы обеспечить скорость, достаточную для трех отдельных потоков, сквозные SDI-выходы поддерживают сигнал 3G-SDI. Для видео в Ultra HD вплоть до 2160p/60 выполняется понижающая конверсия до 1080p с соответствующей кадровой частотой.

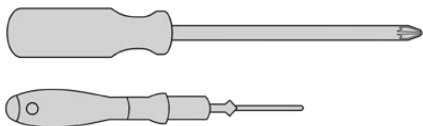
## Установка модели Blackmagic Camera Fiber Converter

Blackmagic Camera Fiber Converter крепят на заднюю панель камеры URSA Mini или URSA Broadcast, а для подключения используют ее BNC-разъемы с маркировкой SDI IN и SDI OUT. Если камера оснащена стыковочной пластиной, перед установкой конвертера ее необходимо снять.

**ПРИМЕЧАНИЕ.** Перед установкой конвертера камеры убедитесь в том, что используется программное обеспечение версии не ранее 4.4 для URSA Mini и не ранее 4.6 для URSA Broadcast. Такую проверку можно выполнить на стр. 4 меню SETUP камеры. Подробнее см. раздел «Утилита Blackmagic Camera Setup».

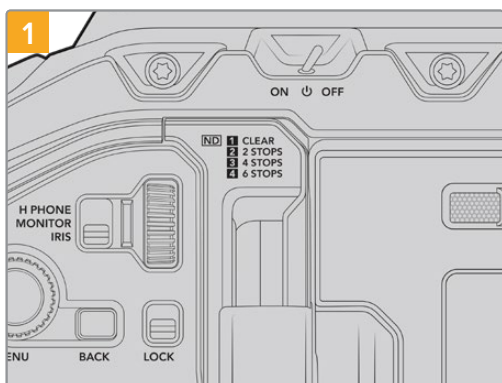
Набор инструментов для установки Blackmagic Camera Fiber Converter

- Отвертка Phillips
- Шестигранный ключ 2,5 мм

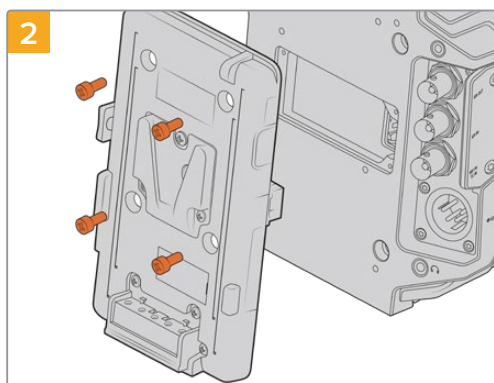


Чтобы установить Blackmagic Camera Fiber Converter на URSA Mini или URSA Broadcast, потребуются отвертка Phillips и шестигранный ключ 2,5 мм

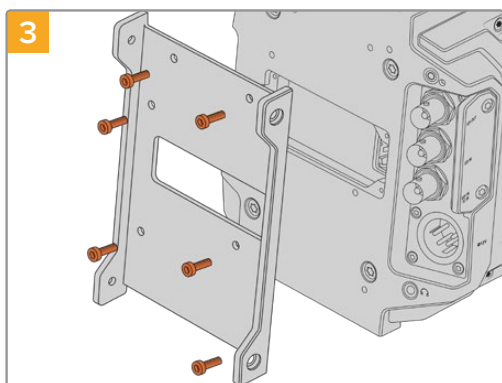
## Установка и подключение модели Blackmagic Camera Fiber Converter



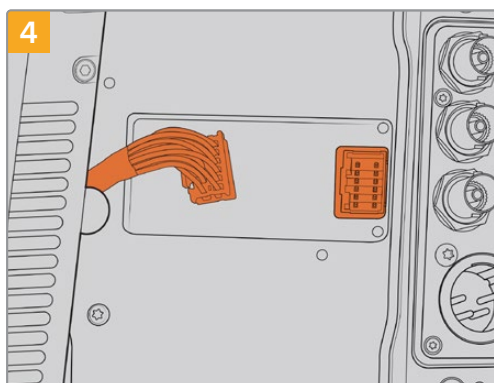
Убедитесь в том, что питание камеры выключено. При работе с URSA Mini Pro или URSA Broadcast отключите питание, повернув тумблер в положение OFF.



Если установлена стыковочная пластина под аккумуляторную батарею или для блокировки контактов Molex, снимите ее с помощью отвертки Phillips.

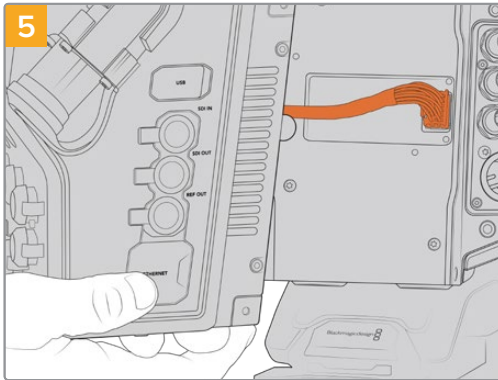


Используя шесть винтов 2,5 мм, установите крепежный кронштейн под Blackmagic Camera Fiber Converter.

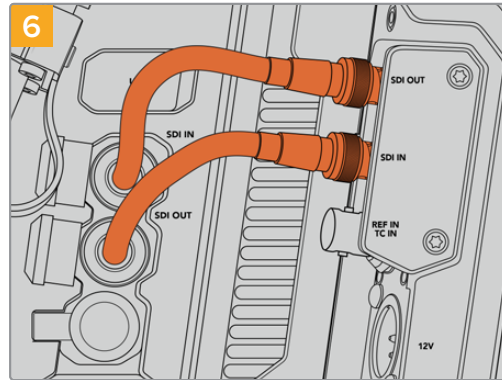


Подключите контакты Molex на Blackmagic Camera Fiber Converter к силовому гнезду на задней панели камеры.





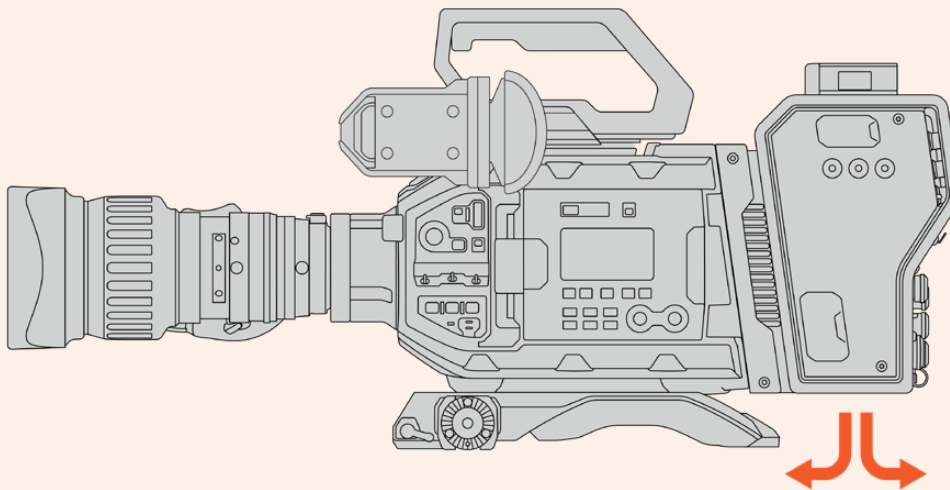
5 Установите Blackmagic Camera Fiber Converter на крепежный кронштейн и закрепите устройство по обеим сторонам с помощью винтов 2,5 мм.



6 Используя прилагаемые BNC-кабели, соедините SDI-выход на задней панели камеры с SDI-входом на Blackmagic Camera Fiber Converter и SDI-выход конвертера с SDI-входом камеры.

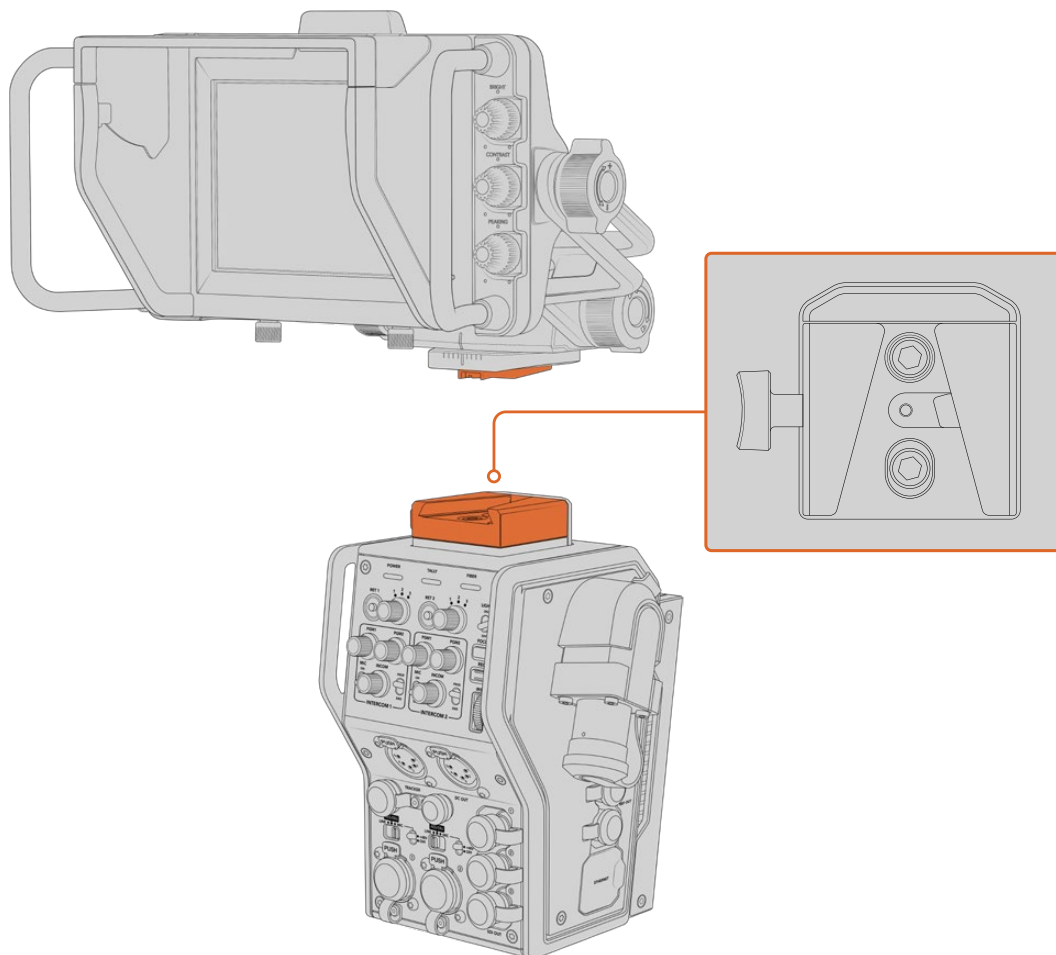
**ПРИМЕЧАНИЕ.** При использовании конвертеров линейки Fiber во время эфирной работы с URSA Mini или URSA Broadcast следует предусмотреть доступ воздуха снизу корпуса.

Когда съемка ведется со штатива или плеча, приток воздуха будет достаточным. Если камера находится на плоской ровной поверхности, рекомендуется установить URSA Mini Shoulder Mount Pad или пластину стороннего производителя, чтобы обеспечить вентиляцию под конвертером.



## Установка видеискателя URSA Studio Viewfinder

Крепление V-Lock на верхней панели устройства позволяет установить Blackmagic Studio Viewfinder. Когда камера расположена на штативе, видеискатель будет находиться на уровне глаз оператора.



Крепление V-Lock на верхней панели конвертера позволяет установить видеискатель Blackmagic Studio Viewfinder

## Подключение наушников двусторонней связи

На передней панели конвертера камеры есть два 5-контактных XLR-разъема, которые позволяют использовать два разных блока одновременной двусторонней связи с оператором.

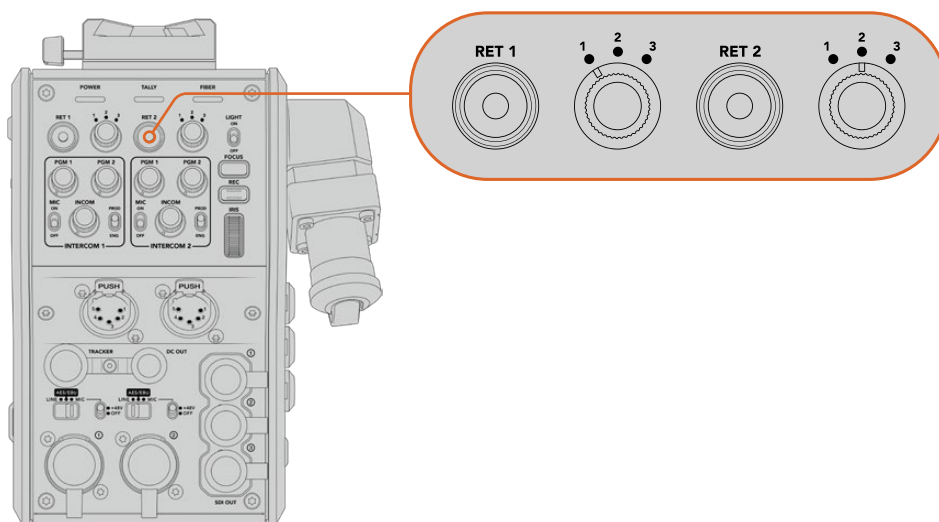
Все готово для начала работы! Конвертеры обеспечивают питание камеры и передачу видео при использовании оптоволоконного кабеля по стандарту SMPTE. Это позволяет оптимизировать техническую инфраструктуру при создании контента в режиме реального времени.

# Работа с Camera Fiber Converter

## Выбор обратного потока

На передней панели конвертера есть две кнопки RET, которые позволяют переключаться между сигналом камеры и обратным программным изображением при выводе на ЖК-дисплей, видеоискатель Blackmagic URSA Studio Viewfinder или через выход для мониторинга.

Кнопки с маркировкой RET 1 и RET 2 служат для переключения между двумя обратными потоками. Поворотные ручки с тремя положениями позволяют выбирать тот обратный сигнал, который выводится при нажатии кнопки слева. Положения 1, 2 и 3 соответствуют трем SDI-разъемам RETURN IN на тыльной стороне корпуса Blackmagic Studio Fiber Converter.



С помощью кнопок RET 1 и RET 2 можно выбрать обратный сигнал для просмотра

Чтобы просмотреть выбранный программный сигнал, нажмите и удерживайте нужную кнопку. Изображение будет поступать на дисплей до тех пор, пока эта кнопка находится в нажатом положении. Для постоянного вывода одного из потоков дважды нажмите соответствующую кнопку RET. Чтобы вернуться к сигналу камеры, нажмите кнопку RET еще раз.

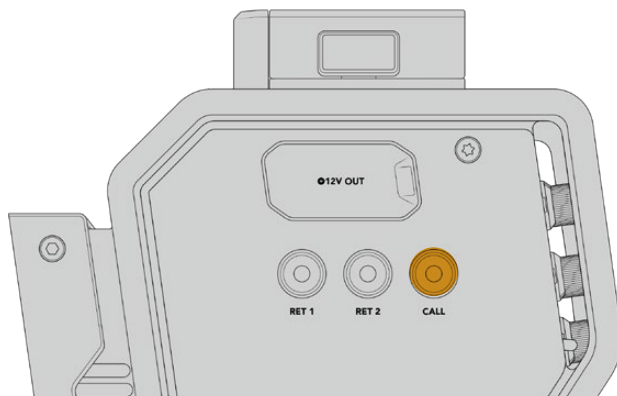
Кнопки и поворотные ручки позволяют быстро выбирать один из трех обратных потоков, поступающих с Blackmagic Studio Fiber Converter. Такими потоками могут быть программное изображение с наложенной графикой на выходе видеомикшера, текст с телесуфлера и сигнал другой камеры.

В этом случае кнопка RET 1 может служить для постоянного вывода программного изображения, а RET 2 — для переключения между текстом и сигналом другой камеры, когда нужно подобрать нужный ракурс или выполнить кадрирование.

Дополнительно с левой стороны корпуса есть кнопки RET 1 и RET 2, которые также позволяют выбирать обратные потоки. Они работают по такому же принципу, как кнопки на передней панели конвертера.

## Кнопка CALL

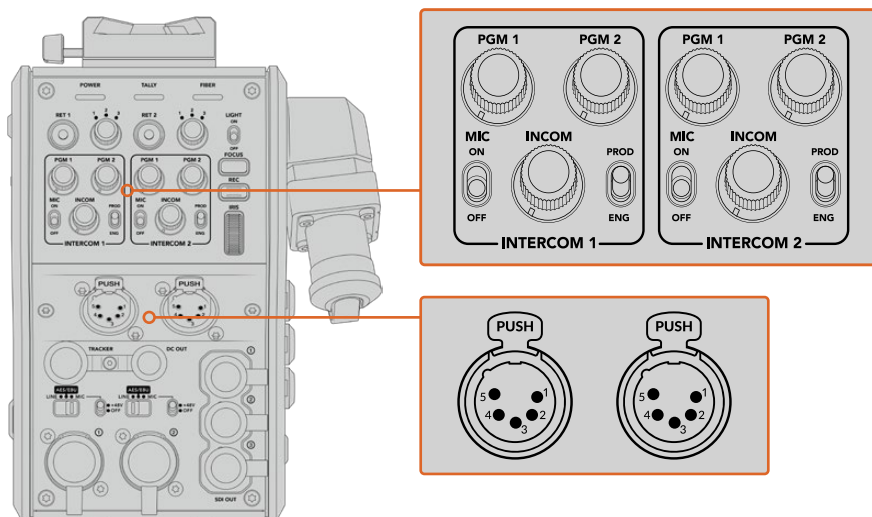
Рядом с кнопками RET находится кнопка CALL, при нажатии которой на ЖК-дисплее модели Blackmagic Studio Fiber Converter появляется мигающий красный индикатор, а на панели управления ATEM Talkback Converter 4K начинает мигать красным цветом пронумерованная кнопка PTT. Благодаря этому находящиеся в аппаратной комнате члены съемочной группы будут знать о том, что вам нужна помощь.



## Использование интерком-связи

Два 5-контактных гнездовых XLR-разъема позволят подключить две пары наушников для коммуникации со съемочной группой.

Органы управления интерком-связью сгруппированы в два блока и позволяют использовать три звуковых потока, поступающие на расположенные под ними XLR-разъемы.



Органы управления каждым блоком интерком-связи находятся над соответствующим разъемом

В наушники будет поступать звук потока, выбранного с помощью кнопок RET 1 и RET 2. Поворотные ручки PGM 1 и PGM 2 позволяют настраивать уровень соответствующего сигнала, а INCOM служит для регулировки общей громкости. Переключатель MIC дает возможность включать (ON) и отключать (OFF) микрофон.

Каждый блок интерком-связи имеет два канала, соответствующие одному из положений переключателя: PROD или ENG. При работе над большими проектами это позволяет распределить коммуникацию и сделать ее адресной. Производственный канал предназначен для переговоров между режиссером, выпускающим редактором и другими членами съемочной группы, а инженерный — для связи с осветителями и техническим персоналом. Страница Talkback в меню на Blackmagic Studio Fiber Converter имеет две опции для каждого из каналов: SDI + DB25 и Intercom Tally DB25. Подробнее см. раздел «Работа с конвертером Studio Fiber».

Также предусмотрена резервная линия для диагностики и контакта с техгруппой при сбое на оптической паре.

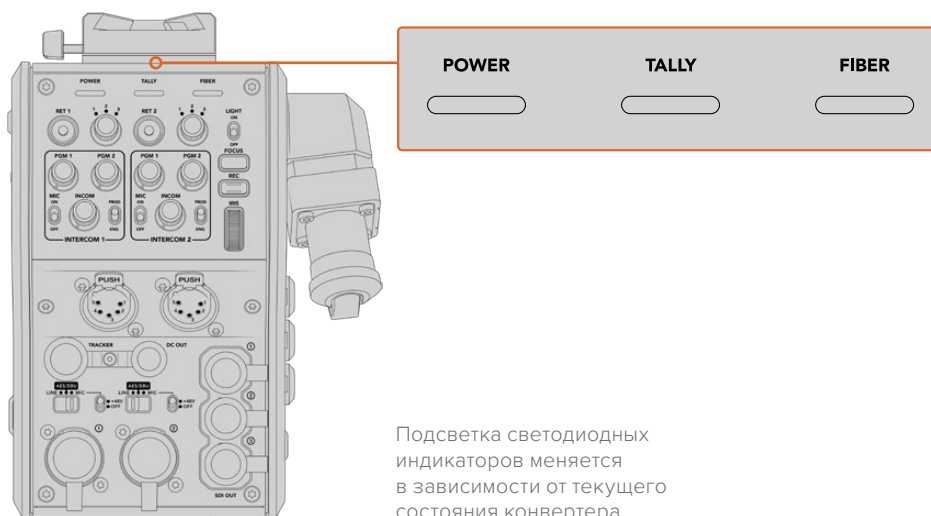
**СОВЕТ.** Своевременная двусторонняя связь между операторами и членами производственной и инженерной групп играет важную роль при работе в динамичных условиях прямых трансляций и студийных проектов. Находящаяся на Blackmagic Camera Fiber Converter кнопка CALL позволяет передавать с камеры сигнал оповещения и общаться через гарнитуру. При ее нажатии на панели управления ATEM Talkback Converter 4K начинает мигать пронумерованная кнопка PTT, а на ЖК-дисплее модели Blackmagic Studio Fiber Converter — индикатор состояния. Если же специалистам из аппаратной комнаты или передвижной телестанции нужно срочно поговорить с оператором, они тоже могут выбрать кнопку CALL для определенной камеры на пульте ATEM Camera Control Panel. При этом начнет мигать лампочка состояния на Camera Fiber Converter, а также на видеискателе URSA Viewfinder или URSA Studio Viewfinder.

## Индикация состояния

Индикатор состояния на передней панели загорается красным, когда сигнал является программным, и зеленым, когда он используется для предварительного просмотра.

## Индикаторы состояния

Светодиодные индикаторы сверху корпуса меняют свою подсветку в зависимости от текущего состояния конвертера. Если оптоволоконный кабель не подключен, они не горят.



Подсветка светодиодных индикаторов меняется в зависимости от текущего состояния конвертера

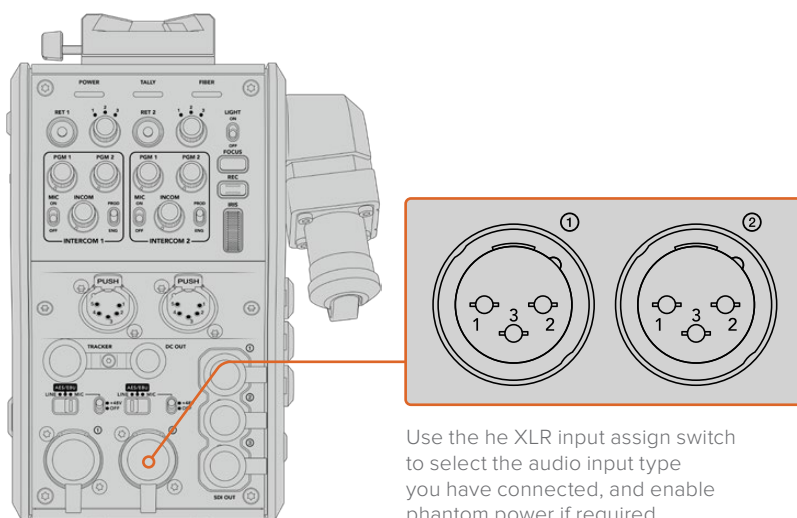
Ниже описаны возможные комбинации состояния дубликатора и цвета индикатора.

<b>POWER</b>	Непрерывный красный	Когда Blackmagic Studio Fiber Converter подключен к электрической сети и соединен оптоволоконным кабелем по стандарту SMPTE с Blackmagic Camera Fiber Converter, светодиодный индикатор POWER горит красным цветом. Это значит, что Blackmagic Camera Fiber Converter получает питание и находится в режиме малой мощности. В таком состоянии можно использовать двустороннюю связь, однако режим полной мощности, необходимый для работы устройства, еще не активирован.  Если индикатор горит красным в течение продолжительного времени, проверьте соединение гибридного оптоволоконного кабеля с обеих сторон и его целостность.
	Непрерывный зеленый	После успешной установки соединения по оптоволоконному кабелю и его проверки на безопасность светодиодный индикатор POWER будет гореть зеленым цветом. Это значит, что конвертер камеры находится в режиме полной мощности.
	Зеленый и красный попеременно	Если светодиодный индикатор попеременно горит красным и зеленым цветом, проверьте соединение гибридного оптоволоконного кабеля с обеих сторон и его целостность.
<b>TALLY</b>	Непрерывный красный	Индикатор TALLY горит красным в тот момент, когда сигнал камеры является программным изображением.
	Непрерывный зеленый	Индикатор TALLY горит зеленым в тот момент, когда сигнал камеры является предварительно просматриваемым изображением.
<b>FIBER</b>	Непрерывный красный	Когда гибридный оптоволоконный кабель по стандарту SMPTE подключен к конвертеру камеры, индикатор FIBER загорается красным цветом. В это время выполняется проверка соединения, а устройство находится в режиме малой мощности. При сбое на оптической паре можно использовать двустороннюю связь для диагностики и контакта с техгруппой.
	Непрерывный зеленый	После успешной установки соединения при использовании гибридного оптоволоконного кабеля по стандарту SMPTE индикатор имеет зеленую подсветку.

Когда оба индикатора POWER и FIBER горят зеленым цветом, это означает, что проверка на безопасность выполнена и конвертер находится в режиме полной мощности.

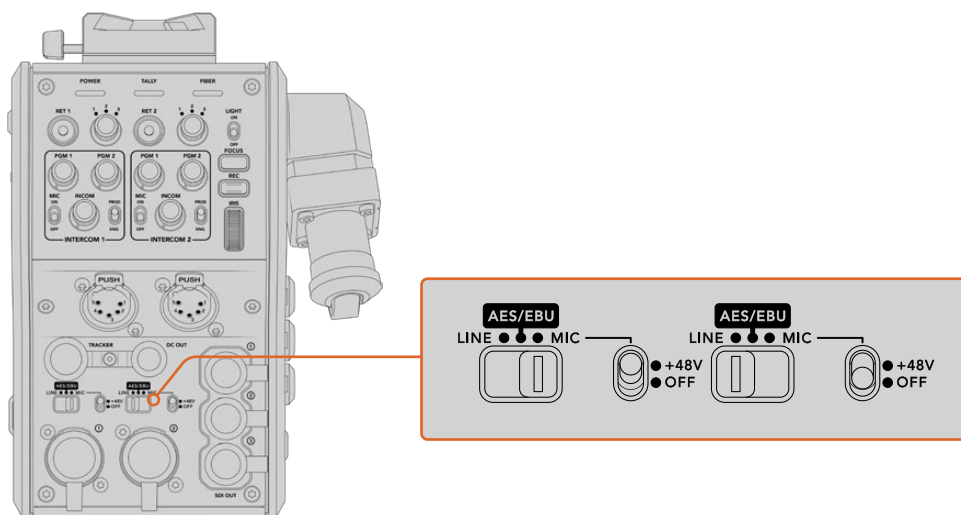
## Аудиовходы

Blackmagic Camera Fiber Converter имеет два XLR-входа, которые позволяют подключать внешние источники аналогового аудиосигнала, в том числе микшеры, системы громкой связи или микрофоны.



Звук с камеры будет встроен на каналах 1 и 2, звук с других источников — на каналах 3 и 4. Студийный конвертер, расположенный на другом конце цепочки, дополнительно выполняет извлечение всех четырех каналов с выводом через аналоговые аудиовыходы.

Страница Audio в меню на Blackmagic Studio Fiber Converter позволяет установить уровень сигнала для источников звука, подключенных ко входам XLR на Blackmagic Camera Fiber Converter. Подробнее см. раздел «Работа с конвертером Studio Fiber». Конвертер имеет переключатель, который служит для выбора режима работы при использовании XLR-разъемов как источника звука. Доступны три опции: микрофон, линейный сигнал и цифровое AES-аудио.



Если нужно использовать микрофоны с фантомным питанием (48 В), установите соответствующий тумблер в положение 48V, для отключения этого режима — в положение OFF.

## Передача видео по IP-протоколу

Оптоволоконный кабель по стандарту SMPTE обеспечивает передачу сигнала между Camera Fiber Converter и Studio Fiber Converter с пропускной способностью 10 Гбит/с. Это позволяет кодировать и декодировать программное изображение и обратные потоки для преобразования в 10-битное IP-видео со сжатием без визуальных потерь. Для двусторонней связи, индикации состояния, команд управления камерой и объективом также предусмотрена поддержка IP-протокола с малой задержкой обработки.

## Подача питания

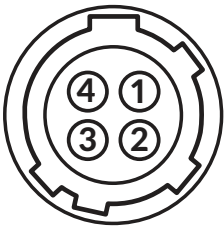
Blackmagic Studio Fiber Converter обеспечивает подачу питания на Blackmagic Camera Fiber Converter, съемочную технику и ее аксессуары. Для этого необходимо соединить контакты Molex на конвертере с соответствующим силовым гнездом на задней панели камеры.

Если камера находится на расстоянии более 2,1 км от передвижной телестанции и из-за протяженности кабеля камера и конвертер не получают нужное напряжение, можно дополнительно использовать блок питания, который подключают к URSA Mini или URSA Broadcast через 4-контактный XLR-разъем +12 В. Энергоснабжение конвертера камеры будет выполняться через контакты Molex.

Выход +12 В, который называется разъемом D-tap или P-tap, служит для питания аксессуаров, например внешнего монитора или большого объектива (постоянное напряжение 12 В; сила тока до 500 мА). Разъем DC OUT обеспечивает питание дополнительных устройств (например, внешнего монитора). Ниже описана его схема распайки.



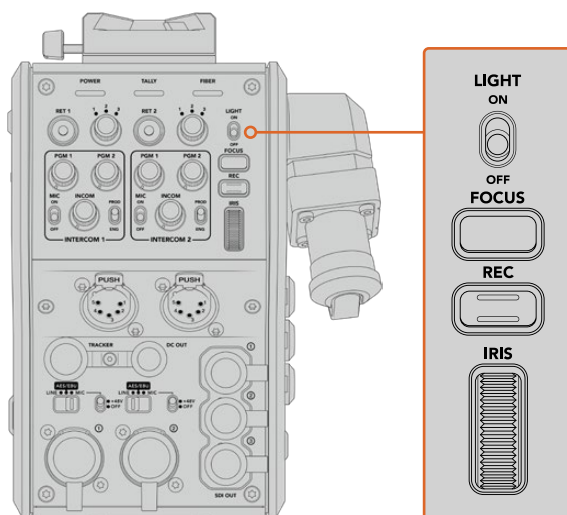
## Схема распиайки разъема DC OUT

External view		Signal	I/O	Specifications
 <p>'DC out' connector</p>	1	Unregulated GND	–	GND for Unregulated Out
	2	NC	–	No connection
	3	NC	–	No connection
	4	Unregulated Out	Out	Постоянное напряжение 12 В, сила тока до 500 мА

## Дополнительные органы управления

При использовании URSA Mini или URSA Broadcast в качестве студийной камеры конвертер линейки Fiber дает возможность менять такие настройки, как диафрагма и фокус. Это позволяет оператору управлять совместимой оптикой в локальном режиме.

В качестве студийных камер URSA Mini и URSA Broadcast сохраняют материал внутренним способом. Для запуска записи служит кнопка REC.



### LIGHT

Позволяет включать подсветку панели при работе в темных условиях.

### FOCUS (Фокус)

Кнопка для автоматической фокусировки при использовании объективов с поддержкой данной функции.

### REC (Запись)

При нажатии этой кнопки устройство будет начинать, а при повторном нажатии — останавливать запись.

### IRIS (Диафрагма)

Колесико для управления диафрагмой при использовании совместимых объективов, которые допускают контроль с камеры. При движении вверх отверстие диафрагмы увеличивается, при движении вниз — уменьшается.

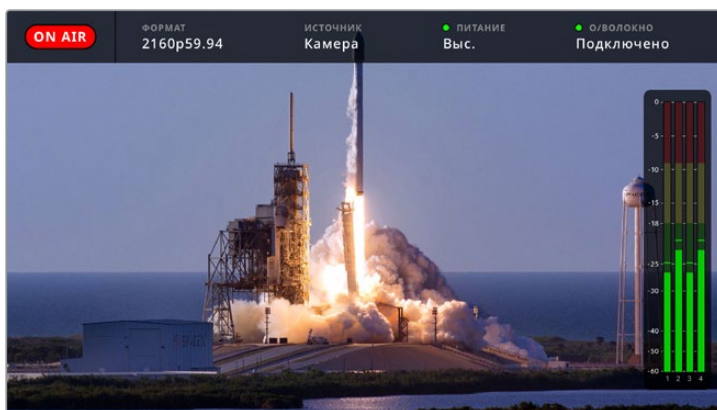


# Работа со Studio Fiber Converter

## Выбор источника сигнала на ЖК-дисплее

При подаче питания на Blackmagic Studio Fiber Converter на ЖК-дисплей устройства выводится изображение с камеры. Конвертер получает программный сигнал с видеомикшера и обратные потоки, чтобы направить их на Blackmagic Camera Fiber Converter по оптоволоконному кабелю (стандарт SMPTE).

Встроенный ЖК-дисплей позволяет выводить сигнал камеры и изображение из каждого источника, подключенного ко входу обратного программного потока. С его помощью также можно просматривать параметры состояния и уровень звука.



Служебные параметры позволяют отображать название и формат необходимого источника при переключении между сигналами

### **ON AIR**

Индикатор ON AIR загорается красным цветом, когда изображение подключенной камеры используется в качестве программного сигнала, и гаснет в остальных случаях.

### **ФОРМАТ**

Разрешение и кадровая частота текущего источника.

### **ИСТОЧНИК**

Название текущего источника.

### **ПИТАНИЕ**

Текущее состояние питания. Текст «Низк.» и красный цвет индикатора обозначают низкое напряжение, «Выс.» и зеленый цвет — режим полной мощности. Подробнее см. пункт «Индикаторы состояния» в разделе «Работа с конвертером Camera Fiber».

### **О/ВОЛОКНО**

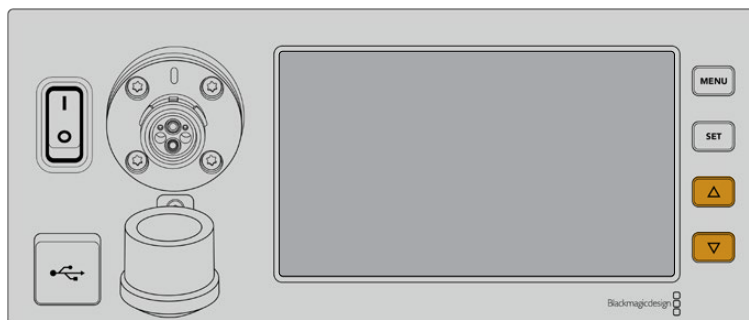
Текущее состояние конвертера. Текст «Подключение» и красный цвет индикатора обозначают установку соединения после подключения конвертера, «Подключено» и зеленый цвет — успешную передачу сигнала по гибриднему оптоволоконному кабелю. Подробнее см. пункт «Индикаторы состояния» в разделе «Работа с конвертером Camera Fiber».

### **Индикация звука**

Эти индикаторы показывают уровни звука при использовании аудиосигнала, встроенного в каналы 1 и 2 видеопотока. Каналы 3 и 4 соответствуют аудиоисточникам, подключенным к двум XLR-входам на модели Blackmagic Camera Fiber Converter. На дисплее уровень отображается в dBFS, при этом максимальные значения фиксируются на короткое время для облегчения их зрительного восприятия.

## Работа с меню

При нажатии кнопки со стрелкой вверх или вниз выполняется поочередный переход между четырьмя источниками: «Камера 1», «Обратный 1», «Обратный 2» и «Обратный 3». Нажмите кнопку MENU, чтобы выбрать нужную настройку и изменить ее. Кнопки со стрелками используют для навигации и выбора опций. Чтобы подтвердить установленную настройку, нажмите SET. Меню содержит три страницы: «Аудио», «Связь» и «Настройка».

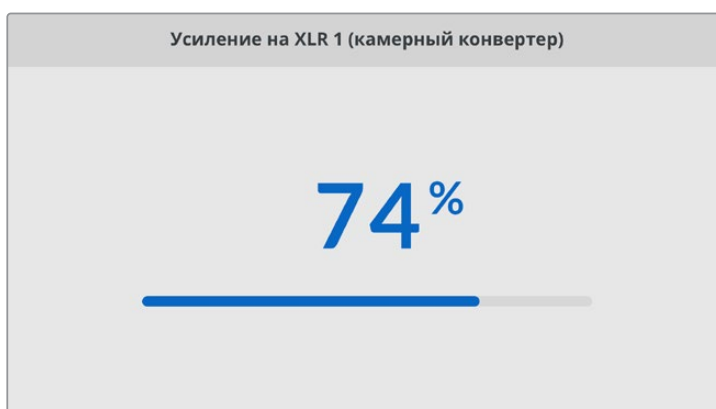


Для перехода между источниками и навигации по меню используют кнопки со стрелкой вверх или вниз

### Аудио

Эта страница позволяет установить уровень сигнала для источников звука, подключенных ко входам XLR на Blackmagic Camera Fiber Converter.

Музыкальный значок		Аудио	>
Усиление на XLR 1 (камерный конвертер)		50%	
Усиление на XLR 2 (камерный конвертер)		50%	
Вывод каналов 1 и 2		Встроенные каналы 1 и 2	
Вывод каналов 3 и 4		XLR 1 и 2	



Кнопки со стрелками позволяют изменить уровень сигнала для каждого XLR-входа, а SET служит для подтверждения настройки

Здесь можно выбирать, какие аудиоканалы с устройства Camera Fiber Converter направлять на встроенные SDI- и XLR-выходы. Для встроенных аудиоканалов камер URSA Mini или URSA Broadcast по умолчанию назначаются каналы 1 и 2. Линейный и

микрофонный сигналы, поступающие на XLR-входы модели Camera Fiber Converter, по умолчанию идут на каналы 3 и 4. При необходимости в эти стандартные настройки легко внести изменения. Если для одного из XLR-входов на Camera Fiber Converter выбран параметр AES, активируются также каналы 5 и 6, потоки которых передаются на встроенный SDI-выход.

Вывод каналов 1 и 2	
Встроенные каналы 1 и 2	✓
XLR 1	
AES 3 и 4	

Назначение встроенных XLR-каналов камер на выходные каналы 1 и 2

### Связь

Эта страница позволяет задать источники программного сигнала и двусторонней связи для производственного и инженерного каналов. На Studio Fiber Converter для выбора доступно две опции: SDI + DB25 и «Интерком Tally DB25».

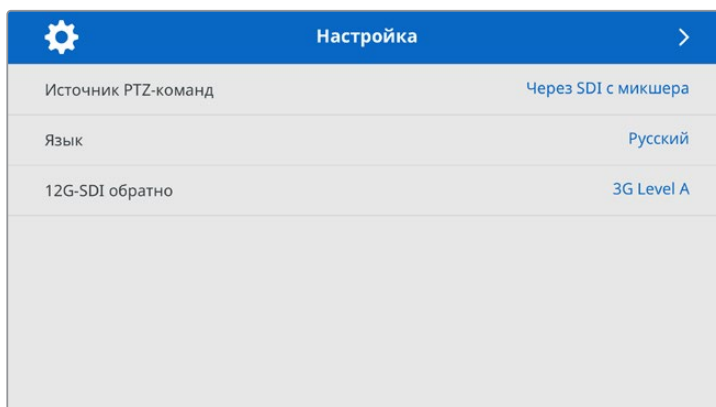
Дополнительно можно настроить уровень усиления для наушников и для микрофона гарнитуры на каждом из каналов двусторонней связи. Здесь также есть опция для включения подачи на наушники фантомного питания. Параметр «Уровень голоса» позволяет оператору камеры регулировать громкость собственного голоса в наушниках.

Связь	
Источник программного звука	SDI-каналы 1 и 2
Источник производственного канала	SDI + DB25
Источник технического канала	Интерком Tally DB25
Интерком 1	
Усиление для наушников	50%
Усиление для микрофона гарнитуры	50%
Фантомное питание микрофона гарнитуры	Вкл.
Уровень голоса	50%
Интерком 2	
Усиление для наушников	50%
Усиление для микрофона гарнитуры	50%
Фантомное питание микрофона гарнитуры	Вкл.
Уровень голоса	50%

При отсутствии устройств, подключенных к XLR-входам, настройки двусторонней связи будут недоступны, а в момент соединения отображается текст «Подключение»

## Настройка

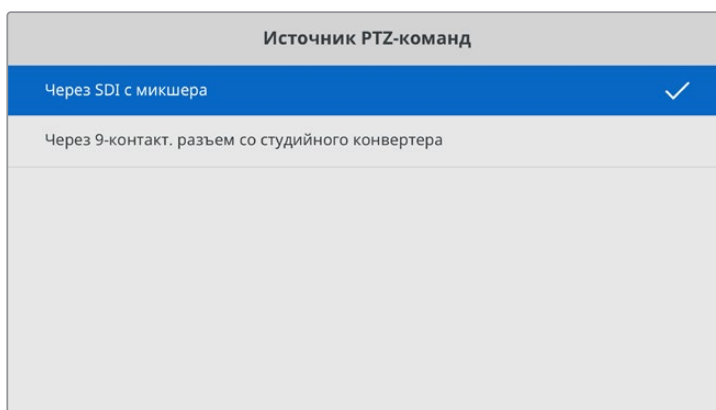
На странице «Настройка» выбирают источник PTZ-команд, язык меню и тип обратного SDI-сигнала.



Настройка «Источник PTZ-команд» позволяет выбрать источник команд панорамирования. Доступны две опции: «Через SDI» и «Через 9-контактный разъем», которые соответствуют SDI-входам RETURN IN и разъему DE-9 на задней панели модели Blackmagic Studio Fiber Converter.

Управлять панорамированием камеры можно с видеомикшера ATEM. В этом случае команды передаются на Blackmagic Studio Fiber Converter через SDI-интерфейс. По оптоволоконному кабелю SMPTE они поступают на Blackmagic Camera Fiber Converter, а оттуда через серийный порт DE-9 — на панорамную головку с сервоприводом.

Чтобы управлять панорамной головкой со стороны камеры, через разъем DE-9 к Blackmagic Studio Fiber Converter можно подключить систему дистанционного контроля.



На странице настроек в качестве источника PTZ-команд можно выбрать одну из двух опций: «Через SDI» и «Через 9-контактный разъем»

Язык	
English	
中文	
日本語	
한국어	
Español	
Deutsch	
Français	
Русский	✓
Italiano	
Português	
Türkçe	

Настройка «Язык» позволяет выбирать язык меню. Studio Fiber Converter имеет пользовательский интерфейс на 11 основных языках, включая английский, китайский, японский, корейский, испанский, немецкий, французский, русский, итальянский, португальский и турецкий. Страница выбора языка отображается при первоначальной настройке и после обновления внутреннего ПО.

Опция «12G-SDI обратно» позволяет установить обратный программный 12G-поток на 3G Level A или 3G Level B. Для всех обратных 12G-сигналов, поступающих на входы модели Studio Fiber Converter, выполняется понижающая конверсия.

## Установка студийного конвертера в стойку

Для размещения Blackmagic Studio Fiber Converter в стойке или мобильном кейсе можно использовать специальный набор Blackmagic Studio Fiber Rack Kit. Он позволяет установить два устройства рядом друг с другом или одно из них справа либо слева. Поставляемая в наборе заглушка служит для заполнения пустого места в стойке при работе только с одним конвертером.

Studio Fiber Converter имеет высоту 2 RU и ширину 1/2 RU, что позволяет компактно установить вместе два устройства на два места в стойке.



Размещение двух Blackmagic Studio Fiber Converter в стойке



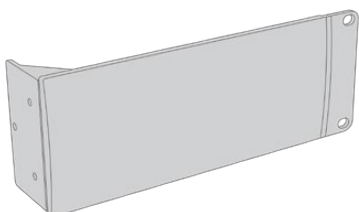
Монтаж с поставляемой в наборе заглушкой

## Набор Blackmagic Studio Fiber Rack Kit



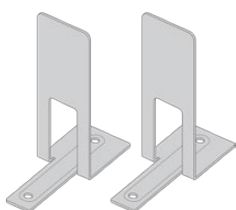
### Две скобы

При креплении к внешним сторонам Blackmagic Studio Fiber Converter они позволяют установить устройства в стойку.



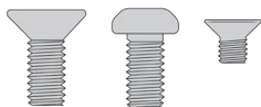
### Одна заглушка 1/2 RU

Служит для заполнения пустого места в стойке при установке только одного устройства. На рисунке показана скоба с правой стороны. Для использования с другой стороны разверните скобу на 180°.



### Два крепежных кронштейна

T-образные кронштейны служат опорой в месте стыка двух конвертеров при их установке по разные стороны.



### Винты

**8 x M4 (10 мм)**

Винты для скоб

**4 x M4 (8 мм)**

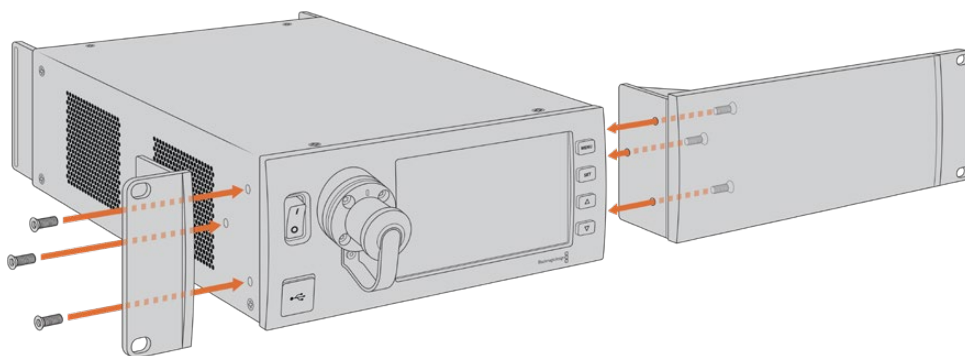
Винты для заглушки

**5 x M3 (5 мм)**

Винты для кронштейнов

## Подготовка к установке одного студийного конвертера в стойку

- 1 Поместите заглушку с противоположной стороны от места, предназначенного для установки студийного конвертера. Лицевая панель заглушки должна располагаться параллельно передней панели устройства.
- 2 Закрепите заглушку на боковой стороне студийного конвертера с помощью трех специальных винтов.



- 3 Закрепите скобу с другой стороны студийного конвертера с помощью трех специальных винтов.

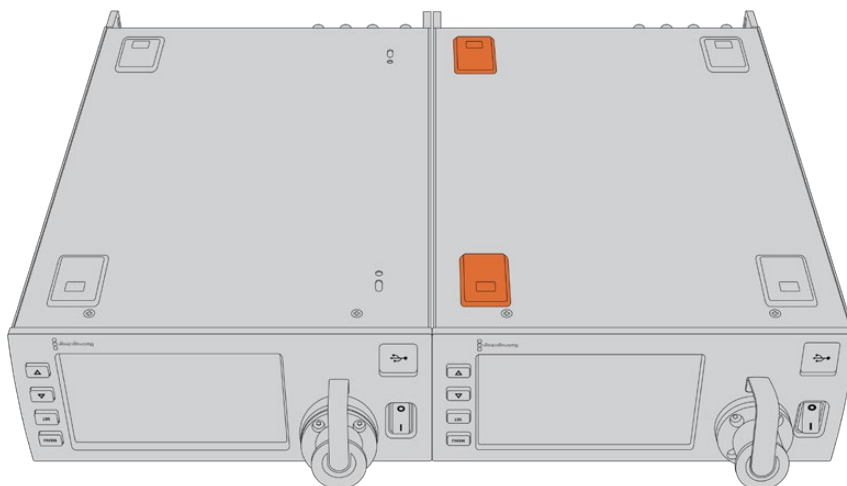
После того как скоба и заглушка закреплены на конвертере, его можно установить в стойку на два места с использованием монтажных отверстий по обеим сторонам и обычных винтов.

### Подготовка двух студийных конвертеров к совместной установке в стойку

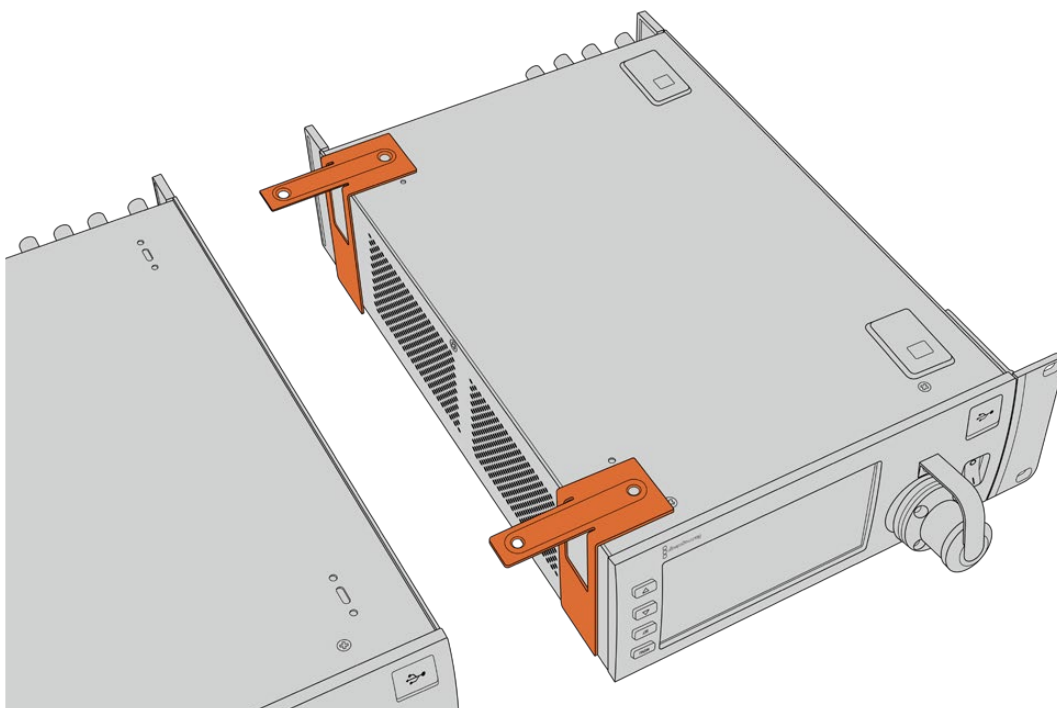
При совместной установке двух конвертеров можно использовать кронштейны, которые позволяют скрепить оба устройства друг с другом.

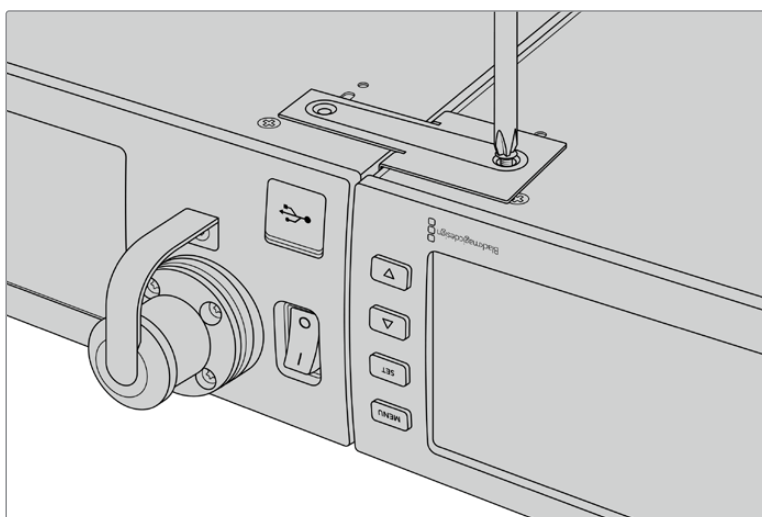
Порядок совместного монтажа двух устройств

- 1 Переверните два конвертера вверх дном и поместите их рядом. Удалите две резиновые вставки в местах соприкосновения устройств.

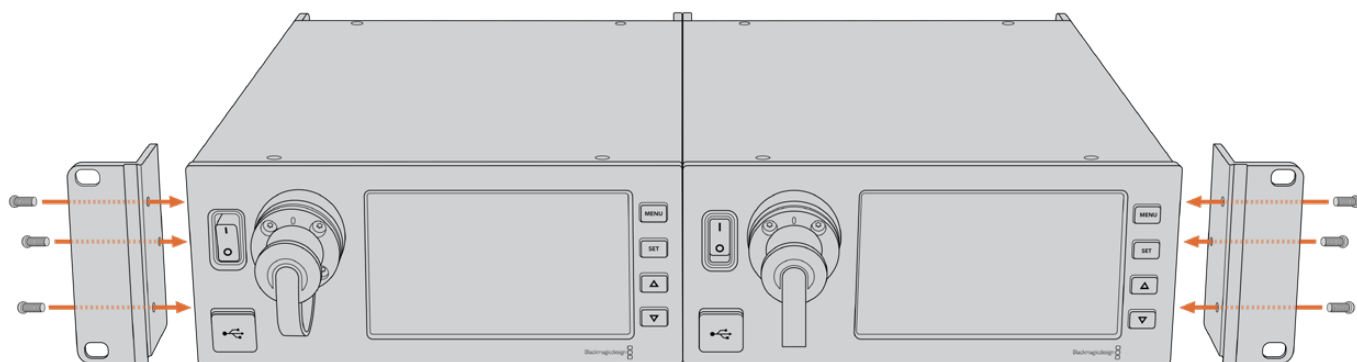


- 2 Поместите два Т-образных кронштейна спереди и сзади в месте стыка под корпусом студийных конвертеров, затем закрепите устройства с помощью специальных винтов.





- 3 Переверните конвертеры в обычное положение и закрепите скобы на их внешней стороне у передней панели, используя соответствующие винты. Конвертеры готовы к установке в стойку. Для крепления используют монтажные отверстия по обеим сторонам устройств и обычные винты для стойки.





## Разъемы на конвертере камеры

На Blackmagic Camera Fiber Converter разъемы расположены на задней панели и сбоку. Когда они не используются, при работе вне студии их необходимо закрыть резиновыми крышками. Это особенно важно для оптического порта, потому что даже попадание небольших частиц пыли может приводить к нарушениям при передаче сигнала. Снимать защитные крышки с кабеля и интерфейса конвертера следует непосредственно перед соединением, а после разъединения необходимо снова закрыть их.

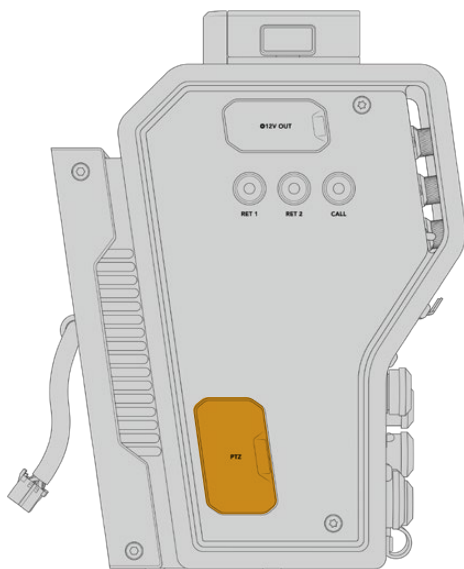
### Разъем питания камеры

Питание поступает на камеру и установленный на ней конвертер со Studio Fiber Converter через гибридный оптоволоконный кабель по стандарту SMPTE. Таким же образом подается электроэнергия для таких аксессуаров, как видеоискатель Blackmagic URSA Studio Viewfinder.

Blackmagic Camera Fiber Converter может также получать питание от камеры, подключенной к источнику электроснабжения через XLR-разъем 12 В. Это касается случаев, когда камера находится дальше 2 км от студийного конвертера, потому что при увеличении расстояния оптоволоконный кабель не всегда обеспечивает стабильное питание.

### Интерфейс управления панорамированием

Разъем DE-9 служит для подключения панорамной головки с сервоприводом. Его можно использовать при удаленной работе с камерой URSA Mini или URSA Broadcast, установленной на операторском кране. Меню на Blackmagic Studio Fiber Converter позволяет задать источник PTZ-команд. Для выбора доступно две опции: разъем DE-9 на Studio Fiber Converter и SDI-сигнал, поступающий с видеомикшера АТЕМ. Подробнее см. раздел «Работа со студийным конвертером».

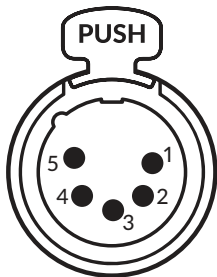


Интерфейс управления панорамированием

## Порт двусторонней связи

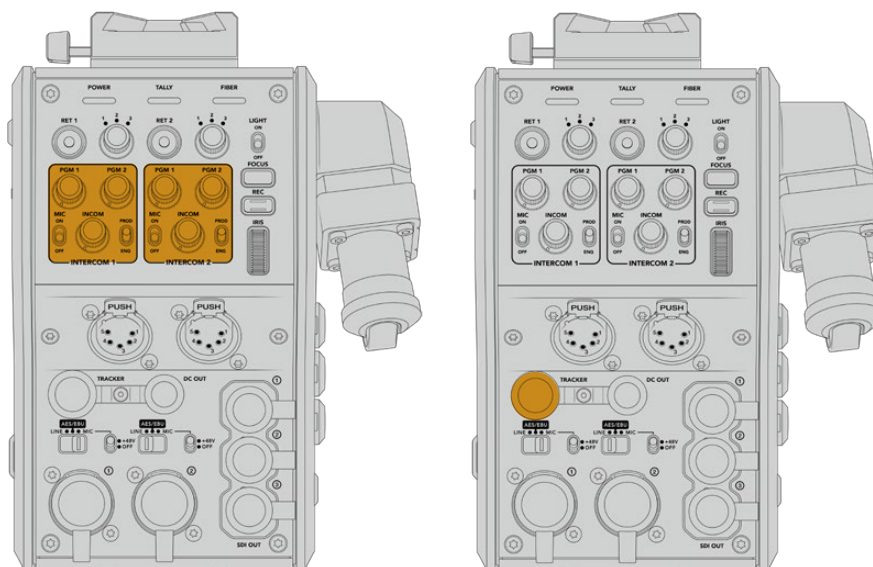
Два 5-контактных XLR-разъема позволяют использовать два разных блока одновременной двусторонней связи. Например, оператор камеры может подключить наушники к одному интерфейсу XLR, а ассистент у крана или звукорежиссер — к другому. Ниже содержится схема распиновки XLR-разъема.

### Схема распиновки XLR-разъема для наушников

External views		Signal	I/O	Description
 <p>5-pin XLR 'headset' connector</p>	1	Intercom MIC (Y)	GND	Вход микрофона интерком-связи поддерживает как электретные, так и динамические микрофоны с балансным и небалансным разъемом. Контакт 1 — это заземление, контакт 2 — вход для микрофонов обоих типов. Через него на электретные микрофоны подается также ток смещения.
	2	Intercom MIC (X)	In	
	3	GND	GND	Заземление
	4	Intercom left	Out	11 dBu (VR Max, 250 Ω Load)
	5	Intercom right	Out	11 dBu (VR Max, 250 Ω Load)

Органы управления блоком интерком-связи находятся над соответствующим разъемом.

Подробнее об использовании двусторонней связи см. раздел «Работа с Camera Fiber Converter».



Органы управления блоком интерком-связи позволяют настраивать уровень звукового сигнала

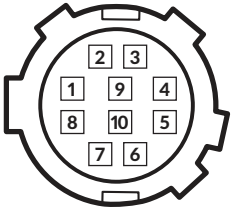
Разъем TRACKER

## Разъем TRACKER

10-контактный разъем поддерживает двустороннюю связь, индикацию состояния и вывод данных для телесуфлера. Этот выход предназначен для группы техподдержки и может использоваться для коммуникации с ассистентом на операторском кране.

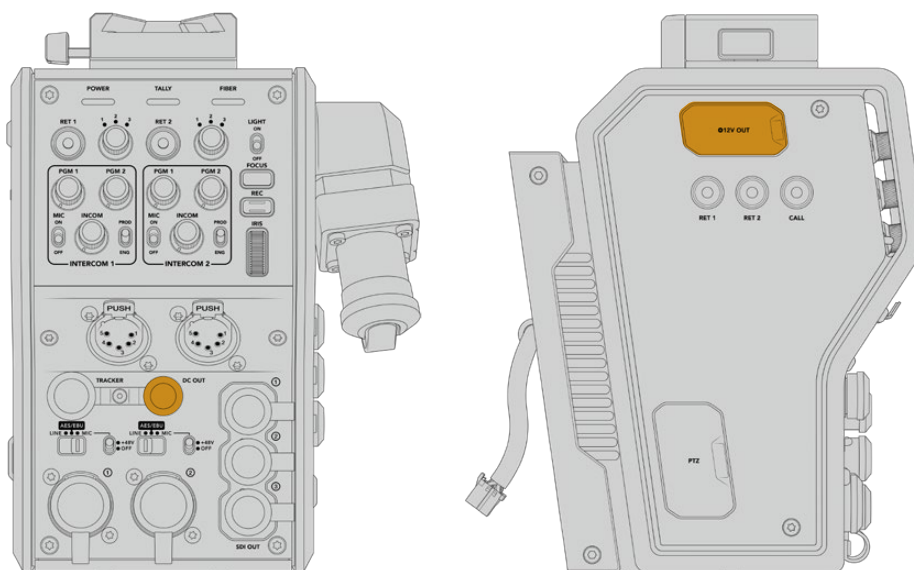
Приведенная ниже схема распиайки позволяет создать собственный кабель.

### Схема распиайки разъема TRACKER

External view		Signal	I/O	Description
 <p>10 pin 'tracker' connector</p>	1	Tracker left	Out	Tracker output, -20 dBu unbalanced
	2	GND (Talk)	-	GND for tracker talk
	3	GND (Receive/PGM/tally)	-	GND for receive/PGM/tally
	4	Tracker right	Out	Tracker output, -20 dBu unbalanced
	5	Unregulated	Out	12 В пост. тока, макс. 500 мА
	6	GND (Unregulated)	-	GND for unregulated
	7	Tracker talk (X)	In	Tracker talk 0 dBu /-20 dBu, high impedance balanced
	8	Tracker talk (Y)	In	
	9	G Tally	Out	Вкл.: 12 В Выкл.: высокое сопротивление (не замкнуто)
	10	R Tally	Out	Вкл.: 12 В Выкл.: высокое сопротивление (не замкнуто)

## Разъем питания постоянного тока

Разъем питания постоянного тока позволяет снабжать энергией дополнительные аксессуары (например, внешний монитор).



Разъем питания постоянного тока позволяет подавать питание на дополнительные устройства (например, монитор или внешний рекордер)

Выход D-Тар

## Выход D-Тар

Выход +12 В с левой стороны часто называется D-Тар или P-Тар. Он служит для подачи питания на такие аксессуары, как монитор или крупные объективы. Выход позволяет подключать оптику, которая требует постоянного тока напряжением 12 В (2 А).

## Использование синхровыхода

Синхровыход можно использовать для передачи опорного сигнала на камеру по кабелю BNC.

### Передача опорного сигнала на камеру

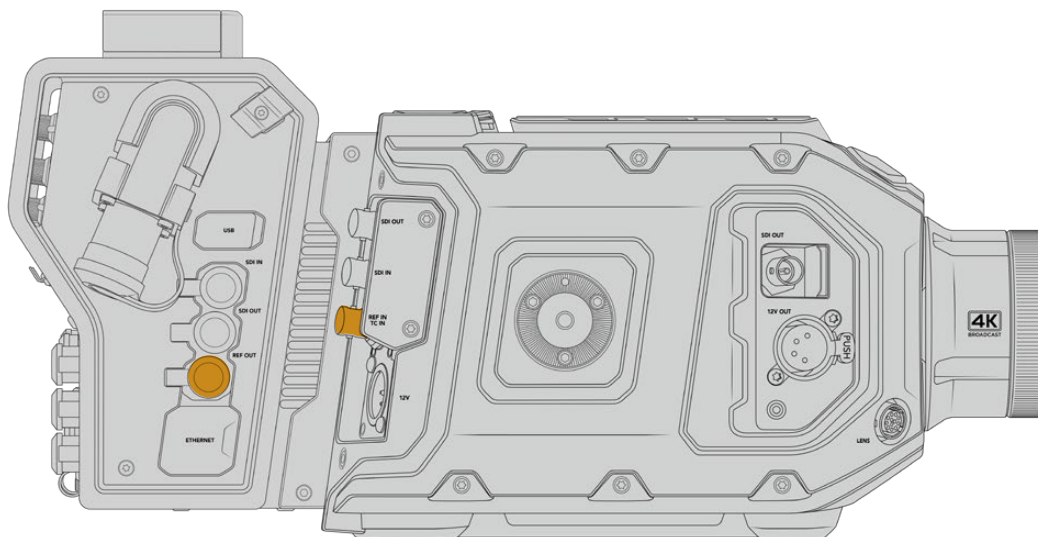
- 1 Соедините выход REF OUT на Blackmagic Camera Fiber Converter со входом REF IN на камере, используя любой входящий в комплект поставки короткий SDI-кабель.
- 2 В настройках синхронизации камеры выберите REF IN.

Опорный сигнал позволяет синхронизировать работу всего видеоборудования и гарантирует корректное переключение.

На видеомикшерах ATEM выполняется повторная синхронизация, которая обеспечивает слаженную работу в конфигурации с камерами производства Blackmagic Design. Чтобы они получали опорный сигнал с программным SDI-поток, на второй странице меню Setup в настройках синхронизации на URSA Mini или URSA Broadcast следует выбрать программный вход. В этом случае добавляется кадровая задержка.

Чтобы уменьшить связанную с повторной синхронизацией задержку, сначала подключите источник опорного сигнала для URSA Mini или URSA Broadcast, затем скорректируйте настройку отсчета в строках.

Для изменения параметров синхронизации на URSA Mini или URSA Broadcast перейдите на вкладку SETUP, затем выберите значение для настройки REFERENCE TIMING.

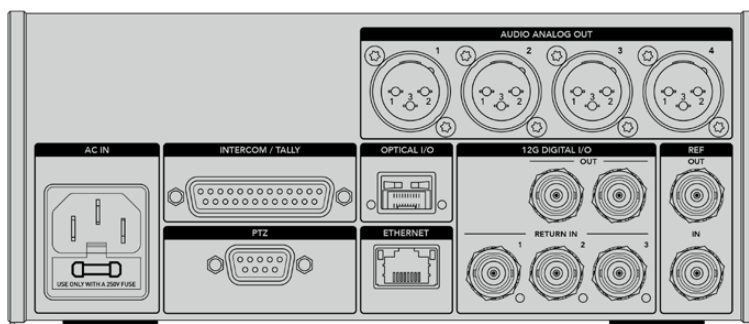


Чтобы использовать внешний синхросигнал, соедините выход REF OUT на Camera Fiber Converter со входом REF IN на камере URSA Mini или URSA Broadcast

# Интерфейсы студийного конвертера

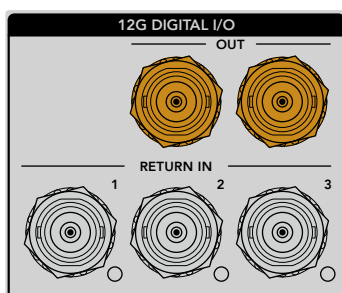
На задней панели студийного конвертера находятся BNC-разъемы для передачи обратного SDI-потока и синхросигнала, интерфейс DB-25 для двусторонней связи и индикации состояния, 9-контактный последовательный порт PTZ, аудиовыходы и порт Ethernet.

Интерфейс 12G-SDI на всех SDI-входах поддерживает работу с любыми разновидностями Ultra HD-видео вплоть до 2160p/60.



## Разъем 12G-SDI

Два выхода 12G-SDI служат для передачи сигнала камеры со студийного конвертера на SDI-входы видеомикшера. Второй разъем можно использовать для дублирования, чтобы направлять изображение на другое оборудование, такое как коммутатор Videohub, монитор SmartView или рекордер HyperDeck.

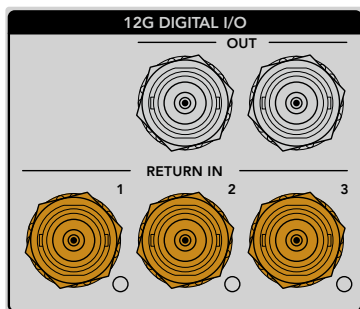


Выходы 12G-SDI поддерживают работу с любыми сигналами от 720p/50 до 2160p/60

## Входы 12G-SDI для обратного потока

BNC-разъемы RETURN IN с интерфейсом 12G-SDI позволяют получать до трех обратных SDI-потоков. Если программное изображение с видеомикшера поступает на вход 1 и по кадровой частоте совпадает с сигналом камеры, другие источники (например, видео со второй камеры, вывод с рекордера HyperDeck или данные телесуфлера) можно передавать на входы 2 и 3. При работе с видеомикшером АТЕМ обратный программный поток, направляемый на вход 1, также поддерживает индикацию состояния, двустороннюю связь, синхронизацию и команды управления камерой.

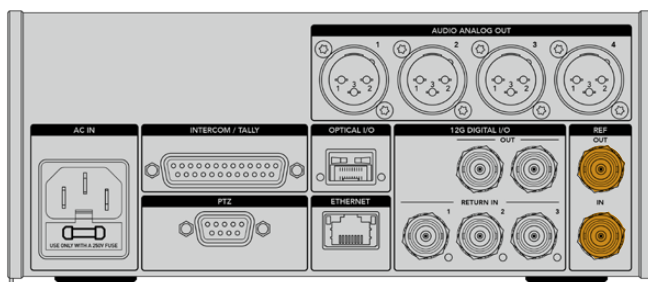
SDI-разъемы RETURN IN позволяют получать до трех обратных потоков с видеомикшера, которые можно передавать на другое оборудование с SDI-интерфейсом или на камеру. Во втором случае оператор будет видеть их на дисплее.



**ПРИМЕЧАНИЕ.** При передаче Ultra HD-сигнала в виде обратного потока выполняется понижающая конверсия до 1080p с соответствующей кадровой частотой. Таким образом, изображение на выходе конвертера камеры будет в формате HD. Это обеспечивает более высокую пропускную способность при использовании нескольких источников обратных сигналов.

## Ввод и вывод синхросигнала

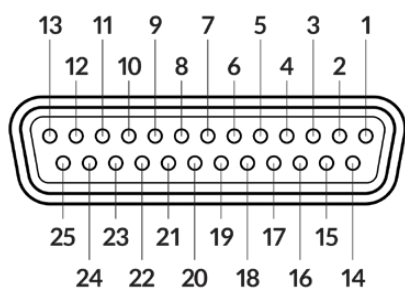
Для внешней синхронизации оборудования без видеомикшера ATEM подключите источник опорного сигнала к BNC-входу REF IN. Это позволит передавать синхросигнал на Camera Fiber Converter через оптоволоконный кабель по стандарту SMPTE. BNC-выход REF OUT на студийном конвертере можно использовать для создания замкнутой цепи между источником синхросигнала и другой техникой.



Разъем REF IN позволяет передавать синхросигнал с вещательной техники на камеру

## Интерфейс двусторонней связи

Разъем DB-25 с маркировкой INTERCOM/TALLY позволяет использовать системы интерком-связи и tally-индикации сторонних производителей. Ниже приводится схема распиайки для создания собственного кабеля. После назначения контактов необходимо установить соответствующие настройки в меню на Blackmagic Studio Fiber Converter.



Внешний вид 25-контактного разъема INTERCOM/TALLY

#### Схема распишки интерфейса двусторонней связи

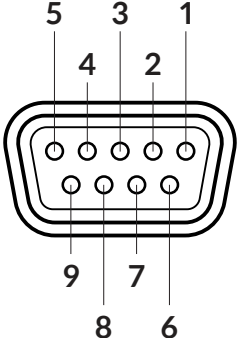
	Signal	Specifications
1	ENG(R) IN+	Engineering channel input 0dBu balanced
2	ENG(R) IN-	
3	ENG GND	GND for ENG
4	ENG(T) OUT +	Engineering channel output 0dBu balanced
5	ENG(T) OUT -	
6	PGM IN+	-20dBu
7	PGM IN-	-20dBu
8	PGM GND	-20dBu
9	GND	GND for aux
10	N/C	—
11	Red Tally IN	On = 5-24Vdc, Off= 0Vdc
12	Red Tally GND	—
13	GND	Chassis GND
14	PROD(R) IN+	Production channel input 0dBu balanced
15	PROD(R) IN-	
16	PROD GND	—
17	PROD(T) OUT+	Production channel output 0dBu balanced
18	PROD(T) OUT-	
19	N/C	—
20	N/C	—
21	N/C	—
22	N/C	—
23	N/C	—
24	Green Tally IN	On = 5-24Vdc, Off= 0Vdc
25	Green Tally GND	—

## Интерфейс управления панорамированием

Оба конвертера имеют 9-контактный разъем DE-9, который служит для подключения контроллера панорамирования к Studio Fiber Converter, а головки с функцией дистанционного управления — к Camera Fiber Converter. Команды панорамирования передаются вместе с SDI-сигналом через оптоволоконный кабель по стандарту SMPTE.

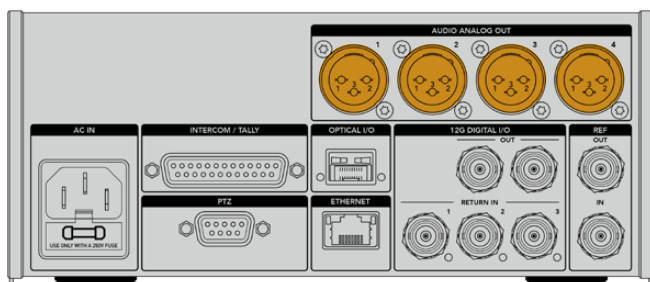
Меню на Blackmagic Studio Fiber Converter позволяет задавать источник команд панорамирования, поступающих на Blackmagic Camera Fiber Converter. Для выбора доступно две опции: разъем PTZ на задней панели конвертера или программный SDI-сигнал с видеомикшера АТЕМ. Подробнее см. раздел «Работа с конвертером Studio Fiber».

### Схема распылки интерфейса PTZ

External view		Signal
 <p>9-контактный разъем PTZ</p>	1	GND
	2	RS422 Tx-
	3	RS422 Rx+
	4	GND
	5	N/C
	6	GND
	7	RS422 Tx+
	8	RS422 Rx-
	9	GND

## Аудиовыходы

Студийный конвертер имеет четыре аудиовыхода с XLR-разъемом. Два из них служат для вывода звука, поступающего на входы 1 и 2 камеры URSA Broadcast или URSA Mini, два других — для вывода звука, поступающего на XLR-входы модели Camera Fiber Converter.

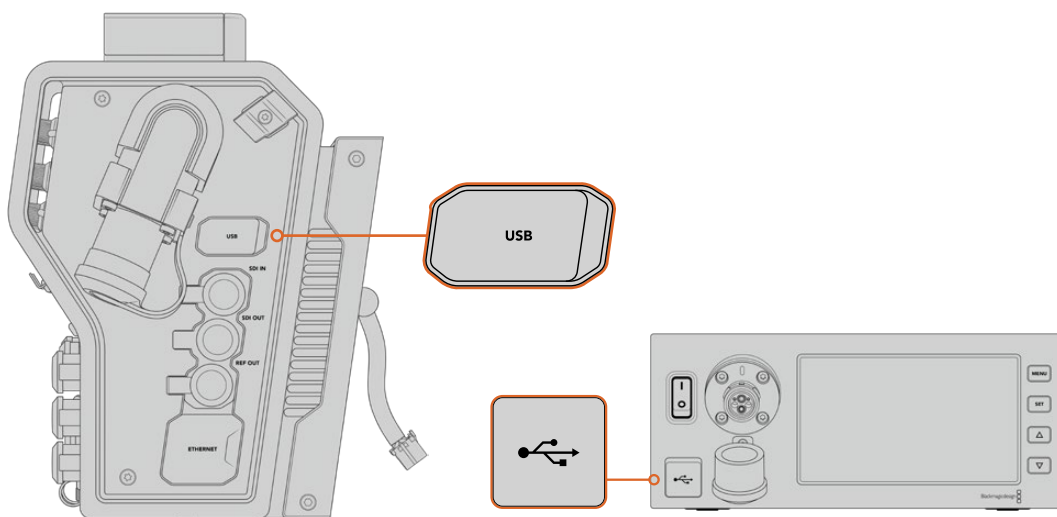


Выходы 1 и 2 на студийном конвертере по умолчанию соответствуют каналам 1 и 2 встроенного XLR-входа на модели URSA Broadcast или URSA Mini. Выходы 3 и 4 студийного конвертера по умолчанию соответствуют XLR-входам 1 и 2 на Blackmagic Camera Fiber Converter. Эти настройки можно изменить с помощью соответствующего меню. Подробнее см. раздел «Работа с меню».



# Обновление программного обеспечения

Для повышения производительности и расширения функционала компания Blackmagic Design периодически выпускает обновления ПО для конвертеров линейки Fiber. Последнюю версию можно загрузить на нашем веб-сайте с помощью утилиты Blackmagic Camera Setup.



Порты USB-C служат для обновления ПО конвертеров линейки Fiber

## Обновление ПО на Blackmagic Camera Fiber Converter

Во время обновления ПО конвертер должен быть подключен к питанию, поэтому рекомендуется не отсоединять его от URSA Mini или URSA Broadcast.

Для стабильного энергоснабжения вместо оптоволоконного кабеля по стандарту SMPTE рекомендуется использовать блок питания, поставляемый вместе с камерой.

При обновлении ПО используют порт USB-C, который находится с правой стороны конвертера. Подключите ПК через порт USB и запустите утилиту Blackmagic Camera Setup. Если используемая версия устарела, появится сообщение с предложением обновить ПО конвертера. Для этого следуйте инструкциям на экране.

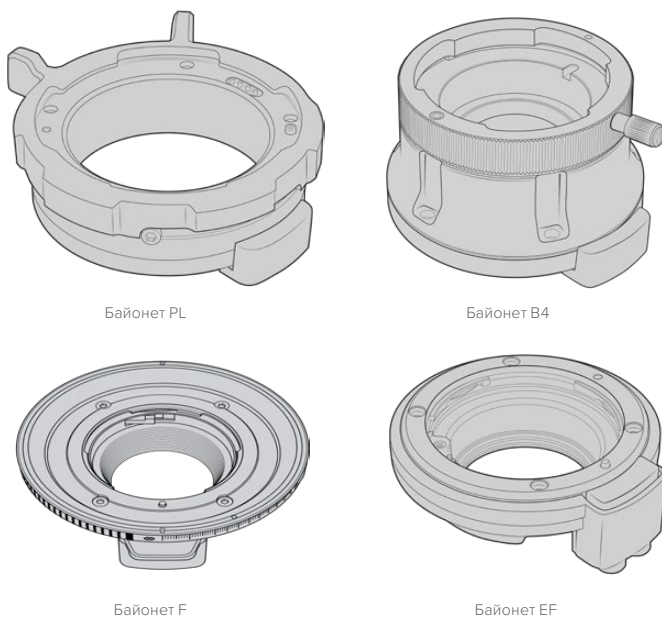
## Обновление ПО на Blackmagic Studio Fiber Converter

Во время обновления студийный конвертер должен быть подключен к питанию, поэтому рекомендуется не отсоединять силовой кабель по стандарту IEC от задней панели устройства.

Подключите ПК через разъем USB-C на передней стороне студийного конвертера и запустите утилиту Blackmagic Camera Setup. Если используемая версия устарела, появится сообщение с предложением обновить ПО конвертера. Для этого следуйте инструкциям на экране.

## Сменный байонет

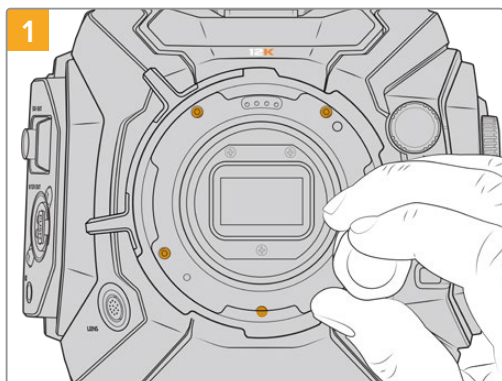
Камера Blackmagic URSA Mini Pro 12K поставляется с байонетом PL. На других моделях URSA Mini Pro установлен байонет EF. Все модификации URSA Mini Pro имеют байонет сменной конструкции, который при необходимости можно заменить на дополнительно приобретаемое крепление PL, B4, F или EF. Аксессуары URSA Mini Pro PL Mount, URSA Mini Pro B4 Mount, URSA Mini Pro F Mount и URSA Mini Pro EF Mount можно приобрести у дилеров компании Blackmagic Design.



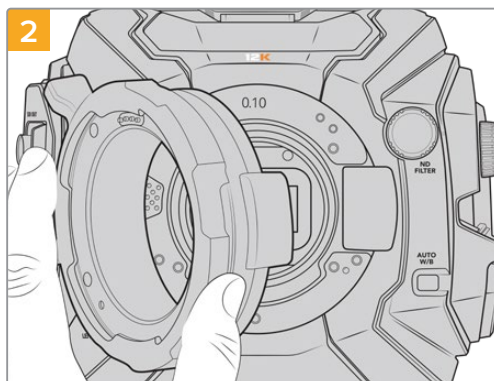
Благодаря совместимости с тремя отдельными байонетами можно подобрать оснащение для любых проектов. Например, байонет EF идеально подойдет для фотооптики, а B4-крепление обеспечит работу с парфокальными объективами при съемке новостных репортажей или свадебных церемоний. Байонет PL станет отличным решением при использовании высокоточной профессиональной оптики.

Замену штатного байонета новым можно выполнить самостоятельно.

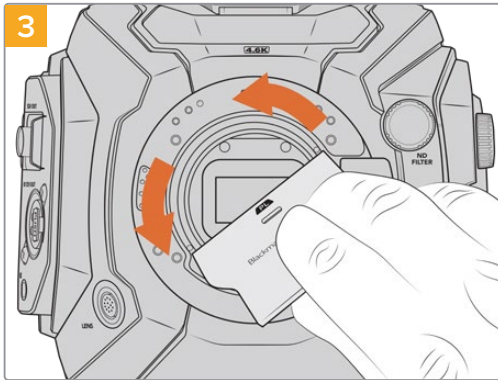
### Порядок снятия штатного байонета PL с URSA Mini Pro 12K



Чтобы снять штатный байонет PL с камеры URSA Mini Pro 12K, открутите пять винтов с помощью шестигранного ключа 2 мм

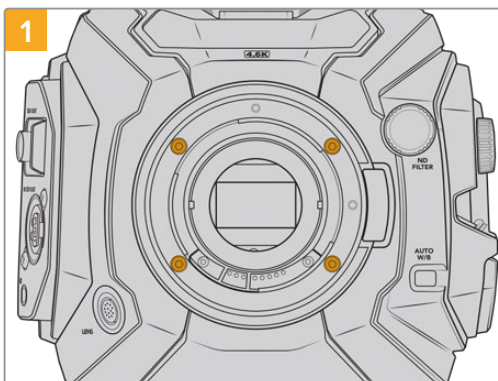


Осторожно снимите байонет с корпуса камеры

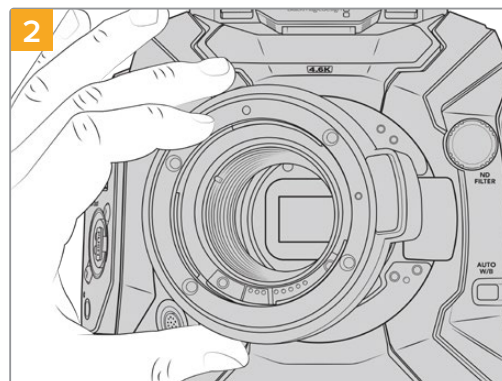


Используя широкий конец инструмента для манжеты, ослабьте крепление манжеты, а затем осторожно окрутите ее пальцами

### Порядок снятия штатного байонета EF с Mini Pro 4.6K G2 или URSA Mini Pro 4.6K



Чтобы снять штатный байонет EF с URSA Mini Pro 4.6K G2 или URSA Mini Pro 4.6K, открутите четыре винта с помощью шестигранного ключа 2 мм



Осторожно снимите байонет с корпуса камеры

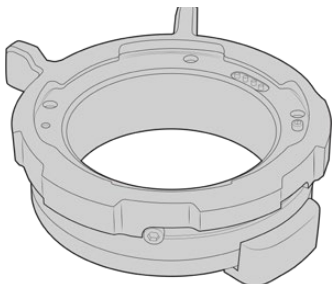
**ПРИМЕЧАНИЕ.** При демонтаже штатного байонета убедитесь, что прокладки остаются на камере.

Ниже содержится описание байонетов PL, B4, F и EF и порядка их установки на камеру URSA Mini Pro.

## Blackmagic URSA Mini Pro PL Mount

После установки байонета PL на URSA Mini Pro можно работать с высокоточными профессиональными объективами, которые широко используются для кино- и телесъемки.

### Комплект Blackmagic URSA Mini Pro PL Mount



#### Один байонет PL

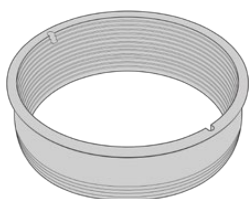
Байонет PL поставляется с пылезащитной крышкой.



#### Набор регулировочных прокладок

Набор включает прокладки толщиной:

0,50 мм	0,18 мм	0,10 мм
0,30 мм	0,15 мм	0,05 мм
0,20 мм	0,12 мм	0,025 мм



#### Манжета для байонета PL

Она помогает контролировать и направлять поток света, поступающего на матрицу.



#### Инструмент для манжеты

Он предназначен для затяжки манжеты.



#### Пять винтов 2 мм x HEX M2.5 x 22 мм

Эти винты выпускаются специально для байонета PL, поэтому их следует хранить вместе с ним.

Комплект для установки байонета PL также содержит полный набор запасных винтов.

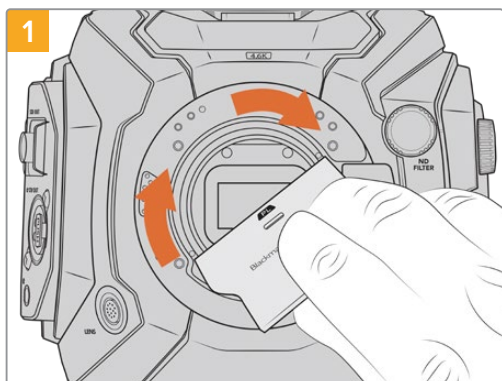
### Необходимые инструменты

Для установки байонета PL понадобится шестигранный ключ 2 мм. Рекомендуется также использовать динамометрический ключ с максимальным моментом затяжки 0,45 Н•м, что предотвратит чрезмерную затяжку резьбового соединения.

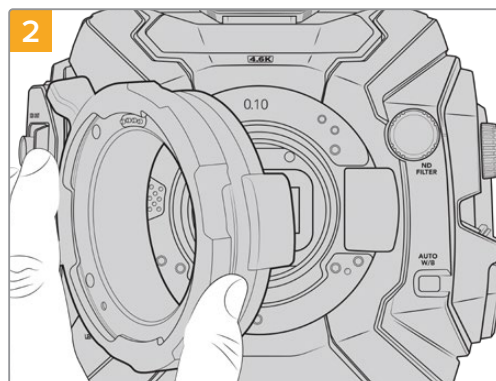


Шестигранный ключ 2 мм

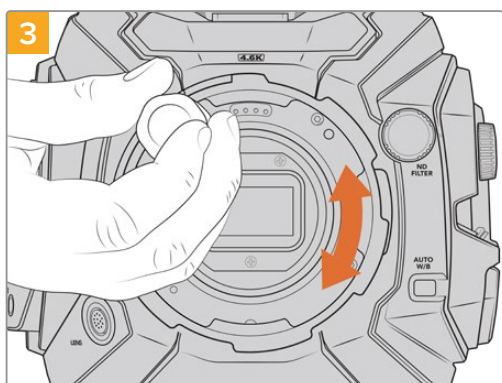
## Установка байонета PL



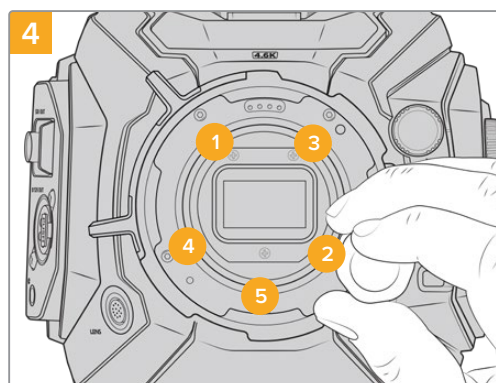
Аккуратно вставьте манжету в центр байонета и плотно его вверните. Затем затяните его еще плотнее с помощью инструмента для манжеты.



Осторожно установите байонет Blackmagic URSA Mini Pro PL на корпус камеры. При использовании оптики Cooke (i Technology) контакты байонета PL должны находиться в положении «12 часов».



Используя шестигранный ключ 2 мм или динамометрический ключ с моментом затяжки 0,45 Н·м, насадите пять крепежных винтов, чтобы обеспечить соприкосновение с кромкой байонета. Для доступа к этим винтам необходимо повернуть фиксирующее кольцо, потому что некоторые отверстия могут быть скрыты.



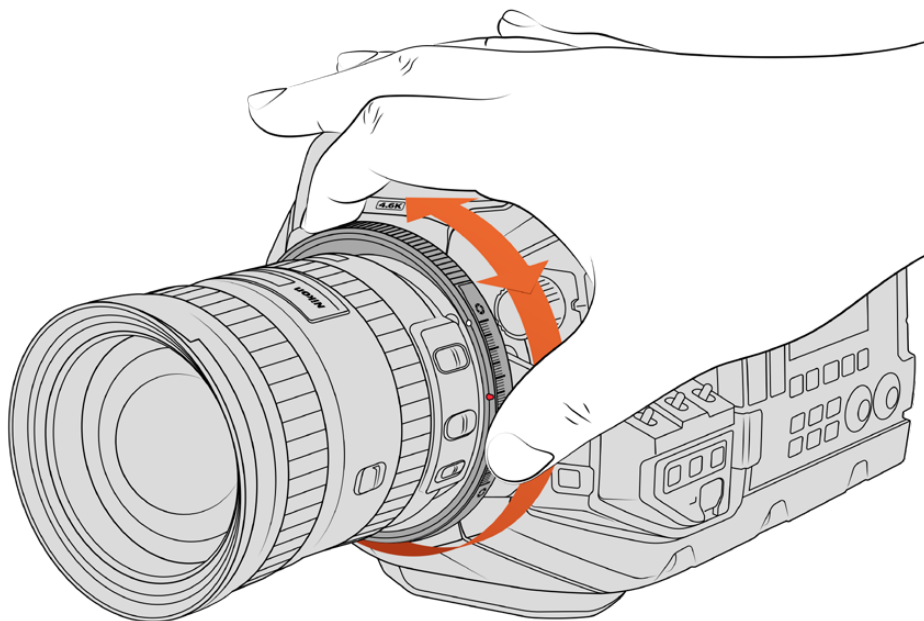
Убедитесь, что байонет правильно выставлен, и затяните винты в указанном на рисунке порядке. Затягивайте их равномерно и не слишком сильно.

**ПРИМЕЧАНИЕ.** Чтобы снять байонет PL, следуйте инструкциям в обратном порядке с четвертого шага по первый. Не забудьте снять манжету, которую рекомендуется хранить вместе с байонетом PL.

## Blackmagic URSA Mini Pro F Mount

Если на URSA Mini Pro установить байонет F, камеру легко оснастить соответствующей оптикой. Впервые представив этот тип крепления в 1959 году, компания Nikon продолжает выпускать объективы на его основе. Благодаря Blackmagic URSA Mini Pro F Mount у оператора появляются дополнительные возможности работы с винтажной и современной техникой.

Blackmagic URSA Mini Pro F представляет собой механический байонет, который не имеет электронного управления фокусом. Регулировка диафрагмы выполняется вручную путем вращения кольца, за счет чего большинство объективов Nikon позволяют плавно менять используемое значение.



Регулировочное кольцо на байонете URSA Mini Pro F Mount позволяет плавно менять значение диафрагмы на объективах с F-креплением

После установки байонета F поверните регулировочное кольцо для установки предпочтительной экспозиции. Красная точка на байонете и риски на кольце могут служить своеобразными маркерами, с помощью которых легко вернуться к определенным настройкам экспозиции или глубины резкости.

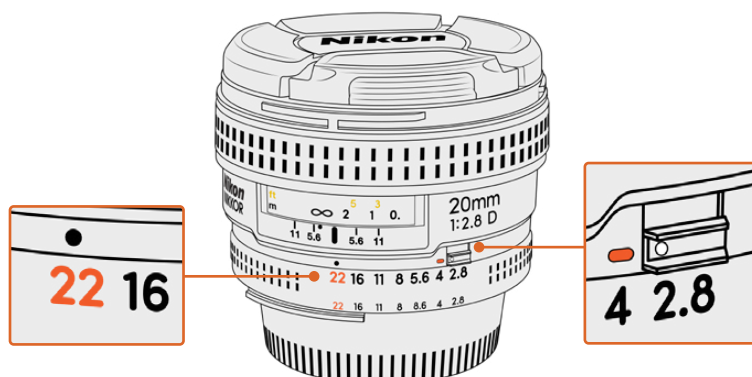
**ПРИМЕЧАНИЕ.** Из-за особенностей работы байонета URSA Mini Pro F не вся оптика с таким креплением поддерживается.

Это объективы Nikkor серии AF-S E, которые не имеют механического управления диафрагмой, и Nikon PC-E (24 мм f/3.5D PC-E и 85 мм PC-E).



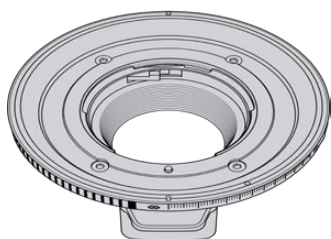
## Объективы Nikon AF-D

Чтобы использовать полный диапазон регулировки при работе с оптикой Nikon серии AF-D в комбинации с байонетом URSA Mini Pro F Mount, необходимо выбрать самое малое значение диафрагмы, такое как f/22.



Для оптики серии AF-D рекомендуется установить минимальное значение диафрагмы до оснащения камеры объективом

## Комплект Blackmagic URSA Mini Pro F Mount



### Один байонет F

Этот байонет позволяет оснастить камеру фотообъективами с креплением F.



### Набор регулировочных прокладок

Набор включает прокладки толщиной:

0,50 мм	0,18 мм	0,10 мм
0,30 мм	0,15 мм	0,05 мм
0,20 мм	0,12 мм	0,025 мм



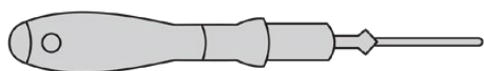
### Четыре винта 2 мм HEX M3 x 18 мм

Эти винты выпускаются специально для байонетов EF и F, поэтому их лучше хранить вместе с ними.

Комплект для установки байонета F также содержит полный набор запасных винтов.

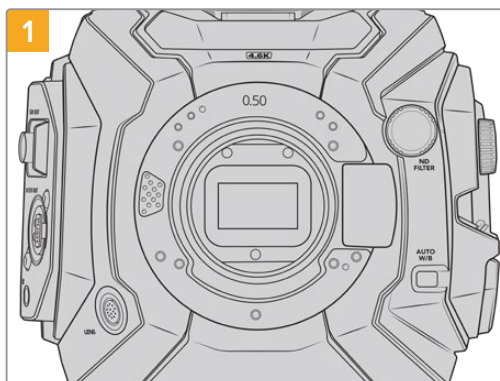
## Необходимые инструменты

Для установки байонета F понадобится шестигранный ключ 2 мм. Рекомендуется также использовать динамометрический ключ с максимальным моментом затяжки 0,45 Н•м, чтобы избежать повреждения резьбового соединения.

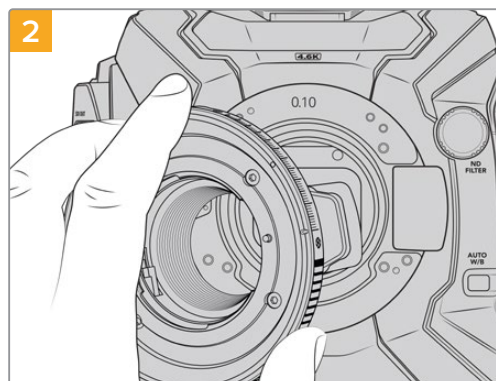


Шестигранный ключ 2 мм

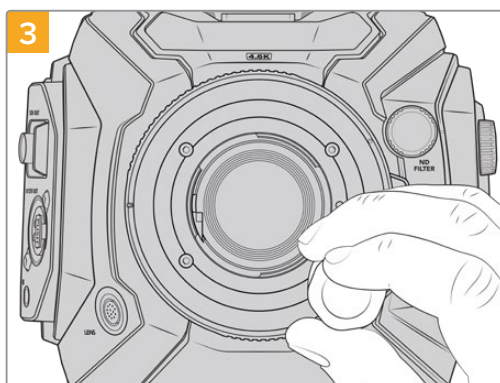
## Установка байонета F



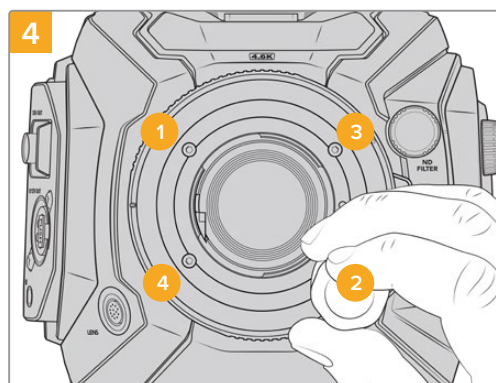
Поместите камеру Blackmagic URSA Mini Pro вертикально на чистую устойчивую поверхность. При замене байонета с PL на F снимите манжету.



Осторожно установите байонет Blackmagic URSA Mini Pro F на корпус камеры так, чтобы белая точка находилась в положении «2 часа».



Используя шестигранный ключ 2 мм или динамометрический ключ с моментом затяжки 0,45 Н·м, насадите четыре крепежных винта, чтобы обеспечить соприкосновение с кромкой байонета.



Убедитесь, что байонет правильно выставлен, и затяните винты в указанном на рисунке порядке. Затягивайте их равномерно и не слишком сильно.

**ПРИМЕЧАНИЕ.** Чтобы снять байонет F, следуйте инструкциям в обратном порядке с четвертого шага по первый.

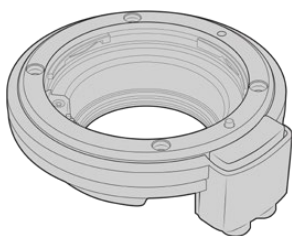


## Байонет Blackmagic URSA Mini Pro EF

Байонет Blackmagic URSA Mini Pro EF поддерживает широкий набор EF-оптики для фото- и кинокамер.

### Комплект Blackmagic URSA Mini Pro EF Mount

---



#### Один байонет EF

Данный байонет дает возможность устанавливать на камеру EF-фотооптику.



#### Набор регулировочных прокладок

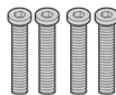
Набор включает прокладки толщиной:

0,50 мм	0,18 мм	0,10 мм
0,30 мм	0,15 мм	0,05 мм
0,20 мм	0,12 мм	0,025 мм



#### Инструмент для манжеты

Манжета в байонете EF не снимается, однако поставляемый в комплекте инструмент для снятия манжеты можно использовать для байонета PL.



#### Четыре винта 2 мм x HEX M3 x 18 мм

Эти винты выпускаются специально для байонетов EF и F, поэтому их лучше хранить вместе с ними.

Комплект для установки байонета EF также содержит полный набор запасных винтов.

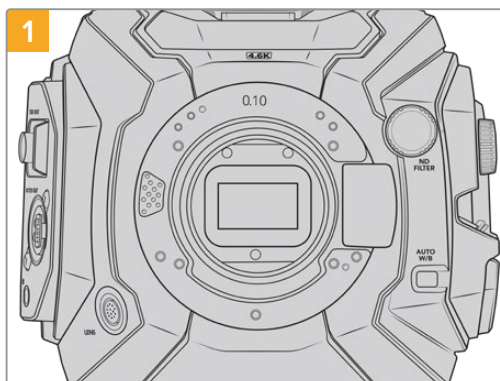
### Необходимые инструменты

Для установки байонета EF понадобится шестигранный ключ 2 мм. Рекомендуется также использовать динамометрический ключ с максимальным моментом затяжки 0,45 Н•м, что предотвратит чрезмерную затяжку резьбового соединения.

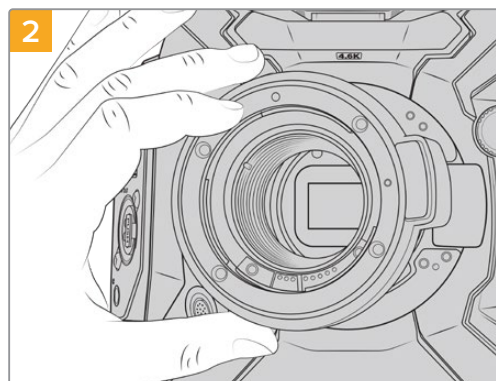


Шестигранный ключ 2 мм

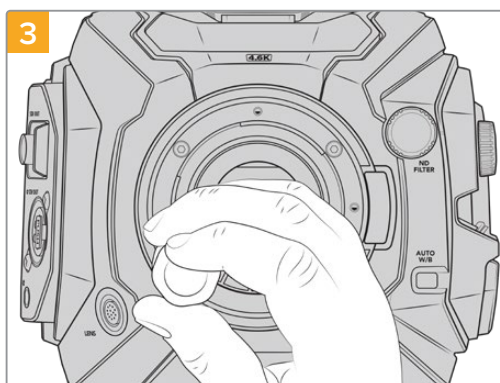
## Установка байонета EF



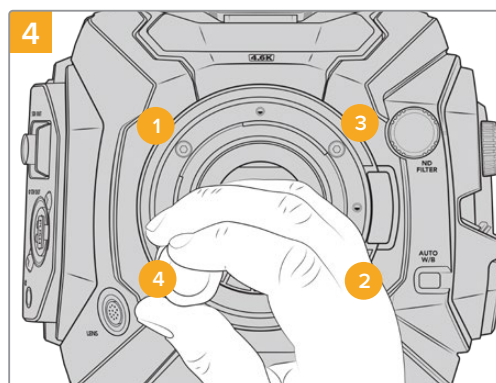
Поместите камеру Blackmagic URSA Mini Pro вертикально на чистую устойчивую поверхность. При замене байонета с PL на EF снимите манжету.



Осторожно установите байонет Blackmagic URSA Mini Pro EF на корпус камеры так, чтобы красная точка находилась в положении «12 часов».



Используя шестигранный ключ 2 мм или динамометрический ключ с моментом затяжки 0,45 Н•м, насадите четыре крепежных винта, чтобы обеспечить соприкосновение с кромкой байонета.



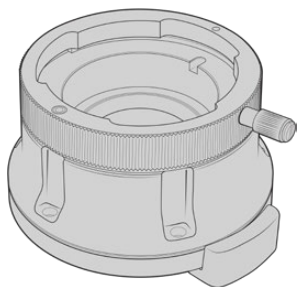
Убедитесь, что байонет правильно выставлен, и затяните винты в указанном на рисунке порядке. Затягивайте их равномерно и не слишком сильно.

**ПРИМЕЧАНИЕ.** Чтобы снять байонет EF, следуйте инструкциям в обратном порядке с четвертого шага по первый.

## Байонет Blackmagic URSA Mini Pro B4

Модели URSA Mini Pro 4.6K G2 и URSA Mini Pro 4.6K, оснащенные байонетом B4, позволяют использовать парфокальные объективы, которые широко применяют при съемке новостных событий и свадебных церемоний. Такая оптика обычно имеет ручной режим установки фокуса и управления диафрагмой, а специальный рычажок на боковой рукоятке обеспечивает плавное зуммирование. Благодаря таким объективам оператор может работать быстрее и более эффективно. Следует отметить, что байонет Blackmagic URSA Mini Pro B4 не совместим с камерой URSA Mini Pro 12K.

### Комплект Blackmagic URSA Mini Pro B4 Mount



#### Один байонет B4

B4-крепление позволяет оснащать камеру URSA Mini Pro профессиональной оптикой вещательного класса.



#### Набор регулировочных прокладок

Набор включает прокладки толщиной:

0,50 мм	0,18 мм	0,10 мм
0,30 мм	0,15 мм	0,05 мм
0,20 мм	0,12 мм	0,025 мм



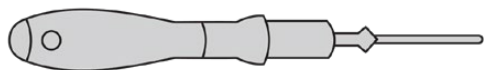
#### Пять винтов 2 мм x HEX M2.5 x 12 мм

Эти винты выпускаются специально для байонета B4, поэтому их следует хранить вместе с ним.

Комплект для установки байонета B4 также содержит полный набор запасных винтов.

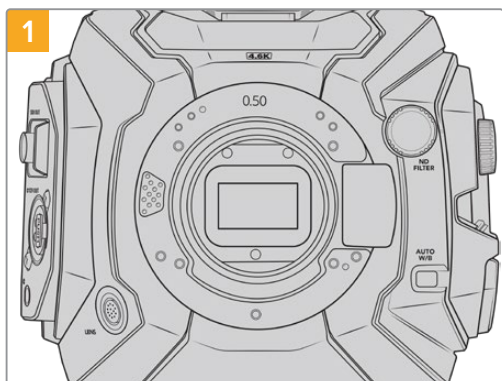
### Необходимые инструменты

Для установки байонета B4 понадобится шестигранный ключ 2 мм. Рекомендуется также использовать динамометрический ключ с максимальным моментом затяжки 0,45 Н•м, что предотвратит чрезмерную затяжку резьбового соединения.

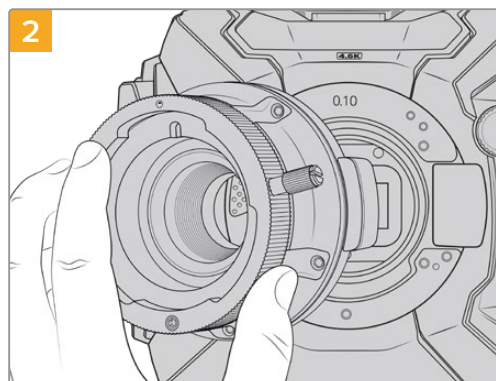


Шестигранный ключ 2 мм

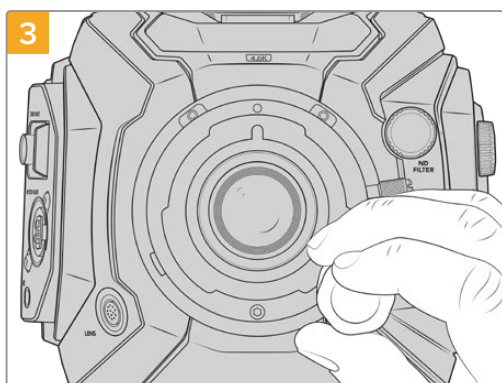
## Установка байонета B4



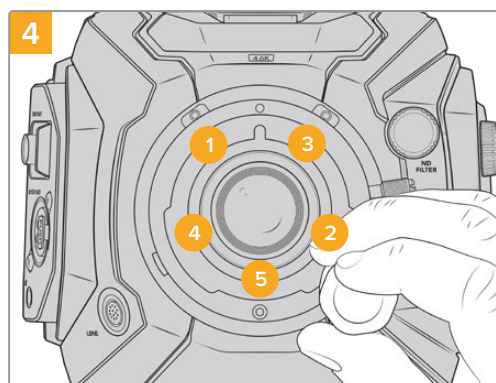
Поместите камеру Blackmagic URSA Mini Pro вертикально на чистую устойчивую поверхность.



Осторожно установите байонет Blackmagic URSA Mini Pro B4 на корпус камеры так, чтобы красная точка находилась в положении «12 часов».



Используя шестигранный ключ 2 мм или динамометрический ключ с моментом затяжки 0,45 Н•м, насадите пять крепежных винтов, чтобы обеспечить соприкосновение с кромкой байонета.



Убедитесь, что байонет правильно выставлен, и затяните винты в указанном на рисунке порядке. Затягивайте их равномерно и не слишком сильно.

**ПРИМЕЧАНИЕ.** Чтобы снять байонет B4, следуйте инструкциям в обратном порядке с четвертого шага по первый.

**СОВЕТ.** При работе с B4-объективом на URSA Mini Pro 4.6K G2 или URSA Mini Pro 4.6K выберите разрешение 2K 16:9 или более низкое значение, а для настройки WINDOW SENSOR на вкладке RECORD установите переключатель в положение ON. Эти настройки помогают избежать виньетирования, потому что при использовании оптики с B4-креплением размеры изображения меньше, чем в формате Super 35. Прежде чем приступить к рабочей съемке, рекомендуется также проверить задний фокус.

## Blackmagic URSA Mini Pro Shim Kit

При оснащении камеры URSA Mini Pro байонетом PL, B4 или F необходимо использовать регулировочную прокладку 0,10 мм в дополнение к прокладкам 0,50 мм и 0,10 мм оригинального крепления EF. Все указанные прокладки входят в комплект Blackmagic URSA Mini Pro Shim Kit. Он также содержит прокладки другой толщины, которые могут понадобиться при установке PL-объектива для корректной работы фокусных меток.

### В комплект входят:



#### Инструмент для манжеты

С его помощью можно ослабить или закрепить манжету при снятии или установке PL-объектива на камеру URSA Mini Pro.



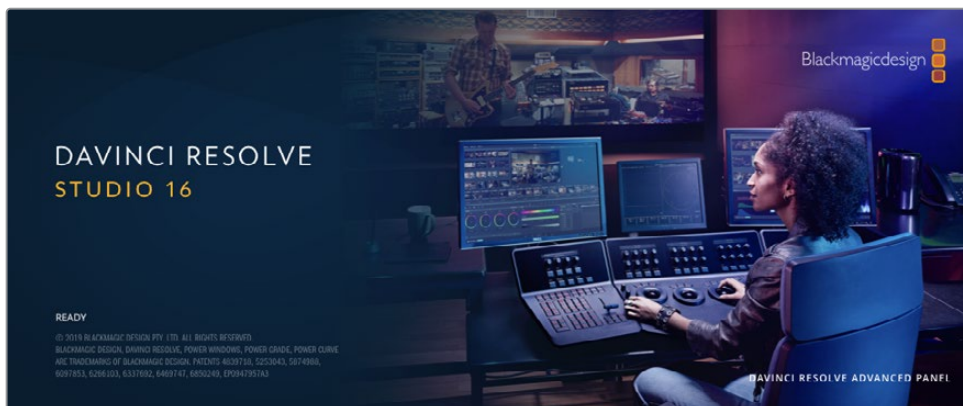
#### Набор регулировочных прокладок

Набор включает прокладки толщиной:

0,50 мм	0,18 мм	0,10 мм
0,30 мм	0,15 мм	0,05 мм
0,20 мм	0,12 мм	0,025 мм

# Работа с DaVinci Resolve

Съемка на Blackmagic URSA Mini — это только один из этапов создания кино и телевизионных программ. Не менее важную роль играют сохранение материала и его систематизация, в том числе монтаж, цветокоррекция и кодировка конечных мастер-копий. В комплект поставки Blackmagic URSA Mini входит приложение DaVinci Resolve для платформ Mac и Windows, что делает камеру полноценным решением для производства и обработки контента.



**ПРИМЕЧАНИЕ.** Чтобы получить оптимальный результат при грейдинге видео, снятого на камеру URSA Mini, рекомендуется использовать последнюю версию приложения DaVinci Resolve (начиная с 16.3), которая поддерживает кодек Blackmagic RAW и 12K-файлы.

При подключении SSD-диска, карты CFast или SD к компьютеру система DaVinci Resolve позволяет получить резервные копии с помощью инструмента Clone на странице Media. Дублирование рекомендуется для любых накопителей, так как ни один из них не защищен от повреждений, из-за которых легко утратить снятый материал. Имея резервные копии, клипы можно добавить в библиотеку Media Pool, чтобы затем выполнить монтаж, цветокоррекцию и создать конечный продукт без использования других приложений.

Благодаря наличию функций редактирования DaVinci Resolve является не только системой нелинейного монтажа, но и современным приложением для обработки цифрового кино. Теперь любой пользователь DaVinci Resolve имеет доступ к инструментам, с помощью которых создают самые известные голливудские фильмы.

Ниже описан порядок использования DaVinci Resolve при монтаже полученного во время съемки материала. Чтобы узнать больше о функционале этого приложения, загрузите руководство по DaVinci Resolve, которое содержится в разделе поддержки на веб-сайте Blackmagic Design, где также можно найти информацию об образовательных курсах и видеофильмы о работе с DaVinci Resolve.

## Менеджер проектов

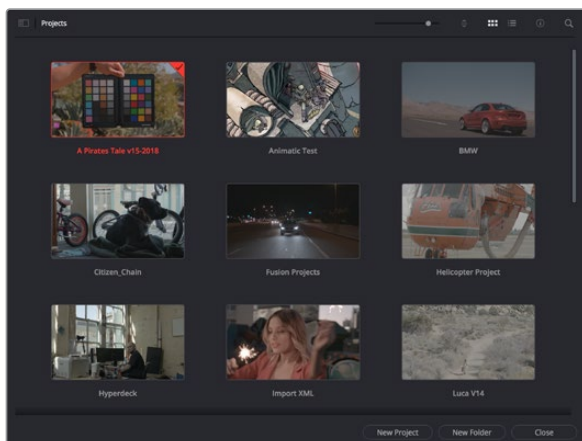
Прежде чем импортировать клипы и начинать монтаж, необходимо создать проект с помощью менеджера проектов.

Менеджер проектов появляется при запуске приложения DaVinci Resolve, но его можно также открыть в любое время, нажав значок домашней страницы в правом нижнем углу интерфейса. С его помощью открывают существующие проекты или создают новые.

Чтобы создать новый проект, нажмите кнопку «Новый проект» в нижней части окна и дайте проекту имя. Нажмите кнопку «Создать».



К работе над клипами можно сразу приступить на странице «Сборка».



В окне менеджера проектов отображаются все проекты данного пользователя

Дополнительную информацию о менеджере проектов см. в руководстве по DaVinci Resolve, которое можно загрузить в разделе поддержки на веб-сайте Blackmagic Design.

## Монтаж на странице «Сборка»

Ускоренный процесс монтажа на странице «Сборка» позволяет выполнять сведение, подгонку и редактирование клипов очень быстро и эффективно.

Две активные временные шкалы обеспечивают одновременную работу с полным эпизодом и с его более детальным вариантом.

Это означает, что клипы можно добавлять в любое место на шкале общего вида, а затем редактировать их на крупной шкале в едином рабочем пространстве. Благодаря такой конфигурации монтаж легко выполнять на ноутбуке, так как отпадает необходимость масштабирования и прокрутки, что сэкономит много времени.

## Структура страницы «Сборка»

По умолчанию на странице сборки отображаются медиатека, окно просмотра и временная шкала. Эти три основных окна обеспечивают полный контроль над процессом сведения материала.



Рабочая область страницы «Сборка» по умолчанию и медиатека с клипами в виде пиктограмм

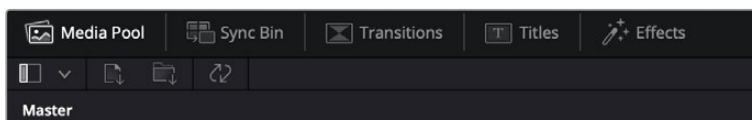
Подробнее о странице «Сборка» см. главу "Using the Cut Page" руководства по DaVinci Resolve.

## Вкладки медиаконтента

В левом верхнем углу интерфейса есть пять вкладок.

Здесь находятся инструменты для выполнения монтажа.

Первая вкладка «Медиатека» уже выбрана. Остальные называются «Синхроящик», «Переходы», «Титры» и «Эффекты».



- **Медиатека.** Здесь находятся все клипы, папки и файлы, импортированные на стр. «Мультимедиа». Чтобы туда не возвращаться, файлы можно также импортировать напрямую со стр. «Сборка».
- **Синхроящик.** Этот мощный инструмент автоматически синхронизирует все клипы по тайм-коду, дате и времени, что позволяет быстро выбирать разные ракурсы материала многокамерной съемки.
- **Переходы.** Эта вкладка содержит видео- и аудиопереходы, в том числе наплывы и вытеснения, которые можно использовать при монтаже.
- **Титры.** Здесь можно выбрать разные виды титров, например прокрутку, стандартный текст или титры в нижней трети экрана. Кроме того, в этой вкладке приведен большой список шаблонов Fusion, позволяющих добавлять более динамичные анимированные титры, настройка которых выполняется на стр. Fusion.
- **Эффекты.** Пятая вкладка содержит различные фильтры и эффекты, например размытие, свечение и эффекты оптики, используемые для придания материалу дополнительного разнообразия. Список довольно большой, и поэтому для облегчения поиска предусмотрено специальное окошко.

**СОВЕТ.** Рядом со значками вкладок медиаконтента находится инструмент поиска. Если, например, выбрать вкладку переходов и напечатать в поле поиска слово «наплыв», то в окне отобразятся только переходы с наплывом, что значительно ускорит поиск нужного перехода.

## Вкладки окна просмотра

В левом верхнем углу окна просмотра расположены кнопки режимов просмотра.



Кнопки режимов просмотра

С помощью этих кнопок можно включать режимы «Исходный клип», «Исходная кассета» или «Временная шкала». Они играют очень важную роль при выборе клипов для монтажа, поэтому стоит вкратце остановиться на каждом из них.





	<b>Исходный клип</b>	В этом режиме в окне просмотра отображается только один клип из медиатеки. На нем можно быстро устанавливать и корректировать точки входа и выхода, используя временную шкалу окна просмотра. Чтобы выбрать исходный клип, его нужно щелкнуть дважды в медиатеке или просто перетащить в окно.
	<b>Исходная кассета</b>	Данный режим позволяет видеть все находящиеся в медиатеке исходные клипы. Этот вид очень удобен, если необходимо быстро пройти по всем клипам и отыскать определенное событие. По мере перемещения курсора воспроизведения по клипам в медиатеке выделяются соответствующие пиктограммы. Когда нужный фрагмент найден, можно переключиться в режим «Исходный клип», и он автоматически появится в окне просмотра.  Окно просмотра исходной кассеты позволяет воспользоваться определенными преимуществами нелинейного монтажа, обеспечивая больше свободы действий, возможность быстрого поиска нужных кадров и воплощения новых идей.
	<b>Временная шкала</b>	В этом режиме в окне просмотра воспроизводятся клипы со временной шкалы страницы «Монтаж».

## Импорт клипов в медиатеку

Медиафайлы можно легко импортировать в проект из медиатеки страницы «Сборка» с помощью расположенных сверху инструментов.



Инструменты импорта медиаконтента в проект

	<b>Импортировать мультимедиа</b>	С помощью этого инструмента можно импортировать из хранилища отдельные медиафайлы.
	<b>Импортировать папку мультимедиа</b>	Данная опция позволяет импортировать целую папку. При этом относительное местоположение файлов сохраняется, и для каждой папки создается отдельный ящик, что облегчает навигацию и поиск нужного материала.

## Порядок импорта медиафайлов

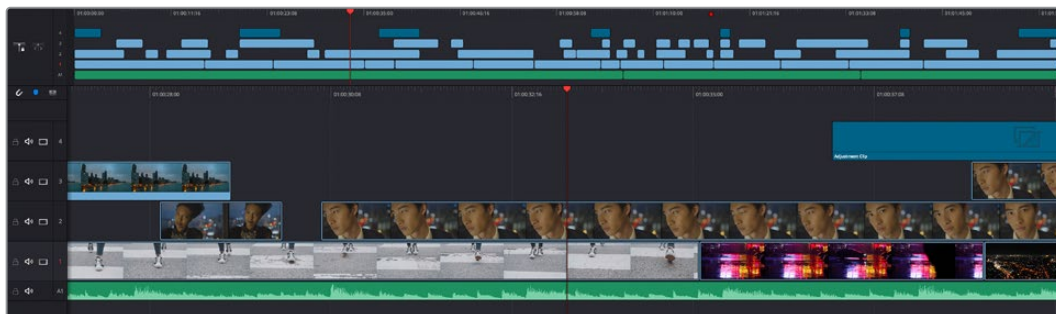
- 1 Щелкните значок «Импортировать мультимедиа» или «Импортировать папку мультимедиа».
- 2 Перейдите в место хранения импортируемого контента.
- 3 Выберите файл или папку и нажмите кнопку «Открыть».

После добавления в проект нового материала рекомендуется сохранить изменения. В приложении DaVinci Resolve предусмотрена функция автоматического сохранения с постоянным временным интервалом. Она активируется после первого сохранения проекта и исключает вероятность утраты внесенных изменений.

Подробнее об автоматическом режиме и других настройках сохранения см. руководство по DaVinci Resolve.

## Добавление клипов на временную шкалу

Теперь, после ознакомления с функциями вкладок медиаконтента и кнопок режимов просмотра, можно начинать добавлять клипы из медиатеки на временную шкалу.



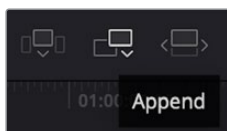
На стр. «Сборка» есть верхняя временная шкала и увеличенная нижняя шкала

Временная шкала представляет собой монтажный стол с дорожками, на которые добавляются клипы, перемещают их и выполняют подгонку. Такая структура позволяет размещать клипы слоями, обеспечивая дополнительную гибкость при использовании переходов и эффектов. К примеру, на верхнюю дорожку можно внести отдельный клип, который не будет влиять на другие клипы, находящиеся снизу.

Есть разные способы добавления клипов на временную шкалу, в том числе смарт-вставка, добавление в конец и размещение сверху.

### Добавление клипов в конец

Прежде чем начинать сведение материала, нужные кадры обычно добавляют на временную шкалу в последовательном порядке. Для выполнения этой операции, после чего сразу можно приступить к монтажу, идеально подходит инструмент «Добавление».



Чтобы добавить новый клип в конец предыдущего, щелкните значок «Добавление»

### Порядок добавления клипа

- 1 Дважды щелкните по клипу в медиатеке, чтобы открыть его в окне просмотра.
- 2 С помощью маркеров оперативной подгонки перетащите точки входа и выхода, чтобы откорректировать длительность фрагмента. Для установки точек входа и выхода можно также использовать клавиши "I" и "O".

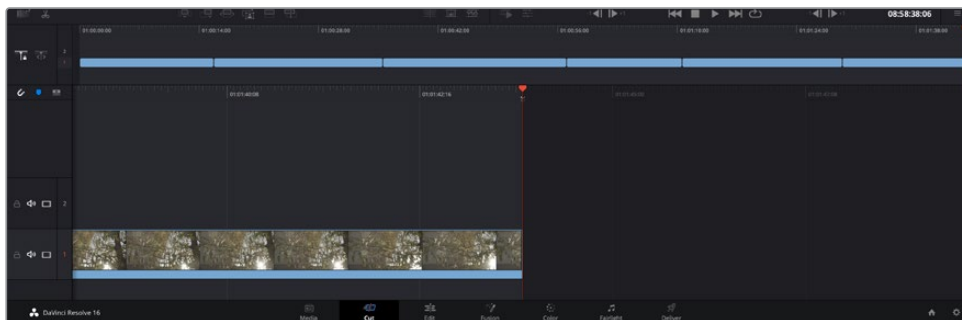


- 3 Нажмите значок «Добавить», расположенный под панелью медиатеки.



Первый клип будет помещен в начале временной шкалы.

Повторите шаги 1-3 несколько раз. Клипы автоматически становятся друг за другом, не оставляя промежутков.



При использовании инструмента «Добавление» между клипами не остается промежутков

**СОВЕТ.** Этот процесс можно еще более ускорить, если для активирования функции «Добавить» назначить отдельную клавишу. Например, если назначить клавишу "P", то после установки точек входа и выхода с помощью "I" и "O" для добавления клипа следует нажать "P". Подробнее о назначении сочетания клавиш см. руководство по DaVinci Resolve.

## Редактирование клипов на временной шкале

После добавления клипов на временную шкалу их можно сдвигать и обрезать.

Чтобы обрезать клип, наведите указатель мыши на начало или конец клипа, а затем щелкните и перетащите его влево или вправо. Например, перетащите конец клипа влево или вправо, чтобы уменьшить или увеличить его длительность. При выполнении операции все клипы на временной шкале сдвинутся соответствующим образом. Это один из способов экономии времени при работе на стр. «Сборка».

Клип можно также легко вставить на новую видеодорожку большой временной шкалы, не изменяя при этом ее масштаб. Это значительно ускоряет процесс монтажа, поскольку уменьшается время навигации по длинной линейке.

После редактирования можно приступить к добавлению титров. Этот процесс описан в следующем разделе.

## Добавление титров

На временную шкалу можно добавлять титры разных типов.

Чтобы их увидеть, нажмите соответствующий значок «Титры» в левом верхнем углу интерфейса. На панели появится список титров, в том числе разные виды нижней трети, прокрутка и стандартное текстовое название. Дополнительно приведены анимированные титры Fusion с изменяемыми параметрами.

Для примера добавим стандартное название.

**Для этого выполните описанные ниже действия.**

- 1 Щелкните по титру под названием «Текст» и перетащите его на временную шкалу. Не важно, на какую шкалу добавлять, но для более точного размещения мы рекомендуем использовать крупную шкалу. Для титра, который прикрепится к курсору воспроизведения, автоматически появится новая видеодорожка.
- 2 Отпустите кнопку мыши, и на эту дорожку будет добавлен выбранный титр. Его положение или длительность можно менять так же, как и других клипов.
- 3 Чтобы отредактировать этот титр, щелкните по его клипу, а затем нажмите появившийся под окном просмотра значок «Инструменты».  
  
Появится ряд инструментов, в том числе «Преобразование», «Обрезка» и «Динамическое масштабирование», с помощью которых можно редактировать клип с титром. Щелкните по значку «Название».
- 4 Теперь нажмите «Открыть Инспектор».

Откроется окно инспектора, в котором можно вносить текст названия и изменять его настройки, например отслеживание, междустрочный интервал, начертание и цвет шрифта и т. д.

Для редактирования титров предусмотрено довольно много параметров. Рекомендуем поэкспериментировать с ними, чтобы лучше понять их функции.

## Работа с файлами Blackmagic RAW

Кодек Blackmagic RAW дает максимум гибкости при постобработке. Это позволяет менять баланс белого и светочувствительность таким же образом, как корректируют настройки камеры. В результате сохраняется информация о тональности в областях тени и света, которая бывает полезна при восстановлении утраченной детализации.

Если необходимо получить кадры самого высокого качества или материал имеет широкую градацию от света до тени, рекомендуется вести съемку в Blackmagic RAW. Это позволит максимально эффективно выполнить цветокоррекцию.

Кроме того, файлы с расширением .braw имеют небольшой размер, поэтому их можно просматривать как обычный видеоклип. Подробнее об особенностях кодека Blackmagic RAW и обработке такого материала в DaVinci Resolve см. следующую главу.

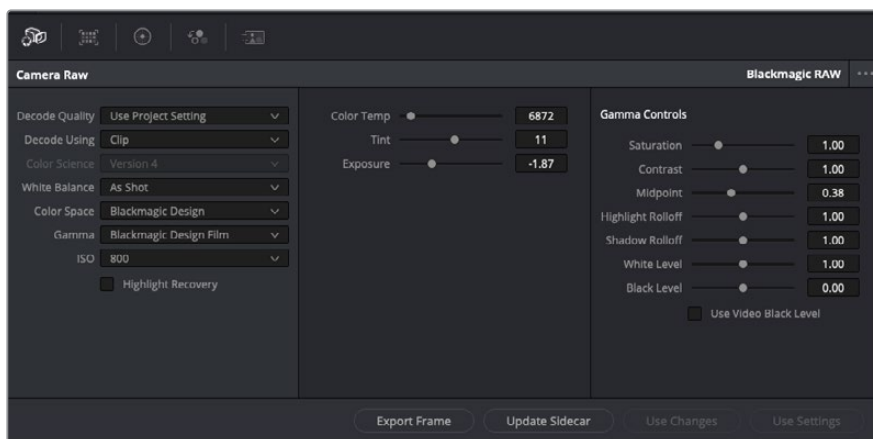
**СОВЕТ.** Прежде чем начинать выполнение цветокоррекции, рекомендуется сначала откорректировать настройки Blackmagic RAW для клипов на стр. «Цвет».

### Настройки «Клип» для работы с Blackmagic RAW

При импорте файлов Blackmagic RAW в приложение DaVinci Resolve выполняется декодирование параметров ISO, баланса белого и тона, которые были установлены на камере при съемке. Если вас устраивает цветовой ряд этих настроек, можно сразу приступить к монтажу.

Преимущество съемки в Blackmagic RAW заключается в том, что настройки легко поменять. Широта доступных вариантов постобработки при использовании формата Blackmagic RAW позволяет выполнять ее по своей системе, а настройки «Клип» на вкладке «Настройки RAW камеры» дают возможность экспериментировать и подбирать нужную цветовую схему.

Для выполнения анализа полученного материала в меню «Цветокодировка» можно выбрать алгоритмы 4-го или 5-го поколения. URSA Mini Pro 12K — первая камера, которая позволяет работать с цветокодировкой Blackmagic Design 5-го поколения. Файлы, записанные на других камерах в цветокодировке 4-го поколения, можно перевести в цветокодировку 5-го поколения для соответствия палитре кадров, сделанных на URSA Mini Pro 12K. Если же съемка ведется в основном на камеры, использующие цветокодировку 4-го поколения, при добавлении контента, сохраненного на URSA Mini Pro 12K в цветокодировке 5-го поколения, его легко преобразовать в цветокодировку предыдущего поколения. Такая технология позволяет легко привести к единому виду изображения, снятые с разными настройками цветокодировки Blackmagic.



Чтобы изменить настройки Blackmagic RAW для отдельного клипа, выберите «Клип» в раскрывающемся меню «Для декодирования использовать» на вкладке «Настройки RAW камеры»

После выбора настройки «Клип» для работы с кодеком Blackmagic RAW параметры клипа и полутонов можно менять. Это позволит максимально приблизить изображение к версии с полноценным первичным грейдингом. Особенно полезны в этом случае индикаторы, которые помогают нейтрализовать и сбалансировать клипы для создания цветовой схемы.

Подробнее о параметрах клипа и полутонов см. разделы ниже.

### **ISO**

Изменяя значение ISO, можно сделать начальную точку светлее или темнее для удобства в дальнейшей работе.

### **Восстановление светлых тонов**

Поставьте флажок для восстановления светлых тонов в обрезанных каналах с помощью информации, взятой из неповрежденных каналов.

### **Цветовая температура**

С помощью этой настройки изображения можно сделать более теплыми или холодными, нейтрализуя таким образом баланс цвета.

### **Оттенок**

Добавление зеленого или пурпурного оттенка помогает сбалансировать цвет изображения.

### **Экспозиция**

Используется для более точной настройки яркости всего изображения. Подробнее см. раздел «Настройка экспозиции».

### **Насыщенность**

Для насыщенности по умолчанию используется настройка 1; полный диапазон значений составляет от -1 (минимум) до +4 (максимум).

## Контрастность

По умолчанию используется настройка 1,0. Передвиньте слайдер влево, чтобы уменьшить значение до 0, или вправо, чтобы увеличить его до 2.

## Средняя точка

При настройке Blackmagic Design Film средняя точка по умолчанию имеет значение 0,38 или 38,4%. Для уменьшения передвиньте слайдер влево, для увеличения до 100 — вправо. При изменении установленного по умолчанию значения контрастности коррективную можно выполнять изменением перехода светлых и темных тонов.

## Переход светлых тонов

Чтобы уменьшить значение до 0, передвиньте слайдер влево, чтобы увеличить до 2 — вправо. По умолчанию используется значение 1.

## Переход темных тонов

Чтобы уменьшить значение до 0, передвиньте слайдер влево, чтобы увеличить до 2 — вправо.

## Уровень белого

С помощью слайдера можно настроить уровень белого на кривой полутонов в диапазоне от 0 до 2. По умолчанию используется значение 1.

## Уровень черного

С помощью слайдера можно настроить уровень черного на пользовательской кривой полутонов в диапазоне от -1 до 1. По умолчанию используется значение 0.

## Использовать уровень черного

Поставьте флажок для этой опции, если нужно использовать уровень черного, принятый для видеоматериала.

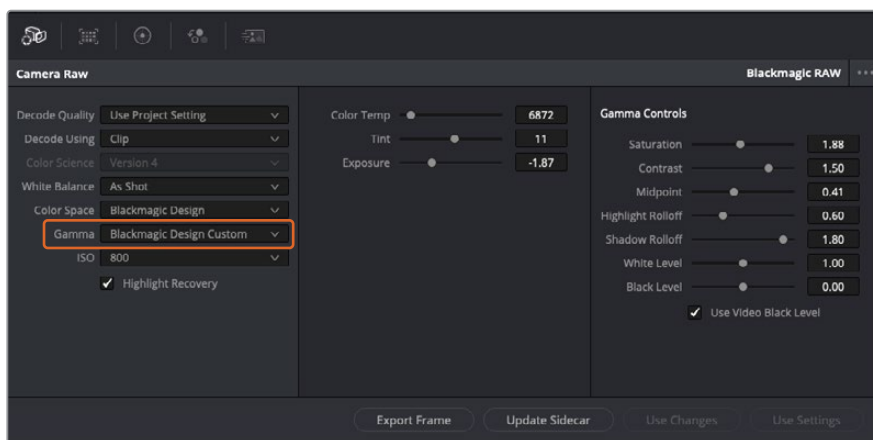
## Экспортировать кадр

Кнопка «Экспортировать кадр» позволяет экспортировать отдельный кадр из клипа в формате Blackmagic RAW.

## Обновить Sidecar-файл

Кнопка «Обновить Sidecar-файл» служит для обновления файла .sidecar в текущем клипе.

Если параметры в клипах Blackmagic RAW были изменены, для настройки полутонов отображается опция Blackmagic Design Custom.



Чтобы вернуться к версии с одной из настроек полутонов по умолчанию, выберите нужную опцию в соответствующем раскрывающемся меню

**СОВЕТ.** Элементы управления полутонами отключены в том случае, если материал снят в режиме «Видео», однако информация кодека Blackmagic RAW не утрачивается. Чтобы выполнить коррекцию параметров, выберите для настройки «Полутона» опцию Blackmagic Design Film или Blackmagic Design Extended Video.

#### Сохранение изменений в файле .braw

- 1 Измените параметры полутонов для клипа в кодеке Blackmagic RAW.
- 2 Нажмите кнопку «Обновить Sidecar-файл».

Теперь в папке будет два файла: с расширением .braw и .sidecar. Если другой пользователь импортирует клип в кодеке Blackmagic RAW, файл .sidecar будет автоматически считываться в приложении DaVinci Resolve. При внесении новых изменений нажмите «Обновить Sidecar-файл» еще раз.

**СОВЕТ.** Чтобы не использовать файл .sidecar, удалите его из исходной папки.

### Настройки проекта для работы с Blackmagic RAW

Если вы хотите применить новые значения ко всем клипам (например, изменить баланс белого или параметры ISO), это можно сделать на панели «Настройки RAW камеры».

#### Порядок установки настроек проекта для работы с Blackmagic RAW

- 1 В меню «Файл» выберите «Настройки проекта».
- 2 На вкладке «Настройки RAW камеры» рядом с профилем RAW есть раскрывающееся меню. Выберите Blackmagic RAW.
- 3 В раскрывающемся меню «Для декодирования использовать» выберите «Проект».
- 4 Для настройки «Баланс белого» выберите опцию «Пользователь».
- 5 Для настройки «Полутона» выберите опцию Blackmagic Design Custom. Для настройки «Цветовое пространство» выберите опцию Blackmagic Design. Для настройки «Полутона» будет установлена опция Blackmagic Design Film.
- 6 В меню «Для декодирования использовать» выберите разрешение. На компьютерах небольшой мощности низкое значение обеспечит улучшенное воспроизведение. Перед созданием конечной версии можно вернуться к полному разрешению.

После этого можно изменить дополнительные параметры клипов, в том числе насыщенность, контрастность и среднюю точку. Такие действия затронут все клипы проекта, для которых в настройке «Для декодирования использовать» была выбрана опция «Проект».

### Цветокоррекция клипов на стр. «Цвет»

После добавления на временную шкалу клипов и титров можно приступить к выполнению цветокоррекции на стр. «Цвет». Она содержит довольно широкий набор инструментов, с помощью которых задают общую палитру всему фильму. В данном же случае в целях достижения единообразия цветовую схему клипов сначала рекомендуется нейтрализовать. Если клипы нужно дополнительно отредактировать, вернитесь на стр. «Сборка» или «Монтаж».

Страница «Цвет» позволяет менять общую палитру всего видеоматериала, а сам процесс цветокоррекции можно вполне считать видом искусства, ведь колорист добавляет изображению эмоциональные краски. Это очень творческая часть рабочего процесса,

от которой получаешь огромное удовольствие, когда видишь плоды своего труда. Начальная стадия называется первичной цветокоррекцией или глобальной установкой цвета. После ее завершения приступают ко вторичной цветокоррекции, во время которой вносят мелкие изменения в тональность определенных объектов на изображении. Для повышения эффективности и получения наилучших результатов к данному этапу следует переходить после первичной цветокоррекции.

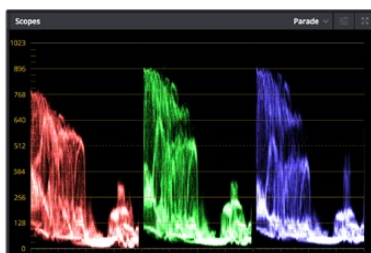
Чтобы открыть страницу работы с цветом, выберите вкладку «Цвет».

Она содержит настройки RAW камеры, цветовые круги, панели кривых и инструменты грейдинга, а также окна просмотра и узлов. Все эти функции позволяют создавать самые сложные и оригинальные цветовые решения. В данном разделе приводится базовое описание процессов. Более подробную информацию об инструментах и операциях смотрите в соответствующих разделах руководства. Изложенные в простой форме инструкции помогут вам овладеть такими же приемами, которые используют профессионалы на студиях грейдинга.

На этапе первичной цветокоррекции обычно выполняют обработку темных, средних и светлых тонов, то есть изменяют параметры «Тени», «Полутона» и «Свет». Это позволяет получить светлое сбалансированное изображение, которое служит отправной точкой для создания визуального ряда в необходимой цветовой гамме. При оптимизации изображения часто используют индикаторные диаграммы.

## Работа с индикаторными диаграммами

Большинство колористов создают цветовые решения, отталкиваясь от собственного представления о том, какие эмоции должен передавать визуальный ряд. Вдохновение для такой работы можно черпать из повседневной жизни, если наблюдать за предметами при различном освещении.



RGB-дисплей помогает получить оптимальный вид областей света, полутона и тени

Другой способ грейдинга — работа со встроенными диаграммами, которые помогают установить необходимый баланс цвета. Кнопка «Диаграммы» (вторая справа на панели инструментов) позволяет открыть одну из следующих диаграмм: форма волны, RGB-дисплей, вектороскоп и гистограмма. С их помощью можно контролировать баланс тонов, проверять уровни видео, чтобы не допускать затемнения или засветки изображения, а также выявлять преобладание отдельных оттенков.

Панель «Цветовые круги» содержит инструменты для работы с параметрами «Тени», «Полутона» и «Свет», которые обычно используются для первичного грейдинга. Этим она похожа на средства установки цвета и регулировки контрастности в других приложениях.





Круги «Тени», «Полутона», «Свет» и «Смещение» предназначены для изменения параметров цвета и баланса тонов. Чтобы выполнить глобальную коррекцию всех цветов для каждой области, перетащите колесики под цветовыми кругами вперед или назад.

Для более точной настройки параметров каждого цвета в отдельности используйте компьютерную мышь либо измените цветовую панель на «Полосы первичной цветокоррекции» для корректировки яркости. Опцию «Полосы первичной цветокоррекции» можно выбрать из раскрывающегося меню, которое находится сверху справа от цветовых кругов.

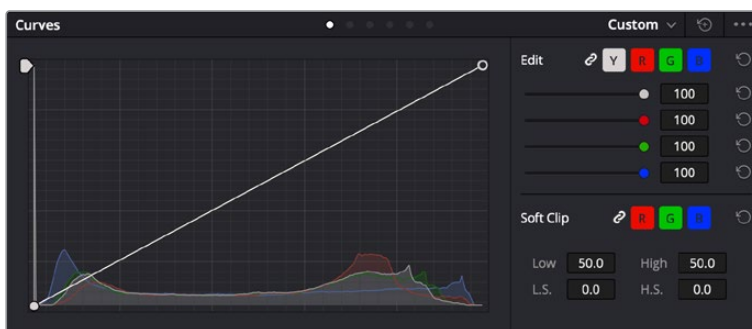
- **Корректировка параметра «Тени».** Выберите клип на временной шкале и нажмите на колесико шкалы «Тени» под первым цветовым кругом. Перетащите колесико вперед или назад и посмотрите, как изменится изображение. Яркость областей тени будет увеличиваться или уменьшаться.

Установите колесико в положение, при котором эти области имеют оптимальный вид. При слишком низком значении отдельные детали в областях тени станут неразличимыми. Наилучший результат достигается в том случае, когда уровень сигнала на RGB-дисплее находится непосредственно над нижней линией.

- **Корректировка параметра «Свет».** Нажмите на колесико шкалы «Свет» и перетащите его вперед или назад. Это действие позволяет изменить вид областей света, которые являются наиболее яркими участками изображения. На RGB-дисплее этим областям соответствует сигнал в верхней части экрана. Чтобы получить яркое изображение, уровень сигнала должен находиться непосредственно под верхней линией. Если уровень поднимается над верхней линией, области света будут иметь эффект засветки, и их отдельные детали станут неразличимы.
- **Корректировка параметра «Полутона».** Нажмите на колесико шкалы «Полутона» под цветовым кругом и перетащите его вперед или назад. По мере увеличения этого параметра яркость изображения будет возрастать. Одновременно с перемещением колесика будет меняться форма волны в средней части диаграммы, которая соответствует области полутонов. Изображение имеет оптимальный вид, когда значение этого параметра находится в границах между 50 и 70%. В зависимости от создаваемой цветовой гаммы и условий освещенности эти рамки могут быть расширены.

Для выполнения первичной цветокоррекции можно также использовать кривые. Чтобы изменить общую контрастность изображения для всех трех каналов (RGB), создайте точки на диагональной линии, щелкнув кнопкой мыши в нужных местах, и перетащите их вверх или вниз. Для оптимального результата лучше выбрать точки в верхней и нижней третях, а также посередине.

Первичную цветокоррекцию можно выполнять многими другими способами.



Панель кривых — еще один инструмент для выполнения первичной цветокоррекции или выделения отдельных областей при использовании Power-зоны

## Вторичная цветокоррекция

Вторичная цветокоррекция используется для обработки отдельных участков изображения. Предыдущий этап называется первичной цветокоррекцией, потому что все изменения параметров «Тени», «Полутона» и «Свет» затрагивают целое изображение.

Если изменения необходимо применить только к отдельным участкам изображения (например, сделать более естественным цвет травы в кадре или более насыщенным цвет неба), используют вторичную цветокоррекцию. Для этого выбирают отдельный фрагмент изображения и работают только с ним. Благодаря узловой структуре можно выполнять любое количество действий и получать именно тот эффект, который нужен. С помощью Power-зоны и трекинга изменения легко применить к выбранным объектам даже в том случае, если они двигаются.

## Отбор цвета

Иногда колористу нужно увеличить интенсивность отдельного цвета (например, сделать более сочной траву и более ярким небо) или скорректировать его, чтобы привлечь внимание зрителя к какому-нибудь предмету. Это можно сделать с помощью инструмента HSL.



Инструмент HSL в окне «Квалификатор» помогает выделять цвета в изображении, если нужно увеличить контрастность или подчеркнуть отдельные детали

## Порядок отбора цвета

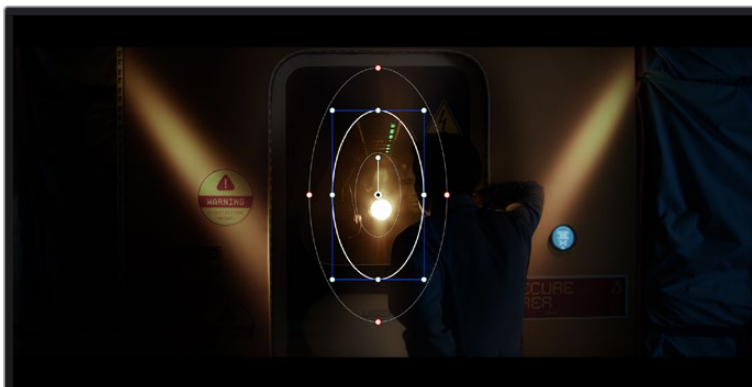
- 1 Добавьте новый последовательный узел.
- 2 Откройте панель «Квалификатор» и убедитесь в том, что используется селектор в разделе «Выбранный диапазон».
- 3 Щелкните кнопкой мыши на том цвете, который нужно обработать.
- 4 Обычно требуется дополнительно изменить отдельные параметры, чтобы сделать более ровными края области с выбранным цветом. Нажмите кнопку «Выделить» над окном просмотра, чтобы увидеть выбранную область.
- 5 В окне «Тон» настройте параметр «Шир.», чтобы расширить или сузить границы выбранной области.

Изменяя параметры «Высок.», «Низк.» и «Мягк.», создайте область с оптимальными границами. Теперь можно выполнить коррекцию выбранного цвета с помощью цветовых кругов или пользовательских кривых.

Иногда выбранный цвет может присутствовать в областях кадра, которые нужно исключить из обработки. Для маскирования таких областей применяют Power-зону. Создайте новое окно и используйте его для выбора только необходимого участка цвета. Если предмет этого цвета будет двигаться, функция трекинга поможет сохранить изменения для Power-зоны.

## Добавление Power-зоны

Power-зона — мощный инструмент вторичной цветокоррекции, с помощью которого легко изолировать отдельные участки клипа. Эти участки необязательно должны быть статичными — положение предметов в кадре может меняться в зависимости от угла съемки, и сами предметы тоже могут двигаться.



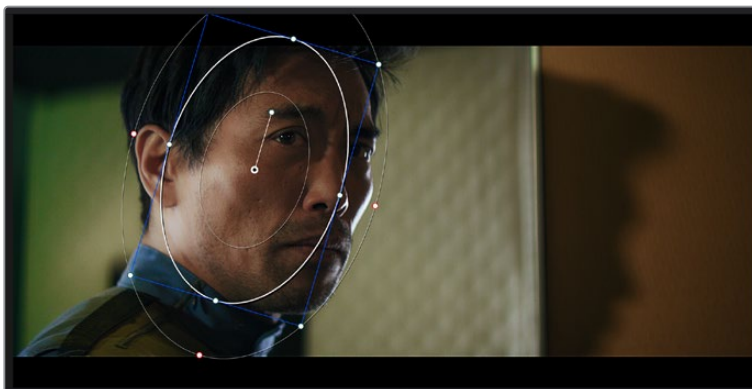
Power-зона используется для исключения участков, которые не должны быть затронуты обработкой с помощью инструмента HSL.

Например, если выделить фигуру человека, новые параметры цвета и контрастности будут применены только к данной области и не затронут остальную часть изображения. Благодаря этой функции колористы акцентируют внимание зрителя на нужных деталях.

### Порядок добавления Power-зоны

- 1 Добавьте новый последовательный узел.
- 2 Откройте панель «Окно» и выберите нужную фигуру, щелкнув кнопкой мыши на соответствующем значке. В узле будет добавлена зона выбранной формы.
- 3 Для изменения границ зоны используйте синие точки по контуру фигуры. Красные точки позволяют скорректировать резкость краев. Нажмите на центральную точку фигуры и поместите ее в ту область, которую нужно изолировать. Для поворота фигуры используют точку, соединенную с центром.

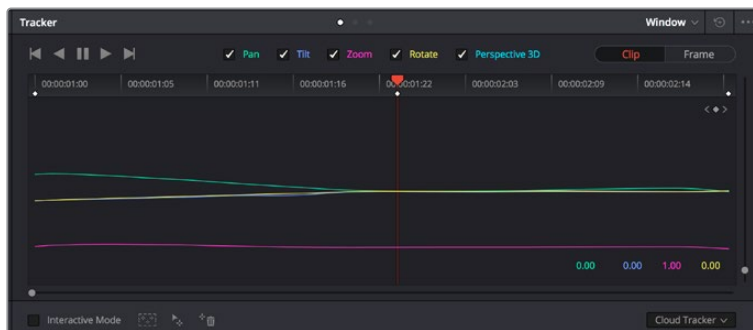
Теперь цветокоррекция будет применяться только к выделенной области изображения.



Power-зона позволяет выполнять вторичную цветокоррекцию отдельных участков изображения

## Трекинг зон

Так как камера и предметы в кадре могут двигаться, для привязки зоны к выбранному участку используют функцию отслеживания. Она анализирует положение камеры и перемещение предметов, позволяя сохранить заданные зоны. Если этого не сделать, цветокоррекция может затронуть те области, которые изначально не были выбраны.



С помощью функции отслеживания можно привязать Power-зону к движущемуся предмету

### Отслеживание зоны на движущемся объекте

- 1 Создайте новый последовательный узел и добавьте Power-зону.
- 2 Перейдите в начало клипа, затем выберите положение и размер зоны, чтобы она охватывала только нужный участок изображения.
- 3 Откройте панель «Отслеживание». В зависимости от характера движения выберите анализ параметров «Панорамирование», «Наклон», «Масштабирование», «Поворот» и «3D-перспектива», поставив или сняв флажок в соответствующем поле.
- 4 Нажмите на кнопку «Отслеживание вперед» слева от настраиваемых параметров. DaVinci Resolve будет использовать несколько точек отслеживания для анализа движения в последовательности кадров, поэтому Power-зона останется привязанной к выбранной области изображения.

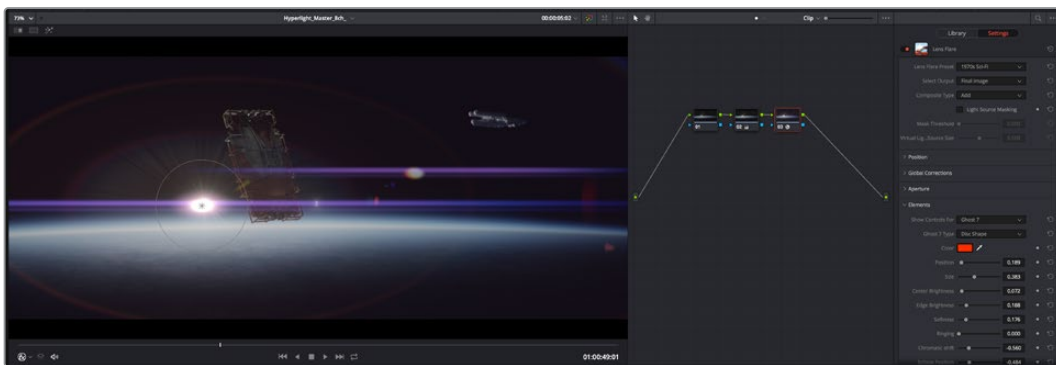
В большинстве случаев автоматическое отслеживание бывает успешным, однако для некоторых сложных сцен может потребоваться ручная обработка с помощью редактора ключевых кадров. Более подробно эта функция описана в руководстве по DaVinci Resolve.

## Использование плагинов

При выполнении вторичной цветокоррекции можно использовать плагины ResolveFX или OpenFX, которые позволяют создавать оригинальные цветовые решения на странице «Цвет» и добавлять переходы на странице «Монтаж». Плагины ResolveFX устанавливаются вместе с приложением, а OFX предлагают сторонние производители программного обеспечения.

После установки набора плагинов OFX для доступа к ним или к ResolveFX перейдите на страницу «Цвет» и откройте панель OpenFX, которая находится справа от редактора узлов. Создав новый последовательный узел, нажмите кнопку OpenFX и перетащите плагин на этот узел. Если настройки плагина можно изменить, используйте панель «Настройки».

На странице «Монтаж» с помощью плагинов можно добавлять эффекты, переходы и фильтры. Для этого откройте панель OpenFX в библиотеке эффектов и перетащите выбранный плагин на видеоклип или дорожку над ним на временной шкале.



Плагины OFX — удобный и простой способ создания оригинального визуального ряда

## Микширование звука

### Микширование звука на странице «Монтаж»

После редактирования и цветокоррекции видео можно приступить к обработке звука. В DaVinci Resolve есть ряд инструментов для монтажа и создания мастер-копии аудиодорожки непосредственно на странице «Монтаж». Комплексное микширование доступно на специальной странице Fairlight, которая имеет целый набор средств для полноценного сведения звука. Их описание содержится в следующем разделе.

### Добавление звуковых дорожек

Для наложения звуковых эффектов и музыки на странице «Монтаж» можно добавить новые дорожки. Такой способ обработки помогает создать целостное звуковое сопровождение, состоящее из диалогов, музыкального фона и дополнительных эффектов.

### Порядок добавления звуковой дорожки на странице «Монтаж»

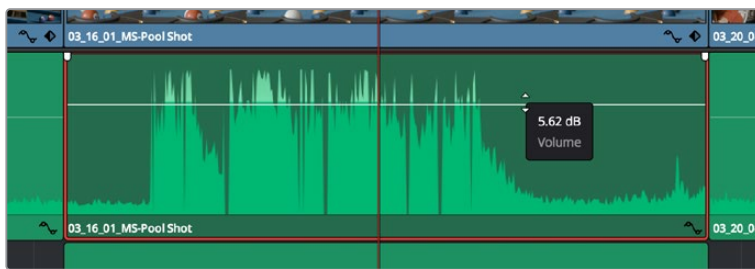
Щелкните правой кнопкой мыши рядом с названием любой звуковой дорожки на временной шкале, выберите «Добавить дорожку», затем одну из опций (Mono, Stereo или 5.1). Новая дорожка будет добавлена внизу списка. Также можно выбрать «Добавить дорожки...» и указать место, куда нужно поместить одну или несколько новых дорожек.

На временной шкале появится новая звуковая дорожка.

**СОВЕТ.** Если тип дорожки нужно изменить после ее создания, щелкните правой кнопкой мыши рядом с названием, выберите «Изменить тип дорожки на», затем одну из опций (Mono, Stereo или 5.1).

### Настройка уровней звука на временной шкале

Каждый клип на временной шкале имеет отдельную настройку уровня звука, изменить который можно простым перетаскиванием указателя с помощью мыши. Эта настройка соответствует значению «Громкость» в панели «Инспектор».

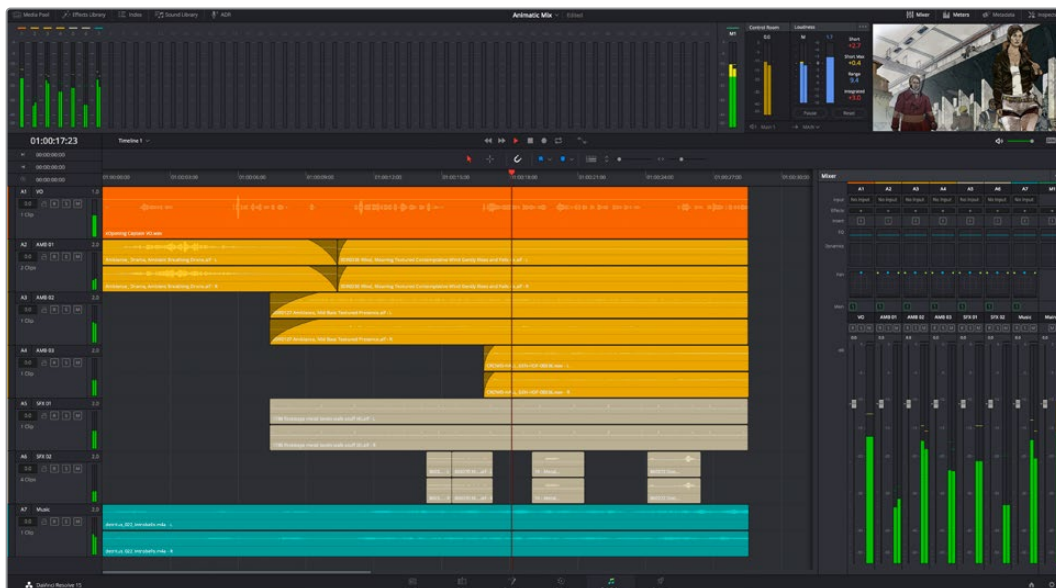


Уровень звука меняется перетаскиванием указателя

Для комплексного микширования используется страница Fairlight, которая содержит полный комплект инструментов для постобработки звука.

## Страница Fairlight

Страница Fairlight приложения DaVinci Resolve служит для обработки звука. Позволяя увидеть все аудиодорожки проекта в режиме одного экрана, она имеет целый набор инструментов для расширенного микширования и пользовательские средства мониторинга. Это упрощает проверку качества звукового сопровождения и настройку уровней сигнала для создания оптимальной мастер-версии.

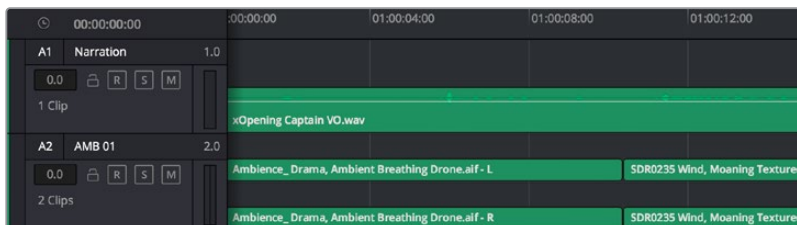


Данный раздел содержит описание основных функций, представленных на странице Fairlight. Подробнее о каждом инструменте и способах их применения см. в руководстве по DaVinci Resolve.

## Звуковая временная шкала

- **Заголовок дорожки.** С левой стороны в заголовке каждой дорожки указаны ее номер, название и цвет, а также отображаются аудиоканалы, уровень фейдера и индикаторы звука. Там же можно установить и снять блокировку дорожек, выбрать вывод отдельного трека и отключить аудио. Эти органы управления позволяют систематизировать дорожки и просматривать каждую из них по отдельности.

- **Дорожки.** Для редактирования и микширования каждая дорожка на странице Fairlight разделена на полосы, которые соответствуют индивидуальным каналам аудиосигнала. На временной шкале страницы «Монтаж» эти каналы скрыты, а для удобства обработки отображается весь клип с целостным звуковым сопровождением.



A1 — монодорожка с одной полосой, A2 — стереодорожка с двумя полосами

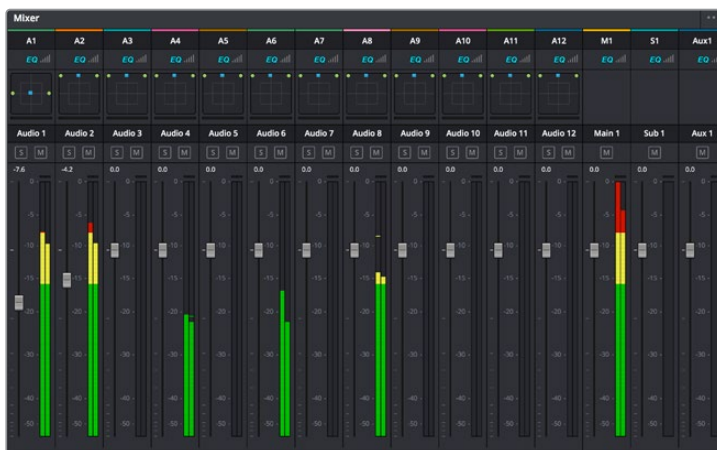
## Понятие шины

Шина — это канал для сведения нескольких звуковых дорожек с временной шкалы в один сигнал, которым можно управлять как единым элементом.

- **Основная шина.** Обычно это основная шина программного вывода, куда по умолчанию сводится звук со всех дорожек текущего проекта. Она объединяет их на временной шкале в единый сигнал и позволяет устанавливать его общий уровень после корректировки параметров каждого отдельного компонента.
- **Субмикс-шина.** Эта шина служит для сведения воедино нескольких треков одной категории (например, диалоги, музыка и звуковые эффекты), чтобы было удобно выполнять их пакетную обработку. Так, на нее можно направить все дорожки с диалогами, а затем выбрать для них одинаковые параметры с помощью одного набора настроек. Предусмотрен рендеринг как отдельно для вспомогательной шины, так и для всего материала на основной шине.

## Микшер

Каждая дорожка на временной шкале соответствует отдельному каналу на панели «Микшер». Звуковое сопровождение для основной шины отображается в виде одной полосы и по умолчанию имеет обозначение M1. Если создать дополнительные основные и субмикс-шины, в правой части экрана для них появятся свои полосы с набором графических органов управления. Они позволяют назначать каналы для вывода, настраивать параметры эквалайзера и динамики, устанавливать уровень сигнала и автоматизировать задачи, задавать пространственные характеристики объемного и стереозвука, отключать или прослушивать только один трек.



Аудиомикшер с каналами, которые соответствуют дорожкам на временной шкале



## Работа с эквалайзером

После того как настроены уровни звука, иногда требуется его дополнительная обработка. Когда диалоги, музыка и эффекты имеют одинаковые частотные характеристики, звуковое сопровождение клипа становится слишком насыщенным и трудным для восприятия. В этом случае можно использовать эквалайзер, чтобы задать участки спектра для каждой дорожки. Также он позволяет удалить нежелательные элементы путем изолирования частот, содержащих различные помехи в виде шума, и уменьшения соответствующего уровня.

DaVinci Resolve имеет фильтры, которые можно применить как ко всему клипу, так и к отдельной дорожке. Для любого клипа на временной шкале доступна обработка с помощью четырехполосного эквалайзера в окне «Инспектор», а для треков на панели «Микшер» — с помощью шестиполосного параметрического эквалайзера. При создании кривой нужной формы используют графические органы управления и числовые значения, которые позволяют усилить или ослабить отдельные частотные диапазоны, а также фильтры разных видов.



Клипы на монтажной линейке можно обрабатывать с помощью четырехполосного эквалайзера

Для крайних полос можно выполнять настройку с использованием фильтров высоких и низких частот, высокого и низкого шельфа. Частотные фильтры полностью удаляют из сигнала все частоты выше или ниже определенного значения. Так, высокочастотный фильтр пропускает высокие частоты и задерживает низкие. Те из них, которые не попадают в заданный диапазон, постепенно обрезаются по нисходящей кривой.

Фильтры шельфа предназначены для более мягкой обработки и используются, когда нужно сформировать форму сигнала в верхней или нижней точке без полного удаления частот. Они усиливают или ослабляют целевую частоту и равномерно воздействуют на все частоты выше или ниже заданной границы.

Для средних полос можно выполнять эквализацию с использованием низкого и высокого шельфов, полосно-заграждающего и колоколообразного фильтров.

- **Колоколообразный фильтр.** Усиливает или ослабляет диапазон частот в заданной точке кривой.
- **Полосно-заграждающий фильтр.** Позволяет обрабатывать очень узкий диапазон частот. Например, с его помощью можно удалить помехи на частоте 50 или 60 Гц.
- **Фильтр низкого шельфа.** Усиливает или ослабляет сигнал целевой частоты на нижней границе и более низкие частоты.
- **Фильтр высокого шельфа.** Усиливает или ослабляет сигнал целевой частоты на верхней границе и более высокие частоты.



## Обработка клипа с помощью эквалайзера

- 1 Чтобы добавить эквалайзер, выберите клип на временной шкале.
- 2 Щелкните кнопкой мыши на панели «Инспектор» и включите режим «Эквалайзер клипа».

## Порядок добавления эквалайзера к дорожке

- 1 Чтобы открыть эквалайзер для определенной дорожки, дважды щелкните кнопкой мыши в секции «ЭКВ» этой дорожки.
- 2 В раскрывающемся меню выберите тип фильтра.



В секции «ЭКВ» на панели «Микшер» отображается кривая в соответствии с выбранным фильтром



Каждую дорожку можно обработать с помощью шестиполосного параметрического эквалайзера

Когда для клипа или дорожки открыт эквалайзер, можно выполнить обработку на каждой полосе. Набор доступных настроек зависит от выбранного типа фильтра.

## Настройка параметров фильтра полосы

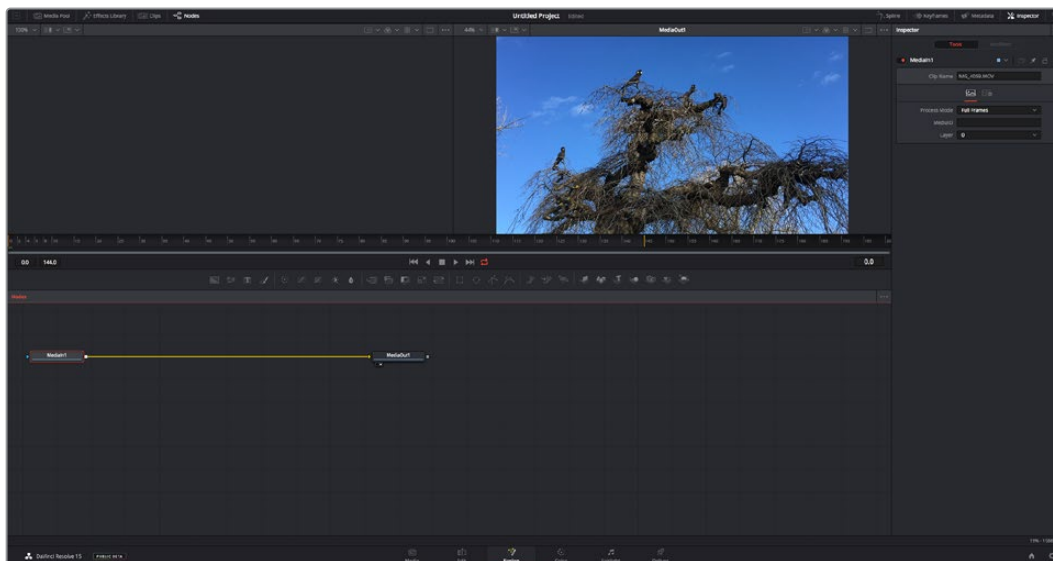
- 1 В раскрывающемся меню выберите тип фильтра.
- 2 Установите значение центральной частоты в поле «Частота».
- 3 Для усиления или ослабления частот в данном диапазоне настройте значение «Усиление».
- 4 Выберите значение «Q-фактор» для указания ширины рабочей полосы.

Для возврата к настройкам по умолчанию нажмите на значок сброса в окне «ЭКВ».

Набор инструментов Fairlight позволяет улучшить качества звука на каждой аудиодорожке. С их помощью можно добавлять треки и систематизировать их по шинам, а также создавать такие эффекты, как задержка или реверберация.

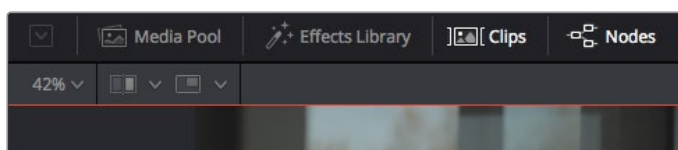
## Добавление визуальных эффектов и композитинг на стр. Fusion

После завершения монтажа можно перейти на страницу Fusion, чтобы непосредственно в DaVinci Resolve добавить анимационную графику, а также 2D- и 3D-эффекты. В отличие от программ для композитинга на основе слоев, работа в Fusion ведется с узлами. Такая структура дает достаточно свободы при создании сложных эффектов и позволяет использовать данные об изображении самыми разными способами. В окне узлов показаны используемые на каждом этапе инструменты. Если вы уже имели дело с узлами на странице «Цвет», этот процесс будет вам знаком.

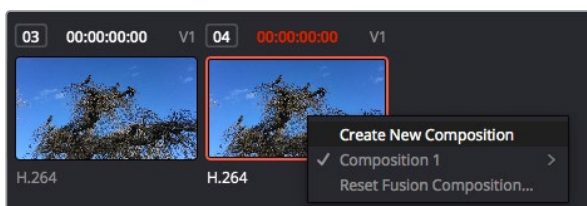


### Страница Fusion

В верхней части находятся два окна просмотра с кнопками управления воспроизведением, справа — панель Inspector для настройки параметров, а внизу — окно Nodes, в котором выполняется композитинг. Окна просмотра и кнопки управления отображаются постоянно, а окна Nodes, панели Spline, Keyframes, Inspector и библиотеку эффектов можно скрыть или показать, нажав соответствующие значки в верхней части дисплея.



- **Медиатека.** Выполняет те же функции, что и на странице «Монтаж». Для использования дополнительных медиафайлов их достаточно перетащить из ящиков прямо в композицию.
- **Библиотека эффектов.** Здесь находятся инструменты и шаблоны Fusion, сгруппированные по категориям, в том числе для трекинга и добавления частиц, использования фильтров и генераторов. Чтобы добавить инструмент в композицию, его можно либо щелкнуть мышью, либо перетащить в область узлов. Медиатека и библиотека эффектов занимают один и тот же участок экрана для того, чтобы при переключении между ними размер окон просмотра не менялся.
- **Клипы.** Нажатием кнопки «Клипы» можно отобразить или скрыть пиктограммы, соответствующие клипам на временной шкале. Пиктограммы находятся под редактором узлов и обеспечивают мгновенный доступ к другому материалу.



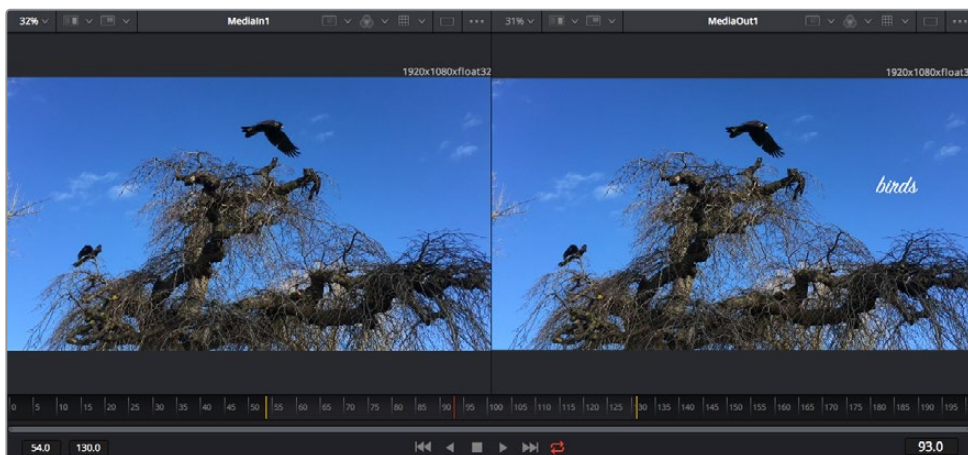
Чтобы создать новую версию композиции, щелкните пиктограмму правой кнопкой мыши и выберите команду «Создать новую композицию»

- **Окна просмотра.** В них можно воспроизводить разные варианты композиции, например общее трехмерное изображение через узел Merge 3D, выход с камеры или конечный результат рендеринга. Они также позволяют проверять, как внесенные изменения влияют на конкретный элемент.

Чтобы просмотреть узел в левом окне, выберите узел и нажмите клавишу 1, в правом окне — 2. Под узлом появится белая точка, которая показывает, в каком окне выводится данный узел. Если есть внешний монитор для передачи изображения, он будет обозначен третьей точкой.

**СОВЕТ.** Для привязки узла к определенному окну просмотра можно также использовать перетаскивание.

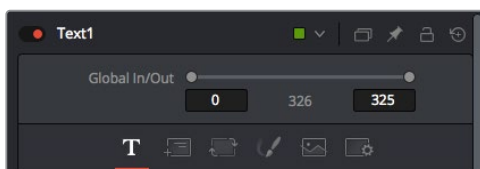
Находящиеся под окнами просмотра кнопки управления позволяют переходить к началу или концу клипа, проигрывать его вперед или назад, а также останавливать воспроизведение. На линейке времени показана продолжительность полного клипа, а желтые метки обозначают точки входа и выхода.



Желтые метки на линейке времени показывают точки входа и выхода клипа на временной шкале. При использовании эффектов Fusion или составной композиции линейка времени отражает длительность клипа на временной шкале, то есть без маркеров.

- **Nodes (Узлы).** Это окно является главной панелью страницы Fusion, на которой путем добавления инструмента на выходе одного узла создается исходный материал для нового узла. Если открыты панели Spline и Keyframes, размер этой области меняется. Над ней расположена панель наиболее часто используемых инструментов для быстрого доступа к ним.
- **Spline (Сплайн).** Если открыть эту панель, она будет отображаться справа от окна Nodes. С помощью кривых Безье в нем можно выполнять точную корректировку каждого узла, например сглаживание анимации между двумя ключевыми кадрами.

- **Keyframes (Ключевые кадры).** Добавлять, удалять или изменять ключевые кадры в каждом клипе можно с помощью соответствующего редактора. Он также расположен справа от окна просмотра узлов.
- **Метаданные.** На панели метаданных отображается подробная информация о выбранном клипе, включая сведения о кодеке, частоте кадров и тайм-коде.
- **Inspector (Инспектор).** Находящаяся в правом верхнем углу панель Inspector содержит настройки и модификаторы одного или нескольких выбранных узлов. Появляются также дополнительные вкладки с другими параметрами узлов, сгруппированными по категориям.

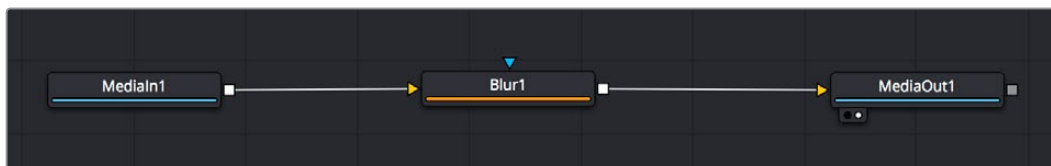


Здесь также есть дополнительные вкладки для изменения текста, конфигурации, трансформирования, теней, изображения и настроек.

## Подготовка к работе с Fusion

Чтобы открыть страницу Fusion, установите курсор временной шкалы на любой клип и щелкните вкладку Fusion.

Этот клип будет соответствовать узлу под названием MediaIn. Каждая композиция состоит из узлов MediaIn и MediaOut. Узел MediaIn представляет собой самый верхний клип, на котором находится курсор временной шкалы, а дорожки, расположенные ниже, игнорируются. Любые изменения, внесенные в клип на странице «Монтаж» (такие как преобразование и обрезка кадра), также учитываются.



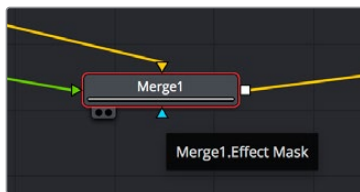
Узел выхода, который соответствует изображению, поступающему обратно на временную шкалу страницы «Монтаж», называется MediaOut.

**СОВЕТ.** Изменения от применения плагинов ResolveFX или OFX на стр. «Монтаж» не отображаются на стр. Fusion. Это вызвано тем, что эффекты Fusion накладываются до выполнения цветокоррекции и обработки с помощью OFX или ResolveFX. Чтобы применить OFX до добавления эффектов Fusion, щелкните правой кнопкой мыши клип на странице «Монтаж» и выберите «Новый клип на стр. Fusion...», затем перейдите на страницу Fusion.

## Что такое узлы

Каждый узел — это визуальный значок, обозначающий один инструмент или эффект. Узлы соединяют друг с другом для создания общего композитного изображения. Чтобы лучше ориентироваться в этом процессе, необходимо понять роль входов и выходов в таких элементах.

У некоторых инструментов есть несколько входов и выходов, соединяемых с другими узлами. Узел Merge, например, может использовать в качестве исходного материала передний план, фон или маску для кеинга.



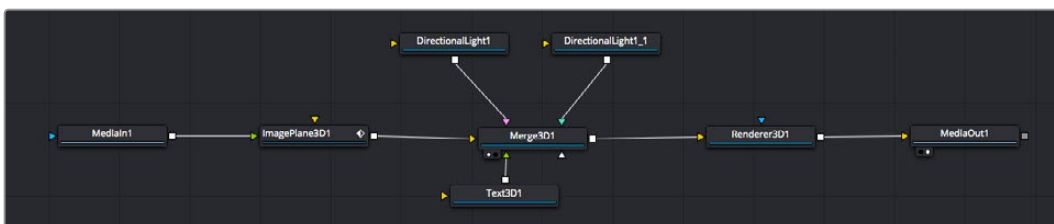
- ▶ передний план (вход)
- ▶ фон (вход)
- ▶ маска эффекта (вход)
- выход

Наличие нескольких выходов позволяет соединять один узел с разными узлами композиции, поэтому нет необходимости делать копии клипов, как в программах с использованием слоев. Стрелки на соединяющих узлы линиях служат хорошим визуальным индикатором, который показывает направление потока обработки.

### Добавление узлов в окне Nodes

Чтобы добавить эффект, достаточно поместить его на линию между узлами MediaIn и MediaOut.

Есть несколько способов сделать это. Можно вставить новый узел между двумя существующими, удерживая клавишу SHIFT, или же щелкнуть узел, для которого нужно добавить эффект, а затем выбрать инструмент. Новый узел будет автоматически соединен с заданным инструментом. Узел также легко добавить в любое место окна Nodes с последующим соединением выхода одного из них и входа другого.



Наиболее часто используют инструмент объединения Merge 2D или Merge 3D. Он выполняет роль центрального элемента, с помощью которого формируется единое изображение на выходе.

У узла объединения есть органы управления входами, включая настройки размера, положения и слияния. Изменять их можно на панели Inspector при выборе данного узла.

Над окном Nodes находится панель наиболее часто используемых инструментов. Чтобы добавить узел, можно либо выбрать соответствующий инструмент, либо перетащить его в окно. Чтобы увидеть полный набор инструментов, щелкните «Библиотека эффектов» в левом верхнем углу и используйте прокрутку в меню Tools. Все инструменты сгруппированы по категориям. Кроме того, в разделе Templates есть разные шаблоны, например свечение, затенение и фоны.

**СОБЕТ.** Если названия инструментов вам уже хорошо знакомы, удерживая клавишу SHIFT, можно нажать ПРОБЕЛ, чтобы открыть диалоговое окно Select Tool. По мере ввода названия будут предлагаться соответствующие подсказки. Таким способом можно быстро выбрать нужный инструмент.

## Корректировка узлов с помощью панели Inspector

Изменить настройки узла можно на панели Inspector. Для этого выберите узел, который нужно изменить, и на панели появятся его параметры и элементы управления.

На странице Fusion не обязательно отображать редактируемый узел в окне просмотра. Можно вносить изменения в один узел и одновременно просматривать другой. Например, при корректировке размера и положения узла Text+ будет показан узел объединения, что позволяет видеть текст на соответствующем фоне.



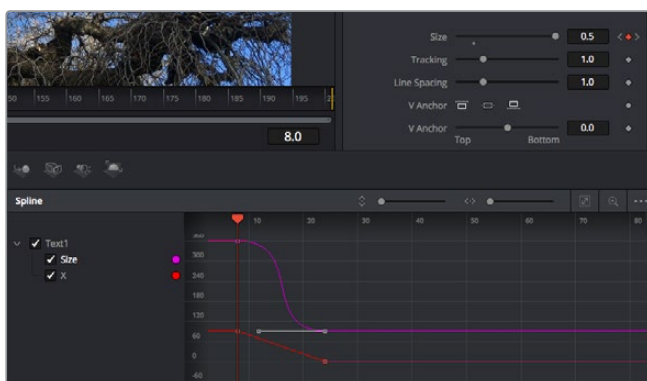
У выбранного узла появляется красный контур. На рисунке показаны элементы корректировки текста на вкладке Layout панели Inspector.

В зависимости от выполняемого задания на каждом узле можно настраивать разные параметры — от изменения размера и положения до корректировки числа частиц в узле Emitter. Расстановка ключевых кадров и установка настроек времени позволяют анимировать эффект.

## Работа с ключевыми кадрами

Чтобы добавить ключевой кадр, на панели Inspector щелкните настройку правой кнопкой мыши и в контекстном меню выберите команду Animate. Значок ключевого кадра справа от настройки станет красным. Это означает, что ключевые кадры активированы и вносимые изменения будут касаться только текущего кадра. Для анимирования того или иного параметра необходимо по меньшей мере два ключевых кадра. Стрелки с обеих сторон значка ключевого кадра позволяют перемещать курсор в точное положение на временной шкале.

На панели Spline есть дополнительные настройки для анимирования ключевых кадров. Можно, например, сгладить анимацию между первым и последним ключевым кадром с помощью кривой Безье. Для этого нужно нажать SHIFT+S или щелкнуть ключевой кадр правой кнопкой мыши и выбрать Smooth.



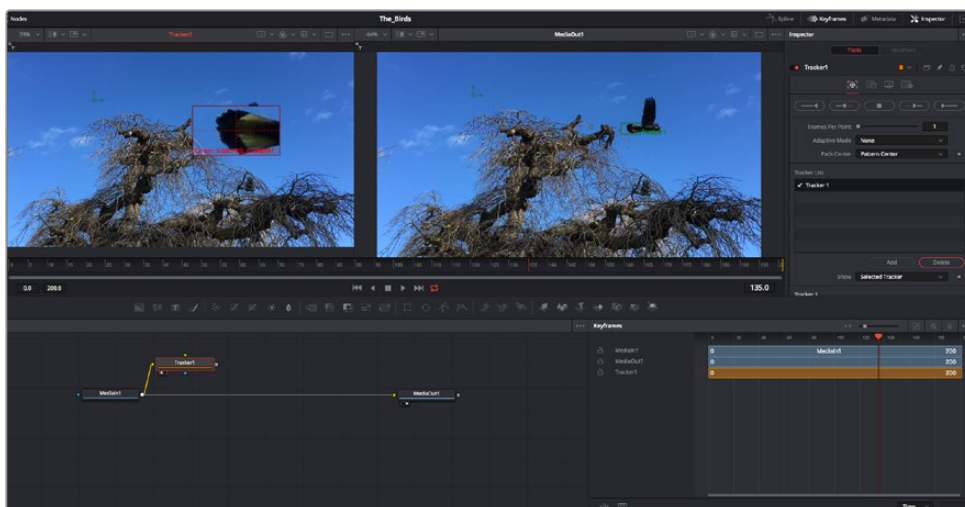
Анимирование ключевых кадров для параметра Size сглажено с помощью кривой Безье. Кривую Безье можно укоротить или удлинить с помощью имеющихся на ней маркеров, а ключевой кадр можно передвинуть, используя квадратный значок.

## Трекер движения и добавление текста

На приведенном ниже примере объясняется трекинг объекта в клипе и добавление текста с использованием сохраненных данных отслеживания.

Инструмент Tracker отслеживает пиксели на осях X и Y и генерирует данные, которые можно использовать для добавления других элементов. Эта функция позволяет совмещать положение текста с движущимся объектом, например с едущим автомобилем или летящей в кадре птицей.

- 1 В библиотеке эффектов выберите Tracking > Tracker и перетащите инструмент на линию между узлами MediaIn и MediaOut. Теперь щелкните мышью на узле трекера, чтобы на панели Inspector появились его настройки.
- 2 Нажмите клавишу 1, чтобы вывести изображение узла Tracker в левое окно просмотра. В нем появится клип вместе трекером в выбранном по умолчанию положении. Наведите указатель мыши на трекер, чтобы появился маркер. В левом верхнем углу трекера щелкните маркер и перетащите трекер в нужное место на клипе. Лучше всего он работает на участках с высоким контрастом (например, на эмблеме, расположенной на капоте автомобиля). Трекер увеличит область изображения, чтобы обеспечить более точную установку.
- 3 На панели Inspector щелкните кнопку прямого трекинга. По завершении трекинга появится соответствующее сообщение. Нажмите OK.



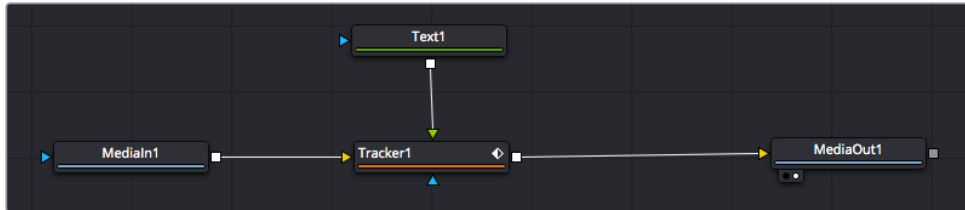
Кнопки управления на панели Inspector выполняют обратный трекинг от последнего или текущего кадра, остановку, а также прямой трекинг от текущего кадра или первого кадра.



**СОБЕТ.** Функция прямого или обратного трекинга от текущего кадра очень удобна в случаях, когда во время рендеринга отслеживаемый объект (например, автомобиль или птица) выходит из кадра. Это позволяет отслеживать только нужный эпизод.

Сохраненные данные трекинга можно использовать для траектории перемещения текста.

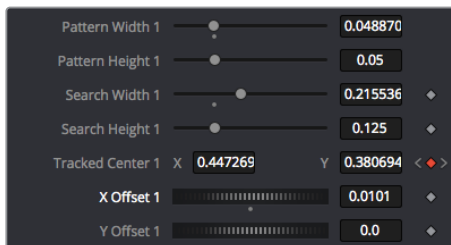
- Щелкните значок узла Text+ на панели инструментов и перетащите его в окно Nodes, поместив рядом с узлом Tracker. Соедините выход узла Text с зеленым входом переднего плана в узле Tracker.



- Выберите узел Tracker и нажмите клавишу 1, чтобы увидеть полученный результат в левом окне просмотра. На панели Inspector узла Tracker откройте вкладку Operation. Чтобы увидеть название вкладки, наведите на нее указатель мыши. Щелкните раскрывающееся меню Operation и выберите Match Move.

- Щелкните узел Text, чтобы на панели Inspector появились его настройки. Введите нужный текст в текстовое поле и измените шрифт, цвет и размер по желанию.

Данные положения будут перенесены с трекера на текст. Если нужно изменить параметры смещения текста, снова выберите вкладку Trackers на панели Inspector и внесите поправки с помощью прокрутки X Offset и Y Offset.



Ручки прокрутки в нижней части трекера позволяют настраивать смещение текста

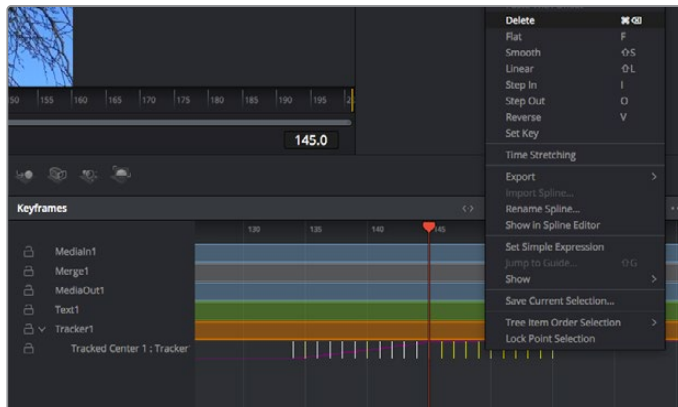
Теперь можно воспроизвести всю композицию и увидеть текст вместе с объектом, для которого было выполнено отслеживание.



Зеленый квадрат показывает текущее положение трекера на зеленой траектории, а красная пунктирная линия обозначает положение смещения, использованное для анимации текста.



В некоторых случаях необходимо удалить точки отслеживания (например, когда объект трекинга исчезает с экрана). Это очень легко сделать в редакторе ключевых кадров.



- 7 Выберите «Ключевые кадры» над панелью Inspector, чтобы открыть соответствующий инструмент. Все узлы с использованием ключевых кадров имеют обозначение в виде небольшой стрелки, а в списке ниже отображается только тот параметр, для которого добавлены ключевые кадры. Нажмите на значок увеличительного стекла и создайте рамку вокруг фрагмента для редактирования.
- 8 Передвиньте курсор в расположение последнего ключевого кадра. После этого выберите ключевые кадры для удаления путем создания рамки вокруг них с помощью компьютерной мыши. Они будут выделены желтым цветом. Щелкнув правой кнопкой мыши, используйте команду Delete из меню.

**COBET.** Если эффекты требуют использования значительных компьютерных ресурсов, щелкните правой кнопкой мыши в области управления воспроизведением. В этом случае доступны просмотр прокси-материала и другие опции, которые позволяют оптимизировать вывод во время композитинга. Подробнее о воспроизведении см. руководство по DaVinci Resolve.

Анимирование текста с привязкой к движению в кадре закончено!

Когда в кадре есть двухмерная поверхность, которую нужно сделать более объемной или заменить, можно использовать плоскостной трекинг. Отслеживание 2D-областей позволяет менять текст в указателях или дорожных знаках, а также добавлять изображение на монитор компьютера или экран телевизора.

Подробнее о плоскостном трекинге и других инструментах страницы Fusion см. руководство по DaVinci Resolve.

**COBET.** При композитинге на странице Fusion необходимо учитывать измерение создаваемого эффекта (2D или 3D), потому что от этого зависит, какой инструмент Merge будет использоваться. Часто составное изображение имеет комбинацию двух- и трехмерных эффектов. В таких случаях следует помнить, что 3D-объекты требуют преобразования в 2D, если они будут объединены с 2D-элементами.

Страница Fusion имеет целый ряд инструментов для создания визуальных эффектов, а их сочетание со средствами монтажа, грейдинга и обработки звука делает приложение DaVinci Resolve исключительно мощной системой для решения творческих задач.

## Создание мастер-копий

Теперь, когда закончены монтаж и грейдинг, добавлены визуальные эффекты и смикширован звук, видео можно выгрузить для всеобщего просмотра. Чтобы сохранить все содержимое временной шкалы в виде отдельного файла определенного формата, нажмите кнопку «Быстрый экспорт», выберите команду меню или перейдите на стр. «Экспорт», где есть дополнительные опции.



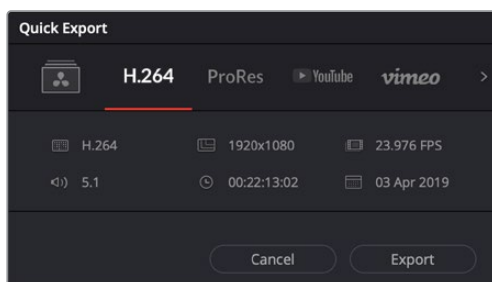
Для экспорта перейдите на страницу «Экспорт». Выберите видеоформат и кодек.

## Быстрый экспорт

Чтобы экспортировать готовый материал с любой страницы приложения, выберите меню «Файл» > «Быстрый экспорт» и укажите желаемую предустановку. Кроме того, с помощью этой функции видео можно выгрузить на такие видеохостинговые сайты, как YouTube, Vimeo и Frame.io.

### Порядок быстрого экспорта

- 1 Чтобы отметить экспортируемый отрезок видео на стр. «Монтаж», «Fusion» или «Цвет», установите точки входа и выхода. Если их не добавлять, будет экспортирован весь эпизод на временной шкале.  
Выберите меню «Файл» > «Быстрый экспорт».
- 2 В верхнем ряду диалогового окна «Быстрый экспорт» укажите формат и нажмите кнопку «Экспорт».
- 3 Выберите папку для экспорта, введите имя файла и щелкните «Сохранить». Появится индикатор выполнения с указанием продолжительности экспорта.



Диалоговое окно «Быстрый экспорт»

## Страница «Экспорт»

Она позволяет выбрать клипы для экспорта, их формат, кодек и разрешение. Создать конечную копию можно в форматах QuickTime, AVI, MXF и DPX с помощью 8-битных или 10-битных кодеков, таких как RGB/YUV, ProRes, DNxHD и H.264 и другие.

### Порядок экспорта отдельного клипа

- 1 Откройте вкладку «Экспорт».
- 2 Перейдите к окну «Настройки рендеринга» в левом верхнем углу страницы. Можно воспользоваться существующими опциями для экспорта с целью размещения на YouTube и Vimeo либо создать собственную конфигурацию. Например, после выбора YouTube щелкните на стрелке возле опции для экспорта и выберите формат 1080p. Кадровая частота будет привязана к настройкам проекта.
- 3 Под опциями отображается название файла с временной шкалы и поле «Место». Нажмите кнопку «Обзор», выберите нужную папку для сохранения экспортируемых файлов и перейдите «Рендеринг» > «Един. клипа».
- 4 Непосредственно над временной шкалой есть раскрывающееся меню «Рендеринг» с двумя опциями. Оно служит для выбора всей шкалы либо определения ее диапазона. Выберите «В пределах диапазона», затем с помощью клавиш "I" и "O" задайте точки входа и выхода на временной шкале.
- 5 Внизу окна «Настройки рендеринга» нажмите кнопку «Добавить в очередь рендеринга».

Настройки рендеринга будут добавлены в панель «Очередь рендеринга» с правой стороны страницы. Теперь нажмите кнопку «Начать рендеринг» и выполнение задачи будет отображаться на панели «Очередь рендеринга».

После завершения рендеринга откройте папку, дважды щелкните кнопкой мыши на созданном клипе и просмотрите окончательную версию смонтированного материала.

Теперь, имея базовое понимание монтажа и цветокоррекции, микширования звука и добавления визуальных эффектов, вы можете дальше поэкспериментировать с разными функциями приложения. Подробнее о работе с разными инструментами см. руководство по DaVinci Resolve.

# Управление камерой с помощью ATEM Camera Control

В ATEM Software Control предусмотрена функция для управления камерой Blackmagic URSA Mini с видеомикшера ATEM. Это позволяет улучшить качество эфирного изображения за счет использования большой матрицы и широкого динамического диапазона.



ATEM Software Control

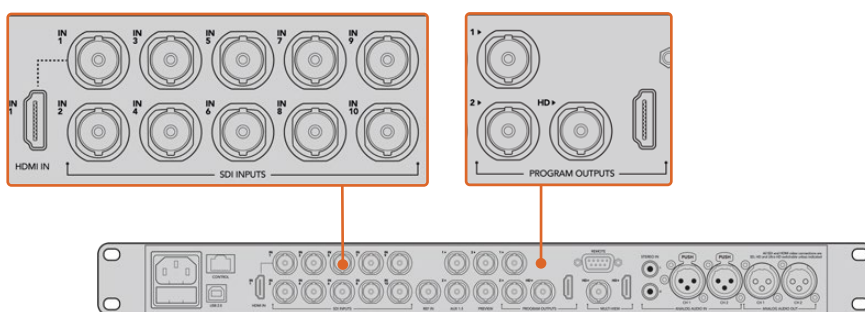
Чтобы управлять камерой с видеомикшера, нажмите соответствующую кнопку. При использовании совместимых объективов эта функция позволяет менять настройки диафрагмы, усиления и зума, устанавливать фокус и цветовой баланс, а также выполнять первичный грейдинг с помощью инструмента на основе DaVinci Resolve. Следует отметить, что имеющиеся в ATEM Camera Control инструменты первичной цветокоррекции и изменения уровня резкости из системы DaVinci Resolve недоступны для камеры URSA Mini Pro 12K.

Управление осуществляется посредством передачи пакетов данных через все SDI-выходы видеомикшера, которые не предусматривают понижающую конверсию. Если соединить SDI-выход микшера ATEM со входом 12G SDI на URSA Mini, камера будет получать эти пакеты и выполнять необходимые действия в режиме удаленного контроля.

## Подключение URSA Mini

- 1 Соедините выход 12G-SDI OUT на URSA Mini с любым SDI-входом на видеомикшере ATEM.
- 2 Подключите любой SDI-выход на ATEM (за исключением выходов, предназначенных для понижающей конверсии и многооконного мониторинга) ко входу 12G-SDI (In) на URSA Mini. SDI-выходы для понижающей конверсии и многооконного мониторинга не используются для передачи сигналов управления камерой.
- 3 В меню Setup на URSA Mini выберите ATEM Camera ID и задайте идентификатор камеры в соответствии со входом видеомикшера. Например, если URSA Mini 1 подключена ко входу Cam 1 на ATEM, для Camera Number нужно выбрать «1». Правильная настройка обеспечивает передачу сигналов индикации на нужную камеру.
- 4 В меню Setup выберите источник синхронизации. При подключении к ATEM рекомендуется всегда использовать настройку Program, за исключением случаев, когда видеомикшер и всю подключенную к нему технику синхронизируют по внешнему устройству.

- 5 Перейдите в меню Monitor и убедитесь, что для настройки Main SDI выбрана опция Clean Feed. В этом случае передаваемый на микшер SDI-сигнал не будет отображать служебные параметры и инструменты, используемые для помощи при фокусировке.



Подключите URSA Mini к любому SDI-входу видеомикшера ATEM

## Использование функции управления камерами

Запустите ATEM Software Control и нажмите кнопку Camera в нижней части программного интерфейса. На экране будут отображаться окна управления камерами, которые содержат мощные инструменты для корректировки параметров изображения. В работе с этими инструментами используют кнопки или указатель мыши.

### Выбор камеры для управления

С помощью кнопок в верхней части панели выбирают номер камеры, которой будут управлять. Если все нужные камеры не помещаются на экране или открыто окно цветокоррекции, эти кнопки можно использовать для переключения между устройствами. Когда изображение выводится через дополнительный выход, при их нажатии на монитор поступает сигнал соответствующей камеры.



Используйте значок настроек, чтобы выбрать дополнительный выход для управления камерой

### Строка состояния

Строка состояния находится в верхней части каждого окна управления и содержит название камеры, индикатор On Air и кнопку блокировки. Чтобы заблокировать все органы управления отдельной камерой, нажмите кнопку блокировки. При передаче сигнала в эфир строка состояния становится красной и содержит текст On Air.



В каждом окне управления отображается строка состояния, поэтому режиссер всегда знает, какое изображение передается в эфир. Цветовые круги позволяют по отдельности менять параметры тени, полутона и света для каждого канала, используемого в YRGB-обработке.

## Цветовой круг

Цветовой круг представляет собой мощную функцию цветокоррекции DaVinci Resolve. Она используется, чтобы по отдельности менять параметры света, полутона и тени для каждого канала в пространстве YRGB. Нужные параметры выбирают с помощью трех кнопок, расположенных над цветовым кругом.

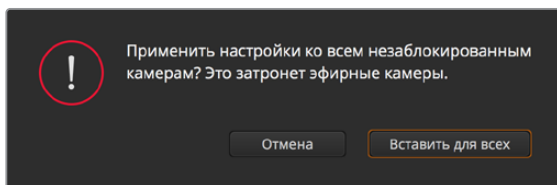
## Общий регулятор

Общий регулятор находится под цветовым кругом и предназначен для одновременного изменения контраста во всех каналах пространства YRGB или только яркости для отдельного параметра: света, полутона или тени.

## Кнопки сброса

Кнопка сброса находится сверху справа от каждого инструмента цветокоррекции и позволяет выбрать настройки, которые нужно сбросить, скопировать или вставить. Для каждого цветового круга предусмотрена отдельная кнопка. Нажмите кнопку, чтобы вернуться к первоначальному состоянию или скопировать/вставить настройку. При использовании функции Paste (Вставить) настройки заблокированных окон не затрагиваются.

Кнопка общего сброса, которая находится в верхнем правом углу окна цветокоррекции, позволяет вернуться к исходным параметрам света, полутона и тени на цветовом круге и отменить изменения Contrast, Hue, Saturation и Lum Mix. Настройки цветокоррекции можно скопировать только для отдельных окон управления или применить сразу ко всем камерам, если нужно получить однородное изображение. При использовании функции Paste (Вставить) настройки диафрагмы, фокуса, уровня черного и Coarse не затрагиваются. При выборе Paste to all (Вставить для всех) выводится сообщение, предлагающее подтвердить действие. Это защищает от случайного копирования настроек в незаблокированные окна управления камерами, сигналы которых передаются в эфир.



При выборе Paste to all (Вставить для всех) выводится сообщение, предлагающее подтвердить действие. Это защищает от случайного копирования настроек в незаблокированные окна управления камерами, сигналы которых передаются в эфир.

## Управление диафрагмой/уровнем черного

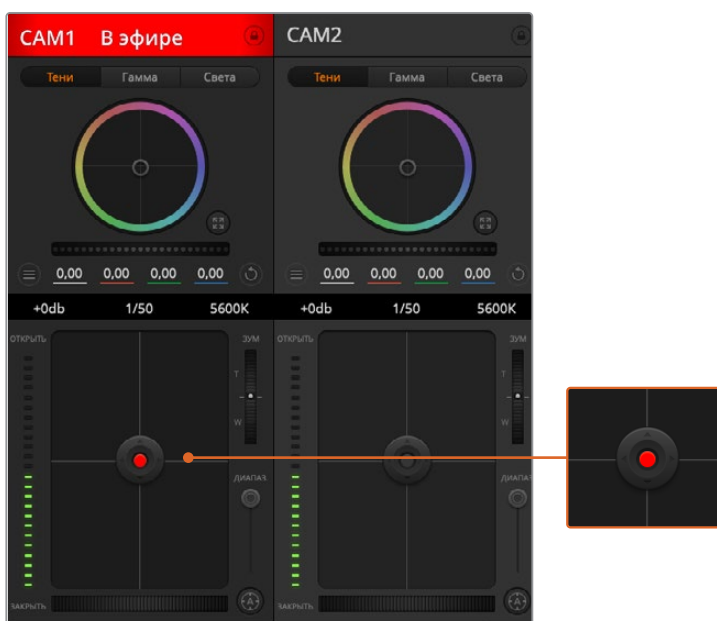
Для управления диафрагмой/уровнем черного используется кнопка на пересечении двух линий в окне. Когда сигнал камеры выводится в эфир, она становится красной.

Чтобы открыть или закрыть диафрагму, перетащите кнопку вверх или вниз с помощью мыши. Если удерживать нажатой клавишу Shift, будут меняться только параметры диафрагмы.

**ПРИМЕЧАНИЕ.** При подключении к АТЕМ убедитесь, что для настройки Auto Exposure выбрано положение Off. При использовании Iris, Zoom или Focus Control убедитесь, что установленные объективы поддерживают управление электронным способом непосредственно на самой камере.

При использовании объективов B4 или PL, подключенных к URSA Mini через 12-контактный разъем, проверьте настройку диафрагмы на рукоятке. Она должна быть установлена в положение "A" (или "Auto").

Чтобы установить максимальный или минимальный уровень черного, перетащите кнопку влево или вправо. Если удерживать нажатой клавишу Command (на Mac) или Control (на Windows), будут меняться только параметры уровня черного.



Когда сигнал камеры выводится в эфир, кнопка управления диафрагмой/уровнем черного становится красной

## Управление зумом

При использовании объектива с поддержкой электронного управления менять настройку зума можно с помощью инструмента Zoom Control. Он работает так же, как рычажок зума на объективе, с помощью которого переходят от обычного плана к крупному. Нажмите значок над слайдером Coarse и передвиньте его вверх, чтобы увеличить изображение, или вниз, чтобы уменьшить.

Если объектив не имеет функции активного управления или если камера не поддерживает зуммирование через SDI-интерфейс, изменить настройку таким способом нельзя. Например, EF-объективы не оснащены встроенным сервоприводом, поэтому они не поддерживают масштабирование изображения с программной панели.

**ПРИМЕЧАНИЕ.** Аналоговые объективы с V4-креплением не поддерживают масштабирование с помощью ATEM. Подробнее см. раздел «Использование объективов с сервоприводом».

## Настройка Coarse

Настройка Coarse находится слева от инструмента управления диафрагмой/уровнем черного и используется для ограничения диапазона диафрагмы. Эта функция позволяет не выпускать в эфир изображение с избыточной экспозицией.

Чтобы установить порог значения Coarse, полностью откройте диафрагму с помощью соответствующего инструмента управления, затем перетащите слайдер Coarse вверх или вниз для установки оптимальной экспозиции. После этого при корректировке диафрагмы порог Coarse будет ограничивать выход за установленные пределы экспозиции.

## Индикатор диафрагмы

Индикатор находится слева от инструмента управления диафрагмой/уровнем черного и визуально показывает уровень раскрытия диафрагмы. Его диапазон зависит от настройки Coarse.

## Кнопка автофокуса

Кнопка автофокуса находится в нижнем правом углу каждого окна управления. Если используется объектив с активным управлением и поддержкой электронной регулировки, при нажатии этой кнопки фокус будет установлен автоматически. Важно помнить, что некоторые объективы также допускают ручную установку фокуса, поэтому для применения данной функции необходимо выбрать автоматический режим. Для этого иногда достаточно сдвинуть вперед или назад фокусное кольцо на объективе. На B4-объективах с сервоприводом установите переключатель в нижней части рукоятки в положение "Servo".



Нажмите кнопку автофокуса или передвиньте слайдер вправо или влево, чтобы установить фокус на объективе с электронным управлением

## Ручная установка фокуса

Для ручной установки фокуса с помощью ATEM Camera Control можно использовать инструмент регулировки в нижней части окна управления. Для настройки резкости передвиньте слайдер вправо или влево в момент просмотра изображения с камеры.

Ручная установка фокуса с видеомикшера доступна только при использовании B4- и PL-объективов с сервоуправлением. Поскольку EF-объективы не поддерживают такую функцию, ручная установка для URSA Mini EF невозможна.

## Усиление сигнала камеры

Некоторые настройки, такие как Gain и Shutter Speed, называются на ATEM и URSA Mini по-разному. Например, на видеомикшере светочувствительность обозначается термином Gain, а на камере — ISO.

**СОВЕТ.** Существование терминов Gain и ISO связано с различиями между вещательным оборудованием и обычной съемочной техникой. В первом случае можно проверять экспозицию и настраивать светочувствительность электронным способом непосредственно на самой камере. Пленочные камеры являются механическими устройствами, поэтому они используют традиционные приемы измерения освещенности в сочетании со значением ISO.

При работе в меняющихся условиях освещения для достижения оптимального результата необходимо увеличивать или уменьшать значение Gain. Для этого нажмите стрелку справа или слева.



Видеомикшер ATEM отображает значение Gain в дБ. В таблице ниже показано соответствие между настройками Gain и ISO.

Gain	ISO
0	200
6	400
12	800
18	1600

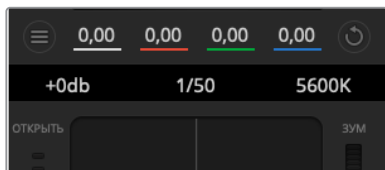
Максимальное значение Gain на URSA Mini 4.6K составляет 18 дБ, на URSA Mini 4K — 12 дБ

## Управление выдержкой

Эта настройка определяет угол раскрытия затвора на URSA Mini.

Так же как усиление сигнала (Gain), она имеет разные названия на кинокамерах и вещательной технике, однако принцип действия является одинаковым: при увеличении выдержки уменьшается угол раскрытия затвора.

Инструмент настройки выдержки находится между цветовым кругом и кнопкой управления диафрагмой/уровнем черного. Чтобы уменьшить или увеличить значение, наведите указатель мыши на индикатор выдержки и щелкните по левой или правой стрелке.



Наведите указатель мыши на индикаторы усиления, выдержки и баланса белого, затем выберите нужные стрелки, чтобы изменить настройки

**ПРИМЕЧАНИЕ.** Настройка Shutter Speed, выбранная с помощью программной панели ATEM, имеет приоритет над настройкой Shutter Angle на URSA Mini. При подключении к видеомикшеру изменить угол раскрытия затвора на самой камере нельзя.

В таблице ниже показаны доступные настройки выдержки и соответствующие им значения угла раскрытия затвора. Обратите внимание, что некоторые настройки выходят за границы диапазона Shutter Angle, который составляет 11,25-360 градусов. В этих случаях используется ближайшее значение угла раскрытия затвора.

Если модель URSA Mini 4.6K или URSA Mini Pro подключить к видеомикшеру ATEM, текущая настройка выдержки затвора также отображается на сенсорном экране камеры. При работе с URSA Mini 4K она выводится только на дисплей видеоискателя URSA Viewfinder (в случае его использования).

При выборе угла раскрытия затвора на URSA Mini 4.6K или URSA Mini Pro 4.6K используйте таблицу ниже.

Выдержка затвора	Угол раскрытия затвора при 23,98 кадра/с	Угол раскрытия затвора при 24 кадра/с	Угол раскрытия затвора при 25 кадров/с	Угол раскрытия затвора при 29,97 кадра/с	Угол раскрытия затвора при 50 кадров/с	Угол раскрытия затвора при 59,94 кадра/с
1/50	172,7	172,8	180	215,8	360	360*
1/60	143,9	144	150	179,8	300	359,6
1/75	115,1	115,2	120	143,9	240	287,7
1/90	95,9	96	100	120	200	239,8
1/100	86,3	86,4	90	107,9	180	215,8
1/120	71,9	72	75	89,9	150	179,8
1/150	57,5	57,6	60	71,9	120	143,9
1/180	48	48	50	59,9	100	119,9
1/250	34,5	34,6	36	43,2	72	86,3
1/360	24	24	25	29,97	50	59,94
1/500	17,3	17,3	18	21,6	36	43,2
1/725	11,9	11,9	12,4	14,9	24,8	29,8
1/1450	11,25*	11,25*	11,25*	11,25*	12,4	14,9
1/2000	11,25*	11,25*	11,25*	11,25*	11,25*	11,25*

\*Если значение выдержки выходит за границы диапазона Shutter Angle на URSA Mini, используется ближайшее значение.

**СОВЕТ.** Уменьшение выдержки позволяет увеличить яркость изображения без усиления сигнала камеры, потому что в этом случае возрастает время экспозиции матрицы. Также это снижает или устраняет мерцание света при съемке вблизи флюоресцентных ламп. Увеличение выдержки сокращает размытость и помогает получить чистое и резкое изображение при съемке динамичных сцен.

## White Balance (Баланс белого)

Установить баланс белого можно с помощью стрелок, находящихся по обе стороны от индикатора цветовой температуры (рядом с инструментом управления выдержкой). Эта настройка помогает корректировать баланс белого в зависимости от используемых в данный момент источников освещения.

## DaVinci Resolve Primary Color Corrector

Если у вас есть опыт цветокоррекции, для управления камерой можно переключиться на интерфейс, который используется при первичной установке цвета в системах постобработки.

Blackmagic URSA Mini имеет инструмент первичной цветокоррекции DaVinci Resolve. Те, кто знаком с DaVinci Resolve, могут привычным способом выполнять грейдинг в URSA Mini при работе в прямом эфире. Панель цветокоррекции раскрывается из любого окна управления камерой и дает возможность выполнять расширенную установку цвета с дополнительными настройками.

Для этого используются цветовые круги и такие параметры, как насыщенность, а настройки для областей тени, полутона и света все время остаются на экране. Чтобы перейти к тому или иному изображению, достаточно выбрать нужную камеру в верхней части окна.

**СОВЕТ.** Цветокоррекция DaVinci Resolve применяется к изображению на SDI-выходе камеры URSA Mini и к видео, записанному в ProRes. Она не используется для файлов в формате RAW, так как они предназначены для дальнейшей постобработки. Тем не менее, при сохранении в RAW цветокоррекция доступна для сигнала на SDI-выходе.



Нажмите кнопку DaVinci Resolve Primary Color Corrector, чтобы развернуть окно цветокоррекции и изменить настройки

### Цветовые круги

Инструменты Lift/Gamma/Gain позволяют изменить взаимосвязанные между собой параметры цвета в изображении. В терминах фотографии эти инструменты соответствуют областям тени, полутона и света.

Порядок работы с цветовыми кругами для внесения небольших или масштабных изменений

- **Нажмите кнопку мыши и протяните курсор в любом месте цветового круга.**  
Обратите внимание, что передвигать сам индикатор цветового баланса не нужно. По мере перемещения индикатора параметры RGB внизу также будут меняться, отражая корректировку каждого канала.
- **Нажмите на клавишу Shift и протяните курсор в любом месте цветового круга.**  
Это действие поставит индикатор цветового баланса в точку, где находится указатель мыши, что ускорит процесс работы.

- **Щелкните кнопкой мыши дважды внутри цветового круга.**  
Это действие позволяет сбросить изменения настроек без использования главного регулятора.
- **Нажмите кнопку Reset, расположенную справа от цветового круга.**  
Это позволяет отменить все предыдущие установки цветового баланса и соответствующего общего регулятора.



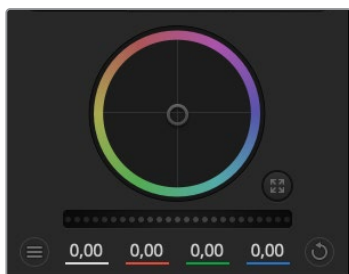
Цветовые круги для работы с параметрами тени, полутона и света на панели цветокоррекции

## Общие регуляторы

Общие регуляторы, расположенные под цветовыми кругами, позволяют изменять параметры тени, полутона и света для каждого канала пространства YRGB.

Порядок работы с общим регулятором

- **Передвиньте регулятор вправо или влево.**  
При перемещении влево происходит затемнение выбранного параметра, а при движении вправо этот параметр становится светлее. При выполнении подобного действия отображаемые внизу параметры YRGB будут меняться соответствующим образом. Для изменения только яркости (Y) передвиньте регулятор влево или вправо при нажатой клавише ALT или Command. Так как для цветокоррекции используется обработка YRGB, с помощью этой операции можно получить оригинальные эффекты. Корректировка яркости дает наилучшие результаты, когда индикатор Lum Mix установлен в правое положение. В этом случае применяется обработка YRGB, в то время как при левом положении используется традиционная обработка RGB. Как правило, большинство колористов предпочитают первый вариант, потому что он дает больше возможностей управления цветовым балансом. Общая настройка параметра света при этом не затрагивается, поэтому необходимый результат достигается быстрее.



Для изменения параметров передвиньте общий регулятор вправо или влево

## Настройка Contrast

Этот инструмент позволяет устанавливать диапазон между самой темной и самой светлой частью изображения. При его использовании достигается такой же эффект, как при работе с общими регуляторами Lift и Gain, когда с их помощью выполняют противоположные корректировки. По умолчанию установлено значение 50%.



Для изменения настроек Contrast, Saturation, Hue и Lum Mix передвиньте слайдеры вправо или влево

## Настройка Saturation

С помощью этого инструмента увеличивают или уменьшают насыщенность цвета в изображении. По умолчанию установлено значение 50%.

## Настройка Hue

Настройка Hue показывает все возможные тона по периметру цветового круга. По умолчанию установлено значение 180 градусов, которое показывает исходное распределение цветовых тонов. Увеличение или уменьшение этого значения позволяет переходить к оттенкам по часовой стрелке или против нее в поле распределения тонов на цветовом круге.

## Настройка Lum Mix

Blackmagic URSA Mini имеет функцию первичной цветокоррекции на основе DaVinci Resolve. Системы DaVinci используются с начала 80-х гг. XX века, и именно их чаще всего выбирают крупные голливудские студии для постобработки своих фильмов.

Такой функционал превращает URSA Mini в мощный инструмент решения творческих задач. Одной из отличительных черт является обработка YRGB.

При установке цвета можно выбрать пространство RGB или YRGB. Колористы предпочитают использовать YRGB, потому что в этом случае грейдинг становится более точным и появляется возможность независимой корректировки каналов.

Если для индикатора Lum Mix выбрано крайнее правое положение, используется 100% обработка в YRGB. Если для индикатора Lum Mix выбрано крайнее левое положение, используется 100% обработка в RGB. Для параметра Lum Mix можно установить любое значение между правым и левым положениями, чтобы получить изображение с комбинацией RGB и YRGB.

Так как грейдинг является абсолютно творческим процессом, выбор той или иной настройки полностью зависит от предпочтений пользователя.

## Синхронизация настроек

При подключении камеры к видеомикшеру сигналы управления поступают с ATEM на Blackmagic URSA Mini. Если кто-то случайно изменит настройки на самой камере, они будут отменены в автоматическом режиме для соблюдения синхронизации.

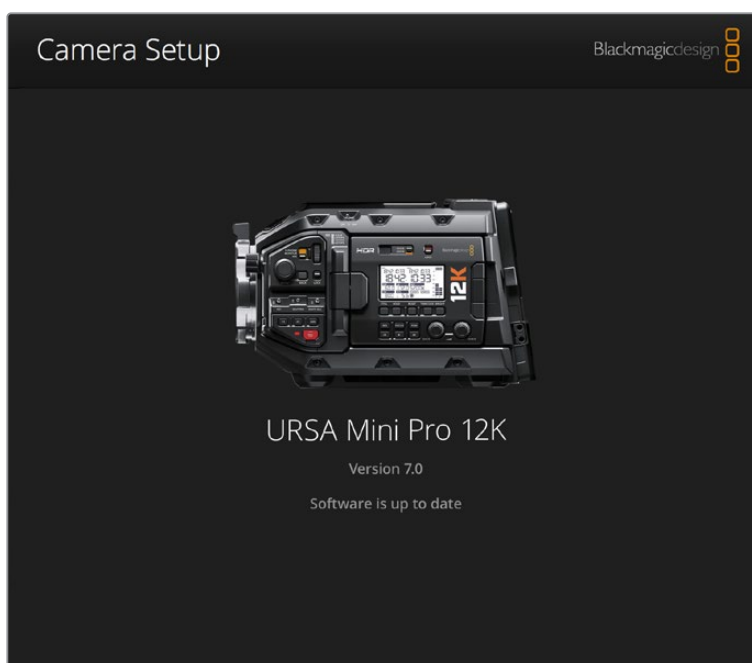
**СОВЕТ.** Если вход 12G-SDI на URSA Mini отключить от видеомикшера, камера будет по-прежнему использовать настройки цветокоррекции, выполненные с помощью инструмента DaVinci Resolve. Это позволяет изменить ракурс съемки без повторной установки параметров изображения. Для возврата к первоначальным настройкам выключите URSA Mini после отсоединения от микшера и затем снова включите.

# Утилита Blackmagic Camera Setup

## Обновление программного обеспечения камеры на платформе Mac

После загрузки утилиты Blackmagic Camera Setup и распаковки файла выберите соответствующий диск, чтобы открыть установщик Blackmagic Camera Setup Installer.

Запустите установщик и следуйте инструкциям на экране. После завершения установки перейдите в папку с приложениями и откройте папку Blackmagic Cameras, которая содержит данное руководство, утилиту Blackmagic Camera Setup, файлы Readme и другую информацию. В ней также находится деинсталлятор, используемый при обновлении Blackmagic Camera Setup до последней версии.



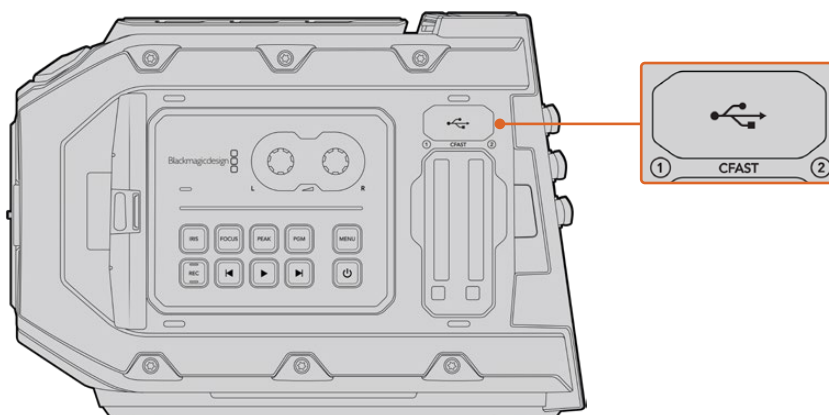
## Обновление программного обеспечения камеры на платформе Windows

После загрузки утилиты Blackmagic Camera Setup и распаковки файла будет отображаться папка, содержащая данное руководство по эксплуатации в формате PDF и установщик Blackmagic Camera Setup Installer. Щелкните кнопкой мыши дважды по значку установщика и следуйте инструкциям на экране.

На платформе Windows 10 выберите Пуск > Все приложения. Перейдите к папке Blackmagic Design. Запустите утилиту Blackmagic Camera Setup.

На платформе Windows 8.1 перейдите к папке Blackmagic Design с экрана «Пуск», используя значок со стрелкой вниз. Запустите утилиту Blackmagic Camera Setup.

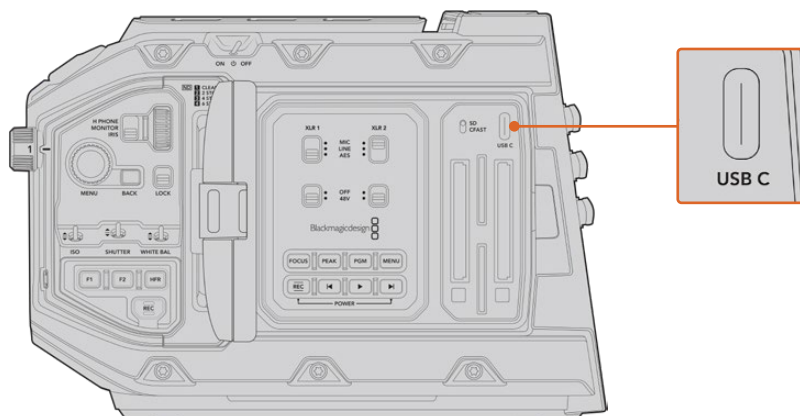
## Порядок обновления программного обеспечения для камеры



Обновление программного обеспечения выполняется через порт Mini-B USB 2.0, который находится над слотами для карт памяти (Blackmagic URSA Mini)

После установки на компьютер последней версии утилиты Blackmagic Camera Setup подключите камеру Blackmagic URSA Mini с помощью кабеля USB. На Blackmagic URSA Mini порт USB расположен с левой стороны над слотами для карт памяти. Для доступа к нему поднимите резиновую крышку.

Для обновления программного обеспечения запустите утилиту Blackmagic Camera Setup и следуйте инструкциям на экране. Помните, что при обновлении ПО все предустановки и личные LUT-таблицы удаляются, а настройки сбрасываются. Поэтому, прежде чем выполнять данную операцию, их рекомендуется экспортировать на карту памяти. После завершения обновления их можно будет легко импортировать. Рекомендуется также выполнить калибровку уровня черного.



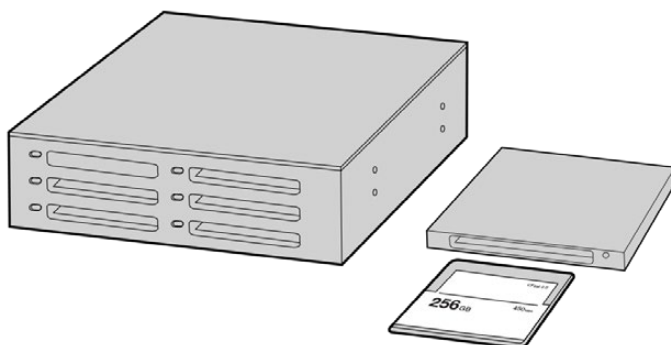
Обновление программного обеспечения выполняется через порт USB-C, который находится над слотами для карт памяти на корпусе камеры Blackmagic URSA Mini Pro

## Работа с программным обеспечением других производителей

Чтобы выполнить монтаж видео в специальном приложении, достаточно скопировать клипы на внутренний или внешний диск либо RAID-массив, а затем импортировать их в программу. Их также можно перенести с накопителя при подключении через док-станцию или адаптер для SSD-дисков, карт CFast и SD.

**ПРИМЕЧАНИЕ.** Кодек Blackmagic RAW совместим с приложением DaVinci Resolve (начиная с версии 15.3.1), а также со многими другими программами для постобработки видео. Плагины для работы с Blackmagic RAW в Avid Media Composer и Adobe Premiere Pro входят в пакет Blackmagic RAW, который можно загрузить по адресу [www.blackmagicdesign.com/ru/support](http://www.blackmagicdesign.com/ru/support).

### Работа с файлами, записанными на карты памяти CFast 2.0 и SD



Для редактирования файлов непосредственно на карте памяти CFast извлеките ее из камеры и подключите к компьютеру, используя картридер CFast 2.0 или устройство CFast Drive

Порядок импорта клипов с карт памяти CFast 2.0 или SD

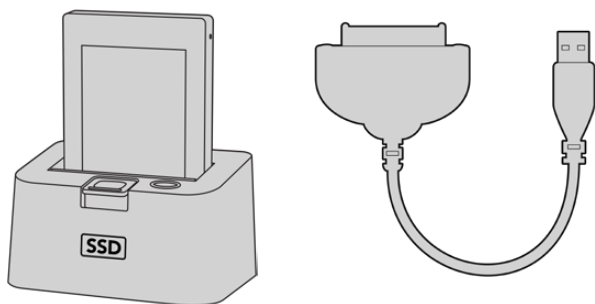
- 1** Извлеките карту памяти CFast или SD из слота камеры Blackmagic URSA Mini или URSA Mini Pro.  
Подключите карту к компьютеру на платформе Mac или Windows с помощью картридера.
- 2** Перейдите к карте с помощью проводника и откройте ее содержание. Там должен отображаться список файлов в кодеках Blackmagic RAW или QuickTime.
- 3** Теперь файлы с носителя легко поместить на рабочий стол или другой жесткий диск простым перетаскиванием. Обработку видео можно также выполнять непосредственно на карте с помощью приложений монтажа.
- 4** Перед отключением карты CFast или SD от компьютера рекомендуется выполнить ее безопасное извлечение в системе Mac или Windows. Если этого не сделать, можно повредить данные на накопителе.



## Работа с файлами, записанными на SSD-диск

Порядок импорта клипов с SSD-диска

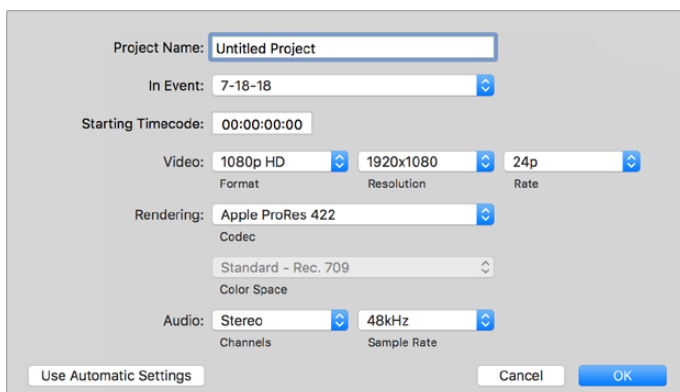
- 1 Извлеките SSD-диск из URSA Mini Recorder.
- 2 Подключите SSD-диск к компьютеру под управлением Mac или Windows с помощью док-станции с интерфейсом eSATA или Thunderbolt (например, Blackmagic MultiDock 10G). SSD-диск можно подключить непосредственно к порту USB на компьютере через переходный кабель eSATA-USB. Рекомендуется использовать интерфейс USB 3.0, потому что скорости USB 2.0 недостаточно для обработки видео в режиме реального времени.
- 3 Дважды щелкните кнопкой мыши по SSD-диску, чтобы открыть список файлов QuickTime или Blackmagic RAW. В зависимости от выбранного способа записи список может содержать файлы разных форматов, которые будут упорядочены по именам.
- 4 Теперь файлы с носителя легко поместить на рабочий стол или другой жесткий диск простым перетаскиванием. Обработку видео можно также выполнять непосредственно на диске с помощью приложений для нелинейного монтажа.
- 5 Перед отключением SSD-диска от компьютера рекомендуется выполнить его безопасное извлечение из системы.



Для редактирования файлов непосредственно на SSD-диске используйте док-станцию eSATA с портом Thunderbolt или соединительный кабель USB 3.0

## Работа с Final Cut Pro X

Чтобы выполнить монтаж клипа в Final Cut Pro X, создайте новый проект с необходимыми настройками формата и кадровой частоты. В этом примере используется формат ProRes 422 HQ 1080p/24.



Настройки проекта в Final Cut Pro X

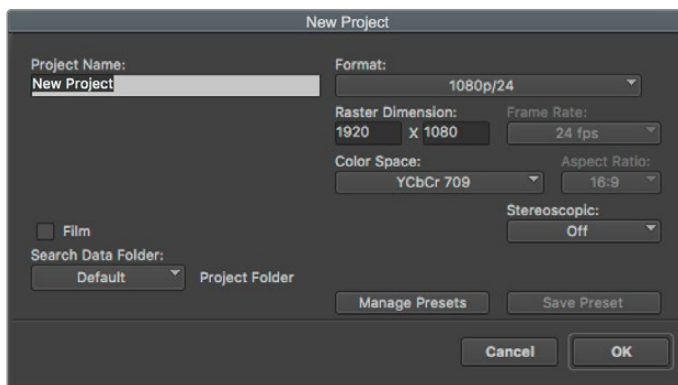
- 1 Запустите Final Cut Pro X, перейдите на панель Menu и выберите File > New Project. Откроется окно с настройками проекта.
- 2 Укажите имя проекта и включите настройку Custom.
- 3 Установите параметры видео: 1080p HD, 1920x1080 и 24p.
- 4 Для Audio and Render Properties выберите Stereo, 48kHz и Apple ProRes 422 HQ.
- 5 Нажмите ОК.

Чтобы импортировать клипы в проект, перейдите на панель Menu и выберите File > Import > Media. Укажите клипы на карте памяти CFast.

Теперь клипы можно поместить на монтажную линейку перетаскиванием.

## Работа с Avid Media Composer 2018

Чтобы выполнить монтаж клипа в Avid Media Composer 2018, создайте новый проект с необходимыми настройками формата и кадровой частоты. В примере ниже используется частота 1080p/24.



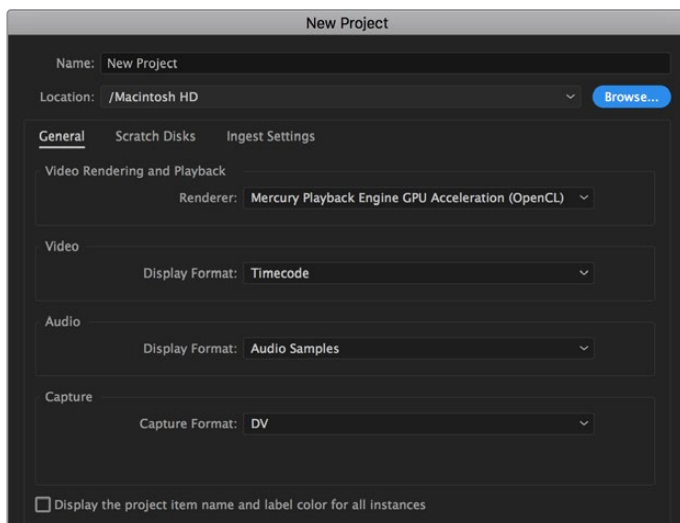
Создание нового проекта и выбор настроек в Avid Media Composer 2018

- 1 Запустите Avid Media Composer 2018. Откроется окно Select Project.
- 2 Нажмите кнопку New Project и в появившемся окне введите название проекта.
- 3 Перейдите в раскрывающееся меню Format и выберите HD 1080 > 1080p/24, а затем нажмите ОК, чтобы создать проект.
- 4 Чтобы открыть проект, щелкните кнопкой мыши дважды по его имени в диалоговом окне Select Project.
- 5 Перейдите к файлам, которые необходимо импортировать, через File > Input > Source.
- 6 В раскрывающемся меню выберите Target Bin и нажмите Import.

Когда клипы отображаются в папке, их можно поместить на монтажную линейку перетаскиванием.

## Работа с Adobe Premiere Pro CC

Чтобы выполнить монтаж клипа Apple ProRes 422 HQ в Adobe Premiere Pro CC, создайте новый проект с необходимыми настройками формата и кадровой частоты. В примере ниже используется формат ProRes 422 HQ 1080p/25.



Создание нового проекта и выбор настроек в Adobe Premiere Pro CC

- 1 Запустите Adobe Premiere Pro CC. В окне Welcome выберите New Project. Откроется окно с настройками проекта.
- 2 Укажите имя проекта. Нажмите Browse и выберите папку для хранения проекта. После указания папки нажмите OK в окне New Project.
- 3 Перейдите на панель Adobe Premiere Pro CC Menu, выберите File > Import и укажите клипы, которые необходимо отредактировать. После этого клипы будут отображаться в окне Project.
- 4 Поместите первый клип на значок New Item в правом нижнем углу окна Project. Будет создана новая монтажная линейка в соответствии с настройками клипа.

Теперь клипы можно поместить на линейку перетаскиванием.

# Информация для разработчиков

## Blackmagic Bluetooth Camera Control

Blackmagic cameras with Bluetooth LE implement a variety of features and commands that allow users to control their cameras wirelessly. Developers have full access to these features for their custom applications.

The following services and characteristics describe the full range of communication options that are available to the developer.

### Service: Device Information Service

UUID: 180A

#### Characteristics

##### **Camera Manufacturer**

UUID: 2A29

Read the name of the manufacturer (always “Blackmagic Design”).

##### **Camera Model**

UUID: 2A24

Read the name of the camera model (“URSA Mini”).

### Service: Blackmagic Camera Service

UUID: 291D567A-6D75-11E6-8B77-86F30CA893D3

#### Characteristics

##### **Outgoing Camera Control (encrypted)**

UUID: 5DD3465F-1AEE-4299-8493-D2ECA2F8E1BB

##### **Send Camera Control messages**

These messages are identical to those described in the Blackmagic SDI Camera Control Protocol section below. Please read that section for a list of supported messages and required formatting information.

For an example of how packets are structured, please see the ‘example protocol packets’ section in this document.

##### **Incoming Camera Control (encrypted)**

UUID: B864E140-76A0-416A-BF30-5876504537D9

Request notifications for this characteristic to receive Camera Control messages from the camera.

These messages are identical to those described in the Blackmagic SDI Camera Control Protocol section below. Please read that section for a list of supported messages and required formatting information.

### Timecode (encrypted)

UUID: 6D8F2110-86F1-41BF-9AFB-451D87E976C8

Request notifications for this characteristic to receive timecode updates.

Timecode (HH:MM:SS:mm) is represented by a 32-bit BCD number:  
(eg. 09:12:53:10 = 0x09125310)

### Camera Status (encrypted)

UUID: 7FE8691D-95DC-4FC5-8ABD-CA74339B51B9

Request notifications for this characteristic to receive camera status updates.

The camera status is represented by flags contained in an 8-bit integer:

<b>None</b>	= 0x00
<b>Camera Power On</b>	= 0x01
<b>Connected</b>	= 0x02
<b>Paired</b>	= 0x04
<b>Versions Verified</b>	= 0x08
<b>Initial Payload Received</b>	= 0x10
<b>Camera Ready</b>	= 0x20

Send a value of 0x00 to power a connected camera off.

Send a value of 0x01 to power a connected camera on.

### Device Name

UUID: FFAC0C52-C9FB-41A0-B063-CC76282EB89C

Send a device name to the camera (max. 32 characters).

The camera will display this name in the Bluetooth Setup Menu.

### Protocol Version

UUID: 8F1FD018-B508-456F-8F82-3D392BEE2706

Read this value to determine the camera's supported CCU protocol version.

**NOTE** Encrypted characteristics can only be used once a device has successfully bonded or paired with the Blackmagic Camera. Once a connection has been established, any attempt to write to an encrypted characteristic will initiate bonding. For example, writing a 'Camera Power On' (0x01) message to the Camera Status characteristic.

Once bonding is initiated, the camera will display a 6-digit pin in the Bluetooth Setup Menu. Enter this pin on your device to establish an encrypted connection. The device will now be able to read, write and receive notifications from encrypted characteristics.

# Blackmagic SDI and Bluetooth Camera Control Protocol

## Version 1.4

If you are a software developer you can use the Blackmagic SDI and Bluetooth Camera Control Protocol to construct devices that integrate with our products. Here at Blackmagic Design, our approach is to open up our protocols and we eagerly look forward to seeing what you come up with!

## Overview

This document describes an extensible protocol for sending a unidirectional stream of small control messages embedded in the non-active picture region of a digital video stream. The video stream containing the protocol stream may be broadcast to a number of devices. Device addressing is used to allow the sender to specify which device each message is directed to.

## Assumptions

Alignment and padding constraints are explicitly described in the protocol document. Bit fields are packed from LSB first. Message groups, individual messages and command headers are defined as, and can be assumed to be, 32 bit aligned.

## Blanking Encoding

A message group is encoded into a SMPTE 291M packet with DID/SDID x51/x53 in the active region of VANC line 16.

## Message Grouping

Up to 32 messages may be concatenated and transmitted in one blanking packet up to a maximum of 255 bytes payload. Under most circumstances, this should allow all messages to be sent with a maximum of one frame latency.

If the transmitting device queues more bytes of message packets than can be sent in a single frame, it should use heuristics to determine which packets to prioritize and send immediately. Lower priority messages can be delayed to later frames, or dropped entirely as appropriate.

## Abstract Message Packet Format

Every message packet consists of a three byte header followed by an optional variable length data block. The maximum packet size is 64 bytes.

<b>Destination device (uint8)</b>	Device addresses are represented as an 8 bit unsigned integer. Individual devices are numbered 0 through 254 with the value 255 reserved to indicate a broadcast message to all devices.
<b>Command length (uint8)</b>	The command length is an 8 bit unsigned integer which specifies the length of the included command data. The length does NOT include the length of the header or any trailing padding bytes.
<b>Command id (uint8)</b>	The command id is an 8 bit unsigned integer which indicates the message type being sent. Receiving devices should ignore any commands that they do not understand. Commands 0 through 127 are reserved for commands that apply to multiple types of devices. Commands 128 through 255 are device specific.
<b>Reserved (uint8)</b>	This byte is reserved for alignment and expansion purposes. It should be set to zero.
<b>Command data (uint8[])</b>	The command data may contain between 0 and 60 bytes of data. The format of the data section is defined by the command itself.
<b>Padding (uint8[])</b>	Messages must be padded up to a 32 bit boundary with 0x0 bytes. Any padding bytes are NOT included in the command length.

Receiving devices should use the destination device address and or the command identifier to determine which messages to process. The receiver should use the command length to skip irrelevant or unknown commands and should be careful to skip the implicit padding as well.

## Defined Commands

### Command 0 : change configuration

<b>Category (uint8)</b>	The category number specifies one of up to 256 configuration categories available on the device.
<b>Parameter (uint8)</b>	The parameter number specifies one of 256 potential configuration parameters available on the device. Parameters 0 through 127 are device specific parameters. Parameters 128 through 255 are reserved for parameters that apply to multiple types of devices.
<b>Data type (uint8)</b>	The data type specifies the type of the remaining data. The packet length is used to determine the number of elements in the message. Each message must contain an integral number of data elements.

#### Currently defined values are:

<b>0: void / boolean</b>	A void value is represented as a boolean array of length zero. The data field is a 8 bit value with 0 meaning false and all other values meaning true.
<b>1: signed byte</b>	Data elements are signed bytes
<b>2: signed 16 bit integer</b>	Data elements are signed 16 bit values
<b>3: signed 32 bit integer</b>	Data elements are signed 32 bit values
<b>4: signed 64 bit integer</b>	Data elements are signed 64 bit values
<b>5: UTF-8 string</b>	Data elements represent a UTF-8 string with no terminating character.

#### Data types 6 through 127 are reserved.

<b>128: signed 5.11 fixed point</b>	Data elements are signed 16 bit integers representing a real number with 5 bits for the integer component and 11 bits for the fractional component. The fixed point representation is equal to the real value multiplied by $2^{11}$ . The representable range is from -16.0 to 15.9995 ( $15 + 2047/2048$ ).
-------------------------------------	---

#### Data types 129 through 255 are available for device specific purposes.

<b>Operation type (uint8)</b>	The operation type specifies what action to perform on the specified parameter. Currently defined values are:
<b>0: assign value</b>	The supplied values are assigned to the specified parameter. Each element will be clamped according to its valid range. A void parameter may only be 'assigned' an empty list of boolean type. This operation will trigger the action associated with that parameter. A boolean value may be assigned the value zero for false, and any other value for true.
<b>1: offset / toggle value</b>	Each value specifies signed offsets of the same type to be added to the current parameter values. The resulting parameter value will be clamped according to their valid range. It is not valid to apply an offset to a void value. Applying any offset other than zero to a boolean value will invert that value.

#### Operation types 2 through 127 are reserved.

#### Operation types 128 through 255 are available for device specific purposes.

<b>Data (void)</b>	The data field is 0 or more bytes as determined by the data type and number of elements.
--------------------	--

The category, parameter, data type and operation type partition a 24 bit operation space.

Group	ID	Parameter	Type	Index	Minimum	Maximum	Interpretation	
Lens	0.0	Focus	fixed16	–	0.0	1.0	0.0 = near, 1.0 = far	
	0.1	Instantaneous autofocus	void	–	–	–	trigger instantaneous autofocus	
	0.2	Aperture (f-stop)	fixed16	–	-1.0	16.0	Aperture Value (where fnumber = $\sqrt{2^{AV}}$ )	
	0.3	Aperture (normalised)	fixed16	–	0.0	1.0	0.0 = smallest, 1.0 = largest	
	0.4	Aperture (ordinal)	int16	–	0	n	Steps through available aperture values from minimum (0) to maximum (n)	
	0.5	Instantaneous auto aperture	void	–	–	–	trigger instantaneous auto aperture	
	0.6	Optical image stabilisation	boolean	–	–	–	true = enabled, false = disabled	
	0.7	Set absolute zoom (mm)	int16	–	0	max	Move to specified focal length in mm, from minimum (0) to maximum (max)	
	0.8	Set absolute zoom (normalised)	fixed16	–	0.0	1.0	Move to specified focal length: 0.0 = wide, 1.0 = tele	
0.9	Set continuous zoom (speed)	fixed16	–	-1.0	+1.0	Start/stop zooming at specified rate: -1.0 = zoom wider fast, 0.0 = stop, +1 = zoom tele fast		
Video	1.0	Video mode	int8	[0] = frame rate	–	–	fps as integer (eg 24, 25, 30, 50, 60)	
				[1] = M-rate	–	–	0 = regular, 1 = M-rate	
				[2] = dimensions	–	–	0 = NTSC, 1 = PAL, 2 = 720, 3 = 1080, 4 = 2kDCI, 5 = 2k16:9, 6 = UHD, 7 = 3k Anamorphic, 8 = 4k DCI, 9 = 4k 16:9, 10 = 4.6k 2.4:1, 11 = 4.6k	
				[3] = interlaced	–	–	0 = progressive, 1 = interlaced	
				[4] = Color space	–	–	0 = YUV	
	1.1	Gain (up to Camera 4.9)	int8			1	128	1x, 2x, 4x, 8x, 16x, 32x, 64x, 128x gain
	1.2	Manual White Balance	int16	[0] = color temp	2500	10000		Color temperature in K
			int16	[1] = tint	-50	50		tint
	1.3	Set auto WB	void	–	–	–	–	Calculate and set auto white balance
	1.4	Restore auto WB	void	–	–	–	–	Use latest auto white balance setting
1.5	Exposure (us)	int32			1	42000	time in us	
1.6	Exposure (ordinal)	int16	–		0	n	Steps through available exposure values from minimum (0) to maximum (n)	
1.7	Dynamic Range Mode	int8 enum	–		0	2	0 = film, 1 = video, 2 = extended video	
1.8	Video sharpening level	int8 enum	–		0	3	0 = off, 1 = low, 2 = medium, 3 = high	



Group	ID	Parameter	Type	Index	Minimum	Maximum	Interpretation
Video	1.9	Recording format	int16	[0] = file frame rate	–	–	fps as integer (eg 24, 25, 30, 50, 60, 120)
				[1] = sensor frame rate	–	–	fps as integer, valid when sensor-off-speed set (eg 24, 25, 30, 33, 48, 50, 60, 120), no change will be performed if this value is set to 0
				[2] = frame width	–	–	in pixels
				[3] = frame height	–	–	in pixels
				[4] = flags	–	–	[0] = file-M-rate
					–	–	[1] = sensor-M-rate, valid when sensor-off-speed-set
					–	–	[2] = sensor-off-speed
					–	–	[3] = interlaced
	–	–	[4] = windowed mode				
	1.10	Set auto exposure mode	int8	–	0	4	0 = Manual Trigger, 1 = Iris, 2 = Shutter, 3 = Iris + Shutter, 4 = Shutter + Iris
	1.11	Shutter angle	int32	–	100	36000	Shutter angle in degrees, multiplied by 100
	1.12	Shutter speed	int32	–	Current sensor frame rate	5000	Shutter speed value as a fraction of 1, so 50 for 1/50th of a second
	1.13	Gain	int8	–	-128	127	Gain in decibel (dB)
	1.14	ISO	int32	–	0	2147483647	ISO value
	1.15	Display LUT	int8	[0] = selected LUT	–	–	0 = None, 1 = Custom, 2 = film to video, 3 = film to extended video
[1] = enabled or not				–	–	0 = Not enabled, 1 = Enabled	
Audio	2.0	Mic level	fixed16	–	0.0	1.0	0.0 = minimum, 1.0 = maximum
	2.1	Headphone level	fixed16	–	0.1	1.0	0.0 = minimum, 1.0 = maximum
	2.2	Headphone program mix	fixed16	–	0.1	1.0	0.0 = minimum, 1.0 = maximum
	2.3	Speaker level	fixed16	–	0.1	1.0	0.0 = minimum, 1.0 = maximum
	2.4	Input type	int8	–	0	3	0 = internal mic, 1 = line level input, 2 = low mic level input, 3 = high mic level input
	2.5	Input levels	fixed16	[0] ch0	0.0	1.0	0.0 = minimum, 1.0 = maximum
				[1] ch1	0.0	1.0	0.0 = minimum, 1.0 = maximum
	2.6	Phantom power	boolean	–	–	–	true = powered, false = not powered

Group	ID	Parameter	Type	Index	Minimum	Maximum	Interpretation
Output	3.0	Overlay enables	uint16 bit field	–	–	–	bit flags: [0] = display status, [1] = display frame guides Some cameras don't allow separate control of frame guides and status overlays.
	3.1	Frame guides style (Camera 3.x)	int8	–	0	8	0 = HDTV, 1 = 4:3, 2 = 2.4:1, 3 = 2.39:1, 4 = 2.35:1, 5 = 1.85:1, 6 = thirds
	3.2	Frame guides opacity (Camera 3.x)	fixed16	–	0.1	1.0	0.0 = transparent, 1.0 = opaque
	3.3	Overlays (replaces .1 and .2 above from Cameras 4.0)	int8	[0] = frame guides style	–	–	0 = off, 1 = 2.4:1, 2 = 2.39:1, 3 = 2.35:1, 4 = 1.85:1, 5 = 16:9, 6 = 14:9, 7 = 4:3, 8 = 2:1, 9 = 4:5, 10 = 1:1
			[1] = frame guide opacity	0	100	0 = transparent, 100 = opaque	
			[2] = safe area percentage	0	100	percentage of full frame used by safe area guide (0 means off)	
			[3] = grid style	–	–	bit flags: [0] = display thirds, [1] = display cross hairs, [2] = display center dot, [3] = display horizon	
Display	4.0	Brightness	fixed16	–	0.0	1.0	0.0 = minimum, 1.0 = maximum
	4.1	Exposure and focus tools	int16 bit field	0x1 = zebra, 0x2 = focus assist, 0x4 = false color	–	–	0 = disable, 1 = enable
	4.2	Zebra level	fixed16	–	0.0	1.0	0.0 = minimum, 1.0 = maximum
	4.3	Peaking level	fixed16	–	0.0	1.0	0.0 = minimum, 1.0 = maximum
	4.4	Color bar enable	int8	–	0	30	0 = disable bars, 1-30 = enable bars with timeout (seconds)
	4.5	Focus Assist	int8	[0] = focus assist method	–	–	0 = Peak, 1 = Colored lines
				[1] = focus line color	–	–	0 = Red, 1 = Green, 2 = Blue, 3 = White, 4 = Black
	4.6	Program return feed enable	int8	–	0	30	0 = disable, 1-30 = enable with timeout (seconds)
Tally	5.0	Tally brightness	fixed16	–	0.0	1.0	Sets the tally front and tally rear brightness to the same level. 0.0 = minimum, 1.0 = maximum
	5.1	Front tally brightness	fixed16	–	0.0	1.0	Sets the tally front brightness. 0.0 = minimum, 1.0 = maximum
	5.2	Rear tally brightness	fixed16	–	0.0	1.0	Sets the tally rear brightness. 0.0 = minimum, 1.0 = maximum Tally rear brightness cannot be turned off

Group	ID	Parameter	Type	Index	Minimum	Maximum	Interpretation
Reference	6.0	Source	int8 enum	–	0	2	0 = internal, 1 = program, 2 = external
	6.1	Offset	int32	–	–	–	+/- offset in pixels
Configuration	7.0	Real Time Clock	int32	[0] time	–	–	BCD - HHMMSSFF (UCT)
				[1] date	–	–	BCD - YYYYMMDD
	7.1	System language	string	[0-1]	–	–	ISO-639-1 two character language code
	7.2	Timezone	int32	–	–	–	Minutes offset from UTC
	7.3	Location	int64	[0] latitude	–	–	BCD - s0DDdddddddddd where s is the sign: 0 = north (+), 1 = south (-); DD degrees, ddddddddddd decimal degrees
				[1] longitude	–	–	BCD - sDDDdddddddddd where s is the sign: 0 = west (-), 1 = east (+); DDD degrees, ddddddddddd decimal degrees
Color Correction	8.0	Lift Adjust	fixed16	[0] red	-2.0	2.0	default 0.0
				[1] green	-2.0	2.0	default 0.0
				[2] blue	-2.0	2.0	default 0.0
				[3] luma	-2.0	2.0	default 0.0
	8.1	Gamma Adjust	fixed16	[0] red	-4.0	4.0	default 0.0
				[1] green	-4.0	4.0	default 0.0
				[2] blue	-4.0	4.0	default 0.0
				[3] luma	-4.0	4.0	default 0.0
	8.2	Gain Adjust	fixed16	[0] red	0.0	16.0	default 1.0
				[1] green	0.0	16.0	default 1.0
				[2] blue	0.0	16.0	default 1.0
				[3] luma	0.0	16.0	default 1.0
	8.3	Offset Adjust	fixed16	[0] red	-8.0	8.0	default 0.0
				[1] green	-8.0	8.0	default 0.0
				[2] blue	-8.0	8.0	default 0.0
				[3] luma	-8.0	8.0	default 0.0
	8.4	Contrast Adjust	fixed16	[0] pivot	0.0	1.0	default 0.5
				[1] adj	0.0	2.0	default 1.0
	8.5	Luma mix	fixed16	–	0.0	1.0	default 1.0
	8.6	Color Adjust	fixed16	[0] hue	-1.0	1.0	default 0.0
[1] sat				0.0	2.0	default 1.0	
8.7	Correction Reset Default	void	–	–	–	reset to defaults	

Group	ID	Parameter	Type	Index	Minimum	Maximum	Interpretation
Media	10.0	Codec	int8 enum	[0] = basic codec	-	-	0 = CinemaDNG, 1 = DNxHD, 2 = ProRes, 3 = Blackmagic RAW
				[1] = code variant	-	-	CinemaDNG: 0 = uncompressed, 1 = lossy 3:1, 2 = lossy 4:1
					-	-	ProRes: 0 = HQ, 1 = 422, 2 = LT, 3 = Proxy, 4 = 444, 5 = 444XQ
					-	-	Blackmagic RAW: 0 = Q0, 1 = Q5, 2 = 3:1, 3 = 5:1, 4 = 8:1, 5 = 12:1
	10.1	Transport mode	int8	[0] = mode	-	-	0 = Preview, 1 = Play, 2 = Record
				[1] = speed	-	-	-ve = multiple speeds backwards, 0 = pause, +ve = multiple speeds forwards
				[2] = flags	-	-	1<<0 = loop, 1<<1 = play all, 1<<5 = disk1 active, 1<<6 = disk2 active, 1<<7 = time-lapse recording
				[3] = slot 1 storage medium	-	-	0 = CFast card, 1 = SD, 2 = SSD Recorder
				[4] = slot 2 storage medium	-	-	0 = CFast card, 1 = SD, 2 = SSD Recorder
	10.2	Playback Control	int8 enum	[0] = clip	-	-	0 = Previous, 1 = Next
PTZ Control	11.0	Pan/Tilt Velocity	fixed 16	[0] = pan velocity	-1.0	1.0	-1.0 = full speed left, 1.0 = full speed right
				[1] = tilt velocity	-1.0	1.0	-1.0 = full speed down, 1.0 = full speed up
	11.1	Memory Preset	int8 enum	[0] = preset command	-	-	0 = reset, 1 = store location, 2 = recall location
			int8	[1] = preset slot	0	5	-

## Example Protocol Packets

Operation	Packet Length	Byte															
		0	1	2	3	4	5	6	7	8	9	10	11	12	13	14	15
		header			command				data								
		destination	length	command	reserved	category	parameter	type	operation								
trigger instantaneous auto focus on camera 4	8	4	4	0	0	0	1	0	0								
turn on OIS on all cameras	12	255	5	0	0	0	6	0	0	1	0	0	0				
set exposure to 10 ms on camera 4 (10 ms = 10000 us = 0x00002710)	12	4	8	0	0	1	5	3	0	0x10	0x27	0x00	0x00				
add 15% to zebra level (15 % = 0.15 f = 0x0133 fp)	12	4	6	0	0	4	2	128	1	0x33	0x01	0	0				
select 1080p 23.98 mode on all cameras	16	255	9	0	0	1	0	1	0	24	1	3	0	0	0	0	0
subtract 0.3 from gamma adjust for green & blue (-0.3 ~ = 0xfd9a fp)	16	4	12	0	0	8	1	128	1	0	0	0x9a	0xfd	0x9a	0xfd	0	0
all operations combined	76	4	4	0	0	0	1	0	0	255	5	0	0	0	6	0	0
		1	0	0	0	4	8	0	0	1	5	3	0	0x10	0x27	0x00	0x00
		4	6	0	0	4	2	128	1	0x33	0x01	0	0	255	9	0	0
		1	0	1	0	24	1	3	0	0	0	0	0	4	12	0	0
		8	1	128	1	0	0	0x9a	0xfd	0x9a	0xfd	0	0				

## Blackmagic Tally Control Protocol

### Version 1.0 (30/04/14)

This section is for third party developers or anybody who may wish to add support for the Blackmagic Tally Control Protocol to their products or system. It describes the protocol for sending tally information embedded in the non-active picture region of a digital video stream.

### Data Flow

A master device such as a broadcast switcher embeds tally information into its program feed which is broadcast to a number of slave devices such as cameras or camera controllers. The output from the slave devices is typically fed back to the master device, but may also be sent to a video monitor.

The primary flow of tally information is from the master device to the slaves. Each slave device may use its device id to extract and display the relevant tally information.

Slave devices pass through the tally packet on their output and update the monitor tally status, so that monitor devices connected to that individual output may display tally status without knowledge of the device id they are monitoring.

## Assumptions

Any data alignment / padding is explicit in the protocol. Bit fields are packed from LSB first.

## Blanking Encoding

One tally control packet may be sent per video frame. Packets are encoded as a SMPTE 291M packet with DID/SDID x51/x52 in the active region of VANC line 15. A tally control packet may contain up to 256 bytes of tally information.

## Packet Format

Each tally status consists of 4 bits of information:

```
uint4
    bit 0:  program tally status (0=off, 1=on)
    bit 1:  preview tally status (0=off, 1=on)
    bit 2-3: reserved (0x0)
```

The first byte of the tally packet contains the monitor device tally status and a version number.

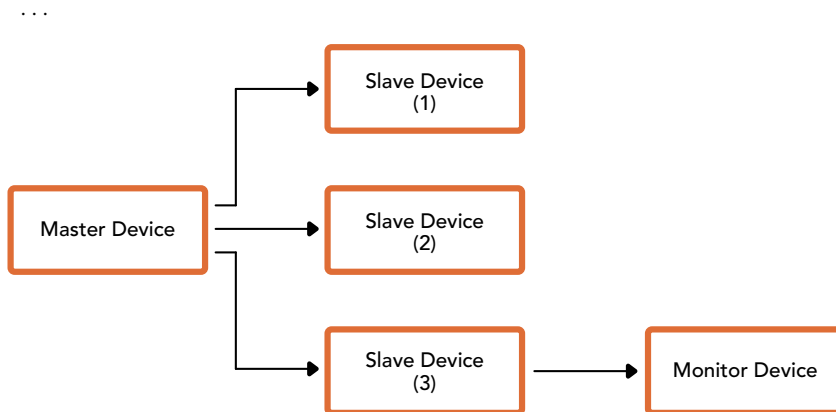
Subsequent bytes of the tally packet contain tally status for pairs of slave devices. The master device sends tally status for the number of devices configured/supported, up to a maximum of 510.

struct tally

```
uint8
    bit 0:  monitor device program tally status (0=off, 1=on)
    bit 1:  monitor device preview tally status (0=off, 1=on)
    bit 2-3: reserved (0b00)
    bit 4-7: protocol version (0b0000)

uint8[0]
    bit 0:  slave device 1 program tally status (0=off, 1=on)
    bit 1:  slave device 1 device preview tally status (0=off, 1=on)
    bit 2-3: reserved (0b00)
    bit 4:  slave device 2 program tally status (0=off, 1=on)
    bit 5:  slave device 2 preview tally status (0=off, 1=on)
    bit 6-7: reserved (0b00)

uint8[1]
    bit 0:  slave device 3 program tally status (0=off, 1=on)
    bit 1:  slave device 3 device preview tally status (0=off, 1=on)
    bit 2-3: reserved (0b00)
    bit 4:  slave device 4 program tally status (0=off, 1=on)
    bit 5:  slave device 4 preview tally status (0=off, 1=on)
    bit 6-7: reserved (0b00)
```



Byte	7 MSB	6	5	4	3	2	1	0 LSB
0	Version (0b0)	Version (0b0)	Version (0b0)	Version (0b0)	Reserved (0b0)	Reserved (0b0)	Monitor Preview	Monitor Program
1	Reserved (0b0)	Reserved (0b0)	Slave 1 Preview	Slave 1 Program	Reserved (0b0)	Reserved (0b0)	Slave 0 Preview	Slave 0 Program
2	Reserved (0b0)	Reserved (0b0)	Slave 3 Preview	Slave 3 Program	Reserved (0b0)	Reserved (0b0)	Slave 2 Preview	Slave 2 Program
3	...							

# Blackmagic URSA Mini B4 Mount

Байонет PL, установленный на Blackmagic URSA Mini PL, можно снять и заменить на B4. Это крепление имеет небольшие отличия от аналогичного на камере URSA Mini Pro. Прежде всего, отверстия для винтов расположены в другом месте, чтобы не блокировать демонтаж EF-объектива на URSA Mini Pro. Стоит учесть, что толщина прокладок может отличаться в зависимости от модели камеры и используемого байонета.

Крепление B4 для URSA Mini PL можно приобрести у дилеров Blackmagic Design.

Байонет B4 Mount позволяет использовать URSA Mini PL для съемки в HD с помощью традиционных парфокальных объективов. Эти объективы сохраняют фокус при изменении зума, обеспечивая постоянную резкость изображения. Например, если после максимального приближения установить фокус, он будет оставаться неизменным во всем диапазоне зума при возвращении к оригинальной настройке. Следует также помнить о том, что важно правильно подобрать рабочий отрезок объектива с креплением B4.

## Установка байонета B4

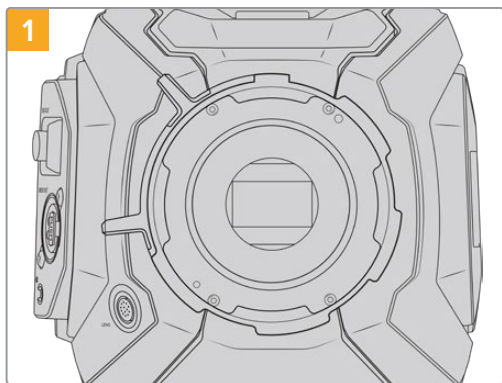
Байонет B4 поставляется с двумя прокладками 0,50 мм, которые можно установить дополнительно к прокладке такой же толщины, уже имеющейся на URSA Mini PL. Прокладки позволяют регулировать рабочий отрезок объектива. Для тонкой настройки используйте кольцо заднего фокуса, расположенное на объективе со стороны байонета.

С помощью объективов с B4-креплением камера URSA Mini позволяет создавать изображение такого качества, которое нельзя получить с использованием фотооптики.

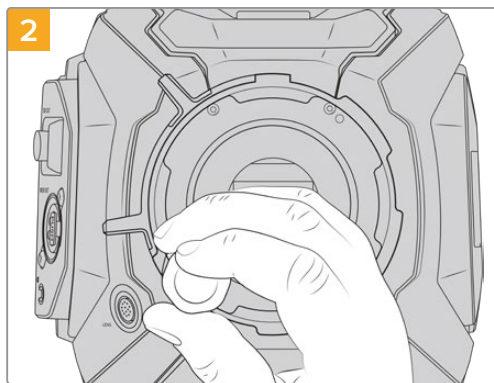
Чтобы установить байонет URSA Mini B4, потребуется динамометрический ключ с максимальным моментом затяжки 0,45 Н•м, а также шестигранный ключ 2,0 мм.



Чтобы установить байонет B4 на камеру Blackmagic URSA Mini, потребуется динамометрический ключ с максимальным моментом затяжки 0,45 Н•м и шестигранный ключ 2,0 мм

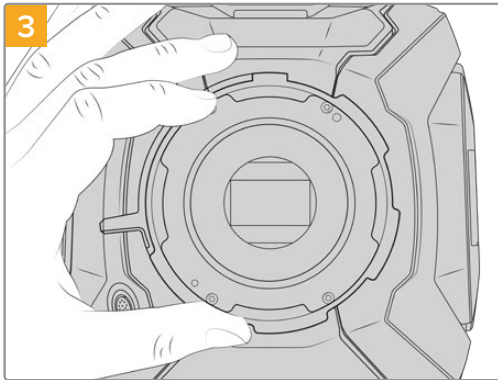


1 Поместите камеру Blackmagic URSA Mini PL на чистую устойчивую поверхность и снимите объектив или пылезащитную крышку. В таком виде стеклянный фильтр матрицы не защищен от внешнего воздействия, поэтому важно обеспечить его максимальную чистоту. Во время установки байонета не касайтесь фильтра руками.

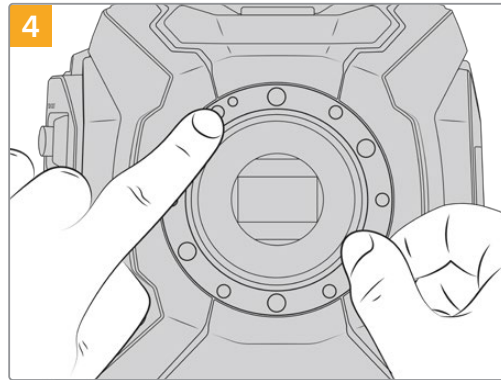


2 С помощью шестигранного ключа 2,0 мм открутите шесть крепежных винтов байонета PL. Для доступа к этим винтам иногда необходимо повернуть фиксирующее кольцо по часовой стрелке или против нее.

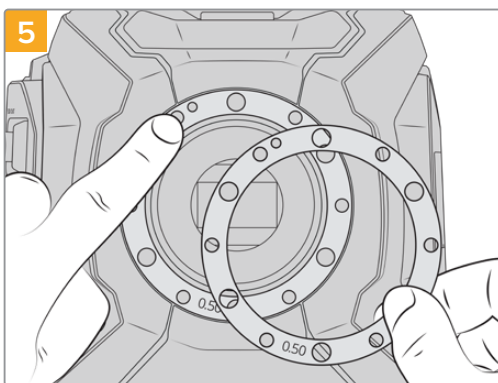




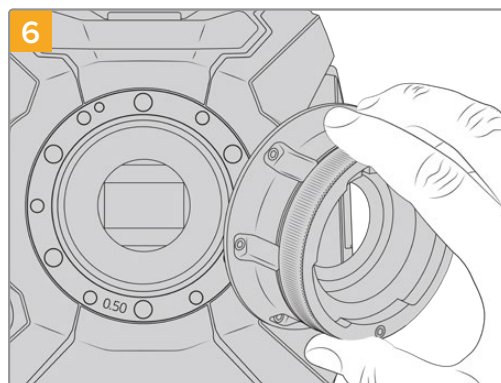
3  
Осторожно снимите байонет с корпуса камеры. Положите винты рядом с байонетом.



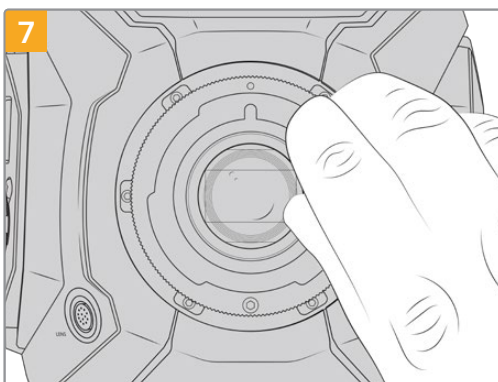
4  
Запомните положение установленной прокладки 0,50 мм с центрирующим штифтом («11 часов»).



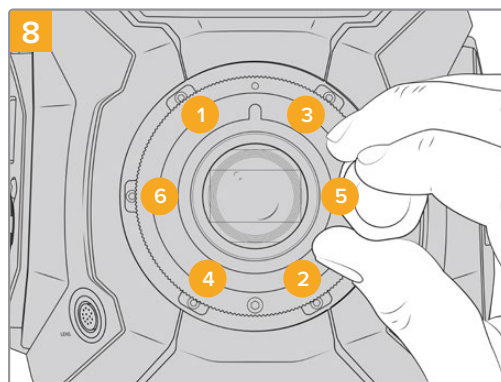
5  
Поместите две прокладки 0,50 мм, поставляемые вместе с байонетом B4, поверх оригинальной прокладки. Это позволяет получить оптимальный рабочий отрезок.



6  
Осторожно установите байонет Blackmagic URSA Mini B4 на корпус камеры, совместив паз с центрирующим штифтом в положении «11 часов».



7  
Используя шестигранный ключ 2 мм или динамометрический ключ с моментом затяжки 0,45 Н•м, насадите шесть крепежных винтов, чтобы обеспечить соприкосновение с кромкой байонета. Для доступа к этим винтам необходимо повернуть фиксирующее кольцо, потому что некоторые отверстия могут быть скрыты.



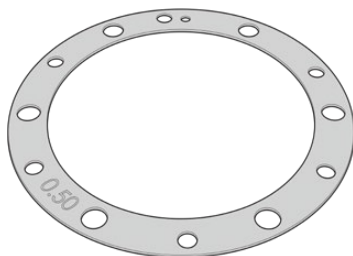
8  
Убедитесь, что байонет правильно выставлен, и затяните винты в указанном на рисунке порядке. Затягивайте их равномерно и не слишком сильно.

## Установка регулировочных прокладок

### Что такое регулировочная прокладка?

Прокладки Blackmagic представляют собой диски различной толщины, которые позволяют регулировать расстояние между объективом и матрицей камеры URSA Mini. Это расстояние обычно называют рабочим отрезком или задним фокусом. В зависимости от срока службы объектива и условий съемки оно может незначительно меняться. Конструкции нижеперечисленных моделей дают возможность корректировать задний фокус с помощью регулировочных прокладок.

- URSA Mini PL 4K
- URSA Mini PL 4.6K
- URSA Mini Pro 4.6K
- URSA Mini Pro 4.6K G2



Регулировочная прокладка для URSA Mini



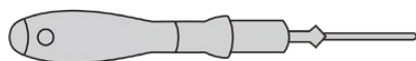
Регулировочные прокладки для URSA Mini Pro

Прокладки устанавливаются между креплением и корпусом камеры, чтобы расстояние от объекта до матрицы соответствовало фокусным меткам на объективе. Наиболее часто они используются для PL-оптики. Подобные кинообъективы с ручной фокусировкой имеют метки, отражающие фокусное расстояние. Для установки сменного байонета на URSA Mini Pro используют регулировочные прокладки.

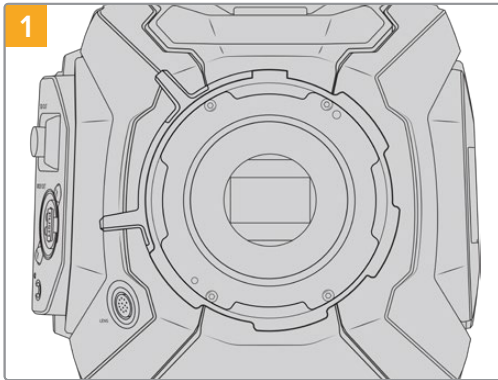
Камера URSA/URSA Mini поставляется с установленной прокладкой 0,50 мм. В комплект Blackmagic URSA Mini Pro Shim Kit, который можно приобрести у дилеров компании, входят прокладки разной толщины. Набор регулировочных прокладок также поставляется в комплекте со сменными байонетами для установки на URSA Mini Pro. Толщину прокладки выбирают исходя из требований по корректировке.

## Установка регулировочных прокладок для байонета URSA Mini PL

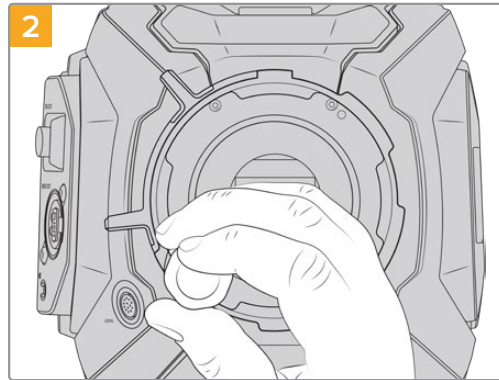
Чтобы установить регулировочную прокладку на камеру с байонетом PL, потребуется динамометрический ключ с максимальным моментом затяжки 0,45 Н•м, а также шестигранный ключ 2,0 мм.



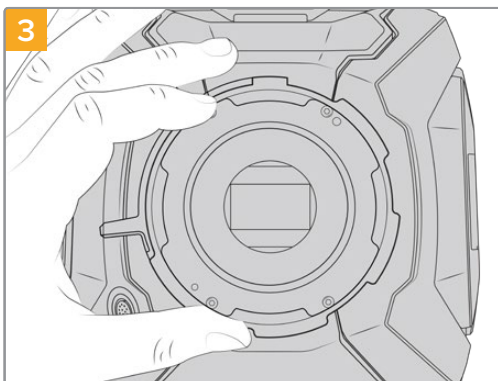
Динамометрический ключ



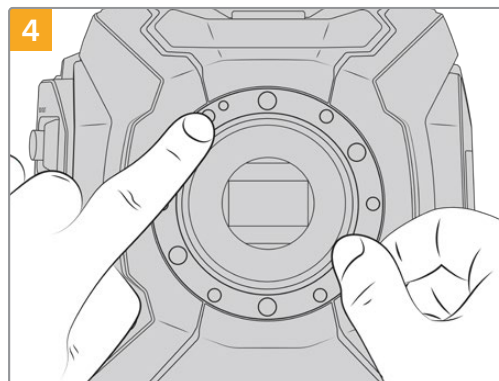
1  
Поместите камеру URSA Mini PL вертикально на чистую устойчивую поверхность и снимите объектив или пылезащитную крышку. В таком виде стеклянный фильтр матрицы не защищен от внешнего воздействия, поэтому важно обеспечить его максимальную чистоту. Во время установки не касайтесь фильтра руками.



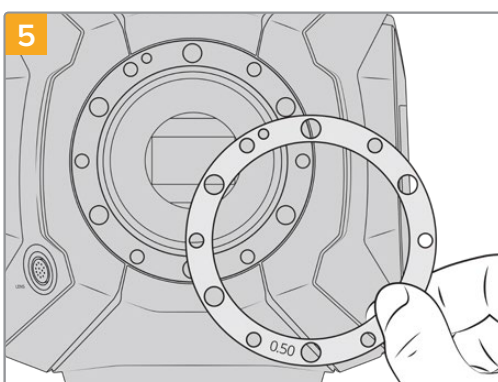
2  
С помощью шестигранного ключа 2,0 мм открутите шесть крепежных винтов байонета PL. Для доступа к этим винтам иногда необходимо повернуть фиксирующее кольцо по часовой стрелке или против нее.



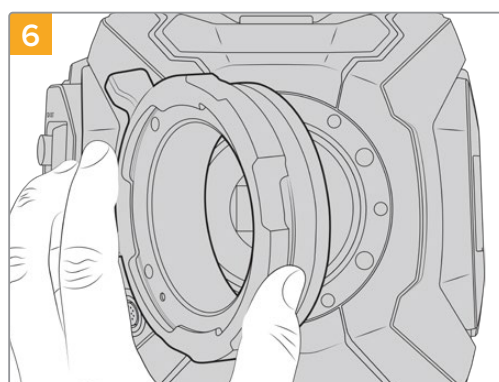
3  
Осторожно снимите байонет с корпуса камеры. Положите винты рядом с байонетом.



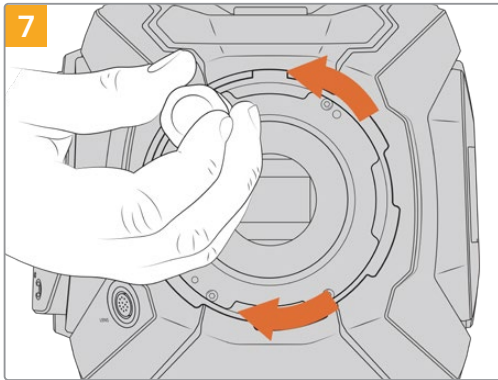
4  
Запомните положение установленной прокладки 0,50 мм с центрирующим штифтом («11 часов»).



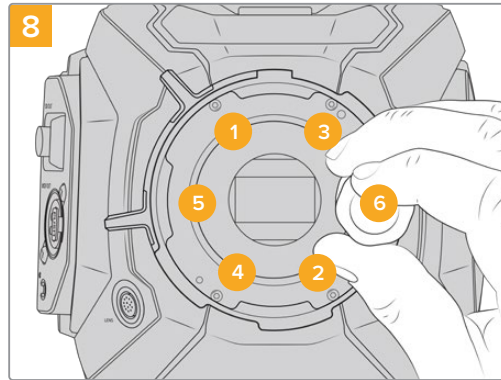
5  
Установку или удаление прокладок рекомендуется выполнять с шагом 0,10 мм, а после сборки проверьте объективы камеры на совпадение с фокусными метками. Например, вместо прокладки 0,50 мм можно попробовать немного меньший размер 0,40 мм.



6  
Осторожно установите байонет Blackmagic URSA Mini Pro PL на корпус камеры.



Используя шестигранный ключ 2 мм или динамометрический ключ с моментом затяжки 0,45 Н•м, насадите крепежные винты, чтобы обеспечить соприкосновение с кромкой байонета.

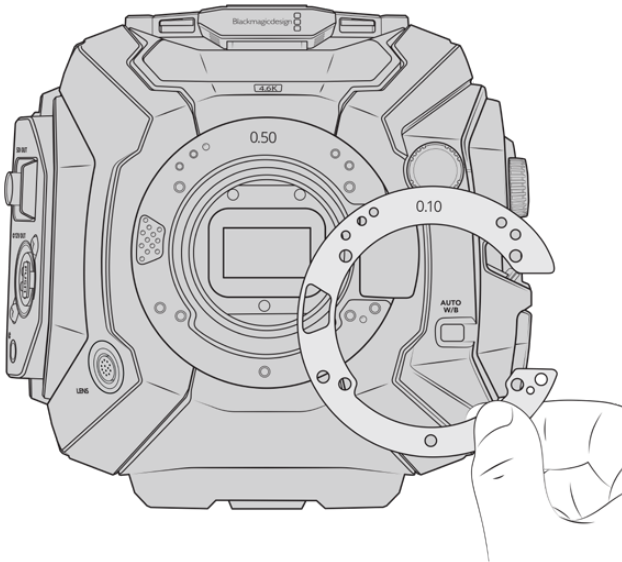


Убедитесь, что байонет правильно выставлен, и затяните винты в указанном на рисунке порядке. Затягивайте их равномерно и не слишком сильно.

## Установка регулировочных прокладок на URSA Mini Pro

Порядок установки регулировочных прокладок на URSA Mini Pro очень похож на аналогичную операцию для URSA Mini PL. Отличаются лишь сами прокладки. Чтобы выполнить установку на URSA Mini Pro, снимите байонет и вставьте либо удалите прокладку так же, как в случае с URSA Mini PL. После этого прикрепите байонет.

Подробнее об установке байонетов на камеру URSA Mini Pro см. раздел «Сменный байонет».

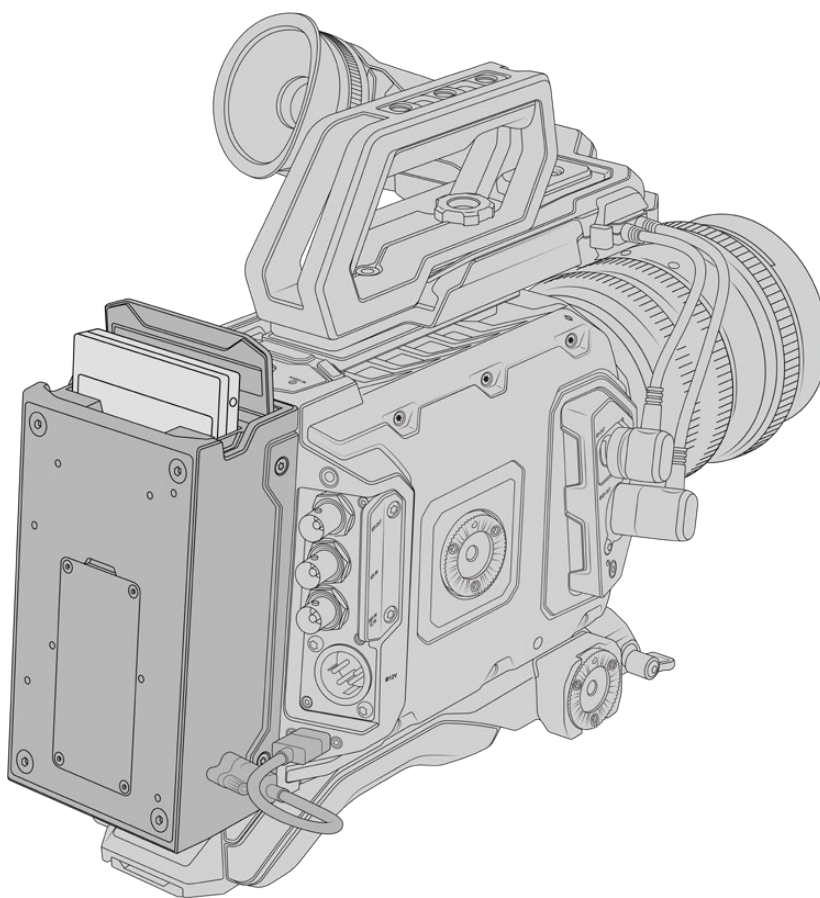


Регулировочные прокладки для URSA Mini Pro имеют С-образную форму, которая обеспечивает плавную работу механизма байонета и монтаж. Порядок установки регулировочных прокладок такой же, как при работе с URSA Mini PL.

# URSA Mini Recorder

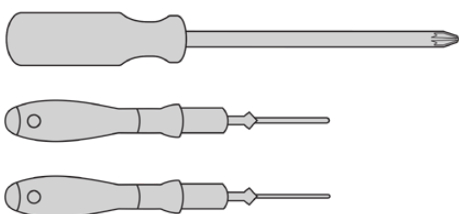
Дополнительный модуль Blackmagic URSA Mini Recorder крепится к задней панели камеры URSA Mini Pro 12K. Он позволяет вести запись материала, в том числе в 12K Blackmagic RAW, на недорогие SSD-диски, которые имеют большую емкость.

**ПРИМЕЧАНИЕ.** Устройство URSA Mini Recorder предназначено для работы с моделями URSA Mini Pro 12K и URSA Mini Pro 4.6K G2. Оно не совместимо с камерами URSA Mini Pro 4.6K, URSA Mini 4.6K и URSA Mini 4K.



## Набор инструментов для установки URSA Mini Recorder

- отвертка Phillips;
- отвертка T10 Torx;
- шестигранный ключ 2,0 мм.



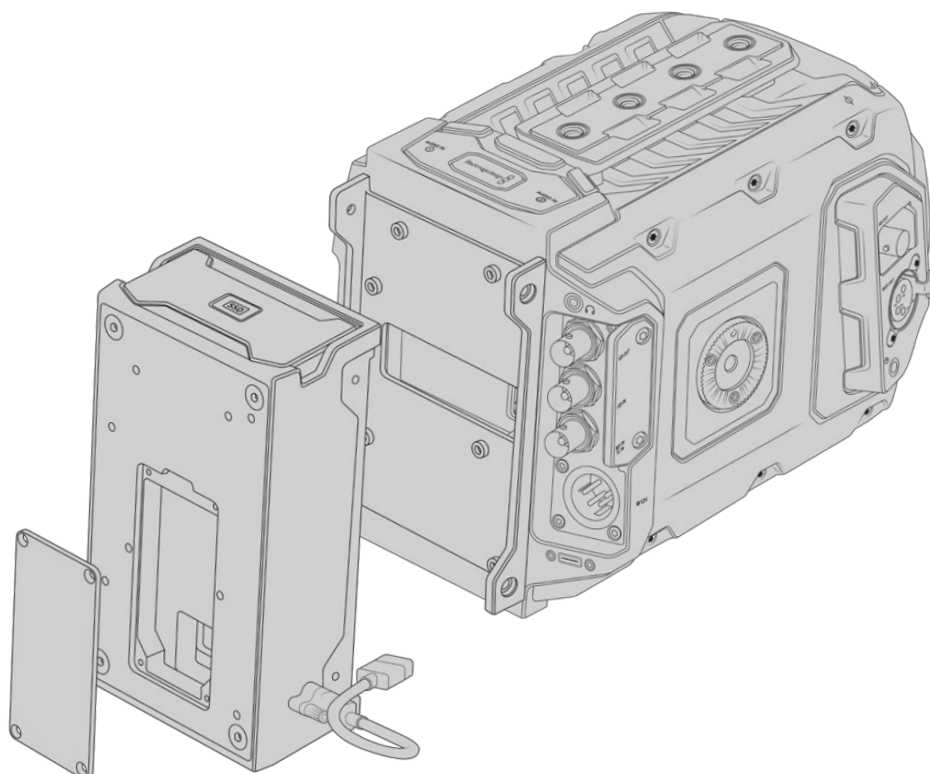
Чтобы установить URSA Mini SSD Recorder на камеру URSA Mini, потребуются отвертки Phillips и T10 Torx, а также шестигранный ключ 2,0 мм



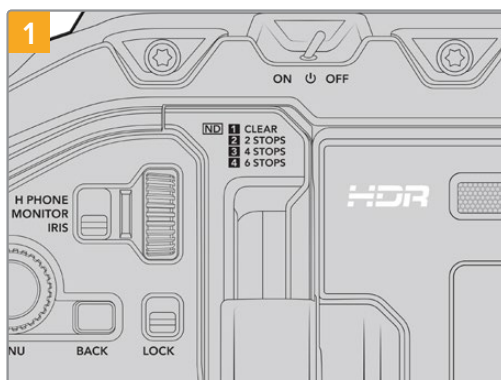
## Установка и подключение URSA Mini Recorder

URSA Mini Recorder устанавливают непосредственно на корпус URSA Mini и подсоединяют к заднему разъему USB-C, предназначенному для передачи данных.

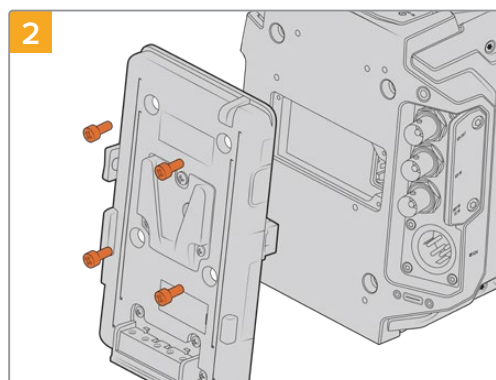
**СОВЕТ.** URSA Mini Recorder имеет сквозной кабель, который позволяет установить внешние батареи с креплением V-Mount или Gold Mount для энергоснабжения камеры.



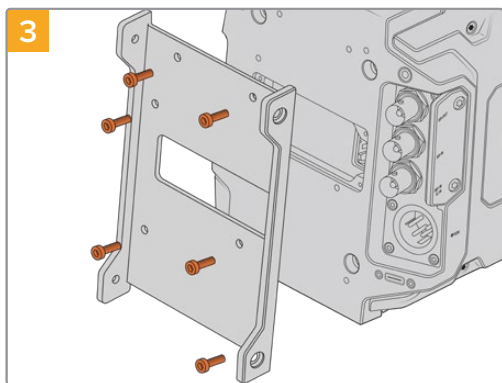
### Установка и подключение URSA Mini Recorder



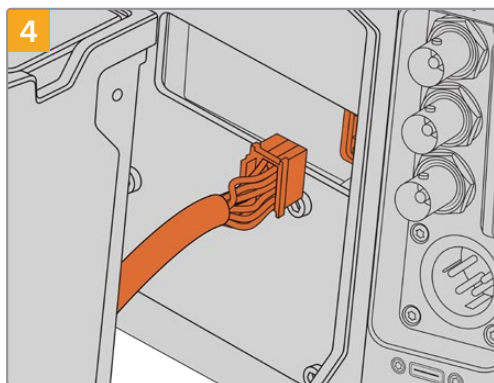
1 Отключите питание на URSA Mini Pro, повернув тумблер в положение OFF.



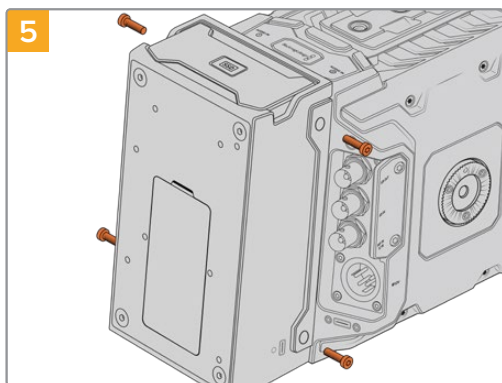
2 Отсоедините любое имеющееся крепление для батареи. Подробнее см. раздел «Установка аккумуляторной батареи».



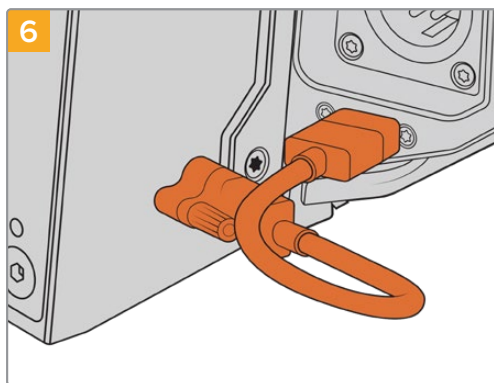
3 С помощью шести винтов T10 Torx установите крепежный кронштейн для URSA Mini Recorder.



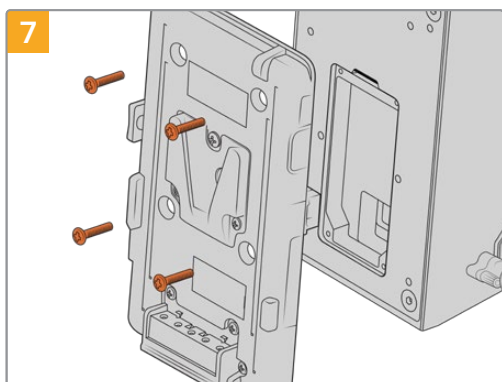
4 Соедините кабель Molex рекордера с соответствующим разъемом Molex на задней панели камеры.



5 Установите URSA Mini Recorder на кронштейн и закрепите с помощью двух винтов T10 Torx с обеих сторон.



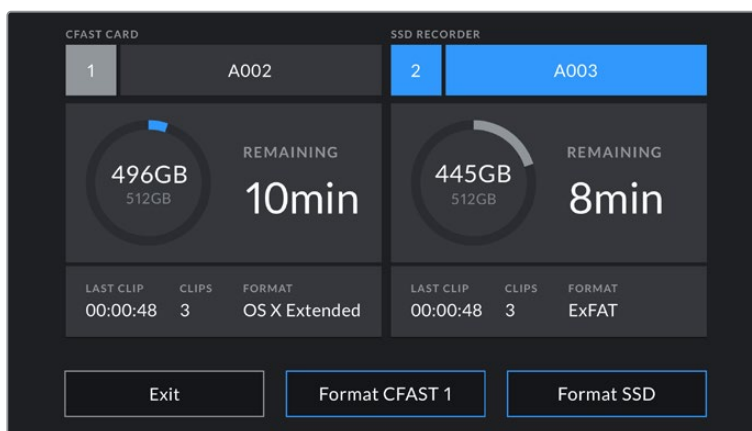
6 Подключите Mini Recorder кабелем к порту USB-C, расположенному на задней панели камеры URSA Mini Pro 12K. Затяните фиксаторы пальцами или используйте шестигранный ключ 2,0 мм. Для модели URSA Mini Pro 4.6K G2 предусмотрен более длинный кабель, который следует подсоединить к порту USB-C, находящемуся над слотами CFast.



7 Чтобы установить аккумуляторную пластину на URSA Mini Recorder, открутите четыре винта M3 с крышки разъема Molex, используя шестигранный ключ 2,0 мм. После снятия крышки следуйте инструкциям в разделе «Установка аккумуляторной батареи».

## Работа с URSA Mini Recorder

После подключения URSA Mini Recorder и установки SSD-диска будет использоваться второй слот камеры URSA Mini. На панели параметров сохранения для него отображается текст "SSD".



Если в рекордер установлен SSD-диск, для слота № 2 будет отображаться текст "SSD RECORDER"

Порядок записи, воспроизведения и сохранения данных на SSD-диски такой же, как при работе с CFast- или SD-картами. Подробнее об использовании и выборе SSD-дисков см. раздел «Работа с накопителями».

### Индикаторы состояния

На левой стороне устройства URSA Mini Recorder имеется индикатор состояния SSD-диска. В меню Setup камеры допускается настройка его яркости: low (низкая), medium (средняя), high (высокая) или off (откл.).

### SSD

Индикатор SSD показывает состояние используемого в данный момент носителя. Цвет индикатора соответствует одному из состояний камеры.

<b>Зеленый</b>	После установки SSD-диска индикатор загорается на короткое время и продолжает гореть во время проверки носителя. Когда индикатор погаснет, рекордер будет готов к записи. Также зеленый цвет загорается во время воспроизведения материала напрямую с SSD-диска.
<b>Красный</b>	Появляется во время записи материала на SSD-диск. Мигание с длинными интервалами указывает на то, что заканчивается свободное место на носителе. Мигание красным цветом с короткими интервалами указывает на пропуск кадров при записи. В этом случае убедитесь, что SSD-диск входит в перечень рекомендуемых накопителей и используется подходящий битрейт.
<b>Оранжевый</b>	SSD-диск некорректно отформатирован или не поддерживается. Подробнее об использовании SSD-дисков и их форматировании см. раздел «Работа с накопителями».

**СОВЕТ.** Если индикатор SSD указывает на ошибку при установке накопителя, может потребоваться его инициализация на компьютере с помощью дисковой утилиты или функции управления дисками.



## Обновление ПО на URSA Mini Recorder

Для обновления ПО рекордера используйте утилиту Blackmagic Camera Setup. Во время обновления рекомендуется не отсоединять устройство от модели URSA Mini Pro 12K. Для обеспечения бесперебойного питания она должна быть подключена к внешнему источнику энергии или к аккумулятору.

Подключите ПК к URSA Mini Recorder кабелем USB-C и запустите утилиту Blackmagic Camera Setup. Если используемая версия устарела, появится сообщение с предложением обновить ПО рекордера. Для обновления программного обеспечения следуйте инструкциям на экране.

**ПРИМЕЧАНИЕ.** Подробнее см. раздел «Утилита Blackmagic Camera Setup».

**СОВЕТ.** Для оптимальной производительности рекомендуется одновременно обновлять ПО всей техники Blackmagic URSA.

# Помощь

Самый быстрый способ получить помощь — обратиться к страницам поддержки на сайте Blackmagic Design и проверить наличие последних справочных материалов по камере.

## Страница поддержки на сайте Blackmagic Design

Последние версии руководства по эксплуатации, программного обеспечения и дополнительную информацию можно найти в разделе поддержки Blackmagic Design на странице [www.blackmagicdesign.com/ru/support](http://www.blackmagicdesign.com/ru/support).

## Обращение в Службу поддержки Blackmagic Design

Если с помощью доступных справочных материалов решить проблему не удалось, воспользуйтесь формой "Send us an email" на странице поддержки для отправки сообщения. Можно также позвонить в ближайшее представительство Blackmagic Design, телефон которого вы найдете в разделе поддержки на нашем веб-сайте.

## Проверка используемой версии программного обеспечения

Чтобы узнать версию Blackmagic Camera Utility, установленную на вашем компьютере, откройте окно About Blackmagic Camera Utility.

- На компьютере с операционной системой Mac откройте Blackmagic Camera Utility в папке «Программы». В меню выберите About Blackmagic Camera Utility, чтобы узнать номер версии.
- На компьютере с операционной системой Windows откройте Blackmagic Camera Utility в меню или на экране «Пуск». В меню «Помощь» выберите About Blackmagic Camera Utility, чтобы узнать номер версии.

## Загрузка последних версий программного обеспечения

Узнав установленную версию Blackmagic Camera Utility, перейдите в центр поддержки Blackmagic на странице [www.blackmagicdesign.com/ru/support](http://www.blackmagicdesign.com/ru/support), чтобы проверить наличие обновлений. Рекомендуется всегда использовать последнюю версию программного обеспечения, однако обновление лучше всего выполнять после завершения текущего проекта.

## Соблюдение нормативных требований



### Утилизация электрооборудования и электронной аппаратуры в Европейском Союзе

Изделие содержит маркировку, в соответствии с которой его запрещается утилизировать вместе с бытовыми отходами. непригодное для эксплуатации оборудование необходимо передать в пункт вторичной переработки. Раздельный сбор отходов и их повторное использование позволяют беречь природные ресурсы, охранять окружающую среду и защищать здоровье человека. Чтобы получить подробную информацию о порядке утилизации, обратитесь в местные муниципальные органы или к дилеру, у которого вы приобрели это изделие.



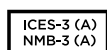
Данное оборудование протестировано по требованиям для цифровых устройств класса А (раздел 15 спецификаций FCC) и признано соответствующим всем предъявляемым критериям. Соблюдение упомянутых нормативов обеспечивает достаточную защиту от вредного излучения при работе оборудования в нежилых помещениях. Так как это изделие генерирует, использует и излучает радиоволны, при неправильной установке оно может становиться источником радиопомех. Если оборудование эксплуатируется в жилых помещениях, высока вероятность возникновения помех, влияние которых в этом случае пользователь должен устранить самостоятельно.

До эксплуатации допускается оборудование, соответствующее двум главным требованиям.

- 1 Оборудование или устройство не должно быть источником вредных помех.
- 2 Оборудование или устройство должно быть устойчивым к помехам, включая помехи, которые могут вызвать сбой в работе.



MSIP-REM-BMD-201511002  
MSIP-REM-BMD-201608001  
MSIP-REM-BMD-201703001  
R-R-BMD-201907006  
R-R-BMD-20200421001  
R-R-BMD-20200421002



### Соответствие требованиям ISED (Канада)

Данное оборудование соответствует канадским стандартам для цифровых устройств класса А.

Любая модификация или использование изделия не по назначению могут повлечь за собой аннулирование заявления о соответствии этим стандартам.

Данное оборудование протестировано по требованиям, предъявляемым к устройствам при работе в нежилых помещениях.

### Bluetooth®

URSA Mini Pro использует технологию беспроводной связи Bluetooth.

Оборудование содержит передающий модуль FCC ID:QOQBGM113.

Данное оборудование соответствует требованиям по радиационному излучению, установленным Федеральной комиссией связи США для неконтролируемой окружающей среды.

Оборудование содержит передающий модуль IC:5123A-BGM113.

Данное устройство соответствует требованиям промышленных стандартов Канады для нелицензируемого оборудования и техники, которая не подпадает под действие норм поглощения электромагнитной энергии (RSS-102 Issue 5).

Сертифицировано для использования в Японии, номер сертификата 209-J00204. Данное оборудование содержит элементы, сертифицированные в соответствии с регламентом Technical Regulation Conformity Certification по отраслевому законодательству.

Оборудование сертифицировано для использования в Южной Корее, номер сертификата MSIP CRM-BGT-BGM113.

Настоящим компания Blackmagic Design подтверждает, что камера URSA Mini Pro использует широкополосную систему передачи данных в диапазоне 2,4 ГГц (ISM) с соблюдением требований Директивы 2014/53/EU.

Полный текст декларации соответствия для ЕС доступен по запросу на адрес [compliance@blackmagicdesign.com](mailto:compliance@blackmagicdesign.com).

## Правила безопасности

Прилагаемый блок питания 12 В постоянного тока для Blackmagic URSA Mini, URSA Mini Pro и силовой кабель по стандарту IEC для Blackmagic Studio Fiber Converter необходимо подключить к электрической розетке, которая должна иметь заземляющий контакт.

Допускается эксплуатация Blackmagic URSA Mini, URSA Mini Pro и Camera Fiber Converter в условиях тропического климата с температурой окружающей среды до 40° C. Работать с Blackmagic Studio Fiber Converter можно в условиях тропического климата с температурой окружающей среды до 50° C.

Для работы устройств Blackmagic Studio Fiber Converter и Camera Fiber Converter необходимо обеспечить достаточную вентиляцию. При установке Studio Fiber Converter в стойку убедитесь в том, что не нарушен приток воздуха.

Внутри корпуса Blackmagic URSA Mini, URSA Mini Pro, Camera Fiber Converter или Studio Fiber Converter не содержатся детали, подлежащие обслуживанию. Для выполнения ремонтных работ обратитесь в местный сервисный центр Blackmagic Design.

### Уведомление для жителей штата Калифорния

При работе с этим оборудованием существует возможность контакта с содержащимися в пластмассе микропримесями многобромистого бифенила, который в штате Калифорния признан канцерогеном и увеличивает риск врожденных дефектов и пороков репродуктивной системы.

Подробную информацию см. на сайте [www.P65Warnings.ca.gov](http://www.P65Warnings.ca.gov).

### Blackmagic URSA Mini and URSA Mini Pro

Камера и аккумулятор не должны подвергаться продолжительному воздействию прямых солнечных лучей, а литий-ионные батареи следует хранить вдали от источников тепла.

Разъем 12 В можно использовать для подачи питания на видеоискатели Blackmagic URSA Viewfinder или Blackmagic URSA Studio Viewfinder. При подключении других устройств к этому разъему потребляемая мощность не должна превышать 18 Вт.

### Blackmagic Studio Fiber Converter

Чтобы минимизировать опасность поражения электрическим током, изделие необходимо защищать от попадания брызг и капель воды. Допускается эксплуатация в местах не выше 2000 метров над уровнем моря.



### Blackmagic Camera Fiber Converter

Blackmagic Camera Fiber Converter можно использовать только вместе с Blackmagic Studio Fiber Converter. В обычных условиях конвертер рассчитан на работу с опасным напряжением, которое поступает с Blackmagic Studio Fiber Converter.

# Гарантия

## Ограниченная гарантия

Компания Blackmagic Design гарантирует отсутствие в данном изделии дефектов материала и производственного брака в течение 12 месяцев с даты продажи. Если во время гарантийного срока будут выявлены дефекты, Blackmagic Design по своему усмотрению выполнит ремонт неисправного изделия без оплаты стоимости запчастей и трудозатрат или заменит такое изделие новым.

Чтобы воспользоваться настоящей гарантией, потребитель обязан уведомить компанию Blackmagic Design о дефекте до окончания гарантийного срока и обеспечить условия для предоставления необходимых услуг. Потребитель несет ответственность за упаковку и доставку неисправного изделия в соответствующий сервисный центр Blackmagic Design с оплатой почтовых расходов. Потребитель обязан оплатить все расходы по доставке и страхованию, пошлины, налоги и иные сборы в связи с возвратом изделия вне зависимости от причины возврата.

Настоящая гарантия не распространяется на дефекты, отказы и повреждения, возникшие из-за ненадлежащего использования, неправильного ухода или обслуживания. Компания Blackmagic Design не обязана по настоящей гарантии: а) устранять повреждения, возникшие в результате действий по установке, ремонту или обслуживанию изделия лицами, которые не являются персоналом Blackmagic Design; б) устранять повреждения, возникшие в результате ненадлежащего использования или подключения к несовместимому оборудованию; в) устранять повреждения или дефекты, вызванные использованием запчастей или материалов других производителей; г) обслуживать изделие, если оно было модифицировано или интегрировано с другим оборудованием, когда такая модификация или интеграция увеличивает время или повышает сложность обслуживания изделия.

Воздействие прямых солнечных лучей может повредить экран URSA Viewfinder, так как его оптика обладает свойствами увеличительного стекла. При длительном выводе на экран статичных или высококонтрастных объектов, например рамок кадрирования, дисплей может выгорать или сохранять остаточное изображение. Чтобы избежать этого, не закрывайте инфракрасный датчик. Если видеоискатель не используется в течение длительного времени, его следует отключить. Настоящая гарантия не распространяется на случаи возникновения остаточного изображения.

НАСТОЯЩАЯ ГАРАНТИЯ ПРЕДОСТАВЛЯЕТСЯ КОМПАНИЕЙ BLACKMAGIC DESIGN ВМЕСТО ЛЮБЫХ ДРУГИХ ПРЯМО ВЫРАЖЕННЫХ ИЛИ ПОДРАЗУМЕВАЕМЫХ ГАРАНТИЙ. КОМПАНИЯ BLACKMAGIC DESIGN И ЕЕ ДИЛЕРЫ ОТКАЗЫВАЮТСЯ ОТ ЛЮБЫХ ПОДРАЗУМЕВАЕМЫХ ГАРАНТИЙ КОММЕРЧЕСКОЙ ЦЕННОСТИ ИЛИ ПРИГОДНОСТИ ДЛЯ КАКОЙ-ЛИБО ОПРЕДЕЛЕННОЙ ЦЕЛИ. ОТВЕТСТВЕННОСТЬ BLACKMAGIC DESIGN ПО РЕМОНТУ ИЛИ ЗАМЕНЕ НЕИСПРАВНЫХ ИЗДЕЛИЙ В ТЕЧЕНИЕ ГАРАНТИЙНОГО СРОКА ОБСЛУЖИВАНИЯ ЯВЛЯЕТСЯ ПОЛНЫМ И ИСКЛЮЧИТЕЛЬНЫМ СРЕДСТВОМ ВОЗМЕЩЕНИЯ, ПРЕДОСТАВЛЯЕМЫМ ПОТРЕБИТЕЛЮ. BLACKMAGIC DESIGN НЕ НЕСЕТ ОТВЕТСТВЕННОСТИ ЗА КОСВЕННЫЕ, ФАКТИЧЕСКИЕ, СОПУТСТВУЮЩИЕ ИЛИ ПОСЛЕДУЮЩИЕ УБЫТКИ, ВНЕ ЗАВИСИМОСТИ ОТ ТОГО, БЫЛА ИЛИ НЕТ КОМПАНИЯ BLACKMAGIC DESIGN (ЛИБО ЕЕ ДИЛЕР) ПРЕДВАРИТЕЛЬНО ИЗВЕЩЕНА О ВОЗМОЖНОСТИ ТАКИХ УБЫТКОВ. BLACKMAGIC DESIGN НЕ НЕСЕТ ОТВЕТСТВЕННОСТИ ЗА ПРОТИВОПРАВНОЕ ИСПОЛЬЗОВАНИЕ ОБОРУДОВАНИЯ СО СТОРОНЫ ПОТРЕБИТЕЛЯ. BLACKMAGIC DESIGN НЕ НЕСЕТ ОТВЕТСТВЕННОСТИ ЗА УБЫТКИ, ВОЗНИКАЮЩИЕ ВСЛЕДСТВИЕ ИСПОЛЬЗОВАНИЯ ЭТОГО ИЗДЕЛИЯ. РИСКИ, СВЯЗАННЫЕ С ЕГО ЭКСПЛУАТАЦИЕЙ, ВОЗЛАГАЮТСЯ НА ПОТРЕБИТЕЛЯ.

© Copyright 2020 Blackmagic Design. Все права защищены. Blackmagic Design, URSA, DeckLink, HDLink, Workgroup Videohub, Multibrige Pro, Multibrige Extreme, Intensity и "Leading the creative video revolution" зарегистрированы как товарные знаки в США и других странах. Названия других компаний и наименования продуктов могут являться товарными знаками соответствующих правообладателей.

Обозначение и логотипы Bluetooth® являются зарегистрированными товарными знаками Bluetooth SIG, Inc., а их использование со стороны компании Blackmagic Design осуществляется по лицензии. Прочие товарные знаки и торговые марки являются собственностью соответствующих владельцев.





Blackmagicdesign

Manuale di istruzioni

# Blackmagic URSA Mini e URSA Mini Pro

Include Blackmagic URSA Viewfinder e URSA Studio Viewfinder,  
URSA Mini Shoulder Kit, URSA Mini Lens Mount, Blackmagic Camera  
Fiber Converter e Studio Fiber Converter, e URSA Mini Recorder.

Settembre 2020

Italiano



## Gentile utente

Grazie per aver acquistato Blackmagic URSA Mini.

Sin dal lancio della nostra prima cinepresa digitale, gli utenti ci hanno inondato di consigli utili e commenti preziosi. Siamo cresciuti ammirando il lavoro delle migliori registe e direttori della fotografia, e siamo onorati del tempo dedicatoci da questi talenti per discutere delle funzioni da aggiungere alle nostre cineprese. Lo stesso vale per i consigli di tutti i nostri utenti!

Con URSA Mini abbiamo voluto racchiudere un sensore dall'ampia gamma dinamica in un design compatto, in metallo leggero e resistente.

L'esclusiva interfaccia utente di URSA Mini è progettata per gli operatori singoli che necessitano un accesso immediato e facile alle funzioni della camera. Inoltre grazie alla perfetta interoperabilità con gli switcher ATEM, gli studi di produzione live possono sfruttare la straordinaria qualità dell'immagine di una cinepresa digitale Super 35mm. Con Blackmagic Fiber Converter basta un solo cavo in fibra SMPTE per connettere URSA Mini allo switcher di produzione live.

URSA Mini è disponibile con un sensore 4K, un sensore 4.6K con un range dinamico ancora più ampio, o il rivoluzionario sensore 12K! Per quanto riguarda le riprese in movimento con la camera a spalla, abbiamo sviluppato Blackmagic URSA Viewfinder.

URSA Mini Pro offre una qualità delle immagini superiore, con ancora più funzioni tra cui controlli ergonomici, attacco obiettivo intercambiabile e filtri ND interni. Se hai esperienza di cattura con le telecamere ENG, troverai questi controlli e filtri ND incredibilmente avanzati. Inoltre è compatibile con Blackmagic RAW, il codec che offre la flessibilità dell'elaborazione RAW in un singolo file, prestazioni nettamente superiori, e file di piccole dimensioni anche con le straordinarie immagini girate con una URSA Mini Pro 12K!

Ci auguriamo che URSA Mini e URSA Mini Pro possano accompagnarti nella creazione dei migliori film, serie televisive, video musicali, e spot pubblicitari. I tuoi suggerimenti e la tua creatività continuano a ispirarci per arricchire la nostra linea URSA con funzioni innovative.

**Grant Petty**

AD di Blackmagic Design



# Indice

<b>Quale camera stai utilizzando?</b>	2334	<b>Controlli touch</b>	2401
URSA Mini Pro	2335	<b>Impostazioni</b>	2423
URSA Mini	2336	Dashboard	2423
<b>Operazioni preliminari</b>	2336	Impostazioni di registrazione	2424
Installare un obiettivo	2336	Denominazione dei file	2430
Alimentare la camera	2340	Impostazioni di monitoraggio	2431
<b>Supporti di memoria</b>	2343	Impostazioni audio	2440
Schede CFast	2343	Audio – URSA Mini	2440
Schede SD	2347	Audio – URSA Mini Pro	2442
Unità flash USB-C	2352	Impostazioni generali	2444
SSD	2354	Impostazioni dei predefiniti	2458
Preparare i supporti di memoria per la registrazione	2356	Impostazioni delle LUT	2460
Preparare i supporti di memoria su URSA Mini	2356	<b>Inserire i metadati</b>	2464
Preparare i supporti di memoria su URSA Mini Pro	2358	<b>Utilizzare obiettivi con zoom servoassistito</b>	2470
Preparare i supporti di memoria su Mac	2359	<b>Uscite video</b>	2473
Preparare le schede su Windows	2360	Uscita di monitoraggio HD	2473
<b>Registrazione</b>	2361	Uscita 12G-SDI	2473
Registrazione contenuti	2361	<b>URSA Mini Shoulder Kit</b>	2475
Scegliere codec, risoluzione, e area del sensore	2361	<b>Blackmagic URSA Viewfinder</b>	2479
Blackmagic RAW	2363	Montare e collegare il viewfinder alla camera	2479
Registrazione in Blackmagic RAW	2364	Regolare l'oculare	2480
Scegliere il frame rate corretto	2366	Funzioni dei pulsanti	2480
Rec automatico	2371	Menù impostazioni	2481
Tabelle di durata della registrazione	2371	<b>Blackmagic URSA Studio Viewfinder</b>	2486
Tabelle di data rate per URSA Mini Pro 12K	2374	Montare e collegare il viewfinder a URSA Mini	2487
<b>Riproduzione</b>	2377	Regolare la posizione di URSA Studio Viewfinder	2489
<b>Introduzione a URSA Mini</b>	2379	Funzioni dei pulsanti	2492
Lato frontale	2379	Menù impostazioni	2494
Lato sinistro – URSA Mini	2380	<b>Montare le batterie</b>	2499
Lato sinistro – URSA Mini Pro	2380	Montare le batterie con attacco a V o Gold Mount	2499
Lato destro	2382	Utilizzare la propria piastra per batteria	2500
Retro	2383	<b>Blackmagic Fiber Converter</b>	2502
Lato superiore	2385	<b>Operazioni preliminari – Blackmagic Fiber Converter</b>	2503
Base	2385	Fibra SMPTE	2503
<b>URSA Mini – Controlli</b>	2386	Collegare la fibra SMPTE	2505
<b>URSA Mini Pro – Controlli</b>	2389	Collegare uno switcher ATEM	2508
Pannello di controllo anteriore	2389	Perché il connettore è situato sul lato frontale?	2509
Pannello di controllo ergonomico	2393	Collegare la camera via SDI	2510
Pannello di controllo interno	2398	Inviare segnali di ritorno via SDI	2510



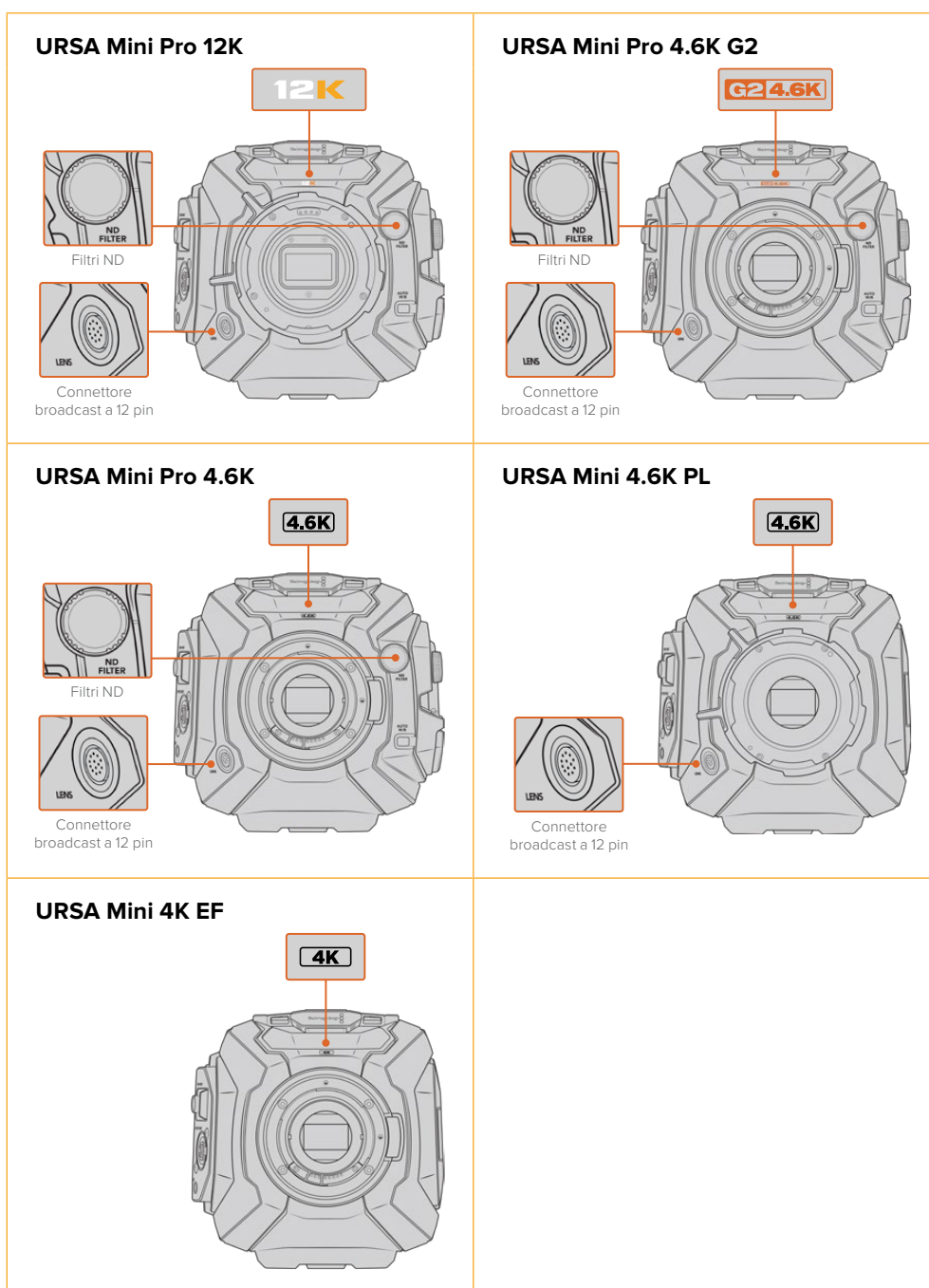
Installare Camera Fiber Converter	2510	Aggiungere le clip nella timeline	2553
Installare URSA Studio Viewfinder	2513	Montare le clip sulla timeline	2554
Collegare le cuffie per il talkback	2513	Inserire i titoli	2554
<b>Camera Fiber Converter</b>	2514	Lavorare con i file Blackmagic RAW	2555
Selezionare un segnale di ritorno	2514	Correggere le clip sulla pagina Color	2558
Usare il pulsante Call	2515	Aggiungere una finestra Power Window	2562
Utilizzare il talkback	2515	Usare i plug-in	2563
Utilizzare la funzione tally	2516	Mixare l'audio	2564
Spie di stato	2516	VFX e compositing sulla pagina Fusion	2569
Ingressi audio	2517	Fare il mastering della sequenza montata	2577
Video IP	2518	Esportazione veloce	2577
Specifiche di alimentazione	2518	La pagina Deliver	2578
Controllo camera addizionale	2519	<b>Controllare la camera a distanza</b>	2579
<b>Studio Fiber Converter</b>	2520	Controllo camera	2580
Come utilizzare il menù	2521	Correzione colore primaria con	
Installare l'unità sul rack	2524	DaVinci Resolve	2586
<b>Le connessioni di Camera Fiber Converter</b>	2528	<b>Utilità Blackmagic Camera Setup</b>	2589
Alimentazione	2528	<b>Lavorare con software di terzi</b>	2591
Interfaccia PTZ	2528	Utilizzare i file delle schede CFast 2.0 e SD	2591
Talkback	2529	Utilizzare i file degli SSD	2592
Tracker	2530	Final Cut Pro X	2592
Alimentazione DC	2530	Avid Media Composer 2018	2593
Uscita D-Tap	2531	Adobe Premiere Pro CC	2594
Uscita di riferimento	2531	<b>Informazioni per gli sviluppatori (English)</b>	2595
<b>Le connessioni di Studio Fiber Converter</b>	2532	Blackmagic Bluetooth Camera Control	2595
Uscita 12G-SDI	2532	Blackmagic SDI and Bluetooth Camera	
Ingressi SDI per segnali di ritorno	2532	Control Protocol	2597
Ingresso e uscita di riferimento	2533	Example Protocol Packets	2604
Interfaccia talkback	2533	Blackmagic Tally Control Protocol	2604
Interfaccia PTZ	2535	<b>Blackmagic URSA Mini Pro B4 Mount</b>	2607
Uscite audio	2535	<b>Regolare gli attacchi obiettivo</b>	2609
<b>Aggiornare il software interno</b>	2536	Regolare l'attacco obiettivo URSA Mini PL	2609
Aggiornare Camera Fiber Converter	2536	Regolare l'attacco obiettivo di URSA Mini Pro	2611
Aggiornare Studio Fiber Converter	2536	<b>URSA Mini Recorder</b>	2612
<b>Attacco obiettivo intercambiabile</b>	2537	Montare e connettere URSA Mini Recorder	2613
Blackmagic URSA Mini Pro PL Mount	2539	Utilizzare URSA Mini Recorder	2615
Blackmagic URSA Mini Pro F Mount	2541	Aggiornare il software interno di URSA	
Blackmagic URSA Mini Pro EF Mount	2544	Mini Recorder	2616
Blackmagic URSA Mini Pro B4 Mount	2546	<b>Assistenza</b>	2617
Kit di anelli URSA Mini Pro Shim Kit	2548	<b>Normative</b>	2618
<b>DaVinci Resolve</b>	2549	<b>Sicurezza</b>	2619
Project Manager	2549	<b>Garanzia</b>	2620
Montaggio sulla pagina Cut	2550		

# Quale camera stai utilizzando?

Leggendo il manuale noterai che alcune funzioni sono disponibili in particolari modelli di URSA Mini. Tutte le URSA Mini si presentano con lo stesso design di base e garantiscono immagini straordinarie dall'ampia gamma dinamica, ma differiscono a seconda del modello.

## I modelli disponibili sono:

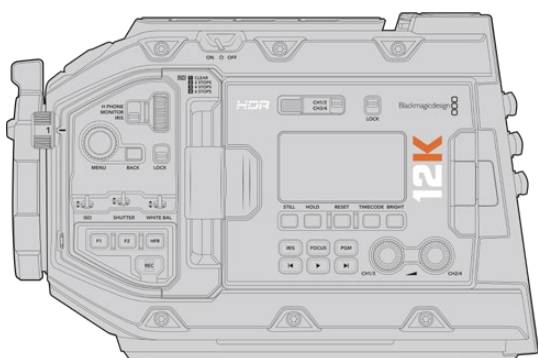
- URSA Mini Pro 12K
- URSA Mini Pro 4.6K G2
- URSA Mini Pro 4.6K
- URSA Mini 4.6K
- URSA Mini 4K



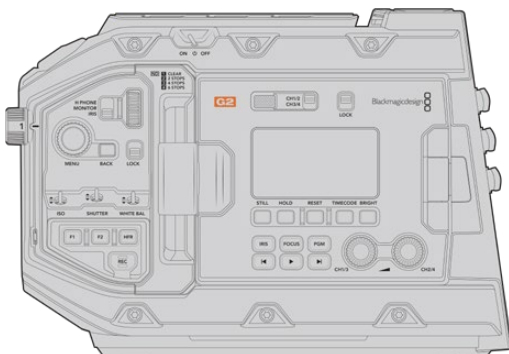
## URSA Mini Pro

URSA Mini Pro 12K ha in dotazione un attacco obiettivo PL, mentre URSA Mini Pro 4.6K G2 e URSA Mini Pro 4.6K hanno un attacco EF di serie. Puoi cambiare l'attacco obiettivo su tutti i modelli URSA Mini Pro per renderli compatibili con altre ottiche. Per maggiori informazioni, consulta la sezione "Attacco obiettivo intercambiabile".

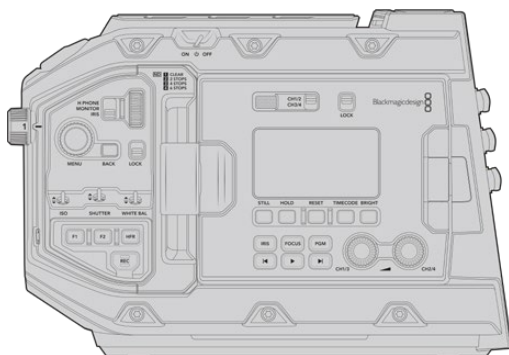
URSA Mini Pro è facile da riconoscere: integra controlli aggiuntivi e un display LCD di stato sul lato sinistro, e i filtri ND vicino all'attacco obiettivo. URSA Mini Pro 4.6K G2 si riconosce dalle icone arancioni **G2 4.6K** sopra l'attacco obiettivo frontale della camera, e **G2** sul lato sinistro del pannello di controllo esterno. I pulsanti aggiuntivi offrono maggiori opzioni in termini di controllo e impostazioni. Sul lato sinistro che ospita il pannello di controllo esterno appaiono le icone **12K** e **HDR**. Sul retro di URSA Mini Pro 12K in alto a destra sopra le connessioni SDI trovi l'ingresso cuffie, e in basso, sotto la connessione di alimentazione 12V, una porta USB-C.



URSA Mini Pro 12K, lato sinistro



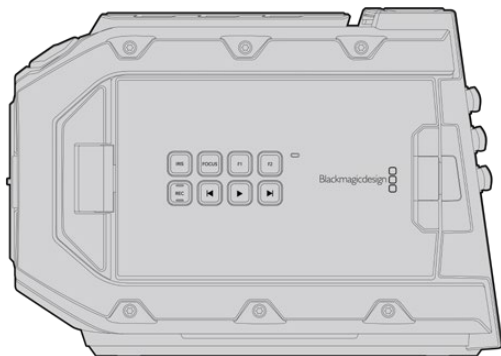
URSA Mini Pro 4.6K G2, lato sinistro



URSA Mini Pro 4.6K, lato sinistro

## URSA Mini

Sensore a parte, i modelli URSA Mini 4K e URSA Mini 4.6K sono praticamente identici. I pulsanti di controllo, i menù, e il modo di operare le camere sono pressoché uguali. Le differenze principali sono un numero maggiore di opzioni di risoluzione e di impostazioni ISO delle camere con il sensore 4.6K. Per scoprire quale sensore è integrato nella tua camera, guarda se l'icona sopra l'attacco obiettivo mostra **4K** o **4.6K**.



URSA Mini, lato sinistro

Inoltre le camere URSA Mini sono disponibili con attacco obiettivo EF o PL. Se la camera include un connettore a 12 pin per obiettivi broadcast vicino all'attacco obiettivo, è il modello PL. Se conosci già la differenza tra gli attacchi EF e PL, è facile individuarli. Consulta la sezione "Operazioni preliminari" per maggiori informazioni.

Ora che hai individuato il tuo modello, vediamo come funziona la camera!

## Operazioni preliminari

Per cominciare, installa l'obiettivo su URSA Mini, poi collega l'alimentazione.

### Installare un obiettivo

Montare un obiettivo richiede lo stesso procedimento su tutti i modelli URSA Mini, ma gli attacchi EF, PL, B4, e F hanno requisiti leggermente diversi. Per tutte le camere, come primo passo rimuovi il coperchio antipolvere dell'attacco obiettivo.

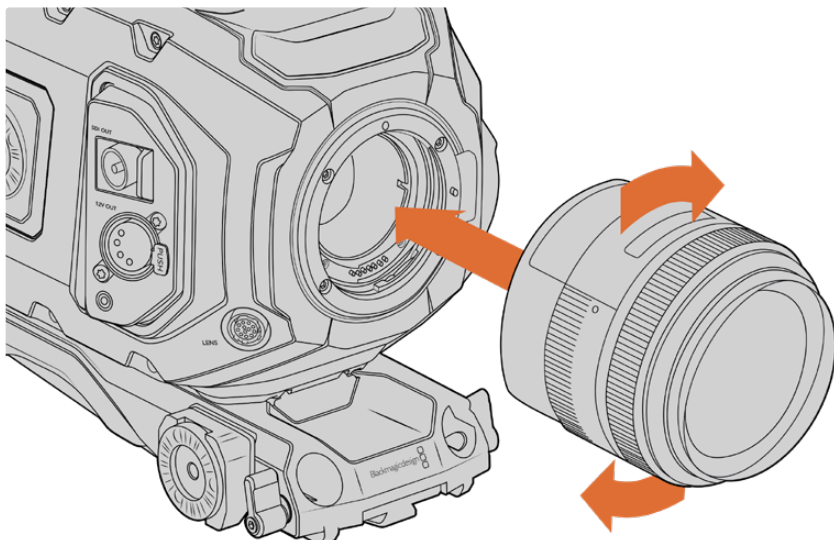
Obiettivo EF: premi il pulsante di blocco e ruota il coperchio in senso antiorario. Obiettivo PL e B4: ruota la ghiera in senso antiorario e rimuovi il coperchio antipolvere verso l'esterno.

Obiettivo F: premi il pulsante di blocco e ruota il coperchio in senso orario.

**NOTA** L'attacco obiettivo intercambiabile di URSA Mini Pro rende la camera compatibile con obiettivi EF, PL, B4, F, e altri attacchi obiettivo con accessori. Per maggiori informazioni su come montare diversi obiettivi su URSA Mini Pro, consulta la sezione "Attacco obiettivo intercambiabile".

**SUGGERIMENTO** URSA Mini Pro 12K offre l'attacco PL di serie. Gli altri modelli URSA Mini Pro hanno in dotazione l'attacco EF. Per cominciare subito a girare, basta installare l'attacco obiettivo come mostrato qui sotto.

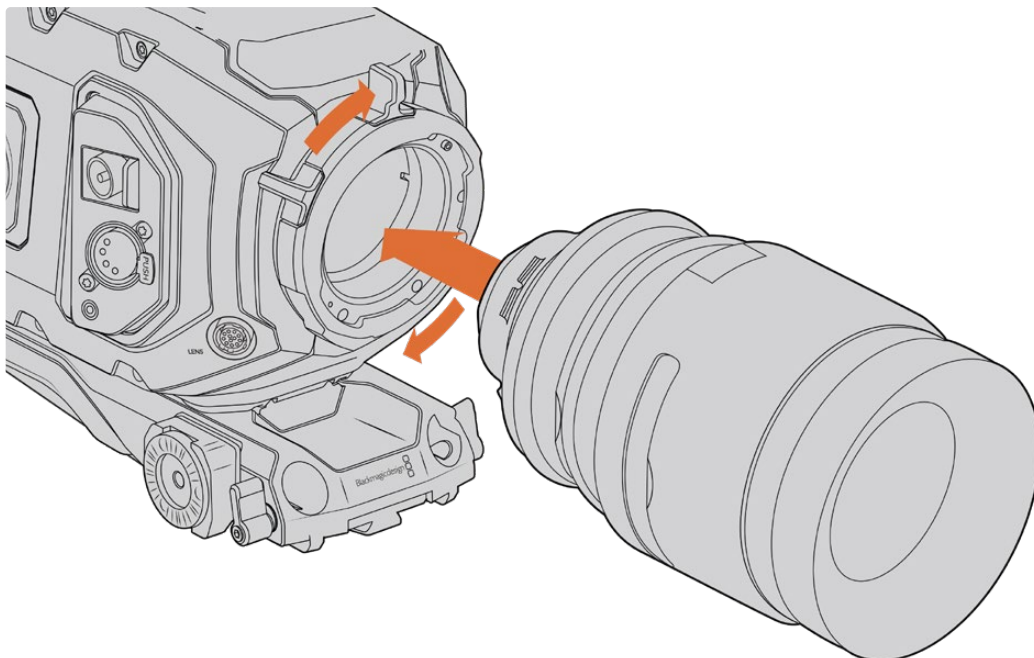
## Come installare un obiettivo EF:



Come installare e rimuovere un obiettivo EF su URSA Mini EF

- 1 Allinea il punto dell'obiettivo con quello dell'attacco della camera. Spesso il punto è colorato, per esempio blu, rosso o bianco.
- 2 Inserisci l'obiettivo e giralo in senso orario fino a quando si blocca in posizione.
- 3 Per rimuovere l'obiettivo, premi il pulsante di blocco e ruota l'obiettivo in senso antiorario fino a quando il punto raggiunge la posizione ore 12. Rimuovilo delicatamente.

## Come installare un obiettivo PL:



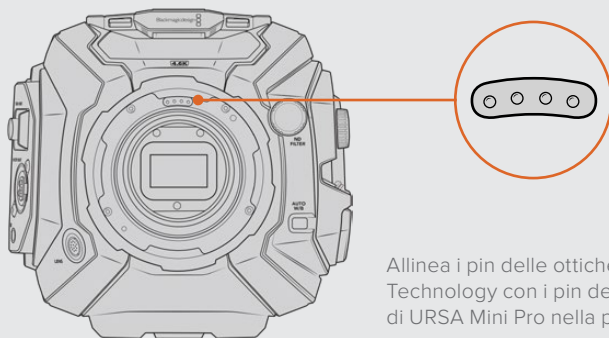
Installare e rimuovere un obiettivo PL su URSA Mini PL e URSA Mini Pro 12K

- 1 Ruota la ghiera in senso antiorario fino a quando non si blocca.
- 2 Allinea una delle quattro tacche della flange dell'obiettivo con la tacca di posizionamento dell'attacco della camera. Accertati di aver allineato l'obiettivo di modo che le marcature siano visibili.

- 3 Fissa la ghiera PL ruotandola in senso orario. Se installi un obiettivo PL con servocontrollo su URSA Mini PL e URSA Mini Pro basta connettere il connettore broadcast a 12 pin.
- 4 Per rimuovere l'obiettivo, ruota la ghiera in senso antiorario fino a che si blocca, poi rimuovi l'obiettivo estraendolo dal corpo macchina, senza bisogno di ruotare l'obiettivo.

### URSA Mini Pro PL Mount

L'attacco obiettivo PL opzionale per URSA Mini Pro integra 4 pin nella posizione ore 12, per comunicare con gli obiettivi e l'interfaccia /i Technology della Cooke. Gli obiettivi compatibili con questa interfaccia includono Canon, Cooke, Fujinon, Leica e Zeiss. Questo rende possibile salvare tutte le informazioni delle ottiche nei metadati delle clip, per esempio modello, lunghezza focale, apertura, distanza della messa a fuoco, e altre impostazioni obiettivo.



Allinea i pin delle ottiche PL con /i Technology con i pin dell'attacco obiettivo di URSA Mini Pro nella posizione ore 12

Le informazioni salvate come metadati tramite l'interfaccia Cooke /i Technology sono molto utili per i VFX e in post produzione. Inoltre sapere esattamente gli obiettivi utilizzati e le loro esatte impostazioni è vantaggioso in caso si dovessero replicare le riprese in futuro.

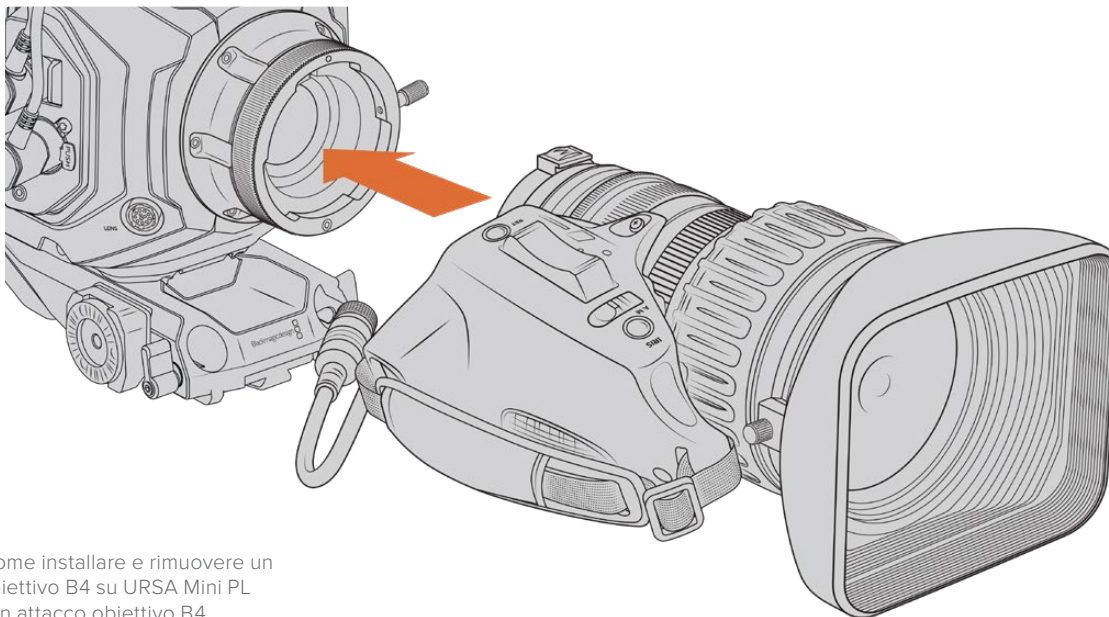
Gli avanzati programmi di post come DaVinci Resolve e Fusion consentono di sfruttare al massimo questo tipo di informazioni dettagliate. Per esempio, con i metadati pertinenti al tipo di obiettivo è possibile simulare le ottiche in uno spazio 3D, oppure correggere la distorsione dell'immagine.

URSA Mini Pro e URSA Mini PL consentono il controllo di obiettivi PL 35mm con impugnatura con servocontrollo. Quando l'obiettivo è connesso alla camera con il connettore broadcast a 12 pin, URSA Mini alimenta e controlla le ottiche allo stesso modo degli obiettivi B4. Consulta la sezione "Utilizzare obiettivi con zoom servoassistito" per maggiori informazioni.

**NOTA** Se sulla camera non è installato nessun obiettivo, il filtro di vetro che copre il sensore è esposto alla polvere e ad altri residui. Consigliamo di proteggerlo sempre con il coperchio antipolvere.



## Come installare un obiettivo B4:

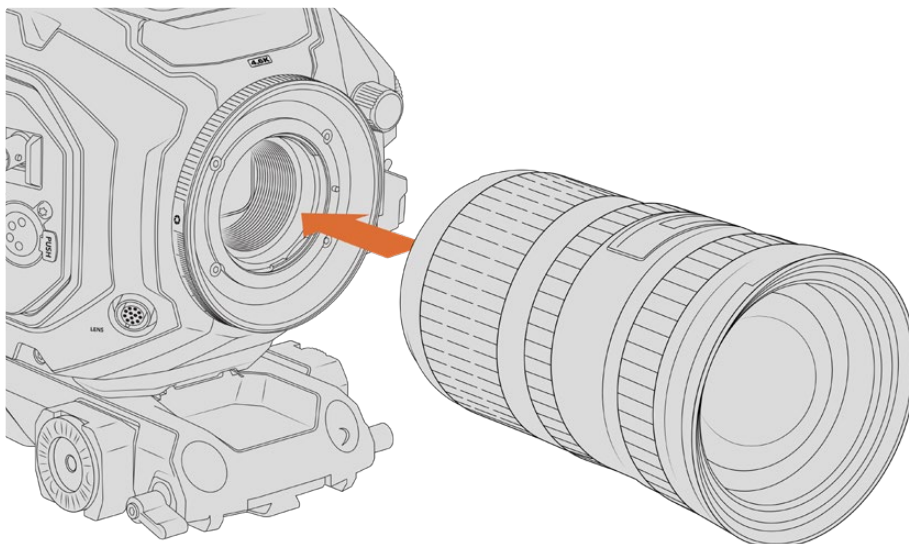


Come installare e rimuovere un obiettivo B4 su URSA Mini PL con attacco obiettivo B4

- 1** Ruota la ghiera dell'obiettivo B4 in senso antiorario per accedere allo slot di allineamento nella parte superiore dell'attacco. Allinea l'obiettivo B4 all'attacco della camera di modo che il pin di allineamento sull'attacco coincida con lo slot di allineamento.
- 2** Inserisci l'obiettivo nell'attacco B4 della camera.  
Assicurati che il pin di allineamento sia inserito correttamente nello slot di allineamento.
- 3** Ruota la ghiera in senso orario per fissare l'obiettivo all'attacco.
- 4** Per alimentare e controllare l'obiettivo, collega il cavo dall'obiettivo al connettore **Lens** sulla parte anteriore della torretta di URSA Mini PL o URSA Mini Pro. La maggior parte degli obiettivi B4 integra un connettore a 12 pin e un cavo, per alimentare e controllare l'obiettivo da URSA Mini.

Per maggiori informazioni sugli obiettivi per il broadcast e come utilizzarli con la camera, consulta la sezione "Utilizzare obiettivi con zoom servoassistito".

## Come installare un obiettivo F:



Come installare e rimuovere un obiettivo F su URSA Mini Pro 4.6K con attacco F

- 1 Allinea il punto dell'obiettivo con quello dell'attacco della camera. Spesso il punto è colorato, per esempio blu, rosso o bianco.
- 2 Inserisci l'obiettivo e giralo in senso antiorario fino a quando si blocca in posizione.
- 3 Rimuovi l'obiettivo premendo il pulsante di blocco e ruotando l'obiettivo in senso orario fino a quando il punto raggiunge la posizione corrispondente alle ore 2.

**NOTA** URSA Mini Pro F Mount offre la regolazione meccanica del diaframma. Per utilizzare ottiche F vintage con anello di regolazione di messa a fuoco integrato, imposta e blocca l'apertura dell'obiettivo sul setting più basso, per esempio f/22. Per maggiori informazioni su come impostare manualmente l'apertura con il regolatore del diaframma dell'attacco F di URSA Mini Pro, consulta la sezione "Blackmagic URSA Mini Pro F Mount".

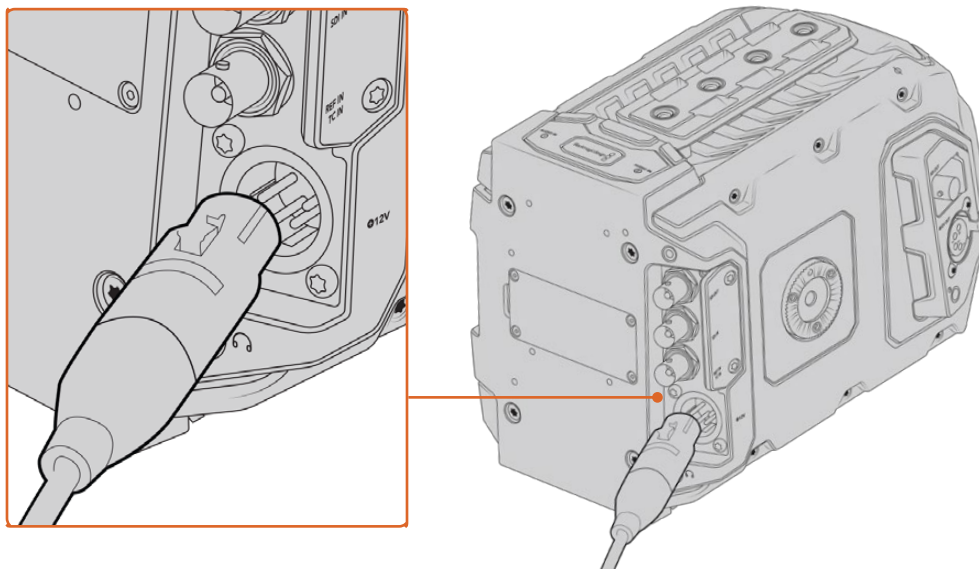
## Alimentare la camera

Ora che l'obiettivo è al suo posto, collega l'alimentazione. La soluzione più veloce è l'adattatore da AC a DC 12V in dotazione.

### Come collegare l'alimentazione esterna:

- 1 Inserisci la spina da AC a DC 12V nella presa di alimentazione.
- 2 Collega l'adattatore XLR a 4 pin da AC a DC 12V al connettore DC 12-20V della camera.

Se sono connesse le batterie e l'alimentazione esterna, verrà usata solo quest'ultima. Se disconnetti l'alimentazione esterna mentre sono collegate le batterie, la camera passa alle batterie senza interruzioni.



Usa l'adattatore da AC a DC 12V per alimentare URSA Mini

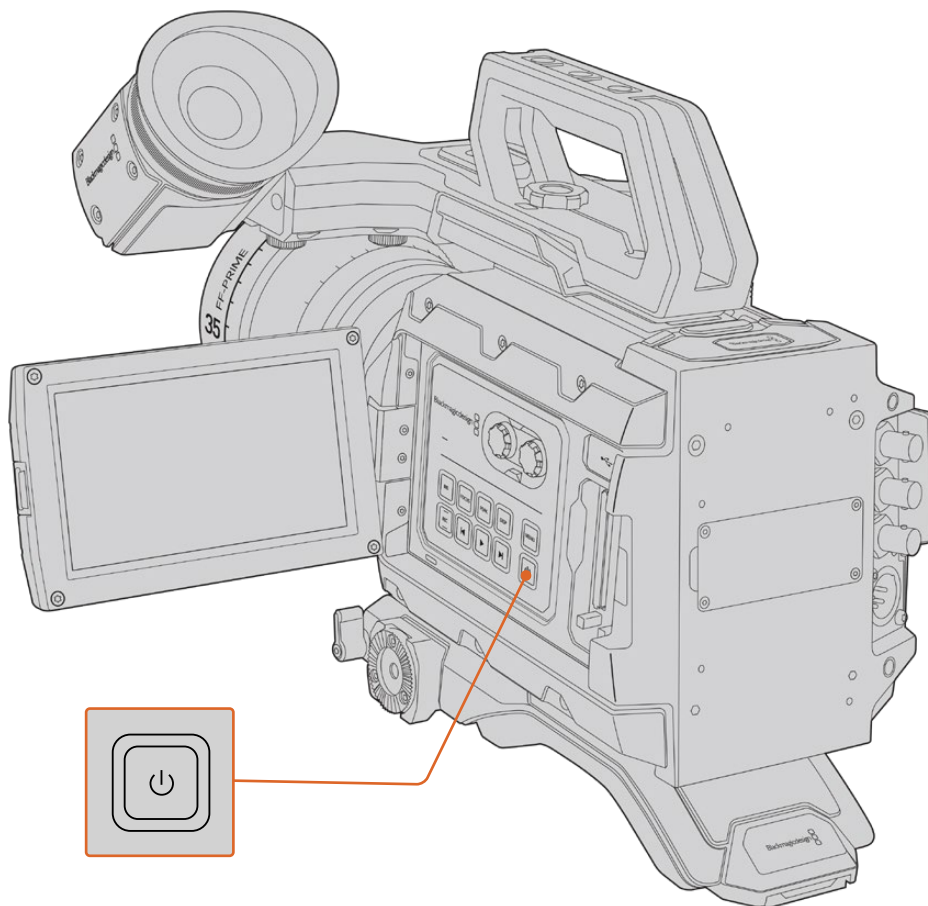
Le batterie standard con attacco a V o Gold Mount sono compatibili con URSA Mini. Consulta la sezione "Montare le batterie" per maggiori informazioni sulle opzioni di montaggio per piastre per batteria.



### Per accendere URSA Mini:

- 1 Premi e rilascia il pulsante di accensione. Su URSA Mini si trova sul pannello di controllo protetto dallo schermo LCD richiudibile. Per accedere ai pulsanti di controllo basta aprire lo schermo.
- 2 Tieni premuto il tasto di accensione per spegnere la camera.

Ora puoi inserire le schede CFast 2.0 e cominciare a registrare.

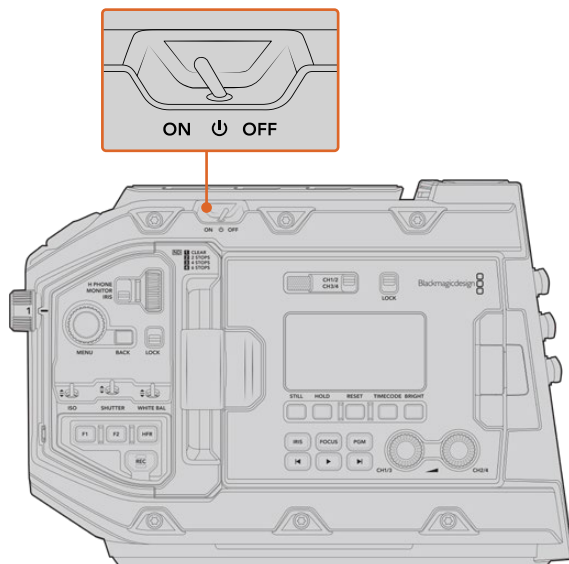


Per accendere URSA Mini, apri lo schermo LCD touch richiudibile, e premi e rilascia il pulsante di accensione sul pannello di controllo. Per spegnerlo, tieni premuto lo stesso pulsante.

**SUGGERIMENTO** Quando accendi la camera, premi e rilascia il pulsante di accensione. L'avvio impiega circa 10 secondi: non c'è bisogno di premere di nuovo il pulsante. Per spegnerla, tieni premuto il pulsante.

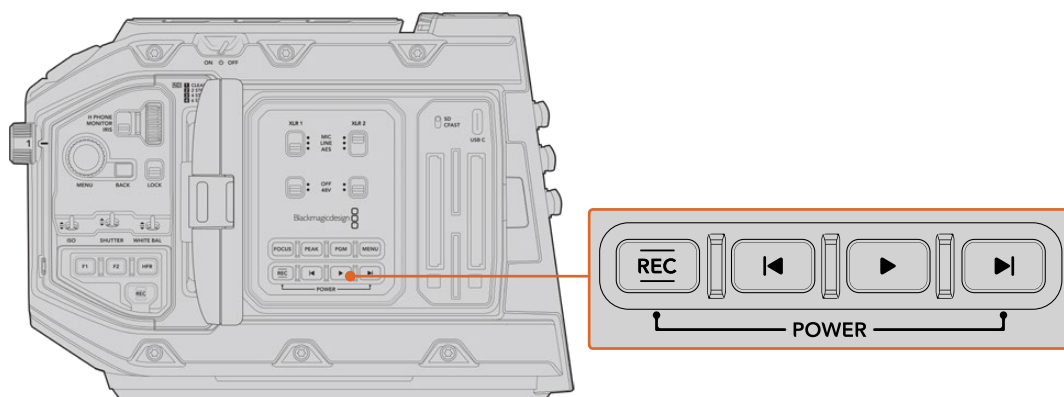
## Per accendere URSA Mini Pro:

- 1 Su URSA Mini Pro, il pulsante d'accensione si trova sopra lo schermo LCD richiudibile. Sposta l'interruttore sulla parte superiore della camera su **On** per accenderla.
- 2 Per spegnerla, sposta l'interruttore su **Off**.



Sposta l'interruttore su On per accendere la camera

Per accendere o spegnere URSA Mini Pro puoi anche premere contemporaneamente i pulsanti REC e Avanti sul pannello di controllo interno. Questo sistema è molto utile se l'interruttore principale non è accessibile, per esempio quando la camera è montata su un rig.



Accendi o spegni la camera premendo contemporaneamente i pulsanti REC e Avanti sul pannello dietro lo schermo LCD

**SUGGERIMENTO** Se URSA Mini Pro è spenta ma l'interruttore di accensione è su On, è possibile che sia stata spenta tramite Bluetooth®, o premendo contemporaneamente i pulsanti REC e Avanti del pannello di controllo. Sposta l'interruttore su Off e On, oppure tieni premuti gli stessi pulsanti sul pannello di controllo per accendere la camera.

## Supporti di memoria

URSA Mini offre varie opzioni di archiviazione. Tutti i modelli URSA Mini registrano video su schede CFast 2.0. I modelli URSA Mini Pro registrano anche su schede SD UHS II e UHS I.

Grazie alla porta di espansione USB-C 3.1 Gen 1 su URSA Mini Pro G2, e USB-C 3.1 Gen 2 su URSA Mini Pro 12K, puoi anche registrare sui flash drive ad alta velocità, o sulle unità a stato solido SSD con l'opzionale URSA Mini Recorder.

**NOTA** URSA Mini Recorder è progettato per URSA Mini Pro 12K ed è compatibile con URSA Mini Pro 4.6K G2. Non è compatibile con URSA Mini Pro 4.6K, URSA Mini 4.6K e URSA Mini 4K. Per maggiori informazioni su come connettere il registratore alla camera, consulta la sezione "Blackmagic URSA Mini Recorder".

### Nota importante sulla velocità dei supporti di memoria

Le velocità di scrittura e lettura indicate dai produttori si riferiscono ai valori massimi ottenuti con file di piccole dimensioni, e non con flussi video ad alta velocità.

Blackmagic ha testato a fondo una serie di schede con URSA Mini. Le schede sono elencate nelle tabelle seguenti. Per registrare senza problemi con il frame rate desiderato, utilizza le schede di memoria consigliate da Blackmagic Design.

## Schede CFast

Le schede CFast 2.0 sono ideali per la cattura in HD e 4K con elevati frame rate. Consulta la tabella della durata di registrazione nella sezione "Registrazione" per trovare i limiti di frame rate di ogni formato.

**NOTA** Le schede CFast 2.0 registrano ad alta velocità, ma la velocità di trasferimento dati e la velocità di scrittura possono variare secondo i modelli. Utilizza le schede consigliate in questa sezione per registrazioni affidabili nel frame rate selezionato.

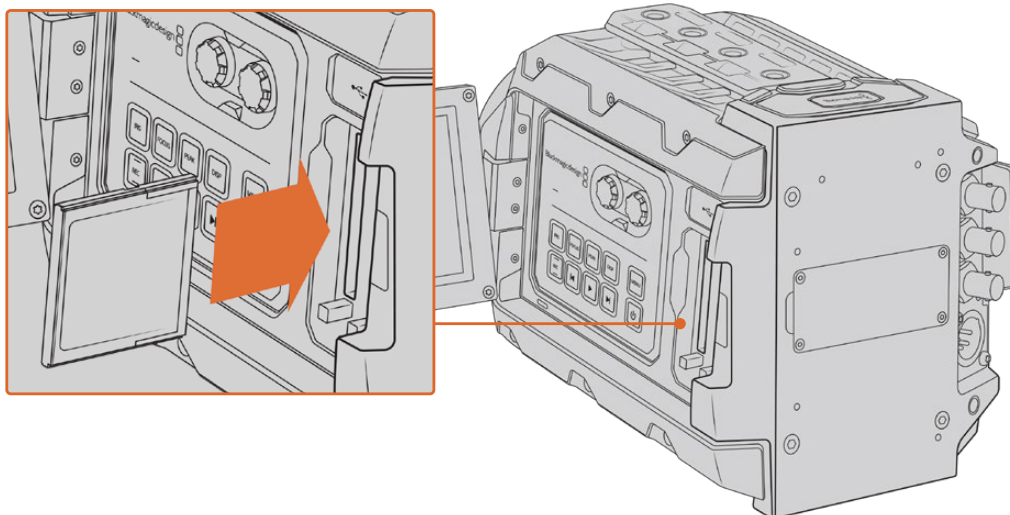
### Inserire una scheda CFast:

Se utilizzi URSA Mini Pro, puoi registrare su schede CFast e SD. Per registrare su una scheda CFast sposta l'interruttore sopra gli slot di archiviazione su **CFast**.

### Come inserire una scheda CFast:

- 1 Apri il display richiudibile per accedere agli slot CFast.
- 2 Inserisci la scheda nello slot CFast fino a sentire un clic. La scheda scorre facilmente, senza bisogno di forzarla. Premi il pulsante di rilascio per estrarre la scheda.

Il nome e la registrazione residua delle schede CFast rilevate appaiono in basso al touchscreen.



URSA Mini include due slot CFast per una registrazione ininterrotta

### Scegliere una scheda CFast 2.0

Per la cattura ad alto data rate è essenziale scegliere la scheda CFast 2.0 adatta, perché la velocità di scrittura e lettura varia a seconda del modello. Le tabelle seguenti indicano le schede CFast consigliate.

#### Quali schede CFast sono adatte per registrare con URSA Mini Pro 12K?

Le seguenti schede CFast 2.0 sono consigliate per registrare in 12K DCI nel formato Blackmagic RAW 8:1 fino a 60p, e in 8K DCI nel formato Blackmagic RAW 8:1 fino a 60 fps.

Marca	Modello	Capacità
Angelbird	AV Pro CF	128GB
Angelbird	AV Pro CF	256GB
Angelbird	AV Pro CF	512GB
Angelbird	AV Pro CF	1TB
ExAscend	Essential	512GB
ExAscend	Essential	1TB
FreeTail	Evoke Pro 3700x	128GB
FreeTail	Evoke Pro 3700x	256GB
FreeTail	Evoke Pro 3700x	512GB
FreeTail	Evoke Pro 3700x	1TB

Marca	Modello	Capacità
KomputerBay	CFast 2.0 x3400	128GB
ProGrade Digital	CFast 2.0 550MB/s	256GB
ProGrade Digital	CFast 2.0 550MB/s	512GB
SanDisk	CFast 2.0 Extreme Pro SDCFSP-128G-x46D	128GB
Wise	CFast 2.0 3400x	256GB
Wise	CFast 2.0 3500x	512GB
Wise	CFast 2.0 3500x	1TB

### Quali schede CFast sono adatte per registrare con le camere URSA Mini e URSA Mini Pro?

Le seguenti schede CFast 2.0 sono consigliate per registrare in 4.6K nel formato Blackmagic RAW 3:1 fino a 60 fps.

Marca	Modello	Capacità
Angelbird	AV Pro CF	128GB
Angelbird	AV Pro CF	256GB
Angelbird	AV Pro CF	512GB
Angelbird	AV Pro CF	1TB
CinediskPro	CFast 2.0 510MB/s	256GB
FreeTail	Evoke Pro 3700x	128GB
FreeTail	Evoke Pro 3700x	256GB
FreeTail	Evoke Pro 3700x	512GB
FreeTail	Evoke Pro 3700x	1TB
Hagiwara Solutions	CFast 2.0 DC-SMAN64GA	64GB
Hagiwara Solutions	CFast 2.0 DC-SMANA1GA	128GB
KomputerBay	CFast 2.0 Card 3600x	64GB
ProGrade Digital	CFast 2.0 550MB/s	64GB
ProGrade Digital	CFast 2.0 550MB/s	128GB
ProGrade Digital	CFast 2.0 550MB/s	256GB
ProGrade Digital	CFast 2.0 550MB/s	512GB
SanDisk	CFast 2.0 Extreme Pro SDCFSP-128G-x46D	128GB
SanDisk	CFast 2.0 Extreme Pro SDCFSP-256G-x46D	256GB
SanDisk	CFast 2.0 Extreme Pro SDCFSP-512G-x46D	512GB
Sony	CFast 2.0 G Series CAT-G64	64GB
Sony	CFast 2.0 G Series CAT-G128	128GB

Marca	Modello	Capacità
Transcend	CFast 2.0 CFX650 TS128GCFX650	128GB
Transcend	CFast 2.0 CFX650 TS256GCFX650	256GB
Transcend	CFast 2.0 CFX650 TS128GCFX650BM	128GB
Transcend	CFast 2.0 CFX650 TS256GCFX650BM	256GB
Wise	CFast 2.0 3400x	256GB
Wise	CFast 2.0 3500x	512GB

Le seguenti schede CFast 2.0 sono consigliate per registrare a 2160p nel formato ProRes 422 HQ fino a 60 fps.

Marca	Modello	Capacità
Angelbird	AV Pro CF	128GB
Angelbird	AV Pro CF	256GB
Angelbird	AV Pro CF	512GB
Angelbird	AV Pro CF	1TB
Angelbird	AV Pro CF XT	256GB
Angelbird	AV Pro CF XT	512GB
CinediskPro	CFast 2.0 510MB/s	256GB
Hagiwara Solutions	DC-SMAN64GA	64GB
Hagiwara Solutions	DC-SMANA1GA	128GB
KomputerBay	CFast 2.0 Card 3600x	64GB
KomputerBay	CFast 2.0 Card 3700x	256GB
ProGrade Digital	CFast 2.0 550MB/s	128GB
ProGrade Digital	CFast 2.0 550MB/s	256GB
ProGrade Digital	CFast 2.0 550MB/s	512GB
SanDisk	CFast 2.0 Extreme Pro SDCFSP-128G-x46D	128GB
SanDisk	CFast 2.0 Extreme Pro SDCFSP-256G-x46D	256GB
SanDisk	CFast 2.0 Extreme Pro SDCFSP-512G-x46D	512GB
Silicon Power	CFX310	256GB
Sony	CFast 2.0 G Series CAT-G64	64GB
Sony	CFast 2.0 G Series CAT-G128	128GB
Transcend	CFast 2.0 CFX650 TS128GCFX650	128GB
Transcend	CFast 2.0 CFX650 TS256GCFX650	256GB
Transcend	CFast 2.0 CFX650 TS128GCFX650BM	128GB
Transcend	CFast 2.0 CFX650 TS256GCFX650BM	256GB

Marca	Modello	Capacità
Wise	CFast 2.0 3400x	128GB
Wise	CFast 2.0 3400x	256GB
Wise	CFast 2.0 3500x	512GB

Per le informazioni più recenti sulle schede CFast compatibili con URSA Mini, visita la pagina Supporto di Blackmagic Design [www.blackmagicdesign.com/it/support](http://www.blackmagicdesign.com/it/support).

**NOTA** Le uniche schede CFast 2.0 SanDisk compatibili con URSA Mini sono quelle di serie D. Queste schede sono facilmente identificabili perché hanno la lettera D stampata in basso a sinistra sul retro. Abbiamo compilato una lista dei modelli per identificarle con facilità. I numeri variano leggermente secondo i paesi, per esempio la lettera X è sostituita dalla lettera A per il mercato americano e la G per l'Asia, l'Oceania, e l'Europa.

## Schede SD

URSA Mini Pro registra sia sulle schede CFast 2.0 che sulle veloci schede SD UHS I e UHS II. Utilizzando i potenti modelli SDXC UHS II, è possibile registrare in 2160p nel formato ProRes HQ e ottenere contenuti Ultra HD.

Le economiche schede SD sono un'ottima scelta per i formati video compressi in HD. SDXC e SDHC sono formati di archiviazione comuni per le fotocamere e le videocamere di largo consumo.

Se hai già filmato con una DSLR, Blackmagic Micro Cinema Camera, Pocket Cinema Camera 4K, o Blackmagic Video Assist, puoi riutilizzare le stesse schede SD.

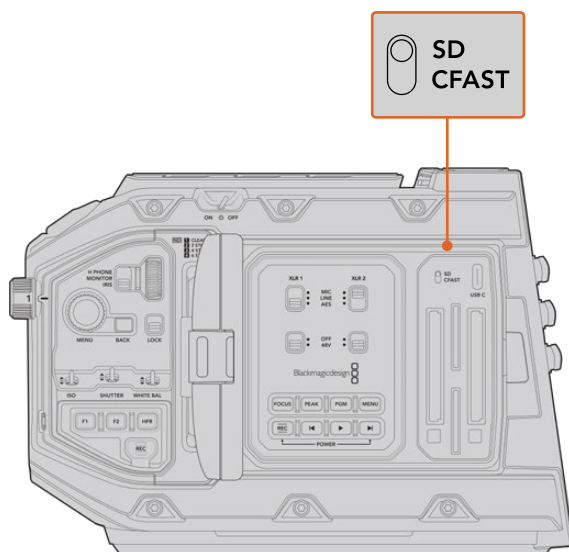
Per i progetti che non richiedono file Blackmagic RAW ad alta risoluzione, o per le registrazioni di lunga durata, le schede SD sono ideali. Le schede SD meno capienti e meno veloci si possono utilizzare per archiviare le LUT e i predefiniti.

### Inserire una scheda SD

#### Per inserire una scheda SD:

- 1 Apri lo schermo richiudibile per accedere agli slot SD (i due alloggiamenti più piccoli tra gli slot CFast).
- 2 Sposta l'interruttore di archiviazione sopra gli slot su **SD**.
- 3 Con l'etichetta della SD rivolta verso il touchscreen, inserisci la scheda fino a sentire un clic. Spingi la scheda SD verso l'interno per estrarla.
- 4 In basso al touchscreen appariranno il nome e la registrazione residua delle schede SD rilevate.





Quando registri con URSA Mini Pro 4.6K sulle schede SD accertati che l'interruttore di archiviazione sia posizionato su SD

### Scegliere una scheda SD veloce

Per le registrazioni in Ultra HD su URSA Mini Pro, consigliamo di utilizzare le più veloci schede SD tipo UHS II. Per l'HD sono sufficienti le UHS I. Le schede SD sono progettate appositamente per elaborare dati ad alta velocità e hanno una maggiore capacità di archiviazione. Solitamente più sono veloci, migliore è la qualità. Consulta la tabella delle schede SD consigliate nella sezione precedente per maggiori informazioni.

Prima di utilizzare le schede, è necessario formattarle in HFS+ o exFAT. Puoi formattare le schede sulla camera o sul computer. Per tutti i dettagli, consulta la sezione "Preparare le schede per la registrazione".

Per formattare le schede puoi anche utilizzare un computer Mac o Windows. Formatta nel formato HFS+ su Mac, e in exFAT su Windows. Mac legge anche il formato exFAT.

Le tabelle seguenti indicano le schede SD consigliate per catturare con URSA Mini Pro. La versione più recente di questo manuale è scaricabile dal sito di Blackmagic Design [www.blackmagicdesign.com/it/support](http://www.blackmagicdesign.com/it/support).

**NOTA** Per le riprese a frame rate elevati o in Ultra HD con URSA Mini, consigliamo di utilizzare le schede CFast 2.0 o SD UHS II, perché sono più veloci e più capienti delle schede SD UHS I standard.

Per le informazioni più recenti sulle schede SD compatibili con URSA Mini Pro 12K, visita la pagina Supporto di Blackmagic Design [www.blackmagicdesign.com/it/support](http://www.blackmagicdesign.com/it/support).

### Quali schede SD sono adatte per registrare con URSA Mini Pro 12K?

Le seguenti schede SD sono consigliate per registrare in 12K DCI nel formato Blackmagic RAW 12:1 fino a 24 fps.

Marca	Modello	Capacità
ProGrade Digital	SDXC UHS-II V90 300MB/s	64GB
ProGrade Digital	SDXC UHS-II V90 300MB/s	128GB
ProGrade Digital	SDXC UHS-II V90 300MB/s	256GB
Sony	SDXC UHS-II Tough SF-G64 300MB/s	64GB
Sony	SDXC UHS-II Tough SF-G128 300MB/s	128GB

Le seguenti schede SD sono consigliate per registrare in 8K DCI nel formato Blackmagic RAW 18:1 fino a 60 fps.

Marca	Modello	Capacità
Angelbird	SDXC AV Pro V90 MK2	256GB
ProGrade Digital	SDXC UHS-II V90 300MB/s	64GB
ProGrade Digital	SDXC UHS-II V90 300MB/s	128GB
ProGrade Digital	SDXC UHS-II V90 300MB/s	256GB
Sony	SDXC UHS-II Tough SF-G64 300MB/s	64GB
Sony	SDXC UHS-II Tough SF-G128 300MB/s	128GB
Wise	SDXC UHS-II 285MB/s	64GB
Wise	SDXC UHS-II 285MB/s	128GB

### Quali schede SD sono adatte per catturare con URSA Mini Pro?

Le seguenti schede CFast 2.0 sono consigliate per registrare in 4.6K DCI nel formato Blackmagic RAW 12:1 fino a 30 fps.

Marca	Modello	Capacità
Angelbird	SDXC UHS II AV Pro 300MB/s	64GB
Angelbird	SDXC UHS II AV Pro 300MB/s	128GB
Lexar	SDXC UHS II Professional 2000x 300MB/s	64GB
Lexar	SDXC UHS II Professional 1000x 150MB/s	64GB
SanDisk	SDXC UHS I Extreme Pro 95MB/s	64GB
SanDisk	SDXC UHS I Extreme Pro 95MB/s	128GB
SanDisk	SDXC UHS I Extreme Pro 95MB/s	256GB
SanDisk	SDXC UHS I Extreme Pro 95MB/s	512GB
SanDisk	SDXC UHS II Extreme Pro 280MB/s	64GB
SanDisk	SDHC UHS II Extreme Pro 300MB/s	32GB

Marca	Modello	Capacità
SanDisk	SDXC UHS II Extreme Pro 300MB/s	128GB
Sony	SDXC UHS II SF-G64 300MB/s	64GB
Sony	SDXC UHS II SF-G128 300MB/s	128GB
Toshiba	SDXC UHS II Exceria Pro 270MB/s	64GB
Toshiba	SDXC UHS II Exceria Pro 270MB/s	128GB
Toshiba	SDXC UHS II Exceria Pro N502	32GB
Toshiba	SDXC UHS II Exceria Pro N502	64GB
Toshiba	SDXC UHS II Exceria Pro N502	128GB
Toshiba	SDXC UHS II Exceria Pro N502	256GB
Transcend	SDXC UHS II Ultimate 180MB/s	64GB
Wise	SDXC UHS II 285MB/s	64GB
Wise	SDXC UHS II 285MB/s	128GB

Le seguenti schede SD sono consigliate per registrare in 2160p nel formato ProRes 422 HQ fino a 30 fps:

Marca	Modello	Capacità
Angelbird	SDXC UHS II AV Pro 300MB/s	64GB
Angelbird	SDXC UHS II AV Pro 300MB/s	128GB
Delkin	SDHC UHS II 250MB/s	32GB
ProGrade Digital	SDXC UHS II V90 250MB/s	128GB
SanDisk	SDHC UHS II Extreme Pro 280MB/s	32GB
SanDisk	SDXC UHS II Extreme Pro 280MB/s	64GB
SanDisk	SDHC UHS II Extreme Pro 300MB/s	32GB
SanDisk	SDXC UHS II Extreme Pro 300MB/s	128GB
Sony	SDXC UHS II SF-G64 300MB/s	64GB
Sony	SDXC UHS II SF-G128 300MB/s	128GB
Toshiba	SDXC UHS II Exceria Pro 270MB/s	64GB
Toshiba	SDXC UHS II Exceria Pro N502	32GB
Toshiba	SDXC UHS II Exceria Pro N502	64GB
Toshiba	SDXC UHS II Exceria Pro N502	128GB
Toshiba	SDXC UHS II Exceria Pro N502	256GB
Transcend	SDXC UHS II Ultimate 180MB/s	64GB
Wise	SDXC UHS II 285MB/s	64GB
Wise	SDXC UHS II 285MB/s	128GB

Le seguenti schede SD sono consigliate per registrare in 1080p nel formato ProRes 422 HQ fino a 60 fps:

<b>Marca</b>	<b>Modello</b>	<b>Capacità</b>
Angelbird	SDXC UHS II AV Pro 300MB/s	64GB
Angelbird	SDXC UHS II AV Pro 300MB/s	128GB
Delkin	SDHC UHS II 250MB/s	32GB
Lexar	SDHC UHS II Professional 2000x 300MB/s	32GB
Lexar	SDXC UHS II Professional 2000x 300MB/s	64GB
Lexar	SDXC UHS II Professional 1000x 150MB/s	64GB
ProGrade Digital	SDXC UHS II V90 250MB/s	128GB
ProGrade Digital	SDXC UHS II 200MB/s V60	64GB
ProGrade Digital	SDXC UHS II 200MB/s V60	128GB
SanDisk	SDXC UHS I Extreme Pro 95MB/s	64GB
SanDisk	SDXC UHS I Extreme Pro 95MB/s	128GB
SanDisk	SDXC UHS I Extreme Pro 95MB/s	256GB
SanDisk	SDXC UHS I Extreme Pro 95MB/s	512GB
SanDisk	SDHC UHS II Extreme Pro 280MB/s	32GB
SanDisk	SDXC UHS II Extreme Pro 280MB/s	64GB
SanDisk	SDXC UHS II Extreme Pro 300MB/s	64GB
SanDisk	SDXC UHS II Extreme Pro 300MB/s	128GB
Sony	SDXC UHS II SF-G64 300MB/s	64GB
Sony	SDXC UHS II SF-G128 300MB/s	128GB
Toshiba	SDXC UHS II Exceria Pro 270MB/s	64GB
Toshiba	SDXC UHS II Exceria Pro 270MB/s	128GB
Toshiba	SDXC UHS II Exceria Pro 270MB/s	256GB
Toshiba	SDXC UHS II Exceria Pro N502	32GB
Toshiba	SDXC UHS II Exceria Pro N502	64GB
Toshiba	SDXC UHS II Exceria Pro N502	128GB
Toshiba	SDXC UHS II Exceria Pro N502	256GB
Transcend	SDXC UHS II Ultimate 180MB/s	64GB
Wise	SDXC UHS II 285MB/s	64GB
Wise	SDXC UHS II 285MB/s	128GB

Per le informazioni più recenti sulle schede SD compatibili con URSA Mini Pro, visita la pagina Supporto di Blackmagic Design [www.blackmagicdesign.com/it/support](http://www.blackmagicdesign.com/it/support).

## Bloccare e sbloccare le schede SD

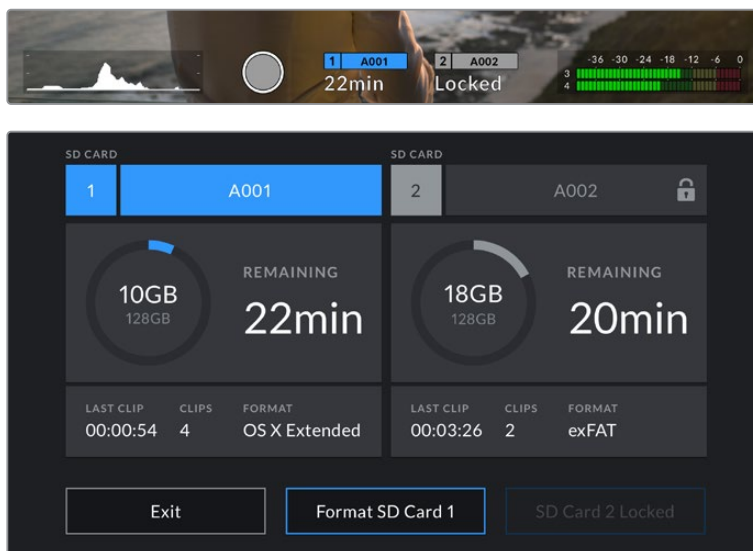
Le schede SD si possono proteggere, o bloccare, per evitare di sovrascrivere i dati esistenti.

Prima di inserire la scheda, sposta la linguetta di protezione sovrascrizione sulla sinistra verso l'alto, verso i connettori. Ora è possibile registrare sulla scheda. Una volta completata la registrazione, sposta la linguetta di protezione verso il basso, per evitare la sovrascrittura.



Sposta la linguetta per bloccare o sbloccare la scheda SD

Se inserisci una scheda SD protetta su URSA Mini Pro, nella pagina di archiviazione sullo schermo LCD vedrai il messaggio **Locked** e un lucchetto. È necessario sbloccare la scheda SD per registrare, scattare foto, ed esportare le LUT e i predefiniti.



L'icona del lucchetto su URSA Mini Pro indica che la scheda inserita è protetta da sovrascrittura

## Unità flash USB-C

URSA Mini Pro 4.6K G2 integra una porta di espansione USB-C ad alta velocità per registrare il video direttamente sulle unità flash USB-C. URSA Mini Pro 12K offre due porte USB-C.

La connessione USB-C 3.1 Gen 1 sul lato, vicino agli slot per CFast, è per gli aggiornamenti software. La porta USB-C 3.1 Gen 2 sul retro, vicino ai connettori SDI, è per registrare ad alta velocità sugli SSD. Questi potenti drive sono ideali per registrare eventi di lunga durata senza interruzioni.

Quando è collegata, l'unità flash USB-C occupa lo slot 2 sul sistema operativo della camera. Per selezionare il supporto di memoria su cui vuoi registrare, tocca l'indicatore corrispondente. Le operazioni di registrazione, riproduzione, e archiviazione sulle unità flash USB-C sono identiche a quelle delle schede CFast e SD e degli SSD.

Una volta completata la registrazione, puoi collegare l'unità flash direttamente al computer per il montaggio e la post produzione, senza bisogno di copiare i file.

### Per collegare una unità flash USB-C:

- 1 Collega il cavo USB-C all'unità flash USB-C.
- 2 Su URSA Mini Pro 12K, collega il cavo USB-C alla porta USB-C sul retro della camera, sotto i connettori SDI. Su URSA Mini Pro 4.6K G2, apri lo schermo touch richiudibile sul lato sinistro e collega il cavo alla porta USB-C sopra gli slot CFast.

### Quali unità flash USB-C sono adatte per registrare con URSA Mini Pro 12K?

Le seguenti unità flash USB-C sono consigliate per registrare in 12K DCI nel formato Blackmagic RAW 8:1 fino a 30 fps.

Marca	Modello	Capacità
Angelbird	SSD2GO PKT MK2	512GB
Angelbird	SSD2GO PKT MK2	2TB
Glyph	Atom Raid SSD	4TB
Sony	Tough SL-CG5	500GB
Sony	Tough SL-C1	1TB
Sony	Tough SL-C2	2TB
Delkin Devices	Juggler	2TB
Wise	PTS-512 Portable SSD	512GB
Wise	PTS-1024 Portable SSD	1TB
Wise	PTS-2048 Portable SSD	2TB

### Quali unità flash USB-C sono consigliate per l'uso con URSA Mini Pro 4.6K G2?

Le unità flash USB-C seguenti sono consigliate per registrare in 4.6K nel formato Blackmagic RAW 3:1 fino al 60 fps.

Marca	Modello	Capacità
Samsung	Portable SSD T5	500GB
Samsung	Portable SSD T5	1TB
Wise	Portable SSD	256GB
Wise	Portable SSD	512GB
Wise	Portable SSD	1TB

Per la lista più aggiornata delle unità flash USB-C consigliate, visita

[www.blackmagicdesign.com/it/support](http://www.blackmagicdesign.com/it/support).

## Nota importante sulla velocità delle unità flash USB-C

Alcuni modelli di unità flash USB-C non salvano il video alla velocità dichiarata dal produttore, perché utilizzano una compressione dati nascosta, che raggiunge la velocità indicata dal produttore solo quando si tratta di semplici file o dati. Con il video non fa lo stesso perché contiene rumore e pixel.

Ecco perché la velocità di scrittura delle unità flash USB-C è talvolta fino al 50% minore di quella indicata dal produttore. Anche se le specifiche indicano che l'unità flash USB-C ha una velocità sufficiente per il video, in realtà non è in grado di gestire la cattura video in tempo reale.

Utilizza Blackmagic Disk Speed Test per testare la capacità di acquisizione e riproduzione con frame rate elevati della tua unità flash USB-C. Blackmagic Disk Speed Test utilizza i dati per simulare l'archiviazione video su queste unità, con risultati sempre affidabili. I test Blackmagic hanno dimostrato che i modelli più nuovi e capienti delle unità flash USB-C sono solitamente i più veloci.

Blackmagic Disk Speed Test è scaricabile dall'App Store per Mac. Le versioni Windows e Mac sono incluse in Blackmagic Desktop Video, che puoi scaricare alla sezione "Acquisizione e riproduzione" della pagina Supporto di Blackmagic Design [www.blackmagicdesign.com/it/support](http://www.blackmagicdesign.com/it/support).

## SSD

Con il registratore opzionale URSA Mini Recorder puoi registrare il video direttamente sulle unità a stato solido, o SSD. Questi drive sono facilmente reperibili nei negozi di elettronica.

La porta USB-C di URSA Mini Recorder è compatibile con gli SSD SATA 2,5" e gli SSD U.2 7mm ad alta velocità. Per utilizzare gli SSD M.2 è necessario un adattatore da M.2 a U.2. Per raggiungere le velocità consentite è necessario un cavo USB 3.1 Gen 2. Il cavo USB-C in dotazione, con sistema di blocco su entrambi i lati del connettore, garantisce una connessione sicura.

**NOTA** Per maggiori informazioni su come installare il registratore, consulta la sezione "Blackmagic URSA Mini Recorder".

## Inserire un SSD

### Come inserire un SSD:

- 1 Posiziona l'SSD con i pin verso la parte anteriore della camera.
- 2 Apri il coperchio a molla di URSA Mini Recorder e inserisci delicatamente l'SSD nello slot.

**SUGGERIMENTO** URSA Mini Recorder ha una piastra a pressione che mantiene in posizione l'SSD, per cui non è necessario usare gli spaziatori.

- 3 Quando senti che il disco inizia a registrare, chiudi il coperchio.

### Come rimuovere un SSD:

Apri il coperchio di URSA Mini Recorder e afferra l'SSD con l'indice e il pollice. L'operazione è facilitata da un piccolo incavo sulla parte superiore. Estrai l'SSD e chiudi il coperchio.

**NOTA** Nel sistema operativo di URSA Mini, URSA Mini Recorder utilizza lo slot di archiviazione numero 2. Ovvero, quando il registratore è connesso e l'SSD inserito, il secondo slot CFast 2.0 e SD della camera non saranno disponibili.

Per utilizzarli, disconnetti il cavo USB-C del registratore da URSA Mini Pro 12K. Non c'è bisogno di disinstallare del tutto URSA Mini Recorder dalla camera. Per maggiori informazioni, consulta la sezione "Blackmagic URSA Mini Recorder".

### Scegliere un SSD veloce per URSA Mini Recorder

Gli SSD sono progettati per una archiviazione facile e veloce con una moltitudine di dispositivi. Per filmare in 12K nel formato Blackmagic RAW o in Ultra HD è quindi importante scegliere un modello veloce e ad ampia larghezza di banda.

È consigliabile utilizzare esclusivamente gli SSD elencati qui sotto, che abbiamo testato con URSA Mini Pro 12K per una cattura ininterrotta con diverse risoluzioni. Per la lista più aggiornata degli SSD consigliati, visita la pagina [www.blackmagicdesign.com/it/support](http://www.blackmagicdesign.com/it/support)

#### Drive U.2 per URSA Mini Recorder

I seguenti SSD U.2 2,5" sono consigliati per registrare in 12K DCI nel formato Blackmagic RAW 8:1 fino a 50 fps.

Marca	Modello	Capacità
Samsung	983 DCT U.2 MZ-QLB960NE	960GB
Samsung	983 DCT U.2 MZ-QLB1T9NE	1.92TB

#### Drive M.2 per URSA Mini Recorder

I seguenti SSD M.2 richiedono un adattatore da M.2 a U.2 e sono consigliati per registrare in 12K DCI nel formato Blackmagic RAW 8:1 fino a 30 fps.

Marca	Modello	Capacità
SanDisk	Extreme Pro M.2 NVMe 3D SSD	500GB
Western Digital	WD Black NVMe SSD WDS500G2X0C	500GB
Western Digital	WD Black SN750 NVMe SSD WDS100T3X0C	1TB



### Nota importante sulla velocità degli SSD

Alcuni modelli di SSD non salvano il video alla velocità dichiarata dal produttore, perché utilizzano una compressione dati nascosta. La velocità indicata dal produttore si riferisce solo all'archiviazione di semplici file o dati. I dati video invece contengono rumore e pixel, che la compressione non è in grado di sostenere.

Per questo motivo alcuni SSD hanno una velocità di scrittura fino a 50% minore di quella indicata dal produttore. Anche quando le specifiche indicano che l'SSD ha una velocità sufficiente per il video, in realtà il disco non è in grado di gestire la cattura del video in tempo reale.

Utilizza Blackmagic Disk Speed Test per testare le prestazioni dell'SSD che intendi usare per acquisire e riprodurre video ad alto bitrate. Blackmagic Disk Speed Test utilizza i dati per simulare l'archiviazione video su queste unità, con risultati sempre affidabili. I test Blackmagic hanno dimostrato che i modelli SSD più nuovi e capienti sono solitamente i più veloci.

## Preparare i supporti di memoria per la registrazione

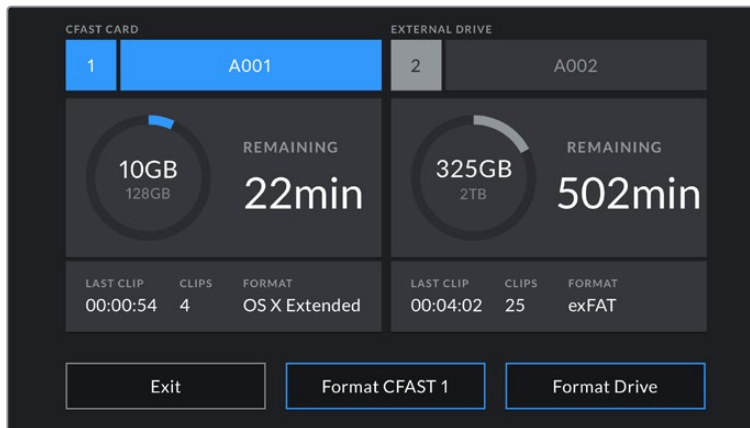
La formattazione delle schede CFast e SD, e degli SSD si può effettuare nel menù di archiviazione della camera o sui computer Mac o Windows. Consigliamo di formattare sulla camera per risultati migliori.

HFS+ è conosciuto come OS X Extended, ed è il formato più affidabile perché supporta il journaling, quindi i dati saranno più facilmente recuperabili in caso di danneggiamento del supporto di memoria. HFS+ è supportato nativamente da Mac, mentre exFAT è supportato nativamente da Mac e Windows senza il bisogno di un software aggiuntivo, ma non ammette il journaling.

**NOTA** Prima di formattare le schede accertati di spostare l'interruttore su SD o CFast in base al modello.

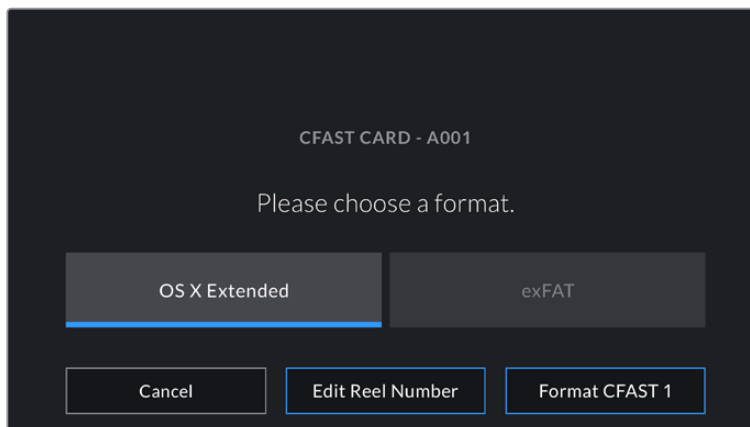
## Preparare i supporti di memoria su URSA Mini

- 1 Tocca l'indicatore del supporto di memoria in basso al touchscreen della camera.
- 2 Formatta il supporto nello slot 1 o 2 toccando il rispettivo pulsante in basso. Se connetti una unità flash alla porta USB-C di URSA Mini Pro G2, tieni premuto **Format Drive** per formattarla.



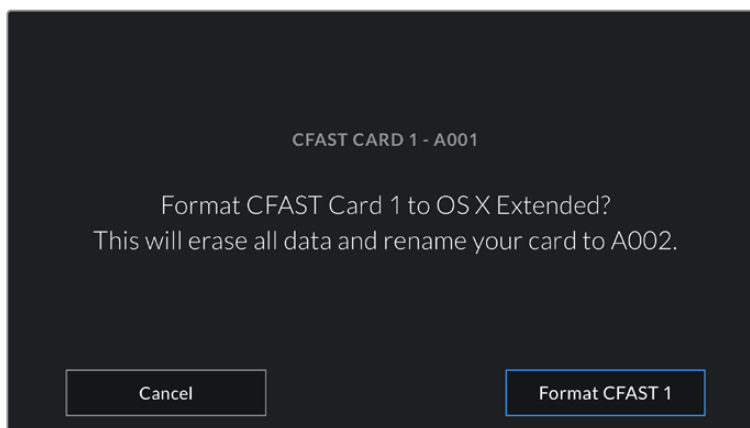
Formatta i supporti di memoria dal menù archiviazione della camera

- 3 Tocca **Edit Reel Number** per cambiare manualmente il numero della “pellicola”.
- 4 Scegli il formato OS X Extended o exFAT, e tocca il pulsante di formattazione.



Tocca Cambia n. Pellicola per cambiare manualmente il numero della "pellicola"

- 5 Conferma la selezione. Tocca il pulsante di formattazione o **Cancel** per annullare l'operazione.



Accertati di aver selezionato la scheda giusta prima di formattarla

- 6 Una notifica apparirà a formattazione completata.
- 7 Tocca **OK** per ritornare al menù archiviazione.
- 8 Tocca **Exit** per uscire dal menù archiviazione.

Quando formatti le schede CFast, SD, o gli SSD dal menù archiviazione, URSA Mini le denomina automaticamente usando l'ID della camera e il numero della pellicola indicati nel ciak digitale. Inoltre il numero della pellicola incrementa ogni volta che si formatta la scheda. Tocca **Edit Reel Number** per inserire manualmente il numero della pellicola.

Quando cominci un nuovo progetto, fai ripartire la numerazione da 1 toccando **Reset Project Data** sulla tab **Project** del ciak digitale.

Quando URSA Mini Recorder è connesso, e l'SSD inserito, il registratore utilizza lo slot 2 di URSA Mini, e la sigla **SSD** appare sopra lo slot 2 nel menù archiviazione della camera.

## Preparare i supporti di memoria su URSA Mini Pro

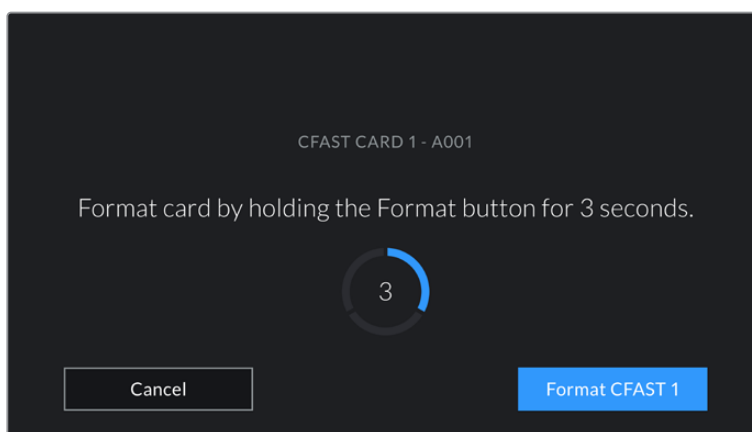
Il procedimento di formattazione delle schede di archiviazione su URSA Mini Pro è uguale a quello su URSA Mini. L'unica differenza è che è possibile formattare anche le schede SD oltre alle CFast, e su URSA Mini Pro 12K e URSA Mini Pro 4.6K G2 anche gli SSD e le unità flash USB-C. Ricorda che l'operazione eseguita toccando **Format Card** formatta solo la scheda selezionata dall'interruttore (SD o CFast). Se utilizzi URSA Mini Recorder o una unità flash USB-C con URSA Mini Pro 12K o con URSA Mini Pro 4.6K G2, l'SSD occupa sempre lo slot 2 a prescindere dalla posizione dell'interruttore.



Il menù di archiviazione della camera conferma il tipo di scheda selezionato per la formattazione (CFast, SD, SSD o unità flash USB-C)

**SUGGERIMENTO** Se URSA Mini Pro è impostata per registrare sulle schede SD, ma la scheda inserita è protetta, non sarà possibile formattarla. A fianco al nome della scheda nel menù archiviazione apparirà l'icona del lucchetto. Sblocca la scheda per formattarla. Per maggiori informazioni su come proteggere le schede SD, vai alla sezione "Schede SD".

Per formattare un supporto di memoria su URSA Mini Pro tieni premuto il pulsante **Format drive** per 3 secondi. La camera ti informerà a formattazione completata.



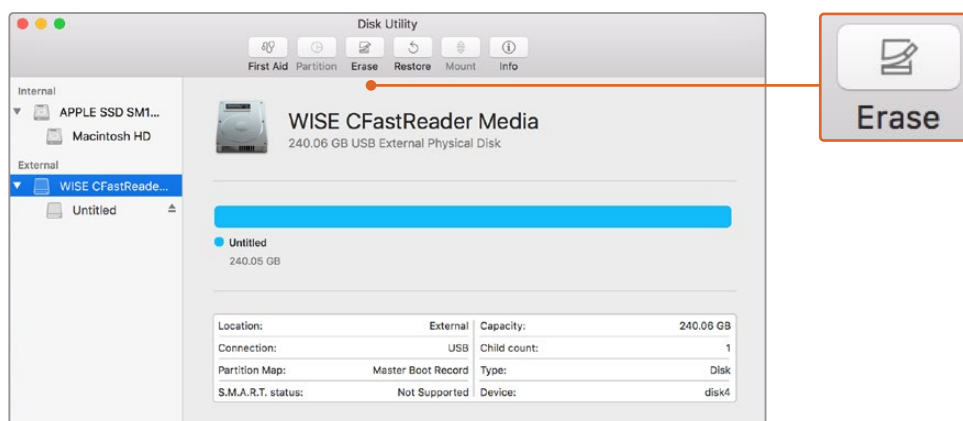
Tieni premuto Format drive per 3 secondi per cominciare la formattazione

Per maggiori informazioni su come passare tra una scheda CFast e una SD, consulta la sezione "Schede SD".

**NOTA** Quando è collegato il registratore opzionale URSA Mini Recorder, sullo slot 2 appare la dicitura **SSD Recorder**. Se è connessa una unità flash USB-C, apparirà la dicitura **External Drive**.

## Preparare i supporti di memoria su Mac

Utilizza l'applicazione Utility disco di Mac per formattare le schede CFast, SD, e gli SSD in HFS+ o exFAT. Se la scheda contiene già dei file, è consigliabile eseguire un backup poiché i dati cancellati con la formattazione non sono recuperabili.



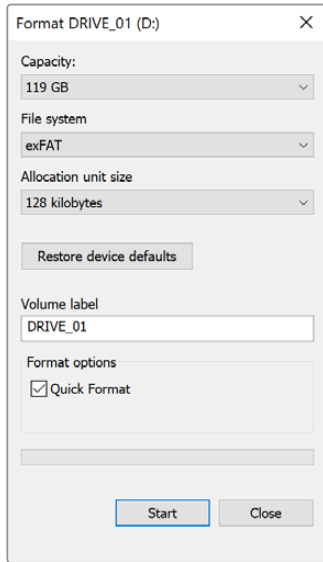
Usa l'Utility Disco su Mac per formattare il supporto di memoria nel formato Mac OS Extended (journaling) o exFAT

- 1 Inserisci la scheda in un lettore o in un dock o adattatore per SD, e collegalo al computer. Ignora i messaggi di back up della Time Machine.
- 2 Vai su **Applicazioni > Utility Disco**.
- 3 Clicca sull'immagine disco del supporto di memoria e poi clicca sulla tab **Inizializza**.

- 4 Seleziona il formato **Mac OS Extended (journaling)** o **exFAT**.
- 5 Inserisci un **Nome** per il nuovo volume e poi clicca su **Elimina**. La formattazione durerà pochi istanti, e il supporto di memoria sarà pronto all'uso.

## Preparare le schede su Windows

Usa la finestra di dialogo **Formatta** su Windows per formattare il supporto di memoria in exFAT. Se la scheda contiene già dei file, è consigliabile eseguire un backup poiché i dati cancellati con la formattazione non sono recuperabili.



Usa la finestra di dialogo **Formatta** su Windows per formattare il supporto di memoria in exFAT

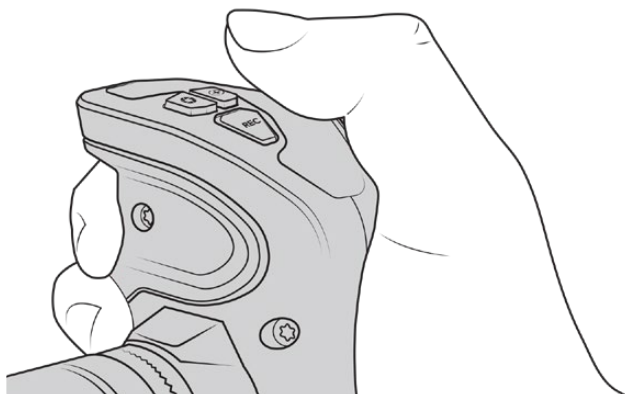
- 1 Inserisci la scheda di memoria in un lettore/riproduttore esterno o in un dock o adattatore SSD, e collegalo al computer.
- 2 Seleziona **Computer** dal menù **Start** o dalla schermata iniziale. Fai un clic destro sulla scheda di memoria.
- 3 Seleziona **Inizializza** dal menù contestuale.
- 4 Imposta il sistema di file su **exFAT** e la misura d'unità di assegnazione su **128 kb**.
- 5 Assegna un nome al volume, seleziona **Formattazione veloce** e clicca **Esegui**.
- 6 La formattazione durerà pochi istanti, e il supporto di memoria sarà pronto all'uso.

**NOTA** Se la registrazione salta dei fotogrammi, controlla che la scheda o il drive utilizzati rientrino nella lista consigliata per il codec e il frame rate selezionati. Per una velocità di trasferimento minore si consiglia di diminuire il frame rate o la risoluzione, o di utilizzare un codec compresso come ProRes. Per le informazioni più aggiornate, visita il sito di Blackmagic Design [www.blackmagicdesign.com/it](http://www.blackmagicdesign.com/it).

# Registrazione

## Registrazione contenuti

Su URSA Mini, puoi registrare premendo il pulsante rosso REC sul pannello di controllo interno, sul dorso dello schermo touch, sul touchscreen stesso, o sull'impugnatura URSA Handgrip opzionale. Su URSA Mini Pro, il pulsante di REC è posizionato sulla parte anteriore del pannello esterno, per accedervi facilmente quando si riprende a spalla. Premilo di nuovo per interrompere la registrazione.



Avvia la registrazione premendo il pulsante REC sull'impugnatura URSA Handgrip opzionale

Un'altra opzione per il controllo remoto della registrazione è il telecomando LANC, che basta connettere all'ingresso LANC di URSA Mini. Per esempio, con il LANC sul cavalletto puoi avviare la registrazione senza togliere la mano dall'anello di messa a fuoco.

**NOTA** Se sposti l'interruttore di archiviazione durante la cattura, la camera completerà la registrazione in corso prima di passare alla nuova scheda selezionata. In questo modo la registrazione è protetta da interruzioni improvvise.

## Scegliere codec, risoluzione, e area del sensore

URSA Mini Pro registra nel formato Blackmagic RAW in modalità qualità costante o bitrate costante. URSA Mini Pro e URSA Mini inoltre registrano nei formati compressi Apple ProRes. Le opzioni di frame rate del sensore dipendono dal modello della camera, dal codec e dalla risoluzione scelti.

Le clip registrate in Blackmagic RAW sono compatibili con DaVinci Resolve, Blackmagic RAW Player e con altre applicazioni che supportano l'SDK di Blackmagic RAW. Blackmagic RAW è già stato adottato da numerose piattaforme di post produzione. Anche se non è supportato nativamente da tutti i software di editing, si integra al workflow grazie ai plug-in inclusi negli aggiornamenti Blackmagic per le camere e nell'installer di Blackmagic RAW. Per maggiori informazioni, consulta la sezione "Lavorare con software di terzi".

## Gamma dinamica

In modalità Film, URSA Mini Pro 12K cattura straordinarie immagini di ampia gamma dinamica con 14 stop di latitudine, e URSA Mini Pro G2, URSA Mini Pro e URSA Mini 4.6K con 15 stop di gamma dinamica.

Si ottengono così immagini ricche di informazioni video per la correzione colore su DaVinci Resolve e su altri software.

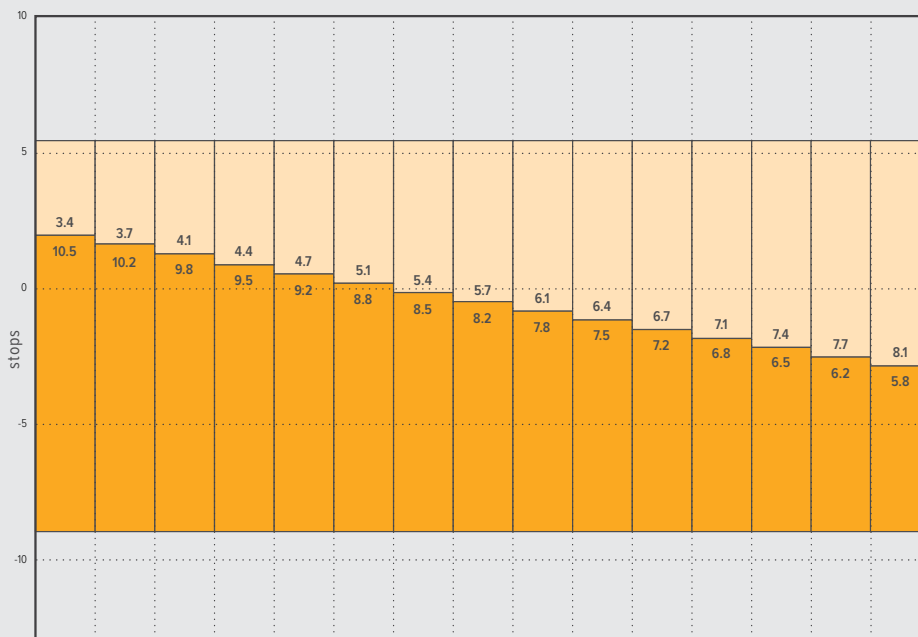
L'ampia gamma dinamica è ideale per la consegna in HDR.

Come mostra il grafico seguente i 14 stop di gamma dinamica sono disponibili all'interno dell'intero range ISO, da 125 a 3200 per URSA Mini Pro 12K, e i 15 stop di gamma dinamica, con valori di ISO da 200 a 3200, per URSA Mini 4.6K, URSA Mini Pro e URSA Mini Pro G2.

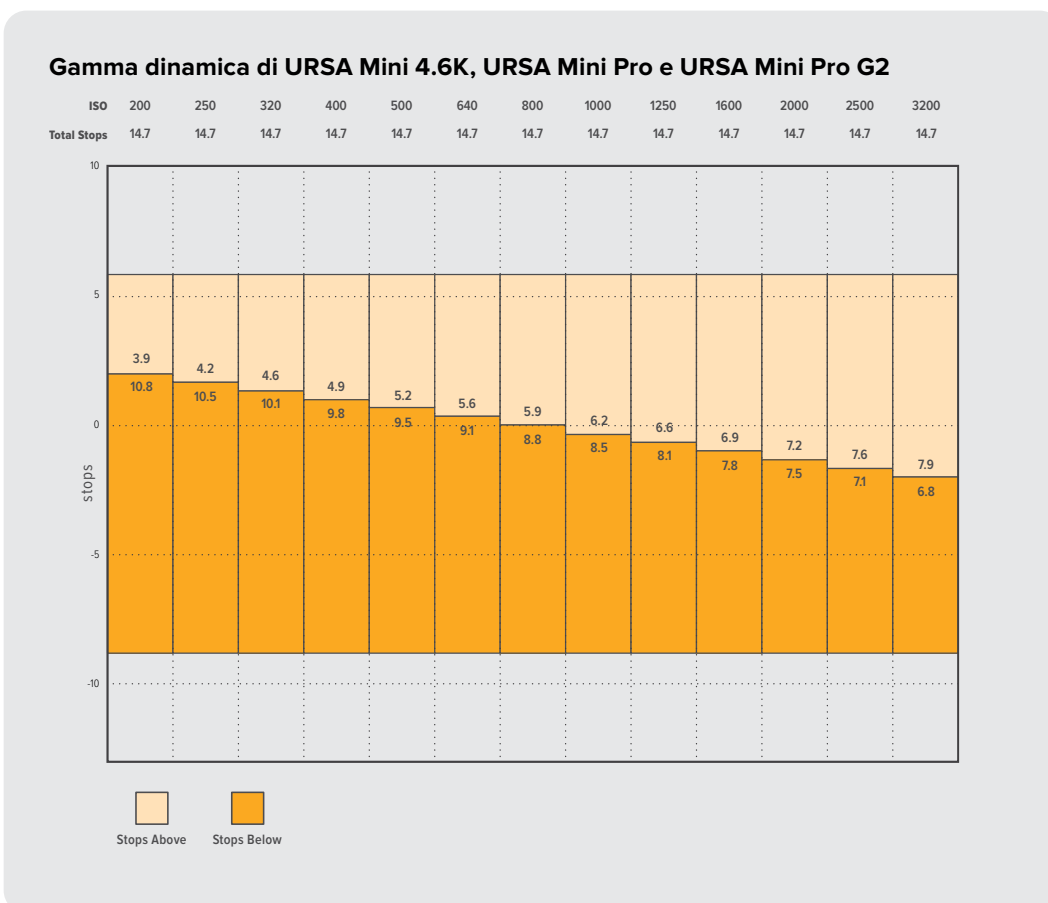
La distribuzione degli stop al di sopra o al di sotto del valore del grigio medio cambia secondo l'ISO selezionato. Per esempio, su URSA Mini Pro G2 con un ISO 200 gli stop designati per le zone di ombra dell'immagine sono 10.8, e 3.9 nelle zone di luce.

### Gamma dinamica di URSA Mini Pro 12K

ISO	125	160	200	250	320	400	500	640	800	1000	1250	1600	2000	2500	3200
Total Stops	13.9	13.9	13.9	13.9	13.9	13.9	13.9	13.9	13.9	13.9	13.9	13.9	13.9	13.9	13.9



Stops Above  
 Stops Below



## Blackmagic RAW

URSA Mini Pro è compatibile con Blackmagic RAW. Questo formato offre una qualità dell'immagine superiore, un'ampia gamma dinamica, e una vasta selezione di rapporti di compressione. Blackmagic RAW ha esattamente gli stessi vantaggi della registrazione RAW, e in più i file sono velocissimi perché parte del processo di demosaicizzazione viene eseguito all'interno della camera, dove subisce l'accelerazione hardware.

Il formato Blackmagic RAW è avanzato perché intuisce le caratteristiche del sensore della camera, offrendo una qualità nettamente migliore in file di dimensioni ridotte. Questa particolarità fa di Blackmagic RAW l'alternativa ideale a qualsiasi altro formato video e RAW.

Blackmagic RAW vanta un ampio supporto per metadati per consentire al software che legge i file di capire le impostazioni della camera. Quindi se filmi in gamma Video per completare il montaggio velocemente, e se non hai tempo per la correzione colore, puoi filmare e visualizzare il file in gamma Video sul software di tua scelta. In realtà si tratta pur sempre di un file in gamma Film, ma sono i suoi metadati a suggerire al software di applicare la gamma Video.

Dunque quando arriva il momento di fare la correzione colore, nel file avrai a disposizione l'intera gamma dinamica Film. Poiché i bianchi e i neri non subiscono clipping, le immagini manterranno tutti i dettagli, consentendo di fare la correzione colore necessaria per ottenere risultati di qualità cinematografica. Se invece non c'è tempo per la correzione colore, alle immagini verrà applicata la gamma Video e appariranno come un normale video. Il vantaggio sta nella libertà di poter ritornare sulle stesse immagini e cambiarle in post produzione in qualsiasi momento.



I file Blackmagic RAW sono estremamente veloci, con un codec ottimizzato per la CPU e la GPU del computer. Oltre a consentire una riproduzione scorrevole, eliminano la necessità di usare schede decoder hardware, una caratteristica importante se utilizzi il laptop. I software che leggono Blackmagic RAW beneficiano anche dell'elaborazione mediante Apple Metal, Nvidia CUDA, e OpenCL.

Blackmagic RAW viene riprodotto a velocità normale come un file video su gran parte dei computer, senza il bisogno di fare la cache o ridurre la risoluzione.

Inoltre va sottolineato che le informazioni dell'obiettivo sono salvate nei metadati, fotogramma per fotogramma. Per esempio usando un obiettivo compatibile, qualsiasi cambiamento sullo zoom o sulla messa a fuoco viene salvato, fotogramma per fotogramma, nei metadati all'interno del file Blackmagic RAW.

## Registrazione in Blackmagic RAW

Blackmagic RAW offre due opzioni di codifica: bitrate costante e qualità costante.

La codifica a bitrate costante funziona come la maggior parte dei codec, ovvero cerca di mantenere costante il trasferimento dati, evitando che diventi troppo alto. Per cui se filmi immagini complesse che richiedono più dati per essere salvate, la codifica a bitrate costante applica una maggiore compressione per far sì che le immagini rientrino nello spazio designato.

Questo metodo va bene per i codec video, ma per i filmati in RAW è importante assicurarsi che la qualità sia prevedibile. Cosa succederebbe se le immagini richiedessero più dati ma il codec applicasse una compressione maggiore per ottenere un trasferimento dati specifico? La qualità potrebbe risentirne ma non te ne accorgesti prima di aver completato le riprese.

Per evitare questo problema, Blackmagic RAW offre una codifica alternativa chiamata qualità costante. Tecnicamente si tratta di una codifica a bitrate variabile, che consente alle dimensioni del file di aumentare se le immagini richiedono dati aggiuntivi. Quindi se vuoi codificare un'immagine mantenendo la qualità, le dimensioni del file non si fermano a una soglia limite.

Con l'opzione qualità costante, le dimensioni del file aumentano o diminuiscono in base al livello di complessità dell'immagine ripresa. Quindi lasciando il coperchio sull'obiettivo non sprecherai di certo spazio sul supporto di memoria.

Le impostazioni delle due opzioni di codifica di Blackmagic RAW riflettono la loro funzione pratica. Per esempio le impostazioni della codifica a bitrate costante sono 3:1, 5:1, 8:1, 12:1, o 18:1 secondo il modello URSA Mini Pro. Questi valori rappresentano il rapporto tra le dimensioni del file RAW non compresso e le dimensioni del file previste quando si filma in Blackmagic RAW. Blackmagic RAW. Il 3:1 offre la qualità migliore perché il file è più grande; il 18:1, essendo il file più piccolo, offre una qualità minore. Nonostante ciò, molti utenti trovano Blackmagic RAW 12:1 e 18:1 perfettamente funzionali e non riscontrano alcun calo di qualità. Non ti resta che sperimentare le diverse impostazioni e scegliere quella che preferisci.

Le impostazioni della codifica a qualità costante sono Q0, Q1, Q3 e Q5 a seconda del modello di URSA Mini Pro. Sono i parametri di compressione comunicati al codec, ovvero indicano il grado di compressione applicato. Con questa opzione di codifica è impossibile sapere quali saranno le dimensioni del file perché dipendono fortemente dalla complessità dell'immagine girata. Il file raggiungerà le dimensioni necessarie per archiviare i contenuti.

## Codifica a bitrate costante

Le opzioni 3:1, 5:1, 8:1, 12:1 e 18:1 rappresentano i rapporti di compressione. Per esempio il 12:1 produce file circa 12 volte più piccoli di un file RAW non compresso.

Su URSA Mini Pro 12K, Blackmagic RAW a bitrate costate è disponibile a 5:1, 8:1, 12:1 e 18:1. URSA Mini Pro 4.6K G2 e URSA Mini Pro 4.6K supportano Blackmagic RAW a bitrate costante a 3:1, 8:1, e 12:1.

## Codifica a qualità costante

I parametri Q0, Q1, Q3 e Q5 si riferiscono ai livelli di quantizzazione. Il Q5 ha un livello di quantizzazione maggiore ma offre un trasferimento dati nettamente migliore. Come già detto, l'opzione qualità costante consente ai file di aumentare o diminuire di dimensioni in modo considerevole a seconda della complessità delle immagini. A volte però le dimensioni del file potrebbero aumentare così tanto da eccedere la capacità del supporto di memoria, risultando nella perdita di fotogrammi. Il lato positivo è che lo noti all'istante, e puoi rivedere subito le impostazioni di codifica.

Su URSA Mini Pro 12K, Blackmagic RAW a qualità costate è disponibile a Q0, Q1, Q3 e Q5. URSA Mini Pro 4.6K G2 e URSA Mini Pro 4.6K supportano Blackmagic RAW a qualità costante Q0 e Q5.

## Blackmagic RAW Player

Il player di Blackmagic RAW incluso nell'installer della camera è un'applicazione semplice per rivedere le clip. Basta fare doppio clic sul file Blackmagic RAW per riprodurlo all'istante ad alta risoluzione e con la sua profondità di bit.

Riguardo la decodifica dei fotogrammi, l'accelerazione CPU nella libreria SDK supporta le principali architetture, così come l'accelerazione GPU mediante Apple Metal, Nvidia CUDA, e OpenCL. Funziona anche con Blackmagic eGPU per prestazioni ancora superiori. Blackmagic RAW Player è compatibile con Mac, Windows, e Linux.

## File sidecar

I file sidecar di Blackmagic RAW contengono metadati che prendono momentaneamente la precedenza sui metadati integrati nel file originale, ma senza sovrascriverli. Questi metadati includono le impostazioni RAW e informazioni tra cui diaframma, messa a fuoco, lunghezza focale, bilanciamento del bianco, tinta, spazio colore, nome del progetto, e numero di ciak. I metadati vengono codificati fotogramma per fotogramma nell'arco della durata dell'intera clip, una caratteristica molto importante soprattutto se si regola l'obiettivo durante le riprese. I metadati nei file sidecar si possono aggiungere o modificare su DaVinci Resolve, o persino su un editor di testo perché sono leggibili dall'occhio umano.

I file sidecar servono per aggiungere automaticamente nuove impostazioni RAW durante la riproduzione. Per farlo basta spostare il file sidecar nella stessa cartella del file RAW corrispondente. Spostando il file sidecar fuori dalla cartella e riaprendo il file Blackmagic RAW, le impostazioni RAW non vengono applicate e l'immagine viene visualizzata con il suo look originale. Tutti i software che sfruttano l'SDK di Blackmagic RAW hanno accesso a queste impostazioni. Pertanto i cambiamenti effettuati si salvano nel file sidecar, e vengono riprodotti dal player di Blackmagic RAW o da qualsiasi altro software in grado di leggere i file Blackmagic RAW.

Se riprendi in gamma Video, il file rimane in gamma Film, ma i metadati suggeriscono al software di visualizzarlo in gamma Video. La gamma Video è ottima se vuoi aggirare la correzione colore e consegnare i contenuti in poco tempo, ma se decidi di ritoccare i neri o i bianchi, potrai farlo in qualsiasi momento e senza preoccuparti di perdere i dettagli.

## Blackmagic RAW su DaVinci Resolve

Nella sezione RAW di DaVinci Resolve puoi modificare le impostazioni di ogni file Blackmagic RAW e salvarle in un nuovo file sidecar per ottenere effetti creativi o una visualizzazione ottimizzata. Ciò significa che un altro utente DaVinci Resolve potrà importare gli stessi file e accedere subito alle impostazioni modificate. Oltre ai metadati contenuti nei file della camera, DaVinci Resolve rileva la gamma dinamica selezionata per mostrare automaticamente le clip in modalità Film, Extended Video, o Video.

Le impostazioni di saturazione, contrasto, e mezzitoni, così come lo stacco di luci e ombre, sono modificabili. I cambiamenti apportati si salvano come file sidecar, e sono visualizzabili in un secondo momento da tutti gli utenti impegnati nella post produzione. In qualsiasi momento puoi ritornare ai metadati originali della camera.

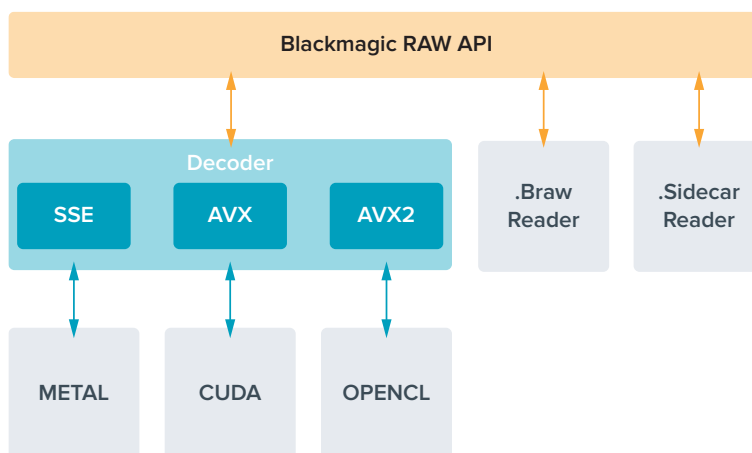
La sezione RAW di DaVinci Resolve ti permette anche di esportare un singolo fotogramma Blackmagic RAW, contenente tutte le regolazioni, i metadati, piena risoluzione, e informazioni del colore. In questo modo condividere un singolo fotogramma o un file di riferimento con gli altri utenti è molto facile.

Per tutti i dettagli sul funzionamento di Blackmagic RAW su DaVinci Resolve, consulta la sezione "DaVinci Resolve" del manuale.

## Pacchetto di sviluppo Blackmagic RAW

Il pacchetto di sviluppo di Blackmagic RAW è un API sviluppato da Blackmagic Design. Questo SDK consente di scrivere applicazioni su misura per usare il formato Blackmagic RAW. Gli sviluppatori possono usare la libreria SDK per aggiungere il supporto per la lettura, la modifica, e il salvataggio dei file Blackmagic RAW. L'SDK di Blackmagic RAW include la scienza del colore di quarta e di quinta generazione, che permette di ottenere immagini cinematografiche su qualsiasi applicazione lo supporti. Funziona su Mac, Windows, e Linux, ed è disponibile per il download gratuito alla pagina Sviluppatori [www.blackmagicdesign.com/it/developer](http://www.blackmagicdesign.com/it/developer) sul nostro sito.

Il diagramma qui sotto illustra i componenti dell'API di Blackmagic RAW.



## Scegliere il frame rate corretto

La camera può registrare con vari frame rate, ed è importante sapere quale utilizzare. Anche il frame rate del sensore può avere un forte impatto sul look delle immagini. Solitamente nello scegliere il frame rate del sensore, negli anni si sono presi in considerazione gli standard per il cinema e la televisione. Questi standard variano secondo i paesi, ma hanno in comune lo stesso obiettivo: la visualizzazione di un numero di fotogrammi al secondo che mostri il movimento con un'estetica gradevole e convincente.

Per esempio, lo standard per il cinema è 24 fps, e nonostante alcuni esperimenti recenti con frame rate superiori, rimane il frame rate più utilizzato a livello globale. Lo standard televisivo è dettato da quello della trasmissione broadcast di ogni paese. Per esempio, per la distribuzione televisiva nel Nord America i contenuti si girano con un frame rate di 29.97, mentre in Europa a 25 fps.

Nuovi passi avanti nella tecnologia hanno reso disponibili più opzioni e standard broadcast più flessibili. Ora è normale registrare e trasmettere gli eventi sportivi a frame rate più elevati, per esempio fino a 59.94 fps nel Nord America, e fino a 50 fps in Europa. Questi frame rate elevati infatti catturano l'azione e i movimenti in modo più naturale. In quanto alla trasmissione in streaming e sul web, generalmente si selezionano i frame rate televisivi, e si ha anche una maggiore flessibilità perché gli schermi non sono più limitati a un solo formato, consentendo agli utenti di scegliere quello che preferiscono.

Solitamente si sceglie il frame rate del progetto secondo il formato di consegna finale, e si mantiene lo stesso frame rate per il sensore. In questo modo le clip verranno riprodotte alla stessa velocità degli eventi così come sono realmente avvenuti. Se invece preferisci creare l'effetto a rallentatore, il frame rate del sensore deve essere più alto. Più alto è il frame rate del sensore rispetto a quello del progetto, più rallentate appariranno le immagini. Per esempio, con URSA Mini Pro G2 puoi riprendere con un frame rate del sensore molto elevato, e ottenere un effetto rallentatore estremo.

Per maggiori informazioni su come utilizzare il frame rate del sensore in modo creativo, consulta la sezione "Controlli touch" del manuale.

### Riprendere con frame rate elevati

Quando riprendi con frame rate elevati, la camera cattura un numero di fotogrammi nettamente superiore alla velocità di sync tradizionale di 24, 25 o 30 fps. Ciò significa che il sensore ha meno tempo per catturare la luce per ogni fotogramma, e l'immagine risultante sarà più scura.

Per esempio, se passi da 25 a 50 fps, la quantità di luce che attraversa il sensore sarà dimezzata. Quindi per mantenere l'esposizione costante dovrai compensare aprendo il diaframma di un altro stop, aumentando il valore dell'angolo dell'otturatore da 180° a 360°, o illuminando ulteriormente la scena.

Se riprendi a 120 fps, la quantità di luce catturata è 5 volte minore, quindi sarà necessario regolare più parametri (apertura, angolo dell'otturatore e illuminazione) per ottenere lo stesso livello di esposizione.

Un altro elemento da tenere in considerazione quando si riprende con frame rate elevati è lo sfarfallio introdotto dalle fonti di luce elettroniche sull'immagine registrata. Specialmente con frame rate superiori ai 100 fps in ambienti con frequenza 50Hz, o ai 120 fps con una frequenza di 60Hz, le fonti di luce LED, fosforescenti o al tungsteno possono creare sfarfallio nell'immagine. Questo effetto indesiderato non è visibile sul monitor LCD di anteprima o sul flusso video SDI durante la registrazione, quindi per accertarsi che non ci sia è importante fare riprese di test con l'illuminazione che si intende usare e riprodurre le clip girate.

Anche le impostazioni dell'otturatore possono avere ripercussioni sullo sfarfallio quando si utilizzano luci artificiali. URSA Mini è in grado di calcolare automaticamente i valori anti-sfarfallio per il frame rate utilizzato e li suggerisce sullo schermo. Le caratteristiche delle diverse fonti di luce potrebbero causare sfarfallio anche quando selezioni il valore suggerito. Consulta la sezione "Controlli touch" per maggiori informazioni.

Se lo sfarfallio è ancora presente anche quando è stata selezionata la velocità dell'otturatore minore, o l'angolo dell'otturatore più ampio, la soluzione potrebbe essere quella di utilizzare fonti di luce differenti, o ottiche più veloci.

## Frame rate massimi

La tabella qui sotto riporta i codec, le risoluzioni, e i frame rate massimi supportati dal sensore per filmare con URSA Mini 4.6K e i modelli URSA Mini Pro. I riferimenti a Blackmagic RAW, ProRes 444 e ProRes 422 includono tutte le varianti di ogni codec.

Data la velocità di trasferimento necessaria per registrare immagini ad alta risoluzione a rallentatore, è importante scegliere supporti veloci come le schede CFast, le unità flash USB-C o gli SSD. Consulta la sezione “Archiviazione” per i supporti di memoria consigliati per la registrazione continua ad alto data rate.

**SUGGERIMENTO** Per testare la velocità della scheda di memoria spunta l'interruttore Stop Rec if Card Drops Frames nell'apposito menù su schermo e registra una clip di prova. In questo modo potrai scoprire quanto dura la registrazione con determinati frame rate e risoluzioni. Se la registrazione sulla scheda si interrompe dopo poco, passa all'impostazione di compressione successiva o a una risoluzione minore. Così facendo si abbassa il data rate, favorendo una registrazione affidabile.

### Frame rate massimi per URSA Mini Pro 12K

Formato		Risoluzione	Codec	Modalità sensore	Frame rate max
12K	17:9	12288 x 6480	Blackmagic RAW	Intero	60
	16:9	11520 x 6480	Blackmagic RAW	In altezza	60
	2.4:1	12288 x 5112	Blackmagic RAW	In larghezza	75
	6:5 anamorfico	7680 x 6408	Blackmagic RAW	In altezza	60
8K	17:9	8192 x 4320	Blackmagic RAW	Intero	120
	16:9	7680 x 4320	Blackmagic RAW	In altezza	120
	2.4:1	8192 x 3408	Blackmagic RAW	In larghezza	160
	6:5 anamorfico	5120 x 4272	Blackmagic RAW	In altezza	120
6K	Super 16	6144 x 3240	Blackmagic RAW	Finestra	120
4K	DCI	4096 x 2160	Blackmagic RAW	Intero	120
	16:9	3840 x 2160	Blackmagic RAW	In altezza	120
	2.4:1	4096 x 1704	Blackmagic RAW	In larghezza	160
	6:5 anamorfico	2560 x 2136	Blackmagic RAW	In altezza	120
	Super 16	4096 x 2160	Blackmagic RAW	Finestra	240

**Frame rate massimi per URSA Mini Pro 4.6K G2, URSA Mini Pro 4.6K e URSA Mini 4.6K**

Formato	Risoluzione	Codec	URSA Mini Pro 4.6K G2		URSA Mini Pro 4.6K		URSA Mini 4.6K	
			Modalità sensore	Frame rate max	Modalità sensore	Frame rate max	Modalità sensore	Frame rate max
4.6K	4608 x 2592	Blackmagic RAW	Intero	120	Intero	60	–	–
		ProRes 444	Intero	40	Intero	30	Intero	30
		ProRes 422	Intero	80	Intero	40	Intero	40
4.6K 2.4:1	4608 x 1920	Blackmagic RAW	Finestra	150	Finestra	60	–	–
		ProRes 444	Finestra	60	Finestra	40	Finestra	40
		ProRes 422	Finestra	120	Finestra	50	Finestra	50
4K 16:9	4096 x 2304	Blackmagic RAW	Finestra	120	Finestra	60	–	–
		ProRes 444	Finestra	60	Pieno o finestra	30	Pieno o finestra	30
		ProRes 422	Finestra	100	Pieno o finestra	50	Pieno o finestra	50
4K DCI	4096 x 2160	Blackmagic RAW	Finestra	150	Finestra	60	–	–
		ProRes 444	Finestra	60	Pieno o finestra	40	Pieno o finestra	40
		ProRes 422	Finestra	120	Pieno o finestra	50	Pieno o finestra	50
UHD	3840 x 2160	Blackmagic RAW	Finestra	150	Finestra	60	–	–
		ProRes 444	Pieno o finestra	60	Pieno o finestra	40	Pieno o finestra	40
		ProRes 422	Pieno o finestra	120	Pieno o finestra	60	Pieno o finestra	60
3K anamorfico	3072 x 2560	Blackmagic RAW	Finestra	120	Finestra	60	–	–
		ProRes 444	Finestra	70	Finestra	40	–	–
		ProRes 422	Finestra	120	Finestra	60	–	–
2K 16:9	2048 x 1152	Blackmagic RAW	Finestra	240	Finestra	120	–	–
		ProRes 444	Finestra	240	Finestra	120	Finestra	120
		ProRes 422	Finestra	240	Finestra	120	Finestra	120
		ProRes 444	Intero	120	Intero	60	Intero	60
		ProRes 422	Intero	120	Intero	60	Intero	60
2K DCI	2048 x 1080	Blackmagic RAW	Finestra	300	Finestra	120	–	–
		ProRes 444	Finestra	240	Finestra	120	Finestra	120
		ProRes 422	Finestra	240	Finestra	120	Finestra	120
		ProRes 444	Intero	120	Intero	60	Intero	60
		ProRes 422	Intero	120	Intero	60	Intero	60
HD	1920 x 1080	Blackmagic RAW	Finestra	300	Finestra	120	–	–
		ProRes 444	Finestra	240	Finestra	120	Finestra	120
		ProRes 422	Finestra	240	Finestra	120	Finestra	120
		ProRes 444	Intero	120	Intero	60	Intero	60
		ProRes 422	Intero	120	Intero	60	Intero	60

Blackmagic RAW Q0, Q1, Q3 e Q5 utilizzano una compressione a bitrate variabile per ottenere una qualità costante. La velocità di trasferimento per Q0, Q1, Q3 e Q5 dipende dalla complessità dell'immagine, e può variare notevolmente all'interno della clip.

#### Frame rate massimi per URSA Mini 4K

Formato	Risoluzione	Codec	URSA Mini 4K	
			Modalità sensore	Frame rate max
UHD	3840 x 2160	ProRes 444	Pieno o finestra	40
		ProRes 422	Pieno o finestra	60
HD	1920 x 1080	ProRes 444	Finestra	80
		ProRes 422	Finestra	120
		ProRes 444	Intero	60
		ProRes 422	Intero	60

#### Per selezionare il codec e la risoluzione desiderati su URSA Mini:

- 1 Premi il pulsante **Menu** sul pannello di controllo.
- 2 Vai alla tab **Record**.
- 3 Tocca il codec, la qualità e la risoluzione di ripresa desiderati.
- 4 Per filmare con il sensore in modalità finestra, vai alla pagina 2 della tab **Record** e seleziona **Window sensor**. Per riprendere con il sensore in modalità piena, seleziona **Off**.
- 5 Tocca **Menu** per uscire dal menù.

#### Formati di registrazione e frame rate del progetto

Dopo aver impostato codec e risoluzione, bisogna definire i frame rate del progetto e del sensore. Consulta la sezione "Impostazioni di registrazione" per maggiori informazioni sui frame rate.

I frame rate di progetto disponibili per tutti i modelli URSA Mini sono riportati qui sotto:

23.98, 24, 25, 29.97, 30, 50, 59.94, e 60 fps.

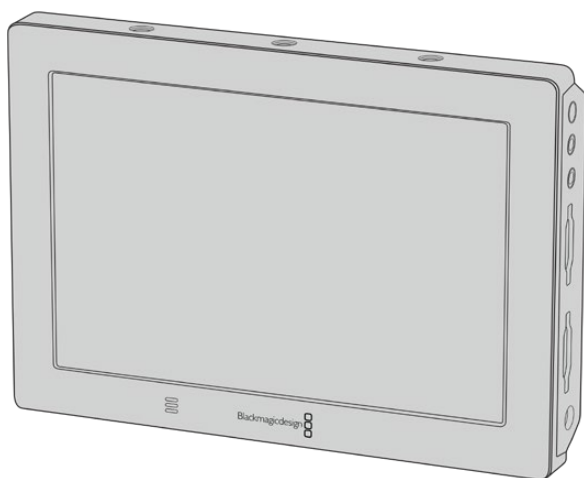
Per le riprese in Blackmagic RAW e ProRes fino a ProRes 422 HQ, il frame rate di progetto massimo è 60 fps per qualsiasi risoluzione. Invece per le riprese in ProRes 444 e ProRes 444 XQ, il frame rate di progetto massimo dipende dalla risoluzione.

Per esempio, su URSA Mini Pro 4.6K G2, il frame rate di progetto massimo con i codec ProRes 444 è 60 fps fino al 4.6K 2.4:1. Se aumenti la risoluzione in 4.6K a sensore pieno, il frame rate di progetto massimo diventa 30 fps. Sulla URSA Mini Pro 4.6K originale, il frame rate di progetto massimo con i codec ProRes 444 è 60 fps fino al 2K 16:9. Se cambi la risoluzione in 3K anamorfoico o superiore, il frame rate di progetto massimo è 30 fps. La differenza sta nell'elaborazione aggiuntiva necessaria per le risoluzioni più alte quando si usano ProRes 444 e ProRes 444 XQ.

## Rec automatico

Per far sì che i dispositivi esterni rispondano al comando start/stop di registrazione impartito da URSA Mini tramite SDI, è importante abilitare questa funzione dal menù impostazioni di ciascuno.

URSA Mini invia un segnale tramite le uscite SDI che innesca automaticamente la registrazione sui dispositivi SDI compatibili con questa funzione, per esempio Blackmagic Video Assist. Pertanto quando la camera avvia la cattura, anche i dispositivi esterni collegati tramite SDI iniziano automaticamente a registrare. Toccando di nuovo il pulsante REC, la registrazione termina su tutti.



Utilizza la funzione di start/stop di registrazione automatica della camera per avviare la registrazione su dispositivi SDI come Blackmagic Video Assist 4K

**SUGGERIMENTO** In caso di basse temperature 0-5°, è necessario attendere 30 secondi per raggiungere la temperatura operativa ottimale con URSA Mini 4K. Anche se la camera è in grado di registrare prima di essersi scaldata, consigliamo di attendere finché non raggiunge la temperatura ottimale. A questo punto la camera effettua una ricalibrazione per bilanciare il cambio di temperatura del sensore, e noterai un fotogramma bianco lampeggiare una volta sola. Questa operazione migliora le prestazioni di ripresa della camera con temperature rigide.

## Tabelle di durata della registrazione

Le tabelle di riferimento seguenti indicano la durata della registrazione in minuti e secondi in base al formato, al frame rate del progetto e alla capacità del supporto di memoria. La durata massima di registrazione del supporto di memoria dipende da questi tre fattori. Per esempio la velocità di archiviazione per Apple ProRes 422 HQ a 3840 x 2160 è di circa 880 Mbps. A 24 fps si possono registrare circa 47 minuti di video su schede CFast 2.0 o SD da 256GB, oppure 23 minuti di video sulle stesse schede, ma da 128GB, circa la metà di quella possibile sui modelli da 256GB. Queste durate sono le stesse quando si registra su un SSD con URSA Mini Recorder.

La durata della registrazione sulle schede CFast 2.0 e SD varia leggermente a seconda dei produttori, o in base alla formattazione delle schede (exFAT o Mac OS X Extended).



### Durata della registrazione su URSA Mini Pro 12K

Ricorda che le scene contenenti meno dettagli richiedono meno spazio delle composizioni complesse. I valori riportati nella tabella qui sotto si riferiscono a un'ipotetica scena altamente complessa, per cui la durata di registrazione per scene più semplici sarà più lunga.

12K su URSA Mini Pro 12K					
Scheda CFast	Frame rate	Blackmagic RAW 5:1	Blackmagic RAW 8:1	Blackmagic RAW 12:1	Blackmagic RAW 18:1
1TB		Durata	Durata	Durata	Durata
	23.98	29 min	47 min	70 min	106 min
	24	29 min	47 min	70 min	106 min
	25	28 min	45 min	67 min	101 min
	29.97	23 min	37 min	56 min	84 min
	30	23 min	37 min	56 min	84 min
	50	14 min	22 min	33 min	50 min
	60	11 min	18 min	28 min	42 min

8K su URSA Mini Pro 12K					
Scheda CFast	Frame rate	Blackmagic RAW 5:1	Blackmagic RAW 8:1	Blackmagic RAW 12:1	Blackmagic RAW 18:1
1TB		Durata	Durata	Durata	Durata
	23.98	66 min	106 min	158 min	238 min
	24	66 min	106 min	158 min	238 min
	25	63 min	101 min	152 min	228 min
	29.97	52 min	84 min	127 min	190 min
	30	52 min	84 min	127 min	190 min
	50	31 min	50 min	76 min	114 min
	60	26 min	42 min	63 min	95 min

6K su URSA Mini Pro 12K					
Scheda CFast	Frame rate	Blackmagic RAW 5:1	Blackmagic RAW 8:1	Blackmagic RAW 12:1	Blackmagic RAW 18:1
1TB		Durata	Durata	Durata	Durata
	23.98	116 min	186 min	280 min	419 min
	24	116 min	186 min	280 min	419 min
	25	112 min	179 min	268 min	402 min
	29.97	93 min	149 min	224 min	335 min
	30	93 min	149 min	224 min	335 min
	50	56 min	89 min	134 min	201 min
	60	46 min	74 min	112 min	168 min

4K su URSA Mini Pro 12K					
Scheda CFast	Frame rate	Blackmagic RAW 5:1	Blackmagic RAW 8:1	Blackmagic RAW 12:1	Blackmagic RAW 18:1
1TB		Durata	Durata	Durata	Durata
	23.98	264 min	442 min	631 min	941 min
	24	264 min	442 min	631 min	941 min
	25	254 min	405 min	606 min	904 min
	29.97	211 min	338 min	506 min	755 min
	30	211 min	338 min	506 min	755 min
	50	127 min	203 min	304 min	455 min
	60	106 min	169 min	254 min	380 min

### Tabelle di durata della registrazione su URSA Mini Pro 4.6K G2, URSA Mini Pro 4.6K, URSA Mini 4.6K e URSA Mini 4K

Ricorda che le scene contenenti meno dettagli richiedono meno spazio delle composizioni complesse. I valori riportati nella tabella qui sotto si riferiscono a un'ipotetica scena altamente complessa, per cui la durata di registrazione per scene più semplici sarà più lunga.

4.6K								
Scheda CFast	Frame rate	Blackmagic RAW 3:1*	Blackmagic RAW 5:1*	Blackmagic RAW 8:1*	Blackmagic RAW 12:1	ProRes 444 XQ	ProRes 422 HQ	ProRes 422 LT
256GB		Durata	Durata	Durata	Durata	Durata	Durata	Durata
	23.98	28 min	48 min	76 min	115 min	14 min	33 min	70 min
	24	28 min	48 min	76 min	114 min	14 min	33 min	70 min
	25	27 min	46 min	73 min	110 min	14 min	31 min	66 min
	29.976	23 min	38 min	61 min	92 min	11 min	26 min	56 min
	30	23 min	38 min	61 min	92 min	11 min	26 min	56 min
	50	13 min	23 min	36 min	55 min	–	–	–
	59.94	11 min	19 min	30 min	46 min	–	–	–
60	11 min	19 min	30 min	46 min	–	–	–	

\* Blackmagic RAW è disponibile solo su URSA Mini Pro 4.6K e URSA Mini Pro 4.6K G2.

Ultra HD								
Scheda CFast	Frame rate	Blackmagic RAW 3:1*	Blackmagic RAW 5:1*	Blackmagic RAW 8:1*	Blackmagic RAW 12:1	ProRes 444 XQ	ProRes 422 HQ	ProRes 422 LT
256GB		Durata	Durata	Durata	Durata	Durata	Durata	Durata
	23.98	41 min	68 min	110 min	164 min	21 min	47 min	101 min
	24	41 min	68 min	109 min	164 min	21 min	47 min	101 min
	25	39 min	66 min	105 min	157 min	20 min	45 min	97 min
	29.976	33 min	55 min	88 min	131 min	16 min	38 min	81 min
	30	33 min	55 min	88 min	131 min	16 min	38 min	81 min
	50	19 min	33 min	52 min	79 min	–	22 min	48 min
	59.94	16 min	27 min	44 min	66 min	–	18 min	40 min
60	16 min	27 min	44 min	66 min	–	18 min	40 min	

\* Blackmagic RAW è disponibile solo su URSA Mini Pro 4.6K e URSA Mini Pro 4.6K G2.

HD								
Scheda CFast	Frame rate	Blackmagic RAW 3:1*	Blackmagic RAW 5:1*	Blackmagic RAW 8:1*	Blackmagic RAW 12:1	ProRes 444 XQ	ProRes 422 HQ	ProRes 422 LT
<b>256GB</b>		Durata	Durata	Durata	Durata	Durata	Durata	Durata
	23.98	159 min	264 min	418 min	619 min	84 min	189 min	403 min
	24	159 min	264 min	418 min	618 min	84 min	189 min	403 min
	25	153 min	253 min	402 min	595 min	81 min	182 min	387 min
	29.976	128 min	212 min	336 min	499 min	68 min	152 min	324 min
	30	127 min	212 min	336 min	499 min	67 min	152 min	324 min
	50	76 min	127 min	203 min	303 min	40 min	91 min	196 min
	59.94	64 min	106 min	170 min	254 min	34 min	76 min	163 min
	60	64 min	106 min	170 min	253 min	33 min	76 min	163 min

\* Blackmagic RAW è disponibile solo su URSA Mini Pro 4.6K e URSA Mini Pro 4.6K G2.

Le impostazioni Q0 e Q5 della codifica a qualità costante mostreranno tempi di registrazione residua variabili. La durata stimata per l'impostazione Q0 è simile a quella dell'impostazione a bitrate costante 3:1, mentre l'impostazione Q5 ne ha una simile al 12:1, ma si aggiorna ogni 10 secondi durante la registrazione. Il modo migliore per valutare il tempo di registrazione residua è registrare per 20 secondi e notare la durata visualizzata sul touchscreen.

## Tablelle di data rate per URSA Mini Pro 12K

Blackmagic URSA Mini Pro 12K è in grado di catturare le immagini in una varietà di risoluzioni e frame rate, quindi è importante capire i data rate per scegliere il migliore formato e supporto di memoria per il tuo progetto. Blackmagic Design ha testato a fondo una serie di drive USB-C e di schede CFast e SD UHS II per determinare i frame rate e le compressioni Blackmagic RAW compatibili. Consulta la sezione "Archiviazione" per maggiori informazioni. Solitamente le schede CFast per URSA Mini Pro 12K mantengono un data rate intorno ai 400 MB/s. Questi dati danno un'idea iniziale della velocità e della risoluzione raggiungibili.

Essendo URSA Mini Pro 12K in grado di registrare con data rate molto elevati, è consigliabile raddoppiare il bitrate normalmente supportato dalla scheda o dal drive scegliendo l'opzione di registrare su due schede. Per cominciare, inserisci negli slot due schede CFast o SD e nella tab **Record** della dashboard seleziona la registrazione RAW su due schede **Record RAW on 2 cards**. Questa operazione (chiamata striping) distribuisce i dati su entrambe le schede sequenzialmente, quindi il fattore limitante sarà il data rate della scheda meno potente. Consigliamo pertanto di utilizzare due schede con le stesse specifiche, o quantomeno simili. Puoi fare lo striping anche tra una scheda CFast nello slot 1 e un drive USB-C assegnato allo slot 2. In questa modalità di registrazione su due schede, il limite di velocità è il doppio del data rate della scheda meno potente. Consulta la sezione "Registrazione RAW su due schede" per maggiori informazioni.

Le opzioni di bitrate di Blackmagic RAW sono progettate per ottenere file di dimensioni e data rate prevedibili. Se riprendi una scena complessa o con molto movimento, l'opzione a bitrate costante comprime l'immagine con un tetto di velocità massima, mantenendo il bitrate al livello specificato o al di sotto. In questo modo è facile capire esattamente quale velocità debba mantenere la scheda o il drive, e stimare la durata della registrazione sul supporto di memoria.

### Data rate massimi a 24p con Blackmagic RAW a bitrate costante

Formato		Risoluzione	Frame rate	Blackmagic RAW 5:1	Blackmagic RAW 8:1	Blackmagic RAW 12:1	Blackmagic RAW 18:1
12K	17:9	12288 x 6480	24	578 MB/s	361 MB/s	241 MB/s	160 MB/s
	16:9	11520 x 6480	24	542 MB/s	339 MB/s	226 MB/s	150 MB/s
	2.4:1	12288 x 5112	24	457 MB/s	286 MB/s	190 MB/s	127 MB/s
	6:5 anamorfico	7680 x 6408	24	358 MB/s	224 MB/s	150 MB/s	99 MB/s
8K	17:9	8192 x 4320	24	257 MB/s	161 MB/s	107 MB/s	71 MB/s
	16:9	7680 x 4320	24	241 MB/s	151 MB/s	101 MB/s	67 MB/s
	2.4:1	8192 x 3408	24	203 MB/s	127 MB/s	85 MB/s	56 MB/s
	6:5 anamorfico	5120 x 4272	24	159 MB/s	100 MB/s	67 MB/s	44 MB/s
6K	Super 16	6144 x 3240	24	146 MB/s	91 MB/s	61 MB/s	40 MB/s
4K	DCI	4096 x 2160	24	65 MB/s	41 MB/s	32 MB/s	27 MB/s
	16:9	3840 x 2160	24	61 MB/s	38 MB/s	30 MB/s	25 MB/s
	2.4:1	4096 x 1704	24	51 MB/s	32 MB/s	25 MB/s	21 MB/s
	6:5 anamorfico	2560 x 2136	24	40 MB/s	25 MB/s	20 MB/s	17 MB/s
	Super 16	4096 x 2160	24	65 MB/s	41 MB/s	27 MB/s	18 MB/s

Nota che la velocità di archiviazione reale dipende dalla complessità dell'immagine, e potrebbe quindi eccedere i valori minimi o massimi indicati qui sotto.

### Intervallo di data rate a 24p con Blackmagic RAW a qualità costante

Formato		Risoluzione	Frame rate	Blackmagic RAW Q0	Blackmagic RAW Q1	Blackmagic RAW Q3	Blackmagic RAW Q5
12K	17:9	12288 x 6480	24	241-578 MB/s	145-361 MB/s	97-241 MB/s	73-181 MB/s
	16:9	11520 x 6480	24	226-542 MB/s	136-339 MB/s	91-226 MB/s	68-170 MB/s
	2.4:1	12288 x 5112	24	190-457 MB/s	114-286 MB/s	76-190 MB/s	57-143 MB/s
	6:5 anamorfico	7680 x 6408	24	150-358 MB/s	90-224 MB/s	60-150 MB/s	45-112 MB/s
8K	17:9	8192 x 4320	24	161-321 MB/s	107-214 MB/s	81-161 MB/s	52-129 MB/s
	16:9	7680 x 4320	24	151-301 MB/s	101-201 MB/s	76-151 MB/s	49-121 MB/s
	2.4:1	8192 x 3408	24	127-254 MB/s	85-169 MB/s	64-127 MB/s	41-102 MB/s
	6:5 anamorfico	5120 x 4272	24	100-199 MB/s	67-133 MB/s	50-100 MB/s	32-80 MB/s
6K	Super 16	6144 x 3240	24	61-146 MB/s	37-91 MB/s	25-61 MB/s	19-46 MB/s
4K	DCI	4096 x 2160	24	129-214 MB/s	65-129 MB/s	41-107 MB/s	30-81 MB/s
	16:9	3840 x 2160	24	121-201 MB/s	61-121 MB/s	38-101 MB/s	28-76 MB/s
	2.4:1	4096 x 1704	24	102-169 MB/s	51-102 MB/s	32-85 MB/s	23-64 MB/s
	6:5 anamorfico	2560 x 2136	24	80-133 MB/s	40-80 MB/s	25-67 MB/s	18-50 MB/s
	Super 16	4096 x 2160	24	41-81 MB/s	27-54 MB/s	21-41 MB/s	13-33 MB/s

Girando con frame rate variabile si ottengono estetiche originali e creative. URSA Mini Pro 12K registra in 12K fino a 60 fps, e fino a 220 fps in altre risoluzioni. Quando riprendi con URSA Mini Pro 12K a frame rate elevati, la camera utilizza bitrati altissimi, quindi è essenziale scegliere la compressione Blackmagic RAW adatta.

#### Data rate massimi con i frame rate più elevati utilizzando Blackmagic RAW a bitrate costante

Formato		Risoluzione	Blackmagic RAW 5:1		Blackmagic RAW 8:1		Blackmagic RAW 12:1		Blackmagic RAW 18:1	
			Max frame rate	Max data rate	Max frame rate	Max data rate	Max frame rate	Max data rate	Max frame rate	Max data rate
12K	17:9	12288 x 6480	40	963 MB/s	60	903 MB/s	60	602 MB/s	60	401 MB/s
	16:9	11520 x 6480	40	903 MB/s	60	847 MB/s	60	565 MB/s	60	376 MB/s
	2.4:1	12288 x 5112	50	951 MB/s	75	892 MB/s	75	595 MB/s	75	396 MB/s
	6:5 anamorfico	7680 x 6408	60	895 MB/s	60	560 MB/s	60	373 MB/s	60	249 MB/s
8K	17:9	8192 x 4320	120	1,285 MB/s	120	803 MB/s	120	536 MB/s	120	357 MB/s
	16:9	7680 x 4320	120	1,205 MB/s	120	753 MB/s	120	502 MB/s	120	334 MB/s
	2.4:1	8192 x 3408	160	1,353 MB/s	160	846 MB/s	160	564 MB/s	160	375 MB/s
	6:5 anamorfico	5120 x 4272	120	796 MB/s	120	498 MB/s	120	332 MB/s	120	221 MB/s
6K	Super 16	6144 x 3240	120	727 MB/s	120	455 MB/s	120	303 MB/s	120	202 MB/s
4K	DCI	4096 x 2160	120	322 MB/s	120	201 MB/s	120	161 MB/s	120	134 MB/s
	16:9	3840 x 2160	120	302 MB/s	120	189 MB/s	120	150 MB/s	120	125 MB/s
	2.4:1	4096 x 1704	160	339 MB/s	160	212 MB/s	160	169 MB/s	160	141 MB/s
	6:5 anamorfico	2560 x 2136	120	200 MB/s	120	125 MB/s	120	99 MB/s	120	83 MB/s
	Super 16	4096 x 2160	240	648 MB/s	240	405 MB/s	240	271 MB/s	240	180 MB/s

#### Intervallo di data rate con i frame rate più elevati utilizzando Blackmagic RAW a qualità costante

Formato		Risoluzione	Frame rate	Blackmagic RAW Q0	Blackmagic RAW Q1	Blackmagic RAW Q3	Blackmagic RAW Q5
12K	17:9	12288 x 6480	60	602-1,445 MB/s	362-903 MB/s	241-602 MB/s	181-452 MB/s
	16:9	11520 x 6480	60	565-1,355 MB/s	339-847 MB/s	226-565 MB/s	170-424 MB/s
	2.4:1	12288 x 5112	75	595-1,426 MB/s	357-892 MB/s	238-595 MB/s	179-446 MB/s
	6:5 anamorfico	7680 x 6408	60	373-895 MB/s	224-560 MB/s	150-373 MB/s	112-280 MB/s
8K	17:9	8192 x 4320	120	803-1,605 MB/s	536-1,071 MB/s	402-803 MB/s	258-643 MB/s
	16:9	7680 x 4320	120	753-1,506 MB/s	502-1,004 MB/s	377-753 MB/s	242-603 MB/s
	2.4:1	8192 x 3408	160	846-1,609 MB/s	564-1,127 MB/s	423-846 MB/s	271-677 MB/s
	6:5 anamorfico	5120 x 4272	120	498-995 MB/s	332-664 MB/s	249-498 MB/s	160-398 MB/s
6K	Super 16	6144 x 3240	120	303-727 MB/s	182-455 MB/s	122-303 MB/s	92-228 MB/s

Formato		Risoluzione	Frame rate	Blackmagic RAW Q0	Blackmagic RAW Q1	Blackmagic RAW Q3	Blackmagic RAW Q5
4K	DCI	4096 x 2160	120	643-1,071 MB/s	322-643 MB/s	201-536 MB/s	147-402 MB/s
	16:9	3840 x 2160	120	603-1,004 MB/s	302-603 MB/s	189-502 MB/s	138-377 MB/s
	2.4:1	4096 x 1704	160	677-1,127 MB/s	339-677 MB/s	212-564 MB/s	155-423 MB/s
	6:5 anamorfico	2560 x 2136	120	398-664 MB/s	200-398 MB/s	125-332 MB/s	91-249 MB/s
	Super 16	4096 x 2160	240	405-810 MB/s	271-540 MB/s	203-405 MB/s	131-325 MB/s

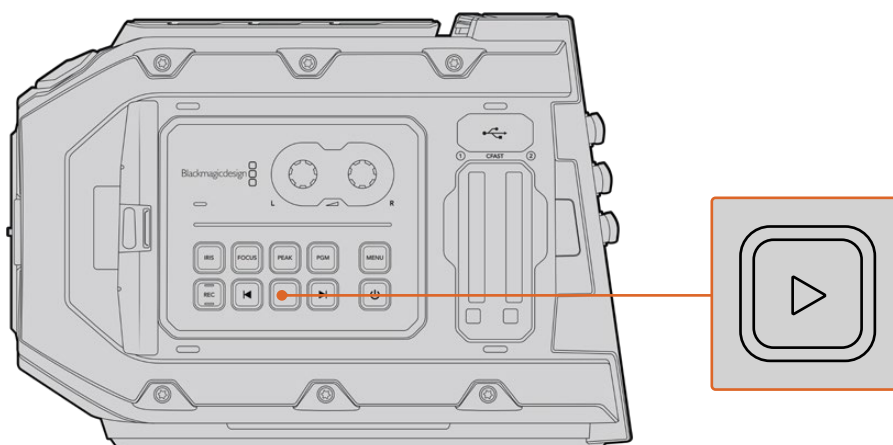
Nota che la velocità di archiviazione reale per Qualità Costante dipende dalla complessità dell'immagine, e potrebbe quindi eccedere i valori minimi o massimi indicati qui sopra.

## Riproduzione

### Riprodurre le clip

Una volta registrato il video, utilizza i pulsanti di trasporto per riprodurlo.

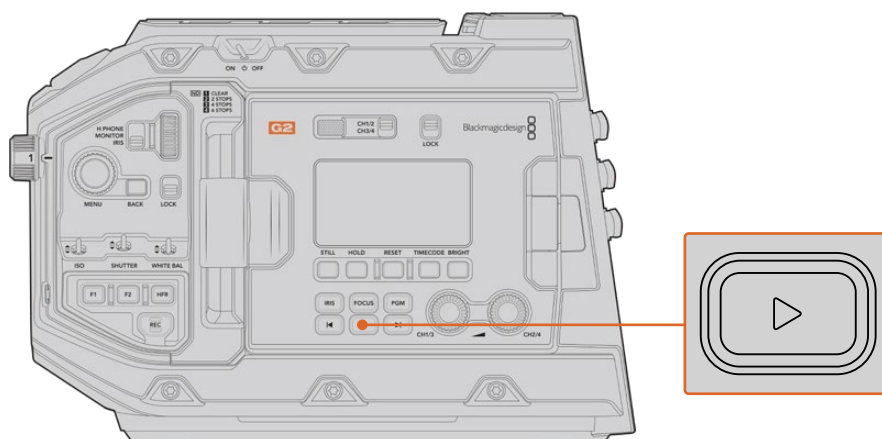
Premi il pulsante Play per visualizzare le immagini sul touchscreen di URSA Mini, oppure su un monitor esterno connesso all'uscita SDI della camera.



URSA Mini

**SUGGERIMENTO** Su URSA Mini i pulsanti di trasporto si trovano sul pannello di controllo interno e sul pannello ergonomico esterno.

**NOTA** URSA Mini riproduce clip di qualità differente, ma con gli stessi codec, frame rate, e risoluzione.



URSA Mini Pro 4.6K G2

Premi i pulsanti Avanti e Indietro per andare all'inizio o alla fine delle clip. Premendo Indietro una volta si torna all'inizio della clip corrente. Premendolo due volte si salta all'inizio della clip precedente. Tieni premuto uno o l'altro per riprodurre o tornare indietro a velocità 2x. In fase di riproduzione o indietro veloce, premi gli stessi pulsanti due volte per il 4x, tre volte per l'8x e quattro volte per il 16x. Con obiettivi compatibili, è possibile utilizzare i pulsanti Avanti e Indietro per aprire o chiudere il diaframma durante la cattura.

Se registri con frame rate del sensore e del progetto differenti, la velocità di riproduzione della clip varierà di conseguenza. Per esempio, se hai impostato il frame rate del progetto su 24 fps per assecondare la timeline di post produzione, e il frame rate del sensore su 60 fps, le clip verranno riprodotte a rallentatore sia sul display della camera che sulla timeline in post produzione.

**SUGGERIMENTO** Consulta la sezione "Impostazioni di registrazione" per maggiori informazioni sui frame rate.

# Introduzione a URSA Mini

I connettori BNC standard SDI si trovano sul lato destro e sul retro di URSA Mini. Ci sono anche due ingressi LANC: uno per l'impugnatura opzionale URSA Handgrip e uno sul retro per un telecomando LANC esterno.

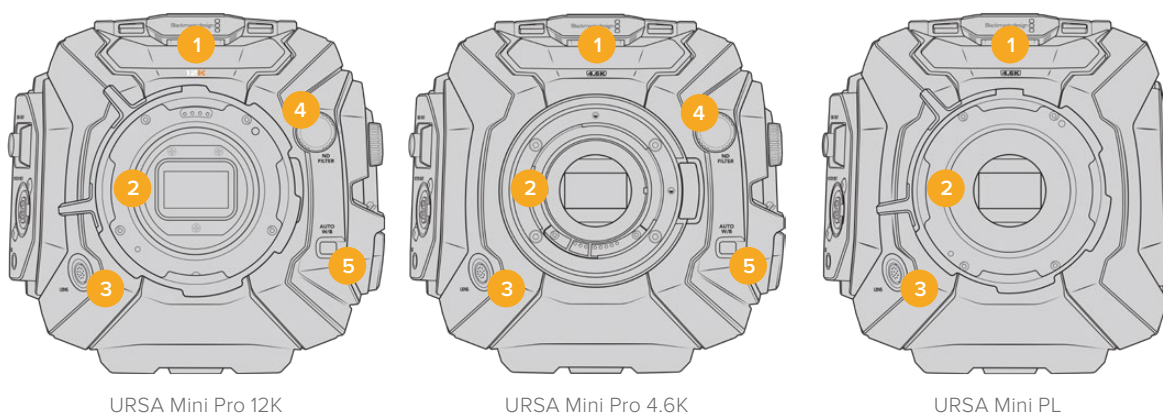
Gli ingressi XLR per audio analogico bilanciato professionale si trovano sul lato superiore di URSA Mini e URSA Mini Pro, dietro i fori di montaggio, e su URSA Mini Pro c'è anche un ingresso audio digitale AES.

Sul retro c'è la connessione XLR a 4 pin per collegare l'alimentazione esterna. L'uscita per accessori come il mirino URSA Viewfinder è sul lato destro.

La porta USB sopra gli slot di archiviazione di URSA Mini serve per connettere la camera a un computer, per aggiornare il software interno.

**NOTA** URSA Mini offre controlli ergonomici supplementari per accedere immediatamente alle impostazioni e alle funzioni principali senza aprire il touchscreen richiudibile.

## Lato frontale



### 1 Mic stereo

Microfono stereo integrato di alta qualità. Consulta la sezione "Impostazioni" per maggiori informazioni su come impostare l'audio dei microfoni.

### 2 Attacco obiettivo

I modelli URSA Mini sono disponibili con attacco obiettivo EF o PL. L'obiettivo intercambiabile di URSA Mini Pro consente di installare obiettivi EF, F, PL o B4. Consulta la sezione "Attacco obiettivo intercambiabile" per maggiori informazioni.

### 3 Connettore per obiettivo broadcast

Connessione a 12 pin per alimentare e controllare gli obiettivi PL e B4 compatibili. Disponibile solo sui modelli URSA Mini PL e URSA Mini Pro. Consulta la sezione "Utilizzare obiettivi con zoom servoassistito" per la lista completa degli obiettivi compatibili, inclusi i PL e i B4.

### 4 Filtri ND

Manopola per selezionare 3 filtri a densità neutra, o nessun filtro. Consulta la sezione "Controlli di URSA Mini Pro" per maggiori informazioni.

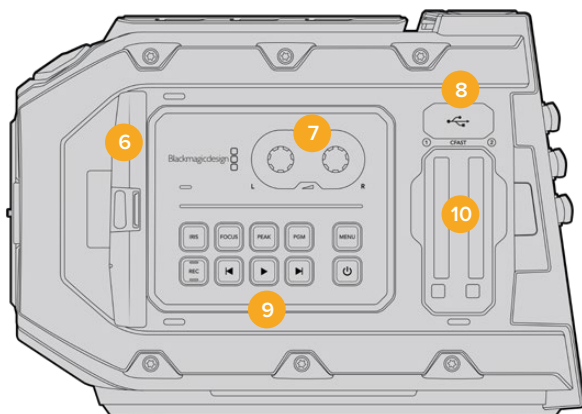


## 5 Bilanciamento del bianco automatico

Pulsante per bilanciare automaticamente il bianco in base all'oggetto al centro dello schermo, per esempio un foglio grigio davanti all'obiettivo. Consulta la sezione "Controlli di URSA Mini Pro" per maggiori informazioni.

## Lato sinistro – URSA Mini

Il lato sinistro ospita gli slot per le schede CFast e il pannello di controllo per accedere alle impostazioni. La porta USB-C sopra gli slot CFast serve per collegare un computer, per aggiornare il software interno di URSA Mini.



## 6 Schermo touch richiudibile

Display 5" richiudibile con rotazione verso l'alto e il basso, per un monitoraggio ottimale da qualsiasi angolazione. Consulta la sezione "Controlli touch" per maggiori informazioni.

## 7 Manopole di regolazione dei livelli

Impostano i livelli di registrazione per i canali audio 1 e 2. Consulta la sezione "URSA Mini - Controlli".

## 8 Porta USB-C mini

Usata per aggiornare il software interno. Per tutti i dettagli, consulta la sezione "Utilità Blackmagic Camera Setup".

## 9 Pulsanti del pannello di controllo

Accensione camera, registrazione e riproduzione, focus peaking, menù impostazioni, regolazione diaframma e messa a fuoco automatica su obiettivi EF compatibili. Consulta la sezione "Controlli touch" per maggiori informazioni.

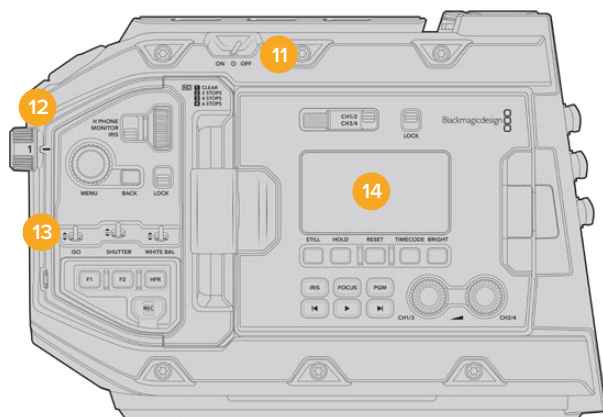
## 10 Slot per schede di memoria

Inserisci le schede CFast 2.0 per la registrazione e riproduzione. Consulta la sezione "Archiviazione".

## Lato sinistro – URSA Mini Pro

Il pannello sinistro di URSA Mini Pro offre controlli aggiuntivi per accedere a tutte le funzioni principali della camera. Questi controlli sono distribuiti tra la parte anteriore, l'esterno dello schermo touch richiudibile, e il pannello di controllo all'interno dello schermo.

Gli slot per schede CFast e SD si trovano dietro il monitor richiudibile. Sopra di essi c'è la porta USB-C per connettere un computer e aggiornare il software interno di URSA Mini Pro.



URSA Mini Pro 4.6K con lo schermo touch chiuso

### 11 Interruttore di accensione

Accende e spegne la camera. Per accenderla puoi anche premere contemporaneamente i pulsanti REC e Avanti all'interno dello schermo richiudibile.

### 12 Filtri ND

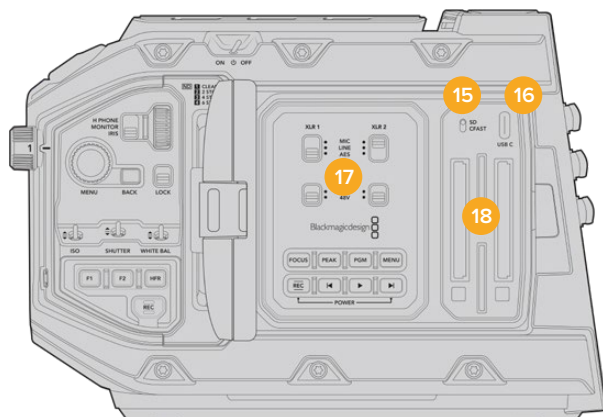
Tre filtri interni a densità neutra per gestire la quantità di luce che raggiunge il sensore di URSA Mini Pro. La manopola include 4 opzioni, da nessun filtro a sei stop di riduzione della luce. Ruota la manopola per spostarti tra le opzioni. La manopola fa clic quando entra in posizione. Per maggiori informazioni, consulta la sezione “Controlli di URSA Mini Pro”.

### 13 Pannello di controllo anteriore

Dà accesso immediato a tutte le funzioni principali di URSA Mini Pro. I controlli sono facilmente accessibili con la camera in spalla o su cavalletto. Tra gli altri trovano spazio ISO, velocità dell'otturatore, bilanciamento del bianco, diaframma, e frame rate. Consulta la sezione “Controlli di URSA Mini Pro” per maggiori informazioni.

### 14 Pannello di controllo ergonomico

All'esterno dello schermo richiudibile di URSA Mini si trova un display LCD di stato con diversi pulsanti di controllo per il monitoraggio. Qui puoi controllare le informazioni di ripresa a colpo d'occhio e usare una serie di funzioni di monitoraggio. Consulta la sezione “Controlli di URSA Mini Pro” per maggiori informazioni.



URSA Mini Pro con lo schermo touch aperto

### 15 Interruttore di archiviazione

Spostalo per selezionare le schede CFast o SD.

## 16 Porta USB

Connetti la porta USB-C al computer per aggiornare il software interno. Consulta la sezione "Utilità Blackmagic Camera Setup" per maggiori informazioni. Su URSA Mini Pro G2, è anche possibile utilizzare la porta USB per collegare un URSA Mini Recorder o una unità flash USB-C.

## 17 Pannello di controllo interno

Accessibile quando lo schermo richiudibile di URSA Mini Pro è aperto.

Qui imposti gli ingressi audio e l'alimentazione phantom, e gestisci il diaframma, la messa a fuoco, e la riproduzione delle clip. Consulta la sezione "Controlli di URSA Mini Pro" per maggiori informazioni.

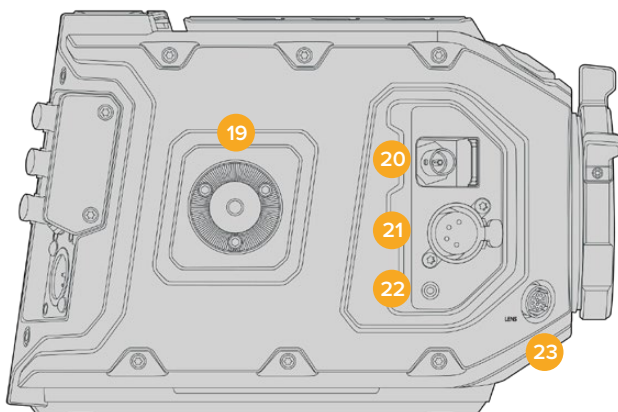
## 18 Slot per schede di memoria

Inserisci le schede CFast 2.0, SDXC, o SDHC per la registrazione e riproduzione.

Controlla la lista delle schede consigliate in questo manuale o sul sito Blackmagic Design. Consulta la sezione "Archiviazione" per maggiori informazioni.

## Lato destro

Sul lato destro di URSA Mini trovi tutte le connessioni video, audio, e di alimentazione, oltre alla rosetta per l'attacco dell'impugnatura opzionale URSA Handgrip.



URSA Mini PL

## 19 Attacco a rosetta

Attacco a rosetta standard per l'impugnatura opzionale URSA Handgrip.

Consulta le sezioni "Operazioni preliminari", "Blackmagic URSA Handgrip" e "Blackmagic URSA Mini Shoulder Kit".

## 20 Uscita di monitoraggio HD

Connessione 3G-SDI per video convertito in risoluzione minore 1080HD.

Ideale per collegare URSA Viewfinder o i monitor esterni. Consulta le sezioni "Uscite video" e "Blackmagic URSA Viewfinder" per maggiori informazioni.

## 21 Uscita di alimentazione +12V

Connettore XLR a 4 pin per alimentare URSA Viewfinder, URSA Studio Viewfinder, monitor esterni e accessori. Consulta le sezioni "Blackmagic URSA Viewfinder" e "Blackmagic URSA Studio Viewfinder" per maggiori informazioni. Questa uscita, assieme al connettore per obiettivi broadcast, fornisce una tensione di 12V a 2 Amp.

## 22 Ingresso LANC

Connettore TRS LANC 2,5 mm per l'impugnatura opzionale URSA Handgrip.

Consulta la sezione "Blackmagic URSA Handgrip" per maggiori informazioni su come montare l'impugnatura.

### 23 Connettore per obiettivo broadcast

Connessione a 12 pin per alimentare e controllare gli obiettivi PL e B4 compatibili. Disponibile sui modelli URSA Mini PL e URSA Mini Pro. Questa uscita, assieme all'uscita di alimentazione +12V, fornisce una tensione di 12V a 2 Amp.

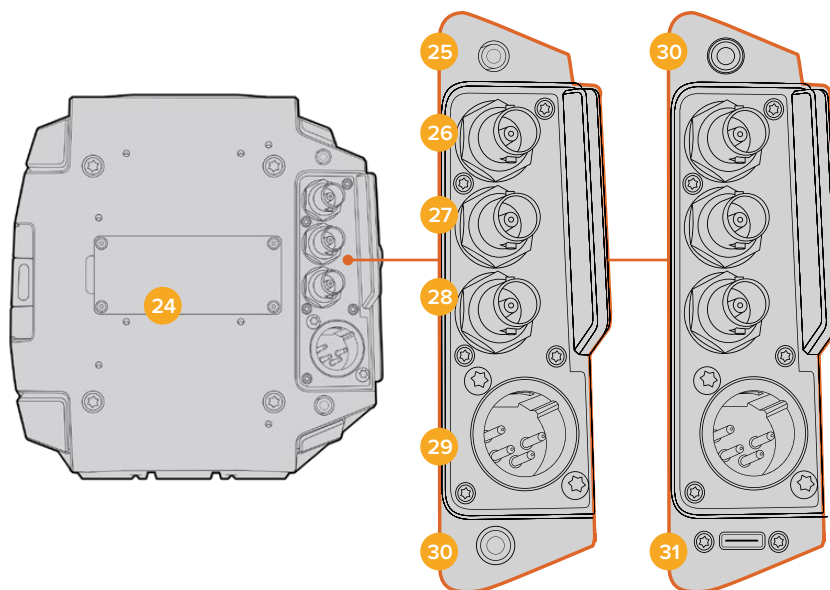
## Retro

### 24 Piastra di montaggio per batteria

URSA Mini offre fori di montaggio e un connettore molex a incasso per trasportare l'alimentazione da e verso la camera e per trasportare i dati. I fori di montaggio consentono l'installazione di accessori opzionali come piastre per batteria, Blackmagic Camera Fiber Converter o URSA Mini Recorder sul retro della camera. Quando in uso, il connettore molex a incasso fornisce una tensione di 12V fino a 1,5 Amp. Consulta la sezione "Montare le batterie", "Blackmagic Fiber Converter - Operazioni preliminari" e "URSA Mini Recorder" per maggiori informazioni.

### 25 LANC

Jack 2,5 mm per il controllo remoto. Per esempio montando un telecomando LANC su un braccio per treppiede è possibile avviare/interrompere la registrazione. Supporta anche il controllo del diaframma e della messa a fuoco su obiettivi EF compatibili. URSA Mini Pro 12K non è dotata di porta LANC sul retro, e per il controllo LANC si avvale dell'ingresso LANC TRS 2.5 mm sul lato destro della camera.



URSA Mini Pro 4.6K G2, URSA Mini Pro 4.6K,  
URSA Mini 4.6K e URSA Mini 4K

URSA Mini Pro 12K

### 26 Uscita 12G-SDI

Invia flussi video HD e Ultra HD ad attrezzatura SDI come router, monitor, dispositivi di acquisizione e switcher per il broadcast. Consente di collegare anche dispositivi di cattura esterni come Blackmagic Video Assist, per la registrazione di backup.

### 27 Ingresso 12G-SDI

È ideale per connettere uno switcher o un registratore esterno, e visionare le clip in riproduzione, oltre che a monitorare talkback, tally e segnale di riferimento esterno. Se connesso allo switcher ATEM, puoi regolare le funzioni della camera dalla tab Telecamera del software di controllo dello switcher.

Se usi URSA Mini per la trasmissione in diretta, collegalo all'uscita di programma dello switcher per monitorare il feed durante le riprese, o riprodurre le immagini da un registratore esterno. Tieni premuto il pulsante **PGM** per visualizzare temporaneamente il programma. Per maggiori informazioni, consulta la sezione "Pulsanti di controllo" di URSA Mini, o la sezione "Pannello di controllo ergonomico" di URSA Mini Pro.

Per ricevere i segnali di tally e talkback tramite l'ingresso SDI, assicurati di aver salvato l'ID della camera di ATEM nel menù impostazioni della camera. Per ricevere un segnale di riferimento esterno, seleziona **PGM** come fonte di riferimento nella tab **Setup**. Sullo schermo LCD della camera apparirà **REF** a lato del timecode quando il riferimento esterno è connesso e valido. Consulta la sezione "Impostazioni generali" per maggiori informazioni.

L'ingresso SDI di URSA Mini Pro è anche utile per inviare il timecode esterno alla camera, che viene rilevato e utilizzato automaticamente se valido, e se il frame rate corrisponde a quello del segnale SDI in entrata. La dicitura **EXT** appare sul touchscreen di URSA Mini Pro quando viene utilizzato un timecode esterno. Se disconnetti il cavo, il timecode rimane sincronizzato con quello interno di URSA Mini Pro, e il touchscreen mostra la dicitura **INT**.

### 28 Ingresso di riferimento e timecode

Riconosce e commuta automaticamente i segnali in entrata di riferimento e di timecode. Per sincronizzare URSA Mini a un segnale di riferimento comune, per esempio tri-sync, collega l'ingresso BNC **Ref In**. Accertati di aver impostato la fonte di riferimento su **External** nel menù di configurazione di URSA Mini.

Con questa connessione puoi anche sincronizzare più camere a un timecode esterno, oppure l'audio e le immagini di molteplici camere in post produzione, se catturati separatamente. Quando a questo ingresso è connesso un timecode esterno con lo stesso frame rate, la camera vi si sincronizza automaticamente. La dicitura **EXT** appare sul touchscreen di URSA Mini quando viene utilizzato un timecode esterno. Se disconnetti il cavo, il timecode rimane sincronizzato con quello interno di URSA Mini Pro, e il touchscreen mostra la dicitura **INT**.

In alternativa utilizza il segnale di riferimento dello switcher ATEM collegandolo all'ingresso SDI. Questa soluzione è utile quando si utilizza uno switcher ATEM perché consente il trasporto bidirezionale del programma, la gestione remota delle camere, l'invio dei segnali di riferimento, tally, talkback e timecode tramite SDI. Consulta la sezione "Impostazioni generali" per maggiori informazioni.

### 29 Ingresso di alimentazione 12V+

Connettore XLR DC 12-20V a 4 pin per collegare alimentazione esterna come l'adattatore incluso, o le batterie portatili.

### 30 Cuffie

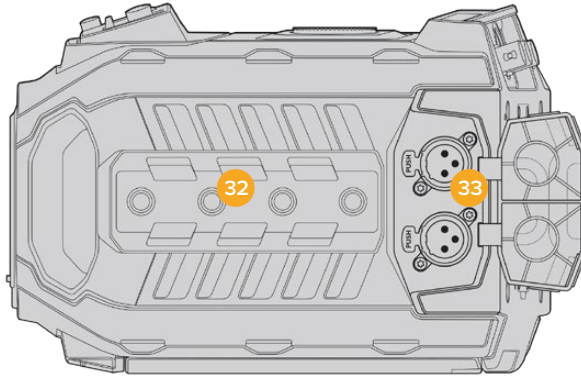
Jack 3,5 mm per il monitoraggio audio con cuffie e talkback. È compatibile con gli auricolari per iPhone e Android, con microfono integrato. Il talkback è disponibile sui canali 15 e 16 dell'uscita SDI.

**SUGGERIMENTO** Per il talkback, un'opzione economica è connettere le cuffie per iPhone e Android al jack 3,5 mm di URSA Mini o URSA Mini Pro. Solitamente le cuffie integrano pulsanti per attivare o disattivare l'audio del microfono. Se ne sono sprovviste, è possibile configurare i pulsanti funzione di URSA Mini o URSA Mini Pro per ottenere la stessa funzionalità. Consulta la sezione "Impostazioni generali" per maggiori informazioni.

### 31 Porta USB

Connessione USB-C 3.1 Gen 2 con aggancio sicuro per registrare video su unità flash esterne.

## Lato superiore



Connetti l'audio analogico esterno agli ingressi XLR bilanciati sul lato superiore

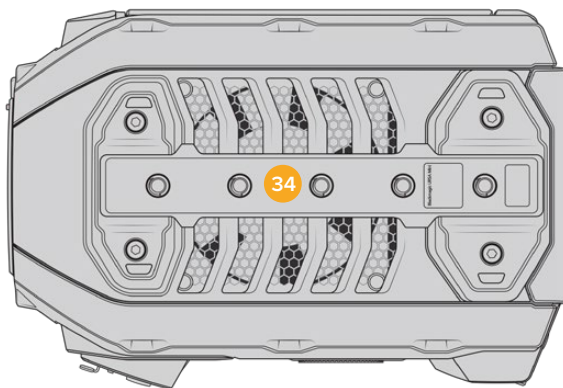
### 32 Fori di montaggio 1/4"

4 fori di montaggio per montare la maniglia superiore e gli accessori.

### 33 Ingressi audio XLR

Consentono di collegare l'audio analogico di dispositivi professionali come mixer, sistemi di amplificazione e microfoni. Forniscono alimentazione phantom di 48V, ideale per i microfoni senza alimentazione propria. Consulta la sezione "Pannello di controllo interno" per maggiori informazioni sull'alimentazione phantom.

## Base

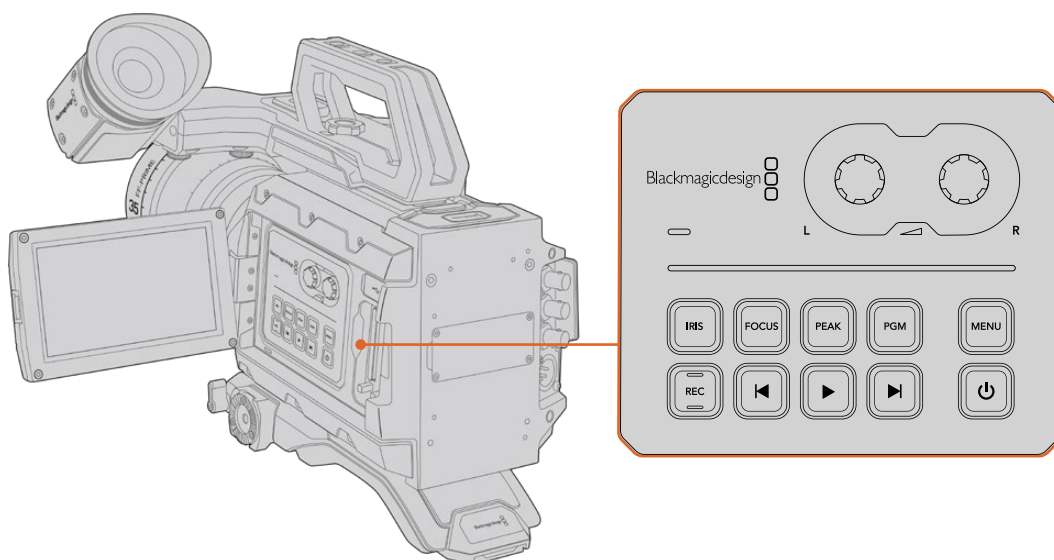


### 34 Fori di montaggio 1/4"

Cinque fori di montaggio per montare la testa per cavalletto, il kit spalla opzionale di URSA Mini e altri accessori.

## URSA Mini – Controlli

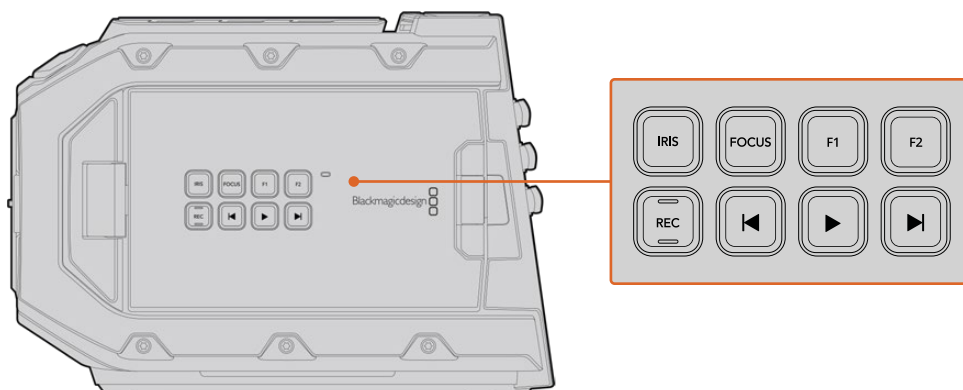
Dietro il display richiudibile sul lato sinistro di URSA Mini, si trova un pannello di controllo con pulsanti e manopole per regolare i livelli audio e cambiare le impostazioni. I livelli audio si monitorano sullo schermo LCD touch.



Regola le impostazioni dal pannello di controllo e dallo schermo touch

### Pulsanti di controllo

Oltre al pannello di controllo protetto dal display richiudibile, URSA Mini offre pulsanti di controllo all'esterno dell'LCD e sull'impugnatura opzionale URSA Handgrip. I pulsanti di regolazione del diaframma, di registrazione e di riproduzione funzionano allo stesso modo.



Pulsanti esterni: registrazione, riproduzione e trasporto delle clip, funzione peaking on/off, visualizzazione del programma/camera sull'LCD, regolazione diaframma e messa a fuoco su obiettivi EF compatibili

#### Iris

Attiva l'apertura automatica del diaframma su obiettivi compatibili. In modalità Video, ottieni l'esposizione media automatica in base alle luci e alle ombre dell'immagine. In modalità Film, regoli l'esposizione nella parte più luminosa della zona di luce dell'immagine.

Sui modelli URSA Mini EF, il pulsante Iris funziona con obiettivi EF compatibili. Sui modelli URSA Mini PL, il pulsante Iris funziona con obiettivi compatibili connessi al connettore broadcast dell'obiettivo.

Per regolare l'apertura manualmente, premi i pulsanti di trasporto Avanti o Indietro.

### **Focus**

Attiva l'autofocus quando si utilizzano obiettivi EF compatibili con questa funzione. Una finestra bianca di messa a fuoco appare sul touchscreen interno. Quando l'area all'interno della finestra è focalizzata correttamente, la finestra scompare.

**NOTA** È importante accertarsi che gli obiettivi EF compatibili siano impostati su Auto Focus, perché spesso includono anche l'opzione di messa a fuoco manuale.

### **Peak**

Abilita la funzione di focus peaking. La camera offre due tipi di aiuto messa a fuoco: quella tradizionale **Peak**, che mette in evidenza le aree a fuoco, e **Colored lines**, che marca le aree a fuoco con delle linee colorate. Consulta la sezione "Impostazioni di monitoraggio" per maggiori informazioni. Il focus peaking non viene registrato sulle schede di memoria, ma è visualizzabile tramite l'uscita di monitoraggio HD, e sullo schermo richiudibile attivando gli overlay dal menù del touchscreen.

### **PGM**

Alterna sullo schermo LCD le immagini della camera e quelle del programma provenienti dall'ingresso 12G-SDI sul retro. Se usi URSA Mini per la produzione in diretta, puoi collegarla all'uscita di programma dello switcher e monitorarla durante le riprese. Tieni premuto il pulsante **PGM** per visualizzare temporaneamente il programma, premilo due volte per passare al feed di programma, e di nuovo per uscire. Per visualizzare i segnali di programma dello switcher, camera e switcher devono essere impostati sullo stesso frame rate.

**NOTA** Quando cambi la fonte di riferimento su URSA Mini o URSA Mini Pro, è possibile che si verifichi una breve perdita di segnale dovuto al tempo impiegato dalla camera per adattarsi al nuovo segnale di riferimento scelto. Per questo motivo è importante evitare di cambiare questa impostazione durante le riprese.

### **Menu**

Premi il tasto **Menu** per aprire la dashboard. Consulta la sezione "Impostazioni" per maggiori informazioni sulle funzioni della dashboard e su come regolare le impostazioni.



## REC

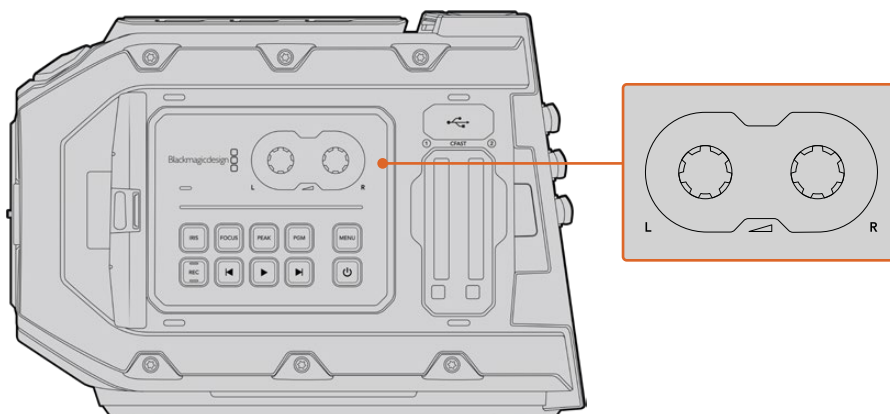
Il pulsante di registrazione si trova sul dorso dello schermo richiudibile, sul pannello di controllo di URSA Mini e sull'impugnatura opzionale URSA Handgrip. Premi quello a te più comodo per avviare/interrompere la registrazione. Consulta la sezione "Registrazione" per maggiori informazioni.

## Pulsanti di trasporto

Premi questi pulsanti per avviare o interrompere la riproduzione, passare alla clip successiva o precedente. Su URSA Mini con attacco obiettivo EF, i pulsanti Avanti e Indietro si possono utilizzare anche per aprire e chiudere il diaframma (con obiettivi compatibili). Consulta la sezione "Riproduzione" per maggiori informazioni sui pulsanti di trasporto.

## Manopole di regolazione audio

Impostano i livelli di registrazione per i canali audio 1 e 2. Ruotate in senso orario e antiorario per aumentare o diminuire il volume di registrazione di ciascun canale. Gli indicatori di livello sul display si aggiornano in tempo reale.



Ruota le manopole di regolazione audio in senso orario o antiorario per aumentare o diminuire i livelli di registrazione

## Pulsanti funzione

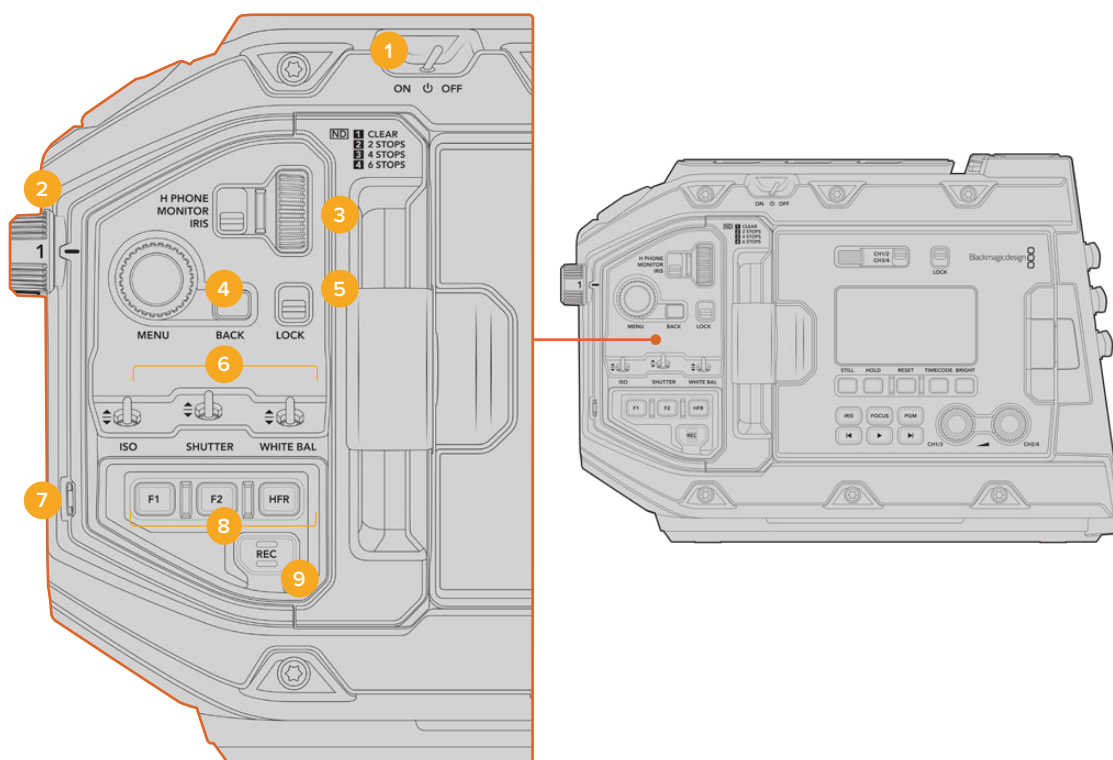
I pulsanti funzione sul dorso dello schermo LCD di URSA Mini si possono mappare dal menù **Setup** con le funzioni più comuni. Consulta la sezione "Impostazioni generali" per maggiori informazioni.

# URSA Mini Pro – Controlli

I pannelli di controllo sono situati sui lati, sul dorso dello schermo touch e dietro allo stesso quando è aperto. Consentono la massima flessibilità e facilità d'accesso alle funzioni principali, e un monitoraggio professionale. I controlli sono sempre a portata di mano, durante le riprese dal cavalletto, in spalla o a mano.

## Pannello di controllo anteriore

Il pannello di controllo anteriore di URSA Mini Pro offre tutti i controlli necessari per impostare le riprese e la registrazione. È progettato per accedervi in qualsiasi momento anche quando lo schermo touch è chiuso, per esempio durante le riprese con il supporto da spalla.



Pannello di controllo anteriore di URSA Mini Pro 4.6K

### 1 Interruttore On / Off

Accendi URSA Mini Pro spostando l'interruttore su **On**. Spegnila spostandolo su **Off**.

**SUGGERIMENTO** URSA Mini Pro si può accendere/spegnere anche premendo contemporaneamente i pulsanti Rec e Avanti. Se l'interruttore di accensione si trova su On, ma la camera non è accesa, è possibile che sia stata spenta con questi pulsanti. Sposta l'interruttore di nuovo su On per accendere la camera.

## 2 Filtri ND

URSA Mini Pro offre 3 filtri a densità neutra. Scegli tra **1 (no filtro)**, **2**, **4**, e **6** stop. Questi filtri riducono l'intensità della luce che raggiunge il sensore in stop preimpostati. Riducendo l'esposizione, puoi continuare a riprendere con un'ampia apertura anche sotto la luce del sole.

Per regolare la densità neutra, ruota la manopola verso destra o verso sinistra. Selezionando **1** non si applica alcun filtro. Dallo stop **2** a **4** i filtri ND aumentano di intensità, per consentirti di diminuire la luce se necessario.

Le misure dei filtri ND si possono personalizzare dall'apposito menù sullo schermo LCD, scegliendo tra numeri, stop, o frazioni.

### Impostazioni dei filtri ND

Posizione manopola	Numero ND	Stop	Frazione
1	nessun filtro	0	1
2	0.6	2	1/4
3	1.2	4	1/16
4	1.8	6	1/64

## 3 Rotella contestuale

Assegna alla rotella una funzione con l'interruttore adiacente. Le opzioni sono: cuffie **H Phone**, **Monitor** e diaframma **Iris**.

### H Phone

Ruota la rotella verso l'alto per aumentare o il basso per diminuire il volume delle cuffie.

### Monitor

La rotella regola il volume dello speaker interno di URSA Mini Pro, situato sul dorso del touchscreen, per monitorare l'audio in assenza di cuffie. Muovi la rotella verso l'alto o il basso per aumentare o diminuire il volume. Questa funzione è disabilitata durante la cattura con il microfono integrato della camera, per evitare feedback audio indesiderato.

### Iris

Regola l'apertura dell'obiettivo compatibile montato su URSA Mini Pro. Muovi la rotella verso il basso per aprire il diaframma, verso l'alto per chiuderlo. La direzione di spostamento replica l'operazione di apertura degli obiettivi fotografici e cinematografici.

**SUGGERIMENTO** Per cambiare l'apertura con la rotella di regolazione, accertati che l'obiettivo montato su URSA Mini Pro consenta il controllo dalla camera. Se un obiettivo B4 o PL è collegato tramite il connettore broadcast a 12 pin, accertati che l'interruttore del diaframma sull'impugnatura sia impostato su A (automatico).

#### 4 Menu

Quando **Status text** è abilitato sull'uscita SDI frontale di URSA Mini Pro, puoi utilizzare la rotella **Menu** per navigare le informazioni degli overlay, solitamente accessibili dallo schermo LCD touch.

Premi la rotella come un pulsante per accedere agli overlay di URSA Mini Pro su un monitor esterno, per esempio Blackmagic SmartView, Video Assist o URSA Viewfinder. Con gli overlay in sovrapposizione, muovi la rotella per selezionare le impostazioni di monitoraggio, frame rate, ISO, bilanciamento del bianco e tinta. Premi la rotella per confermare i cambiamenti. Premi il pulsante **Back** adiacente per annullare la selezione, spostarti di un livello nel menù, o uscire dal menù. Su URSA Mini Pro 4.6K, il menù si chiude automaticamente dopo 1 minuto di inattività.

Per un approfondimento su come impostare le informazioni di stato e sui controlli disponibili, consulta le sezioni "Controlli touch" e "Impostazioni di monitoraggio".

#### 5 Lock

Sposta questo interruttore verso il basso per bloccare tutti i controlli del pannello anteriore, ed evitare inconvenienti durante le riprese. Spostalo verso l'alto per sbloccarli.

**SUGGERIMENTO** Blocca i controlli del pannello frontale di URSA Mini Pro per evitare cambiamenti indesiderati, o quando la camera è incustodita.

#### 6 ISO, Shutter, White Bal

Utilizza questi piccoli interruttori per regolare ISO, otturatore, e bilanciamento del bianco, senza mai distogliere lo sguardo dalle riprese. Sposta gli interruttori in alto o in basso per cambiare le impostazioni. Sono dotati di una molla interna per tornare sempre in posizione neutra.

##### ISO

Spostando l'interruttore verso l'alto il valore aumenta di un intervallo, verso il basso diminuisce di un intervallo. I valori selezionabili sono 200, 400, 800, e 1600 per URSA Mini, e 200, 400, 800, 1600, e 3200 per URSA Mini Pro.

##### Shutter

Sposta l'interruttore su **Shutter** per regolare l'angolo dell'otturatore o la velocità dell'otturatore, secondo quanto selezionato nel menù impostazioni. Spostando l'interruttore verso l'alto l'angolo o la velocità dell'otturatore aumenta di un valore predefinito, verso il basso diminuisce di un valore predefinito. Tieni premuto l'interruttore verso l'alto o il basso per spostarti tra i valori predefiniti più velocemente. Sono presenti 20 valori predefiniti tra 11,2 e 360 gradi.

**SUGGERIMENTO** URSA Mini Pro suggerisce la velocità dell'otturatore senza sfarfallio in base alla frequenza dell'alimentazione del paese di utilizzo. Selezionali dal menù del touchscreen. Per maggiori informazioni, consulta la sezione "Controlli touch".

##### White Bal

Regola i valori del bilanciamento del bianco. Spostando l'interruttore verso l'alto la temperatura aumenta di 50K, verso il basso diminuisce di 50K. Tieni premuto l'interruttore verso l'alto o il basso per spostarti tra i valori predefiniti più velocemente.

## 7 Auto W/B

Premi questo pulsante per 5 secondi per attivare la finestra di bilanciamento automatico del bianco al centro dello schermo LCD. La finestra appare anche sullo schermo dei dispositivi SDI collegati, sui quali è abilitata la funzione di informazioni di stato. Posiziona un foglio grigio in corrispondenza della finestra per il calcolo automatico del bilanciamento del bianco. Premi il pulsante per 3 secondi per avviare il calcolo. I bordi della finestra cambiano colore da bianco a verde se l'operazione va a buon fine.

Per maggiori informazioni su come abilitare le informazioni di stato su URSA Mini Pro e sulle sue uscite SDI, consulta la sezione "Impostazioni di monitoraggio".

## 8 F1 e F2

Questi sono i pulsanti funzione, a cui è possibile assegnare dalla tab **Setup** una funzione a scelta. F1 è impostato di default sulla funzione Falsi colori e F2 sulle LUT 3D.

Per maggiori informazioni, consulta la sezione "Controlli touch" del manuale.

## HFR

Con questo pulsante (alto frame rate) alterni il frame rate di registrazione. Per usarlo, imposta il frame rate off speed desiderato nel menù **FPS** e poi premi il pulsante quando necessario per alternare tra frame rate di registrazione e del progetto. Questa operazione non è effettuabile durante la registrazione. Il pulsante HFR è programmabile anche come pulsante funzione per altre operazioni comuni, o si può disabilitare.

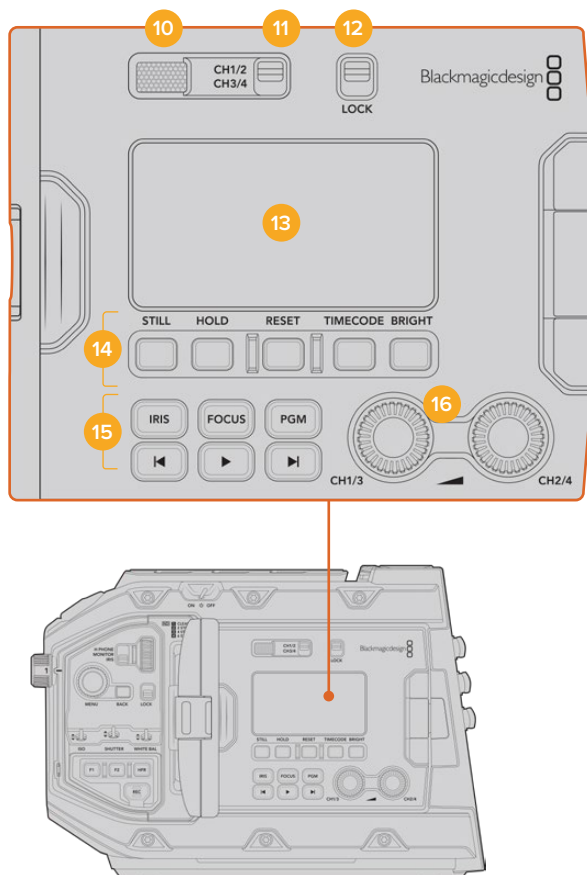
Per maggiori informazioni sul frame rate off speed e di progetto, consulta la sezione "Controlli touch".

## 9 Rec

Premi il pulsante REC per avviare o interrompere la registrazione. Consulta la sezione "Registrazione" per maggiori informazioni.

## Pannello di controllo ergonomico

Sul dorso dello schermo touch di URSA Mini Pro ci sono un display LCD di stato e diversi controlli per il monitoraggio. Sul display puoi visualizzare le informazioni di stato e i livelli audio a colpo d'occhio, e con i controlli impostare la messa a fuoco automatica con obiettivi compatibili, e riprodurre le clip.



Il pannello di controllo ergonomico di URSA Mini Pro 4.6K

### 10 Speaker del monitor

Ascolta l'audio delle clip riprodotte dal piccolo speaker integrato. Lo speaker si trova all'altezza dell'orecchio quando si riprende a spalla.

Per regolarne il volume, muovi la rotella come descritto nella sezione "Controlli di URSA Mini Pro".

### 11 Selezione canale del monitor

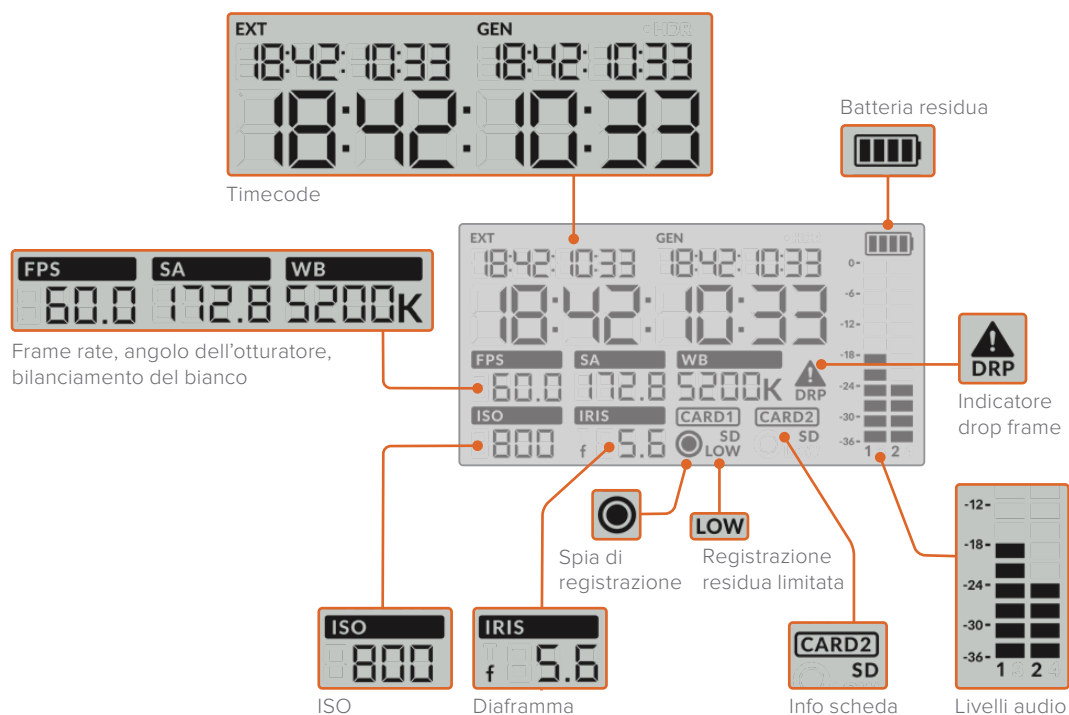
URSA Mini Pro supporta 2 canali audio.

### 12 Lock

Questo interruttore blocca tutte le impostazioni del pannello ergonomico di URSA Mini Pro, tranne gli interruttori di selezione canale.

### 13 LCD di stato

Il display mostra le impostazioni principali, senza dover aprire lo schermo touch. È perfettamente visibile anche sotto la luce del sole. Il display visualizza queste informazioni:



#### Timecode

URSA Mini Pro mostra 3 tipi di timecode. Il timecode esterno appare sotto la dicitura **EXT** in alto a sinistra del display. Il timecode generato dalla camera appare sotto la dicitura **GEN**. Entrambi i timecode usano il formato ore:minuti:secondi:frame.

L'indicatore più grande mostra la durata della clip o timecode. Puoi passare da una modalità all'altra premendo il pulsante **Timecode** sotto il display LCD di stato.

#### Batteria residua

Se URSA Mini Pro è alimentata da una batteria, l'indicatore mostra la batteria residua in 4 sezioni di 25%. Quando la carica scende al di sotto del 20%, il LED vicino al pulsante di registrazione comincia a lampeggiare. Passa tra il colore rosso e arancione durante la registrazione, e tra bianco e arancione in modalità standby.

Se la camera è collegata alla corrente, l'indicatore della batteria appare pieno.

#### FPS, SA, WB

Questi indicatori mostrano rispettivamente frame rate, angolo dell'otturatore e bilanciamento del bianco. FPS si riferisce al frame rate del sensore.

Per maggiori informazioni sui frame rate del sensore e del progetto, consulta la sezione "Controlli touch".

#### ISO

Mostra il valore ISO selezionato sulla camera.

#### Iris

Mostra l'apertura dell'obiettivo, come stop f o T, secondo le ottiche.

### **Card 1 / Card 2**

Questi indicatori appaiono quando sono inserite le schede.

La dicitura **SD** appare quando si utilizzano schede SD, e scompare se si registra su schede CFast.

### **Spia di registrazione**

Quando la cattura è in corso un pallino appare sotto Card 1 o Card 2.

### **Low**

Questa dicitura appare sotto la scheda in uso quando rimangono circa 5 minuti di registrazione.

### **Livelli audio**

Mostrano i livelli audio del microfono interno, o dell'audio esterno, se connesso. Sono calibrati a intervalli di dBFS e rimangono visibili per qualche istante per consentirne la lettura.

Per una qualità audio audio ottimale, è consigliabile evitare di raggiungere 0 dBFS. Questo è il livello massimo di registrazione supportato dalla camera, che una volta superato risulta in clipping, causando distorsione.

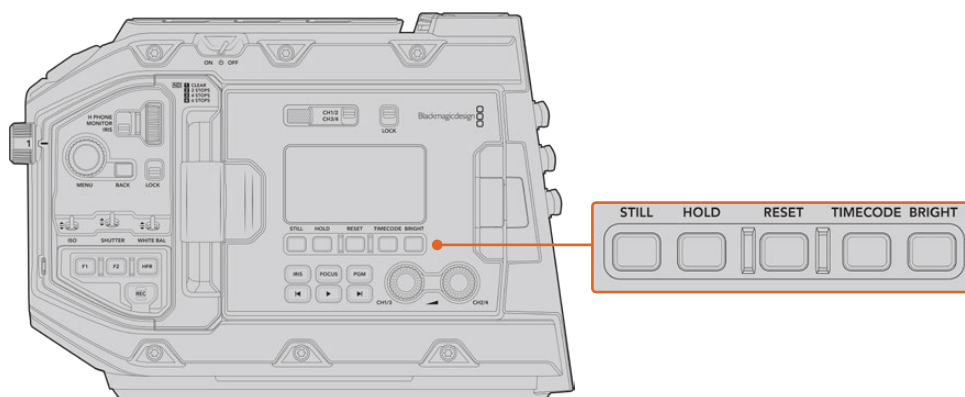
### **DRP**

Un segnale triangolare di errore lampeggia quando la camera rileva dei drop frame. A fine cattura, il segnale rimane sullo schermo per confermare che la clip precedente contiene dei drop frame. Il segnale sparisce se si ricomincia a registrare, o se si riavvia la camera. Per maggiori informazioni su come evitare i drop frame, consulta la sezione "Archiviazione".

**NOTA** URSA Mini Pro si può impostare di modo che interrompa la registrazione automaticamente in caso di perdita di fotogrammi. Consulta la sezione "Impostazioni di registrazione" per maggiori informazioni. Questa funzione è selezionabile dall'utente, per evitare la registrazione di materiale con frame rate o risoluzione elevate su schede di memoria troppo lente.



## 14 Controlli del display LCD di stato



Controlli dell'LCD di stato di URSA Mini Pro 4.6K

### Still

Premi questo pulsante per salvare un fotogramma. I modelli 12K scattano un fotogramma nel formato Blackmagic RAW; i modelli URSA Mini Pro 4.6K, un fotogramma DNG non compresso. L'immagine si salva automaticamente nella cartella "Stills" della scheda su cui si sta registrando, con la stessa convenzione di denominazione dei file video, seguita dal suffisso S001 a rappresentare il numero del fotogramma scattato. Se il fotogramma viene salvato correttamente, sul touchscreen appare l'icona di una macchina fotografica in alto a destra e la spia di registrazione lampeggia tre volte.

### Hold

Ferma temporaneamente il timecode del display LCD di stato, quando mostra l'ora del giorno. Il timecode continua comunque a girare normalmente, e riprende dal punto esatto quando rilasci il pulsante. Questa funzione è utile per annotare il timecode di un evento particolare, per esempio per ricordarsi i punti salienti di un documentario o di un servizio sulle ultime notizie.

### Reset

Resetta il timecode su 00:00:00:00 quando imposti un nuovo timecode predefinito.

### Timecode

Premi questo pulsante per passare dal formato durata della clip a timecode.

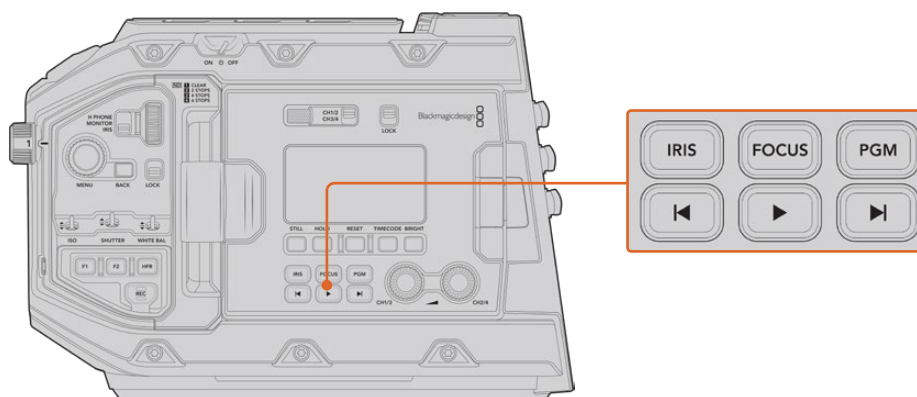
Di default il timecode è impostato sul comune formato dell'ora del giorno. Tenendolo premuto per 5 secondi passi al timecode di registrazione. La voce GEN e i primi due numeri del display del timecode principale lampeggeranno per indicare che stai cambiando il timecode predefinito.

Premi **Reset** per azzerare il timecode, poi ruota e premi la manopola **Menu** per impostare il numero desiderato, in ore:minuti:secondi:frame. Ora tieni premuto il pulsante Timecode per 3 secondi per salvarlo come timecode predefinito. La voce GEN mostrerà il nuovo timecode e riprende il conteggio solo quando la camera ricomincia a girare. Per tornare al timecode regolare dell'ora del giorno, premi contemporaneamente Timecode e Hold per 3 secondi.

### Bright

Naviga i quattro setting di luminosità del display LCD di stato di URSA Mini Pro, ovvero **Off**, e in ordine crescente, **Low**, **Med**, **High**.

## 15 Pulsanti di controllo e di trasporto



Pulsanti di controllo e trasporto di URSA Mini Pro 4.6K

### Iris

Attiva l'apertura automatica del diaframma su obiettivi compatibili. In modalità Video, ottieni l'esposizione media automatica in base alle luci e alle ombre dell'immagine. In modalità Film, regoli l'esposizione nella parte più luminosa della zona di luce dell'immagine. Questo pulsante funziona con obiettivi EF e PL compatibili, connessi a un telecomando per lenti broadcast compatibile.

Per regolare l'apertura manualmente, premi i pulsanti di trasporto Avanti o Indietro.

### Focus

Attiva l'autofocus quando si utilizzano obiettivi EF compatibili con questa funzione. Una finestra bianca di messa a fuoco appare sul viewfinder o sul monitor connessi a URSA Mini Pro. Quando l'area all'interno della finestra è focalizzata correttamente, la finestra scompare.

**NOTA** Alcuni obiettivi EF offrono messa a fuoco manuale e automatica. Accertati che l'obiettivo installato su URSA Mini Pro sia impostato sulla modalità automatica per consentire di regolare la messa a fuoco dalla camera.

### PGM

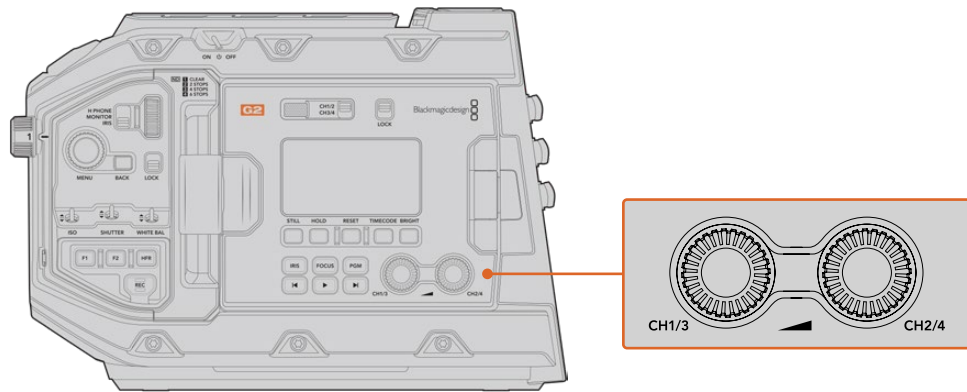
Alterna sul touchscreen le immagini della camera e quelle del programma provenienti dall'ingresso 12G-SDI sul retro.

Se usi URSA Mini Pro per la produzione in diretta, puoi collegarla all'uscita di programma dello switcher e monitorarla durante le riprese. Tieni premuto il pulsante **PGM** per visualizzare temporaneamente il programma, premilo due volte per visualizzarlo di default, e premilo di nuovo per tornare alle immagini della camera.

### Pulsanti di trasporto

Premi questi pulsanti per avviare o interrompere la riproduzione, passare alla clip successiva o precedente. Con un obiettivo EF, i pulsanti Avanti e Indietro si possono utilizzare anche per aprire e chiudere il diaframma (con obiettivi compatibili). Consulta la sezione "Riproduzione" per maggiori informazioni sui pulsanti di trasporto.

## 16 Manopole di regolazione audio

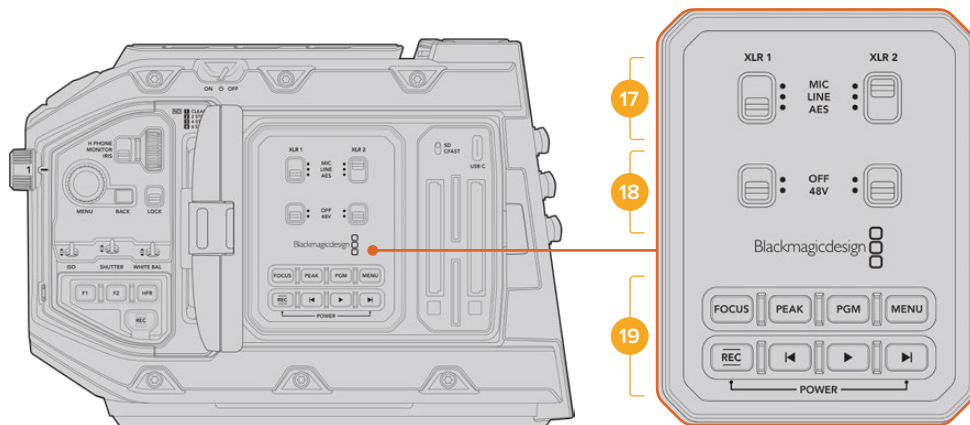


Le manopole di regolazione audio di URSA Mini Pro 4.6K G2

Impostano i livelli di registrazione per i canali audio 1 e 2. Ruotate in senso orario e antiorario per aumentare o diminuire il volume di registrazione di ciascun canale. Gli indicatori di livello sul display si aggiornano in tempo reale.

## Pannello di controllo interno

Dietro lo schermo richiudibile di URSA Mini Pro ci sono i controlli per selezionare e regolare gli ingressi audio, l'alimentazione phantom, il diaframma, la messa a fuoco e le impostazioni, e i controlli di trasporto per la riproduzione.



Pannello di controllo interno di URSA Mini Pro

### 17 XLR1 / XLR2

Usa questi interruttori per selezionare il tipo di audio proveniente dagli ingressi XLR. Le opzioni disponibili sono: microfono **Mic**, linea **Line**, e digitale **AES/EBU**.

### 18 Alimentazione phantom

Gli ingressi XLR di URSA Mini Pro sono in grado di fornire 48V per alimentare i microfoni senza alimentazione propria. Sposta l'interruttore su **48V** per attivare l'alimentazione phantom, o su **Off** per disabilitarla.

**NOTA** Connetti il cavo XLR prima di abilitare l'alimentazione phantom. Disabilita l'alimentazione phantom quando disconnetti il microfono con alimentazione phantom, per evitare di danneggiare i dispositivi con uscite XLR AES senza protezione da alimentazione phantom. Sposta l'interruttore su Off quando disconnetti il microfono.

## 19 Pulsanti di controllo e trasporto

### Focus

Attiva l'autofocus quando si utilizzano obiettivi EF compatibili con questa funzione. Una finestra bianca di messa a fuoco appare sul touchscreen interno. Quando l'area all'interno della finestra è focalizzata correttamente, la finestra scompare.

**NOTA** Alcuni obiettivi EF offrono messa a fuoco manuale e automatica. Accertati che l'obiettivo installato su URSA Mini Pro sia impostato sulla modalità automatica per consentire di regolare la messa a fuoco dalla camera.

### Peak

Abilita la funzione di focus peaking. La camera offre due tipi di aiuto messa a fuoco: quella tradizionale **Peak**, che mette in evidenza le aree a fuoco, e **Colored lines**, che marca le aree a fuoco con delle linee colorate. Consulta la sezione "Impostazioni di monitoraggio" per maggiori informazioni. Il focus peaking non viene registrato sulle schede di memoria, ma è visualizzabile tramite l'uscita di monitoraggio HD, e sullo schermo richiudibile attivando gli overlay dal menù dello schermo LCD touch.

**SUGGERIMENTO** Se registri su Video Assist o Hyperdeck Studio Mini, accertati che la funzione peaking sia disabilitata sull'uscita a cui sono connessi. Per farlo, abilita l'opzione Clean feed sull'uscita SDI frontale o sull'uscita SDI principale.

Consulta la sezione "Impostazioni di monitoraggio" per maggiori informazioni.

### PGM

Alterna sullo schermo LCD le immagini della camera e quelle del programma provenienti dall'ingresso 12G-SDI sul retro. Se usi URSA Mini Pro per la produzione in diretta, puoi collegarla all'uscita di programma dello switcher e monitorarla durante le riprese. Tieni premuto il pulsante **PGM** per visualizzare temporaneamente il programma, premilo due volte per visualizzarlo di default. Premilo di nuovo per tornare alle immagini della camera.

Per visualizzare il feed di programma dello switcher, camera e switcher devono essere impostati sullo stesso frame rate e risoluzione.

### Menu

Premi il tasto **Menu** per aprire la dashboard. Consulta la sezione "Impostazioni" per maggiori informazioni sulle funzioni della dashboard e su come regolare le impostazioni.

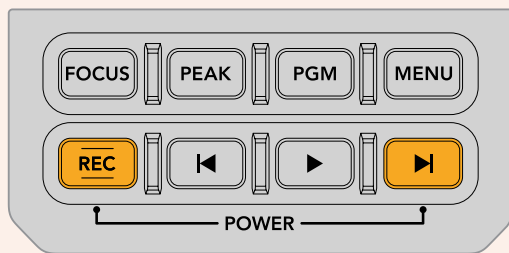
### REC

I pulsanti di registrazione avviano/interrompono la registrazione. Premi quello a te più comodo. Consulta la sezione "Registrazione" per maggiori informazioni.

### Pulsanti di trasporto

Premi questi pulsanti per avviare o interrompere la riproduzione, passare alla clip successiva o precedente. Con un attacco obiettivo EF, i pulsanti Avanti e Indietro si possono utilizzare anche per aprire e chiudere il diaframma (con obiettivi compatibili). Consulta la sezione "Riproduzione" per maggiori informazioni sui pulsanti di trasporto.

**NOTA** URSA Mini Pro si può accendere/spegnere anche premendo contemporaneamente i pulsanti Rec e Avanti. Se l'interruttore di accensione si trova su On, ma la camera non è accesa, è possibile che sia stata spenta con questi pulsanti. Sposta l'interruttore di nuovo su On per accendere la camera.



# Controlli touch

## Touchscreen

Lo schermo LCD touch richiudibile di URSA Mini ruota verso l'alto e il basso per monitorare le riprese da qualsiasi angolazione. I pulsanti al suo esterno consentono di controllare e monitorare le impostazioni quando la camera è montata sul supporto da spalla, con URSA Viewfinder e lo schermo chiuso.

## Funzioni touch

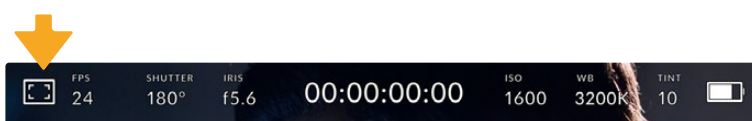
Il touchscreen offre un'interfaccia progettata per un'esperienza utente facile e veloce. Tocca e sposta il dito sul touchscreen per accedere alle varie funzioni.



Il touchscreen dà accesso veloce alle impostazioni principali della camera

## Opzioni di monitoraggio

Tocca l'icona del monitor in alto a sinistra per accedere alle funzioni di monitoraggio. Usa i controlli per gestire le opzioni zebra, aiuto messa a fuoco, guide di inquadratura e griglie. I vari controlli appaiono sotto forma di tab in basso al touchscreen.

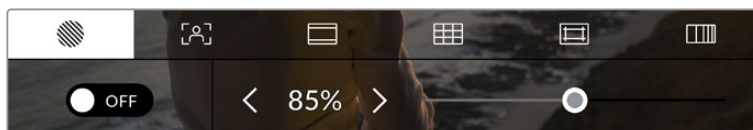


Tocca l'icona del monitor in alto a sinistra del touchscreen per accedere alle opzioni di monitoraggio

## Zebra

Abilita o disabilita la funzione zebra sul touchscreen, e regolate i livelli per tutte le uscite di URSA Mini.

Questa funzione consiste in righe diagonali che coprono determinate zone dell'immagine. Per esempio impostandola su 100%, le righe appaiono sulle aree completamente sovraesposte. È utile per ottenere l'esposizione ottimale in condizioni di luce stabili.



Tocca la prima tab con l'icona a righe per regolare la funzione zebra di URSA Mini

L'interruttore in basso a sinistra del touchscreen abilita e disabilita la funzione zebra.

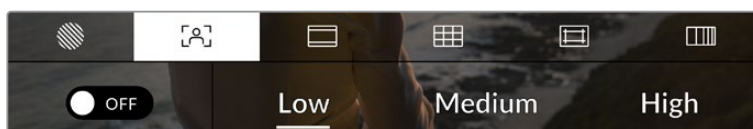
Imposta il livello desiderato toccando le frecce a lato della percentuale, o spostando lo slider. I livelli di zebra si impostano in incrementi del 5% tra i valori di esposizione di 75% e 100%.

Per maggiori informazioni su come abilitare la funzione zebra sulle uscite SDI, consulta la sezione "Impostazioni di monitoraggio".

**SUGGERIMENTO** Impostare un valore di zebra inferiore al 100% è utile per individuare le zone sovraesposte in condizioni di luce variabile, per esempio in esterno.

### Focus Assist

La seconda tab contiene i controlli per regolare i livelli della funzione di aiuto messa a fuoco sul touchscreen e su tutte le uscite di URSA Mini.



Tocca la seconda tab per regolare la funzione aiuto messa a fuoco

Tocca l'interruttore in basso a sinistra per abilitare e disabilitare la funzione focus assist.

Tocca le opzioni **Low**, **Med** o **High** per selezionare un livello di aiuto messa a fuoco rispettivamente basso, medio, o alto per tutte le uscite di URSA Mini..

Il livello ottimale di focus assist dipende dalle riprese. Per esempio, un livello alto è utile nei primi piani, per catturare i dettagli dei visi. Invece se si inquadrano il fogliame o un muro di mattoni, un livello alto potrebbe sovrappollare l'immagine.

Per maggiori informazioni su come abilitare l'aiuto messa a fuoco sulle uscite SDI frontale e principale, consulta la sezione "Impostazioni di monitoraggio".

**SUGGERIMENTO** URSA Mini offre due modalità di aiuto messa a fuoco: Peak e Colored lines, selezionabili nella tab Monitor. Consulta la sezione "Impostazioni di monitoraggio" per maggiori informazioni.

### Messa a fuoco con un tocco

Con ottiche compatibili, basta toccare una parte qualsiasi dello schermo LCD per qualche istante per mettere a fuoco il punto corrispondente dell'immagine.

Se premi il pulsante **Focus** sulla camera o sull'impugnatura opzionale, l'area dell'immagine toccata verrà immediatamente messa a fuoco. Premi due volte il pulsante per resettare la messa a fuoco al centro dello schermo.



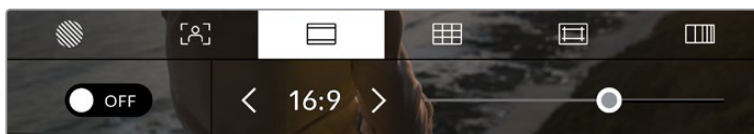
Lo schermo touch di URSA Mini con la funzione di messa a fuoco con un tocco

**SUGGERIMENTO** Se l'area che vuoi mettere a fuoco è coperta dagli overlay, muovi il dito verso l'alto o il basso sullo schermo per rimuoverli.

### Guide

La terza icona abilita le guide di inquadratura sullo schermo touch LCD, e include varie opzioni per tutte le uscite di URSA Mini.

Le guide d'inquadratura offrono rapporti d'aspetto per il cinema, per la televisione, e per i contenuti online.



Tocca la terza tab per regolare le guide di inquadratura di URSA Mini

L'interruttore in basso a sinistra mostra o nasconde le guide di inquadratura sul touchscreen.

Seleziona la guida desiderata usando lo slider, e il rapporto d'aspetto con le frecce.

Le guide disponibili sono:

- **2.35:1, 2.39:1 e 2.40:1**

Mostrano il rapporto d'aspetto widescreen, compatibile con visualizzazioni cinematografiche in anamorfico o widescreen. I tre formati widescreen variano lievemente e riflettono i diversi standard cinematografici utilizzati in passato. 2.39:1 è uno degli standard più utilizzati al momento.



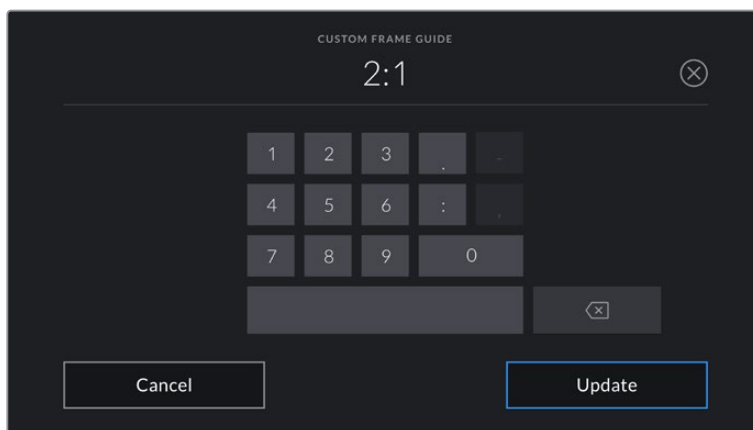


Il touchscreen di URSA Mini con guide di inquadratura 2.40:1

- **1:1**  
URSA Mini Pro si può impostare con un rapporto d'aspetto 1:1, un formato quadrato ideale per comporre le immagini per i contenuti social.
- **2:1**  
Disponibile solo su URSA Mini Pro, è un rapporto d'aspetto leggermente più largo del 16:9 ma non quanto il 2.35:1.
- **1.85:1**  
Mostra un altro comune rapporto d'aspetto per il cinema widescreen. È leggermente più largo dell'HDTV 1.78:1, ma non quanto il 2.39:1.
- **16:9**  
Mostra un rapporto d'aspetto 1.78:1, compatibile con i televisori HD 16:9 e con gli schermi dei computer.  
  
È lo standard più utilizzato per le trasmissioni in HD e per i video online, ed è stato adottato per la trasmissione in Ultra HD.
- **14:9**  
Mostra un rapporto d'aspetto utilizzato da alcune emittenti come compromesso tra i televisori 16:9 e 4:3. Le immagini 16:9 e 4:3 rimangono visibili se si ritagliano al centro del 14:9. Utilizza questa guida compositiva se il tuo progetto viene trasmesso da un'emittente TV che utilizza l'aspetto 14:9.
- **4:3**  
Mostra un rapporto d'aspetto compatibile con i televisori SD, ideale per inquadrare con adattatori anamorfici 2x.
- **4:5**  
URSA Mini Pro si può impostare con un rapporto d'aspetto 4:5, per creare contenuti da visualizzare in formato ritratto sugli smartphone.

#### **Guide con rapporto d'aspetto personalizzato**

Per creare guide personalizzate con un rapporto d'aspetto su misura, tocca sul valore visualizzato tra le frecce. Si aprirà la pagina **Custom frame guide**. Usa la freccia indietro per cancellare il rapporto d'aspetto attuale, e inserisci il nuovo valore con la tastiera touch. Tocca **Update** per confermare il nuovo rapporto d'aspetto e tornare alla registrazione.



Usa la tastiera touch per inserire un rapporto d'aspetto personalizzato

**SUGGERIMENTO** È possibile cambiare l'opacità degli overlay delle guide di inquadratura. Consulta la sezione "Impostazioni di monitoraggio" per maggiori informazioni.

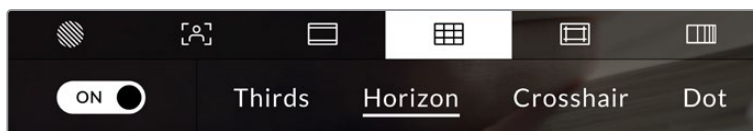
**NOTA** Per tutti i dettagli su come abilitare le guide di inquadratura sulle uscite SDI frontale e principale, consulta la sezione "Impostazioni di monitoraggio".

## Griglie

Le griglie dividono lo schermo in terzi, oppure mostrano un mirino, o un punto centrale sullo schermo LCD touch e su tutte le uscite di URSA Mini. URSA Mini Pro 12K offre anche l'opzione per l'indicatore di inclinazione, **Horizon**.



Tocca la quarta tab per regolare le guide di inquadratura di URSA Mini

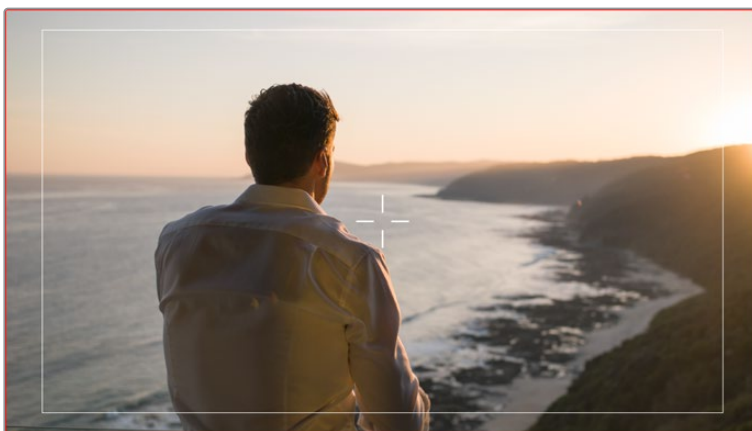


Su URSA Mini Pro 12K puoi scegliere tra terzi, inclinazione, mirino e punto

Questi strumenti in sovrapposizione aiutano a comporre l'immagine. Puoi scegliere tra terzi, mirino, o punto. URSA Mini Pro 12K include un'opzione aggiuntiva per l'overlay dell'indicatore di inclinazione.

L'interruttore in basso a sinistra del touchscreen abilita e disabilita le griglie selezionate.

Quando URSA Mini è connessa a uno switcher ATEM e configurata come sorgente del programma, se le griglie sono abilitate, sul touchscreen compare un bordo rosso di tally.



Se la camera riceve un segnale di tally dallo switcher ATEM e le griglie sono abilitate, sul touchscreen compare un bordo rosso

Per usare i terzi, il mirino o il punto su tutte le uscite di URSA Mini, seleziona l'opzione desiderata in basso. URSA Mini Pro 12K include anche un indicatore di inclinazione.



La suddivisione in terzi scala automaticamente secondo il rapporto d'aspetto

### Thirds

Mostra un overlay di due linee verticali e due linee orizzontali che si intersecano sull'immagine. La suddivisione dell'immagine in terzi è essenziale per la composizione delle riprese,

poiché l'occhio umano è abituato a cercare le informazioni più importanti vicino ai punti d'incrocio di queste linee. Solitamente la linea orizzontale superiore della griglia combacia con la posizione degli occhi degli attori. I terzi servono anche per mantenere costanti le inquadrature tra una ripresa e l'altra.

## Horizon

URSA Mini Pro 12K offre un indicatore di inclinazione che rileva se la camera è inclinata verso destra o sinistra, l'alto o il basso. È uno strumento utile per livellare le immagini delle riprese a mano e quando la camera è montata su uno stabilizzatore.

La direzione in cui la linea grigio chiaro si sposta dal mirino grigio scuro al centro indica la direzione dell'inclinazione della camera. Quando la camera è inclinata verso il basso, la linea orizzontale grigio chiaro si sposta verso l'alto, e viceversa, quando la camera è inclinata verso l'alto, la linea orizzontale grigio chiaro si sposta verso il basso.

La distanza delle linee dal mirino centrale è proporzionale all'inclinazione o alla rotazione attuale. Una volta calibrato il sensore di movimento della camera, la linea verticale diventa blu, indicando che la camera è allineata all'asse della rotazione (roll). Allo stesso modo, la linea orizzontale diventa blu indicando che la camera è allineata all'asse dell'inclinazione (tilt).

L'indicatore di inclinazione tiene in considerazione quando la camera è inclinata verso il basso per le inquadrature dall'alto o verso l'alto per le inquadrature dal basso. Se ruoti la camera in verticale per girare nel formato ritratto, l'indicatore di inclinazione ruota gli assi di 90 gradi.

Questa tabella riporta alcuni esempi di come l'indicatore mostra la rotazione o l'inclinazione della camera.

Indicatore di inclinazione	Inquadratura
	Dritta e a livello
	Inclinata verso il basso e a livello
	Dritta e ruotata a sinistra
	Inclinata in alto e ruotata a destra

Per operazioni di ripresa consuete, calibra l'indicatore di inclinazione per ottenere inquadrature dritte e a livello. Se invece preferisci utilizzare questa funzione per mantenere un'inclinazione di ripresa costante (detta 'angolo olandese') per inquadrature dall'alto o dal basso, calibra l'indicatore con l'angolazione desiderata. Per maggiori informazioni su come calibrare l'indicatore di inclinazione, consulta la sezione "Calibrazione del sensore di movimento".

## Crosshair

Mostra un mirino al centro dell'immagine. Come i terzi, il mirino facilita la composizione perché consente di situare il soggetto al centro dell'immagine. È utile per girare scene che saranno montate con tagli veloci. Ponendo l'attenzione sulla parte centrale dell'immagine è più facile seguire il susseguirsi dei tagli.

## Center Dot

Funziona allo stesso modo del mirino, ma è più discreto perché si tratta di un solo punto al centro dell'immagine.

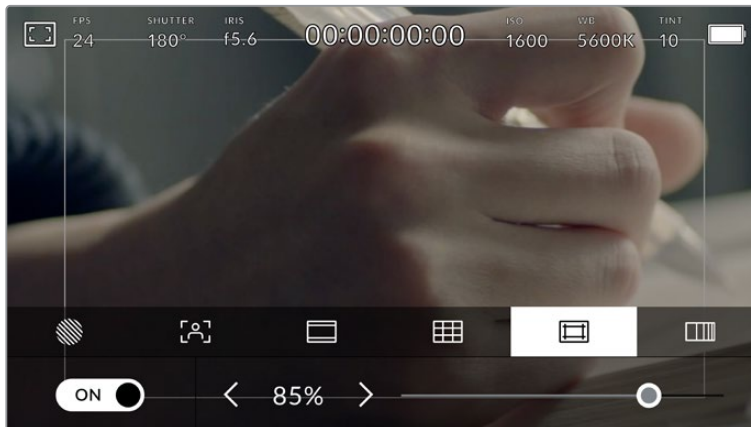
È possibile combinare diverse opzioni allo stesso tempo, per esempio terzi e mirino, o terzi e punto centrale. (eccetto mirino e punto).

**SUGGERIMENTO** Per maggiori informazioni su come abilitare le griglie sulle uscite SDI frontale e principale della camera, consulta la sezione "Impostazioni di monitoraggio".

### Safe area

Abilita e disabilita le guide della safe area sul touchscreen, e scegline le dimensioni per tutte le uscite di URSA Mini.

La safe area è utilizzata nel broadcast per far sì che la parte più importante dell'immagine, quella centrale, sia visibile su tutti i televisori, lasciando spazio a sufficienza per aggiungere loghi, scritte scorrevoli e altri overlay ai margini dello schermo. La maggior parte delle emittenti richiede una safe area del 90%.



L'indicatore della safe area impostato su 85%

Le guide della safe area sono anche utili per inquadrare le immagini che saranno stabilizzate in post produzione. Sono utili anche per indicare un determinato crop.

Per esempio con un livello del 50% mentre si registra in Ultra HD 3840x2160, puoi vedere come apparirebbe l'immagine con un crop di 1920x1080. Le guide della safe area si ridimensionano secondo le guide di inquadratura selezionate.

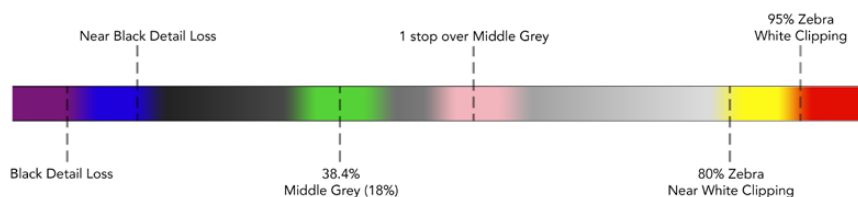
L'interruttore in basso a sinistra del touchscreen abilita e disabilita le guide della safe area. Seleziona la percentuale desiderata per tutte le uscite di URSA Mini utilizzando le frecce laterali, oppure sposta lo slider.

### Falsi Colori

La sesta icona si riferisce alla funzione dei falsi colori,

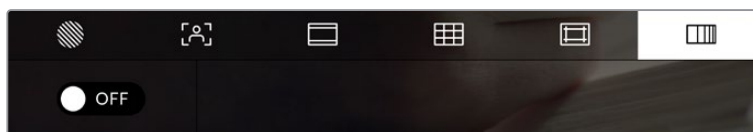
La funzione dei falsi colori sovrappone all'immagine colori che rappresentano i valori di esposizione dei diversi elementi. Per esempio il rosa rappresenta l'esposizione ottimale per la pelle chiara, mentre il verde si riferisce alle tonalità più scure. In questo caso, osservando il rosa o il verde durante le riprese potrai mantenere costante l'esposizione delle tonalità della pelle.

Allo stesso modo, quando gli elementi dell'immagine passano da giallo a rosso, significa che sono sovraesposti.



Spettro dei falsi colori

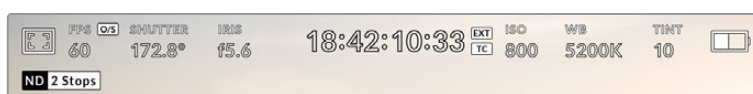
L'interruttore in basso a sinistra abilita e disabilita la funzione dei falsi colori sullo schermo LCD touch.



Abilita o disabilita i falsi colori dalla sesta tab

## Indicatore dei filtri ND

Quando regoli i filtri ND su URSA Mini Pro, l'indicatore **ND** appare in alto a sinistra dello schermo LCD touch e sulle uscite SDI impostate per mostrare le informazioni di stato. Rimane in sovrapposizione quando è selezionato un filtro ND. L'indicatore **Clear** (nessun filtro) scompare dopo 4 secondi.

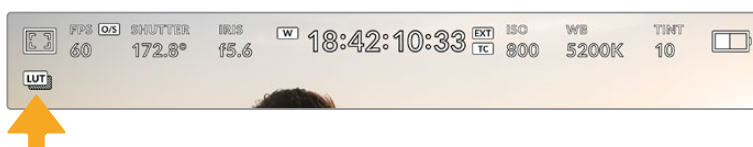


L'indicatore ND appare su schermo quando regoli i filtri ND su URSA Mini Pro

**NOTA** Il valore del filtro ND si può visualizzare come numero ND, stop, o frazione. Tocca la tab Setup per scegliere l'opzione che preferisci.

## Indicatore di LUT

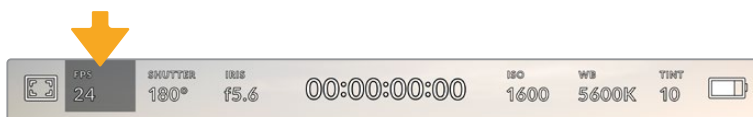
Quando Status Text è abilitato, l'icona **LUT** appare sullo schermo LCD, sull'uscita SDI frontale o su quella principale, a seconda della tua selezione.



La voce LUT indica che una LUT è stata applicata all'immagine

## Frame rate

Questo indicatore mostra il frame rate selezionato.



Tocca la voce FPS per regolare il frame rate

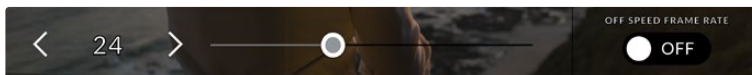
Tocca **FPS** per cambiare il frame rate del sensore e il frame rate del progetto con il menù in basso al touchscreen.

### Frame rate del progetto

Corrisponde al frame rate di registrazione della camera e offre diverse opzioni per il cinema e la televisione. Solitamente il frame rate del progetto combacia con quello di riproduzione utilizzato in post.

Le 8 opzioni di frame rate di URSA Mini sono 23.98, 24, 25, 29.97, 30, 50, 59.94, e 60 fps.

Per regolare il frame rate del progetto, seleziona l'indicatore **FPS** e tocca le frecce in basso a sinistra, oppure sposta lo slider.

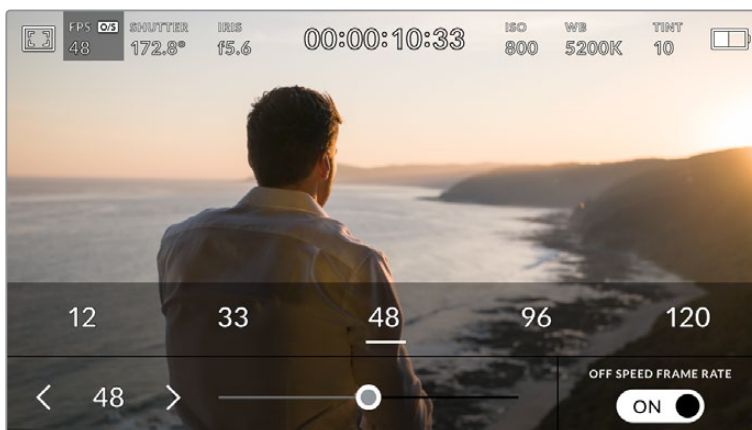


Tocca le frecce del frame rate del progetto o sposta lo slider per regolarlo

**SUGGERIMENTO** Il frame rate di progetto impostato per URSA Mini detta anche il frame rate delle uscite SDI frontale e principale.

### Frame rate del sensore

Questo valore definisce il numero esatto di fotogrammi per secondo registrato dal sensore, e incide sulla velocità di riproduzione del video in base al frame rate del progetto impostato.



Abilita l'interruttore del frame rate del sensore Off Speed Frame Rate, tocca le frecce, i valori predefiniti o usa lo slider per regolarlo

I frame rate di progetto e del sensore di URSA Mini combaciano di default, per riprodurre a velocità normale. Per configurare il frame rate del sensore indipendentemente, tocca il menù **FPS**, e sposta l'interruttore dell'**Off speed frame rate** su **On** in basso a destra.

Una volta abilitato, tocca le frecce in basso a sinistra dello stesso menù, o usa lo slider per aumentare o diminuire il frame rate. Rilascia lo slider per salvare la selezione. Puoi anche selezionare uno dei frame rate consigliati in base al frame rate del progetto che compaiono sopra lo slider.

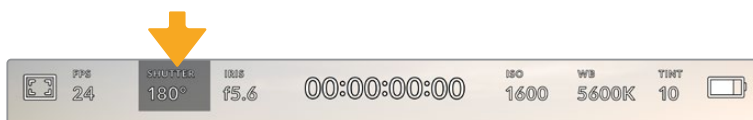
Cambiando il frame rate del sensore puoi creare effetti di velocità interessanti e dinamici. Per esempio, aumentalo per ottenere l'effetto rallentatore in fase di riproduzione, diminuiscilo per accelerare la velocità di riproduzione delle clip. È un concetto simile alle riprese manuali con la pellicola di una volta. Aumentando i giri (overcrank) si allungano i momenti, producendo un coinvolgente effetto slow-motion. Diminuendo i giri (undercrank) si diminuisce il frame rate del sensore, e l'azione accelera nelle scene ricche di movimento. Questa impostazione offre innumerevoli opzioni creative.

Per maggiori informazioni sui frame rate massimi per ciascun formato di registrazione e codec, consulta la tabella nella sezione "Registrazione".

**NOTA** Abilitando Off Speed Frame Rate, l'audio e il video non sono più in sync, anche quando il frame rate del progetto è lo stesso del sensore. Per questo motivo consigliamo di non usare questa funzione se preferisci mantenere audio e video sincronizzati.

## Otturatore

L'indicatore **Shutter** mostra l'angolo dell'otturatore o la velocità dell'otturatore. Toccalo per regolare i valori manualmente o per impostare le modalità di esposizione automatica. Su URSA Mini 4.6K e URSA Mini Pro è possibile visualizzare le informazioni di shutter come angolo dell'otturatore o velocità dell'otturatore. Consulta la sezione "Impostazioni generali" per maggiori informazioni.



Tocca l'indicatore Shutter di URSA Mini per regolare le impostazioni dell'otturatore

L'angolo dell'otturatore o la velocità dell'otturatore definiscono l'effetto del mosso delle immagini, e si utilizza per compensare un'illuminazione variabile. L'angolo di 180 gradi cattura un livello del mosso idoneo nella maggior parte delle condizioni, e corrisponde alla velocità dell'otturatore di 1/50 di secondo. Quando le condizioni di illuminazione cambiano è necessario impostarne un altro.

Per esempio, 360 gradi è l'angolo "più aperto" che consente di catturare tutta la luce dal sensore. È ideale per condizioni di luce scarsa e con poco movimento. Invece nelle scene con movimenti rapidi e costanti, è preferibile un angolo di 90 gradi, che riduce gli effetti del mosso per immagini nitide e dettagliate. Il rapporto tra la velocità dell'otturatore e l'angolo dell'otturatore varia secondo il frame rate. Per esempio, se registri a 25 fps, l'angolo di 360 gradi corrisponde a 1/25 di secondo, e 90 gradi a 1/100 di secondo.

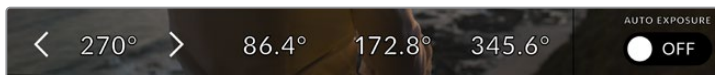
**NOTA** L'otturatore tende a incidere sulla visibilità dello sfarfallio, specialmente quando si riprende sotto luci artificiali. URSA Mini calcola automaticamente la velocità dell'otturatore per evitare sfarfallio con il frame rate utilizzato, e suggerisce fino a 3 valori di shutter in basso al touchscreen. Questi valori variano in base all'alimentazione del paese in cui ti trovi. Nel menù impostazioni Setup del touchscreen, puoi selezionare una frequenza di 50Hz o 60Hz. Consulta la sezione "Impostazioni generali" per maggiori informazioni.

Tocca l'indicatore **Shutter** per aprire il menù dell'otturatore in basso al touchscreen. Se l'esposizione automatica **Auto Exposure** è disabilitata su **Off**, il display mostra l'angolo dell'otturatore corrente, e le opzioni senza sfarfallio disponibili in base all'alimentazione selezionata nel menù **Setup** della camera. Per tutte le informazioni consulta la sezione "Impostazioni generali".



**NOTA** Le caratteristiche delle diverse fonti di luce potrebbero causare sfarfallio anche quando selezioni il valore suggerito. Consigliamo di testare sempre la registrazione se l'illuminazione non è stabile.

Per selezionare un'opzione senza sfarfallio, tocca uno dei valori dell'otturatore suggeriti. Tocca le frecce ai lati dei valori dell'otturatore per spostarti tra i predefiniti più comuni.



URSA Mini suggerisce valori dell'otturatore senza sfarfallio in base alla frequenza selezionata nel menù impostazioni Setup

Se preferisci inserire un valore manualmente, tocca due volte il valore tra le due frecce in basso a sinistra e usa la tastiera che appare.

Se inserisci un valore incompatibile con il frame rate corrente, verrà utilizzata la velocità dell'otturatore più prossima.



La tastiera consente di inserire qualsiasi valore manualmente

URSA Mini offre tre modalità di auto esposizione basate sullo shutter. Per selezionarle, abilita **Auto Exposure** in basso a destra del menù **Shutter**.

### Shutter

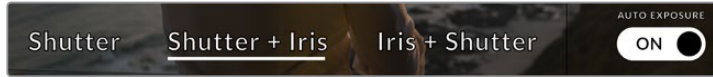
Regola automaticamente il valore dell'otturatore per mantenere costanti l'esposizione e l'apertura del diaframma. Scegli questa opzione per mantenere la profondità di campo invariata. Ricorda che la regolazione automatica dell'otturatore potrebbe incidere sull'effetto del mosso. Inoltre è consigliabile tenere sotto controllo le luci usate per le riprese interne perché potrebbero provocare dello sfarfallio. La funzione di diaframma automatico non è disponibile quando **Auto Exposure** è abilitata.

### Shutter + Iris

Mantiene i livelli di esposizione corretti regolando prima lo shutter, poi l'apertura. Quando si raggiunge il valore massimo o minimo dello shutter e non è possibile mantenere l'esposizione costante, URSA Mini comincia a regolare l'apertura del diaframma.

### Iris + Shutter

Mantiene i livelli di esposizione corretti regolando prima l'apertura, poi lo shutter. Quando si l'apertura massima o minima del diaframma e non è possibile mantenere l'esposizione costante, URSA Mini comincia a regolare l'otturatore.

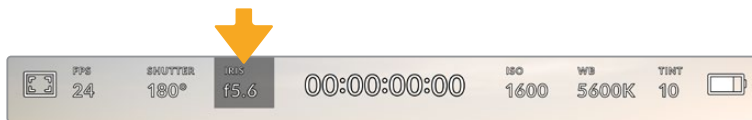


Nel menù Shutter, abilita Auto Exposure per accedere alle modalità di esposizione automatica basate sull'otturatore

**SUGGERIMENTO** Quando è abilitata una modalità di esposizione automatica che influisce sull'otturatore, una piccola A appare a lato dell'indicatore Shutter sul touchscreen.

### Iris

Questo indicatore mostra l'apertura dell'obiettivo. Tocca **Iris** per cambiare l'apertura di ottiche compatibili e configurare le modalità di esposizione automatica basate sul diaframma.

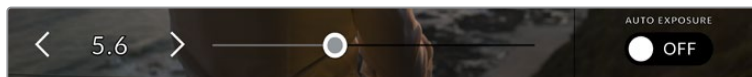


Tocca l'indicatore Iris di URSA Mini per regolarne i valori

**NOTA** Per regolare il diaframma dal touchscreen, accertati che l'obiettivo installato su URSA Mini consenta il controllo dell'apertura dalla camera. Se un obiettivo B4 o PL è collegato a URSA Mini PL tramite il connettore broadcast a 12 pin, accertati che l'interruttore del diaframma sull'impugnatura sia impostato su A (automatico).

Tocca l'indicatore **Iris** per aprire il menù del diaframma. L'apertura corrente in basso a sinistra si può cambiare toccando le frecce, o muovendo lo slider.

Abilita l'impostazione **Auto Exposure** sulla destra per aprire il sottomenù di auto esposizione del diaframma.



Nel menù Iris, tocca le frecce o usa lo slider per regolare il diaframma

Avrai le seguenti le opzioni di esposizione automatica del diaframma:

### Iris

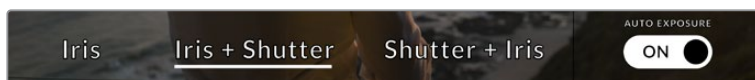
Regola automaticamente l'apertura per mantenere esposizione e angolo dell'otturatore costanti. L'effetto del mosso non subisce cambiamenti, ma potrebbe incidere sulla profondità di campo.

### Iris + Shutter

Mantiene i livelli di esposizione corretti regolando prima l'apertura, poi lo shutter. Quando si l'apertura massima o minima del diaframma e non è possibile mantenere l'esposizione costante, URSA Mini comincia a regolare l'otturatore.

### Shutter + Iris

Mantiene i livelli di esposizione corretti regolando prima lo shutter, poi l'apertura. Quando si raggiunge il valore massimo o minimo dello shutter e non è possibile mantenere l'esposizione costante, URSA Mini comincia a regolare l'apertura del diaframma.



Nel menù Iris, abilita l'interruttore Auto Exposure per accedere alle modalità di esposizione automatiche basate sul diaframma

Quando è abilitata una modalità automatica di esposizione che incide sul diaframma, una piccola **A** appare a lato dell'indicatore **Iris** sul touchscreen.

**SUGGERIMENTO** L'esposizione automatica funziona perfettamente con gli obiettivi compatibili B4 per il broadcast e PL per il cinema. Gli obiettivi EF invece potrebbero cambiare bruscamente l'esposizione quando si regola l'apertura. Consigliamo quindi di utilizzare esclusivamente la modalità automatica Shutter con URSA Mini EF.

## Durata

Questo indicatore si trova in alto al centro del touchscreen di URSA Mini.



La durata delle clip è di colore rosso durante la registrazione

L'indicatore mostra il timecode per controllare la durata delle clip, e monitorare il timecode in fase di cattura e riproduzione. Il contatore mostra la durata in ore:minuti:secondi:fotogrammi delle clip in fase di registrazione o di riproduzione. È di colore rosso in fase di registrazione.

La durata di ogni clip parte da 00:00:00:00. La durata della clip attuale, o appena registrata, è visibile sul touchscreen. Il timecode dell'ora del giorno si salva nelle clip per facilitare la post produzione.

Per visualizzare il timecode tocca l'indicatore, poi toccalo di nuovo per tornare alla durata delle clip.

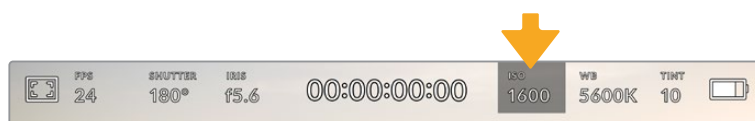
### Accanto al contatore potrebbero apparire le voci seguenti:

<b>W</b>	Modalità finestra del sensore - appare sulla sinistra.
<b>TC</b>	Timecode - appare sulla destra.
<b>EXT</b>	Timecode esterno connesso e valido - appare sulla destra.
<b>INT</b>	Timecode interno generato con sincronizzazione jam-sync, con timecode esterno disconnesso - appare sulla destra.
<b>PRE</b>	Timecode predefinito - appare sulla destra.
<b>REF</b>	Fonte di riferimento valida, connessa e con genlock.

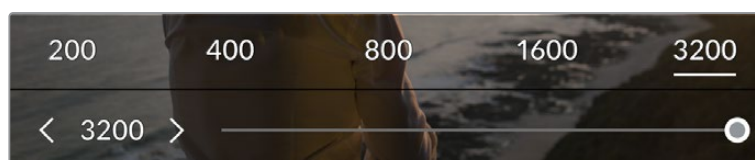
## ISO

Mostra le impostazioni ISO della camera, ovvero la sensibilità alla luce. Tocca **ISO** per regolarlo secondo le condizioni di luce. Su URSA Mini i valori di ISO vanno da 200 a 1600, mentre su URSA Mini Pro arrivano a 3200.

Per URSA Mini 4K, il valore ottimale è ISO 400, per URSA Mini 4.6K e URSA Mini Pro, il valore ottimale è ISO 800.



Tocca l'indicatore ISO per regolarne i valori



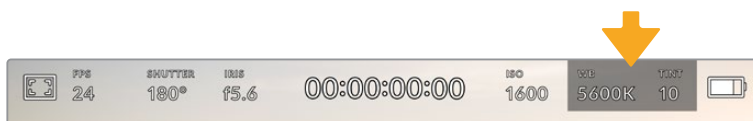
I valori di ISO appaiono in basso allo schermo di URSA Mini. Su URSA Mini Pro 4.6K G2 puoi utilizzare lo slider sotto i predefiniti per regolare l'ISO in incrementi di 1/3

Puoi anche toccare il numero del valore predefinito come stop completo. Su URSA Mini Pro 4.6K G2, lo slider sotto i predefiniti ti permette di regolare l'ISO con precisione in incrementi di 1/3.

Scegli il setting più consono in base alle condizioni di luce. Per esempio, in condizioni di scarsa illuminazione un ISO di 1600 è adatto su URSA Mini 4.6K, ma può causare la comparsa di rumore. In condizioni di elevata luminosità, un ISO di 200 è ideale per catturare colori più ricchi.

## Bilanciamento del bianco

Gli indicatori **WB** e **Tint** mostrano rispettivamente il bilanciamento del bianco e la tinta. Toccali per regolare i rispettivi livelli secondo le condizioni di luce.



Tocca WB e TINT su URSA Mini per regolare i livelli di bilanciamento dei bianchi e tinta

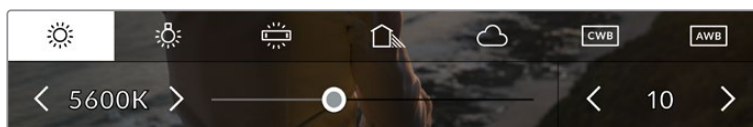
Ogni fonte di luce emette un colore. Per esempio, la fiamma di una candela emette un colore caldo, e il cielo coperto un colore freddo. Il bilanciamento del bianco mantiene intatti i bianchi regolando il mix di arancione e blu nell'immagine. Per esempio, quando si riprende su un set con lampade al tungsteno, che emettono una luce calda e arancione, selezionando il valore 3200K si aggiunge un tocco di blu all'immagine. Questa impostazione bilancia il colore, di modo che i bianchi vengano catturati accuratamente.

URSA Mini offre 5 valori predefiniti di bilanciamento del bianco:

	<b>Soleggiato</b>	(5600K)
	<b>Lampadine incandescenti</b>	(3200K)
	<b>Lampadine fluorescenti</b>	(4000K)
	<b>Luce mista</b>	(4500K)
	<b>Nuvoloso</b>	(6500K)

Tutti questi predefiniti sono personalizzabili: basta toccare o tenere premute le frecce ai lati della temperatura, in basso a sinistra del menù **WB**. Ogni tocco aumenta o diminuisce la temperatura di 50K. Tenendo premuta la freccia i valori cambiano più velocemente, altrimenti usa lo slider.

Per ottenere immagini ancora più precise, regola la tinta, ovvero il mix di verde e magenta. Per esempio, aggiungendo del magenta è possibile compensare l'alone verde delle luci fluorescenti. Molti parametri predefiniti di bilanciamento del bianco includono della tinta.



Tocca l'indicatore WB e Tint per accedere a 5 valori predefiniti, bilanciare il bianco sulla sinistra e la tinta sulla destra. Puoi regolare e salvare un predefinito CWB per ogni condizione di luce

I valori della tinta si trovano in basso a destra. Regolali con le frecce, spostandoti con incrementi di 1 unità nell'intervallo da -50 a +50. Tieni premuta la freccia per cambiare i valori più velocemente.

**NOTA** Se personalizzi il bilanciamento del bianco o la tinta, il nuovo valore diventa il predefinito CWB (Custom White Balance). I predefiniti personalizzati sono mantenuti anche al riavvio. In questo modo è facile mettere a confronto i predefiniti e CWB.

### Bilanciamento del bianco automatico

**AWB** è la funzione di bilanciamento automatico dei bianchi di URSA Mini. Toccala

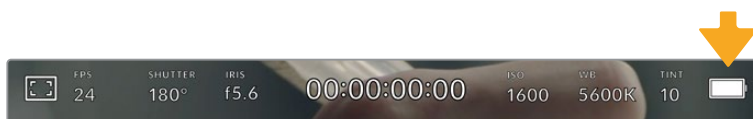
e vedrai apparire una finestra di regolazione al centro dell'immagine. Posiziona un foglio bianco o grigio fino a riempire la finestra e tocca **Update WB** per confermare. URSA Mini regolerà automaticamente il bianco e la tinta trovando la media neutra del bianco o grigio all'interno della finestra. Una volta aggiornato il bilanciamento del bianco, la camera utilizza questo nuovo parametro personalizzato.





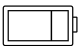
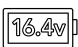

Tocca AWB sul touchscreen per aprire la finestra di bilanciamento del bianco. Inquadra una superficie neutra bianca o grigia per bilanciare il bianco in modo automatico

### Alimentazione

Questo indicatore mostra lo stato dell'alimentazione della camera con una delle 5 icone seguenti:



L'indicatore di alimentazione in alto a destra mostra la carica residua delle batterie come voltaggio o percentuale

	<b>Corrente</b>	Appare quando la camera è collegata alla corrente.
	<b>Percentuale</b>	Mostra la carica residua di batterie e piastre compatibili con una percentuale accurata. L'icona diventa rossa quando la carica scende sotto il 20%.
	<b>Barre</b>	Se le batterie e o le piastre utilizzate non sono compatibili con le percentuali, l'icona mostra la carica residua con barre di 25%. Diventa rossa quando la carica scende sotto il 20%.
	<b>Voltaggio</b>	Mostra il voltaggio residuo della batteria. L'icona diventa rossa quando la carica scende sotto i 12,5V. URSA Mini si spegne automaticamente quando il voltaggio raggiunge gli 11,9V.
	<b>Fibra</b>	Appare quando Blackmagic Camera Fiber Converter è connesso alla camera e la alimenta tramite il cavo in fibra SMPTE. Se il convertitore in fibra è connesso a URSA Mini, e la camera riceve l'alimentazione tramite un cavo XLR, appare l'icona <b>AC</b> .

Se alimenti la camera con le batterie, tocca l'icona di alimentazione per passare dal voltaggio alla percentuale o alle barre.

**SUGGERIMENTO** La lista delle batterie compatibili con la lettura della carica residua in percentuale è disponibile alla sezione "Montare le batterie".

## Istogramma

L'istogramma si trova in basso a sinistra del touchscreen, e mostra il contrasto tra i bianchi e i neri su una scala orizzontale.



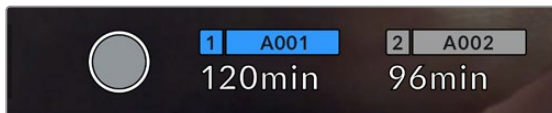
L'istogramma mostra l'intervallo tonale tra le ombre e le luci della clip. È utile per bilanciare le immagini ed evitare di sovraesporre.

La parte sinistra dell'istogramma rappresenta le ombre, o i neri, e la parte destra le luci, o i bianchi. Quando apri o chiudi l'apertura delle ottiche, noterai che le informazioni dell'istogramma si spostano a destra o a sinistra. Usa questa funzione per verificare il fenomeno del clipping dei neri o dei bianchi. Se i picchi a destra o a sinistra dell'istogramma si interrompono bruscamente invece di scendere gradualmente significa che si stanno perdendo dei dettagli di luce o ombra.

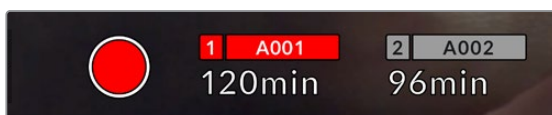
**NOTA** Se l'istogramma non è visibile in basso a sinistra del touchscreen, è possibile che lo stesso display sia impostato su Codec and Resolution. Consulta la sezione "Impostazioni di monitoraggio" di questo manuale per maggiori informazioni.

## Pulsante di REC

Di fianco all'istogramma si trova un pulsante circolare grigio. Toccalo una volta per cominciare la registrazione. Toccalo di nuovo per interromperla. Quando la registrazione è in corso, questo pulsante, l'indicatore di archiviazione, e il timecode sono di colore rosso.



Il pulsante di registrazione si trova a sinistra degli indicatori di archiviazione in basso al touchscreen



Il pulsante di registrazione diventa rosso in fase di registrazione

## Indicatore drop frame

Il pulsante di REC rosso mostra il simbolo lampeggiante ! lampeggiante se la registrazione salta dei fotogrammi. In questo caso anche il contatore di durata residua dei supporti di memoria utilizzati diventa rosso. Per esempio, se registri su due schede e una di questa salta dei fotogrammi, il simbolo appare sul pulsante di REC e l'indicatore della scheda in uso diventa rosso. In questo modo saprai subito se la scheda non è abbastanza veloce per il codec e la risoluzione utilizzate. L'indicatore drop frame appare anche se sono saltati dei fotogrammi nella clip precedentemente registrata, e rimane visibile finché non si registra una nuova clip, o si riavvia la camera. Per maggiori informazioni su come evitare i drop frame, consulta le sezioni "Scegliere una scheda CFast 2.0".



Indicatore drop frame per la scheda CFast 1

**SUGGERIMENTO** Il LED di stato di URSA Mini, se abilitato, lampeggia velocemente in rosso in caso di drop frame. Per tutte le informazioni consulta la sezione "Impostazioni generali".

**NOTA** Per evitare di filmare materiale inutilizzabile puoi impostare la camera di modo che interrompa la registrazione in caso di perdita di fotogrammi. Consulta la sezione "Impostazioni di registrazione" per maggiori informazioni.

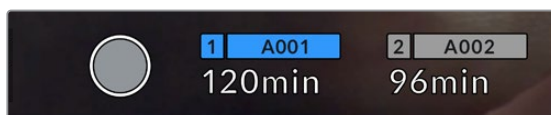


## Registrazione residua

L'indicatore di registrazione residua si trova in basso a sinistra dello schermo touch di URSA Mini.

Mostra in minuti la registrazione residua della scheda CFast, SD, o SSD inserita, che varia secondo il frame rate e il codec selezionati.

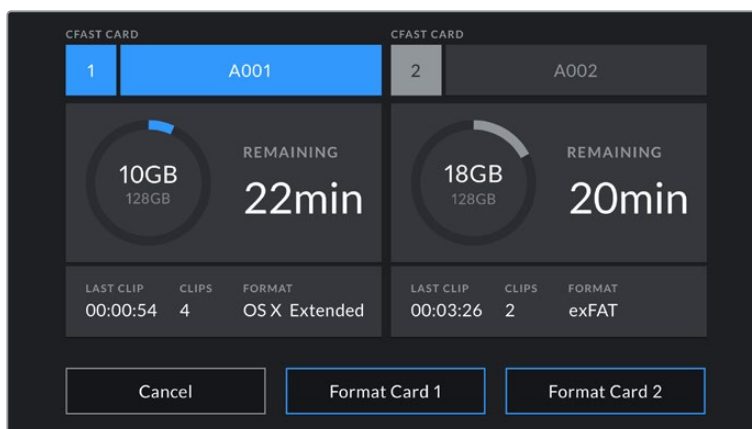
Gli indicatori ricalcolano il tempo residuo automaticamente se queste impostazioni vengono cambiate. Quando rimangono circa 5 minuti di registrazione sulla scheda o drive, l'indicatore diventa rosso, e comincia a lampeggiare quando rimangono 2 minuti. Mostra la dicitura **Full** quando la scheda o drive è piena.



L'indicatore di archiviazione mostra il nome del supporto CFast, SD, o SSD e la registrazione residua in minuti

La piccola barra sopra i minuti di registrazione residui contiene il nome della scheda o drive. La barra è di colore blu per indicare che la scheda o drive verrà utilizzata per la registrazione. Per registrare su un altro supporto con URSA Mini Pro 4.6K G2,

tocca e tieni premuto il nome della scheda o unità flash USB-C sulla quale vuoi registrare. La barra diventa blu, e passa al rosso durante la registrazione. Tocca gli indicatori di archiviazione per aprire il menù archiviazione e di formattazione.



Tocca gli indicatori di archiviazione sul touchscreen per accedere al menù archiviazione

Questo menù mostra lo spazio di archiviazione residuo per ogni scheda CFast, SD, SSD o drive esterno collegato alla camera, il nome della scheda o drive, la durata dell'ultima clip, quante clip sono registrate su ogni scheda o drive, e il formato dei file.

Qui puoi anche formattare il supporto di memoria. Per maggiori informazioni sulla formattazione dei supporti di memoria su URSA Mini, consulta la sezione "Preparare le schede su URSA Mini".

**SUGGERIMENTO** Per selezionare il supporto di memoria su cui vuoi registrare, tocca l'indicatore corrispondente nel menù di archiviazione.

## Livelli audio

Questi overlay mostrano i livelli audio dei canali 1 e 2 del microfono interno o dell'audio esterno connesso. Sono calibrati a intervalli di dBFS, e i picchi rimangono visibili per qualche istante per consentirne la lettura.

Per una qualità audio ottimale, è consigliabile evitare di raggiungere 0 dBFS. Questo è il livello massimo di registrazione supportato dalla camera, che una volta superato risulta nel clipping, e quindi nella distorsione.



Le barre colorate rappresentano i livelli audio, la cui posizione ideale è nella parte alta della zona verde. Se i livelli raggiungono la parte gialla o rossa, l'audio è a rischio di clipping

Tocca questo indicatore per accedere ai controlli del volume dei canali 1 e 2 in entrata, delle cuffie o dello speaker.



Tocca gli indicatori dei livelli sul touchscreen per regolare il volume dei canali, delle cuffie o dello speaker

## Zoom con doppio tocco

**Focus zoom** zooma l'immagine di anteprima toccando due volte l'area interessata sul touchscreen LCD. Scorri il dito sul touchscreen per ingrandire diverse parti dell'immagine. Questa funzione è utile per controllare la messa a fuoco. Per tornare all'ingrandimento standard, tocca due volte il touchscreen.

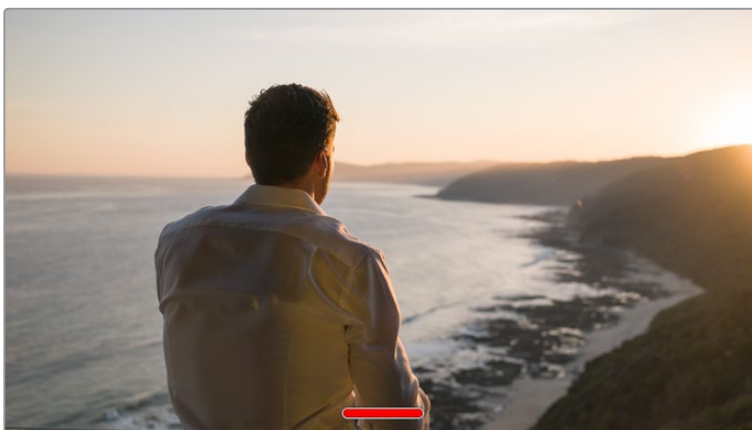
Con questo tipo di zoom touch abilitato su URSA Mini Pro 12K, puoi anche regolare il livello di zoom in avanti o indietro con due dita. Nella tab Setup di URSA Mini Pro 12K si può configurare un pulsante funzione per abilitare questo tipo di zoom con doppio tocco sul touchscreen o sulle uscite SDI frontale e principale. Per tutti i dettagli su come configurare un pulsante funzione come zoom con doppio tocco, consulta la sezione "Function 1/2 Behaves As".



Un indicatore in alto a sinistra del touchscreen mostra quale parte dell'immagine è stata ingrandita. Muovi l'immagine sullo schermo LCD come sullo smartphone o sul tablet

## Schermo intero

Per inquadrare e mettere a fuoco le immagini senza distrazioni, è possibile nascondere temporaneamente gli overlay. Per farlo, sposta il dito verso l'alto o verso il basso sul touchscreen. Rimarranno visibili solo l'indicatore di registrazione, le guide di inquadratura, le griglie, l'aiuto messa a fuoco, e le strisce della funzione zebra.



Nascondi gli overlay spostando il dito verso l'alto o verso il basso sul touchscreen

## Menù di riproduzione

Premi il pulsante Play per accedere al menù di riproduzione. Riproduci le clip registrate utilizzando i tasti di trasporto della camera o le icone sullo schermo LCD.

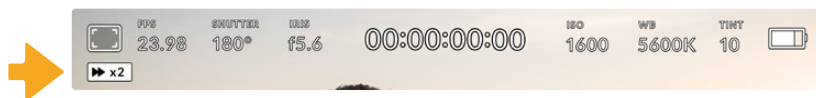
Tocca l'icona di Play sul touchscreen per avviare la riproduzione, e tocca di nuovo per metterla in pausa. Tocca i pulsanti Avanti e Indietro per andare all'inizio o alla fine delle clip. Tocca Avanti una volta per passare alla clip successiva. Premi il pulsante Indietro una volta per tornare all'inizio della clip corrente, premilo due volte per passare all'inizio della clip precedente. Riproduci le clip ciclicamente con l'icona di Loop.



Le icone Indietro, Play, Avanti, e Loop

Per spostarti all'interno della clip, tieni premuto Avanti o Indietro. Secondo il pulsante premuto, ti sposti a velocità raddoppiata in avanti o indietro.

In modalità veloce, toccando il pulsante di nuovo si raddoppia ulteriormente la velocità nella stessa direzione, fino a un massimo di 16x. Raggiunti i 16x, toccando di nuovo l'icona si torna a 2x. Per dimezzare la velocità, tocca l'icona di trasporto in direzione opposta, fino a raggiungere 2x. Torna alla velocità di riproduzione normale toccando Play.



L'indicatore di riproduzione veloce mostra direzione e velocità

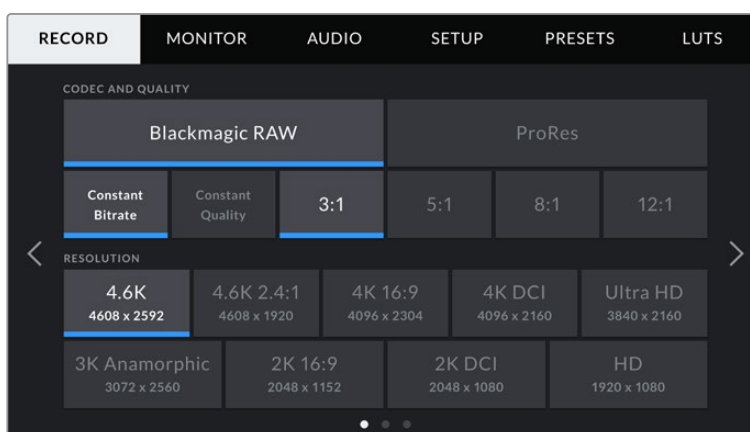
Toccando il pulsante di REC in modalità riproduzione, la camera torna in standby, pronta per la cattura.

**SUGGERIMENTO** Passa il dito verso l'alto o il basso del touchscreen per nascondere le informazioni di stato in fase di riproduzione. In modalità riproduzione, puoi salvare la clip come "buona" nei metadati del ciak digitale. Consulta la sezione "Inserire i metadati" per maggiori informazioni.

## Impostazioni

### Dashboard

Premi il pulsante **Menu** per aprire la dashboard, suddivisa in tab contenenti le impostazioni non accessibili direttamente dal touchscreen. Le tab sono divise per funzione: registrazione **Record**, monitoraggio **Monitor**, **Audio**, impostazioni **Setup**, predefiniti **Presets** e LUT **LUTs**. Ogni tab contiene più pagine, accessibili con le frecce laterali o sfogliando col dito verso destra o sinistra del touchscreen.



Tocca le tab Record, Monitor, Audio, Setup, Presets, e LUTs sulla dashboard della camera per spostarti tra le varie impostazioni

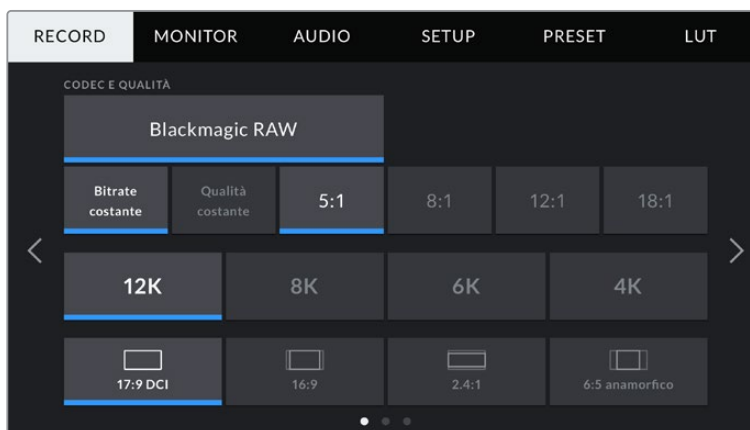
**NOTA** Su URSA Mini Pro 4.6K, la dashboard ritorna automaticamente agli overlay dopo un minuto di inattività.

## Impostazioni di registrazione

La tab **Record** contiene le impostazioni relative al formato video, codec e risoluzione, e altre impostazioni per i file salvati sulla camera, tra cui il supporto di memoria e lo sharpening. La tab contiene 3 pagine, accessibili con le frecce laterali o sfogliando col dito verso destra o sinistra dello schermo touch.

### Record – Pagina 1

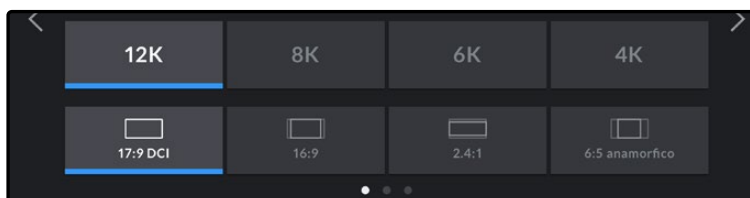
La prima pagina del menù di registrazione include i seguenti setting:



La prima pagina della tab Record su URSA Mini Pro 12K

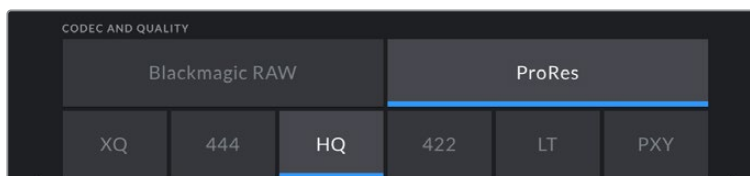
### Codec and Quality

URSA Mini Pro 12K registra nel formato Blackmagic RAW in 12K, 8K, 6K e 4K. Per ognuna di queste risoluzioni puoi scegliere tra una serie di rapporti d'aspetto standard.



Risoluzioni e rapporti d'aspetto selezionabili su URSA Mini Pro 12K

Sui modelli URSA Mini Pro 4.6K G2 e URSA Mini Pro 4.6K, il menù Codec and Quality è suddiviso in 2 file. Puoi selezionare Blackmagic RAW o Apple ProRes e nella fila inferiore le opzioni di qualità relative a ciascun codec. Le opzioni per Blackmagic RAW sono bitrate costante e qualità costante. Per ProRes le opzioni di qualità includono 444, HQ e LT. URSA Mini supporta una vasta gamma di codec ProRes.



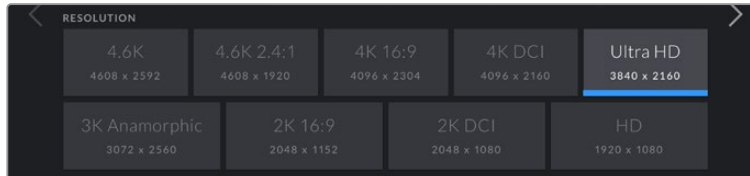
Le opzioni di codec e qualità sulle camere URSA Mini Pro 4.6K G2 e URSA Mini Pro 4.6K

**SUGGERIMENTO** Per registrare più a lungo sui supporti di memoria, scegli un codec con una maggiore compressione. Consulta le tabelle della durata della registrazione per informazioni dettagliate.

### Resolution

Questo sottomenù dei codec è utile per selezionare la risoluzione desiderata secondo il formato.

Per esempio, per registrare in Ultra HD nel formato ProRes HQ, seleziona il codec ProRes con qualità HQ, poi la risoluzione Ultra HD.

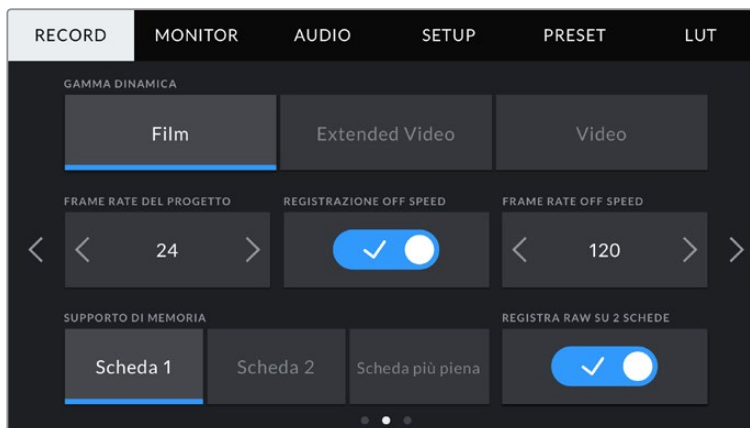


Le opzioni di risoluzione sulle camere URSA Mini Pro 4.6K G2 e URSA Mini Pro 4.6K

**NOTA** URSA Mini 4.6K e URSA Mini Pro supportano una vasta gamma di risoluzioni Apple ProRes, a partire dall'HD fino al 4.6K.

### Record – Pagina 2

La seconda pagina del menù di registrazione include i setting seguenti:



URSA Mini Pro 12K include l'opzione di registrare in RAW su due schede. Questa funzione è disabilitata sulle altre camere URSA Mini

### Dynamic Range

Seleziona la gamma dinamica toccando la relativa icona. Sono disponibili tre setting:

#### Film

Registra il video con una curva log che consente di mantenere la gamma dinamica più ampia, tra 12 e 15 stop secondo il modello URSA Mini, catturando tutte le informazioni del segnale video per ottenere una correzione colore in post impeccabile, per esempio con DaVinci Resolve.

## Video

Registra con uno standard simile al Rec.709 per video HD. È ideale per ottimizzare i tempi, registrando direttamente nei formati compressi, con uno spazio colore adatto alla consegna immediata o a una post produzione minima.

URSA Mini Pro ha anche un'altra modalità:

## Extended Video

Questa modalità è un compromesso tra la gamma dinamica Video e Film. Offre una gamma dinamica maggiore di Video, e applica un contrasto e un effetto più soffici nelle zone di luce. Extended Video è ideale per monitorare le immagini sui monitor broadcast standard, con un look più sofisticato per i progetti con una post produzione limitata.

**NOTA** Se usi la gamma dinamica Video o Extended Video, disabilita la funzione Display LUT per tutte le uscite di monitoraggio (LCD, SDI frontale e principale). Se Display LUT è abilitata, l'indicatore di LUT appare sullo schermo touch e l'immagine appare mostra più saturazione e contrasto del necessario. Consulta la sezione sulla tab Monitor per tutti i dettagli.

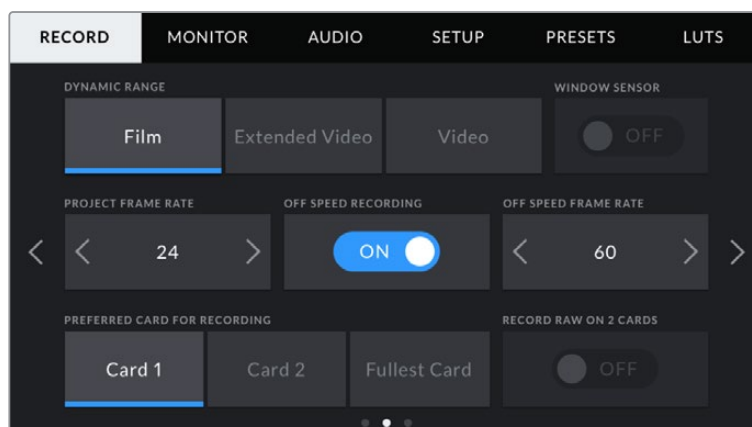
## Window Sensor

URSA Mini Pro 12K gestisce la finestra del sensore automaticamente. La inserisce nelle riprese in 6K Super 16 e in 4K Super 16, mentre per tutte le altre modalità di cattura utilizza l'intera altezza o larghezza del sensore Super 35.

Anche se URSA Mini Pro 12K effettua il crop Super 16 della finestra, le immagini in risoluzione 6K sono di qualità straordinaria. Nella modalità 4K, la finestra Super 16 ridimensiona le immagini in 4K. È possibile pertanto riprendere con i frame rate più elevati e ottenere immagini di qualità eccezionale in 4K o in 6K.

Il sensore 12K con il crop Super 16 consente anche di installare obiettivi vintage Super 16mm e girare in 4K o in 6K, risoluzioni considerate ancora più alte della pellicola Super 16mm.

Le altre camere URSA Mini Pro si possono impostare per utilizzare l'intera superficie del sensore. Oppure seleziona **Window sensor > On** per lavorare con la modalità finestra e raggiungere frame rate più elevati. Questa modalità finestra utilizza solo i pixel del sensore necessari per un determinato formato video, evitando di ridimensionare l'immagine dall'intero sensore.



L'opzione di finestra del sensore su URSA Mini Pro 4.6K G2, URSA Mini Pro 4.6K, URSA Mini 4.6K e URSA Mini 4K

Le modalità finestra HD e 2K utilizzano solo la parte centrale del sensore di URSA Mini, di conseguenza il campo visivo degli obiettivi apparirà più piccolo. Per esempio, se usi un obiettivo 20mm per la cattura HD in modalità finestra, il campo visivo di URSA Mini è equivalente a quello di un obiettivo 48mm.

Questa opzione è disponibile per catturare ad una risoluzione inferiore a quella massima consentita da URSA Mini. Per esempio, su URSA Mini 4.6K la modalità finestra è utilizzabile quando si registra con risoluzione 4.6K 2.4:1, 4K, 3K anamorfico, 2K o ProRes HD.

I frame rate più elevati sono selezionabili durante la cattura HD in modalità finestra.

**SUGGERIMENTO** In modalità finestra del sensore, la risoluzione si imposta su Resolution - sensor windowed.

### **Project Frame Rate**

Corrisponde al frame rate di registrazione della camera e offre diverse opzioni per il cinema e la televisione, per esempio 23.98 fps nel formato 4K ProRes HQ. Solitamente il frame rate del progetto combacia con quello di riproduzione utilizzato in post, per soddisfare i requisiti di workflow, consegna e sync audio.

Le 8 opzioni di frame rate di URSA Mini sono 23.98, 24, 25, 29.97, 30, 50, 59.94, e 60 fps.

**NOTA** Il frame rate del progetto ha un forte impatto sul look delle immagini.

I frame rate elevati di 50, 59.94 o 60 fps sono ottimali per catturare l'azione evitando che si veda a scatti durante le panoramiche.

I frame rate più bassi di 24 o 25 fps sono utilizzati nelle produzioni cinematografiche e producono un'estetica raffinata, ma richiedono movimenti della camera più lenti.

### **Off Speed Recording**

I frame rate di progetto e del sensore di URSA Mini combaciano di default, per riprodurre a velocità normale. Per configurare il frame rate del sensore indipendentemente, spunta questo interruttore.

### **Off Speed Frame Rate**

Con l'interruttore su **On**, tocca le frecce di **Off Speed Frame Rate** per regolare il frame rate del sensore di URSA Mini.

Così facendo imposti il numero di fotogrammi registrati al secondo dal sensore. Questa impostazione incide sulla velocità di riproduzione del video in base al frame rate del progetto.

Per maggiori informazioni sul frame rate del sensore, consulta la voce FPS della sezione "Controlli touch" del manuale.

**NOTA** Per maggiori informazioni sui frame rate massimi per ogni formato di registrazione e codec, consulta la tabella dei frame rate compatibili nella sezione "Registrazione".



### Preferred Card for Recording

Scegli su quale scheda o drive registrare. Le opzioni sono Card 1, Card 2 e Fullest Card (scheda più piena). Quando è collegato un SSD, le opzioni sono **Card 1, SSD e Fullest Card**. Selezionare Card 1 o Card 2 è una scelta personale, l'importante è usarle in modo coerente per sapere con esattezza quale scheda estrarre a caldo quando la prima è piena. L'opzione Fullest card aiuta a catalogare i file in ordine cronologico, specialmente per i progetti girati a camera singola.

Questa opzione sarà effettiva su tutti i supporti inseriti o collegati. Puoi selezionare un altro supporto di memoria in qualsiasi momento dal menù di archiviazione. Quando rimuovi e reinsertisci le schede, la camera utilizza l'ultima opzione scelta nell'impostazione **Preferred Card for Recording**. Quando URSA Mini Recorder è connesso, e l'SSD inserito, il registratore utilizza lo slot 2 della camera.

Per maggiori informazioni, consulta la sezione "URSA Mini Recorder".

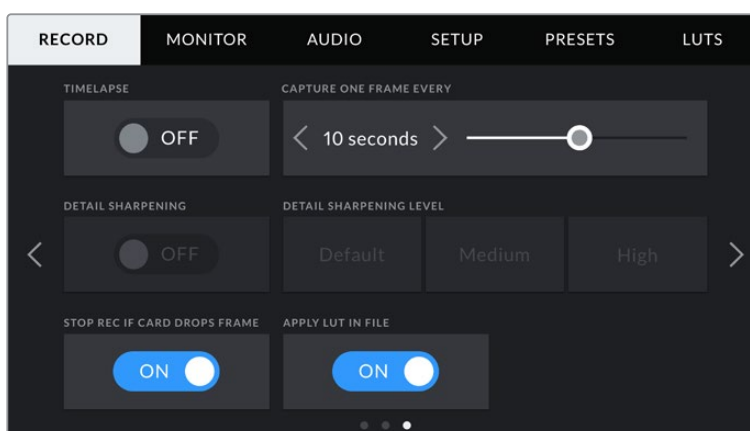
**SUGGERIMENTO** L'impostazione Fullest Card si basa sulla percentuale di spazio occupato sulla scheda, non sulla capacità o sulla quantità di dati utilizzati.

### Record RAW on 2 Cards

URSA Mini Pro 12K consente di registrare in Blackmagic RAW su due schede contemporaneamente. In questo modo potrai catturare clip con risoluzione e frame rate altissimi, ma con livelli di compressione molto più bassi. Basta inserire due schede CFast o SD, e nella tab **Record** della dashboard selezionare la registrazione su due schede **Record RAW on 2 cards**. Questa operazione (chiamata striping) distribuisce i dati su entrambe le schede sequenzialmente, quindi il fattore limitante sarà il data rate della scheda meno potente. Consigliamo pertanto di utilizzare due schede con le stesse specifiche, o quantomeno simili. Puoi fare lo striping anche tra una scheda CFast nello slot 1 e un drive USB-C assegnato allo slot 2. In questa modalità di registrazione su due schede, il limite di velocità è il doppio del data rate della scheda meno potente. Copia i file .braw e .braw2 da entrambi i supporti di memoria nella stessa cartella sul tuo computer, e quando le importi nel Media Pool, DaVinci Resolve le unisce leggendole come una clip singola. Se i file .braw e .braw2 sono separati, le clip si possono riprodurre separatamente con un frame rate dimezzato.

### Record – Pagina 3

La terza pagina del menù di registrazione include i setting seguenti:



## Timelapse

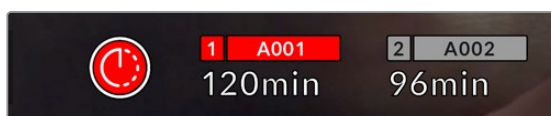
La funzione timelapse registra automaticamente un fotogramma ai seguenti intervalli:

<b>Fotogrammi</b>	2 - 10
<b>Secondi</b>	1 - 10, 20, 30, 40, 50
<b>Minuti</b>	1 - 10

Per esempio puoi imposta decidere di registrare un fotogramma ogni 10 o ogni 5 secondi, 30 secondi, 5 minuti, ecc.

La cosiddetta funzione timelapse apre la strada a molte opzioni creative. Per esempio, selezionando un intervallo di 2 fotogrammi, il video acquista l'effetto alta velocità in fase di riproduzione.

Il formato di ogni fermo immagine si basa sul formato di registrazione, per cui registrando in 4K con ProRes 422 HQ, l'impostazione timelapse mantiene questo formato. Il frame rate rispecchia le impostazioni esistenti del frame rate del progetto, per esempio 24 fps. In questo modo le immagini timelapse si possono facilmente assimilare al workflow di post produzione.



La modalità timelapse è indicata dall'icona a orologio sul pulsante di REC

**SUGGERIMENTO** Quando registri in modalità timelapse, il timecode si aggiorna per ogni fotogramma catturato.

## Detail Sharpening

Con questa impostazione perfezioni i dettagli delle immagini. È disponibile su URSA Mini Pro 4.6K G2, URSA Mini Pro 4.6K, URSA Mini 4.6K e URSA Mini 4K. Sposta l'interruttore su **On** e poi seleziona il livello desiderato di definizione tra **Default**, medio **Medium** e alto **High**.

Questa funzione interessa sia il video ProRes registrato dalla camera sia l'uscita SDI. Quando URSA Mini Pro G2 è impostata su Blackmagic RAW e collegata a uno switcher ATEM, la funzione Detail Sharpening si può applicare all'uscita SDI. Abilitala o disabilitala dal pannello ATEM Camera Control Panel o con ATEM Software Control.

È un setting progettato per le produzioni live dallo studio, quando le immagini vanno in onda senza post produzione. Consigliamo di disabilitarlo se si desidera lavorare alle immagini in post produzione. **Detail Sharpening** è disabilitato quando il codec in uso è Blackmagic RAW.

## Stop Rec If Card Drops Frames

Questa impostazione permette di interrompere la registrazione in caso di drop frame. Sposta l'interruttore su **Off** se preferisci continuare a registrare anche in presenza di drop frame, o su **On** per fermare la registrazione in caso di perdita di fotogrammi. Con questa opzione eviti di perdere tempo registrando materiale inutilizzabile.

**SUGGERIMENTO** Per maggiori informazioni su come evitare i drop frame, consulta le sezioni "Scegliere una scheda CFast 2.0", "Scegliere una scheda SD veloce", e "Scegliere un SSD veloce".

### Apply LUT in File

Se applichi una LUT a una delle uscite di URSA Mini Pro 4.6K, verrà integrata nel file Blackmagic RAW già durante la registrazione.

La dicitura LUT si salverà nel nome del file, e la LUT stessa sarà facilmente applicabile alla clip in post produzione, senza bisogno di un file separato. Spuntando **Apply LUT in file** nel menù di registrazione **Record** di URSA Mini Pro, la clip si aprirà su Blackmagic RAW Player e su DaVinci Resolve con la LUT applicata. La LUT si può abilitare/disabilitare con una semplice opzione On/Off, ma accompagnerà sempre il file Blackmagic RAW perché è salvata nel file stesso.

Su DaVinci Resolve questa impostazione corrisponde alla voce *Apply LUT* nella sezione RAW. In questo modo è possibile utilizzare la LUT sulla camera durante le riprese, e disabilitarla in qualsiasi momento su DaVinci Resolve con **Apply LUT > Off**.

## Denominazione dei file

Le clip vengono registrate sulle schede CFast, SD, o SSD in Blackmagic RAW o in ProRes QuickTime a seconda del formato di registrazione scelto.

Questa tabella riporta degli esempi di denominazione:

<b>A001_08151512_C001.mov</b>	<b>File QuickTime</b>
A001_08151512_C001.mov	<b>Camera</b>
A001_08151512_C001.mov	<b>Pellicola</b>
A001_08151512_C001.mov	<b>Mese</b>
A001_08151512_C001.mov	<b>Giorno</b>
A001_08151512_C001.mov	<b>Ore</b>
A001_08151512_C001.mov	<b>Minuti</b>
A001_08151512_C001.mov	<b>Clip</b>

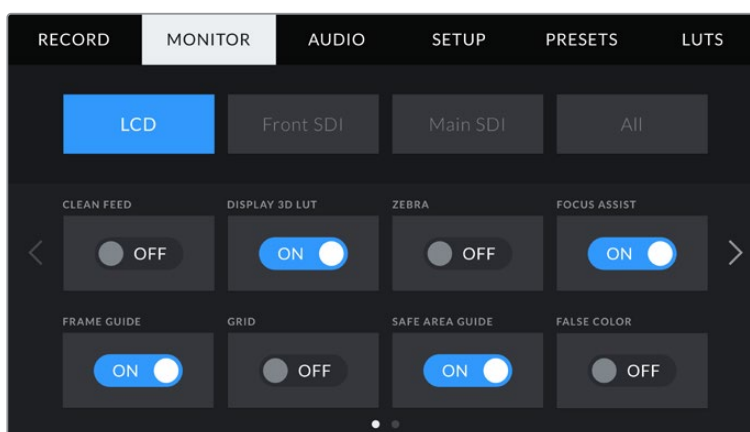
Le foto catturate con il pulsante **Still** adottano la stessa denominazione dei file video, seguita dal suffisso S001, che rappresenta il numero del fotogramma scattato, invece del numero della clip. URSA Mini Pro 12K cattura un fotogramma nel formato Blackmagic RAW; URSA Mini Pro 4.6K G2 e URSA Mini Pro 4.6K, un fotogramma DNG non compresso. Consulta la sezione "Controlli del display LCD di stato" per maggiori informazioni.

## Impostazioni di monitoraggio

Nella tab **Monitor** regoli le impostazioni di monitoraggio, per esempio informazioni di stato e overlay, e altre impostazioni per il touchscreen e le uscite SDI. Seleziona **LCD** per il touchscreen, **Front SDI** per l'uscita SDI frontale, **Main SDI** per l'uscita SDI principale, o tutte **All** per gestire le impostazioni di tutte le uscite della camera. Ogni menù contiene 2 pagine, accessibili con le frecce laterali o sfogliando col dito verso destra o sinistra sul touchscreen.

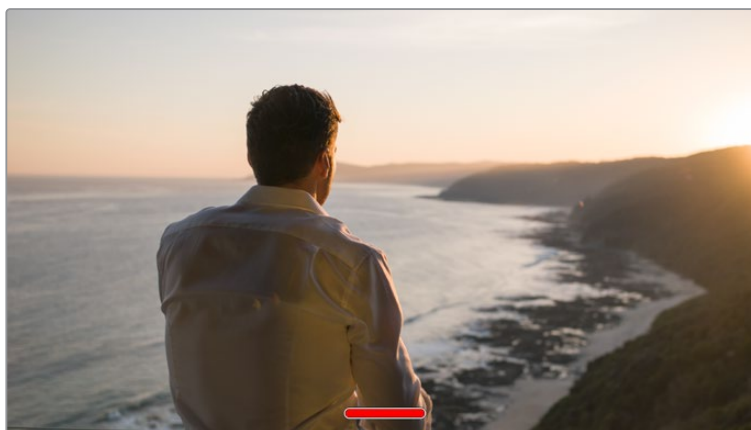
### Monitor – Pagina 1 – LCD, Front SDI, Main SDI

La prima pagina è identica per tutte le uscite individuali. Per esempio, puoi abilitare la funzione Zebra per lo schermo LCD, e disabilitarla per l'SDI frontale e l'SDI principale.



### Clean Feed

Abilita questa impostazione su tutte le uscite per disabilitare le informazioni di stato e gli overlay, eccetto l'indicatore tally in basso al centro del touchscreen.



In modalità clean feed l'indicatore tally rimane visibile

**NOTA** Le LUT vengono applicate alle uscite anche se l'impostazione Clean feed è abilitata. Per disabilitare le LUT, sposta l'interruttore Display LUT su Off nel menù Monitor per l'uscita desiderata.

### **Display 3D LUT**

La camera applica le LUT 3D su qualsiasi uscita, per mostrare le immagini con un look preimpostato. È una funzione utile quando si registra con la gamma dinamica Film, che produce intenzionalmente immagini "piatte" a basso contrasto.

Usa questo setting per visualizzare la LUT 3D attiva solo sullo schermo LCD, sull'uscita SDI frontale o principale.

**NOTA** Consulta la sezione sulle LUT per maggiori informazioni su come caricare e utilizzare le LUT 3D.

### **Zebra**

Abilita o disabilita questa funzione su LCD, SDI frontale o SDI principale. Per maggiori informazioni sulla funzione zebra e su come regolarne i livelli, consulta la sezione "Controlli touch" del manuale.

### **Focus Assist**

Abilita o disabilita questa funzione su LCD, SDI frontale o SDI principale. Per maggiori informazioni sulla funzione di aiuto messa a fuoco e su come regolarne i livelli, consulta la sezione "Controlli touch" del manuale.

### **Frame Guide**

Abilita o disabilita le guide su LCD, SDI frontale o SDI principale. Per maggiori informazioni sulle guide di inquadratura e su quali selezionare, consulta la sezione "Controlli touch" del manuale.

### **Grid**

Abilita o disabilita le griglie su LCD, SDI frontale o SDI principale. Per maggiori informazioni sulle griglie, consulta la sezione "Controlli touch" del manuale.

### **Safe Area Guide**

Safe Area Abilita o disabilita questa funzione su LCD, SDI frontale o SDI principale.

Per maggiori informazioni sulle guide della safe area, e come regolarne i valori, consulta la sezione "Controlli touch".

**NOTA** Per regolare le dimensioni delle guide della safe area, seleziona la tab Monitor > All > Safe Area Guide.

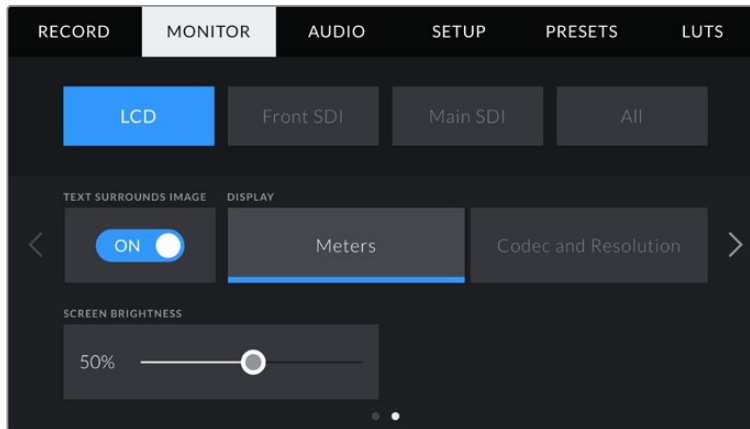
### **False Color**

Abilita o disabilita i falsi colori su LCD, SDI frontale o SDI principale.

Per maggiori informazioni sui falsi colori, consulta la sezione "Controlli touch" del manuale.

## Monitor – LCD – Pagina 2

Questa pagina contiene le impostazioni disponibili solo per lo schermo LCD.



### Text Surrounds Image

Questa voce è disponibile solo sui modelli URSA Mini 4K e URSA Mini 4.6K. Sposta l'interruttore su **On** per scalare l'immagine dello schermo LCD touch al 75%. In questo modo potrai visualizzare l'anteprima delle immagini di URSA Mini con gli overlay sullo schermo LCD touch, ma al di fuori dell'immagine.



La funzione Text Surrounds Image mostra l'anteprima delle immagini su URSA Mini EF o PL con gli overlay sul display ma al di fuori dell'immagine

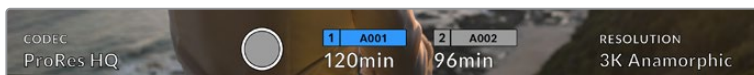
### Status Text

Questa opzione è disponibile solo su URSA Mini Pro. È utile per nascondere le informazioni di stato e gli indicatori di livello sul touchscreen, mantenendo solo le informazioni necessarie per comporre le immagini o dirigere le riprese. Sposta l'interruttore su **On** o **Off** per abilitare o disabilitare le informazioni di stato e gli indicatori di livello sul touchscreen di URSA Mini Pro. Rimarranno visibili le guide di inquadratura, le griglie, l'aiuto messa a fuoco e le strisce zebra, se abilitate. Puoi fare lo stesso spostando il dito verso l'alto o verso il basso sullo schermo LCD di URSA Mini Pro.

## Display

Invece di mostrare l'istogramma e i livelli audio di default in basso a destra e a sinistra del touchscreen, visualizza il codec e la risoluzione sul touchscreen. È una funzione utile se desideri utilizzare i falsi colori per l'esposizione, o se registri l'audio separatamente e preferisci utilizzare lo spazio solitamente occupato dall'istogramma e dai livelli audio.

Tocca **Meters** o **Codec and Resolution** sulla pagina 2 di **Monitor > LCD** per selezionare le informazioni su schermo di tua scelta.



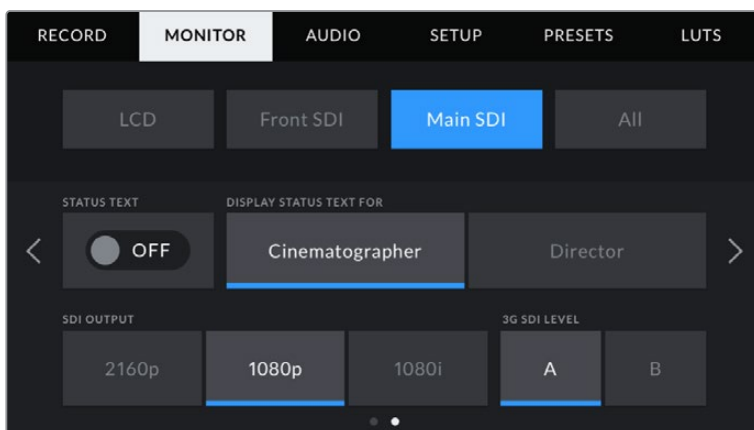
Visualizza codec e risoluzione invece dell'istogramma e dei livelli audio di default

## Screen Brightness

Sposta lo slider verso destra o sinistra per regolare la luminosità dello schermo LCD di URSA Mini.

## Monitor – Pagina 2 – Front SDI, Main SDI

Questa pagina contiene impostazioni disponibili solo per l'uscita SDI frontale e SDI principale.



Le risoluzioni 2160p e 1080p sono disponibili sull'uscita SDI principale quando la camera filma con risoluzioni superiori all'anamorfico 3K. Il 1080i è disponibile solo per le uscite SDI principale e frontale quando la camera filma con i frame rate di 50, 59.94 o 60. L'opzione 3G-SDI Level è disponibile solo su URSA Mini Pro 4.6K G2

## Status Text

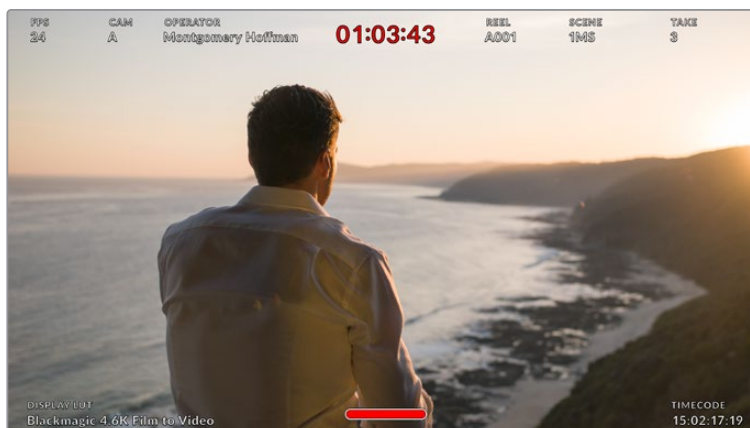
Questa impostazione è utile per nascondere le informazioni di stato e i livelli sull'uscita SDI frontale e principale, mantenendo solo le informazioni necessarie per comporre o dirigere le riprese. Sposta l'interruttore su **On** alle voci **Front SDI** o **Main SDI** per visualizzare le informazioni di stato e i livelli audio per l'uscita selezionata. Rimarranno visibili le guide di inquadratura, le griglie, l'aiuto messa a fuoco e le strisce zebra, se abilitate.

Puoi fare lo stesso passando il dito verso l'alto o verso il basso sul touchscreen.

## Display Status Text For Cinematographer or Director

Lo schermo LCD mostra informazioni di stato tra cui ISO, bilanciamento dei bianchi e apertura, utili sia all'operatore che al direttore della fotografia in fase di preparazione delle riprese.

Le uscite SDI frontale e principale si possono impostare per mostrare informazioni pertinenti al responsabile della sceneggiatura o alla regista.



Le uscite SDI frontale e principale possono visualizzare solo le informazioni di stato pertinenti alla regia

Selezionando **Director**, l'uscita SDI frontale o principale visualizza le informazioni di regia seguenti:

### FPS

Mostra il frame rate selezionato sulla camera. Se il frame rate off speed è disabilitato, mostra solo il frame rate di progetto. Se attivo, mostra il frame rate del sensore, seguito dal frame rate di progetto.

### Cam

Mostra l'ID della camera impostato nel ciak digitale. Consulta la sezione "Ciak digitale" per maggiori informazioni.

### Operator

Identifica l'operatore secondo le impostazioni del ciak digitale della camera. Consulta la sezione "Ciak digitale" per maggiori informazioni.

### Durata

Mostra la durata della clip corrente quando la registrazione è in corso, o della clip registrata precedentemente nel formato ore:minuti:secondi.

### Reel, Scene, Take

Mostra il numero di pellicola, scena e ripresa correnti. Per maggiori informazioni sulla denominazione di pellicola, scena e ripresa correnti, consulta la sezione "Ciak digitale" del manuale.

### Dynamic Range

In basso a sinistra del monitor della camera appare la LUT applicata all'uscita. Se non è applicata nessuna LUT, vedrai le voci gamma dinamica **Film** o **Video**.

### Timecode

In basso a destra appare il timecode, nel formato ore:minuti:secondi:fotogrammi.



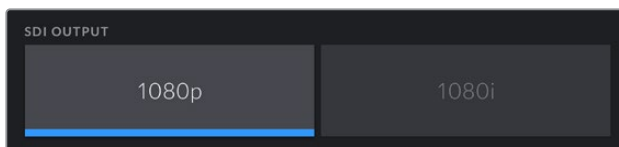
## Uscita SDI

Per entrambe le uscite SDI puoi selezionare il formato progressivo o interlacciato HD, e per l'uscita SDI principale anche il formato progressivo Ultra HD.

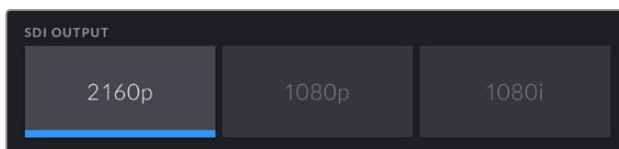
Le opzioni disponibili dipendono dalla risoluzione e dal frame rate della camera.

Per esempio: il formato progressivo HD **1080p** è sempre selezionabile, mentre il formato interlacciato HD **1080i** è solo disponibile con un frame rate di progetto 50, 59.94 o 60 fps.

L'Ultra HD, o **2160p**, è disponibile sull'uscita principale **Main SDI** per le riprese con risoluzione Ultra HD con URSA Mini.



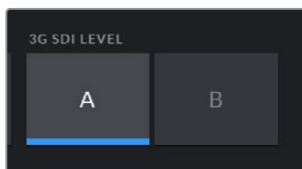
Opzioni per l'uscita SDI frontale



Opzioni per l'uscita SDI principale

## 3G SDI Level

Questa impostazione consente di cambiare lo standard 3G-SDI in uscita su URSA Mini Pro, per mantenere compatibilità con l'attrezzatura in grado di ricevere video 3G-SDI solo di livello A o di livello B. L'opzione 3G SDI Level appare solo quando si inviano segnali 1080p a 50, 59.94 o 60 fps. Seleziona l'icona A o B secondo lo standard desiderato.

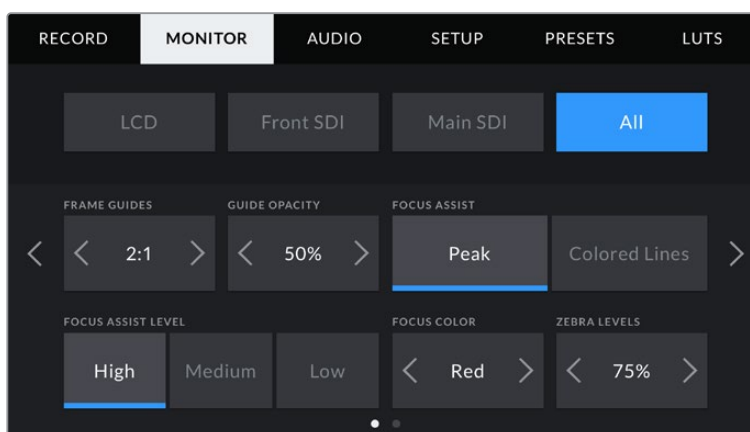


Seleziona il livello A o B per l'uscita 3G-SDI di URSA Mini Pro 4.6K G2

## Monitor – Pagina 1 – All

Le impostazioni pertinenti a tutte le uscite di URSA Mini sono raggruppate nel menù **All**. Per esempio, se imposti la safe area al 90%, il parametro verrà utilizzato sullo schermo LCD e su tutte le uscite SDI.

Il menù è composto da due pagine. La prima pagina delle impostazioni **All** include i setting seguenti:



### Frame Guides

Tocca le frecce laterali delle guide di inquadratura per vedere le opzioni disponibili per le uscite, inclusi i mirini elettronici come URSA Viewfinder. Per maggiori informazioni, consulta la sezione "Controlli touch". Queste opzioni sono accessibili anche toccando l'overlay del monitor in alto a sinistra del touchscreen. Ricorda che puoi selezionare le guide di inquadratura separatamente per lo schermo LCD e per le due uscite SDI dai rispettivi menù nella tab Monitor.

### Guide Opacity

Tocca le frecce laterali per impostare la percentuale di opacità dell'area selezionata dalle guide di inquadratura su tutte le uscite SDI e sul touchscreen. Le opzioni sono 25%, 50%, 75% e 100%.

### Focus Assist

Sono disponibili due modalità di aiuto messa a fuoco: **Peak** e **Colored lines**.

#### Peak

I margini delle aree a fuoco appaiono molto marcate sul touchscreen o sulle uscite SDI, ma solo a scopo di monitoraggio, risaltando sullo sfondo. Se non utilizzi altri strumenti in sovrapposizione, è una funzione molto intuitiva soprattutto quando si mette a fuoco un soggetto nettamente separato dagli altri elementi dell'immagine.

#### Colored Lines

Una linea colorata appare sulle parti dell'immagine a fuoco. È un'opzione più invasiva di Peak, perché le linee appaiono sopra l'immagine, ma è utile per le scene ricche di elementi e aiuta a ottenere una messa a fuoco di precisione.

### Focus Assist Level

Seleziona il livello di aiuto messa a fuoco tra basso **Low** / medio **Medium** / e alto **High** per lo schermo LCD, e le uscite SDI frontale e principale.

**NOTA** Impostare il livello dell'aiuto messa a fuoco non abilita il focus assist sullo schermo LCD o sulle uscite SDI della camera. La funzione va abilitata singolarmente per l'LCD e l'uscita SDI frontale e principale nella tab Monitor.

**SUGGERIMENTO** Il livello ottimale di focus assist dipende dalle riprese. Per esempio un livello alto è ideale per catturare i dettagli dei visi nei primi piani. Invece se si inquadrano il fogliame o un muro di mattoni, un livello alto potrebbe sovrappollare l'immagine.

### Focus Color

Cambia il colore delle linee di aiuto messa a fuoco **Colored lines**. È un'opzione utile per distinguerle facilmente all'interno dell'immagine. Scegli tra bianco **White**, rosso **Red**, verde **Green**, blu **Blue**, e nero **Black**.

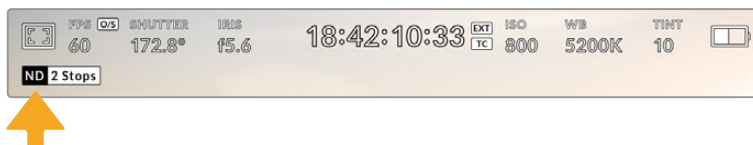
### Zebra Levels

Imposta il livello di esposizione che determina la comparsa delle strisce zebra toccando le frecce laterali. I livelli si impostano in incrementi del 5% tra i valori di esposizione di 75% e 100%.

Per maggiori informazioni, consulta la sezione "Controlli touch" del manuale alla voce "Zebra".

### Indicatore dei filtri ND

Quando regoli i filtri ND su URSA Mini Pro, l'indicatore **ND** appare in alto a sinistra dello schermo LCD touch, e sulle uscite SDI impostate per mostrare le informazioni di stato. Rimane in sovrapposizione quando è selezionato un filtro ND. L'indicatore **Clear** (nessun filtro) scompare dopo 4 secondi.

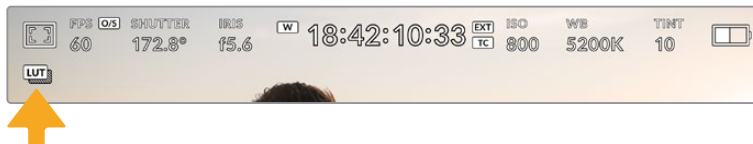


L'indicatore ND appare su schermo quando regoli i filtri ND su URSA Mini Pro

**NOTA** Il valore del filtro ND si può visualizzare come numero ND, stop, o frazione. Imposta il formato preferito nel menù Setup di URSA Mini Pro.

### Indicatore di LUT

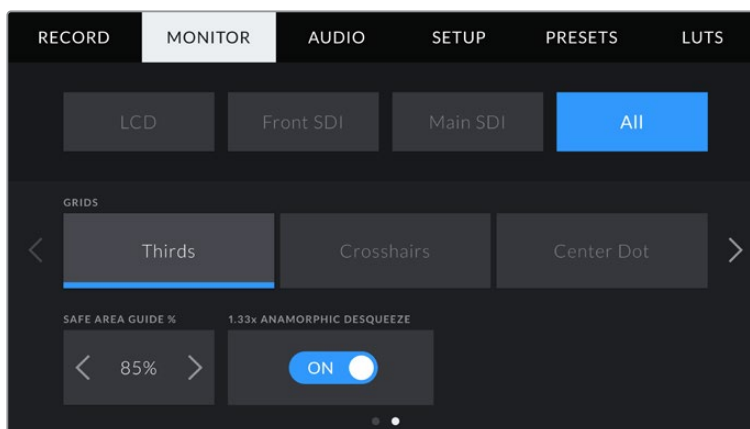
Quando l'opzione **Status Text** è abilitata, la voce **LUT** appare sullo schermo LCD, sull'uscita SDI frontale o su quella principale, a seconda della tua selezione.



La voce LUT indica che una LUT è stata applicata all'immagine

## Monitor – Pagina 2 – Tutte

La seconda pagina delle impostazioni di monitoraggio per tutte le uscite include i setting seguenti:



### Grids

Seleziona le griglie dei terzi **Thirds**, mirino **Crosshairs** o punto centrale **Center dot** su tutte le uscite SDI e sullo schermo LCD touch di URSA Mini.

Per maggiori informazioni, consulta la sezione "Funzioni touch".

### Safe Area Guide %

Regola le dimensioni della safe area toccando le frecce ai lati della percentuale. La percentuale indica le dimensioni della safe area in relazione all'inquadratura. Le emittenti solitamente richiedono una safe area del 90%.

### 1.33x Anamorphic Desqueeze

Con obiettivi anamorfici, l'anteprima delle immagini sulle uscite della camera e le clip registrate appaiono appiattite orizzontalmente. Questa funzione corregge la visualizzazione delle immagini, oltre a salvare i dati del ridimensionamento della clip per semplificare la post produzione.

L'entità della distorsione dipende dalla risoluzione impostata per la camera, ma l'immagine risultante avrà sempre il rapporto d'aspetto del formato widescreen per il cinema 2.4:1.

Gli obiettivi anamorfici per il cinema solitamente hanno un fattore di ridimensionamento di 2x. La risoluzione 3K anamorfico di URSA Mini è progettata per utilizzare questo tipo di obiettivo, e quando la funzione 1.33x Anamorphic Desqueeze) è selezionata, ridimensiona l'immagine di 2x.

Gli obiettivi anamorfici progettati per i sensori digitali 16:9 spesso hanno un fattore di ridimensionamento di 1.33x per produrre immagini widescreen 2.4:1. Di conseguenza, quando la camera è impostata su risoluzioni 16:9 come 4K 16:9 e HD 16:9, il fattore di ridimensionamento è di 1.33:1.

**SUGGERIMENTO** Se l'immagine appare appiattita orizzontalmente quando riprendi con una lente sferica, accertati di non aver abilitato il de-squeeze anamorfico.

## Impostazioni audio

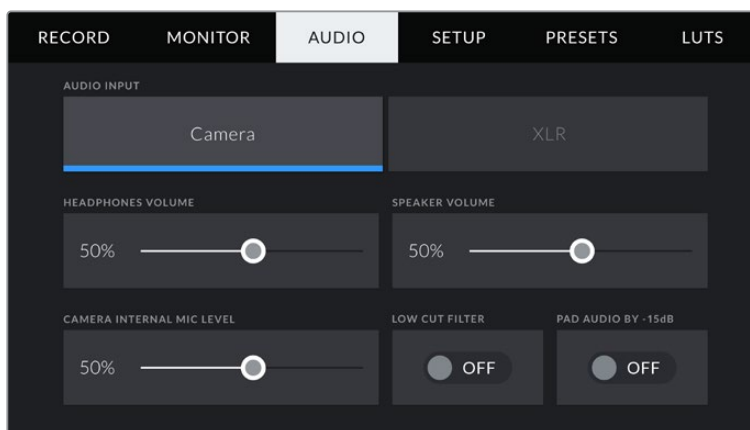
La tab Audio contiene le impostazioni per gestire l'audio in entrata e il monitoraggio. Questo menù varia leggermente tra i modelli URSA Mini e URSA Mini Pro.

### Audio – URSA Mini

Le impostazioni audio sono divise in audio integrato **Camera** e esterno **XLR**. L'opzione XLR è composta da due pagine, accessibili con le frecce laterali o sfogliando col dito verso destra o sinistra sul touchscreen.

#### Impostazioni audio Camera

Le impostazioni audio del menù **Camera** occupano una sola pagina:



#### Headphones Volume

Sposta lo slider a destra o a sinistra per regolare il volume delle cuffie .

#### Volume Speaker

Sposta lo slider a destra o a sinistra per regolare il volume dello speaker integrato .

#### Camera Internal Mic Level

Sposta lo slider a destra o a sinistra per regolare il volume del microfono integrato . Registra sui canali audio 1 e 2.

#### Low Cut Filter

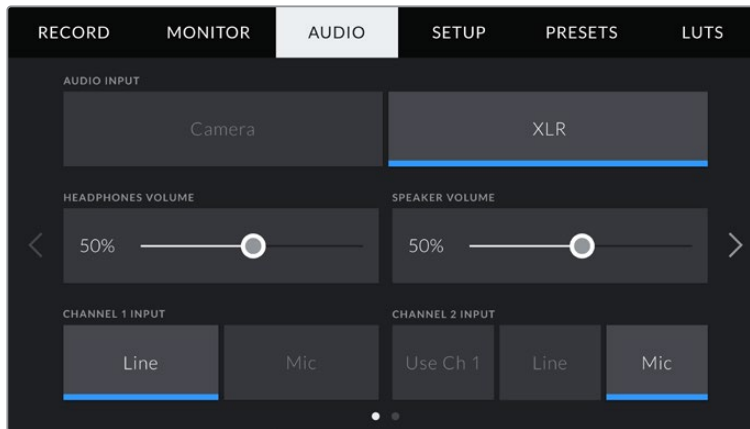
Abilita il filtro low cut per il microfono interno. Il filtro riduce il rumore del vento o della bassa frequenza spesso presente quando si registra in esterno. Per usare questo filtro, sposta l'interruttore **Pad Audio by -15 dB** su **Off**.

#### Pad Audio By -15dB

Questa opzione riduce ulteriormente il gain del microfono integrato alla camera quando registra in un ambiente rumoroso e con livelli audio in entrata già abbassati.

## Impostazioni audio – XLR – Pagina 1

Le impostazioni audio del menù **XLR** occupano due pagine. La prima pagina del menù XLR include i setting seguenti:



### Headphones Volume

Sposta lo slider a destra o a sinistra per regolare il volume delle cuffie .

### Speaker Volume

Sposta lo slider a destra o a sinistra per regolare il volume dello speaker integrato .

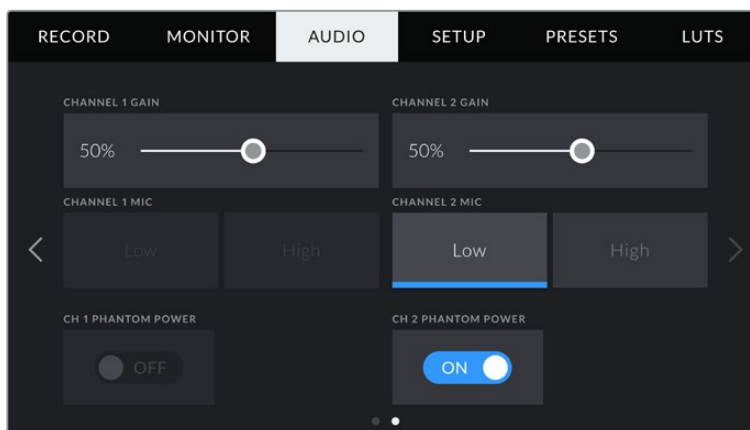
### Channel 1 and 2 input

Seleziona **Line** o **Mic** e regola i livelli dell'audio esterno per i canali 1 e 2. Line corrisponde al livello linea, e Mic ai livelli dei microfoni 48V con alimentazione phantom. Selezionare il corretto livello per il segnale audio è importante, e puoi impostarlo indipendentemente per il canale 1 e il canale 2.

Il canale 2 può anche utilizzare l'ingresso del canale 1 per registrare l'audio esterno del canale 1 sui canali 1 e 2.

## Impostazioni audio – XLR – Pagina 2

La seconda pagina del menù XLR include i setting seguenti:



### Channel 1 Gain, Channel 2 Gain

Sposta lo slider a destra o a sinistra per regolare i livelli audio di ciascun canale.

### Channel 1, Channel 2 Mic

Imposta i livelli di pre-amplificazione su bassi **Low** o alti **High** dei microfoni esterni per un maggiore controllo del gain in entrata. Il livello **Low** è utile in ambienti rumorosi anche quando l'audio in entrata è già stato abbassato.

### Channel 1, Channel 2 phantom power

Sfrutta l'alimentazione phantom di 48V dell'ingresso XLR per alimentare microfoni senza alimentazione propria. Seleziona l'ingresso audio **XLR** e sposta l'interruttore su **On** per abilitare l'alimentazione phantom sul canale desiderato.

**NOTA** Connetti il cavo XLR prima di abilitare l'alimentazione phantom. Disabilita l'alimentazione phantom quando disconnetti il microfono con alimentazione phantom, perché inviare alimentazione phantom all'attrezzatura connessa che non la richiede potrebbe danneggiarla. La carica continua per qualche minuto dopo la disconnessione dell'alimentazione phantom. Consigliamo di attendere qualche minuto dalla disconnessione dell'alimentazione phantom prima di connettere microfoni o dispositivi XLR con alimentazione propria.

## Audio – URSA Mini Pro

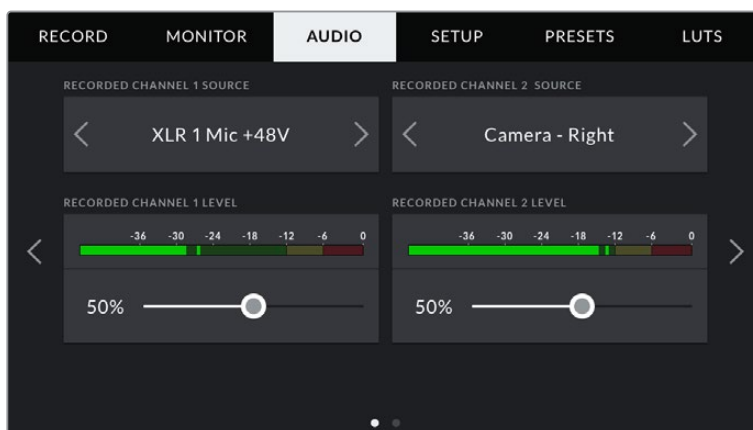
La tab Audio di URSA Mini Pro è suddivisa in due pagine, a loro volta divise tra canale 1 e canale 2. Un aggiornamento futuro aggiungerà altri due canali.

Puoi assegnare ogni canale audio a una fonte differente, e regolare vari parametri come padding e filtri low cut.

Queste impostazioni comunicano con gli interruttori fisici sul pannello di controllo interno di URSA Mini Pro. Imposta la fonte audio per un determinato canale, poi utilizza gli interruttori sul pannello di controllo interno per selezionare il tipo di segnale, e abilitare l'alimentazione phantom su quel canale.

### Audio – Pagina 1

La prima pagina delle impostazioni audio di URSA Mini Pro include i setting seguenti:



## Recorded Channel 1 / 2 Source

Seleziona la fonte audio per ogni canale. Le opzioni disponibili sono:

### Camera Left or Right

Registra l'audio dai microfoni interni della camera.

### Camera Mono

Crea un canale singolo dai canali destro e sinistro del microfono integrato della camera.

### XLR 1 / XLR 2

Registra l'audio dagli ingressi XLR della camera. In base al segnale audio selezionato con gli interruttori del pannello di controllo interno di URSA Mini Pro, il segnale audio dell'ingresso XLR sarà su Mic, Line o AES. Se hai abilitato l'alimentazione phantom, e l'ingresso XLR è impostato su Mic, vedrai apparire anche l'indicatore +48V. Su URSA Mini Pro, accertati di impostare l'interruttore +48V su Off una volta disconnesso il microfono ad alimentazione phantom.

### XLR 1 / XLR 2 - mic backup

Registra l'audio da un microfono connesso all'ingresso XLR 1 o XLR 2 di URSA Mini Pro a un livello più basso dello standard di registrazione microfonico. Questa funzione è utile per evitare il clipping audio in caso di un aumento inaspettato di loudness. È selezionabile solo quando l'interruttore XLR 1 o XLR 2 sul pannello interno è impostato su Mic.

### None

Disabilita il canale audio.

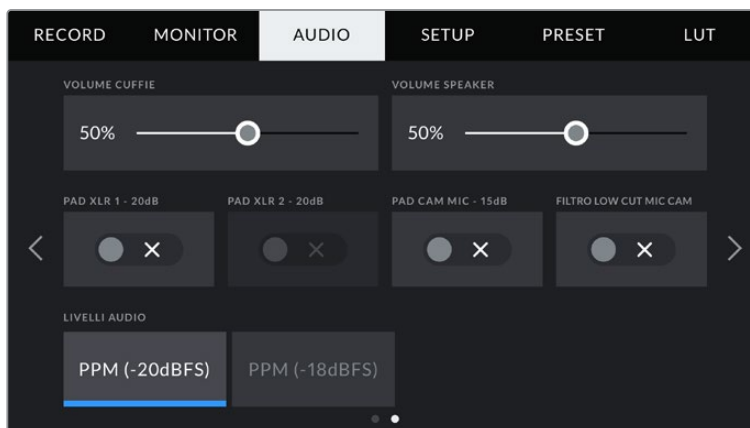
## Recorded Channel 1/2 Level

Sposta gli slider per regolare i livelli audio delle fonti per i canali 1 e 2. Sopra ogni slider trovi gli indicatori di livello audio per una regolazione ottimale. Gli indicatori rispecchiano in tempo reale la regolazione effettuata con le manopole del pannello di controllo ergonomico.

Per ottenere una qualità audio ottimale, è consigliabile evitare di raggiungere 0 dBFS. Questo è il livello massimo di registrazione supportato dalla camera, che una volta superato risulta in clipping, causando distorsione.

## Audio – Pagina 2

La seconda pagina delle impostazioni audio di URSA Mini Pro include i setting seguenti:



Le impostazioni dei livelli audio su URSA Mini Pro 12K e URSA Mini Pro G1



### Headphones Volume

Sposta lo slider a destra o a sinistra per regolare il volume delle cuffie . I livelli rispecchiano in tempo reale la regolazione del volume effettuata con la rotella del pannello di controllo anteriore.

### Speaker Volume

Sposta lo slider a destra o a sinistra per regolare il volume dello speaker integrato . I livelli rispecchiano in tempo reale la regolazione del volume effettuata con la rotella del pannello di controllo anteriore.

### Pad XLR -20dB (1 e 2)

Questa opzione riduce ulteriormente i livelli di gain sugli ingressi XLR di URSA Mini quando si registra in un ambiente rumoroso e con livelli audio in entrata già abbassati.

### Pad Cam Mic - 15 dB

Questa opzione riduce ulteriormente il gain del microfono integrato a URSA Mini quando registra in un ambiente rumoroso e con livelli audio in entrata già abbassati.

### Cam Mic Low Cut Filter

Abilita il filtro low cut per il microfono interno.

Il filtro riduce il rumore del vento o della bassa frequenza spesso presente quando si registra in esterno. Per usare questo filtro, disabilita l'impostazione **Pad Cam Mic -15 dB**.

### Livelli audio

Seleziona lo standard dei livelli del picco.

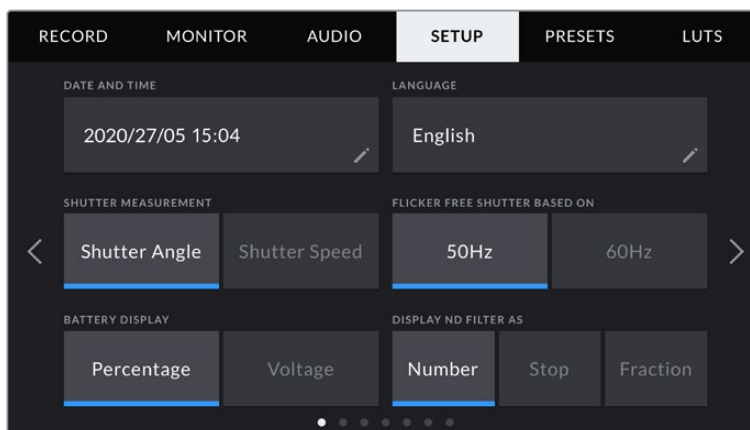
Impostazione	Standard
PPM (-20 dBFS)	SMPTE RP.0155
PPM (-18 dBFS)	EBU R.68

## Impostazioni generali

La tab **Setup** identifica URSA Mini e la versione del software, e include una serie di impostazioni non in diretta relazione con la registrazione o il monitoraggio, tra cui quelle per i pulsanti funzione. La tab è composta da più pagine, accessibili con le frecce laterali o sfogliando col dito verso destra o sinistra sul touchscreen.

**NOTA** Le impostazioni e le funzioni contenute nelle pagine della tab Setup possono essere disposte in modo leggermente diverso a seconda del modello di URSA Mini. Per esempio, la tab Setup di URSA Mini Pro 4.6K G2 contiene 5 pagine, mentre quella di URSA Mini Pro 12K ne ha 7.

La prima pagina delle impostazioni generali di URSA Mini include i setting seguenti:



Su URSA Mini Pro 12K, URSA Mini Pro 4.6K G2 e URSA Mini Pro 4.6K, la prima pagina della tab Setup include le opzioni di visualizzazione dei filtri ND, ma non su URSA Mini 4.6K e URSA Mini 4K perché i filtri ND non sono disponibili

### Date and Time

Imposta data e ora sulla camera nel formato anno/mese/giorno e ore:minuti. Data e ora sono utilizzati per rilevare il timecode ora del giorno, in assenza di timecode esterno.

### Lingua

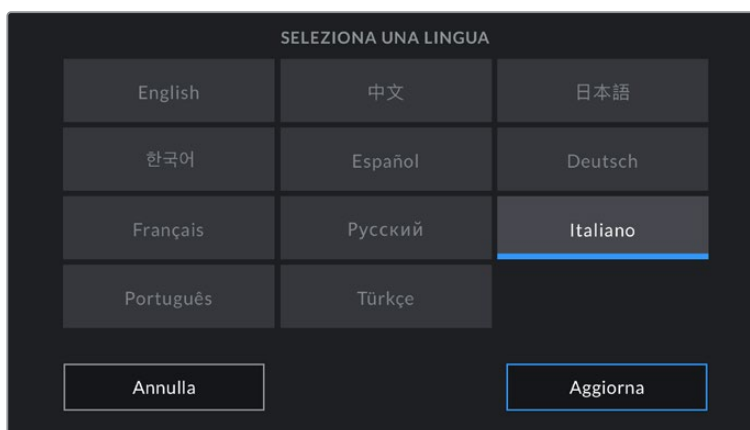
Al momento, l'unica lingua disponibile per i modelli URSA Mini Pro 4.6K G2, URSA Mini 4.6K e URSA Mini 4K è l'inglese.

Il software di URSA Mini Pro 12K e URSA Mini Pro 4.6K G1 è disponibile in 11 lingue: inglese, cinese, giapponese, coreano, spagnolo, tedesco, francese, russo, italiano, portoghese e turco.

All'avvio del sistema, l'interfaccia mostra una pagina con tutte le lingue disponibili.

Per selezionare una lingua:

- 1 Tocca la voce **Language** e seleziona quella desiderata dalla lista.
- 2 Tocca **Update** per confermare.



### Shutter Measurement

Su URSA Mini 4.6K e URSA Mini Pro è possibile visualizzare le informazioni di shutter come angolo dell'otturatore **Shutter angle** o velocità dell'otturatore **Shutter speed**.

Se scegli l'angolo dell'otturatore, lo shutter si conforma al frame rate. Per esempio, il frame rate non incide sull'effetto del mosso di un angolo di 180 gradi.

Se invece lavori con la velocità dell'otturatore, a quest'ultimo viene assegnato un valore assoluto determinato indipendentemente dal frame rate. Quindi se cambi il frame rate, si otterrà un risultato diverso.

Per esempio, quando registri a 24 fps, la velocità dell'otturatore di 1/48 di secondo produce un effetto del mosso ottimale equivalente a un angolo dell'otturatore di 180 gradi. Ma se cambi il frame rate a 48 fps con la velocità dell'otturatore di 1/48 di secondo, si produce l'equivalente di un angolo dell'otturatore di 360 gradi, variando l'effetto del mosso. In questo esempio, quando cambi il frame rate a 48 fps, è necessario cambiare la velocità dell'otturatore a 1/96 di secondo per ottenere lo stesso effetto di un angolo dell'otturatore di 180 gradi.

### **Flicker Free Shutter Based On**

Cambia la frequenza della corrente di URSA Mini per calcolare le impostazioni dell'otturatore senza sfarfallio.

È specialmente utile quando si riprende sotto luci artificiali. URSA Mini calcola automaticamente l'angolo dell'otturatore senza sfarfallio per il frame rate utilizzato, e suggerisce fino a 3 valori di shutter sul display. I diversi valori dello shutter dipendono dalla frequenza della fonte utilizzata per alimentare le luci. Solitamente nei paesi che utilizzano PAL la frequenza è 50Hz, e in quelli che utilizzano NTSC, 60Hz. Tocca **50Hz** o **60Hz** per impostare la frequenza adatta al paese in cui lavori.

**NOTA** Le caratteristiche delle diverse fonti di luce potrebbero causare sfarfallio anche quando selezioni il valore dello shutter suggerito. Consigliamo di testare sempre la registrazione se l'illuminazione non è stabile.

### **Battery Display**

Scegli se visualizzare la carica residua della batteria come percentuale **Percentage** o voltaggio **Voltage**. Per le batterie e le piastre per batteria compatibili con la lettura della carica residua come percentuale, seleziona Percentage.

**SUGGERIMENTO** La lista delle batterie compatibili con la lettura della carica residua in percentuale è disponibile alla sezione "Montare le batterie".

Altrimenti l'indicatore della batteria è un'icona a 4 barre, che scompaiono man mano che la batteria si scarica.

Seleziona Voltage per visualizzare la carica in volt. Consigliamo di sostituire la batteria quando si avvicina ai 12V.

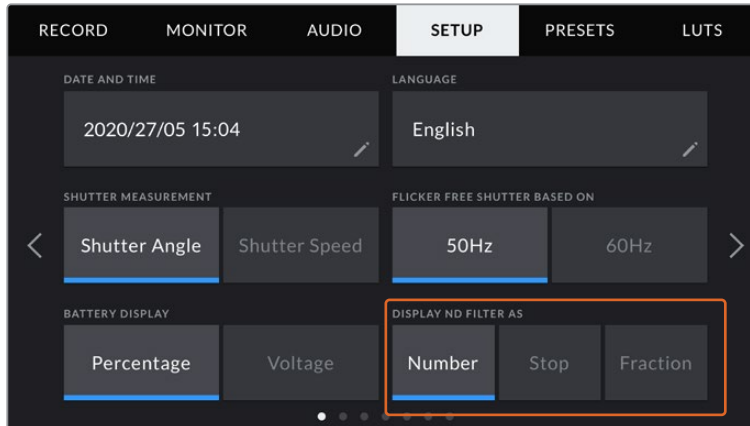
**SUGGERIMENTO** Tocca l'icona della batteria sullo schermo LCD per passare da tensione a percentuale.

### **Timecode Drop Frame**

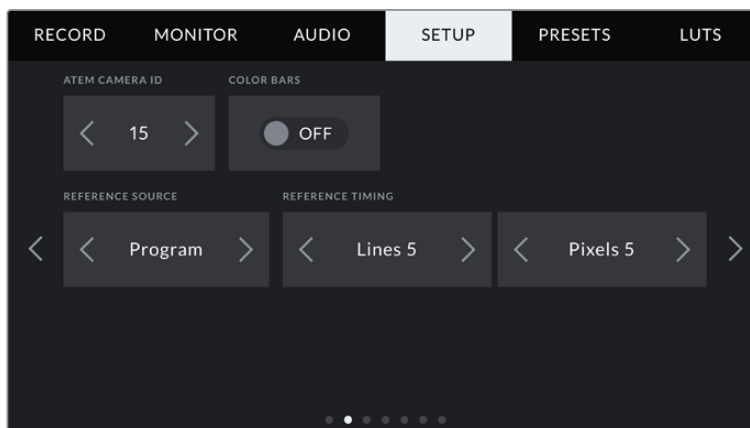
Abilita questa opzione se usi un frame rate di 29.97 o 59.94 in un progetto nel formato NTSC. Questa opzione elimina alcuni fotogrammi dal timecode a intervalli regolari, per mantenere il timecode accurato nonostante il fatto che ogni secondo non contenga un numero intero di fotogrammi con i frame rate del NTSC.

### Display ND Filter As

Scegli il modo in cui visualizzare i filtri ND su URSA Mini Pro. Le opzioni riflettono le diverse convenzioni adottate nell'industria. Nel cinema solitamente si utilizzano i numeri, mentre nel broadcast o per le DSLR si favoriscono gli f-stop, o la frazione della luce disponibile. Le tre opzioni selezionabili sono **Number**, **Stop**, e **Fraction**.



Su URSA Mini Pro puoi scegliere come visualizzare i filtri ND dalla tab Setup



La voce **Program Audio** è disponibile solo su URSA Mini Pro.

### ATEM Camera ID

Assegna un numero identificativo alla camera di modo che possa ricevere il segnale tally corretto quando è connessa a uno switcher ATEM. Tocca le frecce per selezionare un numero tra 1-99. Il numero di default è 1.

### Color Bars

Abilita questa impostazione per visualizzare le barre di colore invece dell'anteprima dell'immagine. È utile quando URSA Mini è connessa a uno switcher o a un monitor esterno. Le barre di colore appaiono sullo switcher o sul monitor e confermano la connessione con la URSA Mini. Inoltre consentono di effettuare una taratura iniziale del monitor. Per visualizzarle su tutte le uscite della camera (incluso il touchscreen), sposta l'interruttore **Color Bars** su **On**.

## Reference Source

Scegli se utilizzare una fonte di riferimento interna, esterna, o del programma in entrata dallo switcher ATEM. Se gestisci URSA Mini con le funzioni di controllo camera dello switcher ATEM, imposta sempre la fonte di riferimento su **Program**, a meno che lo switcher e le camere collegate siano impostate su un riferimento esterno.

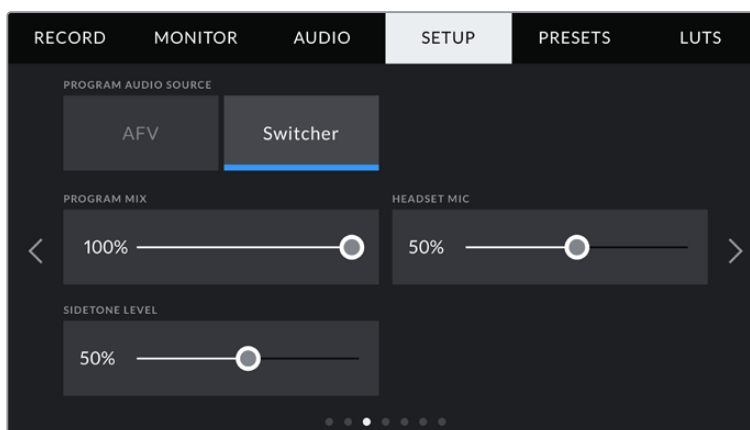
**NOTA** Quando cambi la fonte di riferimento su URSA Mini, è possibile che si verifichi una breve perdita di segnale dovuto al tempo impiegato dalla camera per adattarsi al nuovo segnale di riferimento scelto. Per questo motivo è importante evitare di cambiare questa impostazione durante le riprese.

## Reference Timing

Regola manualmente il riferimento temporale con le frecce ai lati delle voci **Lines** e **Pixels**.

## Setup - Pagina 3

La terza pagina delle impostazioni generali di URSA Mini include i setting seguenti:



### Program Audio Source

Questa opzione è disponibile solo su URSA Mini Pro. Se la camera è connessa a uno switcher, sposta l'interruttore su **On** per mixare il ritorno audio del programma con il talkback. È utile per ascoltare in cuffia l'audio del programma dallo switcher, in entrata dalla porta SDI In, anche quando non riceve l'audio dalla camera. Sposta **Program audio** su **Off** per dare priorità all'audio dei microfoni interni della camera, o all'audio in entrata dalle porte XRL. Questa è l'opzione di default.

### Program Mix

Regola il volume dell'audio di ripresa rispetto al talkback. Le cuffie ricevono l'audio in base a quanto visualizzato sullo schermo LCD. Per esempio, in modalità di visualizzazione delle immagini, ricevono l'audio della camera. Quando il touchscreen visualizza le immagini del programma, le cuffie ricevono l'audio del programma. Di default questo slider è impostato su 100%.

### Headset Mic

Sposta lo slider a destra o a sinistra per regolare il volume del microfono in entrata. Di default è impostato su 50%.

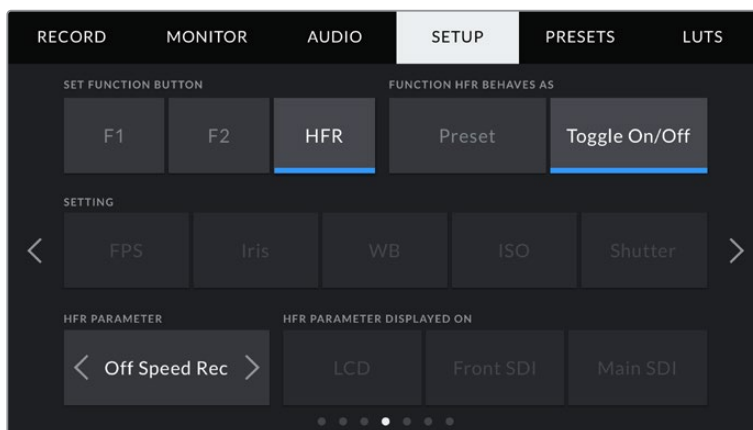
### Sidetone Level

Sposta lo slider per regolare il volume del microfono delle cuffie per la tua voce.

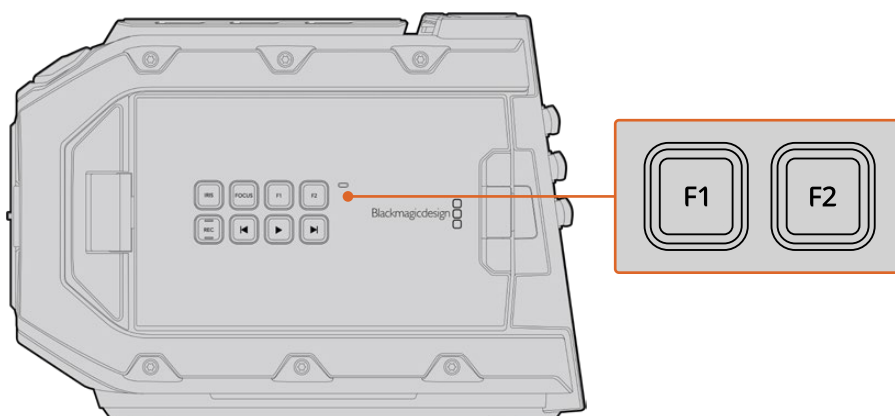
## Set Function Button

Mappa i pulsanti **F1** e **F2**, situati sul lato esterno dello schermo richiudibile di URSA Mini, con le funzioni che preferisci per un accesso rapido quando lo schermo LCD è chiuso, per esempio se lavori con il mirino URSA Viewfinder.

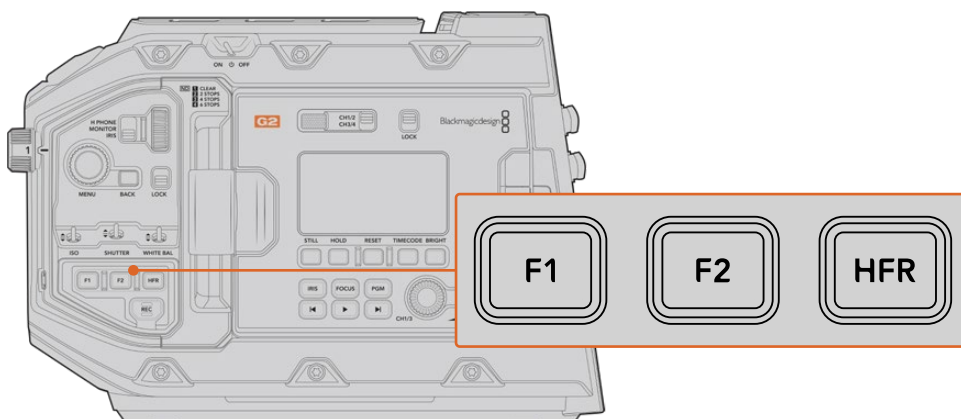
Su URSA Mini Pro 12K, URSA Mini Pro 4.6K G2 e URSA Mini Pro 4.6K è possibile assegnare il pulsante HFR a un'altra funzione, o disabilitarlo. Di default, HFR è assegnato alla registrazione **Off Speed Rec.**



Su URSA Mini Pro 12K, URSA Mini Pro 4.6K G2 e URSA Mini Pro 4.6K è possibile assegnare il pulsante HFR a un'altra funzione

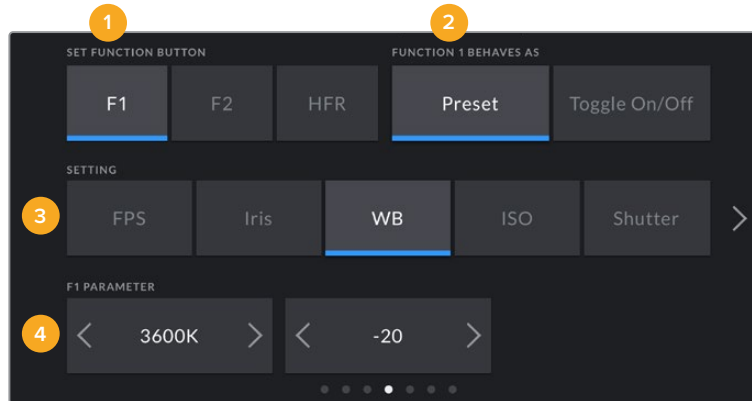


I pulsanti funzione F1 e F2 sul dorso dello schermo LCD touch di URSA Mini



Su URSA Mini Pro 12K, URSA Mini Pro 4.6K G2, URSA Mini Pro 4.6K e URSA Mini 4.6K è possibile assegnare a scelta le funzioni dei pulsanti F1, F2, e HFR a un'altra funzione, o disabilitarli

**SUGGERIMENTO** Se utilizzi un obiettivo B4 su URSA Mini Pro G1, puoi personalizzare i pulsanti VTR e RET con un predefinito, o in modo che alternino le funzioni come per i pulsanti F1, F2, e HFR.



1 Pulsante 2 Funzione 3 Impostazione 4 Parametro

### Function 1 / 2 Behaves As

Una volta selezionato il pulsante, scegli il comando da assegnare. Su URSA Mini Pro 12K, URSA Mini Pro 4.6K G2, URSA Mini Pro 4.6K e URSA Mini 4.6K è possibile assegnare il pulsante HFR a un'altra funzione, o disabilitarlo.

Le opzioni disponibili sono:

#### Preset

Premendo il pulsante funzione si richiama un'impostazione con un parametro predefinito.

Per salvare un parametro predefinito, seleziona il pulsante **F1 > Preset** e la impostazione desiderata in **Setting**, per esempio **Iris**.

Poi da **F1 Parameter** scegli il valore **8.0** toccando le frecce. Ora quando premi il pulsante F1 selezioni l'apertura f8 del diaframma. Premilo di nuovo per tornare al setting precedente.

#### Up/Down

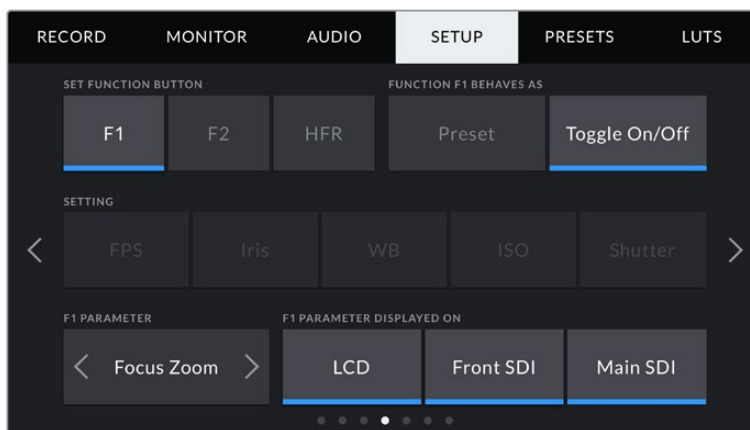
Selezionando questa funzione, premendo F1 o F2 si aumenta o diminuisce il parametro di un'impostazione.

Per esempio, puoi aumentare l'apertura del diaframma con F1 e diminuirla con F2. Seleziona il pulsante **F1 > Up/Down > Iris** e **Up**. Fai lo stesso per il pulsante con **F2 > Up/Down > Iris** e **Down**.

#### Toggle On/Off

Premendo il pulsante funzione si abilita o disabilita una determinata impostazione. In questa modalità, la voce **Setting** non è attiva. Invece la voce **Parameter** permette di selezionare le seguenti opzioni: frame rate del sensore **Off speed recording**, **Color bars**, **Push to talk**, **Clean feed**, **Display LUT**, **Frame guides**, **Focus assist**, **False color**, e **Zebra**. Sui modelli URSA Mini Pro è disponibile l'opzione **None**, ovvero nessuna selezione.

URSA Mini Pro 12K include anche lo zoom con doppio tocco **Focus Zoom**. Per tutti i dettagli su come utilizzare questa funzione quando è abilitata sul display LCD, consulta la sezione "Zoom con doppio tocco". Quando Focus Zoom è abilitato sulle uscite SDI, puoi spostare l'area di zoom con la rotella Iris e cambiare l'ingrandimento con la rotella Menu.

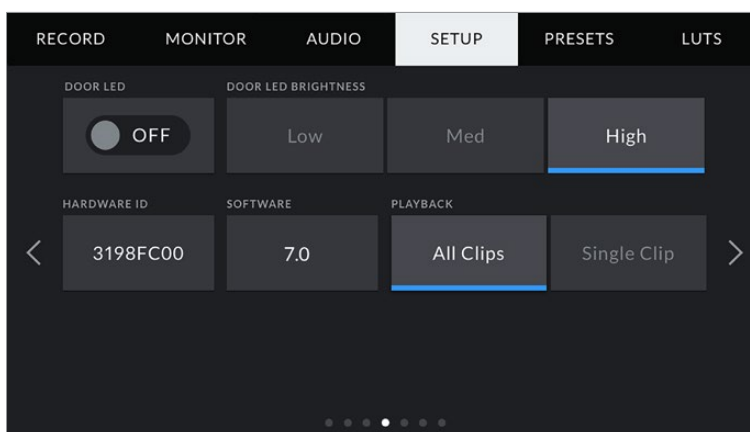


Focus Zoom si può applicare a qualsiasi uscita di monitoraggio. Per ottenere una messa a fuoco impeccabile, applicalo a tutte e tre le uscite

Puoi anche selezionare l'uscita desiderata per l'impostazione scelta, per esempio una combinazione qualsiasi tra schermo LCD e le uscite SDI frontale e principale. Alcune uscite non sono selezionabili per determinate impostazioni, per esempio Color Bars, perché le barre di colore vengono sempre applicate di default a tutte le uscite. Sui modelli URSA Mini Pro puoi disabilitare la funzione e il pulsante HFR selezionando **None**.

**NOTA** Quando selezioni Focus Zoom > All, le impostazioni LUT 3D e Focus Assist selezionate per l'uscita SDI frontale verranno applicate a tutte e tre le uscite (LCD, Front SDI, Main SDI) in fase di zoom. Le guide di inquadratura, le griglie e la safe area non vengono visualizzate.

Se utilizzi un obiettivo B4 su URSA Mini Pro 4.6K G1, puoi personalizzare i pulsanti VTR e RET con una funzione specifica. Per esempio, se si registrano i flussi video di ciascuna camera separatamente con un HyperDeck, potrebbe essere utile impostare VTR come pulsante Premi per parlare.



### Status LED

Sul pannello anteriore dei modelli URSA Mini Pro c'è una spia, che segnala il tally e le informazioni di stato. Usa questo interruttore per abilitare o disabilitare la spia. La spia di stato si trova sul dorso del touchscreen di URSA Mini, vicino al tasto F2.



La spia si illumina secondo lo stato:

<b>Bianco</b>	La camera è accesa e in modalità standby.
<b>Rosso</b>	La camera è in modalità registrazione. Se lampeggia lentamente, la scheda è quasi piena; se lampeggia velocemente sono presenti dei drop frame.
<b>Verde</b>	La camera è in modalità riproduzione e la spia LED lampeggia lentamente quando si riproduce una clip. Quando il supporto di memoria inserito viene riconosciuto, lampeggia in verde e bianco tre volte.
<b>Arancione</b>	La spia lampeggia di arancione e dell'altro colore di stato per indicare che la batteria è quasi scarica. Per esempio in fase di registrazione, la spia alterna arancione e rosso, oppure bianco e arancione se la camera è in standby. Il livello di batteria residua che

### Status LED Brightness

Seleziona la luminosità della spia tally tra bassa **Low**, media **Medium**, e alta **High**.

### Hardware ID

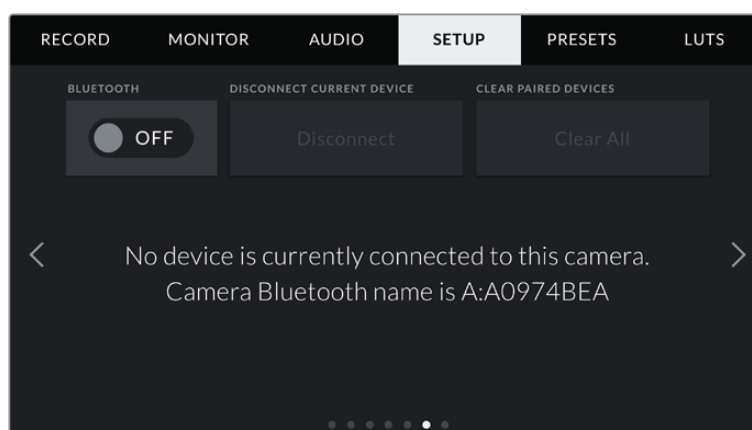
Mostra il codice di identificazione a 8 caratteri della tua URSA Mini. Una versione più lunga di questo codice (32 caratteri) è inclusa nei metadati del video Blackmagic RAW e ProRes. È utile per identificare la provenienza delle immagini quando viene cambiato il nome dei file, perché l'ID della camera rimane invariato.

### Software

Mostra la versione del software installato su URSA Mini. Per tutti i dettagli su come aggiornare il software, consulta la sezione "Utilità Blackmagic Camera Setup".

### Playback

Scegli di riprodurre una clip o tutte le clip. **All clips** riproduce tutte le clip sulla scheda in ordine sequenziale, **Single clip** una clip alla volta. All Clips riproduce tutte le clip sulla scheda CFast 2.0 o SD in ordine sequenziale, **Single Clip > Loop** riproduce continuamente una sola clip.



Il nome del Bluetooth è composto dalla lettera della camera inserita nel ciak digitale, seguita dal codice di identificazione hardware a 8 cifre di URSA Mini

## Bluetooth®

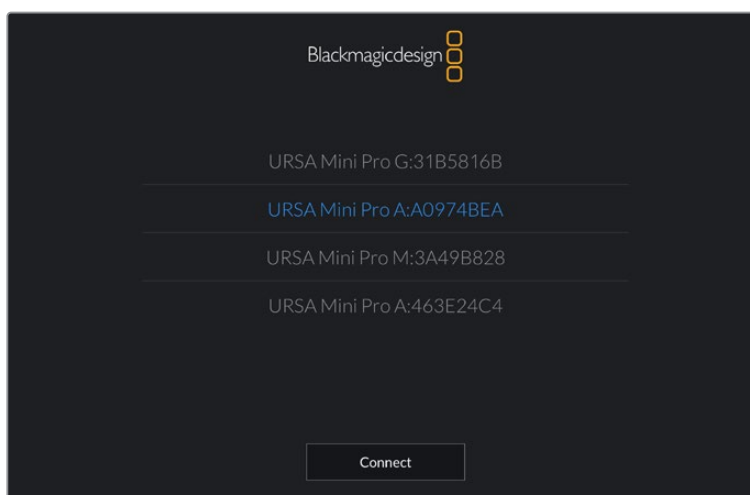
Gestisci la camera senza cavi da dispositivi portatili con la tecnologia Bluetooth. Con la app di controllo Blackmagic Camera Control, puoi utilizzare un iPad per accendere/spegnere la camera, modificare le impostazioni e i metadati, e avviare/terminare la registrazione. Abilita o disabilita questa funzione spostando l'interruttore **Bluetooth** su **On** o **Off**. Se abilitata, la camera è gestibile tramite Bluetooth fino a 9 metri di distanza.

Poiché URSA Mini Pro utilizza gli stessi comandi del protocollo Blackmagic SDI Camera Control Protocol, puoi creare applicazioni di controllo su misura tramite Bluetooth, e gestire qualsiasi parametro della camera in modalità remota, inclusi i setting di monitoraggio, di audio, di correzione colore DaVinci Resolve integrata alla camera e di controllo degli obiettivi.

Per maggiori informazioni, consulta la sezione "Blackmagic SDI Camera Control Protocol".

### Per abbinare camera e iPad per la prima volta:

- 1 Su URSA Mini Pro, seleziona **Bluetooth** > **On** nella tab Setup.
- 2 Apri la app Blackmagic Camera Control App e seleziona la URSA Mini Pro a cui accoppiarla. Le camere disponibili appaiono con il nome del modello, seguito dalla lettera della camera e dal numero di identificazione. Per esempio A:A0974BEA.



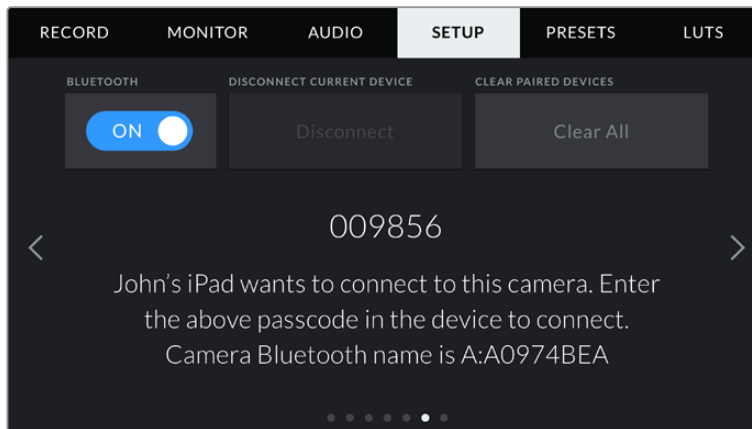
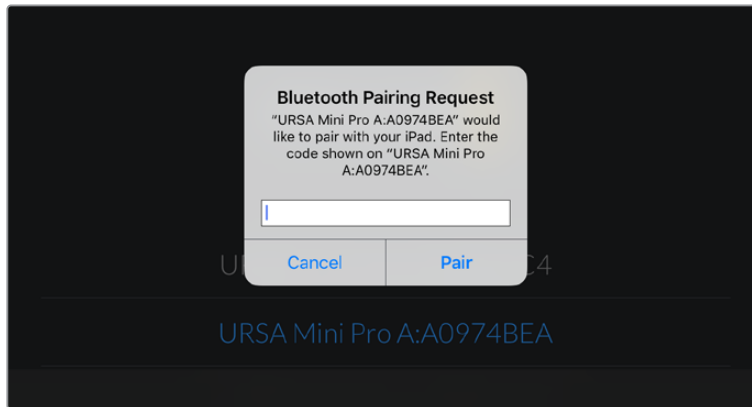
Seleziona la URSA Mini Pro che vuoi abbinare con l'iPad

**NOTA** Quando installi la app Blackmagic Camera Control per la prima volta, apparirà un messaggio di richiesta di accesso alla tua posizione. Seleziona *Mentre usi l'app* per includere la posizione del GPS nei metadati delle clip. Blackmagic DaVinci Resolve 14 e successivi sono in grado di leggere queste informazioni.

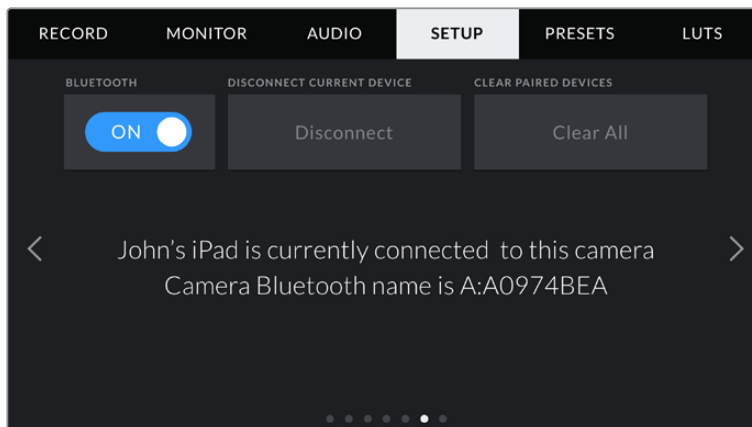
Seleziona *Mai* se preferisci non generare il geotag.

Per cambiare le impostazioni, vai su Impostazioni > Privacy > Localizzazione > Camera Control del tuo iPad.

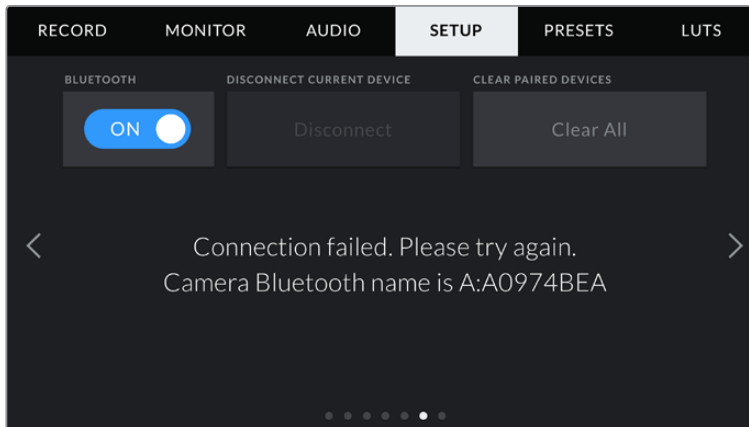
- 3 La prima volta che abbini iPad e camera, Blackmagic Camera Control App richiede un codice di 6 caratteri, che appare sullo schermo LCD della camera. Digita il codice sull'iPad.



- 4 Quando URSA Mini Pro è connessa all'iPad, vedrai un messaggio conferma.



- 5 In caso di errore, appare il seguente messaggio:



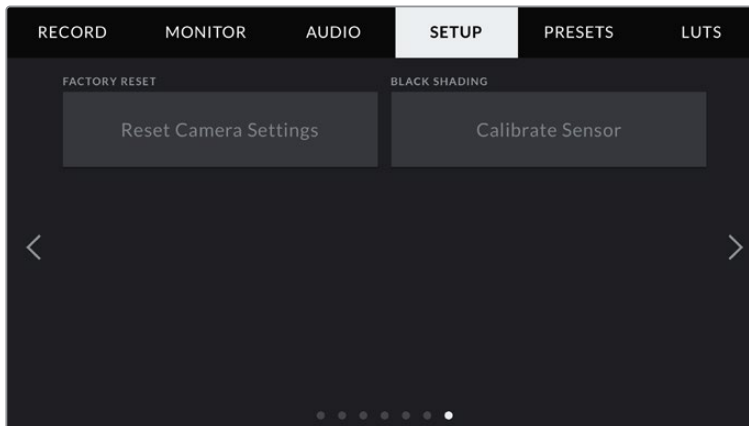
**NOTA** Per motivi di sicurezza, consigliamo di disabilitare la funzione Bluetooth se non si sta utilizzando per controllare URSA Mini Pro.

#### **Disconnect Current Device**

Seleziona **Disconnect** per dissociare URSA Mini Pro dall'iPad al quale è abbinata.

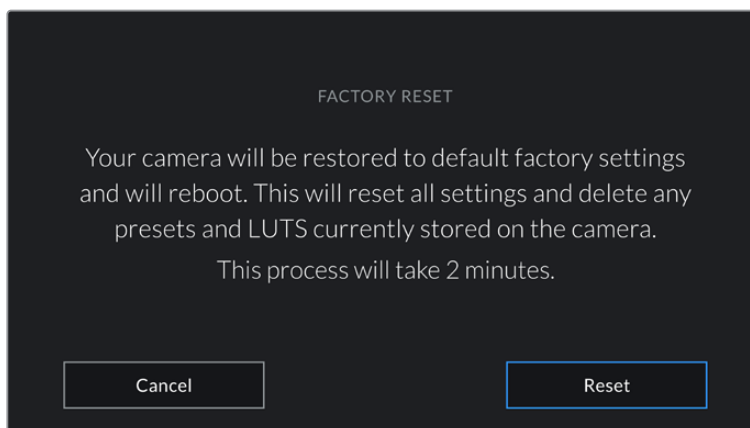
#### **Clear Paired Devices**

Seleziona **Clear all** per cancellare la lista di dispositivi ai quali la camera è stata abbinata.



#### **Factory Reset**

Per tornare alle impostazioni di fabbrica, tocca **Reset**. Ti sarà chiesto di confermare di nuovo, poiché l'operazione cancella tutti i predefiniti e le LUT salvate sulla camera. La camera resetta tutte le impostazioni, eliminando i predefiniti e le LUT presenti. Per questo è consigliabile esportare i predefiniti su un supporto di memoria come copia di backup prima di tornare alle impostazioni di fabbrica. A seguito del resettaggio, puoi ripristinare i predefiniti e le LUT in un attimo, importandoli dal supporto di memoria. Si consiglia di effettuare anche una calibrazione del black shading.

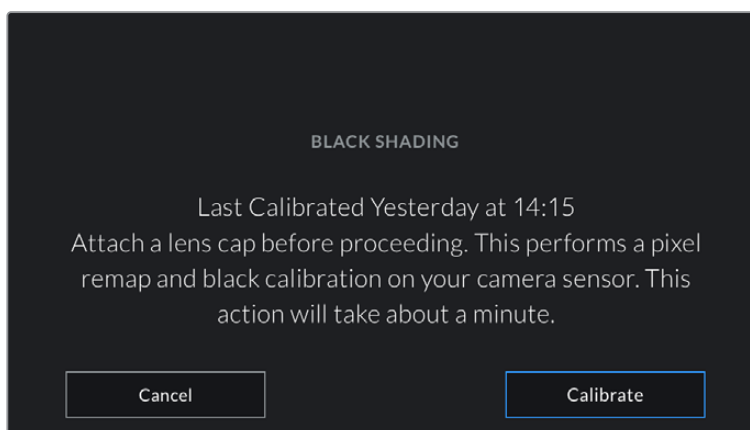


Il messaggio di conferma prima di ripristinare le impostazioni di fabbrica

### Black Shading

Ottimizza l'immagine bilanciando i livelli di nero sul sensore. Questa opzione è disponibile su URSA Mini con sensore 4.6K. Consigliamo di attivare questa opzione quando la camera è accesa da qualche minuto. Prima di calibrare i livelli di nero, rimetti il coperchio sull'obiettivo o sulla camera, poi tocca **Calibrate**. Un messaggio ti chiederà di confermare l'operazione, poiché la nuova impostazione cancella quella precedente. La calibrazione richiede qualche secondo, e una notifica appare una volta completata. La camera salva data e ora dell'ultima operazione di black shading. L'immagine risulterà ottimizzata nelle zone di ombra.

URSA Mini Pro 4.6K G2 inoltre offre anche una funzione di calibrazione aggiuntiva destinata ai pixel, che ottimizza i livelli di nero. Questo processo dura circa un minuto.



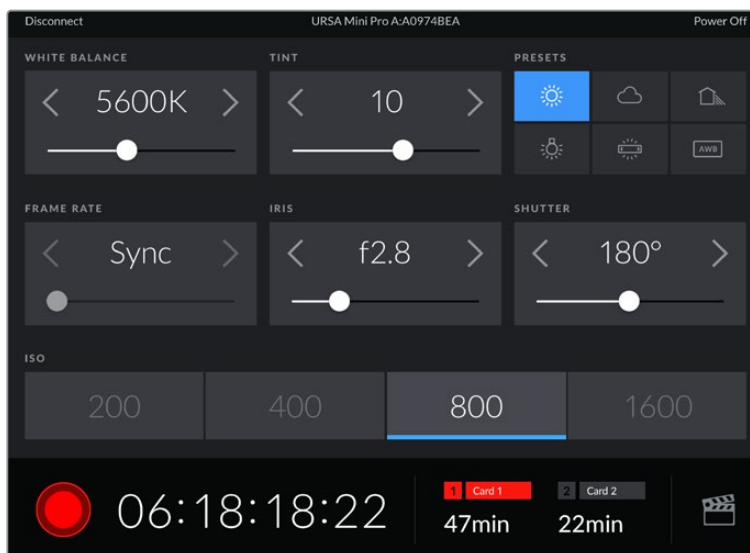
Il messaggio di richiesta conferma prima di calibrare lo shading dei neri

### Motion Sensor Calibration

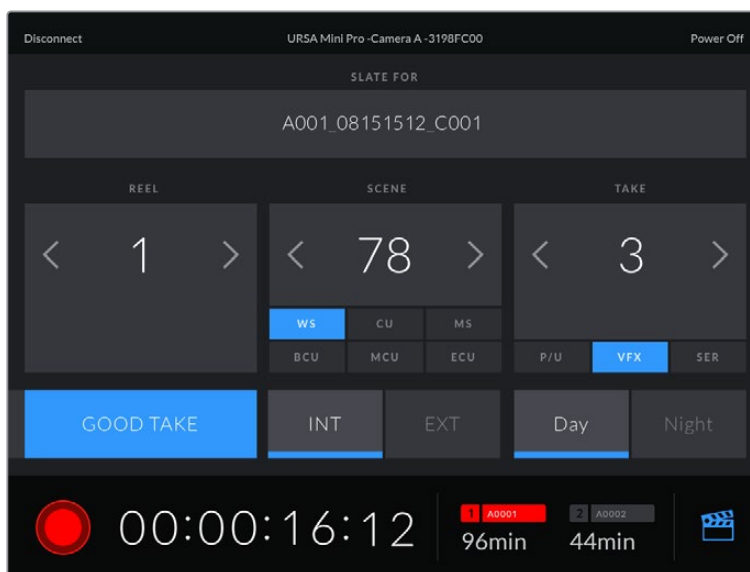
Per calibrare l'indicatore di inclinazione **Horizon** su URSA Mini Pro 12K, poggia la camera su una superficie piana e tocca **Calibrate motion sensor**. È essenziale mantenere la camera perfettamente stabile durante la calibrazione. La calibrazione sarà completata in circa 5 secondi.

## Controllare la camera con Blackmagic Camera Control App

Una volta abbinati iPad e URSA Mini Pro, usa la app per iPad per accendere/spegnere la camera, cambiare le impostazioni, modificare i metadati, e avviare/terminare la registrazione dall'iPad.



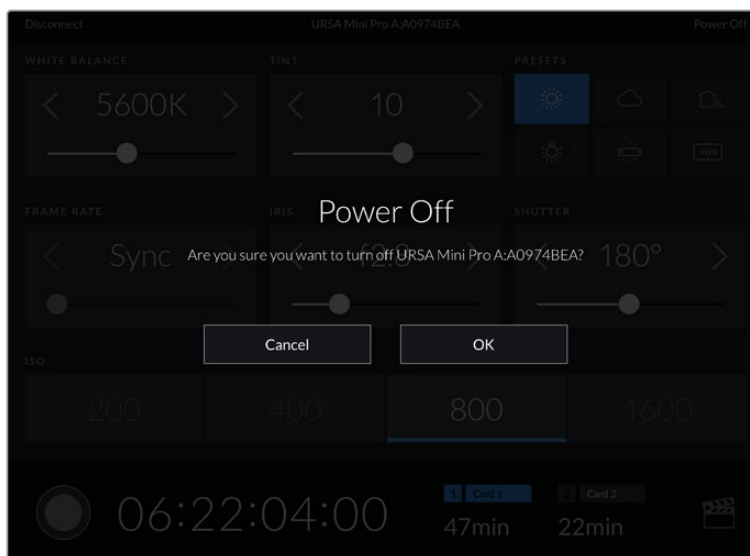
La schermata della app Blackmagic Camera Control abbinata alla camera, per regolare i parametri e avviare la registrazione



Tocca l'icona del ciak in basso a destra per accedere al ciak digitale e aggiornarlo

URSA Mini Pro utilizza la tecnologia Bluetooth LE per collegarsi ai dispositivi di controllo wireless. È lo stesso protocollo utilizzato dai dispositivi mobili, con un consumo della batteria minimo.

Puoi spegnere URSA Mini Pro toccando **Power Off** in alto a destra.



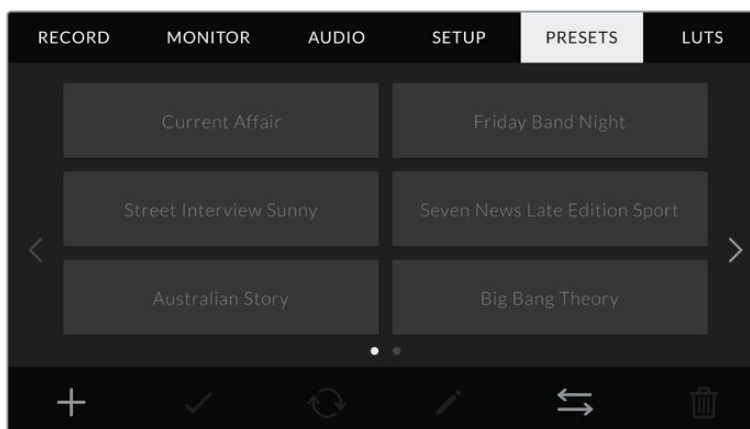
Conferma la selezione per spegnere la camera

Se il Bluetooth è abilitato e URSA Mini Pro è spenta, il nome della camera rimane visibile nella lista dei dispositivi disponibili sulla app Blackmagic Camera Control. Essendo già abbinata, basta accendere la camera in modalità remota selezionando il nome della camera e toccando **Connect**. La camera non appare nella lista se il Bluetooth è disabilitato.

## Impostazioni dei predefiniti

Nella tab **Presets** salvi e richiami la lista completa delle impostazioni predefinite su URSA Mini. È molto utile quando si utilizza la stessa camera per più progetti. Per esempio, per girare un documentario o un video musicale, i setting della camera sono molto diversi. Salvando le impostazioni di un progetto o di una ripresa particolare su **Presets**, puoi richiamarle in qualsiasi momento per usarle su un progetto simile. Ricorda che alcune impostazioni salvate nei predefiniti potrebbero non essere compatibili con altre camere Blackmagic o con versioni precedenti del software di URSA Mini. Per questo motivo consigliamo di installare sempre il software più recente dalla pagina Supporto di Blackmagic Design [www.blackmagicdesign.com/it/support](http://www.blackmagicdesign.com/it/support).

Inoltre è possibile importare e scaricare i predefiniti, una funzione utilissima per le produzioni multicamera. Basta salvare il predefinito su URSA Mini, e poi esportarlo su tutte le camere sul set.



La tab dei predefiniti di URSA Mini

**NOTA** La memoria interna di URSA Mini salva fino a 12 predefiniti.

### Pulsanti dei predefiniti

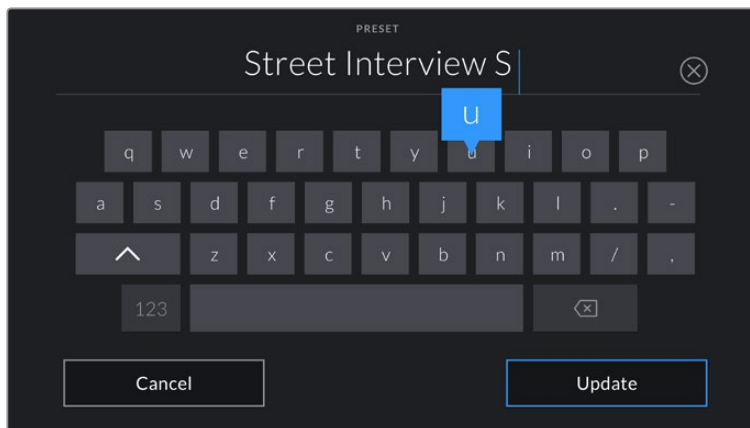
I pulsanti icona in basso alla tab Preset corrispondono alle seguenti funzioni:

				
<b>Aggiungi</b>	<b>Carica</b>	<b>Aggiorna</b>	<b>Gestisci</b>	<b>Elimina</b>

### Salvare e caricare i predefiniti

Per creare un nuovo predefinito, tocca l'icona Aggiungi +. Usa la tastiera touch che appare per assegnare un nome al predefinito. Digita il nome e tocca **Update** per salvare le impostazioni correnti della camera su quel predefinito.

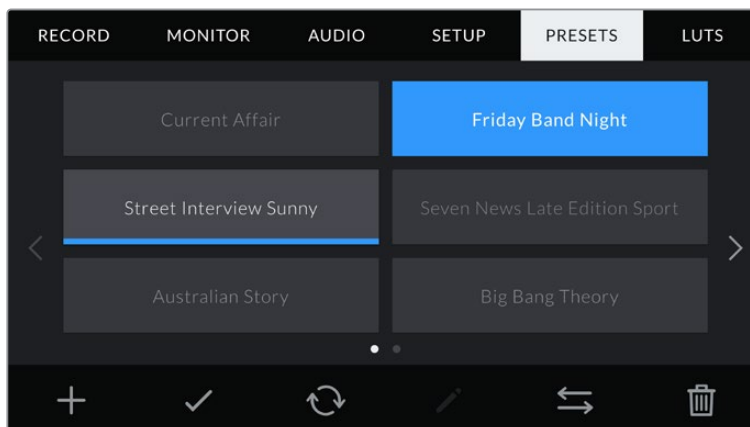
Se URSA Mini ha già un predefinito con lo stesso nome, puoi sovrascrivere quello esistente o mantenere entrambi.



Tocca l'icona + nella tab Preset per dare un nome al predefinito

Una volta salvato il predefinito, tocca sul suo nome nella tab Presets per selezionarlo, e tocca l'icona della spunta per caricarlo.

Tocca l'icona circolare per aggiornare il predefinito corrente sulla camera con uno nuovo. Appare una finestra di conferma, quindi tocca **Update** per confermare.



Seleziona un predefinito e l'icona della spunta per caricarlo. Il campo del predefinito diventa blu, mentre quello correntemente in uso visualizza una sottile linea blu in basso



### Importare i predefiniti

Tocca l'icona delle due frecce orizzontali in basso alla tab Preset. Su URSA Mini Pro, seleziona la scheda su cui sono salvati i predefiniti con l'interruttore (SD o CFast). Se utilizzi il registratore URSA Mini Recorder, puoi importare i predefiniti da un SSD.

Tocca **Import preset** > **Import** per confermare. Si apre il menù di importazione. Scegli **Card 1** o **Card 2** alto a sinistra dello schermo LCD per visualizzare i predefiniti disponibili sulla scheda.

La camera ricerca la root e la cartella Presets sulla scheda CFast o SD selezionata. I predefiniti salvati fuori dalla cartella sulla scheda non sono visibili.

Tocca il predefinito per selezionarlo, poi **Import** per confermare. In alto a destra dello schermo trovi il numero degli slot rimanenti per i predefiniti sulla tua camera.

**NOTA** Se tutti i 12 slot per predefiniti di URSA Mini sono pieni, il menù di importazione non sarà più disponibile. È necessario eliminare un predefinito esistente per importarne uno nuovo.

### Esportare i predefiniti

Seleziona il predefinito che vuoi esportare sulla scheda CFast o SD e tocca l'icona Gestisci. Avrai due opzioni: importare **Import preset** o esportare **Export selected preset**.

Seleziona la scheda SD o CFast su cui vuoi salvare il predefinito, posizionando opportunamente l'interruttore su URSA Mini Pro. Se utilizzi il registratore URSA Mini Recorder, puoi esportare i predefiniti su un SSD. Seleziona **Export selected preset**, e scegli la scheda sulla quale esportare il predefinito, che verrà salvato nella cartella dei predefiniti della scheda.

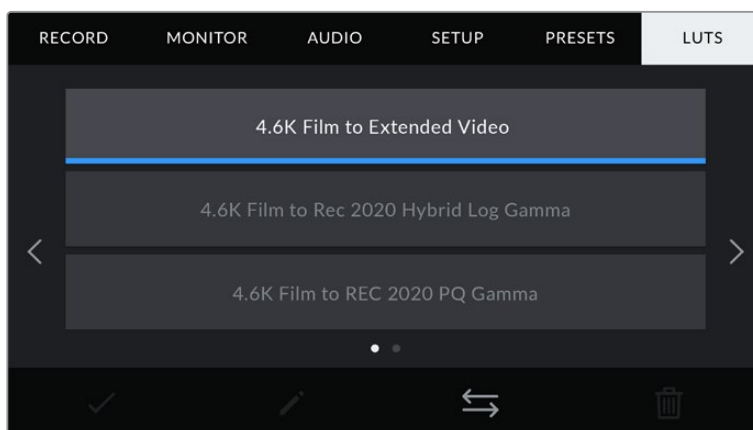
Se esiste già un predefinito con lo stesso nome sulla scheda CFast o SD, potrai scegliere se sovrascrivere quello esistente o mantenerli entrambi.

### Eliminare i predefiniti

Su URSA Mini puoi salvare fino a 12 predefiniti. Per cestinare un predefinito, toccalo e poi seleziona l'icona del cestino. Ti verrà chiesto di confermare la selezione. Tocca **Delete** per cestinare.

## Impostazioni delle LUT

Nell'ultima tab LUTs del menù impostazioni puoi importare, esportare, e applicare le LUT 3D alle uscite della camera.



La tab delle LUT di URSA Mini

### Nota introduttiva sulle LUT 3D

URSA Mini può applicare LUT 3D al touchscreen, all'uscita SDI frontale e all'uscita SDI principale. Le LUT comunicano alla camera quale colore e luminanza visualizzare in uscita per il colore e luminanza in entrata. Per esempio, una LUT può trasformare un blu piatto catturato da URSA Mini in un blu saturato e vivace sullo schermo. Questa funzione è utile quando si cattura nei formati Blackmagic RAW o con gamma dinamica Film, intenzionalmente "piatti" e non saturati. Applicando una LUT, potrai visualizzare le immagini con il look semi-definitivo post correzione colore.

Le LUT 3D si possono acquistare da vari siti online, oppure creare facilmente con DaVinci Resolve o con altri programmi di correzione colore. Su URSA Mini puoi salvare un massimo di sei LUT 3D a 17 o 33 punti di dimensioni massime di 1.5 MB l'una. Una volta caricate, puoi selezionare una LUT per lo schermo LCD touch, l'uscita SDI frontale o principale, o su una combinazione di uscite.

URSA Mini supporta le LUT 3D a 33 punti nel formato .cube (create con DaVinci Resolve) e le LUT 3D a 17 punti convertite nel formato .cube di Resolve con un programma di conversione LUT. La camera elabora le LUT 3D con interpolazione tetraedrica di alta qualità.

**SUGGERIMENTO** Consulta la sezione "Impostazioni di monitoraggio" per maggiori informazioni sulle LUT.

**NOTA** Le LUT sono unicamente uno strumento di anteprima. Non vengono registrate all'interno dei filmati, bensì salvate come metadati delle clip. Il campo LUT Used all'interno di DaVinci Resolve mostra il nome della LUT di monitoraggio usata sul set. Quest'ultima si può integrare liberamente nel file Blackmagic RAW utilizzato in post produzione. Ad ogni modo DaVinci Resolve offre l'opzione di usare la LUT che preferisci. Per maggiori informazioni, consulta la sezione "LUT integrate".

### LUT integrate

URSA Mini include una serie di LUT integrate che permettono di testare diversi look sulle immagini quando riprende in gamma Film, o in Blackmagic RAW.

<b>Film to Extended Video</b>	Visualizza una gamma dinamica più ampia della LUT '4.6K Film to Video' e applica un lieve contrasto con uno stacco armonioso nelle zone di luce.
<b>Film to Video</b>	È simile allo standard Rec.709 per il video ad alta definizione, e ha un alto livello di contrasto e saturazione. È un setting molto utile quando utilizzi URSA Mini con altre camere broadcast limitate allo spazio colore Rec.709
<b>Film to Rec 2020 Hybrid Log Gamma</b>	Visualizza un'immagine ibrida, a metà tra Rec.709 e Log.
<b>Film to Rec 2020 PQ Gamma</b>	Visualizza una curva gamma basata sugli elementi percepibili a occhio nudo, per una codifica efficiente delle immagini HDR.

## Pulsanti delle LUT

I pulsanti icona in basso alla tab **LUTs** corrispondono alle seguenti funzioni:

		
<b>Carica</b>	<b>Gestisci</b>	<b>Elimina</b>

## Importare le LUT

Tocca l'icona delle due frecce orizzontali in basso al menù **LUTs**, poi **Import LUT** per confermare.

Si aprirà il menù di importazione. Su URSA Mini Pro seleziona la scheda su cui sono salvate le LUT (SD o CFast) con l'interruttore. Se stai utilizzando il registratore URSA Mini Recorder, puoi importare le LUT da un SSD. Scegli **Card 1** o **Card 2** alto a sinistra dello schermo LCD per visualizzare le LUT disponibili sulla scheda.

La camera ricerca la root e la cartella '3DLUTs' sulla scheda CFast o SD selezionata. Le LUT salvate fuori dalla cartella sulla scheda non sono visibili.

Tocca la LUT per selezionarla, poi **Import** per confermare e copiarla sul primo slot disponibile di URSA Mini.

**NOTA** Se tutti gli slot per le LUT 3D di URSA Mini sono pieni, è necessario eliminare una LUT esistente per importarne una nuova.

Se la camera contiene già una LUT ti verrà chiesto se preferisci sovrascrivere la LUT esistente o mantenerle entrambe. In alto a destra dello schermo trovi il numero degli slot rimanenti per le LUT sulla tua camera. Puoi importare tante LUT quanto il numero di slot rimanenti.

**NOTA** Se hai difficoltà nell'importare una LUT su URSA Mini, è possibile che sia a causa delle sue dimensioni. Usa un editor per LUT come Lattice o l'editor di testo del computer per controllarne le dimensioni. L'etichetta *LUT\_3D\_SIZE* mostra la dimensione della LUT. Se non è 17 o 33 punti, utilizza Lattice per ridimensionare la LUT 3D a 17 punti.

## Applicare una LUT

Una volta salvata la LUT sulla camera, vai nella tab **LUTs** per selezionarla e caricala. Ora la LUT è disponibile su tutte le uscite della camera, e per abilitarla basta andare sulla tab **Monitor** e selezionare **Display LUT** sulle uscite desiderate. Quando Status Text è abilitato, l'icona **LUT** appare sullo schermo LCD, sull'uscita SDI frontale o su quella principale, a seconda della tua selezione. Consulta la sezione "Impostazioni di monitoraggio" di questo manuale per maggiori informazioni.

### **Esportare le LUT**

Seleziona la LUT che vuoi esportare sulla scheda CFast o SD e tocca l'icona delle due frecce. Avrai due opzioni: importare **Import LUT** o esportare **Export LUT**. Seleziona la scheda SD o CFast su cui vuoi salvare la LUT, posizionando opportunamente l'interruttore su URSA Mini Pro. Se stai utilizzando il registratore URSA Mini Recorder, puoi importare le LUT da un SSD.

Seleziona **Export Selected LUT**, scegli la scheda sulla quale esportarla. L'esportazione si avvia immediatamente, a meno che una LUT con lo stesso nome non esista già sulla scheda. In questo caso, ti verrà chiesto se desideri sovrascrivere la LUT esistente sulla scheda o mantenerle entrambe.

### **Eliminare le LUT**

Su URSA Mini puoi salvare fino a 6 LUT 3D a 17 punti o a 33 punti. Per eliminare le LUT che non servono più, o per far spazio ad altre, seleziona quella desiderata e tocca l'icona del cestino. Ti verrà chiesto di confermare la selezione. Tocca **Delete** per cestinare.

### **LUT 3D integrate**

Applicando una LUT 3D alle riprese in Blackmagic RAW, sui modelli URSA Mini Pro la LUT viene integrata nel file Blackmagic RAW già durante la registrazione. Il nome della LUT 3D apparirà nell'intestazione del file .braw, e si potrà applicare alle immagini in fase di post produzione senza dover gestire un altro file.

Per cui quando i file Blackmagic RAW raggiungono la postazione di montaggio o di correzione colore, basterà leggere il nome del file per capire se e quale LUT è stata usata durante le riprese, riducendo il margine di errore. Un altro vantaggio è la possibilità di lavorare ai file in fase di montaggio o grading con o senza la LUT 3D in qualsiasi momento.

Spuntando l'opzione **Apply LUT in file** nel menù di registrazione Record di URSA Mini Pro, la clip si aprirà su Blackmagic RAW Player e su DaVinci Resolve con la LUT 3D applicata. La LUT 3D si può abilitare/disabilitare a tua scelta, ma accompagnerà sempre il file Blackmagic RAW perché è salvata nel file stesso.

Su DaVinci Resolve, nella sezione RAW troverai l'interruttore Apply LUT per abilitare/disabilitare la LUT 3D nel file Blackmagic RAW. In questo modo è possibile utilizzare la LUT sulla camera durante le riprese, e disabilitarla in qualsiasi momento su DaVinci Resolve con **Apply LUT > Off**.

## Inserire i metadati

I metadati sono le informazioni salvate all'interno della clip, per esempio il numero di ripresa, le impostazioni della camera e altri dettagli. Sono essenziali in fase di post produzione per organizzare ed elaborare le clip. Per esempio, il numero di pellicola, scena e ripresa sono utili per raggruppare e catalogare le clip in modo logico, e le informazioni dell'obiettivo consentono di eliminare automaticamente la distorsione o allineare i VFX allo sfondo.

URSA Mini salva automaticamente i metadati di ogni clip, incluse le impostazioni della camera, il timecode, data e ora. Per inserire manualmente altre informazioni puoi usare il ciak digitale.

### Ciak digitale

Sfoglia con il dito verso destra o sinistra sul touchscreen di URSA Mini per aprire il ciak digitale.

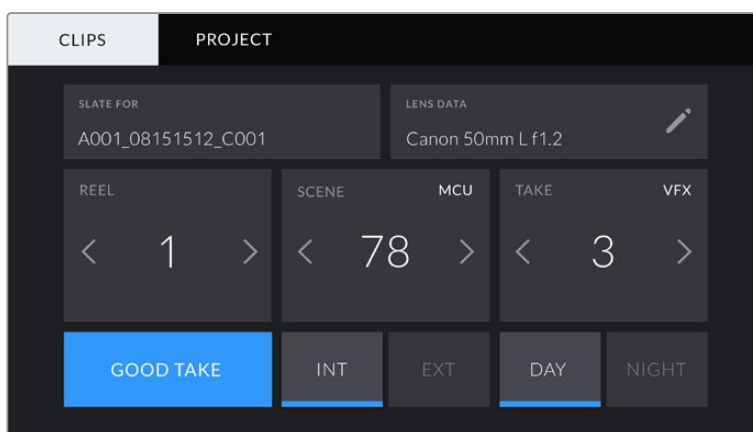
Il ciak è diviso in due tab: **Clips** e **Project**. La tab Clips contiene diverse informazioni, che possono variare da clip a clip, e la tab Project i dettagli condivisi da tutte le clip, per esempio il nome del progetto, della regista, e l'ID della camera e dell'operatore.

**SUGGERIMENTO** I metadati inseriti nel ciak digitale sono visibili sulle uscite SDI frontale e principale quando l'opzione Display status text for è impostata su Director. Consulta la sezione "Impostazioni di monitoraggio" per maggiori informazioni.

### Metadati della tab Clips

Questo menù varia leggermente se la camera è in modalità standby o in modalità riproduzione. Se la camera è in standby e pronta alla registrazione, i metadati inseriti nella tab Clips vengono salvati per la clip successiva. **Good Take Last Clip** si riferisce all'ultima clip registrata.

In modalità di riproduzione, i metadati vengono sempre registrati per la clip riprodotta.



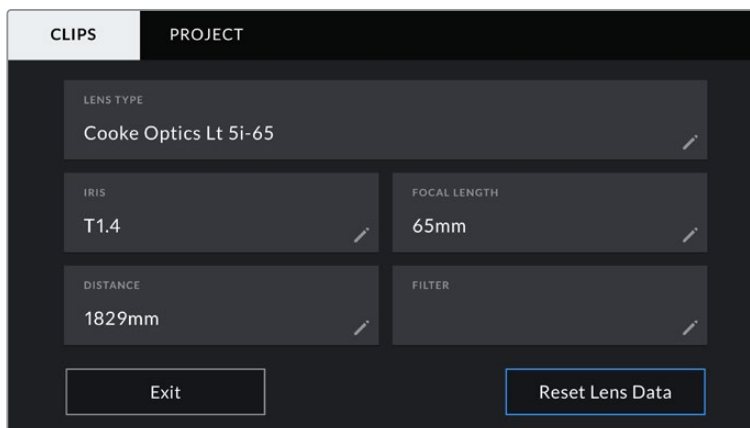
Il ciak digitale di URSA Mini è suddiviso in due tab: Clips e Project

### Slate for

Mostra la clip alla quale si riferiscono i metadati. In standby questa informazione si riferisce alla prossima clip registrata.

## Lens Data

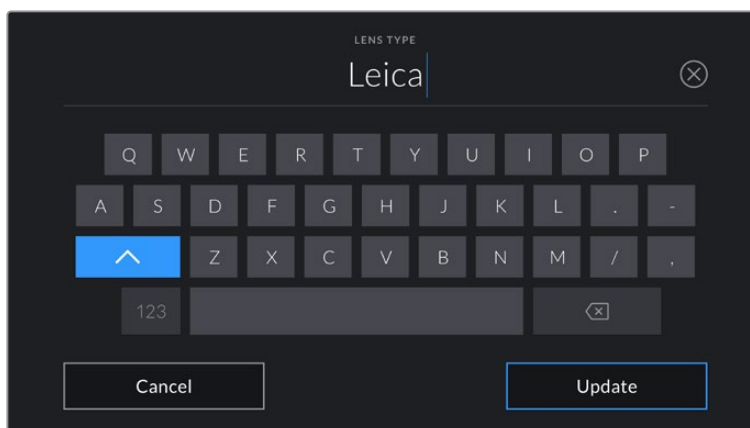
Mostra le informazioni dell'obiettivo montato sulla camera. La maggior parte degli obiettivi elettronici invia automaticamente i dati del modello, dell'apertura, e della lunghezza focale. Queste informazioni sono inseribili manualmente toccando l'icona della matita, se l'obiettivo non offre la funzione automatica. Il menù Lens Data contiene le seguenti voci:



Il menù dei dati obiettivo mostra le informazioni inviate automaticamente da obiettivi Cooke /i Technology

## Lens Type

Mostra il modello dell'obiettivo. Inserisci il modello dell'obiettivo manualmente se non appare automaticamente. La camera include un database interno per numerose ottiche in commercio. Quando inserisci i dati a mano, la camera suggerisce automaticamente i nomi, velocizzando l'operazione.



Inserisci i dati dell'obiettivo con la tastiera se non compaiono automaticamente

## Iris

Mostra l'apertura del diaframma all'inizio della clip. Questa informazione mostra valori f-stop o T-stop secondo l'obiettivo. Tocca la voce per inserire i dati manualmente.

## Focal length

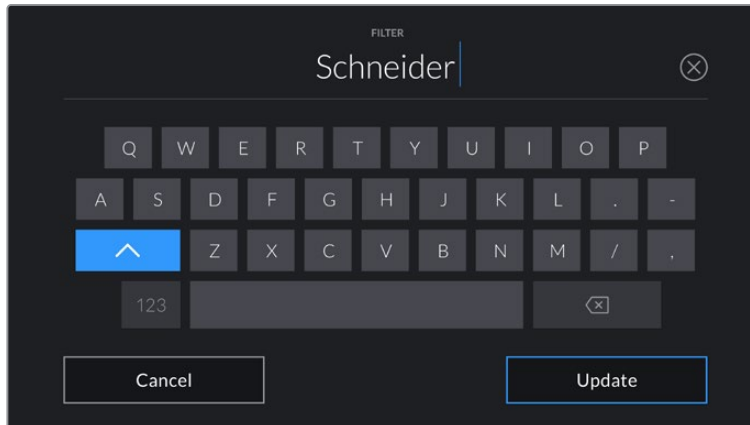
Mostra la lunghezza focale dell'obiettivo a inizio clip. Se rilevata automaticamente, fornisce il valore in millimetri. Tocca la voce per inserire i dati manualmente.

### Distance

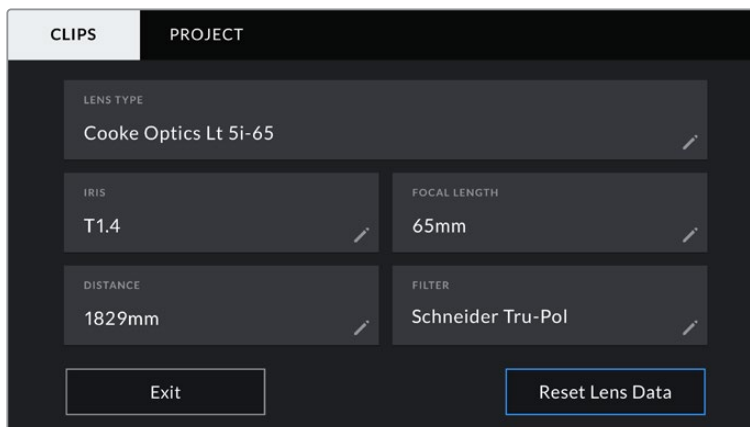
Mostra la distanza focale dell'obiettivo a inizio clip. Se rilevata automaticamente, fornisce il valore in millimetri. Anche qui puoi inserire i dati manualmente.

### Filter

Mostra i filtri impiegati. Tocca la voce per inserire i dati manualmente. Per inserire più filtri, separali con una virgola.

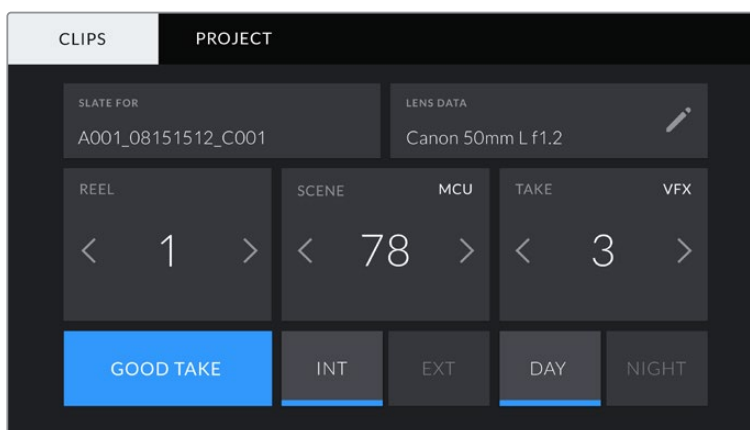


I dati dei filtri vanno inseriti manualmente



Il menù dei dati obiettivo mostra le informazioni inviate automaticamente da obiettivi Cooke /i Technology e i dati dei filtri inseriti manualmente

**NOTA** Resetta i dati dell'obiettivo in qualsiasi momento toccando Lens Data > Reset Lens Data. Ti verrà chiesto di confermare la selezione. Se confermi, tutti i dati dell'obiettivo verranno cancellati e sostituiti con quelli ricavati automaticamente dal nuovo obiettivo installato. Se hai inserito dati manualmente, è necessario resettarli prima di montare un nuovo obiettivo, o riappariranno.



Il ciak digitale di URSA Mini è suddiviso in due tab: Clips e Project

### Reel

Mostra la “pellicola” corrente.

URSA Mini incrementa automaticamente il numero della pellicola. Se invece inizi un nuovo progetto e vuoi ripartire da 1, vai alla tab Project del ciak e tocca **Reset Project Data** per resettare.

### Scene

Mostra il numero della scena, e può includere il numero e il tipo di ripresa.

Questa voce si riferisce sempre alla scena corrente. Aumenta o diminuisci il numero con le frecce ai suoi lati, o tocca il numero della scena per inserirlo manualmente.

Puoi scegliere un numero tra 1 e 9999.

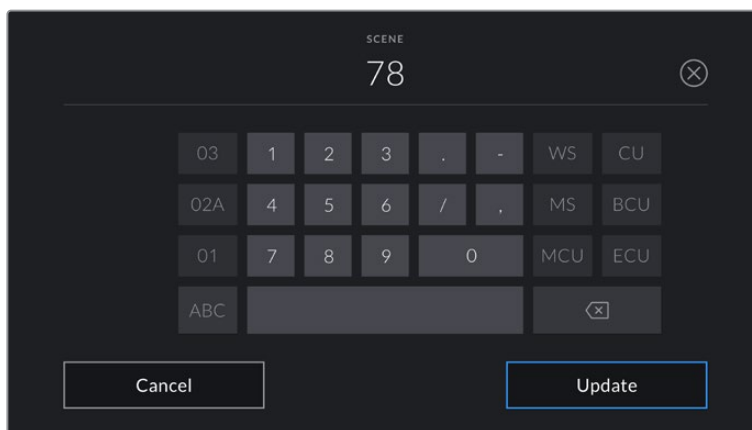
Aggiungendo una lettera al numero della scena, indichi anche la ripresa. Per esempio, 23A = scena 23, ripresa 1. Quando aggiungi una lettera al numero di scena, URSA Mini suggerisce incrementi alfabetici. Per esempio, se la scena corrente è 7B, la camera suggerisce 7C.

Inoltre è possibile includere il tipo di inquadratura della ripresa, selezionandolo tra le opzioni disponibili sulla destra

della tastiera:

<b>WS</b>	'wide shot' - campo lungo
<b>MS</b>	'medium shot' - campo medio
<b>MCU</b>	'medium close up' - mezzo primo piano
<b>CU</b>	'close up' - primo piano
<b>BCU</b>	'big close up' - primissimo piano
<b>ECU</b>	'extreme close up' - dettaglio





Quando inserisci i metadati in Clips > Scene, la tastiera touch della camera suggerisce incrementi a sinistra, e tipi di inquadratura a destra

### Take

Mostra il numero di ripresa della sequenza corrente. Usa le frecce per aumentarlo o diminuirlo, o tocca sul numero per inserirlo manualmente.

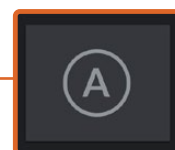
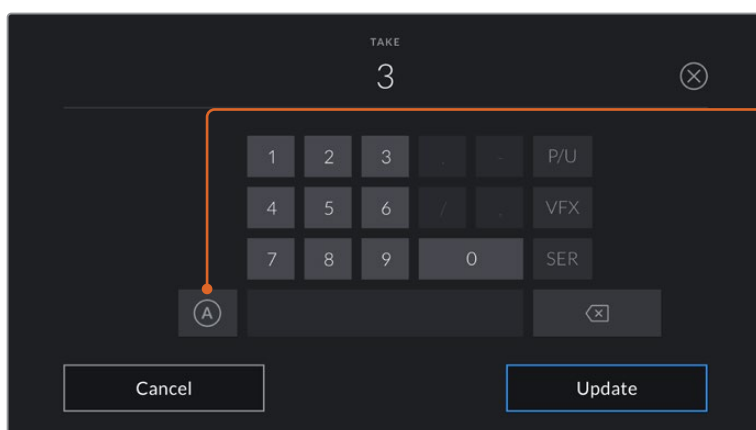
**SUGGERIMENTO** Quando si aumenta il numero di scena o di sequenza, il numero di ripresa riparte da 1.

Puoi anche descrivere la ripresa. Sulla destra della tastiera trovi 3 opzioni:

**PU** 'pick up' - ripresa aggiuntiva girata dopo la lavorazione.

**VFX** 'visual effects' - ripresa o sequenza utilizzabile con effetti visivi.

**SER** 'serie' - più riprese effettuate con un piano sequenza.



In modalità standby, tocca A per abilitare l'incremento automatico del numero di ripresa per ogni clip registrata.

Una piccola A appare a lato del numero di ripresa se abilitato

Quando inserisci i metadati in Take, URSA Mini suggerisce vari tipi di ripresa sulla destra della tastiera touch

### Good take

Tocca questa voce per taggare la ripresa come buona, e individuarla facilmente in post. La tag etichetta come buona l'ultima clip registrata se la camera è in modalità standby, oppure la clip riprodotta se la camera è in modalità riproduzione.

### Int / Ext

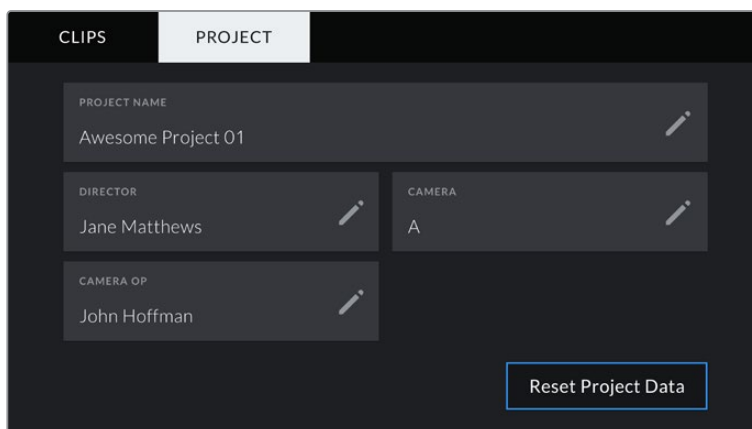
Identifica le riprese in interno o in esterno. In modalità standby si riferisce alla prossima clip e in riproduzione alla clip riprodotta.

### Day / Night

Identifica le riprese diurne o notturne. In modalità standby si riferisce alla prossima clip, e in riproduzione alla clip riprodotta.

## Metadati della tab Project

I metadati del progetto funzionano allo stesso modo sia in modalità standby che di riproduzione. Si riferiscono all'intero progetto e non dipendono dal numero della clip.



La tab Project del ciak digitale di URSA Mini

### Project name

Mostra il nome del progetto corrente. Tocca la matita per cambiarlo.

### Director

Mostra il nome del/la regista del progetto corrente. Tocca la matita per cambiarlo.

### Camera

Mostra una sola lettera come identificazione della camera. Tocca la matita per cambiarla.

**NOTA** Il numero di identificazione della camera è utile per i metadati e per la denominazione dei file. È diverso da ATEM Camera ID, che identifica URSA Mini quando si controlla dallo switcher ATEM. Consulta la sezione “Controllare la camera a distanza” per maggiori informazioni sull’ID della camera di ATEM.

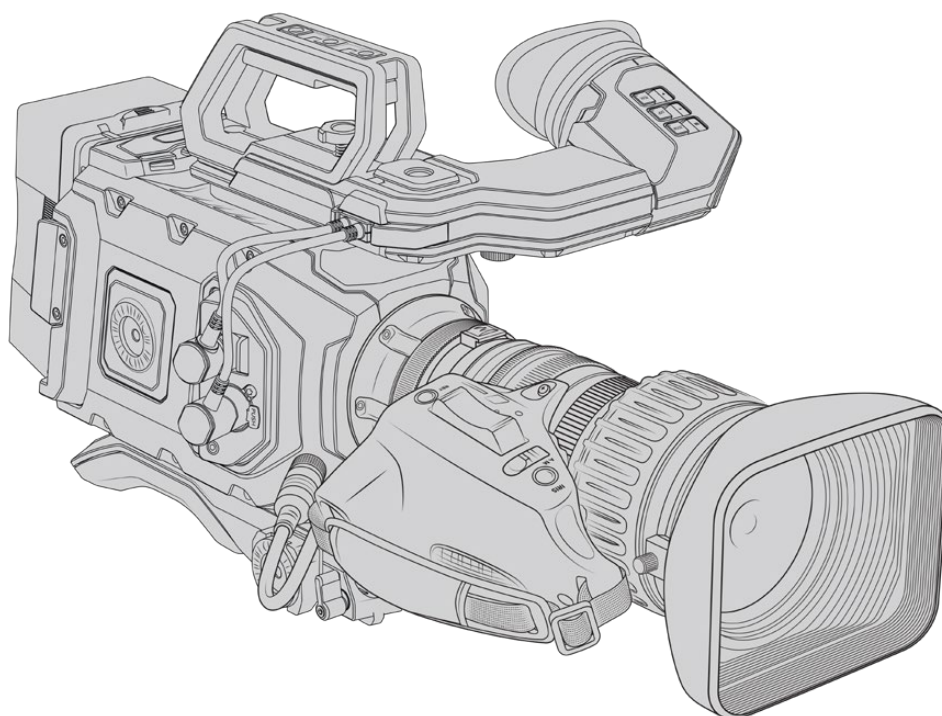
### Camera Op

Mostra il nome dell’operatore. Tocca la matita per cambiarlo.

## Utilizzare obiettivi con zoom servoassistito

URSA Mini e gli obiettivi con zoom servoassistito sono una combinazione potente. Gli anelli per regolare manualmente messa a fuoco, zoom, e diaframma sul barilotto dell'obiettivo, e un'impugnatura integrata con leva per zoom, rendono le riprese efficienti, e consentono di adottare tecniche di ripresa dinamiche impossibili con altri obiettivi. I modelli URSA Mini PL e URSA Mini Pro supportano il controllo obiettivo delle ottiche B4 e PL con zoom servoassistito, tramite il connettore broadcast a 12 pin.

Con gli obiettivi compatibili, puoi alimentare la leva di zoom, avviare/terminare la cattura con il pulsante di registrazione, e controllare il diaframma. La maggior parte delle ottiche con zoom servoassistito dispongono di un pulsante RET, che come il pulsante PMG della camera, consente di passare dal feed della camera a quello di programma sull'uscita HD di monitoraggio e sull'LCD.



Per il controllo elettronico dell'apertura dell'obiettivo, imposta l'interruttore **Iris** sopra la leva di zoom su **A**, ovvero automatico. Il controllo elettronico dello zoom è anche possibile con gli obiettivi con zoom servoassistito Digital HD e 4K. Per abilitarlo, sposta l'interruttore **Zoom** sotto la leva di zoom su **S**, ovvero servo.

Esistono numerose varianti di obiettivi broadcast. Leggi le descrizioni seguenti per trovare l'obiettivo con le funzioni più adatte alle tue necessità.

### **Gli obiettivi broadcast B4 con controllo del diaframma e dello zoom includono:**

- I modelli broadcast Fujinon con i prefissi HA, ZA, XA, UA e LA, e il suffisso RM.
- I modelli broadcast Canon con i prefissi HJ, KJ, e CJ e con il suffisso IRSE o IRSD.

Alcuni obiettivi B4 e PL offrono anche impugnature con messa a fuoco elettronica servoassistita. Per abilitare il controllo elettronico su URSA Mini PL e URSA Mini Pro, sposta l'interruttore **Focus** sotto la leva di zoom su **S**, ovvero servo.

**Gli obiettivi broadcast B4 con messa a fuoco, diaframma e zoom servoassistiti includono:**

- I modelli broadcast Fujinon con i prefissi HA, ZA, e UA e il suffisso RD o ZD.
- I modelli Canon con i prefissi HJ, KJ, CJ, e il suffisso IASE o IASD.

Per gli obiettivi compatibili con messa a fuoco servoassistita, premi il pulsante **Focus** su URSA Mini per attivare l'auto focus, gestibile anche dallo switcher ATEM tramite ATEM Software Control.

Una volta montato l'obiettivo broadcast di tua scelta, imposta la risoluzione su 2K 16:9 o minore, e abilita la finestra del sensore dalla tab di registrazione della dashboard **Record > Window sensor > On**. Questa impostazione è essenziale per evitare l'effetto vignetta, poiché gli obiettivi broadcast non coprono l'intero cerchio dell'immagine del Super 35 mm.

**Gli obiettivi PL Super 35 mm con messa a fuoco, diaframma e zoom servoassistiti includono:**

Marca	Serie	Modello	Range	Apertura max
Fujinon	Cabrio	ZK2.5x14-SAF	14-35mm	T2.9
Fujinon	Cabrio	ZK4.7x19-SAFB	19-90 mm	T2.9
Fujinon	Cabrio	ZK3.5x85-SAF	85-300mm	T2.9-T4
Fujinon	Cabrio	XK6x20	20-120 mm	T3.5
Fujinon	Cabrio	ZK12x25 con ESM-15A-SA	25-300 mm	T3.5-3.85
Canon	Cine-servo	CN7x17KAS S	17-120 mm	T2.9-3.9
Canon	Cine-servo	CN20x50	50-1000 mm	T5-8.9

Zoom e messa a fuoco si possono controllare anche dalle maniglie per le carrellate in studio, con tutti gli obiettivi PL e B4 con zoom servoassistito elencati qui sopra.

**Obiettivi ibridi compatti con zoom servoassistito**

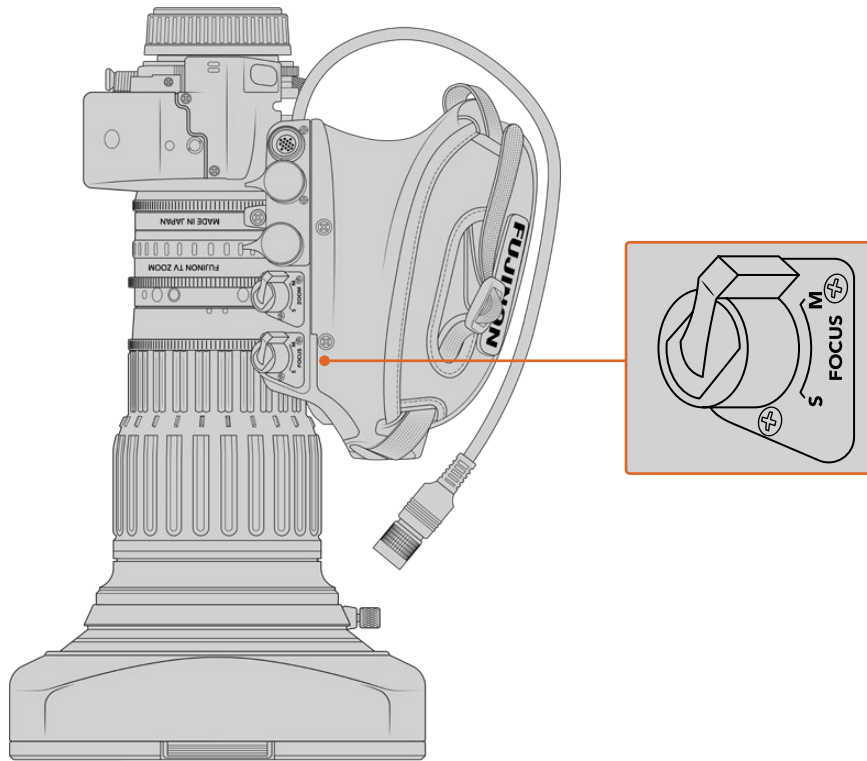
Recentemente è stata lanciata una nuova linea di obiettivi compatti con zoom servoassistito. Hanno alcune delle funzionalità degli obiettivi con zoom servoassistito B4 e PL, ma utilizzano un attacco EF. La leva di zoom di questi obiettivi si alimenta tramite l'attacco di URSA Mini EF e URSA Mini Pro. I metadati dell'obiettivo, inclusi nome, diaframma, focus, e posizione dello zoom sono accessibili e registrabili con URSA Mini.

Il controllo elettronico di messa a fuoco, zoom, e diaframma si può effettuare da URSA Mini e URSA Mini , oppure da ATEM Software Control quando la camera è connessa allo switcher. Negli ambienti di produzione live o in studio puoi lavorare con un controller Canon per messa a fuoco e zoom, ma una funzionalità completa sono necessari cavi aggiuntivi di terzi.

**Gli obiettivi in questa categoria includono:**

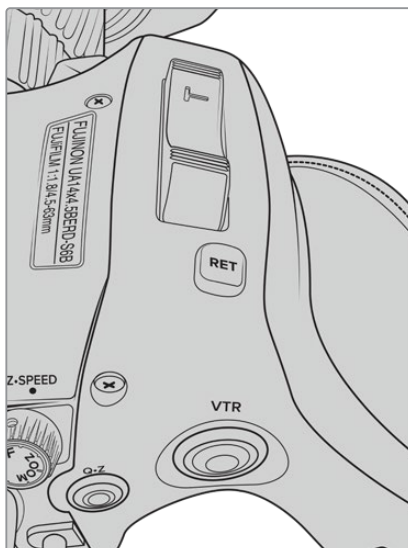
- Canon CN-E 18-80mm T4.4 Compact-servo
- Canon CN-E 70-200mm T4.4 Compact-servo

**NOTA** Sono compatibili anche le ottiche analogiche con servo B4, ma la camera alimenta solo lo zoom servoassistito e supporta il controllo diaframma. Per la maggior parte, questi obiettivi sono di definizione standard, e non includono un connettore broadcast a 12 pin. È quindi importante accertarsi che le ottiche B4 analogiche che desideri utilizzare siano interamente compatibili con la camera. Consigliamo di testare anche il cerchio di copertura dell'immagine, in particolare la risoluzione e la luce in prossimità dei bordi.



## RET e VTR

Sulle ottiche B4, il pulsante **VTR** alterna l'avvio e l'interruzione della registrazione, e il pulsante **RET** è per il ritorno di programma. Per maggiori informazioni su come configurare i pulsanti VTR e RET su URSA Mini Pro 4.6K G1 consulta la sezione "Pulsanti funzione".



I pulsanti RET e VTR su un obiettivo B4

# Uscite video

## Uscita di monitoraggio HD

L'uscita frontale 3G-SDI di URSA Mini è convertita in risoluzione minore per inviare flussi video HD 1080 ad attrezzatura SDI come router, monitor, switcher broadcast, e dispositivi di cattura. Questa uscita corrisponde alla voce **Front SDI** nel menù dello schermo touch.

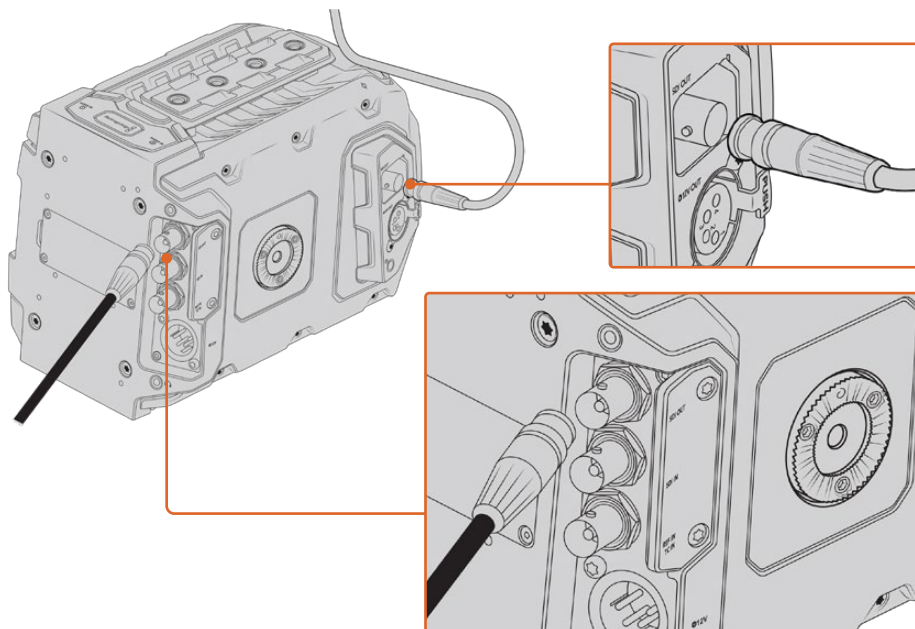
## Uscita 12G-SDI

L'uscita 12G-SDI sul retro della camera supporta il video HD e 4K, inclusi i formati progressivi ad alto frame rate 2160p50, 59.94 e 60 tramite un solo cavo SDI. È compatibile anche con i formati interlacciati come 1080i50, 59.94 e 60. L'uscita 12G-SDI è ideale per connettere i monitor SDI e gli switcher 4K come ATEM Production Studio 4K. È in grado di commutare tra HD e Ultra HD selezionando 1080p o 2160p alla voce **SDI output** per l'uscita principale **Main SDI** nella tab Monitor.

### Connettere uno switcher

Le uscite SDI consentono di utilizzare la camera per la diretta televisiva. Connetti l'uscita SDI sul retro a uno switcher di produzione live, o ad ATEM Camera Converter per convertire i segnali in fibra ottica, e inviarli a centinaia di metri di distanza, per esempio a un furgone di regia mobile.

Una volta connessa la camera allo switcher, puoi visualizzare il programma sullo schermo di URSA Mini. Come primo passo, collega lo switcher all'uscita 12G-SDI sul retro della camera. Ora tieni premuto il pulsante **PGM** sul retro dello schermo richiudibile per visualizzare il programma. Lascialo andare per tornare alle immagini della camera. Clicca due volte **PGM** per bloccare la visualizzazione sul programma. Per tornare alle immagini della camera, premi **PGM** una volta.



Collega qualsiasi monitor o switcher di produzione live 1080 HD o Ultra HD all'uscita 12G-SDI. L'uscita di monitoraggio HD si può collegare a un viewfinder esterno, per esempio URSA Viewfinder, o a un monitor esterno se montata su attrezzatura di produzione, per esempio un braccio mobile o una gru

### Connettere i monitor

Il monitoraggio tramite SDI è utile quando è difficile accedere allo schermo touch, per esempio se la camera è montata su un braccio mobile, su una gru, o su un veicolo.

Le informazioni di monitoraggio passano attraverso l'uscita HD-SDI frontale, regolando opportunamente le impostazioni della voce **Front SDI** nella tab **Monitor**. Qui puoi abilitare overlay come le guide di inquadratura e informazioni tra cui stato della registrazione e impostazioni della camera. Per monitorare senza distrazioni, disabilita gli overlay per visualizzare solo le immagini SDI.

Collega l'uscita SDI ai monitor SDI o a Blackmagic SmartScope Duo 4K per monitorare la forma d'onda in tempo reale.

**NOTA** L'uscita SDI posteriore e quella 3G-SDI di monitoraggio taggano automaticamente il video HDR con i metadati ausiliari quando si riprende con la gamma dinamica Film e con le LUT Broadcast Film to Rec.2020 Hybrid Log Gamma o Broadcast Film to Rec.2020 to PQ Gamma applicate all'uscita SDI. Collega display SDI abilitati all'HDR per visualizzare immagini HDR con entrambe le uscite SDI.

### Formati compatibili sulle uscite SDI

<b>Uscita SDI principale</b>	2160p23.98, 24, 25, 29.97, 30, 50, 59.94, 60. 1080p23.98, 24, 25, 29.97, 30, 50, 59.94, 60. 1080i50, 59.94, 60.
<b>Uscita di monitoraggio 3G-SDI</b>	1080p23.98, 24, 25, 29.97, 30, 50, 59.94, 60.1080i50, 59.94, 60.

**SUGGERIMENTO** Per registrare con due codec contemporaneamente, o per registrare e fare il backup allo stesso tempo, collega l'uscita SDI posteriore della camera a Blackmagic Video Assist o HyperDeck.

# URSA Mini Shoulder Kit

## Montare il supporto da spalla

Con URSA Mini Shoulder Kit puoi usare URSA Mini per filmare in stile ENG. Il kit include una maniglia per la parte superiore, una piastra di appoggio per spalla, un braccio di prolunga per l'impugnatura opzionale URSA Handgrip, un cavo LANC lungo, una piastra adattatrice per il viewfinder, e tutte le viti necessarie.

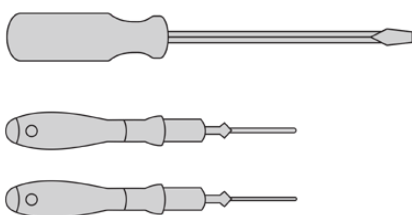
Il supporto a sgancio rapido consente di fissare la camera su un cavalletto in stile ENG o di spostarla sulla spalla in un istante.

URSA Mini Shoulder Kit è compatibile con qualsiasi modello di piastra per cavalletto di tipo Sony VCT 14, facilmente reperibile online o nei negozi di elettronica.

I modelli di piastra per cavalletto di tipo VCT-U14 appartengono a un sistema differente, e non sono compatibili con la camera.

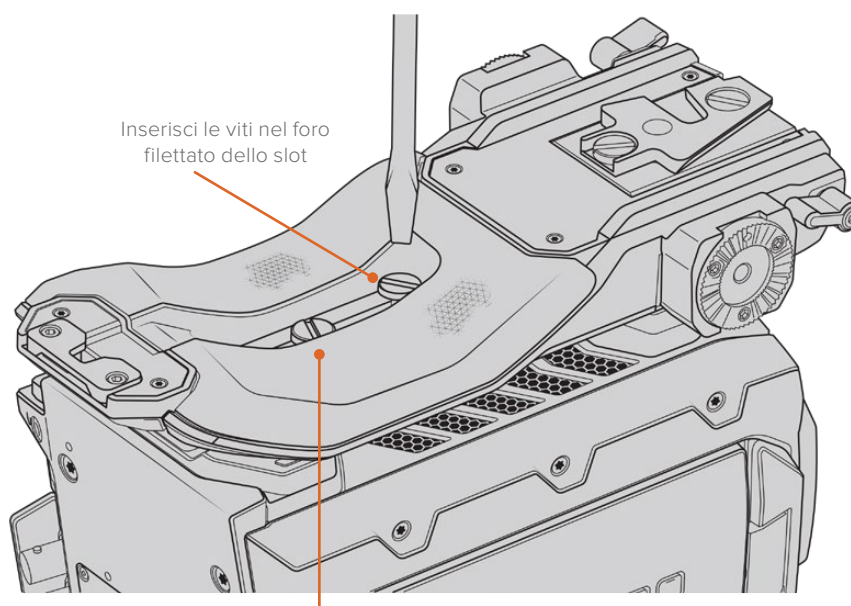
### Per installare il supporto da spalla, sono necessari i seguenti attrezzi:

- 1 x cacciavite a taglio per le 2 viti da 1/4" della piastra
- 1 x chiave a brugola da 3/16" per le 2 viti da 1/4" della maniglia superiore
- 1 x chiave a brugola da 2,5 mm per le 4 viti M3 della piastra per Viewfinder



Per montare URSA Mini al kit di supporto da spalla sono necessari un cacciavite a taglio, una chiave a brugola di 3/16" per la maniglia superiore e una chiave a brugola da 2,5 mm per la piastra per Viewfinder

## Montare la piastra di appoggio per il supporto da spalla



Inserisci le viti nel foro filettato dello slot

2 x viti 1/4" per il supporto spalla

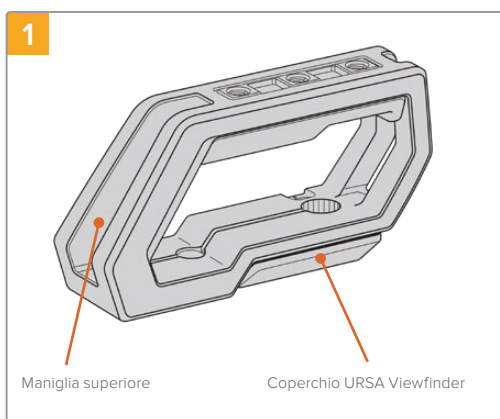


- 1 Per accedere alla base della camera, capovolgi URSA Mini e poggiala delicatamente su una superficie piana e stabile.
- 2 Fissa la piastra a URSA Mini con le 2 viti 1/4" e un cacciavite a taglio.
- 3 Serra le viti saldamente, facendo attenzione a non danneggiare la filettatura.

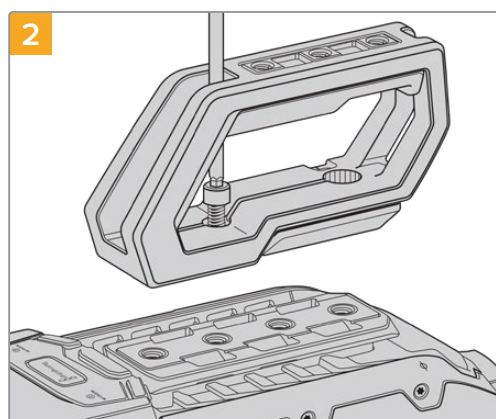
## Montare la maniglia superiore senza URSA Viewfinder

È possibile montare URSA Mini Shoulder Kit con o senza il mirino URSA Viewfinder.

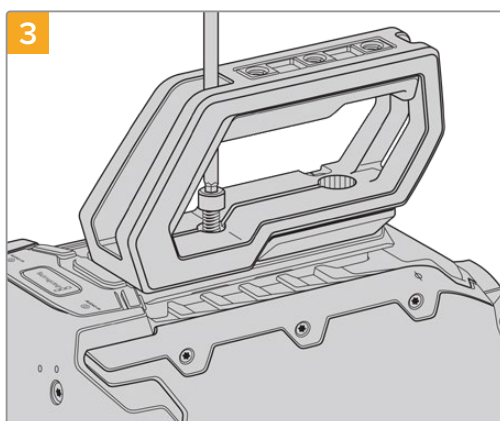
La maniglia superiore include uno sportellino in gomma di protezione che si sostituisce con una piastra adattatrice per fissare URSA Viewfinder. Consigliamo di non spostare la protezione ameno che non si usi il mirino viewfinder.



Per accedere alla parte superiore di URSA Mini, poggiala su una superficie piana e stabile.

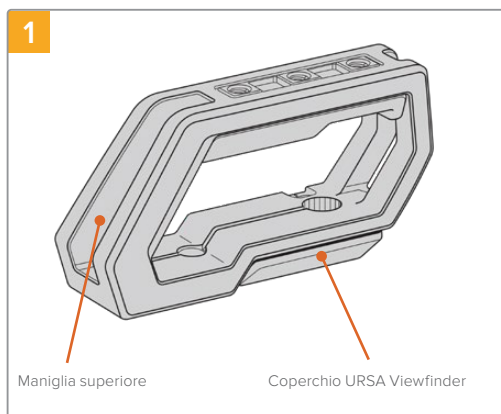


Fissa la maniglia serrando 2 viti da 1/4" nei 2 fori 1/4" con una chiave a brugola da 3/16". In generale consigliamo di utilizzare i fori di montaggio posteriori di URSA Mini, ma è possibile scegliere qualsiasi coppia di fori per un bilanciamento ottimale, per esempio quando si usano obiettivi di grandi dimensioni.

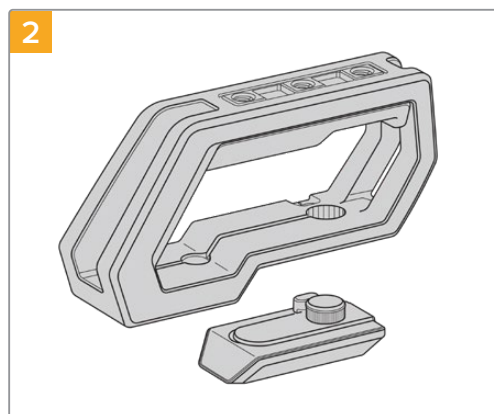


Serra le viti finché la maniglia è saldamente fissa in posizione. Fai attenzione a non danneggiare la filettatura stringendo troppo le viti.

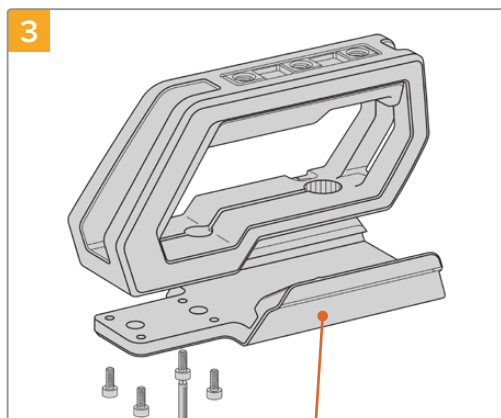
## Montare la maniglia superiore con URSA Viewfinder



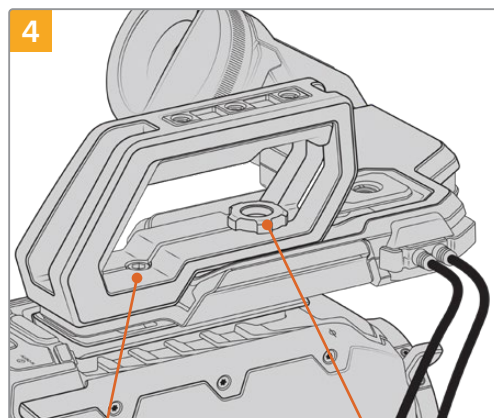
Per accedere alla parte superiore di URSA Mini, poggiala su una superficie piana e stabile.



Rimuovi lo sportellino in gomma per URSA Viewfinder dalla base della maniglia, sollevandola delicatamente da un lato e estraendola dal foro.



Ora fissa la piastra adattatrice per URSA Viewfinder alla maniglia con 4 viti M3 e una chiave a brugola da 2,5 mm.



2 x viti a brugola 1/4" per montare la maniglia sulla camera

Vite zigrinata per regolare la posizione di URSA Viewfinder

Fissa la maniglia serrando 2 viti da 1/4" nei 2 fori 1/4" con una chiave a brugola da 3/16". In generale consigliamo di utilizzare i fori di montaggio posteriori di URSA Mini, ma è possibile scegliere qualsiasi coppia di fori per un bilanciamento ottimale, per esempio quando si usano obiettivi di grandi dimensioni. Fai attenzione a non danneggiare la filettatura stringendo troppo le viti.

Il primo foro anteriore della maniglia si utilizza con la vite zigrinata per montare e regolare la posizione di URSA Viewfinder. Per maggiori informazioni su come fissare il mirino URSA Viewfinder alla maniglia superiore, consulta la sezione "Blackmagic URSA Viewfinder".

## Montare il braccio di prolunga

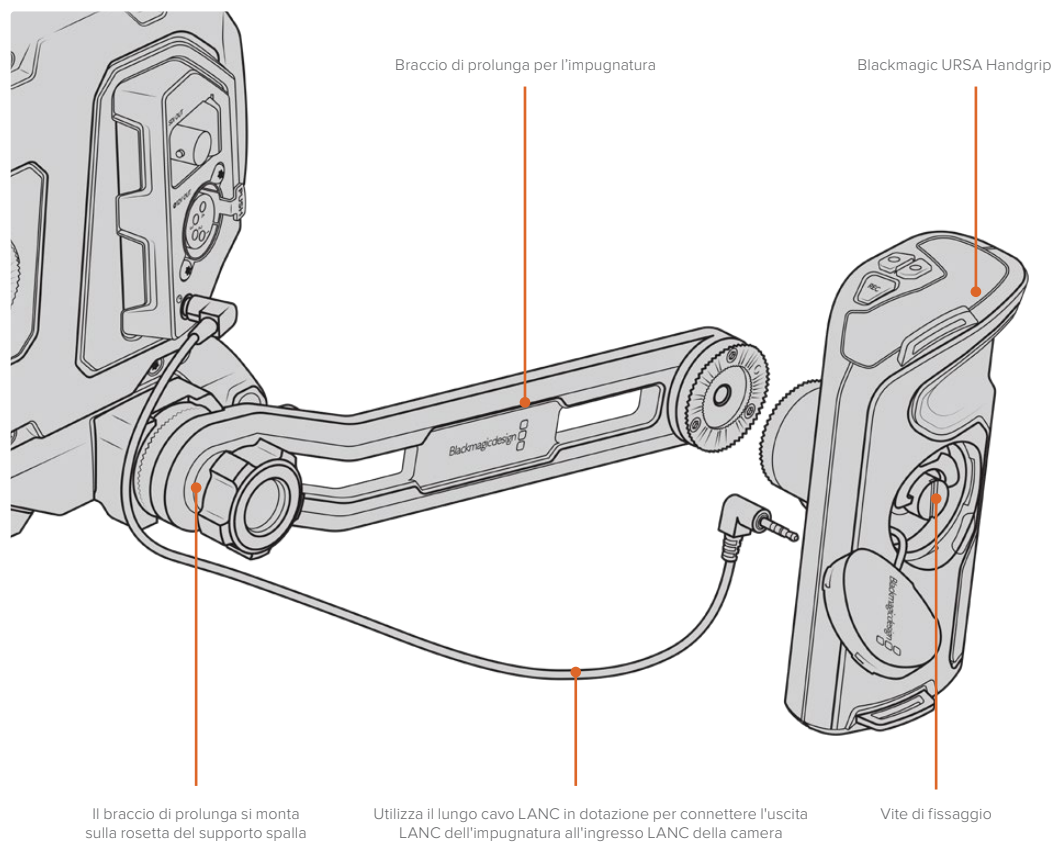
Quando utilizzi URSA Mini Shoulder Kit con URSA Handgrip, è necessario riposizionare l'impugnatura per poter agevolare le riprese a spalla. Grazie al braccio di prolunga e al cavo LANC lungo puoi spostare l'impugnatura nella posizione più ergonomica. Il braccio di prolunga URSA Mini è disponibile separatamente dai rivenditori autorizzati Blackmagic Design.

### Montare il braccio di prolunga

- 1** Poggia URSA Mini su una superficie piana e stabile, e con spazio a sufficienza per abbassare il braccio. Per esempio puoi montare la camera su un cavalletto.
- 2** Incastra l'estremità dentellata del braccio di prolunga alla rosetta della piastra adattatrice, abbassa il braccio secondo necessità, e fissalo con la vite zigrinata in dotazione.
- 3** Ancora l'impugnatura alla rosetta anteriore del braccio di prolunga, serrando la vite dell'impugnatura con un cacciavite a taglio, o girando l'anello a D con pollice e indice.
- 4** Connetti l'uscita LANC di URSA Handgrip all'ingresso LANC della camera con il cavo LANC in dotazione al kit da spalla.

Per regolare il braccio di prolunga e l'impugnatura, allenta le viti della rosetta, aggiusta la posizione secondo le esigenze, e serra di nuovo le viti.

Ora il kit da spalla URSA Mini Shoulder Kit è montato correttamente. Sfruttalo per eseguire riprese dinamiche e veloci, o per installare la camera sul cavalletto con facilità.



# Blackmagic URSA Viewfinder

URSA Viewfinder è un mirino elettronico incredibilmente avanzato per URSA Mini. Il suo display OLED 1080HD a colori e le ottiche di vetro di precisione garantiscono immagini vivide, nitide e realistiche, per una messa a fuoco ottimale anche dei minimi dettagli.

Il mirino viewfinder è ideale per le riprese a spalla, o in condizioni di luce estrema in cui è necessaria la massima precisione, senza riflessi e bagliori indesiderati.

Una volta collegato, il mirino viewfinder si alimenta dalla camera, e genera diverse opzioni di monitoraggio utilizzando i dati SDI integrati della camera. La camera è infatti in grado di inviare un flusso video SDI clean feed pur consentendoti di alternare diverse opzioni di monitoraggio, e accedere alle informazioni di stato e altri dettagli.

Per esempio, selezionando la guida di inquadratura 2.40:1 dal relativo menù di URSA Mini, il viewfinder rileva e usa la stessa guida sul suo display.

## Montare e collegare il viewfinder alla camera

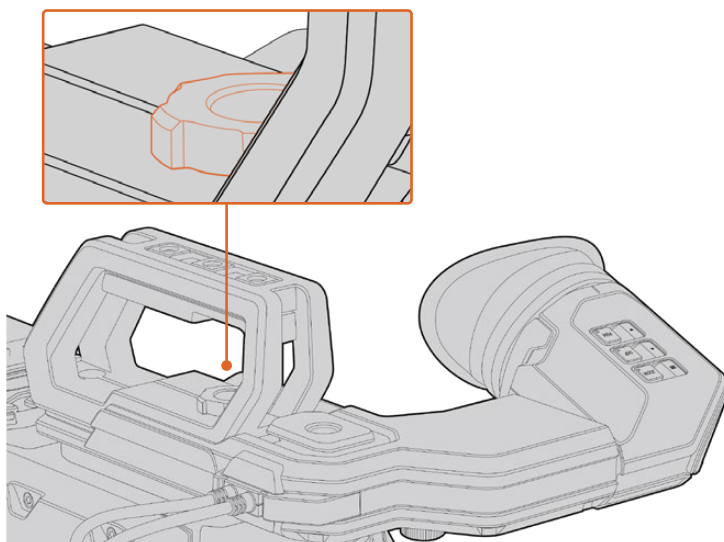
Per montare URSA Viewfinder sulla camera, fallo slittare lungo i binari della maniglia, e serra la vite zigrinata in uno dei fori di montaggio 1/4".

Per fissare URSA Viewfinder a URSA Mini e URSA Mini Pro è necessario montare Blackmagic URSA Mini Shoulder Kit.

Per prima cosa, rimuovi il coperchio dalla maniglia superiore del kit da spalla. Ora installa la piastra per URSA Viewfinder come descritto nella sezione "URSA Mini Shoulder Kit".

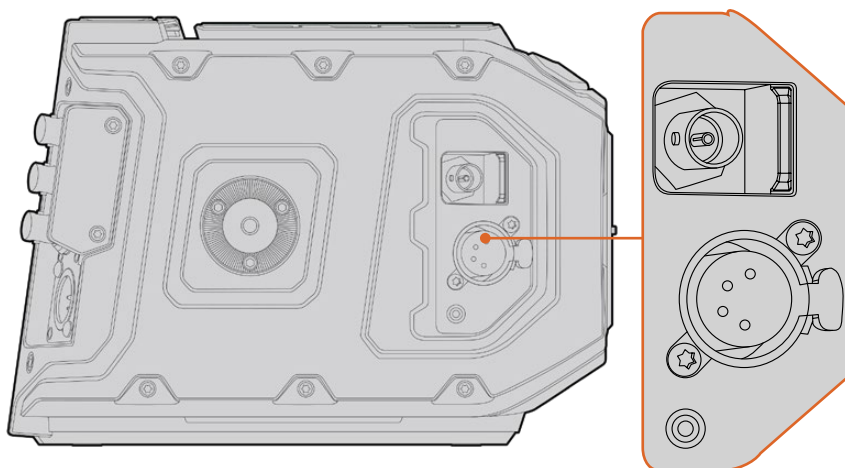
Slitta l'attacco di URSA Viewfinder nella piastra adattatrice e utilizza la vite zigrinata 1/4" inclusa nel kit spalla per fissare URSA Viewfinder alla maniglia superiore e alla piastra.

È sufficiente serrare la vite con le dita, senza bisogno di attrezzi.



Per montare URSA Viewfinder sulla camera, slitta l'attacco lungo i binari della maniglia, e serra la vite zigrinata in uno dei fori di montaggio 1/4"

Per collegare URSA Viewfinder alla camera, basta connettere i cavi del mirino alle uscite frontali 12V e 3G-SDI. URSA Viewfinder si alimenta automaticamente quando la camera è accesa.



Collega il cavo SDI e di alimentazione del mirino viewfinder alle uscite HD-SDI e +12V della camera

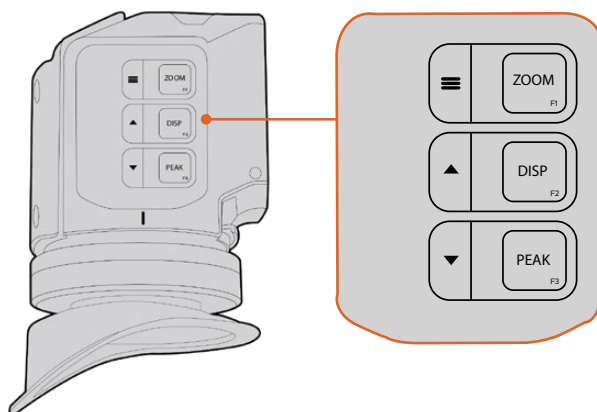
Quando utilizzi URSA Viewfinder con URSA Mini, consigliamo di montare il kit per spalla URSA Mini Shoulder Kit, perché ottimizza il posizionamento del mirino viewfinder grazie ai fori di montaggio e alla vite zigrinata 1/4". Consulta la sezione "URSA Mini Shoulder Kit" per maggiori informazioni.

## Regolare l'oculare

L'oculare rimovibile si può regolare per usarlo con l'occhio destro o sinistro. Riposiziona il braccio del viewfinder allentando il pomello in basso, e spostandolo verso destra o sinistra secondo l'occhio desiderato.

## Funzioni dei pulsanti

La parte superiore del viewfinder ospita 3 pulsanti: per lo **Zoom**, per gli overlay **Disp** e per l'effetto contorno **Peak**.



I pulsanti di zoom, overlay e peaking si trovano sulla parte superiore di URSA Viewfinder

Si possono utilizzare anche per altre funzioni, per esempio per accedere e navigare il menù impostazioni. Le icone a lato dei pulsanti indicano quali servono per controllare e navigare le funzioni del menù.

Inoltre è possibile personalizzare i pulsanti come tasti di scelta rapida. Per esempio, puoi assegnare al pulsante Zoom la funzione dei falsi colori. Consulta il capitolo "Tasti di scelta rapida" per maggiori informazioni.

### **Zoom (F1) - menù**

Facilita la messa a fuoco in fase di zoom. Premi di nuovo il pulsante per tornare alla visualizzazione 100%. Quando accedi al menù impostazioni, il pulsante Zoom funge da pulsante menù. Per aprire il menù impostazioni, tieni premuto il pulsante menù. Se premuto all'interno del menù impostazioni, conferma i cambiamenti.





### **Disp (F2) - freccia in su**

Mostra gli overlay. Quando accedi al menù impostazioni, premi il pulsante Disp per spostarti in alto. Tienilo premuto per aprire il menù dei tasti di scelta rapida. Consulta la sezione "Tasti di scelta rapida" per maggiori informazioni su come impostarli.

### **Peak (F3) - freccia in giù**

La funzione di peaking fa apparire un contorno verde sulle aree più nitide dell'immagine, per confermare la messa a fuoco. Premi Peak per abilitare questa funzione. Premilo di nuovo per disattivarla. Quando accedi al menù impostazioni, premi il pulsante Peak per spostarti in basso. Tienilo premuto per aprire il menù impostazioni.

## **Menù impostazioni**

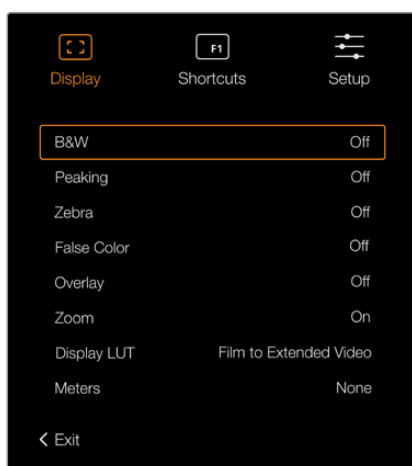
Include tre tab principali dedicate al monitoraggio, ai tasti di scelta rapida, e alla configurazione. Per aprire il menù impostazioni, tieni premuto il pulsante menù . Premi le frecce su  e giù  per navigare le opzioni, e premi menù  per confermare la selezione.

### **La tab Display**

Include le seguenti funzioni:

#### **Bianco e nero (B&W)**

Passa dai colori al bianco e nero.



La tab Display di URSA Viewfinder

#### **Peaking**

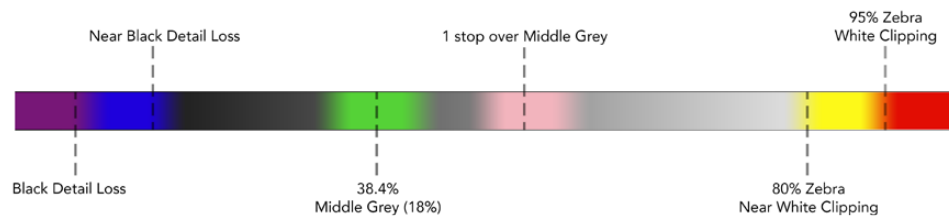
Abilita o disabilita l'effetto contorno.

#### **Zebra**

Abilita o disabilita la funzione zebra. Imposta i livelli di zebra desiderati dalle impostazioni della camera. Consulta la sezione "Impostazioni" per maggiori informazioni.

## False Color

Abilita o disabilita la funzione falsi colori. La funzione dei falsi colori sovrappone all'immagine colori che rappresentano i valori di esposizione dei diversi elementi. Per esempio il rosa rappresenta l'esposizione ottimale per la pelle chiara, mentre il verde si riferisce alle tonalità più scure. In questo caso, osservando il rosa o il verde durante le riprese potrai mantenere costante l'esposizione delle tonalità della pelle. Allo stesso modo, quando gli elementi dell'immagine passano dal giallo al rosso, significa che sono sovraesposti.



Spettro dei falsi colori

## Overlay

Abilita o disabilita le informazioni in sovrapposizione sullo schermo. Puoi selezionare quali overlay visualizzare dal menù impostazioni del viewfinder, mentre i parametri degli overlay, per esempio la percentuale della safe area, vanno impostati dalla camera.

## Zoom

Abilita o disabilita la funzione di zoom.

## Display LUT

Quando il viewfinder riceve un segnale di gamma dinamica Film da URSA Mini tramite SDI, le opzioni *Film to Video* e *Film to Extended Video* consentono di applicare all'immagine una LUT più colorata e dal contrasto maggiore. Il viewfinder rileva la presenza di queste LUT e le rende de/selezionabili sul viewfinder. Quando Display LUT è attiva sull'uscita SDI frontale, o se stai utilizzando una LUT diversa, questa opzione è disabilitata per evitare che più LUT vengano applicate.

## Meters

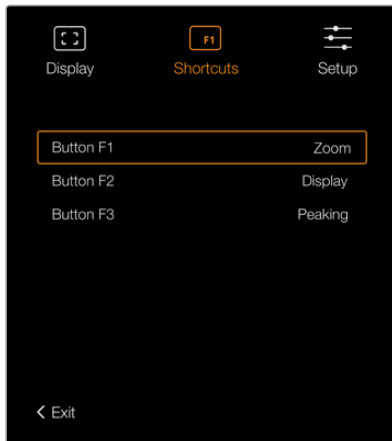
Scegli quale visualizzatore di livelli audio da mostrare come overlay. Le opzioni sono: istogramma **Histogram**, **Audio**, entrambi **Both**, o nessuno **None**.

## La tab Shortcuts

Accedi velocemente alle funzioni più utilizzate con i tasti di scelta rapida. Per creare tasti di scelta rapida su misura:

- 1 Nella tab Shortcuts, spostati con i pulsanti di freccia in su ▲ o freccia in giù ▼ e seleziona uno dei 3 pulsanti funzione. Premi il pulsante menù ≡ per confermare il tasto di scelta rapida.
- 2 Ora spostati con i pulsanti di freccia in su o freccia in giù per selezionare la funzione da assegnare al pulsante. Premi il pulsante menù per confermare il tasto di scelta rapida.
  - Bianco e nero (B&W)
  - Peaking
  - Zebra
  - Falsi colori (False Color)
  - Display
  - Zoom
  - Mostra LUT (Display LUT)
  - Livelli audio (Meters)

- 3 Scorri fino a **Exit** e premi il pulsante menù per uscire dalla tab Shortcuts.



La tab Shortcuts dei pulsanti funzione di URSA Viewfinder

## La tab Setup

Include le seguenti funzioni:

### **Brightness**

Regola la luminosità del display tra i valori -10 e +10.

### **Tally Brightness**

Regola la luminosità della spia LED di tally.

### **Focus Chart**

URSA Viewfinder integra una stella di Siemens per ottenere la messa a fuoco adatta ai tuoi occhi. Basta regolare le diottrie sul mirino oculare finché la stella è perfettamente a fuoco. Premi qualsiasi pulsante sul mirino viewfinder per uscire.

### **Frame Guide**

Dà l'opzione di dis/abilitare le guide di inquadratura sul viewfinder se selezionate come overlay su tutte le uscite della camera nelle impostazioni del monitor **Monitor > All**. Sul viewfinder puoi abilitare e disabilitare le guide di inquadratura con On/Off.

Consulta la sezione "Impostazioni di monitoraggio" per maggiori informazioni.

### **Safe Area Guide**

Seleziona le dimensioni della safe area quando il relativo overlay è abilitato. Quando le guide della safe area sono abilitate su tutte le uscite nelle impostazioni del monitor di URSA Mini, usa questo setting per dis/abilitarle con un semplice On/Off.

Consulta la sezione "Impostazioni di monitoraggio" per maggiori informazioni.

### **Grid**

Seleziona le griglie dei terzi, con mirino o con punto centrale su URSA Viewfinder quando l'interruttore relativo è su **On** per tutte le uscite **All** nella tab **Monitor** della camera, e gli overlay sono abilitati.

Consulta la sezione "Impostazioni di monitoraggio" per maggiori informazioni.



**NOTA** Abilitando le griglie sul menù impostazioni di URSA Viewfinder, la spia di tally proveniente dallo switcher ATEM si illumina sul viewfinder. Accertati di abilitare Overlay > On dalla tab Display.

### Status Text

Seleziona le informazioni di stato, per esempio il bilanciamento del bianco, il frame rate e i valori di ISO su URSA Viewfinder quando l'interruttore relativo è su **On** per l'uscita frontale **Front SDI** nella tab **Monitor** della camera.

Consulta la sezione "Impostazioni di monitoraggio" per maggiori informazioni.

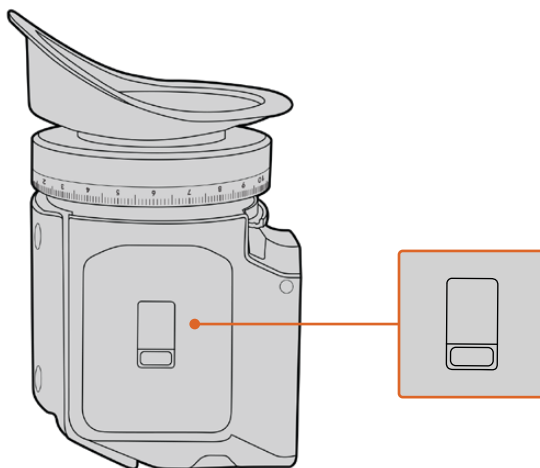
**SUGGERIMENTO** Quando URSA Viewfinder è installato su URSA Mini, ed entrambi sono impostati per mostrare le informazioni di stato, consigliamo di disabilitare lo Status Text del mirino.

### Sensore a infrarossi

Il mirino viewfinder ospita un sensore che rileva la prossimità dell'occhio all'oculare e accende automaticamente il display OLED. Allontanandosi dall'oculare per oltre 20 secondi, il mirino si spegne, garantendo risparmio energetico e longevità al display OLED. In modalità registrazione, il display OLED inizia ad attenuarsi dopo 5 minuti di inattività. Qualsiasi movimento rilevato davanti al mirino oculare riavvia il timer. Premi uno dei pulsanti sul viewfinder per riaccendere il display.



Bloccando o coprendo il sensore a infrarossi il display del mirino rimane acceso più a lungo. Oltre a diminuire la longevità del display, potrebbe causare la ritenzione dell'immagine quando vengono visualizzate immagini ad alto contrasto o guide di inquadratura.



Il sensore a infrarossi si trova alla base di URSA Viewfinder

## Aggiornare il software interno di URSA Viewfinder

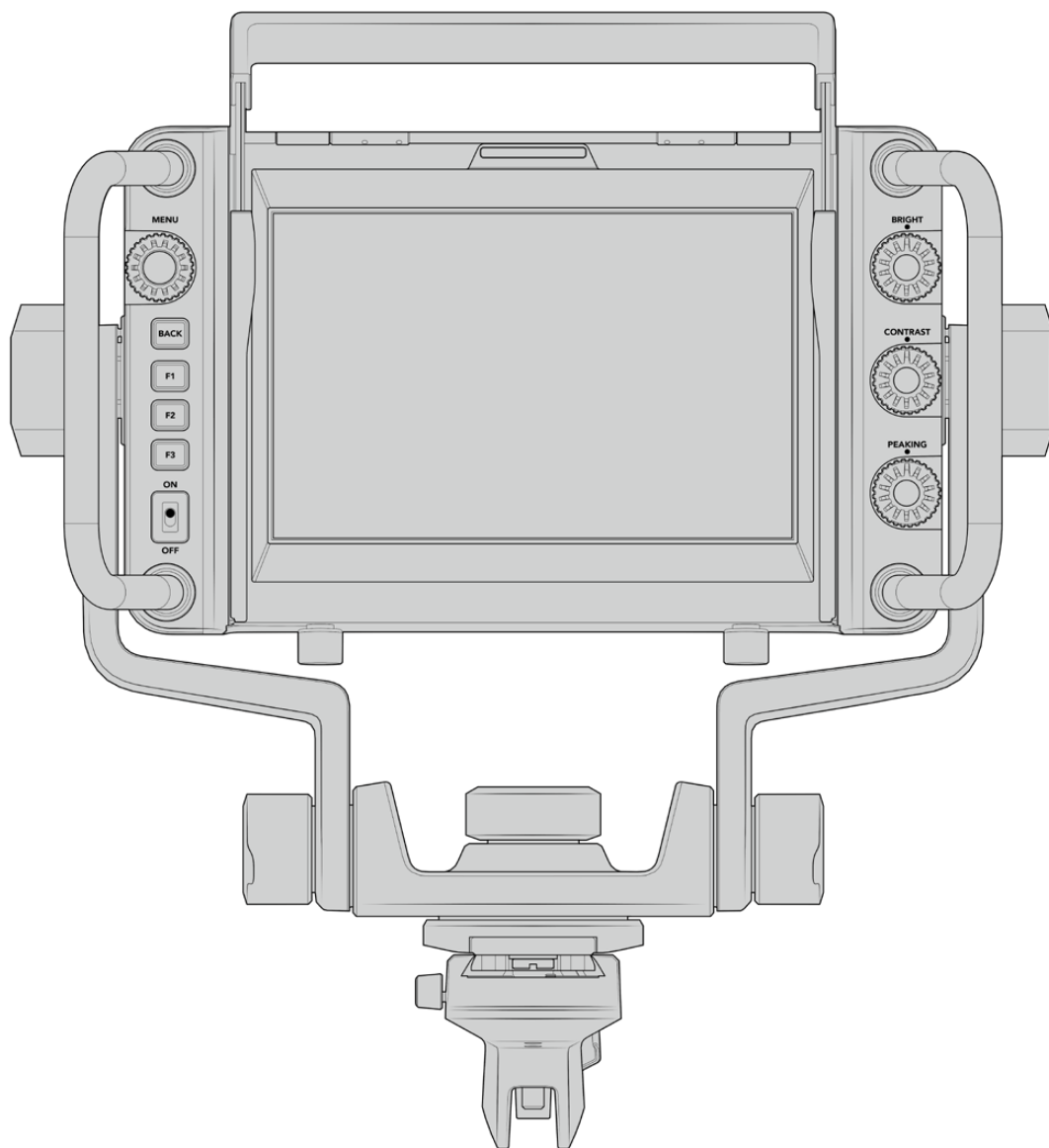
Utilizza l'utilità Blackmagic Camera Setup per aggiornare il mirino viewfinder. Durante l'update è necessario alimentare il mirino. Consigliamo di collegare il mirino a URSA Mini, e la camera a una fonte di alimentazione esterna, per evitare interruzioni in fase di aggiornamento.

Ora collega il computer alla porta USB sulla parte anteriore del viewfinder, vicino al mirino oculare. L'utilità Blackmagic Camera Setup suggerisce di aggiornare il software interno se rileva una versione precedente. Segui le istruzioni sullo schermo per aggiornare il software interno del mirino viewfinder.

**NOTA** Per tutti i dettagli, consulta la sezione "Utilità Blackmagic Camera Setup".

**SUGGERIMENTO** Consigliamo di aggiornare tutta l'attrezzatura utilizzata con Blackmagic URSA per ottenere prestazioni ottimali.

## Blackmagic URSA Studio Viewfinder



Blackmagic URSA Studio Viewfinder

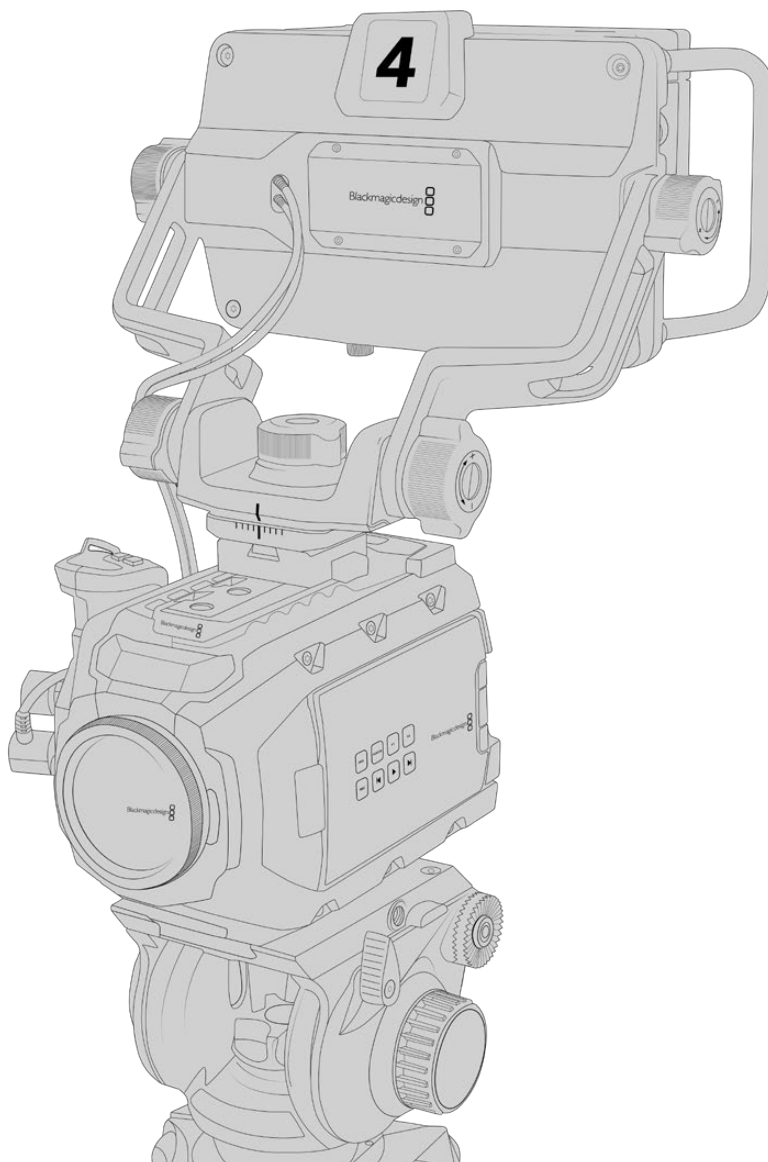
Il monitor URSA Studio Viewfinder trasforma URSA Mini in una telecamera professionale per le produzioni live. Include un monitor viewfinder con ampio display da 7", una spia tally di grandi dimensioni, manopole di controllo, comode maniglie laterali, parasole e perni di rotazione. Grazie a queste caratteristiche operare la camera è semplice e comodo, anche per lunghi periodi di ripresa, per esempio durante i concerti e gli eventi sportivi. URSA Studio Viewfinder è ideale per le produzioni live professionali in studio o in esterna.

## Montare e collegare il viewfinder a URSA Mini

Ci sono diversi modi per montare URSA Studio Viewfinder a URSA Mini.

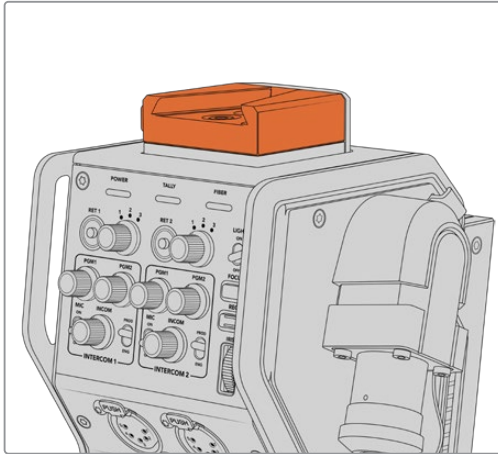
Un'opzione è ancorare URSA Studio Viewfinder direttamente alla parte superiore di URSA Mini, usando la piastra inclusa, a sgancio rapido e con attacco a V.

Svita la piastra con attacco a V dal modulo sulla maniglia di URSA Mini con una chiave a brugola da 3/16", e montala sulla parte superiore della camera con le viti 1/4" incluse. Questa installazione cambia significativamente il baricentro della camera, quindi è consigliabile installare la camera su un cavalletto per una maggiore stabilità.

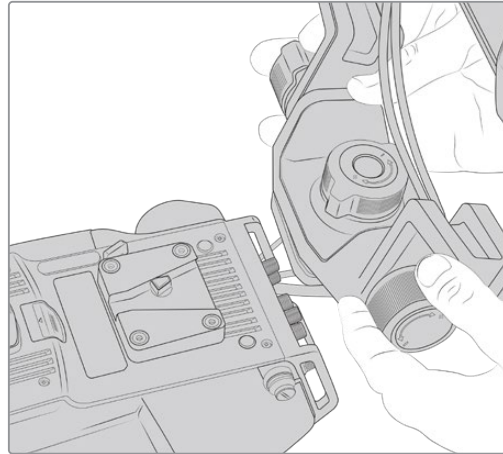


Se installi URSA Studio Viewfinder su una URSA Mini completa del kit da spalla URSA Mini Shoulder Kit, è necessario impiegare il modulo per maniglia in dotazione alla camera. Monta il modulo sulla maniglia superiore della camera con tre delle viti 1/4" incluse e una chiave a brugola da 3/16". Slitta l'attacco a V del viewfinder nella piastra con attacco a V fino a sentire un clic.

Consulta la sezione "URSA Mini Shoulder Kit" per maggiori informazioni.

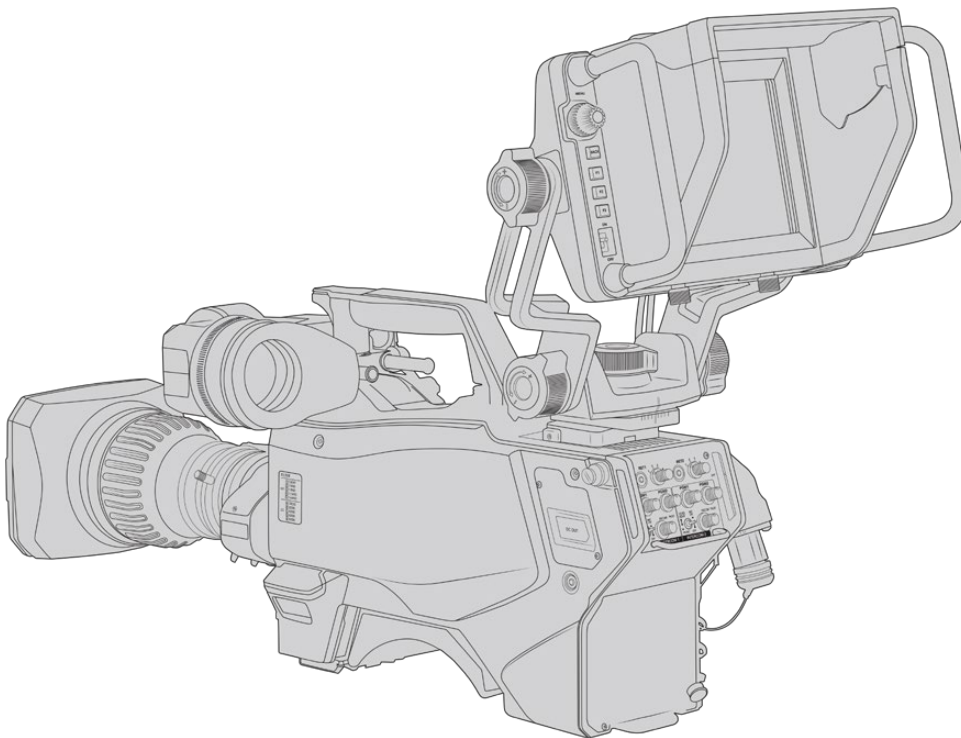


Puoi montare Blackmagic Studio Viewfinder sull'attacco a V sul lato superiore di Blackmagic Camera Fiber Converter



La piastra con attacco a V su una camera di terzi

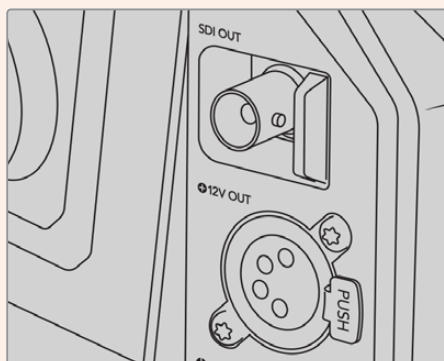
La piastra con attacco a V è compatibile con qualsiasi camera di terzi con fori di montaggio 1/4", e con le piastre di montaggio multiaccessorio. URSA Studio Viewfinder è facilmente installabile sulle camere di terzi con attacco a V a sgancio rapido.



**SUGGERIMENTO** URSA Studio Viewfinder si monta sulla camera tramite una piastra con attacco a V ad aggancio rapido, per spostare con facilità la camera dal cavalletto alla spalla. Quando si riprendono gli eventi sportivi è consigliabile montare sia il mirino URSA Viewfinder che il monitor URSA Studio Viewfinder, e a fine evento sfruttare il mirino per le riprese a mano. Entrambi i viewfinder utilizzano alimentazione 12V e cavi 3G-SDI per connettersi alla camera, per il facile passaggio da uno all'altro, secondo le esigenze.

Per collegare URSA Studio Viewfinder a URSA Mini, basta connettere i cavi del mirino alle uscite frontali 12V e 3G-SDI della camera.

Sposta l'interruttore di accensione del viewfinder su On quando la camera è alimentata. Sfrutta i morsetti in dotazione a lato della maniglia di URSA per mantenere i cavi in ordine.

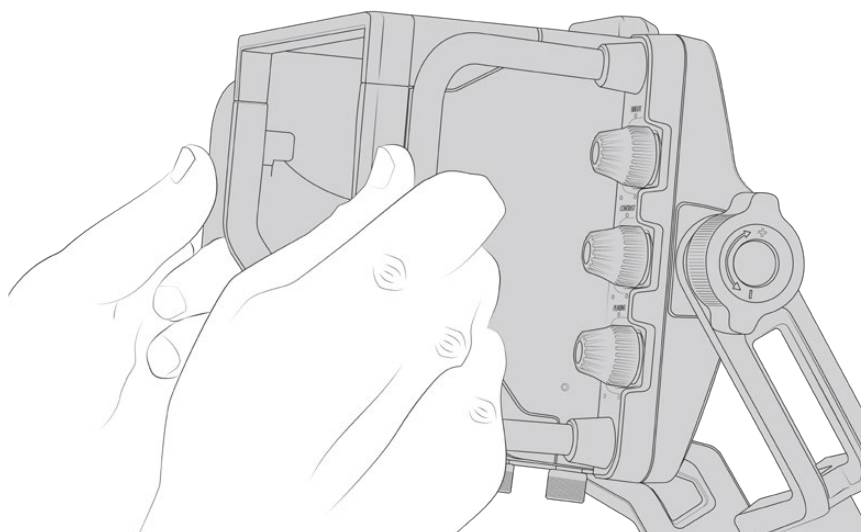


Uscita SDI e connettore 12V di alimentazione di URSA Mini

**SUGGERIMENTO** URSA Studio Viewfinder offre connessioni standard SDI e XLR a 4 pin per il broadcast. Collegalo a qualsiasi camera o utilizzalo come monitor portatile. Il viewfinder sfrutta il protocollo aperto di controllo camera e tally di ATEM, e quindi consente di integrare le informazioni, il tally e gli overlay di URSA Studio Viewfinder nel flusso SDI delle camere.

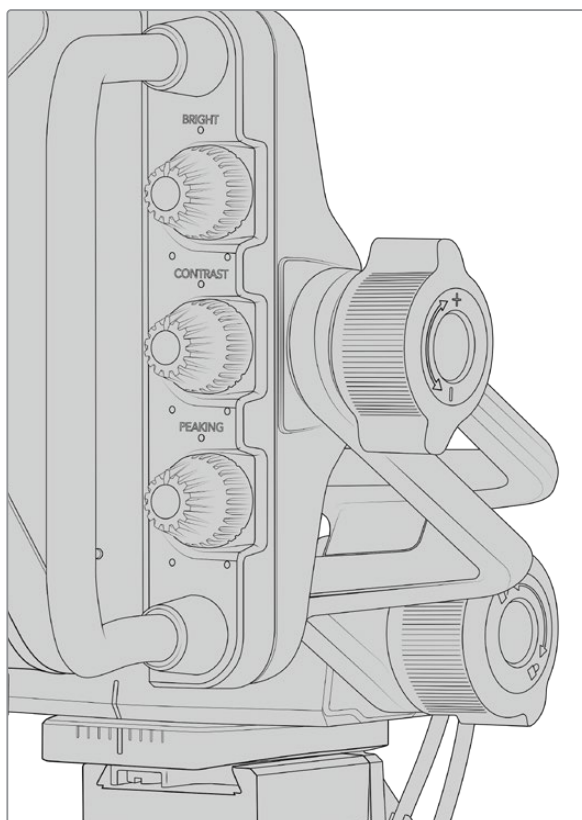
## Regolare la posizione di URSA Studio Viewfinder

Studio Viewfinder dispone di grandi maniglie laterali e perni di rotazione per regolarne la posizione e l'angolazione con facilità. Unite al parasole, le maniglie proteggono lo schermo da eventuali danneggiamenti, quindi puoi trasportare URSA Studio Viewfinder in una custodia senza doverlo smontare. Le maniglie di grandi dimensioni sono anche utili per spostare facilmente l'unità tra una location e l'altra.

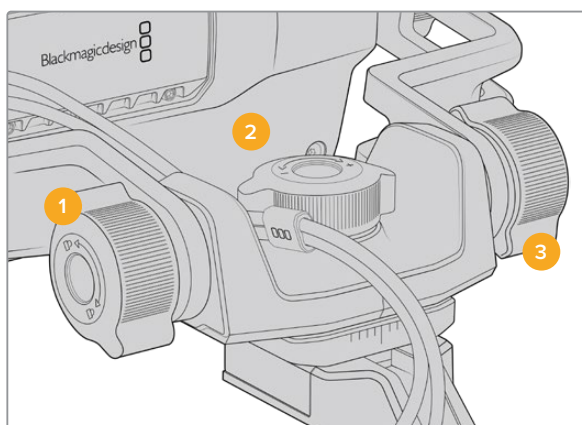


L'attacco in dotazione include regolatori di tensione su entrambi i lati del viewfinder per consentire movimenti orizzontali (pan) e verticali (tilt) e un controllo ancora più preciso. La rotella sinistra regola la tensione del braccio e quella di destra blocca il viewfinder sull'angolazione desiderata.

Queste rotelle offrono numerose opzioni di regolazione della tensione e di resistenza, per un posizionamento verticale e orizzontale ottimale.



Regolatori di tensione su entrambi i lati del viewfinder

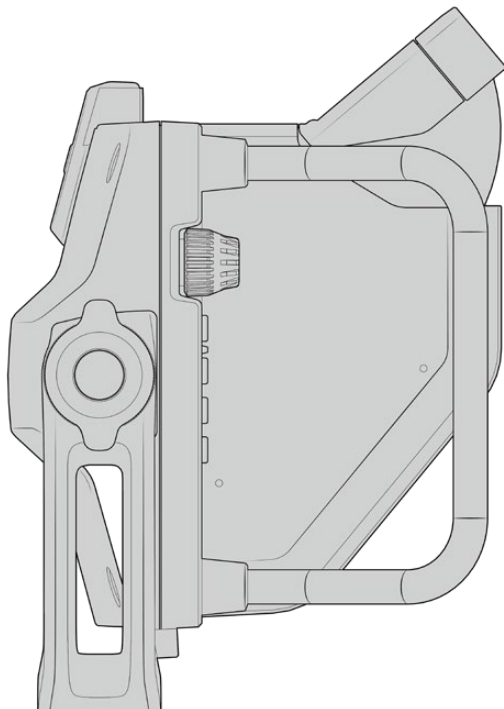
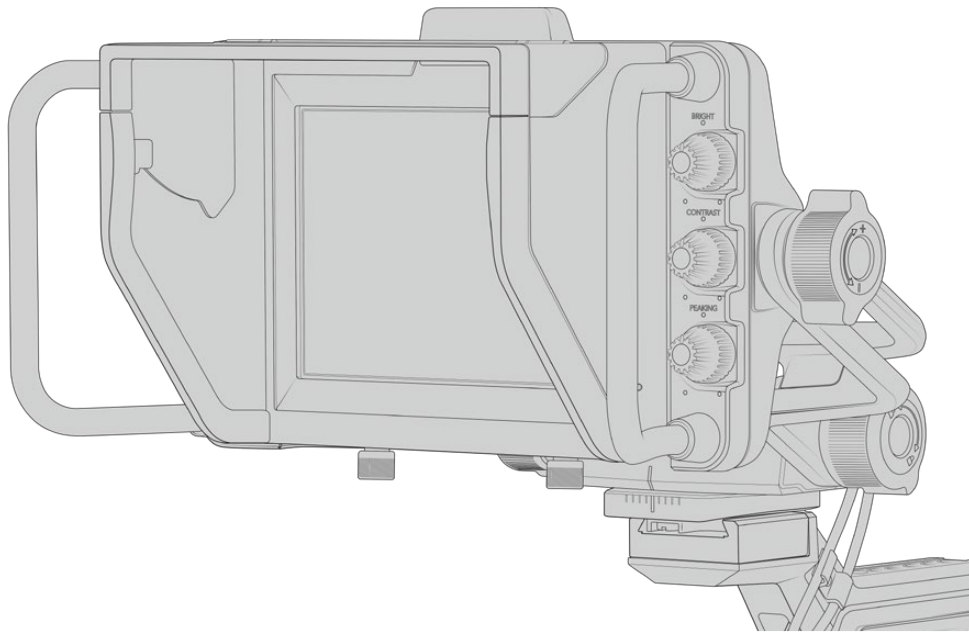


- 1 Manopola di blocco** dell'inclinazione del viewfinder
- 2 Manopola di tensione** del movimento orizzontale
- 3 Manopola di tensione** del movimento verticale

**SUGGERIMENTO** La manopola centrale situata sul supporto in dotazione controlla il movimento orizzontale del viewfinder, e consente di spostare la camera indipendentemente. Questa funzione è molto utile per gli eventi sportivi, ad esempio il motociclismo. Basta spostare il viewfinder a destra e sinistra per riprendere l'azione allo stesso tempo. Grazie a un accorgimento visivo sull'attacco, è facile ritornare il viewfinder alla posizione centrale.

## Parasole

Consente di vedere le immagini sullo schermo anche in condizioni di forte illuminazione. Slitta il parasole sulla parte superiore di URSA Studio Viewfinder e fissalo con le due viti imperdibili alla base. La sezione superiore della visiera è regolabile, e si può sollevare o abbassare per ottenere più angoli di visuale. Il parasole offre ulteriore protezione per lo schermo 7". Inoltre si rimuove facilmente, per esempio se è necessario accedere alla porta USB-C e aggiornare il software.

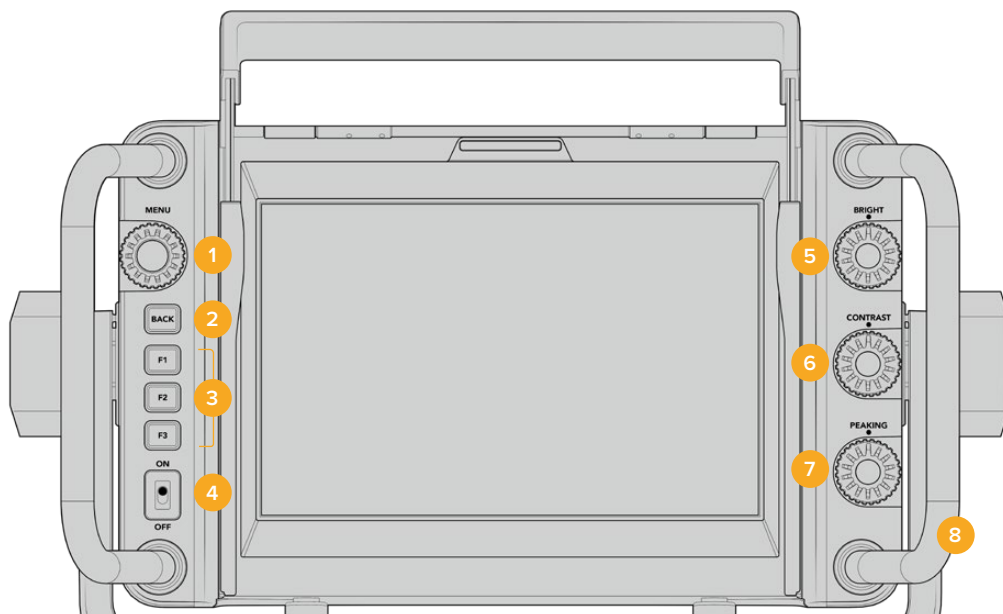


Parasole con visiera regolabile



## Funzioni dei pulsanti

Le tre manopole tattili **Bright**, **Contrast** e **Peaking** sulla destra consentono di regolare luminosità, contrasto, ed effetto contorno con facilità. Grazie al loro design ergonomico puoi ruotarle con il pollice quando è installato il parasole, o con due dita per una regolazione ancora più precisa.



### 1 Menu

Manopola sulla sinistra del display per accedere al menù. Ruotala per navigare le opzioni.

### 2 Back

Pulsante per uscire dal menù.

### 3 F1, F2, F3

Pulsanti funzione programmabili per eseguire velocemente le operazioni più comuni.

### 4 On/Off

Interruttore per accendere/spegnere URSA Studio Viewfinder.

### 5 Bright

Manopola per regolare la luminosità delle immagini sullo schermo. Gli overlay mostrano i livelli tra -100 e +100.

### 6 Contrast

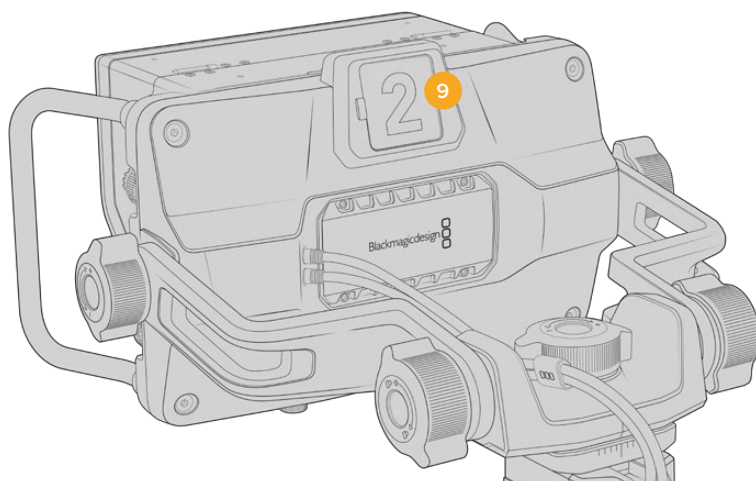
Manopola per regolare il contrasto delle immagini sullo schermo. Gli overlay mostrano i livelli tra -100 e +100.

### 7 Peaking

Manopola per regolare l'effetto contorno di messa a fuoco delle immagini sullo schermo. Gli overlay mostrano i livelli tra -100 e +100. Nel menù impostazioni puoi selezionare vari stili di overlay per il peaking, secondo necessità. Per esempio puoi scegliere la visualizzazione del peaking tipica dei sistemi broadcast, e cambiare anche il colore dei contorni tra rosso, verde, blu, nero e bianco per la messa a fuoco. Questa funzione è utile durante le riprese con ambientazioni ricche di un particolare colore.

### 8 Maniglie

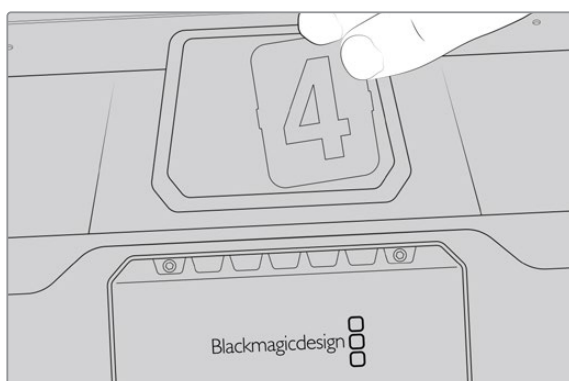
Di grandi dimensioni, consentono di mantenere in posizione lo Studio Viewfinder mentre si riposiziona la camera durante le riprese. Inoltre proteggono lo schermo durante l'installazione e il trasporto.



## 9 Spia di tally

La spia tally di grandi dimensioni sul retro di URSA Studio Viewfinder segnala alle artiste e agli operatori lo stato della camera. Per esempio si illumina di rosso per segnalare la diretta, di verde per l'anteprima, e se utilizzato con URSA Mini, di arancione per la registrazione in modalità ISO.

Mentre la regia alterna le immagini delle camere con lo switcher ATEM, il segnale tally raggiunge la camera via SDI e ne illumina la spia secondo la modalità (diretta, anteprima, o registrazione). Inoltre URSA Studio Viewfinder include numeri trasparenti inseribili nella spia tally, visibili fino a più di 6 metri di distanza.



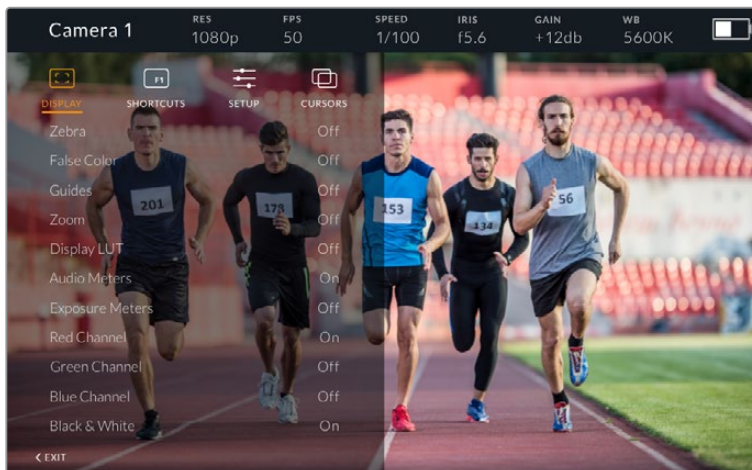
Abbiamo incluso un pdf modificabile nel software d'installazione, per creare e stampare i numeri di tally con lo stesso design di quelli in dotazione, o per ideare inserti personalizzati. Si trova nella cartella documenti una volta installato il software della camera (4.1 e successivo). Su Mac: Applicazioni > Blackmagic Cameras > Documents. Su PC: Applicazioni > Blackmagic Design > Documents.

La spia di tally si illumina secondo le operazioni dello switcher ATEM. Se la camera non è collegata allo switcher, la spia tally si illumina semplicemente di rosso in fase di registrazione. Consulta la sezione “Controllare la camera a distanza” per tutti i dettagli.

**SUGGERIMENTO** Quando usi URSA Studio Viewfinder con uno switcher ATEM, accertati di selezionare *Clean Feed* su URSA Mini. In questo modo gli overlay e le guide sono visibili sui segnali SDI inviati ad ATEM. Seleziona il menù Monitor > SDI principale > Clean feed sulla camera.

## Menù impostazioni

Premi la manopola **Menu** per accedere al menù, e ruotala per navigare le opzioni. Premendola di nuovo su una selezione, accedi alle 4 tab: **Display**, i tasti di scelta rapida **Shortcuts**, i parametri **Setup** e i riquadri per grafica **Cursors**. Scorri tra le opzioni di ogni tab usando la manopola. Premi Menu su un parametro delle singole tab per selezionarlo e regolarne i valori con la manopola. Premilo di nuovo per confermare la selezione. Premi il pulsante **Back** o naviga su **Exit** per uscire dal menù.



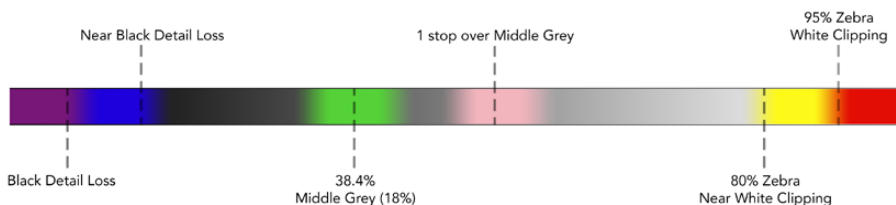
### La tab Display

#### Zebra

Abilita o disabilita la funzione zebra. I livelli di zebra rispecchiano la selezione effettuata nella tab **Monitor > All** di URSA Mini. Quando Studio Viewfinder non è connesso a URSA Mini, i livelli di zebra rappresentano il 95% della luminanza del segnale Rec. 709. Consulta la sezione "Impostazioni" per maggiori informazioni.

#### False Color

Abilita o disabilita la funzione falsi colori. La funzione dei falsi colori sovrappone all'immagine colori che rappresentano i valori di esposizione dei diversi elementi. Per esempio il rosa rappresenta l'esposizione ottimale per la pelle chiara, mentre il verde si riferisce alle tonalità più scure. In questo caso, osservando il rosa o il verde durante le riprese potrai mantenere costante l'esposizione delle tonalità della pelle. Allo stesso modo, quando gli elementi dell'immagine passano dal giallo al rosso, significa che sono sovraesposti. I falsi colori sono un'ottima funzione da assegnare a uno dei pulsanti di scelta rapida, per regolare velocemente l'esposizione.



Spettro dei falsi colori

#### Guides

Visualizza o nascondi le guide di inquadratura. Il tipo di guide rispecchia la selezione effettuata nel menù **Monitor > All** di URSA Mini.

Il rapporto d'aspetto, le guide di inquadratura, e la percentuale della safe area corrispondono alle impostazioni salvate sulla camera. Accedi alla tab **Setup** di Studio Viewfinder per selezionare il tipo di guide da visualizzare sul viewfinder. È possibile abilitarle o disabilitarle con un semplice tocco.

### **Zoom**

Abilita o disabilita la funzione di zoom. Facilita la messa a fuoco in fase di zoom di aree specifiche dell'immagine, ruotando la manopola del menù verso destra o sinistra. Un overlay mostra la posizione dell'area zoomata nell'immagine completa.

### **Display LUT**

Quando il viewfinder riceve un segnale di gamma dinamica Film da URSA Mini tramite SDI, le opzioni *Film to Video* e *Film to Extended Video* consentono di applicare all'immagine una LUT più colorata e dal contrasto maggiore. Il viewfinder rileva la presenza di queste LUT e dà l'opzione di de/selezionarle sul viewfinder. Quando una Display LUT è attiva sull'uscita SDI frontale, o se stai utilizzando una LUT diversa, questa opzione è disabilitata per evitare che più LUT vengano applicate.

### **Audio Meters**

Mostra i livelli audio in entrata su URSA Studio Viewfinder via SDI. Indicano dunque i livelli audio di URSA Mini. Se è selezionato l'ingresso di programma, i livelli si riferiscono a quest'ultimo.

### **Exposure Meters**

Abilita o disabilita l'istogramma dell'esposizione.

### **Red Channel**

Mostra o nasconde il canale rosso dell'immagine.

### **Green Channel**

Mostra o nasconde il canale verde dell'immagine.

### **Blue Channel**

Mostra o nasconde il canale blu dell'immagine.

### **Black and White**

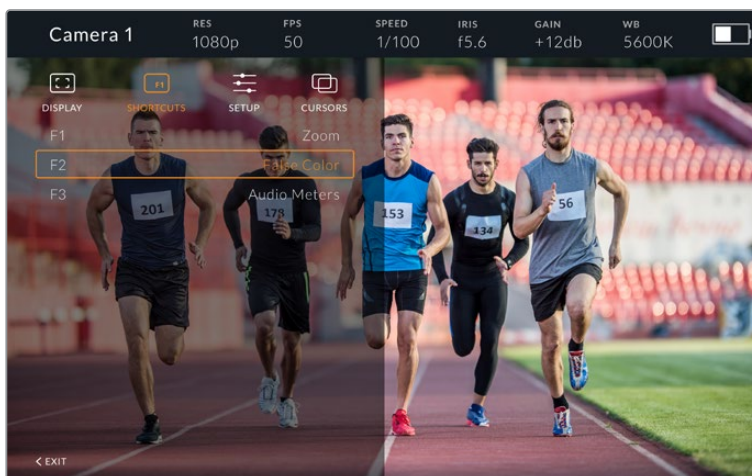
Passa dai colori al bianco e nero.

## **La tab Shortcuts**

Qui puoi assegnare funzioni specifiche ai pulsanti F1, F2, e F3, per esempio per usarli come On/Off delle funzioni della tab Display, o dei riquadri per grafica. È utile per accedere velocemente alle funzioni più usate.

Per creare tasti di scelta rapida su misura, nella tab **Shortcuts**, ruota la manopola **Menu** e seleziona uno dei 3 pulsanti funzione. Conferma la selezione premendo la manopola Menu, poi ruotala per scorrere tra le seguenti funzioni assegnabili: 'zoom', 'cursor 1', 'cursor 2', 'cursor 3', 'zebra', 'false color', 'guides', 'film to video', 'audio meters', 'exposure meters', 'red channel', 'green channel', 'blue channel', 'black and white'. Una volta scelta la funzione, premi la manopola Menu per assegnarla al pulsante desiderato. Ora premendo il pulsante prescelto, abiliti o disabiliti la funzione.

A operazioni completate, naviga fino a **Exit** e premi la manopola Menu per chiudere la lista menù, o premi il pulsante **Back** per uscire.



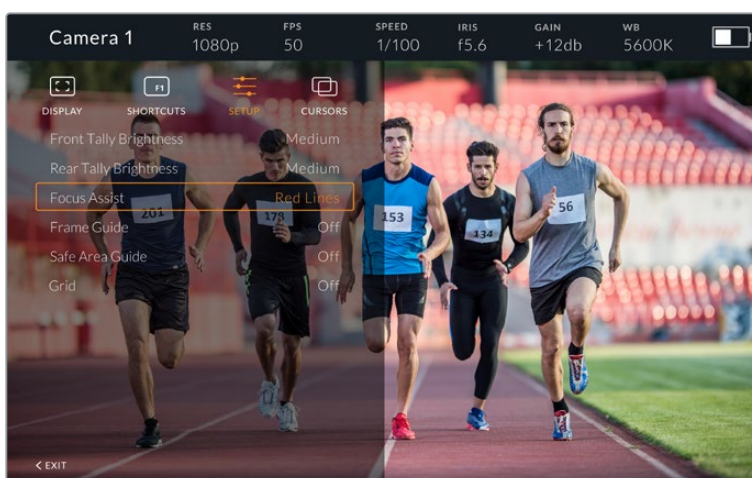
La tab Shortcuts per i tasti di scelta rapida

## La tab Setup

Qui imposti i parametri del viewfinder.

### Front Tally Brightness

Regola la luminosità della spia LED di tally frontale. Le opzioni sono **Off** e in ordine crescente, **Low**, **Medium** e **High**. La spia tally si illumina in tempo reale per un riscontro visivo immediato.



Il sottomenù della tab Setup

### Rear Tally Brightness

Regola la luminosità della spia LED di tally frontale. Le opzioni sono in ordine crescente, **Low**, **Medium** e **High**. La spia tally si illumina in tempo reale per un riscontro visivo immediato.

**SUGGERIMENTO** In condizioni di forte illuminazione, consigliamo di aumentare la luminosità del LED su *High*, per rendere la spia visibile ad attrici e operatori. Viceversa, in condizioni di scarsa illuminazione, consigliamo di diminuire la luminosità del LED su *Low*.



### Focus Assist

Seleziona l'aspetto del peaking sul viewfinder. Scegli tra i colori rosso, verde, blu, nero, bianco, o il peaking tradizionale.

### Frame Guide

Mostra le guide di inquadratura, secondo l'opzione selezionata nel menù Guides di Studio Viewfinder. Se collegato a URSA Mini, le guide adottano lo stesso rapporto d'aspetto delle guide impostato sulla camera. Se collegato ad altri sistemi, il rapporto d'aspetto di default è 14:9.

### Safe Area Guide

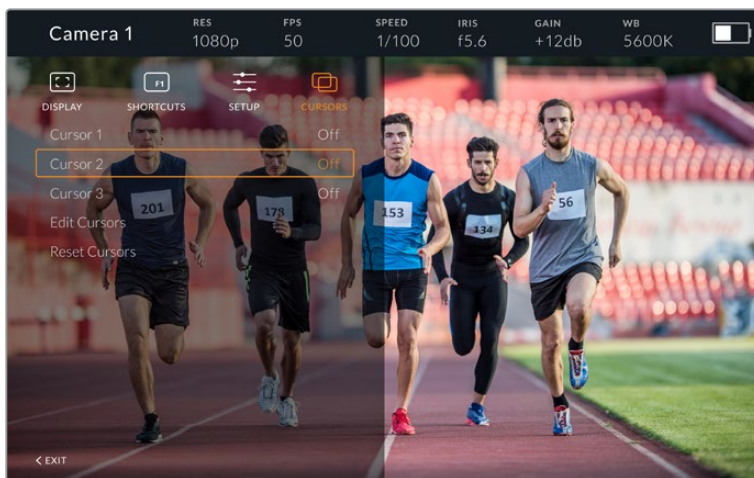
Mostra la safe area secondo l'opzione selezionata nel menù Guides di Studio Viewfinder. Se collegato a URSA Mini, la safe area adotta la stessa percentuale di quella impostata sulla camera. Se collegato ad altri sistemi, il valore di default è 90%.

### Grid

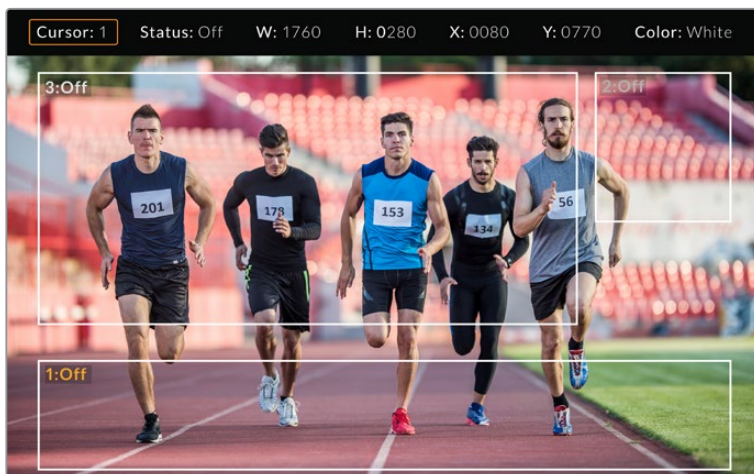
Mostra le griglie secondo l'opzione selezionata nel menù Guides di Studio Viewfinder. Se collegato a URSA Mini, le griglie corrispondono a quelle impostate sulla camera. Se non collegato, abilita o disabilita l'opzione mirino.

### Cursors

Definiscono le zone dell'immagine dove inserire la grafica, per esempio i terzi inferiori, i loghi, e le scritte scorrevoli. Per personalizzare queste zone, delimitate da riquadri, seleziona la voce **Edit Cursors** nella tab **Cursors**. Apparirà una pagina con i tre riquadri disponibili, che puoi selezionare individualmente e modificare in altezza, larghezza, e lungo gli assi x e y.



Il sottomenù della tab dei riquadri Cursors



I riquadri su schermo

Una volta impostati, abilita o disabilita i riquadri nella tab Cursors o dai pulsanti funzione preimpostati. I riquadri sono essenziali per comporre e inquadrare le immagini durante le produzioni in diretta. Sono disponibili tre riquadri bianchi o neri modificabili in altezza, larghezza, e posizione per assecondare la disposizione della grafica inserita in diretta o in un secondo momento. I riquadri si possono resettare sulle impostazioni di default.

### Utilizzare le cuffie con URSA Studio Viewfinder

Quando colleghi URSA Studio Viewfinder a URSA Mini, la connessione per cuffie consente la comunicazione bidirezionale di talkback con il/la regista.

Per una funzionalità di talkback ancora superiore, collega cuffie professionali per il broadcast ai connettori XLR a 5 pin di Blackmagic Camera Fiber Converter e Studio Converter. Consulta la sezione "Blackmagic Fiber Converter" per maggiori informazioni.

**SUGGERIMENTO** Puoi utilizzare i tuoi auricolari per iPhone per il talkback, grazie all'ingresso per cuffie compatibile di URSA Mini. Basta premere il pulsante del telecomando dell'auricolare per comunicare con la regia.

### Aggiornare il software interno di URSA Viewfinder

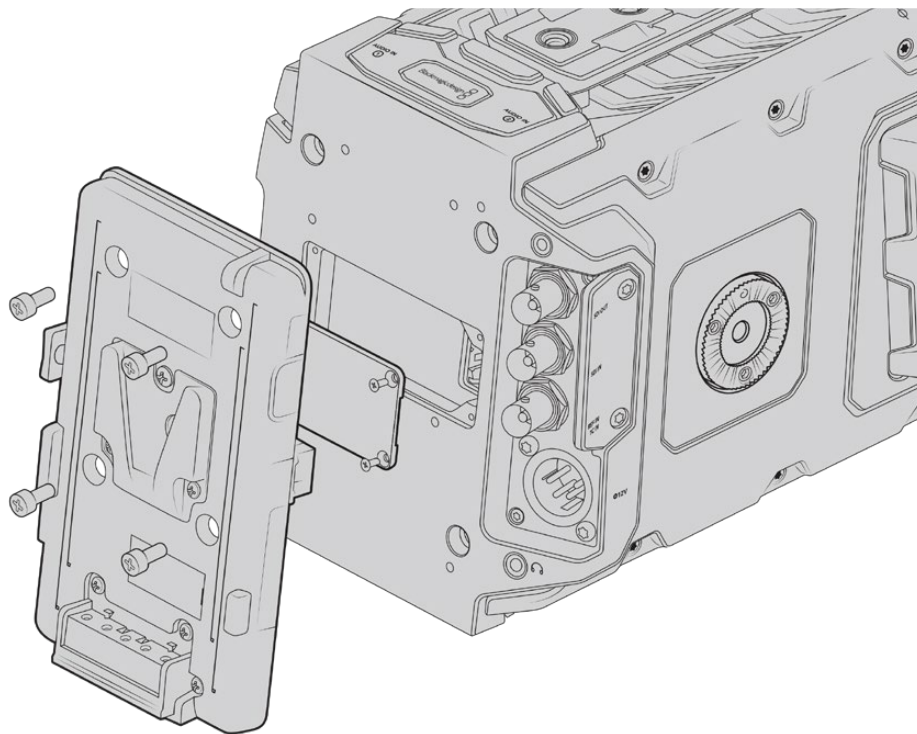
Utilizza l'utilità Blackmagic Camera Setup per aggiornare il mirino viewfinder. Durante l'update è necessario alimentare il mirino. Consigliamo di collegare il mirino a URSA Mini, e la camera a una fonte di alimentazione esterna, per evitare interruzioni in fase di aggiornamento.

Rimuovi il parasole per accedere alla porta USB-C, situata nella parte inferiore di URSA Studio Viewfinder, e collegala con un cavo al tuo computer. L'utilità Blackmagic Camera Setup suggerisce di aggiornare il software interno se rileva una versione precedente. Segui le istruzioni sullo schermo per aggiornare il software interno del viewfinder. **NOTA** Per tutti i dettagli, consulta la sezione "Utilità Blackmagic Camera Setup".

Consigliamo di aggiornare tutta l'attrezzatura Blackmagic URSA per ottenere prestazioni ottimali.

**NOTA** Consigliamo di aggiornare il software interno di Blackmagic URSA Studio Viewfinder prima di utilizzarlo con URSA Mini. La versione più recente del software è disponibile alla pagina [www.blackmagicdesign.com/it/support](http://www.blackmagicdesign.com/it/support). Per tutti i dettagli, consulta la sezione "Utilità Blackmagic Camera Setup".

## Montare le batterie



Una piastra per batteria di terzi consente di collegare batterie con attacco a V o Gold Mount

### Montare le batterie con attacco a V o Gold Mount

URSA Mini è compatibile con batterie con attacco a V o Gold Mount standard.

Prima di collegare una batteria è necessario montare la piastra adattatrice Blackmagic URSA VLock Battery Plate o URSA Gold Battery Plate, o una piastra di terzi.

**SUGGERIMENTO** Le piastre Blackmagic VLock Battery Plate e URSA Gold Battery Plate consentono la visualizzazione della carica residua in percentuale quando si usano batterie compatibili. Queste piastre includono un'uscita +12V Out, conosciuta anche come D-tap o P-tap, per alimentare gli accessori collegati, per esempio un monitor esterno. L'uscita è regolata dalla camera, quindi l'alimentazione cessa non appena la camera si spegne, e fornisce una tensione di 12V fino a 1,5 Amp. Alcune piastre per batteria compatibili con URSA, e alcune batterie, hanno un'uscita D-tap non regolata. In questo caso l'alimentazione continua a passare anche quando la camera si riaccende. Inoltre la tensione varia secondo il livello di carica della batteria, e gli accessori collegati continuano a scaricare la batteria.

Le piastre URSA VLock Battery Plates e URSA Gold Battery Plates sono disponibili dai rivenditori autorizzati Blackmagic Design, e le versioni di terzi nei negozi di attrezzatura video professionale.



Se non possiedi una piastra per batterie compatibile con URSA Mini e vuoi modificare la tua piastra esistente, puoi usare il cavo adattatore e il connettore inclusi. Consulta la sezione "Utilizzare la propria piastra per batteria" per maggiori informazioni su come modificare la piastra per l'utilizzo con URSA Mini.

#### Per montare la piastra per batteria sul retro della camera:

- 1 Rimuovi le 4 viti agli angoli dello sportellino del connettore molex sul retro della camera con un cacciavite a croce PH1.
- 2 Collega il connettore molex della piastra per batteria al molex di alimentazione della camera.
- 3 Fissa la piastra per batteria di terzi serrando 4 viti M3 nei fori di montaggio sul retro di URSA Mini. Accertati che il cavo adattatore sia nascosto correttamente nell'apposito spazio per evitare di schiacciarlo.
- 4 Dopo aver montato la piastra puoi inserire una batteria con attacco a V o Gold Mount.

## Utilizzare la propria piastra per batteria

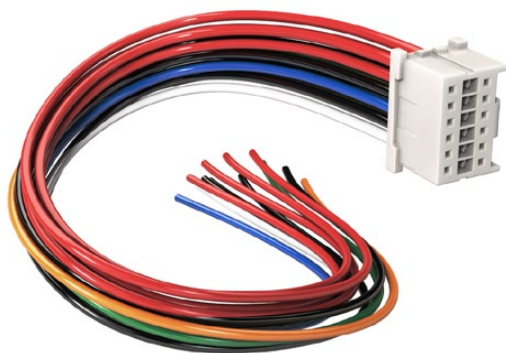
### Cavo adattatore e connettore

Se la tua piastra per batteria non è compatibile con URSA Mini, puoi modificarla con il cavo e il connettore inclusi (disponibili anche nei centri di assistenza Blackmagic Design).

Per cablare la piastra per batteria con cavo e connettore:

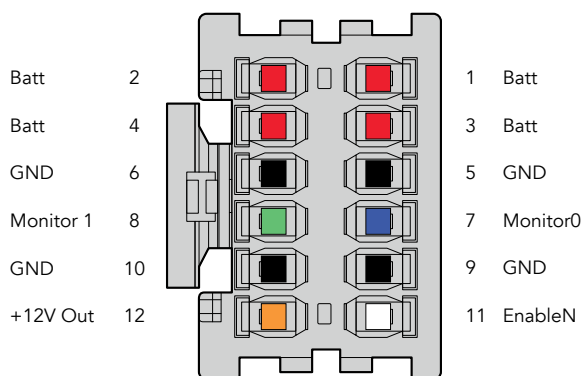
- 1 Rimuovi circa 1 cm di isolante dai fili rosso e nero.
- 2 Salda i 4 fili rossi **Batt** al filo positivo corrispondente sulla piastra per batteria.
- 3 Salda i 4 fili neri **GND** al filo negativo corrispondente sulla piastra per batteria.

Accertati che le giunture siano ben isolate.



Per modificare la tua piastra per batteria e montarla su URSA Mini, utilizza il cavo e il connettore inclusi (disponibili anche nei centri di assistenza Blackmagic Design)

Questo procedimento consente di alimentare la camera tramite una batteria. Puoi anche collegare fili supplementari per creare un'uscita 12V e visualizzare lo stato della batteria. Segui le istruzioni della piastra per batteria, e consulta lo schema e la tabella qui sotto per cablare i fili correttamente. Per maggiore assistenza, visita il sito Blackmagic Design alla pagina Supporto [www.blackmagicdesign.com/it/support](http://www.blackmagicdesign.com/it/support).



Vista posteriore degli alloggiamenti dell'adattatore. Consulta la tabella di configurazione dei fili per la descrizione di ogni alloggiamento

### Tabella di configurazione dei fili

Pin	Segnale	Colore	Direzione	Descrizione
1, 2, 3, 4	Batt	Rosso	Verso URSA	12-20V
5, 6, 9, 10	GND	Nero	–	–
7	Monitor0	Blu	Verso URSA	Livello batteria analogico o linea dati open drain (20V max)
8	Monitor1	Verde	Verso URSA	Linea di clock open drain (3,4V max)
12	+12V out	Arancione	Da URSA	Uscita regolata a 12V fino a 1,5 A (18W)
11	EnableN	Bianco	Verso URSA	Connetti a GND solo se desideri attivare l'uscita +12V

Ogni pin Batt e GND supporta 3 ampere. Assicurati che tutti i pin siano connessi. Per monitorare lo stato delle batterie Anton Bauer, IDX, o Blueshape, segui le istruzioni seguenti:

<b>Anton Bauer</b>	Connetti il filo a strisce blu/bianco all'alloggiamento blu 7
<b>IDX</b>	Connetti il filo verde all'alloggiamento verde 8, e il filo grigio all'alloggiamento blu 7
<b>Blueshape</b>	Connetti il filo blu SMBC nell'alloggiamento verde 8. Connetti il filo marrone SMBC all'alloggiamento blu 7

Taglia i fili inutilizzati il più vicino possibile al retro del connettore.

# Blackmagic Fiber Converter

Blackmagic Camera Fiber Converter e Blackmagic Studio Fiber Converter sono accessori opzionali che forniscono una connessione in fibra SMPTE tra la camera e uno switcher ATEM.

La fibra SMPTE trasporta video, alimentazione, talkback, tally, e controllo camera tra uno switcher ATEM e la camera, all'interno di un singolo cavo ibrido in fibra ottica SMPTE standard. La connessione in fibra SMPTE riduce significativamente la quantità di cavi necessari, alleggerendo le installazioni e rendendole più efficienti. I connettori standard di Studio Fiber Converter ne consentono l'integrazione nell'infrastruttura esistente dei veicoli di regia mobile.

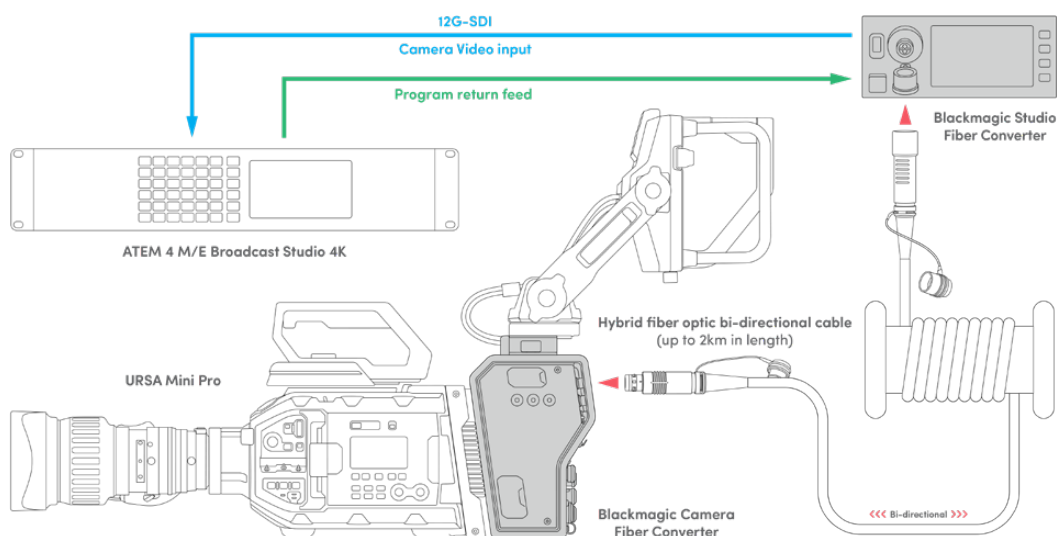


## Blackmagic Camera Fiber Converter

Si installa sul retro di URSA Mini o URSA Broadcast, e si collega a Studio Fiber Converter con un connettore SMPTE 304 ibrido standard.

## Blackmagic Studio Fiber Converter

Questa unità converte il segnale SDI in fibra ottica in arrivo dal Camera Fiber Converter in SDI tramite BNC, a sua volta connesso allo switcher ATEM. L'unità inoltre riceve i segnali di ritorno, incluso quello del programma dallo switcher ATEM, e li rimanda al Camera Fiber Converter.



Camera e Studio Fiber Converter si connettono tramite fibra ottica per fornire segnali SDI di video, alimentazione, talkback, tally, e controllo camera mediante un singolo cavo in fibra ottica SMPTE

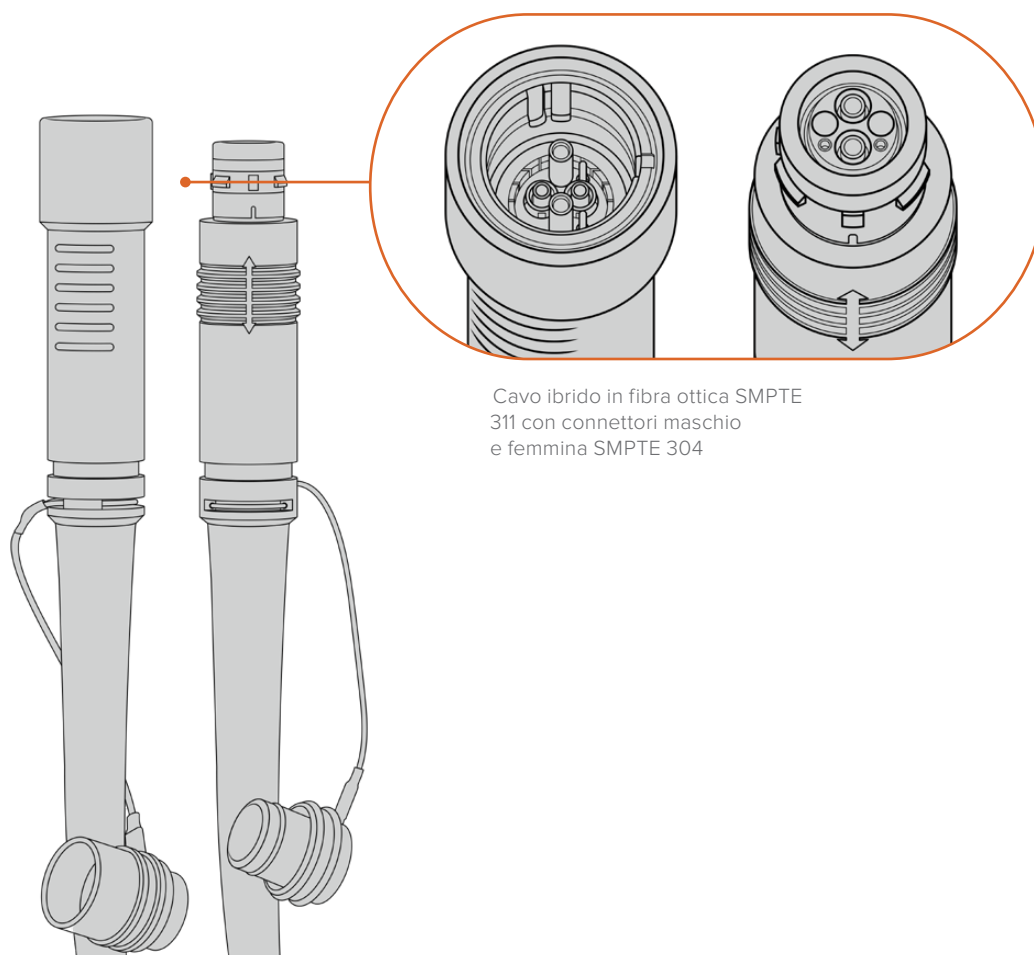
# Operazioni preliminari – Blackmagic Fiber Converter

Le operazioni preliminari sono poche e semplici. Presto sarai in grado di produrre contenuti video e potrai apprezzare i vantaggi della fibra SMPTE.

## Fibra SMPTE

I cavi in fibra SMPTE sono la soluzione più semplice per trasportare diversi segnali, inclusa l'alimentazione, su lunga distanza. Sono utili negli ambienti del broadcast perché aggirano la necessità di collegare un cavo per ogni camera connessa allo switcher.

Grazie a un solo cavo ibrido in fibra ottica SMPTE 311 puoi collegare ogni camera allo switcher ATEM, e trasportare i segnali di video, alimentazione, talkback, tally, e controllo camera. La fibra ottica trasporta tutti questi segnali fino a 2 chilometri di distanza.



Cavo ibrido in fibra ottica SMPTE  
311 con connettori maschio  
e femmina SMPTE 304

**NOTA** Le estremità maschio e femmina di un cavo ibrido in fibra ottica SMPTE 311 sono identificabili dalla struttura dei pin all'interno dei connettori SMPTE 304. La tipologia del connettore non è determinata dall'apparenza esterna.

**SUGGERIMENTO** Chiudi il cappuccio in gomma di ciascuna estremità del cavo in fibra SMPTE con il cappuccio in gomma su entrambi i convertitori per evitare l'accumulo di polvere e detriti.

Uno dei vantaggi della connessione in fibra SMPTE è la possibilità di connettersi alla centrale video o ai veicoli di regia mobile nei tradizionali ambienti di trasmissione dal vivo. Gli impianti dei nuovi stadi già prevedono che il collegamento tra le telecamere e la centrale video o la regia mobile venga effettuato in modo diretto tramite cavi in fibra ottica.

Il cavo in fibra ottica impiegato per collegarsi a sistemi in fibra esistenti, o per collegare tra loro due Fiber Converter, è un cavo ibrido SMPTE 311 con connettori SMPTE 304.

### Proteggere i connettori SMPTE

È importante che i connettori del cavo in fibra SMPTE siano sempre protetti dagli appositi cappucci in gomma perché la polvere tende ad accumularsi facilmente alle estremità dei tubicini in vetro, rischiando di interrompere il flusso del segnale. Se inutilizzato, è consigliabile coprire il connettore con il cappuccio in gomma subito prima della connessione appena dopo la disconnessione.

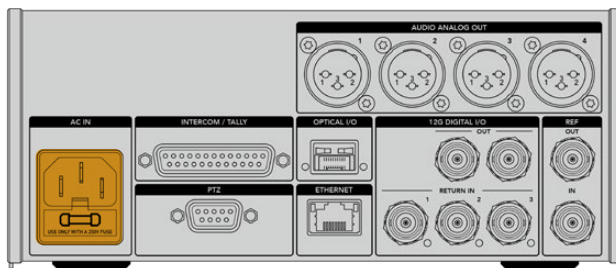
Inoltre è preferibile chiudere il cappuccio alle estremità del cavo in fibra SMPTE con quello sui convertitori quando sono in funzione, per evitare l'accumulo di polvere e detriti nei cappucci stessi.

### Collegare l'alimentazione

Il primo passo consiste nel collegare l'unità Studio alla corrente.

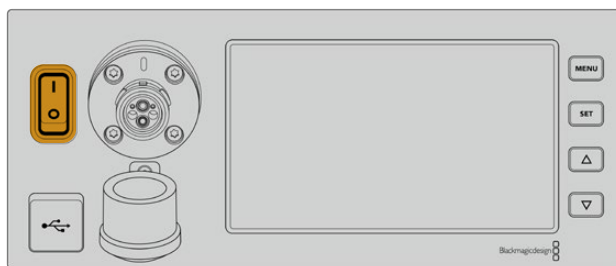
#### Collegare Studio Fiber Converter alla corrente

Inserisci un cavo di alimentazione IEC standard nel connettore di alimentazione sul retro dell'unità.



Collega Studio Fiber Converter alla corrente con un cavo IEC standard

Per accendere l'unità, premi l'interruttore per posizionarlo su On.



## Collegare la fibra SMPTE

Il passo successivo è collegare il cavo in fibra SMPTE tra l'unità Studio e l'unità Camera. Questo collegamento permette all'unità Studio di alimentare l'unità Camera, e trasporta tutti i segnali video.

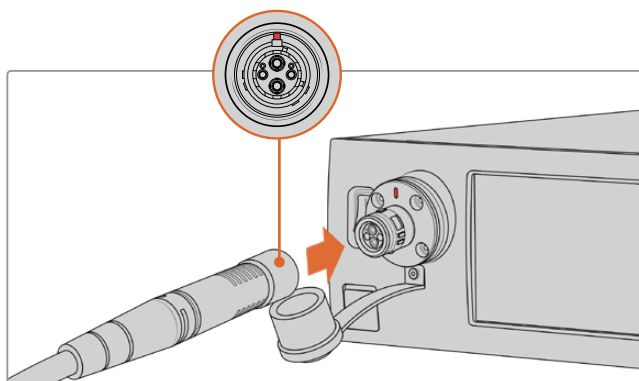
**NOTA** Quando colleghi un cavo ibrido in fibra ottica, il convertitore avvia un rigoroso controllo di sicurezza e continua ad attuarlo costantemente durante l'utilizzo del dispositivo.

### Collegare il cavo in fibra all'unità Studio

L'estremità maschio del cavo in fibra SMPTE si aggancia saldamente al connettore femmina sul lato frontale di Studio Fiber Converter. Il sistema di aggancio evita che il cavo si scollegi accidentalmente durante la trasmissione.

#### Per collegare il cavo:

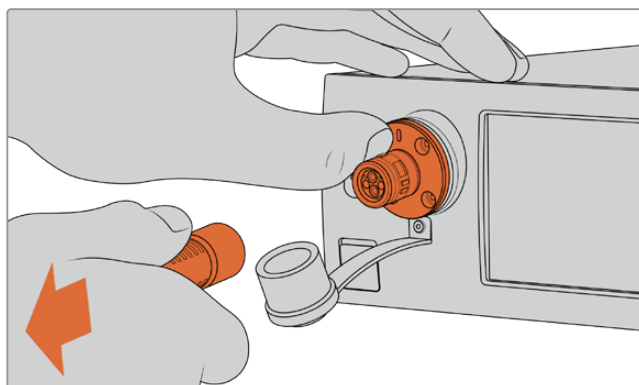
Allinea il puntino rosso sul connettore del cavo con quello sul connettore del lato frontale dell'unità, e inserisci fino a sentire un clic.



Inserisci l'estremità maschio del cavo in fibra SMPTE nel connettore femmina sul lato frontale di Studio Fiber Converter

#### Per scollegare il cavo:

Premi la base in metallo del connettore verso il pannello frontale dell'unità Studio e rimuovi il cavo.



Premi la base in metallo del connettore verso il pannello frontale dell'unità Studio per rimuovere il cavo

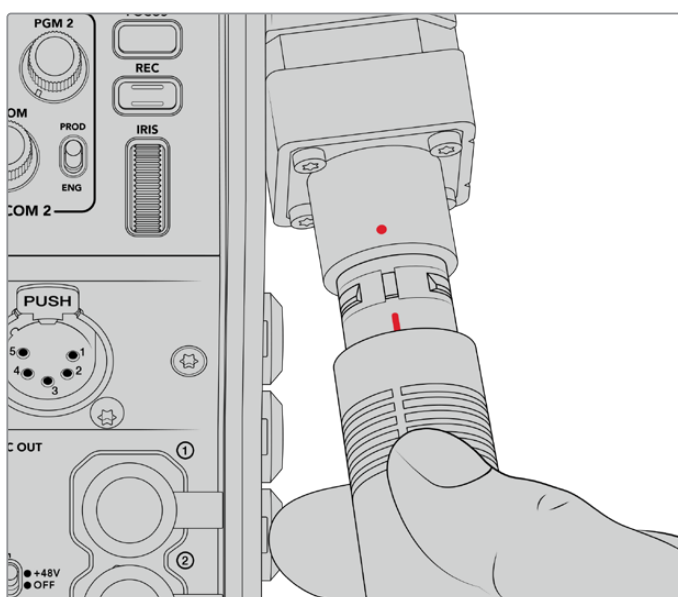
È preferibile chiudere il cappuccio antipolvere all'estremità del cavo in fibra SMPTE con quello su Studio Fiber Converter per evitare l'accumulo di polvere e detriti nei cappucci stessi.

### Collegare il cavo in fibra all'unità Camera

L'estremità femmina del cavo in fibra SMPTE si aggancia al connettore maschio situato sul lato di Camera Fiber Converter, per evitare che il cavo si scollegi accidentalmente durante la trasmissione.

#### Per collegare il cavo:

- 1 Allinea il puntino rosso sul cavo con quello sul connettore dell'unità Camera, e inserisci fino a sentire un clic.
- 2 È preferibile chiudere il cappuccio antipolvere all'estremità del cavo in fibra SMPTE con quello su Camera Fiber Converter per evitare l'accumulo di polvere e detriti nei cappucci stessi.

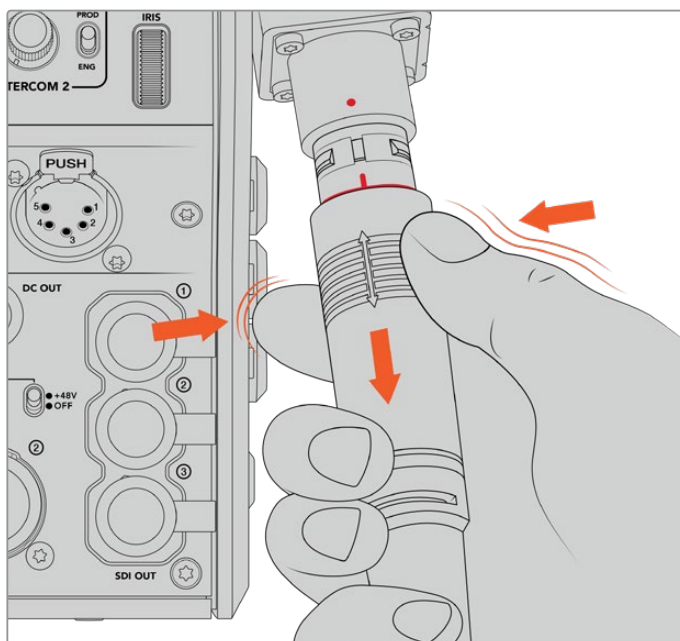


Allinea il puntino rosso sul cavo ibrido in fibra ottica SMPTE con quello sul connettore di Camera Fiber Converter

**NOTA** I connettori SMPTE 304 sul cavo in fibra SMPTE 311 sono resistenti e si ancorano saldamente all'unità Camera. Quando scolleghi il cavo, tieni ferma la camera con una mano o assicurati che sia ancorata al cavalletto.

#### Per scollegare il cavo:

- 1 Afferra la sezione superiore del cavo e schiaccia la guaina di gomma, tirandola delicatamente verso di te fino a vedere il segno rosso. Questa operazione stacca i dentini dal meccanismo di aggancio.
- 2 Con una mano sulla camera, rimuovi il cavo dal connettore di Camera Fiber Converter. Il cavo si scollega facilmente.



Schiaccia la guaina intorno all'estremità del cavo fino a vedere il segno rosso, poi tira il cavo per scollegarlo

**NOTA** Il cavo ibrido in fibra SMPTE è il cuore dell'ecosistema di trasmissione per cui è fondamentale prestare molta attenzione al suo utilizzo e maneggiarlo con cura. Evita di attorcigliarlo, schiacciarlo con oggetti pesanti, o piegarlo a un angolo di 90 gradi. È consigliabile non lasciar cadere i connettori e collegarli/scollegarli con attenzione. Se inutilizzati, copri i connettori con gli appositi cappucci.

## Stato dell'alimentazione e della fibra

Le due unità si mettono in comunicazione per determinare che la corrente venga fornita in modo sicuro e che la fibra sia connessa correttamente.

### Questo processo consiste nelle fasi seguenti:

- 1 L'unità Studio stabilisce una comunicazione con l'unità Camera sfruttando una tensione minima. Durante questa fase, la spia **Power** dell'unità Camera si illumina di rosso.
- 2 Quando il sistema di sicurezza conferma che l'alimentazione è sicura, abilita la modalità tensione alta e la spia **Power** dell'unità Camera si illumina di **verde**.
- 3 La connessione in fibra è confermata e la spia **Fiber** si illumina di **verde**.

Queste fasi si svolgono molto rapidamente, e le spie diventano verdi quasi all'istante. Se usi il cavo per coprire grandi distanze, il processo di comunicazione tra le due unità potrebbe impiegare qualche istante in più.

Se la spia Power rimane rossa per un lungo periodo di tempo e non diventa verde, o noti uno sfarfallio da rosso a verde, accertati che entrambe le estremità del cavo siano inserite correttamente. Se il problema persiste, controlla le condizioni del cavo in fibra.



## Approfondimento sul sistema di sicurezza

Il cavo ibrido in fibra ottica SMPTE trasporta l'alta tensione fino a 2 km di distanza, per alimentare la camera e i suoi accessori.

Per garantire operazioni sicure, Studio Fiber Converter ospita un meccanismo di monitoraggio e gestione automatica della tensione trasportata.

Un apposito micro controller, insieme al processo di assestamento e comunicazione tra i convertitori, fa sì che il cavo ibrido in fibra ottica rimanga inattivo fino a quando non viene collegato a Camera Fiber Converter. A questo punto il meccanismo abilita la modalità bassa tensione e completa i controlli di sicurezza, prima di passare alla modalità alta tensione. L'alta tensione viene abilitata solo quando i convertitori confermano la presenza di un segnale in fibra stabile e un anello di corrente 5mA, oltre a un differenziale inferiore a 30mA.

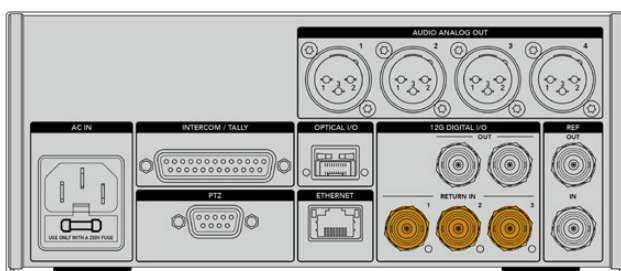
## Collegare uno switcher ATEM

**Per collegare Studio Fiber Converter a uno switcher:**

- 1 Collega un cavo BNC dall'uscita 12G-SDI sul retro di Studio Fiber Converter a uno degli ingressi SDI sullo switcher. Assicurati che la camera sia impostata sullo stesso formato e frame rate dello switcher.
- 2 Collega un cavo BNC dall'uscita per il ritorno di programma sullo switcher all'ingresso **Return In 1** sul retro dell'unità Studio.

**SUGGERIMENTO** Se utilizzi più di una camera per la produzione live, potrebbe essere necessario far convergere il ritorno di programma in un Teranex Mini SDI Distribution 12G o uno Smart Videohub. Questo perché spesso è necessario accedere a un numero maggiore di uscite di programma di quelle disponibili sullo switcher.

- 3 Se hai bisogno di inviare altri segnali di ritorno alla camera, per esempio un clean feed del programma, un segnale del suggeritore elettronico, un feed ISO da un'altra camera, grafica, o qualsiasi altro segnale, usa gli ingressi **Return In 2** e **Return In 3**.



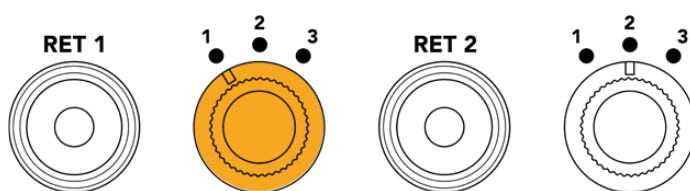
Collega il ritorno di programma o altri segnali di ritorno dallo switcher agli ingressi Return In sul retro dell'unità Studio

## Stato del video

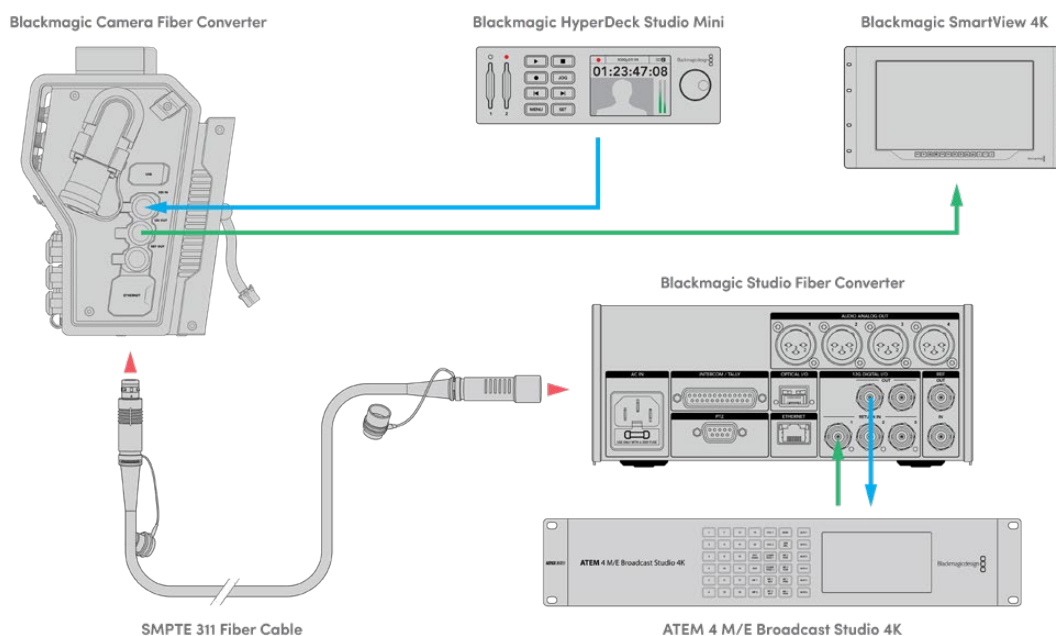
Ora controlla che il video funzioni e che tutti i segnali di ritorno siano presenti.

- 1 Assicurati che l'uscita di programma dello switcher ATEM sia collegata all'ingresso SDI Return In 1 dell'unità Studio.
- 2 Per controllare tutti i segnali di ritorno, collega le fonti video agli ingressi SDI Return In 2 e Return In 3.
- 3 Collega un monitor SDI, per esempio Blackmagic SmartView 4K, all'uscita SDI Out sul lato di Camera Fiber Converter.

Una volta collegato il monitor all'uscita SDI, ruota la manopola contrassegnata dalle tacche numerate 1, 2, e 3 accanto ai pulsanti RET per selezionare uno dei tre segnali di ritorno. Usa le due manopole **RET 1** e **RET 2** per monitorare i due segnali di ritorno selezionati.



Sull'unità Camera, seleziona i segnali di ritorno e premi il corrispettivo pulsante RET per visualizzarli sul monitor



Collega le fonti video agli ingressi per il ritorno sull'unità Studio e visualizzali su un monitor connesso all'unità Camera

## Perché il connettore è situato sul lato frontale?

Il connettore per il cavo in fibra è situato sul lato frontale dell'unità Studio perché funge da interfaccia per la fibra sul retro del rack. Solitamente l'unità Studio va installata con il lato frontale rivolto verso il retro del rack, di modo che i cavi SMPTE si possano inserire comodamente. Questa soluzione aggira la necessità di selezionatori esterni ed elimina i costi aggiuntivi di cavi corti. L'ampio display LCD accanto al connettore in fibra SMPTE offre un riscontro immediato della connessione alla camera.

## Collegare la camera via SDI

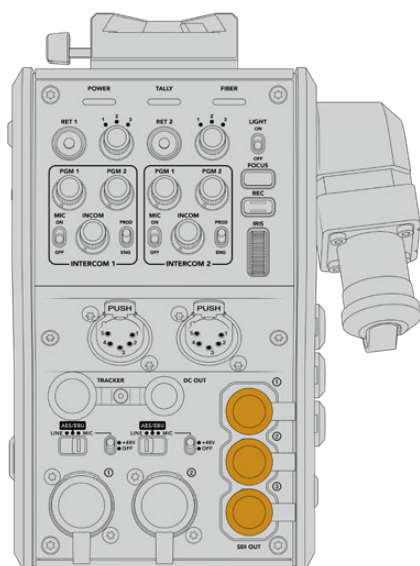
Per connettere segnali video basta collegare due dei tre cavi SDI inclusi tra il lato di Camera Fiber Converter e il retro di URSA Mini o URSA Broadcast.

Per collegare Camera Fiber Converter alla camera:

- 1 Collega uno dei cavi BNC inclusi dall'uscita 12G-SDI sul retro di URSA Mini o URSA Broadcast all'ingresso SDI di Camera Fiber Converter.
- 2 Collega uno dei cavi BNC inclusi dall'uscita SDI di Camera Fiber Converter all'ingresso 12G-SDI sul retro di URSA Mini o URSA Broadcast.

## Inviare segnali di ritorno via SDI

I 3 connettori SDI contrassegnati **SDI Out** sul lato frontale dell'unità Camera sono uscite di loop per i segnali di ritorno in arrivo dallo switcher. Usa questi connettori per inviare i segnali di ritorno ad attrezzatura SDI in prossimità della camera, per esempio a un suggeritore elettronico o a un monitor per il talent.



Usa le 3 uscite di loop per segnali di ritorno per collegare attrezzatura SDI vicino alla camera, per esempio suggeritori elettronici e monitor

**NOTA** Le uscite SDI di loop per segnali di ritorno supportano il 3G-SDI per fornire una larghezza di banda sufficiente per 3 segnali separati. Dunque i segnali di ritorno Ultra HD fino a 2160p60 in arrivo dallo switcher vengono convertiti in 1080p con il frame rate equivalente.

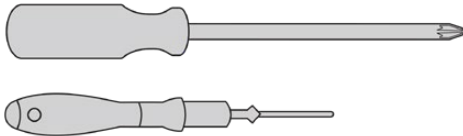
## Installare Camera Fiber Converter

Camera Fiber Converter si installa direttamente sul retro di URSA Mini e URSA Broadcast, collegandola ai connettori BNC SDI di ingresso e uscita. Se sul retro della camera è presente una piastra per batteria, è necessario rimuoverla per fare spazio a Camera Fiber Converter.

**NOTA** Prima di installare Camera Fiber Converter, accertati che la versione del software interno di URSA Mini sia 4.4 o successiva, e 4.6 o successiva per URSA Broadcast. Per scoprire la versione del software, accedi alla quarta pagina del menù Setup della camera. Consulta la sezione "Utilità Blackmagic Camera Setup" per maggiori informazioni su come aggiornare il firmware.

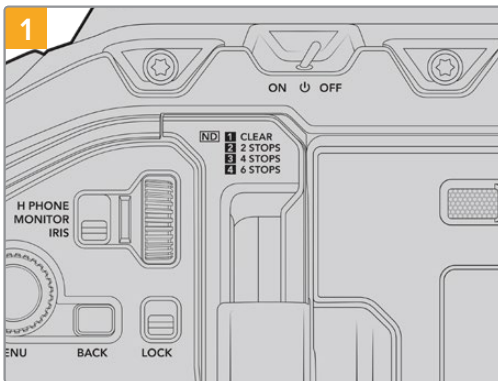
Per montare Camera Fiber Converter sono necessari i seguenti attrezzi:

- 1 x cacciavite a croce
- 1 x chiave a brugola 2,5 mm

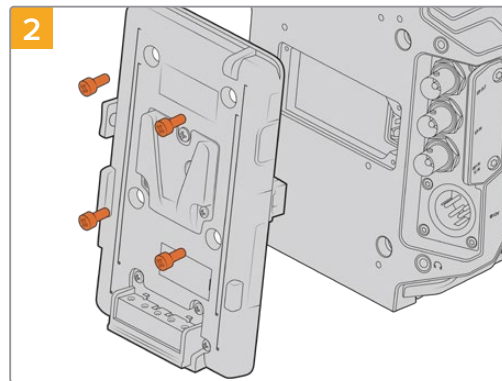


Per installare Camera Fiber Converter su URSA Mini o URSA Broadcast servono un cacciavite a croce grande e una chiave a brugola 2,5 mm

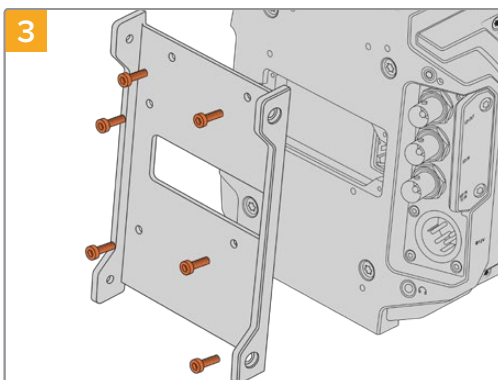
## Installare e collegare Camera Fiber Converter



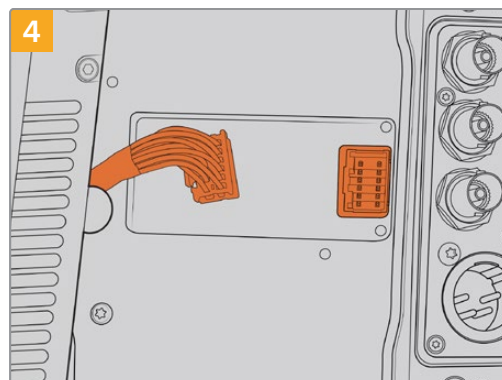
Assicurati che la camera sia spenta. Se usi URSA Mini Pro o URSA Broadcast, spegnila spostando l'interruttore di accensione su Off.



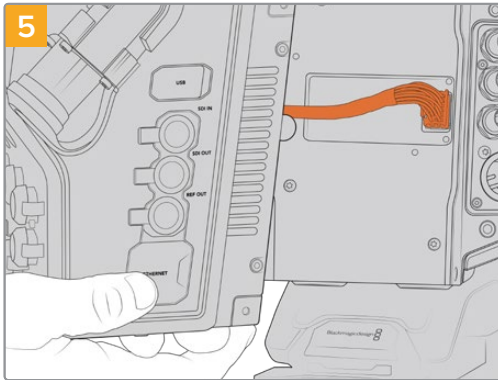
Rimuovi la piastra per batteria o la placca di copertura del connettore molex (se presente) con un cacciavite a croce.



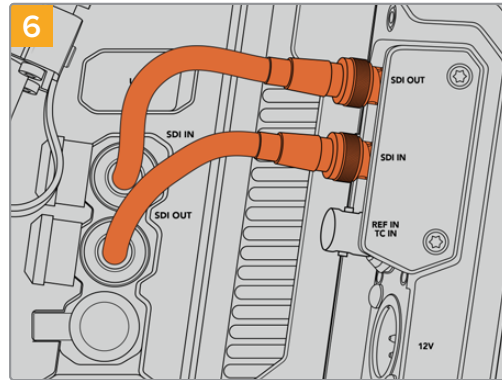
Fissa la staffa di montaggio di Camera Fiber Converter con 6 viti a testa esagonale 2,5 mm.



Collega il connettore molex di Camera Fiber Converter al connettore molex sul retro della camera.



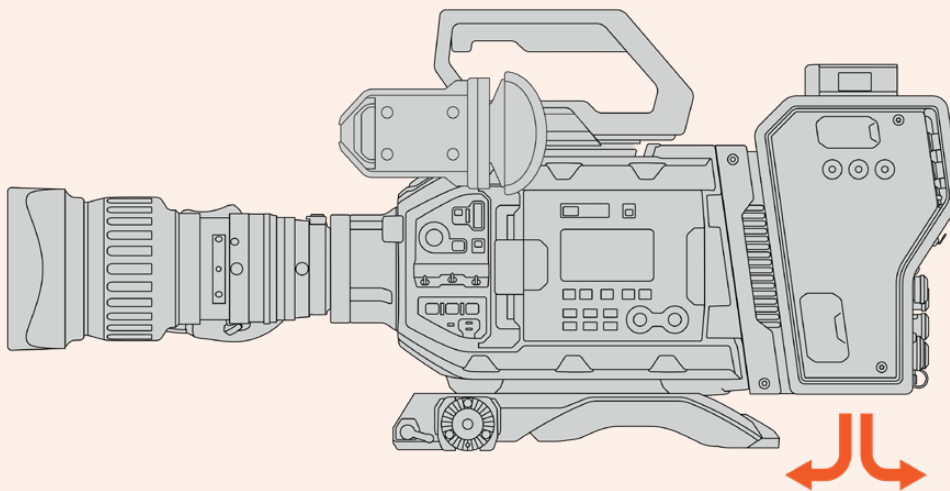
5  
Fai slittare Camera Fiber Converter sulla staffa di montaggio, e fissalo con 2 viti a testa esagonale 2,5 mm su entrambi i lati della staffa.



6  
Usa i cavi BNC inclusi per collegare l'uscita SDI sul retro della camera all'ingresso SDI su Camera Fiber Converter, e l'uscita SDI di Camera Fiber Converter all'ingresso SDI sul retro della camera.

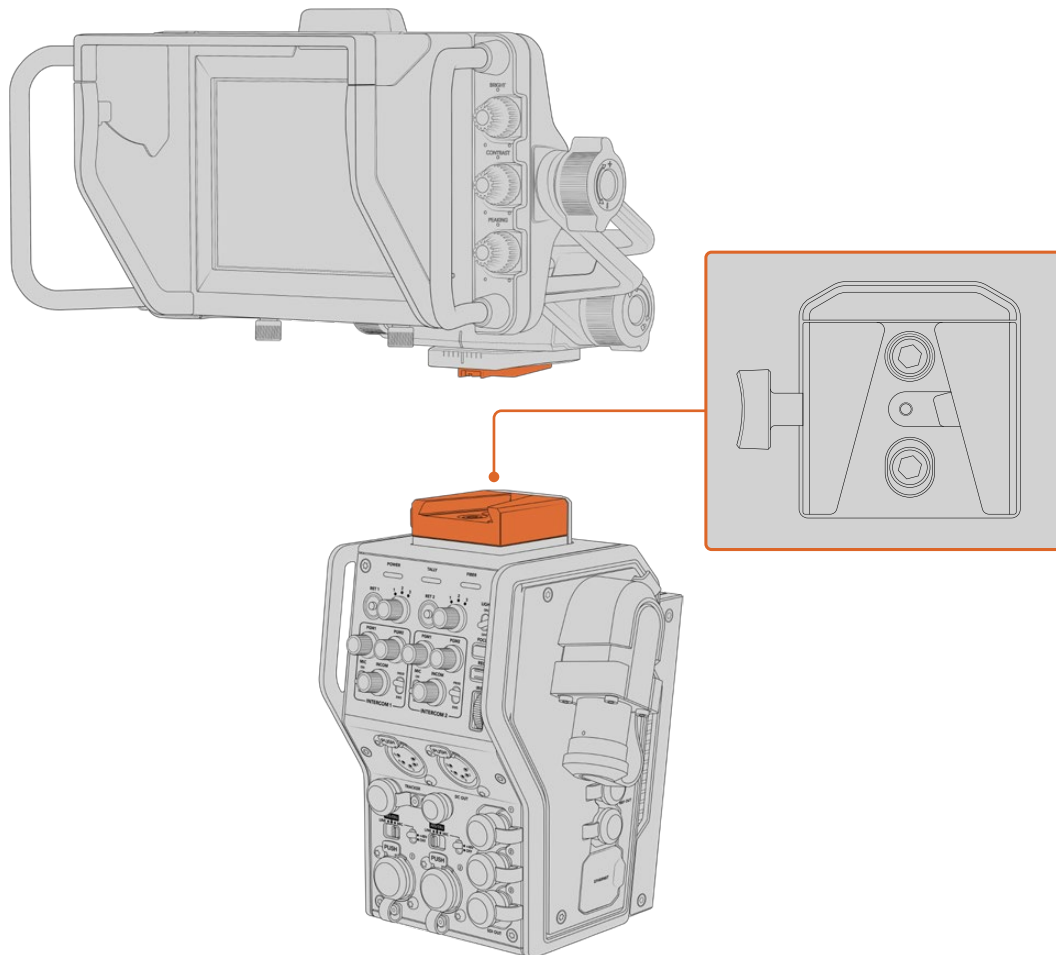
**NOTA** Quando allestisci URSA Mini o URSA Broadcast con l'unità Camera connessa, assicurati che sotto quest'ultima ci sia spazio a sufficienza per una ventilazione adeguata.

Nelle installazioni su cavalletto o kit da spalla, la ventilazione è adeguata. Ma se operi la camera con l'unità poggiata su una superficie, è preferibile aggiungere il supporto del kit da spalla di URSA Mini, o una base d'appoggio di terzi, per consentire un flusso d'aria costante nell'alloggiamento delle ventole interne del Fiber Converter.



## Installare URSA Studio Viewfinder

L'attacco a V sul lato superiore di Camera Fiber Converter è in grado di ospitare URSA Studio Viewfinder. In questa posizione, il monitor viewfinder si troverà esattamente a livello degli occhi quando la camera è montata su un piedistallo o su un cavalletto.



L'attacco a V sul lato superiore di Camera Fiber Converter può ospitare URSA Studio Viewfinder

## Collegare le cuffie per il talkback

Collega un paio di cuffie broadcast a uno dei due connettori XLR a 5 pin sul lato frontale dell'unità Camera. Collegando due cuffie, due persone possono comunicare con la troupe contemporaneamente.

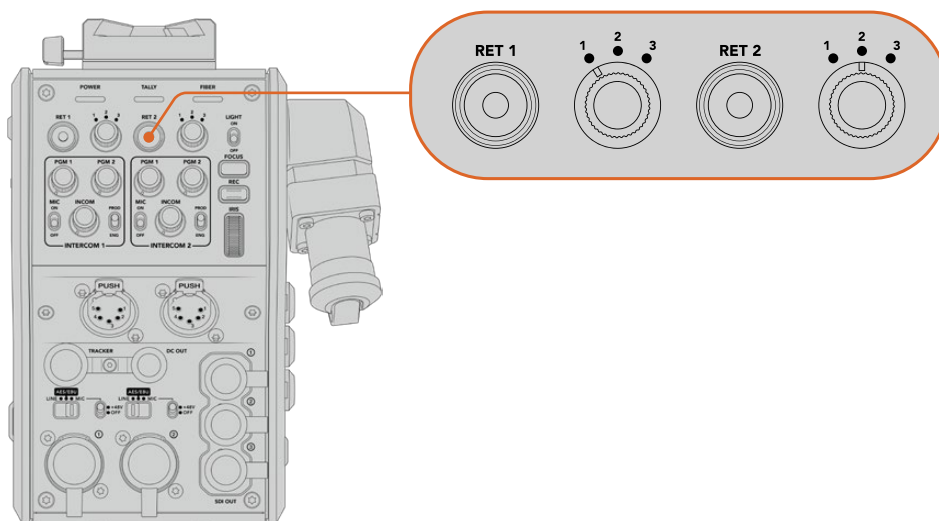
A questo punto hai completato tutte le operazioni preliminari. Con i convertitori accessi e il video connesso tramite fibra SMPTE, puoi iniziare a creare programmi dal vivo in modo flessibile ed efficiente. Continua a leggere il manuale per scoprire tutte le funzioni e le impostazioni di questi convertitori.

# Camera Fiber Converter

## Selezionare un segnale di ritorno

I due pulsanti di selezione del ritorno **RET 1** e **RET 2** sul lato frontale funzionano come il pulsante di selezione del programma PGM sulla camera: premili per alternare il monitoraggio del segnale di ritorno e delle immagini della camera sull'LCD, su URSA Studio Viewfinder, e sui monitor HD.

I pulsanti RET alternano i due segnali di ritorno selezionati. Le due manopole a tre tacche accanto ai pulsanti RET consentono di selezionare il segnale di ritorno che preferisci visualizzare quando premerai il pulsante RET corrispondente. Le 3 tacche sulle manopole si riferiscono ai 3 connettori **Return In** sul retro di Studio Fiber Converter.



Le manopole a 3 tacche e i pulsanti RET permettono di selezionare i segnali di ritorno che desideri visualizzare

Tieni premuto uno dei due pulsanti **RET** per visualizzare le immagini del segnale di ritorno selezionato. Premilo due volte per bloccare il monitoraggio sulle immagini del segnale di ritorno, e premilo di nuovo per tornare alle immagini della camera.

Così facendo basta un attimo per selezionare i due segnali di ritorno in arrivo da Studio Fiber Converter a cui desideri avere accesso diretto premendo il pulsante RET. Supponiamo che i tre segnali di ritorno corrispondano al programma dello switcher completo di grafica, al suggeritore elettronico, e alle riprese di un'altra camera.

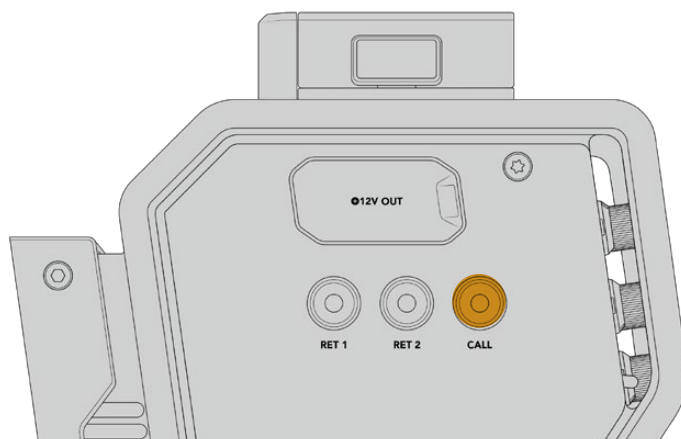
Potresti assegnare permanentemente il programma dello switcher a RET 1, e usare RET 2 per monitorare il contenuto del suggeritore elettronico, e occasionalmente passare alle immagini della camera per controllare inquadratura e angolazione.

Altri due pulsanti **RET 1** e **RET 2** sono situati sul lato sinistro, per fornire accesso diretto ai segnali di ritorno quando operi la camera da quella posizione. Svolgono la stessa funzione di quelli sul lato frontale dell'unità.



## Usare il pulsante Call

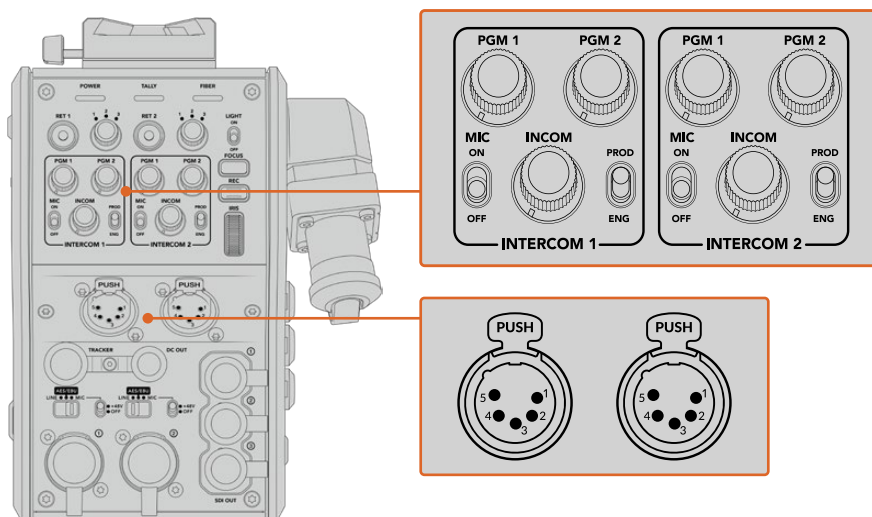
Accanto ai pulsanti RET laterali c'è il pulsante **Call**. Premendolo, l'indicatore di tally sul display LCD di Studio Fiber Converter lampeggia in rosso. Lo stesso pulsante, sul pannello di ATEM Talkback Converter 4K fa lampeggiare in rosso uno dei pulsanti numerati PTT, per attirare l'attenzione dell'operatore dello switcher.



## Utilizzare il talkback

I due connettori femmina XLR a 5 pin permettono di collegare altrettante cuffie per consentire a due persone di comunicare contemporaneamente con la troupe.

I controlli intercom per entrambe le cuffie sono suddivisi in due sezioni indipendenti. Di fatto sono mixer audio tricanale per ciascuna cuffia, e sono situati sopra i rispettivi connettori XLR.



I controlli intercom di ciascuna cuffia sono situati sopra il rispettivo connettore

In cuffia puoi ascoltare l'audio dei segnali che hai assegnato a RET 1 e RET 2. Le manopole **PGM 1** e **PGM 2** regolano i livelli audio dei suddetti segnali, mentre la manopola **Incom** regola il volume complessivo. L'interruttore **Mic** consente di abilitare e disabilitare il microfono delle cuffie.



Ciascun intercom ha due canali: uno per il team di produzione, l'altro per il team tecnico. Quindi se per esempio la troupe è numerosa, è possibile suddividere le comunicazioni in due canali. Il canale di produzione consente la comunicazione con la regista, con il producer, o con altri membri della troupe in sala regia o su un veicolo di regia mobile. Il canale per il team tecnico è utilizzato dai tecnici delle luci, dagli ingegneri, e dagli operatori di ripresa. Seleziona i canali **SDI + DB25** o **Intercom tally DB25** come sorgente per ogni canale nella pagina **Talkback** del menù di Studio Fiber Converter. Per maggiori informazioni consulta la sezione "Studio Fiber Converter".

Camera Fiber Converter include anche una connessione standard a 10 pin per il talkback supplementare, perfetta quando entrambi i connettori per cuffie sono in uso ed è necessario comunicare con chi opera la gru.

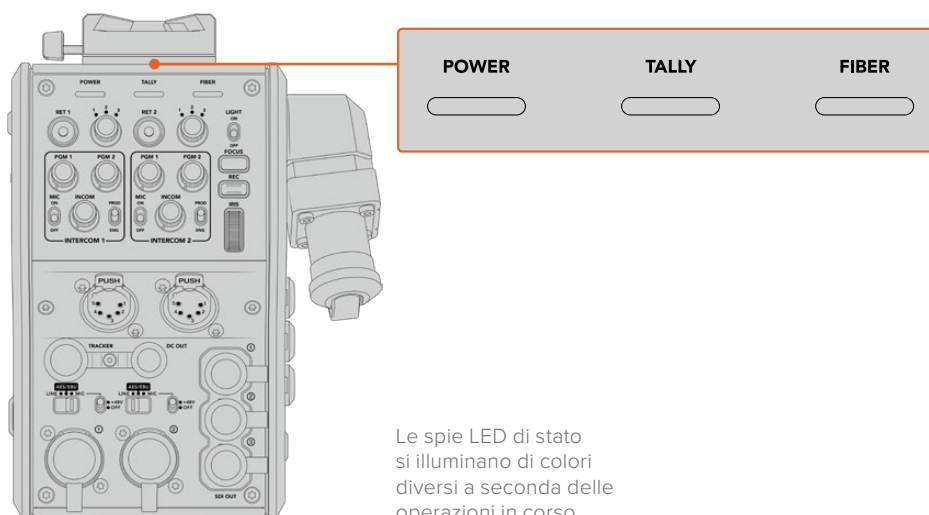
**SUGGERIMENTO** È essenziale che il team tecnico, quello di produzione e gli operatori di ripresa possano comunicare tra di loro durante le trasmissioni e le produzioni in studio più frenetiche. Grazie al pulsante Call di Camera Fiber Converter, gli operatori di ripresa possono parlare con il team di produzione e il team tecnico utilizzando le cuffie collegate all'intercom. Quando premono Call, lampeggia uno dei pulsanti PTT su ATEM Talkback Converter 4K, e la spia di tally sul display LCD di Studio Fiber Converter. Oppure se la troupe in sala regia o nell'OB van deve comunicare urgentemente con una operatrice di ripresa, può premere Call per quella camera specifica sul pannello di ATEM Camera Control. Comincerà a lampeggiare la spia di tally su Camera Fiber Converter e la spia di tally su URSA Viewfinder o URSA Studio Viewfinder.

## Utilizzare la funzione tally

La spia **Tally** sul lato frontale dell'unità fornisce un segnale luminoso rosso per il programma, e verde per l'anteprima, per capire subito se la camera è in onda.

## Spie di stato

Le spie LED di stato **Power**, **Tally**, e **Fiber** in alto sul lato frontale dell'unità si illuminano di colori diversi in base allo stato delle operazioni in corso. Se il cavo in fibra è scollegato, le spie sono spente.



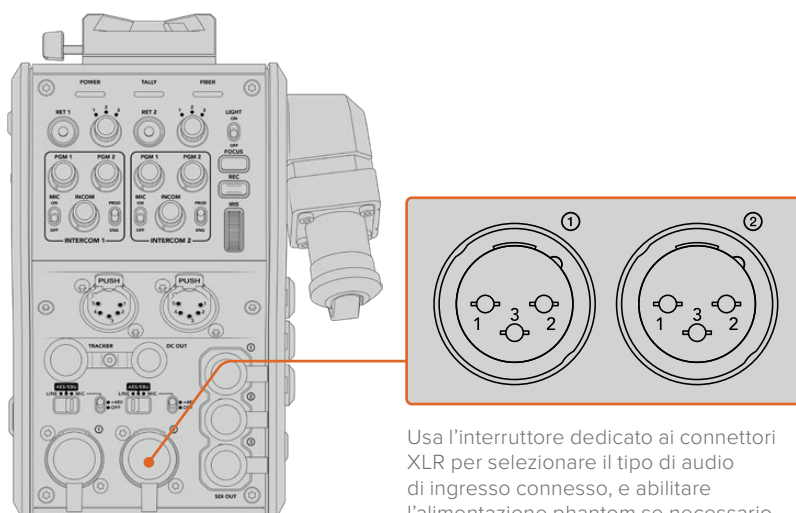
Questa tabella descrive lo stato corrispondente ai diversi colori per ciascuna spia:

<b>Power</b>	<b>Rosso fisso</b>	Quando colleghi il cavo ibrido in fibra ottica SMPTE a uno Studio Fiber Converter acceso, e colleghi l'altra estremità a Camera Fiber Converter, la spia LED si illumina di rosso a indicare che il dispositivo riceve l'alimentazione ed è in modalità bassa tensione. In questa modalità è abilitata la funzione intercom, ma non l'alta tensione.  Se la spia LED rimane rossa per un lungo periodo di tempo e non diventa verde, accertati che entrambe le estremità del cavo ibrido in fibra ottica SMPTE siano inserite correttamente. Se la connessione è instabile, controlla le condizioni del cavo.
	<b>Verde fisso</b>	Quando la connessione in fibra va a buon fine, e Studio Fiber Converter determina la sicurezza dell'alimentazione, la spia LED diventa verde e Camera Fiber Converter passa alla modalità alta tensione.
	<b>Lampeggiante rosso/verde</b>	In caso la spia lampeggi di colore rosso e verde, accertati che entrambe le estremità del cavo ibrido in fibra ottica SMPTE siano inserite correttamente. Se la connessione è instabile, controlla le condizioni del cavo.
<b>Tally</b>	<b>Rosso fisso</b>	La spia LED si illumina di rosso quando la camera che operi è in onda.
	<b>Verde fisso</b>	La spia LED si illumina di verde quando la camera che operi è in modalità anteprema.
<b>Fiber</b>	<b>Rosso fisso</b>	Quando colleghi il cavo ibrido in fibra ottica SMPTE a Camera Fiber Converter, la spia LED si illumina di rosso per indicare che il processo di assestamento è in corso, e che l'unità è in modalità bassa tensione. In questa modalità, la funzione intercom è abilitata per l'utilizzo in fase di configurazione o troubleshooting dell'impianto, se la connessione in fibra non è attiva.
	<b>Verde fisso</b>	Quando la connessione in fibra va a buon fine, la spia LED diventa verde.

Quando le spie Power e Fiber sono verdi, i controlli di sicurezza sono stati completati, e le unità passano alla modalità alta tensione.

## Ingressi audio

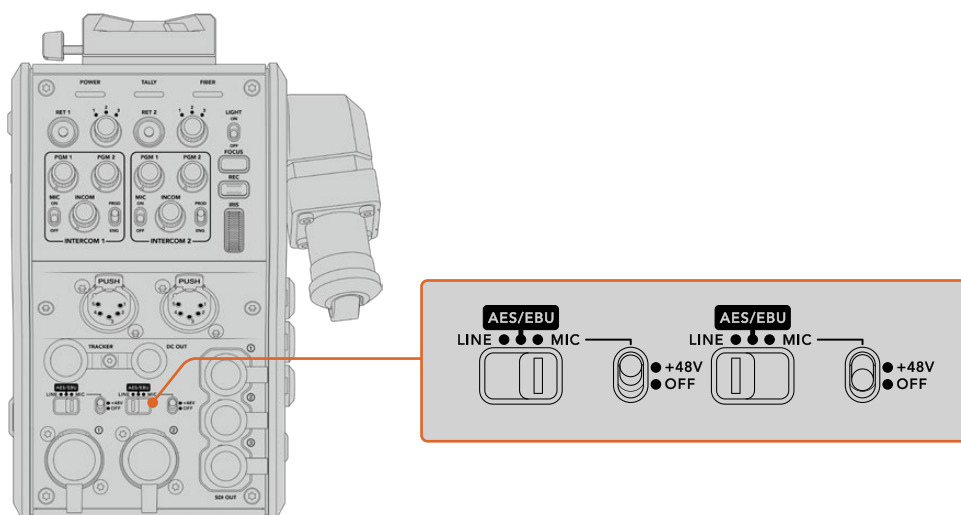
Camera Fiber Converter è dotato di 2 ingressi XLR, etichettati **1** e **2**, per collegare audio analogico esterno di strumentazione professionale come mixer audio, sistemi di amplificazione, e microfoni esterni.



Usa l'interruttore dedicato ai connettori XLR per selezionare il tipo di audio di ingresso connesso, e abilitare l'alimentazione phantom se necessario

L'audio della camera è integrato nei canali 1 e 2 del segnale, e i due ingressi audio sul retro di Camera Fiber Converter sono integrati come canali 3 e 4. Tutti e 4 i canali audio vengono separati da Studio Fiber Converter, come uscite audio analogiche.

Sulla pagina **Audio** del menù di Studio Fiber Converter puoi regolare i livelli audio delle fonti in entrata dagli ingressi XLR del dispositivo. Per maggiori informazioni consulta la sezione "Studio Fiber Converter". Una volta collegato l'audio, usa gli interruttori situati sopra gli ingressi XLR per impostare il rispettivo segnale. Le opzioni disponibili sono: microfono **Mic**, linea **Line**, e digitale **AES/EBU**.



Se vuoi collegare microfoni privi di alimentazione propria, puoi abilitare l'alimentazione phantom da 48V, spostando l'interruttore su **+48V**. Sposta lo stesso interruttore su **Off** per disabilitarla.

## Video IP

Collegando un cavo in fibra SMPTE si ottiene una connessione 10-Gbit IP tra Camera Fiber Converter e Studio Fiber Converter. Il video e i segnali di ritorno vengono quindi distribuiti mediante video IP, con codifica e decodifica visivamente lossless a 10 bit. Talkback, tally, e controllo camera e obiettivo sono anch'essi convertiti in IP a bassa latenza, per una performance sempre affidabile.

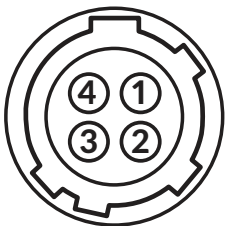
## Specifiche di alimentazione

Studio Fiber Converter alimenta Camera Fiber Converter, la camera e i suoi accessori. Camera Fiber Converter è in grado di fornire alimentazione alla camera collegando i rispettivi connettori molex.

Se posizioni la camera a più di 2,1 km di distanza dalla regia mobile, ma camera e convertitore non ricevono alimentazione a sufficienza dal cavo, puoi alimentare entrambi in loco collegando il connettore XLR a 4 pin all'ingresso +12V della camera. L'alimentazione raggiunge Camera Fiber Converter tramite il connettore molex.

Il connettore **+12V Out**, noto anche come D-Tap o P-Tap, permette di alimentare gli accessori, per esempio monitor esterni e grandi obiettivi televisivi, con 12V DC nominale fino a 500 mA. Il connettore **DC Out** è un'opzione alternativa per alimentare accessori come un monitor esterno. La tabella qui sotto descrive la configurazione del connettore DC Out.

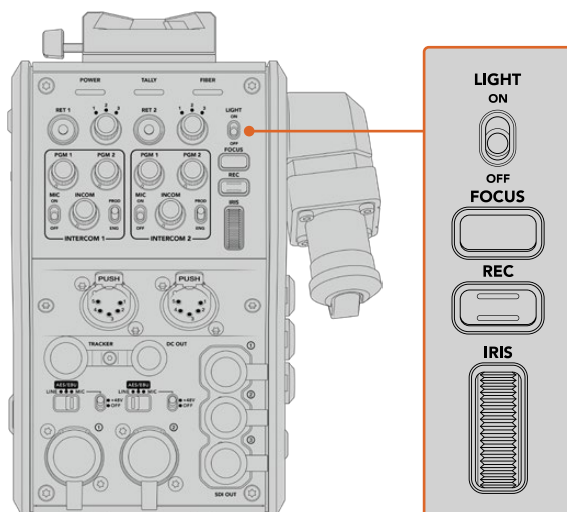
### Pledinatura del connettore DC Out

Vista frontale	Pin	Segnale	I/O	Specifiche
 <p>Connettore DC Out</p>	1	GND non regolato	–	GND per uscita non regolata
	2	Assente	–	Assente
	3	Assente	–	Assente
	4	Uscita non regolata	Out	12V DC nominale max 500 mA

## Controllo camera aggiuntiva

Se usi URSA Mini o URSA Broadcast come camere da studio, i controlli esterni su Camera Fiber Converter ti permettono di controllare impostazioni come messa a fuoco e diaframma di obiettivi compatibili. Questa soluzione è utile in assenza di un operatore a gestire l'obiettivo a distanza.

In qualità di camere da studio, URSA Mini e URSA Broadcast sono in grado di registrare internamente. Per avviare la registrazione interna basta premere il pulsante **Rec**.



#### Interruttore Light

Abilita la retroilluminazione dei pulsanti sul pannello di controllo, per una maggiore visibilità in condizioni di scarsa illuminazione.

#### Pulsante Focus

Aziona l'auto-focus se usi obiettivi che supportano questa funzione.

#### Pulsante Rec

Avvia e interrompe la registrazione.

#### Rotella Iris

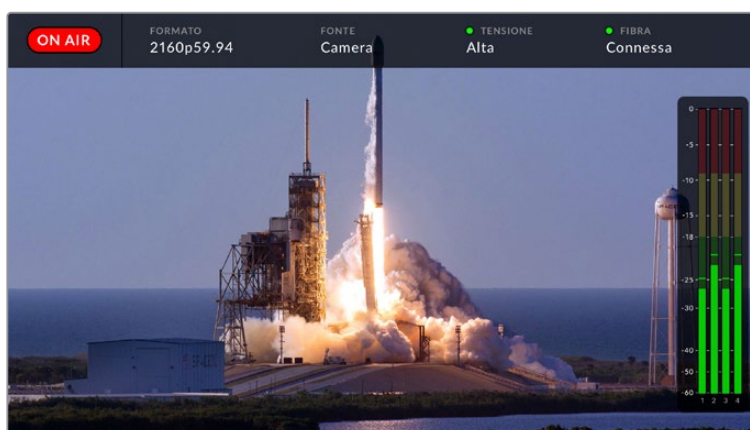
Apri e chiudi il diaframma se usi obiettivi attivi controllabili dalla camera. Muovi la rotella verso l'alto e verso il basso per gestire l'apertura.

# Studio Fiber Converter

## Selezionare la fonte sull'LCD

Quando Studio Fiber Converter si accende, il display LCD visualizza il segnale in arrivo dalla camera. In quanto unità centrale, Studio Fiber Converter riceve dallo switcher il segnale di programma e tutti i segnali di ritorno, e li invia a Camera Fiber Converter tramite il cavo in fibra SMPTE.

Il display LCD integrato consente di monitorare il flusso video delle camere e di ogni sorgente connessa agli ingressi dei segnali di ritorno. Offre overlay su schermo con informazioni di stato e livelli audio.



Gli overlay consentono di confermare nome e formato della sorgente monitorata quando si commuta tra più flussi video

### On Air

L'icona rossa **On Air** appare quando la camera connessa è utilizzata nel segnale di programma. Non appare se non è in onda.

### Formato

Mostra la risoluzione e il frame rate della sorgente corrente.

### Fonte

Mostra il nome della sorgente corrente.

### Tensione

Mostra lo stato dell'alimentazione. La spia è rossa se la tensione è **Bassa**, verde se è **Alta**. Per maggiori informazioni consulta la sezione "Indicatori di stato" in "Studio Fiber Converter".

### Fibra

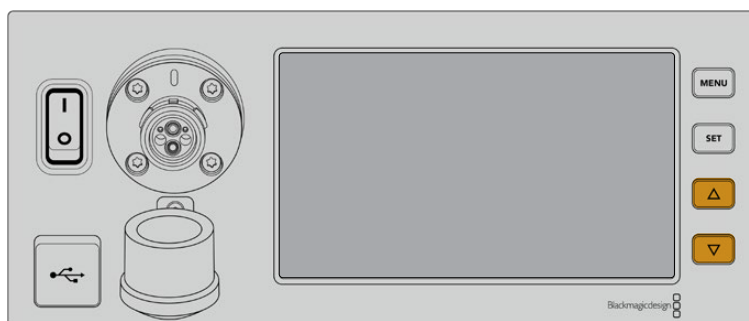
Mostra lo stato della connessione in fibra. Dopo il messaggio *Connessione in corso* vedrai il messaggio *Connessa* quando il cavo ibrido in fibra SMPTE è connesso e rilevato. Per maggiori informazioni consulta la sezione "Indicatori di stato" in "Studio Fiber Converter".

### Livelli audio

Mostrano i livelli dell'audio integrato al flusso video della camera dei canali 1 e 2. I canali 3 e 4 corrispondono alle sorgenti audio connesse ai due ingressi XLR sul retro di Camera Fiber Converter. Il display è calibrato a intervalli di dBFS. Gli indicatori di livello rimangono visibili per qualche istante, per mostrare più a lungo i livelli massimi raggiunti.

## Come utilizzare il menù

Premi le frecce su e giù per scorrere tra le quattro sorgenti disponibili, **Camera**, **Ritorno 1**, **Ritorno 2** e **Ritorno 3**. Premi il pulsante **Menu** per aprire il menù delle impostazioni e regolarle. Le frecce consentono di navigare tra le pagine dei menù e le opzioni, il pulsante **Set** di confermare le selezioni. Il menù è diviso in tre pagine: Audio, Talkback, e Impostazioni.

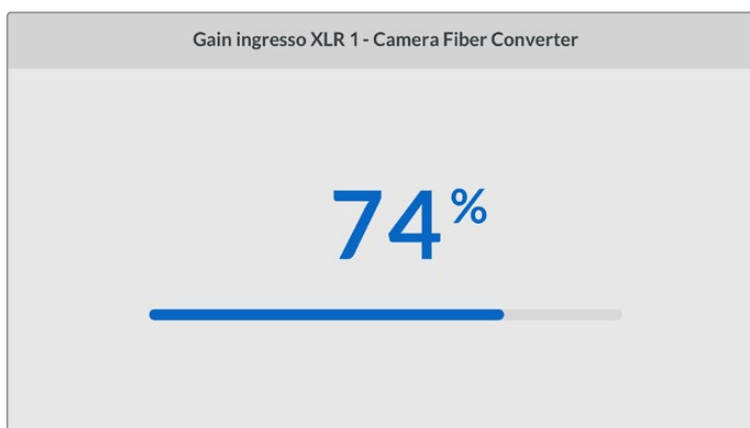


Premi le frecce per scorrere tra le 4 sorgenti disponibili e per navigare il menù

### Audio

In questa pagina puoi regolare i livelli audio in entrata sugli ingressi XLR di Camera Fiber Converter.

Audio	
Gain ingresso XLR 1 - Camera Fiber	50%
Gain ingresso XLR 2 - Camera Fiber	50%
Uscita - Canali 1 e 2	Integrato in 1 e 2
Uscita - Canali 3 e 4	XLR 1 e 2



Usa le frecce per regolare i livelli di ogni ingresso XLR, e il pulsante Set per confermare la selezione

Puoi selezionare quali canali audio di Camera Fiber Converter mappare sulle uscite SDI e XLR integrate. Di default, i canali audio integrati da URSA Mini o URSA Broadcast sono sui canali 1 e 2. Di default, gli ingressi XLR a livello di linea o microfoniche collegati

a Camera Fiber Converter sono mappati sui canali 3 e 4. Accedi alle impostazioni per cambiare la mappatura di default dei canali in uscita. Se uno degli ingressi XLR di Camera Fiber Converter è impostato su AES, la mappatura dei canali include anche i canali 5 e 6, inviati tramite l'uscita SDI integrata.

Uscita - Canali 1 e 2	
Integrato in 1 e 2	✓
XLR 1	
AES 3 e 4	

I canali XLR integrati della camera mappati sui canali in uscita 1 e 2

### Talkback

In questa pagina puoi selezionare la sorgente audio del programma e la sorgente del talkback per il canale tecnico e il canale di produzione. Imposta la sorgente del talkback su **SDI e DB25** o **Intercom / Tally DB25**.

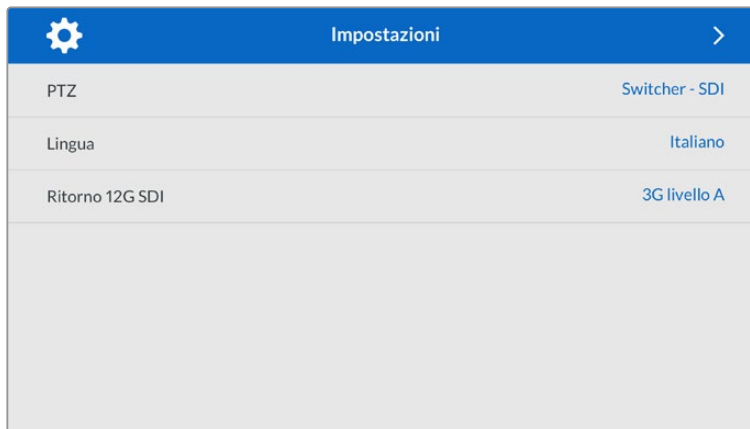
Regola **Gain cuffie** e **Gain microfono cuffie** per ciascun intercom in relazione ai livelli di impedenza delle cuffie utilizzate. Attiva o disattiva l'alimentazione phantom del microfono delle cuffie alla voce **Alimentazione phantom microfono cuffie**. Regola **Livello sidetone** di modo che gli operatori di ripresa possano sentire la propria voce nelle cuffie a un volume chiaro e confortevole.

Talkback	
Audio programma	Canali SDI 1 e 2
Canale di produzione	SDI e DB25
Canale tecnico	Intercom / Tally DB25
Intercom 1	
Gain cuffie	50%
Gain microfono cuffie	50%
Alimentazione phantom microfono cuffie	On
Livello sidetone	50%
Intercom 2	
Gain cuffie	50%
Gain microfono cuffie	50%
Alimentazione phantom microfono cuffie	On
Livello sidetone	50%

La sezione intercom è disattiva quando agli ingressi XLR non è connessa nessuna fonte. Il messaggio Connessione in corso appare durante la connessione in corso

## Impostazioni

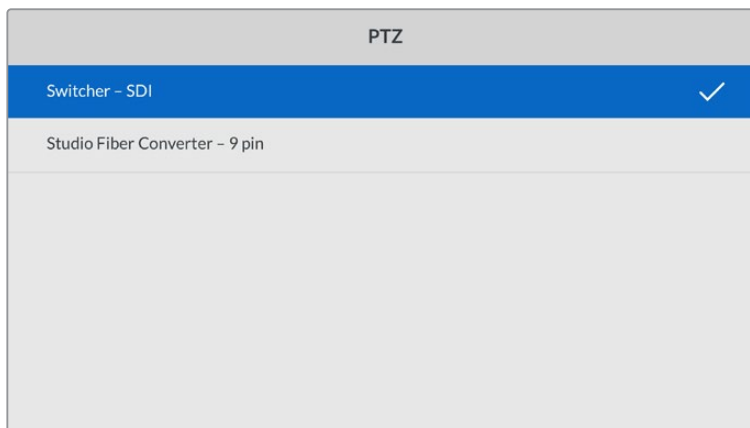
In questa pagina puoi configurare la sorgente PTZ, selezionare la lingua dei menù e il livello del ritorno SDI.



Seleziona la fonte dei comandi PTZ dal menù impostazioni per PTZ. Le opzioni sono **Switcher - SDI** e **Studio Fiber Converter - 9 pin**, ovvero gli ingressi SDI dei segnali di ritorno, e il connettore DE-9 per PTZ sul retro di Studio Fiber Converter.

Ora puoi controllare il PTZ della camera dallo switcher ATEM, e inviare questi comandi a Studio Fiber Converter tramite SDI. I comandi vengono inviati tramite il cavo per fibra SMPTE a Camera Fiber Converter, e qui sono separati e inviati a una testa motorizzata PTZ tramite il connettore seriale DE-9.

Puoi anche connettere un controller PTZ a Studio Fiber Converter tramite il connettore DE-9 per controllare in modalità remota una testa PTZ.



La pagina delle impostazioni consente di selezionare Switcher - SDI o Studio Fiber Converter - 9 pin come fonte dei comandi PTZ



Lingua	
English	
中文	
日本語	
한국어	
Español	
Deutsch	
Français	
Русский	
Italiano	✓
Português	
Türkçe	

Alla voce **Seleziona una lingua**, seleziona una lingua a scelta tra inglese, cinese, giapponese, coreano, spagnolo, tedesco, francese, russo, italiano, portoghese e turco. La pagina delle lingue si apre all'avvio del sistema o dopo aver aggiornato il software interno. Alla voce **Ritorno 12G SDI**, configura il segnale di ritorno principale 12G come **3G livello A** o **3G livello B**. Tutti i segnali 12G inviati agli ingressi di ritorno di Studio Fiber Converter vengono convertiti in risoluzione minore prima di essere destinati a Camera Fiber Converter.

## Installare l'unità sul rack

Se lavori con più Studio Fiber Converter, usa il set di montaggio Studio Fiber Rack Kit per installarli in un armadio rack o in un flightcase. Con questo set di montaggio puoi affiancare due unità Studio sul rack. Il set include anche un pannello di copertura per chiudere lo spazio vuoto se sul rack installi solo un'unità.

Studio Fiber Converter è alto 2 unità di rack, e occupa metà della larghezza di una mensola rack standard.

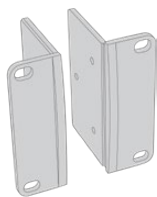


Due Studio Fiber Converter affiancati



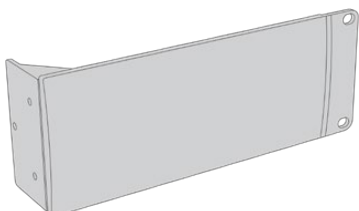
Il pannello di copertura chiude lo spazio inutilizzato sul rack

## Blackmagic Studio Fiber Rack Kit contiene le parti seguenti:



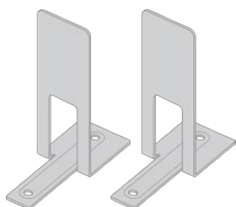
### 2 x alette

Fissa le alette ai lati esterni di Studio Fiber Converter per installarlo sul rack.



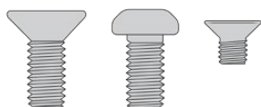
### 1 x pannello di copertura

È dotato di un'aletta laterale e serve per chiuderlo spazio inutilizzato sul rack quando installi una sola unità. Il disegno mostra l'aletta sul lato destro del pannello. Ruota il pannello di 180° per installarlo sull'altro lato del rack.



### 2 x staffe di sostegno

Si inseriscono nel punto di incontro dei due Studio Fiber Converter, uno nella parte anteriore, l'altro nella parte posteriore.



### Viti

**8 x M4 10 mm**

Viti per le alette

**4 x M4 8 mm**

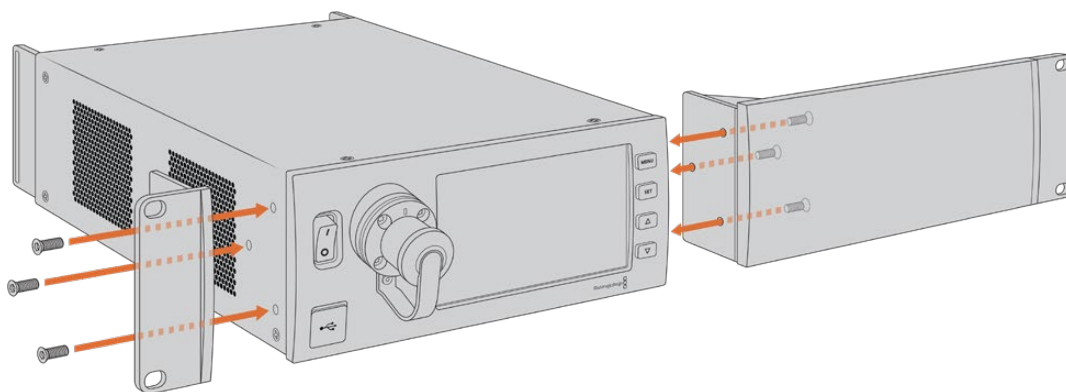
Viti per il pannello di copertura

**5 x M3 5 mm**

Viti per le staffe di sostegno

## Preparare Studio Fiber Converter per l'installazione su rack:

- 1 Posiziona il pannello di copertura sul lato destro o sinistro di Studio Fiber Converter, a seconda della posizione in cui preferisci installare il convertitore. Il lato frontale del pannello di copertura deve essere parallelo al lato frontale del convertitore.
- 2 Fissa il pannello di copertura a lato di Studio Fiber Converter, in prossimità della parte anteriore, con le 3 viti M4 8 mm.



- 3 Fissa una delle due alette all'altro lato di Studio Fiber Converter con 3 viti M4 10 mm.

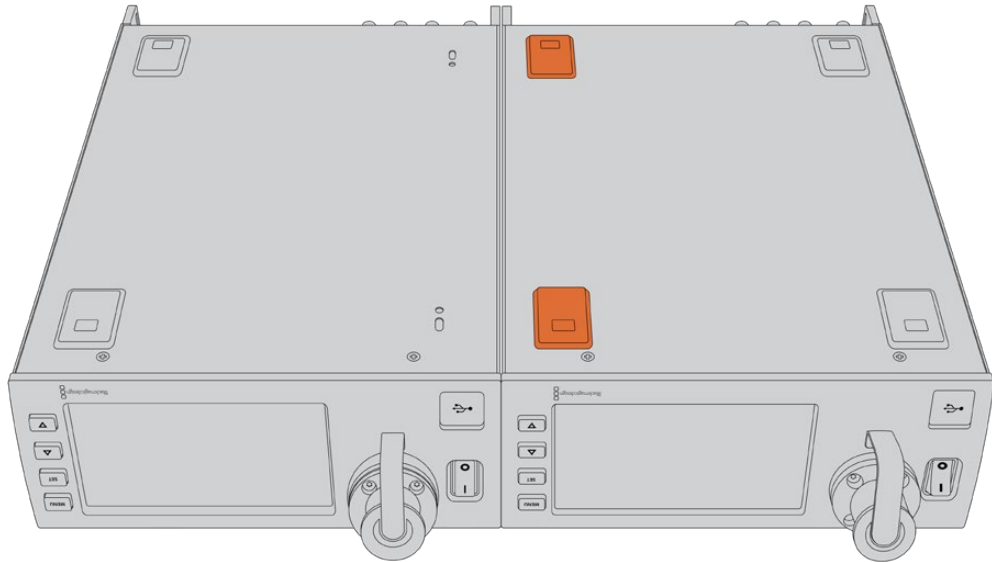
Ora che hai montato l'aletta e il pannello di copertura, puoi installare il convertitore su un rack 2RU, utilizzando i fori di montaggio su entrambi i lati, e le viti standard per rack.

### Affiancare due Studio Fiber Converter per l'installazione su rack:

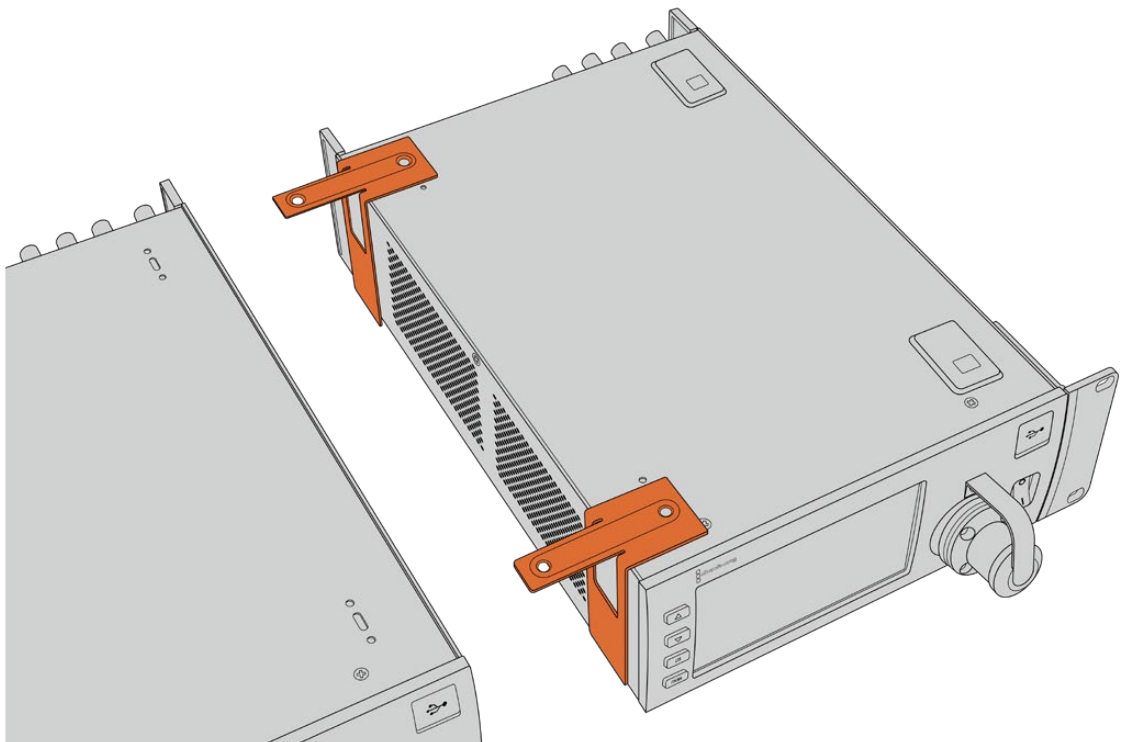
Per affiancare due convertitori sulla stessa mensola rack, puoi fissare l'uno all'altro con le staffe di sostegno, per montarli con più facilità.

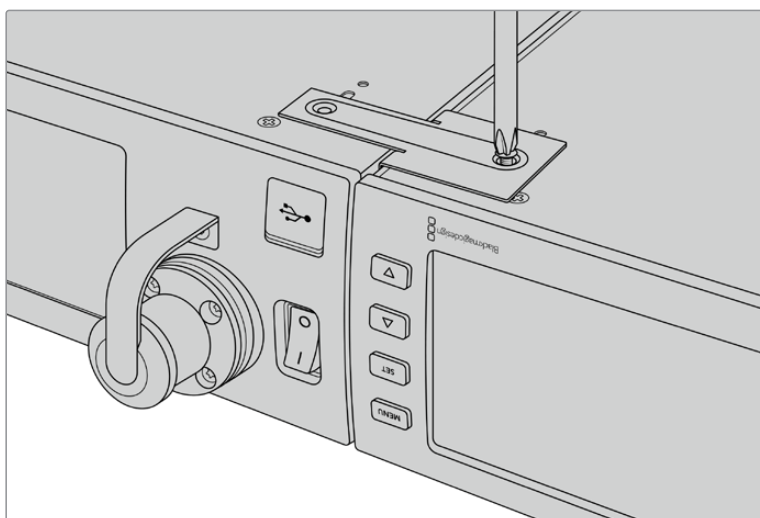
Per fissare due unità l'una all'altra:

- 1 Capovolgi i convertitori e affiancali. Rimuovi i due piedini in gomma dai lati adiacenti dei convertitori.

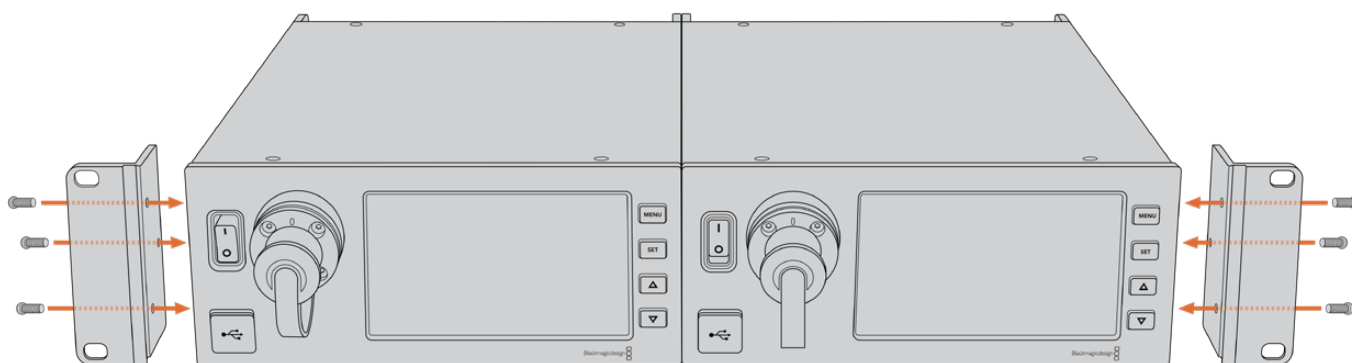


- 2 Fissa le due staffe di sostegno a forma di T alla base dei Studio Fiber Converter, una nella parte anteriore e l'altra nella parte posteriore, utilizzando i fori integrati e le viti per le staffe di sostegno.





- 3** Ricapovolgi i due convertitori assemblati e fissa le alette ai due lati esterni, in prossimità della parte anteriore dei convertitori, con le viti per alette incluse. Ora puoi fissare i convertitori al rack inserendo le viti standard per rack nei fori di montaggio in entrambi i lati.



# Le connessioni di Camera Fiber Converter

Le connessioni di Camera Fiber Converter sono situate sulla parte posteriore e laterale. Quando non sono in uso, coprirete con gli appositi cappucci in gomma per proteggerle dagli agenti esterni. Questo accorgimento è particolarmente importante per la connessione in fibra SMPTE, perché la polvere tende ad accumularsi facilmente alle estremità dei tubicini in vetro, rischiando di interrompere il flusso del segnale. È consigliabile scoprire i connettori sul cavo e sull'unità appena prima dell'utilizzo, e ricoprirli con i cappucci subito dopo averli scollegati.

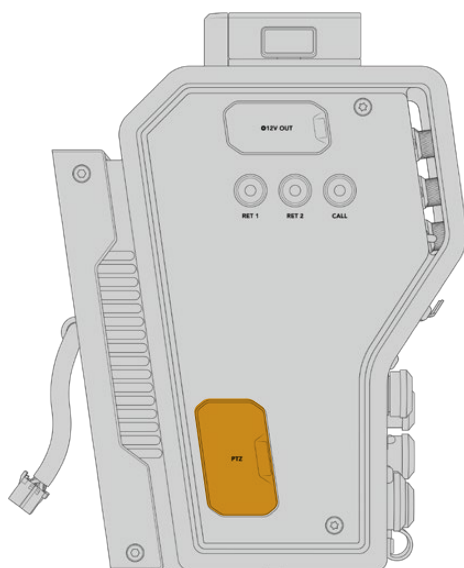
## Alimentazione

Studio Fiber Converter fornisce l'alimentazione all'unità Camera e alla camera tramite un cavo ibrido in fibra ottica SMPTE, inclusi eventuali accessori connessi alla camera, per esempio URSA Studio Viewfinder.

È anche possibile alimentare Camera Fiber Converter dalla camera stessa, collegando quest'ultima alla corrente tramite la porta XLR 12V. È una soluzione meno comune, ma è utile se la camera è posizionata a più di 2 km dall'unità Studio e l'alimentazione attraverso il cavo in fibra SMPTE è meno affidabile.

## Interfaccia PTZ

Il connettore seriale DE-9 consente la connessione alle teste PTZ motorizzate. Un esempio di impiego è l'installazione di URSA Mini o URSA Broadcast su una gru che sfrutta teste PTZ motorizzate con controllo remoto. Apri il menù di Studio Fiber Converter per selezionare la sorgente dei comandi PTZ inviati alla camera. Puoi selezionare il connettore DE-9 di Studio Fiber Converter, o il flusso SDI proveniente dallo switcher ATEM. Per maggiori informazioni consulta la sezione "Studio Fiber Converter".

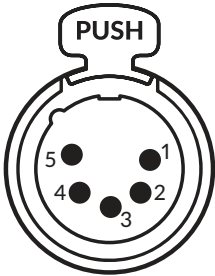


Interfaccia PTZ

## Talkback

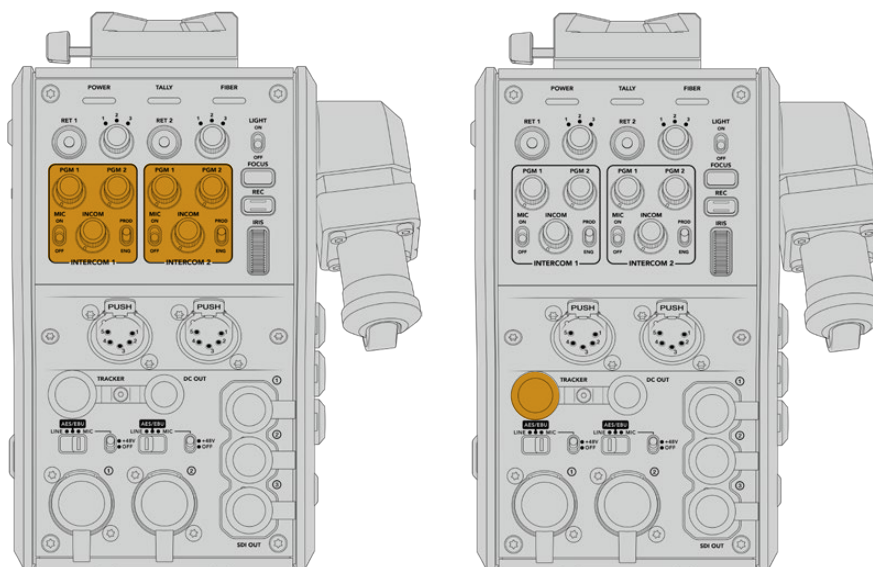
I due connettori XLR femmina a 5 pin sono dedicati alle cuffie, consentendo a due persone di comunicare contemporaneamente via talkback. Per esempio si può collegare la cuffia dell'operatore di ripresa al primo XLR, e la cuffia dell'operatore della gru o del tecnico del suono al secondo XLR. La tabella qui sotto descrive la configurazione del connettore XLR.

### Piedinatura del connettore XLR

Vista frontale	Pin	Segnale	I/O	Specifiche
 <p>Connettore XLR a 5 pin per cuffie</p>	1	Intercom mic (Y)	GND	L'ingresso Intercom mic è compatibile con i microfoni a elettrete e dinamici, bilanciati o non bilanciati. Il pin 1 è per il segnale microfonico comune, e il pin 2 per il segnale in entrata di entrambi i tipi. Con i microfoni a elettrete, la compensazione DC offset viene inviata tramite lo stesso pin utilizzato per il segnale del microfono.
	2	Intercom mic (X)	In	
	3	GND	GND	GND
	4	Intercom sinistra	Out	
	5	Intercom destra	Out	

I controlli intercom di ciascuna cuffia sono situati sopra il rispettivo connettore.

Per tutti i dettagli sul funzionamento dei controlli intercom, consulta la sezione "Camera Fiber Converter".



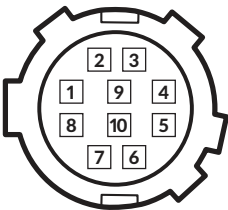
I controlli intercom servono per regolare i livelli audio del talkback

## Tracker

Il connettore a 10 pin **Tracker** offre un'uscita multiplex per i segnali di talkback e tally, nonché per i dati come le informazioni del suggeritore elettronico. Questo connettore viene comunemente utilizzato dagli operatori di attrezzatura, per esempio le gru.

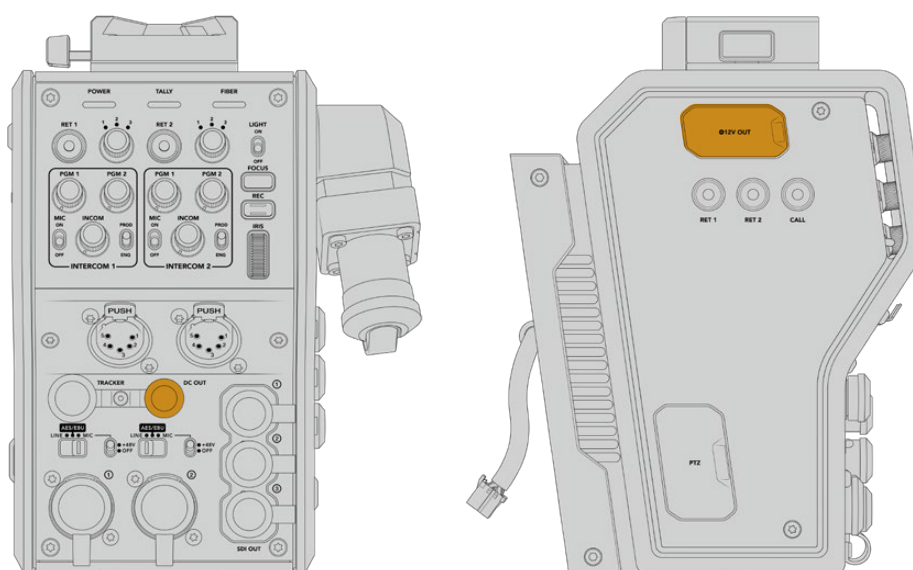
La tabella qui sotto descrive la configurazione del connettore per guidarti nella creazione di un cavo su misura.

### Piedinatura del connettore Tracker

Vista frontale	Pin	Segnale	I/O	Specifiche
 <p>Connettore Tracker a 10 pin</p>	1	Tracker sinistra	Out	Uscita del Tracker, -20dBu non bilanciato
	2	GND (talkback)	–	GND per talkback via Tracker
	3	GND (Ricezione/PGM/tally)	–	GND (Ricezione/PGM/tally)
	4	Tracker destra	Out	Uscita del Tracker, -20 dBu non bilanciato
	5	Non regolato	Out	12V DC nominale, max 500mA
	6	GND (non regolato)	–	GND (non regolato)
	7	Talkback via Tracker (X)	In	Talkback via Tracker 0 dBu / -20 dBu, bilanciato ad alta impedenza
	8	Talkback via Tracker (Y)	In	
	9	Tally (verde)	Out	On: 12V Off: Alta impedenza (aperto)
	10	Tally (rosso)	Out	On: 12V Off: Alta impedenza (aperto)

## Alimentazione DC

Il connettore di uscita DC è utile per alimentare accessori aggiuntivi, per esempio un monitor esterno.



Sfrutta il connettore di uscita DC per alimentare accessori D-Tap aggiuntivi come monitor e dispositivi di registrazione esterni

## Uscita D-Tap

L'uscita +12V sul lato sinistro dell'unità, nota anche come uscita D-tap o P-tap, permette di alimentare accessori come monitor e grandi obiettivi televisivi, che richiedono una corrente continua di 12V DC nominale a 2 ampere.

## Uscita di riferimento

L'uscita di riferimento si può utilizzare per connettere un segnale di riferimento alla camera tramite un cavo BNC.

**Per connettere un segnale di riferimento:**

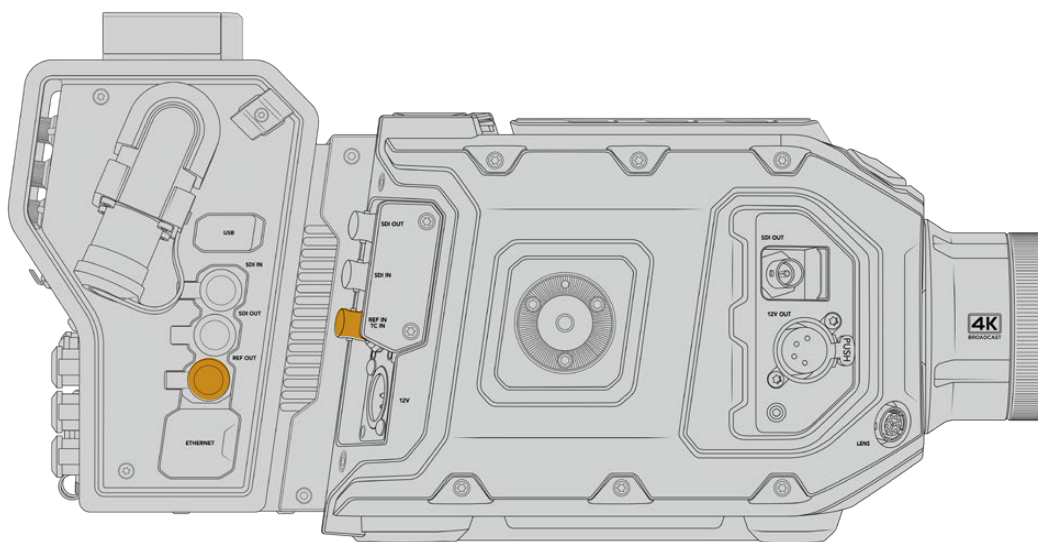
- 1 Collega l'uscita di riferimento **Ref Out** dal Camera Fiber Converter all'ingresso di riferimento **Ref In** della camera usando uno dei piccoli cavi SDI in dotazione al convertitore.
- 2 Imposta l'ingresso di riferimento della camera nel relativo menù.

Questi segnali permettono di sincronizzare la strumentazione video in uso (e quindi tutte le fonti video) con un riferimento comune, consentendo una commutazione istantanea e impeccabile.

Gli switcher ATEM offrono sincronizzazione di frame interna, per cui se utilizzi le camere Blackmagic con uno switcher ATEM non serve un generatore di sync esterno. La camera si sincronizza al flusso SDI del programma di ritorno in arrivo dallo switcher ATEM, perciò basta selezionare l'ingresso di programma come riferimento nella seconda pagina del menù impostazioni **Setup** di URSA Mini o URSA Broadcast. Il processo di sincronizzazione introduce 1 fotogramma di ritardo.

Per ridurre questa latenza su ATEM, applica prima un segnale di riferimento a URSA Mini o URSA Broadcast, poi cambia le impostazioni di sync sulla camera per far sì che la linea di partenza preceda l'esecuzione della commutazione di ATEM.

Per cambiare il sync sulle camere URSA Mini e URSA Broadcast, vai nella tab **Setup** e scegli il valore più adatto alla voce **Reference timing**.



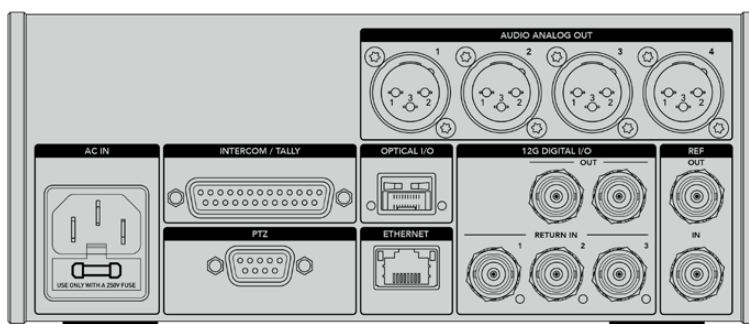
Se usi un segnale di riferimento esterno, connetti l'uscita di riferimento dall'unità Camera all'ingresso di riferimento di URSA Mini o URSA Broadcast.



# Le connessioni di Studio Fiber Converter

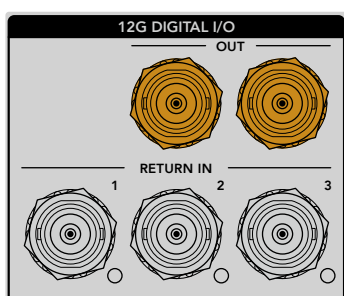
Il retro di Studio Fiber Converter ospita connettori SDI di ingresso per segnali di ritorno, connettori BNC per il riferimento, un connettore DB-25 per intercom e tally, una porta seriale a 9 pin per controllo PTZ, uscite audio, e una porta ethernet.

Tutti gli ingressi SDI supportano il 12G-SDI per formati video fino all'Ultra HD 2160p60.



## Uscita 12G-SDI

Le due uscite 12G-SDI **Out** servono per connettere il segnale della camera a uno qualsiasi degli ingressi SDI dello switcher. Il secondo connettore si può usare per trasmettere lo stesso segnale ad altra attrezzatura SDI, per esempio il router Videohub, il monitor SmartView, o il registratore su disco HyperDeck.

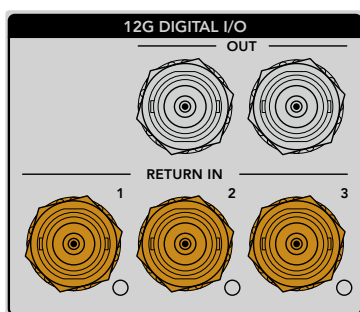


Le uscite 12G-SDI ammettono segnali da 720p50 fino a 2160p60

## Ingressi SDI per segnali di ritorno

I 3 connettori BNC 12G-SDI **Return In** permettono di connettere fino a 3 flussi SDI di ritorno. Per esempio, il programma di ritorno dello switcher si può connettere a Return In 1, con lo stesso frame rate del flusso video della camera. Altre fonti come i segnali video di una seconda camera, il video riprodotto da HyperDeck, o un suggeritore elettronico si possono connettere a Return In 2 e Return In 3. Se utilizzi uno switcher ATEM, il segnale di ritorno di programma connesso a Return In 1 contiene anche tally, talkback, riferimento, e controllo camera.

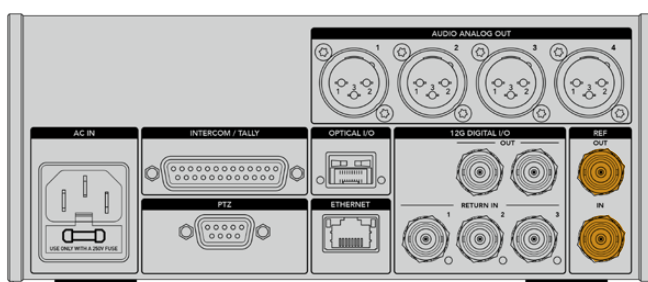
Questi ingressi SDI consentono di connettere fino a 3 segnali di ritorno in arrivo dallo switcher. I segnali vengono inviati alla camera di modo che l'operatore di ripresa possa visualizzarli, o trasmessi via SDI ad altra attrezzatura.



**NOTA** Se connessi fonti Ultra HD agli ingressi per segnali di ritorno, vengono convertite in 1080p allo stesso frame rate, per cui il segnale di uscita trasmesso dall'unità Camera sarà in HD. Convertire i segnali di ritorno Ultra HD in risoluzione minore HD consente di sfruttare una larghezza di banda maggiore, quindi di inviare più segnali di ritorno.

## Ingresso e uscita di riferimento

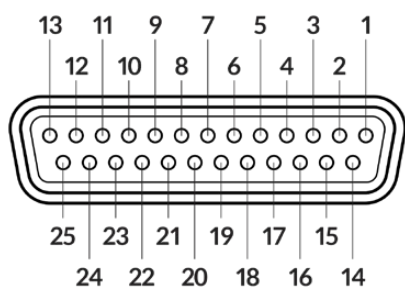
Se non usi uno switcher ATEM e vuoi sincronizzare il dispositivo in uso con un segnale di riferimento comune esterno, collega il segnale generato esternamente all'ingresso BNC. Questo invia il riferimento all'unità Camera tramite il cavo in fibra SMPTE. L'uscita BNC si può anche usare per ritrasmettere la fonte di riferimento ad altra attrezzatura.



Usa l'ingresso BNC Ref In per inviare un segnale di riferimento tradizionale dall'attrezzatura broadcast in uso alla camera

## Interfaccia talkback

Il connettore DB-25 per intercom e tally consente il collegamento ai sistemi di intercom e tally di terzi. La tabella qui sotto descrive la configurazione del connettore per guidarti nella creazione di un cavo su misura. Una volta configurati i pin per i segnali di talkback (tecnico **Eng** e produzione **Prod**), audio, tally, o di programma, vai alla pagina delle impostazioni di Studio Fiber Converter.



Vista frontale del connettore Intercom/Tally a 25 pin

#### Piedinatura del connettore Intercom/Tally

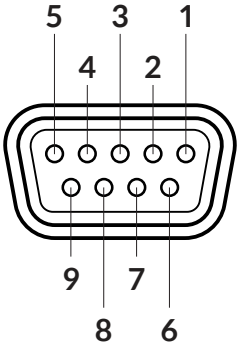
Pin	Segnale	Specifiche
1	ENG(R) IN+	Ingresso canale ENG
2	ENG(R) IN-	0dBu bilanciato
3	ENG GND	GND per ENG
4	ENG(T) OUT +	Uscita canale ENG
5	ENG(T) OUT -	0dBu bilanciato
6	PGM IN+	-20dBu
7	PGM IN-	-20dBu
8	PGM GND	-20dBu
9	GND	GND per AUX
10	N/C	–
11	Tally rosso IN	On = 5-24Vdc, Off = 0Vdc
12	Tally rosso GND	–
13	GND	Chassis GND
14	PROD(R) IN+	Ingresso canale PROD
15	PROD(R) IN-	0dBu bilanciato
16	PROD GND	–
17	PROD(T) OUT+	Uscita canale PROD
18	PROD(T) OUT-	0dBu bilanciato
19	N/C	–
20	N/C	–
21	N/C	–
22	N/C	–
23	N/C	–
24	Tally verde IN	On = 5-24Vdc, Off = 0Vdc
25	Tally verde GND	–

## Interfaccia PTZ

Sia Studio Fiber Converter che Camera Fiber Converter ospitano un connettore DE-9 a 9 pin, per collegare un controller PTZ al primo, e una testa remota al secondo. I comandi PTZ sono integrati nel segnale SDI connesso tra le unità, trasportato dal cavo in fibra SMPTE.

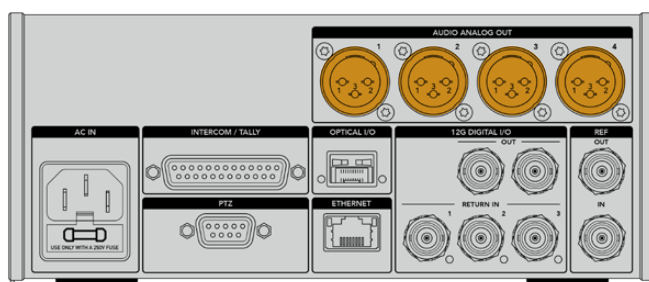
Questo menù consente di selezionare la fonte dei comandi PTZ che vengono inviati a Studio Fiber Converter. Puoi selezionare il connettore PTZ sul retro di Studio Fiber Converter, o un flusso SDI proveniente da uno switcher ATEM. Per maggiori informazioni consulta la sezione “Studio Fiber Converter”.

### Diagramma dei pin del connettore PTZ

Vista frontale	Pin	Segnale
 <p>Connettore PTZ a 9 pin</p>	1	GND
	2	RS422 Tx-
	3	RS422 Rx+
	4	GND
	5	Non connesso
	6	GND
	7	RS422 Tx+
	8	RS422 Rx-
	9	GND

## Uscite audio

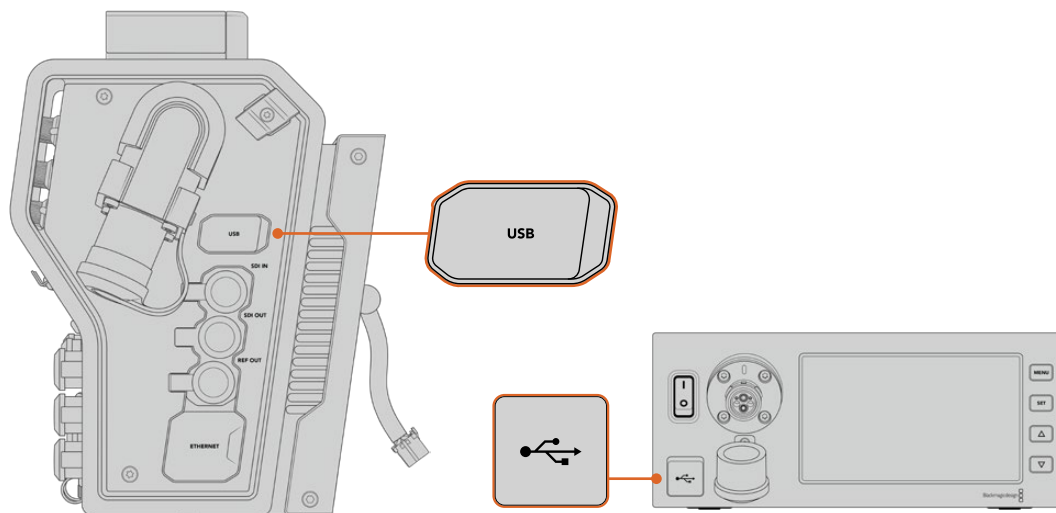
Le quattro uscite audio XLR di Studio Fiber Converter consentono di trasmettere l'audio connesso agli ingressi 1 e 2 di URSA Broadcast o URSA Mini, e ai due ingressi audio XLR di Camera Fiber Converter.



Di default, le uscite 1 e 2 di Studio Fiber Converter corrispondono ai canali di ingresso integrati XLR 1 e 2 di URSA Mini o URSA Broadcast. Di default, le uscite 3 e 4 di Studio Fiber Converter corrispondono agli ingressi XLR 1 e 2 di Camera Fiber Converter. La mappatura dei canali si può cambiare nelle impostazioni. Consulta la sezione “Come utilizzare il menù” per tutti i dettagli.

## Aggiornare il software interno

Di tanto in tanto Blackmagic Design rilascia aggiornamenti software che migliorano e abilitano le funzioni dei convertitori Fiber Converter. È consigliabile controllare regolarmente il sito Blackmagic Design per stare al passo con le versioni del software interno. Per aggiornare i convertitori, usa l'utilità Blackmagic Camera Setup.



Usa le porte USB-C disponibili su entrambe le unità per aggiornare il software interno

## Aggiornare Camera Fiber Converter

Per aggiornare Camera Fiber Converter è necessario connetterlo a URSA Mini o URSA Broadcast perché riceva l'alimentazione.

È importante scollegare il cavo in fibra SMPTE dal Camera Fiber Converter, e collegare la camera alla corrente con l'alimentatore incluso alla tua URSA.

La porta USB-C sul lato destro di Camera Fiber Converter ti permette di aggiornare il software interno. Collegala al computer e lancia l'utilità Blackmagic Camera Setup. Se il computer rileva una versione software precedente, un messaggio suggerisce di aggiornare il software interno. Segui le istruzioni sullo schermo per completare l'aggiornamento.

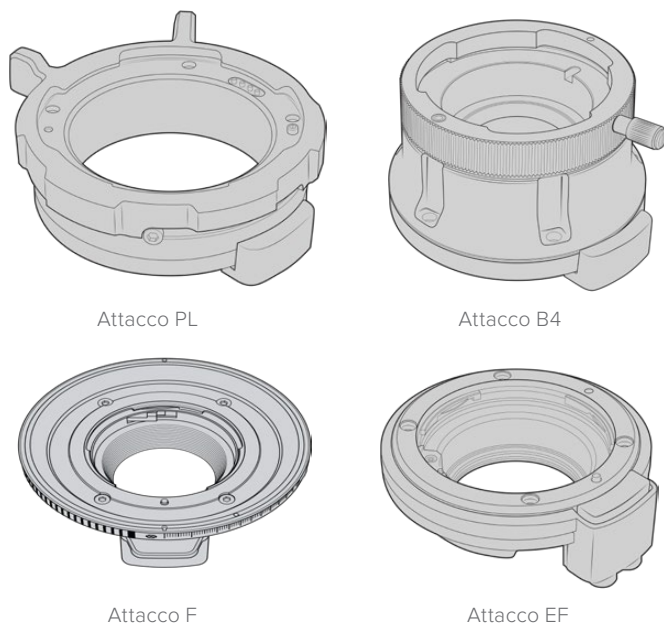
## Aggiornare Studio Fiber Converter

Per aggiornare Studio Fiber Converter è consigliabile collegarlo alla corrente con un cavo IEC.

La porta USB-C sul lato frontale di Studio Fiber Converter ti permette di aggiornare il software interno. Collegala al computer e lancia l'utilità Blackmagic Camera Setup. Se il computer rileva una versione software precedente, un messaggio suggerisce di aggiornare il software interno. Segui le istruzioni sullo schermo per completare l'aggiornamento.

## Attacco obiettivo intercambiabile

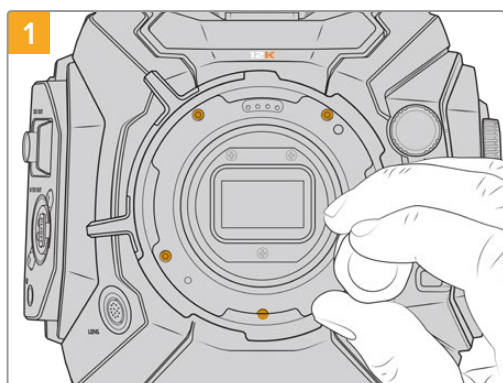
Blackmagic URSA Mini Pro 12K ha in dotazione l'attacco obiettivo PL, mentre le altre URSA Mini Pro hanno un attacco EF di serie. L'attacco obiettivo di tutti i modelli URSA Mini Pro è intercambiabile, e non sei quindi limitato a usare solo le ottiche compatibili con l'attacco in dotazione. Per esempio, puoi rimuovere l'attacco originale e inserire un attacco opzionale PL, B4, EF o F. URSA Mini Pro PL Mount, URSA Mini Pro B4 Mount, URSA Mini Pro F Mount e URSA Mini Pro EF Mount sono disponibili dai rivenditori autorizzati Blackmagic Design più vicini a te.



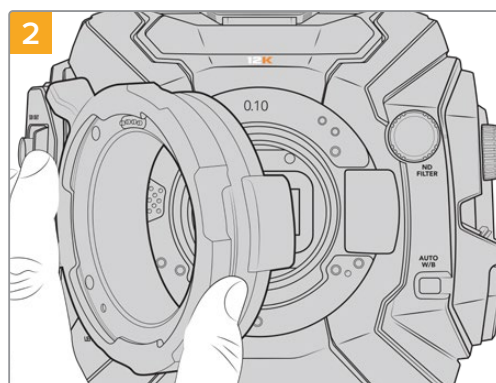
Grazie all'attacco obiettivo intercambiabile hai la flessibilità di lavorare con le ottiche più consone in base alle riprese. Per esempio, l'attacco EF è ideale per la fotografia sul set, l'attacco B4 si abbina agli obiettivi parafoziali zoom per le riprese in stile ENG e i matrimoni, e l'attacco PL consente l'impiego di ottiche cinematografiche per una precisione assoluta.

Basta sostituire l'attacco EF in dotazione con un attacco opzionale.

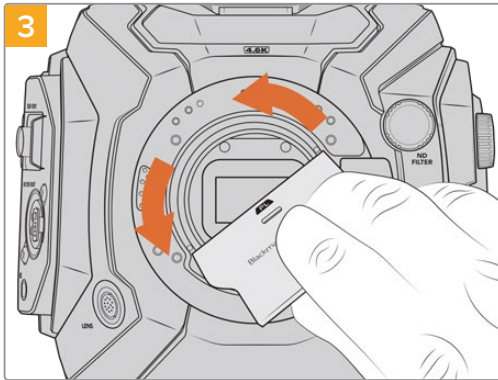
### Come rimuovere l'attacco obiettivo PL di serie da URSA Mini Pro 12K:



Rimuovi l'attacco PL originale da URSA Mini Pro 12K svitando le 5 viti con una chiave a brugola 2mm.

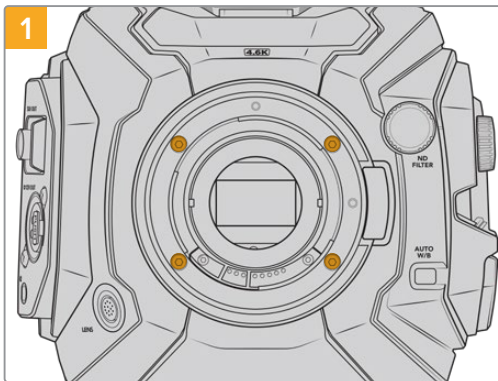


Estrai delicatamente l'attacco obiettivo dal corpo camera.

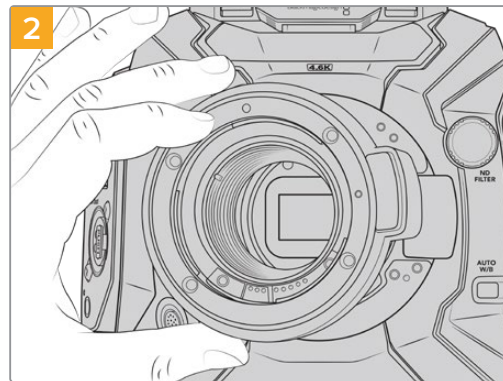


Una volta rimosso l'attacco PL, usa il lato più largo della lastra di regolazione per allentare il deflettore PL al centro, poi svitalo gentilmente con le dita.

### Come rimuovere l'attacco obiettivo EF di serie da URSA Mini Pro 4.6K G2 o URSA Mini Pro 4.6K



Rimuovi l'attacco EF originale da URSA Mini Pro 4.6K G2 o URSA Mini Pro 4.6K svitando le 4 viti con una chiave a brugola 2mm.



Estrai delicatamente l'attacco obiettivo dal corpo camera.

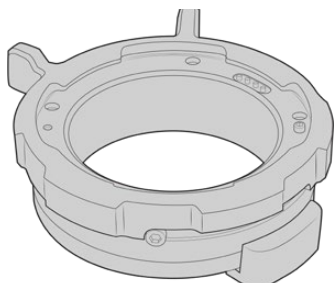
**NOTA** Quando rimuovi l'attacco in dotazione, accertati che l'anello sotto l'attacco rimanga fissato alla camera.

Le pagine seguenti descrivono i kit di montaggio per gli attacchi PL, B4, F e EF e le istruzioni per installarli su URSA Mini Pro.

## Blackmagic URSA Mini Pro PL Mount

Installa l'attacco obiettivo PL su URSA Mini per utilizzare ottiche di estrema precisione sui set cinematografici e negli studi televisivi.

### Il kit PL include:



#### 1 x attacco PL

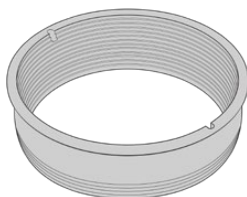
Include un coperchio antipolvere.



#### 1 x set di anelli adattatori

Include anelli dei seguenti spessori:

0,50 mm	0,18 mm	0,10 mm
0,30 mm	0,15 mm	0,05 mm
0,20 mm	0,12 mm	0,025 mm



#### 1 x deflettore PL

Permette di controllare la luce che attraversa il sensore.



#### 1 x lastra di regolazione del deflettore

Stringe il deflettore nella camera.



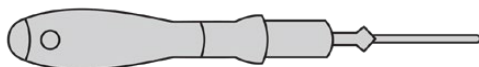
#### 5 x viti M2.5, 2 mm x 22 mm

Queste viti sono utilizzabili solo per l'attacco PL. Consigliamo di conservarle insieme all'attacco corrispondente.

L'attacco PL include un set completo di viti di ricambio.

### Attrezzi necessari

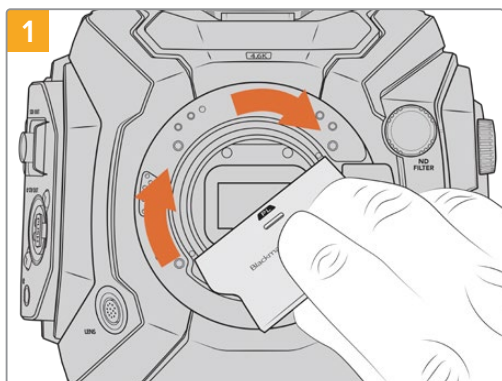
Per montare l'attacco PL, utilizza una chiave a brugola 2 mm. Consigliamo di utilizzare una chiave dinamometrica e una coppia di serraggio massimo di 0,45 Nm, che evita di forzare eccessivamente le viti.



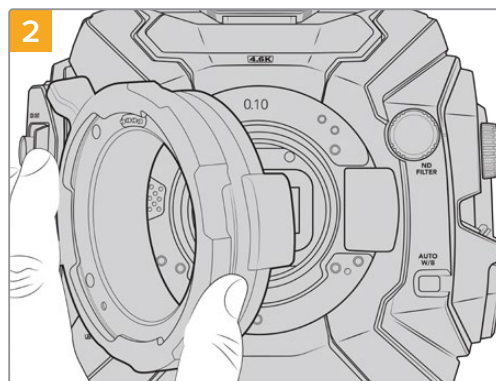
Chiave a brugola 2 mm



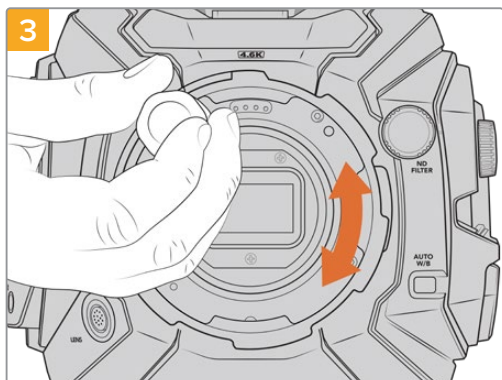
## Montare l'attacco obiettivo PL



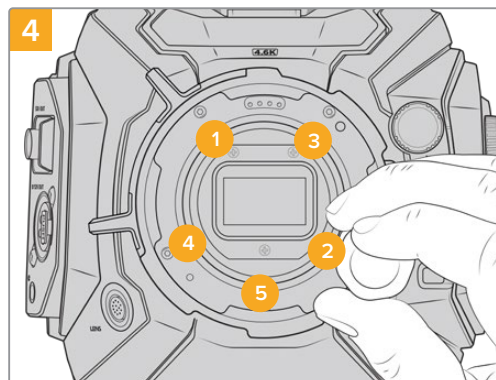
Inserisci delicatamente il deflettore PL al centro dell'attacco obiettivo e avvitalo a mano. Usa il lato più largo della lastra di regolazione per serrare leggermente il deflettore, esercitando una pressione minima per mantenerlo in posizione.



Inserisci con cura l'attacco Blackmagic URSA Mini Pro PL nel corpo della camera. Accertati che i pin sull'attacco PL per Cooke i/Technology siano posizionati sulle ore 12.



Con una chiave a brugola 2mm o una chiave dinamometrica impostata su 0,45Nm, inizia a serrare le 5 viti fino a entrare in contatto con la base dell'attacco obiettivo. Per accedere a ognuna delle 5 viti, ruota la ghiera PL, poiché alcuni fori sono coperti quando la ghiera è aperta o chiusa.



Accertati che l'attacco obiettivo sia correttamente allineato poi, con la stessa pressione, stringi le viti nell'ordine indicato qui sopra, senza serrarle eccessivamente.

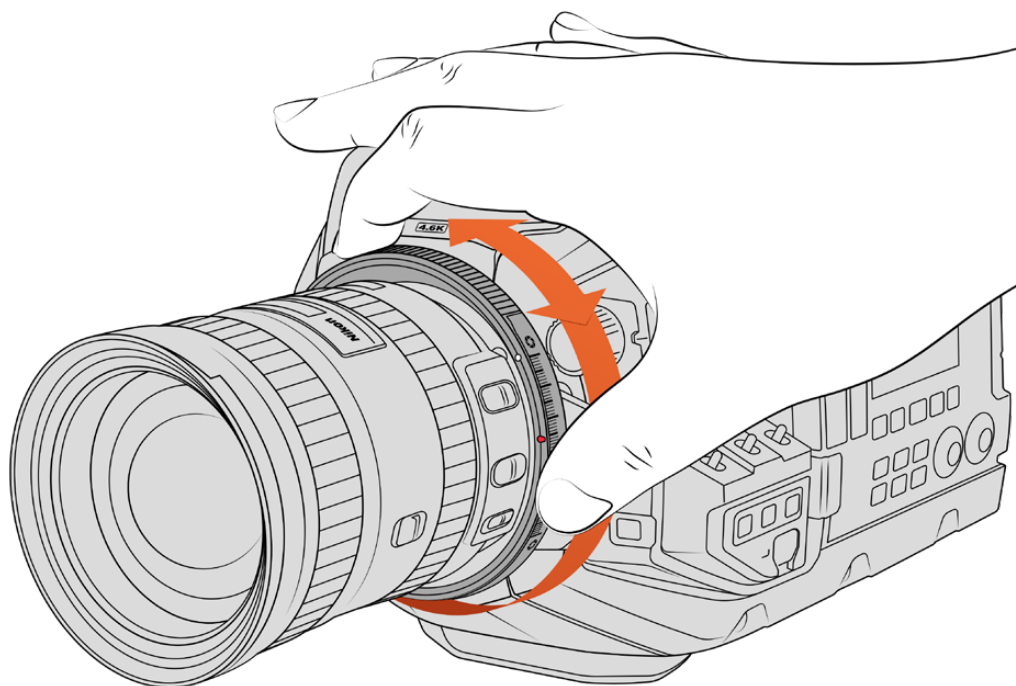
**NOTA** Quando rimuovi l'attacco PL, segui le stesse istruzioni ma in ordine inverso, da 4 a 1. Accertati di aver rimosso il deflettore PL e di conservarlo con l'attacco PL.

## Blackmagic URSA Mini Pro F Mount

Dal 1959 Nikon produce obiettivi F, reperibili come ottiche vintage e moderne, e ora utilizzabili con URSA Mini Pro grazie all'attacco URSA Mini Pro F Mount.

Ricorda che questo attacco è completamente meccanico, quindi non consente il controllo elettronico della messa a fuoco o del diaframma. URSA Mini Pro F Mount offre la regolazione meccanica del diaframma, che muove il pin presente nelle ottiche Nikon per ottenere un risultato in stile cinematografico.

Una volta montato l'attacco F, sposta il regolatore del diaframma di URSA Mini Pro F Mount sul valore di esposizione desiderato. Il punto rosso sull'attacco F e le tacche sul regolatore del diaframma consentono di marcare determinati valori di esposizione o di profondità di campo.

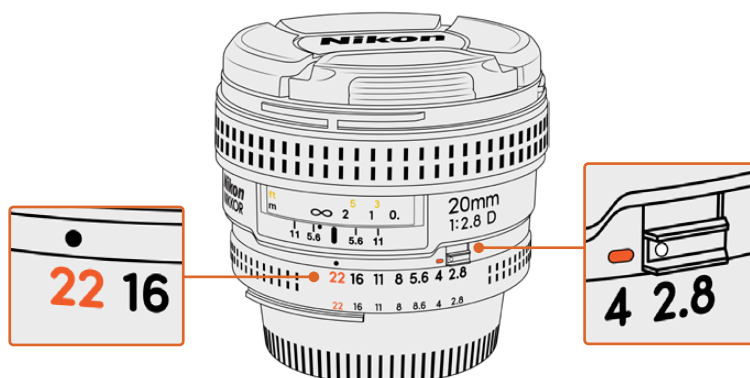


Usa l'anello di regolazione del diaframma dell'attacco F per regolare l'apertura delle ottiche F

**NOTA** Un numero limitato di ottiche F non è compatibile con URSA Mini Pro F Mount: i Nikkor AF-S E, perché privi di controllo del diaframma meccanico, e i modelli Nikon PC-E tilt-shift, tra cui il 24 mm f/3.5D PC-E e l'85 mm PC-E.

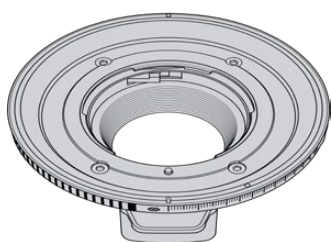
## Obiettivi Nikon AF-D

Con queste ottiche è necessario bloccare l'obiettivo sull'apertura più piccola, per esempio f/22, per utilizzare appieno il range dell'anello di regolazione del diaframma di URSA Mini Pro F Mount.



Impostare l'apertura delle ottiche AF-D è più facile prima di montarle sulla camera

## Il kit F include:



### 1 x attacco F

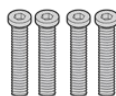
Adatto per i comuni obiettivi fotografici F.



### 1 x set di anelli adattatori

Include anelli dei seguenti spessori:

0,50 mm	0,18 mm	0,10 mm
0,30 mm	0,15 mm	0,05 mm
0,20 mm	0,12 mm	0,025 mm



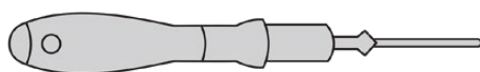
### 4 x viti M3, 2 mm x 18 mm

Queste viti sono utilizzabili solo per l'attacco EF e F. Consigliamo di conservarle insieme all'attacco corrispondente.

L'attacco F include un set completo di viti di ricambio.

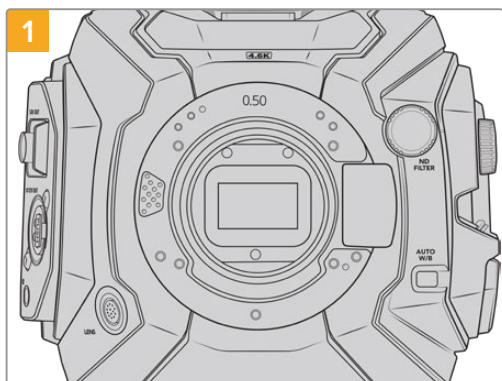
## Attrezzi necessari

Per montare l'attacco F, utilizza una chiave a brugola 2 mm. Consigliamo di utilizzare una chiave dinamometrica e una coppia di serraggio massimo di 0,45 Nm, che evita di forzare eccessivamente le viti.

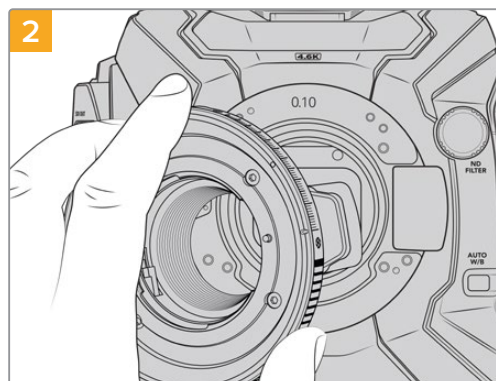


Chiave a brugola 2 mm

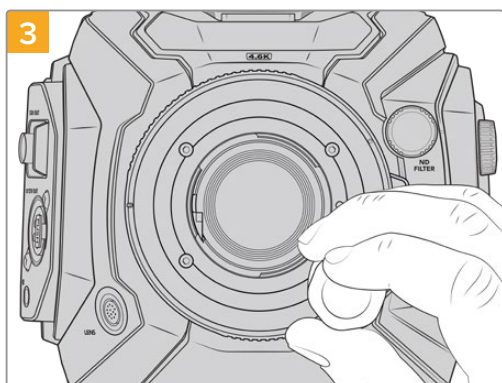
## Montare l'attacco obiettivo F



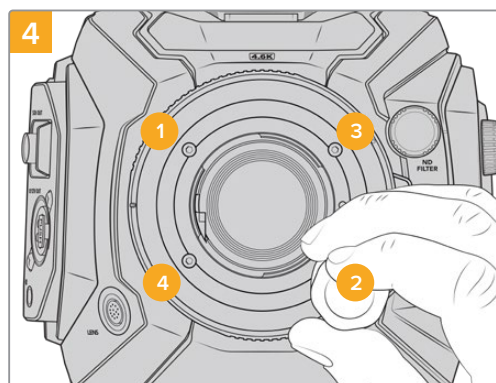
Posiziona URSA Mini Pro in posizione verticale su una superficie solida e pulita. Se passi dall'attacco PL all'attacco F, accertati di aver rimosso il deflettore PL prima di inserire l'attacco F.



Posiziona con cura l'attacco F nel corpo camera, con il punto bianco in corrispondenza delle ore 2.



Con una chiave a brugola 2mm o una chiave dinamometrica impostata su 0,45Nm inizia a serrare le 4 viti fino a entrare in contatto con la base dell'attacco obiettivo.



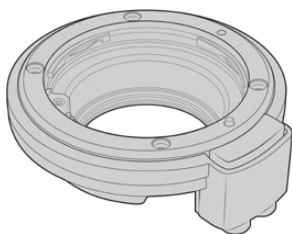
Accertati che l'attacco obiettivo sia correttamente allineato poi, con la stessa pressione, stringi le viti nell'ordine indicato qui sopra senza serrarle eccessivamente.

**NOTA** Quando rimuovi l'attacco F, segui le stesse istruzioni ma in ordine inverso, da 4 a 1.

## Blackmagic URSA Mini Pro EF Mount

L'attacco EF è compatibile con una vasta gamma di ottiche fotografiche e obiettivi per il cinema EF.

### Il kit EF include:



#### 1 x attacco EF

Adatto per i comuni obiettivi fotografici EF.



#### 1 x set di anelli adattatori

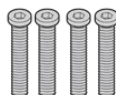
Include anelli dei seguenti spessori:

0,50 mm	0,18 mm	0,10 mm
0,30 mm	0,15 mm	0,05 mm
0,20 mm	0,12 mm	0,025 mm



#### 1 x lastra di regolazione del deflettore

Il deflettore dell'attacco EF non è rimovibile, ma il kit include comunque una lastra di regolazione che puoi utilizzare con l'attacco PL.



#### 4 x viti M3, 2 mm x 18 mm

Queste viti sono utilizzabili solo per l'attacco EF e F. Consigliamo di conservarle insieme all'attacco corrispondente.

L'attacco F include un set completo di viti di ricambio.

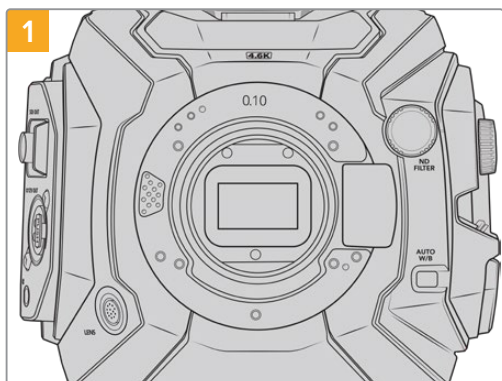
### Attrezzi necessari

Per montare l'attacco F, utilizza una chiave a brugola 2 mm. Consigliamo di utilizzare una chiave dinamometrica e una coppia di serraggio massimo di 0,45 Nm, che evita di forzare eccessivamente le viti.

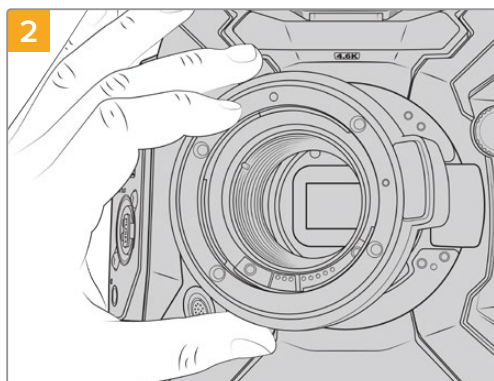


Chiave a brugola 2 mm

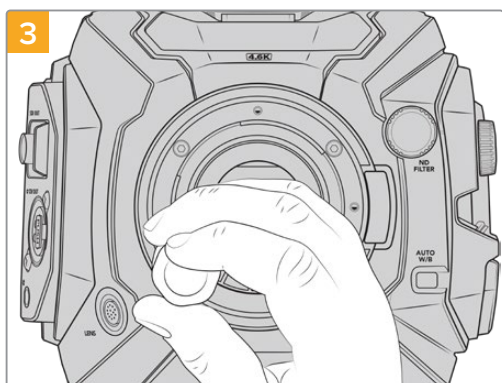
## Montare l'attacco obiettivo EF



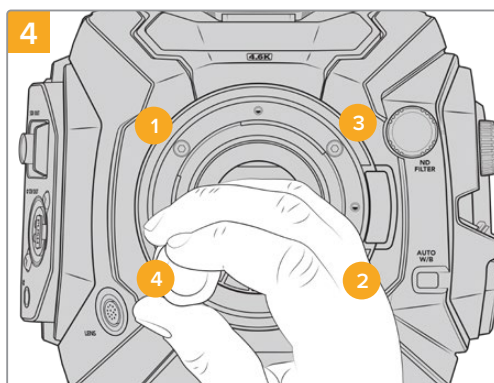
Posizione URSA Mini Pro in posizione verticale su una superficie solida e pulita. Se passi dall'attacco PL all'attacco EF, accertati di aver rimosso il deflettore PL prima di inserire l'attacco EF.



Posiziona con cura l'attacco URSA Mini Pro EF Mount sul corpo della camera, con il punto rosso in posizione ore 12.



Con una chiave a brugola 2mm o una chiave dinamometrica impostata su 0,45Nm inizia a serrare le 4 viti fino a entrare in contatto con la base dell'attacco obiettivo.



Accertati che l'attacco obiettivo sia correttamente allineato poi, con la stessa pressione, stringi le viti nell'ordine indicato qui sopra con la stessa pressione, senza serrarle eccessivamente.

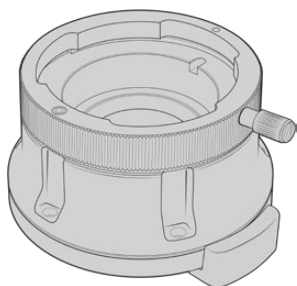
**NOTA** Quando rimuovi l'attacco EF, segui le stesse istruzioni ma in ordine inverso, da 4 a 1.



## Blackmagic URSA Mini Pro B4 Mount

Con l'attacco B4 installato sulla tua URSA Mini Pro 4.6K G2 o URSA Mini Pro 4.6K puoi montare obiettivi parafoicali, comunemente utilizzati per riprese in stile ENG e per girare video matrimoniali. Queste ottiche mantengono la messa a fuoco con zoom ad ampia escursione, e solitamente offrono regolazione manuale di messa a fuoco e diaframma, e una leva sull'impugnatura per azionare facilmente lo zoom. Sono ideali per gli operatori singoli, perché ottimizzano le riprese e garantiscono un controllo straordinario. Blackmagic URSA Mini Pro B4 non è compatibile con URSA Mini Pro 12K.

### Il kit B4 include:



#### 1 x attacco B4

Compatibile con obiettivi professionali per riprese ENG su URSA Mini Pro.



#### 1 x set di anelli adattatori

Include anelli dei seguenti spessori:

0,50 mm	0,18 mm	0,10 mm
0,30 mm	0,15 mm	0,05 mm
0,20 mm	0,12 mm	0,025 mm



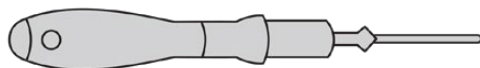
#### 5 x viti M2.5, 2 mm x 12 mm

Queste viti sono utilizzabili solo per l'attacco B4. Consigliamo di conservarle insieme all'attacco corrispondente.

L'attacco B4 include un set completo di viti di ricambio.

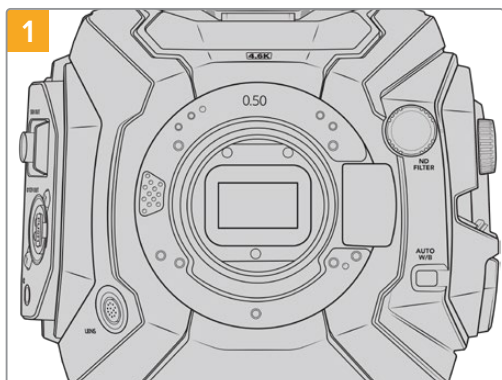
### Attrezzi necessari

Per montare l'attacco B4, utilizza una chiave a brugola 2 mm. Consigliamo di utilizzare una chiave dinamometrica e una coppia di serraggio massimo di 0,45 Nm, che evita di forzare eccessivamente le viti.

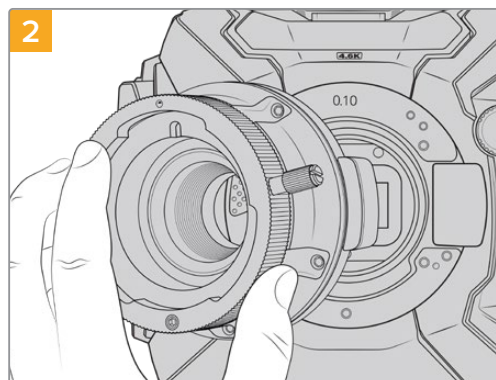


Chiave a brugola 2 mm

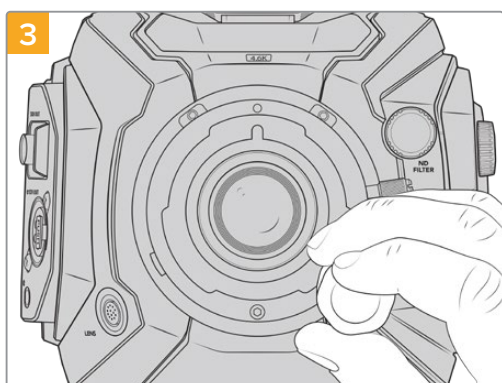
## Montare l'attacco B4



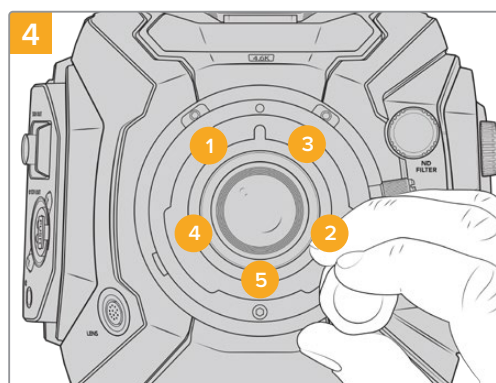
1 Posiziona URSA Mini Pro in posizione verticale su una superficie solida e pulita.



2 Posiziona con cura l'attacco URSA Mini Pro B4 Mount sul corpo della camera, con il punto rosso in posizione ore 12.



3 Con una chiave a brugola 2mm o una chiave dinamometrica impostata su 0,45Nm inizia a serrare le 5 viti fino a entrare in contatto con la base dell'attacco obiettivo.



4 Accertati che l'attacco obiettivo sia correttamente allineato poi, con la stessa pressione, stringi le viti nell'ordine indicato qui sopra senza serrarle eccessivamente.

**NOTA** Quando rimuovi l'attacco B4, segui le stesse istruzioni ma in ordine inverso, da 4 a 1.

**SUGGERIMENTO** Se usi ottiche B4 con URSA Mini Pro 4.6K G2 o URSA Mini Pro 4.6K, seleziona la risoluzione 2K 16:9 o minore, e imposta il sensore sulla modalità finestra dalla tab di registrazione della dashboard Record > Window sensor > On. Questa impostazione è essenziale per evitare l'effetto vignetta, poiché gli obiettivi broadcast non coprono l'intero cerchio dell'immagine del Super 35 mm. Una volta montato l'obiettivo B4 regola le impostazioni sulla camera e il back focus dell'obiettivo.



## Kit di anelli URSA Mini Pro Shim Kit

Per montare l'attacco obiettivo PL, B4, o F su URSA Mini Pro, rimuovi l'attacco EF in dotazione e inserisci un anello 0,10 mm sugli anelli 0,50 mm e 0,10 mm presenti. Gli anelli di questi e altri spessori sono inclusi nel Blackmagic URSA Mini Pro Shim Kit. Gli altri anelli inclusi di misure diverse servono per accogliere ottiche PL che richiedono una spaziatura specifica per mantenere stabili i marcatori predefiniti di messa a fuoco.

### Il kit di anelli include:



#### 1 x lastra di regolazione del deflettore

Utilizza la lastra per allentare o serrare il deflettore PL in fase di montaggio o rimozione dell'attacco obiettivo PL su URSA Mini Pro.



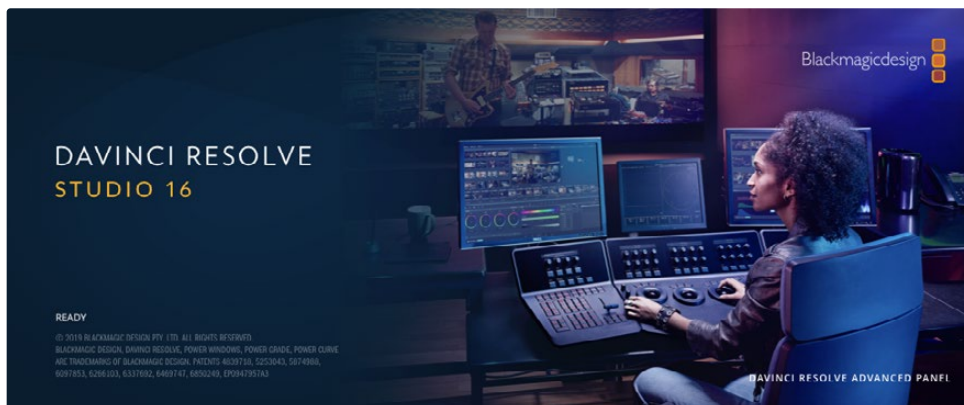
#### 1 x set di anelli adattatori

Include anelli dei seguenti spessori:

0,50 mm	0,18 mm	0,10 mm
0,30 mm	0,15 mm	0,05 mm
0,20 mm	0,12 mm	0,025 mm

# DaVinci Resolve

Registrare le clip con URSA Mini rappresenta solo una parte del processo di creazione di contenuti televisivi e cinematografici. Altrettanto importanti sono la gestione e il backup del materiale multimediale, il montaggio, la correzione colore e la codifica dei master finali. URSA Mini include DaVinci Resolve per Mac e Windows, per offrirti la soluzione completa di cattura e post produzione.



**NOTA** Per una correzione colore ad alta prestazione, consigliamo di utilizzare la versione 16.3 o successiva di DaVinci Resolve, che garantisce un trattamento del colore accurato per tutti i modelli URSA Mini e per il nuovo formato Blackmagic RAW, ed è compatibile con i file 12K.

Una volta inserita la scheda CFast, SD, o SSD nel computer, utilizza lo strumento **Clone** nella pagina Media di DaVinci Resolve per creare i backup delle riprese in tempo reale. La funzione di backup è importantissima per evitare la perdita del materiale registrato, perché qualsiasi tipo di contenuto multimediale può subire danneggiamenti improvvisi. Con DaVinci Resolve puoi fare il backup delle clip e poi importarle nell'archivio multimediale per completare montaggio, correzione colore, e consegna in una sola applicazione.

Non si tratta di un semplice software di montaggio: offre tecnologia avanzata per la produzione di film digitali di altissima qualità, e la flessibilità di effettuare montaggio e correzione colore senza cambiare software.

Le sezioni seguenti spiegano come usare DaVinci Resolve con le clip registrate dalla camera. È un programma estremamente avanzato, con numerosissime funzioni che potrai scoprire navigando l'interfaccia. Per approfondire il funzionamento, consulta il manuale di istruzioni di DaVinci Resolve disponibile sul sito Blackmagic Design, dove trovi anche corsi di formazione e tutorial.

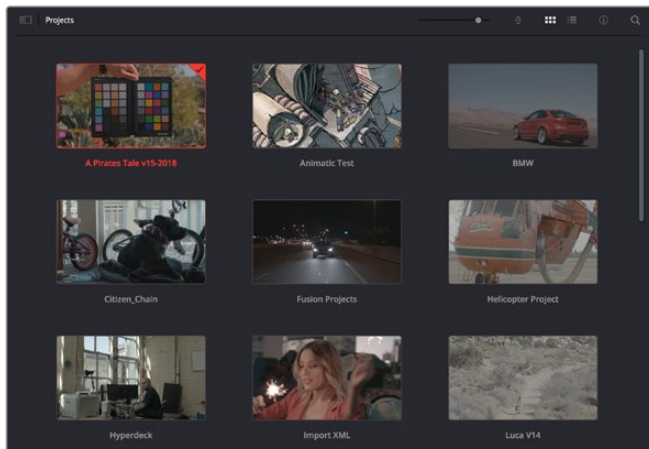
## Project Manager

Prima di importare le clip e cominciare il montaggio è necessario impostare il progetto con Project Manager.

Project Manager è la prima finestra che appare quando apri DaVinci Resolve, a cui puoi anche accedere in qualsiasi momento dall'icona della home in basso a destra nell'interfaccia, utile per aprire progetti precedenti e crearne di nuovi.

Per creare un nuovo progetto, clicca su **New project** in basso alla finestra e assegna un nome al progetto. Conferma con **Create**.

Apri la pagina Cut per cominciare subito il montaggio.



Il Project Manager mostra tutti i progetti dell'utente

Consulta il manuale di DaVinci Resolve disponibile alla pagina Supporto del sito Blackmagic Design per tutti i dettagli sul Project Manager.

## Montaggio sulla pagina Cut

La pagina Cut è progettata per un workflow veloce e dinamico, con strumenti di taglio, editing e assemblaggio delle clip super efficienti.

Include due timeline attive per lavorare contemporaneamente all'edit complessivo e a una sezione specifica. Questo ti permette di trascinare le clip ovunque sulla timeline, e rifinire l'edit su una timeline dettagliata all'interno dello stesso spazio di lavoro. Per esempio è un workflow ideale per svolgere il montaggio su un laptop perché non c'è costantemente bisogno di zoomare avanti e indietro, abbattendo i tempi di lavoro.

### Il layout della pagina Cut

La pagina Cut contiene l'archivio multimediale (Media Pool), il visualizzatore (viewer) e la timeline. Queste tre sezioni principali offrono un controllo completo.



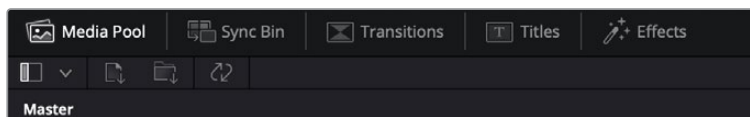
La pagina Cut con l'archivio multimediale Media Pool in modalità icona

Per maggiori informazioni sulla pagina Cut consulta il manuale di DaVinci Resolve.

## Le tab degli strumenti

In alto a sinistra dell'interfaccia utente trovi 5 tab.

Ognuna racchiude strumenti utili per creare un edit. Per esempio, la prima tab è l'archivio multimediale, che nell'immagine qui sotto vedi selezionata. Le altre tab sono il bin delle clip sincronizzate, le transizioni, i titoli e gli effetti.



- **Media Pool:** l'archivio multimediale contiene tutte le clip, le cartelle e i file importati nella pagina Media. Puoi anche importare i file e le clip direttamente dalla pagina Cut, evitando di tornare alla pagina Media.
- **Sync Bin:** Questa potente funzione sincronizza tutte le clip secondo timecode, data e ora, per accedere immediatamente a tutte le angolazioni multicamera del progetto.
- **Transitions:** qui trovi le transizioni audio e video, tra cui la dissolvenza incrociata e la tendina orizzontale.
- **Titles:** qui trovi tutti i titoli disponibili, tra cui scorrimento, testo standard e terzi inferiori. Ci sono anche vari template di Fusion per titoli animati dinamici, personalizzabili sulla pagina Fusion di DaVinci Resolve.
- **Effects:** qui trovi i filtri e gli effetti per rendere l'edit più interessante, per esempio sfocature, bagliori e riflessi. È possibile scegliere tra numerosi effetti e fare la ricerca per nome.

**SUGGERIMENTO** Utilizza la casella di ricerca a lato delle tab degli strumenti per trovare più facilmente quello che stai cercando. Per esempio, se hai selezionato la tab delle transizioni, digita 'dissolve' per vedere nel viewer solo le transizioni con dissolvenza.




## Le tab delle modalità di visualizzazione

In alto a sinistra della finestra del viewer trovi tre icone delle modalità di visualizzazione.



Icone delle modalità di visualizzazione

Scegli cosa visualizzare nel viewer, per esempio la clip sorgente, tutte le clip, o la timeline. Queste modalità semplificano nettamente la selezione delle clip durante il montaggio, quindi è importante capire come sfruttarle al meglio.



	<b>Modalità clip sorgente</b>	Mostra una sola clip dall'archivio multimediale, e puoi inserire i punti di attacco e stacco sulla timeline del viewer. Il livello di controllo è altamente dettagliato. Seleziona una clip sorgente cliccando due volte su una clip nell'archivio multimediale, o trascinandola sul viewer.
	<b>Modalità nastro unico</b>	Mostra tutte le clip nell'archivio multimediale. È utile per scorrere velocemente tutte le clip e individuare un evento specifico. Scorrendo con l'indicatore di riproduzione sulle clip, vedrai le thumbnail corrispondenti in evidenza nell'archivio multimediale. Una volta trovata la clip, basta cliccare sulla tab clip sorgente per vederla nel viewer automaticamente.  Questa modalità consente un montaggio non lineare ottimale, perché è facilissimo trovare le clip e testare nuove idee senza interrompere il flusso creativo.
	<b>Modalità timeline</b>	Mostra la timeline completa, ideale per riprodurre il progetto e rifinire l'edit.

## Importare le clip nell'archivio multimediale

Ora puoi cominciare a importare i file nel progetto. Apri la pagina Cut e usa una delle due modalità di importazione in alto nel Media Pool.



Importa i file nel progetto selezionando una di queste due icone

	<b>Importa file singoli</b>	Importa i singoli file dal supporto di memoria collegato.
	<b>Importa cartella</b>	Importa una cartella dal supporto di memoria collegato. DaVinci Resolve manterrà la struttura del file e considererà ogni cartella come bin distinto, per navigarli in modo ordinato.

### Per importare i file:

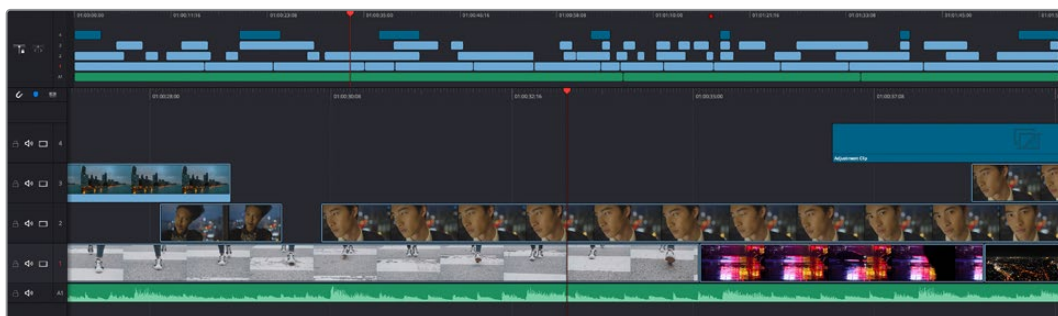
- 1 1 Clicca sull'icona di importazione desiderata (file o cartella).
- 2 Dal supporto di memoria, scegli i file che vuoi importare.
- 3 Seleziona il file o la cartella e apri con **Open**.

Una volta aggiunti i file al progetto, salva i cambiamenti. DaVinci Resolve offre un meccanismo di autosalvataggio veloce chiamato **Live Save**. Ovvero, una volta salvato il progetto, tutti i cambiamenti successivi verranno salvati in tempo reale per evitare di perdere il lavoro svolto.

Per maggiori informazioni su Live Save e sulle altre funzioni di autosalvataggio, consulta il manuale di DaVinci Resolve.

## Aggiungere le clip nella timeline

Questa operazione si svolge all'interno dell'archivio multimediale.



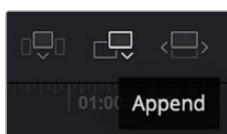
La timeline della pagina Cut con una timeline superiore e una timeline inferiore ingrandita

La timeline è lo spazio in cui costruisci l'edit, contenente le tracce in cui puoi inserire, spostare e tagliare le clip. Le tracce consentono di sovrapporre le clip per testare vari edit e inserire transizioni ed effetti. Per esempio puoi testare un edit su una traccia senza compromettere le altre nelle tracce sottostanti.

Ci sono vari modi per inserire le clip sulla timeline. Tra questi, l'inserimento intelligente Smart Insert, l'accodamento Append, e l'inserimento in alto Place on Top.

### Accodare le clip

Il metodo più comune per aggiungere le clip nella timeline consiste nell'inserirle una dopo l'altra. Per farlo basta usare lo strumento **Append**.



Clicca sull'icona Append per inserire le clip una dopo l'altra

### Per accodare le clip:

- 1 Fai doppio clic su una clip nell'archivio multimediale per aprirla nel viewer.
- 2 Utilizzando le maniglie di taglio Scratch Trim, trascina i punti di attacco e di stacco per selezionare la durata desiderata. Per farlo puoi anche premere i tasti **I** e **O** sulla tastiera.

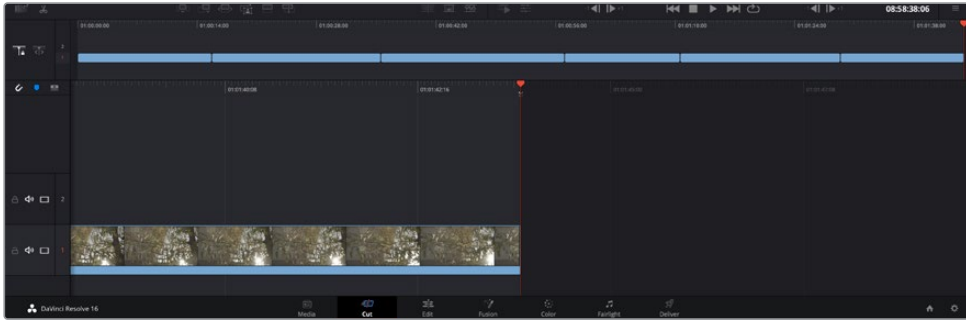


- Clicca sull'icona **Append** sotto Media Pool.



La prima clip verrà inserita all'inizio della timeline.

Ripeti i passi 1-3 per continuare ad accodare le clip, un metodo che non lascia spazi vuoti sulla timeline.



La funzione Append non lascia spazi vuoti sulla timeline

**SUGGERIMENTO** Per velocizzare l'operazione puoi assegnare un tasto di scelta rapida alla funzione Append, per esempio il tasto P. Quindi dopo aver selezionato i punti di attacco e stacco basta premere P per accodare la clip. Consulta il manuale di DaVinci Resolve per maggiori informazioni sulla configurazione dei tasti di scelta rapida.

## Montare le clip sulla timeline

Una volta inserite le clip sulla timeline, puoi spostarle e tagliarle.

Per eseguire un taglio, posiziona il mouse all'inizio o alla fine della clip, poi clicca e trascina la maniglia a destra o a sinistra. Così facendo allunghi o diminuisce la durata della clip. Dopodiché tutte le clip si sposteranno per fare spazio alla modifica, facendo risparmiare tempo prezioso.

Puoi anche trascinare una clip su una nuova traccia video nella timeline superiore senza bisogno di zoomare avanti o indietro, minimizzando così il tempo impiegato a navigare una timeline lunga.

Una volta montate le clip sulla pagina Cut, puoi procedere con l'inserimento dei titoli. La sezione successiva spiega come fare.

## Inserire i titoli

Inserire un titolo nella timeline è facile, e sono disponibili numerose opzioni.

Clicca sulla tab degli strumenti **Titles** in alto a sinistra dell'interfaccia utente. Nella finestra di selezione appaiono i generatori di titoli, per esempio i terzi inferiori, i titoli scorrevoli, e i titoli di testo standard. Includono anche titoli creati con Fusion, contenenti animazioni e personalizzabili.

L'esempio seguente spiega come inserire un titolo standard.

#### Per inserire un titolo standard:

- 1 Clicca sul nome del titolo e trascinalo sulla timeline. Non importa quale timeline, ma consigliamo quella in dettaglio per lavorare con maggiore precisione. Verrà creata automaticamente una nuova traccia video per il titolo, che si posiziona in corrispondenza dell'indicatore di riproduzione.
- 2 Alza il dito dal mouse e vedrai il titolo apparire sulla nuova traccia. Ora puoi spostare il titolo o cambiarne la durata come se fosse una clip.
- 3 Per modificarlo, clicca sulla clip del titolo. Un'icona degli strumenti apparirà sotto il viewer. Clicca sull'icona.  
Vedrai apparire varie opzioni per modificare il titolo, tra cui trasforma, ridimensiona e zoom dinamico. Per questo esempio, seleziona l'icona **Title**.
- 4 Clicca su **Open Inspector**.

Nella finestra dell'Inspector puoi inserire il testo e modificare le impostazioni, per esempio lo spaziamento e l'interlinea, il tipo di caratteri e il colore.

I titoli sono altamente personalizzabili. Consigliamo di sperimentare con i vari setting e scoprire come cambiano la forma e l'aspetto dei titoli.

## Lavorare con i file Blackmagic RAW

Le clip Blackmagic RAW offrono la massima flessibilità in post produzione. Questa caratteristica ti permette di modificare le clip, per esempio il bilanciamento del bianco e l'ISO, come se stessi cambiando le impostazioni originali della camera stessa. Inoltre i dati originali del sensore mantengono tutte le informazioni tonali all'interno delle zone di luce e di ombra, indispensabili per recuperare i dettagli, per esempio del cielo sovraesposto e delle zone più scure dell'immagine.

Filmare in Blackmagic RAW si ottiene la migliore qualità possibile, ed è ideale per le riprese soggette a drastiche variazioni di illuminazione che necessitano una manipolazione particolareggiata.

Essendo i file Blackmagic RAW veloci e di piccole dimensioni, non è necessario creare file proxy per riprodurre le immagini come una normale videoclip. Per maggiori dettagli sulle caratteristiche dei file Blackmagic RAW e come utilizzarli su DaVinci Resolve, consulta la sezione "Blackmagic RAW" seguente.

**SUGGERIMENTO** Consigliamo di regolare i valori delle clip Blackmagic RAW nelle impostazioni della pagina Color prima di cominciare la correzione colore delle clip.

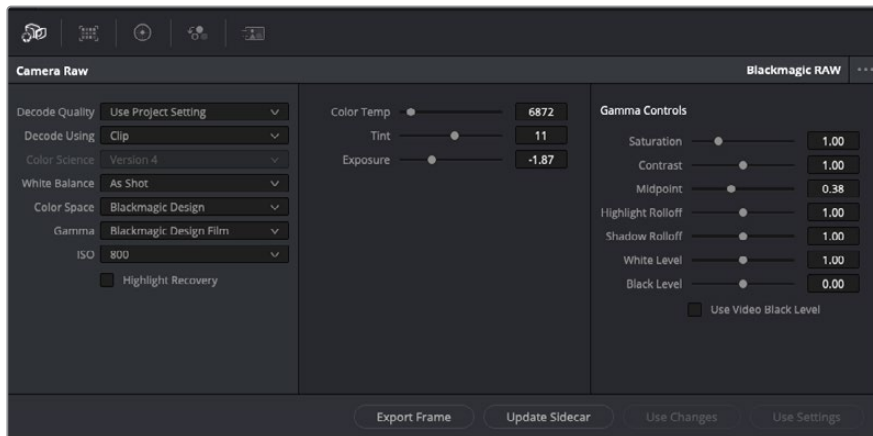
### Impostazioni della clip Blackmagic RAW

Quando importi file Blackmagic RAW, DaVinci Resolve decodifica i dati di cattura del sensore, inclusi ISO, bilanciamento del bianco, e tinta del materiale girato. Se le impostazioni sono soddisfacenti, puoi iniziare a fare editing.

Filmare in RAW offre il vantaggio di non essere limitati dalle impostazioni esistenti. La quantità e la qualità delle opzioni creative disponibili in post per i file Blackmagic RAW consentono infatti di sviluppare flussi di lavoro personalizzati. Accedi alle impostazioni delle singole clip dalla sezione **Camera RAW** del software per scoprire l'incredibile flessibilità e la potenza di questo formato.



Dal menù **Color science** puoi scegliere se interpretare le clip con la scienza del colore Gen 4 o Gen 5. URSA Mini Pro 12K è la prima camera ad utilizzare l'ultima scienza del colore Blackmagic Design Generation 5 Color Science. I file generati da altre camere con la scienza del colore Gen 4 possono essere interpretati con la scienza del colore Gen 5 per far corrispondere perfettamente le clip con quelle di URSA Mini Pro 12K. O puoi fare il contrario. Se riprendi quasi interamente con camere che generano file Blackmagic RAW con scienza del colore Gen 4, puoi integrare le clip in Gen 5 di URSA Mini Pro 12K interpretandole con la Gen 4. È davvero facile unire le clip provenienti da più camere che utilizzano diverse generazioni di scienza del colore Blackmagic.



Seleziona Clip dal menù a discesa della voce Decode Using per cambiare le impostazioni Blackmagic RAW della clip

Una volta abilitate le impostazioni delle clip Blackmagic RAW su DaVinci Resolve, puoi regolare i parametri delle clip con i controlli della sezione Gamma Control. Il risultato sarà molto simile a quello ottenuto con una correzione primaria del colore. Le regolazioni sono particolarmente efficaci se svolte con l'aiuto dei visualizzatori di segnale di DaVinci Resolve, utilissimi per neutralizzare e bilanciare le clip prima di creare un look.

Di seguito sono descritte le impostazioni per clip e gamma.

### ISO

Aumenta o diminuisci il valore di ISO. È utile per impostare la clip con un livello pre-ottimizzazione di base più luminoso o più scuro.

### Highlight Recovery

Spunta la casella per recuperare i dettagli di luce dei canali che hanno subito clipping usando le informazioni raccolte dai canali privi di clipping.

### Color Temp

Regola la temperatura del colore per rendere l'immagine più calda o più fredda. È utile per neutralizzare il bilanciamento del colore di ogni immagine.

### Tint

Aggiungi verde o magenta all'immagine per favorire il bilanciamento del colore.

### Exposure

Regola la luminosità complessiva dell'immagine.

### Saturation

Impostato di default su 1, la saturazione offre un intervallo che va da un minimo di -1 a un massimo di +4.

## Contrast

Impostato di default su 1.0, il contrasto offre un intervallo che va da un minimo di 0 a un massimo di 2.

## Midpoint

In gamma dinamica Film, il valore medio del grigio è 0.38, o 38.4%. Sposta lo slider verso sinistra per diminuire il valore, e verso destra per aumentarlo fino a un massimo di 100. Se hai impostato il contrasto su un valore diverso da quello di default, puoi modificare anche i valori delle zone di luce Highlight Rolloff e ombra Shadow Rolloff.

## Highlight Rolloff

Sposta lo slider verso sinistra per diminuire il valore delle luci fino a un minimo di 0, e verso destra per aumentarlo fino a un massimo di 2. Il valore di default è 1.

## Shadow Rolloff

Sposta lo slider verso sinistra per diminuire il valore delle ombre fino a un minimo di 0, e verso destra per aumentarlo fino a un massimo di 2.

## White Level

Regola il livello del bianco della curva gamma spostando lo slider dal valore massimo di 2 al valore minimo di 0. Il valore di default è 1.

## Black Level

Regola il livello di nero della curva gamma spostando lo slider dal valore minimo di -1 al valore massimo di 1. Il valore di default è 0.

## Use Video Black Level

Spunta la casella per impostare il livello di nero sulla modalità Video.

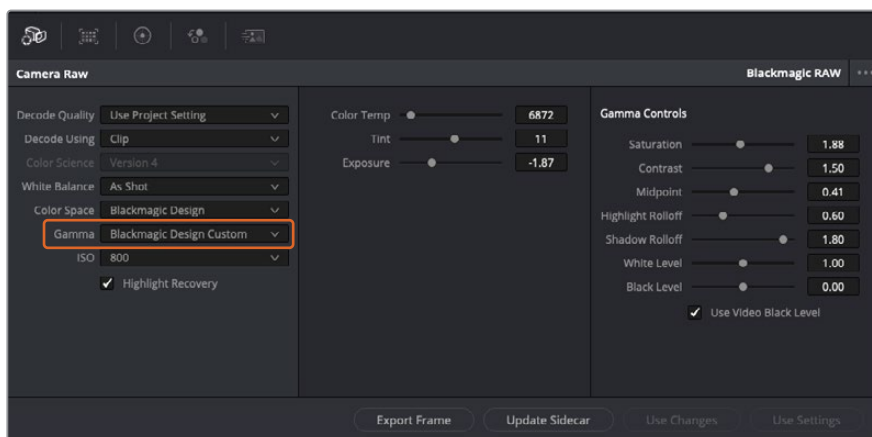
## Export Frame

Clicca il pulsante per esportare un singolo fotogramma dalla clip Blackmagic RAW.

## Update Sidecar

Clicca il pulsante per aggiornare il file sidecar Blackmagic RAW della clip corrente.

Cambiando anche solo una delle impostazioni Blackmagic RAW di una clip, la voce **Gamma** si auto-imposta sull'opzione **Blackmagic Design Custom**.



Per riportare la clip a una delle impostazioni gamma di default, scegli la relativa opzione alla voce Gamma

**SUGGERIMENTO** I controlli della voce Gamma Controls sono disabilitati se usi la gamma dinamica Video, ma i dati Blackmagic RAW non vengono persi. Per abilitarli e apportare cambiamenti, seleziona l'opzione Blackmagic Design Film o Blackmagic Design Extended Video dal menù a discesa alla voce Gamma.

#### Salvare i cambiamenti apportati al file Blackmagic RAW:

- 1 Regola i parametri della clip Blackmagic RAW con i controlli sotto la voce **Gamma Controls**.
- 2 Clicca su **Update Sidecar**.

Il file sidecar aggiornato viene generato nella stessa cartella del file .braw. Quando un altro utente importa i file Blackmagic RAW, DaVinci Resolve legge i file sidecar automaticamente. Clicca su **Update Sidecar** per aggiornarlo dopo ogni cambiamento.

**SUGGERIMENTO** Per rimuovere un file sidecar basta cancellarlo dal drive in cui si trova.

#### Impostazioni del progetto Blackmagic RAW

Se desideri cambiare alcune impostazioni e applicarle a tutte le clip, per esempio il bilanciamento del bianco o l'ISO, puoi indicare a Blackmagic RAW di usare le impostazioni del progetto.

#### Per selezionare Blackmagic RAW sulle impostazioni del progetto:

- 1 Clicca su **File > Project Settings**.
- 2 Clicca su **Camera RAW** e apri il menù a discesa della voce **RAW Profile**. Seleziona **Blackmagic RAW** dalla lista.
- 3 Dal menù a discesa **Decode Using** seleziona **Project**.
- 4 Imposta il bilanciamento del bianco **White Balance** su **Custom**.
- 5 Se hai scelto Blackmagic RAW, seleziona **Blackmagic Design Custom** dal menù a discesa della voce **Gamma**. Imposta lo spazio colore **Color Space** su **Blackmagic Design**. Questa operazione imposta automaticamente la voce **Gamma** su **Blackmagic Design Film**.
- 6 Scegli la risoluzione dal menù a discesa della voce **Decode Quality**. Una risoluzione minore consente una riproduzione migliore su alcuni sistemi. Se in un secondo momento decidi di scegliere la piena risoluzione, puoi farlo anche prima della consegna.

Ora puoi cambiare le impostazioni della camera per le clip, per esempio la saturazione, il contrasto, e i mezzioni. I cambiamenti verranno applicati a tutte le clip nel progetto se alla voce **Decode Using** hai selezionato **Project**.

#### Correggere le clip sulla pagina Color

Dopo aver inserito le clip e i titoli nella timeline, apri la pagina Color per cominciare la correzione colore. Questa pagina offre strumenti potentissimi per generare il look finale del film. Nel contesto di questo esempio, supponiamo di voler ottenere un look omogeneo per tutte le clip. Se desideri modificare l'edit, puoi ritornare alla pagina Cut in qualsiasi momento.

Sulla pagina Color definisci l'estetica delle immagini montate. La correzione colore è una vera e propria forma d'arte, perché combinando il colore in un certo modo è possibile suscitare emozioni particolari. È un processo creativo molto importante all'interno del workflow, e i risultati sono subito visibili. Il primo passo consiste nell'applicare una correzione colore primaria. Dopodiché è il turno della correzione colore secondaria, ovvero regolazioni mirate a un'area specifica dell'immagine. Questa fase può essere molto divertente, ma per la massima efficienza e risultati migliori va svolta dopo aver completato la correzione primaria.

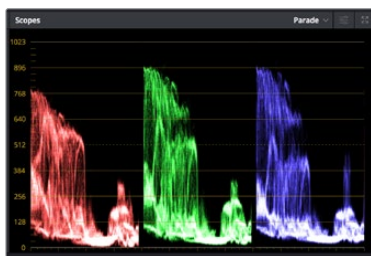
Apri la pagina Color.

Appariranno le impostazioni Camera RAW, i cerchi cromatici, le curve e altri strumenti per la correzione colore, oltre alla finestra di anteprima e dei nodi. Non scoraggiarti davanti all'incredibile quantità di opzioni disponibili, sono state progettate per permetterti di ottenere il miglior risultato possibile. Questa sezione illustra le operazioni di base. Consulta le sezioni di interesse del manuale per approfondire il funzionamento di ogni singolo strumento, passo dopo passo. Imparerai ad usare le stesse tecniche dei coloristi professionisti.

Solitamente si inizia con l'ottimizzare le ombre, i mezzitoni e le luci con i parametri Lift, Gamma, e Gain. Queste regolazioni contribuiscono a creare immagini nitide e luminose, offrendo un punto di partenza uniforme per le operazioni di correzione colore successive. Per ottimizzare i livelli, è importante affidarsi ai visualizzatori di segnale.

## Utilizzare i visualizzatori di segnale

I coloristi combinano il colore in modo creativo per trasmettere le emozioni che vogliono suscitare nel pubblico, e per farlo si affidano unicamente al monitor. Con un po' di pratica sarai in grado di comunicare idee e sensazioni facendo interagire in modo strategico gli elementi dell'immagine e la luce.



L'allineamento RGB consente di ottimizzare luci, mezzitoni e ombre

I visualizzatori integrati ti aiutano a bilanciare le immagini in fase di correzione colore. Aprine uno cliccando sul pulsante **Scope**, il secondo da destra sulla barra degli strumenti. Puoi scegliere tra **Waveform** (forma d'onda), **Parade** (allineamento RGB), **Vectorscope** (vettorscopio) o **Histogram** (istogramma). Grazie ai visualizzatori puoi tenere sotto controllo il bilanciamento tonale e i livelli del video per evitare di perdere dettagli nelle zone di luce e di ombra, e per eliminare tinte indesiderate.

I cerchi cromatici Lift, Gamma, e Gain contenuti nella palette Color Wheels generalmente si usano per apportare le prime correzioni. Sono simili ai controlli di correzione colore e contrasto di altre applicazioni.



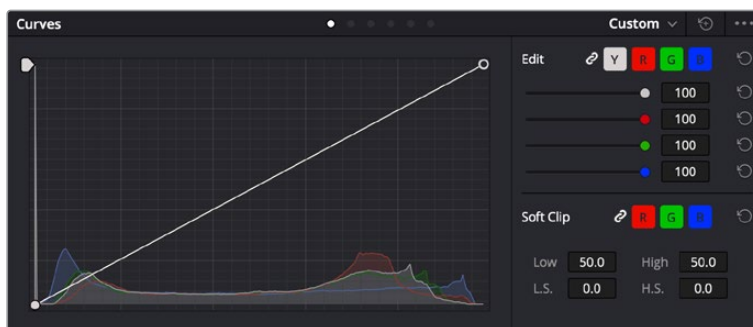
I cerchi cromatici di Lift, Gamma, Gain e Offset consentono di creare il colore ottimale per bilanciare le tonalità del colore delle clip. Per regolare in maniera uniforme i colori di ciascuna tonalità, muovi opportunamente le rotelle sotto i cerchi cromatici

Per un controllo più accurato di ogni colore utilizzando il mouse, puoi passare dai cerchi cromatici alle barre dei colori primari, e regolare ciascun canale di colore e la luminosità singolarmente. Seleziona **Primaries Bars** dal menù a discesa della palette **Color Wheels**.

- **Regolare i livelli del nero:** una volta selezionata la clip nella timeline della pagina Color, clicca sulla rotella **Lift** del primo cerchio cromatico, muovila avanti e indietro e osserva come cambia l'immagine. Aumenta o diminuisci la luminosità delle zone di ombra fino a ottenere il risultato desiderato. Se diminuisci troppo la luminosità, l'immagine comincia a perdere dettagli nelle zone d'ombra. Utilizza l'allineamento RGB per evitare questo problema. La posizione ottimale dei livelli del nero sulla forma d'onda è appena sopra la linea in basso nel visualizzatore.
- **Regolare i livelli del bianco:** muovi la rotella del cerchio **Gain** per aumentare o diminuire la luminosità delle zone dei bianchi. I livelli di gain risiedono nella parte superiore nel grafico dell'allineamento RGB. Per le riprese ricche di luce è preferibile che i livelli si trovino appena al di sotto della linea più in alto nella forma d'onda. Se i livelli vanno al di sopra di questa linea, l'immagine perde dettagli nelle zone di luce.
- **Regolare i mezzitoni:** muovi la rotella del cerchio **Gamma** per aumentare o diminuire la luminosità dell'immagine. La parte centrale della forma d'onda rappresenta i mezzitoni e cambia in tempo reale durante la regolazione. La posizione ottimale dei mezzitoni è tra il 50 e il 70% della forma d'onda. Ad ogni modo la posizione di questi livelli è soggettiva e dipende sia dal look che si vuole creare che dalle condizioni di illuminazione in fase di ripresa.

Per eseguire la correzione primaria del colore hai anche l'opzione di usare la palette delle curve **Curves**. Basta cliccare sui punti desiderati lungo la diagonale nel grafico della curva, e trascinarli verso l'alto o il basso per regolare il contrasto RGB dell'intera immagine in diverse aree tonali. I punti ottimali di regolazione della curva sono 3: il secondo a partire dall'alto, quello centrale, e il secondo a partire dal basso.

Tutte le funzioni e le tecniche di correzione primaria sono descritte nel manuale di DaVinci Resolve.



La finestra delle curve è un ulteriore strumento destinato alla correzione primaria e alla valorizzazione di aree specifiche quando si usa una Power Window

## Correzione secondaria del colore

Per apportare correzioni mirate a un'area specifica dell'immagine è necessario usare gli strumenti di correzione secondaria. Finora ci siamo concentrati sulla correzione primaria, ovvero la regolazione di luci, ombre e mezzitoni dell'immagine intera.

Invece per regolare una parte specifica dell'immagine, per esempio migliorare il verde del prato o il blu del cielo, bisogna ricorrere agli strumenti di correzione colore secondaria. Questi strumenti consentono di selezionare una sezione dell'immagine e modificare solo quella. Grazie alla struttura a nodi del software è possibile apportare numerose correzioni secondarie in varie parti dell'immagine, fino a raggiungere il look desiderato. Per far sì che le selezioni seguano il movimento nelle immagini, è possibile ricorrere alle comode funzioni delle Power Window e del tracking.

## Isolare un colore

Mettendo in risalto un colore specifico nell'immagine si attira l'attenzione del pubblico sull'elemento desiderato. Per farlo, c'è lo strumento Qualifier HSL (tonalità, saturazione, luminosità).



Usa la funzione Qualifier HSL per isolare un colore e mettere in risalto determinate aree dell'immagine per attirare l'attenzione del pubblico su elementi in particolare

### Per isolare un colore:

- 1 Aggiungi un nodo seriale.
- 2 Apri la palette **Qualifier** e seleziona l'icona del contagocce sotto la voce **Selection Range**.
- 3 Clicca sul colore dell'immagine che vuoi isolare.
- 4 Potrebbe essere necessario fare qualche cambiamento per regolare i bordi della selezione e delimitare strettamente la zona del colore interessato. Clicca sull'icona **Highlight** sopra al visualizzatore per vedere la selezione.
- 5 Modifica il parametro **Width** sotto la voce **Hue** per ridurre o allargare la selezione.

Usa i controlli a disposizione per affinare la selezione. Ora puoi apportare cambiamenti al colore selezionato usando i cerchi cromatici o le curve.

A volte la selezione effettuata potrebbe contaminare zone indesiderate dell'immagine. In questo caso puoi usare una finestra Power Window per creare una maschera sulle zone interessate. Basta definire una nuova finestra nell'area del colore desiderata. Inoltre la funzione di tracking rileva e traccia eventuali movimenti all'interno della Power Window.

## Aggiungere una finestra Power Window

Le finestre Power Window sono uno strumento molto efficace nella correzione colore secondaria perché permettono di isolare aree specifiche dell'immagine. Queste aree si possono tracciare perché seguano i movimenti della camera, per esempio una panoramica o una rotazione, o il movimento dell'area stessa.



Usa una Power Window per creare una maschera sulle aree che vuoi escludere dai ritocchi HSL.

Per esempio puoi creare una finestra sul viso di un'attrice e correggere il colore solo in quella zona, senza intaccare il resto dell'immagine. Con questo tipo di correzione influenzi il modo in cui il pubblico percepisce l'immagine, attirando l'attenzione sugli elementi che desideri.

### Per creare una Power Window:

- 1 Aggiungi un nodo seriale.
- 2 Apri la palette **Window** e clicca sulla forma desiderata. La forma scelta apparirà sul nodo.
- 3 Clicca e trascina i punti blu per ridimensionare la forma, e i punti rossi per ammorbidire i bordi. Posiziona la forma cliccando e trascinando il punto centrale e ruotala usando il secondo punto ad esso connesso.

Ora puoi correggere il colore dell'area selezionata.



Usa le finestre Power Window per fare la correzione secondaria di un'area specifica dell'immagine

## Fare il tracking di una finestra Power Window

La camera, un oggetto, o un'area nella ripresa potrebbero contenere del movimento. Per assicurarti che la finestra rimanga sull'oggetto o sull'area selezionati, puoi usare la potente funzione di tracciamento. Il tracker analizza le panoramiche, l'inclinazione, lo zoom, e la rotazione della camera o dell'oggetto nella clip, consentendo alle finestre di seguirne i movimenti. Senza questa funzione la correzione colore potrebbe contaminare aree indesiderate.



Il tracker fa sì che la Power Window segua automaticamente i movimenti all'interno dell'area selezionata

### Per tracciare la Power Window di un oggetto in movimento:

- 1 Crea un nuovo nodo seriale e aggiungi una Power Window.
- 2 All'inizio della clip, posiziona la finestra Power Window sull'area o sull'oggetto desiderati.
- 3 Apri la palette **Tracker**. Spunta le caselle **Pan**, **Tilt**, **Zoom**, **Rotate**, o **3D** a seconda del tipo di movimento nella clip.
- 4 Clicca sulla freccia Avanti, a sinistra delle caselle. DaVinci Resolve inserirà una serie di punti di riferimento nella clip, elaborando il resto dei fotogrammi per analizzarne il movimento. Completata l'analisi del movimento, la Power Window ne seguirà il percorso nella clip.

Questa funzione di tracking automatico è affidabile ma è possibile che si interrompa o non funzioni perfettamente nelle scene complesse in cui altri oggetti passano davanti all'area selezionata. In questo caso è necessario intervenire manualmente con l'editor dei fotogrammi chiave. Consulta il manuale di DaVinci Resolve per approfondirne il funzionamento.

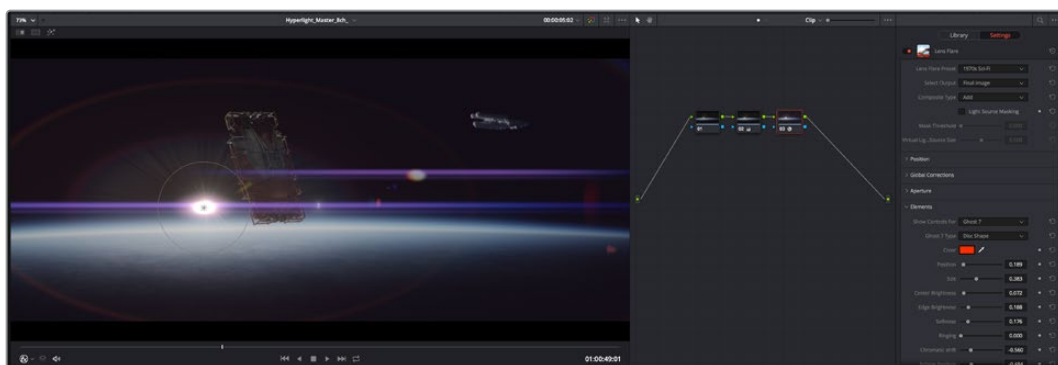
## Usare i plug-in

Durante la correzione colore secondaria puoi utilizzare anche i plug-in ResolveFX o OpenFX per creare effetti e look interessanti nella pagina Color, o inserire transizioni ed effetti creativi nella pagina Edit. I plug-in ResolveFX sono in dotazione al software, mentre gli OpenFX sono acquistabili e scaricabili da fornitori di terzi.

Dopo aver installato un set di plug-in OpenFX, puoi accedervi dalla pagina Color cliccando sull'omonimo pulsante a destra del Node Editor. Dopo aver creato un nuovo nodo seriale, clicca sul pulsante **OpenFX** per vedere la lista dei plug-in, poi clicca e trascina quello desiderato sul nodo. Se il plug-in offre una serie di impostazioni modificabili, usa la tab **Settings** sottostante per regolarle.

Sulla pagina Edit è anche possibile arricchire i plug-in con filtri, generatori e transizioni. Clicca su menù **OpenFX** nella libreria **Effects Library** e trascina il plug-in desiderato sulla clip o sulla traccia sopra la clip nella timeline a seconda dello scopo.





I plug-in OpenFX sono un modo facile e veloce per dare vita a look creativi

## Mixare l'audio

### Mixare l'audio sulla pagina Edit

Una volta fatto l'editing e corretto il colore del progetto, puoi iniziare a mixare l'audio. DaVinci Resolve offre funzioni di editing, mix, e mastering audio comodamente sulla pagina Edit. Invece per i progetti che richiedono funzioni di mixaggio più avanzate, la pagina Fairlight contiene un ambiente interamente dedicato alla post produzione audio. Se sai già come utilizzare queste funzioni sulla pagina Edit, puoi passare alla sezione della pagina Fairlight.

### Inserire le tracce audio

Sulla pagina Edit puoi inserire più tracce audio per creare un semplice mix di musica ed effetti sonori. Questa operazione è utile per separare gli elementi audio in tracce distinte, per esempio voce, effetti sonori, e musica.

### Come inserire una traccia audio sulla pagina Edit

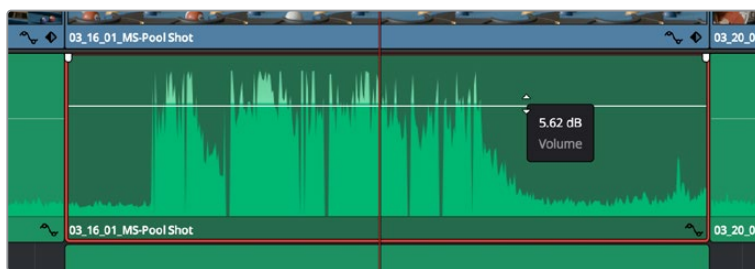
Fai clic destro a fianco al nome della traccia audio nella timeline, seleziona **Add track** e scegli un'opzione, tra cui **Mono**, **Stereo**, e **5.1**. Hai aggiunto una traccia in fondo alla lista. Altrimenti seleziona **Add tracks** e poi la posizione in cui desideri collocare la nuova traccia o gruppo di tracce.

La nuova traccia audio apparirà sulla timeline.

**SUGGERIMENTO** Se vuoi cambiare il tipo di traccia dopo averla creata, fai clic destro a fianco al nome della traccia, seleziona **Change track type to** e scegli un'altra opzione, per esempio Stereo, Mono, o 5.1.

### Regolare i livelli audio sulla timeline

Ogni clip audio nella timeline include un overlay che consente di regolare i livelli audio semplicemente trascinando il cursore verso l'alto o il basso. Questo overlay corrisponde al parametro **Volume** dell'Inspector.

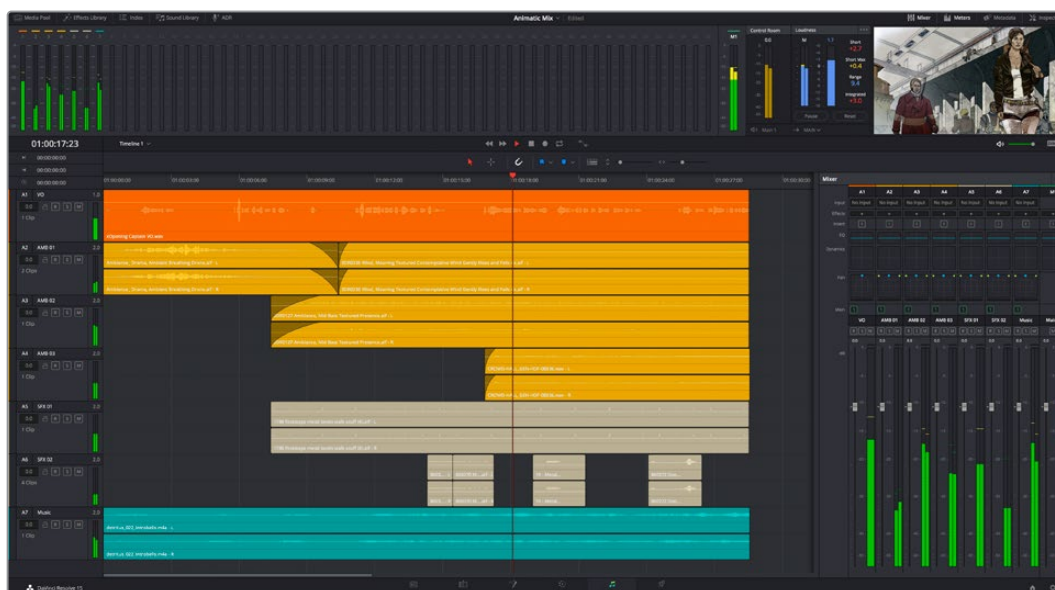


Regola il volume della clip spostando il cursore sull'overlay

Per i progetti che richiedono funzioni di mixaggio più avanzate, la pagina Fairlight dispone di un ambiente interamente dedicato alla post produzione audio.

## La pagina Fairlight

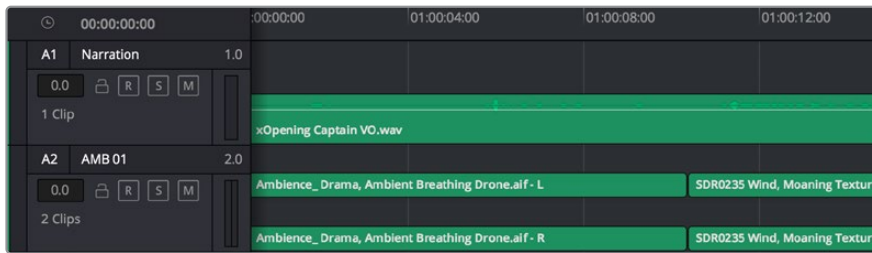
Apri la pagina Fairlight per regolare l'audio del progetto. In modalità Single Monitor, l'interfaccia offre una visualizzazione ottimale delle tracce audio del progetto, accompagnate da un mixer esteso e controlli di monitoraggio personalizzati per valutare e regolare i livelli, e creare un mix armonioso. Non scoraggiarti davanti all'incredibile quantità di opzioni disponibili, sono state progettate per aiutarti a ottenere la migliore qualità possibile.



Di seguito trovi una panoramica delle funzioni Fairlight. Per approfondire ogni funzione, passo dopo passo, consulta il manuale di DaVinci Resolve.

## La timeline audio

- **Intestazione della traccia:** sulla sinistra di ogni traccia si trova una colonna di intestazione, che ne indica il nome, il numero e il colore, nonché il canale audio, il valore del fader e i livelli. Inoltre include vari comandi per bloccare e sbloccare le tracce, Solo (privato), e Mute (silenzia). Questi controlli aiutano a gestire le tracce e mostrano l'anteprima di una traccia alla volta.
- **Tracce:** ogni traccia è suddivisa in corsie, che mostrano i singoli canali della clip per l'editing e il mixaggio. La pagina Edit nasconde le informazioni dei singoli canali audio, mostrando nella timeline solo una clip per semplificare l'editing delle fonti multi-canale invece di gestire un gran numero di tracce.



L'intestazione della traccia A1 mostra una corsia singola di audio mono;  
l'intestazione della traccia A2 mostra due corsie di audio stereo

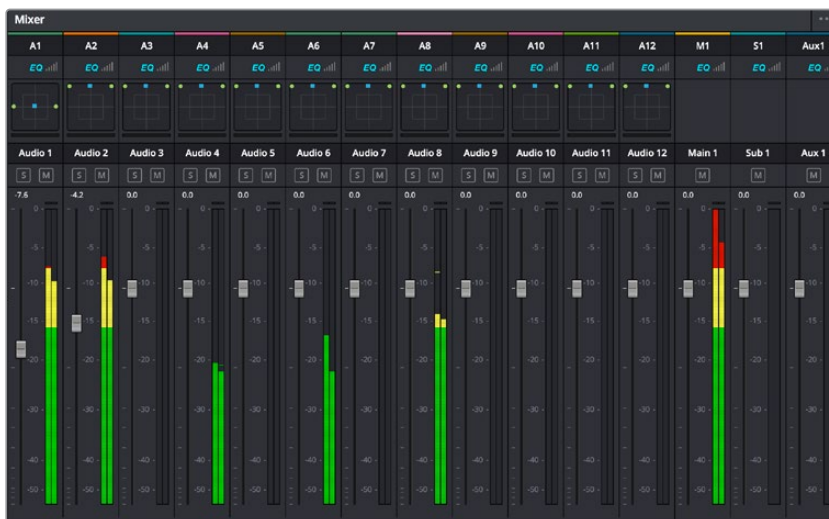
## Che cosa è un bus?

Un bus è essenzialmente un canale di destinazione sul quale si possono instradare più tracce audio dalla timeline per mixarle in un segnale unico, gestibile da una singola striscia di canale.

- **Bus principali:** sono le uscite principali del programma. Ogni nuovo progetto parte infatti da un singolo bus principale, sul quale vengono instradate di default tutte le tracce. Questo bus raggruppa le tracce della timeline in un unico segnale, consentendoti di mettere a punto il livello complessivo del mix dopo aver regolato quello di ciascuna traccia singolarmente.
- **Bus secondari:** sono i bus che raggruppano le tracce audio appartenenti alla stessa categoria, per esempio dialogo, musica, o effetti, consentendo di mixarle come un unico segnale. Per esempio se hai 5 tracce di dialogo, puoi instradare il segnale di ciascuna sul bus secondario, per poi regolare i livelli di tutti i dialoghi con un solo comando. Questo “sub-mix” si può renderizzare separatamente, o indirizzare al bus principale.

## Il mixer

Ogni traccia audio nella timeline corrisponde a una striscia di canale nel mixer. La striscia per il bus principale è etichettata **M1** di default. Per ogni bus principale o secondario creato appare una striscia di canale supplementare sulla destra, accompagnata da un set di controlli. Grazie a questi controlli grafici puoi assegnare i canali delle tracce ai canali di uscita, regolare EQ e dinamica, impostare i livelli e registrare automazioni. Inoltre consentono di posizionare l'audio stereo e surround nello spazio, silenziare, o selezionare tracce singole.



Il mixer audio, con le strisce di canale corrispondenti alle tracce nella timeline

## Utilizzare l'equalizzatore per perfezionare l'audio

Dopo aver regolato i livelli audio delle clip del progetto, è necessario rifinirlo. A volte i dialoghi, la musica e gli effetti competono per la stessa frequenza sullo spettro audio, risultando in un suono poco chiaro. In questo caso è necessario usare l'equalizzatore (EQ), che consente di specificare quali parti dello spettro audio occupa ogni traccia. L'EQ inoltre aiuta a rimuovere elementi indesiderati, isolando e riducendo il livello di frequenze particolari che contengono rumore come vento, fischi, e ronzii, al fine di migliorare la qualità del suono.

DaVinci Resolve offre filtri EQ applicabili al livello della clip o della traccia. Ogni clip nella timeline dispone di un equalizzatore a 4 bande nel pannello dell'Inspector, e ogni traccia di un equalizzatore parametrico a 6 bande nel pannello del mixer. Grazie ai controlli grafici e numerici puoi incrementare o attenuare diverse gamme di frequenze, e con i vari tipi di filtri definire la forma della curva EQ.



L'equalizzatore a 4 bande si può usare per ogni clip nella timeline

Le bande esterne permettono di regolare i filtri per i bassi e per gli alti (detti shelving), e i filtri passa-basso e passa-alto. Questi ultimi rimuovono completamente dal segnale le frequenze sopra o sotto la soglia di una determinata frequenza. Per esempio il filtro passa-alto fa sì che le alte frequenze passino attraverso il filtro, lasciando fuori quelle basse. Qualsiasi frequenza al di fuori della frequenza soglia viene eliminata gradualmente, definendo una curva discendente.

I filtri shelving sono meno drastici, e molto utili per rivisitare complessivamente le frequenze più alte e basse senza escluderle completamente dal segnale. Amplificano o attenuano la frequenza soglia in modo uniforme, e tutte quelle situate sopra o sotto di essa, in base al tipo di filtro in uso.

I controlli di banda centrali consentono di regolare dettagliatamente l'equalizzazione con filtri shelving alti e bassi (hi-shelf e lo-shelf), elimina banda (notch), e a campana (bell).

- **Bell:** amplificano o tagliano le frequenze intorno a un determinato punto della curva a forma di campana.
- **Elimina banda:** bloccano il passaggio di una gamma molto ristretta di frequenze, per esempio il ronzio dell'alimentazione a 50 o 60Hz.
- **Lo-Shelf:** amplificano o tagliano le frequenze basse e tutte quelle al di sotto della soglia.
- **Hi-Shelf:** amplificano o tagliano le frequenze alte e tutte quelle al di sopra della soglia.

### Per equalizzare una sola clip:

- 1 Seleziona la clip nella timeline che vuoi equalizzare.
- 2 Clicca su **Inspector** e abilita l'interruttore **Equalizer**.

### Per equalizzare una traccia:

- 1 Fai doppio clic nella sezione **EQ** di una traccia nel mixer per aprire il pannello EQ.
- 2 Seleziona un tipo di filtro di banda dal menù a discesa.



La sezione EQ del mixer indica se la traccia è stata equalizzata



L'equalizzatore parametrico a 6 bande si può usare per ogni traccia

Dopo aver equalizzato una clip o una traccia, puoi equalizzare ciascuna banda. I controlli potrebbero variare in base al tipo di filtro di banda selezionato.

### Per regolare l'equalizzazione di un filtro di banda:

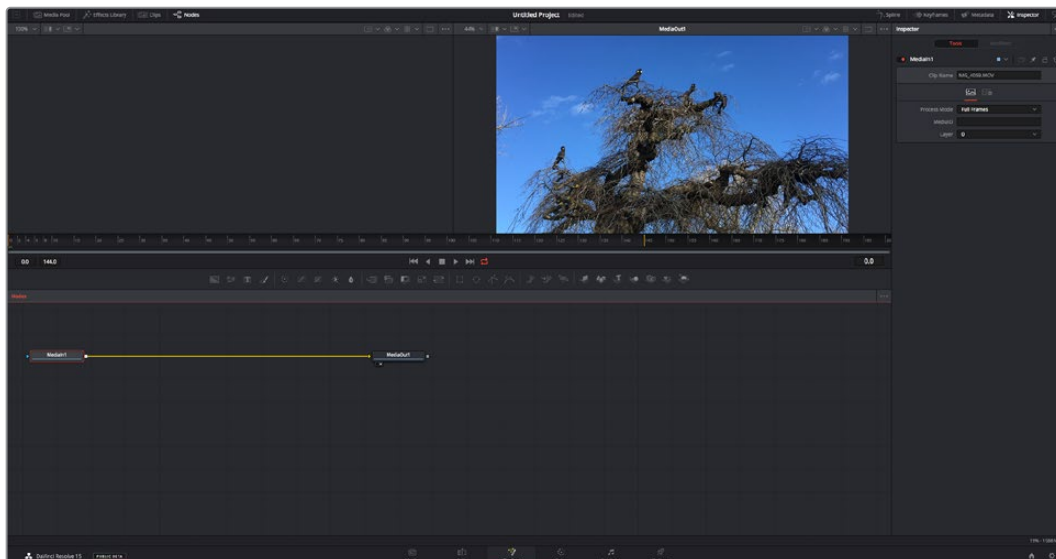
- 1 Seleziona un tipo di filtro di banda dal menù a discesa.
- 2 Regola il valore di **Frequency** per selezionare la frequenza centrale.
- 3 Regola il valore di **Gain** per amplificare o attenuare le frequenze governate da quella banda.
- 4 Regola il valore di **Q Factor** per definire l'ampiezza delle frequenze interessate.

Usa il pulsante **Reset** per portare tutti i controlli della finestra EQ ai valori di default.

Fairlight offre numerosi controlli per migliorare la qualità di ogni traccia audio. Sfruttali per aggiungere tracce, organizzare i bus, inserire effetti come ritardo e riverbero, e perfezionare ogni il mix.

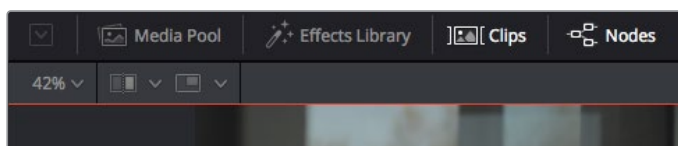
## VFX e compositing sulla pagina Fusion

Una volta completato il montaggio, puoi passare alla pagina Fusion per aggiungere effetti visivi 2D e 3D e grafica in movimento. A differenza dei software basati su livelli, Fusion si avvale dei nodi, che permettono di costruire effetti complessi aggiungendo informazioni in qualsiasi punto della struttura stessa. La finestra dei nodi mostra tutti gli strumenti usati passo dopo passo. Se hai dimestichezza con il funzionamento dei nodi nella pagina Color, troverai questo spazio di lavoro facile da usare.

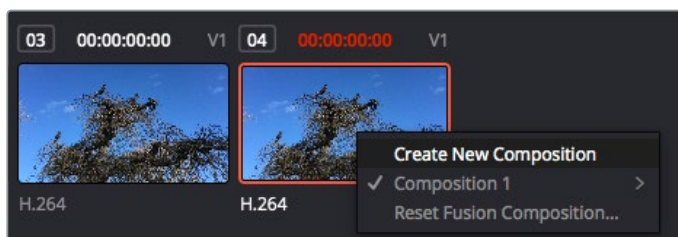


### La pagina Fusion

Questa pagina contiene due visualizzatori (o viewer) con controlli di trasporto nella parte superiore, una finestra (Inspector) in alto a destra per accedere alle impostazioni degli strumenti, e una finestra (Nodes) nella parte inferiore per costruire la composizione. I visualizzatori e i controlli di trasporto sono sempre visibili, invece le finestre Inspector e Nodes, così come Effects Library, Spline, e Keyframes, appaiono solo cliccando sul rispettivo pulsante.



- **Media Pool:** l'archivio multimediale. Funziona come quello della pagina Edit. Da qui puoi trascinare i file dai bin direttamente nella composizione.
- **Effects Library:** la libreria degli effetti. Contiene gli strumenti di Fusion e i template organizzati in categorie, tra cui particelle, tracciamento, filtri, e generatori. Basta cliccare sullo strumento o trascinarlo nell'area dei nodi per aggiungerlo alla composizione. L'archivio multimediale e la libreria effetti si aprono sullo stesso lato dell'interfaccia per evitare di dover rimpicciolire i viewer.
- **Clips:** questo pulsante mostra o nasconde le thumbnail delle clip sulla timeline. Le thumbnail sono situate sotto l'editor dei nodi, per navigare le clip facilmente.



Fai clic destro su una thumbnail e seleziona Create New Composition per creare un'altra versione della composizione

- **Viewers:** i visualizzatori delle immagini. Sono sempre visibili e mostrano la composizione da diverse angolazioni, per esempio la prospettiva complessiva con il nodo Merge 3D, l'uscita di una camera, o il render finale. I viewer servono anche per osservare l'impatto delle regolazioni su un elemento specifico. I nodi si possono assegnare al viewer che preferisci. Clicca su un nodo e premi il tasto **1** per visualizzarlo nel viewer di sinistra, il tasto **2** per quello di destra. Sotto il nodo appariranno delle piccole icone bianche che indicano il viewer a cui è stato assegnato. Se usi una soluzione di monitoraggio esterna, un terzo pulsante ti permette di instradare le immagini sul monitor collegato.

**SUGGERIMENTO** Trascina direttamente il nodo nel viewer in cui vuoi vederlo.

I controlli di trasporto sotto i viewer eseguono i comandi salta avanti e indietro, play, avanti e indietro veloce, e stop. Il righello mostra l'intera durata della clip, e due marcatori gialli indicano i punti di attacco e stacco.

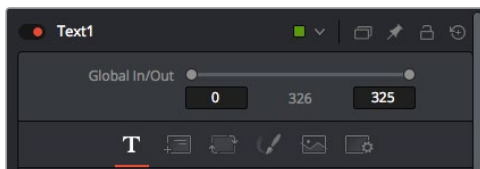


I marcatori gialli sul righello indicano i punti di attacco e stacco della clip sulla timeline. Per le clip Fusion o una di quelle composte, il righello mostra solo la durata della clip come nella timeline, ma senza marcatori

- **Nodes:** la finestra dedicata ai nodi. In questo spazio costruisci la struttura a nodi collegando gli strumenti dall'uscita di un nodo all'ingresso di un altro. Le dimensioni di questo spazio cambiano in base a quali altre finestre sono aperte o meno, per esempio Spline o Keyframes. La barra superiore dà accesso rapido agli strumenti più utilizzati.
- **Spline:** la finestra dedicata alle curve spline, a destra della finestra dei nodi. Qui apporti cambiamenti mirati a ciascun nodo, per esempio rendendo più armoniosa l'animazione tra due keyframe con le curve di Bezier.



- **Keyframes:** la finestra dedicata ai fotogrammi chiave, a destra della finestra dei nodi. Qui aggiungi, rimuovi o modifichi i keyframe per ogni strumento.
- **Metadata:** questa finestra mostra i metadati disponibili per la clip attiva, inclusi codec, frame rate e timecode.
- **Inspector:** questa finestra mostra i parametri e i controlli disponibili per uno o più nodi selezionati. I controlli ad accesso rapido variano in base alla categoria del nodo.

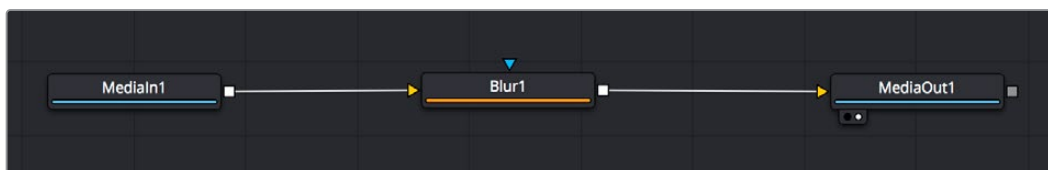


L'Inspector di testo contiene i controlli per sistemare layout, forme, ombre, e altre impostazioni

## L'ambiente di Fusion

Posiziona l'indicatore di riproduzione su una clip nella timeline e poi apri la pagina Fusion.

La clip andrà subito ad occupare un nodo di ingresso. Ogni composizione inizia con un nodo di ingresso **MediaIn** e un nodo di uscita **MediaOut**. Il primo rappresenta la prima clip della timeline, dove hai posizionato l'indicatore di riproduzione, escludendo le clip sottostanti. La clip contiene tutte le regolazioni apportate nella pagina Edit, incluse le operazioni dello strumento Transform e di taglio.



Il nodo MediaOut rimanda l'uscita alla timeline nella pagina Edit

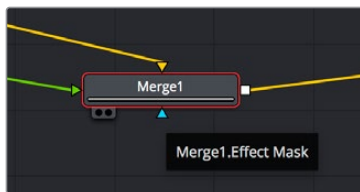
**SUGGERIMENTO** I plug-in ResolveFX o OpenFX applicati alle clip nella pagina Edit non appaiono nella pagina Fusion, perché il software elabora gli effetti Fusion prima della correzione colore e dei plug-in. Per applicare plug-in OpenFX prima degli effetti Fusion, fai clic destro sulla clip nella pagina Edit e seleziona New Fusion Clip prima di aprire la pagina Fusion.





## Come funzionano i nodi

I nodi sono icone che rappresentano un singolo strumento o effetto. Si possono connettere tra loro in modo creativo per ottenere la composizione finale. Gli ingressi e le uscite di ciascun nodo ricoprono un ruolo fondamentale, in quanto sono i punti di accesso ad ogni singolo elemento inserito durante il lavoro.

Alcuni strumenti hanno più ingressi e uscite, e si possono connettere ad altri nodi. Per esempio il nodo Merge consente di accorpate l'ingresso per il primo piano, l'ingresso per lo sfondo, e l'ingresso per la maschera o le chiavi.





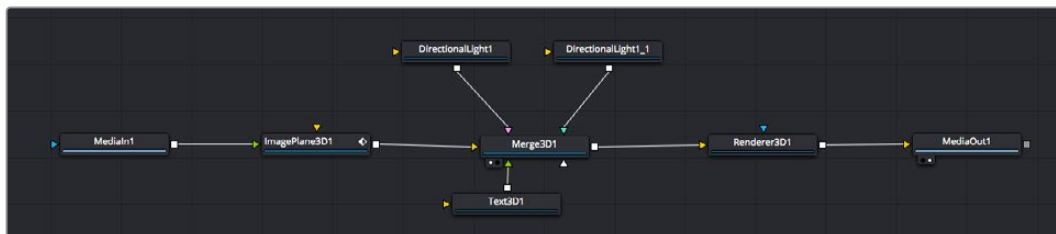
-  Ingresso del primo piano
-  Ingresso dello sfondo
-  Ingresso della maschera/effetti
-  Uscita

I nodi che hanno più uscite consentono di connettere tanti altri nodi diversi, senza dover duplicare le clip come nei software basati su livelli. Le freccette sui nodi indicano la direzione dei dati dell'immagine.

### Aggiungere nodi nella finestra Nodes

Per aggiungere effetti basta collocare i nodi sulla linea tra i nodi MediaIn e MediaOut.

Ci sono diversi modi per farlo. Puoi tenere premuto **Shift** e rilasciare un nodo tra i due, oppure cliccare sul nodo a cui vuoi connettere un effetto e selezionare lo strumento di tua scelta. Il nuovo nodo si connetterà automaticamente allo strumento selezionato. Puoi aggiungere nodi in qualsiasi punto della struttura e connetterli manualmente trascinando l'uscita di uno sull'ingresso di un altro.



Gli strumenti più comunemente utilizzati sono i nodi Merge 2D e Merge 3D, una specie di stazione centrale in cui tutti gli strumenti convergono in una singola uscita

Il nodo Merge offre controlli per gestire gli ingressi, inclusi parametri come dimensione, posizione, e modalità Blend. Una volta selezionato, questi controlli sono accessibili dalla finestra Inspector.

La barra degli strumenti sopra la finestra dei nodi contiene le icone degli strumenti più utilizzati, che basta cliccare o trascinare nella finestra per aggiungere un nodo. Per vedere tutti gli strumenti disponibili, apri **Effects Library** in alto a sinistra e clicca sul menù **Tools**. Gli strumenti elencati sono classificati per categoria, così come i template disponibili nel menù **Templates**, per esempio Lens flares (bagliori), Shaders (sfumature), e Backgrounds (sfondi).

**SUGGERIMENTO** Se conosci già i nomi degli strumenti, tieni premuto il tasto Shift e premi la barra spaziatrice sulla tastiera per accedere al menù di selezione strumento. Mentre digiti il nome dello strumento, il menù suggerisce quelli possibili per velocizzare la ricerca.

## Modificare i nodi nella finestra Inspector

La finestra Inspector è lo spazio che permette di modificare i nodi. Clicca sul nodo che vuoi modificare e vedrai apparire i parametri e i relativi controlli.

Con Fusion è possibile modificare un nodo e allo stesso tempo vederne un altro nel viewer. Per esempio puoi modificare la dimensione e il centro di un nodo Text, ma vedere un nodo Merge nel viewer. In questo modo puoi lavorare al testo in relazione allo sfondo.



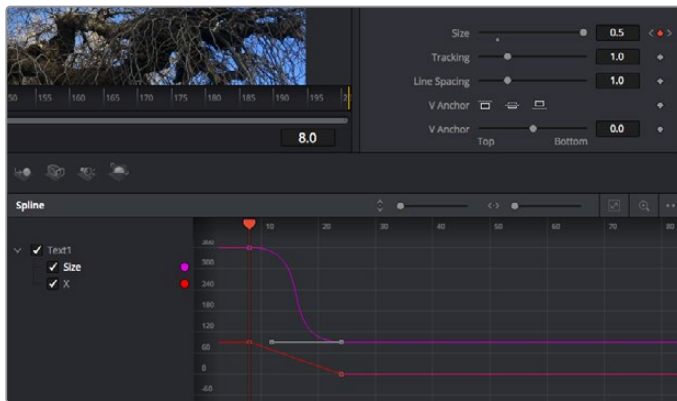
I nodi selezionati hanno un bordo rosso. Questo esempio mostra il nodo Text e i controlli pertinenti nell'Inspector

I parametri e i controlli disponibili variano in base alla funzione del nodo, ad esempio permettendoti di ricentrare e ridimensionare un elemento o di cambiare il numero di particelle emesse. L'animazione dell'effetto verrà definita dai fotogrammi chiave (keyframe) e dalle impostazioni che scegli di volta in volta.

## Utilizzare i keyframe

Nella finestra Inspector, imposta un keyframe facendo clic destro su un'impostazione e scegliendo **Animate** dal menù contestuale. L'icona del keyframe a destra dell'impostazione diventerà rossa per indicare che i keyframe sono attivi e che qualsiasi cambiamento apportato verrà applicato solo al fotogramma corrente. Se crei due o più keyframe cambiando i parametri di un fotogramma diverso, tra questi viene interpolata una transizione. Le frecce su ciascun lato dell'icona del keyframe permettono di muovere l'indicatore di riproduzione sulle posizioni esatte nella timeline.

La finestra Spline offre ulteriori controlli per gestire le animazioni con i keyframe. Seleziona i keyframe, per esempio il primo e l'ultimo, e modera l'animazione con una curva di Bezier premendo **Shift + S**, o facendo clic destro su un keyframe e selezionando **Smooth**.



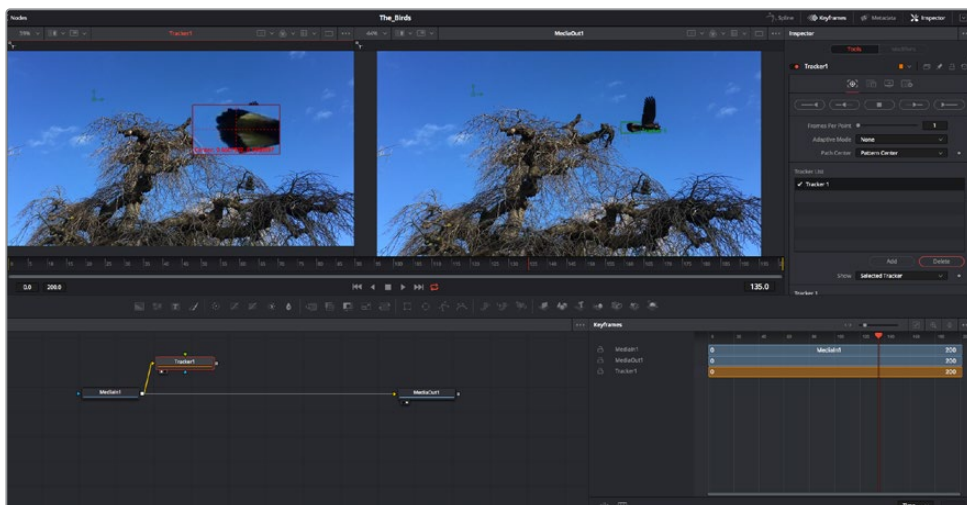
In questo esempio il parametro dimensione è stato moderato con una curva di Bezier. Clicca sulle maniglie per accorciare o allungare la curva, o sui quadratini dei keyframe per riposizionarli

## Utilizzare lo strumento Tracker e aggiungere il testo

Gli esempi seguenti spiegano come usare lo strumento Tracker, utile per tracciare un elemento in una clip, e aggiungere del testo sfruttando i dati ricavati dal tracciamento.

Il Tracker traccia i pixel nel tempo sugli assi X e Y, e genera una serie di dati utili per aggiungere altri elementi. È un ottimo sistema per far corrispondere la posizione del testo al movimento di un oggetto, per esempio una macchina sulla strada o a un uccello in volo.

- 1 Nella finestra **Effects Library**, seleziona **Tools** e trascina lo strumento **Tracking** sulla linea tra i nodi MediaIn e MediaOut. Clicca sul nodo **Tracker** per vederne i controlli nella finestra Inspector.
- 2 Premi il tasto 1 per vedere il nodo Tracker nel viewer di sinistra. La clip apparirà nel viewer, con il tracker nella sua posizione di default. Sposta il mouse sul Tracker per vederne le maniglie. Clicca sulla maniglia nell'angolo in alto a sinistra e trascina il nodo Tracker in un'area di interesse sulla clip. Le aree ad alto contrasto funzionano bene, per esempio il logo del produttore della macchina sul portabagagli. L'area di interesse verrà ingrandita per facilitare le operazioni.
- 3 Nella finestra **Inspector**, clicca sul pulsante **Track forward** per avviare il tracciamento. A tracciamento completato apparirà un messaggio di notifica. Clicca su **OK**.

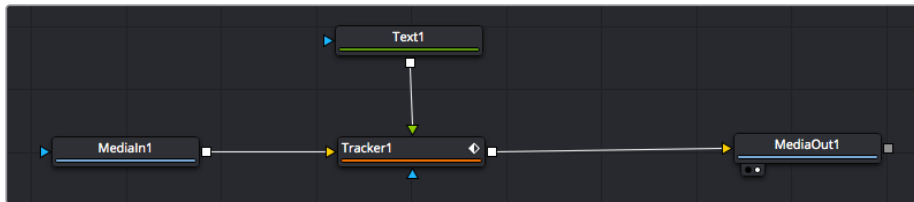


I controlli nell'Inspector permettono di invertire la direzione del tracciamento dall'ultimo fotogramma o da quello corrente, di interromperlo, o di proseguire in avanti dal fotogramma corrente o dal primo

**SUGGERIMENTO** Invertire il tracciamento o proseguire in avanti dal fotogramma corrente sono opzioni ideali quando l'area di interesse scompare durante il rendering, per es. una macchina o un uccello in movimento. Usale per tracciare solo le riprese pertinenti.

Ora puoi usare i dati di tracciamento e applicare il percorso di movimento a un nodo Text.

- 4 Clicca sull'icona del nodo **Text** nella barra dei nodi più utilizzati e trascinala vicino al nodo **Tracker**. Connetti l'uscita del nodo **Text** (il quadratino) all'ingresso del nodo **Tracker** (il triangolino).



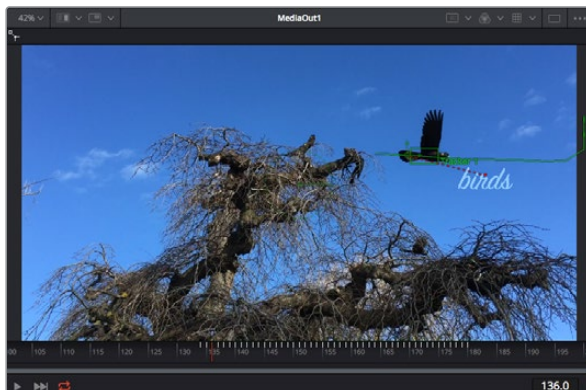
- 5 Clicca sul nodo **Tracker** e premi il tasto **1** per vedere l'immagine nel viewer di sinistra. Nella finestra **Inspector**, clicca sull'icona **Operations**. Il nome dell'icona appare posizionandoci sopra il mouse. Dal menù a discesa a fianco all'icona, seleziona **Match move**.
- 6 Clicca sul nodo **Text** per vederne i parametri nella finestra **Inspector**. Digita il testo nella casella di testo e cambia il font, il colore e le dimensioni come preferisci.

Così facendo i dati di posizione del tracciamento verranno applicati al testo. Per riposizionare il testo in relazione al tracker, nella finestra **Inspector** modifica i parametri **X Offset** e **Y Offset** con le rotelle.



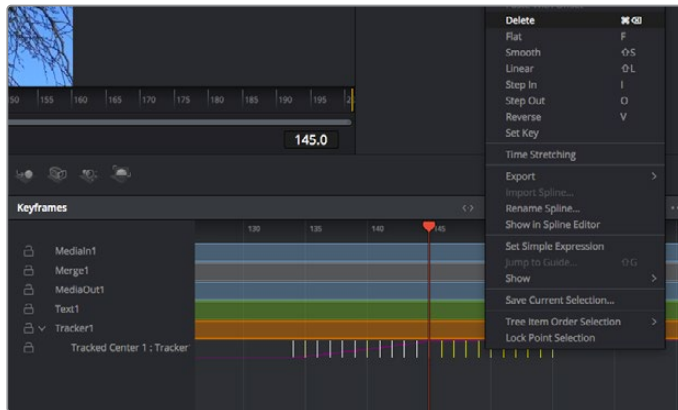
Le rotelle X Offset e Y Offset nell'Inspector regolano la posizione del testo in relazione al tracker

Riproduci la composizione e vedrai che il testo sarà collegato all'oggetto che hai tracciato.



Il quadratino verde rappresenta la posizione corrente del tracker, la linea verde il percorso; la linea rossa tratteggiata indica il riposizionamento del testo in relazione al tracker

Per alcune riprese potrebbe essere necessario rimuovere i punti di tracciamento dopo averli rilevati, per es. se l'oggetto tracciato scompare dallo schermo. Per farlo basta andare nella finestra Keyframes.



- 7 Apri la finestra **Keyframes**. Tutti i nodi con keyframe hanno una piccola freccia accanto alla propria etichetta. Nell'elenco sottostante compaiono solo i parametri con keyframe aggiunti. Clicca sull'icona della lente di ingrandimento e disegna un quadrato nell'area che vuoi modificare. L'area interessata verrà ingrandita per vedere meglio i keyframe.
- 8 Sposta l'indicatore di riproduzione sulla posizione di quello che vuoi sia l'ultimo keyframe. Seleziona i keyframe che vuoi rimuovere disegnandovi intorno un quadrato con il mouse. I keyframe selezionati diventano gialli. Fai clic destro e seleziona **Delete** dal menù.

**SUGGERIMENTO** Se gli effetti usati sono particolarmente complessi e richiedono un'elaborazione intensiva, fai clic destro nell'area dei controlli di trasporto per vedere e selezionare l'opzione di visualizzazione più adeguata al tuo sistema, tra cui riproduzione proxy. Per tutti i dettagli sulle opzioni di riproduzione, consulta il manuale di DaVinci Resolve.

Hai completato la tua prima composizione, in cui un testo animato segue il movimento all'interno del filmato.

Per tracciare un'area contenente una superficie piatta che vuoi valorizzare o sostituire puoi usare il **Planar Tracker**. Tracciare piani 2D può essere utile per sostituire etichette e segnali in un'immagine in movimento, o persino per aggiungere un'immagine su un monitor o una TV nella scena.

Per tutti i dettagli sul Planar Tracker e sul resto degli strumenti Fusion, consulta il manuale di DaVinci Resolve.

**SUGGERIMENTO** Lo strumento Merge cambia a seconda che l'effetto che stai costruendo sia 2D o 3D. Se combini effetti 2D e 3D nella stessa composizione, ricorda che qualsiasi effetto visivo fatto nello spazio 3D va renderizzato come immagine 2D prima di poterlo accoppiare a una composizione 2D.

Ora non ti resta che esplorare e sperimentare le innumerevoli funzioni di Fusion. Con un set di strumenti così avanzati a portata di mano, la creatività non ha più limiti.

## Fare il mastering della sequenza montata

Dopo aver svolto montaggio e correzione colore, aggiunto gli effetti visivi e mixato l'audio, puoi passare alla pagina di consegna Deliver. Usa il pulsante di esportazione veloce **Quick Export** per esportare la timeline come file unico, scegliendo tra numerosi formati, oppure sfrutta le altre impostazioni disponibili.



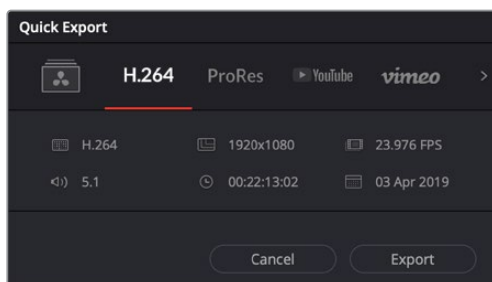
Esporta il progetto dalla pagina Deliver, scegliendo tra numerosi formati video e codec

## Esportazione veloce

Seleziona **File > Quick Export** per accedere alle numerose opzioni predefinite di esportazione. Selezionabile da qualsiasi pagina di DaVinci Resolve, questa opzione consente anche di pubblicare il programma sulle comuni piattaforme tra cui YouTube, Vimeo, e Frame.io.

### Come utilizzare Quick Export:

- 1 Nella pagina Edit, Fusion, o Color puoi decidere di esportare una sezione specifica della timeline selezionando i punti di attacco e di stacco, oppure esportare l'intera timeline.  
Clicca su **File > Quick Export**.
- 2 Seleziona un predefinito dalla lista di icone della finestra di dialogo e conferma con **Export**.
- 3 Scegli dove salvare il progetto, assegna un nome e conferma con **Save**. Una barra di avanzamento indicherà la durata dell'esportazione.



La finestra di dialogo di Quick Export

## La pagina Deliver

Questa pagina consente di selezionare le clip che vuoi esportare, oltre al tipo di formato, codec, e risoluzione desiderati. Scegli tra numerosi tipi di formato, inclusi QuickTime, AVI, MXF e DPX, e codec tra cui RGB/YUV non compressi a 8 bit o 10 bit, ProRes, DNxHD, e H.264.

### Come esportare una sola clip:

- 1 Apri la pagina Deliver.
- 2 Clicca sul menù **Render Settings** in alto a sinistra. Scegli un predefinito di esportazione, per esempio YouTube e Vimeo, e un predefinito per l'audio, oppure seleziona **Custom** per inserire parametri personalizzati manualmente. Per questo esempio, seleziona **YouTube** e il formato **1080p**.

Il frame rate rispecchierà le impostazioni esistenti del progetto.

- 3 Sotto i predefiniti di consegna trovi il nome della timeline e la destinazione del video esportato. Clicca su **Browse** e scegli dove salvare il file esportato. Poi seleziona **Single clip** per il rendering.
- 4 Appena sopra la timeline c'è l'opzione **Entire timeline**, che esporta l'intera timeline. Se preferisci selezionare solo alcune sezioni della timeline, scegli **In/out range** e usa i tasti di scelta rapida **I e O** per impostare i punti di attacco e di stacco nella timeline.
- 5 Clicca su **Add to render queue** in fondo alla lista di **Render settings**.

Le nuove operazioni da te definite andranno ad aggiungersi alla coda di rendering a destra nella pagina. Clicca su **Start Render** e segui il progresso delle operazioni in coda.

Una volta completato il rendering, apri la cartella in cui hai salvato il lavoro, fai doppio clic sulla clip e guarda la sequenza completa.

Esplora e sperimenta le innumerevoli funzioni offerte da DaVinci Resolve per perfezionare le tue competenze nell'ambito del montaggio, della correzione colore, del mixaggio audio e degli effetti visivi. Consulta il manuale di DaVinci Resolve per approfondire il funzionamento di ciascuna funzione.



## Controllare la camera a distanza

URSA Mini si può utilizzare anche come telecamera da studio, e gestire da uno switcher ATEM grazie al software ATEM Software Control. In questo modo potrai usare la camera come una qualsiasi telecamera da studio ma con il vantaggio di un'ampia gamma dinamica e un sensore cinematografico.



Interfaccia per controllo camera di ATEM Software Control

Clicca sulla tab **Telecamera** per accedere ai relativi controlli di gestione remota. Modificare i valori di iris, gain, messa a fuoco e zoom su obiettivi compatibili è facile. Inoltre puoi regolare il colore e creare look unici con la correzione colore primaria di DaVinci Resolve. Le funzioni di correzione primaria DaVinci Resolve e di sharpening dei dettagli di ATEM Camera Control non sono disponibili per URSA Mini Pro 12K.

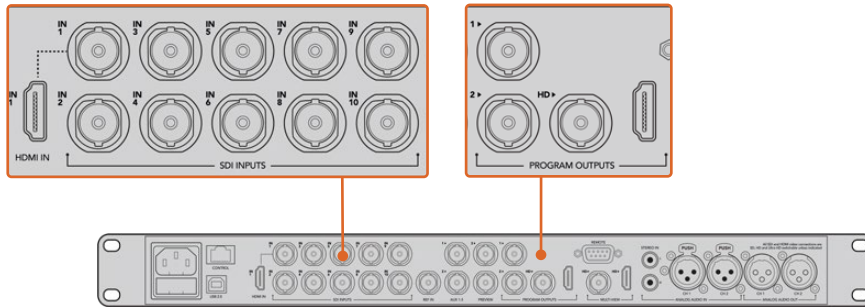
La funzione di controllo camera di ATEM utilizza le uscite SDI non convertite in minore risoluzione dello switcher ATEM per inviare pacchetti di controllo. Connettendo un'uscita SDI di ATEM all'ingresso 12G-SDI di URSA Mini, la camera rileva i pacchetti di controllo del link SDI, consentendone la gestione dal software.

### Collegare URSA Mini

- 1 Connetti l'uscita 12G-SDI di URSA Mini a uno qualsiasi degli ingressi SDI di ATEM.
- 2 Connetti una qualsiasi delle uscite SDI dello switcher ATEM all'ingresso 12G-SDI di URSA Mini, eccetto le uscite SDI convertite in minore risoluzione, o multiview, che non trasportano i segnali di controllo camera.
- 3 Su URSA Mini, seleziona **Setup > ATEM Camera ID** sul touchscreen, e inserisci il numero corrispondente all'ingresso dello switcher. Per esempio, se URSA Mini corrisponde a **Cam 1** sullo switcher ATEM, inserisci il numero **1**. Questo consente al segnale tally di raggiungere la camera corrispettiva.
- 4 Sempre sulla tab Setup consigliamo di impostare la fonte di riferimento **Reference source** su **Program**, a meno che un segnale genlock sia distribuito sia a tutte le camere che allo switcher.



- 5 Naviga il menù della tab Monitor e abilita **Clean feed** sull'ingresso principale **Main SDI** per non visualizzare informazioni di stato e guide sul feed inviato allo switcher.



Collega URSA Mini a uno qualsiasi degli ingressi SDI dello switcher ATEM

## Controllo camera

Lancia ATEM Software Control e clicca sulla tab **Telecamera** in basso alla finestra. L'interfaccia contiene una serie di controlli per regolare e affinare le immagini di ogni camera. I controlli sono facili da usare: basta cliccare sui pulsanti con il mouse, o clicca e trascina per regolare i parametri.

### Selezione della camera

In alto nella pagina Camera c'è una serie di piccole tab per selezionare la camera che vuoi controllare. Queste tab sono utili se sono connesse tante camere o se il correttore colore è aperto a schermo intero. Se stai utilizzando un'uscita Aux per monitorare le operazioni di controllo remoto, tutti i cambiamenti apportati alle immagini di ogni camera vengono inviate anche all'uscita Aux impostata nei setting dello switcher.



Clicca sull'icona dell'ingranaggio per selezionare l'uscita Aux di monitoraggio per le operazioni di controllo remoto

### Stato del canale

L'etichetta in alto nella finestra di controllo di ciascuna camera mostra il numero della camera, se la camera è in onda e se i controlli sono stati bloccati. Premi l'icona del lucchetto per bloccare tutti i controlli di una camera specifica. Se la camera è in onda, l'etichetta si illumina di rosso e mostra la dicitura **In onda**.



L'etichetta in alto nella finestra di controllo delle camere mostra se la camera è in onda. Utilizza i cerchi cromatici per regolare i parametri Lift, Gamma e Gain per ogni canale YRGB

## Cerchio cromatico

Il cerchio cromatico è un elemento essenziale del correttore primario DaVinci Resolve che serve per regolare i parametri lift (neri), gamma (mezzitoni) e gain (bianchi) per ogni canale YRGB. Clicca sul parametro che desideri regolare sopra il cerchio.

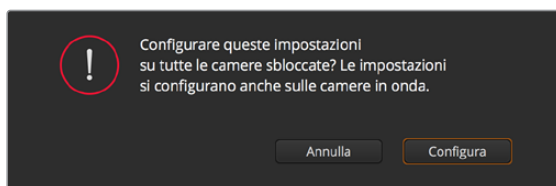
## Rotella di master

Situata sotto i cerchi cromatici, la rotella regola il contrasto di tutti i canali YRGB contemporaneamente, o la luminosità per Lift, Gamma, e Gain.

## Pulsante di settaggio

Situato in alto a destra di ogni finestra di controllo, consente di selezionare le impostazioni di correzione colore da resettare, copiare o applicare. Ogni cerchio cromatico ha il proprio pulsante di settaggio. Clicca sul pulsante per resettare il setting, o copiarlo e applicarlo su altre camere. Le finestre con i controlli bloccati non rispondono all'operazione Applica.

Il pulsante in alto a destra nel pannello di correzione colore esteso offre le impostazioni per resettare Lift, Gamma, e Gain, e le impostazioni di contrasto, tonalità, saturazione, e luminosità. Applica le impostazioni del colore a una o a tutte le finestre di controllo contemporaneamente per uniformare il look complessivo. Diaframma, messa a fuoco e bilanciamento dei neri non rispondono all'operazione Applica. Se vuoi applicare un'impostazione a tutte le camere un messaggio ti chiede di confermare l'operazione per evitare di alterare accidentalmente i parametri di quelle in onda non bloccate.



Quando applichi un'impostazione a tutte le camere, un messaggio ti chiede di confermare l'operazione per evitare di alterare accidentalmente i parametri delle camere in onda non bloccate

## Controllo del diaframma e dei neri

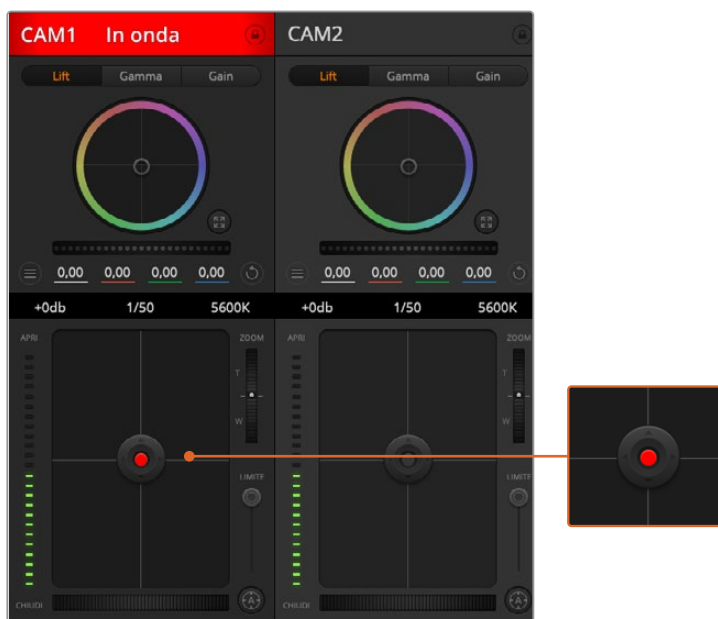
Il cursore si trova nel punto d'incrocio del riquadro di controllo di ogni finestra, e si illumina di rosso quando la camera è in onda.

Trascina l'indicatore in alto o in basso per aprire o chiudere il diaframma. Tieni premuto il tasto Shift (maiuscolo) per regolare solo il diaframma.

**NOTA** Se connetti la camera allo switcher ATEM, disabilita la funzione Auto Esposizione. Accertati che l'obiettivo consenta il controllo elettronico se desideri gestire il diaframma, lo zoom, o la messa a fuoco dalla camera.

Se un obiettivo B4 o PL è collegato a URSA Mini tramite il connettore broadcast a 12 pin, accertati che l'interruttore del diaframma sull'impugnatura sia impostato su **A** (automatico).

Per schiarire o scurire i livelli di nero, sposta il cursore a destra o a sinistra. Tieni premuto il tasto cmd su Mac, o ctrl su Windows, per regolare solo i neri.



Il cursore del diaframma e dei livelli di nero si illumina di rosso quando la camera è in onda

## Controllo dello zoom

Zooma avanti e indietro con obiettivi compatibili dotati di zoom elettronico. Funziona come la leva di zoom sull'impugnatura dell'obiettivo, con il teleobiettivo da una parte e il grandangolare dall'altra. Sposta la rotella **Zoom** (situata sopra lo slider **Limite**) in alto per zoomare avanti e in basso per zoomare indietro.

Perché funzioni, è necessario che l'obiettivo offra il controllo attivo delle ottiche o supporti il protocollo di controllo camera SDI. Il controllo dello zoom tramite il software ATEM non è compatibile con gli obiettivi EF, perché non sono dotati di zoom servoassistito.

**NOTA** Gli obiettivi analogici B4 non supportano il controllo dello zoom da ATEM. Per maggiori informazioni, consulta la sezione "Utilizzare obiettivi con zoom servoassistito".

## Impostazione Limite

Lo slider **Limite** si trova a sinistra della rotella Iris/bilanciamento dei neri. Serve per limitare l'apertura del diaframma, ed evita che immagini sovraesposte vadano in onda.

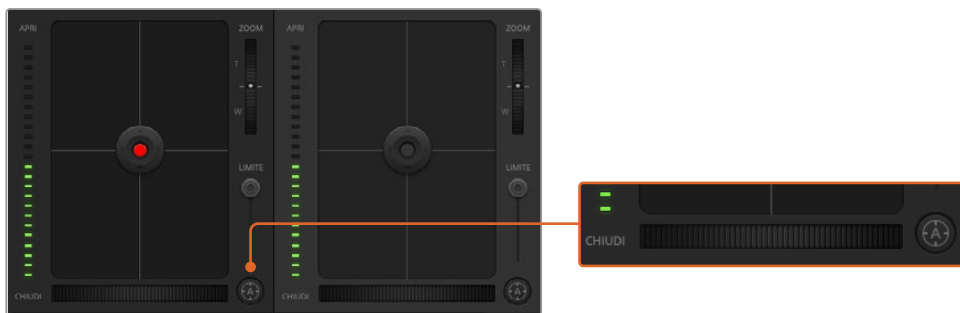
Per impostare il livello massimo di apertura, usa il cursore di controllo del diaframma per aprire l'iris completamente, poi sposta lo slider Limite per stabilire l'esposizione ottimale. Ora quando regoli il diaframma, l'esposizione non supererà mai il limite stabilito.

## Indicatore del diaframma

Situato a sinistra del cursore di controllo del diaframma e dei neri, mostra l'apertura dell'obiettivo con un input visivo. L'indicatore risponde alla posizione dello slider Limite.

## Messa a fuoco automatica

Il pulsante di messa a fuoco automatica si trova in basso a destra di ogni riquadro di controllo. Premi l'icona **A** per attivarla sugli obiettivi con controllo di messa a fuoco elettronico. È importante accertarsi che gli obiettivi compatibili siano impostati su Auto Focus, perché spesso includono anche l'opzione di messa a fuoco manuale. Su alcuni modelli basta spostare l'anello di zoom dell'obiettivo in avanti o indietro. Sugli obiettivi B4 con zoom servoassistito, imposta l'interruttore in basso all'impugnatura su **Servo / S**.



Clicca sull'icona A per una messa a fuoco automatica o sposta la rotella a destra o sinistra per un controllo manuale con ottiche compatibili

## Messa a fuoco manuale

La rotella in basso al riquadro di controllo di ogni finestra della camera consente di regolare la messa a fuoco manualmente dal software ATEM Camera Control. Per immagini nitide, regola la messa a fuoco del video in arrivo dalla camera girando la rotella a destra o a sinistra

Il controllo manuale dallo switcher è disponibile solo per le ottiche B4 e PL dotate di messa a fuoco servoassistita. Di conseguenza questa opzione non è disponibile con URSA Mini EF.

## Guadagno della camera

Il nome di alcuni parametri, per esempio guadagno **Gain** e velocità dell'otturatore **Shutter speed** cambiano a seconda del dispositivo. Per esempio gli switcher ATEM utilizzano Gain invece di ISO per descrivere la sensibilità della camera alla luce.

**SUGGERIMENTO** Il nome di alcuni parametri, per esempio guadagno *Gain* e *ISO* cambiano a seconda del dispositivo per il broadcast o per il cinema. Per esempio, è possibile monitorare l'esposizione delle camere da studio in tempo reale, così come la regolazione elettronica della sensibilità alla luce, dalla camera stessa. Le camere per il cinema invece sono di natura meccanica, e si basano su tecniche tradizionali di misurazione della luce e sensibilità ISO con base fotochimica.

In condizioni di luce variabile, regola il gain della camera per evitare di sottoesporre le immagini. Basta cliccare sulla freccia a sinistra per diminuirlo, e la freccia a destra per aumentarlo.

Lo switcher ATEM mostra i valori del guadagno in dB, che sulla camera corrispondono al valore di ISO come indicato nella tabella qui sotto:

Gain	ISO
0	200
6	400
12	800
18	1600

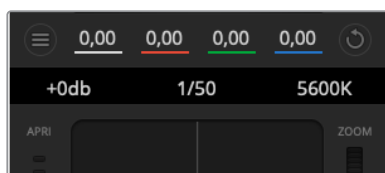
Su URSA Mini 4.6K il valore di gain massimo è 18dB, mentre su URSA Mini 4K è 12dB

## Velocità dell'otturatore

Questa impostazione determina l'angolo dell'otturatore di URSA Mini.

Così come per il gain, questo parametro porta nomi diversi secondo il tipo di camera (broadcast o cinema). In termini di funzionalità però, aumentare la velocità dell'otturatore significa diminuire l'angolo dell'otturatore.

Il controllo della velocità dell'otturatore si trova tra il cerchio cromatico e il riquadro di controllo del diaframma e dei neri. Aumenta o diminuisci la velocità dell'otturatore passando con il mouse sopra il suo indicatore apposito e cliccando sulle frecce ai lati.



Posiziona il mouse sopra gli indicatori di guadagno, velocità dell'otturatore e bilanciamento del bianco e usa le frecce ai lati per regolarne i valori

**NOTA** Il controllo ATEM della velocità dell'otturatore ha precedenza sul valore impostato su URSA Mini. Di conseguenza, i controlli dell'angolo dell'otturatore sono disabilitati sulla camera quando è connessa ad ATEM.

La tabella qui sotto elenca le velocità dell'otturatore disponibili e il corrispondente angolo. Ricorda che se i valori di velocità dell'otturatore sono superiori o inferiori ai valori minimi e massimi dell'angolo dell'otturatore di URSA Mini, ovvero 11,25 e 360 gradi, vengono approssimati all'angolo più vicino.

Quando URSA Mini 4.6K o URSA Mini Pro è connessa allo switcher ATEM, la velocità dell'otturatore appare sul touchscreen della camera. Su URSA Mini 4K la velocità dell'otturatore non si visualizza sullo schermo, ma appare su URSA Viewfinder, se collegato.

Se hai selezionato l'angolo dell'otturatore su URSA Mini 4.6K o URSA Mini Pro, segui i valori della tabella qui sotto.

Velocità dell'otturatore	Angolo dell'otturatore a 23.98 fps	Angolo dell'otturatore a 24 fps	Angolo dell'otturatore a 25 fps	Angolo dell'otturatore a 29.97 fps	Angolo dell'otturatore a 50 fps	Angolo dell'otturatore a 59.94 fps
1/50	172.7	172.8	180	215.8	360	360*
1/60	143.9	144	150	179.8	300	359.6
1/75	115.1	115.2	120	143.9	240	287.7
1/90	95.9	96	100	120	200	239.8
1/100	86.3	86.4	90	107.9	180	215.8
1/120	71.9	72	75	89.9	150	179.8
1/150	57.5	57.6	60	71.9	120	143.9
1/180	48	48	50	59.9	100	119.9
1/250	34.5	34.6	36	43.2	72	86.3
1/360	24	24	25	29.97	50	59.94
1/500	17.3	17.3	18	21.6	36	43.2
1/725	11.9	11.9	12.4	14.9	24.8	29.8
1/1450	11.25*	11.25*	11.25*	11.25*	12.4	14.9
1/2000	11.25*	11.25*	11.25*	11.25*	11.25*	11.25*

\*Velocità dell'otturatore al di fuori dei valori supportati da URSA Mini. Vengono approssimate all'angolo dell'otturatore min o max più vicino

**SUGGERIMENTO** Diminisci la velocità dell'otturatore per aumentare il tempo di posa del sensore e ottenere immagini più luminose senza utilizzare il gain. Questo metodo aiuta a ridurre o eliminare lo sfarfallio quando riprendi con luci fluorescenti. Aumentando la velocità dell'otturatore riduci l'effetto del mosso, ideale per mantenere immagini nitide e dettagliate anche quando c'è movimento.

## Bilanciamento del bianco

Situata accanto all'impostazione per velocità dell'otturatore, questa impostazione permette di regolare i bianchi cliccando sulle frecce a lato della temperatura del colore. Ogni fonte di luce emette un colore caldo o freddo, e con questa funzione puoi mantenere i bianchi puri.

## Correzione colore primaria con DaVinci Resolve

Se preferisci, è possibile cambiare l'interfaccia dallo stile CCU di controllo camera dello switcher all'interfaccia di correzione colore primaria dei sistemi di correzione di post produzione.

URSA Mini integra gli strumenti di correzione colore di DaVinci Resolve. Se hai già usato DaVinci Resolve, la correzione colore su URSA Mini è identica, e potrai sfruttare le stesse funzioni per la produzione dal vivo. Il riquadro della correzione colore della finestra di controllo si può ingrandire per ogni camera. Al suo interno trovi strumenti aggiuntivi per una correzione primaria completa.

Oltre ai cerchi cromatici potrai regolare la saturazione, le ombre, le luci, e i mezzitoni contemporaneamente. Passa in un istante da una camera all'altra cliccando sulle rispettive etichette sulla parte superiore della finestra di controllo.

**SUGGERIMENTO** La correzione colore DaVinci Resolve si applica sull'uscita SDI di URSA Mini e alle clip ProRes registrate dalla camera. Invece poiché il formato RAW è inteso per la post produzione, la correzione colore non viene applicata al video RAW. Tuttavia quando registri in RAW puoi applicare la correzione colore all'uscita SDI.



Clicca sull'icona di correzione primaria di DaVinci Resolve per ampliare la finestra di correzione e regolare il colore

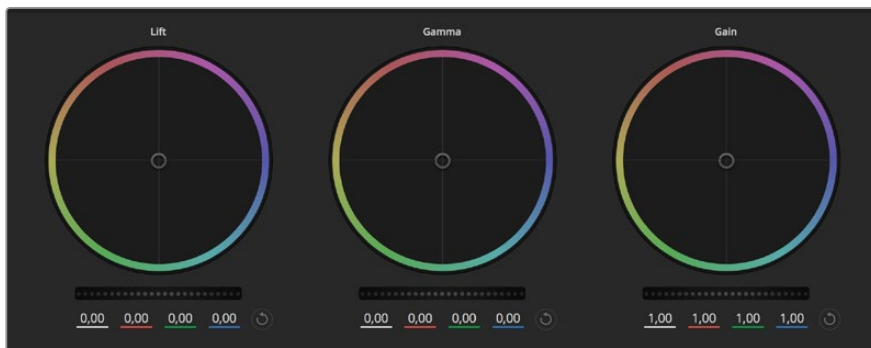
### Cerchi cromatici

I controlli Lift/Gamma/Gain regolano aree specifiche in funzione dei toni, ma anche aree condivise. Nel campo della fotografia, Lift corrisponde alle ombre, Gamma ai mezzitoni, e Gain alle luci.

Utilizza i cerchi cromatici secondo la correzione desiderata:

- **Clicca e sposta in qualsiasi punto all'interno del cerchio:**  
Non c'è bisogno di trascinare il cursore del colore. I parametri RGB di ogni canale sotto il cerchio si aggiornano di pari passo al movimento dell'indicatore.
- **Shift+clic e sposta il cursore all'interno del cerchio:**  
Il cursore del bilanciamento colore si sposta immediatamente sul punto selezionato, per cambiamenti veloci e drastici.

- **Doppio clic all'interno del cerchio:**  
Resetta i cambiamenti di colore senza resettare la rotella di master del parametro.
- **Clicca sull'icona di settaggio in alto a destra del cerchio:**  
Resetta il bilanciamento del colore e la rotella di master corrispondente.



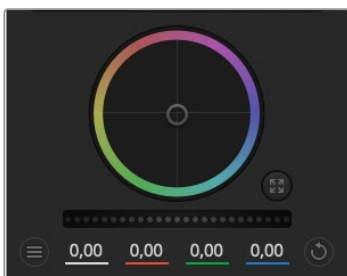
I cerchi cromatici Lift, Gamma, e Gain per la correzione colore nella finestra di controllo

## Rotelle di master

Situate sotto i cerchi cromatici, regolano i parametri di Lift/Gamma/Gain di ogni canale YRGB.

Per regolare i parametri con la rotella di master:

- **Clicca e trascina la rotella a destra o a sinistra:**  
Sposta verso sinistra per scurire il parametro selezionato, verso destra per schiarirlo. I valori YRGB sottostanti si aggiornano di pari passo al movimento della rotella. Per regolare solo il canale Y, tieni premuto **alt** o **cmd** e trascina verso destra o sinistra. Essendo la correzione basata sull'elaborazione YRGB, regolando solo il canale Y è possibile ottenere singolari effetti creativi. Questa regolazione funziona al meglio quando lo slider è impostato sulla destra per utilizzare l'elaborazione YRGB, e sulla sinistra per l'elaborazione RGB. Solitamente i coloristi DaVinci Resolve preferiscono la correzione YRGB, perché regolare il bilanciamento del colore senza intaccare il guadagno generale è più immediato e preciso.



Regola i valori di master spostando la rotella a destra o sinistra



## Contrast

Regola la distanza tra i valori più scuri e i valori più chiari dell'immagine. L'effetto è simile a quello ottenuto effettuando regolazioni opposte con le rotelle master di Lift e Gain. Di default questo slider è impostato su 50%.



Sposta gli slider a destra o a sinistra per regolare contrasto, saturazione, tinta e luminanza

## Saturation

Aumenta o diminuisci la quantità di colore nell'immagine. Di default questo slider è impostato su 50%.

## Hue

Consente di ruotare tra tutte le tonalità dell'immagine all'interno del perimetro del cerchio cromatico. Il livello di default di 180 gradi mostra la distribuzione delle tinte originali. Aumentando o diminuendo il valore, si spostano le tinte in avanti o in indietro lungo la distribuzione delle tinte sul cerchio cromatico.

## RGB / YRGB

La correzione colore integrata a URSA Mini si basa sugli strumenti DaVinci Resolve di correzione primaria. Dagli anni '80 DaVinci Resolve è leader nella tecnologia della correzione colore. Nessun altro software ha corretto così tanti film hollywoodiani.

La correzione colore DaVinci Resolve integrata a URSA Mini offre strumenti incredibilmente creativi e potenti. Uno di questi è l'elaborazione YRGB.

Quando esegui la correzione colore puoi scegliere tra l'elaborazione RGB e YRGB. I coloristi utilizzano l'elaborazione YRGB per regolare i canali separatamente e ottenere estetiche precise e creative.

Quando la luminanza è impostata sulla parte destra, le immagini sono al 100% il risultato della correzione YRGB, sulla sinistra, al 100% della correzione RGB. Sposta lo slider tra YRGB e RGB per mescolare aspetti delle due correzioni.

Qual è l'impostazione ideale? Questo sta a te! Non esistono correzioni giuste o sbagliate. È un processo puramente creativo e soggettivo.

## Sincronizzare le impostazioni

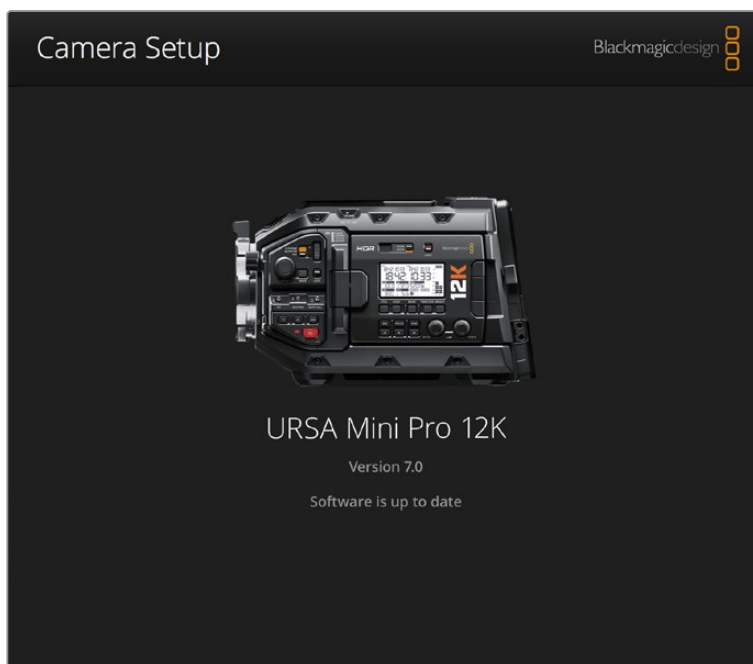
Quando sono collegati tra di loro, switcher ATEM e URSA Mini condividono i segnali di controllo camera. Se un parametro viene cambiato accidentalmente su URSA Mini, la funzione di controllo camera del software lo resetta per mantenere la sincronizzazione.

**SUGGERIMENTO** Anche se disconnetti l'ingresso 12G-SDI di URSA Mini, la camera conserva le impostazioni di correzione colore di DaVinci Resolve. In questo modo puoi cambiare l'angolo di inquadratura senza dover impostare di nuovo i parametri. Per tornare alle impostazioni del colore di default di URSA Mini, disconnetti l'ingresso 12G-SDI e riavvia la camera.

# Utilità Blackmagic Camera Setup

## Aggiornare il software della camera su Mac

Scarica l'utilità Blackmagic Camera Setup e decomprimi il file. Clicca sull'immagine disco, poi sull'icona dell'utilità, e segui le istruzioni. A fine installazione, vai alla cartella **Applicazioni** e apri **Blackmagic Cameras**. Qui troverai il manuale, l'utilità Blackmagic Camera Setup, i file readme e altre informazioni. La cartella include un file di disinstallazione per quando si aggiorna il software a nuove versioni.



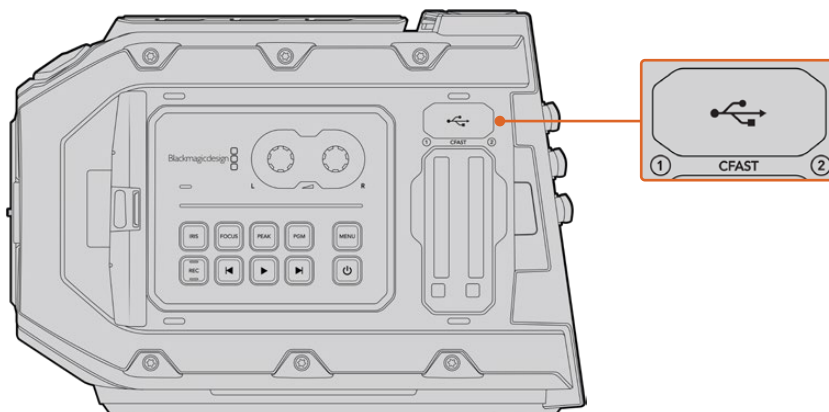
## Aggiornare il software della camera su Windows

Dopo aver scaricato l'utilità Blackmagic Camera Setup e decompresso il file, vedrai una cartella contenente il PDF di questo manuale e l'installer dell'utilità. Fai doppio clic sull'icona dell'applicazione e segui le istruzioni sullo schermo per completare l'installazione.

Su Windows 10, clicca su Start e seleziona Tutte le App. Dalla cartella Blackmagic Design, Dalla cartella lancia Blackmagic Camera Setup.

Su Windows 8.1, seleziona l'icona della freccia in basso della pagina Start, e scorri alla cartella Blackmagic Design. apri Blackmagic Camera Setup.

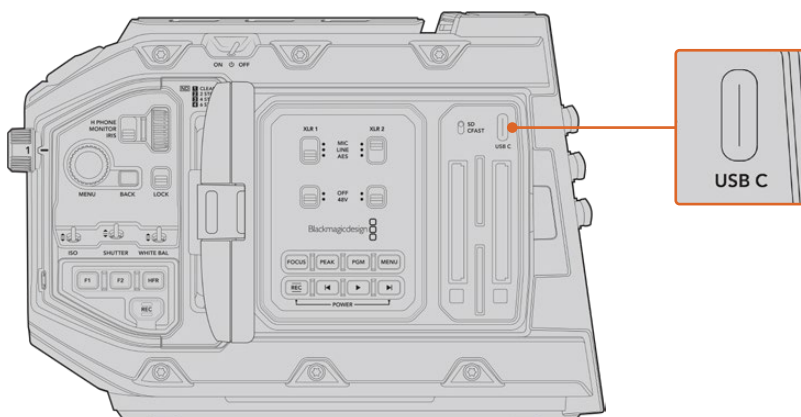
## Aggiornare il software della camera



Usa la porta USB-C 2.0 mini B, situata sopra gli slot delle schede di memoria e a fianco dell'interruttore di selezione scheda, per aggiornare il software di URSA Mini

Dopo aver installato l'utilità Blackmagic Camera Setup sul computer, connetti computer e URSA Mini tramite un cavo USB-C. La porta USB si trova sul lato sinistro della camera, sopra gli slot delle schede di memoria. Apri lo sportellino per accedere alla connessione USB.

Lancia l'utilità Blackmagic Camera Setup e segui le istruzioni sullo schermo per aggiornare il software. L'aggiornamento camera resetta tutte le impostazioni, eliminando i predefiniti e le LUT presenti. Per questo motivo prima di aggiornare il software è consigliabile esportarli su un supporto di memoria come copia di backup. Dopo l'aggiornamento, puoi ripristinare i predefiniti e le LUT in un attimo, importandoli dal supporto di memoria. Si consiglia di effettuare anche una calibrazione del black shading.



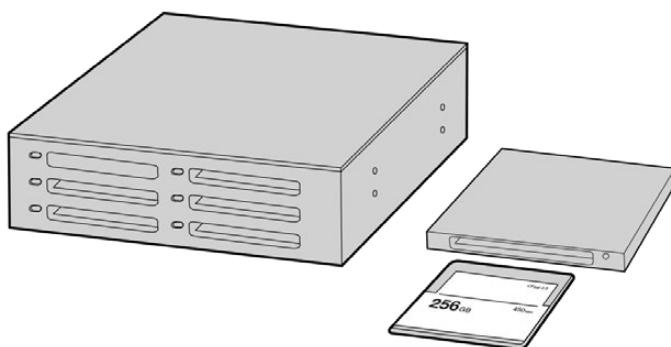
Usa la porta USB-C, situata sopra gli slot delle schede di memoria e a fianco dell'interruttore di selezione scheda, per aggiornare il software di URSA Mini Pro

## Lavorare con software di terzi

Per editare i file con il tuo programma di montaggio preferito, basta copiare le tue clip su un drive interno o esterno di memoria o su un'unità RAID, e poi importarle nel tuo software. Altrimenti importa le clip direttamente dalla scheda/drive con un dock o adattatore per CFast, SD, o SSD.

**NOTA** Blackmagic RAW è compatibile con DaVinci Resolve 15.3.1 e successivi, ed è stato adottato da numerosi programmi di montaggio e post produzione di terzi. I plug-in per montare file Blackmagic RAW su Avid Media Composer e Adobe Premiere Pro sono disponibili nel software di Blackmagic RAW, che puoi scaricare alla pagina [www.blackmagicdesign.com/it/support](http://www.blackmagicdesign.com/it/support).

### Utilizzare i file delle schede CFast 2.0 e SD



Edita direttamente sulla scheda CFast: estraila dalla camera e inseriscila in un lettore/riproduttore CFast 2.0 o in un drive CFast collegato al computer.

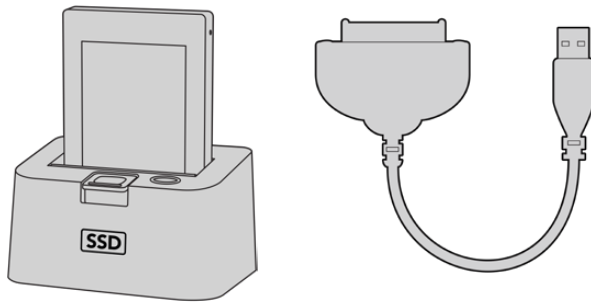
Importare le clip da una scheda CFast 2.0 o SD:

- 1** Rimuovi la scheda CFast o SD da URSA Mini o URSA Mini Pro.  
Inseriscila in un lettore/riproduttore di schede SD o CFast collegato a un computer Mac o Windows.
- 2** Seleziona la scheda sul computer per aprire le cartelle contenenti i file Blackmagic RAW o la lista di file QuickTime.
- 3** Ora trascina i file sul desktop o su un altro supporto di memoria, oppure accedi ai file direttamente dalla scheda dal software di montaggio.
- 4** Clicca su **Rimuovi scheda** su Mac o Windows prima di estrarre la scheda CFast o SD dal computer, per evitare di danneggiare i filmati.

## Utilizzare i file degli SSD

Importare le clip da un SSD:

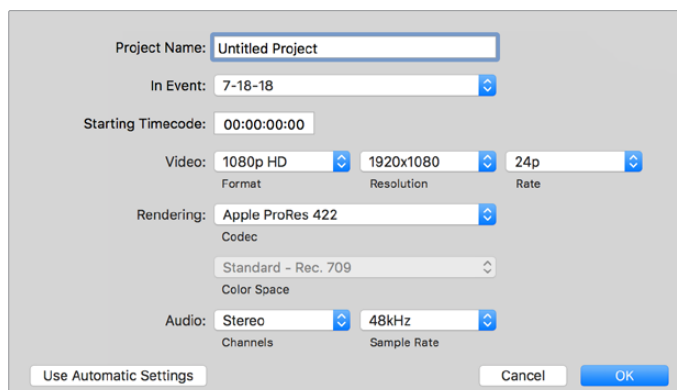
- 1 Estrai l'SSD dal registratore URSA Mini Recorder.
- 2 Utilizza una stazione di docking eSATA o Thunderbolt, per esempio Blackmagic MultiDock 10G, per montare l'SSD su un computer Mac o Windows. Altrimenti usa un cavo adattatore da eSATA a USB per collegare l'SSD direttamente alla porta USB del computer. USB 3.0 è ideale (USB 2.0 non è abbastanza potente per il montaggio video in tempo reale).
- 3 Fai doppio clic sull'icona dell'SSD per aprire le cartelle contenenti la lista di file QuickTime o Blackmagic RAW. A seconda del formato di registrazione scelto, i file potrebbero essere diversi ma avranno le stesse convenzioni di denominazione.
- 4 Ora basta trascinare i file contenuti nell'SSD sul desktop o su un altro hard drive, oppure accedere ai file direttamente dall'SSD con il tuo software di montaggio non lineare.
- 5 Prima di disconnettere l'SSD, effettua la rimozione sicura dal computer.



Fai editing direttamente dall'SSD: estrailo dalla camera e montalo sul computer tramite una stazione dock eSATA o Thunderbolt USB 3.0

## Final Cut Pro X

Per montare le clip su Final Cut Pro X, crea un nuovo progetto scegliendo un formato video e un frame rate adatti. Questo esempio usa le impostazioni ProRes 422 HQ 1080p24.



La finestra impostazioni del progetto su Final Cut Pro X

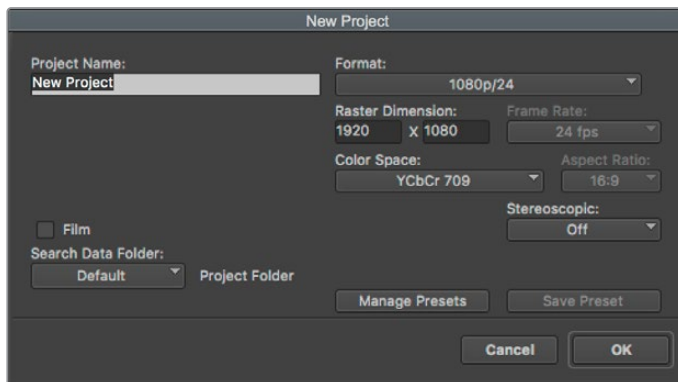
- 1 Apri Final Cut Pro X. Dalla barra del menù seleziona **File > New Project**. Si aprirà la finestra impostazioni del progetto.
- 2 Digita il nome del progetto e spunta la casella **Custom**.
- 3 In **Video Properties**, seleziona **1080p HD, 1920x1080** e **24p**.
- 4 In **Audio > Render Properties**, seleziona **Stereo, 48kHz**, e **Apple ProRes 422 HQ**.
- 5 Clicca su **OK**.

Importa le clip nel nuovo progetto selezionando **File > Import > Media** dalla barra del menù. Scegli le clip dalla scheda CFast.

Trascina le clip sulla timeline per il montaggio.

## Avid Media Composer 2018

Per montare le clip su Avid Media Composer 2018, crea un nuovo progetto scegliendo un formato video e un frame rate adatti. Questo esempio usa l'impostazione 1080p24.



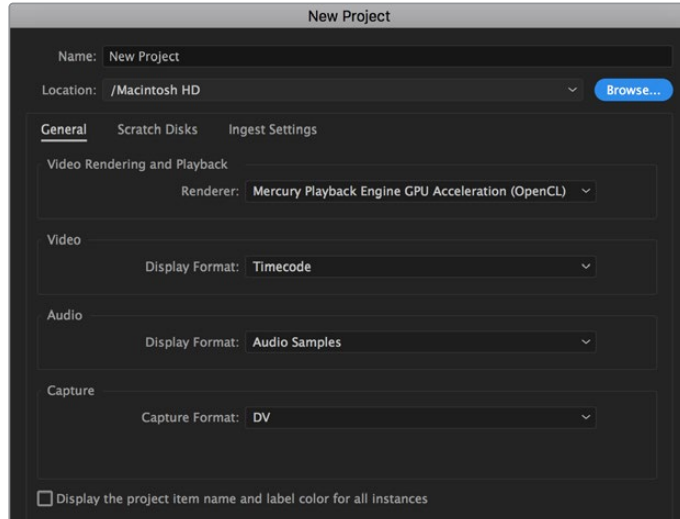
La finestra impostazioni del progetto su Avid Media Composer 2018

- 1 Apri Media Composer 2018. Apparirà la finestra **Select Project**.
- 2 Clicca su **New Project** e assegna un nome al progetto.
- 3 Dal menù a discesa **Format** seleziona **HD 1080, 1080p/24** e conferma con **OK**.
- 4 Fai doppio clic sul progetto nella finestra **Select Project** per aprirlo.
- 5 Seleziona **File > Input > Source Browser** e scegli i file da importare.
- 6 Dal menù a discesa seleziona la cartella di destinazione e clicca su **Import**.

Ora puoi trascinare le clip sulla timeline e cominciare il montaggio.

## Adobe Premiere Pro CC

Per montare le clip Apple ProRes 422 HQ su Adobe Premiere Pro CC, crea un nuovo progetto scegliendo un formato video e un frame rate adatti. Questo esempio usa le impostazioni ProRes 422 HQ, 1080p25.



La finestra impostazioni del progetto su Adobe Premiere Pro CC

- 1 Apri Adobe Premiere Pro CC. Nella finestra **Welcome** seleziona **New Project**. Apparirà una finestra con le impostazioni del progetto.
- 2 Digita il nome del progetto e scegli dove salvarlo cliccando su **Browse** e selezionando la cartella desiderata. Conferma con **OK**.
- 3 Per importare le clip, seleziona **File > Import** dalla barra del menù. Le clip appariranno nella finestra del progetto.
- 4 Trascina la prima clip sull'icona **New Item** in basso a destra della finestra del progetto. Verrà creata una nuova sequenza con le stesse impostazioni della clip.

Trascina il resto delle clip sulla timeline per montarle.

# Informazioni per gli sviluppatori (English)

## Blackmagic Bluetooth Camera Control

Blackmagic cameras with Bluetooth LE implement a variety of features and commands that allow users to control their cameras wirelessly. Developers have full access to these features for their custom applications.

The following services and characteristics describe the full range of communication options that are available to the developer.

### Service: Device Information Service

UUID: 180A

#### Characteristics

##### **Camera Manufacturer**

UUID: 2A29

Read the name of the manufacturer (always “Blackmagic Design”).

##### **Camera Model**

UUID: 2A24

Read the name of the camera model (“URSA Mini”).

### Service: Blackmagic Camera Service

UUID: 291D567A-6D75-11E6-8B77-86F30CA893D3

#### Characteristics

##### **Outgoing Camera Control (encrypted)**

UUID: 5DD3465F-1AEE-4299-8493-D2ECA2F8E1BB

##### **Send Camera Control messages**

These messages are identical to those described in the Blackmagic SDI Camera Control Protocol section below. Please read that section for a list of supported messages and required formatting information.

For an example of how packets are structured, please see the ‘example protocol packets’ section in this document.

##### **Incoming Camera Control (encrypted)**

UUID: B864E140-76A0-416A-BF30-5876504537D9

Request notifications for this characteristic to receive Camera Control messages from the camera.

These messages are identical to those described in the Blackmagic SDI Camera Control Protocol section below. Please read that section for a list of supported messages and required formatting information.



### Timecode (encrypted)

UUID: 6D8F2110-86F1-41BF-9AFB-451D87E976C8

Request notifications for this characteristic to receive timecode updates.

Timecode (HH:MM:SS:mm) is represented by a 32-bit BCD number:  
(eg. 09:12:53:10 = 0x09125310)

### Camera Status (encrypted)

UUID: 7FE8691D-95DC-4FC5-8ABD-CA74339B51B9

Request notifications for this characteristic to receive camera status updates.

The camera status is represented by flags contained in an 8-bit integer:

<b>None</b>	= 0x00
<b>Camera Power On</b>	= 0x01
<b>Connected</b>	= 0x02
<b>Paired</b>	= 0x04
<b>Versions Verified</b>	= 0x08
<b>Initial Payload Received</b>	= 0x10
<b>Camera Ready</b>	= 0x20

Send a value of 0x00 to power a connected camera off.

Send a value of 0x01 to power a connected camera on.

### Device Name

UUID: FFAC0C52-C9FB-41A0-B063-CC76282EB89C

Send a device name to the camera (max. 32 characters).

The camera will display this name in the Bluetooth Setup Menu.

### Protocol Version

UUID: 8F1FD018-B508-456F-8F82-3D392BEE2706

Read this value to determine the camera's supported CCU protocol version.

**NOTE** Encrypted characteristics can only be used once a device has successfully bonded or paired with the Blackmagic Camera. Once a connection has been established, any attempt to write to an encrypted characteristic will initiate bonding. For example, writing a 'Camera Power On' (0x01) message to the Camera Status characteristic.

Once bonding is initiated, the camera will display a 6-digit pin in the Bluetooth Setup Menu. Enter this pin on your device to establish an encrypted connection. The device will now be able to read, write and receive notifications from encrypted characteristics.

# Blackmagic SDI and Bluetooth Camera Control Protocol

## Version 1.4

If you are a software developer you can use the Blackmagic SDI and Bluetooth Camera Control Protocol to construct devices that integrate with our products. Here at Blackmagic Design, our approach is to open up our protocols and we eagerly look forward to seeing what you come up with!

## Overview

This document describes an extensible protocol for sending a unidirectional stream of small control messages embedded in the non-active picture region of a digital video stream. The video stream containing the protocol stream may be broadcast to a number of devices. Device addressing is used to allow the sender to specify which device each message is directed to.

## Assumptions

Alignment and padding constraints are explicitly described in the protocol document. Bit fields are packed from LSB first. Message groups, individual messages and command headers are defined as, and can be assumed to be, 32 bit aligned.

## Blanking Encoding

A message group is encoded into a SMPTE 291M packet with DID/SDID x51/x53 in the active region of VANC line 16.

## Message Grouping

Up to 32 messages may be concatenated and transmitted in one blanking packet up to a maximum of 255 bytes payload. Under most circumstances, this should allow all messages to be sent with a maximum of one frame latency.

If the transmitting device queues more bytes of message packets than can be sent in a single frame, it should use heuristics to determine which packets to prioritize and send immediately. Lower priority messages can be delayed to later frames, or dropped entirely as appropriate.

## Abstract Message Packet Format

Every message packet consists of a three byte header followed by an optional variable length data block. The maximum packet size is 64 bytes.

<b>Destination device (uint8)</b>	Device addresses are represented as an 8 bit unsigned integer. Individual devices are numbered 0 through 254 with the value 255 reserved to indicate a broadcast message to all devices.
<b>Command length (uint8)</b>	The command length is an 8 bit unsigned integer which specifies the length of the included command data. The length does NOT include the length of the header or any trailing padding bytes.
<b>Command id (uint8)</b>	The command id is an 8 bit unsigned integer which indicates the message type being sent. Receiving devices should ignore any commands that they do not understand. Commands 0 through 127 are reserved for commands that apply to multiple types of devices. Commands 128 through 255 are device specific.
<b>Reserved (uint8)</b>	This byte is reserved for alignment and expansion purposes. It should be set to zero.
<b>Command data (uint8[])</b>	The command data may contain between 0 and 60 bytes of data. The format of the data section is defined by the command itself.
<b>Padding (uint8[])</b>	Messages must be padded up to a 32 bit boundary with 0x0 bytes. Any padding bytes are NOT included in the command length.

Receiving devices should use the destination device address and or the command identifier to determine which messages to process. The receiver should use the command length to skip irrelevant or unknown commands and should be careful to skip the implicit padding as well.

## Defined Commands

### Command 0 : change configuration

---

<b>Category (uint8)</b>	The category number specifies one of up to 256 configuration categories available on the device.
<b>Parameter (uint8)</b>	The parameter number specifies one of 256 potential configuration parameters available on the device. Parameters 0 through 127 are device specific parameters. Parameters 128 through 255 are reserved for parameters that apply to multiple types of devices.
<b>Data type (uint8)</b>	The data type specifies the type of the remaining data. The packet length is used to determine the number of elements in the message. Each message must contain an integral number of data elements.

---

#### Currently defined values are:

---

<b>0: void / boolean</b>	A void value is represented as a boolean array of length zero. The data field is a 8 bit value with 0 meaning false and all other values meaning true.
<b>1: signed byte</b>	Data elements are signed bytes
<b>2: signed 16 bit integer</b>	Data elements are signed 16 bit values
<b>3: signed 32 bit integer</b>	Data elements are signed 32 bit values
<b>4: signed 64 bit integer</b>	Data elements are signed 64 bit values
<b>5: UTF-8 string</b>	Data elements represent a UTF-8 string with no terminating character.

---

#### Data types 6 through 127 are reserved.

---

<b>128: signed 5.11 fixed point</b>	Data elements are signed 16 bit integers representing a real number with 5 bits for the integer component and 11 bits for the fractional component. The fixed point representation is equal to the real value multiplied by $2^{11}$ . The representable range is from -16.0 to 15.9995 ( $15 + 2047/2048$ ).
-------------------------------------	---

---

#### Data types 129 through 255 are available for device specific purposes.

---

<b>Operation type (uint8)</b>	The operation type specifies what action to perform on the specified parameter. Currently defined values are:
<b>0: assign value</b>	The supplied values are assigned to the specified parameter. Each element will be clamped according to its valid range. A void parameter may only be 'assigned' an empty list of boolean type. This operation will trigger the action associated with that parameter. A boolean value may be assigned the value zero for false, and any other value for true.
<b>1: offset / toggle value</b>	Each value specifies signed offsets of the same type to be added to the current parameter values. The resulting parameter value will be clamped according to their valid range. It is not valid to apply an offset to a void value. Applying any offset other than zero to a boolean value will invert that value.

---

#### Operation types 2 through 127 are reserved.

#### Operation types 128 through 255 are available for device specific purposes.

---

<b>Data (void)</b>	The data field is 0 or more bytes as determined by the data type and number of elements.
--------------------	--

---

The category, parameter, data type and operation type partition a 24 bit operation space.

Group	ID	Parameter	Type	Index	Minimum	Maximum	Interpretation	
Lens	0.0	Focus	fixed16	–	0.0	1.0	0.0 = near, 1.0 = far	
	0.1	Instantaneous autofocus	void	–	–	–	trigger instantaneous autofocus	
	0.2	Aperture (f-stop)	fixed16	–	-1.0	16.0	Aperture Value (where fnumber = $\sqrt{2^{AV}}$ )	
	0.3	Aperture (normalised)	fixed16	–	0.0	1.0	0.0 = smallest, 1.0 = largest	
	0.4	Aperture (ordinal)	int16	–	0	n	Steps through available aperture values from minimum (0) to maximum (n)	
	0.5	Instantaneous auto aperture	void	–	–	–	trigger instantaneous auto aperture	
	0.6	Optical image stabilisation	boolean	–	–	–	true = enabled, false = disabled	
	0.7	Set absolute zoom (mm)	int16	–	0	max	Move to specified focal length in mm, from minimum (0) to maximum (max)	
	0.8	Set absolute zoom (normalised)	fixed16	–	0.0	1.0	Move to specified focal length: 0.0 = wide, 1.0 = tele	
0.9	Set continuous zoom (speed)	fixed16	–	-1.0	+1.0	Start/stop zooming at specified rate: -1.0 = zoom wider fast, 0.0 = stop, +1 = zoom tele fast		
Video	1.0	Video mode	int8	[0] = frame rate	–	–	fps as integer (eg 24, 25, 30, 50, 60)	
				[1] = M-rate	–	–	0 = regular, 1 = M-rate	
				[2] = dimensions	–	–	0 = NTSC, 1 = PAL, 2 = 720, 3 = 1080, 4 = 2kDCI, 5 = 2k16:9, 6 = UHD, 7 = 3k Anamorphic, 8 = 4k DCI, 9 = 4k 16:9, 10 = 4.6k 2.4:1, 11 = 4.6k	
				[3] = interlaced	–	–	0 = progressive, 1 = interlaced	
				[4] = Color space	–	–	0 = YUV	
	1.1	Gain (up to Camera 4.9)	int8			1	128	1x, 2x, 4x, 8x, 16x, 32x, 64x, 128x gain
	1.2	Manual White Balance	int16	[0] = color temp	2500	10000		Color temperature in K
			int16	[1] = tint	-50	50		tint
	1.3	Set auto WB	void	–	–	–	–	Calculate and set auto white balance
	1.4	Restore auto WB	void	–	–	–	–	Use latest auto white balance setting
1.5	Exposure (us)	int32			1	42000	time in us	
1.6	Exposure (ordinal)	int16	–		0	n	Steps through available exposure values from minimum (0) to maximum (n)	
1.7	Dynamic Range Mode	int8 enum	–		0	2	0 = film, 1 = video, 2 = extended video	
1.8	Video sharpening level	int8 enum	–		0	3	0 = off, 1 = low, 2 = medium, 3 = high	

Group	ID	Parameter	Type	Index	Minimum	Maximum	Interpretation
Video	1.9	Recording format	int16	[0] = file frame rate	–	–	fps as integer (eg 24, 25, 30, 50, 60, 120)
				[1] = sensor frame rate	–	–	fps as integer, valid when sensor-off-speed set (eg 24, 25, 30, 33, 48, 50, 60, 120), no change will be performed if this value is set to 0
				[2] = frame width	–	–	in pixels
				[3] = frame height	–	–	in pixels
				[4] = flags	–	–	[0] = file-M-rate
					–	–	[1] = sensor-M-rate, valid when sensor-off-speed-set
					–	–	[2] = sensor-off-speed
					–	–	[3] = interlaced
	–	–	[4] = windowed mode				
	1.10	Set auto exposure mode	int8	–	0	4	0 = Manual Trigger, 1 = Iris, 2 = Shutter, 3 = Iris + Shutter, 4 = Shutter + Iris
	1.11	Shutter angle	int32	–	100	36000	Shutter angle in degrees, multiplied by 100
	1.12	Shutter speed	int32	–	Current sensor frame rate	5000	Shutter speed value as a fraction of 1, so 50 for 1/50th of a second
	1.13	Gain	int8	–	-128	127	Gain in decibel (dB)
	1.14	ISO	int32	–	0	2147483647	ISO value
	1.15	Display LUT	int8	[0] = selected LUT	–	–	0 = None, 1 = Custom, 2 = film to video, 3 = film to extended video
[1] = enabled or not				–	–	0 = Not enabled, 1 = Enabled	
Audio	2.0	Mic level	fixed16	–	0.0	1.0	0.0 = minimum, 1.0 = maximum
	2.1	Headphone level	fixed16	–	0.1	1.0	0.0 = minimum, 1.0 = maximum
	2.2	Headphone program mix	fixed16	–	0.1	1.0	0.0 = minimum, 1.0 = maximum
	2.3	Speaker level	fixed16	–	0.1	1.0	0.0 = minimum, 1.0 = maximum
	2.4	Input type	int8	–	0	3	0 = internal mic, 1 = line level input, 2 = low mic level input, 3 = high mic level input
	2.5	Input levels	fixed16	[0] ch0	0.0	1.0	0.0 = minimum, 1.0 = maximum
				[1] ch1	0.0	1.0	0.0 = minimum, 1.0 = maximum
	2.6	Phantom power	boolean	–	–	–	true = powered, false = not powered

Group	ID	Parameter	Type	Index	Minimum	Maximum	Interpretation
Output	3.0	Overlay enables	uint16 bit field	–	–	–	bit flags: [0] = display status, [1] = display frame guides Some cameras don't allow separate control of frame guides and status overlays.
	3.1	Frame guides style (Camera 3.x)	int8	–	0	8	0 = HDTV, 1 = 4:3, 2 = 2.4:1, 3 = 2.39:1, 4 = 2.35:1, 5 = 1.85:1, 6 = thirds
	3.2	Frame guides opacity (Camera 3.x)	fixed16	–	0.1	1.0	0.0 = transparent, 1.0 = opaque
	3.3	Overlays (replaces .1 and .2 above from Cameras 4.0)	int8	[0] = frame guides style [1] = frame guide opacity [2] = safe area percentage [3] = grid style	– 0 0 –	– 100 100 –	0 = off, 1 = 2.4:1, 2 = 2.39:1, 3 = 2.35:1, 4 = 1.85:1, 5 = 16:9, 6 = 14:9, 7 = 4:3, 8 = 2:1, 9 = 4:5, 10 = 1:1 0 = transparent, 100 = opaque percentage of full frame used by safe area guide (0 means off) bit flags: [0] = display thirds, [1] = display cross hairs, [2] = display center dot, [3] = display horizon
Display	4.0	Brightness	fixed16	–	0.0	1.0	0.0 = minimum, 1.0 = maximum
	4.1	Exposure and focus tools	int16 bit field	0x1 = zebra, 0x2 = focus assist, 0x4 = false color	–	–	0 = disable, 1 = enable
	4.2	Zebra level	fixed16	–	0.0	1.0	0.0 = minimum, 1.0 = maximum
	4.3	Peaking level	fixed16	–	0.0	1.0	0.0 = minimum, 1.0 = maximum
	4.4	Color bar enable	int8	–	0	30	0 = disable bars, 1-30 = enable bars with timeout (seconds)
	4.5	Focus Assist	int8	[0] = focus assist method [1] = focus line color	– –	– –	0 = Peak, 1 = Colored lines 0 = Red, 1 = Green, 2 = Blue, 3 = White, 4 = Black
4.6	Program return feed enable	int8	–	0	30	0 = disable, 1-30 = enable with timeout (seconds)	
Tally	5.0	Tally brightness	fixed16	–	0.0	1.0	Sets the tally front and tally rear brightness to the same level. 0.0 = minimum, 1.0 = maximum
	5.1	Front tally brightness	fixed16	–	0.0	1.0	Sets the tally front brightness. 0.0 = minimum, 1.0 = maximum
	5.2	Rear tally brightness	fixed16	–	0.0	1.0	Sets the tally rear brightness. 0.0 = minimum, 1.0 = maximum Tally rear brightness cannot be turned off

Group	ID	Parameter	Type	Index	Minimum	Maximum	Interpretation
Reference	6.0	Source	int8 enum	–	0	2	0 = internal, 1 = program, 2 = external
	6.1	Offset	int32	–	–	–	+/- offset in pixels
Confi- guration	7.0	Real Time Clock	int32	[0] time	–	–	BCD - HHMMSSFF (UCT)
				[1] date	–	–	BCD - YYYYMMDD
	7.1	System language	string	[0-1]	–	–	ISO-639-1 two character language code
	7.2	Timezone	int32	–	–	–	Minutes offset from UTC
	7.3	Location	int64	[0] latitude	–	–	BCD - s0DDddddddddddd where s is the sign: 0 = north (+), 1 = south (-); DD degrees, ddddddddddd decimal degrees
[1] longitude				–	–	BCD - sDDDddddddddddd where s is the sign: 0 = west (-), 1 = east (+); DDD degrees, ddddddddddd decimal degrees	
Color Correction	8.0	Lift Adjust	fixed16	[0] red	-2.0	2.0	default 0.0
				[1] green	-2.0	2.0	default 0.0
				[2] blue	-2.0	2.0	default 0.0
				[3] luma	-2.0	2.0	default 0.0
	8.1	Gamma Adjust	fixed16	[0] red	-4.0	4.0	default 0.0
				[1] green	-4.0	4.0	default 0.0
				[2] blue	-4.0	4.0	default 0.0
				[3] luma	-4.0	4.0	default 0.0
	8.2	Gain Adjust	fixed16	[0] red	0.0	16.0	default 1.0
				[1] green	0.0	16.0	default 1.0
				[2] blue	0.0	16.0	default 1.0
				[3] luma	0.0	16.0	default 1.0
	8.3	Offset Adjust	fixed16	[0] red	-8.0	8.0	default 0.0
				[1] green	-8.0	8.0	default 0.0
				[2] blue	-8.0	8.0	default 0.0
				[3] luma	-8.0	8.0	default 0.0
	8.4	Contrast Adjust	fixed16	[0] pivot	0.0	1.0	default 0.5
				[1] adj	0.0	2.0	default 1.0
	8.5	Luma mix	fixed16	–	0.0	1.0	default 1.0
8.6	Color Adjust	fixed16	[0] hue	-1.0	1.0	default 0.0	
			[1] sat	0.0	2.0	default 1.0	
8.7	Correction Reset Default	void	–	–	–	reset to defaults	

Group	ID	Parameter	Type	Index	Minimum	Maximum	Interpretation
Media	10.0	Codec	int8 enum	[0] = basic codec	-	-	0 = CinemaDNG, 1 = DNxHD, 2 = ProRes, 3 = Blackmagic RAW
				[1] = code variant	-	-	CinemaDNG: 0 = uncompressed, 1 = lossy 3:1, 2 = lossy 4:1
					-	-	ProRes: 0 = HQ, 1 = 422, 2 = LT, 3 = Proxy, 4 = 444, 5 = 444XQ
					-	-	Blackmagic RAW: 0 = Q0, 1 = Q5, 2 = 3:1, 3 = 5:1, 4 = 8:1, 5 = 12:1
	10.1	Transport mode	int8	[0] = mode	-	-	0 = Preview, 1 = Play, 2 = Record
				[1] = speed	-	-	-ve = multiple speeds backwards, 0 = pause, +ve = multiple speeds forwards
				[2] = flags	-	-	1<<0 = loop, 1<<1 = play all, 1<<5 = disk1 active, 1<<6 = disk2 active, 1<<7 = time-lapse recording
				[3] = slot 1 storage medium	-	-	0 = CFast card, 1 = SD, 2 = SSD Recorder
				[4] = slot 2 storage medium	-	-	0 = CFast card, 1 = SD, 2 = SSD Recorder
	10.2	Playback Control	int8 enum	[0] = clip	-	-	0 = Previous, 1 = Next
PTZ Control	11.0	Pan/Tilt Velocity	fixed 16	[0] = pan velocity	-1.0	1.0	-1.0 = full speed left, 1.0 = full speed right
				[1] = tilt velocity	-1.0	1.0	-1.0 = full speed down, 1.0 = full speed up
	11.1	Memory Preset	int8 enum	[0] = preset command	-	-	0 = reset, 1 = store location, 2 = recall location
			int8	[1] = preset slot	0	5	-



## Example Protocol Packets

Operation	Packet Length	Byte															
		0	1	2	3	4	5	6	7	8	9	10	11	12	13	14	15
		header command data															
		destination	length	command	reserved	category	parameter	type	operation								
trigger instantaneous auto focus on camera 4	8	4	4	0	0	0	1	0	0								
turn on OIS on all cameras	12	255	5	0	0	0	6	0	0	1	0	0	0				
set exposure to 10 ms on camera 4 (10 ms = 10000 us = 0x00002710)	12	4	8	0	0	1	5	3	0	0x10	0x27	0x00	0x00				
add 15% to zebra level (15 % = 0.15 f = 0x0133 fp)	12	4	6	0	0	4	2	128	1	0x33	0x01	0	0				
select 1080p 23.98 mode on all cameras	16	255	9	0	0	1	0	1	0	24	1	3	0	0	0	0	
subtract 0.3 from gamma adjust for green & blue (-0.3 ~ = 0xfd9a fp)	16	4	12	0	0	8	1	128	1	0	0	0x9a	0xfd	0x9a	0xfd	0	0
all operations combined	76	4	4	0	0	0	1	0	0	255	5	0	0	0	6	0	0
		1	0	0	0	4	8	0	0	1	5	3	0	0x10	0x27	0x00	0x00
		4	6	0	0	4	2	128	1	0x33	0x01	0	0	255	9	0	0
		1	0	1	0	24	1	3	0	0	0	0	0	4	12	0	0
		8	1	128	1	0	0	0x9a	0xfd	0x9a	0xfd	0	0				

## Blackmagic Tally Control Protocol

### Version 1.0 (30/04/14)

This section is for third party developers or anybody who may wish to add support for the Blackmagic Tally Control Protocol to their products or system. It describes the protocol for sending tally information embedded in the non-active picture region of a digital video stream.

### Data Flow

A master device such as a broadcast switcher embeds tally information into its program feed which is broadcast to a number of slave devices such as cameras or camera controllers. The output from the slave devices is typically fed back to the master device, but may also be sent to a video monitor.

The primary flow of tally information is from the master device to the slaves. Each slave device may use its device id to extract and display the relevant tally information.

Slave devices pass through the tally packet on their output and update the monitor tally status, so that monitor devices connected to that individual output may display tally status without knowledge of the device id they are monitoring.

## Assumptions

Any data alignment / padding is explicit in the protocol. Bit fields are packed from LSB first.

## Blanking Encoding

One tally control packet may be sent per video frame. Packets are encoded as a SMPTE 291M packet with DID/SDID x51/x52 in the active region of VANC line 15. A tally control packet may contain up to 256 bytes of tally information.

## Packet Format

Each tally status consists of 4 bits of information:

```
uint4
    bit 0:  program tally status (0=off, 1=on)
    bit 1:  preview tally status (0=off, 1=on)
    bit 2-3: reserved (0x0)
```

The first byte of the tally packet contains the monitor device tally status and a version number.

Subsequent bytes of the tally packet contain tally status for pairs of slave devices. The master device sends tally status for the number of devices configured/supported, up to a maximum of 510.

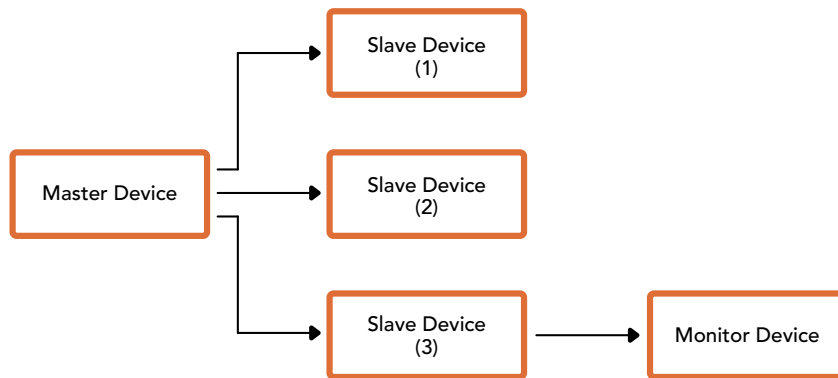
struct tally

```
uint8
    bit 0:  monitor device program tally status (0=off, 1=on)
    bit 1:  monitor device preview tally status (0=off, 1=on)
    bit 2-3: reserved (0b00)
    bit 4-7: protocol version (0b0000)

uint8[0]
    bit 0:  slave device 1 program tally status (0=off, 1=on)
    bit 1:  slave device 1 device preview tally status (0=off, 1=on)
    bit 2-3: reserved (0b00)
    bit 4:  slave device 2 program tally status (0=off, 1=on)
    bit 5:  slave device 2 preview tally status (0=off, 1=on)
    bit 6-7: reserved (0b00)

uint8[1]
    bit 0:  slave device 3 program tally status (0=off, 1=on)
    bit 1:  slave device 3 device preview tally status (0=off, 1=on)
    bit 2-3: reserved (0b00)
    bit 4:  slave device 4 program tally status (0=off, 1=on)
    bit 5:  slave device 4 preview tally status (0=off, 1=on)
    bit 6-7: reserved (0b00)
```

...



Byte	7 MSB	6	5	4	3	2	1	0 LSB
0	Version (0b0)	Version (0b0)	Version (0b0)	Version (0b0)	Reserved (0b0)	Reserved (0b0)	Monitor Preview	Monitor Program
1	Reserved (0b0)	Reserved (0b0)	Slave 1 Preview	Slave 1 Program	Reserved (0b0)	Reserved (0b0)	Slave 0 Preview	Slave 0 Program
2	Reserved (0b0)	Reserved (0b0)	Slave 3 Preview	Slave 3 Program	Reserved (0b0)	Reserved (0b0)	Slave 2 Preview	Slave 2 Program
3	...							

# Blackmagic URSA Mini Pro B4 Mount

L'attacco obiettivo PL su URSA Mini PL si può sostituire con un attacco B4 opzionale. Questo attacco è leggermente diverso dall'attacco B4 su URSA Mini Pro. Per esempio, i fori per le viti sono in posizioni diverse, per dare spazio all'alloggiamento del pulsante di sgancio EF su URSA Mini Pro. Anche lo spessore degli anelli necessari è differente, quindi è importante scegliere l'attacco giusto per utilizzare le ottiche broadcast su URSA Mini PL.

L'attacco B4 per URSA Mini PL è disponibile dai rivenditori Blackmagic Design in tutto il mondo.

Con l'attacco B4, riprendi in HD con URSA Mini PL in stile ENG utilizzando comuni obiettivi parafoicali. Queste ottiche mantengono la messa a fuoco al variare della focale, consentendo di adottare tecniche veloci ed efficienti. Zoomando il teleobiettivo al massimo su un soggetto, questo rimarrà sempre a fuoco, indipendentemente dall'entità dello zoom. Inoltre è importante regolare correttamente il tiraggio, o la lunghezza focale, degli obiettivi B4.

## Montare l'attacco B4

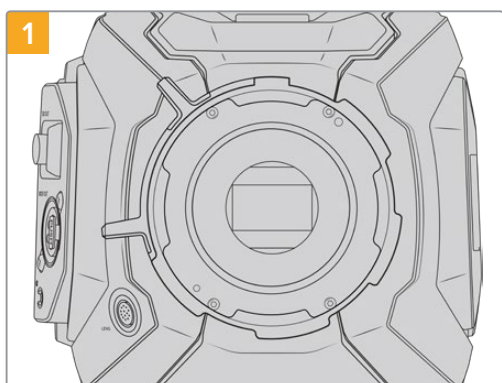
L'attacco obiettivo B4 include due anelli addizionali 0,50 mm, che si possono montare sopra l'anello 0,50 mm fissato sul retro dell'attacco obiettivo di URSA Mini PL. Lo spazio occupato dai 3 anelli 0,50 mm consente di ottenere un tiraggio ottimale per il back focus, che puoi regolare ulteriormente spostando l'anello di messa a fuoco verso l'attacco delle ottiche zoom B4.

Grazie agli obiettivi B4 puoi ottenere riprese con URSA Mini impossibili con le ottiche fotografiche.

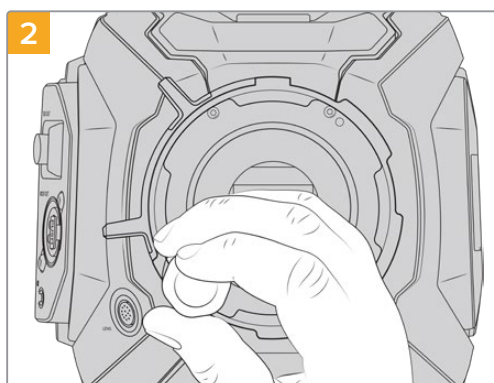
Per montare l'attacco URSA Mini B4 è necessaria una chiave dinamometrica con una coppia di serraggio massimo di 0,45 Nm, e una chiave a brugola 2 mm.



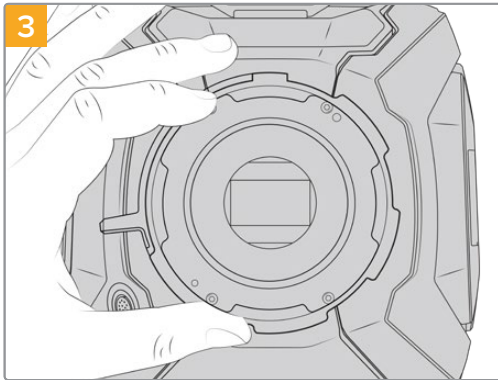
Per montare l'attacco Blackmagic URSA Mini B4, usa una chiave dinamometrica per una coppia di serraggio massimo di 0,45 Nm, o una chiave a brugola 2 mm



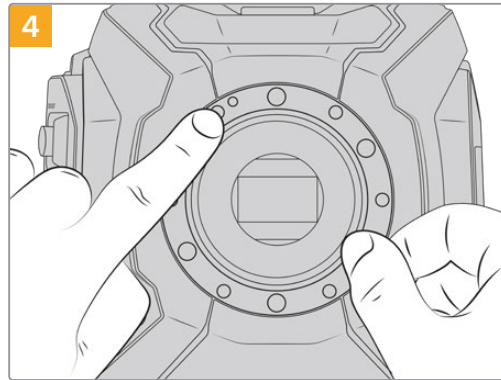
1  
Posiziona URSA Mini PL in posizione verticale su una superficie solida e pulita, e rimuovi il coperchio antipolvere dall'obiettivo. Il filtro di vetro che copre il sensore sarà esposto durante l'intero processo di regolazione. Consigliamo di mantenerlo il più pulito possibile. Evita di toccare il filtro in fase di regolazione dell'attacco B4.



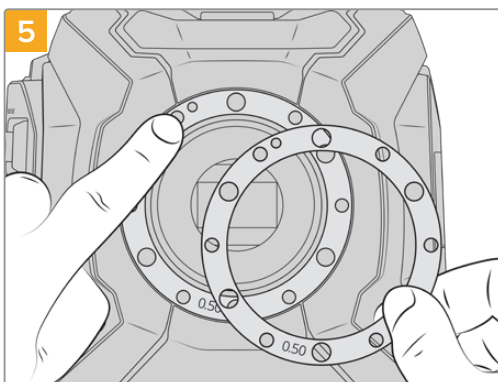
2  
Rimuovi le sei viti di fissaggio dell'attacco PL con una chiave a brugola 2 mm. Potrebbe essere necessario ruotare la ghiera PL in senso orario o antiorario per accedere alle viti.



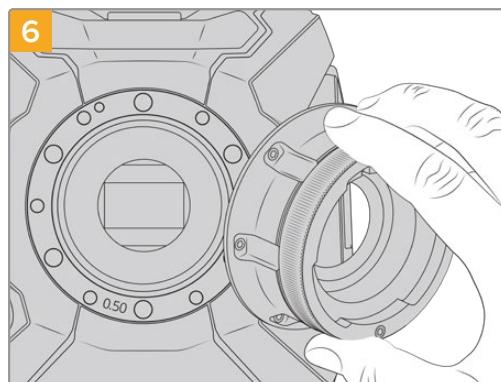
3 Rimuovi delicatamente l'attacco obiettivo dal corpo della camera. Prepara le viti vicino all'attacco.



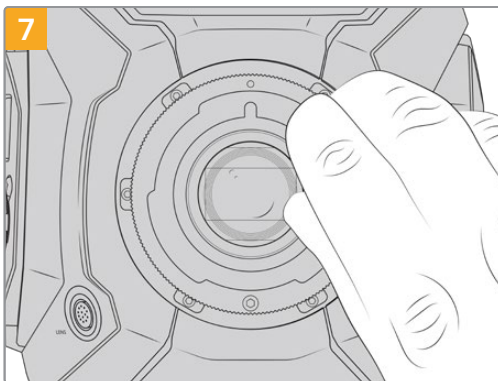
4 Nota come l'anello 0,50 mm esistente combacia con la tacca di allineamento in posizione ore 11.



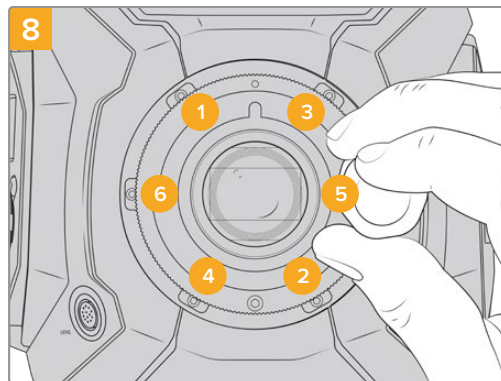
5 Poggia i due anelli 0,50 mm in dotazione con l'attacco B4 sull'anello 0,50 mm esistente. Si ottiene così il tiraggio ottimale.



6 Posiziona con cura Blackmagic URSA Mini B4 Mount sul corpo della camera, per far combaciare la tacca di allineamento con l'alloggiamento di registrazione in posizione ore 11.



7 Con una chiave a brugola 2mm o una chiave dinamometrica impostata su 0,45Nm inizia a serrare le 6 viti fino a entrare in contatto con la base dell'attacco obiettivo. Per accedere a ogni vite, ruota la ghiera PL, poiché alcuni fori sono coperti quando la ghiera è aperta o chiusa.



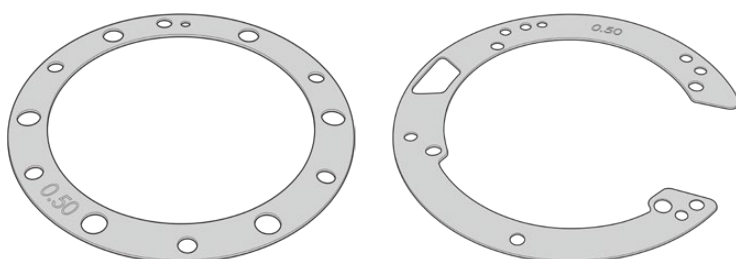
8 Accertati che l'attacco obiettivo sia correttamente allineato poi, con la stessa pressione, stringi le viti nell'ordine indicato qui sopra senza serrarle eccessivamente.

## Regolare gli attacchi obiettivo

### A cosa servono gli anelli?

Gli anelli di regolazione sono dischi di vario spessore che consentono di regolare la distanza tra l'obiettivo e il sensore di URSA Mini. Questa distanza è chiamata in gergo "tiraggio", "lunghezza focale", o "back focus" e tende a variare secondo l'età delle ottiche e le condizioni ambientali delle riprese. Usando questi anelli è possibile regolare il back focus dei seguenti modelli URSA Mini:

- URSA Mini PL 4K
- URSA Mini PL 4.6K
- URSA Mini Pro 4.6K
- URSA Mini Pro 4.6K G2



Anello URSA Mini Anello URSA Mini Pro

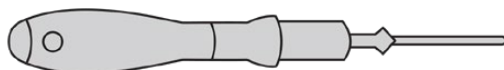
Gli anelli si posizionano tra l'attacco obiettivo e il corpo della camera di modo che la distanza tra il soggetto e il sensore corrisponda alle tacche di messa a fuoco dell'obiettivo. Gli anelli si utilizzano solitamente per le ottiche PL. Questi obiettivi cinematografici sono dotati di zoom manuale, e includono tacche di lunghezza focale accurate sul barilotto dell'obiettivo. Gli anelli sono utili anche per l'attacco obiettivo intercambiabile di URSA Mini Pro.

URSA Mini include un anello 0,50 mm preinstallato. Il kit anelli URSA Mini Pro Shim Kit include anelli di vari spessori, ed è acquistabile dai rivenditori autorizzati Blackmagic Design.

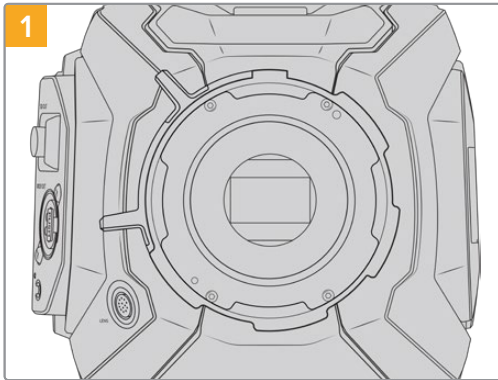
Inoltre ogni attacco obiettivo per URSA Mini Pro include gli anelli di regolazione necessari. Scegli anelli di spessore diverso in base alla lunghezza focale desiderata.

### Regolare l'attacco obiettivo URSA Mini PL

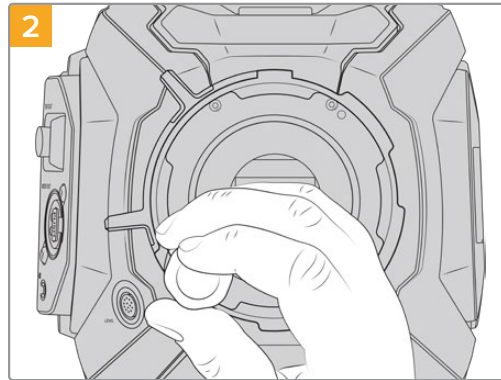
Per regolare l'attacco obiettivo PL è necessaria una chiave dinamometrica con una coppia di serraggio massimo di 0,45 Nm, e una chiave a brugola 2 mm.



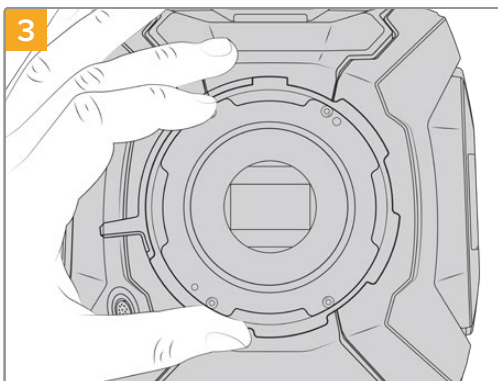
Chiave dinamometrica



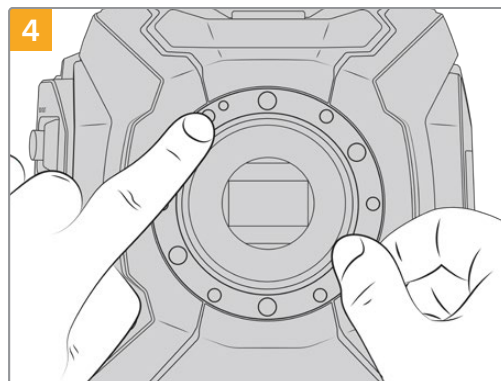
1  
Posiziona URSA Mini PL in posizione verticale su una superficie solida e pulita, e rimuovi il coperchio antipolvere dall'obiettivo. Il filtro di vetro che copre il sensore sarà esposto durante l'intero processo di regolazione. Consigliamo di mantenerlo il più pulito possibile. Evita di toccare il filtro in fase di regolazione dell'attacco PL.



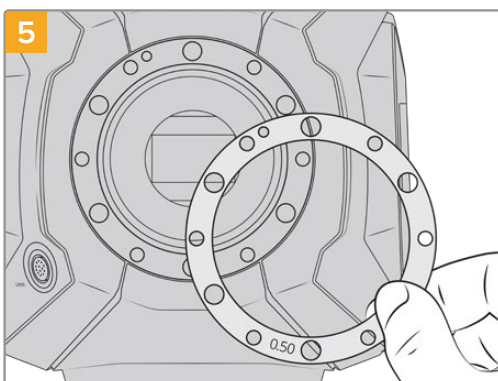
2  
Rimuovi le sei viti di fissaggio dell'attacco PL con una chiave a brugola 2 mm. Potrebbe essere necessario ruotare la ghiera PL in senso orario o antiorario per accedere alle viti.



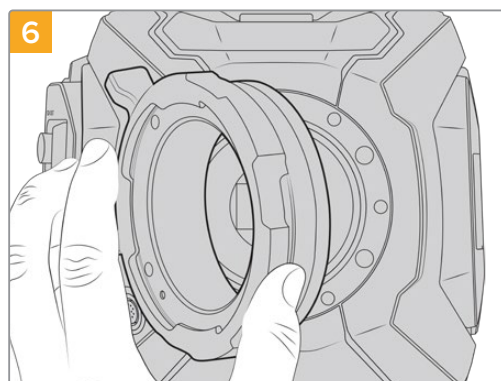
3  
Rimuovi delicatamente l'attacco obiettivo dal corpo della camera. Prepara le viti vicino all'attacco.



4  
Nota come l'anello 0,50 mm esistente combacia con la tacca di allineamento in posizione ore 11.

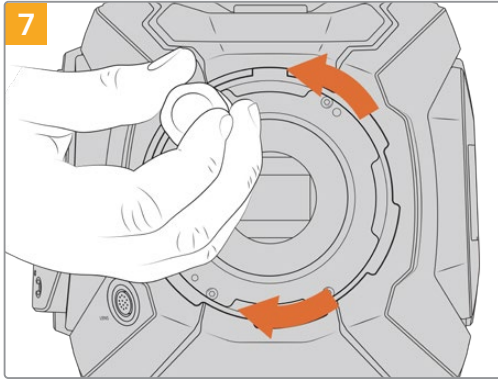


5  
Aggiungi o rimuovi gli anelli adattatori con incrementi di 0,10 mm. Una volta riassemblata la camera, assicurati che le tacche dell'obiettivo corrispondano ai valori esatti. Per esempio, per spaziare gli anelli, è anche possibile sostituire un anello 0,50 mm con uno da 0,40 mm.

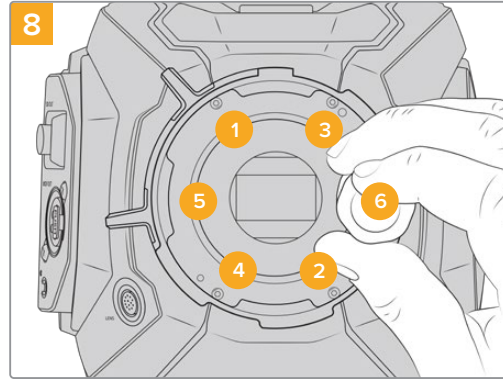


6  
Inserisci l'attacco Blackmagic URSA Mini Pro PL nel corpo della camera.





Con una chiave a brugola 2mm o una chiave dinamometrica impostata su 0,45Nm inizia a serrare le viti fino a entrare in contatto con la base dell'attacco obiettivo.

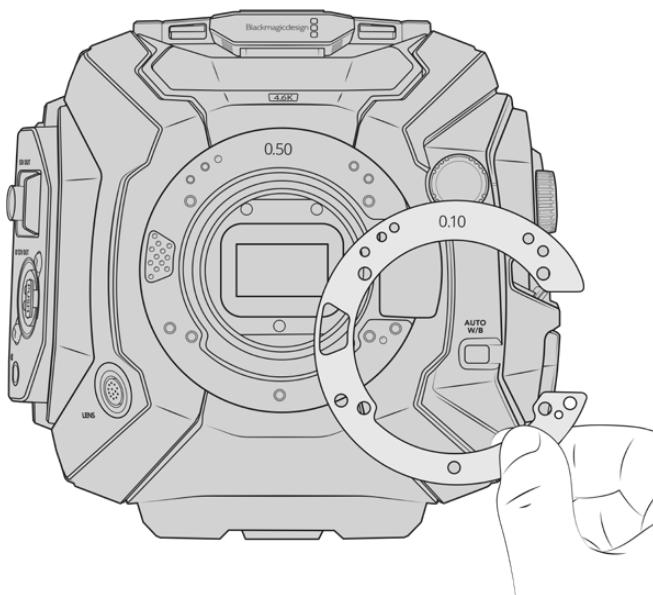


Accertati che l'attacco obiettivo sia correttamente allineato poi, con la stessa pressione, stringi le viti nell'ordine indicato qui sopra senza serrarle eccessivamente.

## Regolare l'attacco obiettivo di URSA Mini Pro

La regolazione dell'attacco obiettivo di URSA Mini Pro segue un procedimento simile a quello per URSA Mini PL. L'unica differenza è la forma degli anelli. Rimuovi l'attacco obiettivo esistente di URSA Mini Pro, e aggiungi o rimuovi gli anelli come per URSA Mini PL, poi sostituisci l'attacco.

Per maggiori informazioni su come montare diversi obiettivi su URSA Mini Pro, consulta la sezione "Attacco obiettivo intercambiabile".



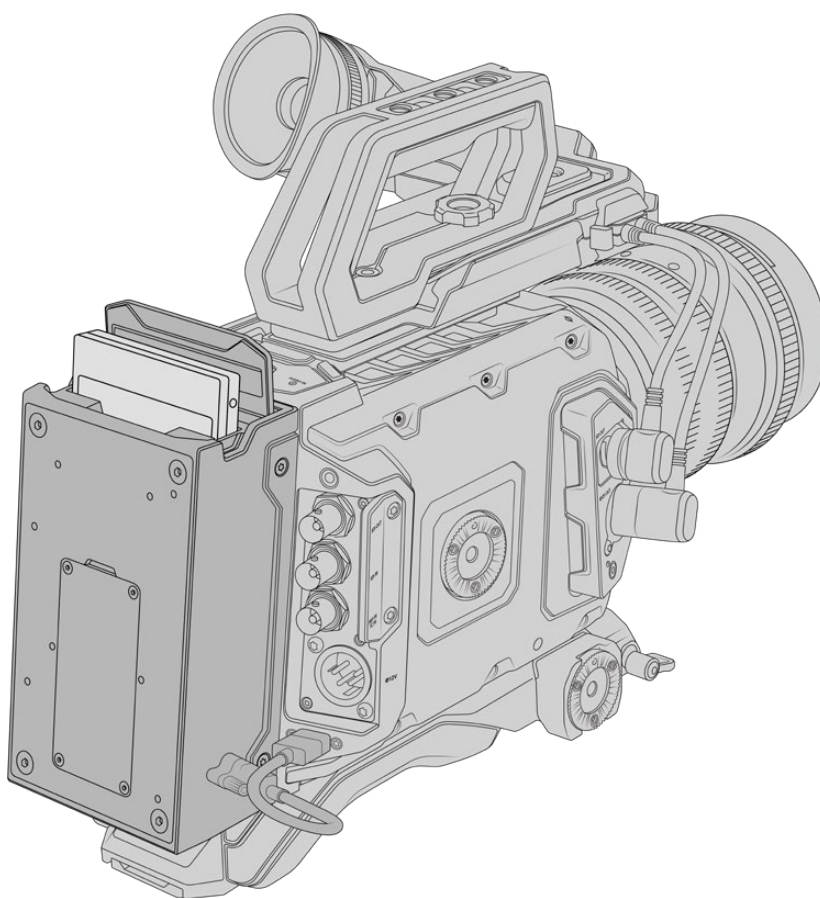
Gli anelli per URSA Mini Pro hanno una forma a C per accogliere il meccanismo di sgancio dell'obiettivo EF, e facilitare l'allineamento all'attacco. I passi di installazione sono identici a quelli per URSA Mini PL



# URSA Mini Recorder

Blackmagic URSA Mini Recorder è un modulo opzionale che si monta sul retro di URSA Mini Pro 12K. Il registratore consente l'archiviazione dei filmati, inclusi i file Blackmagic RAW 12K, sulle economiche e capienti unità a stato solido, o SSD.

**NOTA** URSA Mini Recorder è progettato per URSA Mini Pro 12K ed è compatibile con URSA Mini Pro 4.6K G2. Non è compatibile con URSA Mini Pro 4.6K, URSA Mini 4.6K e URSA Mini 4K.



**Per installare URSA Mini Recorder sono necessari i seguenti attrezzi:**

- 1 x cacciavite a croce
- 1 x cacciavite Torx T10
- 1 x chiave a brugola 2 mm

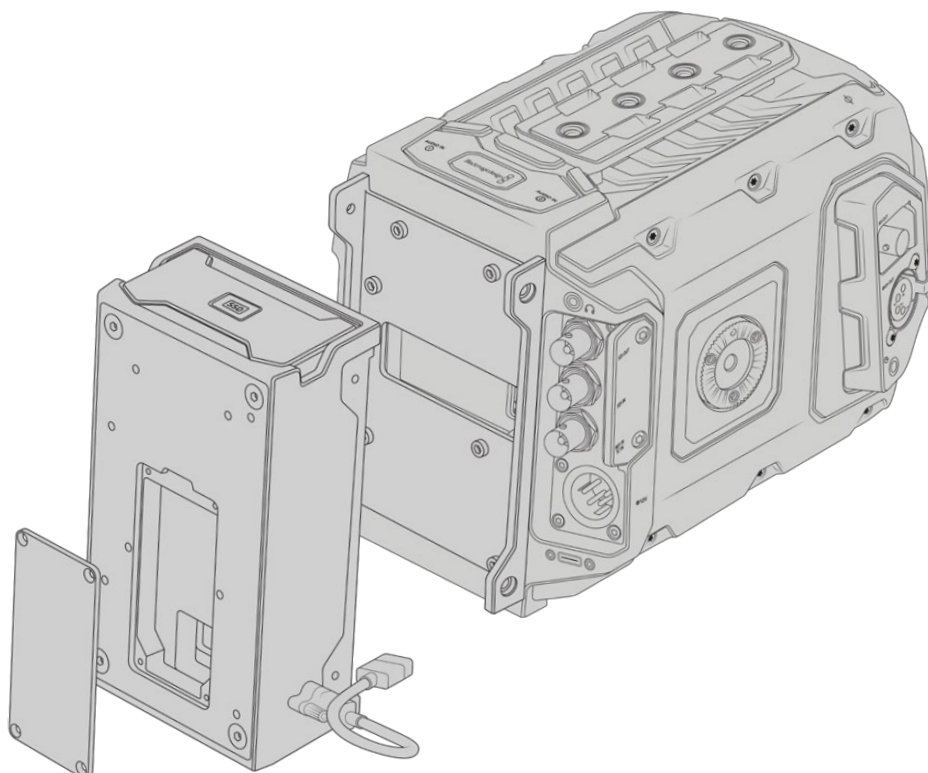


Per montare URSA Mini SSD Recorder su URSA Mini servono un cacciavite a croce grande, un cacciavite Torx T10, e una chiave a brugola 2 mm

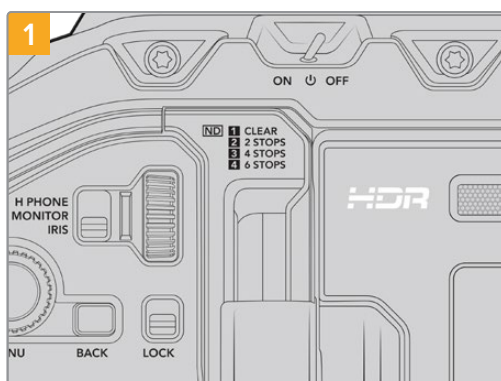
## Montare e connettere URSA Mini Recorder

URSA Mini Recorder si monta sul retro di URSA Mini, direttamente dietro il corpo macchina, utilizzando la porta USB-C della camera per ricevere e inviare i dati.

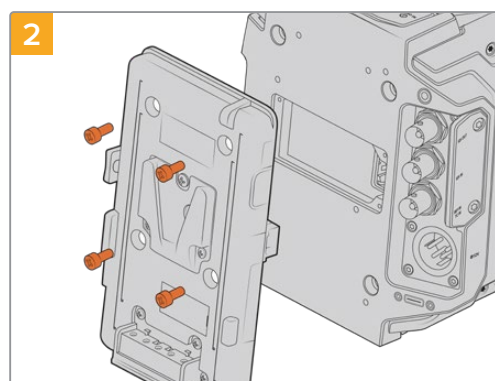
**SUGGERIMENTO** URSA Mini Recorder include un cavo passante per la batteria della camera, per collegare batterie con attacco a V o Gold Mount dietro il registratore, sul retro della camera.



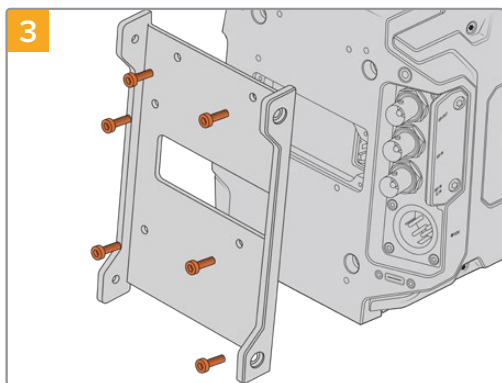
Come montare e connettere URSA Mini Recorder:



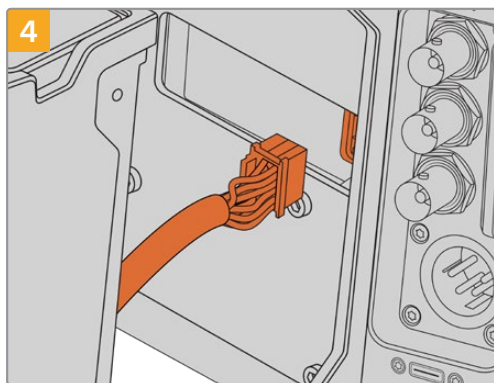
1 Spegni URSA Mini Pro spostando l'interruttore su OFF.



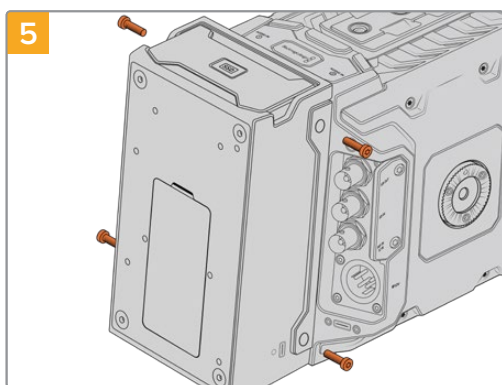
2 Se presente, rimuovi la piastra per batteria dal retro della camera. Per maggiori informazioni su come montare o smontare le piastre per batteria, consulta la sezione “Montare le batterie”.



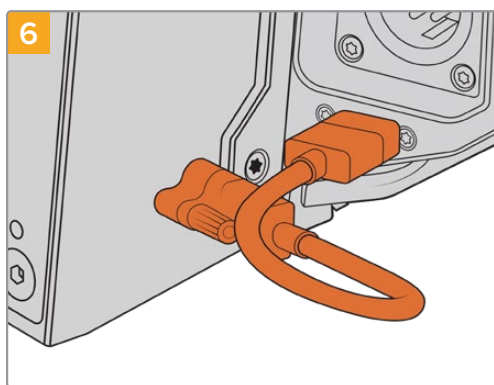
3 Ora fissa il supporto per URSA Mini Recorder con sei viti Torx T10.



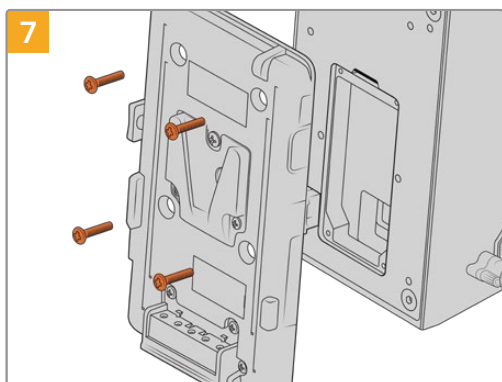
4 Collega il connettore molex di URSA Mini Recorder all'alloggiamento molex sul retro della camera.



5 Monta il registratore URSA Mini Recorder fissando 2 viti Torx T10 sulla parte destra e sinistra del supporto.



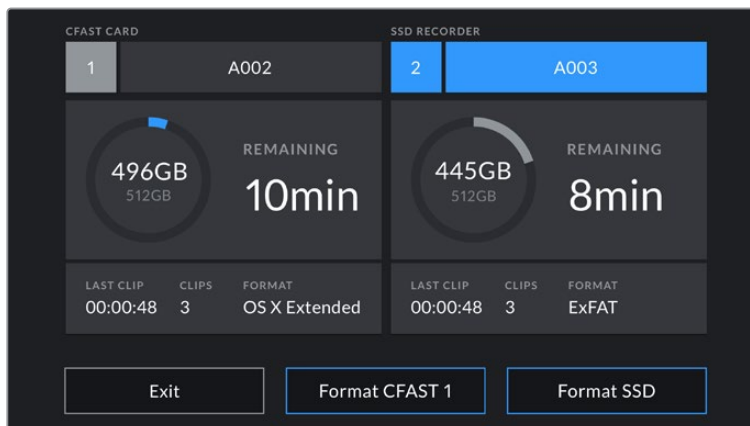
6 Connetti il cavo USB-C del registratore alla porta dati sul retro di URSA Mini Pro 12K. Stringi le viti di bloccaggio del connettore con le dita, o con una chiave a brugola 2 mm. Per collegare il registratore a URSA Mini Pro 4.6K G2, utilizza un cavo USB-C più lungo e connettilo alla porta USB-C sopra gli slot CFast della camera.



7 Per utilizzare una piastra per batteria con URSA Mini Recorder, con una chiave a brugola rimuovi il coperchio dell'alloggiamento molex svitando le 4 viti M3 sul retro della camera. Segui le istruzioni della sezione "Montare le batterie" per completare l'installazione.

## Utilizzare URSA Mini Recorder

Quando URSA Mini Recorder è connesso, e l'SSD inserito, il registratore utilizza lo slot 2 della camera. Quando il registratore è in uso, il menù archiviazione della camera mostra la voce **SSD** nello slot 2.



Quando inserisci un SSD nel registratore, il menù archiviazione della camera mostra SSD Recorder nella sezione dello slot 2

Le operazioni di registrazione, riproduzione, e archiviazione sull'SSD sono identiche alle schede CFast e SD. Per maggiori informazioni sulla gestione dell'archiviazione, e su come scegliere gli SSD, consulta la sezione "Archiviazione" del manuale.

### LED di stato

URSA Mini Recorder include una spia di stato sul lato sinistro per il disco **SSD**. Regola la luminosità della spia LED nella tab Setup scegliendo tra bassa **Low**, media **Medium**, alta **High**, oppure **Off**.

### SSD

La spia SSD mostra lo stato dell'SSD inserito. La spia si illumina secondo lo stato:

<b>Verde</b>	La spia di URSA Mini Recorder si illumina brevemente di verde in fase di lettura dell'SSD. Si spegne non appena il registratore è pronto alla registrazione. La spia è verde anche in fase di riproduzione dei filmati dall'SSD.
<b>Rosso</b>	La spia si illumina di rosso in fase di registrazione sull'SSD. Quando l'SSD è quasi pieno, la luce rossa comincia a lampeggiare lentamente. Se lampeggia velocemente, indica la presenza di drop frame. In questo caso controlla che l'SSD inserito sia incluso nella lista degli SSD consigliati, e che sia compatibile con il data rate selezionato.
<b>Arancione</b>	La spia si illumina di arancione in caso di errore, ad esempio se l'SSD non è compatibile, o non è stato formattato correttamente. Consulta la sezione "Archiviazione" per maggiori informazioni sulla formattazione, e per la lista completa di SSD compatibili.

**SUGGERIMENTO** Se il LED SSD indica un errore, potrebbe essere necessario formattare l'SSD su Mac o PC con l'utility disco.

## Aggiornare il software interno di URSA Mini Recorder

Utilizza l'utilità Blackmagic Camera Setup per aggiornare URSA Mini Recorder. Durante l'update è necessario alimentare il registratore. Consigliamo di collegarlo a URSA Mini Pro 12K, e la camera a una fonte di alimentazione esterna o a un pacco batteria per evitare interruzioni in fase di aggiornamento.

Connetti il computer a URSA Mini Recorder con un cavo USB-C e lancia l'utilità Blackmagic Camera Setup. Se il computer rileva una versione precedente, un messaggio suggerisce di aggiornare il software interno. Segui le istruzioni sullo schermo per aggiornarlo.

**NOTA** Per tutti i dettagli, consulta la sezione "Utilità Blackmagic Camera Setup".

**SUGGERIMENTO** Consigliamo di aggiornare tutta l'attrezzatura utilizzata con Blackmagic URSA per ottenere prestazioni ottimali.

# Assistenza

Il modo più veloce di ottenere assistenza e il materiale di supporto più recente è visitare la nostra pagina Supporto.

## Pagina di supporto online

L'ultima versione del manuale e del software e le note di supporto più recenti sono disponibili alla pagina [www.blackmagicdesign.com/it/support](http://www.blackmagicdesign.com/it/support)

## Contattare il team di supporto Blackmagic Design

Se il materiale di supporto online non risponde alle tue domande, clicca su **Inviaci una email** oppure **Trova un team di supporto** per contattare direttamente il team Blackmagic Design più vicino a te.

## Verificare la versione del software

Per verificare quale versione del software è installata sul computer, apri **About Blackmagic Camera Utility**.

- Su Mac, apri la cartella **Applicazioni** e seleziona **About Blackmagic Camera Utility** per scoprire il numero della versione installata.
- Su Windows, seleziona Blackmagic Camera dal menù **Start**. Clicca su **Help** e seleziona **About Blackmagic Camera Utility** per scoprire il numero della versione.

## Scaricare gli aggiornamenti

Dopo aver verificato la versione del software sul tuo computer, visita la pagina Supporto del nostro sito su [www.blackmagicdesign.com/it/support](http://www.blackmagicdesign.com/it/support) per scaricare gli aggiornamenti più recenti. È consigliabile non aggiornare il software se stai già lavorando a un progetto importante.

## Normative



### Smaltimento di apparecchiature elettriche ed elettroniche nell'Unione Europea

Questo simbolo indica che il dispositivo non deve essere scartato insieme agli altri rifiuti, ma consegnato a uno degli appositi centri di raccolta e riciclaggio. La raccolta e lo smaltimento differenziato corretto di questo tipo di apparecchiatura evita lo spreco di risorse e contribuisce alla sostenibilità ambientale e umana. Per tutte le informazioni sui centri di raccolta e riciclaggio, contatta gli uffici del tuo comune di residenza o il punto vendita presso cui hai acquistato il prodotto.



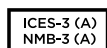
Questo dispositivo è stato testato e dichiarato conforme ai limiti relativi ai dispositivi digitali di Classe A, come indicato nella Parte 15 del regolamento FCC. Tali limiti sono stati stabiliti con lo scopo di fornire protezione ragionevole da interferenze dannose in ambienti commerciali. Questo dispositivo genera, usa e può irradiare energia a radiofrequenza e, se non è installato o usato in conformità alle istruzioni, può causare interferenze dannose che compromettono le comunicazioni radio. Operare questo dispositivo in ambienti residenziali può causare interferenze dannose, nella cui evenienza l'utente dovrà porvi rimedio a proprie spese.

Il funzionamento è soggetto alle due condizioni seguenti:

- 1 Questo dispositivo non deve causare interferenze dannose.
- 2 Questo dispositivo deve accettare eventuali interferenze ricevute, incluse le interferenze che possono causare un funzionamento indesiderato.



MSIP-REM-BMD-201511002  
MSIP-REM-BMD-201608001  
MSIP-REM-BMD-201703001  
R-R-BMD-201907006  
R-R-BMD-20200421001  
R-R-BMD-20200421002



### Dichiarazione ISED (Canada)

Questo dispositivo è conforme agli standard canadesi sui dispositivi digitali di Classe A.

Qualsiasi modifica o utilizzo del dispositivo al di fuori di quello previsto potrebbero invalidare la conformità a tali standard.

Questo dispositivo è stato testato per l'uso in ambienti commerciali.

### Bluetooth®

URSA Mini Pro è operabile tramite la tecnologia wireless Bluetooth.

Contiene il modulo di trasmissione FCC ID: QOQBGM113

Questo dispositivo rispetta i limiti di esposizione alle radiazioni negli ambienti non controllati dettati dalla FCC.

Contiene il modulo di trasmissione IC: 5123A-BGM113

Questo dispositivo rispetta la normativa di Industry Canada, che prevede l'esenzione di determinati standard RSS ed eccezioni da valutazioni SAR di routine secondo la normativa RSS-102 Issue 5.

Certificato per il Giappone con il numero: 209-J00204. Questo dispositivo contiene attrezzatura radio certificata secondo la *Technical Regulation Conformity Certification* ai sensi della legge sulle apparecchiature radio.

Certificato KC per la Corea del Sud con il numero: MSIP-CRM-BGT-BGM113

Blackmagic Design dichiara che URSA Mini Pro utilizza sistemi di trasmissione a banda larga ISM a 2,4 GHz, ai sensi della direttiva 2014/53/EU.

Per il testo integrale della dichiarazione di conformità alle direttive EU, contatta [compliance@blackmagicdesign.com](mailto:compliance@blackmagicdesign.com).

## Sicurezza

L'alimentatore da AC a DC 12V per URSA Mini e il cavo di alimentazione IEC per Studio Fiber Converter devono essere connessi a una presa di corrente con messa a terra.

Blackmagic URSA Mini, URSA Mini Pro e Blackmagic Camera Fiber Converter sono adatti all'uso nei luoghi tropicali con una temperatura ambiente non superiore ai 40°C, Blackmagic Studio Fiber Converter fino ai 50°C.

Lasciare uno spazio adeguato intorno a Studio Fiber Converter e Camera Fiber Converter per consentire sufficiente ventilazione. Se Studio Fiber Converter è installato su rack, assicurarsi che i dispositivi adiacenti non ostacolino la ventilazione.

Le parti all'interno di URSA Mini, URSA Mini Pro, Camera Fiber Converter, e Studio Fiber Converter non sono riparabili dall'utente. Contattare un centro assistenza Blackmagic Design per le operazioni di manutenzione.

### Dichiarazione dello Stato della California

Questo dispositivo può esporre l'utente a sostanze chimiche come il cromo esavalente, che nello Stato della California viene considerato causa di cancro e difetti alla nascita o altri difetti riproduttivi.

Per maggiori informazioni, visitare la pagina [www.P65Warnings.ca.gov](http://www.P65Warnings.ca.gov).

### Blackmagic URSA Mini e URSA Mini Pro

In condizioni di forte illuminazione, si consiglia di coprire il dispositivo per evitare che la camera e la batteria al litio siano esposte al sole per lunghi periodi. Mantenere le batterie al litio lontano dalle sorgenti di calore.

Il connettore DC 12V è adatto per alimentare URSA Viewfinder o URSA Studio Viewfinder. Se connesso ad altri accessori, assicurarsi che il consumo energetico non superi i 18W.



### Studio Fiber Converter

Per ridurre il rischio di scosse elettriche, evitare di esporre il dispositivo a gocce o spruzzi. Usare il dispositivo a un'altitudine non superiore a 2000 m sopra il livello del mare.

### Camera Fiber Converter

Utilizzare il dispositivo solo se connesso a Studio Fiber Converter. Quando in uso, il convertitore è progettato per ricevere alta tensione da Studio Fiber Converter.



# Garanzia

## Garanzia limitata

Blackmagic Design garantisce che questo prodotto è fornito privo di difetti nei materiali e nella manifattura per un periodo di un anno a partire dalla data d'acquisto. Durante il periodo di garanzia Blackmagic Design riparerà o, a sua scelta, sostituirà tutti i componenti che risultino difettosi esonerando il/la Cliente da costi aggiuntivi, purché i componenti vengano restituiti dal/la Cliente.

Per ottenere l'assistenza coperta dalla presente garanzia, il/la Cliente deve notificare Blackmagic Design del difetto entro il periodo di garanzia, e provvedere a organizzare il servizio di riparazione. Il/la Cliente è responsabile del costo di imballaggio e di spedizione del prodotto al centro di assistenza indicato da Blackmagic Design, con spese di spedizione prepagate. Il costo include spedizione, assicurazione, tasse, dogana, e altre spese pertinenti alla resa del prodotto a Blackmagic Design.

Questa garanzia perde di validità per danni causati da un utilizzo improprio, o da manutenzione e cura inadeguate del prodotto. Blackmagic Design non ha obbligo di assistenza e riparazione sotto garanzia per danni al prodotto risultanti da: a) precedenti tentativi di installazione, riparazione o manutenzione da personale non autorizzato, ovvero al di fuori del personale Blackmagic Design, b) precedenti usi impropri o tentativi di connessione ad attrezzatura incompatibile con il prodotto, c) precedenti tentativi di riparazione di guasti o malfunzionamento dovuti all'uso di parti o ricambi non originali Blackmagic Design, o d) precedenti modifiche o integrazione del prodotto ad altri prodotti, con il risultato di rendere la riparazione più difficoltosa o di allungare le tempistiche di eventuali ispezioni atte alla riparazione.

Esporre URSA Viewfinder alla luce diretta del sole può danneggiare il display, poiché le ottiche del viewfinder si comportano come una lente d'ingrandimento. È possibile che si verifichi una ritenzione di immagine o che l'immagine rimanga impressa sui pannelli OLED quando visualizzano immagini statiche o ad alto contrasto, per esempio le guide di inquadratura, per lunghi periodi. Per evitare questo problema, consigliamo di non coprire deliberatamente il sensore di movimento a infrarossi, e di disconnettere il viewfinder quando non è in uso per lunghi periodi. La ritenzione di immagine non è coperta dalla garanzia.

LA PRESENTE GARANZIA DI BLACKMAGIC DESIGN SOSTITUISCE QUALSIASI ALTRA GARANZIA, ESPLICITA O IMPLICITA. BLACKMAGIC DESIGN E I SUOI FORNITORI ESCLUDONO QUALSIASI ALTRA GARANZIA IMPLICITA DI COMMERCIALIZZABILITÀ O DI IDONEITÀ AD UN USO SPECIFICO. L'INTERA RESPONSABILITÀ DI BLACKMAGIC DESIGN DI RIPARARE O SOSTITUIRE I PRODOTTI DIFETTOSI DURANTE IL PERIODO DI GARANZIA È L'UNICO ED ESCLUSIVO RIMEDIO FORNITO AL/LA CLIENTE. BLACKMAGIC DESIGN NON SI ASSUME ALCUNA RESPONSABILITÀ PER QUALSIASI DANNO ARRECATO DI NATURA INDIRETTA, SPECIFICA, ACCIDENTALE O CONSEGUENZIALE, ANCHE QUALORA BLACKMAGIC DESIGN O IL FORNITORE FOSSERO STATI AVVERTITI DELLA POSSIBILITÀ DI TALI DANNI. BLACKMAGIC DESIGN NON SI ASSUME ALCUNA RESPONSABILITÀ PER QUALSIASI USO ILLEGALE DEL DISPOSITIVO DA PARTE DEL/LA CLIENTE. BLACKMAGIC DESIGN NON SI ASSUME ALCUNA RESPONSABILITÀ PER DANNI DERIVANTI DALL'USO DI QUESTO PRODOTTO. IL/LA CLIENTE UTILIZZA QUESTO PRODOTTO A PROPRIO RISCHIO.

© Copyright 2020 Blackmagic Design. Tutti i diritti riservati. *Blackmagic Design, URSA, DeckLink, HDLink, Workgroup Videohub, Multibridge Pro, Multibridge Extreme, Intensity e Leading the creative video revolution* sono marchi registrati negli Stati Uniti e in altri Paesi. Altri nomi di prodotti e aziende qui contenuti potrebbero essere marchi dei rispettivi proprietari.

Il nome, marchio e logo Bluetooth® sono registrati e appartengono a Bluetooth SIG, Inc. Qualsiasi uso da parte di Blackmagic Design di questi marchi registrati è sotto licenza. Altri nomi di prodotti e marchi registrati ivi contenuti appartengono ai rispettivi proprietari.



Manual de Instalação e Operação

# Blackmagic URSA Mini e URSA Mini Pro

Inclui Blackmagic URSA Viewfinder, URSA Studio Viewfinder, URSA Mini Shoulder Kit, URSA Mini Lens Mounts, Blackmagic Camera Fiber Converter, Studio Fiber Converter e URSA Mini Recorder.

Setembro 2020

Português





## Bem-vindo

Obrigado por adquirir uma Blackmagic URSA Mini!

Desde que lançamos nossa primeira câmera digital cinematográfica há alguns anos, temos sido privilegiados em receber algumas das melhores orientações e feedback que já recebemos para um produto novo! Todos crescemos admirando o trabalho dos melhores cinegrafistas e DOPs do mundo e tem sido uma honra passar horas conversando com esses especialistas lendários sobre os recursos que precisamos incluir nas nossas câmeras. Obviamente, todos com quem conversamos também têm boas ideias!

Com a URSA Mini, nós incluímos nossos incríveis sensores de alcance dinâmico incrivelmente amplo em um chassi de metal superpequeno, leve e resistente.

A elegante interface do usuário da URSA Mini foi desenvolvida para operadores únicos que precisam acessar todas as funções de suas câmeras com rapidez e facilidade, enquanto a integração extensiva ao switcher ATEM faz com que a impressionante qualidade de imagem desta câmera digital cinematográfica Super 35mm esteja disponível para estúdios de produções ao vivo. É possível até usar os Blackmagic Fiber Converters para conectar uma URSA Mini ao seu switcher de produção ao vivo com um único cabo de fibra SMPTE!

E o melhor, a URSA Mini está disponível com um sensor 4K, um sensor 4.6K com ainda mais alcance dinâmico ou o revolucionário sensor 12K. Também levamos operadores únicos em consideração quando desenvolvemos o nosso Blackmagic URSA Viewfinder, que é perfeito quando você precisa de mais precisão e para filmagens no ombro.

A URSA Mini Pro oferece uma qualidade de imagem ainda melhor, com mais recursos, incluindo controles ergonômicos, encaixes de lentes intercambiáveis e filtros ND internos. Caso conheça as câmeras UPJ, acreditamos que você achará esses controles ergonômicos e os filtros ND integrados extremamente eficazes. Também nos orgulhamos de apresentar o nosso codec Blackmagic RAW, que oferece a flexibilidade do processamento RAW em um único arquivo, possibilitando um aumento substancial do desempenho com tamanhos de arquivo reduzidos, mesmo ao lidar com as imagens poderosas da Blackmagic URSA Mini Pro 12K.

Esperamos que você utilize sua URSA Mini ou URSA Mini Pro para produzir alguns dos filmes e programação de televisão, clipes musicais e comerciais mais emocionantes do mundo! Estamos extremamente ansiosos para conferir os trabalhos criativos você realizará e receber seu feedback sobre quais novos recursos você gostaria de ver acrescentados à sua URSA!

**Grant Petty**

Diretor Executivo da Blackmagic Design

# Índice

<b>Qual câmera você está usando?</b>	2625	Tela de Toque	2692
URSA Mini Pro	2626	Recursos da Tela de Toque	2692
URSA Mini	2627	<b>Configurações</b>	2714
<b>Instruções Preliminares</b>	2627	Painel de Controle	2714
Encaixar uma Lente	2627	Configurações de Gravação	2715
Ligar Sua Câmera	2631	Convenção de Nomeação de Arquivos	2721
<b>Mídias de Armazenamento</b>	2634	Configurações de Monitoramento	2722
Cartões CFast	2634	Configurações de Áudio	2731
Cartões SD	2638	Configurações de Áudio – URSA Mini	2731
Unidades Flash USB-C	2643	Configurações de Áudio – URSA Mini Pro	2733
SSDs	2645	Ajustar Configurações	2735
Preparar Mídias para Gravação	2647	Predefinições	2749
Preparar Mídias na Blackmagic URSA Mini	2647	LUTs	2751
Preparar Mídias na Blackmagic URSA Mini Pro	2649	<b>Inserção de Metadados</b>	2755
Preparar Mídias no Mac	2650	<b>Usar Lentes Servo Zoom</b>	2761
Preparar Mídias no Windows	2651	<b>Saída de Vídeo da Câmera</b>	2764
<b>Gravação</b>	2652	Saída de Monitoramento HD	2764
Gravar Clipes	2652	Saída 12G-SDI	2764
Selecionar Codec, Resolução e Área do Sensor	2652	<b>URSA Mini Shoulder Mount Kit</b>	2766
Blackmagic RAW	2654	<b>Blackmagic URSA Viewfinder</b>	2770
Gravar com Blackmagic RAW	2655	Encaixar e Conectar à Blackmagic URSA	2770
Selecionar Taxas de Quadro	2657	Ajustar o Visor Ocular	2771
Disparo de Gravação	2661	Botões de Recursos	2771
Tabelas de Duração de Gravações	2662	Menu de Configurações	2772
Tabelas de Taxas de Dados da URSA Mini Pro 12K	2665	<b>Blackmagic URSA Studio Viewfinder</b>	2777
<b>Reprodução</b>	2668	Encaixar e Conectar à Blackmagic URSA Mini	2778
<b>Introdução à URSA Mini</b>	2670	Ajustar o Blackmagic URSA Studio Viewfinder	2780
Frente da Câmera	2670	Botões de Recursos	2783
Lado Esquerdo – URSA Mini	2671	Menu de Configurações	2785
Lado Esquerdo – URSA Mini Pro	2671	<b>Encaixar Baterias</b>	2790
Lado Direito	2673	Encaixar Baterias de Montagem V ou Gold	2790
Painel Traseiro	2674	Usar Sua Própria Placa Adaptadora de Bateria	2791
Painel Superior	2676	<b>Blackmagic Fiber Converters</b>	2793
Parte Inferior	2676	<b>Instruções Preliminares</b>	2794
<b>Controles URSA Mini</b>	2677	Sobre a Fibra SMPTE	2794
Botões de Controle	2677	Conectar Fibra SMPTE	2796
<b>Botões de Controle URSA Mini Pro</b>	2680	Conectar a um Switcher ATEM	2799
Painel de Controle Frontal	2680	Por que as Conexões São Frontais?	2800
Painel de Controle Ergonômico	2684	Conectar SDI de Câmera	2801
Painel de Controle Interno	2689		
<b>Controles da Tela de Toque</b>	2692		

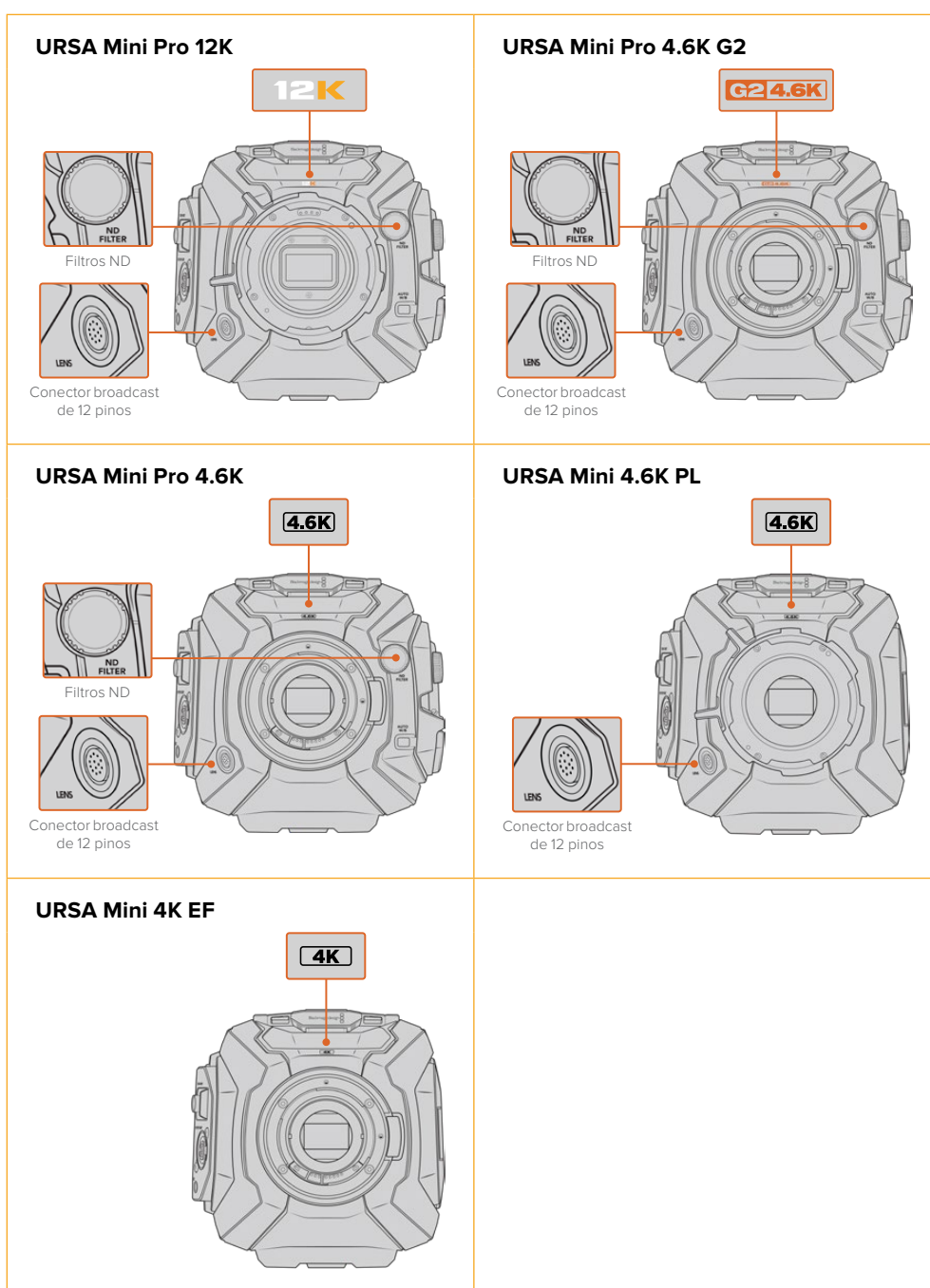
Conectar Saídas de Retorno SDI	2801	Adicionar Clipes à Linha de Tempo	2844
Montar o Blackmagic Camera Fiber Converter	2801	Editar Clipes na Linha de Tempo	2845
Encaixar o URSA Studio Viewfinder	2804	Adicionar Títulos	2845
Plugar um Headset de Intercomunicação	2804	Trabalhar com Arquivos Blackmagic RAW	2846
<b>Operar o Camera Fiber Converter</b>	2805	Corrigir Cores dos seus Clipes com a Página Cor	2849
Selecionar uma Alimentação de Retorno	2805	Adicionar uma Power Window	2853
Usar o botão Call	2806	Usar Plug-ins	2854
Usar Intercomunicação	2806	Mixagem de Áudio	2855
Usar Sinalização	2807	Adicionar VFX e Composições na Página Fusion	2860
Indicadores de Status	2807	Masterizar Sua Edição	2868
Entradas de Áudio	2808	Exportação Rápida	2868
Vídeo IP	2809	Página Entrega	2869
Especificações de Alimentação	2809	<b>Como Utilizar o Controle de Câmera de Estúdio</b>	2870
Controles de Câmera Adicionais	2810	Usar o Controle de Câmera	2871
<b>Operar Studio Fiber Converter</b>	2811	Corretor Primário de Cores DaVinci Resolve	2877
Usar Menu	2812	<b>Blackmagic Camera Setup Utility</b>	2880
Montar Unidade de Estúdio em Rack	2815	<b>Trabalhar com Software de Terceiros</b>	2882
<b>Conexões da Unidade de Câmera</b>	2819	Trabalhar com Arquivos de cartões CFast 2.0 e SD	2882
Conexão de Alimentação de Câmera	2819	Trabalhar com Arquivos de SSDs	2883
Interface PTZ	2819	Usar Final Cut Pro X	2883
Conexão para Intercomunicação	2820	Usar Avid Media Composer 2018	2884
Interface de Rastreamento	2821	Usar Adobe Premiere Pro CC	2885
Conexão DC	2821	<b>Informações para Desenvolvedores</b>	2886
Saída D-Tap	2822	Blackmagic Bluetooth Camera Control	2886
Saída de Referência e Operação	2822	Blackmagic SDI and Bluetooth Camera Control Protocol	2888
<b>Conexões da Unidade de Estúdio</b>	2823	Example Protocol Packets	2895
Saída 12G-SDI	2823	Blackmagic Tally Control Protocol	2895
Entradas de Retorno SDI	2823	<b>Blackmagic URSA Mini B4 Mount</b>	2898
Entrada e Saída de Sincronização	2824	<b>Adaptadores para Montagem de Lentes</b>	2900
Interface de Comunicação	2824	Adaptar URSA Mini PL	2900
Interface PTZ	2826	Adaptar URSA Mini Pro	2902
Saídas de Áudio	2826	<b>URSA Mini Recorder</b>	2903
<b>Atualizar o Software Interno</b>	2827	Fixar e Conectar o URSA Mini Recorder	2904
Atualizar o Blackmagic Camera Fiber Converter	2827	Usar URSA Mini Recorder	2906
Atualizar o Blackmagic Studio Fiber Converter	2827	Atualizar o Software Interno do URSA Mini Recorder	2907
<b>Encaixe de Lentes Intercambiável</b>	2828	<b>Ajuda</b>	2908
Blackmagic URSA Mini Pro PL Mount	2830	<b>Informações Regulatórias</b>	2909
Blackmagic URSA Mini Pro F Mount	2832	<b>Informações de Segurança</b>	2910
Blackmagic URSA Mini Pro EF Mount	2835	<b>Garantia</b>	2911
Blackmagic URSA Mini Pro B4 Mount	2837		
Blackmagic URSA Mini Pro Shim Kit	2839		
<b>Como Utilizar o DaVinci Resolve</b>	2840		
Gerente de Projetos	2840		
Editar com a Página Corte	2841		

# Qual câmera você está usando?

Enquanto você lê este manual, perceberá que um recurso ocasionalmente será específico para um determinado modelo das câmeras Blackmagic URSA Mini. Todas as câmeras URSA Mini produzem imagens de amplo alcance dinâmico incríveis e compartilham o mesmo chassi básico. Contudo, há algumas diferenças entre os diferentes modelos.

## Os modelos disponíveis são:

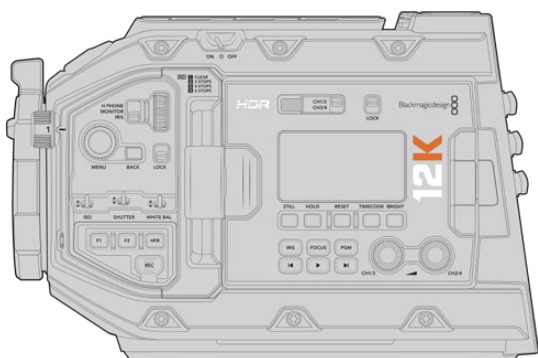
- URSA Mini Pro 12K
- URSA Mini Pro 4.6K G2
- URSA Mini Pro 4.6K
- URSA Mini 4.6K
- URSA Mini 4K



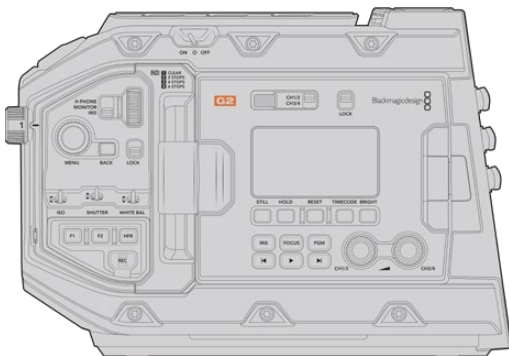
## URSA Mini Pro

A URSA Mini Pro 12K é fornecida com um encaixe PL, enquanto a URSA Mini Pro 4.6K G2 e a URSA Mini Pro 4.6K são fornecidas com um encaixe EF. Você pode trocar o encaixe de lentes em todas as câmeras URSA Mini Pro para que aceitem outros tipos de lentes. Para mais informações sobre o encaixe intercambiável de lentes, consulte a seção 'Encaixe de Lentes Intercambiável'.

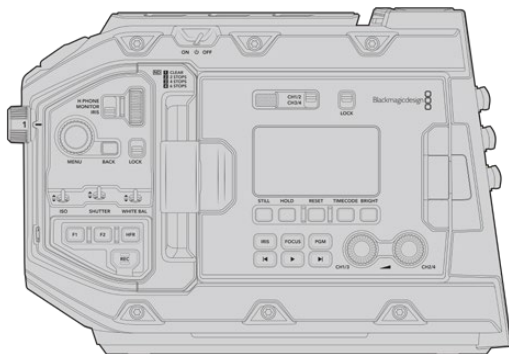
A URSA Mini Pro é fácil de reconhecer pelos botões de controle adicionais e a tela LCD de status no lado esquerdo do chassi, assim como pelos filtros ND próximos ao encaixe de lente. A URSA Mini Pro 4.6K G2 também possui um símbolo 'G2 4.6K' laranja na parte frontal acima do encaixe de lente e um símbolo 'G2' laranja no lado esquerdo do painel de controle externo. Naturalmente, os botões de controle adicionais significam que você terá opções diferentes para controlar sua câmera e alterar configurações. Ao lado do painel de controle externo da URSA Mini Pro 12K há um ícone "12K" e um ícone "HDR". O painel traseiro da URSA Mini Pro 12K possui um conector para fones de ouvido no canto superior direito, acima das portas SDI; e uma porta USB-C está localizada no canto inferior direito, abaixo do conector de alimentação de 12 V.



URSA Mini Pro 12K, lado esquerdo



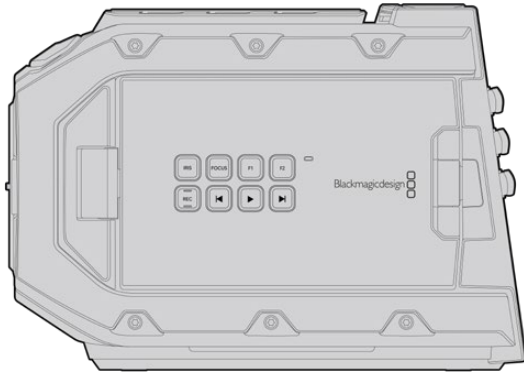
URSA Mini Pro 4.6K G2, lado esquerdo.



URSA Mini Pro 4.6K, lado esquerdo.

## URSA Mini

Com exceção dos sensores utilizados, os modelos URSA Mini 4K e 4.6K são praticamente idênticos. Os botões de controle e os menus do software são organizados da mesma maneira e a operação das câmeras é essencialmente a mesma. Você simplesmente encontrará mais opções de resolução nas câmeras usando o sensor 4.6K e uma maior variedade de configurações ISO. Uma maneira fácil de saber qual é o sensor da sua câmera é procurar por um ícone '4K' ou '4.6K' acima do encaixe de lente.



URSA Mini, lado esquerdo.

Também cabe ressaltar que as câmeras URSA Mini estão disponíveis com encaixes de lente EF e PL. Uma maneira rápida de saber diferenciar entre os dois encaixes é a presença de um conector broadcast de 12 pinos próximo ao encaixe de lente nos modelos PL e, obviamente, os próprios encaixes se você estiver familiarizado com os sistemas EF e PL. Consulte a seção 'Instruções Preliminares' para mais informações sobre estes encaixes.

Agora que você sabe como identificar os diferentes modelos URSA Mini, você pode começar a usar sua câmera!

## Instruções Preliminares

Começar a usar a sua Blackmagic URSA Mini é tão simples quanto encaixar o punho lateral, montar uma lente e ligar sua câmera.

### Encaixar uma Lente

O processo de encaixe de uma lente à sua câmera é o mesmo para todos os modelos URSA Mini, mas os encaixes EF, PL, B4 e F funcionam de maneiras ligeiramente diferentes. Em todos os casos, o primeiro passo é remover a capa de proteção antipoeira.

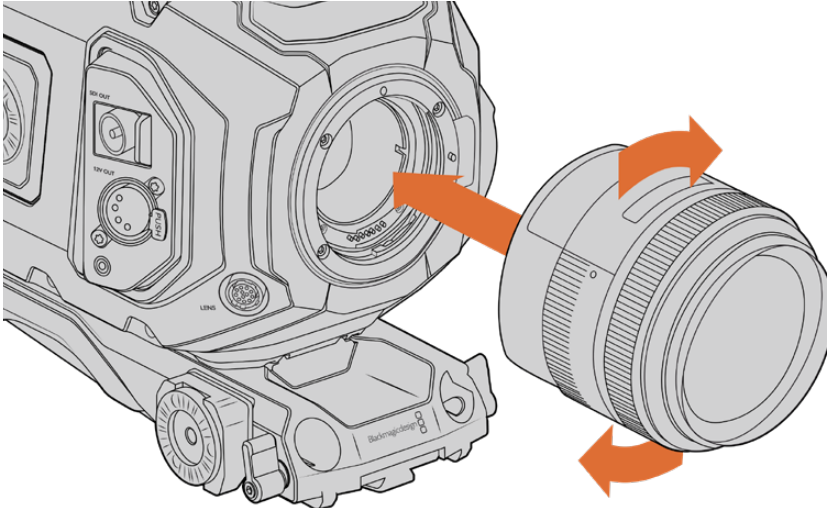
Para remover a capa de proteção antipoeira do encaixe de lente EF, segure o botão de travamento e gire a capa no sentido anti-horário até que ela se solte. Para as lentes de montagem PL e B4, gire o anel de travamento no sentido anti-horário e retire a capa de proteção antipoeira do encaixe. Para o encaixe F, segure o botão de travamento e gire a capa no sentido horário até que ela se solte.

**OBSERVAÇÃO** A Blackmagic URSA Mini Pro 4.6K inclui um encaixe de lentes intercambiável compatível com lentes de montagem EF, PL, B4 e F, assim como encaixes de lente adicionais com acessórios. Para mais informações sobre como alternar os tipos de encaixe para a URSA Mini Pro, consulte a seção 'Encaixe de Lentes Intercambiável' neste manual.



**DICA** A URSA Mini Pro 12K é fornecida com um encaixe de lentes PL. Outras câmeras URSA Mini Pro saem da caixa prontas para uso com lentes EF. Para começar a filmar imediatamente, basta encaixar uma lente conforme explicado em seguida.

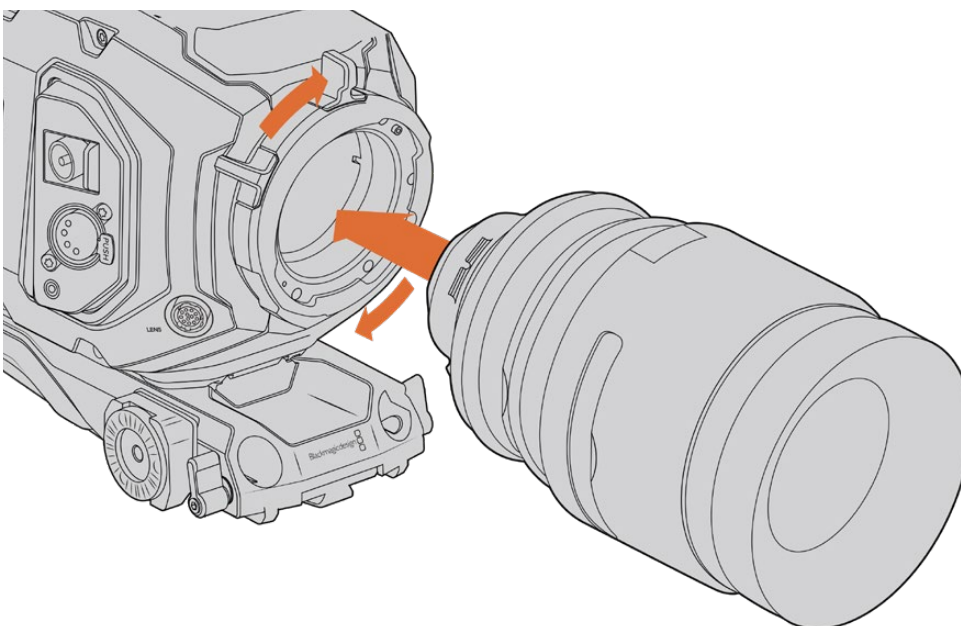
#### Como encaixar uma lente de montagem EF:



Encaixar e remover um encaixe de lente EF na Blackmagic URSA Mini EF.

- 1** Alinhe o símbolo de montagem da sua lente com o ponto de montagem do encaixe da câmera. Muitas lentes possuem um indicador visual, por exemplo, um ponto azul, vermelho ou branco.
- 2** Insira a lente no encaixe e gire-a no sentido anti-horário até que ela trave no lugar.
- 3** Para remover a lente, segure o botão de travamento, gire a lente no sentido anti-horário até que seu ponto ou símbolo de montagem alcance a posição de 12 horas e remova-a cuidadosamente.

#### Como encaixar uma lente de montagem PL:

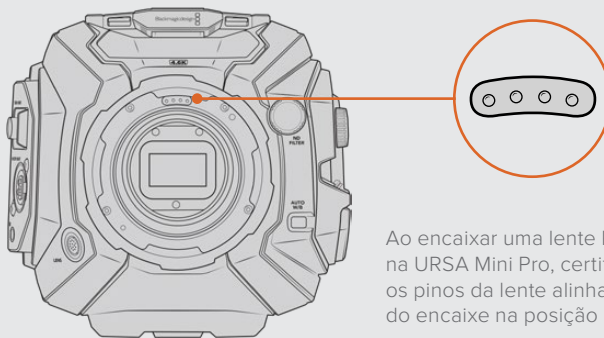


Encaixando e removendo uma lente na Blackmagic URSA Mini PL e URSA Mini Pro 12K.

- 1 Abra o anel de travamento PL da sua câmera girando-o no sentido anti-horário até que ele pare.
- 2 Alinhe um dos quatro entalhes na saia da lente com o pino de localização no encaixe da câmera. Certifique-se de alinhar a lente para visualizar suas marcações de lente com facilidade.
- 3 Aperte o anel de travamento PL ao girá-lo no sentido horário. Caso esteja encaixando uma lente PL com uma unidade servo na URSA Mini PL ou URSA Mini Pro, você também pode encaixar o conector broadcast de 12 pinos para controle do servo.
- 4 Para remover a lente, gire o anel de travamento no sentido anti-horário até que ele pare, depois remova a lente cuidadosamente, puxando-a diretamente do corpo da câmera. Não é necessário girar a lente.

### URSA Mini Pro PL Mount

O encaixe PL da URSA Mini Pro inclui quatro pinos na posição das 12 horas que são usados para comunicar com lentes incluindo a interface Cooke/iTechnology. As lentes com suporte para esta interface incluem Canon, Cooke, Fujinon, Leica e Zeiss. Isto permite gravar as informações de lente nos metadados dos seus clipes, como o modelo de lente, distância focal, configuração da abertura, distância de foco e outras informações de lente específicas.



Ao encaixar uma lente PL com /i Technology na URSA Mini Pro, certifique-se de que os pinos da lente alinhem-se aos pinos do encaixe na posição de 12 horas.

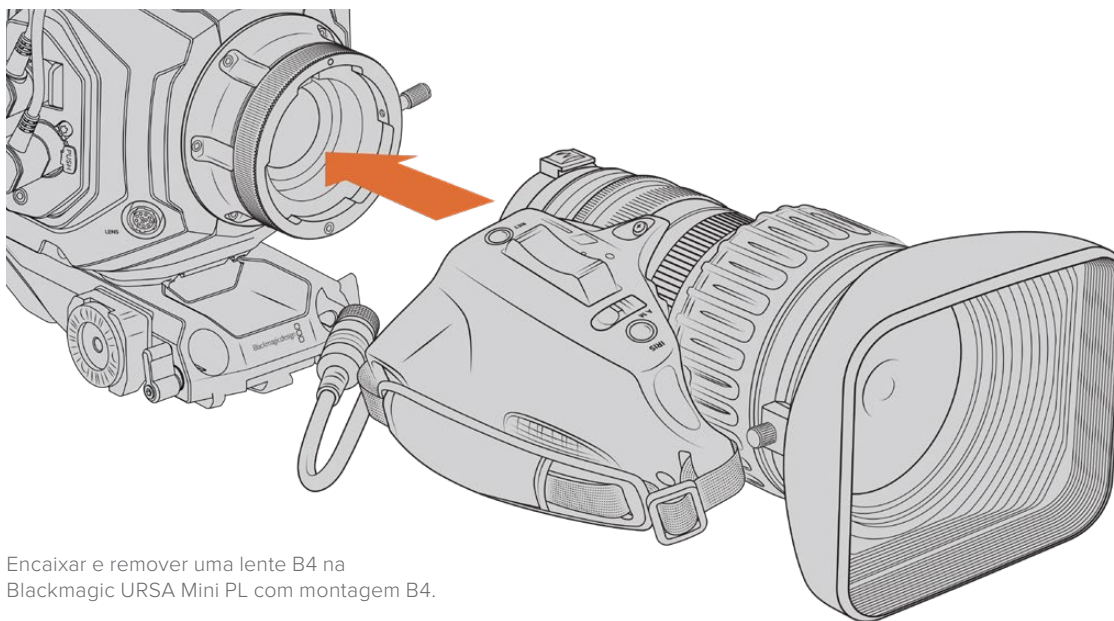
As informações que são gravadas como metadados através da interface Cooke/i Technology podem ser bastante úteis na pós-produção e efeitos visuais. Identificar a lente usada na produção e suas configurações precisas pode ajudar caso uma reprodução exata da configuração seja necessária posteriormente.

Essas informações detalhadas também podem ser utilizadas por aplicativos potentes, como o DaVinci Resolve e o Blackmagic Fusion para uma variedade de funções avançadas. Por exemplo, os metadados gravados podem ser usados para simular a lente específica em uma área de trabalho 3D ou corrigir aberrações da lente.

A URSA Mini Pro e a URSA Mini PL incluem suporte para o controle de lentes PL 35mm com servo nos punhos laterais. Quando a lente é encaixada ao conector broadcast de 12 pinos da câmera, a URSA Mini fornecerá a alimentação e os sinais de controle para a sua lente da mesma forma que faz com as lentes B4. Para mais informações, consulte a seção 'Usar Lentes Servo Zoom' neste manual.

**OBSERVAÇÃO** Quando não houver uma lente encaixada na câmera, o filtro de vidro cobrindo o sensor estará exposto à poeira e outros resíduos. Mantenha a proteção antipoeira no sensor da câmera sempre que possível.

### Como encaixar uma lente de montagem B4:

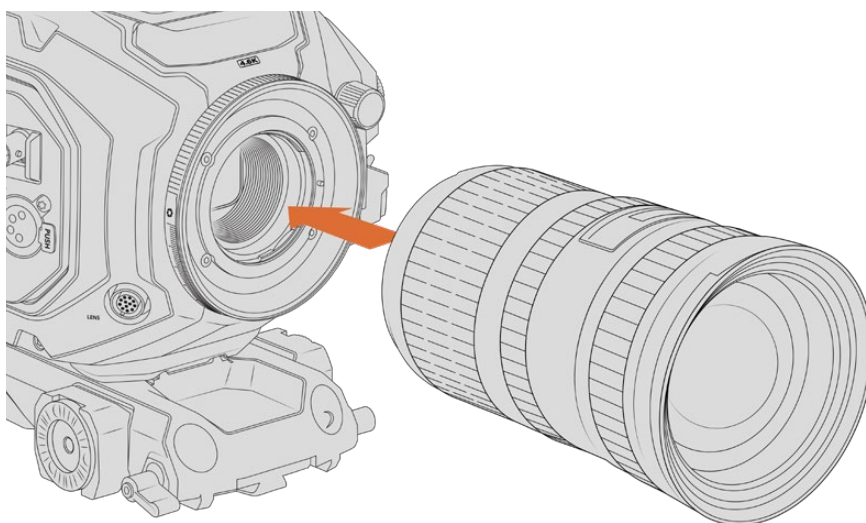


Encaixar e remover uma lente B4 na Blackmagic URSA Mini PL com montagem B4.

- 1** Gire o anel de travamento da lente B4 no sentido anti-horário para expor o compartimento de alinhamento na parte superior interna do encaixe. Alinhe a lente B4 ao encaixe B4 da sua URSA Mini para que o pino de alinhamento no encaixe da lente corresponda à posição do compartimento.
- 2** Segure a lente contra o encaixe B4 até que as placas de montagem fiquem contrapostas. Certifique-se que o pino de alinhamento esteja preso ao interior da brecha.
- 3** Gire o anel de travamento no sentido horário para fixar a lente no encaixe e travá-la em posição.
- 4** Para alimentar e controlar a lente, basta conectar o cabo da lente no conector demarcado 'Lens' na frente da torre da sua URSA Mini PL ou URSA Mini Pro. A maioria das lentes B4 possuirá o conector de 12 pinos e o cabo integrados. Eles fornecerão a alimentação e os sinais de controle da sua URSA Mini para a lente.

Para informações sobre os tipos de lentes B4 e como usá-las com sua câmera, consulte a seção 'Usar Lentes Servo Zoom' deste manual.

### Como encaixar uma lente de montagem F:



Encaixar e remover uma lente de montagem F na Blackmagic URSA Mini Pro 4.6K com o encaixe F opcional fixado.

- 1 Alinhe o símbolo de montagem da sua lente com o ponto de montagem do encaixe da câmera. Muitas lentes possuem um indicador visual como, por exemplo, um ponto azul, vermelho ou branco.
- 2 Insira a lente no encaixe e gire-a no sentido anti-horário até que ela trave no lugar.
- 3 Para remover a lente, segure o botão de travamento, gire a lente no sentido anti-horário até que seu ponto ou símbolo de montagem alcance a posição de 2 horas e remova-a cuidadosamente.

**OBSERVAÇÃO** O Blackmagic URSA Mini Pro F Mount oferece um ajustador de íris mecânico. Para utilizar lentes de montagem F mais antigas com anéis de foco integrados neste encaixe, será necessário configurar e fixar a abertura da sua lente na sua menor configuração, como f/22. Para mais informações sobre o ajuste da abertura com o ajustador de íris manual do Blackmagic URSA Mini Pro F Mount, consulte a seção 'Blackmagic URSA Mini Pro F Mount' deste manual.

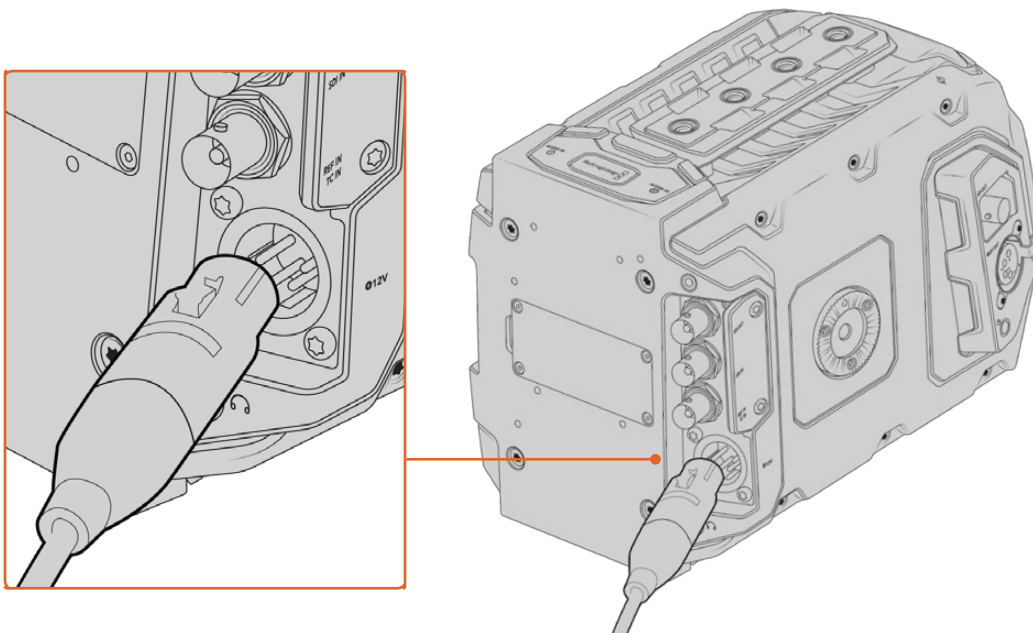
## Ligar Sua Câmera

Agora que você encaixou uma lente, você precisará fornecer energia. A melhor maneira de alimentar sua câmera é conectar a alimentação externa usando o adaptador AC/DC 12 V incluído.

### Como conectar a alimentação externa:

- 1 Conecte o adaptador AC para DC de 12 V na tomada.
- 2 Encaixe o conector XLR de 4 pinos do adaptador AC para DC 12 V ao conector de alimentação DC 12-20 V da câmera.

Caso tenha alimentação externa e bateria conectadas, apenas a alimentação externa será utilizada. Caso remova a alimentação externa enquanto uma bateria carregada estiver conectada, sua câmera alternará para a alimentação por bateria sem interrupção.



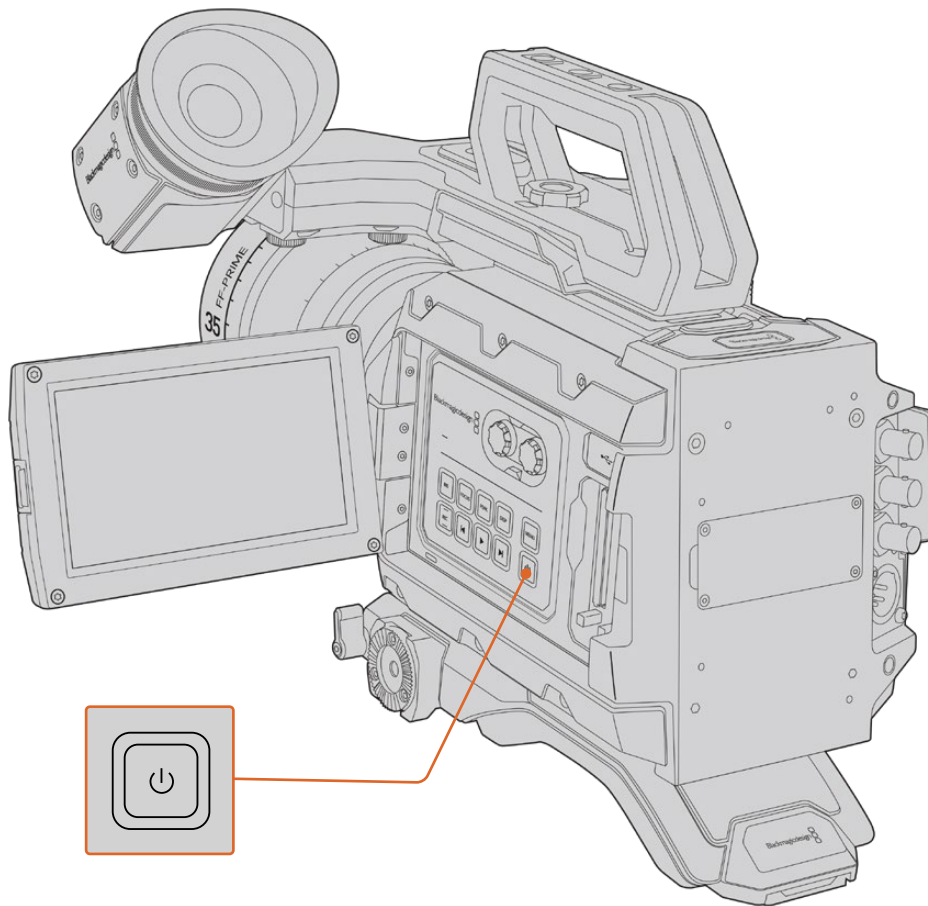
Utilize o adaptador AC/DC 12V incluído para alimentar sua Blackmagic URSA Mini.

Você pode usar baterias externas padrão da indústria, como as baterias de montagem V ou Gold com sua URSA Mini. Consulte a seção 'Encaixar Baterias' para mais informações sobre a montagem de diferentes placas adaptadoras com suporte para diversas baterias.

### Como ligar a URSA Mini:

- 1 Pressione e solte o botão de alimentação. Na Blackmagic URSA Mini, o botão de alimentação fica localizado no painel de controle atrás da tela LCD desdobrável. Basta abrir o LCD para acessar o painel de controle.
- 2 Pressione e segure o botão de alimentação para desligar sua câmera.

Agora você está pronto para inserir cartões CFast 2.0 e começar a gravar!



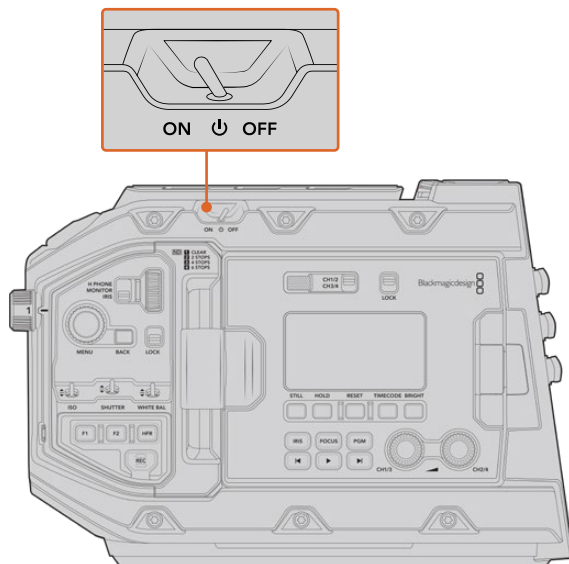
Para ligar sua URSA Mini, abra a tela de toque LCD dobrável, então pressione e solte o botão de alimentação no painel de controle. Pressione e segure para desligar.

**DICA** Ao ligar a câmera, certifique-se de apertar e soltar o botão rapidamente. Sua câmera levará aproximadamente 10 segundos para se inicializar, mas não há necessidade de pressionar o botão novamente. Ao desligar, pressione e segure o botão até que a câmera desligue.



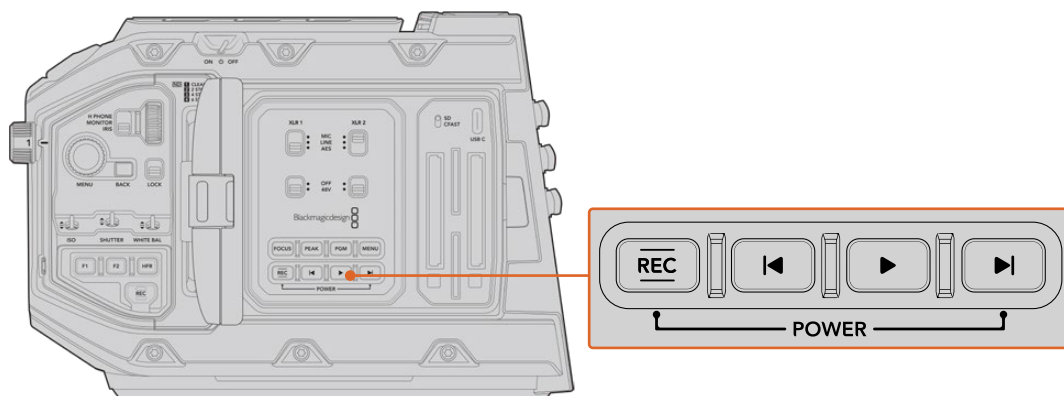
## Como ligar a URSA Mini Pro:

- 1 Na Blackmagic URSA Mini Pro, uma chave de alimentação também está localizada em cima da tela LCD desdobrável. Mova a chave para a posição “On” para ligar sua câmera.
- 2 Para desligar a câmera, mova a chave para a posição “Off”.



Mova a chave de alimentação para a posição “On” para ligar sua câmera.

A URSA Mini Pro também inclui uma chave de alimentação redundante, o que permite que a câmera seja ligada e desligada ao segurar os botões “Rec” e “Avançar” no painel de controle interno. Mesmo que você normalmente não ligue sua câmera usando este método, ele é uma alternativa útil caso a chave de alimentação na parte superior da câmera seja obstruída, por exemplo, quando a câmera estiver montada em um rig personalizado.



Caso necessário, você pode segurar os botões de gravação e avanço no painel de controle atrás da tela LCD para ligar ou desligar sua câmera.

**DICA** Caso sua URSA Mini Pro seja desligada enquanto a chave de alimentação estiver definida como “On”, sua câmera pode ter sido desligada através do controle *Bluetooth*® ou ao pressionar e segurar os botões de gravação e avanço no painel de controle. Basta alternar a chave de alimentação para “Off” e “On” ou segurar os botões do painel de controle relevantes para ligar a câmera.

# Mídias de Armazenamento

A sua câmera Blackmagic URSA Mini possui uma série de opções de armazenamento. Todas as câmeras URSA Mini utilizam cartões CFast 2.0 para gravar vídeos. As câmeras URSA Mini Pro também podem gravar vídeos usando cartões SD UHS-II e UHS-I rápidos.

A URSA Mini Pro G2 possui uma porta USB-C 3.1 de primeira geração e a URSA Mini Pro 12K possui uma porta USB-C 3.1 de segunda geração para gravação em unidades flash de alta velocidade ou unidades de estado sólido, ou SSDs, de alta capacidade, usando o URSA Mini Recorder opcional.

**OBSERVAÇÃO** O URSA Mini Recorder foi desenvolvido para utilização com a URSA Mini Pro 12K e é compatível com a URSA Mini Pro 4.6K G2. Ele não é compatível com os modelos URSA Mini Pro 4.6K, URSA Mini 4.6K e URSA Mini 4K. Para mais informações sobre como conectar o URSA Mini Recorder à sua câmera, consulte a seção 'Utilizar o URSA Mini Recorder'.

## Observações Importantes Sobre Velocidades de Mídias

As velocidades de gravação e leitura publicadas pelos fabricantes das mídias de gravação frequentemente se baseiam em velocidades máximas para arquivos pequenos, como imagens estáticas, e não refletem adequadamente as velocidades de gravação para um fluxo contínuo de vídeo de alta velocidade.

Todos os cartões na lista abaixo foram exaustivamente testados pela Blackmagic para a URSA Mini. Para assegurar gravações confiáveis nas taxas de quadro desejadas, utilize apenas os cartões recomendados pela Blackmagic Design.

## Cartões CFast

Os cartões CFast 2.0 têm capacidade para suportar taxas de dados muito altas, sendo perfeitos para gravação de vídeos HD e 4K em taxas de quadro elevadas. Consulte a tabela de duração de gravações na seção 'Gravação' para os detalhes sobre as taxas de quadro máximas de gravação para cada formato.

**OBSERVAÇÃO** Geralmente, os cartões CFast 2.0 são de alta velocidade, mas alguns cartões têm velocidades de gravação reduzidas se comparadas às velocidades de leitura, e as taxas de dados máximas podem variar entre modelos. Para assegurar gravações confiáveis nas taxas de quadro desejadas, utilize apenas os cartões constando nesta seção.

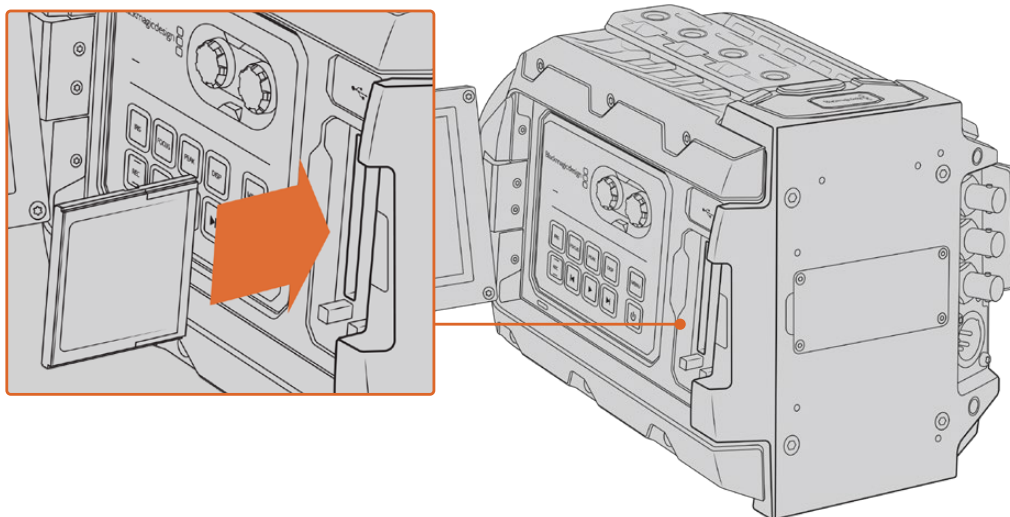
## Inserir um Cartão CFast

Caso esteja usando a URSA Mini Pro, sua câmera pode gravar em cartões CFast ou SD. Para gravar usando cartões CFast, é necessário configurar sua câmera adequadamente. Para fazer isto, ajuste a chave de mídias de armazenamento acima dos compartimentos de mídia na posição "CFAST".

### Como inserir um cartão CFast:

- 1 Abra o monitor desdobrável para acessar os compartimentos CFast.
- 2 Insira o cartão CFast no compartimento para cartão CFast até senti-lo travar no lugar. O cartão deve ser inserido com facilidade, sem necessidade de força excessiva. Aperte o botão ejetor de cartões CFast para ejetar o cartão.

As informações de armazenamento na parte inferior da tela de toque LCD demonstrarão o nome e o tempo de gravação restante dos cartões CFast detectados.



A Blackmagic URSA Mini tem dois compartimentos CFast para gravação contínua.

### Escolher um Cartão CFast 2.0

Ao trabalhar com vídeos com taxas de dados elevadas, é importante verificar qual é o cartão CFast de sua preferência com cautela. Isso é necessário porque os cartões CFast 2.0 possuem diferentes velocidades de leitura e gravação. A tabela abaixo identifica os cartões CFast recomendados para uso.

#### Quais cartões CFast devo usar com a Blackmagic URSA Mini Pro 12K?

Os seguintes cartões CFast 2.0 são recomendados para gravações DCI 12K em Blackmagic RAW 18:1 a até 60 quadros por segundo; e DCI 8K em Blackmagic RAW 8:1 a até 60 quadros por segundo.

Marca	Nome do Cartão	Armazenamento
Angelbird	AV Pro CF	128GB
Angelbird	AV Pro CF	256GB
Angelbird	AV Pro CF	512GB
Angelbird	AV Pro CF	1TB
ExAscend	Essential	512GB
ExAscend	Essential	1TB
FreeTail	Evoke Pro 3700x	128GB
FreeTail	Evoke Pro 3700x	256GB
FreeTail	Evoke Pro 3700x	512GB
FreeTail	Evoke Pro 3700x	1TB



Marca	Nome do Cartão	Armazenamento
KomputerBay	x3400 CFast 2.0	128GB
ProGrade Digital	550MB/s CFast 2.0	256GB
ProGrade Digital	550MB/s CFast 2.0	512GB
SanDisk	Extreme Pro CFast 2.0 SDCFSP-128G-x46D	128GB
Wise	CFast 2.0 3400x	256GB
Wise	CFast 2.0 3500x	512GB
Wise	CFast 2.0 3500x	1TB

### Quais cartões CFast devo usar com as câmeras Blackmagic URSA Mini e URSA Mini Pro?

Os seguintes cartões CFast 2.0 são recomendados para gravações 4.6K de Blackmagic RAW 3:1 a até 60 fps.

Marca	Nome do Cartão	Armazenamento
Angelbird	AV Pro CF	128GB
Angelbird	AV Pro CF	256GB
Angelbird	AV Pro CF	512GB
Angelbird	AV Pro CF	1TB
CinediskPro	510MB/s CFast 2.0	256GB
FreeTail	Evoke Pro 3700x	128GB
FreeTail	Evoke Pro 3700x	256GB
FreeTail	Evoke Pro 3700x	512GB
FreeTail	Evoke Pro 3700x	1TB
Hagiwara Solutions	CFast 2.0 DC-SMAN64GA	64GB
Hagiwara Solutions	CFast 2.0 DC-SMANA1GA	128GB
KomputerBay	3600x CFast 2.0 Card	64GB
ProGrade Digital	550MB/s CFast 2.0	64GB
ProGrade Digital	550MB/s CFast 2.0	128GB
ProGrade Digital	550MB/s CFast 2.0	256GB
ProGrade Digital	550MB/s CFast 2.0	512GB
SanDisk	Extreme Pro CFast 2.0 SDCFSP-128G-x46D	128GB
SanDisk	Extreme Pro CFast 2.0 SDCFSP-256G-x46D	256GB
SanDisk	Extreme Pro CFast 2.0 SDCFSP-512G-x46D	512GB
Sony	CFast 2.0 G Series CAT-G64	64GB
Sony	CFast 2.0 G Series CAT-G128	128GB

<b>Marca</b>	<b>Nome do Cartão</b>	<b>Armazenamento</b>
Transcend	CFX650 CFast 2.0 TS128GCFX650	128GB
Transcend	CFX650 CFast 2.0 TS256GCFX650	256GB
Transcend	CFX650 CFast 2.0 TS128GCFX650BM	128GB
Transcend	CFX650 CFast 2.0 TS256GCFX650BM	256GB
Wise	CFast 2.0 3400x	256GB
Wise	CFast 2.0 3500x	512GB

Os seguintes cartões CFast 2.0 são recomendados para gravações 2160p em ProRes 422 HQ a até 60 fps.

<b>Marca</b>	<b>Nome do Cartão</b>	<b>Armazenamento</b>
Angelbird	AV Pro CF	128GB
Angelbird	AV Pro CF	256GB
Angelbird	AV Pro CF	512GB
Angelbird	AV Pro CF	1TB
Angelbird	AV Pro CF XT	256GB
Angelbird	AV Pro CF XT	512GB
CinediskPro	510MB/s CFast 2.0	256GB
Hagiwara Solutions	DC-SMAN64GA	64GB
Hagiwara Solutions	DC-SMANA1GA	128GB
KomputerBay	3600x CFast 2.0 Card	64GB
KomputerBay	3700x CFast 2.0 Card	256GB
ProGrade Digital	550MB/s CFast 2.0	128GB
ProGrade Digital	550MB/s CFast 2.0	256GB
ProGrade Digital	550MB/s CFast 2.0	512GB
SanDisk	Extreme Pro CFast 2.0 SDCFSP-128G-x46D	128GB
SanDisk	Extreme Pro CFast 2.0 SDCFSP-256G-x46D	256GB
SanDisk	Extreme Pro CFast 2.0 SDCFSP-512G-x46D	512GB
Silicon Power	CFX310	256GB
Sony	CFast 2.0 G Series CAT-G64	64GB
Sony	CFast 2.0 G Series CAT-G128	128GB
Transcend	CFX650 CFast 2.0 TS128GCFX650	128GB
Transcend	CFX650 CFast 2.0 TS256GCFX650	256GB

Marca	Nome do Cartão	Armazenamento
Transcend	CFX650 CFast 2.0 TS128GCFX650BM	128GB
Transcend	CFX650 CFast 2.0 TS256GCFX650BM	256GB
Wise	CFast 2.0 3400x	128GB
Wise	CFast 2.0 3400x	256GB
Wise	CFast 2.0 3500x	512GB

Para obter informações mais atualizadas sobre os cartões CFast compatíveis com a Blackmagic URSA Mini, por favor consulte a Central de Suporte Técnico da Blackmagic Design em [www.blackmagicdesign.com/br/support](http://www.blackmagicdesign.com/br/support).

**OBSERVAÇÃO** Apenas os cartões CFast 2.0 de série D da SanDisk foram certificados para uso com as câmeras Blackmagic URSA Mini. Estes cartões podem ser identificados por um “D” de tamanho grande impresso no canto inferior esquerdo do cartão, e também listamos os números dos modelos para facilitar ainda mais sua identificação. Este número de modelo muda ligeiramente de região para região, com o “X” no número do modelo variando em mercados diferentes. Por exemplo, um “A” é usado nos Estados Unidos e um “G” nas regiões Ásia-Pacífico e Europa.

## Cartões SD

Além dos cartões CFast 2.0, a Blackmagic URSA Mini Pro pode gravar em cartões SD UHS-I e UHS-II de alta velocidade. Ao usar os cartões SDXC UHS-II de alta qualidade, é possível, inclusive, gravar imagens ProRes HQ em 2160p para conteúdo Ultra HD!

Com os cartões SD, você pode usar mídias de armazenamento mais acessíveis ao gravar formatos de vídeo compactados em HD. SDXC e SDHC são formatos muito comuns de mídia de armazenamento para câmeras fotográficas ou de vídeo domésticas.

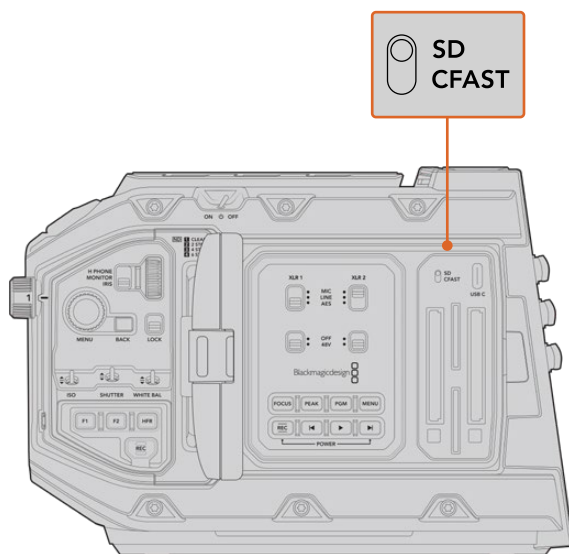
Caso já tenha gravado vídeos usando uma DSLR, ou utilizado uma Blackmagic Micro Cinema Camera, Pocket Cinema Camera 4K ou um Blackmagic Video Assist, você provavelmente possuirá cartões SD compatíveis para usar.

Para os projetos que não exigem os arquivos Blackmagic RAW de resolução mais elevada, ou para quando gravações de durações mais longas forem necessárias, usar cartões SD pode ser bastante econômico. Os cartões SD de menor capacidade e velocidade mais lenta também podem ser usados para armazenar e carregar LUTs e predefinições.

### Inserir um Cartão SD

#### Como inserir um cartão SD:

- 1 Abra o monitor desdobrável para acessar os compartimentos SD. Eles são os compartimentos menores localizados entre os compartimentos CFast.
- 2 Selecione a chave interruptora para mídias de armazenamento em cima dos compartimentos para “SD”.
- 3 Com a etiqueta do cartão SD voltada para o lado oposto da tela de toque LCD, insira o cartão até que sinta que travou no lugar. Para remover um cartão SD, empurre o cartão SD para ejetá-lo.
- 4 O indicador de armazenamento na parte inferior da tela de toque LCD exibirá o nome e o tempo de gravação restante dos cartões detectados.



Ao gravar em cartões SD na URSA Mini Pro 4,6K, certifique-se que a chave de seleção para a mídia de armazenamento esteja definida como “SD”.

### Escolher um Cartão SD rápido

Caso esteja gravando em Ultra HD na URSA Mini Pro, recomendamos usar os cartões SD do tipo UHS-II de alta velocidade mais rápidos disponíveis. É importante usar cartões SD UHS-II de alta velocidade para gravações em Ultra HD e HD ou cartões UHS-1 para gravações HD. Esses cartões são classificados conforme suas velocidades de dados rápidas e possuem uma capacidade de armazenamento maior. Geralmente, quanto mais rápidos forem os cartões, melhores eles serão. Consulte a tabela de cartões SD recomendados apresentada anteriormente nesta seção para mais informações.

Antes de usar seus cartões, você precisará formatá-los para formatos HFS+ ou exFAT. É possível formatar suas mídias com o gerenciamento de armazenamento ou seu computador. Para mais informações, consulte a seção ‘Preparar Mídias para Gravação’.

Caso prefira, você pode formatar seus cartões usando um computador Mac ou Windows. Ao usar sua mídia no Mac, você pode usar HFS+ que é o formato de discos do Mac. Caso esteja usando Windows, então use o formato exFAT, que é o formato de discos do Windows que também pode ser lido por computadores Mac.

As tabelas abaixo identificam os cartões CFast recomendados para uso ao filmar com a Blackmagic URSA Mini Pro. Vale a pena consultar versões mais recentes deste manual para informações mais atualizadas. Manuais atualizados estão disponíveis para download através do site da Blackmagic Design em [www.blackmagicdesign.com/br/support](http://www.blackmagicdesign.com/br/support).

**OBSERVAÇÃO** Ao gravar imagens Ultra HD ou com taxas de quadro elevadas na sua URSA Mini, recomendamos mídias de gravação SD UHS-II e CFast 2.0, que são tipicamente mais rápidas e disponíveis com mais capacidade de armazenamento que mídias SD UHS-I.

Para obter informações mais atualizadas sobre os cartões SD compatíveis com a URSA Mini Pro 12K, consulte a Central de Suporte Técnico da Blackmagic Design em [www.blackmagicdesign.com/br/support](http://www.blackmagicdesign.com/br/support)

### Quais cartões SD devo usar com a Blackmagic URSA Mini Pro 12K?

Os seguintes cartões SD são recomendados para gravações DCI 12K em Blackmagic RAW 12:1 a até 24 quadros por segundo.

Marca	Nome do Cartão	Armazenamento
ProGrade Digital	V90 UHS-II 300MB/s SDXC	64GB
ProGrade Digital	V90 UHS-II 300MB/s SDXC	128GB
ProGrade Digital	V90 UHS-II 300MB/s SDXC	256GB
Sony	Tough SF-G64 300MB/s UHS-II SDXC	64GB
Sony	Tough SF-G128 300MB/s UHS-II SDXC	128GB

Os seguintes cartões SD são recomendados para gravações DCI 8K em Blackmagic RAW 18:1 a até 60 quadros por segundo.

Marca	Nome do Cartão	Armazenamento
Angelbird	AV Pro MK2 V90 SDXC	256GB
ProGrade Digital	V90 UHS-II 300MB/s SDXC	64GB
ProGrade Digital	V90 UHS-II 300MB/s SDXC	128GB
ProGrade Digital	V90 UHS-II 300MB/s SDXC	256GB
Sony	Tough SF-G64 300MB/s UHS-II SDXC	64GB
Sony	Tough SF-G128 300MB/s UHS-II SDXC	128GB
Wise	285MB/s UHS-II SDXC	64GB
Wise	285MB/s UHS-II SDXC	128GB

### Quais cartões SD devo usar com a URSA Mini Pro?

Os seguintes cartões SD são recomendados para gravações DCI 4K em Blackmagic RAW 12:1 com até 30 quadros por segundo.

Marca	Nome do Cartão	Armazenamento
Angelbird	AV Pro 300MB/s UHS-II SDXC	64GB
Angelbird	AV Pro 300MB/s UHS-II SDXC	128GB
Lexar	Professional 2000x UHS-II 300MB/s SDXC	64GB
Lexar	Professional 1000x UHS-II 150MB/s SDXC	64GB
SanDisk	Extreme Pro UHS-I 95MB/s SDXC	64GB
SanDisk	Extreme Pro UHS-I 95MB/s SDXC	128GB
SanDisk	Extreme Pro UHS-I 95MB/s SDXC	256GB
SanDisk	Extreme Pro UHS-I 95MB/s SDXC	512GB
SanDisk	Extreme Pro UHS-II 280MB/s SDXC	64GB
SanDisk	Extreme Pro UHS-II 300MB/s SDHC	32GB
SanDisk	Extreme Pro UHS-II 300MB/s SDXC	128GB

<b>Marca</b>	<b>Nome do Cartão</b>	<b>Armazenamento</b>
Sony	SF-G64 300MB/s UHS-II SDXC	64GB
Sony	SF-G128 300MB/s UHS-II SDXC	128GB
Toshiba	Exceria Pro UHS-II 270MB/s SDXC	64GB
Toshiba	Exceria Pro UHS-II 270MB/s SDXC	128GB
Toshiba	Exceria Pro UHS-II N502 SDHC	32GB
Toshiba	Exceria Pro UHS-II N502 SDXC	64GB
Toshiba	Exceria Pro UHS-II N502 SDXC	128GB
Toshiba	Exceria Pro UHS-II N502 SDXC	256GB
Transcend	Ultimate UHS-II 180MB/s SDXC	64GB
Wise	285MB/s UHS-II SDXC	64GB
Wise	285MB/s UHS-II SDXC	128GB

Os seguintes cartões SD são recomendados para 2160p ProRes 422 HQ a até 30 fps.

<b>Marca</b>	<b>Nome do Cartão</b>	<b>Armazenamento</b>
Angelbird	AV Pro 300MB/s UHS-II SDXC	64GB
Angelbird	AV Pro 300MB/s UHS-II SDXC	128GB
Delkin Devices	UHS-II 250MB/s SDHC	32GB
ProGrade Digital	V90 UHS-II 250MB/s SDXC	128GB
SanDisk	Extreme Pro UHS-II 280MB/s SDHC	32GB
SanDisk	Extreme Pro UHS-II 280MB/s SDXC	64GB
SanDisk	Extreme Pro UHS-II 300MB/s SDHC	32GB
SanDisk	Extreme Pro UHS-II 300MB/s SDXC	128GB
Sony	SF-G64 300MB/s UHS-II SDXC	64GB
Sony	SF-G128 300MB/s UHS-II SDXC	128GB
Toshiba	Exceria Pro UHS-II 270MB/s SDXC	64GB
Toshiba	Exceria Pro UHS-II N502 SDHC	32GB
Toshiba	Exceria Pro UHS-II N502 SDXC	64GB
Toshiba	Exceria Pro UHS-II N502 SDXC	128GB
Toshiba	Exceria Pro UHS-II N502 SDXC	256GB
Transcend	Ultimate UHS-II 180MB/s SDXC	64GB
Wise	285MB/s UHS-II SDXC	64GB
Wise	285MB/s UHS-II SDXC	128GB

Os seguintes cartões SD são recomendados para 1080p ProRes 422 HQ a até 60 fps.

<b>Marca</b>	<b>Nome do Cartão</b>	<b>Armazenamento</b>
Angelbird	AV Pro 300MB/s UHS-II SDXC	64GB
Angelbird	AV Pro 300MB/s UHS-II SDXC	128GB
Delkin Devices	UHS-II 250MB/s SDHC	32GB
Lexar	Professional 2000x UHS-II 300MB/s SDHC	32GB
Lexar	Professional 2000x UHS-II 300MB/s SDXC	64GB
Lexar	Professional 1000x UHS-II 150MB/s SDXC	64GB
ProGrade Digital	V90 UHS-II 250MB/s SDXC	128GB
ProGrade Digital	V60 UHS-II 200MB/s SDXC	64GB
ProGrade Digital	V60 UHS-II 200MB/s SDXC	128GB
SanDisk	Extreme Pro UHS-I 95MB/s SDXC	64GB
SanDisk	Extreme Pro UHS-I 95MB/s SDXC	128GB
SanDisk	Extreme Pro UHS-I 95MB/s SDXC	256GB
SanDisk	Extreme Pro UHS-I 95MB/s SDXC	512GB
SanDisk	Extreme Pro UHS-II 280MB/s SDHC	32GB
SanDisk	Extreme Pro UHS-II 280MB/s SDXC	64GB
SanDisk	Extreme Pro UHS-II 300MB/s SDXC	64GB
SanDisk	Extreme Pro UHS-II 300MB/s SDXC	128GB
Sony	SF-G64 300MB/s UHS-II SDXC	64GB
Sony	SF-G128 300MB/s UHS-II SDXC	128GB
Toshiba	Exceria Pro UHS-II 270MB/s SDXC	64GB
Toshiba	Exceria Pro UHS-II 270MB/s SDXC	128GB
Toshiba	Exceria Pro UHS-II 270MB/s SDXC	256GB
Toshiba	Exceria Pro UHS-II N502 SDHC	32GB
Toshiba	Exceria Pro UHS-II N502 SDXC	64GB
Toshiba	Exceria Pro UHS-II N502 SDXC	128GB
Toshiba	Exceria Pro UHS-II N502 SDXC	256GB
Transcend	Ultimate UHS-II 180MB/s SDXC	64GB
Wise	285MB/s UHS-II SDXC	64GB
Wise	285MB/s UHS-II SDXC	128GB

Para obter informações mais atualizadas sobre os cartões SD compatíveis com a URSA Mini Pro, por favor consulte a Central de Suporte Técnico da Blackmagic Design em [www.blackmagicdesign.com/br/support](http://www.blackmagicdesign.com/br/support).

## Bloquear e Desbloquear Cartões SD

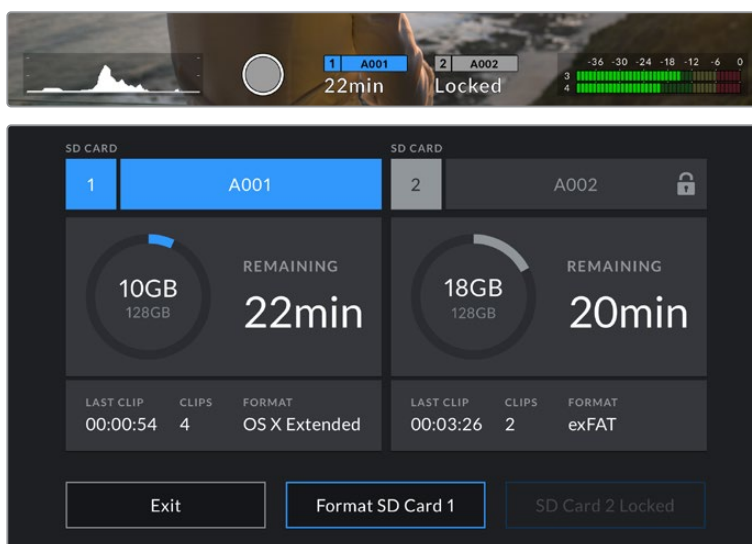
Os cartões SD podem ser protegidos contra gravação, ou “bloqueados”, para impedir que os dados sejam sobregravados.

Ao inserir um cartão SD, certifique-se de que o cartão não esteja protegido contra gravação. A proteção contra gravação é desativada ao deslizar a chave de plástico na lateral esquerda do cartão para a posição mais próxima dos conectores. Após a gravação, é possível proteger o cartão contra gravação ao deslizar a chave para a posição inferior novamente.



Deslize a trava de bloqueio para cima ou para baixo para bloquear ou desbloquear um cartão SD.

Sua URSA Mini Pro o alertará caso tenha inserido um cartão SD bloqueado ao exibir um ícone de cadeado na tela de toque LCD e no menu de armazenamento, “Storage”. Caso o cartão esteja bloqueado, não será possível gravar vídeos, captar fotogramas ou exportar LUTs e predefinições até que ele seja desbloqueado.



Sua URSA Mini Pro indicará quando a mídia de armazenamento SD bloqueada for inserida.

## Unidades Flash USB-C

A Blackmagic URSA Mini Pro 4.6K G2 inclui uma porta de expansão USB-C de alta velocidade, que permite gravar vídeos diretamente em unidades flash USB-C. A URSA Mini Pro 12K inclui duas portas USB-C. A porta USB-C 3.1 de primeira geração localizada na parte lateral, próxima dos compartimentos de cartões CFast, é destinada a atualizações de software. A porta localizada no painel traseiro, próxima dos conectores SDI, é destinada à gravação de SSDs de alta velocidade via USB-C 3.1 de segunda geração. Essas unidades rápidas e de capacidade superior possibilitam a gravação de vídeos por períodos longos, o que pode ser importante nas filmagens de eventos de longa duração.

Quando uma unidade flash USB-C é conectada à sua câmera, ela ocupa o segundo compartimento de mídia no sistema operacional da sua câmera. Tocando no nome do cartão ou da unidade no menu de armazenamento irá configurá-la como a unidade ativa. Ou seja, a gravação, reprodução e o gerenciamento de armazenamento são exatamente os mesmos para unidades flash USB-C e cartões CFast, SD e SSDs.



Depois de concluir a gravação, você pode conectar a mesma unidade diretamente no seu computador para edição e pós-produção, sem precisar copiar mídias entre uma unidade e outra.

#### Como conectar uma unidade flash USB-C:

- 1 Conecte uma extremidade do cabo USB tipo C à sua unidade flash USB-C.
- 2 Na URSA Mini Pro 12K, plugue o cabo USB-C na porta USB-C do painel frontal, embaixo das portas SDI. Na URSA Mini Pro 4.6K G2, abra a tela desdobrável no lado esquerdo da câmera e conecte o cabo à porta USB-C acima dos compartimentos CFast.

#### Quais unidades USB-C devo usar com a Blackmagic URSA Mini Pro 12K?

As seguintes unidades flash USB-C são recomendadas para gravações DCI 12K em Blackmagic RAW 8:1 de até 30 quadros por segundo.

Marca	Nome da Unidade Flash USB-C	Armazenamento
Angelbird	SSD2GO PKT MK2	512GB
Angelbird	SSD2GO PKT MK2	2TB
Glyph	Atom Raid SSD	4TB
Sony	Tough SL-CG5	500GB
Sony	Tough SL-C1	1TB
Sony	Tough SL-C2	2TB
Delkin Devices	Juggler	2TB
Wise	PTS-512 Portable SSD	512GB
Wise	PTS-1024 Portable SSD	1TB
Wise	PTS-2048 Portable SSD	2TB

#### Quais unidades USB-C devo usar com a Blackmagic URSA Mini Pro 4.6K G2?

As seguintes unidades flash USB-C são recomendadas para 4.6K Blackmagic RAW 3:1 em até 60 quadros por segundo.

Marca	Nome da Unidade Flash USB-C	Armazenamento
Samsung	SSD Portátil T5	500GB
Samsung	SSD Portátil T5	1TB
Wise	SSD Portátil	256GB
Wise	SSD Portátil	512GB
Wise	SSD Portátil	1TB

Para acessar a lista atualizada de unidades flash USB-C recomendadas, acesse [www.blackmagicdesign.com/br/support](http://www.blackmagicdesign.com/br/support).

## Observações Importantes sobre a Velocidade das Unidades Flash USB-C

Alguns modelos de unidades flash USB-C não salvam os dados de vídeo na velocidade alegada pelo fabricante. Isto acontece porque o disco usa compressão de dados ocultos para obter velocidades de gravação superiores. Esta compressão de dados é capaz de salvar os dados na velocidade alegada pelo fabricante somente quando armazena dados como dados em branco ou arquivos simples. Os dados de vídeo incluem ruído de vídeo e pixels, que são mais aleatórios, então a compressão não ajuda, revelando a verdadeira velocidade do disco.

Algumas unidades flash USB-C podem ter a velocidade de gravação até 50% mais baixa do que a velocidade divulgada pelo fabricante. Assim, mesmo que as especificações do disco aleguem que uma unidade flash USB-C possua velocidades suficientemente rápidas para manusear vídeos, na verdade, o disco pode não ser tão rápido quando usado para armazenar dados de vídeo para captação em tempo real.

Recomendamos que você utilize o Blackmagic Disk Speed Test para medir com precisão se a sua unidade flash USB-C será capaz de lidar com a captura e reprodução de vídeos com taxas de dados elevadas. O Blackmagic Disk Speed Test usa dados para simular o armazenamento de vídeo, assim você obtém resultados semelhantes com o que verá na captação de vídeos em um disco. Durante a testagem Blackmagic, percebemos que os modelos de unidades flash USB-C mais novos e com capacidades maiores são geralmente muito mais rápidos.

O Blackmagic Disk Speed Test está disponível na Mac App Store. As versões para Windows e Mac também estão incluídas no Blackmagic Desktop Video e podem ser baixadas na seção “Captura e Reprodução” da página de suporte técnico da Blackmagic Design no site [www.blackmagicdesign.com/br/support](http://www.blackmagicdesign.com/br/support).

## SSDs

Com o URSA Mini Recorder opcional, você pode gravar vídeos diretamente em drives de estado sólido, ou “SSDs”. Esses drives rápidos e de alta capacidade estão disponíveis em uma grande variedade de lojas de produtos eletrônicos.

O URSA Mini Recorder inclui uma porta USB-C de alta velocidade para trabalhar com SSDs SATA de 2.5” padrão, assim como SSDs U.2 de 7 mm, enquanto unidades de estado sólido M.2 funcionarão por meio de um adaptador M.2 para U.2. Para atingir as velocidades disponíveis, é necessário um cabo USB 3.1 certificado de segunda geração. O cabo USB-C fornecido possui conectores com trava em ambas as extremidades para manter a segurança da conexão durante o uso.

**OBSERVAÇÃO** Consulte a seção ‘Utilizar o URSA Mini Recorder’ deste manual para mais informações sobre a instalação do Blackmagic URSA Mini Recorder.

### Inserir um SSD

#### Como inserir um SSD:

- 1 Segure o seu SSD com os pinos de conexão voltados para a parte frontal da câmera.
- 2 Abra a tampa acionada por mola do URSA Mini Recorder e encaixe o SSD no compartimento cuidadosamente.

**DICA** O URSA Mini Recorder possui uma placa de pressão para manter SSDs de variados tamanhos no lugar, então não é necessário utilizar espaçadores para encaixar o seu drive.

- 3 Uma vez que o SSD estiver totalmente inserido no compartimento, empurre-o suavemente até sentir encaixar e, depois, feche a tampa do URSA Mini Recorder.

### Como remover um SSD:

Abra a tampa do URSA Mini Recorder e segure o drive cuidadosamente com o polegar e o dedo indicador. Há uma pequena cavidade na parte superior do compartimento para que você consiga segurar o cartão. Basta puxar o cartão e fechar a tampa.

**OBSERVAÇÃO** O Blackmagic URSA Mini Recorder ocupa o segundo compartimento de armazenamento no sistema operacional da URSA Mini. Ou seja, quando o URSA Mini Recorder estiver conectado e um SSD compatível inserido, o segundo compartimento para cartões CFast 2.0 e SD da sua câmera ficará indisponível.

Para utilizar estes compartimentos, desconecte a conexão USB-C entre o Mini Recorder e a URSA Mini Pro 12K. Não é necessário desencaixar o Mini Recorder em si. Para mais informações, consulte a seção 'Utilizar o URSA Mini Recorder' deste manual.

### Escolher um SSD Rápido para o URSA Mini Recorder

Os SSDs foram desenvolvidos para oferecer armazenamento rápido e acessível para uma grande variedade de dispositivos. É importante notar que a produção cinematográfica é apenas uma parte do mercado SSD, portanto, escolher a unidade certa é fundamental para garantir que você tenha largura de banda suficiente para gravar imagens Blackmagic RAW 12K ou Ultra HD. Muitos SSDs são desenvolvidos para computadores domésticos e não são rápidos o suficiente para gravar vídeos Ultra HD.

Sugerimos que você use apenas os SSDs na nossa lista de recomendação, pois foram testados com a Blackmagic URSA Mini Pro 12K para garantir compatibilidade com filmagens contínuas nas resoluções especificadas. Para acessar a lista atualizada de SSDs recomendados, por favor acesse [www.blackmagicdesign.com/br/support](http://www.blackmagicdesign.com/br/support).

### Unidades U.2 para Blackmagic URSA Mini Recorder

Os seguintes SSDs U.2 de 2,5" são recomendados para gravações 12K DCI em Blackmagic RAW 8:1 a até 50 quadros por segundo.

Marca	Nome	Armazenamento
Samsung	983 DCT U.2 MZ-QLB960NE	960GB
Samsung	983 DCT U.2 MZ-QLB1T9NE	1.92TB

### Unidades M.2 para Blackmagic URSA Mini Recorder

As seguintes unidades SSD M.2, equipadas com um adaptador M.2 para U.2, são recomendadas para gravações DCI 12K em Blackmagic RAW 8:1 a até 30 fps.

Marca	Nome	Armazenamento
SanDisk	Extreme Pro M.2 NVMe 3D SSD	500GB
Western Digital	WD Black NVMe SSD WDS500G2X0C	500GB
Western Digital	WD Black SN750 NVMe SSD WDS100T3X0C	1TB

## Observações Importantes sobre a Velocidade de SSDs

Alguns modelos SSD não salvam os dados de vídeo na velocidade alegada pelo fabricante. Isto acontece porque o disco usa compressão de dados ocultos para obter velocidades de gravação superiores. Esta compressão de dados é capaz de salvar os dados na velocidade alegada pelo fabricante somente quando armazena dados como dados em branco ou arquivos simples. Os dados de vídeo incluem ruído de vídeo e pixels, que são mais aleatórios, então a compressão não ajuda, revelando a verdadeira velocidade do disco.

Alguns SSDs podem ter a velocidade de gravação até 50% mais baixa em comparação à velocidade divulgada pelo fabricante. Assim, mesmo que as especificações do disco aleguem que um SSD possua velocidades suficientemente rápidas para manusear vídeos, na verdade, o disco pode não ser tão rápido quando usado para armazenar dados de vídeo para captação em tempo real.

Use o Blackmagic Disk Speed Test para medir com precisão se o seu SSD será capaz de manusear a captura e reprodução de vídeos com taxas de dados elevadas. O Blackmagic Disk Speed Test usa dados para simular o armazenamento de vídeo, assim você obtém resultados semelhantes com o que verá ao capturar vídeos em um disco. Durante a testagem Blackmagic, perceberemos que os modelos de SSDs mais novos e com capacidades maiores são geralmente mais rápidos.

## Preparar Mídias para Gravação

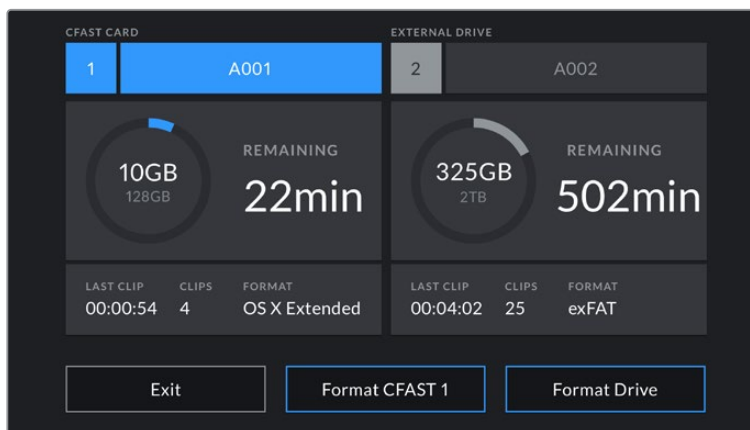
É possível formatar seus cartões CFast, SD ou SSDs usando o gerenciador de armazenamento ou via um computador Mac ou Windows. Recomendamos que mídias de armazenamento sejam formatadas usando a URSA Mini para uma performance otimizada.

O HFS+ também é conhecido como OS X Expandido. Este é o formato recomendado, pois é compatível com “journaling”. Os dados em mídias com o recurso “journaling” têm uma probabilidade maior de recuperação na rara eventualidade da sua mídia de armazenamento se corromper. O HFS+ é nativamente suportado pelo Mac. Já o exFAT é suportado nativamente pelo Mac e Windows sem a necessidade de adquirir qualquer outro software adicional. No entanto, o formato exFAT não é compatível com journaling.

**OBSERVAÇÃO** Antes de formatar suas mídias, é importante certificar-se de que a chave de mídias de armazenamento esteja selecionada corretamente para o cartão SD ou CFast. Sempre verifique as configurações com cuidado antes de formatar.

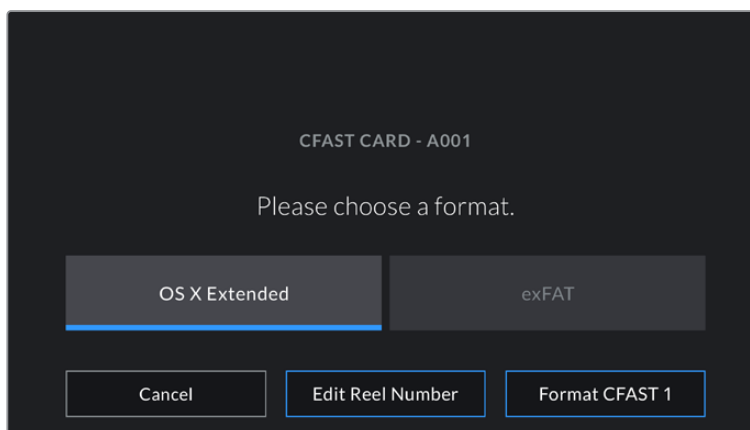
## Preparar Mídias na Blackmagic URSA Mini

- 1 Toque em qualquer um dos indicadores de armazenamento na parte inferior da tela de toque LCD para acessar o gerenciador de armazenamento.
- 2 Toque em um botão de formatação no canto inferior da tela para formatar o cartão no compartimento 1 ou 2, respectivamente. Se você plugar um disco flash na porta USB-C de uma URSA Mini Pro G2, o botão de formatação do segundo drive é “Format Drive”.



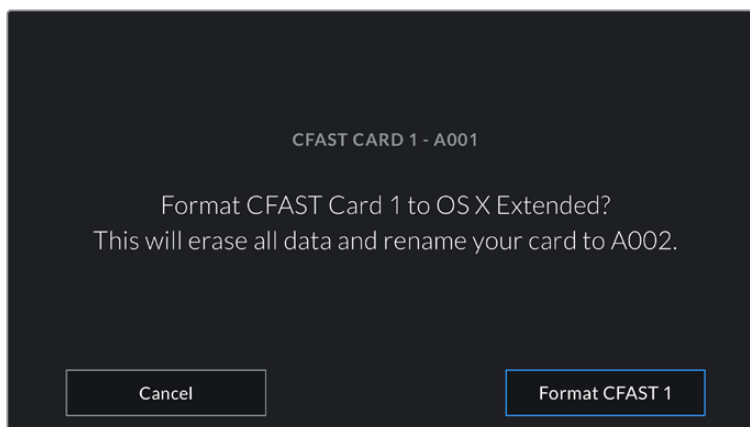
Use o gerenciador de armazenamento da sua URSA Mini para formatar as mídias de armazenamento da sua câmera.

- 3 Toque em “Edit Reel Number” caso deseje alterar o número de rolo manualmente.
- 4 Selecione o formato OS X Extended ou exFAT e toque no botão de formatação.



Toque em “Edit Reel Number” para editar o número de rolo manualmente.

- 5 Será solicitado que você confirme sua seleção. Toque no botão de formatação novamente para continuar ou em “Cancel” para cancelar a formatação.



Verifique se você selecionou o cartão correto antes da formatação.

- 6 Você será notificado quando a formatação estiver completa.
- 7 Toque em “Ok” para retornar ao gerenciador de armazenamento.
- 8 Toque em “Exit” para sair do gerenciador de armazenamento.

Ao formatar os cartões SD, CFast ou SSDs usando o gerenciador de armazenamento, sua URSA Mini utilizará as informações de identificação da câmera da claquete e do número de rolo para nomear o cartão. Sua URSA Mini incrementará os números de rolo automaticamente toda vez que fizer a formatação. Caso seja necessário inserir um número de rolo manualmente, toque em “Edit Reel Number” e insira o número desejado para formatar o cartão.

Quando iniciar um novo projeto, a numeração de rolo será restaurada para 1 quando você tocar em “Reset Project Data” na aba “Project” da claquete.

Quando o URSA Mini Recorder for conectado e um SSD estiver inserido, o gravador assume o comando do compartimento de armazenamento número 2 da URSA Mini, e o indicador “SSD” será exibido sobre o compartimento 2 no gerenciador de armazenamento da sua câmera.

## Preparar Mídias na Blackmagic URSA Mini Pro

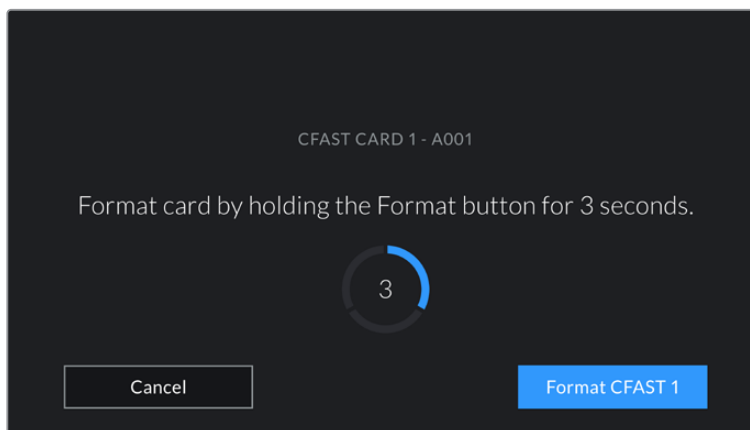
O processo para a preparação de mídias de armazenamento da sua URSA Mini Pro é exatamente o mesmo da URSA Mini indicado acima. A única diferença é a opção adicionada para formatar tanto cartões CFast quanto SSDs, e unidades flash USB-C na URSA Mini Pro 12K e URSA Mini Pro 4.6K G2. É importante mencionar que caso a chave de mídias de armazenamento da sua câmera estiver definida como SD ou CFast, apenas o tipo de cartão selecionado será formatado quando você tocar em “Format Card”. Ao usar o URSA Mini Recorder com a URSA Mini Pro ou uma unidade flash USB-C com a URSA Mini Pro 12K ou URSA Mini Pro 4.6K G2, o SSD aparecerá no compartimento 2 independentemente da posição da chave de mídias de armazenamento.



O gerenciador de armazenamento na sua câmera indica se a mídia que você está gerenciando no momento é CFast, SD, SSD ou uma unidade flash USB-C.

**DICA** Caso sua URSA Mini Pro esteja configurada para gravar em cartões SD e houver um cartão bloqueado inserido, não será possível formatar esse cartão. Um ícone de cadeado será exibido junto do nome do cartão no gerenciador de armazenamento. Basta desbloquear o cartão para formatar e gravar. Para mais informações sobre o bloqueio de cartões SD, consulte a seção ‘Cartões SD’ deste manual.

Ao formatar mídias de armazenamento na sua URSA Mini Pro, será solicitado que você segure o botão “Format” por três segundos. A câmera notificará quando a formatação estiver completa.



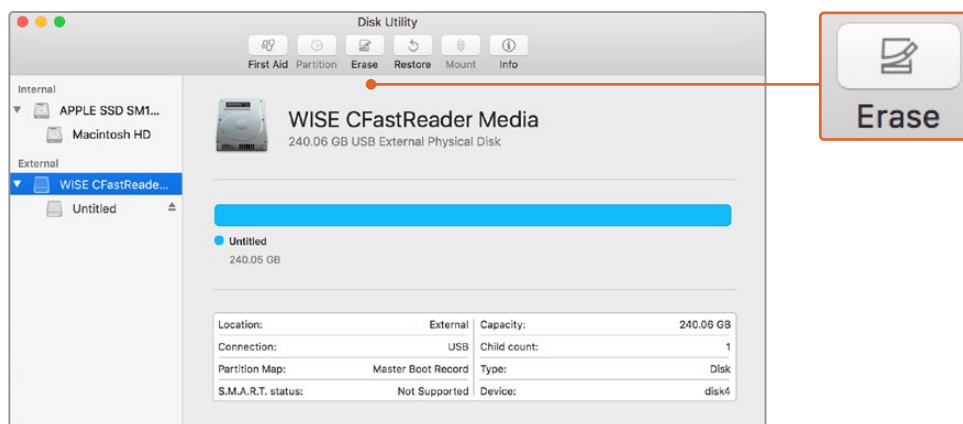
Segure o botão de formatação por três segundos para começar a formatar sua mídia.

Para informações sobre como alternar entre o armazenamento CFast e SD, consulte a seção 'Cartões SD' apresentada anteriormente neste manual.

**OBSERVAÇÃO** Caso tenha o URSA Mini Recorder opcional conectado, um indicador "SSD" aparecerá acima do compartimento de armazenamento 2. Quando uma unidade flash USB-C estiver conectada, "External Drive" será exibido.

## Preparar Mídias no Mac

Utilize o aplicativo Utilitário de Disco incluído no Mac para formatar seus cartões CFast, SD ou SSD nos formatos HFS+ ou exFAT. Lembre-se de fazer o backup de todos os dados importantes da sua mídia primeiro, já que eles serão perdidos depois da formatação.



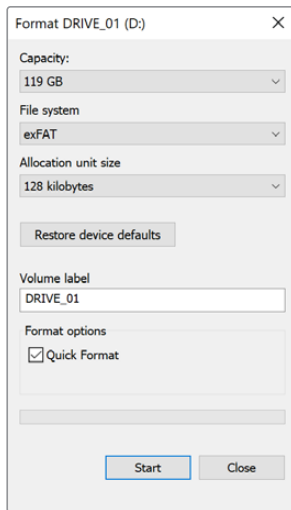
Use o Utilitário de Disco no Mac para apagar a mídia de armazenamento da sua câmera no formato Mac OS Expandido (com journaling) ou exFAT.

- 1 Conecte a mídia de armazenamento ao seu computador usando um leitor, gravador ou dock SD, e desconsidere qualquer mensagem sugerindo o uso da sua mídia para backups com o Time Machine.
- 2 Vá até "Aplicativos/Utilitários" e inicie o Utilitário de Disco.
- 3 Clique no ícone de disco da mídia de armazenamento da sua câmera e, depois, clique na aba "Apagar".

- 4 Configure o formato como “Mac OS Expandido (com journaling)” ou “exFAT”.
- 5 Digite um nome para o novo volume e clique em “Apagar”. A mídia de armazenamento da sua câmera será formatada rapidamente e disponibilizada para uso.

## Preparar Mídias no Windows

A caixa de diálogo “Formatar” permite formatar a mídia de armazenamento da sua câmera no formato exFAT em um PC Windows. Lembre-se de fazer o backup de gravações importantes na sua mídia antes, pois todos os dados serão perdidos após a formatação.



Use a caixa de diálogo “Formatar” no Windows para formatar a mídia de armazenamento da sua câmera no formato exFAT.

- 1 Conecte a mídia de armazenamento da câmera ao seu computador usando um leitor/gravador externo, uma doca SSD ou adaptador.
- 2 Abra o menu “Iniciar” ou a tela “Iniciar” e selecione “Computador”. Clique com o botão direito do mouse na mídia de armazenamento da sua câmera.
- 3 No menu contextual, selecione “Formatar”.
- 4 Configure o sistema de arquivos como “exFAT” e o tamanho da unidade de alocação como 128 quilobytes.
- 5 Digite um rótulo do volume, selecione “Formatação Rápida” e clique em “Iniciar”.
- 6 A sua mídia de armazenamento será formatada rapidamente e disponibilizada para uso.

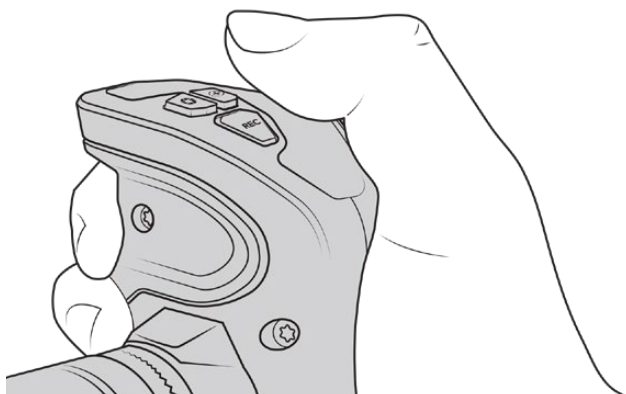
**OBSERVAÇÃO** Caso suas gravações estejam descartando quadros, verifique se o seu cartão ou a sua unidade está na nossa lista de mídias recomendadas para o codec e o tamanho do quadro sendo usados. Para taxas de dados mais baixas, tente diminuir sua taxa de quadro, resolução ou experimente um codec com compactação, como o ProRes. Consulte



# Gravação

## Gravar Clipes

Na Blackmagic URSA Mini, você pode iniciar suas gravações ao pressionar o botão de gravação vermelho na parte interna do painel de controle, na parte externa do monitor desdobrável, na tela de toque ou no Blackmagic URSA Handgrip opcional. Na Blackmagic URSA Mini Pro, o botão externo de gravação está situado no painel de controle dianteiro para acesso prático durante filmagens no ombro. Pressione o botão “Record” novamente para cessar a gravação.



Você também pode gravar clipes ao pressionar o botão de gravação marcado como REC no Blackmagic URSA Handgrip opcional.

Outra opção para iniciar e interromper gravações é encaixar um controlador LANC externo na entrada LANC da sua URSA Mini e disparar a gravação externamente. Por exemplo, caso deseje encaixar um controlador LANC no seu tripé para que possa disparar a gravação sem tirar suas mãos do anel de foco e da alça do tripé.

**OBSERVAÇÃO** Caso alterne a chave de seleção de mídias no meio de uma gravação, a câmera completará a gravação atual antes de alternar-se para o outro tipo de mídia. Isto garante que sua gravação não seja danificada, caso a chave seja ajustada durante uma tomada.

## Selecionar Codec, Resolução e Área do Sensor

Sua Blackmagic URSA Mini Pro pode gravar com Blackmagic RAW utilizando uma configuração de qualidade constante ou taxa de bit constante. A URSA Mini Pro e a URSA Mini também gravam em codecs compactados Apple ProRes. As opções de taxa de quadro do sensor irão variar dependendo da sua câmera, codec e resolução de sua preferência.

Vale ressaltar que os clipes gravados usando Blackmagic RAW são compatíveis com DaVinci Resolve, Blackmagic RAW Player e outros aplicativos que suportem SDK Blackmagic RAW. O Blackmagic RAW já foi adotado por muitas plataformas de pós-produção. Ele pode não ser suportado nativamente em todos os programas de edição, mas a maioria funciona com os plug-ins fornecidos no nosso instalador Camera Update e Blackmagic RAW. Para mais informações, consulte a seção ‘Trabalhar com Software de Terceiros’.

## Faixa Dinâmica

A Blackmagic URSA Mini Pro 12K produz imagens incríveis de amplo alcance dinâmico com 14 pontos de latitude. A URSA Mini Pro G2, URSA Mini Pro e URSA Mini 4.6K oferecem 15 stops de faixa dinâmica.

Isto maximiza as informações no seu sinal de vídeo para ajudá-lo a aproveitar programas de gradação de cores, como o DaVinci Resolve, ao máximo.

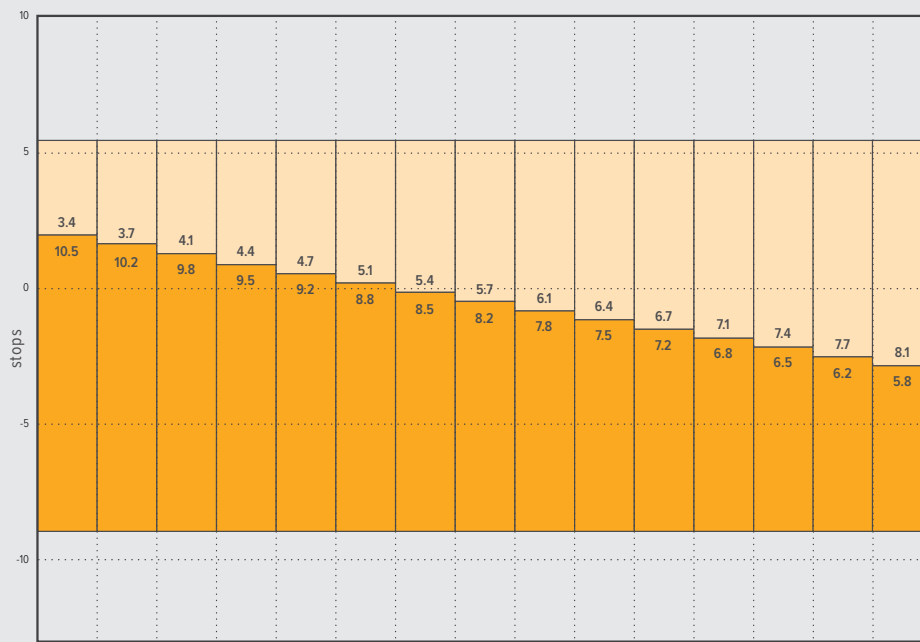
A elevada amplitude dinâmica captada é perfeita para a entrega de conteúdos de grande alcance dinâmico ou HDR.

Como a tabela abaixo indica, os 14 stops de faixa dinâmica estão disponíveis ao longo de todo o intervalo ISO, de ISO 125 a 3200 na URSA Mini Pro 12K; e 15 stops de faixa dinâmica, de ISO 200 a 3200, na URSA Mini 4.6K, URSA Mini Pro e URSA Mini Pro G2.

A distribuição destes stops acima e abaixo do cinza médio variará de acordo com o ISO selecionado. Por exemplo, na URSA Mini Pro G2, com ISO 200 haverá 10.8 pontos atribuídos às áreas sombreadas da imagem, com os 3.9 pontos restantes atribuídos aos realces na imagem.

### Faixa Dinâmica da Blackmagic URSA Mini Pro 12K

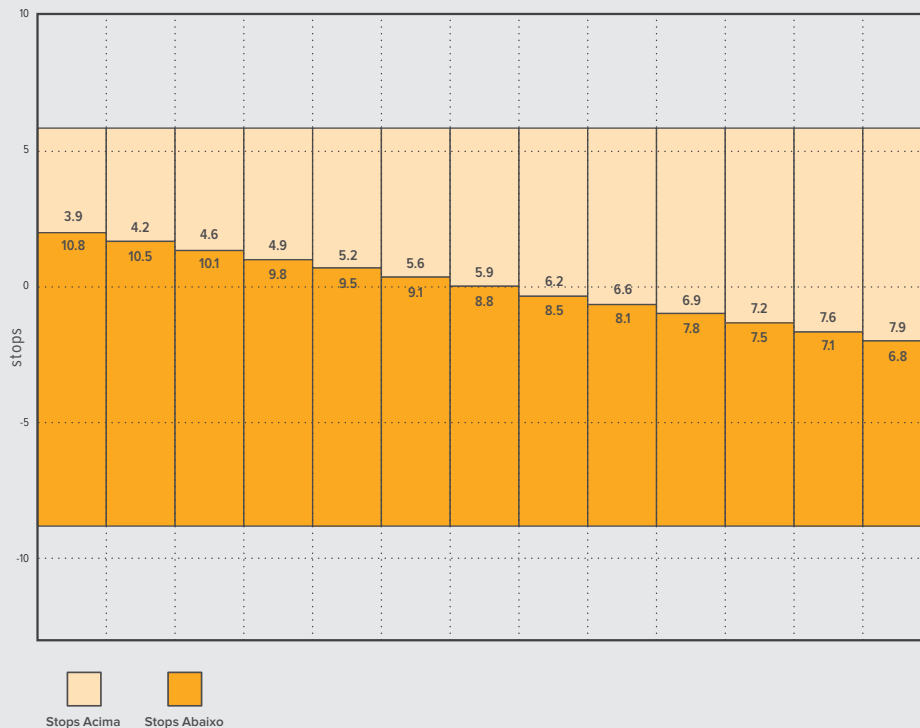
ISO	125	160	200	250	320	400	500	640	800	1000	1250	1600	2000	2500	3200
Total Stops	13.9	13.9	13.9	13.9	13.9	13.9	13.9	13.9	13.9	13.9	13.9	13.9	13.9	13.9	13.9



Stops Acima   Stops Abaixo

### Faixa Dinâmica da Blackmagic URSA Mini 4.6K, URSA Mini Pro e URSA Mini Pro G2

ISO	200	250	320	400	500	640	800	1000	1250	1600	2000	2500	3200
Total Stops	14.7	14.7	14.7	14.7	14.7	14.7	14.7	14.7	14.7	14.7	14.7	14.7	14.7



## Blackmagic RAW

A Blackmagic URSA Mini Pro é compatível com o novo formato de arquivo Blackmagic RAW. Este formato oferece uma qualidade de imagem superior, ampla faixa dinâmica e uma vasta seleção de taxas de compressão. O Blackmagic RAW mantém todos os benefícios da gravação RAW, mas com arquivos muito rápidos, pois parte da demosaicagem é desempenhada na câmera, onde pode ser acelerada pelo hardware.

O formato Blackmagic RAW também é inteligente, já que compreende o sensor de imagem na câmera. Você obtém uma qualidade de imagem muito maior para um formato de arquivo menor. Ou seja, arquivos menores com qualidade superior fazem do Blackmagic RAW uma ótima alternativa para outros formatos de arquivo RAW e de vídeo.

Além de tudo isto, o Blackmagic RAW inclui um poderoso suporte a metadados para que o software lendo os arquivos identifique as configurações da sua câmera. Se você gosta de fazer filmagens na gama de vídeo porque precisa fazer edições rapidamente e não tem tempo para correção de cores, então este recurso de metadados permitirá que você selecione a gama de vídeo, grave em gama de vídeo e exiba o arquivo com gama de vídeo ao abri-lo no software. Entretanto, por baixo, o arquivo está na gama de filme e são os metadados nele que indicam ao software a gama de vídeo deve ser aplicada.

Isto significa que você pode fazer a gradação de cores nas suas imagens em um dado momento e, depois, terá toda a faixa dinâmica de filme preservada no arquivo. Suas imagens não sofrerão recortes bruscos nos brancos ou pretos, assim você poderá manter os detalhes e fazer o tratamento de cores para deixá-las com um visual cinematográfico. Porém, se você não tiver tempo para a gradação de cores, não há problema algum, pois suas imagens terão usado a gama de vídeo e terão a mesma aparência de imagens das câmeras de vídeos normais. Você não fica restringido numa filmagem e pode mudar de ideia mais tarde, durante a pós-produção.

Os arquivos Blackmagic RAW são extremamente rápidos e o codec é otimizado para a CPU e a GPU do seu computador. Ou seja, ele possui reprodução rápida e fluida e elimina a necessidade de placas decodificadoras de hardware, o que é importante para uso com laptops. Aplicativos que lêem o Blackmagic RAW também têm a vantagem do processamento via Apple Metal, Nvidia CUDA e OpenCL.

Isso significa que o Blackmagic RAW é reproduzido à velocidade normal como um arquivo de vídeo na maioria dos computadores, sem necessidade de fazer o cache primeiro ou diminuir a resolução.

Também é importante mencionar que as informações de lente são gravadas nos metadados com base em cada quadro. Por exemplo, ao usar lentes compatíveis, quaisquer alterações de zoom ou foco realizadas ao longo de um clipe serão gravadas, quadro por quadro, nos metadados do arquivo Blackmagic RAW.

## Gravar com Blackmagic RAW

O Blackmagic RAW funciona de duas maneiras diferentes. Você tem a opção de usar tanto o codec com taxa de bit constante quanto o codec de qualidade constante.

O codec de taxa de bit constante funciona de forma semelhante à maioria dos codecs. Ele tenta manter a taxa de bit em um nível consistente e não permitirá que a taxa de dados fique elevada demais. Isto significa que se você estiver gravando uma imagem complexa que possa precisar de um pouco mais de dados para ser armazenada, um codec de taxa de dados constante compactará a imagem mais ainda para garantir que ela caiba no espaço alocado.

Isto pode ser eficaz para codecs de vídeo, mas, ao gravar RAW é importante certificar-se de que a qualidade seja previsível. O que aconteceria se as imagens que você estava gravando precisassem de mais dados, mas o codec simplesmente faz uma compactação mais intensa para satisfazer uma taxa de dado específica? É provável que você perderia a qualidade, mas não teria ideia do acontecido até retornar das filmagens.

Para resolver este problema, o Blackmagic RAW também tem uma opção de codec alternativa chamada de qualidade constante. Este codec é tecnicamente referido como um codec de taxa de bit variável, mas o que ele realmente faz é permitir que o tamanho do arquivo aumente se suas imagens precisarem de mais dados. Não há um limite máximo para o tamanho do arquivo, se você precisar codificar uma imagem, mas manter a qualidade.

Portanto, o Blackmagic RAW definido com a configuração de qualidade constante apenas permitirá que o arquivo aumente conforme o necessário para codificar suas imagens. Isto também significa que os arquivos podem ficar maiores ou menores dependendo do que você estiver gravando. Assim, se você esquecer sua tampa encaixada na lente, não desperdiçará espaço na sua mídia!

Também é importante observar que as configurações de qualidade do Blackmagic RAW não têm nomes enigmáticos. Na verdade, são rótulos mais pertinentes derivados do que acontece tecnicamente. Por exemplo, se você selecionar o codec de taxa de bit constante, verá as configurações de qualidade 3:1, 5:1, 8:1, 12:1 ou 18:1 dependendo do modelo da sua câmera URSA Mini Pro. Essas são as proporções do tamanho do arquivo RAW sem compactação versus o tamanho de arquivo que você deve esperar ao gravar em Blackmagic RAW. 3:1 tem uma qualidade melhor, já que o arquivo é maior, enquanto 18:1 tem o menor tamanho de arquivo com a qualidade mais baixa. Muitos usuários do Blackmagic RAW acharam que 12:1 ou 18:1 é perfeitamente adequado e não encontraram nenhuma limitação na qualidade. Porém, é melhor que você mesmo tente e teste as várias configurações.

Ao usar o Blackmagic RAW na qualidade constante, você verá as configurações Q0, Q1, Q3 ou Q5, dependendo do modelo da sua câmera URSA Mini Pro. Esses são os parâmetros de compactação passados para o codec e configuram a quantidade de compactação aplicada de uma maneira mais técnica. O diferencial desta configuração é que o codec opera de forma distinta entre a taxa de bit constante e a qualidade constante. Nesta configuração de qualidade constante, não é possível saber qual será a proporção do tamanho de arquivo, pois ela varia muito de acordo com o que você está gravando. Neste caso, a configuração é diferente e o arquivo terá o tamanho necessário para armazenar a sua mídia.

## Configurações de Taxa de Bit Constante

Os nomes 3:1, 5:1, 8:1, 12:1 e 18:1 representam a taxa de compactação. Por exemplo, a compactação 12:1 produz arquivos com um tamanho aproximadamente 12 vezes menor que RAW sem compactação.

O Blackmagic RAW de taxa de bits constante está disponível na URSA Mini Pro 12K a 5:1, 8:1, 12:1 e 18:1. A URSA Mini Pro 4.6K G2 e URSA Mini Pro 4.6K suportam Blackmagic RAW de taxa de bits constante a 3:1, 5:1, 8:1 e 12:1.

## Configurações de Qualidade Constante

Q0, Q1, Q3 e Q5 referem a níveis diferentes de quantização. Q5 possui um nível mais alto de quantização, mas oferece uma taxa de dado altamente otimizada. Como mencionado anteriormente, a configuração de qualidade constante pode produzir arquivos que aumentam ou diminuem bastante, dependendo do que você estiver gravando. Isto também significa que é possível gravar imagens e ver o tamanho do arquivo aumentar para além do que o seu cartão de mídia consegue acompanhar, o que pode resultar em quadros descartados. Porém, se isto acontecer, o benefício é que você pode ver instantaneamente na filmagem e, então, investigar suas configurações e qualidade.

O Blackmagic RAW de qualidade constante está disponível na URSA Mini Pro 12K a Q0, Q1, Q3 e Q5. A URSA Mini Pro 4.6K G2 e URSA Mini Pro 4.6K suportam Blackmagic RAW de qualidade constante a Q0 e Q5.

## Blackmagic RAW Player

O Blackmagic RAW Player incluído no instalador de software da sua câmera Blackmagic é um aplicativo otimizado para o visionamento de clipes. Basta dar um clique duplo em um arquivo Blackmagic RAW para abri-lo e você poderá reproduzir e navegar pelo arquivo rapidamente com resolução e profundidade de bits máximas.

Na decodificação de quadros, a aceleração de CPU na biblioteca SDK é compatível com todas as arquiteturas principais, assim como com a aceleração de GPU via Apple Metal, Nvidia CUDA e OpenCL. Ele também funciona com a Blackmagic eGPU para desempenho extra. O Blackmagic RAW Player está disponível para Mac, Windows e Linux.

## Arquivos Sidecar

Os arquivos sidecar do Blackmagic RAW permitem que você substitua os metadados em um arquivo sem sobrescrever os metadados integrados do arquivo original. Estes metadados incluem as configurações RAW, além de informações sobre íris, foco, distância focal, balanço de branco, tonalidade, espaço de cor, nome do projeto, número da tomada e muito mais. Os metadados são codificados quadro a quadro ao longo da duração do clipe, o que é importante para os dados da lente, caso a lente seja ajustada durante um plano de imagem. É possível adicionar ou editar metadados em arquivos sidecar com o DaVinci Resolve e, inclusive, com um editor de texto porque é um formato de leitura humana.

Os arquivos sidecar podem ser usados para adicionar automaticamente novas configurações RAW a uma reprodução, basta mover o arquivo sidecar para a mesma pasta do arquivo RAW correspondente. Se você retirar o arquivo sidecar da pasta e abrir o arquivo Blackmagic RAW novamente, as configurações RAW não serão aplicadas e você verá o arquivo como foi gravado originalmente. Qualquer software utilizando o SDK Blackmagic RAW é capaz de acessar estas configurações. As alterações feitas são salvas no arquivo sidecar e visíveis no Blackmagic RAW Player ou qualquer outro software capaz de ler os arquivos Blackmagic RAW.

Ao gravar na gama de vídeo, o arquivo permanece na gama de filme e os metadados notificam o processamento do Blackmagic RAW que faça a exibição usando a gama de vídeo. A gama de vídeo é excelente quando você não quiser tratar as cores da imagem e entregar o conteúdo rapidamente. No entanto, se desejar salientar as partes pretas de uma imagem ou reduzir as áreas brancas, todos os detalhes são mantidos. Você nunca faz a "clipagem" do vídeo e todos os detalhes permanecem lá, podendo ser acessados a qualquer momento.

## Blackmagic RAW no DaVinci Resolve

As configurações de cada arquivo Blackmagic RAW podem ser ajustadas e salvas como um novo arquivo sidecar a partir da aba RAW no DaVinci Resolve para efeitos criativos ou visualização otimizada. Isto também significa que você pode copiar suas mídias para outro artista usando o DaVinci Resolve e, então, ele automaticamente terá acesso às suas configurações de gama modificadas na importação. Além dos outros metadados contidos nos arquivos da sua câmera, o DaVinci Resolve é capaz de ler a faixa dinâmica selecionada, assim os clipes serão exibidos automaticamente com a faixa dinâmica de “filme”, “vídeo expandido” ou “vídeo”.

É possível personalizar estas configurações ao ajustar saturação, contraste e ponto médio, bem como modulações de realces e sombras. Todos os ajustes podem ser salvos como um arquivo sidecar para que as alterações possam ser visualizadas por qualquer pessoa trabalhando com os arquivos na pós. É sempre possível retornar aos metadados originais da câmera a qualquer momento.

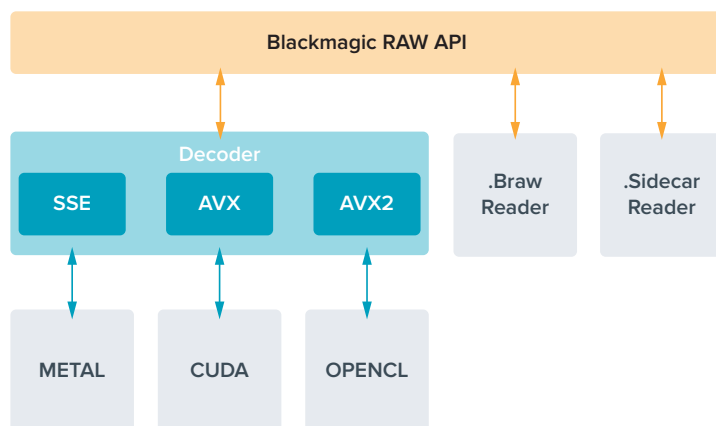
Você também pode exportar um único quadro Blackmagic RAW a partir da aba RAW no DaVinci Resolve, a qual contém todas as informações de ajustes, metadados, resolução completa e cores, facilitando o compartilhamento da captura de um único quadro ou um arquivo de referência.

Para mais informações sobre como usar o Blackmagic RAW no DaVinci Resolve, visite o capítulo ‘Usar o DaVinci Resolve’ neste manual.

## Kit de Desenvolvimento de Software Blackmagic RAW

O Kit de Desenvolvimento de Software (SDK) para o Blackmagic RAW é uma API desenvolvida pela Blackmagic Design. Você pode usar o SDK Blackmagic RAW para programar seus próprios aplicativos para utilizar o formato Blackmagic RAW. Esta biblioteca SDK pode ser usada por qualquer desenvolvedor para adicionar suporte para leitura, edição e salvamento de arquivos Blackmagic RAW. O SDK Blackmagic RAW inclui toda a ciência de cores de quarta e quinta gerações para que você obtenha imagens cinematográficas orgânicas em todos os aplicativos compatíveis. O SDK Blackmagic RAW é compatível com Mac, Windows e Linux, e está disponível como um download gratuito na página para desenvolvedores do site da Blackmagic em [www.blackmagicdesign.com/br/developer](http://www.blackmagicdesign.com/br/developer).

O diagrama a seguir ilustra os componentes da API Blackmagic RAW:



## Selecionar Taxas de Quadro

Como a sua câmera é capaz de gravar vídeos utilizando muitas taxas de quadro diferentes, você pode ficar na dúvida sobre qual usar. A taxa de quadro do sensor da câmera também pode ter um grande impacto no visual das suas imagens. Geralmente, ao selecionar uma taxa de quadro do sensor, há alguns itens comuns a considerar. Por muitos anos, padrões de apresentação para o cinema e a televisão vêm sendo utilizados. Eles possuem taxas de quadro definidas que são diferentes de um país para outro. Mas, todos compartilham do mesmo propósito que é exibir um número eficiente de quadros a cada segundo que apresente movimentos satisfatórios e convincentes.

No cinema, por exemplo, é comum o padrão de 24 quadros por segundo e, embora tenha havido testes recentes com taxas de quadro mais rápidas, este padrão continua sendo amplamente aceito pelo público internacional. As taxas de quadro para a televisão geralmente seguem os padrões broadcast técnicos de cada país. Por exemplo, na produção de conteúdo televisivo, você tipicamente grava usando 29.97 quadros por segundo para distribuição norte-americana e 25 quadros por segundo para distribuição europeia.

No entanto, como a tecnologia tem se aperfeiçoado, hoje em dia nós temos mais opções de escolha e os padrões broadcast estão mudando. Agora, é comum gravar e transmitir eventos esportivos a taxas de quadro mais elevadas. Alguns eventos esportivos são gravados e transmitidos a até 59.94 quadros por segundo na América do Norte e a 50 quadros por segundo na Europa, por exemplo. Isto gera movimentos mais fluidos em ações rápidas e tem uma aparência mais realista. Como alternativa, difusores online e de streaming geralmente utilizam taxas de quadro similares às da televisão, mas há mais liberdade para experimentarem devido aos formatos de visualização selecionáveis pelo usuário, com a única limitação sendo a capacidade de exibição das telas do público.

No geral, ao selecionar uma taxa de quadro para um projeto, permita que o seu formato de entrega oriente sua escolha. A taxa de quadro do projeto da sua câmera deve ser definida de acordo com isso, e o quadro do sensor deve ser definido para corresponder. Assim, seus cliques serão reproduzidos na mesma velocidade que o evento ocorreu na vida real. Caso queira criar um efeito interessante, como câmera lenta, será necessário definir a taxa de quadro do sensor em uma configuração mais alta. Quanto mais alta a taxa de quadro do sensor em comparação à taxa de quadro do projeto, mais lenta será a velocidade de reprodução. A URSA Mini Pro G2, por exemplo, permite que você grave em taxas de quadro do sensor muito altas para câmera extremamente lenta.

Para mais informações sobre o uso de taxas de quadro do sensor off-speed na realização de efeitos criativos, consulte a seção 'Controles da Tela de Toque'.

### **Gravar com Taxas de Quadro Elevadas**

Ao gravar em taxas de quadro elevadas, sua câmera capta um número maior de quadros por segundo em comparação com as velocidades de taxas de quadro de sincronização tradicional de 24, 25 e 30 quadros por segundo. Isto significa que o sensor de imagem tem menos tempo para receber a luz para cada quadro captado e a imagem resultante da sua câmera será mais escura.

Como exemplo, se você alternar de 25 para 50 quadros por segundo, a quantidade de luz alcançando o sensor será reduzida pela metade. Para manter sua exposição, será necessário compensar pela mudança abrindo sua lente com mais um stop, abrindo o ângulo do obturador de 180° para 360° ou adicionando mais iluminação à cena que você estiver gravando.

Ao gravar em 120 quadros por segundo, você tem cinco vezes menos luz, então talvez seja necessário fazer múltiplos ajustes, como abertura da lente, ângulo do obturador e iluminação para atingir o mesmo nível de exposição.

Outra consideração importante ao gravar em taxas de quadro elevadas é o fato de que as fontes de luz eletrônicas podem introduzir cintilações à sua imagem gravada. Sobretudo, ao gravar com taxas de quadro acima de 100 quadros por segundo em um ambiente de 50 Hz ou 120 quadros por segundo em um ambiente de 60 Hz, fontes de luz artificiais de tungstênio, fluorescentes e de LED podem causar cintilações nas suas imagens. Você pode não perceber estes problemas com a cintilação ao previsualizar a cena no seu LCD ou na alimentação SDI ao gravar, então é importante fazer testes com as luzes que planeja usar e reproduzir o clipe para verificar se há cintilação.

A sua configuração de obturador também pode afetar a visibilidade da cintilação ao filmar sob luzes, então sua URSA Mini pode calcular e exibir automaticamente seleções de obturador livres de cintilação para sua taxa de quadro selecionada. Lembre-se que as características de fontes de iluminação individuais ainda assim poderão causar cintilação mesmo ao usar valores sem cintilação. Consulte a seção 'Controles da Tela de Toque' para mais informações.

Caso tenha aberto seu obturador para a velocidade mais lenta ou o maior ângulo possível e ainda estiver vendo cintilações nas imagens gravadas, talvez será necessário considerar a possibilidade de utilizar fontes de luz diferentes para a sua cena ou uma lente mais rápida.

## Taxas de Quadro Máximas

As tabelas abaixo contêm os codecs, resoluções e as taxas de quadro máximas do sensor dos modelos URSA Mini 4.6K e URSA Mini Pro. Convém salientar que as referências ao Blackmagic RAW, ProRes 444 e ProRes 422 são referências a todas as variantes compatíveis dentro de cada codec específico.

Devido às taxas de dados exigidas para gravar resoluções elevadas em câmera lenta, você terá que optar por um cartão CFast rápido, uma unidade flash USB-C ou um SSD. Consulte a seção 'Mídias de Armazenamento' para as mídias recomendadas para gravação de alta velocidade contínua.

**DICA** Você pode testar a velocidade que o seu cartão pode suportar ao habilitar a função 'Stop Rec If Card Drops Frames' para cessar gravações com quadro descartados e gravando um clipe de teste. Isto permitirá que você teste quanto tempo poderá gravar em uma taxa de quadro específica numa determinada resolução. Se o cartão cessar a gravação precipitadamente, alterar para a próxima configuração de compactação ou resolução disponível diminuirá a taxa de dados e facilitará a operação do cartão.

### Taxas de Quadro Máximas da URSA Mini Pro 12K

Formato		Resolução	Codec	Escaneamento do sensor	Taxa de Quadro Máx
12K	17:9	12288 x 6480	Blackmagic RAW	Completo	60
	16:9	11520 x 6480	Blackmagic RAW	Altura total	60
	2.4:1	12288 x 5112	Blackmagic RAW	Largura total	75
	6:5 Anamórfico	7680 x 6408	Blackmagic RAW	Altura total	60
8K	17:9	8192 x 4320	Blackmagic RAW	Completo	120
	16:9	7680 x 4320	Blackmagic RAW	Altura total	120
	2.4:1	8192 x 3408	Blackmagic RAW	Largura total	160
	6:5 Anamórfico	5120 x 4272	Blackmagic RAW	Altura total	120
6K	Super 16	6144 x 3240	Blackmagic RAW	Janelado	120
4K	DCI	4096 x 2160	Blackmagic RAW	Completo	120
	16:9	3840 x 2160	Blackmagic RAW	Altura total	120
	2.4:1	4096 x 1704	Blackmagic RAW	Largura total	160
	6:5 Anamórfico	2560 x 2136	Blackmagic RAW	Altura total	120
	Super 16	4096 x 2160	Blackmagic RAW	Janelado	240



**Taxas de Quadro Máximas da URSA Mini Pro 4.6K G2, URSA Mini Pro 4.6K e URSA Mini 4.6K**

Formato	Resolução	Codec	URSA Mini Pro 4.6K G2		URSA Mini Pro 4.6K		URSA Mini 4.6K	
			Escaneamento do sensor	Taxa de Quadro Máx.	Escaneamento do sensor	Taxa de Quadro Máx.	Escaneamento do sensor	Taxa de Quadro Máx.
4.6K	4608 x 2592	Blackmagic RAW	Completo	120	Completo	60	–	–
		ProRes 444	Completo	40	Completo	30	Completo	30
		ProRes 422	Completo	80	Completo	40	Completo	40
4.6K 2.4:1	4608 x 1920	Blackmagic RAW	Janelado	150	Janelado	60	–	–
		ProRes 444	Janelado	60	Janelado	40	Janelado	40
		ProRes 422	Janelado	120	Janelado	50	Janelado	50
4K 16:9	4096 x 2304	Blackmagic RAW	Janelado	120	Janelado	60	–	–
		ProRes 444	Janelado	60	Completo ou Janelado	30	Completo ou Janelado	30
		ProRes 422	Janelado	100	Completo ou Janelado	50	Completo ou Janelado	50
4K DCI	4096 x 2160	Blackmagic RAW	Janelado	150	Janelado	60	–	–
		ProRes 444	Janelado	60	Completo ou Janelado	40	Completo ou Janelado	40
		ProRes 422	Janelado	120	Completo ou Janelado	50	Completo ou Janelado	50
UHD	3840 x 2160	Blackmagic RAW	Janelado	150	Janelado	60	–	–
		ProRes 444	Completo ou Janelado	60	Completo ou Janelado	40	Completo ou Janelado	40
		ProRes 422	Completo ou Janelado	120	Completo ou Janelado	60	Completo ou Janelado	60
3K Anamórfico	3072 x 2560	Blackmagic RAW	Janelado	120	Janelado	60	–	–
		ProRes 444	Janelado	70	Janelado	40	–	–
		ProRes 422	Janelado	120	Janelado	60	–	–
2K 16:9	2048 x 1152	Blackmagic RAW	Janelado	240	Janelado	120	–	–
		ProRes 444	Janelado	240	Janelado	120	Janelado	120
		ProRes 422	Janelado	240	Janelado	120	Janelado	120
		ProRes 444	Completo	120	Completo	60	Completo	60
		ProRes 422	Completo	120	Completo	60	Completo	60
2K DCI	2048 x 1080	Blackmagic RAW	Janelado	300	Janelado	120	–	–
		ProRes 444	Janelado	240	Janelado	120	Janelado	120
		ProRes 422	Janelado	240	Janelado	120	Janelado	120
		ProRes 444	Completo	120	Completo	60	Completo	60
		ProRes 422	Completo	120	Completo	60	Completo	60
HD	1920 x 1080	Blackmagic RAW	Janelado	300	Janelado	120	–	–
		ProRes 444	Janelado	240	Janelado	120	Janelado	120
		ProRes 422	Janelado	240	Janelado	120	Janelado	120
		ProRes 444	Completo	120	Completo	60	Completo	60
		ProRes 422	Completo	120	Completo	60	Completo	60

É importante observar que Blackmagic RAW Q0, Q1, Q3 e Q5 utilizam uma compressão de taxa de bits variável para obter a qualidade constante. As taxas de dados Q0, Q1, Q3 e Q5 dependem da complexidade do objeto em foco da imagem e pode variar consideravelmente ao longo de um clipe.

#### Taxas de Quadro Máximas da URSA Mini 4K

Formato	Resolução	Codec	URSA Mini 4K	
			Escaneamento do sensor	Taxa de Quadro Máx.
UHD	3840 x 2160	ProRes 444	Completo ou Janelado	40
		ProRes 422	Completo ou Janelado	60
HD	1920 x 1080	ProRes 444	Janelado	80
		ProRes 422	Janelado	120
		ProRes 444	Completo	60
		ProRes 422	Completo	60

#### Como selecionar seu codec e resolução desejados na Blackmagic URSA Mini:

- 1 Pressione o botão “Menu” no painel de controle.
- 2 Navegue até a primeira página da aba “Record”.
- 3 Toque sua combinação de codec, qualidade e resolução desejada.
- 4 Caso queira gravar usando uma área janelada do sensor, navegue até a página 2 do menu “Record” e habilite “Window Sensor”. Para gravar com o sensor completo, defina essa opção como “Off”.
- 5 Pressione “Menu” para sair.

#### Formatos de Gravação e Taxas de Quadro do Projeto

Após definir seu codec e sua resolução, você deve configurar as taxas de quadro do seu projeto e sensor. Consulte a seção ‘Gravação’ neste manual para mais informações sobre taxas de quadro.

As taxas de quadro de projeto disponíveis para todas as câmeras URSA Mini são:

23.98, 24, 25, 29.97, 30, 50, 59.94, e 60 quadros por segundo.

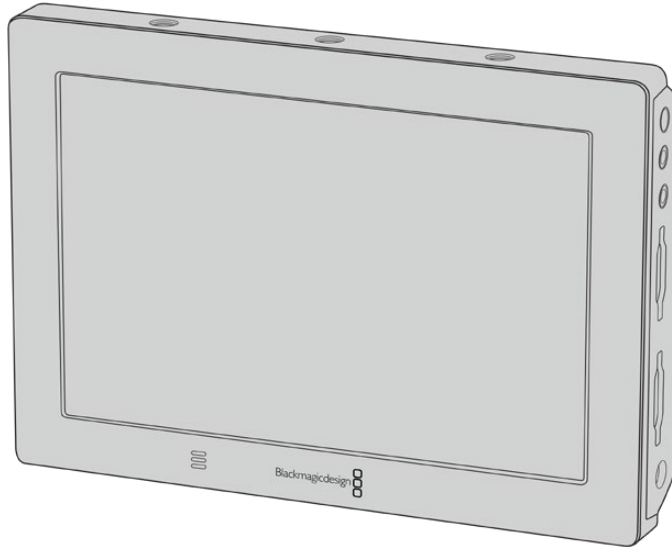
Ao utilizar Blackmagic RAW e codecs ProRes até ProRes 422 HQ, a taxa de quadro máxima do projeto é 60 quadros por segundo em todas as resoluções. Ao utilizar os codecs ProRes 444 e ProRes 444 XQ, a taxa de quadro máxima do projeto é dependente da resolução.

Por exemplo, na URSA Mini Pro 4.6K G2, a taxa de quadro máxima do projeto ao usar codecs ProRes 444 é de 60 quadros por segundo até 4.6K 2.4:1. Caso você aumente a resolução para o sensor 4.6K completo, a taxa de quadro máxima do projeto é 30 fps. Na URSA Mini Pro 4.6K original, a taxa de quadro máxima do projeto para codecs ProRes 444 é 60 quadros por segundo até 2K 16:9. Caso você altere a resolução para 3K anamórfico ou uma configuração mais elevada, a taxa de quadro máxima do projeto é 30 fps. A diferença deve-se ao aumento do processamento exigido para resoluções mais altas ao utilizar ProRes 444 e ProRes 444 XQ.

## Disparo de Gravação

Você também precisa configurar seus equipamentos para habilitar o disparo de gravação SDI para certificar-se que eles respondam ao sinal de disparo da sua URSA Mini. Normalmente, caso seus equipamentos SDI sejam compatíveis, eles podem ser habilitados através dos seus próprios menus de configurações.

Sua URSA Mini envia um sinal automático via as saídas SDI que irá disparar a gravação quando estiver conectada a equipamentos compatíveis com o recurso de disparo de gravação SDI, como o Blackmagic Video Assist. Assim, quando você pressionar o botão de gravação na sua câmera, seus equipamentos SDI externos também começarão a gravar e serão interrompidos quando você pressionar “REC” novamente.



É possível acionar gravações em outros equipamentos SDI, por exemplo, o Blackmagic Video Assist 4K, usando o recurso de disparo de gravação na sua câmera.

**DICA** Às vezes, em condições climáticas extremamente frias, por exemplo 0-5° Celsius e 32-41° Fahrenheit, sua URSA Mini 4K pode levar até trinta segundos para atingir a temperatura de funcionamento ideal. Durante este tempo, é possível gravar caso necessário, mas recomendamos esperar que sua câmera se aqueça e se estabilize. Quando chegar à temperatura de funcionamento ideal, sua câmera se recalibrará para compensar a mudança de temperatura do sensor e você poderá notar um único quadro piscar em branco. Isto ocorrerá apenas enquanto você não estiver gravando e melhorará seus resultados ao gravar em climas frios.

## Tabelas de Duração de Gravações

As tabelas são incluídas para demonstrar o tempo de duração de gravação aproximado em minutos e segundos, com comparações de formato, taxa de quadro do projeto e capacidade da mídia. O tempo máximo de gravação da sua mídia de armazenamento irá variar conforme a capacidade, o formato de gravação e a taxa de quadro selecionada. Por exemplo, a taxa de armazenamento para Apple ProRes 422 HQ a 3840 x 2160 é de aproximadamente 880 Mbps. A 24 quadros por segundo, você pode gravar cerca de 47 minutos de vídeo em um cartão SD ou CFast 2.0 de 256GB. Com as mesmas configurações, você pode gravar aproximadamente 23 minutos de vídeo em um cartão SD ou CFast 2.0 de 128GB, que é aproximadamente metade da duração da gravação do cartão de 256GB. Essas durações também são as mesmas para gravações em SSDs com o URSA Mini SSD Recorder.

É importante destacar que a duração de gravações em cartões CFast 2.0 e SD também pode variar ligeiramente entre cartões de fabricantes diferentes. Ela também pode variar se a mídia de armazenamento for formatada como exFAT ou Mac OS X Expandido.

### Tabelas de duração de gravações na URSA Mini Pro 12K

Cenas simples contendo menos detalhes tendem a exigir menos dados que composições mais densas. Os valores nestas tabelas levam em consideração planos de imagem de alta complexidade, o que significa que você pode obter tempos de gravação mais longos dependendo do seu tipo de filmagem.

12K na URSA Mini Pro 12K					
Cartão CFast	Taxa de Quadro	Blackmagic RAW 5:1	Blackmagic RAW 8:1	Blackmagic RAW 12:1	Blackmagic RAW 18:1
1TB		Duração	Duração	Duração	Duração
	23.98	29 min	47 min	70 min	106 min
	24	29 min	47 min	70 min	106 min
	25	28 min	45 min	67 min	101 min
	29.97	23 min	37 min	56 min	84 min
	30	23 min	37 min	56 min	84 min
	50	14 min	22 min	33 min	50 min
60	11 min	18 min	28 min	42 min	

8K na URSA Mini Pro 12K					
Cartão CFast	Taxa de Quadro	Blackmagic RAW 5:1	Blackmagic RAW 8:1	Blackmagic RAW 12:1	Blackmagic RAW 18:1
1TB		Duração	Duração	Duração	Duração
	23.98	66 min	106 min	158 min	238 min
	24	66 min	106 min	158 min	238 min
	25	63 min	101 min	152 min	228 min
	29.97	52 min	84 min	127 min	190 min
	30	52 min	84 min	127 min	190 min
	50	31 min	50 min	76 min	114 min
60	26 min	42 min	63 min	95 min	

6K na URSA Mini Pro 12K					
Cartão CFast	Taxa de Quadro	Blackmagic RAW 5:1	Blackmagic RAW 8:1	Blackmagic RAW 12:1	Blackmagic RAW 18:1
1TB		Duração	Duração	Duração	Duração
	23.98	116 min	186 min	280 min	419 min
	24	116 min	186 min	280 min	419 min
	25	112 min	179 min	268 min	402 min
	29.97	93 min	149 min	224 min	335 min
	30	93 min	149 min	224 min	335 min
	50	56 min	89 min	134 min	201 min
60	46 min	74 min	112 min	168 min	

4K na URSA Mini Pro 12K					
Cartão CFast	Taxa de Quadro	Blackmagic RAW 5:1	Blackmagic RAW 8:1	Blackmagic RAW 12:1	Blackmagic RAW 18:1
1TB		Duração	Duração	Duração	Duração
	23.98	264 min	442 min	631 min	941 min
	24	264 min	442 min	631 min	941 min
	25	254 min	405 min	606 min	904 min
	29.97	211 min	338 min	506 min	755 min
	30	211 min	338 min	506 min	755 min
	50	127 min	203 min	304 min	455 min
	60	106 min	169 min	254 min	380 min

### Tabelas de duração de gravações na URSA Mini Pro 4.6K G2, URSA Mini Pro 4.6K, URSA Mini 4.6K e URSA Mini 4K

Cenas simples contendo menos detalhes tendem a exigir menos dados que composições mais densas. Os valores nestas tabelas levam em consideração planos de imagem de alta complexidade, o que significa que você pode obter tempos de gravação mais longos dependendo do seu tipo de filmagem.

4.6K								
Cartão CFast	Taxa de Quadro	Blackmagic RAW 3:1*	Blackmagic RAW 5:1*	Blackmagic RAW 8:1*	Blackmagic RAW 12:1*	ProRes 444 XQ	ProRes 422 HQ	ProRes 422 LT
256GB		Duração	Duração	Duração	Duração	Duração	Duração	Duração
	23.98	28 min	48 min	76 min	115 min	14 min	33 min	70 min
	24	28 min	48 min	76 min	114 min	14 min	33 min	70 min
	25	27 min	46 min	73 min	110 min	14 min	31 min	66 min
	29.976	23 min	38 min	61 min	92 min	11 min	26 min	56 min
	30	23 min	38 min	61 min	92 min	11 min	26 min	56 min
	50	13 min	23 min	36 min	55 min	–	–	–
	59.94	11 min	19 min	30 min	46 min	–	–	–
60	11 min	19 min	30 min	46 min	–	–	–	

\*Blackmagic RAW está disponível apenas na URSA Mini Pro 4.6K e URSA Mini Pro 4.6K G2.

ULTRA HD								
Cartão CFast	Taxa de Quadro	Blackmagic RAW 3:1*	Blackmagic RAW 5:1*	Blackmagic RAW 8:1*	Blackmagic RAW 12:1*	ProRes 444 XQ	ProRes 422 HQ	ProRes 422 LT
256GB		Duração	Duração	Duração	Duração	Duração	Duração	Duração
	23.98	41 min	68 min	110 min	164 min	21 min	47 min	101 min
	24	41 min	68 min	109 min	164 min	21 min	47 min	101 min
	25	39 min	66 min	105 min	157 min	20 min	45 min	97 min
	29.976	33 min	55 min	88 min	131 min	16 min	38 min	81 min
	30	33 min	55 min	88 min	131 min	16 min	38 min	81 min
	50	19 min	33 min	52 min	79 min	–	22 min	48 min
	59.94	16 min	27 min	44 min	66 min	–	18 min	40 min
60	16 min	27 min	44 min	66 min	–	18 min	40 min	

\*Blackmagic RAW está disponível apenas na URSA Mini Pro 4.6K e URSA Mini Pro 4.6K G2.

HD								
Cartão CFast	Taxa de Quadro	Blackmagic RAW 3:1*	Blackmagic RAW 5:1*	Blackmagic RAW 8:1*	Blackmagic RAW 12:1*	ProRes 444 XQ	ProRes 422 HQ	ProRes 422 LT
256GB		Duração	Duração	Duração	Duração	Duração	Duração	Duração
	23.98	159 min	264 min	418 min	619 min	84 min	189 min	403 min
	24	159 min	264 min	418 min	618 min	84 min	189 min	403 min
	25	153 min	253 min	402 min	595 min	81 min	182 min	387 min
	29.976	128 min	212 min	336 min	499 min	68 min	152 min	324 min
	30	127 min	212 min	336 min	499 min	67 min	152 min	324 min
	50	76 min	127 min	203 min	303 min	40 min	91 min	196 min
	59.94	64 min	106 min	170 min	254 min	34 min	76 min	163 min
	60	64 min	106 min	170 min	253 min	33 min	76 min	163 min

\*Blackmagic RAW está disponível apenas na URSA Mini Pro 4.6K e URSA Mini Pro 4.6K G2.

As configurações de qualidade constante para Q0 e Q5 exibirão tempos de gravação restante variados. A duração estimada para Q0 é semelhante à taxa de bit constante 3:1 e Q5 exibirá uma duração semelhante à 12:1, contudo, como a duração estimada é atualizada a cada 10 segundos durante a gravação, a melhor maneira de medir quanto tempo de gravação resta é gravar por 20 segundos e monitorar a duração na área de mídias no monitor da tela de toque.

## Tabelas de Taxas de Dados da URSA Mini Pro 12K

A Blackmagic URSA Mini Pro 12K permite capturar imagens em uma variedade tão grande de resoluções e taxas de quadro que é importante entender as consequências na taxa de dados para que você possa escolher o melhor formato e mídia para o seu projeto. A Blackmagic Design testou rigorosamente uma ampla gama de cartões CFast, cartões SD UHS-II e unidades USB-C para determinar taxas de quadro alcançáveis e taxas de compactação Blackmagic RAW. Consulte a seção 'Mídias de Armazenamento' para mais informações. Geralmente, os cartões CFast para URSA Mini Pro 12K podem sustentar uma taxa de dados de cerca de 400 MB/s. Esses números aproximados podem oferecer um bom ponto de partida com relação às taxas e resoluções que você será capaz de alcançar.

Como a URSA Mini Pro 12K pode gravar a taxas de dados extremamente altas, talvez você queira dobrar a taxa de bits que a sua mídia normalmente é capaz de oferecer distribuindo a gravação em dois cartões. Para isso, insira um par de cartões CFast ou SD e habilite a opção "Record RAW on 2 Cards" no menu "Record". Como isso depende da distribuição em ambos os cartões sequencialmente, a taxa de dados do cartão mais lento será o fator limitante, portanto é aconselhável usar dois cartões com especificações idênticas ou similares. Você também pode fazer a distribuição entre um cartão CFast no compartimento de armazenamento 1 e uma unidade USB-C no compartimento de armazenamento 2. Quando você utiliza a opção "Record RAW on 2 Cards", o limite de velocidade é o dobro da taxa de dados do cartão mais lento na matriz distribuída. Para mais informações, consulte a seção 'Gravar RAW em 2 Cartões'.

As opções de Blackmagic RAW de taxas de bit constantes foram desenvolvidas para oferecer tamanhos de arquivos e taxas de dados previsíveis. Quando você está filmando uma cena altamente detalhada ou movimentos rápidos, uma opção de taxa de bits constante comprime a imagem com um constante máximo para garantir que o taxa de bits seja sempre mantida no mesmo ou abaixo do nível especificado. Isso torna mais fácil entender exatamente quais velocidades sua mídia precisará manter e também lhe dará uma boa estimativa de quanto tempo você pode filmar com sua mídia.

### Taxa de Dados Máxima a 24p com Blackmagic RAW de Taxa de Bits Constante

Formato		Resolução	Taxa de Quadro	Blackmagic RAW 5:1	Blackmagic RAW 8:1	Blackmagic RAW 12:1	Blackmagic RAW 18:1
12K	17:9	12288 x 6480	24	578 MB/s	361 MB/s	241 MB/s	160 MB/s
	16:9	11520 x 6480	24	542 MB/s	339 MB/s	226 MB/s	150 MB/s
	2.4:1	12288 x 5112	24	457 MB/s	286 MB/s	190 MB/s	127 MB/s
	6:5 Anamórfico	7680 x 6408	24	358 MB/s	224 MB/s	150 MB/s	99 MB/s
8K	17:9	8192 x 4320	24	257 MB/s	161 MB/s	107 MB/s	71 MB/s
	16:9	7680 x 4320	24	241 MB/s	151 MB/s	101 MB/s	67 MB/s
	2.4:1	8192 x 3408	24	203 MB/s	127 MB/s	85 MB/s	56 MB/s
	6:5 Anamórfico	5120 x 4272	24	159 MB/s	100 MB/s	67 MB/s	44 MB/s
6K	Super 16	6144 x 3240	24	146 MB/s	91 MB/s	61 MB/s	40 MB/s
4K	DCI	4096 x 2160	24	65 MB/s	41 MB/s	32 MB/s	27 MB/s
	16:9	3840 x 2160	24	61 MB/s	38 MB/s	30 MB/s	25 MB/s
	2.4:1	4096 x 1704	24	51 MB/s	32 MB/s	25 MB/s	21 MB/s
	6:5 Anamórfico	2560 x 2136	24	40 MB/s	25 MB/s	20 MB/s	17 MB/s
	Super 16	4096 x 2160	24	65 MB/s	41 MB/s	27 MB/s	18 MB/s

É importante observar que as taxas de armazenamento reais dependem do tipo de imagem e podem ser diferentes dos intervalos abaixo em cenas altamente detalhadas ou cenas muito simples.

### Intervalos de Taxas de Dados a 24p com Blackmagic RAW de Qualidade Constante

Formato		Resolução	Taxa de Quadro	Blackmagic RAW Q0	Blackmagic RAW Q1	Blackmagic RAW Q3	Blackmagic RAW Q5
12K	17:9	12288 x 6480	24	241-578 MB/s	145-361 MB/s	97-241 MB/s	73-181 MB/s
	16:9	11520 x 6480	24	226-542 MB/s	136-339 MB/s	91-226 MB/s	68-170 MB/s
	2.4:1	12288 x 5112	24	190-457 MB/s	114-286 MB/s	76-190 MB/s	57-143 MB/s
	6:5 Anamórfico	7680 x 6408	24	150-358 MB/s	90-224 MB/s	60-150 MB/s	45-112 MB/s
8K	17:9	8192 x 4320	24	161-321 MB/s	107-214 MB/s	81-161 MB/s	52-129 MB/s
	16:9	7680 x 4320	24	151-301 MB/s	101-201 MB/s	76-151 MB/s	49-121 MB/s
	2.4:1	8192 x 3408	24	127-254 MB/s	85-169 MB/s	64-127 MB/s	41-102 MB/s
	6:5 Anamórfico	5120 x 4272	24	100-199 MB/s	67-133 MB/s	50-100 MB/s	32-80 MB/s
6K	Super 16	6144 x 3240	24	61-146 MB/s	37-91 MB/s	25-61 MB/s	19-46 MB/s
4K	DCI	4096 x 2160	24	129-214 MB/s	65-129 MB/s	41-107 MB/s	30-81 MB/s
	16:9	3840 x 2160	24	121-201 MB/s	61-121 MB/s	38-101 MB/s	28-76 MB/s
	2.4:1	4096 x 1704	24	102-169 MB/s	51-102 MB/s	32-85 MB/s	23-64 MB/s
	6:5 Anamórfico	2560 x 2136	24	80-133 MB/s	40-80 MB/s	25-67 MB/s	18-50 MB/s
	Super 16	4096 x 2160	24	41-81 MB/s	27-54 MB/s	21-41 MB/s	13-33 MB/s

Gravar off-speed permite que você tome decisões criativas e obtenha o visual desejado. A URSA Mini Pro 12K pode filmar em resolução 12K até 60 fps e até 240 fps em outras resoluções. Quando você filma com altas taxas de quadro na URSA Mini Pro 12K, a câmera usa taxas de bit extremos, por isso é importante escolher um tipo de compactação Blackmagic RAW adequado.

### Taxas de Dados Máximas a Taxas de Quadro Máximas com Blackmagic RAW de Qualidade Constante

Formato		Resolução	Blackmagic RAW 5:1		Blackmagic RAW 8:1		Blackmagic RAW 12:1		Blackmagic RAW 18:1	
			Taxa de Quadro Máx.	Taxa de Dados Máx.	Taxa de Quadro Máx.	Taxa de Dados Máx.	Taxa de Quadro Máx.	Taxa de Dados Máx.	Taxa de Quadro Máx.	Taxa de Dados Máx.
12K	17:9	12288 x 6480	40	963 MB/s	60	903 MB/s	60	602 MB/s	60	401 MB/s
	16:9	11520 x 6480	40	903 MB/s	60	847 MB/s	60	565 MB/s	60	376 MB/s
	2.4:1	12288 x 5112	50	951 MB/s	75	892 MB/s	75	595 MB/s	75	396 MB/s
	6:5 Anamórfico	7680 x 6408	60	895 MB/s	60	560 MB/s	60	373 MB/s	60	249 MB/s
8K	17:9	8192 x 4320	120	1,285 MB/s	120	803 MB/s	120	536 MB/s	120	357 MB/s
	16:9	7680 x 4320	120	1,205 MB/s	120	753 MB/s	120	502 MB/s	120	334 MB/s
	2.4:1	8192 x 3408	160	1,353 MB/s	160	846 MB/s	160	564 MB/s	160	375 MB/s
	6:5 Anamórfico	5120 x 4272	120	796 MB/s	120	498 MB/s	120	332 MB/s	120	221 MB/s
6K	Super 16	6144 x 3240	120	727 MB/s	120	455 MB/s	120	303 MB/s	120	202 MB/s
4K	DCI	4096 x 2160	120	322 MB/s	120	201 MB/s	120	161 MB/s	120	134 MB/s
	16:9	3840 x 2160	120	302 MB/s	120	189 MB/s	120	150 MB/s	120	125 MB/s
	2.4:1	4096 x 1704	160	339 MB/s	160	212 MB/s	160	169 MB/s	160	141 MB/s
	6:5 Anamórfico	2560 x 2136	120	200 MB/s	120	125 MB/s	120	99 MB/s	120	83 MB/s
	Super 16	4096 x 2160	240	648 MB/s	240	405 MB/s	240	271 MB/s	240	180 MB/s

### Intervalo de Taxas de Dados a Taxas de Quadro Máximas com Blackmagic RAW de Qualidade Constante

Formato		Resolução	Taxa de Quadro	Blackmagic RAW Q0	Blackmagic RAW Q1	Blackmagic RAW Q3	Blackmagic RAW Q5
12K	17:9	12288 x 6480	60	602-1,445 MB/s	362-903 MB/s	241-602 MB/s	181-452 MB/s
	16:9	11520 x 6480	60	565-1,355 MB/s	339-847 MB/s	226-565 MB/s	170-424 MB/s
	2.4:1	12288 x 5112	75	595-1,426 MB/s	357-892 MB/s	238-595 MB/s	179-446 MB/s
	6:5 Anamórfico	7680 x 6408	60	373-895 MB/s	224-560 MB/s	150-373 MB/s	112-280 MB/s
8K	17:9	8192 x 4320	120	803-1,605 MB/s	536-1,071 MB/s	402-803 MB/s	258-643 MB/s
	16:9	7680 x 4320	120	753-1,506 MB/s	502-1,004 MB/s	377-753 MB/s	242-603 MB/s
	2.4:1	8192 x 3408	160	846-1,609 MB/s	564-1,127 MB/s	423-846 MB/s	271-677 MB/s
	6:5 Anamórfico	5120 x 4272	120	498-995 MB/s	332-664 MB/s	249-498 MB/s	160-398 MB/s
6K	Super 16	6144 x 3240	120	303-727 MB/s	182-455 MB/s	122-303 MB/s	92-228 MB/s



Formato		Resolução	Taxa de Quadro	Blackmagic RAW Q0	Blackmagic RAW Q1	Blackmagic RAW Q3	Blackmagic RAW Q5
4K	DCI	4096 x 2160	120	643-1,071 MB/s	322-643 MB/s	201-536 MB/s	147-402 MB/s
	16:9	3840 x 2160	120	603-1,004 MB/s	302-603 MB/s	189-502 MB/s	138-377 MB/s
	2.4:1	4096 x 1704	160	677-1,127 MB/s	339-677 MB/s	212-564 MB/s	155-423 MB/s
	6:5 Anamórfico	2560 x 2136	120	398-664 MB/s	200-398 MB/s	125-332 MB/s	91-249 MB/s
	Super 16	4096 x 2160	240	405-810 MB/s	271-540 MB/s	203-405 MB/s	131-325 MB/s

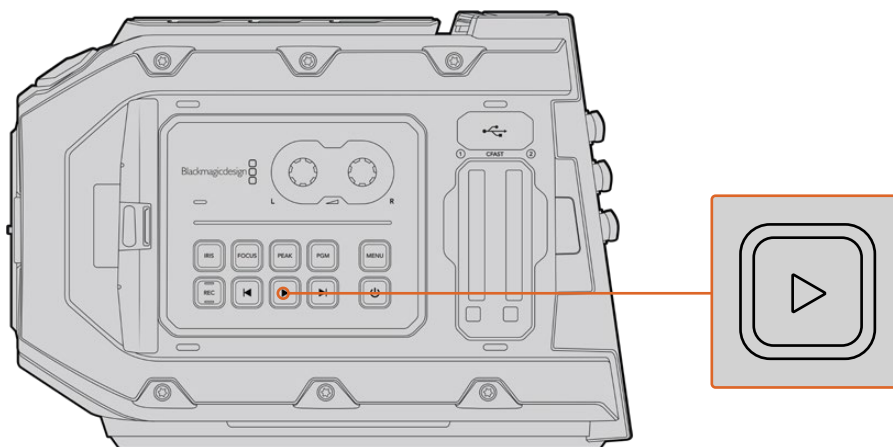
As taxas de armazenamento reais dos formatos de Qualidade Constante dependem do objeto em foco da imagem e podem estar fora do intervalo acima em cenas altamente detalhadas ou cenas muito simples.

## Reprodução

### Reproduzir Clipes

Depois que gravar seu vídeo, você pode usar os botões de controle de transporte para fazer a reprodução dos seus clipes.

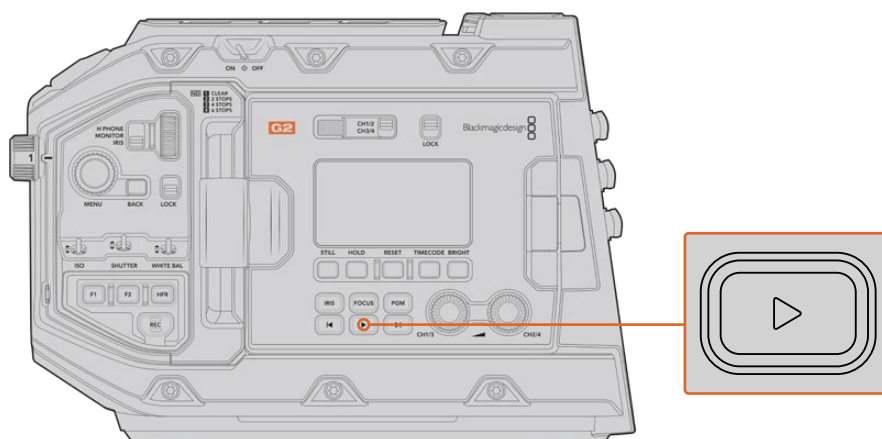
Aperte o botão de reprodução uma vez para reprodução instantânea e você visualizará seu vídeo gravado na tela de toque LCD da URSA Mini. Seus clipes também podem ser visualizados em qualquer monitor conectado às saídas SDI da sua URSA Mini.



Câmera URSA Mini

**DICA** A Blackmagic URSA Mini possui teclas de controle de transporte e reprodução em ambos os painéis de controle ergonômicos interno e externo.

**OBSERVAÇÃO** A Blackmagic URSA Mini reproduzirá clipes com configurações de qualidade diferentes desde que sejam do mesmo codec, taxa de quadro e resolução.



Câmera URSA Mini Pro 4.6K G2

Pressione os botões de avanço e retrocesso para pular para o início ou o fim do clipe. Pressione o botão “Retroceder” uma vez para ir ao início do clipe atual ou pressione duas vezes para voltar ao início do clipe anterior. Segure o botão “Avançar” ou “Retroceder” para reproduzir ou reproduzir de forma invertida com o dobro da velocidade. Após navegar para frente ou para trás, pressione os botões para avançar ou retroceder com dois cliques para aumentar a velocidade em quatro vezes, três cliques para oito vezes e quatro cliques para 16 vezes. Também é possível usar os botões avançar e retroceder para abrir ou fechar a íris em lentes compatíveis durante a gravação de clipes.

Ao gravar um clipe usando uma taxa de quadro de sensor diferente da taxa de quadro de projeto, a velocidade de reprodução do seu clipe também será diferente. Por exemplo, imagine que você tenha configurado a taxa de quadro do projeto da sua câmera para corresponder à sua linha de tempo na pós-produção a 24 quadros por segundo. Caso grave um clipe com a taxa de quadro do sensor configurada para 60 quadros por segundo, seus clipes serão reproduzidos em câmera lenta tanto na câmera quanto na sua linha de tempo na pós-produção.

**DICA** Consulte a seção ‘Gravação’ neste manual para mais informações sobre taxas de quadro.

# Introdução à URSA Mini

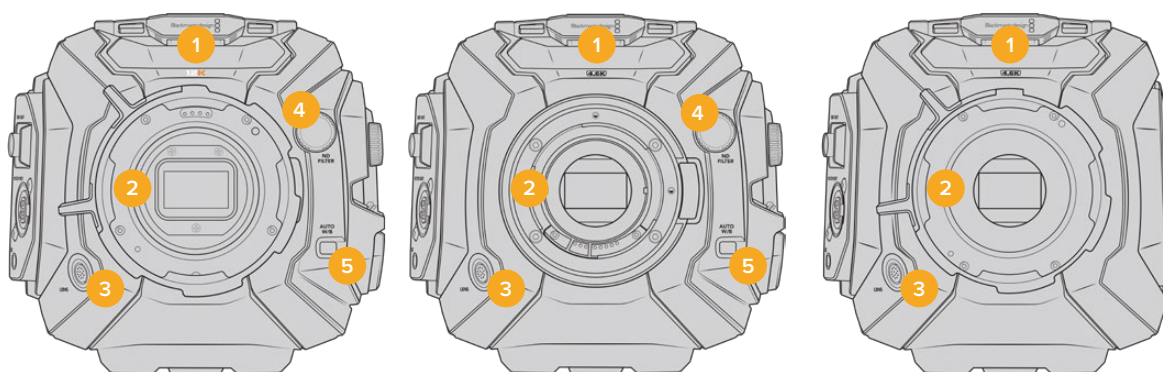
Conectores BNC padrão da indústria ficam localizados no painel direito e traseiro das conexões SDI da sua URSA Mini. Também existem duas entradas LANC separadas, uma para o Blackmagic URSA Handgrip opcional e outra na traseira da câmera para um controlador LANC externo.

As entradas XLR para áudio analógico balanceado profissional estão no painel superior atrás das roscas de montagem na URSA Mini e na URSA Mini Pro 4.6K e uma entrada de áudio digital AES na URSA Mini Pro 4.6K. Um conector XLR de 4 pinos é fornecido no painel traseiro para a entrada de alimentação externa e uma saída é disponibilizada no lado direito para alimentar acessórios como o Blackmagic URSA Viewfinder.

A porta USB acima dos compartimentos das mídias de armazenamento na sua URSA Mini se destina à conexão de um computador ao atualizar o software interno da sua câmera.

**OBSERVAÇÃO** A URSA Mini Pro inclui controles ergonômicos adicionais que facilitam o acesso rápido às configurações e funções de câmera essenciais sem a necessidade de abrir a tela de toque desdobrável.

## Frente da Câmera



Modelo URSA Mini Pro 12K

Modelo URSA Mini Pro 4.6K

Modelo URSA Mini PL

### 1 Microfone Estéreo

Microfone estéreo de alta qualidade integrado. Consulte a seção 'Configurações' para mais informações sobre as configurações de áudio para microfones.

### 2 Encaixe de Lente

As câmeras URSA Mini incluem um encaixe de lentes EF ou PL. A URSA Mini Pro inclui um encaixe de lentes intercambiável que permite alternar entre encaixes EF, F, PL e B4. Consulte a seção 'Encaixe de Lente Intercambiável' para mais informações.

### 3 Conector de Lentes Broadcast

Este conector fornece alimentação e controle para lentes de montagem PL e B4 compatíveis com conexões de 12 pinos. Este conector está disponível apenas nos modelos URSA Mini PL e URSA Mini Pro 4.6K. Consulte a seção 'Usar Lentes Servo Zoom' deste manual para uma lista de lentes compatíveis, incluindo modelos PL e B4.

### 4 Filtros ND

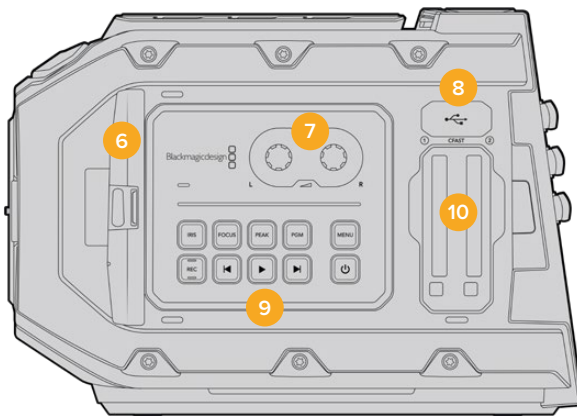
Utilize essa roda para alternar entre os três filtros de densidade neutra integrados, assim como um modo claro. Consulte a seção 'Botões de Controle da URSA Mini Pro' para mais informações.

## 5 Balanço de Branco Automático

O botão de balanço de branco automático é marcado “Auto W/B” e é utilizado quando você desejar configurar o balanço de branco com base no que está no centro da tela no momento. Por exemplo, ao configurar o balanço de branco automático com um cartão cinza posicionado na frente da lente. Consulte a seção ‘Botões de Controle da URSA Mini Pro’ para mais informações.

## Lado Esquerdo – URSA Mini

O painel lateral esquerdo da URSA Mini possibilita inserir cartões CFast, acessar o painel de controle e alterar configurações. A porta USB é localizada logo acima dos compartimentos CFast, assim é possível se conectar a um computador com facilidade ao atualizar o software interno da sua URSA Mini.



### 6 Tela de Toque Desdobrável

Monitor de tela de toque desdobrável de 5 polegadas, pivôs para a visualização em diferentes alturas de câmera. Consulte a seção ‘Controles da Tela de Toque’ para mais informações.

### 7 Botões Giratórios de Ajuste do Nível de Áudio

Botões de ajuste giratório para definir os níveis de gravação para os canais de áudio 1 e 2. Consulte a seção ‘Controles da Blackmagic URSA Mini’.

### 8 Porta Mini-USB

Porta Mini-USB para atualização do software interno. Consulte a seção ‘Blackmagic Camera Setup Utility’ para mais informações.

### 9 Botões do Painel de Controle

Botões para ligar a câmera, controle de gravação e reprodução, pico de foco, acessar o menu de configurações, além de comando da íris e foco automático para lentes EF compatíveis. Consulte a seção ‘Controles da URSA Mini’ para mais informações.

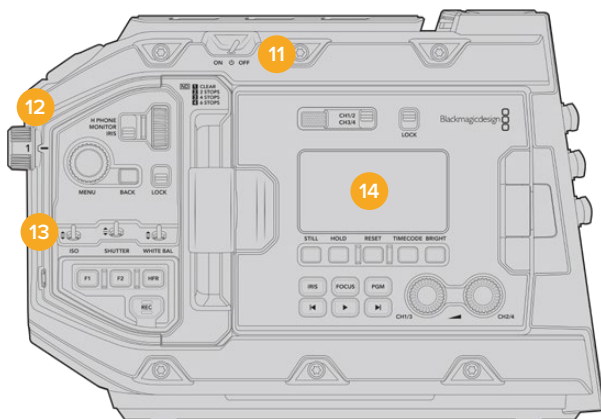
### 10 Compartimentos para Cartões de Memória

Insira cartões CFast 2.0 nos compartimentos para gravação e reprodução. Consulte a seção ‘Mídias de Armazenamento’.

## Lado Esquerdo – URSA Mini Pro

O painel lateral esquerdo da URSA Mini Pro inclui controles adicionais de fácil acesso para todas as funções essenciais da sua câmera. Estes controles estão divididos entre o painel de controle dianteiro, o painel de controle ergonômico localizado no exterior do monitor de tela de toque desdobrável e um painel de controle no interior do monitor desdobrável.

Os compartimentos para cartões CFast e SD estão localizados atrás do monitor desdobrável. A porta USB-C está acima dos compartimentos para estes cartões de memória e é usada para conectar-se a um computador e atualizar o software interno da sua URSA Mini Pro.



Modelo URSA Mini Pro 4.6K, tela de toque desdobrável fechada.

### 11 Chave de Alimentação

Chave de alimentação para ligar a câmera. Há também uma chave de alimentação reserva na parte interna do monitor desdobrável que permite que a câmera seja ligada quando os botões de gravação e avanço de clipes são pressionados ao mesmo tempo.

### 12 Filtros ND

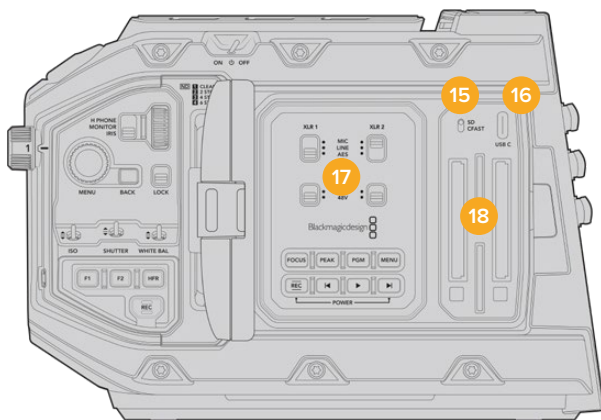
Sua URSA Mini Pro possui três filtros de densidade neutra internos para ajustar a quantidade de luz alcançando o sensor. Quatro configurações estão disponíveis, variando desde claro até seis stops de redução de luz. Basta girar esta roda para navegar pelas configurações disponíveis. O filtro se posiciona com um clique de encaixe para cada configuração. Consulte a seção 'Botões de Controle da URSA Mini Pro' para mais informações.

### 13 Painel de Controle Dianteiro

O painel de controle dianteiro fornece acesso rápido para todas as funções essenciais da sua URSA Mini Pro. Estes controles estão posicionados para fácil acesso nas filmagens feitas em um tripé ou no ombro e você pode usá-los para ajustar configurações como a sensibilidade ISO, velocidade do obturador, íris, balanço de branco, taxa de quadro e muito mais. Consulte a seção 'Botões de Controle da URSA Mini Pro' para mais informações.

### 14 Painel de Controle Ergonômico

Na parte externa do monitor desdobrável da sua URSA Mini Pro, você encontrará um monitor de status LCD e uma variedade de comandos para um controle de monitoramento rápido e eficaz. Aqui, você pode ver todas as informações de status da câmera com um relance e também controlar uma variedade de funções eficazes para o monitoramento. Consulte a seção 'Botões de Controle da URSA Mini Pro' para mais informações.



Modelo URSA Mini Pro, tela de toque desdobrável aberta.

### 15 Chave de Seleção para Mídias de Armazenamento

Use esta chave para selecionar mídias de armazenamento CFast e SD.

## 16 Porta USB

Porta USB-C para atualização do software interno. Consulte a seção 'Blackmagic Camera Setup Utility' para mais informações. Na URSA Mini Pro G2, você também pode usar esta porta USB-C para gravar em um URSA Mini Recorder ou uma unidade flash USB-C externa.

## 17 Painel de Controle Interno

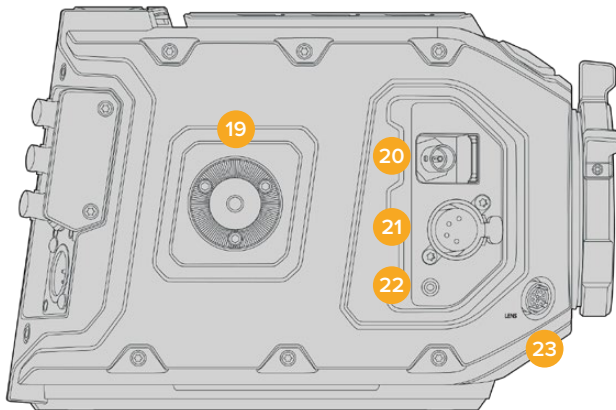
Com o monitor desdobrável da sua URSA Mini Pro aberto, você terá acesso ao painel de controle interno. Utilize os controles aqui para configurar suas entradas de áudio e também os ajustes para a alimentação fantasma. Você também pode acessar controles de íris, foco, menu, reprodução e muito mais. Consulte a seção 'Botões de Controle da URSA Mini Pro' para mais informações.

## 18 Compartimentos para Cartões de Memória

Insira cartões CFast 2.0, SDXC ou SDHC para gravação e reprodução. É importante observar que você deve verificar a lista de cartões certificados neste manual ou no nosso site. Consulte a seção 'Mídias de Armazenamento' para mais informações.

## Lado Direito

O painel lateral direito da URSA Mini oferece acesso a todos os conectores de vídeo, áudio e alimentação, além do encaixe roseta para o Blackmagic URSA Handgrip opcional.



Modelo URSA Mini PL.

## 19 Encaixe Roseta Lateral

Encaixe roseta padrão para o Blackmagic URSA Handgrip opcional. Consulte as seções 'Instruções Preliminares', 'Blackmagic URSA Handgrip' e 'Blackmagic URSA Mini Shoulder Mount Kit' para mais informações.

## 20 Saída de Monitoramento HD

Conector 3G-SDI para saída de 1080 HD de conversão descendente. Utilize com o Blackmagic URSA Viewfinder ou monitores externos. Consulte as seções 'Saída de Vídeo da Câmera' e 'Blackmagic URSA Viewfinder' para mais informações.

## 21 Saída de Alimentação +12 V

Conector XLR de 4 pinos para alimentação do Blackmagic URSA Viewfinder, Blackmagic URSA Studio Viewfinder ou monitores e acessórios externos. Consulte as seções 'Blackmagic URSA Viewfinder' e 'Blackmagic URSA Studio Viewfinder' para mais informações. Esta saída combinada ao Conector de Lente Broadcast oferece 12 volts em um total de 2 amperes.

## 22 Entrada LANC

Conector TRS LANC de 2,5 mm para o Blackmagic URSA Handgrip opcional. Consulte a seção 'Blackmagic URSA Handgrip' para mais informações sobre como conectar a empunhadura lateral.

### 23 Conector de Lentes Broadcast

Fornece alimentação e controle para lentes de montagem PL e B4 compatíveis com conexões de 12 pinos. Esta conexão está disponível apenas nos modelos URSA Mini PL e URSA Mini Pro. Esta saída combinada à saída de alimentação de +12 V oferece 12 volts em um total de 2 amperes.

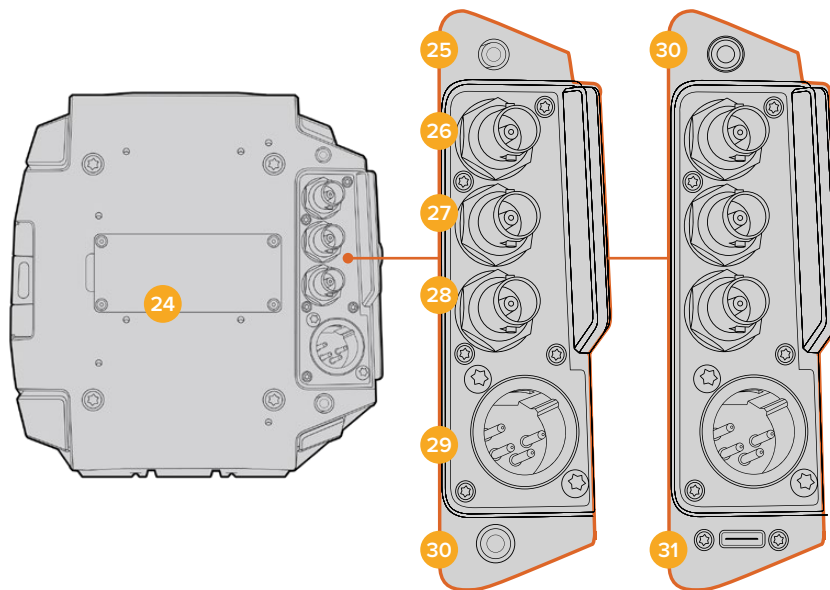
## Painel Traseiro

### 24 Placa de Encaixe de Bateria

Sua Blackmagic URSA Mini tem roscas de montagem e um conector molex com reentrância para fornecer energia para a câmera e a partir da câmera, além de transportar informações de dados. Os orifícios enroscados são posicionados para que você possa encaixar acessórios opcionais como, placas de bateria, Blackmagic Camera Fiber Converter ou URSA Mini Recorder na traseira da câmera. Quando em uso, o conector molex com reentrância pode produzir 12 volts regulados em até 1,5 amperes. Para mais informações, consulte as seções 'Encaixar Baterias', 'Instruções Preliminares para Blackmagic Fiber Converters' e 'URSA Mini Recorder'.

### 25 LANC

Este pequeno conector tipo jack de 2,5 mm é usado para o controle remoto LANC externo, como um controlador de início/parada de gravação externo encaixado a um braço de tripé. O padrão LANC é compatível com o comando do iniciar e parar de gravações, além de íris e foco com lentes EF compatíveis. A URSA Mini Pro 12K não possui porta LANC no painel traseiro. Para controle LANC da URSA Mini Pro 12K, utilize o conector TRS "LANC Input" de 2,5 mm no painel direito.



URSA Mini Pro 4.6K G2, URSA Mini Pro 4.6K,  
URSA Mini 4.6K e URSA Mini 4K.

URSA Mini Pro 12K.

### 26 Saída 12G-SDI

A saída 12G-SDI da Blackmagic URSA Mini é utilizada para enviar vídeos HD e Ultra HD para equipamentos SDI, como roteadores, monitores, dispositivos de captura SDI e switchers broadcast. Você também pode conectar a saída 12G-SDI a um gravador externo, como o Blackmagic Video Assist, para fazer backups de gravações.

### 27 Entrada 12G-SDI

A entrada 12G-SDI é utilizada para a conexão com um switcher ou gravador externo. Também pode ser usada para visualizar reprodução, intercomunicação, sinalização ou sinais de referência externos. Quando utilizada com um switcher ATEM, você também pode ajustar as funções de câmera através do recurso de controle de câmera do switcher.



Assim, caso esteja usando sua URSA Mini em uma transmissão ao vivo, é possível conectar a saída de programa do switcher e monitorá-la durante as filmagens, ou fazer a reprodução a partir de um gravador externo. Pressione e segure o botão de programa para visualizar a alimentação do seu programa. Para mais informações, consulte a seção 'Botões de Controle da URSA Mini' ou 'Painel de Controle Ergonômico' para a URSA Mini Pro.

Para receber sinalização e intercomunicação via a entrada SDI, certifique-se de que a identificação de câmera para o ATEM esteja configurada no menu de configurações da câmera. Caso deseje utilizar a entrada SDI para receber um sinal de referência externo, será necessário selecionar "Programa" como fonte de referência nos ajustes de configurações. O símbolo "REF" será exibido ao lado do indicador de código de tempo na tela LCD da câmera quando a referência externa for conectada. Consulte a seção 'Ajustar Configurações' deste manual para mais informações.

Na URSA Mini Pro, a entrada SDI também pode ser usada para conectar uma fonte de código de tempo externa à câmera. A câmera se casará automaticamente com o código de tempo de entrada caso a taxa de quadros do sinal SDI coincida com a taxa de quadros da câmera e possua um código de tempo válido. O símbolo "EXT" será exibido no LCD da URSA Mini Pro quando o código de tempo externo for sincronizado. Caso você desconecte o cabo, o código de tempo permanecerá sincronizado e o símbolo "INT" passará a ser exibido, indicando que o relógio do código de tempo interno da URSA Mini Pro está em uso.

### **28 Entrada de Sincronização e Código de Tempo**

Esta entrada reconhece e alterna entre os sinais de código de tempo e sincronização automaticamente. Sincronize a Blackmagic URSA Mini com um sinal de referência padrão, como sincronização de três níveis, ao conectar a entrada BNC de "referência" marcada como "REF In". É importante observar que, para usar um sinal de referência através desta entrada, você deve configurar sua fonte de referência como externa, "External", no menu de configurações da sua URSA Mini.

Como alternativa, você pode utilizar este conector para combinar uma fonte com código de tempo externo para sincronizar múltiplas câmeras, ou áudio e imagem, ao gravar com sistemas duplos. Isso assegura que o áudio e as imagens, ou os vídeos de múltiplas câmeras, possam ser facilmente sincronizados durante a pós-produção. Ao conectar uma fonte com código de tempo externo que possua a mesma taxa de quadro, a câmera se casará com o código de tempo da entrada automaticamente. Quando o código de tempo estiver casado, o símbolo "EXT" será exibido na tela LCD da URSA Mini. Caso você desconecte o cabo, o código de tempo permanecerá sincronizado e o símbolo "INT" passará a ser exibido, indicando que o relógio do código de tempo interno da URSA Mini Pro está em uso.

Também é possível configurar sua câmera para usar o sinal de referência de um switcher ATEM através da entrada de programa SDI. Isto é útil ao trabalhar com switchers ATEM porque todas as câmeras podem receber o retorno de programa, controle de câmera, sinalização, intercomunicação, referência e código de tempo usando um único sinal SDI. Para mais informações, consulte a seção 'Ajustar Configurações' neste manual.

### **29 Entrada de Alimentação 12 V+**

Utilize o conector XLR de 4 pinos e voltagem 12-20 V DC para conectar alimentação de fontes externas, como o adaptador de alimentação incluso ou baterias portáteis.

### **30 Fone de Ouvido/Headset**

A saída do conector tipo jack de 3,5 mm é usada para o monitoramento e a intercomunicação com fones de ouvido. Você também pode conectar headsets compatíveis com iPhone e Android que possuam um microfone integrado para intercomunicação fácil e rápida. O áudio da intercomunicação é embutido nos canais 15 e 16 da saída SDI.

**DICA** Ao utilizar o conector tipo jack de 3,5 mm da URSA Mini ou URSA Mini Pro para intercomunicação, uma opção muito econômica é usar fones de ouvido compatíveis com iPhone ou Android. Estes fones de ouvido geralmente possuem

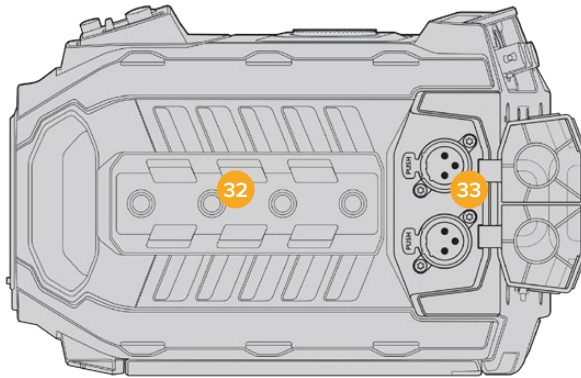


um botão que pode ser usado para ativar e desativar o microfone dos mesmos. Caso deseje utilizar um headset broadcast que não possua este botão, você pode configurar os botões de função da sua URSA Mini ou URSA Mini Pro para que ofereçam a mesma funcionalidade. Para mais informações, consulte a seção 'Ajustar Configurações' neste manual.

### 31 Porta USB

Porta USB-C 3.1 de segunda geração com conector de trava para gravar vídeo da URSA Mini Pro 12K em uma unidade flash externa.

## Painel Superior



O áudio analógico externo pode ser plugado aos conectores XLR balanceados no painel superior.

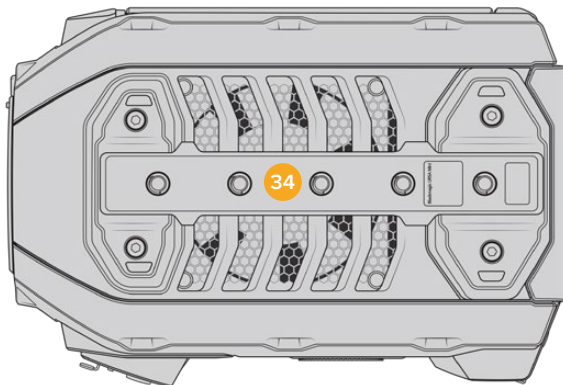
### 32 Roscas de Montagem de ¼ de Polegada

O painel superior da sua câmera contém 4 roscas de montagem resistentes para o encaixe da alça superior e acessórios.

### 33 Entrada de Áudio XLR

Use as entradas XLR balanceadas para conectar áudio analógico externo profissional de equipamentos profissionais como mesas de som, sistemas de PA ou microfones externos. Os conectores XLR fornecem alimentação fantasma de 48 V, assim você pode usar microfones sem alimentação autônoma. Consulte a seção 'Painel de Controle Interno' para mais informações sobre a alimentação fantasma.

## Parte Inferior

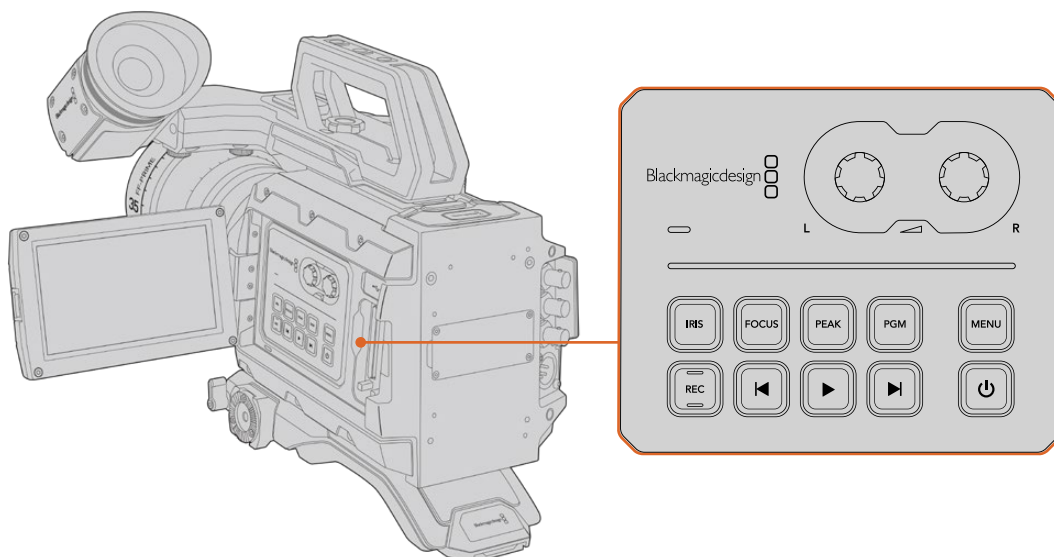


### 34 Roscas de Montagem de ¼ de Polegada

As cinco roscas de montagem na parte inferior são usadas para encaixar cabeças de tripé, o suporte de ombro opcional para a URSA Mini e outros acessórios.

## Controles URSA Mini

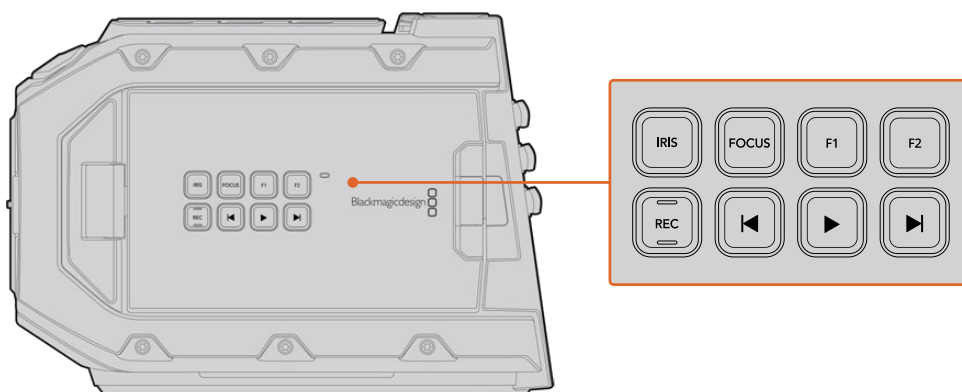
Sua Blackmagic URSA Mini possui um painel de controle no lado esquerdo, atrás do monitor desdobrável e contém todas as teclas e todos os botões giratórios de ajuste necessários para alterar e controlar os níveis de áudio. Você pode monitorar seus níveis de áudio usando os medidores de áudio na tela de toque LCD.



Ajuste as configurações de câmera usando os botões do painel de controle interno e a tela de toque.

## Botões de Controle

Além do painel de controle interno, sua Blackmagic URSA Mini tem botões de controle na parte externa da tela LCD e no Blackmagic URSA Handgrip opcional. Todos os botões para íris, foco e gravação desempenham a mesma função.



Os botões do painel externo permitem a gravação e reprodução de clipes, habilitar ou desabilitar o pico de foco, alternar entre a visualização da câmera e do programa no LCD, além do ajuste de íris e foco automático ao utilizar lentes EF compatíveis.

### Iris

O botão "Iris" ativa a configuração de abertura automática em lentes compatíveis. Ao usar as configurações com o intervalo dinâmico de vídeo, apenas um toque no botão "Iris" ajustará uma exposição média baseada nos realces e sombras do seu plano de imagem. Ao filmar usando as configurações de intervalo dinâmico de filme, pressionar o botão "Iris" ajustará sua exposição conforme o realce mais brilhante no seu plano.

Nos modelos URSA Mini EF, este botão funciona com lentes EF compatíveis. Nos modelos URSA Mini PL, este botão funciona com lentes compatíveis conectadas ao controlador de lentes broadcast.

Para ajustar a abertura manualmente, pressione os botões de transporte para voltar e avançar.

### **Focus**

Ao usar um encaixe EF com uma lente EF compatível com ajustes de foco eletrônico, pressione o botão “Focus” para ativar o foco automático. Um quadrado branco para o foco aparecerá no monitor desdobrável. Qualquer coisa dentro do quadrado será focalizada corretamente. Quando a lente estiver focada, o quadrado desaparecerá.

**OBSERVAÇÃO** É importante notar que enquanto a maioria das lentes é compatível com foco eletrônico, algumas lentes podem ser configuradas para modos manuais ou automáticos, então certifique-se de que sua lente esteja configurada no modo de foco automático.

### **Peak**

Pressione o botão “Peak” para habilitar o pico de foco. Sua câmera possui dois modos de pico de foco, o modo tradicional que deixa as áreas em foco da imagem artificialmente mais nítidas, e o modo “Colored Lines” com sobreposições de linhas nas cores preto, branco, vermelho, verde ou azul sobre as áreas mais nítidas. Para mais informações, consulte a seção ‘Configurações de Monitoramento’ neste manual. O pico de foco não é gravado nas mídias de armazenamento, mas pode ser exibido via a saída de monitoramento HD e no monitor desdobrável quando as sobreposições forem habilitadas usando o menu da tela de toque.

### **Program**

O botão de programa é marcado como “PGM” e permite alternar o LCD entre o modos de visualização da câmera e qualquer sinal conectado à entrada 12G-SDI no painel traseiro. Assim, caso esteja usando a URSA Mini em uma transmissão ao vivo, é possível conectar a saída de programa do switcher e monitorá-la durante as filmagens. Pressione e segure o botão de programa para visualizar sua alimentação de programa. A alimentação de programa continuará a ser exibida enquanto o botão é mantido apertado. Um clique duplo alternará a visualização para a alimentação de programa, para sair desse modo de visualização, pressione o botão novamente. É importante mencionar que para exibir a saída de programa do switcher, sua câmera e switcher precisam estar configurados com a mesma taxa de quadros.

**OBSERVAÇÃO** Quando estiver configurando sua fonte de referência para a URSA Mini ou URSA Mini Pro, é possível que ocorra uma pequena perda temporária do sinal nas saídas da sua câmera quando você alternar entre as suas fontes de referência. Isto ocorre porque a câmera está ajustando seu temporizador de sincronização para corresponder à fonte externa. Por esta razão, é importante não alterar esta configuração durante uma produção, e o fazer apenas durante as preparações.

### **Menu**

Pressione o botão “Menu” para abrir o painel. Consulte a seção ‘Configurações’ para mais informações sobre as funções do painel e como ajustá-las.

### Record

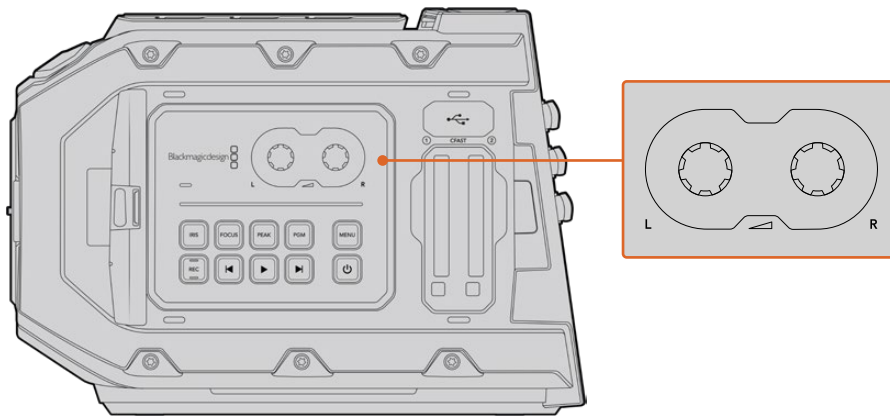
O botão de gravação é marcado como “REC” no painel de controle da sua Blackmagic URSA Mini, no LCD desdobrável e no Blackmagic URSA Handgrip opcional. Pressione qualquer um dos botões de gravação para iniciar e parar gravações. Consulte a seção ‘Gravação’ para mais informações.

### Botões de Controle de Reprodução

Os botões de reprodução permitem iniciar e parar a reprodução, além de saltar para o clipe seguinte ou anterior. Na Blackmagic URSA Mini EF, os botões para avançar e retroceder também podem ser usados para abrir e fechar a íris quando lentes compatíveis forem utilizadas. Consulte a seção ‘Reprodução’ para mais informações sobre como usar os botões de reprodução.

### Botões Giratórios de Ajuste do Nível de Áudio

Use os botões de ajuste giratório integrados para definir os níveis de gravação para os canais de áudio 1 e 2. Gire cada botão no sentido horário ou anti-horário para aumentar ou reduzir os níveis de gravação para cada canal de áudio. Monitore os medidores de áudio correspondentes na tela enquanto você ajusta cada botão para visualizar o melhor nível de configuração.



Gire os botões de nível de áudio no sentido horário ou anti-horário para aumentar ou reduzir os níveis de gravação do seu áudio.

### Botões de Funções

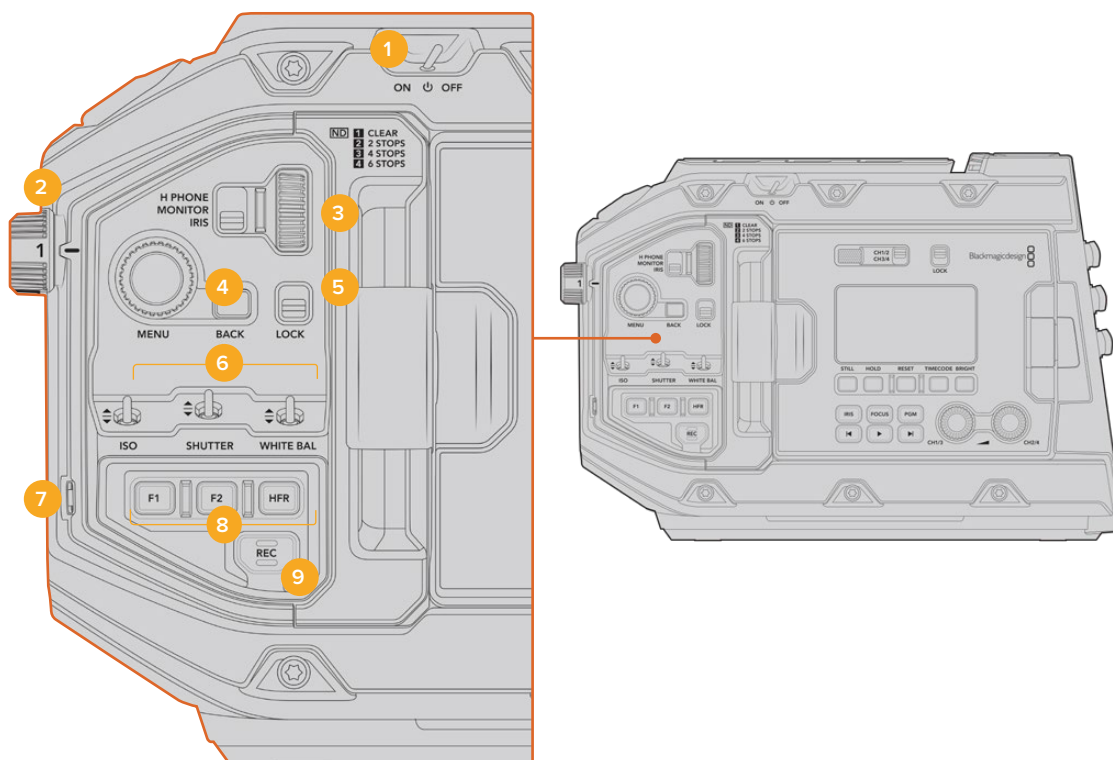
Na parte externa do LCD da sua Blackmagic URSA Mini há dois botões de “função” marcados como F1 e F2. É possível mapeá-los de acordo com a sua preferência para uma variedade de funções usadas com frequência usando o menu de configurações da sua URSA Mini. Para mais informações, consulte a seção ‘Ajustar Configurações’ deste manual.

# Botões de Controle URSA Mini Pro

A Blackmagic URSA Mini Pro possui painéis de controle no chassi e na parte externa e interna da tela de toque desdobrável para fornecer acesso fácil e rápido a todas as funções importantes, assim como às poderosas ferramentas de monitoramento. Esses painéis foram desenvolvidos para estarem próximos à mão independentemente das filmagens serem realizadas com tripé, na mão ou com o suporte de ombro.

## Painel de Controle Frontal

O painel de controle frontal da sua URSA Mini Pro reúne todos os controles de ajuste necessários para a preparação e gravação de um plano cinematográfico. Todos os controles foram desenvolvidos para acesso fácil ao filmar com o monitor desdobrável fechado, como quando o suporte de ombro é utilizado.



Painel de controle frontal da URSA Mini Pro 4.6K.

### 1 Chave de Alimentação

Ligue sua URSA Mini Pro ao mover a chave para a posição “On”. Desligue ao mover a chave para a posição “Off”.

**DICA** Também é possível ligar ou desligar sua URSA Mini Pro através de uma combinação de chaves do painel de controle. Segurar as teclas “Rec” e “Avançar” irá ligar a câmera se ela estiver desligada ou irá desligá-la, caso esteja ligada. Se a chave de alimentação da câmera estiver na posição “On”, mas sua câmera estiver desligada, é provável que tenha sido desligada através do painel de controle. Alterne a chave de alimentação para retornar à operação normal.

## 2 Filtros ND

Sua URSA Mini Pro contém três filtros de densidade neutra internos. Além do filtro claro, as configurações disponíveis são de “2”, “4” e “6” stops. Estes filtros permitem reduzir a quantidade de luz alcançando o sensor da sua URSA Mini com um número predefinido de “pontos” de exposição. Ao reduzir a exposição, você pode continuar filmando com aberturas abertas em condições de muita luminosidade, como ao ar livre em dias ensolarados.

Para ajustar a configuração da densidade neutra, gire a roda para cima ou para baixo. A configuração “Claro” significa que não há filtros ND sendo usados. Nas configurações 2 e 4, os filtros ND aumentam gradualmente em densidade para que você possa reduzir a luz caso seja necessário.

Como pessoas diferentes preferem usar termos diferentes para cada filtro ND, as medidas das suas configurações ND podem ser personalizadas no menu LCD. É possível identificar o número do filtro ND, a quantidade de stops de redução de luz ou a fração representando a quantidade de luz reduzida para os filtros conforme sua preferência.

### Configurações dos Filtros de Densidade Neutra

Posição da Roda	Número ND	Stops	Fração
1	Claro	0	1
2	0.6	2	1/4
3	1.2	4	1/16
4	1.8	6	1/64

## 3 Anel de Configurações

Defina a função deste anel ao ajustar a chave de três posições adjacente ao anel. As opções são “Headphone”, “Monitor” e “Iris”.

### H Phone

Quando definido como “Headphone”, o anel de configurações ajustará os níveis de áudio do fone de ouvido. Gire o anel para cima para aumentar o volume e para baixo para diminuí-lo.

### Monitor

Quando definido como “Monitor”, o anel de configurações ajusta os níveis de áudio do alto-falante integrado da sua URSA Mini Pro. O alto-falante está localizado na parte externa da porta do monitor LCD e pode ser usado para o monitoramento de áudio sem fones de ouvido. Gire o anel para cima para aumentar o volume e para baixo para diminuí-lo. Esta função é desabilitada durante as gravações com o microfone interno da câmera para evitar feedback indesejado.

### Iris

Quando configurado como “Iris”, o anel de configurações é utilizado para ajustar a abertura de lentes compatíveis fixadas à sua URSA Mini Pro. Girar o anel para baixo abre a íris e girar o anel para cima fecha a íris. Estas direções imitam a operação de abertura em lentes fotográficas e cinematográficas ajustáveis.

**DICA** Para alterar as configurações de abertura através do botão giratório, a URSA Mini Pro deve estar conectada a uma lente com suporte para alterações de abertura através da câmera. Caso esteja usando uma lente B4 ou PL conectada através do conector broadcast de 12 pinos, certifique-se de que a chave da íris da lente na empunhadura esteja definida como “A” ou “Auto”.

#### 4 Roda Menu

Quando o recurso "Status Text" está habilitado na saída SDI frontal da sua URSA Mini Pro, é possível usar a roda de menu para navegar por muitos dos recursos do heads-up display que são normalmente acessados via a tela de toque LCD.

Basta pressionar a roda menu como se fosse um botão para acessar o heads-up display da sua URSA Mini Pro em um monitor externo, como o Blackmagic SmartView, Video Assist ou URSA Viewfinder. Quando a roda menu for ativada, gire a roda para selecionar recursos como as opções do monitor LCD, taxa de quadro, ISO, balanço de branco e tonalidade. Pressione a roda para confirmar seleções e fazer alterações adicionais, e use o botão "Back" ao lado da roda para cancelar. É possível usar o botão "Back" para navegar até o nível de menu seguinte ou sair do menu completamente, caso esteja no nível mais alto. Na URSA Mini Pro 4.6K, o menu fechará automaticamente depois de um minuto de inatividade.

Para mais informações sobre a configuração de texto de status e os controles disponíveis consulte as seções 'Controles da Tela de Toque' e 'Configurações de Monitoramento' deste manual.

#### 5 Lock

Altere esta chave para bloquear todos os controles do painel de controle frontal e impedir que sejam ajustados acidentalmente durante as filmagens. Mova a chave para a posição inferior para bloquear e para a posição superior para desbloquear.

**DICA** Ao gravar em ambientes movimentados e não controlados, é possível bloquear o painel de controle dianteiro da sua URSA Mini Pro quando deixar sua câmera desacompanhada. Isto garante que suas configurações não sejam alteradas acidentalmente por outros.

#### 6 Chaves ISO, Shutter e White Balance

Estas pequenas chaves interruptoras são usadas para ajustar as configurações de sensibilidade ISO, balanço de branco e obturador. Elas são úteis quando você deseja fazer ajustes rápidos sem tirar os seus olhos do plano de imagem. Empurre as chaves para cima ou para baixo delicadamente para fazer os ajustes. As chaves são acionadas por mola, elas sempre retornam para uma posição neutra.

##### ISO

Empurre esta chave para cima ou para baixo para ajustar a sensibilidade ISO da sua câmera. Empurrar para cima aumenta um intervalo e para baixo reduz um intervalo. As configurações disponíveis são 200, 400, 800 e 1600 para a URSA Mini e 200, 400, 800, 1600 e 3200 para a URSA Mini Pro.

##### Shutter

Use esta chave para ajustar a velocidade ou o ângulo do obturador da câmera, dependendo do que você selecionou no menu de configurações. Empurrar para cima aumenta o ângulo ou a velocidade do obturador para a próxima predefinição disponível; e para baixo diminui o ângulo ou a velocidade do obturador para a próxima predefinição disponível. Segurar a chave para cima ou para baixo navegará pelos valores predefinidos disponíveis mais rapidamente. Há vinte predefinições para o ângulo do obturador entre 11.2 e 360 graus.

**DICA** Sua URSA Mini Pro também pode sugerir ângulos e velocidades de obturador sem cintilação com base na frequência da rede elétrica da sua região. Eles devem ser selecionados através do menu da tela de toque LCD. Para mais informações, consulte a seção 'Controles da Tela de Toque' neste manual.

### **White Balance**

Esta chave é usada para ajustar o balanço de branco da câmera. Empurrar para cima aumentará a temperatura de cor em 50K e para baixo diminuirá em 50K. Segurar a chave para cima ou para baixo navegará pelos valores predefinidos disponíveis mais rapidamente.

### **7 Auto White Balance**

Pressionar este botão iniciará uma janela “Auto White Balance” branca na parte central do LCD por cinco segundos. Esta janela também aparecerá em qualquer saída SDI cujo texto de status está habilitado no menu de configurações. A janela branca indica a área específica da sua imagem de onde o balanço de branco será calculado, então o seu cartão cinza deve ser posicionado dentro desta janela. Pressionar e segurar o botão “Auto W/B” por três segundos executará o balanço de branco automático e o quadrado será alterado de branco para verde para confirmar que isso foi feito com sucesso.

Para mais informações sobre como habilitar o texto de status nas saídas SDI frontal e principal da URSA Mini Pro, consulte a seção ‘Configurações de Monitoramento’ deste manual.

### **8 F1 e F2**

As teclas F1 e F2 são teclas de “função” que podem ser programadas para uma variedade de funções comumente usadas ao utilizar o menu “Setup” da sua URSA Mini Pro. Por padrão, F1 está configurada como “False Color” e F2 definida como “Display LUT”.

Para mais informações, consulte a seção ‘Controles da Tela de Toque’ deste manual.

### **HFR**

Use o botão HFR (high frame rate) para alternar taxas de quadros elevadas no modo off-speed. Para usar este botão, basta configurar a taxa de quadro off-speed desejada para usar com a sua URSA Mini Pro no menu “Frame Rate”. Pressionar este botão alterna entre a sua velocidade de taxa de quadro off-speed selecionada e a taxa de quadro do projeto. É importante mencionar que esta configuração pode ser ajustada somente quando a câmera não estiver gravando. O botão HFR também opera como uma tecla de função que você pode programar para uma variedade de ações comumente usadas, ou pode ser desabilitado.

Para mais informações sobre as taxas de quadros de projetos ou off-speed, consulte a seção ‘Controles da Tela de Toque’ deste manual.

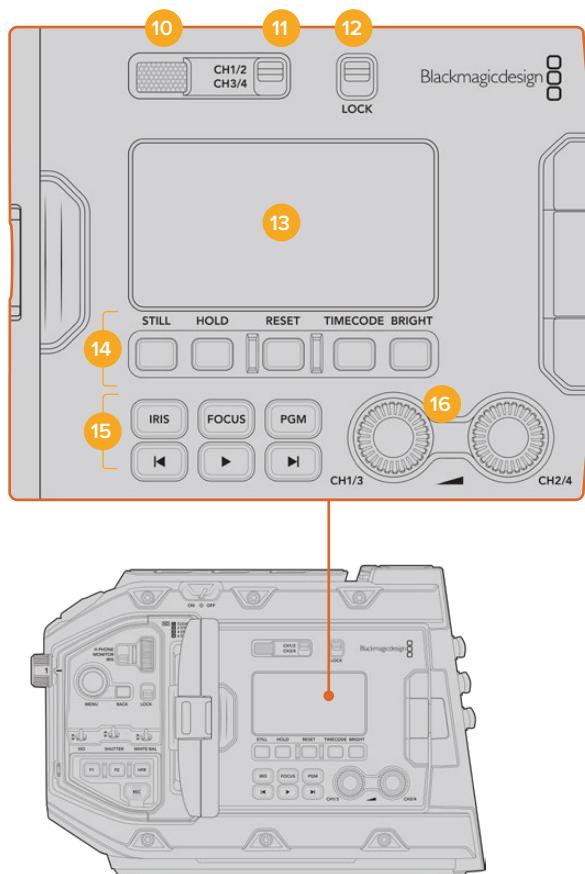
### **9 REC**

O botão de gravação é marcado como “REC” na lateral esquerda da sua Blackmagic URSA Mini Pro. Pressione o botão de gravação para iniciar e parar gravações. Consulte a seção ‘Gravação’ para mais informações.



## Painel de Controle Ergonômico

Na parte exterior do monitor de tela de toque da sua URSA Mini Pro, você encontrará um monitor de status LCD e uma variedade de controles de monitoramento. Este painel permite que você acompanhe todas as informações de status da câmera com um relance, além da capacidade para monitorar e ajustar os níveis de áudio. O foco automático pode ser ajustado usando lentes compatíveis e os controles de transporte permitem fazer a reprodução de clipes.



Painel de controle ergonômico da URSA Mini Pro 4.6K.

### 10 Alto-falante de Monitoramento

O pequeno alto-falante integrado ao painel de controle externo permite monitorar áudio durante a reprodução. Ele fica localizado onde sua orelha normalmente estaria ao filmar com a câmera no seu ombro.

Para ajustar o volume do alto-falante, basta girar a roda de configurações como descrevemos na seção 'Botões de Controle URSA Mini Pro'.

### 11 Seletor do Canal de Monitoramento

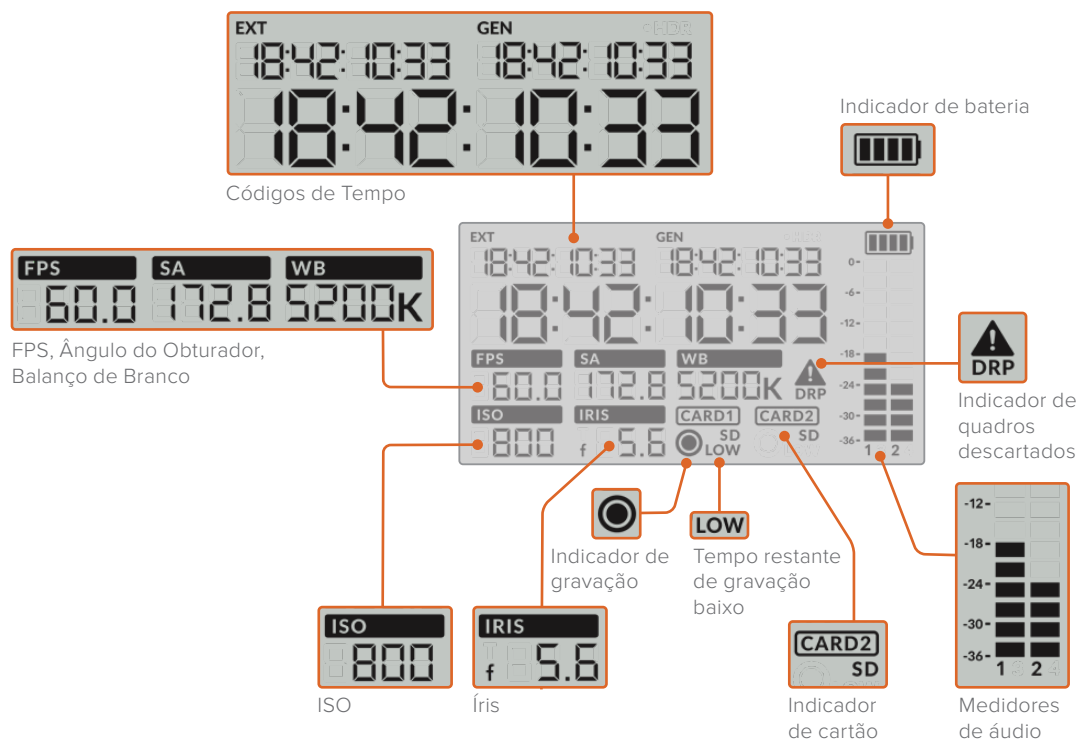
Sua URSA Mini Pro oferece suporte para dois canais de áudio.

### 12 Lock

Utilize esta chave para bloquear todas as configurações no painel de controle ergonômico da sua URSA Mini Pro. Os únicos controles que permanecerão ativos enquanto a chave de bloqueio estiver habilitada serão as chaves de seleção do canal de monitoramento.

### 13 LCD de Status

Este monitor exibe as configurações essenciais da sua URSA Mini Pro com um relance, sem a necessidade de abrir a tela de toque interna. Esta tela foi desenvolvida para estar visível mesmo sob luz solar intensa. As seguintes informações estão disponíveis:



#### Códigos de Tempo

Sua URSA Mini Pro exibe três códigos de tempo. Caso tenha um código de tempo externo conectado, ele será exibido abaixo do indicador “Ext” no canto superior esquerdo do LCD de status. O código de tempo gerado internamente na sua URSA Mini é exibido ao lado do externo, sob o indicador “Gen”. Ambos os códigos de tempo gerados externamente e internamente são exibidos em horas, minutos, segundos e quadros.

O indicador de código de tempo principal é maior e exibe o código de tempo atual tanto como a duração quanto como o código de tempo do clipe. É possível alternar entre estes dois modos de exibição ao pressionar o botão “Timecode” abaixo do LCD de status.

#### Indicador de Bateria

Caso sua URSA Mini Pro esteja operando com alimentação de bateria, este indicador exibe a vida útil restante da bateria em incrementos de 25%. Cada uma das quatro barras do indicador da bateria corresponde a 25% de vida útil restante da bateria. Quando a carga da sua bateria estiver abaixo de 20%, a cor do LED de status ao lado do botão de gravação começará a piscar. Ela alternará lentamente entre vermelho e laranja durante a gravação e entre branco e laranja no modo de espera.

Se a câmera estiver conectada à uma tomada, o indicador de bateria será exibido com a carga completa.

#### FPS, Ângulo do Obturador, Balanço de Branco

Os indicadores “FPS”, “SA” e “WB” exibem o status atual da taxa de quadro, ângulo do obturador e balanço de branco respectivamente. O indicador “FPS” exibe a taxa de quadro atual do sensor.

Para mais informações sobre taxas de quadros do sensor ou do projeto, consulte a seção ‘Controles da Tela de Toque’ neste manual.

**ISO**

Exibe a sensibilidade ISO atualmente configurada para sua câmera.

**Iris**

Exibe a abertura atual da sua lente. Dependendo do seu tipo de lente, ele será exibido como valores de f-stop ou t-stop.

**Informações do Cartão**

Os indicadores “Card 1” e “Card 2” aparecerão na tela de status LCD da sua URSA Mini Pro quando estes compartimentos estiverem preenchidos.

O indicador “SD” aparece caso esteja gravando em cartões SD e desaparece caso esteja gravando em cartões CFast.

**Indicador de Gravação**

Ao gravar, um indicador circular aparecerá sob o cartão ou cartões sendo atualmente gravados.

**Tempo de Gravação Restante**

Um indicador “Low” aparecerá abaixo do cartão relevante quando você contar com aproximadamente 5 minutos de tempo de gravação restante.

**Medidores de Áudio**

Os medidores do pico de áudio exibem os níveis de áudio quando o microfone interno é usado ou para o áudio externo quando conectado. A exibição é calibrada em unidades dBFS e inclui medidores de pico com registro de máximo e mínimo que permanecem visíveis por uma curta duração para que você possa visualizar os níveis máximos alcançados com clareza.

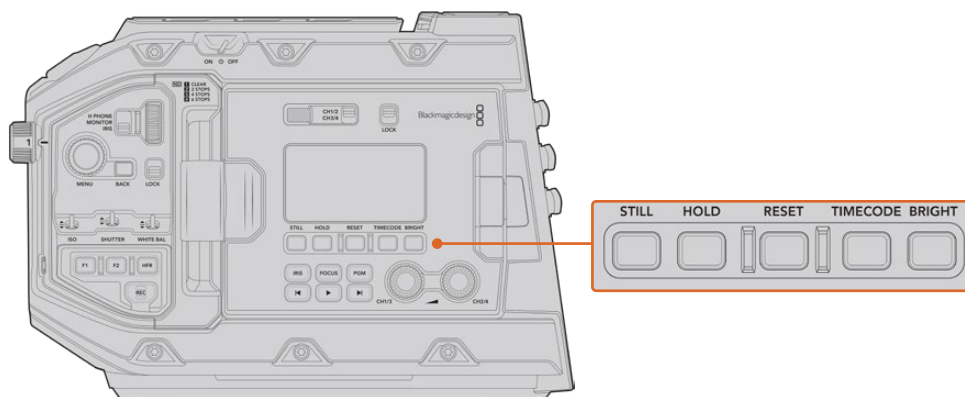
Para obter áudio de qualidade máxima, certifique-se de que os seus níveis de áudio não alcancem 0 dBFS. Este é o nível máximo que sua câmera pode gravar, o que significa que qualquer áudio excedendo este nível será saturado, resultando em distorções.

**Indicador de Quadro Descartado**

Este indicador piscará quando sua câmera detectar quadros descartados. Ao encerrar a gravação, o indicador permanecerá na tela para informar que quadros descartados foram detectados no clipe anterior. Este alerta desaparece na próxima vez que você iniciar uma gravação, ou caso ligue e desligue a câmera. Para mais informações sobre como evitar quadros descartados, consulte a seção ‘Mídias de Armazenamento’ neste manual.

**OBSERVAÇÃO** É possível configurar sua URSA Mini Pro para que cesse gravações caso quadros descartados sejam detectados. Consulte a seção ‘Configurações de Gravação’ neste manual para mais informações. Este recurso é selecionável pelo usuário, já que você talvez conseguirá fazer gravações rápidas por curtos períodos de tempo com taxas de quadro e resoluções mais elevadas quando gravar em mídias mais lentas.

## 14 Controles do LCD de Status



Controles de status LCD da URSA Mini Pro 4.6K.

### Still

Aperte este botão para capturar um fotograma. O modelo 12K irá capturar um fotograma como um único quadro Blackmagic RAW. O modelo URSA Mini Pro 4.6K gravará um fotograma como um único quadro DNG sem compactação. Os arquivos de imagem serão gravados na pasta “Stills” no diretório raiz da mídia em que você estiver gravando no momento. Eles seguirão a convenção de nomeação para os clipes de vídeo, mas o nome do arquivo conterá a denominação “S001” representando o número da foto de cena, “Still Number”, como os quatro dígitos do nome do arquivo. Para confirmar que você gravou um fotograma corretamente, a imagem de uma câmera será exibida no canto direito da tela de toque da URSA Mini e o indicador de gravação no LCD de status piscará três vezes.

### Hold

Utilize este botão para manter o código tempo principal do LCD de status quando a contagem do código de tempo estiver operando conforme a hora do dia. O código de tempo continuará a ser executado em segundo plano e retornará à sua posição atual quando você soltar o botão “Hold”. Enquanto pressiona o botão, você pode tomar nota do código de tempo para um evento específico. Isto pode ser útil na captação eletrônica de notícias ou em documentários para tomar nota dos pontos importantes no código de tempo.

### Reset

O botão “Reset” permite que você restaure o código de tempo para 00:00:00:00 quando estiver configurando seu código de tempo predefinido.

### Timecode

Pressione o botão “Timecode” para alternar o formato de exibição do código de tempo principal entre a duração e o código de tempo do clipe. Por padrão, o código de tempo será executado no modo de hora do dia, já que este é o modo utilizado com maior frequência. Caso pressione e segure o botão “Timecode” por cinco segundos, a câmera será alterada para o código de tempo de tempo de execução da gravação e o gerador do código de tempo piscará, assim como os dois primeiros dígitos do código de tempo principal exibido. Isto indica que agora você está editando seu código de tempo predefinido e permite configurar um número de código de tempo específico para o seu código de tempo predefinido.

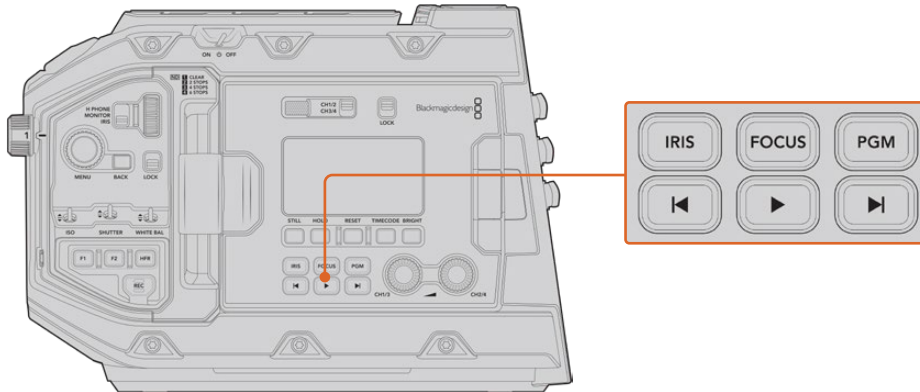
Pressionar “Reset” neste momento irá zerar o código de tempo e, depois, será possível girar e pressionar o botão giratório do menu e configurar os valores desejados, começando com horas, minutos, segundos e, por fim, quadros. Quando estiver satisfeito com o código de tempo, pressione e segure o botão “Timecode” novamente por três segundos para configurá-lo como seu ponto predefinido para o código de tempo. Você perceberá que, agora, o gerador de código de tempo exibirá este valor e apenas o incrementará quando a câmera estiver gravando, oferecendo valores ascendentes contínuos para o código de tempo. Para retornar ao código de tempo do modo de hora do dia, pressione os botões “Timecode” e “Hold” simultaneamente por três segundos.

### Bright

Pressione o botão “Bright” para navegar pelas quatro configurações de brilho para o visor LCD de status da sua URSA Mini Pro. As configurações são “Off” para desativado, “Low”

para baixo, “Medium” para médio e “High” para alto.

## 15 Botões de Controle e Reprodução



Botões de controle e reprodução da URSA Mini Pro 4.6K.

### Iris

O botão “Iris” ativa a configuração de abertura automática em lentes compatíveis. Ao usar as configurações com o intervalo dinâmico de vídeo, apenas um toque no botão “Iris” ajustará uma exposição média baseada nos realces e sombras do seu plano de imagem. Ao filmar usando as configurações do intervalo dinâmico de filme, pressionar o botão “Iris” ajustará sua exposição conforme o realce mais brilhante no seu plano. Este botão funciona com lentes EF compatíveis e lentes PL conectadas com um controlador de lentes broadcast compatível.

Para ajustar a abertura manualmente, pressione os botões de transporte para voltar e avançar.

### Focus

Ao usar uma lente EF que suporta ajustes de foco eletrônico, pressione o botão “Focus” para ativar o foco automático. Um quadrado branco para o foco será exibido em qualquer visor ou monitor conectado à sua URSA Mini Pro. Qualquer coisa dentro do quadrado será focalizada corretamente. Quando a lente estiver focada, o quadrado desaparecerá.

**OBSERVAÇÃO** Algumas lentes contam com ambos os modos de gravação manual e automática. Para que a URSA Mini Pro seja capaz de realizar o foco automático com a sua lente, é necessário certificar-se de que ela esteja configurada para o modo de foco automático.

### Program

O botão de programa é marcado como “PGM” e permite alternar o LCD entre o modos de visualização da câmera e qualquer sinal conectado à entrada 12G-SDI no painel traseiro. Assim, caso esteja usando a URSA Mini Pro em uma transmissão ao vivo, é possível conectar a saída de programa do switcher e monitorá-la durante as filmagens. Pressione e segure o botão de programa para visualizar sua alimentação de programa. A alimentação de programa continuará a ser exibida enquanto o botão é mantido apertado.

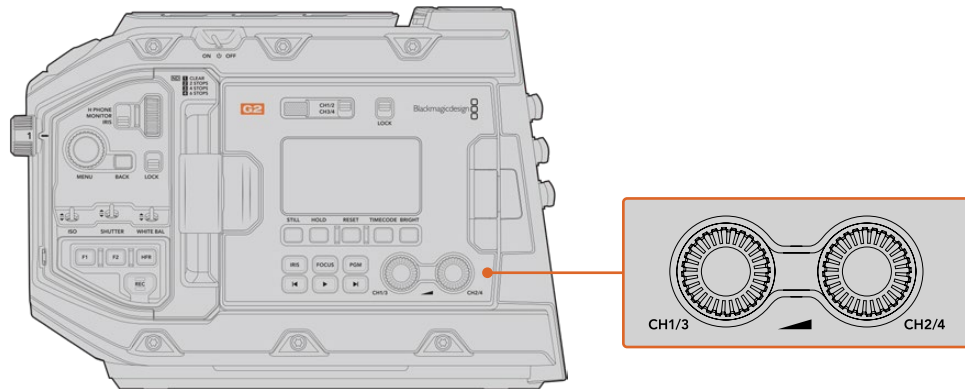
Caso queira bloquear o monitor para exibir a entrada de alimentação do programa, pressione o botão de programa duas vezes para bloquear a exibição da alimentação de programa. Pressionar o botão de programa novamente sairá da alimentação de programa e retornará para a visualização de câmera.

### Botões de Controle da Reprodução

Os botões de reprodução permitem iniciar e parar a reprodução, além de saltar para o clipe seguinte ou anterior. Ao usar uma lente EF, os botões para avançar e retroceder também

podem ser usados para abrir e fechar a íris com lentes compatíveis. Consulte a seção 'Reprodução' para mais informações sobre como usar os botões de reprodução.

## 16 Botões de Ajuste Giratório para Níveis de Áudio

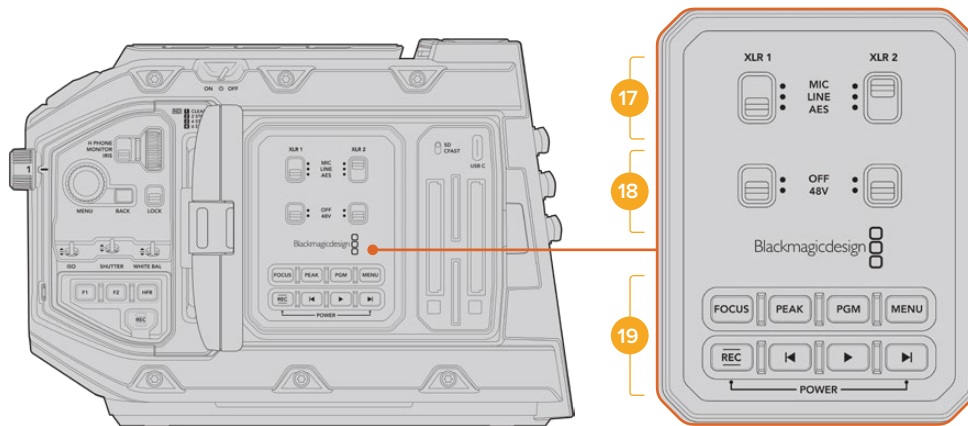


Botões de ajuste giratório para o áudio da URSA Mini Pro 4.6K G2.

Use os botões de ajuste giratório integrados para definir os níveis de gravação para os canais de áudio 1 e 2. Gire cada botão no sentido horário ou anti-horário para aumentar ou reduzir os níveis de gravação para cada canal de áudio. Monitore os medidores de áudio correspondentes na tela enquanto você ajusta cada botão para visualizar o melhor nível de configuração.

## Painel de Controle Interno

Com o monitor desdobrável da sua URSA Mini Pro aberto, é possível acessar o painel de controle interno. Utilize os controles aqui para definir suas entradas de áudio e também as configurações para alimentação fantasma, íris, foco, menu, controles de reprodução e muito mais.



Painel de controle frontal interno da URSA Mini Pro.

### 17 XLR1 / XLR2

Use estas chaves para definir o comportamento das entradas XLR da sua URSA Mini Pro quando selecionadas como uma fonte de entrada. As opções disponíveis são áudio de microfone, nível de linha e áudio digital AES.

### 18 Alimentação Fantasma

As entradas XLR da sua URSA Mini Pro podem fornecer 48 V de alimentação fantasma para que você possa usar microfones que não sejam autoalimentados. Mova esta chave para "48V" para ativar a alimentação fantasma para qualquer microfone conectado ao XLR acima, ou "Off" para desativar a alimentação fantasma.

**OBSERVAÇÃO** É prática comum conectar seu cabo XLR antes de habilitar a alimentação fantasma. Também é importante desligar a alimentação fantasma quando você não possuir um microfone com alimentação fantasma conectado. Seus equipamentos podem ser danificados se conectados a dispositivos que não possuam proteção contra alimentação fantasma integrada nas suas saídas XLR AES enquanto ainda estiverem enviando a alimentação fantasma a partir das entradas de áudio XLR da câmera. Sempre certifique-se de que a chave de 48 V esteja desabilitada ao desconectar seu microfone.

## 19 Botões de Controle e Reprodução

### Focus

Ao usar um encaixe EF com uma lente EF compatível com ajustes de foco eletrônico, pressione o botão “Focus” para ativar o foco automático. Um quadrado branco para o foco aparecerá no monitor desdobrável. Qualquer coisa dentro do quadrado será focalizada corretamente. Quando a lente estiver focada, o quadrado desaparecerá.

**OBSERVAÇÃO** Algumas lentes contam com ambos os modos de gravação manual e automática. Para que a URSA Mini seja capaz de realizar o foco automático com sua lente, é necessário certificar-se de que ela esteja configurada para o modo de foco automático.

### Peak

Pressione o botão “Peak” para habilitar o pico de foco. Sua câmera possui dois modos de pico de foco, o modo tradicional que deixa as áreas em foco da imagem artificialmente mais nítidas, e o modo “Colored Lines” com sobreposições de linhas nas cores preto, branco, vermelho, verde ou azul sobre as áreas mais nítidas. Para mais informações, consulte a seção ‘Configurações de Monitoramento’ neste manual. O pico de foco não é gravado nas mídias de armazenamento, mas pode ser exibido via a saída de monitoramento HD e no monitor desdobrável quando as sobreposições forem habilitadas usando o menu da tela de toque.

**DICA** Caso esteja gravando a sua saída de vídeo em um Blackmagic Video Assist ou Hyperdeck Studio Mini, convém assegurar que o recurso de pico de foco não esteja ativado nessa saída. Isto pode ser feito ao utilizar o recurso “Clean Feed” na sua entrada SDI frontal ou SDI principal.

Para mais informações sobre a saída de alimentação limpa, consulte a seção ‘Configurações do Monitoramento’ neste manual.

### Program

O botão de programa é marcado como “PGM” e permite alternar o LCD entre o modo de visualização da câmera e qualquer sinal conectado à entrada 12G-SDI da câmera. Assim, caso esteja usando a URSA Mini Pro em uma transmissão ao vivo, é possível conectar a saída de programa do switcher e monitorá-la durante as filmagens. Pressione e segure o botão de programa para visualizar sua alimentação de programa. Pressione o botão duas vezes para habilitar e bloquear a exibição da alimentação de programa. Pressione novamente para desabilitar a exibição da alimentação de programa.

Para exibir a saída de programa do switcher, é necessário que sua câmera e switcher estejam configurados com a mesma resolução e taxa de quadro.

### Menu

Pressione o botão “Menu” para abrir o painel. Consulte a seção ‘Configurações’ para mais informações sobre as funções do painel e como ajustá-las.

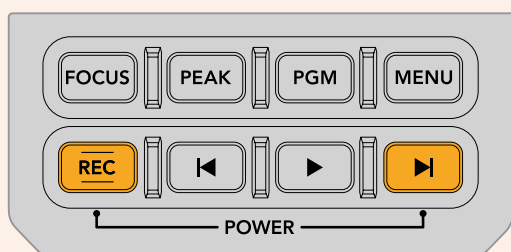
## Rec

Pressione qualquer um dos botões de gravação marcados “REC” para iniciar e interromper gravações. Consulte a seção ‘Gravação’ para mais informações.

## Botões de Controle de Reprodução

Os botões de reprodução permitem iniciar e parar a reprodução, além de saltar para o clipe seguinte ou anterior. Ao usar uma lente EF, os botões para avançar e retroceder também podem ser usados para abrir e fechar a íris quando lentes compatíveis forem usadas. Consulte a seção ‘Reprodução’ para mais informações sobre como usar os botões de reprodução.

**OBSERVAÇÃO** Também é possível ligar ou desligar sua URSA Mini Pro através de uma combinação de chaves do painel de controle interno. Segurar as teclas “Rec” e “Avançar” irá ligar a câmera se ela estiver desligada ou irá desligá-la, caso esteja ligada. Se a chave de alimentação da câmera estiver na posição “On”, mas sua câmera estiver desligada, é provável que tenha sido desligada através do painel de controle. Alterne a chave de alimentação para retornar à operação normal.





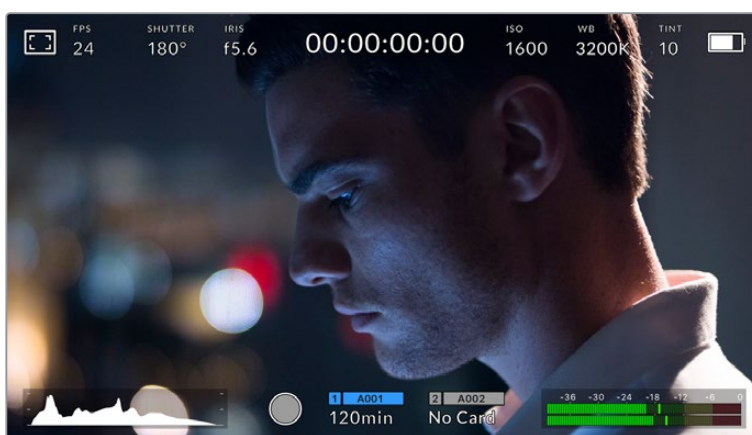
# Controles da Tela de Toque

## Tela de Toque

A tela de toque LCD desdobrável da sua Blackmagic URSA Mini gira para filmagens em ângulos altos e baixos. Os botões na parte externa do painel LCD permitem que você controle sua URSA Mini ao usá-la no seu ombro com um URSA Viewfinder e a tela LCD fechada.

## Recursos da Tela de Toque

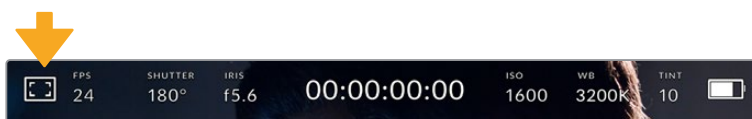
A tela de toque LCD inclui uma interface baseada em toques e gestos que foi desenvolvida especificamente para uma operação do usuário rápida e intuitiva. Ao tocar e deslizar sobre áreas diferentes da tela de toque da sua URSA Mini, você pode acessar rapidamente as funções de câmera durante filmagens.



A tela de toque LCD da sua URSA Mini possui um heads-up display detalhado e oferece acesso fácil à todas as configurações mais usadas na sua câmera.

## Opções de Monitoramento LCD

Toque no ícone "Monitor" no canto superior esquerdo da tela de toque LCD da sua URSA Mini para acessar as configurações do monitor LCD. Estas configurações permitem alternar e ajustar a aparência dos recursos de monitoramento da sua URSA Mini, incluindo zebras, pico de foco, guia de enquadramento e grades. Ao acessar as opções do monitor LCD, os controles para estes recursos aparecem em um menu de abas ao longo da parte inferior da tela de toque LCD.

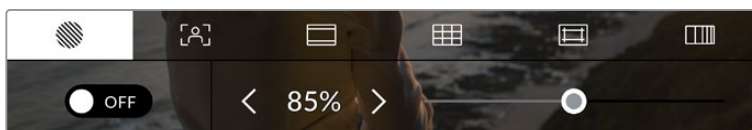


Toque o ícone no canto superior esquerdo da tela de toque LCD da sua URSA Mini para acessar as configurações do monitor LCD.

### Zebra

A configuração "Zebra" alterna entre a exibição do padrão zebra na tela de toque LCD, assim como das configurações dos níveis de zebra para todas as saídas da URSA Mini.

A marcação zebra exibe linhas diagonais sobre as áreas que excedem um nível definido de exposição na sua imagem. Por exemplo, a configuração da zebra a 100% revela as áreas que estão completamente superexpostas. Isto é útil para conseguir alcançar exposição máxima em condições de iluminação fixas.



Toque no ícone do padrão zebra ao acessar as opções de monitoramento LCD para ajustar as configurações de zebra da sua URSA Mini.

Para alternar as zebras na tela de toque LCD, toque no ícone de habilitação no canto inferior esquerdo da tela na aba "Zebra".

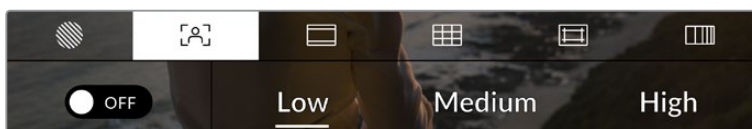
Configure o nível de exposição para a exibição das zebras arrastando o deslizador para esquerda ou direita ou tocando nas setas juntas da percentagem do nível de zebra. O nível de zebra é ajustável em incrementos de cinco por cento entre exposições de 75 e 100 por cento.

Para mais informações sobre a habilitação de zebras nas saídas SDI principal e frontal da câmera, consulte a seção 'Configurações do Monitoramento' deste manual.

**DICA** Caso esteja gravando sob condições de iluminação variáveis, como ao ar livre em um dia parcialmente nublado, configurar o seu nível de zebra para um valor inferior a 100 pode alertá-lo sobre possíveis superexposições.

### Focus Assist

A configuração "Focus Assist" alterna entre a exibição dos picos de foco na tela de toque LCD e também configura seu nível em todas as saídas da sua URSA Mini.



Toque no ícone da assistência de foco nas opções de monitoramento LCD para acessar as configurações do assistente de foco da sua câmera.

Para alternar o assistente de foco na tela de toque LCD, toque no ícone de habilitação no canto inferior esquerdo da tela na aba de assistência de foco.

Para definir o pico de foco em todas as saídas da sua URSA Mini, toque nos títulos "Low" (baixo), "Medium" (médio) e "High" (alto), ao longo da parte inferior da sua tela de toque.

O nível ideal para o pico de foco varia de acordo com cada plano de imagem. Ao focalizar nos atores, por exemplo, um nível mais alto do assistente de foco pode ajudar a solucionar detalhes de aresta nos rostos. Um plano de imagem com folhagem ou alvernaria, por outro lado, pode exibir quantidades confusas de informação de foco em configurações mais elevadas.

Para mais informações sobre a habilitação do pico de foco nas saídas SDI frontal e principal da câmera, consulte a seção 'Configurações de Monitoramento' neste manual.

**DICA** Sua URSA Mini possui dois modos de assistência de foco. É possível alternar os modos entre "Peaking" (Pico de Foco) e "Colored Lines" (Linhas Coloridas) para assistência de foco no menu de configurações "Monitor". Para mais informações, consulte a seção 'Configurações de Monitoramento' neste manual.

### Toque para focar

Você pode focalizar lentes compatíveis em qualquer área da imagem ao pressionar a tela LCD e segurar por um instante onde deseja focar. A câmera focalizará sua lente na área desejada.

Pressionar o botão “Focus” na câmera ou na empunhadura lateral opcional após esta ação acionará o foco automático nesta área específica. Pressionar o botão “Focus” duas vezes redefinirá o ponto de foco para o centro da tela.



Tela de toque LCD da URSA Mini com foco por toque.

**DICA** Se o heads up display estiver obstruindo a área da imagem em que você deseja focalizar usando o toque, basta arrastar para cima ou para baixo para que ele desapareça.

### Guias de Enquadramento

A configuração das guias de enquadramento, “Frame Guide”, alterna o seu modo de exibição na tela de toque LCD. Também é possível escolher entre oito opções de guias de enquadramento para todas as saídas na sua URSA Mini.

As guias de enquadramento incluem proporções de tela para vários padrões cinematográficos, televisivos e online.



Toque no ícone das guias de enquadramento nas opções de monitoramento LCD para acessar suas configurações na URSA Mini.

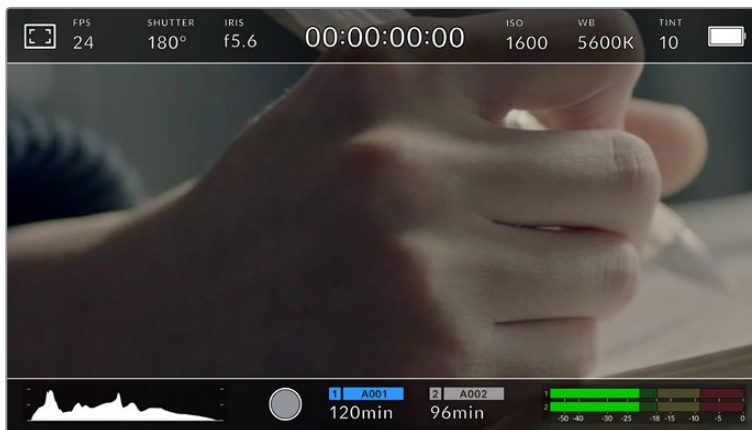
Para mudar o aspecto das guias de enquadramento na tela de toque LCD da sua URSA Mini, toque no ícone de habilitação no canto esquerdo inferior da tela.

Escolha a guia de enquadramento desejada arrastando o deslizador para a direita ou esquerda ou tocando em uma das setas laterais da proporção de tela atualmente selecionada.

As guias disponíveis são:

#### **2.35:1, 2.39:1 e 2.40:1**

Exibe a proporção de tela widescreen generalizada compatível para apresentações de cinema em telas widescreen planas ou anamórficas. As três configurações widescreen diferem um pouco com base nas mudanças dos padrões de cinema com o passar do tempo. 2.39:1 é um dos padrões mais proeminentes atualmente.



Tela de toque LCD da URSA Mini com guias de enquadramento 2.40:1 habilitadas.

### **1:1**

A URSA Mini Pro pode exibir uma guia de enquadramento 1:1 quadrada ao compor planos de imagem para mídias sociais.

### **2:1**

Disponível na URSA Mini Pro, exibe uma proporção de tela ligeiramente mais larga que 16:9, mas não tão larga quanto 2.35:1.

### **1.85:1**

Exibe outra proporção de tela cinematográfica widescreen plana comum. Esta proporção é ligeiramente mais larga que HDTV 1.78:1 mas não tão larga quanto 2.39:1.

### **16:9**

Exibe uma proporção de tela 1.78:1 compatível com televisores e telas de computadores HD 16:9.

Esta proporção é mais comumente usada para teledifusão e vídeos online HD. A mesma proporção de tela também foi adotada para transmissões Ultra HD.

### **14:9**

Exibe uma proporção de tela 14:9 usada apenas por alguns teledifusores como um meio-termo entre televisores 16:9 e 4:3. Na medida do possível, imagens 16:9 e 4:3 permanecem legíveis quando cortadas para o centro para encaixar em 14:9. Você pode usar esta proporção como um guia composicional caso seu projeto seja difundido por uma emissora televisiva com proporção 14:9.

### **4:3**

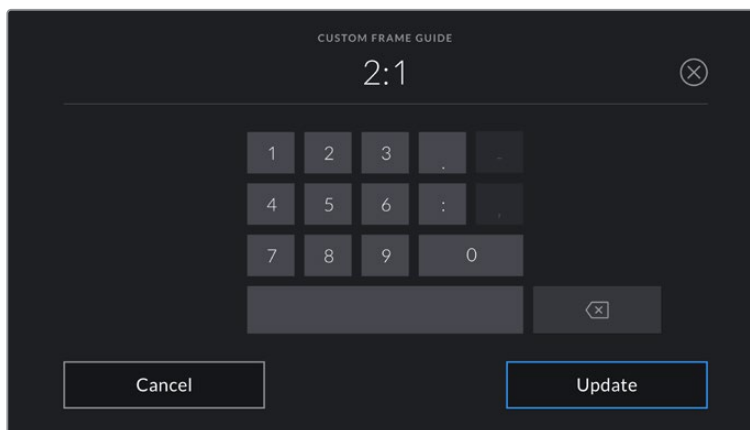
Exibe a proporção de tela 4:3 compatível com telas de televisores SD ou para auxiliar com o enquadramento ao usar adaptadores anamórficos de 2x.

### **4:5**

A URSA Mini Pro pode exibir uma guia de enquadramento 4:5 vertical ao compor planos de imagem para smartphones.

### **Proporção de Enquadramento de Tela Personalizada**

Para criar sua própria proporção de guia de enquadramento para um aspecto original, toque no valor exibido entre os botões de seta. Na tela "Guia Personalizada" aperte a tecla backspace para excluir a proporção atual, depois use o teclado numérico para especificar uma nova proporção. Toque em "Atualizar" para aplicar a proporção de enquadramento de tela personalizada e retornar a gravar.



Utilize o teclado numérico na página “Guia Personalizada” para inserir uma nova proporção para as guias de enquadramento.

**DICA** É possível alterar a opacidade das sobreposições das guias de enquadramento. Para mais informações, consulte a seção ‘Configurações de Monitoramento’ deste manual.

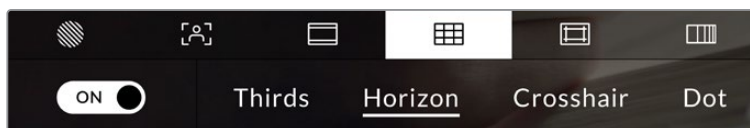
**OBSERVAÇÃO** Para mais informações sobre como habilitar as guias de enquadramento nas saídas SDI frontal e principal da câmera, consulte a seção ‘Configurações de Monitoramento’ neste manual.

### Grades

A configuração de grades alterna o modo de exibição para uma grade de regra dos terços, retículas ou ponto central, assim como a definição de sobreposição que estará visível em todas as saídas da URSA Mini. A URSA Mini Pro 12K também inclui uma opção de indicador de horizonte.



Toque no ícone de grades das opções de monitoramento LCD para acessar as configurações de grade da sua URSA Mini.

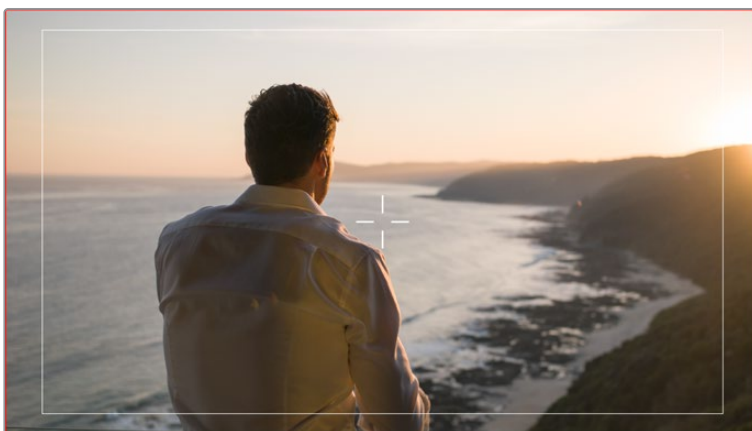


Na URSA Mini Pro 12K, a configuração "Grids" oferece as opções terços, horizonte, retículas e ponto central.

As grades e retículas são sobreposições que podem auxiliar na composição das imagens. Quando as grades estiverem habilitadas, sua URSA Mini pode exibir uma grade de regra dos terços, retículas ou ponto central. A URSA Mini Pro 12K também inclui uma opção adicional, que permite sobrepor um indicador de horizonte.

Para mudar a exibição das grades na tela de toque LCD da sua URSA Mini, toque no ícone de habilitação no canto esquerdo inferior da tela na aba das guias de enquadramento.

Quando sua URSA Mini for posicionada e conectada a um switcher ATEM como a fonte de programa atual e as grades estiverem habilitadas, a borda vermelha da sinalização do programa acenderá automaticamente no seu LCD.



Quando conectada a um switcher ATEM enviando um sinal de sinalização, uma borda vermelha aparecerá em torno da pré-visualização da imagem quando as grades estiverem habilitadas.

Para definir qual sobreposição você deseja exibir em todas as saídas da URSA Mini, toque nas opções “Thirds”, “Crosshairs” ou “Center Dot”. A URSA Mini Pro 12K também inclui a opção “Horizon”.



A grade de regra dos terços redimensiona-se para qualquer guia de enquadramento na tela.

### Thirds

A configuração “Thirds” exibe uma grade com duas linhas verticais e horizontais posicionadas em cada terço da imagem. As grades de regra dos terços, “Thirds”, são uma ferramenta extremamente eficaz para auxiliar na composição dos seus planos de imagem.

Por exemplo, o olho humano geralmente procura pela ação perto dos pontos onde as linhas se cruzam, então é vantajoso enquadrar pontos de interesse importantes nessas zonas. A linha de visão de um ator geralmente é enquadrada no canto superior da tela, assim você pode usar o terço horizontal superior para guiar seu enquadramento. Os terços também são úteis para manter o enquadramento consistente entre os planos.

### Horizon





A URSA Mini Pro 12K possui um indicador de horizonte. Ele mostra quando a sua câmera está orientada para a esquerda ou direita e inclinada para cima ou para baixo. Isto pode ajudá-lo a manter o horizonte nivelado durante filmagens na mão e equilibrar a inclinação da câmera em um gimbal.

A direção pela qual a linha cinza vertical se afasta da retícula cinza escura no centro demonstra a direção à qual a sua câmera está orientada. Quando a câmera está inclinada para baixo, a linha cinza clara horizontal move-se para cima, e quando a câmera estiver inclinada para cima, a linha cinza clara horizontal se move para baixo.

A distância pela qual as linhas se afastam da retícula central é proporcional à quantidade de orientação ou inclinação. Após a calibração do sensor de movimento da câmera, a linha vertical fica azul quando a câmera está alinhada ao eixo de orientação e a linha horizontal fica azul para indicar que a câmera está alinhada ao eixo de inclinação.

Observe que se a câmera estiver inclinada diretamente para baixo para um plano aéreo ou diretamente para cima, o indicador de horizonte também leva isso em conta. Se você virar a câmera para gravar na orientação de retrato, o indicador de horizonte rotaciona seu eixo em 90 graus.

Esta tabela mostra exemplos do indicador de horizonte exibindo a inclinação e orientação da câmera.

Medidor de Horizonte	Descrição
	Reta e nivelada
	Inclinada para baixo e nivelada
	Reta e orientada à esquerda
	Inclinada para cima e orientada à direita

Para uso normal, calibre o indicador de horizonte como reto e nivelado para operação. Caso deseje utilizar o indicador de horizonte para ajudar a manter um “ângulo holandês” consistente ou uma inclinação consistente para um plano alto ou baixo, você pode calibrar o indicador de horizonte com uma inclinação. Para mais informações sobre como calibrar o indicador de horizonte, consulte a seção ‘Calibração do Sensor de Movimento’.

### Crosshair

A configuração “Crosshairs” posiciona uma retícula no centro do quadro. Como a regra dos terços, a retícula é uma ferramenta composicional muito útil que facilita o enquadramento de um sujeito no centro de um quadro. Às vezes, ela é usada ao gravar cenas que serão montadas usando cortes muito rápidos. Manter os olhos dos espectadores focalizados no centro de um quadro facilita o acompanhamento de edições rápidas.

### Center Dot

A configuração “Center Dot” posiciona um ponto no centro de um quadro. Isto funciona exatamente da mesma maneira que a configuração de retícula, porém com uma sobreposição menor que você pode achar menos intrusiva.

É possível habilitar uma combinação de “Thirds” e “Crosshairs” ou “Thirds” e “Center Dot” ao tocar em ambas as opções no menu de grades. “Crosshairs” e “Center Dot” não podem ser selecionadas ao mesmo tempo.

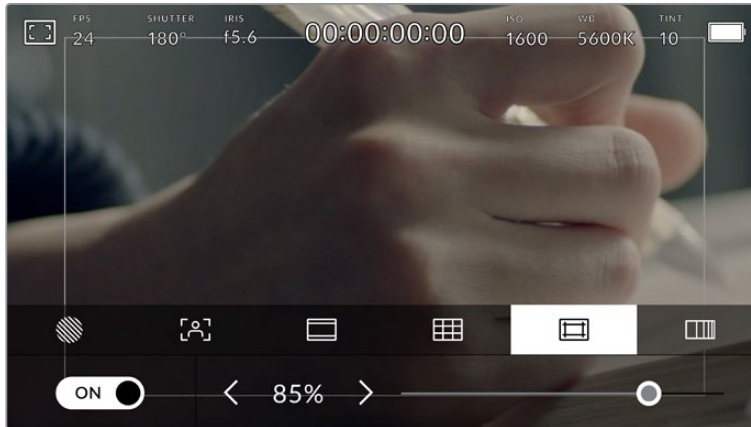
**DICA** Para mais informações sobre a habilitação de grades na saídas SDI frontal e principal, consulte a seção ‘Configurações de Monitoramento’ neste manual.



## Guias de Área Segura

A configuração das guias de área segura habilita ou desabilita as guias de área segura na tela de toque LCD e define o tamanho das guias de área segura para todas as saídas da sua URSA Mini.

As áreas seguras podem ser usadas em produções broadcast para assegurar que as partes mais importantes de um plano possam ser visualizadas pelos espectadores. Ao manter as partes mais importantes do seu plano dentro de uma “área segura” central, é possível evitar recortes em alguns televisores, assim como deixar espaço para um teledifusor adicionar marcas d’água, barras de notícias de última hora e outras sobreposições nos cantos da tela. Muitos teledifusores exigem que imagens sejam apresentadas dentro de uma área segura de 90%.



Indicador de área segura definido em 85%.

As guias de área segura também podem ser utilizadas para auxiliar com o enquadramento do seu plano, quando você souber que ele será estabilizado na pós-produção, o que pode recortar os cantos da imagem. Elas também podem ser usadas para indicar um recorte específico.

Por exemplo, ao configurá-la em 50% durante gravações em Ultra HD 3840 x 2160, é possível visualizar qual será o aspecto de corte do quadro em 1920 x 1080. As guias de área segura também se redimensionam de acordo com suas guias de enquadramento, assim elas se ajustarão para indicar a porcentagem do quadro planejado.

Para alternar a exibição das guias de área segura para a tela de toque LCD, toque no ícone de habilitação no canto inferior esquerdo da tela na aba das guias de área segura. Para definir o nível para as guias de área segura para todas as saídas da sua URSA Mini, toque na seta esquerda ou direita em cada lateral do valor numérico na parte inferior da sua tela de toque. Como alternativa, você pode arrastar o deslizador para esquerda ou direita.

## False Color

A configuração “False Color” alterna o modo de exibição para auxiliar na exposição com cores falsas na tela de toque LCD.

Sobreposições de cores falsas diferentes na sua imagem representam os valores de exposição para os diferentes elementos da sua imagem. Por exemplo, cor-de-rosa representa a exposição ideal para tons de pele mais claros, enquanto o verde é uma boa correspondência para tons de pele mais escuros. Ao monitorar as cores falsas rosa e verde ao gravar pessoas, você pode manter uma exposição consistente para os seus tons de pele.

Do mesmo modo, quando elementos na sua imagem mudarem de amarelo para vermelho, isso significa que estarão superexpostos.

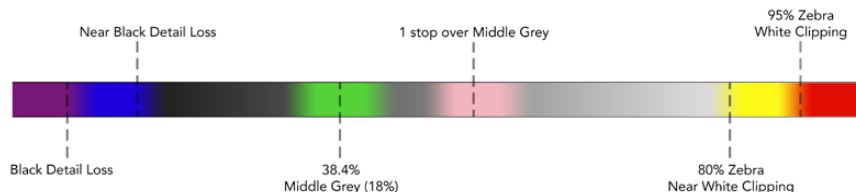


Tabela de cores falsas.



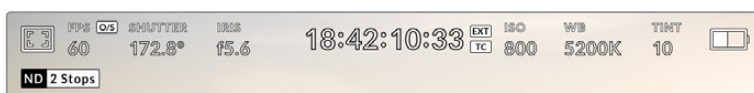
Para alternar para o modo de cor falsa na tela de toque LCD, toque no ícone de habilitação no canto inferior esquerdo da tela na aba de cores falsas.



Aba de assistência de exposição com cores falsas.

## Indicador de Filtro ND

Ajustar o filtro ND da sua URSA Mini Pro exibirá o indicador de filtro ND no canto superior esquerdo da tela de toque LCD e quaisquer saídas SDI configuradas para a exibição de textos de status. Este indicador permanecerá no texto de status quando um filtro ND estiver em uso. Quando você tiver definido para a posição onde não há filtro ND, o texto “Clear” desaparecerá após quatro segundos.

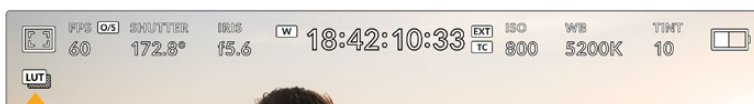


Ajustar a configuração do filtro ND da sua URSA Mini Pro ativará o indicador de filtro ND.

**OBSERVAÇÃO** Você pode ajustar a terminologia usada pelo indicador de filtros ND para refletir as convenções com as quais você está acostumado. As opções são número ND, stops e frações. É possível definir seu formato de preferência no menu de configurações da sua URSA Mini Pro.

## Indicador LUT

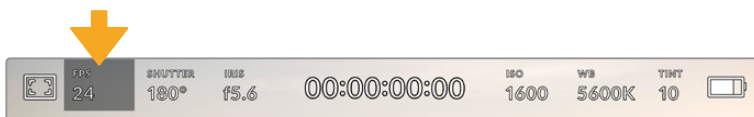
O ícone LUT estará visível no LCD, SDI frontal ou SDI principal quando “Status Text” estiver habilitado e uma LUT for aplicada àquela saída.



O ícone LUT indica se há uma LUT aplicada à image.

## Quadros por Segundo

O indicador “FPS” exibe a taxa de quadros por segundo atual.



Indicador de quadros por segundo da URSA Mini. Toque aqui para acessar as configurações de taxa de quadro.

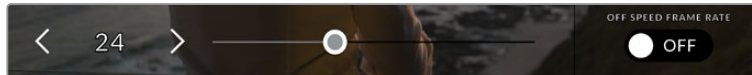
Tocar no indicador “FPS” permite alterar as taxas de quadro do sensor da câmera e do projeto através de um menu no inferior da sua tela de toque LCD.

### Taxa de quadro do projeto

A taxa de quadro do projeto é a taxa de quadro do formato de gravação da URSA Mini e oferece uma seleção de taxas de quadro comuns usadas na indústria cinematográfica e televisiva. Esta taxa de quadro é normalmente definida para corresponder à velocidade de reprodução utilizada no seu fluxo de trabalho de pós-produção.

Sua Blackmagic URSA Mini possui 8 configurações de taxa de quadro para o projeto, incluindo 23.98, 24, 25, 29.97, 30, 50, 59.94 e 60 quadros por segundo.

Para ajustar a taxa de quadro do projeto na sua URSA Mini no menu “FPS”, toque nas setas esquerda ou direita juntas da taxa de quadro atual no canto inferior esquerdo da sua tela de toque. Como alternativa, você pode arrastar o deslizador para a esquerda ou direita.

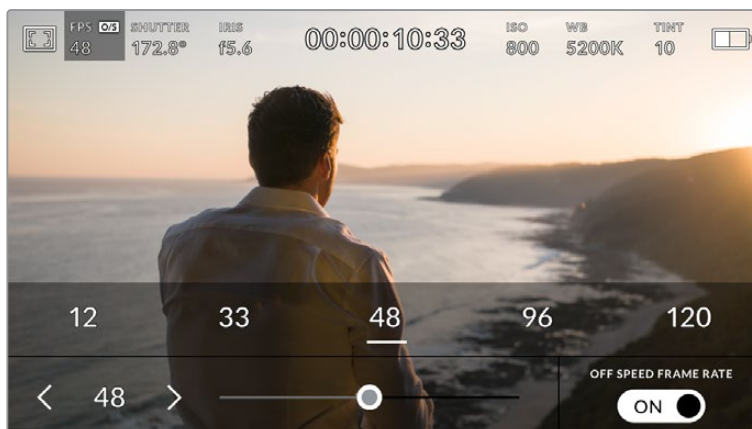


Toque nas setas em cada lateral da taxa de quadro do projeto ou mova o deslizador para fazer ajustes.

**DICA** A taxa de quadro do projeto da sua URSA Mini também define as taxas de quadro das saídas SDI frontal e principal.

### Taxa de quadro do sensor

A taxa de quadro do sensor define quantos quadros serão gravados pelo sensor a cada segundo. Esta taxa de quadro afetará o quão rápida ou lenta será a reprodução do seu vídeo de acordo com a taxa de quadro definida para o projeto.



Com “Off Speed Frame Rate” habilitado, toque nas setas em qualquer uma das laterais da taxa de quadro do sensor ou mova o deslizador para fazer ajustes.

Por padrão, as taxas de quadro do projeto e do sensor serão correspondidas para uma velocidade de reprodução natural. Mas, ao tocar no ícone de habilitação “Off Speed Frame Rate” no canto inferior direito do menu “FPS” da sua URSA Mini, você pode definir a taxa de quadro do sensor independentemente.

Para alterar a taxa de quadro do seu sensor, toque nas setas juntas do indicador da taxa de quadro do sensor no canto inferior esquerdo da sua tela de toque. Você também pode arrastar o deslizador para a esquerda ou direita para aumentar ou diminuir a taxa de quadro. Depois que soltar o deslizador, a taxa de quadro do sensor estará selecionada. Acima do deslizador, você pode selecionar uma taxa de quadro off-speed recomendada, baseada na sua taxa de quadro atual do projeto.

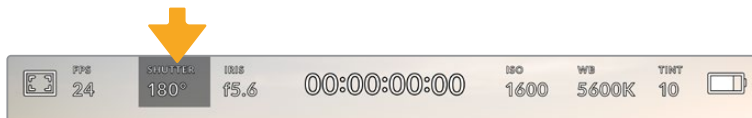
Você pode criar efeitos de velocidade dinâmicos e interessantes nos seus clipes variando a taxa de quadro do sensor. Definir uma taxa de quadro do sensor mais elevada que a taxa de quadro do projeto resultará na reprodução de câmera lenta. Como alternativa, quanto mais baixa for a taxa de quadro do sensor, mais rápidos os seus clipes serão reproduzidos. O princípio é parecido com o “overcranking” e o “undercranking” das câmeras de cinema. Velocidades “overcranking” aceleram a taxa de quadro do sensor, assim você pode esticar momentos no tempo durante a reprodução para enfatizar emoções. “Undercranking” desacelera a taxa de quadro do sensor, assim você pode intensificar a ação em cenas de movimentação rápida. As possibilidades criativas são infinitas e ficam inteiramente a seu critério.

Para informações sobre as taxas de quadro máximas disponíveis para cada codec e formato de gravação, consulte a tabela na seção ‘Gravação’ neste manual.

**OBSERVAÇÃO** Quando a opção “Offspeed Frame Rate” for selecionada, o áudio e o vídeo da sua URSA Mini não serão mais sincronizados. Isso acontece mesmo se tiver definido a mesma taxa de quadro para o sensor e para o projeto. Por esse motivo, “Off Speed Frame Rate” nunca deve ser selecionado caso queira preservar a sincronização de áudio.

## Shutter

O indicador “Shutter” exibe o ângulo ou velocidade do obturador. Ao tocar neste indicador, é possível alterar os valores do obturador da sua URSA Mini manualmente ou configurar modos de exposição automáticos preferenciais. Nos modelos URSA Mini 4.6K e URSA Mini Pro, as configurações das medidas do obturador permitem optar pela visualização das informações do obturador como ângulo ou velocidade. Consulte a seção ‘Ajustar Configurações’ neste manual para mais informações.



Indicador do obturador da sua URSA Mini. Toque aqui para acessar as configurações do obturador.

O ângulo ou velocidade do obturador definem o nível de desfoque de movimento no seu vídeo, e podem ser usados para compensar condições de iluminação variantes. 180 graus é o ângulo do obturador ideal para captação de desfoques de movimento satisfatórios na maioria das condições. A configuração equivalente para a velocidade do obturador é 1/50 de segundo. Contudo, conforme as condições de iluminação se alteram, ou a quantidade de movimento na sua cena aumenta, é provável que você queira fazer ajustes.

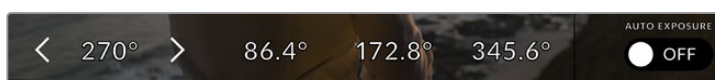
Por exemplo, 360 graus é considerado “bem aberto” e permite que o máximo de luz chegue ao sensor. Isto é útil em condições de pouca luz com movimentos sutis na sua cena. Como alternativa, caso grave sujeitos com muito movimento, um ângulo do obturador mais raso, como 90 graus, oferecerá desfoque de movimento mínimo para imagens mais nítidas e cristalinas. A velocidade do obturador equivalente comparada ao ângulo do obturador dependerá da taxa de quadro que você estiver utilizando. Por exemplo, caso esteja filmando a 25 quadros por segundo, 360 graus equivalem a 1/25 de segundo, 360 graus equivalem a 1/25 de segundo e 90 graus equivalem a 1/100 de segundo.

**OBSERVAÇÃO** Ao filmar sob luzes, seu obturador pode tornar cintilações visíveis. Sua URSA Mini calculará automaticamente as medidas do obturador sem cintilação para a sua taxa de quadro atual. Ao ajustar o obturador, a câmera irá sugerir até três opções de medidas do obturador sem cintilação na parte inferior do heads up display. Estas medidas do obturador serão afetadas pela frequência da rede elétrica da sua região. É possível definir sua frequência local para 50 Hz ou 60 Hz no menu de configurações da sua URSA Mini. Para mais informações, consulte a seção ‘Ajustar Configurações’ neste manual.

Tocar no indicador “Shutter” exibe as medidas do obturador sugeridas ao longo da parte inferior da tela de toque da sua URSA Mini. Caso tenha desabilitado a exposição automática, esta tela exibirá a sua seleção de valor do obturador atual, assim como valores do obturador sem cintilação disponíveis, com base na frequência de voltagem de alimentação principal selecionada no menu de configurações da sua URSA Mini. Consulte a seção ‘Ajustar Configurações’ neste manual para mais informações.

**OBSERVAÇÃO** As características de fontes de iluminação individuais ainda poderão causar cintilação mesmo ao usar medidas livres de cintilação. Recomendamos sempre fazer testes de filmagem quando não estiver usando luzes contínuas.

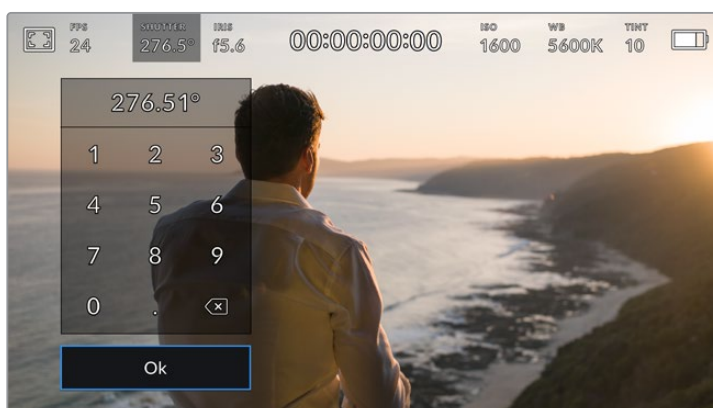
Para selecionar um dos valores do obturador sem cintilação, basta tocar em um dos valores exibidos. Toque nas setas em cada lado do indicador do valor atual do obturador para acessar alguns dos valores mais comumente usados.



Sua URSA Mini recomendará valores do obturador sem cintilação com base na frequência de voltagem da alimentação selecionada no menu.

Caso queira escolher um valor específico, você deve tocar duas vezes no valor atual do obturador no canto esquerdo da sua tela. Isto ativa um teclado numérico que permite que você digite qualquer valor com até duas casas decimais.

Se você digitar uma velocidade do obturador incompatível com a sua taxa de quadro atual, a velocidade exequível mais próxima será usada.



O teclado numérico manual do obturador permite que você digite qualquer valor desejado.

Sua URSA Mini possui três modos de exposição automática baseados no obturador. Para selecionar um deles, toque no botão “Auto Exposure” na extremidade direita do menu “Shutter”.

### Shutter

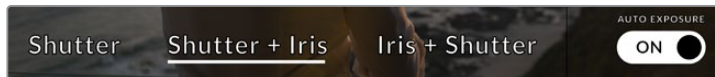
Esta configuração ajusta a medida do obturador automaticamente para manter uma exposição constante ao mesmo tempo em que a abertura da íris permanece constante. Caso queira manter uma profundidade de campo fixa, esta é a configuração ideal. É importante lembrar que os ajustes automáticos sutis do obturador podem afetar o desfoque de movimento. Também é importante estar atento a qualquer cintilação que possa ser introduzida por luminárias diversas em filmagens internas. O recurso de íris automática da URSA Mini não estará disponível quando o modo de exposição automática do obturador for selecionado.

### Shutter + Iris

Mantém os níveis de exposição corretos ao ajustar o obturador, e depois a abertura. Caso a medida máxima ou mínima do obturador for atingida e a exposição ainda não possa ser mantida, a URSA Mini começará a ajustar a abertura para manter a exposição constante.

### Iris + Shutter

Mantém os níveis de exposição corretos ao ajustar a abertura, e depois a medida do obturador. Caso a abertura máxima ou mínima for atingida e a exposição ainda não possa ser mantida, a URSA Mini começará a ajustar a medida do obturador para manter a exposição constante.

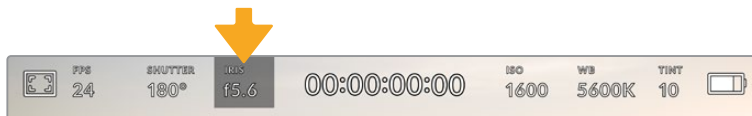


No menu “Shutter”, toque em “Auto Exposure” para acessar modos de exposição automáticos baseados no obturador.

**DICA** Quando um modo de exposição automática que afeta o obturador é habilitado, um pequeno “A” aparecerá junto do indicador do ângulo do obturador na parte superior da tela de toque da sua URSA Mini.

## Iris

O indicador ‘Iris’ exibe a abertura atual da sua lente. Ao tocar neste indicador, você pode alterar a abertura de lentes compatíveis e configurar a íris com base nos modos de exposição automática.

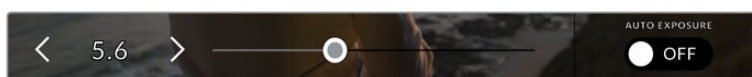


Indicador da íris da sua URSA Mini. Toque aqui para acessar as configurações da íris.

**OBSERVAÇÃO** Para ajustar sua íris a partir da tela de toque LCD, sua URSA Mini deve estar fixada a uma lente com suporte para a alteração de abertura através da câmera. Caso esteja usando uma lente B4 ou PL conectada através do conector broadcast de 12 pinos na URSA Mini PL, certifique-se de que a chave da íris da lente na empunhadura esteja definida como “A” ou “Auto”.

Tocar no indicador “Iris” uma vez ativa o menu de íris ao longo da parte inferior da tela de toque da sua URSA Mini. Você visualizará sua abertura de lente atual na extremidade esquerda deste menu. Você pode alterar a abertura ao tocar nas setas esquerda e direita em qualquer lateral da abertura atual ou mover o deslizador para a esquerda ou direita.

Tocar no ícone de habilitação “Auto Exposure” na extremidade direita do menu “Iris” iniciará o menu de exposição automática da íris.



No menu “Iris”, toque nas setas em qualquer lateral do indicador da íris ou use o deslizador para ajustar as suas configurações.

Ele fornece as opções de exposição automática a seguir:

### Iris

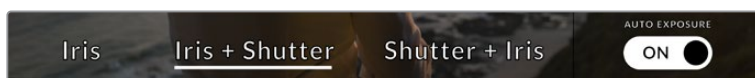
Esta configuração ajusta a abertura automaticamente para manter uma exposição constante, à medida que mantém o ângulo do obturador constante. Isto manterá o desfoque de movimento constante, mas poderá afetar sua profundidade de campo.

### Iris + Shutter

Mantém os níveis de exposição corretos ao ajustar a abertura, e depois a medida do obturador. Caso a abertura máxima ou mínima for atingida e a exposição ainda não possa ser mantida, a URSA Mini começará a ajustar a medida do obturador para manter a exposição constante.

### Shutter + Iris

Mantém os níveis de exposição corretos ao ajustar o obturador, e depois a abertura. Caso a medida máxima ou mínima do obturador for atingida e a exposição ainda não possa ser mantida, a URSA Mini começará a ajustar a abertura para manter a exposição constante.



No menu "Iris", toque em "Auto Exposure" para acessar os modos de exposição automática baseados na íris.

Quando um modo de exposição automática que afetar a íris for ativado, um pequeno "A" aparecerá ao lado do indicador de íris no topo da tela de toque da sua URSA Mini.

**DICA** A exposição automática funciona fluidamente com lentes B4 ou PL compatíveis e desenvolvidas para a produção televisiva e cinematográfica. Lentes EF podem produzir transições de exposição perceptíveis quando se altera a abertura. Por esse motivo, recomendamos usar apenas o modo de exposição automático do obturador ao filmar com uma URSA Mini EF.

## Display de Duração

No topo da tela de toque LCD da sua URSA Mini, você encontrará o display de duração da sua câmera.



Exibição do tempo de duração da sua URSA Mini. Ela se tornará vermelha durante a gravação.

O display de duração apresenta um contador de código de tempo para a verificação da duração dos seus clipes e o monitoramento do código de tempo durante a gravação e reprodução. O contador exibe uma sequência de tempo exibindo Horas:Minutos:Segundos:Quadros e avançará à medida que você grave ou reproduza clipes. O código de tempo ficará vermelho durante as gravações.

A duração de cada clipe exibido inicia-se como 00:00:00:00 para cada clipe. A duração do clipe atual ou do último clipe gravado é exibida na tela de toque. O código de tempo de hora do dia é integrado aos clipes para uma pós-produção mais fácil.

Para visualizar o código de tempo, basta tocar no display de duração. Toque no display de duração novamente para retornar à duração do clipe.

### Indicadores de status adicionais poderão aparecer juntos do display de duração:

**W**

Aparece à esquerda do display de duração quando sua URSA Mini estiver operando em um modo de sensor janelado.

**TC**

Aparece à direita do display de duração quando o código de tempo é exibido.

**EXT**

Aparece à direita do display de duração se um código de tempo externo for conectado e válido.

**INT**

Aparece à direita do display de duração se a câmera estiver operando com um código de tempo interno após ser sincronizada no modo jam-sync e desconectada.

**PRE**

Aparece à direita do display de duração quando você estiver visualizando um código de tempo contínuo predefinido.

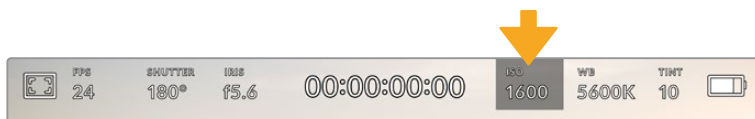
**REF**

Aparece quando uma fonte de referência válida é conectada e bloqueada, com base nas configurações da entrada de sincronização.

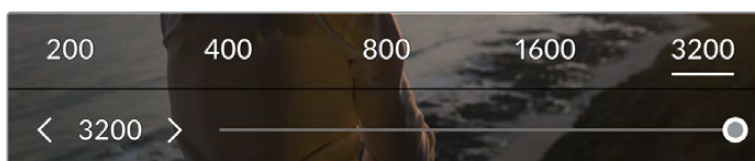
## ISO

O indicador “ISO” exibe a configuração ISO atual, ou a sensibilidade do sensor à luz, da sua URSA Mini. Tocando neste indicador permite ajustar seu ISO para se adequar a condições de iluminação diferentes. O intervalo ISO na URSA Mini é de ISO 200 a 1600, enquanto o intervalo ISO na URSA Mini Pro também pode ser aumentado para 3200.

O melhor ISO para a URSA Mini 4K é 400. O melhor ISO para a URSA Mini 4.6K e URSA Mini Pro é 800.



O indicador de ISO da sua URSA Mini. Toque neste recurso para acessar as configurações ISO.



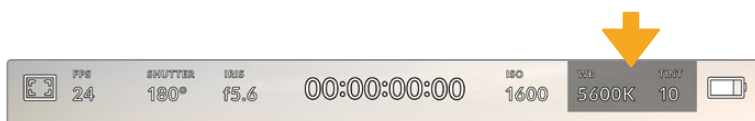
No menu “ISO”, as configurações ISO da sua URSA Mini são exibidas ao longo da parte inferior da tela de toque LCD. A URSA Mini Pro 4.6K G2 apresenta um deslizador abaixo das predefinições para ajustar seu ISO em incrementos de 1/3 de stop.

As predefinições numéricas oferecem a opção de selecionar uma configuração ISO em incrementos de stop completos ao tocar no número. A URSA Mini Pro 4.6K G2 apresenta um deslizador abaixo dessas predefinições, o que permite fazer o ajuste fino do seu ISO dentro destas predefinições em incrementos de 1/3 de stop.

Dependendo da sua situação, é possível selecionar uma configuração da sensibilidade ISO mais baixa ou mais alta. Por exemplo, em condições de pouca iluminação, ISO 1600 pode ser mais adequado ao gravar com a URSA Mini 4.6K, mas isto poderá gerar ruídos visíveis. Em condições de muita luz, o ISO 200 pode oferecer cores mais ricas.

## Balanco de Branco

Os indicadores “WB” e “TINT” exibem o balanço de branco atual e a tonalidade da sua câmera. Tocar nestes indicadores permite ajustar o balanço de branco e a tonalidade para a adaptação em condições de iluminação variantes.



Indicadores de balanço de branco e tonalidade da sua URSA Mini. Toque neles para acessar as configurações de balanço de branco e tonalidade.

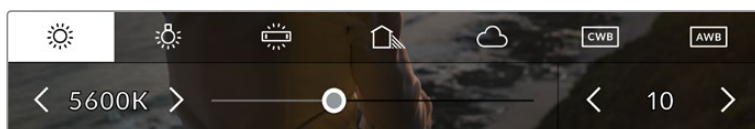
Cada fonte de luz emite uma cor. Por exemplo, uma chama de vela emite uma cor quente e um céu nublado emite uma cor fria. As configurações de balanço de branco são usadas para calibrar as cores da sua imagem para que o branco continue branco ao ajustar a mistura de laranja e azul na sua imagem. Por exemplo, ao gravar sob lâmpadas de tungstênio, que emitem uma luz quente e laranja, selecionar 3200K acrescentará um pouco de azul à imagem. Isto harmoniza a cor para que o branco seja gravado com precisão.

Sua URSA Mini é fornecida com predefinições de balanço de branco para uma variedade de temperaturas de cor. Elas são:

	<b>Luz do dia (sol a pino)</b>	(5600K)
	<b>Lâmpadas incandescentes</b>	(3200K)
	<b>Lâmpadas fluorescentes</b>	(4000K)
	<b>Luz mista</b>	(4500K)
	<b>Céu nublado</b>	(6500K)

É possível personalizar qualquer predefinição ao tocar ou segurar nos ícones de seta à esquerda ou à direita do indicador de temperatura no canto inferior esquerdo do menu do balanço de branco. Cada toque ajusta a temperatura de cor em incrementos de mais ou menos 50K, mas segurar as setas aumentará estes incrementos para alterações mais rápidas. Como alternativa, você pode mover o deslizador de temperatura no centro do menu do balanço de branco.

Para mais ajustes da imagem, você pode refinar a tonalidade em “Tint”. Esta ação ajusta a mesclagem de verde e magenta na sua imagem. Por exemplo, ajustar um pouco de magenta pode compensar pelo verde lançado por muitas das luzes fluorescentes. Muitas predefinições do balanço de branco da sua URSA Mini incluem um pouco de tonalidade.



Com um toque no indicador de balanço de branco e de tonalidade da sua URSA Mini, você terá acesso a cinco predefinições, além de um indicador de balanço de branco e um deslizador na esquerda e um indicador de tonalidade na direita. Seu ajuste definirá um balanço de branco personalizado para suas condições de iluminação.



Enquanto estiver no menu do balanço de branco, a configuração atual da tonalidade da sua câmera será exibida no canto inferior direito da tela. Para ajustar a tonalidade, basta tocar ou segurar nas setas à esquerda e à direita do indicador de tonalidade. O intervalo disponível é de incrementos de unidades de -50 ou +50. Segurar as setas acelera os ajustes.

**OBSERVAÇÃO** Personalizar o balanço de branco ou a tonalidade alterará sua predefinição para “CWB”, ou balanço de branco personalizado. Os balanços de branco personalizados são permanentes; as suas configurações CWB permanecerão atribuídas mesmo após o desligar e religar da câmera, e ao alternar entre uma predefinição e retornar para CWB. Isto facilita a comparação do balanço de branco personalizado com a última predefinição utilizada.

### Balanço de Branco Automático

Sua URSA Mini pode ajustar o balanço de branco automaticamente. Tocar no botão “AWB” ativará a tela do balanço de branco.

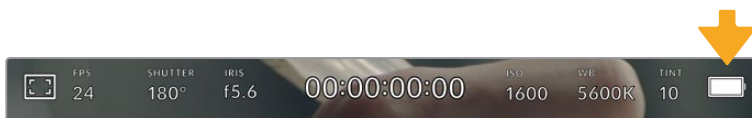
Ao configurar o balanço de branco automaticamente, um quadrado será sobreposto no centro da sua imagem. Preencha este quadrado com uma superfície neutra, como um cartão branco ou cinza e pressione “Update WB”. Sua URSA Mini ajustará os valores do balanço de branco e da tonalidade automaticamente para assegurar que a média de brancos ou cinza dentro do quadrado do balanço de branco seja a mais neutra possível. Após a atualização, este será o balanço de branco personalizado para a sua câmera.





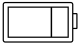
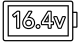

Tocar no ícone “AWB” no menu do balanço de branco ativará a tela do balanço de branco automático. Utilize-a com uma superfície branca ou cinza neutra para configurar um balanço de branco neutro automaticamente.

### Alimentação

O status da alimentação da sua URSA Mini é exibido no canto superior direito da tela LCD. Há cinco indicadores possíveis:



O indicador de alimentação da sua URSA Mini está no canto superior direito da tela de toque LCD. Ao usar alimentação de bateria, tocar aqui alterna entre exibições de voltagem ou percentagem.

	<b>AC</b>	Exibido quando sua URSA Mini for conectada a uma tomada.
	<b>Porcentagem</b>	Caso esteja usando uma combinação de bateria e adaptador com precisão percentual de carga e tiver sua exibição de bateria configurada como porcentagem, o indicador exibirá o nível da sua bateria como uma porcentagem. Com 20% de carga restante, o indicador ficará vermelho.
	<b>Barras de bateria</b>	Caso a exibição da bateria esteja definida como porcentagem, mas sua combinação de placa e bateria não for compatível com informações percentuais de carga precisas, sua URSA Mini mostrará um ícone de bateria que se esgota em incrementos de 25%. Com 20% de carga restante, a barra de bateria ficará vermelha.
	<b>Voltagem</b>	Quando sua exibição de bateria estiver definida no modo voltagem, o indicador exibirá a carga restante da sua bateria. Quando sua bateria ficar abaixo de 12.5 volts, o indicador ficará vermelho. Sua URSA Mini desligará automaticamente quando a bateria chegar a 11.9 volts.
	<b>Fibra</b>	Exibido quando você tem um Blackmagic Camera Fiber Converter encaixado à sua câmera e estiver alimentando a câmera pelo cabo de fibra SMPTE. Caso tenha um cabo de alimentação XLR conectado à URSA Mini enquanto o conversor estiver anexado, o ícone “AC” será exibido no lugar.

Ao usar alimentação de bateria, você pode alternar entre os indicadores de alimentação por voltagem e porcentagem ou barras de bateria ao tocar no indicador de alimentação.

**DICA** Uma lista de baterias com suporte para informações percentuais precisas de alimentação é fornecida na seção ‘Encaixar Baterias’ deste manual.

## Histograma

No canto inferior esquerdo da tela de toque da sua URSA Mini, você encontrará o histograma. O histograma exibe o contraste entre pretos e brancos ao longo de uma escala horizontal.



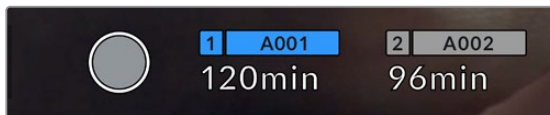
O histograma fornece uma indicação da amplitude tonal entre as sombras e os realces no seu clipe. Ele também é uma ferramenta útil para verificar o balanço da sua exposição e para evitar o recorte dos seus realces.

A extremidade esquerda do histograma exibe as sombras, ou pretos, e a extremidade direita exibe os realces, ou brancos. Quando você fechar ou abrir a abertura da lente, você notará que a informação no histograma se desloca para a direita ou esquerda de forma correspondente. Isto é útil para verificar a “clipagem” nas sombras ou realces da sua imagem. Se os picos à esquerda ou direita das suas extremidades no histograma forem interrompidos bruscamente em vez de caírem gradualmente, é possível que você esteja perdendo os detalhes de sombras e realces.

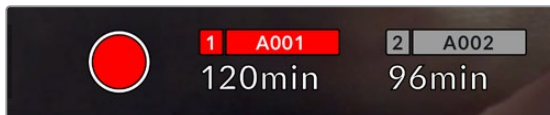
**OBSERVAÇÃO** Caso não veja um histograma no canto inferior esquerdo da sua tela de toque, suas configurações para o monitor LCD podem estar definidas para exibir o codec e a resolução. Consulte a seção 'Configurações de Monitoramento' deste manual para mais informações.

## Botão de Gravação

Ao lado do histograma na parte inferior da tela de toque da sua URSA Mini, você encontrará um botão redondo cinza. Este é o botão de gravação. Toque nele uma vez para começar a gravar e toque novamente para parar. Ao gravar, o botão e o código de tempo na parte superior da tela de toque da sua URSA Mini ficarão vermelhos.



Botão de gravação da sua URSA Mini, junto dos indicadores de armazenamento na parte inferior da tela de toque LCD.



O botão de gravação fica vermelho ao gravar.

## Indicador de Quadros Descartados

O botão de gravação será sobreposto com um ponto de exclamação piscando, caso sua URSA Mini comece a descartar quadros durante a gravação. O indicador de tempo restante para o cartão ou os cartões afetados também ficarão vermelhos. Por exemplo, caso esteja gravando no modo de cartão duplo e o cartão 1 estiver descartando quadros, o indicador "!" aparecerá por cima do botão de gravação e o indicador de tempo restante do cartão 1 ficará vermelho. Isto permite saber se um determinado cartão é lento demais para a sua seleção atual de codec e resolução. O indicador de quadro descartado também alertará, caso quadros tenham sido descartados no clipe gravado anteriormente. O indicador continuará a ser exibido até que outro clipe seja gravado ou até que a câmera seja ligada e desligada. Consulte a seção 'Escolher um Cartão CFast 2.0' neste manual, para mais informações sobre como evitar quadros descartados.



Indicador de quadro descartado para o cartão CFast 1 descartando quadros.

**DICA** Caso tenha o LED de status da sua URSA Mini ativado, ele piscará em vermelho rapidamente quando quadros descartados forem detectados. Para mais informações, consulte a seção 'Ajustar Configurações' neste manual.

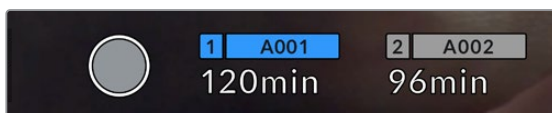
**OBSERVAÇÃO** É possível configurar sua URSA Mini para que interrompa gravações caso quadros descartados sejam detectados. Assim, você não perde tempo gravando imagens inutilizáveis, caso não perceba o indicador de descarte de quadros. Consulte a seção 'Configurações de Gravação' neste manual para mais informações.

## Tempo de Gravação Restante

Na parte inferior da tela de toque da sua URSA Mini, você encontrará os indicadores de armazenamento.

Quando um cartão CFast, SD ou um SSD é inserido, o indicador de armazenamento mostrará quanto tempo de gravação resta no cartão. O tempo é exibido em minutos e varia de acordo com a taxa de quadro e o codec selecionado.

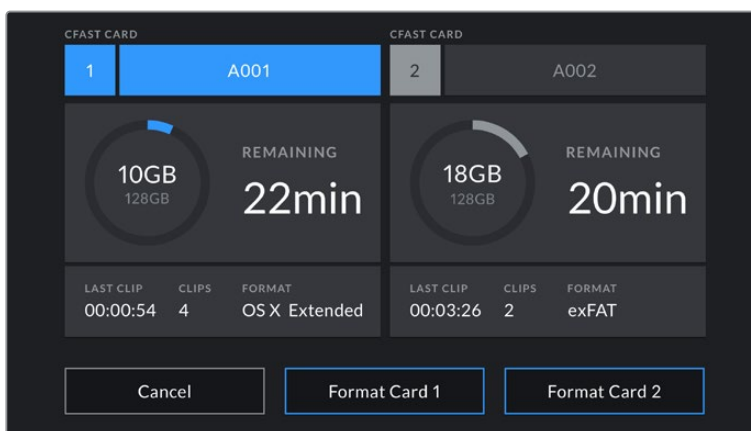
Caso quaisquer uma dessas configurações seja alterada, o indicador será recalculado automaticamente. Quando restarem aproximadamente 5 minutos no seu cartão ou drive, o texto do indicador ficará vermelho e piscará intermitentemente quando restarem apenas 2 minutos. O indicador exibe "FULL" quando um cartão ou drive atingir sua capacidade máxima.



O indicador de armazenamento da sua URSA Mini mostrará o nome dos seus cartões CFast e SD ou do SSD e o tempo de gravação restante em minutos.

O nome do cartão ou drive também será exibido em uma pequena barra acima do tempo restante. Esta barra ficará azul para indicar que a câmera fará gravações neste cartão ou drive. Na URSA Mini Pro 4.6K G2, é possível alternar a gravação para um cartão ou drive diferente utilizando a exibição na tela.

Pressione e segure o nome do cartão ou unidade flash USB-C no qual deseja gravar. A barra ficará azul. Ao gravar, a barra ficará vermelha. Tocar nos indicadores de armazenamento ativará o menu de armazenamento e formatação.



Toque nos indicadores de armazenamento no LCD da tela de toque da sua URSA Mini para acessar o gerenciador de armazenamento.

O menu exibe a quantidade de espaço livre em cada cartão CFast, SD ou drive externo SSD atualmente inserido na sua URSA Mini, assim como o nome do cartão, duração de cada clipe, número total de cliques por cartão e o formato de arquivo para cada cartão.

Você pode formatar suas mídias a partir deste menu. Para mais informações sobre a formatação de mídias usando a URSA Mini, consulte a seção 'Preparar Mídias na Blackmagic URSA Mini' deste manual.

**DICA** Tocar no nome do cartão ou da unidade no menu de armazenamento irá defini-lo como o cartão ou drive ativo. Sua URSA Mini gravará neste cartão ou drive primeiro.

## Medidores de Áudio

Os medidores do pico de áudio exibem os níveis de áudio para os canais 1 e 2 quando o microfone interno é usado ou para o áudio externo quando for conectado. A exibição é calibrada em unidades dBFS e inclui medidores de pico com registro de máximo e mínimo que permanecem visíveis por uma curta duração para que você possa visualizar os níveis máximos alcançados com clareza.

Para obter qualidade máxima de áudio, certifique-se de que os seus níveis de áudio não alcancem 0 dBFS. Este é o nível máximo que sua câmera pode gravar, o que significa que qualquer áudio acima deste nível será saturado, resultando em distorções.



As barras coloridas do medidor de áudio representam os níveis do pico de áudio. Na medida do possível, seus níveis de pico de áudio devem permanecer na parte superior da zona verde. Se os seus picos entrarem nas zonas amarelas ou vermelhas, o seu áudio correrá o risco de ficar saturado.

Você pode tocar no medidor de áudio para ativar os controles de volume para os canais de entrada de áudio 1 e 2, assim como o volume do fone de ouvido ou alto-falante.



Toque nos medidores de áudio na tela de toque LCD da sua URSA Mini para acessar o volume e as configurações de fone de ouvido ou alto-falante com facilidade.

## Zoom de Foco

É possível aumentar qualquer parte da pré-visualização de imagem da sua URSA Mini com um toque duplo na tela de toque LCD, na área onde deseja ampliar o zoom. Você pode arrastar seus dedos pela tela de toque para movimentar a área ampliada. Isto é muito útil para verificar o foco. Para retornar à magnificação padrão, basta tocar duas vezes na tela de toque da sua câmera novamente.

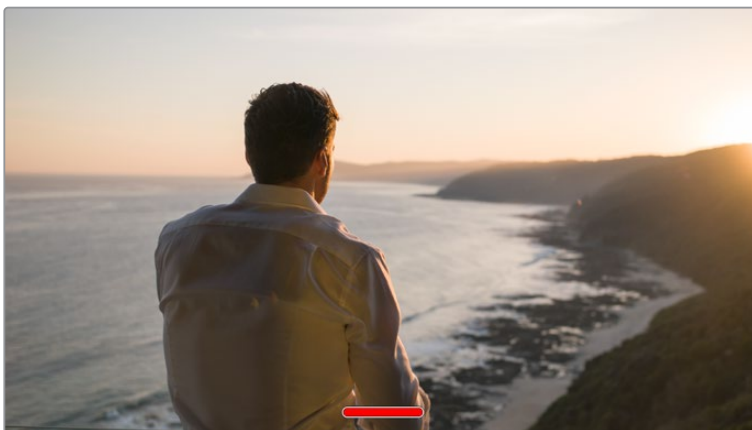
Quando o “Focus Zoom” estiver habilitado na URSA Mini Pro 12K, você também pode ajustar o nível de zoom na tela sensível ao toque com um gesto multitoque de pinçar para zoom. O menu “Setup” na URSA Mini Pro 12K permite configurar um botão de função para ativar/desativar “Focus Zoom” que se comporta como um toque duplo na tela sensível ao toque. Isso pode ser configurado para exibir no LCD ou no SDI frontal ou principal para saídas. Para mais informações sobre como configurar um botão de função como “Focus Zoom”, consulte a seção ‘Function Button Behaves as Preset or Toggle’.



Enquanto a imagem estiver ampliada, um indicador na parte superior esquerda da sua tela de toque LCD exibirá qual parte da imagem está sendo visualizada. Você pode se deslocar pela imagem ao arrastar seu dedo pela tela, como faria em um smartphone ou tablet.

## Modo Tela Cheia

Pode ser útil ocultar o texto de status e os medidores da sua tela de toque temporariamente ao enquadrar ou focalizar um plano. Basta deslizar para cima ou para baixo na tela de toque LCD da sua URSA Mini para ocultá-los. O indicador de gravação, guias de enquadramento, grades, nível de saliência e zebras permanecerão visíveis.



Deslize para cima ou para baixo para ocultar todos os indicadores de status da tela de toque da sua URSA Mini.

## Menu de Reprodução

Toque no botão de controle “Reproduzir” para acessar o menu de reprodução. Você pode controlar cliques gravados anteriormente com as teclas de controle ou a tela de toque LCD da sua câmera.

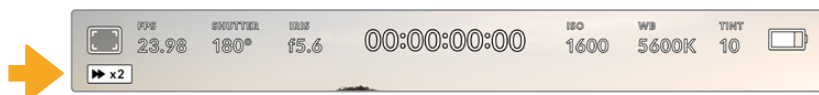
Ao usar a tela de toque LCD, toque em “Reproduzir” uma vez para iniciar a reprodução e outra vez para pausar. Utilize os botões “Avançar” e “Retroceder” para saltar ao início ou fim dos cliques. Tocar em “Avançar” uma vez avançará até o clipe seguinte. Tocar em “Retroceder” uma vez voltará para o início do clipe atual. Tocar em “Retroceder” duas vezes voltará para o início do clipe anterior. A reprodução dos cliques em loop também pode ser ativada com o ícone para looping.



Ícones para retroceder, reproduzir, avançar e looping.

Para navegar rapidamente ou lentamente, segure os botões de transporte para retroceder ou avançar. Isto reproduzirá sua imagem com o dobro da velocidade normal tanto nos modos de avanço quanto de retrocesso, dependendo da tecla de transporte que você segurar.

Quando reproduzir no modo shuttle, é possível alterar a velocidade de reprodução ao apertar as teclas de transporte novamente. Cada vez que você tocar em uma tecla de transporte da mesma direção a velocidade de reprodução será dobrada. A velocidade máxima para a reprodução shuttle é 16 vezes maior que a velocidade normal. Tocar na tecla de transporte outra vez quando estiver reproduzindo na velocidade 16x voltará para a velocidade 2x. Tocar na direção oposta diminuirá a velocidade de reprodução shuttle atual pela metade até que a velocidade 2x seja alcançada. É possível retornar à velocidade de reprodução atual ao tocar no botão “Reproduzir”.



O indicador de velocidade shuttle exibe a velocidade e a direção do avanço ou retrocesso rápido das imagens.

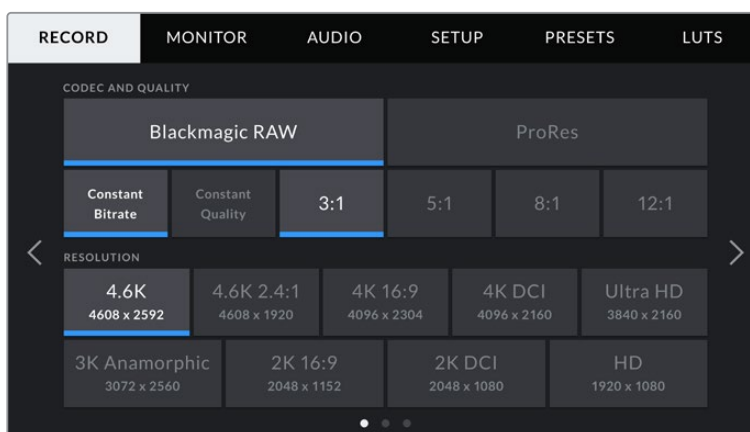
Tocar no botão de controle de gravação no modo de reprodução retornará a sua câmera para o modo de espera e ela estará pronta para gravar.

**DICA** Deslize para cima ou para baixo na tela de toque da sua URSA Mini para esconder os textos de status durante a reprodução das imagens. Inserir os dados da claquete no modo de reprodução possibilitará marcar o clipe atual como uma tomada perfeita, “Good Take”, nos metadados. Para mais informações, consulte a seção ‘Inserção de Metadados’ neste manual.

## Configurações

### Painel de Controle

Apertar o botão de controle “Menu” na sua URSA Mini ativará o painel de controle da sua câmera. Ele é um menu de abas contendo as configurações não disponibilizadas pelo heads-up display da URSA Mini. As configurações estão divididas por função nas abas “Record”, “Monitor”, “Audio”, “Setup”, “Presets” e “LUTS”. Algumas das abas, como “Record”, “Monitor” e “Setup” contêm múltiplas páginas. É possível navegar por essas páginas ao tocar nas setas à direita e à esquerda da tela de configurações ou ao deslizar para a esquerda ou direita da mesma maneira que o faria em um smartphone ou tablet.



Toque nos cabeçalhos “Record”, “Monitor”, “Audio”, “Setup”, “Presets” e “LUTS” para se deslocar pelas abas do painel de controle da sua URSA Mini.

**OBSERVAÇÃO** Na URSA Mini Pro 4.6K, o painel da câmera é desativado após um minuto de inatividade, retornando ao heads up display.

## Configurações de Gravação

A aba “Record” permite que você defina o seu formato de vídeo, codec e resolução, assim como outras configurações que afetam as imagens gravadas pela sua URSA Mini, como o seu cartão preferido e nitidez dos detalhes. Este menu possui três páginas pelas quais você pode navegar ao tocar nas setas nas extremidades da tela de toque da sua câmera ou ao deslizar para a esquerda ou direita.

### Configurações de Gravação 1

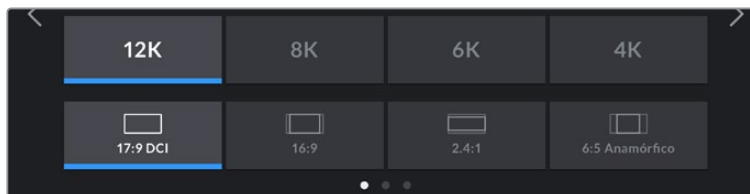
A primeira página da aba de configurações para gravação, “Record”, contém os ajustes a seguir:



Primeira página das configurações de gravação na URSA Mini Pro 12K.

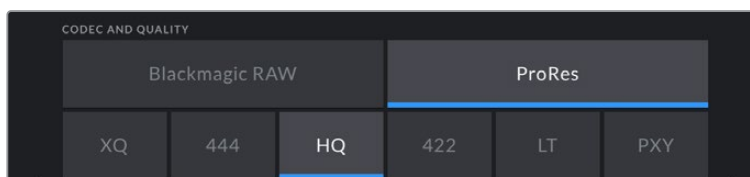
### Codec e Qualidade

A URSA Mini Pro 12K grava Blackmagic RAW em resoluções 12K, 8K, 6K e 4K. Cada resolução possui um menu que oferece compatibilidade com uma série de proporções de tela padrão da indústria.



Opções de resolução e proporção de tela na URSA Mini Pro 12K.

Nas câmeras URSA Mini Pro 4.6K G2 e URSA Mini Pro 4.6K, o menu “Codec and Quality” é dividido em duas linhas. Você pode selecionar Blackmagic RAW ou Apple ProRes. A linha inferior oferece opções de qualidade dentro dessas famílias de codec. Para o Blackmagic RAW, as configurações se dividem em “taxa de bit constante” e “qualidade constante”. As opções de qualidade disponíveis para a família de codec ProRes incluem 444, HQ e LT. A URSA Mini é compatível com uma ampla variedade de codecs ProRes.



Opções de codec e qualidade nas câmeras URSA Mini Pro 4.6K G2 e URSA Mini Pro 4.6K.



**DICA** A quantidade de vídeo que pode ser gravada na mídia de armazenamento da sua câmera aumenta com codecs que utilizam compactação mais alta. Consulte a 'Tabela de Duração de Gravações' na seção 'Gravação' para mais informações.

## Resolução

Esta configuração funciona em combinação com a configuração do "Codec". Utilize-a para selecionar a resolução do seu formato de gravação desejado.

Por exemplo, caso queira gravar clipes Ultra HD usando ProRes HQ, selecione "ProRes" e "HQ" no menu "Codec and Quality". Depois, selecione "Ultra HD" no menu de resolução.



Opções de resolução nas câmeras URSA Mini Pro 4.6K G2 e URSA Mini Pro 4.6K.

**OBSERVAÇÃO** A Blackmagic URSA Mini 4.6K e a URSA Mini Pro oferecem suporte a uma variedade de resoluções Apple ProRes a partir de 4.6K reduzidas até HD.

## Configurações de Gravação 2

A segunda página da aba para as configurações de gravação, "Record", contém os ajustes a seguir:



A URSA Mini Pro 12K inclui uma configuração para gravar RAW em dois cartões. Esta opção está desabilitada nas outras câmeras URSA Mini.

## Dynamic Range

Ajuste a configuração de faixa dinâmica ao tocar nos ícones "Dynamic Range". A Blackmagic URSA Mini possui duas configurações de faixa dinâmica:

### Film

A configuração "Film" grava vídeos usando uma curva logarítmica oferecendo de 12 a 15 stops de alcance dinâmico, dependendo do seu modelo URSA Mini e maximizando as informações no seu sinal de vídeo para ajudar a tirar proveito máximo das imagens em programas de gradação de cores, como o DaVinci Resolve.

## Video

A configuração “Video” é parecida com o padrão de cores REC 709 para vídeos de alta definição. Isto permite que você trabalhe mais rápido ao gravar formatos de vídeo compactados em um espaço de cor apropriado para entrega direta ou processamento mínimo na pós-produção.

A URSA Mini Pro possui uma configuração adicional disponível:

## Extended Video

A configuração “Extended Video” oferece o equilíbrio ideal entre as configurações da faixa dinâmica nos modos de vídeo e filme. Esta configuração inclui um intervalo dinâmico maior que no modo “Video”, ao mesmo tempo em que aplica uma leve mudança no contraste com uma redução suave dos realces. O modo “Extended Video” é adequado para uso com monitores broadcast padrão e é uma configuração útil caso tenha tempo limitado na pós-produção e deseje gravar seus clipes com um visual apazível aplicado.

**OBSERVAÇÃO** Se estiver usando a faixa dinâmica nos modos de vídeo ou vídeo expandido, certifique-se de uma LUT de exibição não esteja habilitada em nenhuma das saídas de monitoramento, LCD, SDI frontal ou SDI principal. Se uma LUT de exibição estiver habilitada, o indicador LUT estará visível no HUD e a imagem parecerá ter mais saturação e contraste do que pretendido. Para verificar a sua configuração de LUTs de exibição, consulte as configurações de monitoramento mais à frente neste manual.

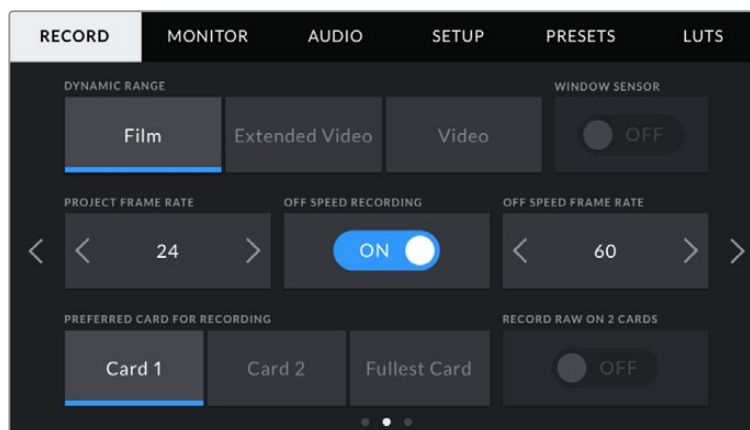
## Window Sensor

A URSA Mini Pro 12K gerencia a janela do sensor automaticamente. Ela usa um sensor janelado ao filmar em 6K Super 16 e 4K Super 16, e usa toda a altura ou largura do sensor de imagem tamanho Super 35 em todos os outros modos de gravação.

É importante observar que, na URSA Mini Pro 12K, o 6K Super 16 redimensiona para Super 16 recortado. No entanto, com resolução 6K, o recorte ainda oferecerá uma qualidade de imagem incrível. 4K Super 16 usa a mesma janela Super 16 e redimensiona o resultado para 4K. Isso significa que você pode filmar com as taxas de quadros mais elevadas e ainda obter qualidade de imagem fantástica em 6K ou 4K.

O sensor 12K com um recorte Super 16 significa que você também pode encaixar lentes Super 16 mm vintage e filmar em resolução 4K ou 6K, que é indiscutivelmente maior do que a qualidade original de filme Super 16 mm.

As outras câmeras URSA Mini podem ser configuradas para usar a área completa do sensor. Como alternativa, para taxas de quadro ainda mais elevadas, você pode usar o modo janelado, “Window”. Isto utilizará apenas a quantidade de pixels do sensor necessária para um formato de vídeo determinado em vez de reduzir o tamanho das imagens do sensor inteiro.



Opção “Window Sensor” na URSA Mini Pro 4.6K G2, URSA Mini Pro 4.6K, URSA Mini 4.6K e URSA Mini 4K.

Como os modos “Window Sensor” HD e 2K usam apenas o centro do sensor da URSA Mini, o campo de visão de qualquer lente aparecerá mais raso devido ao fator de corte associado. Ao usar uma lente 20 mm para gravar imagens HD em um modo de sensor janelado, por exemplo, o campo de visão da URSA Mini será equivalente ao de uma lente de 48 mm.

Esta configuração está disponível quando você filma abaixo da resolução máxima da sua URSA Mini. Por exemplo, o modo “Window Sensor” está disponível ao gravar imagens 4.6K 2.4:1, 4K, 3K anamórfico, 2K ou HD ProRes na URSA Mini 4.6K.

As taxas de quadro mais rápidas estão disponíveis ao gravar imagens HD no modo janelado.

**DICA** Ao utilizar o modo “Window Sensor”, as configurações de resolução da sua URSA Mini serão rotuladas como “Resolution - Sensor Windowed”.

### Project Frame Rate

A taxa de quadro do projeto é a taxa de quadro do formato de gravação da URSA Mini e oferece uma seleção de taxas de quadro comuns usadas na indústria cinematográfica e televisiva. Por exemplo, 23.98 quadros por segundo usando ProRes HQ 4K. Esta taxa de quadro é normalmente definida para corresponder à velocidade de reprodução e sincronização de áudio utilizada no seu fluxo de trabalho de pós-produção e para os requisitos de entrega.

Sua Blackmagic URSA Mini possui 8 configurações de taxa de quadro para o projeto, incluindo 23.98, 24, 25, 29.97, 30, 50, 59.94 e 60 quadros por segundo.

**OBSERVAÇÃO** A taxa de quadro de projeto na sua câmera tem um grande impacto no visual da imagem.

Taxas de quadro elevadas como 50, 59.94 ou 60 quadros por segundo são ótimas para captar movimentos suaves e eliminar ou minimizar imagens tremidas ao fazer panorâmicas.

Taxas de quadro mais baixas, como 24 ou 25 quadros por segundo, são normalmente usadas em produções cinematográficas. Elas possuem um visual cinematográfico distinto, mas exigem movimentos de câmera mais lentos para evitar tremores.

### Off Speed Recording

Por padrão, as taxas de quadro do projeto e do sensor serão correspondidas para uma velocidade de reprodução natural. Mas, ao tocar no ícone de habilitação para “Off Speed Recording”, você pode definir a taxa de quadro do sensor independentemente.

### Off Speed Frame Rate

Com a opção “Off Speed Frame Rate” habilitada, toque nas setas juntas do indicador de taxas de quadro off speed para definir a taxa de quadro do sensor da sua URSA Mini.

A taxa de quadro do sensor define quantos quadros, de fato, serão gravados pelo sensor a cada segundo. Esta taxa de quadro afetará o quão rápida ou lenta será a reprodução do seu vídeo de acordo com a taxa de quadro definida para o projeto.

Para mais informações sobre taxas de quadro off speed, consulte ‘Quadros por Segundo’ na seção ‘Recursos da Tela de Toque’ neste manual.

**OBSERVAÇÃO** Para mais informações sobre as taxas de quadro máximas disponíveis para cada formato e codec, consulte a tabela ‘Taxas de Quadro Máximas do Sensor’ na seção ‘Gravação’ deste manual.

### Preferred Card for Recording

Utilize esta configuração para selecionar o cartão de armazenamento no qual sua URSA Mini gravará primeiro quando ambos os compartimentos estiverem em uso. As opções são “Card 1”, “Card 2” e “Fullest Card”. Ao utilizar um SSD, as opções serão “Card 1”, “SSD” e “Fullest Card”. A seleção de “Card 1” ou “Card 2” é uma questão de preferência pessoal, mas com o uso consistente de um ou outro, você será informado sobre qual cartão trocar primeiro à medida que o armazenamento se esgota. “Fullest Card” pode ajudar a agrupar arquivos cronologicamente em projetos com gravação de câmera única.

A configuração escolhida é aplicada quando um cartão CFast, SD ou um SSD é inserido. É possível anular esta configuração a qualquer momento ao iniciar o gerenciador de armazenamento e ativar outro cartão. É importante observar, todavia, que ejetar e reinserir cartões reverterá a configuração atual do cartão preferido para gravação. Quando o URSA Mini Recorder for conectado e um SSD carregado, o gravador substituirá o compartimento de armazenamento de número “2” da URSA Mini.

Para mais informações, consulte a seção “Utilizar URSA Mini Recorder” deste manual.

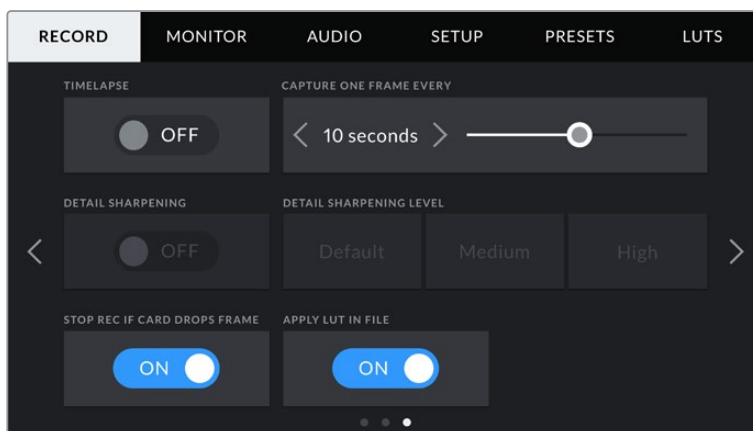
**DICA** O recurso “Fullest Card” é baseado na porcentagem com que seus cartões são preenchidos, em vez dos seus tamanhos ou da quantidade de dados usada.

### Record RAW on 2 Cards

A URSA Mini Pro 12K pode gravar Blackmagic RAW em dois cartões ao mesmo tempo. Isso permite gravar clipes de altíssima resolução com taxas de quadros elevadas e níveis mais baixos de compactação. Insira um par de cartões CFast ou SD e ative a opção “Record RAW on 2 Cards” no menu “Record”. Como a gravação depende de distribuição em ambas os cartões sequencialmente, a taxa de dados do cartão mais lento será o fator limitante, então é recomendável utilizar dois cartões que possuam as mesmas especificações ou especificações similares. Você também pode fazer a distribuição entre um cartão CFast no compartimento de armazenamento 1 e uma unidade USB-C no compartimento de armazenamento 2. Quando você utiliza a opção “Record RAW on 2 Cards”, o limite de velocidade é o dobro da taxa de dados do cartão mais lento na matriz distribuída. Copie os arquivos .BRAW e .BRAW2 de ambos os cartões de memória para a mesma pasta em seu computador; e o DaVinci Resolve os receberá como um único clipe quando você importá-los para o seu pool de mídia. Se os arquivos .BRAW e .BRAW2 estiverem separados, os clipes podem ser reproduzidos independentemente com uma taxa de quadros reduzida à metade.

### Configurações de Gravação 3

A terceira página da aba para as configurações de gravação, “Record”, contém os ajustes a seguir:



## Timelapse

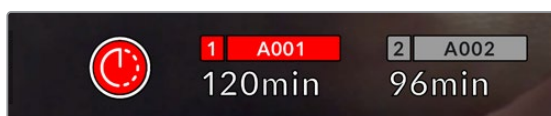
Esta configuração ativa o recurso lapso de tempo para gravar um quadro estático automaticamente com os seguintes intervalos:

<b>Quadros</b>	2 - 10
<b>Segundos</b>	1 - 10, 20, 30, 40, 50
<b>Minutos</b>	1 - 10

Por exemplo, você pode configurar a câmera para gravar um quadro estático a cada 10 quadros, 5 segundos, 30 segundos, 5 minutos, etc.

O recurso lapso de tempo oferece inúmeras opções criativas. Por exemplo, configurar um lapso de tempo com intervalo de 2 quadros por vez causará um efeito de alta velocidade no vídeo gravado quando for reproduzido.

O formato de cada quadro é baseado no seu formato de gravação, assim se você definir a câmera para gravar em 4K com ProRes HQ, o lapso de tempo manterá este formato. A taxa de quadro será baseada na taxa de quadro do projeto, ou seja, 24 fps. Isso acontece para que as imagens do seu lapso de tempo possam ser facilmente incorporadas ao seu fluxo de trabalho de pós-produção.



Sua URSA Mini indicará se está no modo lapso de tempo com um ícone por cima do botão de gravação.

**DICA** Ao gravar imagens no modo lapso de tempo, o contador do código de tempo se atualiza quando um quadro de vídeo é gravado.

## Detail Sharpening

Utilize esta configuração para deixar as imagens da sua URSA Mini mais nítidas. O recurso de nitidez de detalhes está disponível na URSA Mini Pro 4.6K G2, URSA Mini Pro 4.6K, URSA Mini 4.6K e URSA Mini 4K. Quando a nitidez é habilitada, aumente ou diminua o nível de nitidez ao selecionar “Default” (padrão), “Medium” (média) ou “High” (alta).

Quando a nitidez é habilitada, ela será aplicada aos vídeos ProRes gravados pela câmera e também na saída SDI da sua URSA Mini. Quando a URSA Mini Pro G2 for definida com Blackmagic RAW e usada em conjunto com um switcher ATEM, a função de nitidez de detalhes pode ser aplicada à saída SDI. Esta configuração pode ser habilitada ou desabilitada usando o ATEM Camera Control Panel ou ATEM Software Control.

Esta configuração é destinada para produções de estúdio ao vivo quando é necessário mandar as imagens ao vivo direto para o ar e não há tempo para pós-produção. Caso esteja manipulando a imagem e corrigindo as cores extensivamente na pós-produção, recomendamos deixar a nitidez de detalhes desativada. Por esta razão, a nitidez não é aplicada aos arquivos Blackmagic RAW destinados para processamento significativo na pós.

## Stop Rec If Card Drops Frames

Utilize este ajuste para configurar o comportamento da sua URSA Mini quando quadros descartados forem detectados. Quando definido como “Off”, a gravação continuará com quadros descartados. Quando definido como “On”, sua câmera interromperá gravações se quadros descartados forem detectados. Isto impede que você perca tempo gravando imagens inutilizáveis, caso não veja o indicador de quadros descartados.

**DICA** Consulte as seções ‘Escolher um Cartão CFast 2.0’ e ‘Escolher um SSD Rápido’ para mais informações sobre como evitar quadros descartados.

### Apply LUT in File

Se você estiver aplicando uma LUT a qualquer uma das saídas da sua Blackmagic URSA Mini Pro 4.6K, a LUT selecionada será integrada ao arquivo Blackmagic RAW que você estiver gravando.

Isto significa que a LUT será salva no cabeçalho do arquivo e pode ser facilmente aplicada ao clipe na pós-produção sem a necessidade de trabalhar com um arquivo separado. Quando a chave “Apply LUT in File” estiver definida como “On” no menu de gravação da URSA Mini Pro, este clipe será lido pelo Blackmagic RAW Player e DaVinci Resolve com a LUT selecionada aplicada a ele. A LUT então pode ser ativada ou desativada, mas sempre será circulada com o arquivo Blackmagic RAW, pois foi gravada no próprio clipe.

O DaVinci Resolve também conta com uma chave “Aplicar LUT” na paleta de configurações RAW para habilitar ou desabilitar a LUT 3D no arquivo Blackmagic RAW. A configuração “Aplicar LUT” no DaVinci Resolve é a mesma configuração encontrada na câmera. Ou seja, ao gravar é possível instruir o colorista a usar a LUT ao defini-la na câmera, mas é possível desabilitá-la com facilidade no DaVinci Resolve ao configurar “Aplicar LUT” como “Off”.

## Convenção de Nomeação de Arquivos

Os clipes são gravados nos seus cartões CFast e SD ou SSDs no formato .braw quando gravando em Blackmagic RAW, ou como um filme QuickTime em ProRes dependendo do formato de gravação escolhido.

A tabela abaixo mostra um exemplo de convenção de nomeação de arquivos:

<b>A001_08151512_C001.mov</b>	<b>Nome do Arquivo do Filme QuickTime</b>
A001_08151512_C001.mov	<b>Numeração de Câmera</b>
A <b>001</b> _08151512_C001.mov	<b>Número do Rolo</b>
A001_ <b>08</b> 151512_C001.mov	<b>Mês</b>
A001_08 <b>15</b> 1512_C001.mov	<b>Dia</b>
A001_0815 <b>15</b> 12_C001.mov	<b>Hora</b>
A001_081515 <b>12</b> _C001.mov	<b>Minuto</b>
A001_08151512_ <b>C001</b> .mov	<b>Número do Clipe</b>

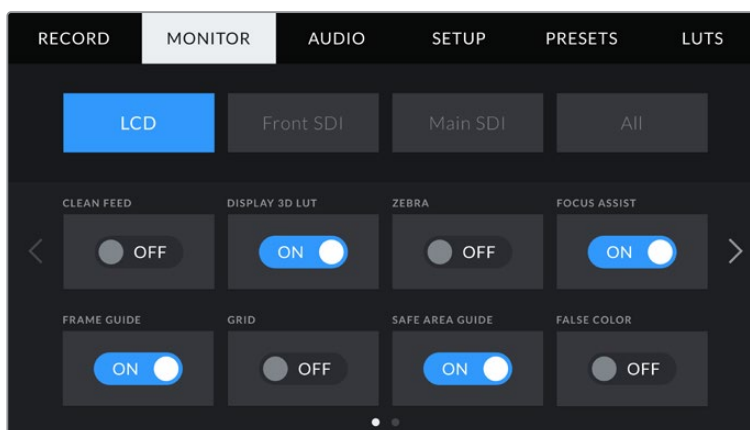
Arquivos de quadros estáticos captados usando o botão “Still” seguirão a mesma convenção de nomeação de arquivo para clipes de vídeo, mas o nome do arquivo conterá “S001” representando o número do quadro estático como os últimos quatro dígitos do nome do arquivo no lugar do número do clipe. A URSA Mini Pro 12K grava fotografias como um único quadro Blackmagic RAW. Os modelos URSA Mini Pro 4.6K G2 e URSA Mini Pro 4.6K gravam fotografias como um arquivo DNG na pasta de quadros estáticos. Para mais informações, consulte a seção ‘Controles do LCD de Status’ neste manual.

## Configurações de Monitoramento

A aba “Monitor” permite que você ajuste texto de status, sobreposições e outras opções de monitoramento para a tela de toque LCD e as saídas SDI frontal e traseira da sua URSA Mini. As opções são organizadas por saída em “LCD”, “Front SDI” e “Main SDI”, assim como “All”, que cobre todas as configurações de monitoramento que afetam todas as saídas da sua URSA Mini. Cada um destes menus tem duas páginas de opções, que você pode ligar e desligar ao tocar as setas nas extremidades da tela de toque da sua câmera ou ao deslizar para a esquerda ou direita.

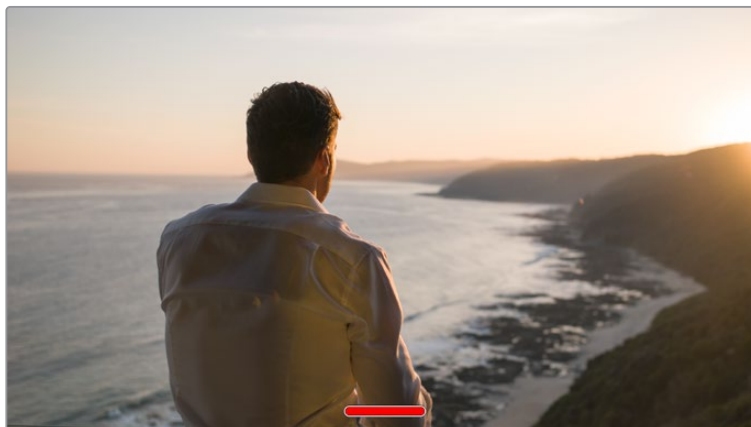
### Configurações de Monitoramento do LCD, SDI Principal e SDI Frontal 1

A primeira página da aba de monitoramento contém as saídas para “LCD”, “Front SDI” e “Main SDI”, com configurações idênticas para cada uma delas. Por exemplo, você pode habilitar as zebras para a tela de toque LCD, mas desabilitá-las para as saídas SDI frontal ou principal.



#### Clean Feed

Toque na chave “Clean Feed” nos menus “LCD”, “Front SDI” e “Main SDI” para desabilitar todos os textos de status e sobreposições nessa saída, exceto a sinalização de gravação.



A tela de toque LCD da sua URSA Mini continuará a exibir a sinalização de gravação no modo de alimentação limpa.

**OBSERVAÇÃO** As LUTs ainda serão aplicadas às saídas quando “Clean Feed” estiver ativado. Para desativar as LUTs, desabilite a chave “Display LUT” no menu de monitoramento para essa saída.

### Display 3D LUT

Sua URSA Mini pode aplicar LUTs 3D a qualquer saída para estimar um look semelhante ao das imagens com o tratamento das cores. Isto é particularmente útil ao gravar imagens com a faixa dinâmica de filme, já que as imagens produzidas são intencionalmente desbotadas e de baixo contraste.

Se sua URSA Mini possuir uma LUT 3D ativa, utilize esta configuração para aplicar essa LUT independentemente na sua tela de toque LCD e saída SDI frontal ou principal.

**OBSERVAÇÃO** Para mais informações sobre como carregar e usar LUTs 3D, consulte a seção “LUTs” deste manual.

### Zebra

Toque a chave “Zebra” nos menus “LCD”, “Front SDI” e “Main SDI” para habilitar as marcações de zebra para essas saídas. Para mais informações sobre as marcações de zebra e a configuração dos níveis zebra, consulte a seção ‘Recursos da Tela de Toque’ neste manual.

### Focus Assist

Toque na chave “Focus Assist” nos menus “LCD”, “Front SDI” e “Main SDI” para habilitar o assistente de foco nestas saídas. Para mais informações sobre o assistente de foco e suas configurações, consulte a seção ‘Recursos da Tela de Toque’ neste manual.

### Frame Guide

Toque na chave “Frame Guide” nos menus “LCD”, “Front SDI” e “Main SDI” para habilitar as guias de enquadramento para essas saídas. Para mais informações sobre as guias de enquadramento e a seleção de guias diferentes, consulte a seção ‘Recursos da Tela de Toque’ neste manual.

### Grid

Toque na chave “Grid” nos menus “LCD”, “Front SDI” e “Main SDI” para habilitar uma grade da regra dos terços. Para mais informações sobre a grade de regra dos terços, consulte a seção ‘Recursos da Tela de Toque’ neste manual.

### Safe Area Guide

Toque na chave “Safe Area Guide” nos menus “LCD”, “Front SDI” e “Main SDI” para habilitar a sobreposição de área segura para essas saídas.

Para mais informações sobre as marcações de área segura e sobre como configurar o nível para estas guias, consulte a seção ‘Recursos da Tela de Toque’ neste manual.

**OBSERVAÇÃO** Utilize a configuração “Safe Area Guide %” nas configurações gerais de monitoramento da sua URSA Mini para definir o tamanho da guia de área de segura.

### False Color

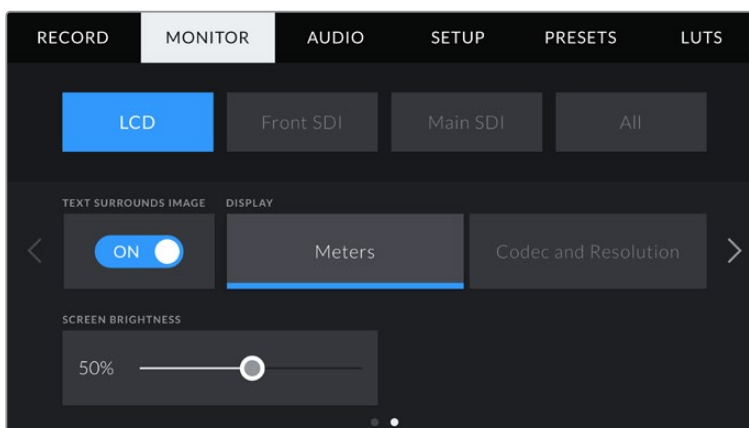
Toque na chave “False Color” nos menus “LCD”, “Front SDI” e “Main SDI” para habilitar a assistência de exposição com cores falsas para essas saídas.

Para mais informações sobre cores falsas, consulte a seção ‘Recursos da Tela de Toque’ neste manual.



## Configurações de Monitoramento para o LCD 2

A segunda página da aba “Monitor” do seu LCD contém configurações exclusivas para a sua tela de toque LCD.



### Text Surrounds Image

Esta configuração está disponível apenas nos modelos URSA Mini 4K e URSA Mini 4.6K. Toque a chave “Text Surrounds Image” no menu “LCD” para diminuir o tamanho da imagem na sua tela de toque LCD em 75%. Isto posiciona a imagem no centro da tela de toque LCD, distante dos indicadores de status na extremidade superior ou inferior, oferecendo uma visualização desobstruída da imagem de pré-visualização da sua URSA Mini, mantendo o texto de status na tela ao mesmo tempo.



“Text Surrounds Image” oferece uma visualização clara da imagem de pré-visualização da sua URSA Mini EF ou PL para enquadramentos com texto de status na tela ao mesmo tempo.

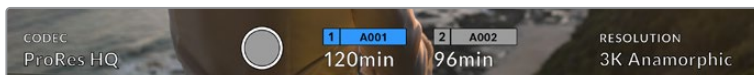
### Status Text On/Off

Esta configuração está disponível somente na URSA Mini Pro. Pode ser útil ocultar o texto de status e os medidores no HUD do seu LCD exibindo apenas as informações necessárias para compor ou dirigir um plano de imagem. Toque no ícone de habilitação “Status Text” para alternar texto de status e medidores na tela de toque LCD da URSA Mini Pro. Sobreposições como guias de enquadramento, grades, pico de foco e zebras permanecerão visíveis, se habilitadas. Deslizar para cima ou para baixo na tela de toque LCD da sua URSA Mini Pro tem o mesmo efeito.

## Display

Em vez de um histograma ou medidores de áudio, sua URSA Mini pode exibir as informações de codec e resolução nas extremidades do canto inferior esquerdo ou direito da tela de toque LCD. Isto pode ser útil caso prefira usar cores falsas para ajustar a exposição ou esteja gravando áudio separadamente e deseje exibir informações adicionais no espaço normalmente ocupado pelo histograma e pelos medidores de áudio.

Basta tocar em “Meters” ou em “Codec and Resolution” no menu “LCD” para selecionar a visualização de sua preferência.



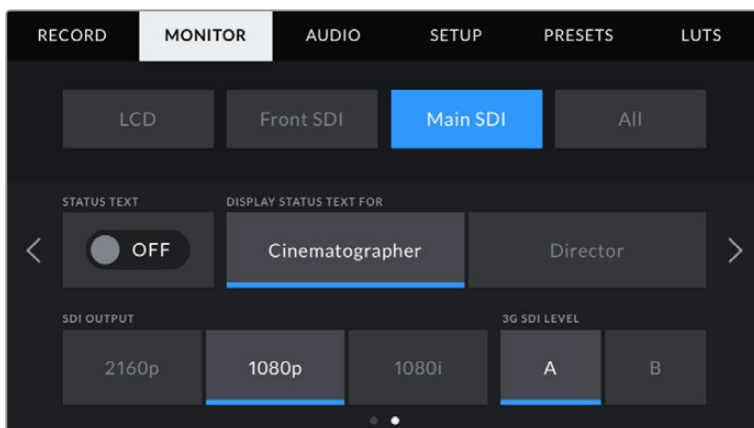
Sua URSA Mini pode exibir as informações de codec e resolução no lugar do histograma e dos medidores de áudio.

## Screen Brightness

Arraste o deslizador “Screen Brightness” no menu “LCD” para a direita ou esquerda para ajustar o brilho da tela de toque LCD da sua URSA Mini.

## Configurações de Monitoramento para as saídas SDI 2

A segunda página da aba de monitoramento para “Front SDI” e “Main SDI” da sua URSA Mini contém configurações exclusivas para as suas saídas SDI frontal e principal.



As resoluções 2160p e 1080p estão sempre disponíveis na saída SDI ao gravar em resoluções maiores que 3K anamórfico. 1080i está disponível somente nas saídas SDI principal e frontal ao gravar em taxas de quadro de 50, 59.94 ou 60. “3G SDI Level” está disponível apenas na URSA Mini Pro 4.6K G2..

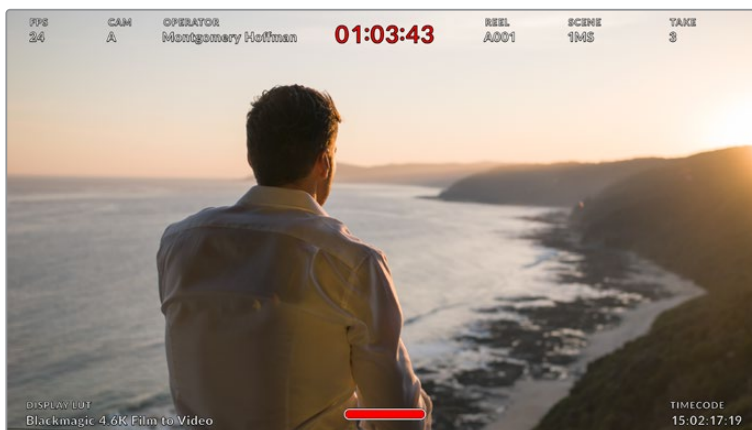
## Status Text

Pode ser útil ocultar o texto de status e os medidores na sua saída SDI frontal ou principal, deixando apenas as informações necessárias para compor ou dirigir um plano de imagem. Toque no ícone de habilitação “Status Text” nos menus de monitoramento “Front SDI” ou “Main SDI” para alternar a exibição de texto de status e medidores para essa saída. Sobreposições como guias de enquadramento, grades, pico de foco e zebras permanecerão visíveis, se habilitadas.

Deslizar para cima ou para baixo na tela de toque LCD da sua URSA Mini tem o mesmo efeito para a tela de toque.

## Display Status Text For Cinematographer or Director

A tela de toque da sua URSA Mini exibe informações como sensibilidade ISO, balanço de branco e abertura, que são úteis para um operador de câmera ou cinegrafista preparando planos de imagem individuais na câmera. As saídas SDI frontal e principal da sua URSA Mini, contudo, também podem exibir informações úteis para um diretor ou supervisor de roteiro que esteja acompanhando os múltiplos planos ou câmeras.



Sua URSA Mini pode exibir texto de status específico para o diretor nas suas saídas SDI frontal e principal.

Ajustar o texto de status para “Director” nas configurações de monitoramento “Front SDI” ou “Main SDI” altera o texto de status dessa saída para exibir as informações a seguir:

### FPS

Exibe a seleção de quadros por segundo atual para essa câmera. Caso a taxa de quadro off speed esteja desabilitada, apenas a taxa de quadro do projeto será exibida. Caso uma taxa de quadro off speed esteja sendo usada, a taxa de quadro do sensor será exibida, seguida da taxa de quadro do projeto.

### CAM

Exibe a numeração de câmera como configurada na claquete da sua URSA Mini. Veja a seção ‘Claquete’ neste manual para mais informações.

### OPERATOR

Identifica o operador de câmera como definido na configuração da claquete da sua URSA Mini. Veja a seção ‘Claquete’ neste manual para mais informações.

### DURATION DISPLAY

Exibe a duração do clipe atual durante a gravação, ou do último clipe gravado no seguinte formato: horas:minutos:segundos.

### REEL, SCENE, TAKE

Exibe rolo, cena e tomada atuais. Para mais informações sobre rolos, cenas, tomadas e suas convenções de rotulação, consulte a seção ‘Claquete’ neste manual.

### DYNAMIC RANGE

O canto inferior esquerdo do monitor exibe a LUT atualmente configurada na sua URSA Mini, caso esteja aplicada nessa saída. Se não houver LUT habilitada, o intervalo dinâmico do modo “Film” ou “Video” será exibido.

### TIMECODE

O canto inferior direito do monitor exibe o código de tempo da sua URSA Mini, no seguinte formato: horas:minutos:segundos:quadros.

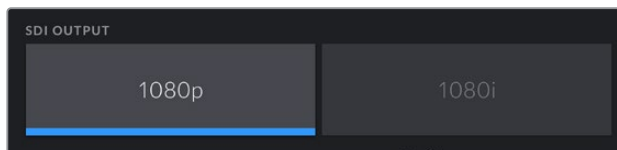
## SDI Output

Ambas as saídas permitem selecionar entre a saída de HD progressivo ou entrelaçado, enquanto a saída SDI principal da sua URSA Mini também oferece a opção de Ultra HD progressivo.

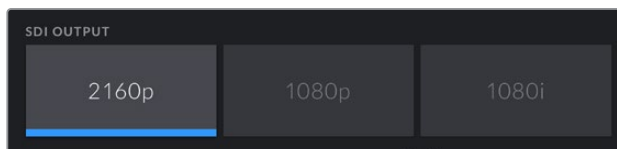
As opções disponíveis nesta configuração dependem das configurações de resolução e taxa de quadro da sua câmera.

HD progressivo, ou “1080p”, está sempre disponível, independentemente da sua resolução e taxa de quadro de gravação, enquanto que o HD entrelaçado, ou “1080i”, está disponível quando a taxa de quadro do seu projeto estiver definida como 50, 59.94 ou 60.

A saída SDI de Ultra HD ou “2160p” está disponível na saída SDI principal da sua URSA Mini ao gravar na resolução Ultra HD.



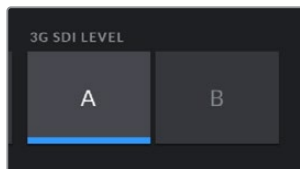
Saída SDI - SDI Frontal



Saída SDI - SDI Principal

## 3G SDI Level

Na URSA Mini Pro é possível alterar o padrão da saída 3G-SDI para manter a compatibilidade com equipamentos que podem receber apenas vídeos 3G-SDI de nível A ou nível B. Esta opção aparecerá apenas quando você estiver operando em 50, 59.94 ou 60 quadros por segundo e fazendo a saída de 1080p. Toque no ícone A ou B para selecionar cada padrão.

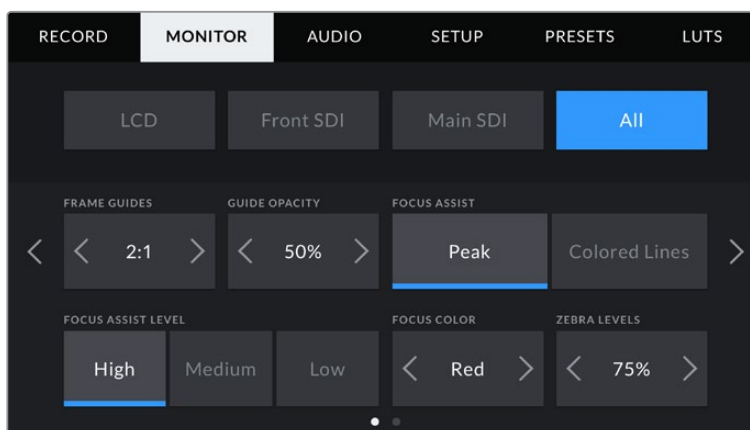


Na URSA Mini Pro 4.6K G2, selecione nível A ou nível B para o seu padrão 3G-SDI.

## Configurações Gerais de Monitoramento 1

As configurações de monitoramento que afetam todas as saídas da sua URSA Mini estão agrupadas dentro no menu “All”. Por exemplo, definir a porcentagem da guia de área segura como 90% definirá a guia de área segura como 90% para o LCD e as saídas SDI frontal e SDI principal da sua câmera.

Há duas páginas para as configurações gerais. A primeira página da aba “All” da sua URSA Mini contém as configurações a seguir:



### Frame Guides

Toque nas setas esquerda ou direita no menu “Frame Guides” para navegar pelas opções de guias de enquadramento para todas as saídas da sua URSA Mini, incluindo visores eletrônicos, como o Blackmagic URSA Viewfinder. As opções são detalhadas na seção ‘Touchscreen Features’ neste manual e também são acessíveis a partir do menu de monitoramento LCD no heads-up display da sua tela de toque LCD. É importante observar que você pode selecionar se as guias de enquadramento aparecerão ou não na sua tela de toque LCD, saída SDI frontal ou principal em seus menus de monitoramento respectivos.

### Guide Opacity

Toque nas setas direita ou esquerda da configuração “Guide Opacity” para selecionar a opacidade das áreas cobertas pelas guias de enquadramento da sua tela de toque LCD e das saídas SDI frontal e principal. As seleções são 25%, 50%, 75% e 100%.

### Focus Assist

Sua câmera URSA Mini possui dois modos de assistência de foco, “Peak” e “Colored Lines”.

#### Peak

Quando o modo de assistência de foco “Peak” é selecionado, as áreas de uma imagem que estiverem em foco ficam profundamente nítidas na sua tela de toque LCD ou nas saídas SDI, mas não na própria imagem gravada. Este recurso faz com que as partes em foco da sua imagem “saltem” do plano de fundo mais suave na tela. Como sobreposições adicionais não são usadas, esta pode ser uma maneira muito intuitiva de identificar quando o ajuste de foco é feito, especialmente quando o sujeito em foco estiver fisicamente bem separado dos outros elementos no plano.

#### Colored Lines

Quando o modo de assistente de foco no modo “Colored Lines” é selecionado, uma linha colorida é sobreposta em volta das partes da imagem que estão em foco. Este modo pode ser um pouco mais intrusivo que o modo de pico de foco, já que as linhas são desenhadas por cima da sua imagem, mas especialmente em planos complexos com muitos elementos visíveis, ele pode ser um assistente de foco de alta precisão.

### Focus Assist Level

Para definir o nível da assistência de foco para sua tela de toque LCD, saída SDI frontal e saída SDI principal, toque nas configurações “Low” (baixo), “Medium” (médio) ou “High” (alto).

**OBSERVAÇÃO** Definir o nível da assistência de foco não afeta a habilitação da assistência de foco na tela de toque LCD ou nas saídas SDI da sua URSA Mini. Ainda será necessário que você habilite a assistência de foco individualmente para cada uma das saídas do menu de monitoramento do “LCD”, “Front SDI” ou “Main SDI”.

**DICA** O nível ideal para a assistência de foco varia de plano para plano. Ao focalizar nos atores, por exemplo, um nível mais alto do assistente de foco pode ajudar a solucionar detalhes de aresta nos rostos. Um plano com folhagem ou alvernaria, por outro lado, pode exibir quantidades confusas de informação de foco em configurações mais elevadas.

### Focus Color

Use esta configuração para alterar a cor das sobreposições da linha de foco quando usar o modo de assistência de foco “Colored Lines”. Alterar a cor da linha de foco facilita a identificação das linhas de foco do recurso de assistência em relação à sua imagem. As seleções disponíveis são “White”, “Red”, “Green”, “Blue” e “Black”, ou seja, branco, vermelho, verde, azul e preto, respectivamente.

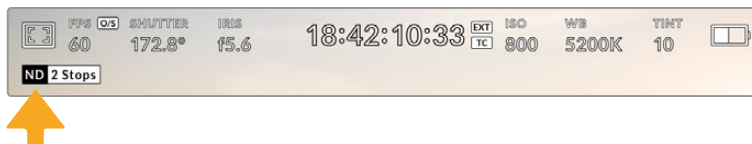
### Zebra Levels

Configure o nível de exposição da exibição do padrão zebra ao tocar nas setas laterais desta configuração. O nível de zebra é ajustável em incrementos de cinco por cento entre exposições de 75 e 100 por cento.

Para mais informações sobre o padrão zebra e a configuração dos seus níveis, consulte a seção “Recursos da Tela de Toque” deste manual.

### Indicador de Filtro ND

Ajustar o filtro ND da sua URSA Mini Pro exibirá o indicador de filtro ND no canto superior esquerdo da tela de toque LCD e quaisquer saídas SDI configuradas para a exibição de textos de status. Este indicador continuará sendo exibido quando você estiver usando um filtro ND. Quando você tiver definido para a posição onde não há filtro ND, o texto “Clear” desaparecerá após quatro segundos.

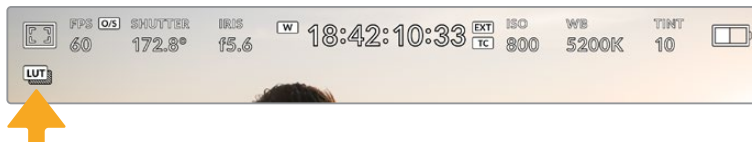


Ajustar a configuração do filtro ND da sua URSA Mini Pro ativará o indicador de filtro ND.

**OBSERVAÇÃO** É possível ajustar a terminologia usada pelo indicador de filtros ND para refletir as convenções com as quais você está acostumado. As opções são número ND, stops e frações. É possível definir seu formato de preferência no menu de configurações da sua URSA Mini Pro.

### Indicador LUT

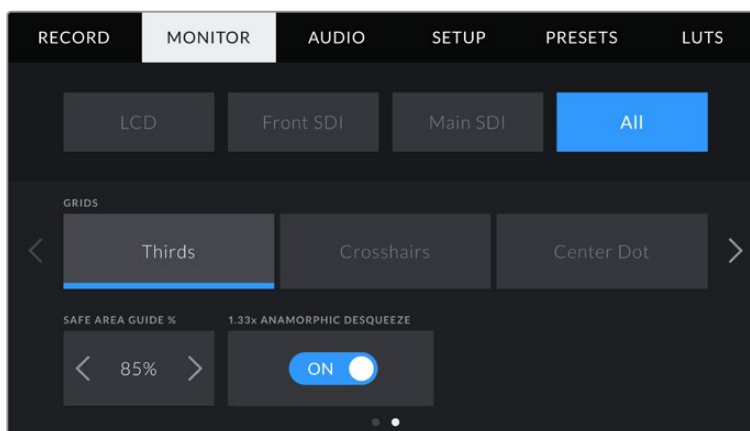
O ícone LUT estará visível no LCD, SDI frontal ou SDI principal quando “Texto de Status” estiver habilitado e uma LUT for aplicada àquela saída.



O ícone LUT indica se há uma LUT aplicada à imagem.

## Configurações Gerais de Monitoramento 2

A segunda página da aba 'All' no menu de monitoramento da sua URSA Mini contém as configurações a seguir:



### Grids

Para definir qual combinação de grades e retículas você deseja exibir na tela de toque LCD e nas saídas SDI frontal e principal da sua URSA Mini, toque nas opções "Thirds", "Crosshairs" ou "Center Dot" desta configuração.

Para mais informações, consulte o guia "Grids" na seção 'Recursos da Tela de Toque' apresentada anteriormente neste manual.

### Safe Area Guide %

Para ajustar o tamanho da sobreposição de área segura na tela de toque LCD e nas saídas SDI frontal e principal da sua URSA Mini, toque nas setas à esquerda ou à direita da porcentagem exibida nesta configuração. Esta porcentagem indica o tamanho da área segura em relação ao quadro da imagem. A maioria dos teledefusores exige uma área segura de 90%.

### Anamorphic Desqueeze

Ao filmar com lentes anamórficas, a imagem aparecerá "espremida" horizontalmente nas saídas de pré-visualização e nos arquivos gravados da sua URSA Mini. Habilitar "Anamorphic Desqueeze" corrigirá a imagem de pré-visualização na sua URSA Mini e também gravará a quantidade de descompressão utilizada nos metadados do clipe para facilitar a correção na pós.

A quantidade de descompressão disponível variará dependendo da sua configuração de resolução na URSA Mini, mas a imagem resultante ficará sempre na proporção de tela widescreen de 2:4:1, comum no cinema.

Lentes anamórficas desenvolvidas para cinema tipicamente contam com um fator de compressão de 2x. A resolução "3K Anamorphic" da sua URSA Mini foi desenvolvida para uso com estas lentes e fará uma descompressão de 2x quando configurada com a função "Anamorphic Desqueeze" habilitada.

Lentes anamórficas desenvolvidas para sensores de imagem digitais, muitas vezes, utilizam um fator de compressão de 1.33x para produzir imagens cinematográficas widescreen de 2:4:1 com o sensor 16:9 inteiro. Desse modo, quando a sua URSA Mini estiver definida com resoluções 16:9, como "4K 16:9" e "HD 16:9", a razão de aspecto da descompressão será 1.33:1.

**DICA** Se sua imagem aparecer esticada horizontalmente ao gravar com uma lente esférica padrão, certifique-se de que não tenha habilitado o recurso "Anamorphic Desqueeze".

## Configurações de Áudio

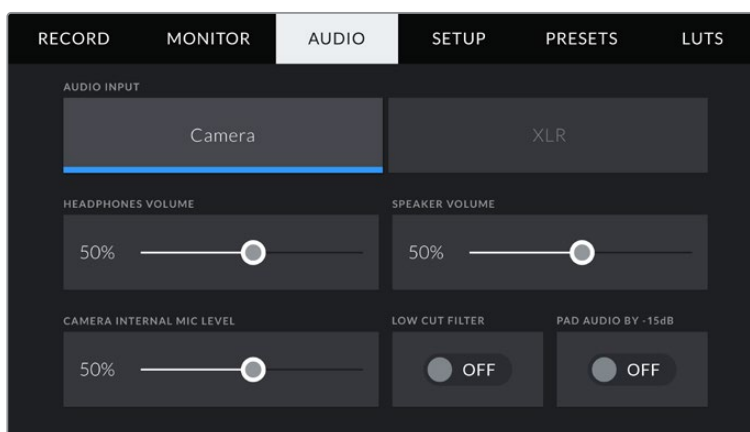
A aba “Áudio” permite ajustar as configurações de entrada e monitoramento de áudio na sua URSA Mini. Este menu é ligeiramente diferente nos modelos URSA Mini e URSA Mini Pro, então as configurações disponíveis estão descritas separadamente abaixo.

### Configurações de Áudio – URSA Mini

As configurações de áudio para a sua URSA Mini estão divididas em quatro fontes de entrada de áudio entre “Camera” e “XLR” para áudio interno ou fontes externas. As configurações “XLR” estão divididas em duas páginas, pelas quais você pode navegar ao tocar nas setas nos cantos da tela de toque LCD da sua câmera ou ao deslizar para a esquerda ou direita.

#### Configuração do Áudio de Câmera

Quando selecionar “Camera” como a entrada de áudio, sua URSA Mini disponibilizará uma página de configurações de áudio. A aba “Camera” na aba de áudio contém as configurações a seguir:



#### Headphones Volume

Este deslizador ajusta os níveis de saída para fones de ouvido encaixados no conector tipo jack de 3.5 mm para fones de ouvido da sua URSA Mini. Mova o deslizador de áudio para esquerda ou direita para ajustar os níveis.

#### Speaker Volume

Este deslizador ajusta os níveis de saída para o alto-falante integrado da sua URSA Mini. Mova o deslizador de áudio para a esquerda ou direita para ajustar os níveis.

#### Camera Internal Mic Level

Este deslizador ajusta os níveis de gravação para o microfone integrado da sua URSA Mini. Mova o deslizador de áudio para a esquerda ou direita para ajustar os níveis. O microfone integrado grava nos canais 1 e 2.

#### Low Cut Filter

Toque neste ícone de habilitação para ativar o filtro de graves dos microfones internos da sua câmera. Este filtro ajuda a reduzir possíveis ruídos de vento ou roncões de baixa frequência que podem ocorrer em condições externas de filmagem. É importante observar que o seletor “Pad audio by -15 dB” deve estar desabilitado para que esse recurso funcione.

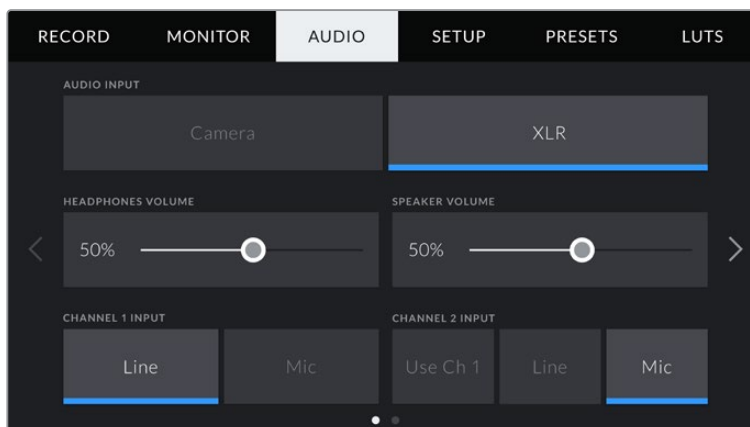
#### Pad Audio By -15dB

A opção de atenuação de -15dB oferece um controle adicional para reduzir ainda mais os níveis de ganho do microfone interno da sua URSA Mini ao filmar em ambientes barulhentos, mesmo depois que os seus níveis de áudio já estiverem reduzidos.



## Configurações de Áudio XLR 1

Quando selecionar “XLR” como a entrada de áudio, sua URSA Mini disponibilizará duas páginas de configurações. A primeira página da aba “XLR” para as configurações de áudio contém as configurações a seguir:



### Headphones Volume

Este deslizador ajusta os níveis de saída para fones de ouvido encaixados no conector tipo jack de 3.5 mm para fones de ouvido da sua URSA Mini. Mova o deslizador de áudio para esquerda ou direita para ajustar os níveis.

### Speaker Volume

Este deslizador ajusta os níveis de saída para o alto-falante integrado da sua URSA Mini. Mova o deslizador de áudio para esquerda ou direita para ajustar os níveis.

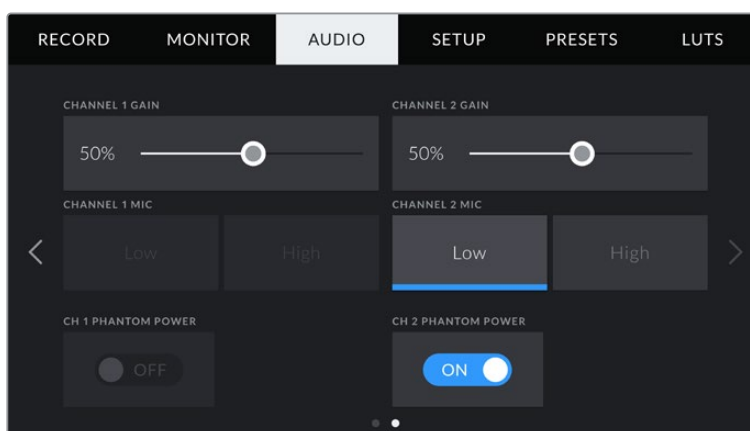
### Channel 1 and 2 Input

Defina os níveis da entrada de áudio externo ao tocar em “Line” ou “Mic” para os canais um ou dois. Eles correspondem aos níveis de linha ou microfone com 48 V de alimentação fantasma. É importante selecionar o nível adequado para o seu sinal de áudio. Você pode defini-los independentemente para os canais um e dois.

O Canal 2 oferece a opção de usar a entrada do canal 1, caso desejar gravar o áudio externo do canal 1 para os canais 1 e 2.

## Configurações de Áudio XLR 2

A segunda página da aba “XLR” para as configurações de áudio contém as configurações a seguir:



### Channel 1 Gain e Channel 2 Gain

Mova o deslizador para esquerda e direita nas configurações “Channel 1 Gain” e “Channel 2 Gain” para ajustar os níveis de áudio para cada canal.

### Channel 1 Mic e Channel 2 Mic

A opção “Mic” oferece controle adicional dos níveis de ganho da entrada em um microfone externo ao configurar o nível de pré-amplificação como “Low” (baixo) ou “High” (alto). A configuração “Low” pode ser útil quando filmando em ambientes barulhentos, mesmo depois que seus níveis de entrada já estiverem reduzidos.

### Channel 1 and 2 Phantom Power

As entradas XLR da sua URSA Mini podem fornecer 48 V de alimentação fantasma para que você possa usar microfones que não sejam autoalimentados. Quando a entrada de áudio da sua câmera estiver configurada como “XLR”, basta tocar no ícone de habilitação “Phantom Power” para habilitar a alimentação fantasma.

**OBSERVAÇÃO** É prática comum conectar seu cabo XLR antes de habilitar a alimentação fantasma. Também é importante desligar a alimentação fantasma quando você não possuir um microfone com alimentação fantasma conectado. Conectar equipamentos que não exigem alimentação fantasma enquanto o modo de alimentação fantasma permanece ativado pode danificar seus equipamentos, já que a câmera emite uma carga elétrica neste modo. A alimentação fantasma também pode levar algum tempo para descarregar após desabilitá-la na URSA Mini. É recomendável esperar alguns minutos quando desativar a alimentação fantasma antes de conectar quaisquer outros microfones ou equipamentos de áudio XLR.

## Configurações de Áudio – URSA Mini Pro

As configurações de áudio para sua URSA Mini Pro estão distribuídas em duas páginas e divididas para os canais 1 e 2, mas uma atualização de software futura acrescentará dois canais.

É possível mapear cada canal de áudio para uma fonte diferente, assim como ajustar várias configurações como a atenuação e os filtros de graves.

Estas configurações funcionam em conjunto com as chaves do painel de controle interno da sua URSA Mini Pro. Após ter configurado sua fonte de áudio para um canal específico, é possível usar as chaves do painel de controle interno para definir o tipo de sinal e se a alimentação fantasma deve ser ativada naquele canal.

### Configurações de Áudio 1

A primeira página da aba “Audio” da sua URSA Mini contém as configurações a seguir:



## Channel Source

Utilize os botões “Recorded Channel 1 Source” e “Recorded Channel 2 Source” para selecionar a fonte de áudio para cada canal de áudio. As opções são:

### Camera Left or Right

Utilize esta configuração para gravar a partir dos microfones internos da câmera.

### Camera Mono

Utilize esta configuração para gravar áudio dos canais esquerdo e direito a partir do microfone interno da sua URSA Mini Pro em um único canal de áudio.

### XLR 1 ou 2

Utilize esta configuração para gravar a partir das entradas XLR da sua câmera. Dependendo do sinal de áudio configurado nas chaves do painel de controle interno da sua URSA Mini Pro, sua entrada XLR pode ser listada como “Mic”, “Line” ou “AES”. Caso a alimentação fantasma esteja habilitada e você tenha configurado a entrada XLR como “Mic”, você também visualizará um indicador “+48V” aqui. Na URSA Mini Pro, é importante assegurar que a chave +48 V esteja desabilitada quando você desconectar seu microfone com alimentação fantasma.

### XLR 1 or 2 - Mic Backup

Utilize esta configuração para gravar áudio de um microfone conectado à entrada XLR 1 ou XLR 2 da sua URSA Mini Pro com um nível mais baixo que o padrão “Mic” para gravações. Isto pode ser usado para evitar a distorção de áudio no evento de um aumento de audibilidade inesperado. Este recurso será disponibilizado apenas como um item selecionável, se a chave de habilitação para a entrada XLR 1 ou XLR 2 estiver definida como “Mic”.

### None

Utilize esta configuração para desabilitar seu canal de áudio.

## Recorded Channel 1/2 Level

Utilize estes deslizadores para ajustar os níveis de gravação para as fontes de áudio selecionadas para o canal 1 e 2. Medidores de áudio são incluídos em cada deslizador para ajudar a definir o nível de áudio correto. Estes níveis serão atualizados quando você ajustar o áudio usando os botões de áudio giratórios no painel de controle ergonômico.

Para obter qualidade máxima de áudio, certifique-se de que os níveis de áudio não alcancem 0 dBFS. Este é o nível máximo que sua câmera pode gravar, o que significa que qualquer áudio excedendo este nível será saturado, resultando em distorções.

## Configurações de Áudio 2

A segunda página da aba “Áudio” da sua URSA Mini Pro contém as configurações a seguir:



Configuração dos medidores de áudio nos modelos URSA Mini Pro 12K e URSA Mini Pro G1.

### Headphones Volume

Este deslizador ajusta os níveis de saída para fones de ouvido encaixados no conector tipo jack de 3.5 mm para fones de ouvido da sua URSA Mini. Mova o deslizador de áudio para a esquerda ou direita para ajustar os níveis. Estes níveis também serão atualizados quando você ajustar o volume do fone de ouvido usando o anel de configurações do painel de controle frontal.

### Speaker Volume

Este deslizador ajusta os níveis de saída para o alto-falante integrado da sua URSA Mini. Mova o deslizador de áudio para a esquerda ou direita para ajustar os níveis. Estes níveis também serão atualizados quando você ajustar o volume do alto-falante usando o anel de configurações do painel de controle frontal.

### Pad XLR By -20dB

A opção de atenuação de -20 dB oferece um controle adicional para reduzir ainda mais os níveis de ganho das entradas de áudio XLR da sua URSA Mini ao filmar em ambientes barulhentos, mesmo depois que os seus níveis de áudio já estiverem reduzidos.

### Pad Cam Mic -15dB

A opção de atenuação de -15 dB oferece um controle adicional para reduzir ainda mais os níveis de ganho do microfone interno da sua URSA Mini ao filmar em ambientes barulhentos, mesmo depois que os seus níveis de áudio já estiverem reduzidos.

### Cam Mic Low Cut Filter

Toque neste ícone de habilitação para ativar o filtro de graves dos microfones internos da sua câmera. Este filtro ajuda a reduzir possíveis ruídos de vento ou roncões de baixa frequência que podem ocorrer em condições externas de filmagem. É importante observar que o seletor “Pad Cam -15 dB” deve estar desabilitado para que este recurso funcione.

### Audio Meters

Selecione um padrão de medição para os níveis de pico dos medidores de áudio.

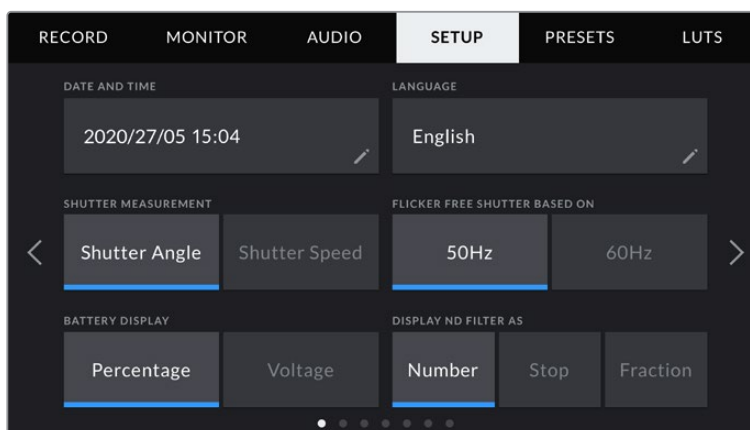
Configuração do medidor de áudio	Padrão
PPM (-20 dBFS)	SMPTE RP.0155
PPM (-18 dBFS)	EBU R.68

## Ajustar Configurações

A aba “Setup” contém as configurações de identificação da sua URSA Mini, versão do software, configurações para os botões de função e outras definições de câmera que não estão diretamente conectadas à gravação ou ao monitoramento. Você pode navegar pelas páginas da aba “Setup” ao tocar nas setas nos cantos da tela de toque LCD ou ao deslizar para a esquerda ou direita.

**OBSERVAÇÃO** As configurações e recursos exibidos abaixo podem ter um layout ligeiramente diferente nas páginas da aba “Setup” da sua URSA Mini devido a pequenas diferenças entre os modelos URSA Mini. Por exemplo, a URSA Mini Pro 4.6K G2 possui cinco páginas “Setup” e a URSA Mini Pro 12K possui sete.

A aba “Setup” da sua URSA Mini contém as configurações a seguir:



Na URSA Mini Pro 12K, URSA Mini Pro 4.6K G2 e URSA Mini Pro 4.6K, a primeira página da aba “Setup” inclui uma opção “Display ND Filter As”. A URSA Mini 4.6K e URSA Mini 4K não possuem um filtro ND interno, portanto esta opção não está disponível.

### Date and Time

Configure a data e a hora na sua URSA Mini ao tocar na configuração “Date and Time”. O formato da data é ano, mês, dia e o formato da hora é em 24 horas. A data e a hora na sua URSA Mini também são usadas para o código de tempo de hora do dia, caso um código de tempo externo não seja conectado.

### Language

O inglês é o único idioma disponível atualmente para a URSA Mini Pro 4.6K G2, URSA Mini 4.6K e URSA Mini 4K.

A URSA Mini Pro 12K e URSA Mini Pro 4.6K G1 suportam onze idiomas populares, incluindo inglês, chinês, japonês, coreano, espanhol, alemão, francês, russo, italiano, português e turco.

A página de idiomas também aparecerá na primeira inicialização.

### Como selecionar seu idioma:

- 1 Toque em “Language” e selecione o seu idioma na lista.
- 2 Selecione “Update” para retornar ao menu de configurações.



### Shutter Measurement

Nos modelos URSA Mini 4.6K e URSA Mini Pro, as configurações das medidas do obturador permitem escolher entre o indicador da velocidade e o indicador do ângulo do obturador.

É importante mencionar que ao usar o ângulo do obturador, o obturador se ajusta à taxa de quadro. Por exemplo, 180 graus sempre produzirá o mesmo desfoque de movimento, independentemente da taxa de quadro usada.

Ao utilizar a velocidade do obturador, no entanto, um valor absoluto é atribuído ao obturador, independentemente da taxa de quadro. Então, se você alterar a taxa de quadro, os resultados serão diferentes.

Por exemplo, gravando a 24 quadros por segundo, uma velocidade de obturador de 1/48 de segundo produzirá um desfoque de movimento aprazível, equivalente a um ângulo de 180 graus. Ao configurar a taxa de quadro em 48 fps, a velocidade do obturador de 1/48 de segundo não oferece o mesmo desfoque de movimento, que agora produz o equivalente a um ângulo de obturador de 360 graus. Neste exemplo, uma vez que a taxa de quadro é alterada para 48 fps, você também precisa alterar a velocidade do obturador para 1/96 de segundo para produzir o mesmo efeito que um ângulo de obturador de 180 graus.

#### **Flicker Free Shutter Based On**

Utilize esta configuração para alterar a frequência da alimentação quando sua URSA Mini estiver conectada a uma rede elétrica para calcular as configurações de obturador livres de cintilação.

Ao filmar sob luzes, seu obturador pode tornar cintilações visíveis. A URSA Mini calculará uma medida do obturador sem cintilações para a sua taxa de quadro atual automaticamente e exibirá até três sugestões de medidas do obturador no heads-up display. Estas medidas do obturador são afetadas pela frequência das tomadas de alimentação de redes locais usadas para ligar estas luzes. Na maioria dos países com padrão PAL, esta frequência é de 50 Hz, enquanto os países de padrão NTSC geralmente usam alimentação de 60 Hz. Basta tocar em “50Hz” ou “60Hz” para definir a frequência correta para a sua região.

**OBSERVAÇÃO** As características de fontes de iluminação individuais ainda poderão causar cintilação mesmo ao usar medidas de obturador livres de cintilação. Recomendamos sempre fazer testes de filmagem quando não estiver usando luzes contínuas.

#### **Battery Display**

Sua URSA Mini pode alterar a forma como o indicador do nível de bateria exibe a carga restante. As duas configurações são “Percentage” e “Voltage”. Ao usar uma bateria e placas adaptadoras compatíveis com precisão percentual de carga, configurar “Battery Display” como “Percentage” exibirá a carga restante da bateria como uma porcentagem.

**DICA** Uma lista de baterias com suporte para informações percentuais precisas de alimentação é fornecida na seção ‘Encaixar Baterias’ deste manual.

Caso sua bateria e placa adaptadora não sejam compatíveis com leituras precisas de percentuais de carga, o display exibirá quatro barras que se apagam à medida que a bateria é consumida.

Caso esta opção esteja definida como “Voltage”, os níveis de bateria serão exibidos em volts. Recomendamos que você troque a bateria quando ela se aproximar de 12 V.

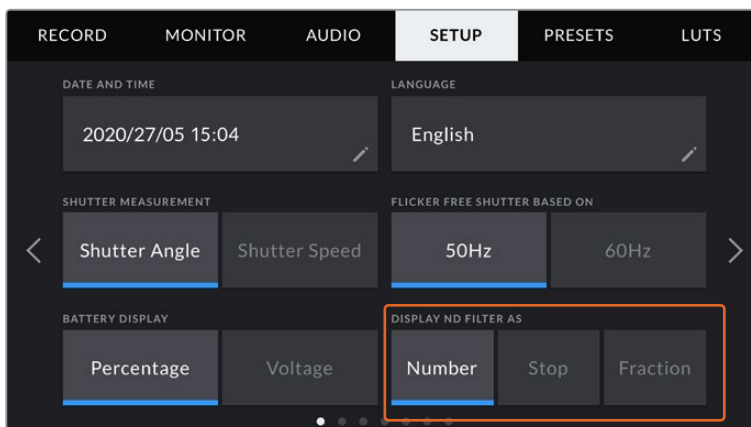
**DICA** Também é possível alternar entre exibições de bateria por voltagem e porcentagem ao tocar no ícone da tela de toque LCD.

#### **Timecode Drop Frame**

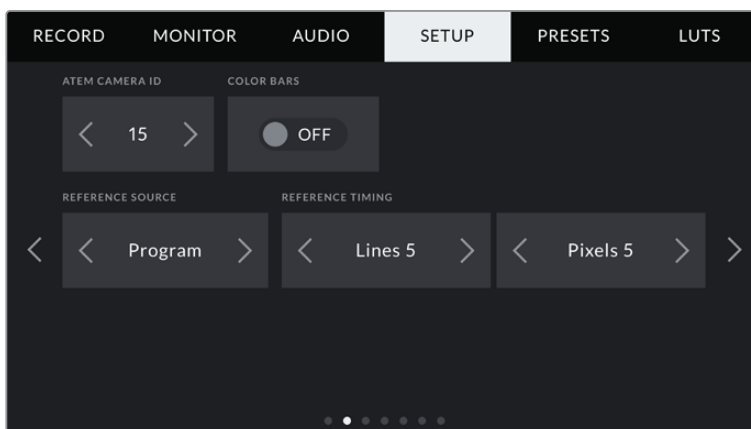
Utilize a opção “Timecode Drop Frame” para usar códigos de tempo com descarte de quadro ao usar taxas de quadro de 29.97 e 59.94 em projetos NTSC. O código de tempo com descarte de quadro descarta uma pequena quantidade de quadros do código de tempo em intervalos definidos. Isto permite que o código de tempo do seu projeto permaneça preciso apesar de cada segundo não conter a quantidade completa de quadros para taxas de quadro NTSC.

### Display ND Filter As

Utilize esta configuração para ajustar a maneira como o indicador de filtros ND exibirá os ajustes de filtro ND na sua URSA Mini Pro. Cada configuração corresponde a uma convenção de câmera diferente. Cinegrafistas geralmente usam a notação do número ND, enquanto aqueles que têm mais experiência com DSLRs e câmeras broadcast possivelmente darão preferência a esta informação no formato f-stop ou como uma fração da luminosidade disponível. Estas seleções estão disponíveis aqui como “Number”, “Stop” e “Fraction”, respectivamente.



Menu de configuração da URSA Mini Pro com a opção de customizar a exibição das informações do filtro ND.



É importante mencionar que a configuração “Program Audio” está disponível somente na URSA Mini Pro.

### ATEM Camera ID

Caso esteja usando a URSA Mini com um switcher ATEM e deseje que sua câmera receba os sinais da sinalização através do switcher, é necessário definir o número de identificação na sua câmera. Isto assegura que o switcher envie o sinal da sinalização para a câmera correta. O número da câmera pode ser definido como um valor entre 1-99 ao tocar nos botões para a esquerda ou direita. A configuração padrão é 1.

### Color Bars

Fazer a saída das barras de cores em vez de uma imagem de pré-visualização pode ser útil ao conectar sua URSA Mini a um switcher ou monitor externo. Quando as barras de cores da sua URSA Mini são exibidas no seu switcher ou monitor, a conexão é confirmada e é possível fazer a calibração básica para o monitoramento com base nas cores das barras. Para ativar as barras de cores em todas as saídas da sua URSA Mini, incluindo a tela de toque LCD, basta tocar no ícone de habilitação “Color Bars”.

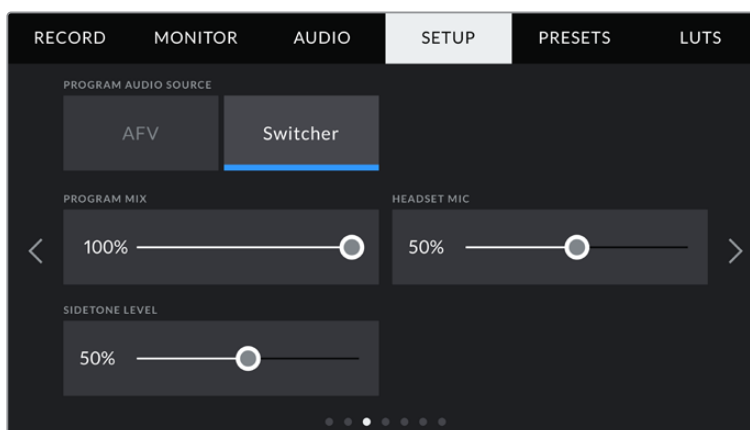
### Reference Source

Esta configuração é usada para selecionar a fonte de sincronização. Sua URSA Mini pode se casar com uma fonte de referência interna ou externa ou com o sinal de referência da entrada de programa em um switcher ATEM. Caso esteja usando sua URSA Mini com a função de controle de câmera de um switcher ATEM, é sempre necessário definir sua fonte de sincronização como “Program”, a não ser que o próprio switcher e todas as câmeras conectadas estejam definidas como uma fonte de referência externa.

**OBSERVAÇÃO** Quando estiver configurando sua fonte de referência para a URSA Mini, é possível que ocorra uma pequena perda temporária do sinal nas saídas da sua câmera quando você alternar entre as suas fontes de referência. Isto ocorre porque a câmera está ajustando seu temporizador de sincronização para corresponder à fonte externa. Por esta razão, é importante não alterar esta configuração durante uma produção, e o fazer apenas durante as preparações.

### Reference Timing

Estas configurações possibilitam o ajuste manual da sincronização de referência com base em linhas ou pixels. Basta tocar nos ícones de seta em cada lateral das configurações de “Lines” e “Pixels” para fazer os respectivos ajustes.



### Program Audio Source

Esta configuração está disponível somente na URSA Mini Pro. Quando conectada a um switcher ATEM, configurar “Program Audio” como “On” priorizará o retorno do áudio de programa como sua fonte de entrada a ser combinada com a intercomunicação ao monitorar usando fones de ouvido ou um headset. Isto é útil quando você não estiver alimentando o áudio do switcher a partir da sua câmera, mas ainda pretende ouvir a alimentação do programa a partir do switcher por meio da entrada SDI. Configurar o “Program Audio” como “Off” prioriza o áudio dos microfones internos da sua câmera ou das portas de entrada XLR, e é a configuração padrão.

### Program Mix

Esta configuração altera o balanço do som de câmera para o som da intercomunicação. Os fones de ouvido farão a saída de áudio conforme a exibição no LCD. Por exemplo, caso esteja na visualização de câmera, o áudio da câmera será ouvido. Caso esteja no modo programa, o áudio do programa será ouvido. A configuração padrão é 100%.

### Headset Mic

Mova este deslizador de volume para a esquerda ou direita para aumentar ou diminuir os níveis da entrada de áudio do microfone do fone de ouvido. A configuração padrão é 50%.



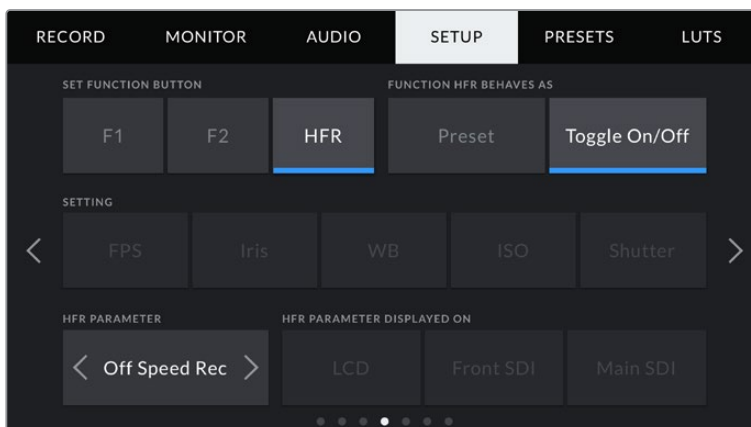
### Sidetone Level

Ajuste este deslizador para definir o volume do seu próprio microfone de voz no seu headset.

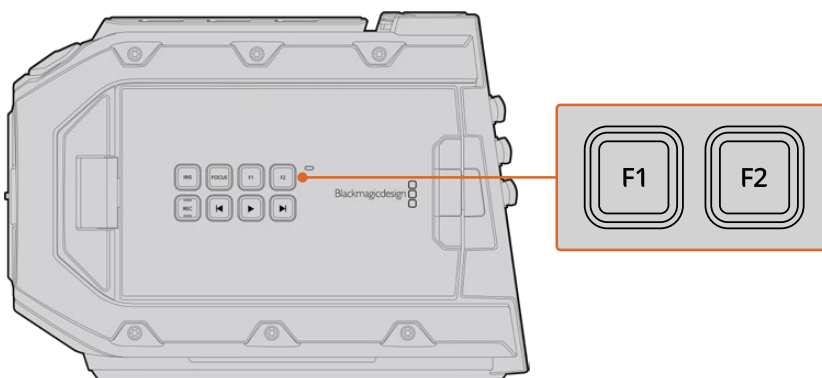
### Set Function Button

Na parte externa da tela de toque LCD da sua URSA Mini, você encontrará dois botões de função, 'F1' e 'F2'. Eles são mapeáveis para recursos frequentemente usados e podem ser acessados rapidamente ao usar sua câmera com a tela de toque LCD fechada, por exemplo, quando estiver usando um URSA Viewfinder.

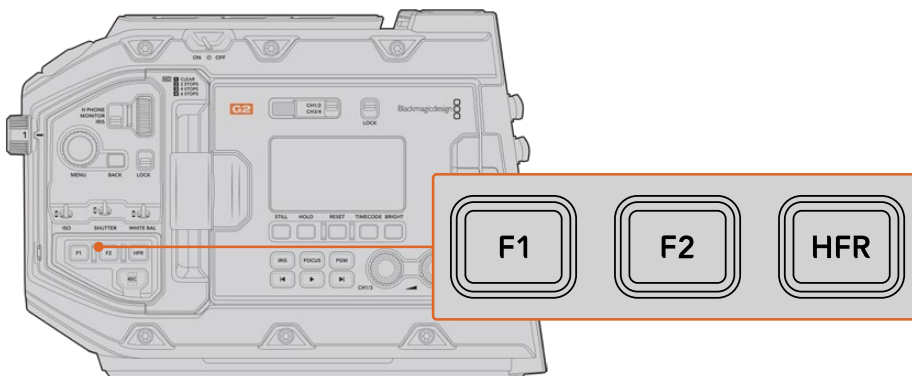
HFR pode ser mapeado para outra função ou desabilitado. A função padrão do botão "HFR" é "Off Speed Rec".



Na URSA Mini Pro 12K, URSA Mini Pro 4.6K G2 e URSA Mini Pro 4.6K, o botão HFR pode ser mapeado para outra função.



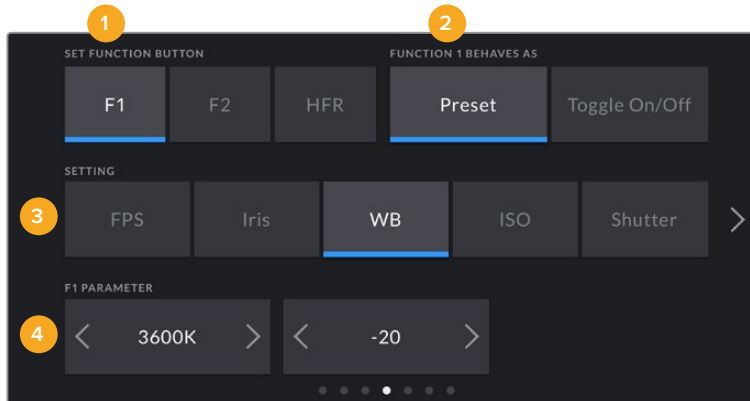
Os botões F1 e F2 da URSA Mini estão localizados na parte externa das telas de toque LCD.



Na URSA Mini Pro 12K, URSA Mini Pro 4.6K G2, URSA Mini Pro 4.6K e URSA Mini 4.6K, você pode personalizar as funções dos botões "F1", "F2" e "HFR" ou desabilitá-los.

**DICA** Caso sua URSA Mini Pro G1 possua uma lente B4 com um conector de lente, você pode configurar os botões “VTR” e “RET” como teclas de função e atribuir predefinições ou alternar funcionalidades adicionalmente aos botões “F1”, “F2” e “HFR”.

Para definir estes botões, selecione um botão de função e em seguida, uma configuração e um parâmetro dessa configuração.



1 Botão 2 Comportamento 3 Configuração 4 Parâmetro

#### Function Button Behaves as Preset or Toggle

Depois de selecionar o botão de função que deseja mapear, você deve escolher um comportamento. Nos modelos URSA Mini Pro 12K, URSA Mini Pro 4.6K G2, URSA Mini Pro 4.6K e URSA Mini 4.6K, o botão HFR pode ser mapeado para outro comportamento.

As opções disponíveis são:

##### Preset

Quando definido como este comportamento, pressionar um botão de função recuperará a combinação de uma configuração e um parâmetro.

Para configurar uma predefinição, selecione a configuração que você deseja usar a partir do menu “Setting” e ajuste esta configuração tocando nas setas de qualquer lateral do menu “Parameter”.

Por exemplo, para configurar o botão F1 para recuperar uma abertura predefinida de f8, selecione o comportamento “Preset”, toque na configuração “Iris” e toque nas setas laterais do menu “Parameter” até chegar em f8. Tocando na predefinição novamente retorna sua câmera para a configuração anterior.

##### Up/Down

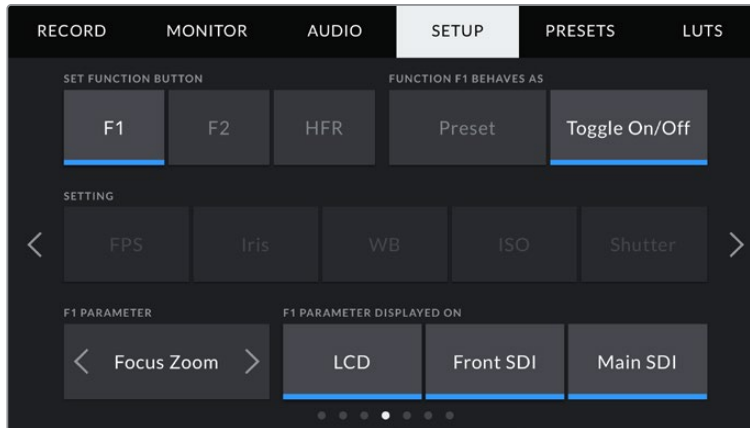
Quando configurada com este comportamento, pressionar o botão de função moverá uma configuração específica para cima ou para baixo.

Por exemplo, pode ser que você queira definir a tecla F1 para aumentar sua abertura de lente e F2 para reduzi-la. Para fazer isto, selecione o botão de função “F1”, defina o comportamento como “Up/Down” e o parâmetro como “Up”. Faça o mesmo para o botão de função “F2”, mas defina a opção como “Down”.

##### Toggle On/Off

Quando configurado para este comportamento, o botão de função habilitará e desabilitará uma configuração específica. O menu “Setting” fica sombreado neste modo. Em vez dele, toque nas setas esquerda ou direita no menu de parâmetros para navegar pelas opções disponíveis. Elas são “Off Speed Recording”, “Color Bars”, “Push to Talk”, “Clean Feed”, “Display LUT”, “Frame Guides”, “Focus Assist”, “False Color” e “Zebra”. A opção “None” também está disponível nos modelos URSA Mini Pro.

A URSA Mini Pro 12K inclui uma opção “Focus Zoom”. Para mais informações sobre como usar “Focus Zoom” quando habilitada no LCD, consulte a seção ‘Focus Zoom’. Quando o “Focus Zoom” estiver ativado para as saídas SDI, você pode movimentar a área de zoom usando a roda “Menu” e ajustar o nível de magnificação usando a roda “Iris”.

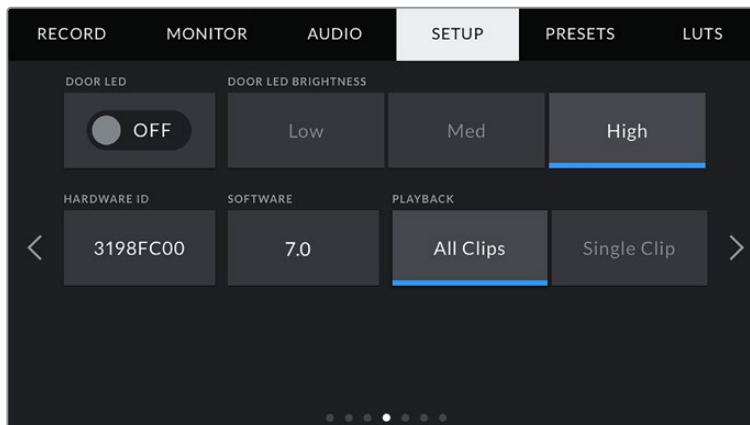


O recurso “Zoom de Foco” pode ser aplicado a qualquer uma das saídas de monitoramento seletivamente. Para encontrar o foco crítico, aplique às três entradas, o que oferecerá resultados mais nítidos.

Usar o comportamento “Toggle On/Off” também permite que você selecione a saída à qual a configuração se aplica. Basta tocar em qualquer combinação de “LCD”, “Front SDI” e “Main SDI” para selecionar. Caso a saída para uma das opções não esteja disponível, como as barras de cores, que sempre são aplicadas em todas as saídas, as configurações “LCD”, “Front SDI” e “Main SDI” serão desativadas. Nos modelos URSA Mini Pro, você pode desabilitar os botões de função e HFR ao selecionar “None”.

**OBSERVAÇÃO** Quando “Zoom de Foco” estiver configurado e aplicado a todas as saídas - “LCD”, “SDI Frontal” e “SDI Principal” -, qualquer configuração “LUT 3D” ou “Assistente de Foco” aplicada à saída “SDI Frontal” será aplicada às três saídas quando a imagem estiver ampliada. Guias de enquadramento, grades e guias de área segura não serão exibidas quando a imagem estiver ampliada.

Você também pode configurar a URSA Mini Pro 4.6K G1 para utilizar os botões “RET” e “VTR” em uma lente B4 como teclas de função. Por exemplo, caso uma gravação isolada estiver sendo feita com um HyperDeck, uma opção popular é definir “VTR” para atuar como um botão “Push to Talk”.



### Status LED

As câmeras URSA Mini Pro possuem um pequeno LED próximo ao botão de gravação no painel frontal que fornece as informações de status e sinalização. É possível habilitá-lo ou

desabilitá-lo ao tocar no ícone de habilitação “Status LED”. Na URSA Mini, o LED de status está localizado no lado externo da tela de toque LCD, próximo ao botão “F2”, é e chamado de “Status LED” na aba “Setup”.

O LED oferecerá os seguintes indicadores de status:

<b>Branco</b>	A câmera está ligada e em modo de espera.
<b>Vermelho</b>	A câmera está gravando. Piscadas lentas indicam que há pouco espaço no cartão, enquanto piscadas rápidas indicam quadros descartados.
<b>Verde</b>	A câmera está no modo de reprodução. O LED alternará entre verde e branco durante a reprodução. Três piscadas indicam que a mídia inserida foi reconhecida.
<b>Laranja</b>	Se a bateria da sua câmera estiver baixa, o LED piscará em laranja e na sua outra cor de status atual. Por exemplo, caso esteja gravando, a luz do LED alternará lentamente entre laranja e vermelho. Caso esteja no modo de espera, o LED alternará entre branco e laranja. O limite para bateria baixa é 20 por cento para baterias compatíveis com informações percentuais de carga precisas ou de 12.5 volts para baterias não compatíveis.

### Status LED Brightness

Para configurar o brilho do LED de status, basta tocar em “Low” (baixo), “Medium” (médio) ou “High” (alto).

### Hardware ID

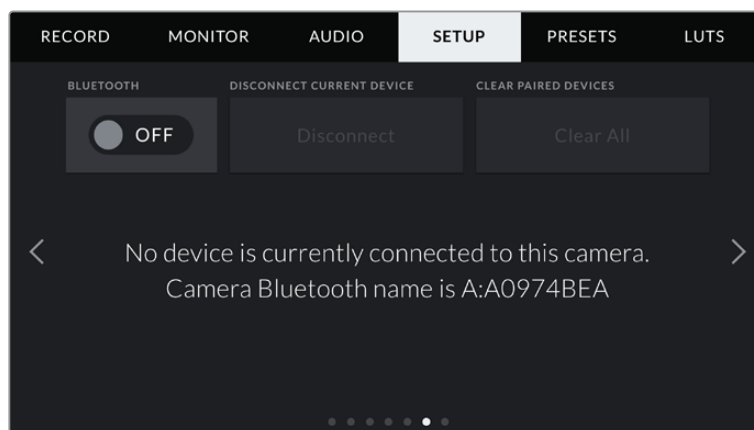
O indicador “Hardware ID” exibe um identificador de 8 caracteres para sua URSA Mini. Este identificador é único para cada câmera. Uma versão mais longa de 32 caracteres também é incluída nos metadados para vídeos Blackmagic RAW e ProRes. Isto pode ser útil para identificar quais imagens são oriundas de uma câmera específica, caso os nomes de arquivo sejam alterados, já que a identificação do hardware da câmera se mantém constante.

### Software

Exibe a versão de software atual instalada na sua URSA Mini. Consulte a seção ‘Blackmagic Camera Setup Utility’ para mais informações sobre atualizações de software.

### Playback

Esta configuração permite selecionar o playback de um “Single Clip” (Clipe Único) ou “All Clips” (Todos os Clipes) durante a reprodução. “All Clips” reproduzirá todas as mídias correlacionadas sequencialmente e “Single Clip” reproduzirá um clipe de cada vez. Esta ação também se aplica à função de reprodução em loop. Selecionar looping em “All Clips” reproduzirá todos os clipes no cartão CFast 2.0 ou SD e, depois, repetirá em loop. Selecionar “Single Clip” fará o loop de um único clipe por vez.



O nome Bluetooth da câmera será a letra da sua câmera conforme a definição da claquete, seguida da identificação do hardware de 8 caracteres da sua URSA Mini.

## Bluetooth®

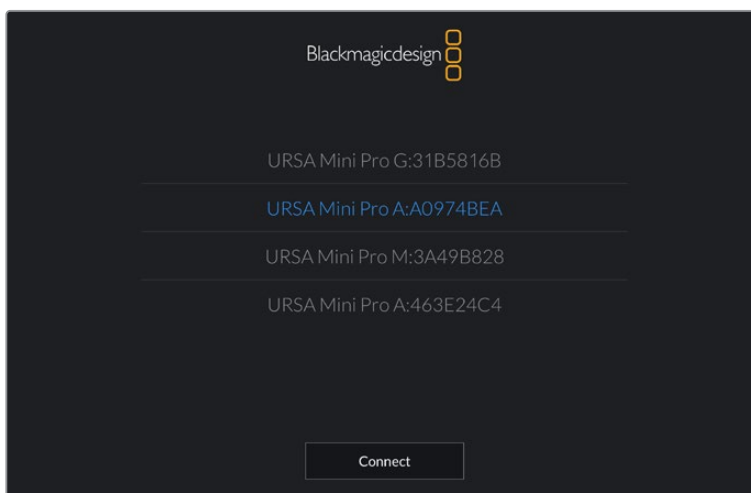
Na URSA Mini Pro, o controle Bluetooth permite controlar a câmera sem fio a partir de dispositivos portáteis. Ao usar o “Blackmagic Camera Control App”, você pode ligar ou desligar a câmera, ajustar os metadados e disparar a gravação remotamente a partir de um iPad. Habilite ou desabilite o Bluetooth ao tocar no ícone de habilitação “Bluetooth” no menu “Setup”. Quando o Bluetooth é habilitado, a câmera pode ser detectada por dispositivos Bluetooth por até 9 metros de distância.

Como a URSA Mini Pro usa o mesmo conjunto de comandos encontrado no “Blackmagic SDI Camera Control Protocol” para o controle Bluetooth, é possível criar seus próprios aplicativos para controlar quase todas as configurações de câmera remotamente, desde o monitoramento até as configurações de áudio e o corretor de cores DaVinci Resolve integrado ou o controle de lente.

Para mais informações, consulte a seção “Blackmagic SDI Camera Control Protocol” neste manual.

### Como emparelhar sua câmera com um iPad pela primeira vez:

- 1 Habilite o Bluetooth ao tocar na chave de habilitação “Bluetooth” no menu “Setup” da sua URSA Mini Pro.
- 2 Abra o “Blackmagic Camera Control App” e selecione a URSA Mini Pro com a qual você deseja emparelhar. As câmeras disponíveis serão listadas de acordo com sua letra de câmera, seguidas pela sua identificação de hardware única. Por exemplo: A:A0974BEA.



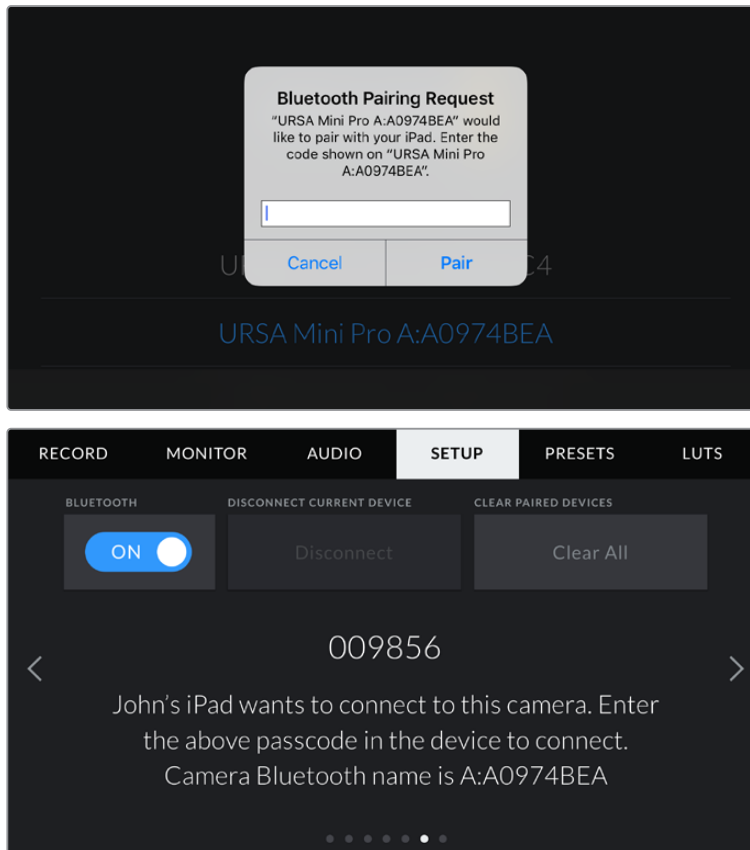
Selecione a URSA Mini Pro com a qual você deseja emparelhar.

**OBSERVAÇÃO** Ao instalar o Blackmagic Camera Control App e executá-lo pela primeira vez, será solicitado que você autorize o acesso aos serviços de localização. Caso selecione “Durante Uso do App”, a leitura das informações do GPS do seu iPad será incluída nos metadados dos arquivos que forem gravados, permitindo que você faça a marcação geográfica das imagens. Estas informações podem ser visualizadas nas versões DaVinci Resolve 14 ou mais recentes.

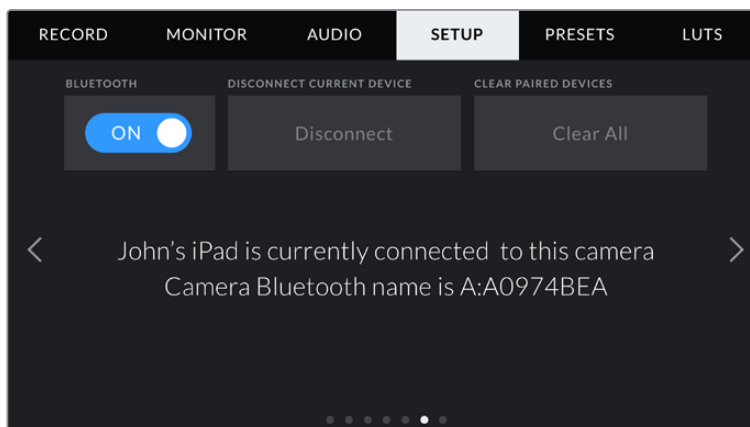
Caso não deseje usar estas informações, selecione “Nunca”.

Para alterar as configurações, vá até as configurações, privacidade, serviços de localização e controle de câmera no seu iPad.

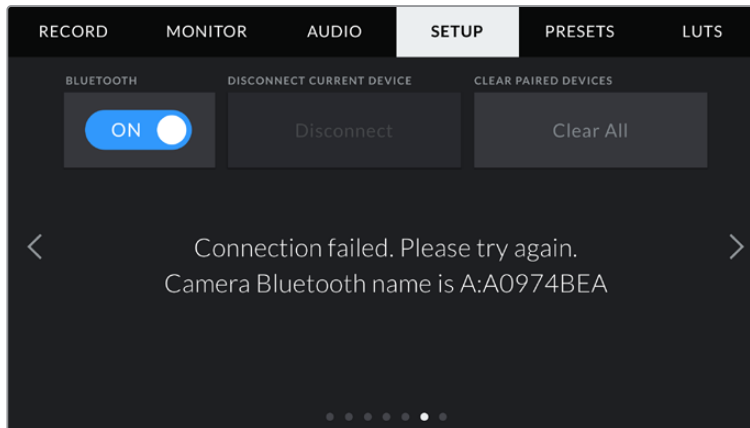
- 3 Ao tentar conectar pela primeira vez, o Blackmagic Camera Control App solicitará um código de seis dígitos para emparelhar com a câmera. Este código será exibido na tela LCD da câmera. Digite este código no iPad.



- 4 A informação na tela confirmará se sua URSA Mini Pro agora está emparelhada com seu iPad.



- 5 Caso ocorra um problema ao emparelhar a câmera ao seu iPad, você verá a seguinte mensagem de erro:



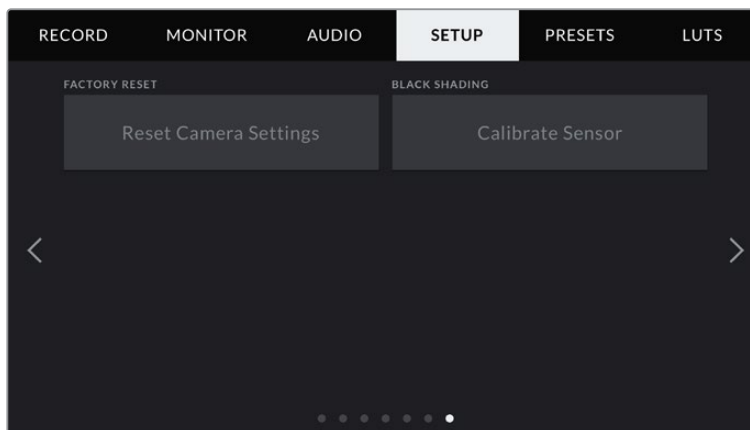
**OBSERVAÇÃO** Caso não esteja usando Bluetooth para controlar sua URSA Mini Pro, é uma boa ideia desabilitá-lo para efeitos de segurança.

#### **Disconnect Current Device**

Utilize esta configuração para desconectar sua URSA Mini Pro do iPad com que estiver emparelhada.

#### **Clear Paired Devices**

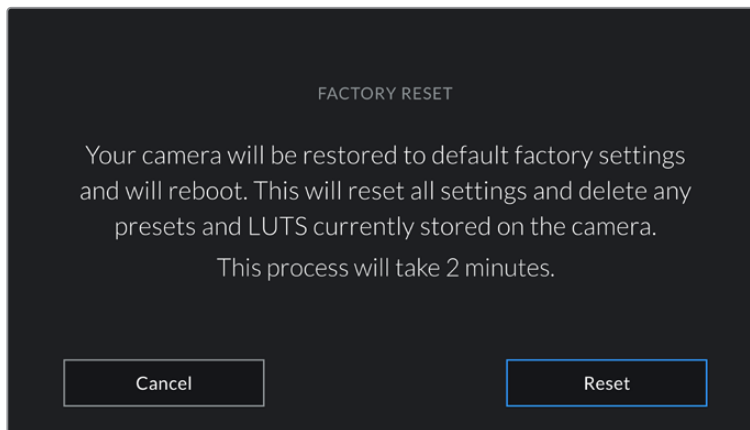
Use esta configuração para limpar a lista de dispositivos com que sua URSA Mini Pro foi emparelhada.



#### **Factory Reset**

Para restaurar a câmera para as configurações padrão de fábrica, basta apertar o botão "Reset". Será solicitado que você confirme esta ação, pois ela apaga quaisquer LUTs e predefinições atualmente armazenadas na câmera. Toque em "Reset" na página de confirmação para restaurar as configurações da sua câmera. Na URSA Mini Pro, este processo pode levar até dois minutos para terminar.

É importante observar que a restauração do padrão de fábrica apaga quaisquer predefinições e LUTs personalizadas e redefine todas as configurações. É uma boa prática exportá-las para um cartão de memória por segurança antes da restauração ao padrão de fábrica. Após a restauração, você pode recuperar suas predefinições e LUTs rapidamente ao importá-las de um cartão de memória. Também é recomendável calibrar os níveis de preto do sensor.

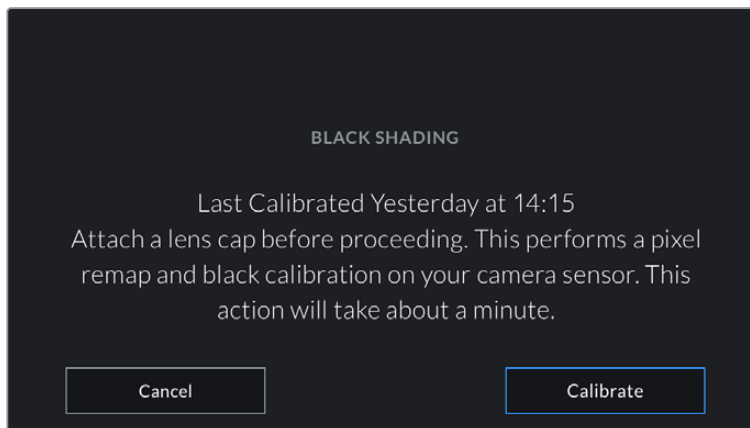


Ao selecionar "Factory Reset", será exigido que você confirme sua ação.

### **Black Shading**

Nas câmeras URSA Mini com o sensor 4.6K, o recurso "Black Shading" otimiza a qualidade da imagem ao calibrar os níveis de preto do sensor. É melhor executar este processo depois que sua câmera estiver aquecida e em funcionamento por alguns minutos. Para executar uma calibração de sombreamento preto é necessário colocar a tampa antipoeira na câmera ou colocar a tampa da lente na lente e pressionar o botão "Calibrate". Será solicitado que você confirme esta ação, pois a configuração correta é exigida para que isto funcione corretamente. A calibração levará até 10 segundos e você será notificado quando o processo for concluído. Sua câmera indicará a data e a hora da conclusão do último sombreamento preto concluído. Isto otimizará a qualidade das sombras das imagens.

A URSA Mini Pro 4.6K G2 oferece uma seleção adicional de calibração como parte do processo de sombreamento preto, que permite recalibrar pixels para níveis de preto otimizados. Este processo levará cerca de um minuto para ser concluído.



O Sombreamento Preto é recomendado.

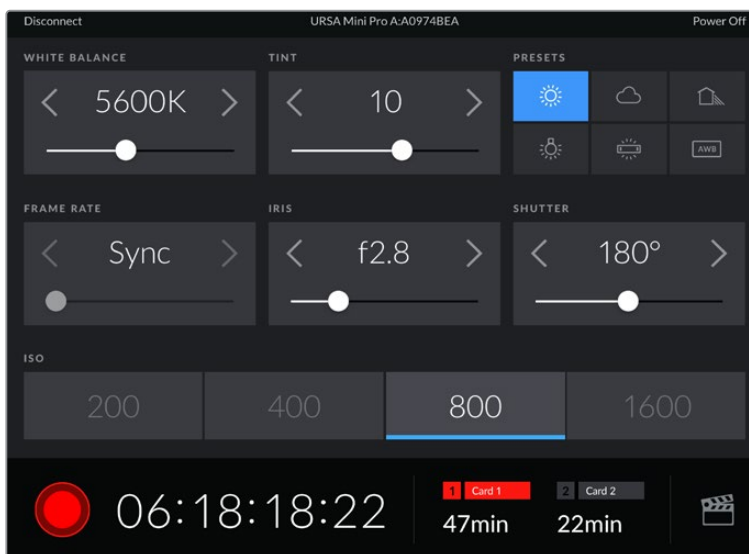
### **Calibração do Sensor de Movimento**

Para calibrar o indicador de horizonte na URSA Mini Pro 12K, posicione sua câmera em uma superfície nivelada e toque no botão "Calibrar Sensor de Movimento". É necessário que você mantenha sua câmera estabilizada durante a calibração. O processo leva cerca de cinco segundos para ser concluído.

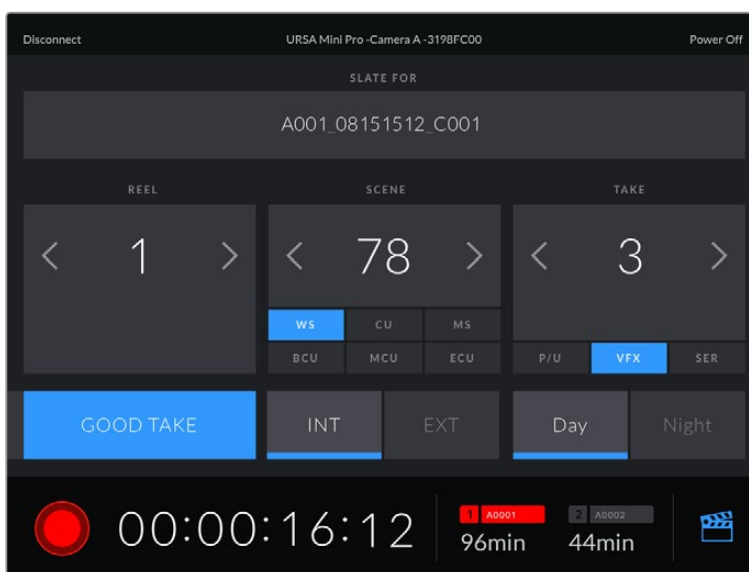


## Controlar Sua Câmera com o Blackmagic Camera Control App

Após ter emparelhado sua URSA Mini Pro ao seu iPad com sucesso, você pode ligar ou desligar a câmera, alterar configurações, ajustar metadados e disparar gravações remotamente usando o aplicativo de iPad.



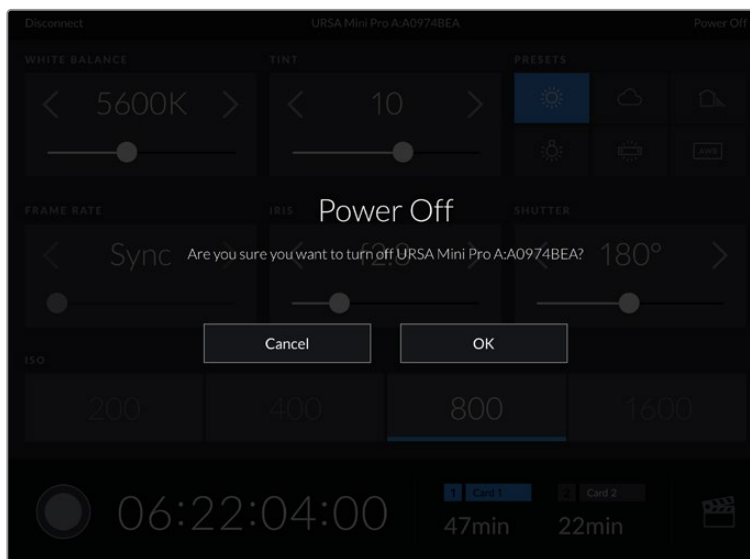
Depois de emparelhados, o aplicativo Blackmagic Camera Control exibirá esta tela, possibilitando ajustar suas configurações e iniciar gravações.



Toque no ícone da claquete no canto inferior direito para acessar e atualizar a claquete.

A URSA Mini Pro usa Bluetooth LE para se comunicar com dispositivos de controle sem fio. Como este é o mesmo tipo de protocolo usado em dispositivos portáteis, ele usa apenas uma pequena quantidade de carga da bateria.

É possível desligar sua URSA Mini Pro ao tocar em “Power Off” no canto superior direito.



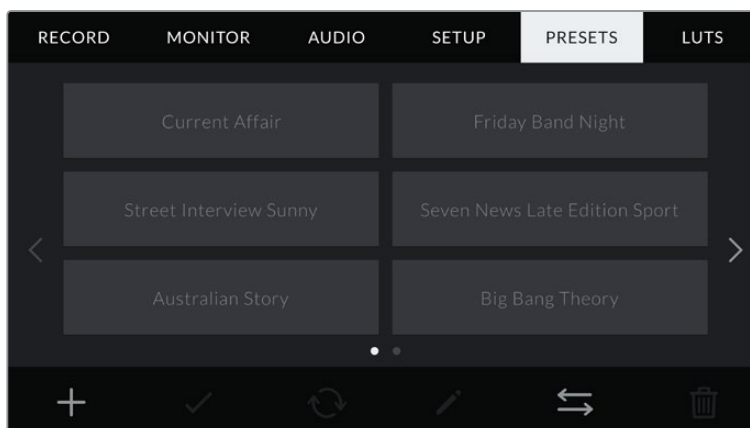
Será exigido que você confirme sua seleção antes que a câmera seja desligada.

Quando o Bluetooth é ativado e a URSA Mini Pro é desligada, o nome da sua câmera continuará a ser exibido na lista de dispositivos disponíveis no Blackmagic Camera Control App. Como você já emparelhou sua câmera, agora você pode ligá-la remotamente ao selecionar o nome da sua câmera e tocar em “Connect”. Sua câmera não aparecerá nesta lista se o Bluetooth estiver desativado.

## Predefinições

A aba “Presets” permite que você salve e recupere uma coleção de configurações completas para sua URSA Mini. Isto é muito útil quando uma câmera é usada em projetos diversos. Por exemplo, você pode usar sua URSA Mini em uma variedade de filmagens diferentes, desde documentários até clipes musicais, com configurações bastante diferentes para cada tipo de projeto. A função “Presets” da sua URSA Mini permite salvar a configuração de um projeto específico ou do tipo de filmagem e retornar a ela com rapidez e facilidade quando necessário. É importante observar que algumas das configurações salvas como uma predefinição na URSA Mini podem não ser compatíveis com outras câmeras Blackmagic ou versões anteriores do software da câmera. Para certificar-se de que sua câmera possui a versão mais recente do software instalada, consulte a Central de Suporte Técnico da Blackmagic Design em [www.blackmagicdesign.com/br/support](http://www.blackmagicdesign.com/br/support).

Também é possível importar e exportar predefinições, o que é muito útil na preparação de filmagens multicâmera. Basta configurar uma URSA Mini para atender aos requisitos do seu projeto e exportar essa predefinição para todos os outros modelos URSA Mini no set.



A aba “Presets” da sua URSA Mini.

**OBSERVAÇÃO** Sua URSA Mini pode salvar até doze predefinições na sua memória interna.

### Botões de Predefinição

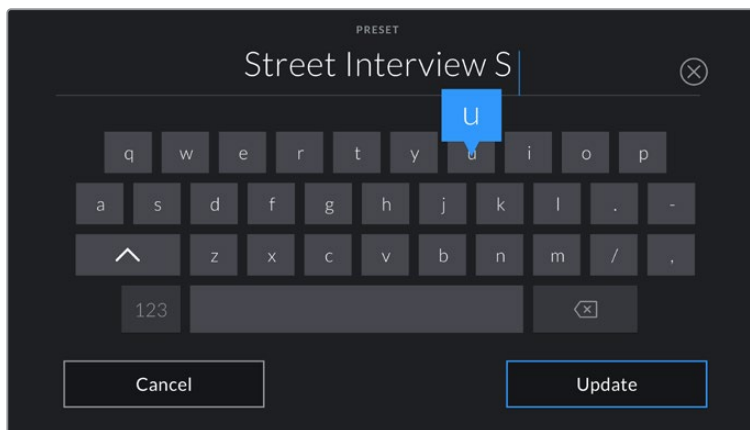
Os ícones de botão ao longo do menu “Presets” da sua URSA Mini correspondem às funções a seguir:



### Salvar e Carregar Predefinições

Para criar uma nova predefinição, toque no ícone “Adicionar”. Isto ativará um teclado de toque na sua tela LCD, de onde você poderá denominar sua predefinição. Após ter digitado o nome, toque em “Atualizar” para salvar todas as configurações atuais da sua URSA Mini nessa predefinição.

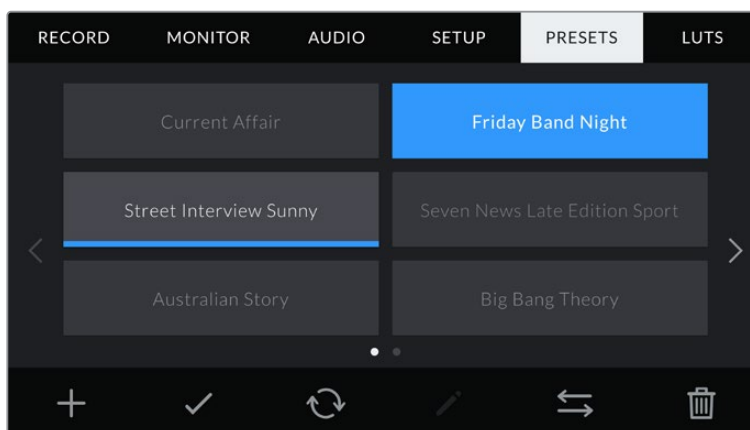
Caso sua URSA Mini já possua uma predefinição carregada com o mesmo nome, será solicitado que você substitua a predefinição existente ou mantenha ambas.



Insira um nome para a sua predefinição ao tocar no ícone “Adicionar” na aba “Presets” usando o teclado de toque.

Depois de salvar uma predefinição, toque no seu nome no menu “Presets” para selecioná-la. Para carregá-la toque no ícone “Carregar”.

É possível atualizar uma predefinição ao tocar no ícone “Update”. Isto ativará um alerta solicitando que você confirme se deseja atualizar a predefinição com a configuração atual da sua URSA Mini. Toque em “Update” para confirmar.



Selecione uma predefinição e toque no ícone “Carregar” para carregá-la. As predefinições selecionadas são exibidas em azul contínuo, enquanto as predefinições atualmente carregadas exibem uma linha azul ao longo da parte inferior do seu ícone.

### Importar predefinições

Para importar predefinições, toque no ícone “Gerenciar” do menu “Presets”. Na URSA Mini Pro, selecione SD ou CFast na chave de seleção da mídia de armazenamento, dependendo de onde suas predefinições forem salvas. Caso esteja utilizando um URSA Mini Recorder, você também pode importar predefinições a partir de um SSD.

Toque em “Import Preset” e confirme sua seleção com o ícone “Importar”. Isto ativará a tela de importação. Selecione “Card 1” ou “Card 2” no canto superior esquerdo para exibir quaisquer predefinições disponíveis nesses cartões.

Sua URSA Mini fará a busca no diretório raiz e na pasta “Presets” do cartão CFast ou SD selecionado. É importante observar que predefinições salvas em outro local nos seus cartões CFast ou SD não estarão visíveis.

Toque em uma predefinição para selecioná-la e toque em “Import” para confirmar. No canto superior direito da tela, você verá o número restante de compartimentos de predefinição vazios disponíveis na sua câmera.

**OBSERVAÇÃO** Caso os compartimentos para predefinições da sua URSA Mini estejam cheios, o menu de importação não estará disponível. Será necessário remover uma predefinição existente para liberar espaço.

### Exportar predefinições

Para exportar uma predefinição para um cartão CFast ou SD, selecione a predefinição desejada com um apertado e toque no ícone “Gerenciar”. Duas opções serão apresentadas, “Import Preset” ou “Export Selected Preset”.

Utilize a chave de seleção da mídia de armazenamento na URSA Mini Pro para selecionar tanto SD quanto CFast, dependendo do local desejado para exportar a predefinição. Caso esteja utilizando um URSA Mini Recorder, você também pode importar predefinições para um SSD. Tocar em “Export Selected Preset” solicitará que você escolha para qual cartão deseja exportar. Escolher um cartão exportará a predefinição selecionada para uma pasta “Presets” nesse cartão.

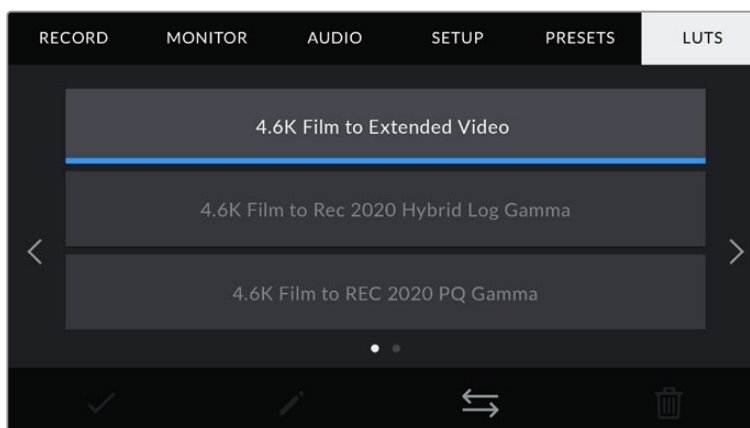
Se o cartão CFast ou SD escolhido já possuir uma predefinição armazenada com o mesmo nome da que você estiver exportando, será solicitado que você substitua a predefinição no cartão ou mantenha ambas as predefinições.

### Remover predefinições

Sua URSA Mini tem espaço para doze predefinições. Para remover uma predefinição, selecione-a e toque no ícone “Remover”. Será solicitado que você confirme sua seleção. Toque em “Remover” para confirmar.

## LUTs

O menu “LUTs” permite importar, exportar e aplicar LUTs 3D às saídas da sua câmera.



A aba LUTs da sua URSA Mini.

### Introdução às LUTs 3D

Sua URSA Mini pode aplicar LUTs 3D às imagens na sua tela de toque LCD, SDI frontal e SDI principal. As LUTs informam à sua URSA Mini qual saída de cor e luminância exibir para a entrada de uma cor e luminância específica. Por exemplo, uma LUT pode solicitar que sua URSA Mini exiba um azul saturado e vibrante ao receber a entrada de um azul relativamente opaco. Isto pode ser útil ao gravar imagens RAW ou ao usar a faixa dinâmica de filme, em ambos os casos as imagens têm um aspecto intencionalmente “lavado” e dessaturado. Ao aplicar uma LUT, você pode ter uma noção da aparência da sua imagem após ter sido tratada cromaticamente.

É fácil criar LUTs 3D usando o DaVinci Resolve ou outro software de correção de cores e as LUTs estão disponíveis online a partir de uma variedade de fontes. Sua URSA Mini pode armazenar até seis LUTs 3D de 17 ou 33 pontos, com até 1.5 megabytes cada. Depois de carregadas, você pode optar pela exibição de uma LUT determinada na tela de toque LCD, SDI frontal, SDI principal ou em qualquer combinação dessas saídas.

Sua URSA Mini oferece suporte para LUTs 3D de 33 pontos em formato .cube criadas no DaVinci Resolve e LUTs 3D de 17 pontos convertidas para o formato .cube do Resolve com programas de conversão de LUTs. Sua câmera processa LUTs 3D usando interpolação tetraédrica de alta qualidade.

**DICA** Para mais informações sobre a exibição de LUTs, consulte a seção ‘Configurações de Monitoramento’ neste manual.

**OBSERVAÇÃO** As LUTs são usadas apenas como uma ferramenta de pré-visualização. Sua URSA Mini não aplica, ou “queima” as LUTs nas imagens gravadas, mas as informações da LUT aplicada durante as filmagens são gravadas como metadados nas suas gravações. O campo “LUT Used” no DaVinci Resolve pode ser usado para verificar o nome da LUT aplicada como uma LUT de monitoramento no set. O Blackmagic RAW permite que você integre uma LUT utilizada nas filmagens de modo não destrutivo ao arquivo RAW para uso na pós-produção. Isto oferece a opção no DaVinci Resolve de utilizar a LUT ou aplicar um visual diferente. Para mais informações, consulte a seção ‘LUTs 3D Integradas’.

### LUTs Integradas

Sua URSA Mini fornece várias LUTs integradas que permitem a pré-visualização de looks diferentes ao mesmo tempo que você grava na faixa dinâmica de filme em ProRes ou Blackmagic RAW.

<b>Film to Extended Video</b>	Exibe uma faixa dinâmica mais ampla que a LUT ‘4.6K Film to Video’, e aplica uma mudança de contraste moderada com uma redução suave nos realces.
<b>Film to Video</b>	Semelhante ao padrão de cores REC 709 para vídeos de alta definição, oferecendo níveis elevados de contraste e saturação. Esta configuração pode ser útil ao usar a URSA Mini ao lado de outras câmeras broadcast limitadas ao espaço de cor REC 709.
<b>Film to Rec 2020 Hybrid Log Gamma</b>	Exibe uma solução híbrida entre REC 709 e uma imagem em log.
<b>Film to Rec 2020 PQ Gamma</b>	Exibe uma curva de gama baseada no que podemos perceber a olho nu, para a codificação eficiente das imagens HDR.

### Botões LUTs

Os ícones de botão ao longo da parte inferior da tela “LUTS” da sua URSA Mini correspondem às seguintes funções:



### Importar LUTs

Para importar uma LUT 3D, toque no ícone “Gerenciar” na parte inferior do menu LUT e toque em “Import LUT” para confirmar.

Isto ativará a tela de importação. Na URSA Mini Pro, selecione SD ou CFast com a chave seletora da mídia de armazenamento, dependendo de onde suas LUTs forem salvas. Caso esteja utilizando um URSA Mini Recorder, você também pode importar predefinições a partir de um SSD. Selecione “Card 1” ou “Card 2” no canto superior esquerdo para exibir quaisquer LUTs 3D disponíveis nesses cartões.

Sua URSA Mini fará a busca no diretório raiz e na pasta “3DLUTS” do cartão CFast ou SD selecionado. Quaisquer LUTs que você tiver salvado em outra localidade não estarão visíveis.

Toque em uma LUT para selecioná-la e toque em “Import” para confirmar sua seleção. A LUT será salva na sua URSA Mini.

**OBSERVAÇÃO** Caso os seis compartimentos para LUTs 3D estiverem cheios, não será possível importar até que você remova algumas das LUTs existentes para abrir espaço.

Caso a LUT que você deseja importar tiver o mesmo nome que uma LUT já salva na sua câmera, será solicitado que você substitua a LUT existente ou mantenha ambas. No canto superior direito desta tela, você verá o número de compartimentos de predefinição vazios restantes disponíveis na sua câmera. Será possível importar somente um número de LUTs compatível com a quantidade de compartimentos disponíveis na sua câmera.

**OBSERVAÇÃO** Caso os seis compartimentos para LUTs 3D da sua URSA Mini estejam cheios, não será possível importar até que você remova algumas das LUTs existentes para abrir espaço. Você pode usar um editor de LUTs, como o Lattice, para verificar seu tamanho, ou abri-la em qualquer editor de texto no seu computador. Próximo à etiqueta “LUT\_3D\_SIZE”, um número indicando o tamanho da LUT pode ser encontrado. Se este valor não for 17 ou 33, então é possível usar o Lattice para redimensionar sua LUT 3D para 17 pontos.

### Aplicar uma LUT

Depois que tiver salvo uma LUT na sua câmera, toque na LUT no menu para selecioná-la e toque no ícone “Carregar”. Isto ativará essa LUT em todas as saídas da sua câmera. Contudo, você ainda terá que habilitar “Display LUT” no menu de monitoramento para cada saída em que aplicá-la. O ícone LUT estará visível no LCD, SDI frontal ou SDI principal quando “Status Text” estiver habilitado e uma LUT for aplicada àquela saída. Consulte a seção ‘Configurações de Monitoramento’ deste manual para mais informações.

### **Exportar LUTs**

Para exportar uma LUT para um cartão CFast ou SD, selecione a LUT que você deseja exportar e toque no ícone. Duas opções serão apresentadas, “Import LUT” e “Export Selected LUT”. Utilize a chave de seleção da mídia de armazenamento na URSA Mini Pro para selecionar tanto SD quanto CFast, dependendo do local desejado para exportar a LUT. Caso esteja utilizando um URSA Mini Recorder, você também pode exportar LUTs para um SSD.

Tocar em “Export Selected LUT” solicitará que você escolha para qual cartão deseja exportar. Escolher um cartão iniciará a exportação, a não ser que esteja exportando uma LUT que já exista neste cartão. Se uma LUT repetida for encontrada, você será solicitado a confirmar se deseja substituir a LUT no seu cartão ou se deseja manter ambas.

### **Remover LUTs**

Sua URSA Mini tem espaço para seis LUTs 3D de 17 ou 33 pontos. Para remover LUTs que você não usa mais ou para liberar espaço para mais tabelas, selecione as LUTs que você deseja remover e toque no ícone. Será solicitado que você confirme sua seleção. Toque em “Remover” para confirmar.

### **LUTs 3D Integradas**

Quando uma LUT 3D é utilizada ao gravar Blackmagic RAW nos modelos Blackmagic URSA Mini Pro, a LUT selecionada será integrada ao arquivo Blackmagic RAW que você estiver gravando. Efetivamente, a LUT 3D é salva com os seus arquivos gravados no cabeçalho do arquivo .braw, podendo ser facilmente aplicada às imagens na pós-produção sem a necessidade de trabalhar com um arquivo separado.

Quando os arquivos Blackmagic RAW são entregues ao diretor ou colorista, eles conseguirão acessar a LUT utilizada durante as filmagens, o que reduz drasticamente a possibilidade da LUT 3D incorreta ser aplicada a um clipe. Eles podem então decidir se aplicam a LUT 3D durante a edição ou tratamento das cores das imagens e podem desabilitar a LUT 3D a qualquer momento.

Quando a chave “Apply LUT in File” estiver definida como “On” no menu de gravação da URSA Mini Pro, o clipe gravado será aberto no Blackmagic RAW Player e no DaVinci Resolve com a LUT selecionada já aplicada a ele. A LUT 3D então pode ser facilmente ativada ou desativada, mas sempre acompanhará o arquivo Blackmagic RAW, pois foi gravada no próprio clipe.

O DaVinci Resolve também conta com uma chave “Aplicar LUT” na paleta de configurações RAW para habilitar ou desabilitar a LUT 3D no arquivo Blackmagic RAW. A configuração “Aplicar LUT” no DaVinci Resolve é a mesma configuração encontrada na câmera. Ou seja, ao gravar é possível instruir o colorista a usar a LUT ao defini-la na câmera, mas é possível desabilitá-la com facilidade no DaVinci Resolve ao configurar “Aplicar LUT” como “Off”.

# Inserção de Metadados

Os metadados são informações gravadas dentro do seu clipe, como números de tomada, configurações de câmera e outros detalhes de identificação. Isto é extremamente útil quando você organiza e processa imagens na pós-produção. Por exemplo, os números de tomada e cena são ferramentas de organização essenciais, enquanto as informações de lente podem ser usadas para remover distorções ou otimizar a correspondência de ativos VFX e fundos automaticamente.

Sua Blackmagic URSA Mini salva alguns metadados automaticamente em cada clipe, como as configurações de câmera, código de tempo, data e hora. É possível usar a claquete da sua câmera para acrescentar inúmeros detalhes adicionais.

## A Claquete

Deslizar para a esquerda ou direita na tela de toque da sua URSA Mini ativará a claquete.

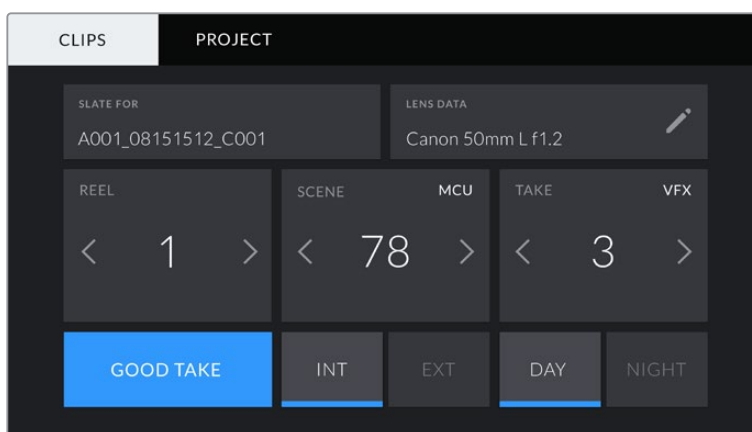
A claquete é dividida em duas abas, “Clips” e “Project”. A aba “Clip” contém informações que variam de acordo com o clipe, enquanto “Project” é onde você insere os detalhes comuns dos clipes, como o nome do projeto, diretor e a identificação de câmera e operador.

**DICA** Os metadados inseridos na claquete são visíveis nas saídas SDI frontal e principal da sua URSA Mini quando configurada na visualização para “Director” em “Display Status Text” na aba “Monitor”. Consulte a seção ‘Configurações de Monitoramento’ deste manual para mais informações.

## Metadados de Clipe

As alterações feitas nos metadados de clipe funcionam de uma maneira ligeiramente diferente no modo de espera, quando sua URSA Mini está preparada para gravar, e no modo de reprodução, quando você está visionando imagens que já foram gravadas. No modo de espera, os metadados do clipe serão salvos no próximo clipe gravado, exceto “Good Take Last Clip” que se refere ao clipe gravado mais recentemente.

No modo de reprodução, os metadados do clipe são sempre gravados no clipe atual sendo reproduzido.



A claquete da sua URSA Mini é dividida nas abas “Clip” e “Project”.

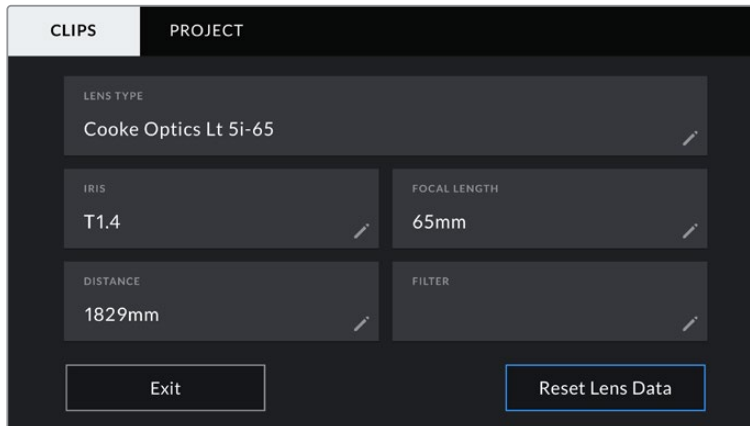
### Slate For

Esta configuração exibe o clipe ao qual os metadados sendo atualmente exibidos se referem. No modo de espera, isto se refere ao próximo clipe a ser gravado.



## Lens Data

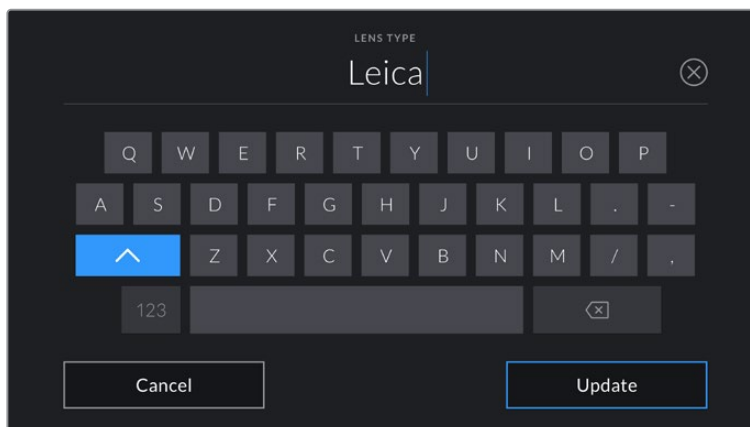
Estas configurações exibem informações sobre a lente atualmente fixada na sua câmera. Muitas lentes eletrônicas fornecerão informações como modelo, abertura e distância focal automaticamente. Caso esteja usando uma lente que não forneça essas informações ou queira inserir metadados adicionais, é possível tocar no ícone de lápis desta configuração para inserir as informações manualmente. Esta ação ativará o menu “Lens Data”, que contém as informações a seguir:



O menu “Lens Data” exibindo as informações populadas automaticamente de uma lente Cooke /i Technology.

## Lens Type

Exibe o modelo da lente. Caso o seu tipo de lente não seja exibido aqui automaticamente, você pode tocar nesta configuração para inserir os dados manualmente. Sua câmera possui um banco de dados interno para as lentes mais comumente usadas. Então, caso precise inserir dados manualmente, sua câmera irá sugerir nomes automaticamente conforme você digita. Isto agiliza o processo de inserção de dados.



Utilize o teclado virtual para inserir os dados da lente se não forem fornecidos automaticamente.

## Iris

Exibe a configuração de abertura da íris no início do seu clipe. Esta informação pode ser exibida em f-stops ou t-stops, dependendo da lente usada, se fornecida automaticamente. Toque nesta configuração para inserir dados manualmente.

## Focal Length

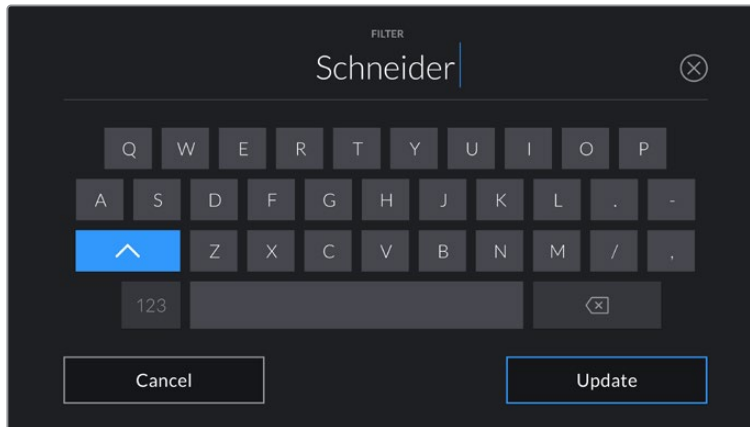
Exibe a configuração de distância focal da lente no início de um clipe gravado. Se fornecida automaticamente, ela será exibida em milímetros. Toque nesta configuração para inserir dados manualmente.

### Distance

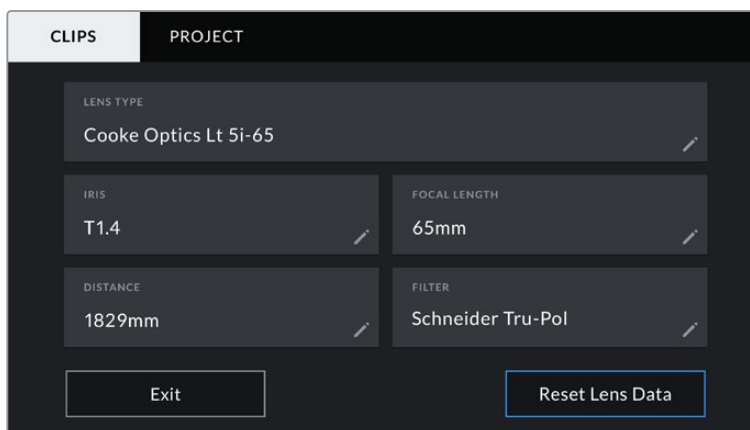
Exibe as configurações de distância focal da lente para o clipe gravado. Algumas lentes podem fornecer esses dados automaticamente em milímetros. Também é possível inserir os dados manualmente.

### Filter

Exibe os filtros de lente atuais sendo usados. Toque nesta configuração para inserir dados manualmente. É possível fazer inserções múltiplas separadas por vírgula.

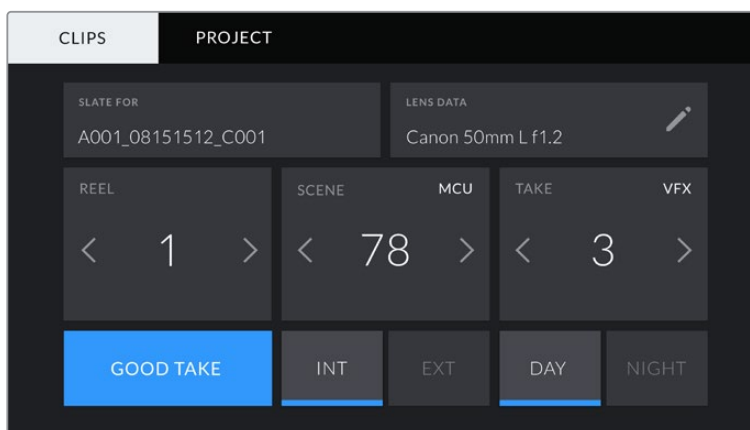


As informações de filtro precisam ser inseridas manualmente.



O menu "Lens Data" exibindo as informações populadas automaticamente de uma lente Cooke/i Technology, e as informações de filtro que foram inseridas manualmente.

**OBSERVAÇÃO** É possível limpar os dados da lente a qualquer momento ao tocar no ícone "Reset Lens Data" no menu "Lens Data". Será solicitado que você confirme sua seleção. Caso confirme, todos os dados da lente serão removidos e repopulados automaticamente com os dados de lente fornecidos pela lente atualmente encaixada. Caso tenha inserido qualquer informação nestes campos manualmente, será necessário restaurar os dados de lente na próxima vez que encaixar uma lente, caso contrário os dados inseridos manualmente permanecerão válidos.



A claquete da sua URSA Mini é dividida nas abas “Clip” e “Project”.

### Reel

O indicador “Reel” exibe o rolo atual.

Sua URSA Mini incrementa os números de rolo automaticamente, normalmente não há necessidade de inseri-los manualmente. Quando estiver passando para um projeto novo e desejar recomeçar a partir do rolo “1”, acesse a aba “Project” da claquete e toque em “Reset Project Data”.

### Scene

Este indicador exibe o número de cena atual e também pode exibir o número e tipo do plano atual.

O número neste indicador sempre se refere à cena atual. É possível aumentar ou diminuir o número usando as setas esquerda ou direita em cada lateral do número de cena ou tocar no número de cena para editá-lo.

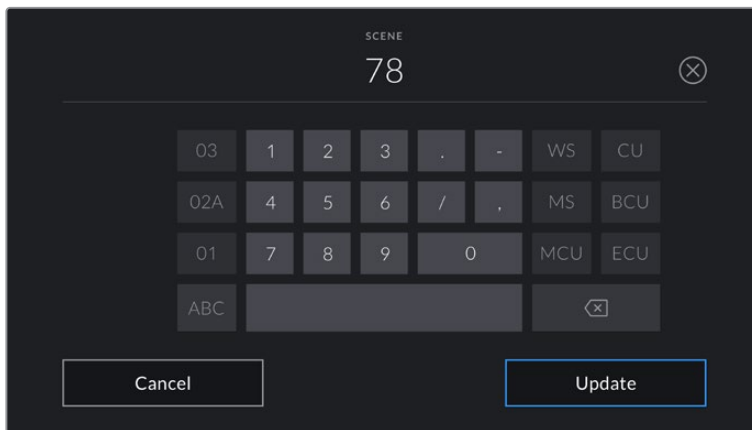
O intervalo numérico para números de cena possíveis é de 1 a 9999.

Ao acrescentar uma letra ao número de cena no editor do número de cena, também é possível indicar o plano atual. Por exemplo, 23A indicaria a cena vinte e três, plano um. Caso tenha uma letra para o plano adicionado na sua cena, sua URSA Mini sugerirá incrementos em letras, sempre que você acessar o editor do número de cena. Por exemplo, caso seu número de cena atual seja 7B, sua URSA Mini oferecerá 7C como sugestão de incremento.

O indicador do número de cena também exibe as informações sobre o tipo de plano de imagem atual no canto superior direito. É possível selecioná-los no editor do número de cena no lado direito do teclado.

Os tipos de planos disponíveis incluem:

<b>WS</b>	plano geral
<b>MS</b>	plano médio
<b>MCU</b>	plano médio fechado
<b>CU</b>	primeiro plano
<b>BCU</b>	primeiríssimo plano
<b>ECU</b>	plano detalhe



Ao inserir os metadados de cena, sua URSA Mini oferecerá sugestões de incremento à esquerda do teclado virtual e tipos de plano à direita.

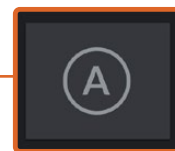
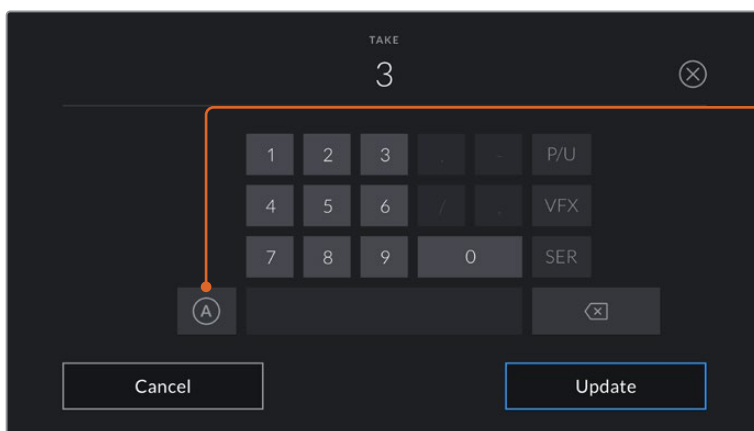
### Take

O indicador “Take” exibe o número da tomada para o plano atual. É possível incrementar ou decrementar ao tocar nas setas esquerda e direita em cada lateral do número da tomada ou tocar no indicador para acessar o editor do número de tomada.

**DICA** À medida que o número do plano de imagem ou a letra da cena avançarem, o número da tomada será revertido para “1”.

É possível adicionar descrições para as tomadas no editor do número de tomadas. Elas são fornecidas à direita do número de tomada no teclado e se correspondem aos seguintes cenários:

- |            |   |
|------------|---|
| <b>PU</b>  | Do termo inglês “Pick up”. Refere-se a uma refilmagem de uma tomada anterior para adicionar material extra após a conclusão das filmagens principais. |
| <b>VFX</b> | Do termo inglês “Visual effects”. Refere-se a uma tomada ou plano gravado para uso com efeitos visuais.   |
| <b>SER</b> | Do termo inglês “Series”. Refere-se a uma situação em que múltiplas tomadas são gravadas enquanto a câmera permanece operando.                        |



Toque em “A” para habilitar o incremento automático de tomadas no modo de espera.

Um pequeno “A” aparecerá junto do número da tomada na claquete quando o recurso for ativado.

Ao inserir os metadados da tomada, sua URSA Mini oferecerá opções para adicionar tipos de plano à direita do teclado de toque.

### Good take

Toque no indicador “Good Take” para assinalar tomadas perfeitas e recuperá-las com facilidade na pós-produção. Esta etiqueta se aplica tanto ao último clipe gravado, caso sua URSA Mini esteja no modo de espera, quanto ao clipe sendo atualmente visualizado no modo de reprodução.

### Int / Ext

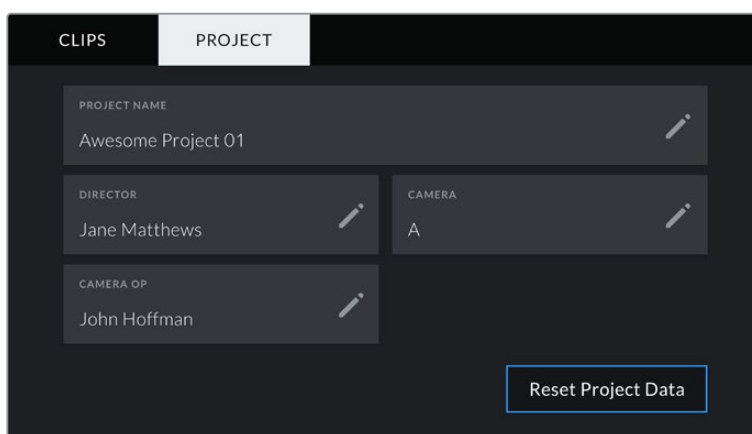
Toque em “Int” ou “Ext” para acrescentar uma etiqueta “interna” ou “externa” ao próximo clipe no modo de espera, ou ao clipe atual no modo de reprodução.

### Day / Night

Toque nos ícones “Day” ou “Night” para adicionar uma etiqueta para dia ou noite, respectivamente, ao próximo clipe no modo de espera ou ao clipe atual no modo de reprodução.

## Metadados de Projeto

Os metadados do projeto se comportam da mesma maneira tanto no modo de espera quanto no modo de reprodução. Esses metadados sempre se referem ao seu projeto como um todo e são independentes da numeração de clipes.



A aba “Project” da sua URSA Mini.

### Project Name

Exibe o nome do seu projeto atual. Toque no ícone de lápis para alterar o nome do projeto.

### Director

Exibe o nome do diretor para o projeto atual. Toque no ícone de lápis para alterar o nome do diretor.

### Camera

Exibe um índice de câmera de letra única. Toque no ícone de lápis para alterar a numeração de câmera.

**OBSERVAÇÃO** A numeração de câmera é usada nos metadados e para fins de nomeação de arquivos, e é diferente do número de identificação ATEM Camera ID da sua URSA Mini, que é usado para controlar a câmera com um switcher ATEM. Para mais informações sobre o número de identificação ATEM Camera ID, consulte a seção ‘Como Utilizar o Controle de Câmera de Estúdio’ neste manual.

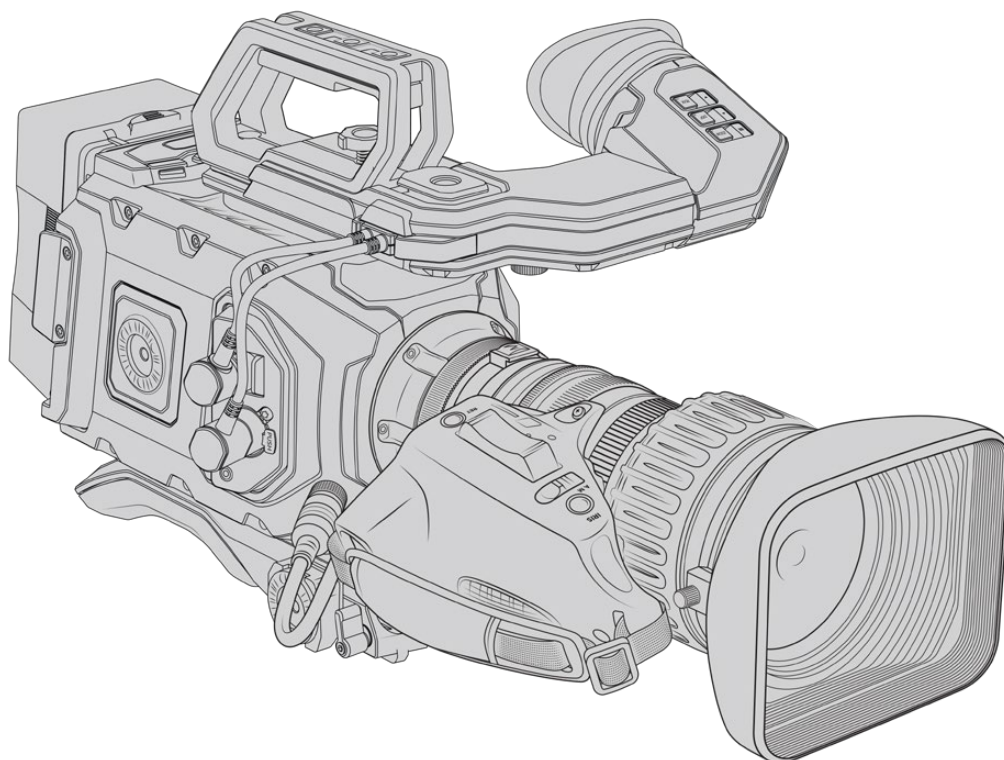
### Camera Op

Exibe o operador de câmera. Toque no ícone de lápis para alterar o nome do operador de câmera.

## Usar Lentes Servo Zoom

O uso de lentes servo zoom com sua câmera URSA Mini é uma combinação poderosa. Anéis manuais de íris, zoom e foco no barril da lente, além de uma empunhadura e um controlador de zoom (tipo rocker) integrados que possibilitam filmagens mais eficientes e oferecem uma variedade de técnicas dinâmicas que seriam difíceis, se não impossíveis, de serem realizadas usando outros tipos de lentes. Os modelos URSA Mini PL e URSA Mini Pro atualmente oferecem suporte para o comando de lentes B4 e lentes PL cine-servo zoom via o conector broadcast de 12 pinos.

Ao usar lentes compatíveis, é possível alimentar o controlador de zoom, iniciar e parar gravações usando o botão de gravação e controlar a íris. A maioria das lentes servo zoom também possuem um botão “Ret”, que pode ser usado, da mesma forma que o botão PGM da câmera, para alternar a alimentação no LCD e na saída de monitoramento HD entre a visualização de câmera e a visualização de retorno do programa.



Para controle eletrônico da abertura da sua lente, certifique-se de que a chave íris na parte superior da alavanca de zoom esteja definida como “A” ou “Auto”. O controle de zoom eletrônico também é possível com lentes servo zoom para HD Digital e 4K. Para habilitar isto, certifique-se de que a chave abaixo do controlador de zoom, rotulada como “zoom” esteja definida como “S” para zoom servo.

Como há tantas variedades de lentes B4, este guia ajudará a escolher quais modelos possuem os recursos que você precisa.

### **As lentes B4 com controle de íris e zoom incluem:**

- Modelos de lente Fujinon B4 com prefixos HA, ZA, XA, UA e LA no nome de modelo e RM em seu sufixo oferecerão controle eletrônico de íris e zoom.
- Modelos de lentes Canon B4 com prefixos HJ, KJ e CJ e sufixos IRSE ou IRSD oferecerão controle eletrônico de íris e zoom.

Algumas lentes B4 e PL também possuem empunhaduras com foco controlado por servo. Para assegurar que isto funcione com a URSA Mini PL ou URSA Mini Pro e que possam ser controladas eletronicamente, defina a chave sob a alavanca de zoom marcada como ‘focus’ como ‘S’ para servo.

**As lentes B4 com controle completo de foco, íris e zoom incluem:**

- Modelos de lentes Fujinon B4 com prefixos HA, ZA e UA em seus nomes e as letras RD ou ZD no sufixo.
- Modelos de lentes Canon B4 com prefixos HJ, KJ e CJ no nome e as letras IASE ou IASD no sufixo.

As lentes que também possuem controle de foco motorizado podem até usar o botão “Focus” na sua URSA Mini para ativar o foco automático, e a focalização pode ser controlada remotamente por um switcher ATEM ou via ATEM Software Control.

Depois do encaixe da lente B4, defina a resolução como 2K 16:9 ou mais baixa, e “Window Sensor” na posição “On” na aba “Record” do painel de controle. É importante usar essas configurações para evitar vinhetas na imagem, pois as lentes B4 não cobrem o círculo de imagem do sensor super 35mm.

**As lentes PL Super 35mm com controle completo de foco, íris e zoom incluem:**

Marca	Série	Modelo	Distância	Máx. Abertura
Fujinon	Cabrio	ZK2.5x14-SAF	14-35mm	T2.9
Fujinon	Cabrio	ZK4.7x19-SAFB	19-90 mm	T2.9
Fujinon	Cabrio	ZK3.5x85-SAF	85-300 mm	T2.9-T4
Fujinon	Cabrio	XK6x20	20-120 mm	T3.5
Fujinon	Cabrio	ZK12x25 com ESM-15A-SA	25-300 mm	T3.5-3.85
Canon	Cine-servo	CN7x17KAS S	17-120 mm	T2.9-3.9
Canon	Cine-servo	CN20x50	50-1000 mm	T5-8.9

Os controles de foco e zoom também podem ser usados para comandar o foco e o zoom a partir das alavancas de pan em um ambiente de estúdio em todas as lentes servo zoom PL e B4 listadas acima.

**Lentes Servo Zoom Híbridas e Compactas**

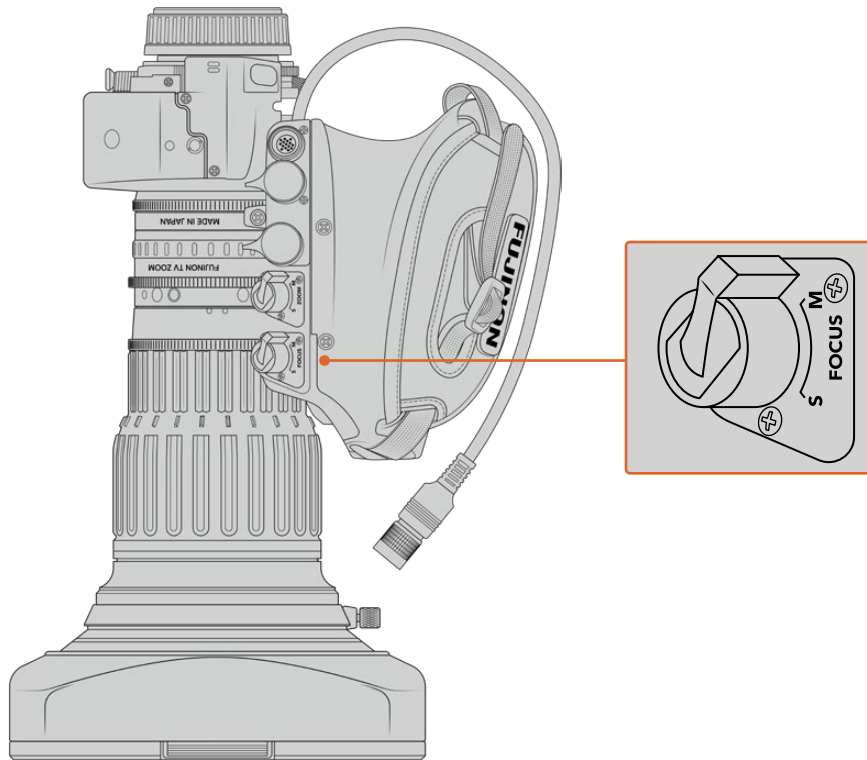
Recentemente, uma nova categoria de lentes conhecidas como lentes cine servo zoom compactas foi introduzida. Elas compartilham algumas das mesmas funcionalidades das lentes servo zoom B4 e PL, mas utilizam um encaixe EF. O controlador de zoom para estas lentes pode ser alimentado pelo encaixe de lente da URSA Mini EF e URSA Mini Pro, e as informações como o nome da lente e os valores das posições de íris, foco e zoom podem ser todas lidas e gravadas pelo sistema de metadados da lente da URSA Mini.

O controle eletrônico de foco, íris e zoom está disponível para estas lentes na URSA Mini e na URSA Mini Pro. Quando conectadas a um switcher, elas também podem ser controladas à distância através do ATEM Software Control. Caso esteja operando em um ambiente broadcast ou de estúdio ao vivo, o uso de foco digital e controle de zoom Canon é possível, mas cabos personalizados adicionais de outros fabricantes são exigidos para funcionalidade completa.

**As lentes desta linha incluem:**

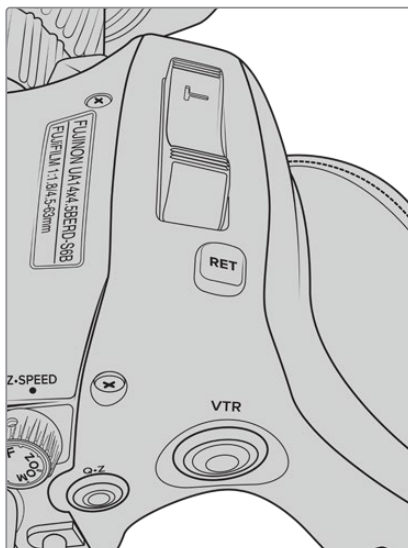
- Canon CN-E 18-80 mm T4.4 Compact-servo
- Canon CN-E 70-200 mm T4.4 Compact-servo

**OBSERVAÇÃO** Lentes B4 analógicas com mecanismos servo também são compatíveis, embora a câmera apenas forneça a alimentação do zoom servo e suporte o controle eletrônico da íris. Muitas delas são de definição padrão e provavelmente não terão um conector broadcast de 12 pinos padrão. Caso venha a utilizar uma lente B4 analógica, é importante certificar-se de que ela seja compatível com sua câmera primeiro, já que algumas possuem um conjunto limitado de funcionalidades. Também vale a pena testar sua cobertura do círculo de imagem, já que algumas delas podem estar significativamente fora da resolução e vazando luz nas extremidades do quadro.



### Ret e VTR

Em uma lente B4, o botão “VTR” habilita ou desabilita a gravação e o botão “RET” é para o retorno de programa. Para informações sobre como configurar os botões “VTR” e “RET” como teclas de função na URSA Mini Pro 4.6K G1, consulte a seção ‘Set Function Button’.



Os botões “RET” e “VTR” em uma lente B4.



# Saída de Vídeo da Câmera

## Saída de Monitoramento HD

O conector 3G-SDI de conversão descendente da Blackmagic URSA Mini sempre produz vídeos 1080 HD para que você possa se conectar a roteadores, monitores, dispositivos de captação SDI, switchers broadcast e outros dispositivos SDI com facilidade. Esta saída é rotulada como “Front SDI” no menu de configurações da tela de toque.

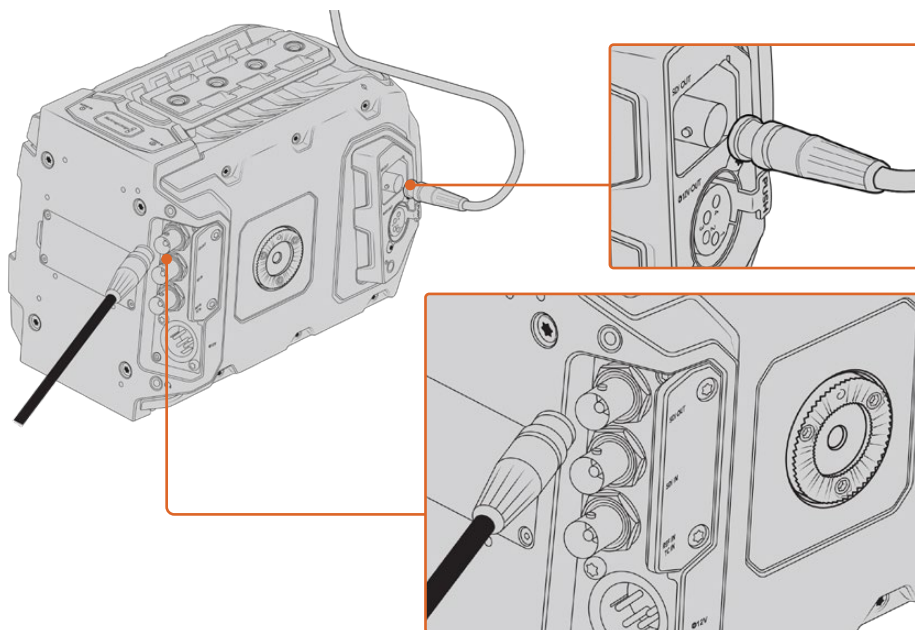
## Saída 12G-SDI

O conector da saída 12G-SDI no painel traseiro oferece suporte para vídeos HD e 4K, incluindo formatos progressivos com taxas de quadro elevadas, como 2160p50, 59.94 e 60 através de um único cabo SDI. Formatos HD entrelaçados também contam com suporte, incluindo 1080i50, 59.94 e 60. É possível usar a saída 12G-SDI para a conexão com qualquer monitor SDI, assim como switchers 4K, tais como o ATEM Production Studio 4K. Esta saída pode ser alternada entre HD e Ultra HD ao selecionar 1080p ou 2160p em “SDI Output”, na configuração “Main SDI” da aba “Monitor” na tela de toque.

### Conexão com Switchers de Vídeo

As saídas SDI permitem usar a câmera em produções televisivas ao vivo. É possível conectar a saída SDI do painel traseiro diretamente com switchers para trabalhos de produção ao vivo, ou com os ATEM Converters para converter seu sinal para fibra óptica, assim você pode enviá-lo por centenas de metros de distância para uma unidade móvel de transmissão em locação.

Quando conectada a um switcher, você pode visualizar a saída de programa do switcher na sua Blackmagic URSA Mini com facilidade. Para fazer isto, primeiro conecte o switcher à sua saída 12G-SDI na traseira da câmera. Agora, pressione o botão de programa marcado como “PGM” no monitor desdobrável da sua câmera. Solte o botão “PGM” para retornar à alimentação de programa. Ao dar um clique duplo no botão “PGM” você bloqueia a entrada na alimentação de programa. Para voltar à alimentação de câmera, pressione o botão de programa uma vez.



É possível conectar a saída 12G-SDI a qualquer switcher ou monitor de produção ao vivo 1080 HD ou Ultra HD. A saída de monitoramento HD pode ser conectada a um visor externo, como o Blackmagic URSA Viewfinder ou a um monitor externo, quando encaixada em equipamentos de produção. Por exemplo, uma grua ou guindaste.

### Conexão com Monitores

O monitoramento SDI pode ser muito útil quando o acesso ao monitor desdobrável é inviável, como quando a câmera é fixada em gruas altas, em um guindaste ou montada em um veículo.

As informações do monitoramento são exibidas via o conector de saída HD-SDI para o monitoramento ao ajustar as configurações da saída "Front SDI" no menu "Monitor" da tela de toque. Estas configurações oferecem guias de enquadramento e informações como os detalhes de gravação e as configurações de câmera. Caso queira simplesmente monitorar seus planos, é sempre possível desabilitar as sobreposições para uma saída SDI limpa.

Conecte a saída SDI da câmera a monitores SDI ou a um Blackmagic SmartScope Duo 4K para monitoramento em forma de onda ao vivo.

**OBSERVAÇÃO** A saída SDI traseira e a saída de monitoramento 3G-SDI sinalizam vídeos HDR com metadados auxiliares automaticamente quando você estiver operando na faixa dinâmica "Film" e utilizar as LUTs "Broadcast Film to Rec.2020 Hybrid Log Gamma" ou "Broadcast Film to Rec.2020 to PQ Gamma" na saída SDI. Isto significa que você pode exibir imagens HDR impressionantes em telas habilitadas para HDR a partir de qualquer saída SDI.

### Formatos de Saída SDI

<b>Saída SDI Traseira</b>	2160p23.98, 24, 25, 29.97, 30, 50, 59.94, 60. 1080p23.98, 24, 25, 29.97, 30, 50, 59.94, 60. 1080i50, 59.94, 60.
<b>Saída de Monitoramento 3G-SDI</b>	1080p23.98, 24, 25, 29.97, 30, 50, 59.94, 60. 1080i50, 59.94, 60.

**DICA** Para fazer uma gravação ao vivo com dois codecs ao mesmo tempo ou uma cópia de segurança simultânea, você pode alimentar a saída SDI traseira da URSA Mini para um Blackmagic Video Assist ou HyperDeck.

# URSA Mini Shoulder Mount Kit

## Encaixar o suporte de ombro

O URSA Mini Shoulder Mount Kit permite que você carregue a URSA Mini no ombro para filmagens estilo UPJ. O kit inclui uma alça superior, placa de base para encaixe, braço extensor para o Blackmagic URSA Handgrip opcional, um cabo LANC de longa extensão, uma placa adaptadora para o visor, além de todos os parafusos necessários.

O encaixe de engate rápido na placa de base permite que você fixe sua câmera em uma placa de tripé estilo UPJ ou a posicione no seu ombro para que possa acompanhar a ação.

O URSA Mini Shoulder Mount Kit funciona com qualquer placa de tripé fabricada conforme o padrão Sony VCT 14. Estes encaixes são facilmente encontrados em lojas de câmeras ou online.

Também é importante observar que placas de tripé fabricadas de acordo com o padrão VCT U14 são de um sistema diferente que não é compatível.

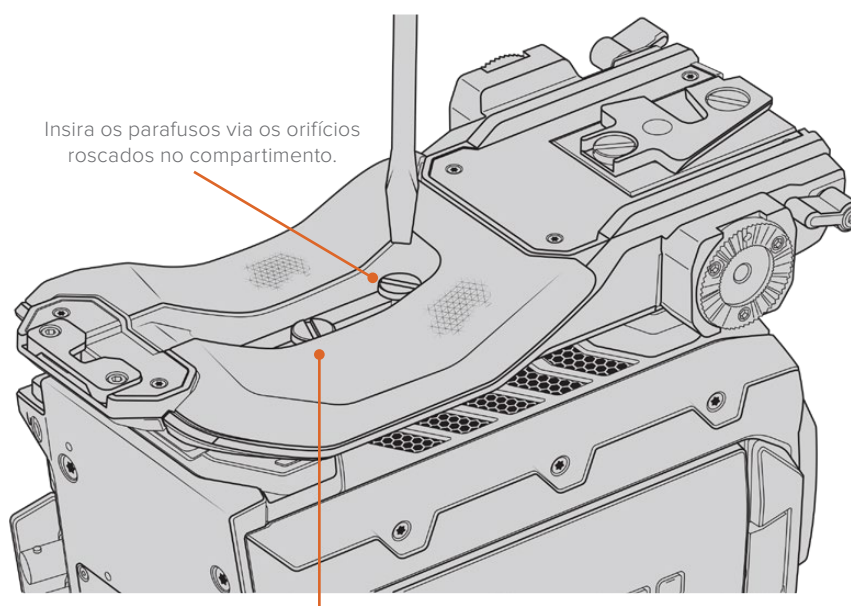
### Ao encaixar o kit para suporte de ombro, você precisará das seguintes ferramentas:

- 1 x chave de fenda de ponta chata para 2 x parafusos de 1/4" na placa de base do suporte de ombro.
- 1 x chave de ponta sextavada de 3/16" para 2 x parafusos de 1/4" na alça de suporte superior.
- 1 x chave de ponta sextavada de 2.5 mm para 4 x parafusos M3 na placa adaptadora do visor.



Para encaixar o suporte de ombro na sua URSA Mini, você precisará de uma chave de fenda de ponta chata grande, uma chave de ponta hexagonal de 3/16" para a haste superior e uma chave de cabeça sextavada de 2.5mm para a placa adaptadora do visor.

## Como encaixar a placa de base para o suporte de ombro:



2 x parafusos de 1/4" para a placa de base

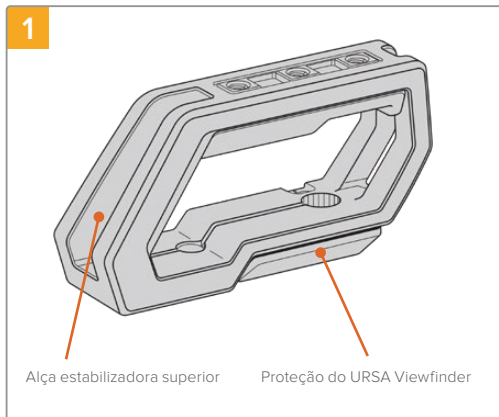
- 1 Coloque sua URSA Mini de cabeça para baixo cuidadosamente em uma superfície plana e estável para que você possa acessar a base da sua câmera com facilidade.
- 2 Prenda a placa de base do suporte de ombro na URSA Mini usando os dois parafusos de cabeça chata de 1/4" e a chave de fenda.
- 3 Aperte os parafusos até que a placa de base esteja firmemente encaixada sem soltar os parafusos. Evite apertar em excesso, pois isso pode danificar os encaixes enroscados.

## Como encaixar a alça estabilizadora superior sem o URSA Viewfinder:

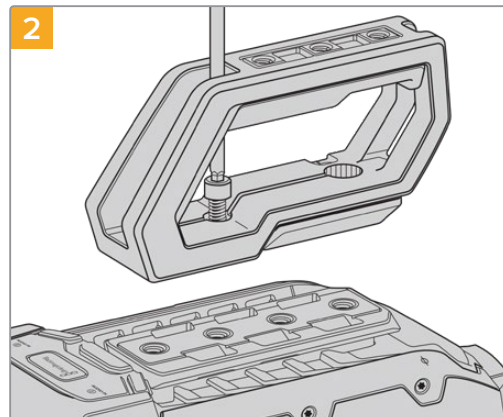
É possível usar o URSA Mini Shoulder Mount Kit com ou sem o URSA Viewfinder opcional.

A alça de suporte superior é fornecida com uma proteção emborrachada para o visor na sua base, podendo ser substituída com uma placa adaptadora quando fixada ao URSA Viewfinder.

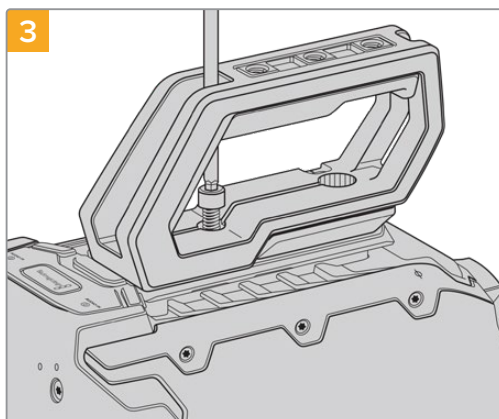
Recomendamos que você deixe a proteção fixada quando utilizar a alça sem o URSA Viewfinder.



Posicione sua URSA Mini em uma superfície plana e estável para acessar a parte superior da sua câmera.

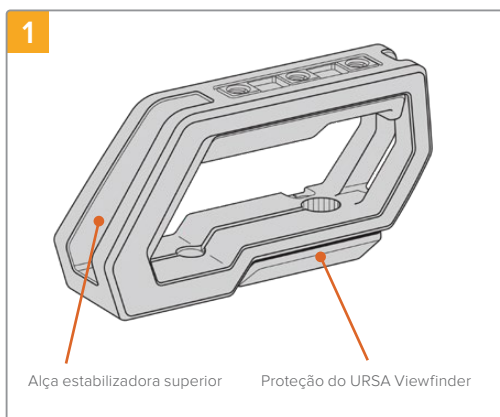


Prenda a alça a qualquer uma das duas roscas de montagem de 1/4" na parte superior da sua URSA Mini usando os dois parafusos de 1/4" incluídos com uma chave de ponta hexagonal de 3/16". As duas roscas de montagem traseiras da URSA Mini são recomendadas na maioria das situações, mas você pode escolher qualquer um dos pares na parte superior para um equilíbrio maior do peso quando utilizar lentes grandes.

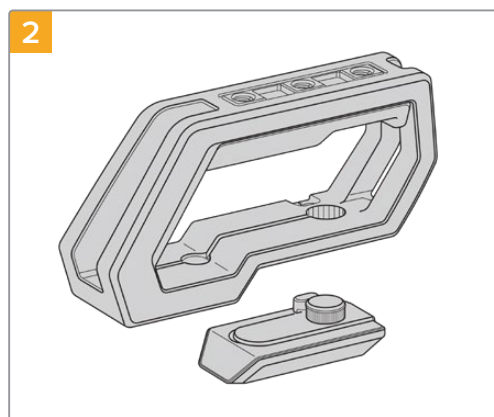


Aperte os parafusos até que a alça esteja firmemente no lugar e os parafusos não se soltem com facilidade. Evite apertar os parafusos em excesso, pois isto pode danificar os encaixes roscados.

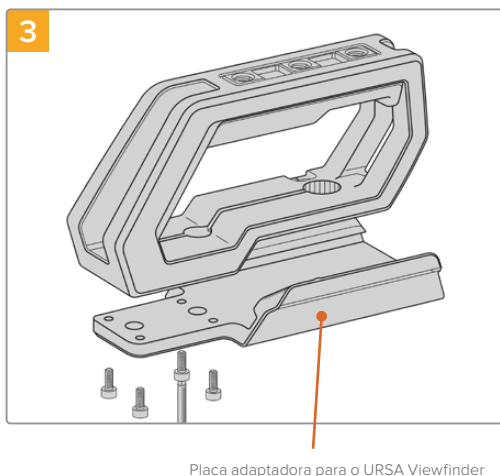
## Como encaixar a alça estabilizadora superior com o URSA Viewfinder



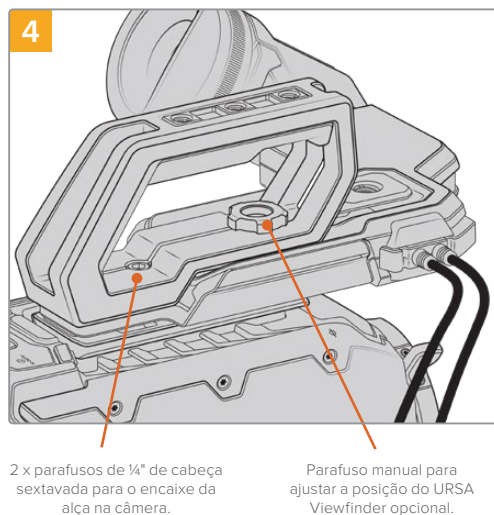
Posicione sua URSA Mini em uma superfície plana e estável para acessar a parte superior da sua câmera.



Remova a proteção para o URSA Viewfinder da base da alça retirando sua armação da lateral da alça cuidadosamente e puxando a proteção do furo.



Prenda a placa adaptadora do URSA Viewfinder na alça usando os quatro parafusos M3 com uma chave sextavada de 2.5 mm.



Prenda a alça a qualquer uma das duas roscas de montagem de 1/4" na parte superior da sua URSA Mini usando os dois parafusos de 1/4" incluídos com uma chave de ponta hexagonal de 3/16". As duas roscas de montagem traseiras da URSA Mini são recomendadas na maioria das situações, mas você pode escolher qualquer um dos pares na parte superior para um equilíbrio maior do peso quando utilizar lentes grandes. Evite apertar os parafusos em excesso, pois isto pode danificar os encaixes enroscados.

A cavidade na parte interna frontal da alça é usada com o parafuso borboleta ao encaixar e ajustar o URSA Viewfinder. Para informações sobre como fixar o URSA Viewfinder na alça superior, consulte a seção 'Blackmagic URSA Viewfinder' do seu manual URSA.

## Encaixar o braço extensor

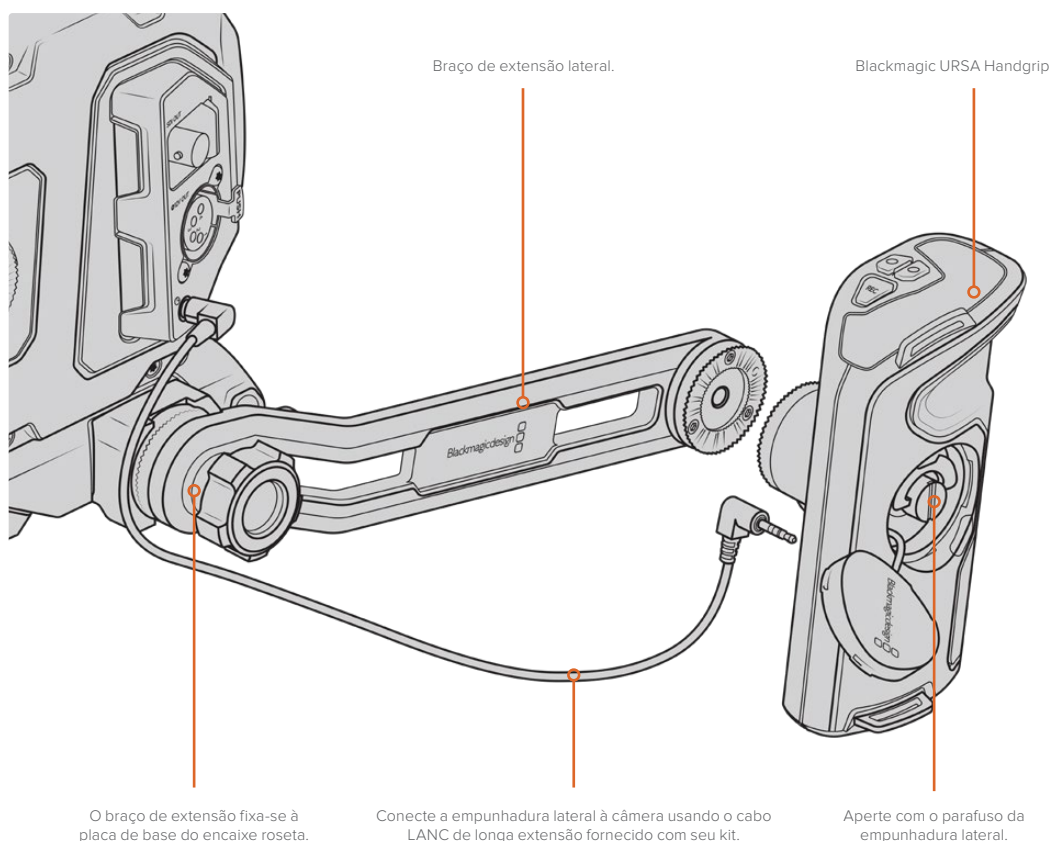
Ao usar o URSA Mini Shoulder Mount Kit com o Blackmagic URSA Handgrip, é necessário que você repositone a empunhadura lateral para filmagens de ombro confortáveis. Utilize o braço extensor e o cabo LANC mais longo incluídos para mover a empunhadura lateral para uma posição mais ergonômica. O braço extensor da URSA Mini também está disponível como um acessório independente através dos revendedores Blackmagic Design.

### Como encaixar o braço extensor lateral:

- 1 Posicione sua URSA Mini em uma superfície plana e estável com espaço livre junto da câmera para baixar o braço extensor. Encaixar a URSA Mini em um tripé é útil para tanto.
- 2 Fixe a extremidade dentada do braço extensor ao encaixe roseta, baixe o braço até a posição desejada e aperte-o com o parafuso borboleta incluído.
- 3 Encaixe a empunhadura lateral na roseta frontal do braço extensor. Prenda apertando o parafuso da empunhadura lateral com uma chave de fenda de ponta chata grande ou girando o anel D com seu polegar e indicador.
- 4 Conecte a saída LANC da empunhadura lateral à entrada LANC da câmera usando o cabo LANC de longa extensão fornecido com seu kit de suporte de ombro.

É possível ajustar o braço extensor e o Blackmagic URSA Handgrip facilmente de acordo com sua preferência ao afrouxar os parafusos da roseta, fazer seu ajuste e reapertá-los novamente.

Com o seu URSA Mini Shoulder Mount Kit agora encaixado, você terá mais agilidade para filmagens rápidas dinâmicas, além da capacidade de encaixar sua câmera em um tripé com rapidez para planos de imagem precisos e estáveis!





# Blackmagic URSA Viewfinder

O Blackmagic URSA Viewfinder é um poderoso visor eletrônico desenvolvido para sua Blackmagic URSA Mini. O display OLED 1080HD colorido e o sistema óptico em vidro de alta precisão oferecem imagens brilhantes, vívidas e realistas para que você possa focalizar e visualizar os detalhes mais finos da imagem com rapidez.

Este visor ocular é ideal para operação na mão ou no ombro, ou para ambientes onde precisão absoluta sem reflexos e clarões de luz são necessários, por exemplo, em filmagens com condições de luminosidade extremas.

O visor ocular é conectado e alimentado pela câmera utilizando os dados SDI embutidos da câmera para gerar as várias opções de visualização. Isto significa que sua câmera pode fazer a saída limpa da alimentação SDI, mas também permitirá que você alterne entre as várias opções de visualização do visor para acesso rápido do status de câmera, além de informações precisas.

Por exemplo, caso selecione a opção de guia de enquadramento “2.40:1” no menu da URSA Mini, ela efetivamente informará o visor ocular sobre qual guia de enquadramento está selecionada na câmera, assim quando você alternar a exibição das guias de enquadramento no visor, a mesma configuração de “2.40:1” também será exibida.

## Encaixar e Conectar à Blackmagic URSA

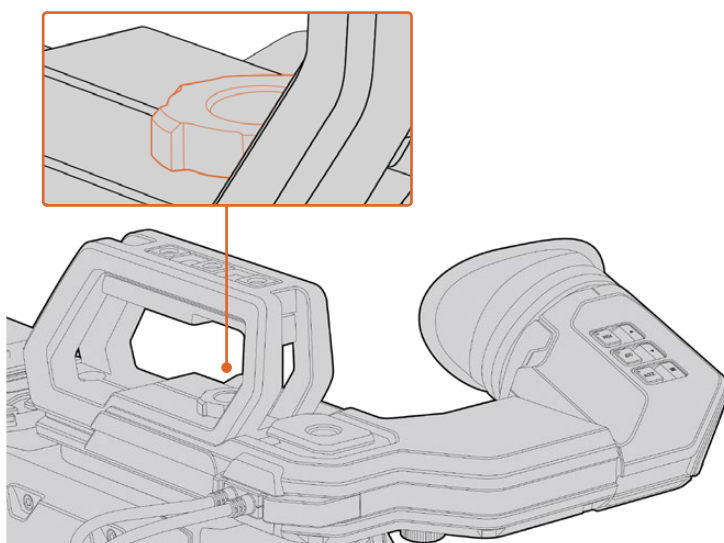
Para encaixar o Blackmagic URSA Viewfinder no corpo da câmera, deslize-o ao longo das cavidades da alça e aperte o parafuso borboleta em uma das roscas de montagem de ¼”.

O Blackmagic URSA Mini Shoulder Mount Kit é exigido para encaixar o URSA Viewfinder corretamente na URSA Mini e URSA Mini Pro.

Para encaixar o Blackmagic URSA Viewfinder, remova a capa de proteção da alça de suporte superior do URSA Mini Shoulder Mount Kit e instale a placa adaptadora do Viewfinder, como detalhado na seção ‘URSA Mini Shoulder Mount Kit’ neste manual.

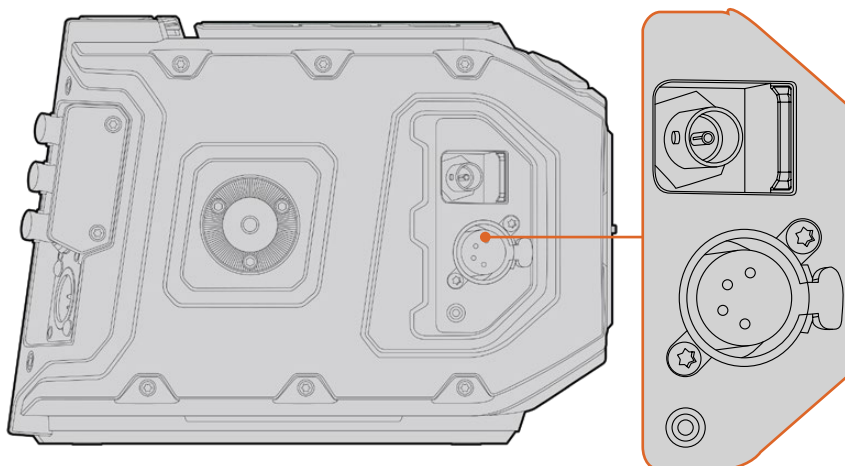
Deslize o encaixe do URSA Viewfinder na placa adaptadora do URSA Viewfinder e use o parafuso borboleta de ¼” incluído no URSA Mini Shoulder Mount Kit para fixar o URSA Viewfinder na alça de suporte superior e na placa adaptadora.

Não é necessário usar quaisquer ferramentas para fixar o parafuso borboleta, a pressão dos dedos é suficiente e evitará o aperto em excesso.



Para montar seu Blackmagic URSA Viewfinder na sua URSA Mini, deslize o visor ao longo das cavidades da alça da sua câmera e aperte o parafuso borboleta em uma das roscas de montagem de ¼”.

Para conectar seu URSA Viewfinder à sua URSA, basta conectar os cabos do visor incluídos às saídas frontais de SDI 3G e alimentação de 12 V da câmera. Seu URSA Viewfinder se acionará automaticamente quando sua câmera for ligada.



Conecte seus cabos SDI e de alimentação do visor à sua saída de monitoramento SDI e alimentação de +12 V da URSA Mini.

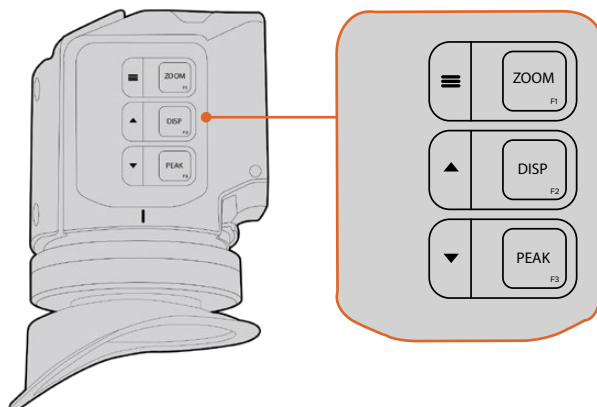
Ao usar o URSA Viewfinder com a URSA Mini, é altamente recomendável que você também instale o kit de suporte de ombro, pois isto oferecerá as roscas de montagem corretas, parafuso borboleta de ¼" e ajustes de altura para otimizar o posicionamento do seu visor. Consulte a seção 'URSA Mini Shoulder Mount Kit' neste manual.

## Ajustar o Visor Ocular

O visor ocular emborrachado removível pode ser ajustado para ser usado no seu olho esquerdo ou direito. Ajuste o braço do visor ao afrouxar o botão giratório na face inferior do braço e ao deslizá-lo para a esquerda ou direita para adaptá-lo ao seu olho confortavelmente.

## Botões de Recursos

Na parte superior do visor, você encontrará os botões "Zoom", "Display" e "Peak". Estes botões são utilizados para ampliar o zoom na sua imagem e habilitar e desabilitar sobreposições e o pico de foco.



Os botões Zoom (F1), Display (F2) e Peak (F3) estão localizados na parte superior do URSA Viewfinder.

Estes botões também são utilizados para recursos adicionais, como o acesso do menu e navegação de configurações. Os ícones impressos na lateral dos botões exibem quais botões são usados para controlar o menu do visor e as opções de navegação.



Os botões também possuem um recurso de função personalizável para que você atribua atalhos para ativar recursos comuns usados com frequência rapidamente. Por exemplo, pode ser que você deseje atribuir o recurso de cores falsas ao botão de zoom. Consulte a seção 'Atalhos' para mais informações.

#### **ZOOM (F1) - "Menu"**

O recurso "Zoom" ajuda a encontrar o foco exato ao fazer o zoom da sua imagem. Aperte o botão "Zoom" para ampliar o zoom e clique novamente para retornar à visualização de 100%. Ao usar o menu de configurações, o botão "Zoom" também funciona como o botão de "Menu". Pressione e segure este botão para acessar o menu de configurações. No menu de configurações, pressione o botão uma vez para confirmar os ajustes de configuração.



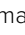

#### **DISPLAY (F2) - "Para cima"**

Aperte o botão "Display" para a visualização de sobreposições. Ao usar o menu de configurações, este botão também funciona como o botão "Para cima". Também é possível acessar rapidamente o menu de atalhos ao pressionar e segurar este botão. Consulte a seção 'Mapear Atalhos de Teclado' para informações sobre como definir atalhos.

#### **PEAK (F3) - "Para baixo"**

O recurso de pico de foco cria uma borda verde em torno das partes mais nítidas da imagem para que você possa confirmar seu foco com facilidade. Aperte o botão "Peak" para habilitar o recurso de pico de foco. Aperte novamente para desabilitar o pico de foco. Ao usar o menu de configurações, este botão também funciona como o botão "Para baixo". Também é possível acessar rapidamente o menu "Setup" ao pressionar e segurar este botão.

## Menu de Configurações

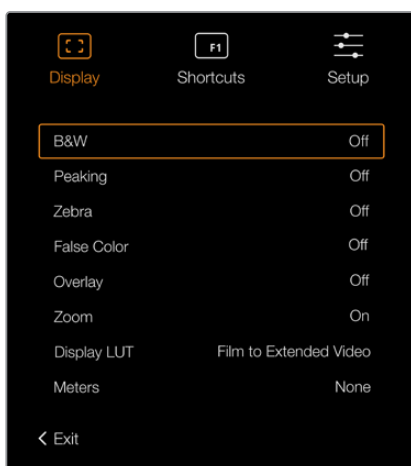
O menu de configurações contém um menu básico de três cabeçalhos para exibição, atalhos e configurações. Para acessar o menu de configurações, pressione e segure o botão  "Menu". Aperte o botão "Para cima"  e "Para baixo"  para navegar pelas configurações e pressione o botão "Menu"  novamente para confirmar sua seleção.

### Display

O menu "Display" oferece os seguintes recursos:

#### **B&W**

Alterna entre os modos colorido e monocromático.



Menu "Display" no URSA Viewfinder.

#### **Peaking**

Habilita e Desabilita o pico de foco.

## Zebra

Habilita e desabilita as marcações de zebra. Define os níveis para as zebras usando as configurações de câmera. Para mais informações, consulte a seção 'Configurações' neste manual.

## False Color

Habilita e desabilita as cores falsas. O recurso cor falsa sobrepõe cores diferentes na sua imagem. Elas representam os valores de exposição para elementos diferentes na sua imagem. Por exemplo, cor-de-rosa representa exposição máxima para tons de pele mais claros, enquanto o verde é bom para tons de pele mais escuros. Ao monitorar as cores falsas rosa e verde ao gravar pessoas, você pode manter uma exposição consistente para os seus tons de pele. Do mesmo modo, quando elementos na sua imagem mudarem de amarelo para vermelho, isso significa que estão superexpostos.

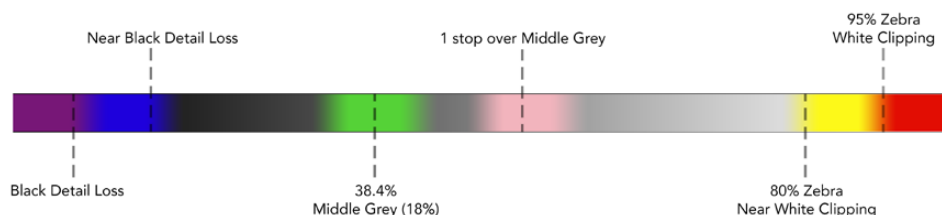


Tabela de Cores Falsas

## Overlay

Habilita e desabilita sobreposições. É possível selecionar quais tipos de sobreposição exibir no menu "Setup" do seu visor. Os tipos de sobreposição, como a porcentagem de área segura, são definidos na sua câmera.

## Zoom

Habilita e desabilita o recurso zoom.

## Display LUT

Ao enviar um sinal SDI com a faixa dinâmica de filme à sua URSA Mini, as configurações "Film to Video" e "Film to Extended Video" permitem que você aplique uma LUT mais colorida e contrastada à imagem. O visor detectará quando uma das LUTs estiver sendo utilizada e oferecerá a opção de habilitá-las ou desabilitá-las no seu visor. Quando uma LUT de exibição está ativa na saída SDI frontal, ou caso esteja usando uma LUT diferente, a opção é desabilitada para prevenir que múltiplas LUTs sejam aplicadas.

## Meters

Alterna entre os tipos de medidores a serem exibidos na visualização de sobreposições. As opções são "Histogram" para histograma, "Audio" para áudio, "Both" para ambos ou "None" para nenhum.

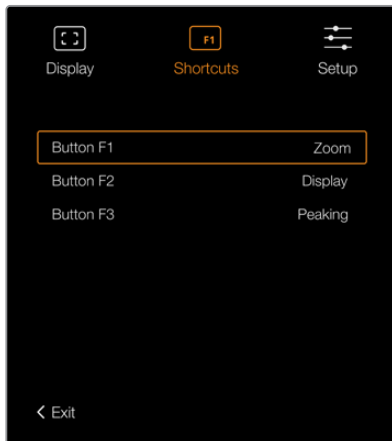
## Shortcuts

A função de atalho é útil quando for necessário acessar uma configuração específica para um recurso usado com frequência. Como personalizar seus botões de atalho:

- 1 No menu "Shortcuts", aperte o botão "Para cima" ▲ ou "Para baixo" ▼ para mover para cima ou para baixo e selecione um dos 3 botões para definir como seu botão de atalho. Pressione o botão "Menu" ≡ para confirmar sua seleção.
- 2 Aperte o botão "Para cima" ▲ ou "Para baixo" ▼ para navegar e selecionar um dos recursos abaixo e atribuí-lo ao botão de atalho. Pressione o botão "Menu" ≡ para confirmar sua seleção.

- B&W
- Zebra
- Display
- Display LUT
- Peaking
- False Color
- Zoom
- Meters

- 3 Desça até “Exit” e aperte o botão “Menu” ≡ para fechar a visualização do menu “Display”.



Configurações de atalho “Shortcuts” no URSA Viewfinder.

## Setup

O menu “Setup” oferece os seguintes recursos:

### Brightness

Possibilita ajustar o brilho do visor com um intervalo de -10 a +10.

### Tally Brightness

Permite ajustar o brilho do LED de sinalização.

### Focus Chart

Seu Blackmagic URSA Viewfinder possui uma tabela de foco integrada, assim você pode focalizar o visor ocular de acordo com os seus olhos. Basta girar o ajuste de dioptria no visor ocular até que a tabela esteja com o foco perfeito. Apertar qualquer botão no seu visor fechará a exibição da tabela de foco.

### Frame Guide

Altera o aspecto das guias de enquadramento quando configuradas como uma sobreposição. Quando as guias de enquadramento estiverem habilitadas, seu visor exibirá o mesmo conjunto de guias de enquadramento configurado para todas as saídas nas configurações de monitoramento da sua câmera. Você pode alternar a visualização das guias de enquadramento no seu visor selecionando “On” ou “Off”.

Para mais informações, consulte a seção ‘Configurações de Monitoramento’ neste manual.

### Safe Area Guide

Altera a exibição de uma guia de área segura quando a sobreposição está habilitada. Quando “Safe Area Guide” estiver configurada como “On” nas configurações de monitoramento da sua URSA Mini, utilize este recurso para habilitá-la ou desabilitá-la.

Para mais informações, consulte a seção ‘Configurações de Monitoramento’ neste manual.

### Grid

Altera a exibição de uma grade de regra dos terços, retículas ou ponto central. Quando o recurso “Grids” estiver habilitado como “All” nas configurações de monitoramento da sua URSA Mini, você pode utilizar este recurso para alternar a exibição das grades no seu Blackmagic URSA Viewfinder se as sobreposições estiverem habilitadas.

Para mais informações, consulte a seção ‘Configurações de Monitoramento’ neste manual.

**OBSERVAÇÃO** Habilitar “Grid” no menu de configurações do URSA Viewfinder também possibilitará que seu visor exiba os sinais de sinalização enviados por um switcher ATEM. As sobreposições, “Overlays”, também devem estar definidas como “On” no menu de exibição.

#### Status Text

Alterna a exibição dos textos de status, tais como balanço de branco, taxa de quadro e ISO. Quando o recurso “Status Text” estiver habilitado nas configurações de monitoramento “Front SDI” da sua URSA Mini, você pode usar este recurso para alternar o modo de exibição destas guias no seu Blackmagic URSA Viewfinder.

Para mais informações, consulte a seção ‘Configurações de Monitoramento’ neste manual.

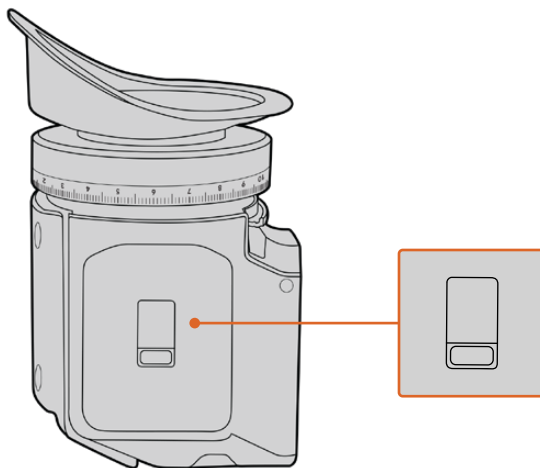
**DICA** Ao usar o Blackmagic Viewfinder com a URSA Mini, a exibição dos textos de status pode entrar em conflito caso ambos estejam configurados para exibi-los. Neste caso, recomendamos alternar os textos de status para “On” na câmera e “Off” no seu visor eletrônico.

#### Sensor IR

O sensor IR no seu ocular detecta automaticamente quando você está perto dele e ativa a tela OLED. Caso esteja longe do visor ocular por mais de vinte segundos em modo de espera, o display é desligado para conservar energia e prolongar a vida útil da tela OLED. Ao gravar, o tempo de espera do sensor é estendido para 5 minutos, quando a tela OLED será escurecida lentamente. Qualquer movimento na frente do visor ocular restaurará este temporizador. O visor detectará quando você olhar pelo ocular do Viewfinder e pressionar qualquer botão no visor também reativará o Viewfinder.



Bloquear ou cobrir o sensor IR intencionalmente pode fazer com que o display do visor eletrônico permaneça ligado por períodos de tempo prolongados. Isto pode diminuir a vida útil do display e causar retenção de imagens, quando imagens ou guias de enquadramento de alto contraste são exibidas no visor.



O sensor IR sensor fica situado na parte inferior do URSA Viewfinder.

## Atualizar o Software Interno do URSA Viewfinder

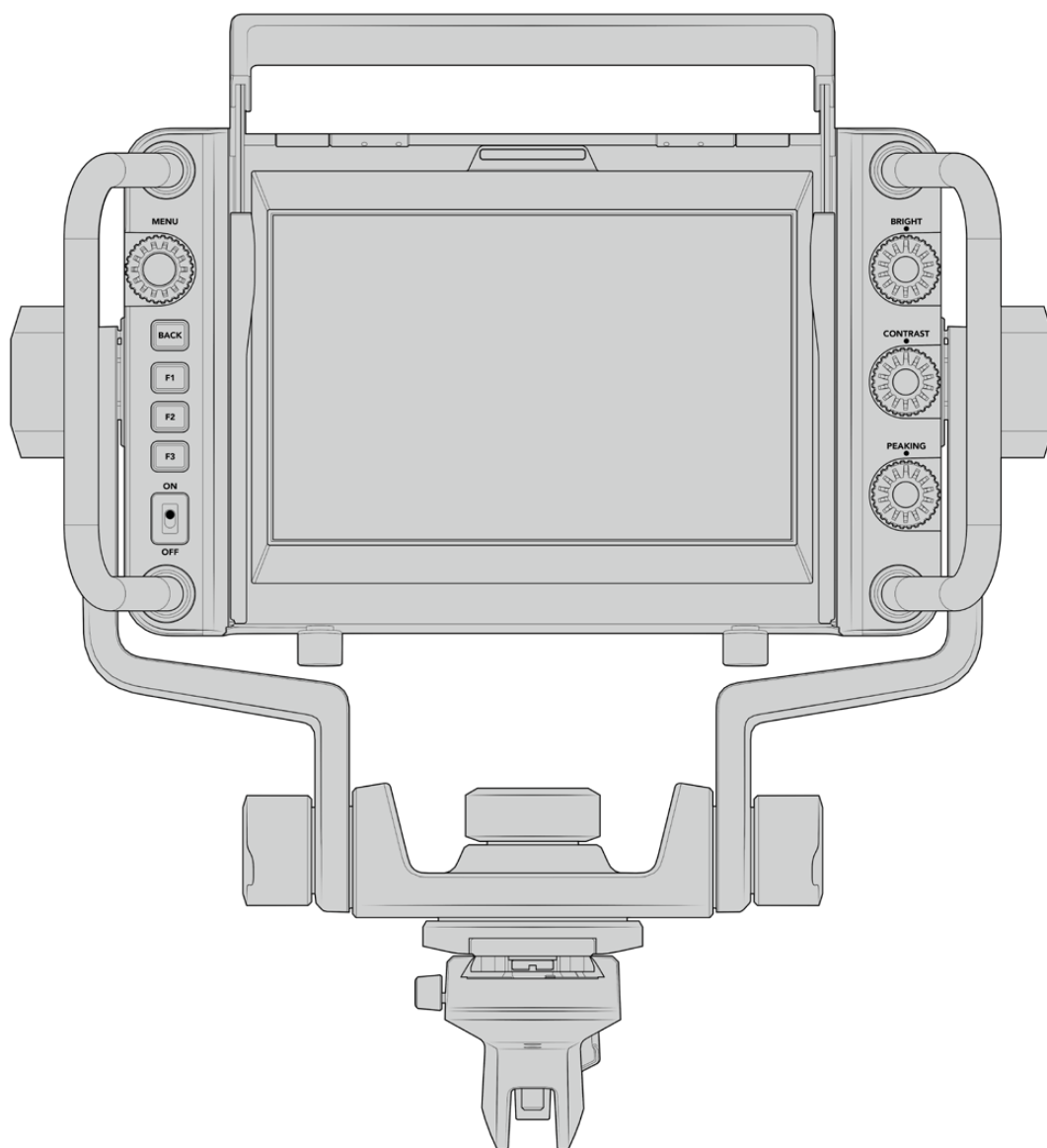
Atualize seu Viewfinder usando o software utilitário Blackmagic Camera Setup. É necessário alimentar o visor durante a atualização, portanto recomendamos mantê-lo conectado à sua URSA Mini durante o processo. Isto também significa que sua URSA Mini precisará fornecer alimentação consistente, portanto certifique-se que ela esteja conectada à alimentação externa.

Conecte seu computador ao pequeno conector USB situado na frente do seu Viewfinder, junto do visor ocular. Quando o Blackmagic Camera Utility for iniciado e o seu Viewfinder estiver conectado ao seu computador, será solicitado que você faça a atualização, caso seu computador detecte que o seu Viewfinder está usando uma versão mais antiga. Siga as instruções na tela para atualizar o software interno do seu visor eletrônico.

**OBSERVAÇÃO** Consulte a seção 'Blackmagic Camera Setup Utility' neste manual para mais informações.

**DICA** Recomendamos atualizar todos os seus equipamentos Blackmagic URSA ao mesmo tempo para uma performance otimizada.

## Blackmagic URSA Studio Viewfinder



Blackmagic URSA Studio Viewfinder.

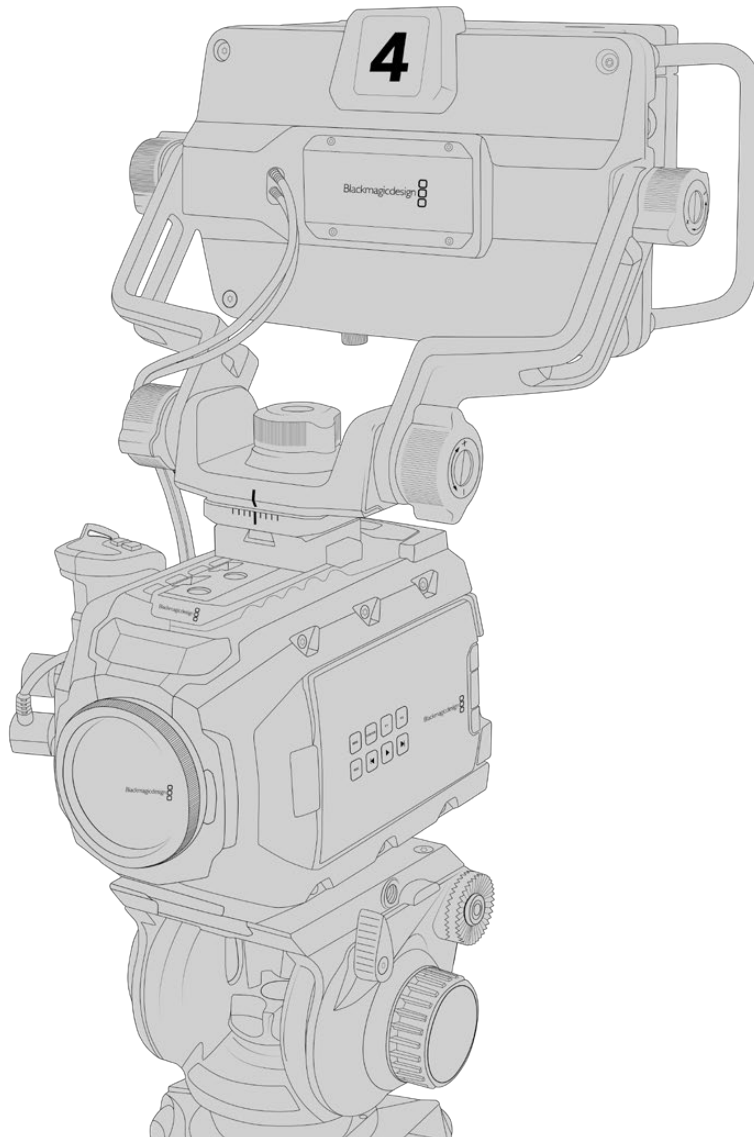
O Blackmagic URSA Studio Viewfinder é um visor eletrônico eficaz que permite que você transforme sua URSA Mini em uma câmera de produção ao vivo profissional. O Studio Viewfinder conta com uma tela luminosa de 7" que inclui uma luz de sinalização grande e de fácil visibilidade, botões giratórios de controle, alças grandes, para-sol e suporte articulável de tensão variável. Estes recursos facilitam ficar de pé atrás da câmera e seguir a ação confortavelmente por longos períodos de tempo, especialmente quando estiver filmando shows, esportes e outros eventos ao vivo de longa duração. O URSA Studio Viewfinder é ideal para produções ao vivo em estúdio ou em locação.

## Encaixar e Conectar à Blackmagic URSA Mini

Ao usar o Blackmagic URSA Studio Viewfinder com a Blackmagic URSA Mini, você pode optar pelo encaixe da unidade na câmera em uma variedade de maneiras.

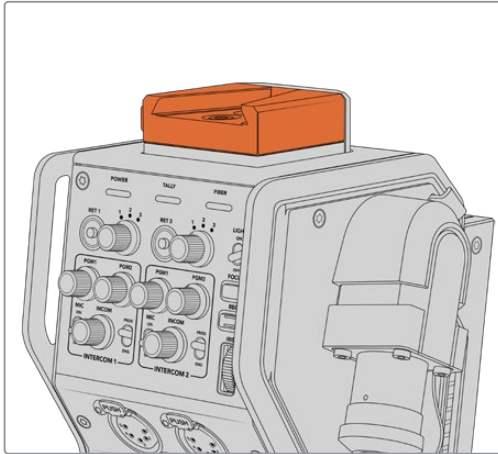
Você pode encaixar o Blackmagic URSA Studio Viewfinder diretamente na parte superior da Blackmagic URSA Mini através da placa adaptadora V-lock incluída que pode ser facilmente removida do encaixe da alça estabilizadora superior.

Desparafuse a placa V-lock da alça superior da URSA Mini usando uma chave sextavada de 3/16 e encaixe-o no topo da câmera com os parafusos de 1/4" incluídos. Isto vai deixar o centro de gravidade da câmera muito mais alto. Recomendamos que isto seja feito com a câmera fixada em um tripé para estabilidade.

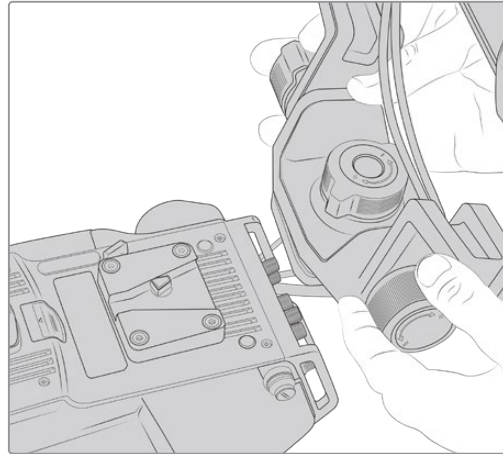


Caso esteja encaixando o URSA Studio Viewfinder na sua URSA Mini enquanto estiver usando o URSA Mini Shoulder Kit, será necessário acoplá-lo usando o suporte de encaixe para a alça estabilizadora superior URSA Mini incluído. Encaixe o suporte de encaixe para a alça da URSA Mini incluído na alça superior com os três parafusos de 1/4" incluídos com uma chave de cabeça sextavada 3/16. Deslize o encaixe em formato "V" do Studio Viewfinder pela lacuna do adaptador V-lock até que ele clique firmemente no lugar.

Consulte a seção 'URSA Mini Shoulder Mount Kit' neste manual para mais informações.

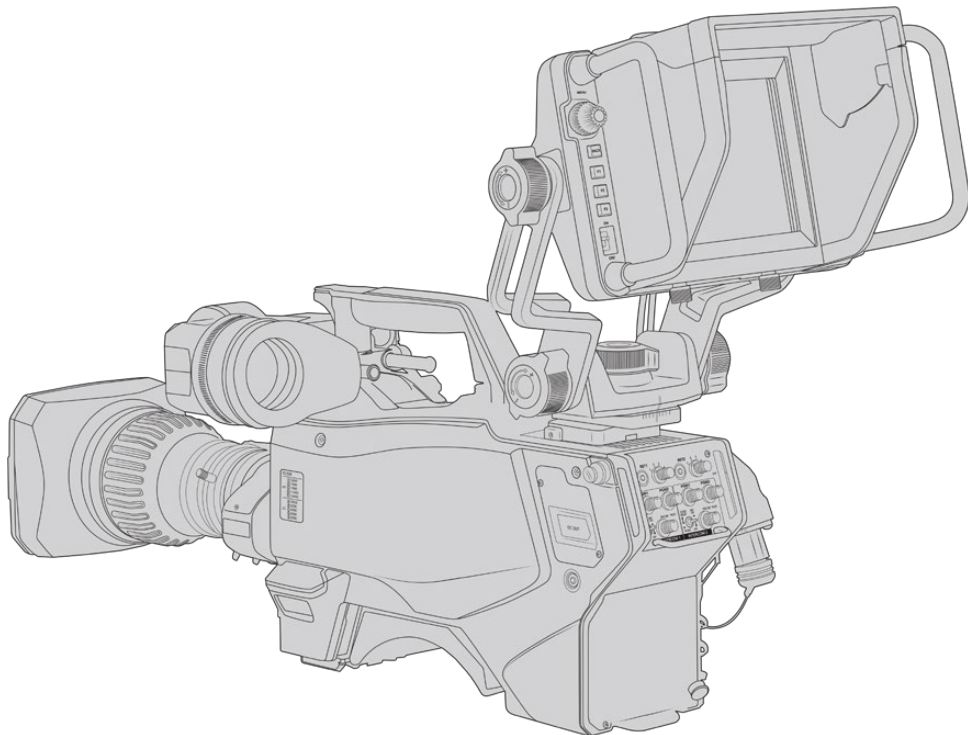


Você pode encaixar o seu Blackmagic Studio Viewfinder à placa V-lock na parte superior do seu Blackmagic Camera Fiber Converter.



Encaixe V-Lock sendo fixado a uma câmera de terceiros.

A placa adaptadora V-Lock também pode ser instalada em qualquer câmera com a qual você deseja usar o URSA Studio Viewfinder desde que ela possua roscas de montagem de 1/4", ou você pode usar uma placa tipo "cheese plate" de terceiros. Também é possível encaixar o Blackmagic URSA Studio Viewfinder em um sistema de câmera de terceiros que possua uma placa de encaixe V-lock, pois muitas delas já incluem este encaixe de engate rápido.

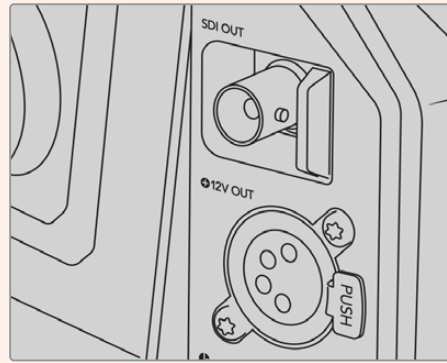


**DICA** O Blackmagic URSA Studio Viewfinder conecta-se com a câmera através de uma placa de encaixe V-lock de engate rápido, o que significa que o visor pode ser removido rapidamente caso seja necessário tirar a câmera de um tripé. Ao filmar partidas esportivas, pode ser vantajoso deixar ambos o Blackmagic URSA Viewfinder e o Blackmagic URSA Studio Viewfinder fixados na câmera, assim, no final da partida é possível passar para o URSA Viewfinder rapidamente para as filmagens de mão. Ambos os visores utilizam a mesma alimentação de 12 V e cabos 3G-SDI para conectarem-se à câmera, facilitando a troca dos cabos neste tipo de situação.



Para conectar seu URSA Studio Viewfinder à sua URSA Mini, basta conectar os cabos do visor incluídos às saídas frontais de 3G-SDI e alimentação de 12 V da câmera.

A chave de alimentação do visor possibilitará ligar o visor instantaneamente quando a sua câmera for ligada. Observe que há fixadores de cabos na lateral do encaixe da alça estabilizadora superior da URSA Mini para manter os seus cabos organizados e no lugar.

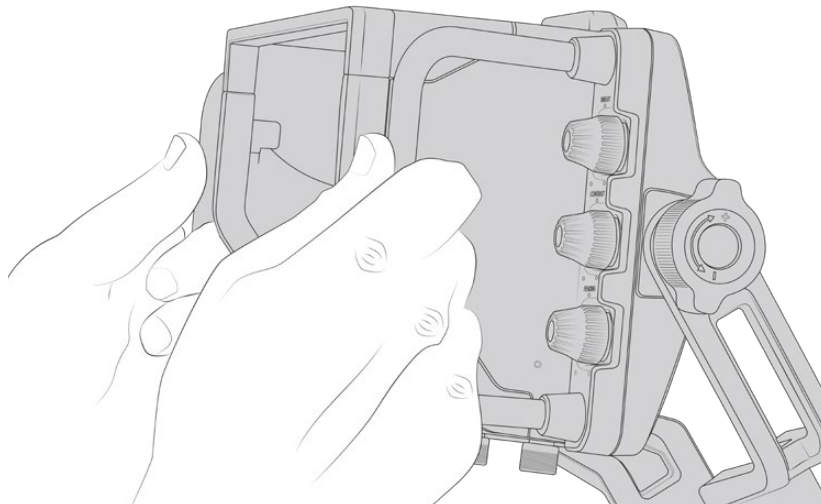


Conexões SDI e de alimentação de 12 V da URSA Mini.

**DICA** O URSA Studio Viewfinder utiliza conexões SDI de padrão aberto e XLR broadcast de 4 pinos para alimentação, podendo ser usado com qualquer outra câmera ou até como um monitor de externa ajustável e portátil. Ele também utiliza o protocolo de sinalização e controle de dispositivos ATEM de padrão aberto, assim qualquer outro sistema de câmera pode adicionar estas informações aos seus fluxos SDI possibilitando que funcionem com a sinalização e as sobreposições do URSA Studio Viewfinder.

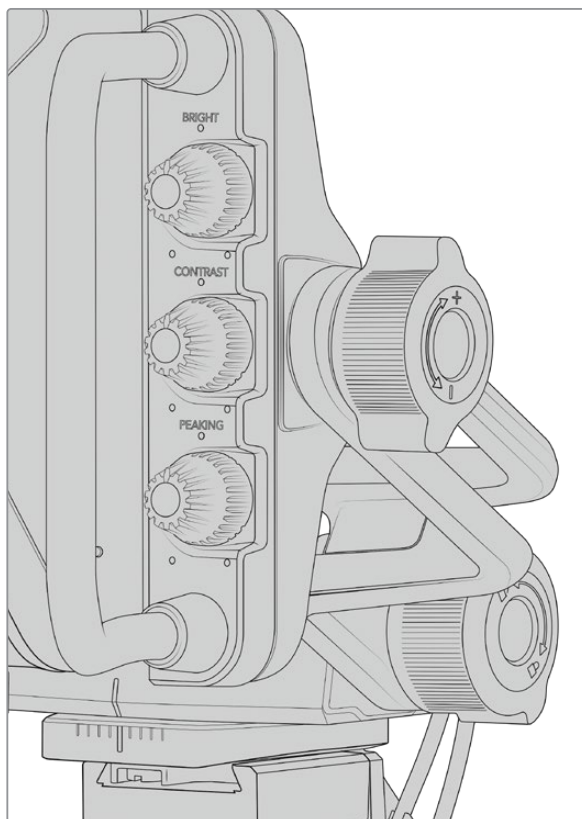
## Ajustar o Blackmagic URSA Studio Viewfinder

O Blackmagic URSA Studio Viewfinder inclui alças de tamanho grande e um suporte articulado de tensão variável que permitem o ajuste da posição e do ângulo do visor. As alças de tamanho grande possibilitam segurar o visor e ajustar o ângulo e a direção da unidade com rapidez e facilidade. Combinadas ao para-sol, as alças também ajudam a proteger a tela de danos, ou seja, você pode guardar o URSA Studio Viewfinder completamente montado em um case portátil sem ter que desmontá-lo. As alças grandes também possibilitam pegar e carregar a unidade entre locações com facilidade.

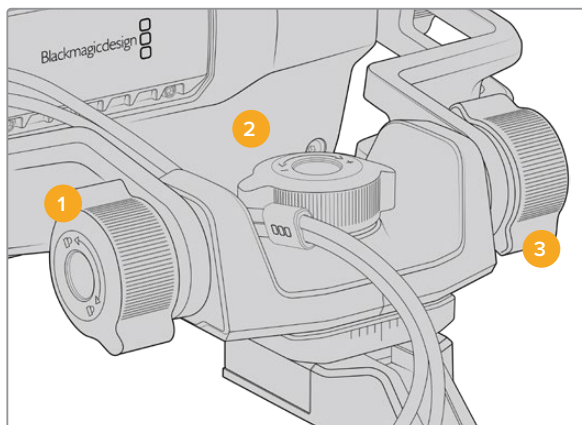


O suporte para encaixe incluído oferece ajustes giratórios de tensão para pan e tilt, com ajustes giratórios adicionais em cada lateral do visor para controle de atrito extra. O ajuste giratório esquerdo possibilita amortecer o atrito do arraste do braço e o ajuste giratório direito possibilita travar o Viewfinder no lugar depois que o ângulo desejado é encontrado.

Estes ajustes giratórios possuem uma grande variedade de regulagens de tensão possibilitando selecionar uma quantidade de resistência específica. Isto permite que você faça inclinações verticais e horizontais do visor para a posição necessária com precisão.



Ajustes de tensão giratórios em cada lateral do Viewfinder.

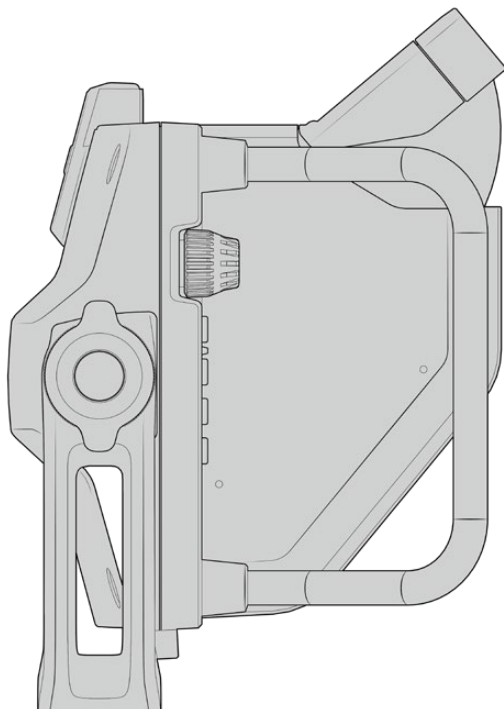
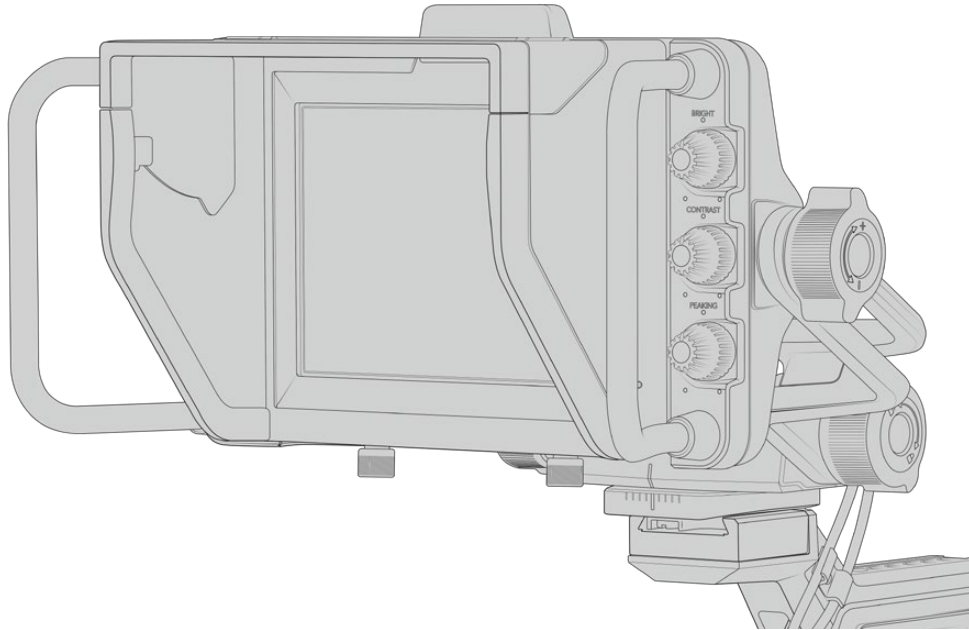


- 1 Trava de Fricção Tilt**  
Trava o ângulo do movimento de inclinação do mecanismo do visor eletrônico.
- 2 Controle de Fricção Pan**  
Controla a tensão do movimento panorâmico.
- 3 Controle de Fricção Tilt**  
Controla a tensão do movimento de inclinação.

**DICA** O controle de fricção central do encaixe incluído controla a tensão do movimento panorâmico e pode ser afrouxado para permitir que você assuma o controle do visor e movimente a câmera independentemente. Ou seja, você pode filmar eventos como motociclismo, onde é necessário fazer panorâmica para a esquerda e direita ao seguir a ação, enquanto mantém o visor eletrônico posicionado na direção dos seus olhos. Marcações visuais no encaixe ajudam a garantir que o visor eletrônico possa ser retornado ao centro com facilidade.

## Para-Sol

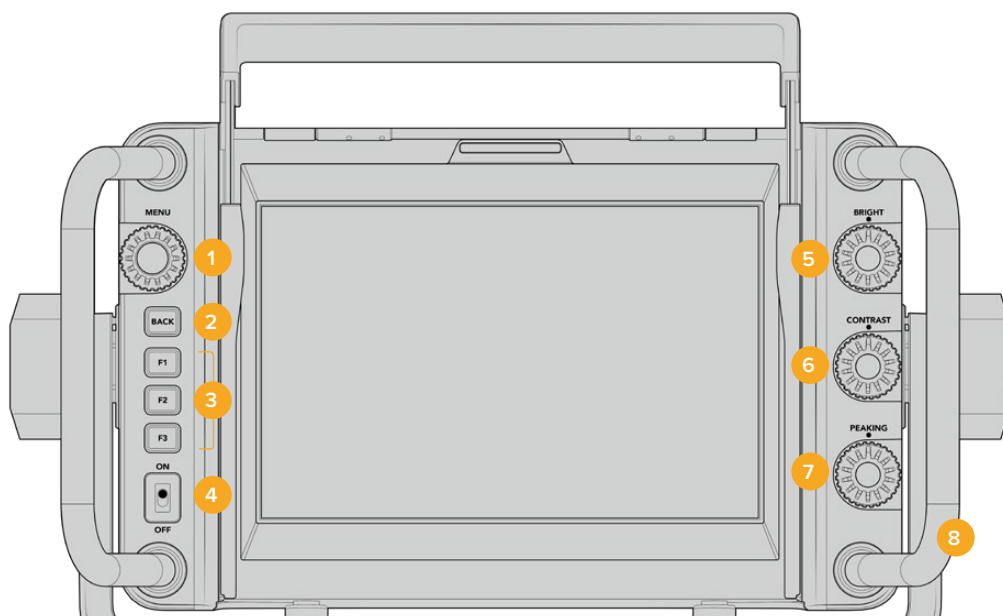
O para-sol ajuda a enxergar a tela em condições de muito sol ou luminosidade. Para fixar o para-sol, deslize-o na parte superior do Blackmagic URSA Studio Viewfinder e coloque-o no lugar, fixando-o com os dois parafusos cativos na base do para-sol. A parte superior do visor é ajustável e pode ser elevada ou baixada para fornecer ângulos de visão adicionais. O para-sol oferece proteção adicional para a tela de 7" e pode ser removido com facilidade e rapidez quando desejado ou para acessar o conector USB-C para atualizações de software.



Para-sol e visor ajustável.

## Botões de Recursos

Os botões táteis giratórios no lado esquerdo e direito possibilitam ajustar brilho, contraste e pico de foco com rapidez e facilidade. Os botões giratórios são desenvolvidos ergonomicamente, assim é possível ajustá-los com seu polegar ao usar o para-sol, ou com dois dedos para ajustes mais finos e regulados.



### 1 Botão Giratório Menu

O botão giratório de pressão “Menu” permite acessar o menu e navegar pelas configurações do visor.

### 2 Botão Back

Sai do sistema de menu.

### 3 F1, F2, F3

Botões de funções programáveis. É possível atribuir funções a estes botões para acessar as suas funções mais comumente usadas com facilidade.

### 4 Chave ON/OFF

Liga ou Desliga o Blackmagic URSA Studio Viewfinder.

### 5 Bright

Ajusta o brilho da imagem na tela. Sobreposições na tela exibirão o nível de brilho em uma escala de -100 a +100.

### 6 Contrast

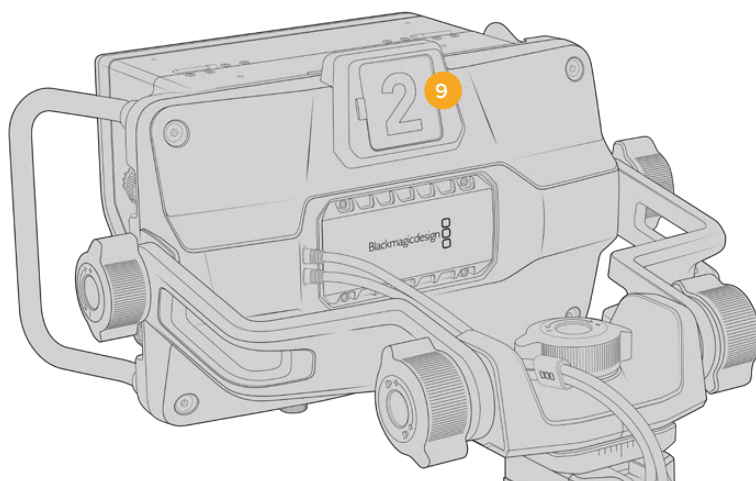
Ajusta o contraste da imagem na tela. Sobreposições na tela exibirão o nível de contraste em uma escala de -100 a +100.

### 7 Peaking

Ajusta o pico de foco para as imagens na tela. Sobreposições na tela exibirão o pico de foco em uma escala de -100 a +100. No menu de configurações, é possível selecionar entre vários tipos de pico de foco que se adequam ao seu ambiente. Há a opção para o tipo tradicional de pico de foco que muitos já conhecerão de outros sistemas broadcast, além de uma opção para usar linhas coloridas para o foco. Como na URSA Mini, você tem a opção para linhas em “Red” (vermelho), “Green” (verde), “Blue” (azul) e “Black” (preto), que oferecem a flexibilidade para torná-las facilmente visíveis ao filmar em ambientes contendo uma cor específica em abundância.

### 8 Alças

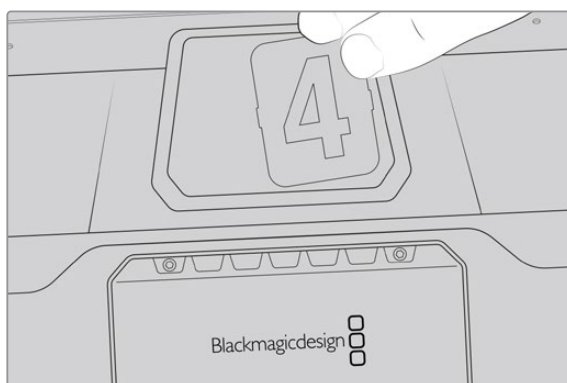
As alças integradas são grandes e possibilitam manter o Studio Viewfinder no lugar enquanto você reposiciona a câmera ao gravar. Elas também fornecem proteção para a tela ao configurá-la e transportá-la.



### 9 Luz de Sinalização

A luz de sinalização grande na traseira do Blackmagic URSA Studio Viewfinder permite que ambos o talento e o operador saibam qual câmera está no ar, qual câmera está quase entrando no ar e se elas estão fazendo gravação ISO. A sinalização acende em vermelho para indicar no ar, verde para indicar a pré-visualização e quando utilizada com a URSA Mini acenderá em laranja para gravações ISO.

À medida que o diretor aplica os cortes entre as câmeras no switcher ATEM, as informações da sinalização são reenviadas para a câmera através da conexão SDI e, então, a luz se acende quando a pré-visualização de câmera é feita antes de cortes, no ar ou na gravação. Além disso, o URSA Studio Viewfinder também oferece números de encaixe transparentes que podem ser afixados na luz de sinalização, facilitando para o talento identificar os números de câmera claramente em distâncias de até 6 metros.



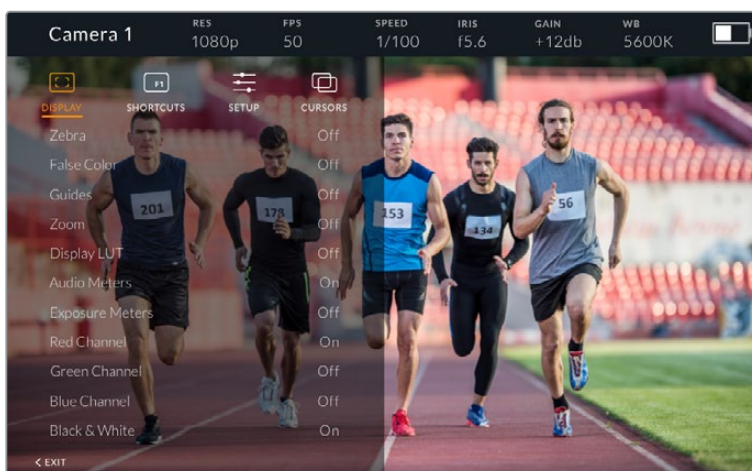
Incluimos PDFs editáveis no instalador do software que possibilitam editar e imprimir seus próprios números de sinalização para corresponder aos incluídos e também para que você possa criar suas próprias inserções. Após instalar o software Camera 4.1, eles podem ser encontrados em um Mac em Aplicativos > Blackmagic Cameras > Documentos e em um PC em Blackmagic Design > pasta Documentos.

A luz de sinalização acenderá conforme as operações de corte de câmera do ATEM e quando a câmera não estiver conectada a um switcher, a luz de sinalização acenderá em vermelho como um simples indicador de sinalização para gravações. Consulte a seção 'Como Usar o Controle de Câmera de Estúdio' deste manual para obter mais informações.

**DICA** Ao usar o Blackmagic URSA Studio Viewfinder com um switcher ATEM, é importante selecionar "Clean Feed" na URSA Mini para assegurar que você não veja as sobreposições ou a caixa de foco na saída SDI do switcher ATEM. Navegue até o menu "Monitor" na URSA e selecione "Clean Feed" para "Main SDI".

## Menu de Configurações

O botão de pressão giratório “Menu” permite acessar o menu ao pressioná-lo, enquanto girá-lo navegará para cima e para baixo pelas opções do menu. Apertar o botão giratório “Menu” enquanto um cabeçalho de menu estiver destacado permitirá que você alterne entre o display, atalhos, configurações e cursores dos sub-menus. Girar o botão navegará pelas configurações de cada menu. Apertar o botão giratório quando uma configuração está destacada possibilita ajustar essa configuração ao girá-lo. Confirme sua seleção ao pressionar o botão giratório “Menu” mais uma vez. Você pode sair do menu ao pressionar o botão “Back” ou ao navegar e selecionar “Exit”.



### Display

#### Zebra

Habilita e desabilita as marcações de zebra. O nível de zebra será determinado pela configuração da sua URSA Mini, na seção “All” do menu “Monitor”. Quando o Studio Viewfinder não estiver conectado à URSA Mini, o nível de zebra representará 95% dos níveis de luminância de um sinal Rec 709. Para mais informações, consulte a seção ‘Configurações’ neste manual.

#### False Color

Habilita e desabilita as cores falsas. O recurso cor falsa sobrepõe cores diferentes na sua imagem. Elas representam os valores de exposição para elementos diferentes na sua imagem. Por exemplo, cor-de-rosa representa exposição máxima para tons de pele mais claros, enquanto o verde é bom para tons de pele mais escuros. Ao monitorar as cores falsas rosa e verde ao gravar pessoas, você pode manter uma exposição consistente para os seus tons de pele. Do mesmo modo, quando elementos na sua imagem mudarem de amarelo para vermelho, isso significa que estão superexpostos. A cor falsa é um ótimo recurso para atribuir a um dos botões de função, assim o acesso a uma ferramenta de referência bastante utilizada para a exposição é fácil e rápido.

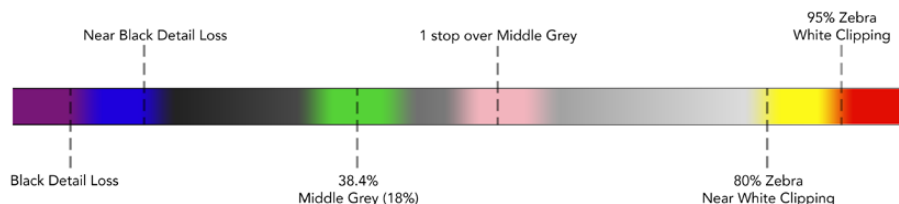


Tabela de Cores Falsas

#### Guides

Esta configuração oferece a opção de exibir ou ocultar suas guias. As guias corresponderão ao tipo de guias configurado na URSA Mini na seção “All” do menu “Monitor” da câmera.

A proporção de tela, o nível de opacidade da guia de enquadramento, a porcentagem de área segura e os tipos de guias exibidos corresponderão ao que você definiu na câmera. O menu "Setup" no Studio Viewfinder possibilita configurar os tipos de guia que você deseja visualizar no Studio Viewfinder quando as guias do menu do visor estiverem habilitadas. A opção "Guides" permite que você habilite ou desabilite as guias com um único comando.

### **Zoom**

Habilita e desabilita o recurso zoom. O recurso zoom ajuda a encontrar o foco exato ao fazer o zoom da sua imagem. Com o zoom ampliado, é possível navegar por partes específicas da tela ao girar o botão "Menu" para a esquerda e direita. A sobreposição indicará qual parte da imagem está ampliada.

### **Display LUT**

Ao enviar um sinal SDI com a faixa dinâmica de filme à sua URSA Mini, as configurações "Film to Video" e "Film to Extended Video" permitem que você aplique uma LUT mais colorida e contrastada à imagem. O visor detectará quando uma das LUTs estiver sendo utilizada e oferecerá a opção de habilitá-las ou desabilitá-las no seu visor. Quando uma LUT de exibição está ativa na saída SDI frontal, ou caso esteja usando uma LUT diferente, a opção é desabilitada para prevenir que múltiplas LUTs sejam aplicadas.

### **Medidores de Áudio**

Os medidores de áudio exibem o nível de áudio entrando via SDI no Blackmagic URSA Studio Viewfinder, logo os medidores exibirão os níveis do áudio de entrada na sua URSA Mini. Caso tenha uma entrada de programa selecionada, o medidor de áudio exibirá estes níveis de áudio.

### **Exposure Meters**

Habilita e desabilita a exibição do histograma.

### **Red Channel**

Permite habilitar ou desabilitar o canal vermelho da sua imagem.

### **Green Channel**

Permite habilitar ou desabilitar o canal verde da sua imagem.

### **Blue Channel**

Permite habilitar ou desabilitar o canal azul da sua imagem.

### **Black and White**

Alterna entre o modo colorido e monocromático.

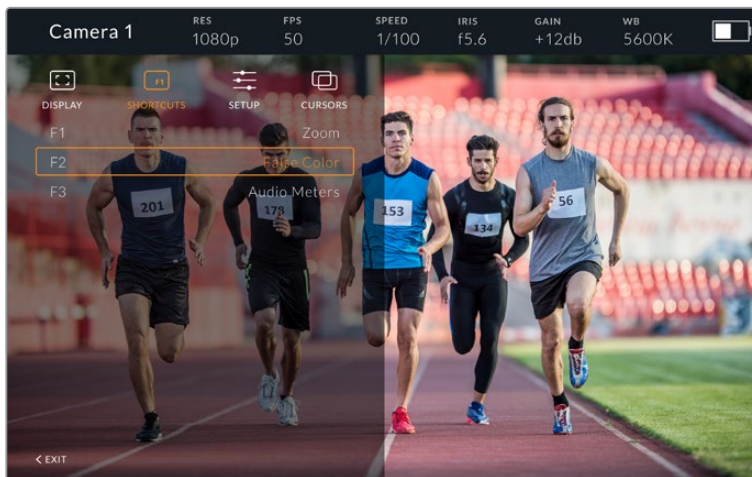
## **Shortcuts**

A função de atalho permite mapear funções específicas nos botões F1, F2 e F3. Essas teclas de atalho permitem habilitar ou desabilitar qualquer uma das configurações no menu do display, ou seus cursores. Isto é bastante útil quando é necessário acessar uma configuração específica para um recurso usado com frequência.

Como personalizar seus botões de atalho: No menu "Shortcuts", movimente o botão giratório do menu para cima ou para baixo e selecione um dos 3 botões. Aperte o botão giratório "Menu" para confirmar sua seleção e, depois, gire-o para navegar pelos recursos atribuíveis. Você contará com a opção de seleção para os seguintes recursos: "Zoom", "Cursor 1", "Cursor 2", "Cursor 3", "Zebra", "False Color", "Guides", "Film to Video", "Audio Meters", "Exposure Meters", "Red Channel", "Green Channel", "Blue Channel", "Black and White". Depois da seleção, clique no botão "Menu" para confirmar essa seleção e atribua essa função à tecla de atalho escolhida. Apertar o botão de atalho agora habilitará ou desabilitará este recurso.

Após ter configurado seus atalhos como necessário, é possível navegar até "Exit" e pressionar o botão "Menu" giratório para fechar a visualização da exibição do menu ou aperte o botão "Back" para sair do menu.





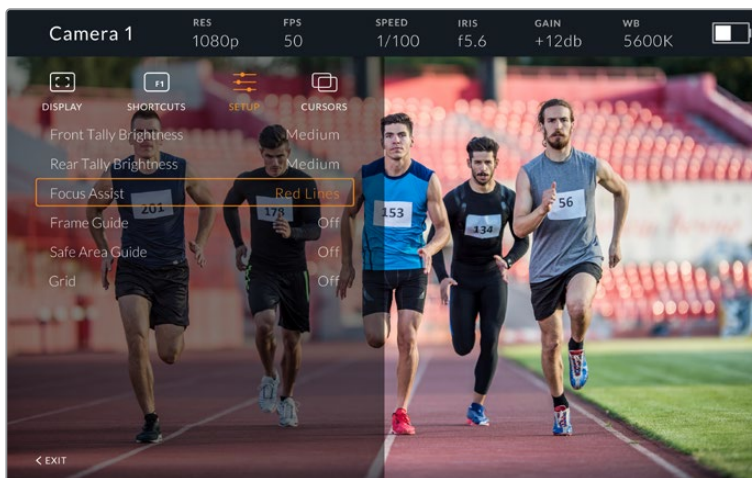
Submenu “Shortcuts”.

## Setup

O menu “Setup” é onde você escolhe suas preferências de configuração do visor.

### Front Tally Brightness

Permite ajustes de brilho para o LED de sinalização, com as opções “Off” (desativado), “Low” (baixo), “Medium” (médio) e “High” (alto). A luz de sinalização acenderá enquanto os ajustes são feitos, assim será possível visualizar o que cada nível de brilho representa.



Submenu “Setup”.

### Rear Tally Brightness

Permite ajustes de brilho para o LED de sinalização traseiro, com as opções “Off” (desativado), “Low” (baixo), “Medium” (médio) e “High” (alto). A luz de sinalização acenderá enquanto os ajustes são feitos, assim será possível visualizar o que cada nível de brilho representa.

**DICA** Uma configuração alta para o brilho do LED é recomendada para condições de muita luminosidade, já que fornecerá mais visibilidade para o talento e os operadores nestas condições. Uma configuração baixa para o LED é recomendada ao filmar em ambientes mais escuros, onde é mais fácil perceber que a luz está acesa.



### Focus Assist

A configuração da assistência de foco permite alternar a exibição dos níveis de pico de foco no visor. É possível selecionar entre vermelho (red), verde (green), azul (blue), preto (black) e branco (white), assim como pico de foco tradicional.

### Frame Guide

Oferece a opção de exibir as guias de enquadramento como parte das guias do seu Studio Viewfinder. Quando conectadas à URSA Mini, elas corresponderão à proporção de tela das guias de enquadramento da sua câmera. Quando conectadas em outros sistemas, elas serão definidas em 14:9 como padrão.

### Safe Area Guide

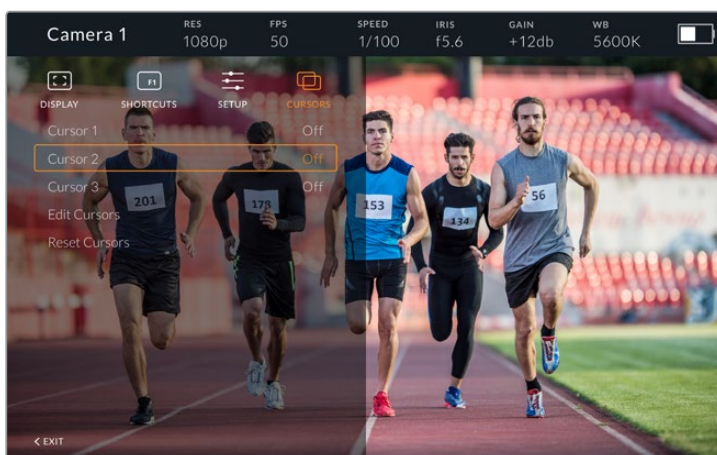
Oferece a opção de exibir o indicador de área segura como parte do recurso “Guides” do seu Studio Viewfinder. Quando conectados à URSA Mini, eles corresponderão a percentagem de área segura da sua câmera. Quando conectadas em outros sistemas, elas serão definidas em 90% como padrão.

### Grid

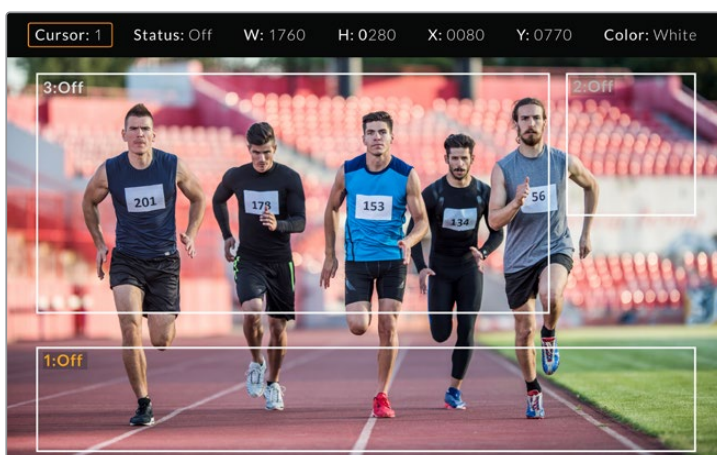
Oferece a opção de exibir guias de enquadramento como parte das guias do seu Studio Viewfinder. Quando conectadas à URSA Mini, elas corresponderão às configurações de guias de enquadramento da sua câmera. Quando desconectadas, isso habilitará ou desabilitará as retículas.

### Cursors

Os cursores permitem que você marque uma área na tela onde grafismos como um terço inferior, gráfico, logotipo ou uma barra de informação serão sobrepostos. Para ajustar estes cursores, vá até “Cursors” e selecione “Edit Cursors”. Isto ativará uma página que exibirá todos os três cursores e possibilitará que você selecione cada um individualmente e, então, insira a largura, altura e coordenadas x e y para posicionar cada um deles individualmente.



Submenu “Cursors”.



Cursores exibidos na tela.

Após configurá-los, os cursores podem ser habilitados ou desabilitados no menu “Cursors” ou atribuídos às suas teclas de função para acesso rápido. Isto é importante para produções ao vivo, pois permite que o operador de câmera leve isto em consideração e componha e enquadre os planos com precisão. Você pode criar até três cursores brancos ou pretos personalizados com altura, largura e posição variáveis, facilitando a correspondência do tamanho e posição dos gráficos que serão adicionados ao vivo ou durante uma transmissão posterior. Você também conta com a opção de restaurar os cursores para o seu estado padrão.

### Usar um fone de ouvido com o Blackmagic URSA Studio Viewfinder

Ao usar o Blackmagic URSA Studio Viewfinder com a URSA Mini, a conexão de fone de ouvido na câmera agora se tornará uma conexão de headset para a intercomunicação, permitindo a comunicação direta com o diretor.

Para funcionalidade de intercomunicação mais avançada, você também pode usar o Blackmagic Camera Fiber Converter e o Blackmagic Studio Converter, que permitem o uso de headsets broadcast padrão com conectores XLR de 5 pinos. Para mais informações, consulte a seção ‘Blackmagic Fiber Converters’ neste manual.

**DICA** Como o soquete para fone de ouvido da URSA Mini é compatível com headsets para iPhone, é possível usar um deles para fazer a comunicação com o diretor. Apertar o botão no controle remoto integrado possibilitará a intercomunicação com o diretor.

### Atualizar o Software Interno do URSA Viewfinder

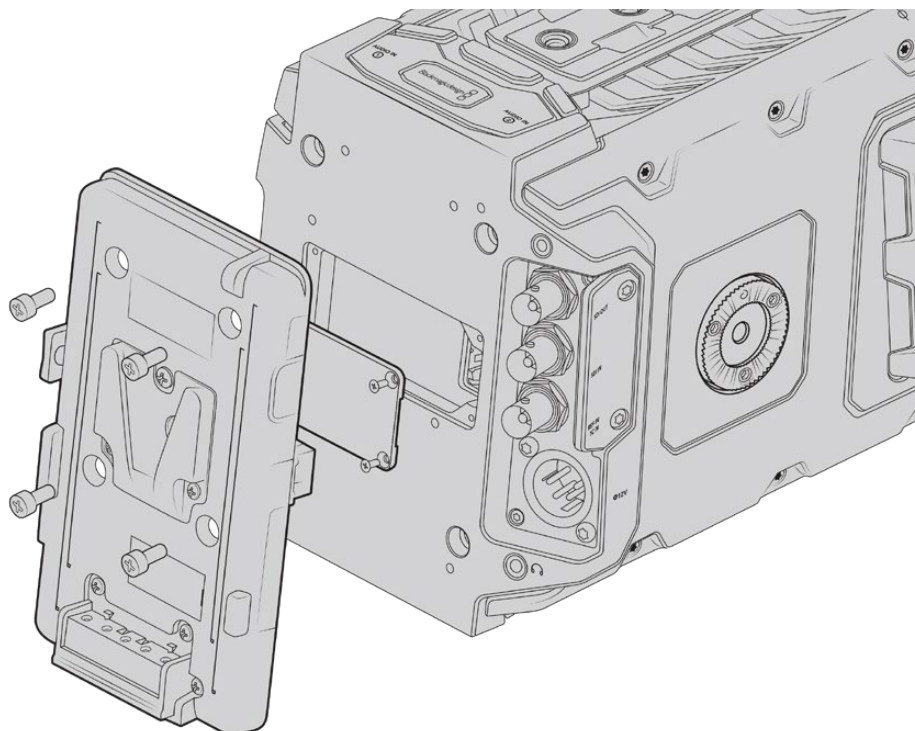
Atualize seu Viewfinder usando o software utilitário Blackmagic Camera Setup. É necessário alimentar o visor durante a atualização, então recomendamos mantê-lo conectado à sua URSA durante o processo. Isto também significa que sua URSA Mini precisará fornecer alimentação consistente, portanto certifique-se de que ela esteja conectada à alimentação externa.

Remova o para-sol para garantir o acesso à pequena conexão USB-C localizada na parte inferior do Blackmagic URSA Studio Viewfinder e conecte o seu computador à porta USB-C. Quando o Blackmagic Camera Utility for iniciado e o seu Viewfinder estiver conectado ao seu computador, será solicitado que você faça a atualização, caso seu computador detecte que o seu Viewfinder está usando uma versão mais antiga. Siga as instruções na tela para atualizar o software interno do seu visor eletrônico. Consulte a seção ‘Blackmagic Camera Setup Utility’ neste manual para mais informações.

Recomendamos atualizar todos os seus equipamentos Blackmagic URSA ao mesmo tempo para uma performance otimizada.

**OBSERVAÇÃO** Ao usar o seu Blackmagic URSA Studio Viewfinder com a URSA Mini, recomendamos atualizar o software interno do seu visor para a versão mais atual para garantir compatibilidade. O software mais recente pode ser encontrado na Central de Suporte Técnico da Blackmagic Design em [www.blackmagicdesign.com/br/support](http://www.blackmagicdesign.com/br/support). Consulte a seção ‘Blackmagic Camera Setup Utility’ neste manual para mais informações.

## Encaixar Baterias



Conectar uma placa adaptadora de bateria de terceiros permite que você encaixe baterias de montagem V ou montagem Gold.

### Encaixar Baterias de Montagem V ou Gold

É possível encaixar baterias de montagem V ou Gold padrão da indústria na sua Blackmagic URSA Mini com facilidade.

Para encaixar uma bateria, será necessário montar uma Blackmagic URSA VLock Battery Plate ou URSA Gold Battery Plate, ou então acoplar uma placa adaptadora de terceiros à placa de encaixe da sua câmera.

**DICA** O Blackmagic URSA VLock Battery Plate e o URSA Gold Battery Plate oferecem suporte para a exibição das informações percentuais de carga com baterias compatíveis. As placas de bateria Blackmagic possuem um conector de saída de +12 V, conhecido como “D-tap” ou “P-tap” para alimentar acessórios como um monitor externo. É importante observar que como esta saída é regulada pela câmera, ela será desativada com segurança quando a câmera for desligada. Esta saída regulada fornece 12 volts em até 1,5 amperes. Algumas placas de bateria URSA de terceiros, e inclusive algumas baterias, oferecem uma saída D-tap desregulada. Elas oferecem alimentação contínua quando a câmera está se reinicializando ou sendo desligada e religada, mas a voltagem varia dependendo do nível de carga da bateria, além dos acessórios conectados que descarregam a bateria continuamente.

Você pode adquirir as placas Blackmagic URSA VLock Battery e URSA Gold Battery a partir dos revendedores Blackmagic Design, ou placas de bateria de terceiros de fornecedores de equipamentos profissionais para cinema digital e vídeo.

É possível adquirir as placas adaptadoras de montagem V através dos revendedores da Blackmagic Design, ou placas adaptadoras de montagem V ou Gold através de fornecedores de equipamentos profissionais para cinema digital e vídeo. Caso não possua uma placa adaptadora para bateria pronta para uso com a sua URSA Mini e deseje adaptar sua própria placa de bateria, é possível usar o cabo adaptador e o conector incluídos. Consulte a seção 'Usar sua própria Placa Adaptadora de Bateria' para mais informações sobre como qualquer placa pode ser adaptada para uso com sua URSA Mini.

#### **Como montar sua placa adaptadora de bateria no painel traseiro:**

- 1** Se a sua URSA Mini possuir uma capa de proteção do conector molex encaixada ao painel traseiro, retire-a ao desparafusar os 4 parafusos em cada canto com uma chave Phillips PH1.
- 2** Conecte o conector molex da sua placa adaptadora de bateria ao conector molex de alimentação da sua câmera.
- 3** Aparafuse a placa de bateria às roscas de montagem da sua Blackmagic URSA Mini usando 4 parafusos M3. Certifique-se de que o cabo conector esteja inserido com segurança no compartimento dedicado e não fique prensado entre as placas adaptadoras ao encaixar.
- 4** Com a placa de bateria conectada, agora você pode encaixar uma bateria de montagem V ou Gold e alimentar a sua câmera.

## Usar Sua Própria Placa Adaptadora de Bateria

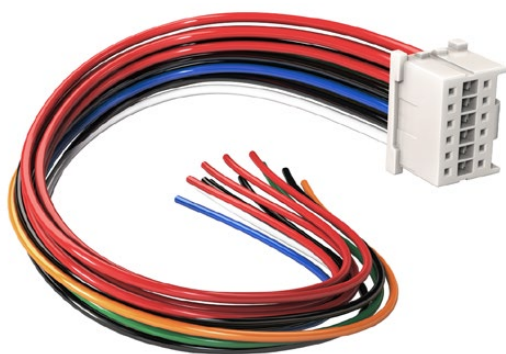
### Adaptador de Cabo e Conector

Caso não possua uma placa adaptadora para bateria pronta para uso com a sua URSA Mini e deseje adaptar sua própria placa de bateria, é possível usar o adaptador de cabo e conector incluído que também está disponível através da sua central de suporte técnico Blackmagic Design local.

Como ligar o adaptador de cabo e conector à sua placa de bateria:

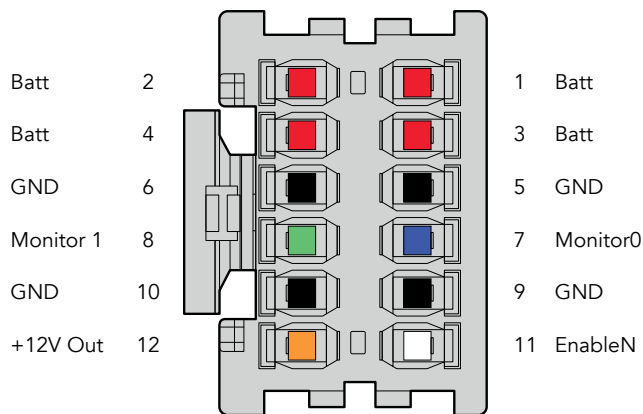
- 1** Tire aproximadamente meia polegada do isolamento da extremidade de cada fio vermelho e preto.
- 2** Solde todos os quatro fios de bateria vermelha no fio positivo correspondente da sua placa de bateria.
- 3** Solde todos os quatro fios de bateria GND pretos no fio negativo correspondente da sua placa de bateria.

Certifique-se de que as junções estejam bem isoladas.



Caso seja necessário modificar qualquer placa de bateria para conectá-la à URSA, utilize o cabo e conector adaptador incluído, que também está disponível através da sua central de suporte técnico Blackmagic Design local.

Isto possibilita que a bateria alimente sua câmera. Também é possível conectar fios adicionais para recursos como a saída de 12 V e o status da bateria. Consulte as informações da sua placa de bateria, além do diagrama e das tabelas nesta página para assistência ao conectar os cabos. Caso mais assistência seja necessária, visite a central de suporte técnico da Blackmagic Design em [www.blackmagicdesign.com/br/support](http://www.blackmagicdesign.com/br/support).



Visualização da parte traseira da caixa do adaptador. Consulte a tabela de configuração do cabeamento para uma descrição de cada pino.

### Tabela de Configuração do Cabeamento

Pinos	Sinal	Cor	Direção	Descrição
1, 2, 3, 4	Bat.	Vermelho	Para URSA	12 V a 20 V
5, 6, 9, 10	GND	Preto	–	–
7	Monitor0	Azul	Para URSA	Nível de bateria analógico ou linha de dados de dreno aberto (máx. de 20 V)
8	Monitor1	Verde	Para URSA	Linha de relógio de dreno aberto (máx. de 3.4 V)
12	Saída +12 V	Laranja	A partir da URSA	Saída regulada de 12 V máx. de 1.5A (18 W)
11	EnableN	Branco	Para URSA	Conecte ao aterramento GND para ativar a saída de +12 V. Mantenha flutuante caso a saída de +12 V não seja necessária.

Cada pino de Bat. e GND suporta 3 amperes. Certifique-se de que todos os pinos Bat. e GND estejam conectados. Para monitorar o status de bateria usando Anton Bauer, IDX ou placas Blueshape, siga a tabela de conexão abaixo:

<b>Anton Bauer</b>	Conecte o fio listrado azul/branco ao fio azul da caixa no pino 7.
<b>IDX</b>	Conecte o fio verde ao fio verde da caixa no pino 8, e o fio cinza ao fio azul da caixa no pino 7.
<b>Blueshape</b>	Conecte o fio azul marcado “SMBC” ao fio verde da caixa no pino 8. Conecte o fio marrom marcado “SMBC” ao fio azul da caixa no pino 7.

Proteja qualquer fio não utilizado ao cortá-lo o mais próximo possível da traseira do conector adaptador.

# Blackmagic Fiber Converters

O Blackmagic Camera Fiber Converter e o Blackmagic Studio Fiber Converter são acessórios opcionais que oferecem conexão de fibra óptica SMPTE entre a sua câmera e um switcher ATEM.

A fibra SMPTE permite que você conecte todos os sinais de controle de vídeo, intercomunicação, sinalização e câmera entre um switcher ATEM e a sua câmera via um único cabo híbrido de fibra óptica SMPTE padrão da indústria. A utilização da conexão de fibra óptica SMPTE reduz a quantidade de cabos, tornando os equipamentos de produção mais eficientes e mais fáceis de administrar. Os conectores padrão do Blackmagic Studio Fiber Converter permitem adicionar conversores de fibra a uma unidade móvel de transmissão com facilidade.

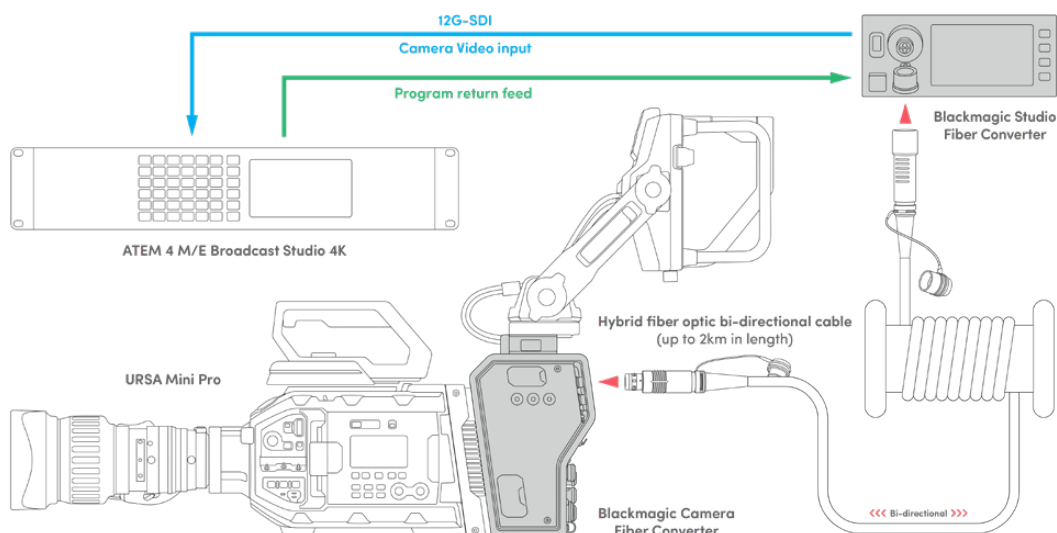


## Blackmagic Camera Fiber Converter

O Blackmagic Camera Fiber Converter se encaixa na traseira da sua câmera URSA Mini ou URSA Broadcast e se conecta ao Blackmagic Studio Fiber Converter via um conector híbrido padrão SMPTE 304.

## Blackmagic Studio Fiber Converter

Este conversor converte o sinal de fibra óptica SDI da unidade de câmera via BNC, que por sua vez é conectado a um switcher ATEM. O conversor também recebe todas as alimentações das fontes de retorno, incluindo retorno de programa do switcher ATEM, e as reenvia à unidade de câmera.



O Blackmagic Camera Fiber Converter e o Blackmagic Studio Fiber Converter são conectados via fibra óptica para fornecer sinais de controle de vídeo, alimentação, intercomunicação e sinalização com eficiência via um único cabo de fibra SMPTE.



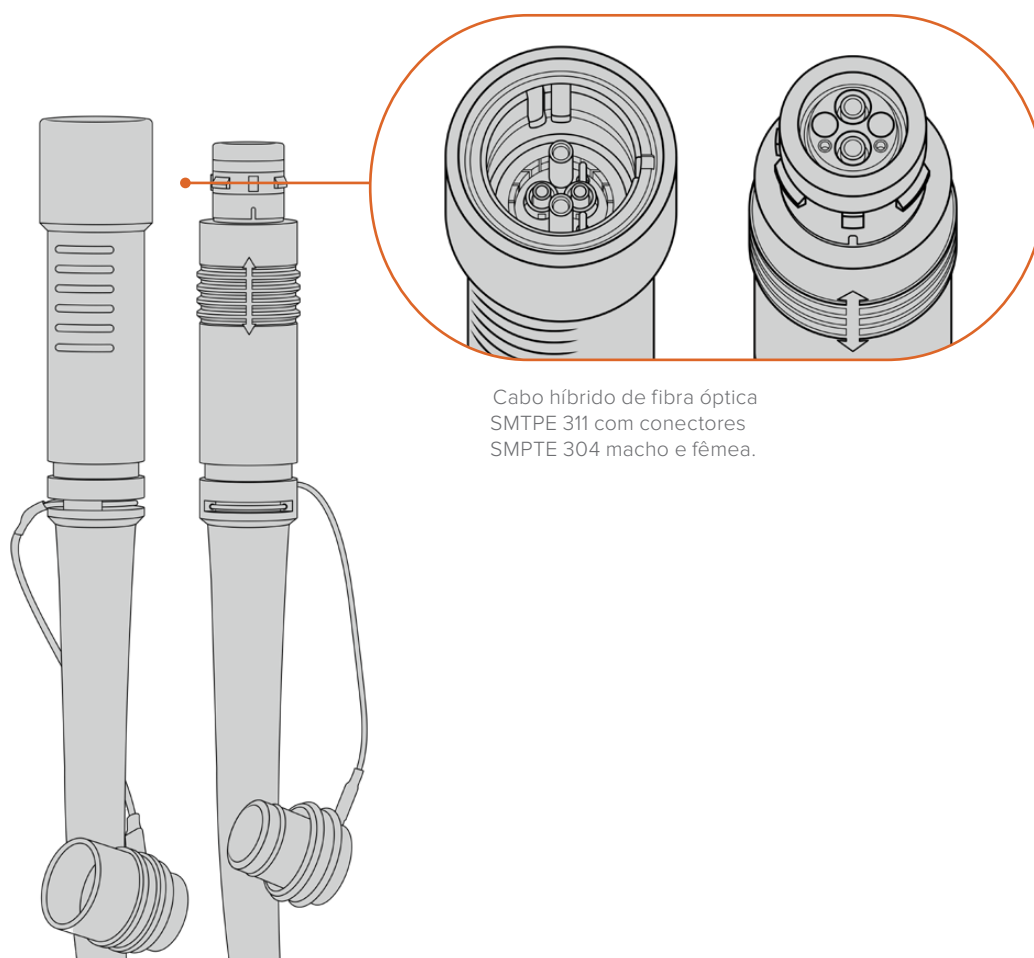
# Instruções Preliminares

Os primeiros passos são rápidos e fáceis. Em pouco tempo, você estará produzindo conteúdo de vídeo e desfrutando dos benefícios da fibra SMPTE.

## Sobre a Fibra SMPTE

Os cabos de fibra SMPTE oferecem uma maneira mais simples de transmitir múltiplos sinais, incluindo alimentação, a longas distâncias. Isto é útil em ambientes broadcast, pois você não precisa plugar vários cabos para cada câmera que estiver conectada ao seu switcher.

Um cabo de fibra óptica híbrido SMPTE 311 permite utilizar um único cabo de fibra óptica padrão da indústria para conectar cada câmera ao seu switcher ATEM e fornecer sinais de controle de vídeo, alimentação, intercomunicação e sinalização. Com fibra óptica, você também pode distribuir esses sinais, incluindo alimentação, por até 2 km distância.



Cabo híbrido de fibra óptica SMPTE 311 com conectores SMPTE 304 macho e fêmea.

**OBSERVAÇÃO** As extremidades macho e fêmea de um cabo híbrido de fibra óptica SMPTE 311 podem ser identificadas pelos pinos macho e fêmea dentro da ponta do conector SMPTE 304. O sexo dos conectores não é determinado pela aparência externa.

**DICA** Conecte a proteção emborrachada de cada extremidade do cabo de fibra SMPTE com a proteção emborrachada de cada conversor para impedir a entrada de poeira ou outros resíduos nos protetores.

Uma das maiores vantagens da conexão via fibra SMPTE é a conexão com a sala de controle ou unidade de transmissão móvel em ambientes broadcast ao vivo tradicionais. A maioria das arenas esportivas modernas já possui cabos de fibra óptica instalados entre as posições de câmera e a sala de controle ou unidade móvel de transmissão, então você pode plugar diretamente nesses sistemas.

O cabo utilizado para conectar a um sistema de fibra existente, ou para conectar os dois conversores de fibra Blackmagic entre si, é um cabo híbrido de fibra óptica SMPTE 311 com conectores SMPTE 304.

### Proteger Conectores SMPTE

É muito importante que os conectores do cabo de fibra SMPTE estejam sempre vedados com a proteção emborrachada. Partículas de poeira minúsculas podem acumular rapidamente nas extremidades polidas dos tubos de fibra de vidro e interromper o fluxo do sinal. É recomendável recolocar a proteção emborrachada assim que o conector estiver exposto. Por exemplo, logo antes da conexão, e logo depois da desconexão.

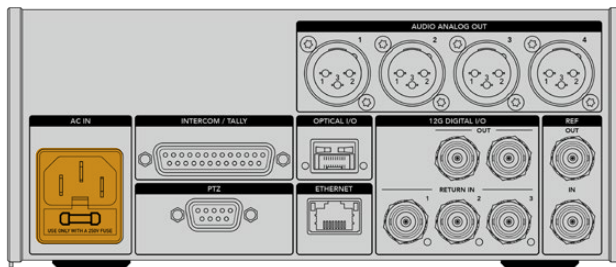
Também é recomendável conectar a proteção emborrachada de cada extremidade do cabo de fibra SMPTE à proteção emborrachada dos conversores durante o uso, evitando a entrada de poeira e outros resíduos.

### Conectar Alimentação

A alimentação da unidade de estúdio é enviada à unidade de câmera através do cabo de fibra, portanto o primeiro passo é conectar a unidade de estúdio à alimentação.

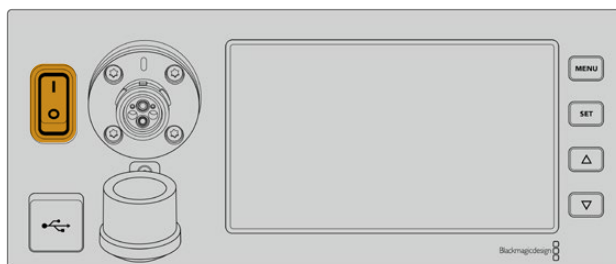
#### Alimentar o Studio Fiber Converter

Conecte um cabo de alimentação IEC padrão à entrada de alimentação na parte traseira do painel da unidade de estúdio.



A alimentação da unidade de estúdio é fornecida via um cabo de alimentação IEC padrão.

Para ligar a unidade, mova a chave de alimentação no painel de controle dianteiro para a posição "On".





## Conectar Fibra SMPTE

O próximo passo é conectar o cabo de fibra óptica SMPTE entre a unidade de estúdio e a unidade de câmera. Isto fornece alimentação da unidade de estúdio para a câmera, além de conexão via fibra para todas as alimentações de vídeo.

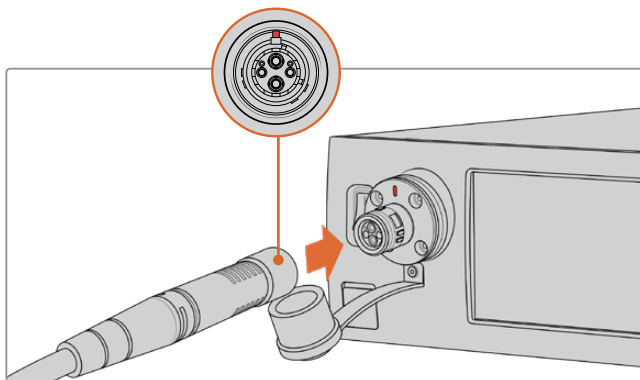
**OBSERVAÇÃO** Verificações de segurança extensivas são iniciadas sempre que um cabo híbrido de fibra óptica alimentado é conectado ao conversor. A segurança da alimentação da unidade é monitorada continuamente durante o uso.

### Conectar o Cabo de Fibra à Unidade de Estúdio

A extremidade macho do cabo de fibra SMPTE se trava com segurança à extremidade fêmea do conector de fibra no painel frontal do Blackmagic Studio Fiber Converter. Esta conexão é segura, o que garante que o cabo não será desconectado acidentalmente durante a transmissão.

#### Como conectar o cabo:

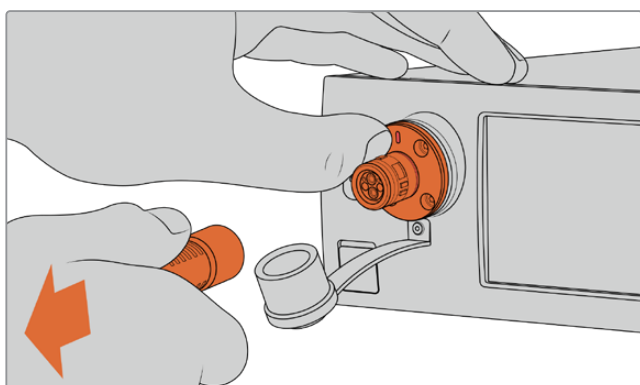
Alinhe o indicador vermelho do conector com o ponto vermelho do conector da unidade de fibra, e plugue o conector até que ele trave no lugar.



Plugue a extremidade macho do cabo de fibra SMPTE na extremidade fêmea do conector no painel frontal do Blackmagic Studio Fiber Converter.

#### Como desconectar o cabo:

Empurre a base metálica do conector da unidade de estúdio em direção ao painel frontal e remova o conector do cabo.



Empurre a base metálica do conector da unidade de estúdio em direção ao painel frontal para soltar o conector e, em seguida, remova o cabo da unidade.

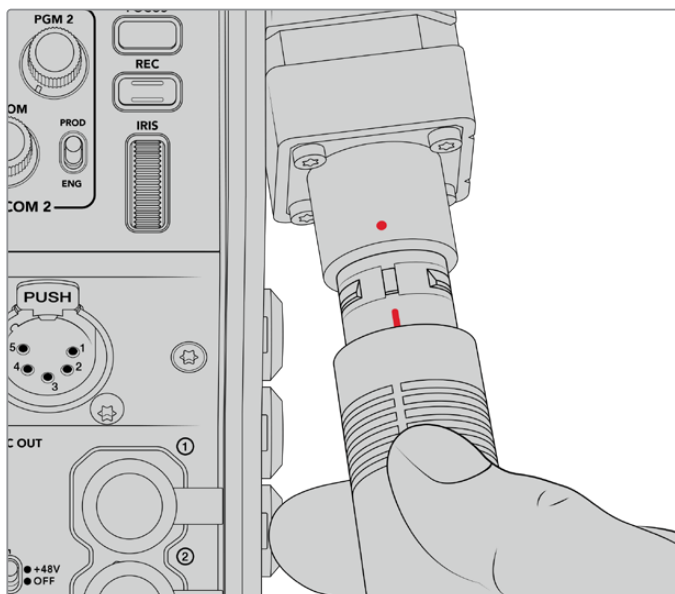
Quando estiver plugado, é recomendável conectar a proteção emborrachada da extremidade do cabo de fibra SMPTE à proteção emborrachada do Blackmagic Studio Fiber Converter. Isto evita a entrada de poeira e outros resíduos nos conectores, além de garantir que as proteções permaneçam limpas.

## Conectar o Cabo de Fibra à Unidade de Câmera

A extremidade fêmea do cabo de fibra SMPTE trava na extremidade macho na lateral do Blackmagic Camera Fiber Converter, evitando que o cabo seja desconectado acidentalmente durante uma transmissão.

### Como conectar o cabo:

- 1 Alinhe os indicadores vermelhos de cada conector e plugue o conector do cabo na unidade de câmera até que ele trave seguramente no lugar.
- 2 Quando estiver plugado, é recomendável conectar a proteção emborrachada da extremidade do cabo de fibra SMPTE à proteção emborrachada do Blackmagic Camera Fiber Converter. Isto evita a entrada de poeira e outros resíduos nos conectores, além de garantir que as proteções permaneçam limpas.

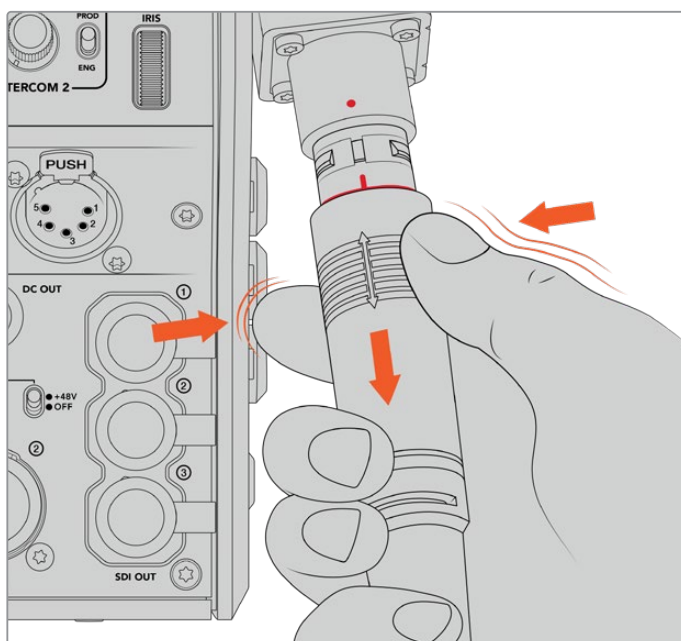


Alinhe os indicadores vermelhos para conectar o cabo híbrido de fibra óptica SMPTE ao conector grande do Blackmagic Camera Fiber Converter.

**OBSERVAÇÃO** Os conectores SMPTE 304 no cabo SMPTE 311 são bastante resistentes e travam firmemente na câmera. Caso precise desconectar o cabo, certifique-se de que a câmera esteja encaixada firmemente na cabeça do tripé ou sustente a câmera com sua mão livre ao desconectar o cabo.

### Como desconectar o cabo:

- 1 Aperte a parte superior da extremidade fêmea do cabo, e comprima a proteção emborrachada em volta do cabo, puxando suavemente da ponta do cabo até visualizar o anel vermelho sob a proteção. Isto fará com que os dentes se soltem do mecanismo de travamento.
- 2 Coloque uma das mãos sobre a câmera segurando cuidadosamente e puxe o cabo do conector do Blackmagic Camera Fiber Converter. O cabo se soltará facilmente, sem necessidade de força excessiva.



Pressione a parte emborrachada na extremidade do cabo para revelar o anel vermelho e depois puxe o cabo para desconectá-lo.

**OBSERVAÇÃO** O cabo híbrido de fibra SMPTE é a peça principal do ecossistema broadcast, portanto é importante tomar muito cuidado. Por exemplo, evite torções no cabo, sempre impeça que ele seja pressionado sob itens pesados e evite dobrá-lo em ângulos de 90 graus. Evite deixar que os conectores caiam no chão e tome cuidado ao conectá-los e desconectá-los. Sempre tampe os conectores assim que ficarem expostos.

## Confirmar Alimentação e Fibra

As duas unidades utilizarão um processo de aperto de mão (handshake) para determinar que a alimentação está sendo fornecida e a fibra está conectada com segurança.

**Este processo inclui as seguintes etapas:**

- 1** A unidade de estúdio entrará em estado de baixo consumo com a unidade de câmera. Isto será indicado pela luz de status da alimentação da unidade de câmera, que acenderá em vermelho. No estado de baixo consumo, a funcionalidade de intercomunicação é habilitada, mas a alimentação completa necessária para operar a unidade ainda não foi confirmada.
- 2** Uma vez que as unidades determinarem que a alimentação está conectada com segurança, o estado de alto consumo será estabelecido e a luz de status da alimentação da unidade de câmera ficará verde.
- 3** A conexão de fibra é confirmada e o status da alimentação da fibra ficará verde.

Normalmente, este processo ocorre rapidamente e os indicadores acendem em verde quase que imediatamente. Caso esteja utilizando um cabo a distâncias mais longas, pode demorar um pouco mais até que os indicadores acendam em verde durante o processo de aperto de mão.

Se o LED de alimentação permanecer vermelho durante um longo período de tempo e não ficar verde, ou alterne entre vermelho e verde, verifique que ambas as extremidades do cabo de fibra estejam conectadas com segurança. Se a interrupção persistir, verifique a condição do seu cabo de fibra.

## Considerações sobre a Segurança da Alimentação

O cabo híbrido de fibra óptica SMPTE é capaz de carregar alta voltagem por longas distâncias, assim você pode alimentar a câmera e os acessórios que estiverem localizados a até 2 km de distância.

Para garantir operação segura, o seu Blackmagic Studio Fiber Converter possui mecanismos de segurança integrados para assegurar o monitoramento e o gerenciamento automático da voltagem sendo carregada.

Um microcontrolador dedicado, além do handshaking e a comunicação interna entre os Blackmagic Fiber Converters, garantem que o cabo híbrido de fibra óptica permaneça desativado até que seja conectado ao Camera Fiber Converter. O conversor, então, entra em um estado de baixo consumo e conclui as verificações de segurança antes de passar para o modo de alto consumo. Voltagens altas não são habilitadas até que os conversores assegurem que um sinal óptico esteja presente e que haja um sinal de fluxo de corrente da malha principal de 5 mA, com um valor de desequilíbrio inferior a 30 mA entre os núcleos de força.

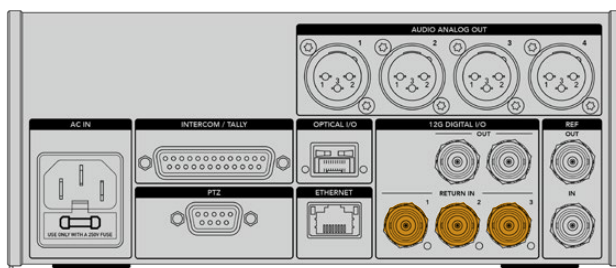
## Conectar a um Switcher ATEM

### Como conectar o Blackmagic Studio Fiber Converter ao seu switcher:

- 1 Conecte um cabo BNC entre a saída 12G-SDI da parte traseira do Blackmagic Studio Fiber Converter e uma das entradas SDI do seu switcher. Certifique-se que a sua câmera esteja configurada para utilizar o mesmo formato e taxa de quadro que o seu switcher.
- 2 Conecte um cabo BNC entre a saída de alimentação de programa do seu switcher e a entrada de retorno, "Return 1", do painel traseiro da unidade de estúdio.

**DICA** Durante uma produção ao vivo multicâmera, talvez seja necessário enviar a alimentação de programa do switcher a um Teranex Mini SDI Distribution 12G ou um Smart Videohub. Isto ocorre porque existe um número determinado de saídas de programa no switcher, e você provavelmente precisará acessar outras saídas.

- 3 Caso precise enviar outras alimentações de retorno à câmera, como alimentação limpa, alimentação de teleprompter, alimentação ISO de outra câmera, grafismos ou qualquer outro sinal, utilize as entradas "Return 2" ou "Return 3".



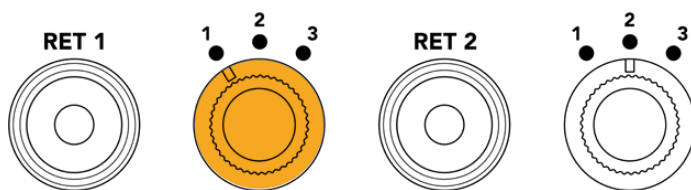
Plugue a alimentação de retorno de programa do switcher e outras fontes de retorno nas entradas de retorno na traseira da unidade de estúdio.

## Confirmar Vídeo

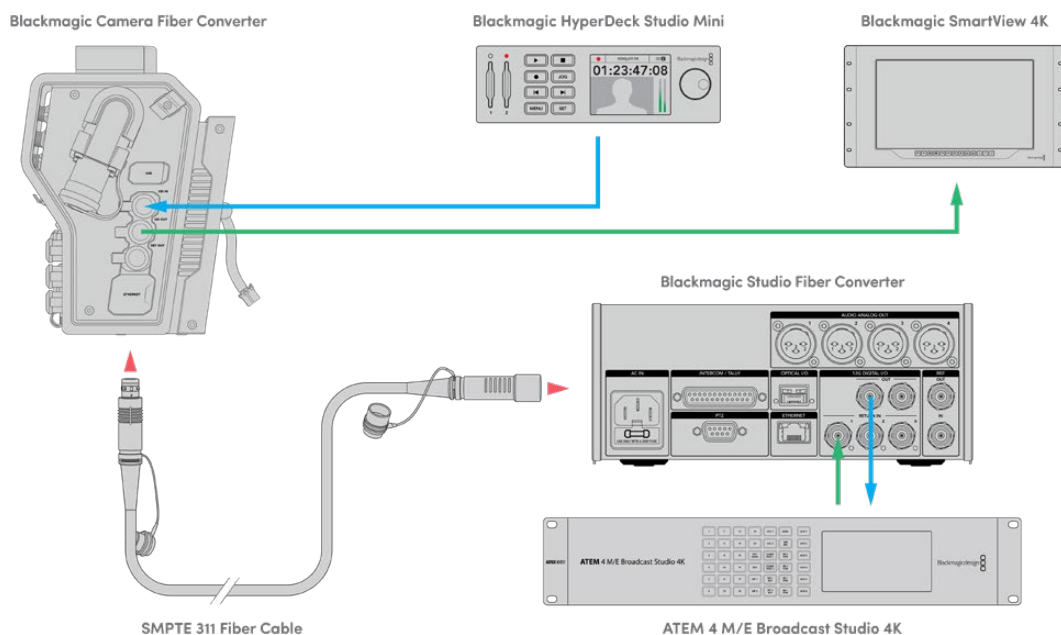
Agora você pode verificar se o vídeo está funcionando e todas as alimentações de programa estão presentes.

- 1 Certifique-se de que a saída de programa do switcher ATEM esteja conectada à entrada de retorno SDI 1 da unidade de estúdio.
- 2 Caso deseje verificar todas as alimentações de retorno, plugue as fontes de vídeo nas entradas de retorno SDI 2 e 3.
- 3 Agora, conecte um monitor SDI, como um Blackmagic SmartView 4K, na saída SDI na lateral da unidade de câmera.

Com um monitor conectado à saída SDI, gire o botão de seleção correspondente ao lado do botão de retorno para alternar entre as três alimentações. Você pode configurar os dois botões de retorno para monitorar duas alimentações de retorno diferentes, caso deseje.



Altere entre as alimentações de retorno na unidade de câmera e pressione o botão de retorno correspondente para visualizar a alimentação selecionada em um monitor.



Para confirmar o vídeo, plugue as fontes de vídeo nas entradas de alimentação de retorno na unidade de estúdio, e depois visualize-as através de um monitor conectado à unidade de câmera.

## Por que as Conexões São Frontais?

A conexão de fibra está localizada na frente da unidade de estúdio para que atue como um painel de conexão óptica na traseira de um rack. Normalmente, o conversor de estúdio é instalado de maneira que os cabos SMPTE possam ser plugados diretamente na unidade. Isto elimina a necessidade de painéis de conexão adicionais no rack e o custo de um cabo curto extra para a unidade de fibra. A tela LCD grande ao lado do conector de fibra SMPTE permite que você verifique a qualidade da conexão com a câmera rapidamente.

## Conectar SDI de Câmera

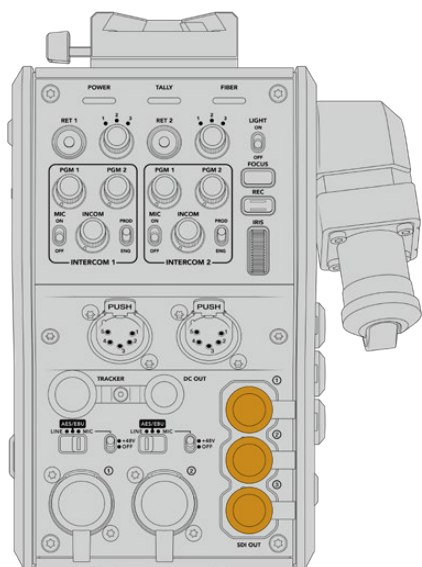
A conexão de sinais de vídeo entre o seu Blackmagic Camera Fiber Converter e a URSA Mini ou URSA Broadcast é simples. Basta conectar dois dos três cabos SDI inclusos entre a lateral do conversor e a traseira da sua câmera.

### Como conectar o Camera Fiber Converter à sua câmera:

- 1 Conecte um dos cabos BNC fornecidos entre a saída 12G-SDI da traseira da Blackmagic URSA Mini ou URSA Broadcast e a entrada SDI do Blackmagic Camera Fiber Converter.
- 2 Conecte um dos cabos BNC fornecidos entre a saída SDI do Blackmagic Camera Fiber Converter e a entrada 12G-SDI do painel traseiro da Blackmagic URSA Mini ou URSA Broadcast.

## Conectar Saídas de Retorno SDI

As três saídas SDI marcadas como "SDI Out" na frente da unidade de câmera são saídas loop de alimentações de programa provenientes do switcher. Essas saídas permitem que você conecte alimentações de retorno a outros equipamentos SDI próximos da câmera, como um teleprompter ou um monitor.



As três saídas loop de retorno podem ser conectadas a outros equipamentos SDI próximos à câmera, como um teleprompter ou um monitor.

**OBSERVAÇÃO** As saídas loop SDI de retorno suportam 3G-SDI para fornecer largura de banda suficiente para três alimentações diferentes. Isto significa que as alimentações de retorno Ultra HD do switcher de até 2160p60 serão convertidas para 1080p com a taxa de quadro equivalente.

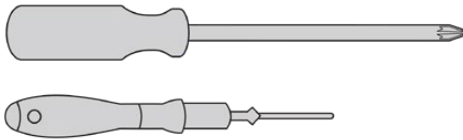
## Montar o Blackmagic Camera Fiber Converter

O Blackmagic Camera Fiber Converter se encaixa na traseira da sua URSA Mini e URSA Broadcast, diretamente no corpo da câmera, e se fixa aos conectores BNC das entradas e saídas SDI atrás da câmera. Caso tenha instalado uma placa de bateria na traseira da sua câmera, será necessário removê-la antes de conectar o Blackmagic Camera Fiber Converter.

**OBSERVAÇÃO** Antes de instalar o Blackmagic Camera Fiber Converter, certifique-se de que a URSA Mini esteja utilizando o software interno versão 4.4 ou mais recente; e a URSA Broadcast esteja executando a versão 4.6 ou mais recente. Você pode verificar a versão do software na página 4 do menu de configurações da câmera. Para mais informações sobre atualização do firmware da sua câmera, consulte a seção 'Blackmagic Camera Setup Utility' neste manual.

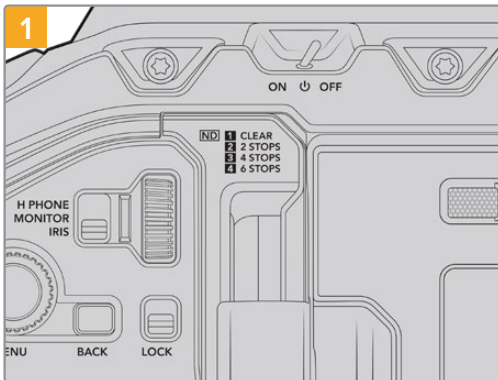
Ao encaixar o Blackmagic Camera Fiber Converter, você precisará das seguintes ferramentas:

- 1 x chave Phillips
- 1 x chave sextavada de 2.5 mm

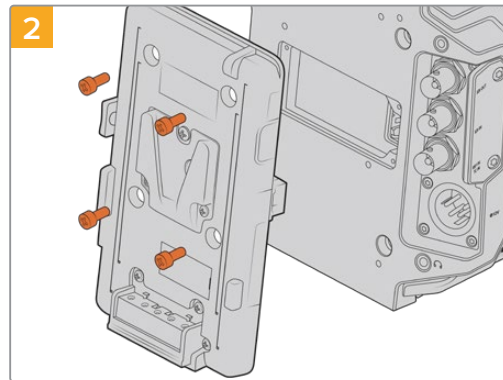


Para encaixar o Blackmagic Camera Fiber Converter na sua URSA Mini ou URSA Broadcast, você precisará de uma chave Phillips grande e uma chave sextavada de 2.5 mm.

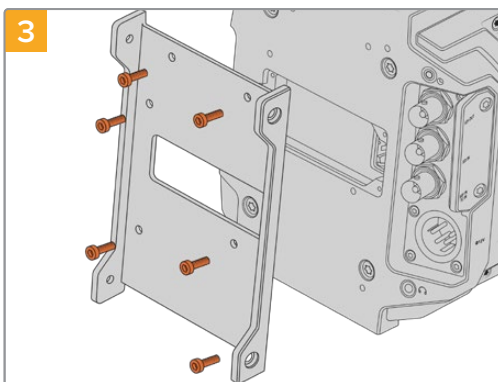
Como encaixar e conectar o Blackmagic Camera Fiber Converter:



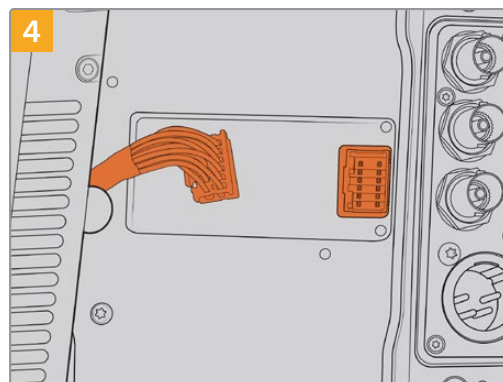
Certifique-se de que a sua câmera esteja desligada. Se estiver usando a URSA Mini Pro ou URSA Broadcast, desligue-a movendo a chave de alimentação para "Off".



Retire a placa de bateria ou capa de proteção do conector mox, caso encaixado, utilizando uma chave Phillips.

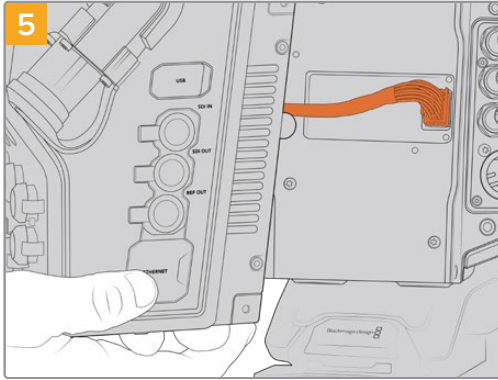


Encaixe o suporte de montagem do Blackmagic Camera Fiber Converter usando seis parafusos sextavados de 2.5 mm.

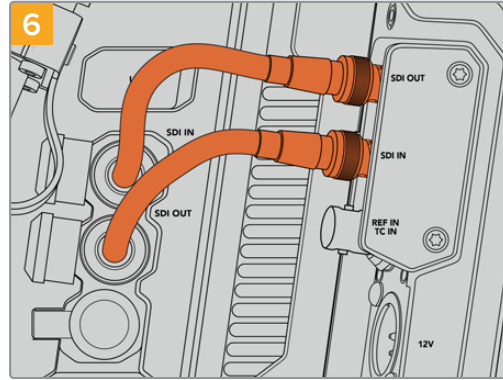


Plugue o conector mox do Blackmagic Camera Fiber Converter ao conector mox de alimentação do painel traseiro da sua câmera.





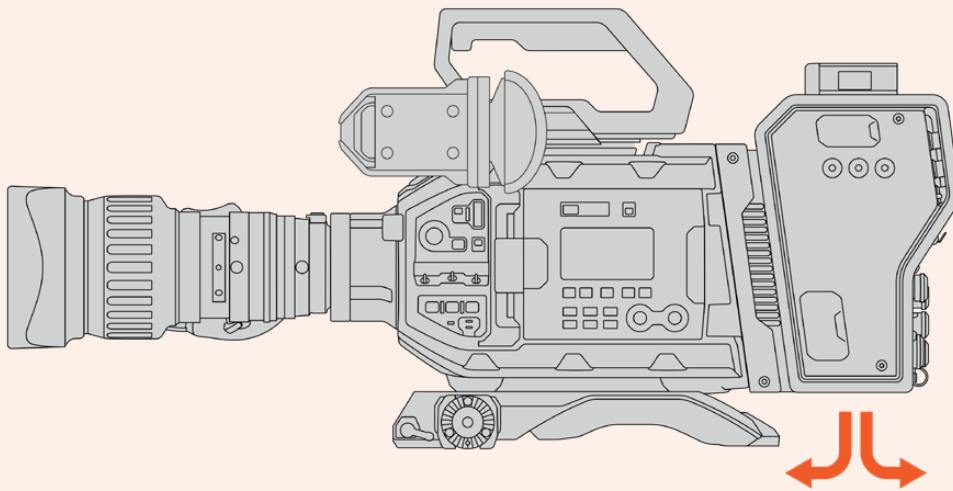
5  
Deslize o Blackmagic Camera Fiber Converter no suporte de montagem e encaixe-o usando dois parafusos sextavados de 2.5 mm em cada lado do suporte.



6  
Use os cabos BNC fornecidos para conectar a saída SDI da traseira da sua câmera na entrada SDI do Blackmagic Camera Fiber Converter, e a saída SDI do conversor de fibra à entrada SDI da traseira da câmera.

**OBSERVAÇÃO** Ao configurar a sua produção e utilizar a URSA Mini ou URSA Broadcast com a unidade de fibra encaixada, é importante deixar um pouco de espaço livre para ventilação adequada sob o equipamento.

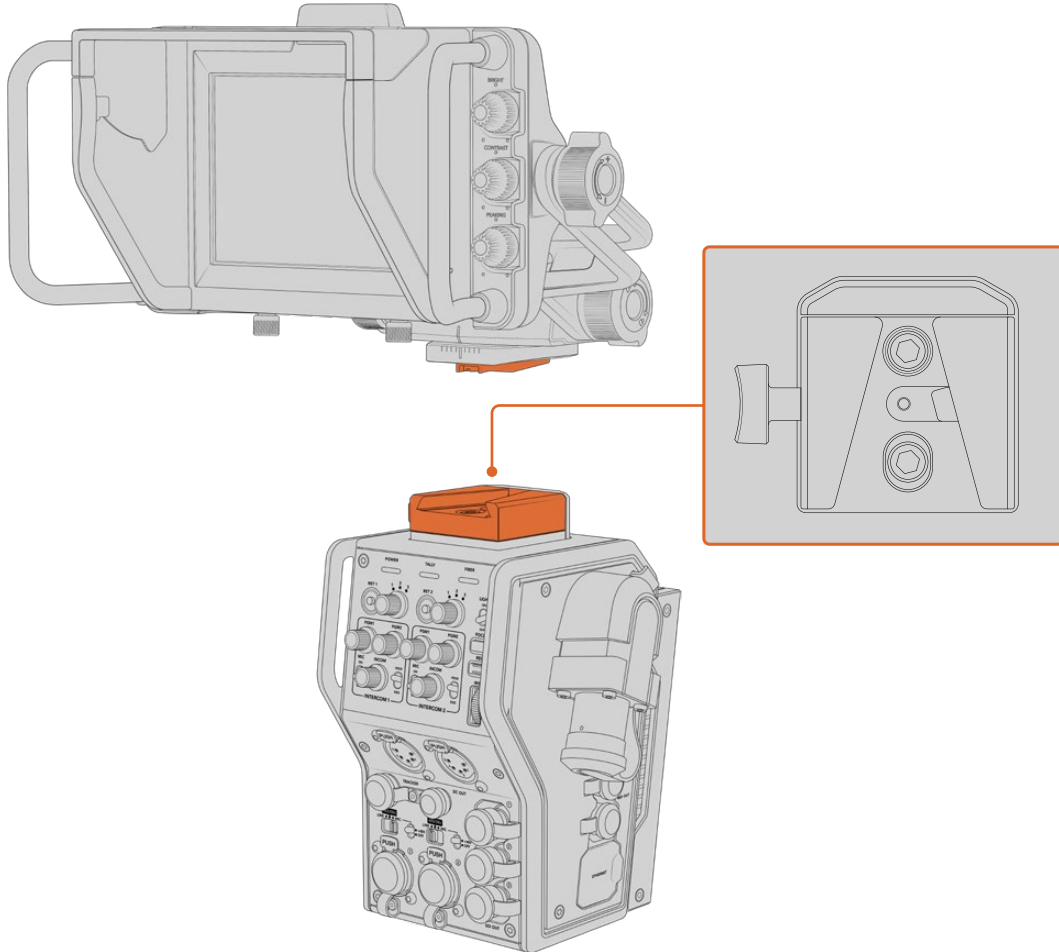
Como a câmera normalmente é utilizada em um tripé, ou montada no ombro, já haverá espaço suficiente. No entanto, caso a unidade esteja sendo utilizada sobre uma superfície plana, é recomendável acoplar um descanso de ombro URSA Mini Shoulder Mount, uma placa de base ou suporte para trilhos, a fim de manter o fluxo de ar da ventoinha de refrigeração sob o Fiber Converter.





## Encaixar o URSA Studio Viewfinder

A placa V-Lock integrada na parte superior da unidade permite o encaixe de um Blackmagic Studio Viewfinder. Dessa maneira, o visor de estúdio se posiciona diretamente ao nível dos olhos quando a câmera é montada em um pedestal ou tripé.



A montagem V-Lock na parte superior da unidade de câmera permite que você encaixe um Blackmagic URSA Studio Viewfinder.

## Plugar um Headset de Intercomunicação

Plugue um headset broadcast em um dos dois conectores XLR de 5 pinos na frente da unidade de câmera. Os dois conectores de headset permitem que duas pessoas se comuniquem com a equipe simultaneamente.

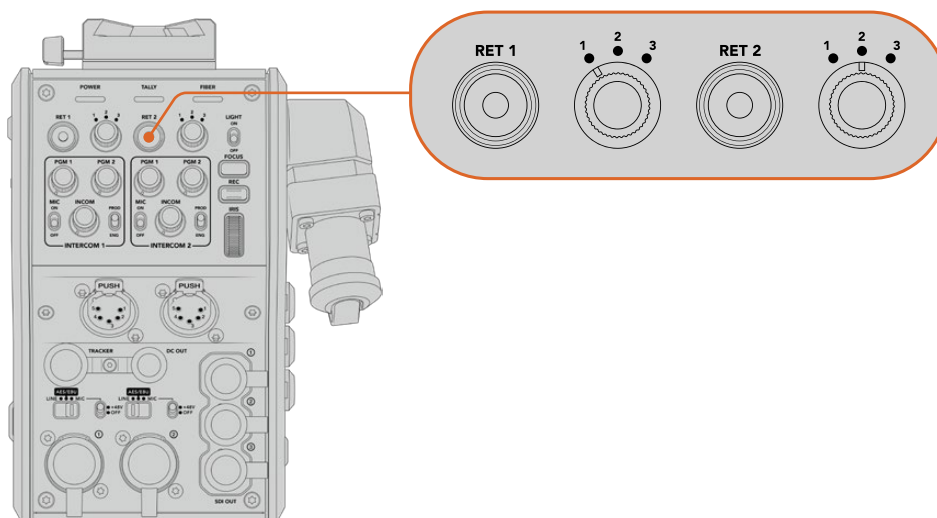
Agora, você já está pronto para começar! Com os conversores de fibra alimentados e o vídeo conectado via fibra SMPTE, você pode começar a usar os conversores para criar sua produção ao vivo com mais flexibilidade e eficiência. Continue lendo este manual para mais informações sobre como usar todas os recursos dos conversores de fibra Blackmagic.

# Operar o Camera Fiber Converter

## Selecionar uma Alimentação de Retorno

Os dois botões de retorno no painel frontal podem ser usados da mesma forma que o botão PGM na câmera, para alternar a alimentação no LCD, Blackmagic URSA Studio Viewfinder e nas saídas HD de monitoramento entre a visualização de câmera e retorno de programa.

Os dois botões de retorno são marcados como “Ret 1” e “Ret 2” alternam entre essas alimentações de retorno. Os três controles giratórios juntos dos botões “Ret 1” e “Ret 2” atribuem qual é a alimentação de retorno desejada para a visualização ao apertar o botão correspondente à esquerda do controle. Essas posições no controle giratório estão relacionadas às entradas de retorno 1, 2 e aos 3 conectores SDI localizados na traseira do Studio Fiber Converter.



Os botões de retorno e os controles giratórios de três vias permitirão que você selecione qual alimentação de retorno visualizar quando os botões de retorno forem pressionados.

Pressione e segure um dos botões de retorno para visualizar a alimentação de retorno selecionada. A alimentação do programa continuará a ser exibida enquanto o botão de retorno permanecer pressionado. Pressione o botão de retorno duas vezes para fixar a exibição da alimentação de retorno. Ao pressionar o botão de retorno novamente, você sairá da alimentação de retorno e retornará para a visualização de câmera.

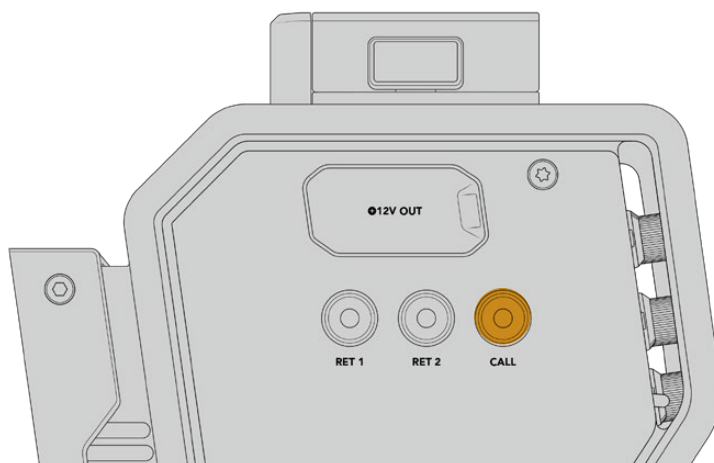
Assim, você pode ajustar com rapidez e facilidade qual das três alimentações de retorno sendo enviadas do Blackmagic Studio Fiber Converter você deseja acessar rapidamente nos dois botões de retorno. Por exemplo, as três alimentações de retorno podem ser a saída de programa do switcher completa com grafismos, uma alimentação de teleprompter e uma alimentação direta de outra câmera.

Ao usar estes controles, você pode atribuir “Ret 1” como sua alimentação de programa permanentemente e, depois, usar o segundo botão “Ret 2” para verificar o que está sendo enviado ao teleprompter, e para alternar a visualização ocasionalmente para verificar o enquadramento de outra câmera quando for necessário corresponder seu enquadramento ou ângulo.

Também há botões de retorno na lateral esquerda da unidade, marcados como “Ret 1” e “Ret 2” que fornecem acesso adicional para visualizar as alimentações de retorno ao operar sua câmera pela lateral. Eles desempenham a mesma função que os botões de retorno na parte frontal da unidade.

## Usar o botão Call

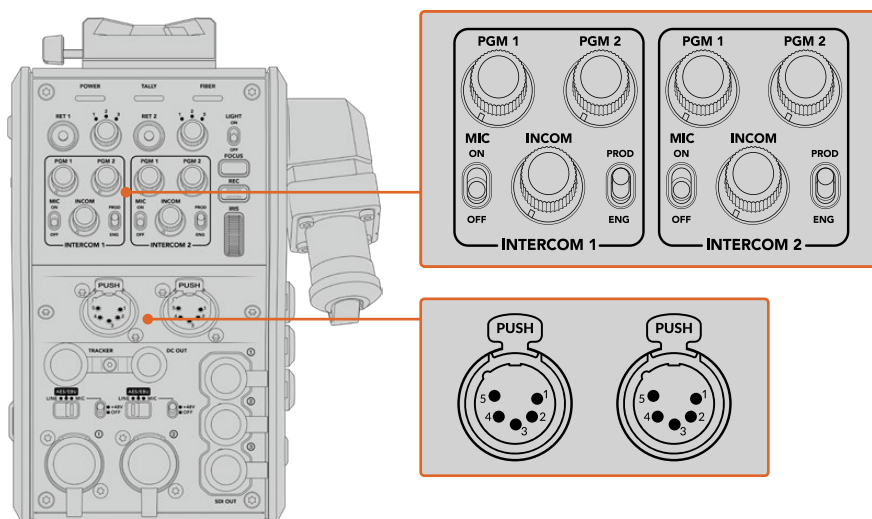
Junto dos botões de retorno está um botão de chamada, denominado “Call”, quando pressionado, ele faz piscar o indicador de sinalização vermelho na tela do seu Blackmagic Studio Fiber Converter. O botão de chamada também faz piscar em vermelho um botão “Press To Talk” numerado no painel do ATEM Talkback Converter 4K. Esses indicadores visuais alertam o pessoal da sala de controle caso assistência seja necessária.



## Usar Intercomunicação

Os dois conectores XLR fêmea de 5 pinos permitem que você encaixe dois headsets para que você e outro membro da equipe possam se comunicar com o resto da equipe simultaneamente.

Os controles de intercomunicação para cada headset estão reunidos em duas seções como dois intercomunicadores independentes, e são efetivamente mixers de áudio de três vias para cada conector XLR para headset localizado diretamente abaixo.



Os controles de intercomunicação para cada headset estão localizados diretamente acima de cada conexão para headset.

Será possível ouvir o áudio das alimentações selecionadas para “Ret 1” e “Ret 2” através de um headset conectado. Os botões giratórios “PGM 1” e “PGM 2” ajustam os níveis de áudio dessas alimentações e “Incom” ajusta o volume geral. A chave “Mic” permite que o operador ligue ou desligue o seu próprio microfone.

Cada intercomunicador também possui dois canais selecionáveis, um canal de produção e um canal de manutenção. Assim, instalações broadcast com grandes equipes podem dividir as comunicações da equipe entre os dois canais. O canal de produção permite que você se comunique com o diretor, produtor e outros membros da equipe na sala de controle ou na unidade de transmissão móvel, enquanto o canal de manutenção permite que você se comunique com a equipe de iluminação, operadores técnicos e outros operadores de câmera. Você pode usar a página “Talkback” no menu do seu Blackmagic Studio Fiber Converter para selecionar a fonte de cada canal como “SDI + DB25” ou “Intercom tally DB25” no seu Studio Fiber Converter. Para mais informações, consulte a seção ‘Operar o Studio Fiber Converter’.

O Blackmagic Camera Fiber Converter também inclui uma conexão padrão de 10 pinos para o rastreamento da intercomunicação, o que é ideal quando ambas as conexões para headsets estão em uso e for necessário alimentar uma conexão adicional para o seu operador de grua.

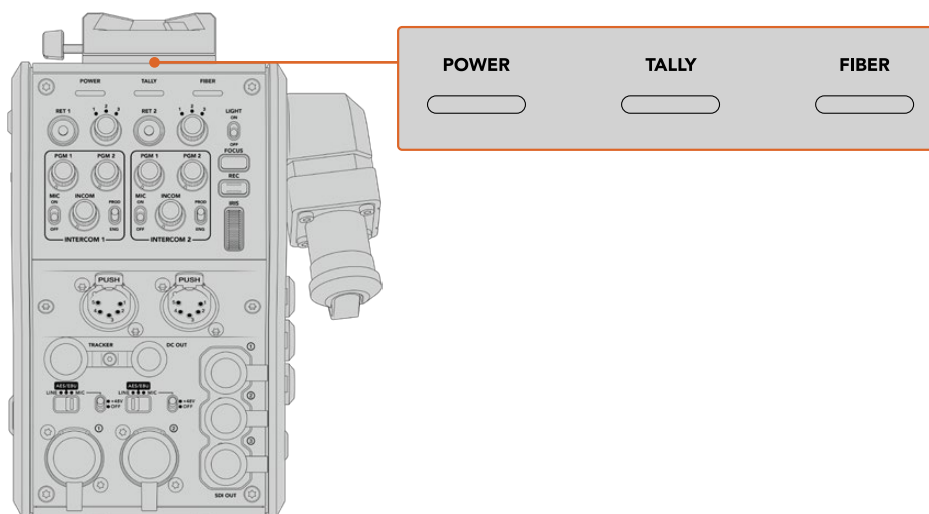
**DICA** A comunicação bidirecional eficaz entre os operadores de câmera e a equipe técnica e de produção é essencial em produções de estúdio e televisivas dinâmicas. O Blackmagic Camera Fiber Converter possui um botão de chamada para que os operadores possam alertar a equipe técnica e de produção e conversar através dos seus headsets de intercomunicação. Pressionar este botão faz piscar um botão “PTT” numérico no ATEM Talkback Converter 4K, e também o indicador de sinalização no LCD do Blackmagic Studio Fiber Converter. Do mesmo modo, se a equipe em uma sala de controle ou unidade móvel de transmissão precisar falar com o operador de câmera urgentemente, eles podem pressionar o botão “Call” daquela câmera no painel ATEM Camera Control. Isso faz as luzes da sinalização no Camera Fiber Converter, no URSA Viewfinder ou URSA Studio Viewfinder da câmera piscarem.

## Usar Sinalização

O indicador de sinalização no painel frontal oferece uma luz de sinalização tradicional em vermelho para programa e em verde para a pré-visualização, assim é possível saber quando a câmera que você está operando estiver no ar.

## Indicadores de Status

Os LEDs de status “Power” (Alimentação), “Tally” (Sinalização) e “Fiber” (Fibra) na parte superior da unidade acenderão em cores diferentes dependendo do status da unidade. Quando o cabo de fibra estiver desconectado, as luzes permanecerão apagadas.



Os LEDs de status acendem em cores diferentes para que você possa identificar o status da unidade.

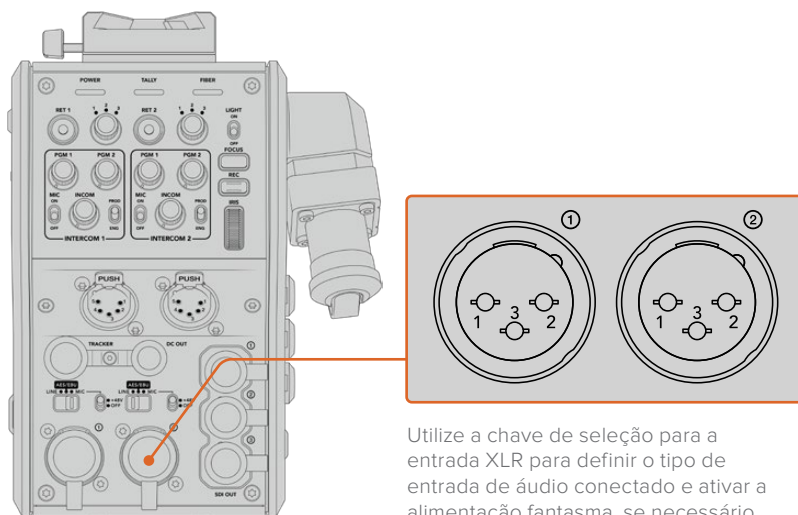
Uma descrição para cada cor, ação e status de LED está representada abaixo:

<b>Energia</b>	<b>Vermelho Constante</b>	Quando o cabo híbrido de fibra óptica SMPTE é conectado a um Blackmagic Studio Fiber Converter alimentado, e a outra extremidade do cabo é conectada a um Blackmagic Camera Fiber Converter, o LED de alimentação do conversor fica vermelho para indicar que ele está recebendo alimentação em estado de baixo consumo. Neste estado de baixo consumo, a funcionalidade de intercomunicação é ativada, mas a alimentação completa é necessária para operar a unidade, que ainda não foi ativada.  Se o LED de alimentação permanecer vermelho durante um longo período e não ficar verde, certifique-se de que ambas as extremidades do seu cabo híbrido de fibra óptica SMPTE estejam conectadas com segurança. Se a conexão permanecer instável, verifique a condição do seu cabo de fibra.
	<b>Verde Constante</b>	Depois que uma conexão de fibra for estabelecida com êxito e o Blackmagic Studio Fiber Converter determinar que a conexão do cabo é segura, o LED de alimentação ficará verde e o conversor de câmera entrará no modo de alto consumo.
	<b>Piscando entre Vermelho e Verde</b>	Se o LED de alimentação piscar entre vermelho e verde, verifique se ambas as extremidades do seu cabo híbrido de fibra óptica SMPTE estão seguramente conectadas. Se a conexão permanecer instável, verifique a condição do seu cabo de fibra.
<b>Sinalização</b>	<b>Vermelho Constante</b>	O LED de sinalização acende em vermelho para indicar que a câmera que você está operando no momento está no ar.
	<b>Verde Constante</b>	O LED de sinalização acende em verde para indicar que a câmera que você está operando no momento está no modo de pré-visualização.
<b>Fibra</b>	<b>Vermelho Constante</b>	Quando o cabo híbrido de fibra óptica SMPTE está conectado ao Camera Fiber Converter, o LED da fibra acenderá em vermelho para indicar que o processo de aperto de mão (handshake) foi iniciado e o conversor está em estado de baixo consumo. Neste estado, a funcionalidade é ativada para uso durante a preparação ou para a resolução de problemas com a cadeia de câmera, caso a conexão de fibra esteja desativada.
	<b>Verde Constante</b>	Depois que a conexão de um cabo híbrido de fibra óptica SMPTE for estabelecida com êxito, o LED da fibra acenderá em verde.

Logo após ambas as luzes para a alimentação e a fibra ficarem verdes, isto indica que as verificações de segurança foram concluídas e os conversores entraram no modo de alto consumo.

## Entradas de Áudio

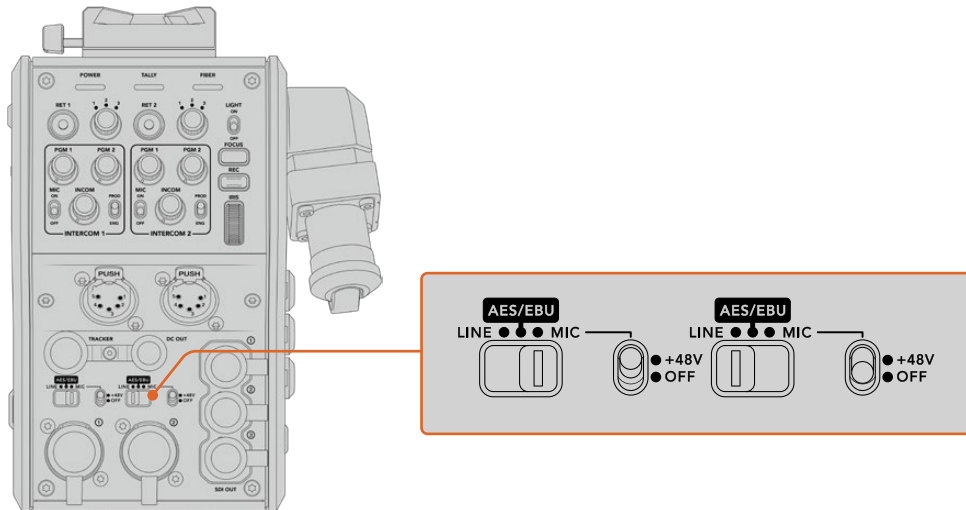
Seu Blackmagic Camera Fiber Converter possui duas entradas XLR rotuladas “1” e “2” que permitem a conexão de áudio analógico externo de equipamentos profissionais, como mesas de som, sistemas PA ou microfones externos.



Utilize a chave de seleção para a entrada XLR para definir o tipo de entrada de áudio conectado e ativar a alimentação fantasma, se necessário.

O áudio de câmera é embutido nos canais 1 e 2 da alimentação de câmera, e as 2 entradas de áudio na traseira do Camera Fiber Converter são embutidas como os canais 3 e 4. Todos os 4 canais de áudio também são desembutidos na outra extremidade do Studio Fiber Converter como saídas de áudio analógicas.

A página de áudio no menu do seu Blackmagic Studio Fiber Converter permite que você ajuste os níveis de entrada para fontes de áudio conectadas às entradas XLR do seu Blackmagic Camera Fiber Converter. Para mais informações, consulte a seção 'Operar o Studio Fiber Converter'. Depois de conectadas, você pode usar a chave de atribuição da entrada XLR para definir o comportamento das entradas XLR quando forem selecionadas como uma fonte de entrada. As opções disponíveis são áudio de microfone, nível de linha e áudio digital AES.



Caso deseje conectar microfones que não são autoalimentados, é possível ativar a alimentação fantasma de 48 V. Mova a chave de alimentação fantasma para "+48 V" para ativar a alimentação fantasma para qualquer microfone conectado ao XLR abaixo, ou "Off" para desativar a alimentação fantasma.

## Vídeo IP

Um cabo de fibra SMPTE conectado permite um enlace IP de 10 Gbits entre o seu Camera Fiber Converter e o Studio Fiber Converter. Isto permite que todas as suas alimentações de vídeo e retorno sejam baseadas em vídeos IP usando codificação e decodificação de vídeos de 10 bits de alto nível, sem perdas visuais. Todas as outras conexões, como intercomunicação, sinalização, controle de câmera e de lente, também são convertidas em IP de baixa latência para que você obtenha um desempenho incrivelmente confiável.

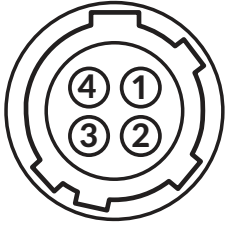
## Especificações de Alimentação

O Blackmagic Studio Fiber Converter oferece alimentação para o Blackmagic Camera Fiber Converter, sua câmera e seus acessórios. Um conector moxer é fixado ao soquete moxer no painel traseiro da sua câmera para alimentá-la a partir do Camera Fiber Converter.

Caso seja necessário posicionar sua câmera a uma distância de mais de 2,1 km da unidade móvel de transmissão, e sua câmera e seu conversor não estiverem recebendo alimentação suficiente pela passagem de cabo, é possível alimentar a câmera e o conversor localmente ao conectar o XLR de alimentação de 4 pinos da fonte de alimentação da câmera à entrada de +12 V na sua URSA Broadcast ou URSA Mini. A alimentação será fornecida pelo conector moxer do Camera Fiber Converter.

O conector de saída de +12 V, por vezes também referido como "D-tap" ou "P-tap" permite que você alimente acessórios como um monitor externo ou uma lente tipo caixa grande, com 12 V nominais em até 500 mA. O conector "DC Out" oferece uma opção adicional para a alimentação de acessórios como um monitor externo. Uma tabela para a pinagem do conector de saída DC é fornecida abaixo.

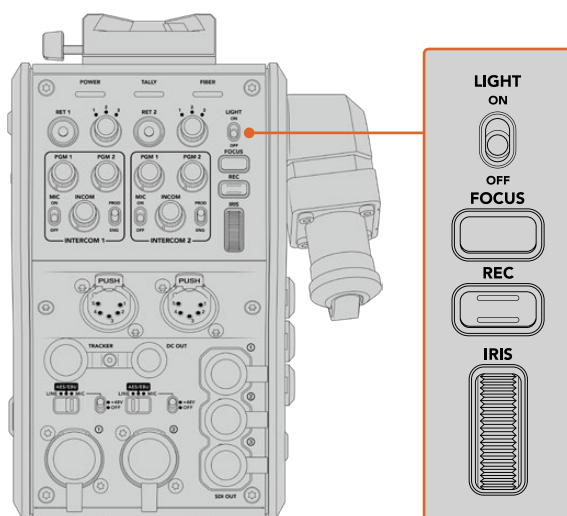
## Diagrama de Pinagem do Conector de Saída DC

Visão Externa	Pinos	Sinal	E/S	Especificações
 Conector "Saída DC"	1	GND não regulado	–	GND para saída não regulada
	2	NC	–	Não conectado
	3	NC	–	Não conectado
	4	Saída não regulada	S	12 V DC nominal em até 500 mA

## Controles de Câmera Adicionais

Adicionamos controles de câmera, como íris e controle de foco, aos conversores de fibra para o uso da URSA Mini e da URSA Broadcast como câmeras de estúdio, assim, é possível controlar lentes compatíveis a partir da traseira da câmera. Isto é útil quando não há um operador de controle de câmera para controlar as lentes à distância.

Como uma câmera de estúdio, a URSA Mini e a URSA Broadcast ainda possuem a capacidade de gravar internamente, assim o botão de gravação permite que você dispare a gravação interna na câmera.



### Light

Habilita a retroiluminação para acender o painel de operação, assim facilitando a visibilidade de todos os controles ao operar em um ambiente escuro.

### Focus

Apertar o botão marcado como "Focus" acionará o foco automático, caso esteja usando uma lente compatível.

### Record

Apertar o botão marcado como "Rec" acionará a gravação ao ser pressionado e interromperá a gravação ao ser pressionado novamente.

### Iris

Caso esteja usando uma lente ativa compatível que permita o controle de câmera, você pode abrir ou fechar a íris usando o anel de íris. Gire o anel para cima ou para baixo para abrir ou fechar a abertura da lente.

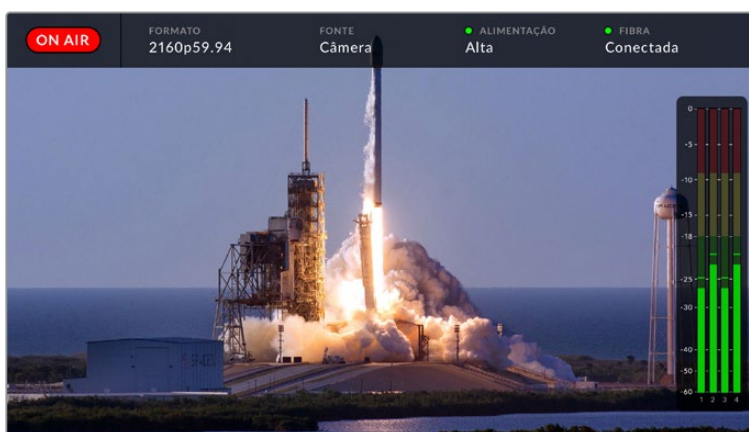


# Operar Studio Fiber Converter

## Selecionar a Fonte LCD

Ao ligar o dispositivo, o LCD do seu Blackmagic Studio Fiber Converter exibe a alimentação da sua câmera. Como uma unidade central, o Studio Fiber Converter recebe a alimentação de programa do seu switcher, além de todas as fontes de retorno e as envia ao Blackmagic Camera Fiber Converter pelo cabo de fibra SMPTE.

O LCD integrado permite que você monitore a alimentação da câmera e cada fonte conectada às entradas de alimentação de retorno. Ele fornece um display do tipo heads-up com informações de status e medidores de áudio.



As sobreposições permitem confirmar o nome e o formato da fonte sendo monitorada ao alternar entre as alimentações.

### On Air

O ícone vermelho “On Air” será exibido quando a câmera conectada estiver sendo usada na alimentação de programa e permanecerá em branco quando não estiver no ar.

### Formato

Exibe a resolução e a taxa de quadro da fonte atual.

### Fonte

Exibe o nome da fonte atual.

### Alimentação

Exibe o status de alimentação atual. “Baixo” será exibido com uma luz de status vermelha durante a conexão para indicar um estado de alimentação baixo e “Alto” será exibido com uma luz de status verde depois da unidade ter entrado no modo de alimentação alto. Para mais informações, consulte ‘Indicadores de Status’ na seção ‘Operar o Camera Fiber Converter’.

### Fibra

Exibe o status da fibra atual. “Conectando” será exibido com uma luz de status vermelha durante o processo inicial de conexão e “Conectado” será exibido com uma luz de status verde depois que uma conexão com um cabo híbrido de fibra óptica SMPTE é estabelecida com êxito. Para mais informações, consulte a seção ‘Indicadores de Status’ em ‘Operar Camera Fiber Converter’.

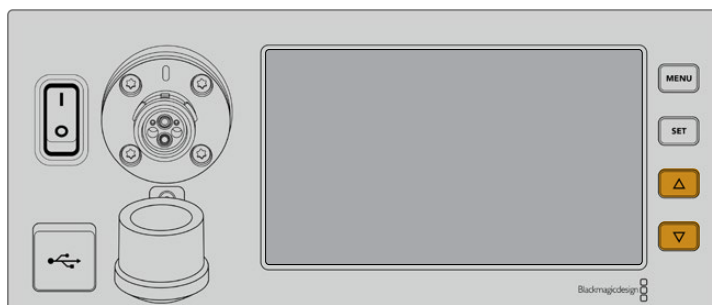
### Medidores de Áudio

Os medidores de pico de áudio exibem os níveis de áudio quando o áudio da câmera embutido nos canais 1 e 2 da alimentação de câmera é usado. Os canais 3 e 4 correspondem às fontes de áudio conectadas às duas entradas XLR na traseira do seu Blackmagic Camera Fiber Converter. O display é calibrado em unidades dBFS e inclui indicadores de retenção de pico que permanecem visíveis por uma curta duração de tempo para que você possa visualizar nitidamente os níveis máximos atingidos.



## Usar Menu

Ao pressionar os botões de seta para cima e para baixo, você navegará pelas quatro fontes possíveis: “Câmera”, “Retorno 1”, “Retorno 2” e “Retorno 3”. Pressione o botão “Menu” para acessar o sistema de menu e ajustar as configurações. Os botões de seta podem ser usados depois para navegar pelas várias telas de menu e pelas opções em cada tela, e o botão “Set” confirmará a sua seleção. As configurações no menu estão divididas entre as páginas “Áudio”, “Intercomunicação” e “Configurações”.

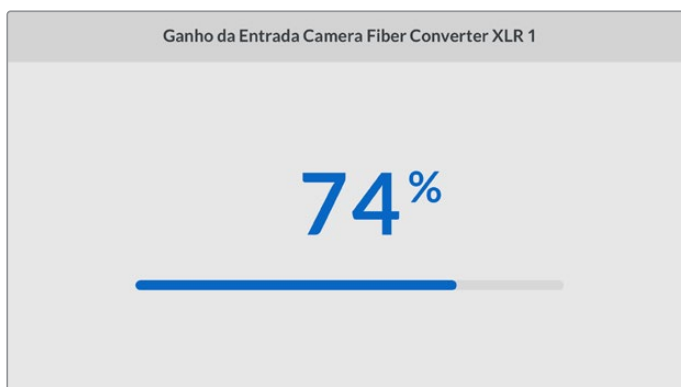


Pressione os botões de seta para cima e para baixo para navegar pelas quatro fontes possíveis e navegar pelo menu.

### Áudio

A página “Áudio” permite ajustar os níveis de entrada para as fontes de áudio conectadas às entradas XLR no seu Blackmagic Camera Fiber Converter.

Áudio	
Ganho da Entrada Camera Fiber Converter XLR 1	50%
Ganho da Entrada Camera Fiber Converter XLR 2	50%
Canal de Saída 1 e 2	Embutido 1 e 2
Canal de Saída 3 e 4	XLR 1 e 2



Use os botões de seta para ajustar o nível de entrada para cada entrada XLR e o botão “Set” para configurar o nível.

Você pode configurar quais canais de áudio do Camera Fiber Converter mapear para as saídas SDI e XLR integradas. Os canais de áudio embutido da URSA Mini ou URSA

Broadcast são os canais 1 e 2 por padrão. As entradas XLR de nível Mic ou Linha conectadas ao Camera Fiber Converter são mapeadas aos canais 3 e 4 por padrão. É possível ajustar as configurações do canal de saída utilizando esses mapeamentos a partir das suas configurações padrão. Se uma das entradas XLR no Camera Fiber Converter estiver configurada como AES, isso amplia suas opções de mapeamento para que incluam os canais 5 e 6, que são enviados na sua saída SDI embutida.

Canal de Saída 1 e 2	
Embutido 1 e 2	✓
XLR 1	
AES 3 e 4	

Mapeamento dos canais XLR integrados da câmera para os canais de saída 1 e 2.

### Talkback

Utilize o menu “Intercomunicação” para selecionar a sua fonte de áudio e a fonte de intercomunicação para os canais de produção e técnico. Configure a fonte de intercomunicação como “SDI + DB25” ou “Intercom tally DB25” no seu Studio Fiber Converter.

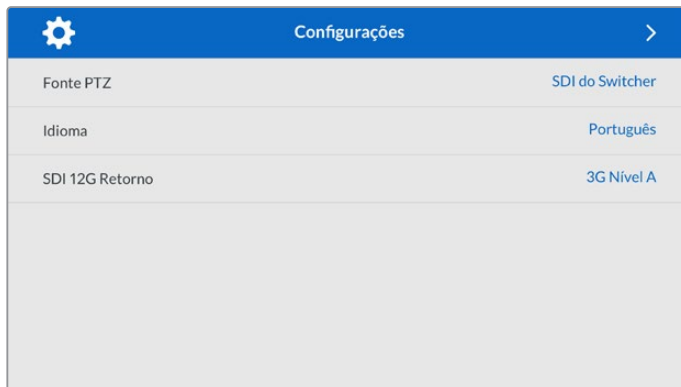
Também é possível ajustar o “Ganho do Fone de Ouvido” e “Ganho do Microfone do Headset” de cada headset para levar em conta os níveis de impedância dos headsets. As configurações de “Alimentação Fantasma” possibilitam habilitar a alimentação fantasma sendo enviada ao respectivo headset. Ajuste a configuração “Nível Sidetone” para permitir que os operadores de câmera ouçam suas próprias vozes nos seus headsets a um nível claro e conveniente.

Intercomunicação	
Fonte de Áudio do Programa	SDI Canais 1 e 2
Fonte do Canal de Produção	SDI + DB25
Fonte do Canal Técnico	Sinalização Intercomunicação DB25
Intercom 1	
Ganho do Fone de Ouvido	50%
Ganho do Microfone do Headset	50%
Alimentação Fantasma do Microfone do Headset	On
Nível Sidetone	50%
Intercom 2	
Ganho do Fone de Ouvido	50%
Ganho do Microfone do Headset	50%
Alimentação Fantasma do Microfone do Headset	On
Nível Sidetone	50%

A seção do intercom ficará sombreada quando nada estiver conectado às entradas XLR e exibirá “Conectando” durante a conexão.

## Configurações

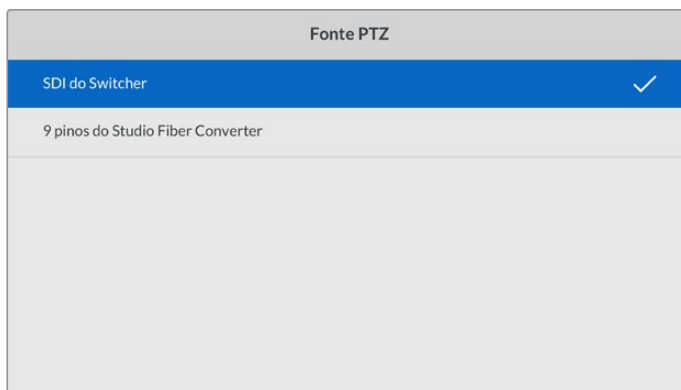
O menu “Configuração” permite definir a fonte PTZ, selecionar o idioma dos menus e escolher o tipo de nível de retorno SDI.



Selecione a fonte dos comandos PTZ usando a configuração da fonte PTZ. Você pode selecionar “SDI” ou “9 pinos”, que correspondem às entradas SDI “Return In” e ao conector PTZ de 9 pinos na traseira do seu Blackmagic Studio Fiber Converter.

Isto significa que você pode controlar panorâmicas, inclinações e zoom (PTZ) de uma câmera em um switcher ATEM e enviar esses comandos PTZ ao Blackmagic Studio Fiber Converter via SDI. Esses comandos serão enviados pelo cabo de fibra SMPTE para o seu Blackmagic Camera Fiber Converter, onde serão desintegrados e enviados via o conector serial DE-9 para conexão com uma cabeça PTZ motorizada.

Você também pode conectar um controlador PTZ ao seu Blackmagic Studio Fiber Converter via o conector DE-9 para controlar uma cabeça remota onde a câmera estiver.



A página do menu de configurações oferece a opção de selecionar “SDI” e “9 pinos” como a fonte dos comandos PTZ.

Idioma	
English	
中文	
日本語	
한국어	
Español	
Deutsch	
Français	
Русский	
Italiano	
Português	✓
Türkçe	

A configuração “Idioma” define a língua dos menus. O Studio Fiber Converter oferece suporte para 11 idiomas populares: inglês, chinês, japonês, coreano, espanhol, alemão, francês, russo, italiano, português e turco. A página “Selecionar um Idioma” aparecerá na primeira inicialização e depois que você atualizar o software interno.

A opção “SDI 12G Retorno” define se os sinais 12G de retorno do programa serão de conversão descendente para 3G Nível A ou 3G Nível B. Todos os sinais 12G enviados às entradas de retorno no Studio Fiber Converter sofrem conversão descendente quando enviadas ao Camera Fiber Converter.

## Montar Unidade de Estúdio em Rack

Caso esteja utilizando múltiplos modelos Blackmagic Studio Fiber Converter, você pode utilizar o Blackmagic Studio Fiber Rack Kit para instalar os seus conversores em um rack broadcast ou um case rígido. Com o kit, é possível montar duas unidades de estúdio lado a lado em um rack, ou encaixar em qualquer lateral. Uma frente falsa é fornecida com o Studio Fiber Rack Kit para cobrir o lado do rack, caso você queira montar somente uma unidade.

O modelo Studio Fiber Converter tem duas unidades de rack de altura e ocupa a metade da largura de uma prateleira padrão. Ou seja, é possível montar dois modelos Studio Fiber Converter lado a lado no espaço de duas unidades de rack.

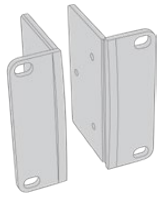


Modelos Blackmagic Studio Fiber Converter montados lado a lado.



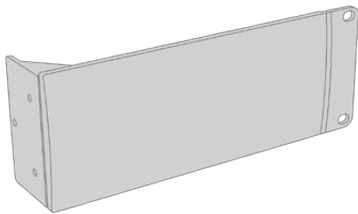
A frente falsa incluída pode ser usada para cobrir um espaço de rack vazio, caso necessário.

**O Blackmagic Studio Fiber Rack Kit inclui os seguintes itens:**



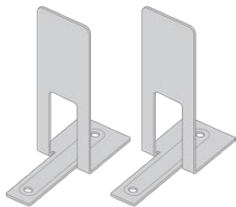
**2 x orelhas de rack**

Encaixe as “orelhas” nas beiradas do Blackmagic Studio Fiber Converter para montá-lo em um rack.



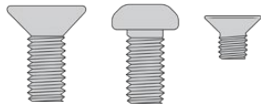
**1 x frente falsa com meia unidade de rack de largura.**

A frente falsa tem uma orelha de montagem em uma das beiradas para que você possa cobrir o espaço de rack vazio caso esteja instalando somente uma unidade. A ilustração exibe a orelha no lado direito. Basta girar o painel em 180° para montá-la do outro lado.



**2 x suportes de montagem**

Os suportes de montagem em forma de "T" se encaixam debaixo das duas unidades Studio Fiber onde elas se encontram, na frente e atrás, para fornecer suporte.



**Parafusos**

**8 x M4 de 10 mm**

Parafusos das orelhas de rack

**4 x M4 de 8 mm**

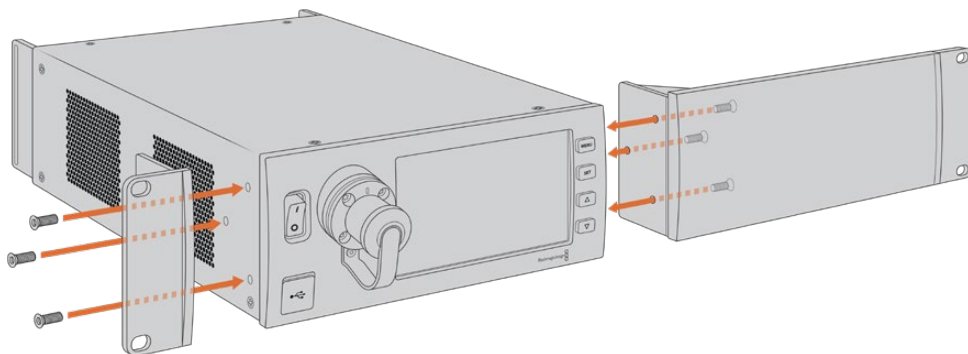
Parafusos da frente falsa

**5 x M3 de 5 mm**

Parafusos dos suportes de montagem

**Como preparar o Blackmagic Studio Fiber Converter para montagem em rack:**

- 1 Posicione a frente falsa à esquerda ou direita do seu Studio Fiber Converter, dependendo do lado do rack no qual você deseja montar a sua unidade. A face dianteira da frente falsa deve estar alinhada paralelamente ao painel frontal da unidade.
- 2 Encaixe a frente falsa na lateral do seu Studio Fiber Converter, próximo ao painel frontal, utilizando três dos parafusos fornecidos para a frente falsa.



- 3 Use três dos parafusos fornecidos para encaixar uma orelha de rack no outro lado do seu Studio Fiber Converter.

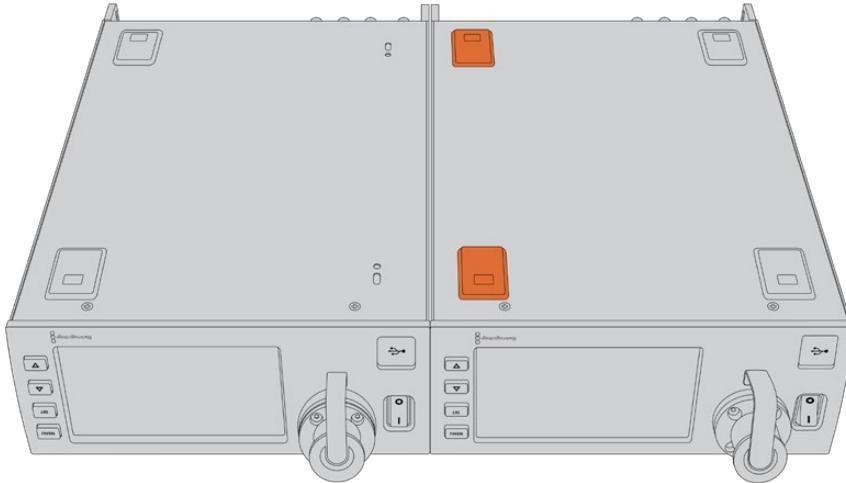
Com a orelha de rack e a frente falsa encaixadas, agora será possível instalar seu conversor no espaço de duas unidades de rack padrão usando os orifícios de montagem nas duas laterais e os parafusos padrão para o rack.

### Como preparar dois Blackmagic Studio Fiber Converters para montagem em rack lado a lado:

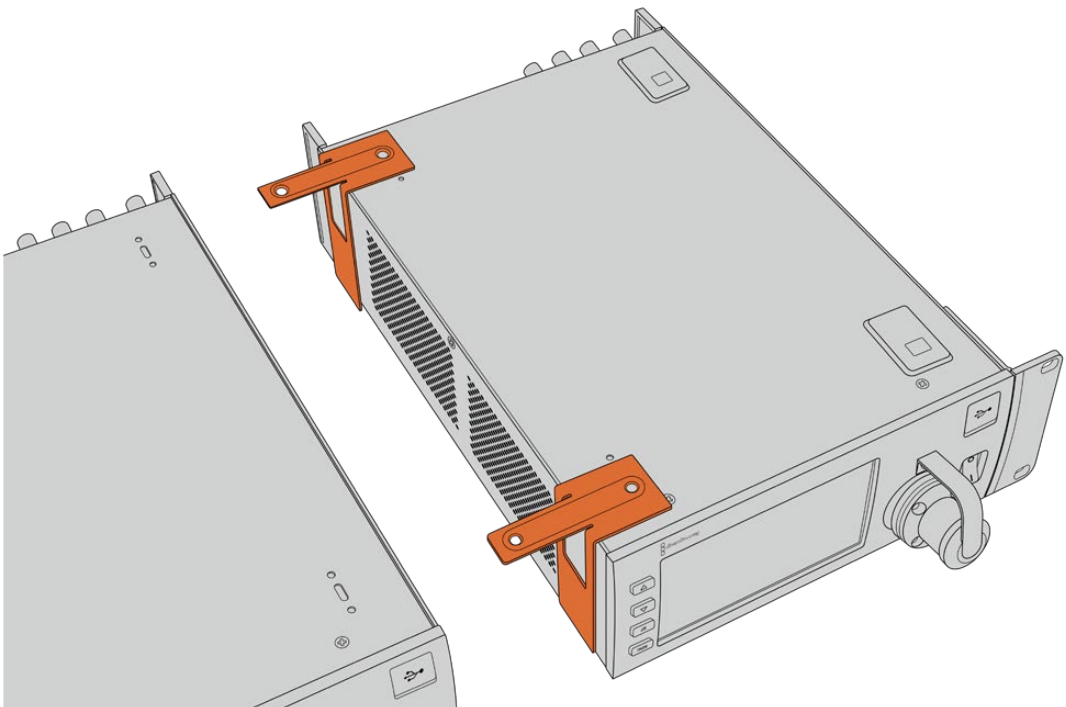
Se você estiver montando dois conversores lado a lado, é possível encaixá-los um ao outro usando os suportes de montagem para mantê-los firmemente juntos e instalá-los com mais facilidade.

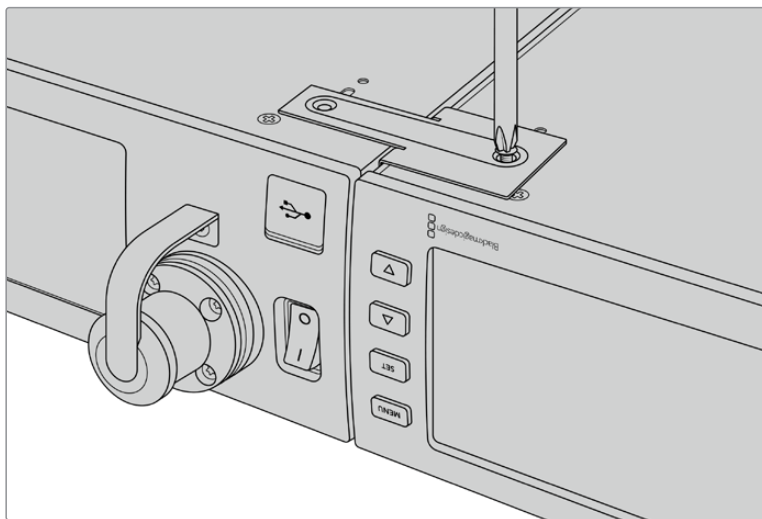
Como fixar as duas unidades:

- 1 Coloque os dois conversores lado a lado e de cabeça para baixo. Retire os pés emborrachados das beiradas de cada unidade onde elas se encostam.

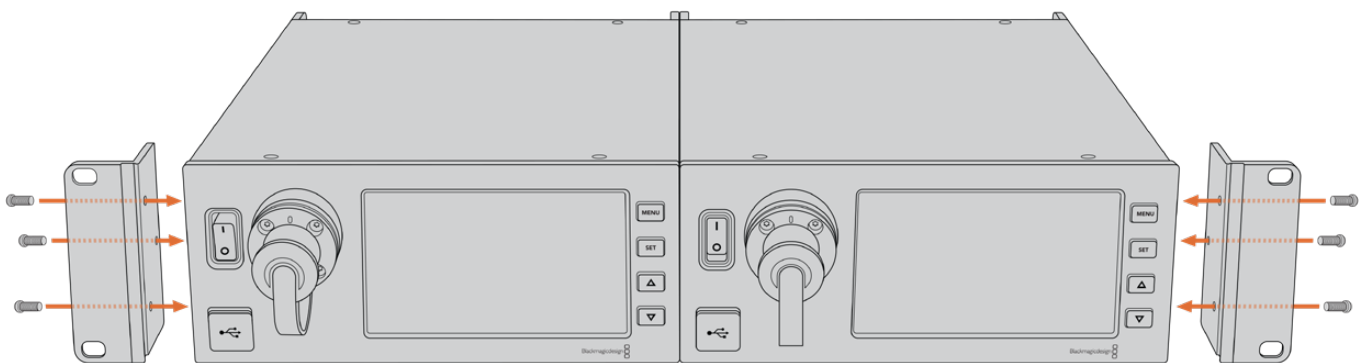


- 2 Encaixe os dois suportes de montagem em "T" na base das duas unidades Studio Fiber, na frente e atrás onde as unidades se encostam, utilizando os orifícios roscados e os parafusos de montagem fornecidos.





- 3 Vire as unidades encaixadas de volta à posição normal e fixe as orelhas nas beiradas próximas ao painel frontal de ambos os conversores, utilizando os parafusos de montagem fornecidos. Agora, os seus conversores estão prontos para a instalação em um rack com os orifícios de montagem em ambas laterais e parafusos de rack padrão.



## Conexões da Unidade de Câmera

As conexões estão localizadas em painéis na traseira e nas laterais do Blackmagic Camera Fiber Converter. Quando as conexões não estiverem sendo utilizadas, as capas de proteção emborrachadas devem ser recolocadas para assegurar vedação contra a chuva e outros elementos climáticos externos. Isto é especialmente importante para a conexão de fibra SMPTE, já que partículas de poeira podem se acumular rapidamente nos interconectores polidos da fibra de vidro, o que pode quebrar o fluxo do sinal. É sempre uma boa ideia retirar as capas tanto do cabo e da unidade conectora logo antes da conexão e, depois, recolocar as capas logo após a desconexão.

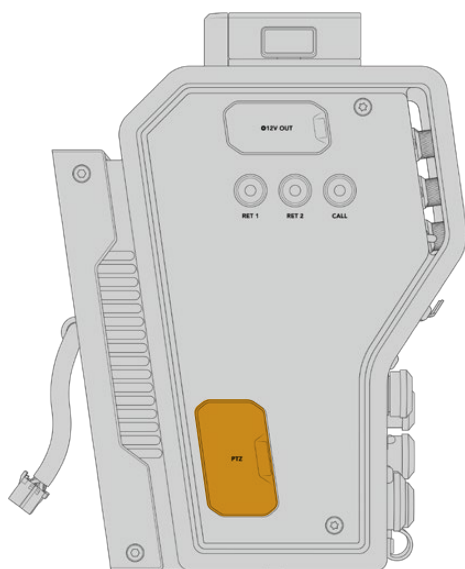
### Conexão de Alimentação de Câmera

A alimentação principal é fornecida à unidade de câmera e à sua câmera a partir do conversor de estúdio através de um cabo híbrido de fibra SMPTE. Isto também alimenta todos os acessórios que estejam acoplados à câmera, por exemplo, o Blackmagic URSA Studio Viewfinder.

Mas, também é possível alimentar o Blackmagic Camera Fiber Converter através da câmera, caso ela tenha seu conector XLR de 12 V plugado a uma fonte de alimentação. Normalmente, isto não é necessário, mas é uma opção caso tenha sua câmera posicionada a mais de 2 quilômetros de distância da unidade de estúdio, já que a alimentação pode não ser tão confiável através do cabo de fibra SMPTE.

### Interface PTZ

O conector serial DE-9 permite que você conecte uma cabeça PTZ motorizada; por exemplo, se a sua Blackmagic URSA Broadcast ou URSA Mini estiver equipada em uma grua de câmera usando uma cabeça para panorâmica, inclinação e zoom controlada remotamente. Você pode selecionar a fonte dos comandos PTZ sendo enviados para a sua câmera no menu do seu Blackmagic Studio Fiber Converter. A fonte dos comandos pode ser configurada para o conector DE-9 de 9 pinos no seu Studio Fiber Converter ou para uma alimentação SDI proveniente de um switcher ATEM. Para mais informações, consulte a seção 'Operar Studio Fiber Converter'.



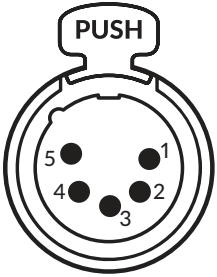
Interface PTZ



## Conexão para Intercomunicação

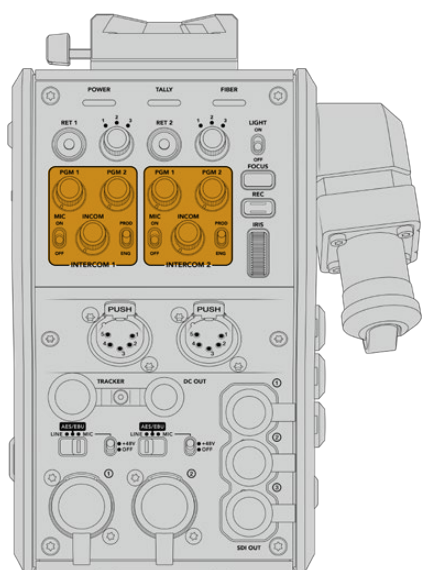
Os dois conectores XLR fêmea de 5 pinos permitem que você conecte dois headsets, o que permite que duas pessoas se comuniquem via a intercomunicação simultaneamente. Por exemplo, o headset do operador de câmera pode ser plugado ao primeiro conector XLR, e um operador de grua ou outro companheiro de equipe, como um operador de som, podem plugar ao segundo conector XLR para headsets. Um diagrama para a pinagem do conector XLR para headset é incluído abaixo.

### Diagrama de Pinagem XLR para Headsets

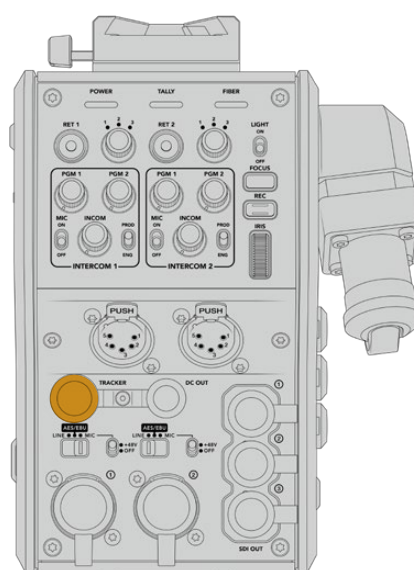
Visão Externa	Pinos	Sinal	E/S	Descrição
 <p>Conector XLR de 5 pinos para headset</p>	1	Intercom MIC (Y)	GND	A entrada mic de intercomunicação oferece suporte a microfones de condensador de eletreto e microfones dinâmicos, que podem ser balanceados ou não balanceados. O pino 1 é o sinal de microfone comum e o pino 2 é a entrada de microfone para ambos os tipos. Com microfones eletretos, a saída de polarização externa também é feita através do mesmo pino de entrada do microfone.
	2	Intercom MIC (X)	E	
	3	GND	GND	GND
	4	Intercom esquerdo	S	11 dBu (VR Máx, Carga 250 Ω)
	5	Intercom direito	S	11 dBu (VR Máx, Carga 250 Ω)

Os controles de intercomunicação correspondentes estão localizados acima de cada conexão para headset.

Para mais informações sobre como usar os controles de intercomunicação, consulte a seção 'Operar o Camera Fiber Converter'.



Os controles de intercomunicação são usados para mixar os níveis do áudio de intercomunicação.



Saída do rastreamento.

## Interface de Rastreamento

O conector rastreador de 10 pinos oferece uma saída multiplexada para os sinais de intercomunicação e sinalização, além de dados, como as informações no teleprôpter. Esta saída é comumente utilizada para oferecer assistência à equipe operando equipamentos de produção, como uma grua de câmera.

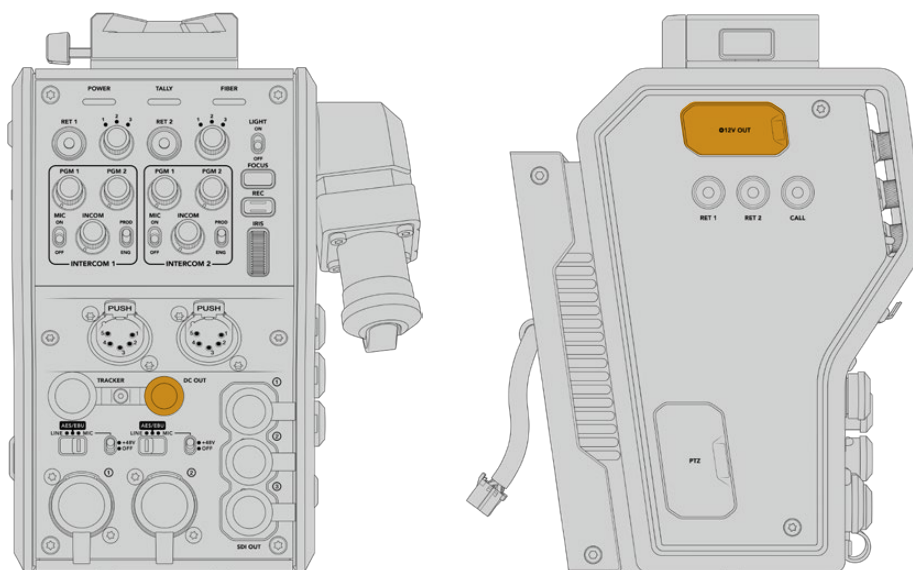
Um diagrama de pinagem é oferecido nesta seção, caso deseje montar seu próprio cabo.

### Diagrama de Pinagem da Saída do Rastreador

Visão Externa	Pinos	Sinal	E/S	Descrição
 <p>Conector de 10 pinos para rastreador</p>	1	Rastreador esquerdo	S	Saída do rastreador, -20 dBu não balanceado
	2	GND (Fala)	-	GND para fala no rastreador
	3	GND (Escuta/PGM/Sinalização)	-	GND para escuta/PGM/sinalização
	4	Rastreador direito	S	Saída do rastreador, -20 dBu não balanceado
	5	Não regulado	S	12 V DC (nom.), 500 mA (máx.)
	6	GND (Não regulado)	-	GND para não regulado
	7	Rastreador Fala (X)	E	Rastreador Fala 0 dBu /-20 dBu, alta impedância balanceada
	8	Rastreador Fala (Y)	E	
	9	Sinalização Verde	S	On: 12V Off: alta impedância (coletor aberto)
	10	Sinalização Vermelha	S	On: 12V Off: alta impedância (coletor aberto)

## Conexão DC

É possível alimentar acessórios adicionais, por exemplo, um monitor externo, através do conector de saída DC.



O conector de saída DC permite alimentar acessórios adicionais, como um monitor externo ou equipamentos de gravação externa.

Saída D-Tap.

## Saída D-Tap

A saída de +12 V no painel lateral esquerdo também é muitas vezes conhecida como “D-tap” ou “P-tap” e permite que você alimente acessórios como um monitor ou uma lente tipo caixa grande. A saída suporta lentes tipo caixa grandes que exigem +12 Volts DC nominais a 2 amperes.

## Saída de Referência e Operação

A saída de referência pode ser usada para conectar um sinal de referência a sua câmera via um cabo BNC.

### Como conectar um sinal de referência a sua câmera:

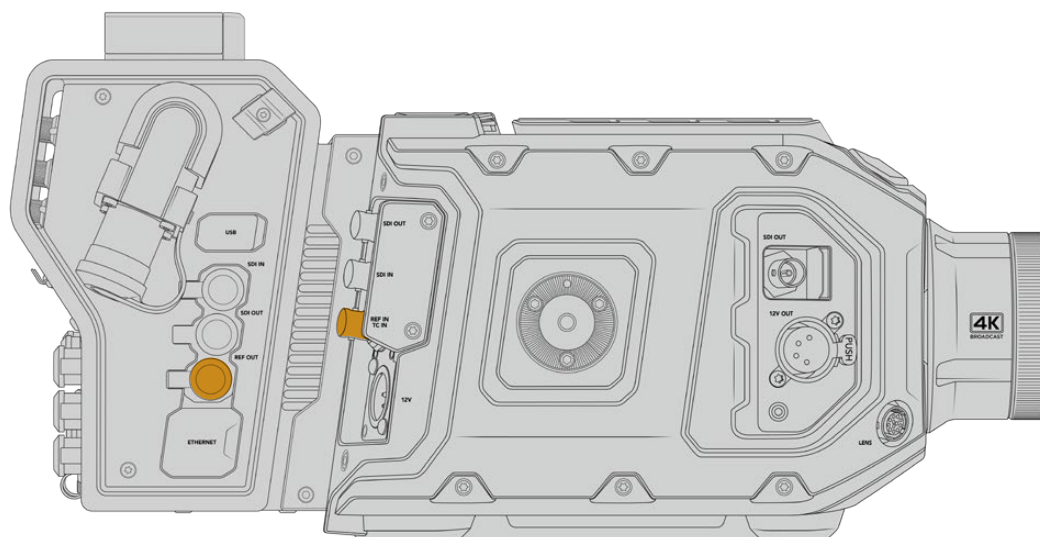
- 1 Conecte a saída de referência do Blackmagic Camera Fiber Converter, marcada como “REF OUT”, na entrada de referência da sua câmera marcada como “REF IN” usando um dos pequenos cabos SDI fornecidos com o seu Camera Fiber Converter.
- 2 Ajuste a configuração de referência da câmera conforme a entrada de referência.

Um sinal de referência para o sincronismo permite genlocar equipamentos de vídeo a uma referência comum para que todos eles compartilhem exatamente a mesma temporização. Assim, todas as fontes de vídeo são sincronizadas e poderão ser alternadas perfeitamente.

Os switchers ATEM possuem ressincronizadores integrados, portanto, caso esteja utilizando câmeras Blackmagic com um deles, não será necessário se preocupar com uma conexão de referência para o sincronismo. A câmera se casará com o sinal de alimentação da entrada de programa SDI do switcher ATEM, então, basta assegurar que a entrada de programa esteja selecionada nas configurações de sincronização da sua URSA Mini ou URSA Broadcast na segunda página do menu de configurações. O processo de ressincronização acrescentará um quadro de atraso.

Caso deseje reduzir a latência do processo de ressincronização interno do ATEM, primeiramente, atribua um sinal de referência à URSA Mini ou URSA Broadcast e, em seguida, ajuste a temporização anterior para que a linha de entrada anteceda a temporização da comutação do ATEM.

Para ajustar o sinal de referência para a sincronização na URSA Mini ou URSA Broadcast, acesse o menu de configurações e altere a configuração “Reference Timing”.

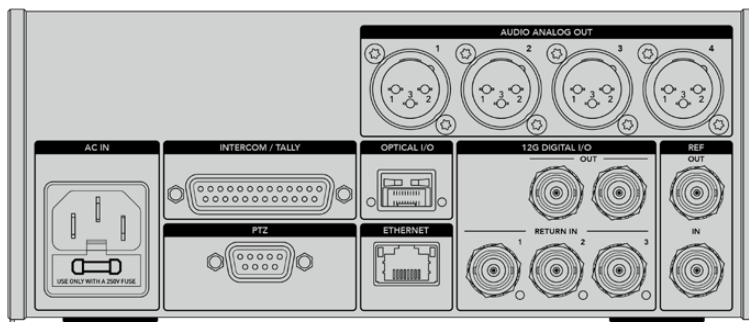


Caso esteja usando um sinal de referência externo, conecte a saída de referência da unidade de câmera na entrada de referência da URSA Mini ou URSA Broadcast.

## Conexões da Unidade de Estúdio

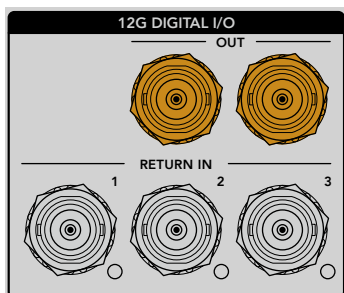
O painel traseiro do Blackmagic Studio Fiber Converter fornece conectores SDI para alimentação de retorno e BNC para sincronização, conector DB-25 para intercomunicação e sinalização, porta serial PTZ de 9 pinos, saídas de áudio e Ethernet.

Todas as entradas SDI suportam 12G-SDI para formatos de vídeo até Ultra HD 2160p60.



### Saída 12G-SDI

As duas saídas 12G-SDI servem para conectar o sinal de câmera da unidade de estúdio a qualquer uma das entradas de câmera SDI do seu switcher. O segundo conector pode ser utilizado para fazer a saída do mesmo sinal para outros equipamentos de vídeo, como o roteador Blackmagic Videohub, ou monitor SmartView ou um gravador HyperDeck Disk Recorder.

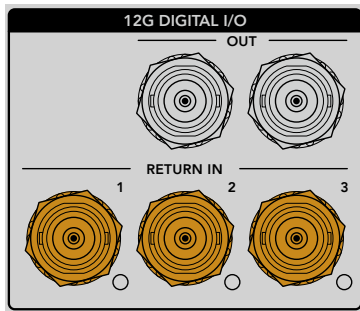


As saídas 12G-SDI suportam sinais de 720p50 até 2160p60.

### Entradas de Retorno SDI

Os conectores BNC de alimentação de retorno 12G-SDI oferecem a opção de plugar até três alimentações de retorno SDI. Por exemplo, a alimentação de programa de um switcher deve ser conectada ao retorno 1 e ter uma taxa de quadro que corresponda à da sua câmera. Outras fontes, como uma segunda saída de câmera, reprodução HyperDeck, ou até um teleprôptor, podem ser conectadas às alimentações de retorno 2 e 3. Caso esteja utilizando um switcher ATEM, o retorno do programa conectado ao retorno 1 também incluirá sinalização, intercomunicação, sincronização e sinais de controle de câmera.

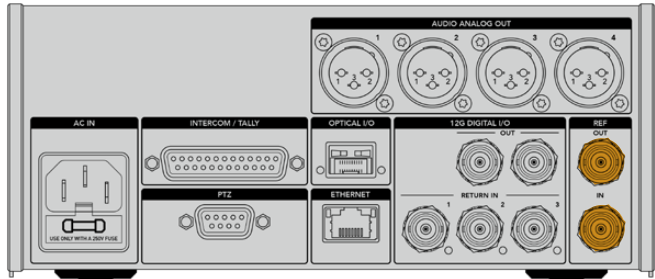
As entradas de retorno SDI permitem conectar até três alimentações de retorno do seu switcher. Essas alimentações serão enviadas à câmera para que possam ser visualizadas pelo operador de câmera, ou reenviadas a outros equipamentos via SDI.



**OBSERVAÇÃO** Caso você conecte Ultra HD nas entradas de retorno, o vídeo Ultra HD será convertido para 1080p com a mesma taxa de quadro, o que significa que a saída da unidade de câmera será em HD. A conversão descendente dos sinais de retorno Ultra HD para HD oferece maior largura de banda para que você envie múltiplas fontes de retorno.

### Entrada e Saída de Sincronização

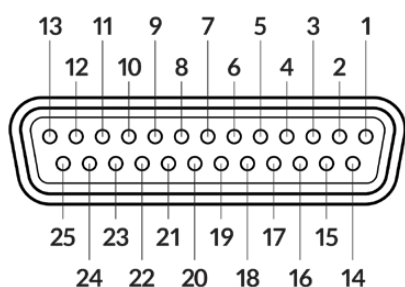
Caso não esteja utilizando um switcher ATEM e seja necessário casar equipamentos com um sinal de referência externo comum, plugue o sinal gerado externamente à entrada BNC de sincronização. Isto envia a referência à unidade de câmera através do cabo de fibra SMPTE. A saída BNC de sincronização da unidade de estúdio pode ser usada para fazer o loop da fonte de referência para outros equipamentos.



Utilize a conexão “Ref In” para enviar sincronização de referência convencional de outros equipamentos broadcast para a sua câmera.

### Interface de Comunicação

O conector DB-25 de intercomunicação e sinalização permite conectar sistemas de intercomunicação e sinalização de terceiros. Caso deseje criar um sistema de cabos personalizado, uma tabela de pinagem é fornecida abaixo. Depois de ter conectado os pinos para a entrada de áudio de programa, sinalização, produção e manutenção, você precisará configurar o menu de acordo com o seu Blackmagic Studio Fiber Converter.



Visão externa de um conector de "intercomunicação/sinalização" de 25 pinos.

#### Diagrama de Pinagem de Intercomunicação

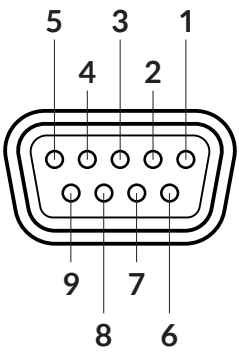
Pinos	Sinal	Especificações
1	ENG(R) IN+	Entrada do canal de manutenção 0 dBu balanceado
2	ENG(R) IN-	
3	ENG GND	GND para ENG
4	ENG(T) OUT +	Saída do canal de manutenção 0 dBu balanceado
5	ENG(T) OUT -	
6	PGM IN+	-20 dBu
7	PGM IN-	-20 dBu
8	PGM GND	-20 dBu
9	GND	GND para aux
10	N/C	–
11	Red Tally IN	On = 5-24 V DC, Off= 0V DC
12	Red Tally GND	–
13	GND	Chassis GND
14	PROD(R) IN+	Entrada do canal de produção 0 dBu balanceado
15	PROD(R) IN-	
16	PROD GND	–
17	PROD(T) OUT+	Saída do canal de produção 0dBu balanceado
18	PROD(T) OUT-	
19	N/C	–
20	N/C	–
21	N/C	–
22	N/C	–
23	N/C	–
24	Green Tally IN	On = 5-24 V DC, Off= 0V DC
25	Green Tally GND	–

## Interface PTZ

Tanto a unidade de estúdio quanto a unidade de câmera possuem um conector DE-9 de 9 pinos que permite conectar um controlador PTZ na extremidade da unidade de estúdio e uma cabeça PTZ na extremidade da unidade de câmera. Os comandos PTZ são embutidos no sinal SDI conectado entre as unidades através do cabo de fibra SMPTE.

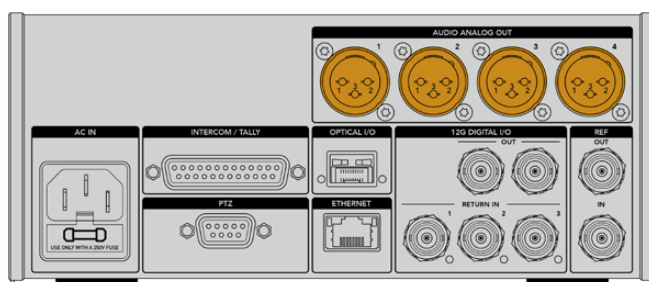
O menu de configurações no Blackmagic Studio Fiber Converter permite que você selecione a fonte dos comandos PTZ enviados ao seu Blackmagic Camera Fiber Converter. Você tem a opção de selecionar a partir do conector PTZ na traseira do Studio Fiber Converter ou, então, de uma alimentação SDI de programa proveniente de um switcher ATEM. Para mais informações, consulte a seção 'Operar o Studio Fiber Converter'.

### Diagrama de Pinagem da Interface PTZ

Visão Externa	Pinos	Sinal
 <p>Conector PTZ de 9 pinos</p>	1	GND
	2	RS422 Tx-
	3	RS422 Rx+
	4	GND
	5	N/C
	6	GND
	7	RS422 Tx+
	8	RS422 Rx-
	9	GND

## Saídas de Áudio

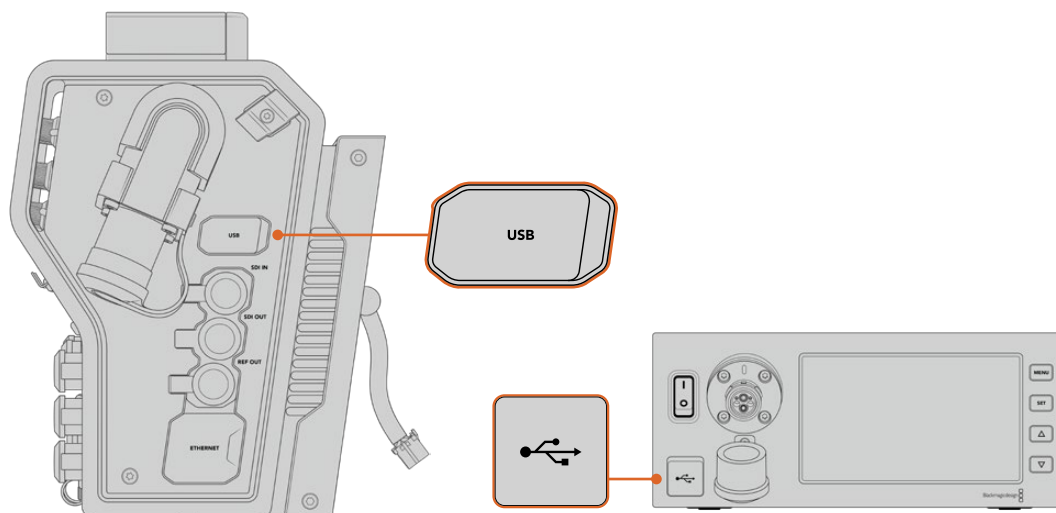
As quatro saídas de áudio XLR na unidade de estúdio oferecem a opção de transmitir o áudio conectado às entradas 1 e 2 da sua URSA Broadcast ou URSA Mini e às duas entradas de áudio XLR no Camera Fiber Converter.



As saídas 1 e 2 na unidade de estúdio se correspondem aos canais de entrada XLR embutidos 1 e 2 na URSA Broadcast ou URSA Mini por padrão. As saídas 3 e 4 da unidade de estúdio correspondem às entradas XLR 1 e 2 do Blackmagic Camera Fiber Converter por padrão. Você pode usar o menu para alterar essas configurações para o mapeamento. Para mais informações, consulte a seção 'Usar Menu'.

## Atualizar o Software Interno

De tempos em tempos, a Blackmagic Design lança atualizações que podem aprimorar e habilitar recursos nos seus modelos Blackmagic Fiber Converter. Recomendamos visitar o site da Blackmagic Design regularmente para assegurar que seus conversores de fibra estejam usando o software interno mais recente. Atualize seus conversores de fibra usando o software Blackmagic Camera Setup Utility.



As portas USB-C nos Blackmagic Fiber Converters permitem que você atualize o software interno neles.

## Atualizar o Blackmagic Camera Fiber Converter

É necessário que o Camera Fiber Converter seja alimentado durante a atualização, então recomendamos mantê-lo conectado à sua URSA Mini ou Ursa Broadcast durante o processo de atualização.

É importante que você desconecte o cabo de fibra SMPTE do seu Camera Fiber Converter e alimente sua câmera através da fonte de alimentação fornecida com a câmera URSA para alimentação consistente.

O Blackmagic Camera Fiber Converter possui um conector USB-C na lateral direita da unidade para atualização do seu software interno. Conecte seu computador a este conector USB e inicie o Blackmagic Camera Setup Utility. Será solicitado que você faça a atualização se o seu computador detectar que o Camera Fiber Converter está usando uma versão antiga. Siga as instruções na tela para atualizar o software interno do seu conversor.

## Atualizar o Blackmagic Studio Fiber Converter

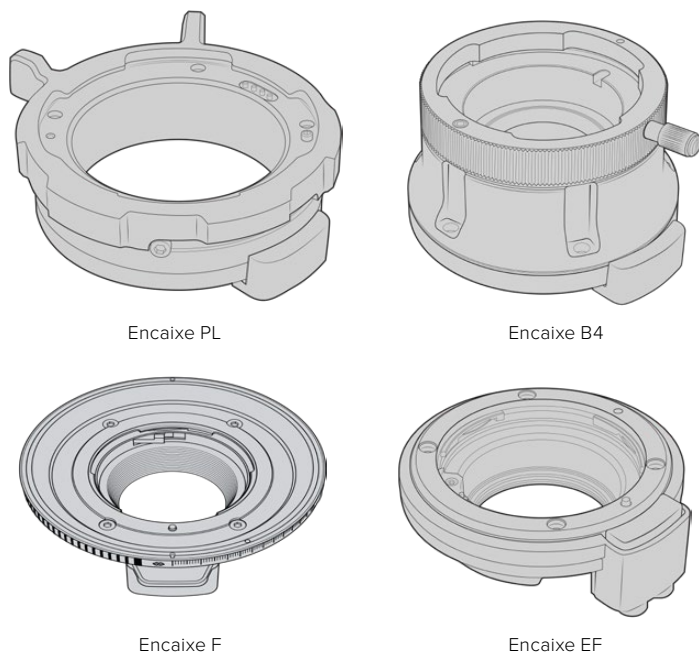
É necessário que o Studio Fiber Converter seja alimentado durante a atualização, então recomendamos manter o cabo de alimentação IEC plugado ao conector de alimentação no painel traseiro da unidade de estúdio durante o processo de atualização.

O Blackmagic Studio Fiber Converter possui um conector USB-C na frente da unidade para atualização do seu software interno. Conecte seu computador a este conector USB e inicie o Blackmagic Camera Setup Utility. Será solicitado que você faça a atualização se o seu computador detectar que o Studio Fiber Converter está usando uma versão antiga. Siga as instruções na tela para atualizar o software interno do seu conversor.



## Encaixe de Lentes Intercambiável

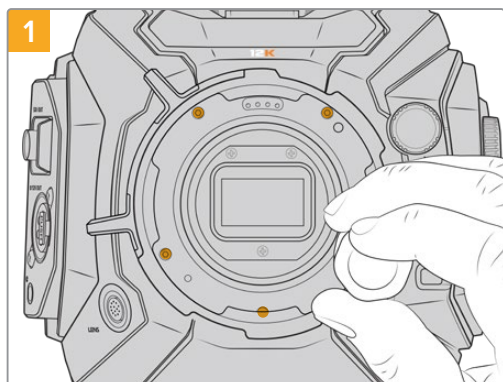
A Blackmagic URSA Mini Pro 12K é despachada com um encaixe PL. As outras câmeras URSA Mini Pro são despachadas com um encaixe EF fixado. Todas as câmeras URSA Mini Pro possuem encaixes de lentes intercambiáveis para que você não fique limitado a usar lentes que combinem com o encaixe fornecido com a sua câmera. Isto significa que você pode remover o encaixe original e fixar um encaixe PL, B4, F ou EF opcional. Consulte o seu revendedor Blackmagic Design local para adquirir um URSA Mini Pro PL Mount, URSA Mini Pro B4 Mount, URSA Mini Pro F Mount ou URSA Mini Pro EF Mount.



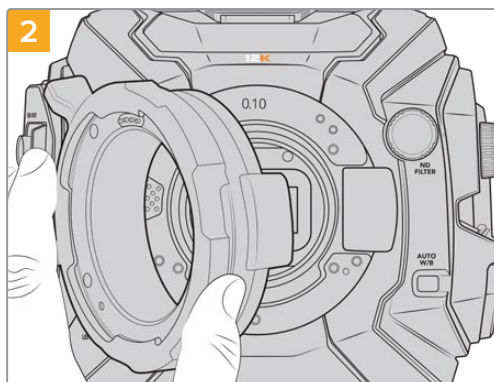
Com a capacidade de alternar três encaixes diferentes, você tem a liberdade para usar lentes diferentes com base nos projetos em que estiver trabalhando. Por exemplo, o encaixe EF permite que você utilize lentes fotográficas de alta qualidade, o encaixe B4 é ideal caso queira usar uma lente zoom parfocal para captação eletrônica de notícias ou filmagens de casamentos e o encaixe PL permite que você utilize lentes cinematográficas robustas e de alto nível desenvolvidas para precisão absoluta e controle replicável.

Encaixar cada lente é tão simples quanto desparafusar o encaixe EF original e substituí-lo com o novo encaixe. É muito fácil!

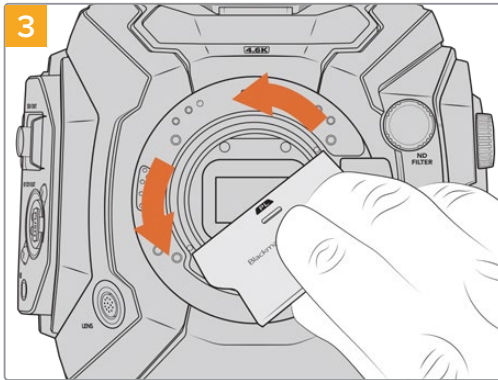
### Como remover o encaixe PL original da URSA Mini Pro 12K:



O encaixe PL original pode ser removido da sua URSA Mini Pro 12K desparafusando os cinco parafusos com uma chave sextavada de 2 mm.

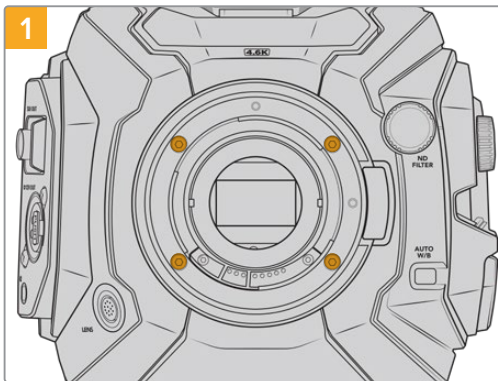


Retire o encaixe do corpo da câmera cuidadosamente.

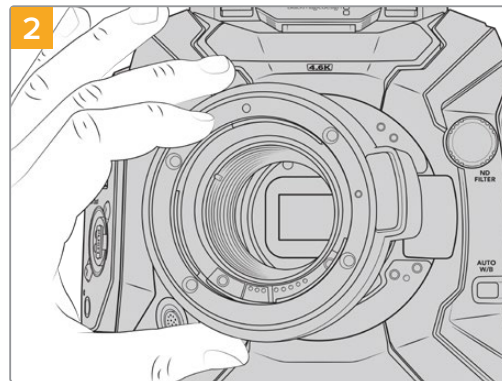


Após retirar o encaixe de lente PL, use a extremidade mais larga da ferramenta de montagem para soltar o defletor PL no centro e, em seguida, desparafuse cuidadosamente utilizando os dedos.

### Como remover o encaixe EF original da URSA Mini Pro 4.6K G2 ou URSA Mini Pro 4.6K:



O encaixe EF original pode ser removido facilmente da sua URSA Mini Pro 4.6K G2 ou URSA Mini Pro 4.6K desparafusando os quatro parafusos com uma chave sextavada de 2 mm.



Retire o encaixe do corpo da câmera cuidadosamente.

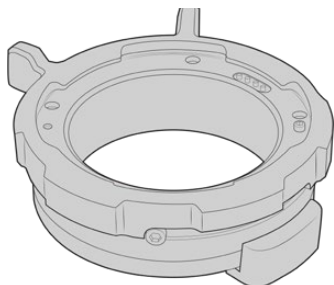
**OBSERVAÇÃO** Ao remover o encaixe de lentes original, certifique-se de que os anéis adaptadores embaixo do encaixe permaneçam sempre fixados na sua câmera.

Continue lendo esta seção para detalhes sobre os kits de encaixe de lentes PL, B4, F e EF, e sobre como instalar cada encaixe na sua URSA Mini Pro.

## Blackmagic URSA Mini Pro PL Mount

Fixar um encaixe PL na sua URSA Mini Pro possibilita usar lentes cinematográficas de alta qualidade e precisão para produções televisivas e de longas-metragens.

### O encaixe PL inclui:



#### 1 x encaixe PL

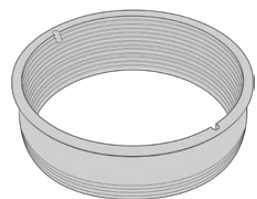
O encaixe PL é despachado com uma capa de proteção antipoeira.



#### 1 x kit de anéis adaptadores

O kit de anéis adaptadores inclui as seguintes espessuras:

0.50 mm	0.18 mm	0.10 mm
0.30 mm	0.15 mm	0.05 mm
0.20 mm	0.12 mm	0.025 mm



#### 1 x defletor PL

O encaixe do defletor PL ajuda a controlar e direcionar a luz entrando no sensor.



#### 1 x ferramenta de montagem

Use a ferramenta de montagem para prender o defletor PL à sua câmera.



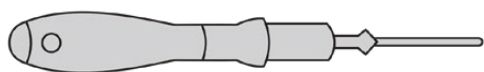
#### 5 x parafusos M2.5 sextavados de 2 mm x 22 mm

Os cinco parafusos M2.5 sextavados de 22 mm são exclusivos para o encaixe PL, portanto é recomendável mantê-los juntos do respectivo encaixe.

O kit de montagem PL também é despachado com um conjunto completo de parafusos reserva, caso os parafusos originais sejam perdidos.

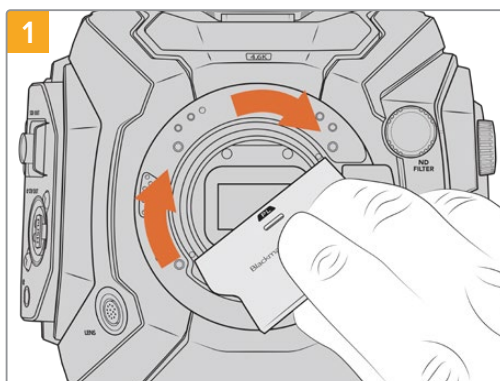
### Ferramentas Necessárias

Ao fixar o encaixe PL, você precisará de uma chave sextavada de 2 mm. Apesar de não ser absolutamente necessário, recomendamos usar uma chave de torque capaz de definir precisamente uma torção máxima de 0.45 Nm para limitar as possibilidades dos parafusos serem apertados em excesso.

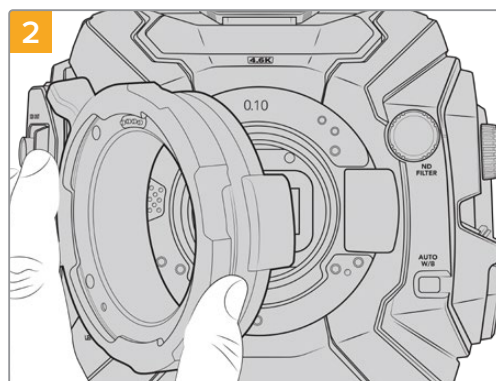


Chave sextavada de 2 mm.

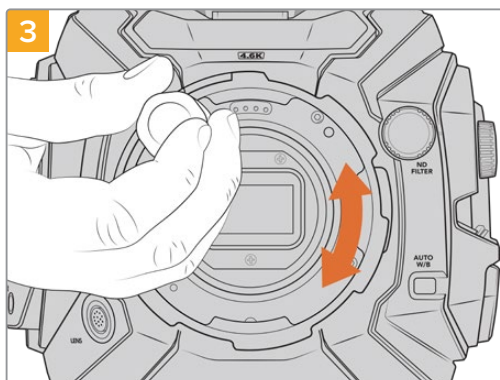
## Como Fixar o Encaixe PL



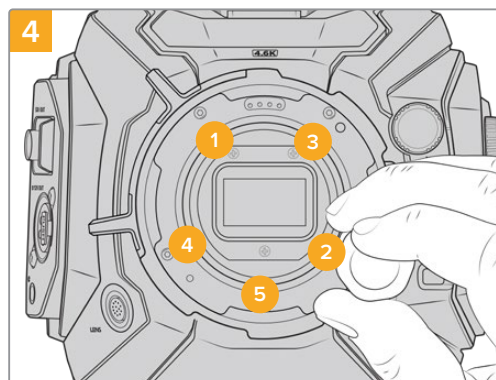
Insira o defletor PL no centro do encaixe de lente suavemente e gire-o até que esteja firme ao toque. Utilize a extremidade larga da ferramenta de montagem do defletor para apertar o defletor firmemente. Apenas um pouco de pressão será o suficiente para mantê-lo no lugar.



Cuidadosamente, coloque o encaixe de lente PL da Blackmagic URSA Mini Pro no corpo da câmera. Certifique-se de que os pinos para Cooke/i Technology no encaixe PL estejam localizados na posição das 12 horas.



Utilizando uma chave sextavada de 2 mm ou uma chave de torque a 0.45 Nm, gire os cinco parafusos de montagem cuidadosamente até que o contato inicial seja feito com o apoio do encaixe de lente. Para acessar todos os cinco parafusos, será necessário girar o anel de travamento PL, pois alguns orifícios ficam escondidos quando o anel está aberto ou fechado.



Certifique-se de que o encaixe de lente esteja nivelado e alinhado corretamente e, em seguida, aperte os parafusos na sequência acima utilizando uma pressão uniforme, sem apertar demais os parafusos.

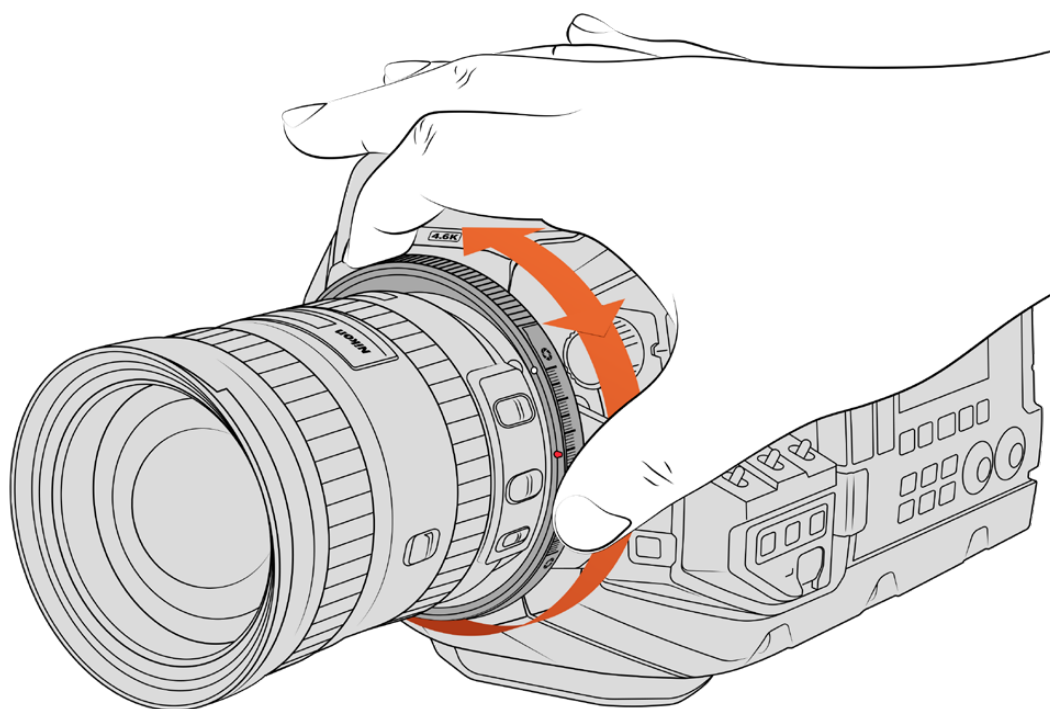
**OBSERVAÇÃO** Ao remover o encaixe PL, basta seguir as instruções em ordem reversa do passo 4 ao passo 1. Não esqueça de remover o defletor PL e armazená-lo de forma segura com o encaixe PL.

## Blackmagic URSA Mini Pro F Mount

Com o encaixe F fixado à sua URSA Mini Pro, você poderá usar lentes de montagem F. O sistema de montagem F da Nikon data de 1959 e as lentes de encaixe F ainda são fabricadas hoje. Isto significa que com o Blackmagic URSA Mini Pro F Mount, você tem acesso a uma enorme variedade de lentes vintage e contemporâneas.

É importante observar que o encaixe Blackmagic URSA Mini Pro F é mecânico. Ou seja, ele não oferece controle eletrônico de foco e íris. O Blackmagic URSA Mini Pro F Mount inclui um ajustador mecânico para íris. Ele move o pino de íris presente na maioria das lentes Nikon para realizar um ajuste de íris suave e de estilo cinematográfico.

Com um encaixe F fixado, basta mover o ajustador de íris no encaixe Blackmagic URSA Mini Pro F para atingir sua exposição desejada. O ponto vermelho no encaixe F e as marcações no ajustador de íris permitem que você anote as marcações de íris para retornar a uma configuração específica de exposição ou profundidade de campo.



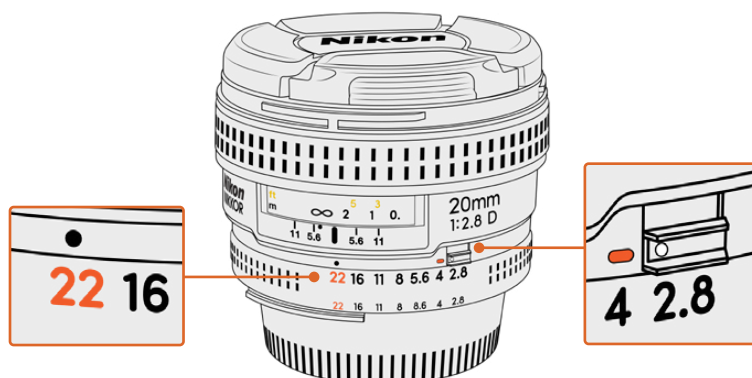
Use o anel do ajuste de íris do URSA Mini Pro F Mount para alterar a abertura de lentes de montagem F suavemente.

**OBSERVAÇÃO** Devido a maneira que o URSA Mini Pro F Mount funciona, um número reduzido de lentes de montagem F não é compatível.

Essas são as lentes da série AF-S E da Nikkor, que não oferecem controle mecânico da íris, e as lentes tilt-shift PC-E da Nikon, como os modelos 24mm f/3.5D PC-E e 85mm PC-E.

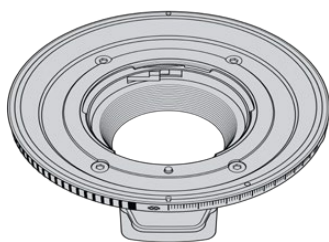
## Lentes Nikon AF-D

Ao utilizar lentes Nikon da série AF-D, é necessário travar a abertura da sua lente para a sua menor configuração, como f/22, para usar o intervalo completo do anel de ajuste da íris no encaixe Blackmagic URSA Mini Pro F.



Configurar e bloquear lentes AF-D na sua menor abertura é mais fácil antes de encaixá-las na sua câmera.

## O kit de montagem F inclui:



### 1 x encaixe F

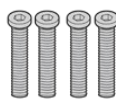
O encaixe F permite fixar lentes fotográficas F comuns.



### 1 x kit de anéis adaptadores

O kit de anéis adaptadores inclui as seguintes espessuras:

0.50 mm	0.18 mm	0.10 mm
0.30 mm	0.15 mm	0.05 mm
0.20 mm	0.12 mm	0.025 mm



### 4 x parafusos M3 sextavados de 2 mm x 18 mm

Os quatro parafusos M3 sextavados de 18 mm são usados no encaixe EF e F, portanto é recomendável mantê-los juntos do respectivo encaixe.

O kit de montagem F também é despachado com um conjunto completo de parafusos reserva, caso os parafusos originais sejam perdidos.

## Ferramentas Necessárias

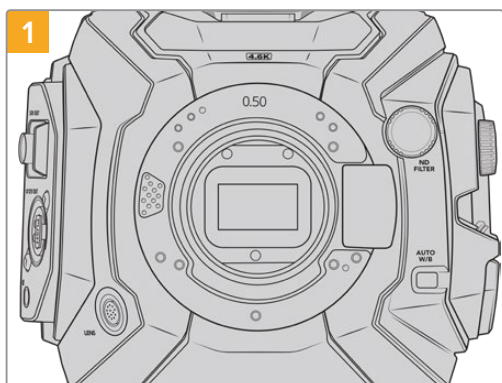
Ao fixar o encaixe F, você precisará de uma chave sextavada de 2 mm. Apesar de não ser absolutamente necessário, recomendamos usar uma chave de torque capaz de definir precisamente uma torção máxima de 0.45 Nm para limitar as possibilidades dos parafusos serem apertados em excesso.



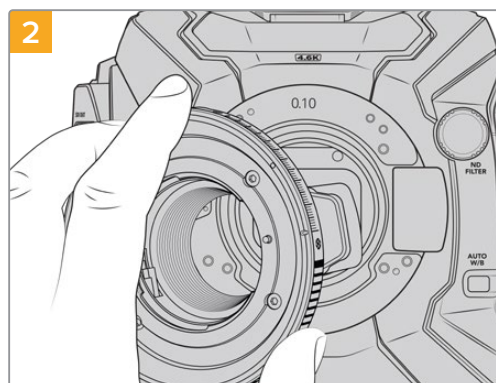
Chave sextavada de 2 mm.



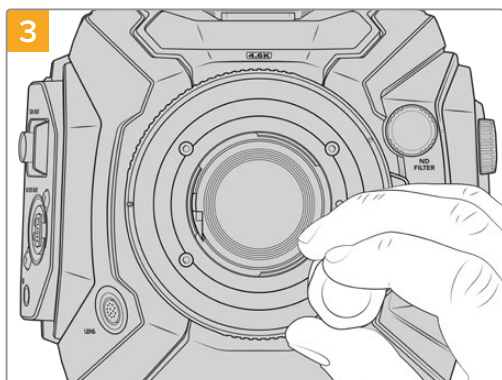
## Como Fixar o Encaixe F



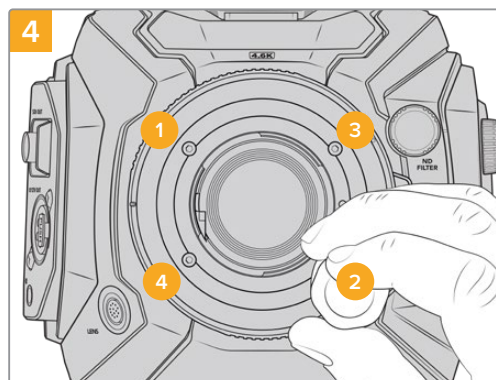
Posicione a Blackmagic URSA Mini Pro verticalmente em uma bancada sólida e limpa para assegurar que o encaixe possa ser inserido verticalmente. Caso esteja trocando o encaixe PL pelo F, certifique-se de que o defletor PL tenha sido removido antes de inserir o encaixe F.



Coloque o encaixe Blackmagic URSA Mini Pro F Mount cuidadosamente no corpo da câmera, certificando-se de que o ponto vermelho esteja na posição de 2 horas.



Utilizando uma chave sextavada de 2 mm ou uma chave de torque a 0.45 Nm, gire os quatro parafusos de montagem cuidadosamente até que o contato inicial seja feito com o apoio do encaixe de lente.



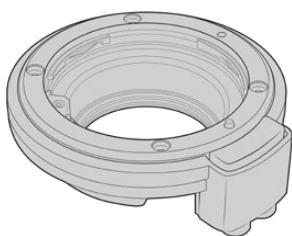
Certifique-se de que o encaixe de lente esteja nivelado e alinhado corretamente e, em seguida, aperte os parafusos na sequência acima utilizando uma pressão uniforme, sem apertar demais os parafusos.

**OBSERVAÇÃO** Ao remover o encaixe F, basta seguir as instruções em ordem reversa do passo 4 ao passo 1.

## Blackmagic URSA Mini Pro EF Mount

O Blackmagic URSA Mini Pro EF Mount é compatível com uma ampla gama de lentes EF cinematográficas e fotográficas.

### O kit de montagem EF inclui:



#### 1 x encaixe EF

O encaixe EF permite fixar lentes fotográficas EF comuns.



#### 1 x kit de anéis adaptadores

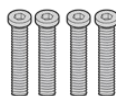
O kit de anéis adaptadores inclui as seguintes espessuras:

0.50 mm	0.18 mm	0.10 mm
0.30 mm	0.15 mm	0.05 mm
0.20 mm	0.12 mm	0.025 mm



#### 1 x ferramenta de montagem

O defletor no encaixe EF não é removível, mas incluímos uma ferramenta adaptadora no kit de montagem como um item separado para uso caso também possua um encaixe PL.



#### 4 x parafusos M3 sextavados de 2 mm x 18 mm

Os quatro parafusos M3 sextavados de 18 mm são usados no encaixe EF e F, portanto é recomendável mantê-los juntos do respectivo encaixe.

O kit de montagem EF também é despachado com um conjunto completo de parafusos reserva, caso os parafusos originais sejam perdidos.

### Ferramentas Necessárias

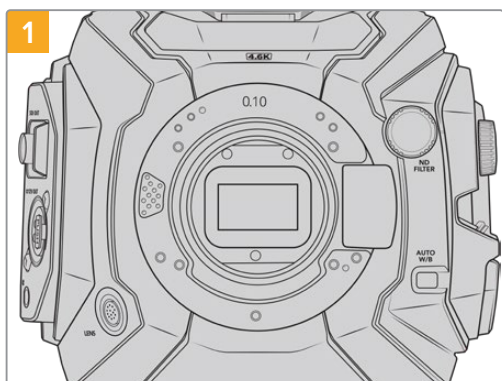
Ao fixar o encaixe EF, você precisará de uma chave sextavada de 2 mm. Apesar de não ser absolutamente necessário, recomendamos usar uma chave de torque capaz de definir precisamente uma torção máxima de 0.45 Nm para limitar as possibilidades dos parafusos serem apertados em excesso.



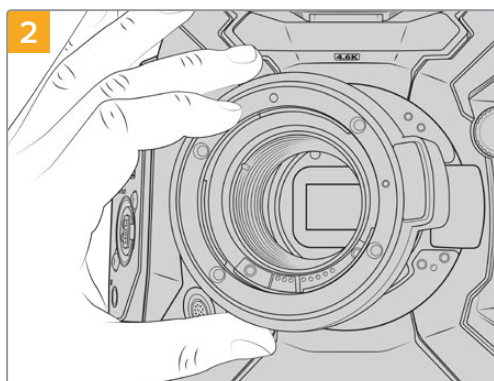
Chave sextavada de 2 mm.



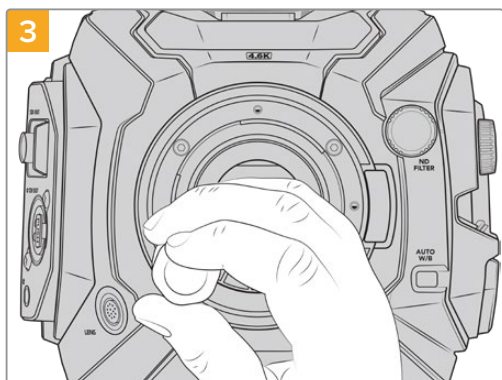
## Como Fixar o Encaixe EF



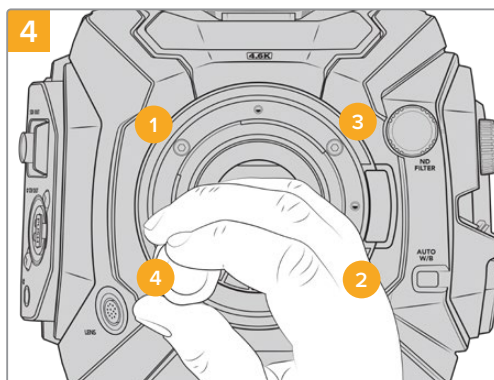
Posicione a Blackmagic URSA Mini Pro verticalmente em uma bancada sólida e limpa para assegurar que o encaixe possa ser inserido verticalmente. Caso esteja trocando o encaixe PL pelo EF, certifique-se que o defletor PL tenha sido removido antes de inserir o encaixe EF.



Coloque o encaixe Blackmagic URSA Mini Pro EF Mount cuidadosamente no corpo da câmera, certificando-se de que o ponto vermelho esteja na posição de 12 horas.



Utilizando uma chave sextavada de 2 mm ou uma chave de torque a 0.45 Nm, gire os quatro parafusos de montagem cuidadosamente até que o contato inicial seja feito com o apoio do encaixe de lente.



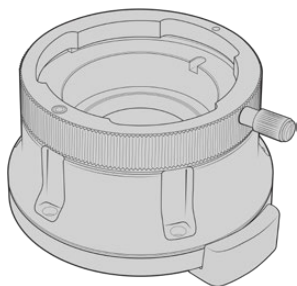
Certifique-se de que o encaixe de lente esteja nivelado e alinhado corretamente e, em seguida, aperte os parafusos na sequência acima utilizando uma pressão uniforme, sem apertar demais os parafusos.

**OBSERVAÇÃO** Ao remover o encaixe EF, basta seguir as instruções em ordem reversa do passo 4 ao passo 1.

## Blackmagic URSA Mini Pro B4 Mount

Com o encaixe B4 fixado na sua URSA Mini Pro 4.6K G2 ou URSA Mini Pro 4.6K, é possível encaixar lentes de zoom parfocais normalmente utilizadas para a captação eletrônica de notícias e vídeos de casamento. O foco destas lentes é mantido ao longo de grandes intervalos de zoom e, geralmente, possuem controle manual de foco e íris, além de um controlador de zoom tipo rocker na empunhadura permitindo que você aumente e reduza o zoom suavemente. Para operadores únicos, usar estas lentes torna as filmagens mais rápidas e eficientes com um controle excepcional. É importante observar que o encaixe Blackmagic URSA Mini Pro B4 não é compatível com a URSA Mini Pro 12K.

### O kit de montagem B4 inclui:



#### 1 x encaixe B4

O encaixe B4 permite usar lentes UPJ padrão da indústria com sua URSA Mini Pro.



#### 1 x kit de anéis adaptadores

O kit de anéis adaptadores inclui as seguintes espessuras:

0.50 mm	0.18 mm	0.10 mm
0.30 mm	0.15 mm	0.05 mm
0.20 mm	0.12 mm	0.025 mm



#### 5 x parafusos sextavados M2.5 de 12 mm x 2mm

Os cinco parafusos M2.5 sextavados de 22 mm são exclusivos para o encaixe B4, portanto é recomendável mantê-los juntos do respectivo encaixe.

O kit de montagem B4 também é despachado com um conjunto completo de parafusos reserva, caso os parafusos originais sejam perdidos.

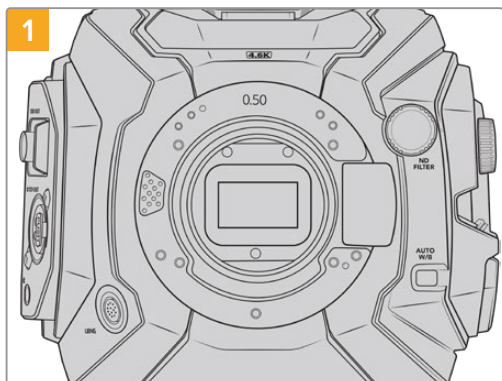
### Ferramentas Necessárias

Ao fixar o encaixe B4, você precisará de uma chave sextavada de 2 mm. Apesar de não ser absolutamente necessário, recomendamos usar uma chave de torque capaz de definir precisamente uma torção máxima de 0.45 Nm para limitar as possibilidades dos parafusos serem apertados em excesso.

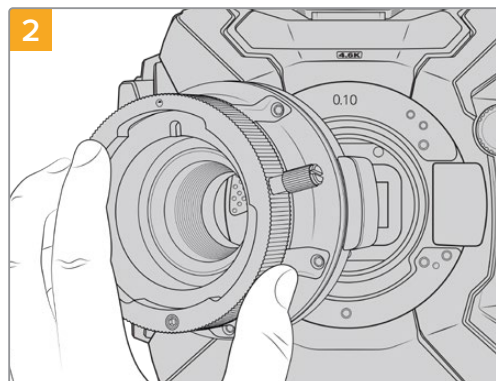


Chave sextavada de 2 mm.

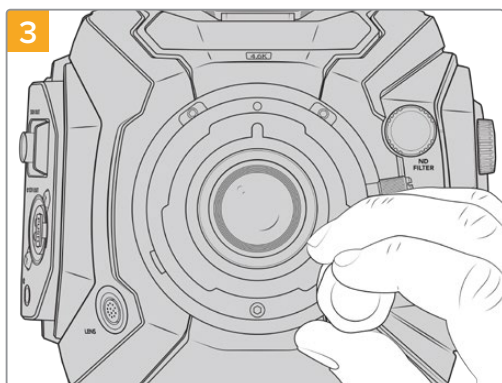
## Como Fixar o Encaixe B4



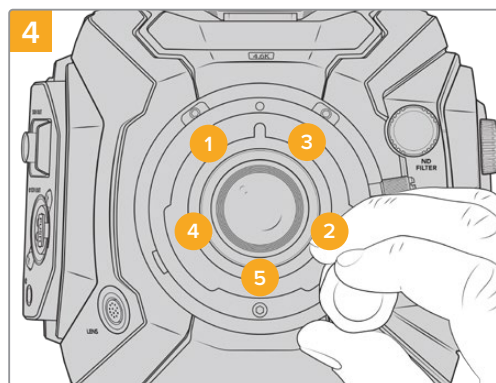
Posicione a Blackmagic URSA Mini Pro verticalmente em uma bancada sólida e limpa para assegurar que o encaixe possa ser inserido verticalmente.



Coloque o encaixe Blackmagic URSA Mini Pro B4 Mount cuidadosamente no corpo da câmera, certificando-se de que o ponto vermelho esteja na posição de 12 horas.



Utilizando uma chave sextavada de 2 mm ou uma chave de torque a 0.45 Nm, gire os cinco parafusos de montagem cuidadosamente até que o contato inicial seja feito com o apoio do encaixe de lente.



Certifique-se de que o encaixe de lente esteja nivelado e alinhado corretamente e, em seguida, aperte os parafusos na sequência acima utilizando uma pressão uniforme, sem apertar demais os parafusos.

**OBSERVAÇÃO** Ao remover o encaixe B4, basta seguir as instruções em ordem reversa do passo 4 ao passo 1.

**DICA** Ao usar uma lente B4 com a URSA Mini Pro 4.6K G2 ou URSA Mini Pro 4.6K, defina a resolução para 2K 16:9 ou mais baixa, e "Window Sensor" na posição "On" na aba "Record" do painel de controle. É importante usar essas configurações para evitar vinhetas na imagem, pois as lentes B4 não cobrem o círculo de imagem do sensor Super 35 mm. Após encaixar uma lente B4 e ajustar as configurações na sua câmera, você também deve verificar o foco traseiro da lente.

## Blackmagic URSA Mini Pro Shim Kit

Ao fixar encaixes PL, B4 ou F na URSA Mini Pro, um anel adaptador de 0.10 mm é adicionado aos anéis adaptadores originais de 0.50 mm e 0.10 mm embaixo do encaixe EF original. Este e outros anéis adaptadores são incluídos no Blackmagic URSA Mini Pro Shim Kit. Outras espessuras são incluídas no kit, caso seja necessário readaptar sua câmera para que se adeque a lentes PL que podem exigir distâncias ligeiramente diferentes para manter a precisão das marcações de foco.

### O kit de anéis adaptadores inclui:

---



#### 1 x ferramenta de montagem

Utilize a ferramenta de montagem para desparafusar ou apertar o defletor PL ao remover ou encaixar o bocal PL na sua URSA Mini Pro.



#### 1 x kit de anéis adaptadores

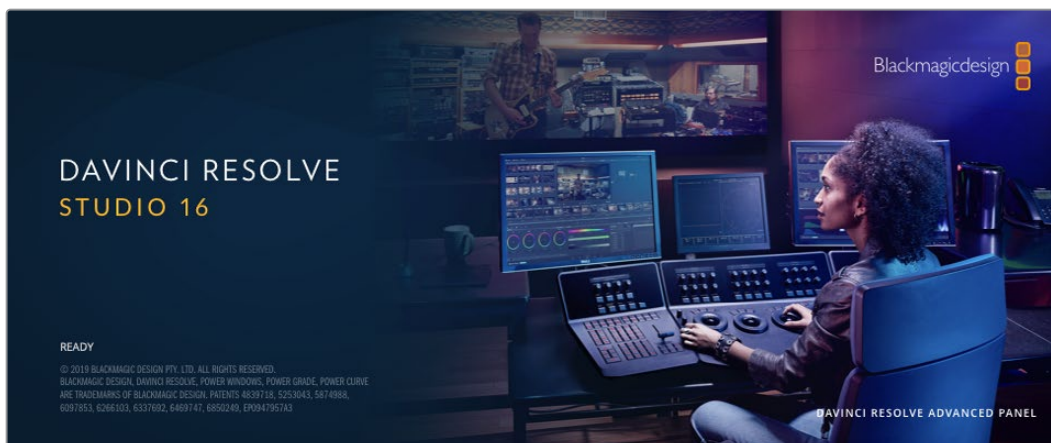
O kit de anéis adaptadores inclui as seguintes espessuras:

0.50 mm	0.18 mm	0.10 mm
0.30 mm	0.15 mm	0.05 mm
0.20 mm	0.12 mm	0.025 mm

---

# Como Utilizar o DaVinci Resolve

Filmar com sua Blackmagic URSA Mini é apenas parte do processo de criação de conteúdo cinematográfico e televisivo, e é tão importante quanto o processo de gerenciamento e backup de mídias, além da edição, correção de cores e codificação dos arquivos máster finais. Sua Blackmagic URSA Mini inclui uma versão do DaVinci Resolve Studio para Mac e Windows para que você conte com uma solução completa de gravação e pós-produção!



**OBSERVAÇÃO** Recomendamos usar a versão mais recente do DaVinci Resolve para o tratamento preciso das cores dos clipes gravados com as câmeras URSA Mini. A versão 16.3 ou mais recente oferecerá cores precisas para as câmeras URSA Mini utilizando os recursos Blackmagic RAW mais recentes, além de compatibilidade com arquivos 12K.

Após conectar seu cartão CFast, SD ou SSD ao seu computador, é possível usar a ferramenta “Clone” na página de mídias do DaVinci Resolve para criar backups em operação durante as filmagens. Isto é recomendado, já que qualquer tipo de mídia é suscetível a danificar-se ou apresentar uma avaria, assim a criação de backups garante que suas imagens fiquem imunes à perda de dados. Depois que tiver usado o DaVinci Resolve para fazer cópias de segurança das suas mídias, será possível adicionar seus clipes ao pool de mídia do DaVinci, editá-los, corrigir as cores e finalizar sua produção sem nunca ter que sair do programa.

O DaVinci Resolve é a mesma ferramenta usada na maioria dos blockbusters, então ele é muito mais que uma simples ferramenta de software NLE, já que oferece uma tecnologia extremamente avançada integrada para cinema digital de alto nível. Você pode tirar proveito dessa tecnologia ao usar o DaVinci Resolve para editar e corrigir as cores do seu trabalho.

Algumas informações sobre como começar a usar o DaVinci Resolve com seus arquivos de câmera foram incluídas neste manual. Obviamente, o DaVinci Resolve é extremamente avançado e conta com muito mais recursos que aparenta ter no primeiro instante quando você se depara com sua interface de usuário. Para saber mais sobre como usar o DaVinci Resolve, consulte o manual de instruções DaVinci Resolve no site da Blackmagic Design, onde você também poderá encontrar muitos cursos de treinamento e tutoriais em vídeo.

## Gerente de Projetos

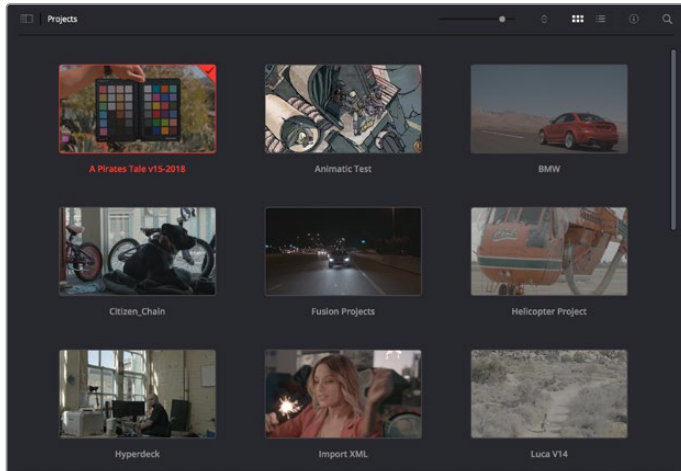
Antes de importar os seus clipes e começar a editar, será necessário definir seu projeto usando o gerente de projetos.

O gerente de projetos é a primeira tela que você verá ao iniciar o DaVinci Resolve, mas você pode abrir o gerenciamento a qualquer momento ao clicar no ícone de “casa” no canto inferior direito da interface do usuário. Isto é útil quando você deseja abrir projetos anteriores e criar novos projetos.



Para criar um novo projeto, clique em “Novo Projeto” na parte inferior da janela e dê um nome ao seu projeto. Clique em “Criar”.

Usando a página Corte, você pode começar a sua montagem imediatamente.



O gerente de projeto exibe todos os projetos que pertencem ao usuário atual.

Para mais informações sobre o Gerente de Projetos, consulte o manual DaVinci Resolve que está disponível para download na página de suporte no site da Blackmagic Design.

## Editar com a Página Corte

A página Corte oferece um fluxo de trabalho rápido e dinâmico que permite que você monte, apare e edite clipes eficientemente.

Duas linhas de tempo ativas permitem que você trabalhe com toda a sua edição, além de uma área detalhada simultaneamente. Isso significa que você pode arrastar clipes para qualquer lugar em uma linha de tempo grande e depois refine sua edição em uma linha de tempo detalhada dentro da mesma área de trabalho. Ao usar este fluxo de trabalho, você pode editar em um laptop sem a necessidade de ampliar e reduzir o zoom e rolar conforme você trabalha, o que pode poupar bastante tempo.

### Layout da Página Corte

Ao abrir a página Corte, você verá o pool de mídias, a janela do visualizador e a linha de tempo. Estas três janelas principais oferecem controle completo da sua edição.



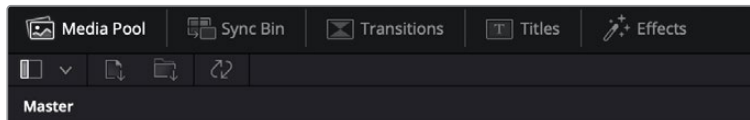
A área de trabalho padrão da página Corte, com visualização de ícones no pool de mídia.

Para mais informações sobre a página Corte, consulte o capítulo “Using the Cut Page” no manual do DaVinci Resolve.

## Abas de Mídia

No canto superior esquerdo da interface do usuário você visualizará cinco abas.

Clique nessas abas para abrir os kits de ferramentas a serem usados ao criar sua edição. Por exemplo, a primeira aba é o pool de mídia e perceba que já está selecionada. As outras abas são para o ficheiro sincronizado, transições de mídias, títulos e efeitos.



- **Pool de Mídia:** O pool de mídia contém todos os seus clipes, ficheiros e arquivos importados usando a página de mídias. Você também pode importar arquivos diretamente da página Corte, assim não é necessário retornar à página de mídias se você quiser importar um clipe novo.
- **Ficheiro Sincronizado:** Este recurso eficaz sincroniza todos os seus clipes automaticamente via código de tempo, data e hora, para que você possa selecionar os ângulos de todas as câmeras em um projeto multicâmera.
- **Transições:** Se você clicar na aba de transições vizinha, você visualizará todas as transições de vídeo e áudio que podem ser utilizadas na sua edição. Elas incluem transições comuns, como dissoluções cruzadas e cortinas de movimento.
- **Títulos:** A aba “Títulos” fica ao lado das transições. Aqui você pode selecionar o tipo de título que deseja usar. Por exemplo, uma rolagem, texto padrão ou terço inferior. Também há uma lista de modelos Fusion que você pode utilizar para títulos animados mais dinâmicos que podem ser personalizados na página “Fusion” do DaVinci Resolve.
- **Efeitos:** A quinta aba é chamada “Efeitos”. Ela oferece todos os filtros e efeitos diferentes que podem ser utilizados para dar mais vida à sua montagem, por exemplo, desfoque, brilhos e efeitos de lente personalizados. Há muitas opções de efeitos poderosos que podem ser encontrados rapidamente com a ferramenta de busca.

**DICA** Utilize a ferramenta de busca próxima dos ícones de mídia para encontrar exatamente o que procura. Por exemplo, caso tenha a aba de transições selecionada, digite “dissolução” na ferramenta de busca e apenas os tipos de transição com dissolução aparecerão no visualizador, tornando a busca pela transição de dissolução desejada mais rápida.




## Abas de Visualização

No canto superior esquerdo da janela do visualizador, você encontrará os botões de modo de visualização.



Os botões de modo de visualização.

Estes botões controlam qual visualizador é atualmente usado, incluindo “Clipe de Origem”, “Fita de Origem” e “Linha de Tempo”. Estes modos de visualização oferecem uma enorme quantidade de controle ao selecionar os clipes para a sua montagem. Vale a pena passar alguns momentos observando como eles funcionam.



	<b>Clipe de Origem</b>	O visualizador do clipe de origem exibe um único clipe do pool de mídia e você pode definir pontos de entrada e saída ao longo de toda a visualização da linha de tempo. Isto oferece maior controle. Selecione um clipe de origem para visualização ao clicar duas vezes em um clipe no pool de mídia ou arrastando-o para o visualizador.
	<b>Fita de Origem</b>	A fita de origem permite que você visualize todos os clipes de origem no pool de mídia. Este poderoso recurso é útil se você quiser pesquisar todos os seus clipes para encontrar um evento específico. Enquanto você passa o cursor de reprodução sobre os clipes, você observará suas miniaturas selecionadas no pool de mídia. Assim, após ter encontrado o clipe que deseja editar, você pode clicar na aba do clipe de origem e seu clipe de origem correspondente aparecerá no visualizador automaticamente.  O visualizador de fita de origem realmente permite que você se aproveite da edição não linear, oferecendo a liberdade para trabalhar na sua edição, encontrar planos rapidamente, testar novas ideias e focar no momento.
	<b>Linha de Tempo</b>	O visualizador da linha de tempo permite que você visualize a linha de tempo de edição para que possa reproduzir seu projeto e refinar suas edições.

## Importar Clipes no Pool de Mídia

Agora você pode começar a importar as mídias para o seu projeto. Você pode fazer isto na janela do pool de mídia na página Corte usando as ferramentas de importação na parte superior.



Selecione uma das opções de importação para adicionar mídias ao seu projeto.

	<b>Importar Mídias</b>	A opção “Importar Mídias” importará arquivos de mídia individuais selecionados no local do armazenamento.
	<b>Importar Ficheiro de Mídias</b>	Para importar um ficheiro do seu local de armazenamento, selecione a opção “Importar Ficheiro”. Ao importar um ficheiro, o DaVinci Resolve manterá a estrutura do arquivo, tratando cada ficheiro como um ficheiro independente para que você possa navegar entre eles para encontrar seus vídeos e outros arquivos de mídia.

### Como importar mídias:

- 1 Clique em “Importar Mídias” ou no ícone “Importar Ficheiro de Mídias”.
- 2 Navegue até seu armazenamento de mídia para obter a mídia que deseja importar.
- 3 Selecione o arquivo ou ficheiro e clique em “Abrir”.

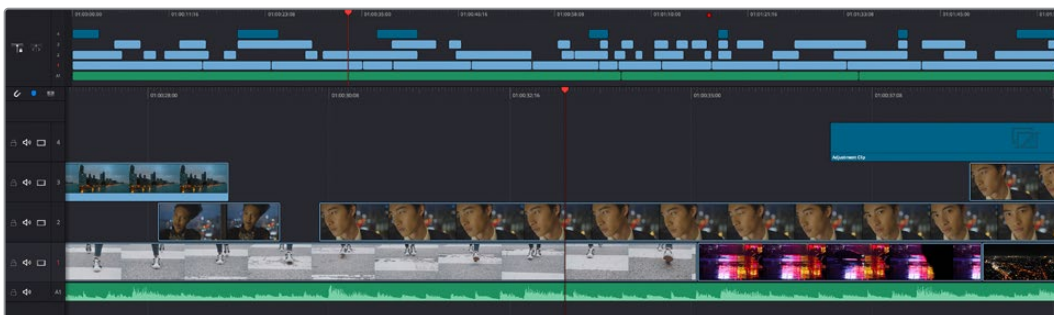
Após adicionar a mídia ao seu projeto, este é um bom momento para salvar suas alterações. O DaVinci Resolve oferece uma opção de salvamento automática rápida e em atividade chamada “Salvar Ao Vivo”. Depois que salvar seu projeto uma vez, “Salvar Ao Vivo” salvará alterações adicionais à medida que você as faz, eliminando o risco de perder o seu trabalho.

Para mais informações sobre o recurso “Salvar Ao Vivo” e outras funções de salvamento automático, consulte o Manual DaVinci Resolve.



## Adicionar Clipes à Linha de Tempo

Agora que está familiarizado com os botões das abas de mídia e dos modos de visualização, você pode abrir o pool de mídia e começar a adicionar clipes rapidamente à sua linha de tempo.



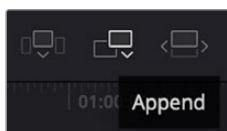
A linha de tempo da página Corte, consiste em uma linha de tempo superior e uma linha de tempo ampliada abaixo.

A linha de tempo é onde você monta a sua edição e é como um tabuleiro com trilhas nas quais você pode colocar seus clipes, deslocá-los e aparar seus cortes. As trilhas permitem distribuir os clipes em camadas sobre outros, o que oferece mais flexibilidade para testar cortes diferentes e criar transições e efeitos. Por exemplo, você pode testar uma edição com um clipe em uma trilha sem afetar os outros clipes na trilha abaixo.

Há diferentes maneiras de adicionar clipes à linha de tempo, como inserção inteligente, anexar, inserir por cima, entre outras.

### Anexar Clipes

Ao selecionar tomadas e montar uma edição, é provável que você queira adicionar estes planos um após o outro na linha de tempo. A ferramenta “Anexar” é perfeita para esta tarefa e permitirá que você edite com muita rapidez.



Clique no ícone “Anexar” para adicionar clipes ao fim do último clipe rapidamente.

### Como anexar um clipe:

- 1 Clique duas vezes em um clipe no pool de mídia para abri-lo no visualizador.
- 2 Usando a ferramenta aparo de arrasto, arraste os pontos de entrada e saída para selecionar a duração precisa do seu plano. Você pode pressionar as teclas de atalho “I” e “O” no teclado para definir os pontos de entrada e saída.

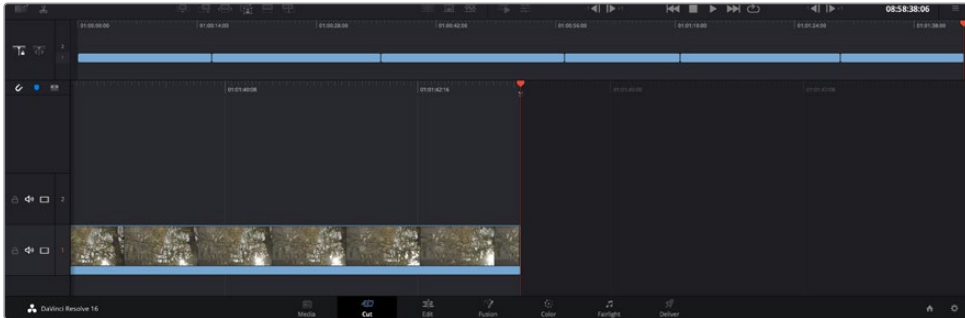


- 3 Agora, clique no ícone Anexar abaixo do pool de mídia.



Seu primeiro clipe será posicionado no início da linha de tempo.

Repita os passos 1 a 3 para continuar adicionando mais clipes e eles serão anexados automaticamente, assegurando que não existam lacunas na linha de tempo.



Anexar clipes assegura que não existam lacunas entre eles na linha de tempo.

**DICA** Você pode acelerar o processo ainda mais ao atribuir um atalho de teclado para o ícone “Anexar”. Por exemplo, se você atribuir a tecla “P”, você pode selecionar seu ponto de entrada e saída usando “I” e “O” e, depois, apertar “P” para anexar o clipe. Consulte o manual DaVinci Resolve para mais informações sobre como atribuir teclas de atalho.

## Editar Clipes na Linha de Tempo

Com clipes adicionados à linha de tempo, você tem controle total para deslocá-los e aparar cortes.

Para aparar um corte, passe o mouse por cima do início ou fim de um clipe, clicando e arrastando para a direita ou esquerda. Por exemplo, arraste o fim de um clipe à direita ou esquerda para diminuir ou aumentar sua duração. Perceba que todos os clipes após esta edição se deslocarão na linha de tempo para acomodar o novo ajuste. Esta é uma das maneiras que a página Corte pode ajudar a poupar seu tempo.

Você pode até pegar o clipe e soltá-lo em uma trilha de vídeo nova na linha de tempo grande sem necessidade de usar o zoom. Isto agiliza o processo de edição porque minimiza o tempo gasto navegando por uma linha de tempo longa.

Depois que tiver terminado a edição dos seus clipes usando a página de cortes, talvez você queira adicionar um título. A próxima seção demonstrará como fazer isto.

## Adicionar Títulos

Inserir um título na sua linha de tempo é fácil e há várias opções.

Para visualizar os diferentes tipos de títulos que podem ser usados, clique na aba de mídia “Títulos” no canto superior esquerdo da interface do usuário. Na janela de seleção, você verá todos os geradores de títulos diferentes que você pode utilizar, de terços inferiores e rolagens a um título de texto padrão. É possível, inclusive, adicionar qualquer um dos títulos Fusion que são animados e podem ser personalizados.

Um bom exemplo é adicionar um título padrão.

#### Como adicionar um título padrão:

- 1 Clique no título “Texto” e arraste-o até a linha de tempo. Não importa qual linha de tempo, mas para mais precisão recomendamos usar a linha de tempo detalhada. Uma nova trilha de vídeo para o título será criada automaticamente e será encaixada no cursor de reprodução.
- 2 Solte o mouse e o título aparecerá na nova trilha. Agora, você pode deslocá-lo ou alterar sua duração como faria com outro clipe de vídeo.
- 3 Para editar o título, clique no clipe do novo título e um ícone de ferramentas aparecerá abaixo do visualizador de clipe. Clique no ícone de ferramentas.

Agora você verá uma nova fileira de ferramentas que podem ser utilizadas para modificar o clipe do título. Por exemplo, transformação, recorte, zoom dinâmico, entre outras. Para este exemplo, clique na ferramenta “Título”.

- 4 Agora, clique em “Abrir Inspetor”.

Isto abrirá a janela do inspetor, onde você pode digitar o título desejado e editar as configurações de texto, por exemplo, rastreamento, espaçamento de linhas, cor, entre outras.

Há muitas opções para personalizar o título exatamente como você deseja. Recomendamos que você teste todas as configurações diferentes para ver como elas alteram a aparência e a forma do seu título.

## Trabalhar com Arquivos Blackmagic RAW

Os clipes Blackmagic RAW oferecem flexibilidade máxima na pós-produção. Isto permite fazer ajustes nos clipes, como as configurações de balanço de branco e ISO, como se você estivesse alterando as configurações originais de câmera. Trabalhar com Blackmagic RAW também retém mais informações tonais de sombras e realces, o que é útil para a recuperação de detalhes, por exemplo, em céus estourados ou áreas escuras da imagem.

Vale a pena filmar em Blackmagic RAW caso esteja buscando a qualidade mais alta possível, ou em planos onde há variações extremas de realces e sombras, quando você talvez precise aumentar e diminuir os valores destas regiões o máximo possível na gradação.

A rapidez e o tamanho reduzido dos arquivos Blackmagic RAW significam que você não precisa criar arquivos proxy e a reprodução é tal como a de um clipe de vídeo padrão. Esta seção do manual descreve os recursos do Blackmagic RAW e como usar os arquivos Blackmagic RAW no seu fluxo de trabalho DaVinci Resolve.

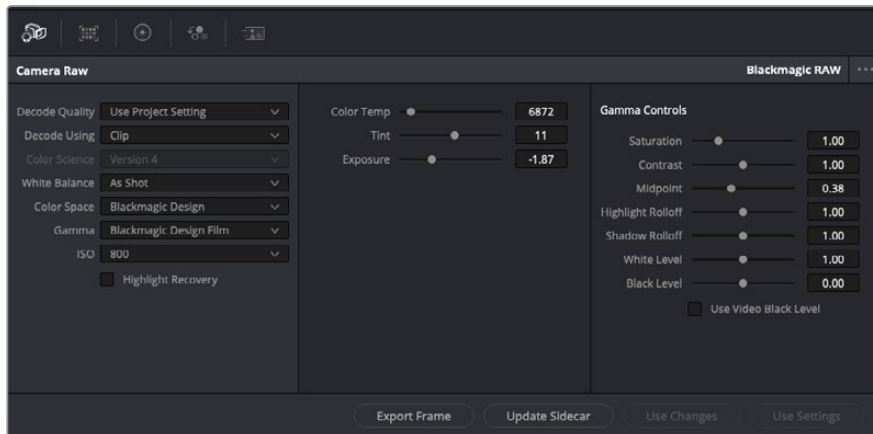
**DICA** É uma boa prática ajustar as configurações Blackmagic RAW dos seus clipes na página “Cor” antes de começar o tratamento de cores.

### Configurações de Clipes Blackmagic RAW

Ao importar arquivos Blackmagic RAW pela primeira vez, o DaVinci Resolve decodifica os dados da câmera contidos nos arquivos utilizando o ganho, as configurações de balanço de branco e de tonalidade usadas no momento da gravação. Caso esteja satisfeito com o look dessas configurações, é possível começar a editar imediatamente.

A parte mais fantástica das gravações em Blackmagic RAW é que você não fica preso de forma alguma a essas configurações. A abrangência de opções de processamento ao trabalhar com arquivos Blackmagic RAW significa que você pode desenvolver seu próprio fluxo de trabalho com o passar do tempo. As experimentações com as configurações “Clipe” para cada clipe na aba “Câmera RAW” mostrarão o quão poderoso e flexível pode ser trabalhar com Blackmagic RAW.

O menu “Color Science” permite que você escolha entre interpretar suas imagens com a ciência de cores de quarta geração ou a ciência de cores de quinta geração. A URSA Mini Pro 12K é a primeira câmera a usar a ciência de cores de quinta geração da Blackmagic Design. Os arquivos criados em câmeras diferentes utilizando a ciência de cores de quarta geração podem ser reinterpretados com a ciência de cores de quinta geração para combinar com os seus planos de imagem da URSA Mini Pro 12K. Como alternativa, se você estiver filmando principalmente com câmeras que criam arquivos Blackmagic RAW com ciência de cores de quarta geração, você pode misturar clipes gravados na URSA Mini Pro 12K com a ciência de cores de quinta geração ao revertê-los para a ciência de cores de quarta geração. Isso facilita a harmonização de imagens filmadas em câmeras usando ciências de cores Blackmagic de gerações diferentes.



Na aba “Câmera Raw”, selecione “Clipe” a partir do menu suspenso “Decodificar Usando” para fazer ajustes nas configurações Blackmagic RAW do seu clipe.

Depois de ter definido o DaVinci Resolve para habilitar as configurações Blackmagic RAW, as configurações de clipe e os controles de gama podem ser ajustados. Ao ajustar essas configurações para otimizar os seus clipes, você pode aproximá-los de uma gradação primária completa. Isto é extremamente poderoso, especialmente ao utilizar os escopos do DaVinci Resolve, que ajudam o usuário a neutralizar e normalizar os clipes para aplicar um look.

As informações abaixo contêm descrições dos controles de clipe e gama:

### ISO

O valor ISO pode ser alterado ao ajustar esta configuração. Ela é útil caso precise definir um ponto de partida mais claro ou mais escuro para a otimização.

### Recuperação de Realce

Marque a caixa para reconstruir as informações de realce em canais cortados usando informações dos canais não cortados.

### Temperatura de Cor

Ajusta a temperatura de cor para deixar a imagem fria ou quente. Ela pode ser utilizada para neutralizar o balanço de cores em cada imagem.

### Tonalidade

Permite adicionar verde ou magenta à imagem para auxiliar no balanço de cores.

### Exposição

Permite refinar o brilho geral da imagem.

### Saturação

Os controles de saturação são predefinidos em 1 e variam de -1 para saturação mínima a +4 para saturação máxima.

### Contraste

Predefinido em 1.0, arraste o deslizador à esquerda para o mínimo de contraste a 0 ou à direita para aumentaro contraste até 2.

### Ponto Médio

Com Blackmagic Design Film, seus valores de cinza médio são predefinidos em 0,38 ou 38,4%. Arraste o deslizador à esquerda para diminuir seu ponto médio ou à direita para aumentá-lo para 100. Quando o contraste é ajustado e distanciado da configuração padrão, você pode modificar suas modulações de realces e sombras.

### Modulação de Realce

Ajuste os realces ao arrastar o deslizador à esquerda para diminuir o valor para 0, ou à direita para aumentar os realces para 2. O valor padrão é 1.

### Modulação de Sombra

Arraste o deslizador à esquerda para diminuir as suas sombras para 0 ou à direita para aumentar suas sombras para 2.

### Nível de Branco

Ajuste o ponto branco da curva de gama ao arrastar o deslizador do valor máximo de 2 para o valor mínimo de 0. O valor padrão é 1.

### Nível de Preto

Aumente o ponto preto da curva de gama personalizada ao arrastar o deslizador para a direita partindo do valor mínimo de -1 para o máximo de 1. O valor padrão é 0.

### Usar Nível de Preto de Vídeo

Marque a caixa para configurar os níveis de preto para vídeo.

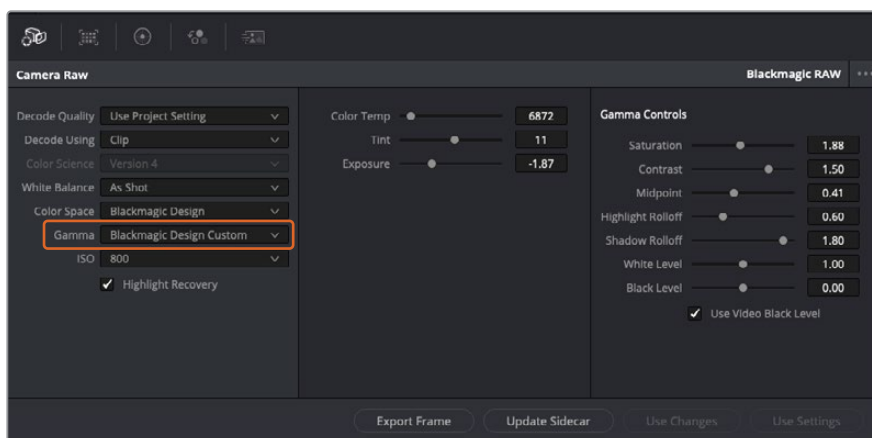
### Exportar Quadro

Clicar no botão “Exportar Quadro” permite que você exporte um quadro único do seu clipe Blackmagic RAW.

### Atualizar Sidecar

Clique neste botão para atualizar o arquivo sidecar Blackmagic RAW para o clipe atual.

Quaisquer modificações feitas nos clipes Blackmagic RAW serão identificadas pela configuração de gama alterando para “Blackmagic Design Custom”.



Caso queira reverter seu clipe para uma das opções de gama padrão disponíveis, basta selecioná-la a partir do menu suspenso de gama.

**DICA** Os controles de gama são desativados para imagens gravadas com a faixa dinâmica de vídeo, sem perdas dos seus dados Blackmagic RAW. Basta selecionar “Blackmagic Design Film” ou “Blackmagic Design Extended Video” no menu suspenso de gama e fazer os seus ajustes.

#### Como salvar suas alterações Blackmagic RAW

- 1 Ajuste os controles gama para o seu clipe Blackmagic RAW.
- 2 Clique no botão “Atualizar Sidecar”.

Um arquivo sidecar será criado na mesma pasta que o seu arquivo .braw. Quando outro usuário importar os arquivos Blackmagic RAW, os arquivos sidecar serão lidos automaticamente pelo DaVinci Resolve. Se fizer mais ajustes, pressione “Atualizar Sidecar” novamente.

**DICA** Para remover seu arquivo sidecar, basta deletá-lo da sua localização no seu drive de mídias.

#### Configurações de Projetos Blackmagic RAW

Caso necessite configurar uma alteração que será comum para todos os clipes, como uma modificação global do balanço de branco ou sensibilidade ISO, é possível definir os clipes que usarão as configurações “Camera RAW” do projeto e fazer as modificações.

#### Como definir as configurações Blackmagic RAW:

- 1 Acesse o menu das configurações do projeto ao clicar em “Arquivo” e selecionar “Configurações de Projeto”.
- 2 Na aba “Câmera Raw”, você verá um menu suspenso junto do perfil RAW. Clique na seta para selecionar Blackmagic RAW na lista.
- 3 Selecione “Projeto” no menu suspenso “Decodificar Usando”.
- 4 Configure o balanço de branco como “Customizado”.
- 5 Selecione “Blackmagic Design Custom” no menu suspenso de gama. Defina o espaço de cor como “Blackmagic Design”. Esta ação também definirá a configuração gama como “Blackmagic Design Film”.
- 6 Selecione sua resolução no menu “Qualidade da Decodificação”. Resoluções mais baixas proporcionarão melhores reproduções em sistemas limitados. Você também tem a flexibilidade de alterar para a resolução máxima mais tarde, antes de fazer a entrega, para obter a qualidade mais alta.

Agora, é possível ajustar as configurações de câmera para os seus clipes, como saturação, contraste e ponto médio. Esta ação afetará todos os clipes no seu projeto que estejam configurados para decodificação usando “Projeto”.

#### Corrigir Cores dos seus Clipes com a Página Cor

Agora com seus clipes na linha de tempo e os títulos adicionados, você pode começar a corrigir as cores usando a página “Cor”. A página de cores é extremamente eficiente e definirá a aparência geral do seu filme, mas para este exemplo, um bom começo é neutralizar todos os seus clipes para que fiquem consistentes. Você também pode retornar à página “Corte” ou “Edição” a qualquer momento se quiser fazer alterações na sua edição.

A página de cores permite que você ajuste o visual da sua edição. De certa forma, a correção de cores é uma forma de arte em si. Ao adicionar a correção de cores, você deixa o seu trabalho mais emocionante. É uma etapa incrivelmente criativa do fluxo de trabalho que é muito gratificante

quando você adquire estas habilidades e consegue ver seu trabalho ganhar vida! Geralmente, este é o primeiro passo e é conhecido como correção primária das cores ou ajuste de primárias. Após a correção de cores primária ser feita, você pode então fazer ajustes de correção de cores secundários, que é onde ajustes de cores extremamente precisos em objetos específicos nas suas imagens podem ser realizados. Isso é muito divertido, mas, normalmente é feito depois das primárias porque ajuda a tornar o processo mais eficiente e você obterá melhores resultados.

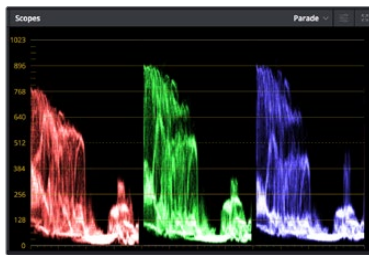
Primeiro, clique na aba “Cor” para abrir a página do tratamento das cores.

Você verá as configurações de câmera raw, discos de cores, paletas de cores e ferramentas gerais para a correção de cores, assim como a janela de pré-visualização e nós. Não fique apreensivo com a vasta gama de ferramentas perante seus olhos, todas elas estão ali para ajudá-lo a obter imagens com o melhor aspecto possível. Esta seção mostrará o básico, mas para informações mais detalhadas, consulte as seções relevantes no manual. Elas mostrarão exatamente para que servem todas as ferramentas e como usá-las em passos fáceis de seguir. Você aprenderá as mesmas técnicas que os profissionais usam em instalações para correção de cores de alto nível.

Normalmente, o primeiro passo para a correção de cores primária é otimizar os níveis de sombras, tons médios e realces nos seus clipes. Em outras palavras, ajustar as configurações de pedestal, gama e ganho. Isto ajudará a obter imagens mais brilhantes e de melhor aspecto com um ponto de partida limpo e equilibrado, de onde você pode iniciar a gradação para o visual do seu filme. Para otimizar os níveis, é vantajoso utilizar os escopos.

## Usar Escopos

A maioria dos coloristas faz escolhas criativas ao focar na emoção e no visual que desejam para o seu programa e, então, usam o monitor para alcançar esse visual. É possível observar objetos do cotidiano e como diferentes tipos de luz interagem com eles para ter ideias sobre o que você pode fazer com suas imagens e com um pouco de prática.



O escopo padrão ajuda a otimizar realces, tons médios e sombras.

Outra maneira de fazer a gradação de cores é usando os escopos incluídos para ajudar a balancear os planos. É possível abrir um único escopo de vídeo ao clicar no botão “Escopo”, o segundo botão à direita na barra de ferramentas da paleta. É possível fazer a exibição em forma de onda, padrão, vetorscópico e histograma. Ao utilizar esses escopos, você pode monitorar seu equilíbrio tonal, verificar os níveis do seu vídeo para evitar o esmagamento de pretos e o recorte de realces, além de monitorar quaisquer cores dominantes nos seus clipes.

A paleta “Discos de Cores” contém os controles “Pedestal”, “Gama” e “Ganho”, que geralmente constituem seus ajustes iniciais. Caso tenha experiência com a correção de cores, esses controles devem se assemelhar àqueles encontrados em outros aplicativos para ajustes de cores e contraste.



Os discos de cores “Pedestal”, “Gama”, “Ganho” e “Deslocamento” oferecem controle total sobre o balanço de cores e o equilíbrio tonal dos seus clipes. Para realizar um ajuste uniforme de todas as cores para cada região tonal, arraste o dial abaixo dos discos de cores para frente e para trás.

Para um controle mais preciso de cada cor usando um mouse, é possível alterar os discos de cores para barras primárias, que permitem que você ajuste cada canal de cor e luminância para os controles de pedestal, gama e ganho separadamente. Basta selecionar “Barras Primárias” no menu suspenso próximo ao canto direito dos discos de cores.

- **Ajuste de pedestal:** Com seu clipe selecionado na linha de tempo das cores, clique no controle giratório “Pedestal” abaixo do primeiro disco de cores. Deslize-o para frente ou para trás para ver como sua imagem será afetada. Você observará que o brilho das regiões escuras da sua imagem aumentará e diminuirá.

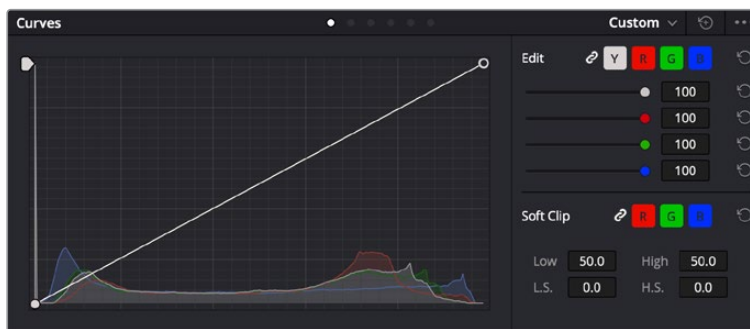
Defina onde você deseja aprimorar as áreas escuras. Caso diminua bastante o pedestal, você perderá os detalhes dos pretos e poderá usar o escopo de padrão para ajudar a evitar isso. A posição ideal para os pretos na forma de onda é logo acima da linha inferior do escopo de padrão.

- **Ajuste de ganho:** Clique no controle giratório “Ganho” e deslize-o para frente e para trás. Isto ajusta os realces, que são as áreas mais brilhantes do seu clipe. Os realces são exibidos na parte superior da forma de onda no escopo de padrão. Para um plano bem iluminado, a melhor posição é logo abaixo da linha superior do escopo em forma de onda. Caso os realces ultrapassem a linha superior do escopo de forma de onda, eles serão recortados e você perderá os detalhes nas regiões mais brilhantes da sua imagem.
- **Ajuste de gama:** Clique no controle giratório “Gama” abaixo do disco de cores e deslize-o para frente ou para trás. À medida que você aumenta o “Gama”, será possível acompanhar o brilho da imagem aumentar. Repare que a região central da forma de onda também se move enquanto você ajusta o gama. Isto representa os tons médios do seu clipe. A posição ideal para os tons médios geralmente fica entre 50 e 70% no escopo de forma de onda. Contudo, isto pode ser subjetivo com base no visual que você estiver criando e nas condições de iluminação no clipe.

Também é possível usar a paleta de curvas para fazer correções de cores primárias. Basta clicar nela para criar pontos de controle na linha diagonal dentro do gráfico de curva e arrastá-los para cima ou para baixo para ajustar o contraste RGB mestre em diferentes áreas de tonalidade da imagem. Os pontos ideais para o ajuste são os do terço inferior, meio e terço superior na linha da curva.

Existem várias outras maneiras de fazer correções primárias de cores no DaVinci Resolve.





A paleta de curvas é outra ferramenta que pode ser usada para fazer correções primárias de cores, ou melhorar a qualidade de áreas específicas do seu clipe quando usar uma power window.

## Correção Secundária de Cores

Caso queira ajustar uma parte específica da sua imagem, então as correções secundárias serão necessárias. Os ajustes que você tem feito até agora usando os discos de cores e os ajustes de pedestal, gama e ganho afetam a imagem inteira, ao mesmo tempo, por isso são chamados de correções primárias das cores.

Mas, caso seja necessário ajustar partes específicas da sua imagem, digamos, por exemplo, que você queira melhorar a cor da grama em uma cena ou aprofundar o azul de um céu, então você pode usar as correções secundárias. As correções de cores secundárias ocorrem quando você seleciona uma parte da imagem e ajusta apenas esta parte. Com os nós, você pode empilhar múltiplas correções secundárias para que possa continuar trabalhando em partes diferentes da imagem até que tudo esteja perfeito! Você pode até usar janelas e rastreamento para permitir que as seleções sigam o movimento nas suas imagens.

## Qualificar uma Cor

Com frequência, você encontrará uma cor específica no seu clipe que pode ser aprimorada como, por exemplo, a grama ao lado de uma estrada ou o azul do céu, ou você pode precisar ajustar a cor de um objeto específico para chamar a atenção do público para ele. É possível fazer isto usando a ferramenta Qualifier HSL.



Usar o recurso Qualificador HSL para selecionar cores na sua imagem é útil quando você deseja fazer áreas da sua imagem saltarem, adicionar contraste ou ajudar a chamar a atenção do público para certas áreas do seu plano de imagem.

### Como qualificar uma cor:

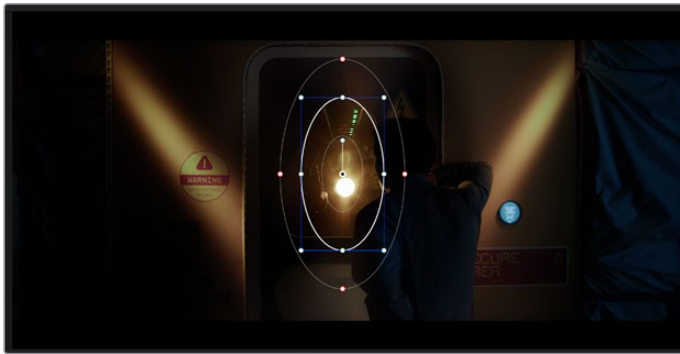
- 1 Adicione um novo nó serial.
- 2 Abra a paleta “Qualificador” e certifique-se de que a ferramenta conta-gotas é selecionada.
- 3 No seu clipe, clique na cor que você deseja afetar.
- 4 Normalmente, você terá que fazer alguns ajustes para suavizar as extremidades da sua seleção e limitar a região para apenas a cor desejada. Clique no botão “Realce” sobre o visualizador para ver sua seleção.
- 5 Ajuste o controle “Largura” na janela “Matiz” para alargar ou restringir sua seleção.

Experimente os controles “Máximo”, “Mínimo” e “Suavidade” para ver como aperfeiçoar sua seleção. Agora, você pode fazer correções para a cor selecionada usando os discos de cores ou as curvas personalizadas.

Ocasionalmente, sua seleção pode vazar para áreas da imagem que você não quer afetar. É possível ocultar as áreas indesejadas usando uma power window. Basta criar uma nova janela e moldá-la para selecionar apenas a área da cor desejada. Caso sua cor selecionada se mova com o plano, você pode usar o recurso de rastreamento para rastrear sua power window.

## Adicionar uma Power Window

O recurso power windows é uma ferramenta de correção secundária de cores extremamente eficaz que pode ser usada para isolar regiões específicas dos seus clipes. Estas regiões não precisam ser estáticas, mas podem ser rastreadas com movimentos panorâmicos, inclinações ou rotações de câmera, além do próprio movimento da região.



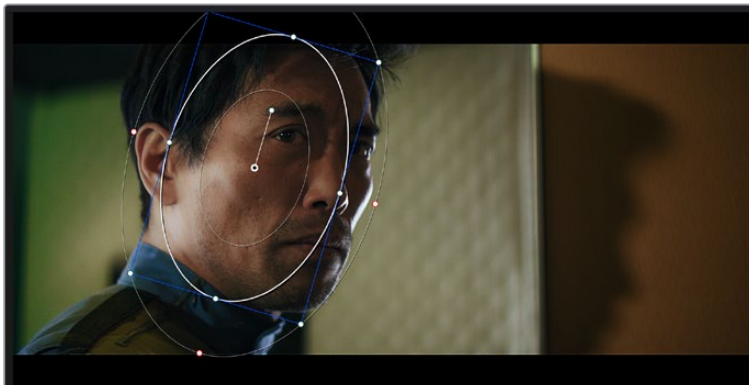
Use as power windows para ocultar áreas que você não deseja que sejam afetadas pelos ajustes secundários do qualificador HSL.

Por exemplo, você pode rastrear uma janela em uma pessoa para fazer ajustes de cor e contraste apenas nesta pessoa sem afetar os arredores dela. Ao fazer correções desse tipo, você pode exercer influência sobre a atenção do público para que olhem para as áreas desejadas.

### Como adicionar uma power window ao seu clipe:

- 1 Adicione um novo nó serial.
- 2 Abra a paleta “Janela” e selecione uma das formas de janela ao clicar em um dos ícones de formas. A sua forma de janela selecionada aparecerá no nó.
- 3 Redimensione a forma ao clicar e arrastar os pontos azuis em torno da forma. Os pontos cor-de-rosa ajustam a suavidade da extremidade. É possível posicionar a forma ao clicar no ponto central e movê-lo para a área que você deseja isolar. Gire a janela usando o ponto conectado ao centro.

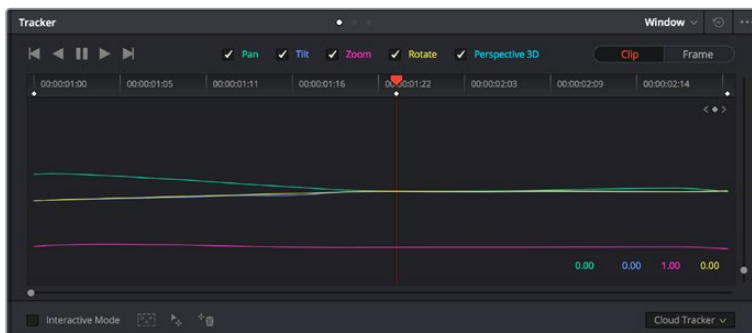
Agora você pode fazer correções de cores apenas na área desejada da sua imagem.



As power windows permitem fazer correções secundárias em partes específicas da sua imagem.

## Rastrear uma Janela

A câmera, o objeto ou a área da sua imagem podem estar em movimento, então para certificar-se de que sua janela permaneça com o objeto ou a área selecionada, você pode usar o poderoso recurso de rastreamento do DaVinci Resolve. O rastreador analisa os movimentos panorâmicos, inclinações, zoom e rotações da câmera ou do objeto no seu clipe para que você possa combinar suas janelas ao movimento. Caso isto não seja feito, sua correção pode sair do destino selecionado e chamar muita atenção, o que é provavelmente indesejado.



É possível rastrear objetos ou áreas no seu clipe usando o recurso rastreador para que as power windows possam seguir a ação.

### Como rastrear uma janela em um objeto em movimento:

- 1 Crie um novo nó serial e adicione uma power window.
- 2 Vá até o início do seu clipe e posicione e redimensione a janela para destacar apenas o objeto ou a área desejada.
- 3 Abra a paleta “Rastreador”. Selecione a configuração de panorâmica, inclinação, zoom, rotação e perspectiva 3D apropriada para o movimento no seu clipe ao marcar ou desmarcar as caixas de seleção relevantes para a análise.
- 4 Clique na seta para avançar à esquerda das caixas de seleção. Agora, o DaVinci Resolve aplicará um agrupamento de pontos de rastreamento no seu clipe e, depois, avançar pelos quadros analisando o movimento. Quando o rastreamento estiver concluído, sua power window seguirá o caminho de movimento do seu clipe.

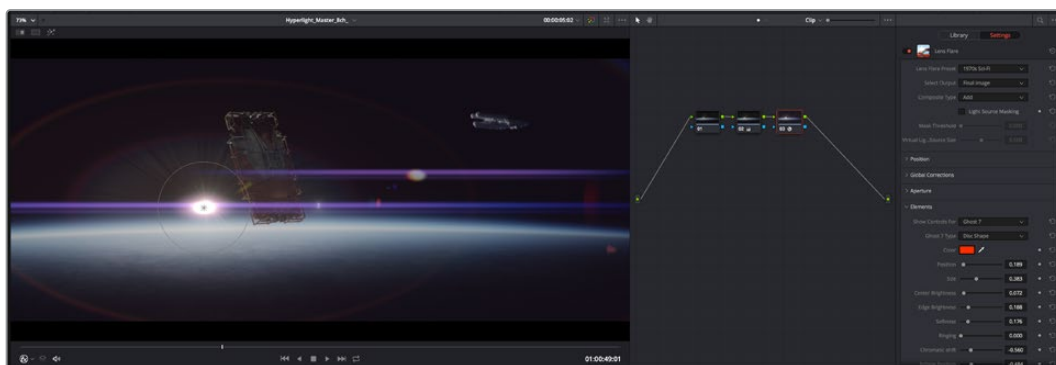
Na maioria das vezes, o rastreamento automático é satisfatório, mas cenas podem ser complexas e, às vezes, um objeto pode passar na frente da sua área selecionada, interrompendo ou afetando o seu rastro. Isto pode ser resolvido manualmente usando o editor de quadro-chave. Consulte o manual DaVinci Resolve para mais informações.

## Usar Plug-ins

Ao fazer correções secundárias você também pode adicionar plug-ins ResolveFX ou OpenFX para criar looks e efeitos rápidos e interessantes usando a página “Cor” ou transições e efeitos criativos aos seus clipes usando a página “Edição”. Os plug-ins ResolveFX são instalados com o DaVinci Resolve, e os plug-ins OFX podem ser adquiridos e baixados através de fornecedores terceiros.

Após instalar um conjunto de plug-ins OFX, você pode acessar esses plug-ins ou os plug-ins ResolveFX na página “Cor” ao abrir o inspetor OpenFX à direita do editor de nós. Depois de criar um novo nó serial, basta clicar no botão “OpenFX” para abrir a biblioteca FX e arrastar e soltar um plug-in no novo nó. Caso o plug-in possua configurações editáveis, será possível ajustá-las no painel adjacente “Configurações”.

Na página “Edição”, é possível adicionar filtros de plug-in, geradores e transições nos clipes ao abrir o painel “OpenFX” na biblioteca de efeitos e arrastar seu plug-in selecionado para a trilha ou clipe de vídeo acima do seu clipe na linha de tempo, dependendo das exigências do plug-in.



Os plug-ins OFX são uma maneira rápida e fácil de criar looks imaginativos e interessantes.

## Mixagem de Áudio

### Misturar Áudio na Página Edição

Após ter editado e feito a correção de cores do seu projeto, você poderá iniciar a sua mixagem de som. O DaVinci Resolve possui um ótimo conjunto de ferramentas para editar, fazer a mixagem e masterizar o áudio para o seu projeto direto da página de edição. Para projetos que exigem ferramentas de áudio mais avançadas, a página “Fairlight” oferece um ambiente de pós-produção de áudio completo. Caso você já esteja familiarizado com a página de edição e deseje passar direto para a página “Fairlight”, ignore esta seção e passe para a próxima.

### Adicionar Trilhas de Áudio

Caso esteja trabalhando na página de edição e queira fazer a mixagem de uma edição de som básica com muitos efeitos sonoros e música, é possível adicionar mais trilhas de áudio quando forem necessárias. Isto pode ser útil ao montar seu som e separar os elementos de áudio em trilhas individuais, por exemplo, em diálogos, efeitos sonoros e música.

### Como Adicionar uma Trilha de Áudio na Página Edição

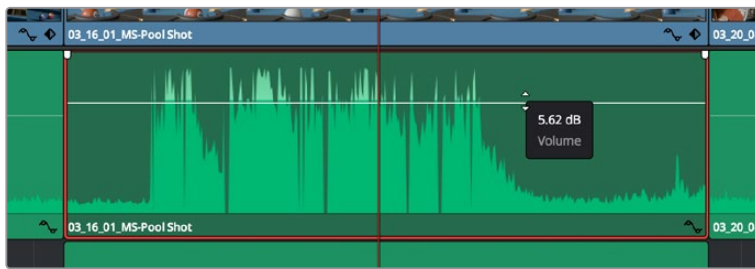
Clique com o botão direito do mouse perto do nome de qualquer trilha de áudio na sua linha de tempo, selecione “Adicionar Trilha” e escolha entre as opções, incluindo “Mono”, “Estéreo” e “5.1”. Isto adicionará a trilha na parte inferior da lista de trilhas. Como alternativa, clique em “Adicionar Trilha” e selecione a posição onde deseja colocar as trilhas.

Sua nova trilha de áudio aparecerá na linha de tempo.

**DICA** Caso deseje mudar o tipo da trilha após criá-la, clique com o botão direito do mouse no nome da trilha, selecione “Alterar Tipo de Trilha Para” e selecione o tipo de trilha de áudio desejado, como estéreo, mono ou 5.1.

### Ajustar Níveis de Áudio na Linha de Tempo

Cada clipe de áudio na linha de tempo possui uma sobreposição de volume que permite ajustar o nível desse clipe ao simplesmente arrastar o cursor para cima ou para baixo. Esta sobreposição corresponde ao parâmetro de Volume no Inspetor.

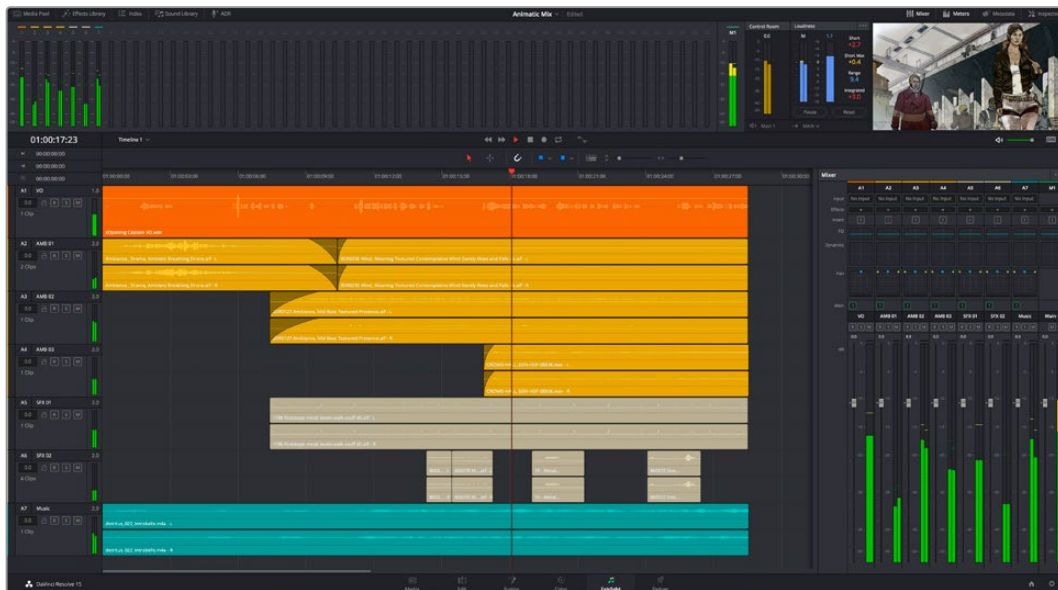


Arraste a sobreposição do volume para ajustar o nível do clipe.

Nos projetos que requerem ferramentas de áudio mais avançadas, a página “Fairlight” fornece um ambiente completo de pós-produção de áudio.

### Página “Fairlight”

A página “Fairlight” do DaVinci Resolve é onde você ajusta o áudio do seu projeto. No modo de monitor único, esta página fornece uma visão otimizada das trilhas de áudio do seu projeto, com um mixer alargado e controles de monitoramento personalizados que facilitam a análise e o ajuste dos níveis para criar um mix suave e equilibrado. Não fique apreensivo com a grande quantidade de recursos perante seus olhos, todos eles estão ali para ajudá-lo a obter a melhor qualidade de áudio possível para o seu projeto.

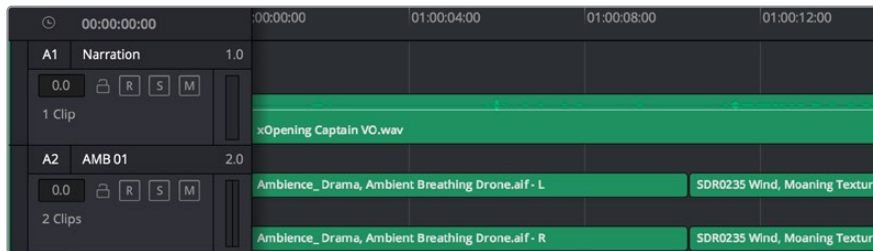


Este guia oferece uma introdução geral básica dos recursos da página “Fairlight”, mas para saber mais sobre todos os detalhes deste recurso, consulte o manual do DaVinci Resolve. O manual do DaVinci Resolve fornece detalhes sobre o propósito de cada ferramenta e descreve como usá-las em passos fáceis de seguir.

### A Linha de Tempo do Áudio

- **Cabeçalho da Trilha:** No lado esquerdo de cada trilha há um cabeçalho que exibe o número, o nome e a cor da trilha, além dos canais de áudio, nível do fader e medidores de áudio. O cabeçalho da trilha também possui controles de bloqueio e desbloqueio de trilhas, além de controles para isolar e silenciar trilhas. Estes controles podem ajudar a manter suas trilhas organizadas e possibilitam fazer a prévia de uma trilha individual por vez.

- **Trilhas:** Cada trilha na página “Fairlight” é dividida em pistas que exibem cada canal individual de áudio do clipe para a edição e a mixagem. A página de edição oculta esses canais de áudio individuais, exibindo apenas um único clipe na linha de tempo para facilitar a edição de fontes multicanal sem a necessidade de gerenciar grandes quantidades de trilhas.



O cabeçalho de trilha A1 indica uma trilha mono como uma única pista para áudio mono, e o cabeçalho de trilha A2 indica uma trilha estéreo com duas pistas enquadrando o som estéreo.

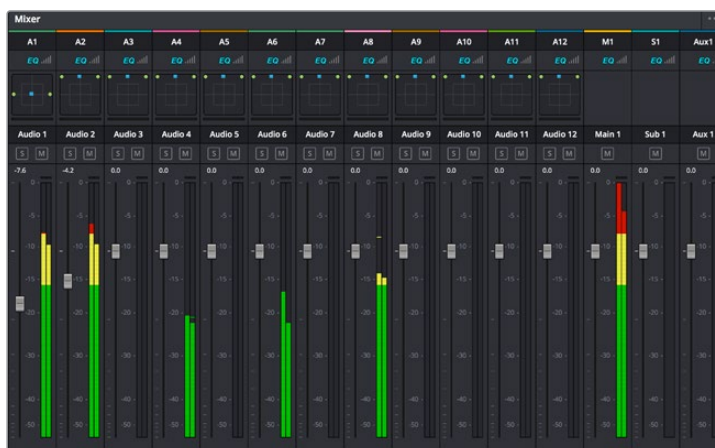
## O que é um barramento?

Um barramento é, essencialmente, um canal de destino para o qual você pode rotear múltiplas trilhas de áudio a partir da linha de tempo, assim elas podem ser misturadas em um único sinal que pode ser controlado através de uma única faixa de canal.

- **Barramento Principal:** Os barramentos principais, geralmente, são a saída principal de um programa e cada novo projeto criado é iniciado com um único barramento principal, no qual todas as trilhas são roteadas por padrão. O barramento principal combina todas as trilhas da linha de tempo em um único sinal que possibilita ajustar o nível geral da mixagem de som após o ajuste de cada trilha de áudio individual.
- **Sub-Barramento:** Os sub-barramentos permitem combinar múltiplas trilhas de áudio que pertencem à mesma categoria, como diálogo, música ou efeitos, para que tudo nesta categoria possa ser mixado como um único sinal de áudio. Por exemplo, caso tenha cinco trilhas de diálogo, é possível rotear a saída de todas elas para um barramento submix e, assim, o nível de todos os diálogos pode ser mixado com um conjunto de controles. Essa submixagem pode ser renderizada separadamente ou enviada para o barramento principal para renderização.

## Mixer

Cada trilha de áudio na sua linha de tempo corresponde a uma única faixa de canal de áudio individual no mixer e, por padrão, há uma única faixa no lado direito, para o barramento principal, rotulada “M1”. Faixas de canal adicionais aparecerão no lado direito com um conjunto de controles para cada trilha de barramento principal e submix criada. Um conjunto de controles gráficos possibilita atribuir os canais de áudio para a saída final dos canais, ajustar EQ e dinâmica, configurar níveis e gravar automação, aplicar panorâmica em áudio estéreo e surround, e silenciar ou isolar trilhas.



O mixer de áudio com as faixas de canal correspondendo às trilhas na linha de tempo.

## Usar o Equalizador para Aperfeiçoar seu Áudio

Após ajustar os níveis de áudio dos clipes do seu projeto, talvez seja necessário fazer mais ajustes finos no áudio. Em alguns casos, você pode achar que o diálogo, música e efeitos sonoros estejam competindo pela mesma frequência no espectro sonoro, deixando-o muito sobrecarregado e confuso. É aqui que o uso da equalização pode ajudar, pois permite que você especifique as partes do espectro sonoro que cada trilha deve ocupar. O equalizador também pode ajudar a remover elementos indesejados do áudio, isolando e diminuindo o nível em determinadas frequências que possuam baixos roncões, zumbidos, ruídos de vento e assobios, ou simplesmente aprimorar a qualidade do som como um todo, tornando-o mais agradável aos ouvidos.

O DaVinci Resolve fornece filtros EQ que podem ser aplicados ao nível de clipe em clipes individuais ou ao nível de trilha para afetar trilhas inteiras. Cada clipe de áudio na linha de tempo possui um equalizador de quatro bandas no painel inspetor, e cada trilha possui um equalizador paramétrico de 6 bandas no painel do mixer. Os controles gráficos e numéricos para acentuar ou atenuar diferentes intervalos de frequências e os diferentes tipos de filtro permitem que você defina o formato da curva EQ.



O equalizador de quatro bandas pode ser aplicado a todos os clipes na linha de tempo.

As bandas mais afastadas do centro da tela permitem fazer ajustes de filtro de prateleira alta, prateleira baixa, passa altas e passa baixas. Um filtro de banda de passagem afeta todas as frequências acima ou abaixo de uma frequência específica ao remover completamente essas frequências do sinal. Por exemplo, um filtro passa-alta permitirá que altas frequências passem por ele enquanto corta as frequências baixas. Quaisquer frequências fora do limite de corte de frequência serão cortadas gradualmente em uma curva inclinada para baixo.

Um filtro de prateleira é menos intenso e é útil quando é necessário delinear a extremidade geral superior ou inferior do sinal sem remover essas frequências por completo. O filtro de prateleira acentua ou corta a frequência alvo e todas as frequências acima ou abaixo dela uniformemente, dependendo de como você usar uma prateleira alta ou baixa.

Os controles de banda centrais possibilitam fazer uma grande variedade de ajustes de equalização, e podem ser alternados entre as opções de filtro prateleira baixa, sino, rejeita-faixa e prateleira alta.

- **Sino:** Os filtros de sino reforçam ou cortam frequências a cerca de um determinado ponto central da curva de sino e, como o próprio nome sugere, a forma da curva é semelhante a um sino.
- **Rejeita-Faixa:** Os filtros rejeita-faixa permitem que você marque um intervalo muito reduzido de frequências especificamente. Por exemplo, remover um zumbido de rede elétrica a 50 ou 60 Hz.
- **Prateleira Baixa:** Os filtros de prateleira baixa aumentam ou cortam a frequência alvo na extremidade inferior e todas as frequências abaixo dela.
- **Prateleira Alta:** Os filtros de prateleira alta aumentam ou cortam a frequência alvo na extremidade superior e todas as frequências acima dela.



### Como adicionar EQ a um clipe individual:

- 1 Selecione o clipe na linha de tempo ao qual você deseja adicionar o filtro EQ.
- 2 Clique no inspetor e depois clique no botão de ativação “Equalizador de Clipe”.

### Como adicionar EQ a uma trilha:

- 1 Dê um clique duplo na seção EQ para uma das suas trilhas no mixer para abrir o equalizador para essa trilha.
- 2 Selecione o tipo de filtro de banda a partir do menu suspenso para a banda que você deseja ajustar.



A seção EQ no painel do mixer indicando que uma curva EQ foi aplicada à trilha um.



O equalizador paramétrico de 6 bandas que pode ser aplicado a todas as trilhas.

Uma vez que você adicionou um EQ ao seu clipe ou trilha, é possível ajustar o EQ para cada banda. Observe que os controles podem variar dependendo do tipo de filtro de banda selecionado.

### Como ajustar o EQ para um filtro de banda:

- 1 Selecione o tipo de filtro de banda a partir do menu suspenso para a banda que você deseja ajustar.
- 2 Ajuste o valor de frequência para selecionar a frequência central do ajuste de EQ.
- 3 Ajuste o valor do ganho para acentuar ou atenuar as frequências abrangidas por essa banda.
- 4 Use o valor “Fator Q” para ajustar a largura das frequências afetadas.

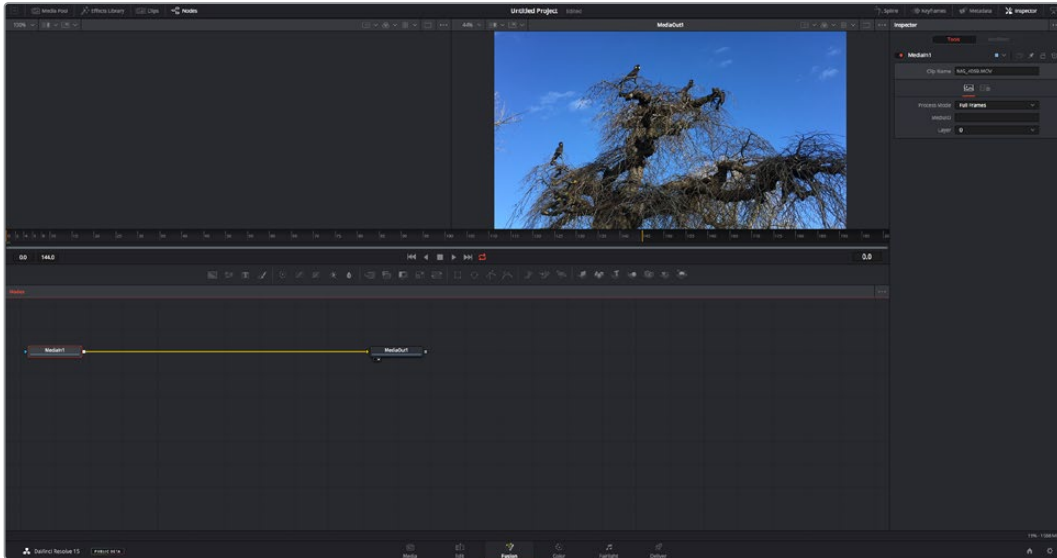
Use o botão “Redefinir” para restaurar todos os controles da janela EQ aos seus padrões.

A Fairlight possui vários controles que você pode utilizar para aprimorar a qualidade de cada trilha de áudio. É possível adicionar mais trilhas e ordenar barramentos para organizá-las, além de adicionar efeitos como atraso ou reverberação, e aperfeiçoar sua mixagem de áudio de um modo geral.



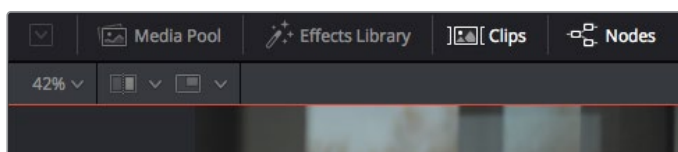
## Adicionar VFX e Composições na Página Fusion

Agora que você concluiu sua edição, você pode abrir a página do Fusion para adicionar efeitos visuais e gráficos em movimento 2D ou 3D diretamente no DaVinci Resolve. Diferentemente de programas de composição baseados em camadas, o Fusion utiliza nós, fornecendo liberdade para você criar efeitos complexos, enquanto faz o roteamento dos dados das imagens em qualquer direção. A janela de nós indica claramente todas as ferramentas usadas. Se já tiver experimentado o fluxo de trabalho de nós na página de cores, você se sentirá familiarizado.

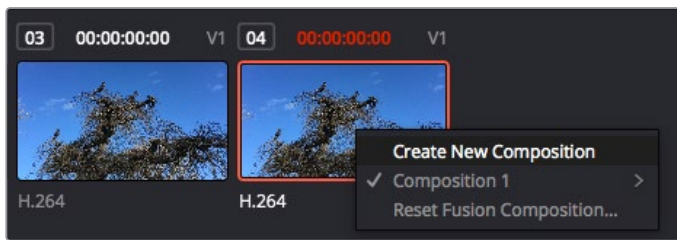


### Página Fusion

A página Fusion conta com duas janelas para o visualizador na parte superior com controles de transporte para visualizar suas mídias, uma janela do inspetor à direita para acessar as configurações de ferramentas e uma janela de nós na parte inferior onde você cria suas composições. Embora os visualizadores e os controles de transporte estejam sempre visíveis, clicar nos ícones na barra de ferramentas da interface na parte superior do display permitirá que você exiba ou oculte as janelas do inspetor e dos nós, ou mostre ou oculte janelas adicionais, incluindo a biblioteca de efeitos e editores para quadro-chave e curvas.



- **Pool de Mídia:** O pool de mídia funciona da mesma maneira que aparece na página de edição. Basta arrastar as mídias adicionais dos seus compartimentos diretamente na sua composição.
- **Biblioteca de Efeitos:** A biblioteca de efeitos é onde você encontra suas ferramentas do Fusion e modelos separados por categorias, incluindo partículas, rastreamento, filtros e geradores. Você pode clicar na ferramenta ou arrastá-la para a área de nós para adicioná-la na sua composição. O pool de mídia e a biblioteca de efeitos ocupam a mesma área da tela, assim é possível alternar entre um e outro para manter seus visualizadores com o maior tamanho possível.
- **Clipes:** Clicar na aba “Clipes” mostra ou oculta as miniaturas representando clipes na sua linha de tempo. As miniaturas ficam localizadas abaixo do editor de nós, permitindo que você navegue instantaneamente até outros clipes.

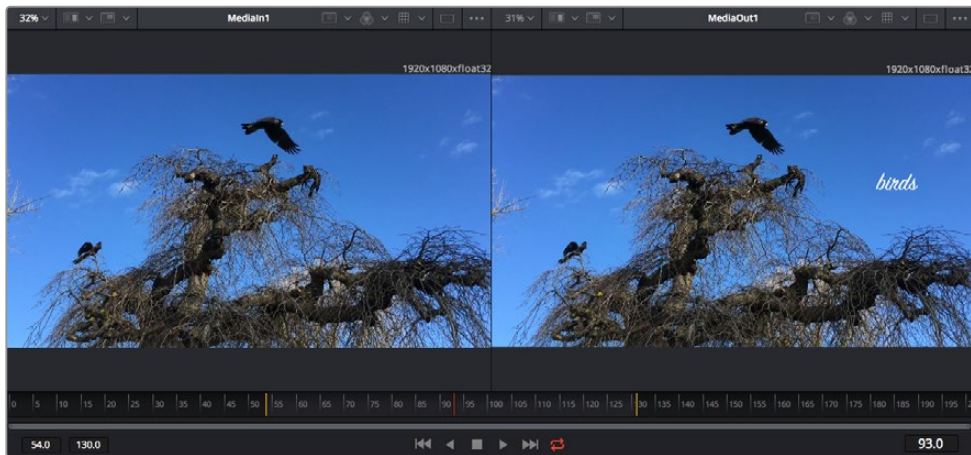


Você pode criar uma versão nova da sua composição clicando com o botão direito do mouse em uma miniatura e selecionando “Criar Nova Composição”.

- Visualizadores:** Os visualizadores estão sempre visíveis e permitem que você veja as visualizações diferentes da sua composição, como uma perspectiva 3D geral via o nó de mesclagem 3D, uma saída de câmera ou sua saída final renderizada. Esses visualizadores também permitem que você veja como as alterações estão afetando um elemento específico. Você pode escolher quais nós visualizar clicando em um nó e digitando “1” para o visualizador esquerdo e “2” para o visualizador direito. Ícones de botão brancos aparecem sobre o nó para informá-lo a qual visualizador ele foi atribuído. Caso esteja usando monitoramento de vídeo externo, haverá um terceiro botão disponível para rotear suas mídias ao seu monitor de vídeo externo.

**DICA** Você também pode atribuir um nó a um visualizador arrastando o nó para o próprio visualizador.

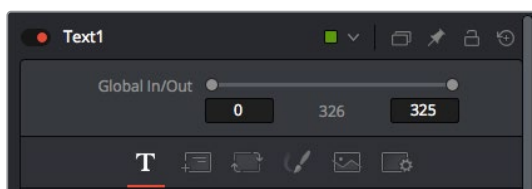
Os controles de transporte abaixo dos visualizadores permitem que você ignore o início ou o final do clipe, avance, volte ou pare a reprodução. A régua de tempo exibe todo o clipe com marcações amarelas indicando os pontos de entrada e saída.



As marcações amarelas na régua de tempo indicam os pontos de entrada e de saída do seu clipe na linha de tempo. Caso esteja usando um clipe do Fusion ou um clipe composto, a régua de tempo mostrará apenas a duração do clipe à medida que ele aparece na linha de tempo, sem alças.

- Nós:** A janela de nós é o coração da página do Fusion onde você cria sua árvore de nós conectando ferramentas, da saída de um nó para a entrada de outro nó. Esta área mudará de tamanho dependendo dos editores abertos, por exemplo o editor de quadros-chave ou spline. Uma barra de ferramentas na parte superior da área de nós inclui as ferramentas mais comumente utilizadas para acesso rápido.
- Curvas:** Quando o editor de curvas estiver aberto, ele aparecerá à direita da janela de nós. Este editor permite que você faça ajustes precisos em cada nó, como suavização da animação entre dois quadros-chave usando curvas bézier.

- **Quadros-Chave:** Os quadros-chave podem ser adicionados, removidos ou modificados para cada ferramenta usando o editor de quadros-chave. Ele também aparece à direita do visualizador de nós.
- **Metadados:** A janela de metadados mostrará seus metadados disponíveis para o clipe ativo, incluindo codec, taxa de quadro e código de tempo.
- **Inspetor:** O inspetor no canto superior direito exibe todas as configurações e modificadores disponíveis para um ou mais nós selecionados. Opções de abas adicionais aparecerão para fornecer acesso rápido a outras configurações para nós separados por categoria.

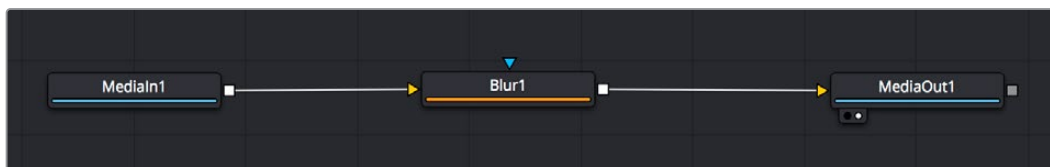


O inspetor de texto contém abas adicionais para texto, layout, transformação, sombreamento, imagem e configuração.

## Guia de Introdução ao Fusion

Para começar a usar o Fusion, basta posicionar seu indicador de reprodução sobre qualquer clipe na sua linha de tempo e clicar na aba “Fusion” para abrir a página do Fusion.

Na página do Fusion, seu clipe se disponibiliza imediatamente em um nó de entrada de mídia rotulado “MediaIn”. Toda composição começará com um nó “MediaIn” e “MediaOut”. Este nó “MediaIn” representa o primeiro clipe na parte superior da sua linha de tempo no indicador de reprodução e ignora quaisquer clipes embaixo. Os ajustes aplicados aos clipes na página de edição, como ferramentas de transformação e alterações de corte, são todos incluídos.



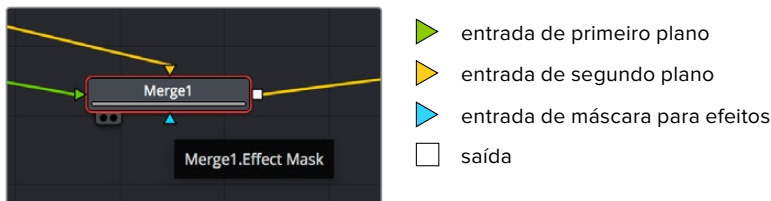
O nó de saída de mídia, chamado “MediaOut”, é o nó que reenvia a saída para a linha de tempo na página de edição do DaVinci Resolve.

**DICA** Os plug-ins ResolveFX ou OFX aplicados nos clipes na página de edição não são aplicados na página Fusion. Isto ocorre porque os efeitos Fusion são implementados antes da correção de cores e do processamento OFX/ResolveFX. Caso queira usar OFX antes dos efeitos Fusion, clique com o botão direito do mouse no clipe na página de edição e selecione “Novo Clipe Fusion” antes de clicar na página do Fusion.

## Aprendendo sobre Nós

Cada nó funciona como um ícone visual representando uma única ferramenta ou um efeito. Os nós são conectados a outros nós para criar a composição geral, como os ingredientes de um bolo. É importante entender as entradas e saídas de cada nó já que isso ajudará você a navegar pelo fluxo da sua composição enquanto cria efeitos visuais cheios de detalhes.

Algumas ferramentas têm múltiplas entradas e saídas para que você possa conectar a outros nós. O nó de mesclagem, por exemplo, permite anexar uma entrada de primeiro plano, uma entrada de segundo plano e uma entrada da máscara para foscos ou chaves.

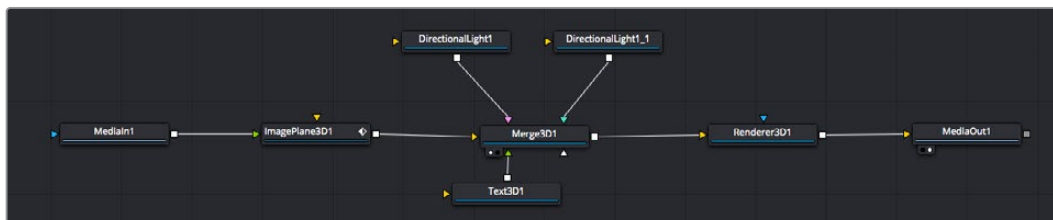


Múltiplas saídas nos nós significam que um único nó pode ser conectado a vários nós diferentes na sua composição, assim você não precisa duplicar clipes como faria em programas baseados em camada. As setas nas linhas entre os nós conectados são excelentes indicadores visuais para mostrar a direção para a qual os dados de imagem estão fluindo.

### Adicionar Nós ao Editor de Nó

Adicionar efeitos é tão simples quanto colocar nós nas linhas entre os nós “mediain” e “mediaout”.

Há algumas maneiras diferentes de fazer isso. Você pode segurar o botão shift e soltar um nó entre dois nós ou clicar no nó ao qual deseja incluir um efeito e selecionar a ferramenta que deseja adicionar. O novo nó conectará automaticamente com a ferramenta selecionada. Você também pode adicionar um nó em qualquer lugar na janela de nó e conectar manualmente os nós arrastando a saída de um deles para a entrada em outro.



A ferramenta mais comumente usada é o nó de mesclagem 2D ou 3D. Este nó é como um hub central que combina ferramentas no editor de nó em uma única saída.

O nó de mesclagem possui controles para a forma como as entradas são gerenciadas, incluindo configurações para tamanho, posição e mesclagem. Essas configurações são todas acessíveis no painel inspetor quando o nó de mesclagem é selecionado.

A barra de ferramentas no painel de nós contém as ferramentas mais usadas como ícones que você pode clicar para adicionar o nó ou arrastar a ferramenta para o painel de nó. Caso queira visualizar todas as ferramentas disponíveis, clique em “Biblioteca de Efeitos” no canto superior esquerdo e expanda a opção “Ferramenta”. Aqui, você encontrará todas as ferramentas organizadas por categoria, assim como um conjunto de modelos pré-criados para uso, como reflexos de lente, sombreadores e planos de fundo.

**DICA** Depois de se familiarizar com os nomes das ferramentas, você pode segurar o botão shift e pressionar a barra de espaço no seu teclado e um menu de seleção de ferramentas aparecerá. À medida que digita o nome da ferramenta, o menu recomendará a ferramenta relevante. Esta é uma maneira muito rápida para selecionar a ferramenta desejada.

## Ajustar Nós Usando o Painel Inspetor

Ajuste as configurações do seu nó usando o painel inspetor. Basta clicar no nó que deseja modificar e o painel atualizará e exibirá suas configurações e seus controles.

Com o Fusion, você não precisa visualizar o nó que está editando, já que pode modificar um nó enquanto visualiza outro na composição. Por exemplo, você pode modificar o tamanho e a posição central de um nó “text+” enquanto o nó de mesclagem estiver no visualizador, possibilitando que você veja o texto relativo ao segundo plano.



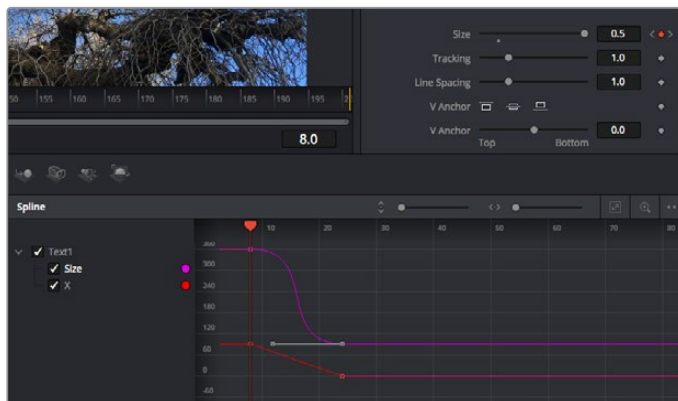
Os nós selecionados aparecem com uma borda vermelha. Aqui o painel inspetor exibe os controles da aba layout para o nó de texto.

Há diferentes parâmetros e configurações para você ajustar cada nó dependendo da tarefa, do tamanho às posições centrais e alterações do número de partículas em um nó emissor. A configuração dos quadros-chave e a alteração das configurações durante o tempo animará o efeito.

## Trabalhar com Quadros-Chave

Na janela do inspetor, defina um quadro-chave clicando com o botão direito do mouse em uma configuração e selecionando “Animar” do menu contextual. O ícone do quadro-chave à direita da configuração ficará vermelho. Isto significa que os quadros-chave estão ativos e quaisquer mudanças serão aplicadas ao quadro atual apenas. Quando dois ou mais quadros-chave são criados alterando os parâmetros de configuração em um quadro diferente, uma transição é interpolada entre eles. As setas em cada lado do ícone do quadro-chave permitem que você mova o cursor de reprodução para as posições exatas na linha de tempo.

O painel spline fornece ainda mais controle sobre a animação de quadros-chave. Você pode selecionar quadros-chave, como o primeiro e o último, e suavizar a animação entre eles em uma curva bézier ao digitar “shift” + “s” ou clicar com o botão direito do mouse em um quadro-chave e selecionar “Moderar”.



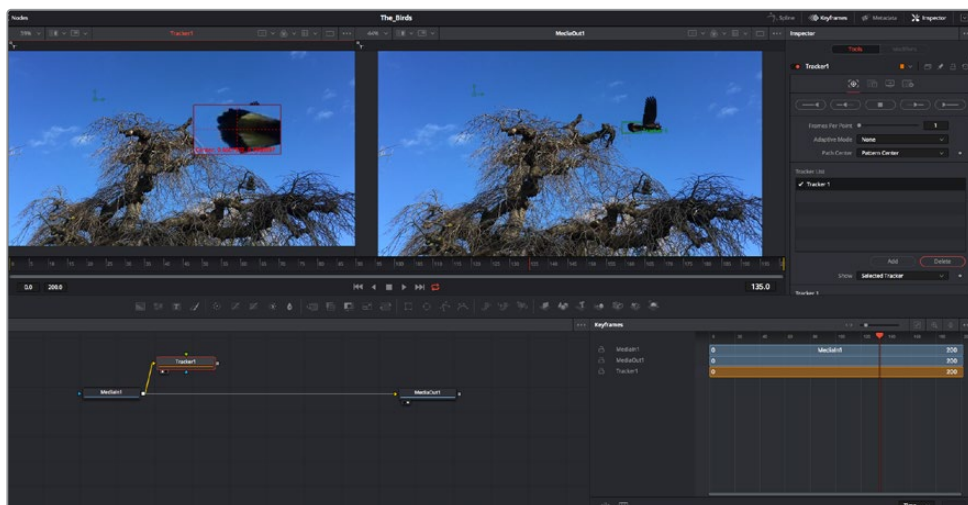
Aqui, a animação de quadro-chave do tamanho foi moderada em uma curva bézier. Você pode clicar nas alças bézier para encurtar ou alongar a curva ou nos ícones quadrados do quadro-chave para mover a posição do quadro-chave.

## Usar o Rastreador de Movimento e Adicionar Texto

Para compreender melhor como usar o Fusion, incluímos os seguintes exemplos para mostrar como usar a ferramenta rastreadora para rastrear um elemento em um clipe, além de adicionar texto e anexá-lo ao elemento usando os dados de rastreamento.

A ferramenta “Rastreador” rastreia pixels ao longo do tempo nos eixos X e Y e gera dados que você pode usar para anexar outros elementos. Ela é ótima quando você quer combinar a posição do texto com um objeto em movimento, como um carro na estrada ou um pássaro voando pelo quadro.

- 1 Na “Biblioteca de Efeitos”, selecione a ferramenta “Rastreamento” e arraste-a até a linha entre os nós “Medialn” e “MediaOut”. Agora, clique no nó rastreador para revelar suas propriedades no inspetor.
- 2 Digite “1” no seu teclado para visualizar o nó rastreador no visualizador esquerdo. O clipe aparecerá no visualizador junto do rastreador na sua posição padrão. Passe o ponteiro do mouse sobre o rastreador para revelar sua alça. Clique na alça do rastreador no canto superior esquerdo e arraste o rastreador para a área de interesse no seu clipe. As áreas de alto contraste funcionam bem, por exemplo, um emblema no capô de um carro. O rastreador magnificará a área da imagem para precisão extra.
- 3 Na janela do inspetor, clique no botão “Rastrear em Avanço” para começar o rastreamento. Uma janela de notificação aparecerá quando o rastreamento for concluído. Clique em “Ok”.



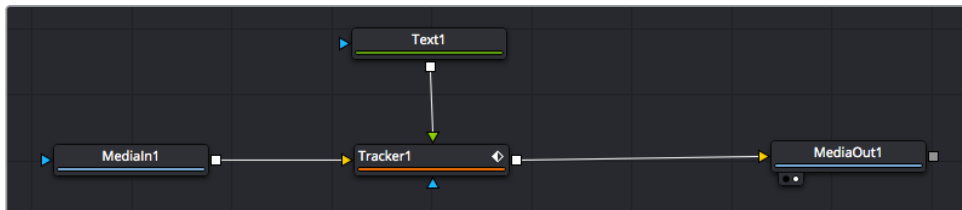
As opções de rastreamento no painel inspetor incluem reversão de rastreamento do último quadro ou quadro atual, interrupção do rastreamento ou avanço do rastreamento do quadro atual ou primeiro quadro.



**DICA** A reversão ou o avanço do rastreamento do quadro atual é ótimo para situações em que sua área de interesse desaparece na faixa de renderização, como um carro ou pássaro saindo do quadro. Isto permite que você rastreie somente a imagem relevante.

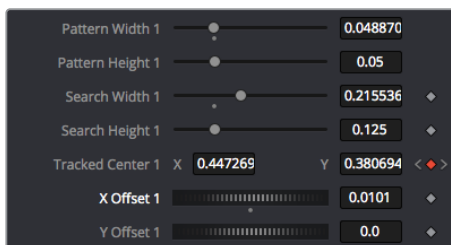
Agora, você pode pegar os dados de rastreamento e aplicar o caminho de movimento a uma ferramenta de texto.

- 4 Clique no ícone de nó “Text+” na barra de ferramentas dos nós comumente usados e arraste-o para o painel de nós próximo do nó “Rastreador”. Conecte o quadrado da saída “Texto” à entrada do primeiro plano vermelho no “Rastreador”.



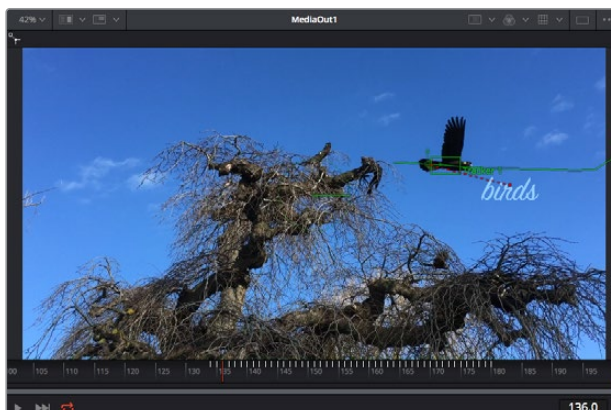
- 5 Clique no nó “Rastreador” e digite “1” para que possa visualizar os resultados mesclados no visualizador esquerdo. No painel inspetor “Rastreador”, clique na aba “Operações”. Você pode ver o nome da aba passando o ponteiro do mouse sobre ela. Clique no menu suspensopróximo da operação e selecione “Combinar Movimento”.
- 6 Clique no nó “Texto” para revelar suas propriedades no inspetor. Digite seu texto na caixa de texto e altere a fonte, a cor e o tamanho para corresponder à sua composição.

Isto aplicará os dados da posição do rastreamento do seu rastreador ao texto. Caso queira mudar o deslocamento do texto, clique na aba “Rastreadores” de volta no inspetor e use as rodas de rolagem do deslocamento X e Y para modificar a posição.



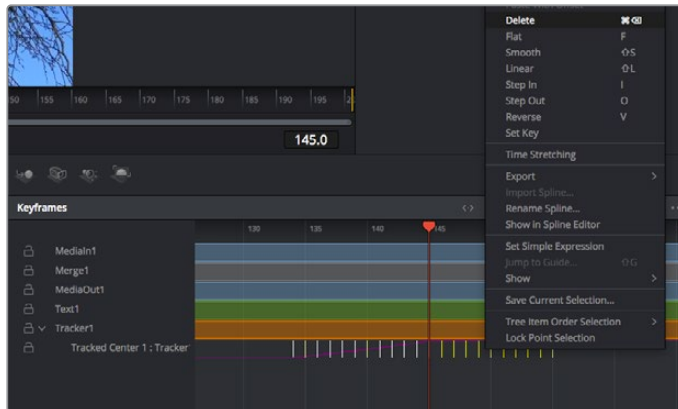
As rodas de rolagem na parte inferior do painel inspetor do rastreador permitem que você ajuste a posição de deslocamento do texto.

Agora, você pode reproduzir a sua composição e visualizar seu texto anexado ao objeto rastreado.



O quadrado verde indica a posição atual do rastreador junto do caminho verde e a linha pontilhada vermelha é a posição de deslocamento usada para animar o texto.

Para algumas imagens, pode ser que você queira remover os pontos de rastreamento após o rastreamento, como quando o objeto rastreado desaparece da tela. O editor de quadros-chave simplifica este processo.



- 7 Clique na aba de quadros-chave acima do inspetor para abrir o editor de quadro-chave. Quaisquer nós com quadros-chave aplicados terão uma pequena seta próxima do rótulo do nó e somente o parâmetro com os quadros-chave adicionados aparecerá na lista abaixo. Clique no ícone de magnificação e arraste a caixa para a área que deseja editar. Esta ação aplicará o zoom na área, assim você pode ver os quadros-chave com maior facilidade.
- 8 Mova o cursor de reprodução para o local do último quadro-chave desejado. Selecione os quadros-chave que deseja remover desenhando uma caixa ao redor deles com seu mouse. Os quadros-chave ficarão destacados em amarelo. Clique com o botão direito do mouse e selecione “Excluir” no menu.

**DICA** Se seus efeitos exigem muito do sistema, ao clicar com o botão direito do mouse na área dos controles de transporte você obterá as opções do visualizador, incluindo reprodução de proxy, ajudando você obter mais do seu sistema enquanto cria sua composição. Consulte o manual do DaVinci Resolve para mais detalhes sobre todas as opções de reprodução.

Pronto, você concluiu sua primeira composição de animação de texto para combinação de movimento na sua imagem!

Se quiser rastrear uma área da imagem que contenha uma superfície plana que deseje aperfeiçoar ou substituir, você pode usar o rastreador planar. O rastreamento de planos 2D é útil para alteração de rótulos e placas em uma imagem em movimento ou até para adicionar uma imagem a um monitor ou TV no seu plano cinematográfico.

Para mais informações sobre o rastreador planar e as diversas ferramentas poderosas na página Fusion do DaVinci Resolve, consulte o manual do software.

**DICA** À medida que você cria efeitos visuais na página Fusion, vale a pena observar se o efeito sendo criado é um efeito 2D ou 3D, já que isto determinará a ferramenta de mesclagem a ser usada. Você pode vir a descobrir que está combinando efeitos 2D e 3D frequentemente na mesma composição. Neste cenário, é útil lembrar que qualquer efeito visual usando a área 3D precisa ser renderizado como uma imagem 2D antes de ser incorporado na composição 2D.



Esperamos que você se divirta muito com o Fusion e possa explorar seus efeitos visuais com o poder das páginas de edição, cor e Fairlight do DaVinci Resolve. Com todas essas ferramentas na ponta dos seus dedos, o DaVinci Resolve torna-se uma solução incrivelmente poderosa. Não há limite para a sua criação!

## Masterizar Sua Edição

Agora que você editou, colorizou, adicionou efeitos especiais e fez a mixagem do seu áudio, é hora de compartilhar o trabalho. Você pode usar o botão de Exportação Rápida, ou selecionar no menu, para a saída final dos conteúdos da Linha de Tempo como um arquivo autocontido em uma variedade de formatos diferentes ou usar os recursos adicionais da página “Entrega”.



A página “Entrega” é onde você exporta sua edição. É possível selecionar vários formatos e codecs de vídeos diferentes.

## Exportação Rápida

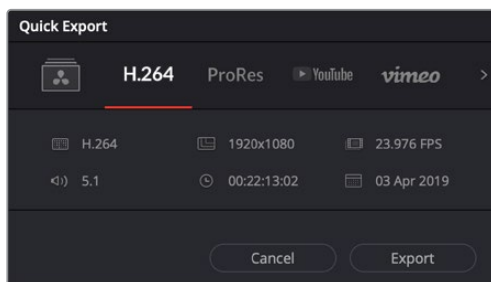
Você pode selecionar Arquivo > Exportação Rápida para usar uma variedade de predefinições de exportação para exportar seu programa de qualquer página do DaVinci Resolve. É possível até usar a exportação rápida para exportar e carregar seu programa a um dos serviços de compartilhamento de vídeos, incluindo, YouTube, Vimeo e Frame.io.

### Como usar Exportação Rápida:

- 1 Na página “Edição”, “Fusion” ou “Cor”, defina pontos de entrada e saída opcionalmente na linha de tempo para escolher um trecho do programa atual para exportar. Se nenhum ponto de entrada ou saída for definido, a linha de tempo inteira será exportada.

Selecione Arquivo > Exportação Rápida

- 2 Selecione uma predefinição para usar a partir da fileira de ícones na parte superior do diálogo de exportação, e clique em “Exportar”.
- 3 Selecione um local do diretório e insira um nome de arquivo usando o diálogo da exportação e clique em “Salvar”. O diálogo da barra em andamento aparece para indicar quanto tempo levará a exportação.



A caixa de diálogo de exportação rápida.

## Página Entrega

Esta página permite que você selecione o número de clipes que deseja exportar, além do formato, codec e da resolução desejados. É possível exportar em muitos tipos de formatos, como QuickTime, AVI, MXF e DPX, usando codecs de 8 ou 10 bits sem compactação em RGB/YUV, como ProRes, DNxHD, H.264 e muito mais.

### Para exportar um único clipe da sua edição:

- 1 Clique na aba “Entrega” para abrir a página de entrega.
- 2 Vá até a janela “Configurações de Renderização” no canto superior esquerdo da página. Agora você pode escolher um número de predefinições de exportação, por exemplo, YouTube, Vimeo e predefinições de áudio, ou você pode definir suas próprias configurações de exportação manualmente ao deixar a predefinição padrão “Personalizado” selecionada e inserir os seus próprios parâmetros. Para este exemplo, selecione YouTube, depois clique na seta junto da predefinição e selecione o formato de vídeo 1080p.  
  
A taxa de quadro será fixada à configuração da taxa de quadro do seu projeto.
- 3 Abaixo das predefinições, você verá o nome de arquivo da linha de tempo e o local de destino para o seu vídeo exportado. Clique no botão “Buscar” e escolha onde deseja salvar seu arquivo exportado. Em seguida, selecione “Clipe Único” como a opção de renderização.
- 4 Logo acima da linha de tempo, você verá uma caixa de opções “Linha de Tempo Completa” selecionada. Ela exportará toda a linha de tempo, mas é possível selecionar intervalos da linha de tempo, se desejado. Basta selecionar “Intervalo de Entrada/Saída” e depois usar as teclas de atalho “I” e “O” para selecionar os pontos de entrada e saída na sua linha de tempo.
- 5 Acesse a parte inferior das configurações “Configurações de Renderização” e clique no botão “Adicionar à Fila de Renderização”.

Suas configurações de renderização serão adicionadas à fila de renderização no lado direito da página. Agora, basta clicar em “Iniciar” e monitorar o progresso da sua renderização na fila.

Quando a sua renderização estiver concluída, você pode abrir o local da pasta, dar um clique duplo no seu novo clipe renderizado e assistir a sua edição finalizada.

Agora que você tem conhecimentos básicos sobre como editar, colorir, fazer a mixagem de áudio e adicionar efeitos visuais, recomendamos que você experimente com o DaVinci Resolve. Consulte o manual DaVinci Resolve para mais detalhes sobre como cada recurso pode ajudá-lo a tirar o máximo de seu projeto!

# Como Utilizar o Controle de Câmera de Estúdio

A Blackmagic URSA Mini pode ser usada como uma câmera de estúdio controlada por um switcher ATEM usando o recurso de controle de câmera do programa ATEM Software Control. Isto permite adicionar uma câmera com um sensor de imagem de alta qualidade e incrível alcance dinâmico ao seu estúdio de transmissão e controlá-la como qualquer outra câmera de estúdio.



Controle de Câmera ATEM.

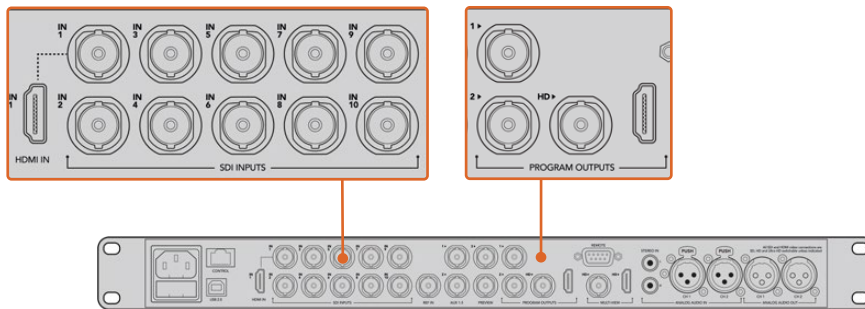
Clicar no botão de câmera iniciará o recurso de controle de câmera. Configurações tais como íris, foco e controle de zoom são facilmente ajustadas com lentes compatíveis, além disso, você pode calibrar as cores das câmeras e criar looks originais usando o corretor primário de cores DaVinci Resolve. É importante observar que o corretor primário de cores DaVinci Resolve e os recursos de nitidez de detalhes do ATEM Camera Control não estão disponíveis na URSA Mini Pro 12K.

O controle do switcher ATEM funciona transmitindo pacotes do controle de câmera via todas as saídas SDI sem conversão descendente do switcher ATEM. Ou seja, é possível conectar uma saída SDI de um switcher ATEM à entrada SDI 12G da URSA Mini, sua câmera detectará os pacotes de controle no enlace SDI e permitirá que você controle os recursos na própria câmera.

## Conectar sua URSA Mini

- 1 Conecte a saída 12G-SDI da sua URSA Mini a qualquer entrada SDI do switcher ATEM.
- 2 Conecte qualquer uma das saídas SDI do switcher ATEM, exceto as saídas de conversão descendente ou multivisualização, na entrada 12G-SDI da sua URSA Mini. Os sinais do controle de câmera não serão enviados via as saídas de conversão descendente e multivisualização.
- 3 Na sua URSA Mini, navegue até “ATEM Camera ID” no menu de configurações e defina a identificação de câmera do seu ATEM para que corresponda à entrada do switcher. Por exemplo, caso a URSA Mini 1 esteja conectada à entrada Cam 1 do switcher ATEM, o número da câmera também deve ser definido como 1. Isto garante que a intercomunicação seja enviada para a câmera correta.
- 4 No menu de configurações, selecione sua fonte de sincronização. A menos que você tenha um sinal genlock sendo enviado para todas as suas câmeras e o seu switcher, recomendamos definir “Reference Source” como “Program” quando conectado ao ATEM.

- 5 Navegue para o menu “Monitor” e certifique-se de que tenha selecionado “Clean Feed” para “SDI Principal” para garantir que você não veja sobreposições ou a caixa de foco na saída SDI do switcher ATEM.



Conecte sua URSA Mini a qualquer uma das entradas SDI do switcher ATEM.

## Usar o Controle de Câmera

Inicie o ATEM Software Control e clique no botão de câmera localizado na parte inferior da janela do software. Você verá uma fileira de controladores de câmera rotulados contendo ferramentas para ajustar e refinar a imagem de cada câmera. Os controladores são fáceis de usar. Basta clicar nos botões usando seu mouse ou clicar e arrastar para ajustar.

### Seleção do Controle de Câmera

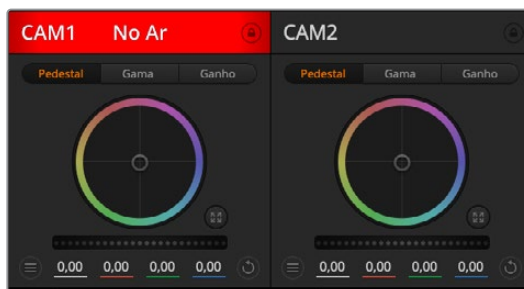
A fileira de botões na parte superior da página do controle de câmera permite selecionar o número da câmera que você deseja controlar. Caso tenha um número de câmeras maior que o tamanho da janela ou esteja executando a janela de correção de cores, é possível usar estes botões para selecionar qual das câmeras você deseja controlar. Caso esteja usando uma saída auxiliar para monitorar o seu controle de câmera, apertar esses botões para alterar a câmera para controle também enviará a saída de vídeo dessa câmera para a saída auxiliar configurada nas preferências do switcher.



Clique no ícone de configurações para selecionar a saída auxiliar para o controle de câmera.

### Status do Canal

O status do canal na parte superior de cada controlador de câmera exibe o rótulo da câmera, o indicador “No Ar” e o botão de bloqueio. Aperte o botão de bloqueio para bloquear todos os controles para uma câmera específica. Quando estiver no ar, o status do canal acenderá em vermelho e exibirá o alerta “No Ar”.



Cada controlador de câmera exibe o status do canal, assim você sabe qual câmera está no ar. Utilize os discos de cores para ajustar as configurações de pedestal, gama e ganho de cada canal YRGB.

## Disco de Cores

O disco de cores é um recurso poderoso do corretor de cores DaVinci Resolve que é usado para fazer ajustes de cores para as configurações de pedestal, gama e ganho de cada canal YRGB. É possível selecionar a configuração a ser ajustada nos três botões acima do disco de cores.

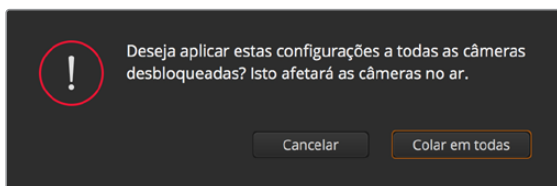
## Disco-Mestre

Use o disco-mestre abaixo do disco de cores para ajustes de contraste em todos os canais YRGB ao mesmo tempo ou apenas para a luminância de cada configuração de pedestal, gama e ganho.

## Botões Restaurar

O botão “Restaurar” junto do canto superior direito de cada controlador de câmera permite escolher facilmente quais configurações de correção de cores restaurar, copiar ou colar. Cada disco de cores também possui seu próprio botão “Restaurar”. Pressione-o para restaurar uma configuração para o seu estado padrão ou para copiar/colar uma configuração. Os controladores bloqueados não serão afetados pelo recurso “Colar”.

O botão de restauração mestre no canto superior direito do painel do corretor de cores possibilita restaurar os discos de cores para pedestal, gama e ganho, além das configurações de contraste, matiz, saturação e mistura de luminância (Lum Mix). É possível colar as configurações de cor em controladores de câmera individuais ou em todas as câmeras de uma vez para um visual unificado. As configurações de íris, foco e pedestal não são afetadas pelo recurso “Colar”. Ao aplicar “Colar em todas”, um alerta aparecerá solicitando que você confirme sua ação. Assim, você não cola novas configurações em câmeras desbloqueadas que estejam no ar no momento acidentalmente.



Quando aplicar “Colar em todas”, um alerta aparecerá solicitando que você confirme sua ação. Assim, você não cola novas configurações em câmeras desbloqueadas que estejam no ar no momento acidentalmente.

## Controle de Íris/Pedestal

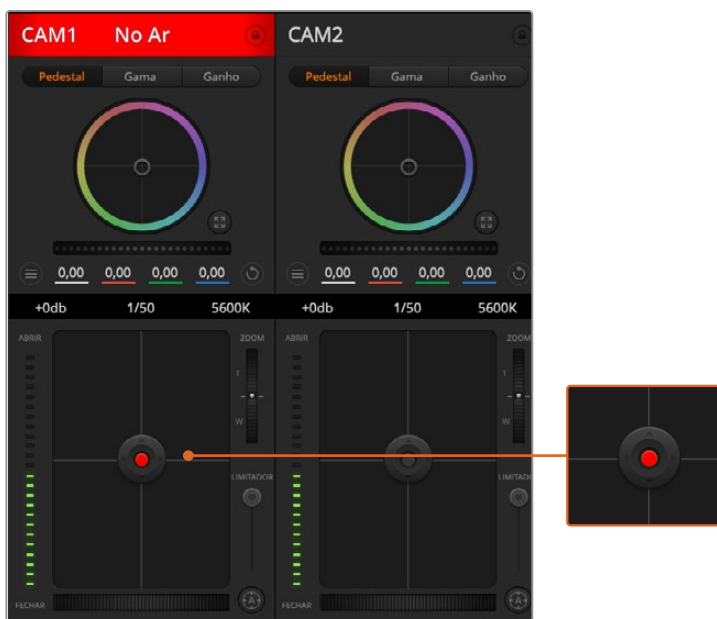
Os controles de íris/pedestal estão localizados dentro das retículas de cada controlador de câmera. O controle acende em vermelho quando a câmera está no ar.

Para abrir ou fechar a íris, arraste o controle para cima ou para baixo. Segurar a tecla “Shift” possibilita fazer ajustes apenas na íris.

**OBSERVAÇÃO** Quando conectado ao ATEM, certifique-se de que o modo de exposição automática esteja desativado. Caso necessite de controle de íris, zoom ou foco, certifique-se de que possua uma lente com capacidade para ser controlada eletronicamente pela câmera.

Caso esteja usando uma lente B4 ou PL conectada através do conector broadcast de 12 pinos da URSA Mini, certifique-se de que a chave da íris da lente na empunhadura esteja definida como “A” ou “Auto”.

Para escurecer ou realçar o pedestal, arraste o controle para a esquerda ou direita. Segurar a tecla de comando em um Mac ou a tecla de controle no Windows possibilita ajustar apenas o pedestal.



O controle íris/pedestal acende em vermelho quando sua câmera respectiva está no ar.

## Controle de Zoom

Ao usar lentes compatíveis com recurso de zoom eletrônico, é possível ampliar ou reduzir o zoom da sua lente usando o controle de zoom. O controlador funciona da mesma maneira que o controlador de zoom em uma lente, com telefoto em um lado e grande angular no outro. Clique no controle de zoom, localizado acima do deslizador limitador e arraste para cima para ampliar o zoom e para baixo para diminuir o zoom.

Caso suas lentes não possuam controle ativo ou sua câmera não tenha suporte para controle de zoom via o protocolo de controle de câmera SDI, estas configurações não funcionarão. Por exemplo, lentes EF não têm motores servo integrados que possam fazer o zoom da lente eletronicamente, logo não será possível fazer zoom com o controle de câmera ATEM.

**OBSERVAÇÃO** Lentes B4 analógicas não são compatíveis com o controle de zoom do ATEM. Para mais informações sobre lentes B4 analógicas, consulte a seção “Usar Lentes Zoom Servo”.

## Configuração do Limitador

A configuração limitador está localizada à esquerda do controle de íris/pedestal e é usada para limitar o alcance da íris. Este recurso ajuda a prevenir que imagens superexpostas entrem no ar.

Para definir o limite máximo do limitador, abra a íris completamente usando o controle de íris e arraste o limitador para cima ou para baixo para definir a exposição máxima. Agora, quando você ajustar a íris, o limite máximo do recurso impedirá que ele passe da exposição máxima.

## Indicador de Íris

O indicador de íris está localizado à esquerda do controle de íris/pedestal e exibe uma referência visual para que você possa visualizar facilmente quão aberta ou fechada está a abertura da lente. O indicador de íris é afetado pelo recurso limitador.

## Botão de Foco Automático

O botão de foco automático está localizado no canto inferior esquerdo de cada controlador de câmera. Pressione para definir o foco automaticamente quando dispor de uma lente ativa com suporte para ajustes de foco eletrônicos. É importante notar que enquanto a maioria das lentes é compatível com foco eletrônico, algumas lentes podem ser configuradas para modos manuais ou automáticos, então certifique-se de que sua lente esteja configurada no modo de foco automático. Muitas vezes, isso pode ser feito ao deslizar o anel de foco para frente ou para trás. Em lentes B4 com controle de zoom servo, será necessário configurar a chave na parte inferior da empunhadura como “Servo”.



Clique no botão de foco automático ou arraste o ajuste de foco manual para direita ou esquerda em lentes compatíveis.

## Ajuste de Foco Manual

Quando desejar ajustar o foco da sua lente manualmente usando o ATEM Camera Control, você pode usar o ajuste de foco localizado na parte inferior de cada controlador de câmera. Gire o disco de controle da lente para a esquerda ou direita para ajustar o foco manualmente enquanto assiste à alimentação de vídeo da câmera para assegurar que sua imagem esteja nítida e perfeita.

O controle de foco manual está somente disponível através do seu switcher ao usar lentes B4 e PL com controles de foco servo. Como lentes EF não possuem servo para o foco, esta opção não está disponível ao usar a URSA Mini EF.

## Ganho de Câmera

O nome para algumas das configurações, como “Ganho” e “Velocidade do Obturador” é diferente nos switchers ATEM e na URSA Mini. Por exemplo, em vez de um índice de sensibilidade ISO, os switchers ATEM usam “ganho” para descrever a sensibilidade da câmera à luz.

**DICA** A diferença entre os termos “Ganho” e “ISO” ocorre principalmente devido às diferenças entre os equipamentos tradicionais de estúdio profissionais e equipamentos tradicionais do cinema. A exposição em câmeras de estúdio de televisão, por exemplo, pode ser monitorada ao vivo a partir da câmera. Os ajustes de sensibilidade à luz podem ser feitos eletronicamente na própria câmera. Isto é diferente em câmeras de cinema, que são mecânicas por natureza e dependem de técnicas de medição de luz tradicionais combinadas com índices ISO fotoquímicos.

Ao operar em condições de iluminação diferentes, pode ser que você queira aumentar ou diminuir o ganho da sua câmera para evitar a subexposição das suas imagens. Para fazer isto, clique na seta esquerda para diminuir o ganho e na seta direita para aumentá-lo.

Seu switcher ATEM exibe o ganho em dB. Isto se corresponde às configurações da sensibilidade ISO na sua câmera da seguinte maneira:

Ganho	ISO
0	200
6	400
12	800
18	1600

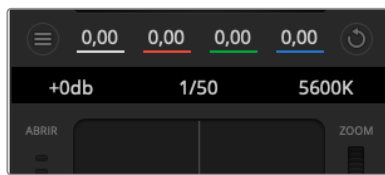
Lembramos que a URSA Mini 4.6K pode ser definida para 18 dB de ganho, enquanto o ganho máximo da URSA Mini 4K é de 12 dB.

## Controle da Velocidade do Obturador

O controle da velocidade do obturador é usado para alterar o ângulo do obturador da sua URSA Mini.

Como com o controle de ganho, esta configuração tem um nome diferente devido às diferenças de terminologia entre as câmeras para cinema e as câmeras para teledifusão. Contudo, na prática, aumentar a velocidade do obturador é exatamente o mesmo que diminuir o ângulo do obturador.

O controle da velocidade do obturador está localizado entre o disco de cores e o controle de íris/pedestal. Aumente ou diminua a velocidade do obturador ao passar o cursor do mouse por cima do indicador da velocidade de obturador e ao clicar na seta esquerda ou direita.



Passar o cursor do seu mouse por cima dos indicadores de ganho, velocidade do obturador e balanço de branco ativará setas nas quais você poderá clicar para ajustar suas respectivas configurações.

**OBSERVAÇÃO** Como o controle de velocidade do obturador do ATEM tem prioridade sobre o controle de ângulo do obturador selecionado na sua URSA Mini, os controles do ângulo do obturador da sua câmera serão desativados quando conectada a um switcher ATEM.

A tabela abaixo exibe as velocidades de obturador disponíveis no controle de velocidade do obturador e seus ângulos de obturador equivalentes. É importante lembrar que algumas velocidades de obturador não se enquadram aos ângulos de obturador mínimos e máximos de 11.25 e 360 graus, respectivamente, da URSA Mini. Se for o caso, o ângulo de obturador mais próximo disponível será usado.

Quando a sua URSA Mini 4.6K ou URSA Mini Pro é conectada a um switcher ATEM, a configuração da velocidade do obturador também estará visível no display de status da sua tela de toque. Na URSA Mini 4K, a velocidade do obturador não estará visível no display de status da tela de toque, mas poderá ser visualizada em um URSA Viewfinder, se encaixado.



Caso exista um ângulo do obturador selecionado na sua URSA Mini 4.6K ou URSA Mini Pro, a tabela abaixo se aplica.

Velocidade do Obturador	Ângulo do Obturador a 23.98 fps	Ângulo do Obturador a 24 fps	Ângulo do Obturador a 25 fps	Ângulo do Obturador a 29.97 fps	Ângulo do Obturador a 50 fps	Ângulo do Obturador a 59.94 fps
1/50	172.7	172.8	180	215.8	360	360*
1/60	143.9	144	150	179.8	300	359.6
1/75	115.1	115.2	120	143.9	240	287.7
1/90	95.9	96	100	120	200	239.8
1/100	86.3	86.4	90	107.9	180	215.8
1/120	71.9	72	75	89.9	150	179.8
1/150	57.5	57.6	60	71.9	120	143.9
1/180	48	48	50	59.9	100	119.9
1/250	34.5	34.6	36	43.2	72	86.3
1/360	24	24	25	29.97	50	59.94
1/500	17.3	17.3	18	21.6	36	43.2
1/725	11.9	11.9	12.4	14.9	24.8	29.8
1/1450	11.25*	11.25*	11.25*	11.25*	12.4	14.9
1/2000	11.25*	11.25*	11.25*	11.25*	11.25*	11.25*

\*Velocidades do obturador fora da faixa do ângulo do obturador da URSA Mini utilizarão o ângulo do obturador mínimo ou máximo mais próximo disponível.

**DICA** Diminuir o valor da velocidade do obturador é uma boa maneira de clarear suas imagens sem usar o ganho da câmera porque você estará aumentando o tempo de exposição do sensor de imagem. Isto também pode reduzir ou remover cintilações suaves ao gravar sob luzes fluorescentes. Aumentar a velocidade do obturador reduz o desfoque de movimento e deve ser utilizado para planos de ação quando desejar que suas imagens permaneçam límpidas e nítidas.

## Balço de Branco

A configuração de balanço de branco junto do controle da velocidade do obturador pode ser ajustada ao clicar nas setas esquerda e direita em cada lado do indicador de temperatura. Fontes de luz diferentes emitem cores quentes ou frias, então você pode compensá-las usando o balanço de branco. Isto assegura que os brancos na sua imagem permaneçam brancos.

## Corretor Primário de Cores DaVinci Resolve

Caso tenha experiência profissional com a correção de cores, então será possível alterar o controle de câmera do tipo interface CCU de um switcher para uma interface de usuário que é mais parecida com a de um corretor primário de cores de um sistema de gradação para pós-produção.

Sua Blackmagic URSA Mini inclui um corretor primário de cores DaVinci Resolve integrado. Caso já tenha usado o DaVinci Resolve, então, no quesito criatividade, tratar as cores na sua URSA Mini será idêntico, assim você pode usufruir da sua experiência com a gradação de cores em produções ao vivo. O painel do corretor de cores pode ser expandido para fora de qualquer controlador de câmera e oferece controle de correção de cores extensivo com configurações adicionais e uma interface de correção primária de cores completa.

Você contará com discos de cores e configurações como saturação disponíveis e terá capacidade para visualizar sombras, tons médios e realces, tudo ao mesmo tempo. Basta alternar entre as câmeras usando os controles de seleção de câmera no topo da janela, conforme necessário.

**DICA** A correção de cores do DaVinci Resolve é aplicada à saída SDI da sua URSA Mini ou vídeos ProRes gravados na câmera. Como vídeos RAW são destinados para processamento na pós, a correção de cores é salva com seu arquivo RAW. No entanto, ao gravar vídeos RAW, a correção de cores ainda pode ser aplicada à saída SDI da URSA Mini.



Clique no botão do corretor primário de cores DaVinci Resolve para ampliar a janela de correção de cores e fazer ajustes.

### Discos de Cores

Os controles Pedestal/Gama/Ganho permitem regiões de ajuste tonais que, embora distintas, se sobrepõem. Em termos fotográficos, pedestal, gama e ganho correspondem às sombras, tons médios e realces.

Utilize os discos de cores das seguintes maneiras para fazer ajustes finos ou radicais:

- **Clique e arraste em qualquer lugar no interior do anel de cor:**  
Observe que não é necessário arrastar o próprio indicador do balanço de cor. À medida que o indicador do balanço de cor se desloca, os parâmetros RGB abaixo se alteram para refletir os ajustes sendo feitos em cada canal.
- **Pressione “Shift”, clique e arraste para o interior do anel de cor:**  
O indicador do balanço de cor pula para a posição absoluta do cursor, possibilitando fazer ajustes mais rápidos e extremos.

- **Dê um clique duplo no interior do anel de cor:**  
Restaura o ajuste da cor sem restaurar o ajuste do disco-mestre para esse controle.
- **Clique no controle restaurar no canto superior direito de um anel de cor:**  
Restaura tanto o controle do balanço de cor quanto seu disco-mestre correspondente.



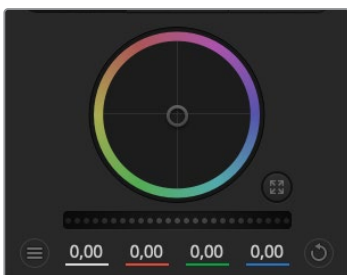
Discos de cores Pedestal, Gama e Ganho no painel do corretor de cores.

## Discos-Mestre

Use os discos-mestre abaixo dos discos de cores para ajustar os controles de pedestal, gama e ganho em cada canal YRGB.

Como fazer os ajustes usando o disco-mestre:

- **Arraste o disco-mestre para a esquerda ou direita**  
Arrastar para a esquerda escurece o parâmetro de imagem selecionado, arrastar para a direita clareia esse parâmetro. À medida que você faz um ajuste, os parâmetros YRGB abaixo se alteram para refletir os ajustes sendo feitos. Para ajustar apenas o Y, segure a tecla ALT ou Comando e arraste para a esquerda ou direita. Como o corretor de cores utiliza processamento YRGB, é possível obter efeitos bem originais e criativos ao ajustar somente o canal Y. Os ajustes do canal Y funcionam melhor quando o ajuste Lum Mix está configurado para o lado direito usando o processamento YRGB ao invés do lado esquerdo usando o processamento RGB comum. Geralmente, a maioria dos coloristas usando DaVinci Resolve utiliza o corretor de cor YRGB, pois você obtém muito mais controle do balanço de cor sem afetar o ganho geral, assim passa menos tempo em busca do look desejado.



Ajuste os discos-mestre ao arrastar o controle do disco para a esquerda ou direita.

## Contraste

A configuração de contraste oferece controle sobre a distância entre os valores mais claros e escuros de uma imagem. O efeito é semelhante a fazer ajustes opostos usando os discos-mestre para pedestal e ganho. A configuração padrão é 50%.



Arraste os deslizadores para a esquerda ou direita para ajustar as configurações de contraste, saturação, matiz e lum mix.

## Saturação

A configuração de saturação aumenta ou diminui a quantidade de cores na imagem. A configuração padrão é 50%.

## Matiz

O controle “Matiz” gira todos os matizes da imagem em volta de todo o perímetro do disco de cores. A configuração padrão de 180 graus exibe a distribuição original dos matizes. Aumentar ou reduzir este valor gira todas as cores para frente ou para trás com a distribuição do matiz como visto em um disco de cor.

## Lum Mix

O corretor de cores incluído na sua Blackmagic URSA Mini é baseado no corretor de cores primárias do DaVinci Resolve. A DaVinci tem fabricado corretores de cores desde o início dos anos 80 e mais filmes de Hollywood usam o DaVinci Resolve para o tratamento de cores do que qualquer outro método.

Isso significa que o corretor de cores integrado na sua URSA Mini possui recursos únicos e poderosos que permitem trabalhar com enorme criatividade. O processamento YRGB é um desses recursos.

Ao tratar as cores, é possível optar pelo processamento RGB ou YRGB. Coloristas de alto nível utilizam o processamento YRGB, assim há mais controle de precisão sobre as cores e é possível ajustar os canais independentemente com separação otimizada e mais opções criativas.

Quando o controle Lum Mix estiver configurado para o lado direito, você obtém saída final de 100% do corretor de cores YRGB. Quando o controle Lum Mix está definido para o lado esquerdo, você obtém saída final de 100% do corretor de cores RGB. É possível definir o Lum Mix em qualquer posição entre a esquerda e a direita para obter uma mistura da saída de ambos os corretores RGB e YRGB.

Qual é a configuração ideal? Isso depende de você, já que a correção de cores é um processo puramente criativo em que não existe certo e errado, ou seja, a configuração ideal é aquela que você mais gosta e acredita ter a melhor aparência!

## Sincronizar Configurações

Quando conectados, os sinais de controle de câmera são enviados do switcher ATEM para sua Blackmagic URSA Mini. Caso uma configuração seja ajustada acidentalmente na sua URSA Mini, o controle de câmera restaurará essa configuração automaticamente para manter a sincronização.

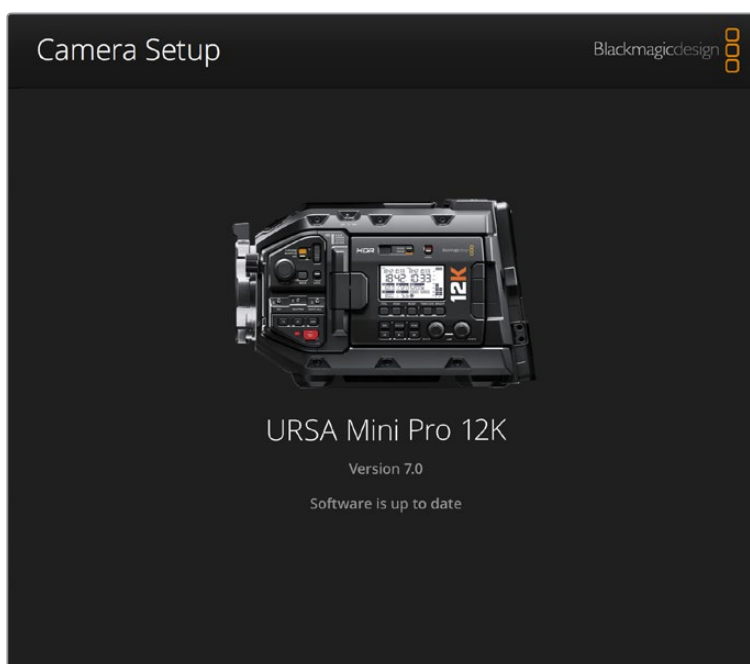
**DICA** Mesmo se você desconectar sua saída 12G-SDI, sua URSA Mini continuará a utilizar quaisquer ajustes de imagem feitos com a correção de cores DaVinci Resolve. Isto permite alterar os ângulos de câmera sem a necessidade de fazer ajustes de imagem novamente. Para restaurar as configurações de cor padrão da sua URSA Mini, basta ligar e desligar sua câmera após desconectar sua entrada 12G-SDI.

# Blackmagic Camera Setup Utility

## Atualizar Software de Câmera — Mac

Após baixar o software utilitário Blackmagic Camera Setup e descompactar o arquivo baixado, abra a imagem de disco resultante para acessar o instalador Blackmagic Camera Setup.

Inicie o instalador e siga as instruções na tela. Depois que a instalação estiver concluída, vá até a pasta de aplicativos e abra a pasta Blackmagic Cameras, onde você encontrará este manual, o utilitário Blackmagic Camera Setup, além de uma pasta de documentos contendo os arquivos readme e informações. Você também encontrará um desinstalador para quando atualizar para versões mais recentes do Blackmagic Camera Setup.



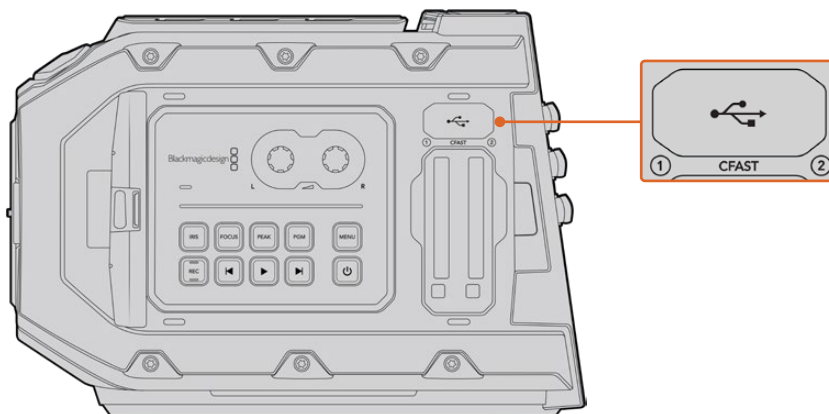
## Atualizar Software de Câmera — Windows

Após baixar o software utilitário Blackmagic Camera Setup e descompactar o arquivo baixado, você deve encontrar uma pasta Blackmagic Camera Setup contendo este manual em PDF e o instalador Blackmagic Camera Setup. Dê um clique duplo no instalador e siga as instruções na tela para completar a instalação.

No Windows 10, clique no botão “Iniciar” e selecione “Todos os aplicativos”. Desça até a pasta Blackmagic Design. A partir daqui será possível iniciar o Blackmagic Camera Setup.

No Windows 8.1, selecione o ícone de seta para baixo da tela “Iniciar” e desça até a pasta Blackmagic Design. A partir daqui será possível iniciar o Blackmagic Camera Setup.

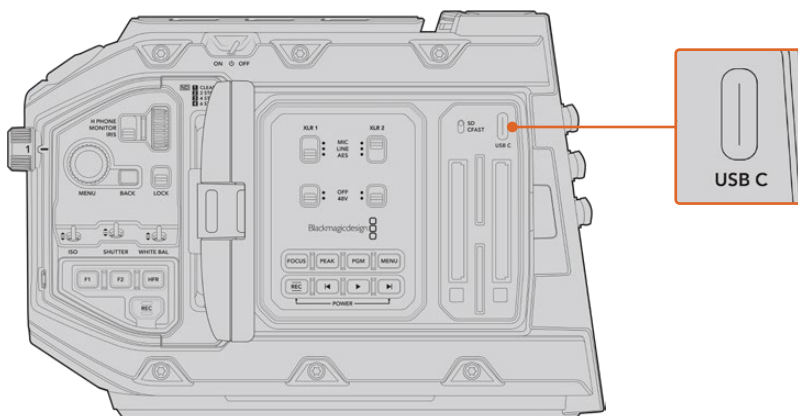
## Como Atualizar o Software de Câmera



A porta USB 2.0 Mini-B é utilizada para atualizar o software de câmera e pode ser encontrada acima dos compartimentos dos cartões de memória na Blackmagic URSA Mini.

Após instalar o Blackmagic Camera Setup Utility mais recente no seu computador, conecte um cabo USB entre o computador e sua Blackmagic URSA Mini. Na Blackmagic URSA Mini, a porta USB é localizada no painel frontal esquerdo acima dos compartimentos para os cartões de memória. Basta abrir a proteção emborrachada para acessar a porta.

Inicie o utilitário Blackmagic Camera Setup e siga qualquer alerta na tela para atualizar o software de câmera. É importante observar que atualizar o software da sua câmera apaga quaisquer predefinições e LUTs personalizadas, e redefine todas as configurações. Recomendamos exportar suas predefinições para um cartão de memória por segurança antes de desempenhar a restauração ao padrão de fábrica. Após uma atualização de software, você pode recuperar suas predefinições e LUTs rapidamente ao importá-las de um cartão de memória. Também é recomendável calibrar os níveis de preto do sensor.



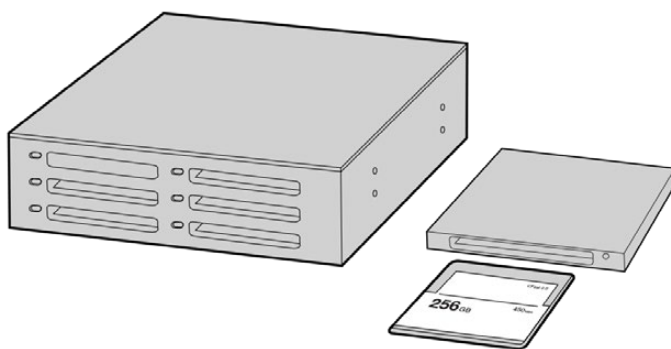
A porta USB-C port é utilizada para atualizar o software de câmera e pode ser encontrada acima dos compartimentos dos cartões de memória, junto da chave de seleção de mídia da Blackmagic URSA Mini Pro.

## Trabalhar com Software de Terceiros

Para editar seus clipes usando seu software de edição favorito, é possível copiar seus clipes em um drive interno/externo ou RAID e, depois, importar seus clipes no software. Também é possível importar seus clipes diretamente da sua mídia de armazenamento usando uma doca ou um adaptador para o seu SSD ou cartões CFast e SD.

**OBSERVAÇÃO** O Blackmagic RAW é compatível com DaVinci Resolve 15.3.1 e versões mais recentes e também foi adotado por uma série de programas de edição e pós-produção de terceiros. Plug-ins para editar Blackmagic RAW no Avid Media Composer e Adobe Premiere Pro estão disponíveis com software Blackmagic RAW, que você pode baixar em [www.blackmagicdesign.com/br/support](http://www.blackmagicdesign.com/br/support).

## Trabalhar com Arquivos de cartões CFast 2.0 e SD



Edite diretamente a partir do seu cartão CFast ao retirá-lo da sua câmera e encaixá-lo no seu computador usando um leitor/gravador CFast 2.0 ou um drive CFast.

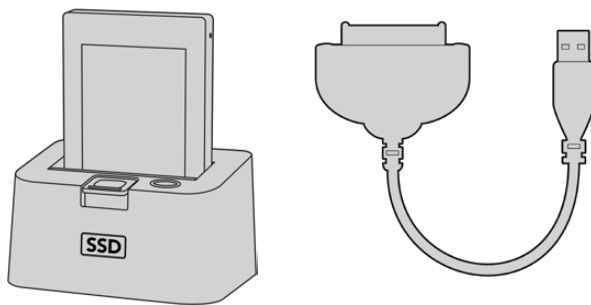
Como importar seus clipes de um cartão CFast 2.0 ou SD:

- 1** Remova o cartão CFast da sua Blackmagic URSA Mini ou URSA Mini Pro.  
Encaixe o cartão CFast no seu computador Mac ou Windows utilizando um leitor de cartões CFast ou SD.
- 2** Navegue até o cartão no seu sistema operacional para abri-lo e você visualizará sua lista de arquivos Blackmagic RAW ou arquivos de filme QuickTime.
- 3** Agora, você pode simplesmente arrastar os arquivos desejados do cartão ao seu desktop ou outro disco rígido, ou você pode acessar os arquivos diretamente do cartão usando seu software de edição.
- 4** Antes de remover o cartão CFast ou SD do seu computador, é sempre uma boa ideia ejetá-lo com segurança, tanto no Mac quanto no Windows. Em alguns casos, remover o cartão sem ejetá-lo primeiro pode corromper o material gravado.

## Trabalhar com Arquivos de SSDs

Como importar seus clipes de um SSD:

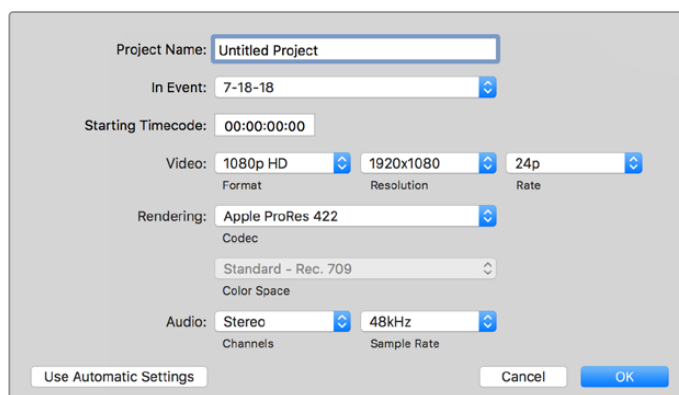
- 1 Remova o SSD do URSA Mini Recorder.
- 2 É possível inserir o SSD no seu computador Mac ou Windows usando uma doca eSATA ou Thunderbolt, como a Blackmagic MultiDock 10G. Você também pode usar um cabo adaptador eSATA para USB para conectar o SSD diretamente a uma porta USB no seu computador. USB 3.0 é recomendável, já que USB 2.0 não é rápido o suficiente para editar vídeos em tempo real.
- 3 Dê um clique duplo no SSD para abri-lo e você deve encontrar uma lista dos arquivos de filme QuickTime ou arquivos Blackmagic RAW. Dependendo do seu formato de preferência para a gravação, é possível que você tenha uma mistura de arquivos, mas todos usam a mesma convenção de nomeação.
- 4 Agora, você pode simplesmente arrastar os arquivos desejados do SSD para o seu desktop ou outro disco rígido, ou você pode acessar os arquivos diretamente do SSD usando seu software de edição NLE.
- 5 Antes de desconectar o SSD do seu computador, é sempre uma boa ideia ejetá-lo com segurança primeiro.



Para editar diretamente do SSD, basta removê-lo da câmera e conectá-lo ao seu computador utilizando uma doca eSATA Thunderbolt ou um cabo adaptador USB 3.0.

## Usar Final Cut Pro X

Para editar seus clipes usando Final Cut Pro X, será necessário criar um novo projeto e configurar uma taxa de quadro, assim como um formato de vídeo adequado. O exemplo abaixo usa ProRes 422 HQ 1080p24.



Configurações de projeto no Final Cut Pro X.



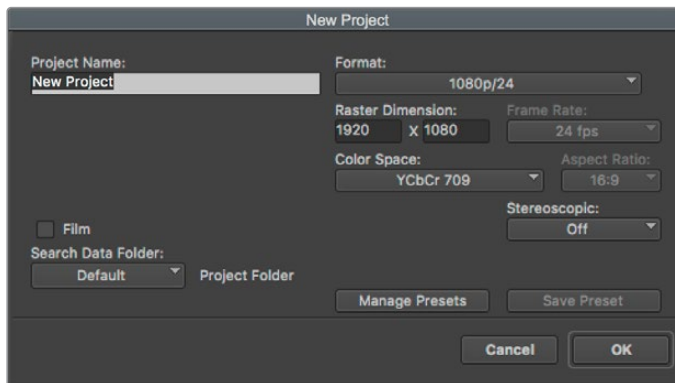
- 1 Inicie o Final Cut Pro X, vá até a barra de menu e selecione “File/New Project”. Uma janela contendo as configurações de projeto aparecerá.
- 2 Dê um nome ao seu projeto e selecione a caixa de diálogo “Custom”.
- 3 Ajuste as configurações “Video Properties” para 1080p HD, 1920x1080 e 24p.
- 4 Ajuste as configurações “Audio” e “Render Properties” para “Stereo”, “48 kHz” e “Apple ProRes 422 HQ”.
- 5 Clique em “Ok”.

Para importar seus clipes no seu projeto, vá até a barra de menu e selecione “File/Import/Media”. Selecione seus clipes no seu cartão CFast.

Agora, é possível arrastar seus clipes na linha de tempo para a edição.

## Usar Avid Media Composer 2018

Para editar seus clipes usando o Avid Media Composer 2018, crie um novo projeto e configure uma taxa de quadro, assim como um formato de vídeo adequado. No exemplo abaixo os clipes foram configurados usando 1080p24.



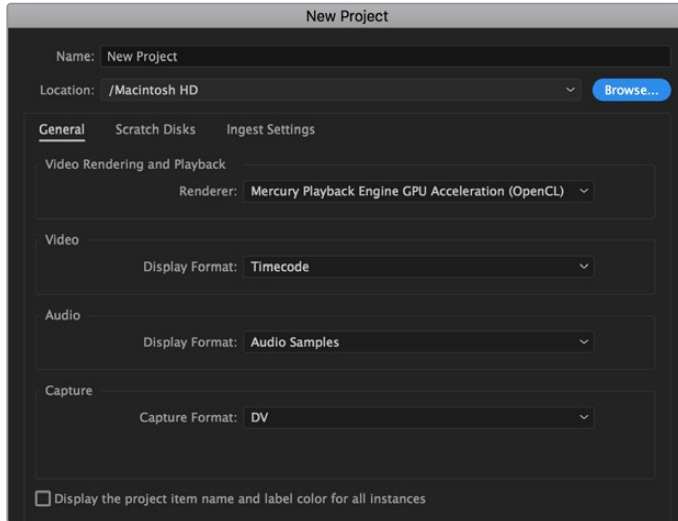
Configuração do nome do projeto e suas opções no Avid Media Composer 2018.

- 1 Inicie o Avid Media Composer 2018 e a janela “Select Project” aparecerá.
- 2 Clique no botão “New Project” e dê um nome para o seu projeto na janela “New Project”.
- 3 No menu suspenso “Format”, selecione “HD 1080 > 1080p/24” e clique em “Ok” para criar o projeto.
- 4 Dê um clique duplo no projeto na janela “Select Project” para abri-la.
- 5 Selecione “file > input > source browse” e navegue pelos arquivos que deseja importar.
- 6 Selecione “Target Bin” no menu suspenso e clique em “Import”.

Quando os clipes aparecerem dentro do ficheiro de mídias, será possível arrastá-los até a linha de tempo e iniciar a edição.

## Usar Adobe Premiere Pro CC

Para editar seus clipes Apple ProRes 422 HQ usando Adobe Premiere Pro CC, será necessário criar um novo projeto e configurar uma taxa de quadro, assim como um formato de vídeo adequado. No exemplo abaixo os clipes foram configurados usando ProRes 422 HQ 1080p25.



Configuração do nome do projeto e suas opções no Adobe Premiere Pro CC.

- 1 Inicie o Adobe Premiere Pro CC. Na janela de boas-vindas, selecione “Novo Projeto”. Uma janela contendo as configurações de projeto aparecerá.
- 2 Dê um nome ao seu projeto. Selecione a localização para o seu projeto ao clicar em “Procurar” e escolher a pasta desejada. Após selecionar a localização da sua pasta, clique em “OK” na janela de boas-vindas.
- 3 Vá até a barra de menu do Adobe Premiere Pro CC, selecione “Arquivo/Importar” e escolha os clipes que você deseja editar. Seus clipes aparecerão na janela do projeto.
- 4 Arraste o primeiro clipe que deseja editar para o ícone “Novo Item” no canto inferior direito da janela do projeto. Uma nova sequência será criada correspondendo às configurações do seu clipe.

Agora, será possível arrastar seus clipes na linha de tempo para a edição.

# Informações para Desenvolvedores

## (em inglês)

### Blackmagic Bluetooth Camera Control

Blackmagic cameras with Bluetooth LE implement a variety of features and commands that allow users to control their cameras wirelessly. Developers have full access to these features for their custom applications.

The following services and characteristics describe the full range of communication options that are available to the developer.

#### Service: Device Information Service

UUID: 180A

#### Characteristics

##### Camera Manufacturer

UUID: 2A29

Read the name of the manufacturer (always “Blackmagic Design”).

##### Camera Model

UUID: 2A24

Read the name of the camera model (“URSA Mini”).

#### Service: Blackmagic Camera Service

UUID: 291D567A-6D75-11E6-8B77-86F30CA893D3

#### Characteristics

##### Outgoing Camera Control (encrypted)

UUID: 5DD3465F-1AEE-4299-8493-D2ECA2F8E1BB

##### Send Camera Control messages

These messages are identical to those described in the Blackmagic SDI Camera Control Protocol section below. Please read that section for a list of supported messages and required formatting information.

For an example of how packets are structured, please see the ‘example protocol packets’ section in this document.

##### Incoming Camera Control (encrypted)

UUID: B864E140-76A0-416A-BF30-5876504537D9

Request notifications for this characteristic to receive Camera Control messages from the camera.

These messages are identical to those described in the Blackmagic SDI Camera Control Protocol section below. Please read that section for a list of supported messages and required formatting information.

### Timecode (encrypted)

UUID: 6D8F2110-86F1-41BF-9AFB-451D87E976C8

Request notifications for this characteristic to receive timecode updates.

Timecode (HH:MM:SS:mm) is represented by a 32-bit BCD number:  
(eg. 09:12:53:10 = 0x09125310)

### Camera Status (encrypted)

UUID: 7FE8691D-95DC-4FC5-8ABD-CA74339B51B9

Request notifications for this characteristic to receive camera status updates.

The camera status is represented by flags contained in an 8-bit integer:

<b>None</b>	= 0x00
<b>Camera Power On</b>	= 0x01
<b>Connected</b>	= 0x02
<b>Paired</b>	= 0x04
<b>Versions Verified</b>	= 0x08
<b>Initial Payload Received</b>	= 0x10
<b>Camera Ready</b>	= 0x20

Send a value of 0x00 to power a connected camera off.

Send a value of 0x01 to power a connected camera on.

### Device Name

UUID: FFAC0C52-C9FB-41A0-B063-CC76282EB89C

Send a device name to the camera (max. 32 characters).

The camera will display this name in the Bluetooth Setup Menu.

### Protocol Version

UUID: 8F1FD018-B508-456F-8F82-3D392BEE2706

Read this value to determine the camera's supported CCU protocol version.

**NOTE** Encrypted characteristics can only be used once a device has successfully bonded or paired with the Blackmagic Camera. Once a connection has been established, any attempt to write to an encrypted characteristic will initiate bonding. For example, writing a 'Camera Power On' (0x01) message to the Camera Status characteristic.

Once bonding is initiated, the camera will display a 6-digit pin in the Bluetooth Setup Menu. Enter this pin on your device to establish an encrypted connection. The device will now be able to read, write and receive notifications from encrypted characteristics.

# Blackmagic SDI and Bluetooth Camera Control Protocol

## Version 1.4

If you are a software developer you can use the Blackmagic SDI and Bluetooth Camera Control Protocol to construct devices that integrate with our products. Here at Blackmagic Design, our approach is to open up our protocols and we eagerly look forward to seeing what you come up with!

## Overview

This document describes an extensible protocol for sending a unidirectional stream of small control messages embedded in the non-active picture region of a digital video stream. The video stream containing the protocol stream may be broadcast to a number of devices. Device addressing is used to allow the sender to specify which device each message is directed to.

## Assumptions

Alignment and padding constraints are explicitly described in the protocol document. Bit fields are packed from LSB first. Message groups, individual messages and command headers are defined as, and can be assumed to be, 32 bit aligned.

## Blanking Encoding

A message group is encoded into a SMPTE 291M packet with DID/SDID x51/x53 in the active region of VANC line 16.

## Message Grouping

Up to 32 messages may be concatenated and transmitted in one blanking packet up to a maximum of 255 bytes payload. Under most circumstances, this should allow all messages to be sent with a maximum of one frame latency.

If the transmitting device queues more bytes of message packets than can be sent in a single frame, it should use heuristics to determine which packets to prioritize and send immediately. Lower priority messages can be delayed to later frames, or dropped entirely as appropriate.

## Abstract Message Packet Format

Every message packet consists of a three byte header followed by an optional variable length data block. The maximum packet size is 64 bytes.

<b>Destination device (uint8)</b>	Device addresses are represented as an 8 bit unsigned integer. Individual devices are numbered 0 through 254 with the value 255 reserved to indicate a broadcast message to all devices.
<b>Command length (uint8)</b>	The command length is an 8 bit unsigned integer which specifies the length of the included command data. The length does NOT include the length of the header or any trailing padding bytes.
<b>Command id (uint8)</b>	The command id is an 8 bit unsigned integer which indicates the message type being sent. Receiving devices should ignore any commands that they do not understand. Commands 0 through 127 are reserved for commands that apply to multiple types of devices. Commands 128 through 255 are device specific.
<b>Reserved (uint8)</b>	This byte is reserved for alignment and expansion purposes. It should be set to zero.
<b>Command data (uint8[])</b>	The command data may contain between 0 and 60 bytes of data. The format of the data section is defined by the command itself.
<b>Padding (uint8[])</b>	Messages must be padded up to a 32 bit boundary with 0x0 bytes. Any padding bytes are NOT included in the command length.

Receiving devices should use the destination device address and or the command identifier to determine which messages to process. The receiver should use the command length to skip irrelevant or unknown commands and should be careful to skip the implicit padding as well.

## Defined Commands

### Command 0 : change configuration

---

<b>Category (uint8)</b>	The category number specifies one of up to 256 configuration categories available on the device.
<b>Parameter (uint8)</b>	The parameter number specifies one of 256 potential configuration parameters available on the device. Parameters 0 through 127 are device specific parameters. Parameters 128 through 255 are reserved for parameters that apply to multiple types of devices.
<b>Data type (uint8)</b>	The data type specifies the type of the remaining data. The packet length is used to determine the number of elements in the message. Each message must contain an integral number of data elements.

---

#### Currently defined values are:

---

<b>0: void / boolean</b>	A void value is represented as a boolean array of length zero. The data field is a 8 bit value with 0 meaning false and all other values meaning true.
<b>1: signed byte</b>	Data elements are signed bytes
<b>2: signed 16 bit integer</b>	Data elements are signed 16 bit values
<b>3: signed 32 bit integer</b>	Data elements are signed 32 bit values
<b>4: signed 64 bit integer</b>	Data elements are signed 64 bit values
<b>5: UTF-8 string</b>	Data elements represent a UTF-8 string with no terminating character.

---

#### Data types 6 through 127 are reserved.

---

<b>128: signed 5.11 fixed point</b>	Data elements are signed 16 bit integers representing a real number with 5 bits for the integer component and 11 bits for the fractional component. The fixed point representation is equal to the real value multiplied by $2^{11}$ . The representable range is from -16.0 to 15.9995 ( $15 + 2047/2048$ ).
-------------------------------------	---

---

#### Data types 129 through 255 are available for device specific purposes.

---

<b>Operation type (uint8)</b>	The operation type specifies what action to perform on the specified parameter. Currently defined values are:
<b>0: assign value</b>	The supplied values are assigned to the specified parameter. Each element will be clamped according to its valid range. A void parameter may only be 'assigned' an empty list of boolean type. This operation will trigger the action associated with that parameter. A boolean value may be assigned the value zero for false, and any other value for true.
<b>1: offset / toggle value</b>	Each value specifies signed offsets of the same type to be added to the current parameter values. The resulting parameter value will be clamped according to their valid range. It is not valid to apply an offset to a void value. Applying any offset other than zero to a boolean value will invert that value.

---

#### Operation types 2 through 127 are reserved.

#### Operation types 128 through 255 are available for device specific purposes.

---

<b>Data (void)</b>	The data field is 0 or more bytes as determined by the data type and number of elements.
--------------------	--

---

The category, parameter, data type and operation type partition a 24 bit operation space.

Group	ID	Parameter	Type	Index	Minimum	Maximum	Interpretation	
Lens	0.0	Focus	fixed16	–	0.0	1.0	0.0 = near, 1.0 = far	
	0.1	Instantaneous autofocus	void	–	–	–	trigger instantaneous autofocus	
	0.2	Aperture (f-stop)	fixed16	–	-1.0	16.0	Aperture Value (where fnumber = $\sqrt{2^{AV}}$ )	
	0.3	Aperture (normalised)	fixed16	–	0.0	1.0	0.0 = smallest, 1.0 = largest	
	0.4	Aperture (ordinal)	int16	–	0	n	Steps through available aperture values from minimum (0) to maximum (n)	
	0.5	Instantaneous auto aperture	void	–	–	–	trigger instantaneous auto aperture	
	0.6	Optical image stabilisation	boolean	–	–	–	true = enabled, false = disabled	
	0.7	Set absolute zoom (mm)	int16	–	0	max	Move to specified focal length in mm, from minimum (0) to maximum (max)	
	0.8	Set absolute zoom (normalised)	fixed16	–	0.0	1.0	Move to specified focal length: 0.0 = wide, 1.0 = tele	
0.9	Set continuous zoom (speed)	fixed16	–	-1.0	+1.0	Start/stop zooming at specified rate: -1.0 = zoom wider fast, 0.0 = stop, +1 = zoom tele fast		
Video	1.0	Video mode	int8	[0] = frame rate	–	–	fps as integer (eg 24, 25, 30, 50, 60)	
				[1] = M-rate	–	–	0 = regular, 1 = M-rate	
				[2] = dimensions	–	–	0 = NTSC, 1 = PAL, 2 = 720, 3 = 1080, 4 = 2kDCI, 5 = 2k16:9, 6 = UHD, 7 = 3k Anamorphic, 8 = 4k DCI, 9 = 4k 16:9, 10 = 4.6k 2.4:1, 11 = 4.6k	
				[3] = interlaced	–	–	0 = progressive, 1 = interlaced	
				[4] = Color space	–	–	0 = YUV	
	1.1	Gain (up to Camera 4.9)	int8			1	128	1x, 2x, 4x, 8x, 16x, 32x, 64x, 128x gain
	1.2	Manual White Balance	int16	[0] = color temp	2500	10000		Color temperature in K
			int16	[1] = tint	-50	50		tint
	1.3	Set auto WB	void	–	–	–	–	Calculate and set auto white balance
	1.4	Restore auto WB	void	–	–	–	–	Use latest auto white balance setting
1.5	Exposure (us)	int32			1	42000	time in us	
1.6	Exposure (ordinal)	int16	–		0	n	Steps through available exposure values from minimum (0) to maximum (n)	
1.7	Dynamic Range Mode	int8 enum	–		0	2	0 = film, 1 = video, 2 = extended video	
1.8	Video sharpening level	int8 enum	–		0	3	0 = off, 1 = low, 2 = medium, 3 = high	

Group	ID	Parameter	Type	Index	Minimum	Maximum	Interpretation
Video	1.9	Recording format	int16	[0] = file frame rate	–	–	fps as integer (eg 24, 25, 30, 50, 60, 120)
				[1] = sensor frame rate	–	–	fps as integer, valid when sensor-off-speed set (eg 24, 25, 30, 33, 48, 50, 60, 120), no change will be performed if this value is set to 0
				[2] = frame width	–	–	in pixels
				[3] = frame height	–	–	in pixels
				[4] = flags	–	–	[0] = file-M-rate
					–	–	[1] = sensor-M-rate, valid when sensor-off-speed-set
					–	–	[2] = sensor-off-speed
					–	–	[3] = interlaced
	–	–	[4] = windowed mode				
	1.10	Set auto exposure mode	int8	–	0	4	0 = Manual Trigger, 1 = Iris, 2 = Shutter, 3 = Iris + Shutter, 4 = Shutter + Iris
	1.11	Shutter angle	int32	–	100	36000	Shutter angle in degrees, multiplied by 100
	1.12	Shutter speed	int32	–	Current sensor frame rate	5000	Shutter speed value as a fraction of 1, so 50 for 1/50th of a second
	1.13	Gain	int8	–	-128	127	Gain in decibel (dB)
	1.14	ISO	int32	–	0	2147483647	ISO value
	1.15	Display LUT	int8	[0] = selected LUT	–	–	0 = None, 1 = Custom, 2 = film to video, 3 = film to extended video
[1] = enabled or not				–	–	0 = Not enabled, 1 = Enabled	
Audio	2.0	Mic level	fixed16	–	0.0	1.0	0.0 = minimum, 1.0 = maximum
	2.1	Headphone level	fixed16	–	0.1	1.0	0.0 = minimum, 1.0 = maximum
	2.2	Headphone program mix	fixed16	–	0.1	1.0	0.0 = minimum, 1.0 = maximum
	2.3	Speaker level	fixed16	–	0.1	1.0	0.0 = minimum, 1.0 = maximum
	2.4	Input type	int8	–	0	3	0 = internal mic, 1 = line level input, 2 = low mic level input, 3 = high mic level input
	2.5	Input levels	fixed16	[0] ch0	0.0	1.0	0.0 = minimum, 1.0 = maximum
				[1] ch1	0.0	1.0	0.0 = minimum, 1.0 = maximum
	2.6	Phantom power	boolean	–	–	–	true = powered, false = not powered



Group	ID	Parameter	Type	Index	Minimum	Maximum	Interpretation
Output	3.0	Overlay enables	uint16 bit field	–	–	–	bit flags: [0] = display status, [1] = display frame guides Some cameras don't allow separate control of frame guides and status overlays.
	3.1	Frame guides style (Camera 3.x)	int8	–	0	8	0 = HDTV, 1 = 4:3, 2 = 2.4:1, 3 = 2.39:1, 4 = 2.35:1, 5 = 1.85:1, 6 = thirds
	3.2	Frame guides opacity (Camera 3.x)	fixed16	–	0.1	1.0	0.0 = transparent, 1.0 = opaque
	3.3	Overlays (replaces .1 and .2 above from Cameras 4.0)	int8	[0] = frame guides style	–	–	0 = off, 1 = 2.4:1, 2 = 2.39:1, 3 = 2.35:1, 4 = 1.85:1, 5 = 16:9, 6 = 14:9, 7 = 4:3, 8 = 2:1, 9 = 4:5, 10 = 1:1
			[1] = frame guide opacity	0	100	0 = transparent, 100 = opaque	
			[2] = safe area percentage	0	100	percentage of full frame used by safe area guide (0 means off)	
			[3] = grid style	–	–	bit flags: [0] = display thirds, [1] = display cross hairs, [2] = display center dot, [3] = display horizon	
Display	4.0	Brightness	fixed16	–	0.0	1.0	0.0 = minimum, 1.0 = maximum
	4.1	Exposure and focus tools	int16 bit field	0x1 = zebra, 0x2 = focus assist, 0x4 = false color	–	–	0 = disable, 1 = enable
	4.2	Zebra level	fixed16	–	0.0	1.0	0.0 = minimum, 1.0 = maximum
	4.3	Peaking level	fixed16	–	0.0	1.0	0.0 = minimum, 1.0 = maximum
	4.4	Color bar enable	int8	–	0	30	0 = disable bars, 1-30 = enable bars with timeout (seconds)
	4.5	Focus Assist	int8	[0] = focus assist method	–	–	0 = Peak, 1 = Colored lines
				[1] = focus line color	–	–	0 = Red, 1 = Green, 2 = Blue, 3 = White, 4 = Black
	4.6	Program return feed enable	int8	–	0	30	0 = disable, 1-30 = enable with timeout (seconds)
Tally	5.0	Tally brightness	fixed16	–	0.0	1.0	Sets the tally front and tally rear brightness to the same level. 0.0 = minimum, 1.0 = maximum
	5.1	Front tally brightness	fixed16	–	0.0	1.0	Sets the tally front brightness. 0.0 = minimum, 1.0 = maximum
	5.2	Rear tally brightness	fixed16	–	0.0	1.0	Sets the tally rear brightness. 0.0 = minimum, 1.0 = maximum Tally rear brightness cannot be turned off

Group	ID	Parameter	Type	Index	Minimum	Maximum	Interpretation
Reference	6.0	Source	int8 enum	–	0	2	0 = internal, 1 = program, 2 = external
	6.1	Offset	int32	–	–	–	+/- offset in pixels
Confi- guration	7.0	Real Time Clock	int32	[0] time	–	–	BCD - HHMMSSFF (UCT)
				[1] date	–	–	BCD - YYYYMMDD
	7.1	System language	string	[0-1]	–	–	ISO-639-1 two character language code
	7.2	Timezone	int32	–	–	–	Minutes offset from UTC
	7.3	Location	int64	[0] latitude	–	–	BCD - s0DDddddddddddd where s is the sign: 0 = north (+), 1 = south (-); DD degrees, ddddddddddd decimal degrees
				[1] longitude	–	–	BCD - sDDDddddddddddd where s is the sign: 0 = west (-), 1 = east (+); DDD degrees, ddddddddddd decimal degrees
Color Correction	8.0	Lift Adjust	fixed16	[0] red	-2.0	2.0	default 0.0
				[1] green	-2.0	2.0	default 0.0
				[2] blue	-2.0	2.0	default 0.0
				[3] luma	-2.0	2.0	default 0.0
	8.1	Gamma Adjust	fixed16	[0] red	-4.0	4.0	default 0.0
				[1] green	-4.0	4.0	default 0.0
				[2] blue	-4.0	4.0	default 0.0
				[3] luma	-4.0	4.0	default 0.0
	8.2	Gain Adjust	fixed16	[0] red	0.0	16.0	default 1.0
				[1] green	0.0	16.0	default 1.0
				[2] blue	0.0	16.0	default 1.0
				[3] luma	0.0	16.0	default 1.0
	8.3	Offset Adjust	fixed16	[0] red	-8.0	8.0	default 0.0
				[1] green	-8.0	8.0	default 0.0
				[2] blue	-8.0	8.0	default 0.0
				[3] luma	-8.0	8.0	default 0.0
	8.4	Contrast Adjust	fixed16	[0] pivot	0.0	1.0	default 0.5
				[1] adj	0.0	2.0	default 1.0
	8.5	Luma mix	fixed16	–	0.0	1.0	default 1.0
	8.6	Color Adjust	fixed16	[0] hue	-1.0	1.0	default 0.0
[1] sat				0.0	2.0	default 1.0	
8.7	Correction Reset Default	void	–	–	–	reset to defaults	

Group	ID	Parameter	Type	Index	Minimum	Maximum	Interpretation
Media	10.0	Codec	int8 enum	[0] = basic codec	-	-	0 = CinemaDNG, 1 = DNxHD, 2 = ProRes, 3 = Blackmagic RAW
				[1] = code variant	-	-	CinemaDNG: 0 = uncompressed, 1 = lossy 3:1, 2 = lossy 4:1
					-	-	ProRes: 0 = HQ, 1 = 422, 2 = LT, 3 = Proxy, 4 = 444, 5 = 444XQ
					-	-	Blackmagic RAW: 0 = Q0, 1 = Q5, 2 = 3:1, 3 = 5:1, 4 = 8:1, 5 = 12:1
	10.1	Transport mode	int8	[0] = mode	-	-	0 = Preview, 1 = Play, 2 = Record
				[1] = speed	-	-	-ve = multiple speeds backwards, 0 = pause, +ve = multiple speeds forwards
				[2] = flags	-	-	1<<0 = loop, 1<<1 = play all, 1<<5 = disk1 active, 1<<6 = disk2 active, 1<<7 = time-lapse recording
				[3] = slot 1 storage medium	-	-	0 = CFast card, 1 = SD, 2 = SSD Recorder
				[4] = slot 2 storage medium	-	-	0 = CFast card, 1 = SD, 2 = SSD Recorder
	10.2	Playback Control	int8 enum	[0] = clip	-	-	0 = Previous, 1 = Next
PTZ Control	11.0	Pan/Tilt Velocity	fixed 16	[0] = pan velocity	-1.0	1.0	-1.0 = full speed left, 1.0 = full speed right
				[1] = tilt velocity	-1.0	1.0	-1.0 = full speed down, 1.0 = full speed up
	11.1	Memory Preset	int8 enum	[0] = preset command	-	-	0 = reset, 1 = store location, 2 = recall location
			int8	[1] = preset slot	0	5	-

## Example Protocol Packets

Operation	Packet Length	Byte															
		0	1	2	3	4	5	6	7	8	9	10	11	12	13	14	15
		header			command				data								
		destination	length	command	reserved	category	parameter	type	operation								
trigger instantaneous auto focus on camera 4	8	4	4	0	0	0	1	0	0								
turn on OIS on all cameras	12	255	5	0	0	0	6	0	0	1	0	0	0				
set exposure to 10 ms on camera 4 (10 ms = 10000 us = 0x00002710)	12	4	8	0	0	1	5	3	0	0x10	0x27	0x00	0x00				
add 15% to zebra level (15 % = 0.15 f = 0x0133 fp)	12	4	6	0	0	4	2	128	1	0x33	0x01	0	0				
select 1080p 23.98 mode on all cameras	16	255	9	0	0	1	0	1	0	24	1	3	0	0	0	0	0
subtract 0.3 from gamma adjust for green & blue (-0.3 ~ = 0xfd9a fp)	16	4	12	0	0	8	1	128	1	0	0	0x9a	0xfd	0x9a	0xfd	0	0
all operations combined	76	4	4	0	0	0	1	0	0	255	5	0	0	0	6	0	0
		1	0	0	0	4	8	0	0	1	5	3	0	0x10	0x27	0x00	0x00
		4	6	0	0	4	2	128	1	0x33	0x01	0	0	255	9	0	0
		1	0	1	0	24	1	3	0	0	0	0	0	4	12	0	0
		8	1	128	1	0	0	0x9a	0xfd	0x9a	0xfd	0	0				

## Blackmagic Tally Control Protocol

### Version 1.0 (30/04/14)

This section is for third party developers or anybody who may wish to add support for the Blackmagic Tally Control Protocol to their products or system. It describes the protocol for sending tally information embedded in the non-active picture region of a digital video stream.

### Data Flow

A master device such as a broadcast switcher embeds tally information into its program feed which is broadcast to a number of slave devices such as cameras or camera controllers. The output from the slave devices is typically fed back to the master device, but may also be sent to a video monitor.

The primary flow of tally information is from the master device to the slaves. Each slave device may use its device id to extract and display the relevant tally information.

Slave devices pass through the tally packet on their output and update the monitor tally status, so that monitor devices connected to that individual output may display tally status without knowledge of the device id they are monitoring.

## Assumptions

Any data alignment / padding is explicit in the protocol. Bit fields are packed from LSB first.

## Blanking Encoding

One tally control packet may be sent per video frame. Packets are encoded as a SMPTE 291M packet with DID/SDID x51/x52 in the active region of VANC line 15. A tally control packet may contain up to 256 bytes of tally information.

## Packet Format

Each tally status consists of 4 bits of information:

```
uint4
    bit 0:  program tally status (0=off, 1=on)
    bit 1:  preview tally status (0=off, 1=on)
    bit 2-3: reserved (0x0)
```

The first byte of the tally packet contains the monitor device tally status and a version number.

Subsequent bytes of the tally packet contain tally status for pairs of slave devices. The master device sends tally status for the number of devices configured/supported, up to a maximum of 510.

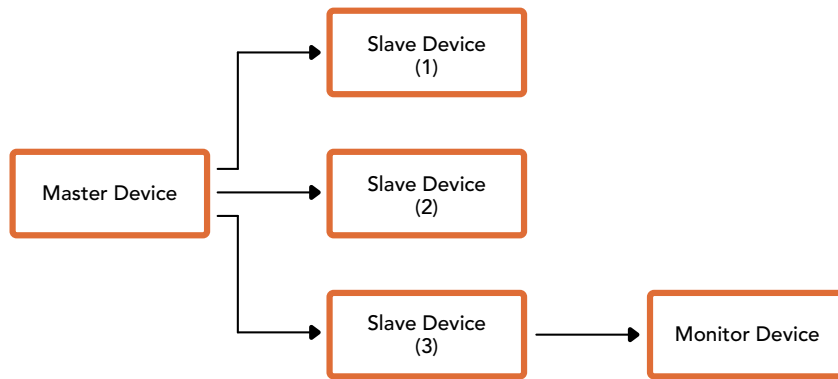
struct tally

```
uint8
    bit 0:  monitor device program tally status (0=off, 1=on)
    bit 1:  monitor device preview tally status (0=off, 1=on)
    bit 2-3: reserved (0b00)
    bit 4-7: protocol version (0b0000)

uint8[0]
    bit 0:  slave device 1 program tally status (0=off, 1=on)
    bit 1:  slave device 1 device preview tally status (0=off, 1=on)
    bit 2-3: reserved (0b00)
    bit 4:  slave device 2 program tally status (0=off, 1=on)
    bit 5:  slave device 2 preview tally status (0=off, 1=on)
    bit 6-7: reserved (0b00)

uint8[1]
    bit 0:  slave device 3 program tally status (0=off, 1=on)
    bit 1:  slave device 3 device preview tally status (0=off, 1=on)
    bit 2-3: reserved (0b00)
    bit 4:  slave device 4 program tally status (0=off, 1=on)
    bit 5:  slave device 4 preview tally status (0=off, 1=on)
    bit 6-7: reserved (0b00)

...
```



Byte	7 MSB	6	5	4	3	2	1	0 LSB
0	Version (0b0)	Version (0b0)	Version (0b0)	Version (0b0)	Reserved (0b0)	Reserved (0b0)	Monitor Preview	Monitor Program
1	Reserved (0b0)	Reserved (0b0)	Slave 1 Preview	Slave 1 Program	Reserved (0b0)	Reserved (0b0)	Slave 0 Preview	Slave 0 Program
2	Reserved (0b0)	Reserved (0b0)	Slave 3 Preview	Slave 3 Program	Reserved (0b0)	Reserved (0b0)	Slave 2 Preview	Slave 2 Program
3	...							

# Blackmagic URSA Mini B4 Mount

O encaixe PL da Blackmagic URSA Mini PL pode ser removido e substituído por um encaixe B4 opcional. Este encaixe é ligeiramente diferente do encaixe B4 da URSA Mini Pro. Por exemplo, os orifícios dos parafusos estão posicionados em lugares diferentes para abrir espaço para o botão de liberação EF na URSA Mini Pro. As espessuras dos anéis adaptadores necessários também são diferentes. Assim, caso você deseje utilizar lentes B4 com a sua URSA Mini PL, é importante selecionar o encaixe correto.

O encaixe B4 para URSA Mini PL pode ser adquirido através dos revendedores Blackmagic Design.

Com o encaixe B4, é possível filmar imagens HD de cobertura no estilo UPJ com a URSA Mini PL utilizando lentes zoom parfocais padrão. As lentes parfocais mantêm o foco constante ao longo de todo o alcance de zoom, permitindo o uso de técnicas de focalização rápidas e eficientes. Ao ampliar o zoom até o máximo com telefoto e ajustar o foco em um sujeito, você tem a garantia de que o foco permanecerá nítido, desde o zoom máximo até a abertura máxima. Vale ressaltar que o foco traseiro da lente B4, ou distância focal de flange, também precisa ser ajustado corretamente.

## Como fixar o encaixe de lente B4:

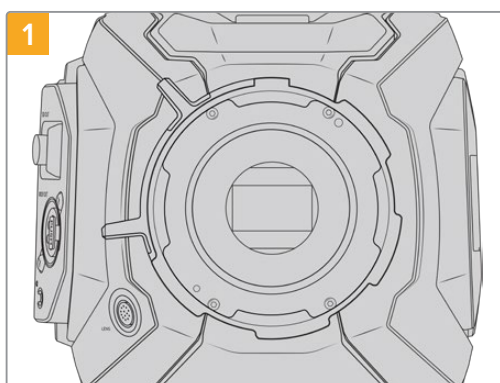
O encaixe B4 é fornecido com dois anéis adaptadores de 0.50 mm adicionais desenvolvidos para serem instalados com o anel de 0.50 mm já instalado na parte traseira do seu encaixe de lente URSA Mini PL. No total, são 3 anéis adaptadores de 0.50 mm que fornecem o espaço necessário para obter um foco traseiro otimizado, que pode ser refinado ainda mais ao ajustar o anel do foco traseiro, localizado mais próximo do encaixe de lentes zoom B4.

Ao usar lentes B4, é possível obter uma variedade maior de imagens com a URSA Mini do que seria possível com lentes fotográficas.

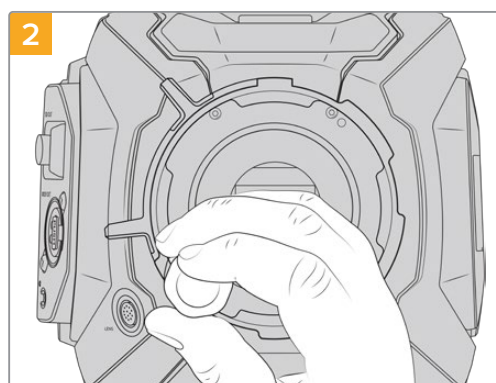
Para adaptar seu encaixe de lente URSA Mini B4, uma chave de torque capaz de definir precisamente uma torção máxima de 0.45 Nm será necessária, além de uma chave sextavada e uma chave de fenda de 2.0 mm.



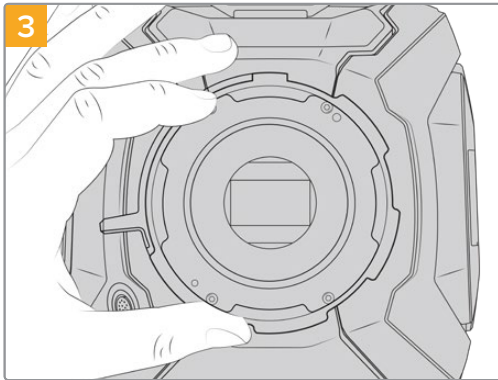
Para encaixar o Blackmagic URSA Mini B4 Mount, uma chave de torque capaz de definir precisamente uma torção máxima de 0.45 Nm será necessária, além de uma chave sextavada de 2.0 mm.



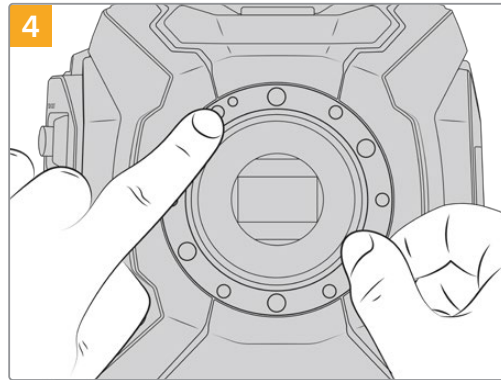
1  
Posicione a URSA Mini PL em uma bancada sólida e limpa e retire sua lente ou a capa de proteção antipoeira. O filtro cobrindo o sensor estará exposto durante todo o processo de adaptação, portanto é importante mantê-lo o mais limpo possível. Tome cuidado para não tocar o filtro ao adaptar o encaixe B4.



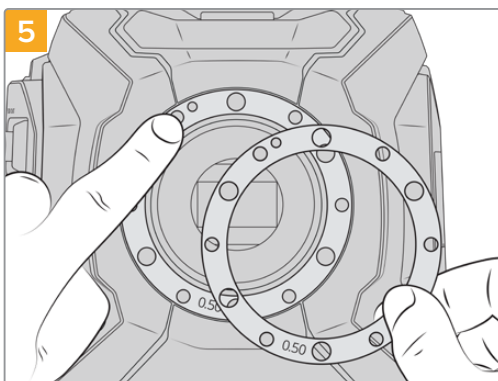
2  
Retire os seis parafusos segurando o encaixe PL no lugar usando uma chave sextavada de 2.0 mm. Ocasionalmente, pode ser necessário girar o anel de travamento PL no sentido horário ou anti-horário para acessar os parafusos.



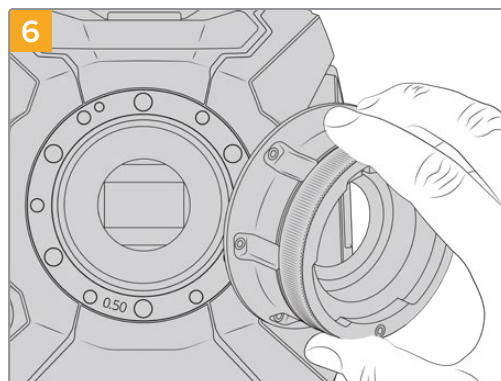
Retire o encaixe de lente do corpo da câmera cuidadosamente. Mantenha os parafusos seguramente juntos do encaixe de lente.



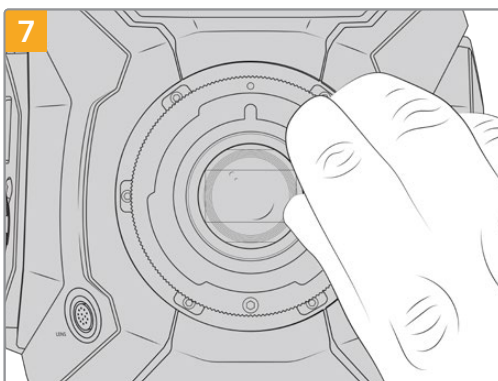
Observe o alinhamento do anel adaptador existente com o alinhamento do pino na posição de 11 horas.



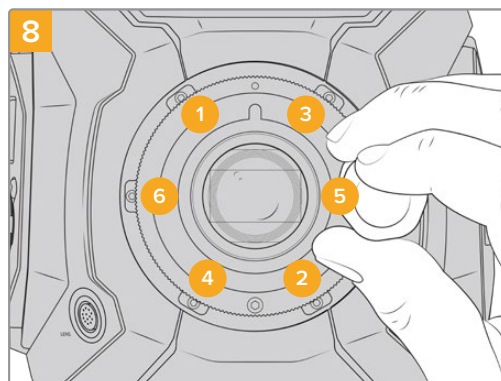
Posicione os dois anéis de 0.50 mm fornecidos com o seu encaixe de lente Blackmagic URSA Mini B4 sobre o anel de 0.50 mm original. Isto cria o espaço necessário para otimizar a distância focal de flange.



Coloque o encaixe Blackmagic URSA Mini B4 Mount cuidadosamente no corpo da câmera, certificando-se de que o ponto vermelho esteja na posição de 11 horas.



Utilizando uma chave sextavada de 2 mm ou uma chave de torque a 0.45 Nm, gire os seis parafusos de montagem cuidadosamente até que o contato inicial seja feito com o apoio do encaixe de lente. Para acessar todos os parafusos, será necessário girar o anel de travamento PL, pois alguns orifícios ficam escondidos quando o anel está aberto ou fechado.



Certifique-se de que o encaixe de lente esteja nivelado e alinhado corretamente e, em seguida, aperte os parafusos na sequência acima utilizando uma pressão uniforme, sem apertar demais os parafusos.

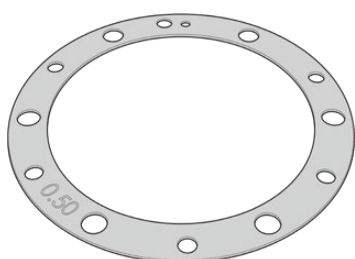


# Adaptadores para Montagem de Lentes

## O que é um anel adaptador?

Os anéis adaptadores são discos finos de espessuras variáveis que possibilitam fazer ajustes finos na distância entre a sua lente e o sensor da URSA Mini. Esta distância é comumente conhecida como a distância focal de flange, ou foco traseiro, e pode ser ligeiramente alterada devido a fatores como a idade da lente e as condições ambientais da sua filmagem. Os seguintes modelos URSA Mini foram desenvolvidos para permitir o ajuste do foco traseiro facilmente utilizando anéis adaptadores.

- URSA Mini PL 4K
- URSA Mini PL 4.6K
- URSA Mini Pro 4.6K
- URSA Mini Pro 4.6K G2



URSA Mini Shim



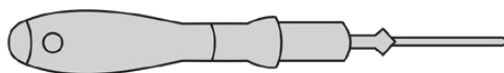
URSA Mini Pro Shim

Os anéis adaptadores são posicionados entre o encaixe da lente e o corpo da câmera para que a distância entre o seu assunto e o sensor corresponda às marcações de foco na sua lente. Eles são mais comumente utilizados com lentes PL. Estas lentes de cinema geralmente são focalizadas manualmente e possuem marcações de distância focal bastante precisas em seus barris. Os anéis adaptadores também são usados com o encaixe de lentes intercambiável da URSA Mini Pro.

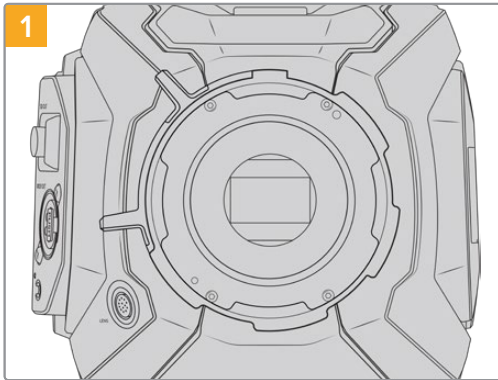
Sua Blackmagic URSA Mini é fornecida com um anel adaptador de 0.50 mm já instalado. O Blackmagic URSA Mini Pro Shim Kit contém conjuntos de anéis adaptadores adicionais de várias espessuras e pode ser adquirido através do seu revendedor Blackmagic Design local. Um conjunto de anéis também está incluído em todos os kits de encaixe para a URSA Mini Pro. Utilize as espessuras dos anéis adaptadores conforme seus requisitos para o foco traseiro.

## Adaptar URSA Mini PL

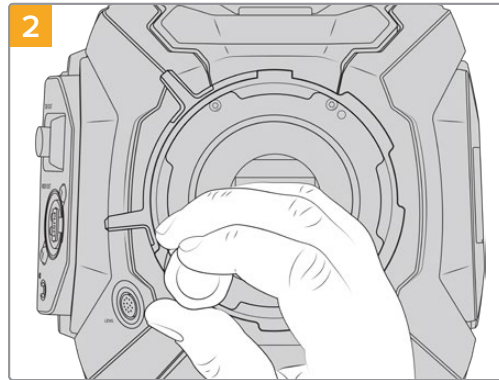
Para adaptar o encaixe PL da sua câmera, uma chave de torque capaz de definir precisamente uma torção máxima de 0.45 Nm será necessária, com uma chave sextavada e uma chave de fenda de 2.0 mm.



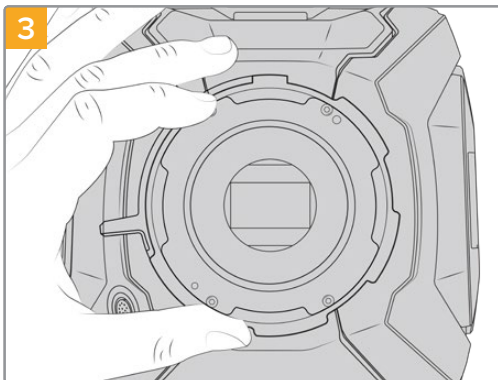
Chave de torque.



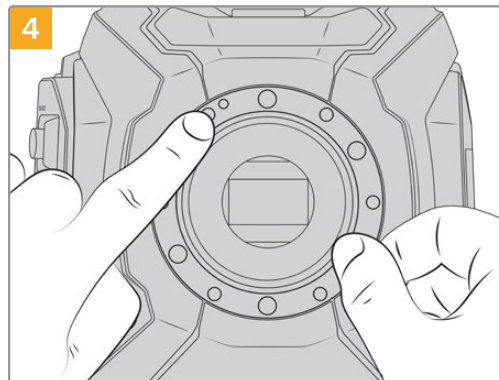
1  
Posicione a URSA Mini PL verticalmente em uma bancada sólida e limpa e retire sua lente ou a capa de proteção antipoeira. O filtro cobrindo o sensor estará exposto durante todo o processo de adaptação, portanto é importante mantê-lo o mais limpo possível. Tome cuidado para não tocar o filtro ao adaptar o encaixe PL.



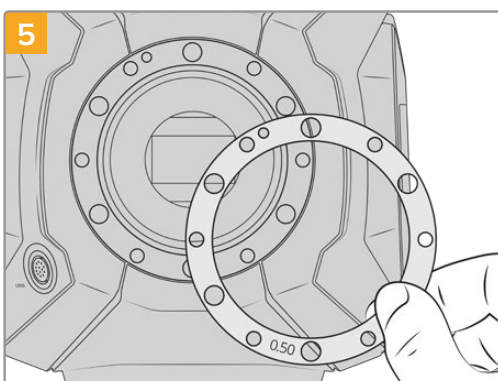
2  
Retire os seis parafusos segurando o encaixe PL no lugar usando uma chave sextavada de 2.0 mm. Ocasionalmente, pode ser necessário girar o anel de travamento PL no sentido horário ou anti-horário para acessar os parafusos.



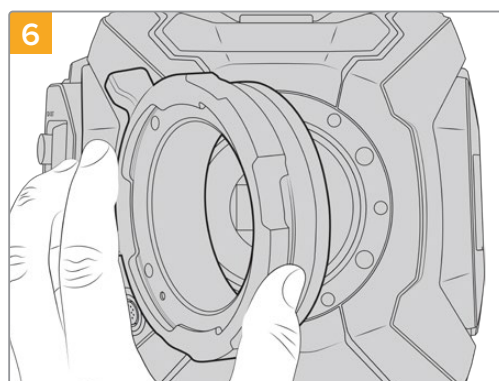
3  
Retire o encaixe de lente do corpo da câmera cuidadosamente. Mantenha os parafusos seguramente juntos do encaixe de lente.



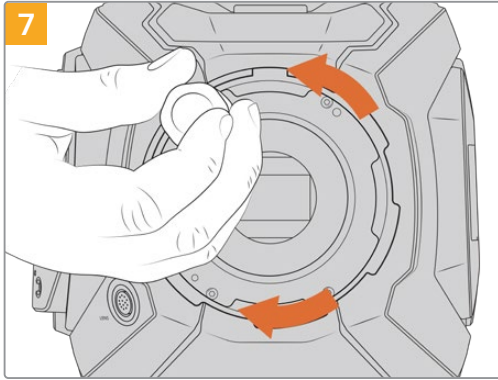
4  
Observe o alinhamento do anel adaptador de 0.50 mm existente com o alinhamento do pino na posição de 11 horas.



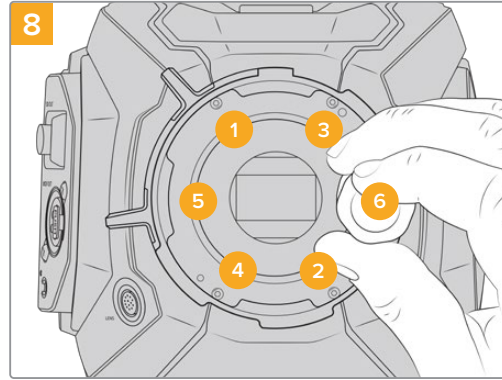
5  
Adicione ou retire os anéis em incrementos de 0.10 mm e teste com as suas lentes quando a câmera for montada novamente para se certificar de que eles estejam posicionados corretamente. Para "remover" níveis de precisão, talvez seja necessário substituir o anel de 0.50 mm por um anel de 0.40 mm, por exemplo.



6  
Cuidadosamente, coloque o encaixe de lente PL da Blackmagic URSA Mini Pro no corpo da câmera.



Utilizando uma chave sextavada de 2 mm ou uma chave de torque a 0.45 Nm, gire os parafusos de montagem cuidadosamente até que o contato inicial seja feito com o apoio do encaixe de lente.

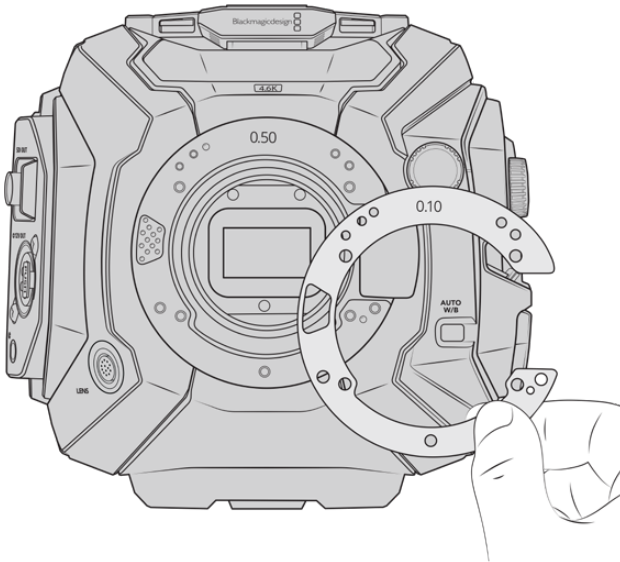


Certifique-se de que o encaixe de lente esteja nivelado e alinhado corretamente e, em seguida, aperte os parafusos na sequência acima utilizando uma pressão uniforme, sem apertar demais os parafusos.

## Adaptar URSA Mini Pro

A adaptação da URSA Mini Pro é quase idêntica à adaptação da URSA Mini PL. A única diferença é o formato dos anéis em si. Para adaptar a sua URSA Mini Pro, basta retirar o encaixe de lente instalado e adicionar ou remover os anéis seguindo o mesmos passos da URSA Mini PL e, depois, substitua o encaixe.

Para mais informações sobre como alternar os tipos de encaixe para a URSA Mini Pro, consulte a seção 'Encaixe de Lentes Intercambiável'.

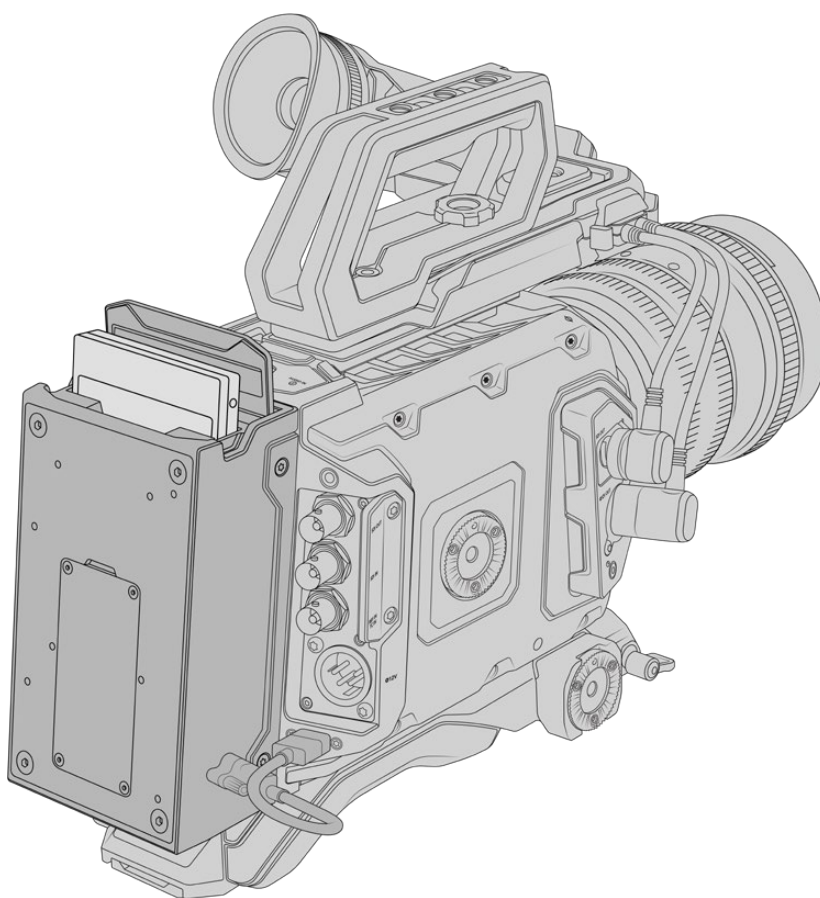


Os anéis adaptadores da URSA Mini Pro possuem formato em "C" para acomodar mecanismo de liberação de lentes no encaixe EF. Isto torna os anéis mais fáceis de alinhar, pois eles só podem ser encaixados de uma maneira. No mais, a instalação é idêntica à URSA Mini PL.

# URSA Mini Recorder

O URSA Mini Recorder é um módulo opcional que se encaixa na parte traseira da URSA Mini Pro 12K. Com este gravador, você pode gravar vídeos, incluindo arquivos Blackmagic RAW 12K, em drives de estado sólido de alta capacidade, ou “SSDs”.

**OBSERVAÇÃO** O URSA Mini Recorder foi desenvolvido para utilização com a URSA Mini Pro 12K e é compatível com a URSA Mini Pro 4.6K G2. Ele não é compatível com a URSA Mini Pro 4.6K, URSA Mini 4.6K e URSA Mini 4K.



**Ao encaixar o URSA Mini Recorder, você precisará das seguintes ferramentas:**

- 1 x chave Phillips
- 1 x chave Torx T10
- 1 x chave sextavada de 2 mm

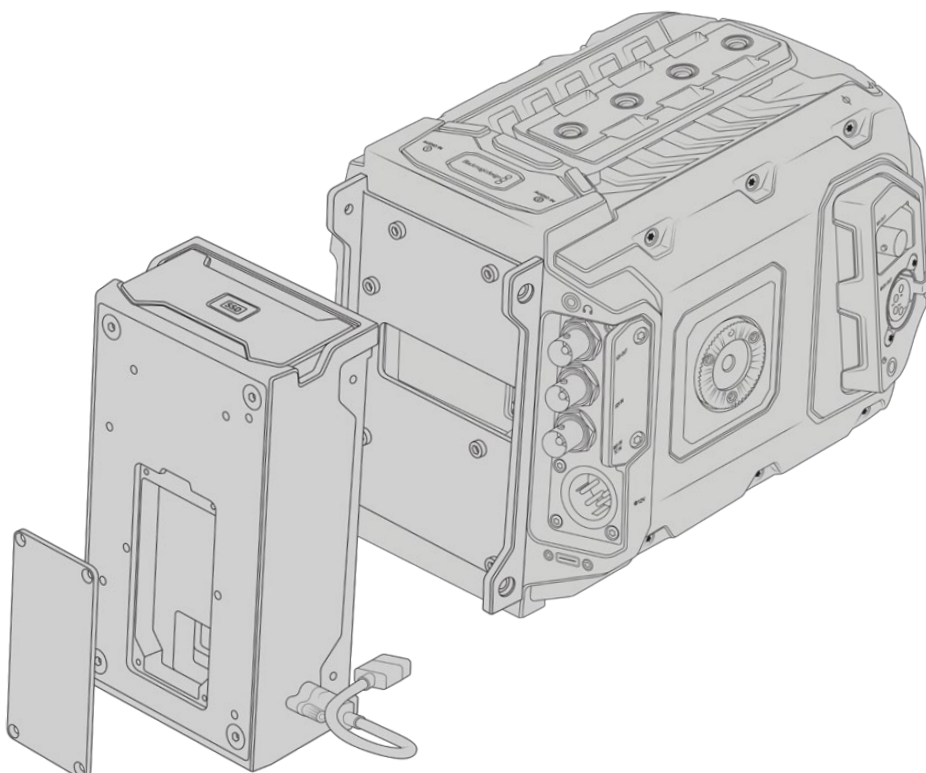


Para encaixar o URSA Mini SSD Recorder na sua URSA Mini, você precisará de uma chave Phillips grande, uma chave Torx T10 e uma chave sextavada de 2 mm.

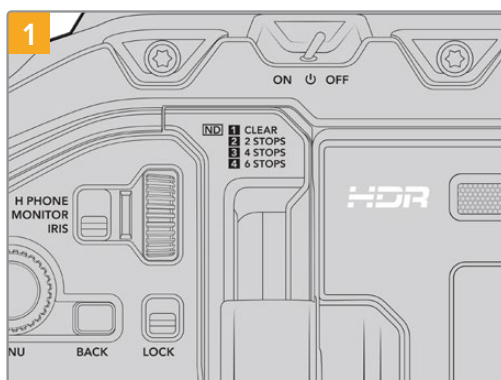
## Fixar e Conectar o URSA Mini Recorder

O URSA Mini Recorder se encaixa na traseira da sua URSA Mini, diretamente atrás do corpo da câmera, usando a porta USB-C traseira da sua câmera para passar dados para e a partir do URSA Mini Recorder.

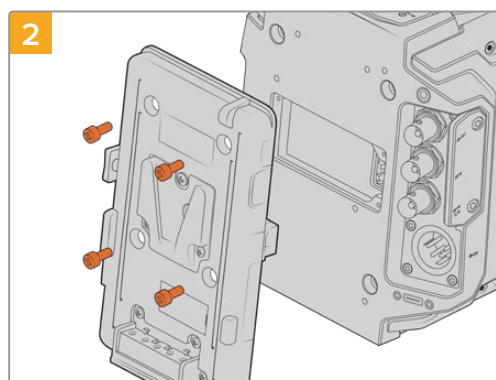
**DICA** O URSA Mini Recorder possui um cabo de passagem para a fonte de alimentação da bateria da câmera, então você pode encaixar baterias de montagem V ou montagem Gold na parte traseira da câmera, atrás do gravador.



Como fixar e conectar o URSA Mini Recorder:

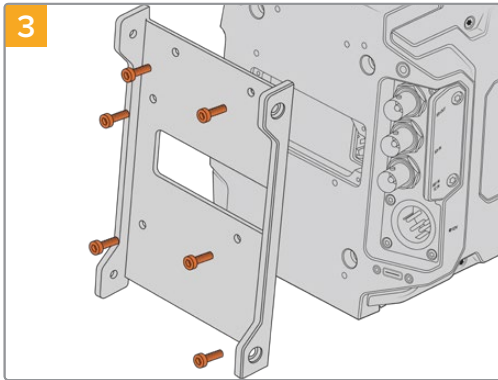


Desligue a URSA Mini Pro movendo a chave para "Off".

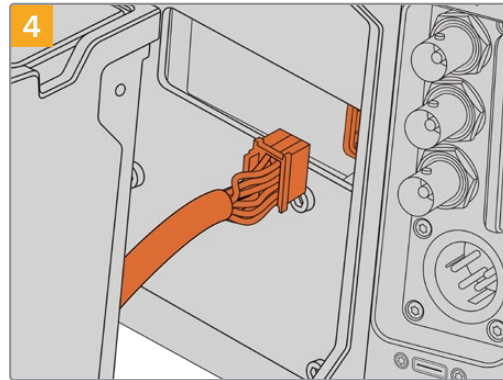


Desencaixe quaisquer placas de bateria que estejam acopladas à sua câmera. Para mais informações sobre como montar e desmontar placas de bateria, consulte a seção 'Encaixar Baterias' neste manual.

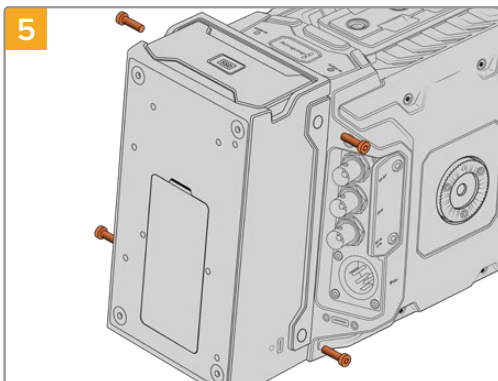




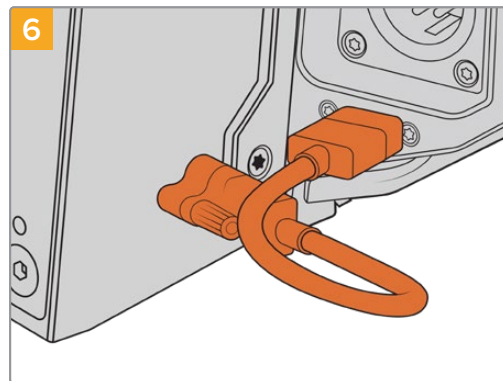
3  
Anexe o suporte de montagem do URSA Mini Recorder usando seis parafusos torx T10.



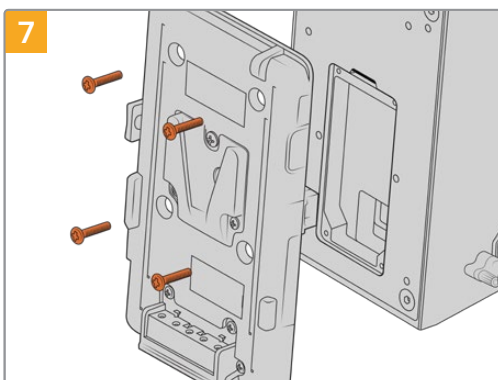
4  
Plugue o conector molex no URSA Mini Recorder ao soquete molex no painel traseiro da sua câmera.



5  
Anexe o URSA Mini Recorder ao suporte de montagem usando dois parafusos torx T10 na lateral esquerda e na lateral direita do suporte.



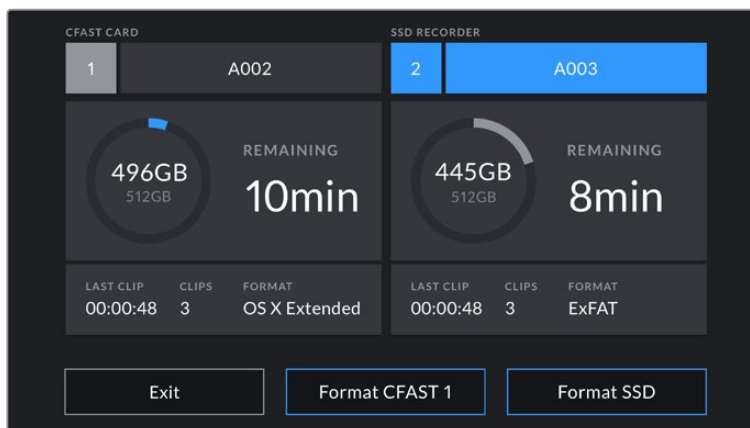
6  
Conecte o cabo USB-C do Mini Recorder à porta SDI na traseira da URSA Mini Pro 12K. Aperte as travas dos conectores com os dedos ou utilizando uma chave sextavada de 2 mm. Para utilização com a URSA Mini Pro 4.6K G2, use um cabo USB-C mais comprido e conecte-o à porta USB-C acima dos compartimentos CFast.



7  
Caso deseje utilizar uma placa de bateria com o URSA Mini Recorder, use uma chave sextavada de 2 mm para remover os quatro parafusos M3 prendendo a tampa protetora no soquete molex no painel. Depois de destampar o soquete molex, anexe uma placa de bateria seguindo os passos na seção 'Encaixar Baterias' neste manual.

## Usar URSA Mini Recorder

Quando o URSA Mini Recorder for conectado e um SSD carregado, o gravador substituirá o compartimento de armazenamento de número “2” da URSA Mini. Você verá um indicador “SSD” no compartimento “2” no gerenciador de armazenamento da sua câmera ao usar o URSA Mini Recorder.



Quando um SSD for inserido no URSA Mini Recorder, o gerenciador de armazenamento da sua câmera exibirá os indicadores “SSD” e “Recorder” no compartimento de armazenamento 2.

Isto significa que a gravação, reprodução e gerenciamento de armazenamento funcionam exatamente da mesma maneira para SSDs, cartões CFast ou SD. Para informações gerais sobre o gerenciamento de armazenamento, assim como instruções específicas para a escolha de SSDs, consulte a seção ‘Mídias de Armazenamento’ neste manual.

### LEDs de Status

O URSA Mini Recorder possui uma luz de status no seu painel esquerdo para “SSD”. O brilho desse indicador pode ser configurado como “Low” (baixo), “Medium” (médio), “High” (alto) ou “Off” (desabilitado) no menu de configuração da sua câmera.

### SSD

O indicador “SSD” exibe o status do SSD atualmente inserido. Este LED oferece os seguintes indicadores de status:

<b>Luz Verde</b>	O seu URSA Mini Recorder exibirá uma luz verde rápida quando você inserir um SSD nele. Ela é exibida durante a verificação do SSD. Quando o indicador se apaga, significa que seu SSD Recorder está pronto para gravar. A luz de status também acenderá em verde enquanto a filmagem estiver sendo reproduzida a partir do SSD.
<b>Luz Vermelha</b>	O seu URSA Mini Recorder exibirá uma luz vermelha enquanto estiver gravando em um SSD. Quando o espaço no seu SSD estiver acabando, a luz vermelha começará a piscar lentamente. Uma luz vermelha piscando rapidamente indica que o SSD está descartando quadros. Caso isto aconteça, verifique se você está usando um disco da nossa lista de SSDs recomendados e se está gravando a uma taxa de dado compatível com sua mídia.
<b>Luz Laranja</b>	Se tiver ocorrido algum problema ao inserir o SSD, a luz de status acenderá em laranja. Isto pode acontecer devido à formatação inadequada ou falta de compatibilidade do SSD. Consulte a seção ‘Mídia de Armazenamento’ neste manual para uma lista de SSDs compatíveis e instruções de formatação.

**DICA** Caso o LED “SSD” indique erro de montagem, talvez seja necessário inicializar o drive em um Mac ou PC utilizando um utilitário ou gerenciador de disco.

## Atualizar o Software Interno do URSA Mini Recorder

Atualize seu URSA Mini Recorder usando o software Blackmagic Camera Setup Utility. É necessário que o Mini Recorder seja alimentado durante a atualização, então recomendamos mantê-lo conectado à URSA Mini Pro 12K durante o processo. Isto também significa que sua câmera precisará fornecer alimentação consistente, então certifique-se de que ela esteja conectada à alimentação externa ou kit de bateria.

Conecte seu computador ao Mini Recorder e inicie o Blackmagic Camera Setup Utility. Será solicitado que você faça a atualização se o seu computador detectar que o URSA Mini Recorder está usando uma versão antiga. Siga as instruções na tela para atualizar o software interno do seu URSA Mini Recorder.

**OBSERVAÇÃO** Consulte a seção 'Blackmagic Camera Setup Utility' neste manual para mais informações.

**DICA** Recomendamos atualizar todos os seus equipamentos Blackmagic URSA ao mesmo tempo para uma performance otimizada.



# Ajuda

A maneira mais rápida de obter ajuda é visitando as páginas de suporte online da Blackmagic Design e consultando os materiais de suporte mais recentes disponíveis para sua câmera.

## Central de Suporte Técnico Online Blackmagic Design

O manual, o software e as notas de suporte mais recentes podem ser encontrados na Central de Suporte Técnico da Blackmagic Design em [www.blackmagicdesign.com/br/support](http://www.blackmagicdesign.com/br/support).

## Contactar o Suporte Blackmagic Design

Caso não encontre a ajuda que precisa no nosso material de suporte, por favor use o botão “Envie-nos um email” na página de suporte para nos encaminhar uma solicitação de suporte. Ou, clique no botão “Encontre sua equipe de suporte local” na página de suporte e ligue para a assistência técnica da Blackmagic Design mais próxima.

## Verificar a Versão de Software Atualmente Instalada

Para verificar qual versão do software Blackmagic Camera Utility instalada no seu computador, abra a janela “Sobre Blackmagic Camera Utility”.

- No Mac, abra o Blackmagic Camera Utility na pasta de aplicativos. Selecione “Sobre Blackmagic Camera Utility” no menu de aplicativos para revelar o número da versão.
- No Windows, abra o Blackmagic Camera Utility a partir do menu “Iniciar” ou da tela inicial. Clique no menu “Ajuda” e selecione “Sobre Blackmagic Camera Utility” para revelar o número da versão.

## Como Obter as Atualizações de Software Mais Recentes

Depois que verificar a versão do software Blackmagic Camera Utility instalada no seu computador, por favor, visite a Central de Suporte Técnico da Blackmagic Design em [www.blackmagicdesign.com/br/support](http://www.blackmagicdesign.com/br/support) para conferir as últimas atualizações. Embora seja uma boa ideia instalar as últimas atualizações, é recomendável evitar atualizar qualquer software caso esteja no meio de um projeto importante.

# Informações Regulatórias



## Eliminação de resíduos de equipamentos elétricos e eletrônicos dentro da União Europeia.

O símbolo no produto indica que este equipamento não pode ser eliminado com outros materiais residuais. Para eliminar seus resíduos de equipamento, ele deve ser entregue a um ponto de coleta designado para reciclagem. A coleta separada e a reciclagem dos seus resíduos de equipamento no momento da eliminação ajudarão a preservar os recursos naturais e a garantir que sejam reciclados de uma maneira que proteja a saúde humana e o meio ambiente. Para mais informações sobre onde você pode entregar os resíduos do seu equipamento para reciclagem, por favor contate a agência de reciclagem local da sua cidade ou o revendedor do produto adquirido.



Este equipamento foi testado e respeita os limites para um dispositivo digital Classe A, conforme a Parte 15 das normas da FCC. Esses limites foram criados para fornecer proteção razoável contra interferências nocivas quando o equipamento é operado em um ambiente comercial. Este equipamento gera, usa e pode irradiar energia de radiofrequência e, se não for instalado ou usado de acordo com as instruções, poderá causar interferências nocivas nas comunicações via rádio.

A operação deste produto em uma área residencial pode causar interferência nociva, nesse caso o usuário será solicitado a corrigir a interferência às suas próprias custas.

A operação deste equipamento está sujeita às duas condições a seguir:

- 1 Este equipamento ou dispositivo não poderá causar interferência nociva.
- 2 Este equipamento ou dispositivo deve aceitar qualquer interferência recebida, incluindo interferência que possa causar uma operação indesejada.



MSIP-REM-BMD-201511002  
MSIP-REM-BMD-201608001  
MSIP-REM-BMD-201703001  
R-R-BMD-201907006  
R-R-BMD-20200421001  
R-R-BMD-20200421002



## Norma Canadense ISED

Este dispositivo cumpre com as exigências canadenses para aparelhos digitais de classe A.

Quaisquer modificações ou utilização deste produto fora dos limites previstos poderão anular a conformidade com estas normas.

Este equipamento foi testado para conformidade com a sua finalidade original em um ambiente comercial.

## Bluetooth®

O produto URSA Mini Pro usa tecnologia Bluetooth sem fio.

Contém Módulo Transmissor FCC ID: QOQBGM113

Este equipamento cumpre os limites de exposição à radiação da FCC estabelecidos para um ambiente não controlado.

Contém Módulo Transmissor IC: 5123A-BGM113

Este dispositivo está em conformidade com os padrões RSS de isenção de licença da Industry Canada e isento de verificação de limites especificados na norma RSS-102 Edição 5.

Certificado para o Japão sob o número: 209-J00204. Este dispositivo contém equipamento de rádio especificado em conformidade com a Certificação de Conformidade de Regulamento Técnico sob a Lei Rádio.

Este módulo possui certificação na Coreia do Sul, sob número de certificação KC: MSIP-CRM-BGT-BGM113

A Blackmagic Design declara que a URSA Mini Pro utiliza sistemas de transmissão de banda larga na faixa ISM de 2.4 GHz e encontra-se em conformidade com a Diretriz 2014/53/EU.

O texto completo da declaração de conformidade da União Europeia está disponível através do endereço [compliance@blackmagicdesign.com](mailto:compliance@blackmagicdesign.com).

## Informações de Segurança

A fonte de alimentação AC para DC 12 V fornecida para a Blackmagic URSA Mini, URSA Mini Pro e o cabo de alimentação IEC para o Blackmagic Studio Fiber Converter devem ser conectados a uma tomada com conexão aterrada com proteção.

A Blackmagic URSA Mini, URSA Mini Pro e o Camera Fiber Converter são adequados para uso em locais tropicais com uma temperatura ambiente de até 40 graus. O Blackmagic Studio Fiber Converter é adequado para uso em locais tropicais com uma temperatura ambiente de até 50 graus.

Certifique-se de ventilação adequada seja fornecida em torno do Blackmagic Studio Fiber Converter e do Camera Fiber Converter para que a ventilação não seja limitada. Ao montar o Studio Fiber Converter em rack, certifique-se de que a ventilação não esteja limitada por equipamentos adjacentes.

As peças no interior da Blackmagic URSA Mini, URSA Mini Pro, do Camera Fiber Converter ou do Studio Fiber Converter não podem ser reparadas pelo operador. Solicite o serviço de manutenção à assistência técnica local da Blackmagic Design.

### Declaração do Estado da Califórnia

Este produto pode expô-lo a produtos químicos, tais como vestígios de bifenilos polibromados dentro de peças de plástico, que é conhecido no estado da Califórnia por causar câncer e defeitos congênitos ou outros danos reprodutivos.

Para mais informações, visite [www.P65Warnings.ca.gov](http://www.P65Warnings.ca.gov).

### Blackmagic URSA Mini e URSA Mini Pro

Sob condições de muita luz solar, considere proteger a câmera sob sombras para prevenir a exposição da câmera ou da bateria de lítio sob luz direta por longos períodos de tempo. Mantenha as baterias de lítio afastadas de todas as fontes de calor.

O conector DC de 12 V é adequado para fornecer alimentação ao Blackmagic URSA Viewfinder ou Blackmagic URSA Studio Viewfinder. Ao plugar outros acessórios a este conector, certifique-se de que o consumo de energia seja menor que 18 W.



### Blackmagic Studio Fiber Converter

Para reduzir o risco de choque elétrico, não exponha este equipamento a gotejamento ou respingo. Use-o apenas em altitudes inferiores a 2000 m acima do nível do mar.

### Blackmagic Camera Fiber Converter

Use o conversor apenas quando conectado ao Blackmagic Studio Fiber Converter. Sob condições normais de uso, o conversor foi desenvolvido para receber tensões perigosas do Blackmagic Studio Fiber Converter.

# Garantia

## Garantia Limitada

A Blackmagic Design garante que este produto estará livre de defeitos de materiais e fabricação por um período de 12 meses a partir da data de compra. Se o produto se revelar defeituoso durante este período de garantia, a Blackmagic Design, a seu critério, consertará o produto defeituoso sem cobrança pelos componentes e mão-de-obra, ou fornecerá a substituição em troca pelo produto defeituoso.

Para obter o serviço sob esta garantia você, o Consumidor, deve notificar a Blackmagic Design do defeito antes da expiração do período de garantia e tomar as providências necessárias para o desempenho do serviço. O Consumidor é responsável pelo empacotamento e envio do produto defeituoso para um centro de assistência designado pela Blackmagic Design com os custos de envio pré-pagos. O Consumidor é responsável pelo pagamento de todos os custos de envio, seguro, taxas, impostos e quaisquer outros custos para os produtos que nos forem devolvidos por qualquer razão.

Esta garantia não se aplica a defeitos, falhas ou danos causados por uso inadequado ou manutenção e cuidado inadequado ou impróprio. A Blackmagic Design não é obrigada a fornecer serviços sob esta garantia: a) para consertar danos causados por tentativas de instalar, consertar ou fornecer assistência técnica ao produto por pessoas que não sejam representantes da Blackmagic Design, b) para consertar danos causados por uso ou conexão imprópria a equipamentos não compatíveis, c) para consertar danos ou falhas causadas pelo uso de componentes ou materiais que não são da Blackmagic Design, d) para fornecer assistência técnica de um produto que foi modificado ou integrado a outros produtos quando o efeito de tal modificação ou integração aumenta o tempo ou a dificuldade da assistência técnica do serviço.

Expor o URSA Viewfinder à luz solar direta pode danificar o display do visor, pois o sistema óptico do produto atua como uma lente de aumento. A retenção de imagem ou “burn-in” pode ocorrer em painéis OLED quando imagens estáticas ou de alto contraste, como as guias de enquadramento, são exibidas nos painéis por longos períodos de tempo. Para evitar isto, certifique-se de que o sensor IR para a detecção de rostos não esteja coberto intencionalmente e desconecte o visor quando não estiver em uso por longos períodos de tempo. A retenção de imagem não está coberta por esta garantia de produto.

ESTA GARANTIA É FORNECIDA PELA BLACKMAGIC DESIGN NO LUGAR DE QUAISQUER OUTRAS GARANTIAS, EXPLÍCITAS OU IMPLÍCITAS. A BLACKMAGIC DESIGN E SEUS FORNECEDORES NEGAM QUAISQUER GARANTIAS IMPLÍCITAS DE COMERCIALIZAÇÃO OU ADEQUAÇÃO A UMA FINALIDADE ESPECÍFICA. A RESPONSABILIDADE DA BLACKMAGIC DESIGN DE CONSERTAR OU SUBSTITUIR PRODUTOS DEFEITUOSOS DURANTE O PERÍODO DE GARANTIA É A ÚNICA E EXCLUSIVA MEDIDA FORNECIDA AO CONSUMIDOR. A BLACKMAGIC DESIGN NÃO É RESPONSÁVEL POR QUAISQUER DANOS INDIRETOS, ESPECIAIS, INCIDENTAIS OU CONSEQUENCIAIS INDEPENDENTEMENTE DA BLACKMAGIC DESIGN OU REVENDEDORES POSSUIREM AVISO PRÉVIO SOBRE A POSSIBILIDADE DESTES DANOS. A BLACKMAGIC DESIGN NÃO É RESPONSÁVEL POR QUAISQUER USOS ILEGAIS DO EQUIPAMENTO PELO CONSUMIDOR. A BLACKMAGIC NÃO É RESPONSÁVEL POR QUAISQUER DANOS CAUSADOS PELO USO DESTES PRODUTOS. O USUÁRIO DEVE OPERAR ESTE PRODUTO POR CONTA E RISCO PRÓPRIOS.

© Direitos autorais 2020 Blackmagic Design. Todos os direitos reservados. “Blackmagic Design”, “URSA”, “DeckLink”, “HDLINK”, “Workgroup Videohub”, “Multibridge Pro”, “Multibridge Extreme”, “Intensity” e “Leading the creative video revolution” são marcas comerciais registradas nos Estados Unidos e em outros países. Todos os outros nomes de empresas e produtos podem ser marcas comerciais de suas respectivas empresas com as quais elas são associadas.

A marca denominativa e o logotipo Bluetooth® são marcas registradas e de propriedade da Bluetooth SIG, Inc. e qualquer uso das marcas pela Blackmagic Design é feito sob licença. Outros nomes e marcas comerciais são de propriedade dos seus respectivos donos.





Blackmagicdesign

Kurulum ve Kullanım Kılavuzu

# Blackmagic URSA Mini ve URSA Mini Pro

Blackmagic URSA Viewfinder, URSA Studio Viewfinder, URSA Mini Shoulder Kit, URSA Mini Lens Yuvaları, Blackmagic Camera Fiber Converter, Studio Fiber Converter ve URSA Mini Recorder ürünlerini kapsar.

Eylül 2020

Türkçe



## Hoş Geldiniz

Blackmagic URSA Mini satın aldığınız için teşekkür ederiz!

Birkaç sene önce ilk dijital film kameramızı piyasaya sürdüğümüzden beri, yeni bir ürün için şimdiye kadar aldığımız en iyi yönlendirici bilgi ve geri bildirim, ulaşma şansına sahip olduk. Bizler, dünyanın önde gelen sinematograf ve görüntü yönetmenlerinin çalışmalarını, hayranlıkla izleyerek büyüdük ve kameralarımıza eklememiz gereken özellikler konusunda, bu efsanevi ustalarla saatlerce yaptığımız sohbetler, bizim için büyük bir onur olmuştur. Elbette, konuştuğumuz herkesin de çok iyi fikirleri var.

URSA Mini ile, inanılmaz geniş dinamik aralıklı sensörlerimizi, müthiş küçük, hafif ve güçlü bir metal kasada sunduk.

URSA Mini'nin şık kullanıcı arayüzü, kameranın tüm fonksiyonlarına hızlı ve kolay erişime ihtiyacı olan yalnız çalışan operatörler için tasarlanmış olmakla birlikte, geniş kapsamlı ATEM switcher entegrasyonu da bu Super 35mm dijital film kamerasının inanılmaz görüntü kalitesini, canlı prodüksiyon stüdyolarının hizmetine sunmaktadır. Hatta, Blackmagic Fiber çeviricileri kullanabilir ve URSA Mini kameranızı, tek bir SMPTE fiber kablo kullanarak canlı yapım switcher'inize bağlayabilirsiniz.

En iyisi de URSA Mini'nin 4K sensör, daha büyük dinamik aralıklı 4.6K sensör veya devrimsel 12K sensör seçeneklerinin olmasıdır. Ayrıca, ekstra hassasiyete ihtiyaç duyduğunuzda ve omuzda çekim için mükemmel olan Blackmagic URSA Viewfinder'i geliştirirken, yalnız çalışan operatörleri de dinledik.

URSA Mini Pro daha da iyi görüntü kalitesini; ergonomik kontroller, değiştirilebilir lens yuvaları ve dahili ND filtreleri gibi ek özelliklerle beraber sunuyor. ENG (habercilik) tarzı kameraları iyi biliyorsanız bu ergonomik kontrolleri ve dahili ND filtreleri son derece güçlü bulacağınıza inanıyoruz. Ayrıca, Blackmagic URSA Mini Pro 12K'dan gelen muhteşem görüntüleri yönetirken bile RAW işlemenin esnekliğini tek bir dosyada sunan ve küçültülmüş dosya ebatlarıyla devasa performans artışları sağlayan, Blackmagic RAW kodeğimizi sizlere tanıtmaktan da gurur duyuyoruz!

Umarız URSA Mini ya da URSA Mini Pro kameranızı, dünyanın en heyecan verici film ve televizyon programlarını, müzik videolarını ve reklamlarını oluşturmada kullanırsınız! Oluşturduğunuz yaratıcı çalışmalarınızı görmek için, müthiş heyecanlıyız ve URSA'da görmek istediğiniz yeni özellikleri sizlerden duymak için sabırsızlanıyoruz!

**Grant Petty**

CEO Blackmagic Design



# İçindekiler

<b>Hangi kamerayı kullanıyorsunuz?</b>	2916	Dosya Adlandırma Kuralları	3012
URSA Mini Pro	2917	Monitor (Ekran) Ayarları	3013
URSA Mini	2918	Ses Ayarları	3022
<b>Başlarken</b>	2918	Ses Ayarları – URSA Mini	3022
Bir Lens Takılması	2918	Ses Ayarları – URSA Mini Pro	3024
Kameranın Çalıştırılması	2922	Setup (Kurulum) Ayarları	3026
<b>Depolama Ortamı</b>	2925	Ön Ayarlar	3040
CFAST Kartlar	2925	LUTs (LUT'lar)	3042
SD Kartlar	2929	<b>Metaveri Girilmesi</b>	3046
USB-C flaş diskler	2934	<b>Servo Zoom Merceklerin Kullanılması</b>	3052
SSD'ler	2936	<b>Kamera Video Çıkışı</b>	3055
Kayıt için Ortamın Hazırlanması	2938	HD Görüntüleme Çıkışı	3055
Blackmagic URSA Mini'de Ortamın Hazırlanması	2938	12G-SDI Çıkışı	3055
Blackmagic URSA Mini Pro'da Ortamın Hazırlanması	2940	<b>URSA Mini Shoulder Mount Kit (URSA Mini Omuzluk Aparatı)</b>	3057
Ortamın Mac Bilgisayarda Hazırlanması	2941	<b>Blackmagic URSA Viewfinder</b>	3061
Windows Bilgisayarda Ortamın Hazırlanması	2942	Blackmagic URSA'ya Monte Etme ve Bağlanma	3061
<b>Kaydetme</b>	2943	Bakacın Ayarlanması	3062
Kliplerin Kaydedilmesi	2943	Buton Özellikleri	3062
Codec, Çözünürlük ve Sensör Alanının Seçimi	2943	Menü Ayarları	3063
Blackmagic RAW	2945	<b>Blackmagic URSA Studio Viewfinder</b>	3068
Blackmagic RAW Kayıt	2946	Blackmagic URSA Mini'ye Monte Etme ve Bağlama	3069
Kare Hızlarının Seçimi	2949	Blackmagic URSA Studio Viewfinder'in Ayarlanması	3071
Kayıt Tetikleme	2952	Buton Özellikleri	3074
Kayıt Süresi Çizelgeleri	2953	Menü Ayarları	3076
URSA Mini Pro 12K için Veri Hızı Çizelgeleri	2956	<b>Bataryaların Monte Edilmesi</b>	3081
<b>Playback (Oynatma)</b>	2959	V-mount veya Gold Mount Bataryaların Takılması	3081
<b>URSA Mini'ye Giriş</b>	2961	Kendinize ait Batarya Plakasının Kullanımı	3082
Kameranın Ön Yüzü	2961	<b>Blackmagic Fiber Çeviriciler</b>	3084
Sol Taraf - URSA Mini	2962	<b>Blackmagic Fiber Çeviriciler ile Başlangıç</b>	3085
Sol Taraf - URSA Mini Pro	2962	SMPTE Fiber Hakkında	3085
Sağ Tarafı	2964	SMPTE Fiber Bağlanması	3087
Arka Panel	2965	Bir ATEM Switcher'e Bağlanma	3090
Üst Panel	2967	Bağlantılar Neden Önde?	3091
Alt Taraf	2967	Kamera SDI'nin Takılması	3092
<b>URSA Mini Kontrolleri</b>	2968	Dönüş SDI Çıkışlarının Takılması	3092
Kontrol Butonları	2968	Blackmagic Camera Fiber Converter'in Monte Edilmesi	3092
<b>URSA Mini Pro Kontrol Butonları</b>	2971	URSA Studio Viewfinder'in Takılması	3095
Ön Kontrol Paneli	2971	Bir Talkback Headset (Mikrofonlu Yayın Kulaklığı) Takılması	3095
Ergonomik Kontrol Paneli	2975	<b>Camera Fiber Converter'in Kullanımı</b>	3096
İçteki Kontrol Panel	2980		
<b>Dokunmatik Ekran Kontrolleri</b>	2983		
<b>Ayarlar</b>	3005		
Dashboard (Gösterge Paneli)	3005		
Kayıt Ayarları	3006		

Bir Dönüş Sinyali Seçilmesi	3096	Eklentilerin Kullanımı	3145
Arama Butonunun Kullanımı	3097	Ses Miksajı	3146
Talkback'in kullanımı	3097	Fusion Sayfasında Video Efektleri (VFX) ve Görüntü Birleştirme (Compositing) Eklenmesi	3151
Tally Kullanımı	3098	Kurgunuz için Master Dosyaların Oluşturulması	3159
Durum Göstergeleri	3098	Quick Export (Hızlı Dışa Aktarma)	3159
Ses Girişleri (Audio Inputs)	3099	Teslimat (Deliver) Sayfası	3160
IP Video	3100	<b>Studio Camera Kontrolünün Anlaşılması</b>	3161
Güç Özellikleri	3100	Kamera Kontrol Özelliğinin Kullanımı	3162
İlave Kamera Kontrolleri	3101	DaVinci Resolve Primary (Ana) Renk Düzelticisi	3168
<b>Studio Fiber Converter'in Kullanımı</b>	3102	<b>Blackmagic Camera Setup Utility</b>	3171
Menünün Kullanılması	3103	<b>Üçüncü Parti Yazılımlarla Çalışılması</b>	3173
Stüdyo Ünitesinin Rafa Monte Edilmesi	3106	CFast 2.0 ve SD Kartlarındaki Dosyalarla Çalışma	3173
<b>Kamera Ünitesi Bağlantıları</b>	3110	SSD'lerdeki Dosyalarla Çalışma	3174
Kamera Güç Bağlantısı	3110	Final Cut Pro X Kullanımı	3174
PTZ Arayüzü	3110	Avid Media Composer 2018'in Kullanımı	3175
Talkback (İletişim) Bağlantısı	3111	Adobe Premier Pro CC Kullanımı	3176
Tracker (Takipçi) Arayüzü	3112	<b>Yazılım Geliştiriciler için Bilgiler</b>	3177
DC Bağlantısı	3112	Blackmagic Bluetooth Camera Control	3177
D-Tap Çıkışı	3113	Blackmagic SDI and Bluetooth Camera Control Protocol	3179
Referans Çıkışı ve Çalıştırılması	3113	Example Protocol Packets	3186
<b>Stüdyo Ünitesi Bağlantıları</b>	3114	Blackmagic Tally Control Protocol	3186
12G-SDI Çıkışı	3114	<b>Blackmagic URSA Mini B4 Mount</b>	3189
Dönüş (Return) SDI Girişleri	3114	<b>Lens Yuvalarına Ayar Pulu Takma (Shimming) İşlemi</b>	3191
Referans Girişi ve Çıkışı	3115	URSA Mini PL'ye Ayar Pulu Takma İşlemi	3191
Talkback Arayüzü	3115	URSA Mini Pro'ya Ayar Pulu Takma İşlemi	3193
PTZ Arayüzü	3117	<b>URSA Mini Recorder</b>	3194
Ses Çıkışları	3117	URSA Mini Recorder'in Takılması ve Bağlanması	3195
<b>Dahili Yazılımın Güncellenmesi</b>	3118	URSA Mini Recorder Kullanımı	3197
Blackmagic Camera Fiber Converter'in Güncellenmesi	3118	URSA Mini Recorder'in Dahili Yazılımının Güncellenmesi	3198
Blackmagic Studio Fiber Converter'in Güncellenmesi	3118	<b>Yardım/Destek</b>	3199
<b>Değiştirilebilir Lens Yuvası</b>	3119	<b>Mevzuata İlişkin Bildirimler</b>	3200
Blackmagic URSA Mini Pro PL Mount	3121	<b>Güvenlik Bilgileri</b>	3201
Blackmagic URSA Mini Pro F Mount	3123	<b>Garanti</b>	3202
Blackmagic URSA Mini Pro EF Mount	3126		
Blackmagic URSA Mini Pro B4 Mount	3128		
Blackmagic URSA Mini Pro Shim Seti	3130		
<b>DaVinci Resolve Kullanımı</b>	3131		
Project Manager (Proje Yöneticisi)	3131		
Cut (Hızlı Kurgu) Sayfası ile Kurgu	3132		
Timeline'ye Kliplerin Eklenmesi	3135		
Timeline'de Klipleri Kurgulama	3136		
Yazı/Metin İlave Edilmesi	3136		
Blackmagic RAW Dosyalarıyla Çalışma	3137		
Renk (Color) Sayfası ile Kliplerinizin Renginin Düzeltilmesi	3140		
Bir Görünmez Pencerenin (Power Window) İlave Edilmesi	3144		

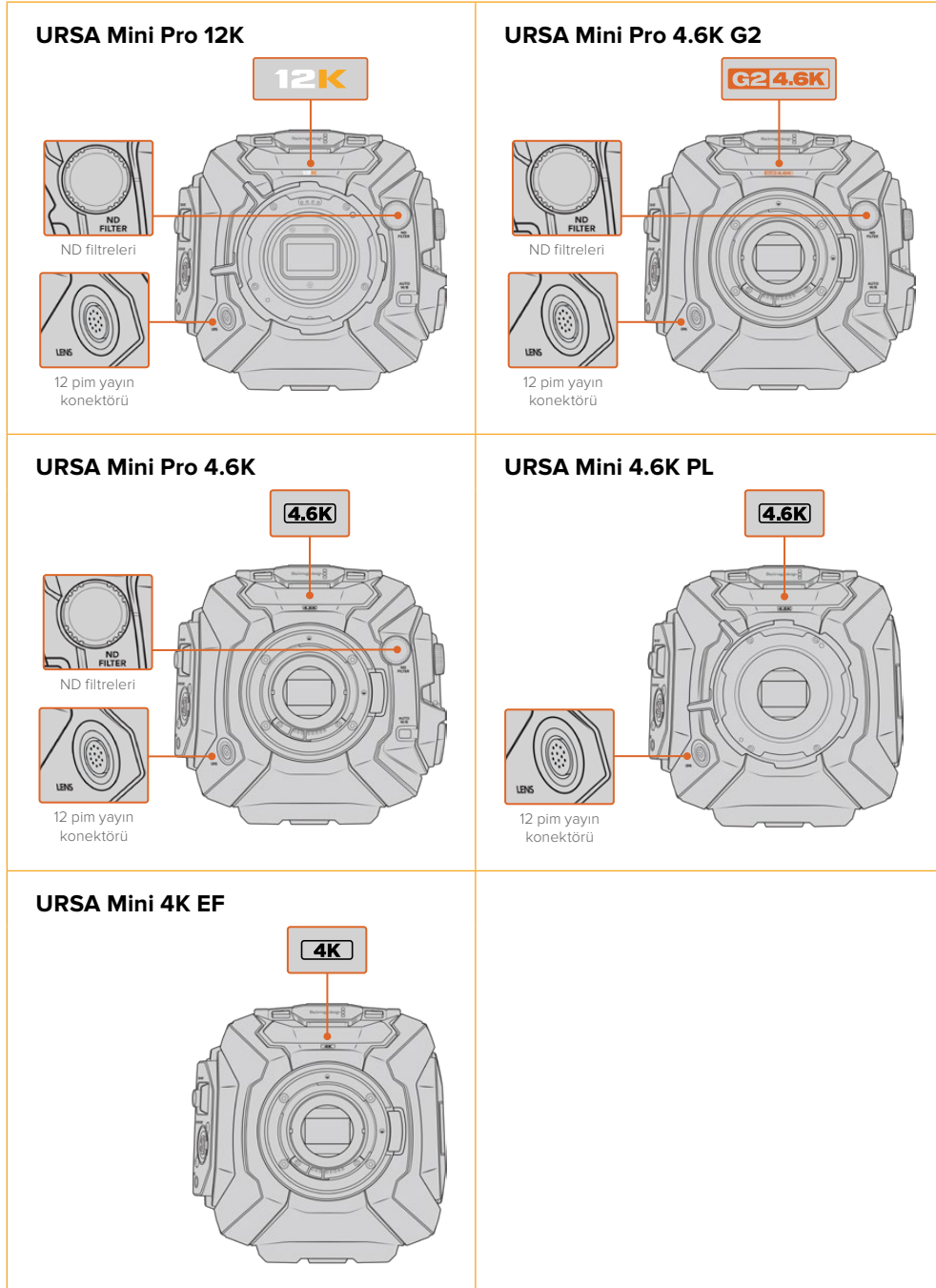


# Hangi kamerayı kullanıyorsunuz?

Bu kılavuzu okurken, zaman zaman bir özelliğin, belli bir Blackmagic URSA Mini kamera modeline ait olduğunu göreceksiniz. Tüm URSA Mini kameralar inanılmaz, geniş dinamik aralıklı görüntüler oluşturur ve aynı ana gövdeye sahiptir. Fakat, çeşitli modelleri arasında bazı farklılıklar vardır.

## Mevcut modeller

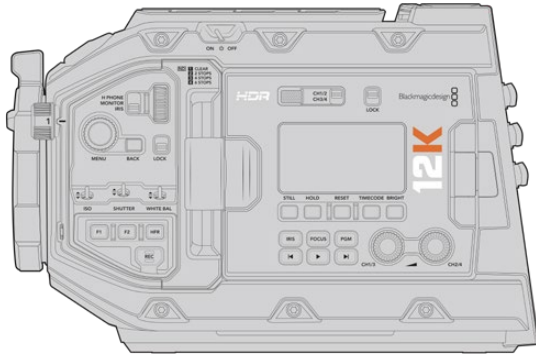
- URSA Mini Pro 12K
- URSA Mini Pro 4.6K G2
- URSA Mini Pro 4.6K
- URSA Mini 4.6K
- URSA Mini 4K



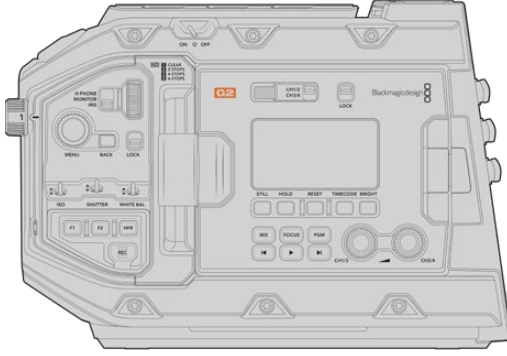
## URSA Mini Pro

URSA Mini Pro 12K bir PL yuva ile birlikte gelir ve URSA Mini Pro 4.6K G2 ile URSA Mini Pro 4.6K bir EF yuvayla birlikte gelir. Diğer mercek türlerinin takılması için tüm URSA Mini Pro kameralardaki lens yuvaları değiştirilebilir. Değiştirilebilir mercek yuvaları ile ilgili daha fazla bilgi için 'değiştirilebilir mercek yuvası' kısmına bakın.

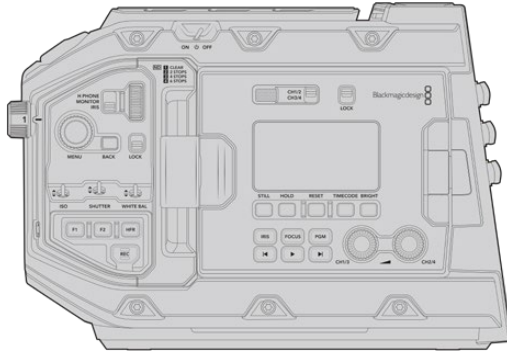
URSA Mini Pro; gövdesinin sol tarafındaki ekstra kontrol butonları ve LCD durum ekranının yanı sıra, lens yuvasının yanındaki ND filtreleri ile kolay tanınır. URSA Mini Pro 4.6K G2'nin önde mercek yuvasının üstünde turuncu renkli bir 'G2 4.6K' simgesi ve harici kontrol panelinin sol tarafında da turuncu renkli bir 'G2' simgesi vardır. Doğal olarak, ilave kontrol butonlarının olması, kameranızı kontrol etmek ve ayarlarını değiştirmek için farklı seçeneklerinizin olduğu anlamına gelir. URSA Mini Pro 12K'nın harici kontrol panelinin yanında bir '12K' simgesi ve 'HDR' simgesi bulunur. URSA Mini Pro 12K'nın arka panelinde, SDI portlarının sağ üst köşesinde kulaklık soketi bulunur ve sağ alt köşede 12V güç konektörünün altında bir USB-C portu bulunur.



URSA Mini Pro 12K, sol taraf



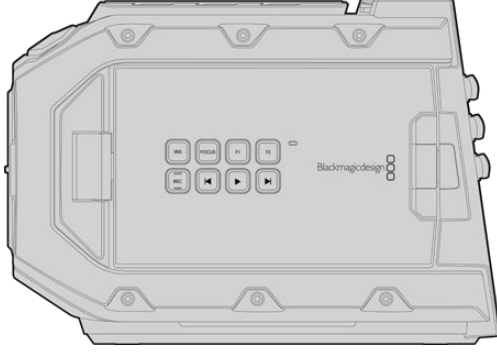
URSA Mini Pro 4.6K G2, sol taraf



URSA Mini Pro 4.6K, sol taraf

## URSA Mini

Kullanılan sensörlerin dışında, URSA Mini 4K ve 4.6K modelleri neredeyse aynıdır. Kontrol butonları ve yazılım menüleri, aynı şekilde düzenlenmiştir ve kameraların kullanımı da temelde aynıdır. 4.6K sensör kullanan kameralarda, birkaç adet daha fazla çözünürlük opsiyonu ile birlikte, daha zengin ISO ayar çeşitleri vardır. Kameranızın ne tür bir sensöre sahip olduğunu anlamanın kolay bir yolu, lens yuvasının üzerinde '4K' veya '4.6K' ikonunu aramaktır.



URSA Mini, sol taraf

URSA Mini kameralarının EF ve PL lens yuvalı modellerinin olduğunu belirtmekte de fayda vardır. Aralarındaki farkı anlamının kolay bir yolu, PL modellerinde, lens yuvasının yakınında bir 12 pim yayın lens konektörü olmasıdır ve tabii ki EF ile PL montaj sistemlerini biliyorsanız yuvanın kendisinden de anlaşılır. Bu yuvalarla ilgili daha fazla bilgi için, 'başlarken' kısmına bakın.

URSA Mini modellerini artık ayırt edebildiğinize göre, kameranızı kullanmaya başlayabilirsiniz!

## Başlarken

Blackmagic URSA Mini ile çalışmaya başlamak, bir mercek takmak ve kameranızı çalıştırmak kadar kolaydır.

### Bir Lens Takılması

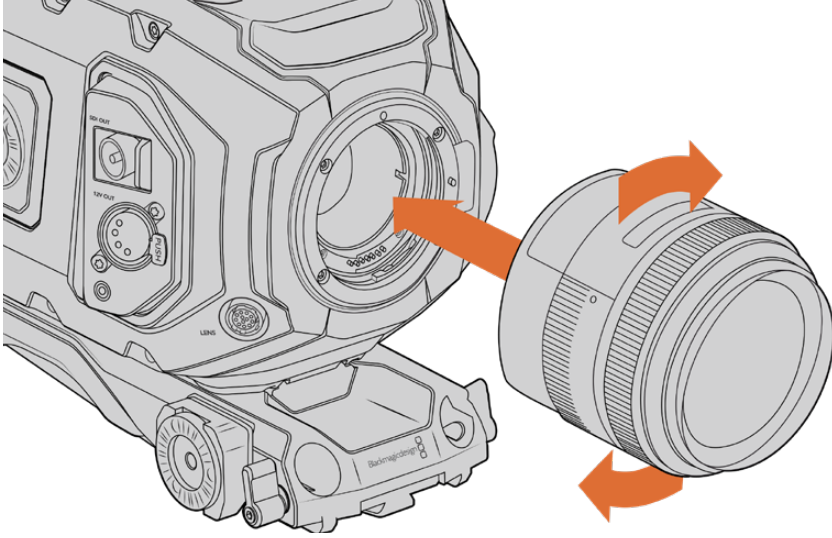
Kameranıza bir mercek takma işlemi tüm URSA Mini kameralar için aynıdır, fakat EF, PL, B4 ve F yuvalarının çalıştırılma yöntemleri biraz farklıdır. Her durumda ilk yapılması gereken şey, koruyucu toz kapağının çıkarılmasıdır.

Koruyucu toz kapağını EF lens yuvasından çıkarmak için, kilitleme butonuna basın ve kapağı çıkana kadar saat yönünün tersine döndürün. PL ve B4 yuva lensler için, kilit halkasını saat yönünün tersine döndürün ve koruyucu toz kapağını çekerek yuvadan çıkartın. F yuva için, kilitleme butonuna basılı tutun ve kapağı çıkana kadar saat yönünde döndürün.

**NOT** Blackmagic URSA Mini Pro'da; EF, PL, B4 ve F yuva lenslerin yanı sıra, aksesuarlarıyla birlikte ilave lens yuvalarını da kabul etme kapasitesine sahip, değiştirilebilir lens yuvası vardır. URSA Mini Pro'da yuva çeşitlerinin birinden diğerine geçmek konusunda daha fazla bilgi için, bu kılavuzun 'değiştirilebilir lens yuvası' bölümüne bakın.

**BİLGİ** URSA Mini Pro 12K, bir PL yuvası ile donatılmış olarak gelir. Diğer URSA Mini Pro kameralar, EF mercekler takılacak şekilde yapılandırılmış olarak gelirler. Hemen çekim yapmaya başlamak için, aşağıda belirtildiği gibi bir mercek takın.

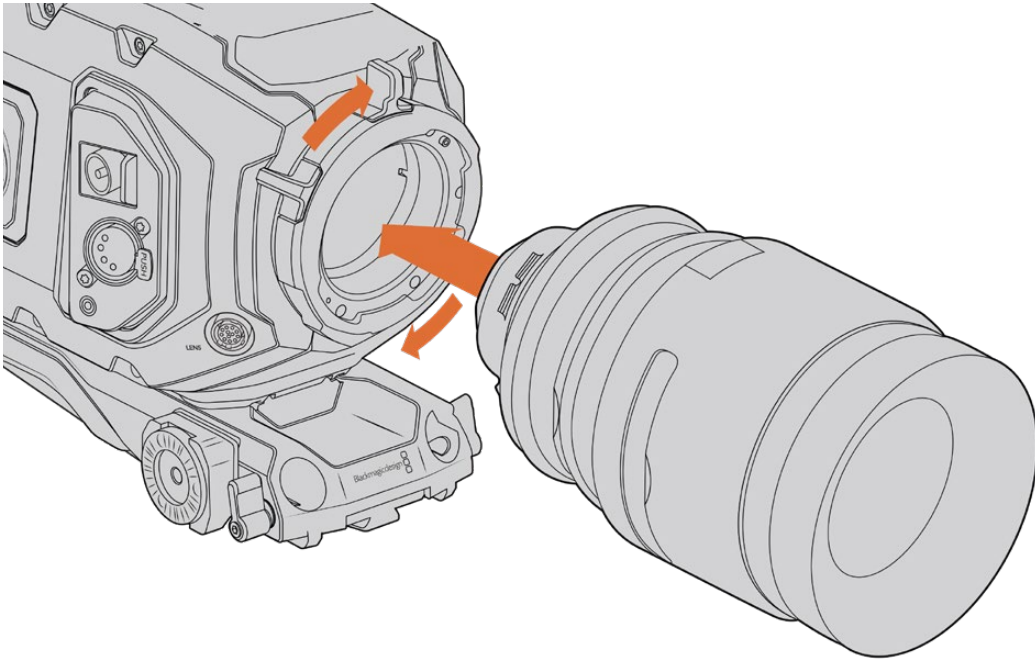
Bir EF mount lens takmak için:



Blackmagic URSA Mini EF'ye, bir EF mount lensin takılması ve çıkarılması

- 1 Kamera yuvasındaki nokta ile lensinizdeki noktayı aynı hizaya getirin. Birçok lenste görsel bir işaret mevcuttur, örneğin; mavi, kırmızı ya da beyaz bir nokta gibi.
- 2 Lensi yuvaya sokun ve yerine kilitlene kadar lensi saat yönünde döndürün.
- 3 Lensi çıkarmak için; kilitleme butonunu basılı tutun, lensin üzerindeki nokta ya da gösterge saat 12 konumunu alana kadar, lensi saat yönünün tersine döndürün ve sonra yavaşça çıkarın.

Bir PL mount lens takmak için:

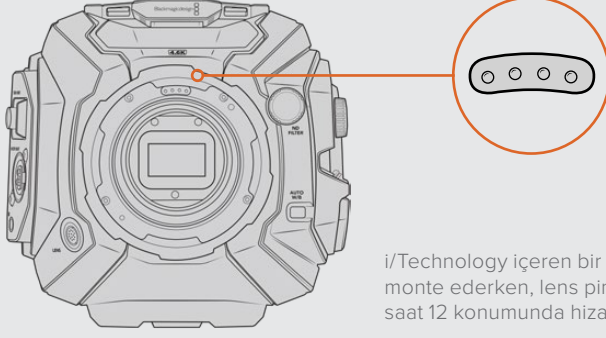


Blackmagic URSA Mini PL ve URSA Mini Pro 12K'ya bir PL mercek takılması ve çıkarılması

- 1 Kameranın PL kilit halkasını, durana dek saat yönünün tersine döndürerek açın.
- 2 Lensin dört flanş kertiğinden birisini, kamera yuvasındaki konum pimi ile aynı hizaya getirin. Lensin işaretlerinin kolayca görülebilmesi için, lensi doğru hizalandırdığınızdan emin olun.
- 3 PL kilitleme halkasını, saat yönüne döndürerek sıkın. URSA Mini PL veya URSA Mini Pro'ya servo üniteli bir PL lens takıyorsanız 12 pimli yayın konektörünü de servo kontrolü için bağlayabilirsiniz.
- 4 Lensin çıkarılması için, kilit halkasını durana dek saat yönünün tersine döndürün ve sonra da lensi yavaşça çekerek kamera gövdesinden çıkarın. Lensin döndürülmesine hiç gerek yoktur.

## URSA Mini Pro PL Yuva

URSA Mini Pro'nun PL yuvası, Cooke's /i Technology arayüzü özelliğine sahip lenslerle iletişimde kullanılan, saat 12 konumunda dört pim içerir. Bu arayüzü destekleyen lenslerin arasında; Canon, Cooke, Fujinon, Leica ve Zeiss tarafından üretilen lensler vardır. Bu da size; lens modeli, odak mesafesi, obtüratör ayarı, odak uzaklığı gibi lens bilgilerini ve belirli başka bilgileri, kliplerinizin metadata'sına kaydetmenizi sağlar.



i/Technology içeren bir PL lensi URSA Mini Pro'ya monte ederken, lens pimlerinin yuva pimleriyle saat 12 konumunda hizalandığından emin olun.

Cooke's /i Technology arayüzü ile kaydedilen bilgiler, VFX ve post prodüksiyonda çok faydalı olabilir. Prodüksiyonda kullanılan lenslerin ve tam ayarlarının bilinmesi, ileri bir tarihte kurulumun tekrardan yapılması gerektiği durumlarda faydalı olabilir.

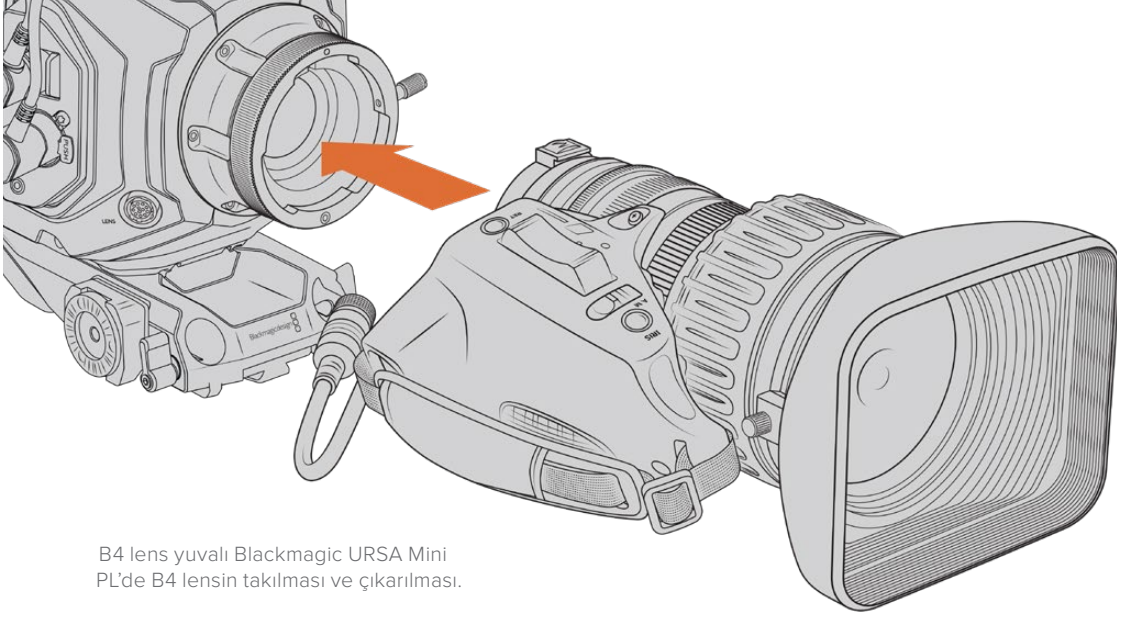
Bu detaylı bilgiler ayrıca, geniş çeşitlilikteki ileri fonksiyonlar için, DaVinci Resolve ve Blackmagic Fusion gibi güçlü uygulamalar tarafından kullanılabilir. Örneğin; kaydedilen metadata, belirli bir lensin 3D alandaki simülasyonu için veya lens bozulmalarını düzeltmek için kullanılabilir.

URSA Mini Pro ve URSA Mini PL, 35mm'lik PL lenslerin servo kabzası üzerinden kontrolünü destekler. Kameradaki 12-pimli yayın konektörüne lens bağlandığı zaman, tıpkı B4 lenslere yaptığı gibi, URSA Mini lensinize güç ve kontrol sinyalleri sağlayacaktır. Daha fazla bilgi için, bu kullanım kılavuzunun 'Servo Zoom Lenslerin Kullanılması' bölümüne bakın.

**NOT** Kamerada bir lens takılı olmadığı durumlarda, sensörü kaplayan cam filtre, toza ve başka kirliliğe maruz kalır. Mümkün olduğunca, toz kapağını kapalı tutun.



### Bir B4 mount lens takmak için:

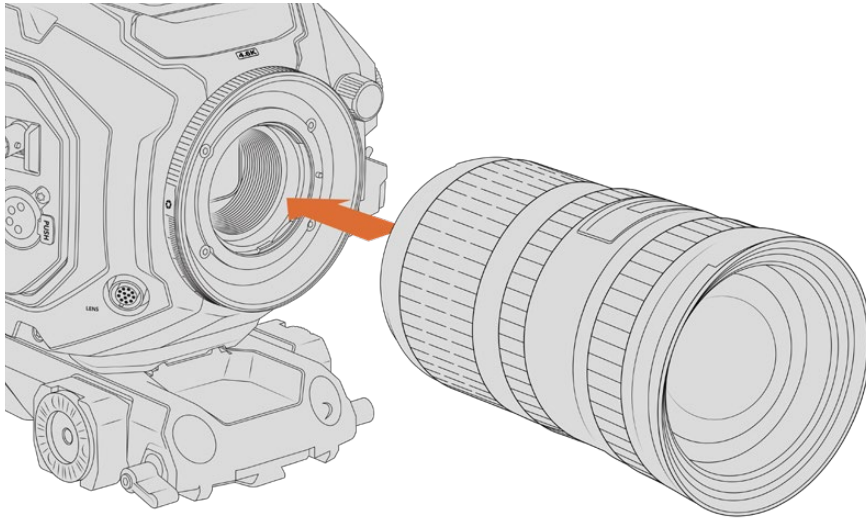


B4 lens yuvalı Blackmagic URSA Mini PL'de B4 lensin takılması ve çıkarılması.

- 1 Yuvanın içinde üst kısımda bulunan hizalandırma yerinin görünmesi için, B4 mercekleme halkasını, saat yönünün tersi yönde çevirin. Mercek yuvasındaki hizalama piminin, hizalama yerinin konumuyla eşleşecek şekilde, B4 merceğinizi URSA Mini'nin B4 yuvası ile aynı hizaya getirin.
- 2 Yuva plakaları birbirine karşı gelecek şekilde, merceği B4 yuvasına dayayın. Hizalandırma piminin, hizalandırma yeri içinde sabitlenmiş olduğundan emin olun.
- 3 Merceği yuvanın içine sıkılaştırmak için kilit halkasını saat yönünde çevirin ve yerine kilitleyin.
- 4 Merceğin çalışması ve mercek kontrolünün sağlanması için, URSA Mini PL'nin veya URSA Mini Pro 4.6K'nın 'turret' olarak da bilinen mercek tablasının önünde 'Lens' olarak işaretli konektöre, mercek kablosunu takın. Çoğu B4 merceğin, dahili 12 pimli konektörü ve kablosu vardır. Bu, URSA Mini'den merceğe güç ve kontrol sinyalleri sağlar.

B4 mercek çeşitleri ve kameranızla kullanılmalarıyla ilgili daha fazla bilgi için, bu kılavuzun 'Servo Zoom Merceklerin Kullanılması' bölümüne bakın.

### Bir F mount lens takmak için:



Opsiyonel F yuvası takılmış Blackmagic URSA Mini Pro 4.6K'ya, bir F mount lensin takılması ve çıkarılması.

- 1 Kamera yuvasındaki nokta ile lensinizdeki noktayı aynı hizaya getirin. Birçok lenste görsel bir işaret mevcuttur, örneğin; mavi, kırmızı ya da beyaz bir nokta gibi.
- 2 Lensi yuvaya sokun ve yerine kilitlene kadar, saat yönünün tersine çevirin.
- 3 Lensi çıkarmak için, kilitleme butonunu basılı tutun, nokta ya da işaret saat 12 konumunu alana dek, lensi saat yönünde döndürün ve sonra yavaşça çıkarın.

**NOT** Blackmagic URSA Mini Pro F mount modelinin mekanik bir iris düzelticisi vardır. Bu yuva ile odak çemberli eski tarz F mount lensleri kullanmak için, lensinizin obtüratörünün f/22 gibi en küçük ayara ayarlanmış ve kilitli olması gereklidir. URSA Mini Pro F yuvarın manuel iris ayarı ile obtüratörün ayarlanması hakkında daha fazla bilgi için, bu kullanım kılavuzundaki 'Blackmagic URSA Mini Pro F Mount' bölümüne bakın.

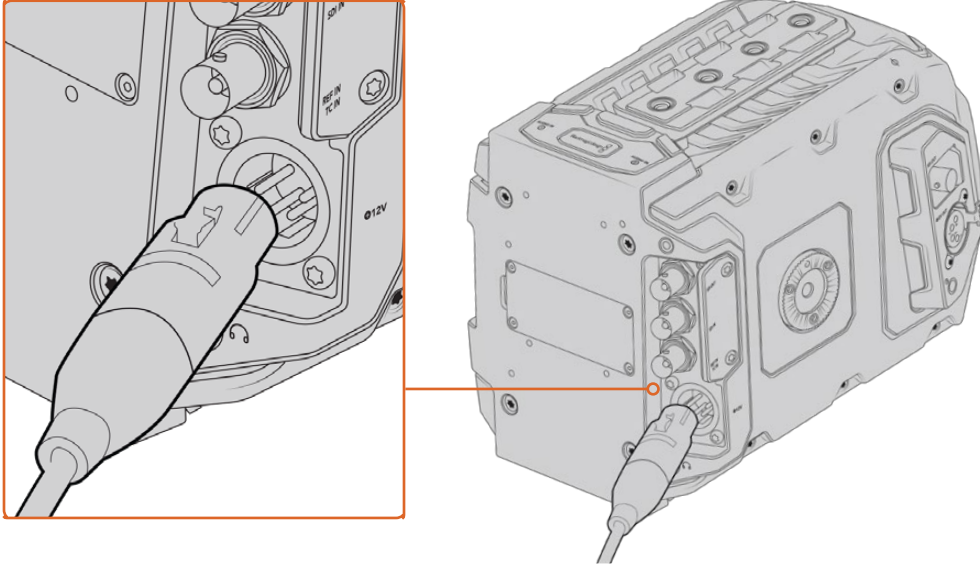
## Kameranın Çalıştırılması

Lensi taktığınıza göre, şimdi de güç temin etmeniz gerekecektir. Kameranızı çalıştırmanın en hızlı yolu, size sağlanan AC-12V DC adaptörünü kullanarak harici bir güç kaynağına bağlanmaktır.

### Harici güç kaynağına bağlanmak için:

- 1 AC to 12V DC adaptör fişini şebeke elektrik prizine takın.
- 2 AC to 12V DC adaptörünün 4 pim XLR konektörünü, kameranın üzerindeki 12-20V DC power (elektrik) girişine takın.

Hem harici gücün hem de bataryanın bağlı olduğu durumlarda, yalnızca harici güç kullanılacaktır. Şarjlı bir batarya takılı iken harici güçten fişi çıkarırsanız kameranız kesintisiz bir şekilde batarya gücüne geçecektir.



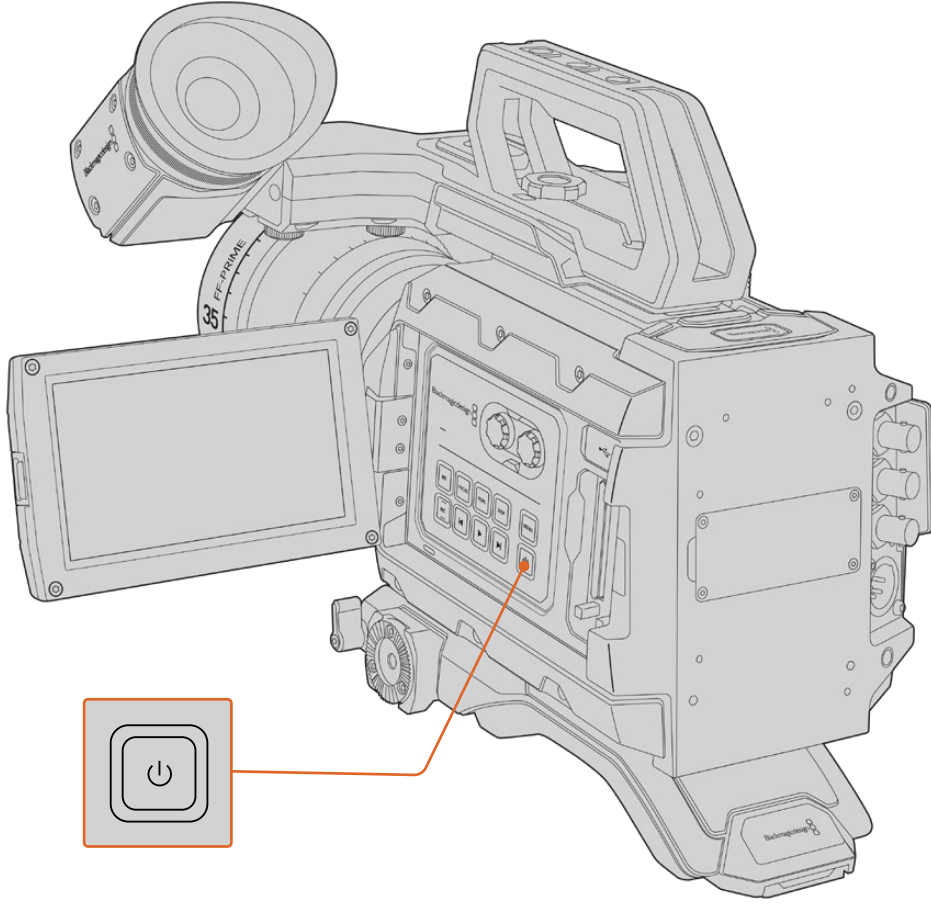
Blackmagic URSA Mini'yi çalıştırmak için, tedarik edilen AC to 12V DC adaptörünü kullanın.

V mount veya Gold Mount bataryalar gibi, endüstri standardı üçüncü parti harici bataryaları da URSA Mini'niz ile kullanabilirsiniz. Farklı bataryaların desteklenmesi için, çeşitli türdeki batarya plakalarının monte edilmesi konusunda daha fazla bilgi için, 'Bataryaların Takılması' bölümüne bakın.

#### URSA Mini'yi çalıştırmak için:

- 1 'Power' (çalıştırma) düğmesini basıp bırakın. Blackmagic URSA Mini'de çalıştırma düğmesi, dışı açılan LCD ekranın arkasındaki kontrol panelin üzerindedir. Kontrol paneline erişmek için LCD ekranı açın.
- 2 Kamerayı kapatmak için, 'power' düğmesini basılı tutun.

Şimdi, CFast 2.0 kartlarını yerleştirip kayıt yapmaya hazırsınız!



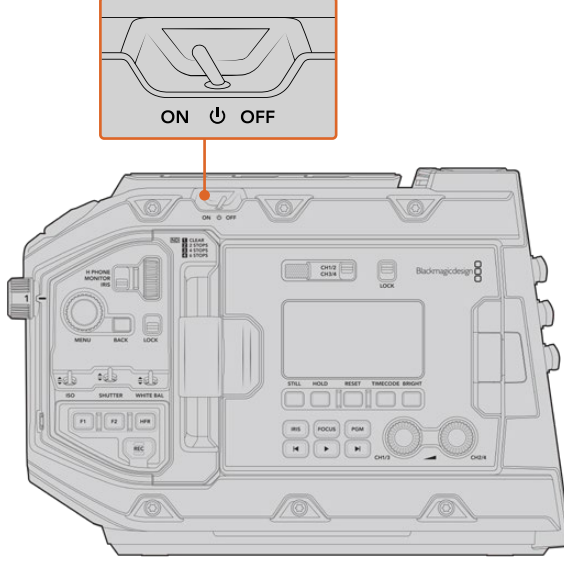
URSA Mini'yi çalıştırmak için, dışı açılan dokunmatik LCD ekranı açın ve kontrol panelindeki power düğmesini basıp bırakın. Kapatmak için düğmeyi basılı tutun.

**BİLGİ** Kamerayı çalıştırırken, düğmeyi tam olarak basıp bıraktığınızdan emin olun. Kameranızın çalışmaya başlaması yaklaşık 10 saniye sürecektir, bu yüzden düğmeye tekrar basmanıza gerek yoktur. Kapatırken, düğmeye basın ve kamera kapalı duruma geçene kadar basılı tutun.



## URSA Mini Pro'yu çalıştırmak için:

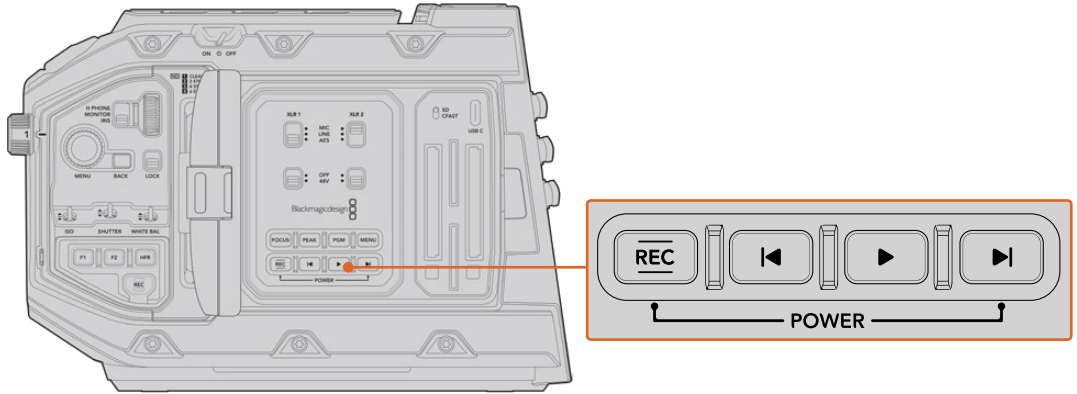
- 1 Blackmagic URSA Mini Pro'nun çalıştırma düğmesi de dışı açılan LCD'nin üstündedir. Kamerayı çalıştırmak için, düğmeyi 'on' (açık) konumuna getirin.
- 2 Kamerayı kapatmak için, düğmeyi 'off' (kapalı) konumuna getirin.



Kamerayı çalıştırmak için, power düğmesini 'on' konumuna getirin.

URSA Mini Pro ayrıca; kontrol panelindeki 'rec' (kayıt) ve 'forward skip' (ileri sar) düğmelerinin kısa

bir süre için basılı tutularak, kameranın çalışmasını ve kapanmasını sağlayan yedek bir çalıştırma düğmesi de içerir. Normalde kameranızı bu şekilde çalıştırmazsınız. Bu, çalıştırma düğmesinin üzeri kapalı kaldığı durumlar için faydalı bir alternatif olarak sunulmuştur. Örneğin, kamera özel bir teçhizata monte edildiğinde.



Gerektiğinde, LCD ekranın arkasında olan kontrol panelindeki record (kayıt) ve forward skip (ileri sar) düğmelerini kamerayı çalıştırmak veya kapatmak için kısa bir süre basılı tutabilirsiniz.

**BİLGİ** URSA Mini Pro'nuzun güç düğmesi 'on' olarak ayarlıyken kamera kapalı ise kameranız Bluetooth® kontrolü ile kapatılmış olabilir veya kontrol panelindeki 'record' (kayıt) ve 'forward skip' (ileri sar) düğmelerinin basılı tutulmasından, bu durum kaynaklanmış olabilir. Kamerayı açıp kapatmak için, power (çalıştırma) düğmesini 'off' ve 'on' olarak değiştirin veya kamerayı çalıştırmak için ilgili kontrol panel düğmelerini basılı tutun.

# Depolama Ortamı

Blackmagic URSA Mini kameranızın, birkaç adet depolama seçeneği vardır. Tüm Ursa Mini kameralar, video kaydetmek için CFast 2.0 kartları kullanır. URSA Mini Pro kameralar hızlı UHS-II ve UHS-I SD kartlara da kayıt yapabilir.

Yüksek hızlı flaş disklerle veya isteğe bağlı URSA Mini Recorder'ı kullanarak yüksek kalite katı hal desklerine, yani 'SSD'lere kayıt için URSA Mini Pro G2'de bir adet 1. Nesil USB-C 3.1 bağlantı noktası ve URSA Mini Pro 12K'da bir adet 2. Nesil USB-C 3.1 bağlantı noktası vardır.

**NOT** URSA Mini Recorder, URSA Mini Pro 12K ile kullanılmak üzere tasarlanmıştır ve URSA Mini Pro 4.6K G2 ile uyumludur. URSA Mini Pro 4.6K, URSA Mini 4.6K ve URSA Mini 4K ile uyumlu değildir. URSA Mini Recorder'ın kameranıza bağlanması hakkında daha fazla bilgi için, 'Blackmagic URSA Mini Recorder' bölümüne bakın.

## Ortam Hızları Hakkında Önemli Bilgiler

Kayıt ortamı üreticileri tarafından yayınlanan yazma ve okuma hızları, sabit görüntüler gibi küçük dosyalar için en üst seviyedeki hızları genellikle baz alır ve yüksek hızlı videonun devamlı bir akışı için yazma hızlarını, doğru bir şekilde yansıtmayabilir.

Blackmagic, aşağıda listelenen kartların hepsini, URSA Mini için ayrıntılı bir şekilde test etmiştir. Seçtiğiniz kare hızlarında güvenilir kayıt almak için, sadece Blackmagic Design tarafından tavsiye edilen kartları kullanın.

## CFast Kartlar

CFast 2.0 kartları çok yüksek data hızlarını destekleyebildiğinden, HD ve 4K videoyu yüksek kare hızlarında kaydetmek için mükemmeldirler. Her formatta kayıt edilebilen maksimum kare hızlarıyla ilgili detaylı bilgiler için, 'kaydetme' bölümündeki kayıt süresi tablosuna bakın.

**NOT** CFast 2.0 kartlar, genel olarak yüksek hızlı kartlardır. Bazı kartların yazma hızları, okuma hızlarına oranla daha yavaştır ve modeller arasında maksimum data hızları farklılık gösterebilir. Seçtiğiniz kare hızlarında güvenilir kaydı sağlanması için, sadece bu bölümde listelenen ve tavsiye edilen kartları kullanın.

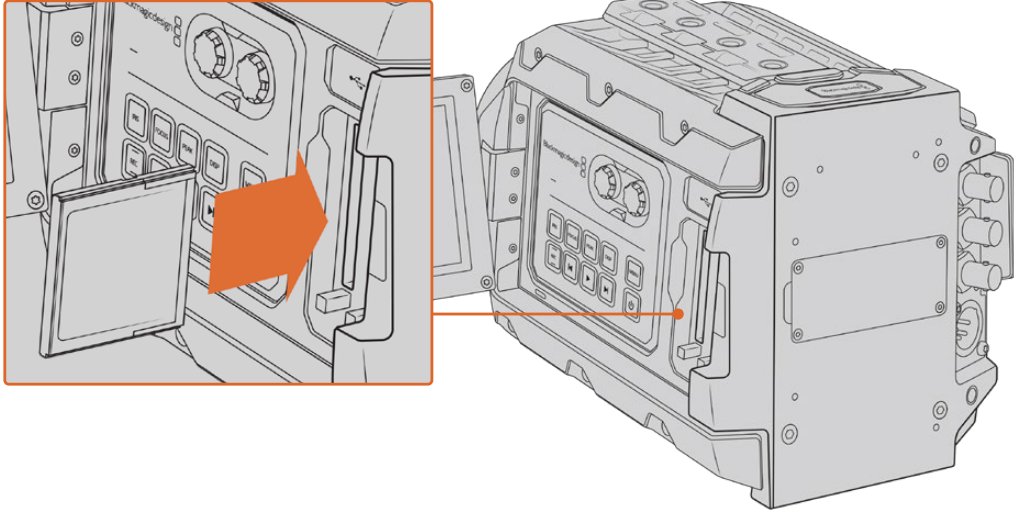
## Bir CFast Kartın Takılması

URSA Mini Pro kullanıyorsanız, kameranız CFast kartlara veya SD kartlara da kaydedebilir. CFast kartlara kayıt yapabilmemiz için, kameranızı buna göre ayarlamanız gerekecektir. Bunu yapmak için, medya yuvalarının üstündeki medya depolama düğmesini, 'CFast' konumuna getirin.

### Bir CFast kartı yerleřtirmek için:

- 1 CFast yuvalarına eriřmek için, dıřa açılan ekranı açın.
- 2 CFast kartını, yerine kilitlendiđine emin olana kadar CFast kart yuvasına sokun. Kartın fazla güç harcamadan kolaylıkla yuvaya girmesi gerekir. Kartı çıkarmak için, CFast kart ejektör düđmesine basın.

Dokunmatik LCD ekranın altındaki bellek bilgileri, tespit edilen CFAST kartlarının adını ve kalan kayıt süresini gösterecektir.



Blackmagic URSA Mini, aralıksız kayıt için iki adet CFast yuvasına sahiptir.

### Bir CFast 2.0 Kartın Seçilmesi

Yüksek veri hızlı video ile çalışırken, kullanmak istediđiniz CFast kartı dikkatlice kontrol etmeniz önemlidir. Bunun sebebi de CFast 2.0 kartların farklı okuma ve yazma hızlarına sahip olmasıdır. Ařađıdaki tablolar tavsiye edilen CFAST kartları tanımlarlar.

#### Blackmagic URSA Mini Pro 12K ile hangi CFast kartları kullanmam gerek?

Ařađıdaki CFast 2.0 kartlar; saniyede 60 kareye kadar 12K DCI Blackmagic RAW 18:1 ve saniyede 60 kareye kadar 8K DCI Blackmagic RAW 8:1 kaydı için önerilir.

Marka	Kart İsmi	Depolama Kapasitesi
Angelbird	AV Pro CF	128GB
Angelbird	AV Pro CF	256GB
Angelbird	AV Pro CF	512GB
Angelbird	AV Pro CF	1TB
ExAscend	Essential	512GB
ExAscend	Essential	1TB
FreeTail	Evoke Pro 3700x	128GB
FreeTail	Evoke Pro 3700x	256GB
FreeTail	Evoke Pro 3700x	512GB
FreeTail	Evoke Pro 3700x	1TB

Marka	Kart İsmi	Depolama Kapasitesi
KomputerBay	x3400 CFast 2.0	128GB
ProGrade Digital	550MB/s CFast 2.0	256GB
ProGrade Digital	550MB/s CFast 2.0	512GB
SanDisk	Extreme Pro CFast 2.0 SDCFSP-128G-x46D	128GB
Wise	CFast 2.0 3400x	256GB
Wise	CFast 2.0 3500x	512GB
Wise	CFast 2.0 3500x	1TB

### Blackmagic URSA Mini ve URSA Mini Pro Kameraları ile hangi CFast kartları kullanmam gerek?

Aşağıdaki CFast 2.0 kartları, 60 fps'ye kadar 4.6K Blackmagic RAW 3:1 kayıt için tavsiye edilir.

Marka	Kart İsmi	Depolama Kapasitesi
Angelbird	AV Pro CF	128GB
Angelbird	AV Pro CF	256GB
Angelbird	AV Pro CF	512GB
Angelbird	AV Pro CF	1TB
CinediskPro	510MB/s CFast 2.0	256GB
FreeTail	Evoke Pro 3700x	128GB
FreeTail	Evoke Pro 3700x	256GB
FreeTail	Evoke Pro 3700x	512GB
FreeTail	Evoke Pro 3700x	1TB
Hagiwara Solutions	CFast 2.0 DC-SMAN64GA	64GB
Hagiwara Solutions	CFast 2.0 DC-SMANA1GA	128GB
KomputerBay	3600x CFast 2.0 Card	64GB
ProGrade Digital	550MB/s CFast 2.0	64GB
ProGrade Digital	550MB/s CFast 2.0	128GB
ProGrade Digital	550MB/s CFast 2.0	256GB
ProGrade Digital	550MB/s CFast 2.0	512GB
SanDisk	Extreme Pro CFast 2.0 SDCFSP-128G-x46D	128GB
SanDisk	Extreme Pro CFast 2.0 SDCFSP-256G-x46D	256GB
SanDisk	Extreme Pro CFast 2.0 SDCFSP-512G-x46D	512GB
Sony	CFast 2.0 G Series CAT-G64	64GB
Sony	CFast 2.0 G Series CAT-G128	128GB

Marka	Kart İsmi	Depolama Kapasitesi
Transcend	CFX650 CFast 2.0 TS128GCFX650	128GB
Transcend	CFX650 CFast 2.0 TS256GCFX650	256GB
Transcend	CFX650 CFast 2.0 TS128GCFX650BM	128GB
Transcend	CFX650 CFast 2.0 TS256GCFX650BM	256GB
Wise	CFast 2.0 3400x	256GB
Wise	CFast 2.0 3500x	512GB

Aşağıdaki CFast 2.0 kartlar, 60 fps'ye kadar 2160p ProRes 422 HQ kayıt için tavsiye edilir.

Marka	Kart İsmi	Depolama Kapasitesi
Angelbird	AV Pro CF	128GB
Angelbird	AV Pro CF	256GB
Angelbird	AV Pro CF	512GB
Angelbird	AV Pro CF	1TB
Angelbird	AV Pro CF XT	256GB
Angelbird	AV Pro CF XT	512GB
CinediskPro	510MB/s CFast 2.0	256GB
Hagiwara Solutions	DC-SMAN64GA	64GB
Hagiwara Solutions	DC-SMANA1GA	128GB
KomputerBay	3600x CFast 2.0 Card	64GB
KomputerBay	3700x CFast 2.0 Card	256GB
ProGrade Digital	550MB/s CFast 2.0	128GB
ProGrade Digital	550MB/s CFast 2.0	256GB
ProGrade Digital	550MB/s CFast 2.0	512GB
SanDisk	Extreme Pro CFast 2.0 SDCFSP-128G-x46D	128GB
SanDisk	Extreme Pro CFast 2.0 SDCFSP-256G-x46D	256GB
SanDisk	Extreme Pro CFast 2.0 SDCFSP-512G-x46D	512GB
Silicon Power	CFX310	256GB
Sony	CFast 2.0 G Series CAT-G64	64GB
Sony	CFast 2.0 G Series CAT-G128	128GB
Transcend	CFX650 CFast 2.0 TS128GCFX650	128GB
Transcend	CFX650 CFast 2.0 TS256GCFX650	256GB

Marka	Kart İsmi	Depolama Kapasitesi
Transcend	CFX650 CFAST 2.0 TS128GCFX650BM	128GB
Transcend	CFX650 CFAST 2.0 TS256GCFX650BM	256GB
Wise	CFast 2.0 3400x	128GB
Wise	CFast 2.0 3400x	256GB
Wise	CFast 2.0 3500x	512GB

Blackmagic URSA Mini için desteklenen CFast kartlarla ilgili en güncel bilgilere ulaşmak için, [www.blackmagicdesign.com/tr/support](http://www.blackmagicdesign.com/tr/support) adresindeki Blackmagic Design destek merkezine bakın.

**NOT** SanDisk CFast 2.0 kartlarının yalnızca 'D-serisi' Blackmagic URSA Mini kameraları ile kullanım için onaylanmıştır. Bu kartları, arka sol alt köşesindeki büyük baskılı bir 'D' harfinden ayırt edebilirsiniz ve kolay tanınmaları için de model numaralarını listeledik. Bu model numarası, bölgeden bölgeye küçük farklılıklar gösterir, model numarasındaki 'x' harfi, farklı pazarlarda değişir. Örneğin, Amerika'da 'A' olarak ve Asya Pasifik ile Avrupa ülkelerinde de 'G' olarak geçer.

## SD Kartlar

CFast 2.0 kartların yanı sıra, Blackmagic URSA Mini Pro yüksek hızlı UHS-I ile UHS-II tipi SD kartlara da kayıt yapabilir. Ultra HD içerik için, üst düzey SDXC UHS-II kartları kullanarak 2160p'de ProRes HQ görüntü bile kaydedebilirsiniz.

SD kartlarla sıkıştırılmış video formatlarını HD'de çekerken, daha düşük maliyetli depolama ortamı kullanabilirsiniz. SDXC ve SDHC, tüketici model sabit görüntü ve video kameralar için, çok yaygın olan ortam bellek formatlarıdır.

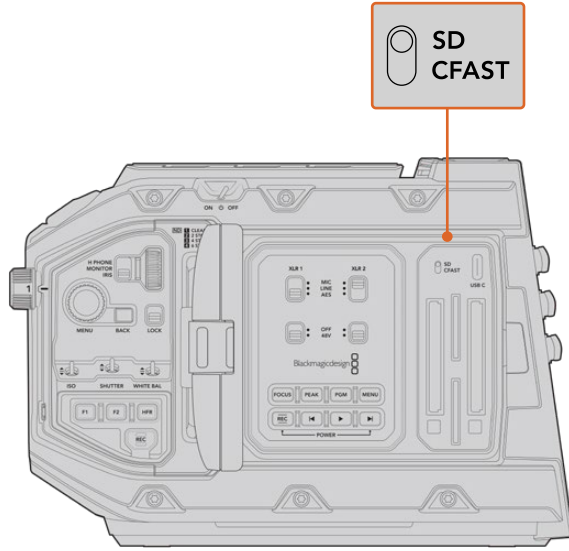
Daha önce bir DSLR ya da bir Blackmagic Micro Cinema Camera, Pocket Cinema Camera 4K veya bir Blackmagic Video Assist ile video çekimi yaptıysanız, kullanacağınız uyumlu SD kartlar büyük bir olasılıkla zaten vardır.

En yüksek çözünürlükteki Blackmagic RAW dosyalarını gerektirmeyen projelerde ya da uzun kayıt sürelerine ihtiyaç duyulduğunda, SD kartların kullanılması maliyeti düşürebilir. Daha düşük kapasiteli ve daha düşük hızlı SD kartlar da LUT'ların ve önayarların kaydedilmesinde kullanılabilir.

### Bir SD kartın takılması

#### Bir SD kartı yerleştirmek için:

- 1 SD kart yuvalarına erişmek için, dışı açılan ekranı açın. Bunlar, CFast yuvaları arasında bulunan, daha küçük yuvalardır.
- 2 Yuvaların üstündeki bellek medya değiştirme düğmesini, 'SD' konumuna getirin.
- 3 SD kartın etiketli yüzü dokunmatik ekranın ters yönüne dönük olarak kartı, yerine sabitlendiğine emin olana kadar itin. SD kartı çıkarmak için, SD kartı içeriye doğru itin.
- 4 Dokunmatik LCD ekranın altındaki bellek göstergesi, tespit edilen kartların adını ve kalan kayıt süresini gösterir.



URSA Mini Pro 4.6K'da SD kartlara kayıt yaparken medya depolama seçim düğmesinin 'SD' olarak ayarlandığına emin olun.

### Hızlı bir SD Kart Seçimi

Blackmagic URSA Mini Pro'da Ultra HD kayıt yaparken, mevcut en hızlı UHS-II tipi SD kartların kullanılmasını tavsiye ederiz. Ultra HD ve HD kayıt için, yüksek hızlı UHS-II SD kartları ya da HD kayıt için, UHS-1 kartları kullanmak önemlidir. Bu kartlar, yüksek veri hızlarına göre sınıflandırılmışlardır ve daha büyük depolama boyutlarını desteklerler. Genel olarak, kartlarınız ne kadar hızlı olursa o kadar iyidir. Daha fazla bilgi için bu bölümün daha önceki kısmında bahsedilen SD kart tablosuna bakın.

Kartlarınızı kullanmadan önce, HFS+ veya exFAT olarak formatlamanız gerekecektir. Ortamınızı; depolama yöneticisi veya bilgisayarınızla formatlayabilirsiniz. Daha fazla bilgi için, bu kullanım kılavuzundaki 'kayıt için ortamın hazırlanması' bölümüne bakın.

Dilerseniz bir Mac ya da Windows bilgisayar ile kartlarınızı formatlayabilirsiniz. Ortamınızı Mac bilgisayarlarda kullanırken, Mac disk formatı olan HFS+ formatını kullanabilirsiniz. Windows kullandığınız takdirde, Mac bilgisayarlarının da okuyabildiği Windows disk formatı olan exFAT formatını kullanmanız gerekir.

Aşağıdaki tablolar Blackmagic URSA Mini Pro ile çekim için tavsiye edilen SD kartları belirtir. Daha güncel bilgiler için, bu kılavuzun en son versiyonuna düzenli olarak bakmanızda fayda olduğunu düşünüyoruz. En güncel kılavuzlar, Blackmagic Design internet sitesindeki [www.blackmagicdesign.com/tr/support](http://www.blackmagicdesign.com/tr/support) adresinden indirilebilir.

**NOT** URSA Mini'nizde yüksek kare hızı veya Ultra HD görüntü kaydederken; SD UHS-I ortamlarından daha yüksek depolama kapasiteleri ve genellikle daha hızlı olan, CFAST 2.0 veya SD UHS-II kayıt ortamını kullanmanızı tavsiye ederiz.

URSA Mini Pro 12K için tavsiye edilen SD kartlarla ilgili en güncel bilgilere ulaşmak için, [www.blackmagicdesign.com/tr/support](http://www.blackmagicdesign.com/tr/support) adresindeki Blackmagic Design destek merkezine bakın.

### Blackmagic URSA Mini Pro 12K ile hangi SD kartları kullanmam gerek?

Aşağıdaki SD kartlar; saniyede 24 kareye kadar 12K DCI Blackmagic RAW 12:1 kaydı için önerilir.

Marka	Kart İsmi	Depolama Kapasitesi
ProGrade Digital	V90 UHS-II 300MB/s SDXC	64GB
ProGrade Digital	V90 UHS-II 300MB/s SDXC	128GB
ProGrade Digital	V90 UHS-II 300MB/s SDXC	256GB
Sony	Tough SF-G64 300MB/s UHS-II SDXC	64GB
Sony	Tough SF-G128 300MB/s UHS-II SDXC	128GB

Aşağıdaki SD kartlar; saniyede 60 kareye kadar 8K DCI Blackmagic RAW 18:1 kaydı için önerilir.

Marka	Kart İsmi	Depolama Kapasitesi
Angelbird	AV Pro MK2 V90 SDXC	256GB
ProGrade Digital	V90 UHS-II 300MB/s SDXC	64GB
ProGrade Digital	V90 UHS-II 300MB/s SDXC	128GB
ProGrade Digital	V90 UHS-II 300MB/s SDXC	256GB
Sony	Tough SF-G64 300MB/s UHS-II SDXC	64GB
Sony	Tough SF-G128 300MB/s UHS-II SDXC	128GB
Wise	285MB/s UHS-II SDXC	64GB
Wise	285MB/s UHS-II SDXC	128GB

### URSA Mini Pro ile hangi SD kartları kullanmam gerek?

Aşağıdaki SD kartları, saniyede 30 kareye kadar 4K DCI Blackmagic RAW 12:1 kaydı için tavsiye edilir.

Marka	Kart İsmi	Depolama Kapasitesi
Angelbird	AV Pro 300MB/s UHS-II SDXC	64GB
Angelbird	AV Pro 300MB/s UHS-II SDXC	128GB
Lexar	Professional 2000x UHS-II 300MB/s SDXC	64GB
Lexar	Professional 1000x UHS-II 150MB/s SDXC	64GB
SanDisk	Extreme Pro UHS-I 95MB/s SDXC	64GB
SanDisk	Extreme Pro UHS-I 95MB/s SDXC	128GB
SanDisk	Extreme Pro UHS-I 95MB/s SDXC	256GB
SanDisk	Extreme Pro UHS-I 95MB/s SDXC	512GB
SanDisk	Extreme Pro UHS-II 280MB/s SDXC	64GB
SanDisk	Extreme Pro UHS-II 300MB/s SDHC	32GB
SanDisk	Extreme Pro UHS-II 300MB/s SDXC	128GB



Marka	Kart İsmi	Depolama Kapasitesi
Sony	SF-G64 300MB/s UHS-II SDXC	64GB
Sony	SF-G128 300MB/s UHS-II SDXC	128GB
Toshiba	Exceria Pro UHS-II 270MB/s SDXC	64GB
Toshiba	Exceria Pro UHS-II 270MB/s SDXC	128GB
Toshiba	Exceria Pro UHS-II N502 SDHC	32GB
Toshiba	Exceria Pro UHS-II N502 SDXC	64GB
Toshiba	Exceria Pro UHS-II N502 SDXC	128GB
Toshiba	Exceria Pro UHS-II N502 SDXC	256GB
Transcend	Ultimate UHS-II 180MB/s SDXC	64GB
Wise	285MB/s UHS-II SDXC	64GB
Wise	285MB/s UHS-II SDXC	128GB

Saniyede 30 kareye kadar 2160p ProRes 422 HQ için aşağıdaki SD kartlar tavsiye edilir.

Marka	Kart İsmi	Depolama Kapasitesi
Angelbird	AV Pro 300MB/s UHS-II SDXC	64GB
Angelbird	AV Pro 300MB/s UHS-II SDXC	128GB
Delkin Devices	UHS-II 250MB/s SDHC	32GB
ProGrade Digital	V90 UHS-II 250MB/s SDXC	128GB
SanDisk	Extreme Pro UHS-II 280MB/s SDHC	32GB
SanDisk	Extreme Pro UHS-II 280MB/s SDXC	64GB
SanDisk	Extreme Pro UHS-II 300MB/s SDHC	32GB
SanDisk	Extreme Pro UHS-II 300MB/s SDXC	128GB
Sony	SF-G64 300MB/s UHS-II SDXC	64GB
Sony	SF-G128 300MB/s UHS-II SDXC	128GB
Toshiba	Exceria Pro UHS-II 270MB/s SDXC	64GB
Toshiba	Exceria Pro UHS-II N502 SDHC	32GB
Toshiba	Exceria Pro UHS-II N502 SDXC	64GB
Toshiba	Exceria Pro UHS-II N502 SDXC	128GB
Toshiba	Exceria Pro UHS-II N502 SDXC	256GB
Transcend	Ultimate UHS-II 180MB/s SDXC	64GB
Wise	285MB/s UHS-II SDXC	64GB
Wise	285MB/s UHS-II SDXC	128GB

Saniyede 60 kareye kadar 1080p ProRes 422 HQ için aşağıdaki SD kartlar tavsiye edilir.

Marka	Kart İsmi	Depolama Kapasitesi
Angelbird	AV Pro 300MB/s UHS-II SDXC	64GB
Angelbird	AV Pro 300MB/s UHS-II SDXC	128GB
Delkin Devices	UHS-II 250MB/s SDHC	32GB
Lexar	Professional 2000x UHS-II 300MB/s SDHC	32GB
Lexar	Professional 2000x UHS-II 300MB/s SDXC	64GB
Lexar	Professional 1000x UHS-II 150MB/s SDXC	64GB
ProGrade Digital	V90 UHS-II 250MB/s SDXC	128GB
ProGrade Digital	V60 UHS-II 200MB/s SDXC	64GB
ProGrade Digital	V60 UHS-II 200MB/s SDXC	128GB
SanDisk	Extreme Pro UHS-I 95MB/s SDXC	64GB
SanDisk	Extreme Pro UHS-I 95MB/s SDXC	128GB
SanDisk	Extreme Pro UHS-I 95MB/s SDXC	256GB
SanDisk	Extreme Pro UHS-I 95MB/s SDXC	512GB
SanDisk	Extreme Pro UHS-II 280MB/s SDHC	32GB
SanDisk	Extreme Pro UHS-II 280MB/s SDXC	64GB
SanDisk	Extreme Pro UHS-II 300MB/s SDXC	64GB
SanDisk	Extreme Pro UHS-II 300MB/s SDXC	128GB
Sony	SF-G64 300MB/s UHS-II SDXC	64GB
Sony	SF-G128 300MB/s UHS-II SDXC	128GB
Toshiba	Exceria Pro UHS-II 270MB/s SDXC	64GB
Toshiba	Exceria Pro UHS-II 270MB/s SDXC	128GB
Toshiba	Exceria Pro UHS-II 270MB/s SDXC	256GB
Toshiba	Exceria Pro UHS-II N502 SDHC	32GB
Toshiba	Exceria Pro UHS-II N502 SDXC	64GB
Toshiba	Exceria Pro UHS-II N502 SDXC	128GB
Toshiba	Exceria Pro UHS-II N502 SDXC	256GB
Transcend	Ultimate UHS-II 180MB/s SDXC	64GB
Wise	285MB/s UHS-II SDXC	64GB
Wise	285MB/s UHS-II SDXC	128GB

URSA Mini Pro için desteklenen SD kartlarıyla ilgili en güncel bilgilere ulaşmak için, [www.blackmagicdesign.com/tr/support](http://www.blackmagicdesign.com/tr/support) adresindeki Blackmagic Design destek merkezine bakın.

## SD Kartların Kilitlenmesi ve Kilidinin Açılması

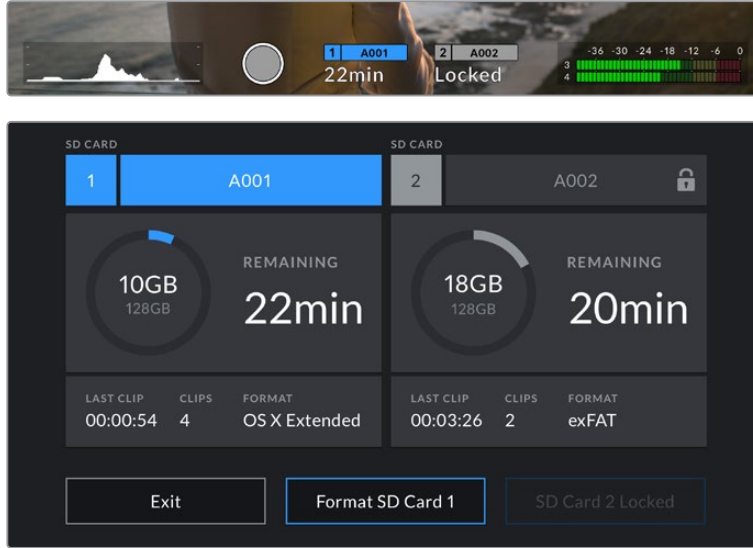
SD kartlar, kayıtlı veri üzerine kaydetmeyi önlemek amaçlı, 'write protected' (yazma korumalı) ya da 'locked' (kilitli) olabilirler.

Bir SD kart takarken, kartın yazma korumalı olmadığından emin olun. Yazma koruması, kartın sol tarafındaki plastik düğmenin, konektörlere en yakın olan konuma hareket ettirilmesiyle etkisiz hale getirilir. Kayıt bittikten sonra, düğmeyi tekrar alttaki eski konumuna kaydırarak kartı yazma korumalı hale getirebilirsiniz.



SD kartı kilitlemek ya da kilidi açmak için, kilit çıkıntısını yukarı ya da aşağı hareket ettirin

URSA Mini Pro, dokunmatik LCD ekranda ve depolama menüsünde bir 'locked' (kilit) simgesi görüntüleyerek, taktığınız SD kartın kilitli olduğunu size belirtecektir. Kart kilitli ise; video kaydetme, sabit görüntü yakalama veya LUT'lar ile önayarların dışa aktarım işlemlerini, kilit açılana kadar gerçekleştirme imkânınız olmayacaktır.



Kilitli SD medya takıldığında, URSA Mini Pro'nuz size bildirecektir.

## USB-C flaş diskler

Blackmagic URSA Mini Pro 4.6K G2'niz, USB-C flaş disklere doğrudan kayıt yapmanızı mümkün kılan, yüksek hızlı bir USB-C genişletme portu içerir. URSA Mini Pro 12K'nın iki USB-C portu vardır. CFast kart yuvalarının yanında bulunan 1. Nesil USB C 3.1 yazılım güncellemeleri içindir. Arka paneldeki SDI konektörlerinin yanındaki port, 2. Nesil USB-C 3.1 üzerinden yüksek hızlı SSD'lere kayıt içindir. Bu hızlı ve büyük kapasiteli diskler, uzun süreler boyunca video kaydetmenizi sağlar. Bu da uzun süreli etkinlikleri çekerken önemli olabilir.

Kameranıza bir USB-C flaş disk bağlandığında, kameranızın işletim sistemindeki ikinci ortam yuvasının yerini alır. Depolama menüsünde kartın ya da sürücünün ismine tıklanması, o kartı veya sürücüyü aktif hale getirir. Bu; CFast, SD kart ve SSD'lerde olan kayıt, oynatım ve depolama yönetiminin, USB-C flaş diskler için de aynı olduğu anlamına gelir.

Kaydetmeyi bitirir bitirmez, kurulum ve post prodüksiyon işlemleri için aynı sürücüyü bilgisayarınıza doğrudan bağlayabilirsiniz, böylelikle medya kopyalamanıza gerek kalmaz.

#### **Bir USB-C flaş diski bağlamak için:**

- 1 USB C-tipi kablonuzun bir ucunu, USB-C flaş diskinize bağlayın.
- 2 URSA Mini Pro 12K'da, arka paneldeki SDI bağlantı noktalarının altındaki USB-C portuna USB-C kablosunu takın. URSA Mini Pro 4.6K G2'de, kameranın sol tarafındaki katlanır dokunmatik ekranı açın ve CFast yuvalarının üzerindeki USB-C portuna kabloyu bağlayın.

#### **Blackmagic URSA Mini Pro 12K ile, hangi USB-C flaş diskleri kullanmam gerek?**

Aşağıdaki USB-C flaş diskler; saniyede 30 kareye kadar 12K DCI Blackmagic RAW 8:1 kayıt için önerilir.

Marka	USB-C Flaş Disk İsmi	Depolama Kapasitesi
Angelbird	SSD2GO PKT MK2	512GB
Angelbird	SSD2GO PKT MK2	2TB
Glyph	Atom Raid SSD	4TB
Sony	Tough SL-CG5	500GB
Sony	Tough SL-C1	1TB
Sony	Tough SL-C2	2TB
Delkin Devices	Juggler	2TB
Wise	PTS-512 Portable SSD	512GB
Wise	PTS-1024 Portable SSD	1TB
Wise	PTS-2048 Portable SSD	2TB

#### **Blackmagic URSA Mini Pro 4.6K G2 ile hangi USB-C flaş diskleri kullanmam gerek?**

Saniyede 60 kareye kadar 4.6K Blackmagic RAW 3:1 kayıt için, aşağıdaki USB-C flaş diskler tavsiye edilir.

Marka	USB-C Flaş Disk İsmi	Depolama Kapasitesi
Samsung	Portable SSD T5	500GB
Samsung	Portable SSD T5	1TB
Wise	Portable SSD	256GB
Wise	Portable SSD	512GB
Wise	Portable SSD	1TB

Önerilen USB-C flaş disklerin en güncel listesi için, lütfen aşağıdaki adrese gidiniz.

[www.blackmagicdesign.com/tr/support](http://www.blackmagicdesign.com/tr/support)

## USB-C flaş disk Hızı Hakkında Önemli Bilgiler

Bazı USB-C flaş disk modelleri, imalatçı firmanın iddia ettiği hızlarda video verilerini kaydedemez. Bunun sebebi, daha yüksek yazım hızlarına erişmek için diskin gizli veri sıkıştırması kullanmasıdır. Bu veri sıkıştırması, sadece boş veri veya basit dosyaları depolarken, veriyi imalatçı firmanın iddia ettiği hızda kaydeder. Video verileri, videoda bulunan gürültü ve pikseller içerdiğinden daha rastgeledir yani, sıkıştırma pek yardımcı olmaz, böylelikle diskin gerçek hızını ortaya çıkarır.

Bazı USB-C flaş disklerin hızları, imalatçı firmanın iddia ettiği yazma hızlarından, %50 daha az olabilir. Yani, disk özellikleri, USB-C flaş diskin video işletmek için yeterli hızda olduğunu iddia etse bile, gerçek zamanlı video yakalama için, aslında o disk yeterince hızlı değildir.

USB-C flaş diskinizin, görüntü yakalama ve oynatım için yeterince hızlı olup olmadığını doğru olarak ölçmek için, Blackmagic Disk Speed (Hız) Test'ini kullanın. Blackmagic Disk Speed Test, videonun depolanmasını simüle eden veriler kullanır, böylelikle videoyu bir diske yakalarken göreceğiniz yakın sonuçlar alırsınız. Blackmagic testleri esnasında, daha yeni ve daha yüksek model USB-C flaş disklerin ve daha büyük kapasiteli USB-C flaş disklerin, genellikle daha hızlı olduklarını bulduk.

Blackmagic Disk Speed Test yazılımı, Mac app store sitesinden temin edilebilir. Windows ve Mac sürümleri; [www.blackmagicdesign.com/tr/support](http://www.blackmagicdesign.com/tr/support) adresindeki Blackmagic Design destek merkezinin 'görüntü yakalama ve oynatma' bölümünden indirebileceğiniz Blackmagic Desktop Video yazılımında dahil edilmiştir.

## SSD'ler

İsteğe bağlı Blackmagic URSA Mini Recorder ile, doğrudan katı hal disklerine, yani SSD'lere kaydedebilirsiniz. Bu hızlı, yüksek kapasiteli sürücüler, birçok elektronik mağazasından temin edilebilir.

URSA Mini Recorder, standart 2.5" SATA SSD'lerin yanı sıra, 7mm U.2 SSD'lerin de yüksek hızlarda çalışmasını sağlayan bir USB-C bağlantı noktasına sahiptir; M.2 katı hal diskleri ise M.2-U.2 adaptörü kullanılarak çalıştırılabilir. Sunulan yüksek hızlara ulaşmak için, sertifikalı bir 2. Nesil USB 3.1 kablosu gereklidir. Kullanım esnasında güvenli bir bağlantı sağlamak için dahil edilen USB-C kablosunun her iki ucunda kilitlenen konektörler bulunur.

**NOT** Blackmagic URSA Mini Recorder'in kurulumu hakkında daha fazla bilgi için bu kılavuzun 'Blackmagic URSA Mini Recorder' bölümüne bakın.

### Bir SSD'nin Takılması

#### Bir SSD'yi takmak için:

- 1 Bağlantı pimleri kameranızın ön tarafına bakacak şekilde SSD'nizi tutun.
- 2 URSA Mini Recorder'deki yaylı kapağı açın ve SSD'yi yuvaya yavaşça yerleştirin.

**BİLGİ** URSA Mini Recorder, farklı ebatlardaki SSD'lerin yuvalarında hareket etmemeleri için, bir baskı plakasına sahiptir. Böylelikle sürücüyü oturtmak üzere ara parça kullanmanıza gerek yoktur.

- 3 SSD'niz tamamıyla yuvaya girdiğinde, yerine oturuncaya kadar yavaşça itin ve sonra URSA Mini Recorder'in kapağını kapatın.

### Bir SSD'yi çıkarmak için:

URSA Mini Recorder'in kapağını açın ve sürücüyü baş parmağınız ve işaret parmağınız ile yavaşça tutun. Sürücüyü tutabilmeniz için, bölmenin üstünde küçük bir oyuk vardır. Sadece sürücüyü dışarı çekin ve kapağı kapatın.

**NOT** Blackmagic URSA Mini Recorder, URSA Mini'nin işletim sistemindeki ikinci depolama yuvasını alır. Bu nedenle, URSA Mini Recorder bağlı olduğunda ve uyumlu bir SSD yüklü iken, kameranızın ikinci CFast 2.0 ve SD kart yuvası kullanılamaz.

Onun yerine bu yuvaları kullanmak için, Mini Recorder USB-C bağlantısını, URSA Mini Pro 12K'dan çıkarın. Mini Recorder'in kendisini kameranızdan çıkarmanıza gerek yoktur. Daha fazla bilgi için, bu kullanım kılavuzundaki 'Blackmagic URSA Mini Recorder' bölümüne bakın.

### URSA Mini Recorder için hızlı bir SSD seçimi

SSD'ler, çok çeşitli cihazlar için hızlı ve uygun fiyatlı depolama seçeneği sunmak için tasarlanmışlardır ve film yapımının SSD piyasasının sadece küçük bir bölümünü oluşturduğunu belirtmekte fayda vardır. Yani, 12K Blackmagic RAW veya Ultra HD görüntü kaydetmek üzere gereken bant genişliğine sahip olduğunuzdan emin olmak için, doğru sürücüyü seçmek çok önemlidir. Birçok SSD, ev bilgisayarları için tasarlanmıştır ve Ultra HD videoyu kaydetmek için yeterince hızlı değildir.

Belirtilen çözünürlüklerde aralıksız çekim yapabilmek için, Blackmagic URSA Mini Pro 12K ile test edilmiş, tavsiye edilen SSD'ler listesinden bir SSD seçmenizi, şiddetle öneririz. Önerilen SSD'lerin en güncel listesi için, lütfen [www.blackmagicdesign.com/tr/support](http://www.blackmagicdesign.com/tr/support) adresine gidiniz.

### Blackmagic URSA Mini Recorder U.2 Diskler

Aşağıdaki 2.5 inçlik U.2 SSD'ler; saniyede 50 kareye kadar 12K DCI Blackmagic RAW 8:1 kaydı için önerilir.

Marka	Model	Depolama Kapasitesi
Samsung	983 DCT U.2 MZ-QLB960NE	960GB
Samsung	983 DCT U.2 MZ-QLB1T9NE	1.92TB

### Blackmagic URSA Mini Recorder M.2 Diskler

Aşağıdaki M.2- U.2 adaptörlü M.2 SSD'ler; saniyede 30 kareye kadar 12K DCI Blackmagic RAW 8:1 kaydı için önerilir.

Marka	Model	Depolama Kapasitesi
SanDisk	Extreme Pro M.2 NVMe 3D SSD	500GB
Western Digital	WD Black NVMe SSD WDS500G2X0C	500GB
Western Digital	WD Black SN750 NVMe SSD WDS100T3X0C	1TB

## SSD Hızı Hakkında Önemli Bilgiler

Bazı SSD modelleri, imalatçı firmanın iddia ettiği hızlarda video verilerini kaydedemez. Bunun sebebi, daha yüksek yazım hızlarına erişmek için diskin gizli veri sıkıştırması kullanmasıdır. Bu veri sıkıştırması, veriyi imalatçı firmanın iddia ettiği hızda, sadece boş veri veya basit dosyaları depolarken kaydeder. Video verileri, videoda bulunan gürültü ve pikseller içerdiğinden daha rastgeledir yani, sıkıştırma pek yardımcı olmaz, böylelikle diskin gerçek hızını ortaya çıkarır.

Bazı SSD'lerin, imalatçı firmanın iddia ettiği hızların yarısı kadar yazma hızları vardır. Yani disk özellikleri, SSD'nin video işletmek için yeterli hızda olduğunu iddia etse bile, aslında o disk, gerçek zamanlı video kaydı için kullanıldığında, video verilerini saklamak için yeterli hızda değildir.

SSD'nizin, video capture (görüntü yakalama) ve playback için yeterince hızlı olup olmadığını doğru olarak ölçmek için, Blackmagic Disk Speed Test'ini kullanın. Blackmagic Disk Speed Test, video depolanmasını simüle eden veriler kullanır; böylelikle videoyu bir diske kaydederken göreceğinize yakın sonuçlar alırsınız. Blackmagic testi esnasında, daha yeni ve daha yüksek model SSD'lerin ve daha büyük kapasiteli SSD'lerin, genellikle daha hızlı olduklarını bulduk.

## Kayıt için Ortamın Hazırlanması

CFast, SD kart veya SSD'lerinizi, depolama yöneticisini kullanarak veya bir Mac ya da Windows bilgisayarı üzerinden formatlayabilirsiniz. En üst düzeyde performans için, URSA Mini kamerayı kullanarak depolama ortamınızı formatlamayı tavsiye ederiz.

HFS+ aynı zamanda OS X Extended olarak da bilinir ve 'journaling' isimli günlüklemeyi desteklediğinden, tavsiye edilen formattır. Depolama ortamınızda nadiren olabilecek bozulmalarda, 'journaled' isimli günlük ortamdaki verilerin, geri getirilmeleri daha muhtemeldir. HFS+ yerel olarak Mac bilgisayarlar tarafından desteklenir. İlave herhangi bir yazılım satın almak zorunda kalmadan, exFAT formatı yerel olarak Mac ve Windows bilgisayarlar tarafından desteklenir. Fakat, exFAT günlüklemeyi (journaling) desteklemez.

**NOT** Ortamınızı formatlamadan önce, medya depolama düğmesinin doğru bir şekilde SD kartına veya CFast kartına ayarlanmış olduğuna dikkat edin. Formatlama işleminden önce, ayarları her zaman dikkatlice kontrol edin.

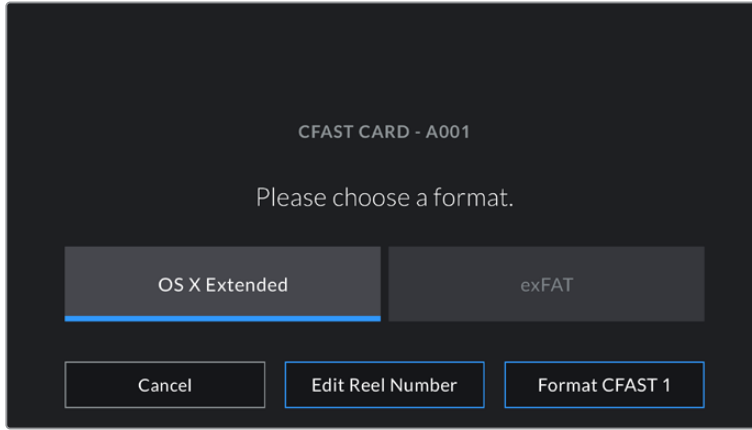
## Blackmagic URSA Mini'de Ortamın Hazırlanması

- 1 Depolama yöneticisine girmek için, dokunmatik LCD ekranının alt kısmındaki depolama göstergelerinden birini tıklayın.
- 2 Yuva 1 veya 2'deki kartı sırasıyla formatlamak için, dokunmatik ekranın altında bulunan formatlama butonlarından birini tıklayın. Bir URSA Mini Pro G2'nin USB-C portuna bir flaş disk takarsanız ikinci diski formatlamak için kullanılacak buton 'Format drive' butonudur.



Kameranızın depolama ortamını formatlamak için, URSA Mini'nizin depolama yöneticisini kullanın.

- 3 Manuel olarak makara numarasını değiştirmek istediğinizde, 'edit reel number' (makara numarasını değiştir) ibaresini tıklayın.
- 4 OS X Extended veya exFAT formatını seçip, formatlama butonuna basın.



Manuel olarak makara numarasını değiştirmek için, 'edit reel number' ibaresini tıklayın.

- 5 Sizden, yaptığınız seçimi doğrulamanız istenecektir. Devam etmek için, 'format' butonunu tekrar tıklayın veya formatlama işlemini iptal etmek için, 'cancel' (iptal) seçeneğini tıklayın.



Formatlama işleminden önce, doğru kartı seçtiğinizden emin olun.



- 6 Formatlama işlemi tamamlandığında, size bildirilecektir.
- 7 Yeniden depolama yöneticisine dönmek için, 'ok' ibaresini tıklayın.
- 8 Depolama yöneticisinden çıkmak için, 'exit' (çık) ibaresini tıklayın.

Depolama yöneticisiyle CFast kartları, SD kartları veya SSD'leri formatlarken, URSA Mini, kartı isimlendirmek için çekim tahtasındaki 'kamera kimliği' ile makara numarasını kullanacaktır. Her formatlama işleminde, URSA Mini kameranız otomatik olarak makara sayısını artırır. Manuel olarak belli bir makara numarası girmeniz gerektiğinde, 'edit reel number' (makara numarasını değiştir) ibaresini tıklayın ve kartı formatlamak istediğiniz şekilde, numarayı girin.

Yeni bir projeye başladığınızda, çekim tahtasındaki 'project' sekmesinde bulunan 'reset project data' (proje verilerini sıfırla) ibaresini tıkladığınızda, makara numaralandırması 1 olarak ayarlanacaktır.

URSA Mini Recorder bağlandığında ve bir SSD yüklü iken, URSA Mini'nin 2 numaralı depolama yuvasından yönetimi kaydedici devralır ve kameranızın depolama yöneticisindeki 2. yuvanın üzerinde bir 'SSD' işareti görürsünüz.

## Blackmagic URSA Mini Pro'da Ortamın Hazırlanması

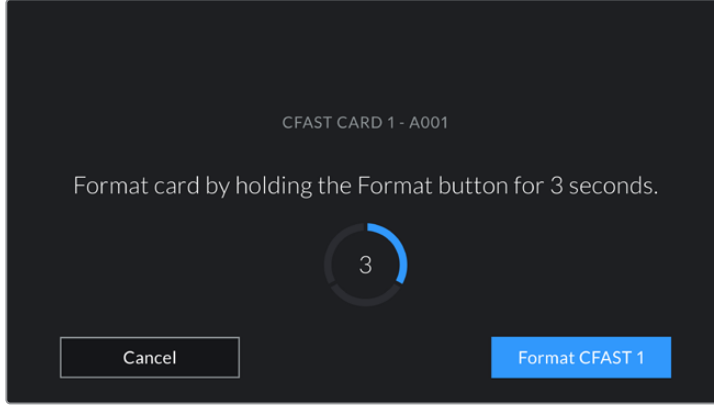
URSA Mini Pro'da depolama ortamının hazırlanma işlemi, yukarıda açıklanan URSA Mini işlemiyle aynıdır. Tek farkı; URSA Mini Pro 12K ve URSA Mini Pro 4.6K G2'de CFast kartların, SSD'lerin ve USB-C flaş disklerin yanı sıra, SD kartlar için de ek bir formatlama seçeneğinin bulunmasıdır. Kameranızın depolama ortamı düğmesi, SD veya CFast olarak ayarlıyken, 'kartı formatla' seçeneğini tıkladığınızda, sadece seçili olan kart tipinin formatlanacağını bildirmemizde fayda vardır. URSA Mini Pro 12K veya URSA Mini Pro 4.6K G2'yi, URSA Mini Recorder ya da bir USB-C flaş disk ile kullanırken, depolama ortamı anahtarının konumu ne olursa olsun SSD, 2 numaralı yuvada görünür.



Kameranızdaki depolama yöneticisi; CFast, SD, SSD veya USB-C flaş disk medyanın hangisini idare ettiğinizi size belirtecektir.

**BİLGİ** URSA Mini Pro'nuz SD kartlara kaydetmek üzere ayarlıysa ve kilitli bir kart yerleştirdiyse, bu kartı formatlamanız mümkün olmayacaktır. Depolama yöneticisinde, kartın isminin yanında küçük bir kilit simgesi belirecektir. Kartı formatlamak ve kaydetmek için, bu kilidi açmanız yeterlidir. SD kartlarının kilitlemesi konusunda daha fazla bilgi için, bu kullanım kılavuzundaki 'SD kartlar' bölümüne bakın.

URSA Mini Pro'nuzda depolama ortamını formatlarken, sizden 'format' butonunu 3 saniye basılı tutmanız istenecektir. Formatlama işlemi tamamlandığında, kamera sizi bilgilendirecektir.



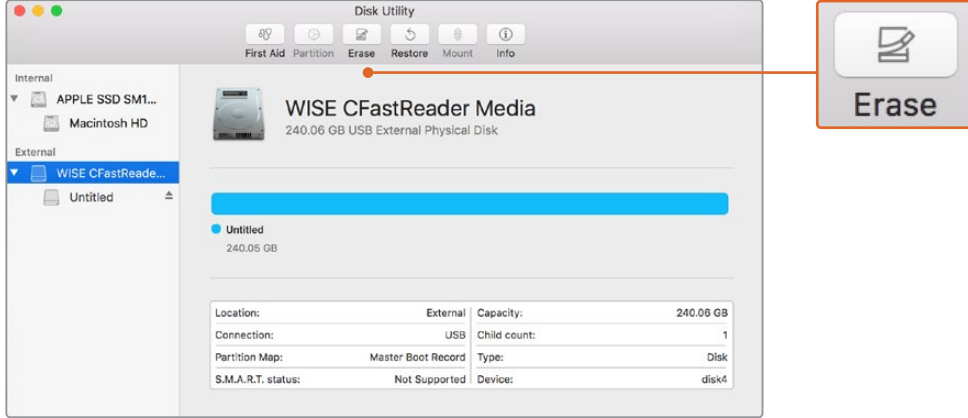
Medyanızı formatlamaya başlamak için, format butonunu üç saniyelikine basılı tutun.

CFast ile SD depolamanın birinden diğerine geçme konusunda daha fazla bilgi için, bu kılavuzun önceki kısmında yer alan 'SD Kartlar' bölümüne bakın.

**NOT** İsteğe bağlı olan URSA Mini Recorder bağlı ise, 'SSD recorder' 2 numaralı depolama yuvasının üzerinde belirecektir. Bir USB-C flaş disk bağlıyken, 'Harici Disk' ibaresi belirecektir.

## Ortamin Mac Bilgisayarda Hazırlanması

CFast kartınızı, SD kartınızı veya SSD'nizi, HFS+ veya exFAT formatlarında formatlamak için Mac ile dahili olan Disk Utility uygulamasını kullanın. Ortamınızdaki önemli olan her şeyi yedeklemeyi unutmayınız, çünkü formatlanınca tüm veriler silinir.



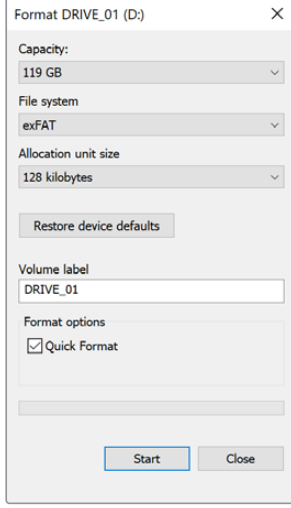
Kameranızın depolama ortamını, Mac OS extended (journaled) ya da exFAT olarak formatlamak için, Mac bilgisayarlarda dahili olan 'Disk Utility' yardımcı uygulamasını kullanın.

- 1 Depolama ortamınızı; bir SD okuyucu, yuva veya adaptör kullanarak bir bilgisayara bağlayın ve Time Machine yedeklemesi için kartınızın kullanılmasını öneren mesajları reddedin.
- 2 Uygulamalar (applications) menüsünden 'utilities' (yardımcı yazılımlar) sekmesini seçin ve Disk Utility uygulamasını başlatın.
- 3 Kameranızın depolama ortamı için olan disk ikonunu tıklayın ve sonra 'erase' (sil) sekmesini tıklayın.

- 4 Formatı 'Mac OS extended (journaled)' veya 'exFAT olarak ayarlayın.
- 5 Yeni ortam hacmi için bir isim girin ve sonra 'erase' (sil) üzerine tıklayın. Kameranızın depolama medyası, hızlı bir şekilde formatlanacak ve kullanıma hazır olacaktır.

## Windows Bilgisayarda Ortamın Hazırlanması

'Format' diyalog kutusu, kameranızın depolama ortamını, bir Windows PC üzerinde exFAT formatında formatlayabilir. Medyanız arasında önemli olan herşeyi yedeklemeyi unutmayınız; çünkü formatlanınca hepsi silinecektir.



Windows'daki 'format' diyalog kutusu özelliğini kullanarak kameranızın depolama medyasını exFAT formatında formatlayabilirsiniz.

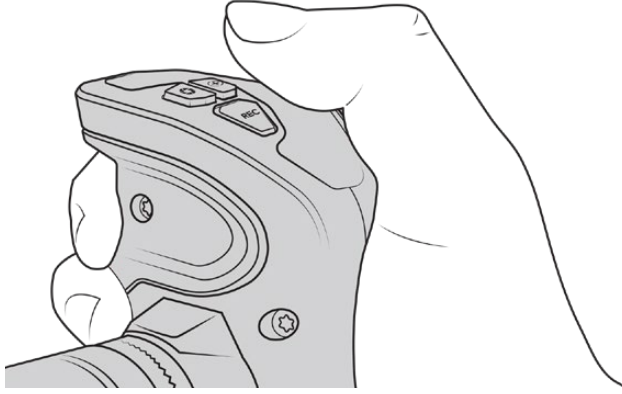
- 1 Harici bir okuyucu/yazıcı veya SSD dock kullanarak, kameranızın depolama ortamını bilgisayarınıza takın.
- 2 'Start' (başlat) menüsünü ya da 'start' ekranını açın ve bilgisayarımı seçin. Kameranızın depolama ortamını sağ tıklayın.
- 3 İçerik menüsünden 'format' seçeneğini seçin.
- 4 Dosya sistemini 'exFAT' olarak ve birim ayırma boyutunu da 128 kilobyte olarak ayarlayın.
- 5 Disk hacmi için bir isim yazın, 'quick format' (hızlı formatla) seçeneğini seçin ve 'start' (başlat) ibaresini tıklayın.
- 6 Depolama ortamınız hızlı bir şekilde formatlanacak ve kullanıma hazır olacaktır.

**NOT** Kayıtlarınız, kare düşürüyorsa kartınızın veya diskinizin kullandığı codec ve kare boyutuna göre tavsiye edilen medya listesinde olduğundan da emin olun. Daha düşük data hızları için, kare hızınız ile çözünürlüğünüzü düşürmeye çalışın ya da ProRes gibi sıkıştırılmış bir codec kullanmayı deneyin. En güncel bilgiler için, [www.blackmagicdesign.com/tr](http://www.blackmagicdesign.com/tr) adresinden, Blackmagic Design web sitesine bakın.

# Kaydetme

## Kliplerin Kaydedilmesi

Blackmagic URSA Mini'de; iç kısımdaki kontrol panelinde, dışa açılan dokunmatik ekranın dış kısmında, dokunmatik ekranda ya da opsiyonel Blackmagic URSA Tutma kolunda bulunan, kırmızı 'record' (kayıt) düğmesine basarak kaydetmeye başlayabilirsiniz. Blackmagic URSA Mini Pro'da, omuzdan çekimlerde kolaylıkla ulaşılması için, harici kayıt düğmesi ön kontrol panelinde bulunur. Kaydı durdurmak için, tekrar 'record' düğmesine basın.



Ayrıca, isteğe bağlı olan Blackmagic URSA tutma kolunda, REC olarak işaretlenen 'record' (kayıt) düğmesine basarak da klipler kaydedebilirsiniz.

Kayıdı başlatıp durdurmak için diğer bir seçenek de URSA Mini'nin LANC girişine, harici bir LANC kontrol cihazı takıp, kaydı harici olarak tetiklemektir. Örneğin, odak halkası ve tripod kolundan elinizi ayırmadan kaydı tetikleyebilmek için, tripodunuza bir LANC kontrol cihazı takmak isteyebilirsiniz.

**NOT** Çekim ortasında 'depolama medya seçimi' düğmesini oynattığınızda, kamera diğer medya türüne geçmeden önce, mevcut kaydı tamamlayacaktır. Bu da çekim esnasında düğme ayarlandığı zaman, kaydınızın zarar görmemesini sağlar.

## Codec, Çözünürlük ve Sensör Alanının Seçimi

Blackmagic URSA Mini Pro kamerası, sabit kalite veya sabit bit oranı ayarları ile Blackmagic RAW kaydedebilir. URSA Mini Pro ve URSA Mini, Apple ProRes sıkıştırılmış codec'leri de kaydedebilir. Sensör kare hız opsiyonları; kamerasına, seçtiğiniz codec ve çözünürlüğe dayalı olarak da farklılık gösterecektir.

Blackmagic RAW ile kaydedilen kliplerin; DaVinci Resolve, Blackmagic RAW Player ve Blackmagic RAW SDK'yı destekleyen başka uygulamalar ile uyumlu olduğunu belirtmemizde fayda var. Blackmagic RAW; şimdiden birçok post prodüksiyon platformu tarafından benimsenmiştir. Kurgulama yazılımlarının hepsinde yerel olarak desteklenmeyebilir ama, kamera güncellememiz ile veya Blackmagic RAW yükleyicimiz ile sağlanan eklentilerle, çoğunluğu çalışır. Daha fazla bilgi için, 'Üçüncü Parti Yazılımlar ile Çalışma' bölümüne bakın.

## Dinamik Aralık

Blackmagic URSA Mini Pro 12K, 14 durak genişliğinde inanılmaz, geniş dinamik aralıklı görüntüler oluşturur. URSA Mini Pro G2, URSA Mini Pro ve URSA Mini 4.6K, 15 duraklı dinamik aralığa sahiptir.

Bu; DaVinci Resolve gibi renk derecelendirme yazılımlarından en iyi neticeleri almanız için, video sinyalinizdeki bilgileri azamiye çıkarır.

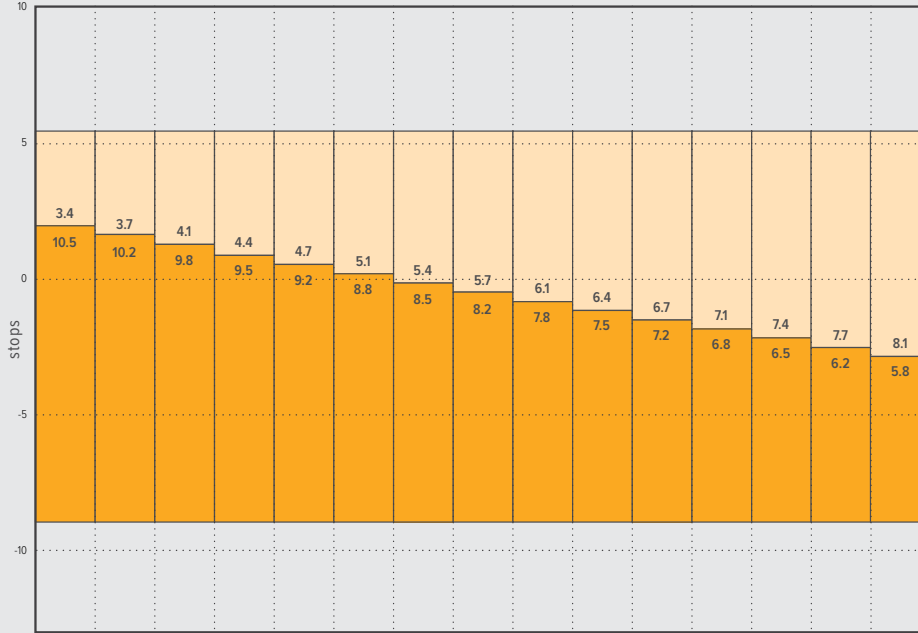
Yakalanan geniş dinamik aralık; yüksek dinamik aralıklı yani HDR içerik teslimatı için de mükemmeldir.

Aşağıdaki grafiklerde gösterildiği gibi 14 duraklı dinamik aralık, URSA Mini Pro 12K için 125 ASA ile 3200 ASA arasındaki tüm ISO aralığında ve 15 duraklı dinamik aralık; URSA Mini 4.6K, URSA Mini Pro ve URSA Mini Pro G2 için 200 ASA ile 3200 ASA arasında mevcuttur.

Bu adımların orta gri üzerine veya aşağısına dağılımı, seçilen ISO değerine göre farklılık gösterecektir. Örneğin, 200 ASA'daki URSA Mini Pro G2'de görüntünün gölge içeren bölgelerine 10,8 durak ve görüntüdeki parlak bölgelere de geri kalan 3,9 durak ayrılacaktır.

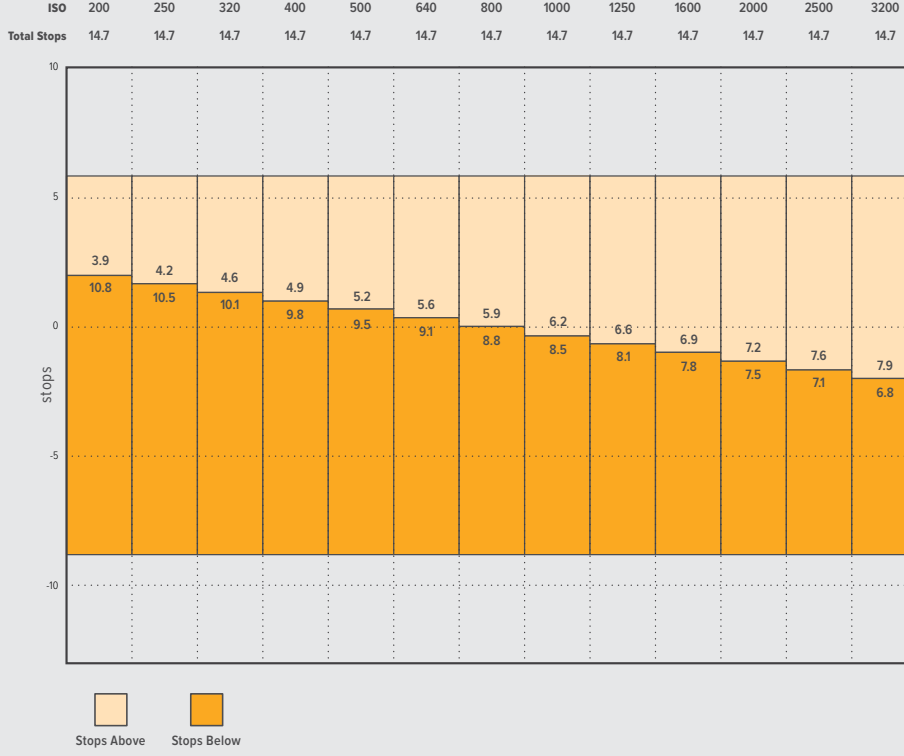
### Blackmagic URSA Mini Pro 12K Dinamik Aralığı

ISO	125	160	200	250	320	400	500	640	800	1000	1250	1600	2000	2500	3200
Total Stops	13.9	13.9	13.9	13.9	13.9	13.9	13.9	13.9	13.9	13.9	13.9	13.9	13.9	13.9	13.9



Stops Above Stops Below

## Blackmagic URSA Mini 4.6K, URSA Mini Pro ve URSA Mini Pro G2 Dinamik Aralığı



## Blackmagic RAW

Blackmagic URSA Mini Pro, yeni Blackmagic RAW dosya formatını destekler. Bu format; üstün nitelikli görüntü kalitesi, geniş dinamik aralık ve geniş çeşitlilikte sıkıştırma oranları sunar. Blackmagic RAW, ham (RAW) görüntü kaydetmenin tüm faydalarını muhafaza eder, ama bu dosyalar oldukça hızlıdır, çünkü demosaic işleminin bir kısmı kamerada gerçekleşir ve burada donanım tarafından hızlandırılabilir.

Blackmagic RAW formatı, aynı zamanda akıllıdır çünkü, kamerada bulunan görüntü algılayıcısını anlar. Böylelikle, daha küçük bir dosya formatında, çok daha iyi kaliteye sahip oluyorsunuz. Daha küçük dosyaların daha yüksek kalitede olması, Blackmagic RAW formatının, diğer video ve RAW dosya formatlarına iyi bir alternatif olduğu anlamına gelir.

Blackmagic RAW ayrıca etkili metadata desteği de içerdiğinden, dosyaları okuyan yazılım kamera ayarlarını saptayabilmektedir. Kurgunuzu çabucak bitirmeniz gerektiği ve renk düzeltme için vaktiniz olmadığından dolayı çekimlerinizi video gamada yaptığınızda, bu metadata özelliği; video gamayı seçebileceğiniz, video gamada çekim yapabileceğiniz ve yazılımda dosyayı açtığınızda dosyanın video gama uygulanmış olarak görüntüleneceği anlamına gelir. Ancak, alttaki dosya aslında film gamadır ve yazılıma video gamayı uygulamasını söyleyen de dosyadaki metadata'dır.

Yani tüm bunların anlamı, herhangi bir aşamada görüntülerinizin renk derecelendirmesini yapmak istediğiniz zaman, dosyada muhafaza edilen film dinamik aralığının tümüne sahip olacağınızdır. Görüntüleriniz beyazlarda ya da siyahlarda aşırı bir kırılmaya maruz kalmadığından, ayrıntılar muhafaza edilir ve tüm görüntülerinize sinematik bir görünüm vermek üzere renk derecelendirme yapabilirsiniz. Ama renk derecelendirme için vaktiniz yoksa, sorun değil çünkü, görüntülerinize video gamma uygulanmış olacak ve normal video kamera görüntülerine sahip olacaksınız. Belli bir çekime kilitlenmemiş oluyorsunuz ve daha sonra post prodüksiyon aşamasında fikrinizi değiştirebilirsiniz.

Blackmagic RAW dosyaları had safhada hızlıdır ve bilgisayarınızın CPU ve GPU'su için, codec'i optimize edilmiştir. Bunun anlamı; hızlı ve pürüzsüz oynatımının olduğu ve donanım kod çözücü kartlarına olan gereksinimi ortadan kaldırdığıdır. Bu da dizüstü bilgisayarı kullanımı için önemlidir. Blackmagic RAW formatını okuyan yazılım; Apple Metal, Nvidia CUDA ve OpenCL üzerinden işleme avantajına da sahip olur.

Bu sayede Blackmagic RAW, önbellek oluşturulmasına ya da çözünürlüğün düşürülmesine gereksinim olmadan, çoğu bilgisayarlarda normal bir hızda oynatım sağlar.

Ayrıca lens bilgilerinin, kare kare işlenerek metadata'ya kaydedildiğini belirtmekte de fayda var. Örneğin, uyumlu lensler kullanıldığında, klip süresince uygulanan zoom ya da odakla ilgili değişiklikler, Blackmagic RAW dosyasındaki metadata'ya kare kare kaydedilir.

## Blackmagic RAW Kayıt

Blackmagic RAW iki farklı şekilde çalışır. Ya sabit bit oranı kodeğini ya da sabit kalite kodeğini kullanma seçeneğine sahiptir.

Sabit bit oranlı codec, birçok codec'e benzer bir şekilde çalışır. Veri oranını sabit bir seviyede tutmaya çalışır ve veri oranının çok yüksek olmasını önler. Böylece, görüntüye biraz daha verinin depolanmasını gerektiren karmaşık bir görüntünün çekiminde bile, sabit bit oranı, ayrılmış olan alana görüntülerin sığmasını sağlaması için, görüntüye daha güçlü bir sıkıştırma uygular.

Bu, video codec'leri için iyi olabilir ama, Blackmagic RAW çekim yaparken, kalitenin öngörülebilir olduğundan gerçekten emin olmanız gerekir. Çekimini yaptığınız görüntülerin daha çok veriye ihtiyacı olduğunu fakat, codec'in belli bir veri oranını oluşturması için daha güçlü bir sıkıştırma uyguladığını farz edelim. Bu durumda, kalite kaybına uğramanız ve bunun olduğunu çekim sonrasına kadar farketmemeniz olasıdır.

Bu sorunun giderilmesi için Blackmagic RAW, sabit kalite adında alternatif bir codec seçeneğini sunmaktadır. Bu codec, teknik olarak değişken bit oranlı codec adını taşıyor fakat, aslında yaptığı şey, görüntüleriniz fazladan veriye ihtiyaç duyduğunda, dosya boyutunun büyümesine olanak vermektir. Bir görüntünün kalitesini muhafaza ederek kodlamanız gerektiğinde, dosya boyutunun büyüklüğü konusunda herhangi bir üst sınır yoktur.

Sabit kalite ayarına ayarlı olan Blackmagic RAW, görüntülerinizin kodlanması için gereksinim duyulan boyuta kadar dosyanın büyümesine olanak verir. Bununla birlikte, yaptığınız çekime dayalı olarak, dosyalar daha büyük ya da daha küçük olabilirler. Lens kapağını lensin üzerinde bıraktığınızda, medyanızda boşuna yer harcamayacaksınız.

Blackmagic RAW için kalite ayarlarına verilen isimlerin anlamsız olmadığını ve teknik olarak gerçekleşen işlemlerden türetildikleri için son derece anlamlı olduklarını belirtmemizde fayda var. Örneğin, sabit bit oranı kodeğini seçtiğinizde, URSA Mini Pro kameranızın türüne bağlı olarak 3:1, 5:1, 8:1, 12:1 veya 18:1 kalite ayarlarını göreceksiniz. Bunlar, Blackmagic RAW'da çekim yaparken beklediğiniz dosya ebatlarının, sıkıştırılmamış RAW dosya ebadına olan oranlarıdır. Dosya ebadı daha büyük olduğundan, 3:1'in kalitesi daha yüksekken, 18:1 en düşük kaliteli en küçük dosya ebadına sahiptir. Blackmagic RAW kodeğini kullanan birçok kişi, 12:1 veya 18:1'in son derece iyi olduğunu ve hiçbir kalite sınırlaması görmediklerini belirtti. Yine de farklı ayarlarla kendi denemelerinizi yapmak en iyisidir.

Blackmagic RAW kodeğini sabit kalitede kullanırken, URSA Mini Pro kameranızın türüne bağlı olarak ayarların Q0, Q1, Q3 veya Q5 olduğunu göreceksiniz. Bunlar, kodeğe geçen sıkıştırma parametreleridir ve ne kadar sıkıştırma uygulandığını, daha teknik bir yolla ayarlar. Bu ayar farklıdır, çünkü sabit bit oranı ve sabit kalite arasında kodek farklı bir şekilde çalışır. Yaptığınız çekime bağlı olarak farklılık gösterdiği için bu sabit kalite ayarında, dosya boyut oranının ne olacağını pek tahmin edemezsiniz. Yani, bu durumda ayar farklıdır ve dosya, medyanızı saklamak için gerekli olan boyutta olacaktır.

## Sabit Bit Oranları

3:1, 5:1, 8:1, 12:1 ve 18:1 için isimler, sıkıştırma oranını yansıtır. Örneğin; 12:1 sıkıştırma, sıkıştırılmamış RAW kaydından aşağı yukarı 12 kat daha küçük bir dosya boyutu meydana getirir.

URSA Mini Pro 12K'da Blackmagic RAW sabit bit oranı 5:1, 8:1, 12:1 ve 18:1 olarak kullanılabilir. URSA Mini Pro 4.6K G2 ve URSA Mini Pro 4.6K; 3:1, 5:1, 8:1 ve 12:1'de Blackmagic RAW sabit bit oranını destekler.

## Sabit Kalite Ayarları

Q0, Q1, Q3 ve Q5 farklı niceleme (quantization) seviyelerini temsil eder. Q5'te niceleme seviyesi daha büyüktür, ama büyük ölçüde geliştirilmiş bir veri hızı sunar. Yukarıda bahsedildiği gibi sabit kalite ayarı, çekimlerinize bağlı olarak büyüyen ve küçülen dosyalara neden olabilir. Bu ayrıca; bir şeyin çekimini yapıp, ortam kartınızın baş edebileceği boyutların çok üzerine dosya ebadının yükseldiğini göstermenin, mümkün olduğu anlamına da gelir. Düşen karelerle sonuçlanabilir. Ancak bunun yararı, bir çekimde gerçekleştiği zaman hemen görebilmenizdir ve sonra kalite karşısında ayarlarınızı inceleyebilirsiniz.

Blackmagic RAW sabit kalite, URSA Mini Pro 12K'da Q0, Q1, Q3 ve Q5 değerlerinde bulunur. URSA Mini Pro 4.6K G2 ve URSA Mini Pro 4.6K, Blackmagic RAW sabit kaliteyi Q0 ve Q5 değerlerinde destekler.

## Blackmagic RAW Oynatıcı

Blackmagic kameranızın yazılım yükleyicisi ile gelen Blackmagic RAW oynatıcı, kliplerin gözden geçirilebilmesi için geliştirilmiş, modern bir uygulamadır. Açmak için Blackmagic RAW dosyasına çift tıkladığınızda, tam çözünürlükte ve bit derinliğinde dosyayı hızla oynatabilir ve dosya içerisinde gezinebilirsiniz.

Kare kodlarını açarken, SDK belgeliğindeki CPU hızlandırma, ana yapıların tümünü destekler ve ayrıca Apple Metal, Nvidia CUDA ve OpenCL üzerinden GPU hızlandırmayı da destekler. Buna ek olarak, ekstra randıman için Blackmagic eGPU ile de çalışır. Blackmagic RAW player; Mac, Windows ve Linux sistemlerinde kullanılabilir.

## Sidecar Dosyaları

Blackmagic RAW sidecar dosyaları, orijinal dosyadaki gömülü metadata'ya herhangi bir değişiklik yapmadan, dosyadaki metadata'yı geçersiz kılmaya olanak verir. Bu metadata; RAW ayarlarının yanı sıra; iris, odak, odak uzaklığı, beyaz ayar, tonlama, renk alanı, proje adı, deneme numarası gibi bilgileri ve daha fazlasını içermektedir. Metadata, klip boyunca her bir kareye kodlanır ve ayrıca bu, çekim esnasında lens ayarı düzeltildiğinde, lens verisi için de önem taşır. DaVinci Resolve ile, sidecar dosyalarında metadata ekleyebilir ya da değişiklik yapabilirsiniz ve hatta okunabilir formatta olan bir metin düzenleyicisi bile ekleyebilirsiniz.

Sidecar dosyaları, yeni RAW ayarlarının otomatik olarak oynatıma (playback) eklenmesi için kullanılabilir. Bunu, sidecar dosyasını, aynı isimdeki ilgili RAW dosyasının klasörüne aktararak yapabilirsiniz. Sidecar dosyasını, klasörden çıkarıp Blackmagic RAW dosyasını tekrar açtığınızda, RAW ayarlarının uygulanmamış olduğunu göreceksiniz ve dosyayı orijinal çekilmiş haliyle göreceksiniz. Blackmagic RAW SDK'dan faydalanan her türlü yazılımın, bu ayarlara erişimi mümkündür. Yapılan değişiklikler sidecar dosyasına kaydedilir ve Blackmagic RAW Oynatıcıda veya Blackmagic RAW dosyalarını okuyabilen tüm yazılımlarda görülebilir.

Video gamma'da çekim yapılırken, dosya film gamma olarak kalır ve metadata, Blackmagic RAW işlemine, video gamma olarak görüntülenmesini söyler. Video gamma, görüntüye derecelendirme uygulamak istemediğiniz ve içeriği hemen teslim etmek istediğiniz durumlarda harikadır fakat, görüntünün siyahlarını artırmak veya beyaz alanlarını düşürmek istediğinizde, tüm ayrıntılar muhafaza edilir. Videoyu hiçbir zaman kırpma zorunda kalmazsınız ve dilediğiniz zaman erişebilmeniz için, tüm ayrıntılar yerindedir.



## DaVinci Resolve'de Blackmagic RAW

Ayarlar, her bir Blackmagic RAW dosyası için düzenlenebilir ve sonra da yaratıcı efekt ya da optimize edilmiş izleme için, DaVinci Resolve'deki RAW sekmesinden, yeni bir sidecar dosyası olarak kaydedilebilir. Bu ayrıca, medyanızı bir diğer DaVinci Resolve uzmanı için kopyalayabileceğiniz ve onların, değiştirilmiş olan gamma ayarlarına aktarma esnasında, otomatik olarak erişebilecekleri anlamına gelmektedir. Kameranızın içerdiği başka metadata'nın yanı sıra DaVinci Resolve, seçilmiş olan dinamik aralığınızı da okuyabildiğinden, klipleriniz DaVinci Resolve'de otomatik olarak 'film', 'genişletilmiş video' ya da 'video' dinamik aralığı olarak görüntülenecektir.

Daha sonra doygunluğu, kontrastı, orta noktayı ve parlaklık ile gölgelerdeki yumuşamayı düzenleyerek, bu ayarları kişiselleştirebilirsiniz. Her türlü düzenleme bir sidecar dosyası olarak kaydedilebildiğinden, bu değişiklikler post yapımda dosyalar üzerinde çalışan herkes tarafından görülebilir. Dilediğiniz zaman kameradaki orijinal metadata'ya geri dönebilirsiniz.

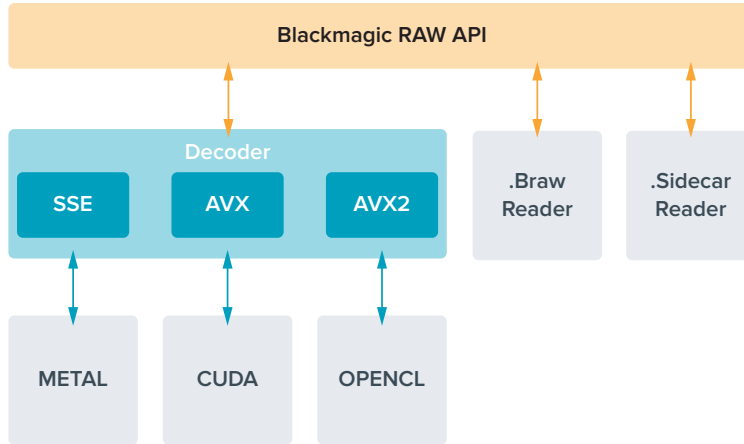
Bununla birlikte, DaVinci Resolve'deki RAW sekmesinden tüm düzenlemeleri, metadata'yı ve tam çözünürlüğü ve renk bilgilerini içeren tek bir Blackmagic RAW karesini de aktarabilirsiniz. Bu sayede, tek bir çekim karesini ya da referans dosyasını başkalarıyla paylaşmak kolaydır.

Blackmagic RAW'ın DaVinci Resolve'de kullanımı hakkında daha fazla bilgi için, bu kılavuzun 'DaVinci Resolve'nin Kullanımı' bölümüne bakın.

## Blackmagic RAW Yazılım Geliştirme Kiti

Blackmagic RAW Yazılım Geliştirme Kiti, Blackmagic Design tarafından geliştirilen bir (API) Uygulama Programlama Arayüzüdür. Blackmagic RAW Yazılım Geliştirme Kitini, Blackmagic RAW formatını kullanmak için kendinize ait uygulamalar yazmak üzere kullanabilirsiniz. Bu Yazılım Geliştirme Kiti (SDK), Blackmagic RAW dosyalarının; okunması, düzenlenmesi ve kaydedilmesi için, herhangi bir yazılım geliştiricisi tarafından kullanılabilir. Blackmagic RAW Yazılım Geliştirme Kiti, 4. nesil ve 5. nesil renk biliminin tümünü içerir; böylelikle, onu destekleyen tüm uygulamalara, doğal sinematik görüntüler arşivleyebilirsiniz. Blackmagic RAW Yazılım Geliştirme Kiti; Mac, Windows ve Linux platformlarını destekler ve Blackmagic websitesinin Developer (yazılım geliştiricileri) sayfasından ücretsiz olarak indirilebilir. [www.blackmagicdesign.com/tr/developer](http://www.blackmagicdesign.com/tr/developer)

Aşağıdaki şema, Blackmagic RAW API'nin öğelerini göstermektedir:



## Kare Hızlarının Seçimi

Kameranız, çok farklı kare hızlarını kullanarak video çekebilir ve kullanmak için hangisinin en iyisi olduğunu merak ediyor olabilirsiniz. Kameranızın sensör kare hızının da çekimlerinizin görünümü üzerinde büyük bir etkisi olabilir. Genellikle bir sensör kare hızı seçerken, göz önünde bulundurmanız gereken bazı genel noktalar vardır. Yıllardır, film ve televizyon için sunum standartları olmuştur. Bunların, ülkeler arası değişen belirli kare hızları vardır fakat, hepsi aynı amacı paylaşır; bu da hoş giden ve ikna edici hareket sergileyen, her saniyede yeterli sayıda kare görüntülemektir. Örneğin sinema, standart olarak saniyede 24 kareyi kullanır ve daha hızlı kare hızları ile yakın zamanlarda Örneğin; sinema, saniyede 24 karelik bir standardı kullanır ve daha hızlı kare hızları ile yakın zamanlarda deneyler yapılmasına rağmen, saniyede 24 kare, uluslararası izleyiciler için yaygın ölçüde kabul görmeye devam etmektedir. Televizyon için kare hızları, genellikle her ülke için olan teknik yayın standartlarına uyumlandırılmıştır. Örneğin, televizyon için içerik oluşturuyor olsaydınız, tipik olarak Kuzey Amerika dağıtımı için saniyede 29.97 kare ve Avrupa için saniyede 25 kare ile kaydederdiniz.

Bununla birlikte, teknoloji geliştiği için, şimdi daha çok seçeneğimiz var ve yayın standartları değişiyor. Spor aktivitelerinin daha yüksek kare hızlarında kaydedilmesi ve yayınlanması, artık oldukça yaygın. Örneğin; bazı spor etkinlikleri, Kuzey Amerika'da saniyede 59.94 kareye varan hızlarda ve Avrupa'da saniyede 50 kareye varan hızlarda kaydedilir ve yayınlanır. Bu; hızlı aksiyonlarda daha pürüzsüz hareket sağlar ve daha gerçekçi görünür. Bundan farklı olarak, internet üzerinden canlı yayın yapanlar ve internet yayıncıları, normalde televizyona benzer kare hızları kullanır; ancak kullanıcı tarafından seçilebilen görüntüleme formatları ve sadece izleyici ekranlarının görüntüleme kapasitesiyle sınırlı olmaları nedeniyle, deney için daha çok serbestlik vardır.

Genellikle, bir proje için kare hızı seçerken, seçiminizi teslimat formatının yönlendirmesine izin verin. Kameranızın proje kare hızı, buna ayarlı olmalı ve sensör kare hızı da buna eşleşecek bir şekilde ayarlanmalıdır. Böylelikle, olayın gerçek hayatta olduğu hızda, klipleriniz geri oynayacaktır. Yavaş çekim gibi ilginç bir efekt oluşturmayı hedefliyorsanız bu takdirde, sensör kare hızını daha yüksek bir değere ayarlayabilirsiniz. Proje kare hızına kıyasla, sensör kare hızı ne kadar yüksek olursa oynatım hızı da o kadar yavaş olur. Örneğin, URSA Mini Pro G2, inanılmaz derecede yavaş hareket içeren çekimler için, çok yüksek sensör kare hızlarında çekim yapmanıza imkan verir.

Off speed (kapalı hız) sensör kare hızlarını kullanma konusunda daha fazla bilgi için, bu kılavuzun 'dokunmatik ekran kontrolleri' bölümüne bakın.

### Yüksek Kare Hızlarında Çekim

Yüksek kare hızlarında çekim yaparken, saniyede 24, 25 ve 30 karelik geleneksel kare hızlarına kıyasla, kameranız saniyede daha fazla sayıda kareyi yakalar. Bunun anlamı, yakaladığı her kare için ışık toplamak üzere görüntü sensörünün daha az vaktinin olduğudur ve bunun sonucunda kameranızdan gelecek görüntü, daha karanlık olacaktır.

Örnek olarak; saniyede 25 kareden 50 kareye geçerseniz sensöre ulaşan ışık miktarı yarıya düşecektir. Pozlandırmayı devam ettirmek için; merceğinizi bir ilave adım daha açarak, örtücü açınızı 180 dereceden 360 dereceye açarak veya çekimini yaptığınız sahneye ilave ışıklandırma ekleyerek telafi etmeniz gerekir.

Saniyede 120 karede çekim yaparken, 5 kat daha az ışığınız olur yani, aynı seviyede pozlama elde etmek için; diyafram açıklığı, örtücü açısı ve ışıklandırma gibi ayarları düzeltmeniz gerekebilir.

Daha yüksek kare hızlarında çekim yaparken aklınızda bulundurmanız gereken diğer bir konu da elektronik ışık kaynaklarının kaydedilen görüntülere kırışma ekleyebileceği gerçeğidir. Bilhassa, bir 50Hz ortamda saniyede 100 kareden daha yüksek hızlarda veya bir 60Hz ortamda saniyede 120 karede çekim yaparken; yapay tungsten, floresan ve LED ışık kaynakları, görüntülerinize bazı kırışmalar getirebilir. Bu kırışma sorunlarını; sahneyi LCD ekranınızda ön-izlerken, SDI sinyalinde veya kayıt esnasında görmeyebilirsiniz. Bu yüzden, kullanmayı planladığınız ışıklarla bir deneme çekimi yapmak ve kırışmayı denetlemek için deneme klibini izlemeniz önemlidir.

Işıklar altında çekim yaparken, örtücü ayarınız da kırışmanın görünürlüğünü etkileyebilir; bu yüzden URSA Mini, mevcut kare hızınız için kırışmasız örtücü seçeneklerini otomatik olarak hesaplayabilir ve görüntüler. Kırışmasız değerleri kullandığınızda bile, ayrı ışık kaynaklarının halen kırışmaya neden olabileceğini dikkate alın. Daha fazla bilgi için, 'dokunmatik ekran kontrolleri' bölümüne bakın.

Örtücünüzü en yavaş örtücü hızına veya en geniş örtücü açısına açtıysanız ve kaydettiğiniz çekimlerde halen kırışma görüyorsanız, sahnemiz için başka ışık kaynaklarını kullanmayı göz önünde bulundurmanız veya daha hızlı bir mercek kullanmanız gerekebilir.

## Azami Kare Hızları

Aşağıdaki tablolar, URSA Mini 4.6K ve URSA Mini Pro modelleri için mevcut olan codec'leri, çözünürlükleri ve azami sensör kare hızlarını içermektedir. Blackmagic RAW, ProRes 444 ve ProRes 422'ye ilişkin referansların, her bir codec dahilindeki desteklenen türevlerine de ilişkin referanslar olduğunun dikkate alınması gerekir.

Yavaş çekimde yüksek çözünürlüklerin kaydedilmesi için gerekli olan veri hızlarından dolayı, hızlı bir CFast kart, USB-C flaş disk veya SSD seçmeniz gerekecektir. Kesintisiz yüksek hızlı kaydetmeye yönelik tavsiye edilen medya için, 'depolama medyası' bölümüne bakın.

**BİLGİ** Kartınızın kaldırabileceği hızı, 'kart kare düşürürse kaydı durdur' (stop record if card drops frames) özelliğini açarak ve bir deneme klibi kaydederek test edebilirsiniz. Bu; herhangi bir çözünürlükte belli bir kare hızında, ne kadar çekim yapabileceğinizi test etmenizi sağlayacaktır. Kart çabucak kaydetmeyi durdurursa bir sonraki geçerli sıkıştırma ayarına veya çözünürlüğe inmek, veri hızını düşürecek ve kartın bu hızı tutmasını kolaylaştıracaktır.

## URSA Mini Pro 12K için Azami Kare Hızları

Format	Çözünürlük	Kodek	Sensör tarama	Azami Kare Hızı	
12K	17:9	12288 x 6480	Blackmagic RAW	Tam	60
	16:9	11520 x 6480	Blackmagic RAW	Tam yükseklik	60
	2.4:1	12288 x 5112	Blackmagic RAW	Tam genişlik	75
	6:5 Anamorfik	7680 x 6408	Blackmagic RAW	Tam yükseklik	60
8K	17:9	8192 x 4320	Blackmagic RAW	Tam	120
	16:9	7680 x 4320	Blackmagic RAW	Tam yükseklik	120
	2.4:1	8192 x 3408	Blackmagic RAW	Tam genişlik	160
	6:5 Anamorfik	5120 x 4272	Blackmagic RAW	Tam yükseklik	120
6K	Süper 16	6144 x 3240	Blackmagic RAW	Düşük alanlı	120
4K	DCI	4096 x 2160	Blackmagic RAW	Tam	120
	16:9	3840 x 2160	Blackmagic RAW	Tam yükseklik	120
	2.4:1	4096 x 1704	Blackmagic RAW	Tam genişlik	160
	6:5 Anamorfik	2560 x 2136	Blackmagic RAW	Tam yükseklik	120
	Süper 16	4096 x 2160	Blackmagic RAW	Düşük alanlı	240

**URSA Mini Pro 4.6K G2, URSA Mini Pro 4.6K ve URSA Mini 4.6K için Azami Kare Hızları**

Format	Çözünürlük	Kodek	URSA Mini Pro 4.6K G2		URSA Mini Pro 4.6K		URSA Mini 4.6K	
			Sensör tarama	Azami Kare Hızı	Sensör tarama	Azami Kare Hızı	Sensör tarama	Azami Kare Hızı
4.6K	4608 x 2592	Blackmagic RAW	Tam	120	Tam	60	–	–
		ProRes 444	Tam	40	Tam	30	Tam	30
		ProRes 422	Tam	80	Tam	40	Tam	40
4.6K 2.4:1	4608 x 1920	Blackmagic RAW	Düşük Alanlı	150	Düşük Alanlı	60	–	–
		ProRes 444	Düşük Alanlı	60	Düşük Alanlı	40	Düşük Alanlı	40
		ProRes 422	Düşük Alanlı	120	Düşük Alanlı	50	Düşük Alanlı	50
4K 16:9	4096 x 2304	Blackmagic RAW	Düşük Alanlı	120	Düşük Alanlı	60	–	–
		ProRes 444	Düşük Alanlı	60	Tam veya Düşük Alanlı	30	Tam veya Düşük Alanlı	30
		ProRes 422	Düşük Alanlı	100	Tam veya Düşük Alanlı	50	Tam veya Düşük Alanlı	50
4K DCI	4096 x 2160	Blackmagic RAW	Düşük Alanlı	150	Düşük Alanlı	60	–	–
		ProRes 444	Düşük Alanlı	60	Tam veya Düşük Alanlı	40	Tam veya Düşük Alanlı	40
		ProRes 422	Düşük Alanlı	120	Tam veya Düşük Alanlı	50	Tam veya Düşük Alanlı	50
UHD	3840 x 2160	Blackmagic RAW	Düşük Alanlı	150	Düşük Alanlı	60	–	–
		ProRes 444	Tam veya Düşük Alanlı	60	Tam veya Düşük Alanlı	40	Tam veya Düşük Alanlı	40
		ProRes 422	Tam veya Düşük Alanlı	120	Tam veya Düşük Alanlı	60	Tam veya Düşük Alanlı	60
3K Anamorphic	3072 x 2560	Blackmagic RAW	Düşük Alanlı	120	Düşük Alanlı	60	–	–
		ProRes 444	Düşük Alanlı	70	Düşük Alanlı	40	–	–
		ProRes 422	Düşük Alanlı	120	Düşük Alanlı	60	–	–
2K 16:9	2048 x 1152	Blackmagic RAW	Düşük Alanlı	240	Düşük Alanlı	120	–	–
		ProRes 444	Düşük Alanlı	240	Düşük Alanlı	120	Düşük Alanlı	120
		ProRes 422	Düşük Alanlı	240	Düşük Alanlı	120	Düşük Alanlı	120
		ProRes 444	Tam	120	Tam	60	Tam	60
		ProRes 422	Tam	120	Tam	60	Tam	60
2K DCI	2048 x 1080	Blackmagic RAW	Düşük Alanlı	300	Düşük Alanlı	120	–	–
		ProRes 444	Düşük Alanlı	240	Düşük Alanlı	120	Düşük Alanlı	120
		ProRes 422	Düşük Alanlı	240	Düşük Alanlı	120	Düşük Alanlı	120
		ProRes 444	Tam	120	Tam	60	Tam	60
		ProRes 422	Tam	120	Tam	60	Tam	60
HD	1920 x 1080	Blackmagic RAW	Düşük Alanlı	300	Düşük Alanlı	120	–	–
		ProRes 444	Düşük Alanlı	240	Düşük Alanlı	120	Düşük Alanlı	120
		ProRes 422	Düşük Alanlı	240	Düşük Alanlı	120	Düşük Alanlı	120
		ProRes 444	Tam	120	Tam	60	Tam	60
		ProRes 422	Tam	120	Tam	60	Tam	60

Blackmagic RAW Q0, Q1, Q3 ve Q5'in, sabit kalite elde etmek için deęişken bit oranlı sıkıştırma kullandığını unutmanız önemlidir. Q0, Q1, Q3 ve Q5 veri hızları, görüntüdeki nesne yapısının karmaşıklığına bağlıdır ve bir klip boyunca epey farklılık gösterebilir.

### URSA Mini 4K için Azami Kare Hızları

Format	Çözünürlük	Kodek	URSA Mini 4K	
			Sensör tarama	Maksimum Kare Hızı
UHD	3840 x 2160	ProRes 444	Tam veya Düşük Alanlı	40
		ProRes 422	Tam veya Düşük Alanlı	60
HD	1920 x 1080	ProRes 444	Düşük Alanlı	80
		ProRes 422	Düşük Alanlı	120
		ProRes 444	Tam	60
		ProRes 422	Tam	60

### Blackmagic URSA Mini'de istediğiniz kodeği ve çözünürlüğü seçmek için:

- 1 Kontrol panelinin üzerindeki 'menu' butonuna basın.
- 2 'Record' (kayıt) sekmesinin ilk sayfasına gidin.
- 3 İstenilen codec, kalite ve çözünürlük kombinasyonunu tıklayın.
- 4 Bir pencereyi sensör alanı kullanarak kayıt yapmak istiyorsanız 'record' menüsünün 2. sayfasına gidin ve pencere sensörünü (window sensor) etkinleştirin. Tam sensör ile kayıt yapmak için, bunu 'off' (kapalı) olarak ayarlayın.
- 5 Çıkmak için, 'menu' butonuna basın.

### Kayıt Formatları ve Proje Kare Hızları

Codec ve çözünürlük ayarlarını yaptıktan sonra, 'proje' ve 'sensör' kare hızlarının ayarını yapmalısınız. Kare hızları hakkında daha fazla bilgi için, bu kılavuzun 'kayıt' bölümüne bakın.

Tüm URSA Mini kameraları için mevcut proje kare hızları, aşağıdaki gibidir:

Saniyede 23.98, 24, 25, 29.97, 30, 50, 59.94, ve 60 kare.

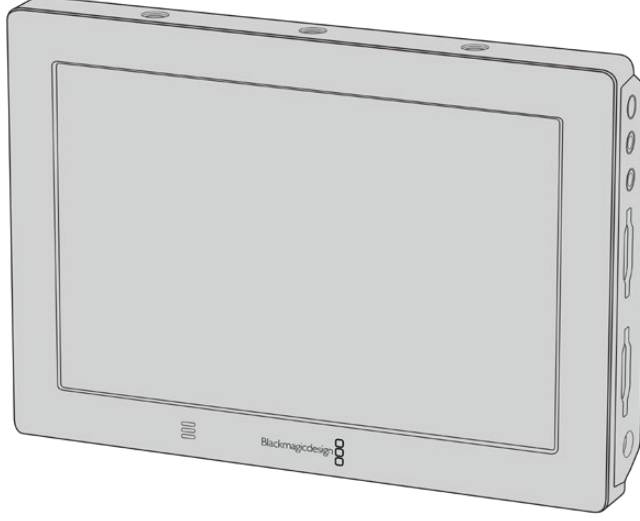
Blackmagic RAW ve ProRes 422 HQ'ya kadar ProRes kodeklerini kullanırken, tüm çözünürlüklerdeki azami proje kare hızı, saniyede 60 karedir. ProRes 444 ve ProRes 444 XQ kodeklerini kullanırken, azami proje kare hızı çözünürlüğe göre deęişir.

Örneğin; 4.6K 2.4:1'ye kadar ProRes 444 kodeklerini URSA Mini Pro 4.6K G2'de kullanırken, azami proje kare hızı saniyede 60 karedir. Çözünürlüğü, tam sensör 4.6K'ya artırırsanız azami proje kare hızı 30 fps'dir. Orijinal URSA Mini Pro 4.6K'da, 2K 16:9'a kadar ProRes 444 kodekleri için azami proje kare hızı, saniyede 60 karedir. Çözünürlüğü, 3K anamorfik veya daha yükseğe artırırsanız azami proje kare hızı 30 fps'dir. Bu farkın nedeni, ProRes 444 ve ProRes 444 XQ kullanırken, daha yüksek çözünürlükler için gereken, artan işlemci gereksinimidir.

### Kayıt Tetikleme

Ayrıca, URSA Mini'den gelen tetikleme sinyaline yanıt verdiğinden emin olmak için, SDI kayıt tetikleme etkinleştirilmiş olarak ekipmanlarınızı da ayarlamamız gerekecek. SDI cihazınız, SDI kayıt tetikleme destekliyse SDI cihazınızın ayarlar menüsü kullanılarak kayıt tetikleme etkinleştirilebilir.

URSA Mini, Blackmagic Video Assist gibi SDI kayıt tetikleme özelliğini destekleyen donanımlara bağlı iken, SDI çıkışları aracılığıyla otomatik olarak kaydı tetikleyecek bir sinyal gönderir. Böylelikle, kameranızda 'kayıt' düğmesine bastığınızda, harici SDI donanımınız da kaydetmeye başlar ve tekrar kayıt düğmesine bastığınızda, kayıt işlemini durdurur.



Kayıt, başka SDI video ekipmanlarında da tetikleyebilirsiniz. Örneğin; kameranızdaki kayıt tetikleme özelliğini kullanarak Blackmagic Video Assist 4K'da bunu yapabilirsiniz.

**BİLGİ** Bazen, 0–5° santigrat ve 32–41° fahrenheit gibi son derece soğuk hava şartlarında, URSA Mini 4K'nın en uygun çalışma ısısına erişmesi, otuz saniye kadar bir zaman alabilir. Bu süre zarfında, kayıt yapmanız gerekiyorsa yapabilirsiniz fakat, kameranızın ısınmasını ve sabit hale gelmesini beklemenizi tavsiye ederiz. Uygun çalışma ısısına ulaşıldığında, sensörün ısısındaki değişikliği telafi etmek için kameranız yeniden kalibrasyon yapacaktır ve tek bir beyaz flaş karesini fark etmeniz mümkündür. Bu, yalnızca kayıt yapmadığınız zamanlarda olur ve soğuk iklimlerde çekim yaparken olumlu sonuçlar elde etmenizi sağlar.

## Kayıt Süresi Çizelgeleri

Format, proje kare hızı ve medya ebadına göre dakika ve saniye olarak ortalama kayıt sürelerinin karşılaştırıldığı tablolar, aşağıda sunulmuştur. Depolama ortamınızın maksimum kayıt süresi; ortamın kapasitesine, kayıt formatına ve kare hızına bağlı olarak değişir. Örneğin, Apple ProRes 422 HQ için depolama hızı 3840 x 2160'da ortalama 880 Mbps'dir. Saniyede 24 kare ile, 256GB CFast 2.0 karta veya SD karta, yaklaşık 47 dakikalık video kaydedebilirsiniz. Aynı ayarlarla, 128GB kapasiteli bir CFast 2.0 kart veya SD karta takriben 23 dakikalık video kaydedebilirsiniz ki bu da 256GB kartın kaydetme süresinin yaklaşık yarısına eşittir. URSA Mini Recorder kullanarak SSD'lere kaydederken de bu süreler aynıdır.

Bilmeniz gereken önemli bir konu da CFast 2.0 ve SD kartlarında farklı üreticilerden dolayı kayıt hızında hafif farklılıklar olabileceğidir. Depolama medyasının exFAT veya Mac OS X Extended olarak formatlı olmasına göre de kayıt süresi farklılık gösterebilir.

### URSA Mini Pro 12K için kayıt süresi çizelgeleri

Daha az detay içeren basit sahneler, daha yoğun kompozisyonlara kıyasla genellikle daha az veri gerektirir. Bu tablolardaki değerler, çekimlerin ileri derecede karmaşık olduğunu varsayar. Bu yüzden, çekiminizin doğasına göre, biraz daha uzun kayıt süreleri elde edebilirsiniz.

URSA Mini Pro 12K'da 12K					
CFast Kart	Kare Hızı	Blackmagic RAW 5:1	Blackmagic RAW 8:1	Blackmagic RAW 12:1	Blackmagic RAW 18:1
1TB		Süre	Süre	Süre	Süre
	23.98	29 dk	47 dk	70 dk	106 dk
	24	29 dk	47 dk	70 dk	106 dk
	25	28 dk	45 dk	67 dk	101 dk
	29.97	23 dk	37 dk	56 dk	84 dk
	30	23 dk	37 dk	56 dk	84 dk
	50	14 dk	22 dk	33 dk	50 dk
	60	11 dk	18 dk	28 dk	42 dk

URSA Mini Pro 12K'da 8K					
CFast Kart	Kare Hızı	Blackmagic RAW 5:1	Blackmagic RAW 8:1	Blackmagic RAW 12:1	Blackmagic RAW 18:1
1TB		Süre	Süre	Süre	Süre
	23.98	66 dk	106 dk	158 dk	238 dk
	24	66 dk	106 dk	158 dk	238 dk
	25	63 dk	101 dk	152 dk	228 dk
	29.97	52 dk	84 dk	127 dk	190 dk
	30	52 dk	84 dk	127 dk	190 dk
	50	31 dk	50 dk	76 dk	114 dk
	60	26 dk	42 dk	63 dk	95 dk

URSA Mini Pro 12K'da 6K					
CFast Kart	Kare Hızı	Blackmagic RAW 5:1	Blackmagic RAW 8:1	Blackmagic RAW 12:1	Blackmagic RAW 18:1
1TB		Süre	Süre	Süre	Süre
	23.98	116 dk	186 dk	280 dk	419 dk
	24	116 dk	186 dk	280 dk	419 dk
	25	112 dk	179 dk	268 dk	402 dk
	29.97	93 dk	149 dk	224 dk	335 dk
	30	93 dk	149 dk	224 dk	335 dk
	50	56 dk	89 dk	134 dk	201 dk
	60	46 dk	74 dk	112 dk	168 dk

URSA Mini Pro 12K'da 4K					
CFast Kart	Kare Hızı	Blackmagic RAW 5:1	Blackmagic RAW 8:1	Blackmagic RAW 12:1	Blackmagic RAW 18:1
1TB		Süre	Süre	Süre	Süre
	23.98	264 dk	442 dk	631 dk	941 dk
	24	264 dk	442 dk	631 dk	941 dk
	25	254 dk	405 dk	606 dk	904 dk
	29.97	211 dk	338 dk	506 dk	755 dk
	30	211 dk	338 dk	506 dk	755 dk
	50	127 dk	203 dk	304 dk	455 dk
	60	106 dk	169 dk	254 dk	380 dk

### URSA Mini Pro 4.6K G2, URSA Mini Pro 4.6K, URSA Mini 4.6K ve URSA Mini 4K için kayıt süresi çizelgeleri

Daha az detay içeren basit sahneler, daha komplike sahnelere kıyasla daha az veri gerektirir. Bu tablolardaki değerler, çekimlerin ileri derecede karmaşık olduğunu varsayar. Bu yüzden, çekiminizin doğasına göre, biraz daha uzun kayıt süreleri elde edebilirsiniz.

4.6K								
CFast Kart	Kare Hızı	Blackmagic RAW 3:1*	Blackmagic RAW 5:1*	Blackmagic RAW 8:1*	Blackmagic RAW 12:1*	ProRes 444 XQ	ProRes 422 HQ	ProRes 422 LT
256GB		Süre	Süre	Süre	Süre	Süre	Süre	Süre
	23.98	28 dk	48 dk	76 dk	115 dk	14 dk	33 dk	70 dk
	24	28 dk	48 dk	76 dk	114 dk	14 dk	33 dk	70 dk
	25	27 dk	46 dk	73 dk	110 dk	14 dk	31 dk	66 dk
	29.976	23 dk	38 dk	61 dk	92 dk	11 dk	26 dk	56 dk
	30	23 dk	38 dk	61 dk	92 dk	11 dk	26 dk	56 dk
	50	13 dk	23 dk	36 dk	55 dk	–	–	–
	59.94	11 dk	19 dk	30 dk	46 dk	–	–	–
60	11 dk	19 dk	30 dk	46 dk	–	–	–	

\* Blackmagic RAW, yalnızca URSA Mini Pro 4.6K ile URSA Mini Pro 4.6K G2'de bulunur.

ULTRA HD								
CFast Kart	Kare Hızı	Blackmagic RAW 3:1*	Blackmagic RAW 5:1*	Blackmagic RAW 8:1*	Blackmagic RAW 12:1*	ProRes 444 XQ	ProRes 422 HQ	ProRes 422 LT
256GB		Süre	Süre	Süre	Süre	Süre	Süre	Süre
	23.98	41 dk	68 dk	110 dk	164 dk	21 dk	47 dk	101 dk
	24	41 dk	68 dk	109 dk	164 dk	21 dk	47 dk	101 dk
	25	39 dk	66 dk	105 dk	157 dk	20 dk	45 dk	97 dk
	29.976	33 dk	55 dk	88 dk	131 dk	16 dk	38 dk	81 dk
	30	33 dk	55 dk	88 dk	131 dk	16 dk	38 dk	81 dk
	50	19 dk	33 dk	52 dk	79 dk	–	22 dk	48 dk
	59.94	16 dk	27 dk	44 dk	66 dk	–	18 dk	40 dk
60	16 dk	27 dk	44 dk	66 dk	–	18 dk	40 dk	

\* Blackmagic RAW, yalnızca URSA Mini Pro 4.6K ile URSA Mini Pro 4.6K G2'de bulunur.



HD								
CFast Kart	Kare Hızı	Blackmagic RAW 3:1*	Blackmagic RAW 5:1*	Blackmagic RAW 8:1*	Blackmagic RAW 12:1*	ProRes 444 XQ	ProRes 422 HQ	ProRes 422 LT
256GB		Süre	Süre	Süre	Süre	Süre	Süre	Süre
	23.98	159 dk	264 dk	418 dk	619 dk	84 dk	189 dk	403 dk
	24	159 dk	264 dk	418 dk	618 dk	84 dk	189 dk	403 dk
	25	153 dk	253 dk	402 dk	595 dk	81 dk	182 dk	387 dk
	29.976	128 dk	212 dk	336 dk	499 dk	68 dk	152 dk	324 dk
	30	127 dk	212 dk	336 dk	499 dk	67 dk	152 dk	324 dk
	50	76 dk	127 dk	203 dk	303 dk	40 dk	91 dk	196 dk
	59.94	64 dk	106 dk	170 dk	254 dk	34 dk	76 dk	163 dk
	60	64 dk	106 dk	170 dk	253 dk	33 dk	76 dk	163 dk

\* Blackmagic RAW, yalnızca URSA Mini Pro 4.6K ile URSA Mini Pro 4.6K G2'de bulunur.

Q0 ile Q5 için olan sabit kalite ayarları, farklı kalan kayıt sürelerini görüntüleyecektir. Q0 için tahmini süre, sabit bit oranı 3:1 oranına benzerdir ve Q5 ise 12:1 oranına benzer bir süre görüntüler. Yalnız, çekim esnasında süreler her 10 saniyede güncellendiğinden, ne kadar kayıt sürenizin kaldığını anlamanın iyi bir yolu, 20 saniye çekim yapıp dokunmatik ekranın medya alanından süreyi kontrol etmektir.

## URSA Mini Pro 12K için Veri Hızı Çizelgeleri

Blackmagic URSA Mini Pro 12K; projeniz için en iyi formatı ve ortamı seçebilmeniz için çok çeşitli çözünürlüklerde ve kare hızlarında görüntü yakalamanızı sağlar. Bunların veri hızı üzerindeki etkilerini anlamanız önemlidir. Blackmagic Design; elde edilebilir kare hızlarını ve Blackmagic RAW sıkıştırma oranlarını belirlemek için çok çeşitli CFast kartları, SD UHS-II kartları ve USB-C diskleri kapsamlı bir şekilde test etti. Daha fazla bilgi için 'Depolama Ortamı' bölümüne bakın. Genellikle, URSA Mini Pro 12K için olan CFast kartlar 400 MB/sn civarındaki veri hızlarını destekler. Bu yaklaşık rakamlar, elde edebileceğiniz hızlar ve çözünürlükler için size iyi bir başlangıç noktası sağlayacaktır.

URSA Mini Pro 12K son derece yüksek veri hızlarında kayıt yapabildiği için, kaydı iki kart arasında bölerek ortamınızın normalde elde ettiği bit hızını iki katına çıkarabilirsiniz. Bunu yapmak için, bir çift CFast veya SD kart takın ve 'kayıt' menüsündeki '2 Karta RAW kaydet' seçeneğini etkinleştirin. Bu, her iki kartın sıralı olarak bölünerek yazılmasına dayandığından, en yavaş kartın veri hızı sınırlayıcı faktör olacaktır, bu nedenle aynı veya benzer özelliklere sahip iki kart kullanmanız önerilir. Depolama yuvası 1'deki bir CFast kart ile depolama yuvası 2'deki bir USB-C disk arasında da kaydı bölebilirsiniz. Hız sınırı, '2 Karta RAW Kaydet' seçeneğini kullandığınızda, bölünmüş düzende en yavaş kartın veri hızının iki katı olur. Daha fazla bilgi için '2 Karta RAW Kaydet' bölümüne bakın.

Blackmagic RAW sabit bit oranı seçenekleri, tahmin edilebilir dosya boyutları ve veri hızları sağlamaları için tasarlandı. Son derece ayrıntılı bir sahne veya hızlı hareket çekerken, bit oranının her zaman belirtilen seviyede veya seviyenin altında tutulduğundan emin olmak için sabit bit oranı seçeneği, görüntüyü sabit bir maksimum değerle sıkıştırır. Bu, ortamınızın tam olarak hangi hızları muhafaza etmesi gerektiğini anlamınızı kolaylaştırır ve ayrıca ortamınızla tahmini çekim süresini de sağlar.

## Blackmagic RAW Sabit Bit Oranı ile 24p'de Azami Veri Hızları

Format	Çözünürlük	Kare Hızı	Blackmagic RAW 5:1	Blackmagic RAW 8:1	Blackmagic RAW 12:1	Blackmagic RAW 18:1	
12K	17:9	12288 x 6480	24	578 MB/s	361 MB/s	241 MB/s	160 MB/s
	16:9	11520 x 6480	24	542 MB/s	339 MB/s	226 MB/s	150 MB/s
	2.4:1	12288 x 5112	24	457 MB/s	286 MB/s	190 MB/s	127 MB/s
	6:5 Anamorfik	7680 x 6408	24	358 MB/s	224 MB/s	150 MB/s	99 MB/s
8K	17:9	8192 x 4320	24	257 MB/s	161 MB/s	107 MB/s	71 MB/s
	16:9	7680 x 4320	24	241 MB/s	151 MB/s	101 MB/s	67 MB/s
	2.4:1	8192 x 3408	24	203 MB/s	127 MB/s	85 MB/s	56 MB/s
	6:5 Anamorfik	5120 x 4272	24	159 MB/s	100 MB/s	67 MB/s	44 MB/s
6K	Süper 16	6144 x 3240	24	146 MB/s	91 MB/s	61 MB/s	40 MB/s
4K	DCI	4096 x 2160	24	65 MB/s	41 MB/s	32 MB/s	27 MB/s
	16:9	3840 x 2160	24	61 MB/s	38 MB/s	30 MB/s	25 MB/s
	2.4:1	4096 x 1704	24	51 MB/s	32 MB/s	25 MB/s	21 MB/s
	6:5 Anamorfik	2560 x 2136	24	40 MB/s	25 MB/s	20 MB/s	17 MB/s
	Süper 16	4096 x 2160	24	65 MB/s	41 MB/s	27 MB/s	18 MB/s

Gerçek depolama hızlarının görüntünün yapısına bağlı olduğunu ve çok ayrıntılı sahneler veya çok basit sahneler için aşağıdaki belirtilen aralığın dışında olabileceğini unutmanızda fayda var.

## Blackmagic RAW Sabit Kalite ile 24p'de Veri Hız Aralığı

Format	Çözünürlük	Kare Hızı	Blackmagic RAW Q0	Blackmagic RAW Q1	Blackmagic RAW Q3	Blackmagic RAW Q5	
12K	17:9	12288 x 6480	24	241-578 MB/s	145-361 MB/s	97-241 MB/s	73-181 MB/s
	16:9	11520 x 6480	24	226-542 MB/s	136-339 MB/s	91-226 MB/s	68-170 MB/s
	2.4:1	12288 x 5112	24	190-457 MB/s	114-286 MB/s	76-190 MB/s	57-143 MB/s
	6:5 Anamorfik	7680 x 6408	24	150-358 MB/s	90-224 MB/s	60-150 MB/s	45-112 MB/s
8K	17:9	8192 x 4320	24	161-321 MB/s	107-214 MB/s	81-161 MB/s	52-129 MB/s
	16:9	7680 x 4320	24	151-301 MB/s	101-201 MB/s	76-151 MB/s	49-121 MB/s
	2.4:1	8192 x 3408	24	127-254 MB/s	85-169 MB/s	64-127 MB/s	41-102 MB/s
	6:5 Anamorfik	5120 x 4272	24	100-199 MB/s	67-133 MB/s	50-100 MB/s	32-80 MB/s
6K	Süper 16	6144 x 3240	24	61-146 MB/s	37-91 MB/s	25-61 MB/s	19-46 MB/s
4K	DCI	4096 x 2160	24	129-214 MB/s	65-129 MB/s	41-107 MB/s	30-81 MB/s
	16:9	3840 x 2160	24	121-201 MB/s	61-121 MB/s	38-101 MB/s	28-76 MB/s
	2.4:1	4096 x 1704	24	102-169 MB/s	51-102 MB/s	32-85 MB/s	23-64 MB/s
	6:5 Anamorfik	2560 x 2136	24	80-133 MB/s	40-80 MB/s	25-67 MB/s	18-50 MB/s
	Süper 16	4096 x 2160	24	41-81 MB/s	27-54 MB/s	21-41 MB/s	13-33 MB/s

Farklı hızda kayıtlı çekim yapmak, yaratıcı kararlar vermenizi ve istediğiniz görünümü elde etmenizi sağlar. URSA Mini Pro 12K, 60 fps'ye kadar 12K çözünürlükte ve diğer çözünürlüklerde 240 fps'ye kadar çekim yapabilir. URSA Mini Pro 12K'da yüksek kare hızlarında çekim yaptığınızda, kamera çok yüksek değerlerdeki bit hızlarını kullanır, bu nedenle uygun bir Blackmagic RAW sıkıştırma türü seçmek önemlidir.

### Blackmagic RAW Sabit Bit Oranı ile Maksimum Kare Hızlarında Azami Veri Hızları

Format		Çözünürlük	Blackmagic RAW 5:1		Blackmagic RAW 8:1		Blackmagic RAW 12:1		Blackmagic RAW 18:1	
			Azami Kare Hızı	Azami Veri Hızı	Azami Kare Hızı	Azami Veri Hızı	Azami Kare Hızı	Azami Veri Hızı	Azami Kare Hızı	Azami Veri Hızı
12K	17:9	12288 x 6480	40	963 MB/s	60	903 MB/s	60	602 MB/s	60	401 MB/s
	16:9	11520 x 6480	40	903 MB/s	60	847 MB/s	60	565 MB/s	60	376 MB/s
	2.4:1	12288 x 5112	50	951 MB/s	75	892 MB/s	75	595 MB/s	75	396 MB/s
	6:5 Anamorfik	7680 x 6408	60	895 MB/s	60	560 MB/s	60	373 MB/s	60	249 MB/s
8K	17:9	8192 x 4320	120	1,285 MB/s	120	803 MB/s	120	536 MB/s	120	357 MB/s
	16:9	7680 x 4320	120	1,205 MB/s	120	753 MB/s	120	502 MB/s	120	334 MB/s
	2.4:1	8192 x 3408	160	1,353 MB/s	160	846 MB/s	160	564 MB/s	160	375 MB/s
	6:5 Anamorfik	5120 x 4272	120	796 MB/s	120	498 MB/s	120	332 MB/s	120	221 MB/s
6K	Süper 16	6144 x 3240	120	727 MB/s	120	455 MB/s	120	303 MB/s	120	202 MB/s
4K	DCI	4096 x 2160	120	322 MB/s	120	201 MB/s	120	161 MB/s	120	134 MB/s
	16:9	3840 x 2160	120	302 MB/s	120	189 MB/s	120	150 MB/s	120	125 MB/s
	2.4:1	4096 x 1704	160	339 MB/s	160	212 MB/s	160	169 MB/s	160	141 MB/s
	6:5 Anamorfik	2560 x 2136	120	200 MB/s	120	125 MB/s	120	99 MB/s	120	83 MB/s
	Süper 16	4096 x 2160	240	648 MB/s	240	405 MB/s	240	271 MB/s	240	180 MB/s

### Blackmagic RAW Sabit Kalite ile Azami Kare Hızlarında Veri Hızı Aralığı

Format		Çözünürlük	Kare Hızı	Blackmagic RAW Q0	Blackmagic RAW Q1	Blackmagic RAW Q3	Blackmagic RAW Q5
12K	17:9	12288 x 6480	60	602-1,445 MB/s	362-903 MB/s	241-602 MB/s	181-452 MB/s
	16:9	11520 x 6480	60	565-1,355 MB/s	339-847 MB/s	226-565 MB/s	170-424 MB/s
	2.4:1	12288 x 5112	75	595-1,426 MB/s	357-892 MB/s	238-595 MB/s	179-446 MB/s
	6:5 Anamorfik	7680 x 6408	60	373-895 MB/s	224-560 MB/s	150-373 MB/s	112-280 MB/s
8K	17:9	8192 x 4320	120	803-1,605 MB/s	536-1,071 MB/s	402-803 MB/s	258-643 MB/s
	16:9	7680 x 4320	120	753-1,506 MB/s	502-1,004 MB/s	377-753 MB/s	242-603 MB/s
	2.4:1	8192 x 3408	160	846-1,609 MB/s	564-1,127 MB/s	423-846 MB/s	271-677 MB/s
	6:5 Anamorfik	5120 x 4272	120	498-995 MB/s	332-664 MB/s	249-498 MB/s	160-398 MB/s
6K	Süper 16	6144 x 3240	120	303-727 MB/s	182-455 MB/s	122-303 MB/s	92-228 MB/s

Format		Çözünürlük	Kare Hızı	Blackmagic RAW Q0	Blackmagic RAW Q1	Blackmagic RAW Q3	Blackmagic RAW Q5
4K	DCI	4096 x 2160	120	643-1,071 MB/s	322-643 MB/s	201-536 MB/s	147-402 MB/s
	16:9	3840 x 2160	120	603-1,004 MB/s	302-603 MB/s	189-502 MB/s	138-377 MB/s
	2.4:1	4096 x 1704	160	677-1,127 MB/s	339-677 MB/s	212-564 MB/s	155-423 MB/s
	6:5 Anamorfik	2560 x 2136	120	398-664 MB/s	200-398 MB/s	125-332 MB/s	91-249 MB/s
	Süper 16	4096 x 2160	240	405-810 MB/s	271-540 MB/s	203-405 MB/s	131-325 MB/s

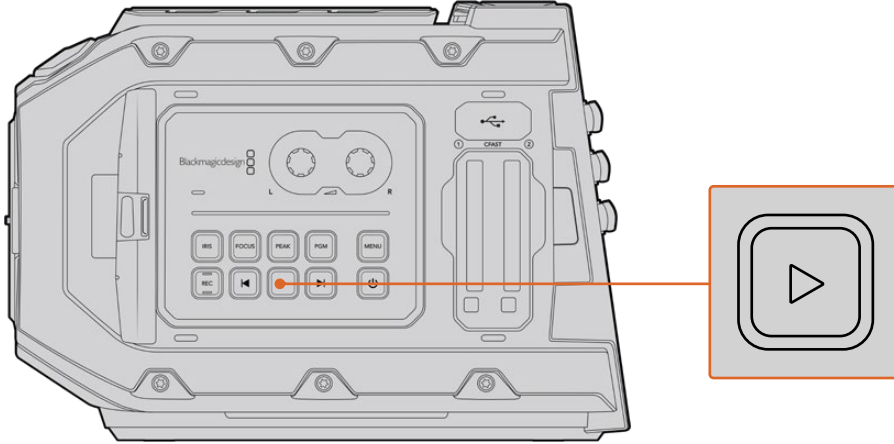
Sabit Kalite formatları için gerçek depolama hızları, görüntünün yapısına bağlıdır ve çok ayrıntılı sahneler veya çok basit sahneler için yukarıda belirtilen aralığın dışında olabilirler.

## Playback (Oynatma)

### Kliplerin Oynatılması

Videonuzu kaydettikten sonra, kliplerinizi tekrar oynatmak için, aktarım kontrol butonlarını kullanabilirsiniz.

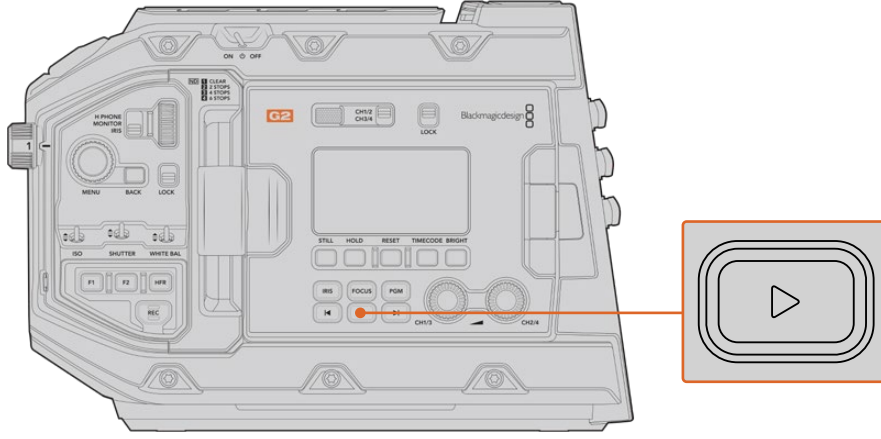
Anında playback için, 'play' (oynat) düğmesine bir kez basın ve kaydettiğiniz videoyu, URSA Mini'nizin dokunmatik LCD ekranında göreceksiniz. Klipleriniz ayrıca, URSA Mini'nin SDI çıkışlarına bağlı herhangi bir ekranda da izlenebilir.



URSA Mini kamera

**BİLGİ** Blackmagic URSA Mini'nin her iki ergonomik kontrol panelinin üzerinde, playback ve aktarım kontrolleri bulunmaktadır.

**NOT** Blackmagic URSA Mini; aynı kodek, kare hızı ve çözünürlükte oldukları sürece, farklı kalite ayarlarına sahip klipleri oynatacaktır.



URSA Mini Pro 4.6K G2 Kamera

Kliplerin başına veya sonuna atlamak için, 'ileri' veya 'geri' butonlarına basın. Mevcut klabin başlangıcına gitmek için, 'reverse skip' (geri atlat) butonuna bir kez basın veya bir önceki klabin başlangıcına gitmek için, iki kez basın. 2 kat hızda oynatmak 'forward' (ileri) butonunu ya da geri oynatmak için 'reverse skip' butonunu basılı tutun. İleri veya geri oynatımı başlattıktan sonra, 'fast forward' veya 'reverse skip' düğmelerine; 4x hız için iki kez, 8x hız için üç kez ve 16x hız için dört kez basın. Forward ve reverse skip düğmelerini, kliplerin kaydı esnasında, uyumlu merceklerde irisi açıp kapatmak için de kullanabilirsiniz.

Proje kare hızınızdan farklı olan bir sensör kare hızını kullanarak bir klipi kaydettiğinizde, klabinizin playback hızı da ayrıca farklılık gösterecektir. Örneğin; kameranızın proje kare hızını, post prodüksiyon timeline hızıyla eşleştirmek için, saniyede 24 kareye ayarladığınızı düşünelim. Sensör kare hızınızın saniyede 60 kare hızına ayarlı olarak bir klip kaydettiğinizde, klipleriniz hem kameranızda hem de post prodüksiyon timeline'izde ağır çekimde oynayacaktır.

**BİLGİ** Kare hızları hakkında daha fazla bilgi için, bu kılavuzun 'kayıt' bölümüne bakın.

# URSA Mini'ye Giriş

Endüstri standardı BNC konektörleri, sağ panelde bulunur ve URSA Mini'nin arka paneli, SDI bağlantıları içindir. Biri, isteğe bağlı olan Blackmagic URSA Handgrip (tutma kolu) ve diğeri de harici LANC kontrol cihazı için kameranın arkasında olmak üzere, iki ayrı LANC girişi vardır.

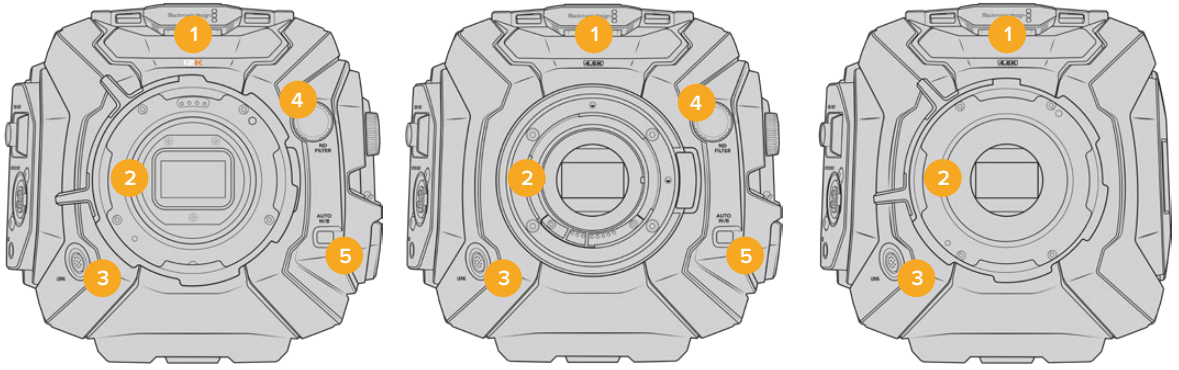
URSA Mini ve URSA Mini Pro'da, profesyonel dengeli analog ses için XLR girişleri, üst panelde montaj noktalarının arkasındadır ve URSA Mini Pro'daki AES dijital ses girişi de buradadır.

Harici güç girişi için, arka panelde bir adet 4 pimli XLR konektör sağlanmıştır ve Blackmagic URSA Viewfinder gibi aksesuarların çalıştırılması için, sağ tarafta da bir çıkış vardır.

URSA Mini'de depolama medya yuvalarının üzerindeki USB portu, kameranızın dahili yazılımını güncellerken bir bilgisayara bağlanması içindir.

**NOT** URSA Mini Pro, dokunmatik ekranını açmadan kameranın gerekli ayarlarına ve fonksiyonlarına hızlı erişimi kolaylaştıran, ilave ergonomik kontroller içerir.

## Kameranın Ön Yüzü



URSA Mini Pro 12K modeli

URSA Mini Pro 4.6K modeli

URSA Mini PL modeli

### 1 Stereo Mikrofon

Yüksek kalitede dahili stereo mikrofon. Mikrofon ses ayarlarıyla ilgili bilgi için, 'ayarlar' bölümüne bakın.

### 2 Lens Yuvası

URSA Mini kameraları, bir EF ya da PL lens yuvası içerirler. URSA Mini Pro; EF, PL ve B4 yuvaları arasında değiştirmenizi sağlayan, değiştirilebilir bir lens yuvası özelliği içerir. Daha fazla bilgi için, 'değiştirilebilir lens yuvası' bölümüne bakın.

### 3 Yayın Lens Konektörü

Bu konektör, 12 pim bağlantıları ile uyumlu olan PL ve B4 mount lenslere, güç ve kontrol temin eder. Bu konektör, yalnızca URSA Mini PL ve URSA Mini Pro modellerinde mevcuttur. PL ve B4 modelleri de dahil olmak üzere uyumlu lenslerin bir listesi için, bu kılavuzdaki 'servo zoom lenslerin kullanılması' bölümüne bakın.

### 4 ND Filtreleri

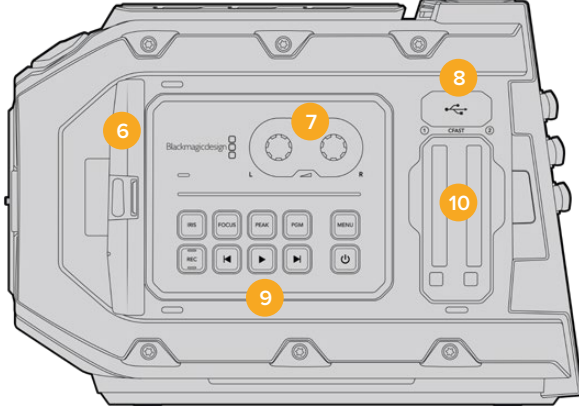
Bu tekeri, üç dahili doğal yoğunluk filtresiyle beraber, 'clear' (saydam) ayar arasında dolaşmak için kullanın. Daha fazla bilgi için, 'URSA Mini Pro kontrol butonları' bölümüne bakın.

## 5 Otomatik Beyaz Ayar

Otomatik beyaz ayar butonu, 'Auto W/B' olarak işaretlidir ve ekranın ortasında o an bulunan görüntüye göre beyaz ayar yapmak istediğinizde kullanılır. Örneğin, lensin önüne konulan bir gri kartta otomatik beyaz ayarının yapılması gibi. Daha fazla bilgi için, 'URSA Mini Pro kontrol butonları' bölümüne bakın.

## Sol Taraf - URSA Mini

URSA Mini'nin sol paneli; CFast kartlarını takmanıza, kontrol paneline erişmenize ve ayarları değiştirmenize olanak sağlar. USB portu, CFast yuvalarının hemen üzerindedir; böylelikle URSA Mini'nin dahili yazılımını güncellerken, bir bilgisayara kolaylıkla takılabilir.



## 6 Dışa Açılır Dokunmatik Ekran

5 inç dışa açılan dokunmatik ekran, farklı kamera yüksekliklerinde görünmesi için, ekseninde döner. Daha fazla bilgi için, 'dokunmatik ekran kontrolleri' bölümüne bakın.

## 7 Ses Seviyesi Ayar Düğmeleri

1 ve 2 numaralı ses kanallarının kayıt seviyelerinin ayarlanması için ayar düğmeleri. Daha fazla bilgi için, 'URSA Mini Kontrolleri' bölümüne bakın.

## 8 Mini USB Portu

Dahili yazılımın güncellenmesi için Mini USB portu. Daha fazla bilgi için, 'Blackmagic Camera Kurulum Yardımcı Yazılımı' bölümüne bakın.

## 9 Kontrol Panel Butonları

Kameranın çalıştırılması, kayıt ve playback kontrolü, focus peaking, ayarlar menüsüne erişim, ayrıca uyumlu EF lenslerde iris ve otomatik odak kontrolü için butonlar. Daha fazla bilgi için, 'URSA Mini Kontrolleri' bölümüne bakın.

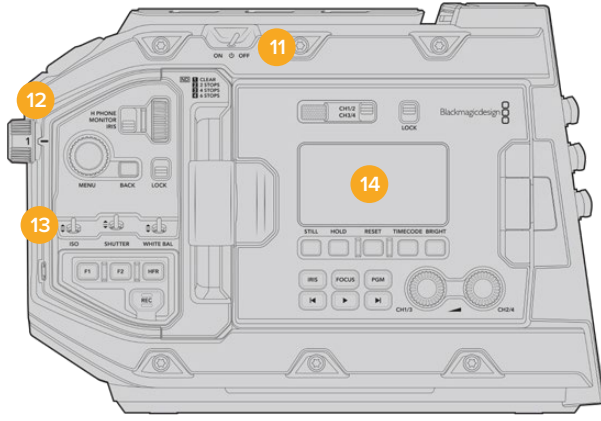
## 10 Hafıza Kartı Yuvaları

Kayıt ve playback için, yuvalara CFast 2.0 kartlarını yerleştirin. 'depolama medyası' bölümüne bakın.

## Sol Taraf - URSA Mini Pro

URSA Mini Pro'nun sol tarafında olan panelde, kameranızdaki tüm gerekli fonksiyonlara kolay erişim sağlayan ilave kontroller bulunmaktadır. Bu kontroller; ön kontrol paneli, dışa açılan dokunmatik ekranın dışında bulunan ergonomik kontrol panel ve dışa açılan ekranın içindeki kontrol paneli arasında dağıtılmışlardır.

CFast ve SD kartları, dışa açılan ekranın arkasında bulunmaktadır. USB-C portu, kart yuvalarının üzerindedir ve URSA Mini Pro'nun dahili yazılımını güncellemek üzere bir bilgisayara bağlanmak için kullanılır.



URSA Mini Pro 4.6K modeli, dışa açılan dokunmatik ekran kapalıyken

### 11 Power (Güç) Düğmesi

Kamerayı çalıştırmak için güç düğmesi. Ayrıca, dışa açılan ekranın içinde, kayıt ve klibi ileri sarma düğmelerinin her ikisine de aynı anda basılmasıyla kameranın çalışmasını sağlayan, yedek bir çalıştırma düğmesi de bulunur.

### 12 ND Filtreleri

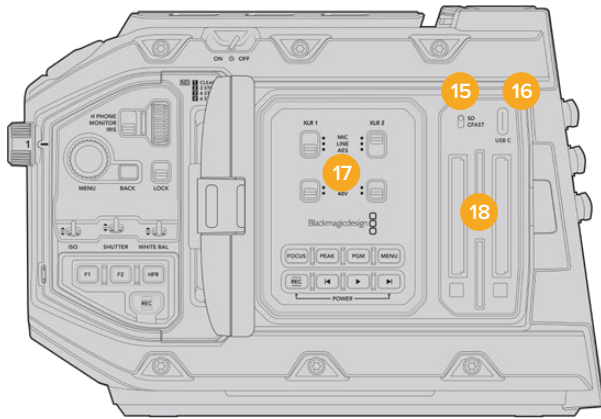
URSA Mini Pro'nuzun, sensörüne ulaşan ışık miktarını ayarlamak için üç tane dahili doğal yoğunluk filtresi vardır. Saydamdan (clear), altı adım ışık azaltmaya kadar değişen çeşitleriyle, dört adet ayar mevcuttur. Ayarlar arasında gezinmek için, sadece bu tekeri çevirmeniz yeterlidir. Filtre, her bir ayar için tam yerine oturacaktır. Daha fazla bilgi için, bu kılavuzun 'URSA Mini Pro kontrol butonları' bölümüne bakın.

### 13 Ön Kontrol Paneli

Ön kontrol paneli, URSA Mini Pro'nun tüm esas fonksiyonlarına hızlı erişim sağlar. Bir tripoddan ya da omuz üzerinden çekim yaparken kolay erişmeniz için, bu kontroller yerleştirilmiştir ve bunları; ISO, örtücü açısı veya örtücü hızı, iris, beyaz ayarı, kare hızı gibi ayarları düzeltmek için kullanabilirsiniz. Daha fazla bilgi için, 'URSA Mini Pro kontrol butonları' bölümüne bakın.

### 14 Ergonomik Kontrol Paneli

URSA Mini Pro'nun dışa açılan dokunmatik ekranın dış kısmında, bir LCD durum monitörüyle hızlı ve etkili denetleme kontrolü sağlayan çeşitli kontroller göreceksiniz. Buradan, kameranızın tüm durum bilgilerine bir bakışta erişebilmenin yanı sıra, çeşitli güçlü denetleme fonksiyonlarını kontrol edebilirsiniz. Daha fazla bilgi için, 'URSA Mini Pro kontrol butonları' bölümüne bakın.



URSA Mini Pro modeli, dışa açılan dokunmatik ekran açıkken

### 15 Depolama Medyası Seçim Düğmesi

Bu düğmeyi, CFast ve SD depolama medyası arasında tercih yapmak için kullanın.



## 16 USB Portu

Dahili yazılımın güncellenmesi için USB-C portu. Daha fazla bilgi için 'Blackmagic Kamera Kurulum Yardımcı Yazılımı' bölümüne bakın. URSA Mini Pro G2'de, URSA Mini Recorder'e veya harici bir USB-C flaş diske kaydetmek için de bu USB-C portu kullanabilirsiniz.

## 17 İç Kısım Kontrol Paneli

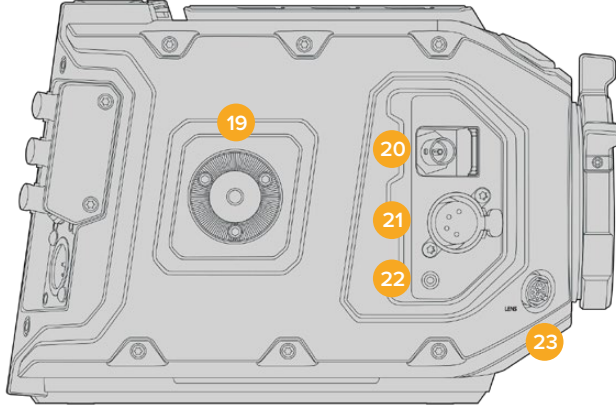
URSA Mini Pro'nun dışı açılan ekranı açık iken, iç kısımdaki kontrol paneline erişmeniz mümkündür. Buradaki kontrolleri, ses girişlerinin yanı sıra fantom güç ayarlarını ayarlamak için kullanın. Aynı zamanda; iris, odak, menü, oynatım kontrolleri ve daha nicesine erişebilirsiniz. Daha fazla bilgi için, 'URSA Mini Pro kontrol butonları' bölümüne bakın.

## 18 Hafıza Kart Yuvaları

Kayıt ve playback için CFast 2.0 kartlarını, SDXC veya SDHC kartlarını yerleştirin. Bu kılavuzdaki ya da web sitemizdeki, onaylı kartların bulunduğu listeye bakmanızı, önemle tavsiye ediyoruz. Daha fazla bilgi için, 'depolama medyası' bölümüne bakın.

## Sağ Tarafı

URSA Mini'nin sağ taraf paneli; tüm video, ses ve güç konektörlerinin yanı sıra, isteğe bağlı olan Blackmagic URSA tutma kolunun rozet yuvasına da erişmenizi sağlar.



URSA Mini PL modeli

## 19 Yan Rozet Yuvası

İsteğe bağlı olan Blackmagic URSA tutma kolu için standart rozet yuvası. 'Başlarken', 'Blackmagic URSA Tutma Kolu' ve 'Blackmagic URSA Mini Shoulder Mount Kit' bölümlerine bakın.

## 20 HD İzleme Çıkışı

Aşağı dönüşümlü 1080HD çıkışı için, 3G-SDI konektörü. Blackmagic URSA Viewfinder veya harici monitörlerle kullanın. Daha fazla bilgi için, 'kamera video çıkışı' ve 'Blackmagic URSA Viewfinder' bölümlerine bakın.

## 21 +12V Güç Çıkışı

Blackmagic URSA Viewfinder, Blackmagic URSA Studio Viewfinder ya da harici monitör veya aksesuarların çalıştırılması için, 4 pimli XLR konektör. Daha fazla bilgi için kılavuzdaki 'Blackmagic URSA Viewfinder' ve 'Blackmagic URSA Studio Viewfinder' bölümlerine bakın. Bu çıkış, Broadcast Lens Connector ile birleşince toplam 2 ampere kadar 12 volt güç sağlar.

## 22 LANC Girişi

İsteğe bağlı Blackmagic URSA tutma kolu için, atanmış 2.5mm TRS LANC konektörü. Tutma kolunun takılması hakkında daha fazla bilgi için, 'Blackmagic URSA Tutma Kolu' bölümüne bakın.

### 23 Yayın Lens Kontrol Konektörü

Uyumlu PL ve B4 yuva merceklerle, 12 pim bağlantıları ile güç ve kontrol temin eder. Bu bağlantı; URSA Mini PL ve URSA Mini Pro modellerinde vardır. Bu çıkış, +12V Güç Çıkışı ile birleşince toplam 2 ampere kadar, 12 voltluk güç sağlar.

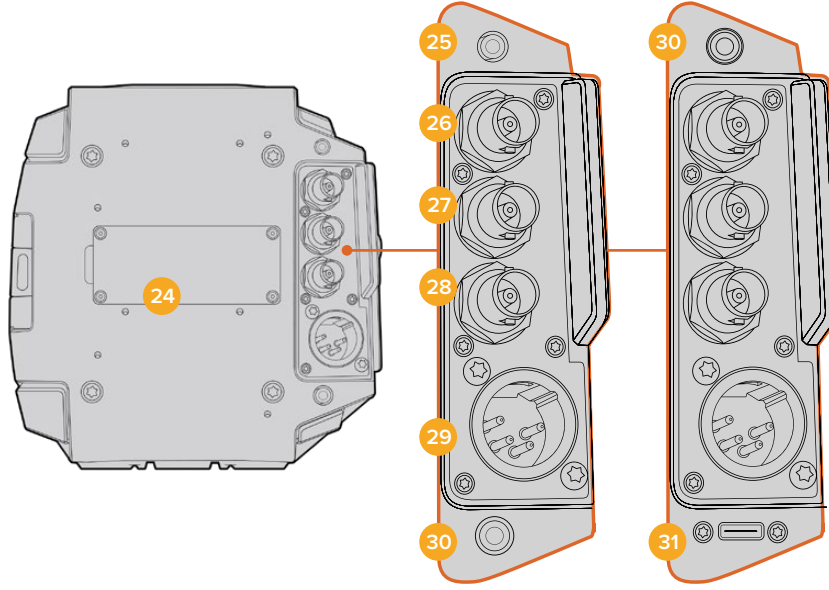
## Arka Panel

### 24 Batarya Yuva Plakası

Bazı veri bilgilerini taşımanın yanı sıra, kameranıza veya kameranızdan güç sağlamak için, Blackmagic URSA Mini kameranıza montaj noktaları ve gömme bir molex konektörü vardır. Montaj delikleri; batarya plakaları, Blackmagic Camera Fiber Converter ve URSA Mini Recorder gibi opsiyonel aksesuarları kameranın arkasına takmanız için yerleştirilmiştir. Kullanımdayken, gömülü molex konektörü, 1.5 ampere kadar regüle edilmiş 12 volt enerji çıkarabilir. Daha fazla bilgi için; 'Bataryaların Monte Edilmesi', Blackmagic Fiber Converter'ler ile Başlarken' ve 'URSA Mini Recorder' başlıklı bölümlere bakın.

### 25 LANC

Bu 2,5mm jak, bir üçayak koluna montelenmiş harici bir kayıt başlatma durdurma kontrolü gibi, harici LANC uzaktan kontrolü için kullanılır. LANC; kayıt başlatma ile durdurmayı ve uyumlu EF mercekler ile kullanıldığında da iris ve odak kontrolünü destekler. URSA Mini Pro 12K'nın arka panelinde bir LANC portu yoktur. URSA Mini Pro 12K'nın LANC kontrolü için, sağ taraftaki panelde bulunan 2,5mm TRS 'LANC girişi' konektörünü kullanın.



URSA Mini Pro 4.6K G2, URSA Mini Pro 4.6K,  
URSA Mini 4.6K ve URSA Mini 4K

URSA Mini Pro 12K

### 26 12G-SDI Çıkışı

Blackmagic URSA Mini'nin 12G-SDI çıkışı; yönlendiriciler, ekranlar, SDI görüntü yakalama cihazları ve yayın switcher'leri gibi SDI ekipmanlara, HD ve Ultra HD video göndermek için kullanılır. Ayrıca, 12G-SDI çıkışını, Blackmagic Video Assist gibi harici bir kaydediciye, yedek kayıt için bağlayabilirsiniz.

### 27 12G-SDI Girişi

12G-SDI girişi, bir switcher'e veya harici bir kaydediciye bağlanmak için kullanılır. Bununla birlikte; oynatım, talkback, tally veya harici referans sinyallerinin izlenmesi için de kullanılabilir. Bir ATEM switcher ile kullanıldığında, switcher'in 'kamera kontrol' özelliğini kullanarak, kamera işlevlerini de düzenleyebilirsiniz.

Canlı bir yayında URSA Mini'yi kullandığınızda, switcher'in program çıkışı takabilir ve çekim boyunca denetleyebilir veya harici bir kaydediciden oynatımı kontrol edebilirsiniz. Program akışını izlemek için, 'pgm' (program) butonunu basılı tutun. URSA Mini hakkında daha fazla bilgi için, 'kontrol butonları' bölümüne bakınız ve URSA Mini Pro için 'ergonomik kontrol paneli' bölümüne bakınız.

SDI girişi aracılığıyla tally ve talkback sinyallerini alabilmek için, kamera kurulum menüsünde ATEM Kamera Kimliği (ID) ayarlandığından emin olun. Harici bir referans sinyali almak için SDI girişini kullanmak istiyorsanız kurulum ayarlarında referans kaynağı olarak 'program' seçeneğini seçmeniz gerekecektir. Harici referans kilitli olduğunda, 'REF' ibaresi, kameranızın LCD ekranında zaman kodu göstergesinin yanında belirir. Daha fazla bilgi için, bu kullanım kılavuzunda 'kurulum ayarları' bölümüne bakınız.

URSA Mini Pro'da, SDI Girişi kameraya harici zaman kodu gönderilmesi için de kullanılabilir. Bu, gelen SDI sinyal kare hızıyla eşleştiğinde ve geçerli bir zaman koduna sahip olduğunda, gelen zaman koduna otomatik olarak kilitlenir. Harici zaman kodu kilitli olduğunda, URSA Mini Pro'nun LCD ekranında 'EXT' logosu görünecektir. Kabloyu çıkardığınızda, zaman kodu sıkışmış olarak kalır ve zaman kodunun şimdi URSA Mini Pro'nun dahili zaman kodu saatinden çalıştığını göstermek için, 'INT' olarak değişir.

## 28 Referans ve Zaman Kodu Girişi

Bu giriş, zaman kodu ve referans giriş sinyallerini otomatik olarak fark eder ve aralarında değişir. Blackmagic URSA Mini'yi, 'REF In' olarak işaretli referans BNC girişine bağlayarak, tri-level sync gibi yaygın bir referans sinyaline senkronize edin. Dikkat edilmesi gereken bir husus da, bu girişten bir referans sinyalini kullanmak için, referans kaynağını URSA Mini'nin kurulum menüsünde 'external' (harici) olarak ayarlamanız gerekir.

Bunun yerine bu konektörü, ikili bir sistemde çekim yaparken birden fazla kamerayı ya da ses ve görüntüyü senkronize etmek için, harici bir zaman kodu kaynağı ile eşleştirmek üzere kullanabilirsiniz. Bu da ses ve görüntünün, veya birden fazla kameradan videonun post prodüksiyon esnasında kolaylıkla senkronize olmasını sağlar. Eş kare hızlı harici bir zaman kodu bu konektöre takıldığında, kamera otomatik olarak gelen zaman koduna kilitlenecektir. Harici zaman kodu kilitli olduğunda URSA Mini'nin LCD ekranında 'EXT' logosu görünecektir. Kabloyu çıkardığınızda, zaman kodu sıkışmış olarak kalır ve zaman kodunun şimdi URSA Mini Pro'nun dahili zaman kodu saatinden çalıştığını göstermek için, logo 'INT' olarak değişir.

Kameranızı, referans sinyalini bir ATEM switcher'den SDI Girişi aracılığıyla kullanması için ayarlayabilirsiniz. Bu, ATEM switcher'lerle çalışılırken faydalıdır çünkü, tek bir SDI sinyalini kullanarak tüm kameralar; program dönüş (return) sinyalini, kamera kontrolünü, tally, talkback, referans ve timecode sinyallerini alabilirler. Daha fazla bilgi için, bu kullanım kılavuzundaki 'kurulum ayarları' bölümüne bakınız.

## 29 +12V Güç Girişi

Temin edilen güç adaptörü veya portatif batarya gibi harici kaynaklardan güç sağlamak için, 4 pim 12-20 Volt DC XLR konektörünü kullanın.

## 30 Mikrofonlu Kulaklık

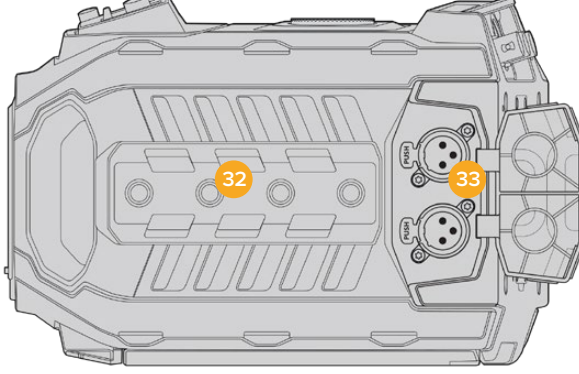
3.5mm jack çıkışı, kulaklıkla dinleme ve talkback için kullanılır. Hızlı ve kolay talkback için, dahili mikrofonu olan iPhone ve Android uyumlu kulaklıklar takabilirsiniz. Talkback sesi, SDI çıkışının 15. ve 16. kanallarında gömülüdür.

**BİLGİ** URSA Mini veya URSA Mini Pro'nun 3.5mm'lik jakını talkback için kullanırken, bir iPhone ya da Android uyumlu kulaklığın kullanılması, uygun maliyetli bir seçenektir. Bunlar genellikle, inline button (tarafli buton) şeklindedir ve mikrofonu sessize almak veya açmak için kullanılabilirler. Bir yayın kulaklığını bu tarafli buton olmadan kullanmak istediğiniz takdirde, aynı işlevselliği sunması için, URSA Mini ya da URSA Mini Pro'nun fonksiyon butonlarını yapılandırabilirsiniz. Daha fazla bilgi için, bu kullanım kılavuzundaki 'kurulum ayarları' bölümüne bakınız.

### 31 USB Portu

URSA Mini Pro12K'dan harici bir flaş diske video kaydetmek için, kilitleme konektörlü 2. Nesil USB-C 3.1 portu.

## Üst Panel



Harici analog ses, üst paneldeki dengeli XLR konektörlere takılabilir.

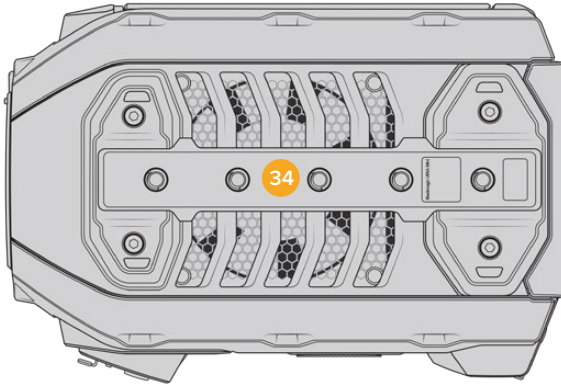
### 32 1/4" Montaj Noktaları

Kameranın üst paneli, üst tutma kolu ve aksesuarların takılabilmesi için, 4 adet güçlü montaj noktası içerir.

### 33 XLR Ses Girişi

Ses mikserleri, PA sistemleri veya harici mikrofonlar gibi profesyonel ekipmanlardan harici analog ses bağlamak için, dengeli XLR girişlerini kullanın. XLR konektörler 48V fantom güç sağlarlar yani, fantom güç gerektiren mikrofonları kullanabilirsiniz. Fantom güç hakkında daha fazla bilgi için, 'dahili kontrol panel' bölümüne bakın.

## Alt Taraf

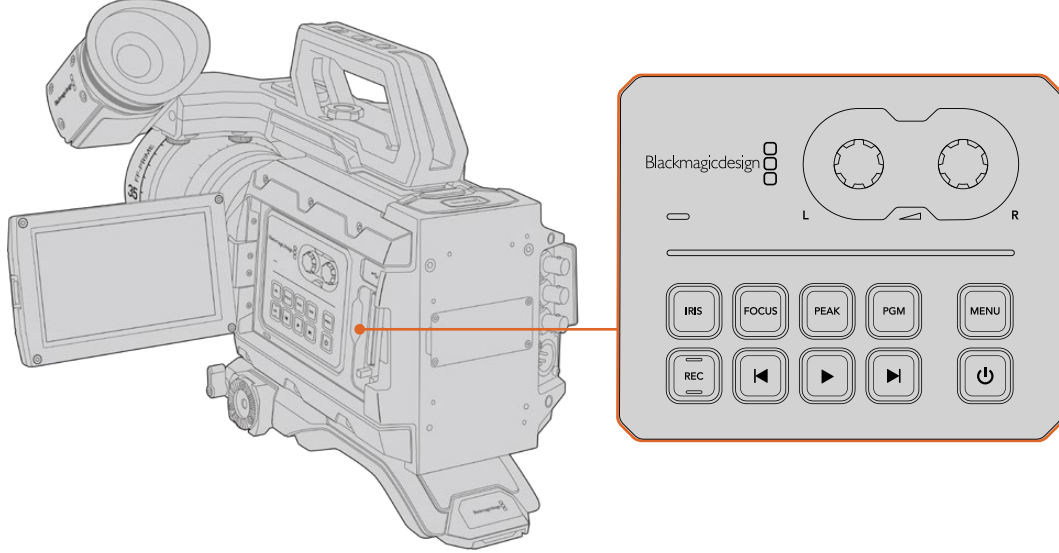


### 34 1/4 İnce Montaj Noktaları

Kameranın alt yüzündeki 5 montaj noktası; tripod başı, opsiyonel URSA Mini omuz aparatı ve diğer aksesuarların takılması için kullanılır.

## URSA Mini Kontrolleri

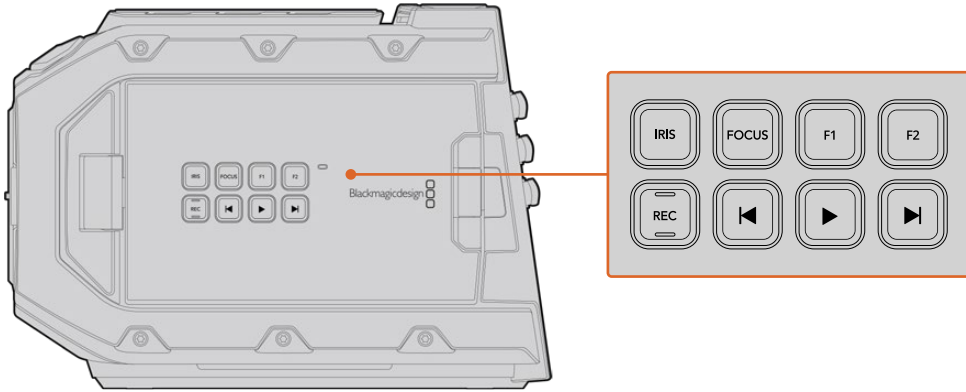
Blackmagic URSA Mini'nin sol yüzünde bulunan dışa açılan ekranın arkasında, bir kontrol paneli vardır ve ayarları değiştirmeniz ve ses seviyelerini kontrol edebilmemiz için gerekli tüm butonları ve ayar düğmelerini içerir. Dokunmatik LCD ekranın üzerindeki ses göstergelerini kullanarak ses seviyelerini denetleyebilirsiniz.



İç kısımdaki kontrol panel butonlarını ve dokunmatik ekranı kullanarak kamera ayarlarını yapın.

### Kontrol Butonları

İç kısımdaki kontrol panelinin yanı sıra Blackmagic URSA Mini'nizde; LCD ekranın dışında ve opsiyonel Blackmagic URSA Handgrip tutma kolunda da kontrol butonları vardır. İris, odak, kayıt ve playback butonlarının hepsi aynı fonksiyonu gerçekleştirir.



Dış panel butonları; klipleri kaydetmeniz ve oynatmanıza, focus peaking fonksiyonunu açıp kapamanıza, LCD'de program ve kamera görüntüsü arasında geçiş yapmanıza ve uyumlu EF lensleri kullanıldığında, iris ile otomatik odak ayarının yapılmasına olanak sağlar.

#### İris

İris butonu, uyumlu lenslerdeki otomatik obtüratör ayarını aktif hale getirir. Video dinamik aralık ayarlarını kullanırken iris butonuna bir kere basılması, çekiminizdeki parlaklıklar veya gölgelere bağlı olarak ortalama bir pozlandırma ayarının yapılmasını sağlar. Film dinamik aralık ayarlarını kullanırken iris butonuna basılması, çekiminizdeki aydınlık bölümün en parlak noktasına göre pozlandırmayı (exposure) ayarlar.

URSA Mini EF modellerinde, bu buton uyumlu EF lensleriyle çalışır. URSA Mini PL modellerinde, bu buton yayın lens kontrolörüne bağlı olan uyumlu lenslerle çalışır.

Obtüratörünüzü manuel olarak ayarlamak için, ileri ve geri atlama aktarım butonlarına basın.

### **Odak/Netlik (Focus)**

Elektronik odaklama ayarlarını destekleyen EF lensli bir EF mount kullanırken, otomatik odaklamayı etkinleştirmek için, 'focus' (odaklama) butonuna basın. Dışa açılan ekranda, kare şeklinde beyaz bir odaklama çerçevesi görünecektir. Çerçevenin içinde görünen her şey, doğru olarak odaklanacaktır. Lens odaklandığında, çerçeve kaybolacaktır.

**NOT** EF lenslerin çoğunun, elektronik odaklamayı desteklediğini bilmek önemlidir; bazı lensler manuel veya oto odaklamaya ayarlanabilir ve bu yüzden, lensinizin oto odaklama modunda olduğundan emin olunuz.

### **Pik (Peak)**

'Peak' butonuna, focus peaking özelliğini etkinleştirmek için basın. Kameranızda iki adet focus peaking modu bulunmaktadır; görüntünün odaklanmış alanlarını yapay olarak keskinleştiren klasik focus peaking ile görüntünün keskin alanlarını; siyah, beyaz, kırmızı, yeşil ya da mavi renkli çizgilerle katmanlayan renkli çizgileri kullanan focus peaking. Daha fazla bilgi için, bu kullanım kılavuzundaki 'ekran ayarları' bölümüne bakın. Focus peaking bellek kartlarına kaydedilmez fakat, dokunmatik menüden katmanların etkinleştirilmesiyle dışa açılan ekranda ve HD denetleme çıkışı aracılığıyla görüntülenebilir.

### **Program**

Program butonu PGM olarak işaretlidir ve LCD'yi, kamera görüntüsü ile arka paneldeki 12G-SDI girişine takılı olan herhangi bir sinyal arasında değiştirmenizi sağlar. Böylelikle, bir canlı yayında URSA Mini kullandığınızda, switcher'in program çıkışını takabilir ve çekim süresince izleyebilirsiniz. Program akışını izlemek için, program butonunu basılı tutun. Program butonu basılıyken program sinyali görüntülenmeye devam edecektir. Program butonuna çift basılması, program sinyaline geçiş sağlar ve program butonuna tekrar basılması, program sinyalinden çıkarır. Ayrıca bilmeniz gereken diğer bir husus, bir switcher'in program çıkışını görüntüleyebilmek için, kamera ve switcher'in aynı kare hızına ayarlı olması gerektirir.

**NOT** URSA Mini veya URSA Mini Pro için referans kaynağınızı ayarladığınızda, referans kaynaklarınız arasında değiştirirken kameranızın çıkışlarında küçük bir düşüş yaşayabilirsiniz. Bunun nedeni, kameranın kendi referanslama zamanlamasını, harici kaynağınki ile eşleşmesi için ayarladığındandır. Bu yüzden, bu ayarı yapım esnasında değiştirmemeniz önemlidir, sadece kurulum esnasında değiştirin.

### **Menü**

Gösterge panelini (Dashboard) açmak için, 'menü' düğmesine basın. Dashboard özelliği ve ayarların yapılması konusunda daha fazla bilgi için, 'ayarlar' bölümüne bakın.

### Kayıt Düğmesi

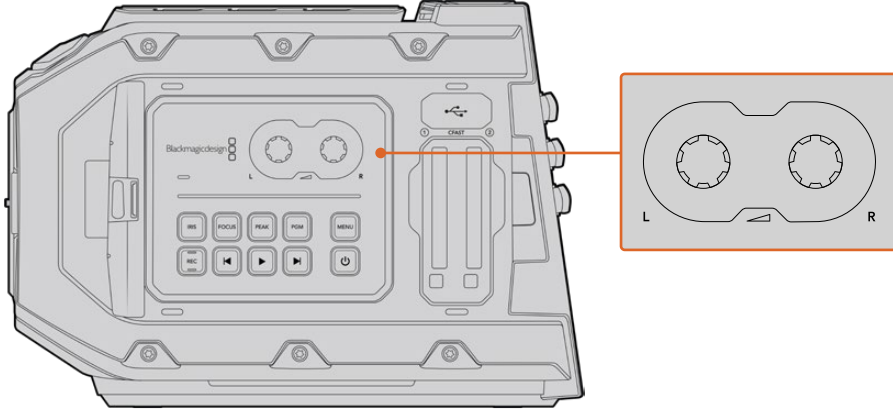
'Kayıt' düğmesi; Blackmagic URSA Mini'nin kontrol panelinde, dışı açılan LCD ekranında ve isteğe bağlı olan Blackmagic URSA Handgrip tutma kolunda olup 'REC' olarak işaretlidir. Kaydı başlatmak ve durdurmak için, 'REC' (kayıt) butonlarından birine basın. Daha fazla bilgi için 'kayıt' bölümüne bakın.

### Playback Kontrol Butonları

Playback butonları, klipi başlatmanızı ve durdurmanızı sağlar, ayrıca bir sonraki ya da bir önceki klibe atlamayı sağlar. Blackmagic URSA Mini EF ile uyumlu lenslerin kullanıldığı durumlarda, ileri ve geri alma butonları, irisi açıp kapatmak için de kullanılabilir. Playback butonlarının kullanılması hakkında daha fazla bilgi için, 'playback' bölümüne bakın.

### Ses Seviyesi Ayar Düğmeleri

Ses kanalları 1 ve 2 için kayıt seviyelerini ayarlamak üzere, dahili ayar düğmelerini kullanın. Her bir ses kanalının kayıt seviyesini artırmak ya da düşürmek için, döner düğmeleri saat yönüne ya da saat yönünün aksine çevirin. Bir döner düğme ile ayar yaparken sesi en uygun seviyeye ayarladığınızı görebilmek için, ekrandaki ses göstergelerine bakın.



Ses kayıt seviyesini artırmak ya da düşürmek için, ses seviyesi ayar düğmelerini saat yönüne ya da saat yönünün aksine çevirin.

### Fonksiyon Butonları

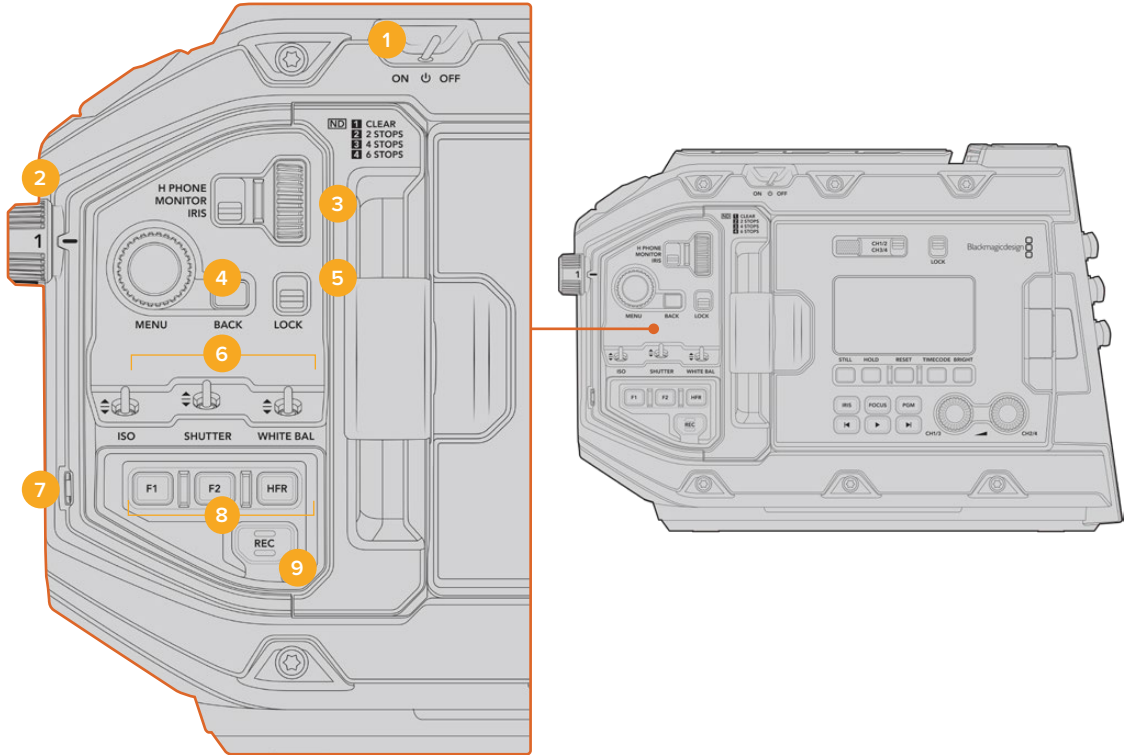
Blackmagic URSA Mini'deki LCD ekranın dış yüzünde, 'F1' ve 'F2' olarak işaretlenmiş iki fonksiyon butonu bulunmaktadır. URSA Mini'nin 'setup' menüsünü kullanarak bunları genelde kullandığınız çeşitli fonksiyonlara eşleştirebilirsiniz. Daha fazla bilgi için, bu kullanım kılavuzundaki 'kurulum ayarları' bölümüne bakınız.

# URSA Mini Pro Kontrol Butonları

Blackmagic URSA Mini Pro'nun tüm gerekli fonksiyonları ile güçlü denetleme araçlarına da hızla ve kolaylıkla erişmeniz için; kasa ve dışı açılan dokunmatik ekranın hem dışında hem de içinde kontrol panelleri vardır. İster bir tripoddan, elden ya da omuz aparatından çekim yapıyor olun, bu paneller elinize yakın olmaya yönelik tasarlanmıştır.

## Ön Kontrol Paneli

URSA Mini Pro'nun ön kontrol paneli, bir çekimin hazırlığında ve kayıta iken yapmanız gereken ayarlar için olan kontrollerin tümünü bir grup halinde sunar. Bunların hepsi, omuz aparatının kullanıldığı zamanlar gibi, çekim esnasında dışı açılan ekranın kapalı olduğu durumlarda, ayarlara kolay erişim sağlamaya yönelik tasarlanmıştır.



URSA Mini Pro 4.6K ön kontrol paneli

### 1 Power (Güç) Düğmesi

Bu düğmeyi 'on' (açık) konumuna getirerek URSA Mini Pro'nuzu çalıştırın. Düğmeyi 'off' (kapalı) konumuna getirerek kamerayı kapatın.

**BİLGİ** Ayrıca, URSA Mini Pro'yu, kontrol panel düğmelerinin bir kombinasyonu ile de açıp kapatabilirsiniz. Kamera kapalı haldeyken 'rec' (kayıt) ve 'forward skip' (ileri alma) düğmelerinin basılı tutulması, kamerayı çalıştırır ve kamera açıkken de kamerayı kapatır. Kameranın çalıştırma düğmesi 'on' olarak ayarlı fakat, kamera kapalı ise kameranız kontrol panelinden kapanmış olabilir. Açma/kapama düğmesini, tekrar normal çalışma durumuna getirin.



## 2 ND Filtreleri

URSA Mini Pro'nuz, üç adet dahili doğal yoğunluk filtresi içerir. Saydam filtre ile birlikte, mevcut olan ayarlar '2', '4' ve '6' adımlıdır. Bu filtreler, URSA Mini'nin sensörüne ulaşan ışık miktarını, önceden ayarlı birkaç pozlama 'adımı' aracılığıyla düşürmenizi sağlar. Pozlandırmayı düşürerek, dış mekanlarda güneşli günlerdeki gibi parlak şartlarda, geniş obtüratörlerde çekim yapmaya devam edebilirsiniz.

Doğal yoğunluk ayarını düzeltmek için, tekeri yukarı ya da aşağı çevirin. 'Saydam' ayarı, herhangi bir ND filtrenin kullanılmadığı anlamına gelir. Ayar 2'den 4'e kadar, ND filtreleri aşamalı olarak yoğunluğu artırır böylece, gerektiğinde ışığı azaltabilirsiniz.

Farklı kullanıcılar her bir ND filtre için farklı bir isim kullanmayı tercih ettiklerinden, ND ayarlarınızın ölçülerini LCD menüsünden kişiselleştirebilirsiniz. ND filtre numarasını, ışık azaltmadaki adımların miktarını ya da filtreler için azaltılan ışığın miktarını temsil eden oranı, tercihinize göre belirleyebilirsiniz.

### Nötr Yoğunluk Filtre Ayarları

Teker Konumu	ND miktarı	Adım Sayısı	Bölüm
1	clear	0	1
2	0.6	2	1/4
3	1.2	4	1/16
4	1.8	6	1/64

## 3 Ayarlar Tekerini

Bu tekerin fonksiyonunu, tekerle yan yana olan üç konumlu düğme ile ayarlayın. Mevcut seçenekler 'headphone' (kulaklık), 'monitör' (ekran) ve irisdir.

### Kulaklık

'Kulaklık' olarak ayarlı iken, ayar tekeri kulaklık ses seviyelerinin ayarını yapacaktır. Sesin ayarını artırmak için, tekeri yukarı doğru çevirin ve düşürmek için de aşağı doğru çevirin.

### Monitör (Hoparlör)

'Monitör' olarak ayarlı iken, ayarlar tekeri, URSA Mini Pro'nun dahili ekranında bulunan hoparlörün ses seviyesini ayarlar. Hoparlör, LCD ekran kapağının dış kısmında bulunur ve kulaklık olmadan sesin dinlenmesinde kullanılabilir. Sesin ayarını artırmak için, tekeri yukarı doğru çevirin ve düşürmek için de aşağı doğru çevirin. Kameranin dahili mikrofonuyla yapılan kayıt esnasında, istenilmeyen ses döngüsünün (feedback) önlenmesi için, bu fonksiyon etkisiz kılınır.

### İris

Ayarlar tekeri 'iris' olarak ayarlı iken, URSA Mini Pro'nuzda monte edilmiş uyumlu lenslerin obtüratör ayarlarının yapılmasında kullanılır. Tekerin aşağı doğru çevrilmesi irisi açar ve yukarı doğru çevrilmesi de irisi kapatır. Bu yönler, ayarlanabilir sabit ve sinema lenslerindeki obtüratörün çalışmasını taklit eder.

**BİLGİ** Obtüratör ayarlarının ayarlar tekeri aracılığıyla değiştirilebilmesi için, URSA Mini Pro'da, obtüratörün kameradan değiştirilmesini destekleyen bir lensin olması gerekir. 12 pimli yayın konektörü ile bağlanmış bir B4 ya da PL lens kullanıyorsanız, tutma kolundaki lens iris düğmesinin 'A' veya 'auto' olarak ayarlandığından emin olun.

#### 4 Menü Tekerı

URSA Mini Pro'nuzun ön SDI çıkışı için 'durum mesajı' (status text) açık olduđu zaman, genellikle dokunmatik LCD ekran aracılığıyla erişilen 'heads up display' (denetim merkezi ekranı) özelliklerinin birçoğunda gezinmek için, menü tekerini kullanabilirsiniz.

Blackmagic SmartView, Video Assist ya da URSA Viewfinder gibi harici bir ekranda, URSA Mini Pro'nun denetim merkezi ekranına erişmek için, bir butona bastığınız gibi menü tekerine basın. Menü tekeri aktif haldeyken; LCD ekran seçenekleri, kare hızı, ISO, beyaz ayar ve tonlama gibi özellikleri seçmek için tekeri çevirin. Tercihlerinizi onaylamak ve ilave değişiklikler yapmak için tekere basın ve iptal etmek için de tekerin yanındaki 'back' (geri) düğmesine basın. Back düğmesini ayrıca, bir üst menü seviyesine çıkmak istediğinizde ya da en üst seviyede iken menüden tamamen çıkmak için de kullanabilirsiniz. URSA Mini Pro 4.6K'da, bir dakika boyunca aktif olmadığı durumda, menü otomatik olarak kapanır.

Durum mesajı ve mevcut olan kontroller hakkında daha fazla bilgi için, bu kılavuzun 'dokunmatik ekran kontrolleri' ve 'ekran ayarları' bölümlerine bakın.

#### 5 Kilit (Lock)

Çekim esnasında kazayla ayarların değiştirilmesini önlemek üzere, ön kontrol panelindeki kontrollerin tümünü kilitlemek için, bu düğmeyi kullanın. Kilitlemek için, bu düğmeyi aşağı çekin ve kilidi açmak için de yukarı çekin.

**BİLGİ** İşlek veya kontrolsüz ortamlardaki çekimlerde kameradan uzaklaşmanız gerektiğinde, URSA Mini Pro'nun ön kontrol panelini kilitleyebilirsiniz. Bu, ayarlarınızın başkaları tarafından farkında olmadan değiştirilmesini engeller.

#### 6 ISO, Örtücü ve Beyaz Ayar Anahtarları

Bu küçük anahtarlar; ISO, beyaz ayar, ve örtücü ayarlarının yapılmasında kullanılır. Gözünüzü çekimden ayırmadan hızlıca ayar yapmanızda kolaylık sağlar. Ayar değişiklikleri yapmak için, anahtarları yukarı ya da aşağı hafifçe itin. Anahtarlar yaylı olduğundan daima nötr konumuna dönerler.

##### ISO

Kameranızın ISO ayarını yapmak için, bu anahtarı yukarı ya da aşağı doğru itin. Yukarı itildiğinde, ayarı bir üst seviyeye çıkarır ve aşağı itildiğinde de bir alt seviyeye düşürür. URSA Mini için mevcut ayarlar; 200, 400, 800 ve 1600'dür ve URSA Mini Pro için mevcut ayarlar; 200, 400, 800 ve 3200'dür.

##### Örtücü

Kurulum menüsünde yaptığınız seçime bağlı olarak kameranın örtücü açısı veya örtücü hızını düzeltmek için, bu anahtarı kullanın. Yukarı itilmesi, örtücü açısı veya örtücü hızını bir sonraki mevcut önayara artırır ve aşağı itilmesi de örtücü açısı veya örtücü hızını bir sonraki mevcut önayara düşürür. Anahtarın yukarı ya da aşağı konumda tutulması, mevcut değerler arasında geçişi daha da hızlandırır. 11.2 ve 360 derece arasında olmak üzere, yirmi adet örtücü açısı önayarı bulunmaktadır.

**BİLGİ** URSA Mini Pro'nuz ayrıca, bulunduğunuz bölgenin güç frekansına bağlı olarak kırışmasız örtücü açılı önerebilmektedir. Bunların, dokunmatik LCD ekran menüsünden seçilmesi gerekmektedir. Daha fazla bilgi için, bu kılavuzun 'dokunmatik ekran kontrolleri' bölümüne bakın.

### **Beyaz Ayar**

Bu anahtar, kameranın beyaz ayarının yapılmasında kullanılır. Yukarı itilmesi, renk sıcaklığını 50K artırır ve aşağı itilmesi de 50K düşürür. Anahtarın yukarı ya da aşağı konumda tutulması, mevcut değerler arasında geçişi daha da hızlandırır.

### **7 Otomatik Beyaz Ayar**

Bu düğmeye basıldığında, LCD ekranın ortasında beyaz bir 'otomatik beyaz ayar' kutusu, beş saniyelik görüntülenecektir. Ayrıca bu kutu, menü ayarlarında durum mesajı aktif olan her SDI çıkışında da görünür. Beyaz kutu, görüntünüzde beyaz ayarın hesaplanacağı belirli alanı gösterir; bu sebepten dolayı, gri kartınızın bu kutu içerisinde olması gerekmektedir. 'Auto W/B' butonunun 3 saniye süresince basılı tutulması, bir 'otomatik beyaz ayar' uygulayacaktır ve bunun başarılı bir şekilde gerçekleştiğini teyit etmek için de kare, beyazdan yeşile dönüşecektir.

URSA Mini Pro'nun ön veya ana SDI çıkışlarındaki durum mesajının etkinleştirilmesi konusunda daha fazla bilgi için, bu kılavuzun 'monitör ayarları' bölümüne bakın.

### **8 F1 ve F2**

F1 ve F2 tuşları, genellikle kullanılan çeşitli fonksiyonlara, URSA Mini Pro'nun 'kurulum' menüsü kullanılarak programlanabilen, 'fonksiyon' tuşlarıdır. Varsayılan ayar olarak; F1 'false color' (sahte renk) olarak ve F2 de 'display LUT' (LUT'u göster) olarak ayarlıdır.

Daha fazla bilgi için, bu kılavuzun 'dokunmatik ekran kontrolleri' bölümüne bakın.

### **HFR**

Farklı hızda kayıt kare hızını değiştirmek için HFR ya da 'high frame rate' ibareli yüksek kare hızı butonunu kullanın. Bu butonu kullanmak için, URSA Mini Pro'nun 'frame rate' veya 'kare hızı' menüsünden, kullanmak istediğiniz 'off speed' ya da 'farklı hızda kayıt' için kare hızı ayarını yapın. Bu düğmeye basılması, tercih ettiğiniz farklı hızda kayıt kare hızı (off speed frame rate) ile proje kare hızı arasında kaydı değiştirecektir. Ayrıca, bilmeniz gereken diğer bir husus, bu ayarı yalnızca kayıt durduğunda değiştirebileceğinizdir. HFR butonu, sıkça kullanılan çeşitli fonksiyonlara programlayabileceğiniz bir 'fonksiyon tuşu' olarak da çalışır veya etkisiz hale getirilebilir.

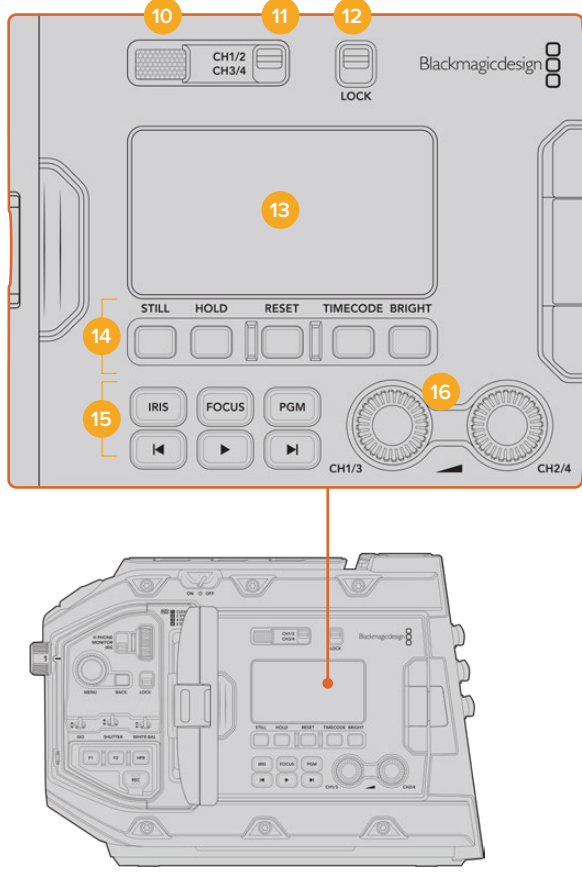
Proje ve off speed kare hızları konusunda daha fazla bilgi için, bu kılavuzun 'dokunmatik ekran kontrolleri' bölümüne bakın.

### **9 Kayıt**

'Kayıt' butonu, Blackmagic URSA Mini Pro'nuzun sol tarafında, REC olarak işaretlidir. Kaydı başlatmak ve durdurmak için, 'REC' (kayıt) düğmesine basın. Daha fazla bilgi için 'kaydetme' bölümüne bakın.

## Ergonomik Kontrol Paneli

URSA Mini Pro'nuzun dokunmatik ekranının dış kısmında, bir LCD durum ekranı ile çeşitli izleme kontrolleri göreceksiniz. Bu panel, kameranızın tüm durum bilgilerine bir bakışta erişebilmenizi ve ayrıca ses düzeylerini dinlemenizi ve ayarlamanızı da sağlar. Uyumlu lensler kullanıldığında, otomatik odaklama ayarı yapılabilir ve aktarım denetimleri, kliplerinizi oynatmanızı sağlar.



URSA Mini Pro 4.6K ergonomik kontrol paneli

### 10 Ekran Hoparlörü

Kontrol panelinin dış tarafındaki dahili küçük hoparlör, playback esnasında sesi dinlemenizi sağlar. Hoparlör, kamera ile omuzda çekim yaparken kulağınıza yakın olacak şekilde konumlandırılmıştır.

Hoparlörün ses ayarını yapmak için, 'URSA Mini Pro Kontrol Butonları' bölümünde tarif edildiği gibi, ayarlar tekerini basit bir şekilde çevirmeniz yeterlidir.

### 11 Dinlenecek Kanalın Seçimi

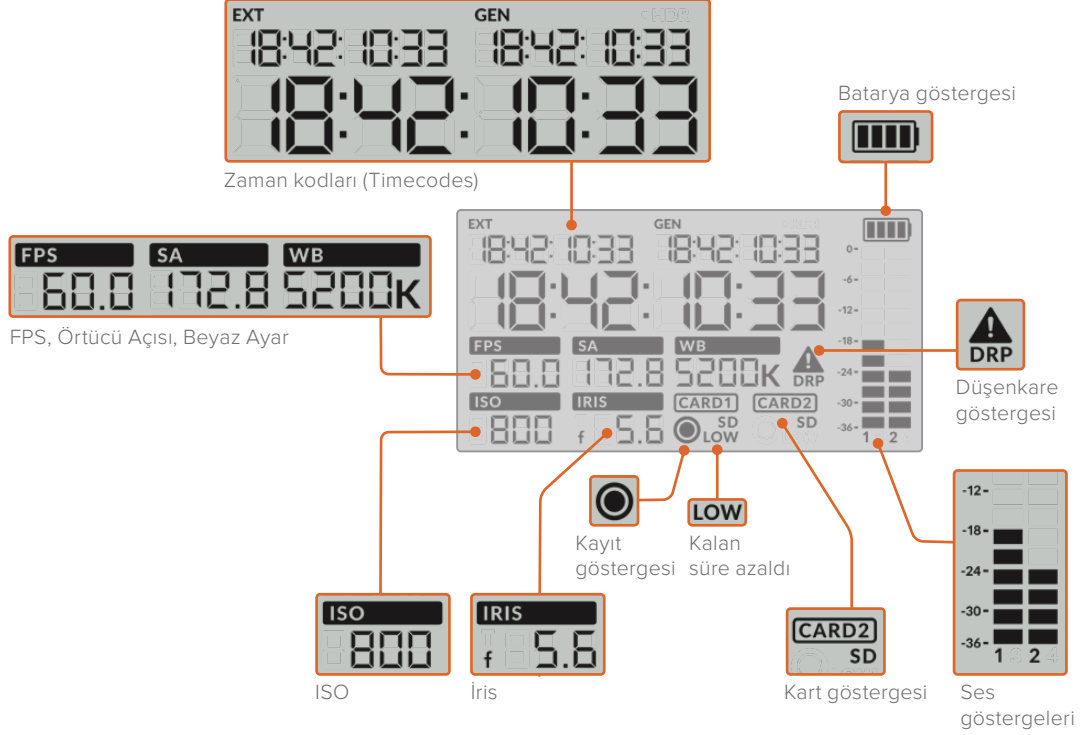
URSA Mini Pro kameranız, iki adet ses kanalını destekler.

### 12 Kilit (Lock)

Bu düğmeyi, URSA Mini Pro'nun ergonomik kontrol panelinde bulunan tüm ayarları kilitlemek için kullanın. Kilit düğmesi 'on' konumunda iken, aktif kalacak olan kontroller yalnızca 'monitor channel select' (dinlenecek kanalı seçme) düğmeleridir.

### 13 LCD Durum Ekranı

Bu ekran, dahili dokunmatik ekranı açmak zorunda kalmadan, URSA Mini Pro'nun tüm gerekli ayarlarını bir bakışta görebilmenizi sağlar. Bu ekran, parlak günışığında bile görünür olması için tasarlanmıştır. Aşağıdaki bilgileri gösterir:



#### Timecodes (Zaman Kodları)

URSA Mini Pro üç adet zaman kodu görüntüler. Harici bir zaman kodu bağlıysa LCD ekranının sol üst köşesinde 'ext' işareti ile bu gösterilecektir. URSA Mini'nin dahili olarak oluşturulan zaman kodu, bunun yanında 'gen' göstergesi altında gösterilmektedir. Hem harici hem de dahili oluşturulan zaman kodları; saat, dakika, saniye ve kare olarak gösterilir.

Daha büyük olan ana zaman kodu göstergesi, mevcut zaman kodunuzu ya klip süresi ya da zaman kodu olarak görüntüler. LCD durum ekranı altındaki 'timecode' butonuna basarak, bu iki görüntü modunun birinden diğerine geçebilirsiniz.

#### Batarya göstergesi

URSA Mini Pro'nun batarya ile çalıştığı durumlarda, bu gösterge bataryanın geri kalan ömrünü, %25'lik aralıklarla görüntüler. Batarya göstergesindeki dört çubuktan her birisi, bataryanın geri kalan ömrünün %25'ine tekabül eder. Bataryanızın gücü %20'nin altına düştüğünde, kayıt düğmesinin yakınındaki LED durum lambası, yanıp sönmeye başlar. Kayıt esnasında, kırmızı ile turuncu arasında yavaşça değişir ve 'standby' (bekleme) modunda iken, beyaz ile turuncu arasında değişir.

Ana güç konektörü kameralarınıza bağlı olduğunda, batarya göstergesi dolu olarak gösterir.

#### FPS, Örtücü Açısı, Beyaz Ayar

'FPS', SA (örtücü açısı) ve 'WB' (Beyaz Ayar) göstergeleri; kameralarınızın mevcut kare hızını, örtücü açısını ve beyaz ayarını görüntüler. 'FPS' göstergesi, mevcut sensör kare hızını gösterir.

Sensör ve proje kare hızları konusunda daha fazla bilgi için, bu kılavuzun 'dokunmatik ekran kontrolleri' bölümüne bakın.

## ISO

Kameranın mevcut ISO ayarını görüntüler.

## İris

Mevcut lens obtüratörünü görüntüler. Lens türünüze göre, bu bir 'f stop' ya da 'T stop' olarak görüntülenir.

## Kart Bilgisi

'Kart 1' ve 'kart 2' göstergeleri, bu yuvalar kullanımda olduğu zaman, URSA Mini Pro'nun durum LCD'sinde belirir.

SD kartlarına kaydediyorsanız 'SD' işareti görünür ve kaydınızı CFast kartlarına yapıyorsanız işaret kaybolur.

## Kayıt Göstergesi

Kayıt esnasında, kaydedilen kartın veya kartların altında, dairesel bir gösterge belirir.

## Kalan Süre Azaldı

Yaklaşık 5 dakikalık bir kayıt süresi kaldığında, ilgili kartın altında, bir 'low' (az) işareti belirir.

## Ses Göstergeleri

Tepe noktası (Peak) ses göstergeleri, dahili mikrofon kullanıldığında veya harici ses bağlandığında, ses seviyelerini görüntüler. Gösterge, dBFS birimleri olarak kalibre edilmiştir ve ekranda kısa bir süre görünen, pik tutma göstergeleri özelliğini içerir, böylece ulaşılan azami ses seviyelerini açıkça görebilirsiniz.

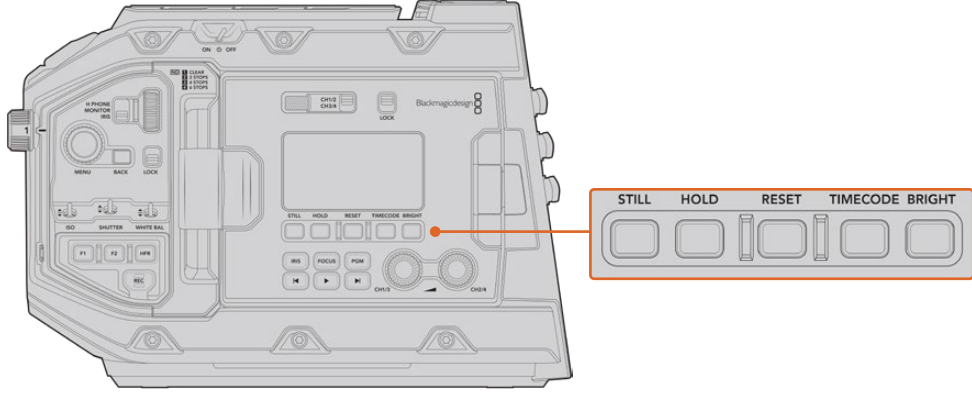
Optimum ses kalitesi için, ses seviyelerinizin 0 dBFS'e ulaşmadığından emin olun. Bu, kameranızın kayıt edebileceği azami seviyedir, bu seviyeyi aşan her ses kırılacaktır ve netice olarak seste bozulmaya yol açacaktır.

## Düşen Kare Göstergesi

Kameranız düşen kareler tespit ettiğinde, bu gösterge yanıp söner. Kayıt yapmayı durdurduğunuzda, önceki klibin düşen kareler tespit ettiğini bildirmek için, bu gösterge ekranda görüntülenmeye devam eder. Bu uyarı, tekrar kayıt yapmaya başladığınızda ya da kamerayı yeniden başlattığınızda kaybolur. Kare düşmelerini önleme ile ilgili daha fazla bilgi için, bu kılavuzun 'depolama medyası' bölümüne bakın.

**Not** URSA Mini Pro'nuzu, düşen kareler tespit edildiğinde kaydı durdurması için ayarlayabilirsiniz. Daha fazla bilgi için, bu kullanım kılavuzundaki 'kayıt ayarları' bölümüne bakın. Daha yavaş medya üzerine çekim yaparken yüksek kare hızları veya çözünürlükte küçük sürelerde 'burst' tarzı kayıtlarla durumu kurtarabileceğinizden, bu özellik, kullanıcının seçimine bırakılmıştır.

## 14 Durum LCD Ekranı Kontrolleri



URSA Mini Pro 4.6K durum LCD kontrolleri

### Fotoğraf/Sabit Görüntü (Still) Butonu

Sabit görüntü yakalamak için bu butona basın. URSA Mini Pro 12K sabit görüntüleri tek bir Blackmagic RAW karesi olarak kaydeder. URSA Mini Pro 4.6K modelleri, sabit görüntüleri sıkıştırılmamış bir DNG karesi olarak kaydeder. Görüntü dosyaları, şu anda kaydetmekte olduğunuz ortamın kök dizinindeki 'stills' (sabit görüntüler) klasörüne kaydedilir. Bunlar, video klipleri için olan dosya adlandırma kurallarını takip eder fakat; dosya adı, dosya adının en son dört rakamı olarak sabit görüntü numarasını temsil eden 'S001' içerecektir. Sabit görüntünün başarılı bir şekilde kaydedildiğini onaylamak için; URSA Mini'nin dokunmatik ekranının sağ üst köşesinde bir kamera görüntüsü belircektir ve Durum LCD'sinin üzerindeki kayıt göstergesi üç kez yanıp sönecektir.

### Hold (Tutma)

Bu butonu, zaman kodu günlük saat kodu olarak çalışırken ana durum LCD zaman kodunu, geçici olarak tutmak için kullanın. Zaman kodu arka planda çalışmaya devam edecektir ve 'hold' butonunu bıraktığınızda da tekrar esas konumuna dönecektir. Hold (tutma) durumunda iken, belli bir etkinliğin zaman kodu için notlar tutabilirsiniz. Bu, elektronik haber toplamada veya belgesel çalışmalarında, önemli zaman kodu noktalarının not edilmesinde faydalı olabilir.

### Reset (Sıfırlama)

Reset butonu, önyayar zaman kodunun ayarını yaparken zaman kodunu 00:00:00:00 olarak sıfırlamanızı sağlar.

### Timecode (Zaman Kodu)

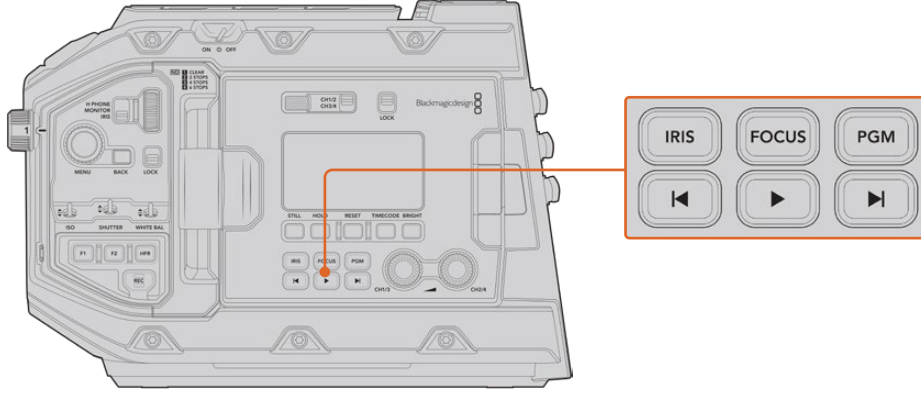
Ana zaman kodu görüntüleme formatını, klip süresi ile zaman kodu arasında değiştirmek için, 'timecode' butonuna basın. Zaman kodu, 'free running time of the day' (günlük saat) olarak varsayılacaktır; çünkü çoğunlukla bu kullanılır. 'Timecode' butonunu 5 saniye kadar basılı tuttuğunuzda, kamera 'record run timecode' (kayıt süresi zaman kodu) moduna girecektir ve büyük timecode görüntüsünün ilk iki rakamının yanı sıra, timecode üretici de yanıp sönecektir. Bu, önceden ayarlı zaman kodunuzu, şimdi değiştirdiğinizi gösterir ve önceden ayarlı zaman kodunuz için, belli bir zaman kodu numarası ayarlamanızı sağlar.

Bu aşamada 'reset' butonuna basılması, zaman kodunu sıfırlar ve sonrasında menü tekerleğini döndürerek ve basarak; saat, dakika saniye ve kare olarak dilediğiniz değerleri girebilirsiniz. Arzu ettiğiniz zaman kodunu girdiğinizde, bunu önceden ayarlı zaman kodu noktanız olarak ayarlamak için, 'timecode' butonunu 3 saniye basılı tutun. Şimdi, timecode üreticinizin bu değeri gösterdiğini fark edeceksiniz ve sadece kamera çalışırken artarak size devamlı artan timecode değerlerini verecektir. Zaman kodunuzu günlük saat moduna geri çevirmek için; 'timecode' ve 'hold' düğmelerine aynı anda basın ve 3 saniye basılı tutun.

### Bright (Parlaklık)

URSA Mini Pro kameranın LCD durum ekranı için olan dört parlaklık ayarı arasında seçim yapmak için, 'bright' butonuna basın. Bu ayarlar; 'off' (kapalı), 'low' (düşük), 'medium' (orta) ve 'high' (yüksek) şeklindedir.

## 15 Kontrol ve Oynatım (Playback) Butonları



URSA Mini Pro 4.6K kontrol ve playback butonları

### İris

'İris' butonu, uyumlu lenslerdeki otomatik obtüratör ayarını aktif hale getirir. Video dinamik aralık ayarları kullanılırken iris butonuna bir kere basılması, çekiminizdeki parlaklıklar veya gölgelere bağlı olarak, ortalama bir pozlandırma ayarının yapılmasını sağlar. Film dinamik aralık ayarları kullanılırken iris butonuna basılması, çekiminizdeki aydınlık bölümün en parlak noktasına göre pozlamayı (exposure) ayarlar. Bu buton, uyumlu bir yayın lens kontrol cihazına bağlı bulunan uyumlu EF lensleri ve PL lensleri ile çalışır.

Obtüratörünüzü manuel olarak ayarlamak için, ileri ve geri atlama aktarım butonlarına basın.

### Focus (Odaklama)

Elektronik odaklama ayarlarını destekleyen bir EF lens kullanırken, otomatik odaklamayı etkinleştirmek için 'focus' (odaklama) butonuna basın. URSA Mini Pro'ya bağlı olan her vizör ya da ekranda, beyaz bir odak çerçevesi belircektir. Çerçevenin içinde görünen her şey, doğru olarak odaklanacaktır. Lenste odaklanma gerçekleştiğinde çerçeve kaybolacaktır.

**NOT** Bazı lensler hem manuel hem de otomatik odaklama moduna sahiptirler. URSA Mini Pro'nuzun, lensinizle otomatik odaklama yapabilmesi için, lensinizin otomatik odaklama modunda olması gerekmektedir.

### Program

Program butonu PGM olarak işaretlidir ve kamera görüntüsü ile arka paneldeki 12G-SDI girişine takılı olan herhangi bir sinyal arasında, LCD'yi değiştirmenizi sağlar. Böylelikle, canlı yayında bir URSA Mini Pro kullandığınızda, switcher'in program çıkışına takabilir ve çekim boyunca izleyebilirsiniz. Program akışını izlemek için, program butonunu basılı tutun. Program butonu basılıyken program sinyali görüntülenmeye devam edecektir.

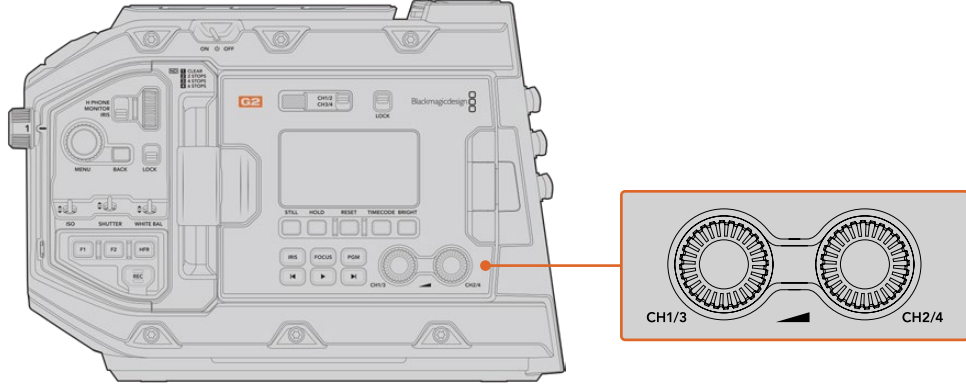
Ekrani program giriş yayını görüntülemesi için kilitlemek istediğinizde, görüntüyü program yayınına kilitlemek için program butonuna iki kere basın. Program butonuna tekrardan basılması, program yayınından çıkmanızı ve kamera görüntüsüne geri dönmenizi sağlar.

### Playback Kontrol Butonları

Playback butonları, klipi başlatmanızı ve durdurmanızı sağlar, ayrıca bir sonraki ya da bir önceki klibe atmanızı sağlar. Bir EF lens kullanırken, ileri ve geri atlama butonları uyumlu lenslerle kullanıldığı zaman, irisi açıp kapatmak için de kullanılabilir. Playback butonlarının kullanılması hakkında daha fazla bilgi için, 'playback' bölümüne bakın.



## 16 Ses Seviyesi Ayar Düğmeleri

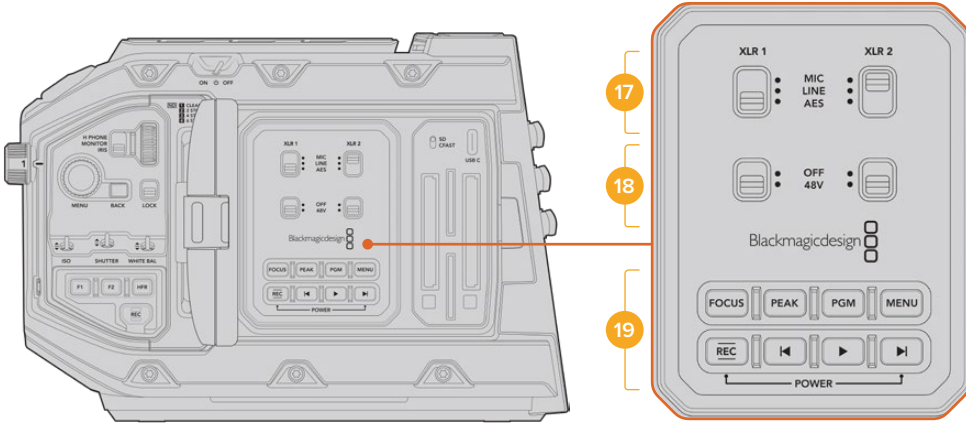


URSA Mini Pro 4.6K G2 ses ayar düğmeleri

Ses kanalları 1 ve 2 için kayıt seviyelerini ayarlamak üzere, dahili ayar düğmelerini kullanın. Her bir ses kanalının kayıt seviyesini artırmak ya da düşürmek için, döner düğmeleri saat yönüne ya da saat yönünün aksine çevirin. Bir döner düğme ile ayar yaparken sesi en uygun seviyeye ayarladığınızı görebilmek için, ekrandaki ses göstergelerine bakın.

## İçteki Kontrol Paneli

URSA Mini Pro kameranızın dışı açılan ekranı açık iken, içteki kontrol paneline erişebilirsiniz. Buradaki kontrolleri; ses girişlerini, fantom güç ayarlarını, iris, odaklama, menü ve playback kontrolleri ve bunlar gibi daha niceğini ayarlamak için kullanın.



URSA Mini Pro iç kısımdaki kontrol paneli

### 17 XLR1 / XLR2

Bu düğmeleri, URSA Mini Pro'nuzun XLR girişlerini bir giriş kaynağı olarak seçtiğinizde, istediğiniz gibi çalışması için ayarlamak üzere kullanın. Mikrofon sesi, hat seviyesi ses ve AES dijital ses seçenekleri vardır.

### 18 Phantom Power (Fantom Güç)

URSA Mini Pro'nun XLR girişleri, 48V fantom güç sağlayabilir; böylelikle, fantom gücü ile çalışan mikrofonları kullanabilirsiniz. Üstteki XLR girişine bağlı bulunan herhangi bir mikrofonu fantom güç sağlamak için, bu düğmeyi '48V' konumuna getirin ve fantom gücü kapatmak için 'off' konumuna getirin.

**NOT** Fantom gücün çalıştırılmasından önce XLR kablosunun takılması, standart uygulamadır. Ayrıca, fantom gücüyle çalışan bir mikrofon takılı olmadığı zaman, fantom gücü kapatmak da önemlidir. Kameranın XLR ses girişlerinden fantom gücü gönderilirken, AES XLR çıkışlarında dahili fantom güç koruması olmayan cihazların bağlanması, ekipmanınıza zarar verebilir. Fantom gücüyle çalışan mikrofonunuzu çıkarmadan önce, 48V anahtarının kapalı olduğundan, daima emin olunuz.

## 19 Kontrol ve Playback (Oynatım) Butonları

### Focus (Odaklama/Netlik)

Elektronik odaklama ayarlarını destekleyen EF lensli bir EF mount kullanırken, otomatik odaklamayı etkinleştirmek için, 'focus' (odaklama) butonuna basın. Dışa açılan ekranda, kare şeklinde beyaz bir odaklama çerçevesi görünecektir. Çerçevenin içinde görünen her şey, doğru olarak odaklanacaktır. Lens odaklandığında, çerçeve kaybolacaktır.

**NOT** Bazı lensler hem manuel hem de otomatik odaklama moduna sahiptirler. URSA Mini'nin, lensinizle otomatik odaklama yapabilmesi için, lensinizin otomatik odaklama modunda olması gerekmektedir.

### Peak

'Peak' butonuna focus peaking (odak boyama) özelliğini aktifleştirmek için basın. Kameranızda; görüntünün odaklanmış alanlarını yapay olarak keskinleştiren klasik focus peaking ve görüntünün keskin alanlarını siyah, beyaz, kırmızı, yeşil ya da mavi renkli çizgilerle katmanlayan 'renkli çizgiler' olan focus peaking olmak üzere, iki adet focus peaking modu vardır. Daha fazla bilgi için, bu kullanım kılavuzundaki 'ekran ayarları' bölümüne bakın. Focus peaking bellek kartlarına kaydedilmez fakat, dokunmatik menüden katmanların etkinleştirilmesiyle, dışa açılan ekranda ve HD denetleme çıkışı aracılığıyla görüntülenebilir.

**BİLGİ** Video çıktınızı, bir Blackmagic Video Assist veya Hyperdeck Studio Mini'ye kaydediyorsanız o çıkış için focus peaking (odak boyama) özelliğinin kapalı olduğundan emin olunuz. Bu, ön SDI veya ana SDI çıkışlarında bulunan 'clean feed' özelliği kullanılarak yapılabilir.

'clean feed' gönderilmesi hakkında daha fazla bilgi için, bu kılavuzun 'ekran ayarları' bölümüne bakın.

### Program

Program butonu, PGM olarak işaretlidir ve LCD ekran görüntüsünü, kamera görüntüsü ile arka paneldeki 12G-SDI girişine takılı olan herhangi bir sinyal arasında değiştirmenizi sağlar. Böylelikle, canlı yayında bir URSA Mini Pro 4.6K kullandığınızda, switcher'in program çıkışına takabilir ve çekim boyunca izleyebilirsiniz. Program akışını izlemek için, program butonunu basılı tutun. Program akışını kilitlemek için, butona iki kere basın. Program akışını kapatmak için, butona tekrar basın.

Bir switcher'in program çıkışını görüntülemek için, kamera ve switcher'in aynı çözünürlüğe ve kare hızına ayarlı olmaları gerekmektedir.

### Menü

Gösterge panelini (Dashboard) açmak için, 'menü' düğmesine basın. Dashboard özelliği ve ayarların yapılması konusunda daha fazla bilgi için, 'ayarlar' bölümüne bakın.

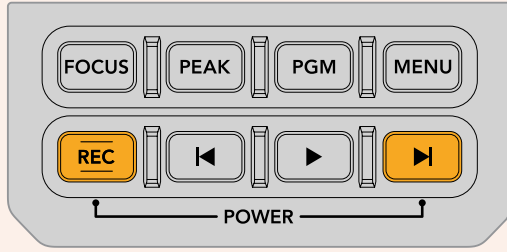
### Kayıt

Kayıdı başlatmak ve durdurmak için, REC olarak işaretli kayıt düğmelerinden herhangi birine basın. Daha fazla bilgi için 'kaydetme' bölümüne bakın.

### Playback Kontrol Butonları

Playback butonları, klibi başlatmanızı ve durdurmanızı ve ayrıca bir sonraki ya da bir önceki klibe atlamanızı sağlar. EF yuvası kullanırken ileri ve geri atlama butonları, uyumlu lenslerle kullanıldığında zaman, irisi açıp kapatmak için de kullanılabilir. Playback butonlarının kullanılması hakkında daha fazla bilgi için 'playback' bölümüne bakın.

**NOT** URSA Mini Pro'yu dahili kontrol panel butonlarının bir kombinasyonu ile açıp kapatabilirsiniz. Kamera kapalı haldeyken 'rec' (kayıt) ve 'forward skip' (ileri alma) düğmelerinin basılı tutulması, kamerayı çalıştırır ve kamera açıkken de kamerayı kapatır. Kameranın çalıştırma düğmesi 'on' olarak ayarlı; fakat kamera kapalı ise, kameranız kontrol panelinden kapanmış olabilir. Açma/kapama düğmesini, tekrar normal çalışma durumuna getirin.



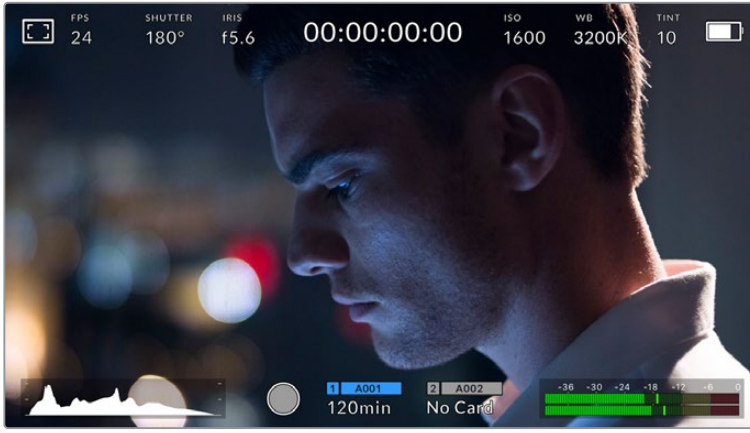
# Dokunmatik Ekran Kontrolleri

## Dokunmatik Ekran

Blackmagic URSA Mini'nin dışa açılan dokunmatik LCD ekranı, yüksek ve düşük açılı çekimler yapmak için, eksenini etrafında döner. Omuz üzerinden URSA Viewfinder ile kullanılırken ve LCD ekran kapalı iken LCD panelinin dış kısmındaki butonlar, URSA Mini'nizi kontrol etmenizi sağlar.

## Dokunmatik Ekran Özellikleri

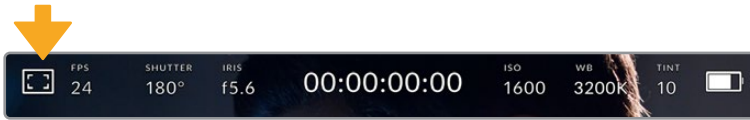
Kullanıcıların hızlı ve sezgisel olarak çalıştırması için, dokunmatik LCD ekran, özel olarak tasarlanmış dokunma ve hareket esaslı bir arayüze sahiptir. URSA Mini'nin dokunmatik LCD ekranının değişik bölgelerine dokunarak ve parmaklarınızı üzerinde kaydırarak, çekim esnasında kamera fonksiyonlarına hızlı bir şekilde erişebilirsiniz.



URSA Mini'nin dokunmatik LCD ekranı, kapsamlı bir denetim merkezi ekranına (heads up screen) sahiptir ve kameranızın en çok kullanılan ayarlarına kolay erişmenizi sağlar.

## LCD Ekran Seçenekleri

LCD ekran ayarlarına erişmek için, URSA Mini'nin LCD dokunmatik ekranının sol üst köşesindeki 'monitor' (ekran) ikonunu tıklayın. Bu ayarlar; zebra, odak yardımı, kare kılavuzu ve gridler de dahil olmak üzere, URSA Mini'nin görüntüleme özelliklerinin görünümünü değiştirmenize ve ayarlamaya imkan verir. LCD ekran seçeneklerine erişirken bu özelliklere ait kontroller, dokunmatik LCD ekranın alt kenarı boyunca bulunan sekmeli bir menüde görünürler.

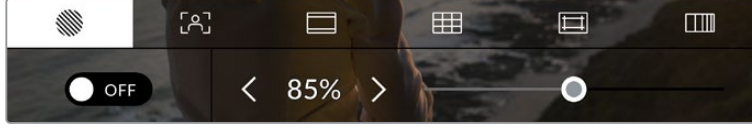


LCD ekran ayarlarına erişmek için, URSA Mini'nin dokunmatik LCD ekranının sol üst köşesindeki ikonu tıklayın.

### Zebra

'Zebra' ayarı, dokunmatik LCD ekranın üzerindeki zebra'nın görünümünü değiştirmekle birlikte, URSA Mini'nin tüm çıkışları için, zebra seviyesini ayarlamakta kullanılabilir.

Zebra, ayarlı olan pozlama seviyesini aşan kısımların üzerinde, çapraz çizgiler görüntüler. Örneğin, zebra seviyesinin %100 olarak ayarlanması, hangi alanların tamamen patlamış (overexposed) olduğunu gösterir. Bu, sabit ışıklandırma koşullarında optimum pozlamayı sağlamak için faydalıdır.



URSA Mini'nin zebra ayarlarına erişmek için, LCD ekran seçeneklerine erişim esnasında 'zebra' ikonunu tıklayın.

Dokunmatik LCD ekranda zebra ayarını değiştirmek için, 'zebra' sekmesinde iken ekranın sol alt köşesindeki düğmeyi tıklayın.

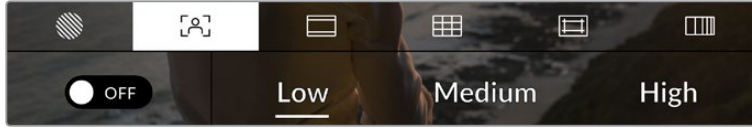
Zebra'nın görüldüğü pozlama seviyesini, kaydırıcıyı sola ve sağa kaydırarak veya zebra seviye yüzdesinin yanındaki ok butonlarını tıklayarak ayarlayın. Zebra seviyesi %75 ile %100 pozlama arasında olmak üzere, %5'lik aralıklarla ayarlanabilir.

Kameranın ön ve ana SDI çıkışlarında zebra özelliğinin aktif edilmesi konusunda daha fazla bilgi için, bu kılavuzun 'ekran ayarları' bölümüne bakın.

**BİLGİ** Parçalı bulutlu bir günde, dış mekan gibi değişen ışık ortamlarında çekim yapıyorsanız, zebra seviyesinin 100'ün altında olarak ayarlanması, sizi aşırı pozlama (overexposure) olasılığına karşı uyarabilir.

#### Focus Assist (Odak/Netlik yardımı)

'Focus assist' (odak/netlik yardımı) ayarı, dokunmatik LCD ekranın üzerindeki odak yardımının görünümünü değiştirmekle birlikte, URSA Mini kameranızdaki tüm çıkışlar için odak yardımı seviyesini ayarlamak üzere de kullanılabilir.



URSA Mini'nin odak yardımı ayarlarına erişmek için, 'LCD ekran seçeneklerine erişim esnasında, 'focus assist' (odak yardımı) ikonunu tıklayın.

Dokunmatik LCD ekran için odak yardımını değiştirmek üzere, 'focus assist' sekmesinde iken, ekranın sol alt köşesindeki düğme ikonunu tıklayın.

URSA Mini'deki tüm çıkışlar için odak yardımı seviyesini ayarlamak üzere, dokunmatik ekranın alt kısmında bulunan 'low' (düşük), 'medium' (orta) ve 'high' (yüksek) başlıklarını tıklayın.

Odak yardımının optimum seviyesi, çekimden çekime değişir. Örneğin; oyunculara odaklanırken yüzlerdeki kenar detaylarının çözülmesinde, daha yüksek seviyede bir odak yardımı faydalı olabilir. Diğer bir taraftan, yeşillik ya da tuğla duvar çekimleri, daha yüksek ayarlarda, dikkat dağıtılabilecek miktarlarda odaklama bilgisi gösterebilir.

Kameranın ön ve ana SDI çıkışlarında odaklama yardımının aktif edilmesi konusunda daha fazla bilgi için, bu kılavuzun 'ekran ayarları' bölümüne bakın.

**BİLGİ** URSA Mini iki odak yardımı moduna sahiptir. Ekran ayarları menüsünde, 'peaking' ve 'colored lines' odak yardımları arasında değiştirebilirsiniz. Daha fazla bilgi için, bu kullanım kılavuzundaki 'ekran ayarları' bölümüne bakın.

### Dokunmatik Odaklama

Netleştirmek istediğiniz yerde LCD ekrana kısa bir süre parmağınızla basılı tutarak, uyumlu lenslerinizi görüntünün herhangi bir bölümüne odaklayabilirsiniz. Kamera lensinizi seçili bölgede odaklayacaktır.

Bunun akabinde, kamerada veya isteğe bağlı olan tutma kolunda 'focus' butonuna basılması, seçili bölgede otomatik odaklama (auto-focus) özelliğini tetikleyecektir. Focus (odaklama) butonuna çift basılması, odak noktasının tekrar ekranın merkezine geri dönmesini sağlayacaktır.



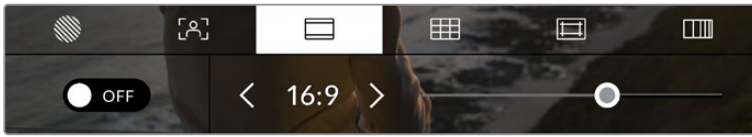
Dokunmatik odaklamalı URSA Mini dokunmatik LCD ekranı

**BİLGİ** 'Dokunmatik odaklamayı' kullanırken 'denetim merkezi ekranı' odaklamayı istediğiniz bölgeyi engelliyorsa, ekranı kaldırmak için parmağınızı aşağı veya yukarı kaydırın.

### Kare Kılavuzları

'Kare kılavuzu' ayarı dokunmatik LCD ekran üzerindeki kare kılavuzlarının görüntüleri arasında geçiş sağlar. Ayrıca URSA Mini'deki tüm çıkışlar için sekiz adet kare kılavuz opsiyonundan da seçim yapabilirsiniz.

Kare kılavuzları; çeşitli sinema, televizyon ve çevrim içi standartlar için, görüntü oranlarını içerir.



URSA Mini'nin kare kılavuz ayarlarına erişmek için, LCD ekran seçeneklerine erişirken, 'kare kılavuzları' ikonunu tıklayın.

URSA Mini'nin dokunmatik LCD ekranı üzerindeki kare kılavuzlarının görünümünü değiştirmek için, ekranın sol alt köşesindeki düğmeyi tıklayın.

Kaydırıcıyı sağa ve sola kaydırarak veya seçili olan görüntü oranının herhangi bir tarafındaki ok butonlarını tıklayarak, kullanmak istediğiniz kare kılavuzunu seçebilirsiniz.

Mevcut kılavuzlar:

#### **2.35:1, 2.39:1 ve 2.40:1**

Anamorfik ya da düz geniş ekran sinema gösterimleri ile uyumlu olan, geniş ekran görüntü oranını sergiler. Bu üç geniş ekran ayarı, değişen sinema standartlarına bağlı olarak zaman içinde farklılık gösterir. 2.39:1 günümüzde kullanılan en önde gelen standartlardan birisidir.



2.40:1 kare kılavuzları etkinleştirilmiş URSA Mini dokunmatik LCD ekranı

### **1:1**

URSA Mini Pro, sosyal medya içeriği için çekimler yaparken 1:1 kare formatında bir çerçeve kılavuzu görüntüleyebilir.

### **2:1**

URSA Mini Pro'da bulunur ve 16:9'dan biraz daha geniş bir oran gösterir fakat, 2.35:1 kadar geniş değildir.

### **1.85:1**

Yaygın olan bir diğer düz geniş ekran sinema görüntü oranını sergiler. Bu oran HDTV 1.78:1'den biraz daha geniş, fakat 2.39:1 kadar geniş değildir.

### **16:9**

16:9 HD televizyon ve bilgisayar ekranları ile uyumlu, 1.78:1 görüntü oranını görüntüler.

Bu oran, yaygın olarak genelde HD yayınlar ve internet videoları için kullanılır. Aynı görüntü oranı, Ultra HD yayıncılığı için de benimsenmiştir.

### **14:9**

Bazı televizyon yayıncıları tarafından 16:9 ve 4:3 televizyonlar arasında, orta oran olarak kullanılan 14:9 görüntü oranını görüntüler. İdeal olarak hem 16:9 hem de 4:3 çekim, 14:9'a sığması için orta kırpma uğradıklarında, netlikleri bozulmaz. Projenizin 14:9 kırpma kullanan bir televizyon istasyonu tarafından yayınlanma olasılığı varsa, bunu bir düzenleme kılavuzu olarak kullanabilirsiniz.

### **4:3**

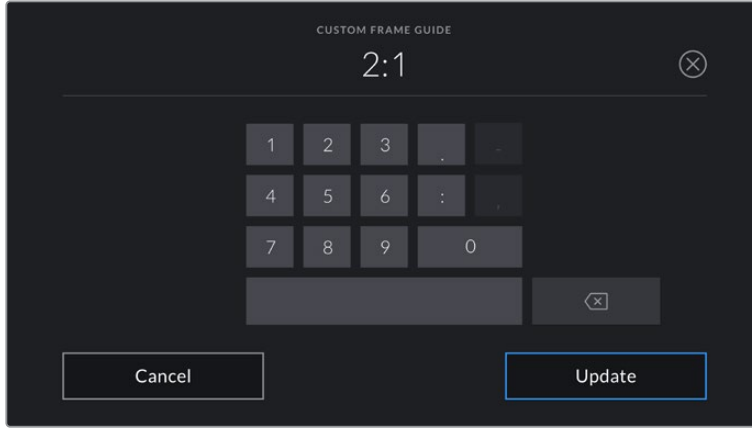
SD televizyon ekranlarıyla uyumlu, 4:3 görüntü oranını sergiler ya da 2x anamorfik adaptör kullanılırken kadrılamaya yardımcı olur.

### **4:5**

URSA Mini Pro, akıllı telefonlar için içerik çekimlerini oluştururken 4:5 portre formatında kılavuzları görüntüleyebilir.

### **Özel Çerçeve Kılavuzu Oranı**

Benzersiz bir görünüm için kendinize özel bir çerçeve kılavuz oranı oluşturmak üzere, ok butonlarının arasında gösterilen oran üzerine tıklayın. Mevcut oranı silmek için, 'özel çerçeve kılavuzu' ekranındaki silme tuşunu tıklayın sonra, yeni bir oranı belirlemek için sayısal klavyeyi kullanın. Özel çerçeve kılavuz oranınızı uygulamak için 'güncelle' ibaresini tıklayın ve çekiminize geri dönün.



Yeni bir çerçeve kılavuz oranı girmek için, 'özel çerçeve kılavuzu' ekranındaki sayı klavyesini kullanın.

**Bilgi** Kare kılavuz katmanlarının bulanıklığını değiştirebilirsiniz. Daha fazla bilgi için, bu kullanım kılavuzundaki 'ekran ayarları' bölümüne bakın.

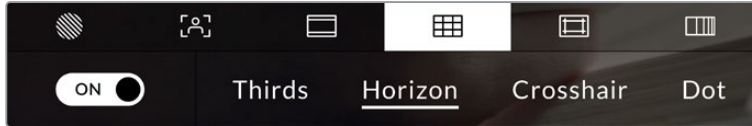
**Not** Kameranızın ön ve ana SDI çıkışlarında kare kılavuzlarının etkinleştirilmesi konusunda bilgi için, bu kılavuzun 'ekran ayarları' bölümüne bakın.

### Kılavuzlar

'Kılavuzlar' ayarı, dokunmatik LCD ekranda bir; üçler kuralı ızgarası, hedef veya orta nokta görüntülenmesini değiştirir ve tüm URSA Mini çıkışlarında görünecek olan üst katmanı da ayarlar. URSA Mini Pro 12K'da denge göstergesi için de bir seçenek vardır.



URSA Mini'nin grid ayarlarına erişmek için, LCD ekran seçeneklerindeki 'grids' ikonunu tıklayın.



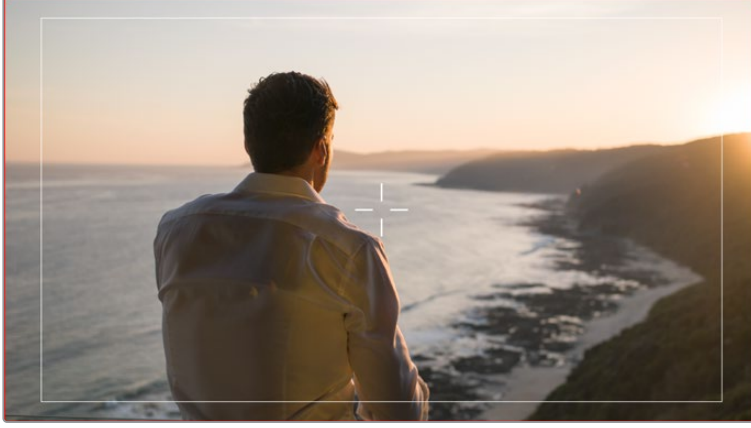
URSA Mini Pro 12K'da 'kılavuzlar' ayarının; üçler kuralı ızgarası, yatay denge, hedef işareti veya merkez noktası için seçenekleri vardır.

Kılavuzlar ve hedef; görüntü kompozisyonuna yardımcı olabilecek katmanlardır. 'Kılavuzlar' etkinleştirildiğinde, URSA Mini kameranız; üçler kuralı ızgarasını, hedef veya nokta katmanlarını görüntüleyebilir. URSA Mini Pro 12K'da ek bir seçenek olduğu için bir denge göstergesi de bindirebilirsiniz.



URSA Mini'nin dokunmatik LCD ekranı üzerinde kılavuzlar arasında değiştirmek için, 'frame guides' (kare kılavuzları) sekmesinde iken, ekranın sol alt köşesindeki düğme ikonunu tıklayın.

URSA Mini'nin kurulumu yapıldığında ve bir ATEM switcher'e mevcut program kaynağı olarak bağlandığında ve 'grids' özelliği 'on' (açık) olarak ayarlı iken, kırmızı 'program' tally çerçevesi otomatik olarak LCD üzerinde yanacaktır.



Tally sinyali gönderen bir ATEM switcher'e bağlı olduğunuzda, grids 'on' (açık) olarak ayarlı iken kameranızın ekranı etrafında bir kırmızı çerçeve belirecektir.

Tüm URSA Mini çıkışlarında görüntülemeyi istediğinizi katmanı ayarlamak için ekranın alt kısmındaki 'üçler', 'hedef' veya 'nokta' seçeneklerine dokununuz. URSA Mini Pro 12K ayrıca bir 'denge' seçeneği de içerir.



Üçte bir kuralı ızgarası, otomatik olarak her türlü ekran üstü kare kılavuzuna ölçeklenir.

### Thirds (Üçler Kuralı)

'Thirds' (üçler) ayarı, görüntünün her üçte birinde iki dikey ve yatay çizgi içeren bir grid (ızgara kılavuz) sergiler. Üçler katmanı, görüntülerinizi oluşturmanıza yardımcı olacak epey güçlü bir araçtır.

Örneğin; insan gözü, genellikle çizgilerin birbiriyle kesiştiği noktaya yakın bölgelerde bir hareket aradığından, temel ilgi noktalarını, bu alanlara kadrajlamakta fayda vardır. Bir aktörün göz çizgisi genellikle ekranın üstteki üçtebirlik (third) bölümünde kadrajlanır yani, üst yatay üçtebir çizgisini kullanarak kadrajınızı yönlendirebilirsiniz. Üçler katmanı, ayrıca görüntüler arasında tutarlı kadrajlama için de faydalıdır.

## Denge



URSA Mini Pro 12K'da bir denge göstergesi vardır. Bu gösterge, kameranızın sola veya sağa döndüğünü ve yukarı veya aşağı kaydığını gösterir. Bu; elle çekim esnasında ufuk çizgisini dengede tutmanıza ve bir destek kolu üzerindeyken kamera eğimini dengelemenize yardımcı olabilir.

Orta noktadaki koyu gri hedef işaretinden, açık gri dikey çizginin uzaklaşma yönü, kameranızın dengeden çıktığı yönü gösterir. Kamera aşağı eğildiğinde, açık gri yatay çizgi yukarı doğru hareket eder ve kamera yukarı doğru baktığında, açık gri yatay çizgi aşağı doğru hareket eder.

Merkezdeki hedef işaretinden çizginin uzaklaştığı mesafe, yatmanın veya eğilmenin miktarı ile orantılıdır. Kameranın hareket sensörünü kalibre ettikten sonra, kamera yatma eksenine dengelendiğinde dikey çizgi mavi renge dönüşür ve yatay çizgi de eğilme ekseninin dengelendiğini göstermek için maviye dönüşür.

Kamera, bir baş üstü çekim için tam aşağı eğilmişse veya kaldırılmışsa, yatay denge göstergesi bunu hesaba katar. Dikey yönde çekim yapmak için kamerayı çevirirseniz yatay denge göstergesi eksenlerini 90 derece döndürecektir.

Bu çizelge, kameranın eğildiğini ve yattığını gösteren denge göstergesi örneklerini sergiler.

Denge göstergesi	Açıklama
	Düz ve dengeli
	Aşağı eğilmiş ve dengeli
	Düz ve sola kaymış
	Yukarı kalkmış ve sağa kaymış

Normal kullanım için denge göstergesini düz ve dengeli kullanım için kalibre edin. Denge göstergesini; tutarlı bir 'Eğik Aç' (Dutch Angle) çizgisinin ya da alçak veya tepeden çekimde tutarlı bir eğimin sürdürülmesine yardımcı olması için kullanıyorsanız denge göstergesini bir eğimde kalibre edebilirsiniz. Denge göstergesini nasıl kalibre edeceğinizi hakkında daha fazla bilgi için 'hareket sensörünün kalibrasyonu' bölümüne bakın.

## Hedef

'Crosshair' ayarı, çerçevenin ortasına bir crosshair (artı şeklinde hedef işareti) yerleştirir. Thirds katmanına benzer olarak crosshair; bir çekim öznesini, bir çerçevenin tam ortasında kadrajlanmasını kolaylaştıran, çok faydalı düzenleme araçlarından birisidir. Bu, çok hızlı kurgu ve montajın (cuts) kullanılmasıyla oluşturulacak sahnelerin çekiminde bazen kullanılır. İzleyicilerin gözlerini bir karenin ortasına odaklı tutmak, hızlı kurgulamanın takibini kolaylaştırabilir.

## Center Dot (Merkez Noktası)

'Center dot' (merkez noktası) ayarı, karenin ortasına bir nokta yerleştirir. Bu aynen 'crosshair' ayarının çalıştığı şekilde çalışır, fakat daha az dikkat dağıtan, daha küçük bir katmandır.

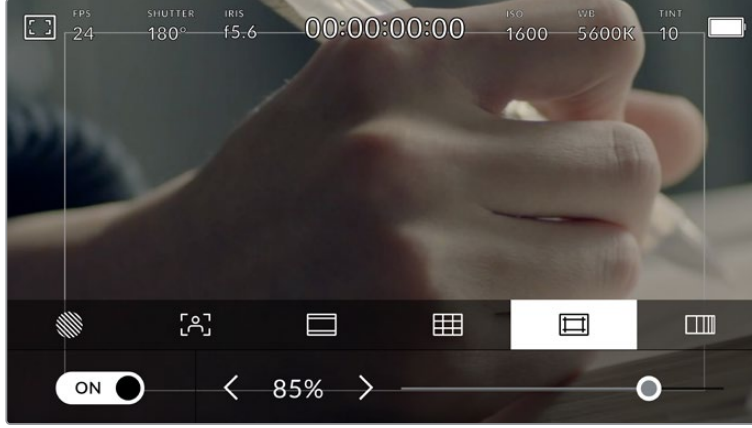
'Thirds' ve 'crosshairs' veya 'thirds' ve 'center dot' gibi kombinasyonları, 'Grids' menüsünde her iki opsiyonu tıklayarak etkinleştirebilirsiniz. 'Crosshairs' ve 'center dot' birlikte seçilemez.

**BİLGİ** URSA Mini'nin ön veya ana SDI çıkışlarındaki gridlerin etkinleştirilmesi konusunda bilgi için, bu kılavuzun 'ekran ayarları' bölümüne bakın.

### Safe Area Guides (Güvenli Alan Kılavuzları)

'Güvenli Alan Kılavuzları' ayarı, dokunmatik LCD ekranın üzerindeki güvenli alan kılavuzlarını açıp kapamakla birlikte, URSA Mini'deki tüm çıkışlar için güvenli alan kılavuzlarının ebatını ayarlar.

Güvenli alanlar, bir çekimin en önemli kısımlarının izleyiciler tarafından görüleceğinden emin olmak için, yayın yapımında kullanılırlar. Çekiminizin en önemli kısımlarını merkezi bir 'güvenli alanda' tutarak, bazı televizyonlarda kırılmasını engelleyebilirsiniz ve aynı zamanda yayıncıya ekranın kenarlarına logolar, kayan yazılar vs ekleyebilmesi için, alan bırakmış olursunuz. Çoğu yayıncı, çekimlerin %90 oranında bir güvenli alan ile teslim edilmesini talep eder.



'Güvenli alan' göstergesi %85 olarak ayarlıyken.

Güvenli alan kılavuzları; çekiminizin post prodüksiyonda, görüntünün kenarlarını kırma ihtimali olan stabilize işlemine gireceğini bildiğiniz durumlarda, çekiminizi kadrajlamaya yardımcı olması için de kullanılabilir. Ayrıca, belirli bir kırma işlemi göstermek için kullanılabilirler. Örneğin; Ultra HD 3840x2160 formatında çekim yaparken, güvenli alanı %50 oranına ayarlayarak 1920x1080 ebatına kareyi kırmanın, nasıl olacağını görebilirsiniz. Güvenli alan kılavuzları, kare kılavuzlarınıza ölçeklenir yani, hedef karenizin seçilmiş yüzdesini göstermek üzere uyarlanırlar.

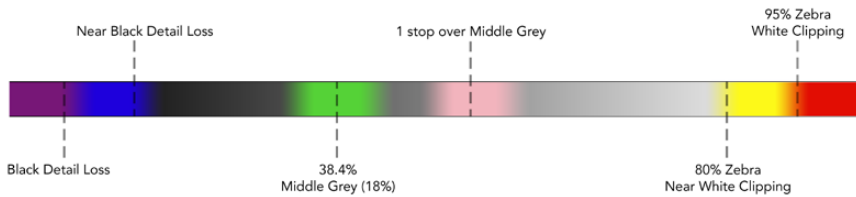
Dokunmatik LCD ekranda güvenli alan kılavuzlarını değiştirmek için, 'safe area guides' (güvenli alan kılavuzları) sekmesinde iken ekranın sol alt köşesindeki düğme ikonunu tıklayın. URSA Mini'nin tüm çıkışları için güvenli alan seviyesini ayarlamak üzere, dokunmatik ekranın aşağı kısmında bulunan mevcut sayısal değerlerin yanındaki sol ya da sağ oklardan herhangi birini tıklayın. Alternatif olarak, kaydırıcıyı sola ya da sağa sürükleyebilirsiniz.

### False Color (Sahte Renk)

False Color ayarı, dokunmatik LCD ekrandaki sahte renk pozlama yardımının görünümünü değiştirir.

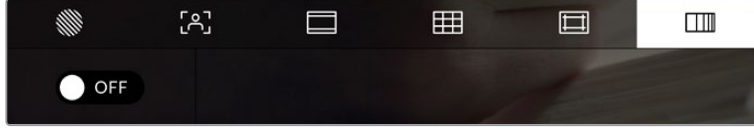
Sahte renk özelliği; görüntünüzdeki farklı öğeler için pozlama değerlerini temsil eden farklı renk katmanlarını, görüntünüzün üzerine bindirir. Örneğin; pembe renk, açık ten tonları için ideal pozlamayı temsil ederken, yeşil renk, daha koyu olan ten tonları için uygundur. İnsan videoları çekerken, pembe veya yeşil sahte renkleri izleyerek, cilt tonları için tutarlı bir pozlama ayarı sağlayabilirsiniz.

Benzer bir şekilde, görüntüdeki öğeler sarıdan kırmızıya dönüştüğünde, bu, aşırı pozlamaya maruz kaldıklarını gösterir.



Sahte Renk Tablosu

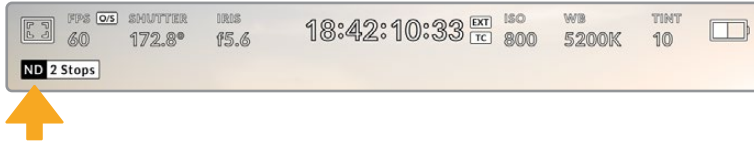
Dokunmatik LCD ekranda sahte rengi deęiřtirmek için, 'false color' sekmesinde iken ekranın sol alt köşesindeki düğmeyi tıklayın.



'False color' (sahte renk) pozlama yardımı sekmesi

## ND Filtre göstergesi

URSA Mini Pro'nuzun ND filtresinin ayarlanması, dokunmatik LCD ekranın sol üst köşesinde ve durum mesajlarını göstermeye ayarlı SDI çıkışlarında ND filtre göstergesini görüntüler. Bir ND filtre uyguladığınızda, bu gösterge 'durum mesajınızda' kalacaktır. ND filtresinin olmadığı bir pozisyona ayarladığınızda, 'clear' (saydam) yazısı dört saniye sonra kaybolacaktır.

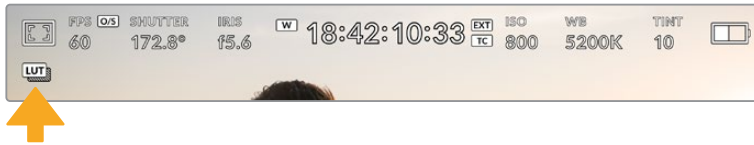


URSA Mini Pro'nun ND filtre ayarının ayarlanması, ND filtre göstergesinin görüntülenmesini sağlar.

**NOT** ND filtre göstergeleri tarafından kullanılan terminoloji, alışık olduğunuz düzeni yansıtmıyorsa deęiřtirebilirsiniz. Seçenekler ND numarası, stops (adım) ve fractions (kesirler) şeklindedir. Tercih ettiğiniz formatı, URSA Mini Pro'nun 'kurulum' menüsünden ayarlayabilirsiniz.

## LUT göstergesi

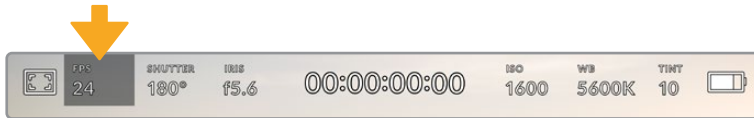
Durum mesajı (status text) açık hale getirildiğinde ve o çıkışa bir LUT uygulandığında; LCD ekranda, ön SDI'da veya ana SDI'da LUT ikonu görünecektir.



LUT simgesi, görüntüye bir LUT uygulandığını bilmenizi sağlar.

## Frames Per Second (Saniyede Kare Hızı)

'FPS' göstergesi, řu anda seçili olan, bir saniyedeki kare hızını görüntüler.



URSA Mini'nin saniyedeki kare hızı göstergesi. Kare hız ayarlarına erişmek için, buraya tıklayın.

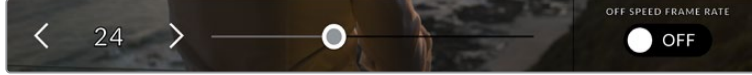
'FPS' göstergesine tıklanması, kameranızın sensör ve proje kare hızlarını, dokunmatik LCD ekranın alt kısmında bulunan menü aracılığıyla deęiřtirmenize olanak verir.

### Project frame rate (proje kare hızı)

Proje kare hızı, URSA Mini'nin kayıt formatı kare hızıdır ve film ile televizyon endüstrisinde yaygın olarak kullanılan kare hızlarından seçenekler sunar. Bu kare hızı, çoğunlukla post prodüksiyon iş akışınızda kullanılan playback hızına eşleşecek şekilde ayarlıdır.

Blackmagic URSA Mini kameranız, saniyede 23.98, 24, 25, 29.97, 30, 50, 59.94 ve 60 kare dahil olmak üzere, 8 adet proje kare hızı ayarına sahiptir.

'FPS' menüsünde iken URSA Mini kameranızın proje kare hızını ayarlamak için, dokunmatik ekranın sol alt kısmında bulunan mevcut kare hızının yanındaki sol ya da sağ oklarına tıklayın. Alternatif olarak, kaydırıcıyı sola ya da sağa sürükleyebilirsiniz.

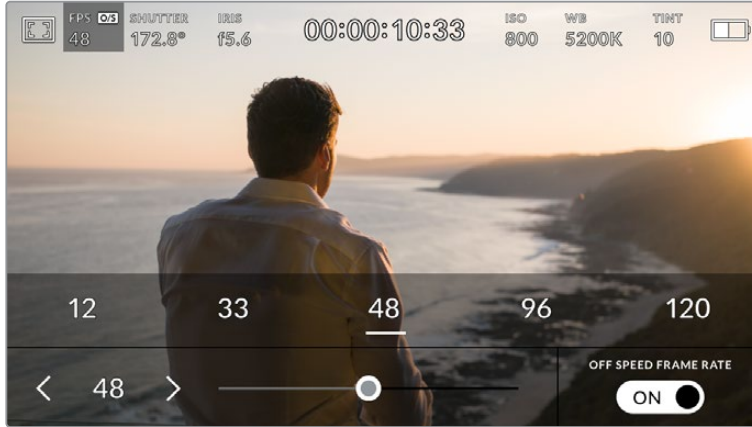


Ayar yapmak için, proje kare hızının yanındaki oklara tıklayın veya kaydırıcıyı hareket ettirin.

**BİLGİ** URSA Mini'nin proje kare hızı, ayrıca front (ön) ve main (ana) SDI çıkışlarının da kare hızlarını ayarlar.

### Sensor frame rate (Sensör kare hızı)

Sensör kare hızı, saniyede kaç tane karenin sensörden gerçekten kaydedildiğini ayarlar. Bu kare hızı, ayarlı olan proje kare hızında videonuzun playback hızını etkileyecektir.



Ayar yapmak için; 'off speed frame rate' (kapalı hız kare hızı) aktif haldeyken, sensör kare hızının yanındaki oklara tıklayın veya kaydırıcıyı hareket ettirin ya da önayarlardan birine tıklayın.

Varsayılan ayar olarak, URSA Mini kameranızın proje ve sensör kare hızları, doğal bir playback hızına eşleştirilmiştir. Ancak, URSA Mini'nin 'FPS' menüsünün sağ alt köşesindeki 'off speed frame rate' (kapalı hız kare hızı) düğmesini tıklayarak, bağımsız olarak sensör kare hızınızı ayarlayabilirsiniz.

Sensörünüzün kare hızını değiştirmek için, dokunmatik ekranın sol alt kısmındaki sensör kare hızı göstergesinin yanlarındaki okları tıklayın. Ayrıca, kare hızını artırmak veya düşürmek için, sürgüyü sola veya sağa sürükleyebilirsiniz. Sürgüyü bıraktıktan sonra, sensör kare hızı seçilmiş olacaktır. Sürgünün üstünde, mevcut proje kare hızınıza bağlı olarak tavsiye edilen bir 'farklı hızda kayıt kare hızı' (off speed frame rate) seçebilirsiniz.

Sensör kare hızını değiştirerek kliplerinizde dinamik ve ilginç hız efektleri oluşturabilirsiniz. Sensör kare hızının, projenin kare hızından daha yüksek olarak ayarlanması, playback esnasında ağır çekim oluşturur. Alternatif olarak, sensör kare hızınız ne kadar yavaş olursa klipleriniz de o kadar hızlı görünür. Bu, prensip olarak film kamerasına yüksek kare hızı (overcranking) ve ağır çekim hızının (undercranking) uygulanmasına benzer. Overcranking sensör kare hızını hızlandırdığından, playback esnasında zaman içerisindeki anları, duyguları çoğaltmak için uzatabilirsiniz. Undercranking sensör kare hızını yavaşlattığından, hızlı hareketli sahnelerdeki aksiyonu artırabilirsiniz. Yaratıcı imkanlar sınırsızdır ve tamamen size bağlıdır.

Her bir kayıt formatı ve codec'i için mevcut olan maksimum kare hızlarıyla ilgili bilgi için, bu kılavuzun 'kaydetme' bölümündeki tabloya bakın.

**NOT** 'off speed frame rate' seçeneği seçildiği zaman, URSA Mini'nin ses ve videosu artık senkronize değildir. Proje ve sensör kare hızlarını aynı olarak ayarladığınızda bile, bu geçerlidir. Bu nedenle, sesin senkronize olmasını garantilemek istiyorsanız 'off speed frame rate' asla seçilmemelidir.

## Örtücü (Shutter)

'Shutter' göstergesi, örtücü açınızı veya örtücü hızınızı görüntüler. Bu göstergelyi tıklayarak, URSA Mini'nin örtücü değerlerini manuel olarak değiştirebilir veya örtücü önceliği otomatik pozlama modlarını yapılandırabilirsiniz. URSA Mini 4.6K ve URSA Mini Pro'da örtücü ölçüm ayarı; örtücü bilgilerinin 'shutter angle' (örtücü açısı) veya 'shutter speed' (örtücü hızı) olarak görüntülenmesini sağlayacak şekilde ayarlanabilir. Daha fazla bilgi için, bu kullanım kılavuzundaki 'kurulum ayarları' bölümüne bakın.



URSA Mini'nin örtücü göstergesi. Örtücü ayarlarına erişmek için burayı tıklayın.

Örtücü açısı veya örtücü hızı; videodaki hareket bulanıklığı seviyesini tanımlar ve değişken ışık oranlarını telafi etmek için kullanılabilir. Çoğu durumlarda yeterli hareket bulanıklığının yakalanması için, örtücü hızının saniyede 1/50'sine eşdeğerde olmasıyla, 180 derece en uygun örtücü açısıdır. Ancak, ışıklandırma durumları değiştikçe ya da sahnelerde hareketin miktarı artıkça duruma göre ayarlama yapmanız gerekebilir.

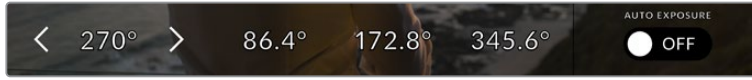
Örneğin, 360 derece 'tam açık' olarak sayılır ve sensöre maksimum ışığın girmesini sağlar. Sahnelerde hafif hareketin olduğu loş ışıklı ortamlar için faydalıdır. Alternatif olarak, hızlı hareket eden öğelerin çekiminde, 90 derecelik bir açı gibi dar bir örtücü açısı, daha keskin görüntüler için asgari derecede hareket bulanıklığı sağlar. Örtücü açısıyla kıyaslanan eşdeğerdeki örtücü hızları, kullandığınız kare hızına bağlıdır. Örneğin, saniyede 25 kare çekiyorsanız, 360 derece 1/25'e eşit olacaktır ve 90 derecede de saniyenin 1/100'üne eşit olacaktır.

**NOT** Işıklar altında çekim yaparken, örtücünüz kırışma görünürlüğünü etkileyebilir. URSA Mini'niz, mevcut kare hızınız için kırışmasız örtücü değerlerini, otomatik olarak hesaplayacaktır. Bu işlem, örtücünüzün ayarını yapılırken heads up (denetim merkezi) ekranının alt kısmında, üçe kadar önerilen kırışmasız örtücü opsiyonunu görüntüleyecektir. Bu örtücü değerleri, bölgenizdeki ana elektrik hattı frekansı tarafından etkilenir. Yerel elektrik frekansını 50Hz veya 60Hz olarak, URSA Mini'nizin 'kurulum' menüsünden ayarlayabilirsiniz. Daha fazla bilgi için, bu kullanım kılavuzundaki 'kurulum ayarları' bölümüne bakınız.

'Shutter' göstergesine tıklanması, URSA Mini'nin dokunmatik ekranının alt kısmında bulunan örtücü hızı menüsünü açacaktır. Otomatik pozlama 'off' olarak ayarlı olduğunda, bu ekran mevcut seçili örtücü değerlerini gösterecektir ve ayrıca URSA Mini'nin 'setup' (kurulum) menüsünde seçmiş olduğunuz ana güç frekansına bağlı olarak, mevcut olan kırışmasız örtücü değerlerini gösterecektir. Daha fazla bilgi için, bu kullanım kılavuzundaki 'kurulum ayarları' bölümüne bakınız.

**NOT** Kırışmasız değerleri kullandığınızda bile ayrı ışık kaynaklarının özellikleri, hala kırışmaya neden olabilir. Düzenli ışıkları kullanmadığınız zamanlarda daima bir test çekimi yapmanızı öneririz.

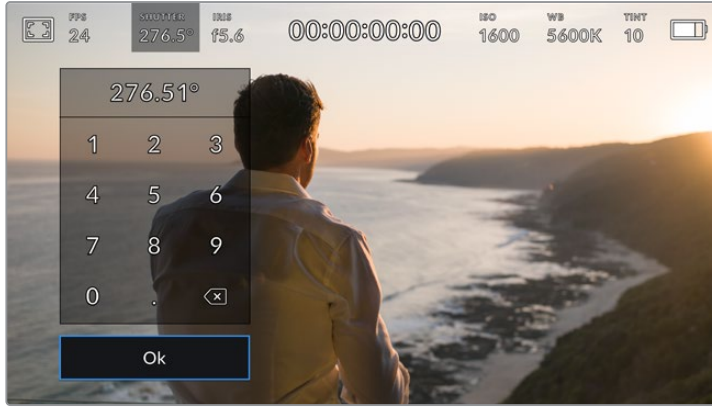
Kırışmasız örtücü hızlarından birini seçmek için, görüntülenen örtücü hız değerlerinden birinin üzerine tıklayın. En yaygın kullanılan değerlerin arasında gezinmek için, mevcut örtücü değeri göstergesinin her iki tarafındaki okları kullanın.



URSA Mini, 'setup' (kurulum) menüsünde seçmiş olduğunuz ana güç frekansına bağlı olarak kırışmasız örtücü değerleri önerecektir.

Belli bir örtücü değerini seçmek istediğinizde, ekranınızın sol alt köşesindeki mevcut örtücü göstergesine iki kez tıklayarak bunu yapabilirsiniz. Bu işlem, ondalık kesir olarak dilediğiniz örtücü değerini girmeniz için karşınıza bir klavye çıkaracaktır.

Mevcut kare hızınızla uyumlu olmayan bir örtücü hızı girdiğinizde, ulaşılabilir en yakın örtücü hızı kullanılacaktır.



Manuel örtücü klavyesi, dilediğiniz örtücü değerini girmenizi sağlar.

URSA Mini kameranız, üç adet örtücü bazlı otomatik pozlama moduna sahiptir. Bunlardan birini seçmek için, örtücü menüsünün en sağında bulunan 'auto exposure' (otomatik pozlama) butonunu tıklayın.

### **Shutter (Örtücü)**

Bu ayar, iris obtüratörünü sabit tutarken pozlama seviyesini sabitlemek için, otomatik olarak örtücü değerini ayarlar. Sabit bir derinlik alanını muhafaza etmek istediğiniz durumlarda, bu ayar seçilmelidir. Örtücüye uygulanan ince otomatik ayarların, hareket bulanıklığı üzerinde etkisinin olabileceğini, belirtmekte fayda vardır. Ayrıca, iç mekan çekimlerinde, çeşitli ışıklandırmadan oluşabilecek herhangi bir kırışma için dikkat edilmesinde fayda vardır. URSA Mini'nin otomatik iris özelliği, 'shutter' (örtücü) otomatik pozlama modu seçilmiş iken kullanılamaz.

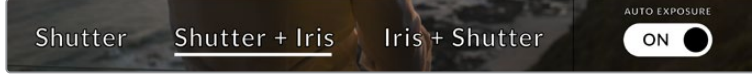


### Shutter + Iris (Örtücü + İris)

Örtücüyü ve sonra da obtüratörü ayarlayarak doğru pozlama seviyelerini muhafaza eder. Mevcut azami veya asgari örtücü değerine ulaşıldığı halde, pozlama halen sağlanamamışsa URSA Mini, pozlamayı sabit tutmak için obtüratör değerini ayarlamaya başlayacaktır.

### Iris + Shutter (İris + Örtücü)

Obtüratörü ve sonra da örtücü hızını ayarlayarak doğru pozlama seviyelerini muhafaza eder. Mevcut azami veya asgari obtüratör değerine ulaşıldığı halde, pozlama halen sağlanamamışsa URSA Mini, pozlamayı sabit tutmak için örtücü değerini ayarlamaya başlayacaktır.



Shutter (örtücü) bazı otomatik pozlama modlarına ulaşmak için, shutter menüsünde iken, 'auto exposure' ibaresini tıklayın.

**BİLGİ** Örtücüyü etkileyen bir otomatik pozlama modu etkinleştirildiğinde, URSA Mini'nin dokunmatik ekranının üst kısmındaki örtücü açısı göstergesinin yanında, bir 'A' belirecektir.

## İris

'İris' göstergesi, mevcut lens obtüratörünü görüntüler. Bu göstergeye tıklayarak, uyumlu lenslerin diyafram açıklığını değiştirebilir ve iris bazlı otomatik pozlama modlarını yapılandırabilirsiniz.

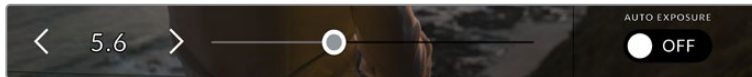


URSA Mini'nin iris göstergesi. İris ayarlarına erişmek için bunu tıklayın.

**NOT** Dokunmatik LCD ekran ayarlarının yapılması için, URSA Mini'de, obtüratörün kameradan değiştirilmesini destekleyen bir lensin olması gerekir. URSA Mini PL'deki 12 pim yayın konektörü ile bağlı olan bir B4 ya da PL lens kullandığınızda, tutma yerindeki lens iris düşmesinin, 'A' veya 'auto' olarak ayarlı olduğundan emin olmalısınız.

'İris' göstergesinin tıklanması, iris menüsünü URSA Mini'nin dokunmatik ekranının alt kısmında açacaktır. Mevcut lens obtüratörünü (diyafram açıklığını), bu menünün en solunda göreceksiniz. Diyafram açıklığını, mevcut obtüratör ayarının yanındaki sol veya sağ oklarını tıklayarak ya da kaydırıcıyı sola veya sağa kaydırarak değiştirebilirsiniz.

İris menüsünün en sağında bulunan 'auto exposure' (otomatik pozlama) düğmesinin tıklanması, iris otomatik pozlama menüsünü açacaktır.



İris ayarlarını yapmak için; iris menüsündeyken iris göstergesinin yanlarındaki oklardan birisini tıklayın ya da kaydırıcıyı kullanın.



Bu, size aşağıdaki otomatik pozlama seçeneklerini sunacaktır.

### İris

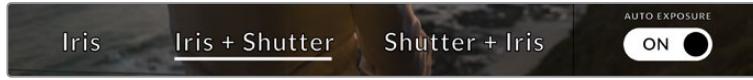
Bu ayar, örtücü açısını sabit tutarken pozlama seviyesini sabit tutmak için, otomatik olarak diyafram açıklığını ayarlar. Bu, hareket bulanıklığının sabit tutulmasını sağlar fakat, alan derinliğinizi etkileyebilir.

### İris + Shutter (İris + Örtücü)

Diyaframı ve sonra da örtücü değerini ayarlayarak doğru pozlama seviyelerini muhafaza eder. Mevcut azami veya asgari obtüratör değerine ulaşıldığı halde, pozlama halen sağlanamamışsa URSA Mini, pozlamayı sabit tutmak için örtücü değerini ayarlamaya başlayacaktır.

### Shutter + Iris (Örtücü + İris)

Örtücüyü ve sonra da obtüratörü ayarlayarak doğru pozlama seviyelerini muhafaza eder. Mevcut azami veya asgari örtücü değerine ulaşıldığı halde, pozlama halen sağlanamamışsa URSA Mini, pozlamayı sabit tutmak için obtüratör değerini ayarlamaya başlayacaktır.



İris menüsünde iken, iris bazlı otomatik pozlama modlarına erişmek için, 'auto exposure' ibaresini tıklayın.

İrisi etkileyen bir otomatik pozlama modu etkinleştirildiğinde, URSA Mini'nin dokunmatik ekranının üst kısmındaki iris göstergesinin yanında, bir 'A' belirecektir.

**BİLGİ** Otomatik pozlama (auto exposure), video veya film prodüksiyonu için tasarlanmış, uyumlu B4 veya PL lensleriyle sorunsuz çalışır. Obtüratör ayarını değiştirirken, EF lensleri pozlamada farkedilebilir basamaklar (steps) oluşturabilir. Bu nedenle, URSA Mini EF ile çekim yaparken, yalnızca (shutter auto exposure mode) örtücü otomatik pozlama modunu kullanmanızı tavsiye ederiz.

## Süre Ekranı

URSA Mini dokunmatik LCD ekranının üst kısmında, kameranın süre ekranını göreceksiniz.



URSA Mini'nizin süre ekranı. Bu, kayıt esnasında kırmızı yanacaktır.

Süre ekranı, klip sürelerinin kontrol edilmesi ve kayıt ile playback esnasında zaman kodunun görüntülenmesi için, bir zaman kodu sayacı sağlar. Sayaç, zaman sırasını Saat:Dakika:Saniye:Kare formatında sergiler ve kliplerin kaydı ya da oynatımı esnasında, bu sırayla ilerler. Zaman kodu, kayıt esnasında kırmızıya dönüşür.

Her klip için görüntülenilen süre, 00:00:00:00'dan başlar. Mevcut ya da son kaydedilen klibin süresi, dokunmatik ekranda görüntülenir. Günlük saat zaman kodu, post prodüksiyonu kolaylaştırmak için kliplere gömülüdür.

Zaman kodunu görmek için, süre ekranını tıklamanız yeterlidir. Klip süresine dönmek için, tekrar süre ekranını tıklayın.

### Süre ekranının etrafında, ilave durum göstergeleri belirebilir:

**W**

Bu işaret, URSA Mini kameranız sensör alanı düşürülmüş (windowed) modda kullanıldığında, süre ekranının sol tarafında belirir.

**TC**

Bu işaret, zaman kodunu görüntülerken, süre ekranının sağ tarafında belirir.

**EXT**

Bu işaret, harici bir zaman kodu bağlandığında ve geçerli olduğu durumlarda, süre ekranının sağ tarafında belirir.

**INT**

Bu işaret; kamera 'jam synced' olup bağlantısı kesildikten sonra, dahili bir zaman kodu üzerinden çalıştığında, süre ekranının sağ tarafında belirir.

**PRE**

'Preset record run' isimli kayıt süresini önceden ayarlama zaman kodunu görüntülerken, süre göstergesinin sağında görünür.

**REF**

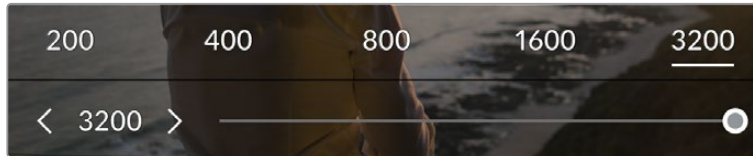
Bu işaret, geçerli bir referans kaynağı bağlı ve kilitli olduğunda, referans giriş ayarlarına dayanarak belirir.

### ISO

'ISO' göstergesi, URSA Mini'nin mevcut ISO ayarını veya ışık hassasiyetini görüntüler. Bu göstergenin tıklanması, değişen ışıklandırma ortamlarına uyması için, ISO ayarını yapmanızı sağlar. URSA Mini'deki ISO aralığı ISO 200'den 1600'e kadarken, URSA Mini Pro'daki ISO aralığı da 3200'e kadar arttırılabilir. URSA Mini 4K için optimum ISO 400'dür. URSA Mini 4.6K ve URSA Mini Pro için optimum ISO 800'dür.



URSA Mini'nizin ISO göstergesi. ISO ayarlarına erişmek için, bunu tıklayın.



'ISO' menüsündeyken, URSA Mini'nizin ISO ayarları, dokunmatik LCD ekranın alt kısmında görünür. URSA Mini Pro 4.6K G2'de, ISO'nuzu 1/3 adımlı artışlarla ayarlamanız için, önayarlının altında bir kaydırıcı vardır.

Sayısal önayarlar, sayının üzerine tıklayarak tam adımlı artışlarla bir ISO ayarı seçme opsiyonu sağlarlar. URSA Mini Pro 4.6K G2; ISO'nuzu bu önayarların arasında 1/3 adımlık artışlarla ayarlamanız için, bu önayarların altında bir kaydırıcı bulundurur.

Durumunuza bağlı olarak daha düşük veya daha yüksek bir ISO ayarı seçebilirsiniz. Örneğin; URSA Mini 4.6K ile loş ışıklı ortamlarda çekim yaparken, ISO 1600 uygun olabilir fakat, görünür derecede parazit oluşturabilir. Aydınlik ortamlarda, ISO 200 daha zengin renkler sağlayabilir.

## Beyaz Ayar

'WB' ve 'TINT' göstergeleri, kameranızın mevcut beyaz ayarı ile tonlama ayarını görüntüler.

Bu göstergelerin tıklanması, değişen ışıklandırma ortamlarına uydurmak için, kameranızın beyaz ayar ve tonlama ayarlarını yapmanızı sağlar.



URSA Mini'nin beyaz ayar ve tint (tonlama) göstergeleri.  
Beyaz ayar ve tonlama ayarlarına erişmek için, bunları tıklayın.

Her ışık kaynağı, bir renk yayar. Örneğin; bir mum ateşi, sıcak bir renk yayar ve kapalı gökyüzü de soğuk bir renk yayar. Beyaz ayar için ayarlar, görüntünüzde renk dengesi oluşturmak için kullanılır; böylelikle görüntünüzdeki turuncu ve mavi karışımının ayarlanmasıyla, beyazlar hep beyaz kalır. Örneğin; sıcak, turuncu ışık yayan tungsten lambalar altında çekim yaparken 3200K seçilmesi, görüntüye biraz mavi ekler. Bu, rengi dengelediğinden, beyaz doğru bir şekilde kaydedilir.

URSA Mini, farklı renk sıcaklık durumları için, beyaz ayar önerileri ile birlikte gelir. Bunlar:

	<b>Parlak güneş ışığı</b>	(5600K)
	<b>Akkor telli (enkandesan) lambalar</b>	(3200K)
	<b>Floresan lambalar</b>	(4000K)
	<b>Karışık ışık</b>	(4500K)
	<b>Hava bulutlu iken</b>	(6500K)

Bu önerilerin herhangi birini, 'white balance' (beyaz ayar) menüsünün sol alt kısmındaki ısı göstergesinin solunda ve sağında bulunan ok ikonlarını tıklayarak ya da basılı tutarak, isteğinize göre ayarlayabilirsiniz Her tıklama, renk ısıyı 50K yukarı çıkarır ya da aşağı indirir ama, ok ikonlarının basılı tutulması, daha hızlı değişiklikler için bu aralıkları artırır. Alternatif olarak, 'white balance' menüsünün ortasındaki ısı kaydırıcısını da hareket ettirebilirsiniz.

Görüntünüzü daha çok düzenlemek için, 'tint' (tonlama) ayarlarını düzeltebilirsiniz. Bu, görüntünüzdeki yeşil ve macenta renklerinin karışımını ayarlar. Örneğin; biraz macenta eklenmesi, bir çok floresan lambanın yeşil ton fazlalığını dengeleyebilir. URSA Mini'nin beyaz ayar için önerilerinin bir çoğu, biraz 'tint' içerir.



URSA Mini'deki beyaz ayar ve tint göstergesinin tıklanması, size; solda beyaz ayar göstergesi ile kaydırıcısı ve sağda tonlama göstergesine erişim vermenin yanı sıra, beş adet öneriye erişmenizi de sağlar. Işıklandırma durumuna bağlı özel bir beyaz ayar belirlemek için, bunları değiştirin.

'Beyaz ayar' menüsündeyken kameranızın mevcut tonlama ayarı, ekranın sağ alt tarafında gösterilir. Tonlamayı düzeltmek için, tonlama göstergesinin sağ ve sol tarafındaki ok işaretlerini tıklayın veya basılı tutun. Mevcut aralık -50'den +50'ye kadardır ve birer birim aralıkları ile artar veya azalır. Okların basılı tutulması, ayarlamayı hızlandırır.

**NOT** Beyaz ayar veya tonlama (tint) ayarlarının değiştirilmesi, önarınızı 'CWB' olarak veya custom white balance (özel beyaz ayarı) olarak değiştirecektir. Özel beyaz ayarları kalıcıdır; CWB ayarınız, sistem kapatılıp tekrar açılana kadar ve bir önaraya geçip CWB'ye geri dönene kadar kalacaktır. Bu, son kullanılan önararla, özel beyaz ayarını kıyaslamayı kolaylaştırır.

### Auto White Balance (Otomatik Beyaz Ayar)

URSA Mini'niz, otomatik olarak beyaz ayar yapabilir. 'AWB' imgesinin tıklanması, beyaz ayar ekranını ortaya çıkarır.

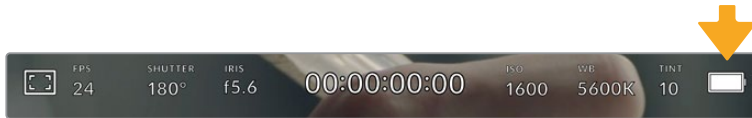
Beyaz ayarı otomatik olarak düzenlediğinizde, görüntünün ortasını bir kare kaplayacaktır. Bu kareyi, beyaz veya gri bir kart gibi nötr bir yüzeyle doldurun ve 'update' (güncelle) ibaresini tıklayın. URSA Mini, beyaz ayar karesindeki ortalama beyaz veya grinin mümkün olduğunca nötr olmasını sağlamak için, beyaz ayarını ve tonlama değerlerini otomatik olarak yapacaktır. Bu ayar güncellendiğinde, kameranızın size özel beyaz ayarı olarak, hazır olacaktır.




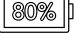
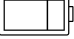
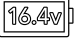

Beyaz ayar menüsündeki 'AWB' ikonunun tıklanması, otomatik beyaz ayar ekranını görüntüler. Otomatik olarak nötr bir beyaz ayar hazırlamak için, bunu beyaz veya nötr gri bir yüzey ile beraber kullanın.

### Power (Güç/Elektrik)

URSA Mini'nizin güç durumu, LCD ekranının sağ üst kısmında görüntülenir. Beş adet olası gösterge bulunmaktadır:



URSA Mini'nizin güç göstergesi, dokunmatik LCD ekranının sağ üst kısmındadır. Batarya ile çalışırken bunun tıklanması, 'voltage' (voltaj) ve 'percentage' (yüzde oranı) arasında, gösterimi değiştirir.

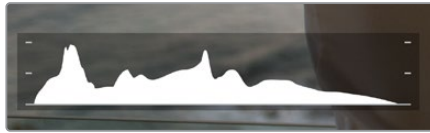
	<b>AC</b>	URSA Mini'niz bir elektrik prizine takılıken bu simge görüntülenir.
	<b>Yüzde oranı</b>	Kesin yüzde oranlı batarya ile batarya plakasını beraber kullanıyorsanız ve batarya göstergenizi yüzde oranını göstermesi için ayarlamışsanız gösterge, batarya seviyenizi yüzde olarak gösterecektir. Şarj %20 ve altına düştüğü zaman, gösterge kırmızı olacaktır.
	<b>Batarya Durum Çubukları</b>	Batarya göstergesi, yüzde oranı olarak ayarlanmışsa fakat, batarya ve batarya plakanız, kesin yüzde batarya bilgisini desteklemiyorsa URSA Mini'niz, %25'lik oranlarla azalan bir batarya sembolü görüntüleyecektir. Şarj %20 ve altına düştüğü zaman, gösterge kırmızı olacaktır.
	<b>Voltaj</b>	Batarya göstergeniz 'voltaj' olarak ayarlandığında, bu gösterge, bataryanızın kalan voltajını gösterecektir. Bataryanız 12.5 voltun altına düştüğü zaman, bu gösterge kırmızıya dönüşecektir. Batarya 11.9 volta ulaştığında, URSA Mini'niz otomatik olarak kapanacaktır.
	<b>Fiber</b>	Blackmagic Camera Fiber Converter kameranıza takılı olduğunda ve SMPTE fiber kablosu üzerinden kamerayı çalıştırdığında görüntülenir. Çevirici ile beraber, URSA Mini kameranıza 4 pimli bir XLR güç kablosunun bağlı olduğu durumlarda, bunun yerine 'AC' ikonunu görüntülenecektir.

Batarya kullandığınız zaman 'voltaj', 'yüzde' ve 'batarya çubukları' şeklindeki batarya durum göstergeleri arasından, seçiminizi güç göstergesini tıklayarak yapabilirsiniz.

**BİLGİ** Doğru yüzde oranında güç bilgisini destekleyen bataryaların bir listesi, bu kılavuzun 'bataryaların takılması' bölümünde sunulmuştur.

## Histogram

URSA Mini'nin dokunmatik ekranının sol alt kısmında, histogramı göreceksiniz. Histogram, bir yatay ölçek boyunca beyazlar ve siyahlar arasındaki kontrastı gösterir.



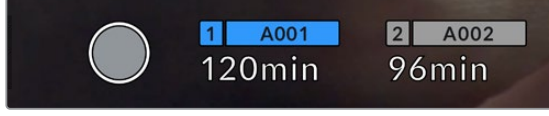
Histogram, klibinizdeki gölgeler ve parlak bölgeler arasındaki ton aralığını gösterir. Ayrıca, pozlamanızın dengesini kontrol etmeniz ve parlak bölgelerin (highlights) kırılmasını önlemeniz için, faydalı bir araçtır.

Histogramın sol kenarı, gölgeleri veya siyahları gösterir ve en sağ, parlak noktaları veya beyazları gösterir. Lens diyaframını kapattığınızda veya açtığınızda, histogramdaki bilginin, buna bağlı olarak sola veya sağa doğru hareket ettiğini göreceksiniz. Bunu, görüntünüzdeki gölge ve parlaklıkların kırılma durumunu kontrol etmek için kullanabilirsiniz. Histogramınızın sol ve sağ kenarı, yavaş yavaş azalma yerine aniden duruyorsa parlaklık veya gölge detaylarını kaybediyor olabilirsiniz.

**NOT** Dokunmatik ekranınızın sol alt tarafında bir histogram görmüyorsanız LCD ekran ayarınız, 'codec and resolution' (codec ve çözünürlük) göstermek için ayarlı olabilir. Daha fazla bilgi için, bu kullanım kılavuzundaki 'ekran ayarları' bölümüne bakın.

## Kayıt butonu

URSA Mini'nin dokunmatik ekranının alt kısmında histogramın yanında, gri renk yuvarlak bir düğme göreceksiniz. Bu, 'kayıt' düğmesidir. Kaydı başlatmak için, buna bir kez basın ve durdurmak için de tekrar basın. Kayıt esnasında, URSA Mini'nin dokunmatik ekranının üst kısmındaki buton ve zaman kodu, kırmızıya dönecektir.



URSA Mini'nin kayıt düğmesi, dokunmatik LCD ekranın alt kısmındaki depolama göstergelerinin yanındadır.



Bu 'record' (kayıt) düğmesi, kayıt esnasında kırmızıya dönüşür.

## Düşen Kare Göstergesi

Kayıt esnasında URSA Mini'niz kare düşürmeye başladığında, kayıt düğmesinin üzerinde, yanıp sönen bir ünlem '!' işareti belirecektir. Etkilenen kart veya kartlar için olan kalan süre göstergesi de kırmızıya dönüşecektir. Örneğin; çift kart modunda kaydediyorsanız ve kart 1 kare düşürüyorsa '!' ünlem işareti, kayıt düğmesi üzerinde belirecektir ve kart 1'deki kalan süre göstergesi kırmızıya dönüşecektir. Bu, mevcut seçili codec ve çözünürlüğünüz için, belli bir kartın çok yavaş olduğunu gösterir. Daha önce kaydetmiş olduğunuz klibinizde bir kare düşmüşse 'düşen kare göstergesi', bunu da gösterecektir. Başka bir klip kaydedilene kadar veya kameranız kapatılıp açılıncaya kadar, bu gösterge düşen kare göstermeye devam edecektir. Karelerin düşmesini engellemek üzere daha fazla bilgi için, bu kılavuzun 'Cfast 2.0 kartının seçimi' bölümüne bakınız.



CFast kart 1 için düşen kare göstergesi

**BİLGİ** URSA Mini'nin durum LED ışığını etkin hale getirdiyseniz düşen kareler tespit ettiğinde, bu ışık kırmızı olarak hızla yanıp söner. Daha fazla bilgi için, bu kullanım kılavuzundaki 'kurulum ayarları' bölümüne bakınız.

**NOT** URSA Mini'nizi, düşen kareler tespit ettiğinde, kaydı durdurması için ayarlayabilirsiniz. Böylelikle düşen kare göstergesini farketmediğiniz zaman, kullanılamayacak görüntü çekerek vakit kaybetmeniz önlenecektir. Daha fazla bilgi için, bu kullanım kılavuzundaki 'kayıt ayarları' bölümüne bakın.

## Kalan Kayıt Süresi

URSA Mini'nin dokunmatik ekranının alt kısmında, depolama göstergelerini göreceksiniz.

Bir CFAST kart, SD kart veya SSD yerleştirildiğinde, depolama göstergesi, kartta kalan kayıt süresini gösterecektir. Kalan süre, dakikalar olarak gösterilir ve seçtiğiniz kare hızına ve codec'e bağlı olarak değişecektir.

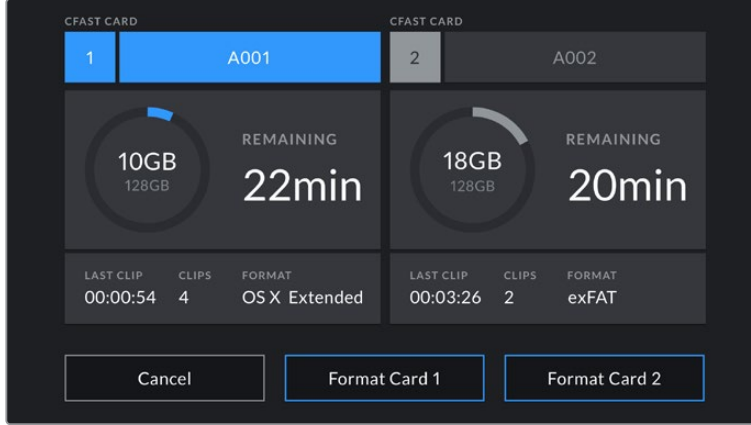
Bu ayarların birisi değiştiğinde, gösterge otomatik olarak yeniden hesaplayacaktır. Kartta ya da diskte yaklaşık 5 dakika kaldığı zaman, gösterge yazısı kırmızıya dönüşecektir ve sadece 2 dakika kaldığı zaman aralıklı olarak yanıp sönecektir. Kart ya da disk maksimum kapasiteye eriştiğinde, gösterge FULL (dolu) ibaresini görüntüleyecektir.



URSA Mini'nin depolama göstergesi; CFAST kart, SD kart veya SSD kartınızın adını ve kalan süreyi de dakika olarak görüntüleyecektir.

Kart ya da disk ismi, kalan süre göstergesinin üzerindeki bir küçük çubukta da ayrıca görüntülenecektir. Bu çubuk, kameranın bu karta veya diske kaydedeceğini belirtmek için, maviye dönüşür. URSA Mini Pro 4.6K G2'de, kaydı başka bir karta ya da sürücüye değiştirmek için, ekran-üstünde beliren komutları da kullanabilirsiniz.

Kayıt yapmak istediğiniz kartın veya USB-C flaş diskin ismini kısa bir süre basılı tutun. Çubuk mavi renge dönecektir. Kayıt esnasında bu çubuk, kırmızıya dönüşecektir. Depolama göstergelerinin tıklanması, depolama ve formatlama menüsünü ekrana getirecektir.



Depolama yöneticisine girmek için, URSA Mini'nin dokunmatik LCD ekranındaki depolama göstergelerini tıklayın.

Bu menü; URSA Mini'nizde takılı olan her bir CFAST, SD kart, SSD veya harici sürücüde kalan boş alanın yanı sıra, kartın veya sürücünün adı, en son kaydedilen klipin uzunluğu, toplam klip sayısı ve her bir kart veya sürücü için dosya format bilgilerini görüntüler.

Medyanızı bu menüden formatlayabilirsiniz. URSA Mini ile medyanın formatlanması konusunda daha fazla bilgi için, bu kullanım kılavuzundaki 'Blackmagic URSA Mini'de medyanın hazırlanması' bölümüne bakın.

**BİLGİ** Depolama menüsünde kart ya da disk isminin tıklanması, o kartı veya diski, aktif kart olarak ayarlar. URSA Mini'niz, önce bu kartı dolduracaktır.

## Ses Göstergesi

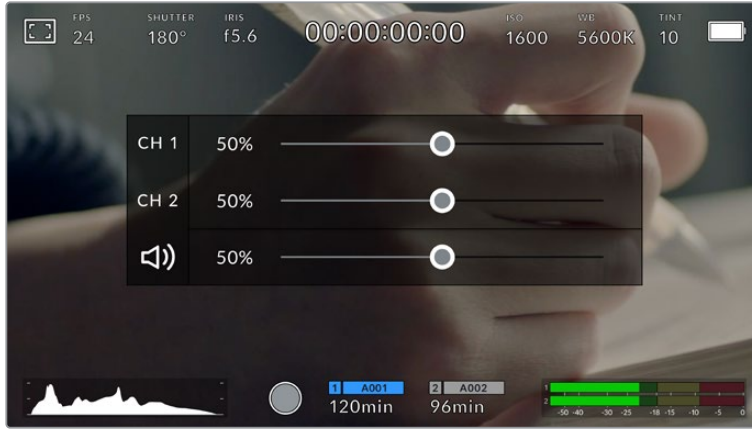
Maksimum (peak) ses göstergeleri, dahili mikrofon kullanıldığında veya harici ses bağlandığı zaman, 1. ve 2. kanalların ses seviyelerini görüntüler. Gösterge, dBFS birimleri olarak kalibre edilmiştir ve ekranda kısa bir süre görünen, pik tutma göstergeleri özelliğini içerir, böylece ulaşılan azami ses seviyelerini açıkça görebilirsiniz.

Optimum ses kalitesi için, ses seviyelerinizin 0 dBFS'e ulaşmadığından emin olun. Bu, kameranızın kaydedebileceği azami seviyedir. Bu seviyeyi aşan herhangi bir ses kırılacaktır ve netice olarak sese bozulmaya yol açacaktır.



Ses göstergelerindeki renkli çubuklar, ses seviyelerinin tepe noktalarını temsil eder. İdeal olarak ses seviyelerinizin tepe noktası, yeşil bölgenin üst ucunda olmalıdır. Pik seviyeleriniz sarı ya da kırmızı bölgelere girdiğinde, ses sinyaliniz kırılma tehlikesi ile karşı karşıyadır.

Ses giriş kanalları 1 ve 2 için ses ayar kontrollerini ve ayrıca kulaklık ya da hoparlör ses ayarlarını görüntülemek için, ses göstergelerini tıklayabilirsiniz.



Ses ayarlarına ve kulaklık ile hoparlör ayarlarına kolaylıkla erişebilmek için, URSA Mini dokunmatik LCD ekranındaki, ses göstergelerini tıklayın.

## Odak Yaklaştırma

Yaklaştırmak istediğiniz bölgeye dokunmatik LCD ekranda iki kez dokunarak URSA Mini önizleme görüntüsünün herhangi bir bölümünü büyütebilirsiniz. Dokunmatik ekranda parmağınızı sürükleyerek büyütülen görüntüyü hareket ettirebilirsiniz. Bu, netlik kontrolü yaparken çok faydalıdır. Standart görüntüye geri dönmek için dokunmatik ekrana tekrar iki kez dokunun.

URSA Mini Pro 12K'da 'odak yaklaştırma' özelliğini etkinleştirdiğinizde, dokunmatik ekrandaki zum seviyesini ayarlamak için baş ve işaret parmaklarınızı ekranın üzerinde açıp kapayarak veya 'pinch' olarak bilinen çoklu dokunma hareketini de yapabilirsiniz. URSA Mini Pro 12K'daki 'ayarlar' menüsü, dokunmatik ekrana iki kez dokunma gibi işlev gören bir 'odak yaklaştırma' anahtarı olarak, bir fonksiyon butonunu yapılandırmanıza olanak tanır. Bu, LCD'de ya da ön veya ana SDI çıkışlarda gösterilecek şekilde yapılandırılabilir. Bir fonksiyon butonunun 'odak yaklaştırma' olarak nasıl yapılandırılacağı hakkında bilgi için 'Fonksiyon Butonunun Önayar veya Değiştirme olarak İşlevi' bölümüne bakın.

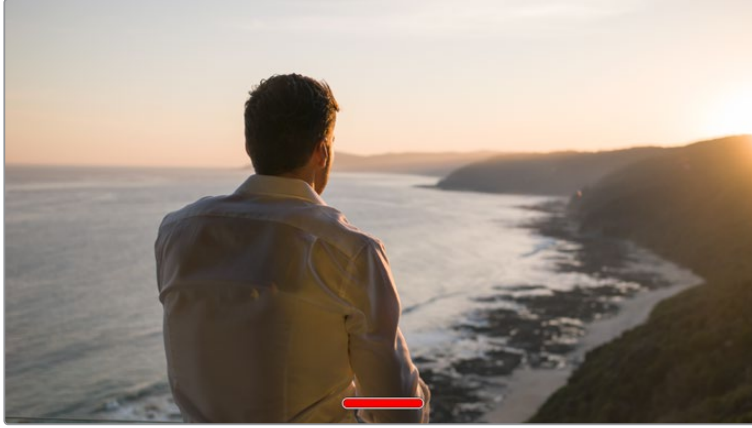




'Zoom in' ile görüntüyü yakınlaştırdığınız zaman, dokunmatik LCD ekranın sol üst köşesindeki bir gösterge, görüntünün hangi kısmını görüntülediğinizi belirtir. Bir akıllı telefon veya tablette yaptığınız gibi, parmağınızı ekran üzerinde sürüklemek, görüntüyü hareket ettirmenizi sağlar.

## Tam Ekran Modu

Bir çekimi kadrajlarken veya odaklarken, dokunmatik ekranınızdaki durum yazıları ve göstergelerini geçici olarak saklamak için, bu faydalıdır. Bunları saklamak için, URSA Mini'nin dokunmatik LCD ekranını, yukarı veya aşağı kaydırmanız yeterlidir. Kayıt göstergesi, kare kılavuzları, kılavuzlar (grids), odak yardımı (focus assist) ve zebra göstergeleri görünür olarak kalacaktır.



URSA Mini'nin dokunmatik LCD ekranındaki tüm durum göstergelerini saklamak için, ekran üzerinde parmağınızı yukarı veya aşağı kaydırmanız yeterlidir.

## Playback (Oynatım) Menüsü

Oynatım menüsüne erişmek için, 'play' (oynat) kontrol butonuna basın. Önceden kaydedilen klipleri, kameranızın kontrol butonları veya dokunmatik LCD ekranı ile kontrol edebilirsiniz.

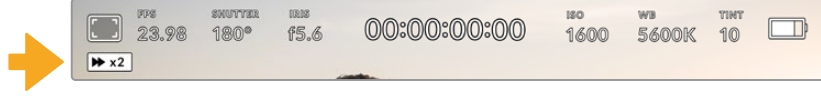
Dokunmatik LCD ekranı kullanırken, oynatma işlemini başlatmak için, 'play' (oynat) düğmesini bir kez tıklayın ve durdurmak için de tekrar tıklayın. Kliplerin başına veya sonuna atlamak için, 'forward' (ileri sar) ve 'reverse' (geri sar) butonlarını kullanın. 'Forward' (ileri sar) butonuna bir kez dokunmak, sizi bir sonraki klibe götürür. Mevcut klibin başlangıcına gitmek için, 'reverse' (geri sar) butonuna bir kez basın veya bir önceki klibin başlangıcına gitmek için, iki kez basın. Klipler, 'loop' (döngü) ikonunun etkinleştirilmesi ile, döngü olarak oynatılabilir.



Geri sar (reverse), oynat (play), ileri sar (forward) ve döngü (loop) ikonları

Shuttle (hızlı geri/ileri sarma/oynatma) işlemi için, ileri veya geri düğmesini basılı tutun. Bu, basılı tuttuğunuz aktarım tuşuna bağlı olarak, çekiminizi normalin iki kat hızında ileri veya geri oynatacaktır.

Hızlı oynatım esnasında (shuttling) oynatım hızını, aktarım tuşunu tekrar tıklayarak değiştirebilirsiniz. Aktarım tuşunu aynı yönde her tıklamanız, mevcut oynatım hızını, iki katına çıkaracaktır. Azami hızlı oynatım hızı, normal hızın 16 katıdır. 16 kat hızdayken aktarım tuşunun tekrar tıklanması, sizi 2 kat hıza geri getirecektir. Aksi yön aktarım tuşunun tıklanması, mevcut hızlı oynatım (shuttle) hızını yarıya düşürecektir. Bu işlemi, 2 kat hıza ulaşana kadar devam ettirebilirsiniz. Normal oynatım hızına, play (oynat) düğmesini tekrar tıklayarak geri dönebilirsiniz.



Hızlı oynatım (shuttle) hızı göstergesi, çekimin hızını ve ileri veya geri alınma yönünü gösterir.

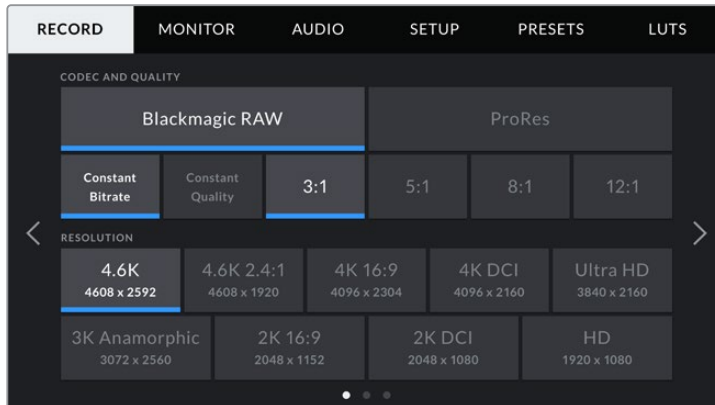
Oynatım (playback) modundayken, 'record' (kayıt) düğmesini tıklama, kameranızı 'standby' moduna yani, kayda hazır durumda bekleme moduna geri getirecektir.

**Bilgi** Görüntüleri geri oynatırken durum mesajlarını saklamak için, URSA Mini'nin dokunmatik LCD ekranını yukarı veya aşağı kaydırın. Playback modundayken çekim tahtasına (slate) girmek, mevcut klipi metadata'da 'iyi çekim' (good take) olarak işaretlemenizi sağlar. Daha fazla bilgi için, bu kılavuzun 'metadata'nın girilmesi' bölümüne bakın.

## Ayarlar

### Dashboard (Gösterge Paneli)

URSA Mini'deki 'menu' kontrol düğmesinin basılması, kameranızın gösterge panelini (dashboard) ortaya çıkaracaktır. Bu, URSA Mini kameranızın denetim merkezi ekranında (heads up display) olmayan ayarları içeren, sekmeli bir menüdür. Ayarlar, fonksiyonlarına göre; 'record' (kayıt), 'monitor' (görüntüleme/ekran), 'audio' (ses), 'setup' (kurulum), 'presets' (önayarlar) ve 'LUTS' sekmeleri olarak bölünmüştür. 'Record', 'monitor' ve 'setup' gibi bazı sekmeler, birden fazla sayfa içermektedir. Ayarlar ekranının sağ ve solundaki okları tıklayarak veya akıllı telefon veya tablette olduğu gibi sola veya sağa doğru parmağınızı kaydırarak, bu sayfalar arasında gezinebilirsiniz.



URSA Broadcast kameranızın gösterge paneli sekmeleri arasında gezinmek için; 'record', 'monitor', 'audio', 'setup', 'presets' ve 'LUTS' başlıklarını tıklayınız.

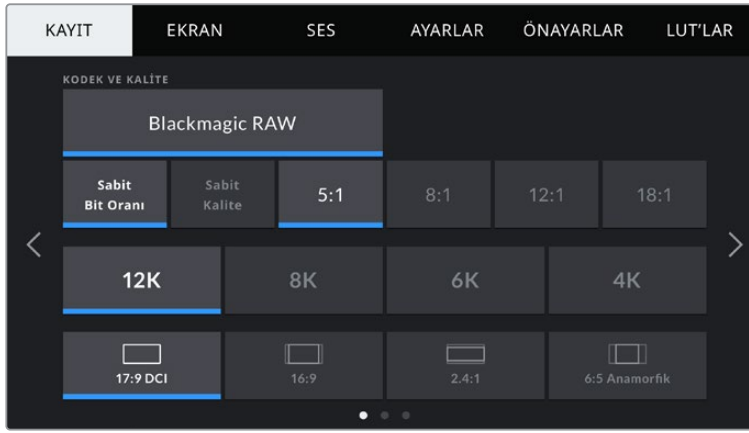
**NOT** URSA Mini Pro 4.6K'da, kamera gösterge paneli, bir dakika süresince aktif olmadığı durumda kapanır ve tekrardan heads up ekranına döner.

## Kayıt Ayarları

'Record' (kayıt) sekmesi; video formatı, codec ve çözünürlük gibi ayarları düzeltmenin yanı sıra, tercih edilen kart ve detay keskinleştirme gibi URSA Mini'nin sakladığı/kaydettiği çekimleri etkileyecek diğer ayarları, düzeltmenize imkan sağlar. Bu menünün, dokunmatik ekranının sağ ve solundaki okları tıklayarak veya sola veya sağa doğru parmağınızı kaydırarak içinde gezinebileceğiniz, üç sayfası vardır.

### Kayıt Ayarları 1

'Kayıt' ayarı sekmesinin ilk sayfası, aşağıdaki ayarları içermektedir.



URSA Mini Pro 12K'daki 'kayıt' ayarlarının ilk sayfası

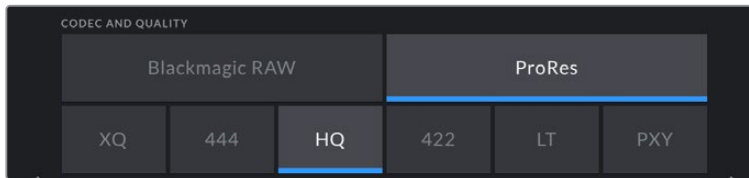
### Kodek ve Kalite

URSA Mini Pro 12K; 12K, 8K, 6K ve 4K çözünürlüklerde Blackmagic RAW kaydeder. Her çözünürlüğün, bir dizi endüstri standardı görüntü oranını desteklemesi için bir menüsü vardır.



URSA Mini Pro 12K'da çözünürlük ve görüntü oranı seçenekleri

URSA Mini Pro 4.6K G2 ve URSA Mini Pro 4.6K kameralarda, 'kodek ve kalite' menüsü iki sıra olarak ayrılmıştır. Blackmagic RAW ya da Apple ProRes arasından seçim yapabilirsiniz. En alt sıra, bu iki grubun bünyesindeki kalite seçeneklerini sunar. Blackmagic RAW seçenekleri, 'sabit bit oranı' ve 'sabit kalite' ayarları arasında paylaştırılmıştır. ProRes kodek ailesindeki kalite seçenekleri arasında 444, HQ ve LT bulunur. URSA Mini, çok çeşitli ProRes kodekleri destekler.



URSA Mini Pro 4.6K G2 ve URSA Mini Pro 4.6K kameralarda 'kodek ve kalite' seçenekleri

**BİLGİ** Daha yüksek sıkıştırma kullanan codec'leri seçtiğinizde, kameranızın depolama medyasına kaydedebileceğiniz videonun miktarı artar. Daha fazla bilgi için, 'kaydetme' bölümündeki kayıt süresi tablosuna bakın.

### Resolution (Çözünürlük)

Bu ayar, 'codec' ayarı ile birlikte çalışır. Bunu, dilediğiniz kayıt formatı için çözünürlük seçiminde kullanın.

Örneğin, ProRes HQ kullanarak Ultra HD klipler kaydetmek istediğinizde, 'codec and quality' (codec ile kalite) menüsünden 'ProRes' ve 'HQ' seçeneklerini seçin. Şimdi de çözünürlük menüsünden 'Ultra HD'yi seçin.

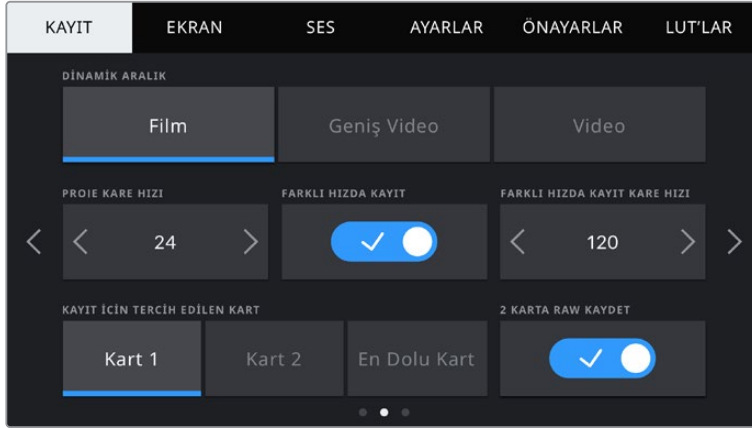


URSA Mini Pro 4.6K G2 ve URSA Mini Pro 4.6K kameralarda 'çözünürlük' seçenekleri

**NOT** Blackmagic URSA Mini 4.6K ve URSA Mini Pro, 4.6K'dan HD'ye kadar inen geniş çeşitlilikteki Apple ProRes çözünürlüklerini destekler.

### Kayıt Ayarları 2

'Kayıt' ayarları sekmesinin ikinci sayfası, aşağıdaki ayarları içermektedir.



URSA Mini Pro 12K'da, '2 karta RAW kaydet' ayarı vardır. Bu seçenek, diğer URSA Mini kameralarda devre dışı bırakılmıştır.

### Dynamic Range (Dinamik Aralık)

'Dynamic range' ayarını, dinamik aralık ikonlarını tıklayarak ayarlayabilirsiniz Blackmagic URSA Mini'de, iki dinamik aralık ayarı bulunmaktadır:

#### Film

'Film' ayarı, bir log eğrisi kullanarak video çekimi yapar ve URSA Mini modeline bağlı olarak, size 12-15 adımlı dinamik aralık sağlar ve DaVinci Resolve gibi renk derecelendirme yazılımlarından en iyi neticeleri almanız için, video sinyalinizdeki bilgileri azamiye çıkarır.

## Video

'Video' ayarı, yüksek çözünürlüklü video için olan REC 709 ile benzerdir. Bu ayar, doğrudan teslimat veya asgari post prodüksiyon için uygun olan renk düzenine, sıkıştırılmış video formatları olarak doğrudan kaydetmenize imkan tanıyarak, hızlı çalışmanızı sağlar.

URSA Mini Pro'nun ilave bir ayarı da vardır:

### Extended (Genişletilmiş) Video

'Extended video' ayarı 'video' ve 'film' dinamik aralık ayarları arasında iyi bir denge sağlar. Bu ayar, parlak bölgelerde yumuşak bir azalma eğimli kontrast değişimini hafifçe uygularken, 'video'dan daha geniş bir dinamik aralık sunar. 'Extended video', standart yayın ekranları ile kullanım için uygundur ve post prodüksiyon için sınırlı zamanınız olduğunda ve kliplerinizi hoş bir görünüm uygulanmış olarak kaydetmek istediğiniz zaman, faydalı bir ayardır.

**NOT** Eğer 'video' veya 'extended video' dinamik aralıklarını kullanıyorsanız monitör, LCD, Ön SDI veya Ana SDI çıkışlarının hiçbirinde, LUT görüntülemenin aktif olmadığından emin olun. LUT görüntüleme aktif ise, denetim merkezi ekranında LUT göstergesi görünür olacaktır ve görüntünün doygunluğu ve kontrastı arzu ettiğinizden daha fazla olarak görünecektir. LUT görüntüleme ayarlarına bakmak için, bu kullanım kılavuzunun ilerleyen kısmında bulunan 'ekran' ayarlarına bakın.

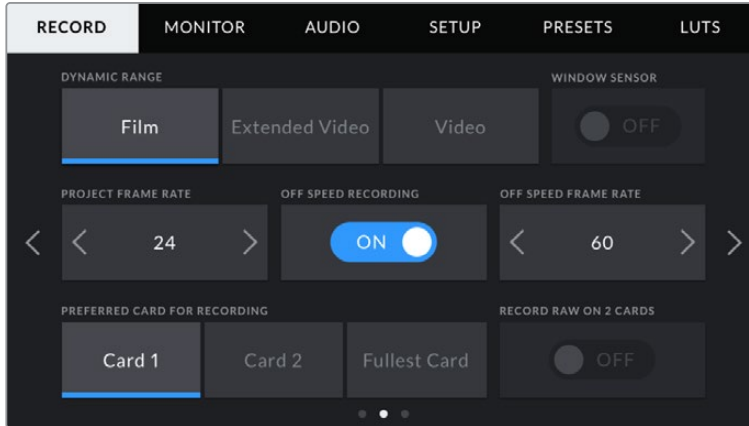
### Window Sensor (Sensör Alanını Küçültme)

URSA Mini Pro 12K, sensör alanını küçültme işlemlerini otomatik olarak yönetir. 6K Süper 16 ve 4K Süper 16 çekim yaparken alanı küçültülmüş bir sensör kullanır ve diğer çekim modlarının hepsinde Süper 35 boyutlu görüntü sensörünün tam yüksekliğini ve genişliğini kullanır.

URSA Mini Pro 12K'da, 6K Süper 16'nın çerçeve boyutlarını bir Süper 16 kırpmaya küçülttüğü halde, 6K çözünürlükte bu kırpmayla yine de inanılmaz görüntü kalitesi sağlayacağını belirtmemizde fayda var. 4K Süper 16, aynı Süper 16 küçültmeyi kullanır ve ortaya çıkan sonucu 4K'ya indirir. Bu, en yüksek kare hızlarında çekim yapabileceğiniz ve yine de muhteşem 6K veya 4K görüntü kalitesine sahip olabileceğiniz anlamına gelir.

Süper 16 kırpmalı 12K sensör ile, eski Süper 16mm lensleri de takabilirsiniz ve orijinal Süper 16mm film kalitesinden tartışmasız daha yüksek olan 4K veya 6K çözünürlükte çekim yapabilirsiniz.

Diğer URSA Mini Pro kameralar, 'full' (tam) sensör alanını kullanmaları için ayarlanabilirler. Bunun yerine, daha da yüksek kare hızları için, 'alanı küçültülmüş sensör' (window) modunu kullanabilirsiniz. Bu, sensörün tamamından görüntüleri küçültmek yerine, belli bir video formatı için gereken miktarda sensör pikseli kullanacaktır.



URSA Mini Pro 4.6K G2, URSA Mini Pro 4.6K, URSA Mini 4.6K ve URSA Mini 4K'daki 'sensör alanını küçültme' seçeneği

HD 'window sensor' (sensör pencereleme) ve 2K 'window sensor' modları, yalnızca URSA Mini'nin sensörünün merkezini kullandıkları için, herhangi bir lensin görüş alanı, kırpma faktöründen dolayı, daha dar görünecektir. Windowed sensor modunda HD çekim için 20mm'lik lens kullanıldığında, URSA Mini'nin görüş alanı, 48mm'lik lense eşit olacaktır.

Bu ayar, URSA Mini'nin azami çözünürlüğünün altında yapılan çekimlerde mevcuttur. Örneğin; URSA Mini 4.6K'da, 4.6K 2.4:1, 4K, 3K anamorfik, 2K veya HD ProRes çekim yapıldığında, 'window sensor' kullanılabilir.

En hızlı kare hızları, windowed modunda HD çekim yaparken mevcuttur.

**BİLGİ** 'window sensor' modunda olduğunu yansıması için, URSA Mini'nin 'çözünürlük' ayarları, 'resolution - sensor windowed' (çözünürlük - sensör pencereleme) olarak belirecektir.

### **Project frame rate (Proje Kare Hızı)**

Proje kare hızı, URSA Mini'nin kayıt formatı kare hızıdır ve film ile televizyon endüstrisinde yaygın olarak kullanılan kare hızlarından seçenekler sunar. Örneğin, 4K ProRes HQ kullanılarak, saniyede 23.98 kare. Bu kare hızı, genel olarak post prodüksiyonda iş akışınız ve teslimat gereksinimlerinde kullanılan playback hızı ve ses senkronizasyonuna eşleşecek şekilde ayarlıdır.

Blackmagic URSA Mini kameranız, saniyede 23.98, 24, 25, 29.97, 30, 50, 59.94 ve 60 kare dahil olmak üzere, 8 adet proje kare hızı ayarına sahiptir.

**NOT** Kameranızın proje kare hızının, çekimlerinizin görünüşü üzerinde büyük bir etkisi vardır.

Saniyede 50 kare, 59.94 kare veya 60 kare gibi yüksek kare hızları; hareketleri pürüzsüz yakalamak için ve panlama esnasında teklemleri gidermek veya en aza indirmek için çok iyidir.

Saniyede 24 ya da 25 kare gibi daha düşük kare hızları, genellikle sinema prodüksiyonlarında kullanılır. Bunların belirgin bir sinematik 'görünümü' vardır ama, teklemeyi (stutter) önlemek için, daha yavaş kamera hareketi gerektirirler.

### **Off Speed Recording (Farklı Hızda Kayıt)**

Varsayılan ayar olarak, URSA Mini kameranızın proje ve sensör kare hızları, doğal bir playback hızına eşleştirilmiştir. Ancak, 'off speed recording' (farklı hızda kayıt) ikonunu tıklayarak, sensör kare hızınızı bağımsız olarak ayarlayabilirsiniz.

### **Off Speed Frame Rate (Farklı Hızda Kayıt Kare Hızı)**

'Off speed frame rate' etkinleştirilmiş halde iken, URSA Mini kameranızın sensör kare hızını ayarlamak için, 'off speed frame rate' göstergesinin yanındaki okları tıklayın.

Sensör kare hızı, sensörden saniyede kaç tane karenin aslında kaydedildiğini ayarlar. Bu kare hızı, ayarlı olan proje kare hızında videonuzun playback (oynama) hızını etkileyecektir.

Off speed kare hızları konusunda daha fazla bilgi için, bu kılavuzun 'dokunmatik ekran özellikleri' bölümündeki, 'saniyede kare hızı' kısmına bakın.

**NOT** Her bir format ve codec kaydı için mevcut olan maksimum kare hızlarıyla ilgili bilgi için, bu kılavuzun 'kayıt' bölümündeki 'maksimum sensör kare hızları' tablosuna bakın.

## Kayıt için Tercih Edilen Kart

Bu ayarı; her iki yuva da kullanımda iken, URSA Mini kameranızın ilk olarak hangi depolama kartına veya sürücüye kayıt yapacağını belirlemek için kullanın. Seçenekler 'kart 1', 'kart 2' ve 'en dolu kart' şeklindedir. Bir SSD kullanırken seçenekleriniz; 'Kart 1', 'SSD' ve 'en dolu olan kart' olacaktır. 'Kart 1' veya 'kart 2'den birinin seçilmesi, kişisel tercihe bağlıdır fakat, birisinin devamlı olarak kullanılması, kartınız dolduğunda hangi kartı ilk olarak değiştirmeniz gerektiğini size gösterecektir. 'Fullest card' (en dolu kart) seçeneğinin seçilmesi, tek kamera ile bir proje çekerken, dosyalarınızı kronolojik olarak gruplandırmanıza yardımcı olur.

Seçmiş olduğunuz ayar; bir CFast kart, SD kart veya SSD takıldığında uygulanır. Depolama yöneticisinden başka bir kartı 'aktif' olarak seçerek, bu ayarı istediğiniz zaman geçersiz kılabilirsiniz. Ancak, kartların çıkarılıp tekrar takılması, ayarı mevcut 'kayıt için tercih edilen kart' ayarına geri döndüreceğini belirtmekte fayda vardır. URSA Mini Recorder bağlı olduğunda ve bir SSD yüklü iken kaydedici, URSA Mini'nin 2 numaralı depolama yuvasından yönetimi devralır.

Daha fazla bilgi için, bu kullanım kılavuzundaki 'URSA Mini Recorder' bölümüne bakın.

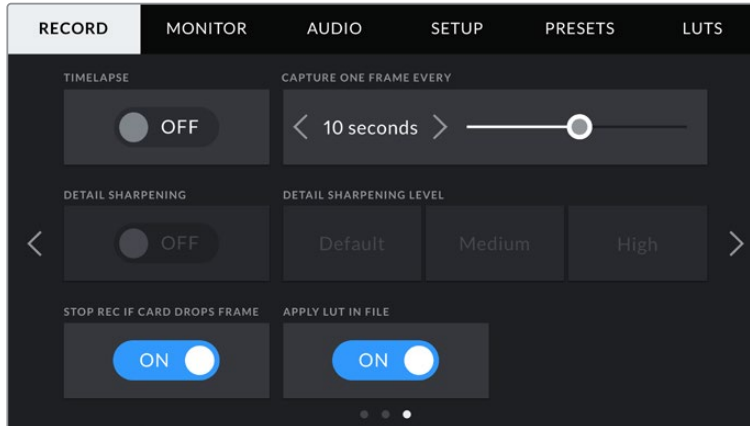
**BİLGİ** 'The fullest card' (en dolu kart) ayarı; depolama ortamlarınızın kapasiteleri veya kullanılan veri miktarlarından ziyade, doluluk oranlarını temel alır.

## 2 Karta RAW Kaydet

URSA Mini Pro 12K, aynı anda iki karta Blackmagic RAW kaydı yapabilir. Bu, daha düşük sıkıştırma seviyeleriyle yüksek kare hızlarında son derece yüksek çözünürlüklü klipler kaydetmenizi sağlar. Bir çift CFast veya SD Kart takın ve 'kayıt' menüsündeki '2 karta RAW kaydet' seçeneğini açın. Bu, her iki kartın sıralı olarak bölünerek yazılmasına dayandığından, en yavaş kartın veri hızı sınırlayıcı faktör olacaktır, bu nedenle aynı veya benzer özelliklere sahip iki kart kullanmanız önerilir. Depolama yuvası 1'deki bir CFast kart ile depolama yuvası 2'deki bir USB-C disk arasında da kaydı bölebilirsiniz. Hız sınırı, '2 Karta RAW Kaydet' seçeneğini kullandığınızda, bölünmüş düzendeki en yavaş kartın veri hızının iki katı olur. Her iki bellek kartından .BRAW ve .BRAW2 dosyalarını bilgisayarınızda aynı klasöre kopyalayın ve bunları medya havuzunuza içe aktardığınızda, DaVinci Resolve onları tek bir birleştirilmiş klip olarak getirecektir. .BRAW ve .BRAW2 dosyaları ayrılırsa kare hızının yarı hızında bu klipler bağımsız olarak oynatılabilir.

## Kayıt Ayarları 3

'Kayıt' ayarı sekmesinin üçüncü sayfası, aşağıdaki ayarları içermektedir.



### Timelapse (Zaman Atlamalı Çekim)

Bu ayar, otomatik olarak sabit karelerin aşağıda belirtilen aralıklarda kaydedilmesi için, zaman atlamalı çekim özelliğini etkinleştirir:

<b>Kare</b>	2 - 10
<b>Saniye</b>	1 - 10, 20, 30, 40, 50
<b>Dakika</b>	1 - 10

Örneğin; sabit kare çekmesi için kamerayı, her 10 karede 1, her 5 saniyede 1, her 30 saniyede 1, her 5 dakikada 1 şeklinde ayarlayabilirsiniz.

Zaman atlamalı çekim özelliği, bir çok yaratıcı seçenek sunar. Örneğin, 2 kare zaman atlamalı aralığın ayarlanması, oynatıldığı zaman, kaydettiğiniz videoya bir hızlandırma etkisi verir.

Her bir sabit karenin formatı, kaydettiğiniz formata bağlıdır yani, kamerayı 4K ProRes HQ formatında kaydetmesi için ayarlamışsanız zaman atlamalı çekim ayarı, bu formatı devam ettirecektir. Kare hızı, projenizin kare hızı ayarına bağlı olacaktır, örneğin 24 fps. Böylece, zaman atlamalı çekimleriniz, post prodüksiyon iş akışınıza kolaylıkla dahil edilebilir.



URSA Mini kameranız, zaman atlamalı çekim modunda olduğunu, 'kayıt' butonunun üzerinde bir ikon ile gösterecektir.

**BİLGİ** Time lapse (zaman atlamalı çekim) modunda görüntü kaydederken, zaman kodu sayacı, bir video karesi kaydedildiğinde güncellenir.

### Detail Sharpening (Detayların Keskinleştirilmesi)

Bu ayarı, URSA Mini kameranızın görüntüsünü keskinleştirmek için kullanın. Detay keskinleştirme; URSA Mini Pro 4.6K G2, URSA Mini Pro 4.6K, URSA Mini 4.6K ve URSA Mini 4K'da mevcuttur. Keskinleştirme aktifken, keskinleştirme miktarını; 'varsayılan', 'orta' veya 'yüksek' seçenekleriyle artırın veya azaltın.

Keskinleştirme etkin haldeyken, URSA Mini kameranızın SDI çıkışlarının yanı sıra, kamerada kaydedilen ProRes video kaydına da uygulanacaktır. URSA Mini Pro G2 Blackmagic RAW olarak ayarlandığında ve bir ATEM switcher ile beraber kullanıldığında, detay keskinleştirme işlevini SDI çıkışına uygulayabilirsiniz. Bu, ATEM Camera Control Panel veya ATEM Software Control kullanılarak açılıp kapatılabilir.

Bu ayar, post prodüksiyon için hiç zamanın olmadığı ve görüntüyü canlı olarak yayına sokmak istediğiniz, canlı stüdyo yapımları için tasarlanmıştır. Post prodüksiyonda üzerinde daha fazla çalışacağınız görüntüler için, bu ayarı 'off' (kapalı) olarak bırakmanızı tavsiye ederiz. Bu sebepten dolayı, çekim sonrasında önemli miktarda işlem yapılması planlanan Blackmagic RAW dosyalarına, keskinleştirme uygulanmaz.

### Stop Rec If Card Drops Frames (Kart, Kare Düşürdüğünde, Kaydı Durdur)

Düşen kareler tespit edildiğinde, URSA Mini kameranızın ne yapacağını, bu ayarı kullanarak yapılandırabilirsiniz. 'Off' (kapalı) olarak ayarlı olduğunda, kameranız düşen karelere rağmen kayıt yapmaya devam eder. 'On' (açık) olarak ayarlı olduğunda, düşen kareler tespit edildiğinde, kameranız kaydı durdurur. Bu, düşen kare göstergesini görmediğiniz durumlarda, kullanılmayacak çekimler yaparak vaktinizi boşa harcamanızı önleyebilir.



**BİLGİ** Karelerin düşmesini engellemeye ilişkin daha fazla bilgi için, bu kılavuzun 'Bir CFast 2.0 kart seçimi' 'Hızlı bir SD Kart Seçimi' ve 'Hızlı bir SSD seçimi' bölümlerine bakın.

### LUT'u Dosyada Uygula

Blackmagic URSA Mini Pro 4.6K'nızın çıkışlarından herhangi birine bir LUT uyguluyorsanız seçili LUT, kaydetmekte olduğunuz Blackmagic RAW dosyasına gömülü olacaktır.

Bu; LUT'un dosya başlığında kaydedileceği ve post prodüksiyon esnasında ayrı bir dosya ile uğraşmaya gerek olmadan, kolaylıkla klibe uygulanabileceği anlamına gelir. URSA Mini Pro'nun kayıt menüsünde 'LUT'u dosyada uygula' seçeneğinin anahtarı 'on' veya 'açık' konumunda iken, Blackmagic RAW Player'de ve DaVinci Resolve'de, bu klip seçili LUT uygulanmış olarak açılır. Bu LUT, daha sonra 'açık' veya 'kapalı' olarak kolaylıkla değiştirilebilir, fakat klibe yazıldığından dolayı, daima Blackmagic RAW dosyası ile beraber taşınır.

Blackmagic RAW dosyasındaki 3D LUT'un etkili veya etkisiz hale getirilmesi için, DaVinci Resolve'nin de RAW ayarlar paletinde bir 'Apply LUT' (LUT'u Uygula) düğmesi vardır. DaVinci Resolve'deki 'Apply LUT' ayarı, kameradaki ayarın aynısıdır. Bunun anlamı; çekim yaparken kamerada ayarlayarak renk uzmanını LUT'u kullanması için yönlendirebileceğinizdir fakat, DaVinci Resolve'de 'Apply LUT' anahtarını 'off' (kapalı) konumuna getirerek kolaylıkla kapatabilirler.

### Dosya Adlandırma Kuralları

Klipler; CFast kartınıza, SD kartınıza veya SSD'nize Blackmagic RAW'da kaydedilirken, .braw dosya formatında veya seçtiğiniz kayıt formatına göre bir ProRes QuickTime movie formatında kaydedilirler.

Aşağıdaki tablo, dosya adlandırma kurallarına bir örnektir:

<b>A001_08151512_C001.mov</b>	<b>QuickTime Film Dosya Adı</b>
A001_08151512_C001.mov	<b>Kamera indeksi</b>
A001_08151512_C001.mov	<b>Makara Numarası</b>
A001_08151512_C001.mov	<b>Ay</b>
A001_08151512_C001.mov	<b>Gün</b>
A001_08151512_C001.mov	<b>Saat</b>
A001_08151512_C001.mov	<b>Dakika</b>
A001_08151512_C001.mov	<b>Clip Number (Klip Numarası)</b>

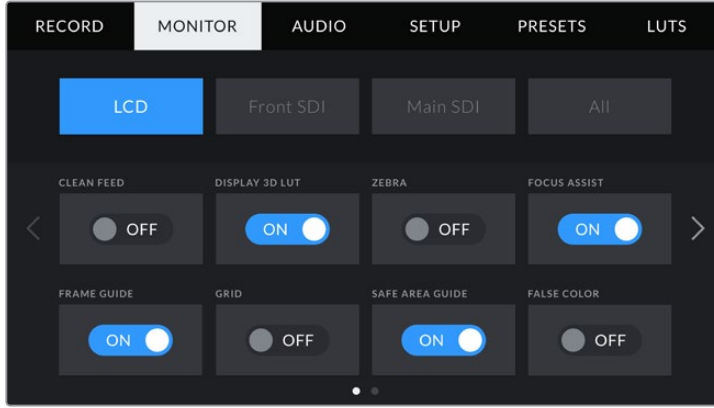
Sabit görüntü butonu ile kaydedilen sabit görüntü dosyaları, video klipleri için olan dosya adlandırma kurallarını takip eder; fakat dosya adı, klip numarasının yerine, dosya adının en son dört rakamı olarak sabit görüntü numarasını temsil eden, 'S001' içerir. URSA Mini Pro 12K sabit görüntüleri tek bir Blackmagic RAW karesi olarak kaydeder. URSA Mini Pro 4.6K G2 ve URSA Mini Pro 4.6K sabit görüntüleri birer DNG dosyası olarak, sabit görüntüler klasörüne kaydeder. Daha fazla bilgi için, bu kullanım kılavuzundaki 'LCD Durum Kontrolleri' bölümüne bakın.

## Monitor (Ekran) Ayarları

'Monitör' sekmesi, URSA Mini kameranın dokunmatik LCD ekranı, ön ve ana SDI çıkışları için; durum mesajı, katmanlar ve diğer izleme seçeneklerinin ayarını yapmanızı sağlar. Seçenekler; 'LCD', 'front SDI' (ön SDI) ve 'main SDI' (ana SDI)'nın yanı sıra, URSA Mini kameranızdaki tüm çıkışları etkileyen 'all' (hepsi) arasında, çıkışlara göre düzenlenmişlerdir. Bu menülerin her birinde, kameranızın dokunmatik ekranının kenarlarında bulunan okları tıklayarak veya parmağınızla sola sağa kaydırarak aralarında gezinebileceğiniz, iki sayfalık seçenekler vardır.

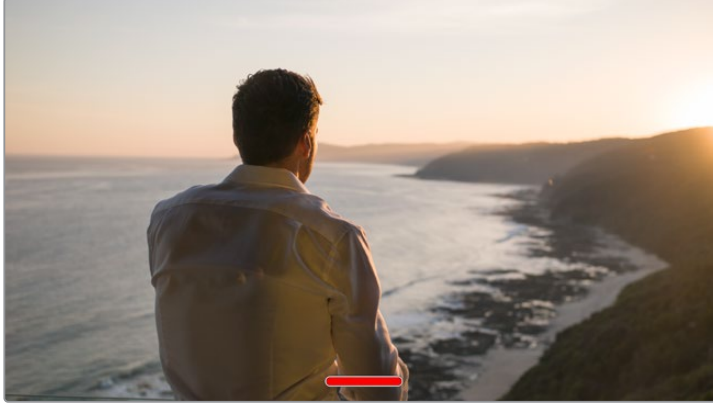
### LCD, Ön SDI, Ana SDI Monitör Ayarları 1

'LCD' 'front SDI' (ön SDI) ve 'main SDI' (ana SDI) ekran sekmesinin ilk sayfası, her bir çıkış için tamamen aynı ayarlar içerir. Örneğin, dokunmatik LCD ekran için 'zebra' ayarını açabilir, fakat ön veya ana SDI çıkışlarını kapatabilirsiniz.



### Clean Feed (Temiz Sinyal)

Tally kayıt göstergesi hariç, tüm durum mesajlarını ve katmanlarını çıkışlarda etkisiz hale getirmek için; 'LCD', 'front SDI' (ön SDI) ve 'main SDI' (ana SDI) menülerindeki 'clean feed' düğmesini tıklayın.



URSA Mini kameranızın dokunmatik LCD ekranı, clean feed modunda kayıt için tally görüntülemeye devam edecektir.

**NOT** Clean feed aktifleştirildiğinde, çıkışlara LUT'lar uygulanacaktır. LUT'ları etkisiz hale getirmek için, Monitor (ekran) menüsünde, o çıkış için 'display LUT' (LUT'u görüntüle) anahtarını etkisiz hale getirin.

### Display 3D LUT (3D LUT'u Görüntüle)

URSA Mini'niz; çekiminizin renk derecelendirilmesi yapılmış halini tahmin etmeniz için, herhangi bir çıkışa 3D LUT'lar uygulayabilir. Kasten düşük kontrastlı bir 'düz' görüntü oluşturabildiği için, özellikle 'film' dinamik aralığı ile çekim yaparken bu faydalıdır.

URSA Mini'nizde aktif bir 3D LUT olduğunda, o LUT'u bağımsız olarak dokunmatik LCD ekrana, ön veya ana SDI çıkışlarına uygulamak için, bu ayarı kullanın.

**NOT** LUT'ların yüklenmesi ve 3D LUT'ların kullanılması konusunda, bu kullanım kılavuzun 'LUT'lar' bölümüne bakın.

### Zebra

'LCD', 'front SDI' (ön SDI) ve 'main SDI' (ana SDI) çıkışlarında zebra kılavuzlarını etkinleştirmek için, bu çıkışların menülerindeki 'zebra' düğmesini tıklayın. Zebra kılavuzları ve zebra seviyelerinin ayarı ile ilgili daha fazla bilgi için, bu kılavuzun 'dokunmatik ekran özellikleri' bölümüne bakın.

### Focus Assist

'LCD', 'front SDI' (ön SDI) ve 'main SDI' (ana SDI) çıkışlarında odak yardımını (focus assist) etkinleştirmek için, bu çıkışların menülerindeki 'focus assist' düğmesini tıklayın. Odak yardımı ve odak yardım seviyelerinin ayarlanması ile ilgili daha fazla bilgi için, bu kılavuzun 'dokunmatik ekran özellikleri' bölümüne bakın.

### Frame Guide (Kare Kılavuzu)

'LCD', 'front SDI' (ön SDI) ve 'main SDI' (ana SDI) çıkışlarında kare kılavuzunu etkinleştirmek için, menülerindeki 'frame guide' düğmesini tıklayın. Kare kılavuzları ve farklı kılavuzların seçilmesi ile ilgili daha fazla bilgi için, bu kılavuzun 'dokunmatik ekran özellikleri' bölümüne bakın.

### Grid (Kılavuz/ızgara)

'LCD', 'front SDI' (ön SDI) ve 'main SDI' (ana SDI) çıkışlarında 'üçte bir kuralı' kılavuzunu etkinleştirmek için, menülerindeki 'grid' düğmesini tıklayın. Üçte bir kuralı kılavuzu (rule of thirds grid) ile ilgili daha fazla bilgi için, bu kılavuzun 'dokunmatik ekran özellikleri' bölümüne bakın.

### Safe Area Guide (Güvenli Alan Kılavuzu)

'LCD', 'front SDI' (ön SDI) ve 'main SDI' (ana SDI) çıkışlarında güvenli alan katmanını etkinleştirmek için, menülerindeki 'safe area' düğmesini tıklayın.

Güvenli alan kılavuzları ve güvenli alan kılavuz seviyelerinin ayarı ile ilgili daha fazla bilgi için, bu kılavuzun 'dokunmatik ekran özellikleri' bölümüne bakın.

**NOT** Güvenli alan kılavuzunu (safe area guide) ayarlamak için, URSA Mini'nin tüm görüntüleme ayarlarındaki, 'safe area guide %' (güvenli alan kılavuzu yüzdesi) ayarını kullanın.

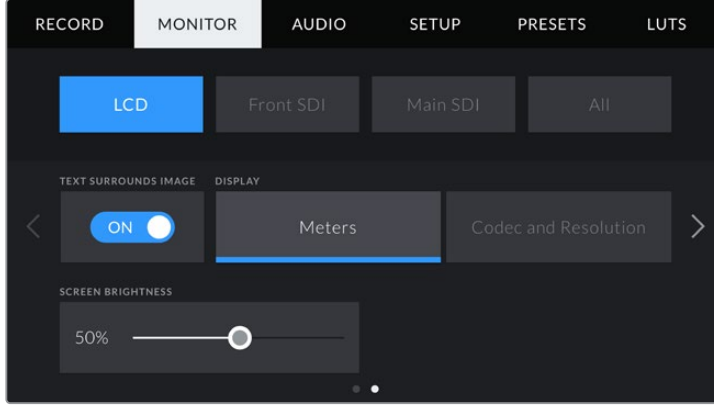
### False Color (Sahte Renk)

'LCD', 'front SDI' (ön SDI) ve 'main SDI' (ana SDI) çıkışlarında sahte renk pozlandırma yardımını etkinleştirmek için, menülerindeki 'false color' düğmesini tıklayın.

Sahte renk ile ilgili daha fazla bilgi için, bu kılavuzun 'dokunmatik ekran özellikleri' bölümüne bakın.

## LCD Ekran Ayarları 2

URSA Mini kameranızın 'LCD' monitör sekmesinin ikinci sayfası, dokunmatik LCD ekranınız için özel ayarlar içermektedir.



### Text Surrounds Image (Metin Görüntüyü Çevreler)

Bu ayar, yalnızca URSA Mini 4K ve URSA Mini 4.6K modellerinde mevcuttur. Dokunmatik LCD ekrandaki görüntüyü %75'e küçültmek için, 'LCD' menüdeki 'text surrounds image' düğmesini tıklayın. Bu, dokunmatik LCD ekranın ortasındaki görüntüyü, üst ve alt kenarlardaki durum göstergelerinden uzaklaştırır; böylece durum mesajını ekranda tutarken, URSA Mini'nin önizleme görüntüsünü, size engellenmemiş olarak sunar.



'Text surrounds image', durum mesajını ekranda bulundururken kadraj amaçları için, URSA Mini EF ya da PL'in önizleme görüntüsünü net olarak sağlar.

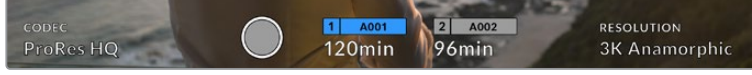
### Status Text On/Off (Durum Mesajını Aç/Kapat)

Bu ayar, yalnızca URSA Mini Pro'da vardır. Bir görüntünün oluşturulması veya yönetilmesi amacıyla, yalnızca gerekli olan bilgilerin görüntülenmesi için, LCD denetim merkezi ekranında gösterilen durum mesajlarını ve göstergeleri gizlemeniz faydalı olabilir. URSA Mini Pro'nun dokunmatik LCD ekranında durum mesajlarının ve göstergelerin görünmesini açıp kapatmak için, 'status text' düğme ikonunu tıklayın. Kare kılavuzları (frame guides), kılavuzlar (grids), odak yardımı (focus assist) ve zebra gibi katmanlar etkinleştirilmişse, görünür olarak kalırlar. URSA Mini Pro'nun dokunmatik LCD ekranının üzerinde parmağınızı aşağı veya yukarı kaydırmak da aynı etkiyi gösterecektir.

## Ekran

Histogram ile ses göstergelerinin yerine, URSA Mini, codec ile çözünürlük bilgilerini, dokunmatik ekranın sol ve sağ alt kenarında görüntüleyebilmektedir. Pozlamayı ayarlarken sahte renk kullanmayı tercih ediyorsanız veya sesi ayrı olarak kaydediyorsanız ve normalde histogram ile ses göstergelerinin kullandığı alanda ek bilgi görüntülemek istediğinizde, bu faydalı olabilir.

Dilediğiniz görünümün seçimi için, 'LCD' menüsündeki 'meters' (göstergeler) ya da 'codec and resolution' (codec ile çözünürlük) seçeneklerini tıklayın.



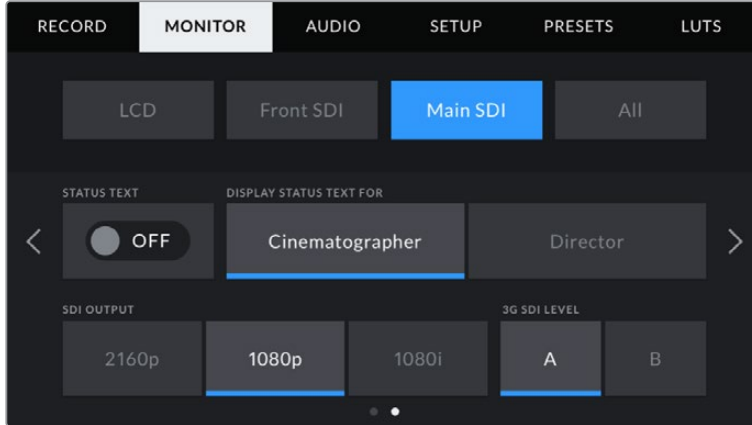
URSA Mini kameranız, histogram ve ses göstergeleri yerine, codec ve çözünürlük bilgilerini görüntüleyebilir.

## Ekran Parlaklığı

URSA Mini'nin dokunmatik LCD ekranının parlaklık ayarı için, 'LCD' menüdeki 'ekran parlaklık' kaydırıcısını, sola ya da sağa sürükleyin.

## Ön SDI ve Ana SDI Ekran Ayarları 2

URSA Mini kameranın 'ön SDI' ve 'ana SDI' monitör sekmesinin ikinci sayfası, ön ve ana SDI çıkışları için özel ayarlar içermektedir.



3K anamorfik üzerindeki çözünürlüklerde çekim yaparken, 2160p ve 1080p çözünürlükleri her zaman olduğu gibi ana SDI çıkışınızda mevcuttur. 1080i çözünürlüğü; 50, 59.94 veya 60 kare hızlarında çekim yaparken yalnızca, kameranın ana veya ön SDI çıkışında mevcuttur. '3G SDI level' (3G SDI seviyesi) yalnızca URSA Mini Pro 4.6K G2'de vardır.

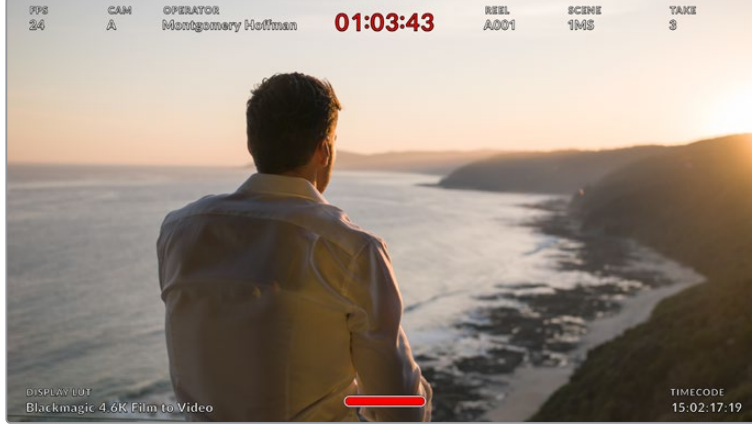
## Status Text (Durum Mesajı)

Bir görüntünün oluşturulması veya yönetilmesi amacıyla, yalnızca gerekli olan bilgilerin görüntülenmesi için, ön SDI ya da ana SDI çıkışlarındaki durum mesajlarını ve göstergeleri gizlemeniz faydalı olabilir. Ön SDI veya ana SDI çıkışlarında durum mesajı ve göstergelerin görüntülenmesini değiştirmek için, ekran menülerindeki 'status text' açma/kapama ikonunu tıklayın. Kare kılavuzları (frame guides), kılavuzlar (grids), odak yardımı (focus assist) ve zebra gibi katmanlar etkinleştirilmişlerse, görünür olarak kalırlar.

URSA Mini'nin dokunmatik LCD ekranının üzerinde, parmağınızı aşağı veya yukarı kaydırmak da dokunmatik ekranda aynı etkiyi gösterecektir.

### Display Status Text For Cinematographer or Director

(Görüntü yönetmeni veya yönetmen için durum mesajlarının görüntülenmesi) URSA Mini'nin dokunmatik LCD ekranı; ISO, beyaz ayar ve obtüratör bilgileri gibi, o kamerada tek çekimler hazırlayan kamera operatörü veya görüntü yönetmeni için faydalı olacak bilgiler görüntüler. URSA Mini'nin ön ve ana SDI çıkışları da birden fazla çekim veya kamera takibini yapan bir yönetmen veya senaryo denetmenine faydalı olacak bilgiler görüntüleyebilir.



URSA Mini kameranız, ön ve ana SDI çıkışlarından yönetmene özel durum mesajları görüntüleyebilir.

URSA Mini kameranızın ön SDI veya ana SDI çıkışı ekran ayarlarındaki durum mesajının 'director' (yönetmen) olarak ayarlanması, o çıkış için durum göstergesini, aşağıdaki bilgileri göstermesi için değiştirir.

#### FPS

O kamera için mevcut seçilmiş olan saniyedeki kareleri görüntüler. Kapalı hız kare hızı (off speed frame rate) aktif olmadığında, sadece proje kare hızı gösterilecektir. Kapalı hız kare hızı (off speed frame rate) kullanılıyorsa sensör kare hızı ve ardından proje kare hızı gösterilecektir.

#### CAM (Kamera)

URSA Mini'nizin çekim tahtasında (slate) ayarlandığı şekilde, kamera fihristini gösterir. Daha fazla bilgi için, bu kullanım kılavuzunun ileri kısmında bulunan 'çekim tahtası' (slate) bölümüne bakın.

#### OPERATÖR

URSA Mini'nin Çekim Tahtasındaki ayara göre, kamera operatörünü belirler. Daha fazla bilgi için, bu kullanım kılavuzunun ileri kısmında bulunan 'çekim tahtası' bölümüne bakın.

#### DURATION DISPLAY (SÜRE EKRANI)

Mevcut klibin süresini, kayıt esnasında ya da en son kaydedilen klibin süresini, saat:dakika:saniye formatında görüntüler.

#### REEL, SCENE, TAKE (MAKARA, SAHNE, DENEME)

Mevcut makara, sahne ve denemeyi görüntüler. Makara, sahne, çekim ve bunlarla ilgili etiketleme kuralları hakkında daha fazla bilgi için, bu kılavuzun ileri kısmındaki 'çekim tahtası' bölümüne bakın.

#### DİNAMİK ARALIK

Ekranın sol alt köşesi, şayet o çıkışa uygulanmışsa, URSA Mini'ye uygulanan mevcut LUT'u görüntüler. Herhangi bir LUT'un uygulanmadığı bir durumda, 'film' ya da 'video' dinamik aralığı görüntülenecektir.

#### ZAMAN KODU

Ekranın sağ alt kısmı, URSA Mini'nin zaman kodunu saat:dakika:saniye:kare formatında görüntüler.

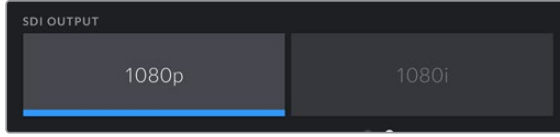
## SDI Çıkışı

Her iki çıkış da progressive (tek geçişli tarama) ile interlaced (biniştirmeli tarama) HD çıkışı arasında seçim yapmanıza olanak sağlar. Bununla birlikte, URSA Mini'nin ana SDI çıkışında progressive Ultra HD seçeneği de mevcuttur.

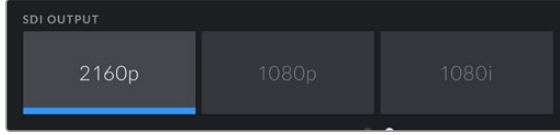
Bu ayardaki bulunan seçenekler, kameranızın çözünürlüğü ve kare hızı ayarlarına bağlıdır.

Progressive HD ya da '1080p'; kayıt çözünürlüğünüz ve kare hızınıza bağlı olmaksızın daima mevcuttur fakat, interlaced HD veya '1080i', proje kare hızınız 50, 59.94 veya 60 olarak ayarlandığında mevcuttur.

Ultra HD SDI çıkışı ya da '2160p', URSA Mini kamera'nın ana SDI çıkışında, Ultra HD çözünürlüklerde çekim yaparken mevcuttur.



SDI Çıkışı - ön SDI

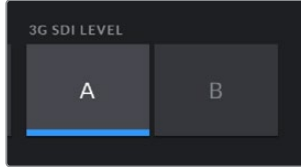


SDI Çıkışı - ana SDI

## 3G SDI Seviyesi (3G SDI Level)

URSA Mini Pro'da, sadece A seviye veya B seviye 3G-SDI video kabul edebilen ekipmanlarla uyumluluğu sürdürmek için, 3G-SDI çıkış standardını değiştirebilirsiniz.

Bu seçenek yalnızca; saniyede 50, 59.94 veya 60 kare hızlarda çalışırken ve 1080p video çıkarırken görünür. Standartlardan birini seçmek için A veya B ikonunu tıklayın.

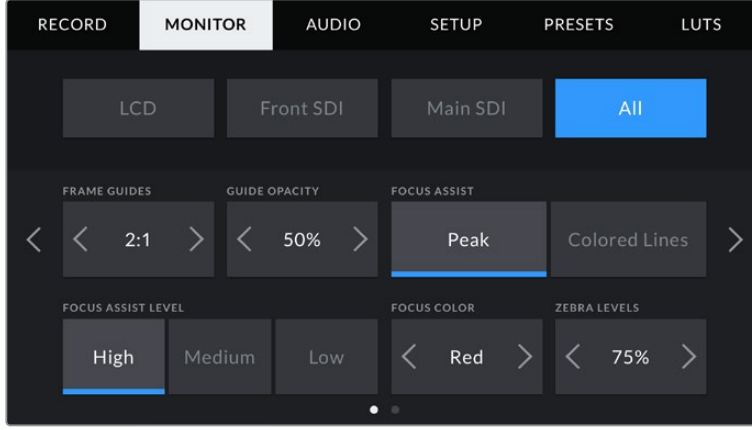


URSA Mini Pro 4.6K G2'de, 3G-SDI çıkış standardınız için level A veya B seçin.

## Tüm Ekran Ayarları 1

URSA Mini kameranın tüm çıkışlarını etkileyen monitör ayarları, 'all' (tüm) menüsü içerisinde gruplandırılmıştır. Örneğin; bu menüde güvenli alan kılavuzu (safe area guide) yüzdesinin %90 olarak ayarlanması; kameranızın LCD ekranı, ön SDI ile ana SDI çıkışları için güvenli alan kılavuzunun %90 olarak ayarlanmasını sağlayacaktır.

'Tüm' ayarlarla ilgili iki sayfa bulunmaktadır. URSA Mini'nin 'all' monitör sekmesinin ilk sayfası, aşağıdaki ayarları içermektedir.



### Çerçeve Kılavuzları

Blackmagic URSA Viewfinder gibi, elektronik vizörler (EVF) de dahil olmak üzere, URSA Mini'deki tüm çıkışlara uygulanabilen çerçeve kılavuzu seçenekleri arasında gezinmek için, 'çerçeve kılavuzları' menü ayarındaki sol veya sağ okları tıklayın. Bu seçeneklerle ilgili ayrıntılı bilgilere, bu kılavuzun 'dokunmatik ekran özellikleri' bölümünden erişebilirsiniz ve ayrıca dokunmatik LCD ekranın denetim merkezi ekranında (heads up display), LCD ekran menüsünden erişilebilir. Dokunmatik LCD ekranınızda, ön SDI ve ana SDI çıkışınızda çerçeve kılavuzlarının görünüp görünmemesini, her ikisinin kendi ekran menülerinden tek tek seçebilirsiniz.

### Guide Opacity (Kılavuz Opaklığı)

Dokunmatik LCD ekranınız, ön ve ana SDI çıkışlarınızda çerçeve kılavuzları tarafından bloke edilmiş alanların opaklığını seçmek için, 'guide opacity' menü ayarındaki sol ve sağ oklarını tıklayın. Seçenekler %25, %50, %75 ve %100'dür.

### Odak Yardımı

URSA Mini'de iki odak yardım modu bulunmaktadır; 'peak' ve 'renkli çizgiler'.

#### Peak (Pik)

'Peak' tarzı odak yardımı seçildiği zaman, görüntünün odaklanmış alanları, dokunmatik LCD ekranınızda veya SDI çıkışlarınızda aşırı derece keskinleştirilir ama bu, kayıttaki görüntüyü değiştirmez. Bu, görüntünüzün odaklanmış bölümlerinin, ekrandaki yumuşak arka plandan fırlamasına neden olur. Başka ilave katmanlar kullanmadığından, odaklamanın gerçekleştiğini anlamak için, bu çok sezgisel olabilir, özellikle odaklandığınız nesne, görüntüdeki diğer öğelerden fiziksel olarak ayrı olduğu zaman.

#### Colored Lines (Renkli Çizgiler)

'Colored lines' (renkli çizgiler) tarzı odaklama yardımı seçildiğinde, görüntünün odaklanmış bölümleri üzerine renkli çizgi bindirilir. Çizgiler görüntünüzün üzerine çizildiği için, bu 'peak' tarzı odak yardımından daha kullanışsız olabilir fakat, bir çok öğenin olduğu karmaşık çekimlerde, bu kusursuz bir odak yardımı olabilir.

### Odak Yardımı Seviyesi

Dokunmatik LCD ekranında, ön SDI ile ana SDI çıkışlarında odak yardımının seviyesini ayarlamak için 'düşük', 'orta' veya 'yüksek' ayarlarını tıklayın.

**NOT** Odak yardımı seviyesinin ayarlanması, URSA Mini'nizin dokunmatik LCD ekranı veya SDI çıkışlarında, odaklama yardımının aktif olup olmamasını etkilemez. Odaklama yardımını; her bir çıkış için LCD, ön SDI veya ana SDI ekran menülerinde, tek tek açmanız gerekecektir.



**BİLGİ** Odak yardımının optimum seviyesi, çekimden çekime değişir. Örneğin; oyunculara odaklanırken yüzlerdeki kenar detaylarının çözülmesinde, daha yüksek seviyede bir odak yardımı faydalı olabilir. Diğer bir taraftan, yeşillik ya da tuğla duvar çekimleri, daha yüksek ayarlarda dikkat dağıtabilecek miktarlarda odaklama bilgisi gösterebilir.

### Odak Rengi

Bu ayarı, 'renkli çizgiler' tarzında odak yardımı kullanırken, odak çizgisi katman rengini değiştirmek için kullanın. Odak çizgisi renginin değiştirilmesi, odak yardımı çizgilerinin, görüntünüzden ayırt edilmesini kolaylaştırır. Mevcut olan seçenekler; (white) beyaz, (red) kırmızı, (green) yeşil, (blue) mavi ve (black) siyahtır.

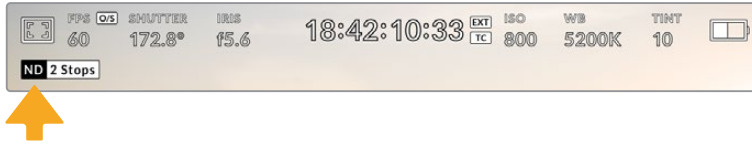
### Zebra Seviyeleri

Zebra'nın görüldüğü pozlama seviyesini, ayarın her iki yanındaki ok ikonlardan birini tıklayarak ayarlayın. Zebra seviyesi %75 ile %100 pozlama arasında olmak üzere, %5'lik aralıklarla ayarlanabilir.

Daha fazla bilgi için, bu kılavuzun 'dokunmatik ekran özellikleri' bölümündeki 'zebra' kılavuzuna bakın.

### ND Filtre göstergesi

URSA Mini Pro'nuzun ND filtresinin ayarlanması, dokunmatik LCD ekranın sol üst köşesinde ve durum mesajlarını göstermeye ayarlı SDI çıkışlarında ND filtre göstergesini görüntüler. Bu gösterge, bir ND filtresi uygulandığında açık kalacaktır. ND filtresinin olmadığı bir pozisyona ayarladığınızda, 'clear' (saydam) yazısı dört saniye sonra kaybolacaktır.

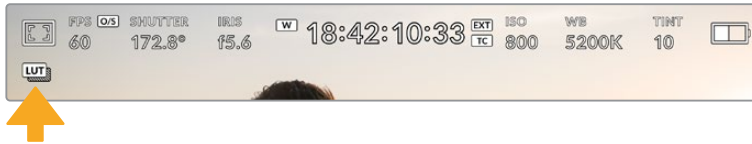


URSA Mini Pro'nun ND filtre ayarının ayarlanması, ND filtre göstergesinin görüntülenmesini sağlar.

**NOT** ND filtre göstergesi tarafından kullanılan terminolojiyi, alışık olduğunuz düzene yansıtacak şekilde değiştirebilirsiniz. Seçenekler; ND numarası, duraklar ve kesirler şeklindedir. Tercih ettiğiniz formatı, URSA Mini Pro'nun 'ayarlar' menüsünden ayarlayabilirsiniz.

### LUT göstergesi

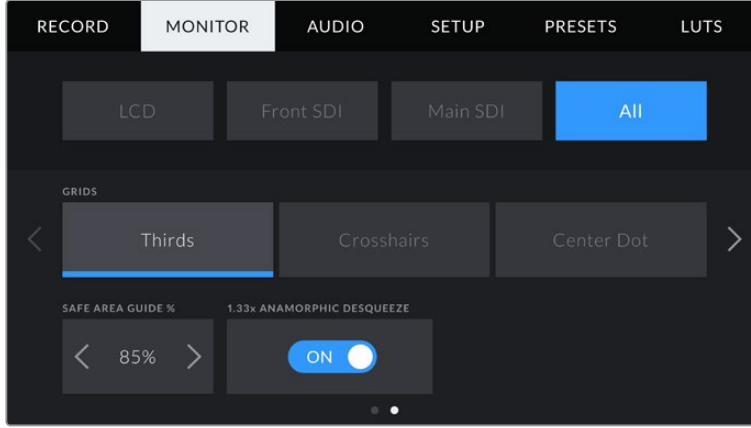
Durum mesajı etkin hale getirildiğinde ve o çıkışa bir LUT uyguladığınızda; LCD ekranda, ön SDI veya ana SDI çıkışında LUT ikonu görünür olacaktır.



LUT ikonu, görüntüye bir LUT uygulanmış olduğunu bildirir.

## Tüm Monitör Ayarları 2

URSA Mini kameranın 'all' monitör sekmesinin ikinci sayfası aşağıdaki seçenekleri içermektedir:



### Grids (Kılavuzlar)

URSA Mini kameranın dokunmatik LCD ekranında, ön ve ana SDI çıkışlarında görüntülemek istediğiniz grid (kılavuz) ve crosshair (artı şeklindeki hedef işareti) kombinasyonunu ayarlamak için, 'thirds' (üçte bir kuralı), 'crosshairs' (hedef işareti) ya da 'center dot' (merkez noktası) seçeneklerini tıklayın.

Daha fazla bilgi için, bu kılavuzun daha önceki kısmında bahsedilen 'dokunmatik ekran özellikleri' bölümündeki 'grids' kılavuzuna bakın.

### Safe Area Guide % (Güvenli Alan Kılavuzu Yüzdesi)

URSA Mini kameranın dokunmatik LCD ekranında, ön SDI ve ana SDI çıkışlarında güvenli alan katmanının boyutunu ayarlamak için, bu ayarda görüntülenen yüzde işaretinin sol ve sağ tarafındaki okları tıklayın. Buradaki yüzde, güvenli alanın görüntü çerçevesine olan oranı gösterir. Çoğu yayıncılar, %90 oranında bir güvenli alan talep ederler.

### Anamorphic Desqueeze (Anamorfik Germe)

Anamorfik lenslerle çekim yaparken, URSA Mini'nin önizleme çıkışlarında ve kaydedilmiş dosyalarda, görüntü yatay bir şekilde 'sıkıştırılmış' olarak görülecektir. 'Anamorphic Desqueeze' (Anamorfik Germe) seçeneğinin etkinleştirilmesi, URSA Mini kameranızda önizlemeyi düzeltmenin yanı sıra, post prodüksiyonda düzeltmeyi kolaylaştırmak için, kullanılan genişletme miktarını klibin metadatasına kaydedecektir.

Mevcut olan genişletme miktarı, URSA Mini kameranızın çözünürlük ayarına bağlı olarak değişecektir fakat, sonuçta oluşan görüntü, her zaman 2.4:1 görüntü oranında sinematik geniş ekran olacaktır.

Film için tasarlanmış olan anamorfik lensler, genellikle iki kat sıkıştırma etkenine sahiptir. URSA Mini kameranızın '3K Anamorphic' çözünürlüğü, bu lenslerle kullanılmak üzere tasarlanmıştır ve bu çözünürlüğe ayarlı ve 'anamorphic desqueeze' aktif olduğunda, 2 katlık bir sıkıştırma uygulayacaktır.

16:9 dijital görüntü sensörü için tasarlanmış anamorfik lensler, 16:9 sensörün tamamından 2.4:1 sinematik geniş ekran görüntüler oluşturmak için, çoğu kez 1.33 katlık bir sıkıştırma uygularlar. Bu sebepten, URSA Mini kameranız '4K 16:9' ve 'HD 16:9' gibi 16:9 çözünürlüklere ayarlı olduğunda, genişletme oranı 1.33:1 olacaktır.

**BİLGİ** Standart bir yuvarlak lensle çekim yaparken, görüntü yatay olarak uzatılmış görünüyorsa 'anamorphic desqueeze' (anamorfik germe) seçeneğinin aktif olmadığından emin olun.

## Ses Ayarları

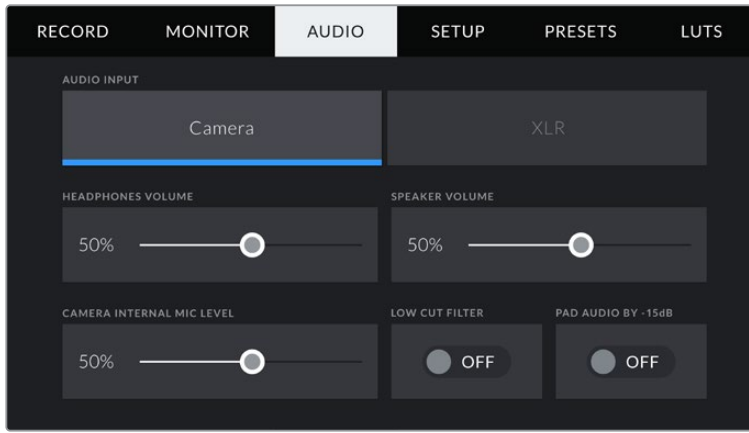
'Audio' (ses) sekmesi, URSA Mini kameranızdaki ses girişi ile dinleme ayarlarını yapmanızı sağlar. Bu menü, URSA Mini ve URSA Mini Pro modelleri arasında biraz farklılık gösterir, bu sebepten dolayı, kullanılabilir ayarlar aşağıda ayrı olarak açıklanmaktadır.

## Ses Ayarları – URSA Mini

URSA Mini'nin ses ayarları, ses giriş kaynaklarına göre, 'camera' ve 'XLR' olarak dahili ve harici kaynaklı ses için ayrılmıştır. 'XLR' ayarları 2 sayfaya dağıtılmıştır, dokunmatik LCD ekranın kenarlarındaki okları tıklayarak veya sağa sola kaydırarak, bu sayfalar arasında dolaşabilirsiniz.

### Kamera Ses Ayarları

'Camera' ses girişini seçtiğinizde, URSA Mini bir sayfalık ses ayarları sayfası görüntüleyecektir. 'Camera' ses sekmesi aşağıdaki ayarları içermektedir.



#### Kulaklık Ses Ayarı

Bu kaydırıcı, URSA Mini'nin 3.5mm kulaklık jakına bağlı kulaklıkların çıkış seviyelerini ayarlar. Ses seviyelerini ayarlamak için, ses kaydırıcısını sola veya sağa doğru hareket ettirin.

#### Speaker Volume (Hoparlör Ses Ayarı)

Bu kaydırıcı, URSA Mini'nin dahili hoparlörü için, ses çıkış seviyelerini ayarlar. Ses seviyelerini ayarlamak için, ses kaydırıcısını sola veya sağa doğru hareket ettirin.

#### Camera Internal Mic (Kamera Dahili Mikrofonu)

Bu kaydırıcı, URSA Mini'nin dahili mikrofonu için kayıt seviyelerini ayarlar. Ses seviyelerini ayarlamak için, ses kaydırıcısını sola veya sağa doğru hareket ettirin. Dahili mikrofon, ses kanalları 1 ile 2'ye kayıt yapar.

#### Low Cut Filter (Alt Frekans Filtresi)

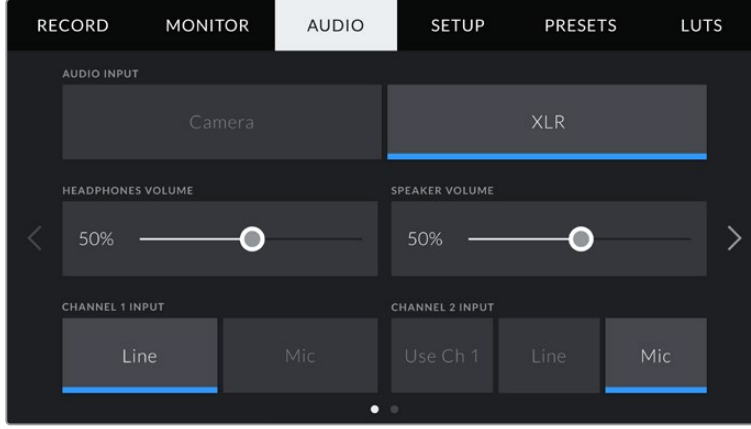
Kameranızın dahili mikrofonları için low cut filtresini etkin hale getirmek için, bu düğmeyi tıklayın. Bu filtre, dış mekan çekim ortamlarında meydana gelen, olası rüzgar gürültüsünü veya düşük frekans (bas sesler) gürültülerini azaltmanıza yardımcı olur. Bu fonksiyonun çalışabilmesi için, 'pad audio by -15 dB' (sesi -15dB azaltma) seçicisinin kapalı olması gerekir.

#### Pad Audio by - 15 dB (Sesi -15db azaltma)

-15dB pad (ses azaltma) seçeneği, çok gürültülü ortamlarda çekim yaparken, dahili mikrofon için ses giriş gain seviyelerini düşürdüğünüz halde sesin yüksek olduğu durumlarda, URSA Mini'nin dahili mikrofon girişi gain seviyelerini daha çok azaltabilmeniz için, ilave kontrol sağlar.

## XLR Audio (Ses) Ayarları 1

'XLR' ses girişini seçtiğinizde, URSA Mini iki sayfalık ayarlar sayfası görüntüleyecektir. 'XLR' ses sekmesinin ilk sayfası, aşağıdaki ayarları içermektedir.



### Kulaklık Ses Ayarı

Bu kaydırıcı, URSA Mini'nin 3.5mm kulaklık jakına bağlı kulaklıkların çıkış seviyelerini ayarlar. Ses seviyelerini ayarlamak için, ses kaydırıcılarını sola veya sağa doğru hareket ettirin.

### Speaker Volume (Hoparlör Ses Ayarı)

Bu kaydırıcı, URSA Mini'nin dahili hoparlörü için, ses çıkış seviyelerini ayarlar. Ses seviyelerini ayarlamak için, ses kaydırıcısını sola veya sağa doğru hareket ettirin.

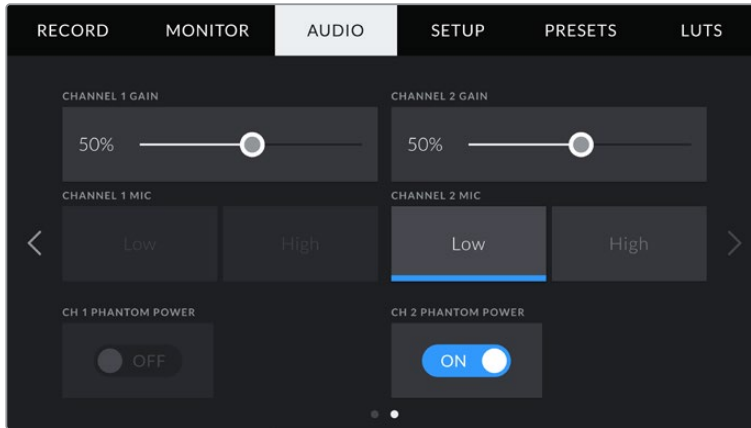
### Channel 1 and 2 input (Kanal 1 ve 2 girişi)

Harici ses girişi seviyelerini, kanal bir ya da iki için, 'line' veya 'mic' seçeneklerini tıklayarak ayarlayın. Bunlar, 48V fantom gücü olan hat ve mikrofon seviyelerine tekabül eder. Ses sinyaliniz için uygun seviyeyi seçmeniz önemlidir. Bunları, kanal 1 ve 2 için bağımsız olarak ayarlayabilirsiniz.

1. kanal girişindeki harici sesi, 1. ve 2. kanallara kaydetmek istediğinizde, kanal 2'nin, kanal 1 girişindeki sesi kullanma seçeneği vardır.

## XLR Audio (Ses) Ayarları 2

'XLR' ses sekmesinin ikinci sayfası, aşağıdaki ayarları içermektedir.



### Channel 1 and 2 gain (Kanal 1 ve 2 için kazanç)

Her bir kanal için ses seviyelerinin ayarlanmasında, 'channel 1 gain' ve 'channel 2 gain' ayarlarındaki kaydırıcıyı, sola ve sağa kaydırın.

### Channel 1 and 2 Mic (Kanal 1 ve 2 Mikrofon)

Mikrofon opsiyonu, önamfi seviyesinin 'low' (düşük) veya 'high' (yüksek) olarak ayarlanmasıyla, harici bir mikrofonda giriş gain seviyelerinin üzerinde, ilave kontrol sağlar. Giriş seviyelerini düşürdüğünüz halde halen gürültülü olan ortamlarda, çekim yaparken 'low' ayarı faydalı olabilir.

### Channel 1 and 2 phantom power (Kanal 1 ve 2 için fantom gücü)

URSA Mini Pro'nun XLR girişleri 48V fantom gücü sağlayabildiğinden, kendinden güç tahrikli olmayan mikrofonları kullanabilirsiniz. Kameranız 'XLR' ses girişine ayarlı olduğunda, fantom gücü etkinleştirmek için, 'phantom power' düğme ikonunu tıklayın.

**NOT** Fantom gücün çalıştırılmasından önce XLR kablosunun takılması, standart uygulamadır. Ayrıca, fantom gücüyle çalışan bir mikrofon takılı olmadığı zaman, fantom gücü kapatmak da önemlidir. Fantom modunda iken, fantom güce gereksinimi olmayan cihazların bağlanması, kamera bu modda güç çıkışı yaptığından, ekipmanınıza zarar verebilir. URSA Mini de fantom gücü kesildikten sonra, fantom gücün tahliye olması epey zaman alabilir. Başka mikrofonlar ya da XLR ses ekipmanlarını takmadan önce, fantom gücü keserken bir kaç dakika beklemeniz önemlidir.

## Ses Ayarları – URSA Mini Pro

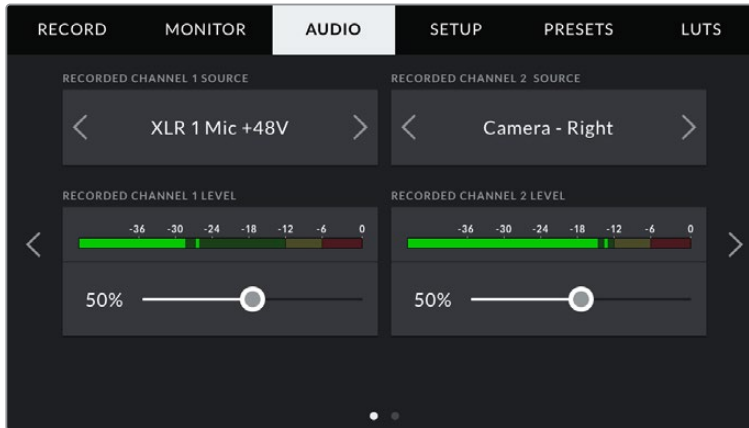
URSA Mini Pro için olan bu ses ayarları, kanal 1 ve 2 arasında bölünerek 2 sayfaya yayılmıştır. Önümüzdeki günlerde gelecek olan bir güncelleme, ilave 2 kanal daha ekleyecektir.

Her bir ses kanalını, farklı bir ses kaynağıyla eşleştirebilirsiniz ve bunun yanında, 'padding' (ses için gain miktarını azaltan düğme) ve low cut filter (basları kesen filtre) gibi çeşitli ayarları düzeltebilirsiniz.

Bu ayarlar, URSA Mini Pro'nun dahili kontrol panelindeki düğmelerle birlikte çalışırlar. Böylece, ses kaynağınızı belli bir ses kanalına ayarladığınızda, sinyal tipi ve o kanal için fantom gücü gibi detayları, dahili kontrol paneli anahtarlarını kullanarak ayarlayabilirsiniz.

### Ses Ayarları 1

URSA Mini Pro'nun 'audio' (ses) sekmesinin ilk sayfası aşağıdaki ayarları içermektedir.



## Kanal Ses Kaynağı

Her bir ses kanalı için ses kaynağı seçiminde 'kaydedilen kanal 1 kaynağı' ve 'kaydedilen kanal 2 kaynağı' butonlarını kullanın. Seçenekler şöyledir:

### Camera Left or Right (Kamera Sol veya Sağ)

Bu ayarı, kameranın dahili mikrofonlarından kaydetmek için kullanın.

### Camera Mono

Bu ayarı, URSA Mini Pro'nun dahili mikrofonunun sağ ve sol kanallarından sesi, tek bir ses kanalına kaydetmek için kullanın.

### XLR 1 veya 2

Bu ayarı, kameranızın XLR girişlerinden kayıt için kullanın. URSA Mini Pro'nun dahili kontrol panel anahtarlarında hangi ses sinyalini seçtiğinize bağlı olarak XLR girişi; 'mic (mikrofon)', 'line' (hat) veya AES olarak listelenmiş olabilir. Fantom güç aktif ise ve XLR girişini 'mic' olarak ayarlamışsanız burada bir '+48V' göstergesi de göreceksiniz. URSA Mini Pro'dan, fantom gücüyle çalışan mikrofonunuzu çıkarmadan önce, +48V anahtarının kapalı olduğundan emin olmanız önemlidir.

### XLR 1 or 2 - Mic Backup (XLR 1 veya 2- Mikrofon yedekleme)

Bu ayarı, URSA Mini Pro'nun 1 veya 2 numaralı XLR girişinden birine takılmış bir mikrofondan, normal mikrofon kaydından daha düşük seviyede ses kaydetmek için kullanın.

Bu, beklenilmeyen ses yükselmelerinde, sesin kırılmasını engellemek üzere kullanılabilir.

Bu özellik, XLR 1 veya 2 giriş anahtarının, 'mic' (mikrofon) olarak ayarlı olduğunda, seçenekler arasında olacaktır.

### None (Hiçbiri)

Bu ayarı, ses kanalınızı iptal etmek için kullanın.

## Recorded Channel 1/2 Level (Kanal 1/2 Kayıt Seviyesi)

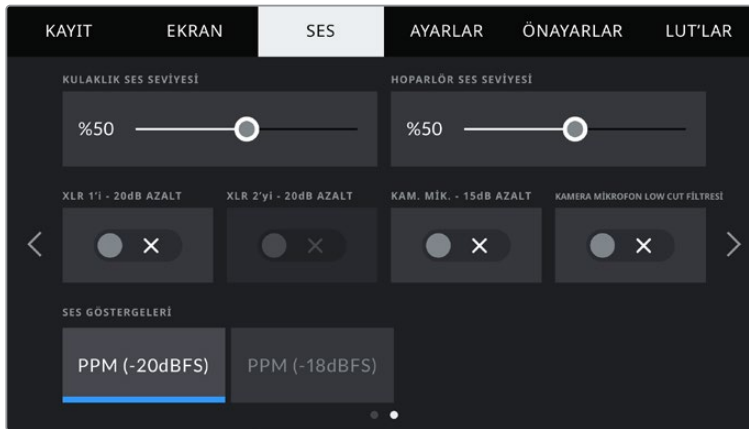
Seçili olan kanal 1 ve 2 kayıt seviyelerini ayarlamak için, bu kaydırıcıları kullanın. Doğru ses seviyesini ayarlamanıza yardımcı olması için, her bir kaydırıcı için ses göstergeleri bulunmaktadır. Bu seviyeler ayrıca, ergonomik kontrol panelindeki ses düğmeleri ile ses ayarı yapıldığında da güncellenir.

Optimum ses kalitesi için, ses seviyelerinizin 0 dBFS'nin altında kaldığından emin olun.

Bu, kameranızın kaydedebileceği azami seviyedir. Bu seviyeyi aşan herhangi bir ses, kırılacaktır ve netice olarak seste bozulmaya yol açacaktır.

## Ses Ayarları 2

URSA Mini Pro'nun 'Audio' (ses) sekmesinin ikinci sayfası aşağıdaki ayarları içermektedir.



URSA Mini Pro 12K ve URSA Mini Pro G1 'ses göstergeleri' ayarı

### **Kulaklık Ses Ayarı**

Bu kaydırıcı, URSA Mini'nin 3.5mm kulaklık jakına bağlı kulaklıkların çıkış seviyelerini ayarlar. Ses seviyelerini ayarlamak için, ses kaydırıcılarını sola veya sağa doğru hareket ettirin. Bu seviyeler ayrıca, ön kontrol panelindeki ayarlar tekeri ile kulaklık ses ayarı yapıldığında da güncellenir.

### **Speaker Volume (Hoparlör Ses Ayarı)**

Bu kaydırıcı, URSA Mini'nin dahili hoparlörü için, ses çıkış seviyelerini ayarlar. Ses seviyelerini ayarlamak için, ses kaydırıcısını sola veya sağa doğru hareket ettirin. Bu seviyeler ayrıca, ön kontrol panelindeki ayarlar tekeri ile hoparlör ses ayarı yapıldığında da güncellenir.

### **Pad XLR -20dB (XLR giriş sinyalini -20dB azaltma)**

-20dB pad (ses azaltma) seçeneği, çok gürültülü ortamlarda çekim yaparken, ses giriş seviyelerini düşürdüğünüz halde sesin yüksek olduğu durumlarda, URSA Mini'nin XLR ses giriş gain seviyelerini daha çok azaltabilmeniz için, ilave kontrol sağlar.

### **Pad Cam Mic - 15 dB (Kamera mikrofonu -15dB azaltma)**

-15dB pad (ses azaltma) seçeneği, çok gürültülü ortamlarda çekim yaparken, dahili mikrofon için ses giriş gain seviyelerini düşürdüğünüz halde sesin yüksek olduğu durumlarda, URSA Mini'nin dahili mikrofon girişi gain seviyelerini daha çok azaltabilmeniz için, ilave kontrol sağlar.

### **Cam Mic Low Cut Filter (Kamera mikrofonu Low Cut Filtresi)**

Kameranızın dahili mikrofonları için low cut filtresini etkin hale getirmek için, bu düğmeyi tıklayın. Bu filtre, dış mekan çekim ortamlarında meydana gelen, olası rüzgar gürültüsünü veya düşük frekans (bas sesler) gümbürtülerini azaltmanıza yardımcı olur. Bu fonksiyonun çalışabilmesi için, 'pad cam mic -15 dB' seçicisinin kapalı olması gerekir.

### **Ses Göstergeleri**

Pik seviye göstergeleri için bir 'ses gösterge' standardı seçin.

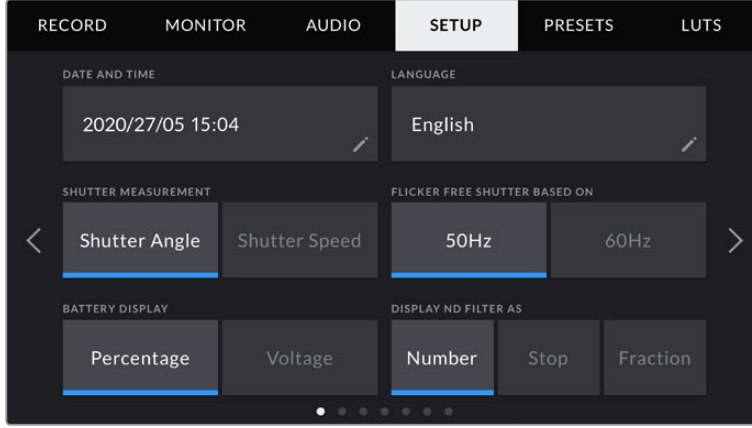
Ses gösterge ayarı	Standart
PPM (-20 dBFS)	SMPTE RP.0155
PPM (-18 dBFS)	EBU R.68

## **Setup (Kurulum) Ayarları**

'Ayarlar' sekmesi, URSA Mini'niz için; kamera kimlik ayarları, yazılım sürümü, fonksiyon butonu ayarları ve kaydetme veya izleme ile doğrudan bağlı olmayan diğer kamera ayarlarını içerir. Dokunmatik LCD ekranın kenarlarındaki oklara dokunarak veya ekranı sola ya da sağa kaydırarak 'ayarlar' sekmesindeki sayfalar arasında gezinebilirsiniz.

**NOT** Aşağıda gösterilen ayarlar ve özellikler, URSA Mini modelleri arasındaki küçük farklılıklar nedeniyle URSA Mini'nizin 'ayarlar' sekmesinden biraz farklı bir düzene sahip olabilir. Örneğin, URSA Mini Pro 4.6K G2'de beş 'ayarlar' sayfası ve URSA Mini Pro 12K'da yedi sayfa vardır.

URSA Mini'nizin 'ayarlar' sekmesi aşağıdaki ayarları içerir.



URSA Mini Pro 12K, URSA Mini Pro 4.6K G2 ve URSA Mini Pro 4.6K'daki 'ayarlar' sekmesinin ilk sayfasında, 'ND filtresini görüntüleme şekli' seçeneği vardır. URSA Mini 4.6K ve URSA Mini 4K'nın dahili bir ND filtresi yoktur, bu nedenle bu seçenek kullanılamaz.

### Date and Time (Tarih ve Saat)

URSA Mini kameranızın tarih ve saat ayarını, 'date and time' ayarını tıklayarak yapın. Tarih formatı; yıl, ay, gün olarak geçer ve saat formatı da 24 saatlik formattadır. Harici bir timecode (zaman kodu) kaynağı bağlı olmadığında, URSA Mini'nizin tarih ve saati ayrıca, 'time of day timecode' (günlük saat zaman kodu) kullanır.

### Language (Dil)

URSA Mini Pro 4.6K G2, URSA Mini 4.6K ve URSA Mini 4K için şu anda kullanılabilen tek dil İngilizce'dir.

URSA Mini Pro 12K ve URSA Mini Pro 4.6K G1; İngilizce, Çince, Japonca, Korece, İspanyolca, Almanca, Fransızca, Rusça, İtalyanca, Portekizce ve Türkçe dahil olmak üzere 11 popüler dili desteklemektedir.

Dil sayfası, ilk kurulum esnasında da görünür.

### Dil tercihinizi yapmak için:

- 1 'Dil' veya 'language' ibaresi üzerine dokununuz ve listeden dilinizi seçin.
- 2 Ayarlar menüsüne geri dönmek için 'güncelle' seçeneğini seçin.



### Örtücü Ölçümleri

URSA Mini 4.6K ve URSA Mini Pro'da, örtücü bilgilerinin 'shutter angle' (örtücü açısı) veya 'shutter speed' (örtücü hızı) olarak görüntülenmesini seçmek için bu ayarı kullanın.

Ayrıca bilmeniz gereken bir husus, örtücü açısını kullandığınızda, örtücünün kare hızına uyduğudur. Örneğin, kullandığınız kare hızının önemi olmaksızın, 180 derece aynı hareket bulanıklığını oluşturur.



Örtücü hızı kullanılırken, örtücüye kare hızından bağımsız olarak, bir kesin değer atanır. Böylece, kare hızını değiştirdiğiniz takdirde, sonuçlar farklılık gösterecektir.

Örneğin, saniyede 24 karelik bir çekimde, saniyenin 1/48'i olan bir örtücü hızı, 180 derecelik bir örtücü açısına denk, hoş bir hareket bulanıklığı (motion blur) oluşturacaktır. Kare hızını saniyede 48 kareye değiştirdiğinizde, saniyenin 1/48'i olan örtücü hızı, artık aynı hareket bulanıklığını sunmayacak ve 360 derecelik bir örtücü açısına denk hareket bulanıklığı oluşturacaktır. Bu örnekte, kare hızı 48 fps'ye değiştirildiğinde, 180 derecelik bir örtücü açısının sağladığı aynı etki için, örtücü hızını saniyenin 1/96'sına değiştirmeniz gerekecektir.

#### **Flicker Free Shutter Based On (Titremesiz Örtücü Frekansı)**

URSA Mini'nin titremesiz örtücü hızlarını hesaplamak için, kullandığı ana güç frekansını değiştirmek üzere, bu ayarı kullanın.

Işıklar altında çekim yaparken, örtücü titremesi görünürlüğünü etkileyebilir. URSA Mini, mevcut kare hızınız için titremesiz örtücü değerlerini, otomatik olarak hesaplayacak ve 3 adede kadar örtücü değeri önerecektir ve 'heads up display' ekranında gösterecektir. Örtücü değerleri, ışıkları çalıştırmak için kullanılan, yerel ana güç kaynağının frekansı tarafından etkilenir. NTSC kullanan ülkelerin çoğu genellikle 60Hz güç kullanırken, PAL kullanan ülkelerin çoğunda bu 50Hz'dir. Bölgeniz için doğru frekansı seçmek üzere, '50Hz' veya '60Hz' seçeneklerini tıklamanız yeterlidir.

**NOT** Titremesiz örtücü değerleri kullandığınızda bile, ayrı ışık kaynaklarının özellikleri hala titremeye neden olabilir. Düzenli ışıkları kullanmadığınız zamanlarda, daima bir test çekimi yapmanızı öneririz.

#### **Battery Display (Batarya Göstergesi)**

URSA Mini, batarya seviye göstergesinin kalan şarjı gösterme şeklini değiştirebilir. "Percentage" (yüzde) ve 'voltage' (voltaj), mevcut olan iki ayardır. Doğru yüzde seviyesini destekleyen bir batarya ve batarya plakası kullandığınızda, batarya göstergesinin 'percentage' (yüzde oranı) olarak ayarlanması, kalan batarya enerjisini yüzde olarak gösterecektir.

**BİLGİ** Doğru yüzde oranında güç bilgisini destekleyen bataryaların bir listesi, bu kılavuzun 'bataryaların takılması' bölümünde sunulmuştur.

Batarya ve plaka birleşimi kesin yüzde okumalarını desteklemiyorsa göstergeniz, batarya azaldığında boşalan dört çubuk gösterecektir.

"Voltage" (voltaj) seçeneği ayarlı olduğunda, batarya seviyeleri volt olarak görüntülenecektir. 12V'a yaklaştığı zaman, bataryanızı değiştirmenizi öneririz.

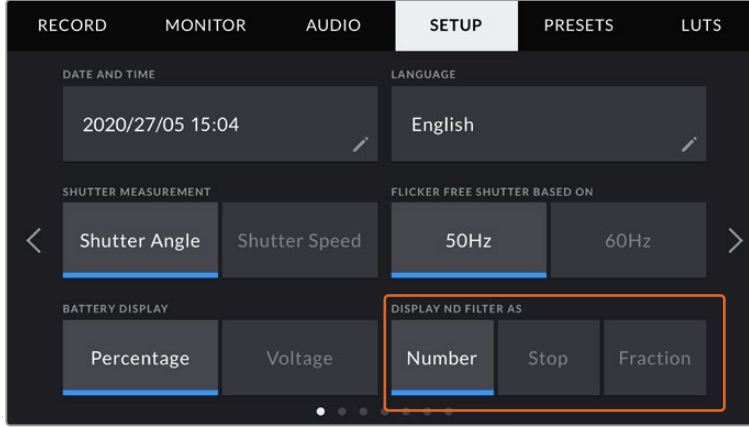
**BİLGİ** Batarya ile çalışırken power (güç) ikonunun tıklanması, dokunmatik LCD ekranında 'voltaj' ve 'yüzde' oranı arasında, gösterimi değiştirir.

#### **Timecode Drop Frame (Kare Düşüren Zaman Kodu)**

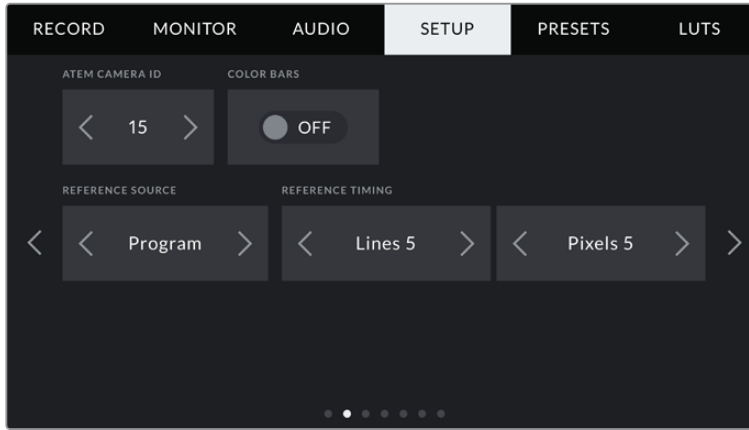
'Time code drop frame' seçeneğini, NTSC proje kare hızları 29.97 ve 59.94'ü kullandığınızda, düşen kare zaman kodunu kullanmak üzere seçin. Düşen kare zaman kodu, belirli aralıklarda zaman kodundan az sayılarda kareler düşürür. Bu, NTSC kare hızlarında her bir saniye tam sayılı kare bulundurmamasına rağmen, proje zaman kodunu doğru tutar.

### Display ND Filter As (ND Filtresini Görüntüleme Şekli)

URSA Mini Pro'nuzdaki ND filtre göstergesinin, ND filtre ayarınızı nasıl görüntülediğini ayarlamak için, bu ayarı kullanın. Her bir ayar, farklı bir kamera düzenine karşılık gelir. Görüntü yönetmenleri, genellikle ND numarası gösterim (ND, number) formatını kullanırlar ancak, DSLR veya yayın tarzı kameralarla çalışmaya alışkın olanlar, bu bilgiyi f-stop formatında veya kullanılabilir ışığın bir kesri şeklinde tercih edebilirler. Bu seçenekler, sırasıyla burada 'number' (rakam), 'stop' (durak) ve 'fraction' (kesir) olarak mevcuttur.



URSA Mini Pro'daki ND filtre bilgilerinin nasıl görüntüleneceğini kişiselleştirme seçenekleri ile kurulum menüsü.



Ayrıca bilmeniz gereken diğer bir husus, 'program sesi' ayarının yalnızca URSA Mini Pro'da olduğudur.

### ATEM Camera ID (ATEM Kamera Kimliği)

URSA Mini'nizi bir ATEM switcher ile kullanıyorsanız ve kameranızın switcher'den tally sinyalleri almasını istiyorsanız, kameranızdaki kamera numarasını ayarlamamız gerekecektir. Bu, switcher'in tally sinyallerini doğru kameraya göndermesini garantiler. Kamera numarası, 1 ve 99 arasındaki bir değere, sol ve sağ okları tıklanarak ayarlanabilir. Varsayılan ayar 1'dir.

### Renk Çubukları

Bir önizleme görüntüsünden ziyade renk çubuklarının görüntülenmesi, URSA Mini'nin bir switcher ya da harici bir monitöre bağlandığı durumlarda faydalı olabilir. Switcher ya da ekrandaki URSA Mini renk çubuklarının görüntüsü, bağlantının gerçekleştiğini onaylar ve bu sayede çubukların rengine göre, basit bir ekran kalibrasyon işlemi yapabilirsiniz. LCD dokunmatik ekran da dahil olmak üzere, URSA Mini'deki tüm çıkışlar için, 'color bars' (renk çubukları) değiştirme ikonunu tıklayarak renk çubuklarını etkinleştirebilirsiniz.

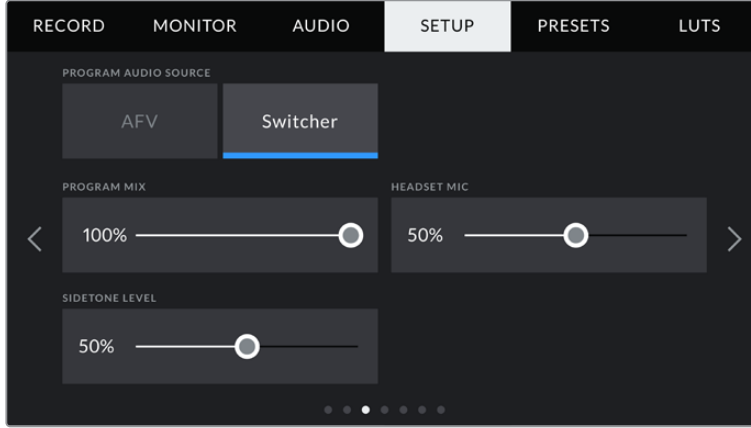
### Referans Kaynağı

Bu ayar, referans kaynağının seçilmesinde kullanılır. URSA Mini'niz, dahili veya harici referans kaynağına veya bir ATEM switcher'den program girişindeki referans sinyaline kilitlenebilir. URSA Mini'yi, bir ATEM Switcher'in kamera kontrol fonksiyonu ile kullanıyorsanız, switcher'in kendisi ve bağlı olan kameraların hepsi harici bir referansa ayarlı değilse, referans kaynağınızı, daima 'program' olarak ayarlamanız gerekir.

**NOT** URSA Mini için referans kaynağınızı ayarladığınızda, referans kaynaklarınız arasında değiştirirken kameranızın çıkışlarında, küçük bir düşüş yaşayabilirsiniz. Çünkü bu, kameranın referanslama zamanlamasını, harici kaynağınki ile eşleşmesini ayarladığı içindir. Bu yüzden, bu ayarı yapım esnasında değiştirmemeniz önemlidir, sadece kurulum esnasında değiştirin.

### Reference Timing (Referans Zamanlama)

Bu ayarlar, referans zamanlamasını satır veya piksel bazında manuel olarak ayarlamanızı sağlar. Düzeltme yapmak için, 'satır' ve 'piksel' seçeneklerinin yanındaki okları tıklayın veya sürgüyü hareket ettirin.



URSA Mini Pro 4.6K G2'de, HFR butonu başka bir fonksiyon ile eşleştirilebilir.

### Program Ses Kaynağı

Bu ayar, yalnızca URSA Mini Pro modelinde vardır. Bir switcher'e bağlıyken 'program sesi' seçeneğinin 'açık' olarak ayarlanması, kaynağınız olarak program dönüş sesine öncelik verecek ve kulaklık veya mikrofonlu kulaklık ile dinlerken, talkback ile beraber miksajını sağlayacaktır. Switcher'e kameranızdan ses sinyali göndermediğiniz, ama 'SDI in' (SDI girişi) portu yoluyla switcher'den program sesini dinlemek istediğinizde, bu faydalıdır. Program sesinin 'off' (kapalı) olarak ayarlanması; kameranızın dahili mikrofonlarından veya 'audio in' (ses girişi) XLR girişlerinden gelen sese öncelik verir ve varsayılan ayardır.

### Program Miksi

Bu ayar, kameranın sesiyle talkback (konuşma) sesinin dengesini değiştirir. Kulaklıktan, LCD ekranda gösterileni yansıtan ses çıkacaktır. Örneğin; kamera görünümündeyseniz kameranın sesi duyulur. Eğer program görünümündeyseniz program sesi duyulur. Varsayılan ayar %100'dür.

### Kulaklık Mikrofonu

Ses mikrofon girişi seviyelerini düşürmek veya yükseltmek için bu ses kaydırıcılarını sola veya sağa doğru hareket ettirin. Varsayılan ayar %50'dir.

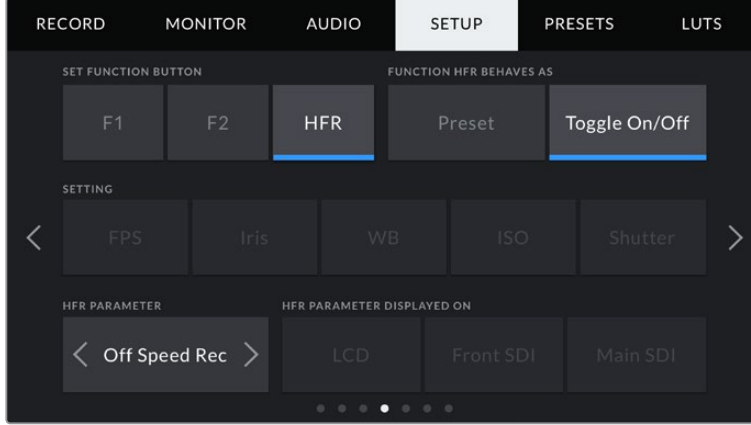
### Kulaklık Mikrofon Sesinin (Sidetone) Seviyesi

Kulaklığınızda kendi mikrofonunuzun ses seviyesini ayarlamak için bu sürgüyü kullanın.

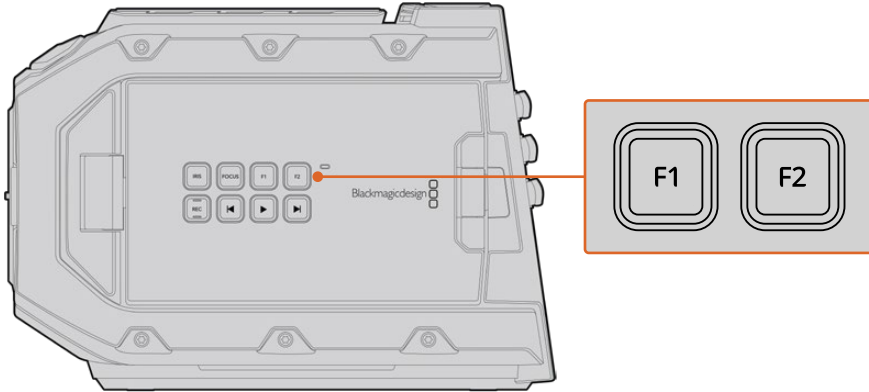
## Fonksiyon Butonunu Ayarlama

URSA Mini kameranın dokunmatik LCD ekranının dış kısmında, 'F1' ve 'F2' olarak işaretli iki fonksiyon butonu göreceksiniz. Bunlar, sık kullanılan özelliklerle eşleştirilebilir ve kameranızı dokunmatik LCD ekran kapalı olarak (örneğin, URSA Viewfinder ile) kullanırken, hızlıca erişilebilir.

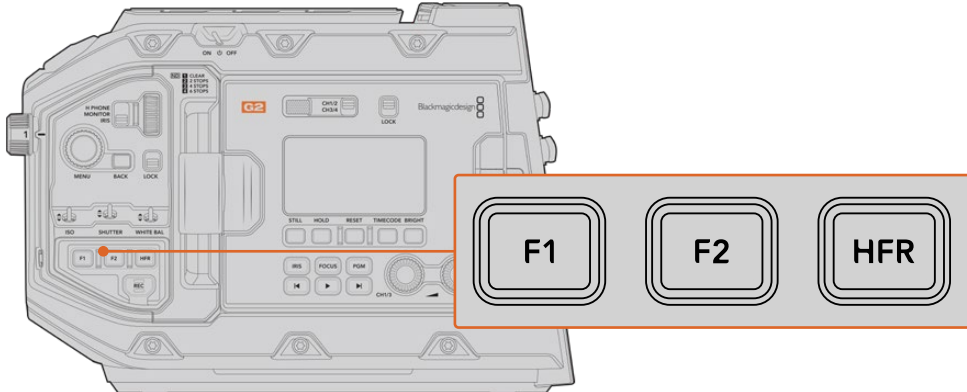
URSA Mini Pro 12K, URSA Mini Pro 4.6K G2 ve URSA Mini Pro 4.6K modellerinde, HFR butonunu başka bir fonksiyona eşleştirebilir veya devre dışı bırakabilirsiniz. 'HFR' butonu için varsayılan ayar, 'off speed rec' yani 'farklı hızda kayıt' seçeneğidir.



URSA Mini Pro 12K, URSA Mini Pro 4.6K G2 ve URSA Mini Pro 4.6K modellerinde, HFR butonu başka bir fonksiyona eşleştirilebilir.



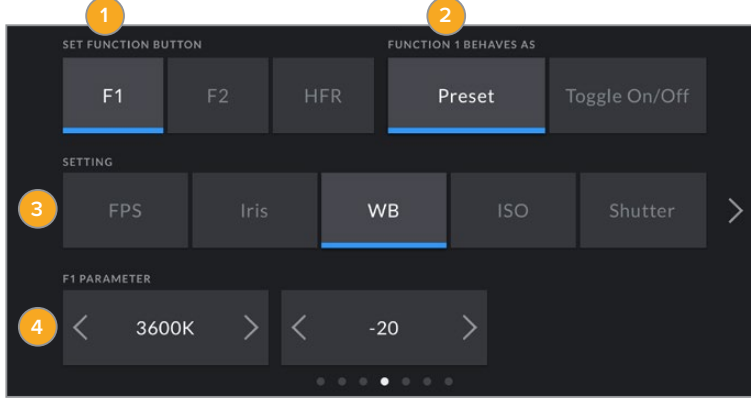
URSA Mini'nin F1 ve F2 düğmeleri, dokunmatik LCD ekranın dış kısmındadır.



URSA Mini Pro 12K, URSA Mini Pro 4.6K G2, URSA Mini Pro 4.6K ve URSA Mini 4.6K'da 'F1', 'F2' ve 'HFR' butonlarının işlevlerini kişiselleştirebilir veya onları devre dışı bırakabilirsiniz.

**BİLGİ** URSA Mini Pro 4.6K G1'inizde mercek konektörlü bir B4 mercek olduğunda, 'vtr' ve 'ret' (dönüş) butonlarını, fonksiyon butonları gibi yapılandırabilir ve 'F1', 'F2' ve 'HFR' butonlarına ek olarak, önayar veya açma/kapatma fonksiyonları atayabilirsiniz.

Bu düğmeleri ayarlamak için; bir fonksiyon butonu ve sonra ne yaptığını, ayarını ve o ayar için bir parametre seçiniz.



1 Buton 2 İşlevi 3 Ayar 4 Parametre

### Önayar veya Aç/Kapat olarak Fonksiyon Buton İşlevi

Eşleştirmek istediğiniz fonksiyon butonunu seçer seçmez, işlevini seçebilirsiniz. URSA Mini Pro 12K, URSA Mini Pro 4.6K G2, URSA Mini Pro 4.6K ve URSA Mini 4.6K modellerinde, HFR düğmesini başka bir işleve de eşleştirebilirsiniz.

Mevcut olan seçenekler şunlardır:

#### Preset (Önayar)

Bu hareketi seçtiğinizde, bir fonksiyon butonuna basılması, bir ayar ve parametre kombinasyonunu geri çağırır.

Bir önayarı kurmak için; ayarlar menüsünden kullanmak istediğiniz ayarı seçin ve parametre menüsünün yanlarındaki okları tıklayarak bu ayarın düzeltmelerini yapın.

Örneğin: F1 butonunu, f8 obtüratör önayarını geri çağırması için kurmak üzere; önayar hareketini seçin, iris ayarını tıklayın ve parametre menüsünün yanlarındaki okları f8 seçeneğine ulaşıncaya kadar tıklayın. Önayara tekrar tıklanması, kameranızı bir önceki ayara getirir.

#### Up/Down (Aşağı/Yukarı)

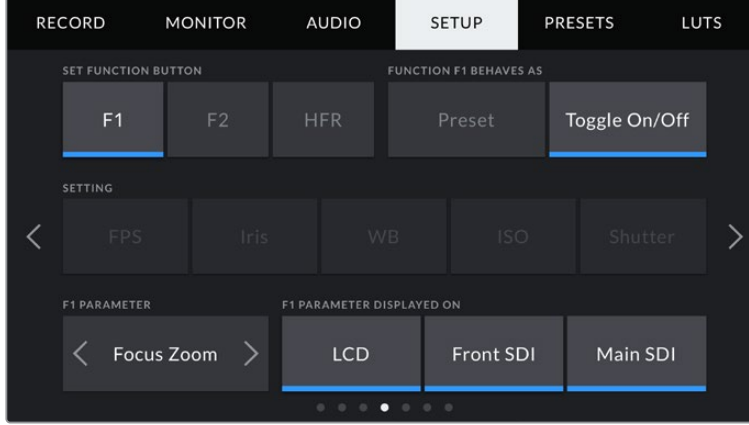
Bu hareketi seçtiğinizde, bir fonksiyon butonuna basılması, belli bir ayarı aşağı veya yukarı hareket ettirir.

Örneğin; F1 butonunu, lens obtüratörünü arttırması ve F2'yi düşürmesi için ayarlamak isteyebilirsiniz. Bunu yapmak için: 'F1' fonksiyon butonunu seçin, hareketi 'up/down' olarak ve parametreyi 'up' (yukarı) olarak seçin. Aynı işlemi F2 fonksiyon butonu için de yapın, ama seçeneği 'down' (aşağı) olarak ayarlayın.

#### Aç/Kapat İşlevi

Bu işleve ayarlı olduğunda, bir fonksiyon butonuna basma, belli bir ayarı açık veya kapalı olarak değiştirir. Bu moddayken, 'setting' veya 'ayarlar' menüsü etkisizdir. Bunun yerine, kullanılabilir seçenekler arasında gezinmek için, parametre menüsündeki sol ve sağ oklarını tıklayın. Bunlar; 'farklı hızda kayıt,' 'renkli çubuklar,' 'bas konuş,' 'temiz sinyal,' 'LUT'u göster,' 'çerçeve kılavuzları,' 'netlik yardımı' ve 'zebra' seçenekleridir. URSA Mini Pro modellerinde, bir 'none' veya 'hiçbiri' seçeneği de bulunur.

URSA Mini Pro 12K, bir 'odak yaklaştırma' ya da 'focus zoom' seçeneği içerir. LCD ekranda 'odak yaklaştırma' etkinleştirildiğinde nasıl kullanıldığı hakkında bilgi için 'odak yaklaştırma' bölümüne bakın. SDI çıkışlarınız için 'odak yaklaştırma' etkinleştirildiğinde, 'menü' tekerini kullanarak yaklaştırma bölgesini hareket ettirebilir ve 'iris' tekerini kullanarak büyütme seviyesini ayarlayabilirsiniz.

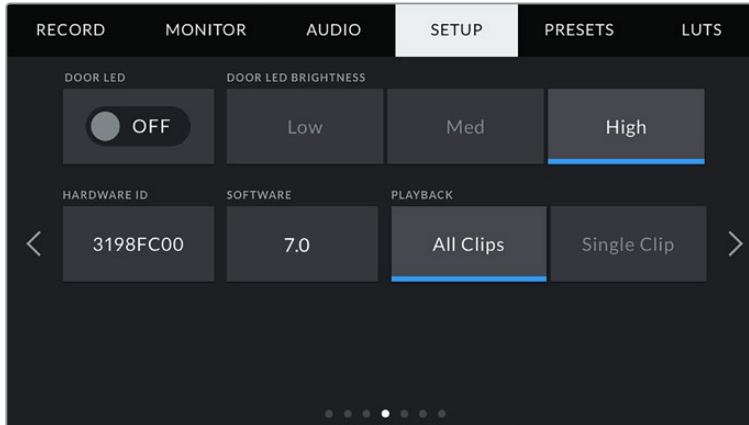


Odak yaklaştırma (Focus Zoom) seçime bağlı olarak, görüntüleme çıkışlarının herhangi birine uygulanabilir. Hassas bir odaklama için bunu üç görüntü çıkışının tümüne uygulamak, en keskin sonuçları verecektir.

'Aç/Kapat' işlevinin kullanılması, bu ayarın uygulanacağı çıkışı seçmenize de imkan tanır. 'LCD', 'ön SDI' ve 'ana SDI' seçeneklerinin herhangi bir kombinasyonunu tıklamanız yeterlidir. Daima tüm çıkışlara uygulanan 'renkli çubuklar' gibi bir seçenek için müsait bir çıkış olmadığı zaman; 'LCD', 'ön SDI' ve 'ana SDI' seçenekleri etkisiz hale getirilir. URSA Mini Pro modellerinde, 'none' (hiçbiri) seçeneğini seçerek, fonksiyon ve HFR butonlarını etkisiz hale getirebilirsiniz.

**NOT** 'Odak Yaklaştırma' ayarlanıp 'LCD', 'ön SDI' ve 'ana SDI' çıkışlarının tümüne uygulandığında, 'ön SDI' çıkışına uygulanan 3D LUT veya odak yardımı gibi herhangi bir monitör ayarı, yakınlaştırıldığı takdirde üç çıkışa da uygulanacaktır. Çerçeve kılavuzları, kılavuzlar ve güvenli alan kılavuzları yakınlaştırıldığında görüntülenmezler.

Ayrıca, bir B4 mercekte bulunan 'ret' ve 'vtr' butonlarını fonksiyon butonları olarak kullanması için bir URSA Mini Pro 4.6K G1'i yapılandırabilirsiniz. Örneğin, ISO kaydı bir HyperDeck ile yapıyorsa 'vtr' butonunu bir 'bas konuş' butonu olarak ayarlamak, popüler bir seçenektir.



### LED Durum Lambası

Ursa Mini Pro kameraların ön kontrol panelindeki 'rec' (kayıt) butonunun yanında, tally ve durum bilgileri sağlamak için küçük bir LED durum lambası vardır. LED durum lambasını açıp

kapatmak için, 'status LED' ayarını kullanın. URSA Mini'de, LED durum lambası dokunmatik LCD ekranın dışında, 'F2' butonunun yanında bulunur ve 'setup' (ayarlar) menü sekmesinde 'door LED' (kapı LED lambası) olarak anılır.

LED lambanın sağladığı durum göstergeleri, aşağıdaki gibidir:

<b>Beyaz</b>	Kamera 'on' (açık) ve 'standby' (bekleme) modundadır.
<b>Kırmızı</b>	Kamera kayıttadır. Yavaş yanıp sönmesi, kart belleğinin dolmak üzere olduğunu; hızlı yanıp sönmesi de düşen karelerin olduğunu gösterir.
<b>Yeşil</b>	Kamera 'playback' (oyunatım) modundadır. Bir klip oynarken, LED lambası yeşil ve kapalı arasında yavaşça değişir. Takılan ortam fark edildiğinde, durum LED lambası üç kez yeşil ve beyaz renkte yanar söner.
<b>Turuncu</b>	Kameranızın batarya gücü azaldığında, LED lambası turuncu renginde ve diğer mevcut durum renginde yanıp sönmeye başlar. Örneğin, kayıt halindeyken, LED göstergesi yavaşça turuncu ve kırmızı arasında dönüşümlü yanar. Kameranız standby modundaydı LED, beyaz ve turuncu arasında değişecektir. Kesin yüzde şarjını destekleyen bataryalar için alt sınır, yüzde 20 veya desteklemeyen bataryalar için de 12.5 voltur.

### LED Durum Lamba Parlaklığı

LED durum lamba parlaklığını ayarlamak için; 'low' (düşük), 'medium' (orta) veya 'high' (yüksek) ibarelerini tıklayın.

### Hardware ID (Donanım Kimliği)

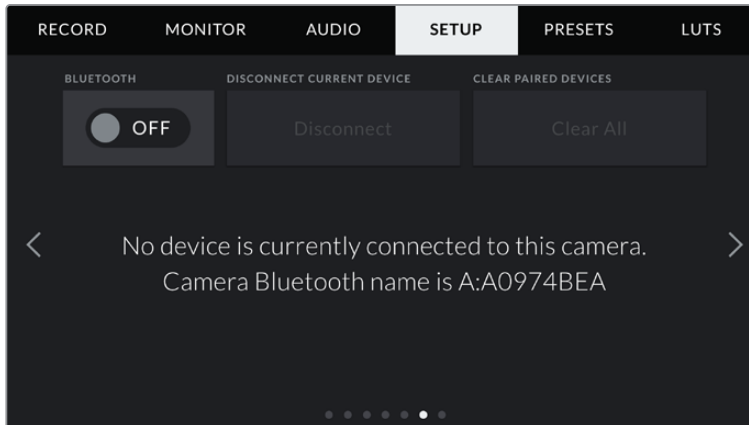
Donanım kimliği göstergesi, URSA Mini için 8 karakterli bir kimlik gösterir. Bu, her kamera için kendisine özeldir. Bu kimliğin 32 karakterli daha uzun hali, Blackmagic RAW ve ProRes video için metadata içinde de dahildir. Dosya isimlerinin değiştiği durumlarda, belli bir kameradan hangi çekimlerin geldiğini tanımlamak için bu faydalı olabilir; çünkü, kamera donanım kimliği değişmez.

### Software (Yazılım)

URSA Mini'de yüklü olan mevcut yazılımın sürümünü görüntüler. Yazılımın güncellenmesi konusunda daha fazla bilgi için, 'Blackmagic Kamera Kurulum Yardımcı Yazılımı' bölümüne bakın.

### Playback (Oynatım)

Bu ayar, playback esnasında 'single clip' (tek klip) olarak veya 'all clips' (tüm klipler) olarak oynatımı seçmenizi sağlar. 'All clips' seçeneği, eşleşen tüm medyayı sırayla oynatacak ve 'Single Clip' seçeneği de bir kerede bir klip oynatacaktır. Bu, aynı zamanda 'loop' (döngü) fonksiyonu için de geçerlidir. Tüm kliplerde 'loop' seçeneğinin seçilmesi, CFast 2.0 veya SD karttaki tüm klipleri oynatacak ve sonra 'loop' (döngü) olarak oynatacaktır. Tek klibin seçilmesi, 'loop' (döngü) işlemini, sadece o klibe uygulayacaktır.



Kameranın Bluetooth ismi, çekim tahtasında (slate) seçildiği gibi, kameranın bir harfi ve bunu takip eden URSA Mini'nin 8 karakterli donanım kimliğidir.

## Bluetooth®

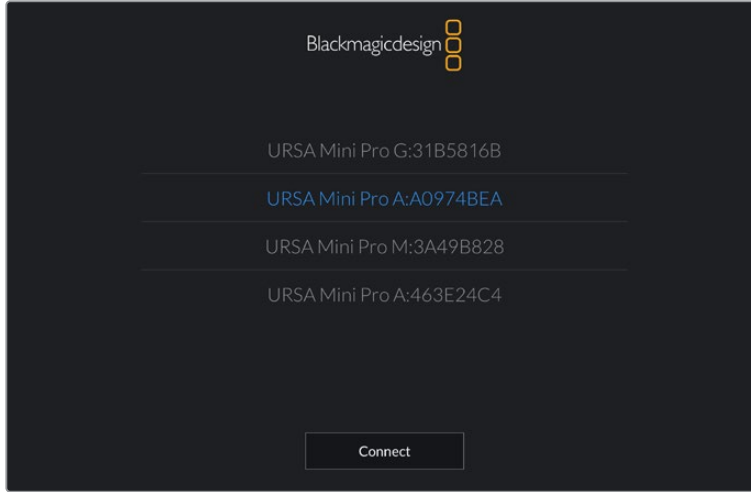
URSA Mini Pro'daki Bluetooth kontrolü, kameranızı kablosuz olarak portatif cihazlardan kontrol etmenizi sağlar. 'Blackmagic Camera Control App' uygulamasını kullanarak bir iPad ile uzaktan; kameranızı açıp kapatabilir, ayarlarını değiştirebilir, metadata'yı ayarlayabilir ve ayrıca kaydı tetikleyebilirsiniz. Kurulum menüsündeki 'Bluetooth' anahtar ikonunu tıklayarak Bluetooth özelliğini etkin veya etkisiz hale getirebilirsiniz. Bluetooth etkin olduğunda, yaklaşık 10 metreye kadar Bluetooth cihazlarından kamera algılanabilir.

URSA Mini Pro'nun 'Blackmagic SDI Camera Control Protocol' için kullandığı komutların, Bluetooth kontrol için kullandığı komutlarla aynı olmasından dolayı; görüntümeden ses ayarlarına kadar, kameranızın dahili DaVinci Resolve renk düzelticisi veya lens kontrolü gibi, kameranızdaki hemen hemen her ayarı uzaktan kontrol edebilmek için, kendi uygulamanızı yazabilirsiniz.

Daha fazla bilgi için, bu kılavuzun 'Blackmagic SDI Kamera Kontrol Protokolü' bölümüne bakın.

### Kameranızı bir iPad ile ilk defa eşleştirmek için:

- 1 URSA Mini Pro'nun 'setup' menüsündeki Bluetooth anahtar ikonunu tıklayarak Bluetooth fonksiyonunu aktif duruma getirin.
- 2 'Blackmagic Camera Control App' uygulamasını açıp, eşleştirmek istediğiniz URSA Mini Pro'yu seçin. Müsait olan kameralar, kamera harfini takip eden donanım kimlikleri ile sıralanacaktır. Örneğin A:A0974BEA.



Eşleştirmek istediğiniz URSA Mini Pro'yu seçin

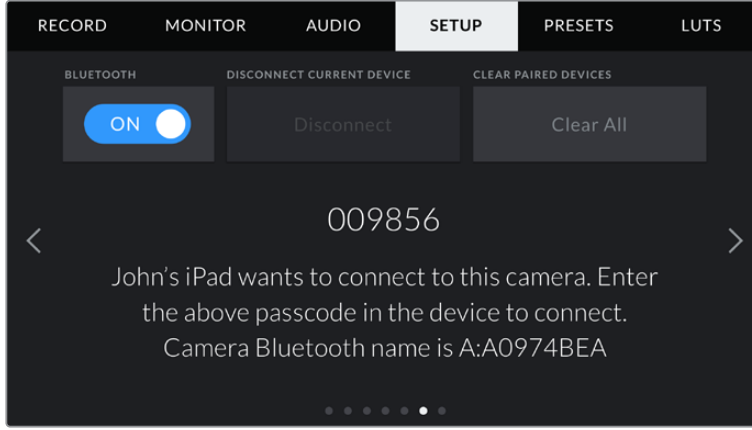
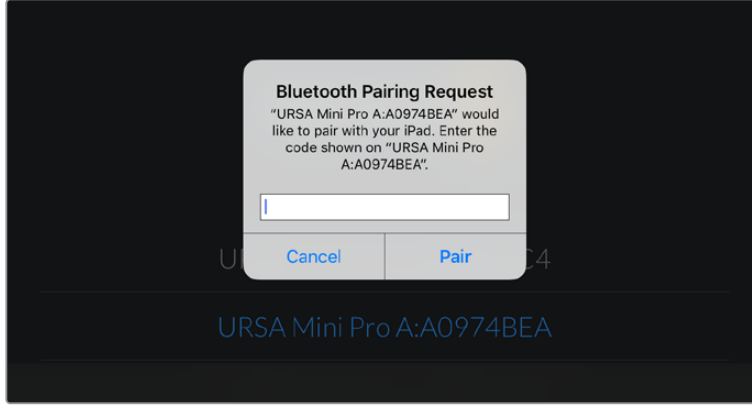
**NOT** Blackmagic Camera Control Uygulamasını yükleyip ilk kez çalıştırdığınızda, 'allow location access' (mevki erişim müsaadesi) isteyip istemediğiniz size sorulacaktır. 'While using the app' (aplikasyonu kullanırken) ibaresini seçerseniz iPad'inizden GPS okuması, yaptığınız çekimlerin metadata'sında eklenecek ve çekiminize coğrafi etiketleme yapmanızı sağlayacaktır. Bu bilgi, Blackmagic DaVinci Resolve 14 veya daha yüksek sürümlerinde gösterilebilir.

Bu bilgiyi kullanmak istemiyorsanız, 'never' (asla) ibaresini seçin.

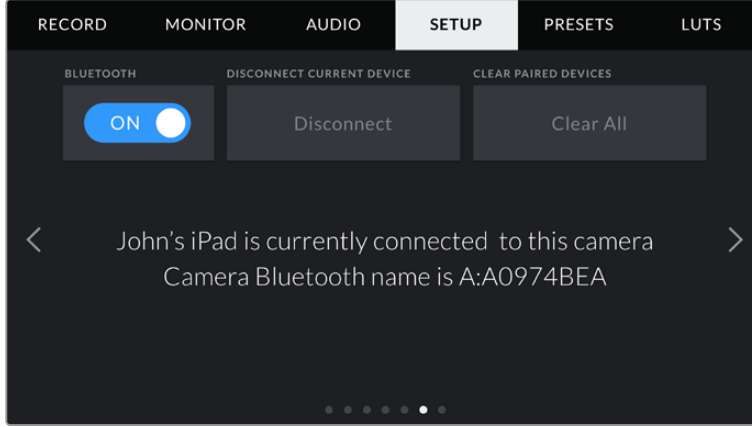
Ayarları değiştirmek için, iPad'inizde settings (ayarlar), privacy (gizlilik), location services (mevki servisleri), camera control (kamera kontrol) seçeneklerine gidin.

- 3 İlk defa bağlandığınız zaman, Blackmagic Camera Control uygulaması kamerayla eşleşmek için, 6 hanelik bir şifre isteyecektir. Bu şifre, kameranın LCD ekranında görüntülenecektir. Bu kodu iPad'e girin.

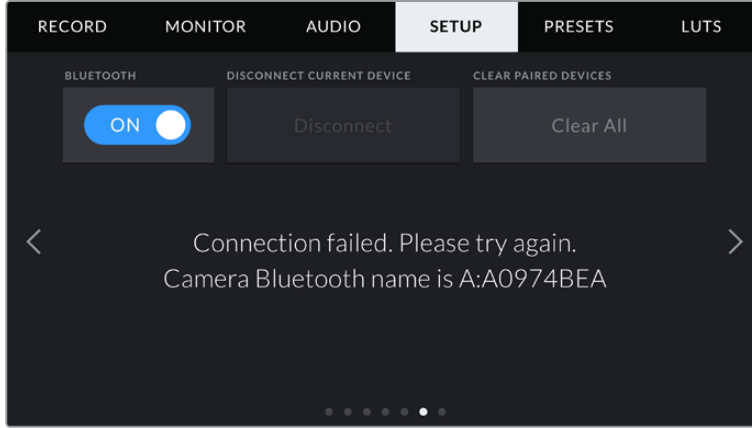




- 4 Ekrandaki bilgi, URSA Mini Pro'nun şimdi iPad ile eşleştiğini onaylayacaktır.



- 5 Kamerayı iPad'inizle eşlemede bir sorun olduğunda, aşağıdaki hata mesajını göreceksiniz.



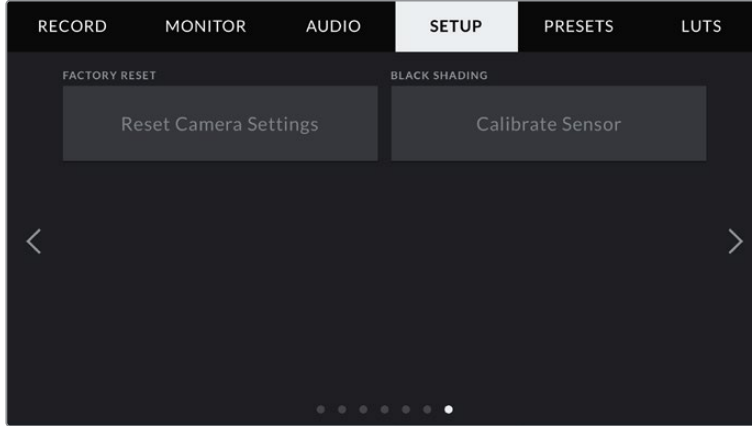
**NOT** URSA Mini Pro'nuzu kontrol etmek için Bluetooth kullanmıyorsanız güvenlik sebeplerinden dolayı Bluetooth fonksiyonunu kapatmanız iyi olur.

**Disconnect Current Device (Mevcut Cihazla Bağlantıyı Sonlandır)**

Bu ayarı, URSA Mini Pro'nun şu anda eşleşmiş olduğu iPad ile bağlantısını sonlandırmak için kullanın.

**Clear Paired Devices (Eşleşmiş Cihazları Sil)**

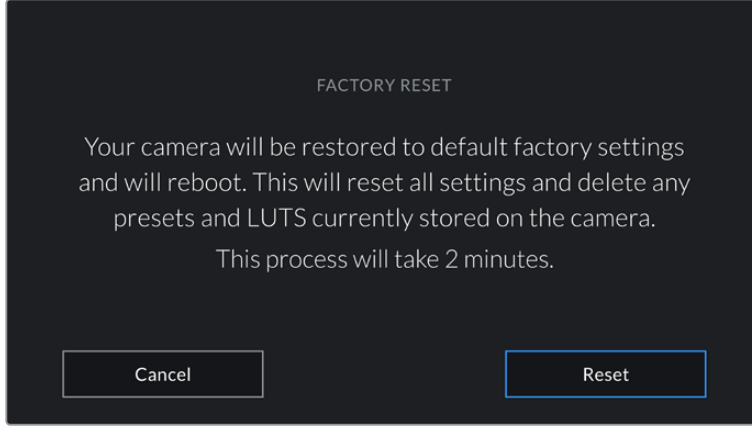
Bu ayarı, URSA Mini Pro'nun daha önce eşleşmiş olduğu cihazların listesini silmek için kullanın.



**Factory Reset (Fabrika Ayarlarına Sıfırlama)**

Kamerayı fabrika ayarlarına geri döndürmek için, 'reset' butonunu tıklayın. Kamerada kayıtlı mevcut önayarları ve LUT'ları sileceği için, bu işlemi onaylamanız istenecektir. Kamera ayarlarını sıfırlamak için, onay sayfasında 'reset' seçeneğini tıklayın. URSA Mini Pro'da, bu işlemin tamamlanması iki dakika kadar sürebilir.

Fabrika ayarlarına sıfırlama işleminin; tüm önayarları ve özel LUT'ları sileceğini ve tüm ayarları sıfırlayacağını dikkate almanız önemlidir. Fabrika ayarlarına sıfırlama işlemi yapmadan önce, önayarlarınızı yedeklemek için bir hafıza kartına aktarmanız iyi olur. Fabrika ayarlarına sıfırlama yaptıktan sonra, hafıza kartından içe aktararak, önayarlarınızı ve LUT'ları hızla geri getirebilirsiniz. Ayrıca bir siyah ayar kalibrasyonu yapmanız da tavsiye edilir.

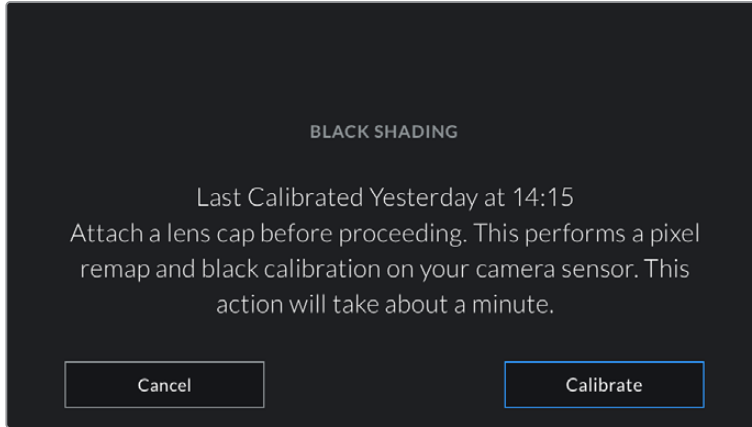


'Fabrika ayarlarına sıfırlama' seçeneğini seçerken, işleminizi onaylamanız istenecektir.

### **Black Shading (Siyah Ayar)**

4.6K sensörün kullanıldığı URSA Mini kameralarda, siyah ayar özelliği, sensördeki siyah ayarları dengeleyerek görüntü kalitesini optimize eder. Bu işlemi, kameranız ısındıktan sonra ve birkaç dakika çalıştıktan sonra yapmanızı tavsiye ederiz. Siyah ayar kalibrasyon işlemi için, toz kapağını kameraya takmanız ya da lens kapağını lensin üstüne takmanız ve sonra da 'calibrate' (kalibre et) düğmesine basmanız gerekmektedir. Doğru işleyebilmesi için doğru kurulum gerektirdiğinden, sizden bu işlemi onaylamanız istenecektir. Kalibrasyon işlemi birkaç saniye sürecektir ve işlem tamamlandığında size bildirilecektir. Kameranız, en son siyah ayarının yapıldığı tarih ve saati hatırlayacaktır. Bu işlem, gölgelerdeki görüntü kalitesini optimize edecektir.

URSA Mini Pro 4.6K G2'nin, siyah ayar işleminin bir parçası olarak iyileştirilmiş siyah seviyeleri için pikselleri yeniden kalibre etmenizi sağlayan, ilave bir kalibrasyon özelliği vardır. Bu işlemin tamamlanması yaklaşık olarak bir dakika sürecektir.



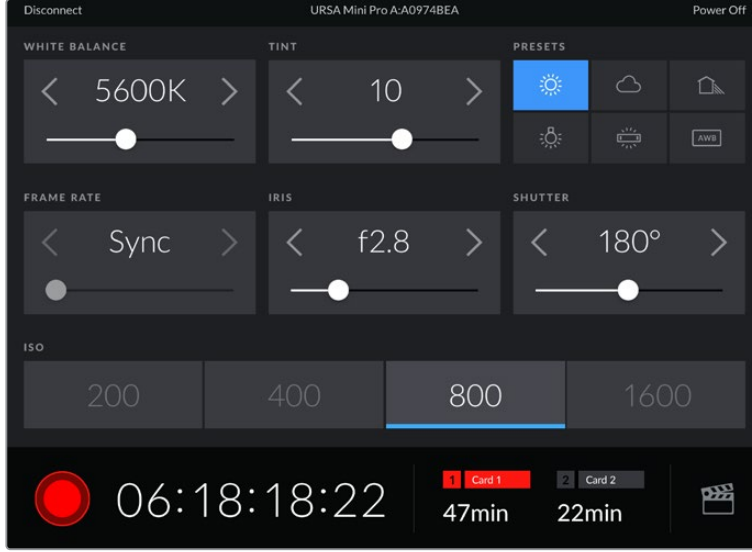
Siyah ayar kalibrasyonu tavsiye edilir

### **Motion Sensor Calibration (Hareket Sensörü Kalibrasyonu)**

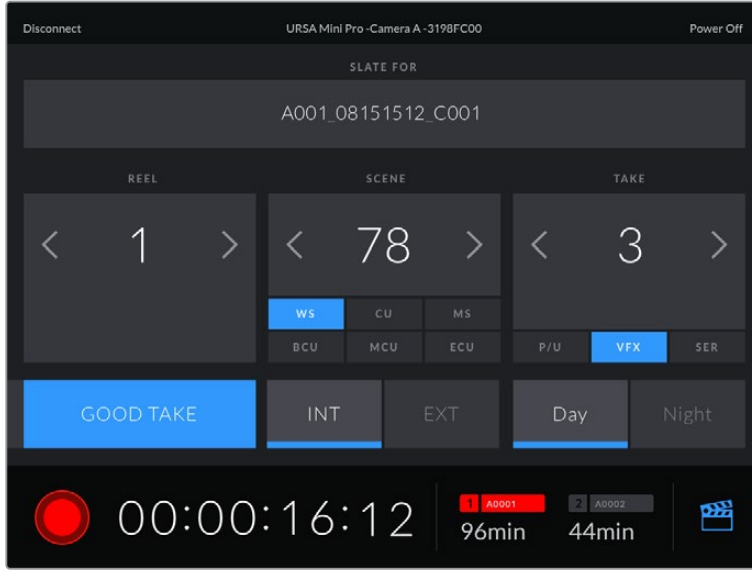
URSA Mini Pro 12K'da yatay denge göstergesini kalibre etmek için, kameranızı dengeli olduğunu bildiğiniz bir yüzeye yerleştirin ve 'hareket sensörünü kalibre et' butonuna dokununuz. Kalibrasyon esnasında kamerayı sabit tutmanız önemlidir. İşlemin tamamlanması, yaklaşık olarak beş saniye sürer.

## Kameranızın, Blackmagic Camera Control Uygulaması ile Kontrolü

URSA Mini Pro'yu iPad ile eşleştirdiğinizde, iPad ile uzaktan; kamerayı açıp kapatabilir, ayarları değiştirebilir, metadata'yı düzeltebilir ve kaydı tetikleyebilirsiniz.



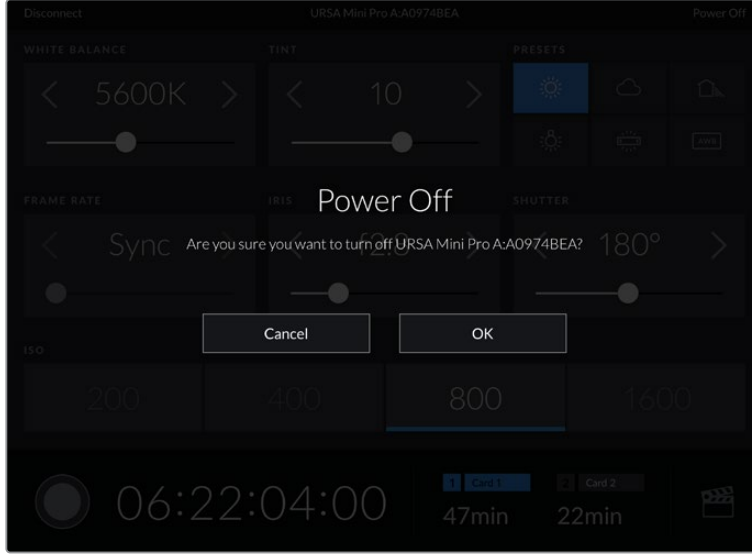
Eşleştikten sonra, Blackmagic Camera Control uygulaması, bu ekranı göstererek ayarları düzeltmenize ve kaydı başlatmanıza olanak sağlayacaktır.



Slate (çekim tahtası) özelliğine ulaşmak ve güncellemek için, sağ alt köşedeki slate ikonunu tıklayın.

URSA Mini Pro, kablosuz kontrol için cihazlarla iletişimde, Bluetooth LE kullanır. Portatif cihazlarda kullanılan protokoller ile aynı türden olduğu için, çok düşük miktarda batarya gücü kullanır.

URSA Mini Pro'nuzu, sağ üst köşedeki 'power off' (kapat) ibaresini tıklayarak kapatabilirsiniz.



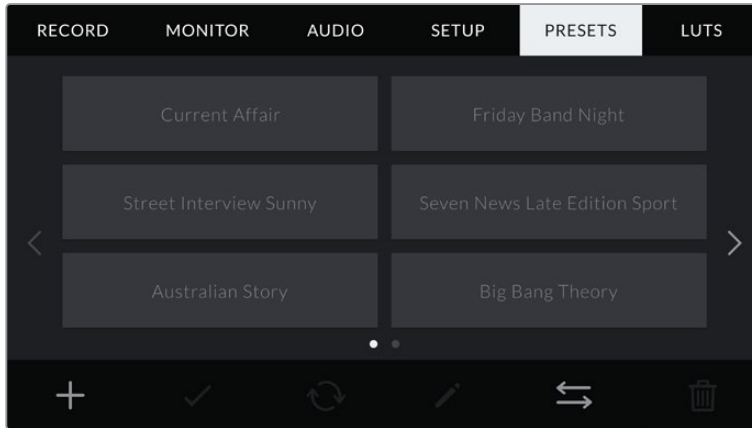
Kameranız kapanmadan önce, seçiminizi onaylamanız istenecektir.

Bluetooth aktifken URSA Mini Pro kapalı olsa bile, Blackmagic Camera Control uygulamasındaki mevcut cihazlar listesinde kameranız gösterilecektir. Kameranızla eşleştirme işlemi zaten yapmış olduğunuzdan, kameranızın ismini seçerek ve 'connect' (bağlan) ibaresini tıklayarak kameranızı uzaktan çalıştırabilirsiniz. Bluetooth aktif değilse, kameranız bu listede görünmeyecektir.

## Ön Ayarlar

Presets (önayarlar) sekmesi, URSA Mini için ayarların tamamını kaydetmenize ve geri çağırmanıza olanak sağlar. Bu, tek kameranın, birden fazla proje için kullanıldığı durumlarda çok yardımcı olur. Örneğin; URSA Mini'yi, belgesellerden müzik videolarına varan, türlerine göre çok farklı ayarları olan projelerde çeşitli çekimler yapmak için kullanabilirsiniz. URSA Mini'nizin önayarlar fonksiyonu, belli bir proje veya çekim tarzı için düzeninizi kaydetmenize ve ihtiyacınız olduğunda kolaylıkla bu ayarlara geri dönmenize olanak sağlar. URSA Mini'de bir önayara kaydedilen bazı ayarların diğer Blackmagic kameraları veya URSA Mini'nin önceki yazılım versiyonları ile uyumlu olmama ihtimali olduğunu belirtmekte fayda görüyoruz. Kameranızda en güncel yazılımın yüklü olduğundan emin olmak için, [www.blackmagicdesign.com/tr/support](http://www.blackmagicdesign.com/tr/support) adresindeki Blackmagic Design destek merkezine bakınız.

Ayrıca önayarları içe ve dışa aktarabilirsiniz, bu da çok kameralı çekimler için oldukça faydalıdır. URSA Mini'lerden birini projenize uygun olarak ayarlayabilir ve sonra bu önayarı, setteki diğer URSA Mini'ler için dışa aktarabilirsiniz.



URSA Mini kameranızın 'Presets' (Önayarlar) sekmesi

**NOT** URSA Mini, 12'ye kadar önyarı, dahili belleğine kaydedebilir.

### Presets buttons (önyarı butonları)

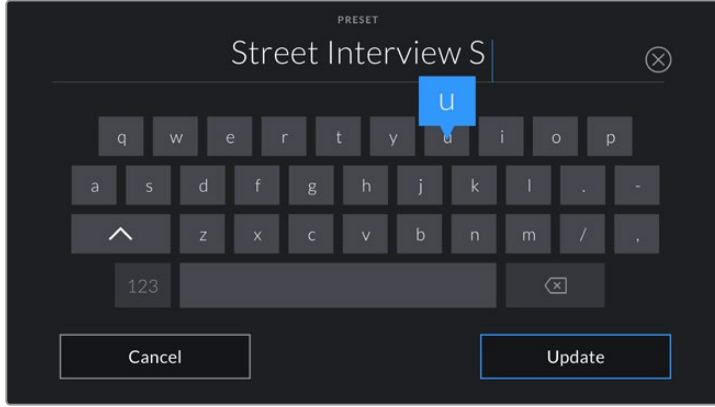
URSA Mini'nin önyarılar menüsünün alt tarafındaki buton ikonları, aşağıdaki fonksiyonlara karşılık gelir.

Add (Ekle)	Load (Yükle)	Update (Güncelle)	Manage (Yönet)	Delete (Sil)

### Önyarıların saklanması ve yüklenmesi

Yeni bir önyarı oluşturmak için, 'add' (ekle) ikonunu tıklayın. Bu, dokunmatik LCD ekranınızda, önyarıya bir isim verebileceğiniz bir dokunmatik klavyeyi ortaya çıkaracaktır. İsmi girdikten sonra, bu önyarıya URSA Mini'nin şu anki tüm ayarlarını kaydetmek için, 'update' (güncelle) sekmesini tıklayın.

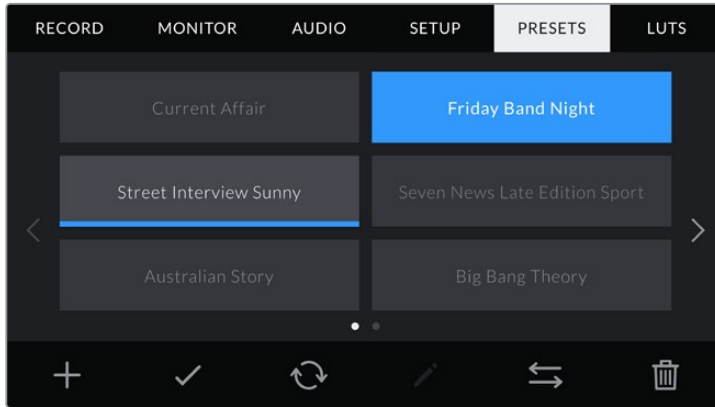
URSA Mini kameranızda aynı isimle kaydedilmiş başka bir önyarı varsa, bu önyarın üzerine yazılması veya ikisinin de tutulmasına dair, sizden onay istenecektir.



Önyarı sekmesindeki 'add' (ekle) ikonunu tıklayarak ve dokunmatik klavyeyi kullanarak ön ayarınızın ismini giriniz.

Önyarınızı kaydettikten sonra, onu tekrar seçmek için, önyarı menüsünde ismini tıklayın. Yüklenmesi için, 'load' (yükle) ikonunu tıklayın.

Bir önyarı, 'update' (güncelle) ikonunu tıklayarak güncelleyebilirsiniz. Bu önyarı, URSA Mini kameranızın şu anki ayarı ile güncellemek isteyip istemediğiniz size sorulacaktır. Onaylamak için, 'update' (güncelle) ikonunu tıklayın.



Bir önyarı seçin ve yüklenmesi için, 'load' (yükle) ikonunu tıklayın. Şu anda yüklü olan önyarı ikonlarının altında, mavi bir çizgi vardır ve seçili olan önyarılar, mavi olarak görünecektir.

### Önayarların içe aktarımı

Önayarları içe aktarmak için, önayar menüsünün en altındaki 'önayar yöneticisi' ikonunu tıklayın. URSA Mini Pro'da önayarlarınızın saklı olduğu yere göre, SD veya CFast kartlarından birini, medya seçim anahtarı ile seçin. URSA Mini Recorder cihazını kullanıyorsanız bir SSD'den de önayarları aktarabilirsiniz.

'Import preset' (önayarı içe aktar) ibaresini tıklayın ve seçiminizi, 'import' ikonunu tıklayarak onaylayın. Bu, içe aktarım ekranını ortaya çıkarır. Kartlarda mevcut olan önayarları görüntülemek için, bu ekranın sol üst köşesindeki, 'card 1' (kart 1) veya 'card 2' (kart 2)'yi seçin.

URSA Mini kameranız, kök rehberi ve seçili CFast veya SD karttaki 'presets' dosyasını tarayacaktır. CFast veya SD kartlarınızda başka dosyalara kaydedilmiş olan önayarların, görünmeyeceğini belirtmemizde fayda var.

Seçmek için bir önayarı tıklayın ve onaylamak için, 'import' sekmesini tıklayın. Bu ekranın sağ üst köşesinde, kameranızdaki boş önayar yeri sayısını göreceksiniz.

**NOT** URSA Mini'nin önayar yuvaları dolu olduğunda, import menüsü mevcut olmayacaktır. Yer açmak için, mevcut bir önayarı silmeniz gerekecektir.

### Önayarların dışa aktarımı

Bir önayarı CFast veya SD karta aktarmak için, dışa aktarmak isteğiniz önayarı, tıklayarak seçin ve 'manage' ikonunu tıklayın. Size, 'import preset' (önayarı içe aktar) ve 'export selected preset' (seçili önayarı dışa aktar) şeklinde, iki seçenek sunulacaktır.

Önayarı dışa aktarmak istediğiniz yere bağlı olarak SD ve CFast kartlarından birini seçmek için, URSA Mini Pro'daki medya seçim anahtarını kullanın. URSA Mini Recorder cihazını kullanıyorsanız önayarları bir SSD'ye aktarabilirsiniz. 'Seçili önayarı dışa aktar' seçeneğini tıkladığınızda, dışa aktarım işlemini yapmak istediğiniz kartı seçmeniz istenir. Bir kart seçimi, seçili önayarı o karttaki bir 'presets' (önayarlar) dosyasına aktaracaktır.

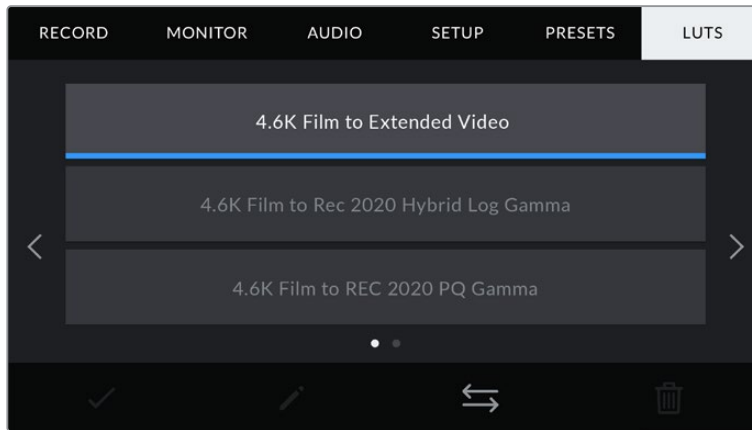
Seçtiğiniz CFast veya SD kartında, dışa aktardığınız önayarla aynı isimle kaydedilmiş başka bir önayar varsa, karttaki bu önayarın üzerine yazılması veya ikisinin de tutulmasına dair, sizden onay istenecektir.

### Önayarların silinmesi

URSA Mini'de önayar için 12 adet yer vardır. Bir önayarı silmek için; önayarı seçin ve 'delete' (sil) ikonunu tıklayın. Sizden, yaptığınız seçimi teyit etmeniz istenecektir. Onaylamak için, 'delete' ibaresini tıklayın.

## LUTs (LUT'lar)

LUTs menüsü, 3D LUT'ları içe aktarmanıza, dışa aktarmanıza ve kameranızın çıkışlarına uygulamanıza olanak sağlar.



URSA Mini'nizin 'LUT'lar' sekmesi

### 3D LUT'lar ile tanışın

URSA Mini; ön SDI, ana SDI ve dokunmatik LCD ekranındaki görüntülere 3D LUT'lar uygulayabilir. LUT'lar, belli bir renk ve parlaklık girişi için, URSA Mini'nize hangi renk ve parlaklık çıkışı göstermesini bildiren bir çalıdır. Örneğin; URSA Mini epey cansız bir mavi giriş aldığıında, bir LUT, bu girişin canlı ve doygun bir mavi olarak görüntülenmesini sağlayabilir. Bu; her ikisi de kasten 'undersaturated' (az doygun) 'flat' (düz) görünümü olan Blackmagic RAW görüntü çekerken veya 'film' dinamik aralığını kullanırken, yararlı olabilir. Bir LUT uygulayarak, çekiminizin renk derecelendirilmesi yapıldıktan sonra nasıl görüneceğine dair fikir edinebilirsiniz.

DaVinci Resolve veya başka bir renk düzeltme yazılımı kullanarak 3D LUT'lar oluşturmak kolaydır ve çeşitli kaynaklardan bazı LUT'lar, internette mevcuttur. URSA Mini kameranız, altı adede kadar 17 noktalı veya 33 noktalı 3D LUT'lardan, herbiri 1.5 megabayta kadar olmak üzere depolayabilir. Bir kez yüklendikten sonra herhangi bir LUT'u, kameranızın dokunmatik LCD ekranında, ön SDI ve ana SDI çıkışlarında veya bunların herhangi bir kombinasyonunda, gösterilmesini seçebilirsiniz.

URSA Mini'niz; DaVinci Resolve'de oluşturulmuş .cube formatlarındaki 33 noktalı 3D LUT'ları ve LUT dönüştürme yazılımları ile Resolve .cube formatına çevrildiğinde, 17 noktalı 3D LUT'ları destekler. Kameranız, yüksek kalite dörtyüzlü enterpolasyon (tetrahedral interpolation) kullanarak 3D LUT'ları işler.

**BİLGİ** LUT'ların gösterilmesi konusunda daha fazla bilgi için, bu kullanım kılavuzunun 'ekran ayarları' bölümüne bakın.

**NOT** LUT'lar, yalnızca bir önizleme aracı olarak kullanılırlar. URSA Mini'niz, kaydedilmiş görüntülere LUT'ları uygulamaz veya 'bake in' işlemi yapmaz; ama bir çekim esnasında uygulanan LUT bilgileri, kayıtlarınızla birlikte metaveri olarak kaydedilmiştir. DaVinci Resolve'deki 'LUT used' (kullanılan LUT) alanı, sette görüntüleme için kullanılan LUT'un ismini, teyit etmek amacıyla kullanılabilir. Blackmagic RAW; post prodüksiyonda kullanılması için, çekim esnasında kullandığınız bir LUT'u RAW dosyasına, tahribatsız bir şekilde gömmenizi sağlar. Bu; DaVinci Resolve'de LUT'u kullanma ya da farklı bir görünüm uygulama seçeneğini size sunar. Daha fazla bilgi için, 'Gömülü 3D LUT'lar' bölümüne bakın.

### Dahili LUT'lar

URSA Mini'niz; ProRes ya da Blackmagic RAW'da 'film' dinamik aralığında çekim yaparken, farklı görünümlerin ön-izlemesini yapmanızı sağlayan, çok sayıda dahili LUT sunar.

<b>Film to Extended Video</b>	'4.6K Film to Video' LUT'tan daha geniş bir dinamik aralık görüntüler ve parlak bölgelerde hafif kontrast değişimi ve pürüzsüz bir azalma uygular.
<b>Film to Video</b>	Yüksek tanımlı video için REC 709 renk standardına benzer ve yüksek seviyede kontrast ile doygunluk içerir. REC 709 renk düzenini kullanan kameraların yanında URSA Mini'yi kullandığınız zaman, bu ayarı faydalı bulabilirsiniz.
<b>Film to Rec 2020 Hybrid Log Gamma</b>	REC 709 ve bir log görüntünün bir hibrid görüntüsünü sunar.
<b>Film to Rec 2020 PQ Gamma</b>	HDR görüntülerin hızlı kodlaması için, gözlerimizle algılayabildiğimizi baz alan bir gamma eğrisini görüntüler.



## LUT butonları

URSA Mini'nin LUT'lar ekranının alt tarafındaki buton ikonları, aşağıdaki fonksiyonlara karşılık gelir:

		
Load (Yükle)	Manage (Yönet)	Delete (Sil)

## LUT'ların İçe Aktarılması

Bir 3D LUT'u içe aktarmak için; LUT menüsünün en altında bulunan 'manage' ikonunu tıklayın ve onaylamak için, 'import LUT' (LUT'u içe aktar) ibaresini tıklayın.

Bu, içe aktarım ekranını ortaya çıkarır. LUT'larınızın saklı olduğu yere göre, URSA Mini Pro'daki depolama ortamı seçim anahtarıyla SD veya CFast'ı seçin. URSA Mini Recorder cihazını kullanıyorsanız, bir SSD'de kayıtlı LUT'ları da içe aktarabilirsiniz. Kartlarda bulunan 3D LUT'ları görüntülemek için bu ekranın sol üst kısmındaki 'kart 1' veya 'kart 2' seçeneğini seçin.

URSA Mini, kök rehberi ve seçili CFast veya SD karttaki '3DLUTS' dosyasını tarayacaktır. Başka yerlerde kaydedilmiş olan LUT'lar görüntülenmeyecektir.

Seçmek için, bir LUT'u tıklayın ve seçiminizi onaylamak için, 'import' sekmesini tıklayın. Bu LUT, URSA Mini kameranıza kaydedilecektir.

**NOT** URSA Mini'nizin 3D LUT yuvaları dolu olduğunda, yer açmak için mevcut LUT'lardan bazılarını silmeden içe aktarma yapamazsınız.

İçe aktarmak istediğiniz LUT'un ismi, kameranızda kaydedilmiş başka bir LUT ismi ile aynıysa, bu LUT'un üzerine yazılması veya ikisinin de tutulmasına dair, sizden onay istenecektir. Bu ekranın sağ üst köşesinde, kameranızdaki boş olan LUT yerlerinin sayısını göreceksiniz. Kameranızda olan boş yer sayısı kadar LUT'u, içe aktarmanız mümkün olacaktır.

**NOT** Bir LUT'u URSA Mini'nize aktarmak için sorun yaşıyorsanız, boyutu yanlış olabilir. Boyutunu kontrol etmek için, Lattice gibi LUT düzenleyici kullanabilir veya bilgisayarınızdaki herhangi bir metin düzenleyici ile açabilirsiniz. 'LUT\_3D\_SIZE' (3D LUT Boyutu) etiketinin yanında LUT'un boyutunu gösteren bir numara göreceksiniz. Bu değer, 17 veya 33 değilse Lattice'yi kullanarak 3D LUT'un boyutunu 17'ye getirebilirsiniz.

## Bir LUT'un Uygulanması

Kameranıza bir LUT kaydettikten sonra, seçmek için LUT menüsünde o LUT'u tıklayın ve sonra 'load' (yükle) ikonunu tıklayın. Bu işlem, o LUT'u, kameranızdaki tüm çıkışlar için etkinleştirecektir. Ancak, her bir çıkışa uygulanması için, ekran menüsünde 'display LUT' (LUT'u görüntüle) seçeneğini, 'on' (açık) olarak seçmeniz gerekir. Durum mesajı (status text) açık hale getirildiğinde ve o çıkışa bir LUT uygulandığında; LCD ekranda, ön SDI'da veya ana SDI'da LUT ikonu görünecektir. Daha fazla bilgi için, bu kullanım kılavuzundaki 'ekran ayarları' bölümüne bakın.

### **LUT'ların dışa aktarımı**

CFast veya SD karta bir LUT aktarmak için, aktarmak istediğiniz LUT'u seçin ve aktarma ikonunu tıklayın. 'LUT'u içe aktar' ve 'seçili LUT'u dışa aktar' şeklinde, size iki seçenek sunulur. LUT'u dışa aktarmak istediğiniz yere bağlı olarak SD ve CFast kartlarından birini seçmek için, URSA Mini Pro'daki medya seçim anahtarını kullanın. URSA Mini Recorder cihazını kullanıyorsanız, LUT'ları bir SSD'ye de aktarabilirsiniz.

'Export selected LUT' (seçili LUT'u dışa aktar) ibaresinin tıklanması, dışa aktarım işlemini hangi karta yapmak istediğinizi size soracaktır. Kartta mevcut olan bir LUT'u dışa aktarma haricinde, kartın seçilmesi, dışa aktarım işlemini başlatacaktır. LUT'un kopyası bulunduğu, kartınızdaki LUT'un üzerine yazılmasına veya ikisinin de tutulmasına dair, sizden onay istenecektir.

### **LUT'ların Silinmesi**

URSA Mini'nin, 17 noktalı 3D LUT için, altı adet yeri vardır. Artık kullanmadığınız LUT'ları silmek için veya daha fazlasına yer açmak için, silmek istediğiniz LUT'ları seçin ve ikonu tıklayın. Sizden, yaptığınız seçimi teyit etmeniz istenecektir. Onaylamak için, 'delete' (sil) seçeneğini tıklayın.

### **Gömülü 3D LUT'lar**

Blackmagic URSA Mini Pro modellerinde Blackmagic RAW çekim yaparken bir 3D LUT kullanıldığında, seçili LUT, kaydettiğiniz Blackmagic RAW dosyasına gömülür. Bu; 3D LUT'un .braw dosya başlığı altında dosyalarınızla beraber kaydedileceği ve post prodüksiyon esnasında ayrı bir dosya ile uğraşmak zorunda kalmadan, kolaylıkla klibe uygulanabileceği anlamına gelir.

Yani, Blackmagic RAW dosyaları bir kurgucu veya renk uzmanına teslim edildiğinde, çekim esnasında kullanılan LUT'a kolaylıkla erişebileceklerdir. Bu da bir klibe yanlış bir 3D LUT uygulanma olasılığını, büyük ölçüde azaltır. Çekimlere kurgulama veya renk derecelendirme işlemleri yaparken, bu 3D LUT'u kullanıp kullanmayacaklarına, sonra kendileri karar verebilir ve 3D LUT'u istedikleri zaman etkisiz hale getirebilirler.

URSA Mini Pro'nun kayıt menüsünde 'apply LUT in file' (LUT'u dosyada uygula) seçenek anahtarı 'on' (açık) konumunda iken, Blackmagic RAW Player'de ve DaVinci Resolve'de seçili 3D LUT uygulanmış olarak kaydedilen klip açılacaktır. Bu 3D LUT, daha sonra 'açık' veya 'kapalı' durumuna kolaylıkla değiştirilebilir, fakat klibe yazıldığından dolayı, daima Blackmagic RAW dosyası ile beraber taşınır.

Blackmagic RAW dosyasındaki 3D LUT'un etkili veya etkisiz hale getirilmesi için, DaVinci Resolve'nin de RAW ayarlar paletinde bir 'Apply LUT' (LUT'u Uygula) düğmesi vardır. DaVinci Resolve'deki 'Apply LUT' ayarı, kameradaki ayarın aynısıdır. Bunun anlamı; çekim yaparken kamerada ayarlayarak renk uzmanını LUT'u kullanması için yönlendirebileceğinizdir fakat, DaVinci Resolve'de 'Apply LUT' anahtarını 'off' (kapalı) konumuna getirerek kolaylıkla kapatabilirler.

# Metaveri Girilmesi

Metadata; deneme (take) numaraları, kamera ayarları ve diğer tanımlayıcılar gibi, kliplerinizde kayıtlı olan bilgilerdir. Bu, post prodüksiyonda, çekimlerin tasnifinde ve işleme esnasında oldukça etkilidir. Örneğin; deneme, çekim ve sahne numaraları, vazgeçilmez düzenleme araçlarıdır. Lens bilgisi, bozulmayı (distortion) otomatik olarak kaldırmak için veya VFX (görsel efekt) değerlerinin kalıplarla daha iyi uyuşması için kullanılabilir.

Blackmagic URSA Mini'niz her klibe; kamera ayarları, timecode (zaman kodu), gün ve saat gibi bazı metadata kaydeder. Daha fazla ilave bilgi eklemek için, kameranızın slate (çekim tahtası) özelliğini kullanabilirsiniz.

## The Slate (Çekim Tahtası)

URSA Mini kameranızın dokunmatik LCD ekranını sola veya sağa kaydırma, 'çekim tahtası' özelliğini ortaya çıkarır.

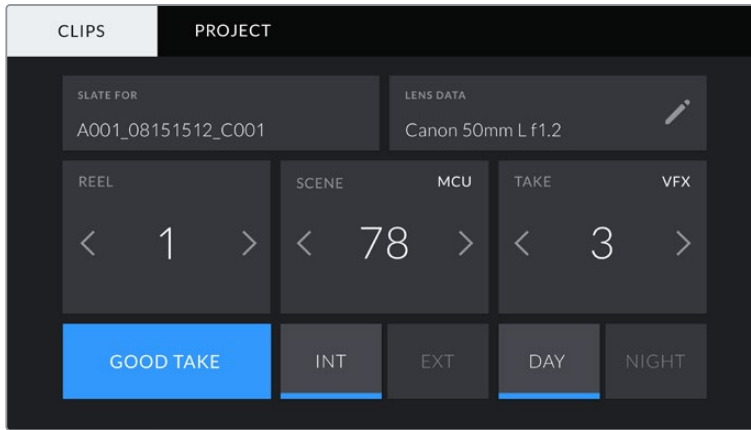
Çekim tahtası; 'clips' (klipler) ve 'project' (proje) olarak iki sekmeye bölünmüştür. Klip sekmesi, her klibe göre değişen bilgileri içerirken, proje sekmesi; proje ismi, yönetmen, kamera ve operatör kimliği gibi, klipler arasında ortak olan detayları, girdiğiniz yerdir.

**BİLGİ** Çekim tahtasına (slate) girilen metaveri; 'monitor' (ekran) ayarlarında, 'display status text for' (durum metnini göster) seçeneği 'director' (yönetmen) olarak ayarlandığında, URSA Mini'nin ön veya ana SDI çıkışlarında görünür hale gelir. Daha fazla bilgi için, bu kullanım kılavuzundaki 'ekran ayarları' bölümüne bakın.

### 'Clip' (Klip) metaverisi

Klip metaverisine yapılan değişiklikler; URSA Mini kameranızın kayda hazır olduğu 'bekleme' modunda ve yapmış olduğunuz çekimleri izlediğiniz 'oynatma' modunda biraz farklı çalışır. 'Bekleme' modunda, klip metaverisi bir sonra kaydedilecek klibe kaydedilecektir. Ancak, en son kaydedilmiş klibe istinaden 'good take last clip' (son klip iyi çekim) seçeneği, buna dahil değildir.

'Playback' (oynatım) modunda, klip metaverisi, daima o an izlenmekte olan klibe kaydedilir.



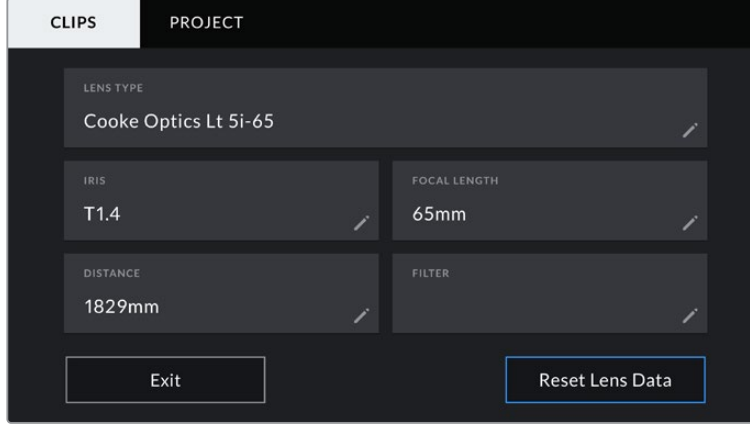
URSA Mini'nin çekim tahtası; 'clip' (klip) ve 'project' (proje) olarak iki sekmeye bölünmüştür.

### Slate for (Çekim tahtası)

Bu ayar, şu anda gösterilen metaverinin hangi klip için geçerli olduğunu gösterir. Bu, 'standby' (bekleme) modunda, bir sonra kaydedilecek klip için geçerlidir.

### Lens Data (Lens Bilgisi)

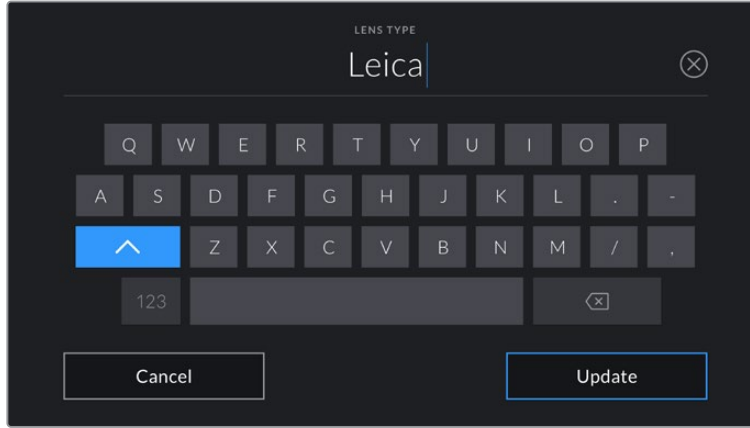
Bu ayarlar, kameranızda takılı olan lens hakkında bilgileri gösterir. Birçok elektronik lens; lens modeli, obtüratör ve odak uzunluğu gibi bilgileri, otomatik olarak sağlar. Eğer kullandığınız lens bu bilgileri sağlamıyorsa veya ilave bilgi girmek istediğiniz zaman, bilgiyi manuel olarak girmek için, bu ayardaki kalem ikonunu tıklayın. Bu, 'lens data' (lens bilgisi) menüsünü ortaya çıkarır. Menü aşağıdaki bilgileri içerir:



'Lens bilgisi' menüsü, Cooke /i Technology ile bağlı bir lensten, otomatik olarak alınan bilgileri göstermektedir.

#### • Lens Type (Lens Tipi)

Lens modelini gösterir. Lens tipiniz otomatik olarak burada gösterilmiyorsa veriyi manuel olarak girmek için, bu ayarı tıklayabilirsiniz. Kameranız, yaygın olarak kullanılan lensler için, dahili bir veritabanına sahiptir, böylelikle manuel olarak veri girmeniz gerektiğinde, kameranız otomatik olarak isimler önerecektir. Bu da, veri girişini hızlandırmaktadır.



Lens bilgisi otomatik olarak temin edilmemişse bilgiyi girmek için, dokunmatik klavyeyi kullanın.

#### • İris

Klibinizin başlangıcında iris, obtüratör ayarını gösterir. Otomatik olarak temin edildiği zaman, kullanılan lense bağlı olarak, bu bilgi f- veya T-stops olarak gösterilecektir. Manuel olarak veriyi girmek için, bu ayarı tıklayın.

#### • Focal length (Odak uzunluğu)

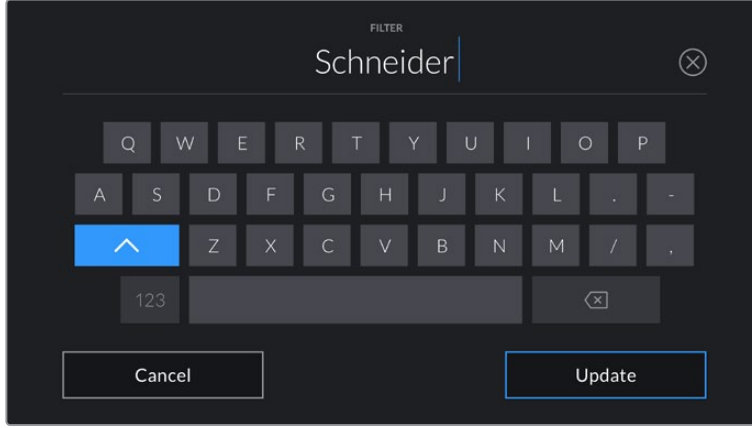
Kaydedilmiş klibin başlangıcında, lensin odak uzunluğu ayarını gösterir. Otomatik olarak temin edildiğinde, bu milimetre olarak gösterilir. Manuel olarak veriyi girmek için, bu ayarı tıklayın.

- **Distance (Mesafe)**

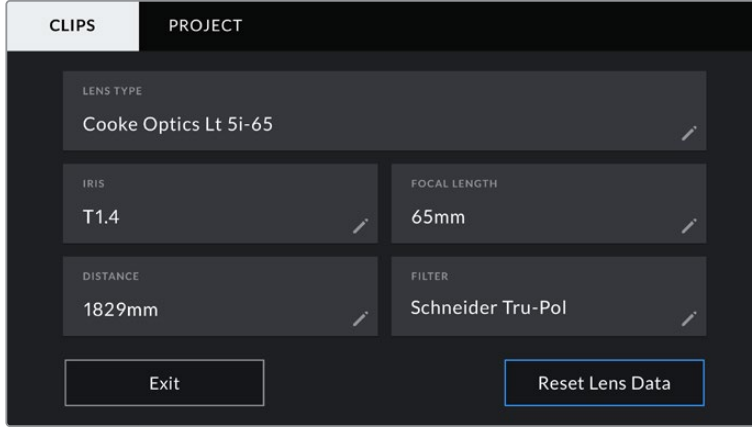
Kaydedilen klip için, lensin odak uzaklığı ayarını gösterir. Bazı lensler, bu veriyi otomatik olarak milimetre bazında temin edebilir. Bu bilgiyi, manuel olarak da girebilirsiniz.

- **Filter (Filtre)**

Şu anda kullanılan lens filtrelerini gösterir. Manuel olarak veriyi girmek için, bu ayarı tıklayın. Virgül ile ayırarak birden fazla giriş yapabilirsiniz.

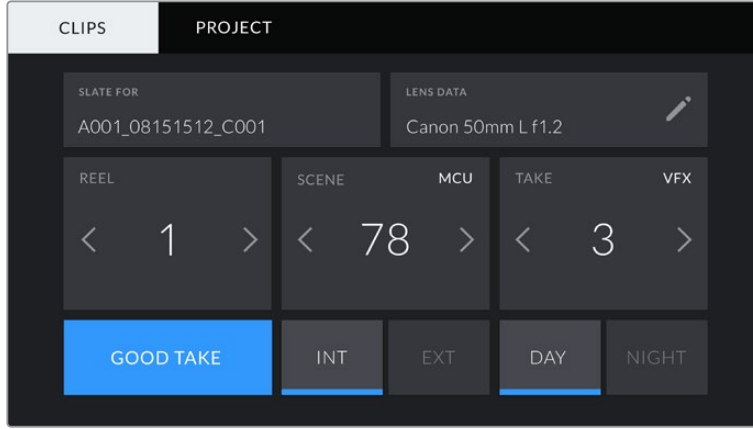


Filtre bilgisinin manuel olarak girilmesi gereklidir.



'Lens bilgisi' menüsü, Cooke /i Technology ile bağlı bir lensten otomatik olarak alınan bilgileri ve manuel olarak girilmiş filtre bilgilerini gösterir.

**NOT** 'Lens data' (lens bilgisi) menüsünde, 'reset lens data' (lens bilgilerini sıfırla) ibaresini tıklayarak istediğiniz zaman lens bilgilerini sıfırlayabilirsiniz. Sizden, yaptığınız seçimi teyit etmeniz istenecektir. Teyit ettiğinizde, tüm lens bilgileri sıfırlanacaktır ve mevcut takılı lens bilgileri ile, otomatik olarak yeniden doldurulacaktır. Bu alanlara manuel olarak herhangi bir bilgi girdiğinizde, bir daha bir lens monte ettiğiniz zaman, lens datasını sıfırlamanız gerekecektir, aksi takdirde, manuel olarak girilen değer kalacaktır.



URSA Mini'nin çekim tahtası; 'clip' (klip) ve 'project' (proje) olarak, iki sekmeye bölünmüştür.

### Reel (Makara)

'Reel' göstergesi, şu anki makarayı gösterir.

URSA Mini, makara numaralarını otomatik olarak artırır; böylece manuel olarak girmenize gerek kalmaz. Yeni bir projeye başladığınızda ve makara numarasının tekrar '1'den başlamasını istiyorsanız, çekim tahtasındaki 'project' sekmesindeki 'reset project data' (proje bilgisini sıfırla) ibaresini tıklayın.

### Scene (Sahne)

Sahne göstergesi, şu anki sahne numarasını gösterir ve aynı zamanda, çekim numarası ve tarzını gösterir.

Bu göstergedeki rakam, daima şu anki sahneye aittir. Sahne numarasının iki tarafındaki aşağı/yukarı oklarını kullanarak veya sahne numarası düzelticisine girmek için sahne numarasını tıklayarak, bu değiştirilebilir.

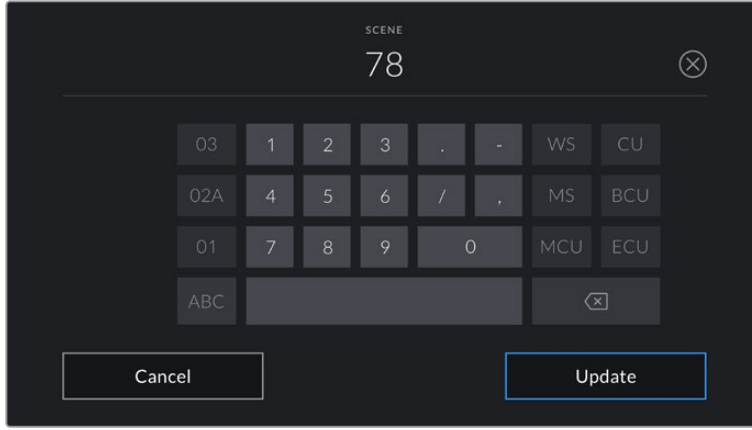
Sahne numarası için, 1'den 9999'a kadar rakamları kullanabilirsiniz.

Sahne numarası düzelticisine bir harf ekleyerek, mevcut çekimi belirtebilirsiniz. Örneğin; 23A sahne yirmi üç ve çekim biri belirtecektir. Sahnenize bir çekim harfi eklemişseniz, sahne numarası düzelticisine girdiğiniz her zaman, URSA Mini'niz size harf artışları önerecektir. Örneğin; şu anki sahne numarası 7B ise URSA Mini kameranız, '7C'yi artış önerisi olarak sunacaktır.

Sahne numarası göstergesi, aynı zamanda şu anki çekim tarzını sağ üst köşede gösterir. Çekim klavyesinin sağ tarafındaki sahne numarası düzelticisinde, bunları seçebilirsiniz.

Mevcut çekim şekilleri:

<b>WS</b>	(wide shot) geniş çekim
<b>MS</b>	(medium shot) orta çekim
<b>MCU</b>	(medium close up) orta yakın çekim
<b>CU</b>	(close up) yakın çekim
<b>BCU</b>	(big close up) büyük yakın çekim
<b>ECU</b>	(extreme close up) aşırı yakın çekim



Sahne metadata'sını girerken URSA Mini kameranız, dokunmatik klavyenin solunda, artış önerilerini ve sağ tarafta çekim tarzlarını sunacaktır.

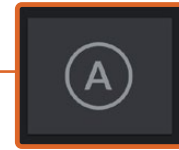
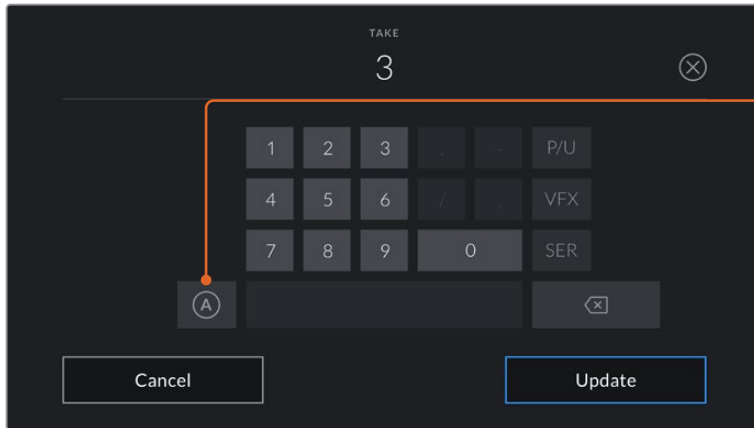
### Take (Tekrar)

Take (deneme) göstergesi, şu anki çekim için deneme numarasını gösterir. Deneme numarasının iki tarafındaki sağ ve sol oklarını tıklayarak veya deneme numarasını girmek için göstereyi tıklayarak, deneme numarasını artırıp azaltabilirsiniz.

**BİLGİ** Çekim numarası veya sahne harfi ilerlediğinde, deneme numarası, 1'e dönüşecektir.

Deneme numarası düzelticisinde, deneme açıklamaları ekleyebilirsiniz. Bunlar, deneme numarası klavyesinin sol tarafında sunulur ve aşağıda belirtilen senaryolara karşılık gelir:

<b>PU</b>	'Pick up' (düzeltme) Bu, asıl çekimler bittikten sonra, daha önceki denemeye ilave materyal eklemek için, yeniden çekimleri ifade eder.
<b>VFX</b>	'Visual effects' (Görsel efektler) Bu, bir çekim veya denemeye, görsel efekt uygulanmasını ifade eder.
<b>SER</b>	'Series' (Seriler) Bu, kamera çalışır haldeyken, bir çok denemenin çekildiği bir durumu ifade eder.



Bekleme modundayken, her klip için tekrar numarasını otomatik olarak artırmak için 'A'yı tıklayın.

Etkinleştirildiğinde, küçük bir 'A' simgesi, çekim tahtasındaki tekrar numarasının yanında belirir.

Deneme metadata'sını girerken URSA Mini kameranız, dokunmatik klavyenin sağında, ilave çekim tarzlarını sunacaktır.

### İyi çekim

Post prodüksiyonda iyi tekrarları kolaylıkla geri çağırmak için işaretlemek üzere, 'good take' (iyi çekim) göstergesini tıklayın. URSA Mini 'standby' (bekleme) modunda ise bu etiket, en son kaydedilen klibe ya da 'playback' (oynatma) modunda, şu anda görüntülenen klibe uygulanır.

### Int / Ext (İç Mekan / Dış Mekan)

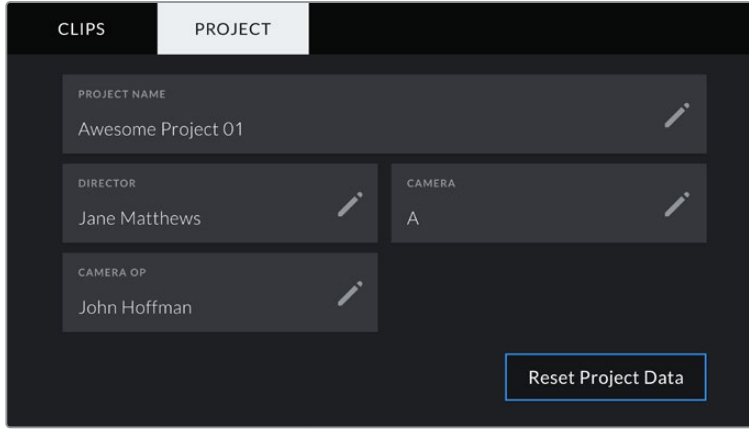
Standby modunda, bir sonraki klibe veya playback modunda, şu anki klibe, iç veya dış etiketi eklemek için, 'int' veya 'ext' ikonlarını tıklayın.

### Day / Night (Gündüz/Gece)

Standby modunda bir sonraki klibe veya playback modunda şu anki klibe, gündüz veya gece etiketi eklemek için, 'day' veya 'night' ikonlarını tıklayın.

### 'Proje' Metaverisi

Proje metaverisi 'bekleme' veya 'oynatma' modundayken, aynı şekilde çalışır. Bu metaveri, her zaman projenizi bir bütün olarak ele alır ve klip numaralarından bağımsızdır.



URSA Mini kameranızın, 'proje' slate (çekim tahtası) sekmesi

### Project Name (Proje Adı)

Projenizin şu anki adını görüntüler. Proje adını değiştirmek için, kalem ikonunu tıklayın.

### Director (Yönetmen)

Mevcut projenin üzerinde çalışan yönetmenin adını görüntüler. Yönetmenin adını değiştirmek için, kalem ikonunu tıklayın.

### Camera (Kamera)

Tek harfli bir kamera indeksi görüntüler. Kamera indeksini değiştirmek için, kalem ikonunu tıklayın.

**NOT** Kamera indeksi; metaveride ve dosya isimlendirme amaçları için kullanılır ve URSA Mini'nizi bir ATEM switcher ile kontrol ederken kullanılan URSA Mini'nin ATEM kamera (ID) kimliğinden farklıdır. ATEM Kamera ID konusunda daha fazla bilgi için, bu kullanım kılavuzundaki 'Studio Kamera Kontrol Hakkında' bölümüne bakın.

### Camera Op (Kamera Operatörü)

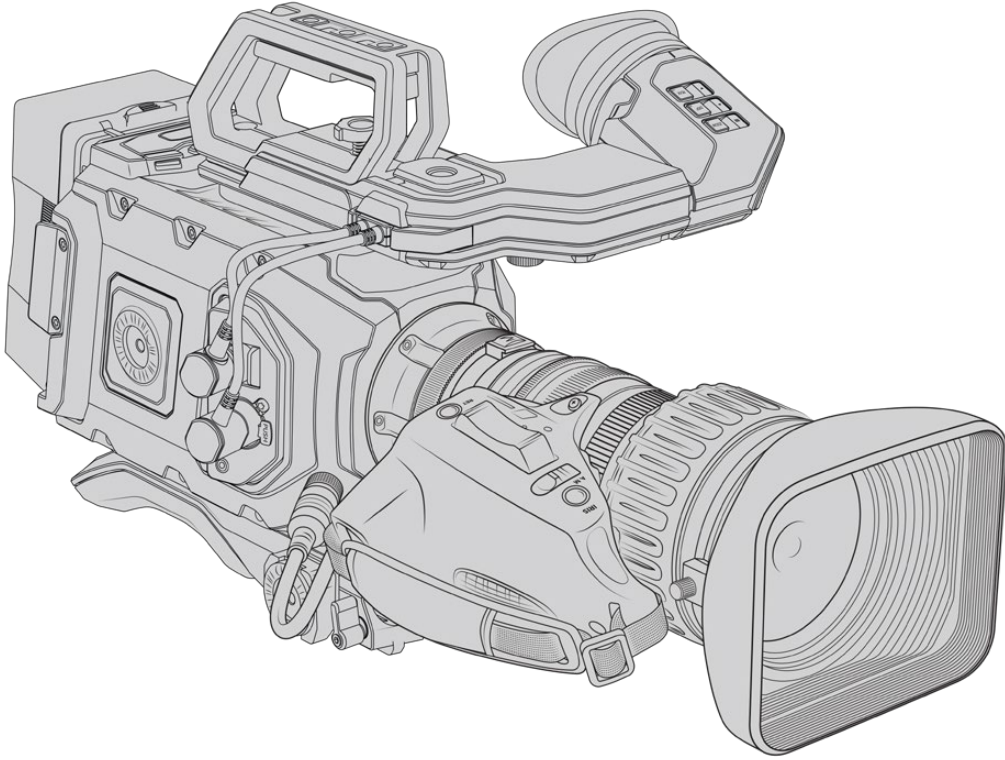
Kamera operatörünün ismini görüntüler. Operatörün adını değiştirmek için, kalem ikonunu tıklayın.



## Servo Zoom Merceklerin Kullanılması

Servo lenslerinin URSA Mini kamera ile kullanılması, güçlü bir kombinasyon oluşturmaktadır. Lens çerçevesinin üzerindeki manuel iris, zoom ve odak çemberleri ve ayrıca, dahili tutma kolu ile zoom rocker, çekim işlemini çok daha etkili kılar. Bununla birlikte, başka lens türleri ile elde edilmesi çok güç olan ve bazen imkansız olan, çeşitli dinamik teknikler sunar. URSA Mini PL ve URSA Mini Pro 4.6K modelleri, şimdi B4 ve cine-servo PL lenslerini, 12 pimli yayın konektörü aracılığıyla desteklemektedir.

Uyumlu lensler kullandığınızda; zoom rocker'ı çalıştırabilir, kayıt düğmesi ile kaydı başlatabilir ve durdurabilir ve iris kontrolü yapabilirsiniz. Çoğu servo zoom lenslerinde, bir 'Ret' düğmesi vardır ve bu düğme, kameradaki PGM düğmesinin kullanıldığı şekilde kullanılabilir; örneğin, kamera görüntüsü ve program dönüş görüntüsü arasında, LCD'deki yayın ile HD denetleme çıkışı arasında gidip gelmek gibi.



Lens obtüratörünün elektronik kontrolü için, zoom rocker'in üstündeki iris düğmesinin 'A' veya 'auto' olarak ayarlı olduğundan emin olun. Elektronik zoom kontrolü, Digital HD ve 4K servo zoom lensleriyle de mevcuttur. Bunun etkinleştirilmesi için, zoom rocker'in altındaki 'zoom' olarak işaretli düğmenin, servo zoom için 'S' olarak ayarlı olduğundan emin olun.

Ayrıca B4 lenslerin, çok farklı çeşitleri bulunmaktadır. Bu kılavuz, hangi modellerin ihtiyacınız olan özellikleri içerdiği konusunda, size yardımcı olacaktır.

### İris ve zoom kontrolü olan B4 Mercekler:

- Model isminde HA, ZA, XA, UA ve LA önekleri olan ve sonesinde RM olan Fujinon B4 mercek modelleri, elektronik iris ve zoom kontrolüne sahiptirler.
- HJ, KJ ve CJ önekleri olan ve sonesinde IRSE ya da IRSD bulunan Canon B4 lens modelleri, elektronik iris ve zoom kontrolüne sahiptirler.

Bazı B4 ve PL lenslerin de elektronik odak servo kabzaları vardır. URSA Mini PL ya da URSA Mini Pro 4.6K ile bunun çalıştığından emin olmak ve elektronik olarak kontrol edilmesi için, zoom mandalı altındaki 'focus' olarak işaretli düğmeyi, servo için 'S' olarak ayarlayın.

### **Odak, iris ve zoom için, full servo kontrolü olan B4 Mercekler:**

- Model isminde HA, ZA ve UA önekleri olan ve son ekinde RD veya ZD harfleri bulunan Fujinon B4 lens modelleri.
- Model isminde HJ, KJ..ex ve CJ önekleri olan ve son ekinde IASE veya IASD harfleri bulunan Canon B4 lens modelleri.

Ayrıca motorize odak kontrol özelliğine sahip lensler, otomatik odaklamayı etkinleştirmek için, URSA Mini'deki 'focus' düğmesini dahi kullanabilirler ve odaklama, ATEM Yazılım Kontrol'ü olan bir ATEM switcher ile, uzaktan kontrol edilebilir.

B4 lensi taktıktan sonra, çözünürlüğü 2K 16:9'a veya daha düşük bir çözünürlüğe ayarlayın ve gösterge panelindeki 'record' sekmesinde 'window sensor'ü, 'on' olarak ayarlayın. B4 lensleri, super 35mm görüntü dairesini kaplamadığından, görüntüde kenar ayrıntısı yitiminin önlenmesi adına, bu ayarların kullanılması önem taşır.

### **Odak, iris ve zoom için full servo kontrolü olan Super 35mm PL mercekleri:**

<b>Marka</b>	<b>Seri</b>	<b>Model</b>	<b>Aralık</b>	<b>Maksimum Apertür</b>
<b>Fujinon</b>	Cabrio	ZK2.5x14-SAF	14-35mm	T2.9
<b>Fujinon</b>	Cabrio	ZK4.7x19-SAFB	19-90mm	T2.9
<b>Fujinon</b>	Cabrio	ZK3.5x85-SAF	85-300mm	T2.9-T4
<b>Fujinon</b>	Cabrio	XK6x20	20-120mm	T3.5
<b>Fujinon</b>	Cabrio	ZK12x25 with ESM-15A-SA	25-300mm	T3.5-3.85
<b>Canon</b>	Cine-servo	CN7x17KAS S	17-120mm	T2.9-3.9
<b>Canon</b>	Cine-servo	CN20x50	50-1000mm	T5-8.9

Yukarıda listelenen tüm PL ve B4 servo zoom lenslerde, odaklama ve zoom kontrolleri, bir stüdyo ortamında, pan kolundan da çalıştırılabilir.

### **Hibrid kompakt-servo zoom mercekleri**

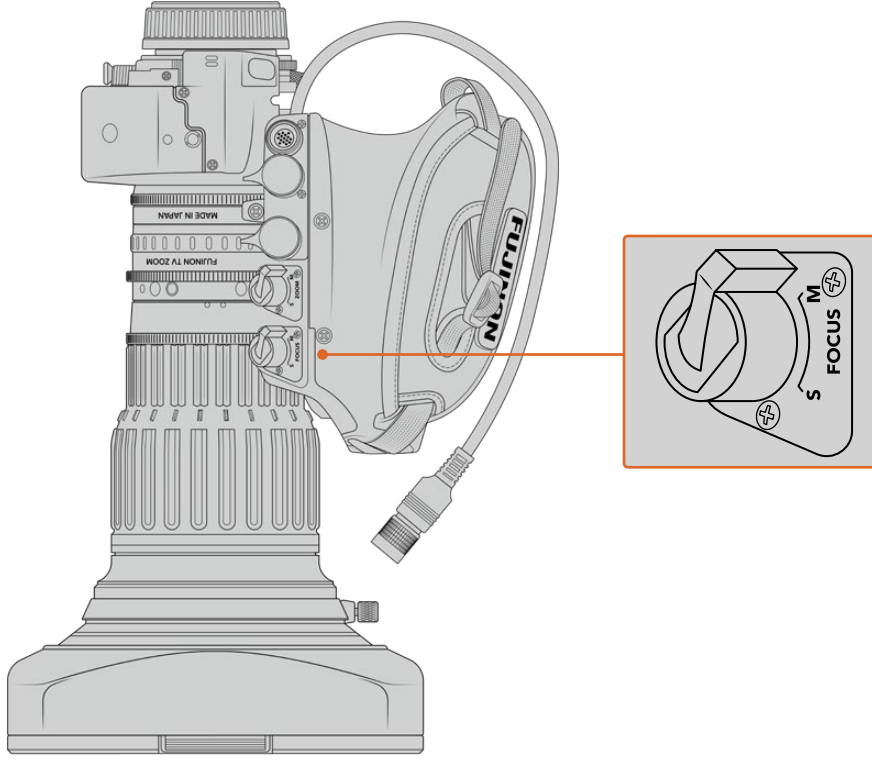
Kısa bir süre önce, 'compact-servo' zoom lensleri adında yeni bir lens kategorisi piyasaya sunuldu. Bunlar, B4 ve PL servo zoom lenslerinin bazı işlevsel özelliklerine sahiptirler lakin, bir EF yuva kullanırlar. Bu lenslerdeki zoom mandalı (rocker), URSA Mini EF ve URSA Mini Pro'daki lens yuvası aracılığıyla çalıştırılabilir ve lens adı, iris, odaklama ve zoom konum değerleri gibi bilgilerin tümü, URSA Mini kameranın lens metadata sistemi tarafından okunup kaydedilebilir.

Bu tür lenslerdeki odak, iris ve zoom işlevlerinin elektronik kontrolü, URSA Mini ve URSA Mini Pro modellerinde mevcuttur. Bunlar, bir switcher'e bağlıyken, ATEM Software Control aracılığıyla uzaktan da kontrol edilebilirler. Bir canlı yayın ya da stüdyo ortamında kullandığınızda, Canon dijital odaklama ve zoom kontrolü mümkündür fakat, tam fonksiyonlu çalışabilmesi için, 3. parti üreticilerinden ilave olarak özel kablolarla ihtiyaç vardır.

### **Mercek çeşitleri aşağıdaki gibidir:**

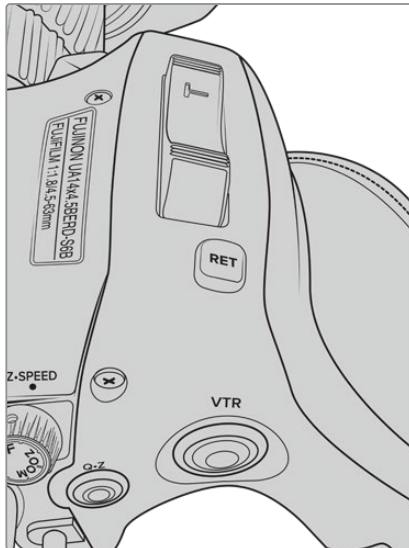
- Canon CN-E 18-80mm T4.4 Compact-servo
- Canon CN-E 70-200mm T4.4 Compact-servo

**NOT** Servolu analog B4 lensleri de desteklenir ama, kamera sadece zoom servoyu çalıştıracak ve elektronik iris kontrolü destekleyecektir. Çoğunluğu standart çözünürlüktedir ve standart 12 pim yayın bağlantısı olmayabilir. Bir analog B4 lens kullanacaksanız eğer, bazılarında sınırlı özellikler bulunduğundan, öncelikle kameranızla uyumlu olduğundan emin olmanızda yarar var. Lenslerin ayrıca, görüntü dairesi kapsamını (image circle coverage) test etmeniz faydalıdır; çünkü bazıları çerçevenin kenarına doğru, çözünürlük ve ışıkta bir düşüş gösterebilir.



## Ret ve VTR

Bir B4 mercekte; 'vtr' butonu kaydı değiştirir ve 'ret' butonu da 'program dönüşü' içindir. URSA Mini Pro 4.6K G1'de, 'vtr' ve 'ret' butonlarının fonksiyon butonları olarak yapılandırılmalarına dair bilgi için, 'fonksiyon butonunun ayarlanması' bölümüne bakın.



Bir B4 mercekteki 'ret' ve 'vtr' butonları

# Kamera Video Çıkışı

## HD Görüntüleme Çıkışı

Blackmagic URSA Mini kameranın down converted (aşağı dönüştürülmüş) 3G-SDI çıkış bağlantısı, daima 1080 HD video çıkarır. Böylelikle; yönlendiricilere, ekranlara, SDI görüntü yakalama cihazlarına ve yayın switcher'leri gibi SDI cihazlarına bağlayabilirsiniz. Bu çıkış, dokunmatik ekran ayarlar menüsünde, 'front SDI' (ön SDI) olarak etiketlenmiştir.

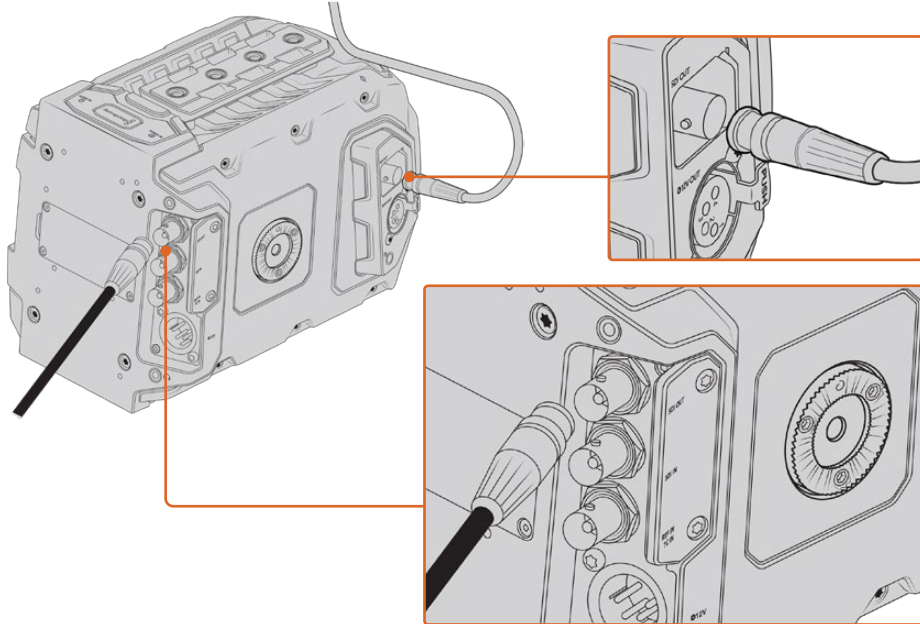
## 12G-SDI Çıkışı

Arka panelde bulunan 12G-SDI çıkış bağlantısı; 2160p50, 59.94 ve 60 gibi yüksek kare hızlı tek geçişli formatları içeren HD ve 4K videoyu, tek bir SDI kablosu ile destekler. 1080i50, 59.94 ve 60 da dahil olmak üzere, geçmeli HD formatlar da desteklenir. 12G-SDI çıkışını, herhangi bir SDI ekrana ve ATEM Production Studio 4K gibi 4K switcher'lere bağlanmak için kullanabilirsiniz. Dokunmatik ekrandaki 'monitor' (ekran) sekmesinde bulunan 'main SDI' (ana SDI) için 'SDI output' (SDI çıkış) ayarını 1080p ya da 2160p olarak seçerek, bu çıkış HD ve Ultra HD arasında değiştirilebilir.

## Video Switcher'lerine Bağlanma

SDI çıkışları, kameranızı canlı televizyon prodüksiyonu için, kullanabilmenize olanak sağlar. Arka panel SDI çıkışını; canlı prodüksiyon işi için, doğrudan prodüksiyon switcher'lerine veya sinyalinizi optiğe dönüştürmek için, ATEM Camera Converter'lere bağlayabilirsiniz. Böylelikle, sinyali yüzlerce metre ötedeki bir yayın aracına gönderebilirsiniz.

Bir switcher'e bağlı olduğunuzda, switcher program çıkışını, Blackmagic URSA Mini kameranızda kolaylıkla izleyebilirsiniz. Bunu yapmak için; 'ilk önce switcher'i kameranızın arka 12G-SDI girişine bağlayın. Şimdi de, kameranızın dışa açılan ekranında, PGM olarak işaretli 'program' düğmesini basılı tutun. Kamera yayınına geri dönmek için, PGM düğmesini bırakın. PGM butonunu iki kere tıklamak, program yayınına olan girişi kilitler. Kamera yayına tekrar geri dönmek için, PGM düğmesine bir kere basın.



12G-SDI çıkışını, herhangi bir 1080 HD ya da Ultra HD canlı prodüksiyon switcher'ine veya ekrana bağlayabilirsiniz. HD görüntüleme çıkışı, Blackmagic URSA Viewfinder gibi harici bir vizöre bağlanabilir ya da bir jib kolu veya vinç gibi prodüksiyon ekipmanına montajlıyken, harici bir ekrana da bağlanabilir.

## Ekranlara Bağlanma

Jib kolunda yüksekte sabit olduğu, vinçin üzerinde veya bir araca takılıyken olduğu gibi, dışa açılan ekrana ulaşmanın kolay olmadığı zamanlarda, SDI görüntüleme çok faydalı olabilir.

Dokunmatik ekrandaki 'monitor' (ekran) sekmesinde, 'front SDI' (ön SDI) için ayarların düzeltilmesiyle, HD-SDI izleme çıkış bağlantınız üzerinden, görüntüleme bilgileri görüntülenir. Bu ayarlar; kayıt detayları ve kamera ayarları gibi bilgileri ve çerçeve kılavuzlarını etkinleştirir. Sadece çekimlerinizi görüntülemek istiyorsanız, temiz bir SDI çıkışı için, her zaman katmanları kapatabilirsiniz.

Canlı olarak dalga şekli görüntüleme için; kameranın SDI çıkışını, SDI ekranlara veya bir Blackmagic SmartScope Duo 4K'ya bağlayın.

**NOT** Arka SDI çıkışı ve 3G-SDI görüntüleme çıkışı; 'Film' dinamik aralığında çalıştığınızda ve SDI çıkışında 'Broadcast Film to Rec.2020 Hybrid Log Gamma' veya 'Broadcast Film to Rec.2020 to PQ Gamma' LUT'unu kullandığınızda, yardımcı metaverili HDR videoyu otomatikman işaretler. Bu; SDI çıkışlarının herhangi birinden, HDR etkin ekranlarda, olağanüstü HDR görüntüler sergileyebileceğiniz anlamına gelir.

## SDI Çıkış Formatları

<b>Arka SDI Çıkışı</b>	2160p23.98, 24, 25, 29.97, 30, 50, 59.94, 60. 1080p23.98, 24, 25, 29.97, 30, 50, 59.94, 60. 1080i50, 59.94, 60.
<b>3G-SDI Görüntüleme Çıkışı</b>	1080p23.98, 24, 25, 29.97, 30, 50, 59.94, 60. 1080i50, 59.94, 60.

**BİLGİ** Bir defada 2 kodek ile canlı bir kayıt yapmak veya eşzamanlı yedekleme için, URSA Mini'nin arka SDI çıkışını, bir Blackmagic Video Assist veya HyperDeck'e bağlayabilirsiniz.

# URSA Mini Shoulder Mount Kit (URSA Mini Omuzluk Aparatı)

## Omuz aparatının takılması

URSA Mini Shoulder Mount Kit (URSA Mini Omuz Desteği), Habercilik (ENG - Electronic News Gathering) tarzı çekimler için URSA Mini kameranızı omuzunuzda taşımanızı sağlar. Bu aparata dahil olarak; üst tutma kolu, omuzluk taban plakası, opsiyonel Blackmagic URSA tutma kolu için uzatma kolu, uzun LANC kablosu, Viewfinder için adaptör plakası ve tüm gerekli vidalar vardır.

Taban plakasındaki mandal (quick release) yatağı, kameranızı ENG tarzı tripod plakasına kilitlemenizi veya omuzunuzda taşıyabilmenizi sağlar, böylelikle aksiyonu takip edebilirsiniz.

URSA Mini Shoulder Mount Kit, Sony VCT 14'ü model almış her tripod plakasıyla çalışır. Bu yuvalar, kolaylıkla kamera mağazalarından veya internetten bulunabilir.

VCT U14 tripod plakasını model almış yuvaların farklı bir sistem olduğunu ve bunlarla çalışmayacağını belirtmemizde fayda vardır.

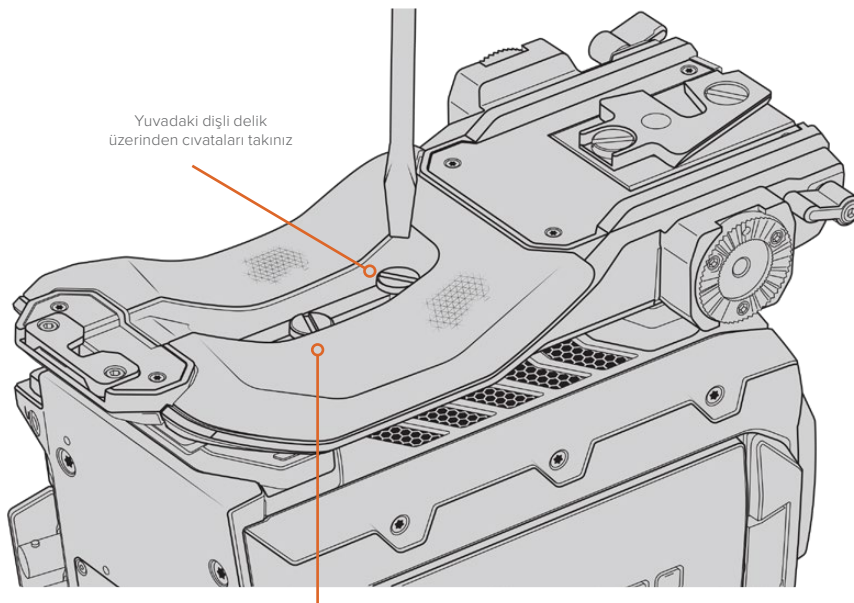
### Omuz aparatını bağlarken, aşağıdaki aletlere ihtiyacınız olacaktır.

- 2 x ¼" omuza monte taban plakası vidası için, 1 adet düz tornavida.
- 2 x ¼" üst tutma kolu vidası için, 1 adet 3/16" Hex uçlu tornavida.
- 4 x Vizör adaptör plakası M3 vidası için, 1 x 2.5mm Hex uçlu tornavida.



Omuz monte teçhizatını URSA Mini kameranıza bağlamak için büyük bir düz tornavida, üst tutma kolu için 3/16" Hex uçlu bir tornavida ve vizör adaptörü plakası için 2.5mm Hex uçlu bir tornavidaya ihtiyacınız olacaktır.

## Omuzluk taban plakasını bağlamak için:



2 x ¼" taban plakası civatası

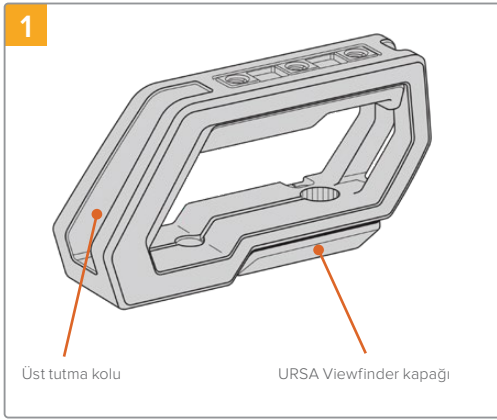


- 1 Kameranızın alt tarafına kolaylıkla erişebilmek için, URSA Mini'nizi sağlam düz bir zemine ters olarak yavaşça yerleştirin.
- 2 İki adet 1/4" vidayı ve düz tornavidayı kullanarak omuzda çekim alt plakasını, URSA Mini kameraya bağlayın.
- 3 Altplaka sıkıca bağlanıncaya kadar ve kendiliğinden gevşemeyecekleri bir şekilde vidaları sıkın. Vida dişlerini bozabileceği için aşırı sıkıştırmaktan kaçının.

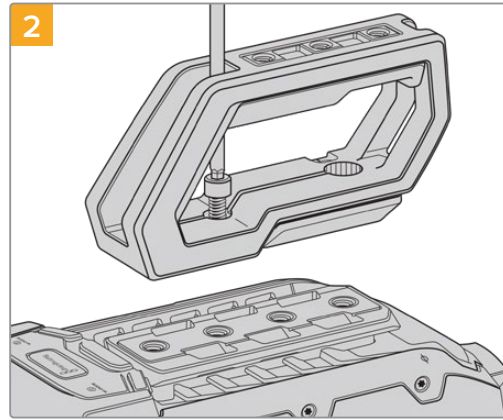
## URSA Viewfinder olmadan üst tutma kolunun bağlanması

URSA Mini Shoulder Mount Kit'i, opsiyonel URSA Viewfinder ile veya URSA Viewfinder olmadan kullanabilirsiniz.

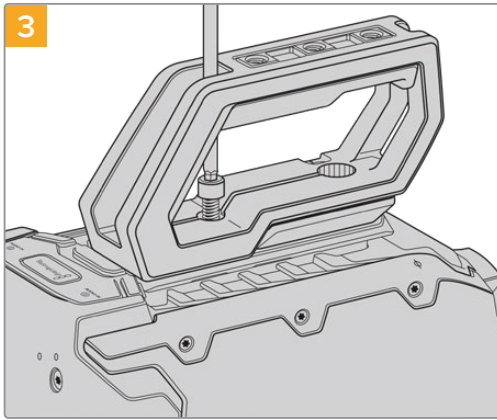
Üst tutma kolu, tabanında lastik bir vizör kapağı ile gelir. URSA Viewfinder'e bağlanırken bu kapak bir adaptör plakası ile değiştirilir. URSA Viewfinder ile kullanmadığınız zaman, bu kapağı bağlı bırakmanızı tavsiye ederiz.



Kameranıza üst tarafına kolaylıkla erişebilmek için, URSA Mini kameranızı sağlam düz bir zemine koyun.

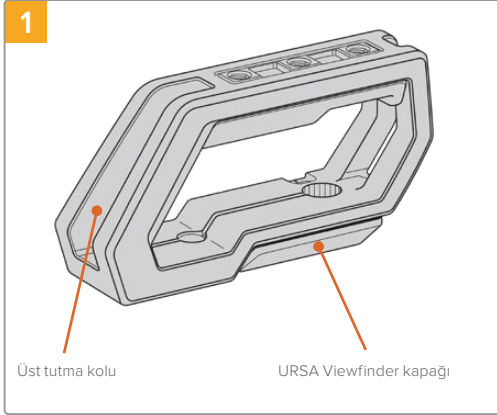


İki adet 1/4" vidayı ve 3/16" hex uçlu tornavidayı kullanarak tutma kolunu, URSA Mini kameranın üzerindeki 1/4" montaj noktalarından ikisine tutturun. Çoğu durumlar için, URSA Mini kameranın arka iki montaj noktasını tavsiye ederiz ancak, büyük lensler kullanırken, ağırlığı dengelemek için istediğiniz iki noktayı kullanabilirsiniz.

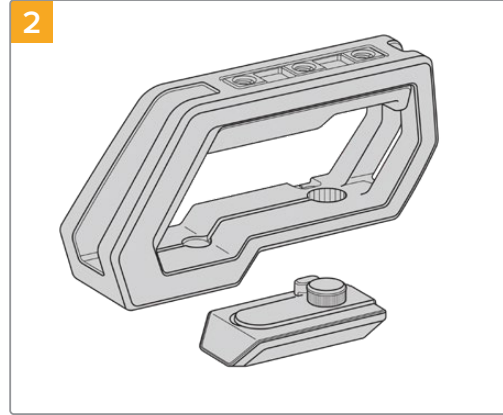


Tutma kolu sıkıca yerine bağlanıncaya kadar ve kendiliğinden gevşemeyecekleri bir şekilde vidaları sıkın. Vida dişlerini bozabileceği için, aşırı sıkıştırmaktan kaçının.

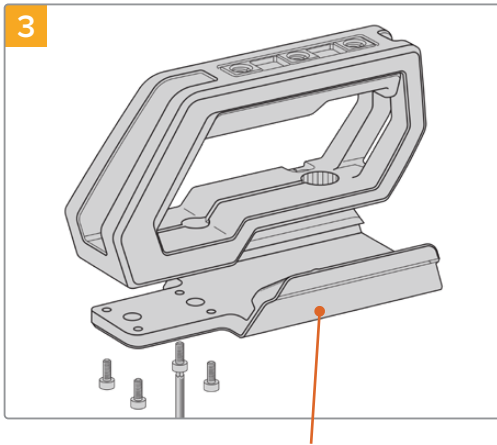
## Üst tutma kolunun URSA Viewfinder ile beraber bağlanması



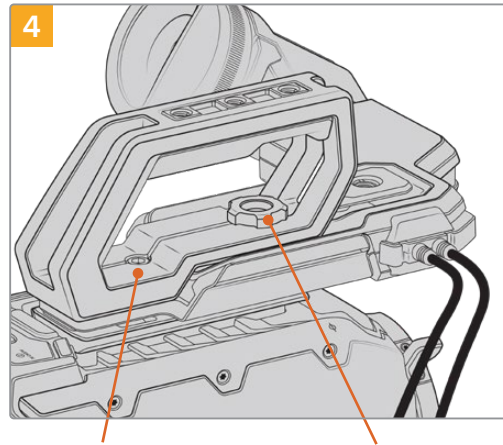
Kameranın üst tarafına kolaylıkla erişebilmek için, URSA Mini kameranızı sağlam düz bir zemine koyun.



Kapak kolunu, tutma kolunun kenarından yavaşça kaldırarak ve kapağı delikten çekip çıkartarak URSA Viewfinder kapağını, alt plakadan çıkarın.



4 adet M3 vida ve 2.5mm Hex uçlu tornavidayı kullanarak URSA Viewfinder adaptör plakasını, tutma koluna bağlayın.



İki adet 1/4" vidayı 3/16" hex uçlu tornavidayı kullanarak tutma kolunu URSA Mini kameranın üzerindeki, 1/4" montaj noktalarından ikisine tutturun. Çoğu durumlar için, URSA Mini kameranın arka iki montaj noktasını tavsiye ederiz ancak, büyük lensler kullanırken ağırlığı dengelemek için istediğiniz iki noktayı kullanabilirsiniz. Vida dişlerini bozabileceği için, aşırı sıkıştırmaktan kaçınınız.

URSA Viewfinder'i bağlarken ve ayarlarken, tutma kolunun ön iç tarafındaki delik ve tırtıl başlı civata kullanılır. URSA Viewfinder'in üst tutma koluna nasıl takılacağı konusunda daha fazla bilgi için, bu URSA kullanım kılavuzundaki 'Blackmagic URSA Viewfinder' bölümüne bakın.



## Uzatma kolunun takılması

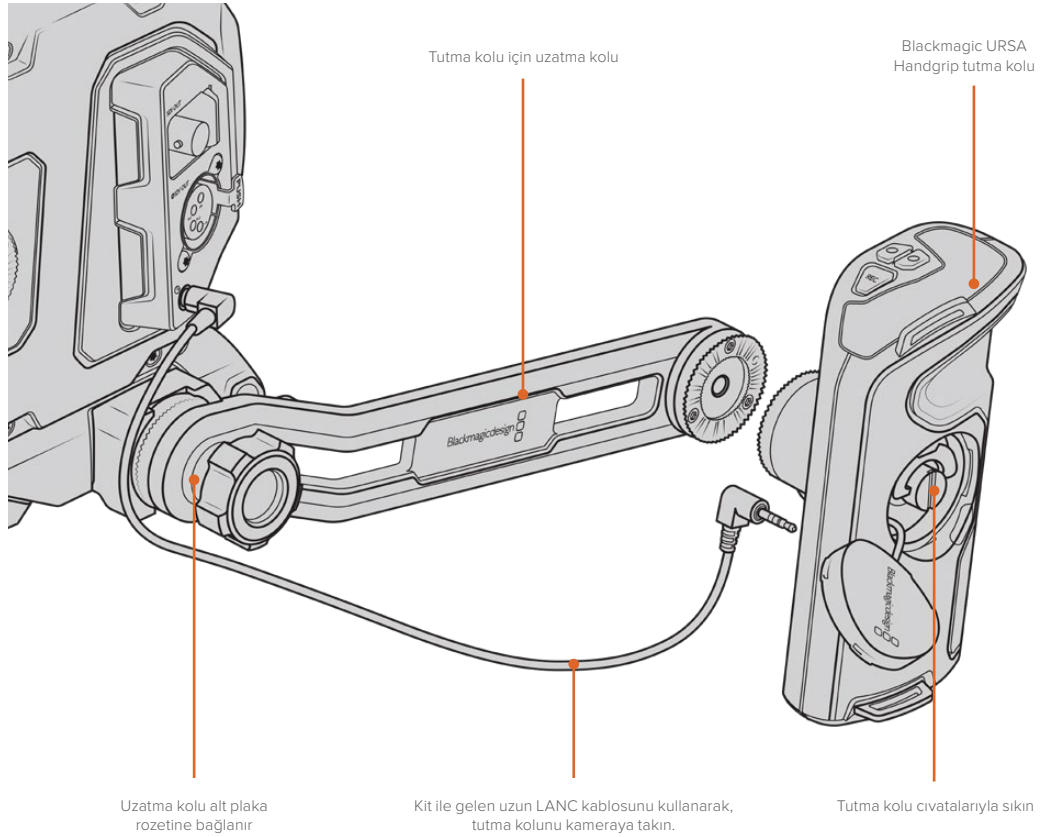
URSA Mini omuz aparatını Blackmagic URSA tutma kolu ile kullanırken, omuzdan rahatlıkla çekim yapabilmek için, tutma kolunu yeniden konumlandırmanız gerekecektir. Tutma kolunu daha ergonomik bir konuma getirebilmek için, aparat ile birlikte gelen uzatma kolunu ve daha uzun olan LANC kablosunu kullanın. URSA Mini uzatma kolu Blackmagic Design satıcılarından ayrı bir aksesuar olarak da satın alınabilir.

### Yan tutma kolunun uzatmasını takmak için:

- 1 URSA Mini kameranızı sağlam düz bir zemine, kameranın yanında uzatma kolunu alçaltmak için yer olacak şekilde koyun. Bunun için, URSA Mini'yi bir tripoda monte etmek faydalıdır.
- 2 Uzatma kolunun eğimli ucunu, taban plakası rozet somununa bağlayın, kolu isteğinize göre alçaltın ve temin edilen tırtıl başlı rozet civatayla tutturun.
- 3 Tutma kolunu, uzatma kolunun ön rozetine takın. Tutma kolunun vidasını büyük bir düz uçlu tornavida ile ya da D halkasını başparmak ve işaret parmağınızla çevirerek sıkılaştırın.
- 4 Omuzda çekim aparatı ile gelen uzun LANC kablosunu kullanarak, Blackmagic URSA Handgrip tutma kolunun LANC çıkışını, kameranın LANC girişine bağlayın.

Uzatma kolunu ve Blackmagic URSA Handgrip tutma kolunu tercihinize göre kolaylıkla ayarlayabilirsiniz. Bunun için; rozet civataları gevşetip, düzeltmeyi yapıp, sonra tekrar civataları sıkmanız yeterlidir.

Şimdi, URSA Mini Shoulder Mount Kit'i bağlanmış olarak, hareket halindeyken hızlı çekim için ilave hıza sahipsiniz ve bunun yanında, sıkı ve sabit çekimler için kameranızı çabucuk bir tripoda monte edebilirsiniz.



# Blackmagic URSA Viewfinder

Blackmagic URSA Viewfinder, Blackmagic URSA Mini kameranız için tasarlanmış güçlü bir elektronik vizördür. 1080HD renkli OLED ekran ve hassas cam optiği; parlak, canlı ve gerçek gibi görüntü sağlar, böylece çabuk netlik sağlayabilir ve görüntülerinizdeki en ince detayları bile görebilirsiniz.

Aşırı parlak çekim koşulları gibi, sıfır yansıma ve ışık parıltısı ile kesin doğruluğa ihtiyacınızın olduğu yerler için ve omuzdan elle çalıştırma için, bu vizör mükemmeldir.

Vizör kameraya bağlanır ve kamera tarafından enerjisi sağlanır. Farklı gösterme seçeneklerini oluşturmak için, kameradan gelen gömülü SDI verilerini kullanır. Bunun anlamı; kameranın, vizöre temiz bir SDI sinyali gönderebileceği ve aynı zamanda kamera durumuna çabuk erişebilmek ve doğru bilgi için, vizör içinde çeşitli gösterme seçenekleri arasında değiştirebileceğinizdir.

Örneğin; URSA Mini'nin menüsünde '2.40:1' kare kılavuz seçeneğini seçerseniz kameranız, seçilen kare kılavuzunu vizöre ileticektir böylece, vizörde kare kılavuzu göstergesine geçtiğiniz zaman, aynı '2.40:1' kare kılavuzu görünür.

## Blackmagic URSA'ya Monte Etme ve Bağlanma

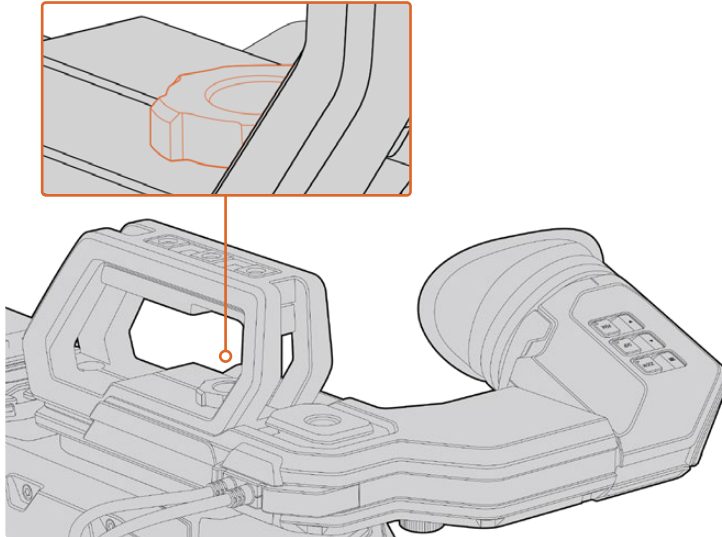
Blackmagic URSA Viewfinder'i kameranın gövdesine monte etmek için, tutma kolunun çıkıntıları boyunca kaydırın ve tırtıl başlı civatayı, " 1/4"lik bağlantı noktasına sıkıştırın.

URSA Viewfinder'in, URSA Mini'ye ve URSA Mini Pro'ya doğru olarak monte edilmesi için, Blackmagic URSA Mini Shoulder Kit'ine gereksinim vardır.

Blackmagic URSA Viewfinder'i bağlamak için, URSA Mini Shoulder Mount Kit'indeki üst tutma kolundan, URSA Viewfinder kapağını sökün ve bu kılavuzun 'URSA Mini Shoulder Mount Kit' bölümünde detaylandırıldığı gibi, vizör adaptör plakasını takın.

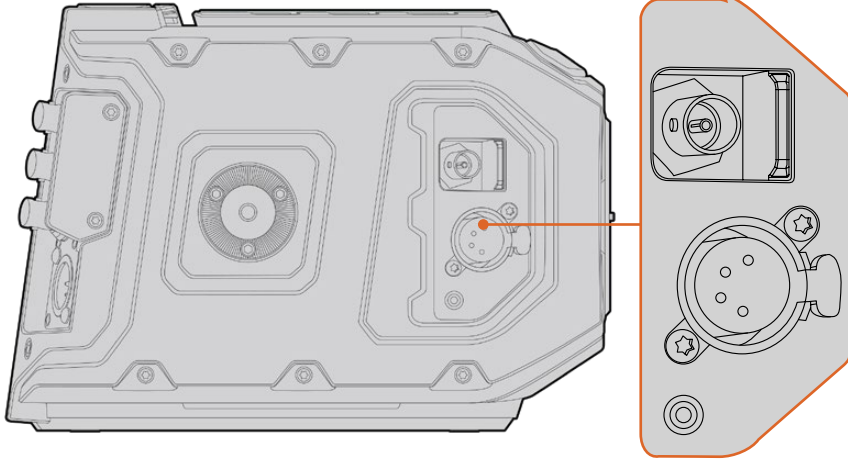
URSA Viewfinder yuvasını, URSA Viewfinder adaptör plakasının içine kaydırın ve URSA Mini Shoulder Mount Kit ile temin edilen 1/4" tırtıl başlı civatayı kullanarak URSA Viewfinder'i, üst tutma koluna ve adaptör plakasına sıkıca tutturun.

Tırtıl başlı vidayı sıkıştırmak için, başka aletler kullanmanıza gerek yoktur. Parmakla uygulanan baskı yeterli olacak ve fazla sıkıştırmayı engelleyecektir.



Blackmagic URSA Viewfinder'inizi, URSA Mini kameranıza monte etmek için; vizör bağlantı yuvasını, kameranızın kabza çıkıntıları boyunca kaydırın ve tırtıl başlı civatayı, 1/4"lik bağlantı noktasına sıkıştırın.

URSA Viewfinder'inizi, URSA'ya bağlamak için; vizörün bağlı kablolarını, kameranızın ön 12V'luk güç ve 3G-SDI çıkışlarına bağlamanız yeterlidir. Kamera çalıştırıldığında, URSA Viewfinder otomatik olarak açılır.



Vizörün SDI ve güç kablosunu, URSA Mini'nin HD SDI ekran çıkışına ve +12 volt çıkışına takın.

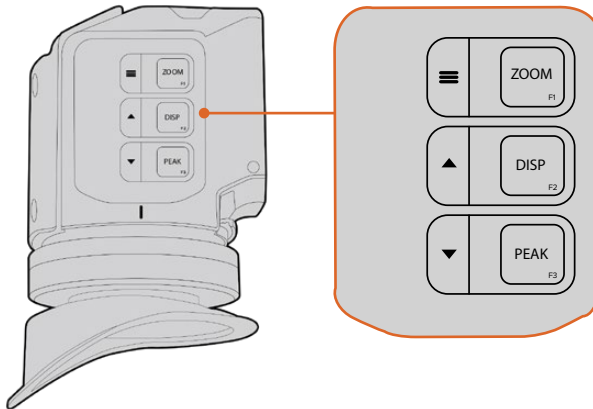
URSA Viewfinder'i URSA Mini ile kullanırken, URSA Mini Shoulder Mount Kit'i de kurmanız şiddetle tavsiye edilir. Çünkü bu, doğru bağlantı noktalarını, 1/4" tırtıl başlı vidayı ve vizörün konumunu optimize edecek yükseklik ayarlamalarını temin eder. Bu kullanım kılavuzundaki 'URSA Mini Shoulder mount kit' bölümüne bakın.

## Bakacın Ayarlanması

Takılıp çıkarılabilir lastik bakaç, sol veya sağ gözünüze denk gelmesi için ayarlanabilir. Vizör kolunun altındaki düğmeyi gevşeterek ve gözünüze rahatlıkla denk gelmesi için, sağa sola kaydırarak vizör kolunu ayarlayın.

## Buton Özellikleri

Vizörün üstünde zoom, display (görüntüleme) ve peak butonlarını bulacaksınız. Bu butonlar; görüntünüze yaklaşmak (zoom in) ve katmanlar ile odak boyamayı (focus peaking) açıp kapatmak için kullanılır.



Zoom (F1), Display (F2) (Görüntüleme) ve Peak (F3) butonları, URSA Viewfinder'in üzerinde bulunur.

Aynı zamanda, menüyü açmak ve ayarlar içinde gezinmek gibi ilave özellikler için kullanılabilirler. Butonların yanındaki ikonlar, vizör menüsü ve navigasyon özelliklerini kontrol etmek için, hangi butonların kullanıldığını gösterir.

Bu butonların, kişiselleştirilebilir fonksiyon özellikleri vardır böylece, sıklıkla kullandığınız bilindik özellikleri etkinleştirmek için, kısayollar atayabilirsiniz. Örneğin; zoom butonuna sahte renk (false color) özelliği atamak isteyebilirsiniz. Daha fazla bilgi için, 'kısayollar' bölümüne bakın.

#### **ZOOM (F1) - 'menu'**

Zoom özelliği, resminize yaklaşarak keskin odaklama yapmanıza yardımcı olur. Yaklaşmak (zoom in) için, zoom butonuna basın ve normal görünüme geri dönmek için, tekrar butona basın. Ayarlar menüsünü kullanırken, zoom butonu aynı zamanda menü butonu olarak çalışır. Ayarlar menüsüne girmek için, bu düğmeyi basılı tutun. Ayarlar menüsünde, ayar değişikliklerini onaylamak için, bu butona bir kez basın.

#### **DISPLAY (F2) - 'up'**

Katmanları görüntülemek için 'display' butonuna basın. Ayarlar menüsünü kullanırken, bu buton aynı zamanda, 'up' (yukarı) butonu olarak çalışır. Ayrıca, bu butonu basılı tutarak 'shortcuts' (kısayol) menü ayarlarını açabilirsiniz. Kısayolların ayarlanması hakkında daha fazla bilgi için, 'kısayollar' bölümüne bakın.

#### **PEAK (F3) - 'down'**

Focus peaking özelliği, görüntünün en keskin kısımlarının etrafında bir yeşil kenar oluşturur, böylece odaklanmanızı kolaylıkla teyit edebilirsiniz. Peaking özelliğini etkinleştirmek için, 'peak' butonuna basın. Peaking özelliğini etkisiz hale getirmek için, tekrar basın. Ayarlar menüsünü kullanırken, bu buton aynı zamanda 'down' (aşağı) butonu olarak çalışır. Ayrıca, bu butonu basılı tutarak 'setup' (kurulum) menüsünü hızlıca açabilirsiniz.

## Menü Ayarları

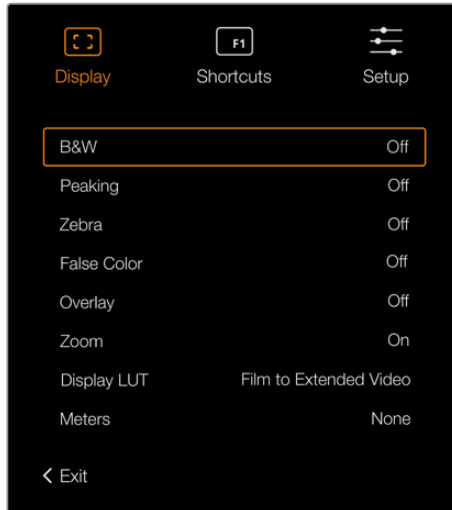
Ayarlar menüsü; ekran, kısayollar ve kurulum için, üç ana menü başlığı içerir. Ayarlar menüsüne girmek için, 'menu' ≡ butonunu basılı tutun. Kameranin yönsel 'up' ▲ (yukarı) ve 'down' ▼ (aşağı) düğmelerini kullanarak ayarlar içinde dolaşın ve sonra menü ≡ düğmesine tekrar basarak seçiminizi onaylayın.

### Ekran (Display)

'Display' (ekran) menüsü aşağıdaki özellikleri içerir:

#### **(B&W) Siyah ve Beyaz**

Renkli ile tek renkli arasında geçiş yapar.



URSA Viewfinder'deki 'display' menüsü

#### **Peaking**

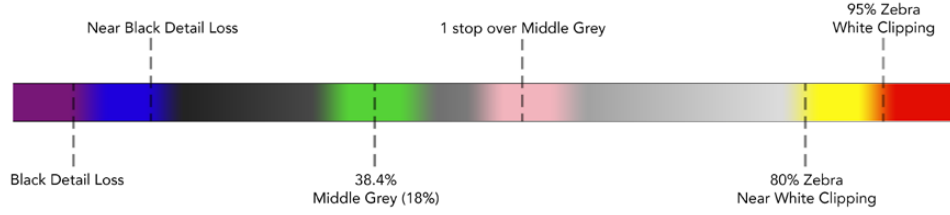
Peaking özelliğinin açılıp kapatılmasında kullanılır.

## Zebra

Zebra seviyelerinin açılıp kapatılmasında kullanılır. Kamera ayarlarını kullanarak dilediğiniz zebra seviyelerini ayarlayın. Daha fazla bilgi için, bu kullanım kılavuzundaki 'ayarlar' bölümüne bakın.

## False Color (Sahte Renk)

Sahte Renk özelliğini açıp kapatır. Sahte renk özelliği; görüntünüzdeki farklı öğeler için pozlama değerlerini temsil eden farklı renk katmanlarını, görüntünüzün üzerine bindirir. Örneğin; pembe renk, açık ten tonları için ideal pozlamayı temsil ederken, daha koyu olan ten tonları için yeşil uygundur. İnsan videoları çekerken, pembe veya yeşil sahte renkleri izleyerek, cilt tonları için tutarlı bir pozlama ayarı sağlayabilirsiniz. Benzer bir şekilde, görüntüdeki öğeler sarıdan kırmızıya dönüştüğünde, bu aşırı pozlamaya maruz kaldıklarını gösterir.



Sahte Renk Tablosu

## Overlay (Katman)

Katmanların açılıp kapatılması için kullanılır. Görüntülemek istediğiniz katman türlerini, viewfinder'in 'setup' menüsünden seçebilirsiniz. Örneğin, güvenli alan yüzdesi gibi katmanların tarzı, kameranızda ayarlıdır.

## Zoom

Zoom özelliğini açıp kapatmaya yarar.

## Display LUT (LUT'u Görüntüle)

URSA Mini kameranızdan 'film' dinamik aralıklı bir SDI sinyalini gönderirken, 'film to video' ve 'film to extended video' ayarları görüntüye daha renkli ve kontrastlı bir LUT uygulamanızı sağlar. Bu LUT'lardan herhangi birisi kullanıldığında, vizör bunu tespit eder ve vizörünüzde bunları açık ya da kapalı olarak bırakmanız için size seçenek sunar. Bir görüntü LUT'u ön SDI çıkışında aktif durumdayken veya farklı bir LUT kullandığınızda, birden fazla LUT'un uygulanmasını önlemek için bu seçenek etkisiz hale getirilmiştir.

## Meters (Göstergeler)

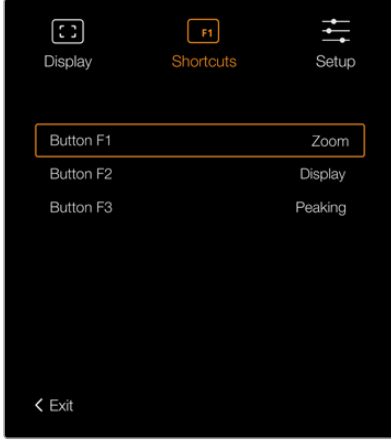
Katman penceresinde görüntülenmek üzere, farklı göstergeler arasında geçiş yapar. Seçenekler; 'histogram', 'audio' (ses), 'both' (her ikisi) ya da 'none' (hiçbiri)'dir.

## Kısayollar

Kısayol fonksiyonu, sıkça kullanılan bir özelliğin belli bir ayarına, hızla erişmeniz gerektiğinde faydalıdır. Kısayol butonlarını kişiselleştirmek için:

- 1 Kısayollar menüsünde, 'up' ▲ (yukarı) ve 'down' ▼ (aşağı) butonunu basarak gezinin ve 3 butondan birisini kısayol butonunuz yapmak için seçin. Tercihinizi onaylamak için 'menu' ≡ butonuna basın.
- 2 Kısayol butonunu atamak için 'up' ▲ (yukarı) ve 'down' ▼ (aşağı) butonlarını kullanarak aşağıdaki özelliklerden birini seçin. Tercihinizi onaylamak için 'menu' ≡ butonuna basın.
  - (B&W) Siyah ve Beyaz
  - Zebra
  - Ekran (Display)
  - Filmden Videoya
  - Peaking
  - Sahte Renk
  - Zoom
  - Göstergeler

- 3 Menü ekran görüntüsünü kapatmak için 'exit' (çıkış) seçeneğine gidin ve 'menu' ≡ butonuna basın.



URSA Viewfinder'deki 'kısayollar' ayarları

## Setup (Kurulum)

'setup' (kurulum) menüsü aşağıdaki özellikleri içerir:

### Brightness (Parlaklık)

Ekran parlaklık ayarını, -10 ile +10 aralığı arasında ayarlamanızı sağlar.

### Tally Parlaklığı LED

Tally lambasına parlaklık ayarı yapılmasını sağlar.

### Focus Chart (Odak Tablosu)

Blackmagic URSA Viewfinder'inizin dahili bir odak tablosu vardır, böylelikle gözlerinize uyacak şekilde, bakacınızı odaklayabilirsiniz. Tablo kusursuz olarak odaklanıncaya kadar, bakaçtaki 'focus diopter'i (odak diyopteri) çeviriniz. Vizörünüzdeki herhangi bir düğmeye basılması, odak tablosu ekranını kapatacaktır.

### Çerçeve Kılavuzu

Bir katman olarak ayarlandığında, kare kılavuzlarının görüntüsünün değiştirilmesine yarar. 'çerçeve kılavuzları' aktif (on) duruma getirildiğinde, kameranızın ekran ayarlarındaki 'tüm çıkışlar' için düzenlenmiş olan çerçeve kılavuzlarının aynısını, vizörünüz görüntüleyecektir. Çerçeve kılavuzu görüntüsünü, vizördeki 'on' ya da 'off' ibarelerinden birini seçerek açıp kapatabilirsiniz.

Daha fazla bilgi için, bu kullanım kılavuzundaki 'ekran ayarları' bölümüne bakın.

### Safe Area Guide (Güvenli Alan Kılavuzu)

Bir katman (overlay) etkin olarak ayarlandığında, bir güvenli alan kılavuzu görüntüsünün değiştirilmesini sağlar. Güvenli alan kılavuzu (safe area guide) URSA Mini'nizin tüm ekran ayarlarında açık olarak ayarlandığında, güvenli alan kılavuzunu açmak ya da kapatmak için bu ayarı kullanabilirsiniz.

Daha fazla bilgi için, bu kullanım kılavuzundaki 'ekran ayarları' bölümüne bakın.

### Grid (Izgara Kılavuz)

Üçte bir (Thirds rule) grid kuralı, hedef işareti (crosshair) veya merkez noktası (center dot) arasında görünümü değiştirir. Katmanlar aktif iken 'grids' seçeneği URSA Mini kameranızın tüm (all) ekran ayarlarında 'on' konumuna getirildiğinde, Blackmagic URSA Viewfinder'de katmanların görünümünü değiştirmek için bu ayarı kullanabilirsiniz.

Daha fazla bilgi için, bu kullanım kılavuzundaki 'ekran ayarları' bölümüne bakın.

**NOT** URSA Viewfinder kurulum menüsünde 'Grid'in etkinleştirilmesi, bir ATEM switcher'den gönderilen tally sinyallerini vizörünüz görüntüleyecektir. Ekran menüsünde katmanlar, 'on' (açık) olarak ayarlanmış olmalıdır.

### Durum Mesajı

Beyaz denge, kare hızı ve ISO gibi durum mesajlarının görünümünü değiştirir. 'status text' (durum mesajı) URSA Mini kameranın 'front SDI' (ön SDI) ekran ayarlarında 'on' konumuna getirildiğinde, bu ayarı Blackmagic URSA Viewfinder'da görüntüsünü açıp kapatmak için kullanabilirsiniz.

Daha fazla bilgi için, bu kullanım kılavuzundaki 'ekran ayarları' bölümüne bakın.

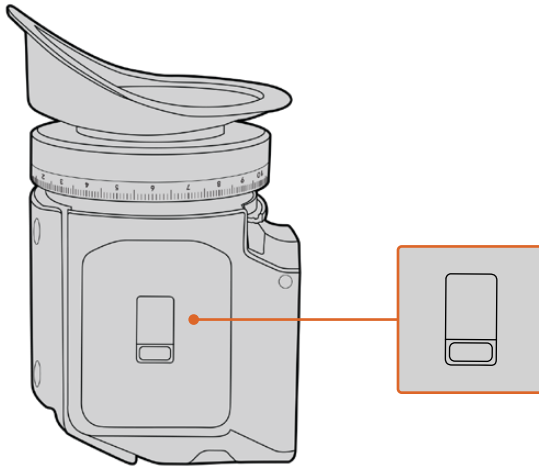
**BİLGİ** Blackmagic Viewfinder'i URSA Mini ile kullanırken hem vizör hem de kamera durum mesajını göstermeleri için ayarlanmışsa, durum mesajının görünümü uyumsuz olabilir. Bu durumda, kameranızda durum mesajını açmanızı ve vizörünüzde kapatmanızı tavsiye ederiz.

### IR Sensor (Kızılötesi Sensörü)

Vizörünüzde bulunan IR Sensor'ü, bakaca yaklaştığınızı farkederek otomatik olarak OLED (Organic Light-Emitting Diode = Organik Işık Yayan Diyot) ekranını çalıştırır. 'Standby' (bekleme) modundayken, 20 saniyeden fazla vizörden uzak kaldığınızda, OLED ekranın ömrünü uzatmak ve enerjiyi muhafaza etmek için ekran kapanır. Kayıt esnasında, zaman aşımı için sensör 5 dakikaya uzatılır ve bu noktada OLED ekranı, yavaşça kararmaya başlar. Bakaç önündeki herhangi bir hareket, bu süreyi yeniden başlatır. Vizör bakacına baktığınızda, vizör bunu fark eder ayrıca, vizördeki herhangi bir butona basarak da ekranı yeniden etkin hale getirir.



IR (kızıl ötesi) sensörünün kasten kapatılması veya bloke edilmesi, vizör ekranının, uzun süre boyunca açık kalmasına neden olabilir. Bu, ekranın ömrünü kısaltabilir ve vizörde yüksek kontrastlı görüntüler veya kare kılavuzları gösterildiğinde, image retention (görüntü tutulması) sorununa sebep olabilir.



IR sensörü, URSA Viewfinder'in alt kısmında bulunmaktadır.

## URSA Viewfinder'in Dahili Yazılımının Güncellenmesi

Viewfinder'inizi, Blackmagic Camera Setup Yardımcı yazılımını kullanarak güncelleyin. Güncelleme esnasında vizörün çalışıyor olması gerekir; bu yüzden, güncelleme yaparken vizörünüzü, URSA Mini kameraya bağlı tutmanızı tavsiye ederiz. URSA Mini'nin sürekli güç temin etmesi gerektiğinden, harici bir güç kaynağına takılı olduğundan emin olun.

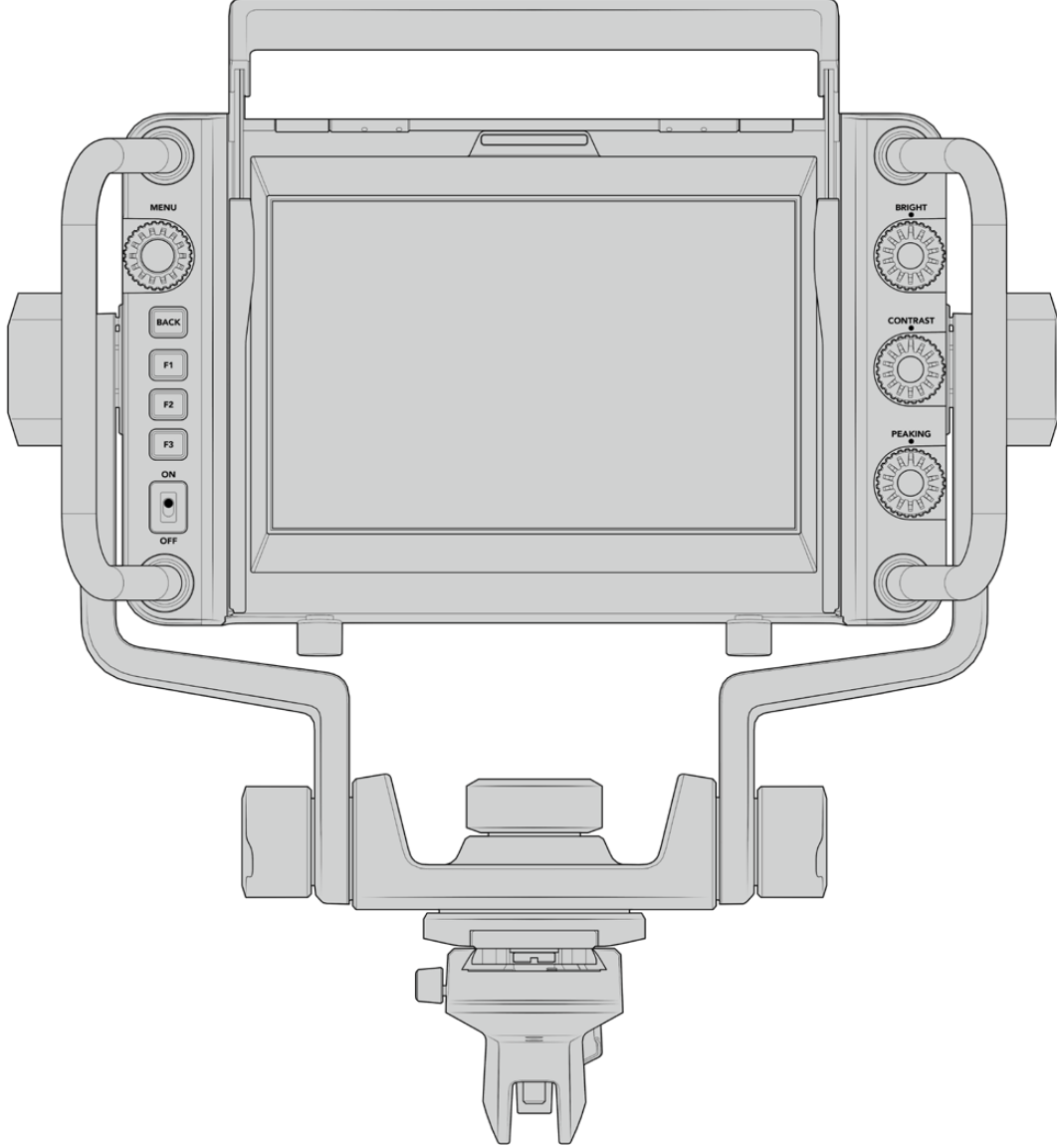
Bilgisayarınızı, vizörünüzün ön tarafında, bakacın yanında bulunan küçük USB bağlantısına bağlayın. Vizörünüz bilgisayara bağlıyken Blackmagic Camera Utility (yardımcı uygulama) başlatıldığında, bilgisayarınız vizörün eski sürüm bir yazılım kullandığını tespit ederse güncelleme yapmak için sizi uyaracaktır. Vizörünüzün dahili yazılımını güncellemek için, ekran üstü komutları takip edin.

**NOT** Daha fazla bilgi için, bu kılavuzun 'Blackmagic Camera Kurulum Yardımcı Yazılımı' bölümüne bakın.

**BİLGİ** Optimize edilmiş performans için, tüm Blackmagic URSA cihazlarınızın, aynı anda güncellenmesini tavsiye ediyoruz.



# Blackmagic URSA Studio Viewfinder



Blackmagic URSA Studio Viewfinder

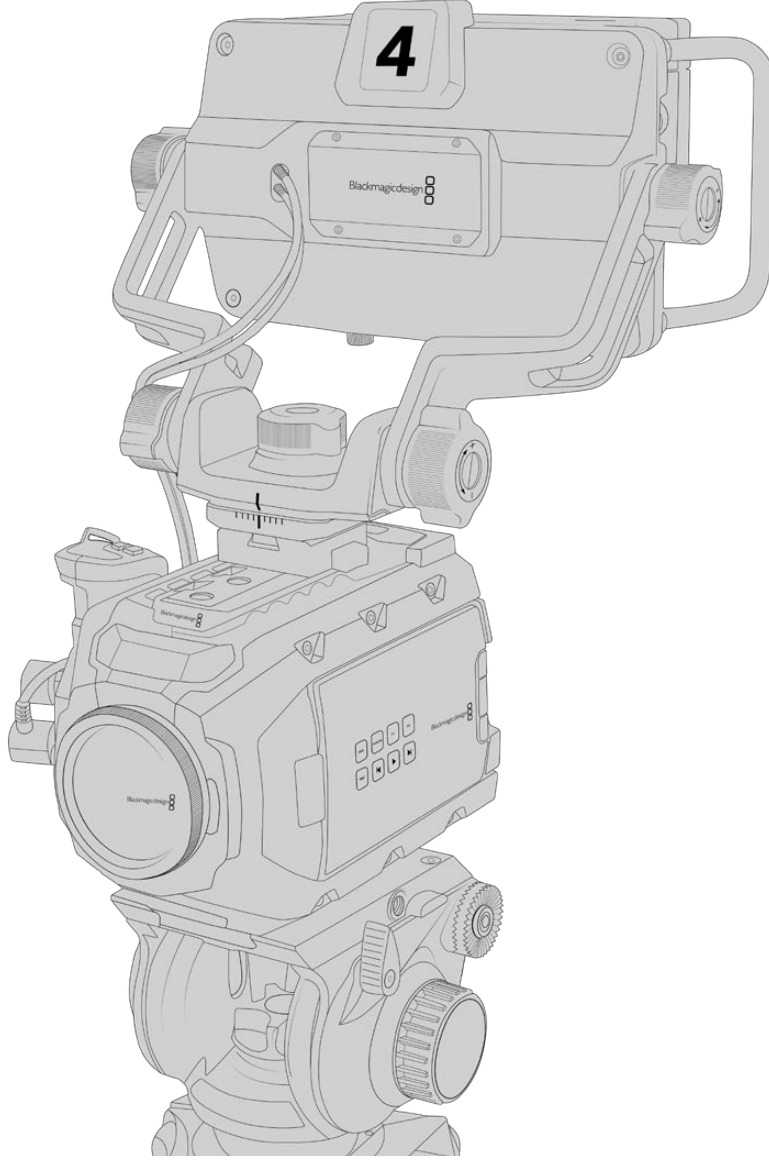
Blackmagic URSA Studio Viewfinder, Blackmagic URSA Mini'yi bir profesyonel canlı prodüksiyon kamerasına dönüştürmenizi sağlayan güçlü bir vizördür. Studio viewfinder, kolayca izlenebilen geniş bir tally ışığı içeren parlak 7" ekran, kontrol düğmeleri, büyük tutma kolları, güneşlik ve değişken basınçlı eklemli yuva özelliklerine sahiptir! Bu özellikler, uzun saatler boyunca kameranın arkasında durmanızı ve faaliyeti rahatlıkla takip etmenizi kolaylaştırır; özellikle canlı konserler, spor aktiviteleri ve diğer uzun aktivitelerin çekimlerini yaparken. URSA Studio Viewfinder, stüdyo veya dış mekandaki profesyonel canlı yapımlar için mükemmeldir.

## Blackmagic URSA Mini'ye Monte Etme ve Bağlama

Blackmagic URSA Studio Viewfinder'i, Blackmagic URSA Mini ile kullanırken, üniteyi kameranıza monte etmenin, birkaç farklı yolu vardır.

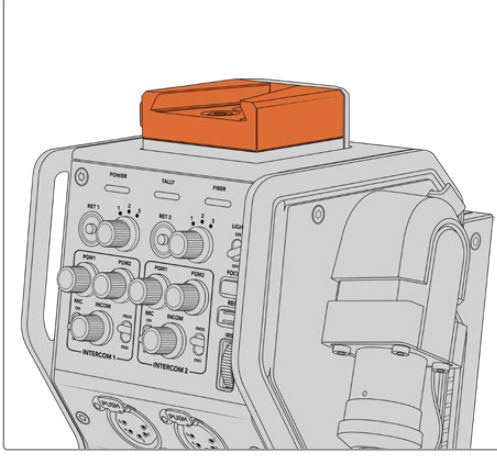
Blackmagic URSA Studio Viewfinder, temin edilen ve kolaylıkla üst tutma yuvasından çıkarılabilen V-Lock yuva plakası ile, doğrudan Blackmagic URSA Mini kameranın üstüne monte edilebilir.

Bir 3/16'lık Hex anahtarı kullanarak V-lock plakasını, URSA Mini tutma kolu yuvasından çıkarınız ve sonra temin edilen 1/4 inçlik civatalarla, kameranın üzerine takınız. Bu, kameranızdaki ağırlık merkezini daha yüksek yapacaktır. Bunu, sabitlik için kamera bir tripoda takılıyken yapmanızı öneririz.

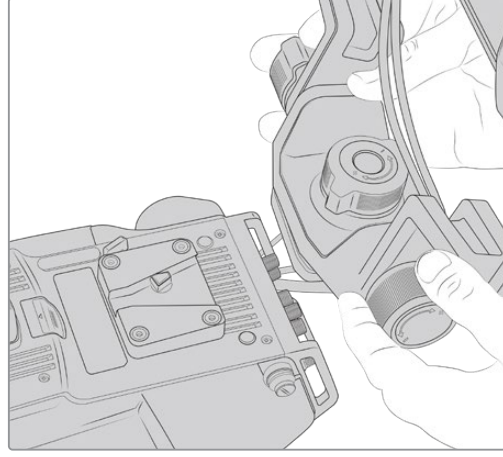


Blackmagic URSA Studio Viewfinder'i, URSA Mini kameranıza URSA Mini omuz aparatı bağlıyken monte ediyorsanız, temin edilen URSA Mini tutma kolu yuvasını kullanarak bağlamanız gerekir. Temin edilen 1/4 inçlik civataların üçü ile, bir 3/16'lık Hex anahtarı kullanarak, URSA Mini tutma kolu yuvasını, üst tutma koluna bağlayın. Studio Viewfinder'in V kilidini (V-lock), yerine kilitlemeye kadar, V-lock plaka yuvasına kaydırın.

Daha fazla bilgi için, bu kullanım kılavuzundaki 'URSA Mini Omuzda Çekim Aparatı' bölümüne bakın.

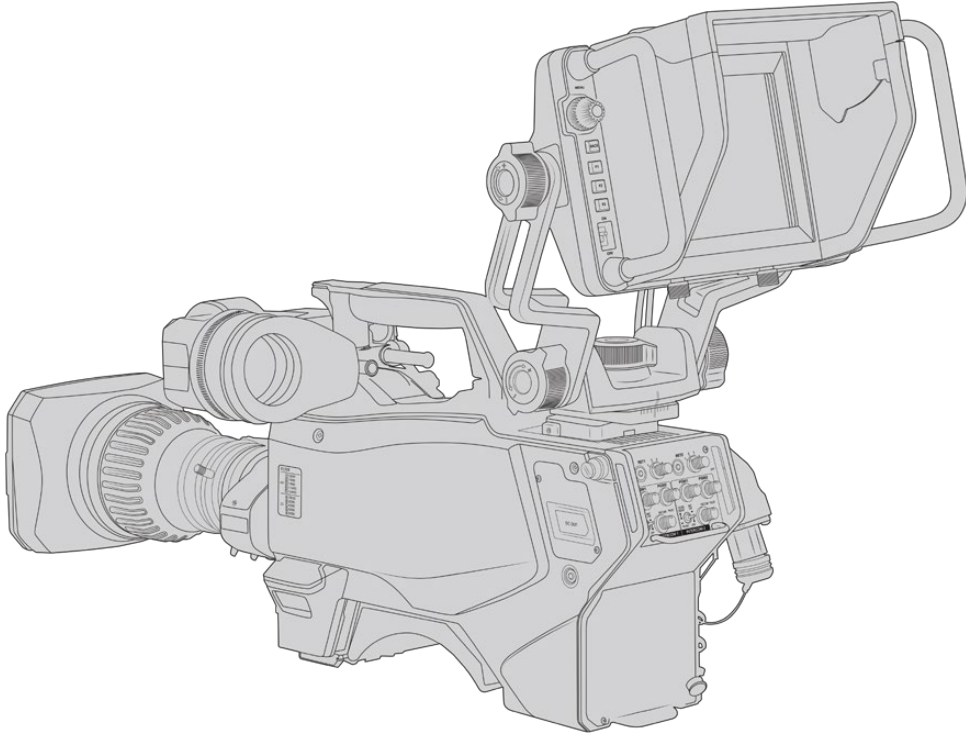


Blackmagic Studio Viewfinder'inizi, Blackmagic Camera Fiber Converter'in üstündeki V-lock plakaya takabilirsiniz.



3. parti bir kameraya V-lock yuvası monte edilirken

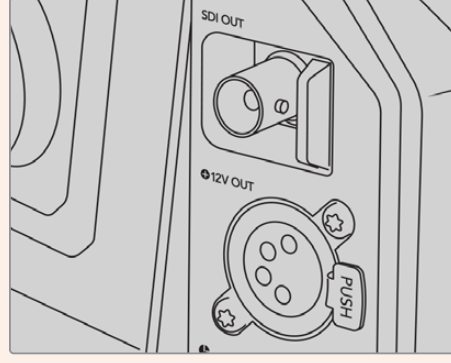
V-Lock yuva plakası, URSA Studio Viewfinder'i beraber kullanmak istediğiniz her kameraya, 1/4 inçlik bağlantı noktaları veya 3. parti bir cheese plate (delikli plaka) ile takılabilir. Bir çok kameranın üzerinde V-lock quick release plate (çabuk çıkarma mandalı) olduğu için, Blackmagic URSA Studio Viewfinder'i, ayrıca mevcut olan V-lock montaj plakası ile monte edebilirsiniz.



**BİLGİ** Blackmagic URSA Studio Viewfinder, kameraya mandallı bir V-lock montaj plakası ile bağlanır. Bunun anlamı, kamerayı tripoddan çıkarmanız gerektiğinde, vizörün hızla çıkarılabileceğidir. Spor müsabakalarını çekerken hem Blackmagic URSA Viewfinder hem de Blackmagic URSA Studio Viewfinder'i kameraya bağlı tutmak faydalı olabilir; böylece, müsabaka sonunda elde çekim için hızla URSA Viewfinder'e geçebilirsiniz. Her iki vizör de kameraya bağlanmak için, aynı 12V güç ve 3G-SDI kablolarını kullanır ve böyle bir durumda kablo değişimini kolaylaştırır.

Blackmagic URSA Studio Viewfinder'inizi, URSA Mini'ye bağlamak için; vizörün bağlı kablolarını, kameranızın ön 12V'luk güç ve 3G-SDI çıkışlarına bağlamanız yeterlidir.

Kameranız açıldığında, vizördeki güç düğmesi, vizörün hemen çalıştırılmasını sağlar. URSA Mini tutma kolu yuvasının kenarında, kabloları yerinde düzenli tutmak için kelepçeler vardır.

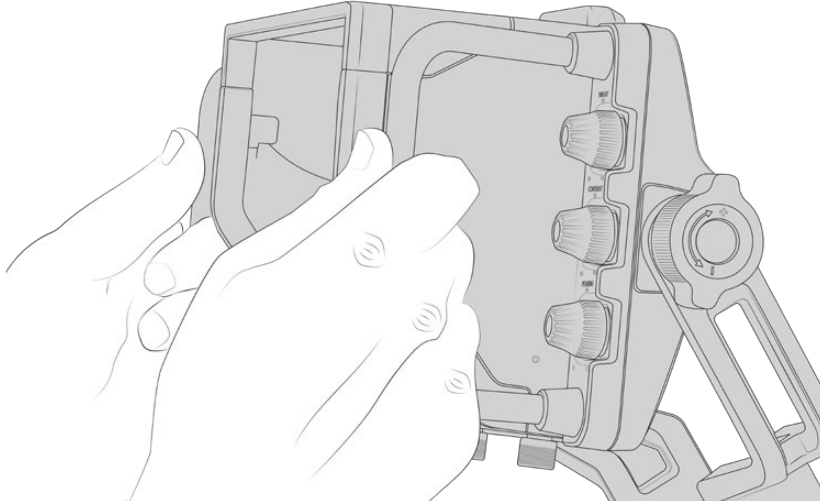


URSA Mini'deki SDI ve 12v güç bağlantıları

**BİLGİ** URSA Studio Viewfinder, açık standart SDI ve 4 pim yayın XLR güç bağlantıları kullanır; böylelikle başka herhangi bir kamera ile veya ayarlanabilir bir portatif mevki ekranı olarak kullanılabilir. Aynı zamanda, açık standart ATEM tally ve cihaz kontrol protokolü kullanır; böylece başka herhangi bir kamera sistemi, URSA Studio Viewfinder'daki tally ve katmanlar ile çalışmalarını sağlamak üzere, bu bilgiyi SDI akışlarına ekleyebilir.

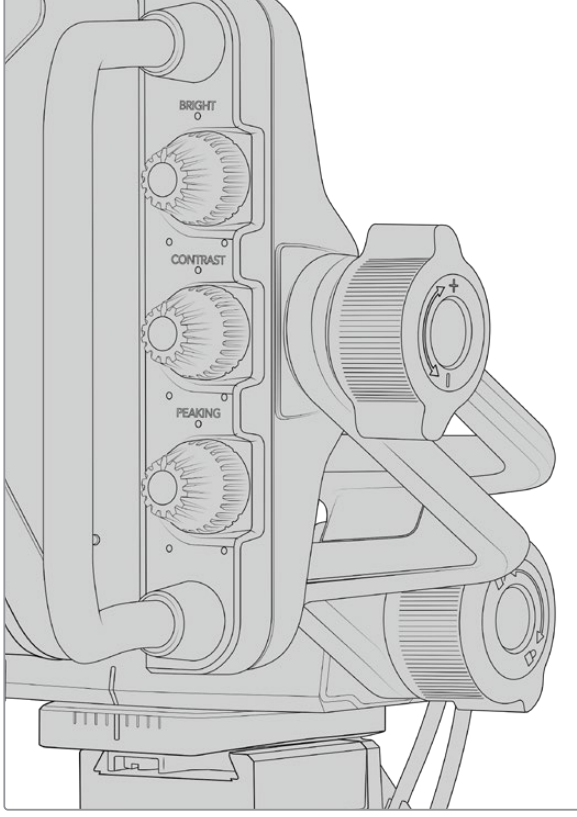
## Blackmagic URSA Studio Viewfinder'in Ayarlanması

Blackmagic URSA Studio Viewfinder'de, vizörün konumunu ve açısını ayarlamanızı sağlayan büyük tutma kolları ve değişken gerilim mafsallı montaj içerir. Büyük tutma kolları, vizörü çabucak, kolaylıkla kavramanızı ve cihazın açısı ile yönünü ayarlamanızı sağlar. Güneşlik ile tutma kolları, aynı zamanda ekranı zarardan korur; böylelikle Blackmagic URSA Studio Viewfinder'i sökmeye gerek kalmadan, tamamen kurulu olarak bir taşıma çantasında taşıyabilirsiniz. Büyük tutma kolları, cihazı tutup mekanlar arasında kolaylıkla taşımanıza da olanak sağlar.

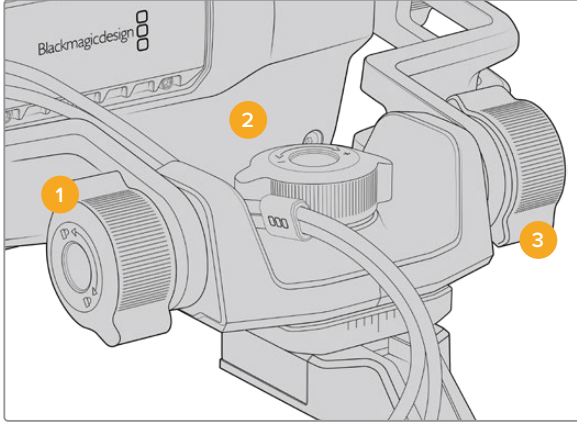


Temin edilen montaj düzeneğinde, pan ve tilt (çevirme ve eğme) için kadranların yanı sıra, ekstra sürtünme (friction) kontrolü için, vizörün her iki yanında gerginlik kadranları da bulunur. Sol taraftaki kadran, kolun sürtünmesini engellemek için ve sağ taraftaki kadran da ihtiyacınız olan açığı elde ettiğinizde, vizörü yerine kitlemenize imkan tanır.

Bu gerginlik kadrانlarının, çok geniş gerginlik düzeltme aralığı vardır ve belirli miktarda direnç seçmenize olanak sağlar. Bu, vizörü istediğiniz kesin bir konuma, kolaylıkla pan ve tilt yapmanızı sağlar.



Gerginlik kadrانları, vizörün her iki yanındadır.

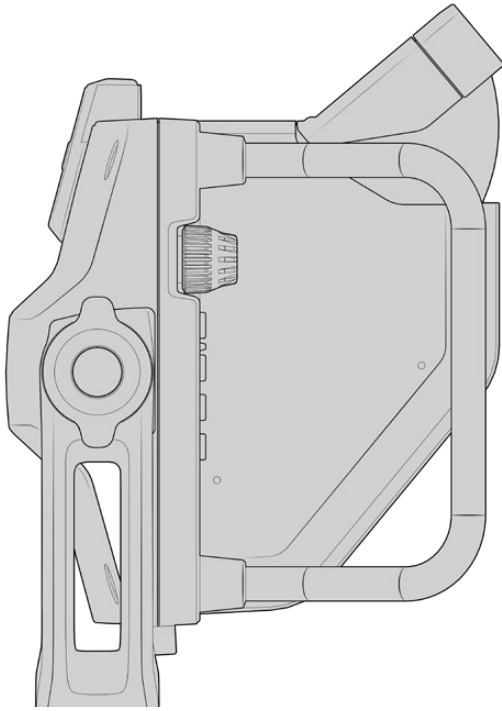
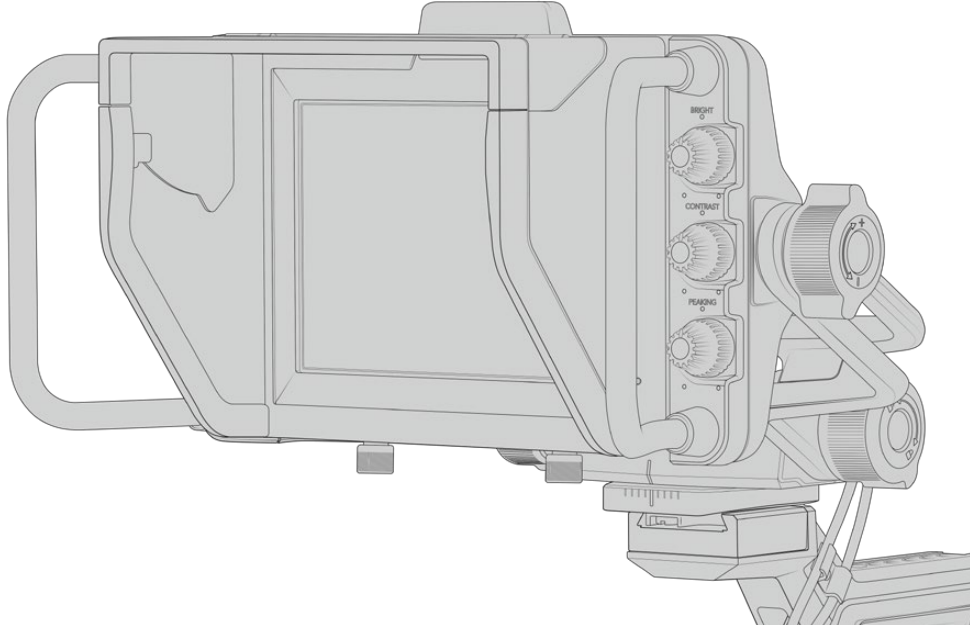


- 1 Tilt Lock Dial (Eğim Kilidi Kadranı)**  
Vizör mekanizmasında eğim açısını kilitlet.
- 2 Pan Tension Dial (Pan Gerginliği Kadranı)**  
Pan hareketinin gerginliğini kontrol eder.
- 3 Tilt Tension Dial (Eğim Gerginliği Kadranı)**  
Tilt hareketinin gerginliğini kontrol eder.

**BİLGİ** Temin edilen yuvadaki merkez gerilim kadranı, pan gerginliğini kontrol eder ve vizörü kavrayabilmenizi sağlamak için gevşetilebilir ve kamera bağımsız olarak hareket ettirilebilir. Bunun anlamı, hareketi takip etmek için, vizörü göz önünde tutarken, kamerayı sağa sola çevirmenizi gerektiren, motorlu araç yarışları gibi aktiviteleri kaydedebileceğinizdir. Yuvadaki görsel bir kılavuz, vizörün kolaylıkla merkeze dönmesinin sağlanmasına yardımcı olur.

## Güneşlik

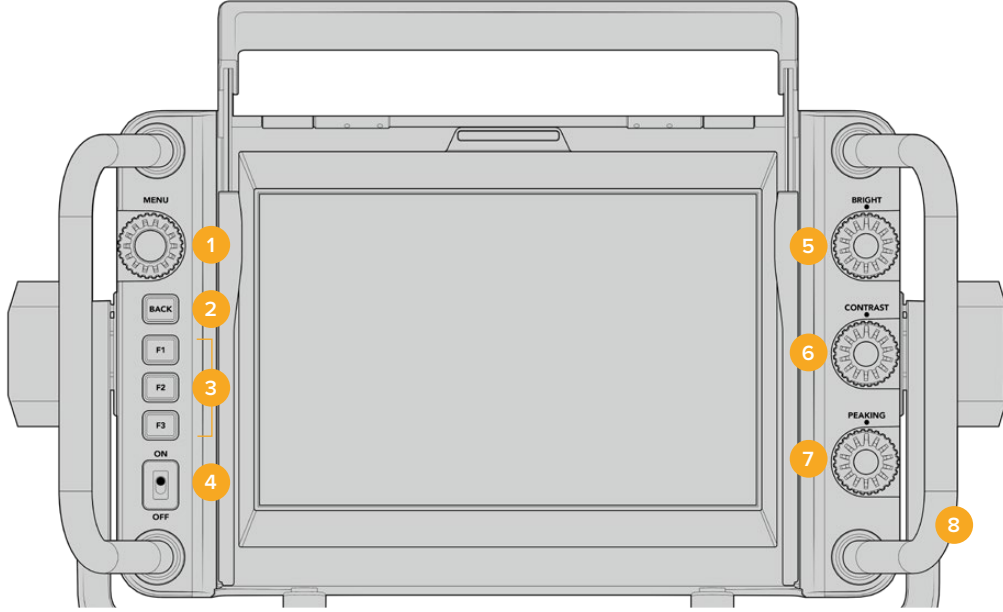
Güneşlik; aydınlık ve güneşli koşullarda, dokunmatik ekranı görmenize yardımcı olur. Güneşliği bağlamak için, Blackmagic URSA Studio Viewfinderin üzerinden geçirip yerine itiniz ve güneşliğin tabanındaki iki somunsuz civata ile yerine sabitleyiniz. Vizörün üst kısmı ayarlanabildir ve ilave izleme açıları sağlamak için, kaldırılıp indirilebilir. Güneşlik, 7 inçlik ekran için ekstra koruma sağlar ve yazılım güncellemesi için USB-C bağlantısına erişmek üzere veya istenildiğinde, hızla ve kolaylıkla çıkarılabilir.



Güneşlik ve ayarlanabilir vizör

## Buton Özellikleri

Sağ taraf boyunca olan dokunsal kontroller; parlaklık, kontrast, peaking ayarlarını, hızla ve kolaylıkla değiştirmenize olanak verir. Kadranlar ergonomik olarak tasarlanmıştır. Güneşlik takılıyken kadranları kenardan baş parmağınızla veya daha ince ayarlar için, iki parmağınızla ayarlayabilirsiniz.



### 1 Menu Dial (Menü Kadranı)

Basmalı düğme olan 'menü' kadranı, menüye girmenizi ve vizör ayarları arasında dolaşmanızı sağlar.

### 2 Geri butonu

Menü sisteminden çıkmanızı sağlar.

### 3 F1, F2, F3

Atanabilir fonksiyon butonları. Bu butonları, genelde kullandığınız çeşitli fonksiyonlarla eşleştirebilirsiniz.

### 4 ON/OFF switch (AÇMA/KAPAMA anahtarı)

Blackmagic URSA Studio Viewfinder'i açıp kapatır.

### 5 Bright (Parlaklık)

Ekrandaki görüntünün parlaklığını ayarlar. Ekrandaki katmanlar, parlaklığı -100'den +100'e kadar olan bir ölçekte gösterecektir.

### 6 Kontrast

Ekrandaki görüntünün kontrastını ayarlar. Ekrandaki katmanlar, kontrastı -100'den +100'e kadar olan bir ölçekte gösterecektir.

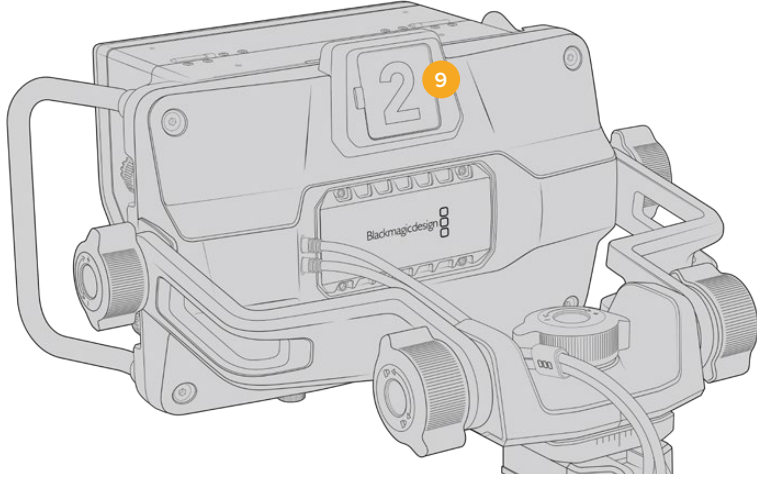
### 7 Peaking

Ekrandaki görüntünün 'focus peaking' (odak boyama) seviyesini ayarlar. Ekrandaki katmanlar, peaking seviyesini -100'den +100'e kadar olan bir ölçekte gösterecektir. Kurulum menüsünden, size uygun olacak peaking tarzlarından birini seçebilirsiniz. Odaklama için renkli çizgileri kullanmanın yanında, bir çok kişinin başka yayın sistemlerinden alışık olduğu, tipik tarzda focus peaking seçenekleri de vardır. URSA Mini ile kırmızı, yeşil, mavi, siyah ve beyaz çizgi seçenekleriniz vardır. Bu da belli bir rengin çok olduğu çekimler yaparken, kolay görünürlükle size esneklik sağlar.

### 8 Handles (Tutma kolları)

Dahili tutma kolları büyüktür ve çekim esnasında kamerayı hareket ettirdiğinizde, Studio Viewfinder'i yerinde tutmanızı sağlar. Kurulurken ve toplanırken, ekran için koruma da sağlarlar.

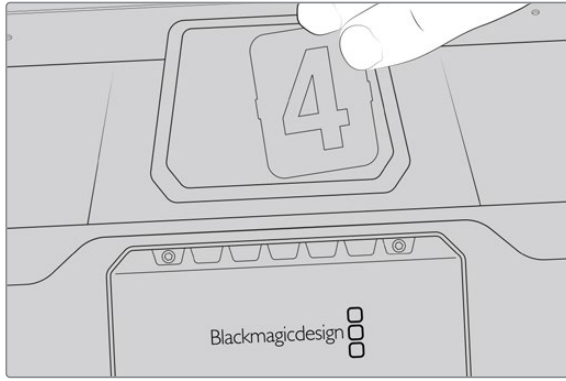




### 9 Tally Light (Tally Lambası)

Blackmagic URSA Studio Viewfinder'in arkasındaki büyük tally lambası, hem sunucuya hem de operatöre hangi kameranın yayında olduğunu, yayında olmak üzere olduğunu ve ISO kayıt yapıp yapmadıklarını gösterir. Tally lambası; canlı yayın için kırmızı, önizleme için yeşil ve URSA Mini ile kullanıldığında ISO kaydı için turuncu olarak yanar.

Yönetmen, yayına girecek görüntüyü ATEM switcher'e bağlı kameralar arasından seçtiği için, tally bilgileri SDI üzerinden tekrardan kameraya gönderilir; böylece kamera canlı yayındayken ya da canlı yayına girmek için önizleme yapılırken ya da kayıttayken, ışık yanık durumdadır. Bunun yanı sıra, URSA Studio Viewfinder ayrıca tally lambasına takılabilen, klipsli şeffaf kamera numaraları içermektedir, böylelikle sanatçı/sunucunun, 6 metre uzaklıktan kamera numaralarını, net olarak görmesini kolaylaştırır.



Yazılım yükleyicisine, değiştirilebilen PDF dosyaları ekledik, böylece temin edilen tally numaralarına uyan kendi numaralarınızı, kurgulayıp çıktılarını alabilirsiniz ve kendinize özel tally numarası baskılarını oluşturabilirsiniz. Camera 4.1 yazılımını yükledikten sonra, bunlar Mac bilgisayarlarda; Application (Uygulamalar) > Blackmagic Cameras > Documents dosyasında ve PC bilgisayarlarda; Blackmagic Design > Documents dosyasında bulunabilirler.

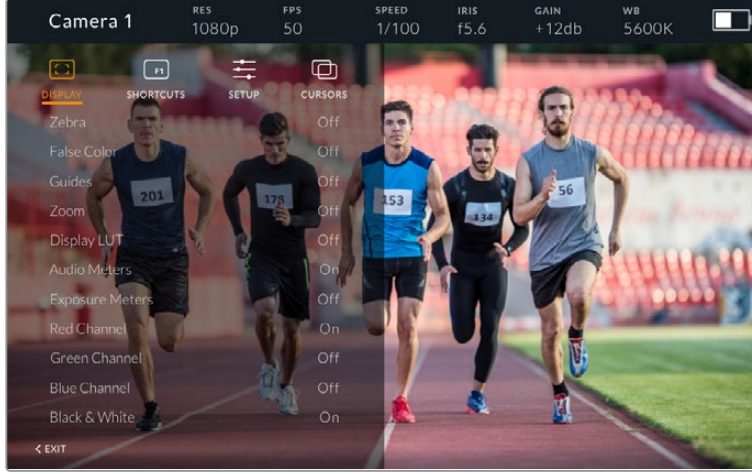
Tally lambası, ATEM görüntü miksajı işlemlerine bağlı olarak yanar ve kameranın switcher'e bağlı olmadığı durumlarda, basit bir tally kayıt göstergesi gibi, kırmızı olarak yanacaktır. Daha fazla bilgi için, bu kılavuzun 'stüdyo kamera kontrolü hakkında' bölümüne bakın.

**BİLGİ** Blackmagic URSA Studio Viewfinder'i bir ATEM switcher ile kullanırken, katmanları veya ATEM switcher'e giden SDI çıkışında odak kutusunu görmemenizi sağlamak için, URSA Mini'deki 'clean feed' (temiz sinyal) sinyalinin seçilmesi önemlidir. URSA'da ekran menüsüne gidin ve main SDI (ana SDI) çıkışı için, 'clean feed' ibaresini seçin.



## Menü Ayarları

Basmalı düğme olan 'menü' kadrani, basarak menüye girmenizi sağlarken, kadranın döndürülmesi de menü ayarları arasında dolaşmanızı sağlar. Bir menü başlığı seçili (highlighted) iken; ekran, kısa yollar, kurulum ve gösterge alt menüleri arasında, geçiş yapabilmeyi sağlar. Kadranın çevrilmesi, her menüde ayarlar arasında dolaşmanızı sağlar. Bir ayar seçili iken kadrana basılması, menü kadraniyi çevirerek o ayarın düzeltilmesini yapmanıza imkan tanır. Tercihinizi onaylamak için, 'menu' kadraniye tekrar basın. Menüden, 'back' (geri) butonuna basarak veya exit seçeneğine gidip seçerek çıkabilirsiniz.



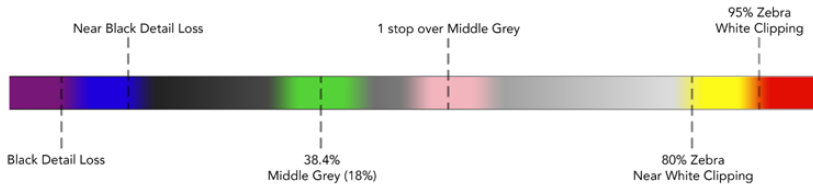
### Ekran (Display)

#### Zebra

Zebra seviyelerini açıp kapatmaya yarar. Zebra'nın seviyesi, URSA Mini kameranızın "monitor" (ekran) menüsündeki 'All' (hepsi) bölümündeki ayar tarafından belirlenecektir. Studio Viewfinder'in URSA Mini'ye bağlı olmadığı durumlarda zebra seviyesi, bir Rec 709 sinyalinin %95 parlaklık seviyesini yansıtacaktır. Daha fazla bilgi için, bu kullanım kılavuzundaki 'ayarlar' bölümüne bakın.

#### Sahte Renk

Sahte Renk özelliğini açıp kapatır. Sahte renk özelliği; görüntünüzdeki farklı öğeler için pozlama değerlerini temsil eden farklı renk katmanlarını, görüntünüzün üzerine bindirir. Örneğin; pembe renk, açık ten tonları için ideal pozlamayı temsil ederken, daha koyu olan ten tonları için yeşil uygundur. İnsanları kaydederken, pembe veya yeşil sahte renklerinin izlenmesi, cilt tonları için gerekli olan pozlandırmadaki sabitliğin muhafaza edilmesini sağlar. Benzer şekilde, görüntünüzdeki öğeler sarıdan kırmızıya dönüştüğünde, bu aşırı pozlamaya maruz kaldıklarını gösterir. Fonksiyon butonlarından birine atamak için sahte renk iyi bir özelliktir, çünkü pozlama için çok kullanılan bir araca çabuk ve kolay erişim sağlar.



Sahte Renk Tablosu

#### Guides (Kılavuzlar)

Bu ayar, kılavuzlarınızı gösterme veya saklama seçeneğini verir. Kılavuzlar, URSA Mini kameranızın 'monitor' (ekran) menüsündeki 'all' bölümünde ayarlı olan kılavuz stiliyle eşleşecektir.

Görüntü oranı (aspect ratio), kare kılavuzu opaklık seviyesi (frame guide opacity level), güvenli alan yüzdesi (safe area percentage) ve gösterilen kılavuz tipleri, kameranızda seçilenlerle aynı olacaktır. Studio Viewfinder'deki 'setup' (kurulum) menüsü, ekran menüsündeki kılavuzlar açıldıktan sonra, Studio Viewfinder'de görmek istediğiniz kılavuz çeşitlerini, ayarlamanıza izin verir. Kılavuzlar sonra, bu seçimleri tek bir komutla 'on' (açık) veya 'off' (kapalı) olarak değiştirmenizi sağlar.

### **Zoom**

Zoom özelliğini açıp kapatmaya yarar. Zoom özelliği, görüntünüze yaklaşmanızı sağlayarak, keskin odaklama yapmanızı sağlar. Zoom ile yakınlaştığınızda (zoom in), menü kadranını sağa sola çevirerek ekranın belirli kısımlarında gezinmenizi sağlar. Görüntünün hangi kısmına zoom yaptığınızı, katman gösterecektir.

### **Display LUT (LUT'u Görüntüle)**

URSA Mini kameranızdan 'film' dinamik aralıklı bir SDI sinyali gönderirken, 'film to video' ve 'film to extended video' ayarları, görüntüye daha renkli ve kontrastlı bir LUT uygulamanızı sağlarlar. Bu LUT'lardan herhangi biri kullanıldığında, vizör bunu tespit eder ve vizörde bunları açık ya da kapalı olarak bırakmanız için size seçenek sunar. Bir görüntü LUT'u ön SDI çıkışında aktif durumdayken veya farklı bir LUT kullandığınızda, birden fazla LUT'un uygulanmasını önlemek için bu seçenek etkisiz hale getirilmiştir.

### **Audio Meters (Ses Göstergeleri)**

Ses göstergeleri, SDI ile Blackmagic URSA Studio Viewfinder'e giren ses için seviyeyi gösterir. Bu sebeple göstergeler, URSA Mini kameranızın ses giriş seviyelerini de gösterecektir. Program girişi seçilmiş olduğunda, ses göstergesi, bu ses seviyelerini görüntüleyecektir.

### **Exposure Meters (Pozlama Göstergeleri)**

Histogram'ın görüntüsünü, açıp kapatmanızı sağlar.

### **Red Channel (Kırmızı Kanal)**

Görüntünüzün kırmızı kanalını, açıp kapatmanızı sağlar.

### **Green Channel (Yeşil Kanal)**

Görüntünüzün yeşil kanalını, açıp kapatmanızı sağlar.

### **Blue Channel (Mavi Kanal)**

Görüntünüzün mavi kanalını, açıp kapatmanızı sağlar.

### **Black and White (Siyah ve Beyaz)**

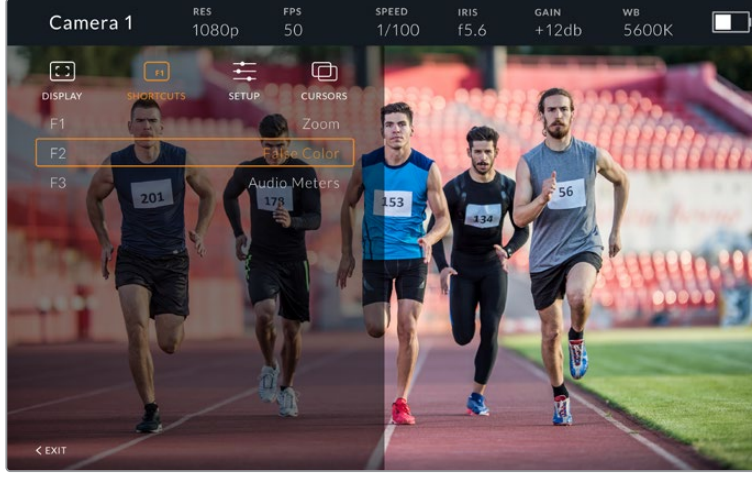
Renkli ile siyah-beyaz arasında geçiş yapar.

## **Kısayollar (Shortcuts)**

Kısayol fonksiyonu, F1, F2 ve F3 butonlarına, belli bir fonksiyon eşlemenizi sağlar. Bu kısayol düğmeleri, ekran menüsündeki veya göstergelerinizdeki herhangi bir özelliği, hızlıca açıp kapatmanıza olanak sağlar. Bu, sıkça kullanılan bir özelliğin belli bir ayarına hızla erişim sağlanması gerektiğinde, özellikle çok faydalıdır.

Kısayol butonlarını kişiselleştirmek için: kısayollar menüsünde, basmalı menü kadranını çevirerek, aşağı yukarı gezinin ve 3 butondan birisini, kısayol butonunuz yapmak için seçin. Seçiminizi onaylamak için, menü kadranına tekrar basın ve sonra 'menü' kadranını, atanabilen özellikler arasında gezinmek üzere çevirin. Aşağıdaki özelliklerden birini seçebilirsiniz: 'zoom', 'cursor 1' (imleç 1), 'cursor 2', 'cursor 3', 'zebra', 'false color', 'guides', 'film to video', 'audio meters', 'exposure meters', 'red channel', 'blue channel', 'black and white'. Seçimi yaptıktan sonra, onaylamak için tekrar menü butonuna basın ve o fonksiyonu, seçtiğiniz kısayol butonuna atayın. Kısayol butonuna basılması, şimdi bu özelliği kapatıp açacaktır.

Kısayollarınızı gerektiği gibi ayarladıktan sonra ya 'exit' seçeneğine gidip 'menü' kadranına basarak ya da menüden 'back' (geri) butonuna basarak çıkabilirsiniz.



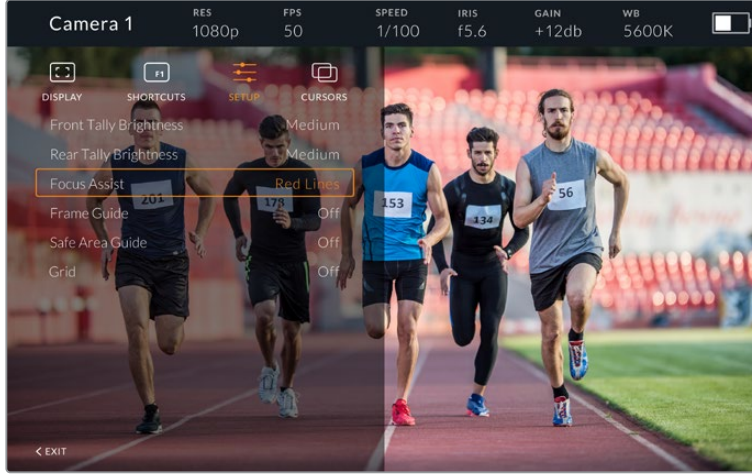
Kısayollar altmenüsü

## Setup (Kurulum)

Kurulum menüsü, vizörün kurulumunda tercihlerinizi seçtiğiniz yerdedir.

### Ön Tally Parlaklığı

Tally LED lambasının parlaklık ayarının; 'kapalı' (off), 'düşük' (low), 'orta'(medium) ve 'yüksek' (high) olarak yapılmasını sağlar. Ayarlamaları yaparken her bir ayarın parlaklık derecelerini görebilmemiz için, tally lambası yanacaktır.



'Kurulum' alt menüsü

### Arka Tally Parlaklığı

Tally LED parlaklık ayarında; 'off' (kapalı), 'low' (düşük), medium' (orta) ve 'high' (yüksek) olarak ayar yapılmasını sağlar. Ayarlamaları yaparken her bir ayarın parlaklık derecelerini görebilmemiz için, tally lambası yanacaktır.

**BİLGİ** Çok aydınlık ortamlar için, yüksek bir LED parlaklık seviyesinin seçilmesi tavsiye edilir; çünkü böyle ortamlarda, sunucu ve kamera operatörleri için, çok daha iyi görme imkanı sağlayacaktır. Düşük bir LED parlaklığı, ışık yandığında kolay görünen karanlık ortamlarda, tavsiye edilir.

### Focus Assist (Odak Yardımı)

Odak yardımı ayarı, vizördeki peaking (odak boyama) görüntüleri arasında değişim yapar. Tipik focus peaking gösteriminin yanı sıra, seçenekleriniz arasında; 'kırmızı' (red), 'yeşil' (green), 'mavi' (blue), 'siyah' (black) ve 'beyaz' (white) vardır.

### Frame Guide (Kare Kılavuzu)

Kare kılavuzlarını, Studio Viewfinder kılavuzunun (Guides) bir parçası olarak gösterme seçeneğini verir. URSA Mini kameranıza bağlandığında, kameranızın kare kılavuzlarının görüntü oranıyla eşleşecektir. Başka sistemlere bağlandığında, otomatik olarak 14:9 görüntü oranına geçeceklerdir.

### Safe Area Guide (Güvenli Alan Kılavuzu)

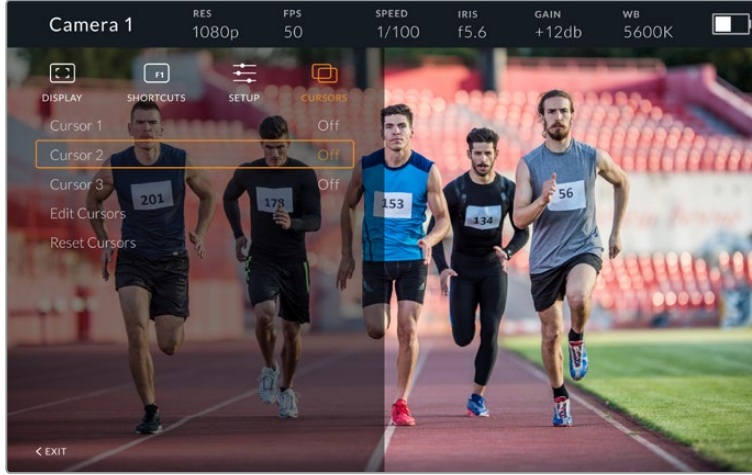
Güvenli alan göstergesini, Studio Viewfinder kılavuzunun bir parçası olarak gösterme seçeneğini verir. URSA Mini kameranıza bağlandığında, kameranızın güvenli alanının yüzdesiyle eşleşecektir. Başka sistemlere bağlandığında, otomatik olarak %90 oranına geçeceklerdir.

### Grid (Kılavuz)

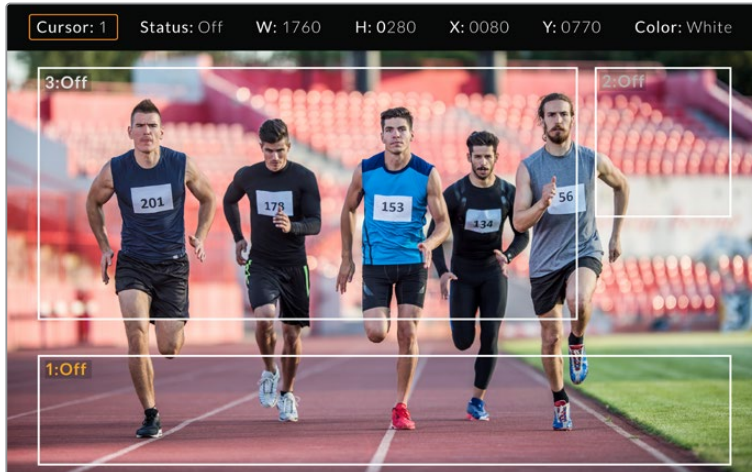
Grid kılavuzunu, Studio Viewfinder kılavuzunun bir parçası olarak gösterme seçeneğini size verir. URSA Mini kameranıza bağlandığında, kameranızın grid kılavuzu ayarlarıyla eşleşecektir. Bağlı olmadığında, hedef işaretini (crosshairs) açacak veya kapatacaktır.

### Cursors (İmleçler)

İmleçler; lower third, grafik, logo veya ticker (ekran altı son dakika haberleri) gibi grafiklerin, ekranda kaplayacağı yeri işaretlemenizi sağlar. Bu imleçleri ayarlamak için, 'cursors' seçeneğine gidin ve 'edit cursors' sekmesini seçin. Bu, size her üç imleci de gösteren bir sayfa açacak ve her bir imleci tek tek seçmenizi sağlayacaktır. Sonrasında, her birini tek tek konumlandırmanız için; width (genişlik), height (yükseklik), x ve y koordinatlarını ayarlayabilirsiniz.



İmleçler alt menüsü



Ekranda görüntülenen imleçler

Ayarlamaları bir kez yaptıktan sonra, imleçler 'cursors' menüsünden açılıp kapanabilir veya çabuk erişim için, fonksiyon tuşlarına atanabilirler. Bu, kamera operatörünün bunu dikkate alıp çekimleri doğru oluşturmasını ve kadrajlamasını sağladığından, canlı prodüksiyon için önemlidir. Canlı olarak ya da daha sonraki yayın aşamasında eklenecek olan tüm grafiklerin, boyut ve mevki ile eşleştirilmesini kolaylaştırmak için; değişken yükseklik, genişlik ve konumu olabilen, üç adet siyah ya da beyaz kişiselleştirilmiş imleç yaratabilirsiniz. İmleçleri, fabrika ayarlarına geri döndürme seçeneğiniz de vardır.

### Blackmagic URSA Studio Viewfinder ile bir yayın kulaklığı kullanımı

Blackmagic URSA Studio Viewfinder, URSA Mini ile kullanıldığında, kameradaki kulaklık bağlantısı talkback bağlantısına dönüşecek ve yönetmenle doğrudan iletişimi sağlayacaktır.

Daha gelişmiş talkback işlevselliği için, 5 pim XLR konektörleri olan standart yayın kulaklıklarını kullanabilmeniz için, Blackmagic Camera Fiber Converter ile Blackmagic Studio Converter'i kullanabilirsiniz. Daha fazla bilgi için, bu kullanım kılavuzundaki 'Blackmagic Fiber Çeviriciler' bölümüne bakın.

**BİLGİ** URSA Mini'nin kulaklık deliği, iPhone kulaklığı ile uyumlu olduğu için, yönetmen ile iletişim için iPhone kulaklığı kullanabilirsiniz. Dahili uzaktan kumandadaki düğmeye basılması, yönetmen ile konuşabilmenize imkan tanır.

### URSA Viewfinder'in Dahili Yazılımının Güncellenmesi

Viewfinder'inizi, Blackmagic Camera Setup yardımcı yazılımını kullanarak güncelleyin. Güncelleme esnasında, SSD Recorder'in çalışır durumda olması gerekir. Bu sebepten ötürü, güncelleme işlemi süresince, SSD Recorder'in URSA Mini'ye bağlı olmasını tavsiye ediyoruz. URSA Mini'nizin ayrıca sürekli güç temin etmesi gerektiğinden, harici bir güç kaynağına takılı olduğundan emin olun.

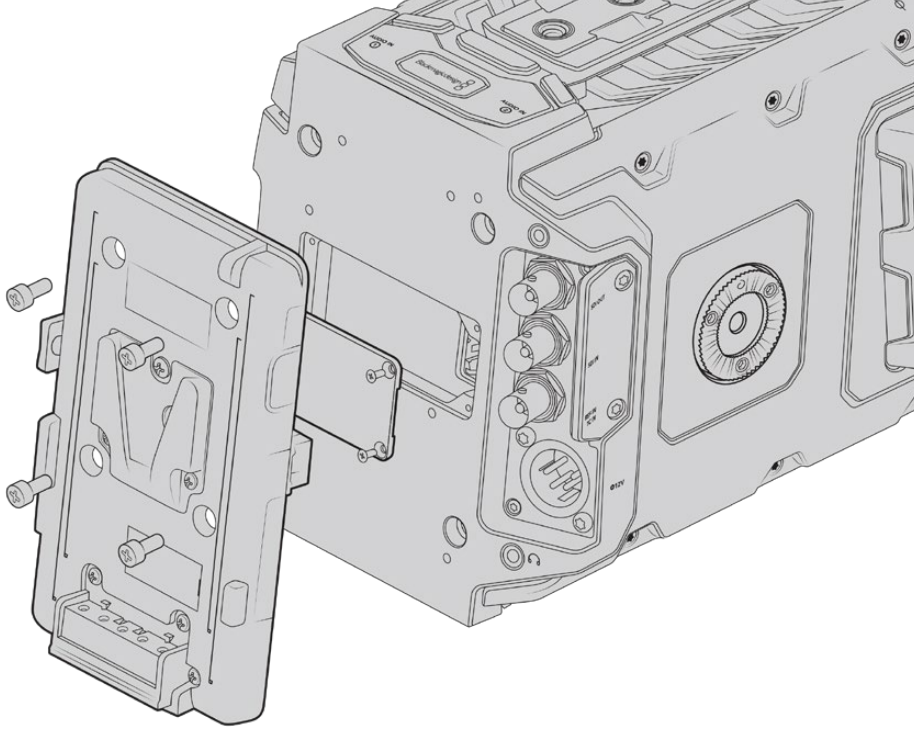
Blackmagic URSA Studio Viewfinder altındaki küçük USB-C bağlantısına erişmek için, güneşliği çıkarın ve bilgisayarınızı USB-C portuna bağlayın. Vizörünüz bilgisayara bağlıyken Blackmagic Camera Utility (yardımcı uygulama) başlatıldığında, bilgisayarınız vizörün eski sürüm bir yazılım kullandığını tespit ederse, güncelleme yapmak için sizi uyaracaktır. Vizörünüzün dahili yazılımını güncellemek için, ekran üstü komutları takip edin. Daha fazla bilgi için, bu kılavuzun 'Blackmagic Camera Setup Utility' bölümüne bakın.

Optimize edilmiş performans için, tüm Blackmagic URSA donanımınızın, aynı anda güncellenmesini tavsiye ediyoruz.

**NOT** Blackmagic URSA Studio Viewfinder'i URSA Mini ile kullanırken, birbiriyle uyumlu olduklarından emin olmanız için vizörünüzün dahili yazılımını en son sürümüyle güncellemenizi öneririz. En güncel yazılıma [www.blackmagicdesign.com/tr/support](http://www.blackmagicdesign.com/tr/support) adresindeki Blackmagic Design destek merkezinden ulaşılabilir. Daha fazla bilgi için bu kılavuzun 'Blackmagic Camera Setup Utility' bölümüne bakın.



## Bataryaların Monte Edilmesi



Üçüncü parti bir batarya plakasının kullanılması, V-mount veya gold mount bataryaları kullanma imkanı sağlar.

### V-mount veya Gold Mount Bataryaların Takılması

Blackmagic URSA Mini kameraya, endüstri standardı V mount veya gold mount bataryaları kolaylıkla takabilirsiniz.

Bir batarya takmak için, kameranızın plaka yuvasına; bir Blackmagic URSA VLock Battery Plate veya URSA Gold Battery Plate veya bir üçüncü parti batarya plakasını bağlamanız gerekir.

**Bilgi** Blackmagic URSA VLock Battery Plate ve URSA Gold Battery Plate, uygun bataryalarla yüzde bilgisinin görüntülenmesini destekler. Blackmagic batarya plakalarında; 'D-tap' veya 'P-tap' olarak da bilinen, harici monitör gibi aksesuarları çalıştırmak için bir '+12V out' (+12V çıkış) konektörü vardır. Buna dikkat etmeniz faydalıdır çünkü, bu çıkış kameradan denetlenir ve kamera kapandığında, güvenli olarak gücü keser. Bu regüle edilen çıkış 1.5 Ampere kadar 12 Voltluk enerji sağlar. Bazı üçüncü parti URSA batarya plakaları ve hatta bazı bataryalar regüle edilmeyen bir D-tap çıkışı sunarlar. Bunlar; kamera yeniden çalışırken veya kapatılıp açıldığında kesintisiz güç sağlarlar fakat, bataryanın şarj seviyesine bağlı olarak voltaj değişebilir ve takılı olan aksesuarlar sürekli bataryayı boşaltırlar.

Blackmagic URSA VLock Battery Plates ve URSA Gold Battery Plates ürünlerini Blackmagic Design bayilerinden veya üçüncü parti batarya plakalarını, profesyonel dijital sinema ve video ekipmanları satan mağazalardan satın alabilirsiniz.

V-mount batarya plakalarını, Blackmagic Design bayilerinden veya V-mount ve gold mount batarya plakalarını, profesyonel dijital sinema ve video ekipman satan mağazalardan satın alabilirsiniz. Blackmagic URSA veya URSA Mini için tasarlanmış hazır bir plakanız yoksa ve kendi plakanızı modifiye etmek istiyorsanız temin edilen adaptör kablosunu ve konektörü kullanabilirsiniz. URSA ya da URSA Mini ile kullanmak üzere bir batarya plakasının nasıl modifiye edilebileceği hakkında daha fazla bilgi için, 'kendinize ait batarya plakasının kullanımı' bölümüne bakınız.

#### Arka panele, batarya plakanızı monte etmek için:

- 1 URSA Mini kameranızın arka paneline bağlı bir molex güç kapağı varsa PH1 yıldız tornavida ile köşelerde bulunan 4 vidayı sökerek, kapağı çıkarın.
- 2 Batarya plakasının molex bağlantısını, kameranızın molex güç bağlantısına bağlayın.
- 3 Batarya plakasını, Blackmagic URSA Mini'nizin plaka monte noktalarına, 4 adet M3 civatayı kullanarak vidalayın. Bağlantı kablosunun, kablo yatağına güvenli bir şekilde girdiğine ve sıkıştırma esnasında plakalar arasında sıkışmadığına dikkat edin.
- 4 Batarya plakası kameranıza takılı olduğuna göre, bir V-mount veya gold mount batarya monte edebilir ve kameranızı çalıştırabilirsiniz.

## Kendinize ait Batarya Plakasının Kullanımı

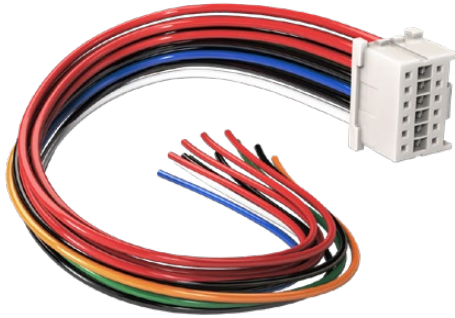
### Adaptör Kablosu ve Konektör

URSA Mini için tasarlanmış hazır bir plakanız yoksa ve kendi plakanızı modifiye etmek istiyorsanız temin edilen adaptör kablosunu ve konektörü kullanabilirsiniz. Bunları, size en yakın Blackmagic Design destek ofisinden de temin edebilirsiniz.

Adaptör kablosunu ve konektörünü batarya plakasına bağlamak için:

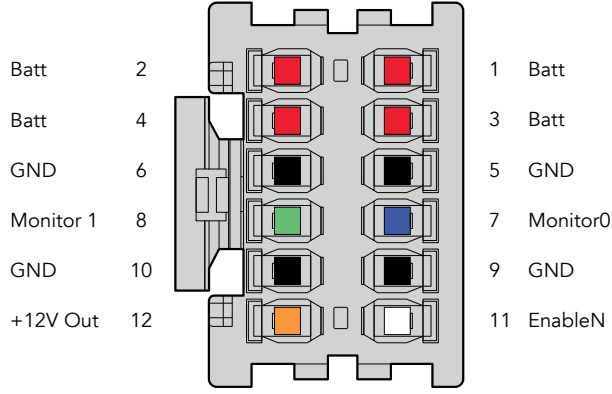
- 1 Yaklaşık 1cm kadar izolasyonu (kablunun üzerindeki plastik), siyah ve kırmızı kabloların uçlarından sıyırın.
- 2 4 adet kırmızı 'Batt' (batarya) kablosunu, batarya plakanızdan gelen ilgili 'artı uç' kablolarına lehimleyin.
- 3 4 adet siyah 'GND' (topraklama) kablosunu, batarya plakanızdan gelen ilgili 'eksi uç' kablolarına lehimleyin.

Bağlantıların iyi izole olduklarından emin olun.



URSA kameranıza takmak için bir plaka modifiye etmek istiyorsanız, temin edilen adaptör kablosunu ve konektörü kullanabilirsiniz. Bunları, size en yakın Blackmagic Design destek ofisinden de temin edebilirsiniz.

Bu, kameranıza batarya gücü temin eder. Ayrıca, 12V'luk bir çıkış ve batarya durumu gibi özellikler için, ekstra kablolar bağlayabilirsiniz. Kabloların bağlanmasına dair yardım için, bu sayfadaki şema ve tablolara ve batarya plakası bilgilerine bakınız. Daha fazla destek için, [www.blackmagicdesign.com/tr/support](http://www.blackmagicdesign.com/tr/support) adresindeki Blackmagic Design destek merkezini ziyaret edin.



Adaptör bağlantı yuvasının arkadan görünüşü.  
Her pimin tanımı için, kablo düzenleme tablosuna bakınız.

### Kablo Düzenleme Tablosu

Pim numarası	Sinyal türü	Renk	Yön	Tanım
1, 2, 3, 4	Batt (Batarya)	Kırmızı	URSA'ya	12 V'den 20 V'ye
5, 6, 9, 10	GND (Topraklama)	Siyah	–	–
7	Monitor0	Mavi	URSA'ya	Analog batarya seviyesi veya open drain veri hattı (azami 20 V)
8	Monitor1	Yeşil	URSA'ya	Open drain saat hattı (Azami 3.4 V)
12	+12 V çıkış	Turuncu	URSA'dan	12 V düzenli çıkış Azami 1.5 A (18W)
11	EnableN	Beyaz	URSA'ya	+12 V çıkışını etkinleştirmek için topraklamaya (GND) bağla. +12 V çıkışı gerekli değilse seyyar olarak bırakın

Her bir Batt (Batarya) ve GND (topraklama) pimi, 3 amper destekler. Tüm batarya (Batt) ve topraklama (GND) pimlerinin, bağlı olduğundan emin olun. Batarya durumunu; Anton Bauer, IDX veya Blueshape plakaları ile denetlemek için, aşağıdaki bağlantı tablosunu takip edin.

<b>Anton Bauer</b>	Mavi/beyaz çizgili kabloyu, 7 numaralı pimde mavi kablo yuvasına bağlayın.
<b>IDX</b>	Yeşil kabloyu, 8 numaralı pimde yeşil kablo yuvasına ve gri kabloyu 7 numaralı pimde mavi kablo yuvasına bağlayın.
<b>Blueshape</b>	'SMBC' etiketli mavi kabloyu, 8 numaralı pimde yeşil kablo yuvasına bağlayın. 'SMBD' etiketli kahverengi kabloyu, 7 numaralı pimde mavi kablo yuvasına bağlayın.

Kullanılmayan kabloları, adaptör konektörünün arkasına olabildiğince yakın olacak şekilde keserek sağlamlaştırın.



# Blackmagic Fiber Çeviriciler

Blackmagic Camera Fiber Converter ve Blackmagic Studio Fiber Converter, kameranızla bir ATEM switcher arasında, bir SMPTE fiber bağlantı sağlayan, isteğe bağlı olan aksesuarlardır.

SMPTE fiber, tek bir endüstri standardı SMPTE hibrid fiber optik kablosu kullanarak bir ATEM switcher ve kameranız arasında tüm video, elektrik, talkback (iletişim), tally ve kamera kontrol sinyallerini bağlamanızı sağlar. Bir SMPTE fiber bağlantı, kullanılmasında gerekli kablo sayısını geniş ölçüde azaltır ve böylelikle prodüksiyon kurulumunun çalıştırılmasını daha basit ve randımanlı yapar. Blackmagic Studio Fiber Converter'deki standart konektörler, fiber çeviricileri, mevcut yayın aracı altyapısına kolaylıkla eklemenizi sağlar.

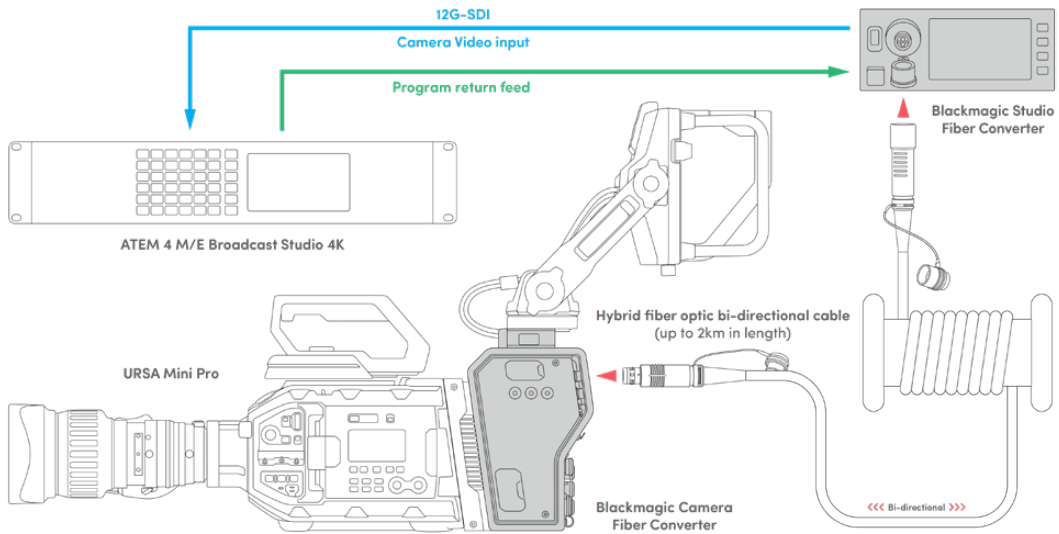


## Blackmagic Camera Fiber Converter

URSA Broadcast veya URSA Mini kameranızın arkasına takılır ve standart bir SMPTE hibrid 304 konektörü ile Blackmagic Studio Fiber Converter'e bağlanır.

## Blackmagic Studio Fiber Converter

Bu çevirici, kameraya bağlı cihazdan gelen optik fiber SDI sinyalini, BNC üzerinden SDI'ya çevirir ve sonra bir ATEM switcher'e bağlanır. Çevirici ayrıca, ATEM switcher'den program dönüş sinyali de dahil olmak üzere, tüm dönüş sinyal kaynaklarını alır ve onları tekrar kameradaki üniteye gönderir.



Blackmagic kamera ve stüdyo fiber çeviriciler, tek bir SMPTE fiber optik kablo üzerinden SDI video, elektrik, talkback, tally ve kontrol sinyallerini randımanlı olarak sağlamak için, optik fiber ile bağlanır.

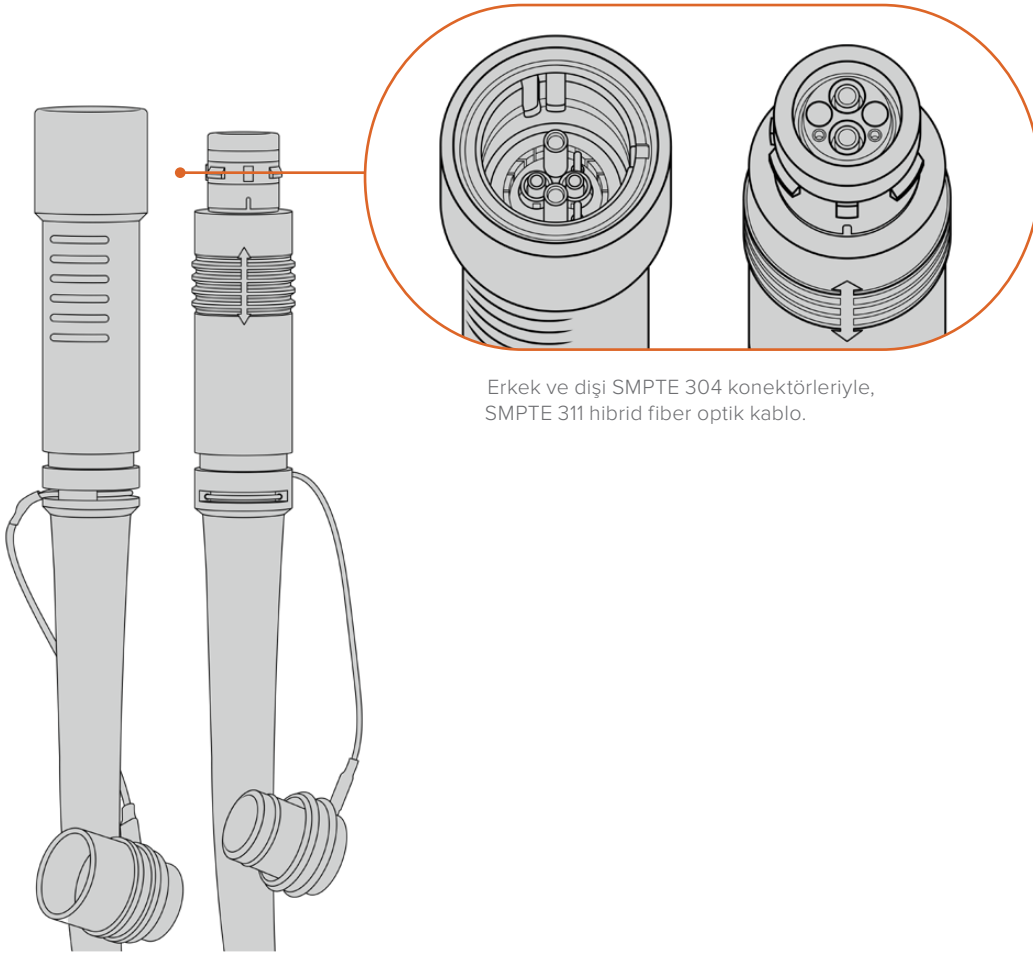
# Blackmagic Fiber Çeviriciler ile Başlangıç

Başlangıç, hızlı ve etkilidir. Video içeriği oluşturmak ve SMPTE fiberin faydalarından yararlanmak, fazla sürmeyecektir.

## SMPTE Fiber Hakkında

SMPTE fiber kablolar, güçle beraber birçok sinyali, uzun mesafelere taşımanın basitleşmiş yolunu sunar. Switcher'inize bağlı her kamera için birçok kablo bağlamanıza gerek kalmayacağı için, yayın senaryolarında bu faydalıdır.

Bir SMPTE 311 hibrid fiber optik kablosu ile her kamerayı ATEM switcher'inize bağlamak ve tek kabloyla; tüm video, elektrik, talkback, tally ve kontrol sinyallerini sağlamak için, tek bir endüstri standardı fiber optik kablo kullanabilirsiniz. Optik fiber ile bu sinyalleri ve elektriği, daha uzak, 2 kilometreye varan mesafelere taşıyabilirsiniz.



**NOT** Bir SMPTE 311 hibrid fiber optik kablonun erkek ve dişi uçları, SMPTE 304 konektörün uç kısmı içindeki, erkek ve dişi pimlere bakarak tespit edilebilir. Konektörlerin cinsiyeti, dışa doğru olan görünüşlerine göre belirlenmez.

**BİLGİ** Toz parçalarının veya kırıntıların girmesini önlemek için, SMPTE fiber kablonun iki ucundan çıkan lastik kapakları, çeviricilerdeki lastik kapakların içine takın.

SMPTE fiber bağlantı kullanmanın esas faydalarından birisi, klasik canlı yayın ortamında kontrol odasına veya yayın aracına bağlanabilmenizdir. Modern stadyumların çoğunluğunda, kamera mevkilerinden, kontrol odasına veya yayın aracına fiber kablolar önceden döşenmiştir; yani bu sistemlere doğrudan bağlanabilirsiniz.

Mevcut fiber sisteme bağlanmak veya iki Blackmagic fiber çeviriciyi birbirine bağlamak için kullanılan optik fiber kablo, SMPTE 304 konektörlü bir SMPTE 311 hibrid fiber optik kablodur.

### SMPTE Konektörlerin Korunması

SMPTE fiber kablo konektörlerinin, lastik kapaklar ile korunması çok önemlidir. Bunun nedeni, cam fiber borunun cıvalı uçlarında, toz parçacıklarının çabucak toplanabileceği ve bunun sinyal akışını engelleyeceğidir. Yapılacak en iyi şey, bir konektör açığa çıkar çıkmaz, hemen lastik kapağı kapatmaktır. Örneğin, bağlamadan hemen önce ve bağlantıdan ayırdıktan hemen sonra.

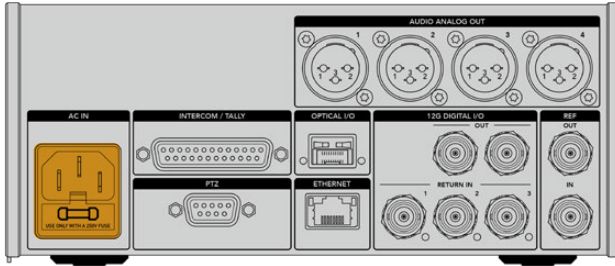
SMPTE fiber kablonun iki ucundan çıkan lastik kapakları, çeviricilerdeki lastik kapaklara bağlamak iyi fikirdir böylece, kullanırken kapaklara toz parçalarının veya kırıntıların girmesini önlemiş olursunuz.

### Güç Kaynağına Takma

Güç, stüdyo ünitesinden fiber kablo ile kamera ünitesine gönderilir; bu yüzden güç kaynağına bağlanmanın ilk adımı, stüdyo ünitesine güç sağlamaktır.

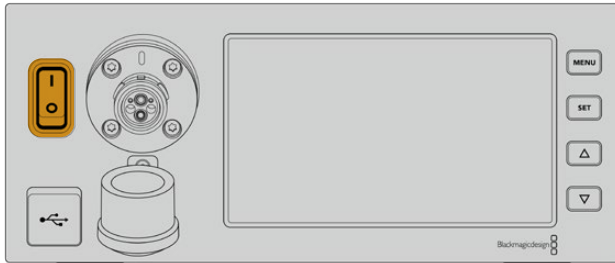
### Studio Fiber Converter'e Güç Sağlanması

Standart bir IEC elektrik kablosunu, stüdyo ünitesinin arka panelindeki güç bağlantısına takın.



Elektriği, stüdyo fiber çeviricinize standart bir IEC elektrik kablosuyla bağlayın.

Üniteyi çalıştırmak için, ön panelde bulunan 'power' (güç) düğmesini, 'on' (açık) konumuna getirin.



## SMPTE Fiber Bağlanması

Başlangıçtaki bir sonraki adım, SMPTE fiber kablosunu stüdyo fiber ünitesi ile kamera ünitesi arasına bağlamaktır. Bu işlem, stüdyo ünitesinden kamera ünitesine, elektrik ve tüm video sinyalleri için fiber sağlayacaktır.

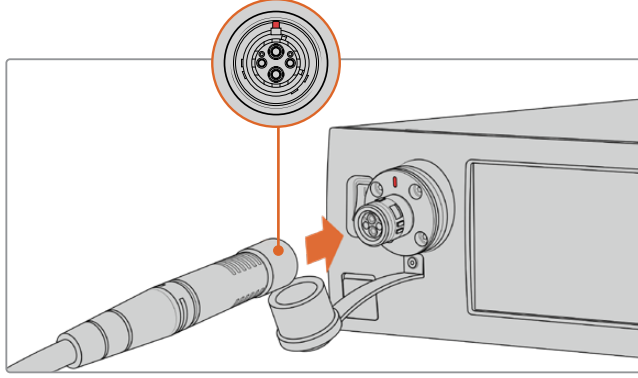
**NOT** Elektrik taşıyan bir hibrid fiber optik kablo, çeviriciye her takıldığında, kapsamlı güvenlik kontrolleri başlatılır ve ünitenin güç güvenliği de kullanım süresince sürekli olarak denetlenir.

### Fiber Kablonun Stüdyo Ünitesine Bağlanması

SMPTE fiber kablonun erkek ucu, Blackmagic Studio Fiber Converter'in ön panelindeki dişi fiber bağlantıya, güvenli bir şekilde kilitlenecektir. Bu, yayın esnasında kazayla bağlantının kesilmesini önleyecek güvenli bir kilittir.

#### Kabloyu bağlamak için:

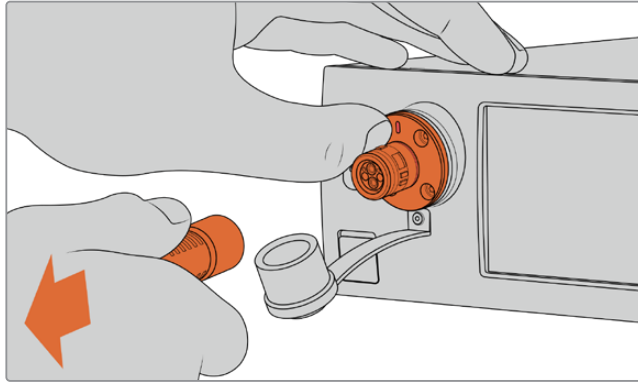
Kablo konektöründeki kırmızı işareti, ünitenin fiber bağlantısının üstündeki kırmızı nokta ile hizaya getirin ve yerine güvenli bir şekilde kilitlenene kadar, konektörü içeri itiniz.



SMPTE fiber kablonun erkek ucunu, Blackmagic Studio Fiber Converter'in ön tarafında bulunan dişi bağlantıya takın.

#### Kabloyu çıkarmak için:

Stüdyo ünitesinin fiber bağlantısındaki metal tabanı, ön panele doğru itin ve kablo konektörünü çıkarın.



Stüdyo ünitesinin fiber konektörünün metal tabanını, kablo bağlantısını serbest bırakması için, ön panele doğru itin ve kabloyu üniteden çıkarın.

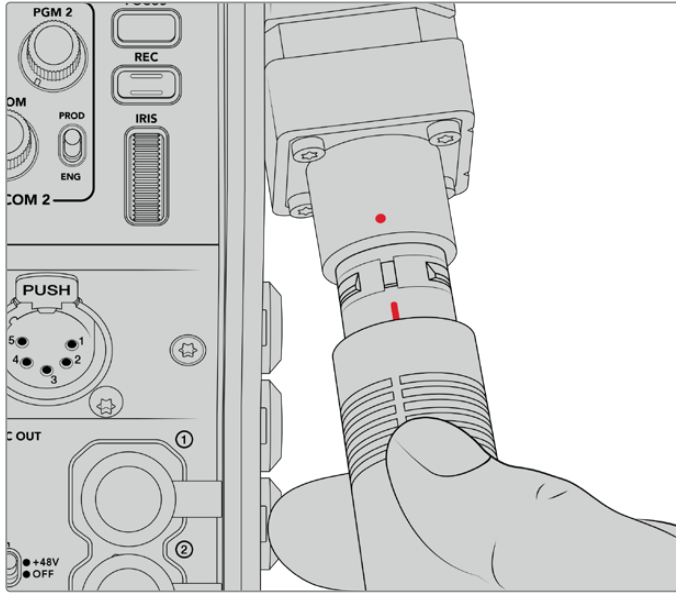
Takıldıktan sonra SMPTE fiber kablonun ucundan çıkan lastik kapağı, Blackmagic Studio Fiber Converter'den çıkan lastik kapağın içine takmak iyi fikirdir. Bu, kapaklara toz ve döküntülerin girmesini engelleyecek ve kapakların temiz kalmasını sağlayacaktır.

## Fiber kablonun Kamera Ünitesine Bağlanması

SMPTE fiber kablonun dışı ucu, Blackmagic Camera Fiber Converter'in yan tarafındaki erkek konektöre kilitleilir; böylece yayın esnasında kazayla kablonun çıkması engellenir.

### Kabloyu bağlamak için:

- 1 Her bir konektördeki kırmızı işareti, aynı hizaya getirin ve kablo bağlantısını, yerine güvenli bir şekilde kilitlene kadar kamera ünitesinin konektörü içine itin.
- 2 Takıldıktan sonra SMPTE fiber kablonun ucundan çıkan lastik kapağı, Blackmagic Camera Fiber Converter'den çıkan lastik kapağın içine takmak iyi fikirdir. Bu, kapaklara toz ve döküntülerin girmesini engelleyecek ve kapakların temiz kalmasını sağlayacaktır.

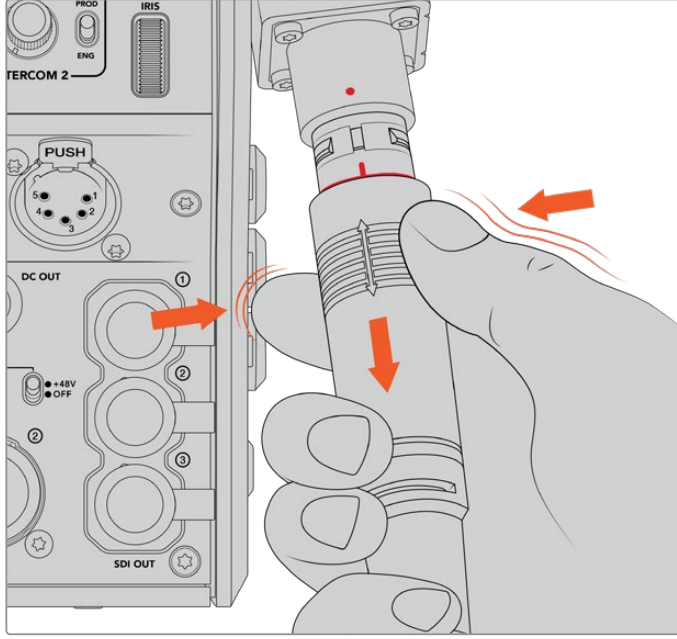


SMPTE Hibrid Fiber Optik kabloyu, Blackmagic Camera Fiber Converter'deki büyük konektöre bağlamak için, kırmızı işaretleri aynı hizaya getirin.

**Not** SMPTE 311 kablosundaki SMPTE 304 konektörler, çok dayanıklıdır ve kameraya sıkıca kilitlebilirler. Kabloyu çıkarmanız gerektiğinde, kameranın bir tripoda sıkıca bağlı olduğundan emin olun ya da kabloyu çıkarmaya çalışırken, diğer elinizle kamerayı sıkıca tutun.

### Kabloyu çıkarmak için:

- 1 Kablonun dışı ucunun üst kısmını sıkın ve kablonun etrafındaki lastik kılıfı sıkıştırıp, kılıfın altındaki kırmızı halkayı görene kadar, uç kısımdan kabloyu yavaşça çekiniz. Bu işlem, dişleri kilitleme mekanizmasından ayıracaktır.
- 2 Bir elinizi kameraya koyup hafifçe destekleyin ve Blackmagic Camera Fiber Converter'deki konektörden kabloyu çıkarın. Kablonun, fazla güç harcamadan kolaylıkla çıkması gerekir.



Kablonun etrafındaki lastik kılıfı, altındaki kırmızı halkayı görene kadar sıkın ve sonra kabloyu yavaşça çekerek çıkarın.

**NOT** SMPTE hibrid fiber kablo, yayın ekosisteminin can damarıdır. Bunun için, bakımına özen gösterilmesi çok önemlidir. Örneğin, kabloda kıvrımların olmasından kaçınin. Kablonun ağır eşyaların altında kalmamasına, her zaman dikkat edin ve 90 derece gibi açılarla bükmekten kaçınin. Konektörleri düşürmekten kaçınin ve özenle takıp çıkarmaya çalışın. Konektörler açığa çıkar çıkmaz, her zaman kapaklarını takın.

## Güç ve Fiberin Onaylanması

İki ünite şimdi, elektriğin güvenli olarak sağlandığı ve fiberin sağlam bir şekilde bağlandığını belirlemek için, bir handshake process (uyuşma protokolü) oluşturacaktır.

**Bu işlem, aşağıdaki adımları kapsayacaktır:**

- 1 Stüdyo ünitesi, kamera ünitesi ile bir düşük güç durumu (low power state) oluşturur. Bu durum, kamera ünitesinin kırmızı güç durum göstergesi ile gösterilir.
- 2 Elektriğin güvenli bir şekilde bağlandığı belirlendikten sonra, bir yüksek güç durumu oluşturulur ve kamera ünitesinin güç göstergesi, yeşil olarak yanacaktır.
- 3 Fiber bağlantı onaylanır ve fiber durum göstergesi, yeşil olarak yanacaktır.

Bu, genellikle çok hızlı olur ve göstergeler, neredeyse anında yeşil yanarlar. Daha uzun mesafelere uzanan bir kablo kullanıyorsanız handshake process işlemi, biraz daha uzun sürer ve gösterge biraz daha geç yeşil yanar.

Güç lambası uzun bir süre boyunca kırmızı kalır ve yeşile dönüşmezse veya kırmızı ve yeşil arasında gidip geliyorsa, fiber kablonun her iki ucunun, sıkıca bağlı olduğunu kontrol edin. Kesinti devam ederse fiber kablonun, durumunu kontrol edin.

## Güç Güvenliği Konusunda Dikkate Alınacak Hususlar

SMPT E hibrid fiber optik kablo, uzun mesafelere yüksek voltaj taşıyabilme kapasitesine sahiptir, bu sayede 2km kadar uzaklıktaki, kamera ve aksesuarları çalıştırabilirsiniz.

Güvenli bir şekilde çalıştırmak için, Blackmagic Studio Fiber Converter'inizde dahili olarak bir güvenlik mekanizması vardır ve bu da taşınan voltajın doğru denetimini ve otomatik yönetimini sağlamaktadır.

Özel bir mikro kontrolör ile birlikte, dahili handshaking ve Blackmagic fiber çeviriciler arasındaki iletişim özelliği, Camera Fiber Converter'e takılana kadar, hibrid fiber optik kablunun kapalı kalmasını sağlar. Daha sonra, düşük güç durumuna (low power state) geçer ve yüksek güç durumuna geçmeden önce, güvenlik kontrollerini tamamlar. Çeviriciler; bir optik sinyalin varlığından, merkez akım döngüsünde 5mA'lık bir sinyalinin olduğundan ve güç merkezleri arasında 30mA'dan daha az bir dengesizliğin olduğundan emin olmadan, yüksek voltajlar etkinleştirilmez.

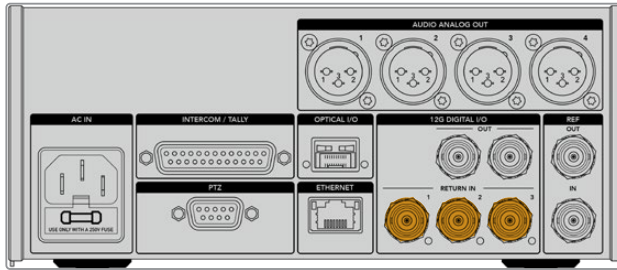
## Bir ATEM Switcher'e Bağlanma

**Blackmagic Studio Fiber Converter'in switcher'inize bağlanması:**

- 1 Blackmagic Studio Fiber Converter'in arka 12G-SDI çıkışından, switcher'inizin SDI girişlerinden birisine, bir BNC kablosu bağlayın. Kameranızın, switcher'le aynı format ve kare hızını kullanmak için ayarlı olduğundan emin olun.
- 2 Switcher'inizdeki program dönüş sinyal çıkışından, stüdyo ünitesinin arka panelindeki 'return in' (dönüş sinyal girişi) 1'e, bir adet BNC kablo bağlayın.

**BİLGİ** Canlı bir prodüksiyonda birden fazla kamera kullandığınızda, switcher'den program dönüş sinyalini, bir Teranex Mini SDI Distribution 12G ya da bir Smart Videohub üzerinden göndermeniz gerekebilir. Bunun sebebi ise, switcher üzerinde sabit sayıda program çıkışının olması ve muhtemelen daha çok sayıda çıkışa ihtiyacınız olabileceğidir.

- 3 Kameranıza bunun haricinde; temiz program dönüş sinyali, telepromptır sinyali, diğer bir kameradan ISO sinyali, grafikler veya başka bir sinyal göndermeniz gerektiğinde, bunları 'return in' 2 veya 3'e takın.



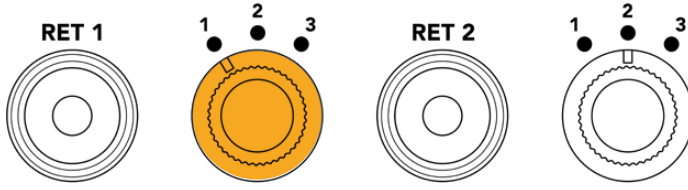
Switcher'den gelen program dönüş sinyali ve diğer kaynaklardan gelen dönüş sinyalini, stüdyo ünitesinin arka panelindeki 'return' (dönüş) girişlerine takın.

## Videonun Onaylanması

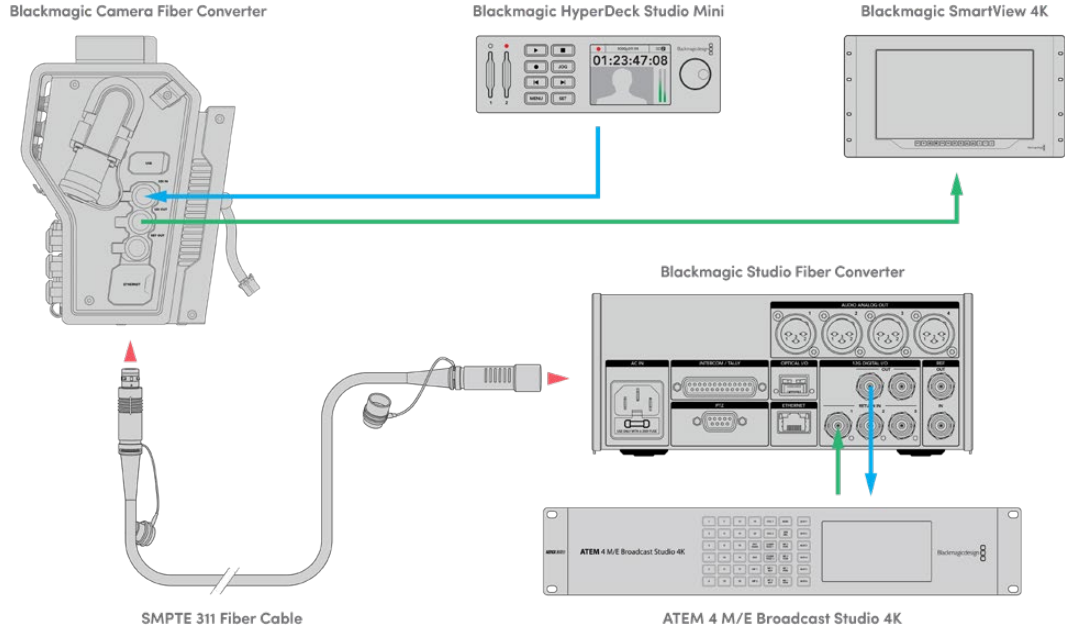
Şimdi, videonun çalıştığını ve tüm dönüş sinyallerini kontrol edebilirsiniz.

- 1 ATEM switcher'in program çıkışının, stüdyo ünitesinin 'SDI return 1' girişine takıldığından emin olunuz.
- 2 Tüm dönüş sinyallerini kontrol etmek istiyorsanız video kaynaklarını, SDI return 2 ve 3 girişlerine takın.
- 3 Şimdi, Blackmagic SmartView 4K gibi bir SDI ekranı, kamera ünitesinin yan panelindeki, 'SDI out' çıkışına takın.

SDI çıkışına bir ekran bağlı olarak, her üç dönüş sinyalinin birinden diğerine geçmek için, return butonunun yanındaki, ilgili seçim düğmesini döndürün. İsterseniz iki dönüş butonunu, iki farklı dönüş sinyalini izlemek üzere ayarlayabilirsiniz.



Kamera ünitesindeki dönüş sinyallerinin birinden diğerine geçin ve seçili sinyali bir ekranda görüntülemek için, ilgili return butonuna basın.



Videoyu doğrulamak için; stüdyo ünitesindeki video kaynaklarını, dönüş sinyal girişlerine takın ve sonra kamera ünitesine bağlı bir ekranda görüntüleyin.

## Bağlantılar Neden Önde?

Fiber bağlantısı, stüdyo ünitesinin ön tarafındadır; böylelikle bir rafın arka tarafında, optik patch bağlantısı olarak kullanılabilir. Genellikle, SMPTE kabloların üniteye doğrudan takılabilmesi için, stüdyo çeviricisi, rafın arkasına dönük şekilde kurulur. Böylelikle, ekstra rack bağlantı panellerine ve fiber üniteye, fazladan bir kısa kablo için maliyete gerek kalmaz. SMPTE fiber konektörün yanındaki büyük LCD, kamerayla iyi bir bağlantı olup olmadığını, çabucak teyit etmenizi sağlar.



## Kamera SDI'nin Takılması

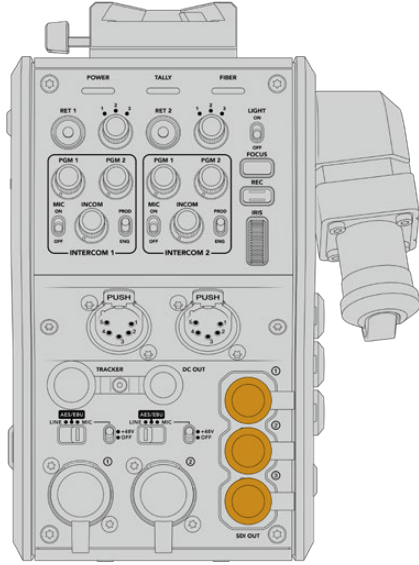
Blackmagic Camera Fiber Converter ile URSA Mini veya URSA Broadcast arasında video sinyallerinin bağlanması, dahil edilen üç SDI kablosundan ikisini, çeviricinin yan tarafından kameranızın arkasına bağlamak kadar basittir.

### Camera Fiber Converter'in kameranıza bağlanması

- 1 Dahil edilen BNC kablolarından birisini, URSA Mini veya URSA Broadcast kameranızın arka 12G-SDI çıkışından, Blackmagic Camera Fiber Converter'deki SDI girişine bağlayın.
- 2 Dahil edilen BNC kablolarından birisini, Blackmagic Camera Fiber Converter'deki SDI çıkışından, URSA Mini veya URSA Broadcast kameranızın arka panelindeki 12G-SDI girişine bağlayın.

## Dönüş SDI Çıkışlarının Takılması

Kamera ünitesinin önünde bulunan "SDI Out" olarak işaretli üç SDI çıkışı, switcher'den gelen dönüş sinyallerinin loop (döngü) çıkışlarıdır. Bunlar, teleprompter veya sunucu ekranı gibi, kameranın yakınındaki diğer SDI ekipmanlarına, dönüş sinyallerini bağlamanızı sağlar.



Üç dönüş sinyali loop çıkışı, kameranın yakınındaki bir teleprompter veya bir ekran gibi başka SDI ekipmanlara bağlanabilir.

**NOT** Dönüş sinyali SDI loop çıkışları, üç ayrı sinyale yeterince bant genişliğini sağlamak için, 3G-SDI'yi destekler. Bu sayede, switcher'den 2160p60'a kadar olan Ultra HD dönüş sinyalleri, aynı kare hızında, 1080p'ye aşağı dönüştürülür.

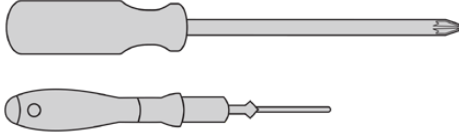
## Blackmagic Camera Fiber Converter'in Monte Edilmesi

Blackmagic Studio Fiber Converter, doğrudan URSA Mini veya URSA Broadcast'ın kamera gövdesi arkasına monte olur ve kameranızın arka SDI girişi ve SDI çıkışı, BNC konektörlerine bağlanır. Kameranızın arkasına bir batarya plakası yerleştirdiyse Blackmagic Camera Fiber Converter'i bağlamadan önce, onu çıkarmanız gerekecektir.

**NOT** Blackmagic Camera Fiber Converter'in yazılımını güncellemeden önce, URSA Mini'nin dahili yazılım sürümünün 4.4 veya üzeri olduğuna ve URSA Broadcast'ın sürümünün de 4.6 veya üzeri olduğuna dikkat edin. Yazılım sürümünü, kameranın 'kurulum' menüsünün 4. sayfasından öğrenebilirsiniz. Kameranızın bellenim güncellemesi hakkında daha fazla bilgi için, bu kılavuzun 'Blackmagic Camera Kurulum Yardımcı Yazılımı' bölümüne bakın.

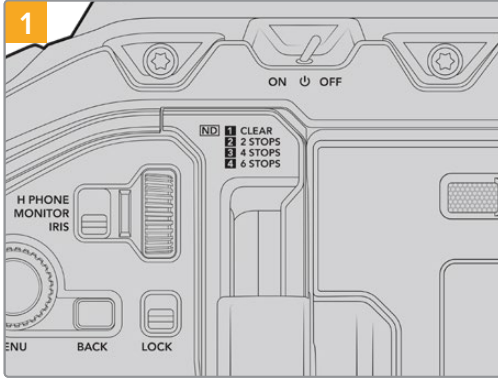
Blackmagic Camera Fiber Converter ünitesini bağlarken aşağıdaki aletlere ihtiyacınız olacaktır:

- 1 x yıldız tornavida
- 1 x 2.5mm Hex tornavida

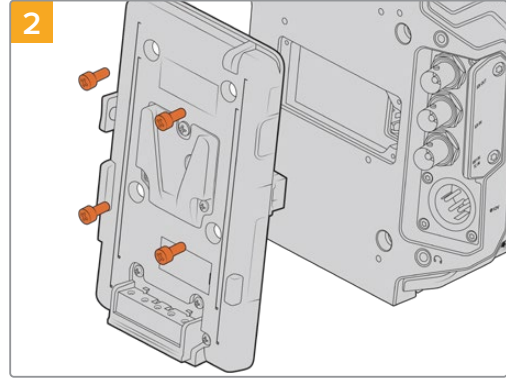


Blackmagic Camera Fiber Converter ünitesini, URSA Mini veya URSA Broadcast kameranıza bağlamak için, büyük bir yıldız tornavida ve bir 2.5mm Hex tornavida gereklidir.

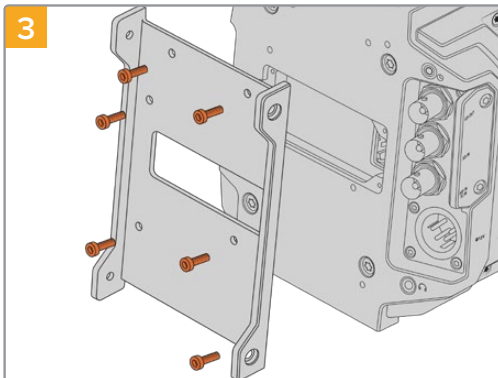
Blackmagic Camera Fiber Converter ünitesinin monte edilmesi ve bağlanması için:



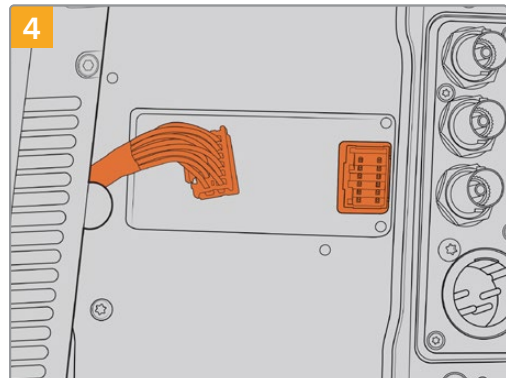
Kameranızın kapalı olduğundan emin olun. URSA Mini Pro veya URSA Broadcast kullanıyorsanız power düğmesini 'off' konumuna getirerek kapatın.



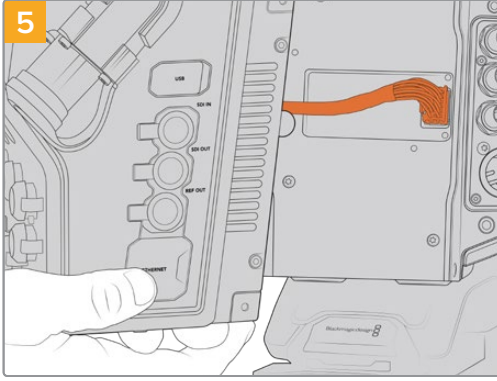
Bir yıldız tornavida kullanarak batarya plakasını veya bağlıysa molex power kapak plakasını çıkarın.



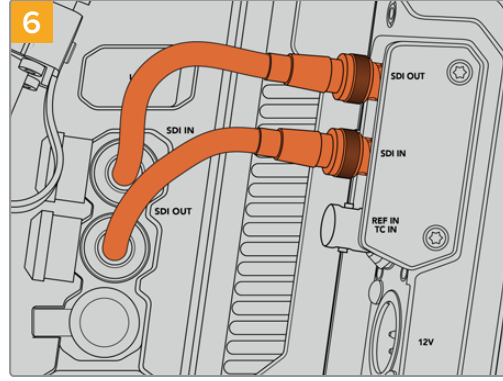
Blackmagic Camera Fiber Converter'in bağlantı parçasını, 6 adet 2.5mm Hex vidası ile takın.



Blackmagic Camera Fiber Converter ünitesindeki molex bağlantısını, kameranızın arka panelindeki molex prizine takın.



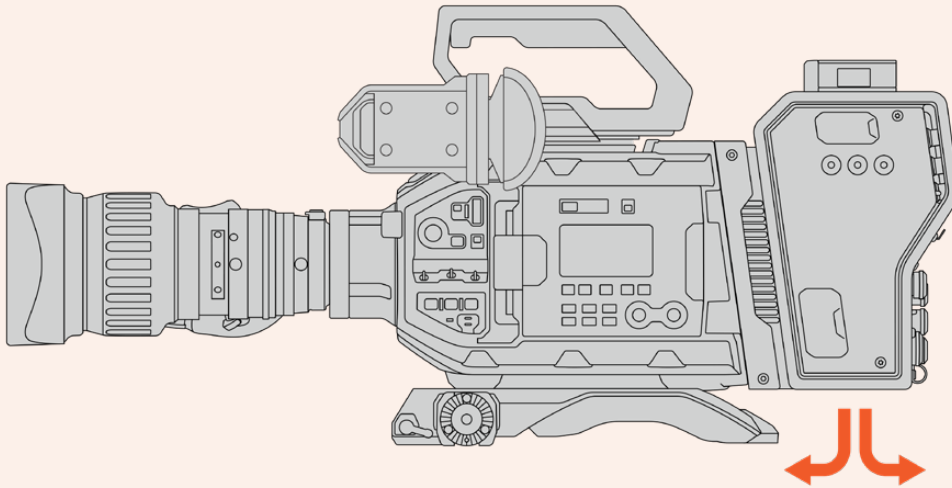
5  
Blackmagic Camera Fiber Converter'i, bağlantı parçasının üzerine kaydırın ve 2 adet 2.5mm Hex vidasını kullanarak, bağlantı parçasının her iki tarafından vidalayarak bağlayın.



6  
Kameranızın arkasındaki SDI çıkışı, Blackmagic Camera Fiber Converter'deki SDI girişine bağlamak için ve fiber çeviriciden SDI çıkışı, kameranızın arkasındaki SDI girişine bağlamak için, dahil edilen BNC kablolarını kullanın.

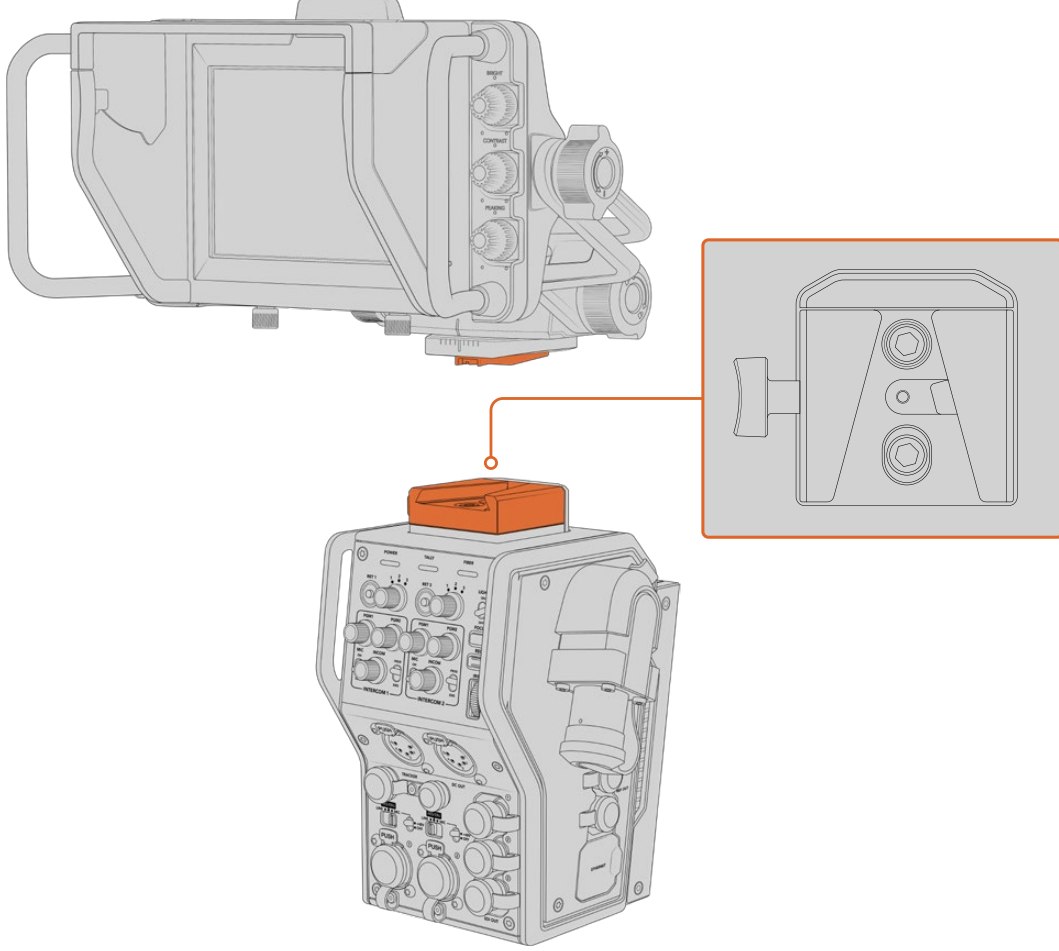
**NOT** Prodüksiyon için kurulumunuzu yaparken ve fiber üniteye bağlı bir URSA Mini veya URSA Broadcast kullanırken, yeterince havalandırma için, fiber ünitenin altında boşluk kalması önemlidir.

Kameranız genellikle bir tripod ile kullanılacağından ya da omuzda kullanılacağından, boşluk zaten sağlanmış olacaktır. Ancak, üniteyi düz bir zemine oturtulmuş bir şekilde çalıştırıyorsanız, o zaman URSA Mini omuzluğu ya da üçüncü parti bir taban plakası veya köprü plakası takmakta fayda vardır. Bu, Fiber Converter'in altındaki soğutma fanı hava akışının, sürekliliğini sağlayacaktır.



## URSA Studio Viewfinder'in Takılması

Ünitenin üzerinde takılı olan V-lock plaka, bir Blackmagic Studio Viewfinder bağlamanızı sağlar. Bu, kamera bir pedestal veya tripoda monte edildiğinde, URSA Studio Viewfinder'i göz hizasına konumlandırır.



Kamera ünitesinin üzerindeki V-Lock yuvası, Blackmagic URSA Studio Viewfinder'i monte etmenizi sağlar.

## Bir Talkback Headset (Mikrofonlu Yayın Kulaklığı) Takılması

Kamera ünitesinin önündeki iki adet 5 pim XLR konektöründen birisine, bir yayın kulaklığı takın. İki adet kulaklık bağlantısının olması, set ekibiyle iki kişinin, aynı anda irtibat kurabilmesini sağlar.

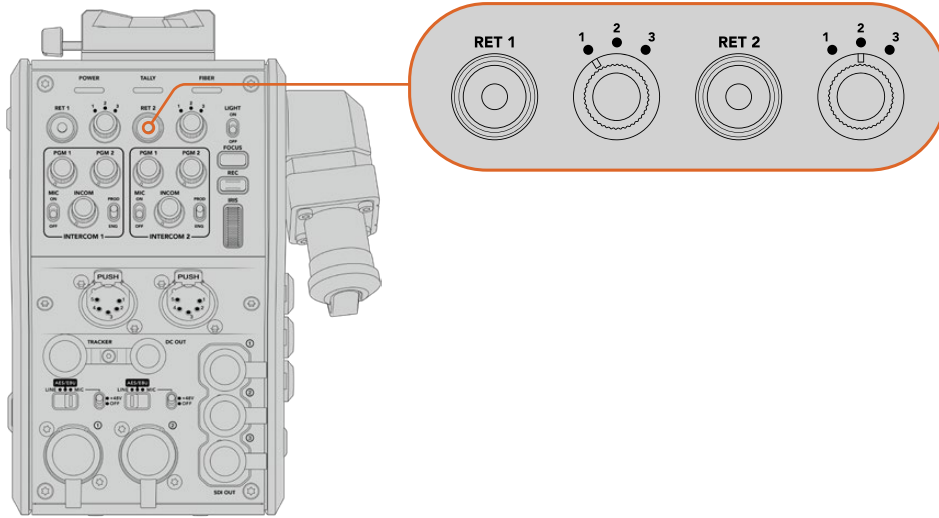
Kullanmaya başlamanız için yapmanız gerekenlerin hepsi, bu kadardır! Fiber çeviriciler çalıştırılmış, SMPTE fiber üzerinden video bağlanmış olarak canlı yapınızı, daha büyük esneklik ve randımanla oluşturmak için, çeviricileri kullanmaya başlayabilirsiniz. Blackmagic fiber çeviricilerinizin tüm özelliklerini nasıl kullanacağınız hakkında daha fazla bilgi için, lütfen bu kılavuzu okumaya devam ediniz.

# Camera Fiber Converter'in Kullanımı

## Bir Dönüş Sinyali Seçilmesi

LCD, Blackmagic URSA Studio Viewfinder ve HD izleme çıkışlarında, kamera görüntüsü ve program dönüş görüntüsü arasında sinyali değiştirmek için, ön panelde bulunan iki dönüş (return) butonu, tıpkı kameradaki PGM (program) butonu gibi kullanılabilir.

'Ret 1' ve 'ret 2' olarak işaretli bu iki dönüş butonu, seçilmiş iki dönüş sinyalinin birinden, diğerine geçirir. 'Ret 1' ve 'ret 2' butonlarının yanında bulunan 3 yollu döner şalterler, şalterin yanındaki ilgili düğmeye bastığınızda, görüntülemek istediğiniz dönüş sinyalini tahsis eder. Döner şalter üzerindeki konumlar, Studio Fiber Converter'in arkasındaki 'return in' 1,2 ve 3 SDI konektörleri ile ilgilidir.



Return düğmeleri ve 3 yollu döner şalterler, return düğmeleri basıldığında, hangi dönüş sinyalinin gösterilmesini seçmenizi sağlar.

Seçili program akışını izlemek için, return butonlarından birisini basılı tutun. Return butonu basılı haldeyken program akışı, görüntülenmeye devam edecektir. Görüntüyü dönüş sinyaline kilitlemek için, return butonuna iki kez basın. Return butonuna tekrar basılması, dönüş sinyali görüntüsünden çıkmanızı ve kamera görüntüsüne geri dönmenizi sağlayacaktır.

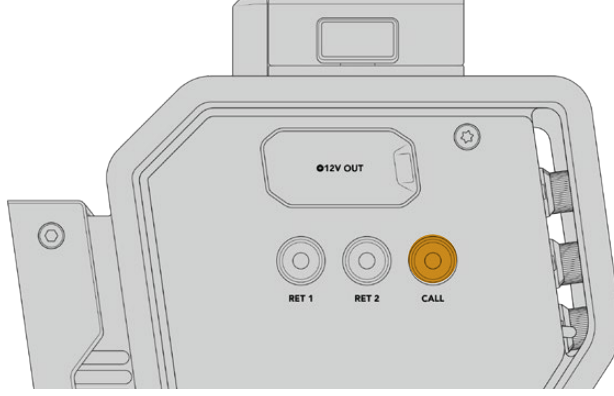
Böylelikle, Blackmagic Studio Fiber Converter'den gönderilen üç dönüş sinyalinden istediğiniz ikisini, iki return butonundan hızlı erişimle, hızlı ve kolay bir şekilde ayarlayabilirsiniz. Örneğin, bu üç dönüş sinyali; switcher'in grafiklerle tamamlanmış program çıkışı, bir teleprompter sinyali ve kameradan doğrudan bir sinyal olabilir.

Bu döner düğmeleri kullanarak; 'ret 1'i daimi program sinyaliniz olması için tahsis edebilir ve sonra 'ret 2' butonunu, telepromptıra ne gönderildiğini kontrol etmek için ve başka bir kameranın kadrajıyla veya açısıyla eşleştirmeniz gerektiğinde, o kameranın kadrajını araya kontrol etmek için değiştirebilirsiniz.

Ünitenin sol tarafında, kamerayı yandan kullanırken dönüş sinyallerinin görüntülenmesinde ilave erişim sağlayan 'ret 1' ve 'ret 2' olarak işaretlenmiş dönüş butonları da vardır. Onlar da ünitenin önündeki return butonlarının gördüğü aynı işlevleri görür.

## Arama Butonunun Kullanımı

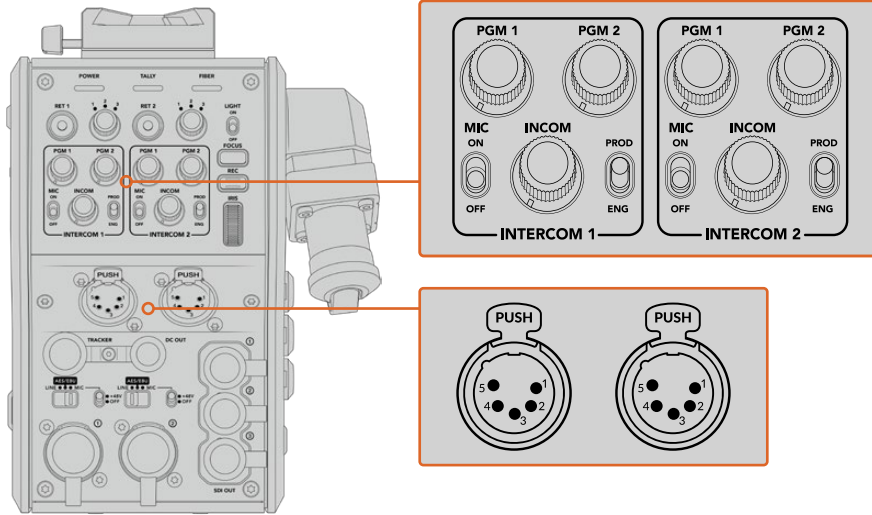
'Return' (dönüş) butonlarının yanında bir 'call' (arama) butonu bulunur ve basıldığında, Blackmagic Studio Fiber Converter'in LCD ekranındaki kırmızı tally göstergesinin yanıp sönmesini sağlar. Arama butonu ayrıca, ATEM Talkback Converter 4K'nın paneli üzerinde bulunan, numaralı bir 'bas konuş' (press to talk) butonunun kırmızı yanıp sönmesini sağlar. Bu görsel göstergelerin görevi, kontrol odasındaki kişilere, yardıma ihtiyacınız olduğuna dair işaret etmektir.



## Talkback'in kullanımı

İki adet dişi 5 pim XLR bağlantısı, iki adet yayın kulaklığı kullanmanızı sağlar böylelikle, siz ve başka bir ekip üyesi, diğer ekip üyeleri ile aynı anda iletişim kurabilir.

Her bir yayın kulaklığı için interkom kontrolleri, iki bağımsız gruba ayrılmıştır ve hemen altında bulunan kulaklık XLR bağlantısı için, aynı zamanda üç yollu bir ses mikseridir.



Her bir yayın kulaklığı için interkom kontrolleri, bağlantı noktalarının hemen üst tarafındadır.

Bağlı olan bir kulaklıktan, 'ret 1' ve 'ret 2' için seçtiğiniz sinyallerden gelen sesi duyarsınız. Bu sinyallerin ses seviyesini, 'pgm 1' ve 'pgm 2' düğmelerini kullanarak ve genel ses seviyesini de 'incom' düğmesini kullanarak yapabilirsiniz. 'Mic' şalteri, operatörün, kulaklık mikrofonunu açık (on) kapatmasını (off) sağlar.

Ayrıca, her interkomda 2 adet seçilebilir kanal vardır. Bunlar yapım (production) ve teknik (engineering) kanallardır. Böylelikle, büyük bir ekibi olan yayın kuruluşları için, ekip iletişimlerini iki kanal arasında bölebilirsiniz. Yapım kanalı, kontrol odasındaki veya yayın aracındaki yönetmen, yapımcı ve diğer ekip bireyleriyle iletişim kurmanıza olanak sağlarken, teknik kanal ise; ışıklandırma ekibi, teknik operatörler ve diğer kamera operatörleriyle iletişim kurmanıza olanak verir. Blackmagic Studio Fiber Converter'inizin menüsündeki 'talkback' sayfasını kullanarak, Studio Fiber Converter'inizdeki her bir kanalın kaynağını 'SDI + DB25' veya 'intercom tally DB-25' olarak seçebilirsiniz. Daha fazla bilgi için 'Studio Fiber Converter'in kullanımı' bölümüne bakınız.

Blackmagic Camera Fiber Converter ayrıca, takipçiyle iletişim (tracker talkback) için, standart bir 10 pim bağlantı içerir. Bu, her iki kulaklık bağlantısı dolu olduğunda ve vinç operatörüne ilave bir talkback bağlantısı göndermeniz gerektiği durumlarda mükemmeldir.

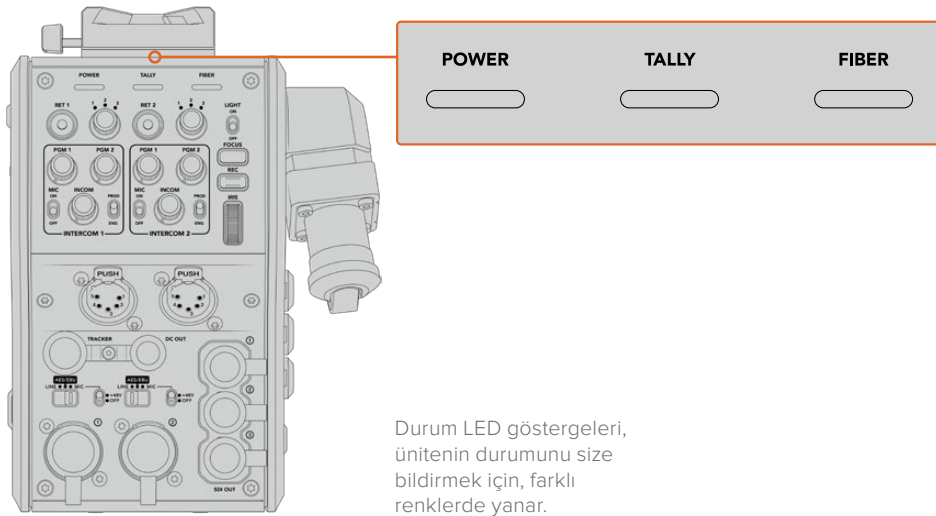
**BİLGİ** Yoğun yayın ve stüdyo yapımlarında, kamera operatörleri ve yapım ile teknik ekip arasında, etkili iki yönlü iletişimin olması çok önemlidir. Blackmagic Camera Fiber Converter'in bir 'arama butonu vardır. Operatörler bu buton ile, yapım ve teknik ekipleri uyarabilir ve interkom kulaklıkları üzerinden onlarla konuşabilirler. Bu butonun basılması, ATEM Talkback Converter 4K üzerinde numaralı bir 'bas konuş' (press to talk) butonunu yakıp söndürür ve Blackmagic Studio Fiber Converter'in LCD ekranı üzerindeki tally göstergesinin de yanıp sönmelerini sağlar. Aynı şekilde, bir kontrol odasında veya yayın aracında bulunan ekibin bir kamera operatörüyle acilen konuşma ihtiyacı olduğunda, ATEM Camera Control panelinde, o kamera için olan 'arama' (call) butonuna basabilirler. Bu işlem, Camera Fiber Converter'deki tally lambasıyla birlikte, kamerada takılı URSA Viewfinder ya da URSA Studio Viewfinder üzerindeki tally lambasının da yanıp sönmelerini sağlar.

## Tally Kullanımı

Ön panelde bulunan tally göstergesi; yayındayken (on air) kırmızı ve ön izleme (preview) için yeşil yanarak, klasik bir tally göstergesi sağlar; böylelikle, kullandığınız kamera yayında olduğunda bilirsiniz.

## Durum Göstergeleri

Çeviricinin üst tarafındaki 'power', 'tally' ve 'fiber' durum LED göstergeleri, ünitenin durumuna bağlı olarak farklı renklerde yanar. Fiber kablo çıkarıldığında, hiç bir ışık yanmaz.





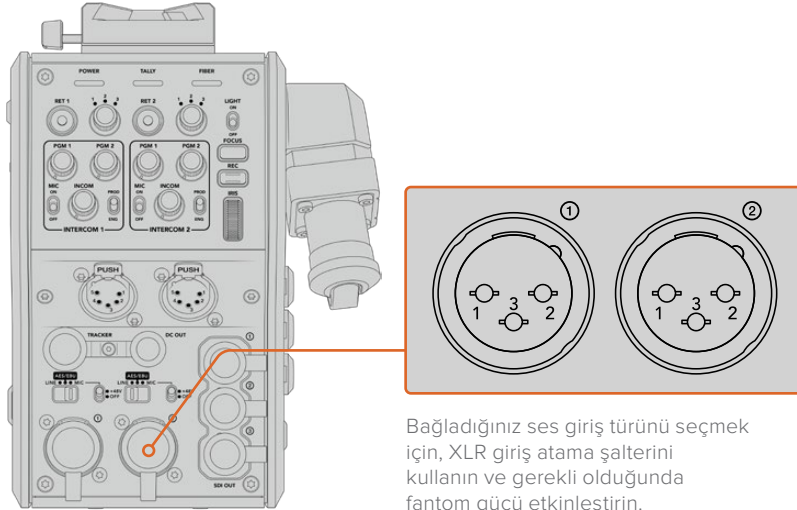
Her bir LED rengi, LED hareketi ve durumu için açıklamalar aşağıdadır.

<b>Power (Güç/Elektrik)</b>	<b>Sürekli Kırmızı</b>	SMPTe hibrid fiber optik kablo, prize takılı bir Blackmagic Studio Fiber Converter'e bağlı olduğunda ve kablunun diğer ucu Blackmagic Camera Fiber Converter'e bağlandığında, bu çeviricinin üzerindeki güç LED lambası, elektrik aldığını ve düşük güç durumunda (low power state) olduğunu göstermek için, kırmızıya döner. Bu düşük güç durumunda, interkom işlevselliği devrededir fakat, üniteyi çalıştırmak için gerekli olan tam güç, henüz etkinleştirilmemiştir. Eğer güç LED lambası, uzun bir süre kırmızı olarak kalırsa ve yeşile dönüşmezse, SMPTe hibrid fiber optik kablunun her iki ucunun sıkıca bağlı olduğunu kontrol edin. Bağlantı tutarsız olmaya devam ederse, fiber kablununuzun durumunu kontrol edin.
	<b>Sürekli Yeşil</b>	Başarılı bir fiber bağlantı kurulduktan ve Blackmagic Studio Fiber Converter kablo bağlantısının güvenli olduğunu belirdikten sonra, güç LED lambası yeşile döner ve kamera çevirici ünitesi, yüksek güç durumuna (high power mode) girecektir.
	<b>Kırışan Kırmızı ve Yeşil</b>	Güç LED lambası, kırmızı ve yeşil arasında kırışıyor ise SMPTe hibrid fiber optik kablunun her iki ucunun sıkıca bağlı olduğunu kontrol edin. Bağlantı tutarsız olmaya devam ederse fiber kablununuzun durumunu kontrol edin.
<b>Tally</b>	<b>Sürekli Kırmızı</b>	Tally LED gösterge ışığı, kullandığınız kameranın yayında olduğunu göstermek için, kırmızı yanar.
	<b>Sürekli Yeşil</b>	Tally LED gösterge ışığı, kullandığınız kameranın ön izlemeye olduğunu göstermek için, yeşil yanar.
<b>Fiber</b>	<b>Sürekli Kırmızı</b>	SMPTe hibrid fiber optik kablo, kamera fiber çevirici ünitesine bağlandığı zaman, handshake işleminin başladığını ve çeviricinin düşük güç durumunda (low power state) olduğunu göstermek için, fiber LED gösterge lambası kırmızıya döner. Bu durumda, kurulumda veya fiber bağlantının koptuğu durumlarda, kamera donanım arızası giderilirken kullanılması için, interkom işlevselliği aktif haldedir.
	<b>Sürekli Yeşil</b>	Başarılı bir SMPTe hibrid fiber optik kablo bağlantısı kurulduğunda, fiber LED gösterge lambası yeşil yanacaktır.

Hem güç hem de fiber lambaları yeşil olarak yanması, güvenlik denetimlerinin tamamlandığını ve çeviricilerin yüksek güç durumuna (high power mode) girdiğini gösterir.

## Ses Girişleri (Audio Inputs)

Blackmagic Camera Fiber Converter ünitenizin; ses mikserleri, PA sistemleri veya harici mikrofon gibi profesyonel cihazlardan, harici analog sesin bağlanması için, '1' ve '2' olarak işaretlenmiş, iki XLR girişi vardır.

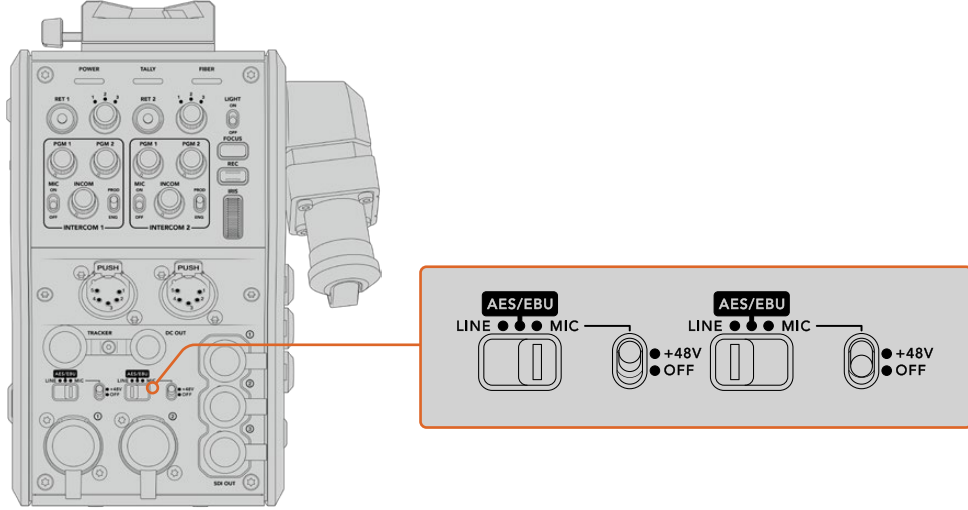


Bağladığınız ses giriş türünü seçmek için, XLR giriş atama şalterini kullanın ve gerekli olduğunda fantom gücü etkinleştirin.



Kamera sesi, kamera sinyalinin 1. ve 2. kanallarına gömülüdür ve kamera fiber çevirici ünitesinin arkasında bulunan iki ses girişi, kanal 3 ve 4 olarak gömülür. 4 ses kanalının hepsi, diğer uçtaki stüdyo fiber çevirici ünitesinde, analog ses çıkışlarına dönüştürülür.

Blackmagic Studio Fiber Converter'inizin 'audio' (ses) sayfası, Blackmagic Camera Fiber Converter'inizin üzerindeki XLR girişlerine bağlı ses kaynaklarının giriş seviyelerini düzenlemenizi sağlar. Daha fazla bilgi için 'Studio Fiber Converter'in kullanımı' bölümüne bakınız. Bağlandıktan sonra, XLR girişleri giriş kaynağı olarak seçildiklerinde, istediğiniz gibi çalışmalarını ayarlamak için, XLR girişi atama anahtarını kullanın. Mevcut olan opsiyonlar; mikrofon ses, hat seviyesi ses ve AES dijital ses'tir.



Fantom gücü gerektiren mikrofonları kullanmak için, 48V fantom gücü aktif hale getirebilirsiniz. Altta XLR girişine bağlı herhangi bir mikrofonu fantom gücü sağlamak için, fantom güç şalterini '+48V' konumuna getirin veya fantom gücü etkisiz hale getirmek için, şalteri 'off' konumuna getirin.

## IP Video

Bağlı bir SMPTE Fiber kablosu; Blackmagic Camera Fiber Converter ve Blackmagic Studio Fiber Converter arasında, 10-Gbit IP bağlantısı sağlar. Bu; üst düzey ve görsel açıdan kayıpsız, yayın kalitesinde 10-bit video kodlama ve kod çözme özelliklerini kullanarak, tüm video ve dönüş sinyallerinizin IP video bazlı olmasını mümkün kılar. İnanılmaz derecede güvenilir performans elde etmeniz için; talkback, tally, kamera kontrol ve objektif kontrolü gibi tüm diğer bağlantılar da düşük gecikmeli IP sinyallerine dönüştürülür.

## Güç Özellikleri

Blackmagic Studio Fiber Converter; Blackmagic Camera Fiber Converter, kameranız ve aksesuarları için elektrik temin eder. Kameranızı, Blackmagic Camera Fiber Converter çeviricisinden çalıştırmak için moxle bağlantısını, kameranızın arka panelindeki moxle prizine takın.

Kameranızı, yayın aracından 2.1km'den daha uzak bir mevkide kurmanız gerekirse ve kamera ile çeviricinize uzun kablodan yeterli elektrik gitmiyorsa, kameranın 4 pim XLR güç kaynağını, URSA Mini veya URSA Broadcast'daki +12V girişine takarak kamera ve çeviriciyi yerel olarak çalıştırabilirsiniz. Blackmagic Camera Fiber Converter ünitesine, moxle bağlantısından elektrik gönderilecektir.

'+12V out' (+12V çıkış) bağlantısı, bazen 'D-tap' veya 'P-tap' olarak anılır ve harici ekran, büyük box merceği gibi aksesuarları, 500 MiliAmper'e kadar 12V DC düşük gerilimle çalıştırmanızı sağlar.

'DC out' (DC çıkışı) bağlantısı, harici ekran gibi aksesuarların çalıştırılması için ilave bir seçenek sağlar. DC çıkış bağlantısı için bir kablo işlev şeması, aşağıda sunulmuştur.

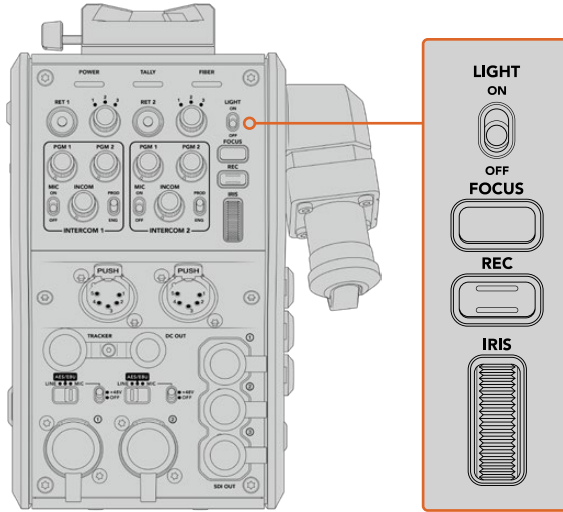
### DC çıkış bağlantısı Kablo İşlev Şeması,

Dış görünüş	Pim numarası	Sinyal türü	I/O (Giriş/Çıkış)	Özellikler
 DC çıkış Bağlantısı	1	Düzensiz topraklama	–	Düzensiz çıkış için topraklama
	2	NC	–	Bağlantı yok
	3	NC	–	Bağlantı yok
	4	Düzensiz Çıkış	Çıkış	500 mA'ya kadar 12V DC düşük gerilim.

## İlave Kamera Kontrolleri

URSA Mini veya URSA Broadcast, bir stüdyo kamerası olarak kullanılırken, uyumlu lensleri kameranın arkasından kontrol edebilmek için, iris ve odaklama kontrolü de dahil olmak üzere, fiber çeviriciye kamera kontrolleri ekledik. Bu, lensi uzaktan kontrol eden bir operatör olmadığı zamanlarda faydalıdır.

Bir stüdyo kamera olarak URSA Mini ve URSA Broadcast yine de dahili kayıt yapabilirler yani, record (kayıt) düğmesi, kamerada dahili kaydı tetikleyecektir.



### İşık

İşlem panelini aydınlatmak için arka ışığı açar böylelikle, karanlık bir ortamda çalışırken tüm kontrolleriniz kolaylıkla görülebilir.

### Odaklama

Autofocus özelliğine uyumlu bir lens kullandığınızda, 'focus' olarak işaretli düğmeye basılması, otomatik odaklamayı tetikler.

### Kaydetme

"Rec" olarak işaretli düğmeye basılması, kaydı tetikleyecek ve tekrar basıldığında, kaydı durduracaktır.

### İris

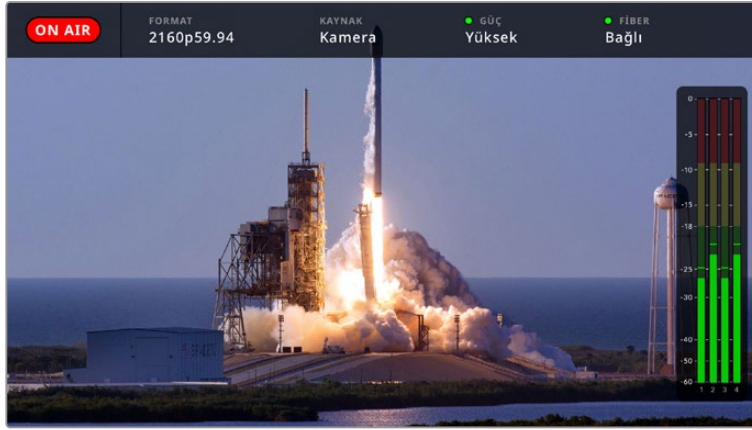
Kameradan kontrole imkan veren uyumlu bir aktif lens kullanıyorsanız, 'iris' tekerini çevirerek, irisi açıp kapatabilirsiniz. İrisi açmak veya kapatmak için, tekeri yukarı veya aşağı döndürün.

# Studio Fiber Converter'in Kullanımı

## LCD Kaynağının Seçilmesi

Çalıştırıldığında, Blackmagic Studio Fiber Converter'in büyük LCD ekranı, kameranızdan gelen sinyali gösterecektir. Ana merkez ünitesi olarak Studio Fiber Converter, switcher'den program dönüş sinyalini ve tüm dönüş sinyal kaynaklarını alır ve onları SMPTE fiber kablo üzerinden Blackmagic Camera Fiber Converter'e gönderir.

Dahili LCD ekranı, kamera sinyalini ve dönüş sinyal girişlerine bağlı her bir kaynağı izlemenize yarar. Üzerinde durum bilgileri ve ses göstergeleri bulunan, denetim merkezi tarzı bir ekran sunar.



Sinyaller arasında geçiş yaparken katmanlar, izlediğiniz kaynağın ismini ve formatını teyit etmenize olanak verir.

### On Air (Yayında)

Bağlı olan kamera program sinyalinde kullanıldığı durumlarda, kırmızı 'on air' (yayında) ikonu görüntülenir ve yayında olmadığı durumlarda da görüntülenmez.

### Format

Mevcut kaynağın çözünürlüğünü ve kare hızını görüntüler.

### Kaynak

Mevcut kaynak ismini görüntüler.

### Power (Güç)

Mevcut güç durumunu görüntüler. Bağlantı boyunca kırmızı bir durum lambası ile 'low' (düşük) ibaresi görüntülenerek düşük güç durumunu gösterir ve ünite yüksek güç moduna girdikten sonra, yeşil bir durum lambası ile 'high' (yüksek) ibaresi görüntülenir. Daha fazla bilgi için, 'Camera Fiber Converter'in Kullanımı' bölümündeki 'durum göstergeleri' kısmına bakınız.

### Fiber

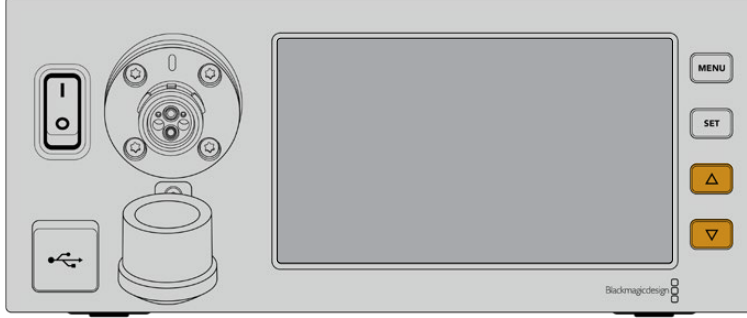
Mevcut fiber durumunu görüntüler. İlk bağlantı sürecinde kırmızı bir durum lambasıyla 'connecting' (bağlanıyor) ibaresi belirecektir ve başarılı bir SMPTE hibrid fiber optik kablo bağlantısı kurulduğunda da yeşil bir durum lambasıyla 'connected' (bağlandı) ibaresi görüntülenecektir. Daha fazla bilgi için, 'Camera Fiber Converter'in Kullanımı' bölümündeki 'durum göstergeleri' kısmına bakınız.

### Ses Göstergeleri

Pik ses göstergeleri, kamera sinyalinin 1. ve 2. kanallarına gömülü olan kamera sesini kullanırken, ses seviyelerini gösterir. 3 ve 4 numaralı kanallar, Blackmagic Camera Fiber Converter'inizin arkasındaki iki adet XLR girişine bağlı olan ses kaynaklarına karşılık gelir. Gösterge, dBFS birimleri olarak kalibre edilmiştir ve ekranda kısa bir süre görünen, pik tutma göstergeleri özelliğini içerir, böylece ulaşılan azami ses seviyelerini açıkça görebilirsiniz.

## Menünün Kullanılması

Yukarı ve aşağı ok butonlarının basılması, dört olası kaynak olan 'kamera', 'dönüş 1', 'dönüş 2', ve 'dönüş 3' arasında ilerler. Menü sistemine girmek için 'menü' butonuna basın ve ayarlarınızı değiştirin. Ok butonları daha sonra çeşitli menü ekranları ve her bir ekrandaki seçenekler arasında gezinmek için kullanılabilirken, 'set' butonu da seçiminizi doğrular. Menüdeki ayarlar; 'ses', 'talkback' ve 'ayarlar' sayfaları arasında bölünmüştür.

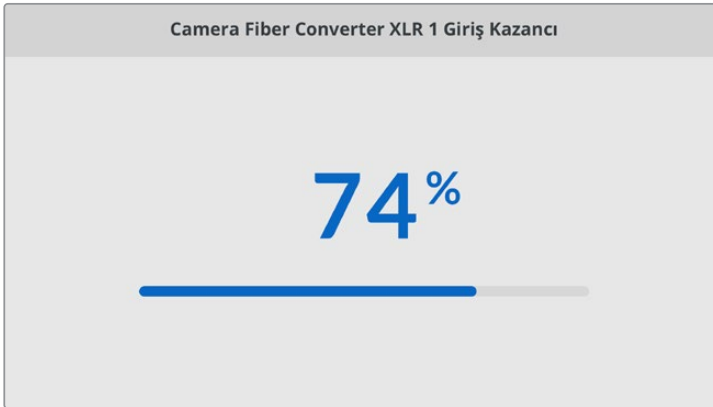


Dört olası kaynak arasında kaydırarak gezinmek ve menü kapsamında hareket etmek için, yukarı ve aşağı ok butonlarına basın.

### Audio (Ses)

'Audio' (ses) sayfası, Blackmagic Camera Fiber Converter'inizin üzerindeki XLR girişlerine bağlı olan ses kaynaklarının, giriş seviyelerini düzenlemenizi sağlar.

Ses	
Camera Fiber Converter XLR 1 Giriş Kazancı	%50
Camera Fiber Converter XLR 2 Giriş Kazancı	%50
Çıkış Kanalı 1 ve 2	Embedded 1 and 2
Çıkış Kanalı 3 ve 4	XLR 1 and 2



Her bir XLR girişinin giriş seviyesini düzeltmek için ok butonlarını ve seviyeyi ayarlamak için de 'set' butonunu kullanın.

Camera Fiber Converter'den hangi ses kanallarının, gömülü SDI ve XLR çıkışlarına eşleştirileceğini yapılandırabilirsiniz. URSA Mini veya URSA Broadcast'tan alınan gömülü ses kanalları, varsayılan ayar olarak kanal 1 ve 2'dedir. Camera Fiber Converter'e takılan hat

veya mikrofon XLR girişleri varsayılan ayar olarak 3. ve 4. kanallara eşleştirilir. Bu eşlemeleri varsayılan ayarlarından değiştirmek için çıkış kanal ayarlarını düzenleyebilirsiniz. Camera Fiber Converter'deki XLR girişlerin herhangi biri AES olarak ayarlıysa bu durum, gömülü SDI çıkışınızdan gönderilen kanal 5 ve 6'yı da kapsamak üzere, kanal eşleme seçeneklerinizi genişletir.

Çıkış Kanalı 1 ve 2	
Gömülü 1 ve 2	✓
XLR 1	
AES 3 ve 4	

Kameradan gelen gömülü XLR kanalların çıkış kanalları 1 ve 2 ile eşleştirilmesi

### Talkback

Yapım ve teknik kanallar için program ses kaynağını ve talkback kaynağını seçmek için 'talkback' menüsünü kullanın. Studio Fiber Converter cihazınızdaki talkback kaynağını 'SDI + DB25' veya 'intercom tally DB25' olarak ayarlayın.

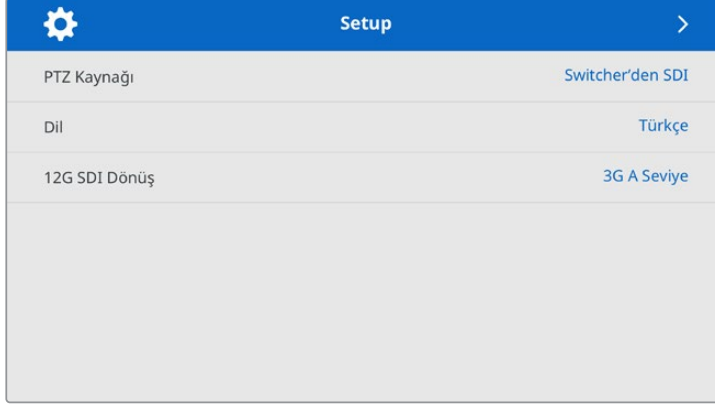
Kulaklıkların direnç seviyelerini telafi etmek üzere, her bir interkom kulaklığının 'kulaklık kazancı' ve 'kulaklık mikrofonu kazancı' seviyelerini de düzenleyebilirsiniz. 'Fantom güç' ayarları, ilgili kulaklığa gönderilen fantom gücü etkinleştirmenize olanak verir. Kamera operatörlerinin, kulaklıklarında kendi seslerini net ve rahat bir seviyede duyabilmelerini sağlamak üzere 'kulaklık mikrofon seviyesi' ayarlarını düzenleyin.

Talkback	
Program Ses Kaynağı	SDI Kanalları 1 ve 2
Yapım Kanalı Kaynağı	SDI + DB25
Teknik Kanal Kaynağı	İnterkom Tally DB25
İnterkom 1	
Kulaklık Kazancı	%50
Kulaklık Mikrofon Kazancı	%50
Kulaklık Mikrofonu için Fantom Güç	On
Kulaklık Mikrofon Sesinin Seviyesi	%50
İnterkom 2	
Kulaklık Kazancı	%50
Kulaklık Mikrofon Kazancı	%50
Kulaklık Mikrofonu için Fantom Güç	On
Kulaklık Mikrofon Sesinin Seviyesi	%50

XLR girişlerine herhangi bir şeyin bağlı olmaması durumunda, interkom bölümü gri görünecektir ve bağlantı esnasında 'connecting' (bağlanıyor) ibaresi görüntülenecektir.

## Kurulum

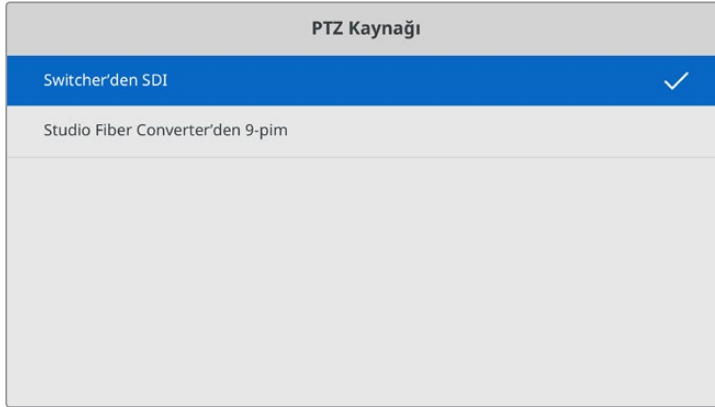
'Setup' (kurulum) menüsü; PTZ kaynağını yapılandırmanızı, menülerden dil seçimi yapmanızı ve SDI seviye dönüş sinyalinin türünü seçmenizi mümkün kılar.



PTZ kaynak ayarını kullanarak, PTZ komutlarının kaynağını seçin. 'SDI' veya '9-pim' arasından seçim yapabilirsiniz. Bunlar, Blackmagic Studio Fiber Converter'in arka kısmındaki 'return in' SDI girişlerine ve PTZ için DE-9 konektörüne tekabül eder.

Bu; bir PTZ kameranın pan, tilt ve zum fonksiyonlarını bir ATEM switcher'inde kontrol edebileceğiniz ve bu PTZ komutlarını SDI üzerinden Studio Fiber Converter'e gönderebileceğiniz anlamına gelir. Bu komutlar, SMPTE fiber kablo üzerinden Blackmagic Camera Fiber Converter'inize gönderilir ve buradan, motorlu bir PTZ kafasına bağlantı için DE-9 seri konektör üzerinden ayrıştırılır ve çıkışı sağlanır.

Kamera ucunda uzaktan kumandalı bir kafayı kontrol etmek için, DE-9 konektörü üzerinden Blackmagic Studio Fiber Converter'e bir PTZ kontrolör de bağlayabilirsiniz.



Ayarlar menüsü sayfası, PTZ komutlarının kaynağı için 'SDI' veya '9-pim' seçeneklerini sunar.

Dil	
English	
中文	
日本語	
한국어	
Español	
Deutsch	
Français	
Русский	
Italiano	
Português	
Türkçe	✓

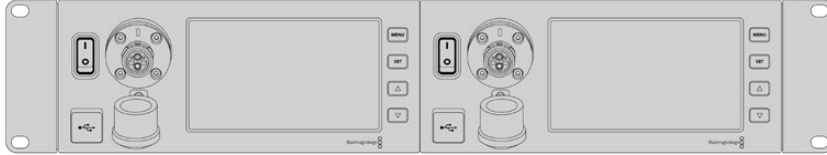
'Dil' ayarı, menüler için tercih edilen dili düzenler. Studio Fiber Converter 11 popüler dili destekler: İngilizce, Çince, Japonca, Korece, İspanyolca, Almanca, Fransızca, Rusça, İtalyanca, Portekizce ve Türkçe. Dil sayfası ayrıca, ilk kurulumda ve dahili yazılımı güncelledikten sonra da belirir.

'12G SDI dönüş' seçeneği, 12G program dönüş sinyallerinin 3G Seviye A ya da 3G Seviye B olarak dönüştürülmesini ayarlar. Studio Fiber Converter'de dönüş girişlerine gönderilen tüm 12G sinyaller, Camera Fiber Converter'e iletilme aşamasında aşağı dönüştürülür.

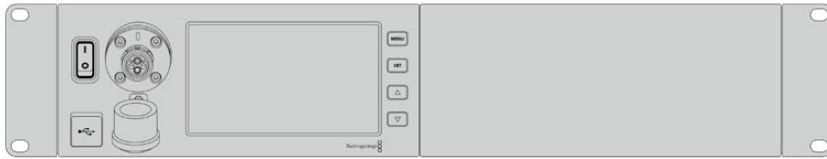
## Stüdyo Ünitesinin Rafa Monte Edilmesi

Birden fazla Blackmagic Studio Fiber Converter çalıştırıyorsanız çeviricilerinizi bir yayın rafına veya bir taşıma kasasına (road case) monte etmek için, bir Blackmagic Studio Fiber Rack Kit kullanabilirsiniz. Rack Kit'i kullanarak, iki üniteyi yanyana veya rafın bir tarafına monte edebilirsiniz. Tek bir ünite monte etmek istediğinizde, rafın boş tarafını kapatmanız için Studio Fiber Rack Kit ile beraber, bir kapatma paneli gelir.

Studio Fiber Converter üniteniz, iki raf birimi yüksekliğinde ve standart bir rack rafının yarı genişliğindedir, böylelikle iki Studio Fiber Converter ünitesini, yanyana bir 2RU rack boşluğuna sığdırabilirsiniz.

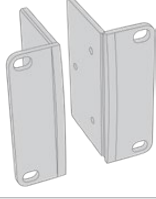


Yanyana monte edilmiş Blackmagic Studio Fiber Converter cihazları.



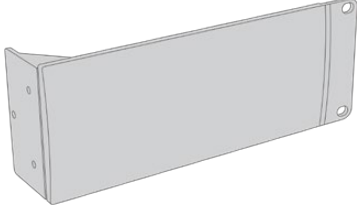
Rack Kit'ine dahil olarak gelen kapatma paneli, istenildiğinde rafın boş kısmını kapatmak için kullanılabilir.

## Blackmagic Studio Fiber Rack Kit aşağıdaki parçaları içerir:



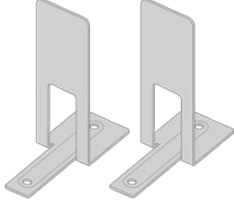
### 2 x Raf monte kulağı (rack ears)

Blackmagic Studio Fiber Converter'i bir rafa monte edebilmek için, raf kulaklarını cihazın dış kenarlarına takınız.



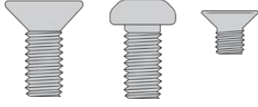
### 1 x yarı raf eninde kapatma paneli

Tek bir ünite takıyorsanız rafın boş kısmını kapatmanız için, kapatma panelinin bir tarafında bağlantı çıkıntısı vardır. Resim, bağlantı çıkıntısını sağdayken göstermektedir. Diğer tarafa monte etmek için, sadece paneli 180 derece çeviriniz.



### 2 x destek bağlantısı

T şeklindeki destek bağlantıları, destek sağlamak için iki stüdyo fiber ünitesinin altına, ön ve arkada birleştikleri yerde bağlanır.



### Cıvatalar

8 x M4 10mm

4 x M4 8mm

5 x M3 5mm

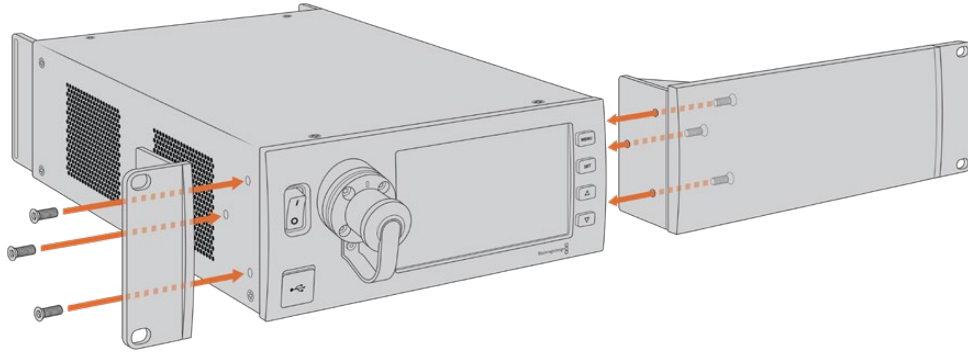
Raf kulağı  
cıvataları

Kapatma paneli  
cıvataları

Destek bağlantı  
cıvataları

## Blackmagic Studio Fiber Converter'in bir rafa monte edilmesi için hazırlanması:

- 1 Ünitenin, rafın sağında veya solunda olması tercihinize bağlı olarak kapatma panelini, Studio Fiber Converter'inizin boş olan tarafına yerleştirin. Kapatma panelinin ön yüzü, ünitenin ön paneliyle, aynı yöne bakıyor olmalıdır.
- 2 Kapatma panel cıvatalarının üçünü kullanarak kapatma panelini, Studio Fiber Converter'inizin ön kısmına yakın olacak şekilde, yan tarafına bağlayınız.



- 3 Raf kulağını Studio Fiber Converter'in diğer tarafına bağlamak için, verilen 3 adet raf kulağı cıvatalarını kullanın.

Raf kulağı ve kapatma paneli bağlı olarak şimdi çeviricinizi, bir standart 2 rack ünitesi boşluğuna, iki kenarında bulunan montaj deliklerini ve standart raf cıvatalarını kullanarak monte edin.

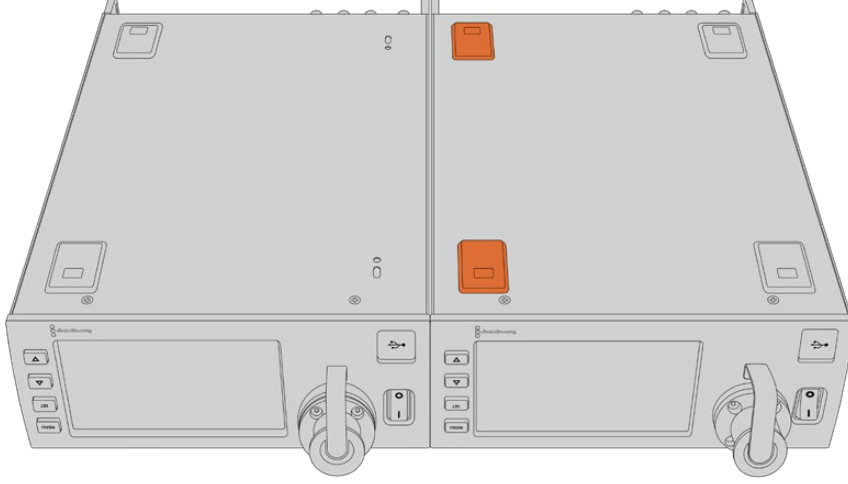


### İki Blackmagic Studio Fiber Converter'in bir rafa yan yana bağlanmak için hazırlanması:

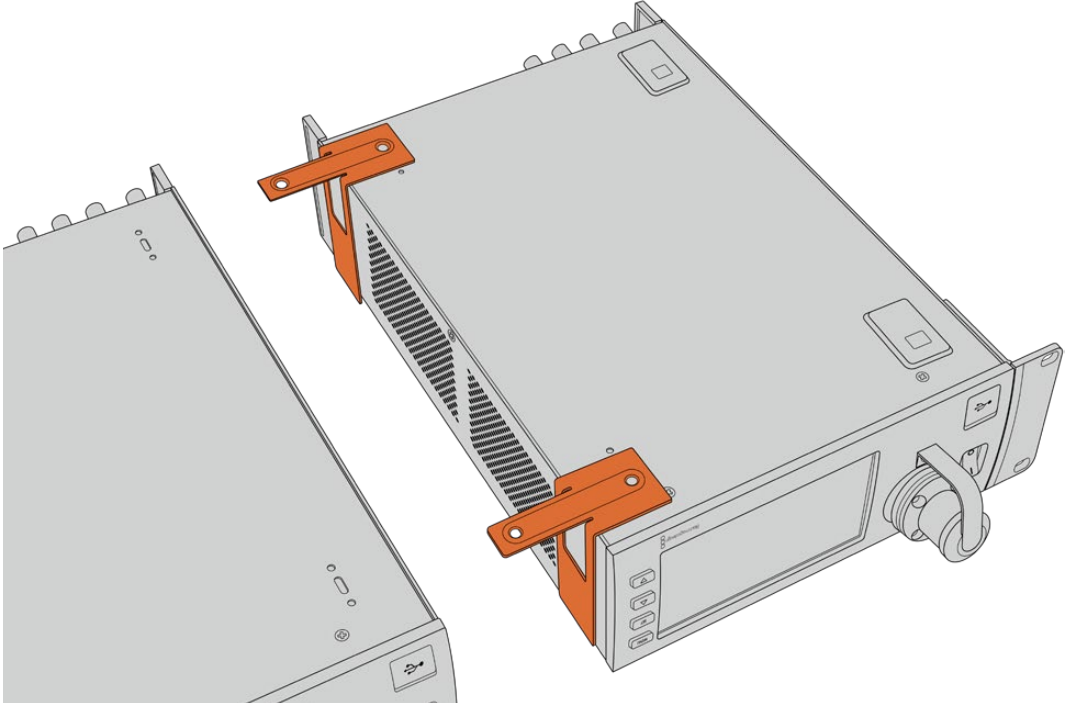
İki çeviriciyi yan yana monte ediyorsanız, destek bağlantılarını kullanarak birbirlerine sıkıca bağlayabilirsiniz; böylece monte edilmeleri daha kolay olacaktır.

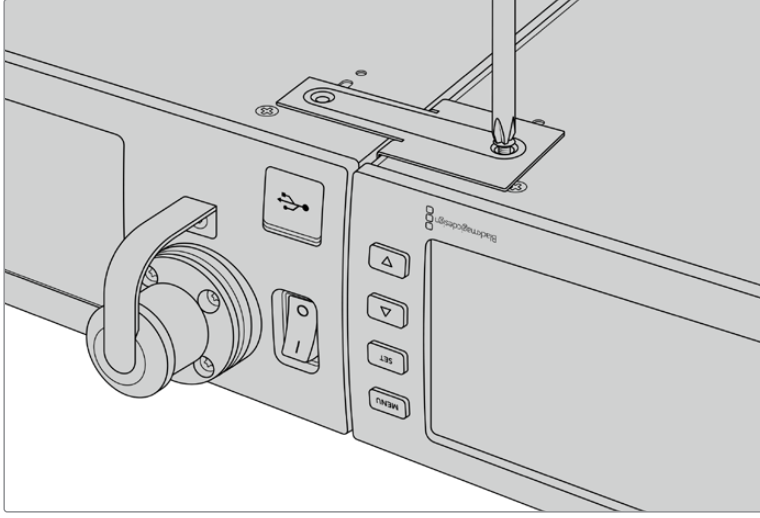
İki üniteyi bağlamak için:

- 1 Her iki çeviriciyi ters çevirin ve altları üste bakarken, yan yana olacak şekilde koyun. Çeviricilerin birbirlerine temas ettikleri taraftaki, iki lastik ayağı çıkarın.

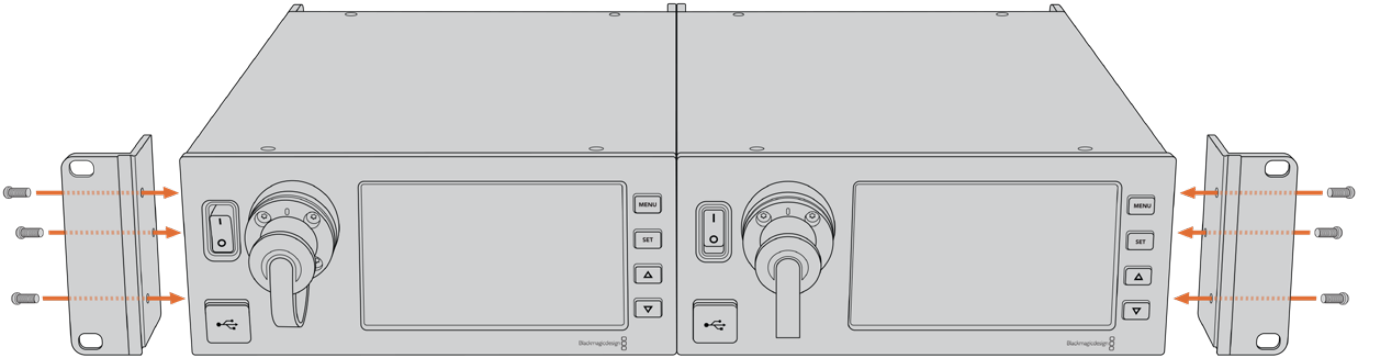


- 2 Paketle gelen T şeklindeki iki destek bağlantısını, ön ve arka temas noktalarında olacak şekilde, verilen destek bağlantısı civataları ve mevcut delikleri kullanarak, iki stüdyo fiber ünitesinin altına bağlayın.





- 3 Birbirine bağılı iki üniteyi tekrar çevirin ve dahil edilen raf kulağı civatalarını kullanarak raf kulaklarını, her iki çeviricinin ön taraftaki dış kenarlarına bağlayın. İki taraftaki montaj deliklerini ve standart raf civatalarını kullanarak bir rafa bağlanmaları için, çeviricileriniz şimdi hazırdır.



# Kamera Ünitesi Bağlantıları

Bağlantılar, Blackmagic Camera Fiber Converter'in arka ve yan panellerinde bulunur. Bağlantılar kullanılmadığı zaman, yağmur ve diğer dış hava etkenlerinden korunması için, lastik kapaklar kapatılmalıdır. Bu, özellikle SMPTE fiber bağlantı için geçerlidir; çünkü toz parçacıkları, cam fiber borunun cilalı uçlarında çabucak toplanabilir ve bu da sinyal akışını engeller. Hem cihazlardaki hem de kablodaki kapakların, bağlanmadan hemen önce çıkarılması ve bağlantı bittikten sonra hemen yerine takılması, her zaman faydalıdır.

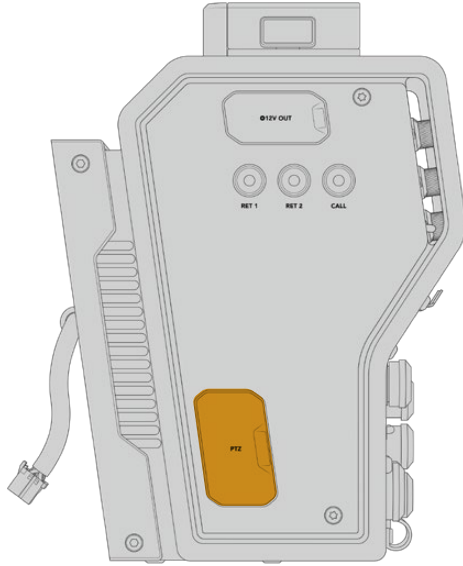
## Kamera Güç Bağlantısı

Kamera ünitesine ve kameranıza güç, temel olarak bir SMPTE hibrid fiber kablo ile stüdyo çevircisinden sağlanır. Bu ayrıca, Blackmagic URSA Studio Viewfinder gibi kameranıza bağlı olan tüm aksesuarları da çalıştırır.

Ancak, kameranızın 12V XLR konektörü bir güç kaynağına takılı ise, Blackmagic Camera Fiber Converter'i kameranızdan da çalıştırabilirsiniz. Normalde bu gerekli değildir ama, kameranızın stüdyo ünitesinden 2km'den daha uzak mesafelere kurulduğu ve SMPTE fiber kablo üzerinden sağlanan gücün pek güvenilir olmadığı durumlar için bir seçenektir.

## PTZ Arayüzü

DE-9 serisi konektör, motorlu bir PTZ kafasına bağlanmanızı sağlar. Örneğin, Blackmagic URSA Mini veya URSA Broadcast kameranız; pan, tilt, zoom kafası kullanan ve uzaktan kontrol edilen bir kamera vincine takılı olduğu zaman. Kameranıza gönderilen PTZ komutlarının kaynağını, Blackmagic Studio Fiber Converter'inizin menüsünden seçebilirsiniz. Komutların kaynağı, Studio Fiber Converter üzerindeki DE-9 konektöre veya bir ATEM switcher'den gelen SDI sinyaline ayarlı olabilir. Daha fazla bilgi için 'Studio Fiber Converter'in çalıştırılması' bölümüne bakınız.



PTZ Ara-yüzü

## Talkback (İletişim) Bağlantısı

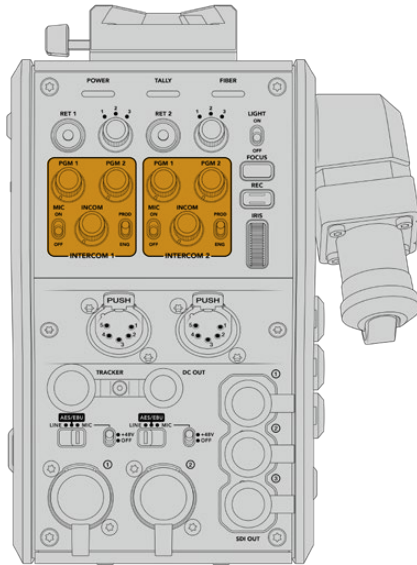
İki adet dişi 5 pim XLR bağlantısı, iki adet yayın kulaklığı bağlamanızı sağlar böylelikle, iki kişi aynı anda talkback üzerinden iletişim kurabilir. Örneğin, kamera operatörünün yayın kulaklığı, ilk XLR bağlantısına takılabilir ve bir vinç operatörü veya ses teknisyeni gibi bir ekip arkadaşınınki de ikinci XLR kulaklık bağlantısına takılabilir. Yayın kulaklığı XLR bağlantısı için bir kablo işlev şemasını, aşağıda bulabilirsiniz.

### Yayın Kulaklığı XLR Kablo İşlev Şeması

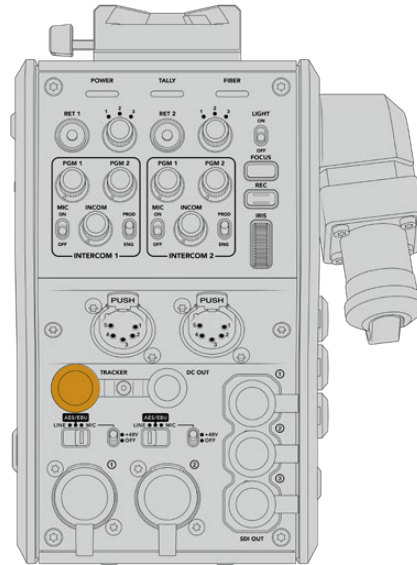
Dış görünüşler	Pim numarası	Sinyal türü	I/O (Giriş/Çıkış)	Açıklamalar
 <p>5-pim XLR 'mikrofonlu yayın kulaklığı' bağlantısı</p>	1	İnterkom mikrofonu (Y)	GND	İnterkom mikrofon girişi; elektret kondansatörlü mikrofonları ve dengeli veya dengesiz olabilen dinamik mikrofonları destekler. Pim 1, ortak mikrofon sinyali ve pim 2, her iki tip mikrofon için giriş mikrofon sinyalidir.
	2	İnterkom mikrofonu (X)	Giriş	Elektret mikrofonlarda, bir DC öngerilim besleme, aynı mikrofon sinyal giriş pimi üzerinden, aynı zamanda çıkıştır.
	3	GND (Topraklama)	GND	GND
	4	İnterkom sol	Çıkış	
	5	İnterkom sağ	Çıkış	

Her bir yayın kulaklığı için ilgili interkom kontrolleri, bağlantı noktalarının hemen üst tarafındadır.

İnterkom kontrollerinin kullanılması hakkında daha fazla bilgi için, 'Camera Fiber Converter'in Kullanımı' bölümüne bakın.



İnterkom kontrolleri, talkback ses seviyelerinin miksajı için kullanılır



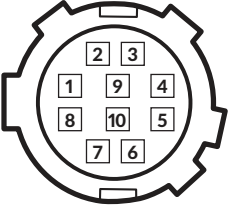
Takipçi Arayüzü (Tracker Interface) konektörü

## Tracker (Takipçi) Arayüzü

10 pimli 'tracker' (takipçi) konektörü, talkback ve tally sinyalleri için çok sayıda çıkış sağlamakla birlikte, teleprompter bilgisi gibi verileri de sağlamaktadır. Bu çıkış, genellikle kamera vinci gibi yapım ekipmanlarını çalıştıran destek ekipler tarafından kullanılır.

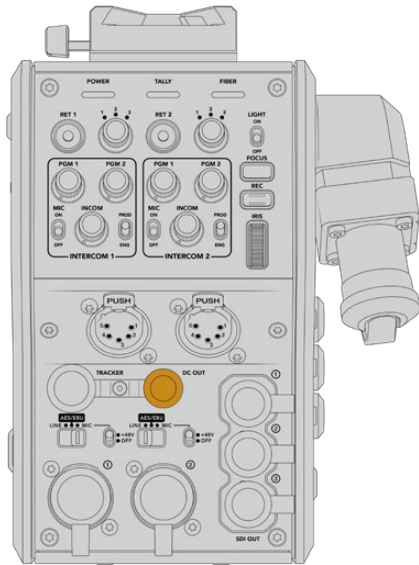
Kendi kablonuzu oluşturmak istiyorsanız bu bölümde, bir kablo işlev şeması bulabilirsiniz.

### Tracker Çıkışı Kablo İşlev Şeması

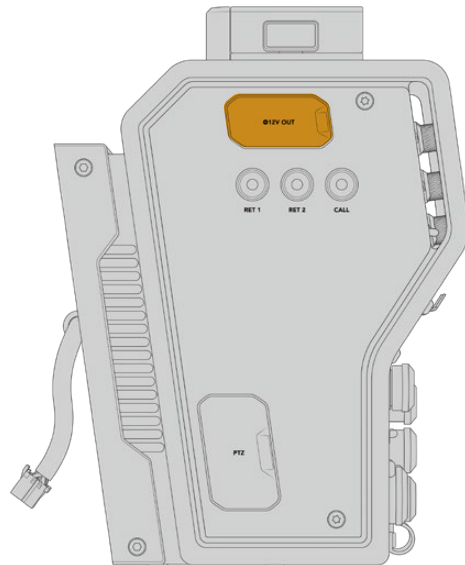
Dış görünüş	Pim numarası	Sinyal türü	I/O (Giriş/Çıkış)	Açıklamalar
 <p>10 pim 'tracker' (takipçi) konektörü</p>	1	Tracker (Takipçi) sol	Çıkış	Tracker çıkışı, -20 dBu dengersiz
	2	GND (Talk)	–	Takipçi talkback için topraklama
	3	GND (Receive/PGM/Tally)	–	receive/PGM/tally için topraklama (GND)
	4	Tracker (Takipçi) sağ	Çıkış	Tracker çıkışı, -20 dBu dengersiz
	5	Düzensiz	Çıkış	12V DC (düşük), 500mA (azami)
	6	Topraklama (Düzensiz)	–	Düzensiz için topraklama
	7	Tracker talkback (X)	Giriş	Tracker talkback 0 dBu /-20 dBu, yüksek dirençli dengeli
	8	Tracker talkback (Y)	Giriş	
	9	G Tally	Çıkış	Açık: 12V Off: (12V Kapalı) Yüksek empedans (açık)
	10	R Tally	Çıkış	Açık: 12V Off: (12V Kapalı) Yüksek empedans (açık)

## DC Bağlantısı

Harici ekran gibi ilave aksesuarları, DC çıkış bağlantısı ile çalıştırabilirsiniz.



DC çıkış konektörü, ekran veya harici kayıt cihazı gibi ilave aksesuarları, çalıştırmanızı sağlar.



D-Tap Çıkışı

## D-Tap Çıkışı

Sol yan panelde bulunan +12V çıkışı, genellikle 'D-tap' ya da 'P-tap' olarak da bilinir ve ekran veya büyük box merceği gibi aksesuarları çalıştırmaya yarar. Bu çıkış, 2 amperde +12 Volt düz akım güç gerektiren box mercekleri destekler.

## Referans Çıkışı ve Çalıştırılması

Referans çıkışı, bir BNC kablosu ile kameranıza bir referans sinyali bağlamak için kullanılabilir.

### Kameranıza bir referans sinyali bağlamak için:

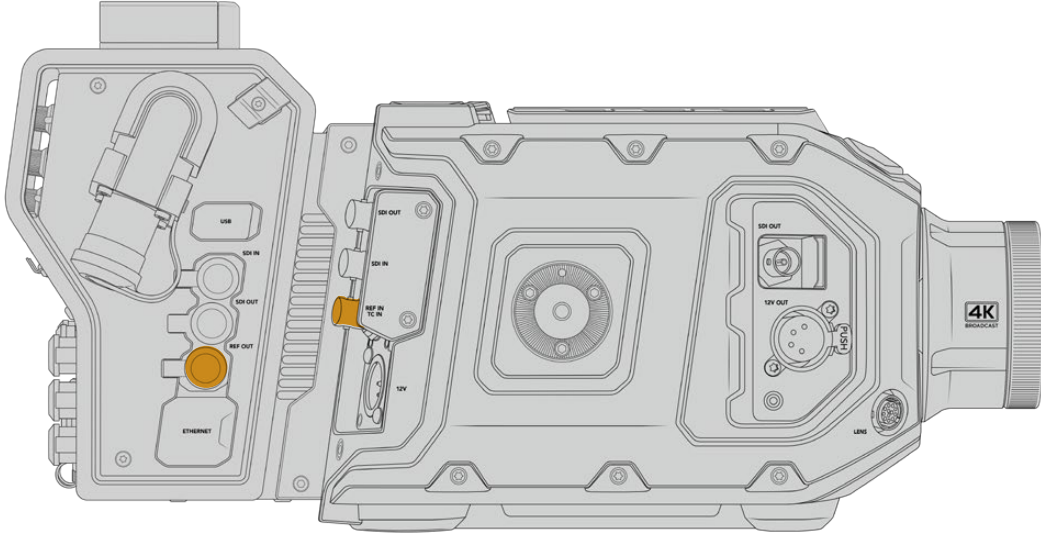
- 1 Blackmagic Camera Fiber Converter'deki 'REF OUT' olarak işaretli referans çıkışını, kameranızdaki 'REF IN' olarak işaretli referans girişine, Camera Fiber Converter'iniz ile gelen küçük SDI kablolarından birini kullanarak takın.
- 2 Kameranızın referans ayarını, referans girişine ayarlayın.

Bir senkron referans sinyali, video ekipmanlarını genel bir referansa genlock etmenizi sağlar ve böylece tüm ekipman, kesinlikle aynı zamanlamaya sahip olur. Böylelikle, tüm video kaynakları senkronize olur ve pürüzsüz bir şekilde anahtarlanabilir.

ATEM switcher'lerin dahili tekrar-senkronize edicileri vardır; yani bir ATEM switcher'i ile Blackmagic kameralarını kullanıyorsanız, senkron referansı bağlamak gibi bir gereksinim olmaz. Kamera, ATEM switcher'den gelen SDI program sinyaline kitlenecektir yani, tek yapmanız gereken; URSA Mini ya da URSA Broadcast'ın ayarlar menüsünün ikinci sayfasında, referans ayarının, program girişi olarak seçilmiş olduğundan emin olmaktır. Yeniden senkronize işlemi, bir kare gecikmesi ekleyecektir.

ATEM dahilinde yeniden senkronize işleminin gecikmesini düşürmek istiyorsanız; ilk önce referans sinyalini URSA Mini veya URSA Broadcast'a uygulayın, sonra hat girişinin ATEM'in anahtarlama zamanlamasından (switch timing) önce olması için, geri zamanlamayı (back timing) ayarlayın.

URSA Mini veya URSA Broadcast'ta referans senkronu ayarlamak için; 'ayarlar' menüsüne girin ve 'referans zamanlama' için olan ayarı değiştirin.

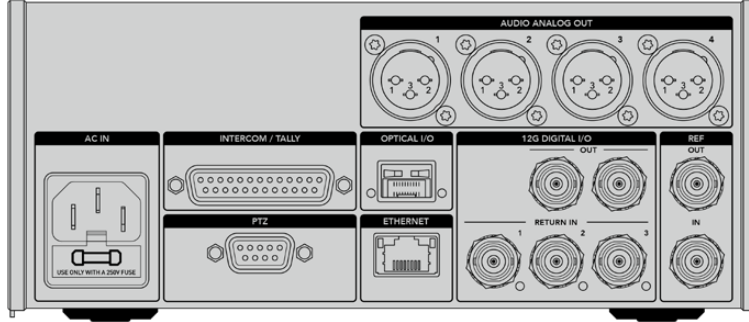


Harici bir referans sinyali kullanıyorsanız referans çıkışını, kamera fiber ünitesinden, URSA Mini ya da URSA Broadcast'ın referans girişine takın.

# Stüdyo Ünitesi Bağlantıları

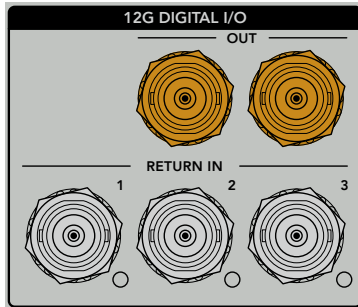
Blackmagic Studio Fiber Converter'in arka panelinde; SDI dönüş sinyali ve referans BNC konektörleri, interkom ve tally DB-25 konektörü, PTZ 9 pim seri portu, ses çıkışları ve Ethernet bulunmaktadır.

Tüm SDI girişleri, Ultra HD 2160p60'ya kadar, 12G-SDI video formatlarını destekler.



## 12G-SDI Çıkışı

İki 12G-SDI çıkışı, stüdyo ünitesinden gelen kamera sinyalini, switcher'inizin kamera SDI girişlerinden herhangi birine bağlamak içindir. İkinci konektör, aynı sinyalin; bir Blackmagic Videohub yönlendirici, SmartView monitör veya bir HyperDeck Disk Recorder gibi, başka video cihazlarına gönderilmesi için kullanılabilir.

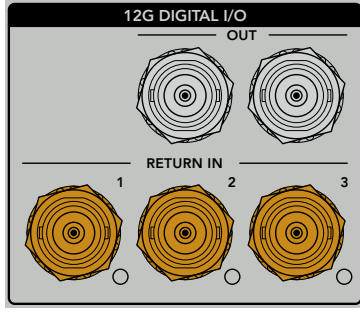


12G-SDI çıkışları, 720p50'den 2160p60'a kadar olan sinyalleri bırakır.

## Dönüş (Return) SDI Girişleri

12G-SDI dönüş sinyali BNC konektörleri, üç adede kadar dönüş SDI sinyali bağlamanızı sağlar. Örneğin, bir switcher'den gelen program sinyali 'return 1' (dönüş 1) opsiyonuna bağlı olmalıdır ve kameranızla eşleşen bir kare hızına sahip olmalıdır. İkinci bir kamera çıkışı, HyperDeck playback ve hatta bir telepromptör gibi başka kaynaklar, 2 ve 3 numaralı dönüş sinyallerine bağlanabilir. Bir ATEM switcher kullanıyorsanız, return 1'e bağlı olan program sinyali ayrıca; tally, talkback, referans ve kamera kontrol sinyallerini de içerecektir.

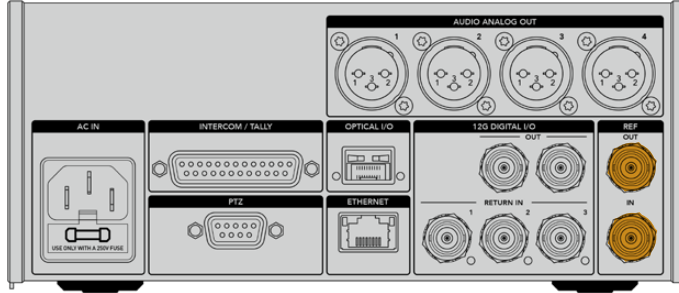
Dönüş SDI girişleri, switcher'inizden üç adete kadar dönüş sinyalini bağlamanızı sağlar. Bu sinyaller, kamera operatörü tarafından izlenebilmesi için, kameranıza gönderilir ya da SDI aracılığıyla diğer cihazlara gönderilir.



**NOT** Dönüş girişlerine Ultra HD video bağlarsanız, Ultra HD, aynı kare hızında 1080p'ye aşağı dönüştürülür; böylelikle kamera ünitesinin çıktısı, HD olacaktır. Ultra HD dönüş sinyallerinin HD'ye aşağı dönüşümü, çok daha geniş bant sağladığından, birden fazla dönüş kaynağı gönderebilirsiniz.

## Referans Girişi ve Çıkışı

ATEM switcher kullanmıyorsanız ve bir cihazı, genel bir harici referans sinyaline bağlamanız gerekiyorsa harici sinyali, BNC referans girişine takabilirsiniz. Bu, referansı SMPTE fiber kablosu üzerinden kamera ünitesine gönderir. Stüdyo ünitesinden BNC referans çıkışı, referans kaynağını, başka cihazlara döngü şeklinde göndermek için kullanılabilir.

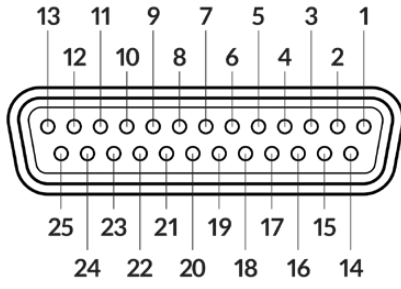


Diğer yayın ekipmanlarından, kameranıza tipik referans zamanlama göndermek için, 'ref in' bağlantısını kullanın.

## Talkback Arayüzü

DB-25 pim interkom ve tally bağlantısı, üçüncü parti interkom ve tally sistemlerine bağlanmanızı sağlar. Kendinize özel bir kablo yapmak istiyorsanız aşağıda bir kablo işlev şeması bulabilirsiniz. Teknik, yapım, tally veya program ses girişi için olan pimlerle kablo bağlantısı yaptıktan sonra, Blackmagic Studio Fiber Converter'iniz üzerinde menüyü buna bağlı olarak ayarlamamız gerekecektir.





25 pim 'interkom/tally' bağlantısının dıştan görünümü

### Talkback Kablo İşlev Şeması

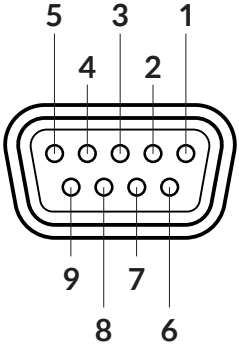
Pim numarası	Sinyal türü	Özellikler
1	ENG (Teknik) (R) + (pozitif) Giriş	Teknik kanal girişi
2	ENG (Teknik) (R) - (negatif) Giriş	0dBu dengeli
3	ENG GND (Teknik topraklama)	Teknik için topraklama
4	Teknik (Talkback) + (pozitif) Çıkış	Teknik kanal çıkışı
5	Teknik (Talkback) - (negatif) Çıkış	0dBu dengeli
6	Program + (pozitif) Giriş (PGM IN+)	-20dBu
7	Program - (negatif) Giriş (PGM IN-)	-20dBu
8	Program Topraklama	-20dBu
9	GND (Topraklama)	Aux için topraklama
10	N/C	-
11	Kırmızı Tally Girişi	Açık = 5-24Vdc, Kapalı= 0Vdc
12	Kırmızı Tally Topraklama	-
13	GND (Topraklama)	Kasa Topraklama
14	YAPIM (R) + (pozitif) Giriş	Yapım kanalı girişi
15	YAPIM (R) - (negatif) Giriş	0dBu dengeli
16	YAPIM Topraklama	-
17	YAPIM (Talkback) + (pozitif) Çıkış	Yapım kanalı çıkışı
18	YAPIM (Talkback) - (negatif) Çıkış	0dBu dengeli
19	N/C	-
20	N/C	-
21	N/C	-
22	N/C	-
23	N/C	-
24	Yeşil Tally Girişi	Açık = 5-24Vdc, Kapalı= 0Vdc
25	Yeşil Tally Topraklama	-

## PTZ Arayüzü

Hem studio ünitesinde hem de kamera ünitesinde, 9 pim DE-9 konektör vardır; böylece stüdyo tarafına, bir PTZ kumandası ve kamera tarafına, uzaktan kontrol edilen bir PTZ kafası bağlayabilirsiniz. PTZ komutları, SMPTE fiber kablo aracılığıyla, üniteler arasında bağlı olan SDI sinyaline gömülüdür.

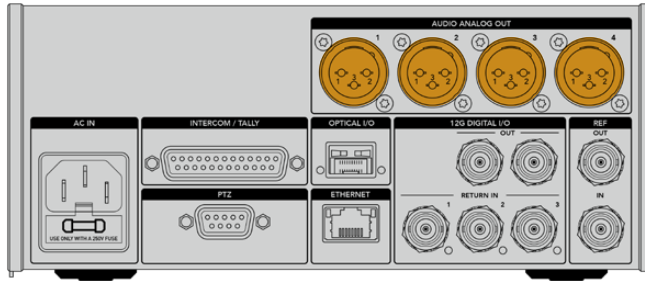
Blackmagic Camera Fiber Converter'deki ayarlar menüsü, Blackmagic Camera Fiber Converter'inize gönderilen PTZ komutlarının kaynağını seçmenize imkan tanır. Studio Fiber Converter'in arkasındaki PTZ konektörü veya bunun yerine, bir ATEM switcher'den gelen program SDI sinyali arasından seçim yapma opsiyonuna sahipsiniz. For more information, refer to the 'operating the studio fiber converter' section.

### PTZ Arayüz Kablo İşlev Şeması

Dış görünüş	Pim numarası	Sinyal türü
	1	GND (Topraklama)
	2	RS422 Tx-
	3	RS422 Rx+
	4	GND (Topraklama)
	5	N/C
	6	GND (Topraklama)
	7	RS422 Tx+
	8	RS422 Rx-
	9	GND (Topraklama)

## Ses Çıkışları

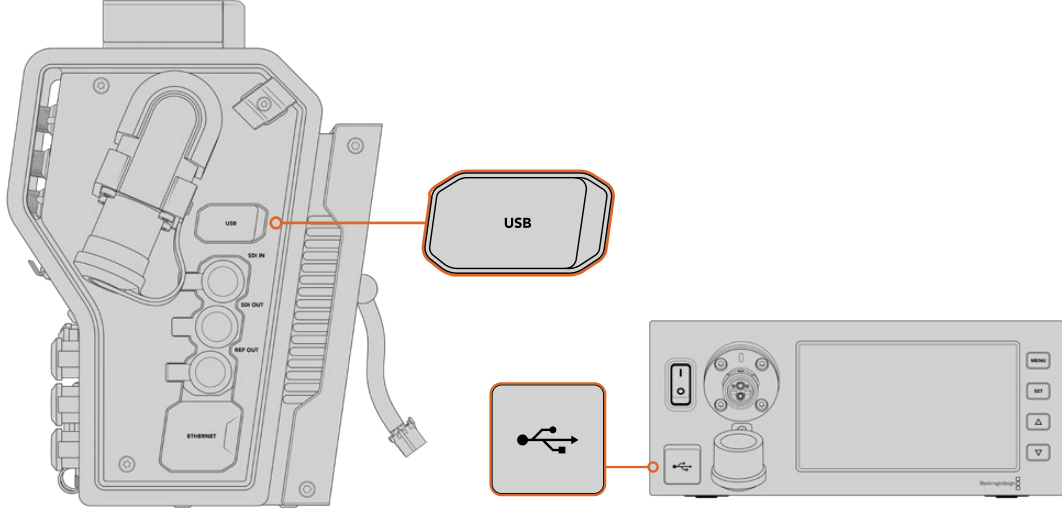
Stüdyo ünitesindeki 4 adet XLR ses çıkışı; URSA Broadcast ya da URSA Mini kameranızın 1. ve 2. girişlerine ve Camera Fiber Converter'deki 2 adet XLR ses girişine takılı olan sesi çıkarmanız için seçenek sunar.



Stüdyo ünitesindeki 1 ve 2 numaralı çıkışlar, varsayılan ayar olarak URSA Broadcast veya URSA Mini'deki 1 ve 2 numaralı gömülü XLR giriş kanallarına tekabül eder. Stüdyo ünitesindeki 3 ve 4 numaralı çıkışlar, varsayılan ayar olarak Blackmagic Camera Fiber Converter'deki 1 ve 2 numaralı XLR girişine tekabül eder. Eşleme için bu ayarları değiştirmek üzere menüyü kullanabilirsiniz. Daha fazla bilgi için, 'menünün kullanımı' bölümüne bakınız.

## Dahili Yazılımın Güncellenmesi

Blackmagic Design zaman zaman, Blackmagic Fiber çeviricilerinizdeki özellikleri geliştirebilen ve etkin hale getirebilen güncellemeler yayınlar. Fiber çeviricilerinizin, en son dahili yazılımı kullandığından emin olmanız için, sık sık Blackmagic Design web sitesine bakmanızı tavsiye ederiz. Fiber çeviricinizi, Blackmagic Camera Setup Yardımcı yazılımını kullanarak güncelleyin.



Blackmagic Fiber Converter'lerdeki USB-C portu, dahili yazılımı güncellenenizi sağlar.

## Blackmagic Camera Fiber Converter'in Güncellenmesi

Güncelleme esnasında, Camera Fiber Converter'in çalışıyor olması gerekir; bu yüzden, güncelleme yaparken çeviriciyi, URSA Mini veya URSA Broadcast kameraya, bağlı tutmanızı tavsiye ederiz.

Camera Fiber Converter'den SMPTE Fiber kabloyu çıkarmanız ve bunun yerine, devamlı güç için kameranızı, URSA kamera ile gelen güç kaynağı ile çalıştırmanız gereklidir.

Blackmagic Camera Fiber Converter dahili yazılımının güncellenmesi için, ünitenin sağ tarafında bir USB-C bağlantısı bulunmaktadır. Bilgisayarınızı bu USB konektöre bağlayın ve Blackmagic Camera Setup Yardımcı yazılımını başlatın. Bilgisayarınız, Camera Fiber Converter'inizin eski bir sürümünü kullandığını tespit ettiğinde, güncelleme yapmanız için uyarı verecektir. Çeviricinizin dahili yazılımını güncellemek için, ekran üstü komutları takip edin.

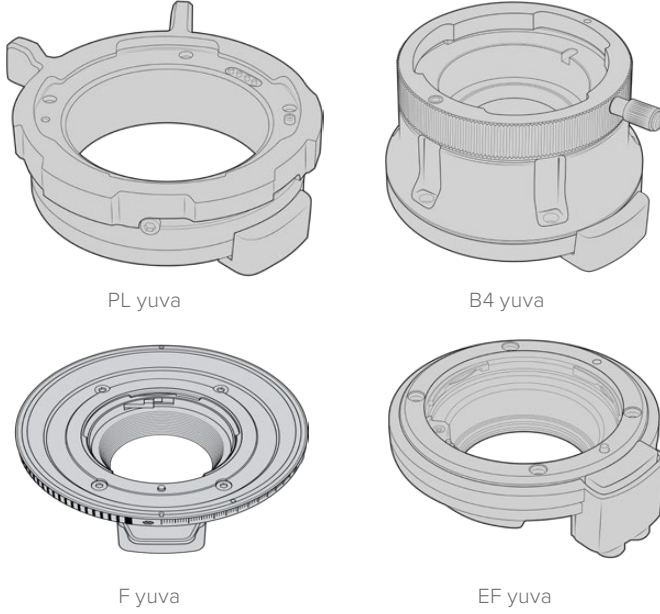
## Blackmagic Studio Fiber Converter'in Güncellenmesi

Studio Fiber Converter, güncelleme esnasında çalışıyor olmalıdır; bu yüzden güncelleme işlemi esnasında, IEC elektrik kablosunun, stüdyo ünitesinin arka panelindeki, güç bağlantısına bağlı tutmanızı tavsiye ederiz.

Blackmagic Studio Fiber Converter'in dahili yazılımının güncellenmesi için, ünitenin ön yüzünde bir USB-C bağlantısı bulunmaktadır. Bilgisayarınızı, bu USB bağlantısına takın ve Blackmagic Camera Setup Yardımcı yazılımını başlatın. Bilgisayarınız, Studio Fiber Converter'inizin eski bir sürümünü kullandığını tespit ettiğinde, güncelleme yapmanız için uyarı verecektir. Çeviricinizin dahili yazılımını güncellemek için, ekran üstü komutları takip edin.

## Değiştirilebilir Lens Yuvası

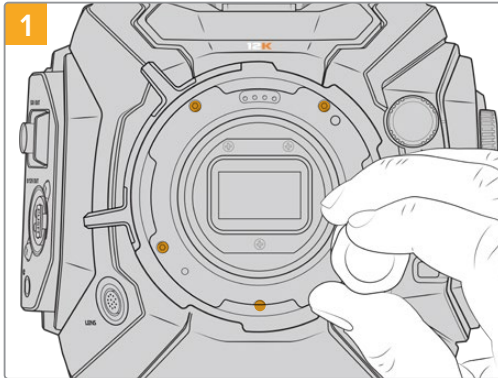
Blackmagic URSA Mini Pro 12K bir PL yuva ile birlikte teslim edilir. Diğer URSA Mini Pro kameralar bir EF yuvası takılı olarak gelir. Tüm URSA Mini Pro kameralar değiştirilebilir lens yuvalarına sahiptir, yani sadece kameranızla birlikte gelen merceğe uyumlu lensleri kullanmak zorunda kalmazsınız. Böylelikle orijinal yuvayı çıkarabilir ve opsiyonel bir PL, B4, F veya EF yuvasını takabilirsiniz. URSA Mini Pro PL Mount, URSA Mini Pro B4 Mount, URSA Mini Pro F Mount veya URSA Mini Pro EF Mount satın almak için yerel Blackmagic Design satıcınıza başvurun.



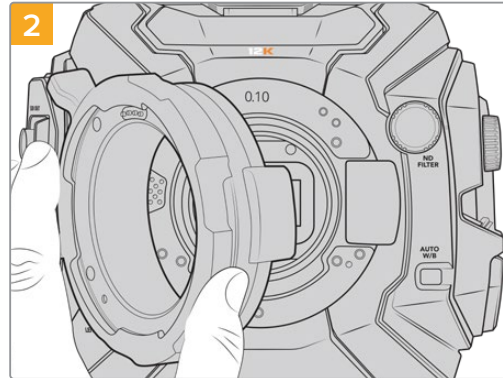
Üç ayrı değiştirilebilir yuvayla, üzerinde çalıştığınız işlere göre, farklı lens kullanabilirsiniz. Örneğin; EF mount (yuva), yüksek kalite sabit kamera lensleri kullanmanıza olanak sağlar; B4 mount, habercilik tarzı veya düşük çekimleri gibi işlerde ortak odaklı (par-focal) zoom lensleri kullanmak istediğinizde mükemmeldir; PL mount da mutlak doğruluk ve tekrar edilebilir kontrol için tasarlanmış, en son teknolojiye sahip sağlam sinema lenslerini kullanmanıza imkan tanır.

Her bir yuvanın takılması, vidalarını sökerek orijinal yuvayı yerinden çıkarıp, yeni yuvayla değiştirmek kadar basittir. Çok kolaydır!

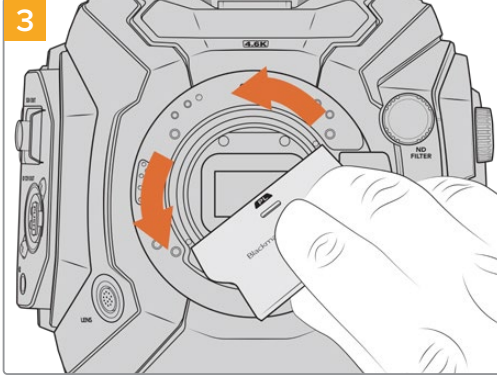
### URSA Mini Pro 12K'dan orijinal PL Yuvasını çıkarmak için:



Orijinal PL yuvası, 2mm'lik bir Hex anahtarla 5 vidası sökülerek URSA Mini Pro 12K'dan çıkarılır

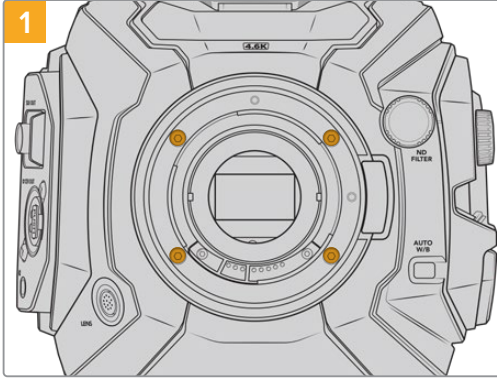


Yuvayı, kamera gövdesinden yavaşça kaldırın

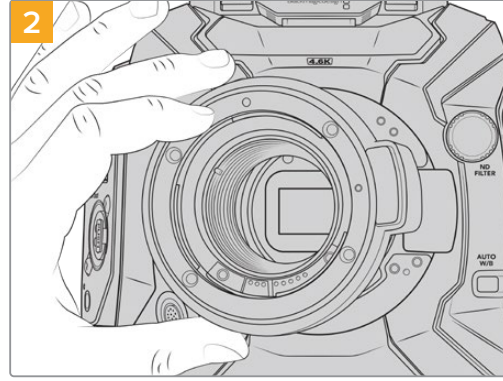


PL mercek yuvasını çıkardıktan sonra, merkezdeki PL ara parçasını gevşetmek için baffle aracının geniş ucunu kullanın ve ardından parmaklarınızı kullanarak dikkatlice çıkarın

**URSA Mini Pro 4.6K G2 veya URSA Mini Pro 4.6K'dan orijinal EF Yuvasını çıkarmak için:**



Orijinal EF yuvası, 2mm'lik bir Hex anahtarıyla 4 vidası sökülerek URSA Mini Pro 4.6K G2 veya URSA Mini Pro 4.6K'dan kolaylıkla çıkarılır



Yuvayı, kamera gövdesinden yavaşça kaldırın

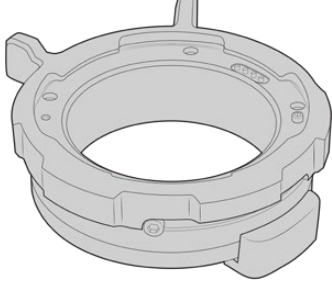
**NOT** Orijinal mercek yuvasını çıkarırken, yuvanın altındaki pulların daima kameranıza takılı kaldığından emin olun.

PL, B4, F ve EF lens yuva donanımları ve her yuvanın URSA Mini Pro'ya nasıl takıldığı hakkında bilgi için, bu bölümü okumaya devam edin.

## Blackmagic URSA Mini Pro PL Mount

URSA Mini Pro'ya PL yuvasının takılması, sinema filmleri ile televizyon prodüksiyonu için, üst düzey hassas sinema lenslerinin kullanılmasına olanak verir.

### PL mount takımının içerikleri:



#### 1 x PL mount

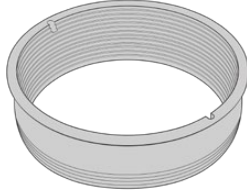
PL mount, koruyucu bir toz kapağı ile gelir.



#### 1 x Shim (pul) seti

Pul seti aşağıda belirtilen kalınlıkları içerir:

0.50mm	0.18mm	0.10mm
0.30mm	0.15mm	0.05mm
0.20mm	0.12mm	0.025mm



#### 1 x PL baffle (araparça)

PL yuva araparçası, sensöre giren ışığın kontrolüne ve yönlendirilmesine yardımcı olur.



#### Baffle Aracı

Kameranızdaki araparçayı (baffle) sıkıştırmak için, PL baffle aletini kullanın.



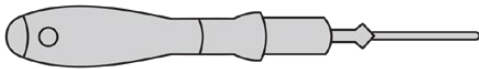
#### 5 x 2mm Hex M2.5 x 22mm yuva civatası

Beş adet M2.5 x 22mm'lik Hex civatası, sadece PL yuva içindir. Bu yüzden, bu civataları ilgili yuva ile beraber saklayabilirsiniz.

Ayrıca, PL yuva donanımı, orijinal civataların kaybolma olasılığına karşı, tam set yedek civatalarla gelir.

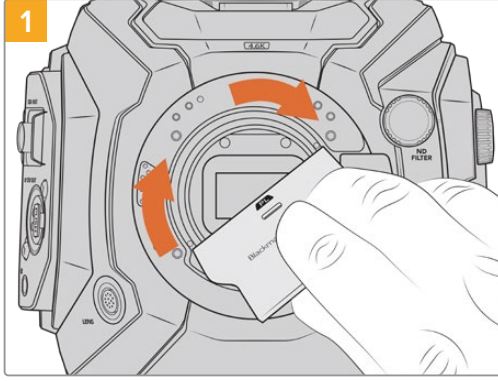
### Gerekli Aletler

PL yuvasını takarken 2mm'lik bir Hex anahtarı gerekecektir. Mecburi olmasa da civataların çok sıkılmasını önlemek için, 0.45Nm'lik maksimum torku ayarlayabilecek bir tork anahtarı kullanmanızı tavsiye ederiz.

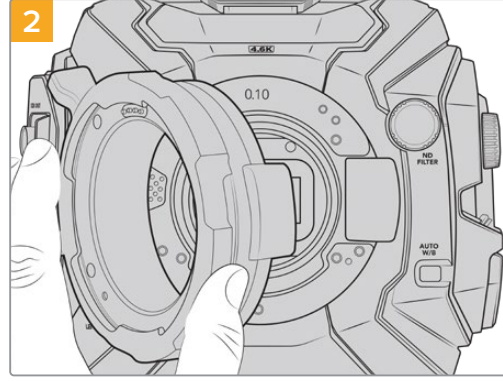


2mm Hex anahtarı

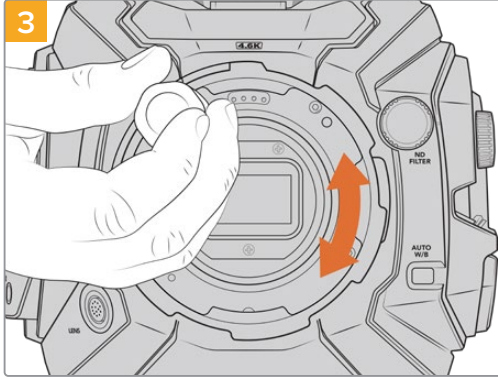
## PL Yuvasının Takılması



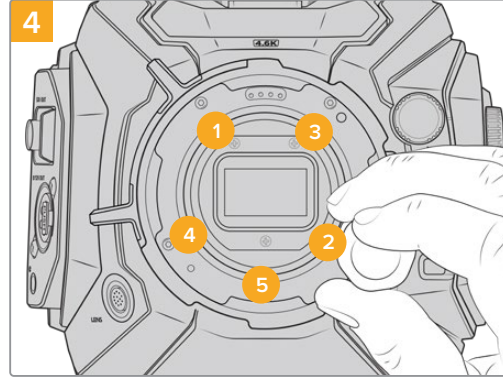
PL baffle araparçasını yavaşça lens yuvasının ortasına sokun ve sıkışana kadar parmağınızla döndürün. Baffle aletinin geniş ucuyla, araparçayı biraz sıkıştırın. Yerinde kalması için, çok az bir baskı gereklidir.



Blackmagic URSA Mini Pro PL lens yuvasını, kameranın gövdesine dikkatlice yerleştirin. PL yuvadaki Cooke /i Technology için olan pimlerin, saat 12 konumunda olduğundan emin olun.



2mm'lik bir Hex anahtarı veya 0.45Nm'ye ayarlı bir tork anahtarı kullanarak, beş adet montaj vidasını, mercek yuvasının desteğine temas edene dek gevşek şekilde döndürünüz. Beş vidanın hepsine ulaşabilmek için, PL kilitleme halkasını döndürmeniz gerekebilir, çünkü halka açık ya da kapalı olduğunda bazı deliklerin üstü kapanır.



Önce mercek yuvasının düz ve doğru hizalandığından emin olun, ardından burada gösterilen sırayla, vidaları aşırı sıkımadan eşit bir baskıda sıkın.

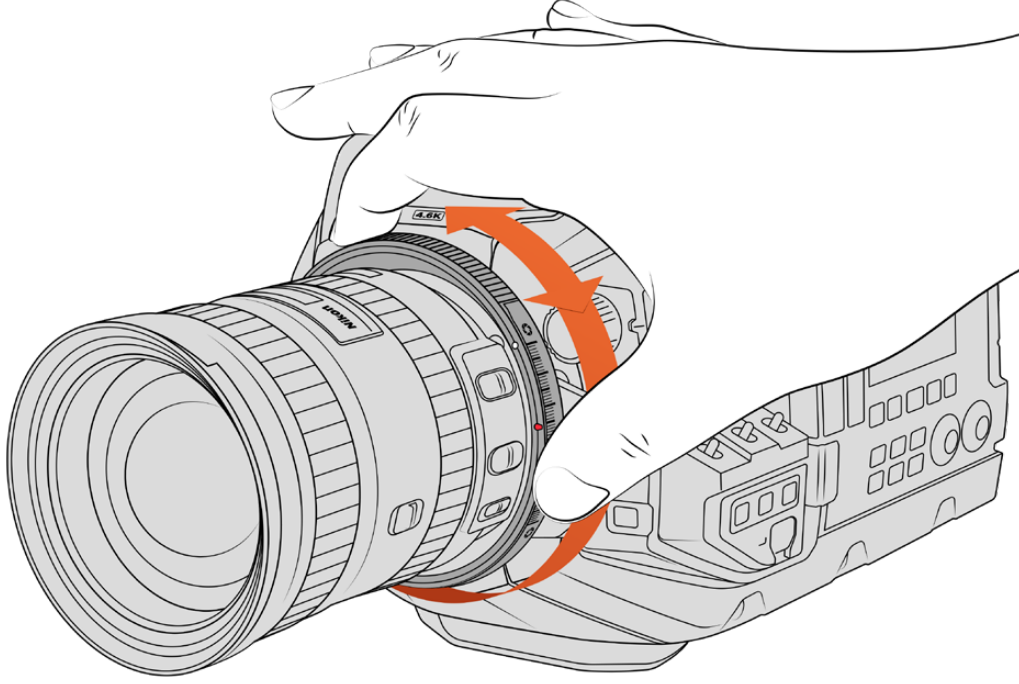
**NOT** PL yuvasını çıkarırken montaj direktiflerini, adım 4'ten adım 1'e, tersten takip ediniz. PL baffle ara parçasını çıkarmayı ve onu PL yuvası ile beraber saklamayı unutmayın.



## Blackmagic URSA Mini Pro F Mount

URSA Mini Pro'nuza F yuva takılıken, F mount lensleri kullanabilirsiniz. Nikon'un F mount sistemi, 1959'lara kadar uzanır ve F mount lensler günümüzde halen üretilmektedir. Böylelikle, Blackmagic URSA Mini Pro F mount ile, muazzam çeşitlilikte eski tip ve yeni lensler kullanabilirsiniz.

Blackmagic URSA Mini Pro F mount'un, mekanik bir yuva olduğunu belirtmemizde fayda vardır. Bunun anlamı, elektronik odaklama veya iris kontrolünün olmadığıdır. Blackmagic URSA Mini Pro F Mount'un, mekanik bir iris düzelticisi vardır. Bu, pürüzsüz sinematik tarz iris ayarı için, Nikon lenslerin çoğunluğunda bulunan iris pimini hareket ettirir.



F mount lenslerin obtüratörünü pürüzsüzce değiştirmek için, URSA Mini Pro F mount'un, iris düzeltme halkasını kullanın.

Bir F mount takılıken tercih ettiğiniz pozlamayı elde etmek için, sadece Blackmagic URSA Mini Pro F mount'daki iris düzelticiyi, hareket ettirmeniz yeterlidir. F mount'daki kırmızı nokta ve iris düzelticisindeki işaretler, belli bir pozlama veya alan derinliği ayarına kolaylıkla geri dönmeniz için, iris ayarını işaretleyebilmenizi sağlar.

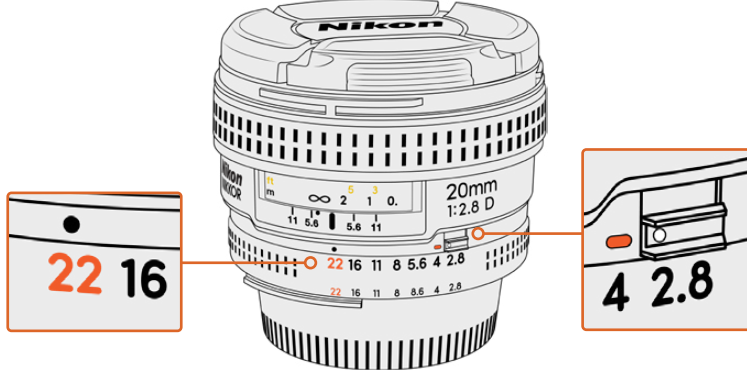
**NOT** URSA Mini Pro F yuvasının çalışma şekline bağlı olarak, az sayıda F mount lensi uyumlu değildir.

Bunlar; mekanik iris kontrolü olmayan Nikkor AF-S E serisi lensler, 24mm f/3.5D PC-E ve 85mm PC-E gibi, Nikon PC-E tilt-shift lensleridir.



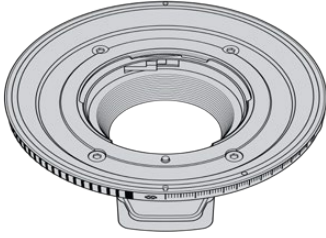
## Nikon AF-D lensleri

Nikon AF-D serisi lensleri kullanırken, Blackmagic URSA Mini Pro F mount'un iris düzeltme halkasını tam kapsamlı kullanmak için, obtüratörünüzü f/22 gibi, en küçük ayara kilitlemeniz gereklidir.



Kameranıza monte etmeden önce, AF-D lenslerini en küçük obtüratör ayarına getirip kilitlemek, en kolay yöntemdir.

## F mount kit'in içerikleri:



### 1 x F mount

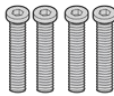
F mount, yaygın F sabit lenslerinin takılmasına olanak verir.



### 1 x Shim (pul) seti

Pul seti aşağıda belirtilen kalınlıkları içerir:

0.50mm	0.18mm	0.10mm
0.30mm	0.15mm	0.05mm
0.20mm	0.12mm	0.025mm



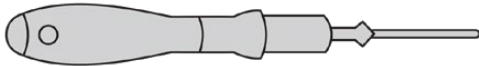
### 4 x 2mm Hex M3 x 18mm yuva civatası

Dört adet M3 x 18mm'lik Hex civatası, EF ve F yuvaları içindir; bu yüzden bu civataları, ilgili yuvalarla beraber saklamanızı tavsiye ederiz.

Ayrıca, F yuva donanımı, orijinal civataların kaybolma olasılığına karşı, tam set yedek civatalarla gelir.

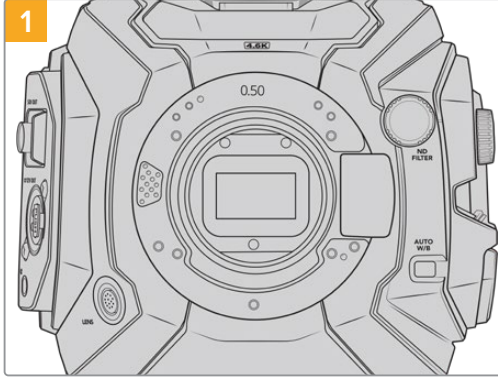
## Gerekli Aletler

F yuvasını takarken 2mm'lik bir Hex anahtarı gerekecektir. Mecburi olmasa da civataların çok sıkılmasını önlemek için, 0.45Nm'lik maksimum torku ayarlayabilecek bir tork anahtarı kullanmanızı tavsiye ederiz.

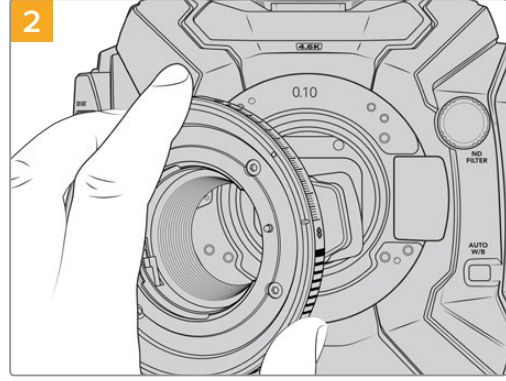


2mm Hex anahtarı

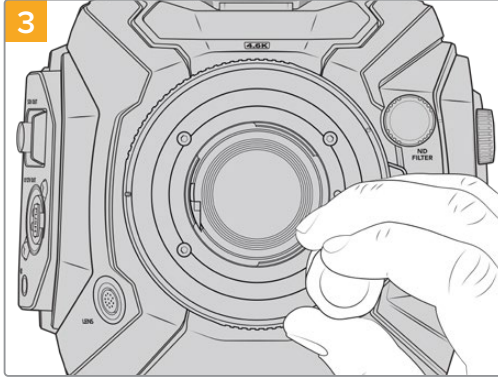
## F Yuvasının Takılması



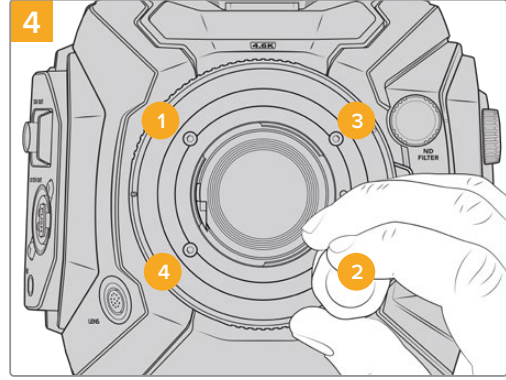
Blackmagic URSA Mini Pro'nuzu, sağlam ve temiz bir tezgâhın üzerine, yuvanın dikey olarak takılabilmesi için, dikey olarak koyun. PL yuvayı, F yuva ile değiştiriyorsanız F yuvayı takmadan önce, PL ara parçasını (baffle) çıkardığınızdan emin olun.



Blackmagic URSA Mini Pro F yuvasını, yavaşça kamera gövdesine yerleştirin ve beyaz noktanın saat 2 konumunda olduğundan emin olun.



2mm'lik bir Hex anahtarı veya 0.45Nm'ye ayarlı bir tork anahtarı kullanarak, mercek yuvasının desteğine temas edene dek dört montaj vidasını gevşek şekilde döndürünüz.



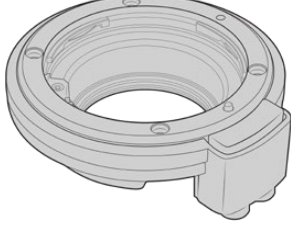
Önce mercek yuvasının düz ve doğru hizalandığından emin olun, ardından burada gösterilen sırayla, vidaları aşırı sıkımadan eşit bir baskıda sıkın.

**NOT** F yuvasını çıkarırken montaj direktiflerini, adım 4'ten adım 1'e tersten takip ediniz.

## Blackmagic URSA Mini Pro EF Mount

Blackmagic URSA Mini Pro EF Yuva, çok çeşitli EF fotoğraf ve sinema merceklerini destekler.

### EF mount takımının içerikleri:



#### 1 x EF mount

EF mount, yaygın EF sabit lenslerini takmanızı sağlar.



#### 1 x Shim (pul) seti

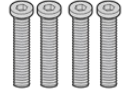
Pul seti aşağıda belirtilen kalınlıkları içerir:

0.50mm	0.18mm	0.10mm
0.30mm	0.15mm	0.05mm
0.20mm	0.12mm	0.025mm



#### 1 x Baffle Aracı

EF yuvadaki baffle (araparça) çıkarılamaz ancak, EF takımının içinde bir baffle aracını, bir PL yuvanıza da varsa yedek parça olarak kullanmanız için ekledik.



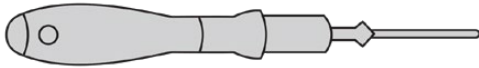
#### 4 x 2mm Hex M3 x 18mm yuva civatası

Dört adet M3 x 18mm'lik Hex civatası, EF ve F yuvaları içindir; bu yüzden bu civataları, ilgili yuvalarla beraber saklamanızı tavsiye ederiz.

Ayrıca, EF yuva donanımı, orijinal civataların kaybolma olasılığına karşı, tam set yedek civatalarla gelir.

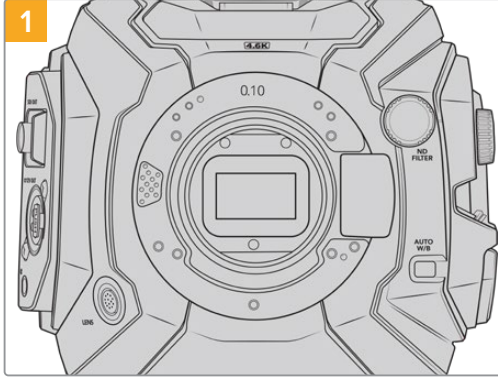
### Gerekli Aletler

EF yuvasını takarken 2mm'lik bir Hex tornavidası gerekecektir. Mecburi olmasa da civataların çok sıkılmasını önlemek için, 0.45Nm'lik maksimum torku ayarlayabilecek bir tork anahtarı kullanmanızı tavsiye ederiz.

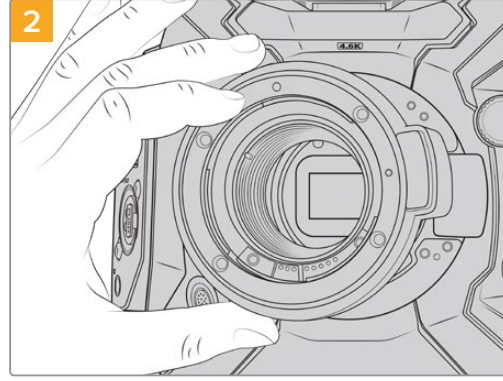


2mm Hex anahtarı

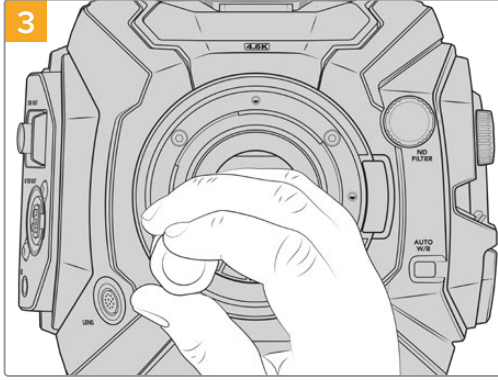
## EF Yuvasının Takılması



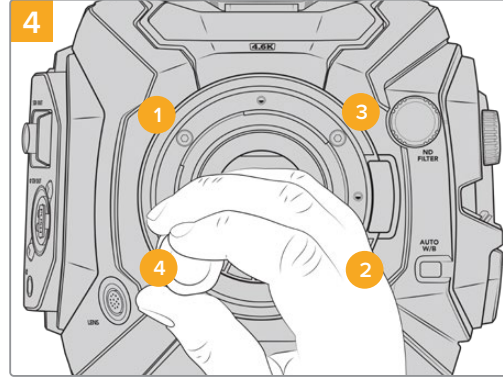
Blackmagic URSA Mini Pro'yu sağlam ve temiz bir tezgâhın üzerine, yuvanın dikey olarak takılabilmesi için, dikey olarak koyun. PL yuvayı EF yuvaya değiştiriyorsanız EF yuvayı takmadan önce, PL ara parçasını (baffle) çıkardığınızdan emin olun.



Blackmagic URSA Mini Pro EF mercek yuvasını, dikkatlice kamera gövdesine yerleştirin ve kırmızı noktanın saat 12 konumunda olduğundan emin olun.



2mm'lik bir Hex anahtarı veya 0.45Nm'ye ayarlı bir tork anahtarı kullanarak, mercek yuvasının desteğine temas edene dek dört montaj vidasını gevşek şekilde döndürünüz.



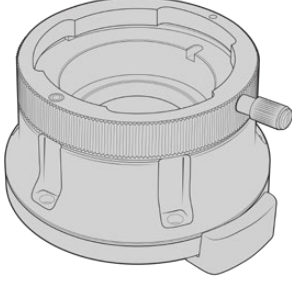
Önce mercek yuvasının düz ve doğru hizalandığından emin olun, ardından burada gösterilen sırayla, vidaları aşırı sıkmadan eşit bir baskıda sıkın.

**NOT** F yuvasını çıkarırken montaj direktiflerini, adım 4'ten adım 1'e, tersten takip ediniz.

## Blackmagic URSA Mini Pro B4 Mount

URSA Mini Pro 4.6K G2 veya URSA Mini Pro 4.6K'nızda B4 yuva takılı iken, elektronik haber toplama ve düşük videolarında yaygın olarak kullanılan ortak odaklı zum lenslerini takabilirsiniz. Bu lensler, geniş zum aralıklarında netliği muhafaza ederler ve tipik olarak manuel odak ve iris kontrol özelliğine sahiptirler. Ayrıca, tutma kolunun üzerinde, pürüzsüzce zum yapmanızı ve zumdan çıkmanızı sağlayan bir zum mandalı da bulunur. Yalnız çalışan operatörler için bu lensleri kullanmak, çekim üzerinde mutlak kontrol ile çekimleri çok hızlı ve etkili bir şekilde yapabilmelerini sağlar. Blackmagic URSA Mini Pro B4 yuvasının URSA Mini Pro 12K ile uyumlu olmadığını unutmanız önemlidir.

### B4 mount kit'in içerdikleri:



#### 1 x B4 mount

B4 yuva, URSA Mini Pro ile endüstri standardı ENG lenslerini kullanmanızı sağlar.



#### 1 x Shim (pul) seti

Pul seti aşağıda belirtilen kalınlıkları içerir:

0.50mm	0.18mm	0.10mm
0.30mm	0.15mm	0.05mm
0.20mm	0.12mm	0.025mm



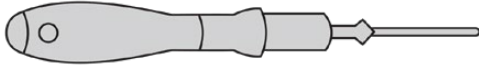
#### 5 x 2mm Hex M2.5 x 12mm yuva civatası

Beş adet M2.5 x 12mm'lik HEX civatası, sadece B4 yuva içindir; bu yüzden bu civataları, ilgili yuva ile beraber saklayabilirsiniz.

Ayrıca, B4 yuva takımı, orijinal civataların kaybolma olasılığına karşı, tam set yedek civatalarla gelir.

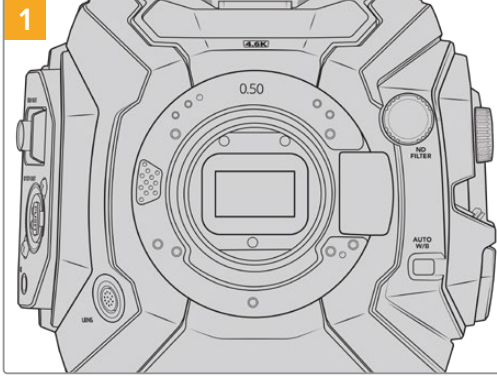
### Gerekli Araçlar

B4 yuvasını takarken 2mm'lik bir Hex anahtarı gerekecektir. Mecburi olmasa da civataların çok sıkılmasını önlemek için, 0.45Nm'lik maksimum torku ayarlayabilecek bir tork anahtarı kullanmanızı tavsiye ederiz.

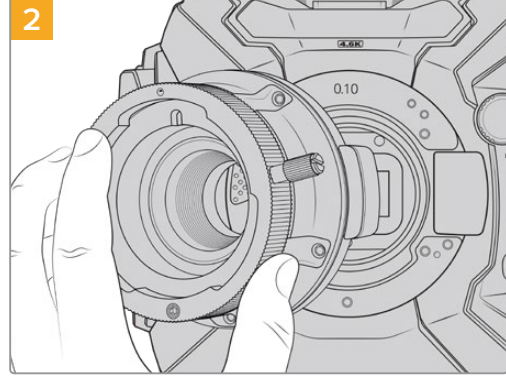


2mm Hex anahtarı

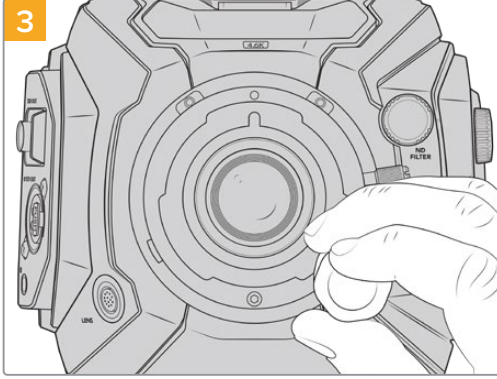
## B4 Lens Yuvasının Takılması



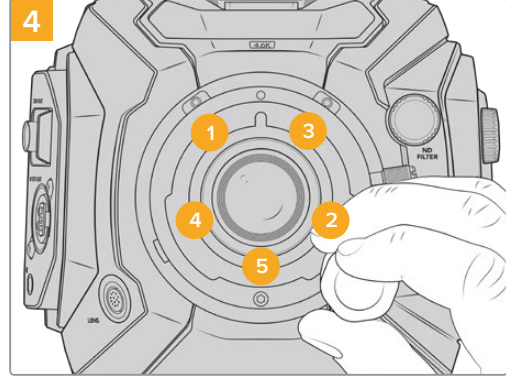
Blackmagic URSA Mini Pro'yu sağlam ve temiz bir tezgâhın üzerine, yuvanın dikey olarak takılabilmesi için, dikey olarak koyun.



Blackmagic URSA Mini Pro B4 mercek yuvasını, dikkatlice kamera gövdesine yerleştirin ve kırmızı noktanın saat 12 konumunda olduğundan emin olun.



2mm'lik bir Hex anahtarı veya 0.45Nm'ye ayarlı bir tork anahtarı kullanarak, mercek yuvasının desteğine temas edene dek beş adet montaj vidasını gevşek şekilde döndürünüz.



Önce mercek yuvasının düz ve doğru hizalandığından emin olun, ardından burada gösterilen sırayla, vidaları aşırı sıkmadan eşit bir baskıda sıkın.

**NOT** B4 yuvasını çıkarırken montaj direktiflerini, adım 4'ten adım 1'e, tersten takip ediniz.

**BİLGİ** URSA Mini Pro 4.6K G2 veya URSA Mini Pro 4.6K ile bir B4 mercek kullanırken, çözünürlüğü 2K 16:9 olarak veya daha düşük bir değere ayarlayın ve gösterge panelindeki 'kayıt' sekmesinde, 'window sensor' veya 'sensör alanını düşür' seçeneğini 'on' veya 'açık' olarak ayarlayın. B4 lensler, süper 35mm görüntü dairesini kaplamadığından, görüntü çevresindeki parlaklığın azaltılmasını önlenmek için, bu ayarların kullanılması önem taşımaktadır. Bir B4 mercek takıp kameranızdaki ayarları düzenledikten sonra, merceğin arka odağını da kontrol etmeniz gerekir.

## Blackmagic URSA Mini Pro Shim Seti

URSA Mini Pro'ya PL, B4 veya F yuvaları takılırken, orijinal EF yuvasının altındaki orijinal 0.50mm ve 0.10mm'lik pullara bir 0.10mm'lik ayar pulu (shim) eklenir. Bu ayar pulu ve diğeri Blackmagic URSA Mini Pro Shim Kit ile gelmektedir. Kesin odak işaretlerini korumak üzere, biraz farklı boşluklar gerektiren PL lensleri uygun hale getirmek için kameranıza yeniden ayar pulları takmanız ihtimaline karşı, farklı kalınlıktaki ayar pulları da dahil edilmiştir.

### Shim setinin içerikleri:



#### 1 x Baffle Aracı

URSA Mini Pro'ya, PL yuva takarken veya çıkarırken, ara parçayı (baffle) sıkıştırmak veya gevşetmek için, PL baffle aracını kullanın.



#### 1 x Shim (pul) seti

Pul seti, aşağıda belirtilen kalınlıkları içerir:

0.50mm	0.18mm	0.10mm
0.30mm	0.15mm	0.05mm
0.20mm	0.12mm	0.025mm



# DaVinci Resolve Kullanımı

Blackmagic URSA Mini ile çekim yapmak, film ve televizyon içeriği oluşturma sadece bir bölümdür. Kurgu, renk düzeltme ve son master dosyalarının kodlanmasının yanı sıra, medya yedekleme ve yönetimi de en az bu derece önemlidir. Blackmagic URSA Mini kamerası, Mac ve Windows için DaVinci Resolve'nin bir sürümünü içerir, yani çekim ve post prodüksiyon için tam bir çözüme sahip oluyorsunuz!



**NOT** URSA Mini ile çekilen kliplere doğru renk düzeltme işlemi için, DaVinci Resolve'nin en son sürümünü kullanmanızı tavsiye ederiz. Sürüm 16.3 veya üzeri, tüm URSA Mini kameralar için doğru renk ve en yeni Blackmagic RAW özelliklerini sunmanın yanı sıra, 12K dosyaları da destekleyecektir.

CFast, SD kart veya SSD'nizi bilgisayarınıza taktıktan sonra, DaVinci Resolve'nin 'media' (ortam) sayfasındaki klonlama aracını kullanarak, çekim yaparken canlı yedeklemeler oluşturabilirsiniz. Her türlü ortam, hasar görmeye veya bozulmaya yatkın olduğu için, yedeklerinin oluşturulması, çekimleriniz kaybolmaya karşı koruyacağından, bu işlem önerilir. Ortamınızı yedeklemek için DaVinci Resolve'yi kullandıktan sonra; kliplerinizi DaVinci medya havuzuna ilave edebilir, sonrasında kurgulama, renk düzeltme yapabilir ve DaVinci Resolve'den hiç çıkmadan yapılarınızı tamamlayabilirsiniz.

DaVinci Resolve, gişe rekoru kıran büyük sinema filmlerinde kullanılan aracın aynısıdır ve üst düzey dijital film için oldukça ileri teknolojiye dahili olarak sahiptir; bu yüzden basit bir NLE yazılım aracının ötesindedir. Çalışmanızın kurgu ve renk düzeltme işlemleri için DaVinci Resolve'yi kullandığınızda, bu teknolojiden yararlanırsınız.

Kamera dosyalarınızla DaVinci Resolve'yi kullanmaya nasıl başlayacağınız hakkında bilgi, buraya dahil edilmiştir. Elbette, DaVinci Resolve oldukça ileri teknolojiye sahiptir ve kullanıcı arayüzüne ilk baktığınızda görebildiğinizden çok daha fazla özellikler içerir. DaVinci Resolve'yi nasıl kullanacağınız hakkında daha fazla bilgi için, Blackmagic internet sitesinde DaVinci Resolve kullanım kılavuzuna bakın. Burada, birçok eğitim kursu ve öğretici videolar da bulabilirsiniz.

## Project Manager (Proje Yöneticisi)

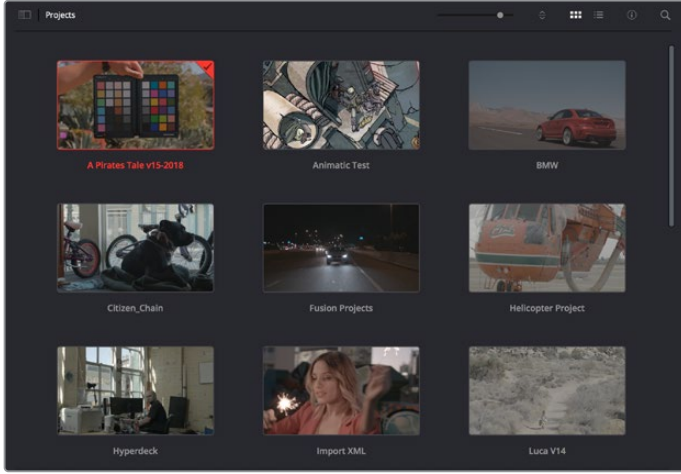
Kliplerinizi yazılıma aktarmadan ve kurgulamaya başlamadan önce, proje yöneticisini kullanarak projenizi düzenlemeniz gerekir.

DaVinci Resolve'yi başlatırken, proje yöneticisi göreceğiniz ilk ekrandır ancak, kullanıcı arayüzünün sağ alt köşesindeki 'home' (ana sayfa) ikonunu tıklayarak yöneticiyi istediğiniz zaman açabilirsiniz. Bu; daha önceki projeleri açmak istediğinizde veya yenilerini oluşturmak istediğinizde faydalıdır.



Yeni proje açmak için ekranın alt bölümündeki 'new project' (yeni proje) butonu üzerine tıklayın ve projenize bir isim verin. 'Create' (oluştur) ibaresini tıklayın.

"Cut" isimli hızlı kurgu sayfasını kullanarak kurgunuz üzerinde hemen çalışmaya başlayabilirsiniz.



Proje yöneticisi, şu anki kullanıcıya ait tüm projeleri gösterir

Proje Yöneticisi hakkında daha fazla bilgi için, Blackmagic Design internet sitesi destek sayfasından indirilebilir, DaVinci Resolve kullanım kılavuzuna başvurun.

## Cut (Hızlı Kurgu) Sayfası ile Kurgu

Hızlı kurgu sayfası olan 'cut' sayfası; klipleri hızla biraraya getirmeniz, ince ayar yapmanızı ve etkili bir şekilde kurgulamanızı sağlayan, hızlı bir dinamik kurgulama iş akışı sunar.

İki adet aktif timeline, kurgunuzun tamamıyla çalışmanızı sağlamanın yanı sıra, ayrıntılı bir bölgeyle de aynı anda çalışmanızı sağlar. Bunun anlamı, büyük timeline üzerinde herhangi bir yere klipler bırakabileceğiniz sonra, aynı çalışma alanı dahilindeki ayrıntılı timeline'de kurgunuzu geliştirebileceğinizdir. Bu iş akışını kullanarak, optik yakınlaştırmaya ve uzaklaştırmaya gerek duymadan ve çalıştıkça görüntüyü kaydırarak bir dizüstü bilgisayarda kurgulayabilirsiniz.

### Hızlı Kurgu sayfa düzeni

Hızlı Kurgu sayfasını açtığınız zaman, bir medya havuzu, görüntüleyici pencere ve timeline'yi göreceksiniz. Bu üç ana pencere, kurgunuz üzerinde size mutlak kontrol sağlar.



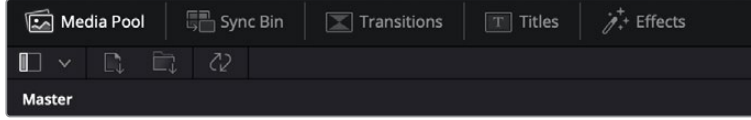
İkon görünümünde medya havuzu ile 'Hızlı Kurgu' sayfası varsayılan çalışma alanı

Hızlı Kurgu sayfası üzerinde daha fazla bilgi için, DaVinci Resolve kullanım kılavuzundaki 'Hızlı Kurgu sayfasını kullanma' bölümüne bakın.

## Medya Sekmeleri

Kullanıcı arayüzünün sol üst köşesinde 5 adet sekme göreceksiniz.

Kurgunuzu oluştururken, kullanacağınız medya araç takımlarını açmak için, bu sekmelerin üzerine tıklayın. Örneğin; ilk sekme medya havuzudur ve zaten seçili olduğunu görebilirsiniz. Diğer sekmeler; senkron bin, medya geçişleri, yazılar ve efektler içindir.



- **Medya Havuzu (Media Pool):** Medya havuzu, medya sayfası ile yazılıma aldığınız; tüm kliplerinizi, klasör ve dosyalarınızı içerir. Ayrıca, doğrudan Hızlı Kurgu sayfasından da dosyaları içe aktarabilirsiniz yani, yazılıma yeni bir klip aktarmak için medya sayfasına geri dönmenize gerek yok.
- **Senkron Bin (Sync Bin):** Bu etkili özellik; zaman kodu, tarih ve saat üzerinden tüm kliplerinizi otomatik olarak senkronize eder. Böylece, çok kameralı bir projede, tüm kameralardan açılar seçebilirsiniz.
- **Geçişler (Transitions):** Yakındaki geçişler sekmesini tıklarsanız kurgunuzda kullanabileceğiniz, tüm video ve ses geçişlerini göreceksiniz. Bunlara; çapraz erimeler ve hareketli silmeler gibi bilinen geçişler dahildir.
- **Yazılar (Titles):** Geçişlerin yanında 'yazılar' sekmesi vardır. Burada, kullanmak istediğiniz yazı türünü seçebilirsiniz. Mesela; kayan yazı, standart yazı veya ekran altı yazısı. Ayrıca, DaVinci Resolve'nin 'Fusion' sayfasında kişiselleştirilebilen, daha hareketli dinamik yazılar için kullanabileceğiniz Fusion şablonlarının bir listesi de var.
- **Efektler (Effects):** Beşinci sekme 'efektler' sekmesidir. Kurgunuza daha çok canlılık getirmek üzere kullanabileceğiniz, kişiselleştirilebilir bulanıklar, parlamalar ve mercek efektleri gibi, tüm farklı filtreleri ve efektleri bu sekme sağlar. İçinden seçebileceğiniz birçok etkili efekt var ve arama aracını kullanarak onları hızla bulabilirsiniz.

**BİLGİ** Aradığınız öğeleri eksiksiz bulmak için, medya sekme ikonlarının yanındaki arama aracını kullanın. Örneğin; geçişler sekmesini seçtiyseniz arama aracına "erime" (dissolve) yazın ve görüntüleyici de sadece erime geçiş türleri gösterilecektir. Bu da aradığınız erime geçişini bulmanızı hızlandıracaktır.

## Görüntüleyici Sekmeleri

Görüntüleyici penceresinin sol üst köşesinde, görüntüleyici mod butonlarını göreceksiniz.



Görüntüleyici mod butonları

Bu butonlar; 'kaynak klip' (source klip), 'kaynak bant' (source tape) ve timeline dahil olmak üzere, şu anda kullanılan görüntüleyiciyi kontrol eder. Kurgunuz için klipler seçerken, bu görüntüleyici modları size çok büyük miktarda kontrol sağlarlar ve nasıl çalışıklarına bakmak için bir iki dakika harcamanıza değer olacaktır.



	<b>Kaynak Klip (Source Clip)</b>	Kaynak klip görüntüleyicisi, medya havuzundan bir tek klipi görüntüler ve görüntüleyici timeline'nin tüm uzunluğu boyunca giriş ve çıkış noktalarını kurabilirsiniz. Bu, size daha fazla kontrol sağlar. Medya havuzundaki bir klip üzerine çift tıklayarak veya onu görüntüleyiciye sürükleyip bırakarak, bakmak için bir kaynak klip seçin.
	<b>Kaynak Bant (Source Tape)</b>	Kaynak bant, medya havuzundaki kaynak kliplerin hepsini görmenizi sağlar. Belli bir olayı bulmak için tüm kliplerinizin arasında hızlıca aramak istediğinizde, bu etkili özellik faydalıdır. Oynatma çubuğunu klipler üzerinde sesli sürüklediğinizde, bu kliplerin küçük resimlerinin medya havuzunda seçtiklerinizi göreceksiniz. Bunun anlamı; kurgulamak istediğiniz klipi bulur bulmaz, kaynak klip sekmesi üzerini tıklayabileceğiniz ve ilgili kaynak klipin görüntüleyici de otomatik olarak görüntüleneceğidir. Kaynak bant görüntüleyicisi; kurgunuz üzerinde çalışmanızı, çabucak çekimleri bulmanızı, yeni fikirler denemenizi ve anı yaşamamanızı mümkün kılarak, doğrusal olmayan (sayısal) kurgulama tarzından gerçekten istifade etmenizi sağlar.
	<b>Timeline</b>	Timeline görüntüleyici kurgu timeline'sini görüntülemenizi mümkün kılarak projenizi oynatabilmenizi ve kurgunuzu geliştirmenizi sağlar.

## Medya Havuzuna Klipleri Aktarma

Artık projenize medya aktarmaya başlayabilirsiniz. Bunu; hızlı kurgu sayfasının medya havuzu penceresinde, üstteki içe aktarma araçlarını kullanarak yapabilirsiniz.



Projenize medya eklemek için içe aktarma seçeneklerinden birini seçin.

	<b>İçe Medya Aktarma</b>	İçe medya aktarma seçeneği, depolama konumundan seçtiğiniz tek medya dosyalarını içe aktaracaktır.
	<b>İçe Medya Klasörü Aktarma</b>	Medya deponuzdan bir klasörü içe aktarmak için 'import media folder' seçeneğini seçin. Bir klasörü içe aktarırken, DaVinci Resolve, herbir klasörü ayrı bir bin olarak ele alarak dosya yapısını muhafaza edecektir. Böylelikle, videolarınızı ve diğer medya dosyalarını bulmak için bin'ler arasında gezinebilirsiniz.

### İçe Medya Aktarmak için:

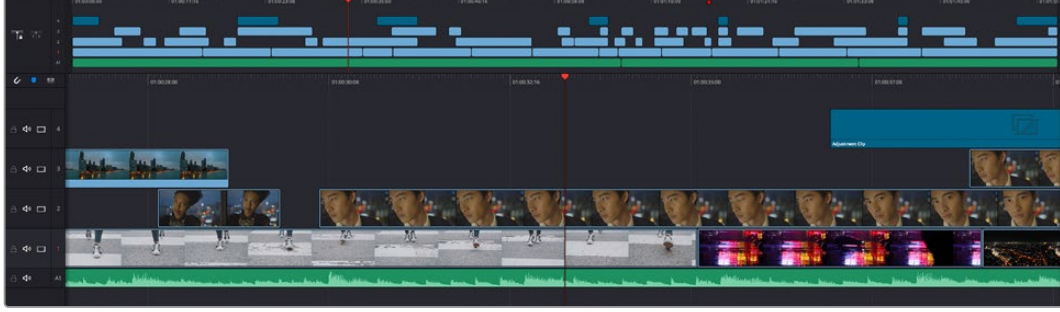
- 1 'Import media' (içe medya aktar) veya 'import media folder' (içe medya klasörü aktar) ikonu üzerine tıklayın.
- 2 İçe aktarmak istediğiniz medya için medya deponuza gidin.
- 3 Dosyayı veya klasörü seçin ve 'open' (aç) ibaresini tıklayın.

Projenize medyayı ekler eklemeyiz, değişiklikleri kaydetmeniz önerilir. DaVinci Resolve, 'live save' (canlı kaydetme) isminde, hızlı bir faal otomatik kaydetme özelliği içerir. Projenizi bir kez kaydettikten sonra, değişiklikler yaptıkça 'live save' bunları kaydedecek ve yaptığınız işin kaybolma tehlikesini ortadan kaldıracaktır.

'Live save' ve diğer otomatik kaydetme özellikleri hakkında daha fazla bilgi için, DaVinci Resolve Kullanma Kılavuzuna bakın.

## Timeline'ye Kliplerin Eklenmesi

Medya sekmeleri ve mod butonlarıyla artık aşına olduğunza göre, medya havuzunu açabilir ve timeline'nize klipler eklemeye hızla başlayabilirsiniz.



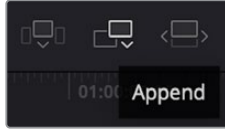
Hızlı kurgu sayfasının timeline'si; üstteki timeline ve alttaki yakınlaştırılmış timeline'yi içerir.

Timeline, kurgunuzu geliştirdiğiniz yerdir ve kliplerinizi iliştiirebildiğiniz, hareket ettirebildiğiniz ve ince ayar yapabildiğiniz, kanalları olan bir pano gibidir. Kanallar klipleri diğer kliplerin üzerine yerleştirilmesini mümkün kılarak, farklı kurgular denemeniz ve geçişler ile efektler oluşturmanız için size daha çok esneklik sunar. Örneğin; altındaki kanallarda bulunan diğer klipleri etkilemeden, bir kanaldaki bir kliple bir kurguyu deneyebilirsiniz.

Timeline'ye klip eklemenin farklı yolları vardır, mesela; akıllı araya sokma (smart insert), sona ekleme (append), üstüne koyma (place on top) ve fazlası.

### Klipleri Sona Ekleme

Çekim tekrarlarını seçerken ve bir kurguyu meydana getirirken, bu çekimleri art arda timeline'nize eklemeyi istemeniz muhtemeldir. Bu görev için 'sona ekleme aracı' (append tool) mükemmeldir ve çok hızlı bir şekilde kurgulamaya başlamanızı sağlar.



Sonuncu klibin sonuna hızla klipler eklemek için 'append' (sona ekle) ikonu üzerine tıklayın.

### Bir klibi sona eklemek için:

- 1 Medya havuzundaki bir klibi, görüntüleyicide açmak için, üzerine çift tıklayın.
- 2 Çekiminizin kesin doğrulukta süresini ayarlamak için, 'scratch trim tool' isimdeki ince ayar aracını kullanarak çekimin giriş (in) ve çıkış (out) noktalarını sürükleyin. Giriş ve çıkış noktalarını ayarlamak için 'i' ve 'o' klavye kısa yollarını da kullanabilirsiniz.

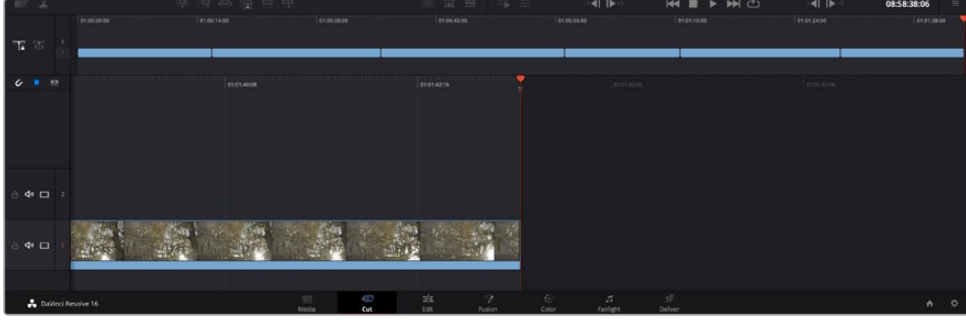


- 3 Şimdi medya havuzunun altındaki 'append' (sona ekle) ikonunu tıklayın.



İlk klibiniz, timeline'nin başlangıcına yerleştirilecektir.

Daha fazla klip eklemek için, 1'den 3'e kadar olan basamakları tekrarlayın ve klipler otomatik olarak sona eklenerek timeline üzerinde hiç bir boşluk kalmamasını sağlar.



Kliplere 'sona ekleme' (append) uygulamak, timeline'de aralarından hiçbir boşluk kalmamasını sağlar.

**BİLGİ** 'Sona ekle' (append) ikonuna bir klavye kısa yolu atayarak, bu işlemi daha da hızlandırabilirsiniz. Örneğin, 'P' tuşunu atarsanız giriş ve çıkış noktalarınızı 'I' ve 'O' tuşlarını kullanarak ayarlayabilir ve sonra klipi sona eklemek için 'P' tuşuna basabilirsiniz. Kısayol tuşlarını atama konusunda bilgi için DaVinci Resolve kullanım kılavuzuna bakınız.

## Timeline'de Klipleri Kurgulama

Timeline'nize klipler eklenmesi sayesinde, timeline üzerinde klipleri hareket ettirmek ve onlara ince ayar yapmak için mutlak kontrolünüz vardır.

Bir kurguya ince ayar yapmak için; klibin başlangıcı veya sonu üzerinde fareni tutun ve sonra tıklayıp sağa veya sola sürükleyin. Mesela; klibin süresini azaltmak veya artırmak üzere, klibin sonunu sola veya sağa sürükleyin. Bu düzenlemeden sonra tüm kliplerin, bu yeni düzeltmeye uyum sağlamak için timeline üzerinde kaydıklarını fark edebilirsiniz. Zamandan kazanmanıza yardımcı olmak için 'hızlı kurgu' sayfasının kullandığı bir yoldur.

Hatta bir klipi alıp, büyük timeline'deki yeni bir video kanalına, yaklaşmaya veya uzaklaşmaya gerek kalmadan bırakabilirsiniz. Uzun bir timeline'de gezinerek harcadığınız zamanı asgariye indirdiği için kurgu sürecini bu hızlandırır.

'Hızlı kurgu' sayfasını kullanarak klipleri kurgulamayı bitirdikten sonra, bir başlık eklemeyi istemeniz mümkündür. Bunun nasıl yapılacağını bir sonraki bölüm size gösterecek.

## Yazı/Metin İlave Edilmesi

Timeline üzerine bir yazı eklenmesi kolay ve birçok seçeneğiniz var.

Kullanabileceğiniz farklı yazı tiplerini görmek için, kullanıcı arayüzünün sol üst köşesindeki 'titles' (yazılar) medya sekmesi üzerine tıklayın. Seçim penceresinde; ekran altı yazılarından, süslü yazılara veya standart bir yazı başlığına varan, kullanabileceğiniz tüm farklı yazı üreteçlerini göreceksiniz. Kişiselleştirebileceğiniz hareketli yazılar olan Fusion yazılarından herhangi birini bile ekleyebilirsiniz.

Standart bir yazı eklemek iyi bir örnektir.

### Bunu yapmak için:

- 1 'Text' (yazı) metni üzerine tıklayın ve timeline üzerine sürükleyin. Hangi timeline olduğu önemli değildir ama daha doğru olması için ayrıntılı timeline'yi kullanmanızı tavsiye ederiz. 'Title' başlık için otomatik olarak yeni bir video kanalı oluşturacak ve oynatma çubuğuna yapışacaktır.
- 2 Fareyi bıraktığınızda başlık yeni kanal üzerinde belirecektir. Artık başlığı hareket ettirebilir veya başka bir video kliline yaptığınız gibi süresini değiştirebilirsiniz.
- 3 Başlığı düzeltmek için; yeni yazı klipi üzerine tıklayın ve klip görüntüleyicinin altında bir 'araç' ikonu belirir. Bu araç ikonu üzerine tıklayın.  
Şimdi, yazı klipini değiştirmek için kullanabileceğiniz bir araç sırası göreceksiniz. Mesela; dönüştürme, kırpma, dinamik yaklaştırma ve daha fazlası. Bu örnek için 'yazı' aracı üzerine tıklayın.
- 4 Şimdi, 'open inspector' (denetleyiciyi aç) ibaresini tıklayın.

Bu; istediğiniz yazıyı girebileceğiniz bir denetleyici penceresi açacaktır. Burada takip etme, satır aralığı, font tipi, rengi vb gibi birçok yazı ayarını düzenleyebilirsiniz.

Yazıyı tam istediğiniz gibi kişiselleştirmeniz için bir sürü seçeneğiniz var. Yazınızın görünüşünü ve şeklini nasıl değiştirdiklerini görmeniz için, farklı ayarların hepsini biraz karıştırmanızı tavsiye ederiz.

## Blackmagic RAW Dosyalarıyla Çalışma

Blackmagic RAW klipler, post prodüksiyonda size azami esneklik sağlar. Bu, sanki orijinal kamera ayarlarını değiştirdiyormuşsunuz gibi, kliplerinize beyaz ayar ve ISO ayarı gibi ayarlamaları yapmanızı sağlar. Blackmagic RAW ile çalışma, gölgelerde ve parlak bölgelerde daha fazla renk tonu bilgisini koruduğundan, detayların telafisi için de faydalıdır. Örneğin; patlamış gökyüzünde ve görüntünüzdeki karanlık bölgelerde.

Mümkün olan en yüksek kalitenin veya parlaklıklar ve gölgeler arasında aşırı farklılık olan çekimlerin peşindeyseniz, çekimlerinizi Blackmagic RAW olarak yapmanızda fayda var ve derecelendirme esnasında, bu bölgeleri mümkün olduğunca artırıp azaltmanız gerekebilir.

Blackmagic RAW formatının küçük dosya ebatı ve hızı, proxy dosyaları oluşturmanızı gerektirmez ve oynatım, tıpkı standart bir video klip gibidir. Kullanım kılavuzunun bu bölümü, Blackmagic RAW özellikleri ve DaVinci Resolve iş akışınızda Blackmagic RAW dosyalarını nasıl kullanabileceğiniz hakkındaki detayları açıklar.

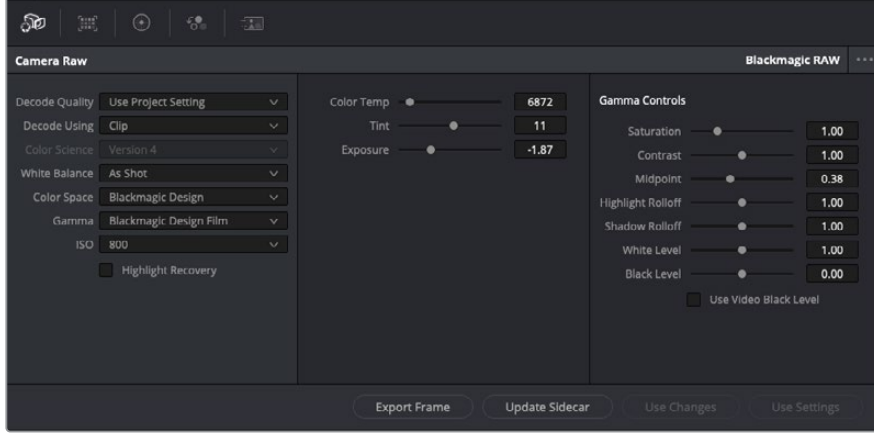
**BİLGİ** Renk derecelendirmesine başlamadan önce, klipleriniz için Blackmagic RAW ayarlarını renk sayfasında düzeltmeniz faydalıdır.

### Blackmagic RAW için Klip Ayarları

Blackmagic RAW dosyalarını ilk kez program içine aldığınızda, DaVinci Resolve; çekim anında kullanılan beyaz ayar ve ton ayarları gibi dosyalardaki kamera verilerini, ISO'yu kullanarak çözecektir. Bu ayarların görüntüsünden memnunsanız hemen kurgulamaya başlayabilirsiniz.

Blackmagic RAW olarak çekim yapmanın en güzel tarafı, bu ayarlara hiç bağlı kalmak zorunda olmamanızdır! Blackmagic RAW dosyaları ile çalıştığınızda, mevcut post prodüksiyon seçeneklerinin genişliği, zaman içinde kendi iş akışınızı geliştireceğiniz anlamına gelir. Her bir klipin 'clip' ayarları ile 'camera raw' sekmesinde denemeler yapmak, Blackmagic RAW dosyaları ile çalışmanın ne kadar etkili ve esnek olabileceğini size gösterecektir.

'Renk bilimi' menüsü, çekimlerinizi 4. nesil renk bilimi veya 5. nesil renk bilimi ile değerlendirmeyi seçmenizi sağlar. URSA Mini Pro 12K, Blackmagic Design 5. nesil renk bilimini kullanan ilk kameradır. Nesil 4 renk bilimi ile farklı kameralarda oluşturulan dosyalar, URSA Mini Pro 12K'dan gelen çekimlerinize eşleşmeleri için nesil 5 renk bilimi ile yeniden yorumlanabilir. Bunun yerine, ağırlıklı olarak nesil 4 renk bilimi ile Blackmagic RAW dosyaları oluşturan kameralarla çekim yapıyorsanız URSA Mini Pro 12K ile çekilen nesil 5 renk bilimi ile çekilen klipleri, nesil 4 renk bilimine geri döndürerek birlikte kullanabilirsiniz. Bu, Blackmagic renk biliminin farklı nesillerini kullanan kameralarda çekilen görüntüleri eşleştirmeyi kolaylaştırır.



Klibinizin Blackmagic RAW ayarlarını düzenlemek için, 'camera raw' sekmesinde aşağı açılır 'decode using' (... ile kodu aç) menüsünden, 'clip' ibaresini seçin.

Blackmagic RAW için klip ayarlarını etkinleştirmek üzere DaVinci Resolve'yi bir kez ayarladığınızda, klip ayarları ve gamma kontrolleri artık düzeltilbilir hale gelir. Kliplerinizi en iyi düzeye getirmek için bu ayarların düzeltilmesi, kliplerinizi tam bir ana derecelendirmeye yakınlaştırabilir. Bu özellikle, kliplerinizi bir görünüm uygulamaya hazırlamak için nötrleşirmenize ve dengelemenize yardımcı olan, DaVinci Resolve'nin skoplarını kullanırken etkilidir. Aşağıdaki bilgiler, klip ve gamma kontrolleri için tanımlar içerir.

### ISO (ASA)

ISO değeri, bu ayar düzeltilerek değiştirilebilir. Optimizasyon için klibinizi daha parlak veya daha karanlık bir başlama noktasına getirmeniz gerektiğinde, bu ayar faydalıdır.

### Highlight Recovery (Parlak Bölgeleri Kurtarma)

Kırılmayan kanallardaki bilgileri kullanarak, kırılan kliplerdeki parlaklık bilgilerini yeniden oluşturmak için, bu kutuyu işaretleyin.

### Color Temp (Renk Isısı)

Görüntüyü sıcaklaştırmak veya soğutmak için renk ısısını ayarlayın. Bu; her bir görüntüdeki rengi nötrleşirmeye yardımcı olması için kullanılabilir.

### Tint (Renk Tonu)

Bu ayarın düzeltilmesi, rengin dengelenmesine yardımcı olmak için, görüntüye yeşil veya macenta ekleyecektir.

### Exposure (Pozlama)

Bu ayarı, görüntünün parlaklığını genel olarak düzeltmek için kullanın.

### Doğunluk

Doğunluk kontrolleri; en düşük doğunluk için -1, azami doğunluk için +4'e yayılır ve varsayılan ayarı 1'dir.



## Kontrast

Varsayılan ayarı 1.0'dır. En düşük kontrast miktarı 0 için, sürgüyü sola veya kontrastı 2'ye kadar artırmak için, sürgüyü sağa sürükleyin.

## Midpoint (Orta Nokta)

Blackmagic Design Film'de, orta grinin varsayılan değeri 0.38 ya da %38,4'tür. Orta noktanızı düşürmek için sürgüyü sola sürükleyin ya da 100'e kadar artırmak için sağa sürükleyin. Kontrast, varsayılan ayarından uzaklaştırıldığında, parlak bölge ve gölge eğilimini değiştirebilirsiniz.

## Highlight Rolloff (Parlak Bölüm Eğimi)

Parlaklık değerini 0'a düşürmek için sürgüyü sola sürükleyerek veya 2'ye artırmak için sağa sürükleyerek parlak bölgelerin ayarını yapın. Varsayılan değer 1'dir.

## Shadow Rolloff (Gölge Eğimi)

Gölgelerinizi 0'a düşürmek için, sürgüyü sola sürükleyin ya da 2'ye artırmak için sağa sürükleyin.

## White Level (Beyaz Seviyesi)

Sürgüyü en yüksek değer olan 2'den, en az değer olan 0'a sürükleyerek, gamma eğrisinin beyaz noktasını ayarlayın. Varsayılan değer 1'dir.

## Black Level (Siyah Seviyesi)

Sürgüyü en düşük değer olan -1'den, azami değer olan 1'e sürükleyerek, özel gamma eğrisinin siyah noktasını artırın. Varsayılan değer 0'dır.

## Use Video Black Level (Video Siyah Seviyesini Kullan)

Siyah seviyelerinizi videoya ayarlamak için bu kutuyu işaretleyin.

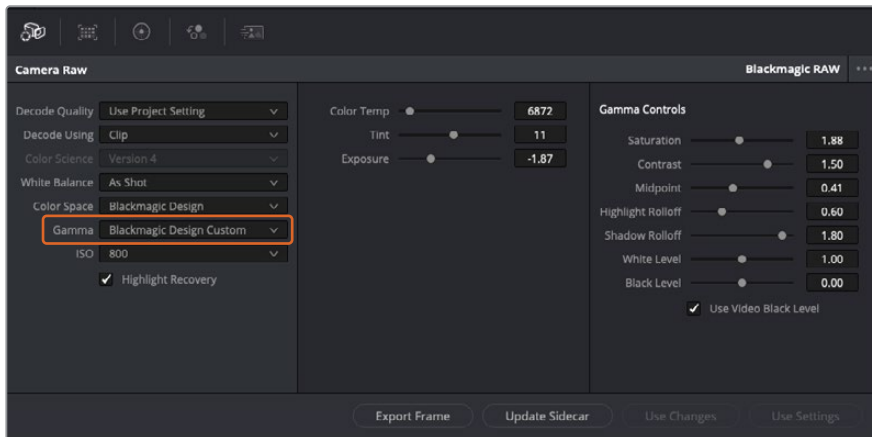
## Export Frame (Kareyi Dışa Aktar)

'Export frame' (kareyi dışa aktar) butonunun tıklanması, RAW klabinizden tek bir kareyi dışa aktarmanızı sağlar.

## Update Sidecar (Sidecar Dosyasını Güncelle)

Geçerli klip için Blackmagic RAW sidecar dosyasını güncellemek üzere, bu butonu tıklayın.

Blackmagic RAW kliplerinize yaptığınız herhangi bir değişiklik, gamma ayarının Blackmagic Design Custom olarak değişmesinden tespit edilebilir.



Klibinizi, mevcut varsayılan gamma seçeneklerinden birisine geri çevirmek için, aşağı açılır gamma menüsünden seçiminizi yapmanız yeterlidir.



**BİLGİ** 'Video' dinamik aralığı ile çekilen görüntüler için gamma kontrolleri etkisiz hale getirilmiştir fakat, Blackmagic RAW veriyi kaybetmiş olmazsınız. Aşağı açılır gamma menüsünden, Blackmagic Design Film veya Blackmagic Design Extended Video seçeneğini seçin ve düzeltmelerinizi yapın.

### Blackmagic RAW değişikliklerinizi kaydetme

- 1 Blackmagic RAW klbiniz için gamma kontrollerini ayarlayın.
- 2 Sidecar dosyasını güncelle (update sidecar) butonunu tıklayın.

Bir sidecar dosyası, .braw dosyanızla aynı klasörde şimdi oluşturulacaktır. Blackmagic RAW dosyalarını başka bir kullanıcı içe aktardığında, sidecar dosyaları, DaVinci Resolve tarafından otomatik olarak okunacaktır. İlave değişiklikler yaparsanız 'update sidecar' butonuna tekrar basın.

**BİLGİ** Sidecar dosyanızı kaldırmak için, medya sürücünüzdeki konumundan silebilirsiniz.

### Blackmagic RAW için Proje Ayarları

Bütün kliplerde bulunan bir ayara değişiklik yapmak istediğinizde, kliplerinizi proje 'camera raw' ayarlarını kullanmaları için düzenleyebilir ve genel değişiklikleri oradan yapabilirsiniz. Örneğin; beyaz ayarına veya ISO ayarına genel bir değişiklik yapılması gibi.

#### Blackmagic RAW için proje ayarlarını düzenlemek için:

- 1 'File' (dosya) üzerine tıklayın ve 'project settings' (proje ayarları) sekmesini seçerek proje ayarları menüsüne girin.
- 2 'Camera RAW' sekmesinde, RAW profilinin yanında, aşağı açılır bir menü göreceksiniz. Listedenden Blackmagic RAW seçeneğini seçmek için, okun üzerine tıklayın.
- 3 Aşağı açılır 'Decode Using' menüsünden, 'project' ibaresini seçin.
- 4 Beyaz ayar ayarını, 'custom' (özel) olarak seçin.
- 5 Aşağı açılır gamma menüsünden 'Blackmagic Design Custom' ibaresini seçin. Renk alanını 'Blackmagic Design' olarak ayarlayın. Bu işlem, gamma ayarını da 'Blackmagic Design Film' olarak düzenleyecektir.
- 6 'Decode Quality' (Kod Çözme Kalitesi) menüsünden, çözünürlüğünüzü (resolution) seçin. Sınırlı sistemlerde, daha düşük bir çözünürlük size daha iyi bir geri oynatım sağlayacaktır. Teslimattan önce en yüksek kalitede çıktı için, daha sonra tam çözünürlüğe değiştirme esnekliğine de sahipsiniz.

Şimdi klipleriniz için; doygunluk (saturation), kontrast ve orta nokta gibi kamera ayarlarını düzenleyebilirsiniz. Bu işlem, projenizdeki 'project' seçeneğini kullanarak kod çözmeye ayarlanmış tüm klipleri etkileyecektir.

### Renk (Color) Sayfası ile Kliplerinizin Renginin Düzeltilmesi

Klipleriniz timeline'de olduğuna ve yazılar eklendiğine göre, 'renk' sayfasını kullanarak renk düzeltme işlemlerine başlayabilirsiniz. Renk sayfası inanılmaz derecede etkilidir ve filminizin genel görünümünü belirleyecektir ancak, bu örnek için iyi olacak bir başlangıç, tutarlı olmaları için kliplerinizin nötrleştirilmeleridir. Kurgunuza değişiklikler yapmak istiyorsanız istediğiniz zaman 'hızlı kurgu' veya 'kurgu' sayfasına da geri dönebilirsiniz.

Renk sayfası, kurgunuzun görünümünü düzeltmenize imkan tanır ve birçok yönden renk düzeltimi kendi başına bir sanat dalıdır. Renk düzeltimi eklediğinizde, aslında işinize eklediğiniz duygudur. Bu iş aklışının oldukça yaratıcı bir bölümüdür ve bu becerileri öğrenmek çok tatmin edicidir ve işinizin

canlandığını görebilirsiniz! Bu, genellikle ilk adımdır ve 'ana renk düzeltimi' (primary color correction) olarak veya birincil düzeltme olarak da bilinir. Ana renk düzeltimi tamamlandıktan sonra, ikincil renk düzeltme ayarlamalarını yapabilirsiniz. Görüntünüzdeki belli nesnelere son derece hassas renk düzeltmelerini yapabileceğiniz yer burasıdır. Bu çok zevklidir ama, normalde ana renk düzeltiminden sonra yapılır çünkü, işlemin daha etkili olmasına yardımcı eder ve daha iyi sonuçlar alırsınız!

Öncelikle, 'renk' sayfasını açmak için, 'color' sekmesini tıklayın.

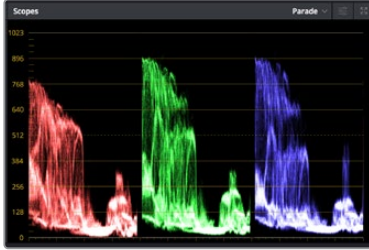
Burada; kamera raw (ham) ayarlarını, renk tekerlerini, eğri paletlerini ve genel renk düzeltme araçlarının yanı sıra, önizleme ve düğüm penceresini de göreceksiniz. Önünüzde sergilenen çok çeşitli özelliklerin sizi ürkütmesine izin vermeyin, bunların hepsi, en harika görünümü elde etmenize yardımcı olmak üzere geliştirilmiştir.

Bu 'başlarken' bölümü ana hatları gösterir ancak, daha detaylı bilgiler için, kullanma kılavuzundaki ilgili bölümlere bakın. Kullanım kılavuzundaki bu bölümler, tüm bu araçların tam olarak ne için olduğunu ve nasıl kullanılacağını, kolayca takip edilebilen adımlarla açıklar. Üst düzey renk düzeltme tesislerinde, profesyonellerin kullandığı tekniklerin aynısını öğreneceksiniz.

Genelde, ana renk düzeltmesi için ilk adım; kliplerinizdeki gölgeler, orta tonlar ve parlak bölgeler için seviyeleri optimize etmek olacaktır. Başka bir tabirle; 'lift', 'gamma' ve 'gain' ayarlarının düzenlenmesi. Bu; temiz, dengeli bir başlangıç noktasıyla, görüntülerinizin mümkün olduğunca parlak ve iyi görünmelerini sağlayarak, filminiz için istediğiniz görünümü elde etmek üzere, renk derecelendirmesine başlamanıza yardımcı olur. Seviyeleri optimize etmek için skopların kullanılması faydalıdır.

## Skopların Kullanımı

Renk uzmanlarının çoğu, programlarının sahip olmasını istedikleri duygu ve görünüme odaklanarak yaratıcı renk seçimleri yaparlar ve sonra ekranı kullanarak, bu görünümü elde etmek amacıyla çalışırlar. Görüntülerinizle neler yapabileceğiniz konusunda fikirler üretebilmeniz ve biraz pratik için, günlük nesnelere bakabilirsiniz ve farklı ışıkların, bu nesnelere nasıl etkileşim içinde olduğunu inceleyebilirsiniz.



Parade skopu; parlaklıkları, orta tonları ve gölgeleri optimize etmenizi mümkün kılar

Renk derecelendirmenin diğer bir yolu, görüntülerinizi dengelemeye yardımcı olması için, dahili skopların kullanımıdır. Palet araç çubuğunda sağdan ikinci olan 'scope' butonunu tıklayarak, tek bir video skopu (faaliyet alanı) açabilirsiniz. Dalga şekli, parade, vektörskop ve histogram görüntülemeyi seçebilirsiniz. Bu skopları kullanarak; tonal dengeyi izleyebilir, siyahlarınızın fazla kararmasını ve parlaklıkların fazla kırılmaya maruz kalmasını engellemek amacıyla, videonuzun seviyelerini gözden geçirebilir ve ayrıca, kliplerinizdeki herhangi bir renk üstünlüğünü denetleyebilirsiniz.

'Color wheels' (renk tekerleri) paleti, genelde yapacağınız ilk ayarlama kullanacağınız 'lift', 'gamma' ve 'gain' kontrollerini içerir. Daha önce renk düzeltme üzerinde deneyiminiz olduysa bunlar, başka uygulamalarda renk ve kontrast ayarlamaları yapmak için gördüğünüz kontrolleri anımsatmalıdır.



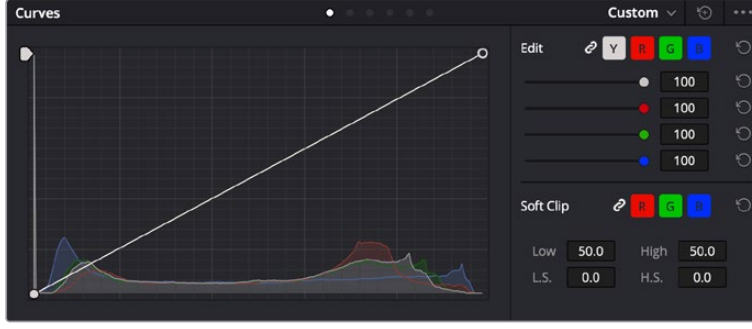
'Lift', 'gamma', 'gain' ve 'offset' renk tekerleri, kliplerinizin renk ve tonlama dengesi üzerinde tam kontrol sağlar. Her bir tonlama bölgesi için renklerin tümüne aynı ayarlamayı yapmak üzere, renk tekerlerinin altında bulunan kadrani, ileri ve geri sürükleyin.

Her bir rengin daha doğru kontrolünü sağlamak üzere, renk tekerlerini, bir fare kullanarak 'primaries bars' (ana renk çubukları) ayarına değiştirebilirsiniz. Böylelikle; lift, gamma ve gain kontrolleri için her bir renk ve parlaklık kanalını, ayrı ayrı ayarlamanız mümkün olur. Renk tekerlerinin sağ üst tarafındaki aşağı-açılır menüden, 'primaries bars' özelliğini seçin.

- **'Lift' ayarının düzeltilmesi:** Renk için olan timeline'de klibiniz seçili olarak, ilk renk tekerinin altındaki 'lift' kadraniyi tıklayın. Görüntünüzü nasıl etkilediğini gözlemlemek için, kadrani ileri ve geri kaydırın. Görüntünüzün karanlık bölgelerindeki parlaklıkların, arttığını ve azaldığını göreceksiniz.  
En iyi görünmesini istediğiniz karanlık bölgelere göre ayarını yapın. Lift' ayarını çok fazla düşürdüğünüzde, gölgelerinizdeki ayrıntıları kaybedersiniz ve bunu önlemek için, parade skopu kullanabilirsiniz. Siyahlar için dalga şeklinde en uygun konum, parade skopunun alt çizgisinin hemen üstüdür.
- **'Gain' (kazanç) ayarının düzeltilmesi:** 'Gain' kadrani üzerine tıklayın ve ileri geri kaydırın. Bu işlem, klibinizin en parlak bölgelerini (highlights) ayarlar. Bu parlak bölgeler, parade skopundaki dalga şeklinin üst kısmında görüntülenir. Parlak bir şekilde aydınlatılmış çekimlerde, bunlar için en iyi konum, dalga şekli skopunun üst çizgisinin hemen altıdır. Parlaklıklar, dalga şekli skopunun en üst çizgisinin üstüne çıktığı takdirde kırılacağından, görüntünüzün en parlak bölgelerinde ayrıntı kaybına sebep olacaktır.
- **'Gamma' ayarının düzeltilmesi:** Renk tekerleğinin altındaki 'gamma' tuşunu tıklayıp ileri ve geri kaydırın. Gamma'yı artırdıkça görüntünün parlaklığının da arttığını fark edeceksiniz. Gamma'yı değiştirdikçe, dalga şeklinin orta kısmının da hareket ettiğini fark edeceksiniz. Bu, klibinizin orta tonlarını temsil eder. Orta tonlar için en uygun konum, genelde dalga şekli skopunda %50 ile %70 arasındadır. Ancak, oluşturduğunuz görünüme ve klipteki aydınlatma koşullarına bağlı olarak, bu tercihinize göre olabilir.

Ana renk düzeltmeleri yapmak için, ayrıca eğri (curves) paletini de kullanabilirsiniz. Eğri grafiğindeki çapraz çizgi üzerinde kontrol noktaları oluşturmak için, çizgi üzerine tıklayın ve görüntü tonlamasının farklı alanlarındaki ana RGB kontrastını ayarlamak için, bu noktaları yukarı veya aşağı sürükleyin. Ayarlamak için en uygun noktalar, eğri çizgisinin alttaki üçte bir (bottom third), ortadaki üçte bir (mid) ve üstteki üçte bir (top third) noktalarıdır.

DaVinci Resolve'de ana renk düzeltmeleri yapmanın birçok yolu vardır.



Eđri paleti, ana renk d¼zeltmeleri yapmak ya da g¼c pencereleri kullanırken klabinizin belli alanlarını iyileřtirmek için kullanabileceđiniz, bir bařka araçtır

## İkincil Renk D¼zeltme

Görüntünüzün belli bir bölümünü ayarlamak istediđinizde, ikincil d¼zeltmeleri kullanmanız gerekecektir. Lift, gamma ve gain ayarlarını kullanarak řimdiye kadar yaptıđınız ayarlamalar, görüntünün tamamını aynı anda etkilediđinden, ana renk d¼zeltmeleri olarak bilinirler.

Ancak, görüntünüzün belli bir bölümünü d¼zeltmeniz gerekiyorsa, örneđin; bir sahnedeki çimin rengini iyileřtirmek ya da gökyüzündeki maviyi koyulařtırmak istediđinizde, ikincil renk d¼zeltmeleri kullanabilirsiniz. İkincil renk d¼zeltmeleri, bir görüntünün belli bir bölümü sečilerek, yalnızca o bölüme yapılan d¼zeltmelerdir. Düğümler ile; birden fazla ikincil d¼zeltmeyi kümeleyebilir ve her řeyin istediđiniz gibi olmasını sađlayana kadar, görüntünün belli bölümleri üzerinde çalıřmaya devam edebilirsiniz. Hatta, pencere (windows) ve takip (tracking) özelliđini kullanarak, seçili öğelerin, görüntünüzdeki hareketleri takip etmesini sađlayabilirsiniz.

## Bir Rengin Nitelenmesi (Qualifying a Color)

Sık sık klabinizdeki belli bir rengin iyileřtirilebileceđini fark edersiniz. Örneđin; bir yol kenarındaki çim ya da bir gök yüzündeki mavi gibi veya izleyicinin ilgisini bir nesne üzerinde odaklandırmak için, o nesnenin rengini düzenlemek durumunda kalabilirsiniz. Bunu, HSL (Hue, Saturation and Luminance) qualifier (niteleyici) aracını kullanarak kolaylıkla yapabilirsiniz.



Görüntünüzdeki renkleri seđerken HSL niteleyici aracını kullanmak, görüntünün belli alanlarına 'pop' (öne çıkarma) etkisi yapmak, kontrast ilave etmek veya görüntünüzün belli bölgelerine izleyicinin ilgisini çekmek istediđinizde faydalıdır.

### Bir rengi nitelenmek için:

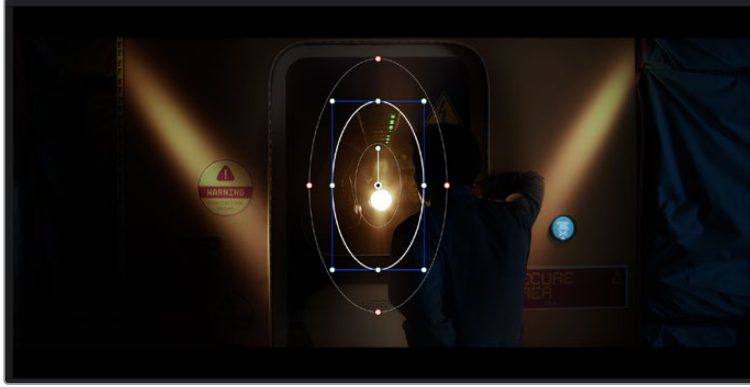
- 1 Yeni bir serial node (seri düğüm) ilave edin.
- 2 'Qualifier' (niteleyici) paletini açın ve 'selection range' (seçim aralıđı) seçici aracının seçildiđinden emin olun.
- 3 Klabinizde etkilemek istediđiniz rengin üzerine tıklayın.
- 4 Çođu zaman, seçiminizin kenarlarını yumuřatmak ve bölgeyi yalnızca arzuladıđınız renk ile sınırlandırmak için, bazı ayarlamalar yapmanız gerekecektir. Seçiminizi görmek için, görüntüleyici üzerindeki 'highlight' butonunu tıklayın.
- 5 Seçiminizi genişletmek veya daraltmak için, 'hue' (renk tonu) penceresindeki 'width' (geniřlik) kontrolünü ayarlayın.

Seçiminizi nasıl düzeltebileceğinizi görmek için; yüksek, alçak ve yumuşaklık kontrolleriyle denemeler yapın. Artık renk tekerleklerini veya kişiselleştirilmiş eğrileri kullanarak seçili rengine düzeltmeler yapabilirsiniz.

Bazen seçiminiz, görüntüde etkilenmesini istemediğiniz alanlara taşabilir. Bir görünmez pencere (power window) kullanarak istenilmeyen bölgeleri, kolayca maskeleyebilirsiniz. Yeni bir pencere oluşturun ve sadece istediğiniz renk bölgesini ayırması için şekillendirin. Seçtiğiniz renk görüntü içinde hareket ediyorsa, görünmez pencerenizi takip etmesi için, 'tracking' (takip) özelliğini kullanabilirsiniz.

## Bir Görünmez Pencerenin (Power Window) İlave Edilmesi

Power windows olarak bilinen görünmez pencereler, kliplerinizin belli bölgelerini izole etmek için kullanılacak, çok etkili bir ikincil renk düzeltme aracıdır. Bu bölgelerin statik olması şart değildir fakat, bir kameranın yatay çevirme (pan), eğme (tilt) veya döndürme özellikleriyle ve bölgenin kendi hareketiyle eşleşmesi için, bu bölgeler takip edilebilir.



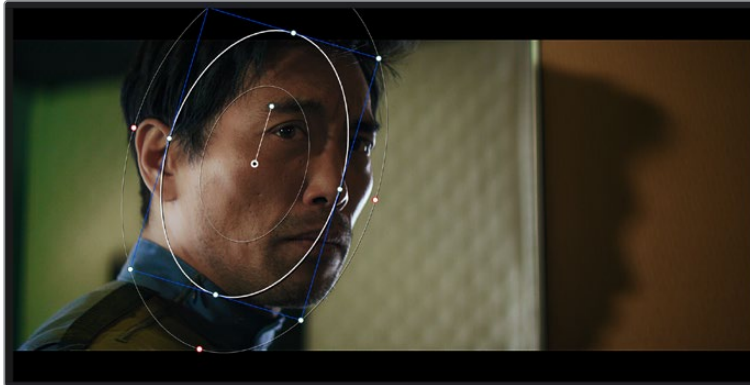
HSL qualifier ikincil ayarlamaları tarafından etkilenmesini istemediğiniz alanları maskelemek için power pencerelerini kullanın

Örneğin, çevresini etkilemeden bir kişinin sadece kendisi üzerinde renk ve kontrast değişiklikleri yapmak üzere, kişinin üzerindeki bir pencereyi takip edebilirsiniz. İzleyicilerin ilgisini istediğiniz bölgeleri fark etmeleri için çekmek üzere, bu tip düzeltmeler yapabilirsiniz.

### Klibinize bir görünmez pencere ilave etmek için:

- 1 Yeni bir seri düğüm ilave edin.
- 2 'Window' (pencere) paletini açın ve bir şekil ikonunu üzerine tıklayarak dilediğiniz pencere şeklini seçin. Seçili olan pencere şekli, düğüm üzerinde belirecektir.
- 3 Şeklin çevresindeki mavi noktaları tıklayarak ve sürükleyerek, şekli yeniden boyutlandırın. Kırmızı noktalar, kenar yumuşaklığını ayarlar. Konumlandırmak için, şeklin merkez noktasını tıklayın ve izole etmek istediğiniz alana taşıyın. Merkeze bağlı olan noktayı kullanarak şekli döndürün.

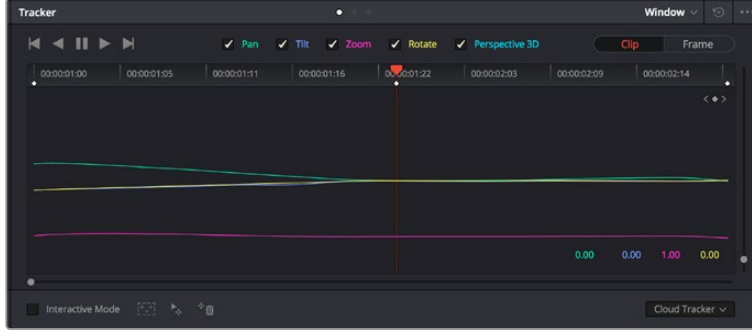
Şimdi, sadece istediğiniz alandaki görüntünüze, renk düzeltme işlemleri yapabilirsiniz.



Power pencereleri görüntününün belirli bölümlerine ikincil düzeltmeler yapmanızı sağlar

## Bir Pencerenin Takip Edilmesi

Görüntünüzdeki kamera, nesne veya alan hareket ediyor olabilir. Bu yüzden, pencerenizin seçtiğiniz nesne ya da alan üzerinde kalmasını sağlamak için, DaVinci Resolve'nin güçlü takip özelliğini kullanabilirsiniz. Takip aracı, klabinizdeki nesnenin veya kameranın pan, tilt, zoom ve rotasyon özelliklerini analiz eder, böylece pencerelerinizi bu hareketlerle eşleştirebilirsiniz. Eğer bu yapılmazsa yaptığınız düzeltme işlemi, seçili olan hedefinizin üzerinden kayabilir ve dikkatleri üzerine çekebilir. Bu da muhtemelen arzulamayacağınız bir şeydir.



Power pencerelerinin hareketi takip edebilmeleri için, takip özelliğini kullanarak klabinizdeki nesnelere veya alanları takip edebilirsiniz

### Hareket eden bir nesne üzerinde pencere takibi için:

- 1 Yeni bir seri düğüm oluşturun ve bir görünmez pencere ilave edin.
- 2 Klabinizin başına gidin ve yalnızca istediğiniz nesne veya alanı vurgulaması için, pencereyi konumlandırıp boyutlandırın.
- 3 'Tracker' paletini açın. İlgili 'analyze' (analiz et) onay kutularını onaylayarak veya onayı kaldırarak, klabinizdeki harekete uygun olan; yatay çevirme, eğme, döndürme ve 3D perspektif ayarlarını seçin.
- 4 Onay kutularının solundaki 'forward' (ileri) okunu tıklayın. DaVinci Resolve, şimdi klabinize bir takip noktası kümesi uygulayacaktır ve sonra hareketi analiz etmek için, kareler arasında ilerleyecektir. Takip işlemi tamamlandığında, görünmez pencereniz, klipteki hareketin yolunu takip edecektir.

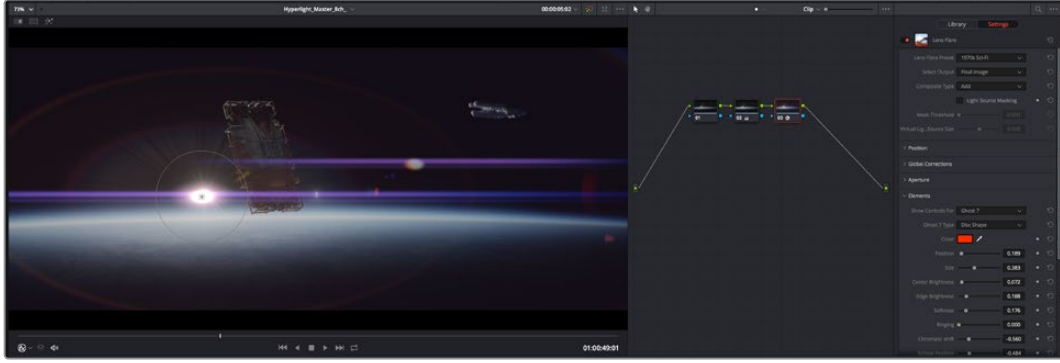
Otomatik takip özelliği çoğu zaman başarılıdır ancak, sahneler karmaşık olabilir ve bir nesne zaman zaman seçili alanınızın önünden geçebileceğinden, takip işlevini engelleyebilir ya da etkileyebilir. Bu sorun, keyframe düzenleyici kullanılarak, manuel olarak çözümlenebilir. Daha fazla bilgi için, DaVinci Resolve kullanım kılavuzuna bakın.

## Eklentilerin Kullanımı

İkincil renk düzeltme işlemleri yaparken, 'color' (renk) sayfasını kullanarak hızlı ve ilginç görünüm ve efektler oluşturmak için ya da kliplerinize 'edit' (kurgu) sayfasında yaratıcı geçiş ve efektler oluşturmak için, ResolveFX veya OpenFX eklentilerini ilave edebilirsiniz. ResolveFX efektleri, DaVinci Resolve ile beraber yüklenir, OFX eklentiler üçüncü parti üreticilerden satın alınabilir ve indirilebilir.

Bir OFX eklenti takımını yükledikten sonra, 'node editor' (düğüm düzenleyici) sağındaki OpenFX denetleyiciyi açarak, bu eklentilere veya ResolveFX eklentilerine, renk sayfasından erişebilirsiniz. Yeni bir seri düğüm oluşturduktan sonra, FX bankasını açmak için, 'OpenFX' butonunu tıklayın ve yeni düğüm içine bir eklenti sürükleyerek bırakın. Eklentinin değiştirilebilir ayarları varsa bunları bitişikteki 'settings' panelinde ayarlayabilirsiniz.

'Edit' sayfasında, 'effects' bankasındaki 'OpenFX' panelini açarak ve seçili olan plugin'inizi, timeline'deki video klabinizin üzerine veya klabinizin üst tarafındaki kanal üzerine sürükleyerek kliplerinize; plugin filtrelerini, üreteçleri ve geçişleri, eklentinizin (plugin) gereksinimlerine göre ilave edebilirsiniz.



OFX pluginler yaratıcı ve ilginç bir görünüm oluşturmanın hızlı ve kolay bir yoludur.

## Ses Miksajı

### Edit (Kurgu) Sayfasında Ses Miksajı

Projenizin kurgusunu ve renk düzeltmesini yaptıktan sonra, ses miksajına başlayabilirsiniz. Proje sesinin kurgulanması, miksajı ve master işlemi için, DaVinci Resolve'nin 'edit' sayfasında bir takım faydalı özellikler vardır. Daha gelişmiş ses araçları gerektiren projeler için, Fairlight sayfası size ses için tam post prodüksiyon ortamı sağlar. Kurgu sayfasını zaten biliyorsanız ve doğrudan Fairlight sayfasına geçmek istiyorsanız bu bölümü atlayın ve bir sonraki bölüme geçin.

### Ses Kanallarının Eklenmesi

Kurgu sayfasında çalışırken, basit bir ses kurgusunu, çok sayıda ses efekti ve müzik ile birleştirmek istediğinizde, ihtiyacınıza göre daha fazla ses kanalını kolaylıkla ilave edebilirsiniz. Bu özellik, ses kurgusu üzerinde çalışırken ve ses öğelerini; diyalog, ses efektleri ve müzik gibi, tek tek kanallara ayırmak istediğinizde faydalı olabilir.

### Kurgu Sayfasına Bir Ses Kanalını Ekleme için

Timeline'deki herhangi bir ses kanalı adının yanına sağ tıklayın ve 'add track' ibaresini seçin ve sonra; 'mono', 'stereo' ve '5.1' seçeneklerinden seçiminizi yapın. Bu işlem, kanal listesinin en altına kanalı ekleyecektir. Aynı işlemi, kanal ekle (add track) ibaresini ve yeni kanalın veya kanalların yerleşmesini istediğiniz konumu seçerek de yapabilirsiniz.

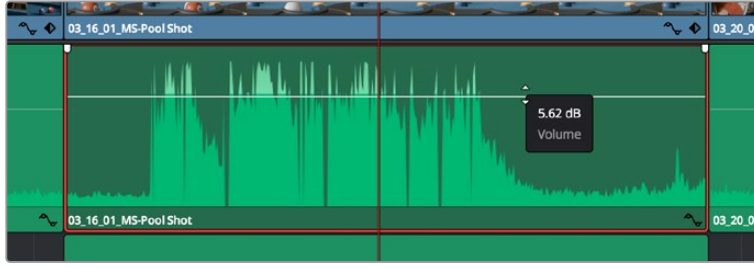
Yeni ses kanalınız, timeline üzerinde belirecektir.

**BİLGİ** Oluşturduktan sonra kanal türünü değiştirmek isterseniz kanal isminin yanına sağ tıklayın ve 'change track type to' (kanal tipini değiştir) ibaresini seçin ve stereo, mono veya 5.1 gibi, istediğiniz ses kanalı türünü seçin.

### Timeline'de Ses Seviyelerinin Ayarlanması

Timeline'deki her ses klipinin, fare ile yukarı veya aşağı çekerek seviyesini ayarlayabileceğiniz bir volüm katmanı vardır. Bu katman, denetleyicinizdeki volüm parametresine denk düşer.





Klip seviyesini ayarlamak için, bir volüm katmanının sürüklenmesi

Daha gelişmiş ses araçları gerektiren projeler için, Fairlight sayfası size ses için tam post prodüksiyon ortamı sağlar.

### Fairlight Sayfası

DaVinci Resolve'deki Fairlight sayfası, projenizin sesini düzenlediğiniz yerdir. Bu sayfa tek ekran modundayken, projenizin ses kanallarının en iyi görüntüsünü sağlar. Pürüzsüz ve uyumlu bir ses miksajı oluşturabilmeniz için; seviyeleri değerlendirmenizi ve ayarlamanızı kolaylaştıran, genişletilmiş bir mikser ve özel dinleme kontrolleri sunar. Önünüzde sergilenen çok çeşitli özelliklerin, sizi ürkütmesine izin vermeyin, bunların hepsi, projeniz için en iyi kalitede ses elde etmenize yardımcı olmak üzere geliştirilmiştir.



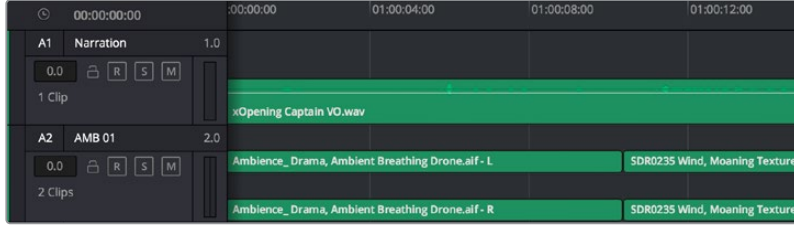
Bu kılavuz, Fairlight sayfasındaki özelliklere temel bir bakış sağlar ancak, her bir özellik hakkında daha detaylı bilgi edinmek için, DaVinci Resolve kullanım kılavuzuna bakınız. DaVinci Resolve kullanım kılavuzu, her bir aracın amacını ve nasıl kullanılacağını, kolayca takip edilebilen adımlarla açıklar.

### Ses için Timeline (Zaman Çizgisi)

- **Track Header (Kanal Üstbilgisi):** Her kanalın sol tarafında; kanal numarasını, kanal adını, kanal rengini, ses kanallarını, fader seviyesi ve ses göstergelerini gösteren bir üstbilgi bölümü vardır. Kanal üstbilgisi ayrıca, kanalı kilitlemek ve açmak için kontrollerin yanı sıra, kanalı solo yapan ve susturan kontrolleri de içerir. Bu kontroller, ses kanallarını düzenli tutmanıza yardımcı olur ve kanalları tek tek kısa çalma ile denetlemenize imkan tanır.



- **Ses Kanalları:** Fairlight sayfasındaki her bir kanal, miksaj ve kurgulama için, ses klipinin tek kanalını gösteren şeritlere bölünmüştür. Kurgu sayfası, bir sürü kanal ile uğraşmadan çok kanallı kaynakların kurgulamasını kolaylaştırmak için, bu bireysel ses kanallarını saklar ve timeline'de sadece tek bir klip olarak gösterir.



Kanal A1'deki üstbilgi, mono ses için tek şeritli bir mono kanalı gösterir ve A2 kanal üstbilgisi, stereo sesi barındırmak için, bir stereo kanalını iki şerit ile gösterir.

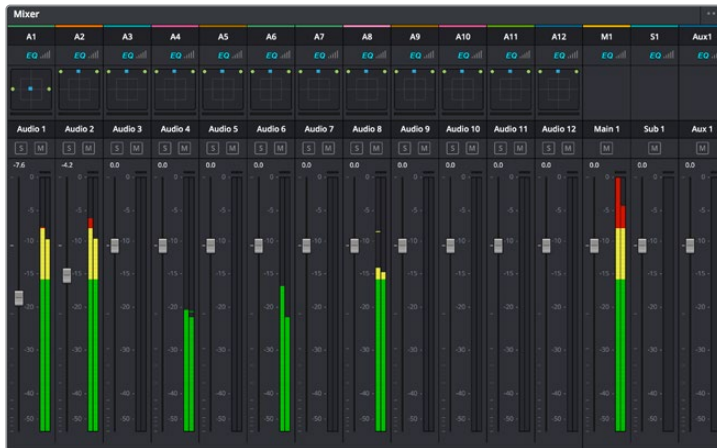
## Bus nedir?

Bus, özünde bir varış kanalıdır. Tek bir sinyale beraber mikşlenmesi ve tek bir kanaldan kontrol edilebilmeleri için, timeline'den birden fazla ses kanalını, bus kanalına gönderebilirsiniz.

- **Ana Bus Kanalı (Main Bus):** Main bus kanalları, tipik olarak bir programın öncelikli çıkışıdır ve oluşturduğunuz her yeni proje, tek bir ana bus ile başlar ve tüm kanallar, otomatik olarak buraya yönlendirilmiştir. Ana bus kanalı, timeline'deki tüm kanalları tek bir sinyalde toplar; böylece her bireysel kanalın seviyesini ayarladıktan sonra, ses mikşinin seviyesini genel olarak ayarlayabilirsiniz.
- **Sub Bus (Bus Alt Kanalı):** Alt bus kanalları; diyalog, müzik ve efektler gibi aynı kategorideki ses kanallarını, tek bir ses sinyali olarak mikşlemek için birleştirmenize olanak sağlar. Örneğin, beş adet diyalog kanalınız varsa, beş kanalın hepsinin çıkışlarını, tek bir altmikş bus kanalına yönlendirebilirsiniz ve böylelikle, tüm diyalogların seviyesi, tek bir kontrolle mikşlanabilir. Bu altmikse, ayrı olarak render işlemi yapılabilir veya render işlemi için, ana bus kanalına gönderilebilir.

## Mikser

Timeline'indeki her bir ses kanalı, mikserdeki bir tek kanal şeridine karşılık gelir ve mikserin en sağında M1 olarak işaretlenmiş ana bus şeridi, fabrika ayarı olarak vardır. İlave kanal şeritleri, oluşturduğunuz her bir ilave ana ve altmikş bus kanalları için bir takım kontrollerle beraber, sağ tarafta görünecektir. Bir grafik kontrol seti; ses kanallarını çıkış kanallarına atamanıza, sesin tonunu ve dinamiğini düzeltmenize, seviyeleri düzeltmenize ve otomasyonları kaydetmenize, stereo ve surround sese pan işlemi yapmanıza, ses kanalını susturmanıza ve solo olarak dinlemenize imkan tanır.



Timeline'deki ses kanalları ile eşleşen kanal şeritleri ile ses mikseri

## Sesi Geliştirmek için Ekolayzer Kullanımı

Projenizdeki ses kliplerinizin ses seviyelerini ayarladıktan sonra, sesin daha fazla ayarlama gerektirdiğini fark edebilirsiniz. Bazı durumlarda diyalog, müzik ve ses efektlerinin, ses spektrumundaki aynı frekans için birbirleriyle yarıştıklarını ve sesi, çok yoğun ve zor anlaşılır yaptıklarını bulabilirsiniz. Böyle durumlarda, her ses kanalının ses spektrumunda bulunacağı bölümü belirlemenize imkan sağladığı için, EQ kullanılması yardımcı olur. Ayrıca, bas gümbürtüler, uğultu, rüzgar sesi ve tıslama gibi istenmeyen öğeleri, sestem ayırıştırarak ve bu sesleri bulunduran frekansları düşürerek çıkarmak için veya sadece sesin kalitesini genel olarak yükselterek dinlemesini hoş hale getirmek üzere, ekolayzeri kullanabilirsiniz.

DaVinci Resolve, kanal düzeyinde tüm kanala veya klip düzeyinde her bir klibe uygulayabileceğiniz, EQ filtreleriyle donatılmıştır. Timeline'de bulunan her bir ses klipinin, denetim panelinde 4 bant ekolayzeri vardır ve her bir kanalın, mikser panelinde 6 bant parametrik ekolayzeri vardır. Grafik ve sayısal kontroller, farklı frekans aralıklarını artırmak veya azaltmak içindir ve farklı filtre çeşitleri, EQ eğrisinin şeklini belirlemenize olanak sağlar.



4 bant ekolayzer, timeline'deki tüm kliplere uygulanabilir.

Dış taraftaki bantlar; hi-shelf, lo-shelf, hi-pass ve lo-pass gibi filtreleri kullanarak, bant filtre ayarlamalarını yapmanıza imkan tanır. Bir pass filtresi, belirli bir frekansın üzerindeki veya altındaki tüm frekansları, sinyalden tamamen çıkararak etkiler. Örneğin; bir hi-pass filtresi, bas frekansları keserken, filtreden sadece tiz frekansların geçmesine izin verir. Kesme frekansının dışındaki tüm frekanslar, aşağı eğimli bir eğriyle yavaş yavaş kesilir.

Shelf filtresi daha az agresiftir ve o frekansları tamamen çıkarmadan, sinyalin tiz kısmının tümünü veya bas kısmının tümünü, düzeltmek istediğinizde faydalıdır. Shelf filtresi, hedef frekansı ve bu frekansın altındaki veya üstündeki her frekansı, hi-shelf veya lo-shelf kullanmanıza bağlı olarak, eşit miktarda artırır veya keser.

Ortakdaki bant kontrolleri, geniş çeşitlilikte ekolayzer ayarlamaları yapmanıza olanak sağlar ve lo-shelf, çan eğrisi, çentik (notch) ve hi-shelf filtreleme seçenekleri arasında değiştirilebilir.

- **Bell (Çan):** Çan filtreleri, çan eğrisinin belirli bir merkez noktasının etrafındaki frekansları artırır veya keser ve isminden de anlaşılacağı gibi, eğrinin şekli bir çan gibidir.
- **Notch (Çentik):** Çentik filtreleri, çok dar bir aralıktaki frekansları hedeflemenizi sağlar. Örneğin, 50 veya 60Hz'de şebeke uğultusunun çıkarılması.
- **Lo-Shelf:** Low shelf filtreler, alt uçtaki hedef frekansı ve onun altındaki tüm frekansları artırır veya keser.
- **Hi-Shelf:** High shelf filtreler, üst uçtaki hedef frekansı ve onun üstündeki tüm frekansları artırır veya keser.

### Tek bir klibe EQ eklemek için:

- 1 EQ filtresini eklemek istediğiniz klipi, timeline'de seçin.
- 2 Denetleyiciyi tıklayın ve sonra 'clip equalizer enable' düğmesini tıklayarak, klip için ekolayzeri aktif hale getirin.

### Bir ses kanalına EQ ilave etmek için:

- 1 Ses kanallarınızdan birinin ekolayzerini açmak için, o kanalın mikserdeki EQ kısmına çift tıklayın.
- 2 Aşağı açılır menüden, ayarlamak istediğiniz bant için, filtre türünü seçin.



Mikser panelinde bir EQ eğrisi gösteren EQ bölümü, bir numaralı ses kanalına uygulandı.



Her kanala uygulanabilen 6 bant parametrik ekolayzer

Klibinize veya ses kanalınıza EQ ekledikten sonra, her bir bant için ekolayzeri ayarlayabilirsiniz. Seçilen bant filtre türüne bağlı olarak kontrollerin değişebileceğini, göz önünde bulundurun.

### Bir bant filtresi için EQ ayarlamak üzere:

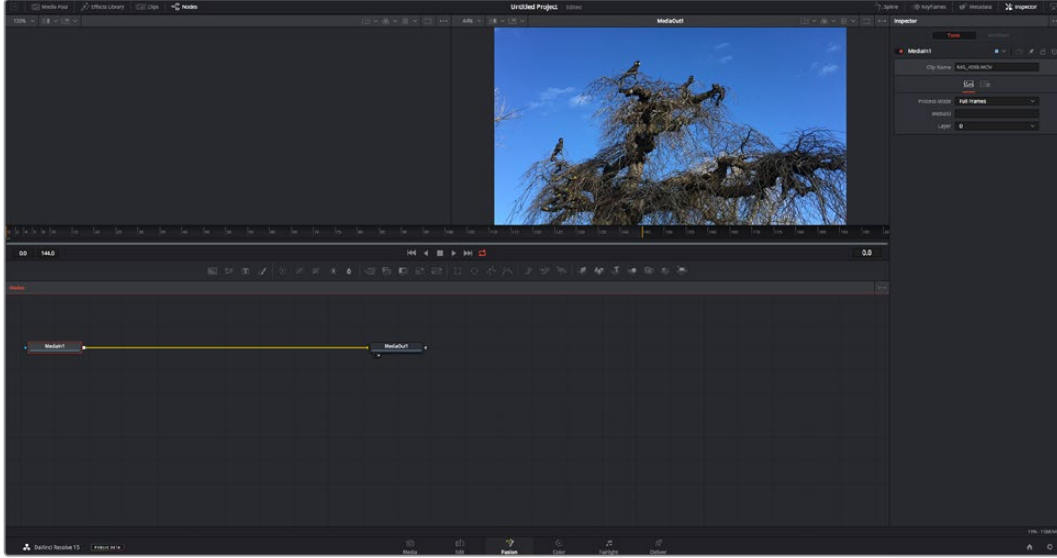
- 1 Aşağı açılır menüden, ayarlamak istediğiniz bant için, filtre türünü seçin.
- 2 EQ ayarının merkez frekansını belirlemek için, frekans değerini düzeltin.
- 3 O bant tarafından yönetilen frekansları artırmak veya azaltmak için, gain (kazanç) değerini ayarlayın.
- 4 Etkilenen frekansların genişliğini ayarlamak için, Q factor (Q faktör) değerini kullanın.

EQ penceresindeki tüm kontrolleri fabrika değerlerine geri döndürmek için, reset butonunu kullanın.

Her bir ses kanalının kalitesini artırmak için, Fairlight'in kullanabileceğiniz birçok kontrolü vardır. Daha fazla kanal ekleyebilir ve bunları düzenlemek için bus kanalları kullanabilirsiniz. Buna ek olarak, delay veya reverb gibi efektler ekleyebilir ve ses miksajınızı genel olarak kusursuz hale getirebilirsiniz.

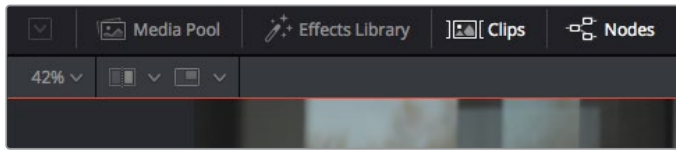
## Fusion Sayfasında Video Efektleri (VFX) ve Görüntü Birleştirme (Compositing) Eklenmesi

Kurgu ve düzeltmeleri bitirdiğinizde göre, şimdi 2D (2 boyutlu) ve 3D (3 boyutlu) görsel efektler ve hareketli grafikler eklemek için, DaVinci Resolve içinde Fusion sayfasını açabilirsiniz. Katman bazlı görüntü birleştirme yazılımlarından farklı olarak Fusion, 'node' ismindeki düğümleri kullanır ve görüntü verilerini herhangi bir yönde dağıtırken, kompleks efektler oluşturmanıza izin verir. 'Nodes' (düğümler) penceresi, kullandığınız tüm araçları açıkça gösterir. Renk sayfasında node iş akışını tecrübe ettiyseniz bu size tanıdık gelecektir.

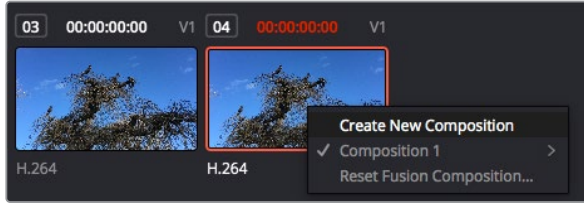


### Fusion Sayfası

Fusion sayfası; medyanızı görüntülemek için aktarım denetimleri ile üst kısımda 2 adet görüntüleyici, araç ayarlarınıza erişmeniz için sağ tarafta bir denetleyici penceresi ve görüntü kompozisyonunuzu oluşturmanız için alt tarafta bir nodes (düğüm) penceresi içerir. Görüntüleyiciler ve aktarım denetimleri her zaman görünür olduğu halde, ekranın en üst kısmındaki arayüz araç çubuğundaki ikonların tıklanması, düğüm ve denetleyici pencerelerini gösterip saklamanızı veya efekt bankası ve spline ile keyframe düzeltici dahil olmak üzere, ilave pencereleri gösterip saklamanızı sağlar.



- **Medya Havuzu (Media Pool):** Medya havuzu, kurgu sayfasında olduğu gibi çalışır. İlave medyayı, doğrudan bin'lerinizden kompozisyonunuza sürükleyip bırakın.
- **Effects Library (Efekt Bankası):** Efekt bankası; Fusion araçlarınızı ve şablonlarınızı partikül (particle), takip (tracking), filtreler (filters) ve üreticiler (generators) gibi kategorilere ayrılmış olarak bulacağınız yerdir. Kompozisyonunuza eklemek için, araç üzerine tıklayabilir veya nodes (düğümler) penceresine sürükleyebilirsiniz. Medya havuzu ve efekt bankası aynı ekran alanını kullanırlar; bu yüzden, görüntüleyicilerinizi olabildiğince büyük tutmak için ikisi arasında değiştirebilirsiniz.
- **Klipler (Clips):** 'Clips' sekmesini tıklamak, timeline'izdeki klipleri temsil eden küçük resimleri (thumbnails) ortaya çıkaracak veya saklayacaktır. Küçük resimler, düğüm düzelticilerin altında bulunur ve başka kliplere anında gidip gelmenizi sağlar.

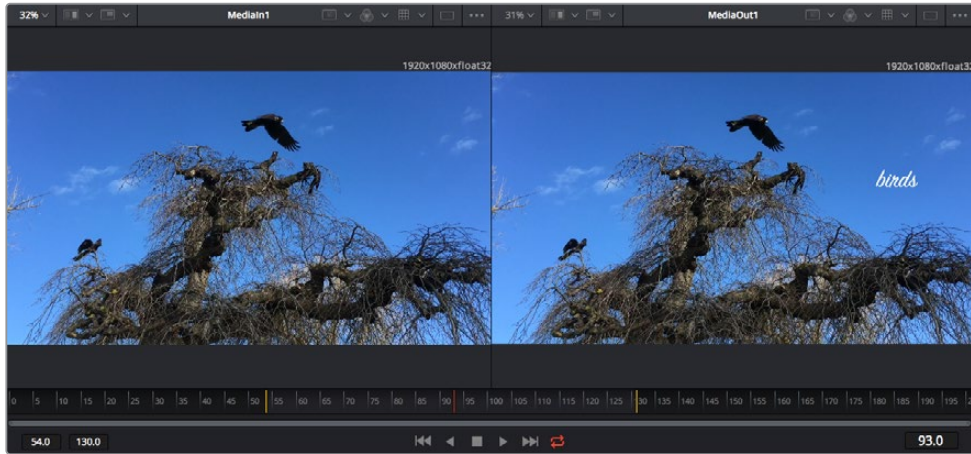


Bir küçük resim üzerine sağ tıklayıp, 'create new composition' (yeni kompozisyon oluştur) ibaresini seçerek kompozisyonunuzun yeni bir versiyonunu oluşturun.

- **Viewers (Görüntüleyiciler):** Görüntüleyiciler daima görünürler ve kompozisyonunuzun farklı görünüşlerini görmeyi sağlarlar; mesela; 3D birleştirme düğümü, kameranın bir çıkışı veya son işlem (render) çıktısı üzerinden 3 boyutlu bir genel perspektif. Bu görüntüleyiciler ayrıca, yaptığınız bir değişikliğin belli bir unsuru nasıl etkilediğini de görmeyi sağlar. Bir düğümü tıklayıp sol görüntüleyici için '1' veya sağ görüntüleyici için '2' yazarak, hangi düğümlerin görüntüleneceğini seçebilirsiniz. Hangi görüntüleyiciye atandığını göstermek üzere, düğümün altında beyaz buton ikonları belirecektir. Harici video monitörleri kullanıyorsanız medyanızı harici video monitörüne yönlendirmeniz için, üçüncü bir buton hazır olacaktır.

**BİLGİ** Düğümü görüntüleyici içine sürükleyip bırakarak, bir düğümü bir görüntüleyiciye de atayabilirsiniz.

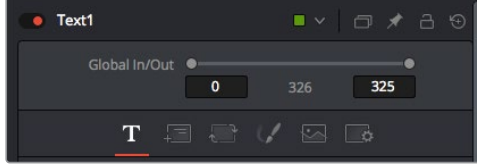
Görüntüleyicilerin altındaki aktarım denetimleri, bir klibin başına veya sonuna atlamınızı, ileri oynatmanızı (play forward) veya geri oynatmanızı (reverse) veya oynatımı durdurmanızı sağlar. Zaman cetveli; giriş ve çıkış noktalarını gösteren sarı işaretler ile, bir klibin tam aralığını gösterir.



Zaman cetvelindeki sarı renkli işaretler, timeline'niz üzerinde klibinizin giriş ve çıkış noktalarını gösterir. Bir Fusion klibi veya bileşik klip kullanıyorsanız zaman cetveli sadece klibin timeline'de görüldüğü süreyi gösterecektir.

- **Nodes (Düğümler):** 'Nodes' penceresi; bir düğümün çıkışından diğer düğümün girişine araçları birbirine bağlayarak düğüm ağacınızı (node tree) oluşturduğunuz, Fusion sayfasının kalbidir. Bu bölüm, hangi düzelticilerin açık olduğuna bağlı olarak, ebat değiştirecektir; mesela spline (eğri) veya keyframe düzeltici. Düğümler bölgesinin üzerindeki bir araç çubuğu, hızlı erişmeniz için en çok kullanılan araçları içerir.
- **Spline (Eğri):** Eğri düzeltici açık olduğunda, düğümler penceresinin sağ tarafında görünecektir. Bu düzeltici, her bir düğümde hassas ayarlamalar yapmanızı sağlar. Mesela; bezier eğrisini kullanarak iki keyframe arasındaki animasyonun pürüzlerini giderme gibi.

- **Keyframes (Keyframe'ler):** Her bir araç için keyframe'ler eklenebilir, çıkarılabilir veya keyframe düzeltici ile değiştirilebilir. Bu da düğümler penceresinin sağında görünür.
- **Metaveri:** Metaveri penceresi; kodek, kare hızı ve zaman kodu dahil olmak üzere, aktif klip için mevcut üstveriyi size gösterecektir.
- **Inspector (Denetleyici):** Sağ üst köşedeki denetleyici, bir veya daha fazla seçili düğüm için mevcut tüm ayarları ve değiştiricileri gösterir. Düğümler için diğer ayarlara hızlı erişim sağlamak üzere, ilave sekme seçenekleri, kategorilere göre sıralanmış olarak görünecektir.

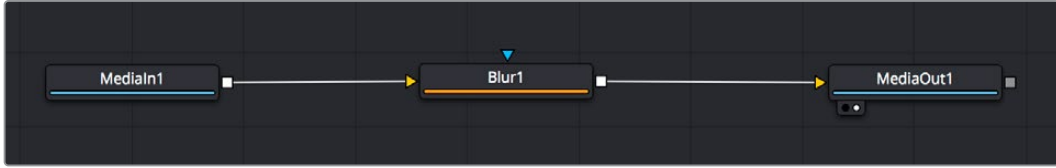


Metin denetleyici (text inspector); yazı, düzen, dönüşüm, gölgeleme, görüntü ve ayarlar için ilave sekmeler içerir.

## Fusion ile Başlarken

Fusion ile başlamak için, timeline üzerindeki herhangi bir klip üzerine timeline çubuğunuzu (playhead) yerleştirmeniz ve Fusion sayfasını açmak için, 'Fusion' sekmesine tıklamanız yeterlidir.

Fusion sayfasında, 'MediaIn' olarak etiketli bir medya giriş düğümü içinde, klabiniz anında kullanıma hazır olur. Her kompozisyon, bir 'mediain' (medya girişi) ve bir 'mediaout' (medya çıkışı) düğümü ile başlar. Bu mediain düğümü, timeline çubuğunda en üstteki klabinizi temsil eder ve alttaki tüm klipleri dikkate almaz. Kurgu sayfasında klibe uyguladığınız her düzeltme de eklenmiştir. Örneğin; dönüştürme araçları ve kırpma değişiklikleri.



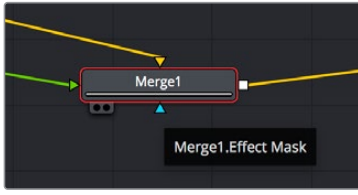
'MediaOut' isimli medya çıkış düğümü, DaVinci Resolve'nin kurgu sayfasındaki timeline'nize, çıktıyı geri gönderen düğümdür.

**BİLGİ** Kliplere kurgu sayfasında uygulanan ResolveFX veya OFX eklentileri, Fusion sayfasında uygulanmaz. Bunun nedeni, Fusion efektlerinin renk düzeltmeden ve OFX/ResolveFX işleminden önce meydana gelmesidir. OFX'in Fusion efektlerinden önce uygulanmasını istiyorsanız; kurgu sayfasında klipi sağ tıklayın ve Fusion sayfasını tıklamadan önce 'new fusion clip' (yeni Fusion klipi) ibaresini seçin.

## Düğümlerin (Nodes) Anlaşılması

Her bir düğümü, tek bir araç veya efekt için görsel bir ikon olarak düşünmek faydalı olabilir. Düğümler, genel kompozisyonu oluşturmak için diğer düğümlere bağlanırlar, aynen bir kek içindeki malzemeler gibi. Detaylı görsel efektler oluştururken kompozisyonunuzun akışını yönlendirmenize yardımcı olacağı için, her bir düğümün girişlerini ve çıkışlarını anlamak önemlidir.

Bazı araçların, diğer düğümlere bağlayabileceğiniz birçok girişi ve çıkışı vardır. Mesela 'merge' (birleştirme) düğümü; bir önplan girişi, arkaplan girişi ve matte'ler ve key'ler için bir maske (mask) girişi bağlamanıza izin verir.



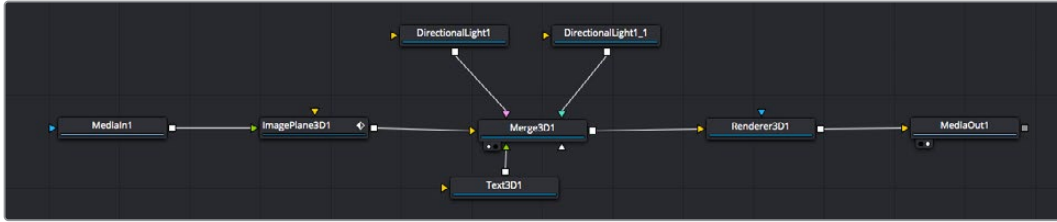
- ▶ foreground input (önplan girişi)
- ▶ background input (arkaplan girişi)
- ▶ effect mask input (efekt maske girişi)
- output (çıkış)

Düğümelerde birden fazla çıkışın olması, tek bir düğümün kompozisyonunuzdaki birçok farklı düğümlle bağlanabileceği anlamına gelir; böylelikle, katman bazlı yazılımlarda olduğu gibi, kliplerinizi kopyalamınıza gerek kalmaz. Bağlı düğümlerin arasındaki çizgilerdeki oklar, görüntü verisinin hangi yönde aktığını göstermek için, çok iyi görsel işaretlerdir.

### Düğüm Düzelticiye (Node Editor) Düğümlerin Eklenmesi

Efektlerin eklenmesi, 'mediain' ve 'mediaout' düğümlerinin arasındaki hattın üzerine bir düğüm yerleştirmek kadar kolaydır.

Bunu yapabilmemiz için birkaç farklı yol vardır. Shift tuşunu basılı tutarken iki düğüm arasında bir düğüm bırakabilir veya efekt eklemek istediğiniz düğümün üzerine tıklayıp, eklemek istediğiniz aracı seçebilirsiniz. Yeni düğüm, seçtiğiniz araca otomatik olarak bağlanacaktır. Ayrıca, düğüm penceresinde herhangi bir yere bir düğüm ekleyebilir ve birinin çıkışını diğerinin girişine sürükleyerek düğümleri birbirine elle bağlayabilirsiniz.



En çok kullanılan araç, 2D (2 boyutlu) veya 3D (3 boyutlu) birleştirme (merge) düğümüdür. Bu düğüm, düğüm düzelticideki araçları tek bir çıkışa toplayan merkezi bir dağıtıcı gibidir.

Boyut, konum ve harmanlama (blend) ayarları da dahil olmak üzere, girişlerin idare edilmesi için birleştirme düğümünün kontrolleri vardır. Birleştirme düğümü seçildiğinde, bu ayarların hepsine denetleyiciden erişilebilir.

Düğüm panelinin üstündeki araç çubuğu, en fazla kullanılan araçları, ikonlar olarak içerir. Düğümlere eklemek için bunları tıklayabilir veya aracı düğüm paneline sürükleyip bırakabilirsiniz. Kullanılabilir araçların tamamını görmek istiyorsanız sol üst köşedeki 'effects library' (efekt bankası) ibaresi üzerine tıklayın ve 'tools' (araçlar) seçeneğini genişletin. Burada, mercek parlaması (lens flare), gölgeleyiciler (shaders) ve arkaplanlar (backgrounds) gibi, önceden yapılmış bir şablon (templates) setinin yanı sıra, tüm araçları kategorilere ayrılmış olarak bulacaksınız.

**BİLGİ** Araç isimlerine bir kez aşına olduğunuzda, klavyenizde 'shift' tuşunu basılı tutup ara çubuğuna (spacebar) bastığınızda, bir 'select tools' (araçları seç) menüsü belirecektir. Araç ismini girerken, menü ilgili aracı önerecektir. Bu, istediğiniz aracı seçmek için çok hızlı bir yoldur.



## Denetleyici (Inspector) Panel ile Düğümlerin Ayarlanması

Denetleyici paneli kullanarak düğümünüzün ayarını düzeltin. Değiştirmek istediğiniz düğüm üzerine tıklayın ve ayarlarını ve kontrollerini görüntülemek üzere panel güncellenecektir.

Fusion ile, düzelttiğiniz düğümü görüntülemek zorunda değilsiniz çünkü, kompozisyonunuzdaki bir düğümü görüntülerken diğerini değiştirebilirsiniz. Örneğin; birleştirme düğümü görüntülerken, bir 'text+' (yazı) düğümünün ebadını ve merkez konumunu değiştirebilirsiniz. Böylelikle, arkaplana göre yazıyı görüntülemenizi sağlar.



Seçili düğümler, kırmızı bir çerçeve ile görüntülenir. Burada denetleyici panel, metin/yazı düğümü için düzen sekmesi kontrollerini gösteriyor.

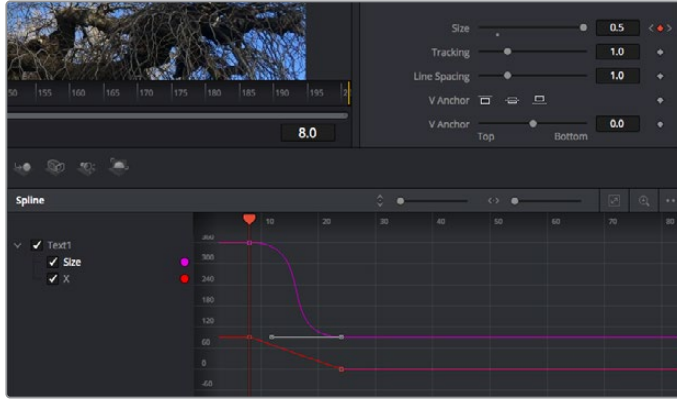
Görevine bağlı olarak her düğüm için, boyutlandırma ve merkez konumdan, bir yayıcı (emitter) düğümdeki partikül sayısını değiştirmeye varan, düzeltebileceğiniz farklı parametreler ve ayarlar vardır. Keyframe'leri ayarlama ve ayarları zaman içinde değiştirme, efekti canlandıracaktır.

## Keyframe'ler ile Çalışma

Denetleyici penceresinde, bir ayarı sağ tıklayarak ve içeriksel menüde 'animate' (anime et) seçeneğini seçerek bir keyframe belirleyin. Ayarın sağ tarafındaki keyframe ikonu, kırmızıya dönüşecektir. Bunun anlamı, keyframe'lerin şimdi aktif olduğu ve yapacağınız herhangi bir değişikliğin sadece şu anki kareye uygulanacağıdır. Farklı bir karede ayar parametrelerini değiştirerek iki veya daha fazla keyframe oluşturulduğunda, aralarına bir geçiş eklenir. Keyframe ikonunun her iki yanındaki oklar, timeline üzerindeki o kesin noktalara, timeline çubuğunu taşımanızı sağlar.

Eğri şeklindeki düzelticiler, keyframe animasyonu üzerinde size daha fazla kontrol sağlar. Birinci (first) ve sonuncu (last) gibi keyframe'ler seçebilir ve 'shift' + 's' tuşları ile aralarındaki animasyonu bir bezier eğrisine düzleyebilirsiniz veya bir keyframe'ye sağ tıklayıp 'smooth' (düzleştir) ibaresini de seçebilirsiniz.





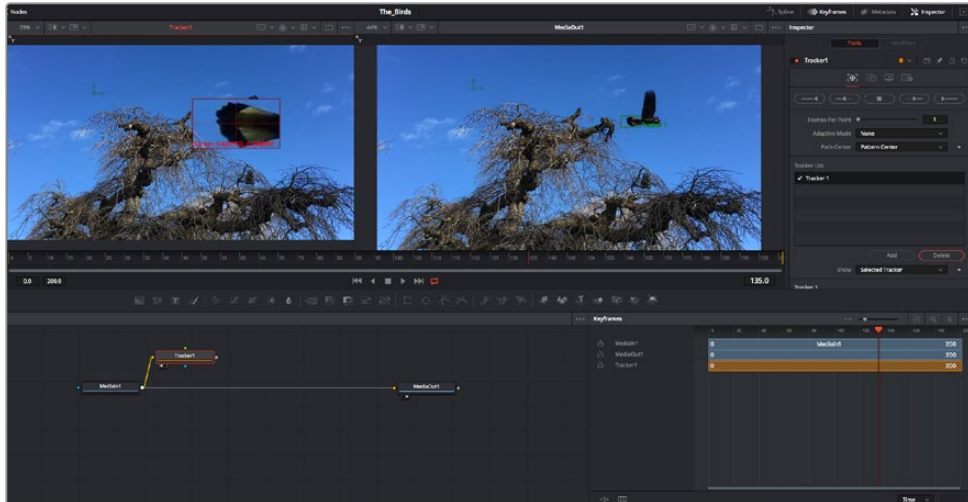
Burada, 'size' (ebat) keyframe animasyonu, bir bezier eğrisine düzlenmiştir. Eğriyi kısaltmak veya uzatmak için, bezier kollarını tıklayabilir veya keyframe konumunu değiştirmek için, keyframe kare ikonunu tıklayabilirsiniz.

## Motion Tracker (Hareket Takipçisi) Kullanma ve Metin Ekleme

Fusion' sayfasını daha iyi kullanabilmeniz için, aşağıdaki örnekleri ekledik. Böylece, bir klipteki bir unsuru takip etmek için takipçi aracını (tracker tool) nasıl kullanacağınızı, nasıl metin ekleyeceğinizi ve takip verisini kullanarak onu unsura nasıl bağlayacağınızı göreceksiniz.

Takipçi aracı; x ve y eksenlerinde zamanla piksel detaylarını takip eder ve başka unsurları eklemek için kullanabileceğiniz veriler oluşturur. Bu; yol boyunca hareket eden bir araba veya karenin bir ucundan diğerine uçan bir kuş gibi, hareket eden bir nesneyle yazı konumunu eşleştirmek istediğinizde çok iyidir.

- 1 Efekt bankasında 'tracking' (takip) aracını seçin ve 'mediain' ve 'mediaout' düğümleri arasındaki çizgiye sürükleyin. Denetleyicide özelliklerini görüntülemek üzere, şimdi takipçi düğümü tıklayın.
- 2 Takipçi düğümü soldaki ekranda görüntülemek için, klavyenizde '1' rakamını tuşlayın. Klip, takipçi ile beraber ekranda varsayılan konumunda belirecektir. Takipçi kollarını ortaya çıkarmak için, fare imlecini takipçi üzerinde gezdirin. Sol üst köşedeki takipçi kolunu tıklayın ve takipçiyi klabinizdeki bir ilgi alanına sürükleyin. Bir arabanın kaputu üzerindeki amblem gibi, yüksek kontrastlı bölgeler, iyi çalışır. Ekstra doğruluk için, takipçi görüntü bölgesini büyütecektir.
- 3 Takibi başlatmak için, denetleyici penceresinde 'track forward' (ileri doğru takip et) butonunu tıklayın. Takip işlemi sona erdiğinde, bir bilgilendirme penceresi belirecektir. 'OK' ibaresini tıklayın.

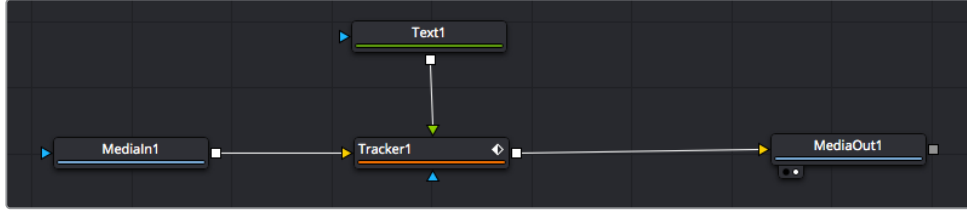


Denetleyici paneldeki takip seçeneklerine; 'son kareden veya mevcut kareden ters yöne takip', 'takibi durdurma' ve 'mevcut kareden veya ilk kareden ileri takip' dahildir.

**BİLGİ** 'Mevcut kareden ters yöne veya ileri takip' seçeneği, kareden dışarı doğru hareket eden bir araba veya kuş gibi, ilgi alanınızın render aralığında kaybolduğu durumlar için çok iyidir. Bu, sadece ilgili görüntüyü takip etmenizi sağlar.

Şimdi, bu takip verisini alabilir ve hareket yolunu bir yazı aracına uygulayabilirsiniz.

- 4 Sıkça kullanılan düğümlerin araç çubuğunda, 'text+' (yazı) düğüm ikonu üzerine tıklayın ve 'tracker' düğümü yanındaki düğüm paneline sürükleyip bırakın. 'Text' (yazı) çıkış karesini, 'tracker' (takipçi) üzerindeki yeşil önplan girişine bağlayın.



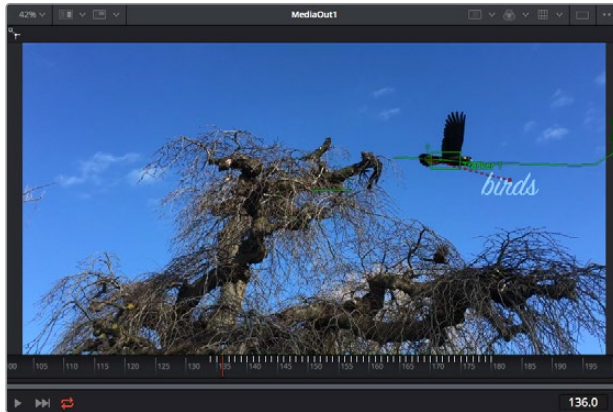
- 5 Birleştirilmiş sonuçları sol taraftaki ekranda görüntülemek için, 'tracker' düğümü üzerine tıklayın ve klavyenizde '1' tuşlayın. Takipçi denetleyici panelinde 'operations' (işlemler) sekmesini tıklayın. Fare imlecini sekmenin üzerinde tutarak ismini görebilirsiniz. 'Operation' sekmesinin yanındaki aşağı-açılır menüyü tıklayın ve 'match move' (hareketi eşleştir) ibaresini tıklayın.
- 6 Denetleyicide özelliklerini görüntülemek üzere, şimdi 'text' (metin/yazı) düğümünü tıklayın. Yazı kutusuna metninizi yazın ve kompozisyunuza uyması için; yazı tipini, rengini ve ebatını değiştirin.

Bu, takipçinizden gelen takip konum verisini, metninize uygulayacaktır. Yazının kenardan uzaklığını (offset) değiştirmek istiyorsanız, denetleyici panelde 'trackers' sekmesi üzerine tıklayın ve konumu değiştirmek için, x ve y offset kaydırma tekerlerini kullanın.



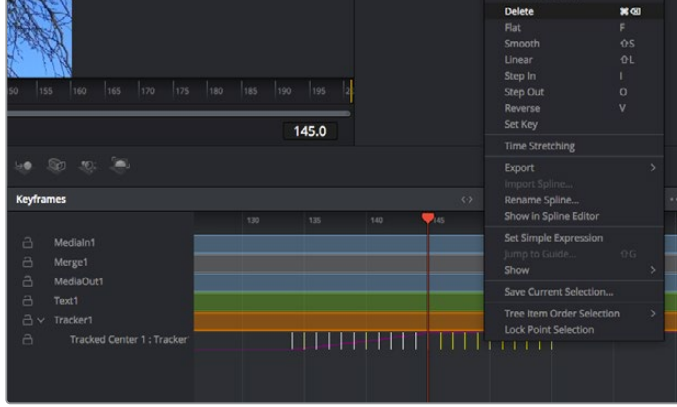
Takipçi denetleyici panelinin alt kısmındaki kaydırma tekerleri, metin için offset (kenardan uzaklık) konumunu düzeltmenizi sağlar.

Şimdi kompozisyonunuzu geri oynatabilir ve metninizi, takip ettiğiniz nesneye bağlı olarak görebilirsiniz!



Yeşil dikdörtgen, yeşil rota boyunca takipçinin mevcut konumudur ve kesik kesik kırmızı çizgi, yazının anime edilmesi için kullanılan, kenardan uzaklık (offset) konumudur.

Bazı çekimler için, takipten sonra takip noktalarını kaldırmak isteyebilirsiniz; örneğin, takip ettiğiniz nesne ekrandan kaybolduğunda. Keyframe düzeltici, bunu çok basit bir işlem yapar.



- 7 Keyframe düzelticiyi açmak için, denetleyicinin üzerindeki keyframe sekmesi üzerine tıklayın. Keyframe'lerin uygulandığı her düğümde, düğüm etiketinin yanında küçük bir ok olacaktır ve sadece keyframe'lerin eklendiği parametreler alttaki listede görünecektir. Büyüteç ikonu üzerine tıklayın ve değiştirmek istediğiniz bölgenin etrafına bir kutu sürükleyin. Bu, keyframe'leri daha kolay görebilmeniz için, o bölgeyi yakınlaştıracaktır.
- 8 Timeline çubuğunu (playhead), istediğiniz sonuncu keyframe'nin konumuna getirin. Farenizle etraflarında bir kutu çizerek, çıkarmak istediğiniz keyframe'leri seçin. Keyframe'ler sarı olarak vurgulanacaklardır. Sağ tıklayın ve menüden 'delete' (sil) ibaresini seçin.

**BİLGİ** Efektleriniz özellikle sistemi yoğun çalıştıran türdense, aktarım kontrolleri bölgesine sağ tıklamak, proxy oynatım dahil olmak üzere size görüntüleyici seçeneklerini verecektir. Bu da kompozisyonunuzu oluştururken, sisteminizden en iyi şekilde faydalanmanızı sağlar. Playback seçenekleri hakkında daha fazla detay için, DaVinci Resolve kullanım kılavuzuna bakın.

Çekiminizdeki bir harekete eşleşmesi için metni anime eden ilk kompozisyonunuzu şimdi tamamladınız!

Görüntünüzde geliştirmek veya değiştirmek istediğiniz düz bir yüzeyi içeren bir bölgeyi takip etmek istiyorsanız, 'planar tracker' (düzlemsel takipçi) aracını kullanabilirsiniz. 2 boyutlu düzlemlerin takibi, hareket eden bir görüntüdeki etiket ve işaretleri değiştirmek için ve hatta görüntünüzdeki bir ekrana veya televizyona bir görüntü eklemek için faydalı olabilir.

Düzlemsel takipçi ve DaVinci Resolve'nin Fusion sayfasındaki birçok etkili araç hakkında daha fazla bilgi için, DaVinci Resolve kullanım kılavuzuna bakın.

**BİLGİ** Fusion sayfasında görsel efektler oluşturdukça, efektlerin 2 veya 3 boyutlu olduklarını not etmeniz önemlidir, çünkü bu hangi birleştirme aracının kullanıldığını belirler. Bir birleşik görüntüde (composite), sıklıkla 2 boyutlu ve 3 boyutlu efektleri birleştirdiğinizi keşfedebilirsiniz. Bu gibi durumlarda, 3 boyutlu alanı kullanan her görsel efektin, 2 boyutlu olarak birleştirilmeden önce, 2 boyutlu bir görüntü olarak render işlemi edilmesi gerektiğini hatırlamakta fayda vardır.

DaVinci Resolve'nin kurgu, renk ve Fairlight sayfalarının gücü ile Fusion'un görsel efektlerini keşfederken ve Fusion ile çok eğleneceğinize inanıyoruz. Tüm araçlar elinizdeyken, DaVinci Resolve inanılmaz derecede etkilidir ve ne oluşturabileceğinizin gerçekten bir sınırı yoktur!

## Kurgunuz için Master Dosyaların Oluşturulması

Artık; kurgulama, renk düzeltme yapıp, vfx (görsel efektler) eklediğinize ve sesin miksajını yaptığınıza göre, kurgunuzu başkalarıyla paylaşmak isteyeceksiniz. Timeline'nizin içeriğini, farklı format çeşitlerinden biri şeklinde bağımsız bir dosya olarak çıkarmak için; 'quick export' isimli hızlı dışa aktarma butonunu veya menü seçimini ya da 'deliver' (teslimat) sayfasının ilave özelliklerini kullanabilirsiniz.



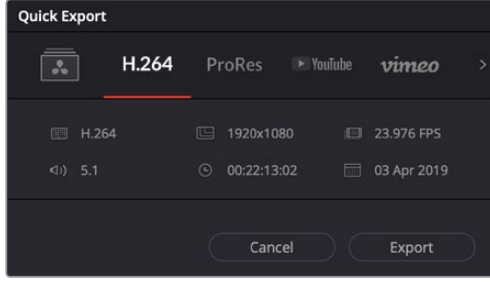
Kurgunuzu dışa aktaracağınız yer, 'deliver' sayfasıdır. Bir çok farklı video formatı ve codec arasından seçim yapabilirsiniz.

## Quick Export (Hızlı Dışa Aktarma)

DaVinci Resolve'nin herhangi bir sayfasından programınızı dışa aktarmak için dışa aktarma önayarlarından birini kullanmak üzere File > Quick Export sekmelerini seçebilirsiniz. YouTube, Vimeo ve Frame.io dahil olmak üzere, programınızı desteklenen video paylaşım servislerinden birine yüklemek için bile 'quick export' seçeneğini kullanabilirsiniz.

### Quick Export özelliğini kullanmak için:

- 1 Kurgu (edit), Fusion veya renk (color) sayfasında, dışa aktarmak istediğiniz mevcut programın kapsam alanını seçmek için giriş (in) ve çıkış (out) noktalarını seçin. Giriş ve çıkış noktaları ayarlanmadığında, timeline'nin tamamı dışa aktarılacaktır.  
File > Quick Export sekmelerini seçin
- 2 Quick export diyalog kutusundaki ikonların üst sırasından, kullanmak için bir önayar seçin ve 'export' ibaresini tıklayın.
- 3 Bir dizin konumu seçin ve export diyalog penceresini kullanarak bir dosya ismi girin sonra, 'save' (sakla) ibaresini tıklayın. Dışa aktarım işleminin ne kadar süreceğini bildirmek için bir ilerleme çubuğu göstergesi belirir.



Hızlı dışa aktarma diyalog penceresi

## Teslimat (Deliver) Sayfası

Bu sayfa, dışa aktarmak (export) istediğiniz kliplerin sırasına ek olarak; formatını, kodeğini ve çözünürlüğünü seçmenizi sağlar. QuickTime, AVI, MXF ve DPX gibi bir çok formatta 8-bit veya 10-bit sıkıştırılmamış RGB/YUV, ProRes, DNxHD, H.264 ve daha fazlası gibi kodekler kullanarak export işlemini yapabilirsiniz.

### Kurgunuzun tek bir klibini export etmek için:

- 1 Teslim sayfasını açmak için, 'deliver' (teslim et) sekmesini tıklayın.
- 2 Sayfanın üst solunda bulunan 'render settings' (render ayarları) penceresine girin. Çeşitli export önayarlarından seçim yapın. Örneğin YouTube, Vimeo ve ses önayarları ya da varsayılan 'custom (özel)' önayarına kurulu bırakarak ve kendi parametrelerinizi girerek, kendi export ayarlarınızı elle düzenleyebilirsiniz. Bu örnek için; YouTube seçeneğini seçin, sonra önayarın yanındaki okun üzerine tıklayın ve 1080p video formatını seçin.  
Kare hızı, projenizin kare hızı ayarına kilitli olacaktır.
- 3 Önayarların altında, timeline dosyasının adını ve dışa aktarılacak videonuzun hedef konumunu göreceksiniz. 'Browse' (tarama) butonunu tıklayın ve dışa aktarılacak dosyanızı kaydetmek istediğiniz konumu seçin ve sonra render seçeneğinden 'single clip' (tek klip) ibaresini seçin.
- 4 Timeline'nin hemen üzerinde, 'entire timeline' (timeline'nin tamamı) ibaresinin seçili olduğu, bir seçenekler kutusu göreceksiniz. Bu fonksiyon, timeline'nin tamamını dışa aktarır, ancak isterseniz timeline üzerinde bir aralık da seçebilirsiniz. Yapmanız gereken şey, 'in/out range' (giriş/çıkış aralığı) ibaresini seçmek ve sonra 'i' ve 'o' kısayollarını kullanarak timeline'nizdeki giriş ve çıkış noktalarını seçmektir.
- 5 'Render settings' (render ayarları) sekmesinin sonuna gidin ve 'add to render queue' (render kuyruğuna ekle) butonuna tıklayın.

Render ayarlarınız, sayfanın sağ tarafındaki render kuyruğuna eklenecektir. Şimdi yapmanız gereken tek şey, 'start render' (render işlemini başlat) üzerine tıklamak ve render kuyruğunda render işleminin ilerlemesini denetlemektir.

Render işleminiz tamamlandığında; dosya konumunu açabilir, yeni render edilmiş klibiniz üzerine çift tıklayabilir ve tamamlanmış kurgunuzu izleyebilirsiniz.

Artık; kurgulama, renk düzeltme, ses miksajı ve görsel efektler ekleme hakkında temel bilgilere sahip olduğunuza göre, DaVinci Resolve ile denemeler yapmanızı tavsiye ederiz. Projenizden en iyi sonucu almanız için herbir özelliğin size nasıl yardım edeceği konusunda daha fazla bilgi edinmek üzere, DaVinci Resolve kullanım kılavuzuna bakın.

# Studio Camera Kontrolünün Anlaşılması

Blackmagic URSA Mini, bir stüdyo kamera olarak kullanılabilir ve ATEM Software Control'daki 'Camera Control' (kamera kontrolü) özelliği kullanılarak bir ATEM switcher'den kontrol edilebilir. Bu, yayın stüdyonuza geniş sensör görüntü kalitesi ile inanılmaz dinamik aralığı olan bir kamera eklemenize ve herhangi bir stüdyo kamera gibi, kontrolünü yapmanıza olanak sağlar.



ATEM Kamera Kontrolü

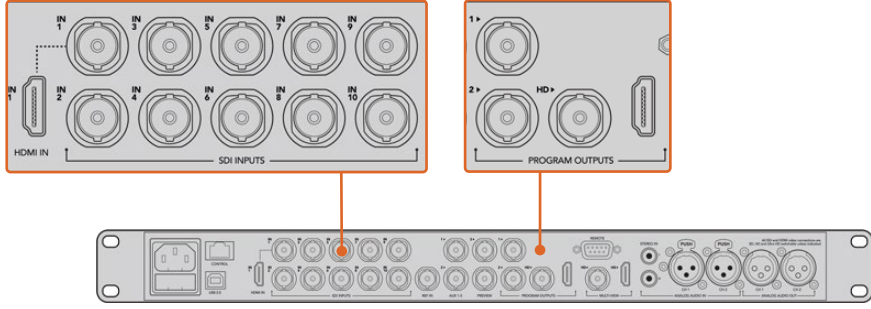
Kamera butonuna basılması, kamera kontrol özelliğini açar. İris, kazanç, odaklama, detay ve zum kontrolü gibi ayarlar, uygun mercekler kullanılarak kolaylıkla düzeltiler. Ayrıca, DaVinci Resolve ana renk düzelticisini kullanarak, kameralarınıza renk dengeleme yapabilir ve eşsiz görünüm oluşturabilirsiniz. DaVinci Resolve ana renk düzeltici ve ATEM Camera Control'un 'detay keskinleştirme' özelliklerinin URSA Mini Pro 12K için geçerli olmadığını belirtmemizde fayda var.

ATEM switcher kontrolü, bir ATEM switcher'in down convert işlemi yapmayan tüm çıkışları üzerinden, yayın yapan kamera kontrol paketleri tarafından çalıştırılır. Yani, bunun anlamı, ATEM switcher'in bir SDI çıkışını, URSA Mini kameranın 12G SDI girişine bağlayabileceğiniz ve kameranızın, kontrol paketlerini SDI bağlantısında farkedeceği ve kameradaki özellikleri kontrol etmenize olanak sağlayacağıdır.

## URSA Mini kameranızın bağlanması

- 1 Blackmagic URSA Mini'nin 12G-SDI çıkışını, ATEM switcher'deki herhangi bir SDI girişine bağlayın.
- 2 ATEM switcher'in 'down converted' (aşağı dönüşümlü) veya multi view (çoklu görüntüleme) haricindeki herhangi bir SDI çıkışını, URSA Mini'nin 12G-SDI girişine bağlayın. Kamera kontrol sinyalleri, multi view ve down converted SDI çıkışlarından gönderilmez.
- 3 URSA Mini'nin 'setup' (kurulum) menüsünde, 'ATEM Camera ID' (ATEM kamera kimliği) sekmesine gidiniz ve kameranızın ATEM kimliğini (ID), switcher'in girişiyle eşleştirecek biçimde ayarlayın. Örneğin; 1 numaralı URSA Mini, ATEM switcher'de Cam 1'e bağlı ise, kamera numarası da 1 olarak ayarlanmalıdır. Bu, tally bilgilerinin doğru kameraya gittiğinden emin olmanızı sağlar.
- 4 Kurulum (setup) menüsünde (reference source) referans kaynağınızı seçin. Tüm kameralarınıza ve switcher'e bir genlock sinyal gönderilmediği sürece, ATEM'e bağlı iken referans kaynağınızı, 'program' olarak ayarlamanızı öneririz.

- 5 'Monitor' (ekran) menüsüne gidin ve ATEM switcher'e giden SDI çıkışında katmanların ya da odaklama kutusunun gösterilmemesi için, 'main SDI' (ana SDI çıkışı) için 'clean feed' ibaresini seçtiğinizden emin olun.



URSA Mini'nizi, ATEM switcher'in herhangi bir SDI girişine bağlayın.

## Kamera Kontrol Özelliğinin Kullanımı

ATEM Software Control'ü başlatın ve yazılım penceresinin alt kısmındaki 'camera' düğmesini tıklayın. Her bir kameranın görüntüsünü düzeltip geliştirecek araçlar içeren, bir sıra etiketlenmiş kamera kontrolleri göreceksiniz. Kontrolörlerin kullanımı kolaydır. Farenizi kullanarak düğmeleri tıklayın veya düzeltmek için, tıklayıp sürükleyin.

### Kamera Kontrol Seçimi

Kamera kontrol sayfasının üst kısmındaki düğme sırası, kontrol etmek istediğiniz kamera numarasını seçmenizi sağlar. Sayfaya sığan daha fazla kameranız varsa veya renk düzeltme sayfasını çalıştırıyorsanız bu düğmeleri, kameralardan hangisi kontrol etmek istediğinizi seçmek için kullanabilirsiniz. Kamera kontrolü izlemek için bir Aux çıkışı kullanıyorsanız, kamerayı kontrol için bu düğmelere basılması, bu kameranın video çıkışını, aynı zamanda switcher tercihlerindeki Aux çıkış ayarına gönderecektir.



Kamera kontrol için Aux çıkışını seçmek üzere, 'settings' ikonunu tıklayın

### Kanal Durumu

Her kamera kontrolörünün üstündeki kanal durumu; kamera etiketi, yayında (On Air) göstergesi ve kilitleme düğmesini gösterir. Belirli bir kameranın tüm kontrollerini kilitlemek için, 'lock' (kilitle) düğmesine basın. Yayındayken, kanal durumu kırmızı olarak yanar ve 'On Air' (yayında) uyarısını gösterir.



Hangi kameranın yayında olduğunu bilmeniz için, her kamera kontrolörü, kanal durumunu gösterir. YRGB kanalının lift, gamma ve gain ayarlarını düzeltmek için, renk tekerlerini kullanın.



## Renk Tekerı

Renk tekerı, DaVinci Resolve renk düzelticinin etkili bir özelliğidir ve her bir YRGB kanalının lift, gamma ve gain ayarlarına renk düzeltilmesi için kullanılır. Renk tekerinin üzerindeki üç seçim düğmesinden birini tıklayarak, hangi ayarı düzelteceğinizi seçebilirsiniz.

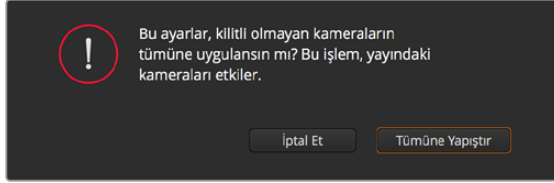
## Master (Ana) Teker

Tüm YRGB kanallarının aynı anda kontrast düzeltmelerini ya da lift, gamma veya gain ayarının her biri için sadece parlaklık ayarı yapmak üzere, renk tekerinin altındaki master tekerini kullanın.

## Reset (Sıfırlama) Butonları

Her kamera kontrolörünün sağ üst köşesinin yakınındaki sıfırlama (reset) düğmesi; renk düzeltme ayarlarını 'reset' (sıfırla), copy (kopyala) veya paste (yapıştır) olarak kolaylıkla seçmenize imkan tanır. Her renk tekerinin, ayrıca kendi reset düğmesi vardır. Bir ayarı fabrika ayarlarına geri döndürmek için veya bir ayarı kopyalayıp yapıştırmak üzere basın. Kilitli olan kontrolörler, 'paste' (yapıştır) özelliğinden etkilenmezler.

Renk düzeltme panelinin sağ üst köşesindeki master reset (ana sıfırlama) düğmesi; lift, gamma ve gain renk tekerleklerini ve Contrast (kontrast), Hue (renk tonu), Saturation (doğunluk) ve Lum Mix (parlaklık miksaj) ayarlarını da sıfırlamanıza olanak sağlar. Renk düzeltme ayarlarını, kamera kontrollerine birer birer veya tek tip bir görünüm için, hepsine birden yapıştırabilirsiniz. İris, focus (odaklama), coarse (üst sınır) ve pedestal (ana siyah) ayarları, yapıştırma özelliğinden etkilenmezler. 'Paste to all' (hepsine yapıştır) komutunu uyguladığınızda, uygulamayı onaylamanızı isteyen bir uyarı mesajı belirecektir. Bu, yayındaki kilitlenmemiş kameralara, kazayla yeni ayarlar yapıştırmamanız içindir.



'Paste to all' (hepsine yapıştır) komutunu uyguladığınızda, uygulamayı onaylamanızı isteyen bir uyarı mesajı belirecektir. Bu, yayındaki kilitlenmemiş kameralara, kazayla yeni ayarlar yapıştırmamanız içindir.

## İris/Pedestal Kontrolü

İris/pedestal kontrolü, her bir kamera kontrolörünün 'cross hairs' (artı şeklinde gösterge) kısımlarının içinde bulunur. Pedestal, ana siyah (master black) kontrolüdür. Kamera yayındayken, kontrol kırmızı renkte yanar.

İrisi açmak veya kapatmak için, kontrolü yukarı veya aşağı sürükleyin. 'Shift' tuşuna basılı tutulması, sadece iris düzeltmelerine izin verir.

**NOT** ATEM'e bağlı olduğunda, Auto Exposure'yi (otomatik odaklama) kapattığınıza emin olun. İris, zoom veya odak kontrollerine ihtiyacınız olduğunda, kamera tarafından elektronik olarak kontrol edilebilen bir lensinizin olduğundan emin olun.

URSA Mini kamerada, 12 pim yayın konektörü ile bağlı olan bir B4 ya da PL mercek kullandığınızda, tutma yerindeki mercek iris düğmesinin 'A' veya 'auto' olarak ayarlı olduğundan emin olmalısınız.



Karartmak için veya pedestal'ı kaldırmak için, kontrolü sağa sola sürükleyin. Mac bilgisayarlarda 'command' (komut) tuşunun veya Windows bilgisayarlarda 'control' (kontrol) tuşunun basılı tutulması, sadece pedestal düzeltmelerine izin verir.



İris/pedestal kontrolü, ilgili kamera canlı yayında iken kırmızı yanar

## Zoom Kontrolü

Elektronik zoom özelliği olan uygun bir lensle kullanıldığı zaman, zoom kontrolünü kullanarak lensinizi içeri ve dışarı zoom yapabilirsiniz. Kontrolör, tıpkı bir lensteki zoom düğmesi gibi; bir ucu telefoto (uzak) ve diğer ucunda geniş açı olmak üzere çalışır. Coarse kaydırıcısının üzerinde bulunan zoom kontrol düğmesini tıklayın ve yaklaştırmak (zoom in) için yukarı sürükleyin veya uzaklaştırmak (zoom out) için aşağı sürükleyin.

Lensinizde aktif lens kontrolü yoksa veya kameranız SDI kamera kontrol protokolü üzerinden zoom kontrolünü desteklemiyorsa o zaman, bu ayarların hiç bir etkisi yoktur. Örneğin; EF lenslerin, lensi elektronik olarak zoom yaptıracak dahili servoları yoktur yani, ATEM kamera kontrolünden zoom yapılamazlar.

**NOT** Analog B4 lensleri, ATEM zoom kontrolünü desteklemezler. Analog B4 lensleri hakkında daha fazla bilgi için, 'servo zoom lenslerin kullanımı' bölümüne bakın.

## Coarse Ayarı

Coarse ayarı, İris/pedestal kontrolünün sol tarafındadır ve iris kapsamının sınırlandırılması için kullanılır. Bu özellik, patlamış görüntülerin yayına gitmesini önlemenize yardımcı olur.

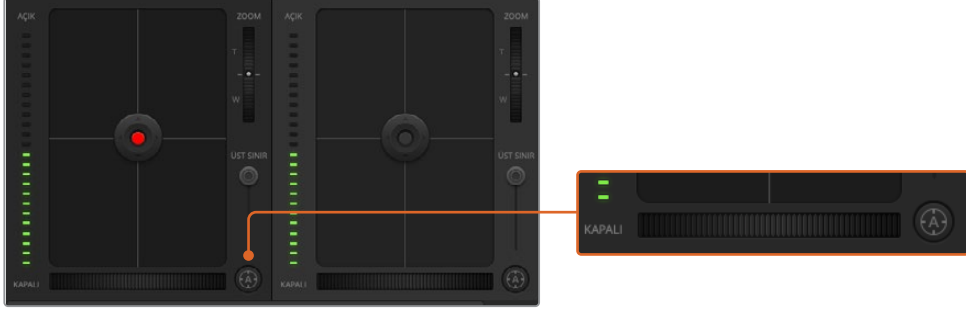
Coarse özelliğinin eşiğini (threshold) ayarlamak için, iris kontrolü kullanarak irisi tamamiyle açın ve sonra, en uygun pozlamayı ayarlamak üzere, coarse ayarını aşağı veya yukarı sürükleyin. Coarse seviyesi şimdi, irisi düzelttiğinizde, en yüksek pozlama sınırını aşmasını engelleyecektir.

## İris Göstergesi

İris göstergesi, iris/pedestal kontrolünün sol tarafındadır ve lens örtücüsünün ne kadar açık veya kapalı olduğunu kolaylıkla görebilmeniz için, görsel bir referans sergiler. İris göstergesi, coarse ayarından etkilenir.

## Otomatik Odaklama Butonu

Otomatik odaklama butonu, her bir kamera kontrol kontrolörünün sol alt köşesinde bulunur. Elektronik odaklama ayarlarını destekleyen aktif bir lensiniz olduğunda, odaklamayı otomatik olarak ayarlamak için basınız. Lenslerin çoğu, elektronik odaklamayı desteklerken, bazı lenslerin manuel veya otomatik odaklama modlarına ayarlanabildiğini bilmek önemlidir ve bu yüzden lensinizin otomatik odaklama modunda olduğundan emin olmanız gerekir. Bazen bu, lensteki netlik halkası, öne veya arkaya kaydırılarak ayarlanır. Servo zoom kontrolü olan B4 lenslerde, tutma yerinin alt tarafındaki anahtarı, 'servo' olarak ayarlamamız gerekecektir.



'Auto focus' (otomatik odaklama) düğmesini tıklayın veya uyumlu bir lensin odaklaması için, manuel focus ayarını sağa veya sola sürükleyin

## Manuel Odaklama Ayarı

Kameranızda odaklamayı, ATEM Camera Control'ü kullanarak manuel olarak ayarlamak istediğinizde, her bir kamera kontrolörünün altında bulunan, 'focus adjustment' i (odaklama ayarı) kullanabilirsiniz. Görüntünüzün hoş ve keskin olduğundan emin olmak için, kameradan gelen görüntüyü izlerken, odaklamayı manuel olarak ayarlamak üzere, kontrol tekerini sola veya sağa doğru sürükleyin.

Switcher'inizden manuel odak kontrolü, sadece servo odak kontrolü olan B4 ve PL lenslerini kullandığınızda mümkündür. EF lenslerinde servo focus olmadığından, bu seçenek URSA Mini EF kullanırken mevcut değildir.

## Kamera Gain (Kazanç)

'gain' ve 'shutter speed' (örtücü hızı) gibi bazı ayarların isimleri, ATEM Switcher'leri ile URSA Mini arasında farklılık gösterirler. Örneğin ATEM Switcher'ler, bir kameranın ışığa olan hassasiyetini tarif etmede, 'film ISO rating' (film ISO seviyesi) yerine, 'gain' (kazanç) kullanırlar.

**BİLGİ** 'gain' ve 'ISO' gibi terimlerin arasındaki farklılıklar, temelinde stüdyo yayın donanımları ve tipik film donanımlarının arasındaki farklılıklardan gelir. Televizyon stüdyo kameralarındaki pozlama, örneğin, kameradan canlı olarak denetlenebiliyor. Işık hassasiyet ayarları, kameranın içinde elektronik olarak yapılabilmektedir. Bu, film kameralarında farklılık gösterir; çünkü bu kameralar, mekanik bir yapıya sahiptirler ve fotokimyasal ISO sınıflandırmaları ile birlikte, geleneksel ışık ölçme tekniklerine dayalı olarak çalışırlar.

Değişen ışık koşullarında çalıştırırken görüntünüzün düşük pozlanmasından kaçınmak için, kameranızın gain'ini atırmak veya düşürmek isteyebilirsiniz. Bunu yapmak üzere, gain'i azaltmak için sol okunu ve gain'i artırmak için sağ okunu tıklayabilirsiniz.

ATEM Switcher, gain'i dB olarak gösterir. Bu, kameranızdaki ISO ayarları ile aşağıdaki gibi karşılık gelir:

Gain (Kazanç)	ISO
0	200
6	400
12	800
18	1600

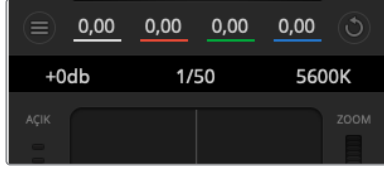
URSA Mini 4.6K, 18dB'lik gain'e ayarlanabilirken, URSA Mini 4K'nın azami gain'i 12dB'dir.

## Örtücü Hızı (Shutter Speed) Kontrolü

URSA Mini'nin örtücü açısını değiştirmek için, shutter speed control (örtücü hızı kontrolü) kullanılır.

Gain kontrolde olduğu gibi bu ayar, film kameraları ve yayın kameraları arasındaki terminoloji farklılıklarından dolayı, farklı isimlendirilmiştir. Fakat işlevsel olarak, örtücü hızının artırılması, örtücü açısının azaltılmasıyla aynı şekildedir.

Örtücü hızı kontrolü, renk tekeri ve iris/pedestal kontrolünün arasında konumlandırılmıştır. Örtücü hızını, fare imlecini örtücü hızı göstergesi üzerinde gezdirerek ve sonra sol veya sağ oklarını tıklayarak azaltın veya artırın.



Fare imlecini; gain, örtücü hızı ve beyaz ayar göstergeleri üzerinde gezdirmek, ilgili ayarı düzeltmeniz için tıklayabileceğiniz okları ortaya çıkarır.

**NOT** ATEM örtücü hızı kontrolünün, URSA Mini'de seçilen örtücü açısı üzerinde önceliği olduğundan, ATEM switcher'e bağlı olduğunda, kameranızın örtücü aç kontrolleri devreden çıkarılmıştır.

Aşağıdaki tablo, örtücü hız kontrolünde bulunan mevcut örtücü hızlarını ve onlara eşdeğer örtücü açılarını göstermektedir. Bazı örtücü hızlarının, URSA Mini'nin asgari ve azami örtücü açıları olan 11.25 ve 360 derecenin dışında olduğunu, belirtmemizde fayda vardır. Böyle bir durumda, mevcut en yakın örtücü açısı kullanılır.

URSA Mini 4.6K veya URSA Mini Pro, bir ATEM switcher'e bağlıyken, kameranızın dokunmatik ekran durum göstergesinde de örtücü hız ayarı görünecektir. URSA Mini 4K'da, örtücü hızı dokunmatik ekranda görünmeyecektir fakat, bir URSA Viewfinder'in bağlı olduğu durumda, URSA Viewfinder'de görünecektir..

URSA Mini 4.6K veya URSA Mini Pro'da, örtücü açısını seçtiğinizde, aşağıdaki bilgiler geçerlidir.

Örtücü Hızı (Shutter Speed)	23.98 fps'de Örtücü Açısı	24 fps'de Örtücü Açısı	25 fps'de Örtücü Açısı	29.97 fps'de Örtücü Açısı	50 fps'de Örtücü Açısı	59.94 fps'de Örtücü Açısı
1/50	172.7	172.8	180	215.8	360	360*
1/60	143.9	144	150	179.8	300	359.6
1/75	115.1	115.2	120	143.9	240	287.7
1/90	95.9	96	100	120	200	239.8
1/100	86.3	86.4	90	107.9	180	215.8
1/120	71.9	72	75	89.9	150	179.8
1/150	57.5	57.6	60	71.9	120	143.9
1/180	48	48	50	59.9	100	119.9
1/250	34.5	34.6	36	43.2	72	86.3
1/360	24	24	25	29.97	50	59.94
1/500	17.3	17.3	18	21.6	36	43.2
1/725	11.9	11.9	12.4	14.9	24.8	29.8
1/1450	11.25*	11.25*	11.25*	11.25*	12.4	14.9
1/2000	11.25*	11.25*	11.25*	11.25*	11.25*	11.25*

\* URSA Mini'nin örtücü açı aralığının dışındaki örtücü hızları, mevcut asgari ya da azami örtücü açılarının, en yakın olanını kullanacaktır.

**BİLGİ** Örtücü hızının düşürülmesi, kamera gain'ini kullanmadan görüntünüzü parlatmak için iyi bir yoldur çünkü, görüntü sensörünün pozlama zamanını artırıyorsunuz. Bu, aynı zamanda floresan lamba altında çekim yaparken, kırışmanın azalmasını ya da engellenmesini sağlar. Örtücü hızının artırılması, hareket bulanıklığını azaltacaktır, böylece hareketli çekimlerde, görüntülerin keskin ve temiz olmasını istediğinizde kullanmak için mükemmeldir.

## Beyaz Ayar

Örtücü hızı kontrolörünün yanında olan beyaz denge ayarı, renk ısı göstergesinin yanlarındaki sol veya sağ okları tıklanarak ayarlanabilir. Farklı ışık kaynakları, sıcak veya soğuk renkler yayarlar; bu yüzden beyaz ayarını düzelterek denge sağlayabilirsiniz. Bu, görüntünüzdeki beyazların, beyaz kalmasını sağlar.

## DaVinci Resolve Primary (Ana) Renk Düzelticisi

Renk düzeltme deneyiminiz varsa o zaman, kamera kontrolünü, switcher stili CCU arayüzünden, post prodüksiyon renk derecelendirme sisteminde bulunan, primary (ana) renk düzelticisine benzeyen kullanıcı arayüzüne değiştirebilirsiniz.

Blackmagic URSA Mini'nizin, dahili bir DaVinci Resolve ana renk düzeltici özelliği vardır. Daha önce DaVinci Resolve kullandıysanız URSA Mini'de derecelendirme, yaratıcı olarak aynıdır; yani renk düzeltme tecrübenizi canlı yapım için kullanabilirsiniz. Renk düzeltme paneli, herhangi bir kamera kontrolöründen genişletilebilir ve ilave ayarları olan genişletilmiş renk düzeltme kontrolü ile, tam bir ana renk düzeltici arayüzü temin eder.

Renk tekerleriniz ve doygunluk (saturation) gibi ayarlarınız olur ve gölge, orta tonlar ve parlaklık ayarlarını, aynı anda görebilirsiniz. Pencerenin üst kısmında bulunan kamera seçim kontrollerini kullanarak, ihtiyacınız oldukça kameralar arasında değiştirme yapabilirsiniz.

**BİLGİ** DaVinci Resolve renk düzeltme, URSA Mini'nin SDI Çıkışına ve kamerada kaydedilen ProRes videoya uygulanır. RAW video, kapsamlı post işleme için planlandığından, renk düzeltme RAW videoya uygulanmaz. Lakin, yine de RAW video kaydı yaparken URSA Mini'nin SDI çıkışına, renk düzeltme uygulanabilir.



Renk düzeltme penceresini genişletip, ayarları düzeltmek için, DaVinci Resolve 'primary color corrector' (ana renk düzeltici) düğmesini tıklayın.

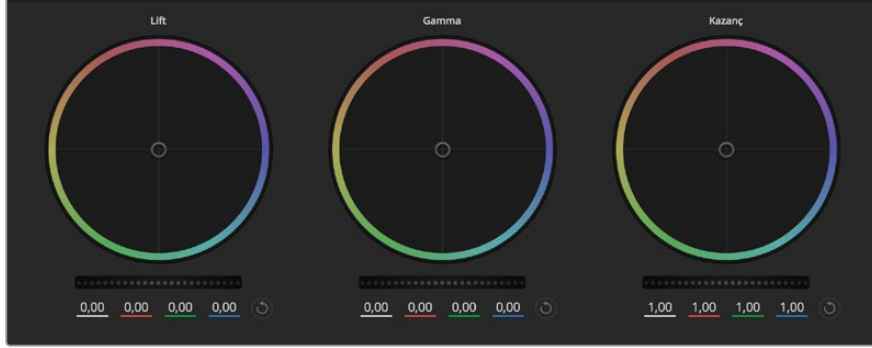
### Renk Tekerleri

Lift/Gamma/Gain kontrolleri, ton olarak belirli ama, üstüste gelen bölgelere düzeltme olanağı sağlar. Fotoğrafik olarak lift, gamma ve gain; gölgeler, orta tonlar ve parlaklıklara karşılık gelir.

İnce ayar veya yoğun ayar yapmak için, renk tekerlerini aşağıdaki biçimlerde kullanınız:

- **Tıklayıp, renk halkası dahilinde herhangi bir yere sürüklenme:**  
Renk dengesi göstergesinin, kendisini sürüklemeniz gerekmez. Renk dengesi göstergesi hareket ettiğinde, altında bulunan RGB parametreleri, her kanala yapılmakta olan değişiklikleri yansıtmak için değişir.
- **Shift'e basarken tıklama ve renk halkası dahilinde herhangi bir yere sürüklenme:**  
Renk dengesi göstergesini, ibrenin mutlak konumuna getirir ve daha çabuk ve daha şiddetli düzeltmeler yapmanıza imkan tanır.

- **Renk halkası dahilinde çift tıklama:**  
O kontrol için ana tekerleğin ayarlarını bozmadan, renk düzeltmesini resetler.
- **Bir renk halkasının sağ üst tarafındaki reset kontrolüne tıklama:**  
Hem renk denge kontrolünü hem de ilgili ana tekerleği resetler.



Renk düzeltme panelinde lift, gamma ve gain renk tekerleri

## Master (Ana) Tekerler

Her bir YRGB kanalının lift, gamma ve gain kontrollerini ayarlamak için, renk tekerlerinin altındaki ana tekerleri kullanın.

Ana tekeri kullanarak düzeltmeler yapmak için:

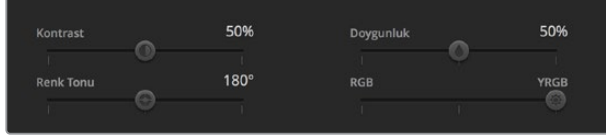
- **Ana tekeri sola veya sağa sürükleyin:**  
Sola sürükleme, görüntünün seçili parametrelerini karartır; sağa sürükleme, bu parametreyi aydınlatır. Bir düzeltme yaptığınızda, altında bulunan YRGB parametreleri, yaptığınız düzeltmeyi yansıtmak için değişir. Sadece Y parametrelerine ayarlama yapmak için, ALT veya Command tuşunu basılı tutun ve sağa sola sürükleyin. Renk düzeltici YRGB işleme özelliğini kullandığından, sadece Y kanalını ayarlayarak eşsiz efektler oluşturabilir ve bir hayli yaratıcı olabilirsiniz. Lum Mix (parlaklık miksi) ayarı, YRGB işlemeyi kullanmak için sağ tarafa ve sıradan RGB işlemeyi kullanmak için sol tarafa ayarlandığı zaman, Y kanal ayarlamaları en iyi şekilde çalışır. Normalde, DaVinci Resolve kullanan renk uzmanlarının çoğunluğu, YRGB renk düzelticisini kullanır; çünkü genel gain'i etkilemeden renk dengesinde kontrolünüz daha fazla olur; böylece istediğiniz görünüşü elde etmek için, daha az vakit harcarsınız.



Ana tekerlerin ayarlarını, teker kontrolünü sağa veya sola sürükleyerek düzenleyiniz.

## Kontrast Ayarı

Kontrast ayarı, bir görüntüdeki en karanlık ve en aydınlık değerlerin arasındaki mesafe üzerinde, size kontrol sağlar. Elde edilen efekt, lift ve gain master (ana) tekerlerini kullanarak karşıt düzeltmeler yapmaya benzer. Varsayılan ayar %50'dir.



Contrast (kontrast), Saturation (doymunluk), Hue (renk tonu) ve Lum Mix (parlaklık miksi) ayarlarını düzeltmek için, kaydırıcıları sağa veya sola sürükleyin.

## Saturation (Doymunluk) Ayarı

Doymunluk ayarı, görüntüdeki renk miktarının artırılması veya düşürülmesi için kullanılır. Varsayılan ayar %50'dir.

## Hue (Renk Tonu) Ayarı

Renk tonu ayarı, görüntünün tüm renk tonlarını, renk tekerleğinin çevresinde döndürür. Varsayılan ayar olan 180 derece, orijinal renk tonlarının dağılımını gösterir. Bu değer artırılması veya azaltılması, tüm renk tonlarını, renk tekerinde görüldüğü gibi renk dağıtımını boyunca, ileri veya geri döndürür.

## Lum Mix (Parlaklık Miksi) Ayarı

Blackmagic URSA Mini'nizde dahili olan renk düzeltici, DaVinci Resolve'deki ana renk düzelticiyi esas almaktadır. DaVinci 1980'lerin başlarından beri, renk düzelticiler yapmaktadır ve Hollywood filmlerinin çoğunluğunun renk derecelendirmesi, başka herhangi bir yöntemden çok DaVinci Resolve ile yapılmıştır.

Bu, Blackmagic URSA Mini'deki dahili renk düzelticinin, bazı eşsiz ve etkili yaratıcı özelliklerinin olduğu anlamına gelir. YRGB işleme, bu özelliklerden birisidir.

Renk derecelendirmesi yaparken RGB işlemeyi ve YRGB işlemeyi kullanmayı seçebilirsiniz. Üst düzey renk uzmanları, renk üzerinde daha hassas kontrol sağladığı için, YRGB işlemeyi kullanırlar. Çünkü YRGB, daha iyi ayırım yapabilme ve daha fazla yaratıcı seçenekler ile kanalları bağımsız olarak ayarlayabilme imkânı sunar.

Lum Mix (parlaklık miksi) ayarı sağ tarafa ayarlandığı zaman, YRGB renk düzelticinin çıkışına %100 sahip oluyorsunuz. Lum Mix (parlaklık miksi) ayarı sol tarafa ayarlandığı zaman, RGB renk düzelticinin çıkışına %100 sahip oluyorsunuz. Hem YRGB hem de RGB renk düzelticilerinin çıkışlarının bir karışımını elde etmek için, Lum Mix (parlaklık miksi) ayarını sağ ve sol tarafın arasında herhangi bir konuma ayarlayabilirsiniz.

Hangisi kullanmak için doğru ayardır? Bu size bağlıdır; çünkü renk düzeltmesi, tamamıyla yaratıcı bir süreçtir. Doğru veya yanlış yoktur ve en çok beğendiğiniz ve iyi görüldüğünü düşündüğünüz, en iyi ayardır.

## Ayarların Senkronizasyonu

Blackmagic URSA Mini'nize kamera kontrol sinyalleri, bağlı olduğunda ATEM switcher'den gönderilir. Bir ayar, URSA Mini'den kazayla değiştirildiğinde, kamera kontrol, senkronizasyonu devam ettirmek için, o ayarı otomatik olarak sıfırlayacaktır.

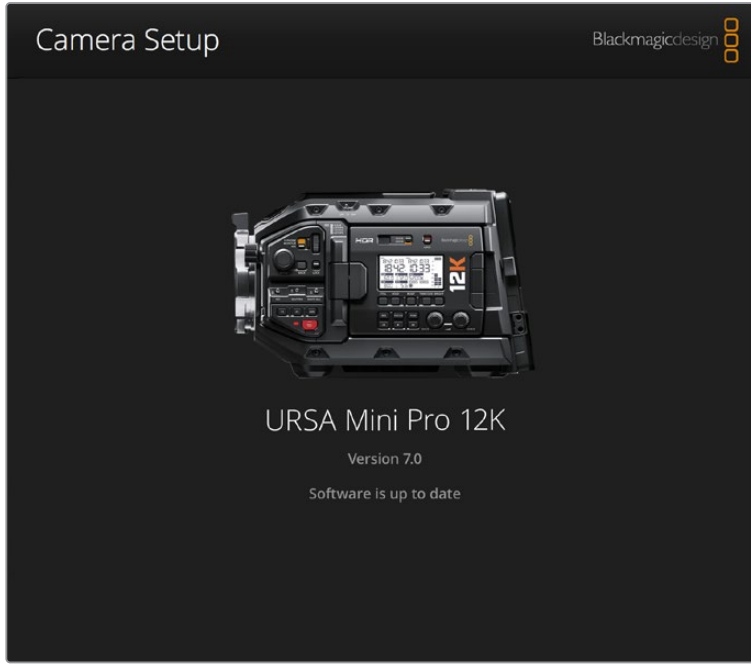
**BİLGİ** 12G-SDI girişinin bağlantısını kesseniz bile, URSA Mini'niz, DaVinci Resolve renk düzeltme ile yapılmış her görüntü ayarlamalarını, kullanmaya devam edecektir. Bu, görüntü ayarlarını tekrar düzeltmenize gerek kalmadan, kamera açılarını değiştirmenizi sağlar. URSA Mini'nizi fabrika ayarlarına geri döndürmek için, 12G-SDI girişinin bağlantısını kestikten sonra, URSA Mini'yi sadece kapatıp açınız.

# Blackmagic Camera Setup Utility

## Kamera Yazılımının Güncellenmesi — Mac

Blackmagic Camera Kurulum yardımcı yazılımını indirdikten ve indirilen dosyayı açtıktan sonra, Blackmagic Camera Kurulumu Yükleyicisini görüntülemesi için, ekrandaki disk görüntüsünü açın.

Yükleyiciyi başlatın ve ekrandaki talimatları takip edin. Yükleme işlemi bittikten sonra, uygulamalar dosyasına gidin ve bu kılavuzu, Blackmagic Camera kurulum uygulamasını, readme (beni oku) dosyaları ve bilgileri içeren belgeler dosyasını bulacağınız, Blackmagic Cameras dosyasını açın. Blackmagic kamera kurulumunu, güncellediğinizde kullanmanız için bir uninstaller (program kaldırıcı) bulacaksınız.



## Kamera Yazılımının Güncellenmesi — Windows

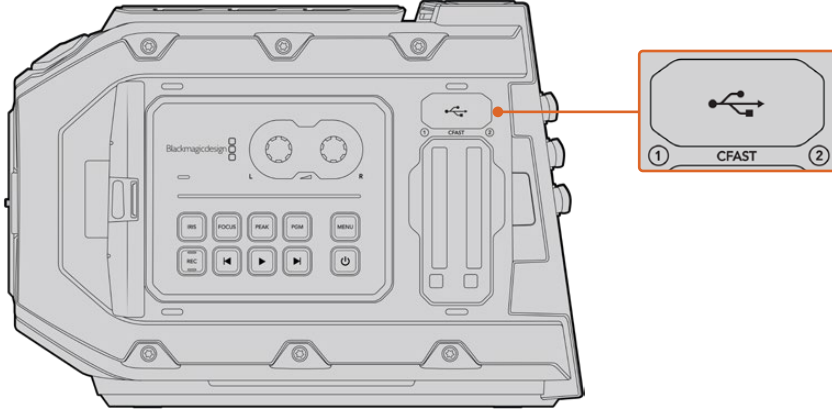
Blackmagic Camera Kurulum yardımcı yazılımını indirdikten ve indirilen dosyayı açtıktan sonra, bu PDF kılavuzu ile Blackmagic Camera Kurulumu Yükleyicisini içeren, bir Blackmagic Camera Kurulum dosyası göreceksiniz. Yükleyici üzerine çift tıklayın ve kurulumu tamamlamak için, ekrandaki komutları takip edin.

Windows 10 işletim sistemlerinde, başlatma tıklayın ve tüm uygulamaları (all apps) seçin. Blackmagic Design dosyasına kadar gidin. Buradan Blackmagic Camera Kurulumunu başlatabilirsiniz.

Windows 8.1 işletim sisteminde, başlat (start) ekranından aşağı yönünde olan oku seçin ve Blackmagic Design dosyasına kadar gidin. Buradan Blackmagic Camera Kurulumunu başlatabilirsiniz.



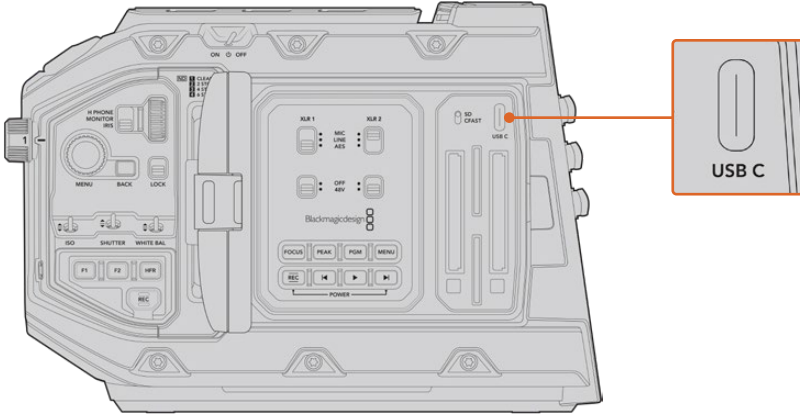
## Kamera Yazılımının Güncellenmesi



Mini-B USB 2.0 portu, kamera yazılımının güncellenmesinde kullanılır ve Blackmagic URSA Mini'deki bellek kart yuvalarının üzerinde bulunur.

En güncel Blackmagic Camera kurulum yardımcı yazılımını bilgisayarınıza yükledikten sonra, bilgisayarınızla Blackmagic URSA Mini'niz arasında, bir USB kablosu bağlayın. Blackmagic URSA Mini'de USB portu, sol panelde, bellek kart yuvalarının üzerinde bulabilirsiniz. Porta erişmek için, lastik kapağı kaldırmamız yeterlidir.

Blackmagic Camera Setup yardımcı yazılımını başlatın ve kamera yazılımını güncellemek için, ekran komutlarını takip edin. Kamera yazılımını güncelleme işleminin, tüm önayarları ve özel yapım LUT'ları sileceğini ve tüm ayarları sıfırlayacağını dikkate almanız önemlidir. Kamera yazılımını güncelleme işlemi yapmadan önce, önayarlarınızı yedeklemek için bir hafıza kartına aktarmanız iyi olur. Kamera yazılımını güncelleme işlemi yaptıktan sonra, hafıza kartından içe aktararak, önayarlarınızı ve LUT'ları hızla geri getirebilirsiniz. Ayrıca, bir siyah ayar kalibrasyonu yapmanız da tavsiye edilir.



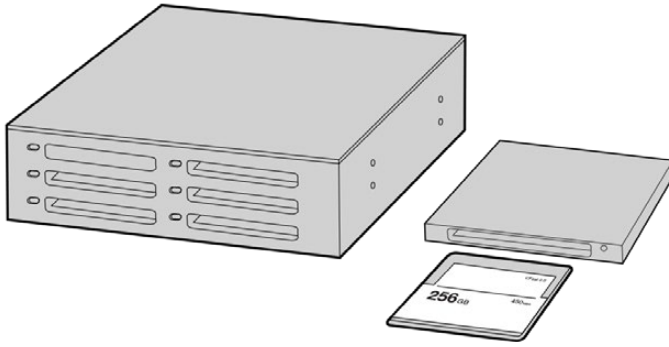
USB-C port kamera yazılımının güncellenmesinde kullanılır ve Blackmagic URSA Mini Pro'daki medya seçimi düğmesinin yanında, bellek kart yuvalarının üzerinde bulunur.

## Üçüncü Parti Yazılımlarla Çalışması

Kliplerinizi, en favori yazılımınız ile kurgulamak istediğinizde, kliplerinizi bir dahili/harici diske veya RAID depolama sistemine kopyalayabilir ve sonra kliplerinizi yazılıma aktarabilirsiniz. Ya da kliplerinizi depolama medyanızdan, bir dock veya adaptör kullanarak CFast ya da SSD'nize doğrudan aktarabilirsiniz.

**NOT** Blackmagic RAW, DaVinci Resolve 15.3.1 ve üzerindeki sürümler tarafından desteklenmektedir ve ayrıca çok çeşitli üçüncü parti post-produksiyon kurgulama programları tarafından da kullanılmaktadır. Avid Media Composer ve Adobe Premiere Pro'da Blackmagic RAW kurgulama için eklentiler, [www.blackmagicdesign.com/tr/support](http://www.blackmagicdesign.com/tr/support) adresinden indirebileceğiniz Blackmagic RAW yazılımı ile mevcuttur.

## CFast 2.0 ve SD Kartlarındaki Dosyalarla Çalışma



CFast kartı, kameradan çıkarıp ve bir CFast 2.0 okuyucu/yazıcı veya CFast sürücü aracılığıyla bilgisayarınıza takarak, doğrudan bir CFast karttan kurgulama yapabilirsiniz.

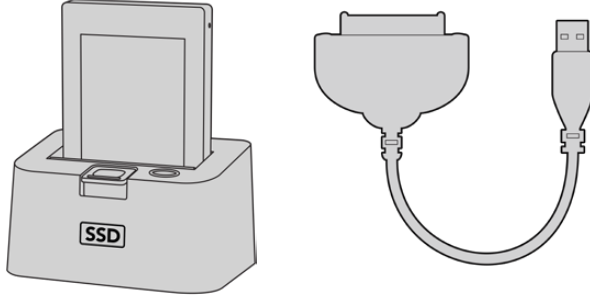
Bir CFast 2.0 ya da SD karttan kliplerin içe aktarılması için:

- 1 Blackmagic URSA Mini veya URSA Mini Pro'dan CFast veya SD kartını çıkarın. CFast kartını; Mac ya da Windows bilgisayarınıza, bir CFast ya da SD kart okuyucu kullanarak takın.
- 2 Açmak için, işletim sisteminiz dahilinde kartı bulun ve burada Blackmagic RAW ya da QuickTime movie dosyalarının bir listesini göreceksiniz.
- 3 Şimdi, dilediğiniz dosyaları karttan masaüstüne veya başka bir hard diske sürükleyebilir ya da kurgu yazılımınızı kullanarak dosyalara direkt karttan erişebilirsiniz.
- 4 CFast veya SD kartı bilgisayarınızdan çekip çıkarmadan önce, Mac veya Windows bilgisayarlarda daima 'eject' fonksiyonunu kullanarak CFast veya SD kartınızı çıkartmak önemlidir. Emniyetli olmayan bir şekilde kartın çıkarılması, bazı durumlarda çekimlere zarar verebilir.

## SSD'lerdeki Dosyalarla Çalışma

Bir SSD'den kliplerinizi aktarmak için:

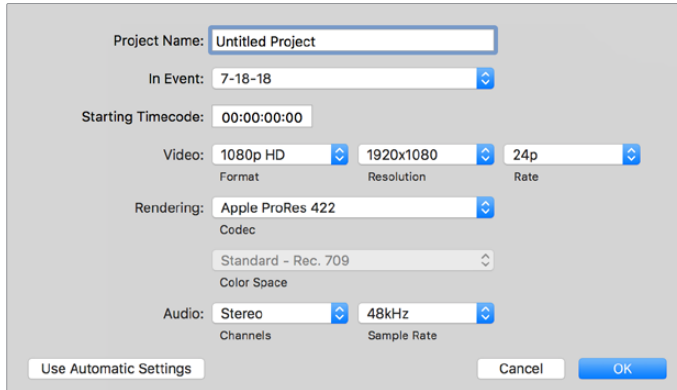
- 1 URSA Mini Recorder cihazından SSD'yi çıkarın.
- 2 Blackmagic MultiDock 10G gibi bir eSATA ya da Thunderbolt bağlantı istasyonu kullanarak Mac veya Windows bilgisayarınıza SSD'yi takabilirsiniz. SSD'yi bilgisayarınızın USB portuna doğrudan bağlamak için bir eSATA-USB adaptör kablosu da kullanabilirsiniz. Gerçek zamanlı video kurgulama için USB 2.0 yeterince hızlı olmadığından, USB 3.0 tercih edilir.
- 3 Açmak için SSD kartın üzerine çift tıklayın ve karşınıza QuickTime film dosyalarının ya da Blackmagic RAW dosyalarının bir listesi çıkacaktır. Kayıt için seçtiğiniz formata bağlı olarak farklı dosyalarınız olabilir ancak, tüm dosyalar aynı isimlendirme düzenini kullanacaktır.
- 4 Şimdi, dilediğiniz dosyaları SSD'den masaüstüne veya başka bir hard diske sürükleyebilir ya da NLE yazılımınızı kullanarak, dosyalara direkt SSD'den erişim sağlayabilirsiniz.
- 5 SSD'yi bilgisayarınızdan çekip çıkarmadan önce, bilgisayarınızdaki emniyetli çıkarma fonksiyonunu kullanarak SSD'nin çıkarılması önemlidir.



SSD'yi kameranızdan çıkartın ve bir eSATA Thunderbolt yuvası veya USB 3.0 bağlantı kablosu ile bilgisayarınıza takarak, doğrudan SSD'den kurgulama yapabilirsiniz.

## Final Cut Pro X Kullanımı

Final Cut Pro X ile kliplerinizi kurgulamak için, yeni bir proje oluşturmanız ve uygun bir video format ile kare hız ayarı yapmanız gerekecektir. Bu örnek, ProRes 422 HQ 1080p24'ü kullanmaktadır.



Final Cut Pro X proje ayarları

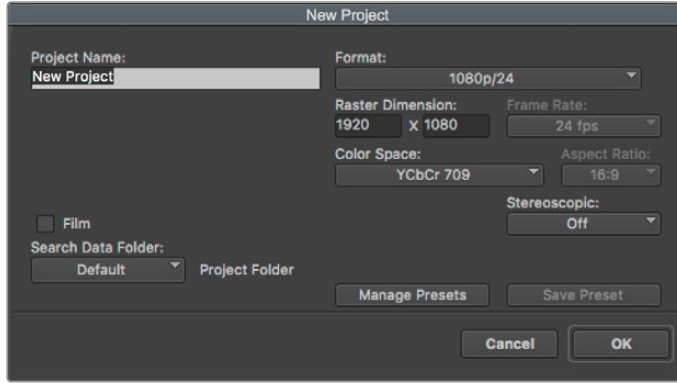
- 1 Final Cut Pro X yazılımını başlatın, menü çubuğuna gidin ve 'file/new project' ibaresini seçin. Proje ayarlarını içeren bir pencere açılacaktır.
- 2 Projenize bir isim verin ve 'custom' onay kutusunu seçin.
- 3 'Video properties' (video özellikleri) ayarlarını 1080p HD, 1920x1080 ve 24p'ye düzenleyin.
- 4 'Audio' ve 'render properties' (ses ve render özellikleri) ayarlarını stereo, 48kHz ve Apple ProRes 422 HQ'ye düzenleyin.
- 5 'OK' ibaresini tıklayın.

Kliplerinizi projenize aktarmak için, 'menu' çubuğuna girin ve 'file/import/media' sekmelerini seçin. CFAST kartınızdan kliplerinizi seçin.

Artık kliplerinizi kurgu için timeline'ye sürükleyebilirsiniz.

## Avid Media Composer 2018'in Kullanımı

Avid Media Composer 2018 yazılımını kullanarak kliplerinizi kurgulamak için, yeni bir proje oluşturun ve uygun bir video format ile kare hız ayarını yapın. Bu örnek için, klipler 1080p24 kullanılarak düzenlenmiştir.



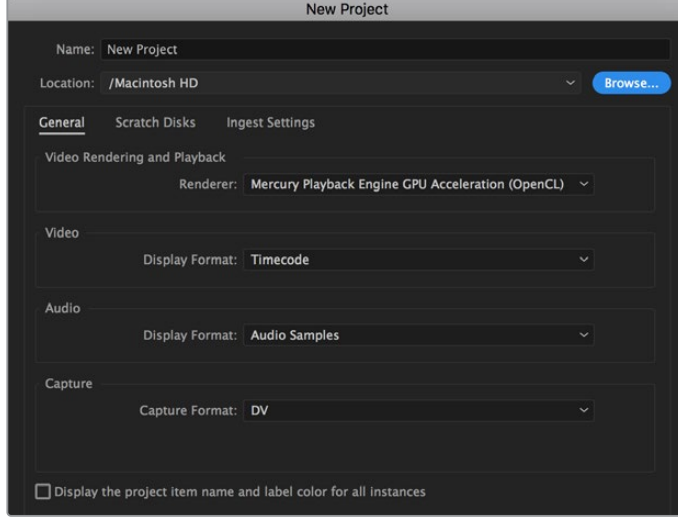
Avid Media Composer 2018'de proje adının ve proje seçeneklerinin düzenlenmesi

- 1 Avid Media Composer 2018 uygulamasını başlatın ve 'select project' (proje seçim) penceresi belirecektir.
- 2 'new project'(yeni proje) butonunu tıklayın ve 'new project' penceresinde, projenize bir ad verin.
- 3 'format' etiketli açılan menüden HD 1080 > 1080p/24'ü seçin ve projeyi oluşturmak için, 'ok' ibaresini tıklayın.
- 4 Projeyi açmak için, 'select project' penceresinde projeye iki kez tıklayın.
- 5 File > input > browser seçeneklerini seçin ve yazılıma aktarmak istediğiniz dosyalara gidin.
- 6 Aşağı açılan menüden 'target bin' (hedef klasör) ibaresini seçin ve 'import'a tıklayın.

Klipler media bin içinde belirdiğinde, kliplerinizi timeline'ye sürükleyebilir ve kurgulamaya başlayabilirsiniz.

## Adobe Premier Pro CC Kullanımı

Adobe Premiere Pro CC ile Apple ProRes 422 HQ kliplerinizi kurgulamak için, yeni bir proje oluşturmanız ve uygun bir video formatı ile kare hız ayarı yapmanız gerekecektir. Bu örnek için, klipler ProRes 422 HQ 1080p25 kullanılarak düzenlenmiştir.



Adobe Premiere Pro CC'de proje adının ve proje seçeneklerinin düzenlenmesi

- 1 Adobe Premier Pro CC'yi başlatın. 'Welcome' penceresinde 'new project' sekmesini seçin. Proje ayarlarını içeren bir pencere açılacaktır.
- 2 Projenize bir isim verin. 'Browse' üzerine tıklayarak ve arzu ettiğiniz dosyayı seçerek, projeniz için bir konum seçin. Konum dosyasını seçtikten sonra, 'new project' penceresinde 'OK' ibaresini tıklayın.
- 3 Adobe Premiere Pro CC 'menu' çubuğuna girin, 'file/import' sekmesini seçin ve kurgulamak istediğiniz klipleri seçin. Klipleriniz, proje penceresinde görünecektir.
- 4 Kurgulamak istediğiniz ilk klipi, project penceresinin sağ altındaki 'new item' ikonunun üzerine sürükleyin. Klip ayarlarınızla eşleşen yeni bir dizi oluşturulacaktır.

Artık kliplerinizi kurgu için dizi timeline'ye sürükleyebilirsiniz.

# Yazılım Geliştiriciler için Bilgiler

## Blackmagic Bluetooth Camera Control

Blackmagic cameras with Bluetooth LE implement a variety of features and commands that allow users to control their cameras wirelessly. Developers have full access to these features for their custom applications.

The following services and characteristics describe the full range of communication options that are available to the developer.

### Service: Device Information Service

UUID: 180A

#### Characteristics

##### Camera Manufacturer

UUID: 2A29

Read the name of the manufacturer (always “Blackmagic Design”).

##### Camera Model

UUID: 2A24

Read the name of the camera model (“URSA Mini”).

### Service: Blackmagic Camera Service

UUID: 291D567A-6D75-11E6-8B77-86F30CA893D3

#### Characteristics

##### Outgoing Camera Control (encrypted)

UUID: 5DD3465F-1AEE-4299-8493-D2ECA2F8E1BB

##### Send Camera Control messages

These messages are identical to those described in the Blackmagic SDI Camera Control Protocol section below. Please read that section for a list of supported messages and required formatting information.

For an example of how packets are structured, please see the ‘example protocol packets’ section in this document.

##### Incoming Camera Control (encrypted)

UUID: B864E140-76A0-416A-BF30-5876504537D9

Request notifications for this characteristic to receive Camera Control messages from the camera.

These messages are identical to those described in the Blackmagic SDI Camera Control Protocol section below. Please read that section for a list of supported messages and required formatting information.

### Timecode (encrypted)

UUID: 6D8F2110-86F1-41BF-9AFB-451D87E976C8

Request notifications for this characteristic to receive timecode updates.

Timecode (HH:MM:SS:mm) is represented by a 32-bit BCD number:  
(eg. 09:12:53:10 = 0x09125310)

### Camera Status (encrypted)

UUID: 7FE8691D-95DC-4FC5-8ABD-CA74339B51B9

Request notifications for this characteristic to receive camera status updates.

The camera status is represented by flags contained in an 8-bit integer:

<b>None</b>	= 0x00
<b>Camera Power On</b>	= 0x01
<b>Connected</b>	= 0x02
<b>Paired</b>	= 0x04
<b>Versions Verified</b>	= 0x08
<b>Initial Payload Received</b>	= 0x10
<b>Camera Ready</b>	= 0x20

Send a value of 0x00 to power a connected camera off.

Send a value of 0x01 to power a connected camera on.

### Device Name

UUID: FFAC0C52-C9FB-41A0-B063-CC76282EB89C

Send a device name to the camera (max. 32 characters).

The camera will display this name in the Bluetooth Setup Menu.

### Protocol Version

UUID: 8F1FD018-B508-456F-8F82-3D392BEE2706

Read this value to determine the camera's supported CCU protocol version.

**NOTE** Encrypted characteristics can only be used once a device has successfully bonded or paired with the Blackmagic Camera. Once a connection has been established, any attempt to write to an encrypted characteristic will initiate bonding. For example, writing a 'Camera Power On' (0x01) message to the Camera Status characteristic.

Once bonding is initiated, the camera will display a 6-digit pin in the Bluetooth Setup Menu. Enter this pin on your device to establish an encrypted connection. The device will now be able to read, write and receive notifications from encrypted characteristics.

# Blackmagic SDI and Bluetooth Camera Control Protocol

## Version 1.4

If you are a software developer you can use the Blackmagic SDI and Bluetooth Camera Control Protocol to construct devices that integrate with our products. Here at Blackmagic Design, our approach is to open up our protocols and we eagerly look forward to seeing what you come up with!

## Overview

This document describes an extensible protocol for sending a unidirectional stream of small control messages embedded in the non-active picture region of a digital video stream. The video stream containing the protocol stream may be broadcast to a number of devices. Device addressing is used to allow the sender to specify which device each message is directed to.

## Assumptions

Alignment and padding constraints are explicitly described in the protocol document. Bit fields are packed from LSB first. Message groups, individual messages and command headers are defined as, and can be assumed to be, 32 bit aligned.

## Blanking Encoding

A message group is encoded into a SMPTE 291M packet with DID/SDID x51/x53 in the active region of VANC line 16.

## Message Grouping

Up to 32 messages may be concatenated and transmitted in one blanking packet up to a maximum of 255 bytes payload. Under most circumstances, this should allow all messages to be sent with a maximum of one frame latency.

If the transmitting device queues more bytes of message packets than can be sent in a single frame, it should use heuristics to determine which packets to prioritize and send immediately. Lower priority messages can be delayed to later frames, or dropped entirely as appropriate.

## Abstract Message Packet Format

Every message packet consists of a three byte header followed by an optional variable length data block. The maximum packet size is 64 bytes.

<b>Destination device (uint8)</b>	Device addresses are represented as an 8 bit unsigned integer. Individual devices are numbered 0 through 254 with the value 255 reserved to indicate a broadcast message to all devices.
<b>Command length (uint8)</b>	The command length is an 8 bit unsigned integer which specifies the length of the included command data. The length does NOT include the length of the header or any trailing padding bytes.
<b>Command id (uint8)</b>	The command id is an 8 bit unsigned integer which indicates the message type being sent. Receiving devices should ignore any commands that they do not understand. Commands 0 through 127 are reserved for commands that apply to multiple types of devices. Commands 128 through 255 are device specific.
<b>Reserved (uint8)</b>	This byte is reserved for alignment and expansion purposes. It should be set to zero.
<b>Command data (uint8[])</b>	The command data may contain between 0 and 60 bytes of data. The format of the data section is defined by the command itself.
<b>Padding (uint8[])</b>	Messages must be padded up to a 32 bit boundary with 0x0 bytes. Any padding bytes are NOT included in the command length.

Receiving devices should use the destination device address and or the command identifier to determine which messages to process. The receiver should use the command length to skip irrelevant or unknown commands and should be careful to skip the implicit padding as well.



## Defined Commands

### Command 0 : change configuration

<b>Category (uint8)</b>	The category number specifies one of up to 256 configuration categories available on the device.
<b>Parameter (uint8)</b>	The parameter number specifies one of 256 potential configuration parameters available on the device. Parameters 0 through 127 are device specific parameters. Parameters 128 through 255 are reserved for parameters that apply to multiple types of devices.
<b>Data type (uint8)</b>	The data type specifies the type of the remaining data. The packet length is used to determine the number of elements in the message. Each message must contain an integral number of data elements.

#### Currently defined values are:

<b>0: void / boolean</b>	A void value is represented as a boolean array of length zero. The data field is a 8 bit value with 0 meaning false and all other values meaning true.
<b>1: signed byte</b>	Data elements are signed bytes
<b>2: signed 16 bit integer</b>	Data elements are signed 16 bit values
<b>3: signed 32 bit integer</b>	Data elements are signed 32 bit values
<b>4: signed 64 bit integer</b>	Data elements are signed 64 bit values
<b>5: UTF-8 string</b>	Data elements represent a UTF-8 string with no terminating character.

#### Data types 6 through 127 are reserved.

<b>128: signed 5.11 fixed point</b>	Data elements are signed 16 bit integers representing a real number with 5 bits for the integer component and 11 bits for the fractional component. The fixed point representation is equal to the real value multiplied by $2^{11}$ . The representable range is from -16.0 to 15.9995 ( $15 + 2047/2048$ ).
-------------------------------------	---

#### Data types 129 through 255 are available for device specific purposes.

<b>Operation type (uint8)</b>	The operation type specifies what action to perform on the specified parameter. Currently defined values are:
<b>0: assign value</b>	The supplied values are assigned to the specified parameter. Each element will be clamped according to its valid range. A void parameter may only be 'assigned' an empty list of boolean type. This operation will trigger the action associated with that parameter. A boolean value may be assigned the value zero for false, and any other value for true.
<b>1: offset / toggle value</b>	Each value specifies signed offsets of the same type to be added to the current parameter values. The resulting parameter value will be clamped according to their valid range. It is not valid to apply an offset to a void value. Applying any offset other than zero to a boolean value will invert that value.

#### Operation types 2 through 127 are reserved.

#### Operation types 128 through 255 are available for device specific purposes.

<b>Data (void)</b>	The data field is 0 or more bytes as determined by the data type and number of elements.
--------------------	--

The category, parameter, data type and operation type partition a 24 bit operation space.

Group	ID	Parameter	Type	Index	Minimum	Maximum	Interpretation	
Lens	0.0	Focus	fixed16	–	0.0	1.0	0.0 = near, 1.0 = far	
	0.1	Instantaneous autofocus	void	–	–	–	trigger instantaneous autofocus	
	0.2	Aperture (f-stop)	fixed16	–	-1.0	16.0	Aperture Value (where fnumber = sqrt(2^AV))	
	0.3	Aperture (normalised)	fixed16	–	0.0	1.0	0.0 = smallest, 1.0 = largest	
	0.4	Aperture (ordinal)	int16	–	0	n	Steps through available aperture values from minimum (0) to maximum (n)	
	0.5	Instantaneous auto aperture	void	–	–	–	trigger instantaneous auto aperture	
	0.6	Optical image stabilisation	boolean	–	–	–	true = enabled, false = disabled	
	0.7	Set absolute zoom (mm)	int16	–	0	max	Move to specified focal length in mm, from minimum (0) to maximum (max)	
	0.8	Set absolute zoom (normalised)	fixed16	–	0.0	1.0	Move to specified focal length: 0.0 = wide, 1.0 = tele	
0.9	Set continuous zoom (speed)	fixed16	–	-1.0	+1.0	Start/stop zooming at specified rate: -1.0 = zoom wider fast, 0.0 = stop, +1 = zoom tele fast		
Video	1.0	Video mode	int8	[0] = frame rate	–	–	fps as integer (eg 24, 25, 30, 50, 60)	
				[1] = M-rate	–	–	0 = regular, 1 = M-rate	
				[2] = dimensions	–	–	0 = NTSC, 1 = PAL, 2 = 720, 3 = 1080, 4 = 2kDCI, 5 = 2k16:9, 6 = UHD, 7 = 3k Anamorphic, 8 = 4k DCI, 9 = 4k 16:9, 10 = 4.6k 2.4:1, 11 = 4.6k	
				[3] = interlaced	–	–	0 = progressive, 1 = interlaced	
				[4] = Color space	–	–	0 = YUV	
	1.1	Gain (up to Camera 4.9)	int8			1	128	1x, 2x, 4x, 8x, 16x, 32x, 64x, 128x gain
	1.2	Manual White Balance	int16	[0] = color temp	2500	10000		Color temperature in K
			int16	[1] = tint	-50	50		tint
	1.3	Set auto WB	void	–	–	–	–	Calculate and set auto white balance
	1.4	Restore auto WB	void	–	–	–	–	Use latest auto white balance setting
1.5	Exposure (us)	int32			1	42000	time in us	
1.6	Exposure (ordinal)	int16	–		0	n	Steps through available exposure values from minimum (0) to maximum (n)	
1.7	Dynamic Range Mode	int8 enum	–		0	2	0 = film, 1 = video, 2 = extended video	
1.8	Video sharpening level	int8 enum	–		0	3	0 = off, 1 = low, 2 = medium, 3 = high	

Group	ID	Parameter	Type	Index	Minimum	Maximum	Interpretation
Video	1.9	Recording format	int16	[0] = file frame rate	–	–	fps as integer (eg 24, 25, 30, 50, 60, 120)
				[1] = sensor frame rate	–	–	fps as integer, valid when sensor-off-speed set (eg 24, 25, 30, 33, 48, 50, 60, 120), no change will be performed if this value is set to 0
				[2] = frame width	–	–	in pixels
				[3] = frame height	–	–	in pixels
				[4] = flags	–	–	[0] = file-M-rate
					–	–	[1] = sensor-M-rate, valid when sensor-off-speed-set
					–	–	[2] = sensor-off-speed
					–	–	[3] = interlaced
	–	–	[4] = windowed mode				
	1.10	Set auto exposure mode	int8	–	0	4	0 = Manual Trigger, 1 = Iris, 2 = Shutter, 3 = Iris + Shutter, 4 = Shutter + Iris
	1.11	Shutter angle	int32	–	100	36000	Shutter angle in degrees, multiplied by 100
	1.12	Shutter speed	int32	–	Current sensor frame rate	5000	Shutter speed value as a fraction of 1, so 50 for 1/50th of a second
	1.13	Gain	int8	–	-128	127	Gain in decibel (dB)
	1.14	ISO	int32	–	0	2147483647	ISO value
	1.15	Display LUT	int8	[0] = selected LUT	–	–	0 = None, 1 = Custom, 2 = film to video, 3 = film to extended video
[1] = enabled or not				–	–	0 = Not enabled, 1 = Enabled	
Audio	2.0	Mic level	fixed16	–	0.0	1.0	0.0 = minimum, 1.0 = maximum
	2.1	Headphone level	fixed16	–	0.1	1.0	0.0 = minimum, 1.0 = maximum
	2.2	Headphone program mix	fixed16	–	0.1	1.0	0.0 = minimum, 1.0 = maximum
	2.3	Speaker level	fixed16	–	0.1	1.0	0.0 = minimum, 1.0 = maximum
	2.4	Input type	int8	–	0	3	0 = internal mic, 1 = line level input, 2 = low mic level input, 3 = high mic level input
	2.5	Input levels	fixed16	[0] ch0	0.0	1.0	0.0 = minimum, 1.0 = maximum
				[1] ch1	0.0	1.0	0.0 = minimum, 1.0 = maximum
	2.6	Phantom power	boolean	–	–	–	true = powered, false = not powered

Group	ID	Parameter	Type	Index	Minimum	Maximum	Interpretation
Output	3.0	Overlay enables	uint16 bit field	–	–	–	bit flags: [0] = display status, [1] = display frame guides Some cameras don't allow separate control of frame guides and status overlays.
	3.1	Frame guides style (Camera 3.x)	int8	–	0	8	0 = HDTV, 1 = 4:3, 2 = 2.4:1, 3 = 2.39:1, 4 = 2.35:1, 5 = 1.85:1, 6 = thirds
	3.2	Frame guides opacity (Camera 3.x)	fixed16	–	0.1	1.0	0.0 = transparent, 1.0 = opaque
	3.3	Overlays (replaces .1 and .2 above from Cameras 4.0)	int8	[0] = frame guides style	–	–	0 = off, 1 = 2.4:1, 2 = 2.39:1, 3 = 2.35:1, 4 = 1.85:1, 5 = 16:9, 6 = 14:9, 7 = 4:3, 8 = 2:1, 9 = 4:5, 10 = 1:1
			[1] = frame guide opacity	0	100	0 = transparent, 100 = opaque	
			[2] = safe area percentage	0	100	percentage of full frame used by safe area guide (0 means off)	
			[3] = grid style	–	–	bit flags: [0] = display thirds, [1] = display cross hairs, [2] = display center dot, [3] = display horizon	
Display	4.0	Brightness	fixed16	–	0.0	1.0	0.0 = minimum, 1.0 = maximum
	4.1	Exposure and focus tools	int16 bit field	0x1 = zebra, 0x2 = focus assist, 0x4 = false color	–	–	0 = disable, 1 = enable
	4.2	Zebra level	fixed16	–	0.0	1.0	0.0 = minimum, 1.0 = maximum
	4.3	Peaking level	fixed16	–	0.0	1.0	0.0 = minimum, 1.0 = maximum
	4.4	Color bar enable	int8	–	0	30	0 = disable bars, 1-30 = enable bars with timeout (seconds)
	4.5	Focus Assist	int8	[0] = focus assist method	–	–	0 = Peak, 1 = Colored lines
				[1] = focus line color	–	–	0 = Red, 1 = Green, 2 = Blue, 3 = White, 4 = Black
	4.6	Program return feed enable	int8	–	0	30	0 = disable, 1-30 = enable with timeout (seconds)
Tally	5.0	Tally brightness	fixed16	–	0.0	1.0	Sets the tally front and tally rear brightness to the same level. 0.0 = minimum, 1.0 = maximum
	5.1	Front tally brightness	fixed16	–	0.0	1.0	Sets the tally front brightness. 0.0 = minimum, 1.0 = maximum
	5.2	Rear tally brightness	fixed16	–	0.0	1.0	Sets the tally rear brightness. 0.0 = minimum, 1.0 = maximum Tally rear brightness cannot be turned off

Group	ID	Parameter	Type	Index	Minimum	Maximum	Interpretation
Reference	6.0	Source	int8 enum	–	0	2	0 = internal, 1 = program, 2 = external
	6.1	Offset	int32	–	–	–	+/- offset in pixels
Confi- guration	7.0	Real Time Clock	int32	[0] time	–	–	BCD - HHMMSSFF (UCT)
				[1] date	–	–	BCD - YYYYMMDD
	7.1	System language	string	[0-1]	–	–	ISO-639-1 two character language code
	7.2	Timezone	int32	–	–	–	Minutes offset from UTC
	7.3	Location	int64	[0] latitude	–	–	BCD - s0DDddddddddddd where s is the sign: 0 = north (+), 1 = south (-); DD degrees, ddddddddddd decimal degrees
				[1] longitude	–	–	BCD - sDDDddddddddddd where s is the sign: 0 = west (-), 1 = east (+); DDD degrees, ddddddddddd decimal degrees
Color Correction	8.0	Lift Adjust	fixed16	[0] red	-2.0	2.0	default 0.0
				[1] green	-2.0	2.0	default 0.0
				[2] blue	-2.0	2.0	default 0.0
				[3] luma	-2.0	2.0	default 0.0
	8.1	Gamma Adjust	fixed16	[0] red	-4.0	4.0	default 0.0
				[1] green	-4.0	4.0	default 0.0
				[2] blue	-4.0	4.0	default 0.0
				[3] luma	-4.0	4.0	default 0.0
	8.2	Gain Adjust	fixed16	[0] red	0.0	16.0	default 1.0
				[1] green	0.0	16.0	default 1.0
				[2] blue	0.0	16.0	default 1.0
				[3] luma	0.0	16.0	default 1.0
	8.3	Offset Adjust	fixed16	[0] red	-8.0	8.0	default 0.0
				[1] green	-8.0	8.0	default 0.0
				[2] blue	-8.0	8.0	default 0.0
				[3] luma	-8.0	8.0	default 0.0
	8.4	Contrast Adjust	fixed16	[0] pivot	0.0	1.0	default 0.5
				[1] adj	0.0	2.0	default 1.0
	8.5	Luma mix	fixed16	–	0.0	1.0	default 1.0
	8.6	Color Adjust	fixed16	[0] hue	-1.0	1.0	default 0.0
[1] sat				0.0	2.0	default 1.0	
8.7	Correction Reset Default	void	–	–	–	reset to defaults	

Group	ID	Parameter	Type	Index	Minimum	Maximum	Interpretation
Media	10.0	Codec	int8 enum	[0] = basic codec	-	-	0 = CinemaDNG, 1 = DNxHD, 2 = ProRes, 3 = Blackmagic RAW
				[1] = code variant	-	-	CinemaDNG: 0 = uncompressed, 1 = lossy 3:1, 2 = lossy 4:1
					-	-	ProRes: 0 = HQ, 1 = 422, 2 = LT, 3 = Proxy, 4 = 444, 5 = 444XQ
					-	-	Blackmagic RAW: 0 = Q0, 1 = Q5, 2 = 3:1, 3 = 5:1, 4 = 8:1, 5 = 12:1
	10.1	Transport mode	int8	[0] = mode	-	-	0 = Preview, 1 = Play, 2 = Record
				[1] = speed	-	-	-ve = multiple speeds backwards, 0 = pause, +ve = multiple speeds forwards
				[2] = flags	-	-	1<<0 = loop, 1<<1 = play all, 1<<5 = disk1 active, 1<<6 = disk2 active, 1<<7 = time-lapse recording
				[3] = slot 1 storage medium	-	-	0 = CFast card, 1 = SD, 2 = SSD Recorder
				[4] = slot 2 storage medium	-	-	0 = CFast card, 1 = SD, 2 = SSD Recorder
	10.2	Playback Control	int8 enum	[0] = clip	-	-	0 = Previous, 1 = Next
PTZ Control	11.0	Pan/Tilt Velocity	fixed 16	[0] = pan velocity	-1.0	1.0	-1.0 = full speed left, 1.0 = full speed right
				[1] = tilt velocity	-1.0	1.0	-1.0 = full speed down, 1.0 = full speed up
	11.1	Memory Preset	int8 enum	[0] = preset command	-	-	0 = reset, 1 = store location, 2 = recall location
			int8	[1] = preset slot	0	5	-

## Example Protocol Packets

Operation	Packet Length	Byte															
		0	1	2	3	4	5	6	7	8	9	10	11	12	13	14	15
		header			command				data								
		destination	length	command	reserved	category	parameter	type	operation								
trigger instantaneous auto focus on camera 4	8	4	4	0	0	0	1	0	0								
turn on OIS on all cameras	12	255	5	0	0	0	6	0	0	1	0	0	0				
set exposure to 10 ms on camera 4 (10 ms = 10000 us = 0x00002710)	12	4	8	0	0	1	5	3	0	0x10	0x27	0x00	0x00				
add 15% to zebra level (15 % = 0.15 f = 0x0133 fp)	12	4	6	0	0	4	2	128	1	0x33	0x01	0	0				
select 1080p 23.98 mode on all cameras	16	255	9	0	0	1	0	1	0	24	1	3	0	0	0	0	
subtract 0.3 from gamma adjust for green & blue (-0.3 ~ = 0xfd9a fp)	16	4	12	0	0	8	1	128	1	0	0	0x9a	0xfd	0x9a	0xfd	0	0
all operations combined	76	4	4	0	0	0	1	0	0	255	5	0	0	0	6	0	0
		1	0	0	0	4	8	0	0	1	5	3	0	0x10	0x27	0x00	0x00
		4	6	0	0	4	2	128	1	0x33	0x01	0	0	255	9	0	0
		1	0	1	0	24	1	3	0	0	0	0	0	4	12	0	0
		8	1	128	1	0	0	0x9a	0xfd	0x9a	0xfd	0	0				

## Blackmagic Tally Control Protocol

### Version 1.0 (30/04/14)

This section is for third party developers or anybody who may wish to add support for the Blackmagic Tally Control Protocol to their products or system. It describes the protocol for sending tally information embedded in the non-active picture region of a digital video stream.

### Data Flow

A master device such as a broadcast switcher embeds tally information into its program feed which is broadcast to a number of slave devices such as cameras or camera controllers. The output from the slave devices is typically fed back to the master device, but may also be sent to a video monitor.

The primary flow of tally information is from the master device to the slaves. Each slave device may use its device id to extract and display the relevant tally information.

Slave devices pass through the tally packet on their output and update the monitor tally status, so that monitor devices connected to that individual output may display tally status without knowledge of the device id they are monitoring.

## Assumptions

Any data alignment / padding is explicit in the protocol. Bit fields are packed from LSB first.

## Blanking Encoding

One tally control packet may be sent per video frame. Packets are encoded as a SMPTE 291M packet with DID/SDID x51/x52 in the active region of VANC line 15. A tally control packet may contain up to 256 bytes of tally information.

## Packet Format

Each tally status consists of 4 bits of information:

```
uint4
    bit 0:  program tally status (0=off, 1=on)
    bit 1:  preview tally status (0=off, 1=on)
    bit 2-3: reserved (0x0)
```

The first byte of the tally packet contains the monitor device tally status and a version number.

Subsequent bytes of the tally packet contain tally status for pairs of slave devices. The master device sends tally status for the number of devices configured/supported, up to a maximum of 510.

struct tally

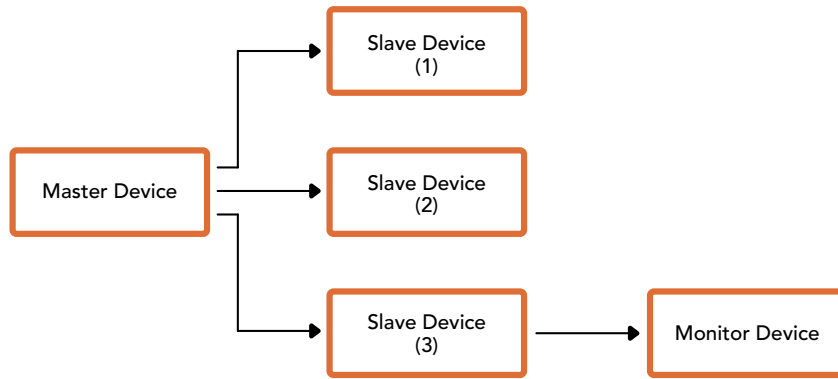
```
uint8
    bit 0:  monitor device program tally status (0=off, 1=on)
    bit 1:  monitor device preview tally status (0=off, 1=on)
    bit 2-3: reserved (0b00)
    bit 4-7: protocol version (0b0000)

uint8[0]
    bit 0:  slave device 1 program tally status (0=off, 1=on)
    bit 1:  slave device 1 device preview tally status (0=off, 1=on)
    bit 2-3: reserved (0b00)
    bit 4:  slave device 2 program tally status (0=off, 1=on)
    bit 5:  slave device 2 preview tally status (0=off, 1=on)
    bit 6-7: reserved (0b00)

uint8[1]
    bit 0:  slave device 3 program tally status (0=off, 1=on)
    bit 1:  slave device 3 device preview tally status (0=off, 1=on)
    bit 2-3: reserved (0b00)
    bit 4:  slave device 4 program tally status (0=off, 1=on)
    bit 5:  slave device 4 preview tally status (0=off, 1=on)
    bit 6-7: reserved (0b00)

...
```





Byte	7 MSB	6	5	4	3	2	1	0 LSB
0	Version (0b0)	Version (0b0)	Version (0b0)	Version (0b0)	Reserved (0b0)	Reserved (0b0)	Monitor Preview	Monitor Program
1	Reserved (0b0)	Reserved (0b0)	Slave 1 Preview	Slave 1 Program	Reserved (0b0)	Reserved (0b0)	Slave 0 Preview	Slave 0 Program
2	Reserved (0b0)	Reserved (0b0)	Slave 3 Preview	Slave 3 Program	Reserved (0b0)	Reserved (0b0)	Slave 2 Preview	Slave 2 Program
3	...							

# Blackmagic URSA Mini B4 Mount

Blackmagic URSA Mini PL'deki PL yuva, çıkarılıp opsiyonel bir B4 yuvaya değiştirilebilir. Bu yuva, URSA Mini Pro'daki B4 yuvadan biraz farklıdır. Örneğin, URSA Mini Pro'da, EF'deki açma düğmesine yer vermek için vida delikleri farklı bir konumdadır. Gereken pul kalınlığı da farklıdır, onun için URSA Mini PL ile B4 lenslerini kullanmak istiyorsanız, doğru yuvayı seçmeniz önemlidir.

URSA Mini PL için olan B4 yuva, Blackmagic Design satış bayilerinden satın alınabilir.

B4 yuva kullanarak, URSA Mini PL ile, yaygın par-focal zoom lensleriyle birlikte, ENG tarzı HD içerik çekebilirsiniz. Par-focal lensler, hızlı ve etkili odaklama teknikleri için, zoom aralığı boyunca sürekli odaklama sağlarlar. Azami telefotoya (uzak) zoom yaparak ve hedefe odak ayarı yaparak, odağınızın, o hedefe, azami zoom'dan azami genişliğe kadar ayarlı kalacağından emin olabilirsiniz. B4 lens ince netlik ayarının veya bağlantı odak mesafesinin de ayrıca doğru olarak ayarlanmasının gerektiğini, belirtmemizde fayda vardır.

## B4 Lens Yuvasının Takılması

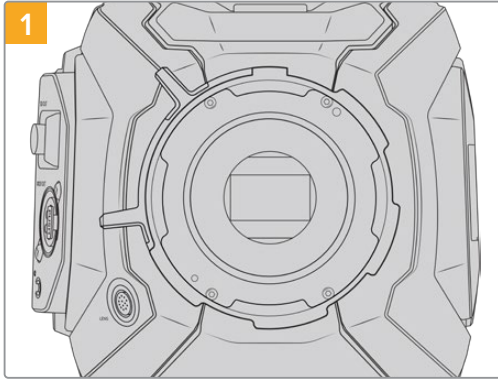
B4 yuva ile birlikte, URSA Mini PL lens yuvasının arkasında montajlı 0.50mm'lik pulla beraber monte edilmek üzere tasarlanmış, iki adet 0.50mm'lik ilave pul gelir. Bu da size, optimum ince netlik ayarı için gerekli olan mesafeyi oluşturabilmeniz için, toplam üç adet 0.50mm'lik pul sağlar. Bu, B4 zoom lenslerinin yuva ucundaki ince ayar halkasının ayarlanmasıyla, daha ileri ince ayar yapılmasına olanak verir.

URSA Mini ile B4 lenslerini kullanarak, sabit görüntü lensleriyle mümkün olmayan, çok daha geniş çeşitlilikte, çekimler elde edebilirsiniz.

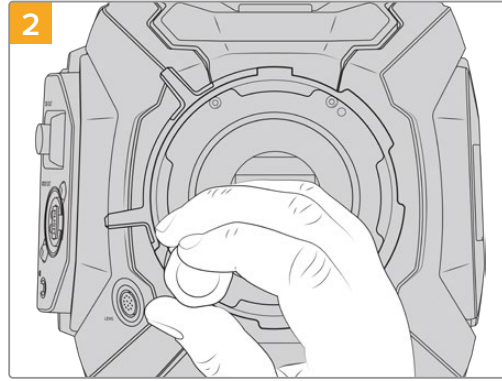
URSA Mini B4 lens yuvasını pullama işlemi için, maksimum 0.45Nm'lik torku doğru olarak ayarlayabileceğiniz bir tork anahtarına ve 2.0mm'lik Hex anahtarına ihtiyacınız olacak.



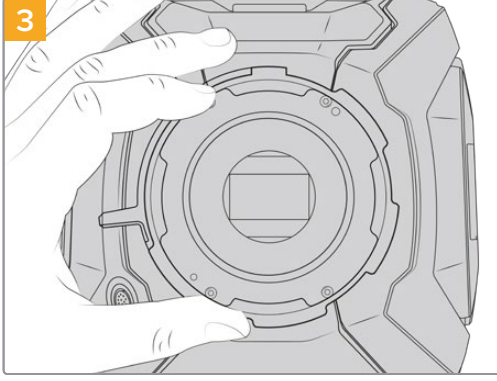
Blackmagic URSA Mini B4 lens yuvasını takmak için, maksimum 0.45Nm'lik torku doğru olarak ayarlayabileceğiniz bir tork anahtarına ve 2.0mm'lik Hex anahtarına ihtiyacınız olacak.



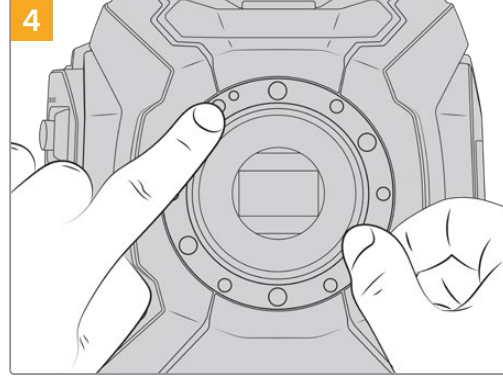
Blackmagic URSA Mini PL'i sağlam ve temiz bir tezgahın üzerine dikey olarak koyun ve lensi veya toz kapağını çıkarın. Sensörü kapatan cam filtre, pullama işlemi boyunca açıkta olacağı için, filtreyi olabildiğince temiz tutmanız önemlidir. B4 yuvasının takılma işlemi boyunca, filtreye dokunmamaya dikkat edin.



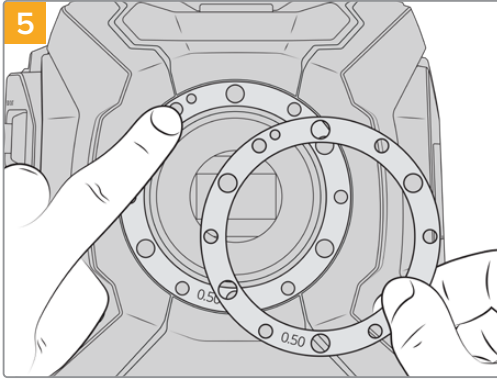
2.0mm'lik Hex anahtarını kullanarak altı adet PL yuva civatasını çıkarın. Civatalara ulaşabilmek için, arasına PL kilitleme halkasını saat yönüne veya saat yönünün tersine çevirmeniz gerekebilir.



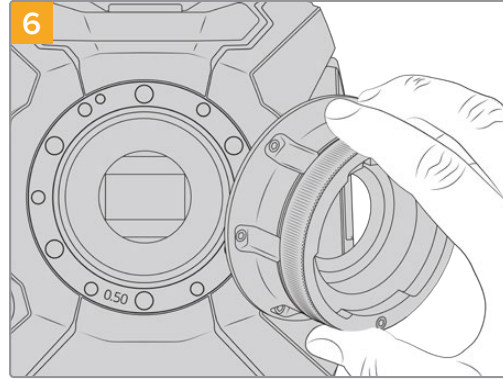
Lens yuvasını, dikkatlice kameranın gövdesinden kaldırarak çıkarın. Cıvataları güvenli bir şekilde lens yuvasının yanına koyun.



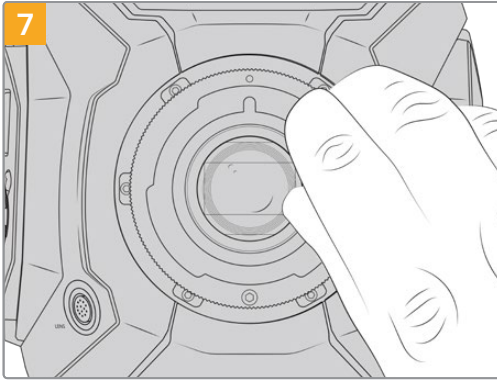
Mevcut 0.50mm'lik pulun, kılavuz pimiyle hizasının, saat 11 konumunda olmasına dikkat edin.



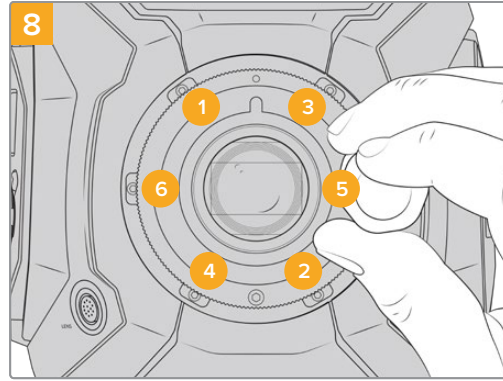
Blackmagic URSA Mini B4 lens yuvası ile gelen 2 adet 0.50mm'lik pulu, orijinal 0.50mm'lik pulun üzerine monte edin. Bu işlem, flaş odak mesafesinin optimize edilebilmesi için, gereken mesafeyi oluşturur.



Blackmagic URSA Mini B4 mercek yuvasını, kamera gövdesine dikkatlice yerleştirin ve hizalama deliğinin kılavuz pim ile, saat 11 konumunda hizalandığından emin olun.



2mm'lik bir Hex anahtarı veya 0.45Nm'ye ayarlı bir tork anahtarı kullanarak, mercek yuvasının desteğine temas edene dek altı montaj vidasını gevşek şekilde döndürün. Vidaların hepsine ulaşabilmek için, PL kilitleme halkasını döndürmeniz gerekebilir, çünkü halka açık ya da kapalı olduğunda bazı deliklerin üstü kapanır.



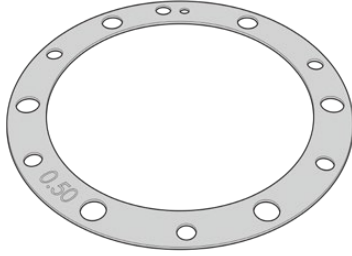
Önce mercek yuvasının düz ve doğru hizalandığından emin olun, ardından burada gösterilen sırayla, vidaları aşırı sıkmadan eşit bir baskıda sıkın.

# Lens Yuvalarına Ayar Pulu Takma (Shimming) İşlemi

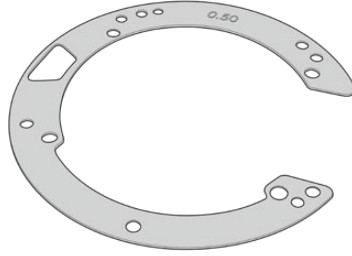
## Shim (Ayar Pulu) nedir?

Shim'ler (Pullar), lens ile URSA Mini'nin sensörü arasındaki mesafeye, ince ayar yapmanızı sağlayan, farklı kalınlıklardaki ince disklerdir. Bu mesafe, genellikle odak bağlantı mesafesi (flange focal distance) ya da flanş mesafesi veya ince netlik ayarı (back focus) olarak da bilinir ve lensin yaşı ve çekiminizin çevresel koşulları gibi değişkenlere göre, biraz farklılık gösterebilir. Aşağıdaki URSA Mini modelleri, pulları kullanarak, ince netlik ayarını kolaylıkla yapabilmeyi sağlayacak şekilde tasarlanmışlardır.

- URSA Mini PL 4K
- URSA Mini PL 4.6K
- URSA Mini Pro 4.6K
- URSA Mini Pro 4.6K G2



URSA Mini Shim



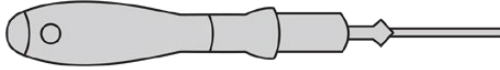
URSA Mini Pro Shim (Ayar Pulu)

Öznenizden sensöre olan uzaklığın, lensinizdeki odak noktalarıyla eşleşmesi için, pullar (shim), lens yuvası ile kamera gövdesi arasına konulur. Bunlar, en yaygın olarak kullanılan PL lenslerdir. Bu sinema lensleri, manuel olarak odaklanır ve namlularında çok kesin odak uzaklığı işaretleri vardır. Pullar ayrıca, URSA Mini Pro'ların değiştirilebilir lens yuvaları için de kullanılırlar.

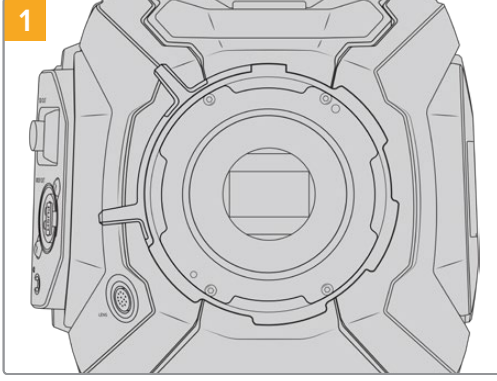
Blackmagic URSA Mini'niz 0.50mm'lik bir pul takılmış olarak gelir. Blackmagic URSA Mini Pro Shim Kit, çeşitli kalınlıklarda olan ekstra pul setleri içermektedir ve bunlar Blackmagic Design satış bayilerinden satın alınabilir. URSA Mini Pro için olan tüm mount takımları da ayrıca bir pul seti içerir. İnce netlik ayarınızın ihtiyacına uygun kalınlıkta pul kullanınız.

## URSA Mini PL'ye Ayar Pulu Takma İşlemi

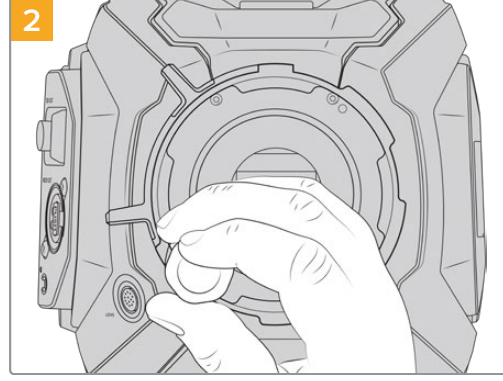
Kameranızın PL yuvalarını pullamak için, 2.0mm'lik hex anahtarı ile maksimum 0.45Nm'lik torku doğru olarak ayarlayabileceğiniz bir tork anahtarına ihtiyacınız olacak.



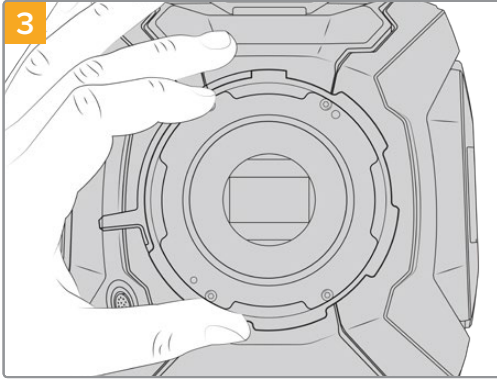
Tork anahtarı



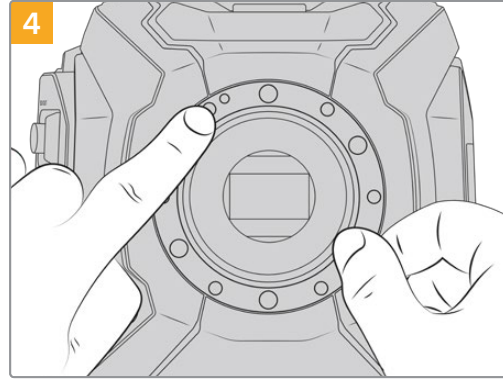
1  
URSA Mini PL'yi, sağlam ve temiz bir tezgahın üzerine dikey olarak koyun ve lensi veya toz kapağını çıkarın. Sensörü kapatan cam filtre, pullama işlemi boyunca açıkta olacağı için, filtreyi olabildiğince temiz tutmanız önemlidir. Pullama işlemi boyunca, PL yuvaya dokunmamaya dikkat edin.



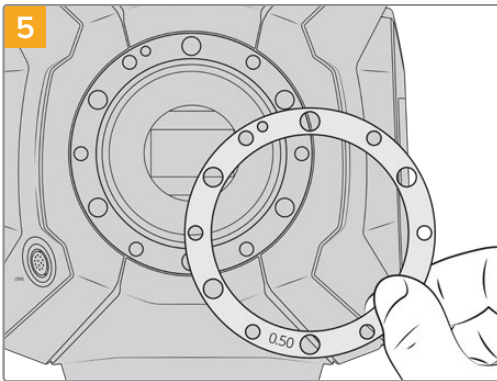
2  
2.0mm'lik Hex anahtarını kullanarak altı adet PL yuva civatasını çıkarın. Civatalara ulaşabilmek için, arasıra PL kilitleme halkasını, saat yönüne veya saat yönünün tersine çevirmeniz gerekebilir.



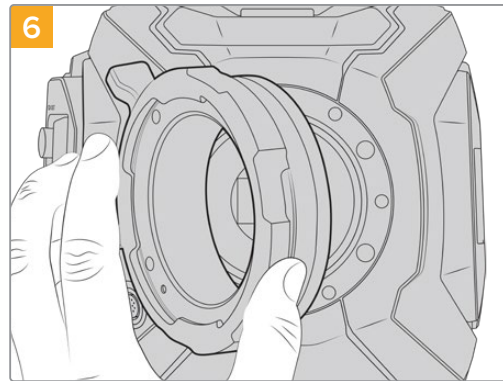
3  
Lens yuvasını, dikkatlice kameranın gövdesinden kaldırarak çıkarın. Civataları, güvenli bir şekilde lens yuvasının yanına koyun.



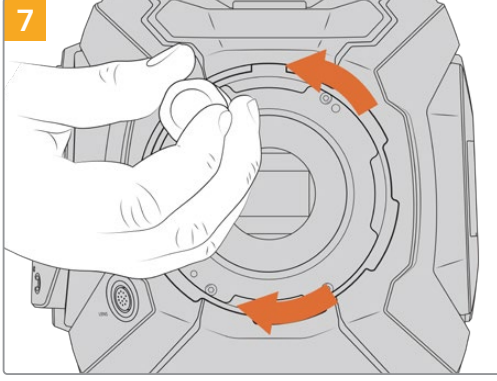
4  
Mevcut 0.50mm'lik pulun, kılavuz pimiyle hizasının, saat 11 konumunda olmasına dikkat edin.



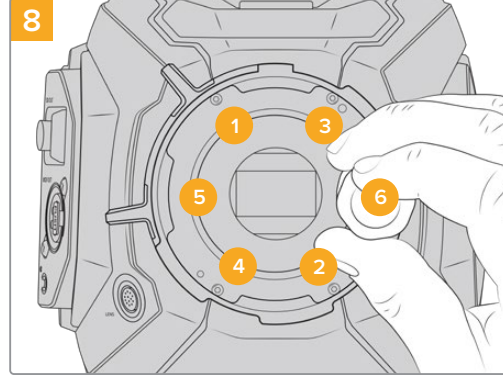
5  
Pulları 0.10mm'lik aralıklarla ekleyin ya da çıkarın ve kamerayı tekrar eski haline getirdiğinizde, her şeyin çizgilerle aynı ayarda olduğundan emin olmak için, lenslerinizle test edin. Pulları 'çıkarmak' için, örneğin; bir 0.50mm'lik pulu bir 0.40mm'lik pul ile değiştirmek isteyebilirsiniz.



6  
Blackmagic URSA Mini Pro PL lens yuvasını, kameranın gövdesine dikkatlice yerleştirin.



2mm'lik bir Hex anahtarı veya 0.45Nm'ye ayarlı bir tork anahtarı kullanarak, mercek yuvasının desteğine temas edene dek montaj vidalarını desteğe temas edene dek montaj vidalarını gevşek şekilde döndürün. Halka, açık ya da kapalı olduğunda bazı deliklerin üstü kapalı olabileceğinden, bu beş civataya ulaşabilmek için, PL kilitleme halkasını çevirmeniz gerekebilir.

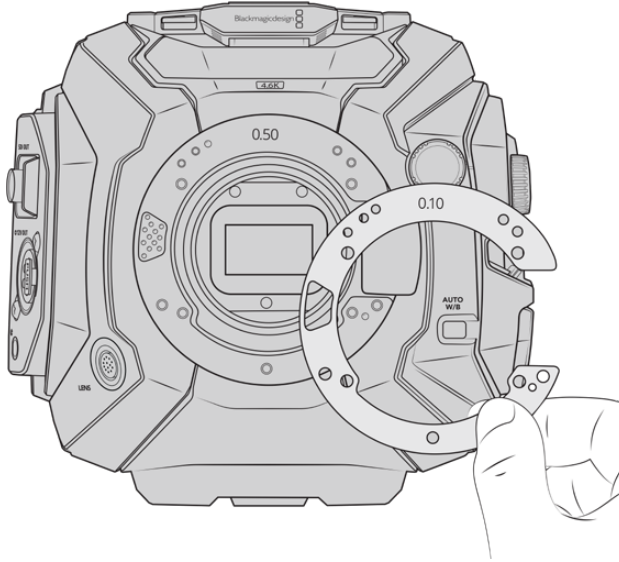


Önce mercek yuvasının düz ve doğru hizalandığından emin olun, ardından burada gösterilen sırayla, vidaları aşırı sıkmadan eşit bir baskıda sıkın.

## URSA Mini Pro'ya Ayar Pulu Takma İşlemi

URSA Mini Pro'ya pulu takma işlemi, neredeyse URSA Mini PL'dekinin aynısıdır. Tek farkı, pulların şeklidir. URSA Mini Pro'ya ayar pulu takmak için; takılı olan lens yuvasını çıkarın, URSA Mini PL'de olduğu gibi pulları ekleyin ya da çıkarın, sonra da yuvayı tekrar takın.

Lens yuvalarının URSA Mini Pro'ya takılması hakkında daha fazla bilgi için, 'değiştirilebilir lens yuvası' bölümüne bakın.



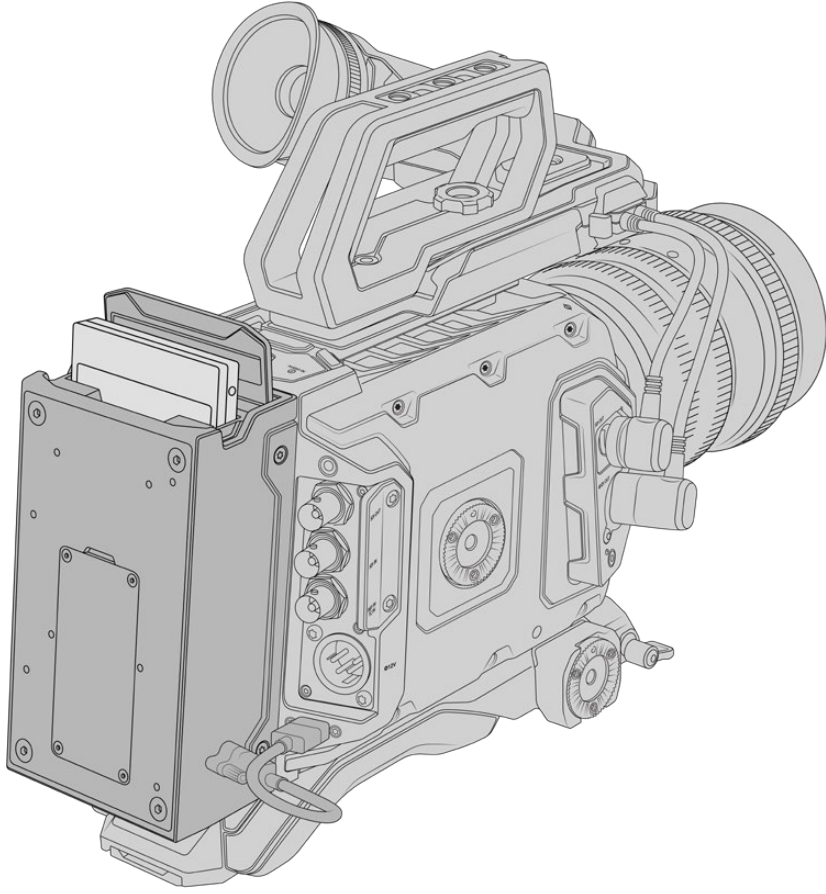
URSA Mini Pro'nun pulları, EF yuvadaki lens çıkarma mekanizmasına uyum sağlaması açısından C şeklindedir. Sadece tek bir şekilde oturdukları için, bu hizalanmalarını kolaylaştırmaktadır. Aksi halde kurulumları URSA Mini PL'nin aynısıdır.



# URSA Mini Recorder

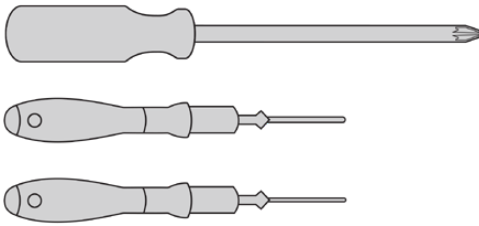
Blackmagic URSA Mini Recorder, URSA Mini Pro 12K arkasına takılan opsiyonel bir modüldür. Bu kaydedici yüksek kapasiteli ve uygun fiyatlı katı hal disklerine yani 'SSD'lere, 12K Blackmagic RAW dosyalar da dahil olmak üzere çekimlerinizi kaydetmenizi sağlar.

**NOT** URSA Mini Recorder, URSA Mini Pro 12K ile kullanılması için tasarlandı ve URSA Mini Pro 4.6K G2 ile uyumludur. URSA Mini Pro 4.6K, URSA Mini 4.6K ve URSA Mini 4K ile uyumlu değildir.



**URSA Mini Recorder modülünü takmak için, aşağıdaki aletlere ihtiyacınız olacak:**

- 1 x yıldız tornavida
- 1 x T10 torx tornavida
- 1 x 2mm hex anahtarı

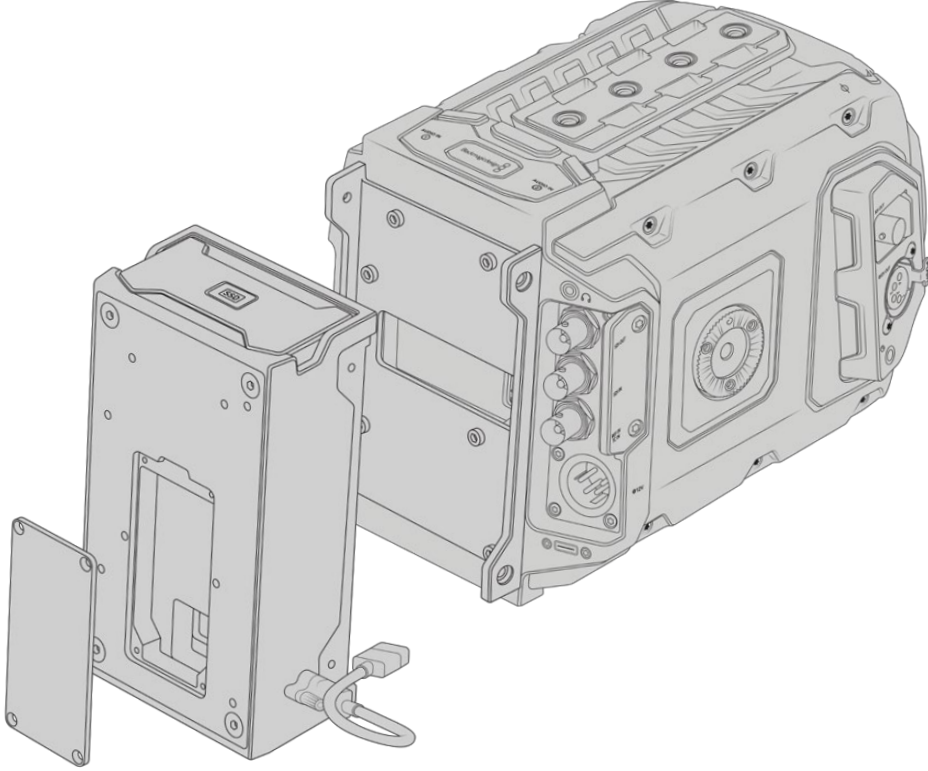


URSA Mini SSD Recorder'i URSA Mini'ye takmak için, büyük bir phillips tornavida, T10 torx tornavida ve bir 2mm hex anahtarına ihtiyacınız olacaktır.

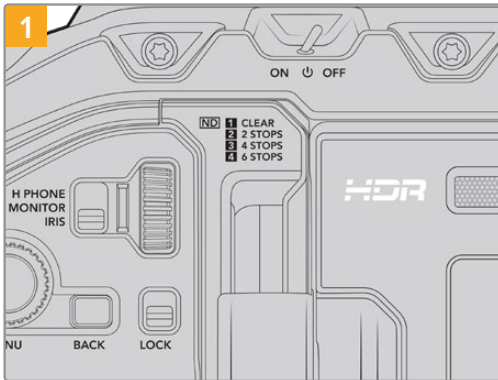
## URSA Mini Recorder'in Takılması ve Bağlanması

URSA Mini Recorder modülüyle veri transferini sağlamak üzere kameranın arka USB-C veri portu kullanılarak, URSA Mini Recorder doğrudan URSA Mini kamera gövdesinin arkasına takılır.

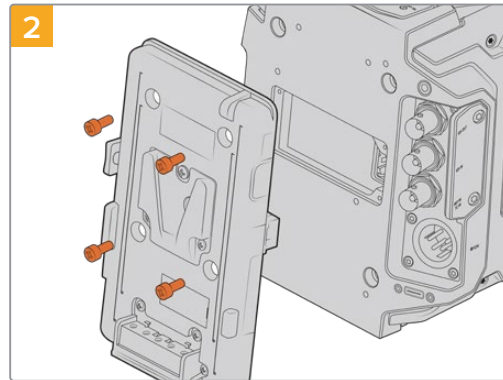
**BİLGİ** URSA Mini Recorder, kameranızın batarya güç kaynağı için bir geçiş (passthrough) kablosu içerdiğinden, kameranın arkasına kayıt cihazının gerisine V-mount ya da gold mount bataryaları takabilirsiniz.



URSA Mini Recorder'i takıp bağlantısını yapmak için:

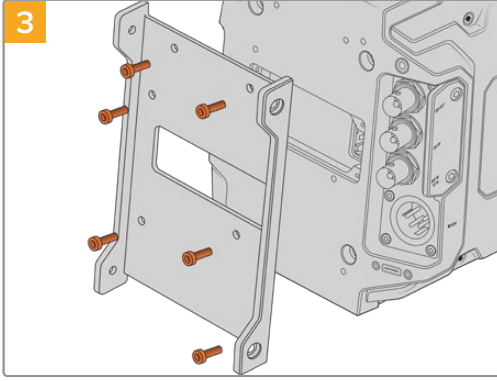


URSA Mini Pro'yu, güç anahtarını 'off' konumuna getirerek kapatın.

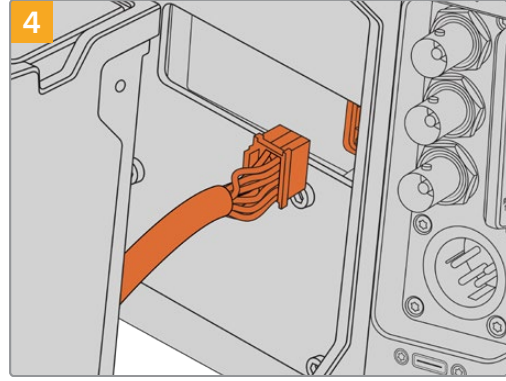


Kameraya takılı olan batarya plakalarını çıkarın. Batarya plakalarının takılması ve çıkarılması hakkında daha fazla bilgi için, bu kılavuzun 'bataryaların takılması' bölümüne bakın.

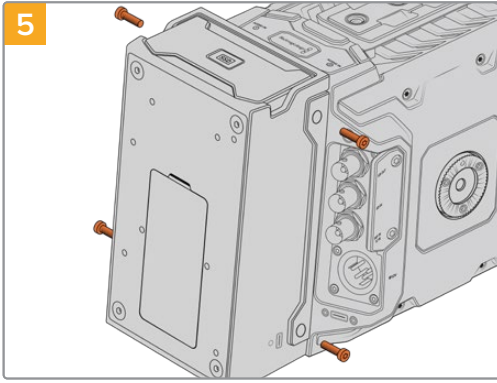




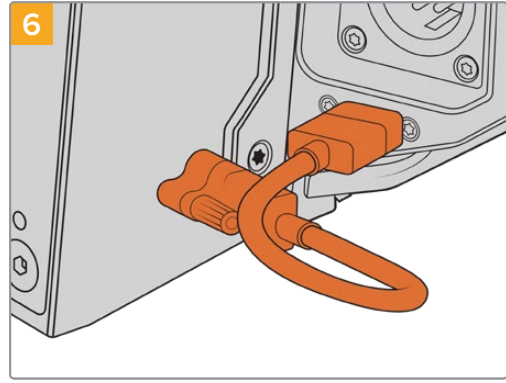
3  
6 adet T10 torx vidayı kullanarak, URSA Mini Recorder'in bağlantı braketini takın.



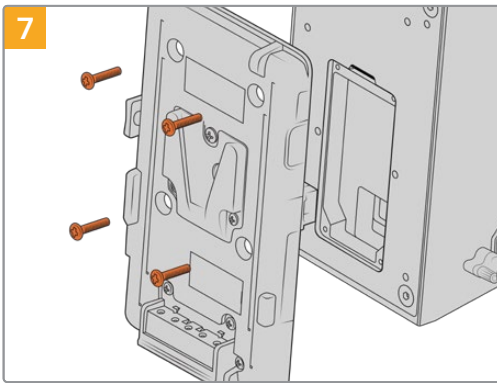
4  
URSA Mini Recorder'deki molex konektörü, kameranızın arka panelindeki molex soketine takın.



5  
Bağlantı braketinin sol ve sağ tarafındaki 2 adet T10 torx vidayı kullanarak, URSA Mini Recorder'i bağlantı braketine takın.



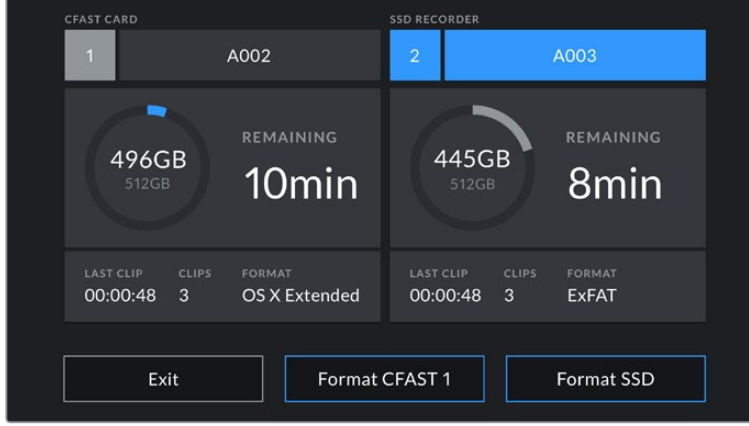
6  
Mini Recorder'in USB-C kablosunu URSA Mini Pro 12K'nın arkasındaki USB-C veri portuna bağlayın. Kilitleme konektörlerini parmaklarınızla sıkın veya 2mm'lik bir hex anahtarı kullanın. URSA Mini Pro 4.6K G2 ile kullanmak için, daha uzun bir USB-C kablosu kullanarak CFast yuvalarının üzerindeki USB-C portuna bağlayın.



7  
URSA Mini Recorder ile bir batarya plakası kullanmak istediğinizde, 2mm'lik bir hex anahtarıyla molex soketi kapak panelini tutan dört M3 vidayı çıkarın. MoLEX soketinin üzeri açıldıktan sonra, bu kullanım kılavuzunda 'bataryaların takılması' bölümündeki adımları takip ederek batarya plakasını takın.

## URSA Mini Recorder Kullanımı

URSA Mini Recorder bağlandığında ve bir SSD yüklü iken, URSA Mini'nin 2 numaralı depolama yuvasından yönetimi kaydedici devralır. URSA Mini Recorder kullanımda olduğunda, kameranızın depolama yöneticisindeki 2 numaralı yuvarın üzerinde, bir 'SSD' göstergesi göreceksiniz.



URSA Mini Recorder'e bir SSD yerleştirildiğinde, kameranızın depolama yöneticisi, 2 numaralı depolama yuvasının üzerinde 'SSD Recorder' ibaresini görüntüler.

Bu, CFast veya SD kartlarındaki kayıt, playback ve depolama yönetiminin aynısının, SSD'lerde olduğunu gösterir. SSD'lerin seçimi ile ilgili özel bilgiler için ve depolama yönetimi hakkında genel bilgiler için, bu kılavuzun 'depolama medyası' bölümüne bakın.

### LED Durum Göstergeleri

URSA Mini Recorder'de 'SSD' için bir adet durum ışığı vardır. Bu göstergenin parlaklığı, kameranızın 'ayarlar' menüsünde 'düşük', 'orta', 'yüksek' veya 'kapalı' olarak ayarlanabilir.

### SSD

'SSD' göstergesi, takılı olan SSD'nin durumunu gösterir. Bu LED, aşağıdaki durum göstergelerini gösterir

<b>Yeşil</b>	URSA Mini Recorder'inize bir SSD taktığınızda, gösterge kısa süreliğine yeşil yanar. Bu, SSD'nin doğrulanması esnasında görüntülenir. Gösterge kapandığında, SSD Recorder'niz kaydetmeye hazırdır. SSD'den çekimler oynatıldığında da durum ışığı yeşil yanar.
<b>Kırmızı</b>	URSA Mini Recorder'iniz SSD'ye kayıt yaparken bir kırmızı ışık yanar. SSD'niz dolmak üzereyken kırmızı ışık yavaşça yanıp sönmeye başlar. Hızlı yanıp sönen kırmızı ışık, SSD'nin kare düşürdüğünü gösterir. Bu durumla karşılaştığınızda, lütfen tavsiye ettiğimiz SSD listesindeki bir diski kullandığınızdan ve ortamınızla uyumlu bir veri hızında kayıt yaptığınızdan emin olun.
<b>Turuncu</b>	SSD'nin takılması esnasında bir sorun yaşandığında, durum lambası turuncu yanar. Bu doğru formatlanmamış ya da uyumlu olmayan bir SSD'den dolayı kaynaklanıyor olabilir. Uyumlu SSD'lerin bir listesi ve formatlama bilgileri için, bu kılavuzun 'depolama medyası' bölümüne bakın.

**BİLGİ** 'SSD' LED lambası, diskin takılmasıyla ilgili bir sorunu gösterdiğinde, Mac ya da PC bilgisayarda, disk yardımcı veya disk yönetimi yazılımı ile, yeniden 'formatlanması' gerekebilir.

## URSA Mini Recorder'in Dahili Yazılımının Güncellenmesi

URSA Mini Recorder'inizi, Blackmagic Camera Setup Utility yazılımını kullanarak güncelleyin. Güncelleme yaparken Mini Recorder'in çalışır durumda olması gerekir. Bu nedenle, Mini Recorder'in güncelleme işlemi esnasında URSA Mini Pro 12K'ya bağlı kalmasını tavsiye ederiz. Bu aynı zamanda, kameranızın tutarlı güç sağlaması gerektiği anlamına gelir, yani kameranızın harici güce veya batarya paketine takılı olduğundan emin olun.

Bilgisayarınızı bir USB-C kablo ile Mini Recorder'e bağlayın ve Blackmagic Camera Setup Utility yazılımını başlatın. URSA Mini Recorder'inizde eski bir sürüm olduğunu bilgisayarınız tespit ederse güncelleme yapmanız istenir. URSA Mini Recorder'in dahili yazılımını güncellemek için, ekran üstü komutları takip edin.

**NOT** Daha fazla bilgi için, bu kılavuzun 'Blackmagic Camera Kurulum Yardımcı Yazılımı' bölümüne bakın.

**BİLGİ** İdeal performans için, tüm Blackmagic URSA donanımınızın, aynı anda güncellenmesini tavsiye ediyoruz.

# Yardıma/DeŖtek

Yardıma almanın en hızlı yolu, Blackmagic Design online deŖtek sayfalarına girip, kameranız için mevcut en güncel deŖtek materyallerini incelemenizdir.

## Blackmagic Design Online DeŖtek Sayfaları

En son kılavuz, yazılım ve deŖtek notlarına [www.blackmagicdesign.com/tr/support](http://www.blackmagicdesign.com/tr/support) adresindeki BlackmagicDesign deŖtek merkezinden ulaşılabilir.

## Blackmagic Design DeŖtek Hizmetiyle İrtibat

Aradığınız yardıma deŖtek kaynaklarında bulamadığınız durumda, lütfen deŖtek sayfamıza girerek, 'Bize e-posta gönderin' butonunu tıklayarak e-post yoluyla deŖtek talebinde bulunun. Bunun yerine, deŖtek sayfasındaki 'Yerel deŖtek ekibini arayın' butonunu tıklayın ve size en yakın olan Blackmagic Design deŖtek ofisini arayın.

## Mevcut Yazılım Sürümünün Kontrolü

Bilgisayarınızda, Blackmagic Kamera kurulum yazılımının hangi sürümünün yüklü olduğunu kontrol etmek için, 'Blackmagic Kamera Kurulumu Hakkında' servis penceresini açın.

- Mac bilgisayarlarında, Applications (Uygulamalar) dosyasından Blackmagic Camera Utility yardımcı uygulamasını açın. Sürüm numarasını görüntülemek için, uygulamalar menüsünden About Blackmagic Camera Utility' (Blackmagic Kamera yazılım kontrolü hakkında) sekmesini seçin.
- Windows bilgisayarlarında, 'Black Magic Camera Utility' uygulamasını 'Start' (Başlat) menüsünden ya da Başlat ekranından açın. Sürüm numarasını görüntülemek için, Help (Yardıma) menüsüne tıklayın ve 'About Blackmagic Camera Utility' sekmesini seçin.

## En Son Yazılım Güncellemelerine Erişim

Bilgisayarınızda yüklü bulunan Blackmagic Kamera Yardımcı yazılımının sürümünü denetledikten sonra, lütfen Blackmagic Design deŖtek merkezine [www.blackmagicdesign.com/tr/support](http://www.blackmagicdesign.com/tr/support) adresinden girerek, en son güncellemeleri gözden geçirin. En son güncellemeleri çalıştırmak faydalı olsa da önemli bir projenin ortasındaiken, yazılımı güncellemekten kaçınmakta yarar vardır.

# Mevzuata İlişkin Bildirimler



## Avrupa Birliğinin elektrikli ve elektronik ekipmanlar atık kontrol yönetmeliği

Ürün üzerindeki sembol, bu ekipmanın başka atık malzemelerle bertaraf edilmemesi şartını belirler. Atık cihazlarınızı bertaraf edebilmeniz için, geri dönüşümünü sağlamak üzere, belirlenmiş toplama noktasına teslim edilmeleri gerekmektedir. Bertaraf anında atık cihazlarınızın ayrı olarak toplanması ve geri dönüşümü, doğal kaynakların korunmasına yardımcı olacaktır ve insan sağlığını ve çevreyi koruyucu bir şekilde geri dönüşümünü sağlayacaktır. Geri dönüşüm için atık cihazlarınızı nereye teslim edebileceğiniz konusunda daha fazla bilgi için, lütfen yerel belediyenizin geri dönüşüm birimini ya da ürünü satın aldığınız satış bayisini arayın.



Bu cihaz, test edilmiş ve Federal İletişim Komisyonu (FCC) koşullarının 15. bölümü doğrultusunda A Sınıfı dijital cihazların sınırlarıyla uyumlu olduğu tespit edilmiştir. İlgili sınırlar, bu ekipmanların ticari bir ortamda çalıştırıldığı takdirde, zararlı müdahalelere karşı makul koruma sağlamaları için tasarlanmıştır. Bu ekipman, radyo frekans enerjisi üretir, kullanır ve saçabilir ve talimatlar doğrultusunda kurulmadığı ve kullanılmadığı takdirde, radyo iletişimlerine zararlı müdahaleye yol açabilir. Bu ürünün bir yerleşim bölgesinde çalıştırılmasının, zararlı müdahaleye yol açması muhtemeldir, bu durumda kullanıcı müdahalenin düzeltilmesi için ilgili maliyeti, kendi cebinden karşılamak zorunda kalacaktır.

Bu ekipmanın çalıştırılması, aşağıdaki iki koşula bağlıdır:

- 1 Bu ekipman veya cihaz, zararlı müdahaleye sebebiyet vermemelidir.
- 2 Bu ekipman veya cihaz, arzu edilmeyen bir çalışma şekline yol açacak müdahaleler de dahil olmak üzere, maruz kaldığı her türlü müdahaleyi kabul etmelidir.



MSIP-REM-BMD-201511002  
MSIP-REM-BMD-201608001  
MSIP-REM-BMD-201703001  
R-R-BMD-201907006  
R-R-BMD-20200421001  
R-R-BMD-20200421002



## ISED Kanada Beyannamesi

Bu cihaz, A Sınıfı dijital cihazlar için Kanada standartlarıyla uyumludur.

Bu cihaza yapılacak herhangi bir değişiklik veya kullanım amacı dışında kullanılması, bu standartlara uyumluluğunu hükümsüz kılabilir.

HDMI arayüzlerine bağlantı, yüksek kalite korumalı HDMI kablolarıyla yapılmalıdır.

Bu cihaz, ticari ortamda kullanım amacına uygunluk için test edilmiştir.

Cihaz ev ortamında kullanıldığında, radyo parazitine neden olabilir.

## Bluetooth®

URSA Mini Pro, Bluetooth kablosuz teknolojisini barındıran bir üründür.

İçerdiği Verici Modülü FCC ID: QOQBGM113

Bu cihaz, kontrolsüz ortamlar için belirlenen FCC radyasyon seviyelerine uymaktadır.

İçerdiği Verici Modülü IC ID: 5123A-BGM113

Bu cihaz, Industry Canada'nın lisanstan muaf RSS standartlarıyla ve RSS-102 Sayı 5'te belirlenen rutin SAR değerlendirme sınırlarından muafiyet koşullarıyla uyumludur.

Japonya için onaylanmıştır, onay numarası: 209-J00204. Bu ekipman, Radyo Yasası kapsamında, Teknik Düzenleme Onay Belgesi alınmış ve belirlenmiş, radyo donanımı içerir.

Bu modül, Güney Kore için onaylanmıştır, KC onay numarası: MSIP-CRM-BGT-BGM113

İşbu, Blackmagic Design 2.4 GHz ISM bandında geniş bant yayın sistemlerini kullanan URSA Mini Pro'nun 2014/53/EU sayılı yönetmeliği ile uyumludur.

AB uyumluluk beyannamesinin tam metnine, [compliance@blackmagicdesign.com](mailto:compliance@blackmagicdesign.com) adresinden ulaşabilirsiniz.

## Güvenlik Bilgileri

Ürünle beraber gelen ve Blackmagic URSA Mini, URSA Mini Pro için olan AC'den 12V DC'ye güç kaynağı ile Blackmagic Studio Fiber Converter için olan IEC güç kablosu, koruyucu topraklama bağlantısı bulunan bir şebeke prizine takılmalıdır.

Blackmagic URSA Mini, URSA Mini Pro ve Camera Fiber Converter ürünleri, çevresel ısısı 40° C'ye kadar olan tropikal ortamlarda kullanılmaya uygundur. Blackmagic Studio Fiber Converter, çevresel ısısı 50° C'ye kadar olan tropikal ortamlarda kullanılmaya uygundur.

Blackmagic Studio Fiber Converter ve Camera Fiber Converter çevresinde, yeterli ventilasyon bulunduğu ve kısıtlanmış olmadığından emin olun. Studio Fiber Converter'i, bir rack'e monte ederken havalandırmanın bitişik ekipmanlardan dolayı kısıtlanmadığından emin olunuz.

Blackmagic URSA Mini, URSA Mini Pro, Camera Fiber Converter veya Studio Fiber Converter ürünleri içinde, kullanıcı tarafından tamir edilebilecek hiç bir parça bulunmamaktadır. Gerekli tamiratları, yerel Blackmagic Design hizmet merkezine yönlendirin.

### Kaliforniya Eyalet Beyannamesi

Bu ürün; plastik parçaları dahilinde, eser miktarda polibromine bifeniller gibi kimyasal maddelere sizi maruz bırakabilir. Kaliforniya eyaletinde, bu maddelerin kansere, doğum kusurlarına veya başka üreme bozukluklarına sebebiyet verdiği bilinmektedir.

Daha fazla bilgi için, [www.P65Warnings.ca.gov](http://www.P65Warnings.ca.gov) adresini ziyaret ediniz.

### Blackmagic URSA Mini ve URSA Mini Pro

Güneşli ortamlarda, kameranın veya Lityum bataryanın, uzun süre boyunca güneş ışığına maruz kalmasını engellemek için, kamerayı gölgede tutmaya dikkat ediniz. Lityum bataryaları, her türlü ısı kaynağından uzak tutunuz.

12V DC güç çıkışı bağlantısı, Blackmagic URSA Viewfinder veya Blackmagic URSA Studio Viewfinder aksesuarlarına, güç sağlamak için uygundur. Bu bağlantıya başka aksesuarlar bağlarken, güç tüketiminin, 18W altında olmasına dikkat ediniz.



### Blackmagic Studio Fiber Converter

Elektrik çarpma riskini azaltmak için, bu ekipmanı damlayan veya sıçrayan suya maruz bırakmayın. Deniz seviyesinden yüksekliğin 2000m'yi aşmadığı yerlerde kullanın.

### Blackmagic Camera Fiber Converter

Çeviriciyi, yalnızca Blackmagic Studio Fiber Converter'e bağlı iken kullanın. Normal kullanım şartlarında, çevirici Blackmagic Studio Fiber Converter'den tehlikeli voltajlar alabilecek şekilde tasarlanmıştır.

# Garanti

## Sınırlı Garanti

Blackmagic Design şirketi, bu ürünün satın alındığı tarihten itibaren malzeme ve işçilik bakımından 12 ay boyunca, kusursuz ve arızasız olacağını garanti eder. Üründe, bu garanti süresi içinde bir arıza ve kusur söz konusu olursa Blackmagic Design, kendi seçimi doğrultusunda ya arızalı ürünü parça ve işçilik bedeli talep etmeksizin tamir edecektir ya da arızalı ürünü yenisiyle değiştirecektir.

Bu garanti kapsamı altında servisten yararlanmak için, müşterilerimiz Blackmagic Design'i arızaya ilişkin garanti süresi sona ermeden bilgilendirmelidir ve söz konusu servisin sağlanması için uygun düzenlemeleri yapmalıdır. Blackmagic Design tarafından özel belirlenmiş ve yetkilendirilmiş bir hizmet merkezine arızalı ürünün ambalajlanarak nakliyesi, Müşteri'nin sorumluluğudur ve nakliye ücretleri, peşin ödenmiş olmalıdır. Herhangi bir sebepten dolayı bize iade edilen ürünlerin; tüm nakliye, sigorta, gümrük vergileri, vergi ve tüm diğer masrafların ödenmesi, Müşteri sorumluluğu altındadır.

Bu garanti; yanlış kullanım ya da yanlış veya kusurlu bakımdan kaynaklanan herhangi bir arızayı, bozukluğu ya da hasarı kapsamaz. Blackmagic Design burada açıklanan durumlarda bu garanti kapsamında; a) Blackmagic Design temsilcileri haricindeki başka personelin ürünü kurma, tamir etme ya da bakımını yapma girişimlerinden kaynaklanan hasarı tamir etme, b) uygun olmayan kullanım veya uyumlu olmayan ekipmanlara bağlamaktan kaynaklanan hasarı tamir etme, c) Blackmagic Design parçaları ya da malzemesi olmayan ürünlerin kullanımından kaynaklanan hasarı ya da arızayı tamir etme, ya da d) Modifiye veya başka ürünlerle entegre edilmiş bir ürün; söz konusu modifikasyon ya da entegrasyonun gereken tamiratın süresini uzattığı ya da ürün bakımını zorlaştırdığı durumlarda, tamir etme zorunluluğu yoktur.

URSA Viewfinder'in doğrudan güneş ışığına maruz bırakılması, vizörün optikleri bir büyüteç işlevi göreceğinden, vizör ekranına zarar verebilir. Statik görüntüler veya kare kılavuzları gibi yüksek kontrastlı görüntüler uzun süre boyunca OLED panellerinde gösterildiği zaman, OLED panellerinde görüntü tutma (image retention) veya görüntü izi (burn-in) oluşabilir. Bunu engellemek için, yüz algılama IR sensörünün kasten üstünün örtülmediğinden emin olunuz ve uzun süre kullanılmadığı durumlarda vizörü çıkartınız. Görüntü tutma, garanti kapsamında değildir.

BU GARANTİ, BLACKMAGIC DESIGN TARAFINDAN VERİLMİŞTİR VE AÇIK YA DA ZİMNİ, HERHANGİ BİR GARANTİNİN YERİNİ TUTAR. BLACKMAGIC DESIGN VE SATICILARI, ZİMNİ TİCARİ UYGUNLUK GARANTİSİNİ YA DA ÖZEL BİR AMACA UYGUNLUK GARANTİSİNİ KABUL ETMEZ. BLACKMAGIC DESIGN'İN BU GARANTİ SÜRESİ İÇİNDE HASARLI ÜRÜNLERİ TAMİR ETME YA DA DEĞİŞTİRME SORUMLULUĞU, MÜŞTERİYE SUNACAĞI TAM VE MÜNHASİR ÇÖZÜMDÜR. BLACKMAGIC DESIGN YA DA SATICILARININ OLABİLECEK HASARLAR HAKKINDA ÖNCEDEN BİLGİSİ OLMASINI GÖZETMEKSİZİN; ÜRÜNDE DOLAYLI, ÖZEL, TESADÜFİ YA DA NETİCE OLARAK ORTAYA ÇIKAN HERHANGİ BİR HASAR İÇİN BLACKMAGIC DESIGN SORUMLU DEĞİLDİR. BLACKMAGIC DESIGN, MÜŞTERİLER TARAFINDAN CİHAZIN YASAL OLMAYAN HERHANGİ BİR KULLANIMINDAN, SORUMLU DEĞİLDİR. BLACKMAGIC DESIGN, BU ÜRÜNÜN KULLANIMINDAN KAYNAKLANAN HERHANGİ BİR HASARDAN SORUMLU DEĞİLDİR. BU ÜRÜNÜN ÇALIŞTIRILMASINDAN DOĞAN RİSK, KULLANICININ KENDİSİNE AİTTİR.

© Telif Hakkı Saklıdır 2020 Blackmagic Design. Tüm Hakları Saklıdır. 'Blackmagic Design', 'URSA', 'DeckLink', 'HDLink', 'Workgroup Videohub', 'Multibridge Pro', 'Multibridge Extreme', 'Intensity' ve 'Leading the creative video revolution' ABD ve diğer ülkelerde tescil edilmiş ticari markalardır. Diğer tüm şirket ve ürün isimleri bağlantılı oldukları ilgili şirketler/firmaların ticari markaları olabilir.

Bluetooth® kelime işareti ve logosu, Bluetooth SIG, Inc.'e ait tescilli ticari markalardır ve bu tür işaretlerin Blackmagic Design tarafından herhangi bir kullanımı lisansa tabiidir. Diğer ürün isimleri ve şirket isimleri, bağlantılı oldukları ilgili şirketlerin ticari markaları olabilir.