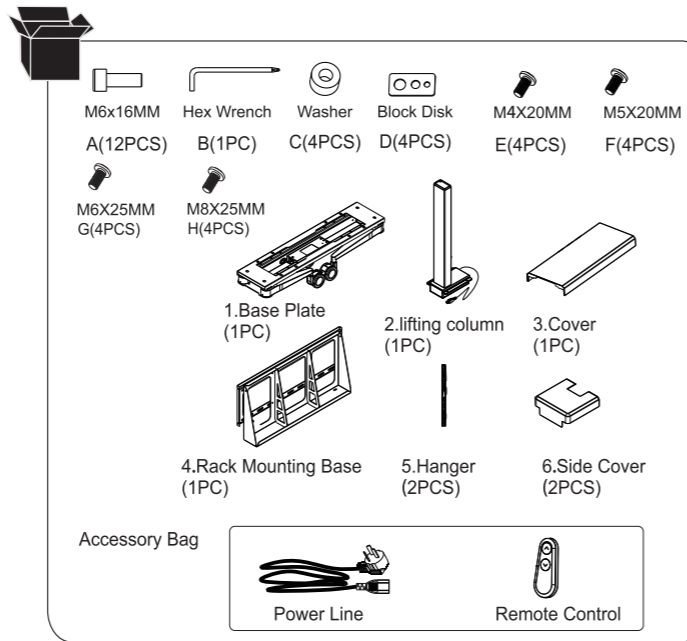
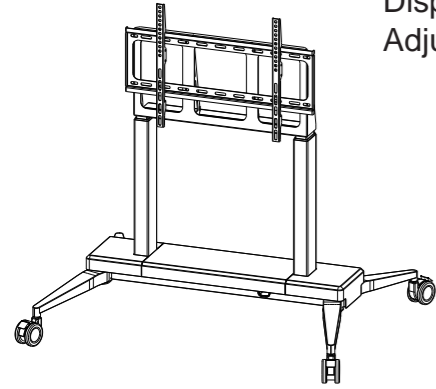
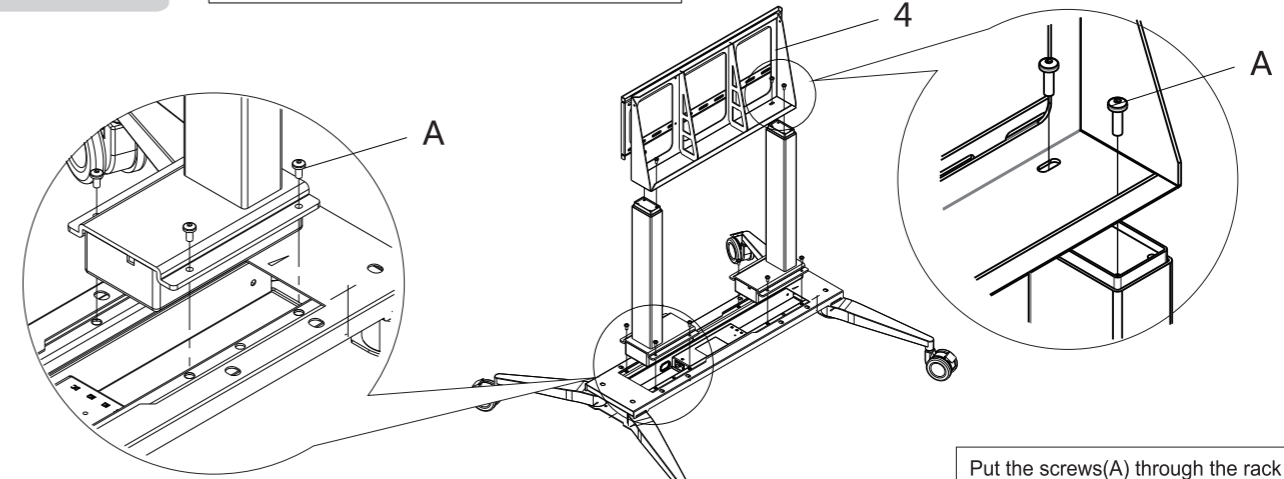


Instruction Manual
celexon Professional
electric high adjustable
Display-Trolley
Adjust-4270M - 60cm



STEP 3

Install the lifting column on the rack mounting base



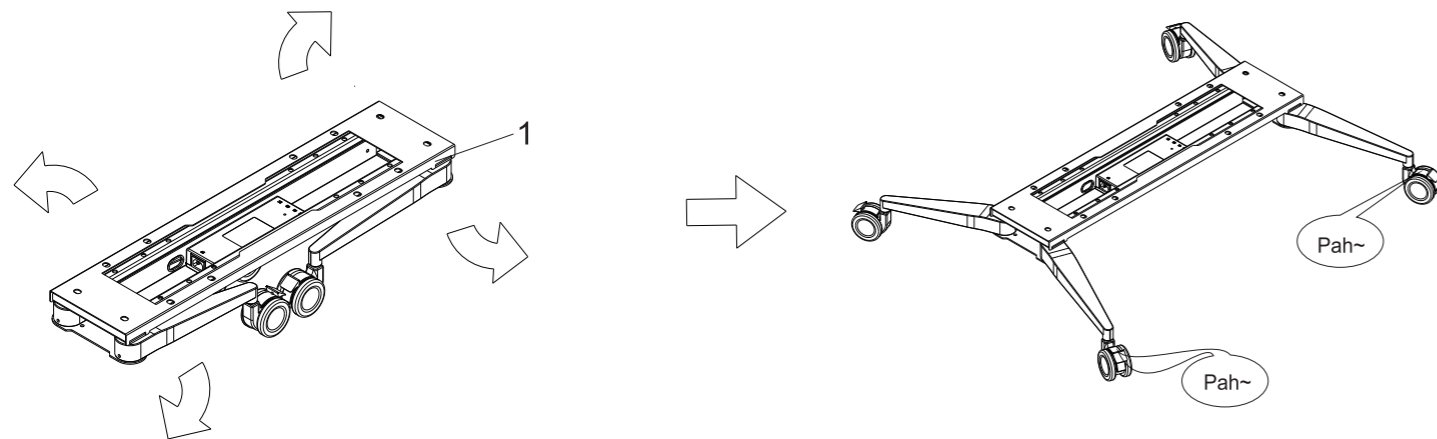
Tighten the screws with hex wrench(B)

Install the lifting column(2) and the rack mounting base(4) as shown in the picture

Put the screws(A) through the rack mounting base, then fix it in the lifting column with hex wrench(B)

STEP 1

Unfold the footing of the base

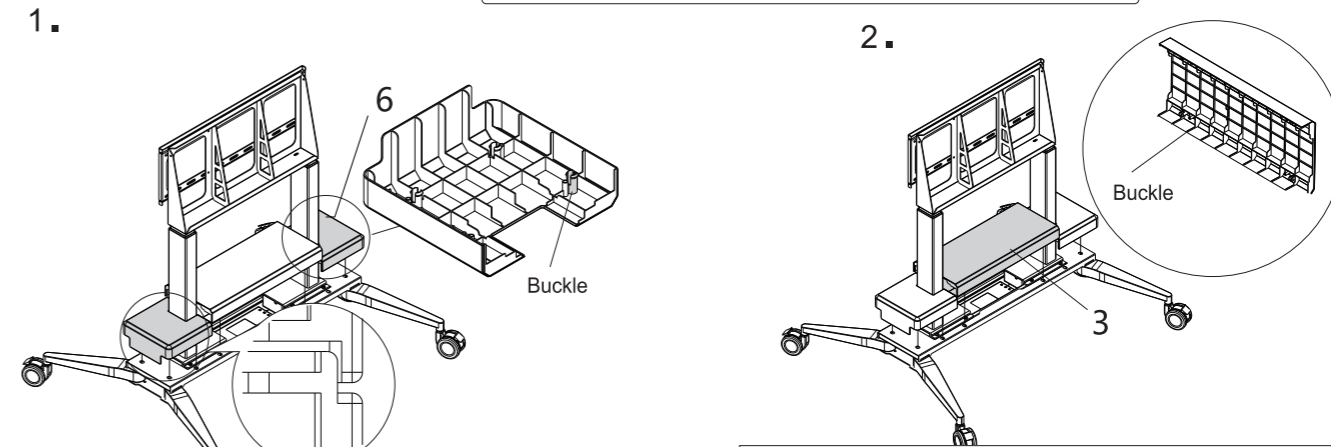


You will hear the sound of "Pah" when you unfold the footing of the base(1) as shown in the picture.

STEP 4

Install the cover

! Please pay attention to press the raised side of the cover to the lower side, and ensure the two covers is flushed.

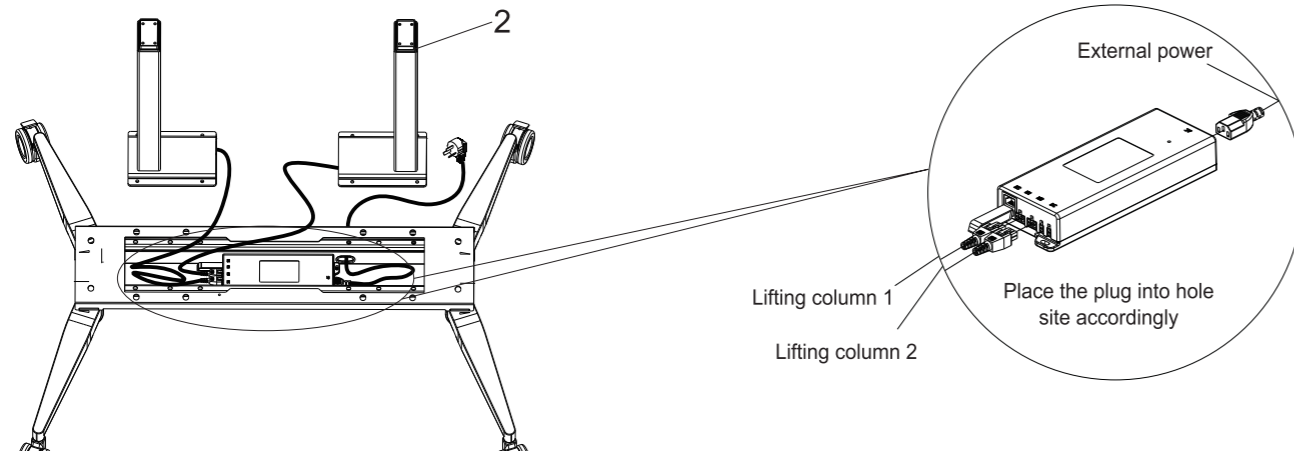


1. Install the two side cover(6). Clip the four buckles in to the slot according to the line direction until heard a sound of "Pah"

2. Install the middle cover(3). Clip the four buckles in to the slot according to the line direction until heard a sound of "Pah"

STEP 2

Connect the ports of the control box

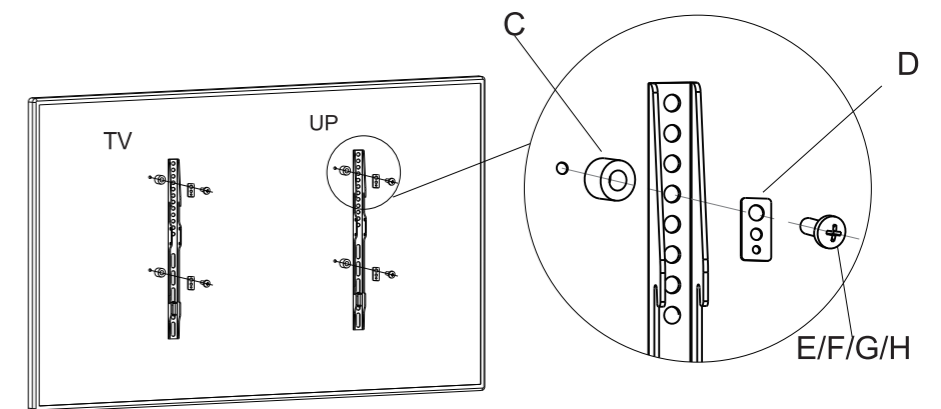
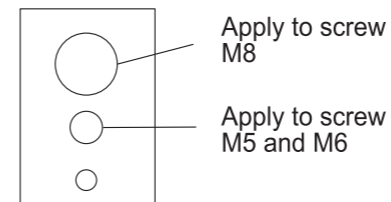


Connect the lifting column(2) line, power line(7) into the corresponding hole site in the control box. Then manage the cables into the side of the control box. Please put the lines through the hole in the bottom of the control box, then connect it to the plug.

STEP 5

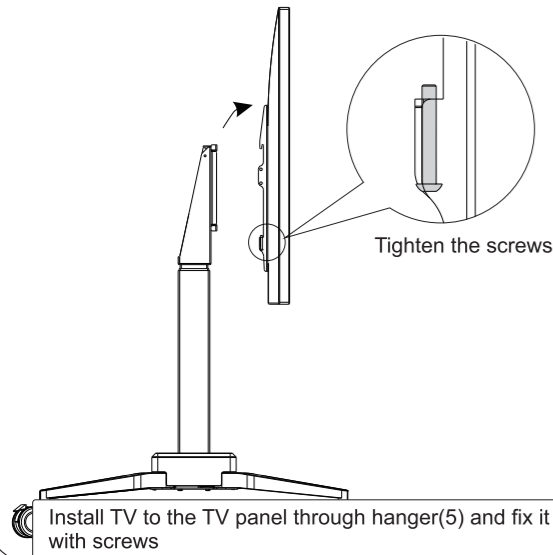
Install TV to the wall panel

Square washer (D)



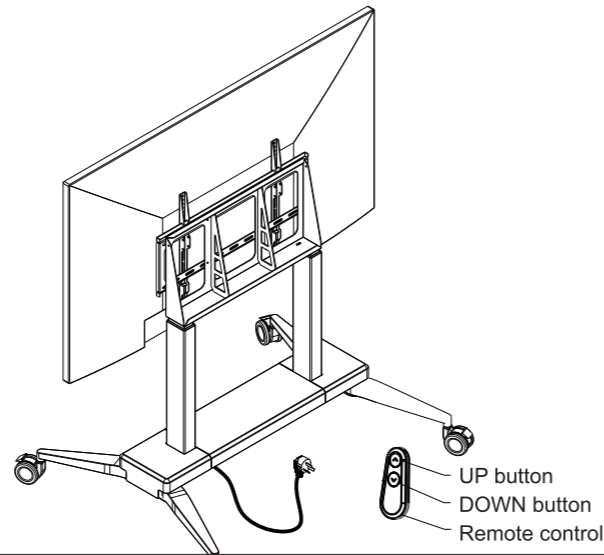
STEP 6

Install TV, switch the power on, adjust the height



Tighten the screws

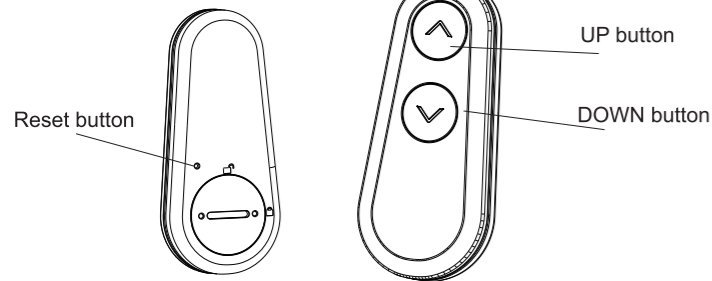
Install TV to the TV panel through hanger(5) and fix it with screws



Connect the power line of the TV and lifting cart respectively, then adjust the height of the TV cart with remote control

How to use hand switch

keypad



●	▲	UP button: adjust the desk upwards
●	▼	DOWN button: adjust the desk downwards
●	○	RESET button: reset the bluetooth dongle (there is a micropore behind the remote control, to reset it with clip)

Operation instruction

Attention! This product needed to be shut down for 18 minutes after 2-minute running.

● Keypad function Instruction:

1. Touch Button Lift Function: The height of the TV rack can be adjusted up or down by touching the UP or DOWN button.
2. Remote pairing function: Power off over 10 second, power on again and press the UP and DOWN button simultaneously over 1 second;
3. If the pairing process is failed, please check the connecting lines are flawless and after properly connected, Power off over 10 second, power on again and press the UP and DOWN button simultaneously over 1 second, finish the bluetooth dongle reset process; then enter into "(3) remote pairing function"
4. If the connection is still not established although points 1-3 have been done, please contact your trader or celexon directly (WEB: www.celexon.com, MAIL: info@celexon.com)

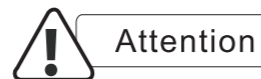
● Reset Operation

1. The definition of the reset operation: press the DOWN button until the TV lifting system in the lowest position and rebound to rise and stop, loose the DOWN button to finish the reset operation, the TV lifting system can be used normally;
2. If appears other situations, please check the connecting lines are flawless and after properly connected, power off over 10 second, power on again and press the DOWN button to reset;
3. If the connection is still not established although points 1-2 have been done, please contact your trader or celexon directly (WEB: www.celexon.com, MAIL: info@celexon.com)

Common fault treatment

The following tips will help you detected and eliminate the common fault and error. If the fault you met is not listed below, please contact with your supplier. Only the manufacturer and professionals are capable for investigating and correcting those fault and error.

Fault phenomenon	Method
No response while long pressing down arrow after connected with a power supply	1. Check if all the cables be connected well 2. Contact your supplier or dealer
No response while pressing up arrow/ down arrow after connected with a power supply	1. Check if all the cables be connected well 2. Contact your supplier or dealer
Rising in a low speed	1. Check if overloaded, max loading: 80kg; 2. Contact your supplier or dealer
The motor not move as instructed	1. Contact your supplier or dealer
Go down but not go up	1. Reposition 2. Contact your supplier or dealer
Downward sliding	1. Check if overloaded, max loading: 80kg; 2. Contact your supplier or dealer
Frequently Reposition	1. Check if overloaded, max loading: 80kg; 2. Contact your supplier or dealer
Overwork (Duty cycle: Max 2min on/18min OFF)	1. Restart after suspend for 18mins while connecting with power; 2. Contact your supplier or dealer;
Not enough up&down height	1. Press "M" and "3" together for 3 seconds or more, after hearing continuous beeping for twice, it will restore factory settings 2. Contact your supplier or dealer



Attention

Instructions for use

This manual is intended to familiarise you with the operation of this product. Please keep this manual in a safe place so that you can access it at any time.

- Always lift and position the product with two people.
- Conversion or alteration of the product will impair the product safety.
- Attention Risk of injury! This product can only be used on a hard, level and horizontal surfaces are set up or used -- Otherwise there is a danger of tipping over.
- Attention Risk of injury! When attaching heavy displays there is a risk of instability, loss of balance and tipping over.
- In order to ensure trouble-free operation, the unit must only be used indoors, it is NOT for outdoor use suitable. Outdoor use of this product may cause product failure, or personal injury.
- The screws must be tightened securely. Please do not use Cordless screwdriver. Tighten the screws only by hand, so that it is not too damage and failure of the product.
- Children are not allowed to use the product. Make sure that no children playing with the equipment or being in the vicinity without supervision stop.
- Attention Risk of injury! The maximum load capacity must never be exceeded. When handling the product, make sure that Do not pinch fingers or other extremities.
- Handle the product with care. It can be damaged by knocks, blows or falling can be damaged from an already low height.
- Keep the product away from moisture and heat, never in water or other liquids.
- Only use the product in its intended manner. Any other use may result in damage to the product or in lead its surroundings
- Please check the scope of delivery for completeness. Please use no parts that are not included in the delivery. Use the product not if parts are missing. Please contact your salesperson or directly manufacturer.
- Should you notice external damage to the product or unexpected or if the product is found to have unusual functions, it must not be used any further will be. Contact immediately the dealer where you bought the product or celexon directly (Web: www.celexon.de, Mail: info@celexon.de) for further information.
- Non-observance of the above instructions may result in personal injury and damage to the product or devices connected to it are coming. Also, in case of incorrect installation or use, the Warranty will expire.
- If you are unsure about using the product, contact a specialist, your dealer or celexon directly (Web: www.celexon.de, Mail: info@celexon.de).
- Technical changes and errors excepted.

EU/EG - Declaration of conformity

Manufacturer: celexon Europe GmbH

Address: Gutenbergstrasse 2, 48282 Emsdetten, DE

hereby declares that the following product bearing the celexon trademark

Productname: celexonProfessional electric hight adjustable Display-Trolley Adjust-4270M - 60cm

the basic provisions of the EU Directives listed below, in intended use in accordance with the instructions of the manufacturer the instructions given:

Remote Control:

- Radio Equipment Directive 2014/53/EU

Display Trolley:

- EMC Directive 2014/30/EU
- Low Voltage Directive 2014/35/EU
- restriction of the use of certain hazardous substances in electrical and electronic equipment (RoHS) 2011/65/EU

Comments:

The tests were carried out in normal mode and refer to the tested device and the specifically executed tests! This certificate relates exclusively to on the model of the device provided for testing.

A copy of the EU Declaration of Conformity can be found at <https://uk.celexon.com/certificates>.



(The symbol indicates separate collection of electrical and electronic equipment in EU countries there. Please do not throw the device in the household waste. Find out about the regulations in your country valid take-back system and contact your local authority if you have questions about the disposal process or your local value and pollutant collection point.)

Emsdetten, 9. April 2020

Christoph Hertz
Managing Director



celexon Europe GmbH, Gutenbergstrasse 2, 48282 Emsdetten, DE