



4K2K
HDCP 2.2
HDBT[®]
ASD

PUV-1510-KIT

HDBaseT1 Transmitter & Receiver Kit with LAN & PoH

OPERATION MANUAL

HDMI®
HIGH-DEFINITION MULTIMEDIA INTERFACE

The terms HDMI, HDMI High-Definition Multimedia Interface, and the HDMI Logo are trademarks or registered trademarks of HDMI licensing Administrator, Inc.

DISCLAIMERS

The information in this manual has been carefully checked and is believed to be accurate. CYP (UK) Ltd assumes no responsibility for any infringements of patents or other rights of third parties which may result from its use.

CYP (UK) Ltd assumes no responsibility for any inaccuracies that may be contained in this document. CYP (UK) Ltd also makes no commitment to update or to keep current the information contained in this document.

CYP (UK) Ltd reserves the right to make improvements to this document and/or product at any time and without notice.

COPYRIGHT NOTICE

No part of this document may be reproduced, transmitted, transcribed, stored in a retrieval system, or any of its part translated into any language or computer file, in any form or by any means—electronic, mechanical, magnetic, optical, chemical, manual, or otherwise—without express written permission and consent from CYP (UK) Ltd.

© Copyright 2019 by CYP (UK) Ltd.

All Rights Reserved.

Version 1.1

TRADEMARK ACKNOWLEDGMENTS

All products or service names mentioned in this document may be trademarks of the companies with which they are associated.

SAFETY PRECAUTIONS

Please read all instructions before attempting to unpack, install or operate this equipment and before connecting the power supply.

Please keep the following in mind as you unpack and install this equipment:

- Always follow basic safety precautions to reduce the risk of fire, electrical shock and injury to persons.
- To prevent fire or shock hazard, do not expose the unit to rain, moisture or install this product near water.
- Never spill liquid of any kind on or into this product.
- Never push an object of any kind into this product through any openings or empty slots in the unit, as you may damage parts inside the unit.
- Do not attach the power supply cabling to building surfaces.
- Use only the supplied power supply unit (PSU). Do not use the PSU if it is damaged.
- Do not allow anything to rest on the power cabling or allow any weight to be placed upon it or any person walk on it.
- To protect the unit from overheating, do not block any vents or openings in the unit housing that provide ventilation and allow for sufficient space for air to circulate around the unit.

REVISION HISTORY

| VERSION NO. | DATE | SUMMARY OF CHANGE |
|-------------|------------|---------------------------------------|
| v1.00 | 16/05/2019 | First release |
| v1.01 | 13/10/2025 | Correction to diagram (PSU Connector) |

CONTENTS

| | |
|--|-----------|
| 1. Introduction | 6 |
| 2. Applications | 6 |
| 3. Package Contents | 6 |
| 4. System Requirements | 6 |
| 5. Features | 7 |
| 6. Operation Controls and Functions | 8 |
| 6.1 Front Panel | 8 |
| 6.2 Rear Panel | 9 |
| 6.3. IR Cable Pin Assignment | 10 |
| 6.4. D-Sub 9 Pin Definitions | 10 |
| 7. Connection Diagram | 11 |
| 8. Specifications | 12 |
| 8.1 CAT5e/6/7 Cable Specification | 13 |
| 8.2 Timing Support Chart | 14 |
| 9. Acronyms | 15 |

1. INTRODUCTION

The PUV-1510-KIT Transmitter and Receiver Kit enables transmission of video resolutions up to 4K UHD, along with HD audio, 2-Way IR, RS-232, PoH (Power over HDBaseT), and LAN signals up to 100m. This solution provides advanced signal management ensuring reliable results in the most demanding installation environments. All audio, video, control, and power are transmitted simultaneously over a single CAT6a/7 cable up to 100m..

2. APPLICATIONS

- /// 48V PoE from Transmitter (PSE) to Receiver (PD)
- /// Household entertainment sharing and control
- /// Lecture room display and control
- /// Showroom display and control
- /// Meeting room presentation and control
- /// Classroom display and control

3. PACKAGE CONTENTS

- /// 1 x HDMI over CAT5e/6/7 Transmitter
- /// 1 x CAT5e/6/7 over HDMI Receiver
- /// 1 x IR Blaster
- /// 1 x IR Extender
- /// 1 x 48V DC adaptor

4. SYSTEM REQUIREMENTS

Input source equipment such as PS3/Blu-ray player and output HD TV/ display.

5. FEATURES

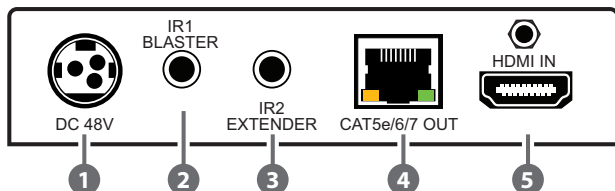
- /// HDMI with 3D, 4K2K support, HDMI & DVI Compliant
- /// Supports CEC bypass
- /// Simultaneous reception of uncompressed data over a single 100m/328ft CAT5e/6/7 cable
- /// 5Play™ convergence: HDMI, LAN, PoE & Control (IR & RS-2232)
- /// Supports resolution up to 4K2K@50/60 & YUV_420 and 21:9
- /// Supports standard 48V from Transmitter (PSE) to Receiver (PD)
- /// Installation Friendly
- /// Supports HDMI Output cable distance up to 5m at 4K2K@50/60 & YUV_420

Note:

Displaying HDMI 3D and 4K2K contents, equivalent source signal and HDMI cable are required in order to secure the quality.

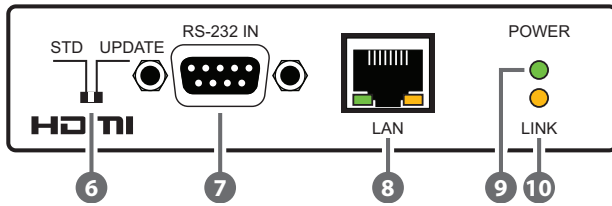
6. OPERATION CONTROLS AND FUNCTIONS

6.1 Transmitter Front Panel



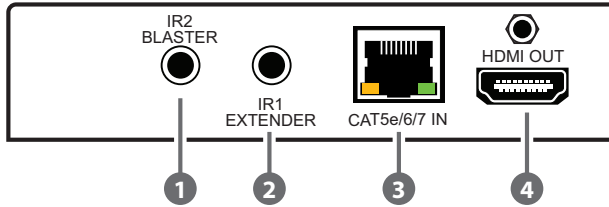
- 1 DC 48V:** Plug the 48V DC power supply into the unit and connect the adaptor to an AC outlet.
- 2 IR1 BLASTER:** Connect to the supplied IR Blaster cable for IR signal transmission. Place the IR Blaster in direct line-of-sight of the equipment to be controlled.
- 3 IR2 EXTENDER:** Connect to the supplied IR Extender cables for IR signal reception. Ensure that remote being used is within the direct line-of-sight of the IR Extender.
- 4 CAT5e/6/7 OUT:** Connect to the Receiver unit with a single CAT5e/6/7 cable for transmission of all data signals.
- 5 HDMI IN:** Connect to HDMI source equipment such as a DVD or Blu-ray player.

6.2 Transmitter Rear Panel



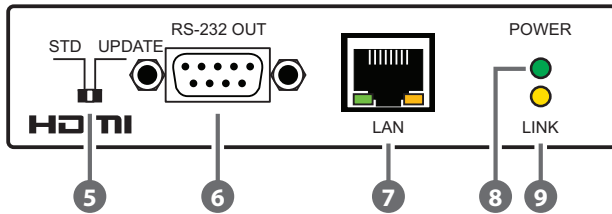
- 1 STD/UPDATE Switch:** This switch is reserved for factory use only.
- 2 RS-232 IN:** Connect to a PC or Laptop with D-Sub 9-pin male cable for the transmission of RS-232 commands.
- 3 LAN:** Connect to an internet or network system.
- 4 POWER LED:** This LED will illuminate when the device is connected to a power supply.
- 5 LINK LED:** This LED will illuminate when both the input source and output display signals are connected through CAT cable. When it blinks regularly it states the display is NOT sending signals to Receiver but the Transmitter and Receiver are linked and if it blinks irregularly it indicates an error has occurred.

6.3 Receiver Front Panel



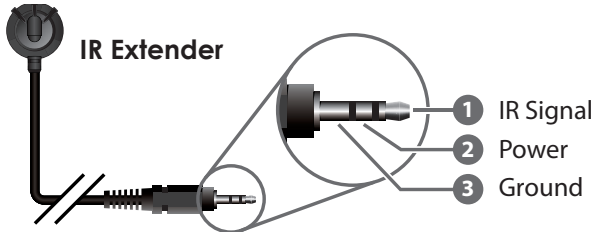
- 1 IR2 BLASTER:** Connect to the supplied IR Blaster cable for IR signal transmission. Place the IR Blaster in direct line-of-sight of the equipment to be controlled.
- 2 IR1 EXTENDER:** Connect to the supplied IR Extender cables for IR signal reception. Ensure that remote being used is within the direct line-of-sight of the IR Extender.
- 3 CAT5e/6/7:** Connect to the Transmitter unit with a single CAT5e/6/7 cable for transmission of all data signals.
- 4 HDMI OUT:** Connect to a HDMI equipped TV/monitor for display of the HDMI input source signal.

6.4 Receiver Rear Panel



- 1 STD/UPDATE Switch:** This switch is reserved for factory use only.
- 2 RS-232 OUT:** Connect to the device that is to be controlled (via D-Sub 9-pin female cable) by RS-232 commands.
- 3 LAN:** Connect to a PC or Laptop to utilise the Internet or network function.
- 4 POWER LED:** This LED will illuminate when the device is connected to a power supply.
- 5 LINK LED:** This LED will illuminate when both the input source and output display signals are connected through CAT cable. When it blinks regularly it states the display is NOT sending signals to Receiver but the Transmitter and Receiver are linked and if it blinks irregularly it indicates an error has occurred.

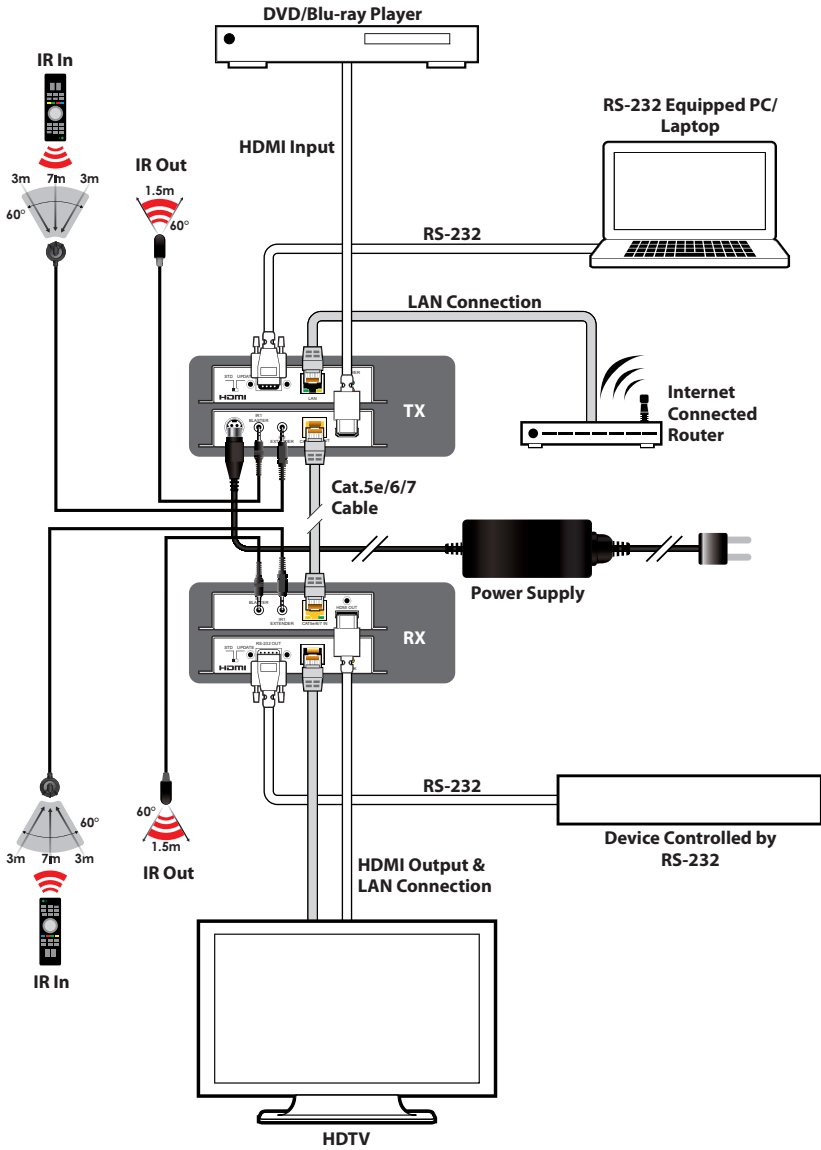
6.5. IR Cable Pin Assignment



6.4. D-Sub 9 Pin Definitions

| Pin | Define TX / RX |
|-----|----------------|
| 1 | N/C |
| 2 | TxD / RxD |
| 3 | RxD / TxD |
| 4 | N/C |
| 5 | GND |
| 6 | N/C |
| 7 | N/C |
| 8 | N/C |
| 9 | N/C |

7. CONNECTION DIAGRAM



8. SPECIFICATIONS

| | |
|-------------------------------------|---|
| Video Bandwidth | 340MHz / 10.2Gbps |
| <i>Transmitter</i> | |
| Inputs | 1 x HDMI 1 x IR Extender 1 x RS-232 1 x LAN |
| Outputs | 1 x CAT5e/6/7 1 x IR Blaster |
| <i>Receiver</i> | |
| Inputs | 1 x CAT5e/6/7, 1 x IR Extender |
| Outputs | 1 x HDMI, 1 x RS-232, 1 X IR Blaster, 1 x LAN |
| HDMI Resolution | HD: 480i~4K2K@24/25/30/50/60 & YUV_420 PC: VGA ~ WUXGA (RB) |
| HDMI Cable Distance | Out: 10m/1080p@8-bit, 5m/1080p@12-bit and 5m@4K2K |
| CAT5e/6/7 I/O Cable Distance | Up to 100m |
| IR Frequency | 30~50kHz |
| ESD Protection | Human Body Model: ±8 kV (air-gap discharge) ±4 kV (contact discharge) |
| Power Supply | 48 V/0.83 A DC (US/EU Standards, CE/FCC/UL certified) |
| Dimensions | 108mm (W) x 108mm (D) x 25mm (H) Each 108mm (W) x 116mm (D) x 29mm (H)Each |
| Weight | 366g |
| Chassis Material | Metal |
| Silkscreen Colour | Black |

| | |
|------------------------------|-----------------------------|
| Power Consumption | 13.5W |
| Operating Temperature | 0 °C~40 °C/32 °F ~104 °F |
| Storage Temperature | -20 °C~60 °C/-4 °F~140 °F |
| Relative Humidity | 20~90 % RH (non-condensing) |

8.1 CAT5e/6/7 Cable Specification

| Cable Type | Range | Pixel clock rate | Video Data Rate | Supported Video |
|------------|----------------------------|------------------|----------------------------------|---|
| CAT5e/6/7 | 100 m | ≤ 225 MHz | ≤ 5.3 Gbps (HD Video) | Up to 1080p, 60 Hz, 36 bits, 3D (data rates lower than 5.3 Gbps or below 225 MHz TMDS clock). |
| | 70 m/CAT5e/6 100 m/CAT7 | > 225 MHz | > 5.3 Gbps (Ultra HD Video) | 4K2K, 30Hz video formats |

8.2 Timing Support Chart

| | INPUT | OUTPUT |
|---------------------------|-------|--------|
| 640x480@60/72/75/85 | ✓ | ✓ |
| 800x600@56/60/72/75/85 | ✓ | ✓ |
| 1024x768@60/70/75/85 | ✓ | ✓ |
| 1280x720@60 | ✓ | ✓ |
| 1280x1024@60 | ✓ | ✓ |
| 1600x1200@60 | ✓ | ✓ |
| 1920x1200@60RB | ✓ | ✓ |
| 3840x2160p@24/25/30 | ✓ | ✓ |
| 4096x2160p@24 | ✓ | ✓ |
| 4096x2160p@50/60(YUV_420) | ✓ | ✓ |
| 480I/576I | ✓ | ✓ |
| 480P/576P | ✓ | ✓ |
| 720P@50/60 | ✓ | ✓ |
| 1080I@50/60 | ✓ | ✓ |
| 1080P@50/60 | ✓ | ✓ |
| 1080P@24/25/30 | ✓ | ✓ |

9. ACRONYMS

| ACRONYM | COMPLETE TERM |
|----------------|---|
| CAT5e | Category 5 Cable |
| CAT6 | Category 6 Cable |
| CAT7 | Category 7 Cable |
| CEC | Consumer Electronics Control |
| DVI | Digital Visual Interface |
| HDCP | High-bandwidth Digital Content Protection |
| HDMI | High Definition Multimedia Interface |
| IR | Infrared |
| PD | Powered Device |
| PSE | Power Sourcing Equipment |



CYP (UK) Ltd., Unit 7, Shepperton Business Park, Govett Avenue,
Shepperton, Middlesex, TW17 8BA

Tel: +44 (0) 20 3137 9180 | Email: sales@cypeurope.com

www.cypeurope.com

v1.01