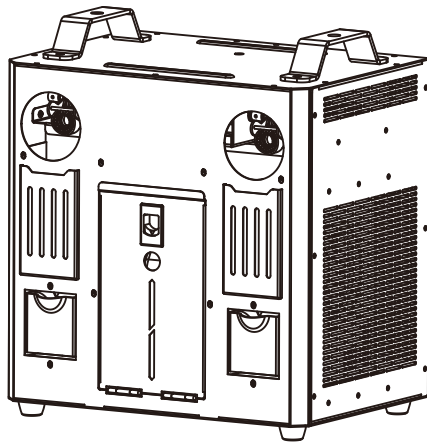




[PRO STAGE EFFECTS]



H-8S

PRO DMX BUBBLE MACHINE
USER MANUAL

◆ Foreword

Thank you very much of choosing the H-8S PRO DMX bubble machine. Before start operating, we strongly suggest to read the user manual carefully. Following the instructions in the user manual will ensure your safety while operating the machine, easily achieve the best effect, as well as understand the right way to care for and maintain the machine in order to prolong the product life cycle.

◆ Introduction

The H-8S DMX Pro Bubble Machine is an updated version of H-8, revolutionary professional and durable machine that is capable of introducing enormous quantities of bubbles into the atmosphere. It is also equipped with 2 fans at bottom that offer a variable speed and angle control which allows for greater flexibility in the bubble projection. A 3L fluid tank allows 2-hour continuous bubble output when fully loaded. The excess bubble fluid will flow back to waste fluid tank through pipe instead of dropping on the ground.

◆ Features

1. Nozzle-pipe delivery system which protects each bubble from the disturbance of the machine parts and each other to reduce bubble failure rate.
2. Dual nozzles generate enormous quantities of bubbles.
3. Enclosed fluid tank stores and keeps fluid protected against the environmental elements for long time to ensure the quality of bubble projection.
4. Enclosed fluid tank allows machine's transportation with fluid in.
5. The 3L fluid tank supports 2-hour continuous bubble output.
6. Two high power speed adjustable fans and four angles wind outlet
7. Durable plastic or stainless-steel nozzle.
8. Unique design of waste fluid collection bin, to collect excess bubble fluid by flowing back through pipeline instead of dropping on the ground.
9. Built-in LCD control, wireless control and DMX control
10. Please use DJPOWER professional bubble fluid PRO-P .

◆ Safety Information

- After each time use of the bubble machines, it is necessary to clean the bubble heads with clean water in time to prevent the residual bubble liquid on the bubble heads from solidifying and gluing, which will cause it to fail to be used normally next time!
- Keep the fixture dry. For indoor and outdoor used.

- Use grounded electrical outlet. Prior to use, make sure that unit is installed at the rated voltage.
- Turn off or unplug when not using it.
- This machine is not water-proof. Please keep it away from moisture and water. If moisture, water, or fluid gets inside the housing, stop using it.
- No user serviceable and modifiable parts inside. Do not disassemble the housing and do any modification, otherwise it might cause damage to the unit or danger of burning.
- For adult use only. Fixture must be installed out of the reach of children. Never leave the unit running unattended. Keep it away from fire, combustible, and flammable materials.
- Position the machine in well-ventilated area. Please leave about 50cm spaces surrounding the unit.
- Please do not use the fixture under high temperature.
- Never add flammable liquids of any kind (oil, gas, perfume) to the fog liquid.
- If something wrong happen while using, please stop the fixture immediately, cut off the power, and check the fog liquid amount, fuse, power cable and power plug. If problems could not be resolved, please contact with your dealer.
- Use only DJPOWER high-quality PRO-P bubble liquid.
- Never drink liquid. If it is ingested, call a doctor immediately for any discomfort. If liquid comes in contact with skin or eyes, rinse thoroughly with water.

◆ Opening the Package and Inspecting the Machine

Please make sure the machine is in good condition after opening the package. If there is any damage, please contact with your dealer directly and do not power on the machine.

◆ What is Included:

1. H-8S PRO DMX Bubble Machine × 1
2. W-4 wireless controller × 1
3. Power cord × 1
4. User manual × 1

◆ Operation

1. After checking whether machine and spare parts are all intact, put it in a stable position.
2. Please confirm the voltage standard, connect the power cord to a grounded socket, prepared-well for working.

◆ Interface Operation



- “ MENU ” : Menu pages selection different pages for different status.
- “ UP ” : Increase, multiplex “TIMER” button.
- “ DOWN ” :Decrease, multiplex “VOLUME” button.
- “ ENTER ” : In/Out multiplex “STOP” button.

Press “ MENU ” button to switch different pages seven pages in all:

- The first Page:
English: “ Ready To work ”
Remark: Chinese or English is selected in the language page.
- The second Page:
English: “ Interval Set ”
This page is to set the interval of timer mode, adjustable from 1~200s;
- The third page:
English: “ Duration Set ”
This page is to set the duration of timer mode, adjustable from 1~200s;
- The forth page:
English: “ Fan Speed ”
The fan speed can be setup by “ Up ” or “ DOWN ” button, adjustable from 1%~100%. Min 1%,Max 100%;
- The fifth page:
English: “ DMX512 Address ”
The DMX address can be set up by “ UP ” and “ DOWN ” button, adjustable from 1~512;
- The sixth page:
English: “ Wireless Set ”

The seventh page:
English: “ Language ”
The language can be selected by “ UP ” or “ DOWN ” button.
- ◆ Wireless Remote Control function
The wireless function can be ON or OFF by “ UP ” or “ DOWN ” ;



here are two buttons on the controller, ON and OFF .

When the unit is powered on, and the wireless status is ON, the LCD display will show “wireless setup” . In such case,user can register the wireless remote by pressing any button for 1s on the remote. If the LCD display flickers twice, then it is matched with the unit successfully. One unit can match with 5 remotes at most. If user register the sixth one, then the memory for the first one will be erased. If the unit has matched with 5 remotes,when powered off. It will remember those remotes, while if user tries to register another one,then the memory for the five remotes will be erased.

For example:

①If one unit needs to be registered with three remotes, during 15s after the machine is powered on, press buttons on the three remotes to register them. Make sure the LCD display flickers twice.

②If two units need to be controlled by one remoter. Power on both machine, and press button on the remote. Make sure both units’ LCD display flicker twice, then release the button.

◆ Service and Maintenance

1. Please use DJPOWER fluid. It will prolong the lifetime of machines. To avoid danger, it is not allowed to take machine apart by unprofessional man. Neither to refit the machine.
2. Excessive dust, fluid residue and dirt will degrade performance and cause overheating. Remove dust from air vents with air compressor, vacuum or a soft brush. The casing could be cleaned by the damp cloth.
3. Before storing, run distilled water instead of bubble fluid to avoid blocking the clogging of fluid pipe or pump.
4. It is recommended to run the machine on a monthly basis in order to achieve best performance and output condition.
5. Please properly operate the machine comply with user manual.

◆ DMX Control

When connected to a DMX signal, the LCD will only say the DMX address,then the address code can be adjusted by “UP” and “DOWN” .

Channel one: fan output,(0-9 OFF . 10-255 ON(the output is larger gradually)

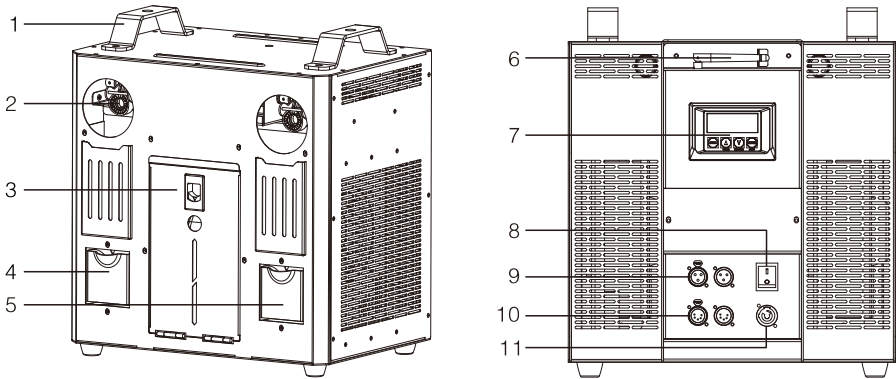
◆ Technical Parameters

Model:	H-8S PRO DMX Bubble Machine
Voltage:	AC220~240V/50Hz-60Hz
Fuse:	F2A/250V
Power:	200W
Bubble height:	4m
Bubble distance:	8m
Oil consumption:	64min/L

H-8S PRO DMX BUBBLE MACHINE

Tank capacity:	3L
Fluid return container:	2.7L
Controller:	W-4
DMX Channel:	1
DMX-512:	√
N.W.:	17.5kg
G.W.:	19.5kg
Machine size:	388/271/427.5(mm)
Package size:	500/385/500(mm)

◆ Diagram



1. Handle
2. Nozzle
3. Fluid tank plate
4. Fan adjustable output Antenna
5. Fan adjustable output Antenna
6. Antenna
7. LCD control panel
8. Power on/off
9. 3-pin DMX
10. 5-pin DMX
11. Power in

◆ Suspension installation diagram

