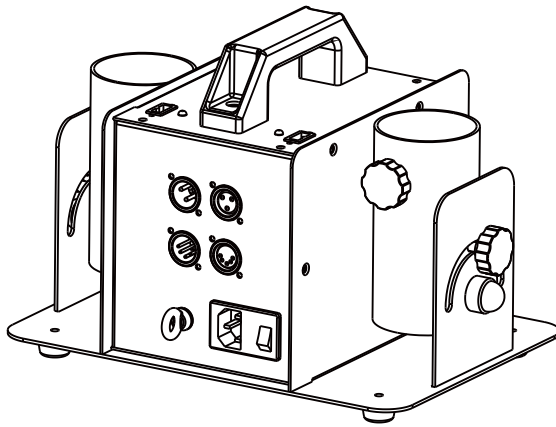




[PRO STAGE EFFECTS]



R-5 USER MANUAL

TWO-OUTPUT ELECTRIC CONFETTI LAUNCHER

◆ Foreword

Thank you very much of choosing DJPOWER R-5 Two-output Electric Confetti LAUNCHER.

Before start operating, we strongly suggest you to read the user manual carefully. Following the instructions here will ensure your safety while operating the machine, easily achieve the best effect, as well as understand the right way to care for and maintain the machine, hence to prolong the product life cycle.

◆ Products Description

R-5 is a mini two-output electric confetti machine with build-in pressure confetti cannon as consumables. Two confetti cannons can be installed for separate or simultaneous output. Various confetti can be output to 10 meters height via safe electric shock. Along with "boom" sound, creating warm atmosphere and festivity to ceremony and performance.

◆ Products Features

1. Compact design;
2. Easy floor mounting or hanging on truss;
3. Various color confetti cannons for option, plug and play, safe and convenient;
4. Long output distance: 5m for 40cm confetti cannon and 10m for 80cm confetti cannon;
5. Support 2 pcs confetti cannons separate or simultaneous output;
6. Built-in LCD control, wireless control and DMX control. Wireless remote controller supports remote control within 100 meters.

◆ Safety use

1. Keep the fixture dry. For indoor and outdoor used.
2. Use grounded electrical outlet. Prior to use, make sure that unit is installed at the rated voltage.
3. Turn off or unplug when not using it.
4. This machine is not water-proof. Please keep it away from moisture and water. If moisture, water, or fluid gets inside the housing, stop using it.
5. No user serviceable and modifiable parts inside. Do not disassemble the housing and do any modification, otherwise it might cause damage to the unit or danger of burning.
6. For adult use only. Fixture must be installed out of the reach of children. Never leave the unit running unattended. Keep it away from fire, combustible and flammable materials.
7. Position the machine in well-ventilated area. Please leave about 50cm spaces surrounding the unit.
8. Please do not use the fixture under high temperature.

9. Please use electronic-control confetti tube from DJPOWER, it will bring you an unexpected effect.
10. If something wrong happen while using, please stop the fixture immediately, cut off the power,and check the fuse, power cable and power plug. If problem could not be resolved, please contact with your dealer.

◆ Opening the package and inspecting the machine

Please make sure the machine is in good condition after opening the package. If there is any damage, please contact with your dealer directly and do not power on the machine.

◆ The following parts should be included when you receive the package:

1. One R-5 two-output electric confetti Launcher
2. One W-6 wireless remote controller
3. One power cord
4. One user manual

◆ Functional Specification



With wireless remote control, freely set four buttons of the controller to control one or more sprayer, maximum controlling distance reaching 1km. With DMX control, concrete operation is as following:

◆ LCD Display Setup



Only working when: Disconnecting DMX signal(when connecting DMX signal, LCD only shows ADDRESS setting page, and only can set DMX address, the others setting is no use)

Four Buttons of LCD Controller:
“MENU”: Functional Setting Menu;

“UP” : Increase;
“DOWN” : Decrease;
“ENTER” : “Enter” or “Exit” .

Pressing "Menu" button will exist 6 pages, all are as following:

①When LCD displays English "ready"

The first page(default page), means the machine is ready to work.

②When LCD displays English "DMX512 ADDRESS"

The second page , means setting DMX address, ranging from 1~512.

③When LCD displays English "channel 1 output 1 set "

The third page, means setting Button 1 of the wireless remote controller to control shot, 1~2 sprayers are useful.

Example: To realize Button 1 on the wireless controller to control sprayers No1,2,3 spraying simultaneously, press "up" or "down" to set "output 123" then exit.

④When LCD displays English "channel 2 output 2 set "

The fourth page, means setting button of the wireless remote controller to control sprayer, 1~2 sprayers are useful.

⑤When LCD displays "wireless set"

The seventh page, means setting on or off of the wireless remote control function. When it is "yes", the wireless control function can be used, if it is "No", it is no use.

⑥When LCD displays "language "

The eighth page, means setting language, Chinese and English are selectable.

After entering relative page, you can change the existing setup by pressing "UP" or "DOWN".

◆ DMX Control

With three DMX channels controlling, presenting as following:

Channel NO.1: 2 nozzles and master switch 0-10(OFF) 11-255(ON)

Channel No.2: NO.1 nozzle switch. 0-10(OFF) 11-255(ON)

Channel No.3: NO.2 nozzle switch. 0-10(OFF) 11-255(ON)

Note: Only when the first channel(master switch) is on, the other four channels could work.

◆ Technical Specification

Voltage:	AC 220V-240V 50/60Hz
Fuse:	F2A/250V
Power:	60W
Max Height (90°):	10m (80cm cannon) ; 5m (40cm cannon)
Max Distance (45°):	10m (80cm cannon) ; 5m (40cm cannon)
Wireless Remote Controller:	W-6

DMX-512:	√
N.W.:	5.5kg
G.W.:	6.5kg
Machine Size:	315/219/211(mm)
Package Size:	360/300/265(mm)
DMX Channel:	3
Consumables:	Confetti Cannon

◆ **Diagrams**

1. Antenna
2. LCD Display
3. Handle
4. Launch Tube
5. Electronic-control Socket
6. 3-pin DMX
7. 5-pin DMX
8. Hanging ring
9. Power Socket
10. Power Switch
11. M10 Bracket Hole

