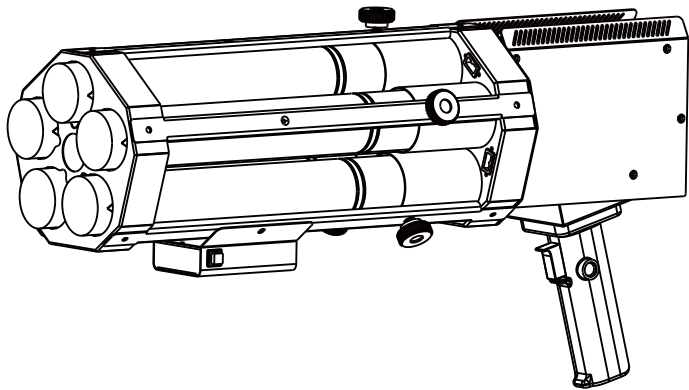




[ PRO STAGE EFFECTS ]



**R-7** USER MANUAL

**FIVE-OUTPUT ELECTRIC CONFETTI GUN**

## ◆ Foreword

Thank you very much of choosing DJPOWER R-7 Five-output Electric Confetti Gun.

Before start operating, we strongly suggest you to read the user manual carefully. Following the instructions here will ensure your safety while operating the machine, easily achieve the best effect, as well as understand the right way to care for and maintain the machine, hence to prolong the product life cycle.



### Safety Attention

1. Switch off the machine before replace the confetti tube;
2. Please do not put the confetti gun launching direction to humans or animals, so as not to cause harm.

## ◆ Products Description

1. Five-output Electric Confetti Gun using compressed air to power the confetti gun, safe and no pollution. LED flashing light in the gun centre are very attractive.
2. Double insurance firing way to ensure the safety of using. The gun with cool shaped and easy to operate, very suitable for DJ and singer. Both on the dance floor and performance, can create a warm atmosphere effect, bringing festival auspicious sign for the ceremony and the performance.
3. Install five confetti cannons at a time can launched in turns.
4. Built-in rechargeable battery can control launch without external power supply, which is very convenient.

## ◆ Features

1. The confetti cannons are easy to transport and various colors available, plug and play, safe and convenient;
2. Built-in polymer lithium-ion battery can be easy to use without external power supply, once fully charged can fire 100 confetti tube.
3. Launch distance: according to the confetti cannons are divided into 5m(40 cm confetti tube), 10m(80 cm confetti tube).

## ◆ Safety use

1. Keep the fixture dry. For indoor and outdoor used.
2. Use grounded electrical outlet. Prior to use, make sure that unit is installed at the rated voltage.
3. Turn off or unplug when not using it.
4. This machine is not water-proof. Please keep it away from moisture and water. If moisture, water, or fluid gets inside the housing, stop using it.
5. No user serviceable and modifiable parts inside. Do not disassemble the housing

and do any modification, otherwise it might cause damage to the unit or danger of burning.

6. For adult use only. Fixture must be installed out of the reach of children. Never leave the unit running unattended. Keep it away from fire, combustible and flammable materials.
7. Position the machine in well-ventilated area. Please leave about 50cm spaces surrounding the unit.
8. Please do not use the fixture under high temperature.
9. Please use electronic-control confetti tube from DJPOWER, it will bring you an unexpected effect.
10. If something wrong happen while using, please stop the fixture immediately, cut off the power, and check the fuse, power cable and power plug. If problem could not be resolved, please contact with your dealer.

### ◆ **Operating instructions**

After the battery is fully charged, put five confetti cannons into the R-7 and connect the gun power cable. Turn on the R-7's power switch, press the insurance button and the trigger button at the same time. R-7 confetti gun will launched in turns and light up the LED light. When the spray finished after 5 minutes, the LED light will automatically goes out.

### ◆ **Charge Description**

As the machine standby, the battery will run out slowly. When the battery indicator light flicker and showed one bar of power left , it should be turned off and charging. when charging indicator light is red it stand for charging, green light stand for fully charged.

### ◆ **The LED light instructions**

Randomly press the LED light on/off switch, LED light color selection button or the insurance button , the LED light will light up. Without any operation, LED light will automatically turn off after 5 minutes. Press the LED light color selection button once again, the LED light colors will become red, yellow, green, blue and cycle. After the LED light on/off switch is pressed again, the LED light will immediately turn off.

### ◆ **Opening the package and inspecting the machine**

Please open the package to make sure all the equipments are complete and check if there is any damage in delivery process, if there is damage, contact your dealer immediately.

### ◆ **Packed with the following items**

1. R-7 Five-output Electric Confetti Gun × 1
2. 40cm Color-mixing Electric Confetti Cannon × 5

- 3. User manual × 1
- 4. Power cord × 1

◆ **Technical parameters**

Voltage used: AC 110V- 240V 50/60Hz  
 Battery capacity: DC 11.1V 2200mAH  
 Max height ( at 90° ): 10m(80cm confetti cannon);5m(40cm confetti cannon)  
 Max distance (at 45°): 10m(80cm confetti cannon);5m(40cm confetti cannon)  
 Charging time: 5h  
 LED power: 8W\*1pc  
 LED color: RGBA  
 LED automatically shut down time: 5min  
 LED maximum duration: 180min  
 Confetti-spray time: 100times  
 N.W.: 3kg(not include the confetti cannon)  
 G.W.: 6.7kg  
 Machine Size: 610/205/330(mm)  
 Package size: 710/415/260(mm)  
 Consumable : Confetti Cannon

◆ **Solution diagram**

- 1. Remaining quantity of confetti tube indicator light
- 2. LED light color selection
- 3. Battery charge indicator
- 4. LED light on/off
- 5. charging indicator light
- 6. Insurance button
- 7. Trigger button

