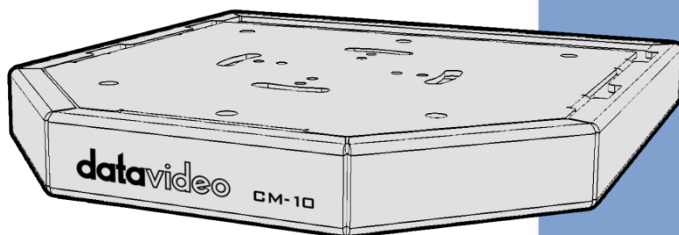


datavideo



PROFESSIONAL
CEILING MOUNT FOR
ROBOTIC PAN TILT HEAD

CM-10

Instruction Manual

www.datavideo.com

Table of Contents

WARRANTY	3
<i>STANDARD WARRANTY</i>	3
<i>THREE YEAR WARRANTY</i>	4
DISPOSAL	4
INTRODUCTION	5
PARTS ASSEMBLY AND INSTALLATION	5
<i>PRE-WORK</i>	5
<i>PROCEDURE</i>	6
FREQUENTLY ASKED QUESTIONS	14
DIMENSIONS AND WEIGHT	14
SPECIFICATIONS	15
SERVICE AND SUPPORT	16

Disclaimer of Product & Services

The information offered in this instruction manual is intended as a guide only. At all times, Datavideo Technologies will try to give correct, complete and suitable information. However, Datavideo Technologies cannot exclude that some information in this manual, from time to time, may not be correct or may be incomplete. This manual may contain typing errors, omissions or incorrect information. Datavideo Technologies always recommend that you double check the information in this document for accuracy before making any purchase decision or using the product. Datavideo Technologies is not responsible for any omissions or errors, or for any subsequent loss or damage caused by using the information contained within this manual. Further advice on the content of this manual or on the product can be obtained by contacting your local Datavideo Office or dealer.

Warranty

Standard Warranty

- Datavideo equipment is guaranteed against any manufacturing defects for one year from the date of purchase.
- The original purchase invoice or other documentary evidence should be supplied at the time of any request for repair under warranty.
- The product warranty period begins on the purchase date. If the purchase date is unknown, the product warranty period begins on the thirtieth day after shipment from a Datavideo office.
- All non-Datavideo manufactured products (product without Datavideo logo) have only one year warranty from the date of purchase.
- Damage caused by accident, misuse, unauthorized repairs, sand, grit or water is not covered under warranty.
- Viruses and malware infections on the computer systems are not covered under warranty.
- Any errors that are caused by unauthorized third-party software installations, which are not required by our computer systems, are not covered under warranty.
- All mail or transportation costs including insurance are at the expense of the owner.
- All other claims of any nature are not covered.
- All accessories including headphones, cables, batteries, metal parts, housing, cable reel and consumable parts are not covered under warranty.
- Warranty only valid in the country or region of purchase.
- Your statutory rights are not affected.

Three Year Warranty

- All Datavideo products purchased after July 1st, 2017 qualify for a free two years extension to the standard warranty, providing the product is registered with Datavideo **within 30** days of purchase.
- Certain parts with limited lifetime expectancy such as LCD panels, DVD drives, Hard Drive, Solid State Drive, SD Card, USB Thumb Drive, Lighting, Non-PCIe Card and third party provided PC components are covered for 1 year.
- The three-year warranty must be registered on Datavideo's official website or with your local Datavideo office or one of its authorized distributors within 30 days of purchase.



Disposal



For EU Customers only - WEEE Marking

This symbol on the product or on its packaging indicates that this product must not be disposed of with your other household waste. Instead, it is your responsibility to dispose of your waste equipment by handing it over to a designated collection point for the recycling of waste electrical and electronic equipment. The separate collection and recycling of your waste equipment at the time of disposal will help to conserve natural resources and ensure that it is recycled in a manner that protects human health and the environment. For more information about where you can drop off your waste equipment for recycling, please contact your local city office, your household waste disposal service or the shop where you purchased the product.



CE Marking is the symbol as shown on the left of this page.

The letters "CE" are the abbreviation of French phrase "Conformité Européene" which literally means "European Conformity". The term initially used was "EC Mark" and it was officially replaced by "CE Marking" in the Directive 93/68/EEC in 1993. "CE Marking" is now used in all EU official documents.

Introduction

CM-10 is a ceiling mount designed for PTR robotic pan tilt head, securing your PTR robotic pan tilt head to the ceiling.

Parts Assembly and Installation

In this section, you will be shown how you can assemble and install your CM-10.

Pre-work

1. First check you have all the parts listed in the table below.

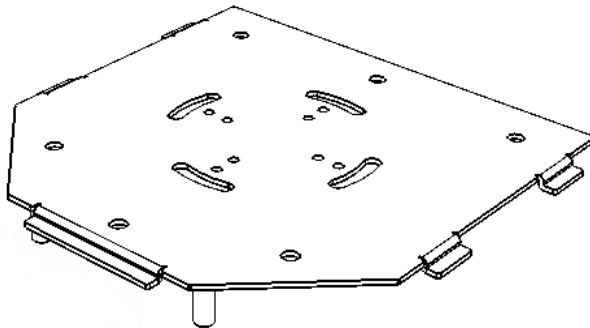
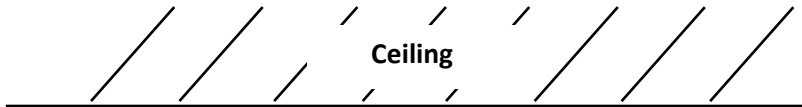
Note: There is a bubble level meter on the ceiling bracket A.

No.	Part Names	Qty
1	Ceiling Mount Bracket A	1
2	Ceiling Mount Bracket B	1
3	Camera Mount Arm	1
4	Camera Mount Base	1
5	Expansion Bolt	6
6	M3 x 6mm Screw (Silver)	2
7	M3 x 6mm Screw (Black)	4
8	M4 x 8mm Screw (Black)	4
9	M4 x 9.6mm Screw (Silver)	3

Procedure

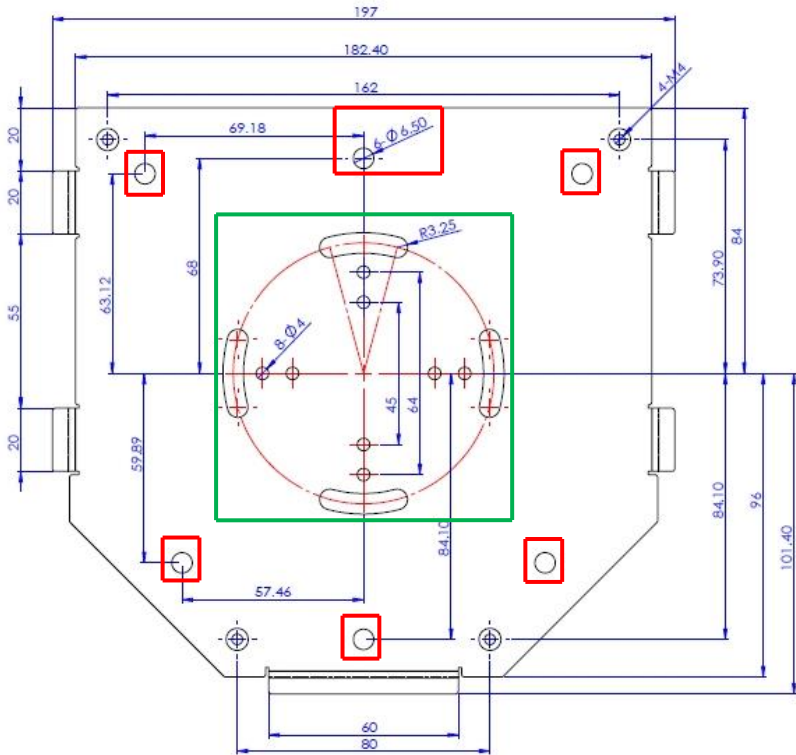
Follow the steps outlined below to assemble the ceiling and camera mounts and secure them to your PTR robotic pan tilt head.

1. Secure the ceiling mount bracket B to the ceiling.



Ceiling Mount Bracket (B)

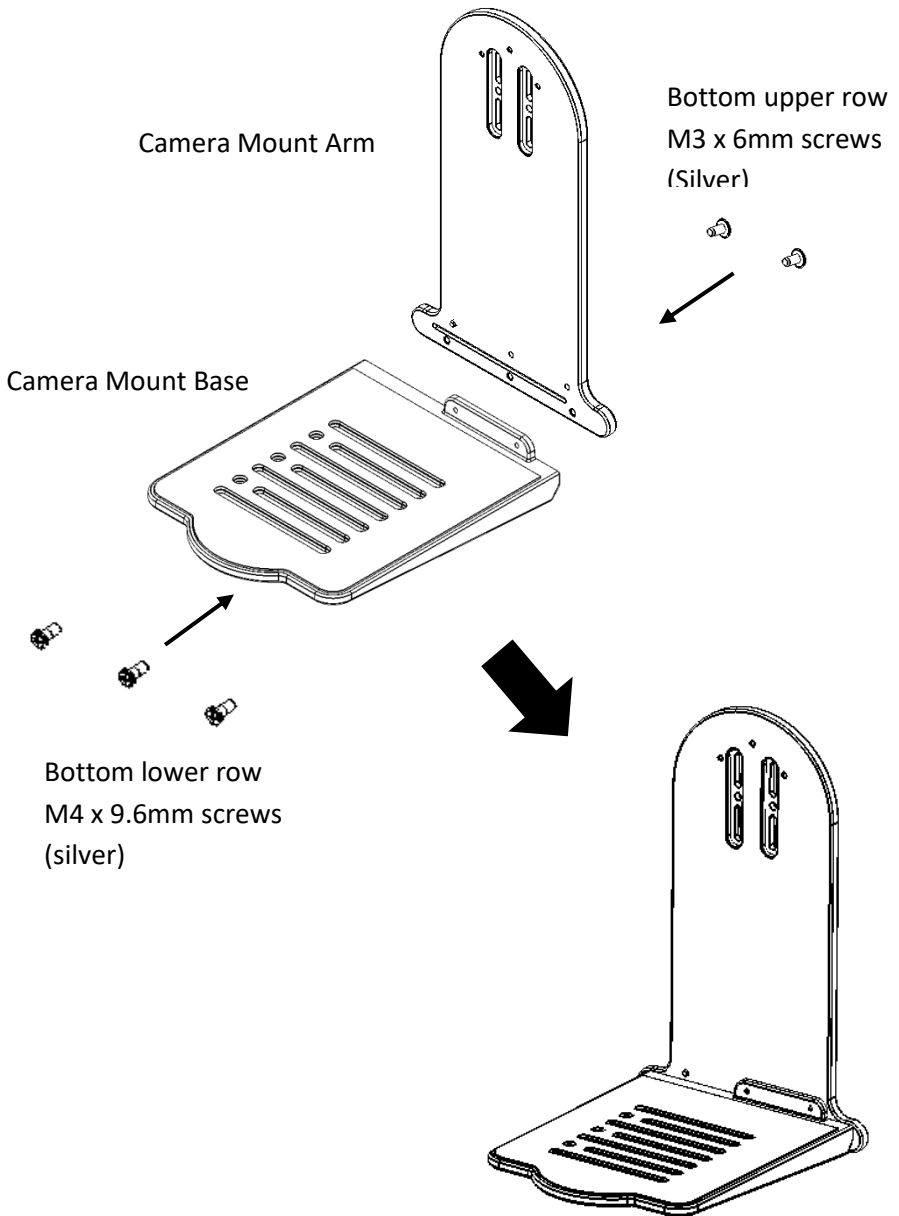
The dimensions diagram of the ceiling mount bracket B is shown below.



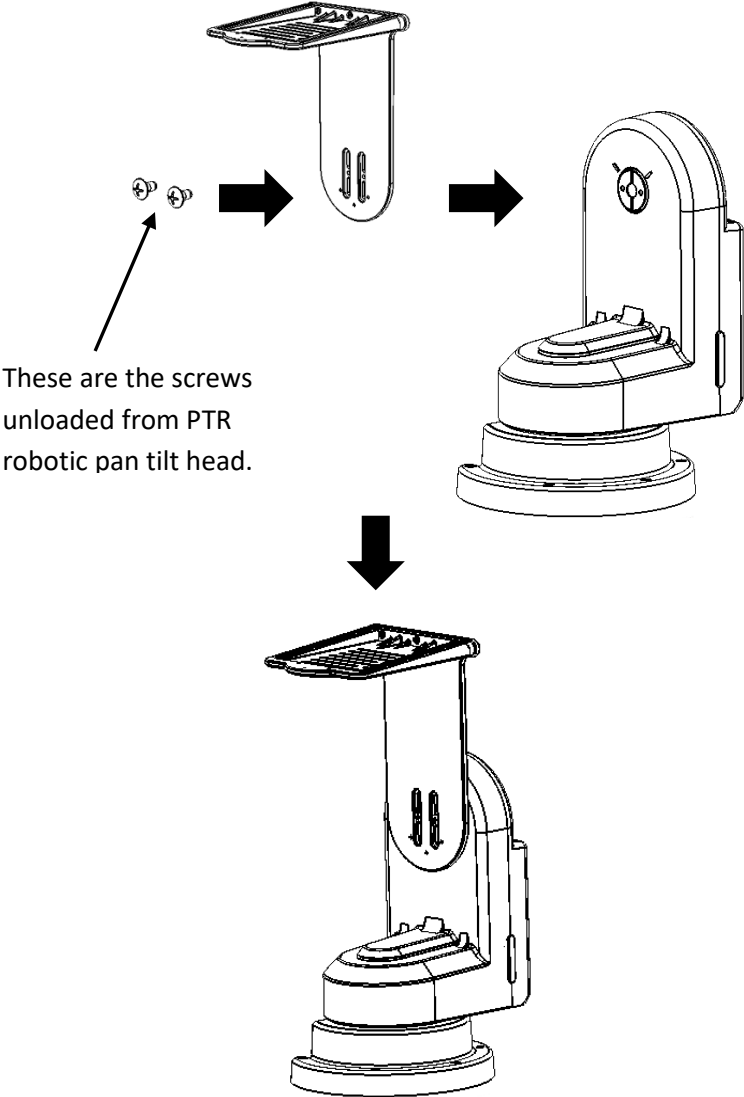
If your ceiling is made of concrete, then on the surface where the PTR robotic pan tilt head is to be installed, drill six holes spaced according to the dimensions indicated in the diagram above (**see the red squares**) then use the **six expansion bolts in your product package** to secure the ceiling mount bracket B to the ceiling.

If your ceiling is made of wood, then on the surface where the PTR robotic pan tilt head is to be installed, drill four holes spaced according to the dimensions indicated in the diagram above (**see the arc shaped holes in the green square**) then use **four self-tapping screws** to secure the ceiling mount bracket B to the ceiling. **Please note that self-tapping screws are not provided in the product package.**

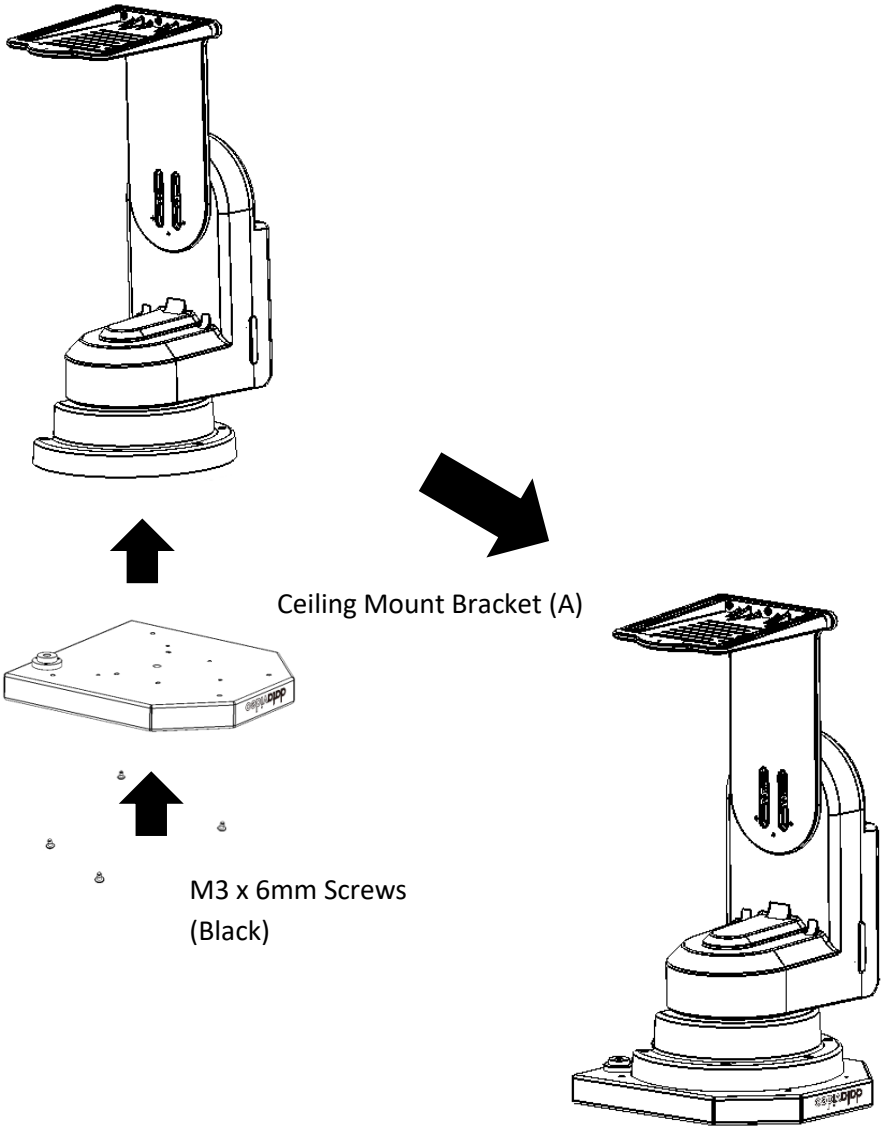
2. Assemble the camera mount



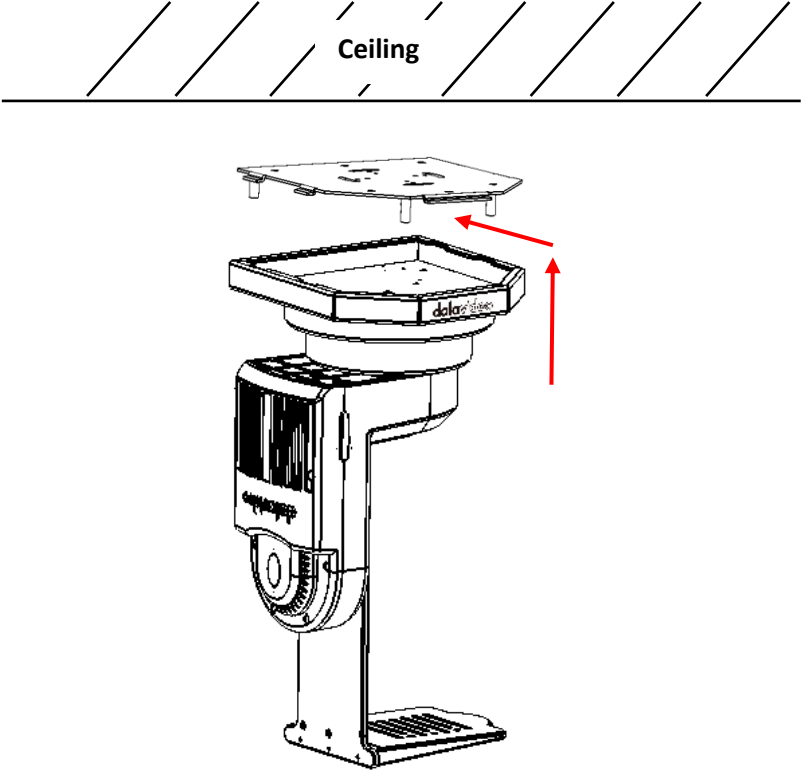
3. Secure the camera mount to the PTR robotic pan tilt head.



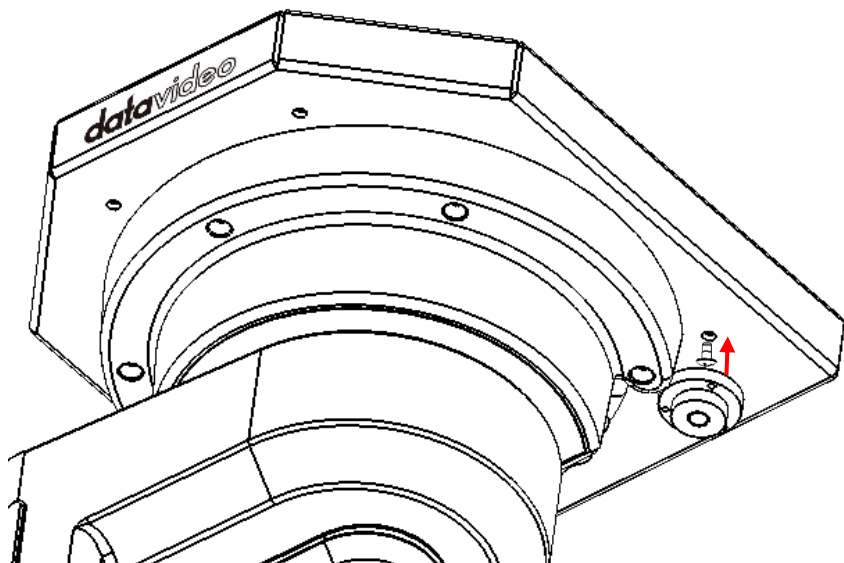
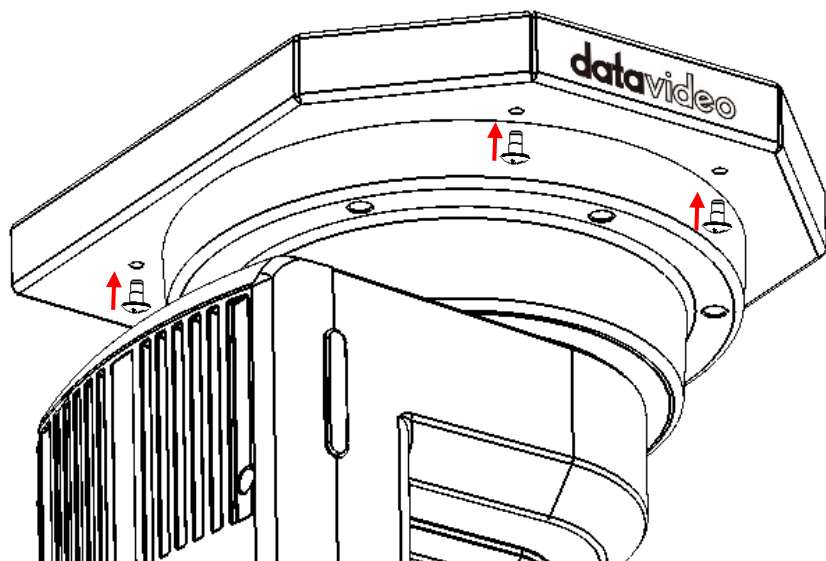
4. Secure the ceiling mount bracket A to the base of the PTR robotic pan tilt head.



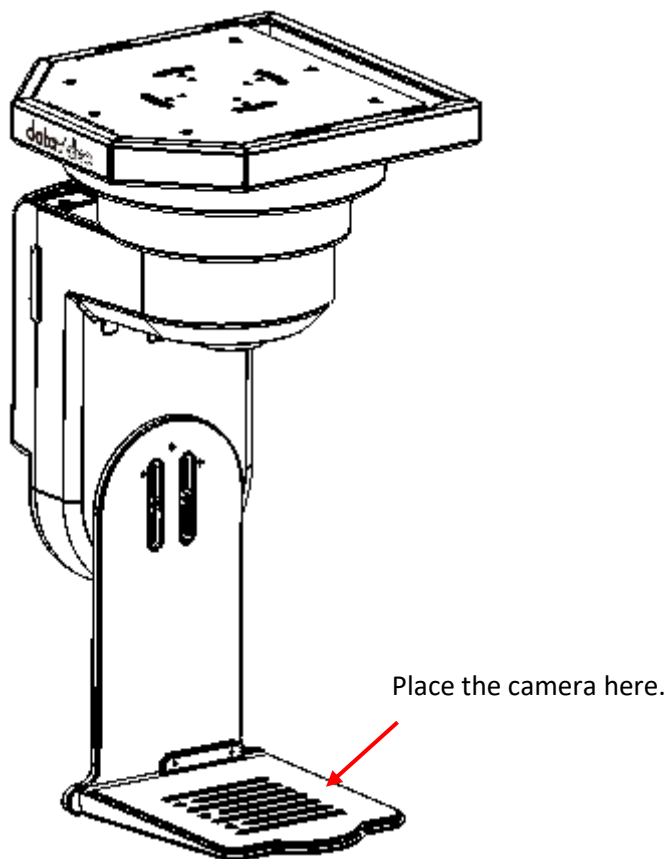
5. As shown in the diagram, push the ceiling mount bracket A along with the PTR robotic pan tilt head into the ceiling mount bracket B secured to the ceiling then backwards until the two brackets click into place.



6. Insert the four M4 x 8mm screws (black) into each of the four holes in the four corners of the ceiling mount bracket A then tighten.



7. Finally secure your camera to the camera mount base as shown in the diagram below.

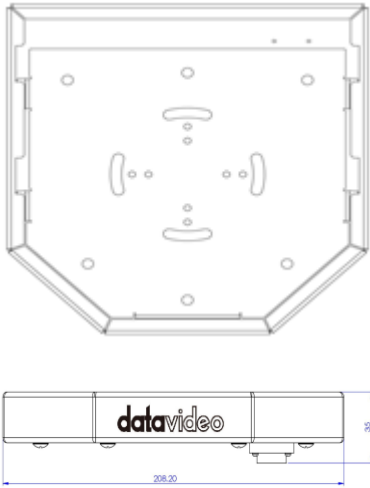
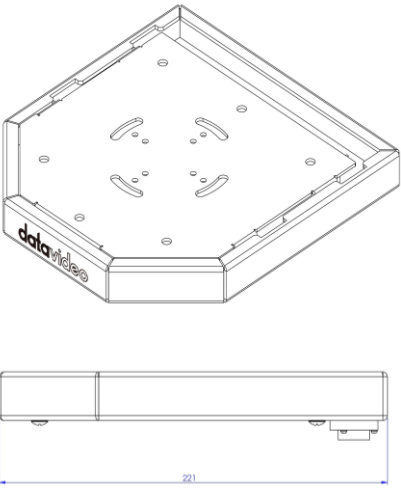


Frequently Asked Questions

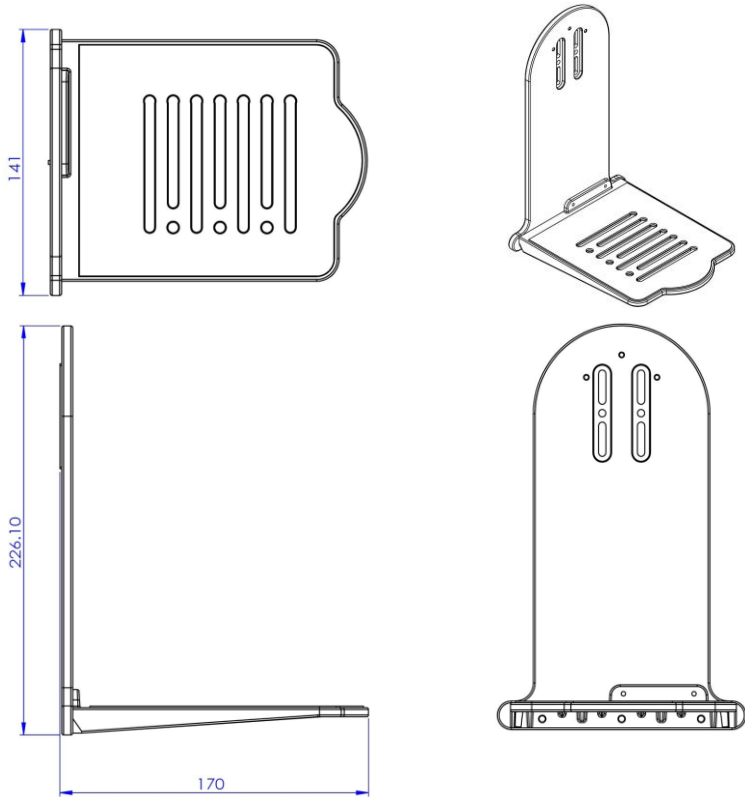
This section describes problems that you may encounter while using CM-10. See related items for suggested solutions. If problem still exists, please contact your distributor or the service center.

No.	Problems	Solutions
1	The bubble level meter of the ceiling mount bracket A shows that the PTR robotic pan tilt head is not aligned after installation.	You can insert some soft pads into the space between the ceiling mount bracket B and the ceiling to align the PTR robotic pan tilt head horizontally.

Dimensions and Weight

Ceiling Mount	
Unit: mm	
	
Weight: 1.66 kg (3.66 lb)	

Camera Mount



Weight: 0.51 kg (1.12 lb)

Specifications

Model No.	CM-10
Name	Professional Ceiling Mount for Robotic Pan Tilt Head
Weight	Ceiling Mount: 1.66 kg (3.66 lb) Camera Mount: 0.51 kg (1.12 lb)
Dimensions	Ceiling Mount: 208 x 221 x 35 (mm) Camera Mount: 170 x 141 x 226 (mm)
Max. Load Weight	10 kg

Service & Support

It is our goal to make your products ownership a satisfying experience. Our supporting staff is available to assist you in setting up and operating your system. Please refer to our web site www.datavideo.com for answers to common questions, support requests or contact your local office below.



Please visit our website for latest manual update.
<https://www.datavideo.com/product/CM-10>

datavideo
www.datavideo.com



@DatavideoUSA @DatavideoIndia2016
@DatavideoEMEA @Datavideojapan
@DatavideoTaiwan @DatavideoLatam
@DatavideoAsia @DatavideoBrasil



@Datavideo
@Datavideo_EMEA
@Datavideo_Taiwan



@DatavideoUSA
@DVTWDVCN



@DatavideoUSA
@DatavideoEurope

All the trademarks are the properties of their respective owners.
Datavideo Technologies Co., Ltd. All rights reserved 2020