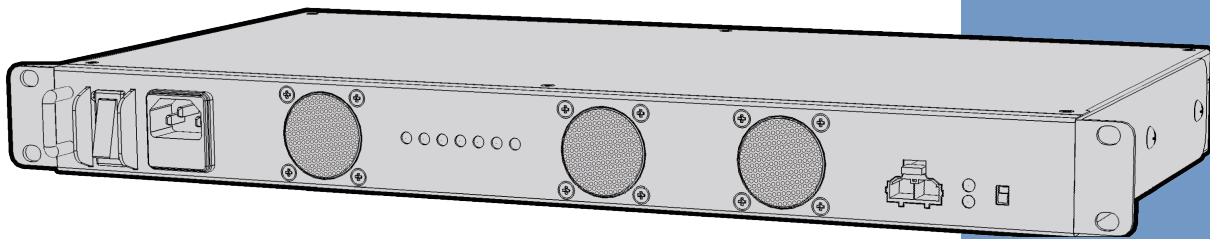


datavideo



POWER CENTER

PD-2A

Instruction Manual

www.datavideo.com

Table of Contents

ATTENTION:	2
AVERTISSEMENT:	2
DANGER:	2
SAFETY INSTRUCTIONS - RACK MOUNT	3
FCC COMPLIANCE STATEMENT	4
WARNINGS AND PRECAUTIONS	4
WARRANTY	5
STANDARD WARRANTY	5
THREE YEAR WARRANTY	5
DISPOSAL	6
FEATURES	7
FRONT PANEL	7
REAR PANEL	9
DATAVIDEO PRODUCT VOLTAGE REQUIREMENTS	9
SPECIFICATION	10
SERVICE & SUPPORT	11

Disclaimer of Product & Services

The information offered in this instruction manual is intended as a guide only. At all times, Datavideo Technologies will try to give correct, complete and suitable information. However, Datavideo Technologies cannot exclude that some information in this manual, from time to time, may not be correct or may be incomplete. This manual may contain typing errors, omissions or incorrect information. Datavideo Technologies always recommend that you double check the information in this document for accuracy before making any purchase decision or using the product. Datavideo Technologies is not responsible for any omissions or errors, or for any subsequent loss or damage caused by using the information contained within this manual. Further advice on the content of this manual or on the product can be obtained by contacting your local Datavideo Office or dealer.

ATTENTION:

1. Débranchez l'appareil de la prise secteur murale avant de le nettoyer . Ne pas utiliser de nettoyeurs liquides ou en aérosol. Utilisez un chiffon humide pour le nettoyage.
2. Ne pas utiliser cet appareil dans l'eau ou près de l'eau.
3. Ne placez pas cet appareil sur un chariot, un support ou une table instables . L'appareil pourrait tomber, causant de graves dommages.
4. Ne laissez rien reposer sur le cordon d'alimentation . Ne placez pas le cordon d'alimentation à un endroit où quelqu'un ou quelque chose pourrait marcher, rouler dessus, ou l'abimer autrement.
5. Débranchez l'appareil de la prise secteur murale et reportez-vous à du personnel qualifié dans les conditions suivantes :
 - a. Lorsque le cordon d'alimentation est endommagé ou effiloché ;
 - b. Lorsque du liquide a été renversé dans l'appareil ;
 - c. Lorsque le produit a été exposé à la pluie ou à l'eau ;
 - d. Quand l'appareil ne fonctionne pas normalement dans les conditions normales de fonctionnement. Réglez seulement les contrôles qui sont couverts par les instructions de fonctionnement dans ce manuel ; le réglage incorrect d'autres commandes peut causer des dommages à l'appareil et peut souvent nécessiter l'intervention d'un technicien qualifié pour restaurer l'unité en fonctionnement normal ;
 - e. Lorsque le produit est tombé ou que le boîtier a été endommagé ;
 - f. Lorsque le produit présente un changement notable de ses performances, indiquant qu'une réparation est nécessaire.

AVERTISSEMENT:

1. Lire tous ces avertissements et les conserver pour référence ultérieure.
2. Respectez tous les avertissements et instructions indiqués sur cet appareil.
3. Ce produit ne doit être utilisé qu'avec le type de source d'alimentation indiqué sur l'étiquette de l'adaptateur secteur (AC) . Si vous n'êtes pas sûr du type d'alimentation disponible, consultez votre revendeur Datavideo ou votre fournisseur d'électricité local.
4. Si une rallonge doit être utilisée avec cet appareil , assurez-vous que le total des intensités nominales des produits branchés sur la rallonge ne dépasse pas la cote de la rallonge (Ampères).
5. Assurez-vous que les Ampères totaux de toutes les unités qui sont branchées sur une même prise secteur murale ne dépasse pas 15 ampères.

DANGER:

1. Les fentes et les ouvertures sur le haut du boîtier , l'arrière et le bas, sont prévues pour la ventilation . Pour assurer un fonctionnement sûr et fiable de cette unité, et pour la protéger de la surchauffe, ne bloquez ou ne couvrez pas ces ouvertures. Ne placez pas cet appareil sur un lit, un canapé, un tapis

ou une surface similaire, car les ouvertures de ventilation sur le fond du boîtier seront bloquées. Cette unité ne doit jamais être placée à proximité ou sur une source de chaleur ou un radiateur. Cet appareil ne doit pas être placé dans une installation intégrée à moins qu'une ventilation adéquate ne soit prévue.

2. Ne jamais pousser des objets de toute sorte dans cette unité à travers les fentes de ventilation du boîtier, car ils peuvent toucher des points de tension dangereux ou court-circuiter, ce qui pourrait entraîner un risque d'incendie ou de choc électrique. Ne renversez jamais de liquide d'aucune sorte sur ou dans l'appareil.
3. Sauf disposition expresse expliquée ailleurs dans ce manuel, ne tentez pas de réparer ce produit vous-même. L'ouverture ou le retrait des capots portant la mention «Ne pas retirer» peut vous exposer à des points de tension dangereux ou d'autres risques, et annulera votre garantie. Reportez tous les problèmes de service à un personnel qualifié.

Safety Instructions - Rack Mount

Marking or Instruction Details:

"Rack Mount Instructions - The following or similar rack-mount instructions are included with the installation instructions:

A) Elevated Operating Ambient - If installed in a closed or multi-unit rack assembly, the operating ambient temperature of the rack environment may be greater than room ambient. Therefore, consideration should be given to installing the equipment in an environment compatible with the maximum ambient temperature (T_{ma}) specified by the manufacturer.

B) Reduced Air Flow - Installation of the equipment in a rack should be such that the amount of air flow required for safe operation of the equipment is not compromised.

C) Mechanical Loading - Mounting of the equipment in the rack should be such that a hazardous condition is not achieved due to uneven mechanical loading.

D) Circuit Overloading - Consideration should be given to the connection of the equipment to the supply circuit and the effect that overloading of the circuits might have on overcurrent protection and supply wiring. Appropriate consideration of equipment nameplate ratings should be used when addressing this concern.

E) Reliable Earthing - Reliable earthing of rack-mounted equipment should be maintained. Particular attention should be given to supply connections other than direct connections to the branch circuit (e.g. use of power strips)."

" Instructions de montage en Rack - Les instructions de montage en rack suivantes ou similaires sont incluses dans les instructions d'installation :

A) Température ambiante de fonctionnement - S'il est installé dans un rack fermé ou à unités multiples, la température ambiante de fonctionnement du rack peut être supérieure à la température ambiante de la

pièce . Par conséquent , il faut envisager d'installer l'équipement dans un environnement compatible avec la température ambiante maximale (Tam), spécifiée par le fabricant .

B) Débit d'air réduit – L'installation de l'équipement dans un rack doit être telle que la quantité de flux d'air nécessaire au bon fonctionnement de l'équipement ne soit pas compromise.

C) Charge mécanique - Le montage de l'équipement dans le rack doit être tel qu'une situation dangereuse ne soit pas liée à une charge mécanique irrégulière .

D) Surcharge du circuit d'alimentation- Il faut tenir compte de la connexion de l'équipement au circuit d'alimentation et l' effet que la surcharge des circuits pourrait avoir sur la protection contre les surintensités et les câbles d'alimentation . Un examen approprié des notes des équipements et de la plaque signalétique doit être fait pour traiter cette préoccupation .

E) Mise à la terre fiable – La mise à la terre fiable du matériel monté en rack doit être maintenue . Une attention particulière doit être apportée aux connexions d'alimentation autres que les connexions directes au circuit.(par exemple l'utilisation de multiprises) " .

FCC Compliance Statement

This device complies with part 15 of the FCC rules. Operation is subject to the following two conditions:

1. This device may not cause harmful interference, and
2. This device must accept any interference received, including interference that may cause undesired operation.

Warnings and Precautions

1. Read all of these warnings and save them for later reference.
2. Follow all warnings and instructions marked on this unit.
3. Unplug this unit from the wall outlet before cleaning. Do not use liquid or aerosol cleaners. Use a damp cloth for cleaning.
4. Do not use this unit in or near water.
5. Do not place this unit on an unstable cart, stand, or table. The unit may fall, causing serious damage.
6. Slots and openings on the cabinet top, back, and bottom are provided for ventilation. To ensure safe and reliable operation of this unit, and to protect it from overheating, do not block or cover these openings. Do not place this unit on a bed, sofa, rug, or similar surface, as the ventilation openings on the bottom of the cabinet will be blocked. This unit should never be placed near or over a heat register or radiator. This unit should not be placed in a built-in installation unless proper ventilation is provided.
7. This product should only be operated from the type of power source indicated on the marking label of the AC adapter. If you are not sure of the type of power available, consult your Datavideo dealer or your local power company.
8. Do not allow anything to rest on the power cord. Do not locate this unit where the power cord will be walked on, rolled over, or otherwise stressed.
9. If an extension cord must be used with this unit, make sure that the total of the ampere ratings on the products plugged into the extension cord do not exceed the extension cord rating.
10. Make sure that the total amperes of all the units that are plugged into a single wall outlet do not exceed 15 amperes.
11. Never push objects of any kind into this unit through the cabinet ventilation slots, as they may touch dangerous voltage points or short out parts that could result in risk of fire or electric shock. Never spill liquid of any kind onto or into this unit.



12. Except as specifically explained elsewhere in this manual, do not attempt to service this product yourself. Opening or removing covers that are marked "Do Not Remove" may expose you to dangerous voltage points or other risks, and will void your warranty. Refer all service issues to qualified service personnel.
13. Unplug this product from the wall outlet and refer to qualified service personnel under the following conditions:
 - a. When the power cord is damaged or frayed;
 - b. When liquid has spilled into the unit;
 - c. When the product has been exposed to rain or water;
 - d. When the product does not operate normally under normal operating conditions. Adjust only those controls that are covered by the operating instructions in this manual; improper adjustment of other controls may result in damage to the unit and may often require extensive work by a qualified technician to restore the unit to normal operation;
 - e. When the product has been dropped or the cabinet has been damaged;
 - f. When the product exhibits a distinct change in performance, indicating a need for service.

Warranty

Standard Warranty

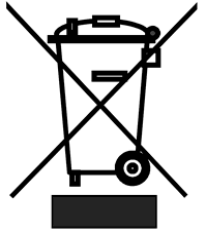
- Datavideo equipment are guaranteed against any manufacturing defects for one year from the date of purchase.
- The original purchase invoice or other documentary evidence should be supplied at the time of any request for repair under warranty.
- The product warranty period begins on the purchase date. If the purchase date is unknown, the product warranty period begins on the thirtieth day after shipment from a Datavideo office.
- Damage caused by accident, misuse, unauthorized repairs, sand, grit or water is not covered under warranty.
- Viruses and malware infections on the computer systems are not covered under warranty.
- Any errors that are caused by unauthorized third-party software installations, which are not required by our computer systems, are not covered under warranty.
- All mail or transportation costs including insurance are at the expense of the owner.
- All other claims of any nature are not covered.
- Cables and batteries are not covered under warranty.
- Warranty only valid in the country or region of purchase.
- Your statutory rights are not affected.

Three Year Warranty

- All Datavideo products purchased after July 1st, 2017 are qualified for a free two years extension to the standard warranty, providing the product is registered with Datavideo within 30 days of purchase.
- Certain parts with limited lifetime expectancy such as LCD panels, DVD drives, Hard Drive, Solid State Drive, SD Card, USB Thumb Drive, Lighting, Camera module, PCIe Card are covered for 1 year.
- The three-year warranty must be registered on Datavideo's official website or with your local Datavideo office or one of its authorized distributors within 30 days of purchase.



Disposal



For EU Customers only - WEEE Marking

This symbol on the product or on its packaging indicates that this product must not be disposed of with your other household waste. Instead, it is your responsibility to dispose of your waste equipment by handing it over to a designated collection point for the recycling of waste electrical and electronic equipment. The separate collection and recycling of your waste equipment at the time of disposal will help to conserve natural resources and ensure that it is recycled in a manner that protects human health and the environment. For more information about where you can drop off your waste equipment for recycling, please contact your local city office, your household waste disposal service or the shop where you purchased the product.



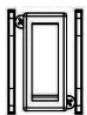
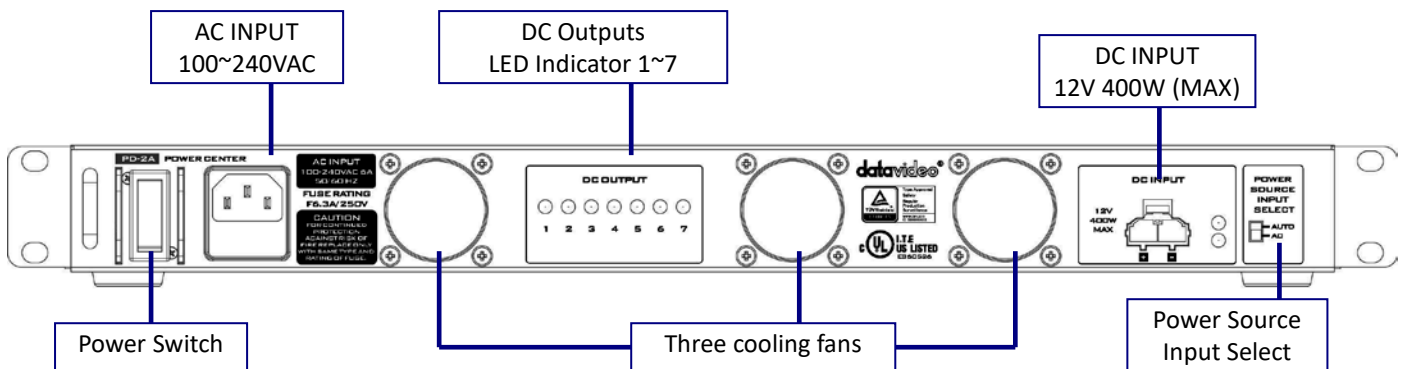
documents.

CE Marking is the symbol as shown on the left of this page. The letters "CE" are the abbreviation of French phrase "Conformité Européene" which literally means "European Conformity". The term initially used was "EC Mark" and it was officially replaced by "CE Marking" in the Directive 93/68/EEC in 1993. "CE Marking" is now used in all EU official

Features

- 400 watt rated power supply
- **Input connections:**
AC: 100-240V AC Max 6.3 A, 50Hz or 60HZ
DC: 12V 400W
- **Output connections:**
4 x 12V DC 3A XLR
2 x 12V DC 5A XLR
2 x 12V DC 10A XLR
- Combine up-to 10 mains power supplies into a single convenient power connection
- Chassis Ground terminal
- Embedded three units of heat sink fan design
- Selectable of Auto/AC input switch
- AC overload protection, non-recovery fuse on the AC input outlet
- DC overload protection, auto-recovery fuses on each DC output terminal
- AC Power switch LED indicator
- DC output LED indicators

Front Panel



On / Off Switch

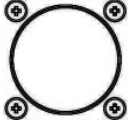
Powers the PD-2A On / Off when using AC Power.

Note: The On / Off Switch is not functional if the power input is DC.



AC In with built-in fuse

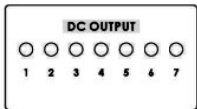
AC Inlet for connecting to suitable mains power outlet – 100-240VAC. The socket contains a fuse holder fitted with a 6.3A fuse.



Cooling Fan

The PD-2A has three built-in cooling fans; please ensure that fans are not blocked, and the air flow is available.

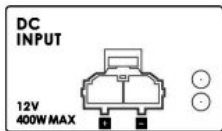
Note: *The right two fans will start operation when internal ambient temperature reaches 50°C. The left fan will start operation when internal ambient temperature reaches 70°C.*



XLR DC OUTPUT LED Indicators (1-7)

Indicator lights **ON** during normal operation.

Indicator lights **OFF** if the output is overloaded or faulty.



DC Input (Euro Type Terminal)

The PD-2A can be powered from a suitable 12V power source. When working from DC the PD-2A will not regulate the power outlets.

Please ensure that the 12V power source that you use is regulated. If you intend to run the PD-2A from a car or van power outlet, please make sure a suitable regulator is used on the power feed.

LED indicator

Green: DC input power connected

Blinking Red: Internal ambient temperature exceeds 70°C degrees.



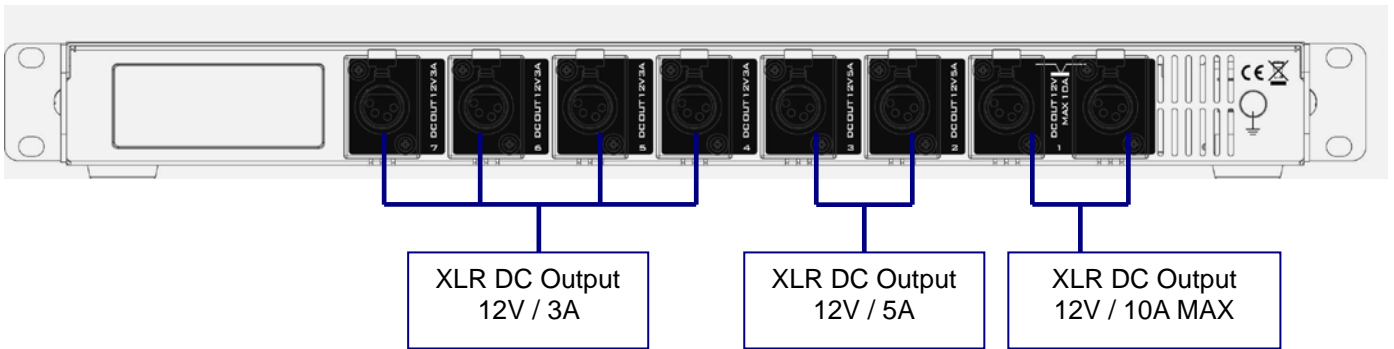
Power Source Input Select Switch (AUTO / AC)

The **Input Select Switch** can be set to **AC** or **AUTO** depending on the power input that you intend to use.

AUTO: When AC and DC power sources are connected at the same time, the DC power source will start supplying current to the DC outputs until the AC source rises above 11.3V.

AC: Current supplied to the DC output from the AC power source **ONLY**.

Rear Panel



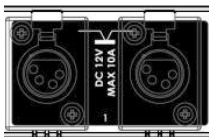
DC Out 12V 3A

12V 3A DC Output via XLR In-Line Socket x 4



DC Out 12V 5A

12V 5A DC Output via XLR In-Line Socket x 2



DC Out 12V 10A

12V 10A MAX DC Output via XLR In-Line Socket x 2

Note: Status of these two DC outputs is indicated by LED indicator 1 on the front panel. These two DC outputs supply a total of maximum 12V 10A DC power, i.e. the left output 1 supplies 7V and the right output 1 supplies 3V.



Ground Terminal

When connecting this unit to any other component, make sure that it is properly grounded by connecting this terminal to an appropriate point. When connecting, use the socket and be sure to use wire with a cross-sectional area of at least 1.0 mm².

Datavideo Product Voltage Requirements

This table is a guideline for Datavideo products, if you are using products from other manufacturers please check their voltage requirements carefully before connecting to the PD-2A.

DC 12V 3A	SE-500 / SE-600 / SE-2000 / DVK-300HD / ITC-100 / AM-100
DC 12V 5A	HS-550 / HS-600 / HS-2000 / HS-2000L / SE-2800
DC 12V10A	HS-2800 / SE-3000

Specification

Input	
AC input outlet	One AC input
AC input voltage	100 - 240VAC
AC input current rating	100 – 240VAC MAX 6.3A
AC frequency	50Hz or 60Hz
DC input	One DC 12V, supports non-regulated DC 12V output
DC input watt	400W
Output	
DC Output (Two of the outputs can combine the rating to become one 12V±5%, 10A DC output)	12V±5%, 3A XLR DC Female Jack x 4 12V±5%, 5A XLR DC Female Jack x 2 12V±5%,10A XLR DC Female Jack x 2
General	
Output Efficiency	More than 80%
DC Output Noise	+5%, -3%
Operating Temperature	0 to 40 °C ambient
Operating Humidity	5% to 90% RH, Non-condensing
Storage Temperature	-20 to 85 degrees C
Storage Humidity	5% to 90% RH, Non-condensing
Dimensions	440*214*46 mm
Weight	4.9Kg

Service & Support

It is our goal to make owning and using Datavideo products a satisfying experience. Our support staff is available to assist you to set up and operate your system. Contact your local office for specific support requests. Plus, please visit www.datavideo.com to access our FAQ section.

China Shanghai
Datavideo Technologies China Co
601, Building 10, No. 1228,
Rd. Jiangchang,
Jingan District, Shanghai
Tel: +86 21-5603 6599
Fax: +86 21-5603 6770
E-mail: service@datavideo.cn

China Beijing
Datavideo Technologies China Co
No. 812, Building B, Wankai Center,
No. 316, Wan Feng Road, Fengtai District,
Beijing, China
Tel: +86 10-8586 9034
Fax: +86 10-8586 9074
E-mail: service@datavideo.cn

China Chengdu
Datavideo Technologies China Co
B-823, Meinian square, No. 1388,
Middle of Tianfu Avenue, Gaoxin District,
Chengdu, Sichuan
Tel: +86 28-8613 7786
Fax: +86 28-8513 6486
E-mail: service@datavideo.cn

China Fuzhou
Datavideo Technologies China Co
A1-2318-19 Room, No. 8, Aojiang Road,
Taijiang District, Fuzhou, Fujian, China
Tel: 0591-83211756 · 0591-83210187
Fax: 0591-83211262
E-mail: service@datavideo.cn

China Jinan
Datavideo Technologies China Co
902, No. 1 business building,
Xiangtai Square, No. 129,
Yingxiongshan Road, Shizhong District,
Jinan City, Shandong Province, China
Tel: +86 531-8607 8813
E-mail: service@datavideo.cn

Hong Kong
Datavideo Hong Kong Ltd
G/F., 26 Cross Lane
Wanchai, Hong Kong
Tel: +852-2833-1981
Fax: +852-2833-9916
E-mail: info@datavideo.com.hk

India Noida
Datavideo India Noida
A-132, Sec-63, Noida-201307,
India
Tel: +91-0120-2427337
Fax: +91-0120-2427338
E-mail: sales@datavideo.in

India Kochi
Datavideo India Kochi
2nd Floor- North Wing, Govardhan Building,
Opp. NCC Group Headquarters, Chittoor Road,
Cochin- 682035
Tel: +91 4844-025336
Fax: +91 4844-047696
E-mail: sales@datavideo.in

Netherlands
Datavideo Technologies Europe BV
Floridadreef 106
3565 AM Utrecht,
The Netherlands
Tel: +31-30-261-96-56
Fax: +31-30-261-96-57
E-mail: info@datavideo.nl

Singapore
Datavideo Visual Technology(S) Pte Ltd
No. 178 Paya Lebar Road #06-07
Singapore 409030
Tel: +65-6749 6866
Fax: +65-6749 3266
E-mail: info@datavideovirtualset.com

Singapore
Datavideo Technologies (S) PTE Ltd
No. 178 Paya Lebar Road #06-03
Singapore 409030
Tel: +65-6749 6866
Fax: +65-6749 3266
E-mail: sales@datavideo.sg

Taiwan
Datavideo Technologies Co. Ltd
10F. No. 176, Jian 1st Rd., Chung Ho
District, New Taipei City 235, Taiwan
Tel: +886-2-8227-2888
Fax: +886-2-8227-2777
E-mail: service@datavideo.com.tw

United States
Datavideo Corporation
7048 Elmer Avenue.
Whittier, CA 90602,
U.S.A.
Tel: +1-562-696 2324
Fax: +1-562-698 6930
E-mail: sales@datavideo.com

United Kingdom
Datavideo UK Limited
Brookfield House, Brookfield Industrial
Estate, Peakdale Road, Glossop,
Derbyshire, SK13 6LQ
Tel: +44-1457 851 000
Fax: +44-1457 850 964
E-mail: sales@datavideo.co.uk

France
Datavideo France s.a.r.l.
Cit  Descartes 1, rue Albert Einstein
Champs sur Marne 774477 –
Marne la Vall e cedex 2
Tel: +33-1-60370246
Fax: +33-1-60376732
E-mail: info@datavideo.fr



Please visit our website for latest manual update.
www.datavideo.com/product/PD-2A

datavideo
www.datavideo.com