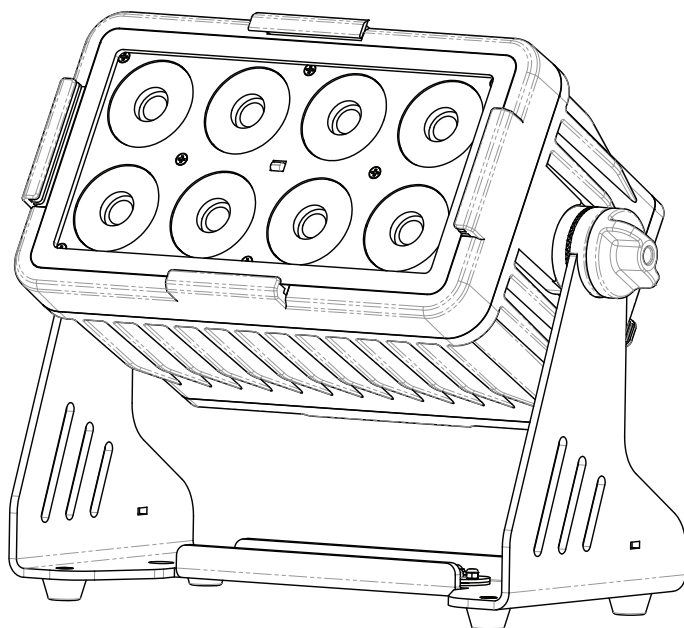




Battery powered IP65 Spotlight

10-watt x 8 LEDs (R/G/B/W 4IN1)



User Manual

Code: 8X10RGBWX4SET

TABLE OF CONTENTS

PACKAGE CONTENTS	2
SAFETY INSTRUCTIONS	3
FEATURES	4
DIMENSIONS	4
DISPLAY-MODE	5
MASTER/SLAVE MODE	7
REMOTE CONTROL	8
DMX CONTROL	8
SPECIFICATIONS	12

PACKAGE CONTENTS

- 4 X Battery powered IP65 spotlight
- 4 X Barndoor
- 4 X AC power cable
- 1 X User manual
- 4 X IR controller
- 4 X 40° frost filter
- 4 X 60x10° special filter
- 4 X Omega bracket

SAFETY INSTRUCTIONS



***Please read these instructions carefully.
They include important information about the installation,
usage and maintenance of this product.***

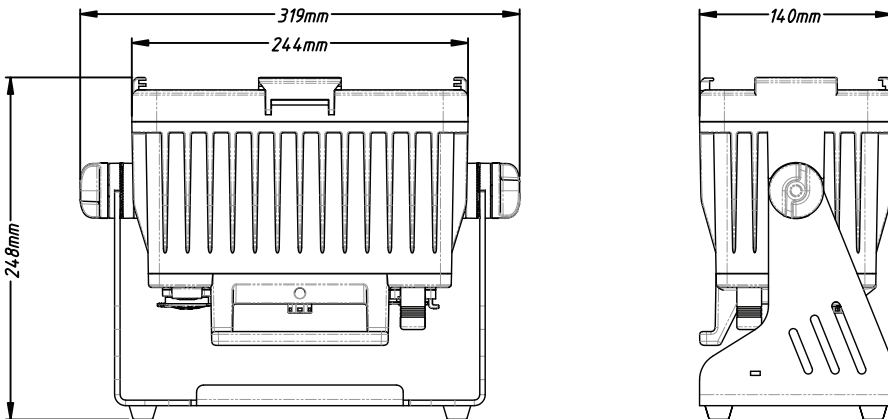
- Please keep this User Guide for future use. If you sell the unit to someone else, be sure that they also receive this User Guide.
- ALWAYS make sure that you are connecting to the proper voltage, and that the line voltage you are connecting to is not higher than that stated on the decal or rear panel of the fixture.
- To prevent risk of fire or shock, do not expose fixture to rain or moisture.
- Make sure there are no flammable materials close to the unit while operating.
- The unit must be installed in a location with adequate ventilation, at least 20in (50cm) from adjacent surfaces. Be sure that no ventilation slots are blocked.
- ALWAYS disconnect from the power source before servicing or replacing fuse and be sure to replace with same fuse size and type.
- ALWAYS secure fixture using a safety chain. NEVER carry the fixture by its cord. Use its carrying handles.
- DO NOT operate at ambient temperatures higher than 104°F (40°C).
- In the event of a serious operating problem, stop using the unit immediately. NEVER try to repair the unit by yourself. Repairs carried out by unskilled people can lead to damage or malfunction. Please contact the nearest authorized technical assistance center. Always use the same type spare parts.
- NEVER connect the device to a dimmer pack.
- Make sure the power cord is never crimped or damaged.
- Never disconnect the power cord by pulling or tugging on the cord.
- Avoid direct eye exposure to the light source while it is on.

***Caution! There are no user serviceable parts inside the unit.
Do not open the housing or attempt any repairs yourself.***

FEATURES

- Eight 10-watt R/G/B/W 4 in 1 LEDs.
- 3, 4, 6, 8 or 11-channel DMX modes.
- 37 built-in presets/programs.
- Flicker free for TV and camera shooting.
- IR control: Infrared remote control up to 45 ft./ 15M .
- Variable electronic strobe, dimming and color changing effect.
- Stand-alone, Master/Slave and DMX modes.
- IP65.
- Compact and bright.
- The device is cooled by passive convection cooling.

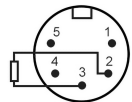
DIMENSIONS

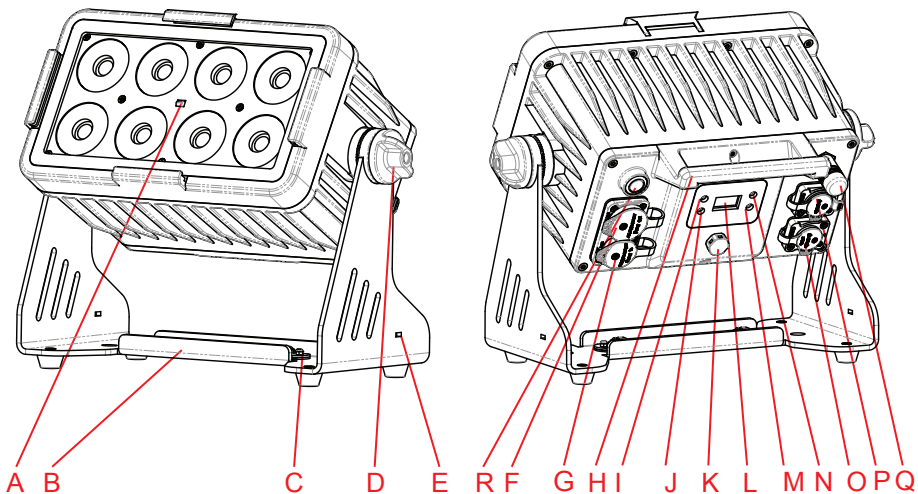


DMX TERMINATION

As with all DMX devices, the last unit in any chain must have a DMX terminator connected to the DMX output. If using just a single light, connect a DMX terminator to the DMX output.

A DMX terminator is a DMX plug with a 120-ohm, 1/4-watt resistor soldered between pins 2 and 3.





- A. IR-Sensor
- B. Bracket
- C. Omega bracket locking plate
- D. Fixation screw
- E. Hole for Kensington
- F. Mains-Output
- G. Mains-Input
- H. Handle
- I. Menu-Button
- J. Enter-Button
- K. Pressure compensation plug
- L. OLED-Display
- M. Down-Button
- N. Up-Button
- O. DMX-Input 5 pin
- P. DMX-Output 5 pin
- Q. Antenna
- R. ON/OFF

DISPLAY-MODE

Display	Function	
DMX Addr	DMX Addr <001-512>	Display the DMX-address (default setting = 1)
DMX Chan	DMX Chan < 3CH> < 4CH> < 6CH > < 8CH> <11CH>	Setting DMX-channel mode (description of modes in next chart) (default setting = 6 Ch)
Dim Curves	Dim Curves <Linear> <Square> <S-Curve>	Setting Dim Curves (default setting = Linear)
Transition	Transition < OFF > <Trans1> <Trans2> <Trans3> <Trans4>	
Master/Slave	Master/Slave <Master > < Slave >	Setting working mode (Master = control without external controller) (Slave = control with external controller) (default setting = Slave)

Wireless	CRMX <On > < Off >	Switch wireless CRMX receiver on or off
	Unlink	Unlink wireless CRMX connection by pressing Enter for about 3 seconds
Color Set	ColSet <Red> <0- 255 > <Green> <0- 255 > <Blue> <0- 255 > <White> <0- 255 >	Setting brightness for each color in steps of 256
Col Mac	ColMac < 01 -15>	Preset colors ColMac1=R ColMac9=G+W ColMac2=G ColMac10=B+W ColMac3=B ColMac11=R+B+G ColMac4=W ColMac12=R+B+W ColMac5=R+G ColMac13=G+B+W ColMac6=R+B ColMac14=R+G+W ColMac7=R+W ColMac15=R+G+B+W ColMac8=G+B
Col Progr	ColProgr <black-MW>	Black=Black out Pty 1 =Red Green Blue Pty 2=Cyan Magenta Yellow Pty 3=Red Green Blue Cyan Magenta Yellow Pty 4=Red Green Blue White Rbw=Rainbow Red, Yellow, Green, Cyan, Blue, Magenta RD=Red Dark RG=Red Green BM=Blue Magenta RB=Red Blue BW=Blue White RY=Red Yellow WD=White Dark RC=Red Cyan WY=White Yellow RM=Red Magenta WC=White Cyan RW=Red White WM=White Magenta GD=Greed Dark YD=Yellow Dark GB=Green Blue YC=Yellow Cyan GY=Green Yellow YM=Yellow Magenta GC=Green Cyan YW=Yellow White GM=Green Magenta CD=Cyan Dark GW=Green White CM=Cyan Magenta BD=Blue Dark CW=Cyan White BY=Blue Yellow MD=Magenta Dark BC=Blue Cyan MW=Magenta White
	Jump/Fade <000-255>	Jump(000-255) Switching colors with increasing speed; Fade(000-255) Fading colors with increasing speed
WhiteBal	WhiteBal <Red> 125- 255 <Green> 125- 255 <Blue> 125- 255 <White> 125- 255	Setting white balance (default setting = R = 255, G = 255, B = 255,W=255)
Emergency	Emergency < Hold ><Col Mac> <White><Blackout>	Choosing fixtures Behavior in case of missing power supply (for mains operation)
Dmx Fail	Dmx Fail < Hold ><Col Mac> <White><Blackout>	Choosing fixtures behavior in case of an dmx failure to act like an emergency light

Sys Info	Sys Info <Temp:**C >	Display the current temperature inside the fixture
	Sys Info <Ver.** >	Display Software version
DispPerm	DispPerm <ON > <OFF > <Lock >	Display shutoff ON - display does not shut off OFF- Shuts off the display after 30 seconds LOCK- Shuts off the display permanently after 30 sec Press the Menu button to reactivate the display
Batt Mode	Batt Mode Batt M100 Batt M90 Batt M80 Batt M70 Batt M60 Batt M50	Setting the output power of fixture in percent to achieve a longer battery life BattM100 - full LED power in battery mode BattM90 - 90% LED power in battery mode BattM80 - 80% LED power in battery mode BattM70 - 70% LED power in battery mode BattM60 - 60% LED power in battery mode BattM50 - 50% LED power in battery mode
Fix Hours	(****)h	Display the fixture hours
UID	UID:16A0*****	Display the specific fixture id
DEF. SET	DEF. SET <NO> <YES>	Reset all parameter to factory defaults incl.

MENU: Accesses the menu system or backs out of editing an entry.

UP: Selects the previous mode or increases the value of the selected mode.

DOWN: Selects the next mode or decreases the value of the selected mode.

ENTER: Selects the currently displayed mode for editing or accepts the edited value.

The “Dimmer” function serves as a speed limiter for manual dims and fades. When set to “nod0”, any manual dims or fades will be in real time, meaning that light will dim or fade as fast as you move the slider on the controller. The other “nodE” values (1-4) are progressively slower than real time.

Note that this functionality is expanded in channel 9 of the 10-channel DMX control mode.

NOTE!

If you hold the UP or DOWN button for longer, the value changes faster.

The device has an automatic storage for all settings.

When you turn the device off and on again, it works with the previously set values.

If the unit is not operated or about 30 seconds, the buttons are locked.

Unlock these by pushing one of the backside buttons for about three seconds.

MASTER/SLAVE MODE

When the light is the Master, it will send DMX instructions to other connected lights. Those other lights must be set to Slave mode (SLAU) to receive and execute the instructions sent by the Master light.

NOTE: Only one light in any DMX Universe can be the Master. All other lights in the chain must be set to Slave mode (SL.AU).

IRC REMOTE

When using IR remote controller, please cut off DMX connections.



The function of each button on the remote controller is shown in below chart.

+	-	OFF	ON
Red Brightness with + add -	Green Brightness with + add -	Blue Brightness with + add -	Internal programPTY1 Speed with + and -
White Brightness with + add -	Preset color R<255>,G<121>,B <000>,W <000>	Preset color R<110>,G<000>,B <191>,W <000>	Internal programPTY2 Speed with + and -
Preset color R<000>,G<255>,B <255>,W <000>	Preset color R<255>,G<000>,B <255>,W <000>	Preset color R<255>,G<255>,B <000>,W <000>	Internal programPTY3 Speed with + and -
Favourite setting Press the button 3S for save	Favourite setting Press the button 3S for save	Favourite setting Press the button 3S for save	Internal programPTY4 Speed with + and -
FADE/JUMP Programs from PTY1-4 and CC Speed with + and -	STROBE WHITE Strobe effect only for white Speed with + and -	COLOR FLASH Strobe effect 12 colors Speed with + and -	CC Preset colors01-15, selection with CC

DMX CONTROL

When the light is set to a DMX address it will respond to signals from a DMX controller. The number and complexity of the signals it can respond to correspond directly to the number of channels selected. The following tables show the functions and values for each channel in the four different channel modes (3,4,6,8,11).

3CH Mode

CHANNEL	VALUE	FUNCTION	PRIORITY	REMARKS
1	000-255	RGB color mixing		tonal
2	000-255	White dimming 0-100%		saturation
3	000-255	General dimming 0-100%		purity

4CH Mode

CHANNEL	VALUE	FUNCTION	PRIORITY	REMARKS
1	000-255	Red dimming 0-100%		
2	000-255	Green dimming 0-100%		
3	000-255	Blue dimming 0-100%		
4	000-255	White dimming 0-100%		

6CH Mode

CHANNEL	VALUE	FUNCTION	PRIORITY	REMARKS
1	000-255	Red dimming 0-100%	2	
2	000-255	Green dimming 0-100%		
3	000-255	Blue dimming 0-100%		
4	000-255	White dimming 0-100%		
5	000-255	General dimming 0-100%		
6	000-014	Not function	1	
	015-255	Strobe		Slow → fast (flash frequency 1-23 Hz)

8CH Mode

CHANNEL	VALUE	FUNCTION	PRIORITY	REMARKS
1	000-255	General dimming 0-100%	1	
2	000-255	Red dimming 0-100%		
3	000-255	Green dimming 0-100%		
4	000-255	Blue dimming 0-100%		
5	000-255	White dimming 0-100%		
6	000-014	Not used	2	
	015-255	Strobe (slow-fast)		
7	000-031	Not used	3	Must use channels 1-6 to get light. Channel 9 is speed adjustment.
	032-063	Dark - bright		
	064-095	Bright - dark		
	096-127	Dark - bright - dark		
	128-159	Fade		
	160-191	Dark - bright - dark (auto run)		
	192-223	Color flash change		
224-255	Not used			
8	000-255	Speed adjustment		Slow - fast

11CH Mode

CHANNEL	VALUE	FUNCTION	PRIORITY	REMARKS
1	000-255	General dimming 0-100%	1	
2	000-255	Red dimming 0-100%		
3	000-255	Green dimming 0-100%		
4	000-255	Blue dimming 0-100%		
5	000-255	White dimming 0-100%		
6	000-014	Not used	2	
	015-255	Strobe (slow-fast)		
7	000-031	Not used	3	Must use channels 1-6 to get light. Channel 9 is speed adjustment.
	032-063	Dark - bright		
	064-095	Bright - dark		
	096-127	Dark - bright - dark		
	128-159	Fade		
	160-191	Dark - bright - dark (auto run)		
	192-223	Color flash change		
	224-255	Not used		
8	000-255	Speed adjustment		Slow - fast
9	000-005	Uses the "nodE" setting	1	Similar to the "nodE" setting, but with variable speed control. DIMMER0 has the fastest range, DIMMER4 the slowest. Dependent on use of channels 1-7.
	006-055	DIMMING 0		
	056-105	DIMMING 1		
	106-155	DIMMING 2		
	155-205	DIMMING 3		
	206-255	DIMMING 4		
10	000-124	jump (when the DMX value is over 3 in CH11)	1	
	125-249	fade (when the DMX value is over 3 in CH11)		
	250-255	Not used		

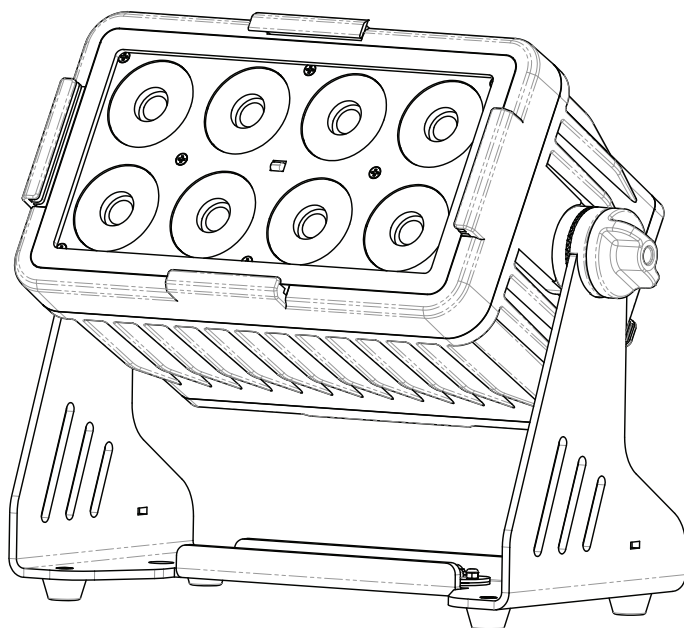
11	000-003	Black(No Programm)	1	, Cyan, Blue, Magenta)
	004-010	Pty 1(Red Green Blue)		
	011-017	Pty 2(Cyan Magenta Yellow)		
	018-024	Pty 3(Red Green Blue Cyan Magenta Yellow)		
	025-031	Pty 4(Red Green Blue White)		
	032-038	Rbw(Rainbow Red, Yellow, Green, Cyan, Blue, Magenta)		
	039-045	RD(Red Dark)		
	046-052	RG(Red Green)		
	053-059	RB(Red Blue)		
	060-066	RY(Red Yellow)		
	067-073	RC(Red Cyan)		
	074-080	RM(Red Magenta)		
	081-087	RW(Red White)		
	088-094	GD(Greed Dark)		
	095-101	GB(Green Blue)		
	102-108	GY(Green Yellow)		
	109-115	GC(Green Cyan)		
	116-122	GM(Green Magenta)		
	123-129	GW(Green White)		
	130-136	BD(Blue Dark)		
	137-143	BY(Blue Yellow)		
	144-150	BC(Blue Cyan)		
	151-157	BM(Blue Magenta)		
	158-164	BW(Blue White)		
	165-171	WD(White Dark)		
	172-178	WY(White Yellow)		
	179-185	WC(White Cyan)		
	186-192	WM(White Magenta)		
	193-199	YD(Yellow Dark)		
	200-206	YC(Yellow Cyan)		
	207-213	YM(Yellow Magenta)		
	214-220	YW(Yellow White)		
221-227	CD(Cyan Dark)			
228-234	CM(Cyan Magenta)			
235-241	CW(Cyan White)			
242-248	MD(Magenta Dark)			
249-255	MW(Magenta White)			

SPECIFICATIONS

Input Voltage	AC 100V - 260V,50-60Hz
Power Consumption	76W
Battery Spec	Lithion battery
Recharger	21V,3.5A
Wirless DMX	CRMX
IR Control	Infrared remote control up to 45ft./15m.
LEDs	8 X 10 - watt R/G/B/W 4in1 LEDs
LED Life Span	50000 ~100000 hours
DMX Channels	3, 4, 6, 8 or 11CH
Control Mode	Standalone, Master/slave, Auto, IR control
Signal Input&Output	5 - pin XLR Male, 5 - pin XLR Female
Function Effect	Dimmer, Strobe, Eotic, Gradual Change
Refresh Rate	1.5KHz, flicker free for TV and camera shooting
Beam Angle	20°
Cooling Mode	Natural convection (no fan, no noise)
Protection Grade	IP65
Anti-electricity Intension	>1.5KV
Insulation Resistance	>2MΩ
Dimensions	319 X 140 X 248 mm
Weight	6.5kg



Faro IP65 alimentato a batteria **8 LED RGBW 4-in-1 da 10 W cad.**



Manuale d'uso

Codice Articolo: **8X10RGBWX4SET**

SOMMARIO

CONTENUTO DELLA CONFEZIONE	14
ISTRUZIONI DI SICUREZZA	15
CARATTERISTICHE	16
DIMENSIONI	16
MODALITÀ DI VISUALIZZAZIONE	17
MODALITÀ MASTER/SLAVE	19
CONTROLLO REMOTO	20
CONTROLLO DMX	20
CARATTERISTICHE TECNICHE	24

CONTENUTO DELLA CONFEZIONE

4 x Faro IP65 alimentato a batteria

4 x Barndoor

4 x Cavo di alimentazione CA

1 x Manuale utente

4 x Controller IR

4 x Filtro frost 40°

4 x Filtro speciale 60° x 10°

4 x Staffa Omega

ISTRUZIONI DI SICUREZZA



Si prega di leggere attentamente queste istruzioni. Includono informazioni importanti sull'installazione, l'uso e la manutenzione di questo prodotto.

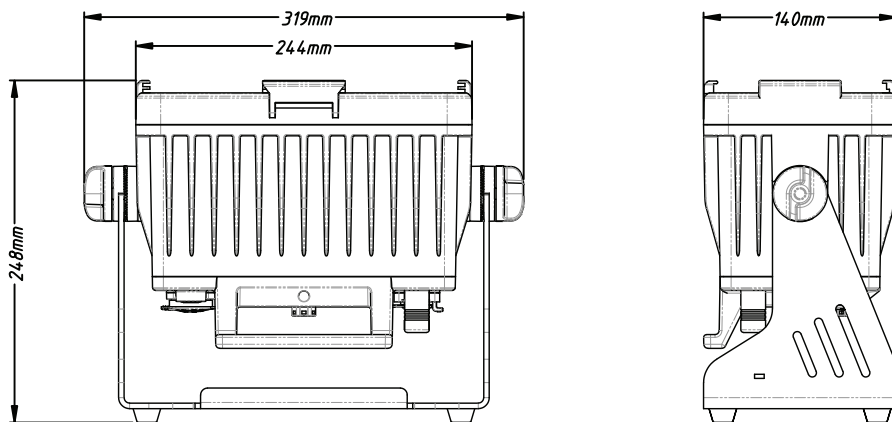
- Si prega di conservare questa Guida per l'utente per un uso futuro. Se vendi l'unità a qualcun altro, assicurati che anche lui riceva questa Guida per l'utente.
- Assicurarsi SEMPRE di effettuare il collegamento alla tensione corretta e che la tensione di rete a cui ci si sta connettendo non sia superiore a quella indicata sull'etichetta o sul pannello posteriore dell'immagine.
- Per prevenire il rischio di incendi o scosse elettriche, non esporre l'apparecchio alla pioggia o all'umidità. Assicurarsi che non vi siano materiali infiammabili vicino all'unità durante il funzionamento.
- L'unità deve essere installata in un luogo con un'adeguata ventilazione, ad almeno 50 cm dalle superfici adiacenti. Assicurarsi che nessuna fessura di ventilazione sia ostruita.
- Scollegare SEMPRE dalla fonte di alimentazione prima di eseguire la manutenzione o sostituire il fusibile e assicurarsi di sostituirlo con fusibili della stessa dimensione e tipo.
- Fissare SEMPRE l'apparecchio utilizzando una catena di sicurezza. NON trasportare MAI l'apparecchio tenendolo per il cavo. Usa le sue maniglie per il trasporto.
- NON far funzionare a temperature ambiente superiori a 40 °C.
- In caso di grave problema di funzionamento, interrompere immediatamente l'uso dell'unità. NON tentare MAI di riparare l'unità da soli. Le riparazioni eseguite da personale non qualificato possono causare danni o malfunzionamenti. Si prega di contattare il centro di assistenza tecnica autorizzato più vicino. Utilizzare sempre pezzi di ricambio dello stesso tipo.
- NON collegare MAI il dispositivo a un dimmer.
- Assicurarsi che il cavo di alimentazione non sia mai piegato o danneggiato.
- Non scollegare mai il cavo di alimentazione tirandolo.
- Evitare l'esposizione diretta degli occhi alla fonte di luce mentre è acceso.

Cautela! All'interno dell'unità non sono presenti parti riparabili dall'utente. Non aprire l'alloggiamento né tentare alcuna riparazione da soli.

CARATTERISTICHE

- 8 LED R/G/B/W 4-in-1 da 10 W
- Modalità DMX a 3, 4, 6, 8 o 11 canali
- 37 preimpostazioni / programmi integrati
- Senza sfarfallio per riprese televisive e fotografiche.
- Controllo IR: telecomando a infrarossi fino a 15 m
- Strobo elettronico variabile, dimmerazione ed effetto cambio colore
- Modalità stand-alone, Master/Slave e DMX
- Grado di protezione IP65
- Compatto e luminoso
- Sistema di raffreddamento a convezione passiva

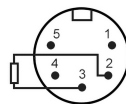
DIMENSIONI

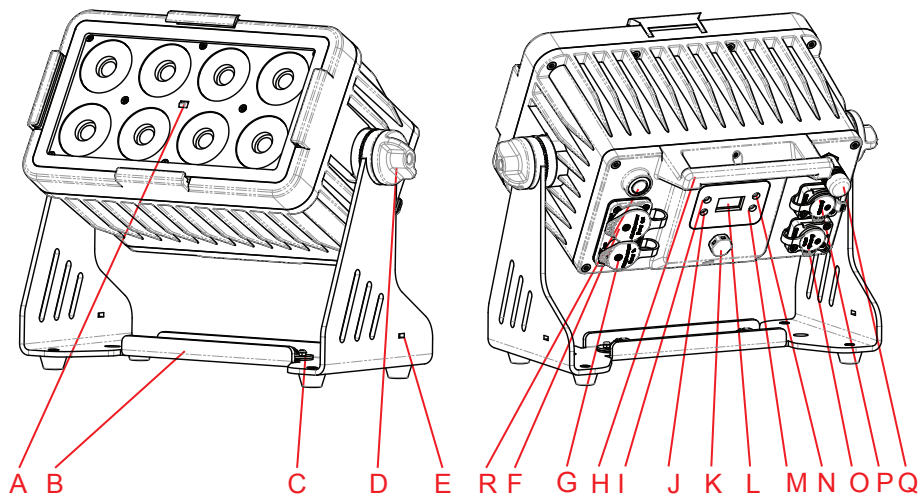


TERMINAZIONE DMX

Come per tutti i dispositivi DMX, l'ultima unità di qualsiasi catena deve avere un terminatore DMX collegato all'uscita DMX. Se si utilizza una sola luce, collegare un terminatore DMX all'uscita DMX.

Un terminatore DMX è una spina DMX con resistori da 120 ohm e 1/4 W saldati tra i pin 2 e 3.





- | | | |
|---|---|-------------------------|
| A. Sensore IR | G. Uscita di rete | N. Pulsante su |
| B. Staffa | H. Maniglia | O. Ingresso DMX a 5-pin |
| C. Piastra di bloccaggio della staffa Omega | I. Pulsante Menu | P. Uscita DMX a 5-pin |
| D. Vite di fissaggio | J. Pulsante Invio | Q. Antenna |
| E. Foro per Kensington | K. Tappo di compensazione della pressione | R. ON/OFF |
| F. Ingresso rete | L. Schermo OLED | |
| | M. Pulsante giù | |

MODALITÀ DI VISUALIZZAZIONE

Display	Funzione	
DMX Addr	Indirizzo DMX <001-512>	Visualizza l'indirizzo DMX (impostazione predefinita = 1)
DMX Chan	Canale DMX < 3CH> < 4CH> < 6CH > < 8CH> <11CH>	Impostazione della modalità canale DMX (descrizione delle modalità nella tabella successiva) (impostazione predefinita = 6 canali)
Dim Curves	Dim Curves <Linear> <Square> <S-Curve>	Impostazione Dim Curves (impostazione predefinita = Linear)
Transition	Transition < OFF > <Trans1> <Trans2> <Trans3> <Trans4>	
Master/Slave	Master/Slave <Master > < Slave >	Impostazione della modalità di lavoro (Master = controllo senza controller esterno) (Slave = controllo senza controller esterno) (impostazione predefinita = Slave)

Wireless	CRMX <On> <Off>	Accendere o spegnere il ricevitore CRMX wireless
	Unlink	Scollegare la connessione CRMX wireless premendo Invio per circa 3 secondi
Color Set	ColSet <Red> <0-255> <Green> <0-255> <Blue> <0-255> <White> <0-255>	Impostazione della luminosità per ogni colore in incrementi di 256
Col Mac	ColMac <01-15>	Colori preimpostati ColMac1=R ColMac9=G+W ColMac2=G ColMac10=B+W ColMac3=B ColMac11=R+B+G ColMac4=W ColMac12=R+B+W ColMac5=R+G ColMac13=G+B+W ColMac6=R+B ColMac14=R+G+W ColMac7=R+W ColMac15=R+G+B+W ColMac8=G+B
Col Progr	ColProgr <black-MW>	Black=Black out Pty 1=Red Green Blue Pty 2=Cyan Magenta Yellow Pty 3=Red Green Blue Cyan Magenta Yellow Pty 4=Red Green Blue White Rbw=Rainbow Red, Yellow, Green, Cyan, Blue, Magenta RD=Red Dark RG=Red Green BM=Blue Magenta RB=Red Blue BW=Blue White RY=Red Yellow WD=White Dark RC=Red Cyan WY=White Yellow RM=Red Magenta WC=White Cyan RW=Red White WM=White Magenta GD=Greed Dark YD=Yellow Dark GB=Green Blue YC=Yellow Cyan GY=Green Yellow YM=Yellow Magenta GC=Green Cyan YW=Yellow White GM=Green Magenta CD=Cyan Dark GW=Green White CM=Cyan Magenta BD=Blue Dark CW=Cyan White BY=Blue Yellow MD=Magenta Dark BC=Blue Cyan MW=Magenta White
	Jump/Fade <000-255>	Jump(000-255) Cambiare i colori con velocità crescente; Fade(000-255) Colori sbiaditi con velocità crescente
WhiteBal	WhiteBal <Red> 125- 255 <Green> 125- 255 <Blue> 125- 255 <White> 125- 255	Impostazione bilanciamento del bianco (default setting = R = 255, G = 255, B = 255, W=255)
Emergency	Emergency <Hold><Col Mac> <White><Blackout>	Comportamento in caso di mancanza di alimentazione elettrica (per funzionamento da rete)
Dmx Fail	Dmx Fail <Hold><Col Mac> <White><Blackout>	Comportamento in caso di guasto DMX per agire come una luce di emergenza

Sys Info	Sys Info <Temp:**C >	Visualizza la temperatura attuale all'interno dell'apparecchio
	Sys Info <Ver.** >	Visualizza la versione del software
DispPerm	DispPerm < ON > <OFF > <Lock >	Spegnimento del display ON: il display non si spegne OFF: spegne il display dopo 30 s LOCK: spegne il display in modo permanente dopo 30 s Premere il pulsante Menu per riattivare il display.
Batt Mode	Batt Mode Batt M100 Batt M90 Batt M80 Batt M70 Batt M60 Batt M50	Impostazione della potenza di uscita dell'apparecchio in % per ottenere una maggiore durata della batteria BattM100: piena potenza LED in modalità batteria BattM90: 90% Alim. LED in mod. batteria BattM80: 80% Alim. LED in mod. batteria BattM70: 70% Alim. LED in mod. batteria BattM60: 60% Alim. LED in mod. batteria BattM50: 50% Alim. LED in mod. batteria
Fix Hours	(****)h	Visualizza le ore delle luci
UID	UID:16A0*****	Visualizza l'ID specifico dell'apparecchio
DEF. SET	DEF. SET <NO> <YES>	Ripristina tutti i parametri ai valori predefiniti di fabbrica incl.

MENU: Accede al sistema di menu o si ritira dalla modifica di una voce.

UP: Seleziona la modalità precedente o aumenta il valore della modalità selezionata.

DOWN: Seleziona la modalità successiva o diminuisce il valore della modalità selezionata.

ENTER: Seleziona la modalità attualmente visualizzata per la modifica o accetta il valore modificato.

La funzione "Dimmer" funge da limitatore di velocità per le attenuazioni e le dissolvenze manuali.

Se impostato su "node", qualsiasi attenuazione o dissolvenza manuale sarà in tempo reale, il che significa che la luce si attenuerà o svanirà alla stessa velocità con cui si sposta il cursore sul controller.

Gli altri valori "node" (1-4) sono progressivamente più lenti del tempo reale.

Si noti che questa funzionalità è stata ampliata nel canale 9 della modalità di controllo DMX a 10 canali.

NOTA!

Se si tiene premuto il pulsante UP o DOWN più a lungo, il valore cambia più velocemente.

Il dispositivo dispone di una memorizzazione automatica per tutte le impostazioni.

Quando si spegne e si riaccende il dispositivo, funziona con i valori impostati in precedenza.

Se l'unità non viene utilizzata per circa 30 secondi, i pulsanti sono bloccati.

Sbloccali premendo uno dei pulsanti posteriori per circa tre secondi.

MODALITÀ MASTER/SLAVE

Quando la luce è in Master, invierà istruzioni DMX ad altre luci collegate. Queste altre luci devono essere impostate in modalità Slave (SLAU) per ricevere ed eseguire le istruzioni inviate dalla luce Master.

NOTA: Solo una luce in ogni universo DMX può essere Master. Tutte le altre luci della catena devono essere impostate in modalità Slave (SL. AU).

CONTROLLO REMOTO

Quando si utilizza il telecomando IR, interrompere le connessioni DMX.



La funzione di ciascun pulsante del telecomando è mostrata nella tabella sottostante.

+	-	OFF	ON
Red Luminosità con + e -	Green Luminosità con + e -	Blue Luminosità con + e -	Internal program PTY1 Velocità con + e -
White Luminosità con + e -	Preset color R<255>,G<121>,B <000>,W <000>	Preset color R<110>,G<000>,B <191>,W <000>	Internal program PTY2 Velocità con + e -
Preset color R<000>,G<255>,B <255>,W <000>	Preset color R<255>,G<000>,B <255>,W <000>	Preset color R<255>,G<255>,B <000>,W <000>	Internal program PTY3 Velocità con + e -
Favourite setting Premere il pulsante 3S per salvare	Favourite setting Premere il pulsante 3S per salvare	Favourite setting Premere il pulsante 3S per salvare	Internal program PTY4 Velocità con + e -
FADE/JUMP Programmi da PTY1-4 e CC Velocità con + e -	STROBE WHITE Effetto strobo solo per il bianco Velocità con + e -	COLOR FLASH Effetto stroboscopico 12 colori Velocità con + e -	CC Colori preimpostati 01-15, selezione con CC

CONTROLLO DMX

Quando la luce è impostata su un indirizzo DMX, risponderà ai segnali provenienti da un controller DMX. Il numero e la complessità dei segnali a cui può rispondere corrispondono direttamente al numero di canali selezionati. Le tabelle seguenti mostrano le funzioni e i valori per ciascun canale nelle quattro diverse modalità di canale (3, 4, 6, 8, 11).

Modalità 3 canali

CANALE	VALORE	FUNZIONE	PRIORITÀ	NOTE
1	000-255	RGB color mixing		tono
2	000-255	White dimming 0-100%		saturazione
3	000-255	White dimming 0-100%		purezza

Modalità 4 canali

CANALE	VALORE	FUNZIONE	PRIORITÀ	NOTE
1	000-255	Red dimming 0-100%		
2	000-255	Green dimming 0-100%		
3	000-255	Blue dimming 0-100%		
4	000-255	White dimming 0-100%		

Modalità 6 canali

CANALE	VALORE	FUNZIONE	PRIORITÀ	NOTE
1	000-255	Red dimming 0-100%	2	
2	000-255	Green dimming 0-100%		
3	000-255	Blue dimming 0-100%		
4	000-255	White dimming 0-100%		
5	000-255	General dimming 0-100%		
6	000-014	Not function	1	
	015-255	Strobe		Lento → veloce (frequenza del flash 1-23 Hz)

Modalità 8 canali

CANALE	VALORE	FUNZIONE	PRIORITÀ	NOTE
1	000-255	General dimming 0-100%	1	
2	000-255	Red dimming 0-100%		
3	000-255	Green dimming 0-100%		
4	000-255	Blue dimming 0-100%		
5	000-255	White dimming 0-100%		
6	000-014	Not used	2	
	015-255	Strobe (slow-fast)		
7	000-031	Not used	3	Bisogna usare i canali 1-6 per la luce. Il canale 9 è la regolazione della velocità.
	032-063	Dark - bright		
	064-095	Bright - dark		
	096-127	Dark - bright - dark		
	128-159	Fade		
	160-191	Dark - bright - dark (auto run)		
	192-223	Color flash change		
224-255	Not used			
8	000-255	Speed adjustment		Lento - veloce

Modalità 11 canali

CANALE	VALORE	FUNZIONE	PRIORITÀ	NOTE
1	000-255	General dimming 0-100%	1	
2	000-255	Red dimming 0-100%		
3	000-255	Green dimming 0-100%		
4	000-255	Blue dimming 0-100%		
5	000-255	White dimming 0-100%		
6	000-014	Not used	2	
	015-255	Strobe (slow-fast)		
7	000-031	Not used	3	Bisogna usare i canali 1-6 per la luce. Il canale 9 è la regolazione della velocità.
	032-063	Dark - bright		
	064-095	Bright - dark		
	096-127	Dark -bright - dark		
	128-159	Fade		
	160-191	Dark - bright - dark (auto run)		
	192-223	Color flash change		
	224-255	Not used		
8	000-255	Speed adjustment		Lento - veloce
9	000-005	Uses the "nodE" setting	1	Simile all'impostazione "nodE", ma con controllo della velocità variabile. DIMMER0 ha la gamma più rapida, DIMMER4 la più lenta. Dipende dall'uso dei canali 1-7.
	006-055	DIMMING 0		
	056-105	DIMMING 1		
	106-155	DIMMING 2		
	155-205	DIMMING 3		
	206-255	DIMMING 4		
10	000-124	jump (quando il valore DMX è superiore a 3 nel canale 11)	1	
	125-249	fade (quando il valore DMX è superiore a 3 nel canale 11)		
	250-255	Not used		

11	000-003	Black(No Programm)	1	, Cyan, Blue, Magenta)
	004-010	Pty 1(Red Green Blue)		
	011-017	Pty 2(Cyan Magenta Yellow)		
	018-024	Pty 3(Red Green Blue Cyan Magenta Yellow)		
	025-031	Pty 4(Red Green Blue White)		
	032-038	Rbw(Rainbow Red, Yellow, Green, Cyan, Blue, Magenta)		
	039-045	RD(Red Dark)		
	046-052	RG(Red Green)		
	053-059	RB(Red Blue)		
	060-066	RY(Red Yellow)		
	067-073	RC(Red Cyan)		
	074-080	RM(Red Magenta)		
	081-087	RW(Red White)		
	088-094	GD(Greed Dark)		
	095-101	GB(Green Blue)		
	102-108	GY(Green Yellow)		
	109-115	GC(Green Cyan)		
	116-122	GM(Green Magenta)		
	123-129	GW(Green White)		
	130-136	BD(Blue Dark)		
	137-143	BY(Blue Yellow)		
	144-150	BC(Blue Cyan)		
	151-157	BM(Blue Magenta)		
	158-164	BW(Blue White)		
	165-171	WD(White Dark)		
	172-178	WY(White Yellow)		
	179-185	WC(White Cyan)		
	186-192	WM(White Magenta)		
	193-199	YD(Yellow Dark)		
	200-206	YC(Yellow Cyan)		
	207-213	YM(Yellow Magenta)		
	214-220	YW(Yellow White)		
221-227	CD(Cyan Dark)			
228-234	CM(Cyan Magenta)			
235-241	CW(Cyan White)			
242-248	MD(Magenta Dark)			
249-255	MW(Magenta White)			

CARATTERISTICHE TECNICHE

Tensione d'ingresso	100 - 260 V _{AC} , 50/60 Hz
Potenza	76 W
Specifiche della batteria	Batteria al litio
Ricarica	21 V _{DC} , 3,5 A
DMX wireless	CRMX
Controllo IR	Telecomando a infrarossi fino a 15 m
LED	8 LED RGBW 4-in-1 da 10 W cad.
Durata della vita del LED	50.000 ~ 100.000 ore
Canali DMX	3, 4, 6, 8 o 11
Modalità di controllo	Stand-alone, Master/Slave, Auto, Controllo IR
Ingresso e uscita segnale	5-pin XLR maschio, 5-pin XLR femmina
Effetti	Dimmer, Strobo, Cambiamento graduale
Frequenza	1.5 kHz, senza sfarfallio, per riprese televisive e fotografiche
Angolo del fascio	20°
Modalità raffreddamento	Convezione naturale (nessuna ventola, nessun rumore)
Grado di protezione	IP65
Isolamento	> 1,5 KV
Resistenza d'isolamento	> 2 Mohm
Dimensioni	319 x 140 x 248 mm
Peso	6,5 kg