

SWORD[®] RGBW SERIES

User's Manual & Installation Guide

Index

V.1.0

- | | | | |
|---|---|----|--|
| 1 | Cover & Index | 6 | RDM Monitoring Wiring Diagram |
| 2 | Safety Information / Warning / Warranty / Marking | 7 | DMX Personality |
| 3 | Explanation / Dimension | 12 | Installation Instruction |
| 4 | Product Specifications | 14 | Ordering Information
Accessories & Recommended Products |
| 5 | Standart DMX Wiring Diagram | 15 | Back Cover |

Congratulations on choosing a HERA product!
We thank you for your custom.

Please note that this product, as all the others in the rich HERA range, has been designed and made with total quality to ensure excellent performance and best meet your expectations and requirements. Carefully read this instruction manual in its entirety and keep it safe for future reference. It is essential to know the information and comply with the instructions given in this manual to ensure the fitting is installed, used and serviced correctly and safely. HERA disclaims all liability for damage to the fitting or to other property or persons deriving from installation, use and maintenance that have not been carried out in conformity with this instruction manual, which must always accompany the fitting. HERA reserves the right to modify the characteristics stated in this instruction manual at any time and without prior notice.

Safety Information

Caution – unplug the power supply from the main power before connecting any cables as this can damage the products.

Caution – avoid looking directly into the led light source at close range for your own safety.

Any people installing this product should comply with local standards and regulations and must be qualified for the handling of electrical equipment.

- Do not attempt to install or use the product until installation instructions and safety labels are fully understood. This product is designed for indoor and outdoor usage.
- Ensure product operates within the specified temperature range.
- Do not attempt to open the product.
- Do not use the product if the power cables are damaged.
- Only use product for specified voltage.
- Always maintain connection to ensure waterproofing.
- If the product has been subjected to drastic temperature variances, for example, following transportation, do not connect the fixture until it has reached room temperature, as moisture condensation may cause electric shock and product damages.
- When installing the products and system power supplies, please ensure they will not be exposed to moisture and extreme heat (and direct sunlight for outdoor products). Besides, keep a clean operating environment for the fixtures and system power supplies.
- Please study this Installation Guide thoroughly and check the latest Technical Specification Sheets available from the our website www.heraled.com before setup.
- Any non-compliance of the Installation Guide will void the Hera warranty.

Warning



Risk of
Electric
Shock



Warning!
Refer to User
Manual.



Do Not Open
of Products



Not Suitable
for Household Room
Illumination



DIRECTIVE 2012/19/EU
Waste Electrical
and Electronic Equipment

Warranty

Hera warrants the products for a period of five (5) years from date of purchase, provided that the purchased items are used under the conditions stated in this user manual.

Marking



RoHS
compliant

IP67

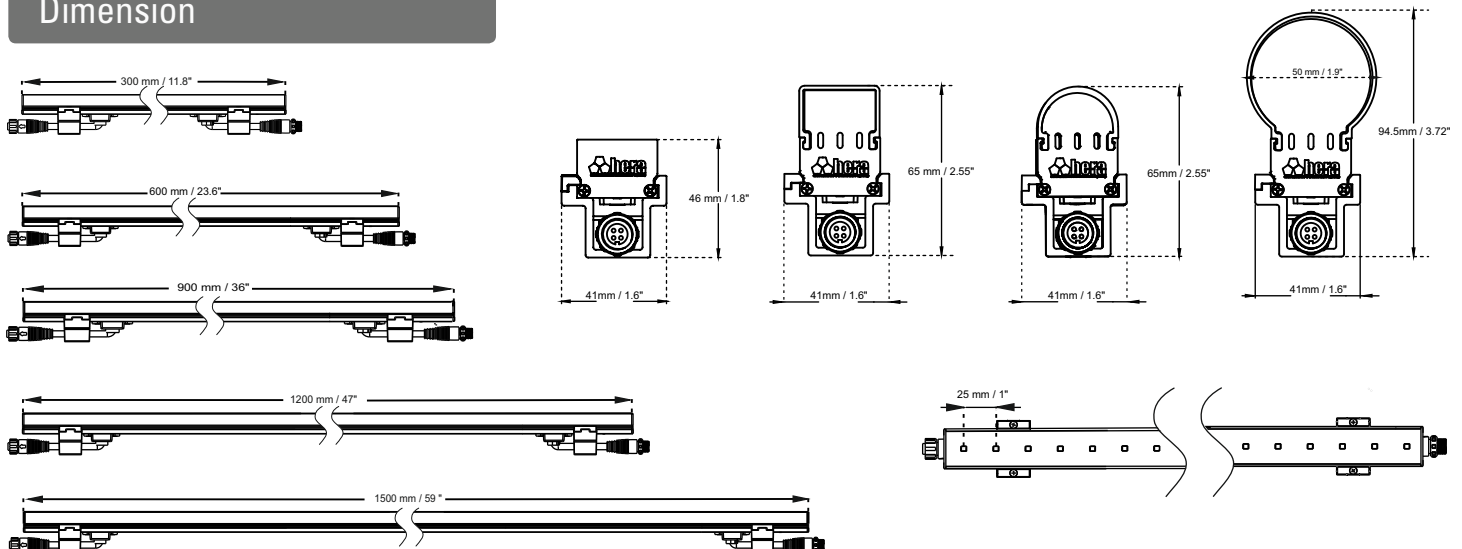


Explanation

Sword® RGBW Series provide excellent lighting with color consistency, high brightness, broad color scales and customization options on media facades lighting, bridges, stadiums, creative scene lighting and special design lighting. 4 colors RGBW per pixel offer vivid color and white content in a single system and intelligent "+White" algorithms allow systems using 3 channels signal to control 4 colors per pixel, this enhances the display quality and improved efficiency. This product offers dynamical lighting solutions with unlimited pixel options, advanced accessories and easy installation.

- RGBW can be used in 4 channels with DMX Personality. System can be controlled 4 colors per pixel with RGB and smart white algorithm. All customizations options can be chosen remotely with DMX 512 protocol.
- It communicates with other fixtures by standard DMX 512 and RDM protocols without requirements of any special communication protocols or production identity. It can be addressed remotely as a group. By courtesy of this feature pixel mapping and addressing are easier.
- It can be used with very long starting cables and jumper cables for flexible and easy application due to its 12-48 VDC working voltage range.
- Fixtures' working characteristics may be changed with DMX Personality. By this means pixel number can be changed. Number of pixels may change in order to optimize for appearances and scenarios. For example it is possible that 1 LED can be chosen for 1 pixel for each 25mm, also 2 LEDs can be chosen for 1 pixel, 4 LEDs can be chosen 1 pixel, 8 LEDs can be chosen 1 pixel and soon
- Working status of fixtures, local temperature values, voltage input and output, serial number and DMX address can be monitored. User is informed by mail and system can response automatically according to data.
- Fixtures work compatibly with Madrix® software and hardware. You can choose fixtures in library in order to have easy pixel mapping.
- There are Direct View, Radius Diffused, Round Diffused, Flat Diffused options. Diffusers' profiles are resistant to UV light and impact. Due to its PMMA and PC materials, it will not go yellow.
- Fixtures can be installed next to each other and have no gap due to its special side cover design. It forms linear and continuous view.
- Fixtures are produced 300mm, 600mm, 900mm, 1200mm, and 1500mm for long and different forms. It gives flexible installment advantage in limited area with moveable assembly parts on fixture.
- For special scene design horizontal, vertical, parallel edge, triangle, square, diamond and hexagonal shapes can be formed. All required accessories are provided for Truss and scene applications. Installation is easier with pins that provide easy installation for rental companies.
- Fixtures are designed for harsh outdoor condition and resistant against vibration, and impact owe to their solid aluminum structures, special filling material and IP67 class protection markings.
- Power and data are transmitted by input and output connectors. IP68 connectors can be installed easily by rotating. Interspaces between fixtures are enough. Therefore additional junction boxes are not needed.
- Fixtures can easily integrate and camouflage on different facade linings owe to their thin section (30mm). Fixtures are produced in RAL9005 black color but according to customers' demand fixture can be painted to different RAL colors.

Dimension

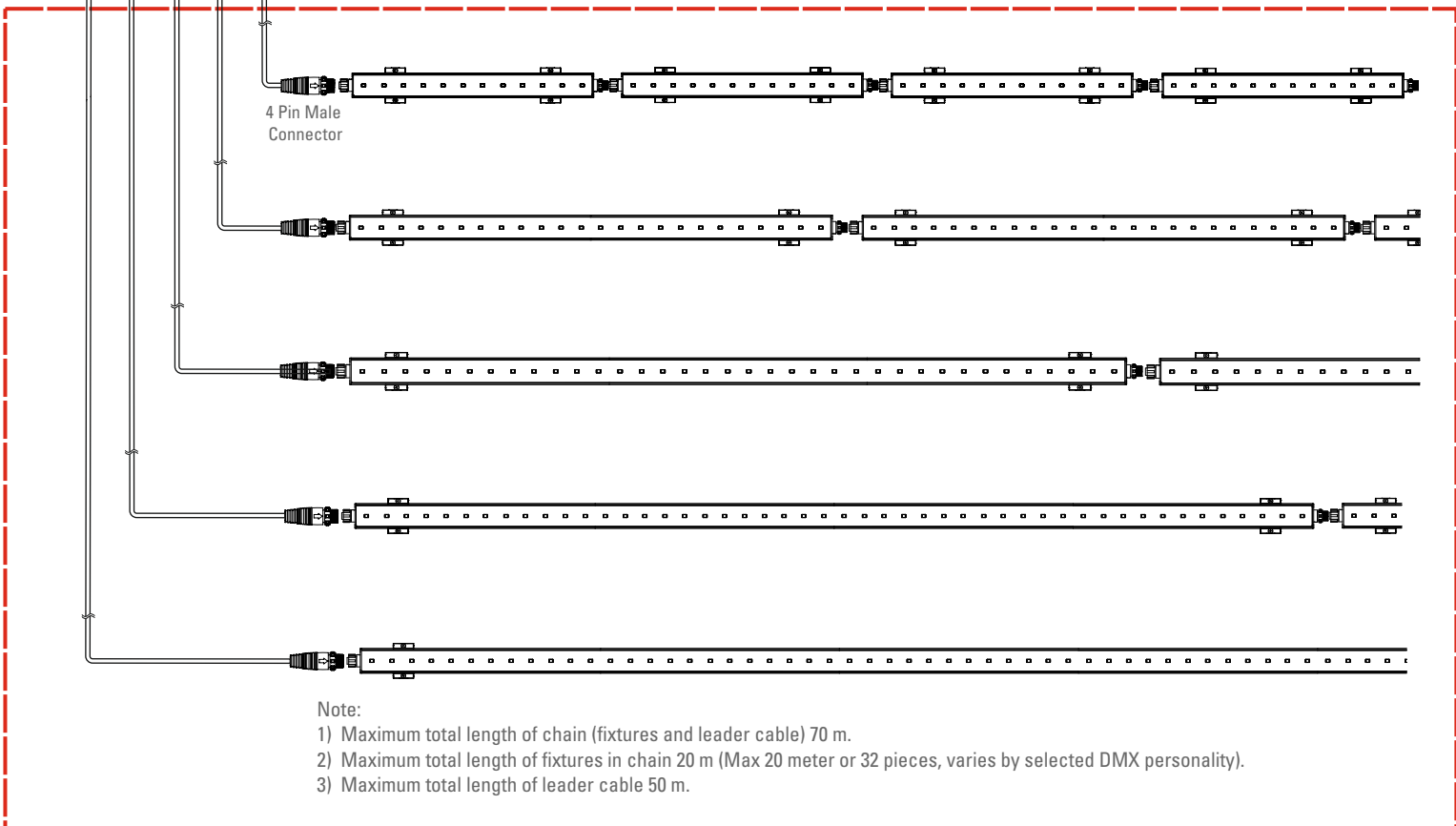
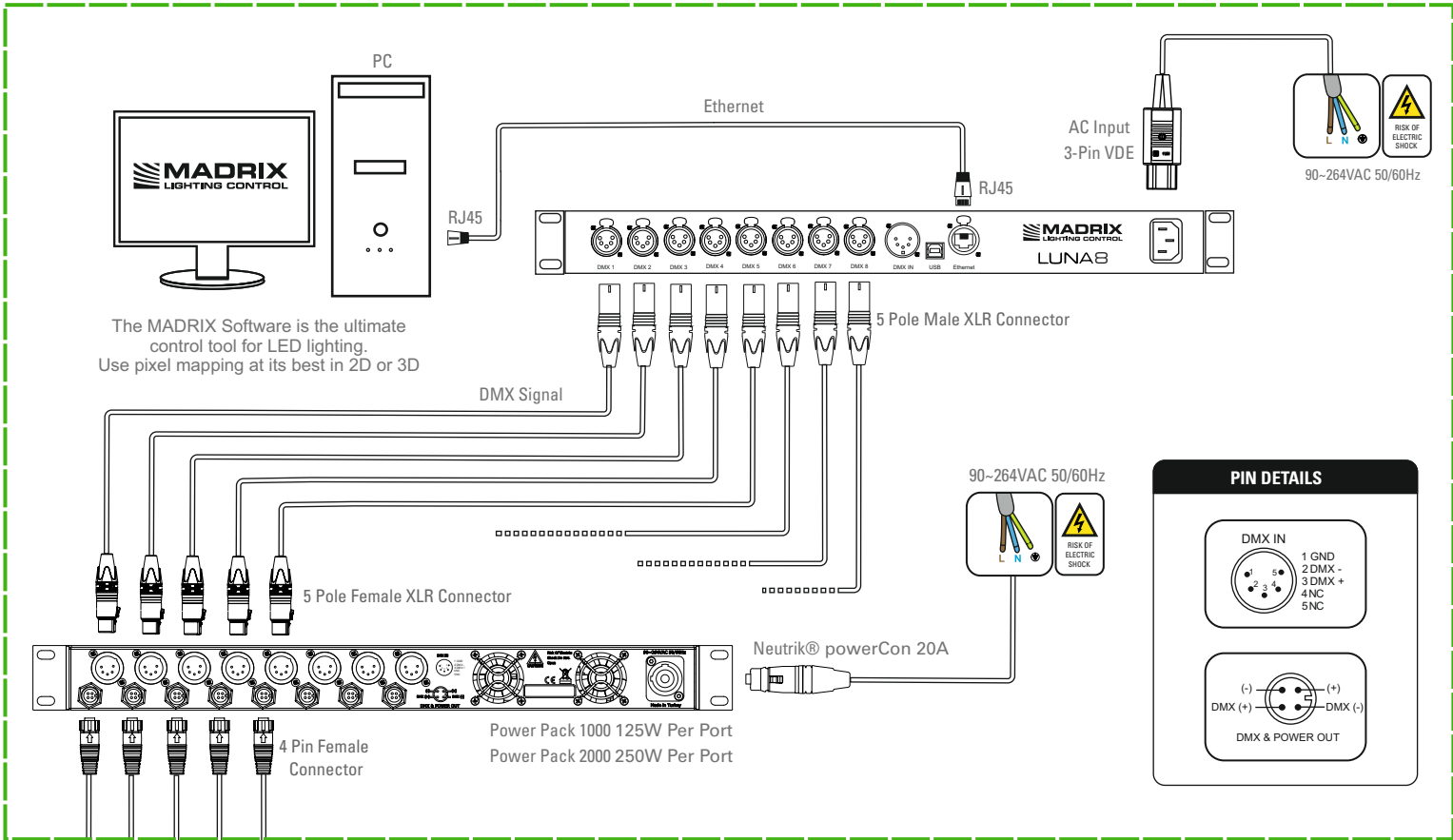


Product Specifications

Model	Direct View	Radius Diffused	Round Diffused	Flat Diffused	
Light Source:	40pcs/m High intensity 4 in 1 Chip RGBW LEDs				
Lumen Maintenance:	60.000+ hours L70 @ 25° C (full output)				
Color Range:	16.7 Million additive RGB colors, white CCT 6500K				
Color Resolution:	4 x 14-bit (Gamma correction)				
Auto White:	Algorithms enable auto control of white LED by 3-channel RGB values				
PWM Frequency:	1,600Hz flicker free dimming to 0.1%				
Viewing Angle:	110°	175°	220°	175°	
Luminous Intensity:	Please check IES and LTD files out				
Efficacy (lm/W):	Please check IES and LTD files out				
LED Pitch:	25mm				
Pixel Pitch:	Pixel pitch is configurable via RDM, max 40pixel/m				
Maximum in Chain:	Max 20 meters or 32 pieces (varies by selected dmx personality)				
Operating Voltage:	12VDC ~ 48VDC				
Power Consumption:	19W/m (all LEDs on)				
Control Interface:	USITT DMX 512 A				
Addressing:	RDM (Group of Remote Addressable Systems)				
Monitoring:	Voltage Monitoring, Temperature Monitoring, Status Monitoring, Power Cycle Monitoring, Lumen-Maintenance Life Monitoring				
Housing:	Aluminium Extrusion Body				
Environment:	IP67, IK09				
Operating Temperature:	-40°C - 50°C (-40° - 122° F)				
Storage Temperature:	-40°C - 85°C (-40°C - 185° F)				
Dimensions (H x W x D):	300mm	41x300x46 mm (1.6x11.8x1.8 in)	41x300x65 mm (1.6x11.8x2.55 in)	41x300x94.5 mm (1.6x11.8x3.72 in)	41x300x65 mm (1.6x11.8x2.55 in)
	600mm	41x600x46 mm (1.6x23.6x1.8 in)	41x600x65 mm (1.6x23.6x2.55 in)	41x600x94.5 mm (1.6x23.6x3.72 in)	41x600x65 mm (1.6x23.6x2.55 in)
	900mm	41x900x46 mm (1.6x35.4x1.8 in)	41x900x65 mm (1.6x35.4x2.55 in)	41x900x94.5 mm (1.6x35.4x3.72 in)	41x900x65 mm (1.6x35.4x2.55 in)
	1200mm	41x1200x46 mm (1.6x47.2x1.8 in)	41x1200x65 mm (1.6x47.2x2.55 in)	41x1200x94.5 mm (1.6x47.2x3.72 in)	41x1200x65 mm (1.6x47.2x2.55 in)
	1500mm	41x1500x46 mm (1.6x59x1.8 in)	41x1500x65 mm (1.6x59x2.55 in)	41x1500x94.5 mm (1.6x59x3.72 in)	41x1500x65 mm (1.6x59x2.55 in)
Weight:	300mm	0.444kg (0.98lb)	0.479kg (1.05lb)	0.521kg (1.14lb)	0.487kg (1.07lb)
	600mm	0.809kg (1.78lb)	0.879kg (1.94lb)	0.963kg (2.12lb)	0.895kg (1.97lb)
	900mm	1.13kg (2.49lb)	1.23kg (2.71lb)	1.36kg (2.99lb)	1.26kg (2.87lb)
	1200mm	1.44kg (3.17lb)	1.57kg (3.46lb)	1.74kg (3.83lb)	1.61kg (3.54lb)
	1500mm	1.77kg (3.90lb)	1.94kg (4.27lb)	2.15kg (4.73lb)	1.98kg (4.36lb)
Certification:	EU Safety: EN 60950-22:2006 + AC: 2008, EN 60950-1:2006+A2:2013, EN 62262:2002				
	EU EMC: EN 55024:2010/A1:2015, EN 55032:2015/AC:2016-07, -EN 61000-4-3, EN 61000-4-4, EN 61000-4-6, EN 61000-4-8				
	US Safety: UL 60950-22, UL 60950-1				
	US EMC: FCC Part 15 Class A				

Standart DMX Wiring Diagram

Indoor Zone



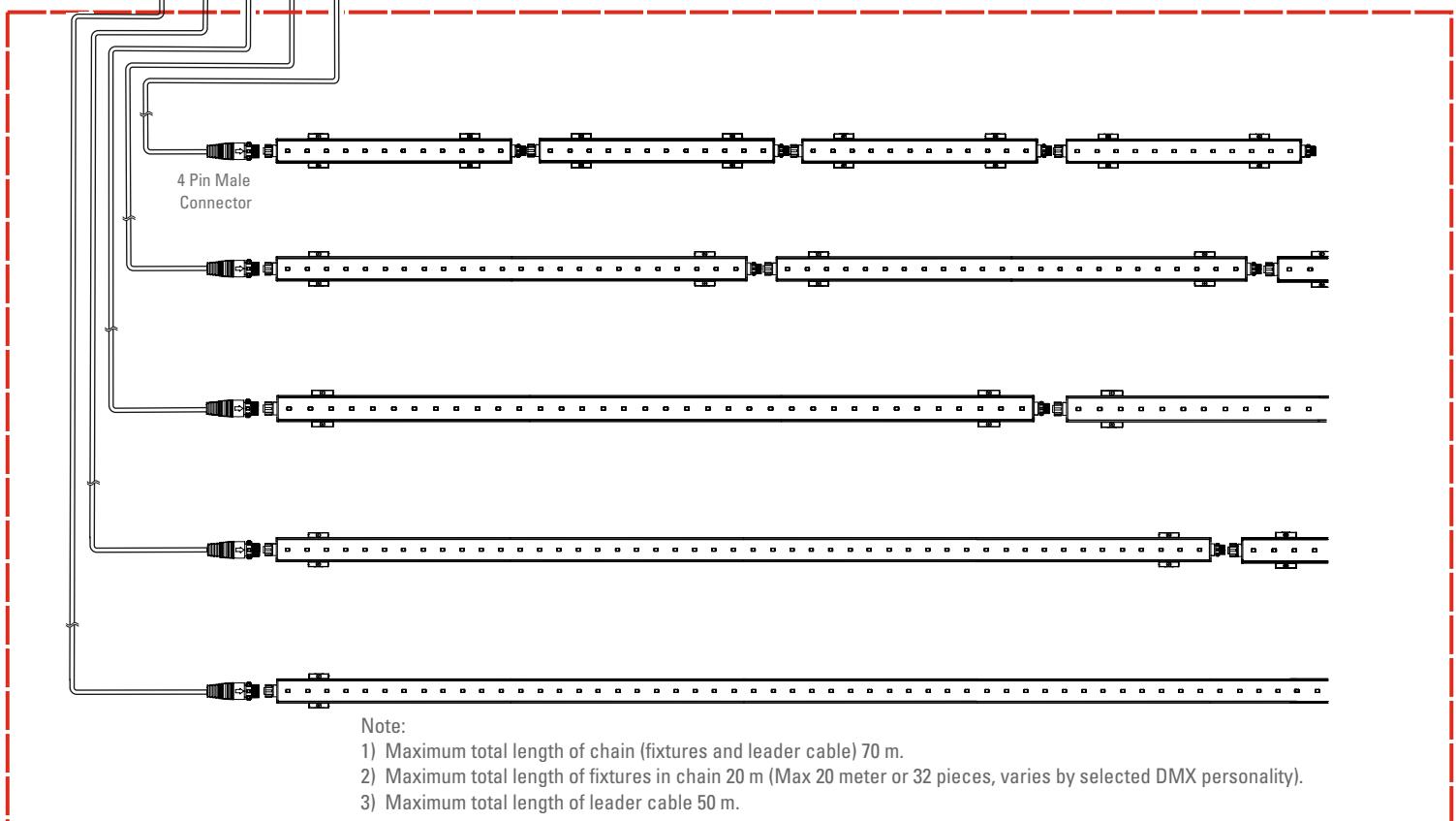
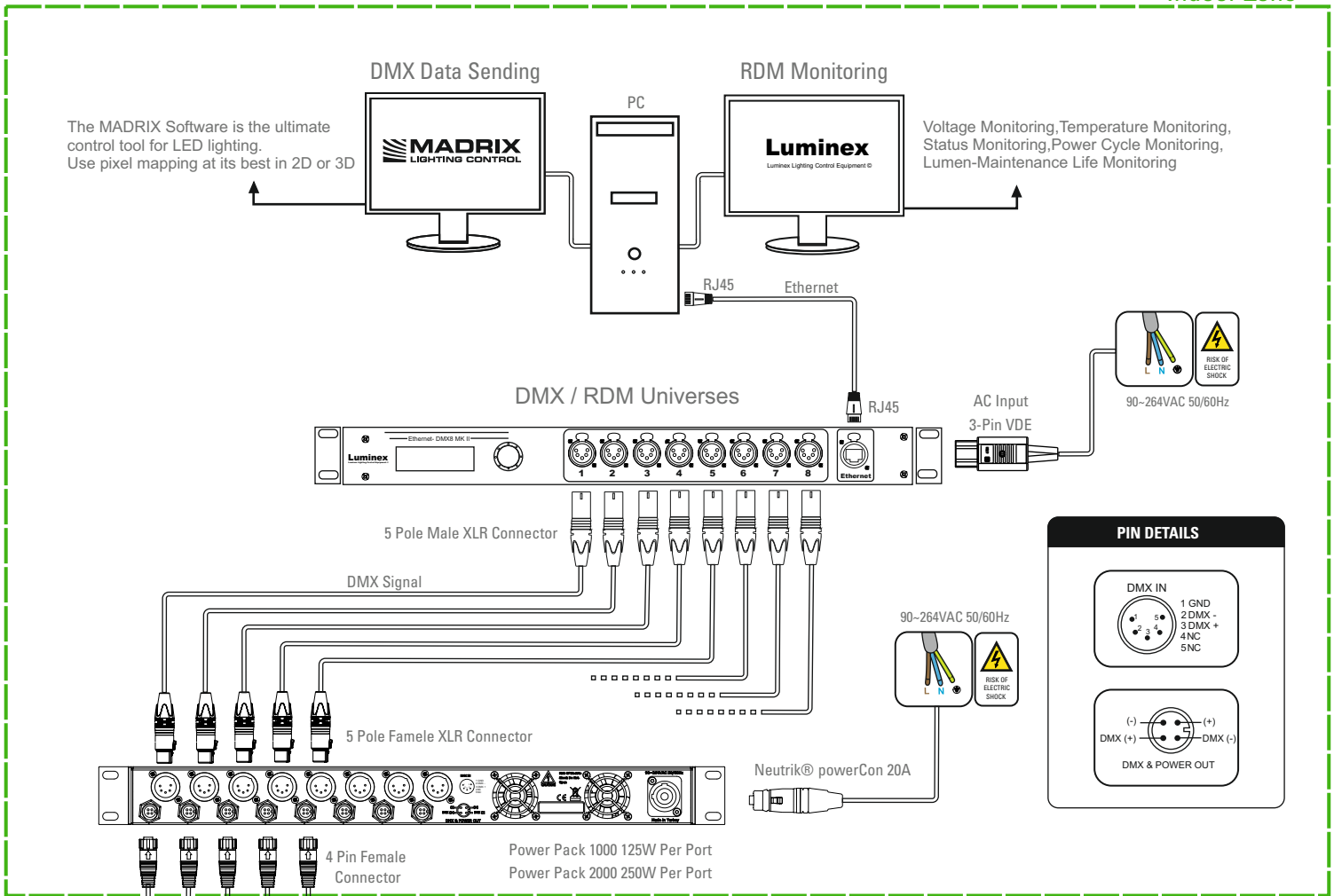
Note:

- 1) Maximum total length of chain (fixtures and leader cable) 70 m.
- 2) Maximum total length of fixtures in chain 20 m (Max 20 meter or 32 pieces, varies by selected DMX personality).
- 3) Maximum total length of leader cable 50 m.

Outdoor Zone

RDM Monitoring Wiring Diagram

Indoor Zone



Outdoor Zone

DMX Personality

Sword 300RGBW (RAW Mode)

No	Fixture Personality	Channel	Value	Function	Description	
1	RGBW Raw Mode 1 LED:1px	(48Ch.)	1	0-255	Red: 0-100%	Each colour (RGBW) can be controlled individually
			2	0-255	Green: 0-100%	
			3	0-255	Blue: 0-100%	
			4	0-255	White: 0-100%	
2	RGBW Raw Mode 2 LEDs:1	(24Ch.)	1	0-255	Red: 0-100%	Each colour (RGBW) can be controlled individually
			2	0-255	Green: 0-100%	
			3	0-255	Blue: 0-100%	
			4	0-255	White: 0-100%	
3	RGBW Raw Mode 3 LEDs:1px	(16Ch.)	1	0-255	Red: 0-100%	Each colour (RGBW) can be controlled individually
			2	0-255	Green: 0-100%	
			3	0-255	Blue: 0-100%	
			4	0-255	White: 0-100%	
4	RGBW Raw Mode 4 LEDs:1px	(12Ch.)	1	0-255	Red: 0-100%	Each colour (RGBW) can be controlled individually
			2	0-255	Green: 0-100%	
			3	0-255	Blue: 0-100%	
			4	0-255	White: 0-100%	
5	RGBW Raw Mode 6 LEDs:1px	(8Ch.)	1	0-255	Red: 0-100%	Each colour (RGBW) can be controlled individually
			2	0-255	Green: 0-100%	
			3	0-255	Blue: 0-100%	
			4	0-255	White: 0-100%	
6	RGBW Raw Mode 12 LEDs:1px	(4Ch.)	1	0-255	Red: 0-100%	Each colour (RGBW) can be controlled individually
			2	0-255	Green: 0-100%	
			3	0-255	Blue: 0-100%	
			4	0-255	White: 0-100%	

Sword 300RGBW (RGB+Auto White)

No	Fixture Personality	Channel	Value	Function	Description	
1	RGB+Auto White Mode 1 LED:1px	(36Ch.)	1	0-255	Red: 0-100%	Algorithms enable auto control of white LED by 3-channel RGB values
			2	0-255	Green: 0-100%	
			3	0-255	Blue: 0-100%	
2	RGB+Auto White Mode 2 LEDs:1px	(18Ch.)	1	0-255	Red: 0-100%	Algorithms enable auto control of white LED by 3-channel RGB values
			2	0-255	Green: 0-100%	
			3	0-255	Blue: 0-100%	
3	RGB+Auto White Mode 3 LEDs:1px	(12Ch.)	1	0-255	Red: 0-100%	Algorithms enable auto control of white LED by 3-channel RGB values
			2	0-255	Green: 0-100%	
			3	0-255	Blue: 0-100%	
4	RGB+Auto White Mode 4 LEDs:1px	(9Ch.)	1	0-255	Red: 0-100%	Algorithms enable auto control of white LED by 3-channel RGB values
			2	0-255	Green: 0-100%	
			3	0-255	Blue: 0-100%	
5	RGB+Auto White Mode 6 LEDs:1px	(6Ch.)	1	0-255	Red: 0-100%	Algorithms enable auto control of white LED by 3-channel RGB values
			2	0-255	Green: 0-100%	
			3	0-255	Blue: 0-100%	
6	RGB+Auto White Mode 12LEDs:1px	(3Ch.)	1	0-255	Red: 0-100%	Algorithms enable auto control of white LED by 3-channel RGB values
			2	0-255	Green: 0-100%	
			3	0-255	Blue: 0-100%	

Sword 300RGBW (RGB Raw Mode)

No	Fixture Personality	Channel	Value	Function	Description	
1	RGB Raw Mode 1 LED:1px	(36Ch.)	1	0-255	Red: 0-100%	Each colour (RGB) can be controlled individually
			2	0-255	Green: 0-100%	
			3	0-255	Blue: 0-100%	
2	RGB Raw Mode 2 LEDs:1px	(18Ch.)	1	0-255	Red: 0-100%	Each colour (RGB) can be controlled individually
			2	0-255	Green: 0-100%	
			3	0-255	Blue: 0-100%	
3	RGB Raw Mode 3 LEDs:1px	(12Ch.)	1	0-255	Red: 0-100%	Each colour (RGB) can be controlled individually
			2	0-255	Green: 0-100%	
			3	0-255	Blue: 0-100%	
4	RGB Raw Mode 4 LEDs:3px	(9Ch.)	1	0-255	Red: 0-100%	Each colour (RGB) can be controlled individually
			2	0-255	Green: 0-100%	
			3	0-255	Blue: 0-100%	
5	RGB Raw Mode 6 LEDs:2px	(6Ch.)	1	0-255	Red: 0-100%	Each colour (RGB) can be controlled individually
			2	0-255	Green: 0-100%	
			3	0-255	Blue: 0-100%	
6	RGB Raw Mode 12LEDs:1px	(3Ch.)	1	0-255	Red: 0-100%	Each colour (RGB) can be controlled individually
			2	0-255	Green: 0-100%	
			3	0-255	Blue: 0-100%	

DMX Personality

Sword 600RGBW (RAW Mode)

No	Fixture Personality	Channel	Value	Function	Description	
1	RGBW Raw Mode 1 LED:1px	(96Ch.)	1	0-255	Red: 0-100%	Each colour (RGBW) can be controlled individually
			2	0-255	Green: 0-100%	
			3	0-255	Blue: 0-100%	
			4	0-255	White: 0-100%	
2	RGBW Raw Mode 2 LEDs:1px	(48Ch.)	1	0-255	Red: 0-100%	Each colour (RGBW) can be controlled individually
			2	0-255	Green: 0-100%	
			3	0-255	Blue: 0-100%	
			4	0-255	White: 0-100%	
3	RGBW Raw Mode 3 LEDs:1px	(32Ch.)	1	0-255	Red: 0-100%	Each colour (RGBW) can be controlled individually
			2	0-255	Green: 0-100%	
			3	0-255	Blue: 0-100%	
			4	0-255	White: 0-100%	
4	RGBW Raw Mode 4 LEDs:1px	(24Ch.)	1	0-255	Red: 0-100%	Each colour (RGBW) can be controlled individually
			2	0-255	Green: 0-100%	
			3	0-255	Blue: 0-100%	
			4	0-255	White: 0-100%	
5	RGBW Raw Mode 6 LEDs:1px	(16Ch.)	1	0-255	Red: 0-100%	Each colour (RGBW) can be controlled individually
			2	0-255	Green: 0-100%	
			3	0-255	Blue: 0-100%	
			4	0-255	White: 0-100%	
6	RGBW Raw Mode 12 LEDs:1px	(8Ch.)	1	0-255	Red: 0-100%	Each colour (RGBW) can be controlled individually
			2	0-255	Green: 0-100%	
			3	0-255	Blue: 0-100%	
			4	0-255	White: 0-100%	

Sword 600RGBW (RGB+Auto White)

No	Fixture Personality	Channel	Value	Function	Description	
1	RGB+Auto White Mode 1 LED:1px	(72Ch.)	1	0-255	Red: 0-100%	Algorithms enable auto control of white LED by 3-channel RGB values
			2	0-255	Green: 0-100%	
			3	0-255	Blue: 0-100%	
2	RGB+Auto White Mode 2 LEDs:1px	(36Ch.)	1	0-255	Red: 0-100%	Algorithms enable auto control of white LED by 3-channel RGB values
			2	0-255	Green: 0-100%	
			3	0-255	Blue: 0-100%	
3	RGB+Auto White Mode 3 LEDs:1px	(24Ch.)	1	0-255	Red: 0-100%	Algorithms enable auto control of white LED by 3-channel RGB values
			2	0-255	Green: 0-100%	
			3	0-255	Blue: 0-100%	
4	RGB+Auto White Mode 4 LEDs:1px	(18Ch.)	1	0-255	Red: 0-100%	Algorithms enable auto control of white LED by 3-channel RGB values
			2	0-255	Green: 0-100%	
			3	0-255	Blue: 0-100%	
5	RGB+Auto White Mode 6 LEDs:1px	(12Ch.)	1	0-255	Red: 0-100%	Algorithms enable auto control of white LED by 3-channel RGB values
			2	0-255	Green: 0-100%	
			3	0-255	Blue: 0-100%	
6	RGB+Auto White Mode 12LEDs:1px	(6Ch.)	1	0-255	Red: 0-100%	Algorithms enable auto control of white LED by 3-channel RGB values
			2	0-255	Green: 0-100%	
			3	0-255	Blue: 0-100%	

Sword 600RGBW (RGB Raw Mode)

No	Fixture Personality	Channel	Value	Function	Description	
1	RGB Raw Mode 1 LED:1px	(72Ch.)	1	0-255	Red: 0-100%	Each colour (RGB) can be controlled individually
			2	0-255	Green: 0-100%	
			3	0-255	Blue: 0-100%	
2	RGB Raw Mode 2 LEDs:1px	(36Ch.)	1	0-255	Red: 0-100%	Each colour (RGB) can be controlled individually
			2	0-255	Green: 0-100%	
			3	0-255	Blue: 0-100%	
3	RGB Raw Mode 3 LEDs:1px	(24Ch.)	1	0-255	Red: 0-100%	Each colour (RGB) can be controlled individually
			2	0-255	Green: 0-100%	
			3	0-255	Blue: 0-100%	
4	RGB Raw Mode 4 LEDs:3px	(18Ch.)	1	0-255	Red: 0-100%	Each colour (RGB) can be controlled individually
			2	0-255	Green: 0-100%	
			3	0-255	Blue: 0-100%	
5	RGB Raw Mode 6 LEDs:2px	(12Ch.)	1	0-255	Red: 0-100%	Each colour (RGB) can be controlled individually
			2	0-255	Green: 0-100%	
			3	0-255	Blue: 0-100%	
6	RGB Raw Mode 12LEDs:1px	(6Ch.)	1	0-255	Red: 0-100%	Each colour (RGB) can be controlled individually
			2	0-255	Green: 0-100%	
			3	0-255	Blue: 0-100%	

DMX Personality

Sword 900RGBW (RAW Mode)

No	Fixture Personality	Channel	Value	Function	Description	
1	RGBW Raw Mode 1 LED:1px	(144Ch.)	1	0-255	Red: 0-100%	Each colour (RGBW) can be controlled individually
			2	0-255	Green: 0-100%	
			3	0-255	Blue: 0-100%	
			4	0-255	White: 0-100%	
2	RGBW Raw Mode 2 LEDs:1px	(72Ch.)	1	0-255	Red: 0-100%	Each colour (RGBW) can be controlled individually
			2	0-255	Green: 0-100%	
			3	0-255	Blue: 0-100%	
			4	0-255	White: 0-100%	
3	RGBW Raw Mode 3 LEDs:1px	(48Ch.)	1	0-255	Red: 0-100%	Each colour (RGBW) can be controlled individually
			2	0-255	Green: 0-100%	
			3	0-255	Blue: 0-100%	
			4	0-255	White: 0-100%	
4	RGBW Raw Mode 4 LEDs:1px	(36Ch.)	1	0-255	Red: 0-100%	Each colour (RGBW) can be controlled individually
			2	0-255	Green: 0-100%	
			3	0-255	Blue: 0-100%	
			4	0-255	White: 0-100%	
5	RGBW Raw Mode 6 LEDs:1px	(24Ch.)	1	0-255	Red: 0-100%	Each colour (RGBW) can be controlled individually
			2	0-255	Green: 0-100%	
			3	0-255	Blue: 0-100%	
			4	0-255	White: 0-100%	
6	RGBW Raw Mode 12 LEDs:1px	(12Ch.)	1	0-255	Red: 0-100%	Each colour (RGBW) can be controlled individually
			2	0-255	Green: 0-100%	
			3	0-255	Blue: 0-100%	
			4	0-255	White: 0-100%	

Sword 900RGBW (RGB+Auto White)

No	Fixture Personality	Channel	Value	Function	Description	
1	RGB+Auto White Mode 1 LED:1px	(108Ch.)	1	0-255	Red: 0-100%	Algorithms enable auto control of white LED by 3-channel RGB values
			2	0-255	Green: 0-100%	
			3	0-255	Blue: 0-100%	
2	RGB+Auto White Mode 2 LEDs:1px	(54Ch.)	1	0-255	Red: 0-100%	Algorithms enable auto control of white LED by 3-channel RGB values
			2	0-255	Green: 0-100%	
			3	0-255	Blue: 0-100%	
3	RGB+Auto White Mode 3 LEDs:1px	(36Ch.)	1	0-255	Red: 0-100%	Algorithms enable auto control of white LED by 3-channel RGB values
			2	0-255	Green: 0-100%	
			3	0-255	Blue: 0-100%	
4	RGB+Auto White Mode 4 LEDs:1px	(27Ch.)	1	0-255	Red: 0-100%	Algorithms enable auto control of white LED by 3-channel RGB values
			2	0-255	Green: 0-100%	
			3	0-255	Blue: 0-100%	
5	RGB+Auto White Mode 6 LEDs:1px	(18Ch.)	1	0-255	Red: 0-100%	Algorithms enable auto control of white LED by 3-channel RGB values
			2	0-255	Green: 0-100%	
			3	0-255	Blue: 0-100%	
6	RGB+Auto White Mode 12LEDs:1px	(9Ch.)	1	0-255	Red: 0-100%	Algorithms enable auto control of white LED by 3-channel RGB values
			2	0-255	Green: 0-100%	
			3	0-255	Blue: 0-100%	

Sword 900RGBW (RGB Raw Mode)

No	Fixture Personality	Channel	Value	Function	Description	
1	RGB Raw Mode 1 LED:1px	(108Ch.)	1	0-255	Red: 0-100%	Each colour (RGB) can be controlled individually
			2	0-255	Green: 0-100%	
			3	0-255	Blue: 0-100%	
2	RGB Raw Mode 2 LEDs:1px	(54Ch.)	1	0-255	Red: 0-100%	Each colour (RGB) can be controlled individually
			2	0-255	Green: 0-100%	
			3	0-255	Blue: 0-100%	
3	RGB Raw Mode 3 LEDs:1px	(36Ch.)	1	0-255	Red: 0-100%	Each colour (RGB) can be controlled individually
			2	0-255	Green: 0-100%	
			3	0-255	Blue: 0-100%	
4	RGB Raw Mode 4 LEDs:3px	(27Ch.)	1	0-255	Red: 0-100%	Each colour (RGB) can be controlled individually
			2	0-255	Green: 0-100%	
			3	0-255	Blue: 0-100%	
5	RGB Raw Mode 6 LEDs:2px	(18Ch.)	1	0-255	Red: 0-100%	Each colour (RGB) can be controlled individually
			2	0-255	Green: 0-100%	
			3	0-255	Blue: 0-100%	
6	RGB Raw Mode 12LEDs:1px	(9Ch.)	1	0-255	Red: 0-100%	Each colour (RGB) can be controlled individually
			2	0-255	Green: 0-100%	
			3	0-255	Blue: 0-100%	

DMX Personality

Sword 1200RGBW (RAW Mode)

No	Fixture Personality	Channel	Value	Function	Description	
1	RGBW Raw Mode 1 LED:1px	(192Ch.)	1	0-255	Red: 0-100%	Each colour (RGBW) can be controlled individually
			2	0-255	Green: 0-100%	
			3	0-255	Blue: 0-100%	
			4	0-255	White: 0-100%	
2	RGBW Raw Mode 2 LEDs:1px	(96Ch.)	1	0-255	Red: 0-100%	Each colour (RGBW) can be controlled individually
			2	0-255	Green: 0-100%	
			3	0-255	Blue: 0-100%	
			4	0-255	White: 0-100%	
3	RGBW Raw Mode 3 LEDs:1px	(64Ch.)	1	0-255	Red: 0-100%	Each colour (RGBW) can be controlled individually
			2	0-255	Green: 0-100%	
			3	0-255	Blue: 0-100%	
			4	0-255	White: 0-100%	
4	RGBW Raw Mode 4 LEDs:1px	(48Ch.)	1	0-255	Red: 0-100%	Each colour (RGBW) can be controlled individually
			2	0-255	Green: 0-100%	
			3	0-255	Blue: 0-100%	
			4	0-255	White: 0-100%	
5	RGBW Raw Mode 6 LEDs:1px	(32Ch.)	1	0-255	Red: 0-100%	Each colour (RGBW) can be controlled individually
			2	0-255	Green: 0-100%	
			3	0-255	Blue: 0-100%	
			4	0-255	White: 0-100%	
6	RGBW Raw Mode 12 LEDs:1px	(16Ch.)	1	0-255	Red: 0-100%	Each colour (RGBW) can be controlled individually
			2	0-255	Green: 0-100%	
			3	0-255	Blue: 0-100%	
			4	0-255	White: 0-100%	

Sword 1200RGBW (RGB+Auto White)

No	Fixture Personality	Channel	Value	Function	Description	
1	RGB+Auto White Mode 1 LED:1px	(144Ch.)	1	0-255	Red: 0-100%	Algorithms enable auto control of white LED by 3-channel RGB values
			2	0-255	Green: 0-100%	
			3	0-255	Blue: 0-100%	
2	RGB+Auto White Mode 2 LEDs:1px	(72Ch.)	1	0-255	Red: 0-100%	Algorithms enable auto control of white LED by 3-channel RGB values
			2	0-255	Green: 0-100%	
			3	0-255	Blue: 0-100%	
3	RGB+Auto White Mode 3 LEDs:1px	(48Ch.)	1	0-255	Red: 0-100%	Algorithms enable auto control of white LED by 3-channel RGB values
			2	0-255	Green: 0-100%	
			3	0-255	Blue: 0-100%	
4	RGB+Auto White Mode 4 LEDs:1px	(36Ch.)	1	0-255	Red: 0-100%	Algorithms enable auto control of white LED by 3-channel RGB values
			2	0-255	Green: 0-100%	
			3	0-255	Blue: 0-100%	
5	RGB+Auto White Mode 6 LEDs:1px	(24Ch.)	1	0-255	Red: 0-100%	Algorithms enable auto control of white LED by 3-channel RGB values
			2	0-255	Green: 0-100%	
			3	0-255	Blue: 0-100%	
6	RGB+Auto White Mode 12LEDs:1px	(12Ch.)	1	0-255	Red: 0-100%	Algorithms enable auto control of white LED by 3-channel RGB values
			2	0-255	Green: 0-100%	
			3	0-255	Blue: 0-100%	

Sword 1200RGBW (RGB Raw Mode)

No	Fixture Personality	Channel	Value	Function	Description	
1	RGB Raw Mode 1 LED:1px	(144Ch.)	1	0-255	Red: 0-100%	Each colour (RGB) can be controlled individually
			2	0-255	Green: 0-100%	
			3	0-255	Blue: 0-100%	
2	RGB Raw Mode 2 LEDs:1px	(72Ch.)	1	0-255	Red: 0-100%	Each colour (RGB) can be controlled individually
			2	0-255	Green: 0-100%	
			3	0-255	Blue: 0-100%	
3	RGB Raw Mode 3 LEDs:1px	(48Ch.)	1	0-255	Red: 0-100%	Each colour (RGB) can be controlled individually
			2	0-255	Green: 0-100%	
			3	0-255	Blue: 0-100%	
4	RGB Raw Mode 4 LEDs:3px	(36Ch.)	1	0-255	Red: 0-100%	Each colour (RGB) can be controlled individually
			2	0-255	Green: 0-100%	
			3	0-255	Blue: 0-100%	
5	RGB Raw Mode 6 LEDs:2px	(24Ch.)	1	0-255	Red: 0-100%	Each colour (RGB) can be controlled individually
			2	0-255	Green: 0-100%	
			3	0-255	Blue: 0-100%	
6	RGB Raw Mode 12LEDs:1px	(12Ch.)	1	0-255	Red: 0-100%	Each colour (RGB) can be controlled individually
			2	0-255	Green: 0-100%	
			3	0-255	Blue: 0-100%	

DMX Personality

Sword 1500RGBW (RAW Mode)

No	Fixture Personality	Channel	Value	Function	Description	
1	RGBW Raw Mode 1 LED:1px	(240Ch.)	1	0-255	Red: 0-100%	Each colour (RGBW) can be controlled individually
			2	0-255	Green: 0-100%	
			3	0-255	Blue: 0-100%	
			4	0-255	White: 0-100%	
2	RGBW Raw Mode 2 LEDs:1px	(120Ch.)	1	0-255	Red: 0-100%	Each colour (RGBW) can be controlled individually
			2	0-255	Green: 0-100%	
			3	0-255	Blue: 0-100%	
			4	0-255	White: 0-100%	
3	RGBW Raw Mode 3 LEDs:1px	(80Ch.)	1	0-255	Red: 0-100%	Each colour (RGBW) can be controlled individually
			2	0-255	Green: 0-100%	
			3	0-255	Blue: 0-100%	
			4	0-255	White: 0-100%	
4	RGBW Raw Mode 4 LEDs:1px	(60Ch.)	1	0-255	Red: 0-100%	Each colour (RGBW) can be controlled individually
			2	0-255	Green: 0-100%	
			3	0-255	Blue: 0-100%	
			4	0-255	White: 0-100%	
5	RGBW Raw Mode 6 LEDs:1px	(40Ch.)	1	0-255	Red: 0-100%	Each colour (RGBW) can be controlled individually
			2	0-255	Green: 0-100%	
			3	0-255	Blue: 0-100%	
			4	0-255	White: 0-100%	
6	RGBW Raw Mode 12 LEDs:1px	(20Ch.)	1	0-255	Red: 0-100%	Each colour (RGBW) can be controlled individually
			2	0-255	Green: 0-100%	
			3	0-255	Blue: 0-100%	
			4	0-255	White: 0-100%	

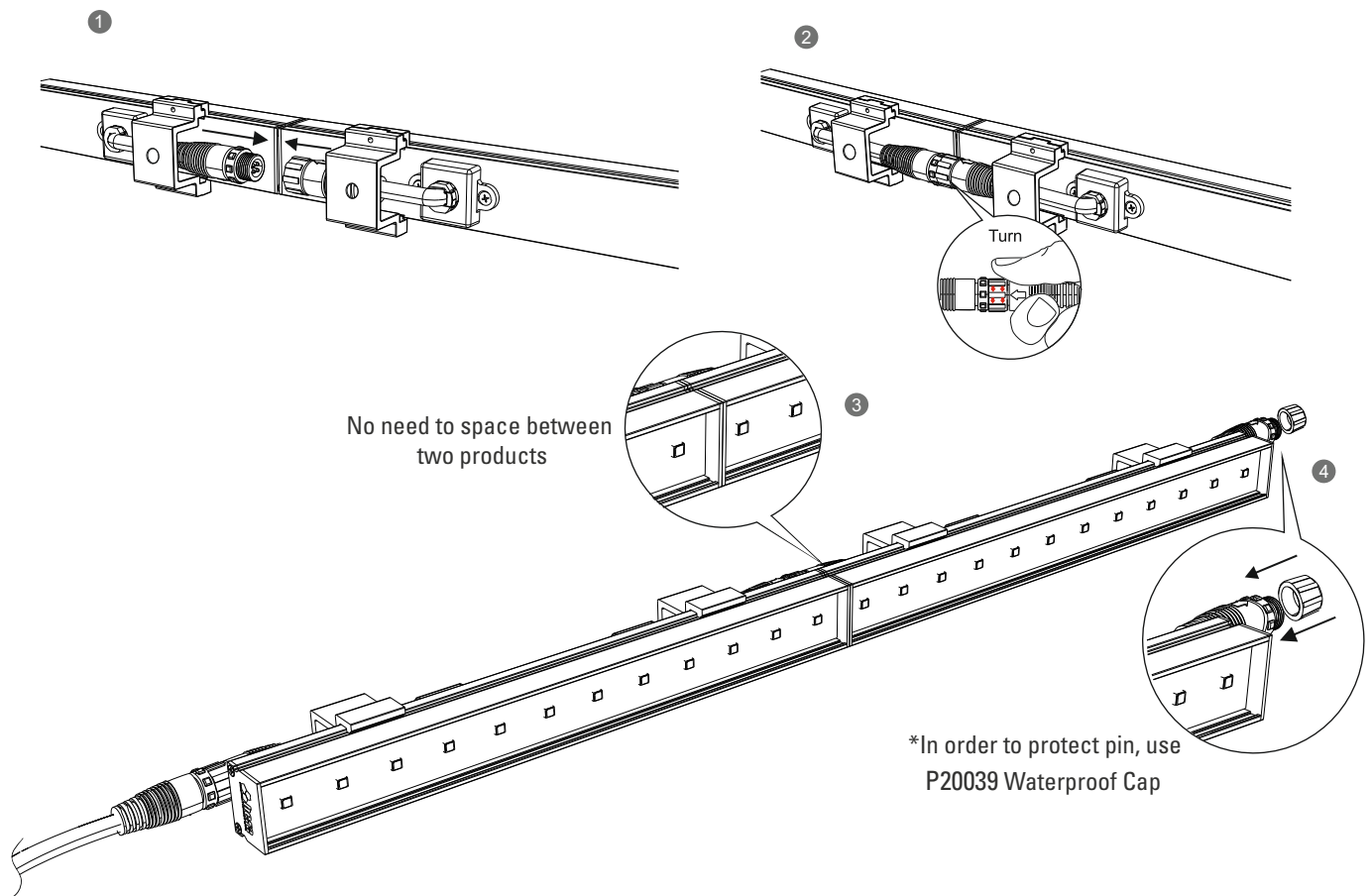
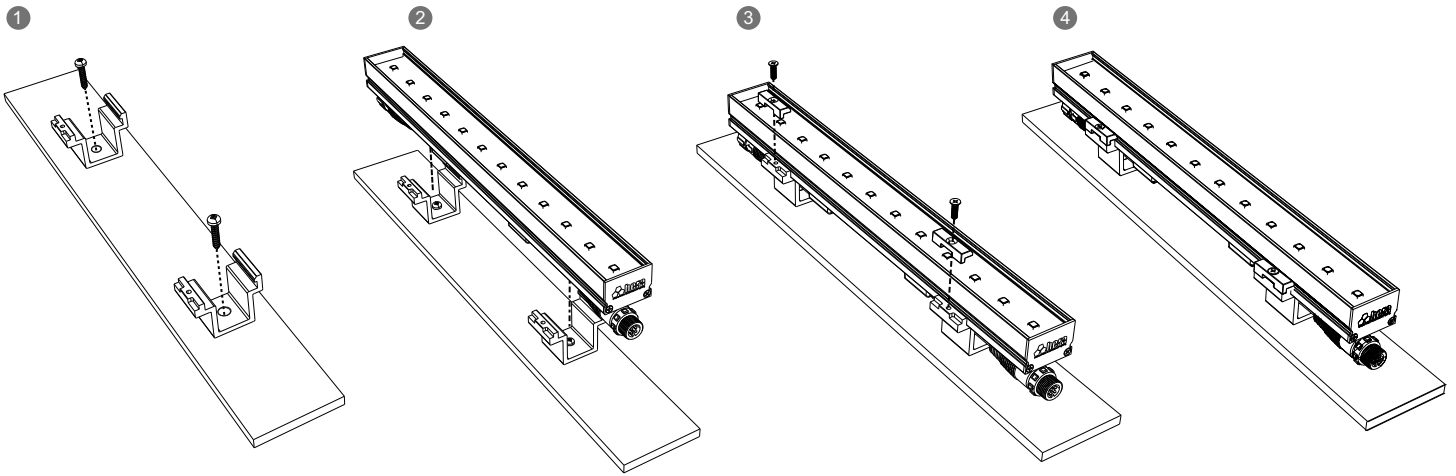
Sword 1500RGBW (RGB+Auto White)

No	Fixture Personality	Channel	Value	Function	Description	
1	RGB+Auto White Mode 1 LED:1px	(180Ch.)	1	0-255	Red: 0-100%	Algorithms enable auto control of white LED by 3-channel RGB values
			2	0-255	Green: 0-100%	
			3	0-255	Blue: 0-100%	
2	RGB+Auto White Mode 2 LEDs:1px	(90Ch.)	1	0-255	Red: 0-100%	Algorithms enable auto control of white LED by 3-channel RGB values
			2	0-255	Green: 0-100%	
			3	0-255	Blue: 0-100%	
3	RGB+Auto White Mode 3 LEDs:1px	(60Ch.)	1	0-255	Red: 0-100%	Algorithms enable auto control of white LED by 3-channel RGB values
			2	0-255	Green: 0-100%	
			3	0-255	Blue: 0-100%	
4	RGB+Auto White Mode 4 LEDs:1px	(45Ch.)	1	0-255	Red: 0-100%	Algorithms enable auto control of white LED by 3-channel RGB values
			2	0-255	Green: 0-100%	
			3	0-255	Blue: 0-100%	
5	RGB+Auto White Mode 6 LEDs:1px	(30Ch.)	1	0-255	Red: 0-100%	Algorithms enable auto control of white LED by 3-channel RGB values
			2	0-255	Green: 0-100%	
			3	0-255	Blue: 0-100%	
6	RGB+Auto White Mode 12LEDs:1px	(15Ch.)	1	0-255	Red: 0-100%	Algorithms enable auto control of white LED by 3-channel RGB values
			2	0-255	Green: 0-100%	
			3	0-255	Blue: 0-100%	

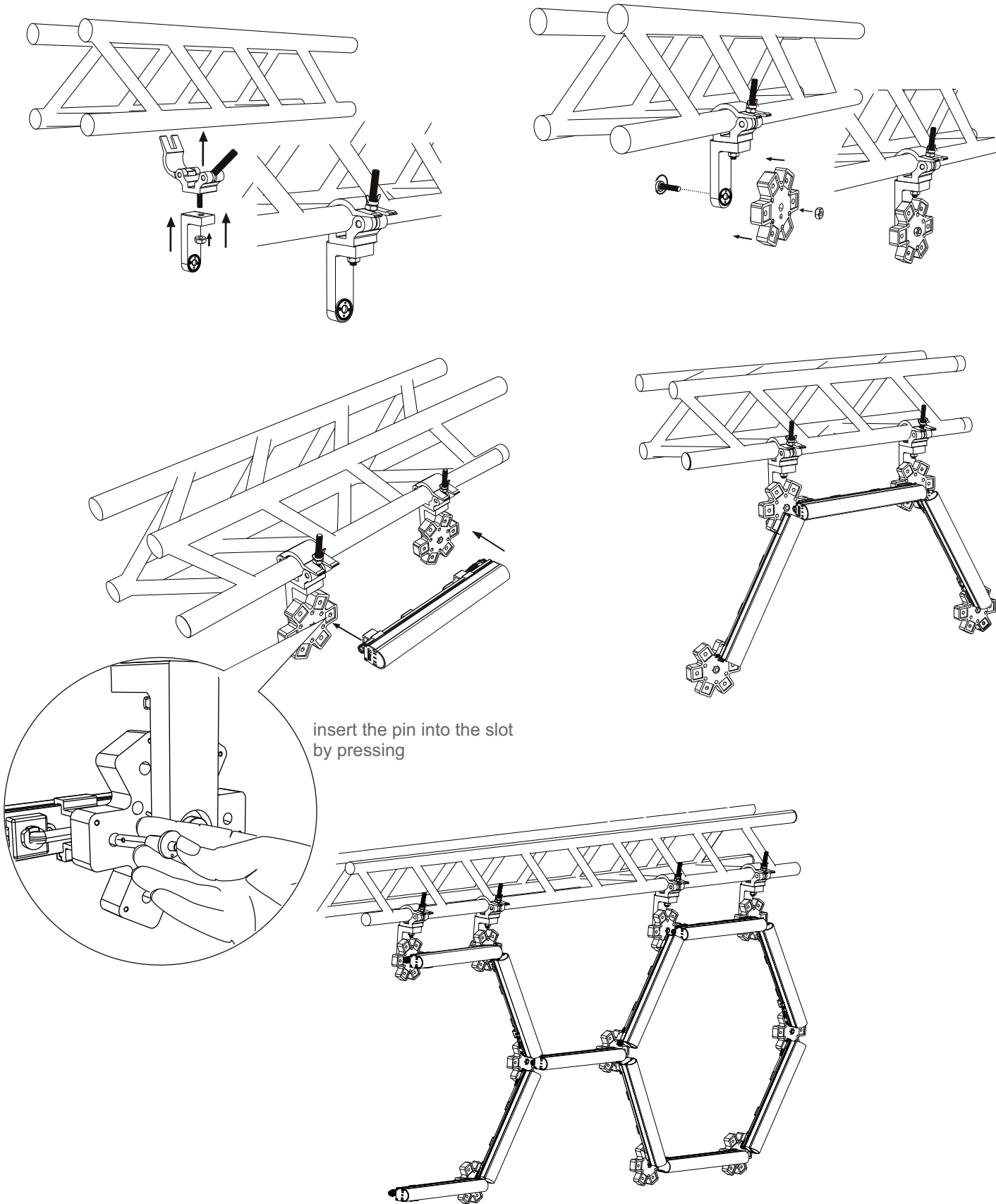
Sword 1500RGBW (RAW Mode)

No	Fixture Personality	Channel	Value	Function	Description	
1	RGB Raw Mode 1 LED:1px	(180Ch.)	1	0-255	Red: 0-100%	Each colour (RGB) can be controlled individually
			2	0-255	Green: 0-100%	
			3	0-255	Blue: 0-100%	
2	RGB Raw Mode 2 LEDs:1px	(90Ch.)	1	0-255	Red: 0-100%	Each colour (RGB) can be controlled individually
			2	0-255	Green: 0-100%	
			3	0-255	Blue: 0-100%	
3	RGB Raw Mode 3 LEDs:1px	(60Ch.)	1	0-255	Red: 0-100%	Each colour (RGB) can be controlled individually
			2	0-255	Green: 0-100%	
			3	0-255	Blue: 0-100%	
4	RGB Raw Mode 4 LEDs:3px	(45Ch.)	1	0-255	Red: 0-100%	Each colour (RGB) can be controlled individually
			2	0-255	Green: 0-100%	
			3	0-255	Blue: 0-100%	
5	RGB Raw Mode 6 LEDs:2px	(30Ch.)	1	0-255	Red: 0-100%	Each colour (RGB) can be controlled individually
			2	0-255	Green: 0-100%	
			3	0-255	Blue: 0-100%	
6	RGB Raw Mode 12LEDs:1px	(15Ch.)	1	0-255	Red: 0-100%	Each colour (RGB) can be controlled individually
			2	0-255	Green: 0-100%	
			3	0-255	Blue: 0-100%	

Installation Instruction

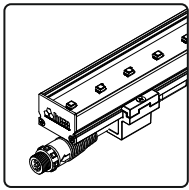


Installation Instruction

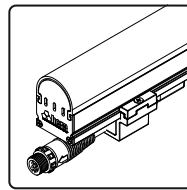


SWORD® RGBW SERIES

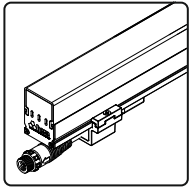
Ordering Information



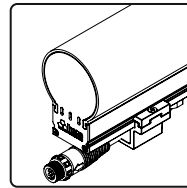
P01058105 Sword® RGBW 300mm Direct View
 P01059105 Sword® RGBW 600mm Direct View
 P01060105 Sword® RGBW 900mm Direct View
 P01061105 Sword® RGBW 1200mm Direct View
 P01062105 Sword® RGBW 1500mm Direct View



P01066105 Sword® RGBW 300mm Radius Diffused
 P01067105 Sword® RGBW 600mm Radius Diffused
 P01068105 Sword® RGBW 900mm Radius Diffused
 P01069105 Sword® RGBW 1200mm Radius Diffused
 P01070105 Sword® RGBW 1500mm Radius Diffused



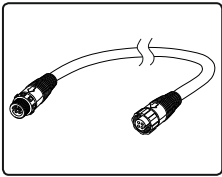
P01094105 Sword® RGBW 300mm Flat Diffused
 P01095105 Sword® RGBW 600mm Flat Diffused
 P01096105 Sword® RGBW 900mm Flat Diffused
 P01097105 Sword® RGBW 1200mm Flat Diffused
 P01098105 Sword® RGBW 1500mm Flat Diffused



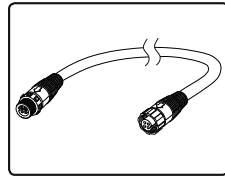
P01078105 Sword® RGBW 300mm Round Diffused
 P01079105 Sword® RGBW 600mm Round Diffused
 P01080105 Sword® RGBW 900mm Round Diffused
 P01081105 Sword® RGBW 1200mm Round Diffused
 P01082105 Sword® RGBW 1500mm Round Diffused

*Standart product codes that we provided is above. Please contact us for special orders.

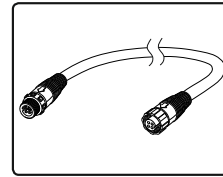
Accessories & Recommended Products



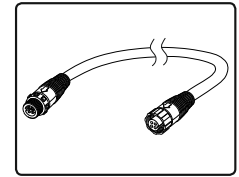
P20022
4 Pin Leader Cable 2 Meter



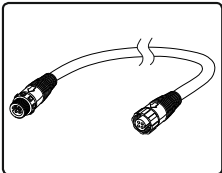
P20023
4 Pin Leader Cable 5 Meter



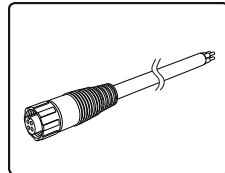
P20024
4 Pin Leader Cable 10 Meter



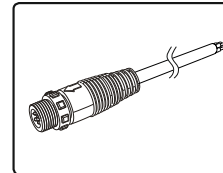
P20025
4 Pin Leader Cable 15 Meter



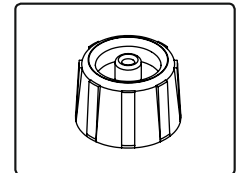
P20026
4 Pin Leader Cable 20 Meter



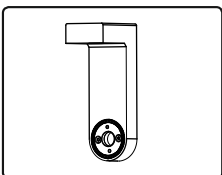
P20027
4 Pin Female
IP67 Cable & Connector 30cm



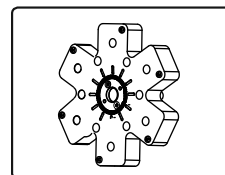
P20028
4 Pin Male
IP67 Cable & Connector 30cm



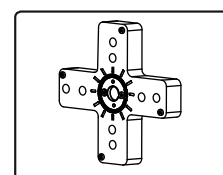
P20039
Waterproof Cap For 4 Pin



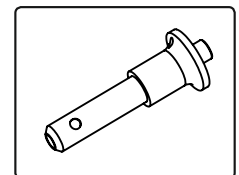
P20046
Equipment For Clamp Mounting



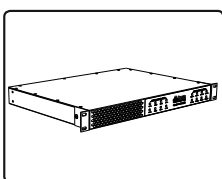
P20047
60 Degree Bracket



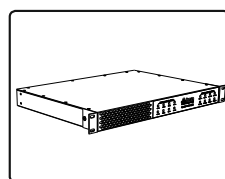
P20048
90 Degree Bracket



P20049
20mm Stainless Steel Locking Pin



P08004 Power Pack
1000-48 1000W 8 Outputs
Power Supply



P08013 Power Pack
2000-48 2000W 8 Outputs
Power Supply

