

## SWIVEL CLAMP 302-V2

### General:

Coupler SWIVEL CLAMP 302-V2 is constructed from high tensile aluminum extrusion making it not only light weight, but extra strong.

It is made up of two single couplers. It's used to connect two pipes. Allowing a full 360 degree of movement. Easily be fixed in a 90 or 180 degree.

### Specifications:

Material: Al 6061-T6

Width: 30mm

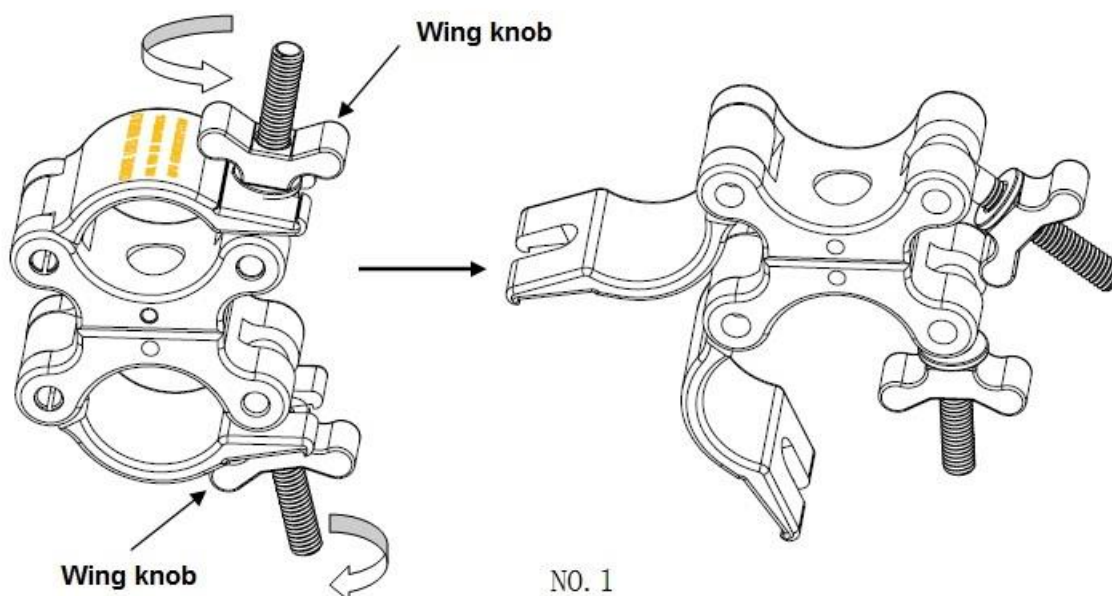
Tube Diameters: 38—51mm

Max. Safe working load: 500KGs

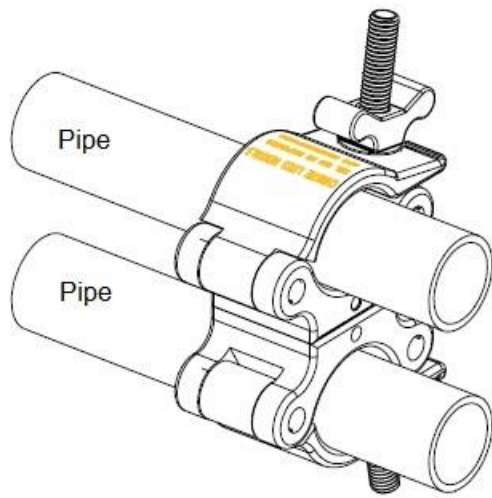
Unit weight: 0.696 kg

### Installation Method:

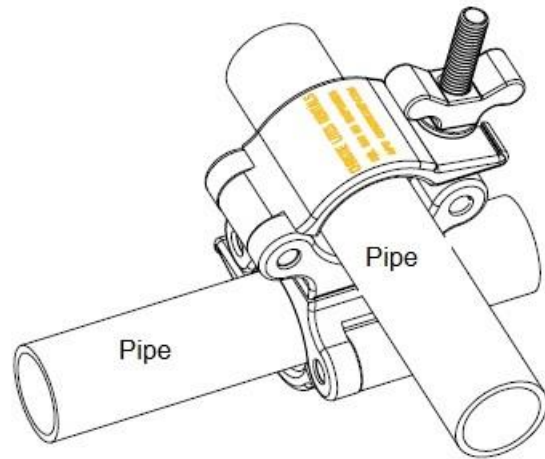
- ① Open the package, Loosen the wing knobs according to the direction of arrow on the picture No1;



- ② Fix the coupler in two pipes, be sure to tighten the wing knobs. Allowing a full 360 degree of movement . Easily fixed in a 90 or 180 degree with an extra pin.(Picture No2,No3)



No. 2



No. 3

**Warning:**

1. The operator instruction shall be read before the use of the product;
2. Please call the professionals to install the product.
3. If safety problems found existing in the product, must not be installed and contact with suppliers;
4. Do not allow children to play in the working area during assembly and adjustments;

**BEGLEC NV**  
**'t Hofveld 2c, 1702 Groot-Bijgaarden, Belgium**



**[WWW.BRITEQ-LIGHTING.COM](http://WWW.BRITEQ-LIGHTING.COM)**