

FAST CLAMP Black V2

General:

Coupler FAST CLAMP Black V2 is constructed from high tensile aluminum extrusions.

Specifications:

Material: Al 6061-T6

Width: 30 mm

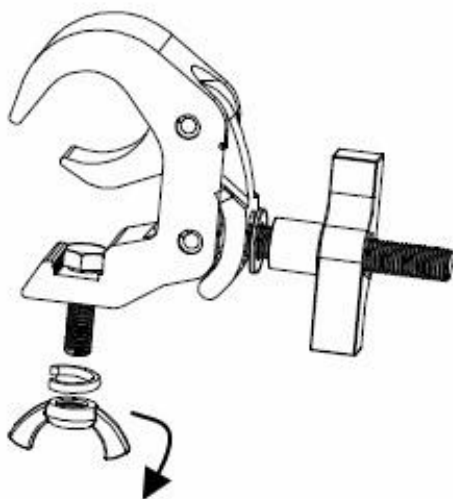
Tube Diameters: 40—51 mm

Maximum load: 150 kg

Unit weight: 0.504 kg

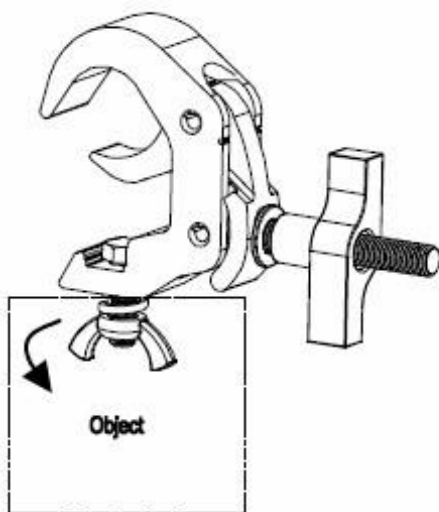
Installation Method:

① Open the package, Loosen the wing nut according to the direction of arrow on the picture No1;



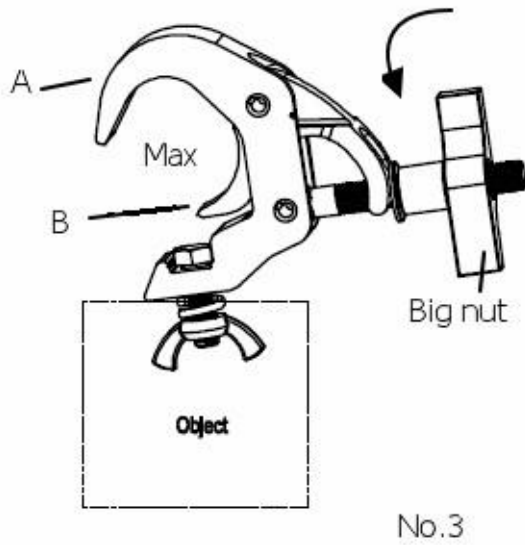
No.1

② Connected to the target product (Object), then tighten the screws.

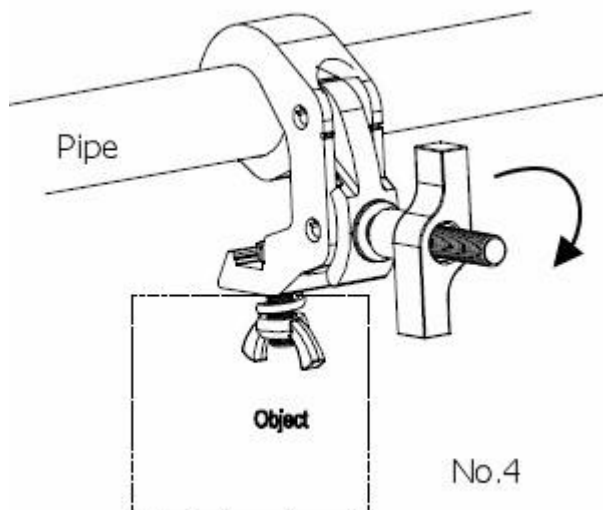


No.2

- ③ Loosen the big nut according to the direction of arrow on the picture No3, make Max opening angle between



- ④ Fix the coupler on the pipe, be sure to tighten the screw.



Warning:

1. The operators instruction shall be read before the use of the product;
2. Please call the professionals to install the product.
3. If safety problems found existing in the product, must not be installed and contact with suppliers;
4. Do not allow children to play in the working area during assembly and adjustments;

BEGLEC NV
't Hofveld 2c, 1702 Groot-Bijgaarden, Belgium



WWW.BRITEQ-LIGHTING.COM