

UNO-T

T de suspension pour accroche de projecteurs - *T-frame for projector hanging*



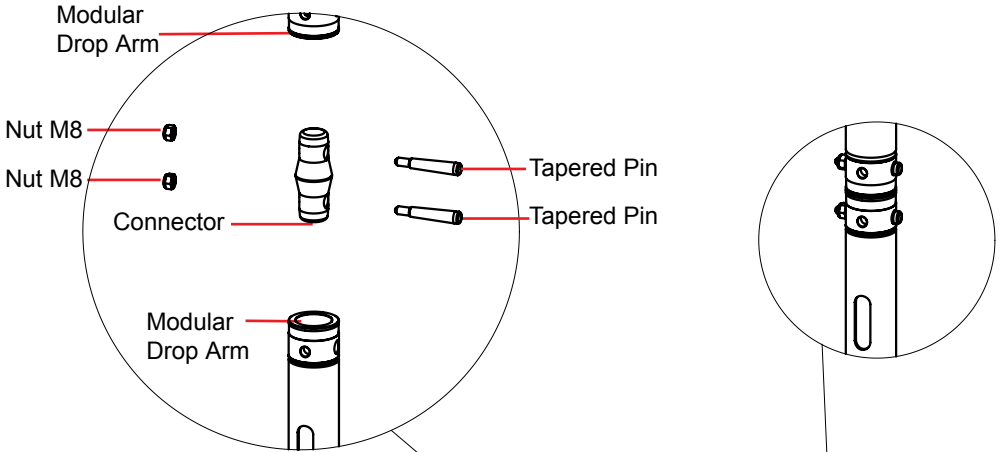
Tube - tube : $\varnothing 48/3$ mm



Structure en alliage d'aluminium EN AW 6082 T6

Aluminium alloy structure EN AW 6082 T6





Introduction

The Modular Drop Arms are a range of suspension arms designed to provide a safe flexible rigging method for suspending luminaires from truss or fixed tubes and barrels.

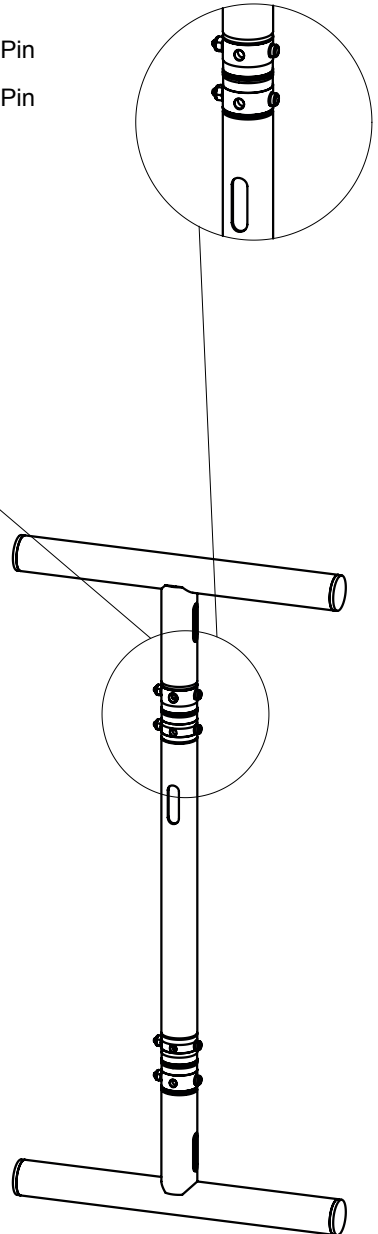
Using the popular conical truss connection method, parts from this range can be quickly assembled in a variety of configurations.

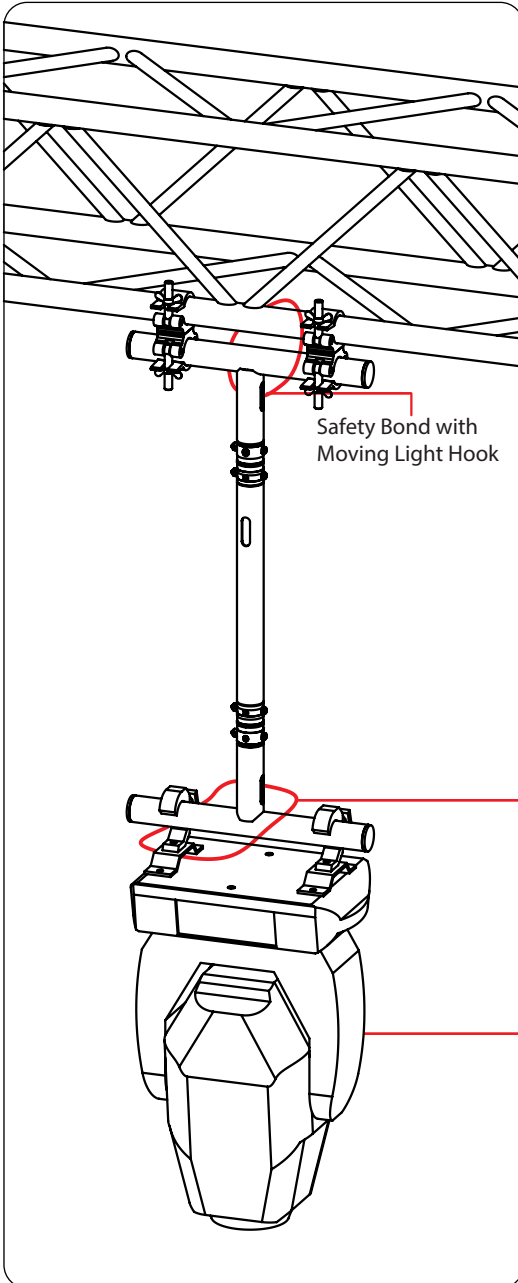
Exclusion of Liability

Using this product for any purpose other than that described in this manual is considered contrary to its designated use and the manufacturer cannot be held liable for any damage resulting from such use.

Safety Instructions

1. Each Modular Drop Arm Component has been load tested, care must be taken not to exceed the SWL of the component or the SWL of the assembled structure.





2. It is recommended that Safety Bonds are used with this equipment. When Safety Bonds are used the user is responsible for:

- a) Ensuring the Safety Bond is of optimum length, i.e. in the event of failure, the 'drop' distance is kept as short as possible.
- b) Ensuring the Safety Bond is attached so that the mounting points are of sufficient strength to withstand the forces imposed by the falling load.

Safety Bonds

We recommend the use of safety bonds when using the T frame range. It is recommended that a bond is used between the truss/barrel and between the luminaire and the bottom of H Frame. Safety bonds are not required at each joint. Slots are provided in the T frame range are 50 x 15mm and are large enough to accept a moving light hook from our range of safety bonds. Care must be taken to ensure the safety bond used at the top is rated to the weight of the whole system not just the luminaire.

Safety Bond with
Moving Light Hook

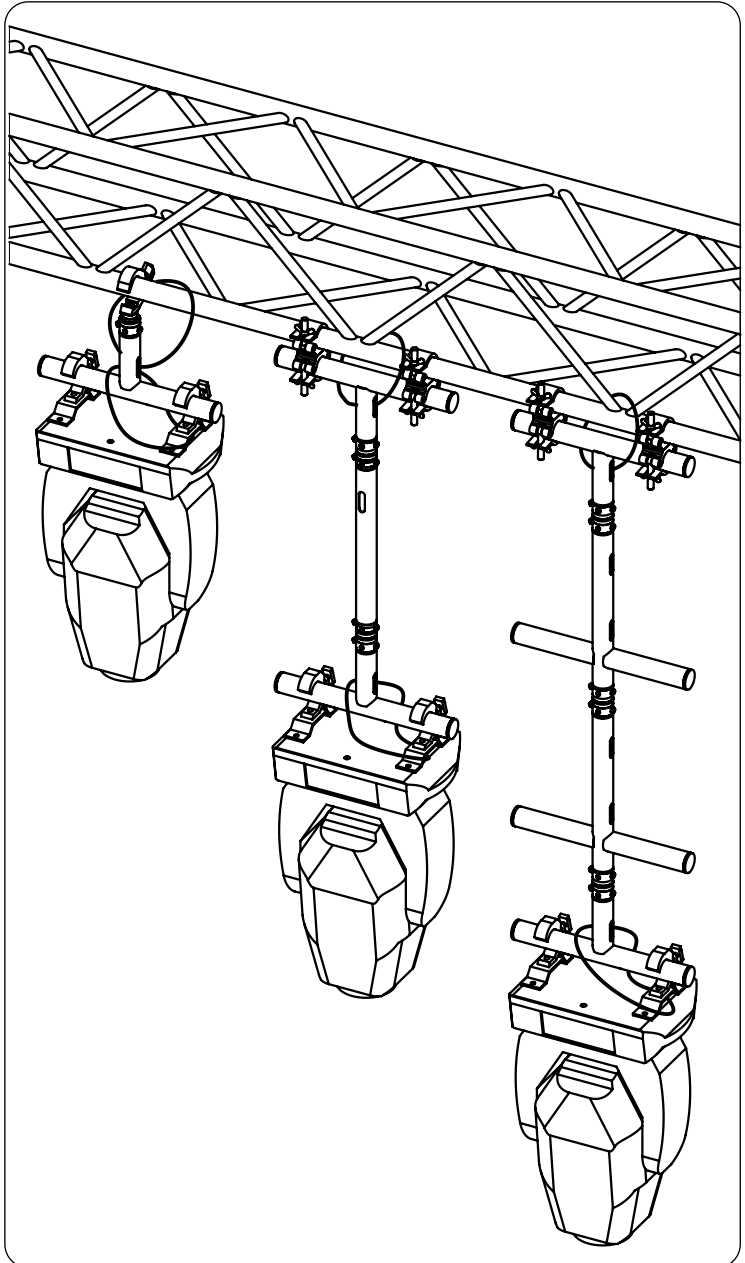
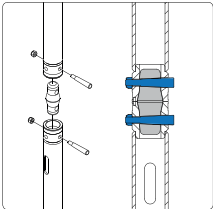
Moving head

Assembly Examples

When assembling the T frame parts note the pins and holes are all tapered. Care must be taken to ensure the tapered holes are positioned correctly to accept the tapered pins.

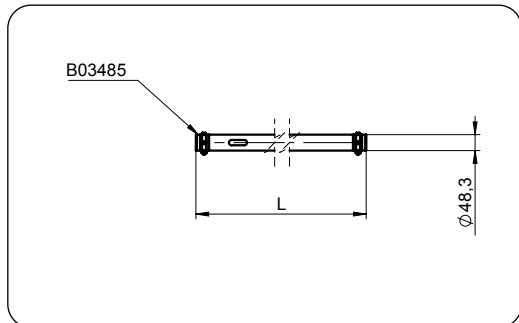
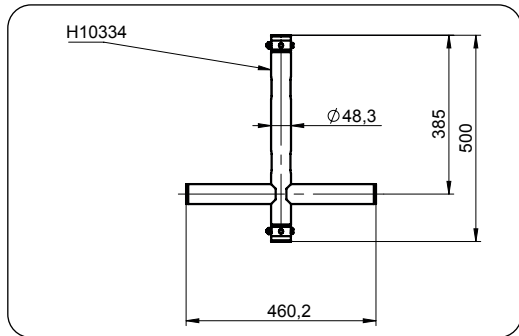
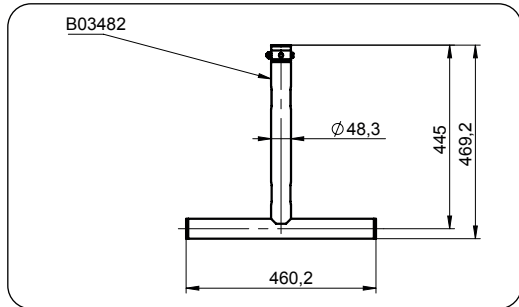
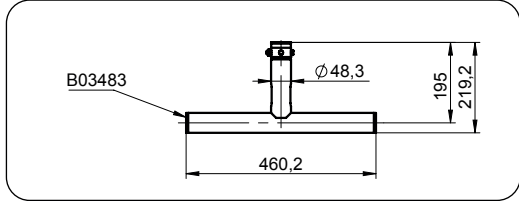
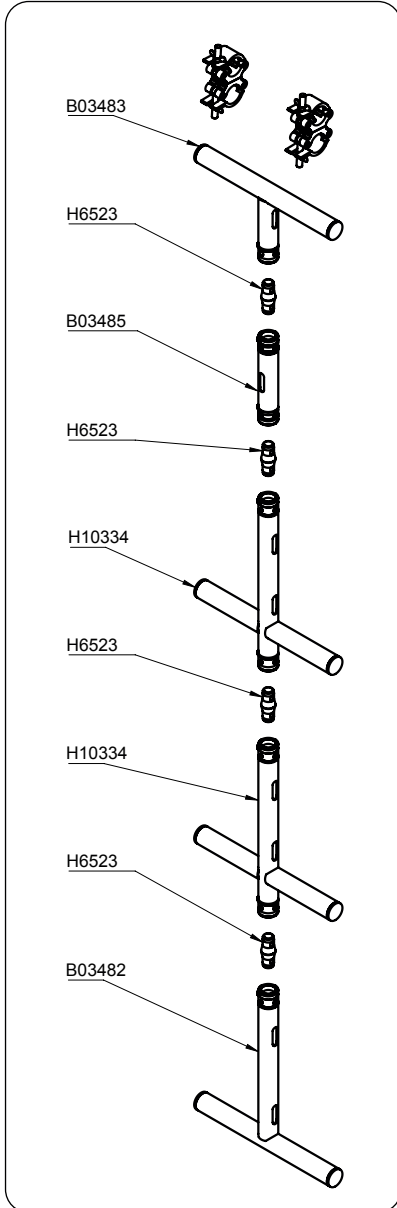
Two tapered holes are provided to allow the coupler/clamps to be positioned parallel or at 90 degrees.

It is common practice to use a nylon or copper hammer to assist the tapered pins.



Assembly Examples

Modular Drop Arms extensions are available to extend an assembly. Slots are provided for Safety Bonds.



List of optional parts

Part	Description	Weight	Static load*
H10334	Modular Drop Arm Large	1,30 kg	SWL 100 kg
B03482	Modular Drop Arm Large T	1,20 kg	SWL 100 kg
B03483	Modular Drop Arm Small T	0,87 kg	SWL 100 kg
B03485	250 mm extension	0,48 kg	SWL 100 kg
B03486	500 mm extension	0,74 kg	SWL 100 kg
B03487	1000 mm extension	1,32 kg	SWL 100 kg
B03488	2000 mm extension	2,47 kg	SWL 100 kg
H6523	full connector	0,15 kg	
H7840		0,02 kg	

* - static load understood as a stationary load of constant value directed vertically downwards.

Load notes

The loads must be installed in such a way that the resultant of all forces is in the axis of symmetry of the frame, i.e. in the vertical axis of the pipe. One frame can carry a maximum load of 100 kg.

The loading of horizontal pipes must always be symmetrical, i.e. of the same value and at equal distances from the vertical pipe.

It is forbidden to load a single frame on one side, on both sides of a vertical pipe with loads of different values (e.g. 10 and 15 kg) and at different distances.

The given SWL values apply to individual elements. Load values do not add up in structures composed of several frames. The sum of the loads in the entire system must not exceed the permissible values of a single element.

Example. In a structure consisting of 4 frames, the sum of loads cannot exceed 100kg, so the distribution of maximum loads for individual frames may be, for example, 25+25+25+25 or 50+25+0+25 or 50+20+15+15.

Installation notes

Frames are used to mount lighting elements. Their assembly to the frames must be carried out with the use of brackets or clamps that guarantee immobile connection of the device with the frame. Handles or clamps during assembly and use must not cause damage, deformation or crushing of frame tubes.

It is forbidden to use any ropes, slings, chains, belts and other strings from which loads may originate.

The exceptions are the safeguards discussed in this manual.

Maintenance

- Maintenance must only be carried out by approved personnel.
 - Approved personnel must make regular checks of the product.
 - If you see any damage including cracks, deformation or missing parts, the product must be removed from service and returned to an Store.
 - Approved personnel must carry out a visual and a function test before every usage.
 - Approved personnel must carry out more detailed inspection and testing of the product on a regular basis depending on the usage of the product.
 - Written records should be kept from the date the product was put into operation.
-

Warning

The installer/operator must read and understand the Instruction Manual before using the equipment.

- Operators shall be adequately instructed and fully understand the safe use of the equipment before use.
- Failure to carry out maintenance as necessary, including the replacement of parts to the correct standard could render this equipment unsafe and the manufacturer cannot accept any responsibility in this respect.
- Only use approved spare parts.
- Do not modify the equipment as this could lead to a critical failure.
- Do not use this equipment for a purpose for which it is not intended. This could lead to a failure of the equipment and a risk of falling objects.