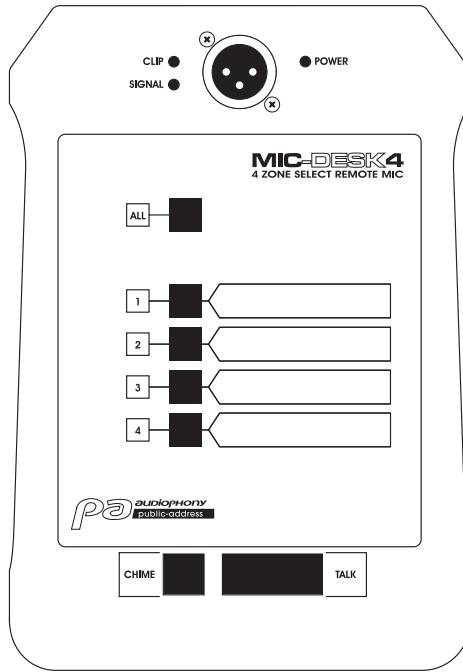


Microphone desk for ZONEAMP4120 or PREZONE444



MIC-DESK4

1 - Safety information

Important safety information



This unit is intended for indoor use only. Do not use it in a wet, or extremely cold/hot locations. Failure to follow these safety instructions could result in fire, electric shock, injury, or damage to this product or other property.



This product contains non-isolated electrical components. Do not undertake any maintenance operation when it is switched on as it may result in electric shock.



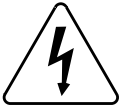
Any maintenance procedure must be performed by a CONTEST authorised technical service. Basic cleaning operations must thoroughly follow our safety instructions.



CAUTION
RISK OF ELECTRIC SHOCK
DO NOT OPEN



WARNING : This unit contains no user-serviceable parts. Do not open the housing or attempt any maintenance by yourself. In the unlikely even your unit may require service, please contact your nearest dealer. In order to avoid any electrical malfunction, please do not use any multi-socket, power cord extension or connecting system without making sure they are perfectly isolated and present no defect.



Risk of electrocution

To prevent the hazard of electric shocks, do not use extension cords, multi-socket or any other connection system without making sure metal parts completely are out of reach.



Sound levels

Our audio solutions deliver important sound pressure levels (SPL) that can be harmful to human health when exposed during long periods. Please do not stay in close proximity of operating speakers.



Recycling your device

- As HITMUSIC is really involved in the environmental cause, we only commercialise clean, ROHS compliant products.
- When this product reaches its end of life, take it to a collection point designated by local authorities. The separate collection and recycling of your product at the time of disposal will help conserve natural resources and ensure that it is recycled in a manner that protects human health and the environment.

Symbols used



This symbol signals an important safety precaution.



The CAUTION symbol signals a risk of product deterioration.



The WARNING symbol signals a risk to the user's physical integrity. The product may also be damaged.

Instructions and recommendations

1 - Please read carefully :

We strongly recommend to read carefully and understand the safety instructions before attempting to operate this unit.

2 - Please keep this manual :

We strongly recommend to keep this manual with the unit for future reference.

3 - Operate carefully this product :

We strongly recommend to take into consideration every safety instruction.

4 - Follow the instructions:

Please carefully follow each safety instruction to avoid any physical harm or property damage.

5 - Avoid water and wet locations :

Do not use this product in rain, or near washbasins or other wet locations.

6 - Installation :



We strongly encourage you to only use a fixation system or support recommended by the manufacturer or supplied with this product. Carefully follow the installation instructions and use the adequate tools.

Always ensure this unit is firmly fixed to avoid vibration and slipping while operating as it may result in physical injury.

7 - Ceiling or wall installation :

Please contact your local dealer before attempting any ceiling or wall installation.

8 - Ventilation :



The cooling vents ensure a safe use of this product, and avoid any overheating risk.

Do not obstruct or cover these vents as it may result in overheating and potential physical injury or product damage. This product should never be operated in a closed non-ventilated area such as a flight case or a rack, unless cooling vents are provided for the purpose .

9 - Heat exposure :

Sustained contact or proximity with warm surfaces may cause overheating and product damages. Please keep this product away from any heat source such as a heaters, amplifiers, hot plates, etc...

10 - Electric power supply :

This product can only be operated according to a very specific voltage. These information are specified on the label located at the rear of the product.

11 - Power cords protection:



Power-supply cords should be routed so that they are not likely to be walked on or pinched by items placed upon or against them, paying particular attention to cords at lugs, convenience receptacles and the point where they exit from the fixture.

12 - Cleaning precautions :



Unplug the product before attempting any cleaning operation. This product should be cleaned only with accessories recommended by the manufacturer. Use a damp cloth to clean the surface. Do not wash this product.

13 - Long periods of non use :

Disconnect the unit's main power during long periods of non use.

14 - Liquids or objects penetration :

Do not let any object penetrate this product as it may result in electric shock or fire.

Never spill any liquid on this product as it may infiltrate the electronic components and result in electric shock or fire.

15 - This product should be serviced when :



Please contact the qualified service personnel if :

- The power cord or the plug has been damaged.
- Objects have fallen or liquid has been spilled into the appliance.
- The appliance has been exposed to rain or water.
- The product does not appear to operate normally.
- The product has been damaged.

16 - Inspection/maintenance :



Please do not attempt any inspection or maintenance by yourself. Refer all servicing to qualified personnel.

17 - Operating environment :



Ambient temperature and humidity: +5 - +35°C, relative humidity must be less than 85% (when cooling vents are not obstructed).

Do not operate this product in a non-ventilated, very humid or warm place.

2 - Introduction

The MIC-DESK4 was clearly thought-out for professional installations, and allows you to broadcast public announcement via PA system.

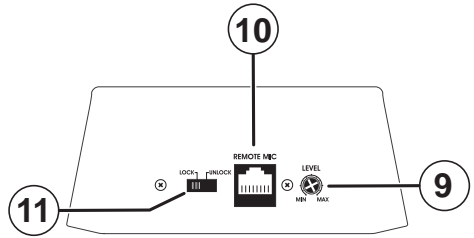
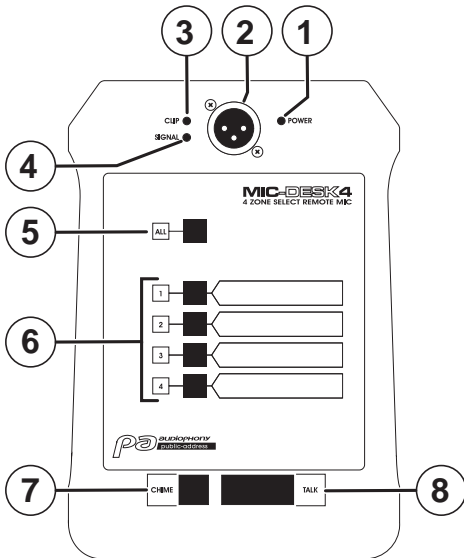
It features a zone selector to select 1 to 4 zones, a chime system and main volume controls.

3 - Technical specifications

- • 1 mic input via XLR socket on the front panel
- • 1 RJ45 rear output
- • Talk button to activate the microphone (front panel)
- • Chime button on the front panel
- • Volume settings (Mic and Chime) via the rear panel
- • Lock/unlock switch to block zones selection
- • Output LED display
- • Powered up via RJ45 cable from your ZONEAMP4120 or PREZONE444

Input sensitivity	-60 dB \pm 3 dB / 600 Ohms balanced
T.H.D	Less than 0.1%
Frequency response	45Hz ~ 15KHz
Signal to noise ratio	Less than 90 dB
Output level	0 dB / 600 Ohms
Weight	0,9 Kg
Dimensions	140 x 60 x 205 mm

4 - Presentation



- 1 POWER LED**
Indicates your device is activated.
- 2 Microphone input**
Connect here the supplied microphone, you can also connect your own microphone. The wiring of this socket will be described in next chapter.
- 3 CLIP indicators**
Indicate an excessive signal level on the corresponding channel.
We strongly recommend not to exceed brief flashes of these LEDs in order to prevent sound distortions.
- 4 Signal indicators**
Indicate an incoming signal on the microphone input.
- 5 ALL button**
Allows you to send the signal to all zones simultaneously.
- 6 1, 2, 3 and 4 buttons**
These 4 buttons allow you to select one or several zones which will receive the signal.
Selected zones lights up when activated.
- 7 CHIME button**
Allow you to broadcast a sound signal before announcements.

The sound signal will only be sent to selected zones. The LOCK/UNLOCK must be on UNLOCK position to send the signal.

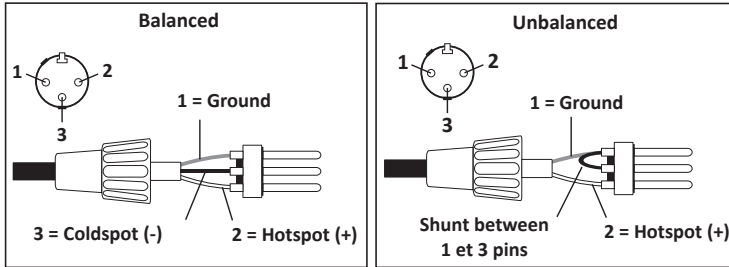
- 8 TALK button**
Press this button to broadcast an announcement. The announcement will only be broadcast to selected zones.
The LOCK/UNLOCK must be on UNLOCK position to broadcast the announcement.
- 9 LEVEL knobs**
Allows you to adjust the output sound level. This affects the microphone and CHIME levels.
- 10 RJ45 socket**
Connect here an RJ45 cable from the REMOTE MIC inputs of desyour ZONEAMP4120 or PREZONE444.
- 11 LOCK/UNLOCK switch**
Allows you to lock the microphone desk. On LOCK, the desk is inactive, and it is activated when on UNLOCK.

6 - Connectors

6.1 - Microphone input

The microphone inputs are accessible via XLR chassis and can receive both balanced and unbalanced low-level signals

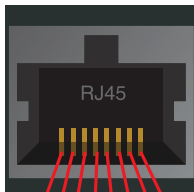
Please find below the balanced and unbalanced wiring via XLR socket.



6.2 - RJ45 socket

This socket allows you to power up your MIC-DESK4, select broadcasting zones and send the signal to your ZONEAMP4120 or PREZONE444.

It is hardwired as follows:

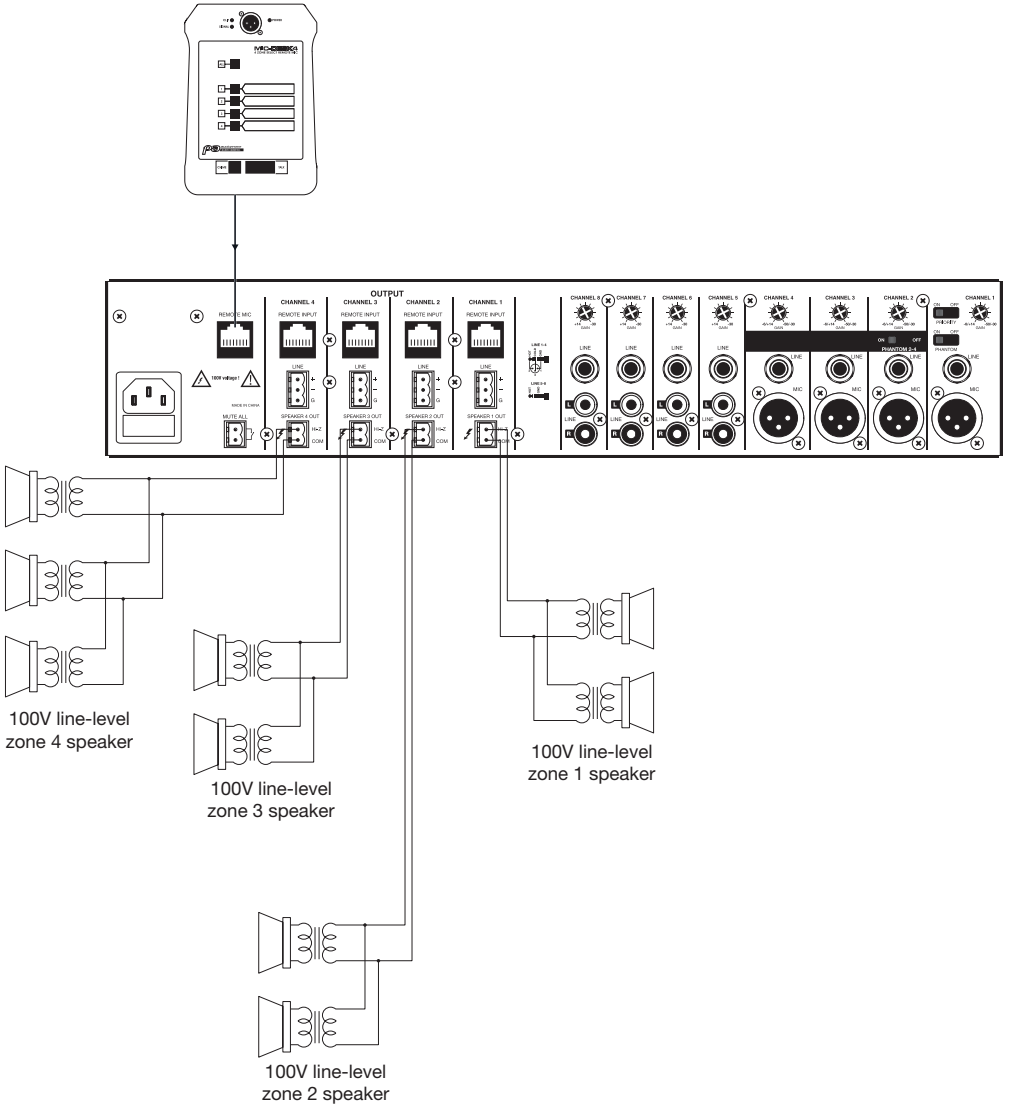


8 7 6 5 4 3 2 1

- 1 : +15V DC
- 2 : Mass
- 3 : -15V DC
- 4 : Data -
- 5 : Data +
- 6 : Mass
- 7 : Signal +
- 8 : Signal -

5 - Possible setup

This setup features your MIC-DESK4 with the amplified ZONEAMP4120 mixing desk.
The installation is identical with your PREZONE444, except for the amplification part.



Because AUDIOPHONY® takes the utmost care in its products to make sure you only get the best possible quality, our products are subjects to modifications without prior notice. That is why technical specifications and the products physical configuration might differ from the illustrations.

Make sure you get the latest news and updates about the AUDIOPHONY® products on www.audiophony.com
AUDIOPHONY® is a trademark of HITMUSIC S.A. - Zone Cahors sud - 46230 FONTANES - FRANCE