

MX44

1 - Safety information

Important safety information



This unit is intended for indoor use only. Do not use it in a wet, or extremely cold/hot locations. Failure to follow these safety instructions could result in fire, electric shock, injury, or damage to this product or other property.



This product contains non-isolated electrical components. Do not undertake any maintenance operation when it is switched on as it may result in electric shock.



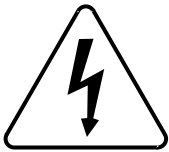
Any maintenance procedure must be performed by a CONTEST authorised technical service. Basic cleaning operations must thoroughly follow our safety instructions.



CAUTION
RISK OF ELECTRIC SHOCK
DO NOT OPEN



WARNING : This unit contains no user-serviceable parts. Do not open the housing or attempt any maintenance by yourself. In the unlikely even your unit may require service, please contact your nearest dealer. In order to avoid any electrical malfunction, please do not use any multi-socket, power cord extension or connecting system without making sure they are perfectly isolated and present no defect.



Risk of electrocution

To prevent the hazard of electric shocks, do not use extension cords, multi-socket or any other connection system without making sure metal parts completely are out of reach.



Sound levels

Our audio solutions deliver important sound pressure levels (SPL) that can be harmful to human health when exposed during long periods. Please do not stay in close proximity of operating speakers.



Recycling your device

- As HITMUSIC is really involved in the environmental cause, we only commercialise clean, ROHS compliant products.
- When this product reaches its end of life, take it to a collection point designated by local authorities. The separate collection and recycling of your product at the time of disposal will help conserve natural resources and ensure that it is recycled in a manner that protects human health and the environment.

Symbols used



This symbol signals an important safety precaution.



The CAUTION symbol signals a risk of product deterioration.



The WARNING symbol signals a risk to the user's physical integrity. The product may also be damaged.

Instructions and recommendations

1 - Please read carefully :

We strongly recommend to read carefully and understand the safety instructions before attempting to operate this unit.

2 - Please keep this manual :

We strongly recommend to keep this manual with the unit for future reference.

3 - Operate carefully this product :

We strongly recommend to take into consideration every safety instruction.

4 - Follow the instructions:

Please carefully follow each safety instruction to avoid any physical harm or property damage.

5 - Avoid water and wet locations :

Do not use this product in rain, or near washbasins or other wet locations.

6 - Installation :



We strongly encourage you to only use a fixation system or support recommended by the manufacturer or supplied with this product. Carefully follow the installation instructions and use the adequate tools.

Always ensure this unit is firmly fixed to avoid vibration and slipping while operating as it may result in physical injury.

7 - Ceiling or wall installation :

Please contact your local dealer before attempting any ceiling or wall installation.

8 - Ventilation :



The cooling vents ensure a safe use of this product, and avoid any overheating risk.

Do not obstruct or cover these vents as it may result in overheating and potential physical injury or product damage. This product should never be operated in a closed non-ventilated area such as a flight case or a rack, unless cooling vents are provided for the purpose .

9 - Heat exposure :

Sustained contact or proximity with warm surfaces may cause overheating and product damages. Please keep this product away from any heat source such as a heaters, amplifiers, hot plates, etc...

10 - Electric power supply :

This product can only be operated according to a very specific voltage. These information are specified on the label located at the rear of the product.

11 - Power cords protection:

Power-supply cords should be routed so that they are not likely to be walked on or pinched by items placed upon or against them, paying particular attention to cords at lugs, convenience receptacles and the point where they exit from the fixture.



12 - Cleaning precautions :



Unplug the product before attempting any cleaning operation. This product should be cleaned only with accessories recommended by the manufacturer. Use a damp cloth to clean the surface. Do not wash this product.

13 - Long periods of non use :

Disconnect the unit's main power during long periods of non use.

14 - Liquids or objects penetration :

Do not let any object penetrate this product as it may result in electric shock or fire.

Never spill any liquid on this product as it may infiltrate the electronic components and result in electric shock or fire.

15 - This product should be serviced when :



Please contact the qualified service personnel if :

- The power cord or the plug has been damaged.
- Objects have fallen or liquid has been spilled into the appliance.
- The appliance has been exposed to rain or water.
- The product does not appear to operate normally.
- The product has been damaged.

16 - Inspection/maintenance :



Please do not attempt any inspection or maintenance by yourself. Refer all servicing to qualified personnel.

17 - Operating environment :



Ambient temperature and humidity: +5 - +35°C, relative humidity must be less than 85% (when cooling vents are not obstructed).

Do not operate this product in a non-ventilated, very humid or warm place.

2 - Introduction

Resolutely oriented towards professional installation, the MIX44 mixer/preamp offers 2 mic/line inputs and 2 stereo inputs.

Each input can be sent independently to each of the 4 zones, or to all 4 simultaneously, in order to offer a maximum of possibilities.

3 - Feature

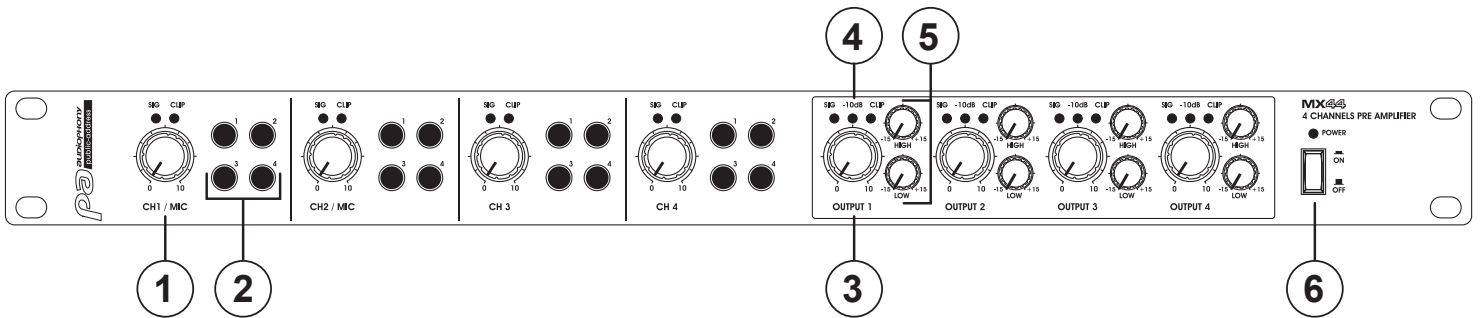
- 2 balanced Mic/Line inputs on Euroblocks connectors
- 2 stereo or mono inputs on Euroblocks connectors
- 4 balanced mono or stereo outputs on Euroblocks connectors
- Priority microphone
- Phantom power supply on inputs 1 and 2
- Gain and tone adjustment (3 bands) on channels 1 and 2
- Gain adjustment on all inputs
- RJ45 connector for microphone control panel
- Mute contact possible on outputs 1 to 4
- Assignment of zones 1 to 4 on each input channel
- Signal and Peak display on each input channel
- Output level display by zone via 3 LEDs Vu meter

4 - Technical data

Output impedance	Balanced outputs OUTPUT 1 to 4	0 dB / 600 Ohms
Input sensitivities	Mic channels	- 50 dB ~ -16 dB / 20 KOhms
	Line channels	- 20 dB ~ +4 dB / 20 KOhms
T.H.D	Less than 0.1%	
Frequency response	20Hz ~ 20KHz	+/- 1 dB
Equalization of inputs 1 to 4	HIGH (12 KHz)	+/-15 dB
	MID (2,5 KHz)	+/-15 dB
	HIGH (80 Hz)	+/-15 dB
Output equalization	HIGH (10 KHz)	+/-15 dB
	LOW (100 Hz)	+/-15 dB
Crosstalk	More than 70 dB	
Phantom power supply	+/-15V DC (Channels 1 and 2)	
Rescue power supply	+24 VDC / 350mA	
General data	Power supply	AC 220~240V / 50~60Hz or +24V DC
	Power consumption	20 Watts
	Weight	3,5 Kg
	Dimensions	482 x 44 x 320 mm

5 - Presentation

Front panel



1 Setting the levels of inputs 1 to 4

These inputs can be used to connect either a line level source or a microphone level source. These inputs are mono.

2 Output channel selectors

Each input channel can be assigned to one or the other of the outputs or both.

3 1 to 4 outputs level adjustment

4 Output LED indicators

- **SIG** : This LED indicates the presence of an output signal.
- **-10dB** : This LED indicates the minimum level of the output signal.
- **CLIP** : This indicates an output level that is too high at the output.

We strongly recommend not to exceed brief flashes of these LEDs in order to prevent sound distortions.

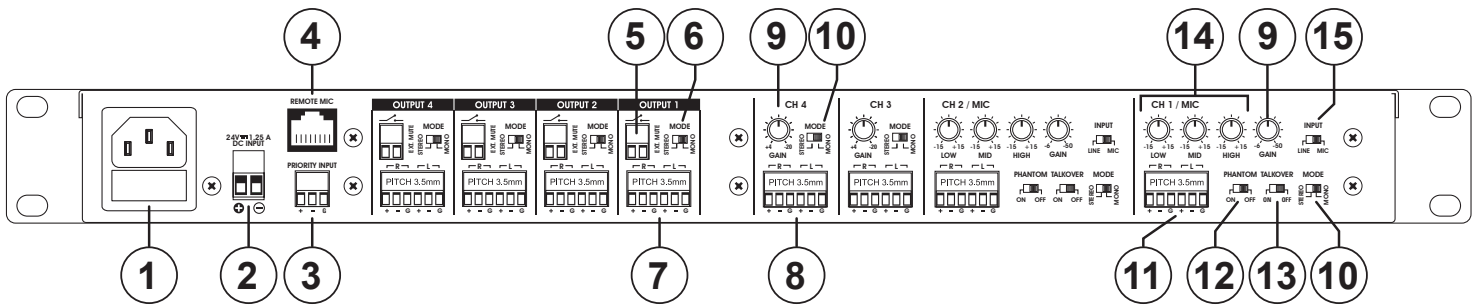
5 Output equalization

- **HIGH** (High Frequency control): Allows you to adjust the output signal trebles from -15 to +15 dB at 12kHz.
- **LOW** (low frequency control): Allows you to adjust the output signal basses from -15 to +15 dB at 12kHz.

6 Power switch

Turns the power on and off. When it is powered on, the corresponding LED is lit.

Rear Panel

**1 Power input**

Connect here the supplied IEC power cord, then connect the other end to an electrical outlet after having checked the voltage.

2 DC24V connector

The PREZONE444 might be set up in a public place and used as an alert center in case of emergency. To this effect, it features a 24V back-up power supply unit.

3 PRIORITY INPUT

This input has priority over all others. If a signal is present on this input, all other inputs are muted.

4 REMOTE MIC

Allows you to connect the MIC-DESK4 announcer. Thanks to your MIC-DESK4, you can individually select each zone for public announcements.

5 Outputs STEREO/MONO switches

These switches allow the stereo inputs to be summed into two identical channels.

6 EXT. MUTE connectors

These connectors are used to connect a contact to mute the corresponding output.

7 Line outputs

Connect an amplifier to these outputs to power speakers. The signal level on these outputs is adjustable on the front panel via the potentiometers of the OUTPUT 1, 2, 3 and 4 zones.

8 3 and 4 input connectors

These inputs are stereo line level. The signal volume present on these inputs is adjustable on the front panel.

9 GAIN potentiometer

These potentiometers on all inputs allow you to adjust the level of the incoming signal on each input.

10 STEREO/MONO inputs switches

These switches allow a mono signal present at the input to be sent on both the right and left channels of the outputs.

11 1 and 2 input connectors

These connectors are used to connect line or microphone level signals.

12 PHANTOM switches

These switches allow you to add +15V DC phantom power to microphone channels 1 and 2 in order to connect condenser microphones.

13 TALKOVER switches

These switches are used to attenuate the line level signals when a signal is present on inputs 1 and 2.

14 1 and 2 channels equalization

These channel features a 3-way signal equalization. These knobs allow you to increase or decrease basses (LOW), mid frequencies (MID) and trebles (HIGH) of each incoming signal.

Microphone channels only feature these settings.

- **HIGH** (High Frequency control): Allows you to adjust trebles of the corresponding channel from -15 to +15 dB at 12kHz.

- **MID** (Mid frequency control): Allows you to adjust mid frequencies of the corresponding channel from -15 to +15 dB at 2.5kHz.

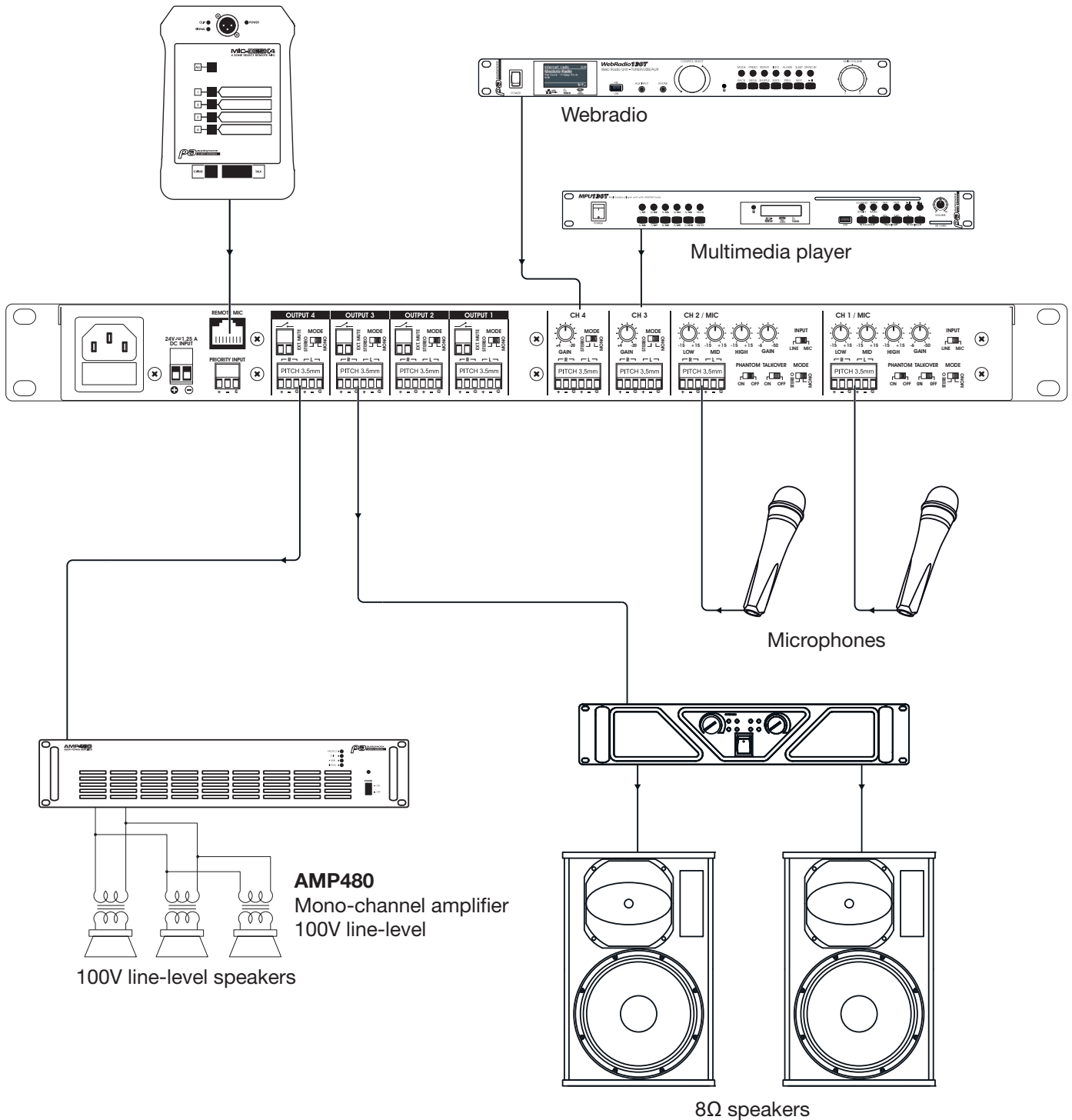
- **LOW** (low frequency control): Allows you to adjust basses of the corresponding channel from -15 to +15 dB at 80Hz.

15 MIC/LINE switches for inputs 1 and 2

These switches are used to select the input level (line or microphone) of channels 1 and 2.

6 - Schematic diagram of the principle

MIC-DESK4 for
announcements via zones
1 to 4



Because AUDIOPHONY® takes the utmost care in its products to make sure you only get the best possible quality, our products are subjects to modifications without prior notice. That is why technical specifications and the products physical configuration might differ from the illustrations.

Make sure you get the latest news and updates about the AUDIOPHONY® products on www.audiophony.com
AUDIOPHONY® is a trademark of HITMUSIC S.A.S - Zone Cahors sud - 46230 FONTANES - FRANCE