

# SHP510

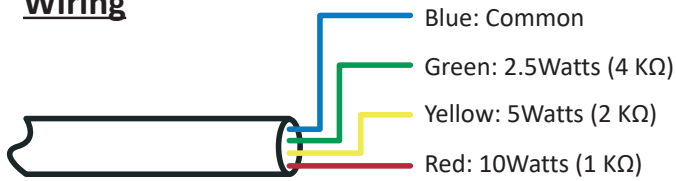
**Suspension speaker with a 13 cm loudspeaker.**

**The cable is equipped with a sling to safely suspend the speaker.**

**Allows you to sound places without accessible ceilings such as large surfaces.**

|                            |  |
|----------------------------|--|
| <b>Power</b>               | 2.5 or 5 or 10 Watts depending on the connection             |
| <b>Power supply</b>        | 70 or 100 V  |
| <b>Impedance</b>           | 4 K $\Omega$ or 2 k $\Omega$ or 1 K $\Omega$                 |
| <b>Component</b>           | 5" full range speaker  |
| <b>Sensitivity (1W/1m)</b> | 90 dB, +/-3dB  |
| <b>Frequency response</b>  | 150 Hz - 15 KHz  |
| <b>Material</b>            | White aluminium body, white metal grid                       |
| <b>Holding</b>             | Sling integrated in the cable sheath; Length: approx. 185 cm |
| <b>Connexions</b>          | Internal connector, watertight cable gland                   |
| <b>IP rating</b>           | IP55: Protection against dust and water jets                 |
| <b>Dimensions</b>          | Ø138 x 205 mm  |
| <b>Weight</b>              | 2,02 Kg  |

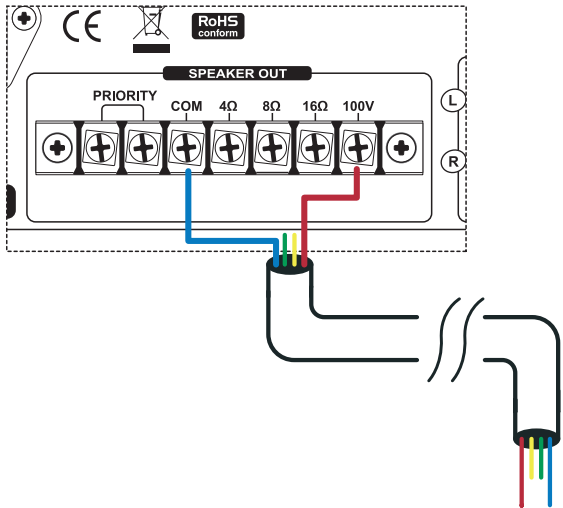
## Wiring



The power of the SHP510 ceiling speaker is determined by the cables that will be connected to the amplifier.

The colour code on the left shows you the different powers available depending on the colour of the cable.

You must be careful that the sum of the powers of all the speakers connected to the amplifier does not exceed the maximum power of the amplifier.



1 - Always connect the black cable to the "COM" terminal on the amplifier output terminal block.

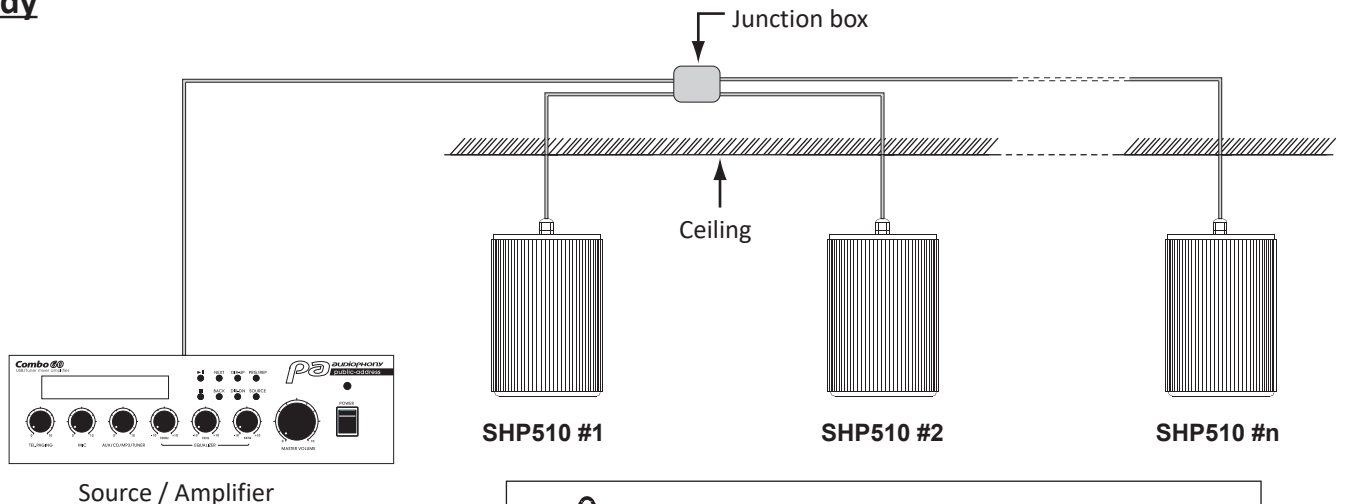
2 - Select the cable of the color that corresponds to the desired power.

3 - Connect the selected cable to the 100V terminal on the amplifier output terminal block.

On the left, an example of wiring for a selected power of 10 watts.

**Caution: Dangerous voltage**  
The speakers must be connected to the amplifier last.  
Turn on the amplifier when the installation is completed and checked

## Case study



**Caution: The sum of the powers of all connected speakers must not exceed the maximum power of the amplifier.**

## Dimensions

