

PHP510

Aluminium sound projector with a 13 cm loudspeaker.

The aluminium body and cable gland allow the soundproofing of outdoor spaces requiring time-tested components.

Power	2.5 or 5 or 10 Watts depending on the connection
--------------	--

Power supply	70 or 100 V
---------------------	-------------

Impedance	4 K Ω or 2 k Ω or 1 K Ω
------------------	--

Component	5" full range speaker
------------------	-----------------------

Sensitivity (1W/1m)	90 dB, +/-3dB
----------------------------	---------------

Frequency response	150 Hz - 15 KHz
---------------------------	-----------------

Material	White aluminium body, white metal grid
-----------------	--

Holding	Suspension bracket
----------------	--------------------

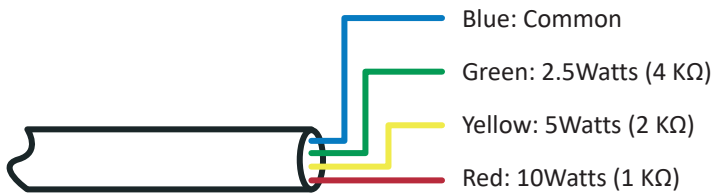
Connexions	Internal connector, watertight cable gland
-------------------	--

IP rating	IP55: Protection against dust and water jets
------------------	--

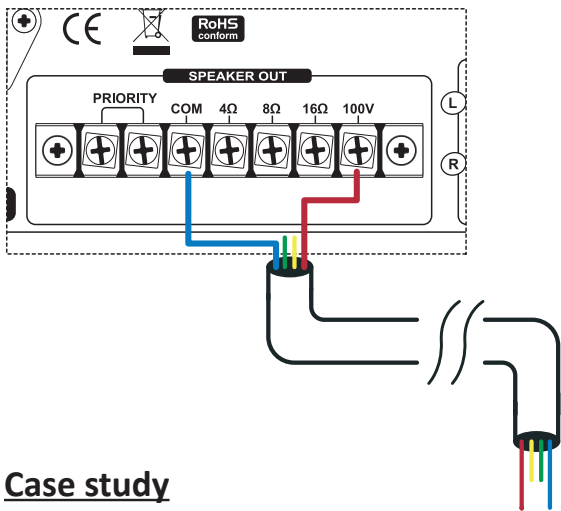
Dimensions	Ø138 x 205 mm
-------------------	---------------

Poids	2,1 Kg
--------------	--------

Wiring

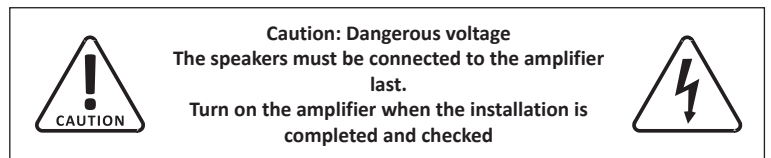


The power of the SHP510 ceiling speaker is determined by the cables that will be connected to the amplifier.
The colour code on the left shows you the different powers available depending on the colour of the cable.
You must be careful that the sum of the powers of all the speakers connected to the amplifier does not exceed the maximum power of the amplifier.

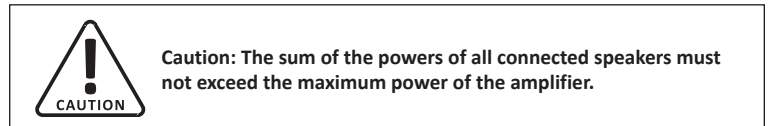
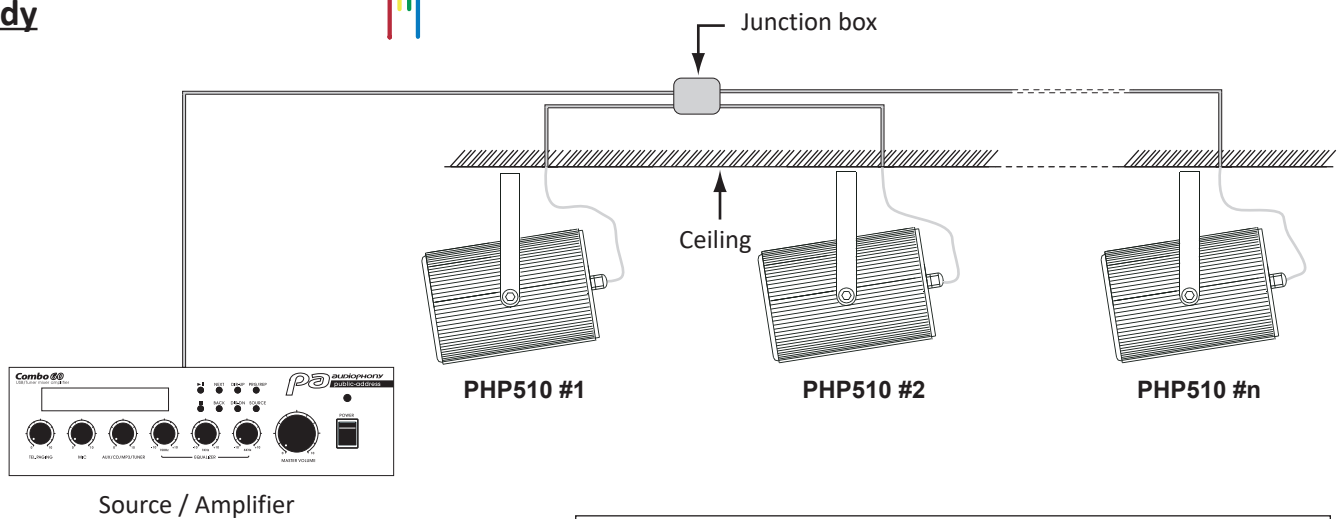


- 1 - Always connect the black cable to the "COM" terminal on the amplifier output terminal block.
- 2 - Select the cable of the color that corresponds to the desired power.
- 3 - Connect the selected cable to the 100V terminal on the amplifier output terminal block.

On the left, an example of wiring for a selected power of 10 watts.



Case study



Dimensions

