



EasyPLUS

For Main Application Scenarios of Commercial and Retail Display

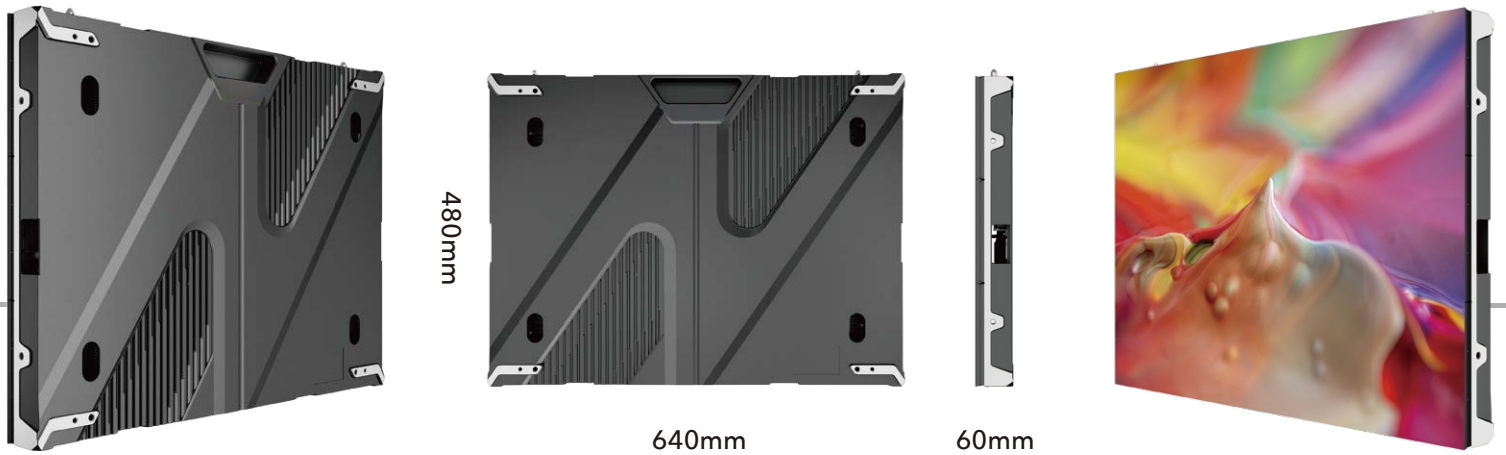
- High Precision Panel
- Excellent Visual Quality
- Flexible Size
- Dual Backup Available
- Full Front Maintenance
- Quick Installation

EASYPLUS SERIES MODULAR INDOOR LED MADE BY

ego[®]
DISPLAY

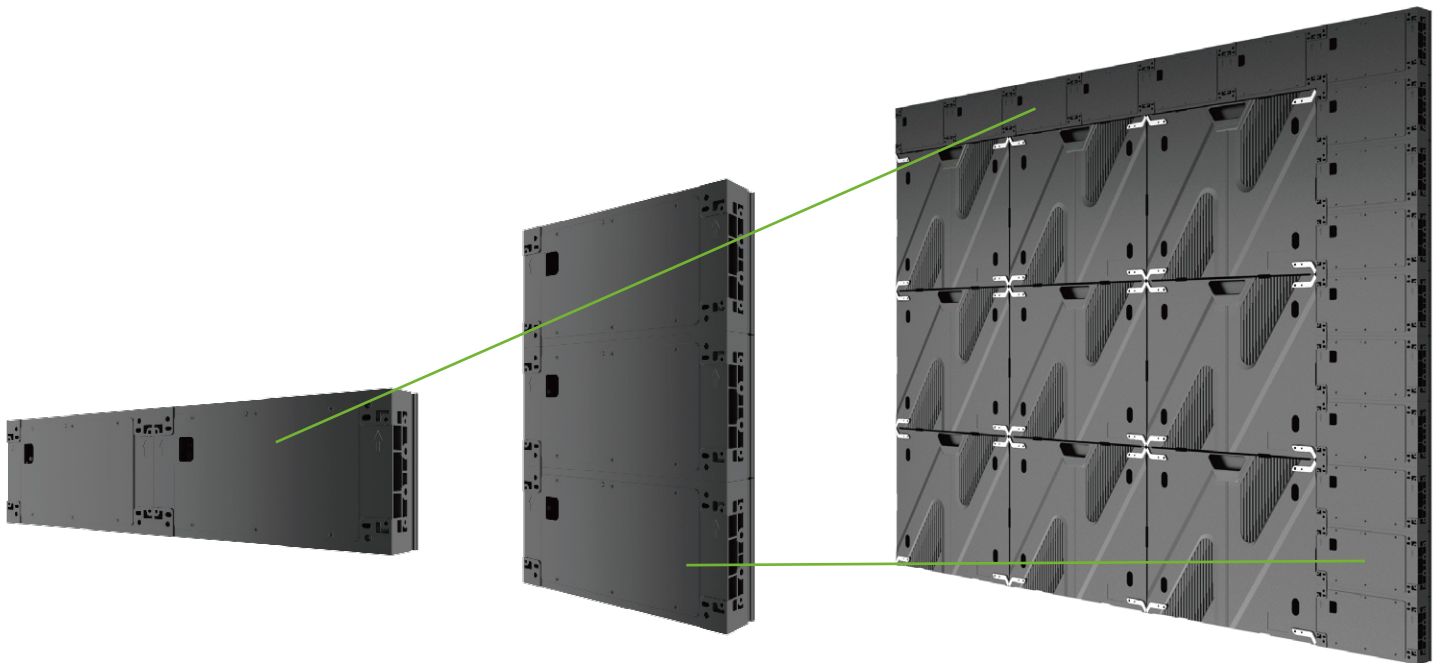
Advanced Features

EasyPLUS 2/ 2.5/ 3



Multiple Size Options, Infinite Possibilities

320*160mm add on panel available for more size options



Small add on panel

A combination of standard panels and add on panels

ego[®]
DISPLAY

Advanced Features

Ultra-thin Trim Pieces, Stylish and Elegant



Metal spraying process

Full Front Maintenance, Simple and Convenient

Supports full front maintenance for modules, PSU, and receiver card, simple and easy to operate.

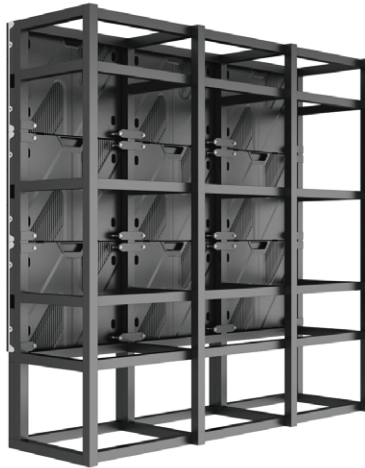


EASYPLUS SERIES MODULAR INDOOR LED MADE BY

ego[®]
DISPLAY

Installation Options

Standard Stacking Solution



Wall mounting Solution

Standard Hanging Solution



1x/2x hanging bars are available

EASYPLUS SERIES MODULAR INDOOR LED MADE BY

ego[®]
DISPLAY

Specifications

Parameters	EasyPLUS 2	EasyPLUS 2.5	EasyPLUS 3
LED Type	Black SMD 3in1 1515	Black SMD 3in1 1515	Black SMD 3in1 2121
Pixel Pitch (mm)	2	2.5	3.07
Panel Dimensions (W*H*D)(mm)	640×480×60	640×480×60	640×480×60
Pixel Per Panel	320x240	256×192	208x156
Panel Weight (kg)	6.7	6.7	6.7
Panel Material	Die Casting Aluminum		
Module Dimensions (WxH)(mm)	320×160	320×160	320×160
Brightness (nit)	600	600	600
Refresh Rate (Hz)	3840	3840	3840
Gray scale (bit)	14	14	14
Contrast Ratio	4000:1	4000:1	4000:1
Color Temperature (K)	6500	6500	6500
Viewing Angle (H/V) (°)	160/160	160/160	150/150
AC Operating Voltage (V)	100~240	100~240	200~240
Power Consumption (Max./Avg.)(W/m ²)	325/108	331/110	266/87
Storage Temperature (°C)	- 40~+60	- 40~+60	- 40~+60
Operating Temperature (°C)	- 10~+40	- 10~+40	- 10~+40
IP Rating (Front/Rear)	IP40/IP21	IP40/IP21	IP40/IP21
Module Maintenance	Front	Front	Front
PSU & Others Maintenance	Front	Front	Front
Panel Installation Type	Hanging / Stacking / Fixed		
Max Rigging QTY.	12	12	12
Certificate	CCC,CE,ETL,FCC		

EASYPLUS SERIES MODULAR INDOOR LED MADE BY

ego[®]
DISPLAY