



EasyPro Series

For Main Application Scenarios of Commercial and Retail Display

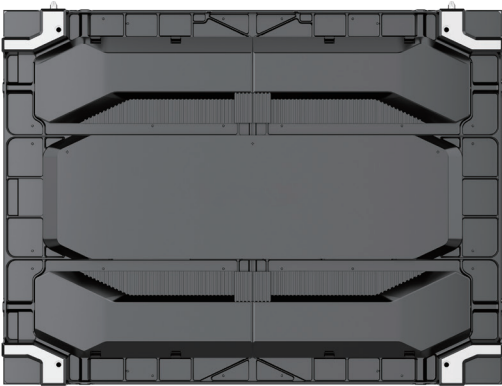
- Thin, light weight design at 320*480*55mm at 2.3kg and 640*480*61.5mm at 7.7kg.
- Magnetic panels and modules for quick installation and assembly cut set up time and labor costs by 30%.
- Full front maintenance, easily remove panels and modules with our vacuum tool.
- Refresh rate of 3840 with no scan lines, perfect for taking pictures with a vivid and stable display.

EasyPro Series modular indoor LED made by

ego[®]
DISPLAY

EGO Display EasyPro Series is designed for indoor retail and commercial solutions.

EasyPro-P1.2/P1.5



Markets: Entertainment/Boardroom/
Corporate/Retail
Pixel Pitch: 1.25/1.53mm
Panel Size: 640*480*61.5mm
Module Size: 320*160mm

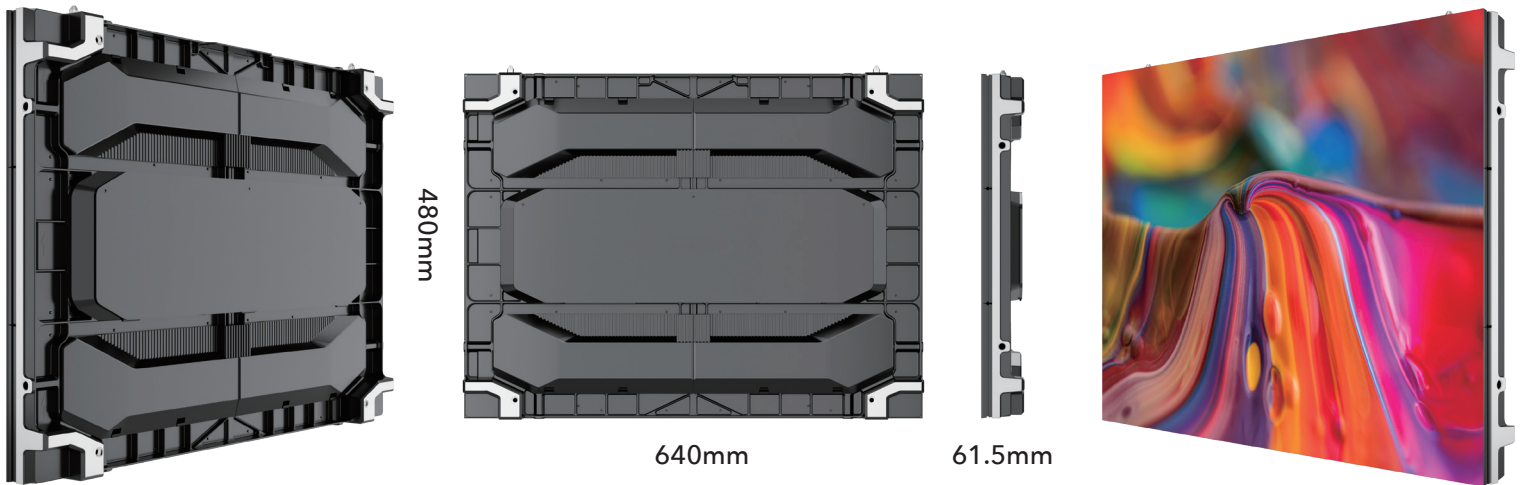
EasyPro-P1.8/P2/P2.5



Markets: Entertainment/Boardroom/
Corporate/Retail
Pixel Pitch: 1.86/2/2.5mm
Panel Size: 320*480*55mm
Module Size: 320*160mm

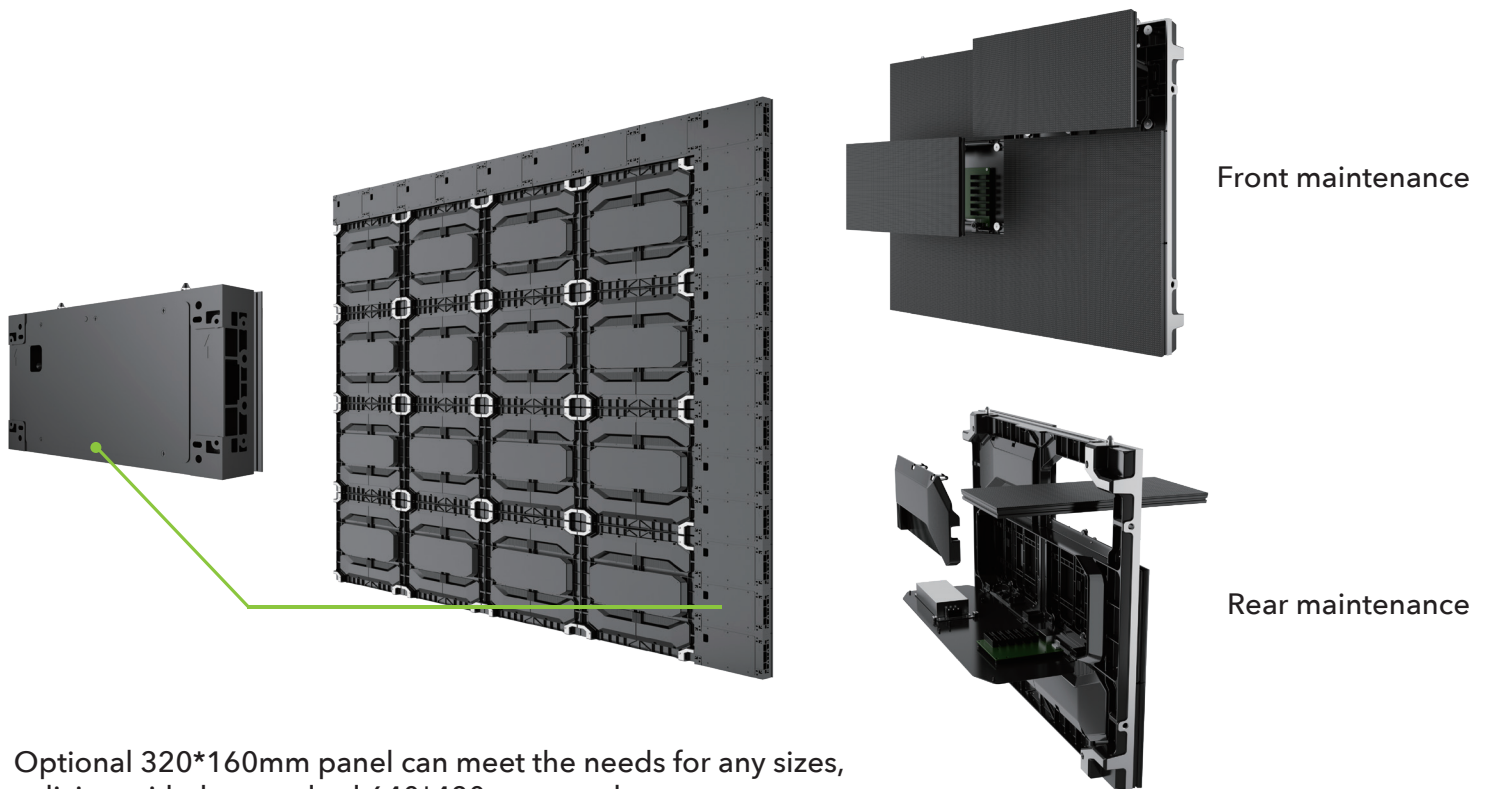
Advanced Features

EasyPro-P1.2/P1.5



Small panel for flexible splicing

Full front and rear maintenance



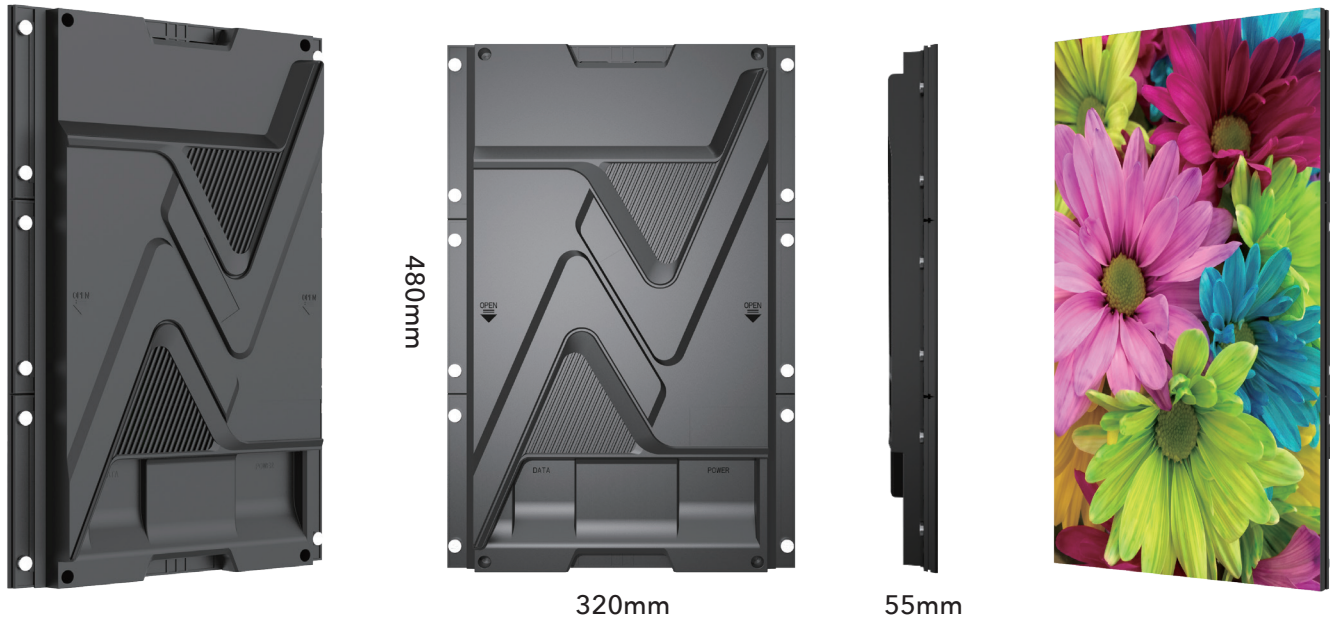
Optional 320*160mm panel can meet the needs for any sizes, splicing with the standard 640*480mm panel.

EasyPro Series modular indoor LED made by

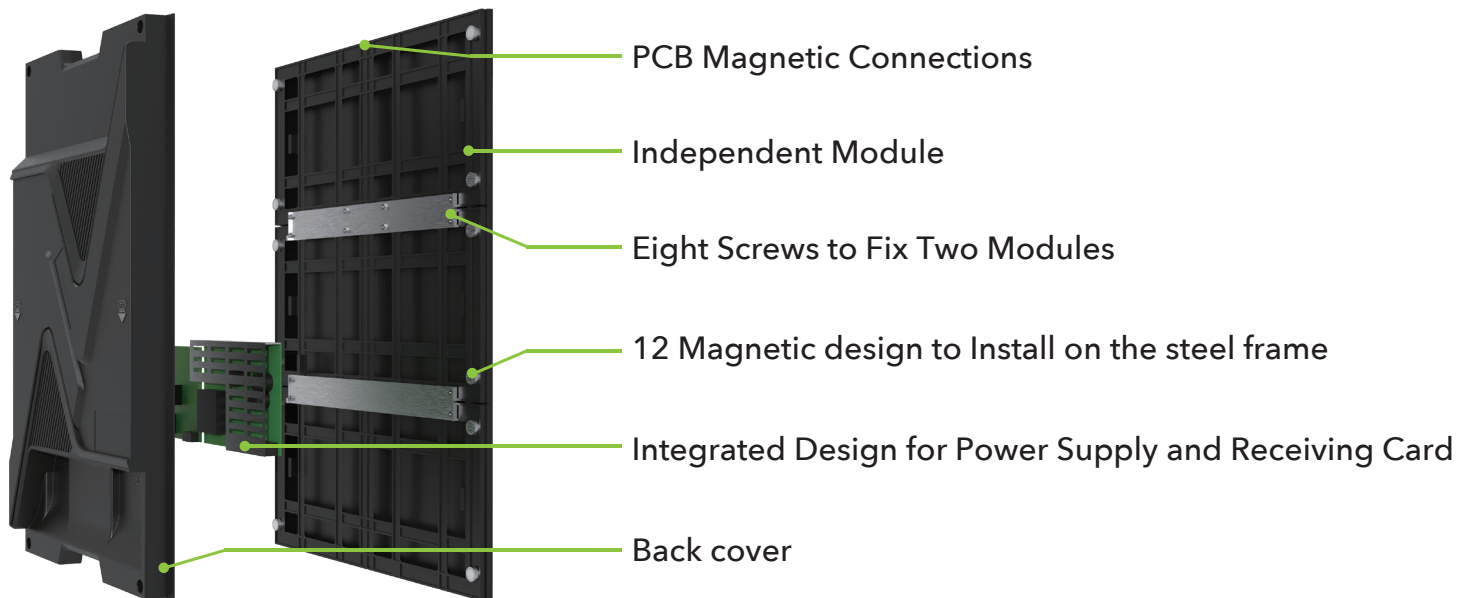
ego[®]
DISPLAY

Advanced Features

EasyPro-P1.8/P2/P2.5



Panel Composition



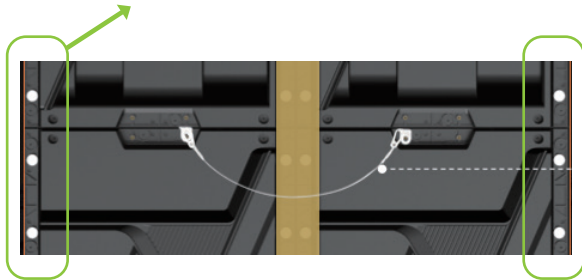
EasyPro Series modular indoor LED made by

ego[®]
DISPLAY

Advanced Features

Direct to Frame Installation

Quick magnetic installation



Back View

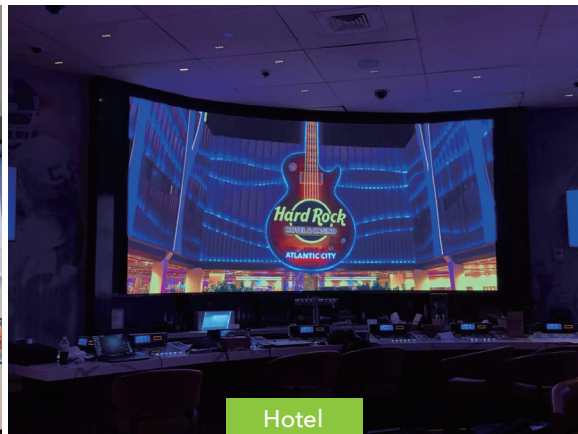
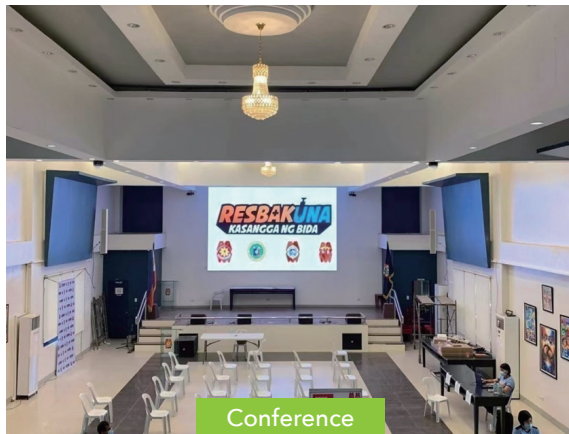
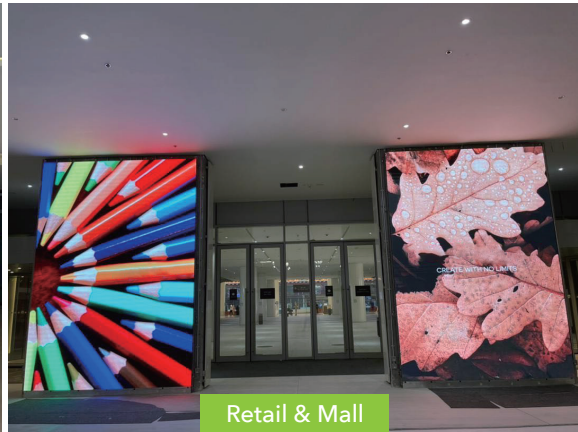
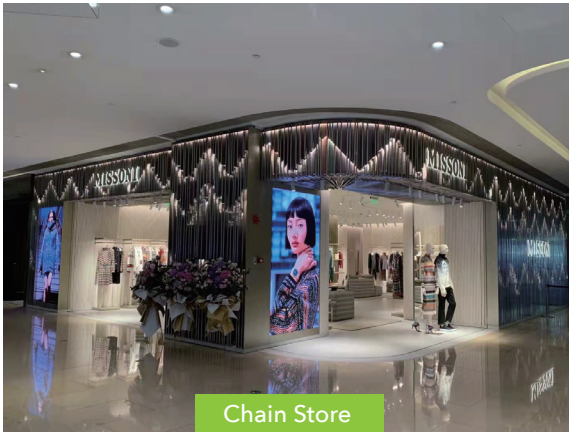
Safety rope (optional)



Top View

Application scenarios

For Main Application Scenarios of Commercial Display



And More Application Scenarios...

EasyPro Series modular indoor LED made by



Specifications

Parameters	EasyPro-P1.2	EasyPro-P1.5	EasyPro-P1.8	EasyPro-P2	EasyPro-P2.5
LED Type	Black SMD 1010	Black SMD 1212	Black SMD 1515	Black SMD 1515	Black SMD 1515
Pixel Pitch (mm)	1.25	1.53	1.86	2	2.5
Panel Dimensions (W*H*D)(mm)	640×480×61.5	640×480×61.5	320×480×55	320×480×55	320×480×55
Pixel Per Panel	512x384	416x312	172x258	160×240	128x192
Panel Weight (kg)	7.7	7.7	2.3	2.4	2.1
Panel Material	Die Casting Aluminum		Plastic	Plastic	Plastic
Module Dimensions (WxH)/(mm)	320×160	320×160	320×160	320×160	320×160
Brightness (nit)	500	500	500	500	500
Refresh Rate (Hz)	3840	3840	3840	3840	3840
Gray scale (bit)	14	14	14	14	14
Contrast Ratio	3000:1	3000:1	3000:1	3000:1	3000:1
Color Temperature (K)	8300	8300	8300	8300	8300
Viewing Angle (H/V) (°)	150/130	160/140	160/140	160/140	160/140
AC Operating Voltage (V)	200~240	200~240	100~240	100~240	100~240
Power Consumption (Max./Avg.)(W/m ²)	390/130	385/128	320/107	325/108	330/110
Storage Temperature (°C)	- 40~+60	- 40~+60	- 40~+60	- 40~+60	- 40~+60
Operating Temperature (°C)	- 10~+40	- 10~+40	- 10~+40	- 10~+40	- 10~+40
IP Rating (Front/Rear)	IP40/IP21	IP40/IP21	IP40/IP21	IP40/IP21	IP40/IP21
Module Maintenance	Front	Front	Front	Front	Front
PSU & Others Maintenance	Front	Front	Front	Front	Front
Panel Installation Type	Front	Front	Front	Front	Front
Max Rigging QTY.	/	/	/	/	/
Certificate	CCC/ CE				

EasyPro Series modular indoor LED made by

