



User manual  
**EasyROLL**

## 2. ABOUT THIS PRODUCT

Rolling LED Floor is a new generation LED Display. Due to its unique rollable form like carpet, it can be simply and easily to be installed. It is not only comparable with the traditional LED Floor, but also has better parameter performance and is closer to the form of life application.

### 2.1 Contents

#### 2.1.1 Rolling LED Floor

(This manual takes P1.953 as an example. Other models are referred as the specifications. )

The recommended size W 2,374.5m \* H 1m (Module qty.: W 39pcs \* H 2pcs)

Figure 1: Front View of Rolling LED Floor

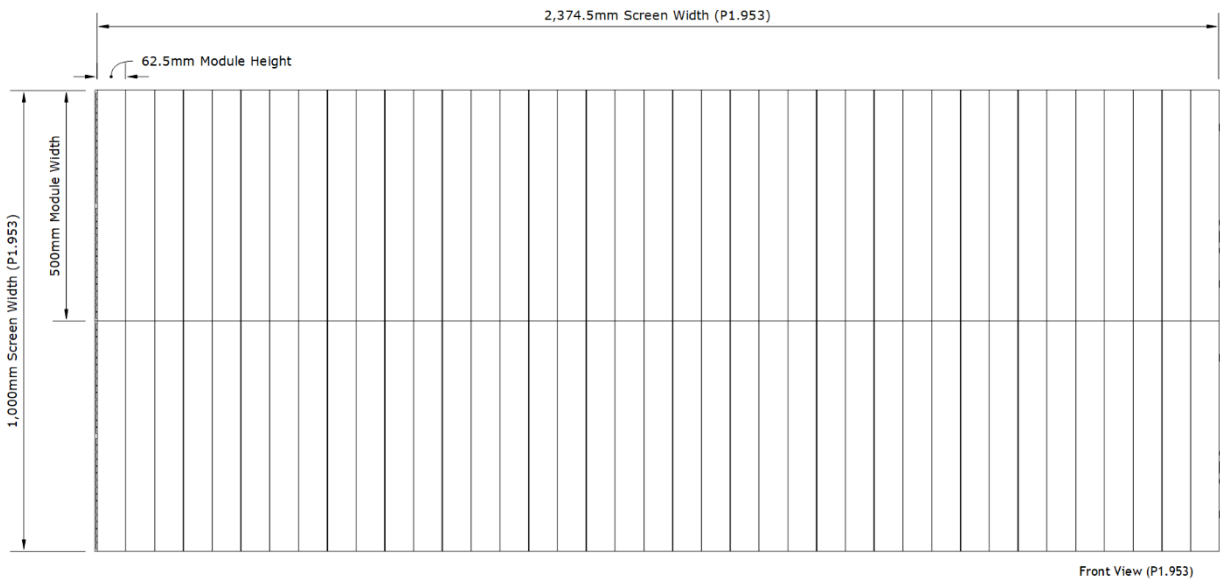


Figure 2: Rear View of Rolling LED Floor

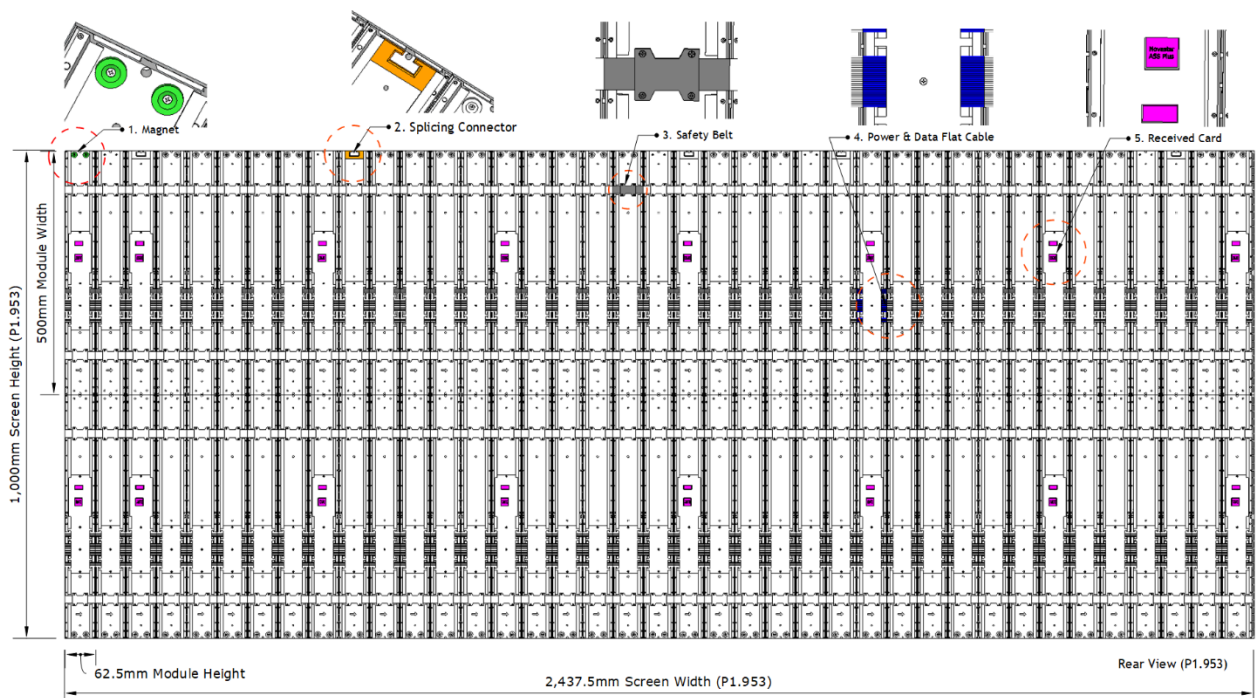


Table 1: the details of Components of rear of Rolling LED Floor

No.	Component Name	Qty.	Function
1	Magnet	136pcs	
2	Splicing Connector	12pcs	
3	Safety Belt	10m	
4	Power & Data Flat Cable	78sets	
5	Received Card	16pcs	

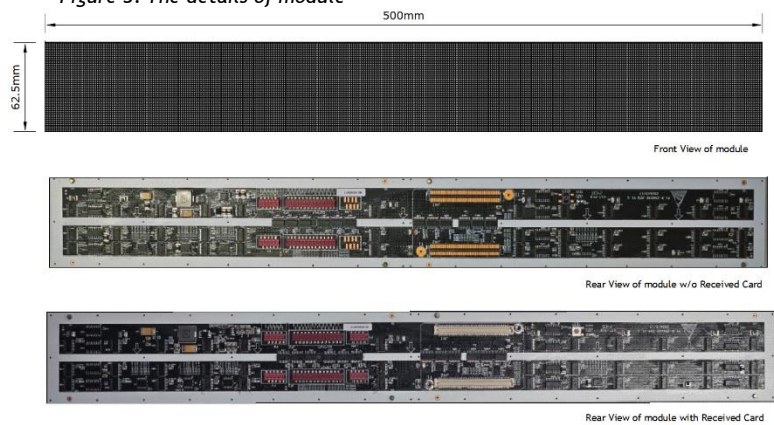
### 2.2.2 Module for Rolling LED Floor

Table 2: the details of Components of module

No.	Component	Details
1*	LED	SMD Kinglight
2	PCB	GOB
3*	Drive IC	ICN1053S
4*	Received Card	Nova A5S Plus

Note: \* The details of other modules are referred the specification sheet.

Figure 3: The details of module



### 2.2.3 Power Supply Box

Power Supply: Meanwell 2,500W

(100-240V/50-60Hz/AC input, 24-36V/DC)

Materials: Iron

(Electroplating sandblasting process)



Figure 4: Power Box Size

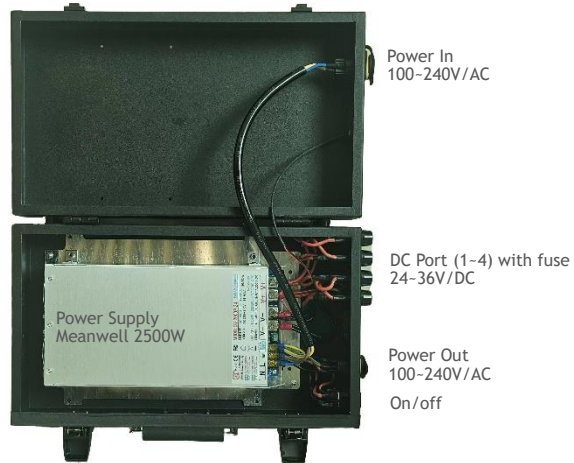


Figure 5: The details of Power Box inside

### 2.2.4 Splicing Bar

Matching with the connector on the screen, the different rolls units are splicing together without the gap.

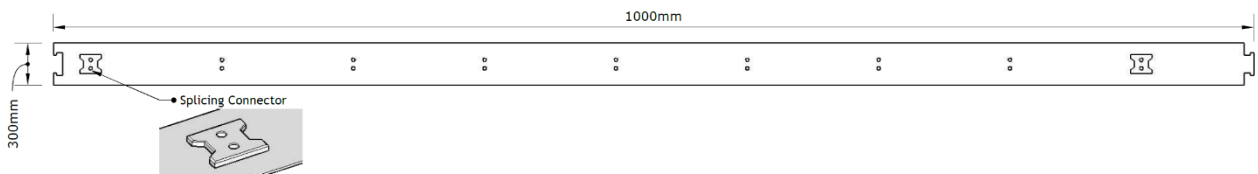


Figure 6: Splicing Bar

### 2.2.4 Side Frame/Wiring Case

This side frame is designed to protect the edge of GOB screen.

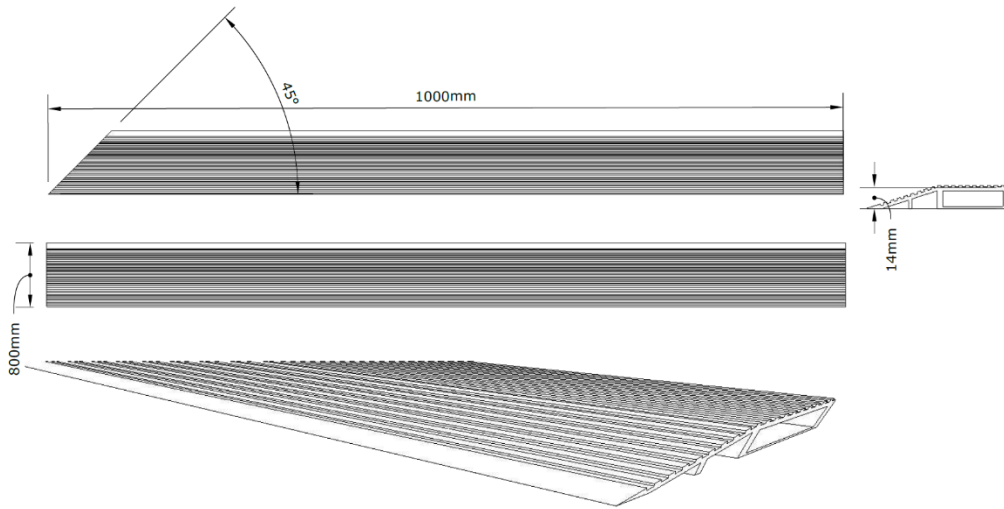


Figure 7: Side Frame

### 2.2.5 Flight Case

Table 3: the details of Flight case

No.	Item	Details
1*	Screen Qty.	2 rolls
2	Screen Area	5 sqm
3*	Size	
4*	Weight	

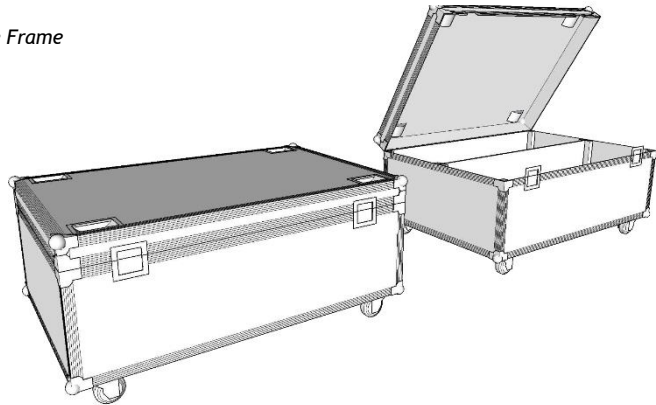


Figure 8: Flight Case

## 2.2 Specification

### 2.2.1 Basic specifications

Table 4: the specifications of Rolling LED Floor

R Series LED Rolling Screen Specification (DC 24V Module)						
Model		P1.2	P1.5	P1.9	P2.6	P3.9
Brief Parameter	Configuration	SMD1010			SMD1515	SMD2121
	Pixel Pitch	1.25mm	1.5625mm	1.953mm	2.604mm	3.91mm
	Module Size (mm)	W500 x H62.5 x D14mm				
	Module Resolution (pixels)	200x50	320x40	256 x 32	192 x 24	128 x 16
Electronic Parameter	Color Depth	12-16 bit				
	Colors	4096-65536				
	Refresh Rate (Hz)	≥3840 Hz				
	Scan Mode	1/50	1/40	1/32	1/24	1/16
	Driver IC	ICN2076	ICN1065S			
	Brightness(cd/m2)	>600cd/m2			>800cd/m2	
	Received Card	Novastar A5S Plus ( A8S Pro for 7,680Hz Refreshing rate)				
	Viewing Distance (meter)	≥ 1.2m	≥ 1.5m	≥ 1.9m	≥ 2.6m	≥ 3.9m
	Screen Weight (kg/m <sup>2</sup> )	16kg/m <sup>2</sup>				
	Viewing Angle (°)	140° /140°				
Electrical Parameter	Input Voltage (V)	DC 24V-36V				
	Max Power Consumption	512w/sqm				
	Ave Power Consumption	170w/sqm				
Ambient Environment	Temperature	-20 °C /+50°C (working)				
		-40 °C / +60°C (storage)				
	IP Level	IP 63 / IP 41				
	Humidity	10%-90% (working)				
		10%-90% (storage)				
Lifespan (hours)	100000					
Maintenance	Maintenance Way	Rear				

### 2.2.2 Recommended specifications:

Table 5: the specifications of Rolling LED Floor

Model	Screen Size	Module Qty.	Packing size	Weight
R1.25				
R1.56				
R1.9				
R2.6				
R3.91				

## 2.3 Installation of Rolling LED Floor



**CAUTION:**

1. *When installing the screen, please make sure to operate it in the event of a power outage;*
2. *Due to the high risk of damage to the GOB Module, please handle it with care during transportation and movement.*
3. *Please clean the installation floor and ensure that is clean. And ensure that the ground is completely flat.*

### 2.3.1 Ground installation

#### 2.3.1.1 Left and right splicing

- Step 1: Take out the splicing bar from the flight case, splice it to the required length, and place it in a suitable position on the ground.
- Step 2: Take out the Rolling screen from the flight case, stand it on the ground first, then unfold and remove the protective rubber strip, and fold the screen down next to the splicing Bar.
- Step 3: Pull the screen, lift one side of the screen, align it with the Splicing connector on the screen and the splicing bar, lower the screen, and fasten the Splicing connector together.
- Step 4: Take out another rolling screen, and do step 2.
- Step 5: Pull the screen, do step 3.
- Step 6: Adjust the position of the screen to ensure that the two screens are close, flat and have no gaps.

#### 2.3.1.1 Up and Down splicing

#### 2.3.1.1 Screen splicing

#### 2.3.1.2 Power Connectivity

#### 2.3.1.3 Data Connectivity

### 2.3.2 Structure installation