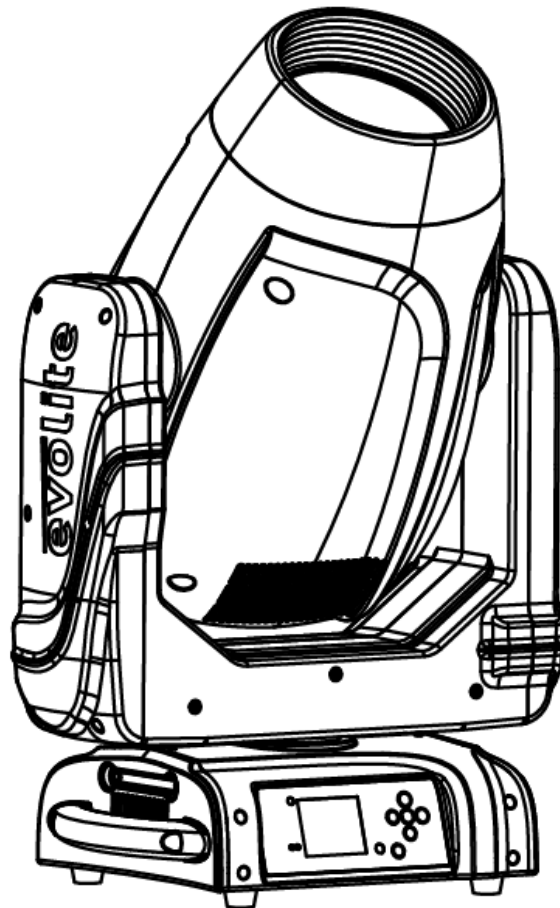


LUMINA H380

380W LED Hybrid moving head with CMY



evolite
PRO



FR

Les équipements électriques et électroniques, leurs accessoires, piles, batteries et cordons se recyclent

À DÉPOSER EN DÉCHÈTERIE



OU

À DÉPOSER EN MAGASIN



Points de collecte sur www.quefairedemesdechets.fr
Privilégiez la réparation ou le don de votre appareil !





Before using your equipment, we recommend that you read all the instructions in this manual.



This device produces an intense and powerful light. Risk to the eyes. Do not look directly into the beam.



Risk of electric shock.

It is important to use the mains power cable supplied (earthed cable).

Always unplug the appliance before servicing or performing any maintenance.

Do not connect this device to a dimmer pack.

To reduce the risk of electric shock or fire, do not use this appliance in damp or rainy conditions.



Risk of burns.

It is important to avoid contact with the appliance during operation and for at least 10 minutes after use. The outside of the appliance can become very hot.

Do not use the projector in an ambient temperature above 40°C.



Fire hazard.

It is important to keep all combustible and flammable materials away from the appliance during operation.



This appliance presents significant risks of injury. It is important that this appliance is handled and used professionally by a qualified user.

This **Evolite** appliance must be installed using strong hooks of the correct size for the weight carried. The equipment must be screwed to the hooks and tightened properly to prevent it from falling due to vibrations produced by the machine during operation. The equipment must be secured by a safety sling. Make sure that the structure (or attachment point) can support at least 10X the weight of the

device being attached.

The appliance must be installed by a qualified person and kept out of public reach.

In the event of a malfunction, switch off the appliance immediately. Do not attempt to repair it yourself. Contact your retailer or an authorised specialist repairer. There are no user-replaceable parts.

• Introduction

Congratulations on your purchase of this evolite projector.

This professional projector features the latest technological advances and has been designed for professional use. Its quality and reliability are the result of careful manufacture to exacting specifications. This intelligent projector complies with current European standards: 2014/35/EU, 2014/30/EU and RoHs 2011/65/EU.

• **Product description**

Source

Light source: Advanced 380w white led

Led life: 60.000 hours

Luminous Flux: 8790 lumen, 93000 lux@5m

Control: Remote on/off via DMX

Ballast: switching mode power supply

Optical System

Beam angle: 4° to 48 °

X/Y

Pan: 540° (3.9 sec), Tilt: 265° (2.4 sec)

16-bit resolution

Auto repositioning

Colors

Linear CMY

9+open, interchangeable, indexable and bidirectional rainbow effect

Color bounce

Gobos

Outside \varnothing 20mm, inside \varnothing 16mm

8+open custom interchangeable position for rotating gobo wheel

13+open fixed gobos

Real indexable and gobo shaking

Distinctive gobo animation effect

Features

DMX channels: 30

Linear CMY

Color wheel: 9 colors

Fixed gobo wheel: 13+1 gobos

Rotating gobo wheel: 8+1 gobos

Motorized focus

Full range 0-100% dimmer

Various strobe

Rotating 2 facets prism

Frost

Beam from 4° to 48°

RDM function to change DMX address, display flip, X/Y Reverse and so on

Software upgrade via DMX or USB

Hibernation when lost DMX for preset time

Indicate temperature info of base, led

Fan speed auto change according to temperature

Display

2.4inch super nice LCD display

Auto lock and flip

Power

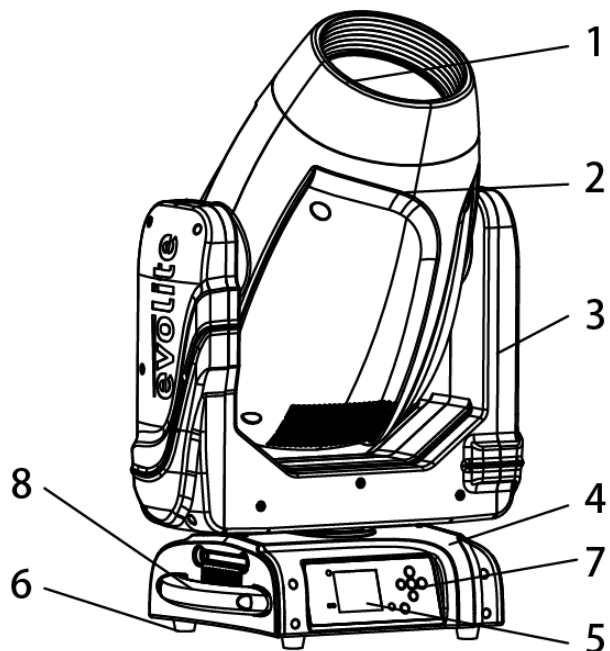
Max power consumption: 520W

Powercon in , 3+5 pins DMX

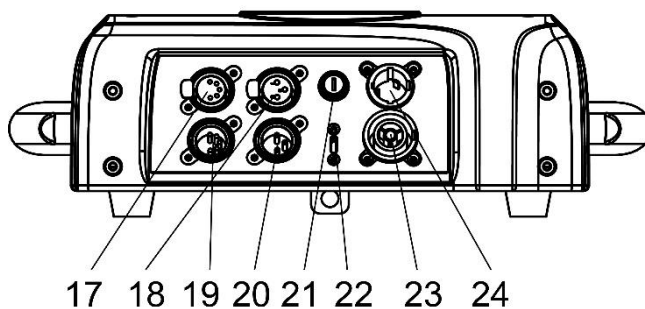
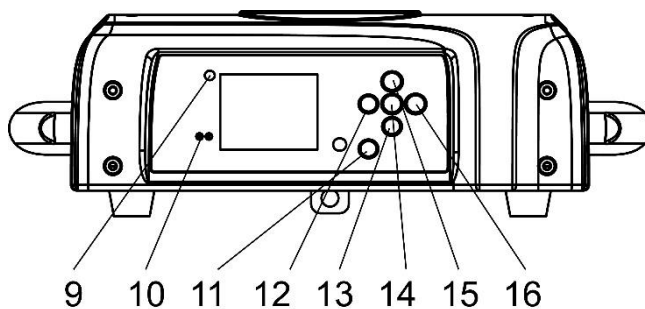
Power supply: Electronic auto-ranging

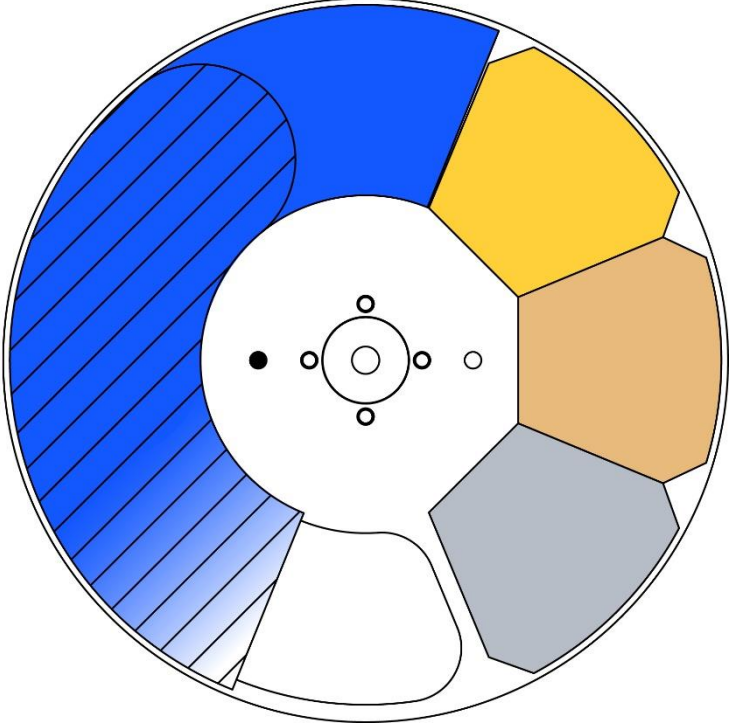
Input voltage range: 100–240V, 50-60Hz

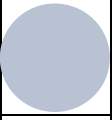
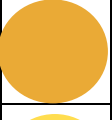
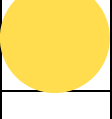
- 1. Project lens
- 2. Head
- 3. Arm
- 4. Base
- 5. Display
- 6. Foot stand
- 7. Operation button
- 8. Handel

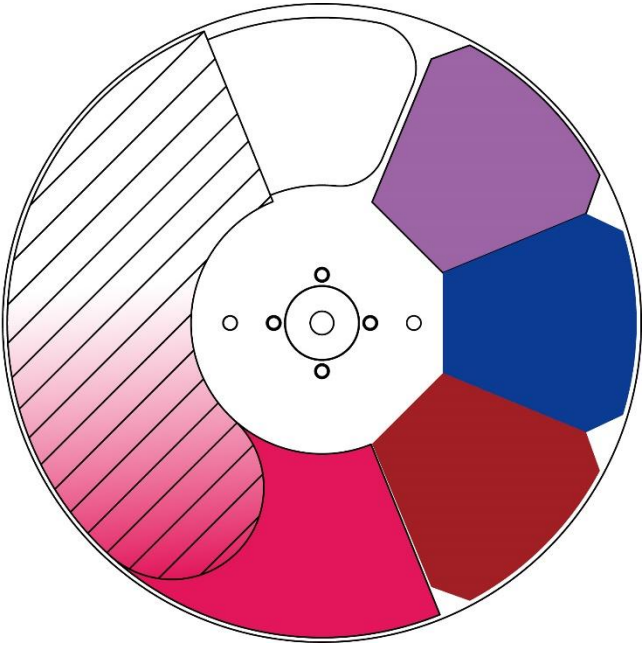




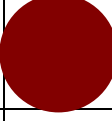
- 9. N/A
- 10. N/A
- 11. Battery indicator
- 12. Left button
- 13. Down button
- 14. Enter button
- 15. Up button
- 16. Right button
- 17. 5-pin DMX out
- 18. 3-pin DMX out
- 19. 5-pin DMX in
- 20. 3-pin DMX in
- 21. Fuse
- 22. USB
- 23. Power out
- 24. Power in

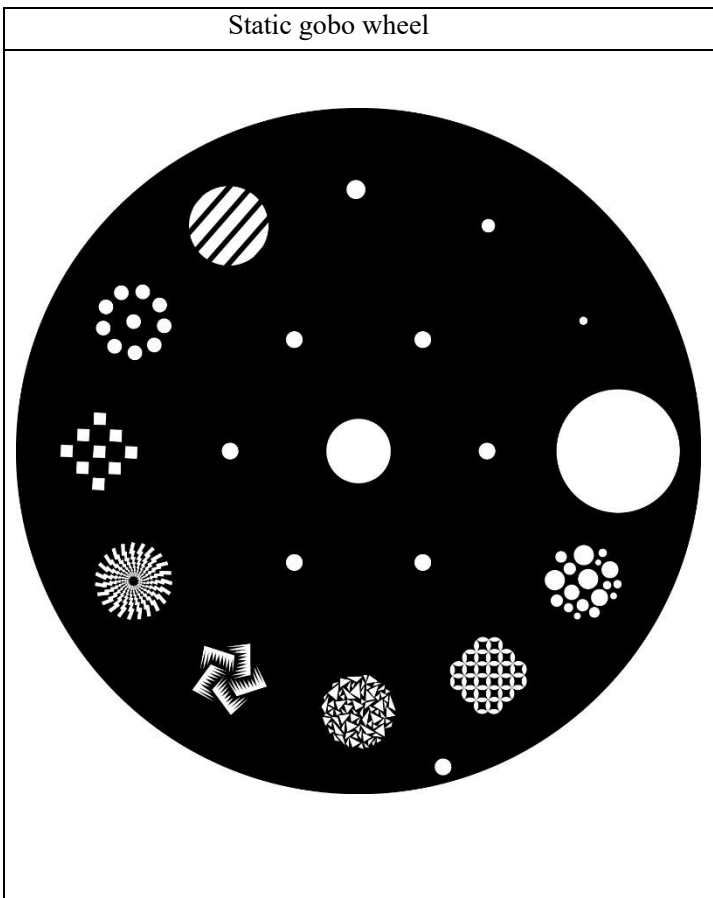
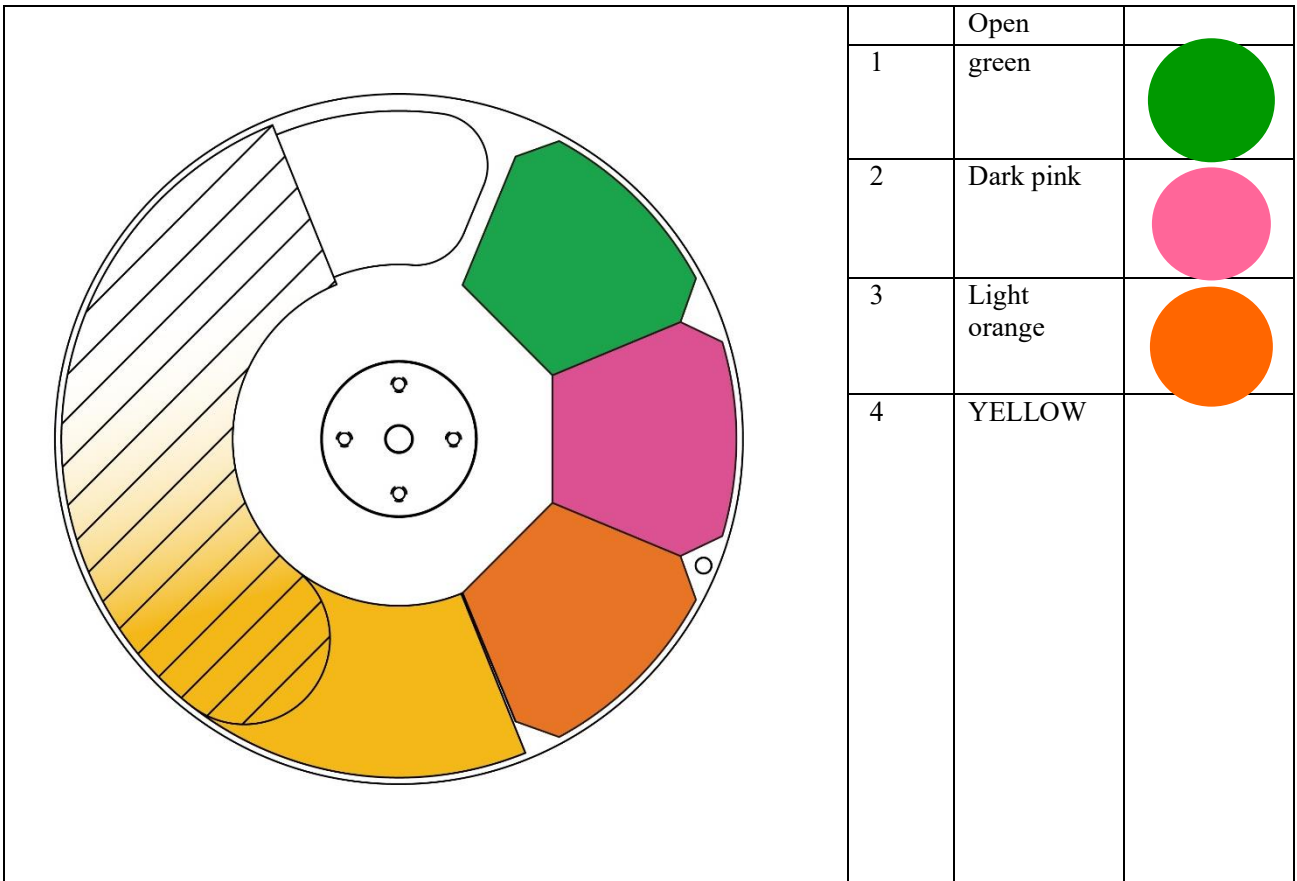












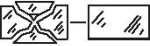





	Open	
1	High rendering finger color sheet 6000K	
2	3200K	
3	2400K	
4	CYAN	

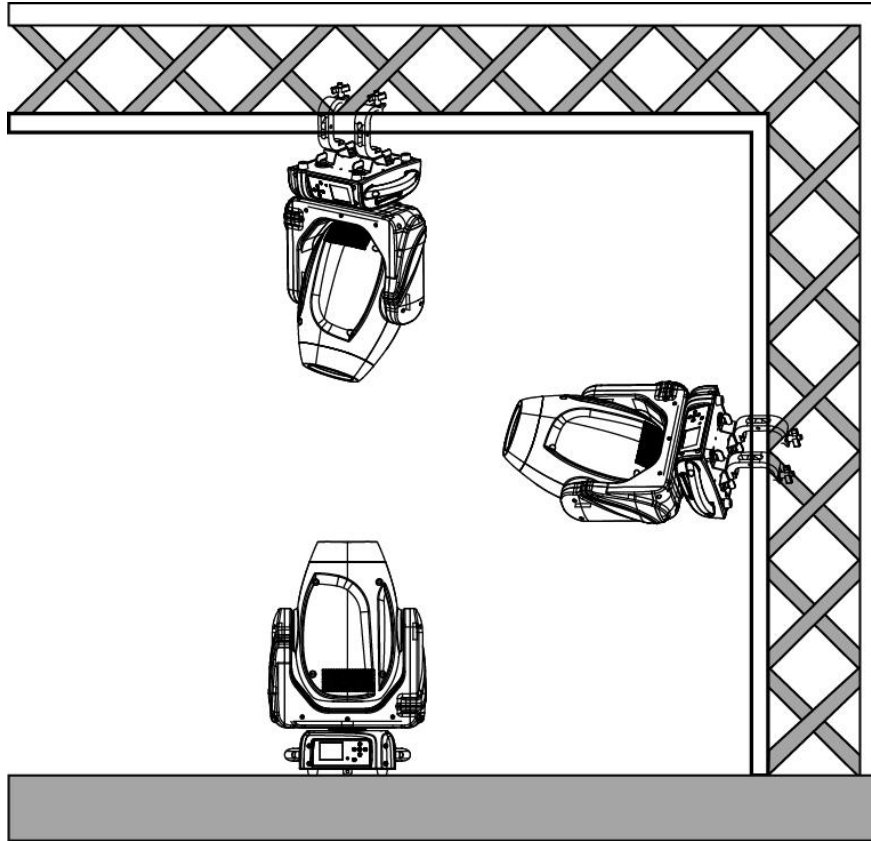


	Open	
1	CTB-011/468	
2	BARK BLUE	
3	red	
4	MAGENTA	



	Before operate this unit, please carefully read this users guide and keep if needed in future. It's necessary to respect following rules.
	The disposal of the device after lifecycle could damage the environment, need to take it to special company for recycling or return to authorized dealer.
	The products referred to in this manual conform to the European Community Directives and are therefore marked with CE logo.
	Keep this device away from children and unauthorized users, the manufacturer will not take responsibility for the damage due to any disregard of the information provided in this manual and wrong operation.
	Before operate the device, pls make sure the fixture is in good housing, ensure pan and tilt can rotate in its complete range.
	Pls make sure minimal 0.5m distance need to kept between the fixture to any flammable material.
	The device can only run with 100-240v voltage, 50/60Hz power, don't connect to any other wrong power. Disconnect the device from main power before open the shield or maintenance.
	The device is designed only for indoor usage, pls keep it away from moisture. Do not expose the device under the sun or directly to any other lighting source.
	Never look directly into the projecting lens when the fixture is power on, the light may trigger epileptic seizures in photosensitive persons or persons with epilepsy. Especially at beam effect, extreme caution and observance of these safety instructions is mandatory.
	Don't put or install the device on a surface that subject to vibration or bumps.
Ta=45°C	The device is supposed to work in the temperate range -15° C and +45° C, do not use the device when the temperate exceed this range.
	The lens, shield need to be replaced when obviously broken, never use the device when the shield is not completed closed.
	Safety I class device, need to be earth connected.
	When the fixture is hanged overhead, the safety rope must be fixed to the bottom of the device to the appropriate fixing point.
	Always carry the device by the handles, do not take the head or arm directly for transportation.

- **Installation**



The device could be either put on a solid and even Surface, or mounted upside down or sideways like left picture.

The mounting place must be sufficient stable and be able to support a weight of 10 times of the unit's weight. When the fixture is hanged, always additionally secure the device with the safety chain, fasten the safety rope at a suitable position so that the maximum fall of the projector will be 20 cm.

• Control Menu

Default setting shadowed mark with ① can be basic reloaded, ② be program reloaded, ③ can be private reloaded.

CONNECT	LIGHT	INFOMATION	SET	PROGRAM
				

	Address①	Value (1-512)			
Setup	Fixture Settings	Dmx Fault①	Hold/Blackout(Hold)		
		Temprature Unit	Fahrenheit /Celsius(Celsius)		
		Hibernation	Off, 01M~99M		
		Fan Mode	AUTO/HIGH/SILENT(AUTO)		
		Dimmer Curve	LINEAR/S-CURVE/SQUARE LAW/ INVERSE SQUARE LAW		
		Dimmer Speed	AUTO/FAST/MEDIUM/SLOW		
		LED Frequency	600HZ/1200 HZ/2000 HZ/4000 HZ/6000HZ/25KHZ/50KHz		
		Transfer Configuration	No Dmx Address With Dmx Address		
	Movement	Pan Reverse①	Yes/No(No)		
		Tilt Reverse①	Yes/No(No)		
		Feedback①	Yes/No (Yes)		
		Pan/Tilt Mode①	Slow/Medium/Fast (Fast)		
		Totem Mode①	Off/Up/Down(Off)		
	Screen	Backlight①	02~60M (02M)		
		Flip Display①	On/Off(Off)		
		Key Lock①	On/Off (Off)		
	Information	Fixture Time	Fixture Hours	Total	(Only Read)
				Partial	(Read And Reset)
Current Hours			Total	(Only Read)	
			Partial	(Read And Reset)	
Lamp Hours			Total	(Only Read)	
			Partial	(Read And Reset)	
Power On Cycle		Total	(Only Read)		
		Partial	(Read And Reset)		
Temperature		Near Source Temp,Driver PCB Temp,Led PCB Temp,...			
Fans Speed		Near Source Fan,Base Fan ...			
Channel Value		Pan.....			
Error Message		Pan,Tilt.....			
Fixture Model		xxxxxxxxxxxx			

	RDM UID	(Read And Reset)		
	Software Version	1U01 V1.0.00.....		
Service	Reset	All		
		Pan&Tilt		
		:		
	Calibration	Password	=xxx	
		Pan	=xxx	
		:	:	
		Focus	=xxx	
		Gobo 1	Focus	
		:	:	
		Gobo 8	Focus	
		:		
	Encoder Reset	clean value in encoder pcb		
	Manual Control	Pan		
:				
Reload Default	Basic Reload(①)	On/Off (Off)		
	Factory Reload	On/Off(Off)		
Program	Play①	DMX Receive		
		Slave Receive	Slave Receive 1,2,3	
		Sequence	Master / Alone	
		Music	Master / Alone	
	Select Chase②	Chase Part 1	Chase 1 ~ 8 Chase 1	
		Chase Part 2	Chase 1 ~ 8 Chase 2	
		Chase Part 3	Chase 1 ~ 8 Chase 3	
	Edit Chase②	Chase 1	Chase Test	
		:	Step 01	=xxx
		Chase 8	Step 64	=xxx
	Edit Scenes②	Edit Scene 001	Pan,Tilt,.....	=xxx
		~ Edit Scene 250	--Fade Time--	=xxx
			--Secne Time--	=xxx
			DMX Input	
	Scenes Record	ScXX=>ScXX		

• DMX protocol

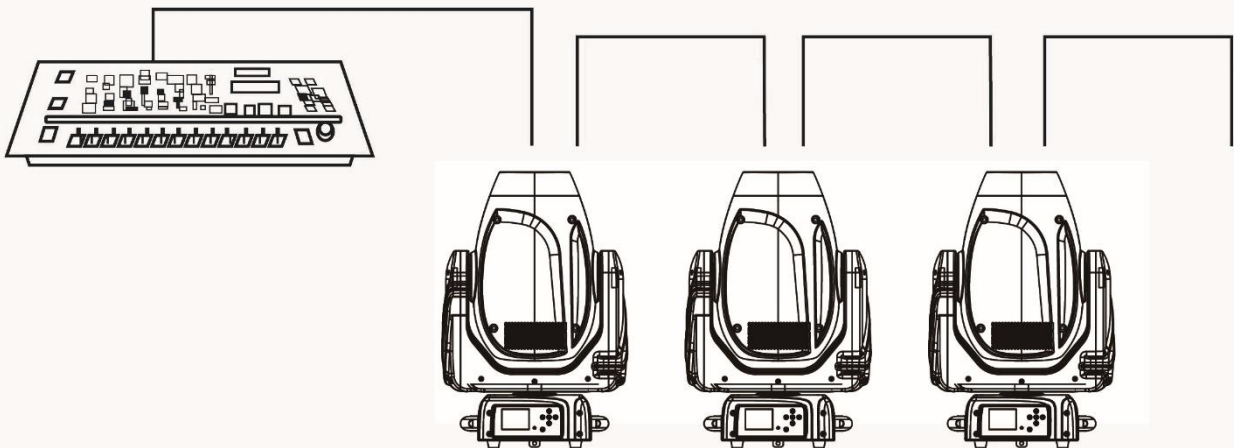
5.1.2 This device is equipped with 3-pins and 5-pins DMX in and out sockets only.



5.1.3 The termination is prepared by soldering a 120Ω resistor between pins 2 and 3.



Connection: use DMX cable with 3+5 pin XLR-plugs to connect the controller with the fixture or one fixture with another.



• DMX chart

Channel		name	function	Min DMX	Max DMX
Standard	Basic				
1	1	Pan	Pan Coarse	0	255
2	2	Pan fine	Pan Fine	0	255
3	3	Tilt	Tilt Coarse	0	255
4	4	Tilt fine	Tilt Fine	0	255
5	5	XY Speed	Fast to Slow	0	255
6	6	Shutter	Close	0	1
			Strobe from slow to fast	2	62
			Open	63	64
			Pulse in from slow to fast	65	125

			Open	126	127
			Pulse out from slow to fast	128	188
			Open	189	190
			Randon from slow to fast	191	251
			Open	252	255
7	7	Dimmer	Dimmer(Close to Open)	0	255
8		Dimmer Fine	Dimmer(Close to Open)	0	255
9	8	Cyan	Lineary from 0% to 100%	0	255
10	9	Magenta	Lineary from 0% to 100%	0	255
11	10	Yellow	Lineary from 0% to 100%	0	255
12	11	Color Wheel1	Indexed		
			Open	0	18
			Open + CTO 6000K	19	37
			CTO 6000K	38	56
			CTO 6000K + CTO 3200K	57	75
			CTO 3200K	76	94
			CTO 3200K + CTO 2400K	95	113
			CTO 2400K	114	132
			CTO 2400K + CYAN	133	151
			CYAN	152	170
			Forward Spin		
			From fast to slow	171	211
			Stop		
			Stop	212	214
			Reverse Spin		
From slow to fast	215	255			
13	12	Color Wheel 2	Indexed		
			Open	0	18
			Open + LAVANDER	19	37
			LAVANDER	38	56
			DARK GREEN + DARK BLUE	57	75
			DARK BLUE	76	94
			DARK BLUE + DARK RED	95	113
			DARK RED	114	132
			DARK RED + MAGENTA	133	151
			MAGENTA	152	170
			Forward Spin		
			From fast to slow	171	211
			Stop		
			Stop	212	214
			Reverse Spin		
From slow to fast	215	255			
14	13	Color Wheel 3	Indexed		
			Open	0	18
			Open + LIGHT GREEN	19	37
			LIGHT GREEN	38	56
			LIGHT GREEN + PINK	57	75
			PINK	76	94
			PINK + LIGHT ORANGE	95	113

			LIGHT ORANGE	114	132
			LIGHT ORANGE + YELLOW	133	151
			YELLOW	152	170
			Forward Spin		
			From fast to slow	171	211
			Stop		
			Stop	212	214
			Reverse Spin		
			From slow to fast	215	255
15	14	Rot Gobo	Indexed		
			Open	0	9
			GOBO 1	10	19
			GOBO 2	20	29
			GOBO 3	30	39
			GOBO 4	40	49
			GOBO 5	50	59
			GOBO 6	60	69
			GOBO 7	70	79
			GOBO 8	80	89
			Shake		
			GOBO 1 from slow to fast	90	99
			GOBO 2 from slow to fast	100	109
			GOBO 3 from slow to fast	110	119
			GOBO 4 from slow to fast	120	129
			GOBO 5 from slow to fast	130	139
			GOBO 6 from slow to fast	140	149
			GOBO 7 from slow to fast	150	159
			GOBO 8 from slow to fast	160	169
			Forward Spin		
From fast to slow	170	211			
Stop					
Stop	212	213			
Reverse Spin					
From slow to fast	214	255			
16	15	Gobo Rot	Indexed		
			Lineary from 0° to 360°	0	127
			Forward Spin		
			From fast to slow	128	190
			Stop		
			Stop	191	192
			Reverse Spin		
From slow to fast	193	255			
17		Gobo Rot Fine	Lineary from 0° to 360° (Indexed)	0	255
18	16	Fixed Gobo	Indexed		
			Open	0	5
			GOBO 1	6	11
			GOBO 2	12	17
			GOBO 3	18	23

			GOBO 4	24	29
			GOBO 5	30	35
			GOBO 6	36	41
			GOBO 7	42	47
			GOBO 8	48	53
			GOBO 9	54	59
			GOBO 10	60	65
			GOBO 11	66	71
			Shake		
			GOBO 1 from slow to fast	72	77
			GOBO 2 from slow to fast	78	83
			GOBO 3 from slow to fast	84	89
			GOBO 4 from slow to fast	90	95
			GOBO 5 from slow to fast	96	101
			GOBO 6 from slow to fast	102	107
			GOBO 7 from slow to fast	108	113
			GOBO 8 from slow to fast	114	119
			GOBO 9 from slow to fast	120	125
			GOBO 10 from slow to fast	126	131
			GOBO 11 from slow to fast	132	137
			Forward Spin		
			From fast to slow	138	195
			Stop		
			Stop	196	197
			Reverse Spin		
			From slow to fast	198	255
19	17	Prism 1	Open	0	127
			Prism insert	128	255
20	18	Prism 1 Rotation	Indexed		
			Lineary from 0° to 360°	0	127
			Forward Spin		
			From fast to slow	128	190
			Stop		
			Stop	191	192
			Reverse Spin		
			From slow to fast	193	255
21	19	Prism 2	Open	0	127
			Prism insert	128	255
22	20	Prism 2 Rotation	Indexed		
			Lineary from 0° to 360°	0	127
			Forward Spin		
			From fast to slow	128	190
			Stop		
			Stop	191	192
			Reverse Spin		
			From slow to fast	193	255
23	21	Frost	Continuous		
			Lineary from 0% to 100%	0	255

24	22	Zoom	Lineary from in to out	0	255
25		Zoom Fine	Lineary from in to out	0	255
26	23	Focus	Lineary from in to out	0	255
27		Focus Fine	Lineary from in to out	0	255
28	24	Animation Insertion	Continuous		
			Lineary from 0% to 100%	0	255
29	25	Animation Rotation	Indexed		
			Lineary from 0° to 360°	0	127
			Forward Spin		
			From fast to slow	128	190
			Stop		
			Stop	191	192
			Reverse Spin		
			From slow to fast	193	255
30	26	Control	No Function/Safe	0	1
			PAN REVERSE ON	2	3
			PAN REVERSE OFF	4	5
			TILT REVERSE ON	6	7
			TILT REVERSE OFF	8	9
			PAN/TILT MODE FAST	10	11
			PAN/TILT MODE MEDIUM	12	13
			PAN/TILT MODE SLOW	14	15
			MOVEMENT IN BLACKOUT ON	16	17
			MOVEMENT IN BLACKOUT OFF	18	19
			COLOR WHEEL 1 BLACKOUT ON (index)	20	21
			COLOR WHEEL 1 BLACKOUT OFF (index)	22	23
			COLOR WHEEL 2 BLACKOUT ON (index)	24	25
			COLOR WHEEL 2 BLACKOUT OFF (index)	26	27
			COLOR WHEEL 3 BLACKOUT ON (index)	28	29
			COLOR WHEEL 3 BLACKOUT OFF (index)	30	31
			ROTATING GOBO WHEEL BLACKOUT ON (index)	32	33
			ROTATING GOBO WHEEL BLACKOUT OFF (index)	34	35
			FIXED GOBO WHEEL BLACKOUT ON (index)	36	37
			FIXED GOBO WHEEL BLACKOUT OFF (index)	38	39
			Reserved	40	41
			Reserved	42	43
			Reserved	44	45
			Reserved	46	47
			Reserved	48	49
			Reserved	50	51
			ROTATING GOBO WHEEL CONTINUOUS MOVEMENT (index)	52	53
			ROTATING GOBO WHEEL STEP MOVEMENT (index)	54	55
			FIXED GOBO WHEEL CONTINUOUS MOVEMENT (index)	56	57
			FIXED GOBO WHEEL STEP MOVEMENT (index)	58	59
			Reserved	60	61
Reserved	62	63			
DISPLAY ON	64	65			
DISPLAY 10S	66	67			

DISPLAY 20S	68	69
DISPLAY 30S	70	71
FLIP DISPLAY ON	72	73
FLIP DISPLAY OFF	74	75
FLIP DISPLAY AUTO	76	77
KEY LOCK ON	78	79
KEY LOCK OFF	80	81
FAN MODE AUTO	82	83
FAN MODE SILENT	84	85
FAN MODE HIGH	86	87
NO SIGNAL HOLD	88	89
NO SIGNAL BLACKOUT	90	91
STATUS LED ON	92	93
STATUS LED OFF	94	95
DIMMER CURVE LINEAR	96	97
DIMMER CURVE S-CURVE	98	99
DIMMER CURVE SQUARE LAW	100	101
DIMMER CURVE INVERSE SQUARE LAW	102	103
DIMMER SPEED AUTO	104	105
DIMMER SPEED FAST	106	107
DIMMER SPEED MEDIUM	108	109
DIMMER SPEED SLOW	110	111
LED FREQUENCY 600HZ	112	113
LED FREQUENCY 1200HZ	114	115
LED FREQUENCY 2000HZ	116	117
LED FREQUENCY 4000HZ	118	119
LED FREQUENCY 6000HZ	120	121
LED FREQUENCY 25KHZ	122	123
LED FREQUENCY 50KHZ	124	125
INVERT ZOOM OFF	126	127
INVERT ZOOM ON	128	129
RESET ALL	130	131
RESET PAN/TILT	132	133
RESET COLOR 1	134	135
RESET COLOR 2	136	137
RESET COLOR 3	138	139
RESET ROTATING GOBO	140	141
RESET GOBO ROTATION	142	143
RESET FIXED GOBO	144	145
RESET ZOOM	146	147
RESET FOCUS	148	149
RESET ANIMATION	150	151
RESET 6F PRISM	152	153
RESET 8F PRISM	154	155
RESET FROST	156	157
Reserved	158	253
FACTORY DEFAULT OF CONTROL FUNCTIONS	254	255

- **Unique Features**

RDM, stand for “Remote Device Management”, with this function, users can realize remote control of the device, such as remotely changing DMX address, reverse pan/tilt setting, check a lot of useful information such as temperature, power consumption, fan speed. Etc. Every single device has a unique RDM code before left factory to distinguish from each other, usually not suggest users change this code freely.

Software upgrade function via DMX cable, if there is any new firmware for this device come out, it can be upgraded simply via a software upgrade box, no need to change any mechanical parts. The upgrade box is not included in the package, if need any further assistance pls just contact authorized dealers.


Hibernation, the device will enter sleeping mode if activated after a period of disconnecting DMX signal to save the power consumption, and will return immediately as soon as the DMX signal is sent again.

Display battery, this function is prepaid in the display PCB, users just need to install a normal 10440 600mAh 3.7V rechargeable lithium battery, then users could power on the display and do setting without connect to main power.

Display flip, by press up and down button for more than 3 seconds, the display will flip automatically, this function is useful to read menu conveniently when device is hanged.

- **Connecting the mains cable**

The occupation of the connection-cables is as follows:

Cable	Pin	International
Brown	Live	L
Blue	Neutral	N
Yellow/Green	Earth	

Earth must always be connected. Power cables must be approved and comply with the IEC Standard.

Maximum 3 units can be connected in series

- **Care and maintenance**

The outside of the camera should be cleaned regularly. The lenses must be cleaned to ensure optimum brightness. If the luminaire is installed in a dusty or smoky environment, regular cleaning is very important. Unplug the device before carrying out any work!

Use a clean, dry cloth.



DANGER!

Risk of electric shock.

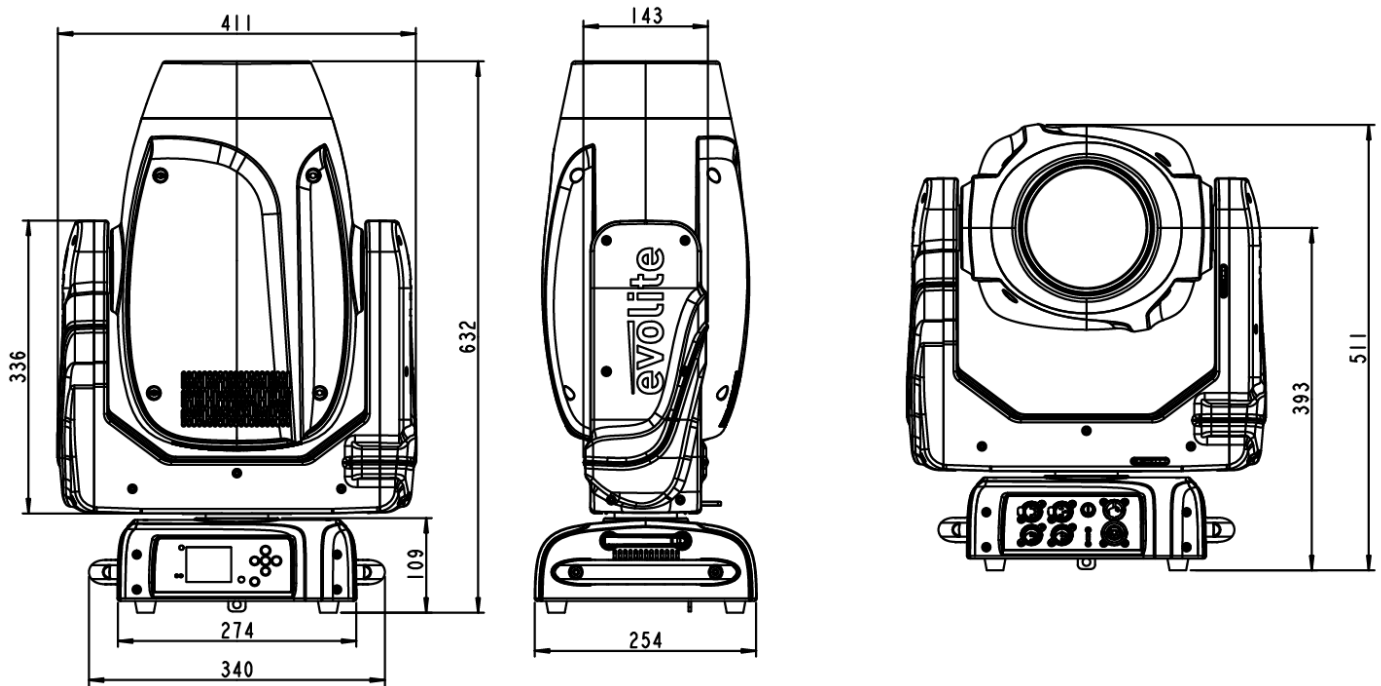
- Always unplug the appliance before servicing or performing any maintenance.

Here are a few suggestions if you have any problems with your device.

- **The appliance does not work at all.**
 - Check the power cord and fuse.
 - Make sure that your plug is correctly plugged in.
- **The fixture does not respond or does not respond correctly to DMX commands.**
 - Check your DMX cables
 - Check your DMX addressing
 - Try another DMX controller
 - Check that your DMX cables do not run close to high-voltage cables, which could cause interference.
- **Does not react to sound**
 - Check the selected operating mode
 - Check that there is no DMX cable connected to DMX IN
 - Tap directly on the microphone to test its responsiveness.

• **Technical specifications**

Power supply	100-240 V AC , 50/60 Hz ~
Power consumption	556W
Lamp	Advanced 380W white led
DMX channels	30 channels
Beam angle	4° to 48 °
Luminous flux	93000 lux@5m
Fuse	T8A , 250 V
Device dimensions	415*340*632mm
Net Weight	21KG
Gross Weight	22.5KG
IP	20



ATTENTION !

Avant d'utiliser votre appareil, nous vous recommandons de lire toutes les instructions contenues dans ce manuel.



ATTENTION !

Cet appareil produit une lumière intense et puissante. Risque pour les yeux. Ne pas regarder directement dans le faisceau.



DANGER !

Risque d'électrocution.

Il est important d'utiliser le câble d'alimentation secteur fourni (câble avec mise à la terre).

Débranchez toujours l'appareil avant de le réparer ou d'effectuer des travaux d'entretien.

Ne pas connecter cet appareil à un gradateur.

Pour réduire le risque de choc électrique ou d'incendie, n'utilisez pas cet appareil dans des conditions humides ou pluvieuses.



ATTENTION !

Risque de brûlures.

Il est important d'éviter tout contact avec l'appareil pendant son fonctionnement et pendant au moins 10 minutes après son utilisation. L'extérieur de l'appareil peut devenir très chaud.

N'utilisez pas le projecteur à une température ambiante supérieure à 40°C.



ATTENTION !

Risque d'incendie.

Il est important de tenir tous les matériaux combustibles et inflammables à l'écart de l'appareil pendant son fonctionnement.



DANGER !

Cet appareil présente des risques importants de blessures. Il est important que cet appareil soit manipulé et utilisé de manière professionnelle par un utilisateur qualifié.

Cet appareil **Evolite** doit être installé à l'aide de crochets solides et de taille adaptée au poids transporté. L'équipement doit être vissé aux crochets et serré correctement afin d'éviter qu'il ne tombe en raison des vibrations produites par la machine pendant son fonctionnement. L'équipement doit être fixé à l'aide d'une élingue de sécurité. Assurez-vous que la structure (ou le point d'attache) peut supporter au moins 10 fois le poids de l'appareil à attacher.

L'appareil doit être installé par une personne qualifiée et tenu hors de portée du public.

En cas de dysfonctionnement, éteignez immédiatement l'appareil. N'essayez pas de le réparer vous-même. Adressez-vous à votre revendeur ou à un réparateur spécialisé agréé. Il n'y a pas de pièces remplaçables par l'utilisateur.

• Introduction

Nous vous félicitons d'avoir acheté ce projecteur evolite.

Ce projecteur professionnel bénéficie des dernières avancées technologiques et a été conçu pour un usage professionnel. Sa qualité et sa fiabilité sont le résultat d'une fabrication soignée répondant à des spécifications rigoureuses. Ce projecteur intelligent est conforme aux normes européennes en vigueur : 2014/35/EU, 2014/30/EU et RoHS 2011/65/EU.

• Description du produit

Source

Source lumineuse : LED 380W blanche

Durée de vie des diodes : 60 000 heures

Flux lumineux : 8790 lumen, 93000 lux@5m

Contrôle : Marche/arrêt à distance via DMX

Ballast : alimentation à découpage

Système optique

Angle de rayonnement : 4° à 48 °

X/Y

Panoramique : 540° (3,9 secondes), inclinaison : 265° (2,4 secondes)

Résolution de 16 bits

Repositionnement automatique

Couleurs

CMJ linéaire

Effet arc-en-ciel 9+ ouvert, interchangeable, indexable et bidirectionnel

Rebond de couleur

Gobos

Extérieur \varnothing 20mm, intérieur \varnothing 16mm

8+positions personnalisées interchangeables pour la roue de gobos rotative

13+ouverture de gobos fixes

Indexation réelle et secousses des gobos

Effet d'animation de gobos distinctif

Caractéristiques

Canaux DMX : 30

CMJ linéaire

Roue des couleurs : 9 couleurs

Roue de gobos fixes : 13+1 gobos

Roue de gobos rotatifs : 8+1 gobos

Mise au point motorisée

Variateur pleine gamme 0-100%.

Divers stroboscopes

Prisme rotatif à 2 facettes

Givre

Faisceau de 4° à 48 °

Fonction RDM pour modifier l'adresse DMX, l'inversion de l'affichage, l'inversion X/Y, etc.

Mise à jour du logiciel via DMX ou USB

Hibernation en cas de perte du DMX pendant une durée prédéfinie

Indique la température de la base, par LED

La vitesse du ventilateur change automatiquement en fonction de la température

Affichage

Ecran LCD 2,4 pouces super agréable

Verrouillage et basculement automatique

Puissance

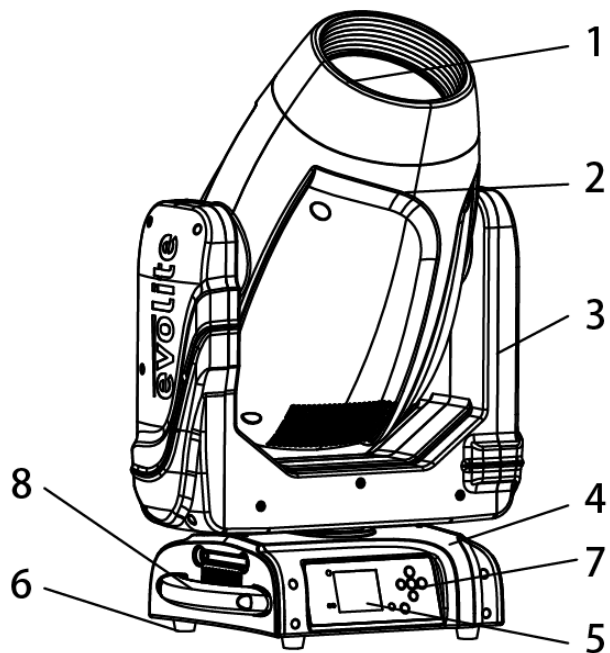
Consommation électrique maximale : 520 W

Entrée Powercon, DMX 3+5 broches

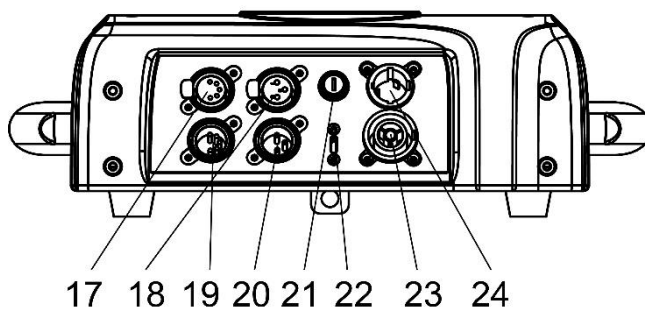
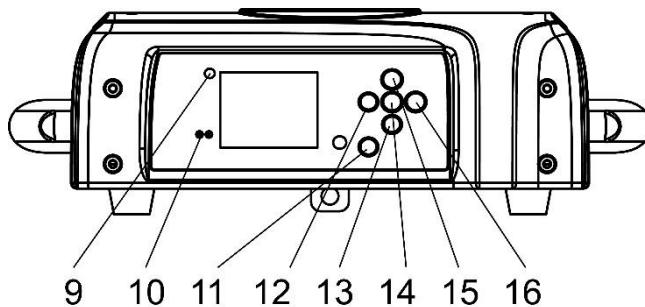
Alimentation électrique : Auto-régulation électronique

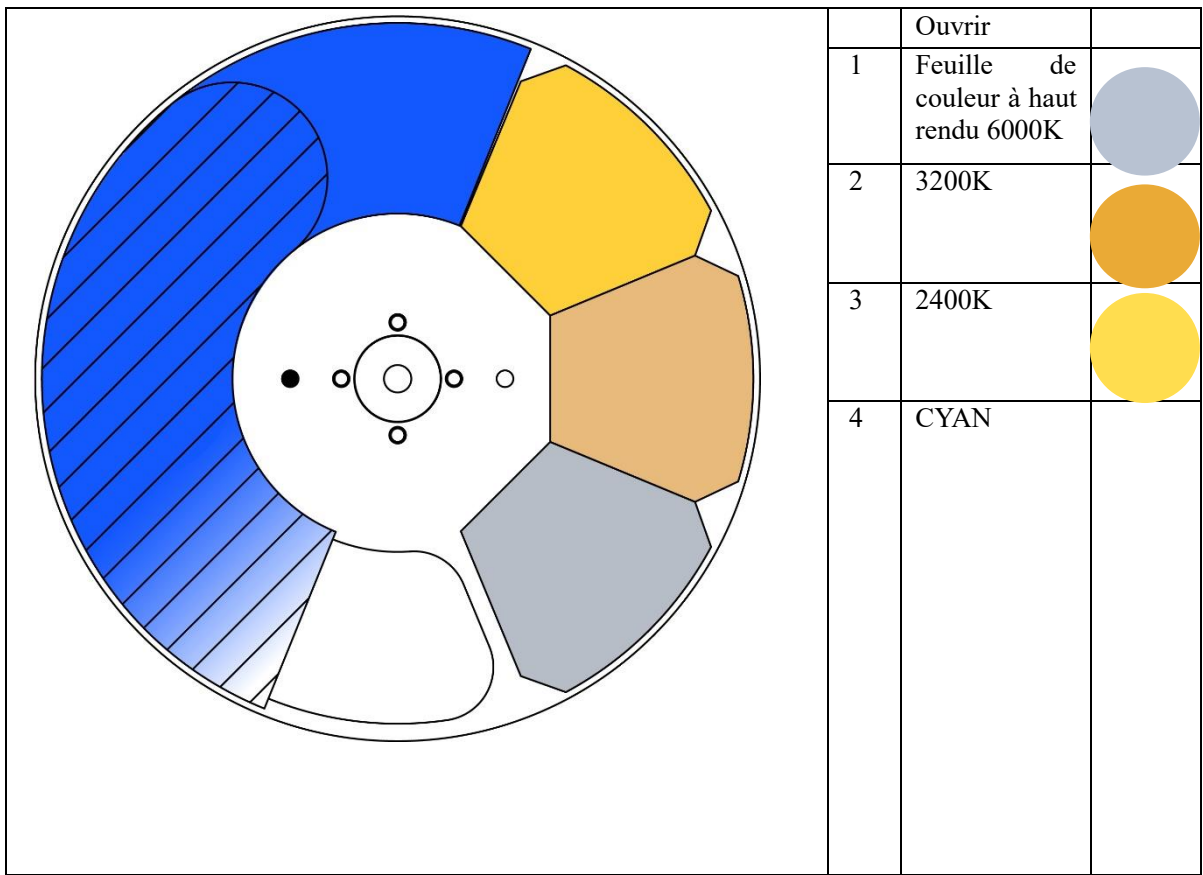
Plage de tension d'entrée : 100-240V, 50-60Hz

- 9. Lentille de projet
- 10. Tête
- 11. Bras
- 12. Base
- 13. Affichage
- 14. Support de pied
- 15. Bouton de commande
- 16. Haendel

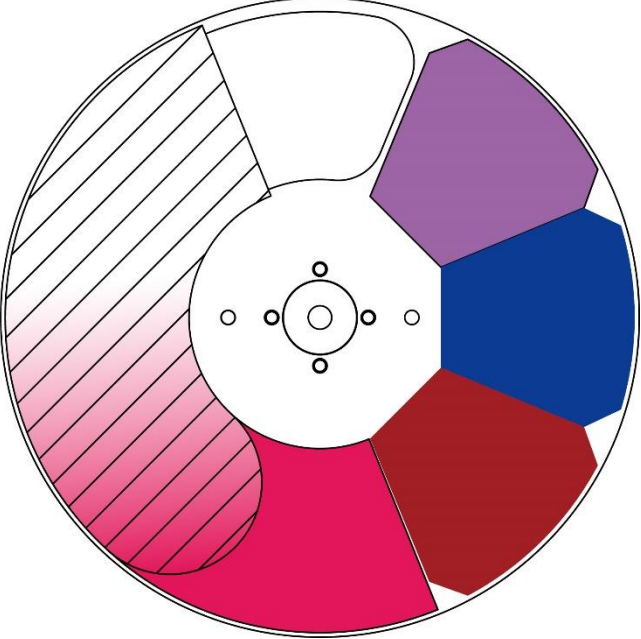




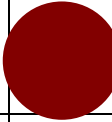
- 9. N/A
- 10. N/A
- 11. Indicateur de batterie
- 12. Bouton gauche
- 13. Bouton de descente
- 14. Bouton d'entrée
- 15. Bouton haut
- 16. Bouton droit
- 17. Sortie DMX à 5 broches
- 18. Sortie DMX à 3 broches
- 19. Entrée DMX à 5 broches
- 20. Entrée DMX 3 broches
- 21. Fusible
- 22. USB
- 23. Coupure d'électricité
- 24. Le pouvoir en

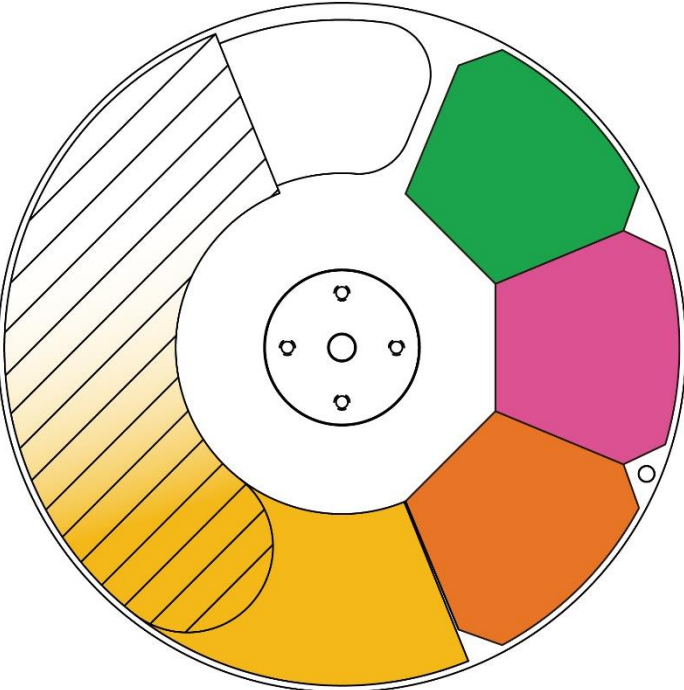


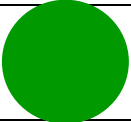
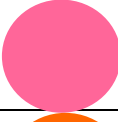
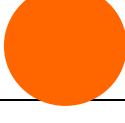


	Ouvrir	
--	--------	--

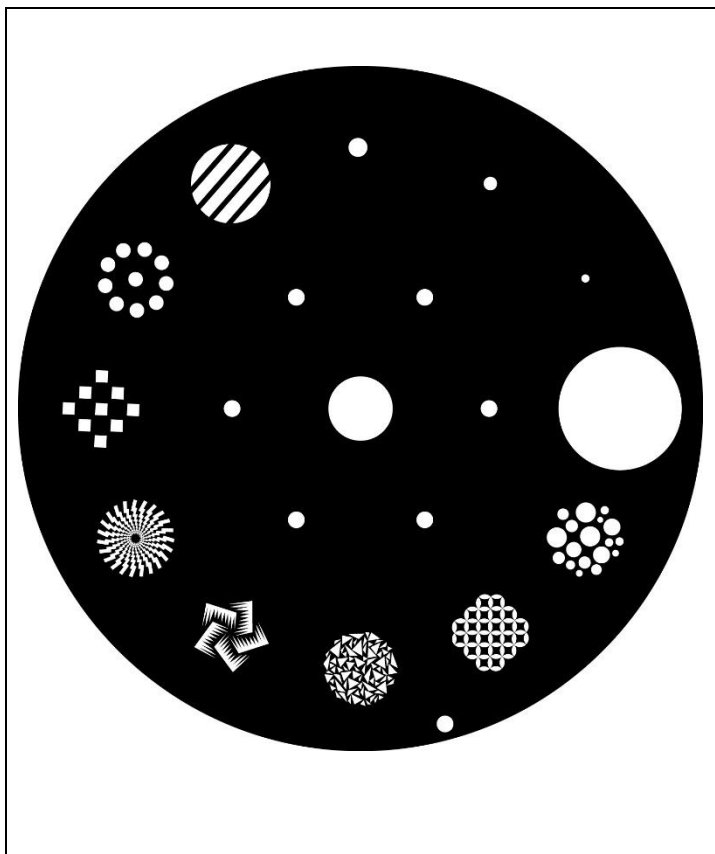


1	CTB-011/468	
2	BLEU	
3	rouge	
4	MAGENTA	







	Ouvrir	
1	vert	
2	Rose foncé	
3	Orange clair	
4	JAUNE	

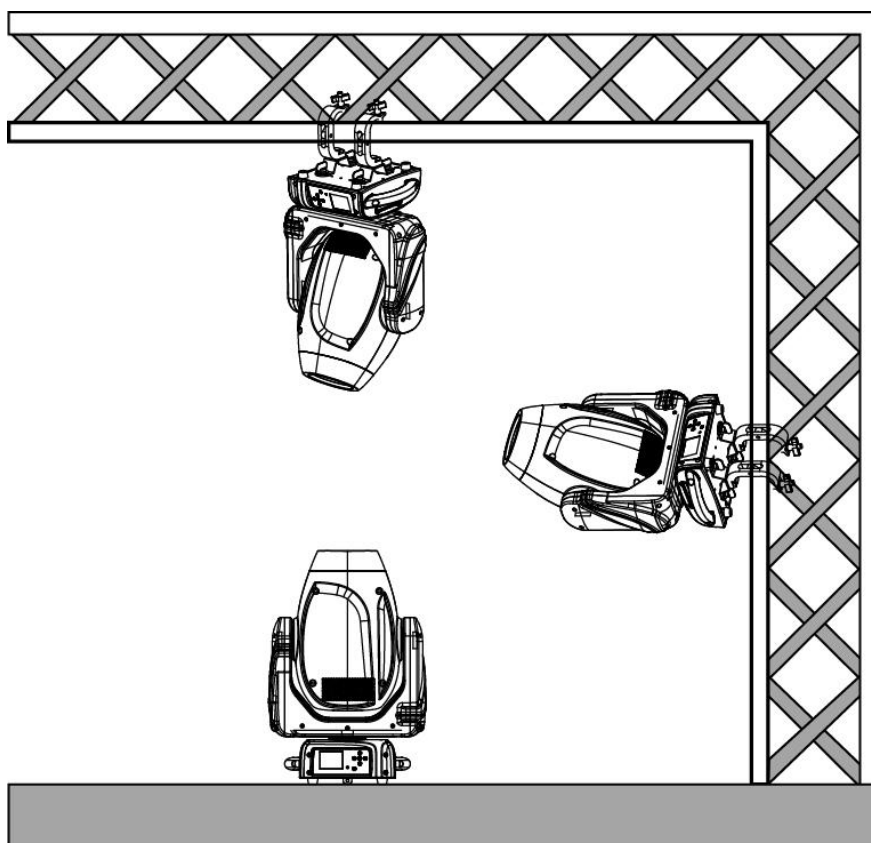
Roue de gobos statiques



	Avant d'utiliser cet appareil, veuillez lire attentivement ce guide de l'utilisateur et le conserver en cas de besoin. Il est nécessaire de respecter les règles suivantes.
	La mise au rebut de l'appareil après son cycle de vie pourrait nuire à l'environnement. Il est nécessaire de le confier à une société spécialisée dans le recyclage ou de le renvoyer à un revendeur agréé.
	Les produits mentionnés dans ce manuel sont conformes aux directives de la Communauté européenne et sont donc marqués du logo CE.
	Tenez cet appareil hors de portée des enfants et des utilisateurs non autorisés, le fabricant ne sera pas responsable des dommages dus au non-respect des informations fournies dans ce manuel et à une mauvaise utilisation.
	Avant d'utiliser l'appareil, veuillez vous assurer que l'appareil est en bon état et que les fonctions de panoramique et d'inclinaison peuvent être exécutées sur toute leur plage.
	Veillez à ce qu'une distance minimale de 0,5 m soit respectée entre l'appareil et tout matériau inflammable.
	L'appareil ne peut fonctionner qu'avec une tension de 100-240 V, 50/60 Hz, et ne doit pas être branché sur une autre source d'alimentation. Déconnectez l'appareil de l'alimentation principale avant d'ouvrir le blindage ou de procéder à l'entretien.
	L'appareil est conçu uniquement pour une utilisation en intérieur, veuillez le conserver à l'abri de l'humidité. Ne pas exposer l'appareil au soleil ou directement à toute autre source d'éclairage.
	Ne regardez jamais directement la lentille projetée lorsque le projecteur est allumé, la lumière peut déclencher des crises d'épilepsie chez les personnes photosensibles ou épileptiques. Une extrême prudence et le respect de ces consignes de sécurité sont de rigueur, en particulier en cas d'effet de faisceau.
	Ne placez pas ou n'installez pas l'appareil sur une surface sujette à des vibrations ou à des chocs.
Ta=45°C	L'appareil est censé fonctionner dans une plage de températures comprises entre -15° C et +45° C. Ne pas utiliser l'appareil lorsque les températures dépassent cette plage.

	<p>La lentille et le bouclier doivent être remplacés lorsqu'ils sont manifestement cassés. N'utilisez jamais l'appareil lorsque le bouclier n'est pas complètement fermé.</p>
	<p>Dispositif de sécurité de classe I, doit être relié à la terre.</p>
	<p>Lorsque l'appareil est suspendu au-dessus de la tête, la corde de sécurité doit être fixée au bas de l'appareil au point de fixation approprié.</p>
	<p>Portez toujours l'appareil par les poignées, ne prenez pas la tête ou le bras directement pour le transport.</p>

• Installation



L'appareil peut être posé sur une surface solide et plane, ou monté à l'envers ou sur le côté, comme sur la photo de gauche.

Le lieu de montage doit être suffisamment stable et capable de supporter un poids égal à 10 fois le poids de l'appareil. Lorsque le projecteur est suspendu, il faut toujours sécuriser l'appareil à l'aide de la chaîne de sécurité, attacher la corde de sécurité à un endroit approprié de manière à ce que la chute maximale du projecteur soit de 20 cm.

• Menu de contrôle

Le réglage par défaut de la marque ombrée avec ① peut être rechargé de base, ② peut être rechargé de programme, ③ peut être rechargé privé.

CONNECT	LIGHT	INFOMATION	SET	PROGRAM
				

	Adresse①	Valeur (1-512)			
Mise en place	Réglages de l'appareil	Défaut Dmx <input type="checkbox"/>	Maintien/Effacement (Maintien)		
		Unité de température	Fahrenheit /Celsius(Celsius)		
		Hibernation	Arrêt, 01M~99M		
		Mode ventilateur	AUTO/HAUT/SILENCIEUX (AUTO)		
		Courbe de gradation	LINÉAIRE/COURBE/LOI CARRÉE/LOI CARRÉE INVERSE		
		Vitesse du variateur	AUTO/RAPIDE/MOYEN/LENT		
		Fréquence des LED	600HZ/1200 HZ/2000 HZ/4000 HZ/6000HZ/25KHZ/50KHz		
		Configuration du transfert	Non Adresse Dmx Avec adresse Dmx		
	Mouvement	Inversion de panoramique①	Oui/Non(Non)		
		Inversion de l'inclinaison①	Oui/Non(Non)		
		Feedback①	Oui/Non (Oui)		
		Mode Pan/Tilt <input type="checkbox"/>	Lent/Moyen/Rapide (Rapide)		
		Mode Totem <input type="checkbox"/>	Arrêt/Haut/Bas (Off)		
	Écran	Rétro-éclairage①	02~60M (02M)		
		Affichage à plat <input type="checkbox"/>	On/Off(Off)		
		Serrure à clé①	On/Off (Arrêt)		
	Informations	Heure du match	Heures de fixation	Total	(Lire seulement)
				Partiel	(Lecture et réinitialisation)
Heures actuelles			Total	(Lire seulement)	
			Partiel	(Lecture et réinitialisation)	
Heures de lampe			Total	(Lire seulement)	
			Partiel	(Lecture et réinitialisation)	
Cycle de mise sous tension		Total	(Lire seulement)		
		Partiel	(Lecture et réinitialisation)		
Température		Température de la source proche, température du circuit imprimé du conducteur, température du circuit imprimé des diodes électroluminescentes,...			

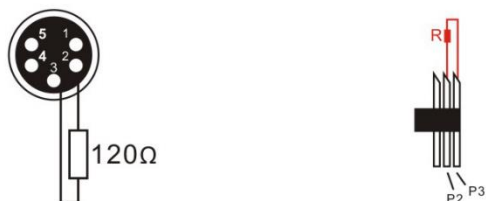
	Vitesse des ventilateurs	Ventilateur de source proche, ventilateur de base ...		
	Valeur du canal	Pan.....		
	Message d'erreur	Pan, Tilt.....		
	Modèle d'appareil	xxxxxxxxxxxx		
	RDM UID	(Lecture et réinitialisation)		
	Version du logiciel	1U01 V1.0.00.....		
Service	Remise à zéro	Tous		
		Pan&Tilt		
		:		
	Calibrage	Mot de passe	=xxx	
		Pan	=xxx	
		:	:	
		Focus	=xxx	
		Gobo 1	Focus	
		:	:	
		Gobo 8	Focus	
	:			
	Réinitialisation du codeur	valeur propre dans le circuit imprimé de l'encodeur		
Contrôle manuel	Pan			
	:			
Recharger la valeur par défaut	Recharge de base (□)	On/Off (Arrêt)		
	Recharge d'usine	On/Off(Off)		
Programme	Jouer①	Réception DMX		
		Réception par l'esclave	Réception esclave 1,2,3	
		Séquence	Maître / Seul	
		Musique	Maître / Seul	
	Sélectionner Chase②	Chase Partie 1	Chase 1 ~ 8 Chase 1	
		Chase Partie 2	Chase 1 ~ 8 Chase 2	
		Chase Partie 3	Chase 1 ~ 8 Chase 3	
	Editer Chase②	Chase 1	Test de poursuite	
		:	Étape 01	=xxx
		Chase 8	Étape 64	=xxx
	Modifier les scènes②	Modifier la scène 001	Pan, Tilt,	=xxx
		~ Modifier la scène 250	--Temps de fondu--	=xxx
			--Seconde heure...	=xxx
			Entrée DMX	
	Enregistrement des scènes	ScXX=>ScXX		

• Protocole DMX

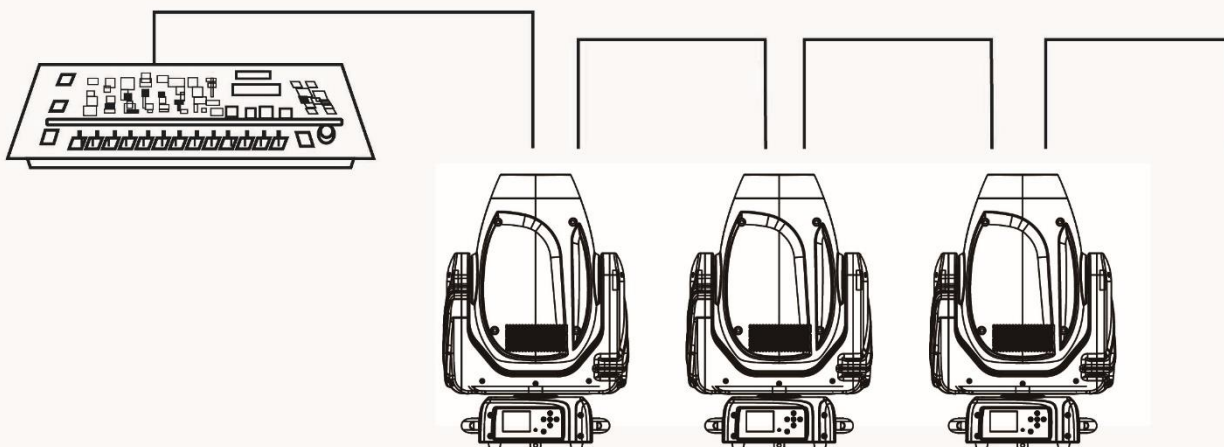
5.1.2 This device is equipped with 3-pins and 5-pins DMX in and out sockets only.



5.1.3 The termination is prepared by soldering a 120Ω resistor between pins 2 and 3.



Connexion : utilisez un câble DMX avec des fiches XLR à 3+5 broches pour connecter le contrôleur au projecteur ou un projecteur à un autre.



• Table DMX

Channel		Nom	Fonction	Min DMX	Max DMX
Standard	Basic				
1	1	Pan	Pan Coarse	0	255
2	2	Pan fine	Pan Fine	0	255
3	3	Tilt	Tilt Coarse	0	255
4	4	Tilt fine	Tilt Fine	0	255
5	5	XY Speed	Fast to Slow	0	255
6	6	Shutter	Close	0	1
			Strobe from slow to fast	2	62
			Open	63	64
			Pulse in from slow to fast	65	125
			Open	126	127
			Pulse out from slow to fast	128	188

			Open	189	190
			Randon from slow to fast	191	251
			Open	252	255
7	7	Dimmer	Dimmer(Close to Open)	0	255
8		Dimmer Fine	Dimmer(Close to Open)	0	255
9	8	Cyan	Lineary from 0% to 100%	0	255
10	9	Magenta	Lineary from 0% to 100%	0	255
11	10	Yellow	Lineary from 0% to 100%	0	255
12	11	Color Wheel1	Indexed		
			Open	0	18
			Open + CTO 6000K	19	37
			CTO 6000K	38	56
			CTO 6000K + CTO 3200K	57	75
			CTO 3200K	76	94
			CTO 3200K + CTO 2400K	95	113
			CTO 2400K	114	132
			CTO 2400K + CYAN	133	151
			CYAN	152	170
			Forward Spin		
			From fast to slow	171	211
			Stop		
			Stop	212	214
			Reverse Spin		
From slow to fast	215	255			
13	12	Color Wheel 2	Indexed		
			Open	0	18
			Open + LAVANDER	19	37
			LAVANDER	38	56
			DARK GREEN + DARK BLUE	57	75
			DARK BLUE	76	94
			DARK BLUE + DARK RED	95	113
			DARK RED	114	132
			DARK RED + MAGENTA	133	151
			MAGENTA	152	170
			Forward Spin		
			From fast to slow	171	211
			Stop		
			Stop	212	214
			Reverse Spin		
From slow to fast	215	255			
14	13	Color Wheel 3	Indexed		
			Open	0	18
			Open + LIGHT GREEN	19	37
			LIGHT GREEN	38	56
			LIGHT GREEN + PINK	57	75
			PINK	76	94
			PINK + LIGHT ORANGE	95	113
			LIGHT ORANGE	114	132
			LIGHT ORANGE + YELLOW	133	151

			YELLOW	152	170
			Forward Spin		
			From fast to slow	171	211
			Stop		
			Stop	212	214
			Reverse Spin		
			From slow to fast	215	255
15	14	Rot Gobo	Indexed		
			Open	0	9
			GOBO 1	10	19
			GOBO 2	20	29
			GOBO 3	30	39
			GOBO 4	40	49
			GOBO 5	50	59
			GOBO 6	60	69
			GOBO 7	70	79
			GOBO 8	80	89
			Shake		
			GOBO 1 from slow to fast	90	99
			GOBO 2 from slow to fast	100	109
			GOBO 3 from slow to fast	110	119
			GOBO 4 from slow to fast	120	129
			GOBO 5 from slow to fast	130	139
			GOBO 6 from slow to fast	140	149
			GOBO 7 from slow to fast	150	159
			GOBO 8 from slow to fast	160	169
			Forward Spin		
From fast to slow	170	211			
Stop					
Stop	212	213			
Reverse Spin					
From slow to fast	214	255			
16	15	Gobo Rot	Indexed		
			Lineary from 0° to 360°	0	127
			Forward Spin		
			From fast to slow	128	190
			Stop		
			Stop	191	192
			Reverse Spin		
From slow to fast	193	255			
17		Gobo Rot Fine	Lineary from 0° to 360° (Indexed)	0	255
18	16	Fixed Gobo	Indexed		
			Open	0	5
			GOBO 1	6	11
			GOBO 2	12	17
			GOBO 3	18	23
			GOBO 4	24	29
			GOBO 5	30	35

			GOBO 6	36	41
			GOBO 7	42	47
			GOBO 8	48	53
			GOBO 9	54	59
			GOBO 10	60	65
			GOBO 11	66	71
			Shake		
			GOBO 1 from slow to fast	72	77
			GOBO 2 from slow to fast	78	83
			GOBO 3 from slow to fast	84	89
			GOBO 4 from slow to fast	90	95
			GOBO 5 from slow to fast	96	101
			GOBO 6 from slow to fast	102	107
			GOBO 7 from slow to fast	108	113
			GOBO 8 from slow to fast	114	119
			GOBO 9 from slow to fast	120	125
			GOBO 10 from slow to fast	126	131
			GOBO 11 from slow to fast	132	137
			Forward Spin		
			From fast to slow	138	195
			Stop		
			Stop	196	197
			Reverse Spin		
			From slow to fast	198	255
19	17	Prism 1	Open	0	127
			Prism insert	128	255
20	18	Prism 1 Rotation	Indexed		
			Lineary from 0° to 360°	0	127
			Forward Spin		
			From fast to slow	128	190
			Stop		
			Stop	191	192
			Reverse Spin		
			From slow to fast	193	255
21	19	Prism 2	Open	0	127
			Prism insert	128	255
22	20	Prism 2 Rotation	Indexed		
			Lineary from 0° to 360°	0	127
			Forward Spin		
			From fast to slow	128	190
			Stop		
			Stop	191	192
			Reverse Spin		
			From slow to fast	193	255
23	21	Frost	Continuous		
			Lineary from 0% to 100%	0	255
24	22	Zoom	Lineary from in to out	0	255
25		Zoom Fine	Lineary from in to out	0	255

26	23	Focus	Lineary from in to out	0	255
27		Focus Fine	Lineary from in to out	0	255
28	24	Animation Insertion	Continuous		
			Lineary from 0% to 100%	0	255
29	25	Animation Rotation	Indexed		
			Lineary from 0° to 360°	0	127
			Forward Spin		
			From fast to slow	128	190
			Stop		
			Stop	191	192
			Reverse Spin		
30	26	Control	From slow to fast	193	255
			No Function/Safe	0	1
			PAN REVERSE ON	2	3
			PAN REVERSE OFF	4	5
			TILT REVERSE ON	6	7
			TILT REVERSE OFF	8	9
			PAN/TILT MODE FAST	10	11
			PAN/TILT MODE MEDIUM	12	13
			PAN/TILT MODE SLOW	14	15
			MOVEMENT IN BLACKOUT ON	16	17
			MOVEMENT IN BLACKOUT OFF	18	19
			COLOR WHEEL 1 BLACKOUT ON (index)	20	21
			COLOR WHEEL 1 BLACKOUT OFF (index)	22	23
			COLOR WHEEL 2 BLACKOUT ON (index)	24	25
			COLOR WHEEL 2 BLACKOUT OFF (index)	26	27
			COLOR WHEEL 3 BLACKOUT ON (index)	28	29
			COLOR WHEEL 3 BLACKOUT OFF (index)	30	31
			ROTATING GOBO WHEEL BLACKOUT ON (index)	32	33
			ROTATING GOBO WHEEL BLACKOUT OFF (index)	34	35
			FIXED GOBO WHEEL BLACKOUT ON (index)	36	37
			FIXED GOBO WHEEL BLACKOUT OFF (index)	38	39
			Reserved	40	41
			Reserved	42	43
			Reserved	44	45
			Reserved	46	47
			Reserved	48	49
			Reserved	50	51
			ROTATING GOBO WHEEL CONTINUOUS MOVEMENT (index)	52	53
			ROTATING GOBO WHEEL STEP MOVEMENT (index)	54	55
			FIXED GOBO WHEEL CONTINUOUS MOVEMENT (index)	56	57
			FIXED GOBO WHEEL STEP MOVEMENT (index)	58	59
			Reserved	60	61
			Reserved	62	63
DISPLAY ON	64	65			
DISPLAY 10S	66	67			
DISPLAY 20S	68	69			
DISPLAY 30S	70	71			

FLIP DISPLAY ON	72	73
FLIP DISPLAY OFF	74	75
FLIP DISPLAY AUTO	76	77
KEY LOCK ON	78	79
KEY LOCK OFF	80	81
FAN MODE AUTO	82	83
FAN MODE SILENT	84	85
FAN MODE HIGH	86	87
NO SIGNAL HOLD	88	89
NO SIGNAL BLACKOUT	90	91
STATUS LED ON	92	93
STATUS LED OFF	94	95
DIMMER CURVE LINEAR	96	97
DIMMER CURVE S-CURVE	98	99
DIMMER CURVE SQUARE LAW	100	101
DIMMER CURVE INVERSE SQUARE LAW	102	103
DIMMER SPEED AUTO	104	105
DIMMER SPEED FAST	106	107
DIMMER SPEED MEDIUM	108	109
DIMMER SPEED SLOW	110	111
LED FREQUENCY 600HZ	112	113
LED FREQUENCY 1200HZ	114	115
LED FREQUENCY 2000HZ	116	117
LED FREQUENCY 4000HZ	118	119
LED FREQUENCY 6000HZ	120	121
LED FREQUENCY 25KHZ	122	123
LED FREQUENCY 50KHZ	124	125
INVERT ZOOM OFF	126	127
INVERT ZOOM ON	128	129
RESET ALL	130	131
RESET PAN/TILT	132	133
RESET COLOR 1	134	135
RESET COLOR 2	136	137
RESET COLOR 3	138	139
RESET ROTATING GOBO	140	141
RESET GOBO ROTATION	142	143
RESET FIXED GOBO	144	145
RESET ZOOM	146	147
RESET FOCUS	148	149
RESET ANIMATION	150	151
RESET 6F PRISM	152	153
RESET 8F PRISM	154	155
RESET FROST	156	157
Reserved	158	253
FACTORY DEFAULT OF CONTROL FUNCTIONS	254	255

• Caractéristiques uniques

RDM est l'abréviation de "Remote Device Management". Grâce à cette fonction, les utilisateurs

peuvent contrôler l'appareil à distance, par exemple modifier l'adresse DMX, inverser le réglage du panoramique et de l'inclinaison, vérifier de nombreuses informations utiles telles que la température, la consommation d'énergie, la vitesse du ventilateur, etc. Etc. Chaque appareil a un code RDM unique avant de quitter l'usine pour se distinguer les uns des autres, il n'est généralement pas suggéré aux utilisateurs de changer ce code librement.

Fonction de mise à jour du logiciel via le câble DMX, si un nouveau firmware est disponible pour cet appareil, il peut être mis à jour simplement via un boîtier de mise à jour du logiciel, sans qu'il soit nécessaire de changer des pièces mécaniques. La boîte de mise à jour n'est pas incluse dans l'emballage, si vous avez besoin d'aide supplémentaire, veuillez contacter les revendeurs agréés.


Hibernation, l'appareil passe en mode veille s'il est activé après une période de déconnexion du signal DMX afin d'économiser la consommation d'énergie, et revient immédiatement dès que le signal DMX est envoyé à nouveau.

La batterie de l'écran, cette fonction est prépayée dans le PCB de l'écran, les utilisateurs ont juste besoin d'installer une batterie lithium normale 10440 600mAh 3.7V rechargeable, alors les utilisateurs peuvent allumer l'écran et faire des réglages sans avoir à se connecter à l'alimentation principale.

Retournement de l'écran, en appuyant sur les boutons haut et bas pendant plus de 3 secondes, l'écran se retournera automatiquement, cette fonction est utile pour lire le menu facilement lorsque l'appareil est suspendu.

○ **Raccordement du câble d'alimentation**

The occupation of the connection-cables is as follows:

Cable	Pin	International
Brown	Live	L
Blue	Neutral	N
Yellow/Green	Earth	

La terre doit toujours être connectée. Les câbles d'alimentation doivent être homologués et conformes à la norme CEI.

Maximum 3 unités peuvent être connectées en série

● **Entretien et maintenance**

L'extérieur de l'appareil doit être nettoyé régulièrement. Les lentilles doivent être nettoyées pour garantir une luminosité optimale. Si le luminaire est installé dans un environnement poussiéreux ou enfumé, un nettoyage régulier est très important. Débranchez l'appareil avant toute intervention !

Utilisez un chiffon propre et sec.



DANGER !

Risque d'électrocution.

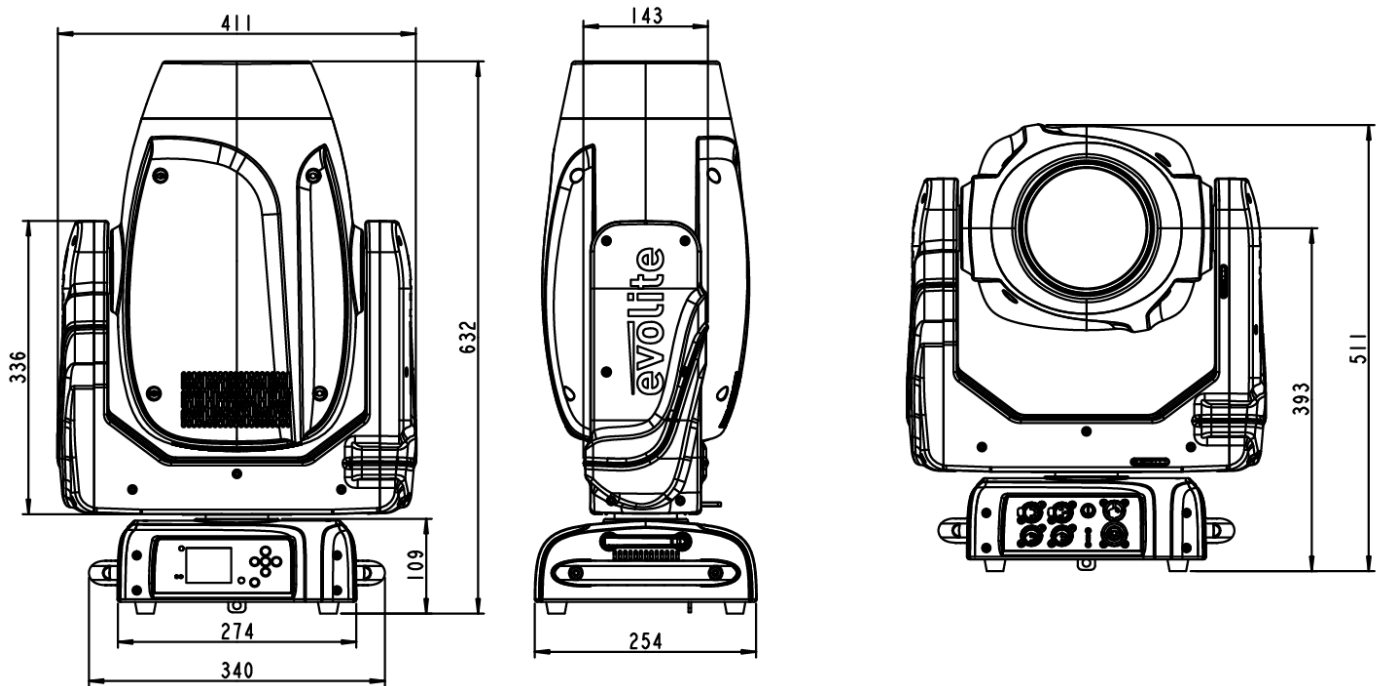
- Débranchez toujours l'appareil avant de le réparer ou d'effectuer des travaux d'entretien.

Voici quelques suggestions si vous rencontrez des problèmes avec votre appareil.

- **L'appareil ne fonctionne pas du tout.**
 - Vérifier le cordon d'alimentation et le fusible.
 - Assurez-vous que votre prise est correctement branchée.
- **Le projecteur ne répond pas ou mal aux commandes DMX.**
 - Vérifiez vos câbles DMX
 - Vérifiez l'adressage DMX
 - Essayez un autre contrôleur DMX
 - Vérifiez que vos câbles DMX ne passent pas à proximité de câbles à haute tension, qui pourraient causer des interférences.
- **Ne réagit pas au son**
 - Vérifier le mode de fonctionnement sélectionné
 - Vérifier qu'aucun câble DMX n'est connecté à l'entrée DMX (DMX IN).
 - Tapez directement sur le microphone pour tester sa réactivité.

• **Spécifications techniques**

Alimentation électrique	100-240 V AC , 50/60 Hz ~
Consommation électrique	556W
Lampe	380W LED
Canaux DMX	30 canaux
Angle du faisceau	4° à 48 °
Flux lumineux	93000 lux@5m
Fusible	T8A , 250 V
Dimensions de l'appareil	415*340*632mm
Poids net	21KG
Poids brut	22.5KG
IP	20



www.evolite-pro.com

Importé par / Imported by
EVOLITE – MSC
9, Rue C. Flammarion
91630 Avrainville / FRANCE
infos@msc-distribution.com
Tel : +33 1 69 34 80 62