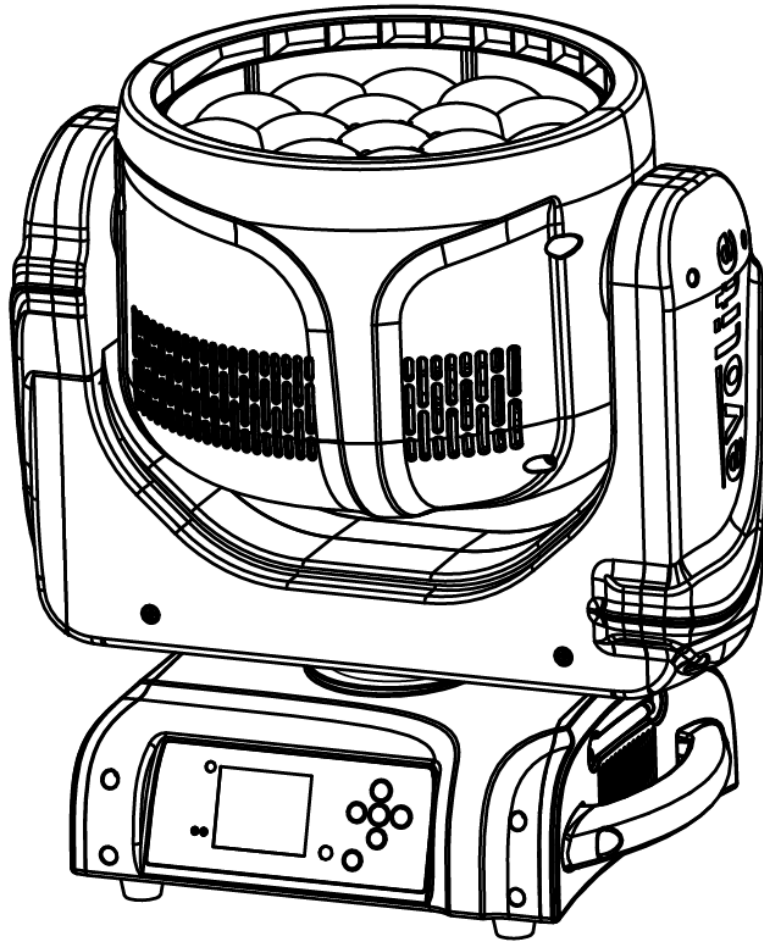


# LUMINA W1940Z

*19x40W LED wash moving head with zoom*



**evolite**  
**PRO**



FR

Les équipements électriques  
et électroniques, leurs  
accessoires, piles, batteries  
et cordons se recyclent

À DÉPOSER  
EN DÉCHÈTERIE



ou

À DÉPOSER  
EN MAGASIN



Points de collecte sur [www.quefairedemesdechets.fr](http://www.quefairedemesdechets.fr)  
Privilégiez la réparation ou le don de votre appareil !





Before using your equipment, we recommend that you read all the instructions in this manual.



This device produces an intense and powerful light. Risk to the eyes. Do not look directly into the beam.



Risk of electric shock.

It is important to use the mains power cable supplied (earthed cable).

Always unplug the appliance before servicing or performing any maintenance.

Do not connect this device to a dimmer pack.

To reduce the risk of electric shock or fire, do not use this appliance in damp or rainy conditions.



Risk of burns.

It is important to avoid contact with the appliance during operation and for at least 10 minutes after use. The outside of the appliance can become very hot.

Do not use the projector in an ambient temperature above 40°C.



Fire hazard.

It is important to keep all combustible and flammable materials away from the appliance during operation.



This appliance presents significant risks of injury. It is important that this appliance is handled and used professionally by a qualified user.

This **Evolite** appliance must be installed using strong hooks of the correct size for the weight carried. The equipment must be screwed to the hooks and tightened properly to prevent it from falling due to vibrations produced by the machine during operation. The equipment must be secured by a safety sling. Make sure that the structure (or attachment point) can support at least 10X the weight of the

device being attached.

The appliance must be installed by a qualified person and kept out of public reach.

In the event of a malfunction, switch off the appliance immediately. Do not attempt to repair it yourself. Contact your retailer or an authorised specialist repairer. There are no user-replaceable parts.

## • **Introduction**

Congratulations on your purchase of this evolite projector.

This professional projector features the latest technological advances and has been designed for professional use. Its quality and reliability are the result of careful manufacture to exacting specifications. This intelligent projector complies with current European standards: 2014/35/EU, 2014/30/EU and RoHs 2011/65/EU.

## • Product description

### Source

Light source: 19pcs 40W 4in1 LED, PIXEL control

Led life: 60.000 hours

Luminous Flux: 7000 lumen, 110621 lux@3m@4°, 2355 lux@3m@54°

Control: Remote on/off via DMX

Ballast: switching mode power supply

### Optical System

Beam angle: 4° to 54°

### X/Y

Pan: 540°(3.32 sec), Tilt: 265° (1.57 sec)

16-bit resolution

Auto repositioning

### Features

DMX channels: 19/26/38/23

Super-fast, smooth and silent movement

Pixel control of every single led on RGBW separately

Nice mapping effect with dimming and color fading at the same time

RGBW four colors mixing to create vivid, saturated and uniform color effect

Pre-set color temperature at 2800K-10000K,

Zoom from 4° to 54°

Full range 0-100% dimmer

Various strobe

RDM function to change DMX address, display flip, X/Y Reverse and so on

Software upgrade via DMX

Hibernation when lost DMX for preset time

Indicate temperature info of base

Fan speed auto-change according to temperature

Heat pipe for cooling

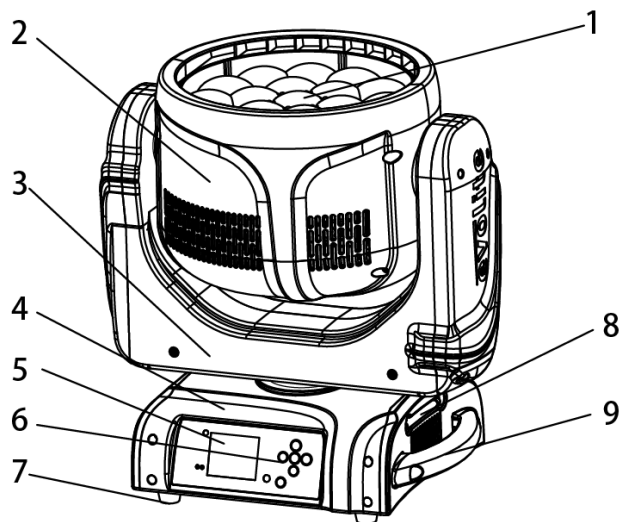
### Display

2.4inch super nice LCD display

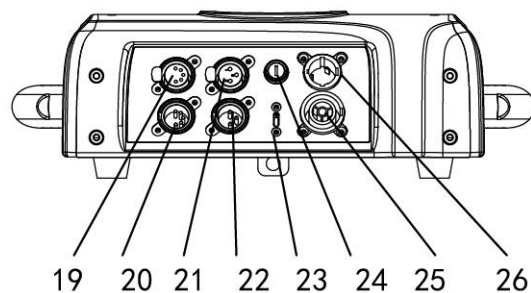
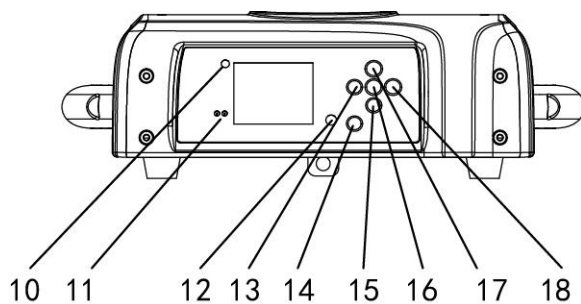
Auto lock and flip











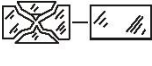



Flip

1. Project lens
2. Head
3. Arm
4. Base
5. Display
6. Operation button
7. Foot stand
8. Antenna
9. Handle



10. N/A
11. N/A
12. Mic
13. Left button
14. Power button
15. Down button
16. Enter button
17. Up button
18. Right button
19. 5-pin DMX in
20. 5-pin DMX out
21. 3-pin DMX in
22. 3-pin DMX out
23. USB
24. Fuse
25. Powercon out
26. Powercon in

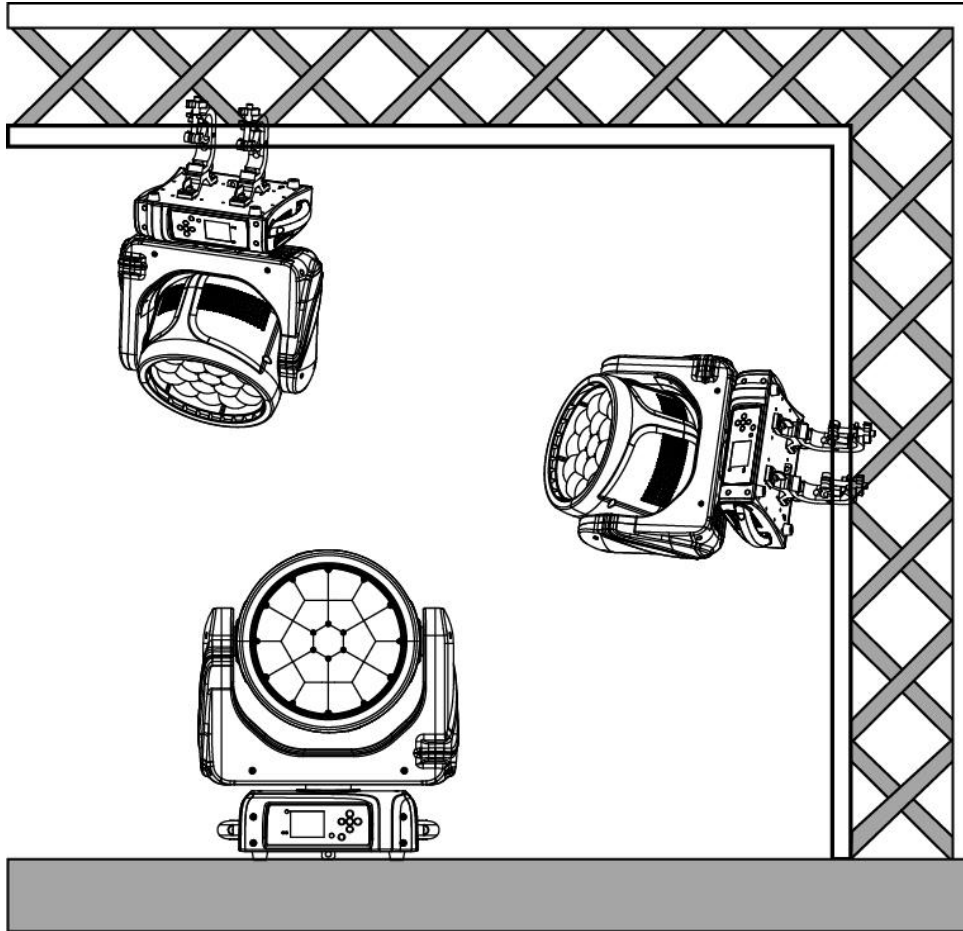


	Before operate this unit, please carefully read this users guide and keep if needed in future. It's necessary to respect following rules.
	The disposal of the device after lifecycle could damage the environment, need to take it to special company for recycling or return to authorized dealer.
	The products referred to in this manual conform to the European Community Directives and are therefore marked with CE logo.
	Keep this device away from children and unauthorized users, the manufacturer will not take responsibility for the damage due to any disregard of the information provided in this manual and wrong operation.
	Before operate the device, pls make sure the fixture is in good housing, ensure pan and tilt can rotate in its complete range.
	Pls make sure minimal 0.5m distance need to kept between the fixture to any flammable material.
	The device can only run with 100-240v voltage, 50/60Hz power, don't connect to any other wrong power. Disconnect the device from main power before open the shield or maintenance.
	The device is designed only for indoor usage, pls keep it away from moisture. Do not expose the device under the sun or directly to any other lighting source.
	Never look directly into the projecting lens when the fixture is power on, the light may trigger epileptic seizures in photosensitive persons or persons with epilepsy. Especially at beam effect, extreme caution and observance of these safety instructions is mandatory.
	Don't put or install the device on a surface that subject to vibration or bumps.
<b>Ta=45°C</b>	The device is supposed to work in the temperate range -15° C and +45° C, do not use the device when the temperate exceed this range.
	The lens, shield need to be replaced when obviously broken, never use the device when the shield is not completed closed.
	Safety I class device, need to be earth connected.
	When the fixture is hanged overhead, the safety rope must be fixed to the bottom of the device to the appropriate fixing point.
	Always carry the device by the handles, do not take the head or arm directly for transportation.

- **Installation**

The device could be either put on a solid and even Surface, or mounted upside down or sideways like left picture.

The mounting place must be sufficient stable and be able to support a weight of 10 times of the unit's weight. When the fixture is hanged, always additionally secure the device with the safety chain, fasten the safety rope at a suitable position so that the maximum fall of the projector will be 20 cm.



## • Control Menu

Default setting shadowed mark with ① can be basic reloaded, ② be program reloaded, ③ can be private reloaded.

CONNECT	LIGHT	INFOMATION	SET	PROGRAM
				

	ADDRESS	FIXTURE	VALUE (1-512)(001)			
		PIXELS	VALUE (1-512)(001)			
<b>Setup</b>	<b>FIXTURE SETTINGS</b>	DMX FAULT	HOLD/BLACKOUT			
		FAN MODE	AUTO/HIGH/SILENT			
		DIMMER CURVE	LINEAR/S-CURVE/SQUARE LAW/INVERSE SQUARE LAW			
		DIMMER SPEED	AUTO/FAST/MEDIUM/SLOW			
		LED FREQUENCY	600HZ/1200 HZ/2000 HZ/4000 HZ/6000HZ/25KHZ/50KHZ			
		TRANSFER CONFIGURATION	WITHOUT DMX ADDRESS			
			WITH DMX ADDRESS			
		WHITE CALIBRATION	OFF/STUDIO			
		Tungsten emulation	ON/OFF			
		INVERT MAPPING	ON/OFF			
		<b>MOVEMENT</b>	PAN REVERSE	ON/OFF		
			TILT REVERSE	ON/OFF		
	PAN/TILT FEEDBACK		ON/OFF			
	PAN/TILT MODE		SLOW/MEDIUM/FAST			
	TOTEM MODE		OFF/UP/DOWN			
	<b>SCREEN</b>	BACKLIGHT	ON/10S/20S/30S			
		FLIP DISPLAY	ON/OFF/AUTO			
		KEY LOCK	ON/OFF			
	<b>INFORMATION</b>	<b>FIXTURE TIME</b>	FIXTURE HOURS	TOTAL	( ONLY READ)	
				PARTIAL	(READ AND RESET)	





		CURRENT HOURS	TOTAL	( ONLY READ)	
			PARTIAL	(READ AND RESET)	
		LED HOURS	TOTAL	( ONLY READ)	
			PARTIAL	(READ AND RESET)	
		POWER ON CYCLE	TOTAL	( ONLY READ)	
			PARTIAL	(READ AND RESET)	
	TEMPERATURE	NEAR SOURCE TEMP, DRIVER PCB TEMP, LED PCB TEMP,...			
	FAN SPEED	NEAR SOURCE FAN, BASE FAN,...			
	CHANNEL VALUE	PAN...			
	ERROR MESSAGE	PAN, TILT...			
	FIXTURE MODEL	XXXXXXXXXX			
	RDM UID	(READ AND RESET)			
	SOFTWARE VERSION	1U01 V1.0.00...			
	SERVICE	RESET	ALL		
PAN & TILT					
...					
CALIBRATION		PASSWORD			
		PAN			
		...			
MANUAL CONTROL		PAN			
		...			
RELOAD DEFAULT		BASIC RELOAD	ON/OFF		
		PROGRAM RELOAD	ON/OFF		
		Password			
		FACTORY RELOAD	ON/OFF		
Program	Play①	DMX Receive			
		Slave Receive	Slave Receive 1,2,3		
		Sequence	Master / Alone		



	Music	Master / Alone	
	Mic Sens	0%~100%	
Select Chase②	Chase Part 1	Chase 1 ~ 8 Chase 1	
	Chase Part 2	Chase 1 ~ 8 Chase 2	
	Chase Part 3	Chase 1 ~ 8 Chase 3	
Edit Chase②	Chase 1	Chase Test	
	:	Step 01	=XX X
	Chase 8	Step 64	=XX X
Edit Scenes②	Edit Scene 001	Pan,Tilt,.....	=XX X
	~ Edit Scene 250	--Fade Time--	=XX X
		--Secne Time--	=XX X
		DMX Input	
Scenes Record	ScXX=>ScXX		

- **DMX protocol**

5.1.2 This device is equipped with 3-pins and 5-pins DMX in and out sockets only.

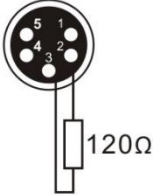

Pin 1=GND  
Pin 2=SIG(-)  
Pin 3=SIG(+)

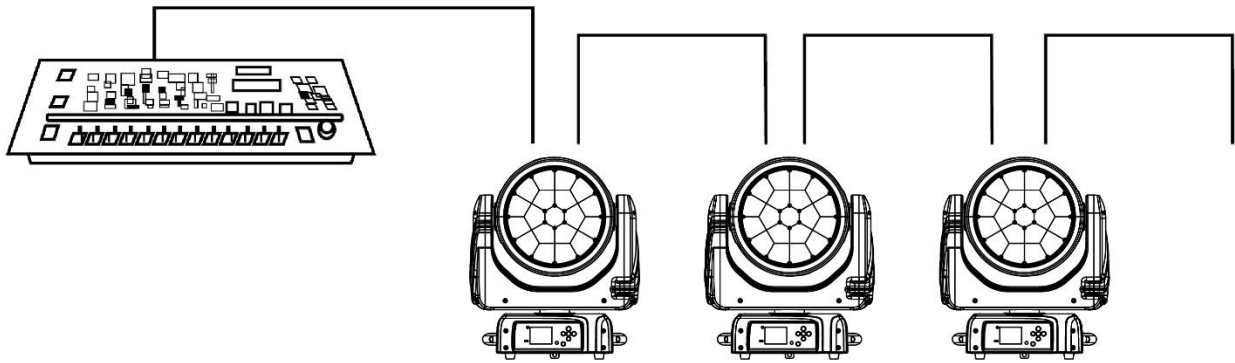
Pin 1=GND  
Pin 2=SIG(-)  
Pin 3=SIG(+)

Pin 4=N.A.  
Pin 5=N.A.

5.1.3 The termination is prepared by soldering a 120Ω resistor between pins 2 and 3.

Connection: use DMX cable with 3+5 pin XLR-plugs to connect the controller with the fixture or one fixture with another.



- **DMX chart**

Channel						name	function	Min DMX	Max DMX
V1.0.00									
Main Engine			Pixel Engine						
Basic	STD	EXT	OFF	Ring	Pixel				
1	1	1				Pan	Pan Coarse	0	255
2	2	2				Pan Fine	Pan Fine	0	255
3	3	3				Tilt	Tilt Coarse	0	255
4	4	4				Tilt Fine	Tilt Fine	0	255
5	5	5				XY Speed	fastest to Slowest	0	255
6	6	6				Dimmer	Dimmer(0->100%)	0	250
7	7	7				Dimmer Fine	Dimmer Fine(0->100%)	0	255
8	8	8				Shutter/Strobe	Close	0	1
							Strobe from slow to fast	2	62
							Open	63	64
							Pulse in from slow to fast	65	125
							Open	126	127
							Pulse out from slow to fast	128	188
							Open	189	190
							Randon from slow to fast	191	251
Open	252	255							
9	9	9				Red	Red	0	255
	10	10				Red Fine	Red Fine	0	255
10	11	11				Green	Green	0	255
	12	12				Green Fine	Green Fine	0	255
11	13	13				Blue	Blue	0	255
	14	14				Blue Fine	Blue Fine	0	255

12	15	15				White	White	0	255
	16	16				White Fine	White Fine	0	255
13	17	17				Color Macro	Color Macro	0	255
14	18	18				CTO	lineary from 2800K to 10000K	0	255
15	19	19				Zoom	0 - 100%	0	255
	20	20				Zoom Fine	0 - 100%	0	255
16	21	21				Crossfade for Pixel Engine	0 - 100%	0	255
17	22	22				Crossfade from White to Color	0 - 100%	0	255
18	23	23				Control	No Function/Safe	0	1
							Reserved	2	3
							Reserved	4	5
							PAN REVERSE ON	6	7
							PAN REVERSE OFF	8	9
							TILT REVERSE ON	10	11
							TILT REVERSE OFF	12	13
							PAN/TILT MODE FAST	14	15
							PAN/TILT MODE MEDIUM	16	17
							PAN/TILT MODE SLOW	18	19
							MOVEMENT IN BLACKOUT ON	20	21
							MOVEMENT IN BLACKOUT OFF	22	23
							HOME POSITION STANDARD	24	25
							HOME POSITION CUSTOM	26	27
							DISPLAY ON	28	29
							DISPLAY 10S	30	31
							DISPLAY 20S	32	33
							DISPLAY 30S	34	35
							FLIP DISPLAY ON	36	37
							FLIP DISPLAY OFF	38	39
FLIP DISPLAY AUTO	40	41							
KEY LOCK ON	42	43							
KEY LOCK OFF	44	45							
FAN MODE AUTO	46	47							
FAN MODE SILENT	48	49							

FAN MODE HIGH	50	51
WHITE CALIBRATION OFF	52	53
WHITE CALIBRATION STUDIO	54	55
Tungsten emulation on	56	57
Tungsten emulation off	58	59
NO SIGNAL HOLD	60	61
NO SIGNAL BLACKOUT	62	63
CONTROL_STATUS_LED_ON	64	65
CONTROL_STATUS_LED_OFF	66	67
DIMMER CURVE LINEAR	68	69
DIMMER CURVE S-CURVE	70	71
DIMMER CURVE SQUARE LAW	72	73
DIMMER CURVE INVERSE SQUARE LAW	74	75
DIMMER SPEED AUTO	76	77
DIMMER SPEED FAST	78	79
DIMMER SPEED MEDIUM	80	81
DIMMER SPEED SLOW	82	83
LED FREQUENCY 600HZ	84	85
LED FREQUENCY 1200HZ	86	87
LED FREQUENCY 2000HZ	88	89
LED FREQUENCY 4000HZ	90	91
LED FREQUENCY 6000HZ	92	93
LED FREQUENCY 25KHZ	94	95
LED FREQUENCY 50KHZ	96	97
INVERT MAPPING ON	98	99
INVERT MAPPING OFF	100	101

						RESET ALL	102	103	
						RESET PAN/TILT	104	105	
						RESET ZOOM	106	107	
						Reserved	108	253	
						FACTORY DEFAULT OF CONTROL FUNCTIONS			
							254	255	
	24	24				CTO on colors	0 - 100%	0	255
								0	127
	25	25				Tint	0	128	128
							+25	129	255
							No FX	0	16
							FX 1	17	22
							FX 2	23	28
							FX 3	29	34
							FX 4	35	40
							FX 5	41	46
							FX 6	47	52
							FX 7	53	58
							FX 8	59	64
							FX 9	65	70
							FX 10	71	76
							FX 11	77	82
							FX 12	83	88
							FX 13	89	94
							FX 14	95	100
							FX 15	101	106
							FX 16	107	112
							FX 17	113	118
							FX 18	119	124
		26				Pattern	FX 19	125	130
							FX 20	131	136
							FX 21	137	142
							FX 22	143	148
							FX 23	149	154
							FX 24	155	160
							FX 25	161	166
							FX 26	167	172
							FX 27	173	178
							FX 28	179	184
							FX 29	185	190
							FX 30	191	196
							FX 31	197	202
							FX 32	203	208
							FX 33	209	214
							FX 34	215	220
							FX 35	221	226
							FX 36	227	232
							FX 37	233	238

						FX 38	239	244	
						FX 39	245	250	
						FX 40	251	255	
		27				Pattern Speed	Indexing	0	127
							CW from fast to slow	128	190
							Stop	191	192
							CCW from slow to fast	193	255
		28				Pattern Fade	0 - 100%	0	255
		29				Pattern Transition	0 - 100%	0	255
		30				Foreground Intensity	0 - 100%	0	255
		31				Foreground Strobe	See Shutter/Strobe Channel	0	255
		32				Background Intensity	0 - 100%	0	255
		33				Background Strobe	See Shutter/Strobe Channel	0	255
		34				Background Red	0 - 100%	0	255
		35				Background Green	0 - 100%	0	255
		36				Background Blue	0 - 100%	0	255
		37				Background White	0 - 100%	0	255
				1		Ring 1 Red	0 - 100%	0	255
				2		Ring 1 Green	0 - 100%	0	255
				3		Ring 1 Blue	0 - 100%	0	255
				4		Ring 1 White	0 - 100%	0	255
				5		Ring 2 Red	0 - 100%	0	255
				6		Ring 2 Green	0 - 100%	0	255
				7		Ring 2 Blue	0 - 100%	0	255
				8		Ring 2 White	0 - 100%	0	255
				9		Ring 3 Red	0 - 100%	0	255
				10		Ring 3 Green	0 - 100%	0	255
				11		Ring 3 Blue	0 - 100%	0	255

				12	Ring 3 White	0 - 100%		0	255
				1	Red 1	0 - 100%		0	255
				2	Green 1	0 - 100%		0	255
				3	Blue 1	0 - 100%		0	255
				4	White 1	0 - 100%		0	255
				5	Red 2	0 - 100%		0	255
				6	Green 2	0 - 100%		0	255
				7	Blue 2	0 - 100%		0	255
				8	White 2	0 - 100%		0	255
				9	Red 3	0 - 100%		0	255
				10	Green 3	0 - 100%		0	255
				11	Blue 3	0 - 100%		0	255
				12	White 3	0 - 100%		0	255
				...		0 - 100%		0	255
				73	Red 19	0 - 100%		0	255
				74	Green 19	0 - 100%		0	255
				75	Blue 19	0 - 100%		0	255
				76	White 19	0 - 100%		0	255

## • Unique Features

RDM, stand for “Remote Device Management”, with this function, users can realize remote control of the device, such as remotely changing DMX address, reverse pan/tilt setting, check a lot of useful information such as temperature, power consumption, fan speed. Etc. Every single device has a unique RDM code before left factory to distinguish from each other, usually not suggest users change this code freely.

Software upgrade function via DMX cable, if there is any new firmware for this device come out, it can be upgraded simply via a software upgrade box, no need to change any mechanical parts. The upgrade box is not included in the package, if need any further assistance pls just contact authorized dealers.

Hibernation, the device will enter sleeping mode if activated after a period of disconnecting DMX signal to save the power consumption, and will return immediately as soon as the DMX signal is sent again.


Display battery, this function is prepaid in the display PCB, users just need to install a normal 10440 600mAh 3.7V rechargeable lithium battery, then users could power on the display and do setting without connect to main power.

Display flip, by press up and down button for more than 3 seconds, the display will flip automatically, this function is useful to read menu conveniently when device is hanged.



- **Connecting the mains cable**

The occupation of the connection-cables is as follows:

Cable	Pin	International
Brown	Live	L
Blue	Neutral	N
Yellow/Green	Earth	

Earth must always be connected. Power cables must be approved and comply with the IEC Standard.

Maximum 3 units can be connected in series

- **Care and maintenance**

The outside of the camera should be cleaned regularly. The lenses must be cleaned to ensure optimum brightness. If the luminaire is installed in a dusty or smoky environment, regular cleaning is very important. Unplug the device before carrying out any work!  
Use a clean, dry cloth.



**DANGER!**

Risk of electric shock.

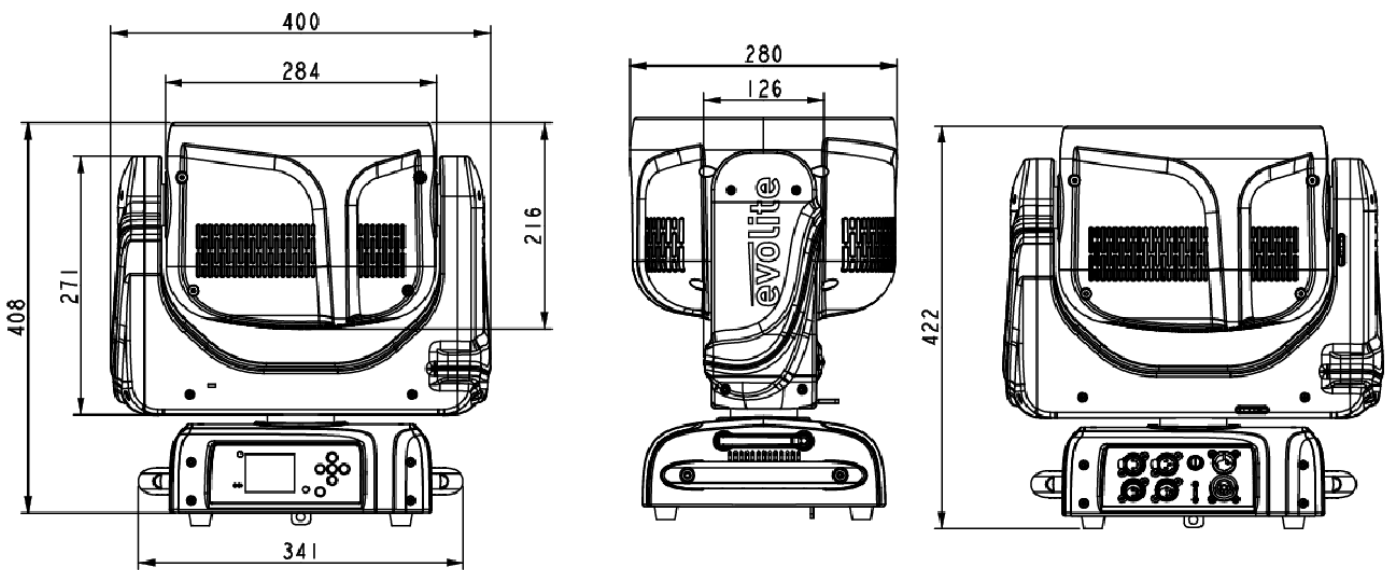
- Always unplug the appliance before servicing or performing any maintenance.

Here are a few suggestions if you have any problems with your device.

- **The appliance does not work at all.**
  - Check the power cord and fuse.
  - Make sure that your plug is correctly plugged in.
- **The fixture does not respond or does not respond correctly to DMX commands.**
  - Check your DMX cables
  - Check your DMX addressing
  - Try another DMX controller
  - Check that your DMX cables do not run close to high-voltage cables, which could cause interference.
- **Does not react to sound**
  - Check the selected operating mode
  - Check that there is no DMX cable connected to DMX IN
  - Tap directly on the microphone to test its responsiveness.

## • Technical specifications

Power supply	100-240 V AC, 50/60 Hz ~
Power consumption	560W
LED	19pcs 40W 4in1 LED
DMX channels	19/26/38/23 ch
Beam angle	4° - 54°
Luminous flux	7000 lumen, 110621 lux@3m@4°, 2355 lux@3m@54°
Fuse	T 8 A, 250 V
Device dimensions	400*421*280mm
Net Weight	15.5KG





Avant d'utiliser votre appareil, nous vous recommandons de lire toutes les instructions contenues dans ce manuel.



Cet appareil produit une lumière intense et puissante. Risque pour les yeux. Ne pas regarder directement dans le faisceau.



Risque d'électrocution.

Il est important d'utiliser le câble d'alimentation secteur fourni (câble avec mise à la terre).

Débranchez toujours l'appareil avant de le réparer ou d'effectuer des travaux d'entretien.

Ne pas connecter cet appareil à un gradateur.

Pour réduire le risque de choc électrique ou d'incendie, n'utilisez pas cet appareil dans des conditions humides ou pluvieuses.



Risque de brûlures.

Il est important d'éviter tout contact avec l'appareil pendant son fonctionnement et pendant au moins 10 minutes après son utilisation. L'extérieur de l'appareil peut devenir très chaud.

N'utilisez pas le projecteur à une température ambiante supérieure à 40°C.



Risque d'incendie.

Il est important de tenir tous les matériaux combustibles et inflammables à l'écart de l'appareil pendant son fonctionnement.



Cet appareil présente des risques importants de blessures. Il est important que cet appareil soit manipulé et utilisé de manière professionnelle par un utilisateur qualifié.

Cet appareil **Evolite** doit être installé à l'aide de crochets solides et de taille adaptée au poids

transporté. L'équipement doit être vissé aux crochets et serré correctement afin d'éviter qu'il ne tombe en raison des vibrations produites par la machine pendant son fonctionnement. L'équipement doit être fixé à l'aide d'une élingue de sécurité. Assurez-vous que la structure (ou le point d'attache) peut supporter au moins 10 fois le poids de l'appareil à attacher.

L'appareil doit être installé par une personne qualifiée et tenu hors de portée du public.

En cas de dysfonctionnement, éteignez immédiatement l'appareil. N'essayez pas de le réparer vous-même. Adressez-vous à votre revendeur ou à un réparateur spécialisé agréé. Il n'y a pas de pièces remplaçables par l'utilisateur.

## • Introduction

Nous vous félicitons d'avoir acheté ce projecteur evolite.

Ce projecteur professionnel bénéficie des dernières avancées technologiques et a été conçu pour un usage professionnel. Sa qualité et sa fiabilité sont le résultat d'une fabrication soignée répondant à des spécifications rigoureuses. Ce projecteur intelligent est conforme aux normes européennes en vigueur : 2014/35/EU, 2014/30/EU et RoHS 2011/65/EU.

## • Description du produit

### Source

Source lumineuse : 19pcs 40W 4in1 LED, contrôle PIXEL

Durée de vie des diodes : 60 000 heures

Flux lumineux : 7000 lumens, 110621 lux@3m@4°, 2355 lux@3m@54°.

Contrôle : Marche/arrêt à distance via DMX

Ballast : alimentation à découpage

### Système optique

Angle du faisceau : 4° à 54

### X/Y

Panoramique : 540°(3.32 sec), Inclinaison : 265° (1.57 sec)

Résolution de 16 bits

Repositionnement automatique

### Caractéristiques

Canaux DMX : 19/26/38/23

Mouvement ultra-rapide, souple et silencieux

Contrôle des pixels de chaque led séparément sur RGBW

Bel effet de cartographie avec gradation et fondu des couleurs en même temps

Mélange de quatre couleurs RGBW pour créer un effet de couleurs vives, saturées et uniformes

Température de couleur pré réglée entre 2800K et 10000K,

Zoom de 4° à 54

Variateur pleine gamme 0-100%.

Divers stroboscopes

Fonction RDM pour modifier l'adresse DMX, l'inversion de l'affichage, l'inversion X/Y, etc.

Mise à jour du logiciel via DMX

Hibernation en cas de perte du DMX pendant une durée prédéfinie

Indique la température de la base

Changement automatique de la vitesse du ventilateur en fonction de la température

Conduite de chaleur pour le refroidissement

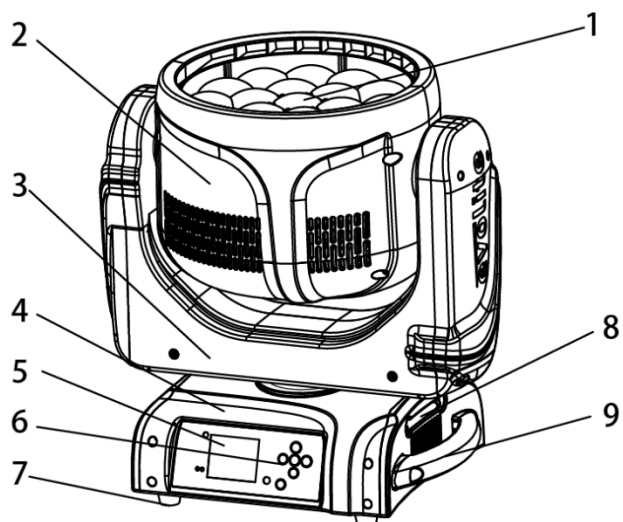
### Affichage

Ecran LCD 2,4 pouces super agréable

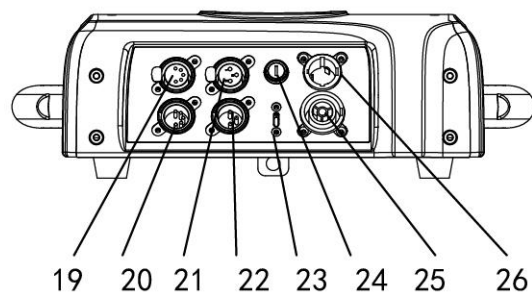
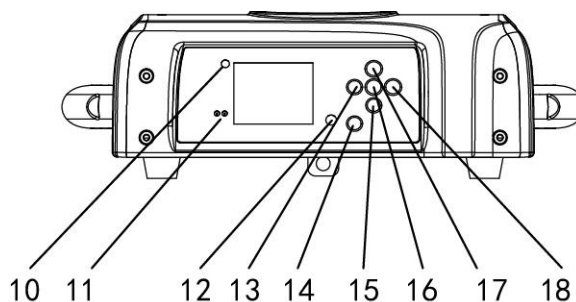
Verrouillage et basculement automatique






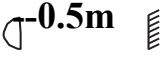




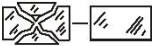



Retournement

- 10. Lentille de projet
- 11. Tête
- 12. Bras
- 13. Base
- 14. Affichage
- 15. Bouton de commande
- 16. Support de pied
- 17. Antenne
- 18. Poignée



- 10. N/A
- 11. N/A
- 12. Micro
- 13. Bouton gauche
- 14. bouton d'alimentation
- 15. Bouton vers le bas
- 16. Bouton d'entrée
- 17. Bouton haut
- 18. Bouton droit
- 19. Entrée DMX à 5 broches
- 20. Sortie DMX à 5 broches
- 21. Entrée DMX à 3 broches
- 22. Sortie DMX à 3 broches
- 23. USB
- 24. Fusible
- 25. Powercon out
- 26. Powercon en

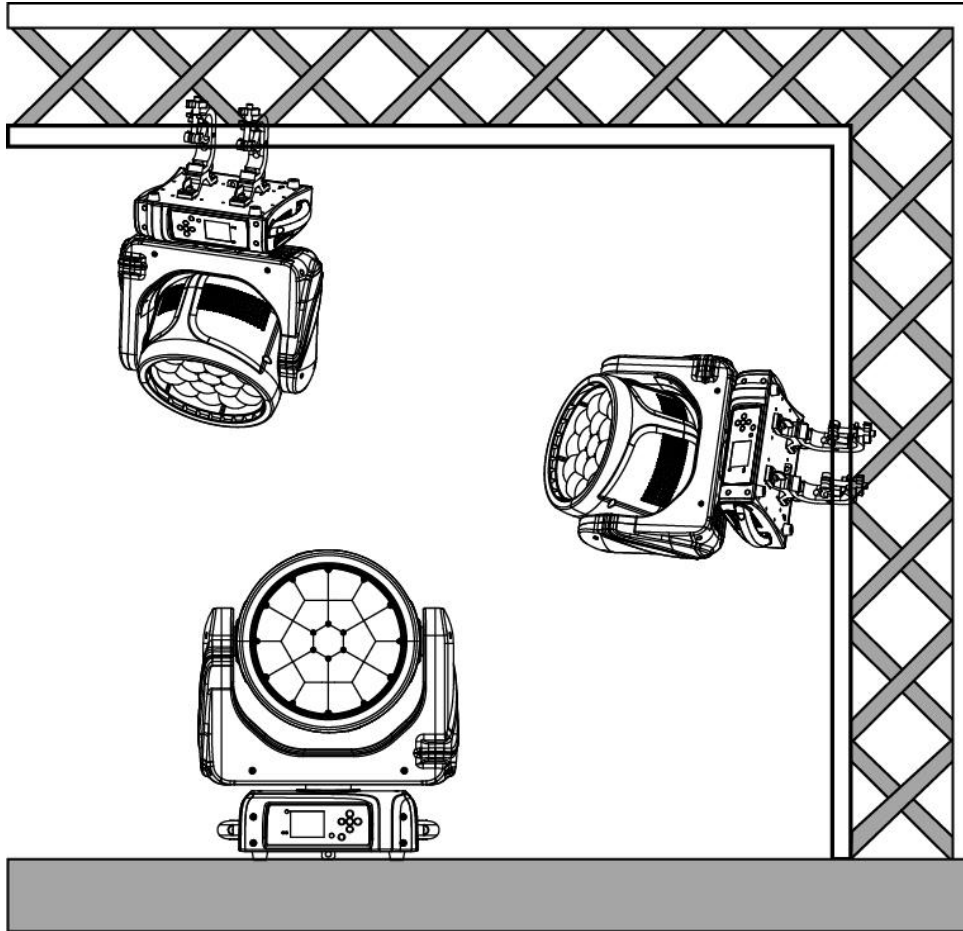


	Avant d'utiliser cet appareil, veuillez lire attentivement ce guide de l'utilisateur et le conserver en cas de besoin. Il est nécessaire de respecter les règles suivantes.
	La mise au rebut de l'appareil après son cycle de vie pourrait nuire à l'environnement. Il est nécessaire de le confier à une société spécialisée dans le recyclage ou de le renvoyer à un revendeur agréé.
	Les produits mentionnés dans ce manuel sont conformes aux directives de la Communauté européenne et sont donc marqués du logo CE.
	Tenez cet appareil hors de portée des enfants et des utilisateurs non autorisés, le fabricant ne sera pas responsable des dommages dus au non-respect des informations fournies dans ce manuel et à une mauvaise utilisation.
	Avant d'utiliser l'appareil, veuillez vous assurer que l'appareil est en bon état et que les fonctions de panoramique et d'inclinaison peuvent être exécutées sur toute leur plage.
	Veillez à ce qu'une distance minimale de 0,5 m soit respectée entre l'appareil et tout matériau inflammable.
	L'appareil ne peut fonctionner qu'avec une tension de 100-240 V, 50/60 Hz, et ne doit pas être branché sur une autre source d'alimentation. Déconnectez l'appareil de l'alimentation principale avant d'ouvrir le blindage ou de procéder à l'entretien.
	L'appareil est conçu uniquement pour une utilisation en intérieur, veuillez le conserver à l'abri de l'humidité. Ne pas exposer l'appareil au soleil ou directement à toute autre source d'éclairage.
	Ne regardez jamais directement la lentille projetée lorsque le projecteur est allumé, la lumière peut déclencher des crises d'épilepsie chez les personnes photosensibles ou épileptiques. Une extrême prudence et le respect de ces consignes de sécurité sont de rigueur, en particulier en cas d'effet de faisceau.
	Ne placez pas ou n'installez pas l'appareil sur une surface sujette à des vibrations ou à des chocs.
<b>Ta=45°C</b>	L'appareil est censé fonctionner dans une plage de températures comprises entre -15° C et +45° C. Ne pas utiliser l'appareil lorsque les températures dépassent cette plage.
	La lentille et le bouclier doivent être remplacés lorsqu'ils sont manifestement cassés. N'utilisez jamais l'appareil lorsque le bouclier n'est pas complètement fermé.
	Dispositif de sécurité de classe I, doit être relié à la terre.
	Lorsque l'appareil est suspendu au-dessus de la tête, la corde de sécurité doit être fixée au bas de l'appareil au point de fixation approprié.
	Portez toujours l'appareil par les poignées, ne prenez pas la tête ou le bras directement pour le transport.

## • Installation

L'appareil peut être posé sur une surface solide et plane, ou monté à l'envers ou sur le côté, comme sur la photo de gauche.

Le lieu de montage doit être suffisamment stable et pouvoir supporter un poids égal à 10 fois le poids de l'appareil. Lorsque le projecteur est suspendu, il faut toujours sécuriser l'appareil à l'aide de la chaîne de sécurité, attacher la corde de sécurité à un endroit approprié de manière à ce que la chute maximale du projecteur soit de 20 cm.





## • Menu de contrôle

Le réglage par défaut de la marque ombrée avec ① peut être rechargé de base, ② peut être rechargé de programme, ③ peut être rechargé privé.

CONNECT	LIGHT	INFOMATION	SET	PROGRAM
				

	ADRESSE	FIXE	VALEUR (1-512)(001)		
		PIXELS	VALEUR (1-512)(001)		
<b>Mise en place</b>	<b>RÉGLAGES DU LUMINAIRE</b>	DÉFAUT DMX	HOLD/BLACKOUT		
		MODE VENTILATEUR	AUTO/HAUT/SILENCIEUX		
		COURBE D'ATTÉNUATION	LINÉAIRE/COURBE/LOI CARRÉE/LOI CARRÉE INVERSE		
		VITESSE D'ATTÉNUATION	AUTO/RAPIDE/MOYEN/LENT		
		FRÉQUENCE DES LED	600HZ/1200 HZ/2000 HZ/4000 HZ/6000HZ/25KHZ/50 KHz		
		CONFIGURATION DU TRANSFERT	SANS ADRESSE DMX		
			AVEC ADRESSE DMX		
		CALIBRAGE DU BLANC	OFF/STUDIO		
		Émulation du tungstène	ON/OFF		
	INVERSER LA CARTOGRAPHIE	ON/OFF			
	<b>MOUVEMENT</b>	PAN REVERSE	ON/OFF		
		TILT REVERSE	ON/OFF		
		RETOUR D'INFORMATION PAN/TILT	ON/OFF		
		MODE PAN/TILT	LENT/MOYEN/RAPIDE		
		MODE TOTEM	OFF/UP/DOWN		
	<b>ÉCRAN</b>	CONTRE-JOUR	ON/10S/20S/30S		
		AFFICHEUR FLIP	ON/OFF/AUTO		

		CLÉ DE VERROUILLA GE	ON/OFF			
<b>INFORMAT ION</b>	<b>DURÉE DE LA FIXATION</b>	HEURES D'OUVERTUR E	TOTAL	( LIRE UNIQUEMENT)		
			PARTIEL	(LECTURE ET RÉINITIALISAT ION)		
		HEURES ACTUELLES	TOTAL	( LIRE UNIQUEMENT)		
			PARTIEL	(LECTURE ET RÉINITIALISAT ION)		
		HEURES D'UTILISATION DES LED	TOTAL	( LIRE UNIQUEMENT)		
			PARTIEL	(LECTURE ET RÉINITIALISAT ION)		
		CYCLE DE MISE SOUS TENSION	TOTAL	( LIRE UNIQUEMENT)		
			PARTIEL	(LECTURE ET RÉINITIALISAT ION)		
		<b>TEMPERAT URE</b>	TEMPÉRATUR E DE LA SOURCE PROCHE, TEMPÉRATUR E DE LA CARTE À CIRCUIT IMPRIMÉ DU CONDUCTEU R, TEMPÉRATUR E DE LA CARTE À CIRCUIT IMPRIMÉ DE LA LED,...			
		<b>VITESSE DU VENTILATE UR</b>	VENTILATEUR DE SOURCE PROCHE, VENTILATEUR DE BASE,...			
	<b>VALEUR DU CANAL</b>	PAN...				
	<b>MESSAGE D'ERREUR</b>	PAN, TILT...				
	<b>MODÈLE DE LA FIXE</b>	XXXXXXXXXX				
	<b>RDM UID</b>	(LECTURE ET RÉINITIALISAT ION)				

	<b>VERSION DU LOGICIEL</b>	1U01 V1.0.00...				
<b>SERVICE</b>	<b>RESET</b>	TOUS				
		PAN & TILT				
		...				
	<b>CALIBRAGE</b>	MOT DE PASSE				
		PAN				
		...				
	<b>CONTRÔLE MANUEL</b>	PAN				
		...				
	<b>RELOAD DEFAULT</b>	RELOAD DE BASE		ON/OFF		
		PROGRAMME RELOAD		ON/OFF		
Mot de passe						
RELOAD D'USINE			ON/OFF			
<b>Programme</b>	Jouer①	Réception DMX				
		Réception par l'esclave		Réception esclave 1,2,3		
		Séquence		Maître / Seul		
		Musique		Maître / Seul		
		Capteur de micro		0%~100%		
	Sélectionner Chase②	Chase Partie 1		Chase 1 ~ 8 Chase 1		
		Chase Partie 2		Chase 1 ~ 8 Chase 2		
		Chase Partie 3		Chase 1 ~ 8 Chase 3		
	Editer Chase②	Chase 1		Test de poursuite		
		:		Étape 01	=XX X	
		Chase 8		Étape 64	=XX X	
	Modifier les scènes②	Modifier la scène 001		Pan, Tilt, .....	=XX X	
		~ Modifier la scène 250		--Temps de fondu--	=XX X	
				--Seconde heure...	=XX X	
				Entrée DMX		
	Enregistrem ent des scènes	ScXX=>ScXX				

## • Protocole DMX

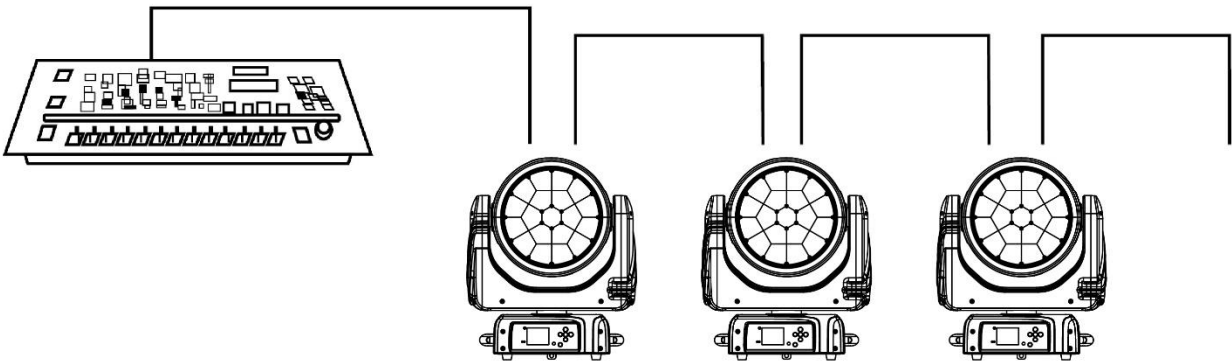
5.1.2 This device is equipped with 3-pins and 5-pins DMX in and out sockets only.



5.1.3 The termination is prepared by soldering a 120Ω resistor between pins 2 and 3.



Connexion : utilisez un câble DMX avec des fiches XLR à 3+5 broches pour connecter le contrôleur au projecteur ou un projecteur à un autre.



### • Graphique DMX

Channel						name	function	Min DMX	Max DMX
V1.0.00									
Main Engine			Pixel Engine						
Basic	STD	EXT	OFF	Ring	Pixel				
1	1	1				Pan	Pan Coarse	0	255
2	2	2				Pan Fine	Pan Fine	0	255
3	3	3				Tilt	Tilt Coarse	0	255
4	4	4				Tilt Fine	Tilt Fine	0	255
5	5	5				XY Speed	fastest to Slowest	0	255
6	6	6				Dimmer	Dimmer(0->100%)	0	250
7	7	7				Dimmer Fine	Dimmer Fine(0->100%)	0	255
8	8	8				Shutter/Strobe	Close	0	1
							Strobe from slow to fast	2	62

							Open	63	64
							Pulse in from slow to fast	65	125
							Open	126	127
							Pulse out from slow to fast	128	188
							Open	189	190
							Randon from slow to fast	191	251
							Open	252	255
9	9	9				Red	Red	0	255
	10	10				Red Fine	Red Fine	0	255
10	11	11				Green	Green	0	255
	12	12				Green Fine	Green Fine	0	255
11	13	13				Blue	Blue	0	255
	14	14				Blue Fine	Blue Fine	0	255
12	15	15				White	White	0	255
	16	16				White Fine	White Fine	0	255
13	17	17				Color Macro	Color Macro	0	255
14	18	18				CTO	lineary from 2800K to 10000K	0	255
15	19	19				Zoom	0 - 100%	0	255
	20	20				Zoom Fine	0 - 100%	0	255
16	21	21				Crossfade for Pixel Engine	0 - 100%	0	255
17	22	22				Crossfade from White to Color	0 - 100%	0	255
18	23	23				Control	No Function/Safe	0	1
							Reserved	2	3
							Reserved	4	5
							PAN REVERSE ON	6	7
							PAN REVERSE OFF	8	9
							TILT REVERSE ON	10	11
							TILT REVERSE OFF	12	13
							PAN/TILT MODE FAST	14	15
							PAN/TILT MODE MEDIUM	16	17
							PAN/TILT MODE SLOW	18	19
MOVEMENT IN BLACKOUT ON	20	21							

MOVEMENT IN BLACKOUT OFF	22	23
HOME POSITION STANDARD	24	25
HOME POSITION CUSTOM	26	27
DISPLAY ON	28	29
DISPLAY 10S	30	31
DISPLAY 20S	32	33
DISPLAY 30S	34	35
FLIP DISPLAY ON	36	37
FLIP DISPLAY OFF	38	39
FLIP DISPLAY AUTO	40	41
KEY LOCK ON	42	43
KEY LOCK OFF	44	45
FAN MODE AUTO	46	47
FAN MODE SILENT	48	49
FAN MODE HIGH	50	51
WHITE CALIBRATION OFF	52	53
WHITE CALIBRATION STUDIO	54	55
Tungsten emulation on	56	57
Tungsten emulation off	58	59
NO SIGNAL HOLD	60	61
NO SIGNAL BLACKOUT	62	63
CONTROL_STATUS_LED_ON	64	65
CONTROL_STATUS_LED_OFF	66	67
DIMMER CURVE LINEAR	68	69
DIMMER CURVE S-CURVE	70	71
DIMMER CURVE SQUARE LAW	72	73
DIMMER CURVE INVERSE SQUARE LAW	74	75
DIMMER SPEED AUTO	76	77
DIMMER SPEED FAST	78	79
DIMMER SPEED MEDIUM	80	81
DIMMER SPEED SLOW	82	83

						LED FREQUENCY 600HZ	84	85
						LED FREQUENCY 1200HZ	86	87
						LED FREQUENCY 2000HZ	88	89
						LED FREQUENCY 4000HZ	90	91
						LED FREQUENCY 6000HZ	92	93
						LED FREQUENCY 25KHZ	94	95
						LED FREQUENCY 50KHZ	96	97
						INVERT MAPPING ON	98	99
						INVERT MAPPING OFF	100	101
						RESET ALL	102	103
						RESET PAN/TILT	104	105
						RESET ZOOM	106	107
						Reserved	108	253
						FACTORY DEFAULT OF CONTROL FUNCTIONS	254	255
	24	24				CTO on colors	0 - 100%	0 255
	25	25				Tint	-25	0 127
							0	128 128
							+25	129 255
		26				Pattern	No FX	0 16
							FX 1	17 22
							FX 2	23 28
							FX 3	29 34
							FX 4	35 40
							FX 5	41 46
							FX 6	47 52
							FX 7	53 58
							FX 8	59 64
							FX 9	65 70
							FX 10	71 76
							FX 11	77 82
							FX 12	83 88
							FX 13	89 94
							FX 14	95 100
							FX 15	101 106
							FX 16	107 112
							FX 17	113 118
							FX 18	119 124
							FX 19	125 130

						FX 20	131	136
						FX 21	137	142
						FX 22	143	148
						FX 23	149	154
						FX 24	155	160
						FX 25	161	166
						FX 26	167	172
						FX 27	173	178
						FX 28	179	184
						FX 29	185	190
						FX 30	191	196
						FX 31	197	202
						FX 32	203	208
						FX 33	209	214
						FX 34	215	220
						FX 35	221	226
						FX 36	227	232
						FX 37	233	238
						FX 38	239	244
						FX 39	245	250
						FX 40	251	255
		27				Indexing	0	127
					Pattern Speed	CW from fast to slow	128	190
						Stop	191	192
						CCW from slow to fast	193	255
		28			Pattern Fade	0 - 100%	0	255
		29			Pattern Transition	0 - 100%	0	255
		30			Foreground Intensity	0 - 100%	0	255
		31			Foreground Strobe	See Shutter/Strobe Channel	0	255
		32			Background Intensity	0 - 100%	0	255
		33			Background Strobe	See Shutter/Strobe Channel	0	255
		34			Background Red	0 - 100%	0	255
		35			Background Green	0 - 100%	0	255
		36			Background Blue	0 - 100%	0	255
		37			Background White	0 - 100%	0	255
				1	Ring 1 Red	0 - 100%	0	255



				2	Ring 1 Green	0 - 100%	0	255
				3	Ring 1 Blue	0 - 100%	0	255
				4	Ring 1 White	0 - 100%	0	255
				5	Ring 2 Red	0 - 100%	0	255
				6	Ring 2 Green	0 - 100%	0	255
				7	Ring 2 Blue	0 - 100%	0	255
				8	Ring 2 White	0 - 100%	0	255
				9	Ring 3 Red	0 - 100%	0	255
				10	Ring 3 Green	0 - 100%	0	255
				11	Ring 3 Blue	0 - 100%	0	255
				12	Ring 3 White	0 - 100%	0	255
				1	Red 1	0 - 100%	0	255
				2	Green 1	0 - 100%	0	255
				3	Blue 1	0 - 100%	0	255
				4	White 1	0 - 100%	0	255
				5	Red 2	0 - 100%	0	255
				6	Green 2	0 - 100%	0	255
				7	Blue 2	0 - 100%	0	255
				8	White 2	0 - 100%	0	255
				9	Red 3	0 - 100%	0	255
				10	Green 3	0 - 100%	0	255
				11	Blue 3	0 - 100%	0	255
				12	White 3	0 - 100%	0	255
				...		0 - 100%	0	255
				73	Red 19	0 - 100%	0	255
				74	Green 19	0 - 100%	0	255
				75	Blue 19	0 - 100%	0	255
				76	White 19	0 - 100%	0	255

## • Caractéristiques uniques

RDM est l'abréviation de "Remote Device Management". Grâce à cette fonction, les utilisateurs peuvent contrôler l'appareil à distance, par exemple modifier l'adresse DMX, inverser les réglages de panoramique et d'inclinaison, vérifier un grand nombre d'informations utiles telles que la température, la consommation d'énergie, la vitesse du ventilateur. Etc. Chaque appareil a un code RDM unique avant de quitter l'usine pour se distinguer les uns des autres, il n'est généralement pas suggéré aux utilisateurs de modifier librement ce code.

Fonction de mise à jour du logiciel via le câble DMX, si un nouveau firmware est disponible pour cet appareil, il peut être mis à jour simplement via un boîtier de mise à jour du logiciel, sans qu'il soit

nécessaire de changer des pièces mécaniques. La boîte de mise à jour n'est pas incluse dans l'emballage, si vous avez besoin d'une assistance supplémentaire, veuillez contacter les revendeurs agréés.


Hibernation, l'appareil passe en mode veille s'il est activé après une période de déconnexion du signal DMX afin d'économiser la consommation d'énergie, et revient immédiatement dès que le signal DMX est envoyé à nouveau.

La batterie de l'écran, cette fonction est prépayée dans le PCB de l'écran, les utilisateurs ont juste besoin d'installer une batterie lithium normale 10440 600mAh 3.7V rechargeable, alors les utilisateurs peuvent allumer l'écran et faire des réglages sans avoir à se connecter à l'alimentation principale.

Retournement de l'écran, en appuyant sur les boutons haut et bas pendant plus de 3 secondes, l'écran se retournera automatiquement, cette fonction est utile pour lire le menu facilement lorsque l'appareil est suspendu.

- **Raccordement du câble d'alimentation**

The occupation of the connection-cables is as follows:

Cable	Pin	International
Brown	Live	L
Blue	Neutral	N
Yellow/Green	Earth	

La terre doit toujours être connectée. Les câbles d'alimentation doivent être homologués et conformes à la norme CEI.

Maximum 3 unités peuvent être connectées en série

- **Entretien et maintenance**

L'extérieur de l'appareil doit être nettoyé régulièrement. Les lentilles doivent être nettoyées pour garantir une luminosité optimale. Si le luminaire est installé dans un environnement poussiéreux ou enfumé, un nettoyage régulier est très important. Débranchez l'appareil avant toute intervention !

Utilisez un chiffon propre et sec.



**DANGER !**

Risque d'électrocution.

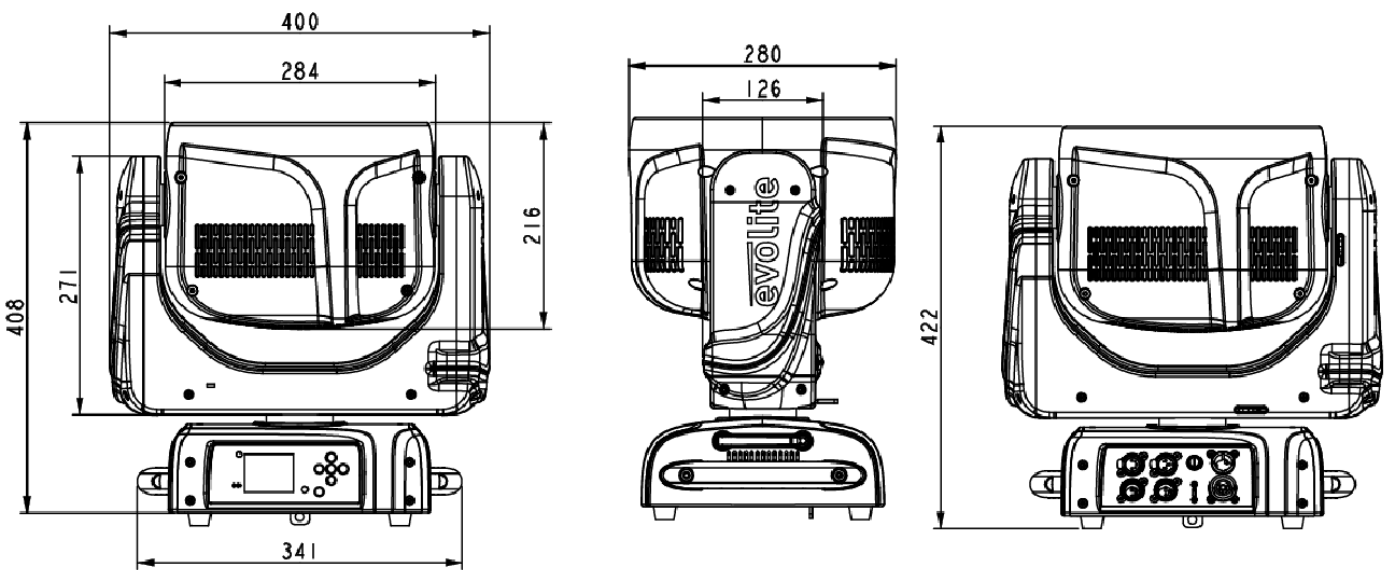
- Débranchez toujours l'appareil avant de le réparer ou d'effectuer des travaux d'entretien.

Voici quelques suggestions si vous rencontrez des problèmes avec votre appareil.

- **L'appareil ne fonctionne pas du tout.**
  - Vérifier le cordon d'alimentation et le fusible.

- Assurez-vous que votre prise est correctement branchée.
- **Le projecteur ne répond pas ou mal aux commandes DMX.**
  - Vérifiez vos câbles DMX
  - Vérifiez l'adressage DMX
  - Essayez un autre contrôleur DMX
  - Vérifiez que vos câbles DMX ne passent pas à proximité de câbles à haute tension, qui pourraient causer des interférences.
- **Ne réagit pas au son**
  - Vérifier le mode de fonctionnement sélectionné
  - Vérifier qu'aucun câble DMX n'est connecté à l'entrée DMX (DMX IN).
  - Tapez directement sur le microphone pour tester sa réactivité.

## ● Spécifications techniques



Alimentation électrique	100-240 V AC, 50/60 Hz ~
Consommation électrique	560W
LED	19pcs 40W 4in1 LED
Canaux DMX	19/26/38/23 ch
Angle du faisceau	4° - 54°
Flux lumineux	7000 lumens, 110621 lux@3m@4°, 2355 lux@3m@54°.
Fusible	T 8 A, 250 V
Dimensions de l'appareil	400*421*280mm
Poids net	15.5KG

**[www.evolite-pro.com](http://www.evolite-pro.com)**

Importé par / Imported by  
EVOLITE Pro – MSC  
9, Rue C. Flammarion  
91630 Avrainville / FRANCE  
[infos@msc-distribution.com](mailto:infos@msc-distribution.com)  
Tel : +33 1 69 34 80 62