
HPA

SC-2288R/D/C/CG8 USER MANUAL MODE D'EMPLOI

WIRELESS MEETING SYSTEM SYSTEME DE CONFERENCE SANS-FILS



English

[Table of Contents]

Overview

1.	System Configuration and description-----	2
1.1	System features-----	2
1.2	Wireless meeting system receiver unit -----	2
1.2.1	Picture of the actual object -----	2
1.2.2	Features of wireless meeting system receiver unit -----	3
1.2.3	Schematic diagram of wireless meeting system receiver unit -----	3
1.2.4	Parameter of wireless meeting system receiver unit-----	4
1.3	Wireless meeting system microphone unit-----	4
1.3.1	Picture of the actual object -----	4
1.3.2	Features of wireless delegate microphone unit -----	5
1.3.3	Features of wireless chairman microphone unit -- -----	5
1.3.4	Schematic diagram of wireless microphone -----	5
1.3.5	Parameter of Parameter of wireless microphone-----	6
1.4	Battery charger -----	7
1.4.1	Picture of the actual object -----	7
1.4.2	Features of battery charge-----	7
1.4.3	Schematic diagram of battery charge-----	7
1.4.4	Parameter of battery charge -----	8
1.5	Wireless meeting system Lithium battery -----	8
1.5.1	Picture of the actual object-----	8
1.5.2	Features of Lithium battery-----	8
1.5.3	Schematic diagram of Lithium battery-----	8
1.5.4	Parameter of Lithium battery-----	9
2.	System installation-----	9
2.1	Warning-----	9
2.1.1	CAUTION on handling of the microphone unit-----	10
2.1.2	CAUTION on battery charger handling-----	10
2.1.3	CAUTION on battery handling-----	10
2.2	Identify room layout-----	11
2.2.1	Check coverage area-----	11
2.2.2	System configuration-----	11
2.3	Installation and connection of receiver unit-----	11
2.3.1	Receiver unit installation-----	11
2.3.2	Antenna connection-----	12
2.3.3	Receiver unit to sound system-----	12
2.3.4	Receiver unit to video processor-----	13
2.3.5	Receiver unit to external antenna-----	13
2.4	Installation of wireless microphone unit-----	13
2.4.1	Mounting and dismounting the battery-----	13
2.4.2	Mounting and dismounting the microphone-----	14
2.5	System setting-----	14
2.5.1	Receiver unit setting-----	14
2.5.2	Microphone setting and operation-----	18
3.	Troubleshooting-----	19
	FRANCAIS-----	20

Overview

With high flexibility and reliability, our UHF wireless conference system is an ideal choice for mobile conference systems. It offers simple operation, compact structures. The wireless conference system can be perfectly integrated into any meeting rooms, without additional wiring. It's the best wireless conference solutions for small-scale conferences.

1. System Configuration and description

Wireless meeting system receiver unit, wireless chairman microphone , wireless delegate microphone , battery charger , etc.

1.1 System features

- ◆ Support Mode: Limit (1/2/3/4), FIFO (1/2/3/4), Chairman Only, microphones in one system up to 256 units, 5 microphones can be turned on at the same time.
- ◆ Microphones can be operated on either their built-in rechargeable batteries. Battery life approx. 8 hours during speech and approx. 30 hours when standby.
- ◆ Wireless communication system eliminates the need of connecting the conference units. Installation can be done quick and smart without cumbersome arrangements.
- ◆ Adopt multi-channel high band and intermediate band frequency selective filtering, fully eliminate interference signal
- ◆ Built-in feedback eliminating technology which can decrease the feedback and noise effectively
- ◆ Built-in multiple noise detecting circuit and TONE-LOCK system to make sure the system has strong anti-jamming function
- ◆ Operation distance up to 100 meters with the best condition, 60 meters in normal condition.
- ◆ Support video camera auto-track function with video processor

1.2 Wireless meeting system receiver unit SC-2288R

1.2.1 Picture of the actual object



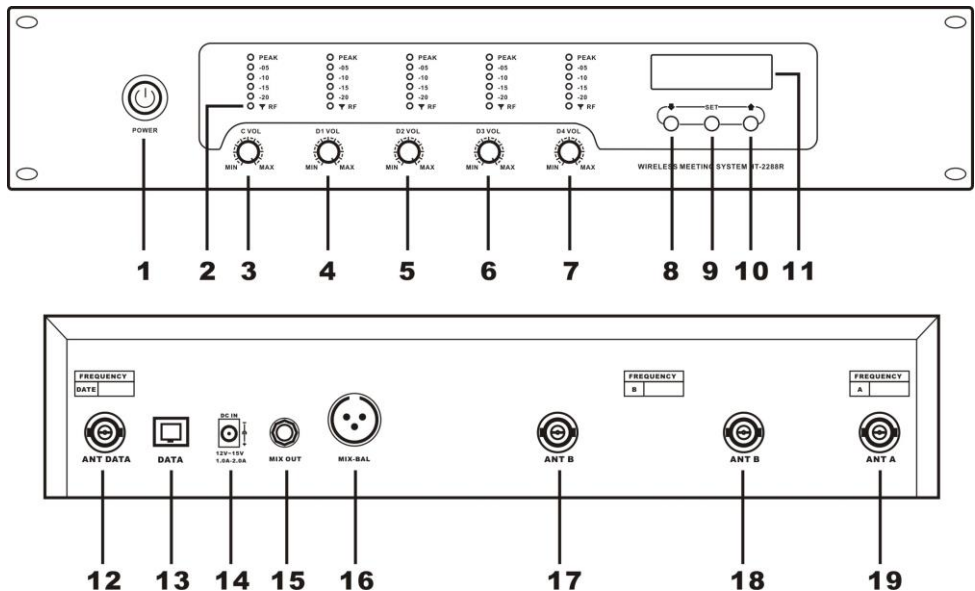
1.2.2 Features of wireless meeting system receiver unit

- ◆ Support Mode: Limit (1/2/3/4), FIFO (1/2/3/4), Chairman Only
- ◆ Support video camera auto-track with video processor
- ◆ 160x32 dot matrix LCD display system information
- ◆ Receiver can control the microphone status when powered off, such as clear or shutting off all

microphones.

- ◆ Designed accordance to CE and RED standards
- ◆ Installation: 19-inch frame

1.2.3 Schematic diagram of wireless meeting system receiver unit



- 1) Power switch
- 2) RF/Audio Level indicator (First channel only for chairman mic, the last four channels for delegate mic)
- 3) Volume knob of chairman microphone (Channel 1)
- 4) Volume knob of delegate microphone (Channel 2)
- 5) Volume knob of delegate microphone (Channel 3)
- 6) Volume knob of delegate microphone (Channel 4)
- 7) Volume knob of delegate microphone (Channel 5)
- 8) Setting key/check channel frequency
- 9) Menu
- 10) Setting key/check channel frequency
- 11) LCD (Display current mode, frequency point of each channel)
- 12) ANT DATA: System data control antenna interface
- 13) DATA: External video processor connection interface
- 14) DC Power input
- 15) MIX OUT: Mixed audio output
- 16) MIX BAL: Mixed audio balance output
- 17) ANT B: Delegate mic RF antenna interface
- 18) ANT B: Delegate mic RF antenna interface
- 19) ANT A: Chairman mic RF antenna interface

1.2.4 Parameter of wireless meeting system receiver unit

	Items	Parameter
Audio channel	Transmission method	UHF Wireless (one way)
	Audio channel	5 (1 chairman,4 delegate)
	Carrier frequency band	610.00MHz~659.75MHz 740.00MHz ~ 790.00MHz
	Modulation method	FM
	Receiving sensitivity	-100dBm
	Audio gain	≤20
	Frequency response	50Hz-15KHz
	S/N Ratio	>85dB
	T.H.D.	<0.8%
Data control channel	Transmission method	Wireless (two-way)
	Data channel	16
	Frequency Range	422.4MHz ~ 438.4MHz
	Modulation method	FSK
	Receiving sensitivity	-100dBm
	Transmission consumption	≤6dBm
	Communication rate	100KBPS
	Frequency deviation	<0.002
System	Power supply	DC12~15V ≤1A
	Signal covering range	Radius 60 meters
	Consumption Rating	7W
	Operating temperature range	-10-40 degree
	Dimensions	485×355×85mm
	N.W	7kg

1.3 Wireless meeting system microphone unit

1.3.1 Picture of the actual object



1.3.2 Features of wireless delegate microphone (SC-2288D)

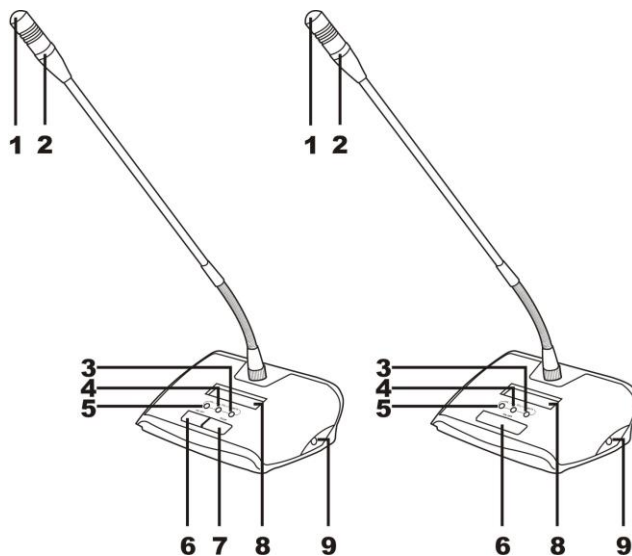
- ◆ Portable table moving and microphone pipe can be pull out. Extended pipe option.
- ◆ Electric capacity type microphone, equipped with windshield cover
- ◆ LCD display microphone ID, battery level, microphone state, control channel, etc.
- ◆ Equipped with microphone on/off key and indicator.
- ◆ Equipped with 3 function keys to set microphone id, control channel, volume level and battery status.
- ◆ Microphone will shut off the power or in standby if receiver powered off.

1.3.3 Features of wireless chairman microphone (SC-2288C)

Including the functions of the delegate unit, chairman unit has other following functions:

- ◆ Chairman microphone can turn on any time.
- ◆ If the system support video camera auto-track function, chairman microphone ID number should be 1
- ◆ Priority function: chairman can turn off delegate microphones by clear key any time
- ◆ Chairman only mode: Delegate microphone cannot be turned on again after chairman microphone press priority button. The chairman need quit this mode first, and then delegate microphone can be turned on again

1.3.4 Schematic diagram of wireless microphone



- 1) Unidirectional electret MIC
- 2) Annular red indicator lamp to show the microphone state.
- 3) Mute/Set key
- 4) Mic volume +/- up key

- 5) Mic volume up -/down key
- 6) MIC ON/OFF key
- 7) Chairman Priority
- 8) LCD
- 9) Microphone power switch

1.3.5 Parameter of wireless meeting system microphone unit

	Items	Parameter
Audio channel	Transmission method	UHF Wireless (one way)
	Audio channel	5 (1 chairman, 4 delegate)
	Carrier frequency band	610.00MHz~659.75MHz 740.00MHz ~ 790.00MHz
	Modulation method	FM
	Maximum modulation	60KHz
	Radiant power	≤+9dBm
	Frequency deviation	<0.002
	Frequency response	50Hz-15KHz
	S/N Ratio	>85dB
	T.H.D.	<0.8%
Data control channel	Transmission method	Wireless (two-way)
	Data channel	16
	Frequency Range	422.4MHz ~ 438.4MHz
	Modulation method	FSK
	Receiving sensitivity	-100dBm
	Transmission consumption	≤6dBm
	Communication rate	100KBPS
	Frequency deviation	<0.002
System	Power supply	DC3.7~4.5V
	Signal covering range	Radius 60 meters
	Consumption Rating	Standby: ≤360mW Speaking: ≤630mW
	Operating temperature range	-10-40 degree
	Dimensions	170×58×120mm
	N.W	0.7kg

1.4 Battery charger

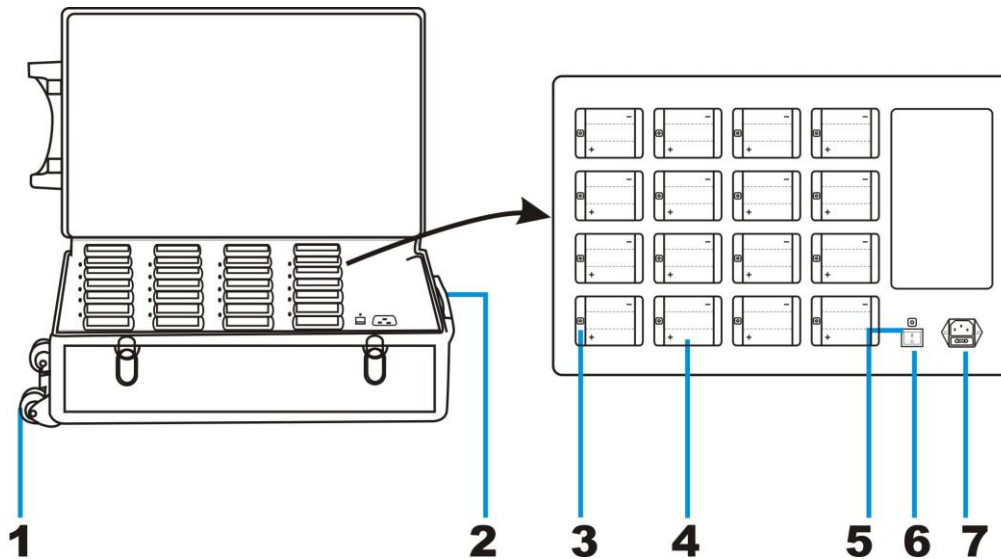
1.4.1 Picture of the charger SC-2288CG8



1.4.2 Features of battery charger

- a. Input Voltage: AC 110V~220V
- b. Charges 8 PCS of lithium battery per charging
- c. Intelligent charging management electro circuit to protect the LIP battery
- d. Equipped with extendable handle and pulley, easy for moving.

1.4.3 Schematic diagram of battery charger



- 1) Pulley
- 2) Extendable handle
- 3) Charging status indicator LED
- 4) Battery holder
- 5) Power indicator
- 6) Power on/off switch
- 7) AC adapter jack (AC110V-220V~ 50Hz-60Hz)

1.4.4 Parameter of battery charger SC-2288CG8

Items	Parameter
Power supply	110V-240V/50Hz~60Hz
Consumption Rating	200W
Charge quantity	8
MAX charging current of each	700mA
Charging time	About 8~10 hours
Charging status	Red LED flashing –Charging, Green LED –Full
Operating temperature range	0-40 degree
Dimensions	620×370×175mm
N.W	9kg

1.5 Wireless meeting system Lithium battery

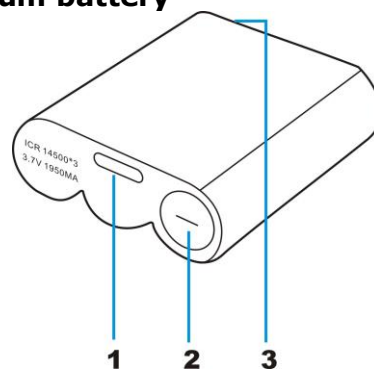
1.5.1 Picture of the actual object



1.5.2 Features of Lithium battery

- Excellent safety performance, lightweight & High capacity ratio.
- Improved safety: more resistant to overcharge; less change for electrolyte leakage.
- The battery life is usually approximately 300 charge cycles.
- Easy to install

1.5.3 Schematic diagram of Lithium battery



- 1) Battery detach/lock button
- 2) Negative
- 3) Positive

1.5.4 Parameter of Lithium battery

Items	Parameter
Rated voltage	DC3.7V
Discharge current	<500mA
Charging current	<700mA
Time of speaking	>8 hours
Time of standby	>24 hours
Charging voltage	DC5V
Dimensions	47×40×12mm
N.W	54g

2. System installation

2.1 Warning

- This is a wireless communication system, use UHF band carrier frequency. We recommend that users consult local radio management committee to choose the appropriate and legally available frequency, in order to avoid RF interference
- If the units demonstrate any problems, such as abnormal sound, smoke, heat from or damage to power cables, disconnect the power plug from the outlet and contact your sales representative. If the power plug blades are distorted or discolored, do not use the unit
(Receiver unit, Battery charger)
- Uncoil the power cables before use, Do not bundle the cables during use, or tie with nails. (Receiver unit, Battery charger)
- Do not pull on the cable. Hold the plug section and insert/remove it in a straight line, damaged cables may result in electric shock, malfunction, or fire.
(Receiver unit, Battery charger)
- Do not place anything on the power cables. Do not route them under a rug or furniture.
(Receiver unit, Battery charger)
- Do not cover the units with cloth or place them in locations with poor ventilation. Doing so traps heat, and may result in electric shock or fire
- If you do not use the units for long periods of time, disconnect the power plugs from the outlet
(Receiver unit, Battery charger)
- Do not disassemble the units. Touching the inside of the units may result in electric shock
- Do not expose the units to any strong shock
- Do not expose the units to direct sunlight, heat from heating appliances, high temperatures, or dust
- Do not expose the units to high humidity or moisture
Water that accidentally enters the inside of the units may result in electric shock, malfunction, or fire
- Do not touch the power cables or plugs with wet hand
(Receiver unit, Battery charger)
- Main unit is a class I device. Be certain to connect to an AC outlet with a protective grounding connection
- Main unit can be separated from the AC receptacle by turning off the unit by the front power switch. In case of emergency, turn off this switch or unplug the power cable from the AC receptacle

2.1.1 CAUTION on handling of the microphone unit

- Do not grasp the microphone to lift or pull on the microphone unit: pick up the unit by its base
- Slowly bend and straighten the flexible part of the microphone. Do not bend it with excessive force
- Do not drop the unit
- If you do not use the unit for long periods of time, remove the battery
- The dedicated lithium-ion battery should be used
- Do not place any obstructions around the microphone units
- When the microphone units are too close together, high sound volume may cause acoustic feedback, In this case, increase the space between the conference units or turn down the volume
- After the battery has been removed and replaced, confirm that the power LED turns off

2.1.2 CAUTION on battery charger handling

- If the charging terminal is dirty, poor contact will prevent the battery from being charged properly. Periodically clean the charging terminals
- The battery charger may become hot during charging. Use it in a well-ventilated area
- After the battery is fully charged, turn off the battery charger or remove the batteries

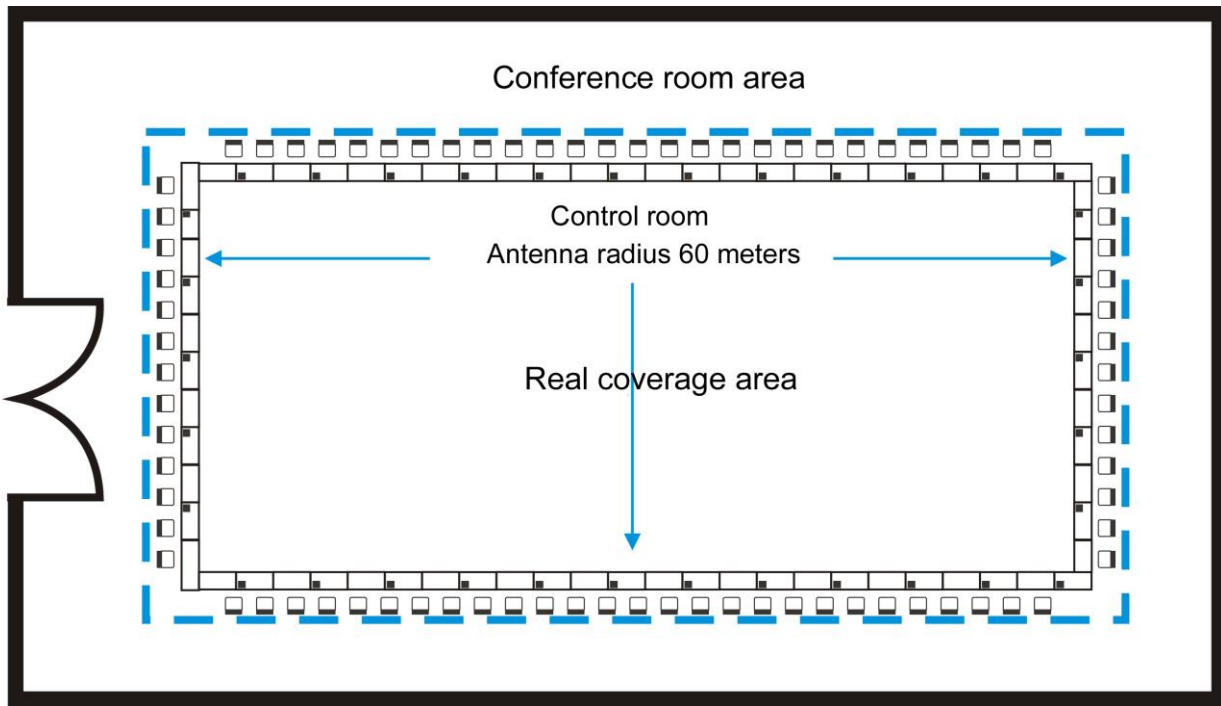
2.1.3 CAUTION on battery handling

- The battery is dedicated to the microphone unit. Do not use it for other applications
- Use only the designated battery charger
- If the battery leaks and the liquid contacts your skin or clothing, immediately flush with clean water
- If the battery leaks and the liquid contacts your eyes, immediately wash thoroughly with clean water and seek medical assistance
- Do not throw the battery into fire or overheat it, Doing so may result in a fire
- Do not disassemble or modify the battery
- Do not short-circuit the + and – terminals with any metal or wire. Do not carry or store the battery with metal products such as a necklace.
- If you discover battery leaks, discoloration, distortion, or the other problems, do not use the battery
- Dispose of used batteries properly as industrial waste or contact our business office in your neighborhood

2.2 Identify room layout

2.2.1 Check coverage area

Real coverage area of conference room (usually coverage area of conference room is smaller than the conference room area)



2.2.2 System configuration

Description	Model No.	Max Qty	Marks
Receiver Unit		1	
Chairman Microphone		1	
Delegate Microphone		≤255	
Data Control Antenna		1	
Audio Control Antenna		3	
Battery Charger			
LIP Battery			

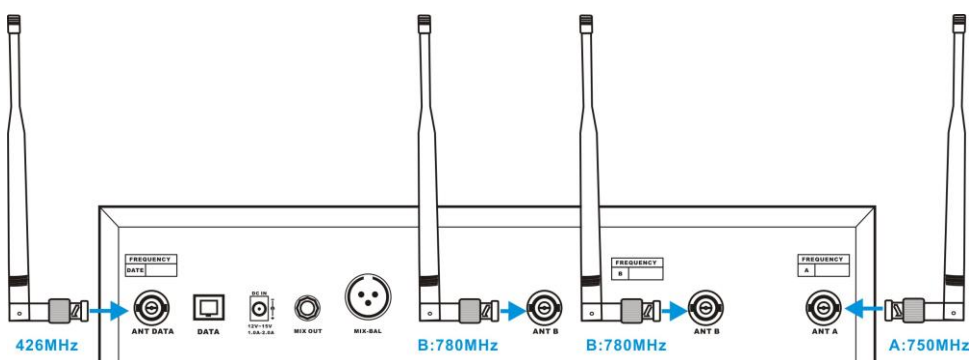
2.3 Installation and connection of receiver unit

2.3.1 Receiver unit installation

- Put on the table or install in 19 inch frame
- Please keep away from high-power and strong radiation equipments, or it may influence the equipment performance.
- Use it in a well-ventilated area

2.3.2 Antenna connection

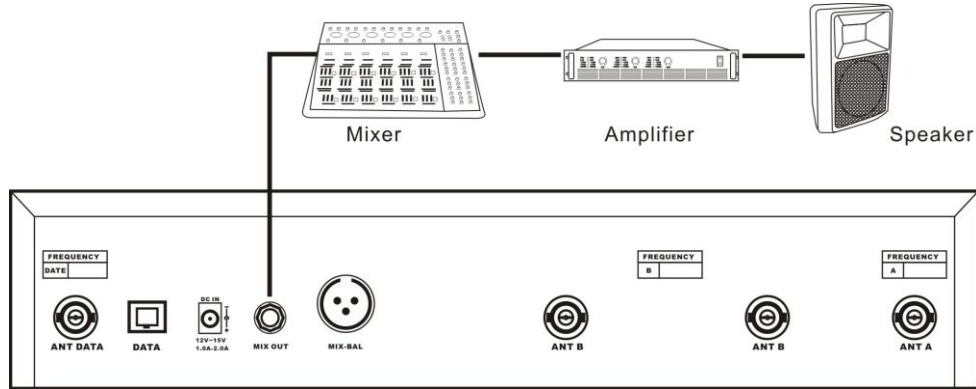
There are 4 antennas of receiver unit. 1 piece data control antenna (426MHz), 1 piece chairman microphone audio control/RF antenna (A: 750MHz) and 2 pieces delegate microphone audio control/RF antenna (B: 780MHz)



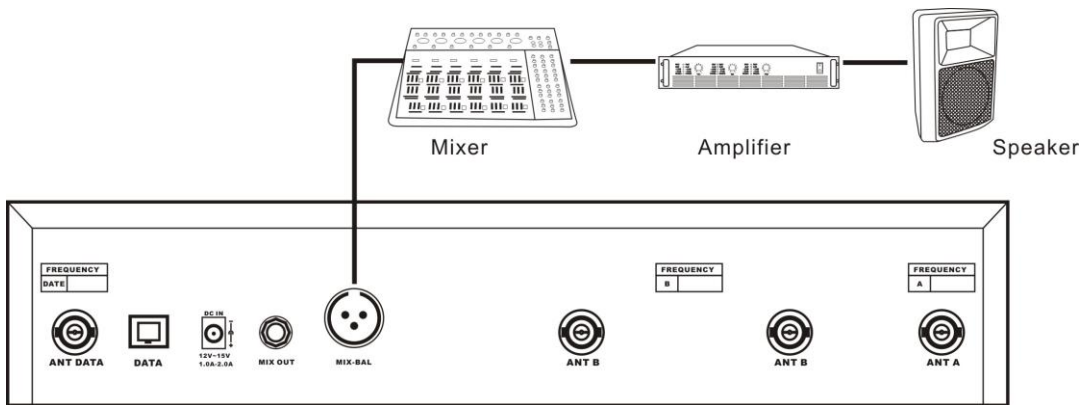
- Please note: Receiver antennas should be connected correct position, or system can not work properly.

2.3.3 Receiver unit to sound system

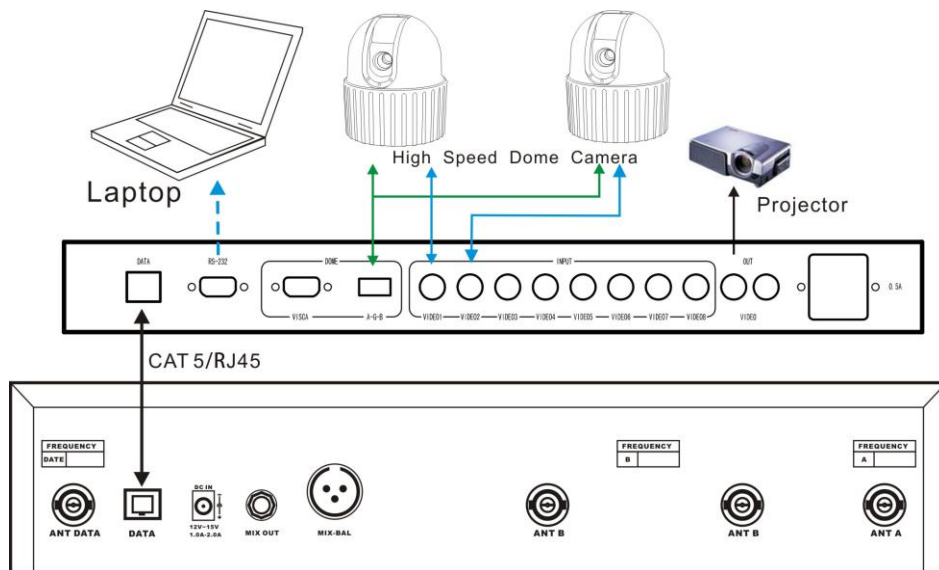
- Mono output: Please connect MIX OUT interface of receiver unit to input interface of sound equipment by $\Phi 6.3$ audio cable (for short distance)



- Balance output: Please connect MIX-BAL interface of receiver unit to input interface of sound equipment by XLR-M balance audio cable (for long distance)



2.3.4 Receiver unit to video processor



Please connect DATA interface of receiver unit to DATA interface of video processor by RJ45 network

cable. Please read the user manual of video processor.

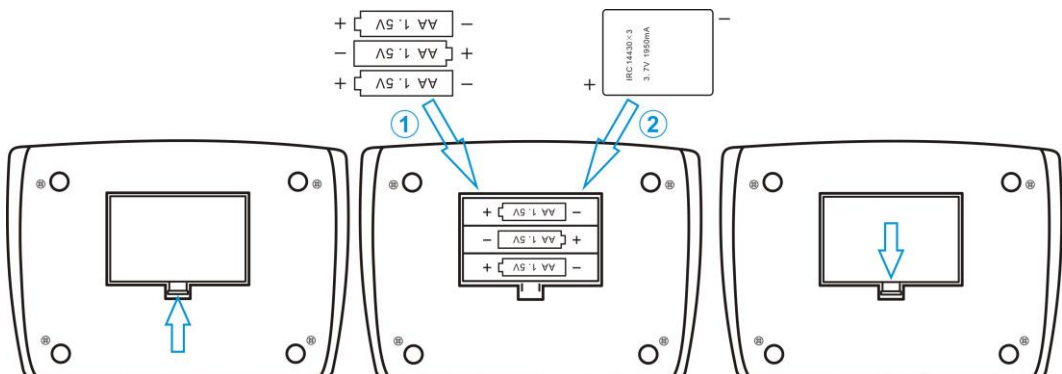
2.3.5 Receiver unit to external antenna

If the distance between receiver and microphone is not far, and there does not have any obstruct, antenna can be connected to the "ANT" interface of receiver unit rear panel directly. If the distance is far or have some obstruct between them, please connect external antenna to receiver unit.

➤ Please note: coaxial cable should be 50Ω.

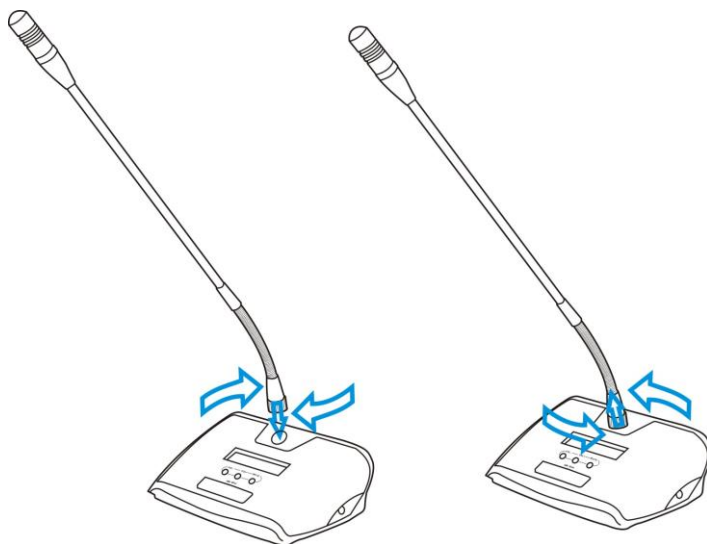
2.4 Installation of wireless microphone unit

2.4.1 Mounting the battery



Mounting battery: Take out the battery cover on the bottom side of the microphone unit; insert the battery in the direction of the arrow to fasten it, and then mounting the battery cover, listen for the click sound and make sure the battery cover is securely fixed.

2.4.2 Mounting and dismounting the microphone



- Mounting microphone: Insert the microphone into the microphone mounting socket in a straight line, and then rotate the microphone clockwise to fasten it securely.
- Dismounting microphone: Rotate the microphone counterclockwise, then pull the microphone upward to dismounting

* Please contact us if you need more detailed information during your installation.

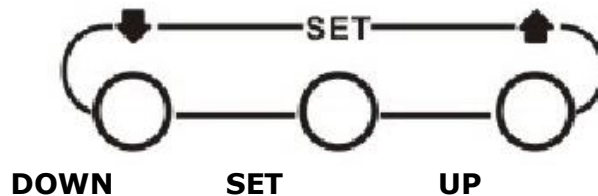
2.5 System setting

2.5.1 Receiver unit setting

a. POWER ON/POWER OFF

- **POWER ON:** Hold the "POWER" button on the left front panel of receiver till LCD display "Wireless Meeting Initialize" and then release it LCD will display "CFREE-4MAX-FIFO 40-[05 35 65 95]", after system self-detecting LCD will display "Wireless Meeting . . . Initialize . . ."
- **POWER OFF:** Hold the "POWER" button on the left front panel of receiver till LCD display "Wireless Meeting -System Off-", receiver unit will powered off and all microphones in standby status when released the button. If still hold the button, LCD will display "Wireless Meeting -Power Off-", both receiver and microphones are powered off at the same time.

a. System function key: There are 3 function keys on receiver unit



b. System mode setting:

System default mode: **CFREE-4MAX-FIFO**

System support 10 modes setting by receiver unit (FIFO 1/2/3/4, LIMIT 1/2/3/4, ONLY, CFREE), user can set these modes by **UP** & **DOWN** key. System will save and keep the last setting mode in 3 seconds automatically or press **SET** key to save the mode immediately.

- **C.ONLY:** When chairman microphone priority button was press on, the chairman microphone is turn on while the delegate microphone being turn off until the priority button is released, or delegate microphone cannot turn on again.
Mode setting method: Press **SET** key one or several times till "CFREE" character flashing, press **DOWN**, the flashing character will change to **CONLY** (press **UP** the flashing character will change to **CFREE**), and then press **SET** to save it or wait about 3 seconds the system will save the mode automatically, characters will stop flashing.
- **C.FREE:** When chairman microphone priority button was press on, the chairman microphone is turn on while the delegate microphone being turn off, but delegate microphone can be turned on again even chairman microphone not released priority button.
Mode setting method: please see **C.ONLY** setting method
- **1MAX-LIMIT:** System only allowed 1 piece delegate microphone turned on at the same time, if other delegate microphones want turn on, user should turn off that microphone first.
Number setting method: Press **SET** key one or several times till "4MAX" character flashing, press **DOWN** or **UP** key till the flashing character change to **1MAX**, and then press **SET** to save it or wait about 3 seconds the system will save the setting automatically, characters will stop flashing
Mode setting method: Press **SET** key one or several times till "FIFO" character flashing, press **UP** key, the flashing character change to **LIMIT** (press **DOWN** the flashing character will change back to **FIFO**), and then press **SET** to save it or wait about 3 seconds the system will save the setting automatically, characters will stop flashing.
- **2MAX-LIMIT:** System only allowed 2 pieces delegate microphones turned on at the same time, if other delegate microphones want turn on, user should turn off 1 or 2 microphones first.
Setting method: please see **1MAX-LIMIT** setting method
- **3MAX-LIMIT:** System only allowed 3 pieces delegate microphones turned on at the same time, if other delegate microphones want turn on, user should turn off 1, 2 or 3 microphones first.
Setting method: please see **1MAX-LIMIT** setting method

- **4MAX-LIMIT:** System only allowed 4 pieces delegate microphones turned on at the same time, if other delegate microphones want turn on, user should turn off 1, 2, 3 or 4 microphones first. Setting method: please see **1MAX-LIMIT** setting method
 - **1MAX-FIFO:** System only allowed 1 piece delegate microphones turned on at the same time, if other delegate microphone turns on, system will turn off the first on microphone automatically. First in, first out, first indicate, first offer. Setting method: please see **1MAX-LIMIT** setting method
 - **2MAX-FIFO:** System only allowed 2 piece delegate microphones turned on at the same time, if other delegate microphone turns on, system will turn off the first on microphone automatically. Setting method: please see **1MAX-LIMIT** setting method
 - **3MAX-FIFO:** System only allowed 3 piece delegate microphones turned on at the same time, if other delegate microphone turns on, system will turn off the first on microphone automatically. Setting method: please see **1MAX-LIMIT** setting method
 - **4MAX-FIFO:** System only allowed 4 piece delegate microphones turned on at the same time, if other delegate microphone turns on, system will turn off the first on microphone automatically. Setting method: please see **1MAX-LIMIT** setting method
- Please note: Chairman microphone is not limit in these mode, chairman microphone can be turned on and off independently.

c. System audio channel setting

System default audio channel: **40[05-35-65-95]**

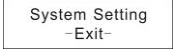
- Chairman microphone audio channel
 - ✓ Manual setting: Press **SET** key one or several times till "**40**" character flashing, press **DOWN** or **UP** key to select the channel, and then press **SET** to save it or wait about 3 seconds the system will save the setting automatically, characters will stop flashing
 - ✓ Auto-scan setting: Press **SET** key one or several times till "**40**" character flashing, and then press and hold the **SET** key till LCD display symbol ---, release the key, system will scan all audio channel (00-99) automatically and select the best one to save it.
 - ✓ Chairman microphone audio description: Bandwidth of chairman microphone is 25M; default setting is 740MHz -- 764.75MHz (Please contact us or agent to get more information if user want choose other frequency for chairman microphone). There are 100 channels for option in this bandwidth, frequency interval is 250 KHz.
- Delegate microphone (D1, D2, D3, D4) audio channel
 - ✓ Channel setting method: please see chairman microphone audio channel setting method.
 - ✓ Delegate microphone audio description: Bandwidth of delegate microphone is 25M, default setting is 765MHz -- 789.75MHz (Please contact us or agent to get more information if user want choose other frequency for delegate microphone). There are 100 channels for option in this bandwidth, frequency interval is 250 KHz.
 - ✓ Please note there are 4 audio channel of the delegate microphone in the system, so the channel number can not be same.

d. System project setting


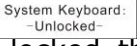
Press **SET** key and turn on the receiver with **POWER** key at the same time, receiver LCD will display , there are 4 setting menu in this part.

- Receiver data (room) channel setting (Default channel is "**ROOM 0**"), there are 16 data (room) channel for option (0-1-2-3-4-5-6-7-8-9-A-B-C-D-E-F), user can select the channel by **UP** and **DOWN** key, and press **SET** to save the setting, receiver will switch to next setting part automatically. This system use room number to show the data control channel, if there are more than 1 system used in the same place or building, we suggest user to set different room number

(data channel) in order to avoid interface. If other equipment has same frequency of the data channel, use also can change it.

- Delegate microphone audio channel: the receiver will switch to delegate microphone audio channel setting automatically after user save the setting of receiver data channel.
 - ✓ 0---Audio channel not available, 1---Audio channel not available.
 - ✓ Setting method of Channel 1: Press **DOWN** key to close this channel and press **UP** key to open this channel, press **SET** key to save the setting and receiver will switch to next setting part automatically.
 - ✓ Setting method of channel 2, 3, 4: Please see the setting of channel 1.
 - ✓ Description of this setting: Receiver use 4 channel LNB to support 4 delegate microphones' FM high frequency signals. Default sort order is D1, D2, D3, D4. If there is some problem of D1, then system microphone can not turn on/off properly, user can set this channel not available, then receiver LNB default sort order is D2, D3, D4, and only support 3 delegate microphones working at the same time maximum. This setting just for urgently situation, please contact local agent or us to get the solution.
 - ✓ Hold and press **SET** key/press **POWER** key till LCD display  to exit the project setting.

f. System lock & unlock

- Lock setting method: Press and hold the **SET** key first, and press **UP** key at the same time, system LCD will display 
- Unlock setting method: Press and hold the **SET** key first, and press **DOWN** key at the same time, system LCD will display 
- Please note if the system locked, the function keys on the receiver panel are not available to use for setting.

g. Checking system audio and data channel

User can check the system audio and data (Room) channel by **UP** and **DOWN** key

- User can check the chairman microphone (C) and delegate microphones (D1, D2, D3, D4) audio channel, data (room) channel, frequency point even the system locked.
- We recommend user to use auto-scan function if any interference in each channels.
- System will shut off all microphones (include chairman microphone) if user save the setting.
- If the system can work properly after testing, we strongly recommend user to lock the system setting.

2.5.2. Microphone setting & operation

There are 3 function keys on microphone unit (Include chairman microphone):

POWER, ON/OFF, PRIOR, VOL-, VOL +, MUTE

a. Microphone function key description:

- **POWER**: Press this key to power on or power off the microphone
- **ON/OFF**: Microphone will on/off in correct communication mode (If the microphone data channel is different from receiver data channel, user cannot turn on the microphone.
- **PRIOR**: Chairman microphone priority key, it can turn off all delegate microphone with this key.
- **VOL-**: Decrease the volume level of microphone
- **VOL+**: Increase the volume level of microphone
- **MUTE**: Prevention on speaker's cough

b. Microphone project setting

Press **MUTE** key and turn on the microphone with **POWER** key at the same time, microphone will enter project setting. There are four setting in this part.

- Microphone data (room) channel setting (Default channel is "**ROOM 0**"), there are 16 data (room) channel for option (0-1-2-3-4-5-6-7-8-9-A-B-C-D-E-F), user can select the channel by **VOL -** and **VOL +** key, and press **MUTE** to save the setting, Microphone will switch to next setting part automatically. User can see receiver data channel setting for reference.
- Microphone ID setting: Chairman microphone ID number can be set from 0-9, A-F total 16 ID for

option, delegate microphone ID number can be set from 0-255, total 156 ID for option. User can select the ID by **VOL -** and **VOL +** key, and press **MUTE** to save the setting, Microphone will switch to next setting part automatically.

- Please note: All microphone ID in one system should be different, if any units have the same ID number, the system will not work properly. If system connect video processor to support video camera auto-track function, chairman microphone ID should be 1.
- Chime of chairman microphone: When chairman microphone turned on, system will give a chime indicative sound. User can press **VOL -** to close this function and press **VOL +** to open this function.
- Microphone working mode: Default mode is LINK. User can press **VOL -** switch to FREE mode and press **VOL +** switch to LINK mode. In Free mode, microphone can be tuned on/off any time with communicate with receiver unit, and user can set the microphone audio channel (when microphone is off, press **MUTE** key, audio channel number will flash, user can press **VOL -** and **VOL +** key to select the audio channel), FREE mode just used for testing. In LINK mode, microphone must work and communicate with receiver unit, or microphone cannot turn on, microphone audio channel was distributed by receiver unit.
- Exit microphone project setting: Press microphone on or POWER key to exit, if there is no action of the microphone will exit the setting in 9 secs.

3. Troubleshooting

Situation	Check	Solutions
The microphone unit shut off automatically	★ Check the battery capacity	★ The batteries must be charged before initial use ★ Charge before use
The receiver unit is not turn on.	★ Is power plug inserted into the outlet?	★ Insert power plug into the outlet
Microphone can not turned on properly	★ Is the correct data channel number set ★ Is the receiver antenna installed correct ★ Is there any obstruction between the microphone unit and receiver, or the distance between the microphone and receiver is too far. ★ Is any inference of the frequency	★ Receiver and microphone data channel should be same ★ Install the antenna in correct position. ★ Install externed antenna or antenna amplifier ★ Set the new data channel and audio channel.
More than 1 microphone turned on/off at the same time	★ Is the microphone ID number same	★ Set the ID number again
Operating time of the microphone unit battery is short.		★ The battery is dying (*1) ★ Purchase a new battery
The microphone unit battery can not be charged. ★ The charging lamp does not light ★ The charging lamp is flashing ★ Charging does not complete after 12 hours	★ Are the charging terminals dirty? ★ Has the battery been left for a long time after charging? ★ Can other batteries be charged?	★ Clean the charging terminals ★ Replace it with new one

*1. The battery life is usually approximately 300 charge cycles.

*2. If battery capacity display in microphone LCD is flash ,it means that battery capacity is low, user should turn off that mic and charge the battery.

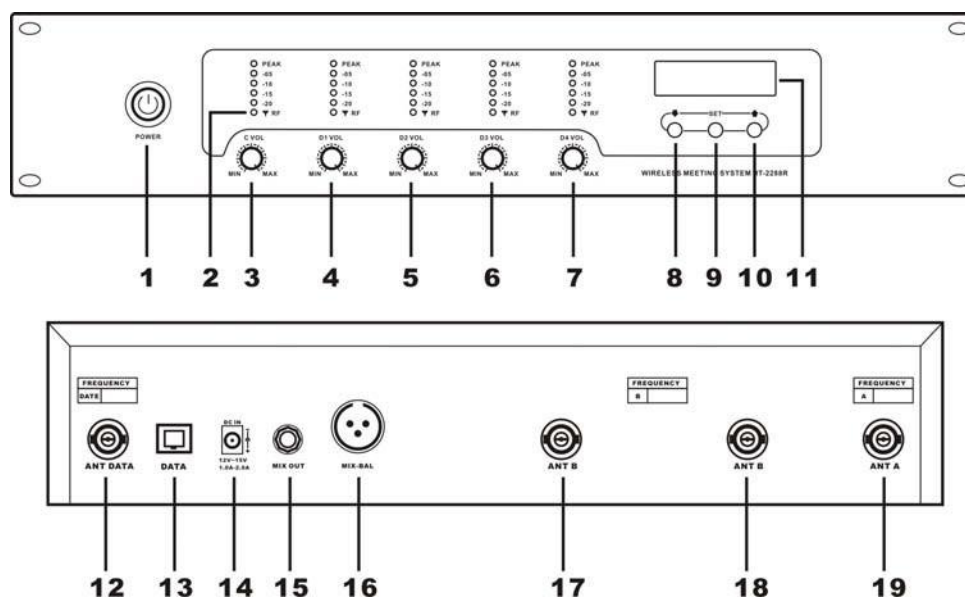
*3. Take out the battery if the microphone will not use for a long time.

FRANCAIS

CARACTERISTIQUE RECEPTEUR SC-2288R

- ◆ Mode de fonctionnement : Limité (1/2/3/4), FIFO (1/2/3/4), Président uniquement
- ◆ Fonction de recherche automatique via processeur vidéo externe (en option)
- ◆ Afficheur LCD 160x32 points
- ◆ Le récepteur contrôle l'état des pupitres à l'extinction
- ◆ Norme UL, CE et RTTE
- ◆ Rack 19" / 2U

DESCRIPTION DU RECEPTEUR



1. INTERRUPTEUR ON/OFF

Lorsque vous appuyez sur ce bouton, vous mettez en marche l'appareil. Pour éteindre l'appareil, il faut appuyer une nouvelle fois sur ce bouton.

2. INDICATEUR RF / AF

La led RF s'allume lorsque le pupitre correspondant est allumé (Voyant RF de la voie C si le pupitre président est allumé, Voyant RF de la voie D1 si le pupitre délégué 1 est allumé, Voyant RF de la voie D2 si le pupitre délégué 2 est allumé,...)

Les indicateurs AF vous donnent une indication visuelle du niveau du signal de chaque voie. Si le voyant peak s'allume, cela signifie que le volume est trop fort. Diminuez alors le niveau en utilisant le réglage de volume correspondant.

3. RÉGLAGE VOLUME VOIE PRÉSIDENT

Ce réglage permet d'ajuster le volume du signal provenant du pupitre président

4. RÉGLAGE VOLUME VOIE DELEGUE 1

Ce réglage permet d'ajuster le volume du signal provenant du pupitre délégué 1

5. RÉGLAGE VOLUME VOIE DELEGUE 2

Ce réglage permet d'ajuster le volume du signal provenant du pupitre délégué 2

6. RÉGLAGE VOLUME VOIE DELEGUE 3

Ce réglage permet d'ajuster le volume du signal provenant du pupitre délégué 3

7. RÉGLAGE VOLUME VOIE DELEGUE 4

Ce réglage permet d'ajuster le volume du signal provenant du pupitre délégué 4

8. **BOUTON SETTING KEY / CHECK CHANNEL FREQUENCY**

Voir explication plus tard

9. **BOUTON MENU**

Voir explication plus tard

10. **BOUTON SETTING KEY / CHECK CHANNEL FREQUENCY**

Voir explication plus tard

11. **AFFICHEUR LCD**

Affiche le mode de fonctionnement et les fréquences utilisées pour chaque voie

12. **ANTENNE DONNEES**

Antenne de réception exclusivement réservé pour la réception des données

CONNECTEUR DATA (RJ-45)

Permet de connecter un processeur vidéo afin d'activer la fonction de recherche automatique vidéo

13. CONNECTEUR ALIMENTATION DC

Connectez sur cette prise l'alimentation DC fournie avec le récepteur

14. SORTIE AUDIO ASYMETRIQUE (JACK)

Connectez cette sortie audio à une entrée line d'un amplificateur ou d'une table de mixage

15. SORTIE AUDIO SYMETRIQUE (XR)

Connectez cette sortie audio à une entrée line d'un amplificateur ou d'une table de mixage

16. ANTENNE DELEGUE

Antenne réservé à la réception des signaux des pupitres délégués

17. ANTENNE DELEGUE

Antenne réservé à la réception des signaux des pupitres délégués

18. ANTENNE PRÉSIDENT

Antenne réservé à la réception du signal du pupitre président

CARACTERISTIQUE PUPITRE SC-2288C/C=D

- ◆ Microphone électret, Fournie avec bonnette
- ◆ Afficheur LCD vous indique le numéro du pupitre, le niveau de la batterie, l'état du micro, le canal,...
- ◆ Equipé d'un bouton on/off.
- ◆ Equipé de 3 boutons fonctions pour régler le numéro du micro, le volume, le canal,...
- ◆ Le pupitre d'éteint automatiquement ou se met en stand-by si le récepteur ne reçoit aucune donnée pendant un certain temps
- ◆ Le pupitre président est prioritaire sur tous les autres micros.
- ◆ Si vous utilisez un processeur vidéo (pour le système de recherche automatique vidéo), le numéro ID du pupitre président doit être le 1
- ◆ En mode président uniquement : les pupitres délégués ne peuvent pas être allumé si le président a pressé le bouton priorité. Le président doit annulé la priorité pour que les délégués puissent rallumer leurs pupitres.

DESCRIPTION PUPITRE

1. CELLULE

2. BAGUE LUMINEUSE

Cette bague s'allume rouge lorsque le micro est allumé

3. BOUTON MIC / SET

4. BOUTON VOLUME + / UP

5. BOUTON VOLUME - / DOWN

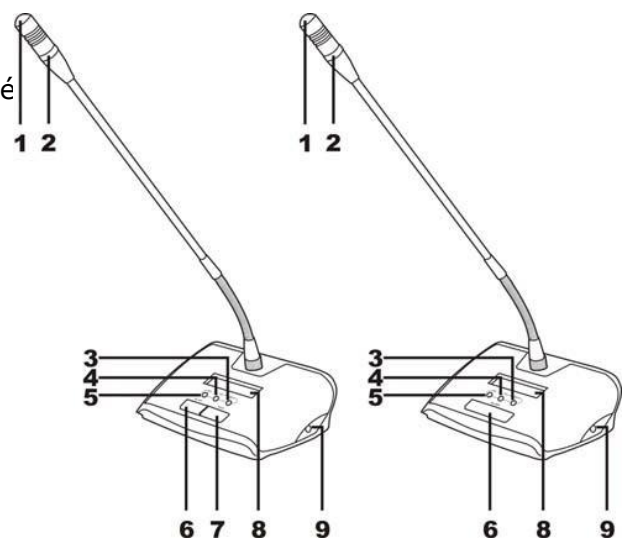
6. BOUTON MIC ON/OFF

Ce bouton permet d'activer ou désactiver le micro.

7. BOUTON PRIORITÉ (UNIQUEMENT SUR LE PRÉSIDENT)

Ce bouton rend le pupitre délégué prioritaire sur tous les autres pupitres. Lorsque le président appuie sur ce bouton, il coupe tous les micros délégués.

8. AFFICHEUR



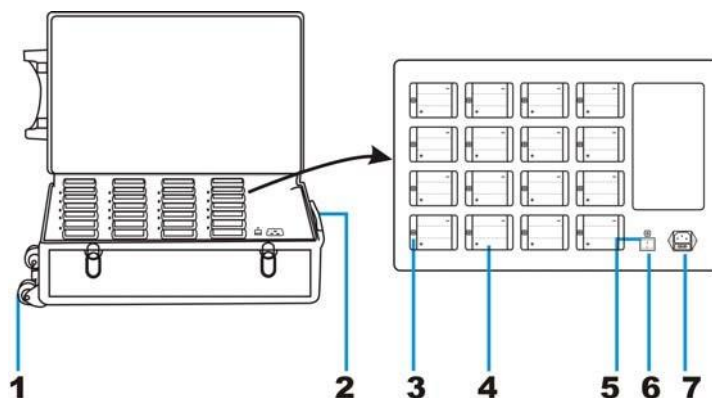
9. **BOUTON ON / OFF**

Permet d'allumer ou éteindre le pupitre.
Appuyez (et laissez appuyé) pour allumer le pupitre. Même chose pour éteindre le pupitre.

CARACTERISTIQUE CHARGEUR SC-2288CG8

- ◆ Permet de charger jusqu'à 8 batteries lithium
- ◆ Système de charge intelligent qui protège et allonge la durée de vie des batteries
- ◆ Chariot de transport intégré

DESCRIPTION CHARGEUR



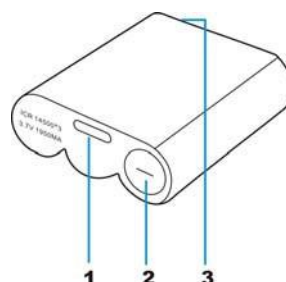
- 1. ROULETTES**
- 2. CHARIOT DE TRANSPORT ESCAMOTABLE**
- 3. INDICATEUR DE CHARGE**
Pendant la charge, l'indicateur clignote. Lorsque la charge est terminée, le voyant reste allumé.
- 4. LOGEMENT BATTERIE**
Attention à la polarité
- 5. INDICATEUR POWER**
Ce voyant s'allume lorsque vous allumez la valise de recharge
- 6. BOUTON POWER**
Permet d'allumer ou d'éteindre la valise de chargement
- 7. CONNECTEUR SECTEUR + FUSIBLE**
Connectez un câble d'alimentation sur cette prise. Attention : 220V/50Hz
Le fusible permet de protéger l'appareil contre tout problème électrique. En cas de destruction du fusible, veuillez le remplacer par un de même taille et de même valeur.

CARACTERISTIQUE BATTERIE LITHIUM

- ◆ Excellente performance, légère et grande capacité
- ◆ Résistante au surcharge
- ◆ Jusqu'à 300 cycles de recharge
- ◆ Facile à installer

DESCRIPTION CHARGEUR

- 1. BOUTON BLOCAGE**
- 2. POLE NEGATIF**
- 3. POLE POSITIF**



INSTALLATION SYSTEME

RECEPTEUR

- Ce système est un système UHF. Nous recommandons aux utilisateurs de vérifier les bandes de fréquences locales utilisées pour éviter les interférences ou le mauvais fonctionnement du système HT-2288.
- Si vous constatez des problèmes tels que son anormal, fumée, chaleur ou dommages sur le câble secteur, débranchez immédiatement le récepteur et contactez votre installateur
- Ne pliez pas ou n'écrasez pas le câble secteur. Cela provoquer des court-circuits dans la câble
- Ne pas placer un drap ou un vêtement sur le récepteur. Placez le dans une zone bien aérée
- Si vous n'utilisez pas le récepteur pendant une longue période, débranchez le
- Il est interdit d'ouvrir le récepteur. Il n'y a aucune pièce facilement interchangeable dedans.
- Ne pas exposer le récepteur à de forts chocs
- N'exposez pas le récepteur directement aux rayons du soleil, à l'humidité ou à la poussière
- Si un liquide pénètre dans l'appareil, débranchez-le immédiatement et contactez votre installateur
- Le récepteur est de classe I. Connectez le au secteur avec un câble approprié

PUPITRE

- Ne tenez pas le microphone pour soulever ou tirer le pupitre. Soulevez l'appareil par sa base
- Pliez lentement et redressez-le du microphone. Ne le pliez pas avec une force excessive
- Ne laissez pas tomber le pupitre
- Si vous n'utilisez pas l'appareil pendant de longues périodes, retirez la batterie
- Seule la batterie lithium-ion fournie doit être utilisée
- Lorsque les pupitres sont utilisés dans des endroits trop étroit, un fort volume peut provoquer les larsens. Dans ce cas, augmentez l'espace entre les pupitres de conférence ou baissez le volume

CHARGEUR

- Si la borne de recharge est sale, le mauvais contact empêchera la batterie de charger correctement. Nettoyer périodiquement les bornes de recharge
- Le chargeur de batterie peut devenir chaud pendant la charge. Utiliser dans un endroit bien aéré
- Après que la batterie est complètement chargée, éteignez le chargeur de batterie ou retirez les batteries

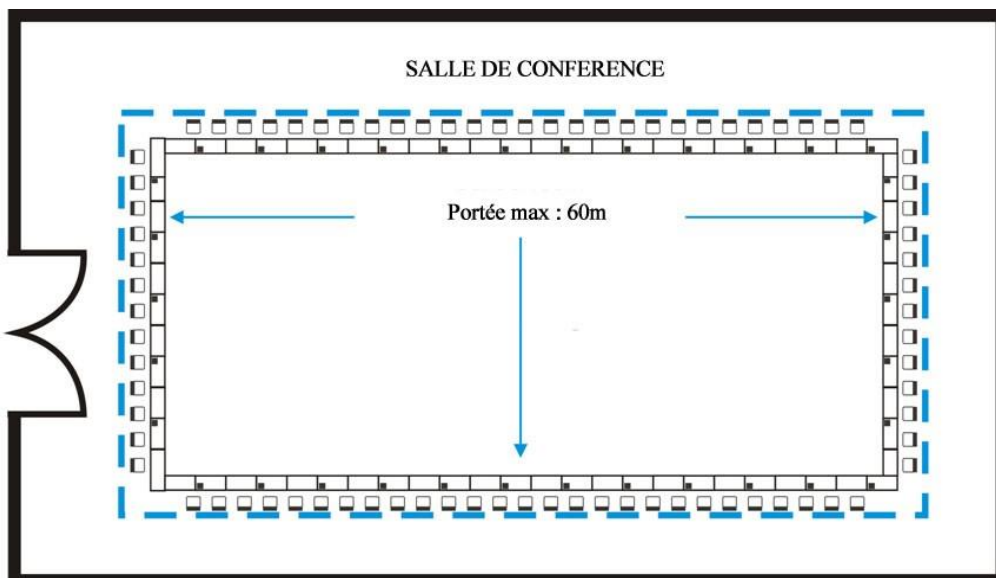
BATTERIES

- La batterie est dédiée à ce pupitre. Ne pas l'utiliser pour d'autres applications
- Utilisez exclusivement le chargeur de batterie HT-2288B
- Si la batterie fuit, contactez immédiatement votre installateur. Rincez votre peau ou vos vêtements à l'eau claire
- Si la batterie fuit et le liquide entre en contact avec vos yeux, lavez-les immédiatement soigneusement à l'eau et consulter un médecin
- Ne pas jeter les piles dans le feu, cela pourrait provoquer un incendie
- Ne pas démonter ni modifier la batterie
- Ne pas court-circuiter le + et - bornes avec n'importe quel métal ou du fil. Ne pas transporter ou stocker la batterie avec des produits métalliques comme un collier.
- Si vous constatez des fuites de batterie, décoloration, distorsion ou les autres problèmes, n'utilisez pas la batterie
- Jeter les piles usagées correctement comme déchets industriels

INSTALLATION

VERIFICATION DE LA ZONE DE COUVERTURE

La zone de couverture réelle de la salle de conférence (zone de couverture de la salle de conférence est généralement plus petite que la salle de conférence)



CONFIGURATION

Description	Modele	Quantité max
Récepteur	SC-2288R	1
Pupitre président	SC-2288C	1
Pupitre délégué	SC-2288D	≤255
Antenne donnée		1
Antenne contrôle audio		3
Chargeur		
Batterie		

INSTALLATION ET CONNEXION DU RECEPTEUR

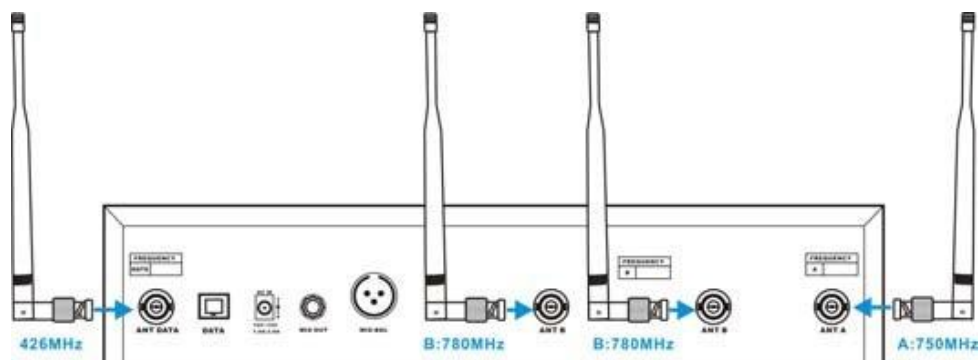
INSTALLATION

- Posez le récepteur sur une table ou installez le dans un meuble 19"
- Eloignez le de sources de fortes puissances ou à fortes radiations qui pourrait interférer sur le bon fonctionnement du système
- Utilisez une zone bien aérée

CONNEXION DES ANTENNES

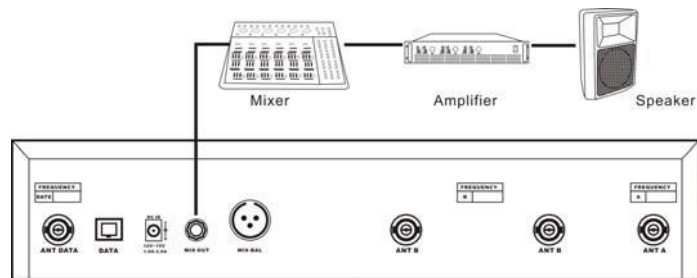
Il y a 4 antennes sur le récepteur. 1 pour les données, 1 pour le pupitre président et 2 pour les pupitres délégués.

Installez et positionnez correctement les antennes sinon le système ne fonctionnera pas correctement

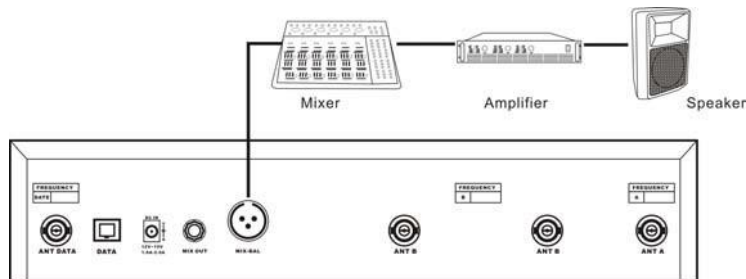


CONNECTION AU SYSTEME AUDIO

Veillez connecter la sortie MIX OUT asymétrique du récepteur à une entrée votre matériel de sonorisation sur une prise Jack $\Phi 6.3$ niveau ligne (sur courte distance)

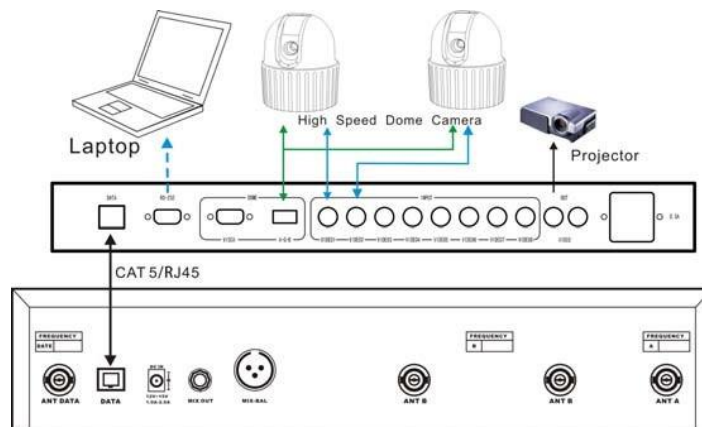


Veillez connecter la sortie MIX OUT symétrique du récepteur à une entrée votre matériel de sonorisation sur une prise XLR niveau ligne (sur longue distance)



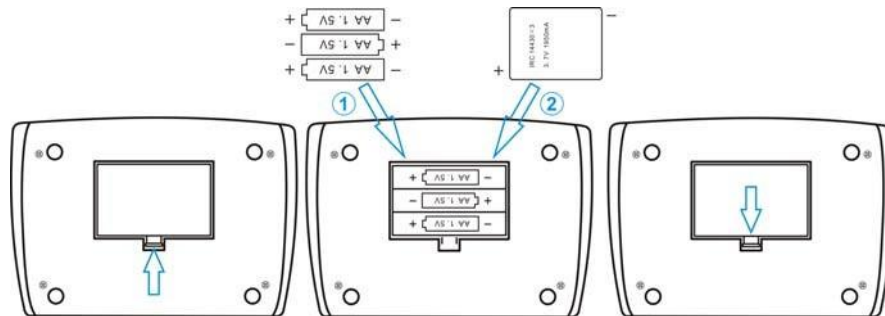
CONNECTION AU SYSTEME VIDEO

Si vous voulez disposer de la fonction de recherche automatique vidéo, vous devez connecter un processeur vidéo externe (en option). Pour cela, utilisez la prise RJ-45 et lire la doc du processeur vidéo



INSTALLATION ET CONNEXION DES PUPITRES

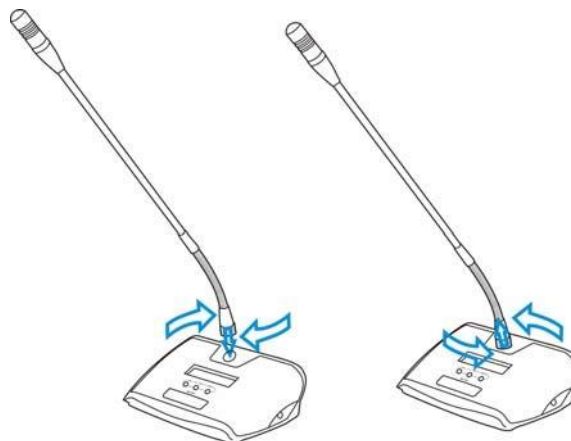
INSTALLATION DES BATTERIES



Ouvrez le compartiment batterie Installez la batterie Refermez le compartiment

Montage batterie : Retirez le couvercle du compartiment sur la face inférieure du pupitre ; Insérez la batterie dans le sens de la flèche pour l'attacher, et repositionnez ensuite le couvercle du compartiment, écouter le clic sonore et assurez-vous que le couvercle soit bien fixé.

MONTAGE ET DEMONTAGE DES MICROS


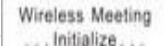
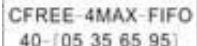


- Montage micro : Insérez le microphone dans la prise micro de montage en ligne droite et tournez ensuite le microphone dans le sens horaire pour le fixer solidement.
- Démontage micro : tourner la base du micro vers la gauche, puis tirez le micro vers le haut pour le démontage

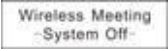
PARAMETRAGE DU SYSTEME


RECEPTEUR :

Allumage / extinction du récepteur

- Allumage : Appuyez (et restez appuyé) sur le bouton POWER sur la partie gauche de la façade du récepteur
L'afficheur indiquera  puis  et enfin 
- Extinction : Appuyez sur le bouton POWER sur la partie gauche de la façade du

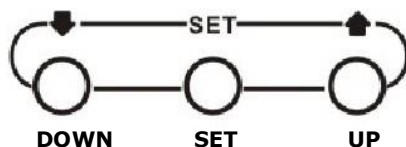
récepteur

L'afficheur indiquera  . Le récepteur sera éteint et les pupitres passeront en mode stand by.

Si vous restez appuyer sur le bouton POWER, l'afficheur  indiquera.

Le récepteur et les pupitres seront éteints en même temps.

- a. Touches de fonction: Il y a trois touches de fonction sur le récepteur



- b. Réglage système :

L'affichage par défaut est : **CFREE-4MAX-FIFO**

Le système possède 10 modes de fonctionnement (FIFO 1/2/3/4, LIMIT 1/2/3/4, ONLY et CFREE)

L'utilisateur peut choisir le mode en utilisant les boutons **UP & DOWN**. Le mode sélectionné sera sauvegardé si vous ne touchez aucun bouton pendant 3s ou si vous appuyez sur le bouton **SET**

C.ONLY: Dans ce mode, si le président presse la touche priorité, seul le microphone du Président est activé (les pupitres délégués sont coupés). Ils resteront coupés jusqu'à ce que la touche priorité soit relâchée
Pour activer ce mode, : Appuyez sur **SET** une ou plusieurs fois jusqu'au ce que **CFREE** clignote. Ensuite, appuyez vers le bouton **DOWN** jusqu'à ce que **CONLY** s'affiche et ensuite appuyez sur **SET** pour enregistrer ou attendez environ 3s, le système enregistrera le mode automatiquement et l'afficheur cessera de clignoter.

C.FREE: Dans ce mode, si le président presse la touche priorité, seul le microphone du Président est activé (les pupitres délégués sont coupés). Par contre, ils peuvent réactiver leurs micros même si la touche priorité est encore pressé
Pour activer ce mode, : Appuyez sur **SET** une ou plusieurs fois jusqu'au ce que **CFREE** clignote. Ensuite, appuyez vers le bouton **DOWN** jusqu'à ce que **CFREE** s'affiche et ensuite appuyez sur **SET** pour enregistrer ou attendez environ 3s, le système enregistrera le mode automatiquement et l'afficheur cessera de clignoter.

1 MAX LIMIT: Dans ce mode, Une seul délégué est autorisé à parler en même temps que le président. Si d'autres délégués essayent d'activer leur micro alors qu'un délégué est déjà activé, leurs micros restera en stand by

Pour ajuster le nombre : Appuyez sur **SET** une ou plusieurs fois jusqu'au ce que **4MAX** clignote. Ensuite, appuyez vers le bouton **DOWN** jusqu'à ce que **1MAX** s'affiche et ensuite appuyez sur **SET** pour enregistrer ou attendez environ 3s, le système enregistrera le mode automatiquement et l'afficheur cessera de clignoter.

Pour sélectionner ce mode : Appuyez sur **SET** une ou plusieurs fois jusqu'au ce que **FIFO** clignote. Ensuite, appuyez vers le bouton **DOWN** jusqu'à ce que **LIMIT** s'affiche et ensuite appuyez sur **SET** pour enregistrer ou attendez environ 3s, le système enregistrera le mode automatiquement et l'afficheur cessera de clignoter.

2 MAX LIMIT: Dans ce mode, deux délégués sont autorisés à parler en même temps que le président. Si d'autres délégués essayent d'activer leur micro alors que deux délégués sont déjà activé, leurs micros restera en stand by

Pour ajuster le nombre : Appuyez sur **SET** une ou plusieurs fois jusqu'au ce que **4MAX** clignote. Ensuite, appuyez vers le bouton **DOWN** jusqu'à ce que **2MAX** s'affiche et ensuite appuyez sur **SET** pour enregistrer ou attendez environ 3s, le système enregistrera le mode automatiquement et l'afficheur cessera de clignoter.

Pour sélectionner ce mode : Appuyez sur **SET** une ou plusieurs fois jusqu'au ce que **FIFO** clignote. Ensuite, appuyez vers le bouton **DOWN** jusqu'à ce que **LIMIT** s'affiche et ensuite appuyez sur **SET** pour enregistrer ou attendez environ 3s, le système enregistrera le mode automatiquement et l'afficheur cessera de clignoter.

3 MAX LIMIT: Dans ce mode, trois délégués sont autorisés à parler en même temps que le président. Si d'autres délégués essayent d'activer leur micro alors que trois délégués sont déjà activé, leurs micros restera en stand by

Pour ajuster le nombre : Appuyez sur **SET** une ou plusieurs fois jusqu'au ce que **4MAX** clignote. Ensuite, appuyez vers le bouton **DOWN** jusqu'à ce que **3MAX** s'affiche et ensuite appuyez sur **SET** pour enregistrer ou attendez environ 3s, le système enregistrera le mode automatiquement et l'afficheur cessera de clignoter.

Pour sélectionner ce mode : Appuyez sur **SET** une ou plusieurs fois jusqu'au ce que **FIFO** clignote. Ensuite, appuyez vers le bouton **DOWN** jusqu'à ce que **LIMIT** s'affiche et ensuite appuyez sur **SET** pour enregistrer ou attendez environ 3s, le système enregistrera le mode automatiquement et l'afficheur cessera de clignoter.

4 MAX LIMIT: Dans ce mode, quatres délégués sont autorisés à parler en même temps que le président. Si d'autres délégués essayent d'activer leur micro alors que quatres délégués sont déjà activé, leurs micros restera en stand by

Pour ajuster le nombre : Appuyez sur **SET** une ou plusieurs fois jusqu'au ce que **4MAX** clignote. Ensuite, appuyez vers le bouton **DOWN** jusqu'à ce que **4MAX** s'affiche et ensuite appuyez sur **SET** pour enregistrer ou attendez environ 3s, le système enregistrera le mode automatiquement et l'afficheur cessera de clignoter.

Pour sélectionner ce mode : Appuyez sur **SET** une ou plusieurs fois jusqu'au ce que **FIFO** clignote. Ensuite, appuyez vers le bouton **DOWN** jusqu'à ce que **LIMIT** s'affiche et ensuite appuyez sur **SET** pour enregistrer ou attendez environ 3s, le système enregistrera le mode automatiquement et l'afficheur cessera de clignoter.

1 MAX FIFO: Dans ce mode, Une seul délégué est autorisé à parler en même temps que le président. Si d'autres délégués essayent d'activer leur micro alors qu'un délégué est déjà activé, leurs micros restera en stand by mais ils auront enregistrés leur demande de prise de parole. Lorsque le délégué ayant la parole désactivera son micro, le délégué suivant prendra la parole. Pour ajuster le nombre : Appuyez sur **SET** une ou plusieurs fois jusqu'au ce que **4MAX** clignote. Ensuite, appuyez vers le bouton **DOWN** jusqu'à ce que **1MAX** s'affiche et ensuite appuyez sur **SET**

pour enregistrer ou attendez environ 3s, le système enregistrera le mode automatiquement et l'afficheur cessera de clignoter.

Pour sélectionner ce mode : Appuyez sur **SET** une ou plusieurs fois jusqu'au ce que **LIMIT** clignote. Ensuite, appuyez vers le bouton **DOWN** jusqu'à ce que **FIFO** s'affiche et ensuite appuyez sur **SET** pour enregistrer ou attendez environ 3s, le système enregistrera le mode automatiquement et l'afficheur cessera de clignoter.

2 MAX FIFO: Dans ce mode, deux délégués sont autorisés à parler en même temps que le président. Si d'autres délégués essaient d'activer leur micro alors que deux délégués sont déjà activés, leurs micros resteront en stand by mais ils auront enregistré leur demande de prise de parole. Lorsque les délégués ayant la parole désactiveront leur micro, les délégués suivants prendront la parole.

Pour ajuster le nombre : Appuyez sur **SET** une ou plusieurs fois jusqu'à ce que **4MAX** clignote. Ensuite, appuyez vers le bouton **DOWN** jusqu'à ce que **2MAX** s'affiche et ensuite appuyez sur **SET** pour enregistrer ou attendez environ 3s, le système enregistrera le mode automatiquement et l'afficheur cessera de clignoter.

Pour sélectionner ce mode : Appuyez sur **SET** une ou plusieurs fois jusqu'à ce que **LIMIT** clignote. Ensuite, appuyez vers le bouton **DOWN** jusqu'à ce que **FIFO** s'affiche et ensuite appuyez sur **SET** pour enregistrer ou attendez environ 3s, le système enregistrera le mode automatiquement et l'afficheur cessera de clignoter.

3 MAX FIFO: Dans ce mode, trois délégués sont autorisés à parler en même temps que le président. Si d'autres délégués essaient d'activer leur micro alors que trois délégués sont déjà activés, leurs micros resteront en stand by mais ils auront enregistré leur demande de prise de parole. Lorsque les délégués ayant la parole désactiveront leur micro, les délégués suivants prendront la parole.

Pour ajuster le nombre : Appuyez sur **SET** une ou plusieurs fois jusqu'à ce que **4MAX** clignote. Ensuite, appuyez vers le bouton **DOWN** jusqu'à ce que **3MAX** s'affiche et ensuite appuyez sur **SET** pour enregistrer ou attendez environ 3s, le système enregistrera le mode automatiquement et l'afficheur cessera de clignoter.

Pour sélectionner ce mode : Appuyez sur **SET** une ou plusieurs fois jusqu'à ce que **LIMIT** clignote. Ensuite, appuyez vers le bouton **DOWN** jusqu'à ce que **FIFO** s'affiche et ensuite appuyez sur **SET** pour enregistrer ou attendez environ 3s, le système enregistrera le mode automatiquement et l'afficheur cessera de clignoter.

4 MAX FIFO: Dans ce mode, quatre délégués sont autorisés à parler en même temps que le président. Si d'autres délégués essaient d'activer leur micro alors que quatre délégués sont déjà activés, leurs micros resteront en stand by mais ils auront enregistré leur demande de prise de parole. Lorsque les délégués ayant la parole désactiveront leur micro, les délégués suivants prendront la parole.

Pour ajuster le nombre : Appuyez sur **SET** une ou plusieurs fois jusqu'à ce que **4MAX** clignote. Ensuite, appuyez vers le bouton **DOWN** jusqu'à ce que **4MAX** s'affiche et ensuite appuyez sur **SET** pour enregistrer ou attendez environ 3s, le système enregistrera le mode automatiquement et l'afficheur cessera de clignoter.

Pour sélectionner ce mode : Appuyez sur **SET** une ou plusieurs fois jusqu'à ce que **LIMIT** clignote. Ensuite, appuyez vers le bouton **DOWN** jusqu'à ce que **FIFO** s'affiche et ensuite appuyez sur **SET** pour enregistrer ou attendez environ 3s, le système enregistrera le mode automatiquement et l'afficheur cessera de clignoter.

Veillez prendre note : le pupitre Président n'est pas limité dans ces modes, Le pupitre président peut être activé ou désactivé indépendamment.

c. Configuration des canaux

Configuration par défaut : **40[05-35-65-95]**

- ✓ Pupitre président
 - ◆ Réglage manuel : Appuyez sur le bouton **SET** une ou plusieurs fois jusqu'à ce que **40** clignote. Appuyez sur les boutons **DOWN** ou **UP** pour sélectionner le canal puis pressez **SET** pour sauver le réglage ou attendez 3s sans toucher à un bouton
 - ◆ Réglage automatique: Appuyez sur le bouton **SET** une ou plusieurs fois jusqu'à ce que **40** clignote puis appuyez (et laissez appuyé) sur le bouton **SET** jusqu'à ce que le symbole --- s'affiche. Ensuite relâchez le bouton. Le système va alors scanner tous les canaux audio (00-99) et sauvegarder les meilleurs
 - ◆ Description pupitre président : la bande de fréquence du pupitre président est 25M; le réglage par défaut est 740MHz -- 764.75MHz (Contactez votre installateur si vous souhaitez une autre bande de fréquence). Il ya 100 canaux possible (par pas de 250KHz)
- ✓ Pupitre délégué (D1, D2, D3, D4)
 - ◆ Réglage manuel : Appuyez sur le bouton **SET** une ou plusieurs fois jusqu'à ce que **40** clignote. Appuyez sur les boutons **DOWN** ou **UP** pour sélectionner le canal puis pressez **SET** pour sauver le réglage ou attendez 3s sans toucher à un bouton
 - ◆ Description pupitre délégué : la bande de fréquence du pupitre président est 25M; le réglage par défaut est 765MHz -- 789.75MHz (Contactez votre installateur si vous souhaitez une autre bande de fréquence). Il ya 100 canaux possible (par pas de 250KHz)
 - ◆ Il y a 4 canaux délégués par récepteur. Vous ne pouvez pas utiliser le même canal pour plusieurs voies sur le même récepteur

d. Réglage système

Pressez le bouton **SET** et allumez le récepteur en utilisant le bouton **POWER** en même temps. L'afficheur du récepteur




. Il y a 4 menu possible

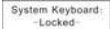
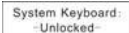
- ◆ Configuration canaux donnée récepteur (salle) (canal par défaut est **ROOM 0**). Il y a 16 canaux de données possibles (0-1-2-3-4-5-6-7-8-9-A-B-C-D-E-F). L'utilisateur peut sélectionner le canal en utilisant les boutons **UP** et **DOWN** puis appuyez sur **SET** pour sauver le réglage. Le récepteur va passer automatiquement à la partie suivante. Ce système utilise le numéro de salle pour montrer les canaux de

données si il y a plus d'une système HT-2288 dans la même zone ou le même bâtiment Nous vous conseillons de régler différent numéro de salle (canal de donnée) pour éviter les interférences

- ◆ Canaux audio pupitre délégué : Le récepteur va recevoir automatiquement les canaux audio des pupitres délégués après le réglage des canaux de données..
- ◆ 0---le canal audio pas disponible, 1---le canal audio pas disponible
- ◆ Méthode de réglage du canal 1: Appuyez sur **DOWN** pour fermer ce canalet pressez **UP** pour ouvrir le canal, Appuyez sur **SET** pour sauver le réglage et le récepteur passera à la partie suivante automatiquement

- ◆ Méthode de réglage canal 2, 3, 4: voir réglage canal 1.
- ◆ Description du réglage : le récepteur utilise 4 canaux LNB pour les 4 pupitres délégués. L'ordre par défaut est D1, D2, D3, D4. Si il y a quelques problèmes avec D1, le système ne fonctionnera pas correctement. Le réglage de ce canal est donc très important.
- ◆ Appuyez (et laissez appuyé) sur **SET** ou pressez le bouton **POWER** jusqu'à ce que l'afficheur indique  pour sortie de ce menu

f. Blocage et déblocage

- ◆ Blocage : Appuyez (et restez appuyé) sur **SET** puis sur le bouton **UP** en même temps. L'afficheur indiquera 
- ◆ Déblocage Appuyez (et restez appuyé) sur **SET** puis sur le bouton **DOWN** en même temps. L'afficheur indiquera 
- ◆ Noté que si le système est bloqué, les touches de fonction du récepteur ne sont pas disponibles pour les réglages

g. Vérification des canaux audio et données

L'utilisateur peut vérifier les canaux audio et données (salle) en utilisant les boutons **UP** et **DOWN**

- ◆ L'utilisateur peut vérifier les canaux audio, données et les fréquences des pupitres président et délégués (D1, D2, D3, D4) même si le système est bloqué
- ◆ Nous vous recommandons d'utiliser la fonction de réglage automatique pour régler automatiquement les canaux pour éviter les interférences
- ◆ Le système va éteindre automatiquement tous les micros (même le pupitre président) lorsque l'utilisateur sauvegardera les réglages
- ◆ Une fois que le système fonctionne correctement, nous conseillons de bloquer le système pour éviter une mauvaise manipulation.

PUPITRE :

Il y a trois touches de fonction sur les pupitres : **POWER, ON/OFF, PRIOR, VOL-, VOL +, MUTE**

a. Description fonction :

- ◆ **POWER**: appuyez (et laissez appuyé) sur ce bouton pour allumer ou éteindre le pupitre
- ◆ **ON/OFF**: pour activer ou désactiver le micro du pupitre.
- ◆ **PRIORITE**: Seul le pupitre président possède le bouton priorité. En pressant ce bouton, le pupitre président devient prioritaire et tous les micros délégués sont désactivés.
- ◆ **VOL-**: Pour diminuer le niveau du volume
- ◆ **VOL+**: Pour augmenter le niveau de volume
- ◆ **MUTE**: Appuyez sur ce bouton pour prévenir un toux

b. Description réglage

Appuyez sur **MUTE** et sur **POWER** en même temps, le micro va entrer en mode réglage. Il ya 4 parties

- ◆ Canal de données (salle) pupitre (canal par défaut est **ROOM 0**), Il y a 16 canaux de données possibles (0-1-2-3- 4-5-6-7-8-9-A-B-C-D-E-F), l'utilisateur peut sélectionner le canal en utilisant les boutons **VOL -** et **VOL +** puis pressez **MUTE** pour sauver le réglage. Le pupitre va passer automatiquement à la partie suivante.
- ◆ Réglage numéro ID: Le numéro ID du pupitre président peut être réglé de 0 à 9 ou, A à F . Le numéro ID des pupitres délégués peut être réglé de 0 à 255. Utilisez les boutons **VOL -** et **VOL +** pour régler le numéro ID puis appuyez sur **MUTE** pour sauver le réglage, Le pupitre va passer automatiquement à la partie suivante.
 - Note : Tous les micros doivent avoir un numéro ID différents Si plusieurs pupitres ont le même numéro ID, le système ne fonctionnera pas correctement. Le numéro ID est très important si vous utilisez la fonction de recherche vidéo. Le numéro ID du président doit être le 1
- ◆ Carillon du pupitre président : Quand le pupitre président est activé, le système joue un petit son. Utilisez le bouton **VOL -** pour annuler ce son ou sur **VOL +** pour activer ce son.
- ◆ Mode de fonctionnement pupitre : le mode par défaut est lik LINK. L'utilisateur peut changer le mode en appuyant sur **VOL -** pour passer en mode FREE ou **VOL +** pour passer en mode LINK. En mode FREE, le pupitre peut être allumé ou éteint n'importe quand pour communiquer avec le récepteur et l'utilisateur peut régler les canaux audio (quand le pupitre est éteint, pressez **MUTE** le canaux audio clignotera, Utilisez les boutons **VOL -** et **VOL +** pour sélectionner le canal audio. En mod LINK , les pupitres doivent fonctionner et communiquer avec le récepteur. Les micros ne peuvent pas être activé et les canaux audio seront affectés par le récepteur
- ◆ Sortie du menu : activez le microphone ou appuyez sur le bouton **POWER** pour sortir du menu (ou si vous n'effectuez pas de pression sur l'une des boutons du pupitres pendant plus de 9s.

CARACTERISTIQUES TECHNIQUES

RECEPTEUR SC-2288R :

		Paramètres
Canal audio	Méthode de transmission	UHF
	Canaux audio	5 (1 président, 4 délégués)
	Méthode de modulation	FM
	Sensibilité	-100dBm
	Gain audio	≤20
	Réponse en fréquence	50Hz-15KHz
	Rapport signal / bruit	85dB
	T.H.D.	0.8%
Canal données	Méthode de transmission	Sans fil (2 sens)
	Canaux données	16
	Méthode de modulation	FSK
	Sensibilité	-100dBm
	Vitesse de communication	100KBPS
	Déviaton fréquence	0.002
Système	Alimentation	DC12~15V ≤1A
	Portée max	60 meters
	Consommation	7W
	Dimensions	485×355×85mm
	Poids	7kg

PUPITRE SC-2288C/D :

		Paramètres
Canal audio	Méthode de transmission	UHF (1 sens)
	Canal audio	5 (1 président, 4 délégué)
	Méthode de modulation	FM
	Modulation max	60KHz
	Puissance radiant	≤+9dBm
	Déviatiion fréquence	0.002
	Réponse en fréquence	50Hz-15KHz
	Rapport signal / bruit	85dB
	T.H.D.	<0.8%
Canal donnée	Méthode de transmission	Sans fil (2 sens)
	Canaux données	16
	Méthode de modulation	FSK
	Sensibilité	-100dBm
	Vitesse communication	100KBPS
	Déviatiion fréquence	<0.002
Système	Alimentation	DC3.7~4.5V
	Portée max	60 metres
	Consommation	Standby: ≤360mW activé: ≤630mW
	Dimensions	170×58×120mm
	Poids	0.7kg

CHARGEUR SC-2288CG8:

Alimentation	110V-240V/50Hz~60Hz
Cosommation	200W
Quantité max	8 batteries
Courant max par logement	700mA
Durée de charge	8-10 heures
Dimensions	620×370×175mm
Poids	9kg

BATTERIE:

Tension	DC3.7V
Courant de fonctionnement	500mA
Courant de charge	700mA
Durée d'utilisation	8 heures
Durée en stand by	24 heures
Tension de charge	DC5V
Dimensions	47×40×12mm
Poids	54g

Copyright 2020

*MSC Distribution
9, Rue Camille Flammarion
91630 Avrainville
France*



DÉCLARATION UE DE CONFORMITÉ

Fabricant :

MEGA SOUND CONCEPT
9 Rue Camille Flammarion,
91630 Avrainville



Marque commerciale du produit :

HPA

Déclare par la présente que le modèle référencé :

SC-2288

Type :

SC-2288C / SC-2288D / SC-2288R

Satisfait, de par sa conception et son type de construction dans la version que nous commercialisons, aux exigences fondamentales des Directives de l'Union européenne citées ci-dessous :

Directive de compatibilité électromagnétique (EMC) : 2014/30/EU

Directive basse tension (LVD) : 2014/35/EU

Directive RED : 2014/53/EU

- EN 62479:2010
- EN 60065:2014
- ETSI EN 301 489-1 V2.2.0
- ETSI EN 301 489-9 V2.1.1
- ETSI EN 300 422-1 V2.1.2

La conformité a été contrôlée par l'organisme suivant :

PHOENIX TESTLAB GMBH
ACCREDITÉ PAR BUNDESNETZAGENTUR
BNETZA-BS-02/51-55
Königswinkel 10,
D-32825 Blomberg, Germany

Avrainville, le 22/12/2020

M. NICOLAS BEZARD
Gérant.

EU DECLARATION OF CONFORMITY

Importer:

MEGA SOUND CONCEPT
9 Rue Camille Flammarion,
91630 Avrainville



Product trademark :

HPA

Hereby declares that the referenced model :

SC-2288

Type :

SC-2288C / SC-2288D / SC-2288R

Satisfies, by its design and type of construction in the version we sell, the fundamental requirements of the European Union Directives listed below :

Electromagnetic Compatibility Directive (EMC) : 2014/30/EU

Low voltage directive (LVD) : 2014/35/EU

RED Directive : 2014/53/EU

- EN 62479:2010
- EN 60065:2014
- ETSI EN 301 489-1 V2.2.0
- ETSI EN 301 489-9 V2.1.1
- ETSI EN 300 422-1 V2.1.2

Compliance has been checked by the following Lab

**PHOENIX TESTLAB GMBH
ACCRÉDITÉ PAR BUNDESNETZAGENTUR
BNETZA-BS-02/51-55**

**Königswinkel 10,
D-32825 Blomberg, Germany**

Avrainville, 22/12/2020

**M. NICOLAS BEZARD
CEO.**