



MACWASH1915Z



MODE D'EMPLOI – USER MANUAL

ENGLISH

1. General Information:

Thank you very much for choosing our product. For safety purpose, please read this manual carefully before your operation. This manual included installation and using information. Please install and operate it according to this manual.

Unpacking: Once receive it, please handle it carefully and check if there is some shatter because of transportation and the following fittings are OK.

In the carton, there are four things available:

Moving head light: 1PC

Power cable: 1PC

Fast Lock: 1PC

User manual: 1 PC

Warning! To prevent or reduce the risk of electrical shock or fire, do not expose this unit to rain or moisture.

Caution! There are no user serviceable parts inside this unit. Do not attempt any repairs yourself. Doing so will void your manufacturer's warranty. In the unlikely event your unit may require service please contact us.

2. Safety Instructions



WARNING

Please read carefully the instruction, which includes important information about the installation, usage and maintenance.

- Please keep this User Guide for future consultation. If you sell the unit to another user, be sure that they also receive this instruction booklet.
- Unpack and check carefully there is no transportation damage before using the unit.
- Before operating, ensure that the voltage and frequency of power supply match the power requirements of the unit.
- It's important to ground the yellow/green conductor to earth in order to avoid electric shock.
- The unit is for indoor use only. Use only in a dry location.

- The unit must be installed in a location with adequate ventilation, at least 50cm from adjacent surfaces. Be sure that no ventilation slots are blocked.
- Disconnect main power before replacement or servicing.
- Make sure there are no flammable materials close to the unit while operating as it is fire hazard.
- Use safety cable when fixes this unit. DO NOT handle the unit by taking its head only, but always by taking its base.
- Maximum ambient temperature is T_a : 40°C. DO NOT operate it where the temperature is higher than this.
- Unit surface temperature may reach up to 85°C. DO NOT touch the housing bare-hand during its operation. Turn off the power and allow about 15 minutes for the unit to cool down before replacing or serving.
- In the event of serious operating problem, stop using the unit immediately. Never try to repair the unit by yourself. Repairs carried out by unskilled people can lead to damage or malfunction. Please contact the nearest authorized technical assistance center. Always use the same type spare parts.
- DO NOT touch any wire during operation as high voltage might be causing electric shock.

Warning:

- To prevent or reduce the risk of electrical shock or fire, do not expose the unit to rain or moisture.
- DO NOT open the unit within five minutes after switching off.
- The housing, the lenses, or the ultraviolet filter must be replaced if they are visibly damaged.

Caution:

There are no user serviceable parts inside the unit. DO NOT open the housing or attempt any repairs yourself. In the unlikely event your unit may require service, please contact your nearest dealer.

If using a 230V 50Hz power supply, DO NOT connect in series more than 11 units; use another main supply for the next 11 fixtures.
If using a 120V 60Hz power supply, DO NOT connect in series more than 5 units; use another main supply for the next 5 fixtures.

Installation:

The unit should be mounted via its screw holes on the bracket. Always ensure that the unit is firmly fixed to avoid vibration and slipping while operating. And make sure that the structure to which you are attaching the unit is secure and is able to support a weight of 10 times of the unit's weight. Also always use a safety cable that can hold 12 times of the weight of the unit when installing the fixture.

The equipment must be fixed by professionals. And it must be fixed at a place where is out of the touch of people and has no one pass by or under it.

Under " Control Mode", for installations where the DMX cable has to run a long distance or is in an electrically noisy environment, it is recommended to use a DMX terminator. This helps in preventing corruption of the digital control signal by electrical noise. The DMX terminator is simply an XLR plug with a 120 resistor connected between pins 2 and 3, which is then plugged into the output XLR socket of the last fixture in the chain.

3. Technical Specifications

Voltage: AC 100V~240V, 50/60Hz

Power Consumption: 250W Max.

LED: 19pcs x 15W RGBW 4in1 LED

Beam Angel: 6 ~50 degree

Movement: Pan 540°, Tilt 270°, speed adjustable.

Motor: 2-phase motor

Dimming: 0-100% electronic dimming

Strobe: 1-25times per second

DMX Channel: 15/23CH

Operation Modes: DMX512, Master/Slave, Auto, Sound active

Color: RGBW infinite mixing system, Uniform and bright colors

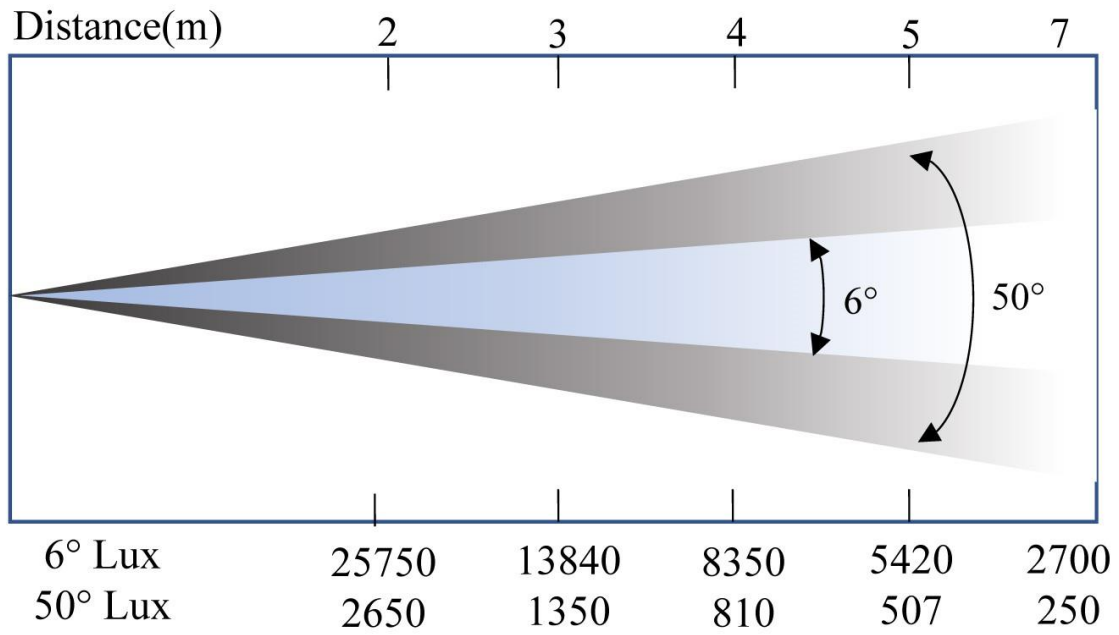
Effects: 3 Groups LED control, rainbow effects, outstanding color macro effect.

Display: Colorful LCD display for easy navigation.

Body Size: 32.5x18.8x39.5 cm

Packing Size: 45x36x31cm

N.G/W: 8.5kg/10 kg



4. MENU

Option	Description	
Setting	DMX Addr	DMX Address, 001-512
	Encoder	YES: the encoder (opticalcouper) to judge out of step and automatically correct position. NO: the position without using encoder (opticalcouper).
	PanREV	YES / NO
	TiltREV	YES / NO
RunMode	RunMode	DMX / AUTO / SOUND
	Channel	15CH / 23CH
Display	Language	EN/中文

	Reverse	YES / NO
Factory	Pan	128
	Tilt	128
	Focus	128
	Red	220
	Green	220
	Blue	220
	White	220
	Logo	000

5. DMX Channel Table

15 CHANNELS

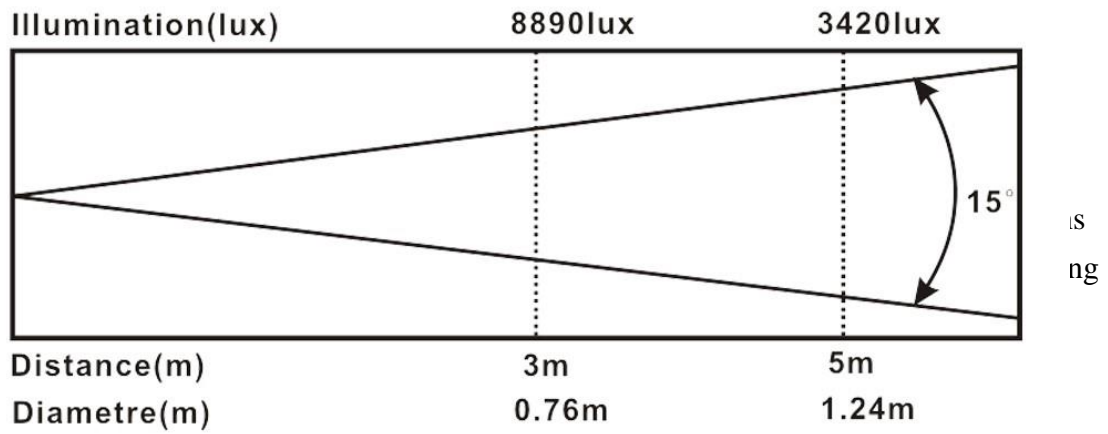
Channel	Value	Function
1	000-255	Pan
2	000-255	Pan Fine
3	000-255	Tilt
4	000-255	Tilt Fine
5	000-255	P/T Speed
6	000-255	Zoom
7	000-255	Dimmer
8	000-255	Strobe
9	000-255	Red

10	000-255	Green
11	000-255	Blue
12	000-255	White
13	000-255	Function Mode
14	000-255	Function Mode Speed
15	000-255	Reset (255)

23 CHANNELS

Channel	Value	Function
1	000-255	Pan
2	000-255	Pan Fine
3	000-255	Tilt
4	000-255	Tilt Fine
5	000-255	P/T Speed
6	000-255	Zoom
7	000-255	Dimmer (0-100%)
8	000-255	Strobe
9	000-255	Red (R) First Group
10	000-255	Green (G) First Group
11	000-255	Blue (B) First Group
12	000-255	White (W) First Group
13	000-255	Red (R) Second Group
14	000-255	Green (G) Second Group
15	000-255	Blue (B) Second Group

16	000-255	White (W) Second Group
17	000-255	Red (R) Third Group
18	000-255	Green (G) Third Group
19	000-255	Blue (B) Third Group
20	000-255	White (W) Third Group
21	000-255	Function Mode
22	000-255	Function Mode Speed
23	000-255	Reset (255)



FRANCAIS

1. Instructions de sécurité



Avant d'utiliser votre matériel, nous vous recommandons de lire l'ensemble des instructions de ce manuel.

WARNING

- Conservez ce manuel pour une future consultation. Si vous revendez cet appareil, veillez à transmettre également ce manuel d'utilisation au nouvel acquéreur.
- Déballez entièrement l'appareil ainsi que tous ses accessoires. Vérifiez qu'il n'y a aucun dommage et que l'appareil se trouve en parfait état.
- Il est important d'utiliser le câble d'alimentation secteur fourni (câble avec terre).
- Toujours débrancher l'appareil avant une intervention technique ou avant son entretien.
- Température ambiante maximum pour un fonctionnement optimal de l'appareil : 40°C. Ne pas utiliser l'appareil si la température ambiante dépasse cette valeur.
- En cas de problème de fonctionnement, arrêtez immédiatement l'appareil. Ne pas essayer de le réparer soi-même. Contactez votre revendeur ou faites appel à un réparateur spécialisé et agréé. Il n'y a aucune pièce remplaçable par l'utilisateur.
- Ne pas brancher cet appareil sur un bloc de puissance variable type "Dimmer pack"
- Afin de réduire et d'éviter tout risque d'électrocution ou d'incendie, ne pas utiliser cet appareil dans un milieu humide ou sous la pluie.
- Ne pas regarder directement le faisceau lumineux.
- Cet appareil MACSPOT100 doit être installé avec un crochet solide et de dimension adéquate au poids supporté. L'appareil doit être vissé au crochet et serré convenablement afin d'éviter toute chute due aux vibrations produites par la machine en fonctionnement. L'accroche de l'appareil doit être sécurisée par une élingue de sécurité. Assurez-vous également que la structure (ou point d'accroche) peut supporter au moins 10X le poids de l'appareil accroché.
- L'appareil doit être installé par une personne qualifiée et doit être placé hors de portée du public.

2. Specifications techniques

Alimentation électrique : AC100-240V,50-60Hz

Consommation : 250W Max.

Canaux DMX : 15/23 Canaux

Source lumineuse: 19 LED 15W RGBW 4-en-1

Angle de projection : 6° à 50°

Mode de contrôle : DMX512, Master/Slave, Auto, Sound.

Mouvement: Pan: 540° Tilt: 270°,Pan/Tilt vitesse ajustable.

Strobe: 1-25t/s

Dimmer: 0-100% linear dimming

3 groupes de leds controllable séparément.

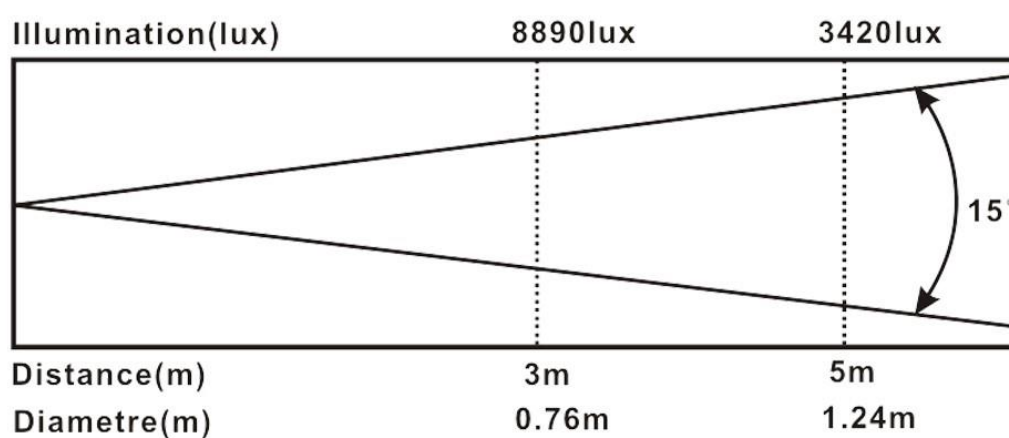
Dimensions produit: 32.5x18.8x39.5 cm

Dimensions carton: 45x36x31cm

Poids net / brut: 8.5kg/10 kg

Menu > voir English

Charte DMX > voir English



Mac Mah – MSC Distribution

9 Rue Camille Flammarion

91630 Avrainville / FRANCE

infos@msc-distribution.com

Tel : +33 1 69 34 80 62