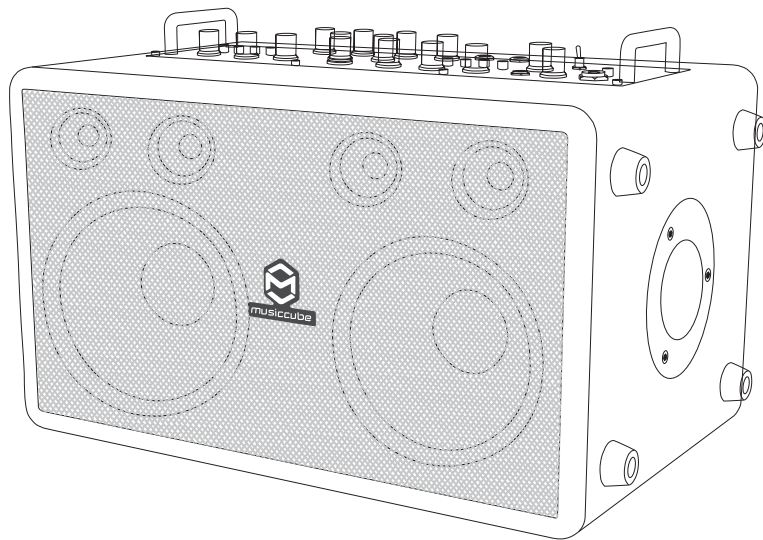




User Manual

Musiccube MA90 Pro

Portable Acoustic Guitar Amplifier



Thank you for choosing and purchasing the Musiccube MA90 Pro.

Product Introduction

Thank you for choosing Musiccube MA90 Pro.

The Musiccube i-MA90 Pro is a professional, compact, and powerful stereo amplifier, designed to enhance the expressiveness of acoustic guitars while delivering exceptional vocal effects. It is equipped with two 6-inch neodymium bass drivers and four mid-high frequency units, providing 140 watts of rated power. The amplifier includes four built-in effects: hall, reverb, delay, and chorus. Despite its lightweight design, it is easy to carry and can be powered solely by batteries. It supports multiple device input/output options and features a 3.5mm digital audio interface for integration with mobile apps, offering a wide range of versatile and enjoyable performance effects.

Continue exploring and enjoying the remarkable experience of the Musiccube MA90 Pro!

Specifications

Model: Musiccube MA90 Pro

Power: Rated Power 140W

Frequency range: 50Hz-20KHz

Audio input: 2 x Microphone/Line Inputs(XLR/TRS)

2 x Guitar Input

1 x AUX IN 3.5mm Audio Input

1 x Bluetooth Input

1 x USB Input

Additional Features: Type-C Live Streaming or Internal Recording
/ Balanced Output / Bluetooth / USB Input

Effects: Reverb 1/Reverb 2/Chorus/Delay

Speaker Units: 2 x 6-inch Woofer / 4 x 2-inch Tweeter

Dimensions: 375mm (L) x 243mm (W) x 220mm (H)

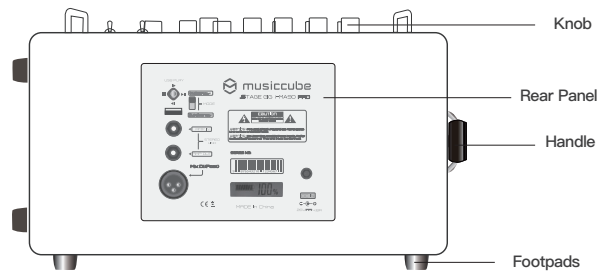
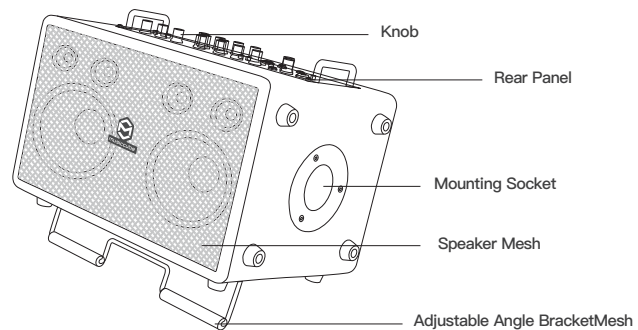
Net Weight: 5.5 kg

Power supply: AC: 100V --- 240V

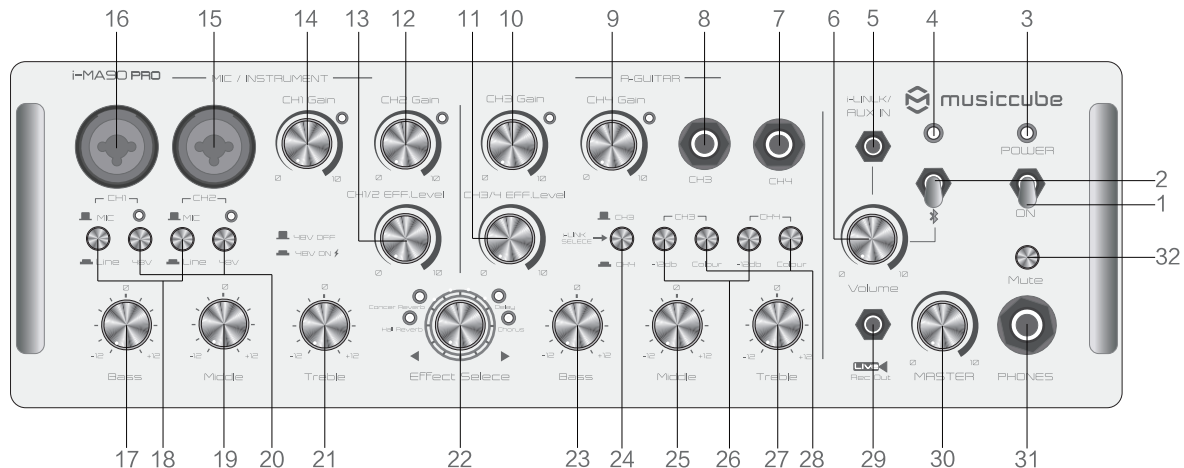
DC: 26V --- 4.8A

Color: Black/White/Wood

Product structure



Front Panel Function Introduction (I)

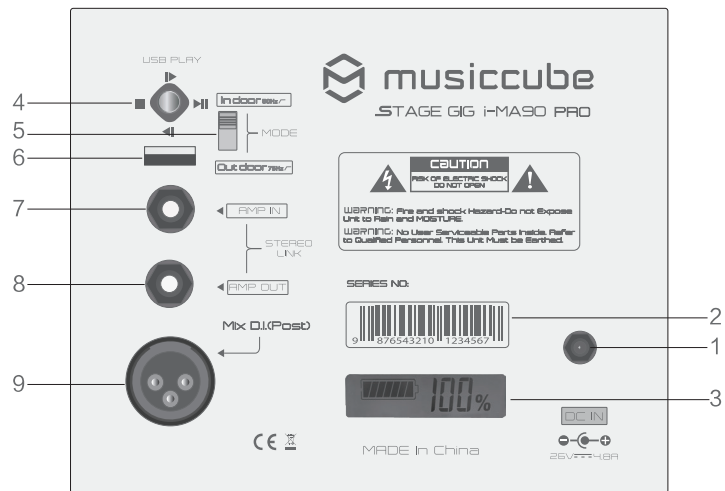


- | | | | |
|---------------------------------------|-----------------------------|---|--------------------------------|
| 1.Power Switch | 9.Channel 4 Gain Knob | 17.Bass Knob | 25.Midrange Knob |
| 2.Bluetooth Switch | 10.Channel 3 Gain Knob | 18.Mic/Line Input Switch | 26.High/Low Sensitivity Switch |
| 3.Power Indicator | 11.Channel 3/4 Effects Knob | 19.Midrange Knob | 27.Treble Knob |
| 4.Bluetooth Indicator | 12.Channel 2 Gain Knob | 20.Phantom Power Gain Switch | 28.Tone Mode Switch |
| 5.Digital Audio Track/Aux Input Jack | 13.Channel 1/2 Effects Knob | 21.Treble Knob | 29.Live/Recording Audio Input |
| 6.Aux Input/Bluetooth/USB Volume Knob | 14.Channel 1 Gain Knob | 22.Effects Selection Knob | 30.Master Volume Knob |
| 7.Channel 4/Guitar Input Jack | 15.Channel 2 Input Jack | 23.Bass Knob | 31.Headphone Output Jack |
| 8.Channel 3/Guitar Input Jack | 16.Channel 1 Input Jack | 24.Digital Audio Track Selection Button | 32.Mute Switch |

Front Panel Function Introduction (II)

Name	No.	Description
Microphone/Line Input Channel		
Channel 1/2 Input Jack	⑮ ⑯	Turn the power on or off
Mic/Line Input Switch	⑱	Adjust the overall volume of the speaker
Phantom Power Switch	⑳	Connect stereo signals from a smartphone or other external audio devices
Channel 1/2 Gain Control	⑫ ⑭	Control the volume of Bluetooth, USB, RCA, or 3.5mm stereo audio inputs
CH1/CH2 Channel EQ Control	⑰ ⑲ ㉑	Adjust the channel's bass, midrange, and treble
CH1/CH2 Effect Level Control	⑬	Adjust the effect level for the channel
Guitar Input Channel		
CH3/CH4 Channel Input Jacks	⑦ ⑧	Connect guitars or other instruments
CH3/CH4 Tone Selection Switch	㉘	Toggle between tones by pressing or releasing the button
CH3/CH4 Sensitivity Switch	㉚	Press for attenuation mode; release for standard mode
CH3/CH4 Channel Gain Control	⑩ ⑨	Adjust the gain for the guitar channel
CH3/CH4 Channel EQ Control	㉛ ㉝ ㉟	Adjust the channel's bass, midrange, and treble
CH3/CH4 Effect Level Control	⑪	Adjust the effect level for the channel
Track Selector for CH3/CH4	㉜	Press to select CH4 for recording; release to select CH3
Channel Effect Selector	㉚	Choose effects for channels 1, 2, 3, 4
Main Control Module		
Power Indicator	③	Indicates whether the device is powered on
Bluetooth Indicator	④	Flashes when waiting to connect; stays on when successfully connected
3.5mm Auxiliary Input Jack	⑤	Audio signal input via 3.5mm audio cable
Auxiliary Input Volume Control	⑥	Adjusts the volume for Bluetooth/USB/RCA/3.5mm stereo audio inputs
Bluetooth On/Off Switch	②	Turn Bluetooth on/off via toggle switch
Power Switch	①	Power On/Off
Mute Switch	㉙	Press to mute the speaker
Headphone Monitoring Output	⑳	Connect monitoring headphones
Master Volume Control	㉞	Controls the speaker volume
Streaming and Recording Input Port	㉟	Connect a mobile device via 3.5mm jack for recording and live streaming

Rear Panel Function Introduction (I)



1.Charging Port

2.Serial Number

3.Battery Level Display

4.USB Playback Control Buttons

5.Mode Selector Switch

6.USB Port

7.Line Input

8.Line Output

9.DI Balanced Output

Rear Panel Function Introduction (II)

Name	No.	Description
Charging Port	①	Charging and DC Power Input Port
Serial Number	②	Identify device for after-sales service with unique serial number
Battery Level Display	③	Check battery status on the display screen (please charge when below 20%)
USB Playback Control	④	Switch between tracks, play, or stop audio
Mode Selector Switch	⑤	Flip up for indoor mode, down for outdoor mode
USB Port	⑥	USB Port for Audio Playback
Line Input	⑦	Signal Input via 6.35mm Connection
Line Output	⑧	Signal Output via 6.35mm Connection
DI Balanced Output	⑨	Connect to an audio interface or send output to a mixing console

Precautions

Usage Limitations

- Do not place this product on an unstable, damp surface, or near open flames or heat sources (such as stoves).
 - Avoid placing the product near devices that may cause interference.
 - Only use the power adapter and battery supplied with the product. Do not use non-original chargers or batteries.
-

Cleaning & Maintenance

- Do not submerge this product in water or expose it to moisture.
 - Avoid using hard objects to wipe the surface, as this may cause scratches.
 - Use a soft cloth for cleaning.
-

Power Supply Precautions

- Only use the provided power adapter and cable supplied with this product.
 - If the power adapter or cable is damaged, replace it with the original adapter and cable to prevent insufficient power supply or damage to the circuit board.
 - Do not excessively twist, bend, or pull the AC power cord, as this may expose or break the internal wiring.
 - Do not use the power adapter and cable provided with this product on other devices.
 - Do not allow children to operate this product alone. Keep it out of reach of infants to prevent risks of electric shock or burns.
 - Do not insert or remove the power adapter plug with wet hands to avoid electric shock or injury.
-

Battery Precautions

- Do not disassemble the built-in rechargeable battery pack.
- Only use the original rechargeable battery pack provided with the product.
- Do not subject the rechargeable battery pack to impact or external force.
- Please charge the speaker when the battery level is below 20%.
- If the product will not be used for an extended period, recharge periodically to prevent battery damage.

Operating Environment

-As this product has a wooden structure, avoid using it in humid or direct sunlight conditions to prevent the enclosure from cracking.

Additional Precautions

- Do not drop the product or strike it against hard objects, as this may cause injury or malfunction.
 - Do not use the product if it is structurally damaged to avoid injury or other accidents.
 - Do not modify or attempt repairs. Only qualified technicians should perform repairs to prevent fire, electric shock, or injury.
 - If any abnormality or malfunction occurs, stop using the product immediately to avoid fire, electric shock, or injury.
-

Troubleshooting and Issues

- Abnormal heating of the power cord, power adapter, or plug during use.
- Smoke emission or a burning odor from the speaker.
- Cracking, looseness, or unusual sounds from any part of the speaker.
- Other abnormalities or malfunctions.

Precautions

I. Warranty Policy

Type	Warranty Coverage	Warranty period
Main Unit	Speaker Components	1 year
Accessories	Power Adapter / Power Cable / Battery	1 year

II. About Warranty

1. The product's serial number and warranty card number serve as proof of warranty.
2. The warranty period starts from the date the customer receives the product.
3. Backpack, mobile device connection cables, and packaging materials are not covered under warranty.

III. Non-Warranty Coverage

1. Damage caused by improper transportation, usage, maintenance, or storage by the customer.
2. Damage resulting from repairs by unauthorized service centers, including self-installation or disassembly by the customer.
3. Lack of warranty card, serial number, or valid proof of purchase, or inability to verify the product is within the warranty period.
4. Tampering with or alteration of the product's serial number.
5. Damage due to unavoidable natural disasters.
6. Product exceeding the warranty period.

Remarks



Follow Us for More Updates

Official Website : www.musiccube.com.cn

Service Hotline: +86 0755-82730091

Manufacturer: Shenzhen Liping Technology Co., Ltd.

Address : 9F,Building 2,Baolong Specialized and Sophisticated Industrial Park,Baolong Street,Longgang District,Shenzhen,China

