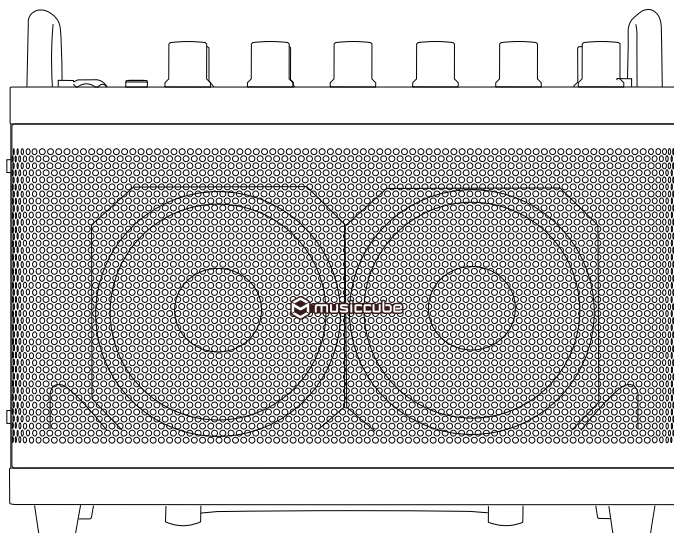




User Manual

Musiccube Tiny Box D2

Multifunctional Portable PA System



Thank you for choosing and purchasing the Musiccube Tiny Box D2.

Product Introduction

Thank you for choosing Musiccube Tiny Box D2.

The Musiccube Tiny Box D2 is a mini multifunctional stereo speaker that punches well above its weight. Despite its compact size, it features dual neodymium iron–boron drivers and delivers a powerful 50W output, all within a lightweight 2.3 kg design. This speaker boasts an independent dual–channel setup, a professional–grade microphone preamp, and a high–impedance instrument amplifier. It also includes a two–band equalizer, reverb effects, and guitar tone optimization.

The Tiny Box D2 is versatile enough to connect with various instruments and microphones, making it suitable for a wide range of musical styles. Additionally, it comes with a rechargeable battery pack, allowing it to provide high–quality audio output even without an external power source.

Continue exploring and enjoying the remarkable experience of the Musiccube D2!

Specifications

Model: Musiccube Tiny Box D2

Power: Rated Power 50W

Frequency range: 75Hz–17.5KHz

Audio input: 1 x Microphone/Line Inputs (TRS)

1 x Instrument/Line Input (TRS)

1 x Bluetooth Input

1 x USB Input

Additional Features: Type–C Live Streaming or Internal Recording

/ Balanced Output / Bluetooth / USB Input

Effects: Reverb / Chorus

Speaker Units: 3–inch × 2 (full–range neodymium units)

Dimensions: 210mm (L) × 140mm (W) × 127mm (H)

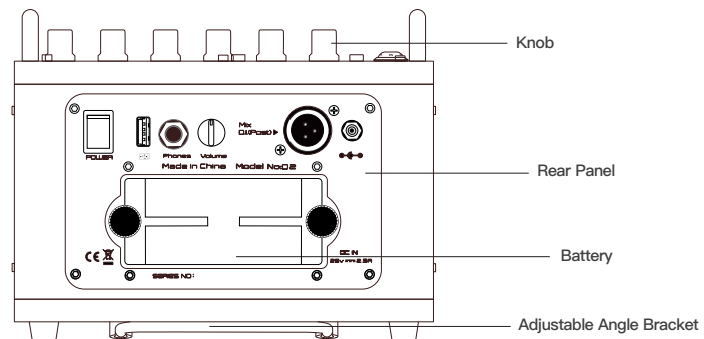
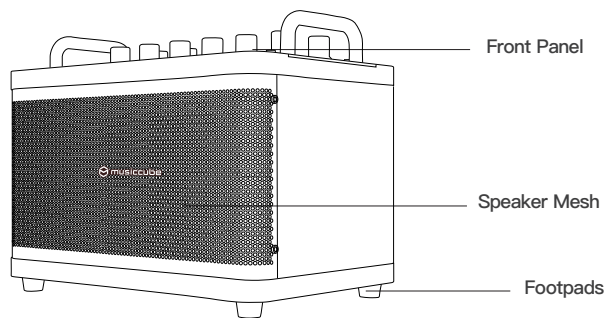
Net Weight: 2.3 kg

Power supply: AC: 100V–240V

DC: 26V – 2.5A

Color: Oak / Oak Brown

Product structure



Parts List

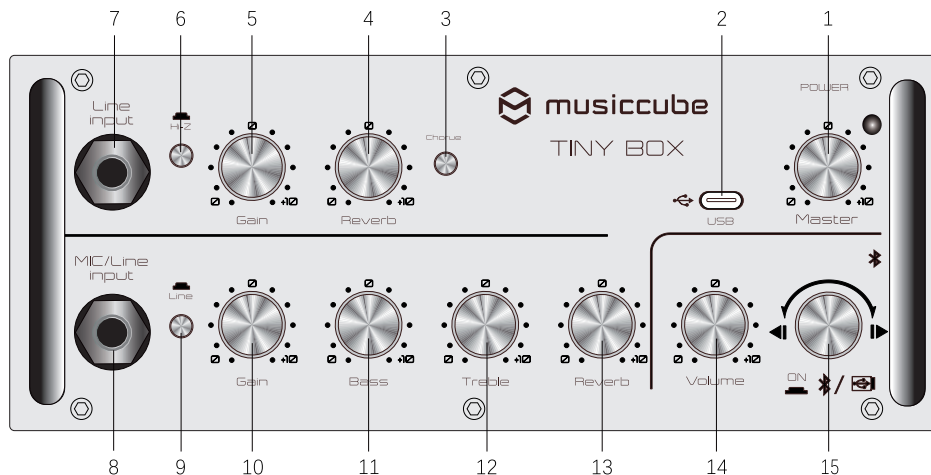


1 x Power Adapter



1 x iPhone Audio Cable

Front Panel Function Introduction (I)



1. Master Volume Control
2. OTG Live/Recording Digital Input
3. CH1 Effect Selector
4. CH1 Reverb Level Control
5. CH1 Gain Control

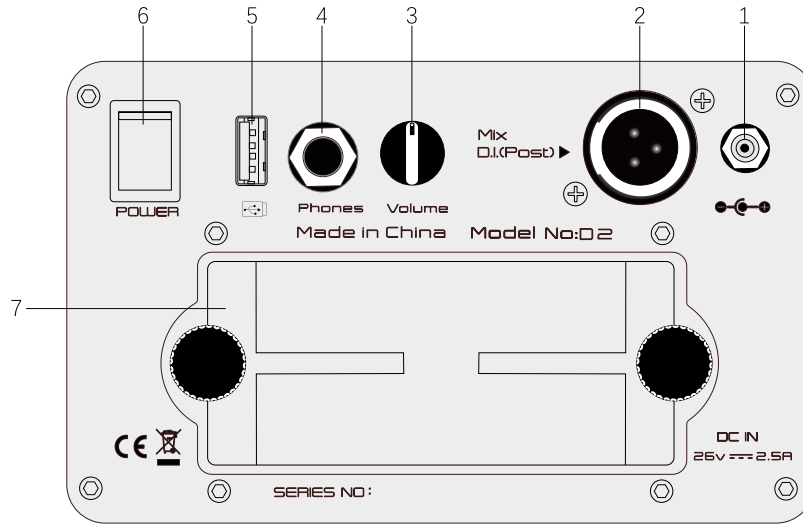
6. CH1 High Impedance Instrument Input Selector
7. CH1 Instrument Input
8. CH2 Microphone Input
9. CH2 Microphone/Instruments Input Switch
10. CH2 Gain Control

11. CH2 Bass Level Control
12. CH2 Treble Level Control
13. CH2 Reverb Level Control
14. AUX IN Volume Control
15. Bluetooth/USB Switch

Front Panel Function Introduction (II)

No.	Name	Description
Main Control Module		
①	Master Volume Control	Controls the speaker volume
②	OTG Live/Recording Digital Input	Connect mobile device via TYPE-C port to use internal recording/live streaming functions
⑭	AUX IN Volume Control	Adjust the volume for Auxiliary Input/Bluetooth/USB
⑮	Bluetooth/USB Switch	Press and hold for 2 seconds to enable Bluetooth, and rotate to skip tracks or toggle between play/pause.
Instrument/Line Input Channel		
③	CH1 Effect Selector	Press this button to add Chorus effect to CH1
④	CH1 Reverb Level Control	Adjust the Gain level for CH1
⑤	CH1 Gain Control	Adjust the Gain level for CH1
⑥	HI-Z Input Selector	When this button is released, CH1 is set to Line Input; when pressed, CH1 is set to High Impedance Instrument Input
⑦	CH1 Instrument Input	Connect a guitar or other instrument using a TRS or 1/4" jack
Microphone/Line Input Channel		
⑧	CH2 Microphone Input	Connect a microphone or other instrument using a TRS or 1/4" jack
⑨	CH2 Microphone/Instruments Input Switch	When this button is released, the input is set to Microphone; when pressed, the input is set to Instrument Line Input
⑩	CH2 Gain Control	Adjust the Gain level for CH2
⑪	CH2 Bass Level Control	Adjust the Bass effect level for CH2
⑫	CH2 Treble Level Control	Adjust the Treble effect level for CH2
⑬	CH2 Reverb Level Control	Adjust the Reverb effect level for CH2

Rear Panel Function Introduction (I)



1. Charging Port
2. DI Balanced Output
3. Headphone Volume Control
4. Headphone Monitoring Jack

5. USB Port
6. Power switch
7. Removable Lithium Battery

Rear Panel Function Introduction (II)

No.	Name	Instruction
①	Charging Port	Charging and DC Power Input Port
②	DI Balanced Output	Transmit signal to other PA systems via XLR output
③	Headphone Volume Control	Adjust headphone volume with this knob
④	Headphone Monitoring Jack	Connect monitoring headphones
⑤	USB Port	Audio Input via USB Interface
⑥	Power switch	Power On/Off
⑦	Detachable Lithium Battery	2550mAh Lithium Battery

Precautions

Usage Limitations

- Do not place this product on an unstable, damp surface, or near open flames or heat sources (such as stoves).
 - Avoid placing the product near devices that may cause interference.
 - Only use the power adapter and battery supplied with the product. Do not use non–original chargers or batteries.
-

Cleaning & Maintenance

- Do not submerge this product in water or expose it to moisture.
 - Avoid using hard objects to wipe the surface, as this may cause scratches.
 - Use a soft cloth for cleaning.
-

Power Supply Precautions

- Only use the provided power adapter and cable supplied with this product.
 - If the power adapter or cable is damaged, replace it with the original adapter and cable to prevent insufficient power supply or damage to the circuit board.
 - Do not excessively twist, bend, or pull the AC power cord, as this may expose or break the internal wiring.
 - Do not use the power adapter and cable provided with this product on other devices.
 - Do not allow children to operate this product alone. Keep it out of reach of infants to prevent risks of electric shock or burns.
 - Do not insert or remove the power adapter plug with wet hands to avoid electric shock or injury.
-

Battery Precautions

- Do not disassemble the built–in rechargeable battery pack.
- Only use the original rechargeable battery pack provided with the product.
- Do not subject the rechargeable battery pack to impact or external force.
- Please charge the speaker when the battery level is below 20%.
- If the product will not be used for an extended period, recharge periodically to prevent battery damage.

Operating Environment

-As this product has a wooden structure, avoid using it in humid or direct sunlight conditions to prevent the enclosure from cracking.

Additional Precautions

- Do not drop the product or strike it against hard objects, as this may cause injury or malfunction.
 - Do not use the product if it is structurally damaged to avoid injury or other accidents.
 - Do not modify or attempt repairs. Only qualified technicians should perform repairs to prevent fire, electric shock, or injury.
 - If any abnormality or malfunction occurs, stop using the product immediately to avoid fire, electric shock, or injury.
-

Troubleshooting and Issues

- Abnormal heating of the power cord, power adapter, or plug during use.
- Smoke emission or a burning odor from the speaker.
- Cracking, looseness, or unusual sounds from any part of the speaker.
- Other abnormalities or malfunctions.

Precautions

I. Warranty Policy

Type	Warranty Coverage	Warranty period
Main Unit	Speaker Components	1 year
Accessories	Power Adapter / Power Cable / Battery	1 year

II. About Warranty

1. The product's serial number and warranty card number serve as proof of warranty.
2. The warranty period starts from the date the customer receives the product.
3. Backpack, mobile device connection cables, and packaging materials are not covered under warranty.

III. Non-Warranty Coverage

1. Damage caused by improper transportation, usage, maintenance, or storage by the customer.
2. Damage resulting from repairs by unauthorized service centers, including self-installation or disassembly by the customer.
3. Lack of warranty card, serial number, or valid proof of purchase, or inability to verify the product is within the warranty period.
4. Tampering with or alteration of the product's serial number.
5. Damage due to unavoidable natural disasters.
6. Product exceeding the warranty period.

Remarks



Follow Us for More Updates

Official Website : www.musiccube.com.cn

Service Hotline: +86 0755-82730091

Manufacturer: Shenzhen Liping Technology Co., Ltd.

Address : 9F,Building 2,Baolong Specialized and Sophisticated Industrial Park,Baolong Street,Longgang District,Shenzhen,China

