

USER MANUAL

uFetti Shot CL04

V1.0
2025/01/04

SHOWVEN®



SHOWVEN Technologies Co., Ltd

Thanks for choosing SHOWVEN uFetti Shot, we wish it will bring you lots of exciting moments. Please read the following user's manual carefully before operating this product.

▲ Safety Instructions

1. Safety icons explanation

Safety instructions warn of hazards when handling equipment and provide information on how to avoid those hazards. They are classified according to the severity of the hazard and are divided into the following groups. Please do follow all safety instructions in this document!

DANGER: Indicates a hazardous situation that, if not avoided, will result in death or serious injury. (This signal word is limited to the most extreme situations)

WARNING: Indicates a hazardous situation that, if not avoided, could result in serious injury

CAUTION: Indicates a hazardous situation that, if not avoided, could result in minor or moderate injury.

NOTICE: Provide additional or supplementary information.

2. General Safety Instructions

- ⚠ Unauthorized repair are prohibited, it may cause serious incident.
- ⚠ Make sure power supply is consistent with the rated voltage of the equipment, and the socket must be well grounded. Unplug and turn off the machine when not use.
- ⚠ Please pay attention to the use environment and safety distance, check this manual for details.
- ⚠ After turning on the device, no person allows to stay in the danger area. Ensure all persons that are part of the show be informed about the safety distance, risks and functions of the device.
- ⚠ Always have a CO₂ fire extinguisher and an extinguishing blanket in case of needed.
- ⚠ If there be any doubt as to the safety operation of the device, the device should be taken out of service immediately. Check the power switch, cable connections and power plug carefully. If you can't solve it, please always contact SHOWVEN (info@showven.cn) for help.
- ⚠ Use only SHOWVEN original confetti cannon, otherwise, may leads to failure or danger.
- ⚠ The operator responsible for the control of uFetti Shot must always have a clear view of the device, so that he/she can stop the show immediately when there is danger.
- ⚠ The device shall not be altered and applied to other use purpose.

3. Disclaimers:

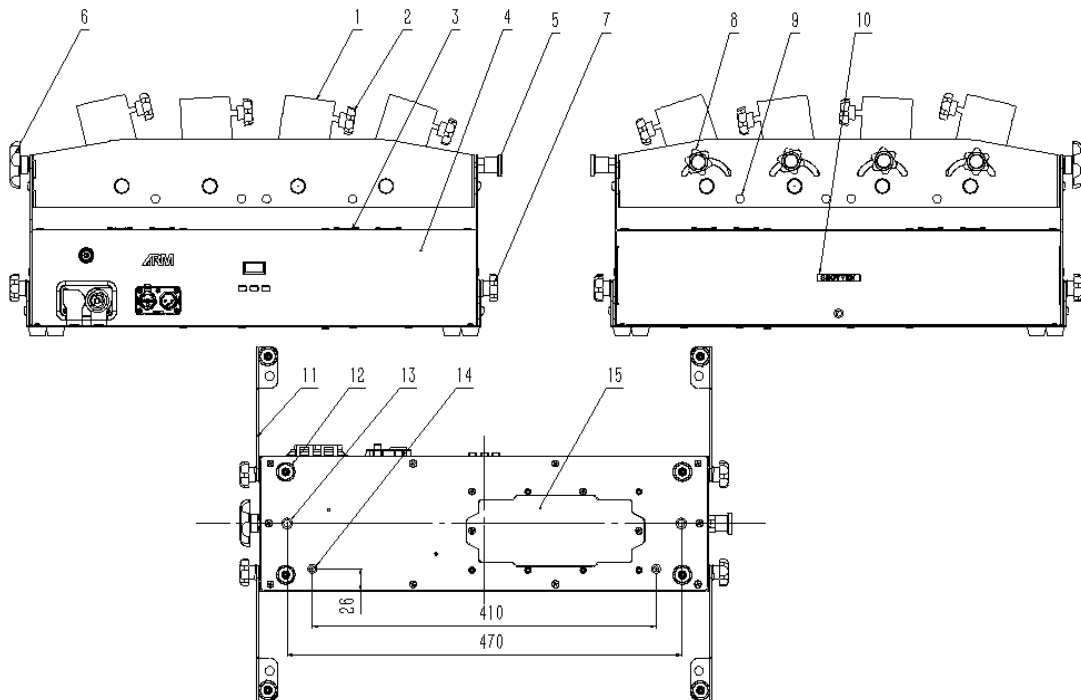
SHOWVEN technologies Co., Ltd excludes liability for unsafe situations, accidents and damages resulting from:

1. Ignoring warnings or regulations as shown on product manual or this manual.
2. Use for other applications or circumstances other than those indicated herein.
3. Changes to the device, including use of non-original spare parts, lack of maintenance etc.
4. Dismantling device without authorization from SHOWVEN.
5. Use this machine by unqualified or untrained personnel.
6. Improper use of machine.

▲ Technical Specifications

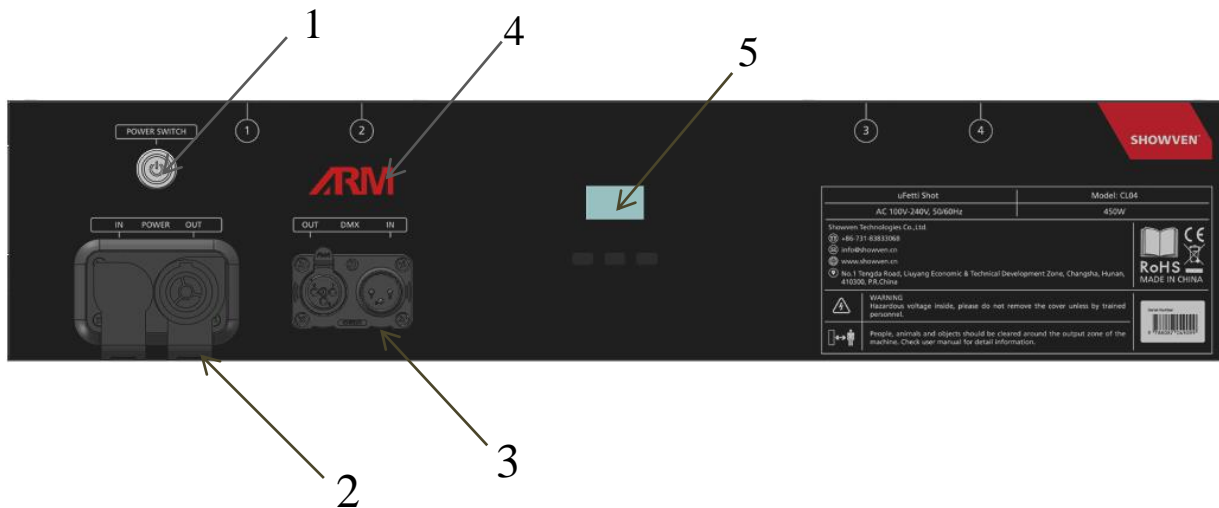
- Model: uFetti Shot CL04
- Dimension: 582×185×290mm
- Weight: 8.5kg
- Input: AC100-240V, 50/60Hz
- Work Power: 450W
- Interface: Color LCD
- ARM Indicator Light: Yes
- Control: DMX , Wireless remote
- DMX: 3-pin DMX IN / OUT (5-pin customizable)
- Battery Powered: Yes, 9*18650 battery (battery not included)
- Consumable: SHOWVEN Electronic Confetti Cannon
- Paper Carton Package Size: 635 X 235 X 335mm
- Case Package Size: 675 X 535 X 342mm

▲ Structure



1. Cannon Tube
2. Cannon Screw Nut
3. Cannon Connect Port and LED Indicator (GREEN: well connected; RED: Firing)
4. Control Panel
5. Angle Knob
6. Angel Screw Nut
7. Foot Screw Nut
8. Cannon Tube Angle Screw Nut
9. Cannon Safety Ring Hole (4 x Φ 10mm)
10. Logo
11. Foldable Feet
12. Foot
13. Clamp Screw Hole 2 x M10
14. Safety Loop Screw Hole 2 x M8
15. 18650 Battery Box

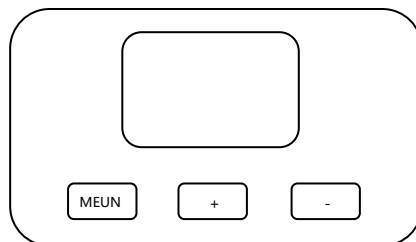
▲ Rear Panel



1. Power Switch
2. Neutrik PowerCON TRUE1 IN/OUT
3. XLR IN/OUT
4. ARM Indicator Light
5. LCD Screen

▲ Display and setting

1. Keypad



MENU: enter main menu or advanced menu, switch between different setting items

+: parameter increase and save

-: parameter decrease and save, press and hold to enter monitor interface.

2. ARM indicator light



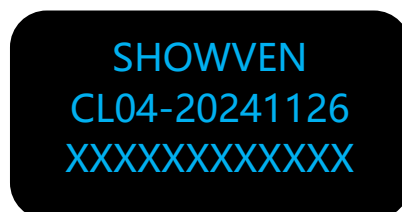
Operators can enable/disable the arm indicator light by set the "ARM STATE" in Advanced menu. If "ARM STATE" is ON, there will be three status:

ON: no DMX signal and Wireless OFF

OFF: DMX signal input

BLINK: DMX armed or Wireless ON

3. Welcome Interface

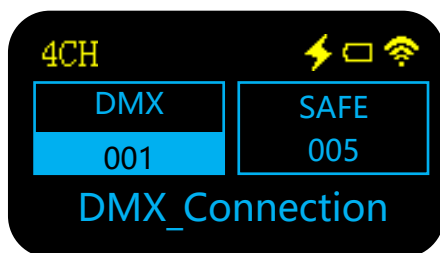


First Line: Manufacturer

Second Line: Product Model and Software Version

Third Line: Product Serial No.

4. Main Interface



- Status bar, 4 icons may appear in status bar
DMX Channel Mode Icon: 4CH or 1CH depends on the setting of DMX Channel Mode
Battery Charging Icon ⚡: it appears when charging
Battery Volume Icon:
: No battery; : below 9V; : 9V-10V; : 10V-11V; : 11V-12V; : above 12V.
Wireless Icon 📶: it appears when WIRELESS ON.
- Data bar
DMX: DMX address, Background turns from black to blue when DMX cable was connected.
SAFE: Safety address, Background turns from black to blue when DMX cable was connected and safety channel activated.
- Message bar: it shows DMX_Connection when DMX connected.

5. Main Menu

Press "MENU" enter main menu, and press "MENU" again switch to different items.

Items	Contents	Default	Description
Set DMX Address	1-512	1	Device DMX address
Safety Address	1-512	5	Safety DMX address
Safety Level	76-120 102-153 127-178 153-204 178-255	102-153	Safety channel DMX value within the set threshold range, firing enabled; outside the range, firing disabled.
DMX Channel Mode	1CH / 4CH	4CH	DMX channel mode option
Shot Delay	1.0s-5.0s	2.0s	Ignition head maximum power supply time
Wireless Remote	ON/OFF	OFF	Wireless ON/OFF setting
Language	中文/English	English	Language switch

6. Advanced Menu

Press and hold "MENU" to enter advanced menu, press "MENU" again to switch between different items. Press and hold "MENU" to exit.

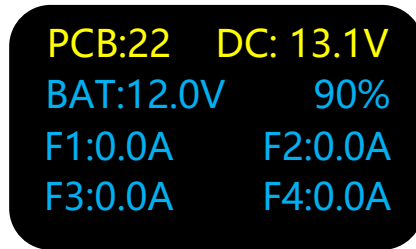
Items	Contents	Default	Description
ARM State	ON/OFF	ON	ARM indicator light ON/OFF setting
Work Mode	User Mode/ Factory Mode	User Mode	Factory mode for manufacturer use only
DefaultParameter	ON/OFF	OFF	Reset default parameter settings

7. Error/Alert Message

Error/Alert Message	Why it appears	How to remove
E3 Voltage Err	Battery Voltage Lower than 10V	Charging

8. Monitor Interface

Press and hold “-” to enter monitor interface, press “MENU” switch between different items, press and hold “-” to exit monitor interface.



First Line: PCB temp. monitoring, DC voltage

Second Line: Battery Voltage and Battery Volume

Third Line and Fourth Line: maximum current output of each connector

▲ DMX CONTROL

uFetti Shot have two channel modes: 4CH and 1CH. 4CH mode occupies 4 functional channels and 1 separate safety channel CH-S (this channel is independent from functional channel, can be shared with other machine).

Channel	Function	Value
CH1	Output 1 ON/OFF	0~99: NO output 100~255: Output 1 Firing
CH2	Output 2 ON/OFF	0~99: NO output 100~255: Output 2 Firing
CH3	Output 3 ON/OFF	0~99: NO output 100~255: Output 3 Firing
CH4	Output 4 ON/OFF	0~99: NO output 100~255: Output 4 Firing
CH-S	Device enable / disable	0~101 and 154~255: Device disabled 102~153: Device enabled Value varies depends on setting of safety level

1CH mode occupies 1 functional channel and 1 separate safety channel CH-S (this channel is independent from functional channel, can be shared with other machine).

Channel	Function	Value
CH1	All 4 Output ON/OFF	0~99: NO output 100~255: All 4 Outputs Firing
CH-S	Device enable / disable	0~101 and 154~255: Device disabled 102~153: Device enabled Value varies depends on setting of safety level

▲ FXmote Wireless Remote

1. FXmote CL04 structure (optional item, P/N: FPSPA112)

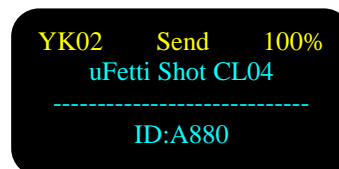


1. ON / OFF switch
2. Reserved Antenna region
3. Antenna
4. Screen
5. Keypad
6. Top panel
7. Logo

2. Wireless function

When use remote controller FXmote, please disconnect DMX cable connection on uFetti Shot, set machine "Wireless Remote" to ON status. Match uFetti Shot with FXmote by Press "SET" on FXmote when machine at Wireless Remote interface.

1) Main interface



First Line: shows the wireless module remote use and battery voltage, when sending signal it will shows "send".

Second Line: receiver model name

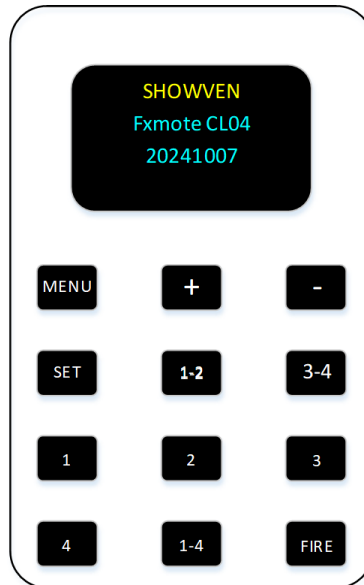
Third Line: wireless ID information

2) Menu

Press to switch between different items.

Items	Contents	Default	Description
ID	A880, 88A4, A8A2, AABB, 0002	A880	ID selection
Auto Sleep	ON / OFF	ON	Auto sleep function setting

3) Key Function



MENU: switch between different menu items.

+: Parameters Up

-: Parameters Down

SET: pairing between FXmote and receiver uFetti Shot CL04

1-2: Output 1 and 2 firing together

3-4: Output 3 and 4 firing together

1: Output 1 firing

2: Output 2 firing

3: Output 3 firing

4: Output 4 firing

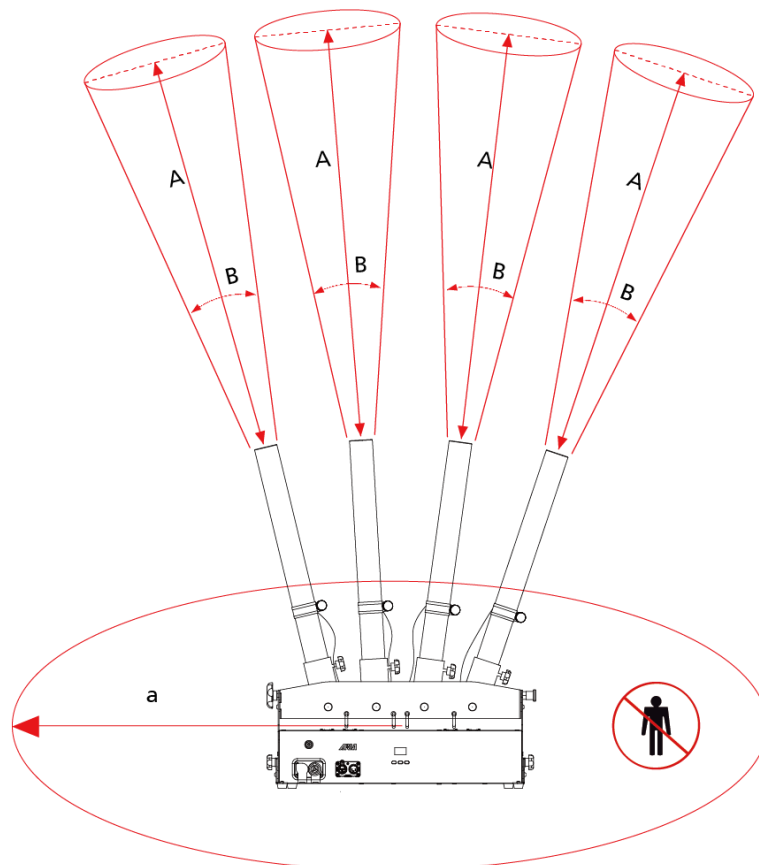
1-4: All 4 output firing together

FIRE: All output firing together

▲ Operation

1. Safety instructions

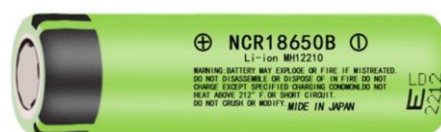
- DANGER:** Make sure that confetti cannot come into contact with high-voltage lines/power pylons, as this can result in electrocution.
- WARNING:** Use of a damaged or improperly installed machine could result in death, serious injury, or property damage. Always inspect the machine thoroughly before operating it.
- WARNING:** Do not use the uFetti Shot if alterations have been made other than by or on behalf of SHOWVEN.
- WARNING:** Make sure there are no objects that can be damaged by the machine within the output distance. And no people or animals are allowed to stay in the direct output.
- WARNING:** The red cone area shown in below picture is the safe isolation range of this product, and unauthorized persons or objects are strictly prohibited from entering. $a=4m$, $A=10m$, $B=30^\circ$.



- WARNING:** Make sure there are no person stay in safe isolation area before arm the system, otherwise it may result in death or serious injury.

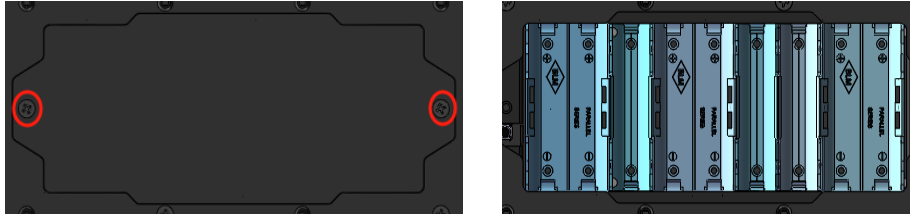
2. Battery installation (if operator prepared the 18650 batteries)

uFetti Shot can be powered through 9 pcs of 18650 cells. New uFetti Shot come only with battery compartment, customer need to get 18650 cells locally. The battery we suggest to use is with flat head as below:

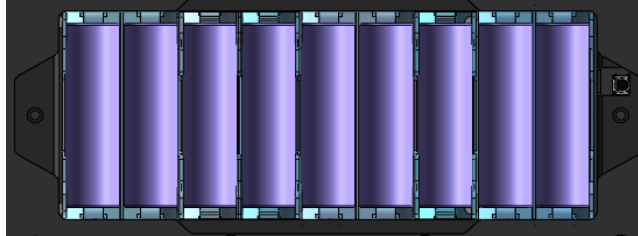


The battery installation steps:

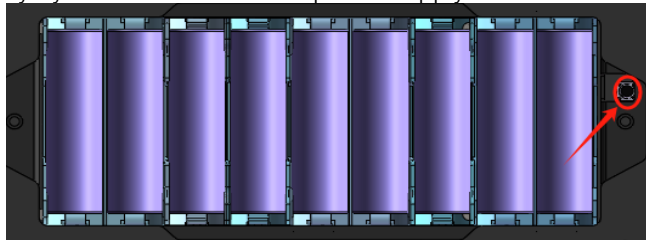
- a) Unscrew the screws of the battery box at the bottom panel as below.



b) Install the battery in correct direction, pay attention to the positive and negative pole.



c) Press and hold the reset button (as show in the red circle below) for 1s to activate battery. You can also activate the battery by connect it with main power supply.



d) Install back the battery box plate.



e) Charging: charging automatically when machine connected with AC power supply (no matter machine was powered on or not)

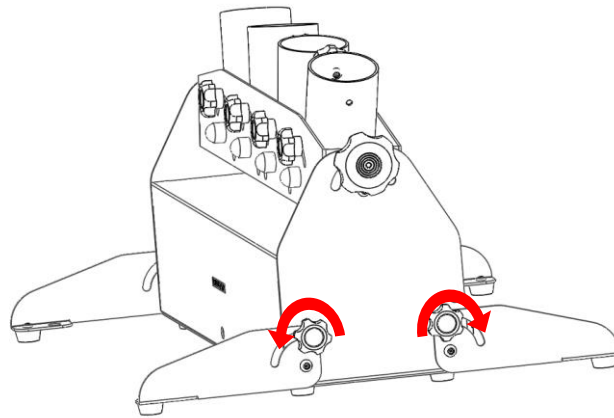
WARNING: Install the battery with reverse polarity may cause short circuit, resulting in fire or explosion risk.

NOTICE: To avoid the damage of battery, charge the battery at least once per month.

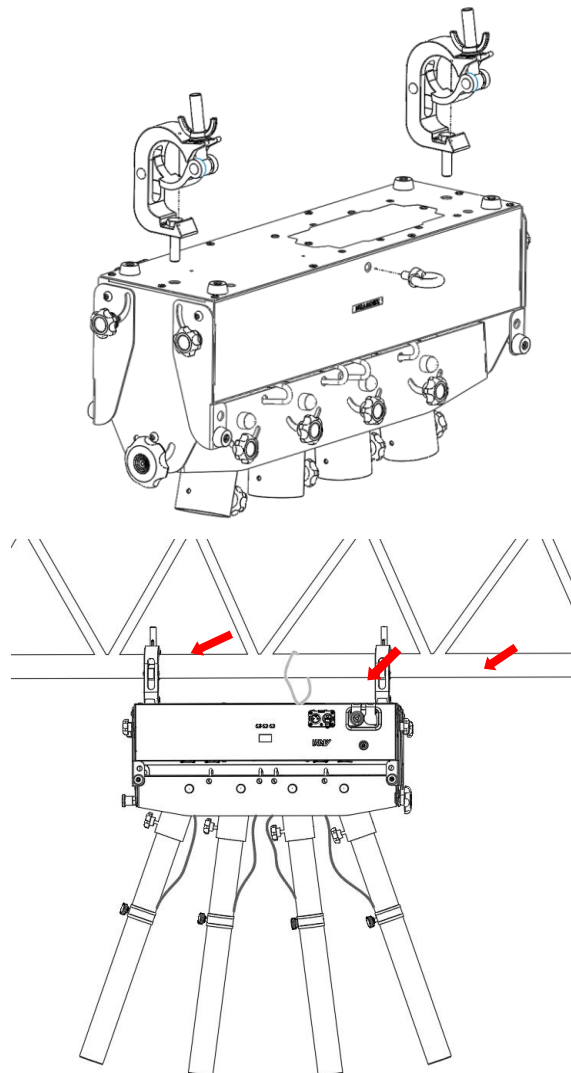
NOTICE: 18650 battery activation is necessary whenever install the battery

3. Install uFetti Shot

3.1 Bring the machine to desired location. Please install it on solid horizontal surface. Unfold the foldable feet and screw it tight. If firing cannons in angles please fix the machine make sure it won't tip over or drop due to recoil.



3.2 Install uFetti Shot CL04 on truss. Please make sure to install the safety rope of machine when mounted on truss.



3.3 Connecting uFetti Shot.

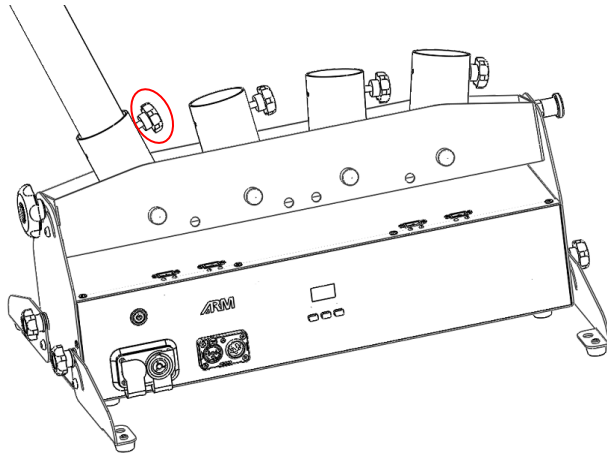
Make sure the DMX console is disarmed or powered off during cable connection.

If control by DMX controller, follow below steps:

- a) Connect a DMX cable to the DMX IN socket of first unit of uFetti Shot, another head of this DMX cable connect to DMX console (such as FXcommander). Make sure the DMX console is powered off.
- b) Connect a DMX cable to the DMX OUT socket of previous uFetti Shot, and the other end to the DMX IN of next machine. Connect all devices in series in this way.
- c) Suggest to plug in a DMX terminator into the DMX OUT in last unit of machine to improve signal reliability. For distance >200m please use SHOWVEN DMX splitter 8 to amplify the signal.
- d) If not install battery inside machine. Please connect a power cable to the POWER IN socket of uFetti Shot. Connect the other end of power cable to the power source. Make sure power supply in consistent with the rated voltage of the equipment, and the socket must well grounded.
- e) Each unit of uFetti Shot can be connected to power supply directly. If connect machine in sequence, please connect a power link cable to the POWER OUT of previous machine, connect the other end of the power link cable to POWER IN of the next machine. Do not connect exceed units to a single electrical circuit.

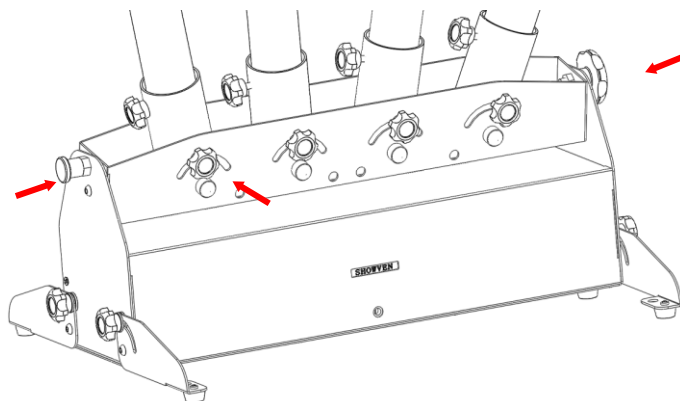
3.4 Switch ON the DMX console and uFetti Shot.

3.5 Load the cannons. Turn the cannon screw nut until they are pressed tightly against the cannons.

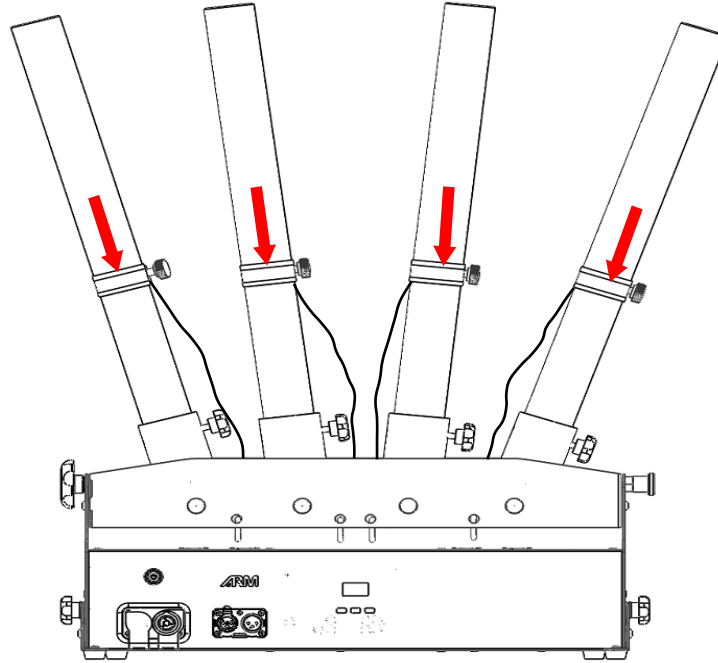


3.3 Connect the connectors of electric cannons to the related cannon connector port on uFetti Shot. Check the LED indicator, if the electric cannon is fine the indicator light show GREEN. If not, please change a new cannon.

3.3 Adjust the shot angle.



3.4 Install the cannon safety ring and rope.



4. Firing

Enable the safety channel.

If firing by DMX console please set the DMX value between 100-255.

Disarm safety channel and set DMX value to 0 after firing.

If firing by FXmote, please just press the related key to firing it. (refer to FXmote operation of wireless part of this manual)

WARNING: Make sure there are no person stay in safe isolation area before arm the safety channel.

5. Switch OFF and package

Make sure uFetti Shot is in safety mode.

Switch off the power switch.

Disconnect the power cable and DMX cables (if any).

Remove all used cannons from the machine.


Fold the foldable feet.




Set the cannon holder of machine to vertical up.

Clean and pack the machine.

6. Cannons for uFetti Shot

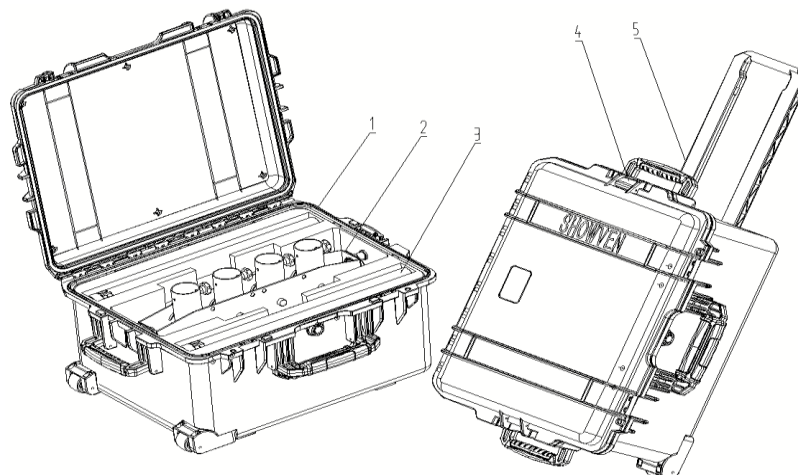
Ufetti Shot work with electric confetti and streamer cannons. Please use SHOWVEN original cannons. The output distance shows in below sheet is use SHOWVEN original electric cannons and firing at an angle of 50 degree.

Type of Cannon	Content	Cannon Length	Output Distance
	Tissue paper or Metallic Confetti	50cm	10m

	Tissue paper or Metallic Streamers	50cm	15m
	Tissue paper or Metallic Confetti	80cm	15m
	Tissue paper or Metallic Streamers	80cm	20m

7. Trolley Case for uFetti Shot

Below is the customized trolley case for uFetti Shot, it is an optional part, if you need to customize please contact our sales. Part No. is SFMET1890.



1. Trolley Case
2. uFetti Shot CL04
3. Electric Cannons (maximum 8 pcs of cannon not exceed 60cm)
4. Quick buckle
5. Pull rod

▲ Optional Parts for uFetti Shot

Part. No.	Description	pcs / unit
SFMET1835	CL04 cannon safety ring and rope	4
SFCAB258	EU NEUTRIK PowerCON TRUE1 cable - 3m	1
SFCAB051	US NEUTRIK PowerCON TRUE1 cable - 3m	1
RMMAN174	CL04 Manual	1
FPSPA112	FXmote for CL04	1
RMBOT036	Safety loop M8	2
SFMET1890	Trolley case	1
SHOWVEN original electric cannons please contact info@showven.cn for detail information.		

▲ Warranty Instructions

- ∨ Sincere thanks for your choosing our products, you will receive quality service from us
- ∨ The product warranty period is one year. If there are any quality problems within 7 days after shipping out from our factory, we can exchange a brand new same model machine for you
- ∨ We will offer free of charge maintenance service for machines which with hardware malfunction (except for the instrument damage caused by human factors) in warranty period. Please don't repair machine without factory permission

Below situations NOT included in warranty service:

- ∨ Damage caused by use unqualified consumables;
- ∨ Damage caused by improper transportation, usage, management, and maintenance, or damage caused by human factors;
- ∨ Disassemble, modify or repair products without permission;
- ∨ Damage caused by external reasons (lightning strike, power supply etc.)
- ∨ Damage caused by improper installation or use;

For product damage not included in warranty range, we can provide paid service.

Invoice is necessary when applying for maintenance service from SHOWVEN

SHOWVEN[®]



Showven Technologies Co., Ltd.

Tel: +86-731-83833068

Web: www.showven.cn E-mail: info@showven.cn

Add: No.1 Tengda Road, Liuyang Economic & Technical Development Zone, Changsha, Hunan, 410300,
P.R.China